

工程指示 / 要求簡箋 ENGINEER INSTRUCTIONS(E.I.)

工程指示編號:	EI- 6293	修改版本:	A
	HK-1409		
工程編號:	J 853	工程名稱:	延坪道
收件人:	生統	發件人:	Joe Chan
工程項目:	Feature Wall 項目 企身飾線生產.	日期:	26/06/2023

<input checked="" type="checkbox"/> 原合約工程包	<input type="checkbox"/> 原合約工程加 / 減賬 QT-	<input type="checkbox"/> 新工程報價 QT-
--	--	------------------------------------

信件批核號碼/圖紙參考編號:	批核模具圖紙編號:
客戶指示附件:	管理內部批簽署:

<input type="checkbox"/> 初步鋁料 B.M.	<input type="checkbox"/> 加工拆圖, 然後生產	<input type="checkbox"/> 尺寸表
<input type="checkbox"/> 正式鋁料 B.M.	<input type="checkbox"/> 技術上資料/指示	<input type="checkbox"/> 報價
<input type="checkbox"/> 配件 B.M.	<input type="checkbox"/> 樣辦或貨品說明書	<input type="checkbox"/> 分判合約
<input type="checkbox"/> 其他:		

內容: 請依附件資料, 加工企身飾線, 遠地盤.
(全項目數量).

請以此版本 EI 生產. (14張頁)

完成上列要求日期: 15/7/2023 ASAP

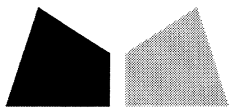
國內

<input type="checkbox"/> 生產技術總監	<input type="checkbox"/> 連附件	<input type="checkbox"/> 技術部	<input type="checkbox"/> 連附件	<input type="checkbox"/> 生產部	<input type="checkbox"/> 連附件
<input type="checkbox"/> 採購部	<input type="checkbox"/> 連附件	<input checked="" type="checkbox"/> 生產統籌部	<input checked="" type="checkbox"/> 連附件	<input type="checkbox"/> 報關組	<input type="checkbox"/> 連附件
<input type="checkbox"/> 質檢部	<input type="checkbox"/> 連附件	<input type="checkbox"/> 會計部	<input type="checkbox"/> 連附件	<input type="checkbox"/> 機械設計部	<input type="checkbox"/> 連附件
<input type="checkbox"/> 香港辦	<input type="checkbox"/> 連附件	<input type="checkbox"/> 其他:			

香港

<input type="checkbox"/> 行政部	<input type="checkbox"/> 連附件	<input type="checkbox"/> 會計部	<input type="checkbox"/> 連附件	<input type="checkbox"/> 統籌部	<input type="checkbox"/> 連附件	<input type="checkbox"/> 工程部	<input type="checkbox"/> 連附件
<input type="checkbox"/> 採購部	<input type="checkbox"/> 連附件	<input type="checkbox"/> QS部	<input type="checkbox"/> 連附件	<input checked="" type="checkbox"/> 地盤管理	<input checked="" type="checkbox"/> 連附件	<input type="checkbox"/> 維修部	<input type="checkbox"/> 連附件

*發件人簽署:	<i>Joe Chan</i>	*組別成員批核簽署:	<i>P.R. 兄</i>
傳遞編號:	HK 1409 / 23	項目經理簽署:	<i>P.R. 兄</i>



鋁材開料總表

工程號碼: J853 工程名稱: 延坪道

序號	鋁料編號	名稱	表面處理		開料長度	實用長料總數量		浪費率(%)
			顏色	層厚		支數	長度	
1	JM1061 (47.5x25x3鋁角)				6000	15	90000	2.02
2	JMFG0032 (100x50x2.5 RHS)				6000	44	264000	5.37

送至: _____

由: _____

日期: _____

簡短說明: _____

工程號碼: J853, 工程名稱: 延坪道

開料長度: 6000, 總長料支數: 44, 總開料支數: 99

鋁材開料清單 JMFG0032 (100

鋸片厚度(mm): 4, 料頭尾總切除(mm): 20, 浪費率(%): 5.37

窗號	編號(用料狀況)	實用長度(長料開數)	需要支數	開料支數	長料支數	餘料支數	編號(剩餘長度)
AL-G12	1	3561.5	1	1	1	0	1@(2414.5)x1
AL-G06G	2	3441.0	1	1	1	0	2@(2535)x1
AL-G07B	3	3409.0	1	1	1	0	3@(2567)x1
AL-G07A	4	3387.0	1	1	1	0	4@(2589)x1
AL-G06F	5-6	3370.5	2	2	2	0	5-6@(2605.5)x2
AL-G13C	7	3331.0	1	1	1	0	7@(2645)x1
AL-G02C	8-9	3281.0	2	2	2	0	8-9@(2695)x2
AL-G14B	10	3260.5	1	1	1	0	10@(2715.5)x1
AL-G08A, AL-G08B	11-12	3246.0	2	2	2	0	11-12@(2730)x2
AL-G13B	13	3219.0	1	1	1	0	13@(2757)x1
AL-G15	14	3191.0	1	1	1	0	14@(2785)x1
AL-G11H	15	3175.5	1	1	1	0	15@(2800.5)x1
AL-G08F	16-28	2992.5	13	13	13	0	16-28@(2983.5)x13
AL-G06E	(餘料)16-17	2886.0	2	2	0	2	16-17@(93.5)x2
AL-G08C	(餘料)18	2845.5	1	1	0	1	18@(134)x1
AL-G07C	(餘料)19	2845.0	1	1	0	1	19@(134.5)x1
AL-G03B	(餘料)20	2819.5	1	1	0	1	20@(160)x1
AL-G09	(餘料)21	2801.0	1	1	0	1	21@(178.5)x1
AL-G04B	(餘料)15	2789.5	1	1	0	1	15@(7)x1
AL-G11G	(餘料)22	2785.5	1	1	0	1	22@(194)x1
AL-G11F	(餘料)23	2783.0	1	1	0	1	23@(196.5)x1
AL-G06C	(餘料)13-14	2735.0	2	2	0	2	13@(18)x1 14@(46)x1
AL-G14A	(餘料)24	2733.5	1	1	0	1	24@(246)x1
AL-G06B	(餘料)11	2722.0	1	1	0	1	11@(4)x1
AL-G06A	(餘料)10	2711.0	1	1	0	1	10@(0.5)x1
AL-G13A	(餘料)12	2693.0	1	1	0	1	12@(33)x1
AL-G06D	(餘料)7-8	2637.0	2	2	0	2	7@(4)x1 8@(54)x1
AL-G08D	(餘料)4-6, 9	2565.0	4	4	0	4	4@(20)x1 5-6@(36.5)x2 9@(126)x1
AL-G07D	(餘料)2-3, 25-26	2520.0	4	4	0	4	2@(11)x1 3@(43)x1 25-26@(459.5)x2
AL-G03C	29-35	2447.5	15	13	7	0	29-34@(1077)x6 35@(3528.5)x1
AL-G03C	(餘料)27-28	2447.5		2	0	2	27-28@(532)x2
AL-G11E	(餘料)35	2447.0	1	1	0	1	35@(1077.5)x1
AL-G11D	36	2445.0	1	1	1	0	36@(3531)x1
AL-G04C	37	2392.5	3	1	1	0	37@(3583.5)x1
AL-G04C	(餘料)1, 36	2392.5		2	0	2	1@(18)x1 36@(1134.5)x1
AL-G03A	(餘料)37	2194.5	1	1	0	1	37@(1385)x1
AL-G04A	38	2184.5	1	1	1	0	38@(3791.5)x1
AL-G11C	(餘料)38	2109.0	1	1	0	1	38@(1678.5)x1
AL-G11B	39	2107.0	1	1	1	0	39@(3869)x1
AL-G10E	(餘料)39	2069.5	1	1	0	1	39@(1795.5)x1
AL-G08E	40	2017.5	1	1	1	0	40@(3958.5)x1
AL-G10A	(餘料)40	1838.5	1	1	0	1	40@(2116)x1
AL-G04F	41	1822.5	4	3	1	0	41@(500.5)x1
AL-G04F	(餘料)40	1822.5		1	0	1	40@(289.5)x1

工程號碼: J853, 工程名稱: 延坪道

開料長度: 6000, 總長料支數: 44, 總開料支數: 99

鋸片厚度(mm): 4, 料頭尾總切除(mm): 20, 浪費率(%): 5.37

鋁材開料清單 JMFG0032 (100)

窗號	編號(用料狀況)	實用長度(長料開數)	需要支數	開料支數	長料支數	餘料支數	編號(剩餘長度)
AL-G11A	(餘料)39	1771.0	1	1	0	1	39@(20.5)x1
AL-G10D	42	1704.5	1	1	1	0	42@(4271.5)x1
AL-G02A	(餘料)42	1681.0	1	1	0	1	42@(2586.5)x1
AL-G02B	(餘料)38, 42	1581.0	2	2	0	2	38@(93.5)x1 42@(1001.5)x1
AL-G04D, AL-G04E	43-44	1407.5	8	6	2	0	43@(3157)x1 44@(334)x1
AL-G04E	(餘料)43	1407.5		2	0	1	43@(334)x1
AL-G10C	(餘料)37	1339.5	1	1	0	1	37@(41.5)x1
AL-G10B	(餘料)29	974.5	1	1	0	1	29@(98.5)x1

工程號碼: J853, 工程名稱: 延坪道

開料長度: 6000, 總長料支數: 15, 總開料支數: 845

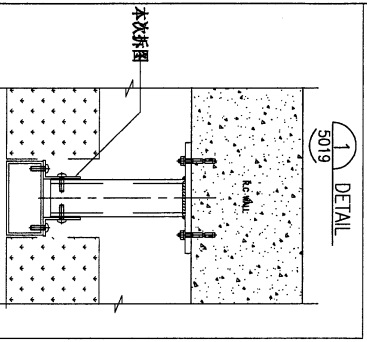
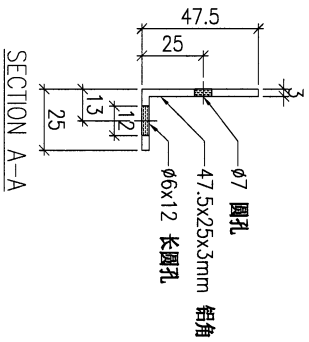
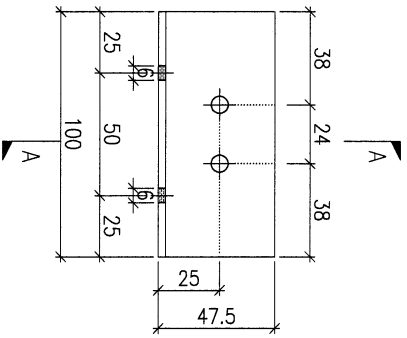
鋸片厚度(mm): 4, 料頭尾總切除(mm): 20, 浪費率(%): 2.02

鋁材開料清單 JM1061 (47.5x3

窗號	編號(用料狀況)	實用長度(長料開數)	需要支數	開料支數	長料支數	餘料支數	編號(剩餘長度)
AL-G01	1-15	100.0	845	845	15	0	1-14@(52)x14 15@(1092)x1

6

PROJECT				YIN PING ROAD KOWLOON FEATURE WALL (PHASE 1)				MATERIAL				3mm 铝角(JM1061)				COATING				氧化				COLOUR				-				MARK. NO.				-				QTY.				-			
REV.	CHECKED	DATE	BY	PART NUMBER	Dim. A	Dim. B	Dim. C	Dim. D	Dim. E	Dim. F	Dim. G	Dim. H	QTY.	Inv. Code	ASSEMBLE ON PARTS												注: 工厂用																				
-				AL-G01	-	-	-	-	-	-	-	-	845																																		



DWG. NO.		AL-G01		REV.		A		SCALE		-		DATE		22-03-2023		DRAWN BY		-		APPROVED BY		-	
----------	--	--------	--	------	--	---	--	-------	--	---	--	------	--	------------	--	----------	--	---	--	-------------	--	---	--

2

PROJECT YIN PING ROAD KOWLOON FEATURE WALL (PHASE 1)

MATERIAL 100x50x2.5mm铝通(JMF-G0032)

COATING PVF2

COLOUR JMQ21 3457(SS-01)

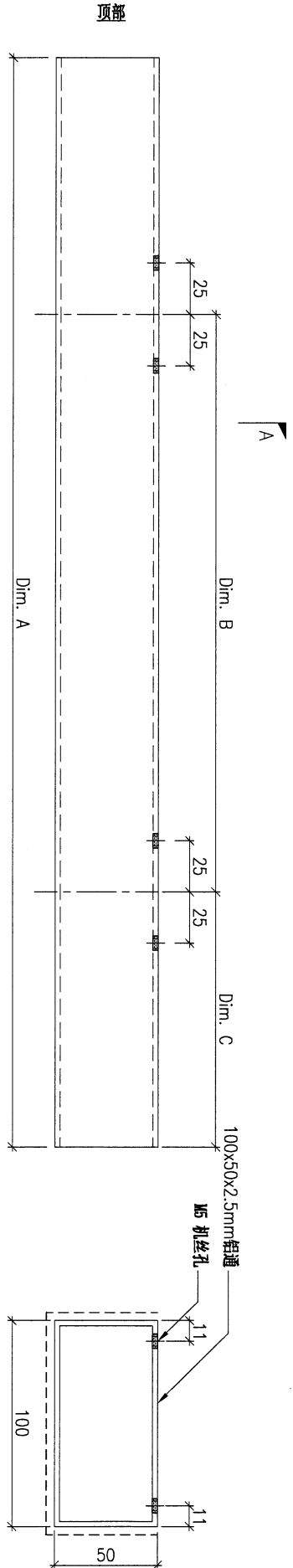
MARK. NO. -

QTY. -

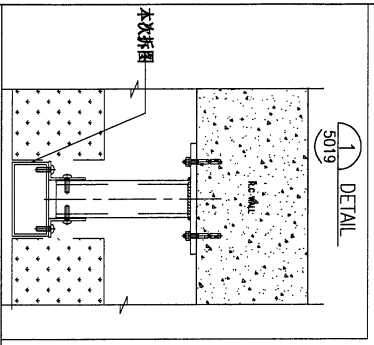
REV. ORIGIN BY	PART NUMBER	Dim. A	Dim. B	Dim. C	Dim. D	Dim. E	Dim. F	Dim. G	Dim. H	QTY.	Inv. Code
-	AL-G02A	1681	2xØ600c/c	293						1	
-	AL-G02B	1581	2xØ600c/c	193						2	
-	AL-G02C	3281	5xØ550c/c	193						2	

注: 工厂用

注: 地盘复尺



SECTION A-A



DWG. NO.	AL-G02	REV.	-	SCALE	-	DATE	22-03-2023	DRAWN BY	-	APPROVED BY	-
----------	--------	------	---	-------	---	------	------------	----------	---	-------------	---

8

PROJECT YIN PING ROAD KOWLOON FEATURE WALL (PHASE 1)

MATERIAL 100x50x2.5mm铝通(JMF-G0032)

COATING PVF2

COLOUR JMQ213457(SS-01)

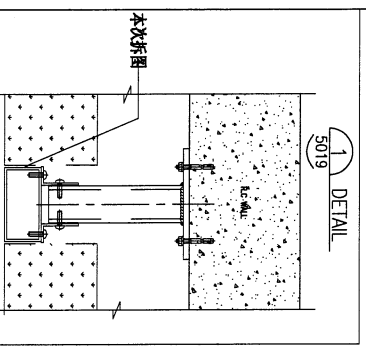
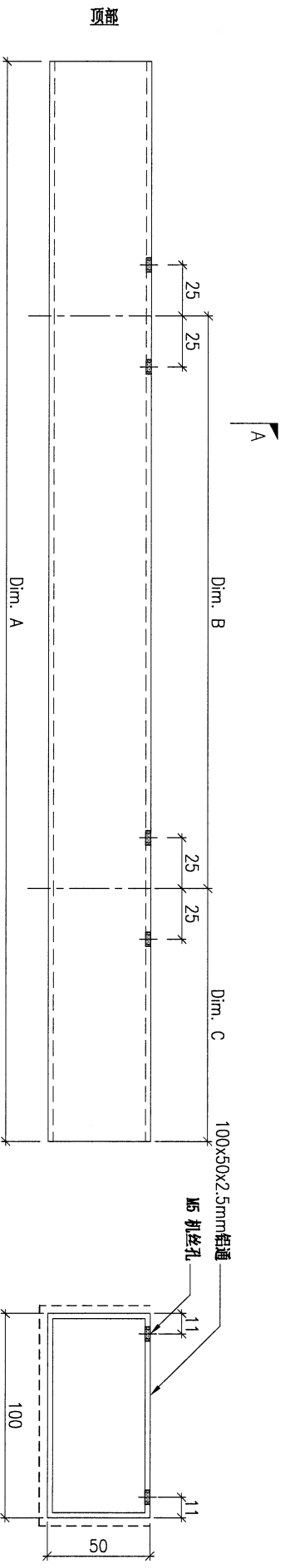
MARK. NO. -

QTY. -

REV. ORIGIN BY	PART NUMBER	Dim. A	Dim. B	Dim. C	Dim. D	Dim. E	Dim. F	Dim. G	Dim. H	QTY.	Inv. Code	ASSEMBLE ON PARTS
-	AL-G03A	2194.5	3xØ600c/c	246						1		
-	AL-G03B	2819.5	4xØ600c/c	246						1		
-	AL-G03C	2447.5	3xØ700c/c	198						15		

注：工厂用

注：地盘复尺



DWG. NO. AL-G03

REV. -

SCALE -

DATE 22-03-2023

DRAWN BY -

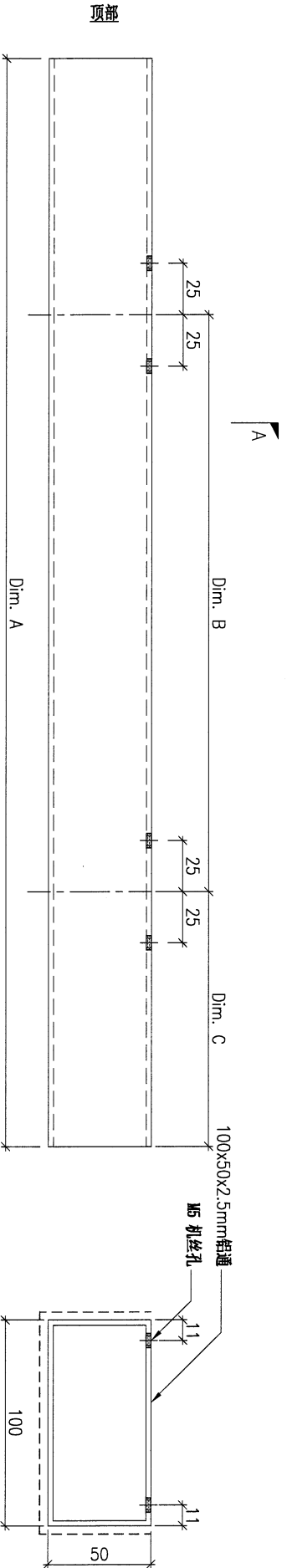
APPROVED BY -

9

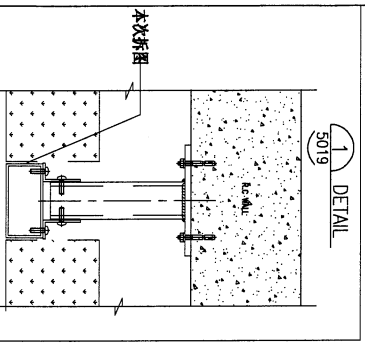
PROJECT		YIN PING ROAD KOWLOON FEATURE WALL (PHASE 1)						MATERIAL		COATING		COLOUR		MARK. NO.		QTY.	
								100x50x2.5mm铝通(JMF G0032)		PVF2		JM0213457(SS-01)		-		-	
REV.	CHECKED DATE BY	PART NUMBER	Dim. A	Dim. B	Dim. C	Dim. D	Dim. E	Dim. F	Dim. G	Dim. H	QTY.	Inv. Code	ASSEMBLE ON PARTS				
-		AL-G04A	2184.5	3x@600c/c	197						1						
-		AL-G04B	2789.5	4x@600c/c	222						1						
-		AL-G04C	2392.5	3x@700c/c	149.5						3						
-		AL-G04D	1407.5	2x@550c/c	149.5						2						
-		AL-G04E	1407.5	2x@550c/c	149.5						6						
-		AL-G04F	1822.5	3x@550c/c	149.5						4						

注: 工厂用

注: 地盘复尺



A



DWG. NO.	AL-G04	REV.	-	SCALE	-	DATE	22-03-2023	DRAWN BY	-	APPROVED BY	-
----------	--------	------	---	-------	---	------	------------	----------	---	-------------	---

10

PROJECT
YIN PING ROAD KOWLOON
FEATURE WALL (PHASE 1)

MATERIAL
100x50x2.5mm 铝通 (JMF-G0032)

COATING
PVF2

COLOUR
JMQ213457(SS-01)

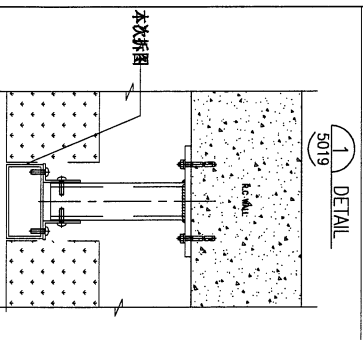
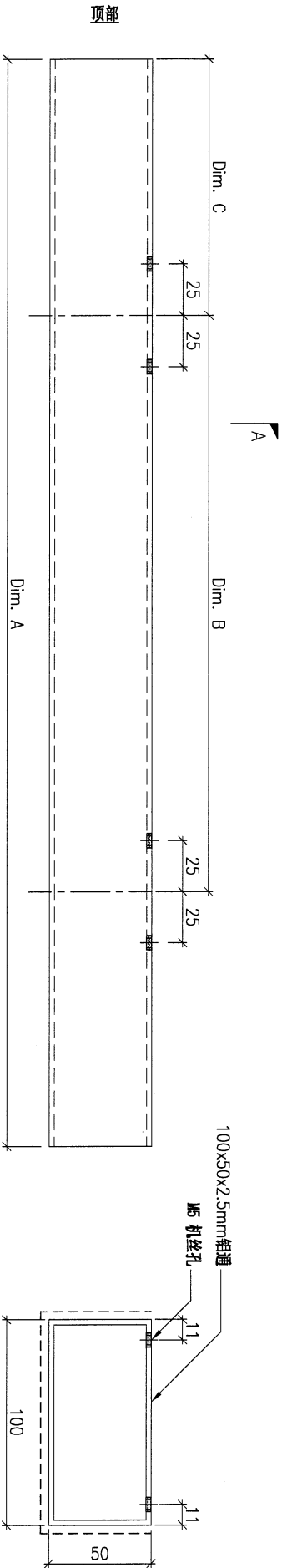
MARK. NO.
-

QTY.
-

注: 工厂用

注: 地盤复尺

REV. ORIGIN PART NO.	PART NUMBER	Dim. A	Dim. B	Dim. C	Dim. D	Dim. E	Dim. F	Dim. G	Dim. H	QTY.	Inv. Code	ASSEMBLE ON PARTS
-	AL-G06A	2711	3x@750c/c	192.5						1		
-	AL-G06B	2722	3x@750c/c	192.5						1		
-	AL-G06C	2735	3x@750c/c	192.5						2		
-	AL-G06D	2637	3x@750c/c	192.5						2		
-	AL-G06E	2886	4x@600c/c	192.5						2		
-	AL-G06F	3370.5	4x@750c/c	192.5						2		
-	AL-G06G	3441	4x@750c/c	192.5						1		注: 新增编号



DWG. NO.

AL-G06

REV. A

SCALE -

DATE 22-03-2023

DRAWN BY -

APPROVED BY -

PROJECT
YIN PING ROAD KOWLOON
FEATURE WALL (PHASE 1)

MATERIAL
100x50x2.5mm铝通(JMF G0032)

COATING
PVF2

COLOUR
JM0213457(SS-01)

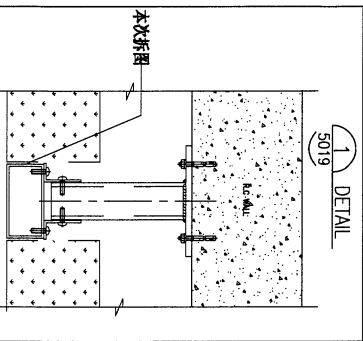
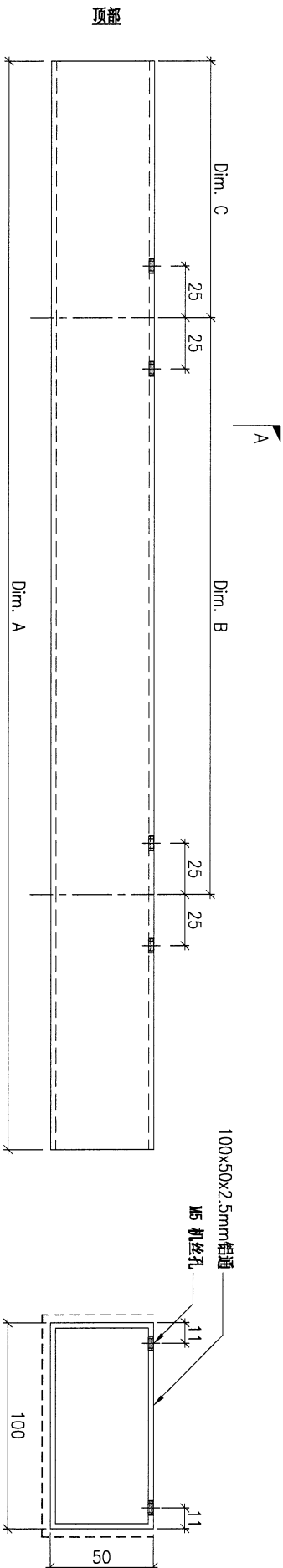
MARK. NO.
-

QTY.
-

REV. CHECKED PART BY	PART NUMBER	Dim. A	Dim. B	Dim. C	Dim. D	Dim. E	Dim. F	Dim. G	Dim. H	QTY.	Inv. Code	ASSEMBLE ON PARTS
-	AL-G07A	3387	4x@750c/c	149.5						1		
-	AL-G07B	3409	4x@750c/c	149.5						1		
-	AL-G07C	2845	4x@600c/c	149.5						1		
-	AL-G07D	2520	3x@750c/c	149.5						4		

注: 工厂用

注: 地盘复尺



DWG. NO.

AL-G07

REV.

A

SCALE

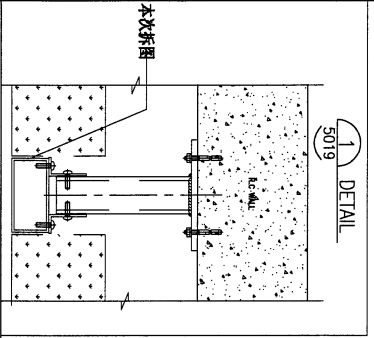
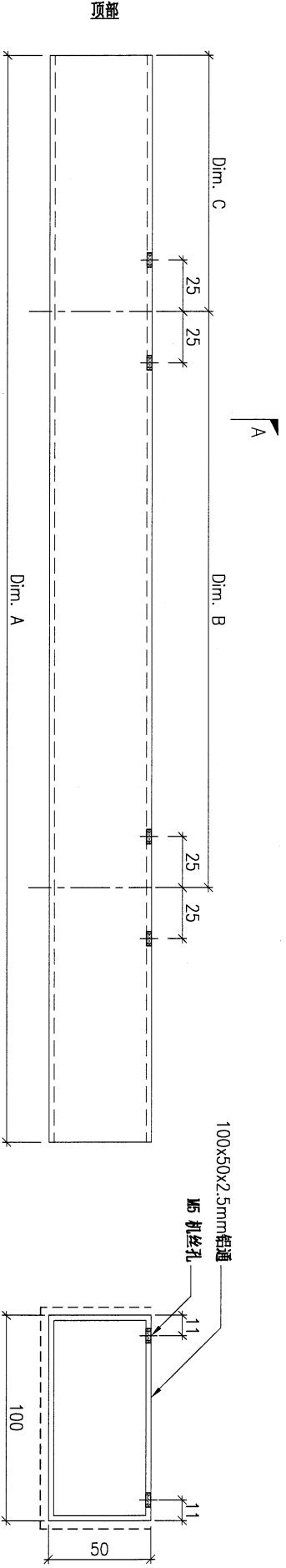
DATE
22-03-2023

DRAWN BY

APPROVED BY

三

PROJECT			MATERIAL			COATING			COLOUR			MARK. NO.			QTY.		
YIN PING ROAD KOWLOON FEATURE WALL (PHASE 1)			100x50x2.5mm 铝通(JMF G0032)			PVF2			JM0213457(SS-01)			-			-		
REV. OR CHG. NO. OR PART NO.	PART NUMBER	Dim. A	Dim. B	Dim. C	Dim. D	Dim. E	Dim. F	Dim. G	Dim. H	QTY.	Inv. Code	ASSEMBLE ON PARTS			注: 工厂用 注: 地盘量尺		
-	AL-G08A	3246	4x@700/c	192.5						1							
-	AL-G08B	3246	4x@700/c	192.5						1							
-	AL-G08C	2845.5	4x@600/c	192.5						1							
-	AL-G08D	2565	3x@750/c	192.5						4							
-	AL-G08E	2017.5	3x@550/c	192.5						1							
-	AL-G08F	2992.5	4x@650/c	192.5						13							

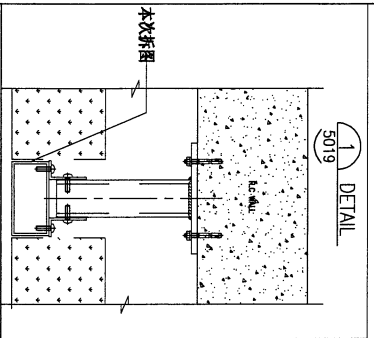
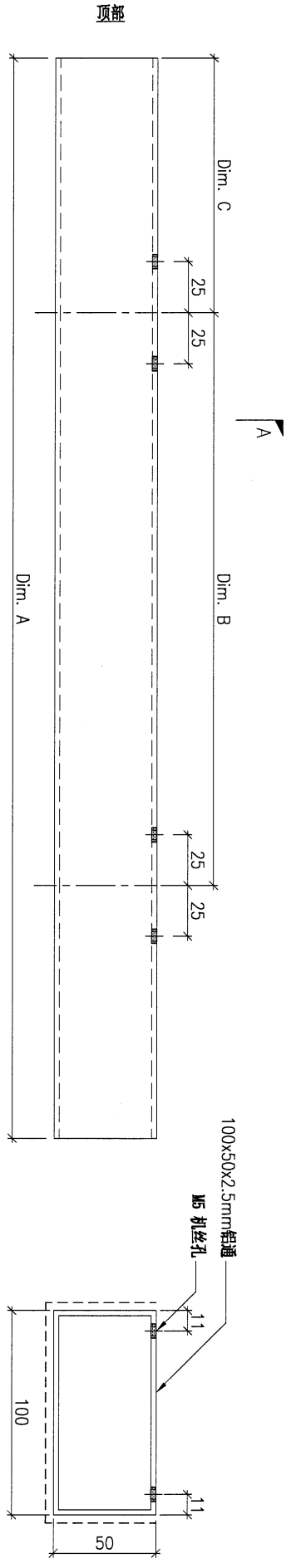


DWG. NO.	AL-G08	REV. A	SCALE -	DATE 22-03-2023	DRAWN BY -	APPROVED BY -
----------	--------	--------	---------	-----------------	------------	---------------

13

PROJECT				MATERIAL				COATING				COLOUR		MARK. NO.		QTY.	
YIN PING ROAD KOWLOON FEATURE WALL (PHASE 1)				100x50x2.5mm铝通(JMF-G0032)				PVF2				JM0213457(SS-01)		-		-	
REV.	CHECKED DATE BY	PART NUMBER	Dim. A	Dim. B	Dim. C	Dim. D	Dim. E	Dim. F	Dim. G	Dim. H	QTY.	Inv. Code	ASSEMBLE ON PARTS				
-		AL-G09	2801	4x@600/c	149.5						1		注: 工厂用				

注: 地盘复尺



DWG. NO.		REV.		SCALE		DATE		DRAWN BY		APPROVED BY	
AL-G09		-		-		22-03-2023		-		-	

PROJECT: YIN PING ROAD KOWLOON FEATURE WALL (PHASE 1)

MATERIAL: 100x50x2.5mm铝通(JMFG0032)

COATING: PVF2

COLOUR: JM0213457(SS-01)

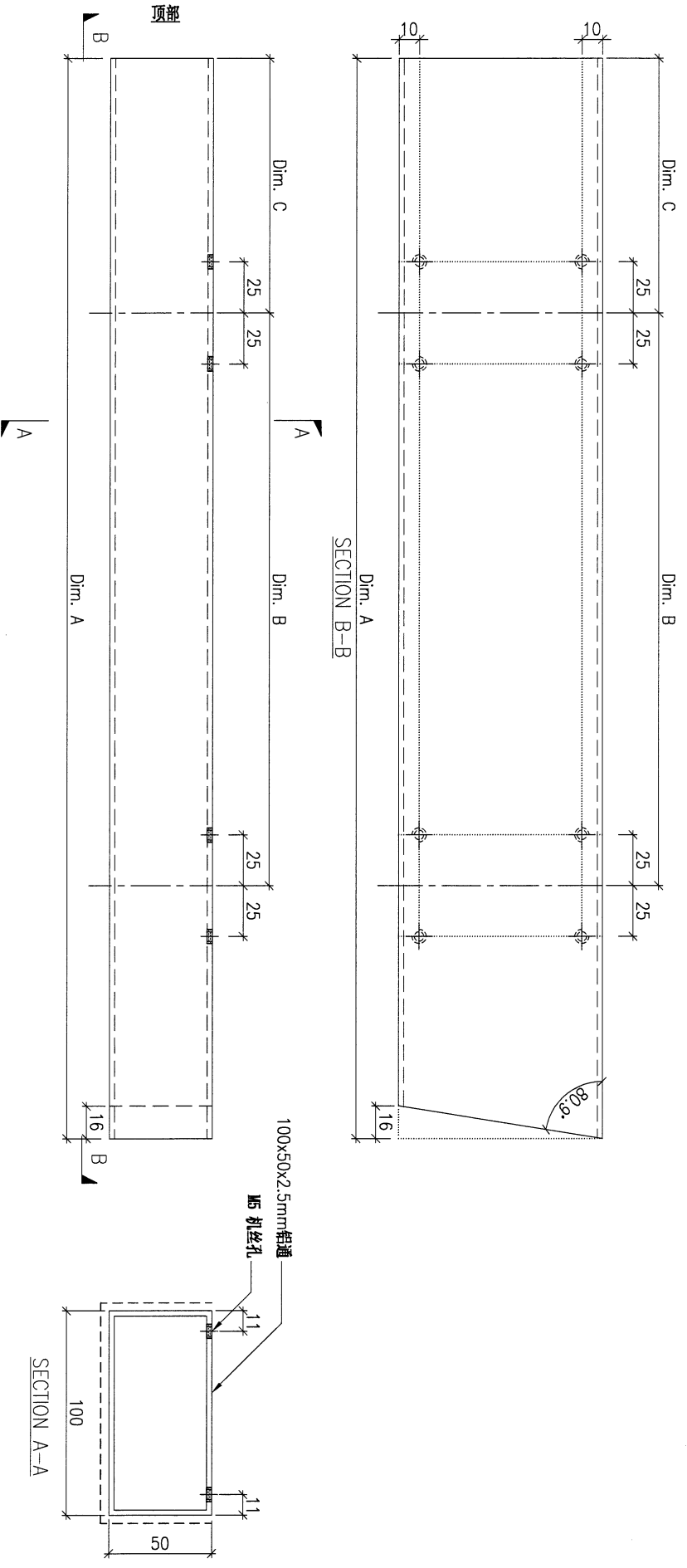
MARK. NO.: -

QTY.: -

REV. / CHECKED / DATE BY	PART NUMBER	Dim. A	Dim. B	Dim. C	Dim. D	Dim. E	Dim. F	Dim. G	Dim. H	QTY.	Inv. Code	ASSEMBLE ON PARTS
-	AL-G10A	1838.5	2xØ500/c	174.5						1		
-	AL-G10B	974.5	1xØ500/c	199.5						1		
-	AL-G10C	1339.5	2xØ500/c	199.5						1		
-	AL-G10D	1704.5	2xØ550/c	199.5						1		
-	AL-G10E	2069.5	3xØ550/c	199.5						1		
-	AL-G10F	-	-	-						1		注: 取消编号
-	AL-G10G	-	-	-						1		注: 取消编号
-	AL-G10H	-	-	-						1		注: 取消编号

注: 工厂用

注: 地盘复尺



DWG. NO.	AL-G10	REV.	A	SCALE	-	DATE	22-03-2023	DRAWN BY	-	APPROVED BY	-
----------	--------	------	---	-------	---	------	------------	----------	---	-------------	---

15

PROJECT
YIN PING ROAD KOWLOON
FEATURE WALL (PHASE 1)

MATERIAL
100x50x2.5mm 铝通 (JMF G0032)

COATING
PVF2

COLOUR
JMQ213457(SS-01)

MARK. NO.
-

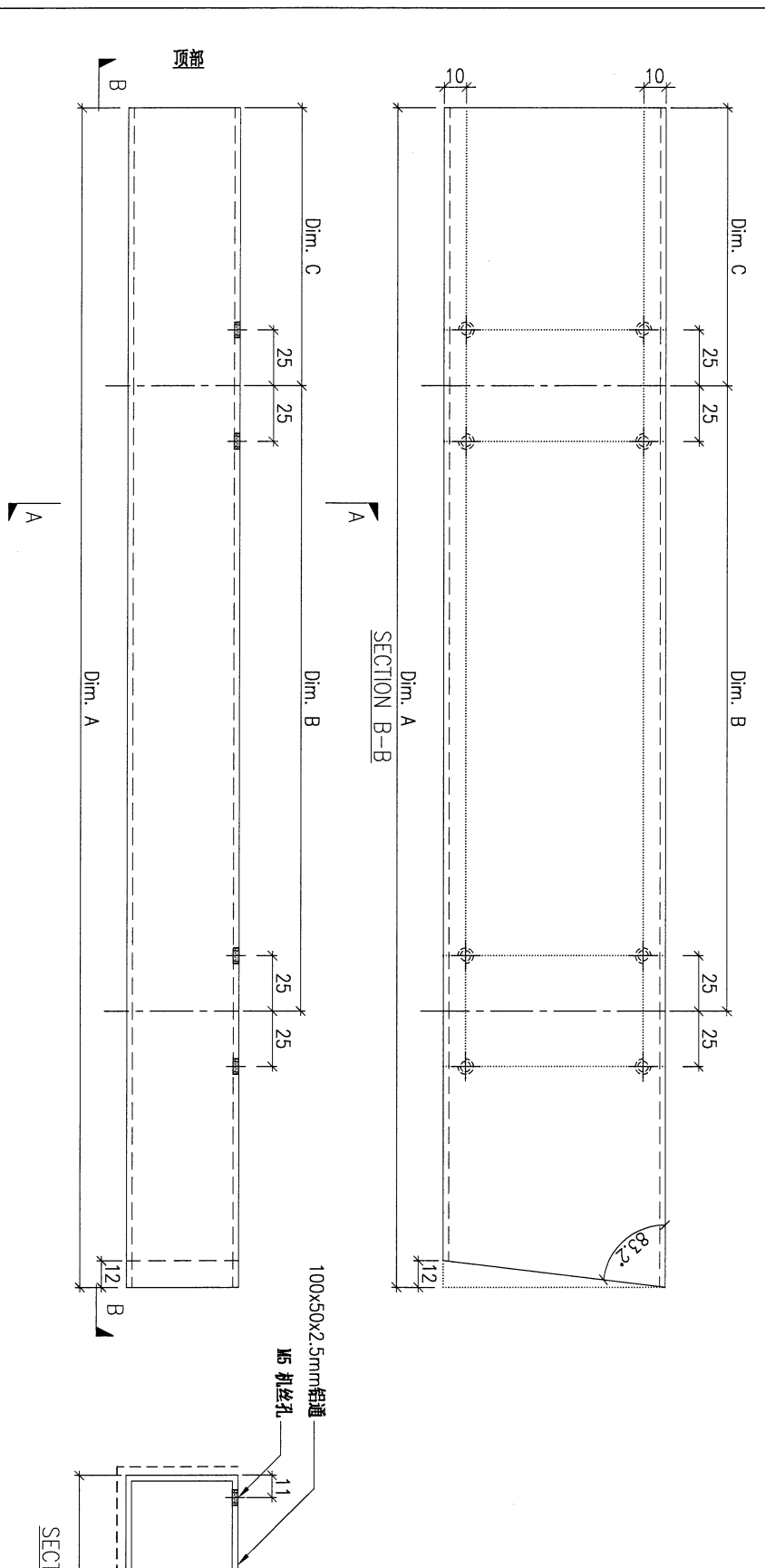
QTY.
-

REV. BAR BY	PART NUMBER	Dim. A	Dim. B	Dim. C	Dim. D	Dim. E	Dim. F	Dim. G	Dim. H	QTY.	Inv. Code	ASSEMBLE ON PARTS
-	AL-G11A	1771	2x@700c/c	199.5						1		
-	AL-G11B	2107	3x@550c/c	199.5						1		
-	AL-G11C	2109	3x@550c/c	199.5						1		
-	AL-G11D	2445	3x@700c/c	199.5						1		
-	AL-G11E	2447	3x@700c/c	199.5						1		
-	AL-G11F	2783	4x@600c/c	199.5						1		
-	AL-G11G	2785.5	4x@600c/c	199.5						1		
-	AL-G11H	3175.5	4x@700c/c	199.5						1		

注: 工厂用

注: 地盘复尺

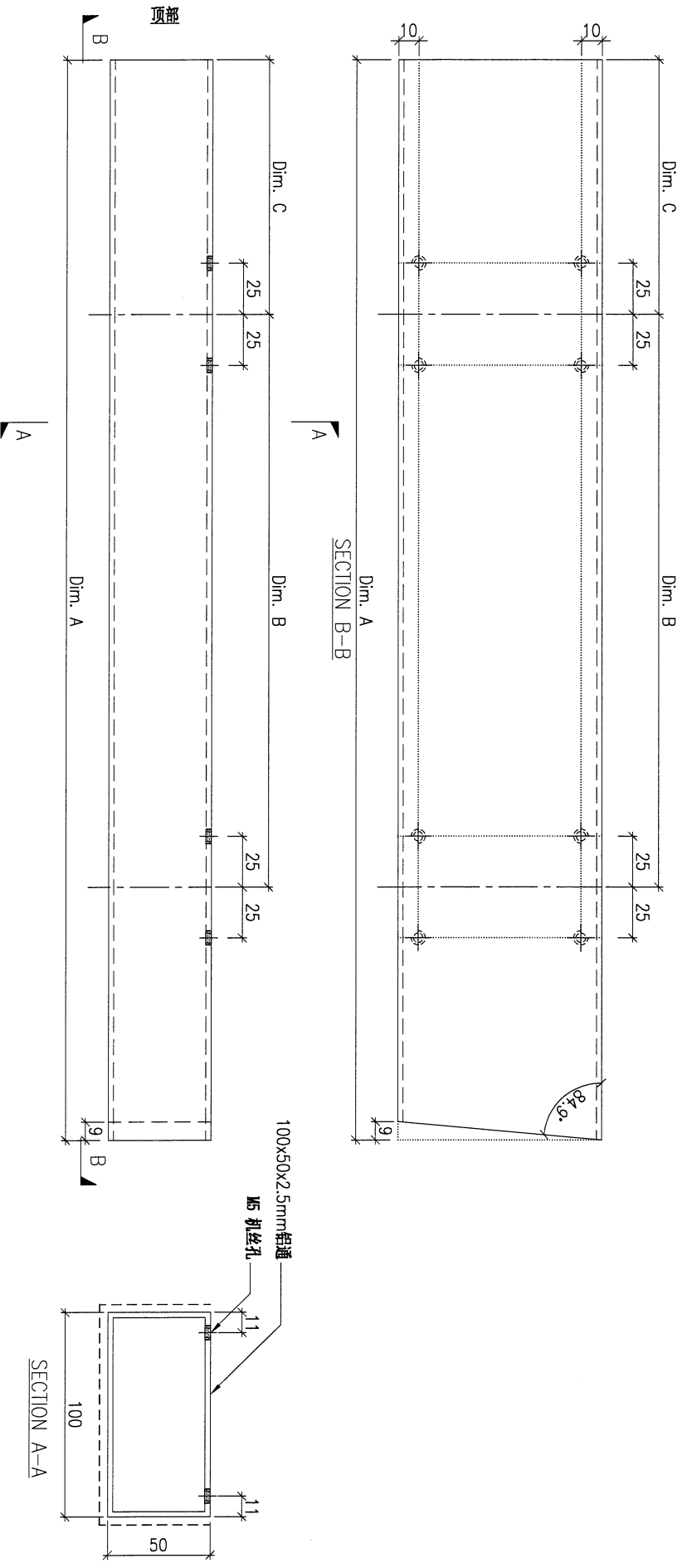
SECTION B-B



DWG. NO.	AL-G11	REV.	A	SCALE	-	DATE	22-03-2023	DRAWN BY	-	APPROVED BY	-
----------	--------	------	---	-------	---	------	------------	----------	---	-------------	---

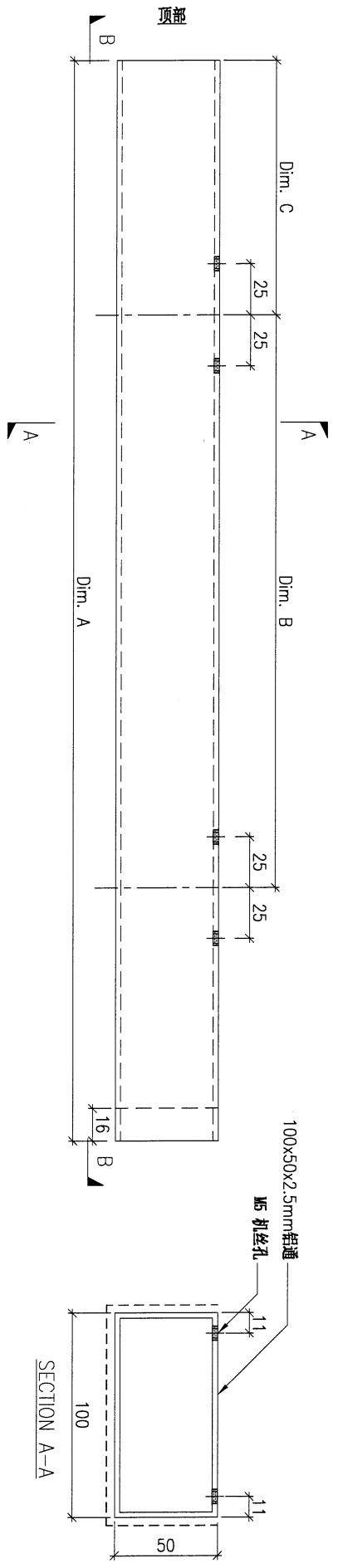
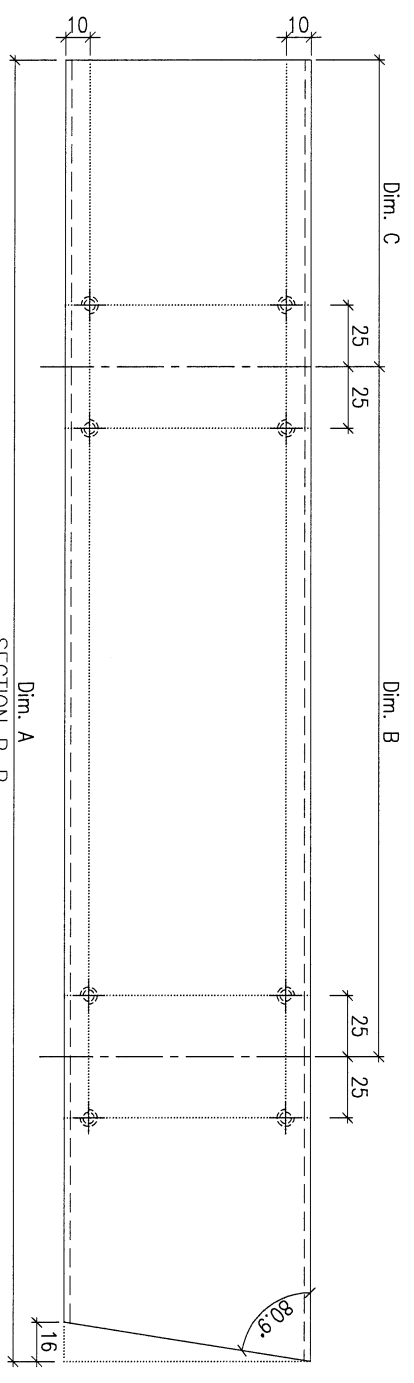
PROJECT YIN PING ROAD KOWLOON FEATURE WALL (PHASE 1)				MATERIAL 100x50x2.5mm铝通(JMFG0032)				COATING PVF2				COLOUR JM0213457(SS-01)		MARK NO. -		QTY. -	
REV.	CHECKED DATE	PART NUMBER	Dim. A	Dim. B	Dim. C	Dim. D	Dim. E	Dim. F	Dim. G	Dim. H	QTY.	Inv. Code	ASSEMBLE ON PARTS				
-		AL-G12	3561.5	4xØ750c/c	269.5						1						
													注: 工厂用				

注: 地盤算尺



DWG. NO.	REV.	SCALE	DATE	DRAWN BY	APPROVED BY
AL-G12	-	-	22-03-2023	-	-

PROJECT YIN PING ROAD KOWLOON FEATURE WALL (PHASE 1)				MATERIAL 100x50x2.5mm铝通(JMFG0032)				COATING PVF2		COLOUR JM0213457(SS-01)		MARK. NO. -	QTY. -	
REV.	CHECKED DATE	PART NUMBER	Dim. A	Dim. B	Dim. C	Dim. D	Dim. E	Dim. F	Dim. G	Dim. H	QTY.	Inv. Code	ASSEMBLY ON PARTS	注: 工厂用
-		AL-G13A	2693	3xØ750c/c	192.5						1			注: 地盤复尺
-		AL-G13B	3219	4xØ700c/c	192.5						1			
-		AL-G13C	3331	4xØ750c/c	192.5						1			注: 新增编号



DWG. NO.	REV.	SCALE	DATE	DRAWN BY	APPROVED BY
AL-G13	A	-	22-03-2023	-	-

18

PROJECT
YIN PING ROAD KOWLOON
FEATURE WALL (PHASE 1)

MATERIAL
100x50x2.5mm铝通(JMFG0032)

COLOUR
JM0213457(SS-01)

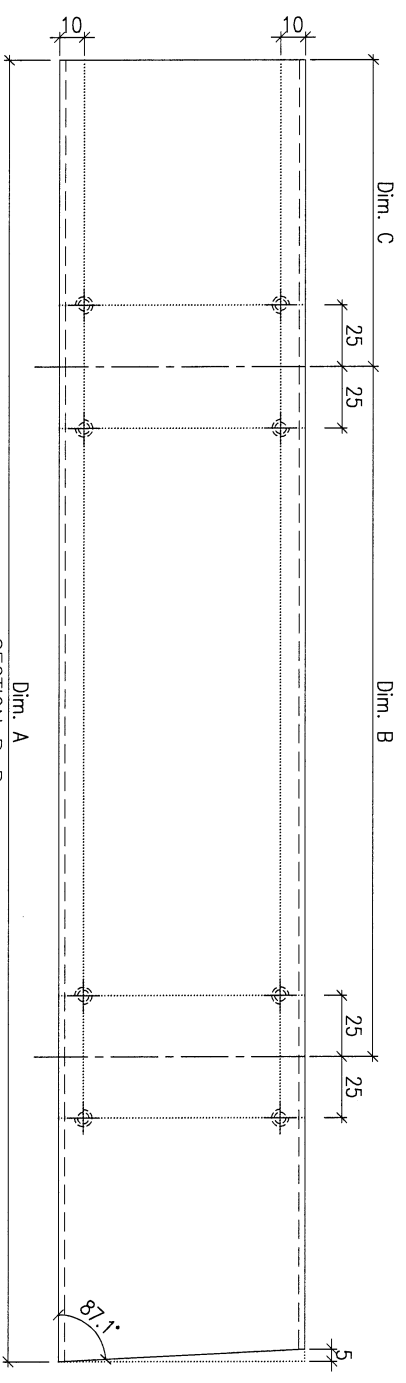
MARK. NO.
-

QTY.
-

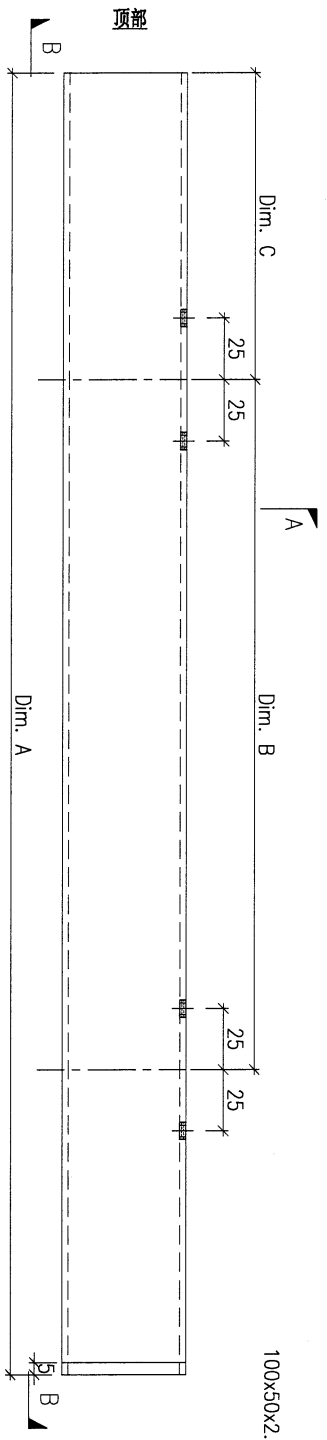
注: 工厂用

REV.	CHANGED BY	PART NUMBER	Dim. A	Dim. B	Dim. C	Dim. D	Dim. E	Dim. F	Dim. G	Dim. H	QTY.	Inv. Code
-		AL-G14A	2733.5	3xØ750c/c	192.5						1	
-		AL-G14B	3260.5	4xØ700c/c	192.5						1	

注: 地盤复尺

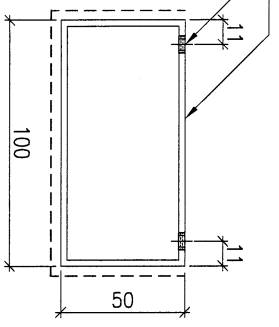


SECTION B-B



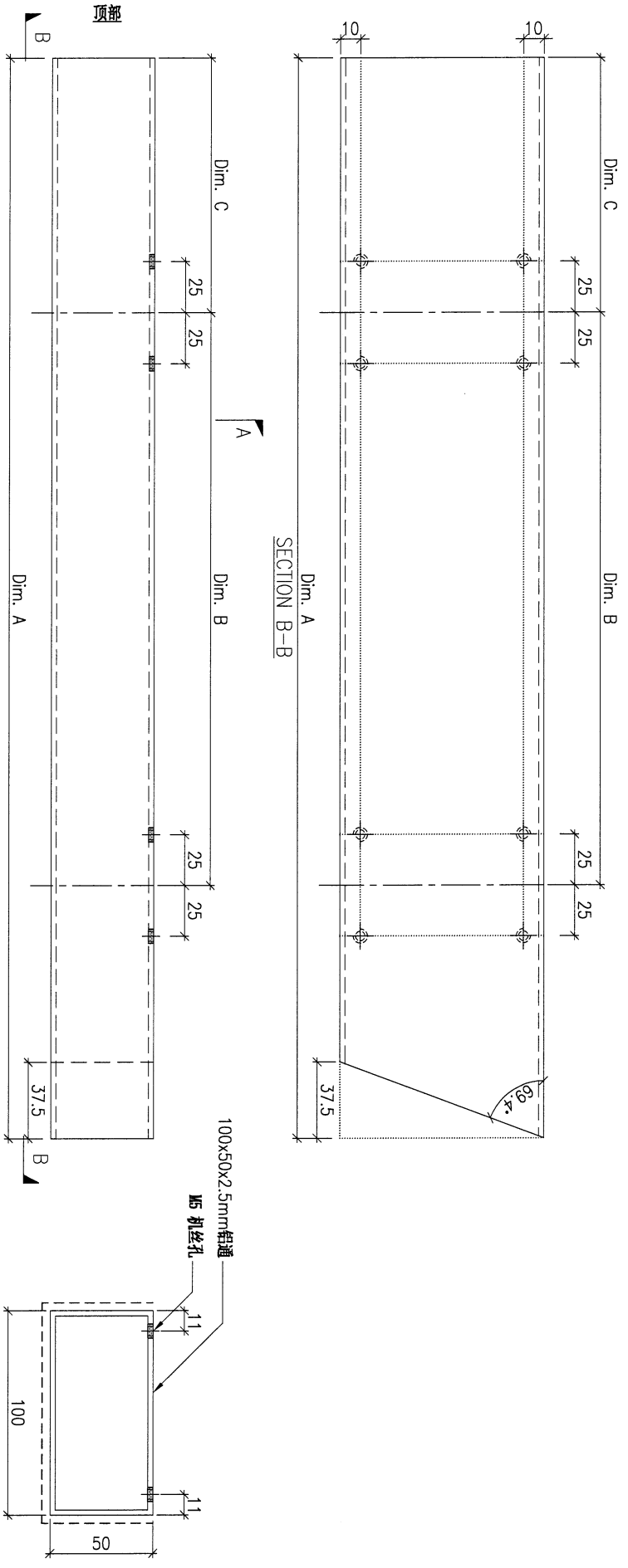
SECTION A-A

100x50x2.5mm铝通
吊机丝孔



DWG. NO.	AL-G14	REV.	-	SCALE	-	DATE	22-03-2023	DRAWN BY	-	APPROVED BY	-
----------	--------	------	---	-------	---	------	------------	----------	---	-------------	---

PROJECT YIN PING ROAD KOWLOON FEATURE WALL (PHASE 1)				MATERIAL 100x50x2.5mm铝通(JMF G0032)				COATING PVF2		COLOUR JM0213457(SS-01)		MARK. NO. -	QTY. -
REV. CHKD BY	PART NUMBER	Dim. A	Dim. B	Dim. C	Dim. D	Dim. E	Dim. F	Dim. G	Dim. H	QTY.	Inv. Code	ASSEMBLE ON PARTS	
-	AL-G15	3191	4x@700/c	192.5						1			
注: 工厂用												注: 地盘复尺	



DWG. NO.	AL-G15	REV.	-	SCALE	-	DATE	22-03-2023	DRAWN BY	-	APPROVED BY	-
----------	--------	------	---	-------	---	------	------------	----------	---	-------------	---

PROJECT
YIN PING ROAD KOWLOON
FEATURE WALL (PHASE 1)

MATERIAL
铝通组装图

COATING

COLOUR

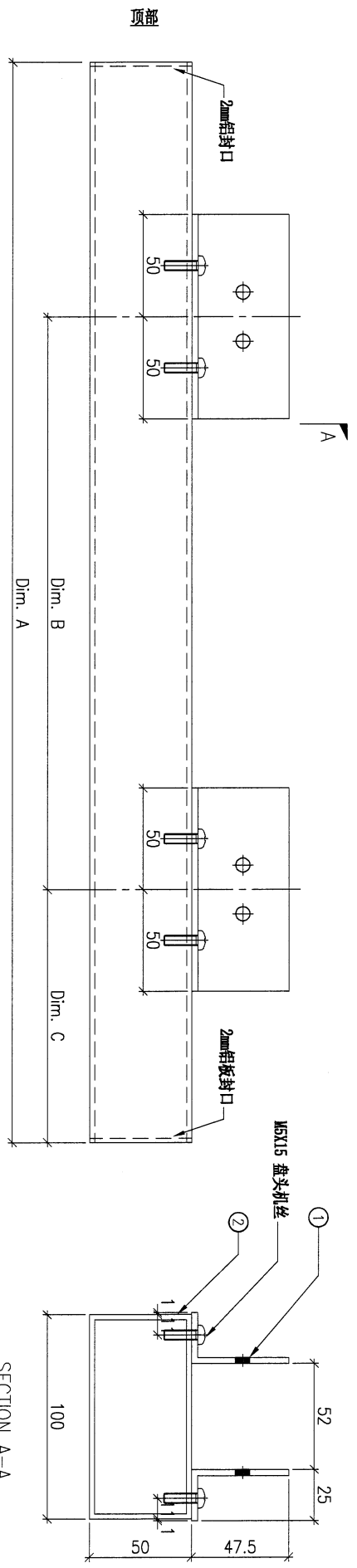
MARK. NO.

QTY.

REV.	CHANGED BY	PART NUMBER	Dim. A	Dim. B	Dim. C	Dim. D	Dim. E	Dim. F	Dim. G	Dim. H	QTY.	Inv. Code	ASSEMBLE ON PARTS
-		UN-G02A	1685	2xø600c/c	295						1		注: 构件编号 ①AL-G01 6件 ②AL-G02A 1件
-		UN-G02B	1585	2xø600c/c	195						2		注: 构件编号 ①AL-G01 6件 ②AL-G02B 1件
-		UN-G02C	3285	5xø550c/c	195						2		注: 构件编号 ①AL-G01 12件 ②AL-G02C 1件

注: 地盘用

注: 地盘复尺



SECTION A-A

DWG. NO.	UN-G02	REV.	-	SCALE	-	DATE	13-04-2023	DRAWN BY	-	APPROVED BY	-
----------	--------	------	---	-------	---	------	------------	----------	---	-------------	---

PROJECT
YIN PING ROAD KOWLOON
FEATURE WALL (PHASE 1)

MATERIAL
铝通组装图

COATING

COLOUR

MARK. NO.

QTY.

REV.	CHANGED DATE BY	PART NUMBER	Dim. A	Dim. B	Dim. C	Dim. D	Dim. E	Dim. F	Dim. G	Dim. H	QTY.	Inv. Code
-		UN-G03A	2196.5	3xø600g/c	248						1	
-		UN-G03B	2821.5	4xø600g/c	248						1	
-		UN-G03C	2449.5	3xø700g/c	200						15	

ASSEMBLE ON PARTS

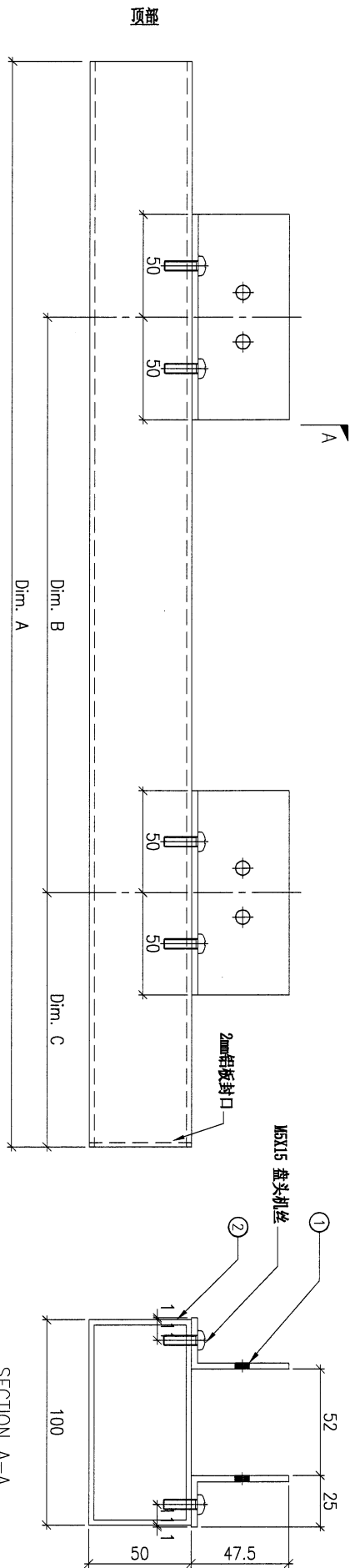
注: 构件编号 ①AL-G01 8件 ②AL-G03A 1件

注: 构件编号 ①AL-G01 10件 ②AL-G03B 1件

注: 构件编号 ①AL-G01 8件 ②AL-G03C 1件

注: 地盘用

注: 地盘复尺



DWG. NO.

UN-G03

REV.

SCALE

DATE
13-04-2023

DRAWN BY

APPROVED BY

PROJECT: YIN PING ROAD KOWLOON FEATURE WALL (PHASE 1)

MATERIAL: 铝通组裝图

COATING: -

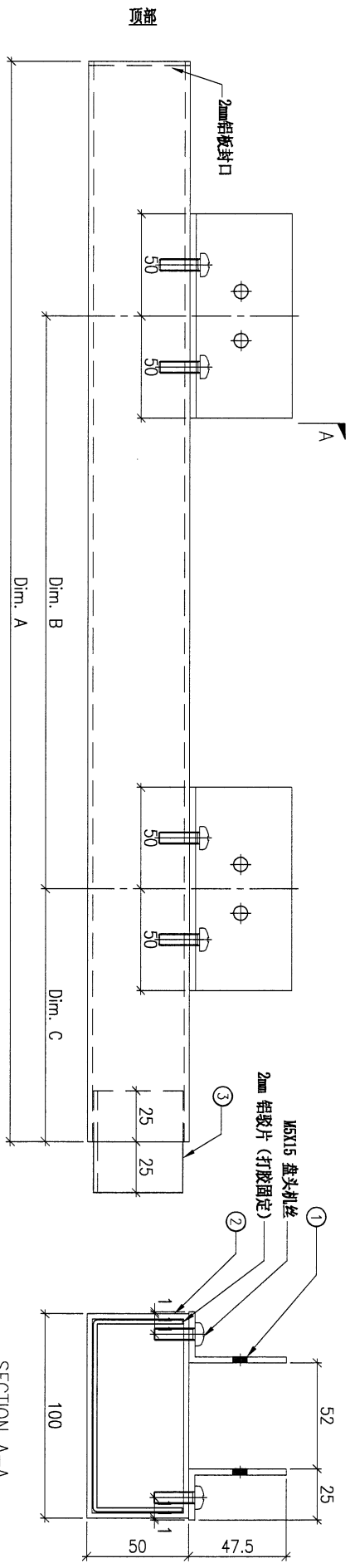
COLOUR: -

MARK. NO.: -

QTY: -

REV. OR CHANGED BY OR BY	PART NUMBER	Dim. A	Dim. B	Dim. C	Dim. D	Dim. E	Dim. F	Dim. G	Dim. H	QTY.	Inv. Code	ASSEMBLE ON PARTS	注: 地盘用
-	UN-G04A	2186.5	3x@600c/c	197						1		注: 构件编号 ①AL-G01 8件 ②AL-G04A 1件 ③AP-G01 1件	
-	UN-G04B	2791.5	4x@600c/c	222						1		注: 构件编号 ①AL-G01 10件 ②AL-G04B 1件 ③AP-G01 1件	
-	UN-G04C	2394.5	3x@700c/c	149.5						3		注: 构件编号 ①AL-G01 8件 ②AL-G04C 1件 ③AP-G01 1件	
-	UN-G04D	1409.5	2x@550c/c	149.5						2		注: 构件编号 ①AL-G01 6件 ②AL-G04D 1件 ③AP-G01 1件	
-	UN-G04E	1409.5	2x@550c/c	149.5						6		注: 构件编号 ①AL-G01 6件 ②AL-G04E 1件 ③AP-G01 1件	
-	UN-G04F	1824.5	3x@550c/c	149.5						4		注: 构件编号 ①AL-G01 8件 ②AL-G04F 1件 ③AP-G01 1件	

注: 地盘复尺



SECTION A-A

DWG. NO.	UN-G04	REV.	-	SCALE	-	DATE	13-04-2023	DRAWN BY	-	APPROVED BY	-
----------	--------	------	---	-------	---	------	------------	----------	---	-------------	---

PROJECT
YIN PING ROAD KOWLOON
FEATURE WALL (PHASE 1)

MATERIAL
铝通组裝图

COATING

COLOUR

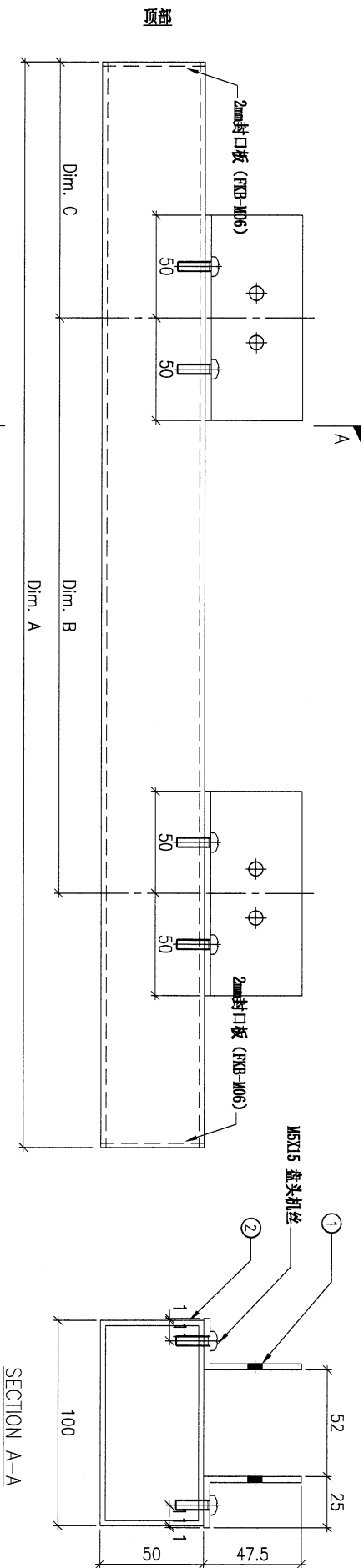
MARK. NO.

QTY.

REV.	CHECKED BY	PART NUMBER	Dim. A	Dim. B	Dim. C	Dim. D	Dim. E	Dim. F	Dim. G	Dim. H	QTY.	Inv. Code	ASSEMBLE ON PARTS
-		UN-G06A	2715	3xØ750c/c	194.5						1		注: 构件编号 ①AL-G01 8件 ②AL-G06A 1件
-		UN-G06B	2726	3xØ750c/c	194.5						1		注: 构件编号 ①AL-G01 8件 ②AL-G06B 1件
-		UN-G06C	2739	3xØ750c/c	194.5						2		注: 构件编号 ①AL-G01 8件 ②AL-G06C 1件
-		UN-G06D	2641	3xØ750c/c	194.5						2		注: 构件编号 ①AL-G01 8件 ②AL-G06D 1件
-		UN-G06E	2890	4xØ600c/c	194.5						2		注: 构件编号 ①AL-G01 10件 ②AL-G06E 1件
-		UN-G06F	3374.5	4xØ750c/c	194.5						2		注: 构件编号 ①AL-G01 10件 ②AL-G06F 1件
-		UN-G06G	3445	4xØ750c/c	194.5						1		注: 构件编号 ①AL-G01 10件 ②AL-G06G 1件, 新增编号

注: 地盘用

注: 地盘复尺

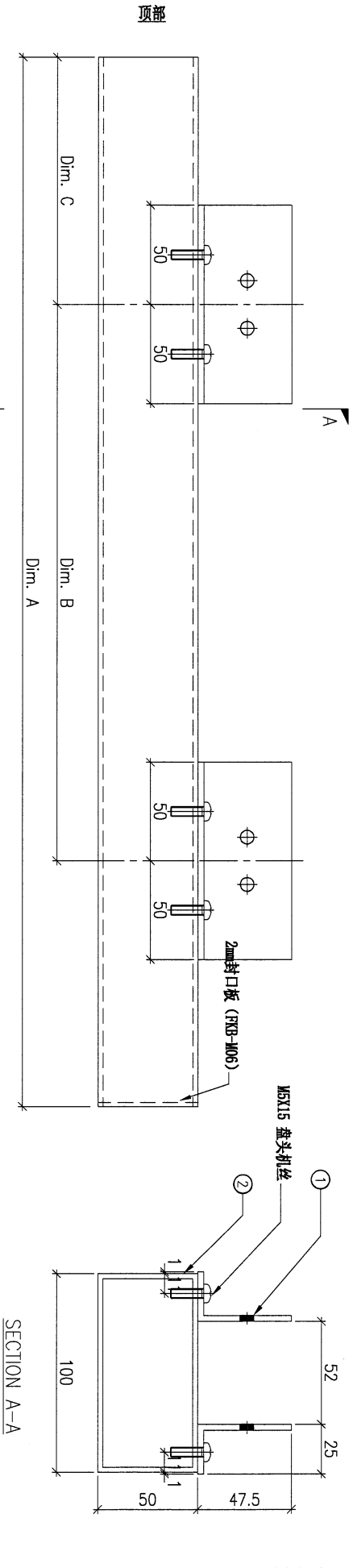


A

SECTION A-A

DWG. NO.	UN-G06	REV.	A	SCALE	-	DATE	13-04-2023	DRAWN BY	-	APPROVED BY	-
----------	--------	------	---	-------	---	------	------------	----------	---	-------------	---

PROJECT				MATERIAL				COATING		COLOUR		MARK. NO.		QTY.		
YIN PING ROAD KOWLOON FEATURE WALL (PHASE 1)				铝通组裝图												
REV.	CHANGED BY	PART NUMBER	Dim. A	Dim. B	Dim. C	Dim. D	Dim. E	Dim. F	Dim. G	Dim. H	QTY.	Inv. Code	ASSEMBLE ON PARTS			
-		UN-G07A	3389	4xØ750c/c	149.5						1		注: 构件编号 ①AL-G01 10件 ②AL-G07A 1件			
-		UN-G07B	3411	4xØ750c/c	149.5						1		注: 构件编号 ①AL-G01 10件 ②AL-G07B 1件			
-		UN-G07C	2847	4xØ600c/c	149.5						1		注: 构件编号 ①AL-G01 10件 ②AL-G07C 1件			
-		UN-G07D	2522	3xØ750c/c	149.5						4		注: 构件编号 ①AL-G01 8件 ②AL-G07D 1件			



DWG. NO.		REV.		SCALE		DATE		DRAWN BY		APPROVED BY	
UN-G07		A		-		13-04-2023		-		-	

注: 地盘用
注: 地盘复尺

PROJECT
YIN PING ROAD KOWLOON
FEATURE WALL (PHASE 1)

MATERIAL
铝通组装图

COATING

COLOUR

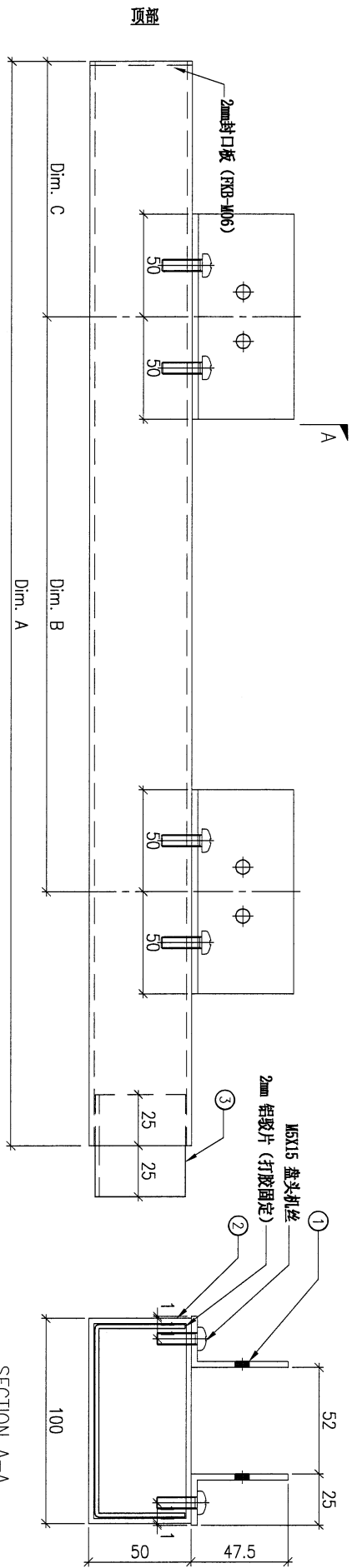
MARK. NO.

QTY.

REV.	CHECKED DATE BY	PART NUMBER	Dim. A	Dim. B	Dim. C	Dim. D	Dim. E	Dim. F	Dim. G	Dim. H	QTY.	Inv. Code	ASSEMBLE ON PARTS
-		UN-G08A	3248	4x@700/c	194.5						1		注: 构件编号 ①AL-G01 10件 ②AL-G08A 1件 ③AP-G01 1件
-		UN-G08B	3248	4x@700/c	194.5						1		注: 构件编号 ①AL-G01 10件 ②AL-G08B 1件 ③AP-G01 1件
-		UN-G08C	2847.5	4x@600/c	194.5						1		注: 构件编号 ①AL-G01 10件 ②AL-G08C 1件 ③AP-G01 1件
-		UN-G08D	2567	3x@750/c	194.5						4		注: 构件编号 ①AL-G01 8件 ②AL-G08D 1件 ③AP-G01 1件
-		UN-G08E	2019.5	3x@550/c	194.5						1		注: 构件编号 ①AL-G01 8件 ②AL-G08E 1件 ③AP-G01 1件
-		UN-G08F	2994.5	4x@650/c	194.5						13		注: 构件编号 ①AL-G01 10件 ②AL-G08F 1件 ③AP-G01 1件

注: 地盘用

注: 地盘复尺

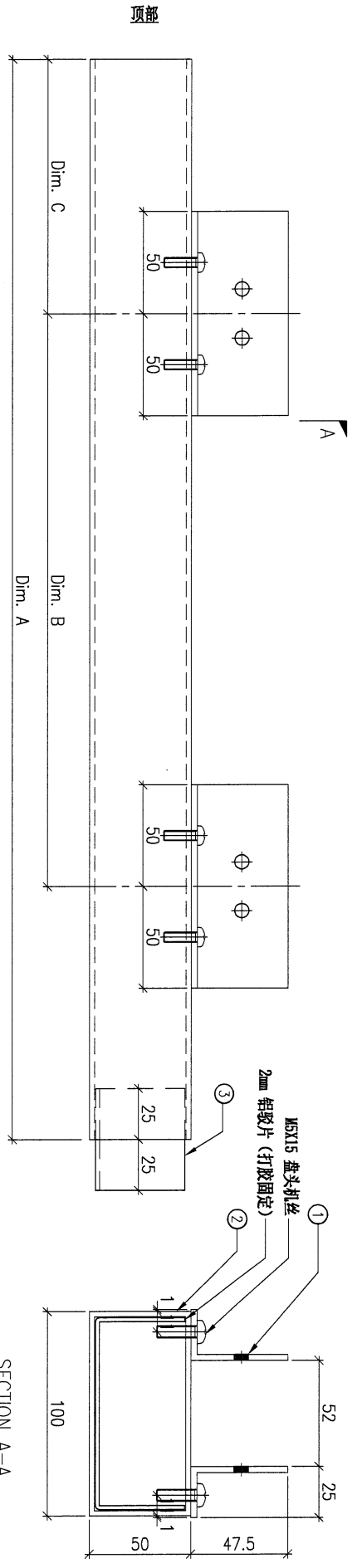


SECTION A-A

DWG. NO.	UN-G08	REV.	A	SCALE	-	DATE	13-04-2023	DRAWN BY	-	APPROVED BY	-
----------	--------	------	---	-------	---	------	------------	----------	---	-------------	---

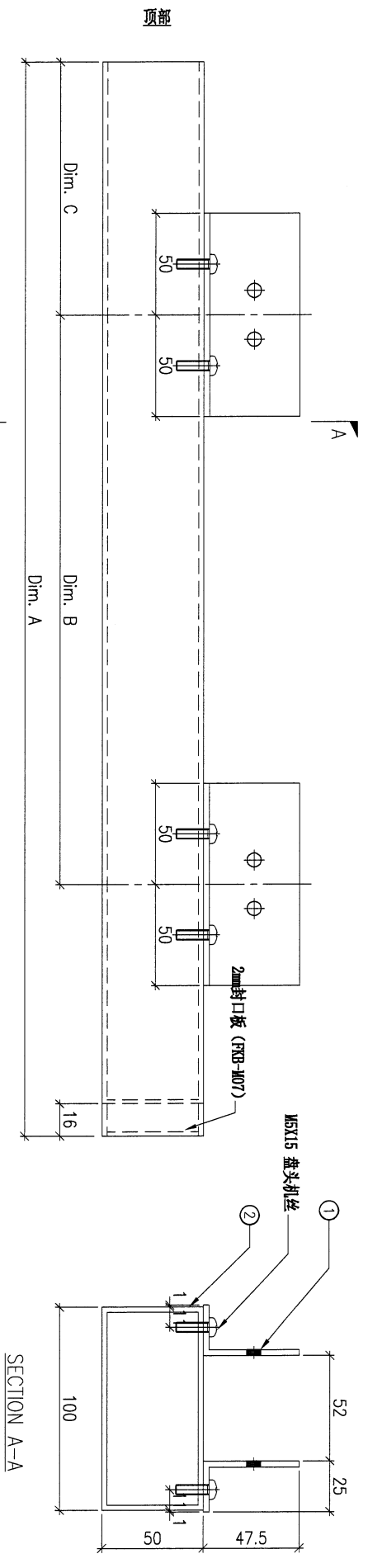
PROJECT				MATERIAL				COATING				COLOUR				MARK. NO.		QTY.	
YIN PING ROAD KOWLOON FEATURE WALL (PHASE 1)				铝通组装图												-		-	
REV.	CHECKED BY	PART NUMBER	Dim. A	Dim. B	Dim. C	Dim. D	Dim. E	Dim. F	Dim. G	Dim. H	QTY.	Inv. Code	ASSEMBLE ON PARTS				注: 地盘用		
-		UN-G09	2801	4xø600g/c	149.5						1		注: 构件编号 ①AL-G01 8件 ②AL-G09 1件 ③AF-G01 1件						

注: 地盘用



DWG. NO.	REV.	SCALE	DATE	DRAWN BY	APPROVED BY
UN-G09	-	-	13-04-2023		

PROJECT		YIN PING ROAD KOWLOON FEATURE WALL (PHASE 1)										MATERIAL		COATING		COLOUR		MARK. NO.		QTY.	
		铝通组装图																			
REV.	CHANGED BY	PART NUMBER	Dim. A	Dim. B	Dim. C	Dim. D	Dim. E	Dim. F	Dim. G	Dim. H	QTY.	Inv. Code	ASSEMBLE ON PARTS								
-	-	UN-G10A	1840.5	2x@750/c	174.5						1		注: 构件编号 ①AL-G01 6件 ②AL-G10A 1件								
-	-	UN-G10B	976.5	1x@500/c	199.5						1		注: 构件编号 ①AL-G01 4件 ②AL-G10B 1件								
-	-	UN-G10C	1341.5	2x@500/c	199.5						1		注: 构件编号 ①AL-G01 6件 ②AL-G10C 1件								
-	-	UN-G10D	1706.5	2x@650/c	199.5						1		注: 构件编号 ①AL-G01 6件 ②AL-G10D 1件								
-	-	UN-G10E	2071.5	1x@550/c	199.5						1		注: 构件编号 ①AL-G01 8件 ②AL-G10E 1件								
-	-	UN-G10F	-	-	-						-		注: 取消编号								
-	-	UN-G10G	-	-	-						-		注: 取消编号								
-	-	UN-G10H	-	-	-						-		注: 取消编号								



DWG. NO.		REV.		SCALE		DATE		DRAWN BY		APPROVED BY	
UN-G10		A		-		13-04-2023		-		-	

注: 地盘用
注: 地盘复尺

28

PROJECT: YIN PING ROAD KOWLOON FEATURE WALL (PHASE 1)

MATERIAL: 铝通细装图

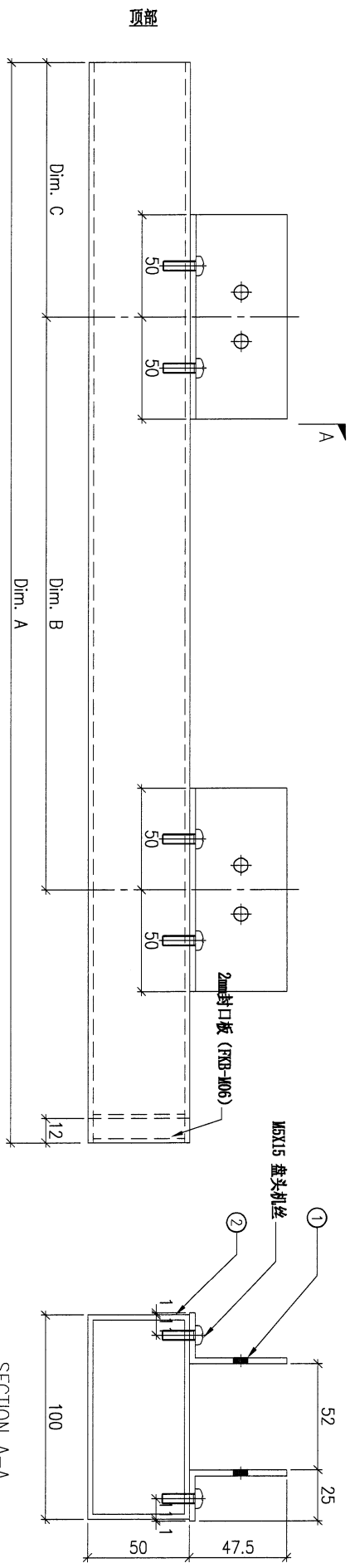
COATING: -

COLOUR: -

MARK. NO.: -

QTY.: -

REV. / 更改栏	PART NUMBER	Dim. A	Dim. B	Dim. C	Dim. D	Dim. E	Dim. F	Dim. G	Dim. H	QTY.	Inv. Code	ASSEMBLE ON PARTS	注: 地盘用 注: 地盘复尺
-	UN-G11A	1771	2xØ700/c'	199.5						1		注: 构件编号 ①AL-G01 6件 ②AL-G11A 1件	
-	UN-G11B	2107	3xØ550c/c'	199.5						1		注: 构件编号 ①AL-G01 8件 ②AL-G11B 1件	
-	UN-G11C	2109	3xØ550c/c'	199.5						1		注: 构件编号 ①AL-G01 8件 ②AL-G11C 1件	
-	UN-G11D	2445	3xØ700c/c'	199.5						1		注: 构件编号 ①AL-G01 8件 ②AL-G11D 1件	
-	UN-G11E	2447	3xØ700c/c'	199.5						1		注: 构件编号 ①AL-G01 8件 ②AL-G11E 1件	
-	UN-G11F	2783	4xØ600c/c'	199.5						1		注: 构件编号 ①AL-G01 10件 ②AL-G11F 1件	
-	UN-G11G	2785.5	4xØ600c/c'	199.5						1		注: 构件编号 ①AL-G01 10件 ②AL-G11G 1件	
-	UN-G11H	3175.5	4xØ700c/c'	199.5						1		注: 构件编号 ①AL-G01 10件 ②AL-G11H 1件	



DWG. NO. UN-G11

REV. A

SCALE -

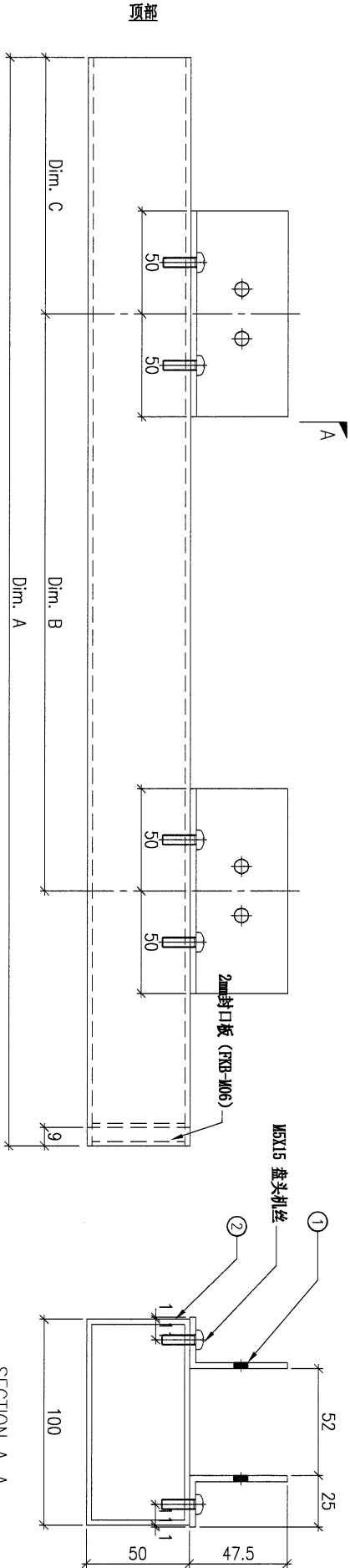
DATE 13-04-2023

DRAWN BY -

APPROVED BY -

PROJECT				MATERIAL				COATING				COLOUR		MARK. NO.		QTY.	
YIN PING ROAD KOWLOON FEATURE WALL (PHASE 1)				铝通组装图								-		-		-	
REV.	QTY	PART NUMBER	Dim. A	Dim. B	Dim. C	Dim. D	Dim. E	Dim. F	Dim. G	Dim. H	QTY.	Inv. Code	ASSEMBLE ON PARTS				
-		UN-G12	3563.5	4x@750c/c	269.5						1		注： 构件编号 ①AL-G01 10件 ②AL-G12 14件				
													注： 地盘用				

注： 地盘复尺



DWG. NO.	REV.	SCALE	DATE	DRAWN BY	APPROVED BY
UN-G12	-	-	13-04-2023	-	-

PROJECT
YIN PING ROAD KOWLOON
FEATURE WALL (PHASE 1)

MATERIAL
铝通组裝图

COATING

COLOUR

MARK. NO.

QTY.

REV.	CHECKED DATE BY	PART NUMBER	Dim. A	Dim. B	Dim. C	Dim. D	Dim. E	Dim. F	Dim. G	Dim. H	QTY.	Inv. Code
-		UN-G13A	2697	3 \times 750c/c ²	194.5						1	
-		UN-G13B	3223	4 \times 700c/c	194.5						1	
-		UN-G13C	3335	4 \times 750c/c	194.5						1	

ASSEMBLE ON PARTS

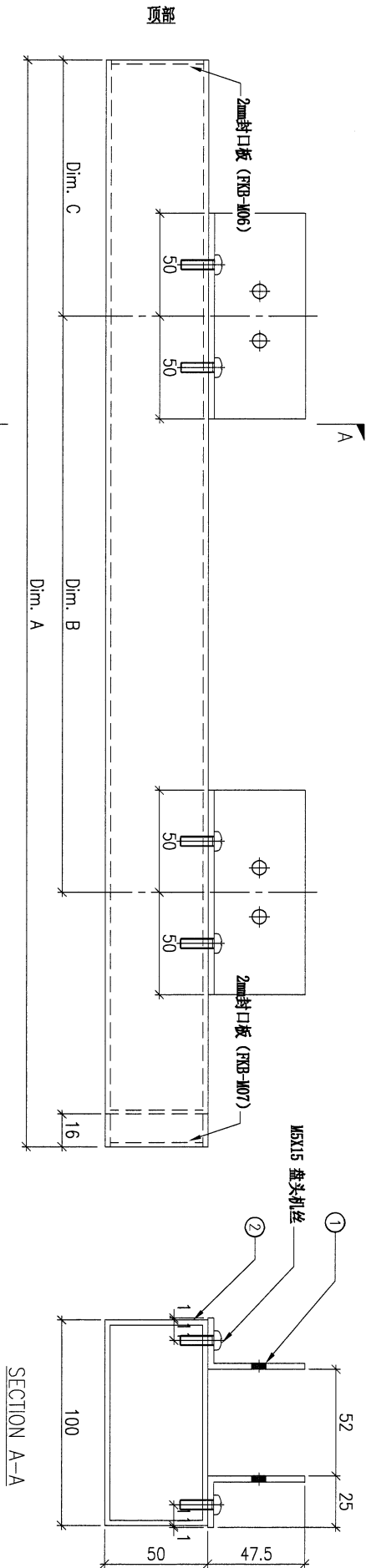
注: 构件编号 ①AL-G01 8件 ②AL-G13A 1件

注: 构件编号 ①AL-G01 10件 ②AL-G13B 1件

注: 构件编号 ①AL-G01 10件 ②AL-G13B 1件, 新增编号

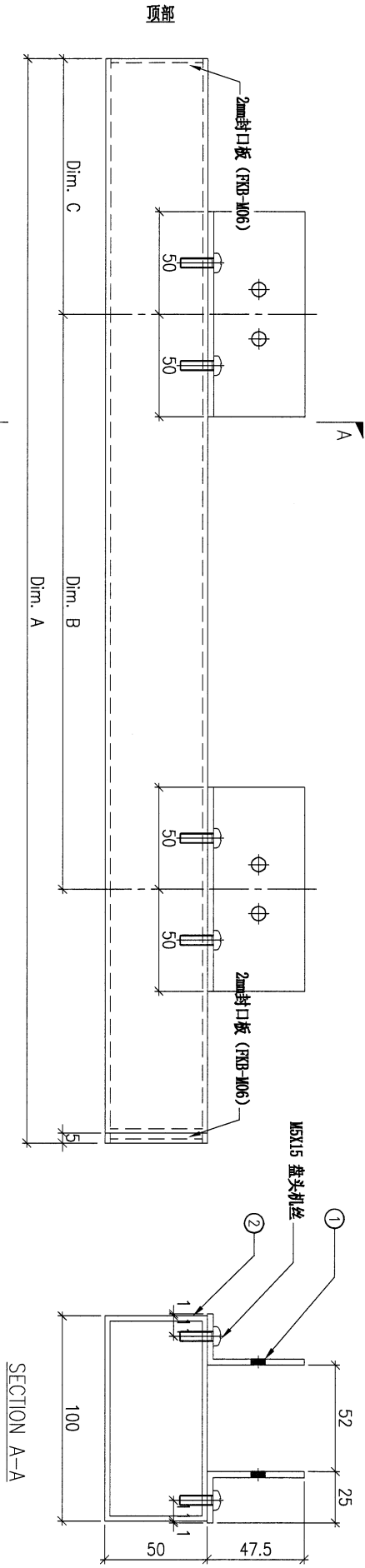
注: 地盘用

注: 地盘复尺



DWG. NO.	UN-G13	REV.	A	SCALE	-	DATE	13-04-2023	DRAWN BY	-	APPROVED BY	-
----------	--------	------	---	-------	---	------	------------	----------	---	-------------	---

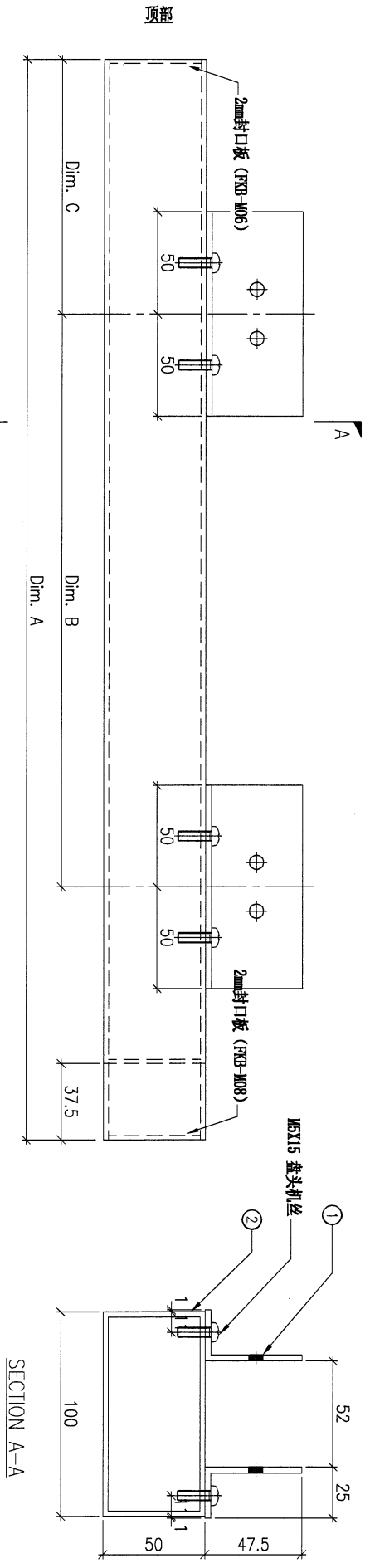
PROJECT			YIN PING ROAD KOWLOON FEATURE WALL (PHASE 1)						MATERIAL			COATING			COLOUR		MARK. NO.		QTY.	
铝通组裝图			铝通组裝图			COATING			COLOUR		MARK. NO.		QTY.							
REV. / CHANGED DATE BY	PART NUMBER	Dim. A	Dim. B	Dim. C	Dim. D	Dim. E	Dim. F	Dim. G	Dim. H	QTY.	Inv. Code	ASSEMBLE ON PARTS								
-	UN-G14A	2737.5	5xØ750c/c	194.5						1		注: 构件编号 ①AL-G01 8件 ②AL-G14A 1件								
-	UN-G14B	3264.5	4xØ700c/c	194.5						1		注: 构件编号 ①AL-G01 10件 ②AL-G14B 1件								
													注: 地盘复尺							



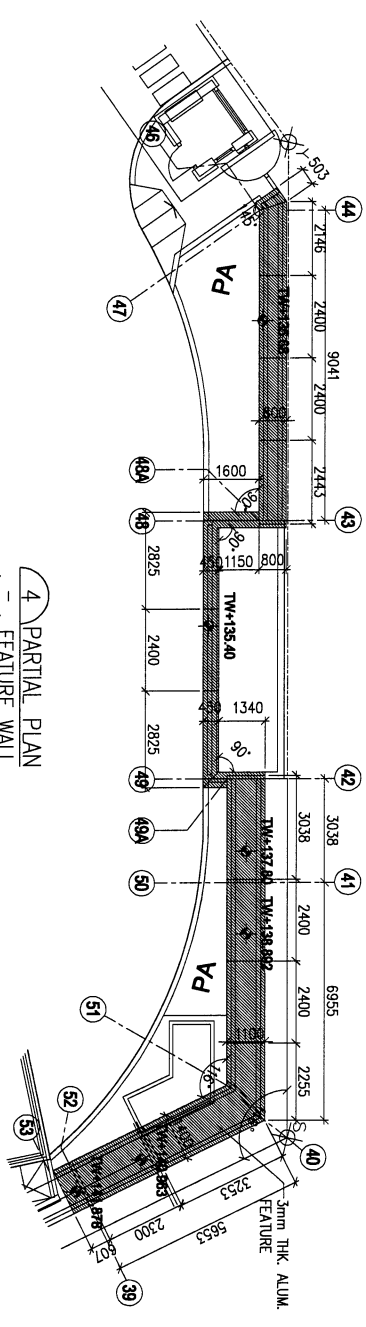
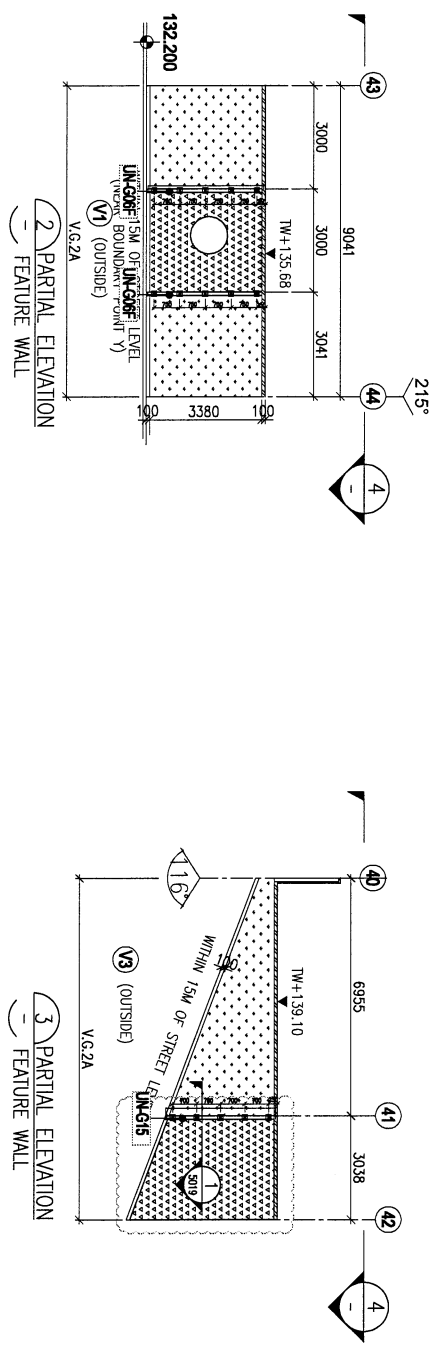
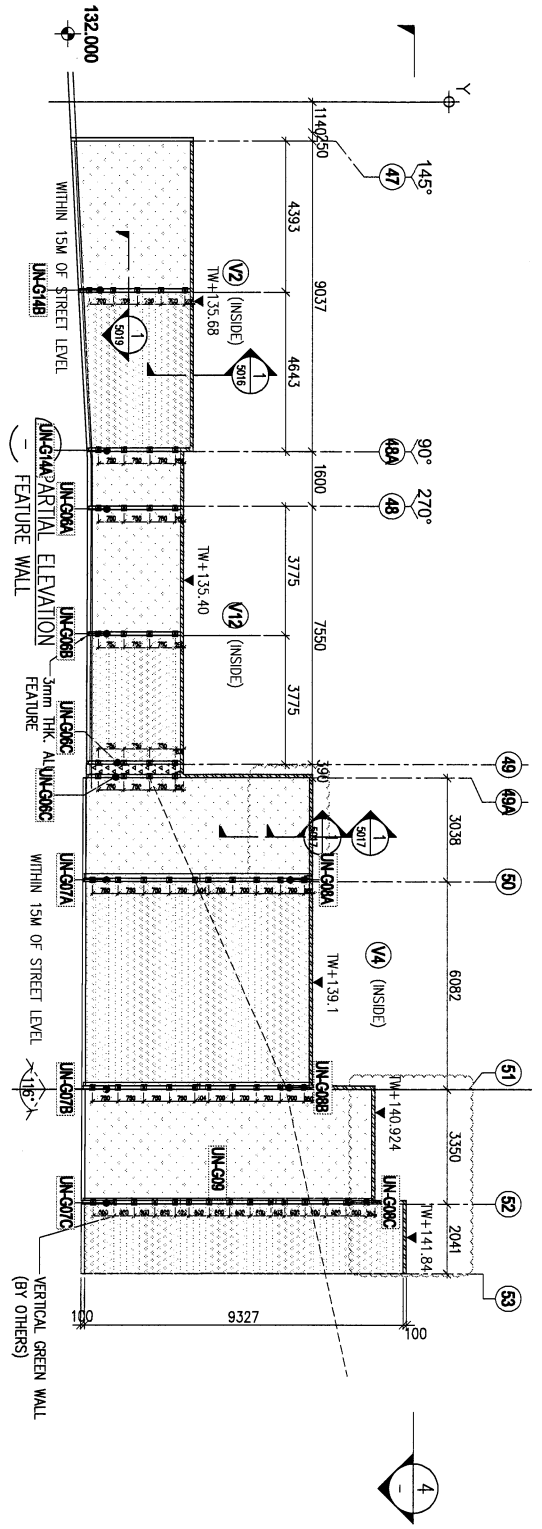
DWG. NO.	UN-G14	REV.	-	SCALE	-	DATE	13-04-2023	DRAWN BY	-	APPROVED BY	-
----------	--------	------	---	-------	---	------	------------	----------	---	-------------	---

注: 地盘用

PROJECT				MATERIAL				COATING				COLOUR		MARK. NO.		QTY.	
YIN PING ROAD KOWLOON FEATURE WALL (PHASE 1)				铝通组裝图								-		-		-	
REV.	CHECKED BY	PART NUMBER	Dim. A	Dim. B	Dim. C	Dim. D	Dim. E	Dim. F	Dim. G	Dim. H	QTY.	Inv. Code	ASSEMBLE ON PARTS				
-		UN-G15	3195	4xØ700/G3	194.5						1		注：构件编号 ①AL-G01 10件 ②AL-G15 1件				
													注：地盘用		注：地盘算尺		



DWG. NO.	REV.	SCALE	DATE	DRAWN BY	APPROVED BY
UN-G15	A	-	13-04-2023		



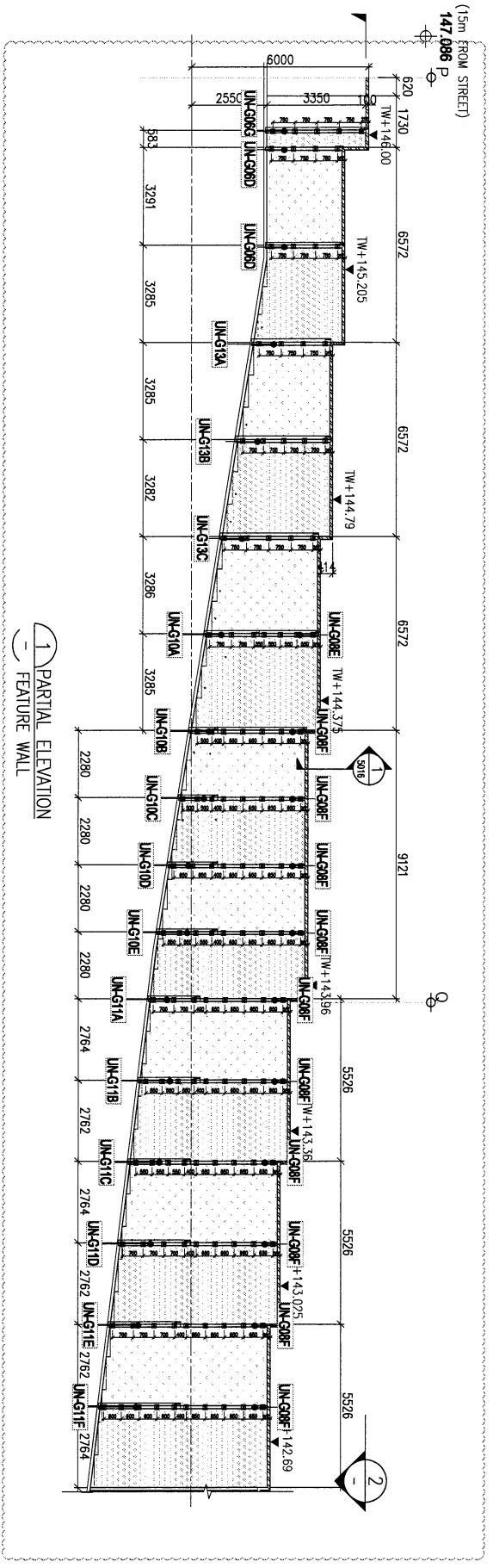
软件派位图 Part. 4
日期: 2023-06-21

LEGEND:

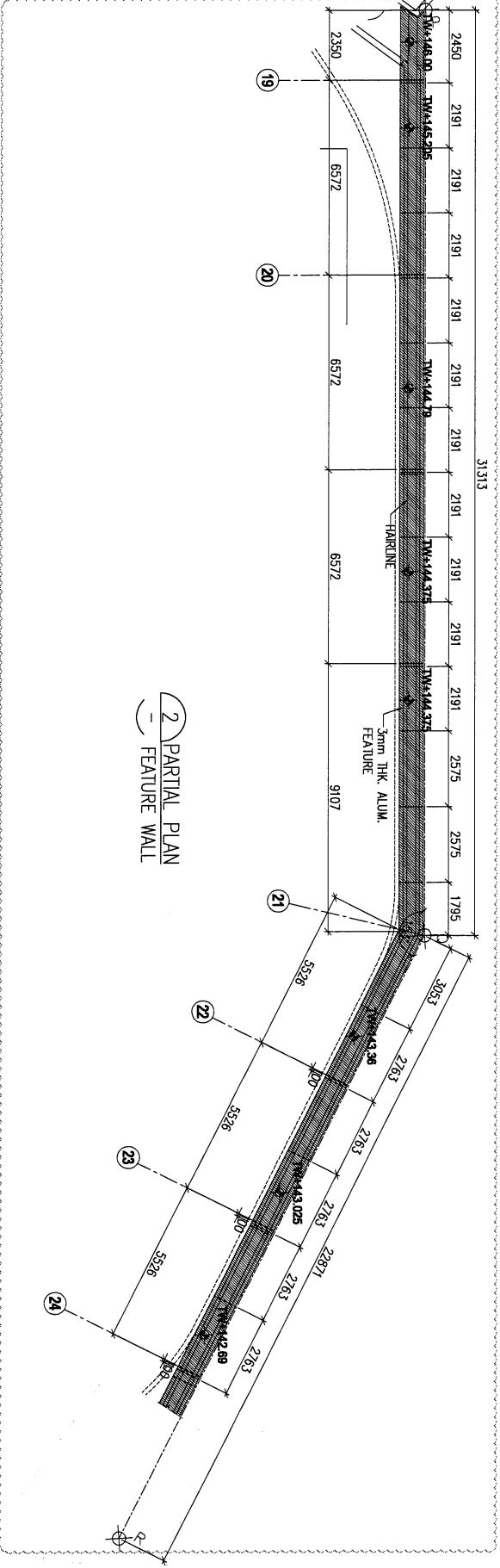
 ALUM. GRILLE
 3mm THK. ALUM. CLADDING

<p>CLIENT : SHIMAO GROUP HOLDINGS LIMITED</p> <p>ARCHITECT : WORKS TIME & PARTNERS LIMITED</p> <p>MAIN CONTRACTOR : 協興建築有限公司 HIP HING CONSTRUCTION CO LTD</p> <p>STRUCTURAL ENGINEER : C M WONG & ASSOCIATES LTD 黃志明建築工程師有限公司</p> <p>FAÇADE CONSULTANT : WEINHARDT</p>	<p>NOTE : 1. ALL DIMENSIONS ARE IN mm. 2. ALL ELEVATIONS ARE VIEWED FROM OUTSIDE. 3. ALL DIMENSIONS TO BE VERIFIED ON SITE BEFORE PROVISION.</p> <p>LEGEND : DETAIL MARK NO. REFER SHEET NO. FF FL - FINISHED FLOOR LEVEL SFL - STRUCTURAL FLOOR LEVEL DIMENSIONS TO BE VERIFIED ON SITE</p>	<p>JOB NO. : J-853</p> <p>PROJECT : PROPOSED RESIDENTIAL DEVELOPMENT AT NKILL 6542 KOWLOON</p> <p>TITLE : PARTIAL ELEVATION & PLAN OF FEATURE WALL (PHASE 1)</p> <p>DATE : 19-Apr-23 SCALE : 1:150 (A3)</p> <p>DRAWN BY : LHB CHECKED BY :</p> <p>MTDI Architecture & Interiors Ltd. Units E-4, Sunny Industrial Centre, V/F 110 Cheong Chee Road, Kowloon Tel: (852) 25211111 Fax: (852) 2727886 DMC NO.: 0853-TW-3001B</p>	<p>REC. NO. : -</p>
---	---	--	----------------------------

(15m FROM STREET)
147.086 P



1 PARTIAL ELEVATION
- FEATURE WALL



2 PARTIAL PLAN
- FEATURE WALL

铁件派位图 Part. 4
日期: 2023-06-21

LEGEND:

	ALUM. GRILLE
	3mm THK. ALUM. CLADDING

美特经贸有限公司
MIDI INTERNATIONAL ASSOCIATES LTD.
Units 6-8, Sunny Industrial Centre, 1/F
810 Chee Yee Ling Road, Kowloon
Tel: (852) 2591 1171 Fax: (852) 2591 2788
DNG NO.: 0953-PW-3002B

DATE: 19-Apr-23	SCALE: 1:150 (A3)
DRAWN BY: UHR	CHECKED BY:
PROJECT: PROPOSED RESIDENTIAL DEVELOPMENT AT N.K.L.L. 6542 YIN PING ROAD KOWLOON	
TITLE: PARTIAL ELEVATION & PLAN OF FEATURE WALL (PHASE 1)	
JOB NO.: J-8533	REV: -

NO.	DATE	REVISION
1		

- NOTE:
- ALL DIMENSIONS ARE IN mm.
 - ALL ELEVATIONS ARE VIEWED FROM OUTSIDE.
 - ALL DIMENSIONS TO BE VIEWED ON SITE BEFORE FABRICATION.
- LEGEND:
- ① - DEWEL MARK NO.
 - ② - REFER SHEET NO.
 - 1. FEEL - FINISHED ROOM LEVEL
 - 2. S.F.L. - STRUCTURE FLOOR LEVEL
 - 3. Ⓞ - REDUCED LEVEL

STRUCTURAL ENGINEER:
CMA C.M. WONG & ASSOCIATES LTD.
黃志明建築工程師有限公司

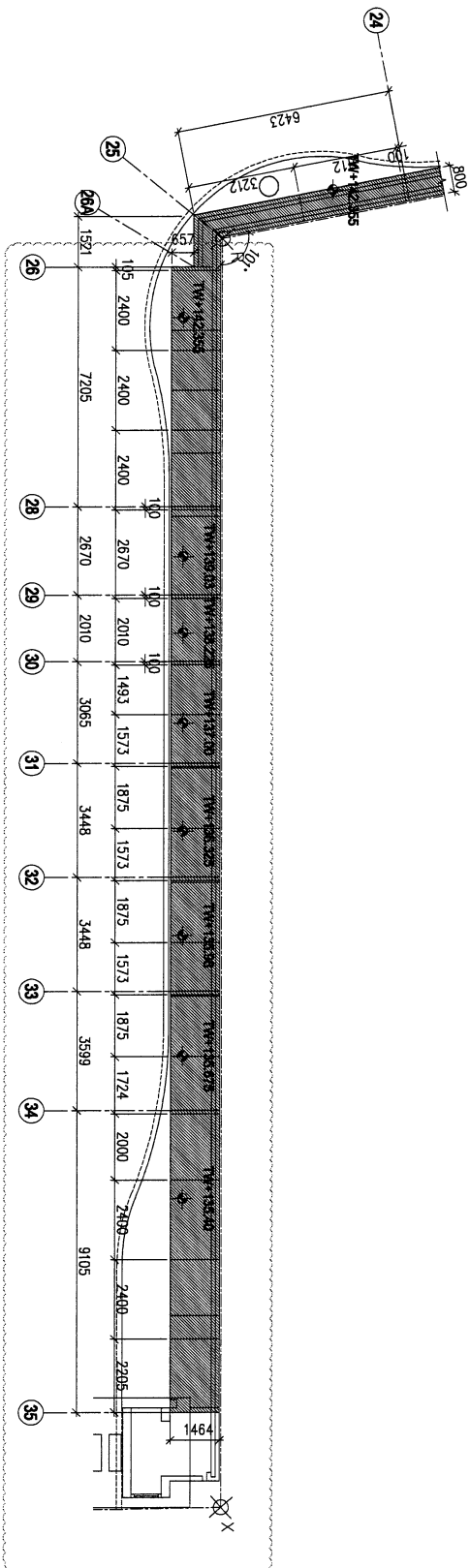
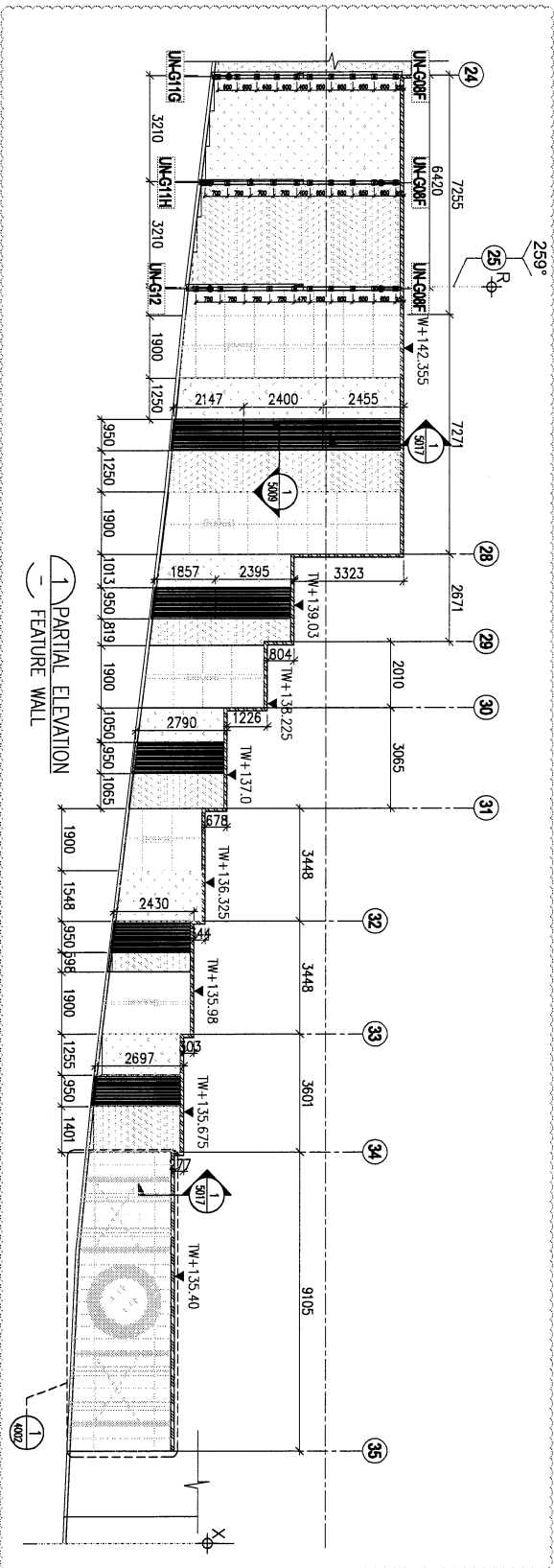
ARCHITECT:
WT WONG TUNG & PARTNERS LIMITED
黃志明建築師有限公司

CLIENT:
SHIMAO GROUP HOLDINGS LIMITED

MAIN CONTRACTOR:
協興建築有限公司
HIP HING CONSTRUCTION CO LTD

FAÇADE CONSULTANT:
WENHARDT

B.B. REF: -

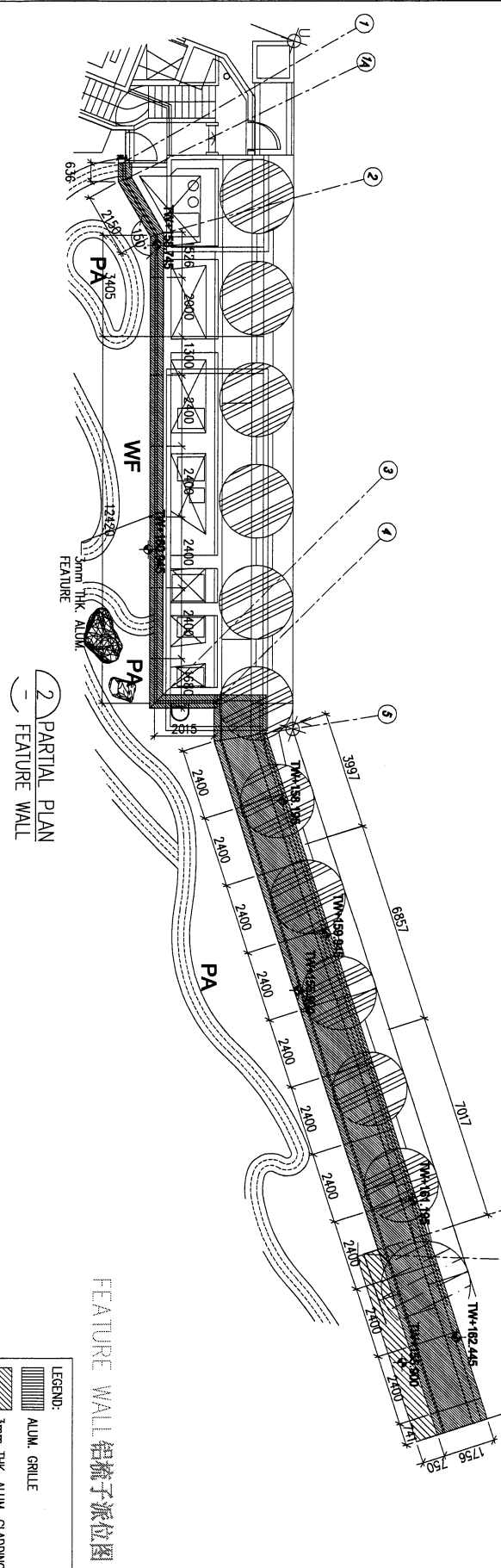
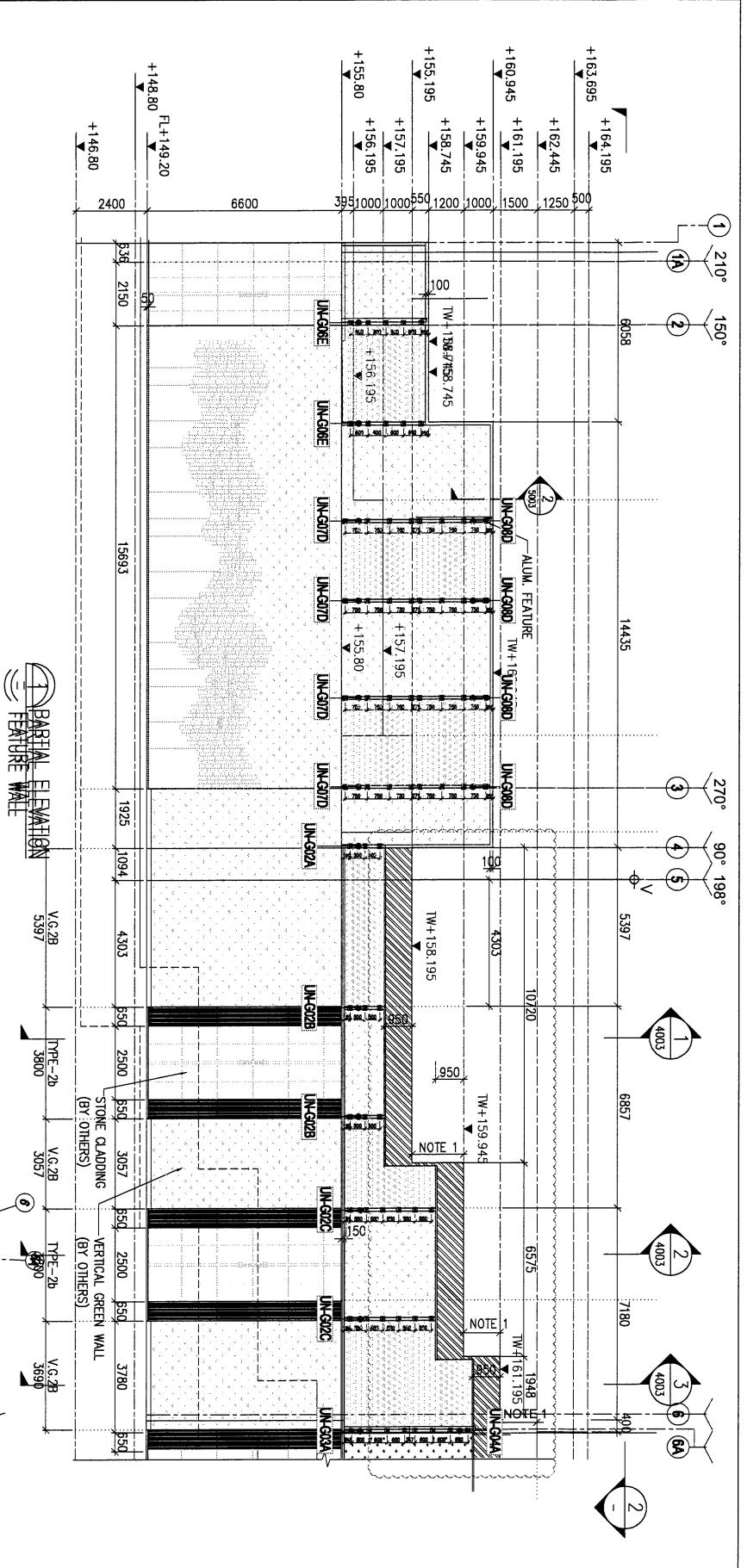


2 PARTIAL PLAN
- FEATURE WALL

铁件派位图 Part. 4
日期: 2023-06-21

LEGEND:
ALUM. GRILLE
3mm THK. ALUM. CLADDING

<p>CLIENT : SHIMAO GROUP HOLDINGS LIMITED</p> <p>ARCHITECT : HOCKEY TUNG & PARTNERS LIMITED</p> <p>MAIN CONTRACTOR : 協興建築有限公司 HIP HING CONSTRUCTION CO LTD</p> <p>STRUCTURAL ENGINEER : C M WONG & ASSOCIATES LTD 黃志明建築工程師有限公司</p> <p>FAÇADE CONSULTANT : MENYARD</p>	<p>BLD. REF :</p>
<p>NOTE: 1. ALL DIMENSIONS ARE IN MM. 2. ALL DIMENSIONS ARE CHECKED FROM OUTSIDE BEFORE FABRICATION. 3. BEFORE FABRICATION.</p> <p>LEGEND: X - DETAIL MARK NO. REF - REFER SHEET NO. 1. F.F.L. - FINISHED FLOOR LEVEL. 2. S.F.L. - STRUCTURAL FLOOR LEVEL. 3. R - REVERSED DETAIL.</p>	<p>JOB NO. : J-853</p> <p>PROJECT : PROPOSED RESIDENTIAL DEVELOPMENT AT N.K.I.L. 6542 YIN PING ROAD KOWLOON</p> <p>TITLE : PARTIAL ELEVATION & PLAN OF FEATURE WALL (PHASE 1)</p> <p>DATE : 19-Apr-23 SCALE : 1:150 (A3)</p> <p>DRAWN BY : LHR CHECKED BY :</p> <p>Unit 6-4, Sunny Industrial Centre, 7/F 853-853/21-1, Tsim Sha Tsui, Kowloon Tel: (853) 2727886 Fax: (853) 2727886 DWG NO. : 853-FW-3003B REV. : -</p>



LEGEND:
 ALUM. GRILLE
 3mm THK. ALUM. CLADDING

FEATURE WALL 栏杆子派位图

CLIENT : SHIMAO GROUP HOLDINGS LIMITED 协兴集团有限公司		ARCHITECT : WFP ARCHITECTS & PARTNERS LIMITED 协兴建筑有限公司		STRUCTURAL ENGINEER : C M WONG & ASSOCIATES LTD 黄志明建筑工程师有限公司		FACE CONSULTANT : WEINHARDT	
UNIT CONTRACTOR : HHP HING CONSTRUCTION CO LTD 合平建筑有限公司		DATE : 29-Mar-23 SCALE : 1:150 (A3)		JOB NO. : J-853		PROJECT : PROPOSED RESIDENTIAL DEVELOPMENT AT N.K.L.L. 6542 YIN PING ROAD KOWLOON	
DRAWN BY : LHR CHECKED BY :		TITLE : PARTIAL ELEVATION & PLAN OF FEATURE WALL (PHASE 1)		DATE : 29-Mar-23 SCALE : 1:150 (A3)		JOB NO. : J-853	
UNIT CONTRACTOR : HHP HING CONSTRUCTION CO LTD 合平建筑有限公司		DATE : 29-Mar-23 SCALE : 1:150 (A3)		JOB NO. : J-853		PROJECT : PROPOSED RESIDENTIAL DEVELOPMENT AT N.K.L.L. 6542 YIN PING ROAD KOWLOON	
DRAWN BY : LHR CHECKED BY :		TITLE : PARTIAL ELEVATION & PLAN OF FEATURE WALL (PHASE 1)		DATE : 29-Mar-23 SCALE : 1:150 (A3)		JOB NO. : J-853	

NOTE:
 1. ALL DIMENSIONS ARE IN MM.
 2. ALL DIMENSIONS ARE VERIFIED FROM ORIGIN.
 3. BEFORE PRODUCTION, TO BE VERIFIED ON SITE.
 4. REFER SHEET NO. (BY OTHERS)
 5. REVERSED DETAIL

LEGEND:
 DETAIL MARK NO. REFER SHEET NO. (BY OTHERS)
 1. FILL - FINISHED FLOOR LEVEL.
 2. STL - STRUCTURAL FLOOR LEVEL.
 3. (BY OTHERS)
 4. REVERSED DETAIL

UNIT CONTRACTOR: HHP HING CONSTRUCTION CO LTD
 ARCHITECT: WFP ARCHITECTS & PARTNERS LIMITED
 STRUCTURAL ENGINEER: C M WONG & ASSOCIATES LTD
 FACE CONSULTANT: WEINHARDT

CLIENT: SHIMAO GROUP HOLDINGS LIMITED
 协兴集团有限公司

DATE: 29-Mar-23
 SCALE: 1:150 (A3)

JOB NO.: J-853

PROJECT: PROPOSED RESIDENTIAL DEVELOPMENT AT N.K.L.L. 6542 YIN PING ROAD KOWLOON

DRAWN BY: LHR
 CHECKED BY:

TITLE: PARTIAL ELEVATION & PLAN OF FEATURE WALL (PHASE 1)

UNIT CONTRACTOR: HHP HING CONSTRUCTION CO LTD
 ARCHITECT: WFP ARCHITECTS & PARTNERS LIMITED
 STRUCTURAL ENGINEER: C M WONG & ASSOCIATES LTD
 FACE CONSULTANT: WEINHARDT

CLIENT: SHIMAO GROUP HOLDINGS LIMITED
 协兴集团有限公司

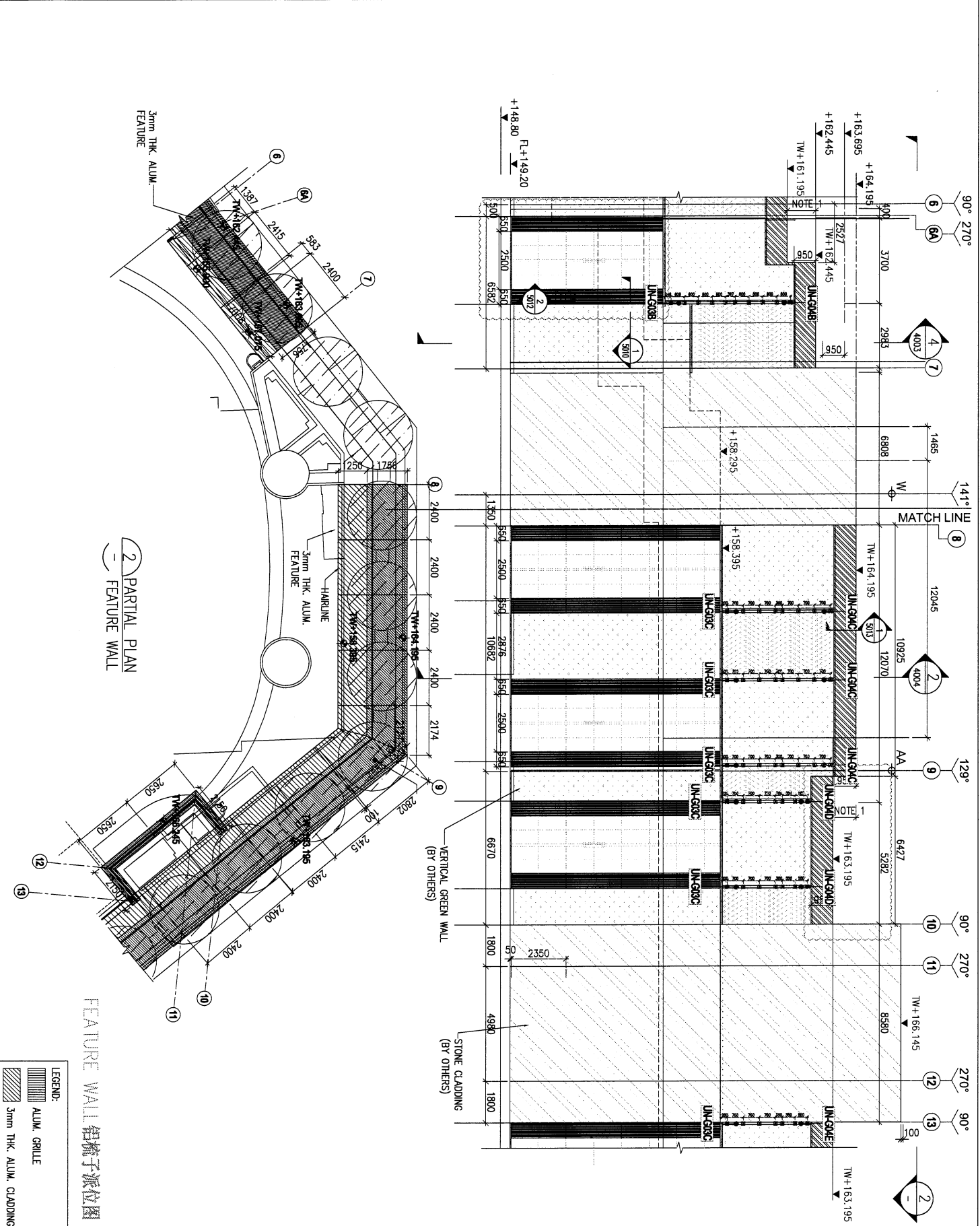
DATE: 29-Mar-23
 SCALE: 1:150 (A3)

JOB NO.: J-853

PROJECT: PROPOSED RESIDENTIAL DEVELOPMENT AT N.K.L.L. 6542 YIN PING ROAD KOWLOON

DRAWN BY: LHR
 CHECKED BY:

TITLE: PARTIAL ELEVATION & PLAN OF FEATURE WALL (PHASE 1)



B.B. REF. : SHIMAO GROUP HOLDINGS LIMITED	
CLIENT : SHIMAO GROUP HOLDINGS LIMITED	
ARCHITECT : CHONG TUNG & PARTNERS LIMITED ARCHITECTS & PLANNERS	
MAIN CONTRACTOR : 協興建築有限公司 HIP HING CONSTRUCTION CO LTD	
STRUCTURAL ENGINEER : C M WONG & ASSOCIATES LTD 黃志明建築工程師有限公司	
FAÇADE CONSULTANT : WEINHARDT	
NOTE : 1. ALL DIMENSIONS ARE IN mm. 2. ALL ELEVATIONS ARE VIEWED FROM OUTSIDE. 3. ALL DIMENSIONS TO BE VIEWED ON SITE. 4. BESEAL PENETRATION. LEGEND : (X) METAL MARK NO. (O) REFER SHEET NO. 1. F.F.L. — FINISHED FLOOR LEVEL. 2. S.F.L. — STRUCTURAL FLOOR LEVEL. 3. (R) — REVERSED DETAIL.	
NO. DATE REVISION BY	1 29-Nov-23 1 LHR
JOB NO. : J-853	
PROJECT : PROPOSED RESIDENTIAL DEVELOPMENT AT N.K.I.L. 6542 YIN PING ROAD KOWLOON	
TITLE : PARTIAL ELEVATION & PLAN OF FEATURE WALL (PHASE 1)	
DATE : 29-Nov-23 SCALE : 1:150 (A3)	
DRAWN BY : LHR CHECKED BY :	
LEGEND : ALUM. GRILLE 3mm THK. ALUM. CLADDING	
美特堅實有限公司 MIDT AUTOMATIC MANUFACTURING LTD. Units 8-9, Sunny Industrial Centre, V/F No.2888711, Fax: (852)27272866 DMC NO. : 0853-TW-30058	

