

工程指示 / 要求簡箋 ENGINEER INSTRUCTIONS(E.I.)

工程指示編號:	EI- 6219	修改版本:	A
	HK-1472		
工程編號:	J 853	工程名稱:	延坪道
收件人:	生統	發件人:	Joe Chan
工程項目:	Feature Wall 項目 地盤用 Grille (Mock up)	日期:	03/07/2023

<input checked="" type="checkbox"/> 原合約工程包	<input type="checkbox"/> 原合約工程加 / 減賬 QT-	<input type="checkbox"/> 新工程報價 QT-
--	--	------------------------------------

信件批核號碼/圖紙參考編號:	批核模具圖紙編號:
客戶指示附件:	管理內部批簽署:

<input type="checkbox"/> 初步鋁料 B.M.	<input type="checkbox"/> 加工拆圖, 然後生產	<input type="checkbox"/> 尺寸表
<input type="checkbox"/> 正式鋁料 B.M.	<input type="checkbox"/> 技術上資料/指示	<input type="checkbox"/> 報價
<input type="checkbox"/> 配件 B.M.	<input type="checkbox"/> 樣辦或貨品說明書	<input type="checkbox"/> 分判合約
<input type="checkbox"/> 其他:		

內容: 修改 A: Mock up 之 Grille 改用鋁型材生產
附上相關之加工圖.

完成上列要求日期: 急 ASAP

國內

<input type="checkbox"/> 生產技術總監	<input type="checkbox"/> 連附件	<input type="checkbox"/> 技術部	<input type="checkbox"/> 連附件	<input type="checkbox"/> 生產部	<input type="checkbox"/> 連附件
<input type="checkbox"/> 採購部	<input type="checkbox"/> 連附件	<input checked="" type="checkbox"/> 生產統籌部	<input checked="" type="checkbox"/> 連附件	<input type="checkbox"/> 報關組	<input type="checkbox"/> 連附件
<input type="checkbox"/> 質檢部	<input type="checkbox"/> 連附件	<input type="checkbox"/> 會計部	<input type="checkbox"/> 連附件	<input type="checkbox"/> 機械設計部	<input type="checkbox"/> 連附件
<input type="checkbox"/> 香港辦	<input type="checkbox"/> 連附件	<input type="checkbox"/> 其他:			

香港

<input type="checkbox"/> 行政部	<input type="checkbox"/> 連附件	<input type="checkbox"/> 會計部	<input type="checkbox"/> 連附件	<input type="checkbox"/> 統籌部	<input type="checkbox"/> 連附件	<input type="checkbox"/> 工程部	<input type="checkbox"/> 連附件
<input type="checkbox"/> 採購部	<input type="checkbox"/> 連附件	<input type="checkbox"/> QS部	<input type="checkbox"/> 連附件	<input type="checkbox"/> 地盤管理	<input type="checkbox"/> 連附件	<input type="checkbox"/> 維修部	<input type="checkbox"/> 連附件

*發件人簽署:		*組別成員批核簽署:	
傳遞編號:	HK1472/23	項目經理簽署:	

PROJECT
YIN PING ROAD KOWLOON
FEATURE WALL (PHASE 1)

MATERIAL
格栅组装图

COATING

COLOUR

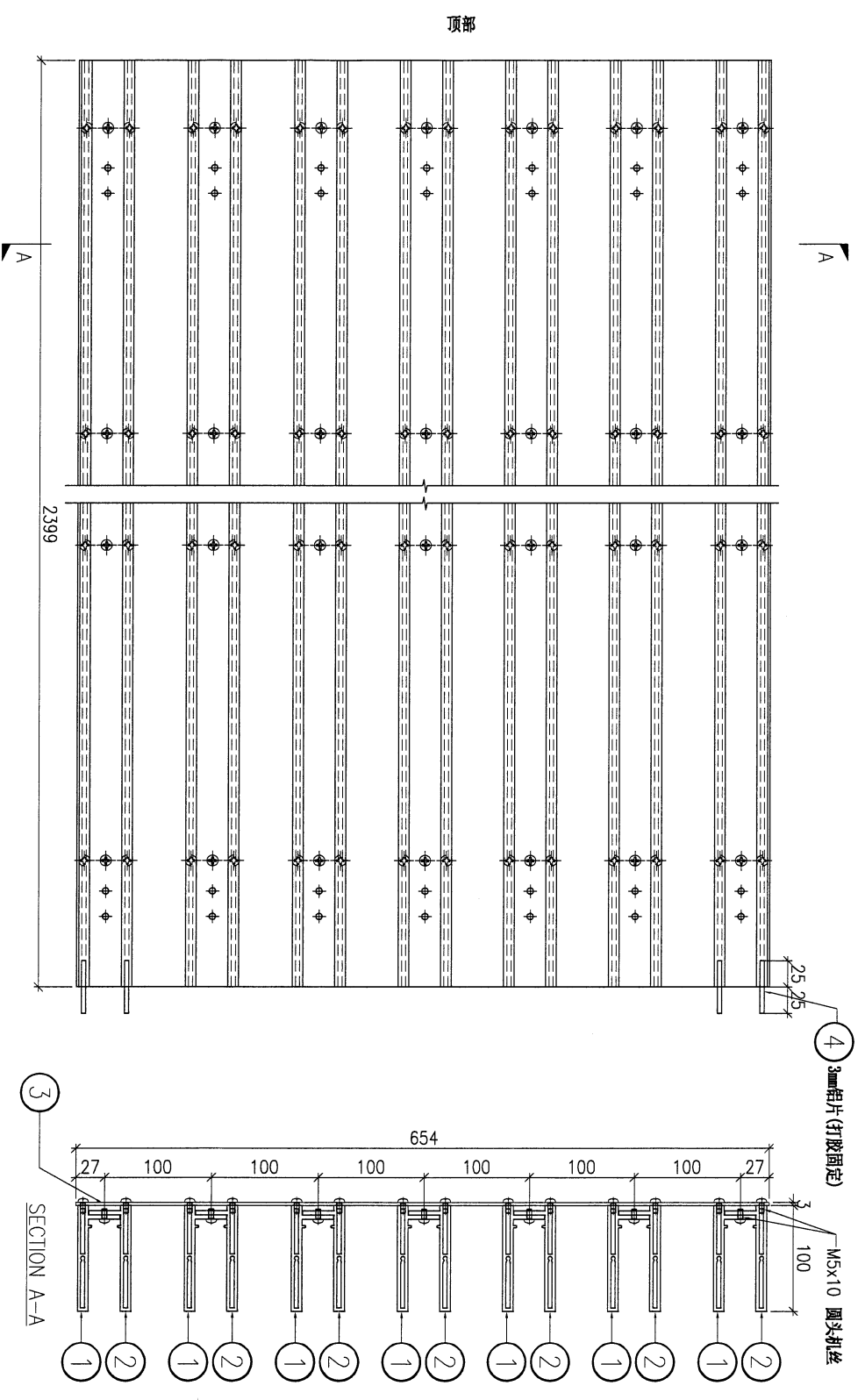
MARK. NO.

QTY.

注：送工地

REV.	CHECKED BY	PART NUMBER	Dim. A	Dim. B	Dim. C	Dim. D	Dim. E	Dim. F	Dim. G	Dim. H	QTY.	Inv. Code	ASSEMBLE ON PARTS
-		MU-UN51	-	-	-	-	-	-	-	-	8		

序号	编号	数量
①	MU-AL51	7
②	MU-AL52	7
③	MU-AP51	1
④	MU-AP50	4



DWG. NO.	REV.	SCALE	DATE	DRAWN BY	APPROVED BY
MU-UN51	-	-	13-04-2023		

PROJECT
YIN PING ROAD KOWLOON
FEATURE WALL (PHASE 1)

MATERIAL
格栅组裝图

COATING

COLOUR

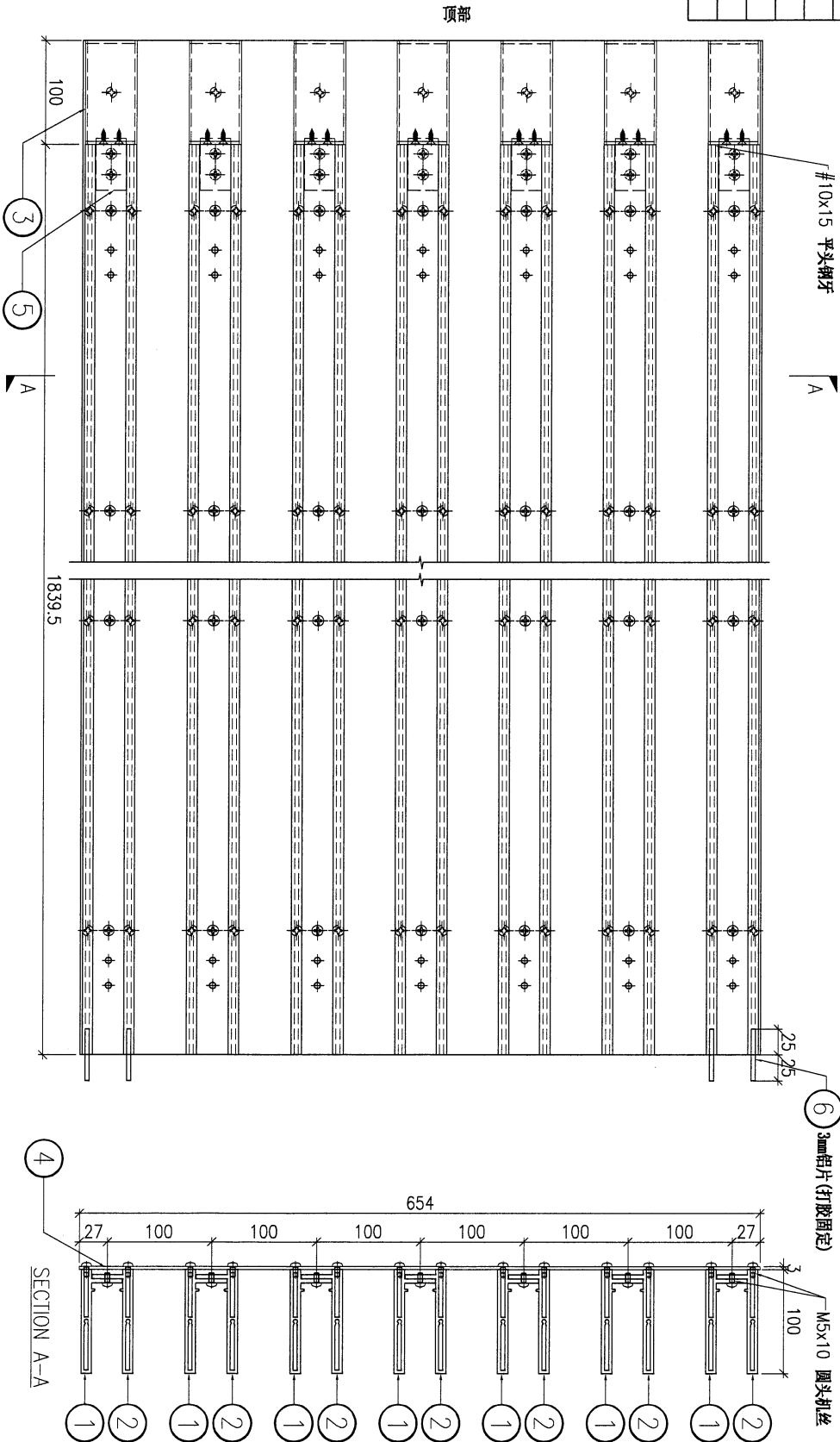
MARK. NO.

QTY.

注：送工地

REV. / CHECKED BY / BR. BY	PART NUMBER	Dim. A	Dim. B	Dim. C	Dim. D	Dim. E	Dim. F	Dim. G	Dim. H	QTY.	Inv. Code
-	MU-UNS2	-	-	-	-	-	-	-	-	4	-

序号	编号	数量
①	MU-AL53	7
②	MU-AL54	7
③	MU-AL50	7
④	MU-AP52	1
⑤	MU-AL49	7
⑥	MU-AP50	4



DWG. NO.	REV.	SCALE	DATE	DRAWN BY	APPROVED BY
MU-UNS2	-	-	13-04-2023	-	-

PROJECT
YIN PING ROAD KOWLOON
FEATURE WALL (PHASE 1)

MATERIAL
格栅组装图

COATING

COLOUR

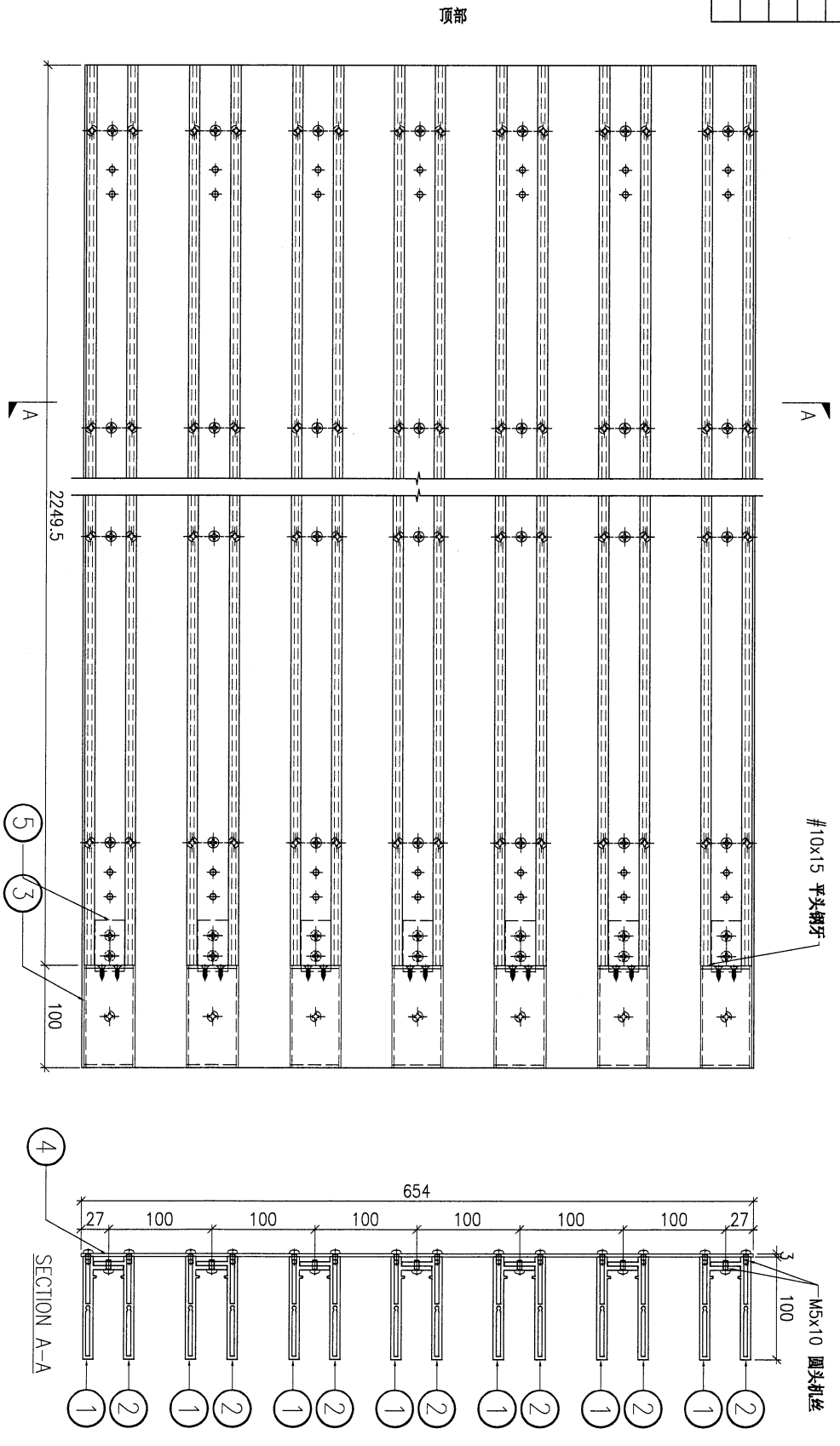
MARK. NO.

QTY.

注：送工地

REV. / CHECKED BY / DATE	PART NUMBER	Dim. A	Dim. B	Dim. C	Dim. D	Dim. E	Dim. F	Dim. G	Dim. H	QTY.	Inv. Code	ASSEMBLE ON PARTS
-	MU-UN53	-	-	-	-	-	-	-	-	4		

序号	编号	数量
①	MU-AL55	7
②	MU-AL56	7
③	MU-AL50	7
④	MU-AP53	1
⑤	MU-AL49	7



DWG. NO.	REV.	SCALE	DATE	DRAWN BY	APPROVED BY
MU-UN53	-	-	13-04-2023		

PROJECT
YIN PING ROAD KOWLOON
FEATURE WALL (PHASE 1)

MATERIAL
3mm 铝角(JM1061)

COATING
钝化

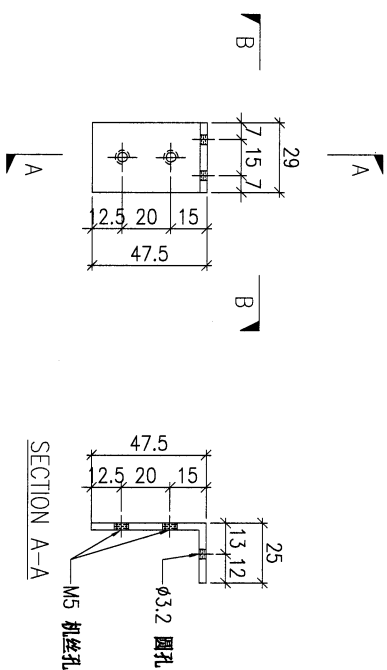
COLOUR

MARK. NO.

QTY.

注: 送工厂

REV. / CHECKED BY	PART NUMBER	Dim. A	Dim. B	Dim. C	Dim. D	Dim. E	Dim. F	Dim. G	Dim. H	QTY.	Inv. Code	ASSEMBLE ON PARTS
-	MU-AL49	-	-	-	-	-	-	-	-	56		

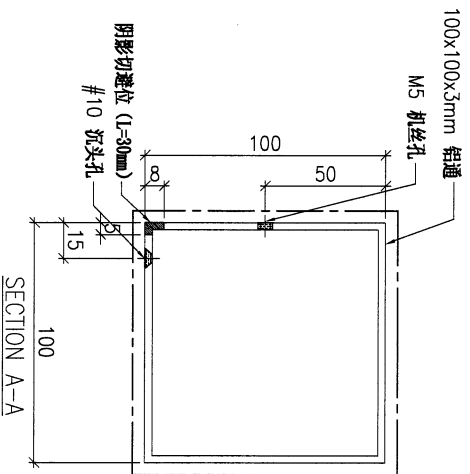
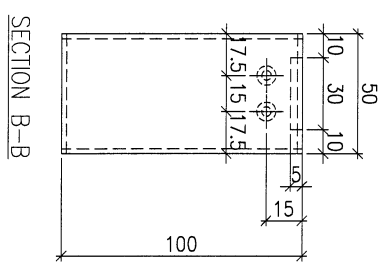
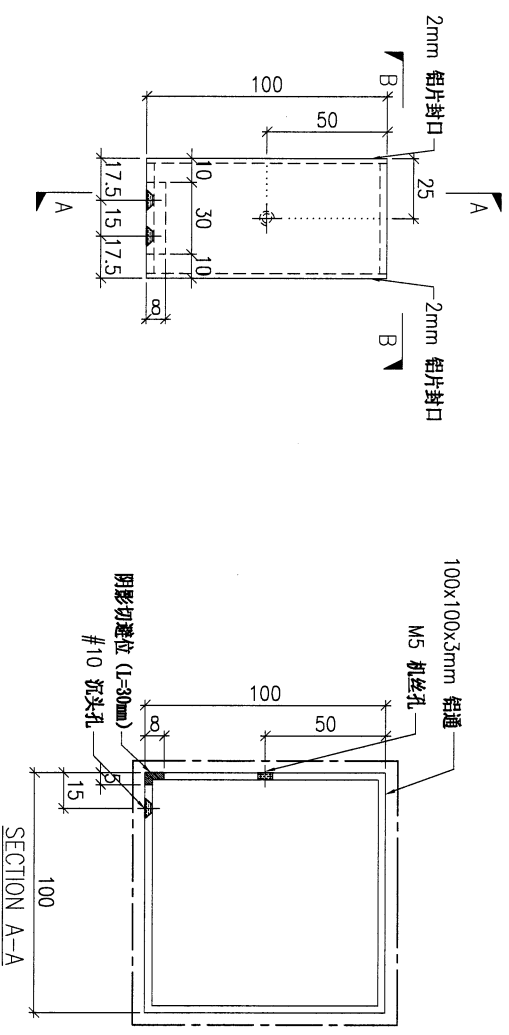


SECTION B-B

SECTION A-A

DWG. NO.	MU-AL49	REV.	-	SCALE	-	DATE	22-03-2023	DRAWN BY	-	APPROVED BY	-
----------	---------	------	---	-------	---	------	------------	----------	---	-------------	---

PROJECT				YIN PING ROAD KOWLOON FEATURE WALL (PHASE 1)				MATERIAL		铝型材 (A14)		COATING		PVF2		COLOUR		SS-03		MARK. NO.		-		QTY.		-	
REV.	CHANGED BY	PART NUMBER	Dim. A	Dim. B	Dim. C	Dim. D	Dim. E	Dim. F	Dim. G	Dim. H	QTY.	Inv. Code	ASSEMBLE ON PARTS														
-		MU-AL50	-	-	-	-	-	-	-	-	56																
注: 送工厂																											



DWG. NO.		MU-AL50		REV.		-		SCALE		-		DATE		22-03-2023		DRAWN BY		-		APPROVED BY		-	
----------	--	---------	--	------	--	---	--	-------	--	---	--	------	--	------------	--	----------	--	---	--	-------------	--	---	--

PROJECT
YIN PING ROAD KOWLOON
FEATURE WALL (PHASE 1)

MATERIAL
鋁型材 (AF1-1)

COATING
PVF2

COLOUR
SS-03

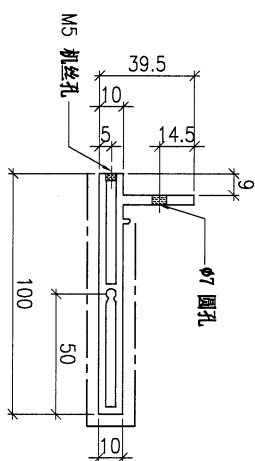
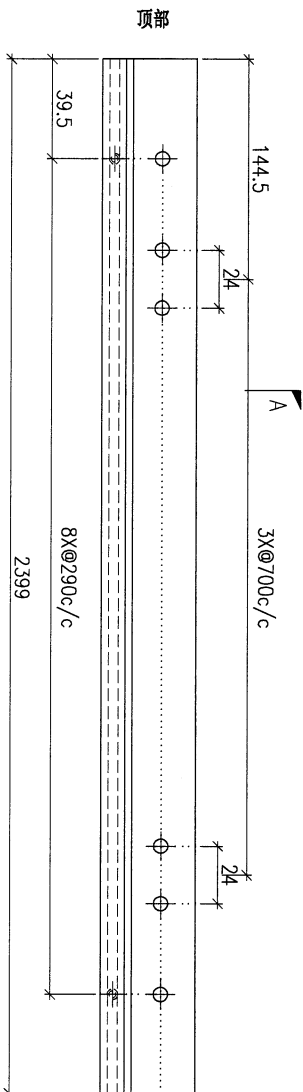
MARK. NO.
-

QTY.
-

CHECKED DATE BY	PART NUMBER	Dim. A	Dim. B	Dim. C	Dim. D	Dim. E	Dim. F	Dim. G	Dim. H	QTY.	Inv. Code
-	MU-AL51	-	-	-	-	-	-	-	-	56	-

ASSEMBLE ON PARTS

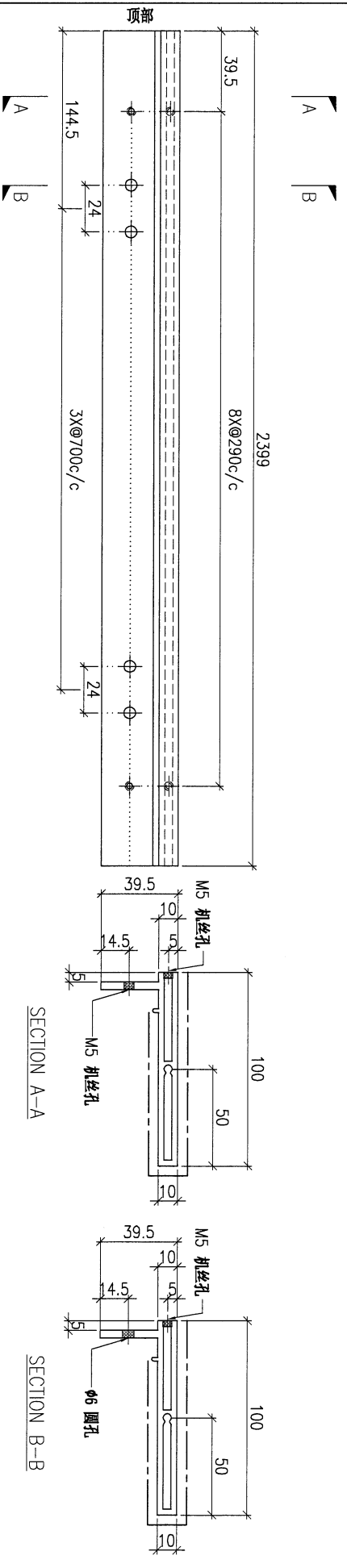
注: 送工厂



A

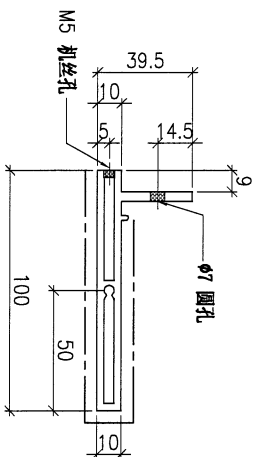
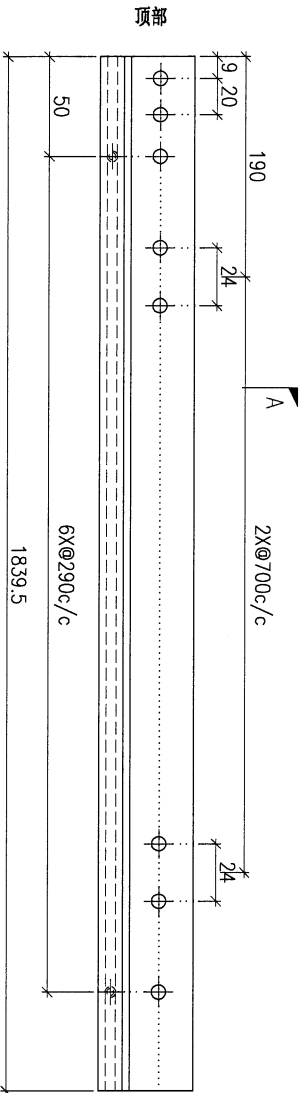
DWG. NO.	MU-AL51	REV.	-	SCALE	-	DATE	22-03-2023	DRAWN BY	-	APPROVED BY	-
----------	---------	------	---	-------	---	------	------------	----------	---	-------------	---

PROJECT		YIN PING ROAD KOWLOON FEATURE WALL (PHASE 1)								MATERIAL		COATING		COLOUR		MARK. NO.		QTY.	
										铝型材 (AF1-2)		PVF2		SS-03		-		-	
REV.	CHECKED DATE BY	PART NUMBER	Dim. A	Dim. B	Dim. C	Dim. D	Dim. E	Dim. F	Dim. G	Dim. H	QTY.	Inv. Code	ASSEMBLE ON PARTS						
-		MU-AL52	-	-	-	-	-	-	-	-	56		注: 送工厂						



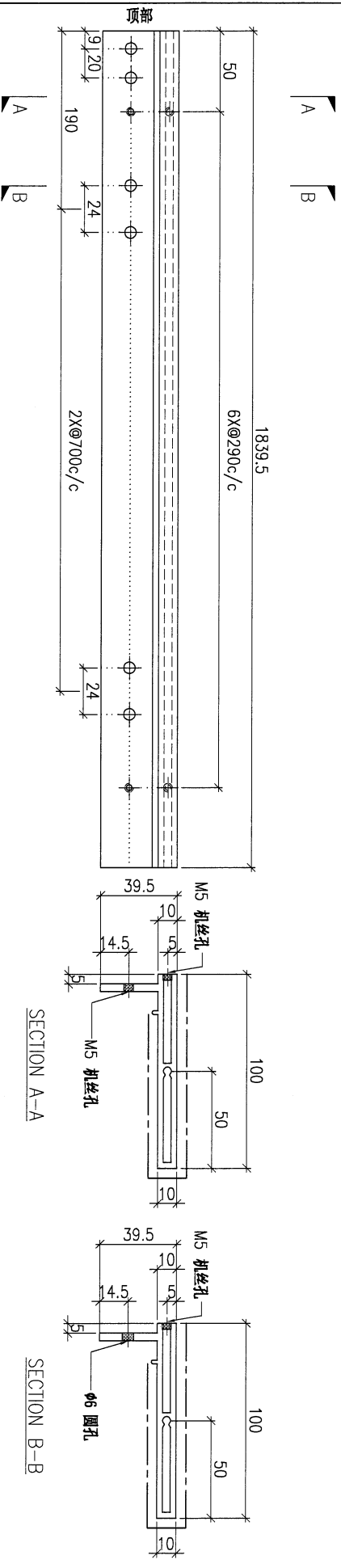
DWG. NO.		REV.		SCALE		DATE		DRAWN BY		APPROVED BY	
MU-AL52		-		-		22-03-2023		-		-	

PROJECT				MATERIAL				COATING				COLOUR		MARK. NO.		QTY.	
YIN PING ROAD KOWLOON FEATURE WALL (PHASE 1)				铝型材 (AF-1-1)				PVF2				SS-03		-		-	
REV.	CHECKED DATE BY	PART NUMBER	Dim. A	Dim. B	Dim. C	Dim. D	Dim. E	Dim. F	Dim. G	Dim. H	QTY.	Inv. Code	ASSEMBLE ON PARTS				
-		MU-AL53	-	-	-						28		注: 送工厂				



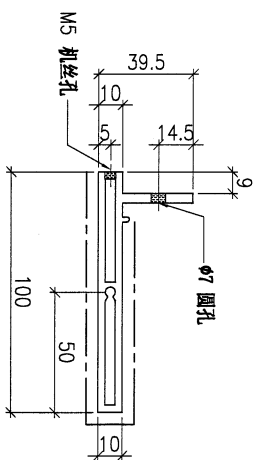
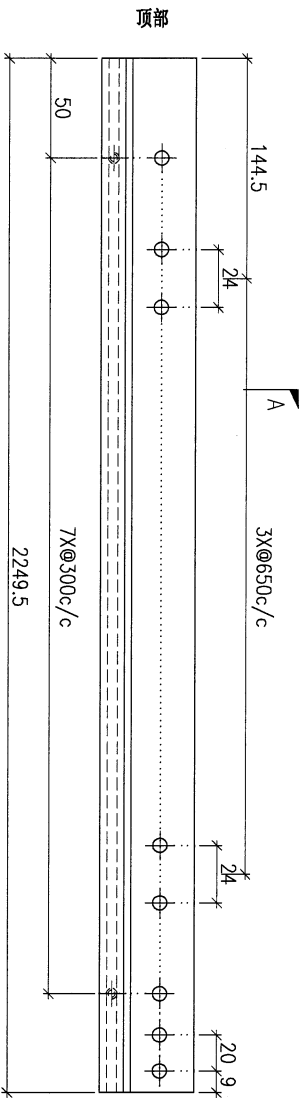
DWG. NO.		REV.		SCALE		DATE		DRAWN BY		APPROVED BY	
MU-AL53		-		-		22-03-2023		-		-	

PROJECT				MATERIAL				COATING				COLOUR				MARK. NO.				QTY.											
YIN PING ROAD KOWLOON FEATURE WALL (PHASE 1)												铝型材 (AF-1-2)				PVF2				SS-03				-				-			
CHKD BY	PART NUMBER	Dim. A	Dim. B	Dim. C	Dim. D	Dim. E	Dim. F	Dim. G	Dim. H	QTY.	Inv. Code	ASSEMBLE ON PARTS												注: 送工厂							
-	MU-AL54	-	-	-	-	-	-	-	-	28	-																				



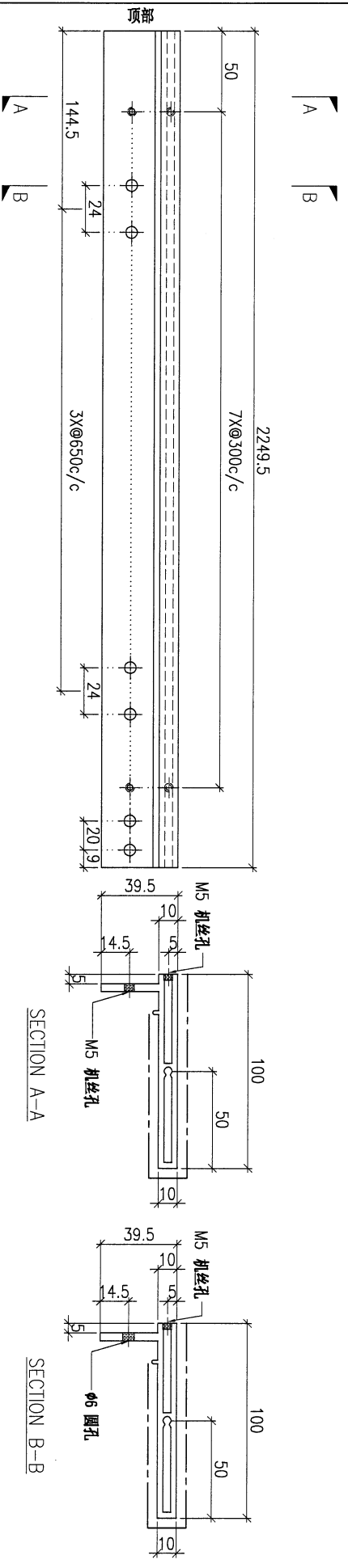
DWG. NO.		REV.		SCALE		DATE		DRAWN BY		APPROVED BY	
MU-AL54		-		-		22-03-2023		-		-	

PROJECT		YIN PING ROAD KOWLOON FEATURE WALL (PHASE 1)								MATERIAL		铝型材 (AF-1-1)		COATING		PVF2		COLOUR		SS-03		MARK. NO.		QTY.	
REV.	DATE BY	PART NUMBER	Dim. A	Dim. B	Dim. C	Dim. D	Dim. E	Dim. F	Dim. G	Dim. H	QTY.	Inv. Code	ASSEMBLE ON PARTS												
-		MU-AL55	-	-	-	-	-	-	-	-	28		注: 送工厂												



DWG. NO.		REV.		SCALE		DATE		DRAWN BY		APPROVED BY	
MU-AL55		-		-		22-03-2023		-		-	

PROJECT				MATERIAL				COATING		COLOUR		MARK. NO.		QTY.	
YIN PING ROAD KOWLOON FEATURE WALL (PHASE 1)				铝型材 (AF1-2)				PVF2		SS-03		-		-	
checked date by	PART NUMBER	Dim. A	Dim. B	Dim. C	Dim. D	Dim. E	Dim. F	Dim. G	Dim. H	QTY.	Inv. Code	ASSEMBLE ON PARTS			
-	MU-AL56	-	-	-	-	-	-	-	-	28	-	注: 送工厂			



DWG. NO.	REV.	SCALE	DATE	DRAWN BY	APPROVED BY
MU-AL56	-	-	22-03-2023	-	-

PROJECT
YIN PING ROAD KOWLOON
FEATURE WALL (PHASE 1)

MATERIAL
3mm 铝板

COATING
钝化

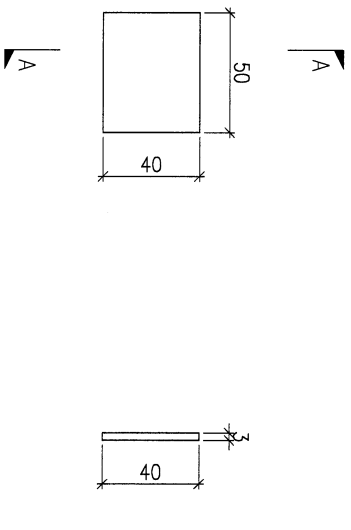
COLOUR

MARK. NO.

QTY.

注: 送工厂

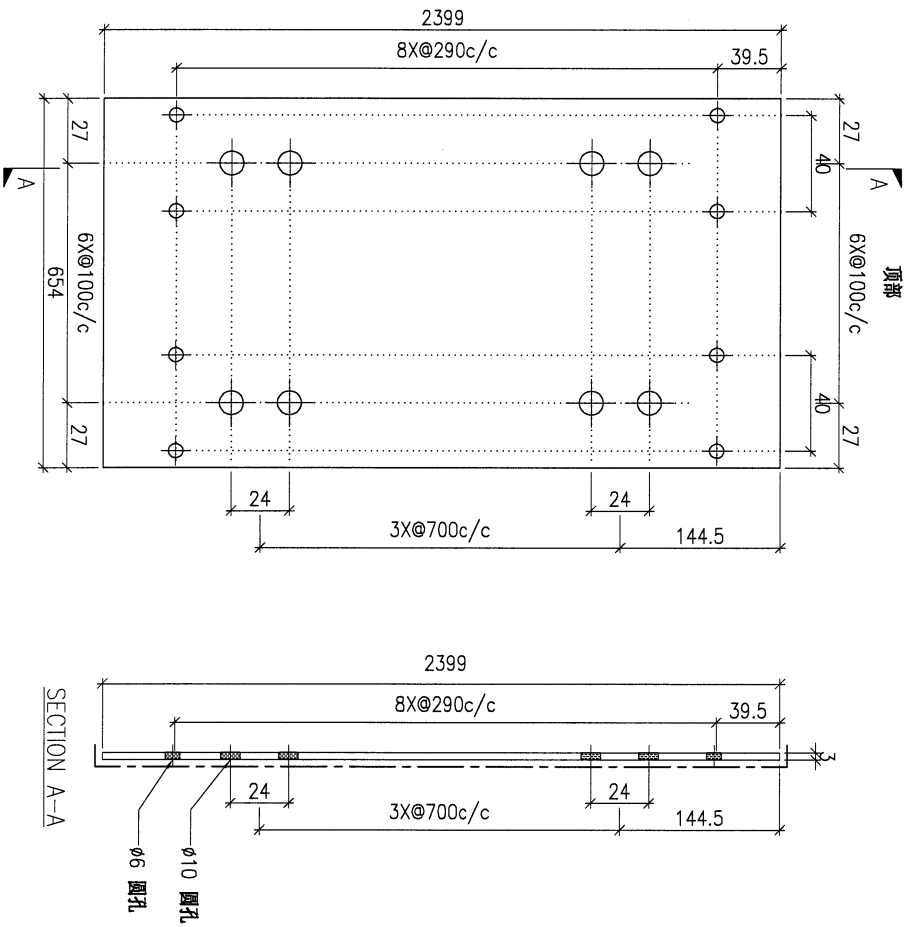
REV.	CHECKED DATE BY	PART NUMBER	Dim. A	Dim. B	Dim. C	Dim. D	Dim. E	Dim. F	Dim. G	Dim. H	QTY.	Inv. Code	ASSEMBLE ON PARTS
-		MU-AP50	-	-	-						48		



SECTION A-A

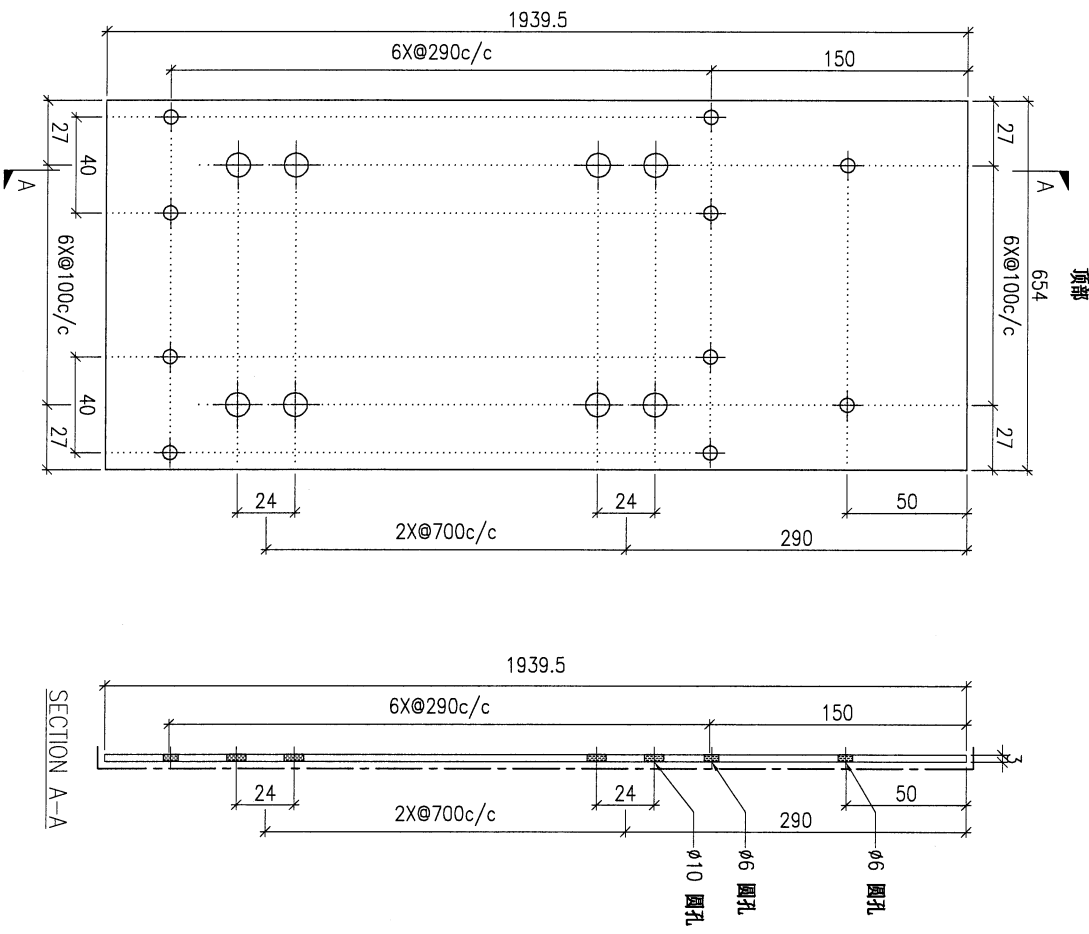
DWG. NO.	MU-AP50	REV.	-	SCALE	-	DATE	22-03-2023	DRAWN BY	-	APPROVED BY	
----------	---------	------	---	-------	---	------	------------	----------	---	-------------	--

PROJECT				MATERIAL				COATING				COLOUR		MARK. NO.		QTY.	
YIN PING ROAD KOWLOON FEATURE WALL (PHASE 1)				3mm 铝板				PVF2				SS-01		-		-	
REV.	CHECKED DATE BY	PART NUMBER	Dim. A	Dim. B	Dim. C	Dim. D	Dim. E	Dim. F	Dim. G	Dim. H	QTY.	Inv. Code	ASSEMBLE ON PARTS				
-		MU-AP51	-	-	-	-	-	-	-	-	8		注: 送工厂				



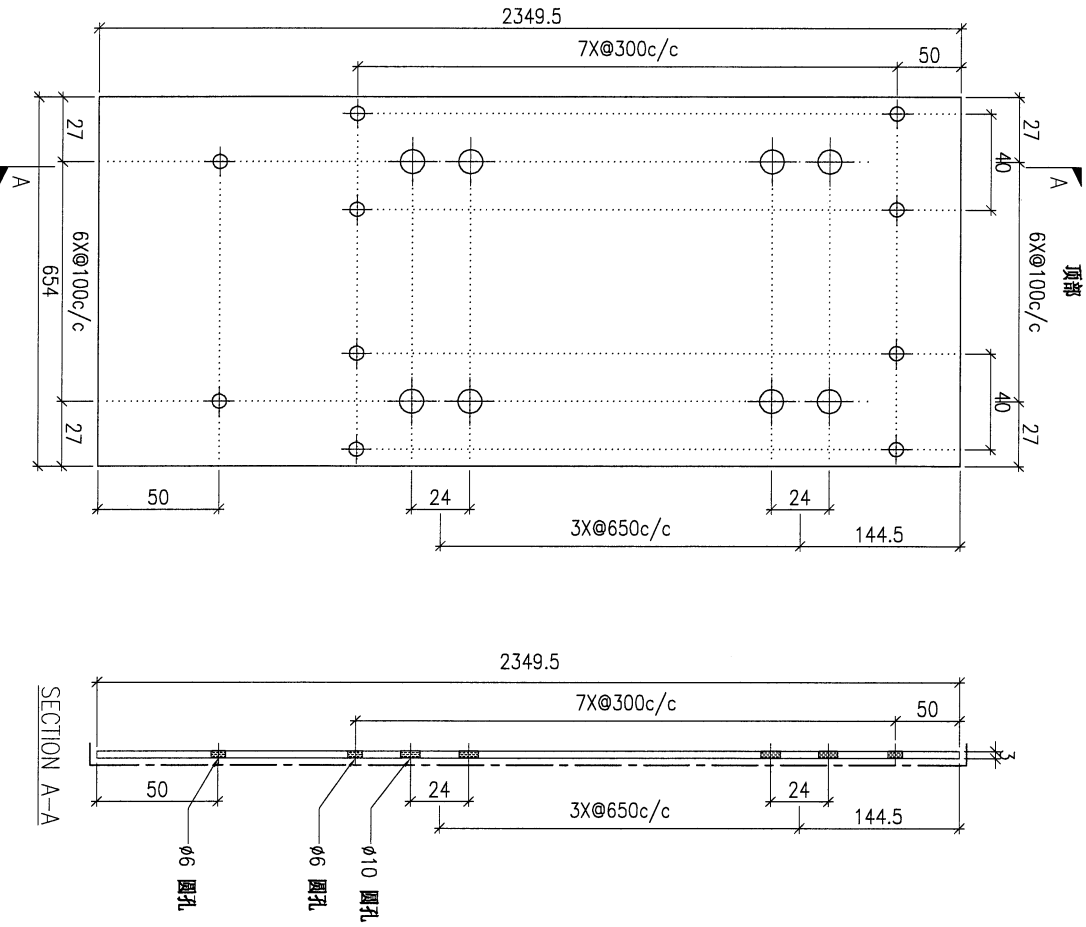
DWG. NO.		REV.		SCALE		DATE		DRAWN BY		APPROVED BY	
MU-AP51		-		-		22-03-2023		-		-	

PROJECT				MATERIAL				COATING				COLOUR				MARK. NO.				QTY.															
YIN PING ROAD KOWLOON FEATURE WALL (PHASE 1)																3mm 铝板				PVF2				SS-01				-				-			
REV.	CHECKED DATE	PART NUMBER	Dim. A	Dim. B	Dim. C	Dim. D	Dim. E	Dim. F	Dim. G	Dim. H	QTY.	Inv. Code	ASSEMBLE ON PARTS																						
-		MU-AP52	-	-	-	-	-	-	-	-	4		注: 送工厂																						



DWG. NO.		REV.		SCALE		DATE		DRAWN BY		APPROVED BY	
MU-AP52		-		-		22-03-2023		-		-	

PROJECT				MATERIAL				COATING				COLOUR				MARK. NO.		QTY.	
YIN PING ROAD KOWLOON FEATURE WALL (PHASE 1)				3mm 铝板				PVF2				SS-01				-		-	
REV.	CHECKED DATE BY	PART NUMBER	Dim. A	Dim. B	Dim. C	Dim. D	Dim. E	Dim. F	Dim. G	Dim. H	QTY.	Inv. Code	ASSEMBLE ON PARTS						
-		MU-AP53	-	-	-	-	-	-	-	-	4								
注: 送工厂																			



DWG. NO.		REV.		SCALE		DATE		DRAWN BY		APPROVED BY	
MU-AP53		-		-		22-03-2023		-		-	