

工程指示 / 要求簡箋 ENGINEER INSTRUCTIONS (E.I.)

工程指示編號:	EI- 6172	修改版本:	-
	HK-1041		
工程編號:	J 853	工程名稱:	延坪道
收件人:	生統	發件人:	Joe Chan
工程項目:	Feature Wall 項目 地盤用鋁板 (Mock up位)	日期:	12/05/2023

<input checked="" type="checkbox"/> 原合約工程包	<input type="checkbox"/> 原合約工程加 / 減賬 QT-	<input type="checkbox"/> 新工程報價 QT-
--	--	------------------------------------

信件批核號碼/圖紙參考編號:	批核模具圖紙編號:
客戶指示附件:	管理內部批簽署:

<input type="checkbox"/> 初步鋁料 B.M.	<input type="checkbox"/> 加工拆圖, 然後生產	<input type="checkbox"/> 尺寸表
<input type="checkbox"/> 正式鋁料 B.M.	<input type="checkbox"/> 技術上資料/指示	<input type="checkbox"/> 報價
<input type="checkbox"/> 配件 B.M.	<input type="checkbox"/> 樣辦或貨品說明書	<input type="checkbox"/> 分判合約
<input type="checkbox"/> 其他:		

內容: 請依附件資料, 生產鋁板, 送地盤

完成上列要求日期: 30/5/2023 ASAP

國內

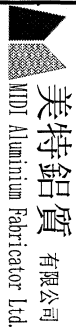
<input type="checkbox"/> 生產技術總監	<input type="checkbox"/> 連附件	<input type="checkbox"/> 技術部	<input type="checkbox"/> 連附件	<input type="checkbox"/> 生產部	<input type="checkbox"/> 連附件
<input type="checkbox"/> 採購部	<input type="checkbox"/> 連附件	<input checked="" type="checkbox"/> 生產統籌部	<input checked="" type="checkbox"/> 連附件	<input type="checkbox"/> 報關組	<input type="checkbox"/> 連附件
<input type="checkbox"/> 質檢部	<input type="checkbox"/> 連附件	<input type="checkbox"/> 會計部	<input type="checkbox"/> 連附件	<input type="checkbox"/> 機械設計部	<input type="checkbox"/> 連附件
<input type="checkbox"/> 香港辦	<input type="checkbox"/> 連附件	<input type="checkbox"/> 其他:			

香港

<input type="checkbox"/> 行政部	<input type="checkbox"/> 連附件	<input type="checkbox"/> 會計部	<input type="checkbox"/> 連附件	<input type="checkbox"/> 統籌部	<input type="checkbox"/> 連附件	<input type="checkbox"/> 工程部	<input type="checkbox"/> 連附件
<input type="checkbox"/> 採購部	<input type="checkbox"/> 連附件	<input type="checkbox"/> QS部	<input type="checkbox"/> 連附件	<input checked="" type="checkbox"/> 地盤管理	<input checked="" type="checkbox"/> 連附件	<input type="checkbox"/> 維修部	<input type="checkbox"/> 連附件

*發件人簽署:		*組別成員批核簽署:	
傳遞編號:	HK1041/23	項目經理簽署:	

①



美特鋁質 有限公司  
MIDI Aluminium Fabricator Ltd.

工程號:	J-853	計算:	ming	日期:	2023.05.10	送呈:	JOE
地盤名稱:	延坪路	核對:		日期:		副本:	

廠用鋁板B.M.表

項目類別:	MOCK UP (part1)	批准:		日期:			
-------	-----------------	-----	--	-----	--	--	--

BM編號:	修改版次:	A/C Code:	總V.F.:	總重量:	542.11		
-------	-------	-----------	--------	------	--------	--	--

序號	修改內容	鋁板圖號	鋁板名稱	顏色	實用	後備	總數	總重量	66.680		總重量:	542.11	圖紙編號
									單件展開面積	總展開面積			
1		MU-AP01	3mm厚鋁板	EC-DG-D334232-ZD1	5	0	5	35.426	0.871	4.357	0.871	4.357	
2		MU-AP02	3mm厚鋁板	EC-DG-D334232-ZD1	5	0	5	29.853	0.734	3.672	0.734	3.672	
3		MU-AP03	3mm厚鋁板	EC-DG-D334232-ZD1	1	0	1	4.307	0.530	0.530	0.530	0.530	
4		MU-AP04	3mm厚鋁板	EC-DG-D334232-ZD1	1	0	1	3.418	0.420	0.420	0.420	0.420	
5		MU-AP08	3mm厚鋁板	EC-DG-D334232-ZD1	1	0	1	5.185	0.638	0.638	0.638	0.638	
6		MU-AP09	3mm厚鋁板	EC-DG-D334232-ZD1	1	0	1	3.846	0.473	0.473	0.473	0.473	
7		MU-AP07A	3mm厚鋁板	EC-DG-D334232-ZD1	5	0	5	7.701	0.189	0.947	0.189	0.947	
8		MU-AP10A	3mm厚鋁板	EC-DG-D334232-ZD1	6	0	6	66.836	1.370	8.221	1.370	8.221	
9		MU-AP10B	3mm厚鋁板	EC-DG-D334232-ZD1	4	0	4	49.314	1.516	6.066	1.516	6.066	
10		MU-AP11A	3mm厚鋁板	EC-DG-D334232-ZD1	3	0	3	73.853	3.028	9.084	3.028	9.084	
11		MU-AP11C	3mm厚鋁板	EC-DG-D334232-ZD1	2	0	2	52.407	3.223	6.446	3.223	6.446	
12		MU-AP15	3mm厚鋁板	EC-DG-D334232-ZD1	2	0	2	40.276	2.477	4.954	2.477	4.954	
13		MU-AP16	3mm厚鋁板	EC-DG-D334232-ZD1	3	0	3	48.522	1.989	5.968	1.989	5.968	
14		MU-AP23	3mm厚鋁板	EC-DG-D334232-ZD1	1	0	1	9.714	1.195	1.195	1.195	1.195	
15		MU-AP24	3mm厚鋁板	EC-DG-D334232-ZD1	1	0	1	9.714	1.195	1.195	1.195	1.195	
16		MU-AP25	3mm厚鋁板	EC-DG-D334232-ZD1	1	0	1	21.467	2.640	2.640	2.640	2.640	
17		MU-AP27	3mm厚鋁板	EC-DG-D334232-ZD1	1	0	1	9.886	1.216	1.216	1.216	1.216	
18		MU-AP28	3mm厚鋁板	EC-DG-D334232-ZD1	1	0	1	11.570	1.423	1.423	1.423	1.423	
19		MU-AP29	3mm厚鋁板	EC-DG-D334232-ZD1	1	0	1	32.910	4.048	4.048	4.048	4.048	
20		MU-AP31	3mm厚鋁板	EC-DG-D334232-ZD1	1	0	1	11.688	1.438	1.438	1.438	1.438	
21		MU-AP32	3mm厚鋁板	EC-DG-D334232-ZD1	1	0	1	14.217	1.749	1.749	1.749	1.749	
22													

總計:

47	0	47	542	32	67	32	67
----	---	----	-----	----	----	----	----



(3)

PROJECT  
YIN PING ROAD KOWLOON  
FEATURE WALL (PHASE 1)

MATERIAL  
铝通加工图

COATING  
PVF2

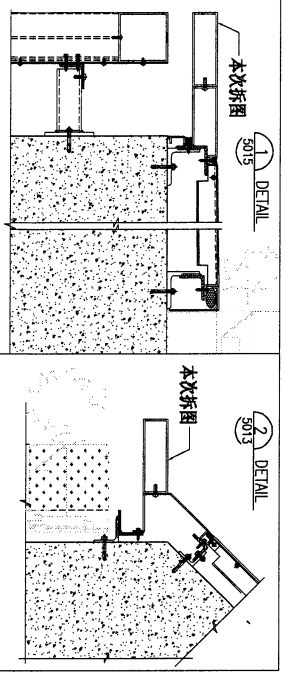
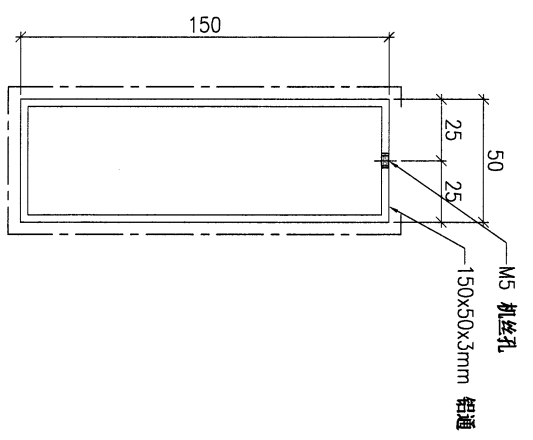
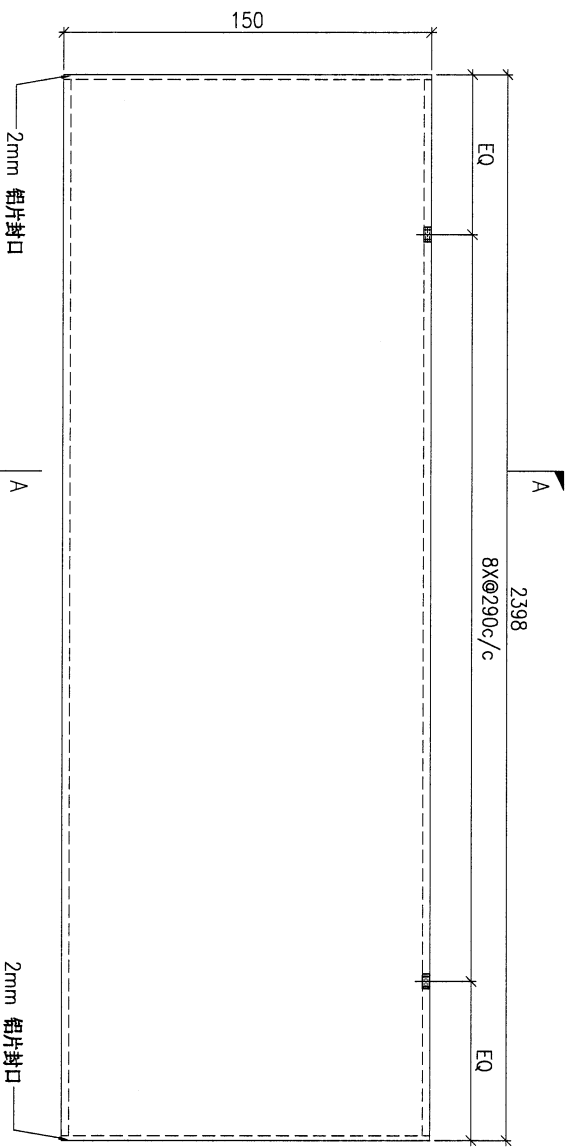
COLOUR  
SS-01

MARK. NO.  
-

QTY.  
-

注: 送工厂

REV. / DESIGNED PART NO.	PART NUMBER	Dim. A	Dim. B	Dim. C	Dim. D	Dim. E	Dim. F	Dim. G	Dim. H	QTY.	Inv. Code	ASSEMBLE ON PARTS
-	AL-M01	-	-	-	-	-	-	-	-	10		



DWG. NO.	AL-M01	REV.	-	SCALE	-	DATE	22-03-2023	DRAWN BY	-	APPROVED BY	-
----------	--------	------	---	-------	---	------	------------	----------	---	-------------	---

PROJECT  
YIN PING ROAD KOWLOON  
FEATURE WALL (PHASE 1)

MATERIAL  
铝通加工图

COATING  
PVF2

COLOUR  
SS-01

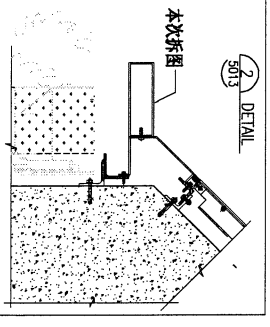
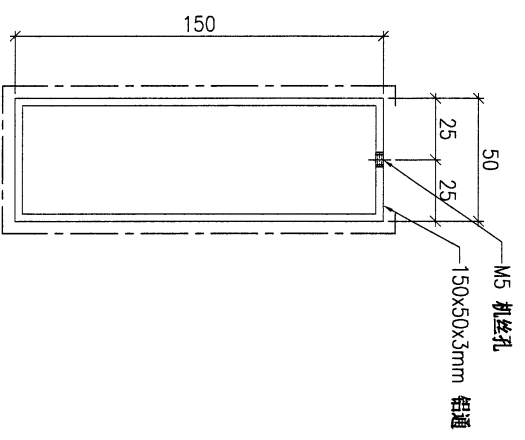
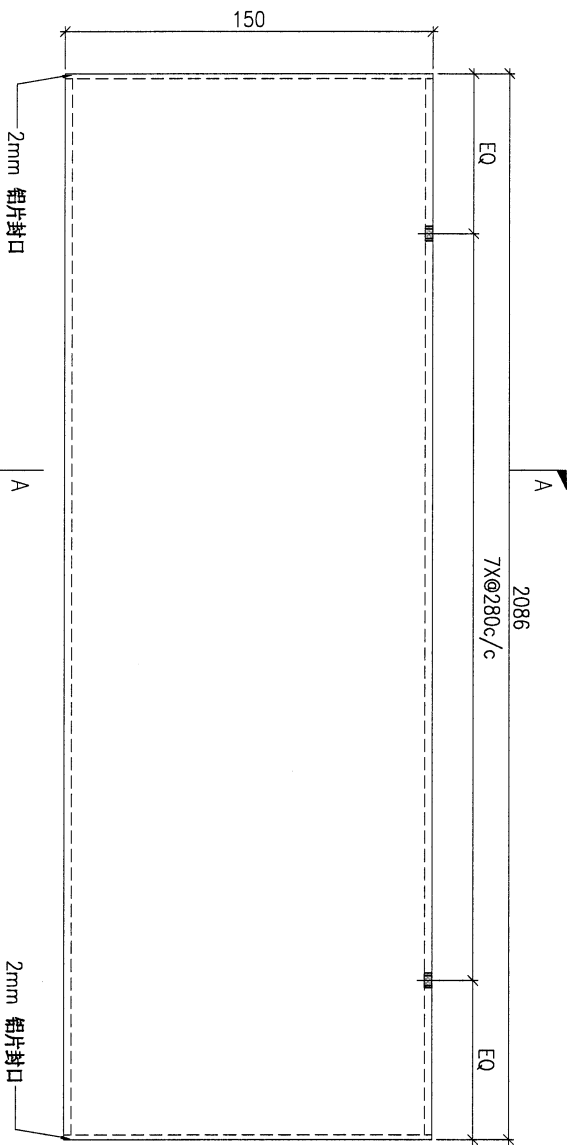
MARK. NO.  
-

QTY.  
-

ASSEMBLE ON PARTS

注：送工厂

REV. / PART NO.	PART NUMBER	Dim. A	Dim. B	Dim. C	Dim. D	Dim. E	Dim. F	Dim. G	Dim. H	QTY.	Inv. Code
-	AL-M02	-	-	-	-	-	-	-	-	1	-



DWG. NO.	AL-M02	REV.	-	SCALE	-	DATE	22-03-2023	DRAWN BY	-	APPROVED BY	-
----------	--------	------	---	-------	---	------	------------	----------	---	-------------	---

5

PROJECT  
YIN PING ROAD KOWLOON  
FEATURE WALL (PHASE 1)

MATERIAL  
铝通加工图

COATING  
PVF2

COLOUR  
SS-01

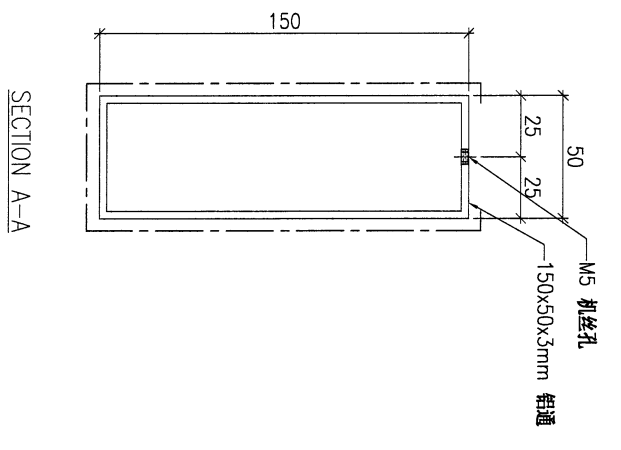
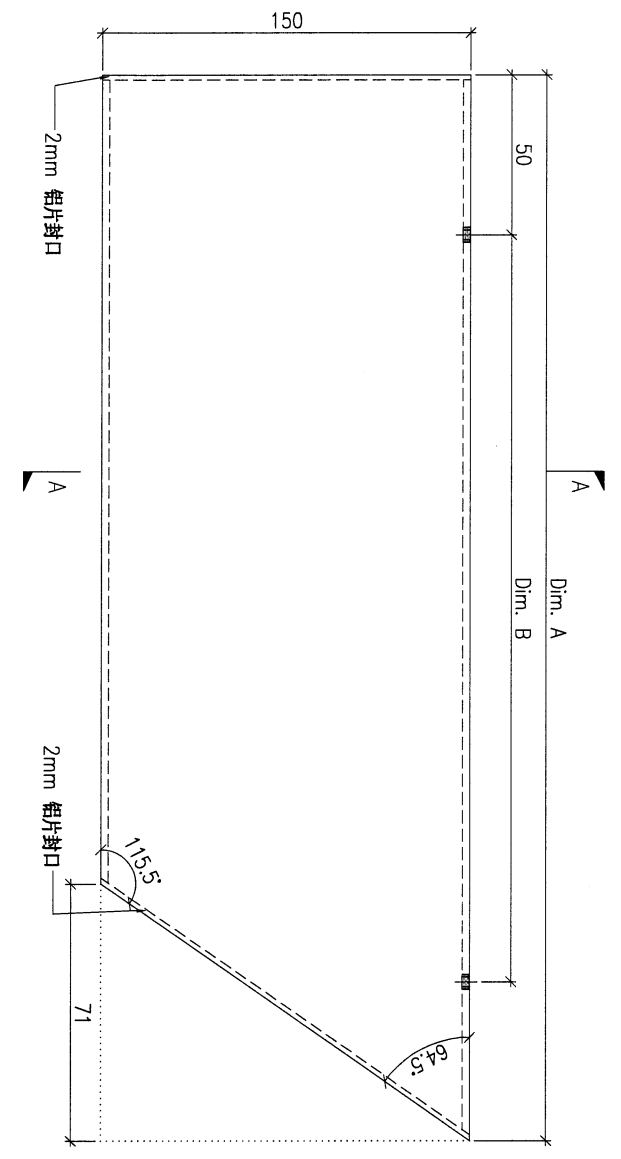
MARK. NO.  
-

QTY.  
-

ASSEMBLE ON PARTS

注：送工厂

REV. / CHECKED / DATE	PART NUMBER	Dim. A	Dim. B	Dim. C	Dim. D	Dim. E	Dim. F	Dim. G	Dim. H	QTY.	Inv. Code
-	AL-M03A	-	-	-	-	-	-	-	-	-	-
-	AL-M03B	-	-	-	-	-	-	-	-	-	-
-	AL-M03C	1380	4x@300c/c	-	-	-	-	-	-	1	-
-	AL-M03D	1073	3x@300c/c	-	-	-	-	-	-	1	-



DWG. NO.	AL-M03	REV.	-	SCALE	-	DATE	22-03-2023	DRAWN BY	-	APPROVED BY	-
----------	--------	------	---	-------	---	------	------------	----------	---	-------------	---

PROJECT  
YIN PING ROAD KOWLOON  
FEATURE WALL (PHASE 1)

MATERIAL  
铝通加工图

COATING  
PVF2

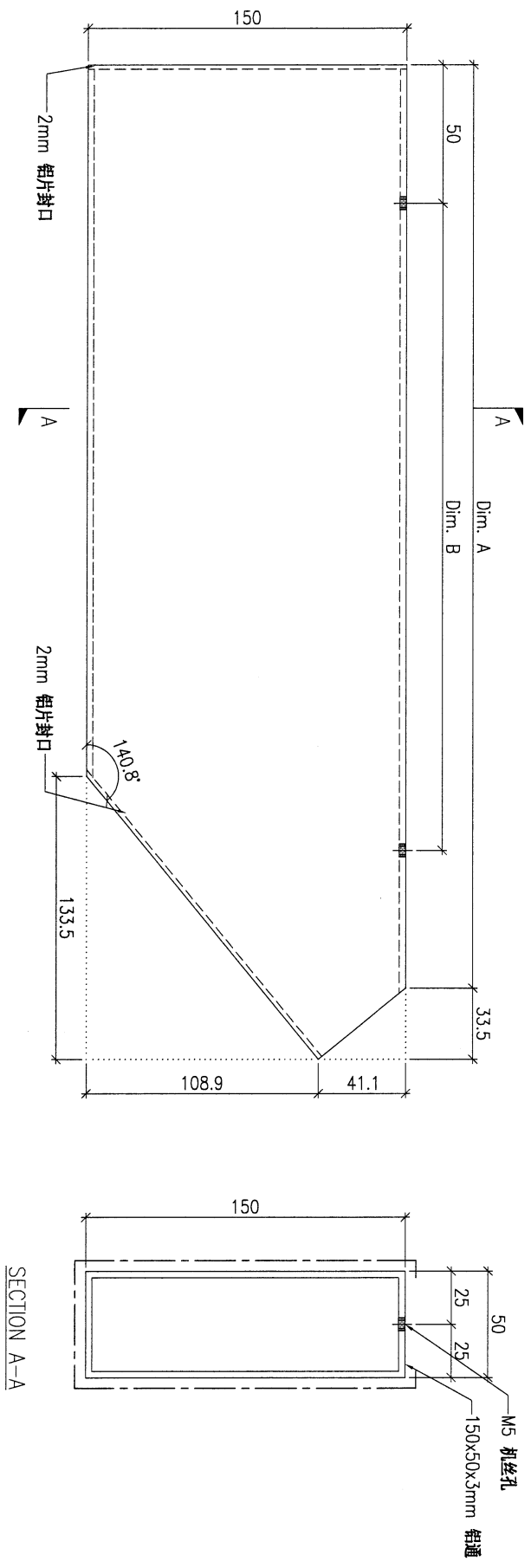
COLOUR  
SS-01

MARK. NO.  
-

QTY.  
-

REV. / PART NO.	PART NUMBER	Dim. A	Dim. B	Dim. C	Dim. D	Dim. E	Dim. F	Dim. G	Dim. H	QTY.	Inv. Code	ASSEMBLE ON PARTS
-	AL-M04	1411	4x@300/c	-						1		

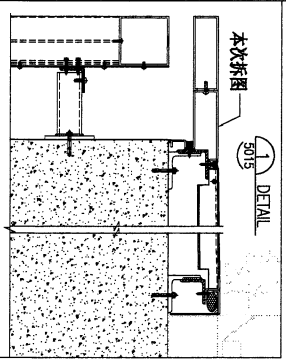
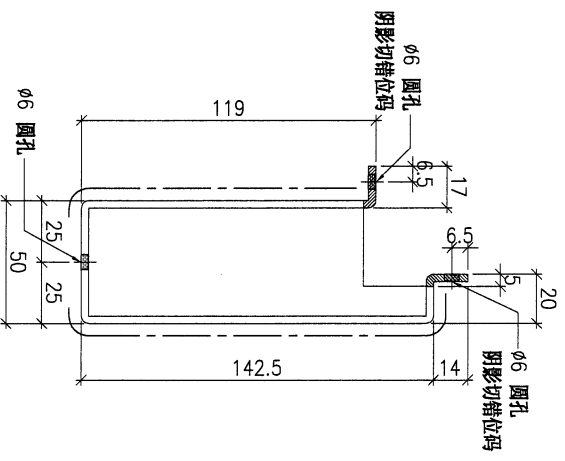
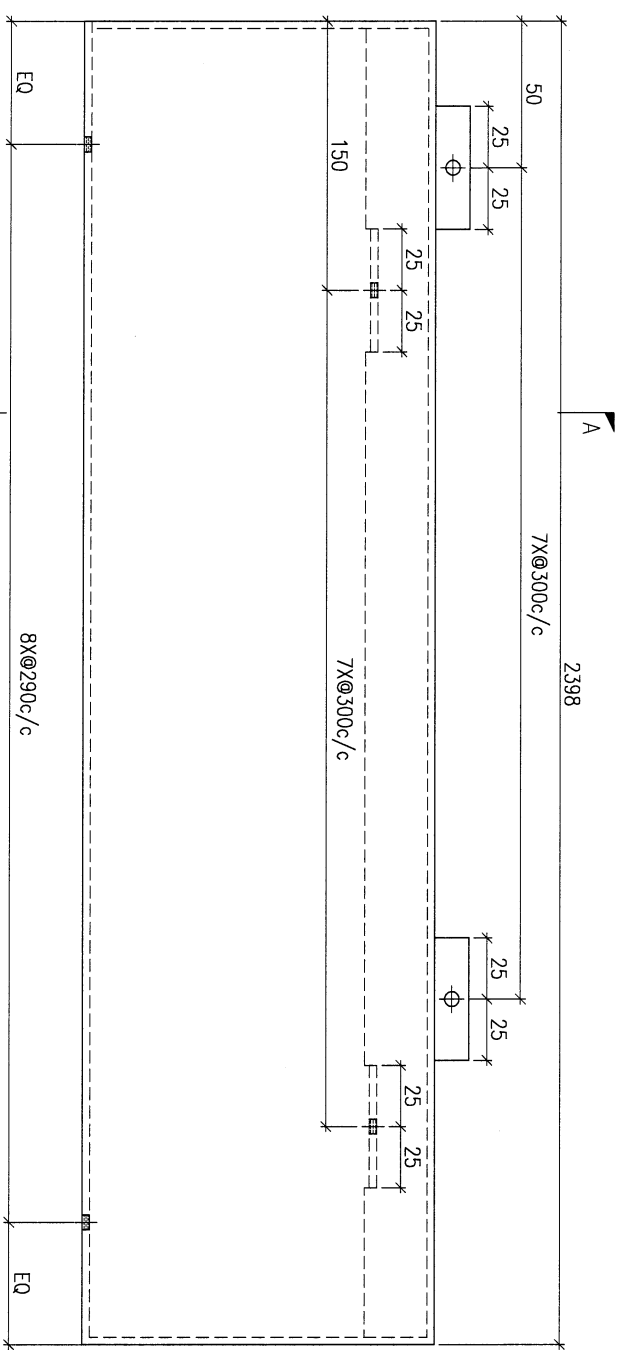
注：送工厂



DWG. NO.	AL-M04	REV.	-	SCALE	-	DATE	22-03-2023	DRAWN BY	-	APPROVED BY	-
----------	--------	------	---	-------	---	------	------------	----------	---	-------------	---

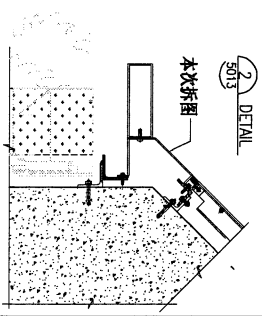
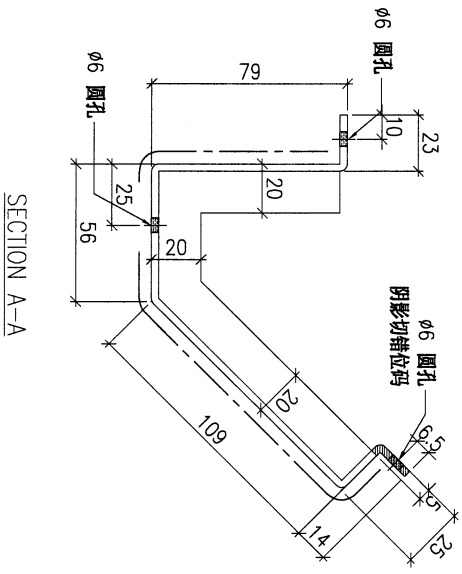
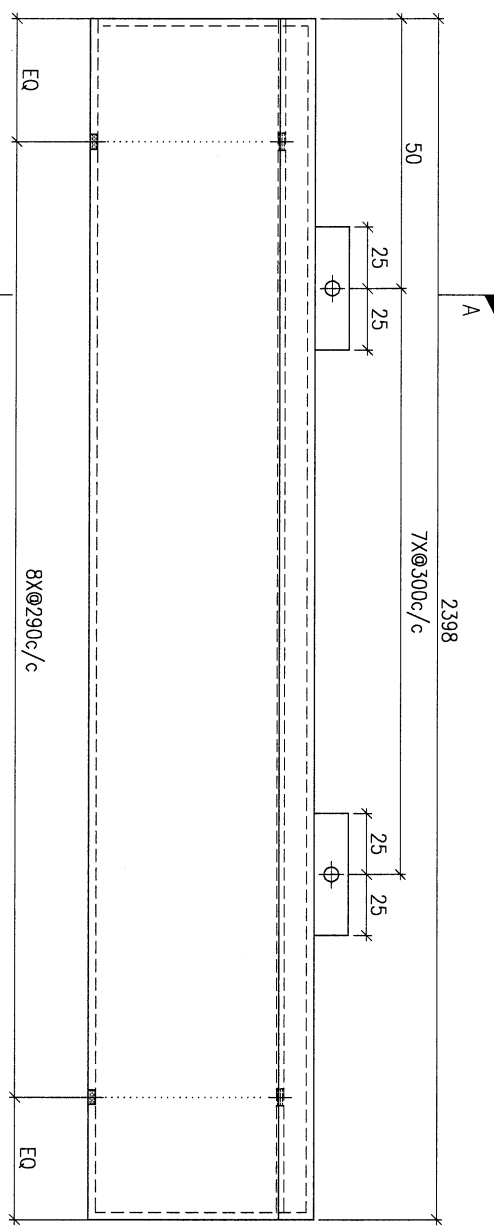
17

PROJECT				MATERIAL				COATING		COLOUR		MARK. NO.		QTY.	
YIN PING ROAD KOWLOON FEATURE WALL (PHASE 1)				3mm 铝板				PVF2		SS-01		-		-	
REV.	CHECKED DATE BY	PART NUMBER	Dim. A	Dim. B	Dim. C	Dim. D	Dim. E	Dim. F	Dim. G	Dim. H	QTY.	Inv. Code	ASSEMBLE ON PARTS		
-		MU-AP01	-	-	-	-	-	-	-	-	5				
													注: 送工厂		



DWG. NO.		REV.		SCALE		DATE		DRAWN BY		APPROVED BY	
MU-AP01		-		-		22-03-2023		-		-	

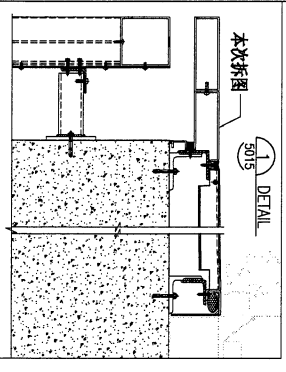
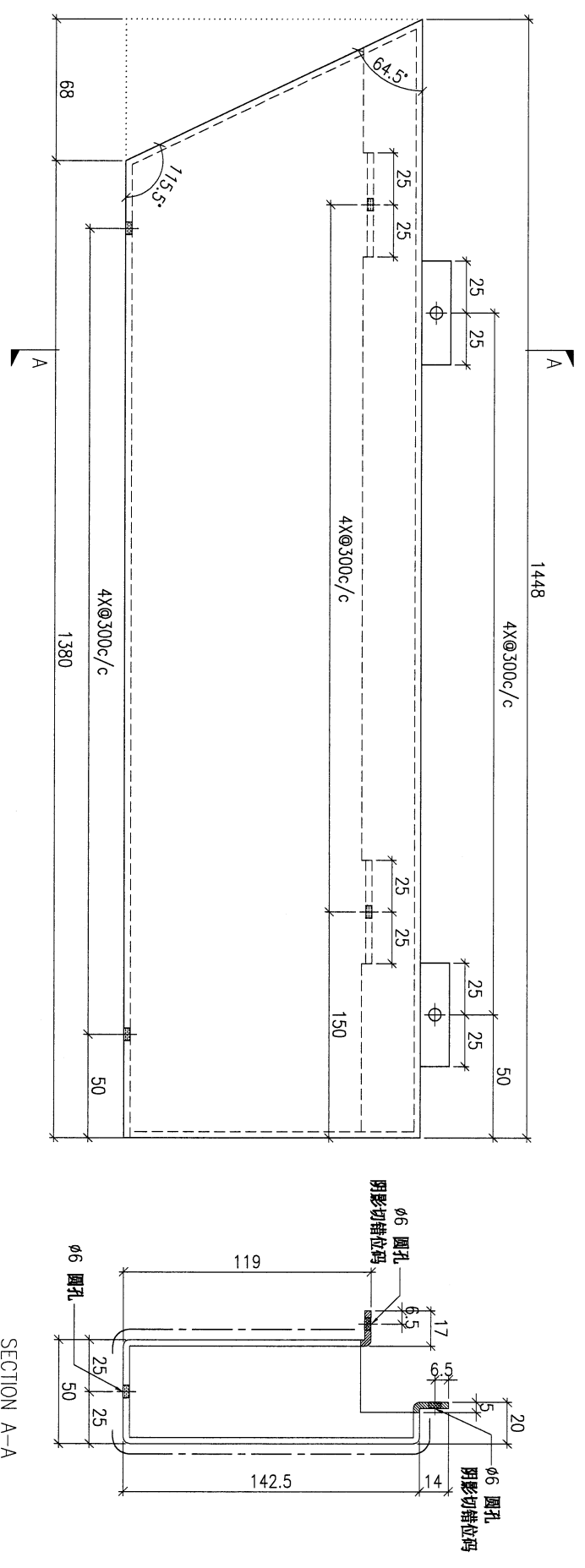
PROJECT				MATERIAL				COATING		COLOUR		MARK. NO.		QTY.	
YIN PING ROAD KOWLOON FEATURE WALL (PHASE 1)				3mm 铝板				PVF2		SS-01		-		-	
REV. PART OR	PART NUMBER	Dim. A	Dim. B	Dim. C	Dim. D	Dim. E	Dim. F	Dim. G	Dim. H	QTY.	Inv. Code	ASSEMBLE ON PARTS		注: 送工厂	
-	MU-AP02	-	-	-	-	-	-	-	-	5	-				



DWG. NO.	REV.	SCALE	DATE	DRAWN BY	APPROVED BY
MU-AP02	-	-	22-03-2023	-	-

9

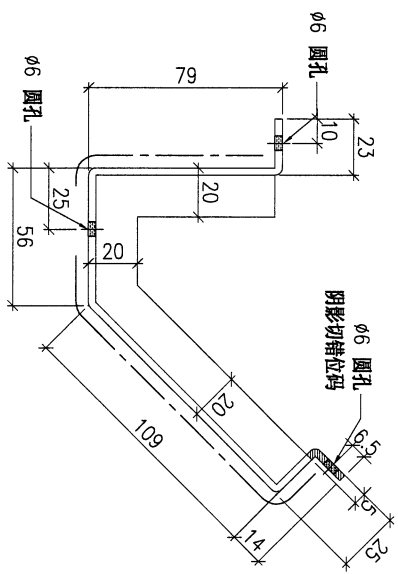
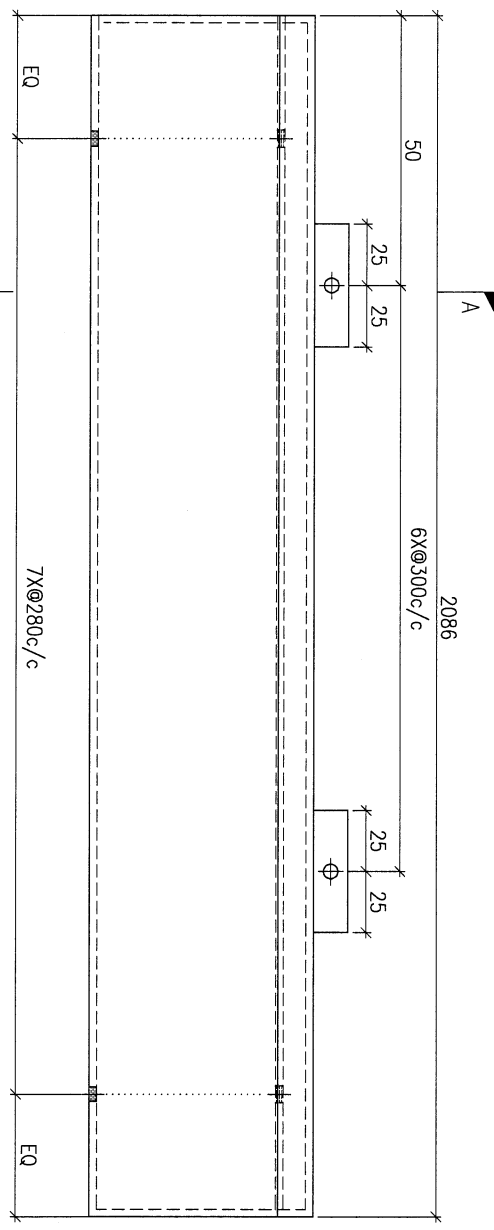
PROJECT				MATERIAL				COATING				COLOUR				MARK. NO.		QTY.	
YIN PING ROAD KOWLOON FEATURE WALL (PHASE 1)				3mm 铝板				PVF2				SS-01				-		-	
REV.	CHECKED DATE	PART NUMBER	Dim. A	Dim. B	Dim. C	Dim. D	Dim. E	Dim. F	Dim. G	Dim. H	QTY.	Inv. Code	ASSEMBLE ON PARTS						
-		MU-AP03	-	-	-	-	-	-	-	-	1								
注: 送工厂																			



DWG. NO.		REV.		SCALE		DATE		DRAWN BY		APPROVED BY	
MU-AP03		-		-		22-03-2023		-		-	



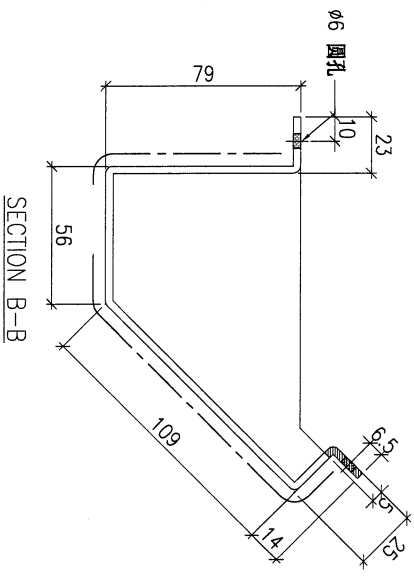
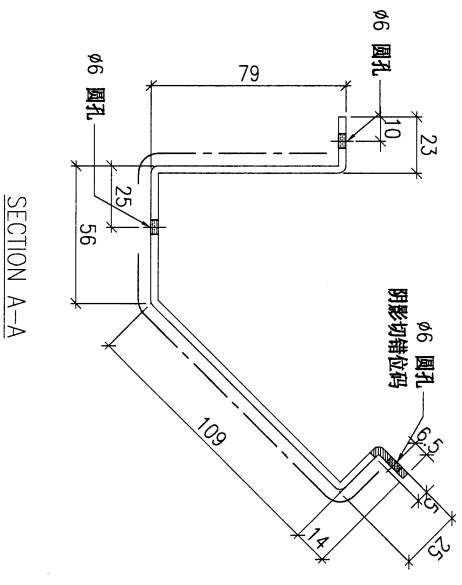
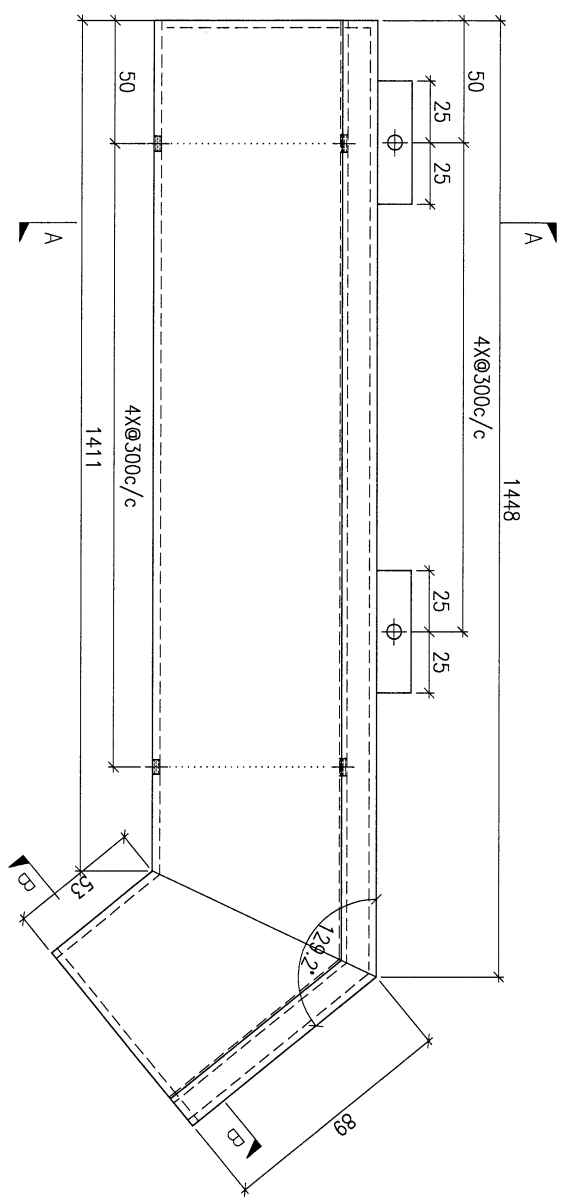
PROJECT YIN PING ROAD KOWLOON FEATURE WALL (PHASE 1)				MATERIAL 3mm 铝板				COATING PVF2		COLOUR SS-01		MARK. NO. -	QTY. -
REV. / 更改 / 更改	PART NUMBER	Dim. A	Dim. B	Dim. C	Dim. D	Dim. E	Dim. F	Dim. G	Dim. H	QTY.	Inv. Code	ASSEMBLE ON PARTS	
-	MU-AP08	-	-	-	-	-	-	-	-	1	-	注: 送工厂	



SECTION A-A

DWG. NO. MU-AP08		REV. -	SCALE -	DATE 22-03-2023	DRAWN BY -	APPROVED BY -
---------------------	--	-----------	------------	--------------------	---------------	------------------

PROJECT				MATERIAL				COATING				COLOUR				MARK. NO.		QTY.	
YIN PING ROAD KOWLOON FEATURE WALL (PHASE 1)				3mm 铝板				PVF2				SS-01				-		-	
REV.	PROPOSED DATE BY	PART NUMBER	Dim. A	Dim. B	Dim. C	Dim. D	Dim. E	Dim. F	Dim. G	Dim. H	QTY.	Inv. Code	ASSEMBLE ON PARTS						
-		MU-AP09	-	-	-	-	-	-	-	-	1								
注: 送工厂																			



DWG. NO.		REV.		SCALE		DATE		DRAWN BY		APPROVED BY	
MU-AP09		-		-		22-03-2023		-		-	

PROJECT: YIN PING ROAD KOWLOON FEATURE WALL (PHASE 1)

MATERIAL: 3mm 铝板

COATING: PVF2

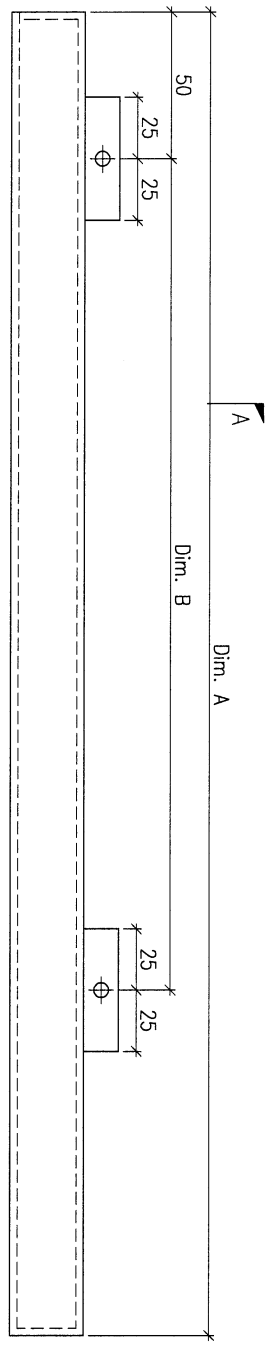
COLOUR: SS-01

MARK: NO. -

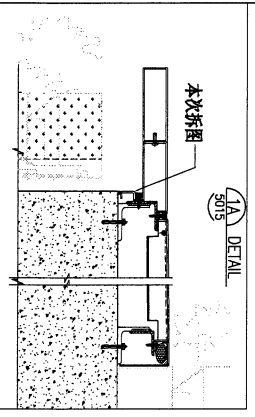
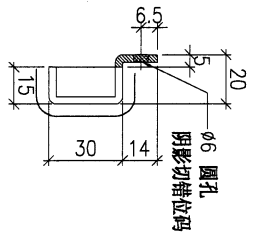
QTY: -

REV. / 更改/ 更改号	PART NUMBER	Dim. A	Dim. B	Dim. C	Dim. D	Dim. E	Dim. F	Dim. G	Dim. H	QTY.	Inv. Code	ASSEMBLE ON PARTS	QTY.
-	MU-AP07A	2398	7xØ300c/c-							5			

注: 送工地



SECTION A-A



DWG. NO.	MU-AP07AC	REV.	-	SCALE	-	DATE	22-03-2023	DRAWN BY	-	APPROVED BY	-
----------	-----------	------	---	-------	---	------	------------	----------	---	-------------	---

(14)

PROJECT  
YIN PING ROAD KOWLOON  
FEATURE WALL (PHASE 1)

MATERIAL  
铝通&铝板组装图

COATING  
PVF2

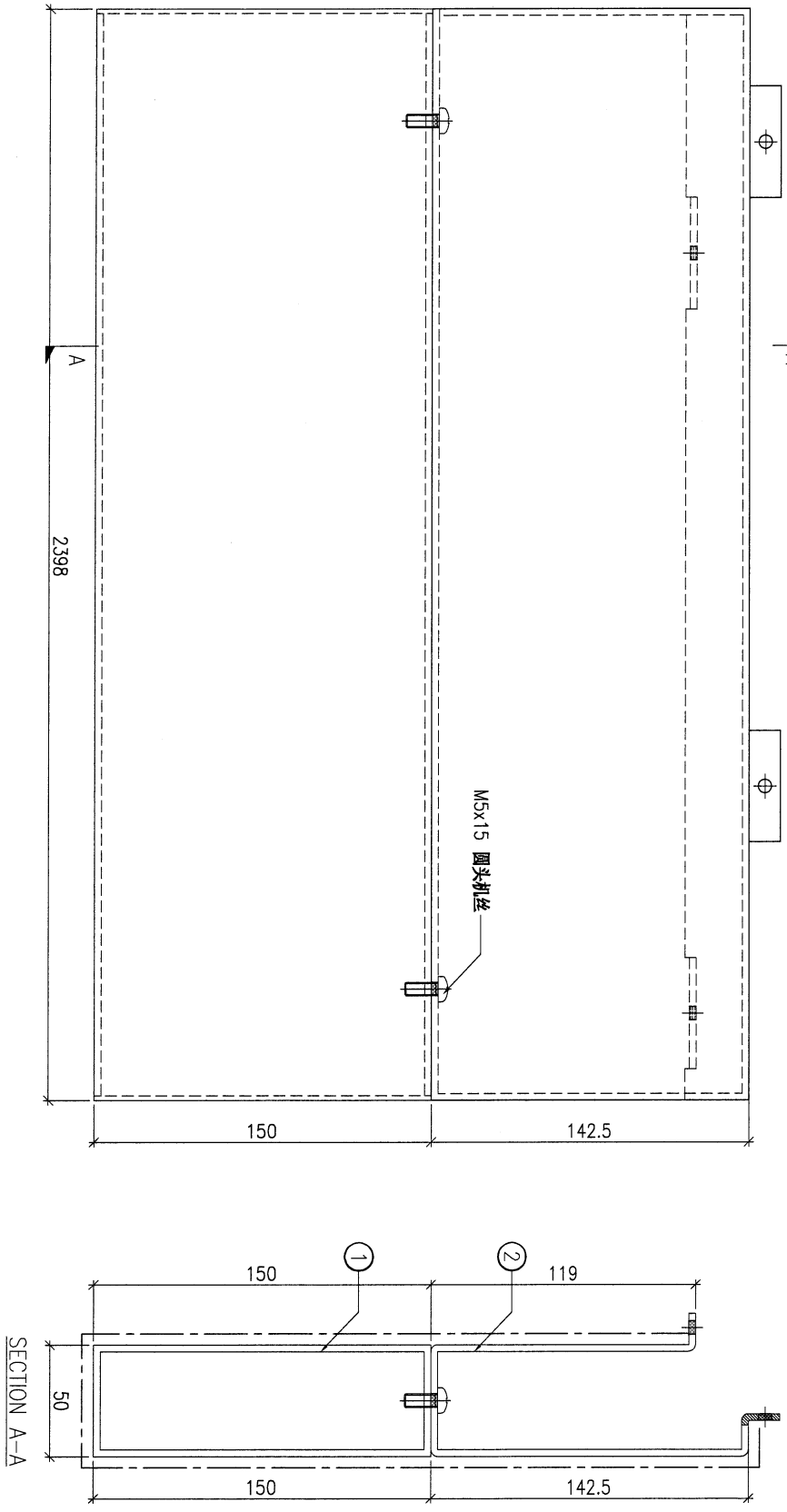
COLOUR  
SS-01

MARK. NO.  
-

QTY.  
-

注：送工地

REV. / 更改	DATE / 日期	PART NUMBER	Dim. A	Dim. B	Dim. C	Dim. D	Dim. E	Dim. F	Dim. G	Dim. H	QTY.	Inv. Code
-		MU-UN01	-	-	-	-	-	-	-	-	5	



DWG. NO.	MU-UN01	REV.	-	SCALE	-	DATE	22-03-2023	DRAWN BY	-	APPROVED BY	-
----------	---------	------	---	-------	---	------	------------	----------	---	-------------	---

序号	构件编号	单组数量
①	AL-M01	1
②	MU-AP01	1

15

PROJECT  
YIN PING ROAD KOWLOON  
FEATURE WALL (PHASE 1)

MATERIAL  
铝通&铝板组装图

COATING  
PVF2

COLOUR  
SS-01

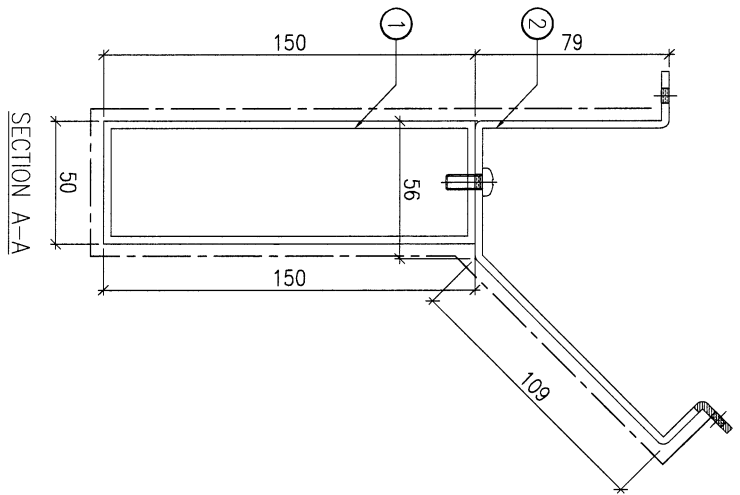
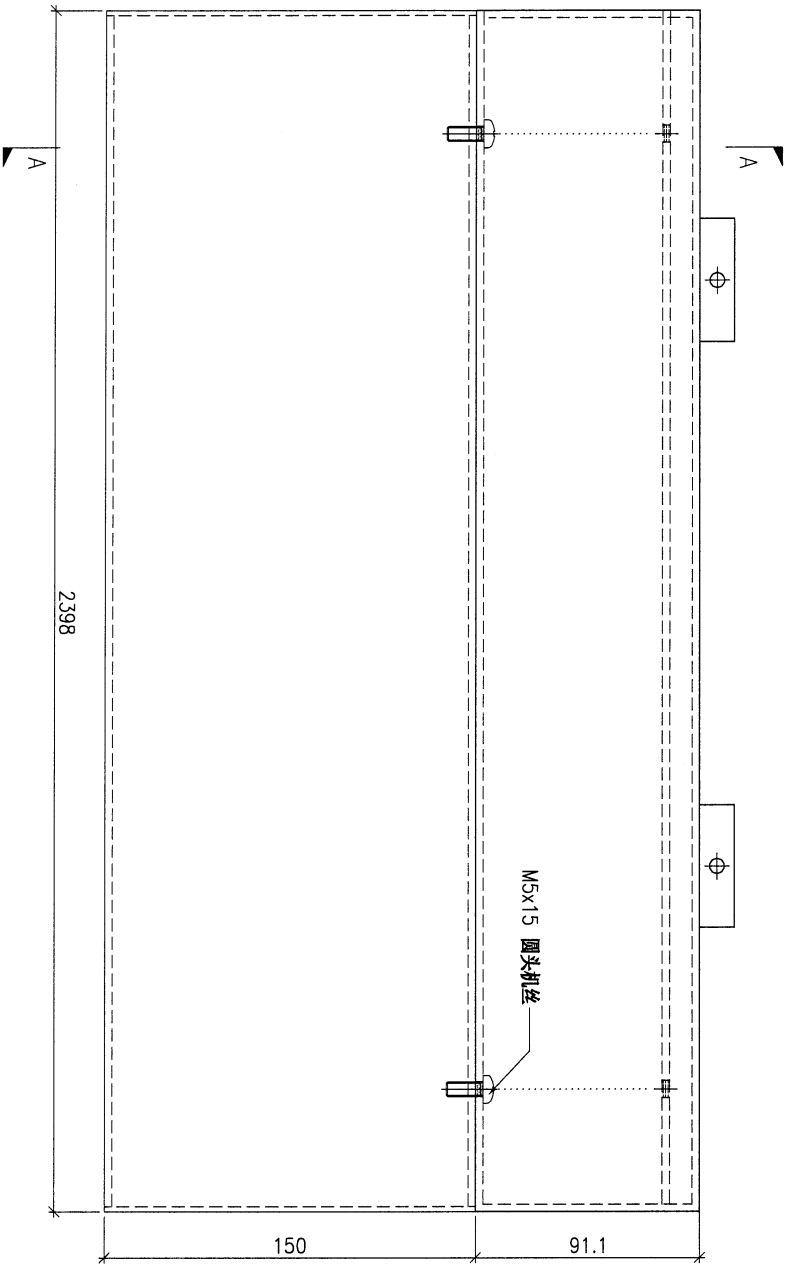
MARK. NO.  
-

QTY.  
-

ASSEMBLE ON PARTS

注：送工地

REV. / CHECKED / DATE BY	PART NUMBER	Dim. A	Dim. B	Dim. C	Dim. D	Dim. E	Dim. F	Dim. G	Dim. H	QTY.	Inv. Code
-	MU-UN02	-	-	-	-	-	-	-	-	5	



序号	构件编号	单组数量
①	AL-M01	1
②	MD-AP02	1

DWG. NO.	MU-UN02	REV.	-	SCALE	-	DATE	22-03-2023	DRAWN BY	-	APPROVED BY	-
----------	---------	------	---	-------	---	------	------------	----------	---	-------------	---

16

PROJECT  
YIN PING ROAD KOWLOON  
FEATURE WALL (PHASE 1)

MATERIAL  
铝通&铝板组装图

COATING  
PVF2

COLOUR  
SS-01

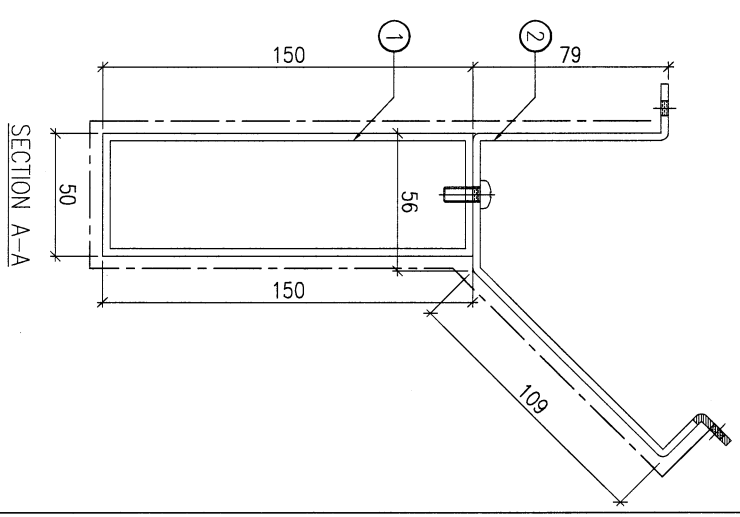
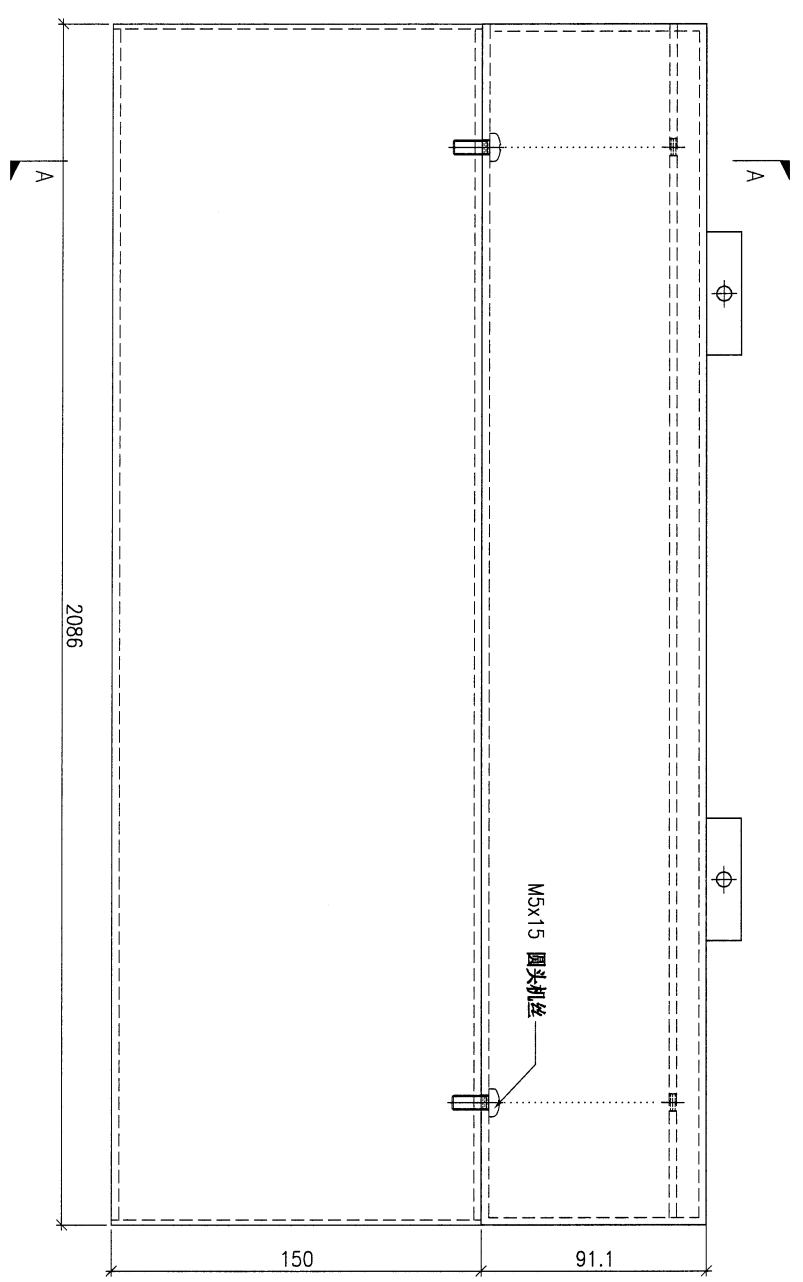
MARK. NO.  
-

QTY.  
-

REV. / 更改/ 更改 BY	PART NUMBER	Dim. A	Dim. B	Dim. C	Dim. D	Dim. E	Dim. F	Dim. G	Dim. H	QTY.	Inv. Code
-	MU-UN06	-	-	-	-	-	-	-	-	1	

ASSEMBLE ON PARTS  
注: 构件编号 ①AL-M02 1件 ②MU-AP08 1件

注: 送工地



DWG. NO.	MU-UN06	REV.	-	SCALE	-	DATE	22-03-2023	DRAWN BY	-	APPROVED BY	-
----------	---------	------	---	-------	---	------	------------	----------	---	-------------	---

PROJECT: YIN PING ROAD KOWLOON FEATURE WALL (PHASE 1)

MATERIAL: 铝通&铝板组装机

COATING: PVF2

COLOUR: SS-01

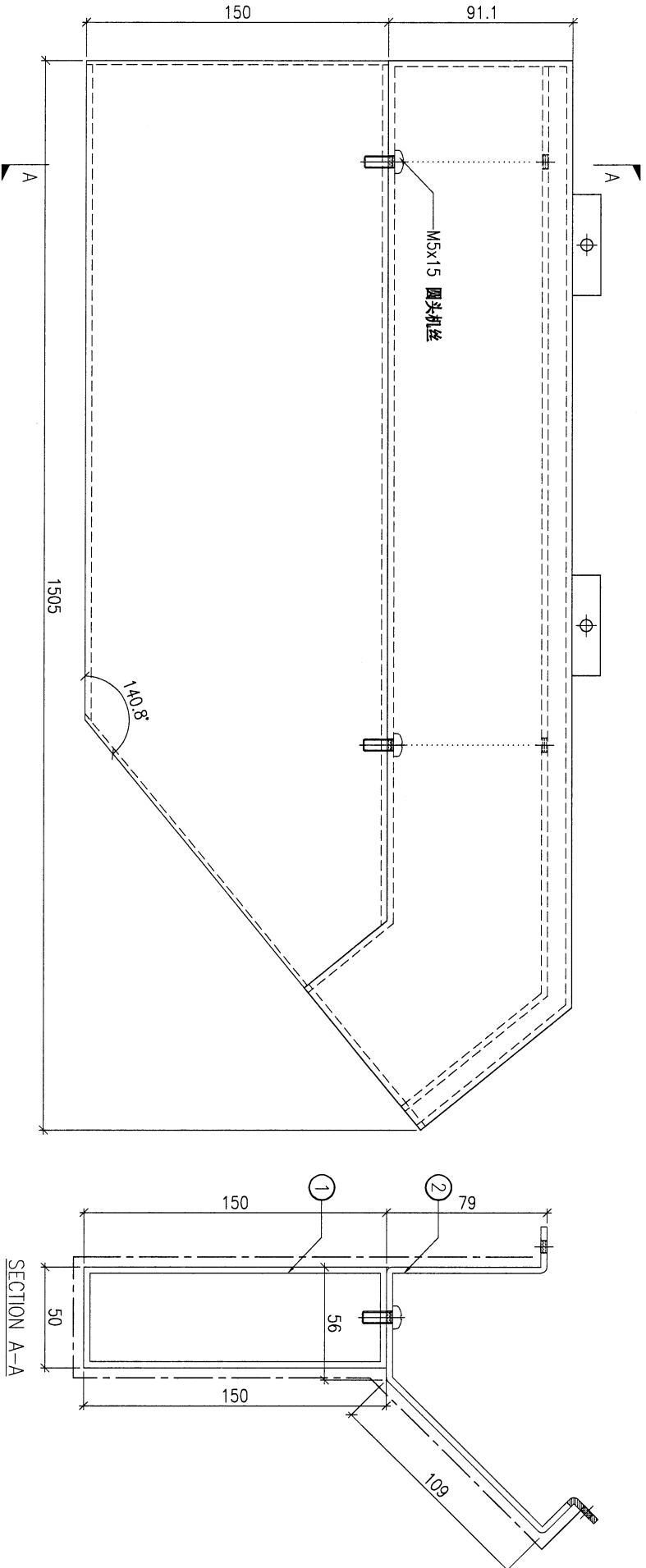
MARK. NO.:

QTY.:

REV. / 更改号	PART NUMBER	Dim. A	Dim. B	Dim. C	Dim. D	Dim. E	Dim. F	Dim. G	Dim. H	QTY.	Inv. Code
-	MU-UN07	-	-	-	-	-	-	-	-	1	

ASSEMBLE ON PARTS: 注: 构件编号 ①AL-M04 1件 ②MU-AP09 1件

注: 送工地



DWG. NO. MU-UN07	REV. -	SCALE -	DATE 22-03-2023	DRAWN BY -	APPROVED BY -
------------------	--------	---------	-----------------	------------	---------------

PROJECT  
YIN PING ROAD KOWLOON  
FEATURE WALL (PHASE 1)

MATERIAL  
铝通&铝板组装图

COATING  
PVF2

COLOUR  
SS-01

MARK. NO.  
-

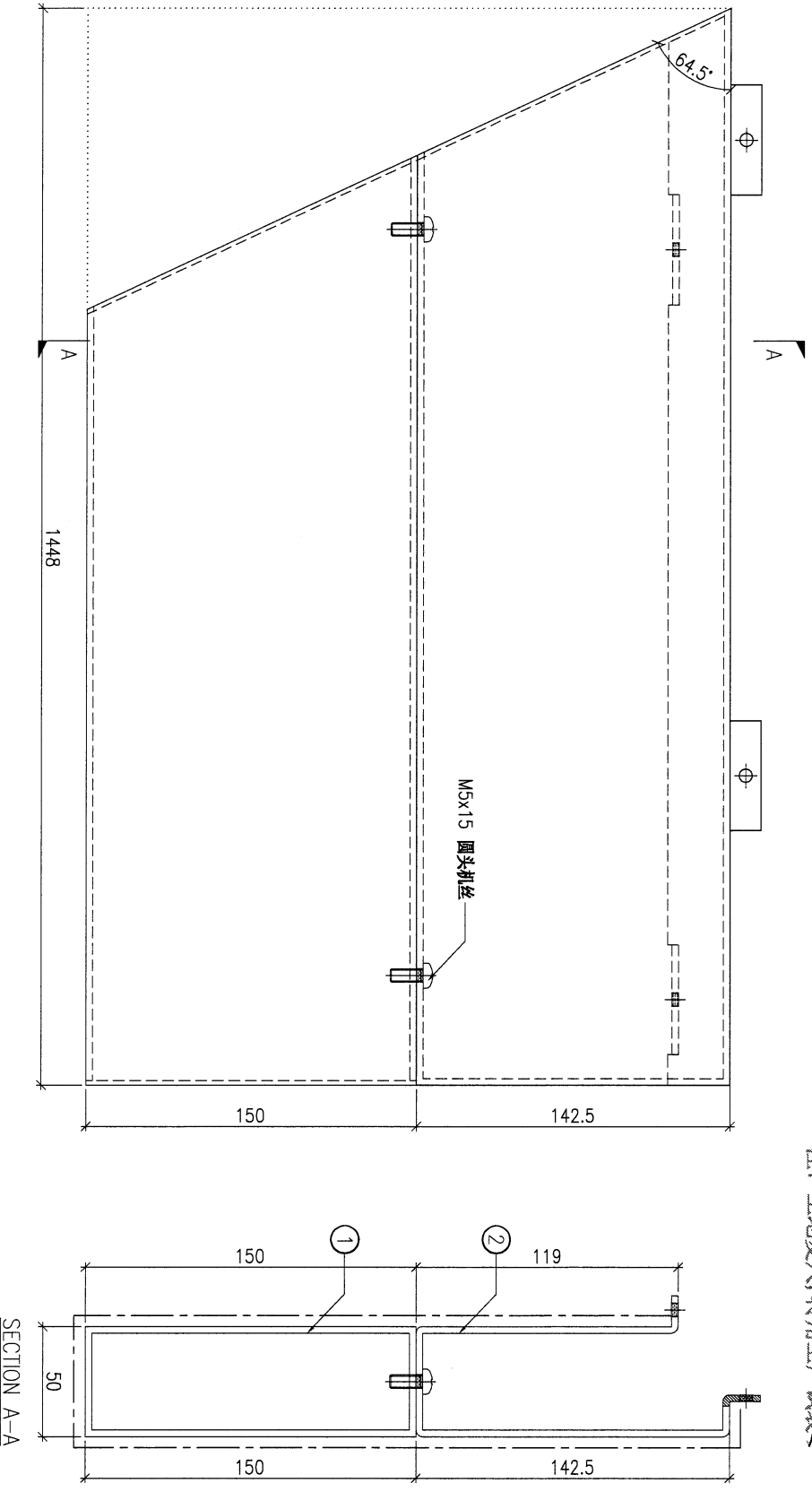
QTY.  
-

REV. / 更改号	PART NUMBER	Dim. A	Dim. B	Dim. C	Dim. D	Dim. E	Dim. F	Dim. G	Dim. H	QTY.	Inv. Code
-	MU-JUN08	-	-	-	-	-	-	-	-	1	

ASSEMBLE ON PARTS

注: 构件编号 ①AL-M03C 1件 ②MC-AP03 1件

注: 送工地



DWG. NO.	MU-JUN08	REV.	-	SCALE	-	DATE	22-03-2023	DRAWN BY	-	APPROVED BY	-
----------	----------	------	---	-------	---	------	------------	----------	---	-------------	---

PROJECT: YIN PING ROAD KOWLOON  
 FEATURE WALL (PHASE 1)

REV. / ORDERED PART BY	PART NUMBER	Dim. A	Dim. B	Dim. C	Dim. D	Dim. E	Dim. F	Dim. G	Dim. H	COATING	COLOUR	MARK. NO.	QTY.
-	MU-UN09	-	-	-	-	-	-	-	-	PVF2	SS-01	-	-

MATERIAL: 铝通&铝板组装图

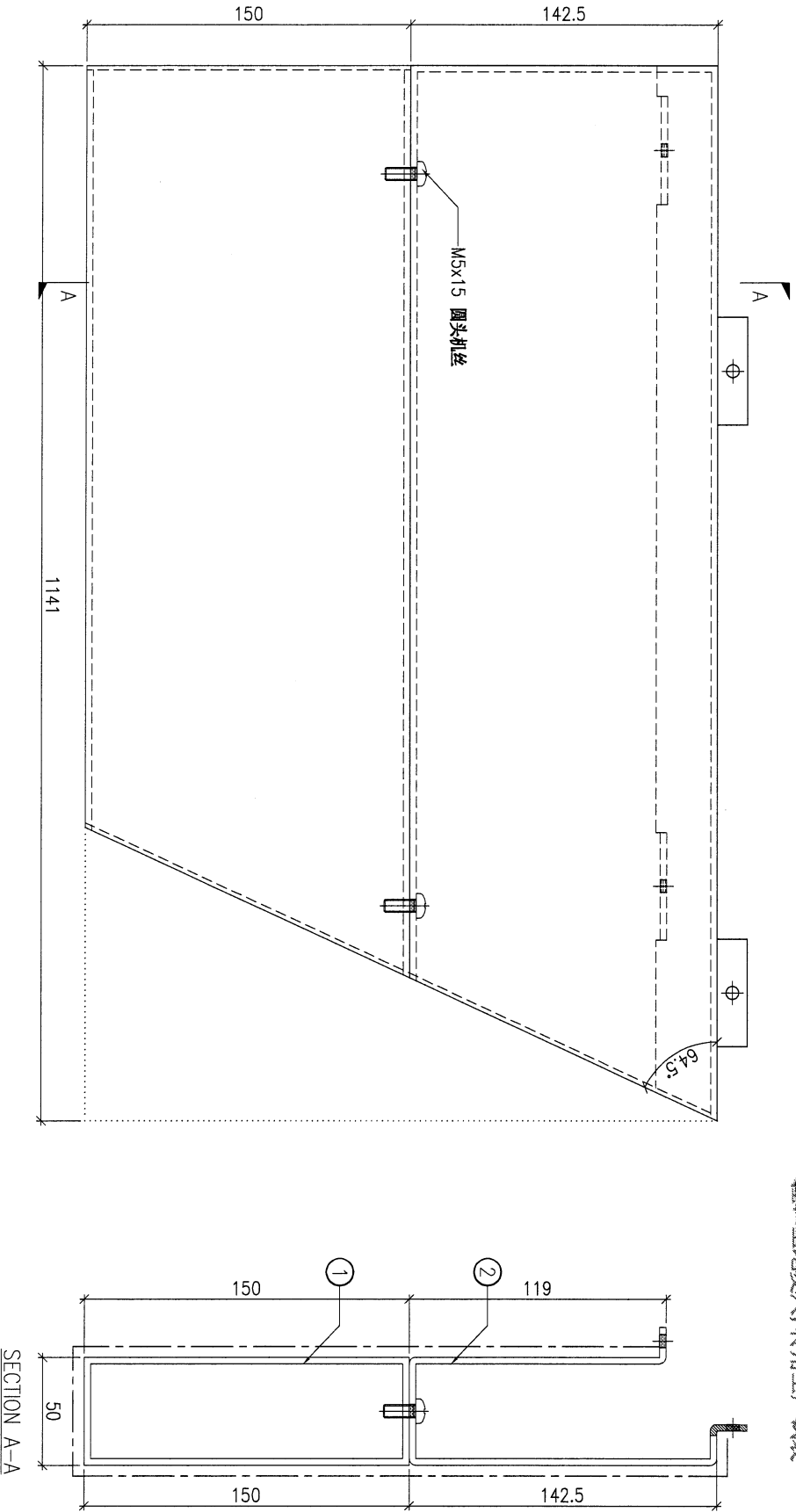
COATING: PVF2

COLOUR: SS-01

ASSEMBLE ON PARTS

注: 构件编号 ①AL-M03D 1件 ②MU-AP04 1件

注: 送工地



DWG. NO.	MU-UN09	REV.	-	SCALE	-	DATE	22-03-2023	DRAWN BY	-	APPROVED BY	-
----------	---------	------	---	-------	---	------	------------	----------	---	-------------	---

PROJECT  
YIN PING ROAD KOWLOON  
FEATURE WALL (PHASE 1)

MATERIAL  
细节放大图

COATING  
-

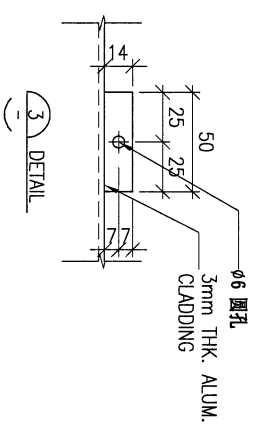
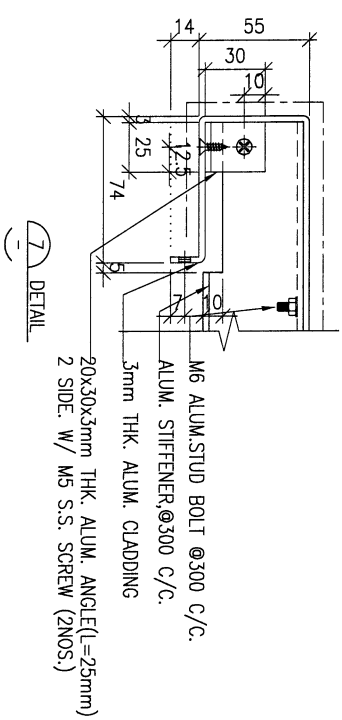
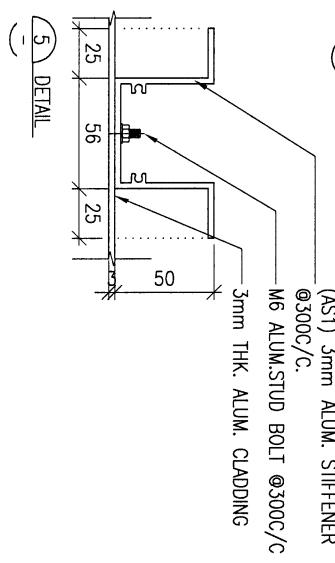
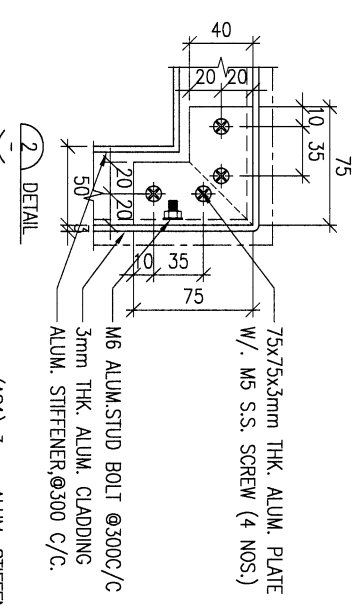
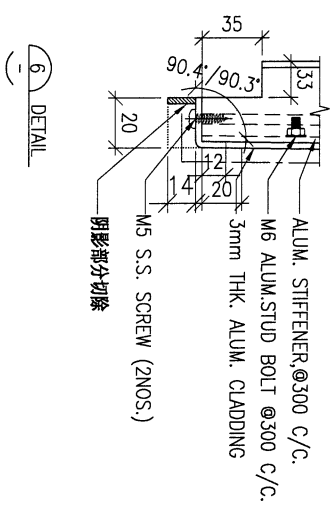
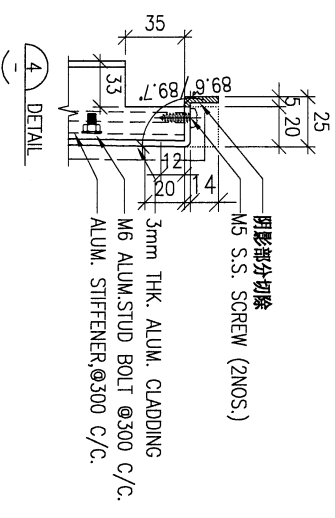
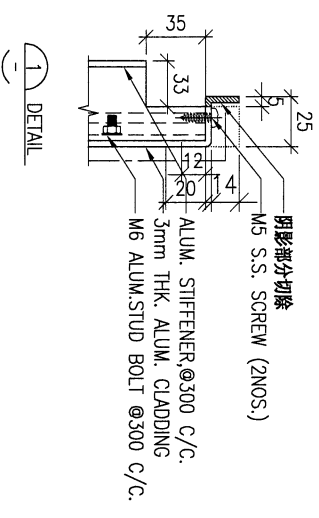
COLOUR  
-

MARK. NO.  
-

QTY.  
-

ASSEMBLE ON PARTS

REV. / PART NO.	PART NUMBER	Dim. A	Dim. B	Dim. C	Dim. D	Dim. E	Dim. F	Dim. G	Dim. H	QTY.	Inv. Code



DWG. NO.	DM01	REV.	-	SCALE	-	DATE	01-04-2022	DRAWN BY	-	APPROVED BY	-
----------	------	------	---	-------	---	------	------------	----------	---	-------------	---

PROJECT  
YIN PING ROAD KOWLOON  
FEATURE WALL (PHASE 1)

MATERIAL  
3mm铝板

COATING  
PVF2

COLOUR  
SS-01

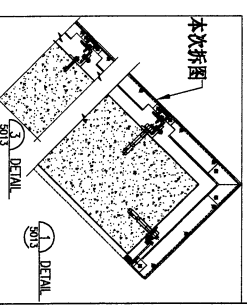
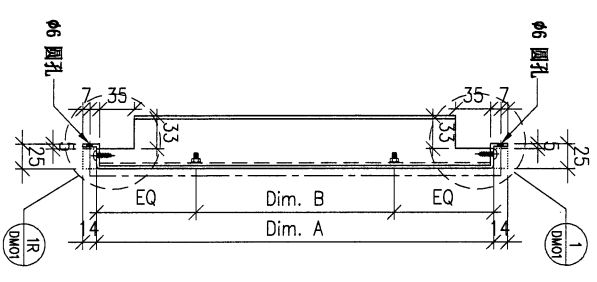
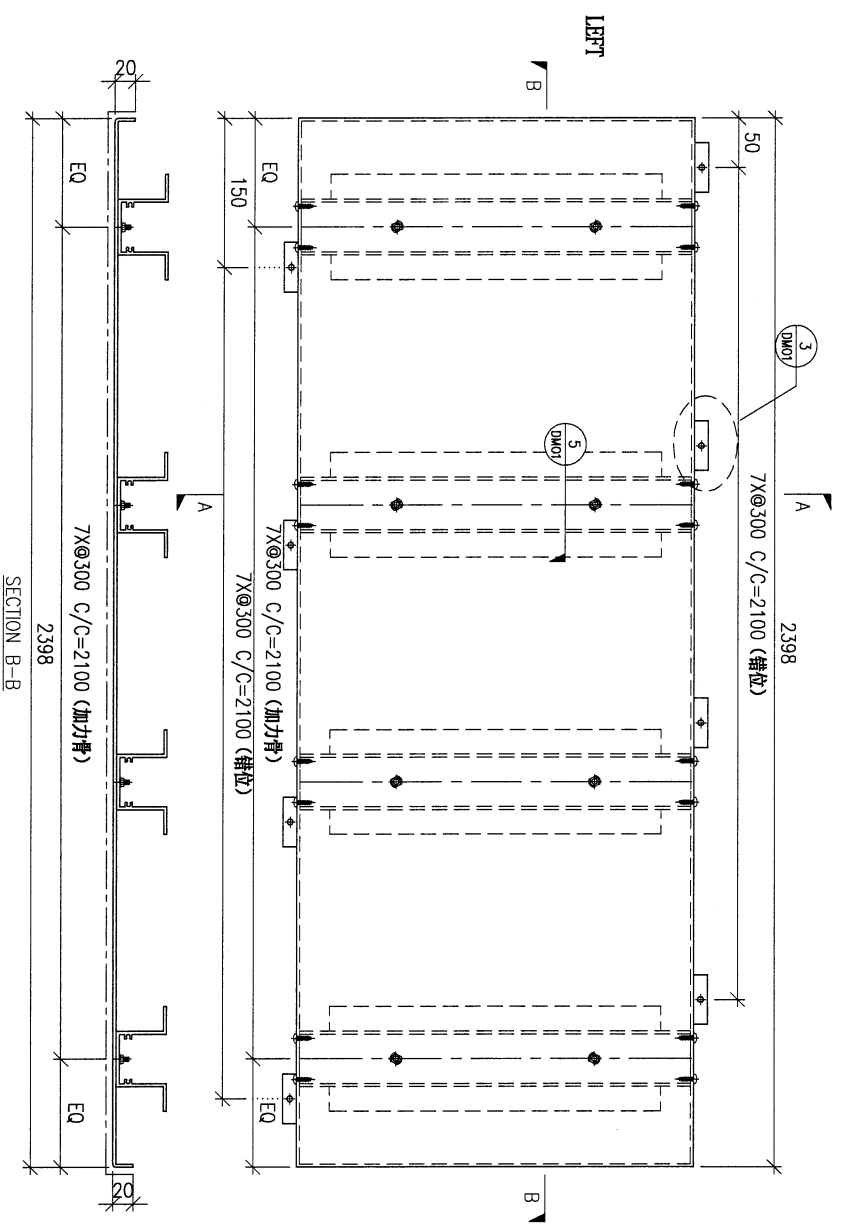
MARK. NO.  
-

QTY.  
-

ASSEMBLE ON PARTS

注: 送工地

REV. OR SPEC. NO.	PART NUMBER	Dim. A	Dim. B	Dim. C	Dim. D	Dim. E	Dim. F	Dim. G	Dim. H	QTY.	Inv. Code
-	MU-AP10A	484	1x@300c/c	-	-	-	-	-	-	6	-
-	MU-AP10B	544	2x@250c/c	-	-	-	-	-	-	4	-



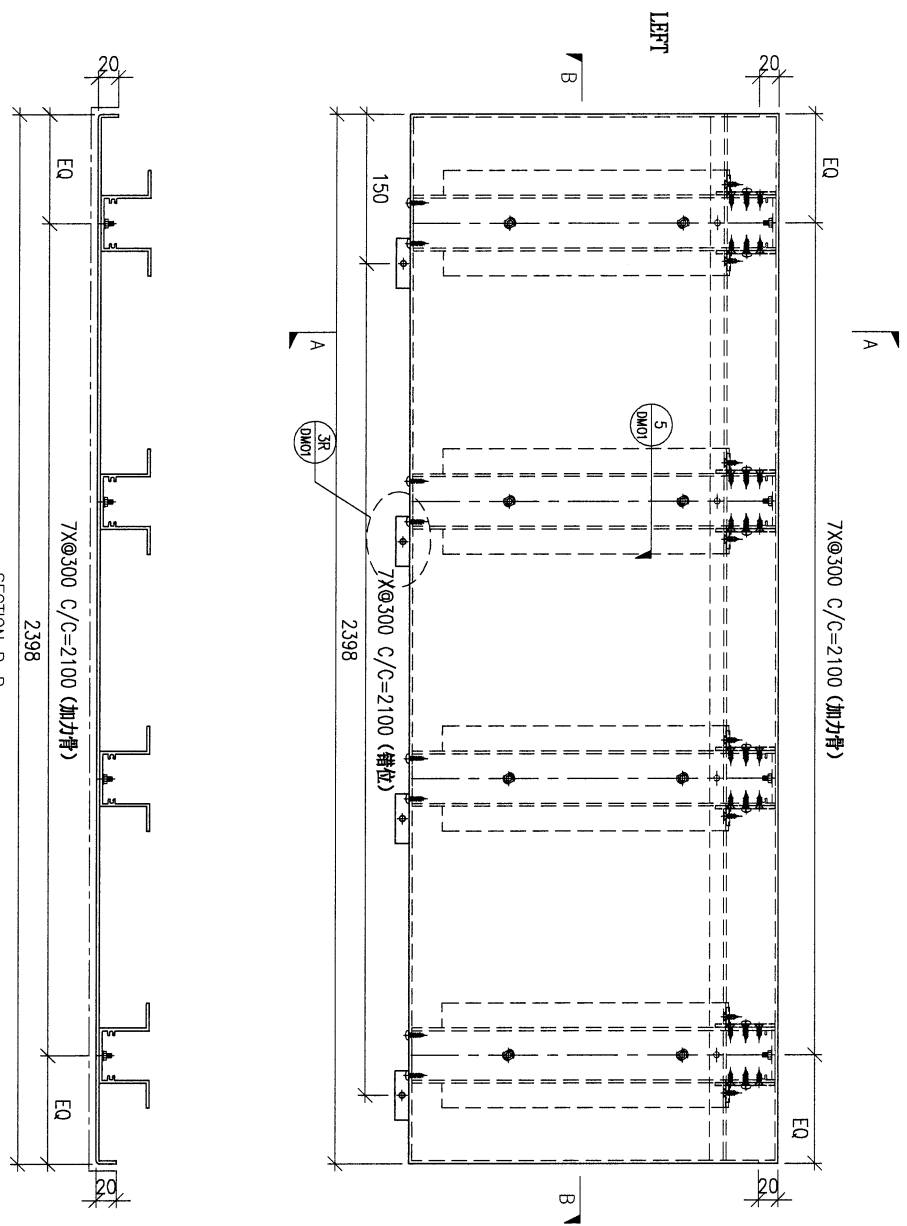
DWG. NO.	REV.	SCALE	DATE	DRAWN BY	APPROVED BY
MU-AP10	-	-	01-04-2022	-	-

52

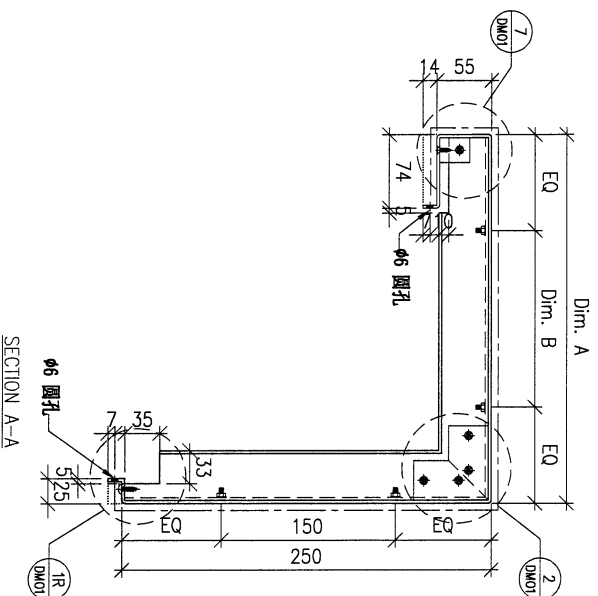
PROJECT		YIN PING ROAD KOWLOON FEATURE WALL (PHASE 1)				MATERIAL		COATING		COLOUR		MARK. NO.		QTY.	
						3mm铝板		PVF2		SS-01		-		-	
REV. ORDER NO.	PART NUMBER	Dim. A	Dim. B	Dim. C	Dim. D	Dim. E	Dim. F	Dim. G	Dim. H	QTY.	Inv. Code	ASSEMBLE ON PARTS			
-	MU-AP11A	810	2x300c/c	-	-	-	-	-	-	3	-				
-	MU-AP11C	890	2x300c/c	-	-	-	-	-	-	2	-				

注：送工地

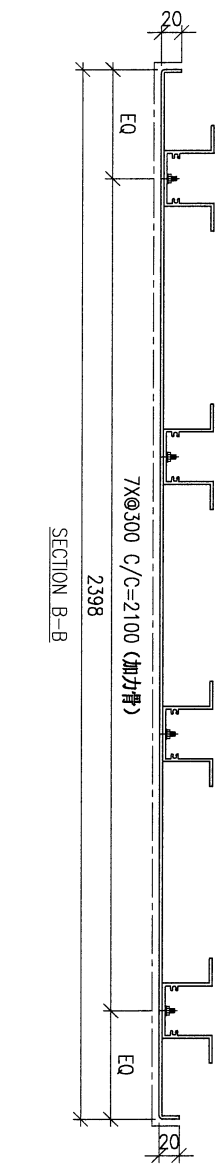
~~注：工地复尺~~



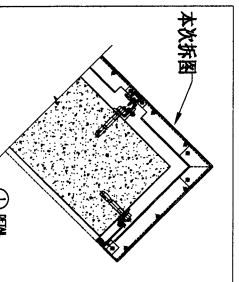
SECTION B-B



SECTION A-A



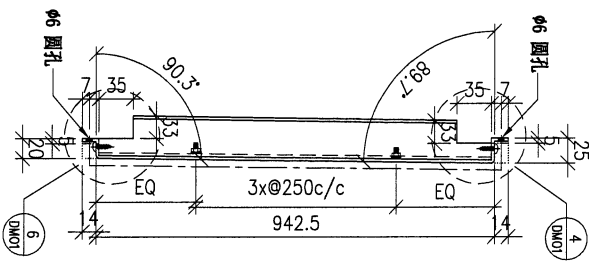
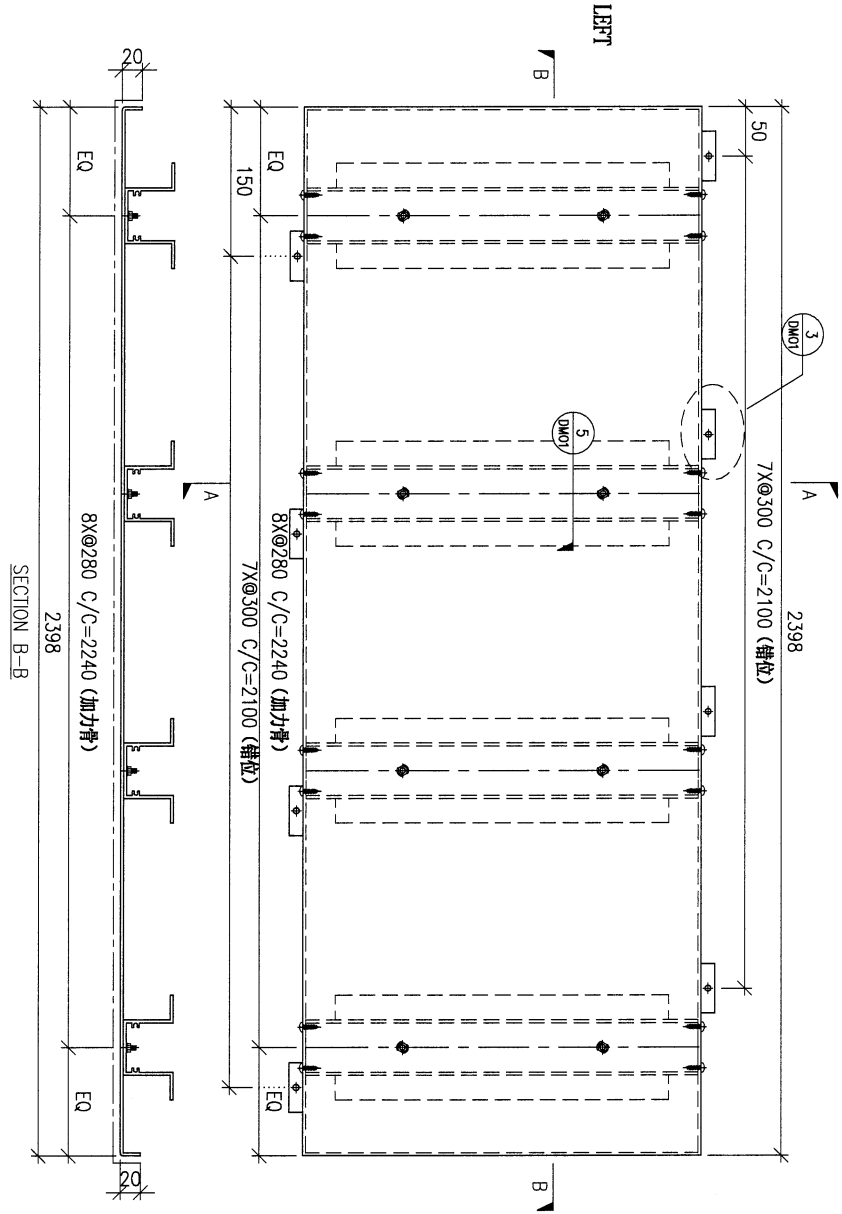
SECTION B-B



DWG. NO.	REV.	SCALE	DATE	DRAWN BY	APPROVED BY
MU-AP11	-	-	01-04-2022	-	-

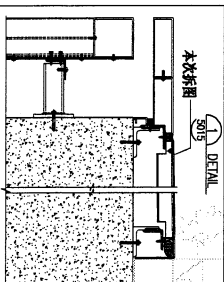
PROJECT				YIN PING ROAD KOWLOON FEATURE WALL (PHASE 1)				MATERIAL				COATING		COLOUR		MARK. NO.		QTY.	
				3mm铝板				PVF2		SS-01		ASSEMBLE ON PARTS		-		-			
REV. ORIGIN BY	PART NUMBER	Dim. A	Dim. B	Dim. C	Dim. D	Dim. E	Dim. F	Dim. G	Dim. H	QTY.	Inv. Code								
-	MU-AP15	-	-	-	-	-	-	-	-	2									

注: 送工地



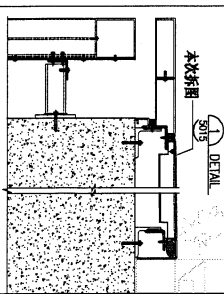
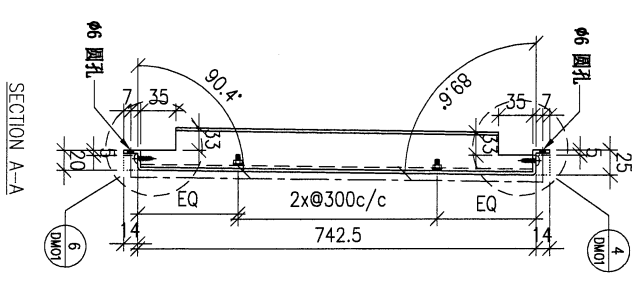
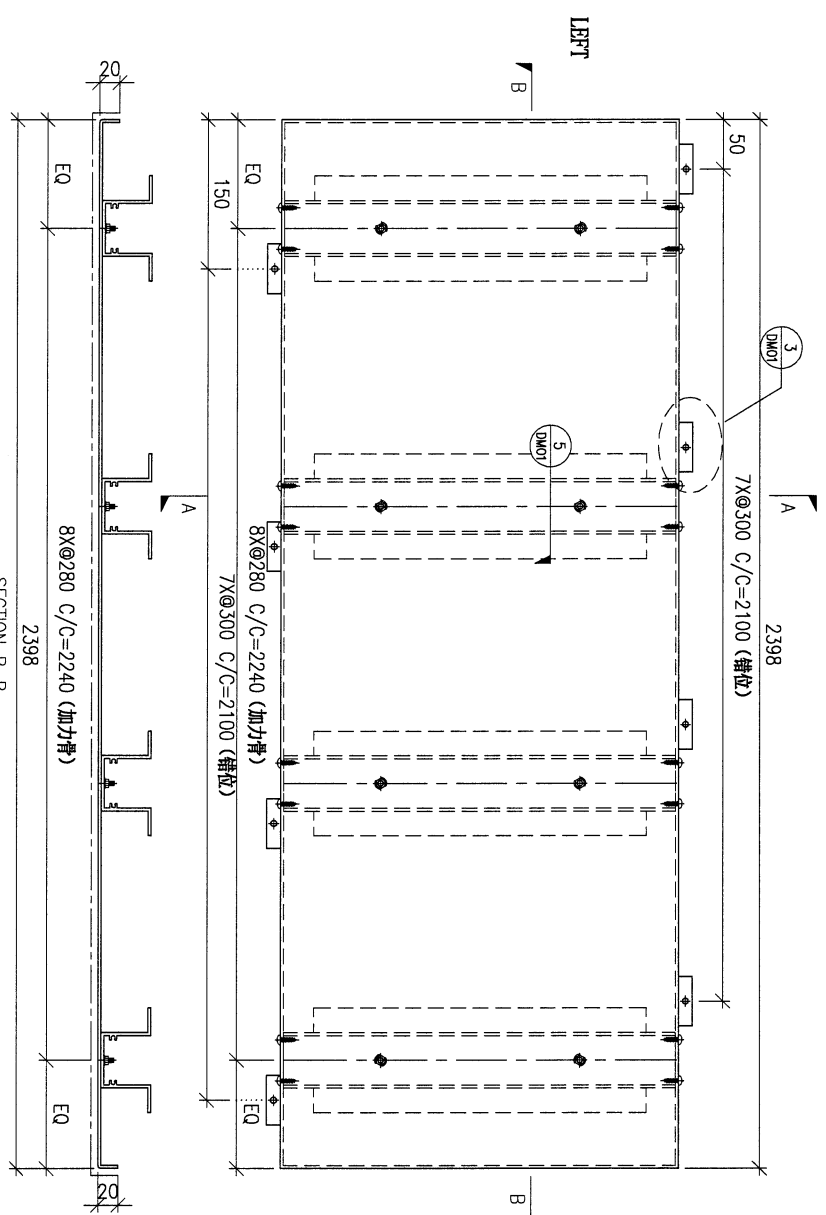
SECTION B-B

SECTION A-A



DWG. NO.		REV.		SCALE		DATE		DRAWN BY		APPROVED BY	
MU-AP15		-		-		01-04-2022		-		-	

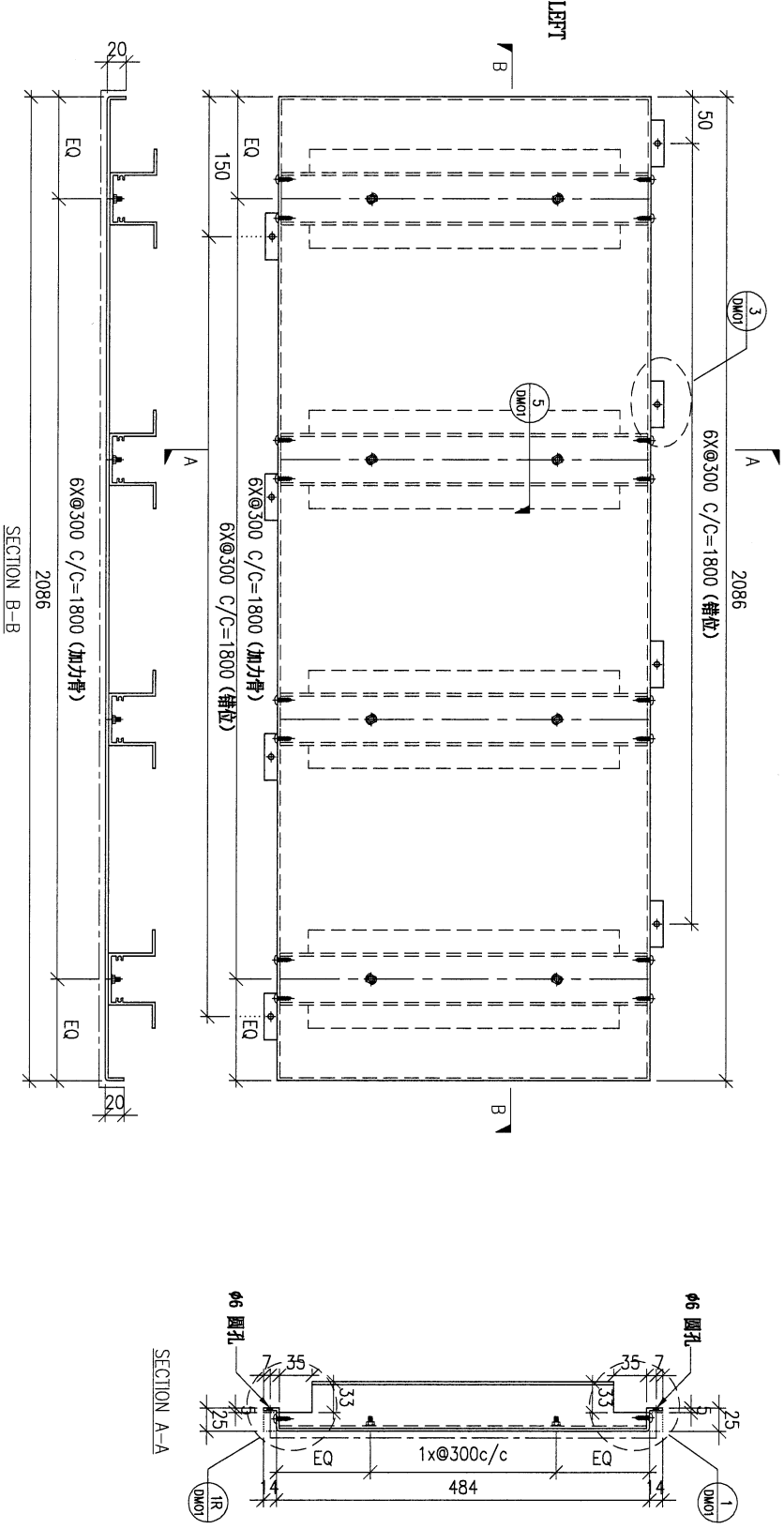
PROJECT YIN PING ROAD KOWLOON FEATURE WALL (PHASE 1)				MATERIAL 3mm铝板				COATING PVF2		COLOUR SS-01		MARK. NO. -		QTY. -	
REV. OR PART NO.	PART NUMBER	Dim. A	Dim. B	Dim. C	Dim. D	Dim. E	Dim. F	Dim. G	Dim. H	QTY.	Inv. Code	ASSEMBLE ON PARTS		注: 送工地	
-	MU-AP16	-	-	-	-	-	-	-	-	3	-				



DWG. NO.	REV.	SCALE	DATE	DRAWN BY	APPROVED BY
MU-AP16	-	-	01-04-2022	-	-



PROJECT				YIN PING ROAD KOWLOON FEATURE WALL (PHASE 1)				MATERIAL				COATING				COLOUR		MARK. NO.		QTY.	
				3mm铝板				PVF2				SS-01		-		-					
REV.	CHANGED BY	PART NUMBER	Dim. A	Dim. B	Dim. C	Dim. D	Dim. E	Dim. F	Dim. G	Dim. H	QTY.	Inv. Code	ASSEMBLE ON PARTS								
-		MU-AP24	-	-	-	-	-	-	-	-	1										
																			注: 送工地		

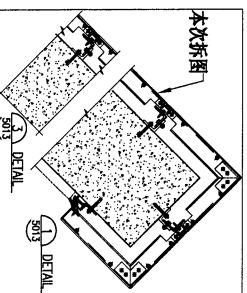
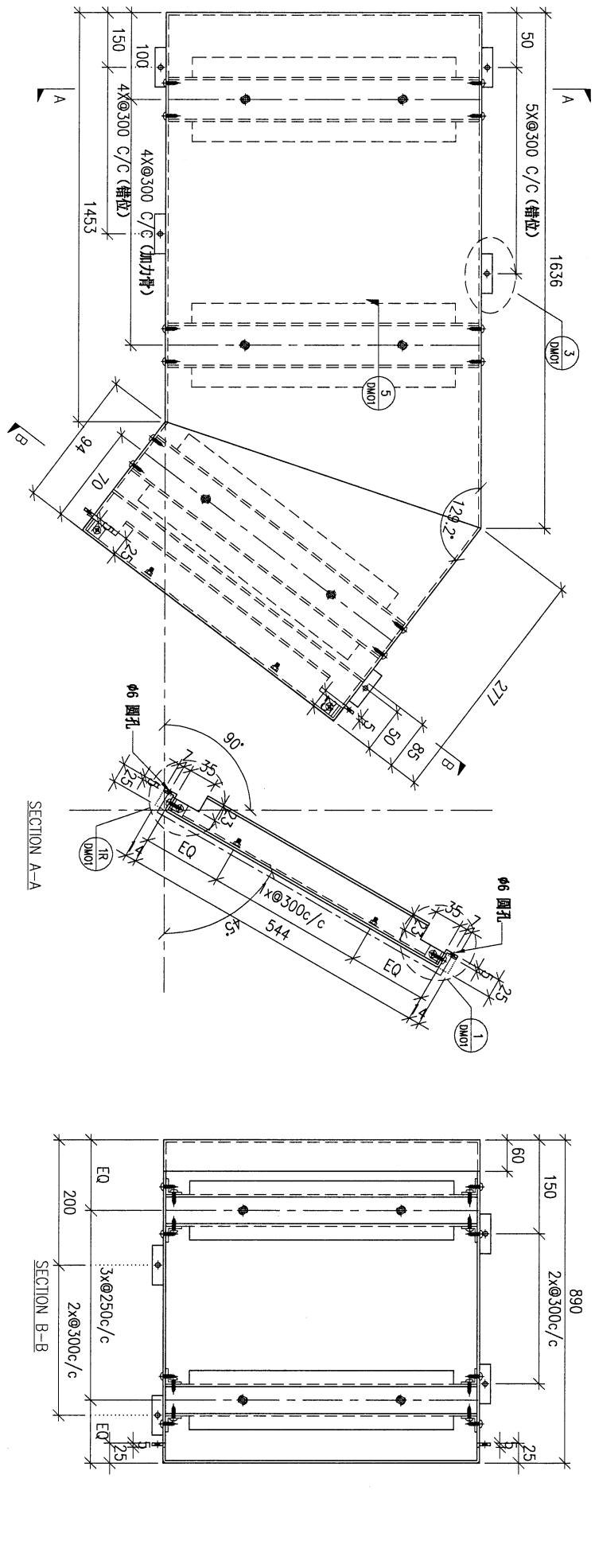


DWG. NO.		REV.		SCALE		DATE		DRAWN BY		APPROVED BY	
MU-AP24		-		-		01-04-2022		-		-	



28

PROJECT YIN PING ROAD KOWLOON FEATURE WALL (PHASE 1)				MATERIAL 3mm铝板				COATING PVF2				COLOUR SS-01		MARK. NO. -		QTY. -	
REV. (CHECKED) DATE BY	PART NUMBER	Dim. A	Dim. B	Dim. C	Dim. D	Dim. E	Dim. F	Dim. G	Dim. H	QTY.	Inv. Code	ASSEMBLE ON PARTS					
-	MU-AP27	-	-	-	-	-	-	-	-	1	-	注: 送工地					

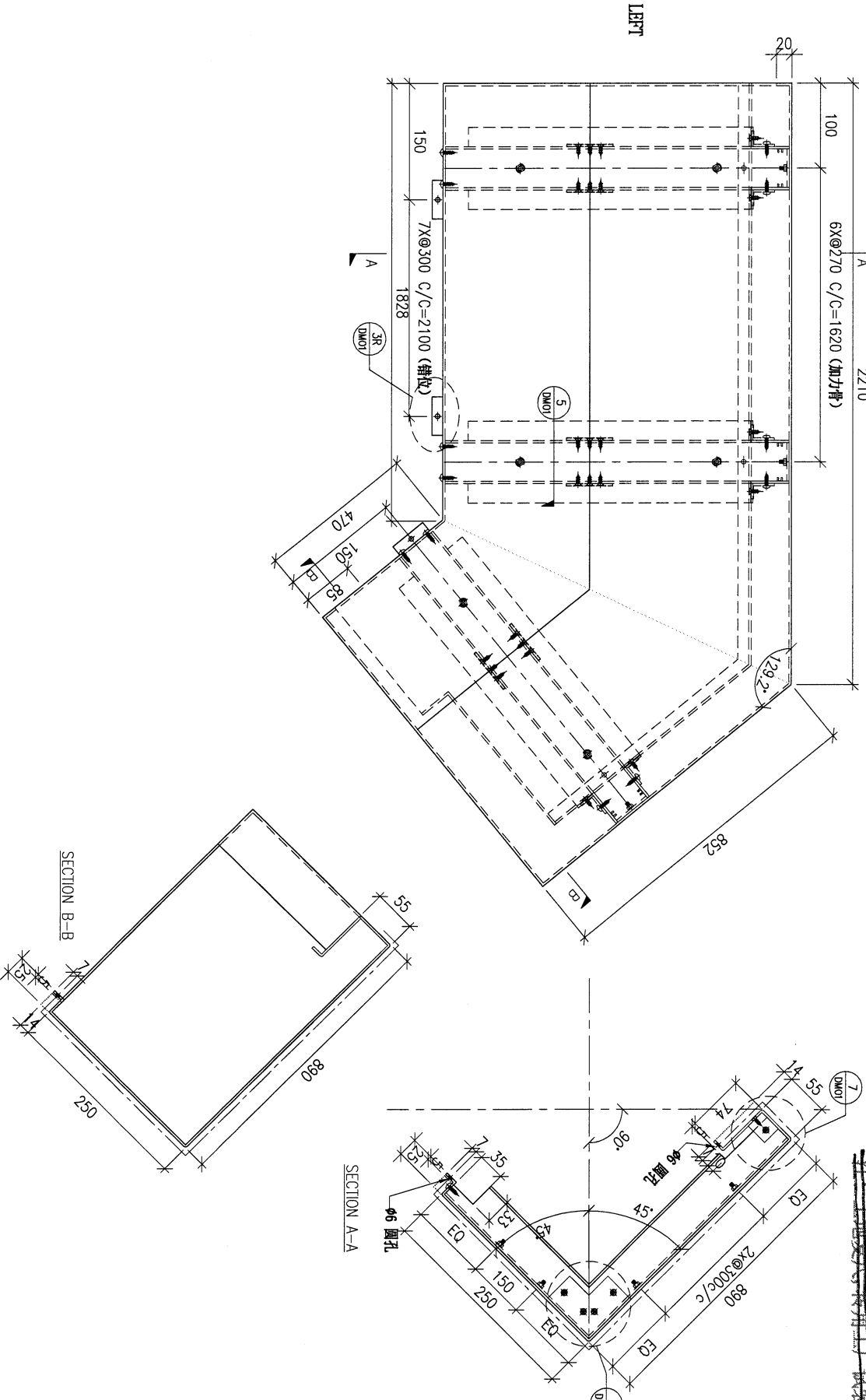


DWG. NO.	MU-AP27	REV.	-	SCALE	-	DATE	01-04-2022	DRAWN BY	-	APPROVED BY	-
----------	---------	------	---	-------	---	------	------------	----------	---	-------------	---



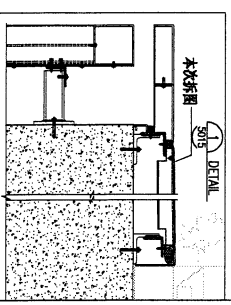
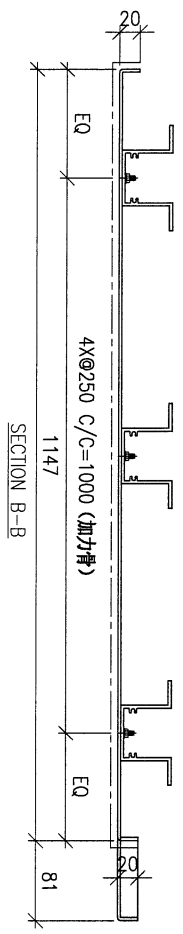
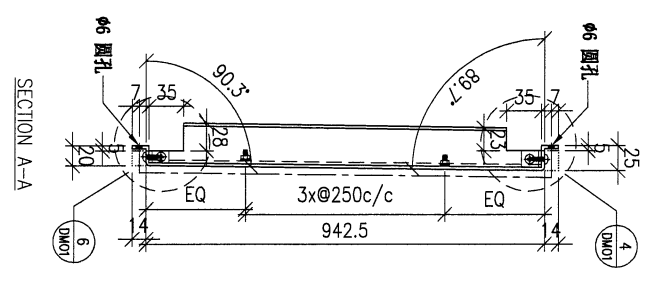
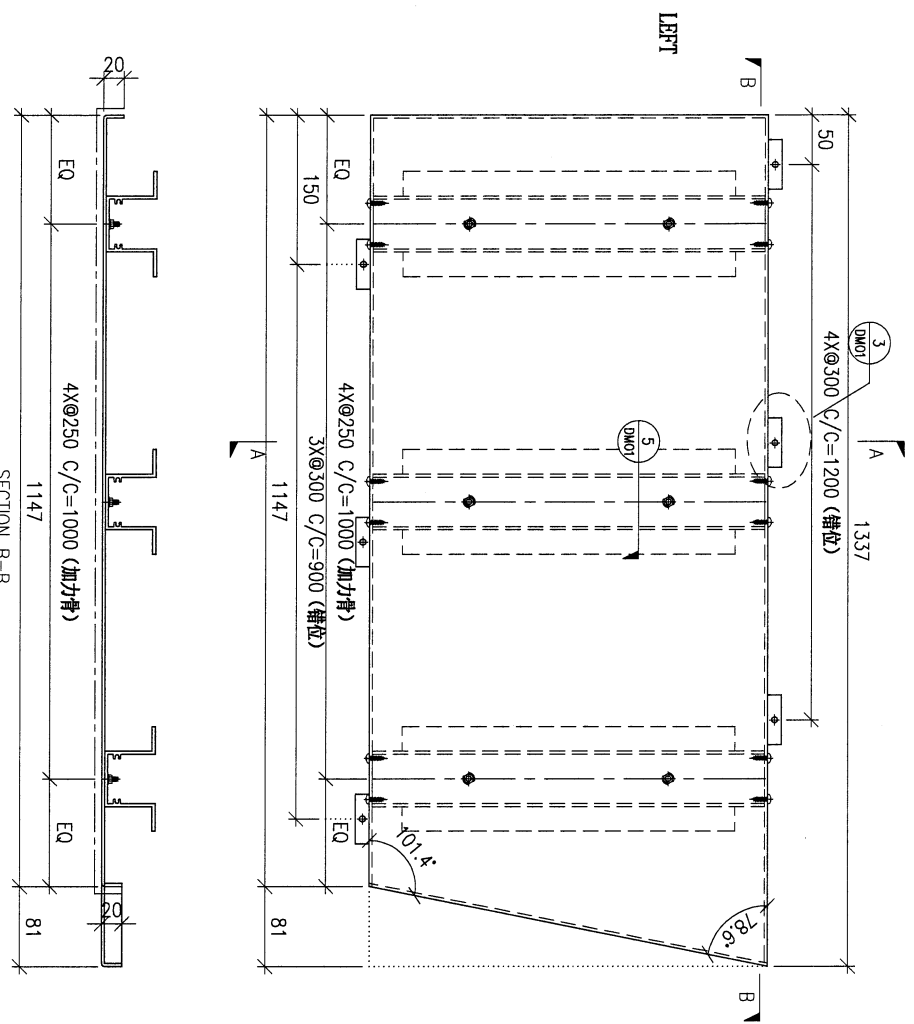
30

PROJECT YIN PING ROAD KOWLOON FEATURE WALL (PHASE 1)				MATERIAL 3mm铝板				COATING PVF2		COLOUR SS-01		MARK. NO. -	QTY. -
REV. / CHECKED / DATE	PART NUMBER	Dim. A	Dim. B	Dim. C	Dim. D	Dim. E	Dim. F	Dim. G	Dim. H	QTY.	Inv. Code	ASSEMBLE ON PARTS	
-	MU-AP29	-	-	-	-	-	-	-	-	1	-	注: 送工地	



DWG. NO. MU-AP29		REV. -		SCALE -		DATE 01-04-2022		DRAWN BY -		APPROVED BY -	
---------------------	--	-----------	--	------------	--	--------------------	--	---------------	--	------------------	--

PROJECT				MATERIAL				COATING		COLOUR		MARK. NO.		QTY.	
YIN PING ROAD KOWLOON FEATURE WALL (PHASE 1)				3mm铝板				PVF2		SS-01		-		-	
REV.	CHG BY	PART NUMBER	Dim. A	Dim. B	Dim. C	Dim. D	Dim. E	Dim. F	Dim. G	Dim. H	QTY.	Inv. Code	ASSEMBLE ON PARTS		注: 送工地
-		MU-AP31	-	-	-	-	-	-	-	-	1				



DWG. NO.		REV.		SCALE		DATE		DRAWN BY		APPROVED BY	
MU-AP31		-		-		01-04-2022		-		-	

32

PROJECT: YIN PING ROAD KOWLOON FEATURE WALL (PHASE 1)

MATERIAL: 3mm铝板

COATING: PVF2

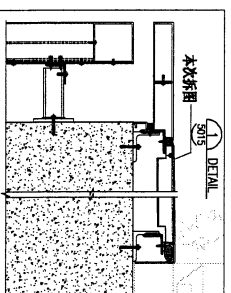
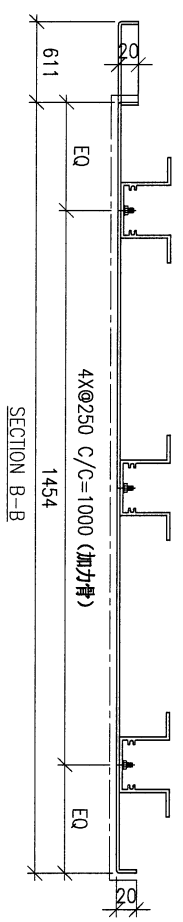
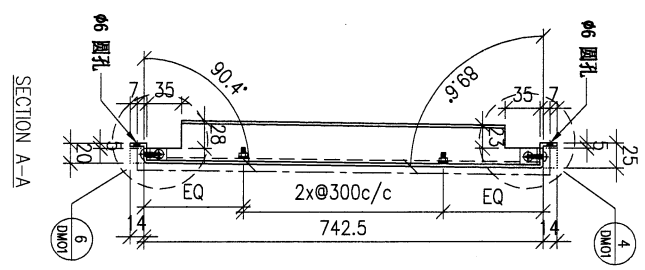
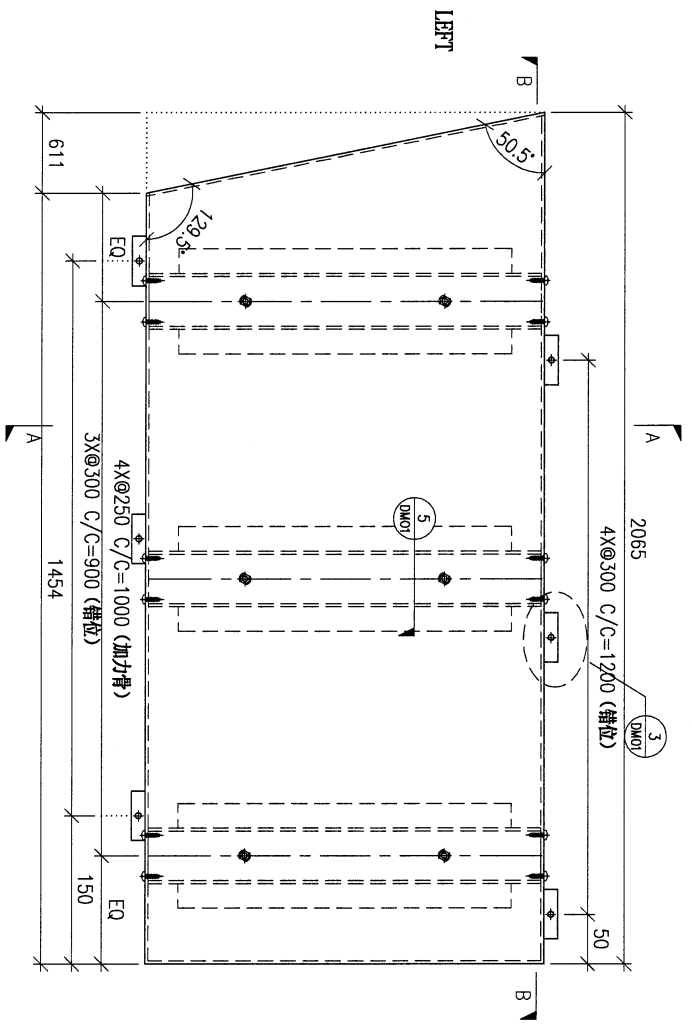
COLOUR: SS-01

MARK. NO.:

QTY.:

REV. / (修改) 版次	PART NUMBER	Dim. A	Dim. B	Dim. C	Dim. D	Dim. E	Dim. F	Dim. G	Dim. H	QTY.	Inv. Code
-	MU-AP32	-	-	-	-	-	-	-	-	1	

注: 送工地



DWG. NO.	REV.	SCALE	DATE	DRAWN BY	APPROVED BY
MU-AP32	-	-	01-04-2022	-	-