



工程指示 / 要求簡箋 ENGINEER INSTRUCTIONS (E.I.)

工程指示編號:	EI- 6172	修改版本:	A
	HK-1098		
工程編號:	J 853	工程名稱:	延坪道
收件人:	生統	發件人:	Joe Chan
工程項目:	Feature Wall 項目 地盤用鋁板 (Mock up位)	日期:	18/05/2023

<input checked="" type="checkbox"/> 原合約工程包	<input type="checkbox"/> 原合約工程加 / 減賬 QT-	<input type="checkbox"/> 新工程報價 QT-
--	--	------------------------------------

信件批核號碼/圖紙參考編號:	批核模具圖紙編號:
客戶指示附件:	管理內部批簽署:

<input type="checkbox"/> 初步鋁料 B.M.	<input type="checkbox"/> 加工拆圖, 然後生產	<input type="checkbox"/> 尺寸表
<input type="checkbox"/> 正式鋁料 B.M.	<input type="checkbox"/> 技術上資料 / 指示	<input type="checkbox"/> 報價
<input type="checkbox"/> 配件 B.M.	<input type="checkbox"/> 樣辦或貨品說明書	<input type="checkbox"/> 分判合約
<input type="checkbox"/> 其他:		

內容: 請依附件資料, 生產鋁板, 送地盤

請以 EI6172A 為準, 生產該批鋁板

前版本之 EI6172 請不用理會

完成上列要求日期: 30/5/2023 ASAP

國內

<input type="checkbox"/> 生產技術總監	<input type="checkbox"/> 連附件	<input type="checkbox"/> 技術部	<input type="checkbox"/> 連附件	<input type="checkbox"/> 生產部	<input type="checkbox"/> 連附件
<input type="checkbox"/> 採購部	<input type="checkbox"/> 連附件	<input checked="" type="checkbox"/> 生產統籌部	<input checked="" type="checkbox"/> 連附件	<input type="checkbox"/> 報關組	<input type="checkbox"/> 連附件
<input type="checkbox"/> 質檢部	<input type="checkbox"/> 連附件	<input type="checkbox"/> 會計部	<input type="checkbox"/> 連附件	<input type="checkbox"/> 機械設計部	<input type="checkbox"/> 連附件
<input type="checkbox"/> 香港辦	<input type="checkbox"/> 連附件	<input type="checkbox"/> 其他:			

香港

<input type="checkbox"/> 行政部	<input type="checkbox"/> 連附件	<input type="checkbox"/> 會計部	<input type="checkbox"/> 連附件	<input type="checkbox"/> 統籌部	<input type="checkbox"/> 連附件	<input type="checkbox"/> 工程部	<input type="checkbox"/> 連附件
<input type="checkbox"/> 採購部	<input type="checkbox"/> 連附件	<input type="checkbox"/> QS部	<input type="checkbox"/> 連附件	<input checked="" type="checkbox"/> 地盤管理	<input checked="" type="checkbox"/> 連附件	<input type="checkbox"/> 維修部	<input type="checkbox"/> 連附件

*發件人簽署:		*組別成員批核簽署:	
傳遞編號:	HK 1098 / 23	項目經理簽署:	P.P.

厂用鋁板B.M.表

工程號:	J-853	計算:	ming
地盤名稱:	廷坪路	核對:	
項目類別:	MOCK UP (part1)	批准:	

日期:	2023.05.17	送呈:	JOE
日期:		副本:	
日期:			

序號	修改內容	鋁板圖號	鋁板名稱	顏色	實用	後備	總數	總重量	67.229		總重量:	546.57	圖紙編號		
									總V.F.:	總V.F.:					
										A/C Code:					
										修改版本:					
										總V.F.:	67.229		總重量:	546.57	
										單件展開面積	總展開面積	單件V.F.	總V.F.		
										平方米	平方米	平方米	平方米		
1		MU-AP01	3mm厚鋁板	EC-DG-D334232-ZD1	5	0	5	35.426	0.871	4.357	0.871	4.357			
2		MU-AP02	3mm厚鋁板	EC-DG-D334232-ZD1	5	0	5	29.853	0.734	3.672	0.734	3.672			
3		MU-AP03	3mm厚鋁板	EC-DG-D334232-ZD1	1	0	1	4.307	0.530	0.530	0.530	0.530			
4		MU-AP04	3mm厚鋁板	EC-DG-D334232-ZD1	1	0	1	3.418	0.420	0.420	0.420	0.420			
5		MU-AP08	3mm厚鋁板	EC-DG-D334232-ZD1	1	0	1	5.185	0.638	0.638	0.638	0.638			
6		MU-AP09	3mm厚鋁板	EC-DG-D334232-ZD1	1	0	1	3.968	0.488	0.488	0.488	0.488			
7		MU-AP07A	3mm厚鋁板	EC-DG-D334232-ZD1	5	0	5	7.701	0.189	0.947	0.189	0.947			
8		MU-AP10A	3mm厚鋁板	EC-DG-D334232-ZD1	3	0	3	63.090	2.587	7.760	2.587	7.760			
9		MU-AP10B	3mm厚鋁板	EC-DG-D334232-ZD1	2	0	2	46.817	2.879	5.759	2.879	5.759			
10		MU-AP11A	3mm厚鋁板	EC-DG-D334232-ZD1	3	0	3	73.853	3.028	9.084	3.028	9.084			
11		MU-AP11C	3mm厚鋁板	EC-DG-D334232-ZD1	2	0	2	52.407	3.223	6.446	3.223	6.446			
12		MU-AP15	3mm厚鋁板	EC-DG-D334232-ZD1	2	0	2	40.276	2.477	4.954	2.477	4.954			
13		MU-AP16	3mm厚鋁板	EC-DG-D334232-ZD1	3	0	3	48.522	1.989	5.968	1.989	5.968			
14		MU-AP23	3mm厚鋁板	EC-DG-D334232-ZD1	1	0	1	18.339	2.256	2.256	2.256	2.256			
15		MU-AP25	3mm厚鋁板	EC-DG-D334232-ZD1	1	0	1	21.467	2.640	2.640	2.640	2.640			
16		MU-AP27	3mm厚鋁板	EC-DG-D334232-ZD1	1	0	1	17.859	2.197	2.197	2.197	2.197			
17		MU-AP28	3mm厚鋁板	EC-DG-D334232-ZD1	1	0	1	13.874	1.707	1.707	1.707	1.707			
18		MU-AP29	3mm厚鋁板	EC-DG-D334232-ZD1	1	0	1	24.183	2.975	2.975	2.975	2.975			
19		MU-AP30	3mm厚鋁板	EC-DG-D334232-ZD1	1	0	1	10.124	1.245	1.245	1.245	1.245			
20		MU-AP31	3mm厚鋁板	EC-DG-D334232-ZD1	1	0	1	11.688	1.438	1.438	1.438	1.438			
21		MU-AP32	3mm厚鋁板	EC-DG-D334232-ZD1	1	0	1	14.217	1.749	1.749	1.749	1.749			
22															
總計:					42	0	42	547	36	67	36	67			

PROJECT
YIN PING ROAD KOWLOON
FEATURE WALL (PHASE 1)

MATERIAL
铝通加工图

COATING
PVF2

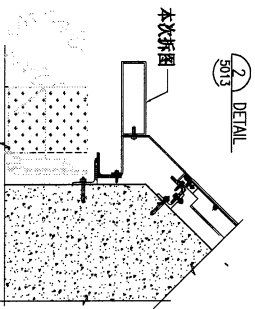
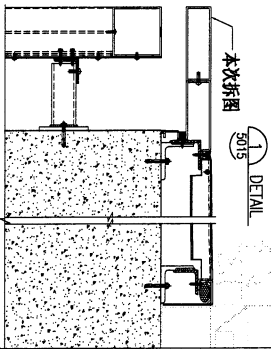
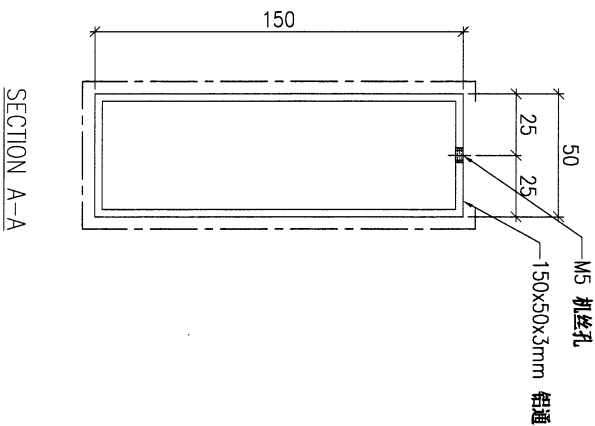
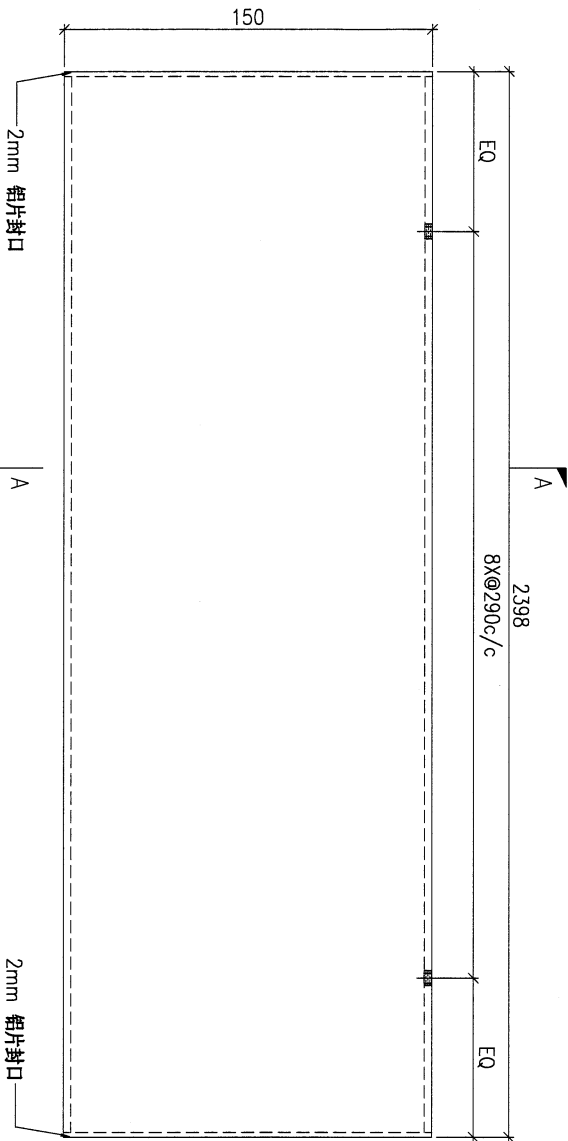
COLOUR
SS-01

MARK. NO.
-

QTY.
-

注：送工厂

REV.	CHECKED BY	PART NUMBER	Dim. A	Dim. B	Dim. C	Dim. D	Dim. E	Dim. F	Dim. G	Dim. H	QTY.	Inv. Code	ASSEMBLE ON PARTS
-		AL-M01	-	-	-	-	-	-	-	-	10		



DWG. NO.

AL-M01

REV.

SCALE

DATE
22-03-2023

DRAWN BY

APPROVED BY

PROJECT
YIN PING ROAD KOWLOON
FEATURE WALL (PHASE 1)

MATERIAL
铝通加工图

COATING
PVF2

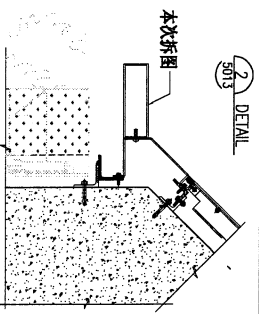
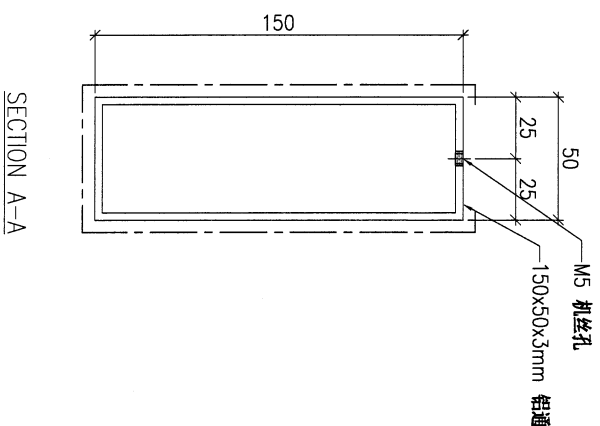
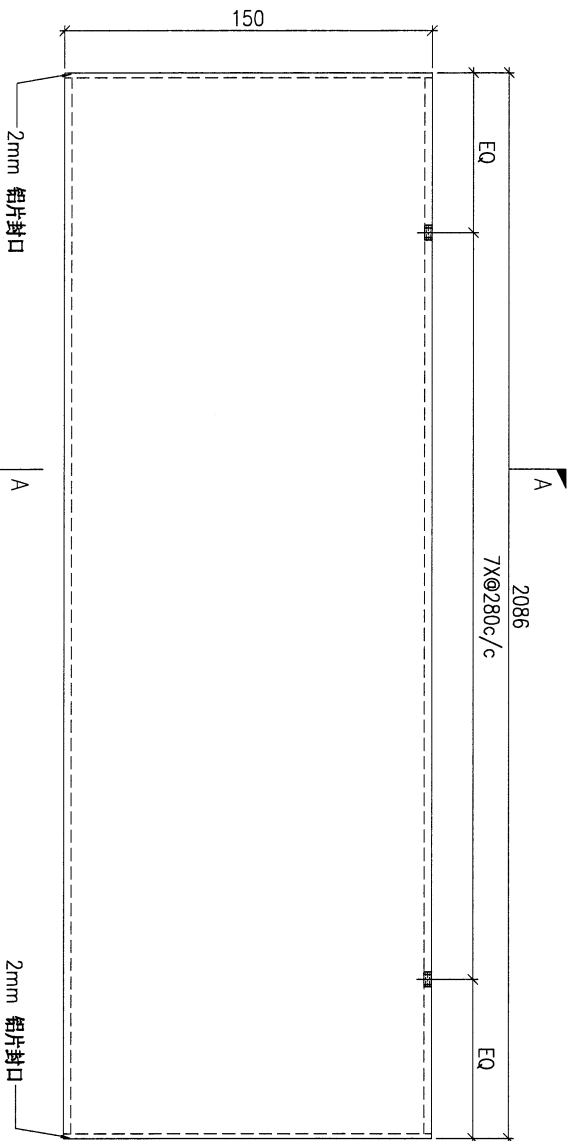
COLOUR
SS-01

MARK. NO.
-

QTY.
-

注: 送工厂

REV.	CHANGED BY	PART NUMBER	Dim. A	Dim. B	Dim. C	Dim. D	Dim. E	Dim. F	Dim. G	Dim. H	QTY.	Inv. Code	ASSEMBLE ON PARTS
-		AL-M02	-	-	-	-	-	-	-	-	1		



DWG. NO.

AL-M02

REV.

SCALE

DATE
22-03-2023

DRAWN BY

APPROVED BY

PROJECT
YIN PING ROAD KOWLOON
FEATURE WALL (PHASE 1)

MATERIAL
铝通加工图

COATING
PVF2

COLOUR
SS-01

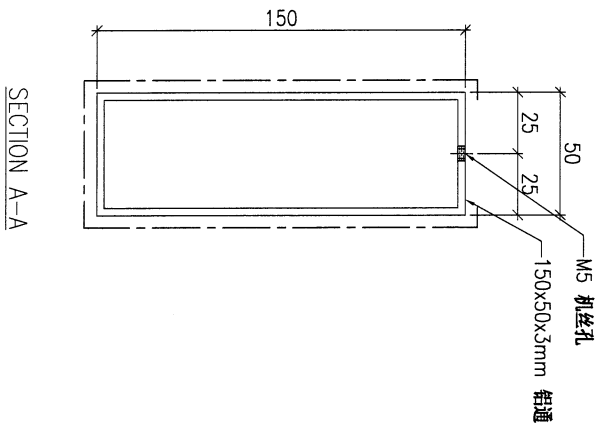
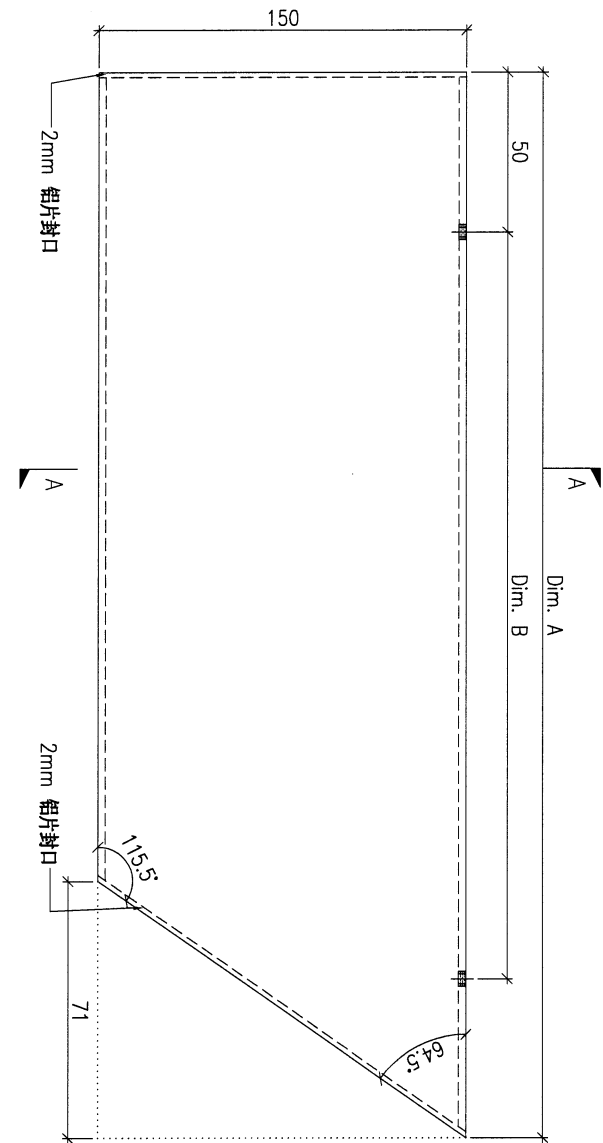
MARK. NO.
-

QTY.
-

ASSEMBLE ON PARTS

注：送工厂

REV.	CHANGED BY	PART NUMBER	Dim. A	Dim. B	Dim. C	Dim. D	Dim. E	Dim. F	Dim. G	Dim. H	QTY.	Inv. Code
-	-	AL-M03A	-	-	-	-	-	-	-	-	-	-
-	-	AL-M03B	-	-	-	-	-	-	-	-	-	-
-	-	AL-M03C	1380	4xØ300c/c	-	-	-	-	-	-	1	-
-	-	AL-M03D	1073	3xØ300c/c	-	-	-	-	-	-	1	-



DWG. NO.	AL-M03	REV.	-	SCALE	-	DATE	22-03-2023	DRAWN BY	-	APPROVED BY	-
----------	--------	------	---	-------	---	------	------------	----------	---	-------------	---

PROJECT
YIN PING ROAD KOWLOON
FEATURE WALL (PHASE 1)

MATERIAL
铝通加工图

COATING
PVF2

COLOUR
SS-01

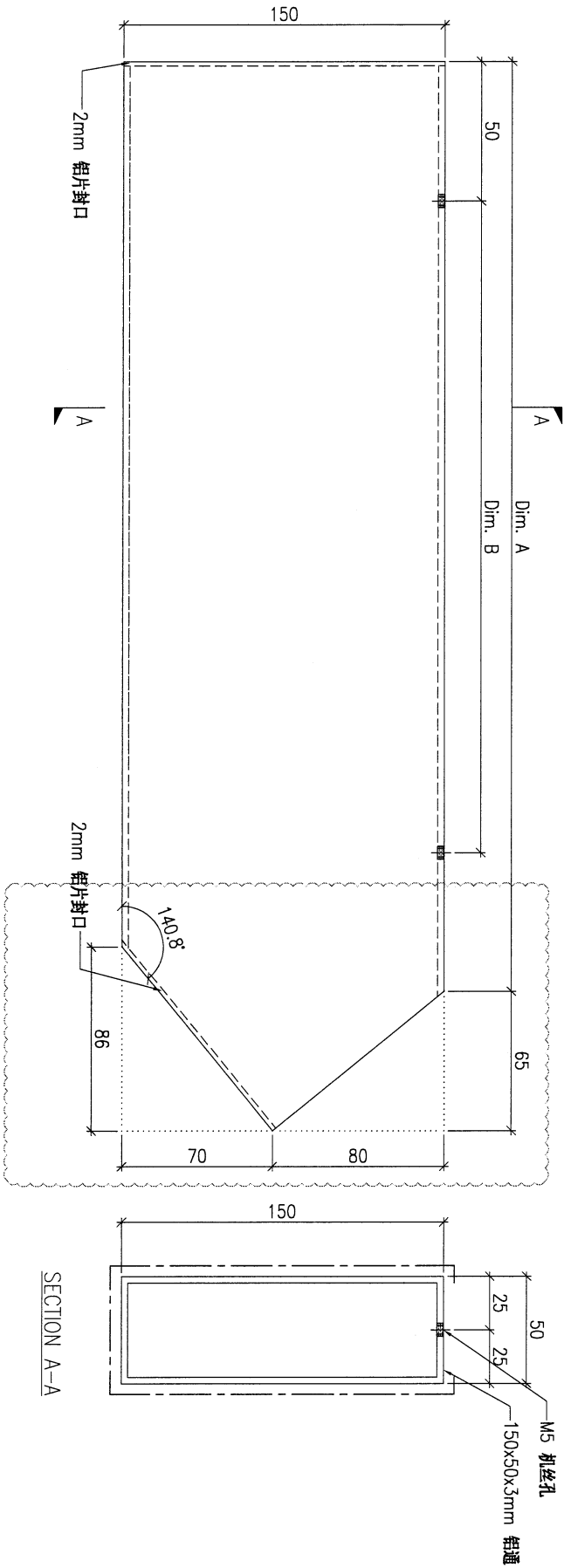
MARK. NO.
-

QTY.
-

ASSEMBLE ON PARTS

注: 送工厂

REV.	CHECKED DATE BY	PART NUMBER	Dim. A	Dim. B	Dim. C	Dim. D	Dim. E	Dim. F	Dim. G	Dim. H	QTY.	Inv. Code
-		AL-M04	1411	4x@300c/c	-						1	



DWG. NO.

AL-M04

REV.
A

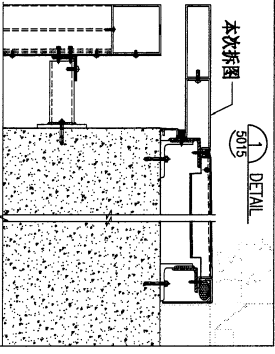
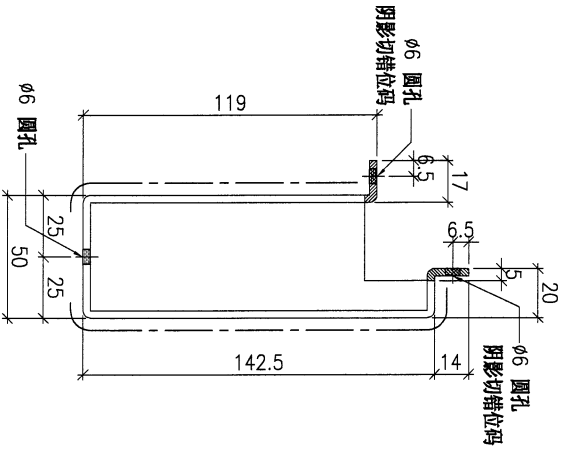
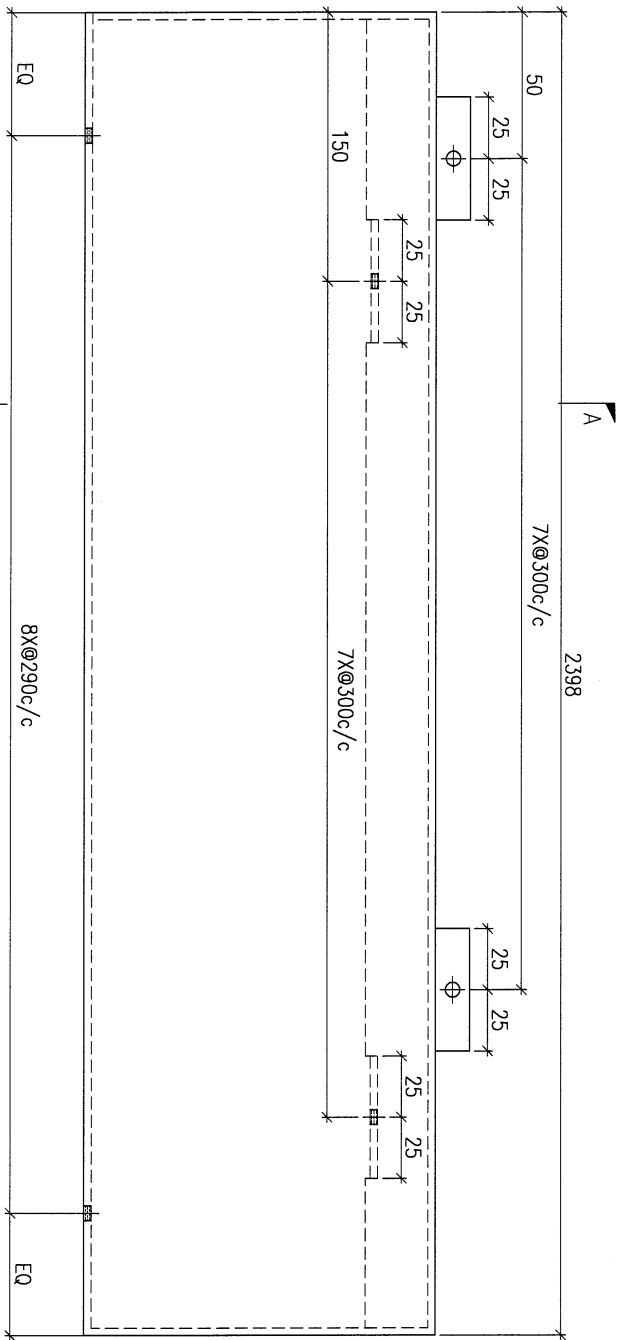
SCALE
-

DATE
22-03-2023

DRAWN BY
-

APPROVED BY
-

PROJECT				MATERIAL				COATING				COLOUR				MARK. NO.		QTY.	
YIN PING ROAD KOWLOON FEATURE WALL (PHASE 1)				3mm 铝板				PVF2				SS-01				-		-	
REV.	CHECKED	PART NUMBER	Dim. A	Dim. B	Dim. C	Dim. D	Dim. E	Dim. F	Dim. G	Dim. H	QTY.	Inv. Code	ASSEMBLE ON PARTS				-		
-	BY	MU-AP01	-	-	-	-	-	-	-	-	5	-	注: 送工厂				-		



DWG. NO.		REV.		SCALE		DATE		DRAWN BY		APPROVED BY	
MU-AP01		-		-		22-03-2023		-		-	

PROJECT
YIN PING ROAD KOWLOON
FEATURE WALL (PHASE 1)

MATERIAL
3mm 铝板

COATING
PVF2

COLOUR
SS-01

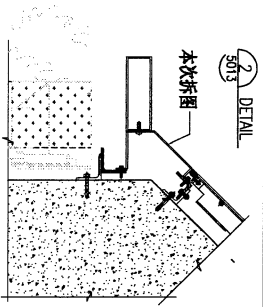
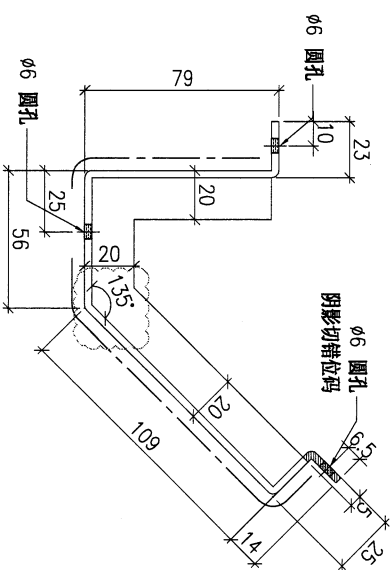
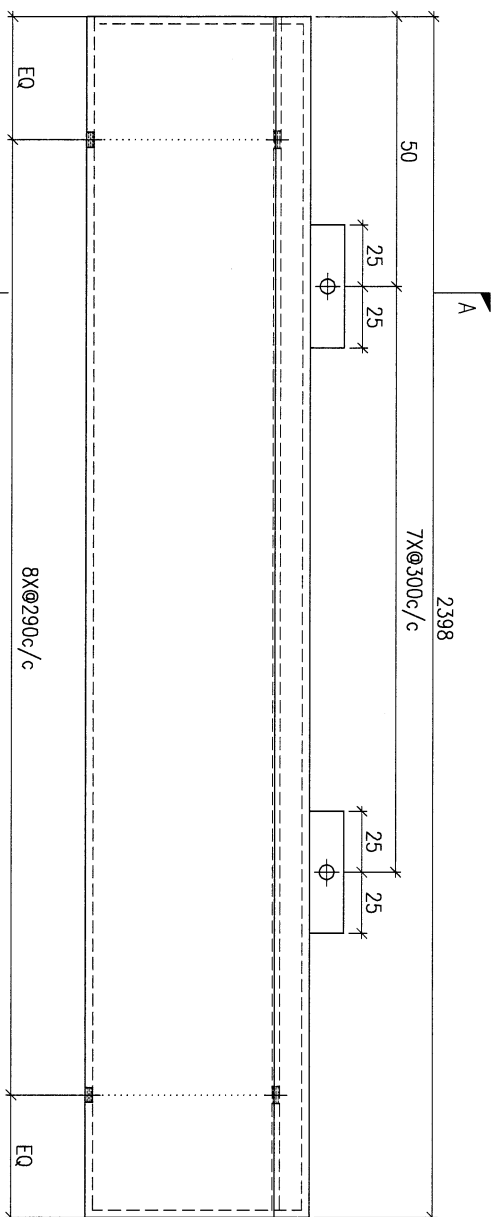
MARK. NO.
-

QTY.
-

REV.	CHANGED BY	PART NUMBER	Dim. A	Dim. B	Dim. C	Dim. D	Dim. E	Dim. F	Dim. G	Dim. H	QTY.	Inv. Code
-		MU-AP02	-	-	-	-	-	-	-	-	5	

ASSEMBLE ON PARTS

注: 送工厂



DWG. NO.

MU-AP02

REV. A

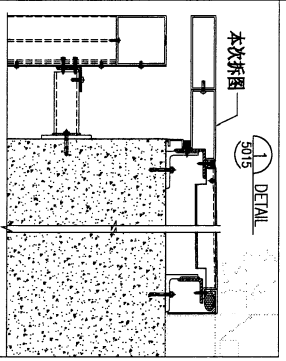
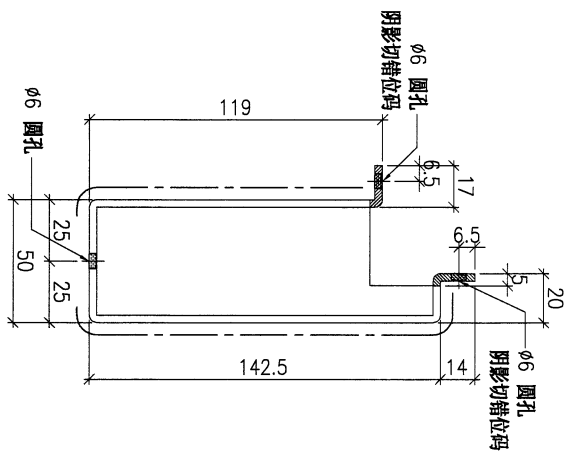
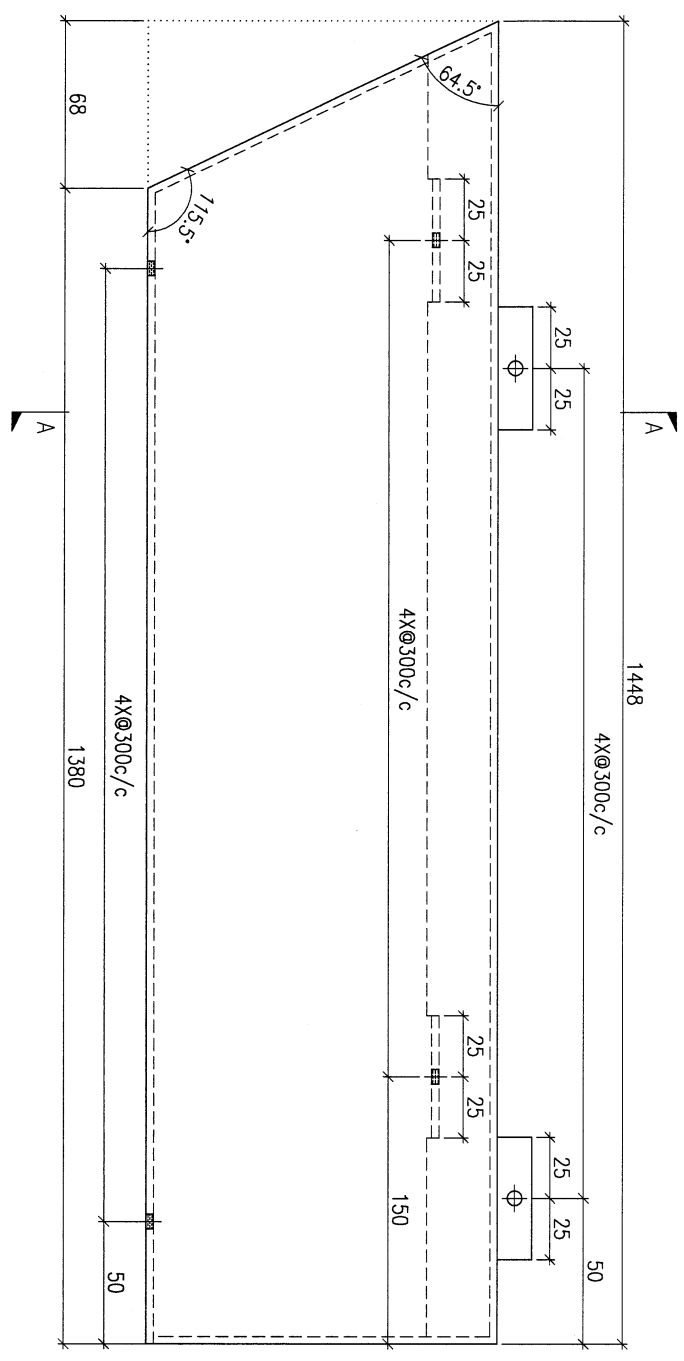
SCALE -

DATE 22-03-2023

DRAWN BY -

APPROVED BY -

PROJECT				YIN PING ROAD KOWLOON FEATURE WALL (PHASE 1)				MATERIAL				COATING				COLOUR				MARK. NO.				QTY.																																											
PART NUMBER				Dim. A				Dim. B				Dim. C				Dim. D				Dim. E				Dim. F				Dim. G				Dim. H				QTY.				Inv. Code				ASSEMBLE ON PARTS				注: 送工厂																			
MU-AP03				-				-				-				-				-				-				-				1				-				-				-				-				-				-											
REV. CHECKED BY				-				-				-				-				-				-				-				-				-				-				-				-				-				-				-				-			



DWG. NO.		REV.		SCALE		DATE		DRAWN BY		APPROVED BY	
MU-AP03		-		-		22-03-2023		-		-	

PROJECT
YIN PING ROAD KOWLOON
FEATURE WALL (PHASE 1)

MATERIAL
3mm 铝板

COATING
PVF2

COLOUR
SS-01

MARK. NO.
-

QTY.
-

REV.
CHANGED
BY

PART NUMBER
MU-AP04

Dim. A

Dim. B

Dim. C

Dim. D

Dim. E

Dim. F

Dim. G

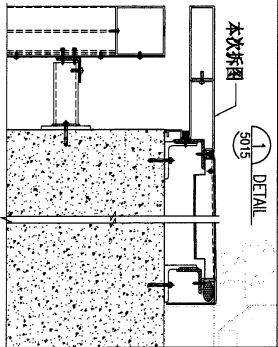
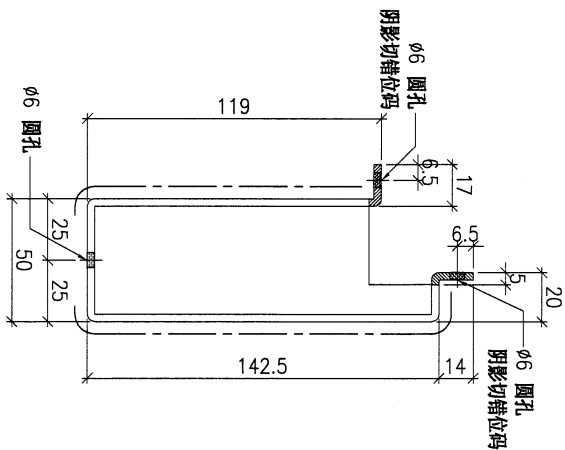
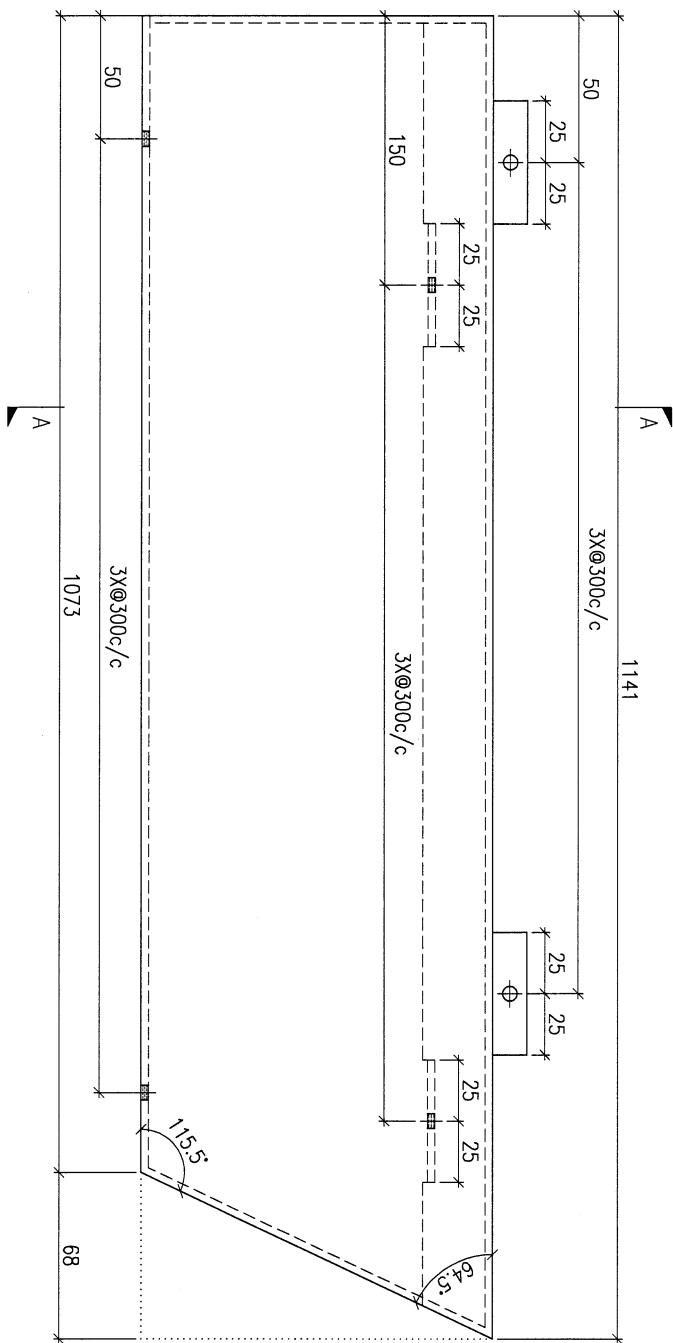
Dim. H

QTY.
1

Inv. Code

ASSEMBLE ON PARTS

注: 送工厂



DWG. NO.

MU-AP04

REV.

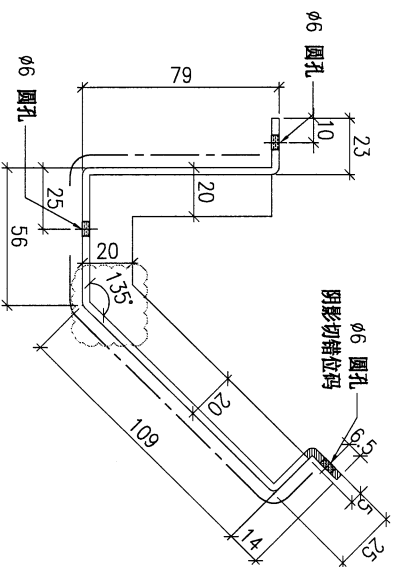
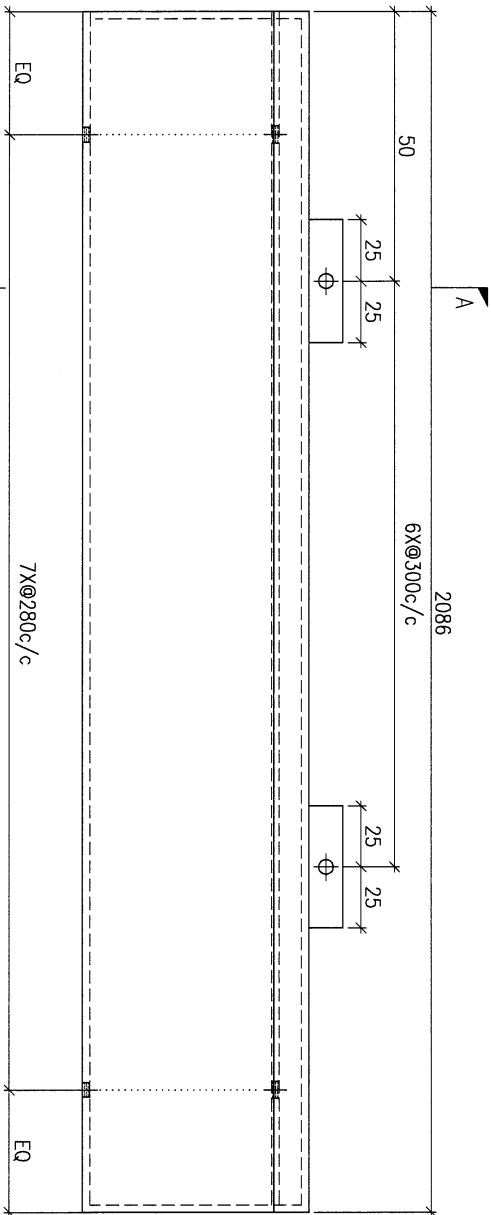
SCALE

DATE
22-03-2023

DRAWN BY

APPROVED BY

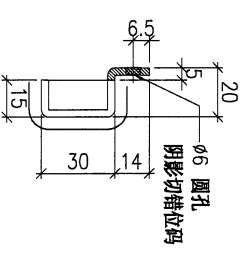
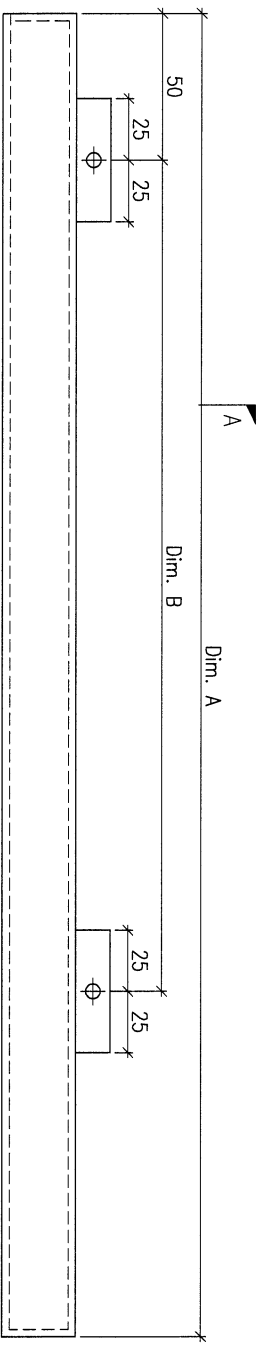
PROJECT				YIN PING ROAD KOWLOON FEATURE WALL (PHASE 1)				MATERIAL				3mm 铝板				COATING				PVF2				COLOUR				SS-01				MARK. NO.				-				QTY.				-			
REV. / CHECKED BY		PART NUMBER		Dim. A		Dim. B		Dim. C		Dim. D		Dim. E		Dim. F		Dim. G		Dim. H		QTY.		Inv. Code		ASSEMBLE ON PARTS				注: 送工厂																			
-		MU-AP08		-		-		-		-		-		-		-		-		1																											



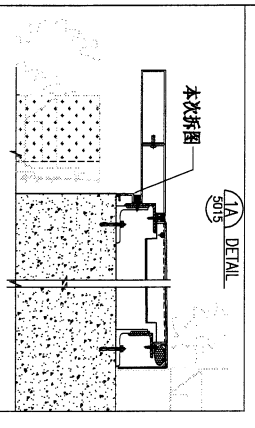
SECTION A-A

DWG. NO.		MU-AP08		REV.		A		SCALE		-		DATE		22-03-2023		DRAWN BY		-		APPROVED BY		-	
----------	--	---------	--	------	--	---	--	-------	--	---	--	------	--	------------	--	----------	--	---	--	-------------	--	---	--

PROJECT				MATERIAL				COATING		COLOUR		MARK. NO.	QTY.
YIN PING ROAD KOWLOON FEATURE WALL (PHASE 1)				3mm 铝板				PVF2		SS-01		-	-
CHKD BY	PART NUMBER	Dim. A	Dim. B	Dim. C	Dim. D	Dim. E	Dim. F	Dim. G	Dim. H	QTY.	Inv. Code	ASSEMBLE ON PARTS	
-	MU-AP07A	2398	7x@300c/c	-	-	-	-	-	-	5	-	注: 送工地	



SECTION A-A



DWG. NO.	REV.	SCALE	DATE	DRAWN BY	APPROVED BY
MU-AP07AC	-	-	22-03-2023	-	-

PROJECT
YIN PING ROAD KOWLOON
FEATURE WALL (PHASE 1)

MATERIAL
铝通&铝板组装图

COATING
PVF2

COLOUR
SS-01

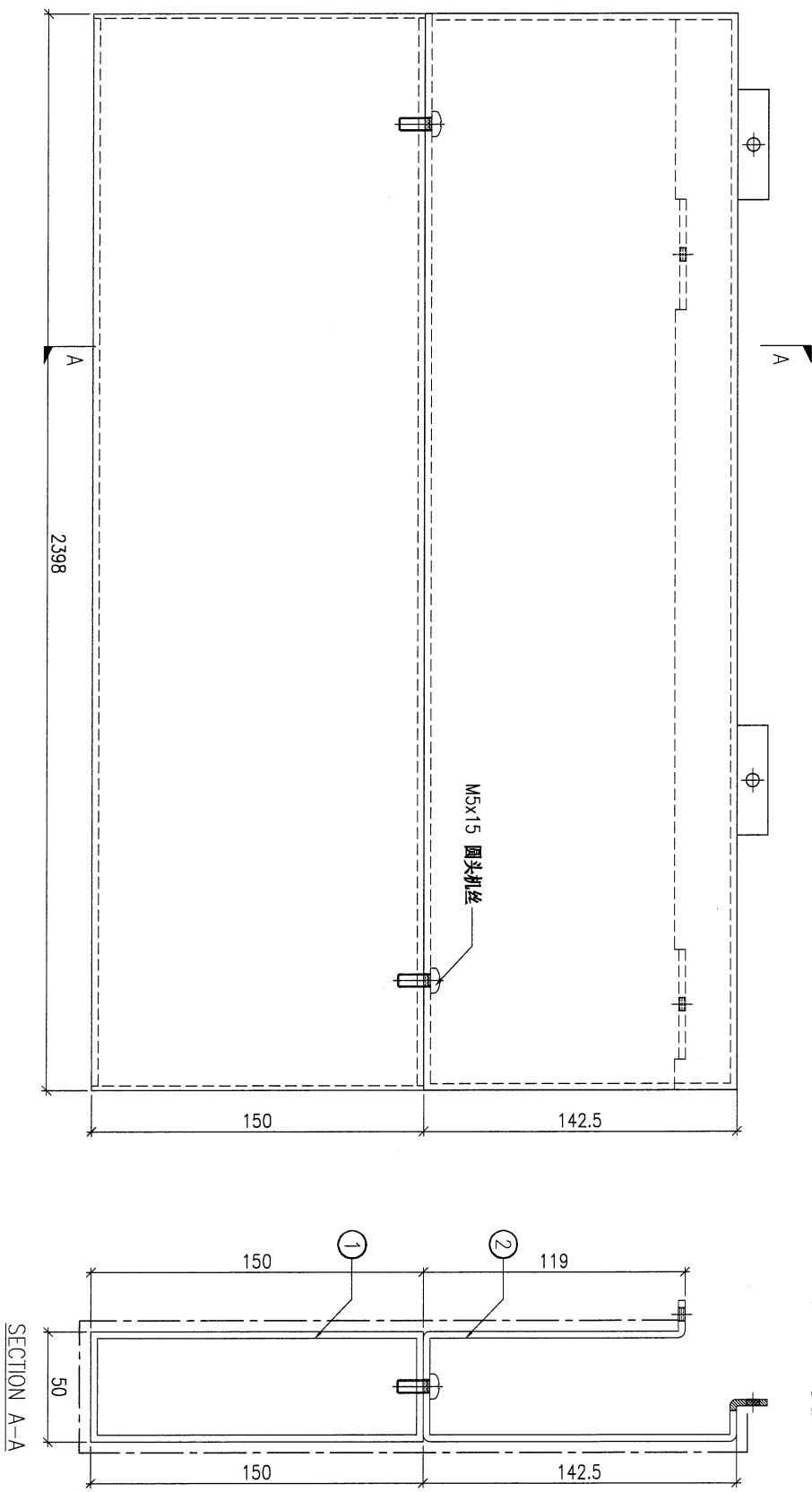
MARK. NO.
-

QTY.
-

ASSEMBLE ON PARTS

注: 送工地

NO.	CHECKED DATE BY	PART NUMBER	Dim. A	Dim. B	Dim. C	Dim. D	Dim. E	Dim. F	Dim. G	Dim. H	QTY.	Inv. Code
-		MU-UN01	-	-	-	-	-	-	-	-	5	



序号	构件编号	单组数量
①	AL-M01	1
②	MU-AP01	1

DWG. NO.	MU-UN01	REV.	-	SCALE	-	DATE	22-03-2023	DRAWN BY	-	APPROVED BY	-
----------	---------	------	---	-------	---	------	------------	----------	---	-------------	---

PROJECT
YIN PING ROAD KOWLOON
FEATURE WALL (PHASE 1)

MATERIAL
铝通&铝板组装图

COATING
PVF2

COLOUR
SS-01

MARK. NO.
-

QTY.
-

checked
part by

PART NUMBER
MU-UN02

Dim. A

Dim. B

Dim. C

Dim. D

Dim. E

Dim. F

Dim. G

Dim. H

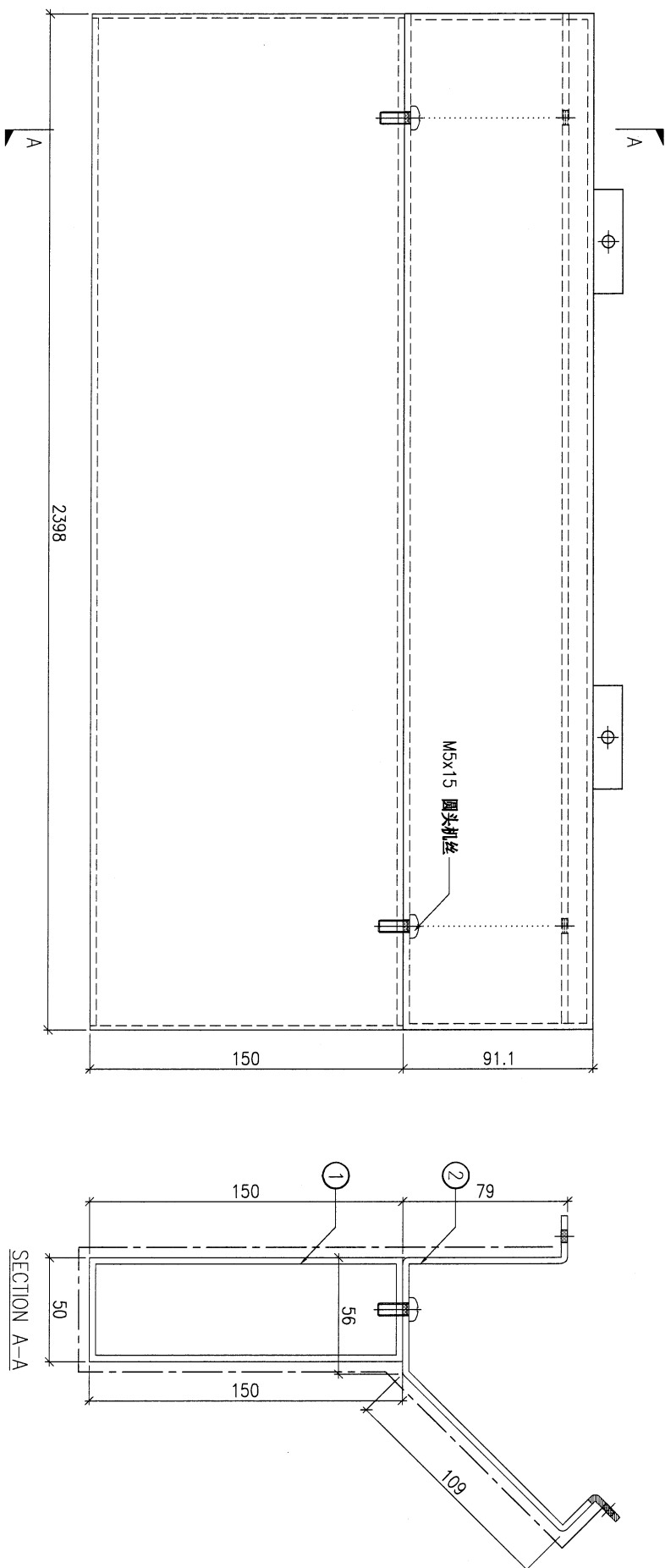
QTY.
5

Inv. Code

ASSEMBLE ON PARTS

注: 送工地

送工地



M5x15 圆头机丝

SECTION A-A

序号	构件编号	单组数量
①	AL-M01	1
②	MU-AP02	1

DWG. NO.

MU-UN02

REV.

SCALE

DATE
22-03-2023

DRAWN BY

APPROVED BY

PROJECT
YIN PING ROAD KOWLOON
FEATURE WALL (PHASE 1)

MATERIAL
铝通&铝板组装图

COATING
PVF2

COLOUR
SS-01

MARK. NO.
-

QTY.
-

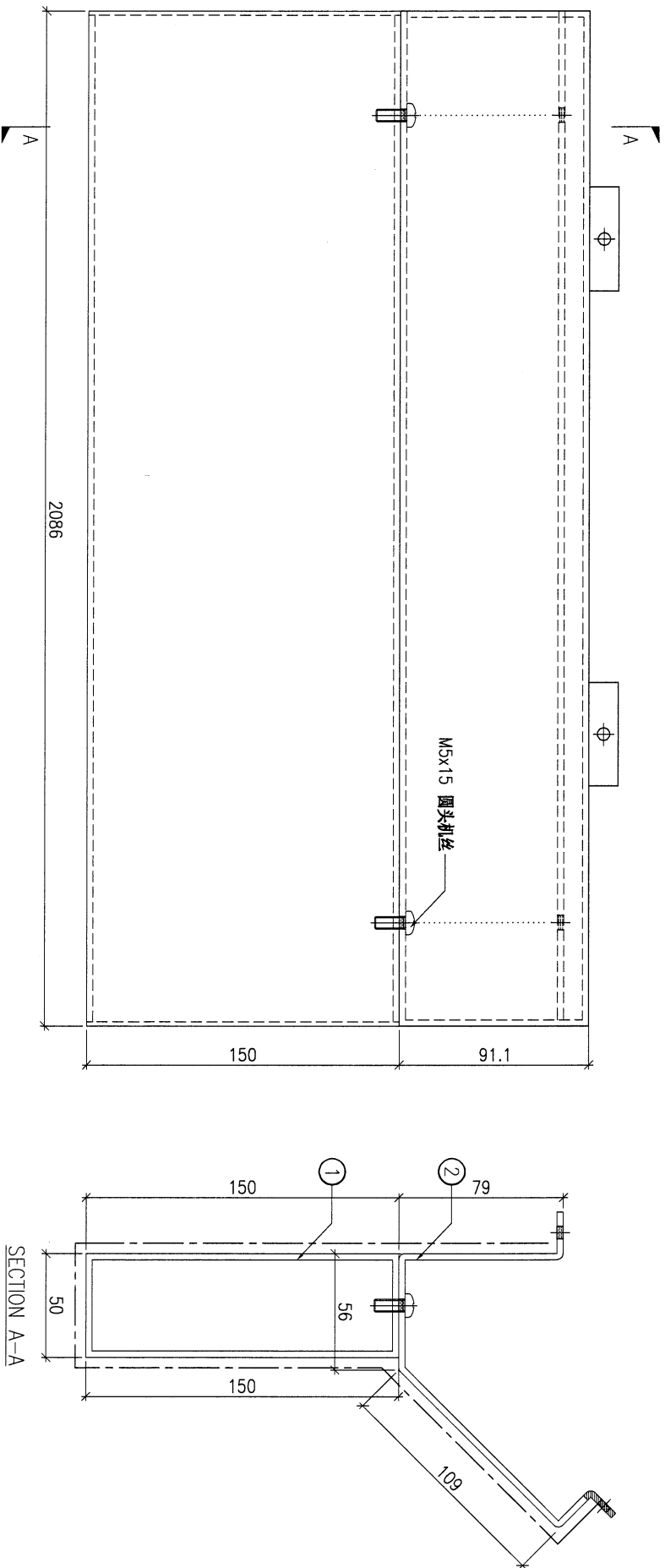
REV.	CHECKED DATE BY	PART NUMBER	Dim. A	Dim. B	Dim. C	Dim. D	Dim. E	Dim. F	Dim. G	Dim. H	QTY.	Inv. Code
-		MU-UN06	-	-	-	-	-	-	-	-	1	

ASSEMBLE ON PARTS

注: 构件编号 ①AL-M02 1件 ②MU-AP08 1件

注: 送工地

~~工地复尺 铝板工厂 拼装~~



DWG. NO.

MU-UN06

REV.

SCALE

DATE
22-03-2023

DRAWN BY

APPROVED BY

PROJECT
YIN PING ROAD KOWLOON
FEATURE WALL (PHASE 1)

MATERIAL
铝通&铝板组装图

COATING
PVF2

COLOUR
SS-01

MARK. NO.
-

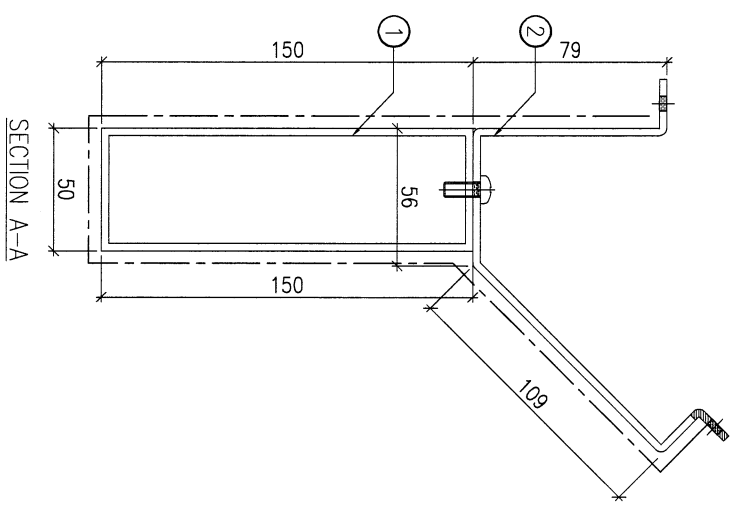
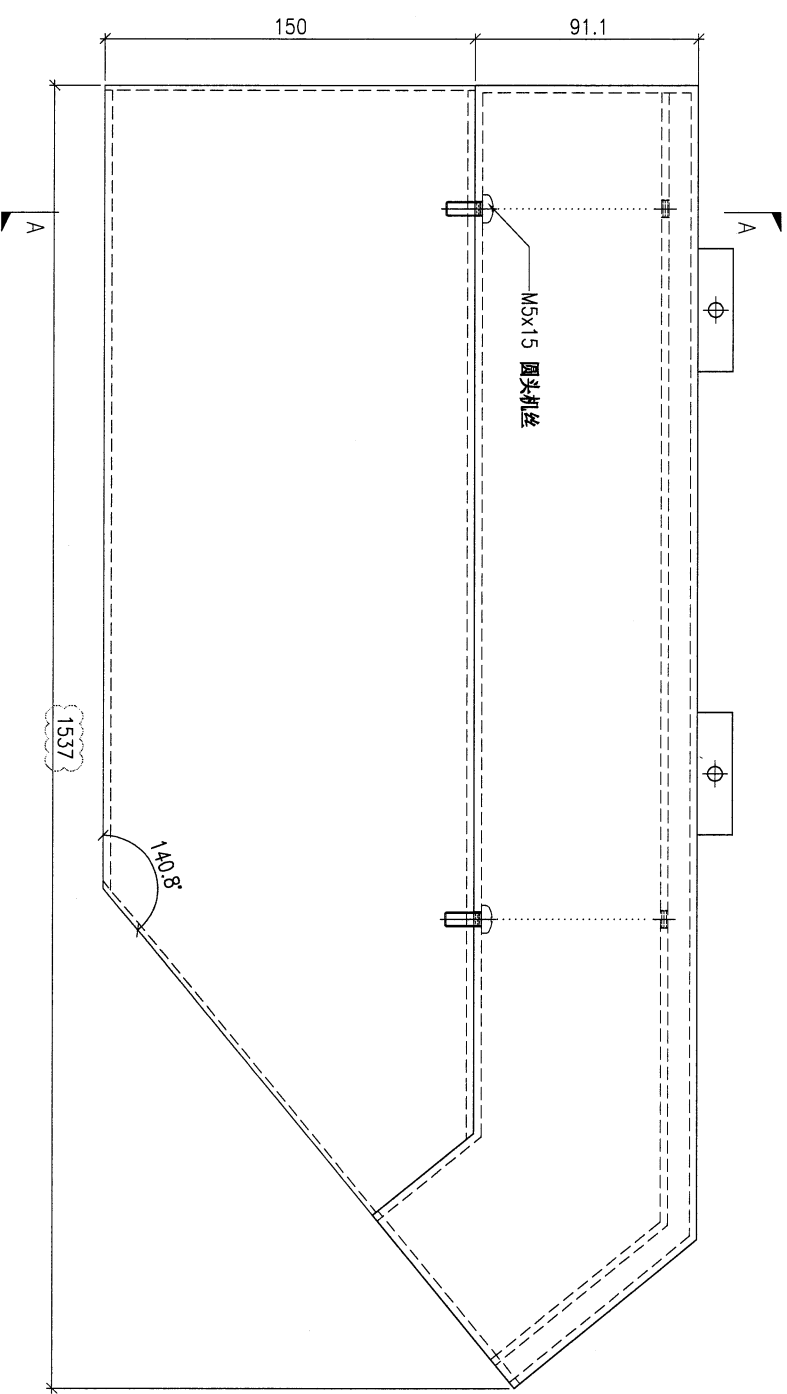
QTY.
-

REV. OR BY	PART NUMBER	Dim. A	Dim. B	Dim. C	Dim. D	Dim. E	Dim. F	Dim. G	Dim. H	QTY.	Inv. Code
-	MU-UN07	-	-	-	-	-	-	-	-	1	

ASSEMBLE ON PARTS
注: 构件编号 ①AL-M04 1件 ②MU-AP09 1件

注: 送工地

~~注: 地线及铁角工字钢~~



DWG. NO.	MU-UN07	REV.	A	SCALE	-	DATE	22-03-2023	DRAWN BY	-	APPROVED BY	-
----------	---------	------	---	-------	---	------	------------	----------	---	-------------	---

PROJECT
YIN PING ROAD KOWLOON
FEATURE WALL (PHASE 1)

MATERIAL
铝通&铝板组装图

COATING
PVF2

COLOUR
SS-01

MARK. NO.
-

QTY.
-

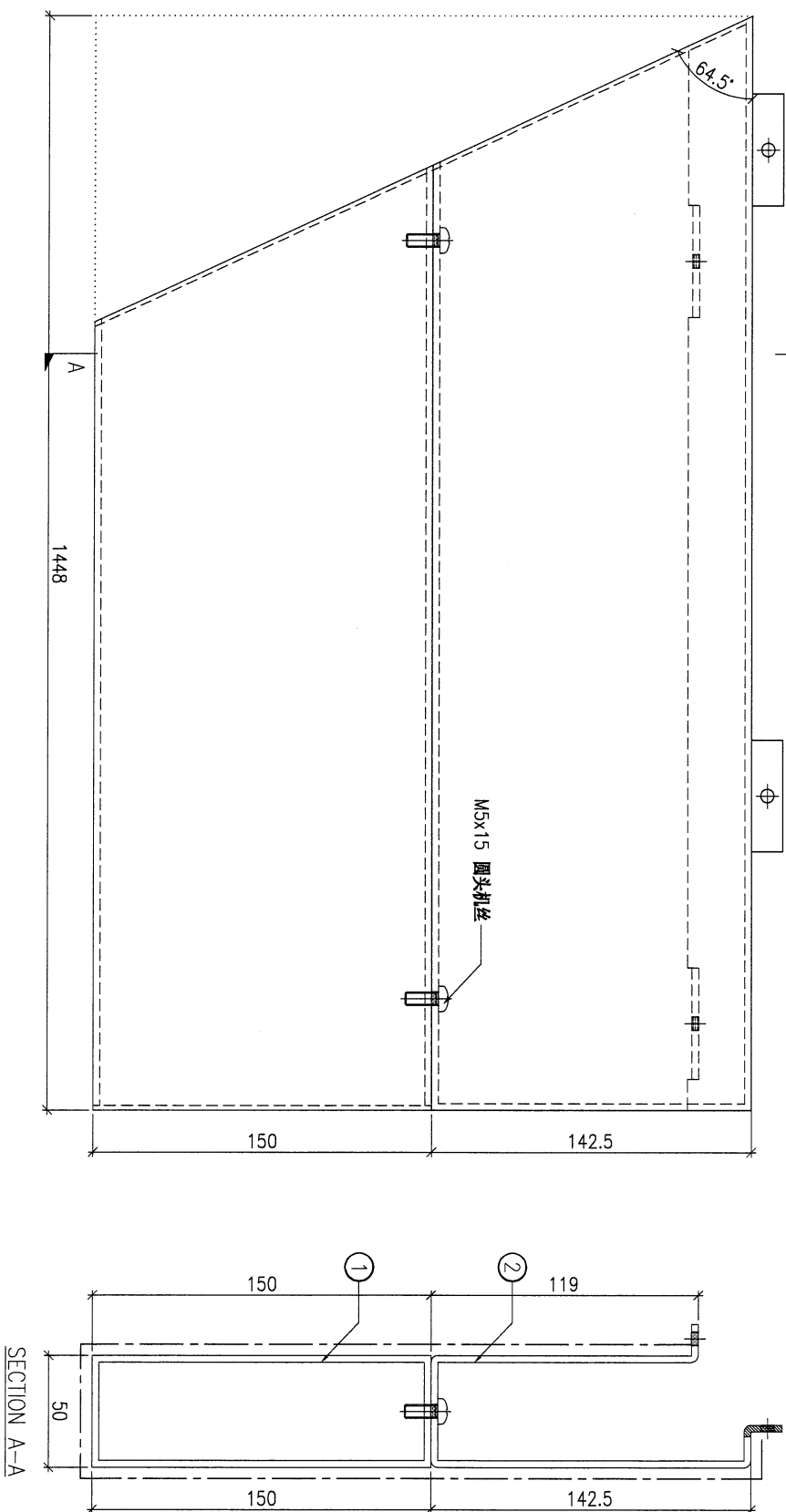
ASSEMBLE ON PARTS

注: 构件编号 ①AL-M03C 1件 ②MU-AP03 1件

注: 送工地

CHKD PAR BY	PART NUMBER	Dim. A	Dim. B	Dim. C	Dim. D	Dim. E	Dim. F	Dim. G	Dim. H	QTY.	Inv. Code
-	MU-UN08	-	-	-	-	-	-	-	-	1	-

~~注: 工地复尺, 转角手工收线~~



DWG. NO.	MU-UN08	REV.	-	SCALE	-	DATE	22-03-2023	DRAWN BY	-	APPROVED BY	-
----------	---------	------	---	-------	---	------	------------	----------	---	-------------	---

PROJECT
YIN PING ROAD KOMILOON
FEATURE WALL (PHASE 1)

MATERIAL
铝通&铝板组装图

COATING
PVF2

COLOUR
SS-01

MARK. NO.
-

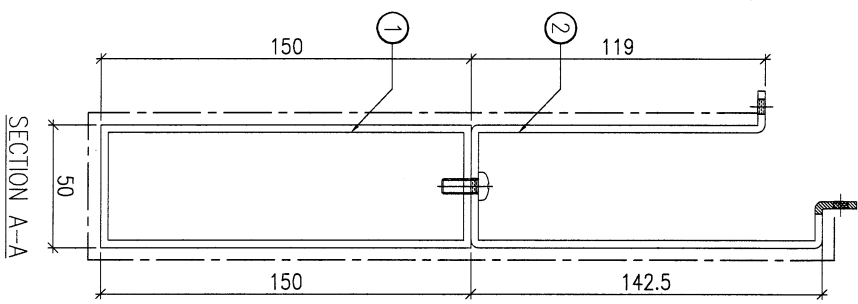
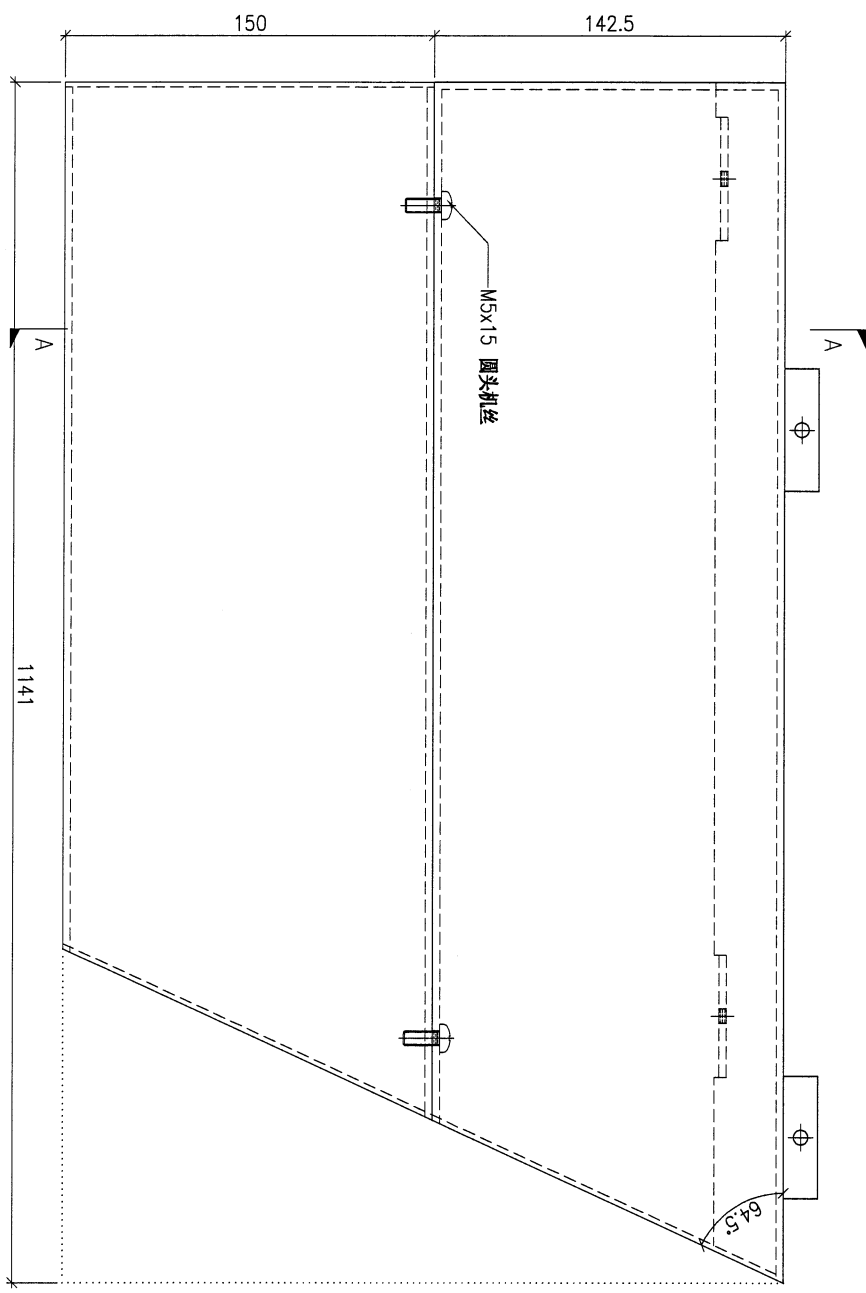
QTY.
-

REV. / CHECKED BY	PART NUMBER	Dim. A	Dim. B	Dim. C	Dim. D	Dim. E	Dim. F	Dim. G	Dim. H	QTY.	Inv. Code
-	MU-UN09	-	-	-	-	-	-	-	-	1	

ASSEMBLE ON PARTS
注: 构件编号 ①AL-M03D 1件 ②MU-AP04 1件

注: 送工地

~~注: 工地复尺, 转角手工收整~~



DWG. NO.	MU-UN09	REV.	-	SCALE	-	DATE	22-03-2023	DRAWN BY	-	APPROVED BY	-
----------	---------	------	---	-------	---	------	------------	----------	---	-------------	---

PROJECT
YIN PING ROAD KOWLOON
FEATURE WALL (PHASE 1)

MATERIAL
3mm铝板

COATING
PVF2

COLOUR
SS-01

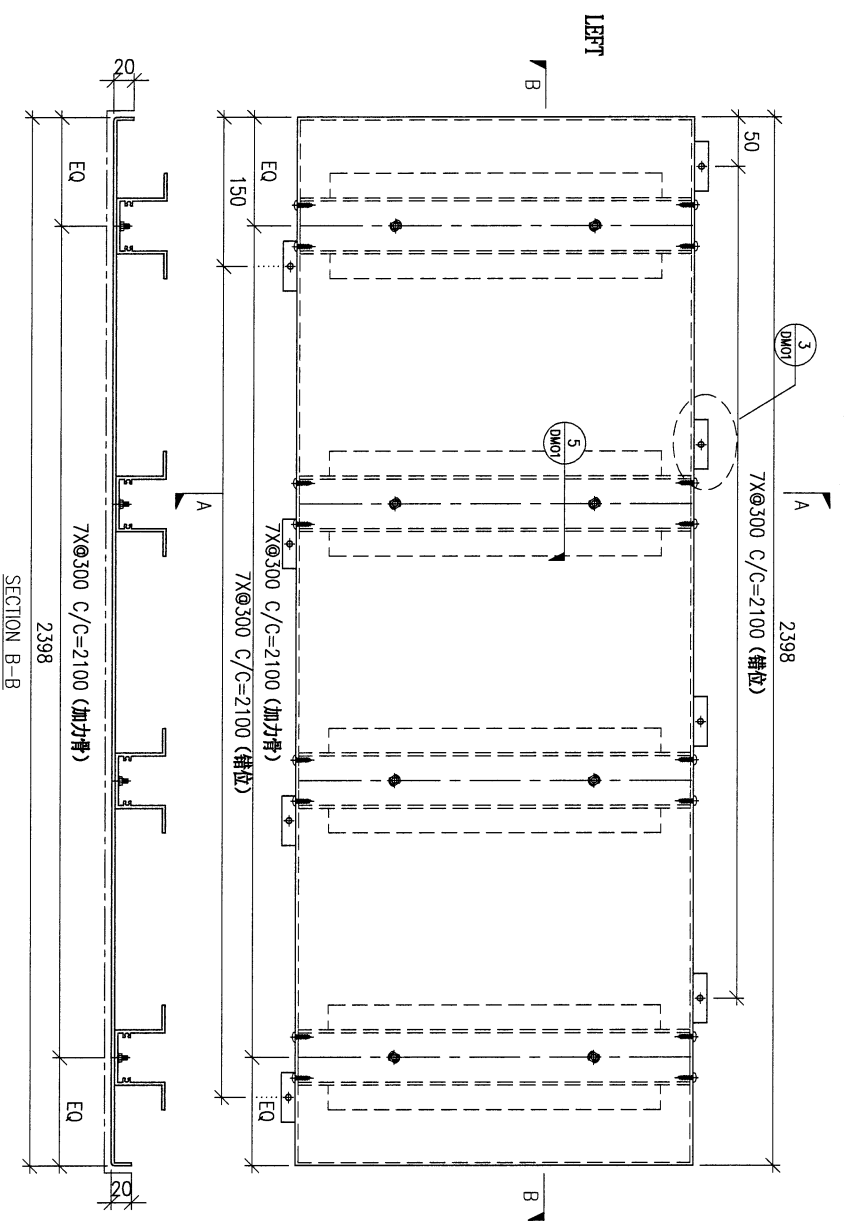
MARK. NO.
-

QTY.
-

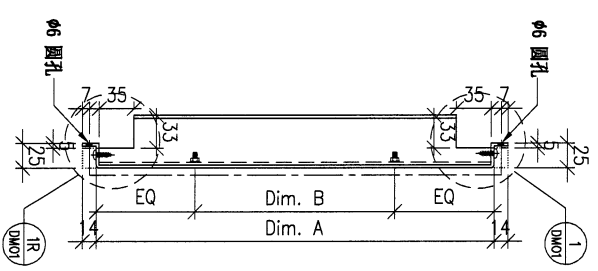
CHKD PART BY	PART NUMBER	Dim. A	Dim. B	Dim. C	Dim. D	Dim. E	Dim. F	Dim. G	Dim. H	QTY.	Inv. Code	ASSEMBLE ON PARTS	MARK. NO.	QTY.
-	MU-AP10A	983	3x@250c/c	-	-	-	-	-	-	3			-	-
-	MU-AP10B	1103	4x@250c/c	-	-	-	-	-	-	2			-	-

注：送工地

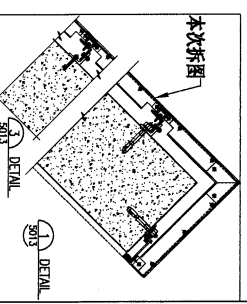
~~注：工地安装~~



SECTION B-B

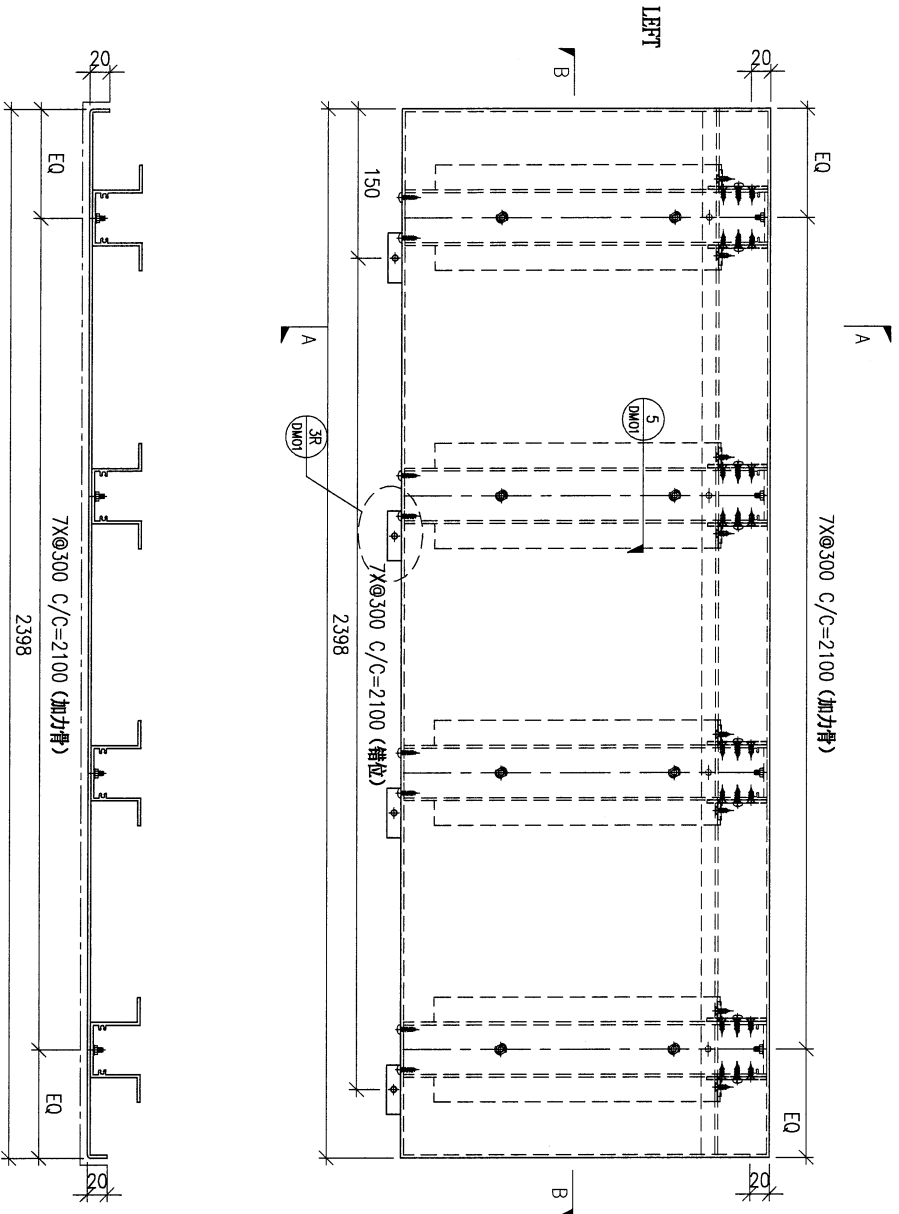


SECTION A-A

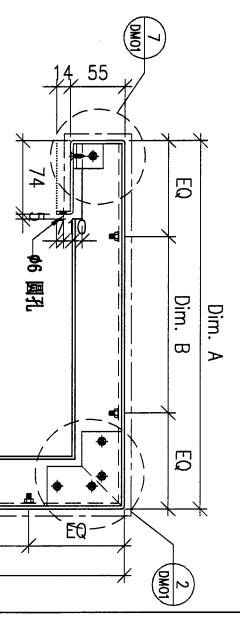


DWG. NO.	MU-AP10	REV.	A	SCALE	-	DATE	01-04-2022	DRAWN BY	-	APPROVED BY	-
----------	---------	------	---	-------	---	------	------------	----------	---	-------------	---

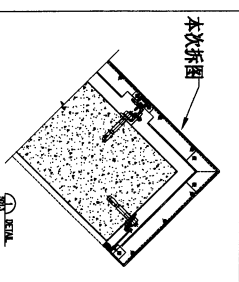
PROJECT				MATERIAL				COATING		COLOUR		MARK. NO.		QTY.	
YIN PING ROAD KOWLOON FEATURE WALL (PHASE 1)				3mm铝板				PVF2		SS-01		-		-	
REV.	CHECKED DATE BY	PART NUMBER	Dim. A	Dim. B	Dim. C	Dim. D	Dim. E	Dim. F	Dim. G	Dim. H	QTY.	Inv. Code	ASSEMBLE ON PARTS		
-		MU-AP11A	810	2x300c/c	-	-	-	-	-	-	3	-	注: 送工地		
-		MU-AP11C	890	2x300c/c	-	-	-	-	-	-	2	-			



SECTION B-B

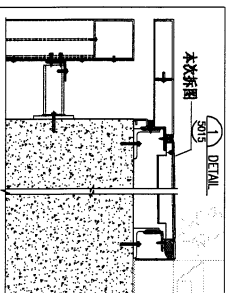
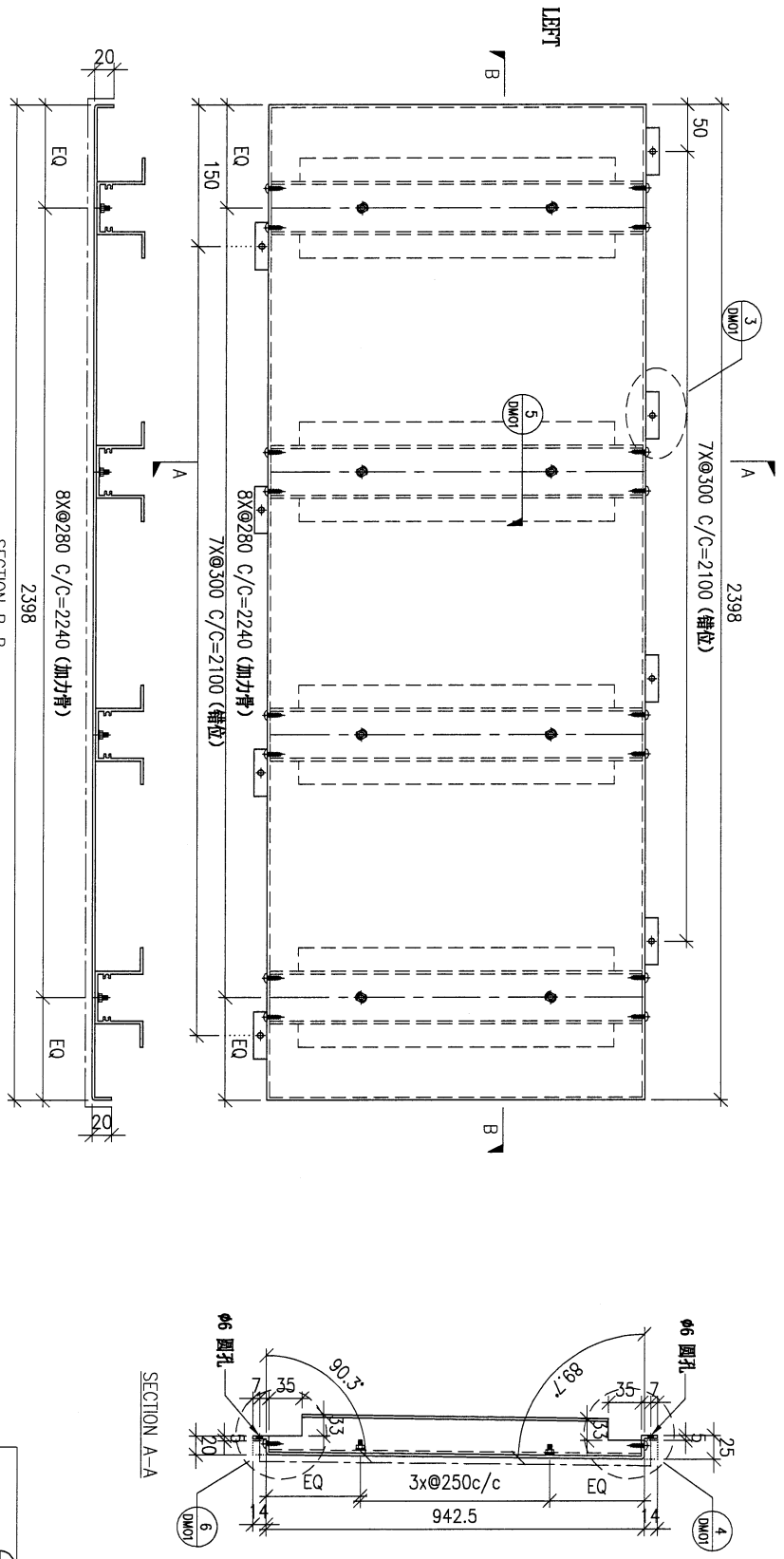


SECTION A-A



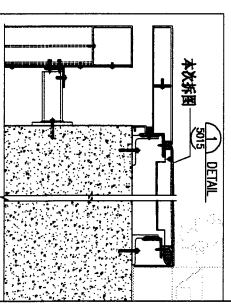
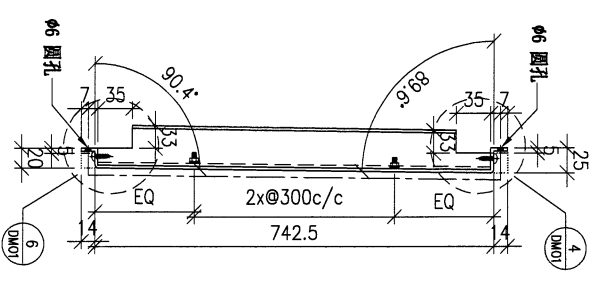
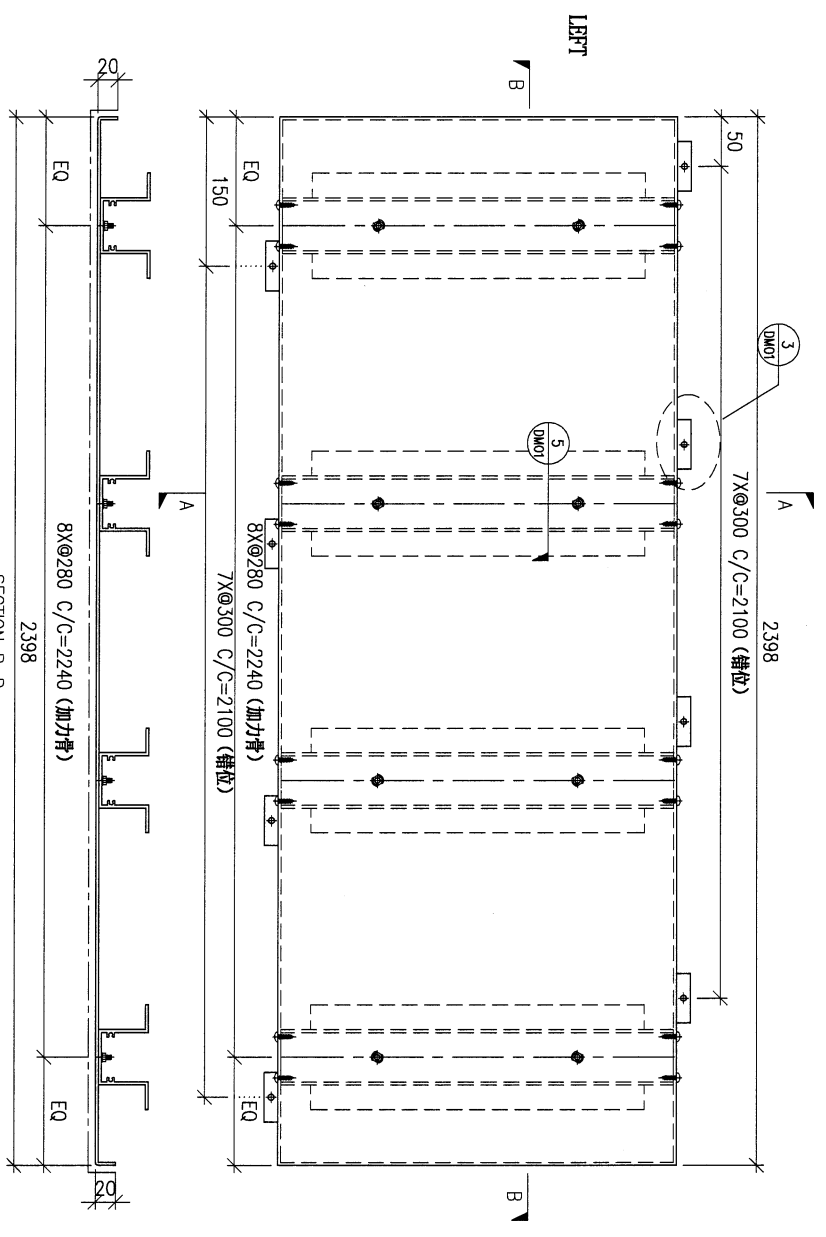
DWG. NO.	REV.	SCALE	DATE	DRAWN BY	APPROVED BY
MU-AP11	-	-	01-04-2022	-	-

PROJECT				MATERIAL				COATING		COLOUR		MARK. NO.	QTY.
YIN PING ROAD KOWLOON FEATURE WALL (PHASE 1)				3mm铝板				PVF2		SS-01		-	-
REV.	CHECKED BY	PART NUMBER	Dim. A	Dim. B	Dim. C	Dim. D	Dim. E	Dim. F	Dim. G	Dim. H	QTY.	Inv. Code	ASSEMBLE ON PARTS
-		MU-AP15	-	-	-	-	-	-	-	-	2		
注: 送工地													



DWG. NO.		REV.		SCALE		DATE		DRAWN BY		APPROVED BY	
MU-AP15		-		-		01-04-2022		-		-	

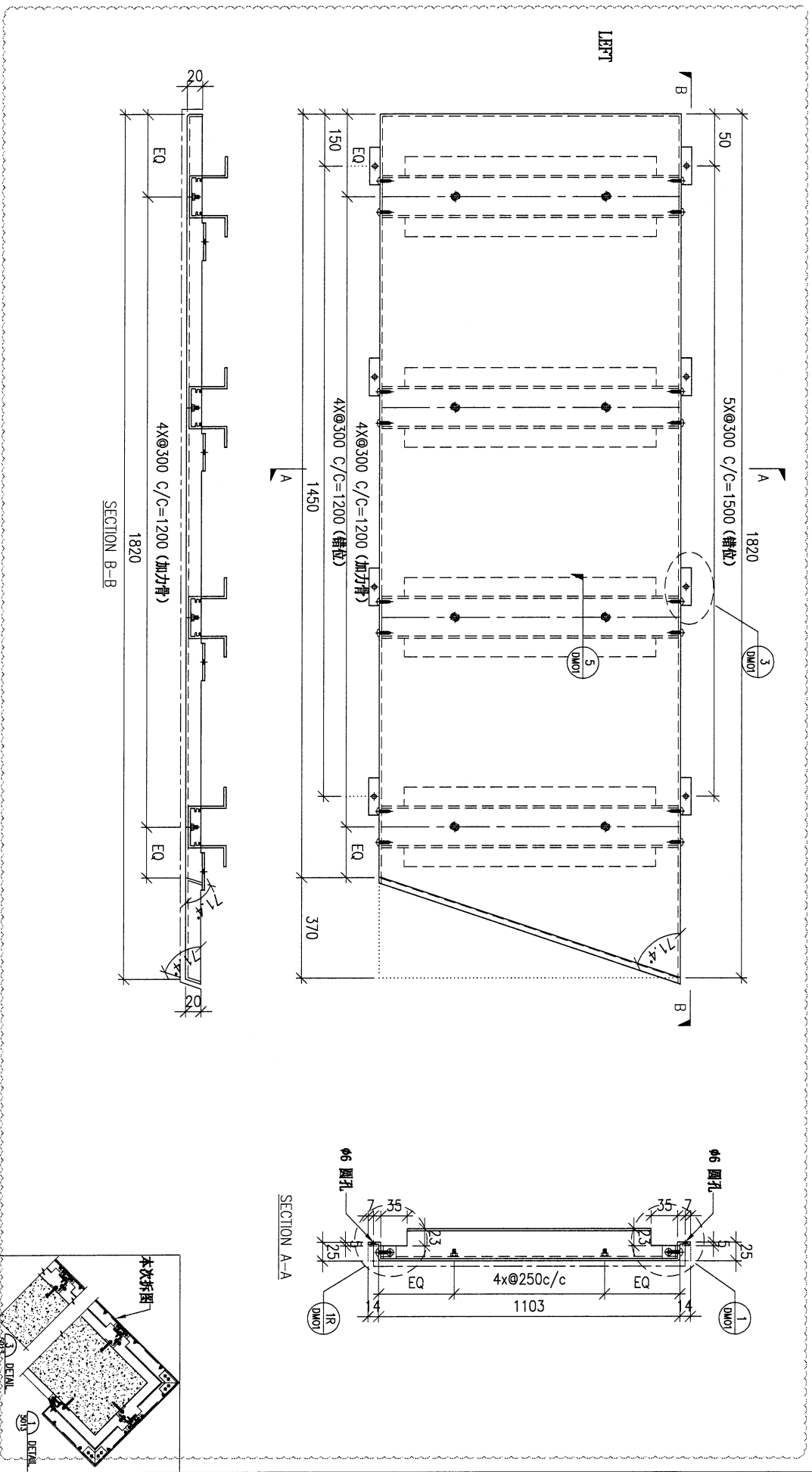
PROJECT				MATERIAL				COATING		COLOUR	MARK. NO.	QTY.
YIN PING ROAD KOWLOON FEATURE WALL (PHASE 1)				3mm铝板				PVF2		SS-01	-	-
REV.	PART NUMBER	Dim. A	Dim. B	Dim. C	Dim. D	Dim. E	Dim. F	Dim. G	Dim. H	QTY.	Inv. Code	ASSEMBLE ON PARTS
-	MU-AP16	-	-	-	-	-	-	-	-	3	-	
注: 送工地												



DWG. NO.	REV.	SCALE	DATE	DRAWN BY	APPROVED BY
MU-AP16	-	-	01-04-2022	-	-

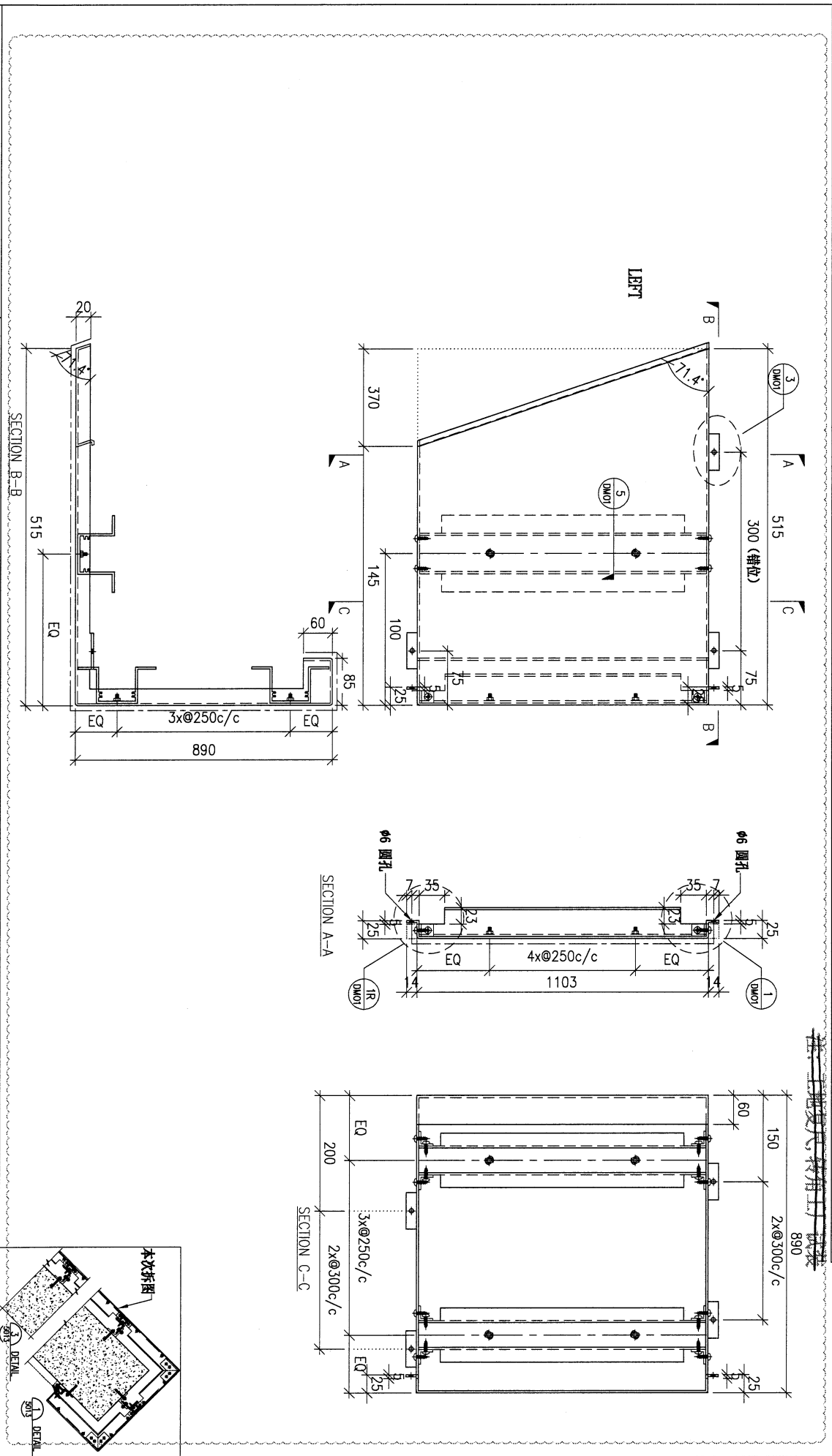
PROJECT				YIN PING ROAD KOWLOON FEATURE WALL (PHASE 1)				MATERIAL				COATING				COLOUR		MARK. NO.		QTY.	
				3mm铝板				PVF2				SS-01									
REV.	CHECKED DWG BY	PART NUMBER	Dim. A	Dim. B	Dim. C	Dim. D	Dim. E	Dim. F	Dim. G	Dim. H	QTY.	Inv. Code	ASSEMBLE ON PARTS								
-		MU-AP27	-	-	-	-	-	-	-	-	1										
												注：送工地									

注：工地发尺，转角手工收接



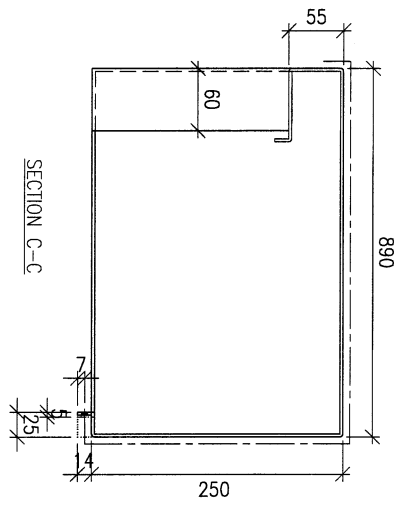
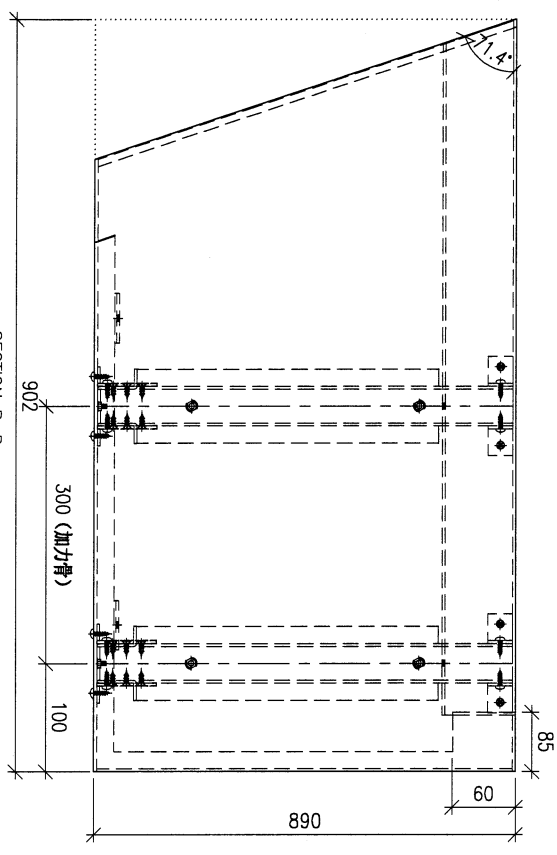
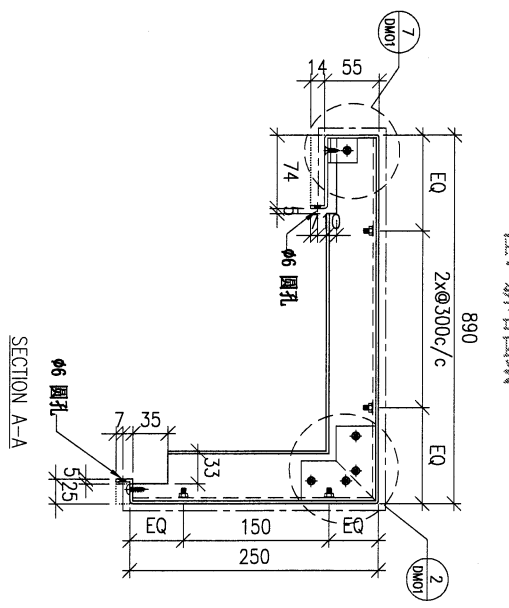
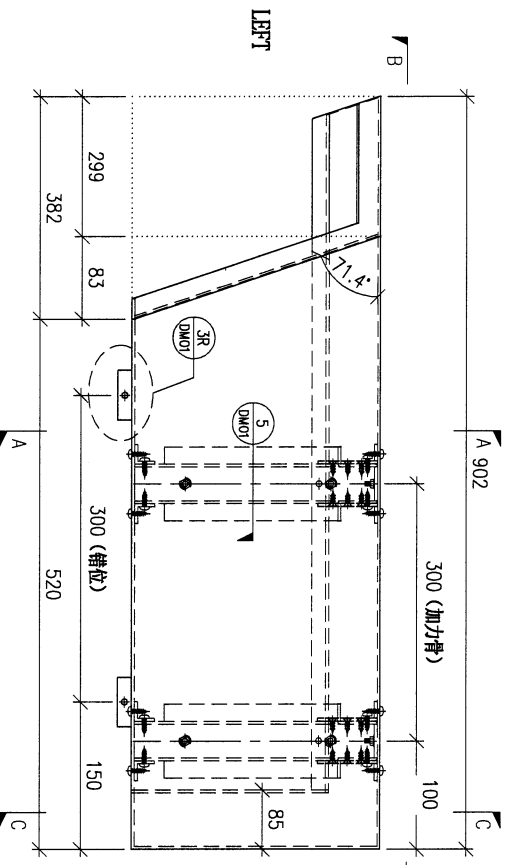
DWG. NO.		REV.		SCALE		DATE		DRAWN BY		APPROVED BY	
MU-AP27		A		-		01-04-2022		-		-	

PROJECT				MATERIAL				COATING				COLOUR		MARK. NO.		QTY.	
YIN PING ROAD KOWLOON FEATURE WALL (PHASE 1)				3mm铝板				PVF2				SS-01		-		-	
REV.	CHECKED DATE BY	PART NUMBER	Dim. A	Dim. B	Dim. C	Dim. D	Dim. E	Dim. F	Dim. G	Dim. H	QTY.	Inv. Code	ASSEMBLE ON PARTS				
-	MU-AP28	-	-	-	-	-	-	-	-	-	1	-	注：送工地				



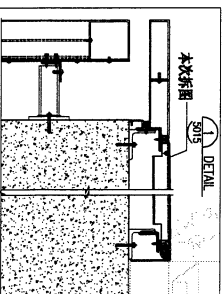
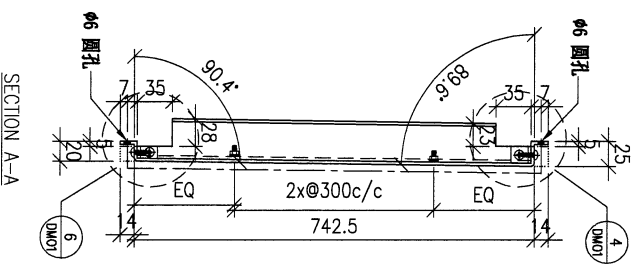
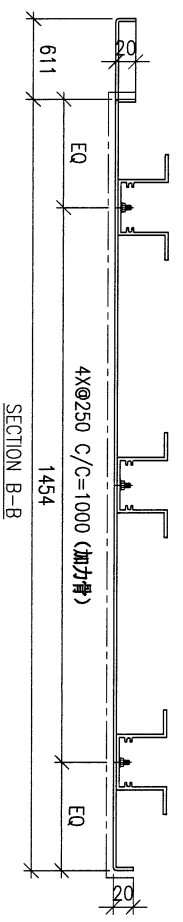
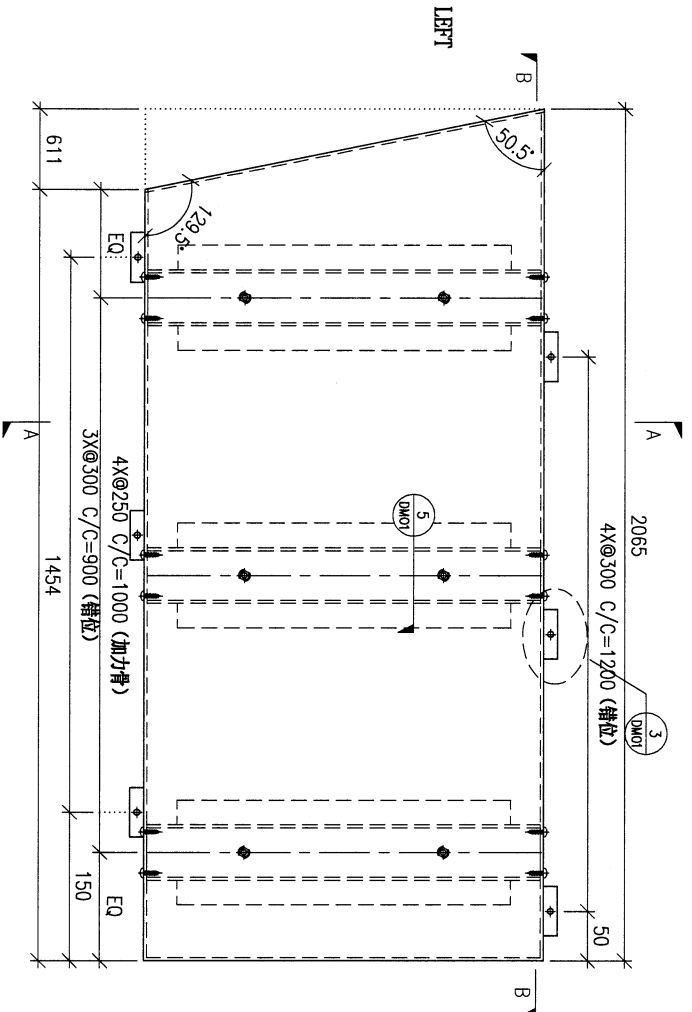
DWG. NO.		REV.		SCALE		DATE		DRAWN BY		APPROVED BY	
MU-AP28		A		-		01-04-2022		-		-	

PROJECT				YIN PING ROAD KOWLOON FEATURE WALL (PHASE 1)				MATERIAL		3mm铝板		COATING		PVF2		COLOUR		SS-01		MARK. NO.		-		QTY.		-	
REV.	CHECKED	PART NUMBER	Dim. A	Dim. B	Dim. C	Dim. D	Dim. E	Dim. F	Dim. G	Dim. H	QTY.	Inv. Code	ASSEMBLE ON PARTS														
-	SW BY	MU-AP30	-	-	-	-	-	-	-	-	1	-															
										注: 新增图纸																	
										注: 送工地																	



DWG. NO.		MU-AP30		REV.		-		SCALE		-		DATE		01-04-2022		DRAWN BY		-		APPROVED BY		-	
----------	--	---------	--	------	--	---	--	-------	--	---	--	------	--	------------	--	----------	--	---	--	-------------	--	---	--

PROJECT				MATERIAL				COATING		COLOUR		MARK. NO.		QTY.	
YIN PING ROAD KOWLOON FEATURE WALL (PHASE 1)				3mm铝板				PVF2		SS-01		-		-	
REV.	PART NUMBER	Dim. A	Dim. B	Dim. C	Dim. D	Dim. E	Dim. F	Dim. G	Dim. H	QTY.	Inv. Code	ASSEMBLE ON PARTS			
-	MU-AP32	-	-	-	-	-	-	-	-	1	-	注：送工地			



DWG. NO.	REV.	SCALE	DATE	DRAWN BY	APPROVED BY
MU-AP32	-	-	01-04-2022	-	-