

工程指示 / 要求簡箋 ENGINEER INSTRUCTIONS(E.I.)

工程指示編號:	EI- 6163	修改版本:	-
	HK- /		
工程編號:	J 853	工程名稱:	延坪道
收件人:	Maggie Lor	發件人:	Joe Chan
工程項目:	TS Dog House Louver 地盤用鐵件	日期:	11/05/2023

<input checked="" type="checkbox"/> 原合約工程包	<input type="checkbox"/> 原合約工程加 / 減賬 QT-	<input type="checkbox"/> 新工程報價 QT-
--	--	------------------------------------

信件批核號碼/圖紙參考編號:	批核模具圖紙編號:
客戶指示附件:	管理內部批簽署:

<input type="checkbox"/> 初步鋁料 B.M.	<input type="checkbox"/> 加工拆圖, 然後生產	<input type="checkbox"/> 尺寸表
<input type="checkbox"/> 正式鋁料 B.M.	<input type="checkbox"/> 技術上資料/指示	<input type="checkbox"/> 報價
<input type="checkbox"/> 配件 B.M.	<input type="checkbox"/> 樣辦或貨品說明書	<input type="checkbox"/> 分判合約
<input type="checkbox"/> 其他:		

內容: 請依附件資料, 生產 GMS 鐵件, 送地盤.
廠驗焊: 10% 磁粉, 100% 目測
驗焊報告名: Superstructure - Aluminium Ceiling and Louver at podium (Phase 1)

完成上列要求日期: 30/5/2023 ASAP

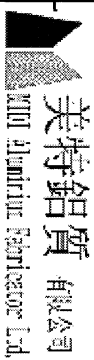
國內

<input type="checkbox"/> 生產技術總監	<input type="checkbox"/> 連附件	<input type="checkbox"/> 技術部	<input type="checkbox"/> 連附件	<input type="checkbox"/> 生產部	<input type="checkbox"/> 連附件
<input type="checkbox"/> 採購部	<input type="checkbox"/> 連附件	<input type="checkbox"/> 生產統籌部	<input type="checkbox"/> 連附件	<input type="checkbox"/> 報關組	<input type="checkbox"/> 連附件
<input type="checkbox"/> 質檢部	<input type="checkbox"/> 連附件	<input type="checkbox"/> 會計部	<input type="checkbox"/> 連附件	<input type="checkbox"/> 機械設計部	<input type="checkbox"/> 連附件
<input type="checkbox"/> 香港辦	<input type="checkbox"/> 連附件	<input type="checkbox"/> 其他:			

香港

<input type="checkbox"/> 行政部	<input type="checkbox"/> 連附件	<input type="checkbox"/> 會計部	<input type="checkbox"/> 連附件	<input type="checkbox"/> 統籌部	<input type="checkbox"/> 連附件	<input type="checkbox"/> 工程部	<input type="checkbox"/> 連附件
<input type="checkbox"/> 採購部	<input type="checkbox"/> 連附件	<input type="checkbox"/> QS部	<input type="checkbox"/> 連附件	<input checked="" type="checkbox"/> 地盤管理	<input checked="" type="checkbox"/> 連附件	<input type="checkbox"/> 維修部	<input type="checkbox"/> 連附件

*發件人簽署:		*組別成員批核簽署:	
傳遞編號:	/	項目經理簽署:	



美特鋁質 有限公司
Mei Tin Aluminium Fabrication Ltd.

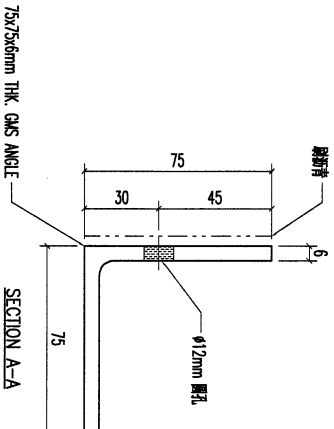
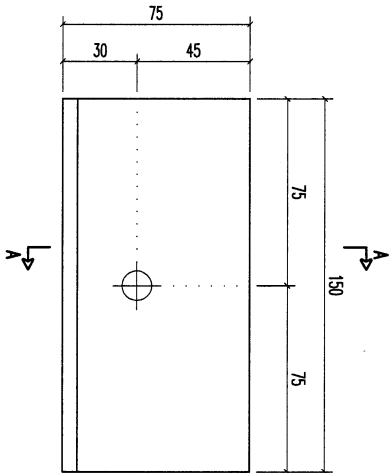
地盘鐵件BM表

BM編號:	修改版次:	工程號:	J853	計算:	Jack Huang	日期:	2023/5/10	送呈:	-
		地盘名稱:	香港延坪道	核對:	-	日期:	2023/5/10	副本:	-
		項目類別:	Podium T5 Alum. Louver	批准:	-	日期:	2023/5/10		
		A/C Code:				鐵件總重量KG:	581.16		

序號	修改內容	鐵件圖號	鐵件名稱	顏色	實用	後備	總數	單位	單件 (kg)	總重量 (kg)	備注
1		T5-AL-ST-001	75x75x6mm THK. GMS ANGLE	熱浸鋅	64	0	64	件	1.024	65.563	
2		T5-AL-ST-002	60x60x5mm THK. GMS SHS/ GMS ANGLE	熱浸鋅	8	0	8	件	19.271	154.168	
3		T5-AL-ST-003	60x60x5mm THK. GMS SHS/ GMS ANGLE	熱浸鋅	8	0	8	件	19.271	154.168	
4		T5-AL-ST-004	50x50x5mm THK. GMS ANGLE	熱浸鋅	4	0	4	件	3.338	13.354	
5		T5-AL-ST-005	50x50x5mm THK. GMS ANGLE	熱浸鋅	4	0	4	件	3.278	13.113	
6		T5-AL-ST-006	50x50x5mm THK. GMS ANGLE	熱浸鋅	4	0	4	件	1.643	6.571	
7		T5-AL-ST-007	50x50x5mm THK. GMS ANGLE	熱浸鋅	8	0	8	件	0.735	5.878	
8		T5-AL-ST-008	125x45x7mm THK. GMS ANGLE	熱浸鋅	1	0	1	件	23.598	23.598	
9		T5-AL-ST-009	125x45x7mm THK. GMS ANGLE	熱浸鋅	1	0	1	件	23.598	23.598	
10		T5-AL-ST-010	125x45x7mm THK. GMS ANGLE	熱浸鋅	1	0	1	件	21.431	21.431	
11		T5-AL-ST-011	125x45x7mm THK. GMS ANGLE	熱浸鋅	1	0	1	件	21.431	21.431	
12		T5-AL-ST-012	75x75x6mm THK. GMS ANGLE	熱浸鋅	2	0	2	件	1.024	2.049	
13		T5-AL-ST-013	75x75x6mm THK. GMS ANGLE	熱浸鋅	2	0	2	件	1.024	2.049	
14		T5-AL-ST-014	100x60x5mm THK. GMS RHS/GMS PLATE	熱浸鋅	1	0	1	件	32.252	32.252	
15		T5-AL-ST-015	100x60x5mm THK. GMS RHS/GMS PLATE	熱浸鋅	1	0	1	件	29.508	29.508	
16		T5-AL-ST-016	75x50x7mm THK. GMS ANGLE	熱浸鋅	2	0	2	件	3.426	6.851	
17		T5-AL-ST-017	125x75x7mm THK. GMS ANGLE	熱浸鋅	1	0	1	件	5.577	5.577	
					合計:		113	件	合計:	581.159	

REV.	QUANTITY	PART NUMBER	Dim. A	Dim. B	Dim. C	Dim. D	Dim. E	Dim. F	Dim. G	QTY	Inv. Code	ASSEMBLE ON PARTS	EXTR. DRAWING PART DRAWING
------	----------	-------------	--------	--------	--------	--------	--------	--------	--------	-----	-----------	-------------------	----------------------------

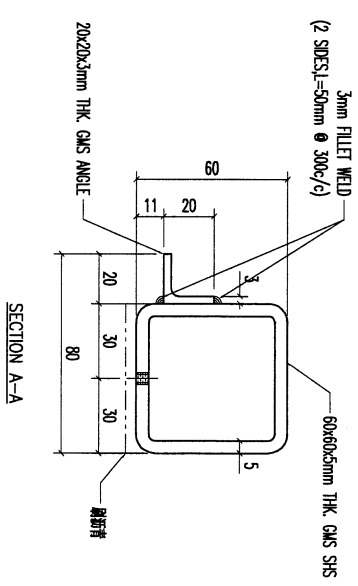
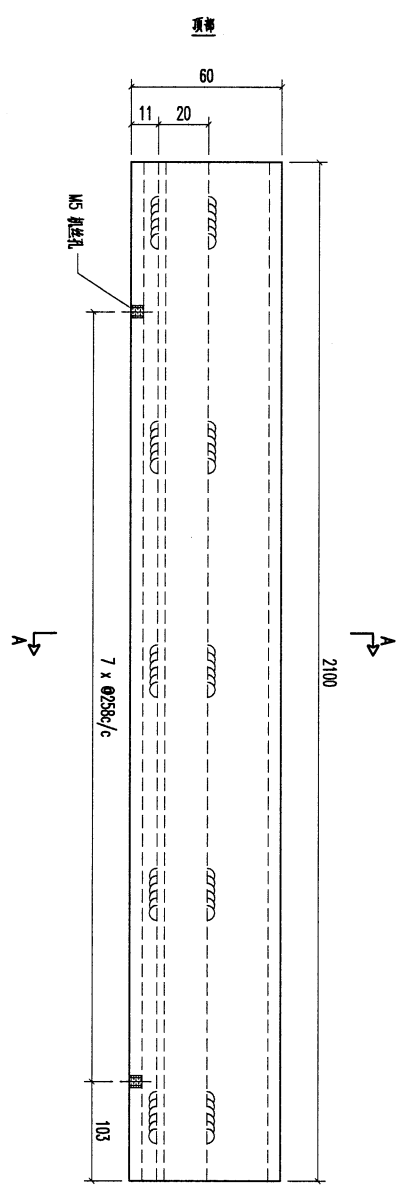
64件



REV.	DATE	AMENDMENT	REVISED BY	PROJECT	JOB NO.	DRAWING TITLE	DRAWING NO.	SHT.	REV.
				美特鋁質有限公司 MIDI ALUMINIUM FABRICATOR LTD. Units 6-8, Sunroy Industrial Centre, 610 Cha Kwo Ling Road, Kowloon Tel:23489211-4 Fax:(852)2727666	J853	T5百叶加工圖 75x75x6mm THK. GMS ANGLE	T5-AL-ST-001	-/-	-
						FACTORY 01 Standard X X . = ±1 Tolerances X X . X = ±05	W/CENTRE MK04/SK04/FAB CUT ENDS Angle ±1° DATE 5/10/2023 Squariness ±1°		
							热浸锌 S275 POST PAINT PRE PAINT SCALE 1:2 PART SUB ASSEM.		

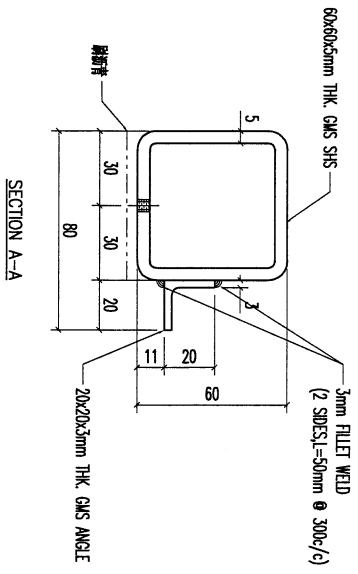
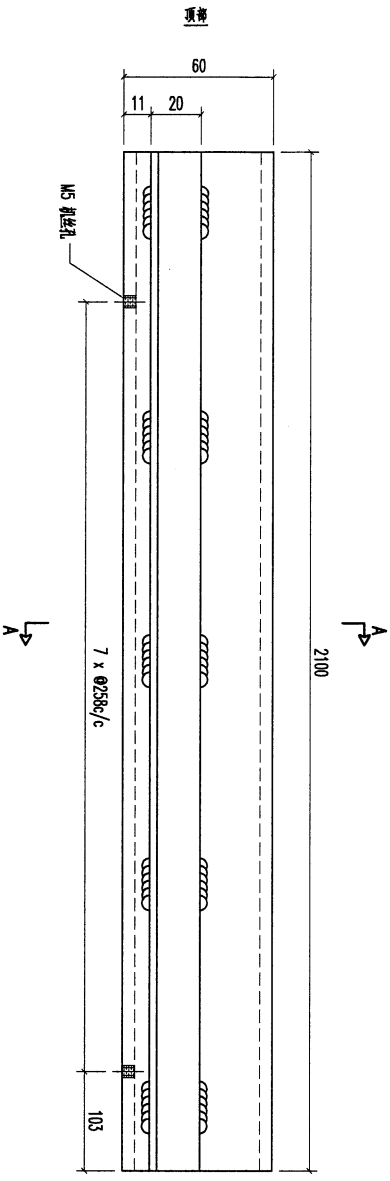
REV. /	CHANGED PART BY	PART NUMBER	Dim. A	Dim. B	Dim. C	Dim. D	Dim. E	Dim. F	Dim. G	QTY	Inv. Code	ASSEMBLE ON PARTS	EXTR. DRAWING PART DRAWING
--------	-----------------	-------------	--------	--------	--------	--------	--------	--------	--------	-----	-----------	-------------------	----------------------------

8件



REV.	DATE	AMENDMENT	REVISED BY	PROJECT	JOB NO.	DRAWING TITLE	DRAWING NO.	SHT.	REV.
				美特鋁質有限公司 MIDI ALUMINIUM FABRICATOR LTD. Units 6-8, Sunroy Industrial Centre, 610 Cha Kwo Ling Road, Kowloon Tel: (852) 27727666 Fax: (852) 27727666	J853	T5百叶加工圖 STEEL SUB FRAME	T5-AL-ST-002	- / -	-
				FACTORY 01 Standard X X X = ±1 Tolerances X X X = ±05		W/CENTRE MARK/SQBA/FAB CUT ENDS Angle ±1° Squariness ±1°	FINISH DATE 5/10/2023 DRAWN JH SCALE 1:2		
							热浸锌 S275 POST PAINT PRE PAINT PART SUB ASSEM.		

REV.	CHECKED DATE BY	PART NUMBER	Dim. A	Dim. B	Dim. C	Dim. D	Dim. E	Dim. F	Dim. G	QTY	Inv. Code	ASSEMBLY ON PARTS	EXTR. DRAWING PART DRAWING
------	--------------------	-------------	--------	--------	--------	--------	--------	--------	--------	-----	-----------	-------------------	-------------------------------

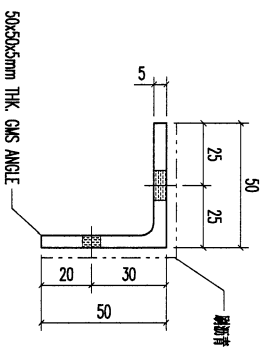
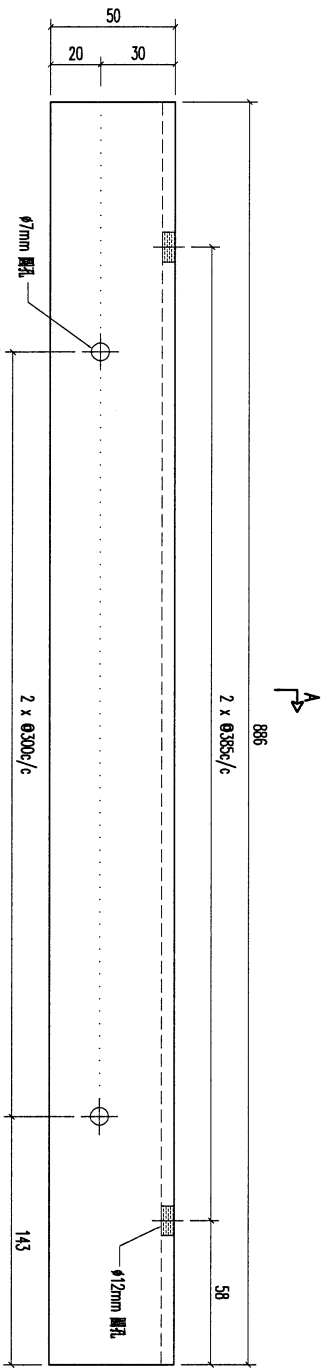


8件

REV.	DATE	AMENDMENT	REVISED BY	PROJECT	JOB NO.	DRAWING TITLE	DRAWING NO.	SHT.	REV.	
				美特鋁質有限公司 MIDI ALUMINIUM FABRICATOR LTD. Units 6-8, Sunray Industrial Centre, 610 Cha Kwo Ling Road, Kowloon Tel: 23489211-4 Fax: (852) 2727666	1853	FACTORY 01 Standard X X . X = ±1 Tolerances X X . X = ±0.5 W/CENTRE MK08/S08A/FAB CUT ENDS Angle ±1° Squariness ±1° DATE 5/10/2023 FINISH 热浸锌 S275 POST PAINT PRE PAINT SCALE 1:2 PART SUB ASSEM.	T5百叶加工圖 STEEL SUB FRAME	T5-AL-ST-003	-/-	S.....

REV.	CHECKED DATE BY	PART NUMBER	Dim. A	Dim. B	Dim. C	Dim. D	Dim. E	Dim. F	Dim. G	QTY	Inv. Code	ASSEMBLE ON PARTS	EXTR. DRAWING PART DRAWING
------	--------------------	-------------	--------	--------	--------	--------	--------	--------	--------	-----	-----------	-------------------	-------------------------------

4件

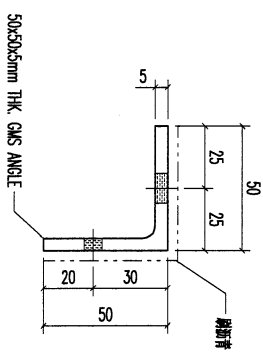
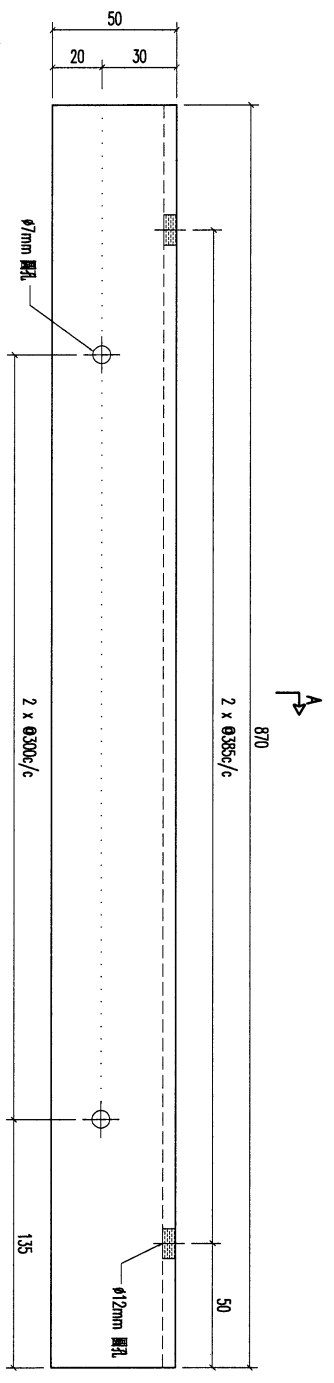


SECTION A-A

REV.	DATE	AMENDMENT	REVISED BY	PROJECT	JOB NO.	DRAWING TITLE	DRAWING NO.	SHT.	REV.			
				 美特铝质有限公司 MIDI ALUMINUM FABRICATOR LTD. Units 6-8, Sunray Industrial Centre, 1/F 610 Cho Kwo Ling Road, Kowloon Tel: 23489211-4 Fax: (852) 27727666	1853	T5百叶加工圖 50x50x5mm THK. GMS ANGLE	T5-AL-ST-004	- / -	-			
				FACTORY 01 Standard X X . = ±1 Tolerances X X . X = ±0.5		W/CENTRE M/D/S/D/A/FAB	CUT ENDS Angle ±1° Squariness ±1°	FINISH DATE 5/10/2023	DRAWN J.H.	POST PAINT SCALE 1:2	PART SUB ASSEM.	TRACK TYPE S.....

REV.	CHECKED DATE BY	PART NUMBER	Dim. A	Dim. B	Dim. C	Dim. D	Dim. E	Dim. F	Dim. G	QTY	Inv. Code	ASSEMBLE ON PARTS	EXTR. DRAWING PART DRAWING
------	--------------------	-------------	--------	--------	--------	--------	--------	--------	--------	-----	-----------	-------------------	-------------------------------

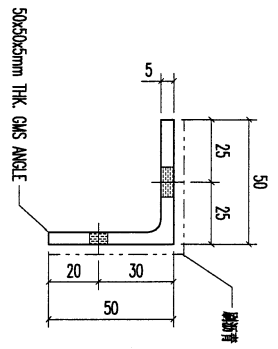
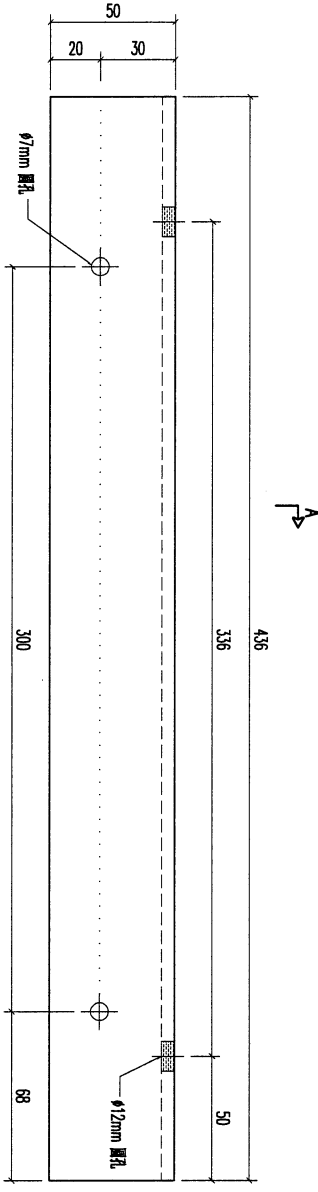
4件



REV.	DATE	AMENDMENT	REVISED BY	美特鋁質有限公司 MIDI ALUMINIUM FABRICATOR LTD. Units 6-8, Sunroy Industrial Centre, 1/F 610 Cha Kwo Ling Road, Kowloon Tel: 23489211-4 Fax: (852) 27727666	JOB NO.	T5百叶加工圖 50x50x5mm THK. GMS ANGLE	DRAWING TITLE	FINISH DATE 5/10/2023	POST PAINT SCALE 1:2	PART TRACK TYPE S.....
					J853					

REV.	CHECKED CHK BY	PART NUMBER	Dim. A	Dim. B	Dim. C	Dim. D	Dim. E	Dim. F	Dim. G	QTY	Inv. Code	ASSEMBLY ON PARTS	EXTR. DRAWING PART DRAWING
------	-------------------	-------------	--------	--------	--------	--------	--------	--------	--------	-----	-----------	-------------------	-------------------------------

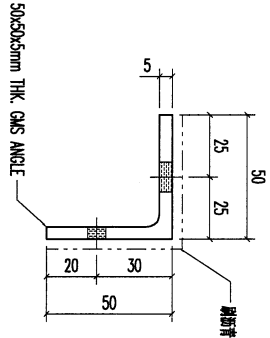
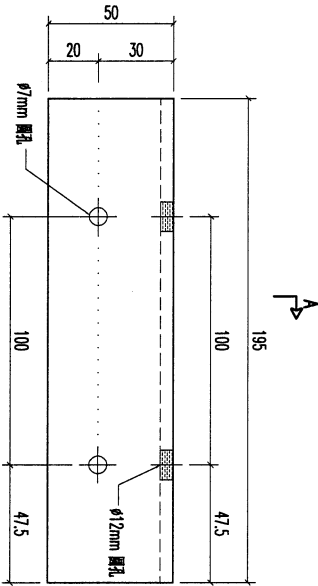
4件



REV.	DATE	AMENDMENT	REVISED BY	PROJECT	JOB NO.	DRAWING TITLE	DRAWING NO.	SHT.	REV.
				美特鋁質有限公司 MIDI ALUMINIUM FABRICATOR LTD. Units 6-8, Sunroy Industrial Centre, 1/F 610 Cha Kwo Ling Road, Kowloon Tel: 23489211-4 Fax: (852) 27272666	J1853	T5百叶加工圖 50x50x5mm THK. GMS ANGLE	T5-AL-ST-006	-/-	-
				FACTORY 01 W/CENTRE MKK/SDA/FAB CUT ENDS Angle ±1° FINISH 热浸锌 S275 DATE 5/10/2023 DRAWN J.H SCALE 1:2 TRACK TYPE S.....					

REV.	CHECKED	PART NUMBER	Dim. A	Dim. B	Dim. C	Dim. D	Dim. E	Dim. F	Dim. G	QTY	Inv. Code	ASSEMBLE ON PARTS	EXTR. DRAWING
	CHK BY												PART DRAWING

8件



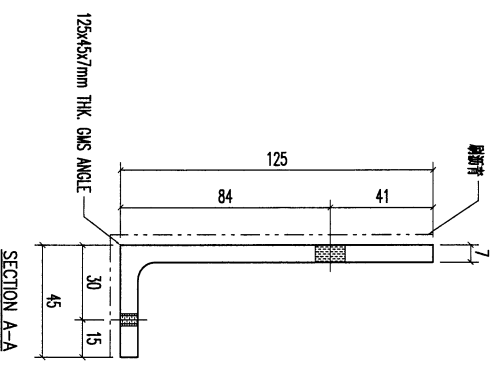
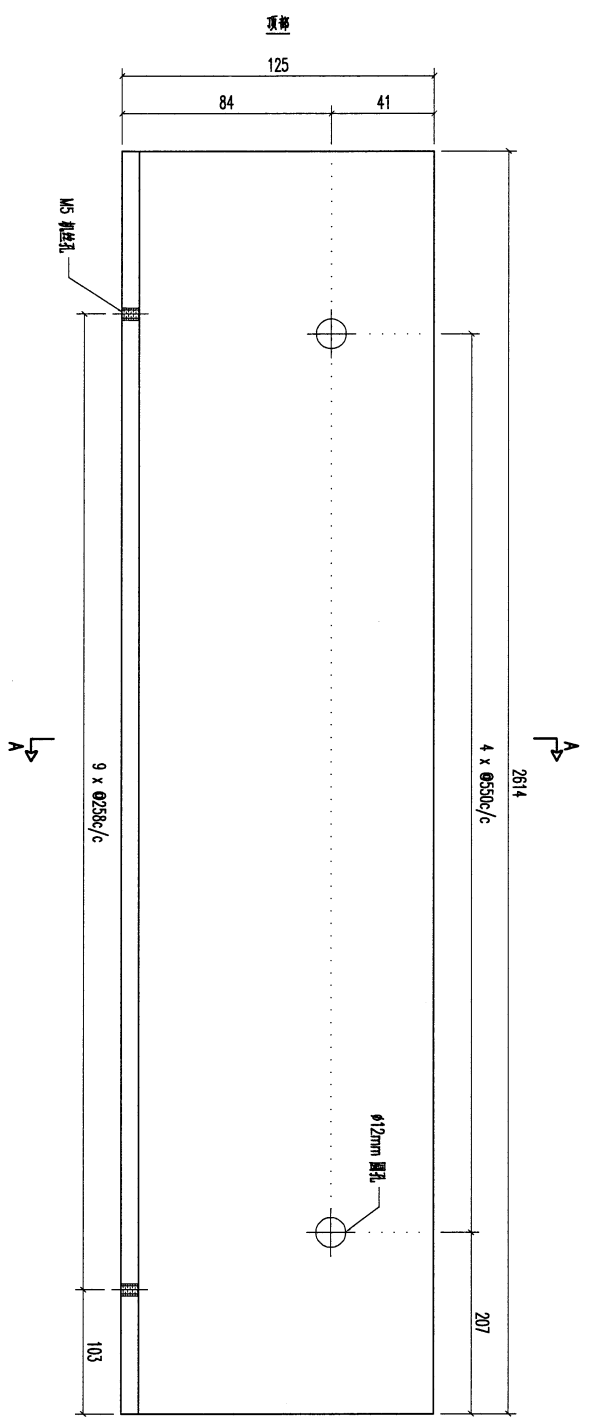
A-A

SECTION A-A

REV.	DATE	AMENDMENT	REVISED BY	PROJECT	JOB NO.	DRAWING TITLE	DRAWING NO.	SHT.	REV.
				 美特鋁質有限公司 ALUMINIUM FABRICATOR LTD. Units 6-8, Sunroy Industrial Centre, 1/F 610 Chg Kwo Ling Road, Kowloon Tel:23489211-4 Fax:(852)2727666	J863	T5百叶加工圈 50x50x5mm THK. GMS ANGLE	T5-AL-ST-007	-/-	-
				FACTORY 01 W/CENTRE MK04/SDBA/FAB Standard X X . = ±1 Tolerances X X . X = ±05 Angle ±1° DATE 5/10/2023 SQUAREDNESS ±1°		CUT ENDS FINISH 热浸锌 S275 PRE PAINT SCALE 1:2 PART SUB ASSEM. TRACK TYPE S....			

REV.	CHECKED	PART NUMBER	Dim. A	Dim. B	Dim. C	Dim. D	Dim. E	Dim. F	Dim. G	QTY	Inv. Code	ASSEMBLE ON PARTS	EXTR. DRAWING
REV. 01	BY: []												PART DRAWING

1件



REV.	DATE	AMENDMENT	REVISED BY	PROJECT	JOB NO.	DRAWING TITLE	DRAWING NO.	SHT.	REV.
				香港延坪道	J853	T5百叶加工圖 125x45x7mm THK. GMS ANGLE	T5-AL-ST-008	-/-	-

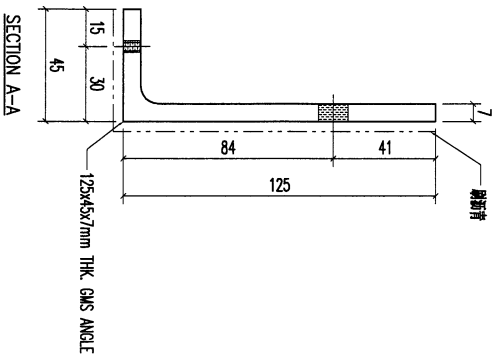
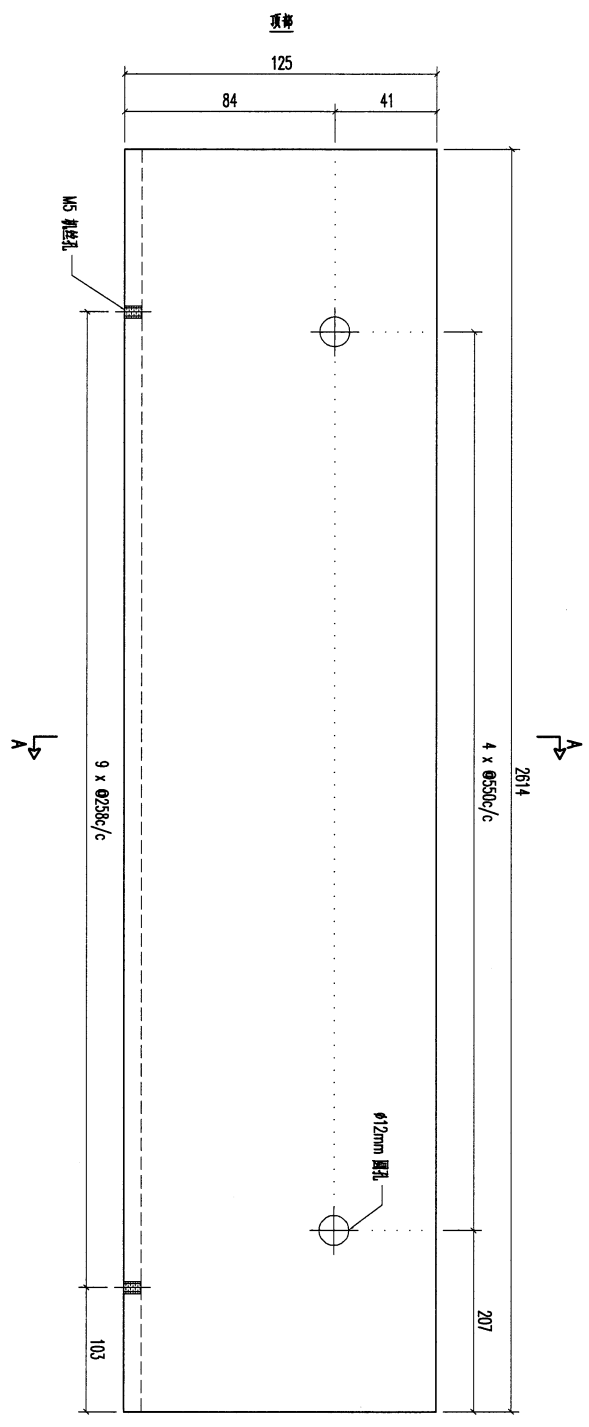
MIDI 美特鋁質有限公司
ALUMINIUM FABRICATOR LTD.
 Units 6-8, Sunray Industrial Centre, 1/F
 610 Cha Kwo Ling Road, Kowloon
 Tel:23489211-4 Fax:(852)27278666

FACTORY	W/CENTRE	CUT ENDS	FINISH
01	M08/SDBA/FAB	Angle	热浸锌
Standard	X X . = ±1	Squareness ±1'	S275
Tolerances	X X . X = ±05	DATE	POST PAINT
		5/10/2023	PRE PAINT

SCALE	PART
1:2	SUB ASSEM.
TRACK TYPE	
S.....	

REV. BY	CHECKED BY	PART NUMBER	Dim. A	Dim. B	Dim. C	Dim. D	Dim. E	Dim. F	Dim. G	QTY	Inv. Code	ASSEMBLE ON PARTS	EXTR. DRAWING PART DRAWING
---------	------------	-------------	--------	--------	--------	--------	--------	--------	--------	-----	-----------	-------------------	----------------------------

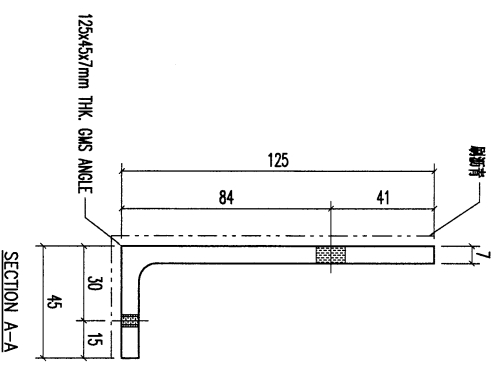
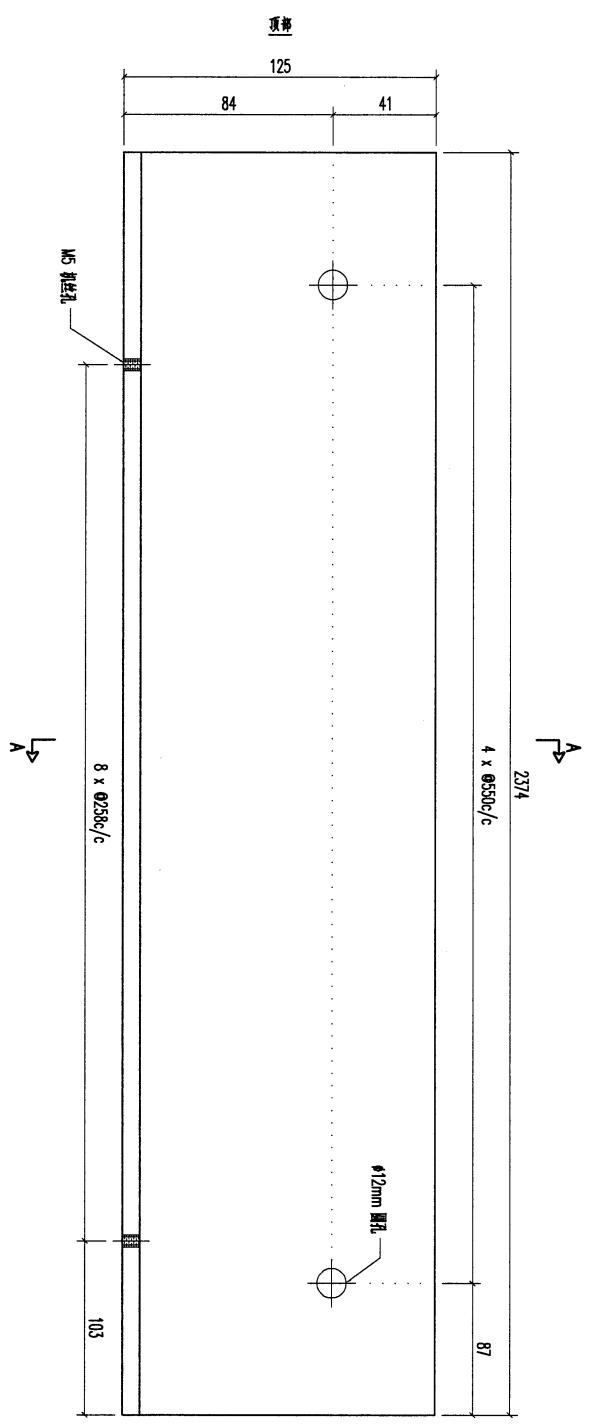
1 件



REV.	DATE	AMENDMENT	REVISED BY	PROJECT	JOB NO.	DRAWING TITLE	DRAWING NO.	SHT.	REV.	
				香港延坪道	J853	T5百叶加工图 125x45x7mm THK. GMS ANGLE	T5-AL-ST-009	-/-	-	
				美特鋁質有限公司 MTDI ALUMINIUM FABRICATOR LTD. Units 6-8, Sunroy Industrial Centre, 1/F 610 Cha Kwo Ling Road, Kowloon Tel: 23489211-4 Fax: (852) 27727666	FACTORY	W/CENTRE	CUT ENDS	FINISH	POST PAINT	PART
				01	MMX/SDBX/FAB	±1	DATE	PRE PAINT	SUB ASSEM.	
				Standard	X X . = ±1	Angle	5/10/2023	SCALE	TRACK TYPE	
				Tolerances	X X . X = ±0.5	Squareness	±1°	1:2	S.....	

REV.	CHECKED	PART NUMBER	Dim. A	Dim. B	Dim. C	Dim. D	Dim. E	Dim. F	Dim. G	QTY	Inv. Code	ASSEMBLE ON PARTS	EXTR. DRAWING
	BY: BT												PART DRAWING

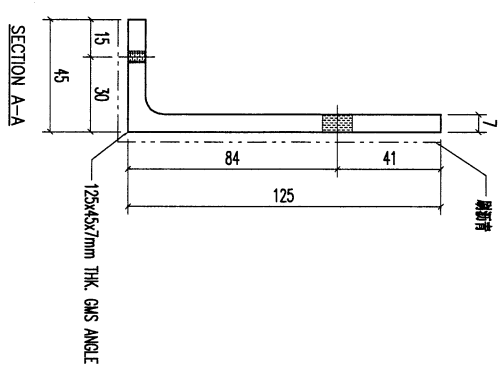
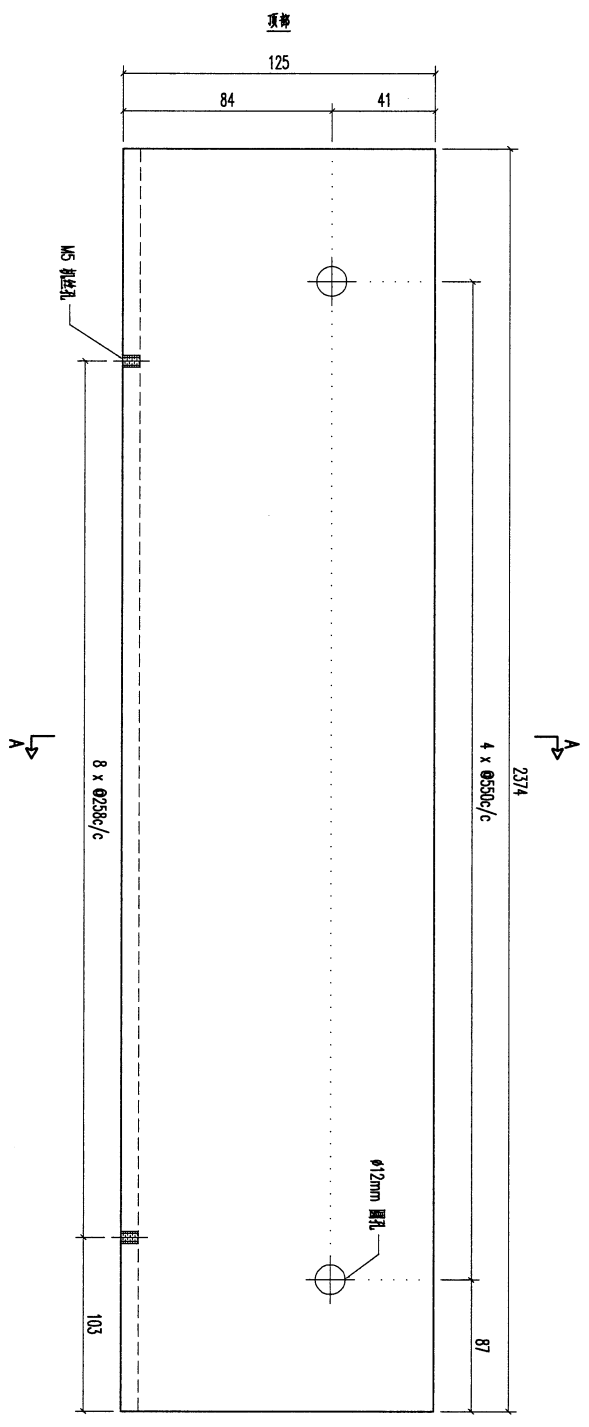
1 件



REV.	DATE	AMENDMENT	REVISED BY	PROJECT	JOB NO.	DRAWING TITLE	DRAWING NO.	SHT.	REV.	
				香港延坪道	J853	T5百叶加工圖 125x45x7mm THK. GMS ANGLE	T5-AL-ST-010	-/-	-	
				 美特鋁質有限公司 ALUMINIUM FABRICATOR LTD. Units 6-8, Sunray Industrial Centre, 1/F 610 Cha Kwo Ling Road, Kowloon Tel:23489211-4 Fax:(852)27727666	FACTORY 01 W/CENTRE MOB/SDBX/FAB CUT ENDS Angle Squariness ±1° FINISH DATE 5/10/2023 DRAWN J.H SCALE 1:2 TRACK TYPE S.....	Standard X X . = ±1 Tolerances X X . X = ±05	热浸锌 S275 POST PAINT PRE PAINT SCALE 1:2 PART SUB ASSEM. TRACK TYPE S.....			

REV. / CHK BY	PART NUMBER	Dim. A	Dim. B	Dim. C	Dim. D	Dim. E	Dim. F	Dim. G	QTY	Inv. Code	ASSEMBLE ON PARTS	EXTR. DRAWING PART DRAWING
---------------	-------------	--------	--------	--------	--------	--------	--------	--------	-----	-----------	-------------------	-------------------------------

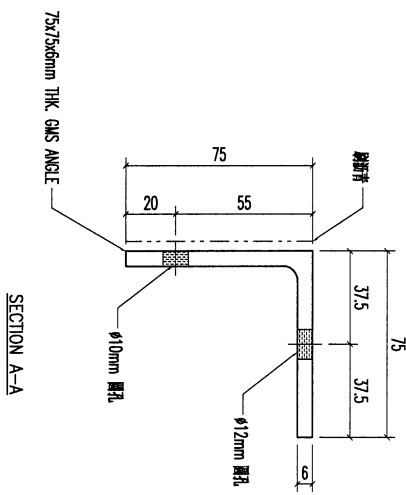
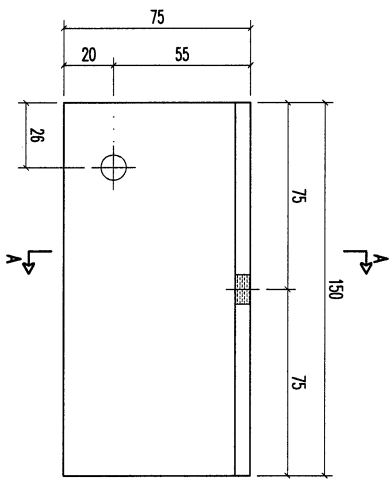
1件



REV.	DATE	AMENDMENT	REVISED BY	美特鋁質有限公司 MIDI ALUMINIUM FABRICATOR LTD. Units 6-8, Sunroy Industrial Centre, 1/F 610 Cha Kwo Ling Road, Kowloon Tel:23489211-4 Fax:(852)27727666	PROJECT 香港延坪道	JOB NO. J053	FACTORY	W/CENTRE	CUT ENDS	FINISH	DATE	DRAWN	POST PAINT	PART
							01	MIDI/SDBA/FAB	Angle ±1°	5/10/2023	J.H	SCALE 1:2	TRACK TYPE S.....	
				Standard	X X . = ±1	Squareness ±1'								
				Tolerances	X X . X = ±0.5									
				DRAWING TITLE			T5百叶加工圖			DRAWING NO.			T5-AL-ST-011	
				125x45x7mm THK. GMS ANGLE										

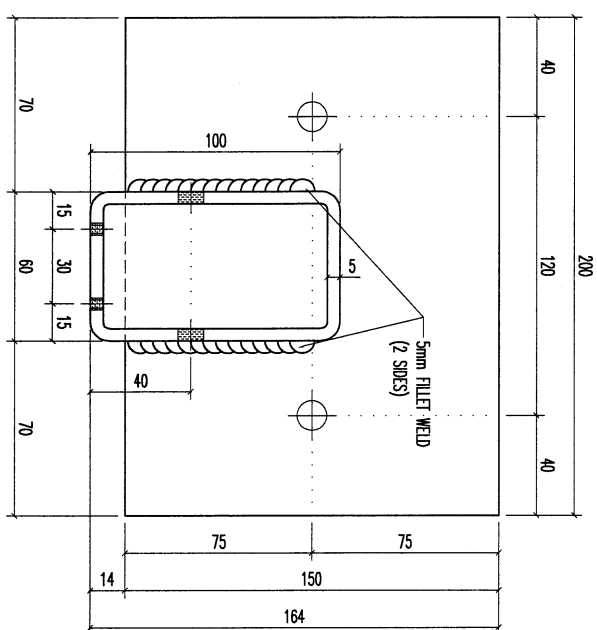
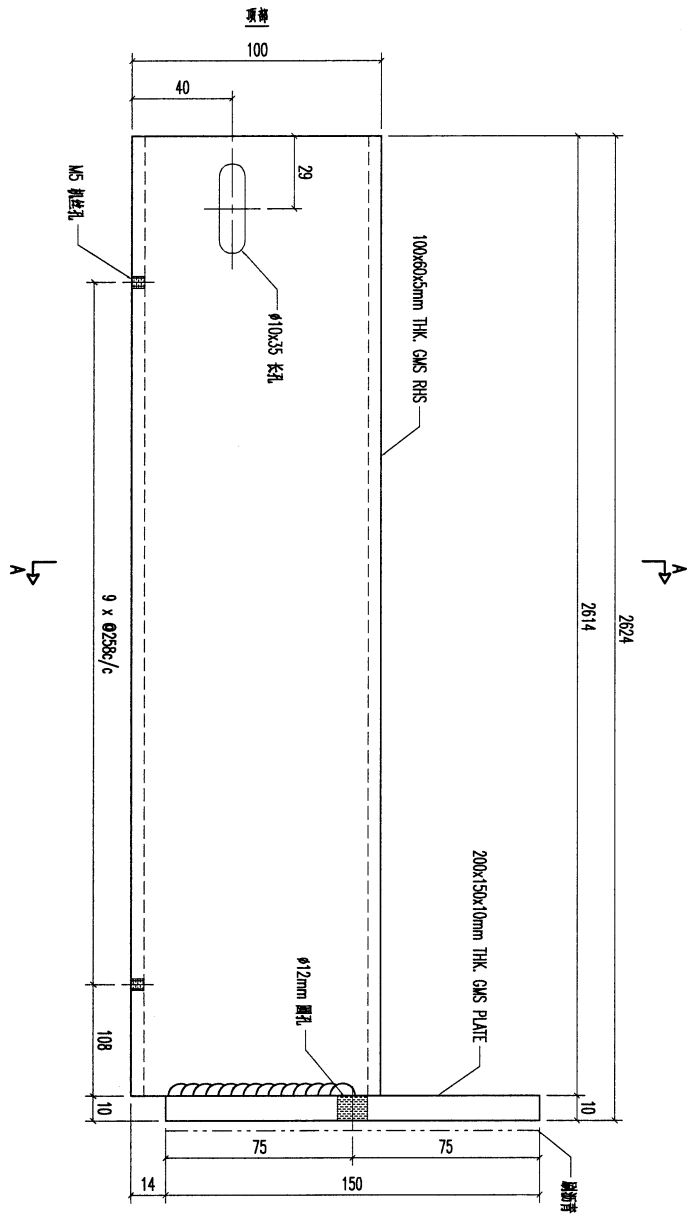
REV.	CHECKED	PART NUMBER	Dim. A	Dim. B	Dim. C	Dim. D	Dim. E	Dim. F	Dim. G	QTY	Inv. Code	ASSEMBLY ON PARTS	EXTR. DRAWING
	BY												PART DRAWING

2件



REV.	DATE	AMENDMENT	REVISED BY	PROJECT	JOB NO.	DRAWING TITLE	DRAWING NO.	SHT.	REV.
				美特鋁質有限公司 MIDI ALUMINIUM FABRICATOR LTD. Units 6-8, Sunroy Industrial Centre, 1/F 610 Cha Kwo Ling Road, Kowloon Tel: 23489211-4 Fax: (852) 27727666	J853	T5百叶加工圖 75x75x6mm THK. GMS ANGLE	T5-AL-ST-013	-/-	-
				FACTORY 01 W/CENTRE MKK/SDBA/FAB CUT ENDS FINISH DATE 5/10/2023 DRAWN J.H SCALE 1:2 TRACK TYPE S.....					

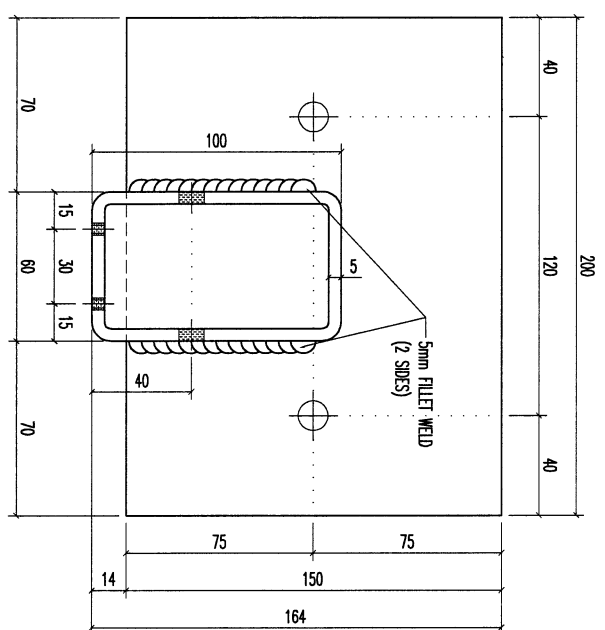
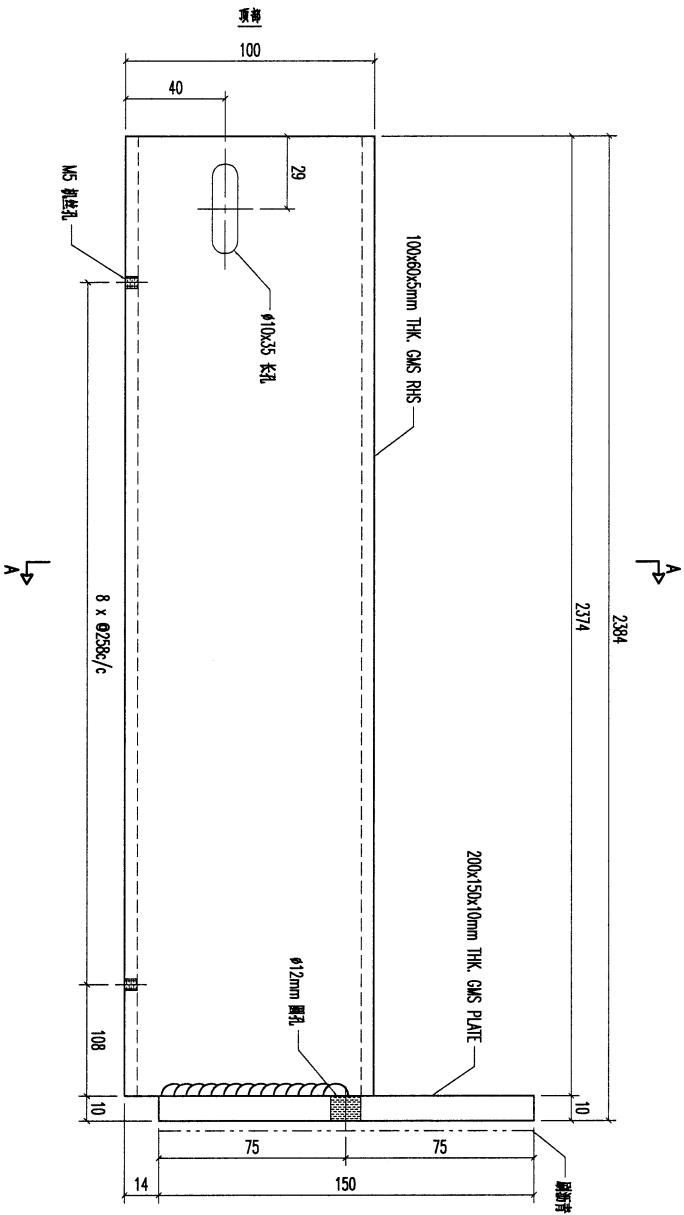
REV. CHECKED DATE BY	PART NUMBER	Dim. A	Dim. B	Dim. C	Dim. D	Dim. E	Dim. F	Dim. G	QTY	Inv. Code	ASSEMBLY ON PARTS	EXTR. DRAWING PART DRAWING
-------------------------	-------------	--------	--------	--------	--------	--------	--------	--------	-----	-----------	-------------------	-------------------------------



1/1

REV.	DATE	AMENDMENT	REVISED BY	PROJECT	JOB NO.	DRAWING TITLE	FACTORY	W/CENTRE	CUT ENDS	FINISH	DRAWN	POST PAINT	PART	SHT.	REV.	
				美特鋁質有限公司 M I D I ALUMINIUM FABRICATOR LTD. Units 6-8, Sunroy Industrial Centre, 1/F 610 Cha Kwo Ling Road, Kowloon Tel:23489211-4 Fax:(852)2727666	J853	T5百叶加工圈 STEEL SUB FRAME	01	MKB/SDBA/FAB	Angle ±1° Squarness ±1°	5/10/2023	JH	热浸锌 S275	SCALE 1:2	TRACK TYPE S.....	-/-	-

REV. CHECKED	PART NUMBER	Dim. A	Dim. B	Dim. C	Dim. D	Dim. E	Dim. F	Dim. G	QTY	Inv. Code	ASSEMBLY ON PARTS	EXTR. DRAWING
DATE												PART DRAWING

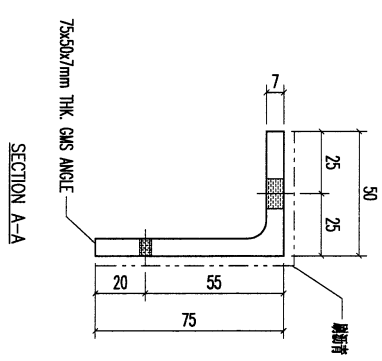
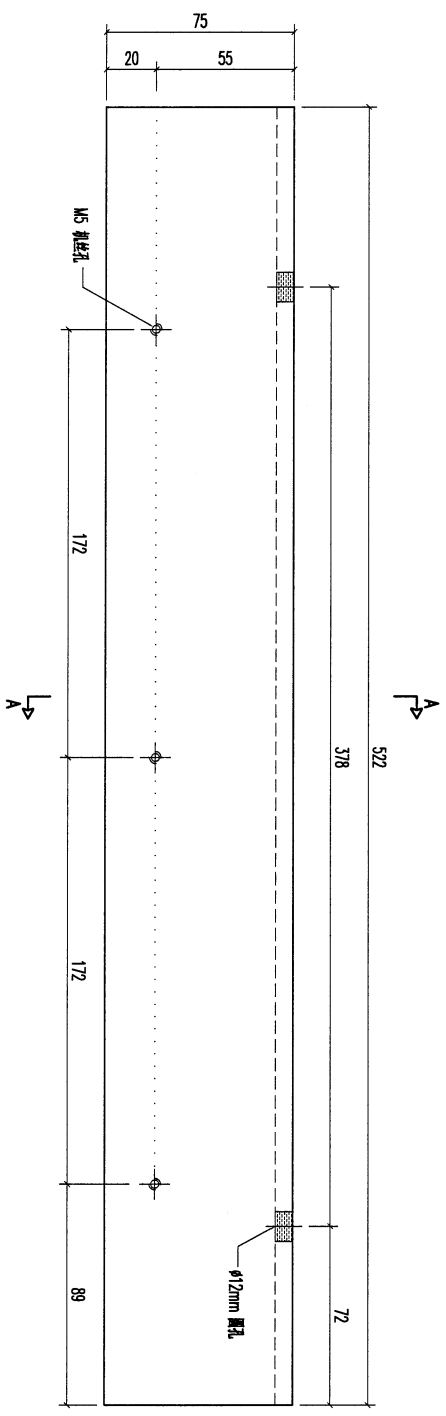


11件


REV.	DATE	AMENDMENT	REVISED BY	PRODUCT	JOB NO.	DRAWING TITLE	FACTORY	W/CENTRE	CUT ENDS	FINISH	POST PAINT	PART	
				美特鋁質有限公司 ALUMINIUM FABRICATOR LTD. Units 6-8, Sunray Industrial Centre, 1/F 610 Cha Kwo Ling Road, Kowloon Tel: 23489211-4 Fax: (852) 27727666	J853	T5百叶加工圈 STEEL SUB FRAME	01	MM08/S08A/FAB	±1	5/10/2023	热浸锌 S275	SCALE	SUB ASSEM.
				香港延坪道			Standard	X X . = ±1	Angle	±1'	SCALE	TRACK TYPE	
							Tolerances	X X . X = F05	Squareness	±1'	1:2	S.....	
												SHT.	
												REV.	

REV.	CHECKED	PART NUMBER	Dim. A	Dim. B	Dim. C	Dim. D	Dim. E	Dim. F	Dim. G	QTY	Inv. Code	ASSEMBLE ON PARTS	EXTR. DRAWING
	CHK BY												PART DRAWING

2件



REV.	DATE	AMENDMENT	REVISED BY	PROJECT	JOB NO.	DRAWING TITLE	DRAWING NO.	SHT.	REV.
				香港延坪道	J853	T5百叶加工圈 75x50x7mm THK. GMS ANGLE	T5-AL-ST-016	-/-	-

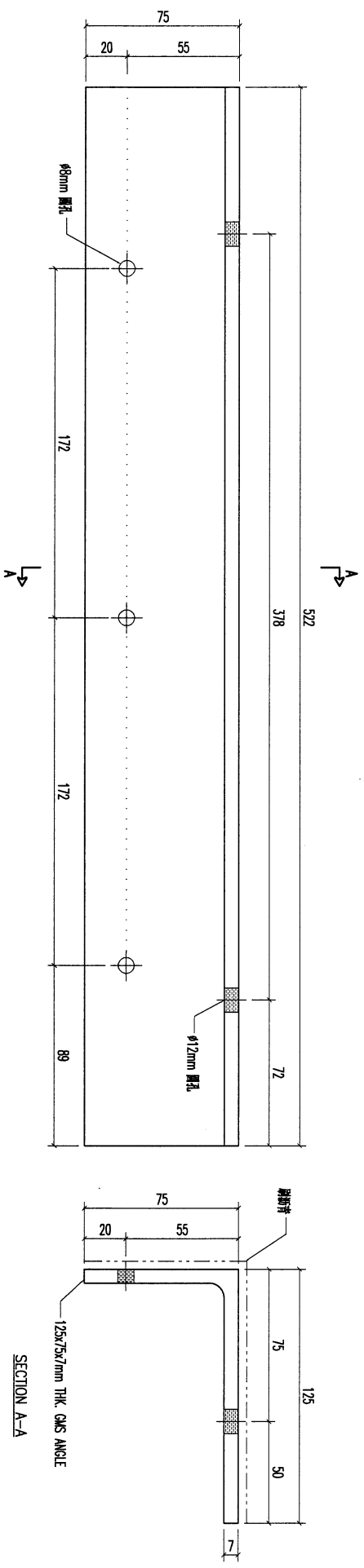

美特鋁質有限公司
 MIDI ALUMINIUM FABRICATOR LTD.
 Units 6-8, Sunroy Industrial Centre, 1/F
 610 Cha Kwo Ling Road, Kowloon
 Tel: 23489211-4 Fax: (852) 27276666

FACTORY	W/CENTRE	CUT ENDS	FINISH
01	MOKA/SDBA/FAB	Angle	热浸锌
Standard	X X . = ±1	Squareness ±1'	S275
Tolerances	X X . X = ±05	DATE	POST PAINT
		5/10/2023	SCALE
			1:2

PRE PAINT	PART
SCALE	SUB ASSEM.
1:2	TRACK TYPE
	S.....

REV.	ORDER NO.	PART NUMBER	Dim. A	Dim. B	Dim. C	Dim. D	Dim. E	Dim. F	Dim. G	QTY	Inv. Code	ASSEMBLY ON PARTS	EXTR. DRAWING PART DRAWING
------	-----------	-------------	--------	--------	--------	--------	--------	--------	--------	-----	-----------	-------------------	----------------------------

1件



REV.	DATE	AMENDMENT	REVISED BY	PROJECT	JOB NO.	DRAWING TITLE	DRAWING NO.	SHT.	REV.
				美特鋁質有限公司 MIDI ALUMINIUM FABRICATOR LTD. Units 6-8, Sunray Industrial Centre, 1/F 610 Cha Kwo Ling Road, Kowloon Tel:23489211-4 Fax:(852)27727666	J853	T5百叶加工圖 125x75x7mm THK. GMS ANGLE	T5-AL-ST-017	-/-	-
				FACTORY 01 W/CENTRE M006/S00A/FAB CUT ENDS FINISH DATE 5/10/2023 DRAWN J.H SCALE 1:2 TRACK TYPE S.....					