

工程指示 / 要求簡箋 ENGINEER INSTRUCTIONS(E.I.)

工程指示編號:	EI- 6150	修改版本:	-
	HK-0987		
工程編號:	J 853	工程名稱:	延坪道
收件人:	生統	發件人:	Joe Chan
工程項目:	平台天花頂 鋁板生產 (T3)	日期:	08/05/2023

<input checked="" type="checkbox"/> 原合約工程包	<input type="checkbox"/> 原合約工程加 / 減賬 QT-	<input type="checkbox"/> 新工程報價 QT-
--	--	------------------------------------

信件批核號碼/圖紙參考編號:	批核模具圖紙編號:
客戶指示附件:	管理內部批簽署:

<input type="checkbox"/> 初步鋁料 B.M.	<input type="checkbox"/> 加工拆圖, 然後生產	<input type="checkbox"/> 尺寸表
<input type="checkbox"/> 正式鋁料 B.M.	<input type="checkbox"/> 技術上資料 / 指示	<input type="checkbox"/> 報價
<input type="checkbox"/> 配件 B.M.	<input type="checkbox"/> 樣辦或貨品說明書	<input type="checkbox"/> 分判合約
<input checked="" type="checkbox"/> 其他: 鋁板		

內容: 請依附件貴, 生產鋁板, 送地盤

完成上列要求日期: 30/5/2023 ASAP

國內

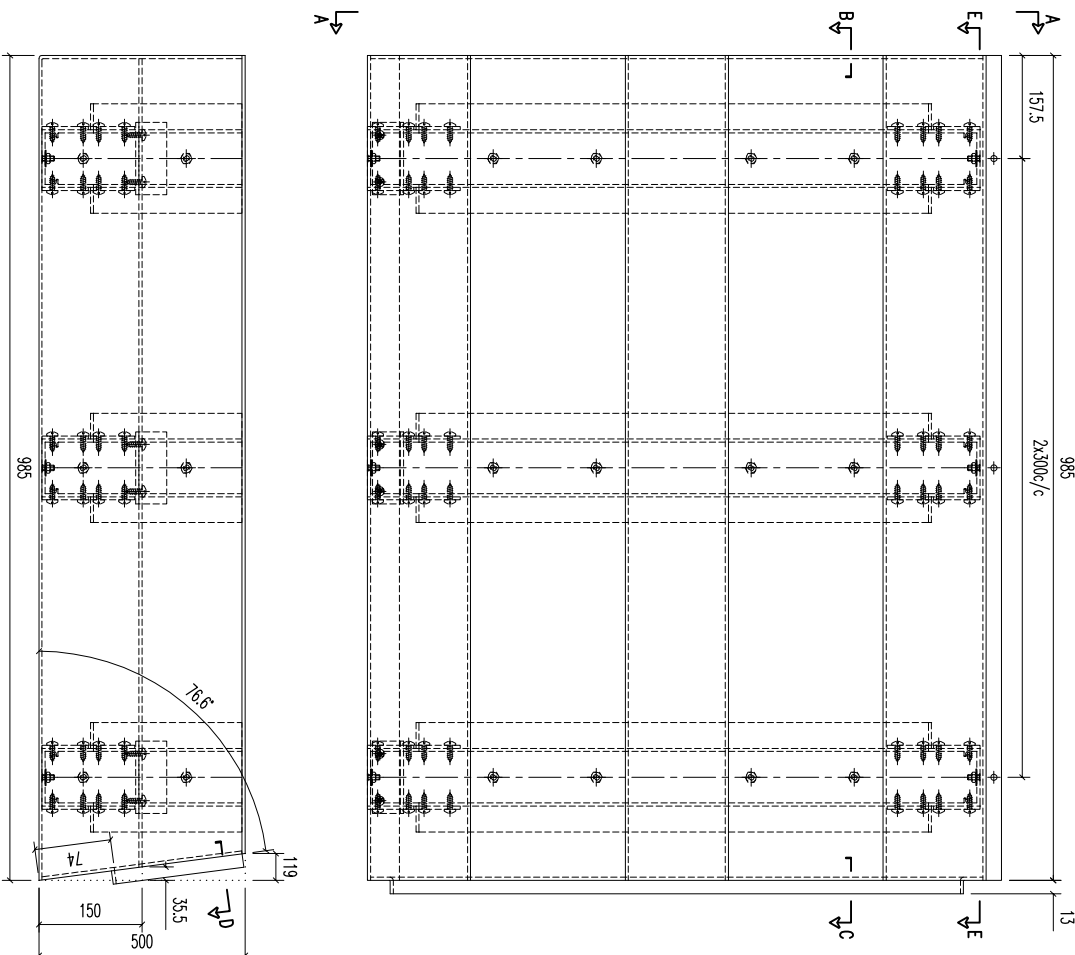
<input type="checkbox"/> 生產技術總監	<input type="checkbox"/> 連附件	<input type="checkbox"/> 技術部	<input type="checkbox"/> 連附件	<input type="checkbox"/> 生產部	<input type="checkbox"/> 連附件
<input type="checkbox"/> 採購部	<input type="checkbox"/> 連附件	<input checked="" type="checkbox"/> 生產統籌部	<input checked="" type="checkbox"/> 連附件	<input type="checkbox"/> 報關組	<input type="checkbox"/> 連附件
<input type="checkbox"/> 質檢部	<input type="checkbox"/> 連附件	<input type="checkbox"/> 會計部	<input type="checkbox"/> 連附件	<input type="checkbox"/> 機械設計部	<input type="checkbox"/> 連附件
<input type="checkbox"/> 香港辦	<input type="checkbox"/> 連附件	<input type="checkbox"/> 其他:			

香港

<input type="checkbox"/> 行政部	<input type="checkbox"/> 連附件	<input type="checkbox"/> 會計部	<input type="checkbox"/> 連附件	<input type="checkbox"/> 統籌部	<input type="checkbox"/> 連附件	<input type="checkbox"/> 工程部	<input type="checkbox"/> 連附件
<input type="checkbox"/> 採購部	<input type="checkbox"/> 連附件	<input type="checkbox"/> QS部	<input type="checkbox"/> 連附件	<input checked="" type="checkbox"/> 地盤管理	<input checked="" type="checkbox"/> 連附件	<input type="checkbox"/> 維修部	<input type="checkbox"/> 連附件

*發件人簽署:	*組別成員批核簽署:
傳遞編號: HK0987 / 23	項目經理簽署:

REV.	CHECKED BAR BY	PART NUMBER	Dim. A	Dim. B	Dim. C	Dim. D	Dim. E	Dim. F	Dim. G	QTY	Inv. Code	ASSEMBLE ON PARTS	EXTR. DRAWING PART DRAWING
-		T3-AP02-02								1			



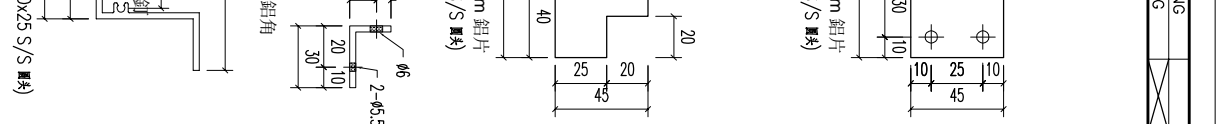
SECTION E-E

SECTION D-D

SECTION C-C

SECTION B-B

SECTION A-A



序号	材料规格	长度	备注
01	90x90x3mm 铝板	-	开料
02	30x20x3mm 铝角	59.6	开料
03	A1 铝型材	1194	开料
03	A1 铝型材	444	开料

FACTORY	W/CENTRE	CUT ENDS	FINISH	DATE	DRAMN	SCALE	SHT.	REV.
01	M&S/S&S&A/F&B		EC-DG-0334232-201 (A1)	5/8/2023	YEUNG	1:5	-/-	-

喷涂
PRE PAINT
SCALE 1:5
PART SUB ASSEM.
TRACK TYPE S.....

美特铝业有限公司
MIDI ALUMINIUM FABRICATOR LTD.
Units 6-8, Sunroy Industrial Centre, 1/F
610 Cha Kwo Ling Road, Kowloon
Tel:23489211-4 Fax:(852)27727666

PROJECT J853-PODIUM ALUM CEILING
& FEATURE CLADDING T3 3/F

JOB NO. J853

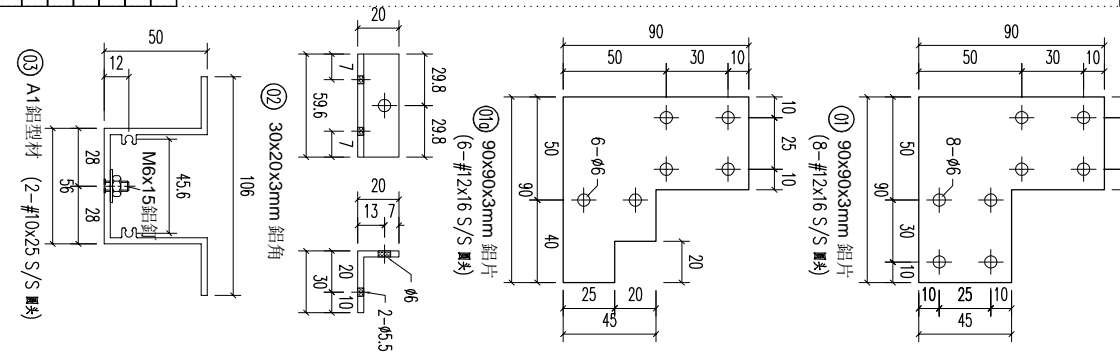
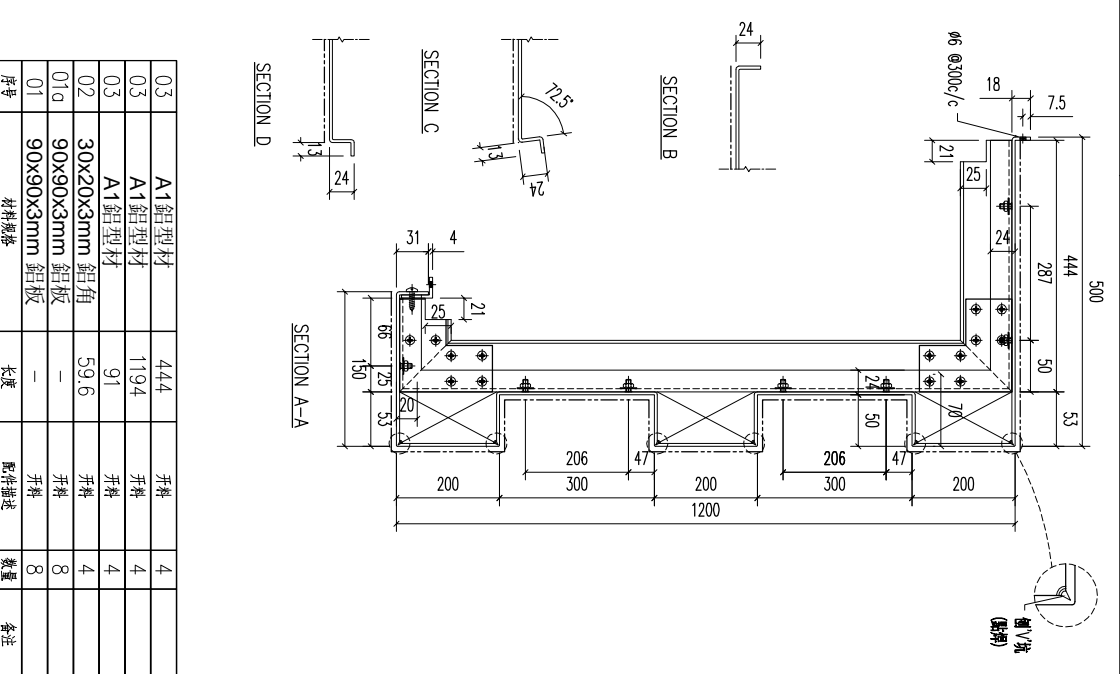
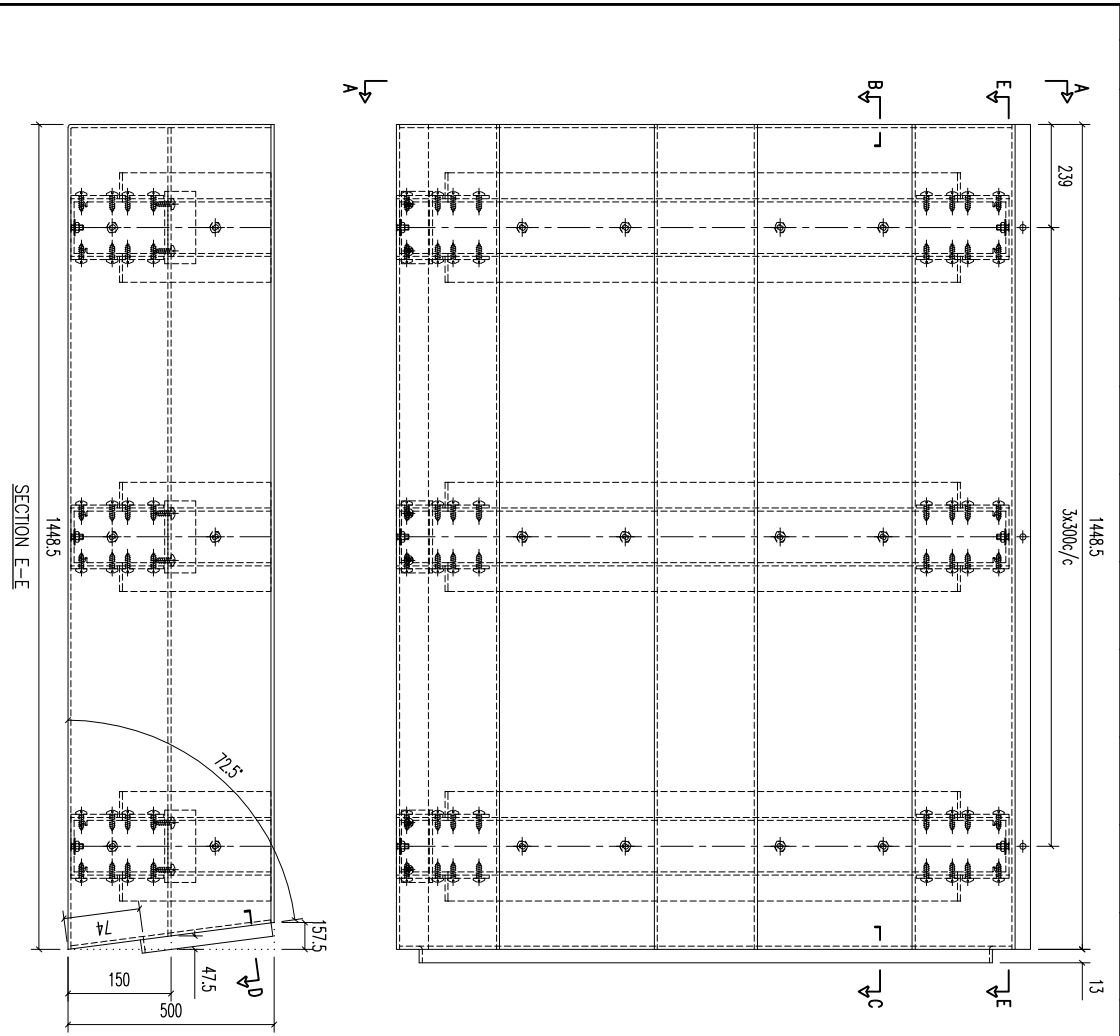
DRAWING TITLE
铝板天花加工图
3mm THK ALUM. PLATE

DRAWING NO. T3-AP02-02

SHT. -/-
REV. -

REV.	DATE	AMENDMENT	REVISED BY

REV.	CHECKED BAR BY	PART NUMBER	Dim. A	Dim. B	Dim. C	Dim. D	Dim. E	Dim. F	Dim. G	QTY	Inv. Code	ASSEMBLE ON PARTS	EXTR. DRAWING PART DRAWING
-		T3-AP02-05								1			



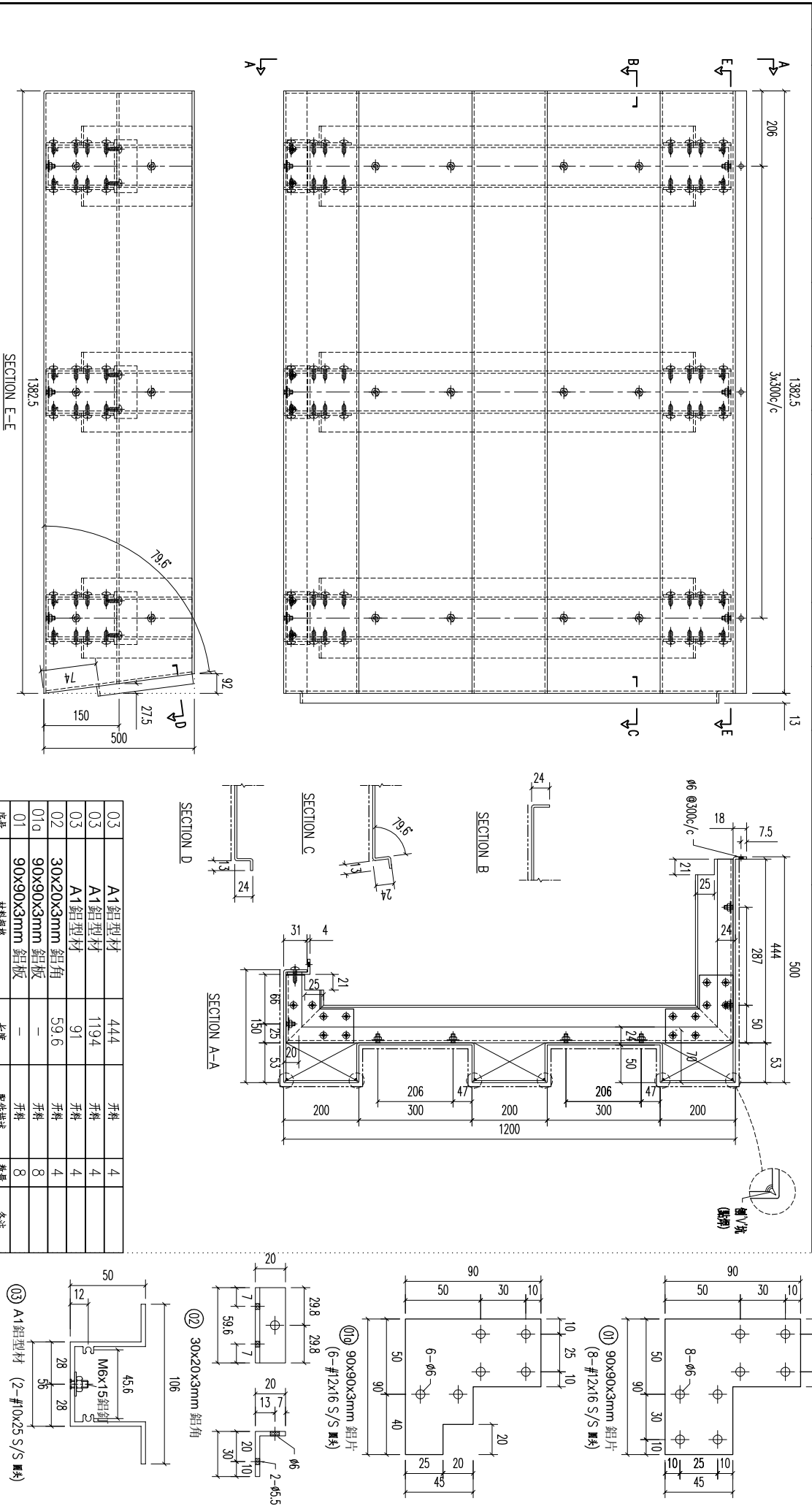
序号	材料规格	长度	备注
01	90x90x3mm 铝板	—	开料
02	30x20x3mm 铝角	59.6	开料
03	A1 铝型材	444	开料

FACTORY	W/CENTRE	CUT ENDS	FINISH
01	MOKSI/SKDA/FAB		EC-DG-D334232-Z01 (A1)

美特铝业有限公司
MIDI ALUMINIUM FABRICATOR LTD.
Units 6-8, Sunroy Industrial Centre, 1/F
610 Cha Kwo Ling Road, Kowloon
Tel:23489211-4 Fax:(852)27727666

REV.	DATE	AMENDMENT	REVISED BY	PROJECT	JOB NO.	DRAWING TITLE	DRAWING NO.	SHT.	REV.
				J853-PODIUM ALUM CEILING & FEATURE CLADDING T3 3/F	J853	铝板天花加工图 3mm THK ALUM. PLATE	T3-AP02-05	-/-	-

REV.	CHECKED BAR BY	PART NUMBER	Dim. A	Dim. B	Dim. C	Dim. D	Dim. E	Dim. F	Dim. G	QTY	Inv. Code	ASSEMBLE ON PARTS	EXTR. DRAWING PART DRAWING
-		T3-AP02-06								1			



序号	材料规格	长度	备注
01	90x90x3mm 铝板	-	开料
01g	90x90x3mm 铝板	-	开料
02	30x20x3mm 铝角	59.6	开料
03	A1 铝型材	1194	开料
03	A1 铝型材	91	开料
03	A1 铝型材	444	开料

序号	材料规格	长度	备注
01	90x90x3mm 铝板	-	开料
01g	90x90x3mm 铝板	-	开料
02	30x20x3mm 铝角	59.6	开料
03	A1 铝型材	1194	开料
03	A1 铝型材	91	开料
03	A1 铝型材	444	开料

FACTORY	W/CENTRE	CUT ENDS	FINISH
01	MXX6/SKXX/FAB		EC-DG-0334232-201 (A1)

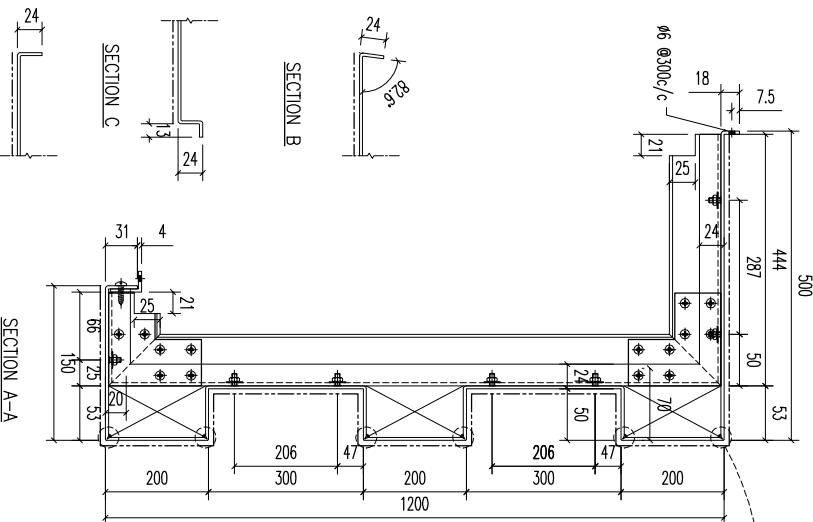
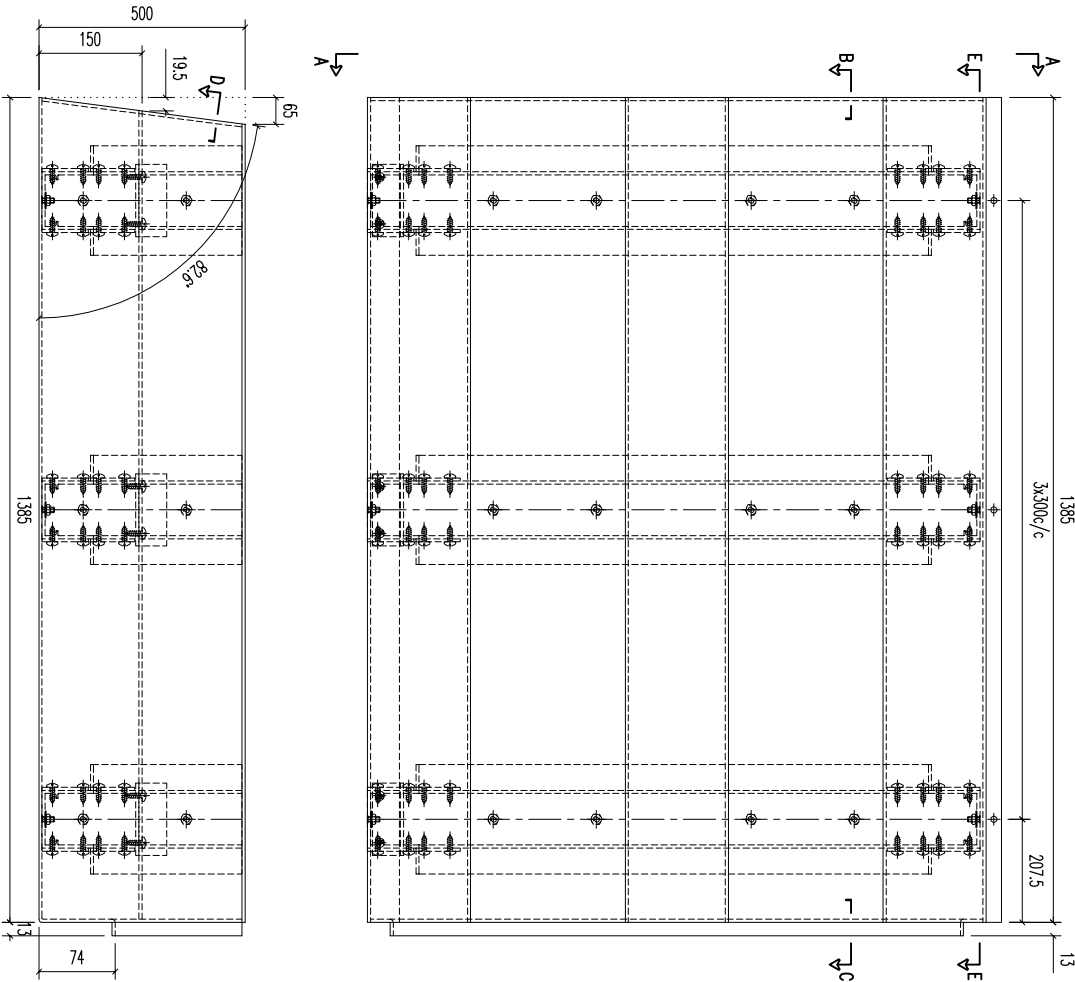
Standard	Angle	DATE
Standard	±1	5/8/2023

DRAMA	SCALE	POST PAINT	PART
YEUNG	1:5	PRE PAINT	SUB ASSEM.

REV.	DATE	AMENDMENT	REVISED BY	JOB NO.	DRAWING TITLE	DRAWING NO.	SHT.	REV.
				J853	铝板天花加工图 3mm THK ALUM. PLATE	T3-AP02-06	-/-	-

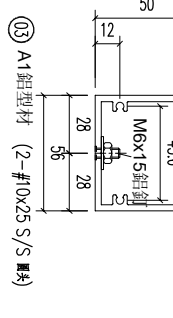
美特铝业有限公司
MIDI ALUMINIUM FABRICATOR LTD.
Units 6-8, Sunroy Industrial Centre, 1/F
610 Cha Kwo Ling Road, Kowloon
Tel: 23489211-4 Fax: (852) 27727666

REV.	CHECKED BY	PART NUMBER	Dim. A	Dim. B	Dim. C	Dim. D	Dim. E	Dim. F	Dim. G	QTY	Inv. Code	ASSEMBLE ON PARTS	EXTR. DRAWING PART DRAWING
-		T3-AP03-01								1			



序号	材料规格	长度	备注
01	90x90x3mm 铝板	-	开料
02	30x20x3mm 铝角	59.6	开料
03	A1 铝型材	444	开料

工厂	W/CENTRE	CUT ENDS	FINISH	DATE	DRAMN	SCALE	POST PAINT	PART
01	M&S/S&S&A/F&B		EC-DG-0334232-201 (A1)	5/8/2023	YEUNG	1:5	喷涂	铝板天花加工图



美特铝质有限公司
MIDI ALUMINIUM FABRICATOR LTD.
Units 6-8, Sunroy Industrial Centre, 1/F
610 Cha Kwo Ling Road, Kowloon
Tel:23489211-4 Fax:(852)27727666

SECTION E-E

SECTION D

SECTION A-A

SECTION B

SECTION C

SECTION D

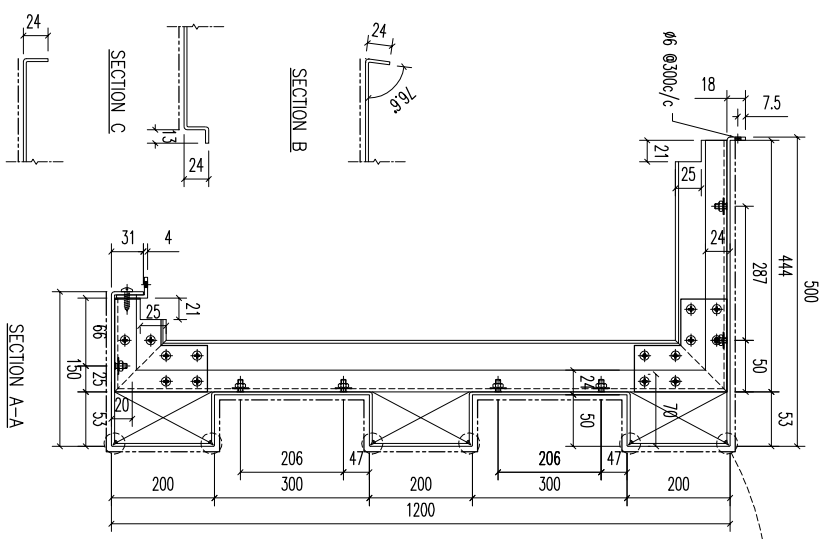
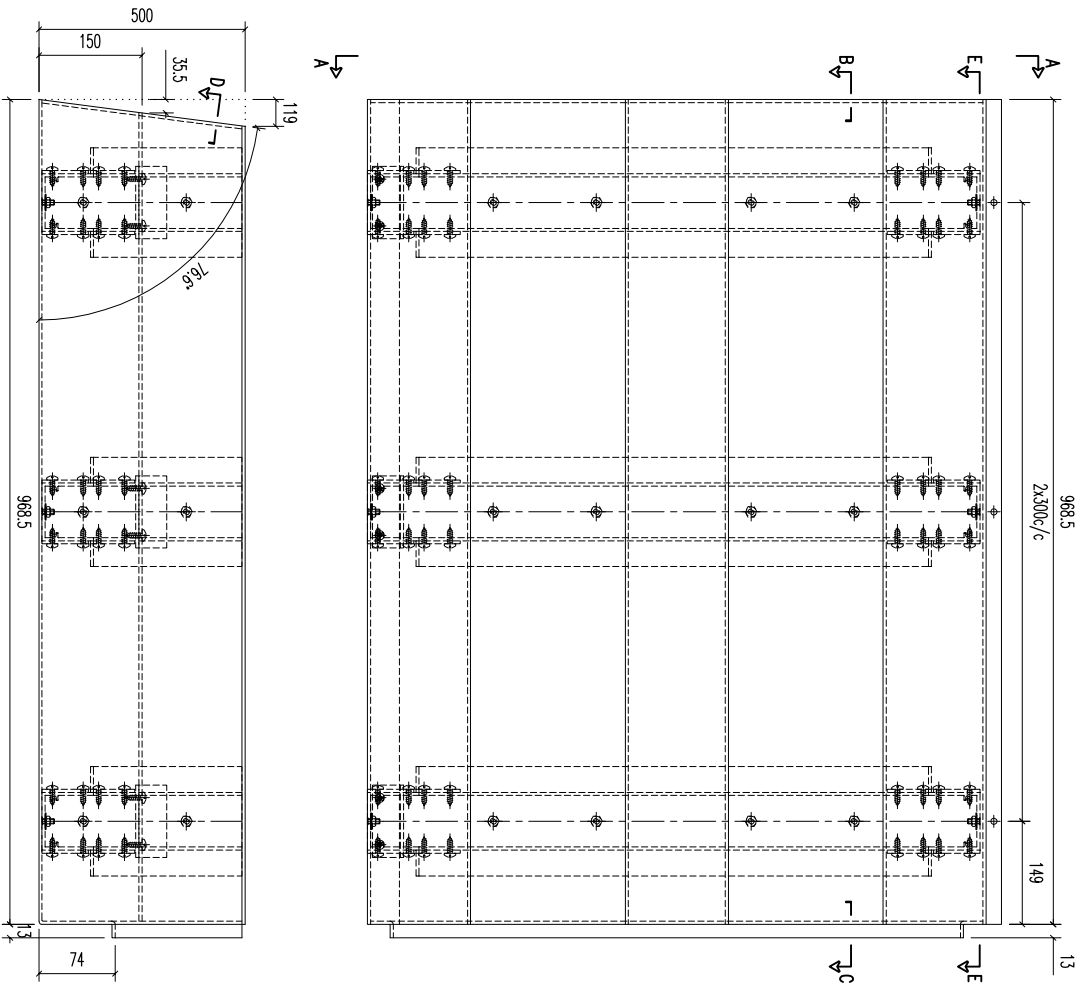
REV.	DATE	AMENDMENT	REVISED BY

PROJECT	JOB NO.
J853-PODIUM ALUM CEILING & FEATURE CLADDING T3 3/F	J853

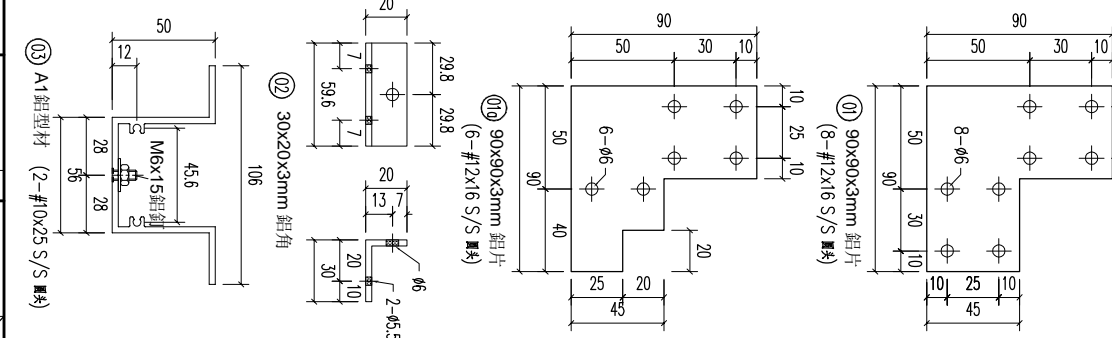
DRAWING TITLE	DRAWING NO.
铝板天花加工图 3mm THK ALUM. PLATE	T3-AP03-01

STANDARD	ANGLE	DATE	DRAMN	SCALE	POST PAINT	PART
Standard X X . = ±1 Tolerances X X . X = ±05 Squariness ±1°	Angle ±1°	5/8/2023	YEUNG	1:5	喷涂	铝板天花加工图

REV.	CHECKED BY	PART NUMBER	Dim. A	Dim. B	Dim. C	Dim. D	Dim. E	Dim. F	Dim. G	QTY	Inv. Code	ASSEMBLE ON PARTS	EXTR. DRAWING PART DRAWING
-		T3-AP03-02								1			



序号	材料规格	长度	备注
01	90x90x3mm 铝板	-	开料
02	30x20x3mm 铝角	59.6	开料
03	A1 铝型材	1194	开料
03	A1 铝型材	444	开料



FACTORY	W/CENTRE	CUT ENDS	FINISH
01	M&M/S&K&A/F&B		EC-DG-0334232-201 (A1)

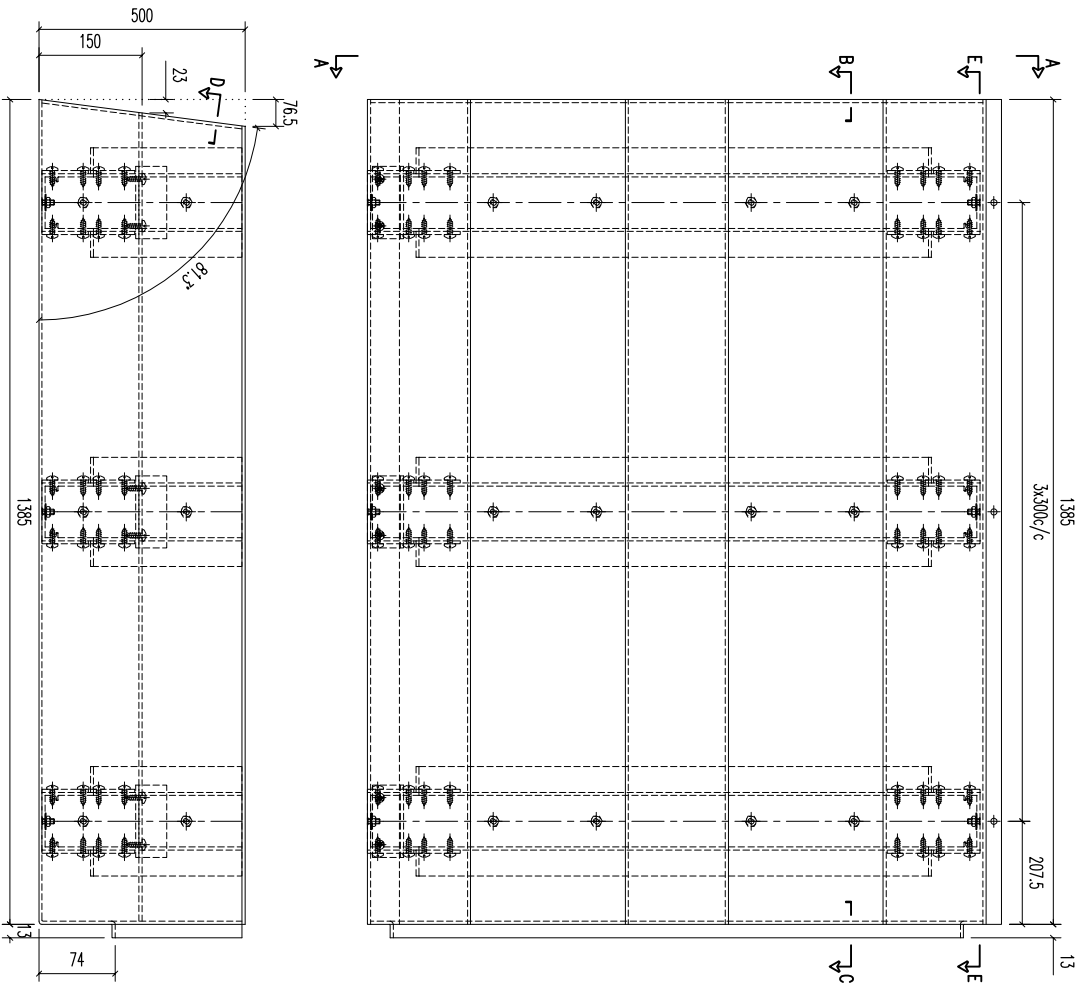
Standard	Angle	DATE	DRAWN	SCALE	PART
X X . X = ±1	Squareness ±1°	5/8/2023	YEUNG	1:5	SUB ASSEM.

REV.	DATE	AMENDMENT	REVISED BY	JOB NO.	DRAWING TITLE	DRAWING NO.	SHT.	REV.
				J853	铝板天花加工图 3mm THK ALUM. PLATE	T3-AP03-02	-/-	-

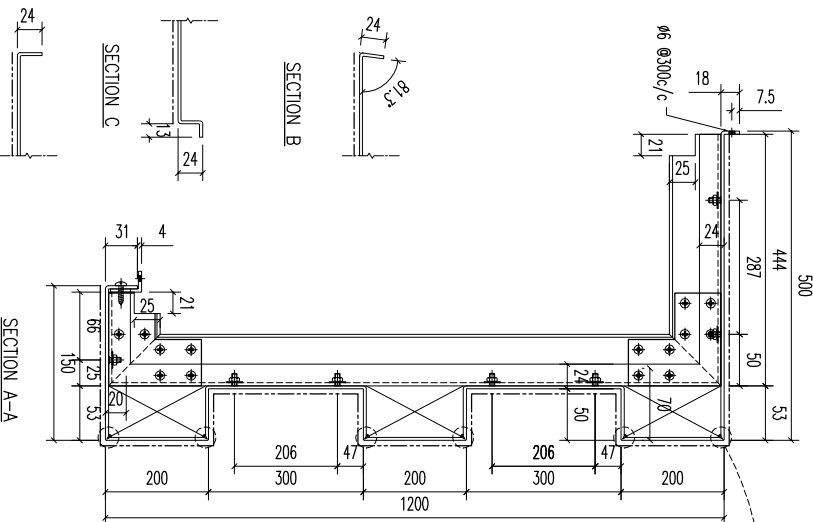
PROJECT	J853-PODIUM ALUM CEILING & FEATURE CLADDING T3 3/F
UNITS	Units 6-8, Sunroy Industrial Centre, 1/F
ADDRESS	610 Cha Kwo Ling Road, Kowloon
TELEPHONE	Tel: 23489211-4
FAX	Fax: (852) 27727666

COMPANY	MIDI ALUMINIUM FABRICATOR LTD.
ADDRESS	Units 6-8, Sunroy Industrial Centre, 1/F
ADDRESS	610 Cha Kwo Ling Road, Kowloon
TELEPHONE	Tel: 23489211-4
FAX	Fax: (852) 27727666

REV.	CHECKED BAR BY	PART NUMBER	Dim. A	Dim. B	Dim. C	Dim. D	Dim. E	Dim. F	Dim. G	QTY	Inv. Code	ASSEMBLE ON PARTS	EXTR. DRAWING PART DRAWING
-		T3-AP03-03								1			



SECTION E-E



SECTION D

SECTION B

SECTION C

SECTION A-A

序号	材料规格	长度	备注
01	90x90x3mm 铝板	-	开料
01g	90x90x3mm 铝板	-	开料
02	30x20x3mm 铝角	59.6	开料
03	A1 铝型材	1194	开料
03	A1 铝型材	444	开料

工厂	W/CENTRE	CUT ENDS	FINISH	DATE	DRAMN	SCALE	POST PAINT	PART
01	M&S/S&S&A/F&B		EC-DG-0334232-201 (A1)	5/8/2023	YEUNG	1:5	喷涂	AL1
Standard	X X . = ±1	Angle	±1°				PRE PAINT	SUB ASSEM.
Tolerances	X X . X = ±05	Squareness	±1°				SCALE	TRACK TYPE

美特铝质有限公司
MIDI ALUMINIUM FABRICATOR LTD.
Units 6-8, Sunroy Industrial Centre, 1/F
610 Cha Kwo Ling Road, Kowloon
Tel:23489211-4 Fax:(852)27727666

PROJECT J853-PODIUM ALUM CEILING
& FEATURE CLADDING T3 3/F

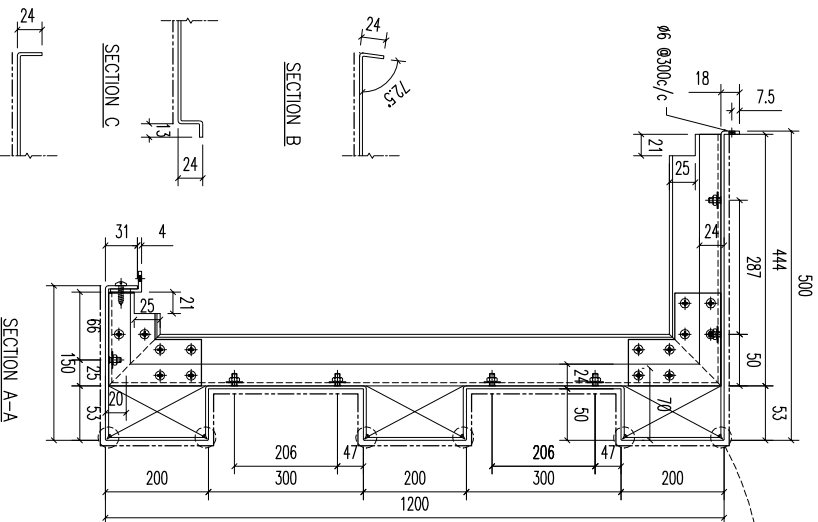
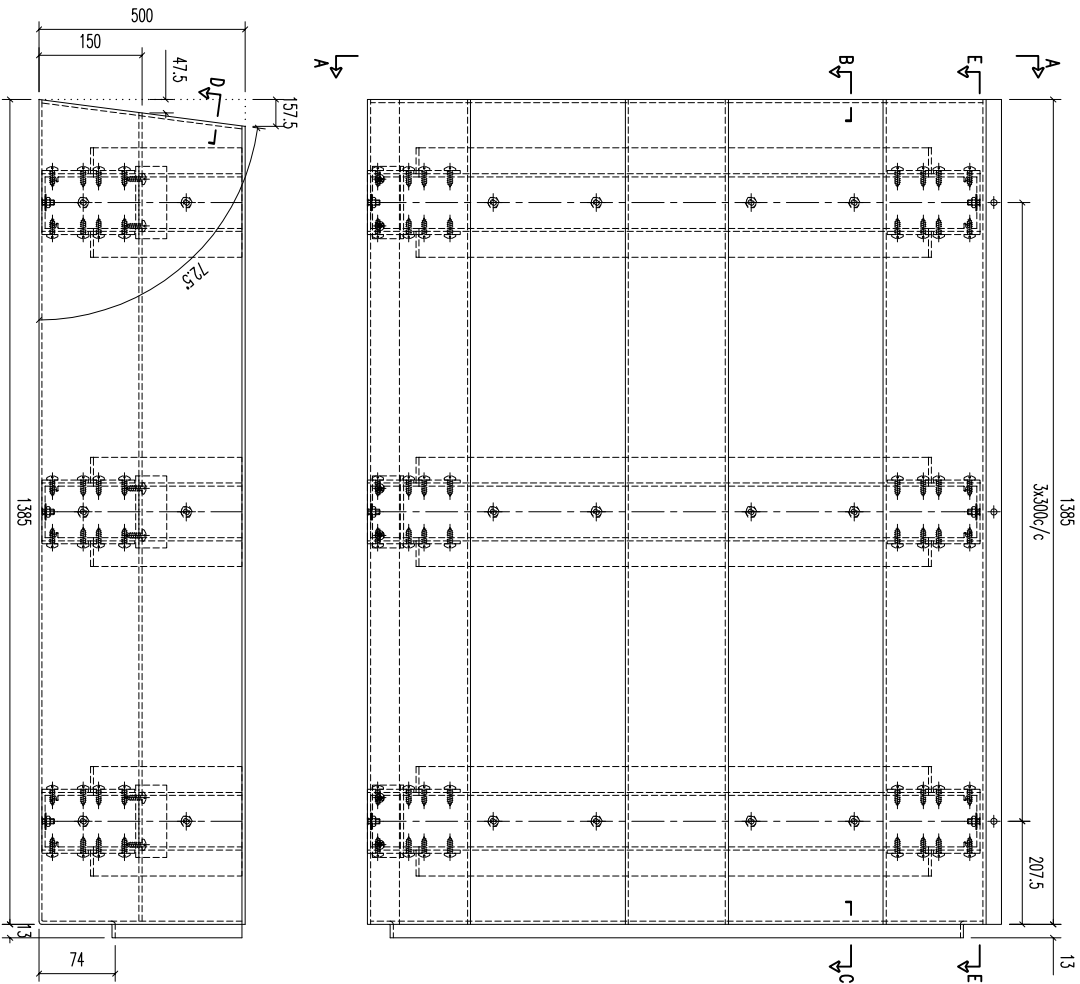
JOB NO. J853

DRAWING TITLE
铝板天花加工图
3mm THK ALUM. PLATE

DRAWING NO. T3-AP03-03

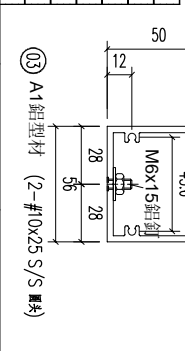
SHT. REV. -/-

REV.	CHECKED BAR BY	PART NUMBER	Dim. A	Dim. B	Dim. C	Dim. D	Dim. E	Dim. F	Dim. G	QTY	Inv. Code	ASSEMBLE ON PARTS	EXTR. DRAWING PART DRAWING
-		T3-AP03-04								1			



序号	材料规格	长度	备注
01	90x90x3mm 铝板	-	开料
02	30x20x3mm 铝角	59.6	开料
03	A1 铝型材	444	开料
03	A1 铝型材	1194	开料
03	A1 铝型材	91	开料
01g	90x90x3mm 铝板	-	开料
01	90x90x3mm 铝板	-	开料

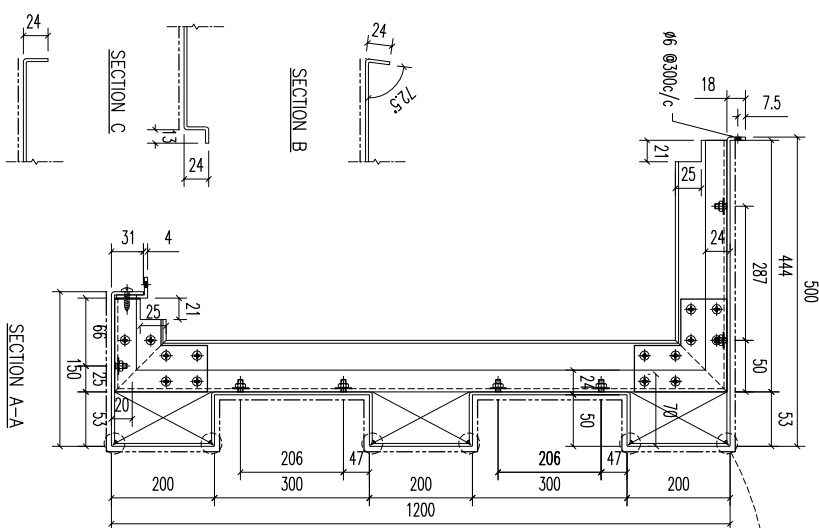
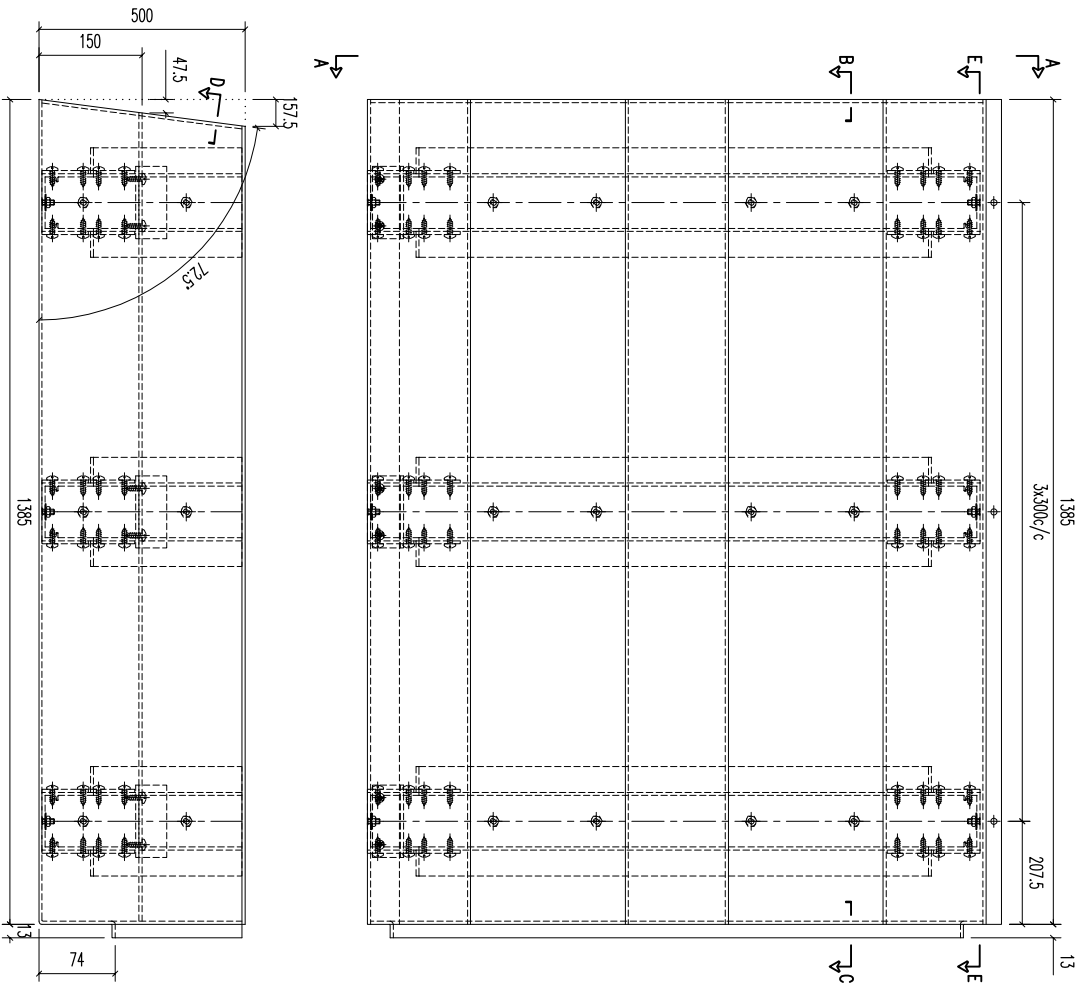
工厂	W/CENTRE	CUT ENDS	FINISH	DATE	DRAMN	SCALE	POST PAINT	PART
01	M&M/S&K&A/F&B		EC-DG-0334232-201 (A1)	5/8/2023	YEUNG	1:5	喷涂	AL1
Standard	X X . = ±1	Angle	±1°				PRE PAINT	SUB ASSEM.
Tolerances	X X . X = ±05	Squareness	±1°				SCALE	TRACK TYPE
							1:5	S.....



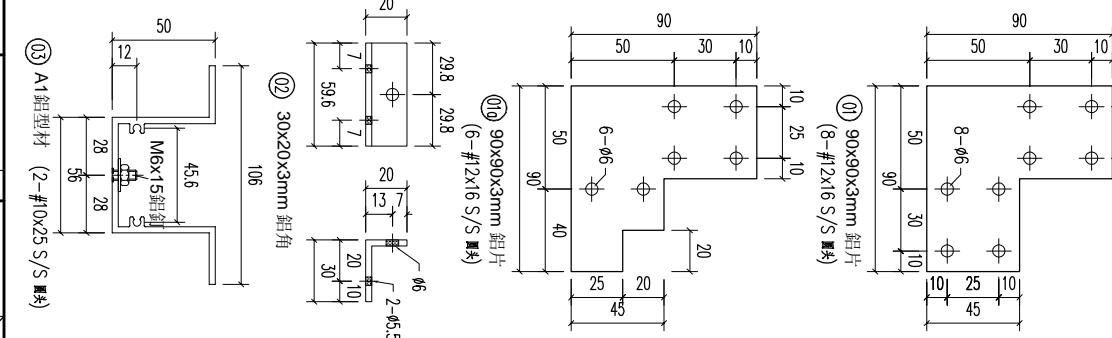
REV.	DATE	AMENDMENT	REVISED BY	PROJECT	JOB NO.	DRAWING TITLE	DRAWING NO.	SHT.	REV.
				J853-PODIUM ALUM CEILING & FEATURE CLADDING T3 3/F	J853	铝板天花加工图 3mm THK ALUM. PLATE	T3-AP03-04	-/-	-

美特铝业有限公司
MIDI ALUMINIUM FABRICATOR LTD.
Units 6-8, Sunroy Industrial Centre, 1/F
610 Cha Kwo Ling Road, Kowloon
Tel:23489211-4 Fax:(852)27727666

REV.	CHECKED BAR BY	PART NUMBER	Dim. A	Dim. B	Dim. C	Dim. D	Dim. E	Dim. F	Dim. G	QTY	Inv. Code	ASSEMBLE ON PARTS	EXTR. DRAWING PART DRAWING
-		T3-AP03-05								1			



序号	材料规格	长度	备注
01	90x90x3mm 铝板	-	开料
02	30x20x3mm 铝角	59.6	开料
03	A1 铝型材	1194	开料
03	A1 铝型材	444	开料



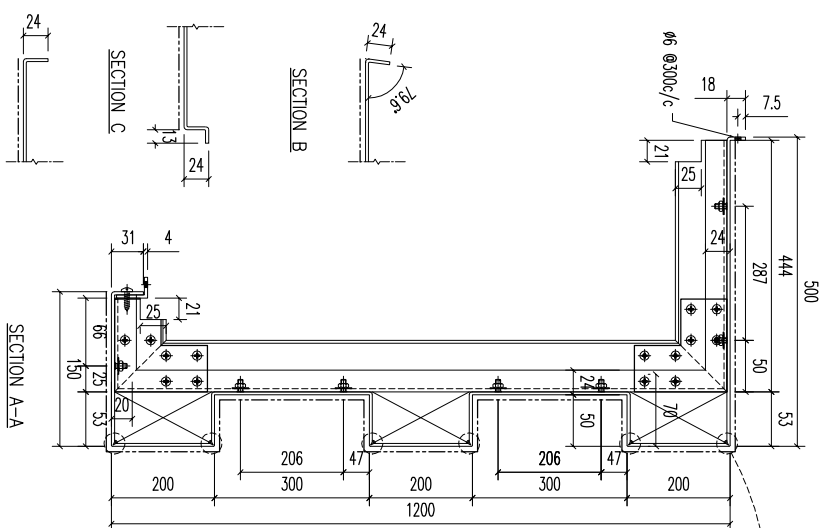
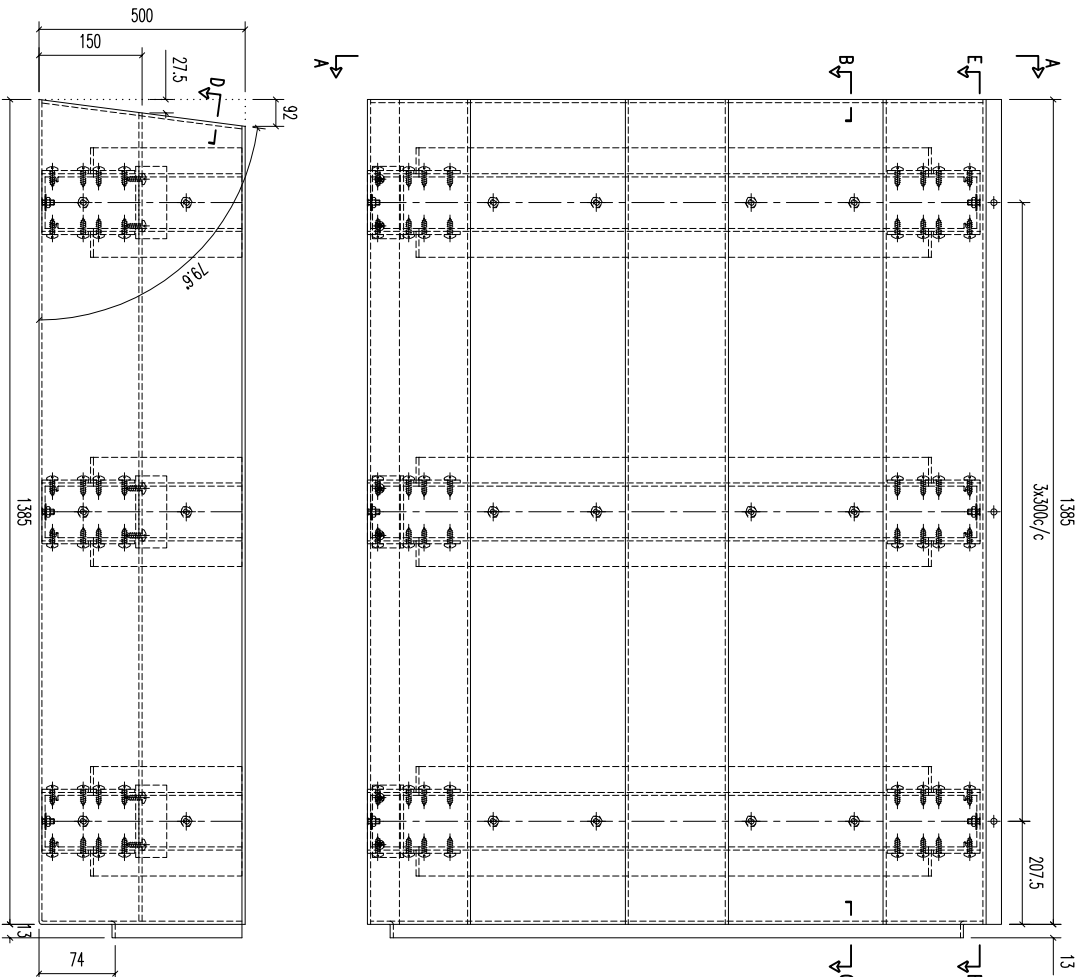
FACTORY	W/CENTRE	CUT ENDS	FINISH
01	M&S/S&S&A/F&B		EC-DG-0334232-201 (A1)

Standard	Angle	DATE	DRAWN	SCALE	PART
X X . X = ±1	Squareness ±1°	5/8/2023	YEUNG	1:5	SUB ASSEM.

美特铝质有限公司
MIDI ALUMINIUM FABRICATOR LTD.
Units 6-8, Sunroy Industrial Centre, 1/F
610 Cha Kwo Ling Road, Kowloon
Tel:23489211-4 Fax:(852)27727666

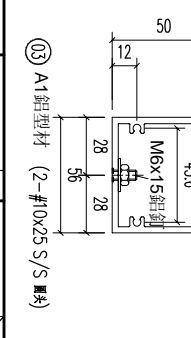
REV.	DATE	AMENDMENT	REVISED BY	PROJECT	JOB NO.	DRAWING TITLE	DRAWING NO.	SHT.	REV.
				J853-PODIUM ALUM CEILING & FEATURE CLADDING T3 3/F	J853	铝板天花加工图 3mm THK ALUM. PLATE	T3-AP03-05	-/-	-

REV.	CHECKED BY	PART NUMBER	Dim. A	Dim. B	Dim. C	Dim. D	Dim. E	Dim. F	Dim. G	QTY	Inv. Code	ASSEMBLE ON PARTS	EXTR. DRAWING PART DRAWING
-		T3-AP03-06								1			



序号	材料规格	长度	备注
01	90x90x3mm 铝板	-	开料
02	30x20x3mm 铝角	59.6	开料
03	A1 铝型材	444	开料

工厂	W/CENTRE	CUT ENDS	FINISH	DATE	DRAMN	SCALE	POST PAINT	PART
01	M&M/S&K&A/F&B		EC-DG-0334232-201 (A1)	5/8/2023	YEUNG	1:5	PRE PAINT	SUB ASSEM.



美特铝质有限公司
MIDI ALUMINIUM FABRICATOR LTD.

Units 6-8, Sunroy Industrial Centre, 1/F
610 Cha Kwo Ling Road, Kowloon
Tel:23489211-4 Fax:(852)27727666

PROJECT J853-PODIUM ALUM CEILING & FEATURE CLADDING T3 3/F

JOB NO. J853

DRAWING TITLE 铝板天花加工图 3mm THK ALUM. PLATE

DRAWING NO. T3-AP03-06

SHT. - / -

REV. -

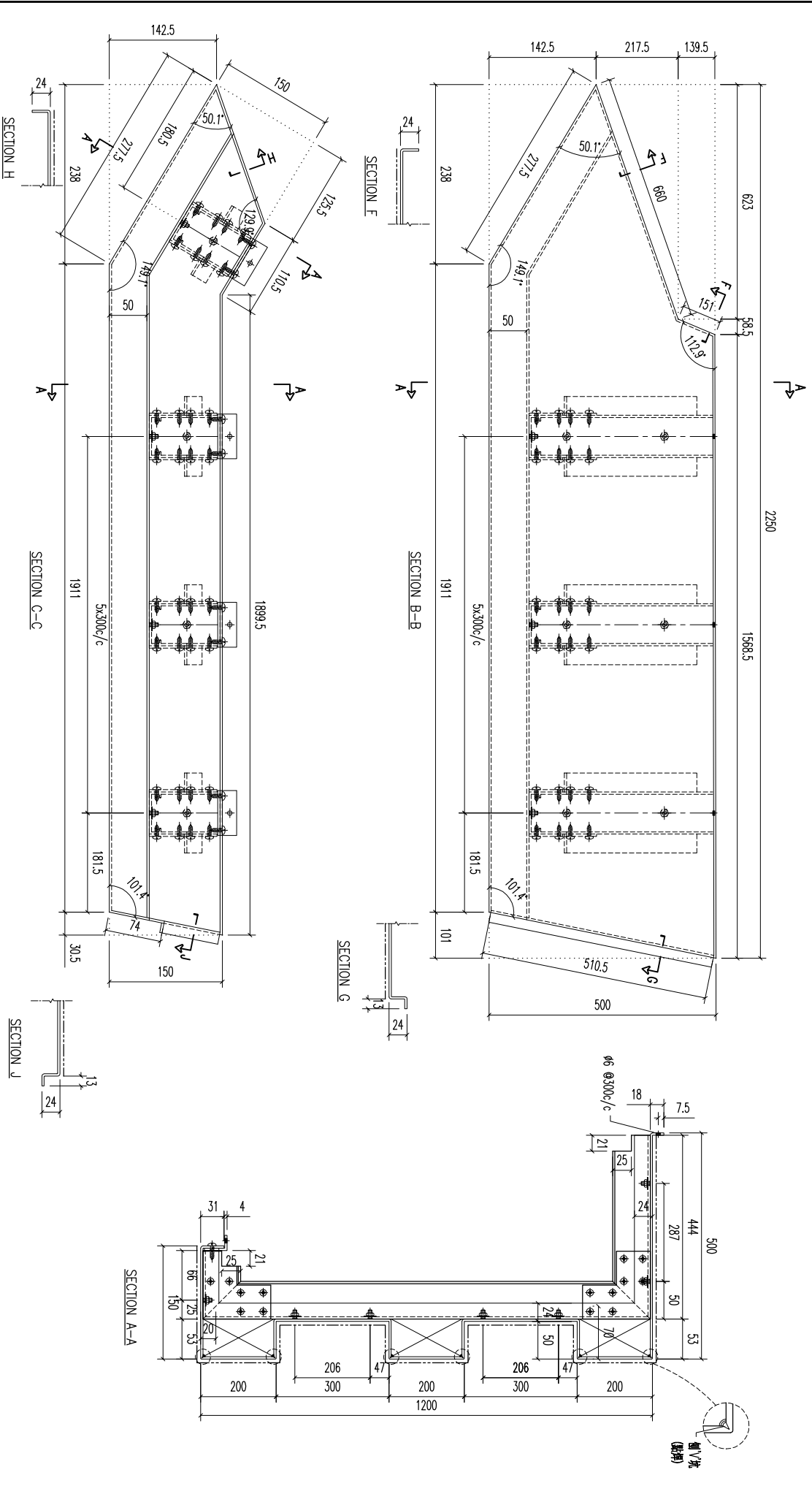
AMENDMENT

REVISED BY

DATE

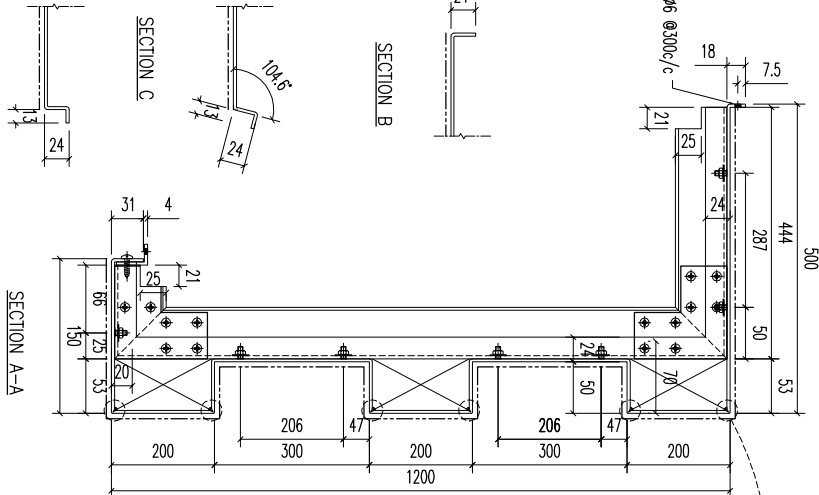
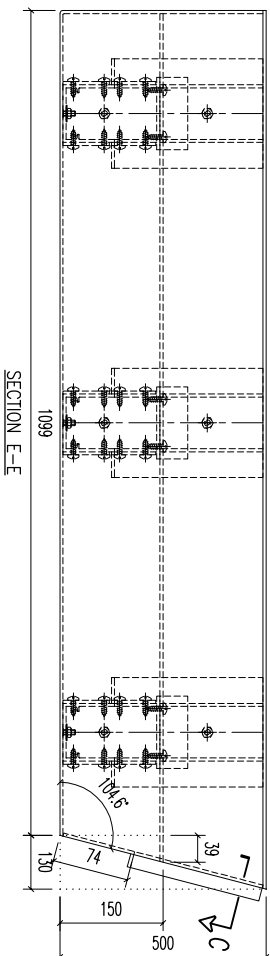
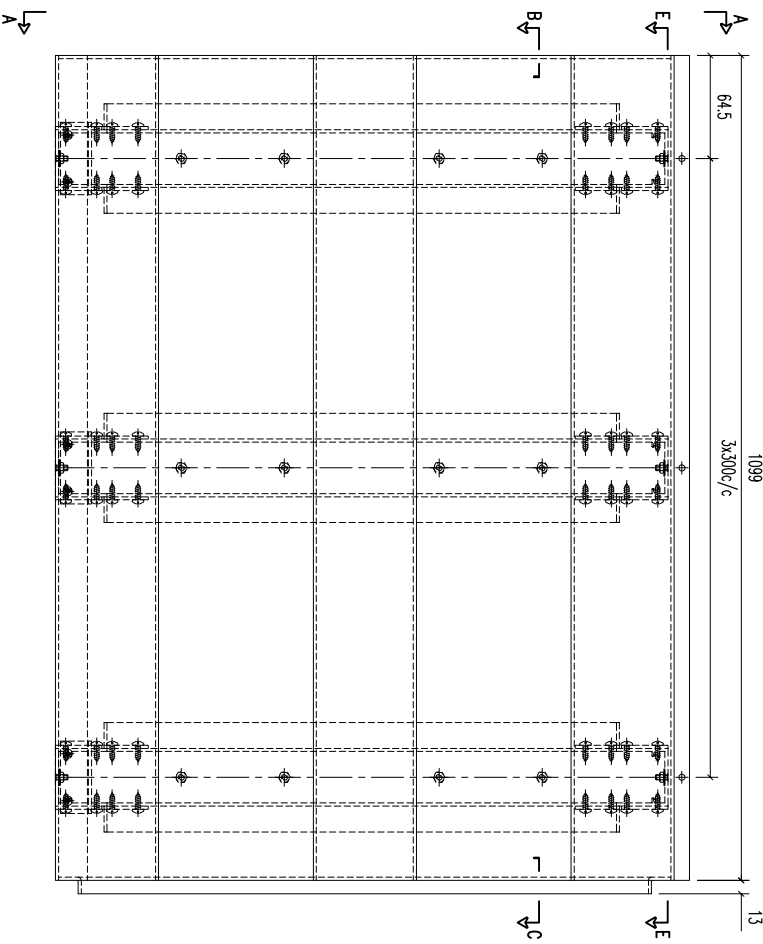
REV.

REV.	CHECKED BAR BY	PART NUMBER	Dim. A	Dim. B	Dim. C	Dim. D	Dim. E	Dim. F	Dim. G	QTY	Inv. Code	ASSEMBLE ON PARTS	EXTR. DRAWING PART DRAWING
-		T3-AP04-01								-			

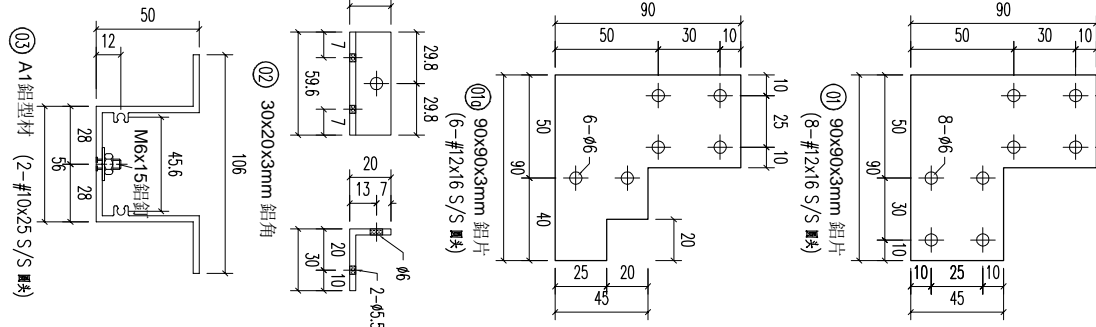


REV.	DATE	AMENDMENT	REVISED BY	PROJECT	JOB NO.	DRAWING TITLE	FACTORY	W/CENTRE	CUT ENDS	FINISH	DRAWN	POST PAINT	PART	SHT.	REV.	
				J853-PODIUM ALUM CEILING & FEATURE CLADDING T3 3/F	J853	鋁板天花加工圖 3mm THK ALUM. PLATE	01	M&K&F/S&K&A/F&B	Angle Squareness ±1°	EC-DG-0334232-201 (AL1)	YEUNG	SCALE	TRACK TYPE	2/2	-	
				美特鋁質有限公司 MIDI ALUMINIUM FABRICATOR LTD. Units 6-8, Sunroy Industrial Centre, 1/F 610 Cha Kwo Ling Road, Kowloon Tel:23489211-4 Fax:(852)27727666			Standard X X . X = ±1 Tolerances X X . X = ±05			5/8/2023		1:5	S.....			

REV.	CHECKED BAR BY	PART NUMBER	Dim. A	Dim. B	Dim. C	Dim. D	Dim. E	Dim. F	Dim. G	QTY	Inv. Code	ASSEMBLE ON PARTS	EXTR. DRAWING PART DRAWING
-		T3-AP05-01								1			



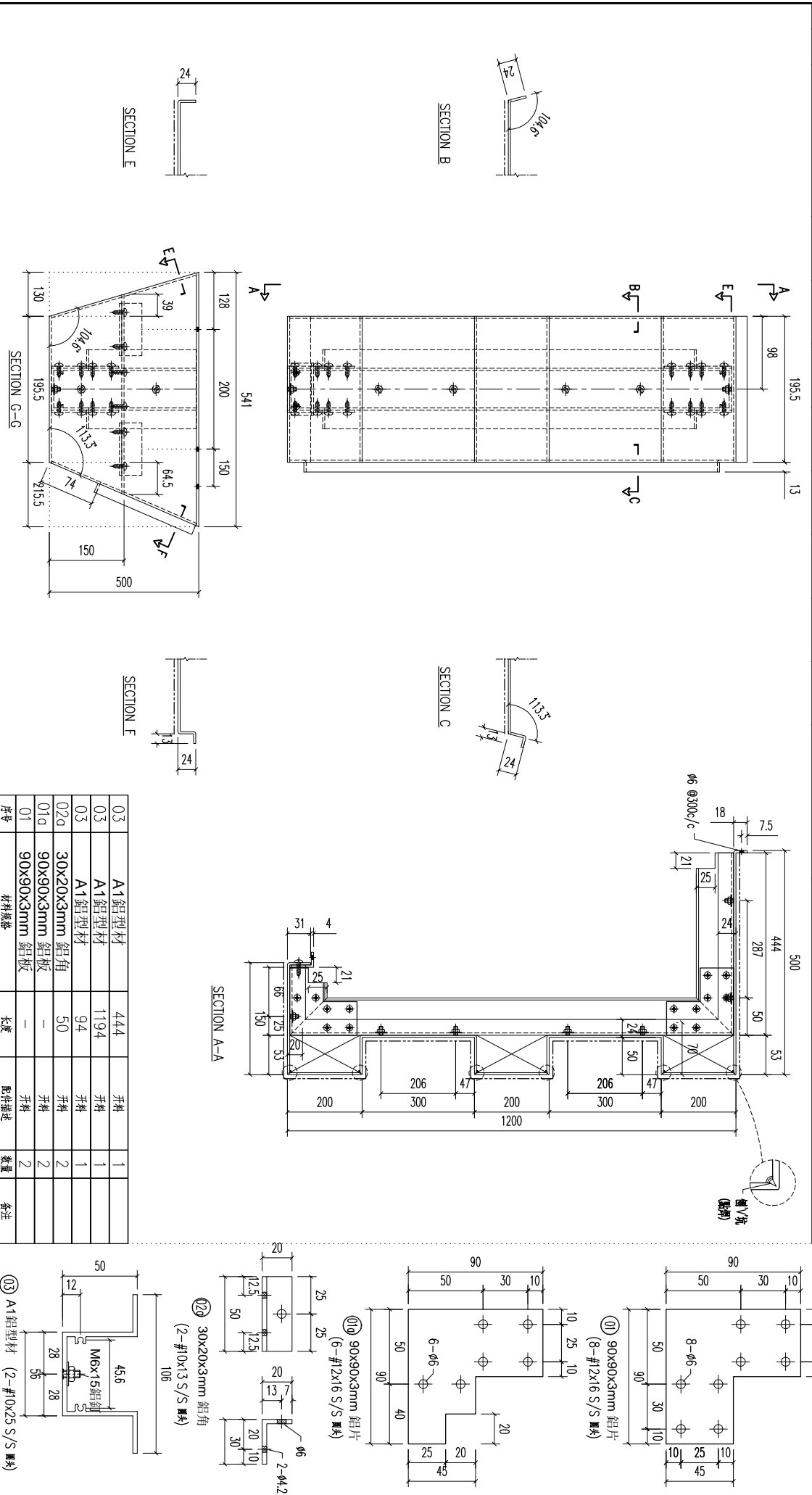
序号	材料规格	长度	备注
01	90x90x3mm 铝板	-	开料
02	30x20x3mm 铝角	59.6	开料
03	A1 铝型材	1194	开料
03	A1 铝型材	91	开料
03	A1 铝型材	444	开料



美特铝业有限公司
MIDI ALUMINIUM FABRICATOR LTD.
Units 6-8, Sunroy Industrial Centre, 1/F
610 Cha Kwo Ling Road, Kowloon
Tel:23489211-4 Fax:(852)27727666

REV.	DATE	AMENDMENT	REVISED BY	PROJECT	J853-PODIUM ALUM CEILING & FEATURE CLADDING T3 3/F	JOB NO.	J853	DRAWING TITLE	铝板天花加工图 3mm THK ALUM. PLATE	DRAWING NO.	T3-AP05-01	SHT.	-/-	REV.	-
------	------	-----------	------------	---------	--	---------	------	---------------	--------------------------------	-------------	------------	------	-----	------	---

REV.	CHECKED BY	PART NUMBER	Dim. A	Dim. B	Dim. C	Dim. D	Dim. E	Dim. F	Dim. G	QTY	Inv. Code	ASSEMBLE ON PARTS	EXTR. DRAWING PART DRAWING
-		T3-AP06-01							1				



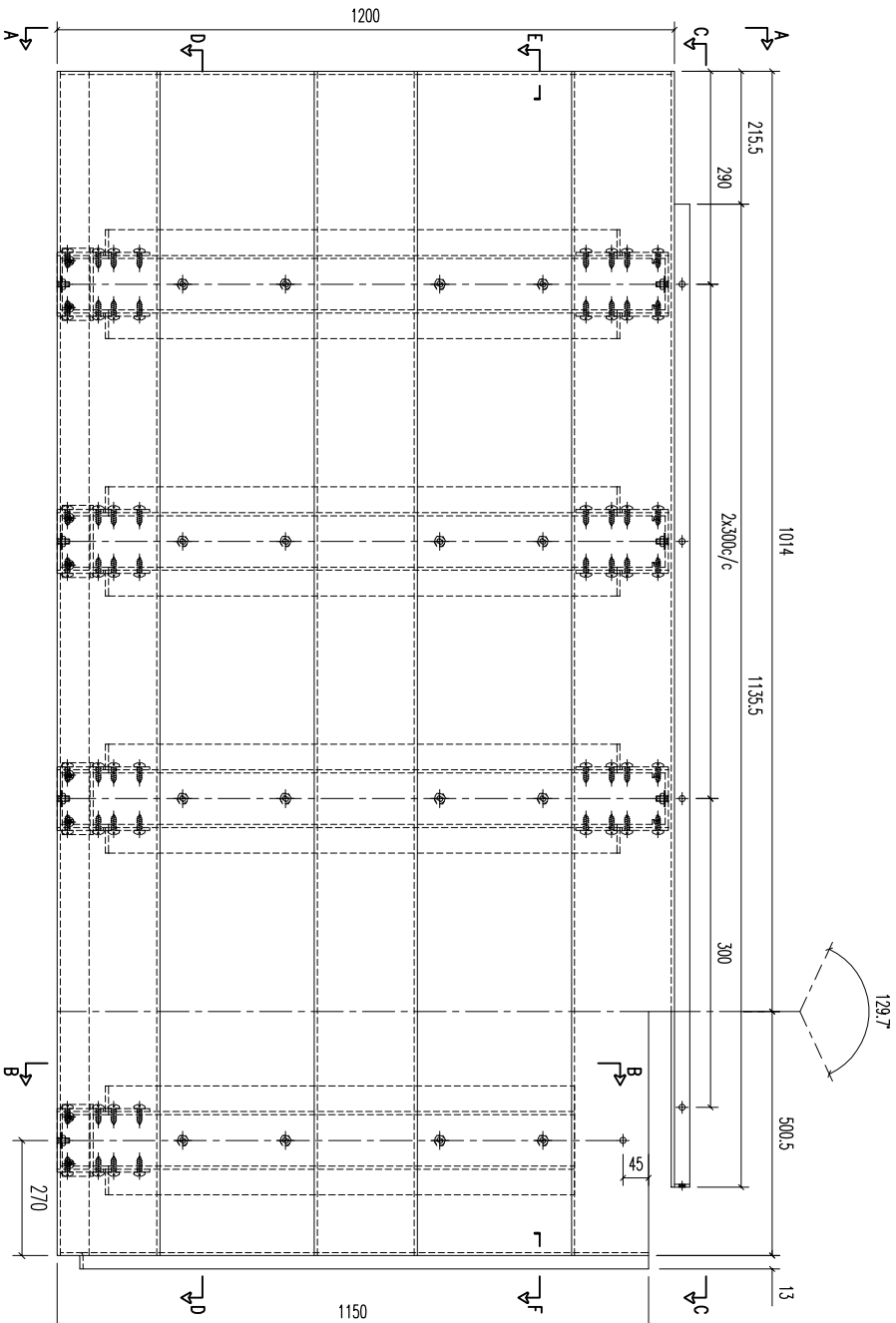
序号	材料规格	长度	配件描述	数量	备注
03	A1铝型材	444	开料	1	
03	A1铝型材	1194	开料	1	
03	A1铝型材	94	开料	1	
02a	30x20x3mm 铝角	50	开料	2	
01a	90x90x3mm 铝板	-	开料	2	
01	90x90x3mm 铝板	-	开料	2	

FACTORY	W/CENTRE	CUT ENDS	FINISH	DATE	DRAMN	SCALE	SHT.	REV.
01	M&S/S&S&A/F&B		EC-DG-0334232-201 (A1)	5/8/2023	YEUNG	1:5	-/-	-

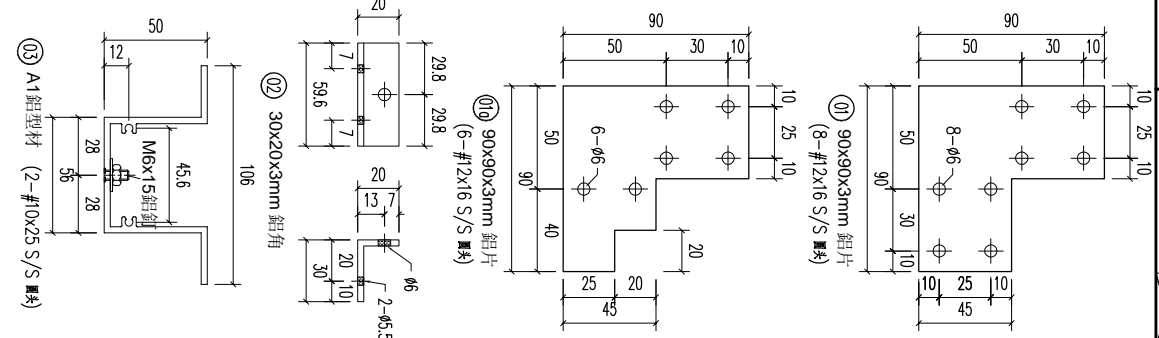
美特铝业有限公司
MIDI ALUMINIUM FABRICATOR LTD.
Units 6-8, Sunroy Industrial Centre, 1/F
610 Cha Kwo Ling Road, Kowloon
Tel:233489211-4 Fax:(852)27727666

REV.	DATE	AMENDMENT	REVISD BY	PROJECT	JOB NO.	DRAWING TITLE	DRAWING NO.	SHT.	REV.
				J853-PODIUM ALUM CEILING & FEATURE CLADDING T3 3/F	J853	铝板天花加工图 3mm THK ALUM. PLATE	T3-AP06-01	-/-	-

REV.	CHECKED BAR BY	PART NUMBER	Dim. A	Dim. B	Dim. C	Dim. D	Dim. E	Dim. F	Dim. G	QTY	Inv. Code	ASSEMBLE ON PARTS	EXTR. DRAWING PART DRAWING
-		T3-AP07-01								1			



序号	材料规格	长度	备注
01	90x90x3mm 铝板	-	材料描述
02	30x20x3mm 铝角	59.6	材料描述
03	A1 铝型材	1000	材料描述



美特铝质有限公司
MIDI ALUMINIUM FABRICATOR LTD.

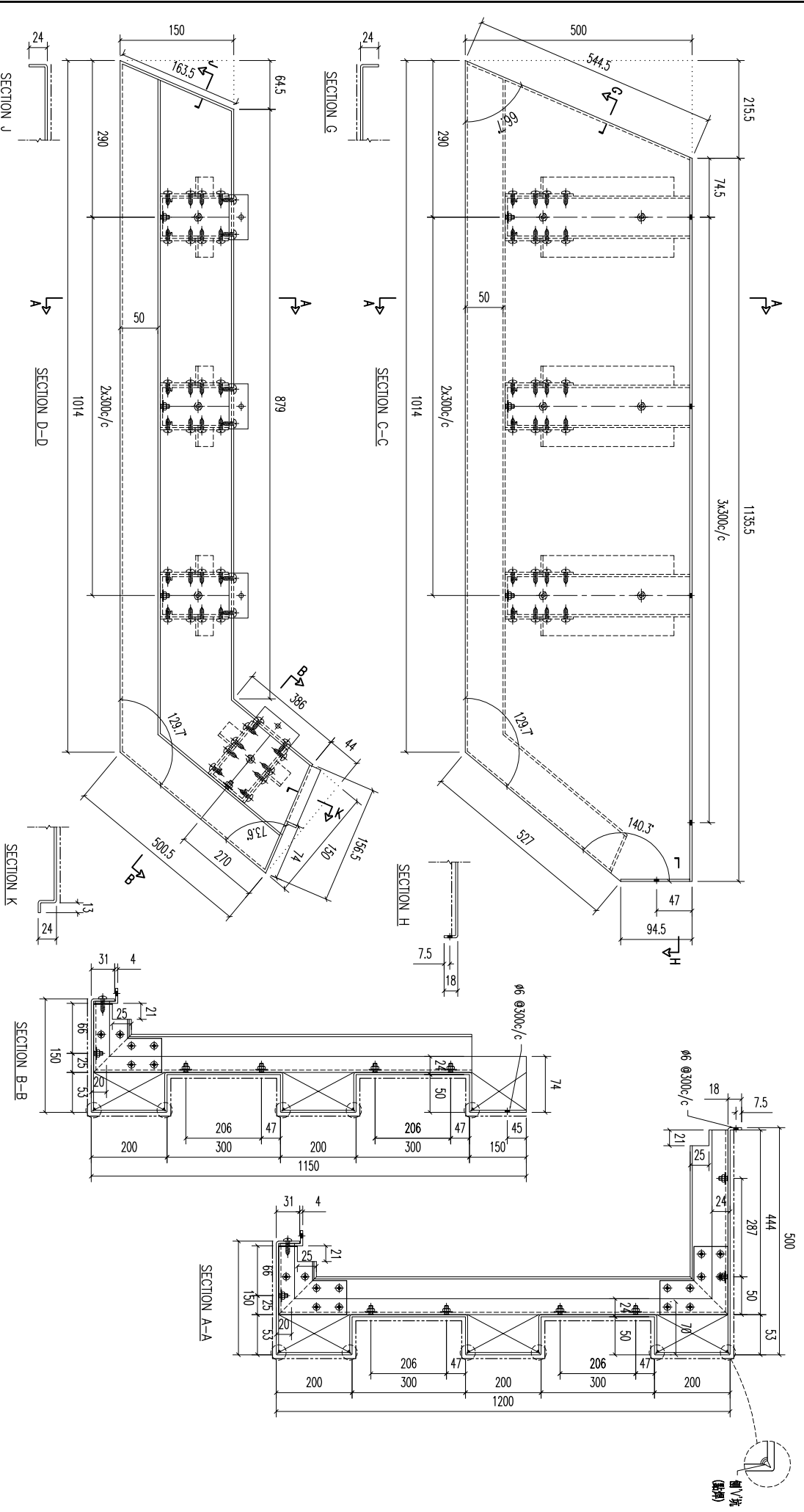
Units 6-8, Sunroy Industrial Centre, 1/F
610 Cha Kwo Ling Road, Kowloon
Tel:23489211-4 Fax:(852)27727666

PROJECT J853-PODIUM ALUM CEILING
& FEATURE CLADDING T3 3/F

REV.	DATE	AMENDMENT	REVISD BY	JOB NO. J853	DRAWING TITLE 铝板天花加工图 3mm THK ALUM. PLATE	DRAWING NO. T3-AP07-01	SHT. 1/2	REV.
------	------	-----------	-----------	-----------------	---	---------------------------	-------------	------

FACTORY	W/CENTRE	CUT ENDS	FINISH	POST PAINT	PART
01	M&B/S&B&A/F&B		EC-DG-D334232-201 (A1)	PRE PAINT	SUB ASSEM.
Standard	X X . = ±1	Angle	±1°	SCALE	1:5
Tolerances	X X . X = ±05	Squareness	±1°	DATE	5/8/2023
				DRAWN	YEUNG

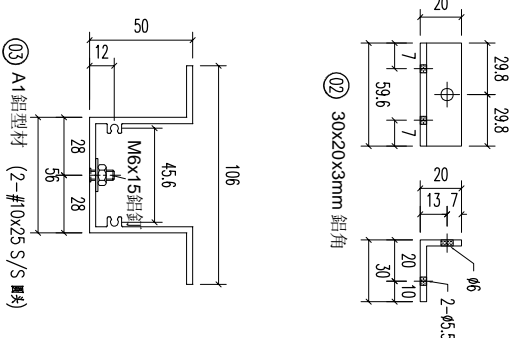
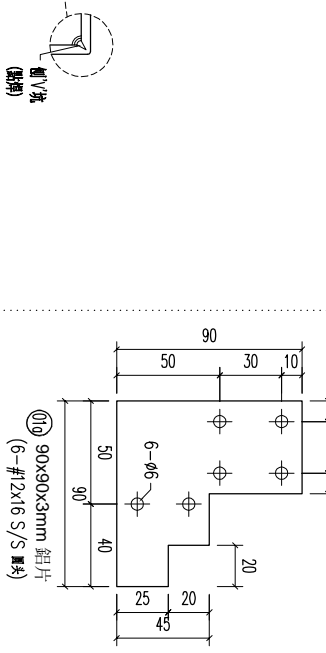
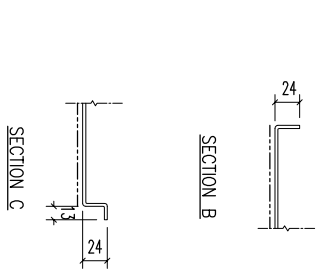
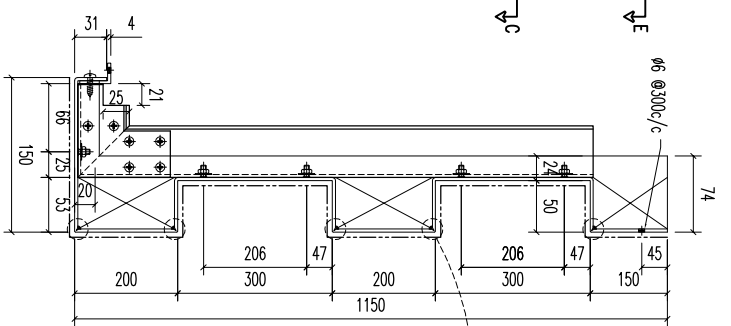
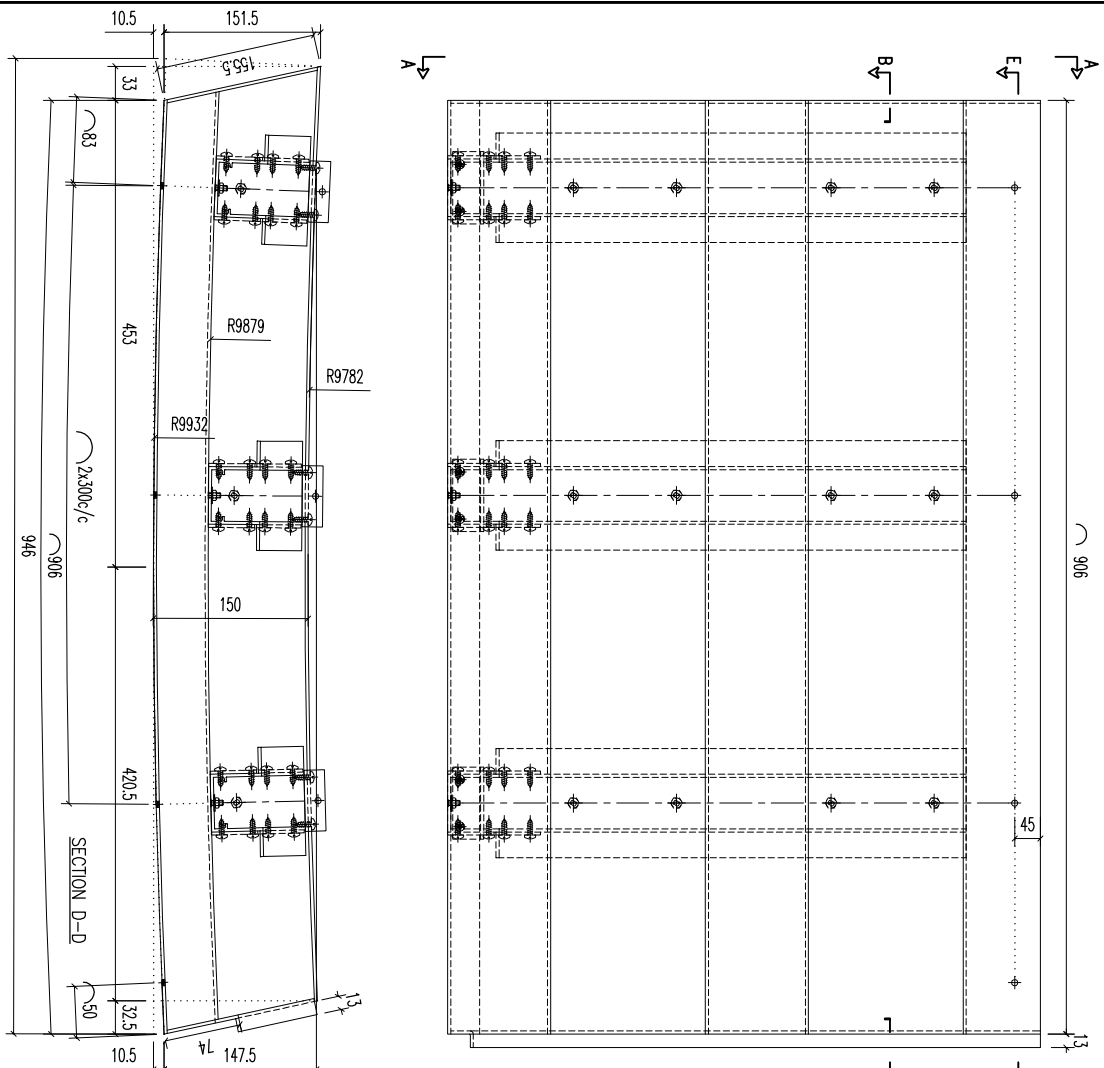
REV.	CHECKED BAR BY	PART NUMBER	Dim. A	Dim. B	Dim. C	Dim. D	Dim. E	Dim. F	Dim. G	QTY	Inv. Code	ASSEMBLE ON PARTS	EXTR. DRAWING PART DRAWING
-		T3-AP07-01								-			



REV.	DATE	AMENDMENT	REVISED BY	PROJECT	JOB NO.	DRAWING TITLE	FACTORY	W/CENTRE	CUT ENDS	FINISH	DRAWN	POST PAINT	PART	SHT.	REV.
				PROJECT J853-PODIUM ALUM CEILING & FEATURE CLADDING T3 3/F	J853	鋁板天花加工圖 3mm THK ALUM. PLATE	01	M&K/S&K&A/F&B	Angle Squariness ±1°	EC-DG-0334232-201 (AL1)	YEUNG	SCALE 1:5	TRACK TYPE S.....	2/2	-

美特鋁質有限公司
MIDI ALUMINIUM FABRICATOR LTD.
Units 6-8, Sunroy Industrial Centre, 1/F
610 Cha Kwo Ling Road, Kowloon
Tel: 23489211-4 Fax: (852) 27727666

REV.	CHECKED BY	PART NUMBER	Dim. A	Dim. B	Dim. C	Dim. D	Dim. E	Dim. F	Dim. G	QTY	Inv. Code	EXTR. DRAWING PART DRAWING
-		T3-AP11-01								1		



序號	材料規格	長度	配件描述	數量	備註
03	A1鋁型材	1000	牙料	3	
03	A1鋁型材	91	牙料	3	
02	30x20x3mm 鋁角	59.6	牙料	3	
01d	90x90x3mm 鋁板	-	牙料	6	

FACTORY	W/CENTRE	CUT ENDS	FINISH	DATE	DRAWN	SCALE	POST PAINT	PART
01	M&M/S&B&A/F&B		EC-DG-D334232-201 (A1)	5/8/2023	YEUNG	1:5	噴塗	PRE PAINT

PROJECT J853-PODIUM ALUM CEILING & FEATURE CLADDING T3 3/F

JOB NO. J853

DRAWING TITLE 鋁板天花加工圖
3mm THK ALUM. PLATE

DRAWING NO. T3-AP11-01

REV. -

ASSEMBLE ON PARTS

EXTR. DRAWING PART DRAWING

UNITED MIDALUMINIUM FABRICATOR LTD.

Units 6-8, Sunray Industrial Centre, 1/F
610 Cha Kwo Ling Road, Kowloon
Tel: 23489211-4 Fax: (852) 27727666

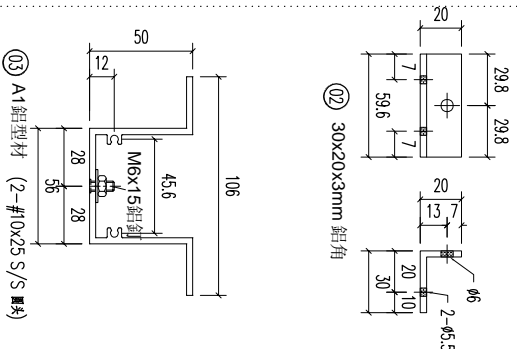
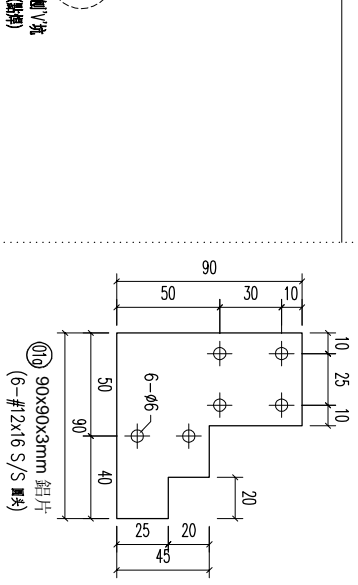
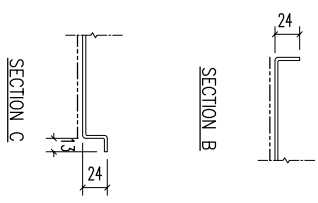
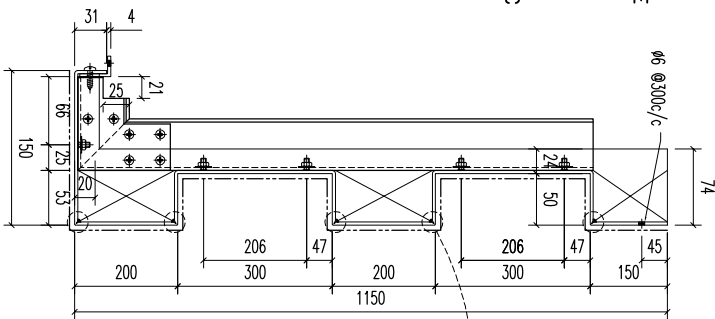
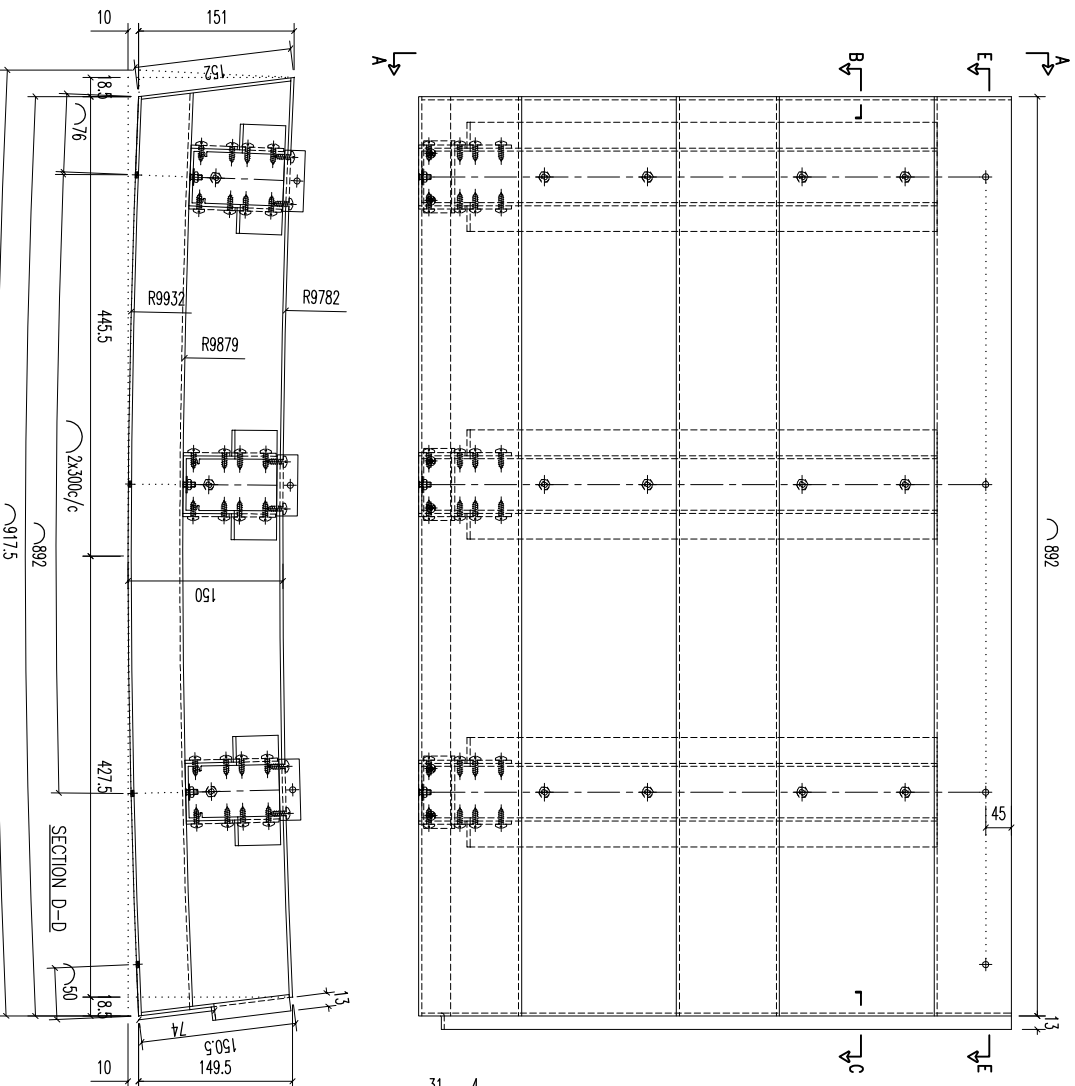
AMENDMENT

REVISED BY

DATE

SHT. - / -

REV.	CHECKED	PART NUMBER	Dim. A	Dim. B	Dim. C	Dim. D	Dim. E	Dim. F	Dim. G	QTY	Inv. Code	ASSEMBLE ON PARTS	EXTR. DRAWING
-	BAR BY	T3-AP12-01								1			PART DRAWING



序號	材料規格	長度	配件描述	數量	備註
03	A1 鋁型材	1000	開料	3	
03	A1 鋁型材	91	開料	3	
02	30x20x3mm 鋁角	59.6	開料	3	
01d	90x90x3mm 鋁板	-	開料	6	

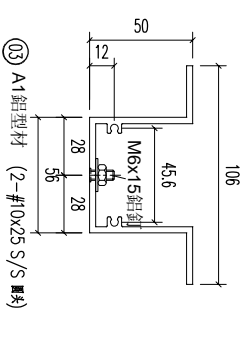
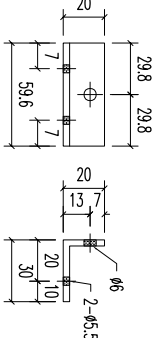
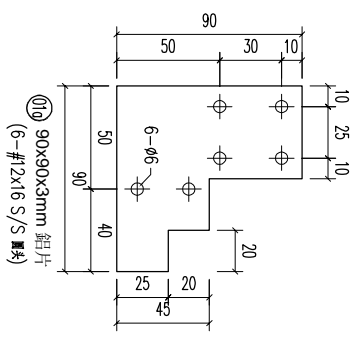
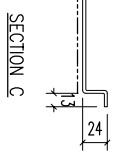
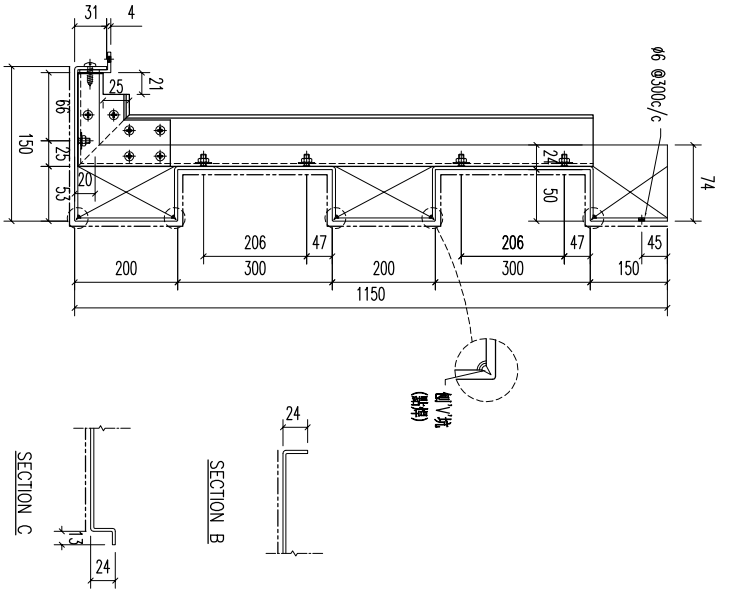
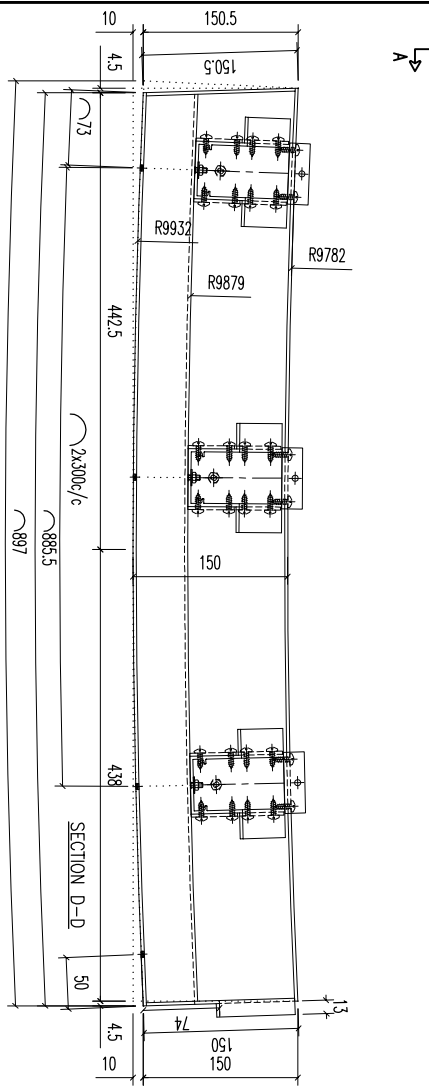
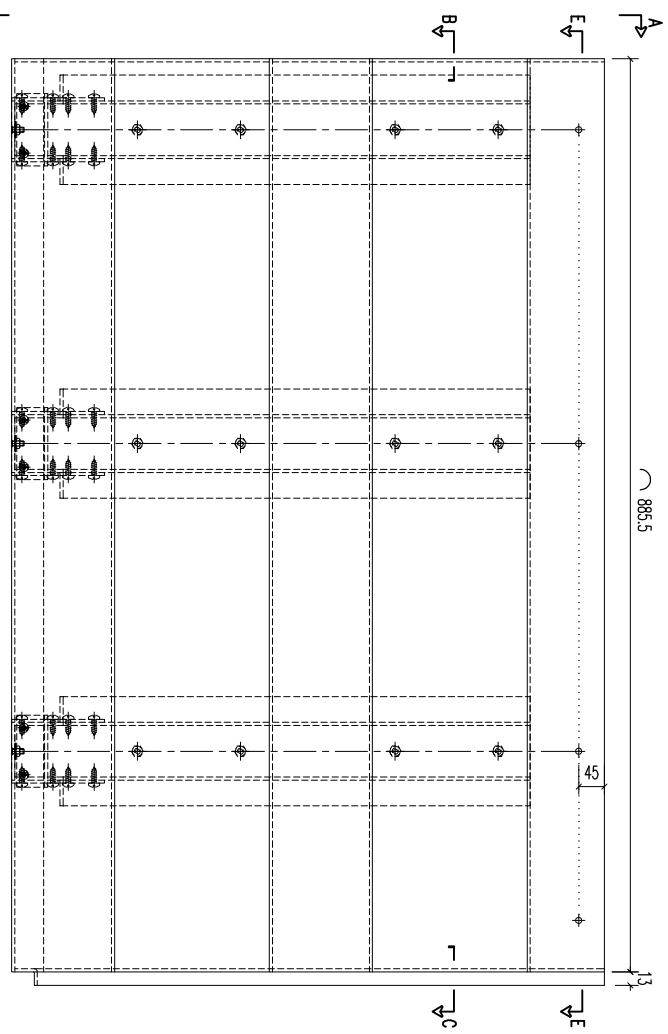
FACTORY	W/CENTRE	CUT ENDS	FINISH	DATE	DRAWN	SCALE	POST PAINT	PART
01	M&K/S&K&F&B		EC-DG-0334232-201 (A1)	5/8/2023	YEUNG	1:5	噴塗	PRE PAINT
								SCALE
								TRACK TYPE
								S...

美特鋁質有限公司
 MIDI ALUMINUM FABRICATOR LTD.
 Units 6-8, Sunroy Industrial Centre, 1/F
 610 Cha Kwo Ling Road, Kowloon
 Tel:23489211-4 Fax:(852)27727666

PROJECT **J853-PODIUM ALUM CEILING & FEATURE CLADDING T3 3/F**
 JOB NO. **J853**
 DRAWING TITLE **鋁板天花加工圖**
 DRAWING NO. **T3-AP12-01**

REV.	DATE	AMENDMENT	REVISED BY	JOB NO.	DRAWING TITLE	DRAWING NO.	SHT.	REV.
				J853	鋁板天花加工圖	T3-AP12-01	-/-	-

REV.	CHECKED	PART NUMBER	Dim. A	Dim. B	Dim. C	Dim. D	Dim. E	Dim. F	Dim. G	QTY	Inv. Code	ASSEMBLE ON PARTS	EXTR. DRAWING
-	BAR BY	T3-AP13-01								1			PART DRAWING



序號	材料規格	長度	配件描述	數量	備註
03	A1鋁型材	1000	開料	3	
03	A1鋁型材	91	開料	3	
02	30x20x3mm 鋁角	59.6	開料	3	
01d	90x90x3mm 鋁板	-	開料	6	

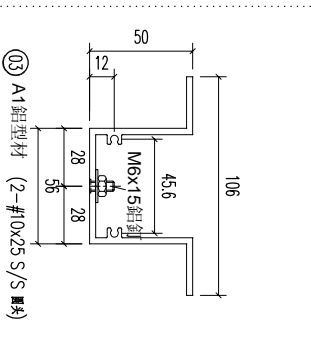
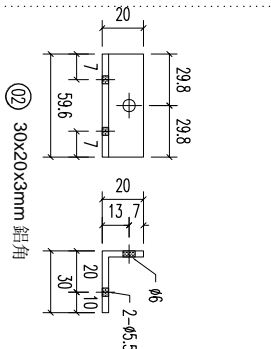
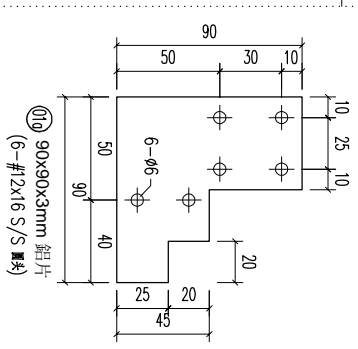
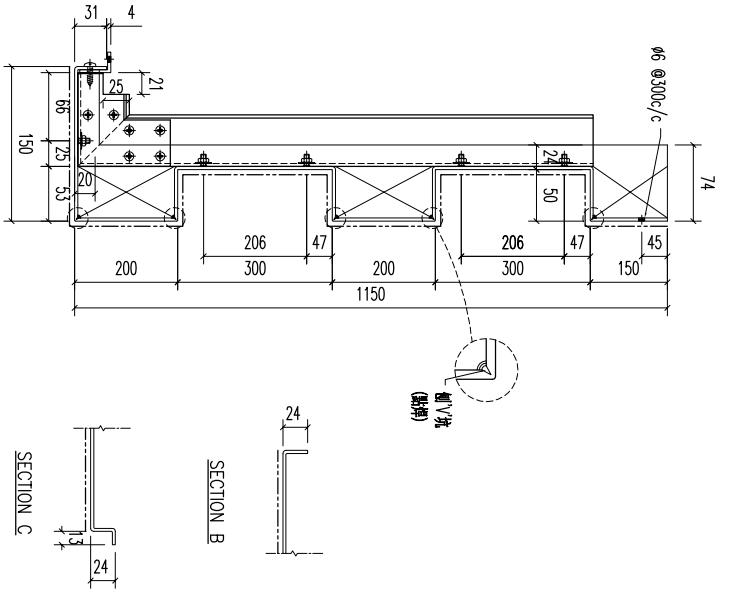
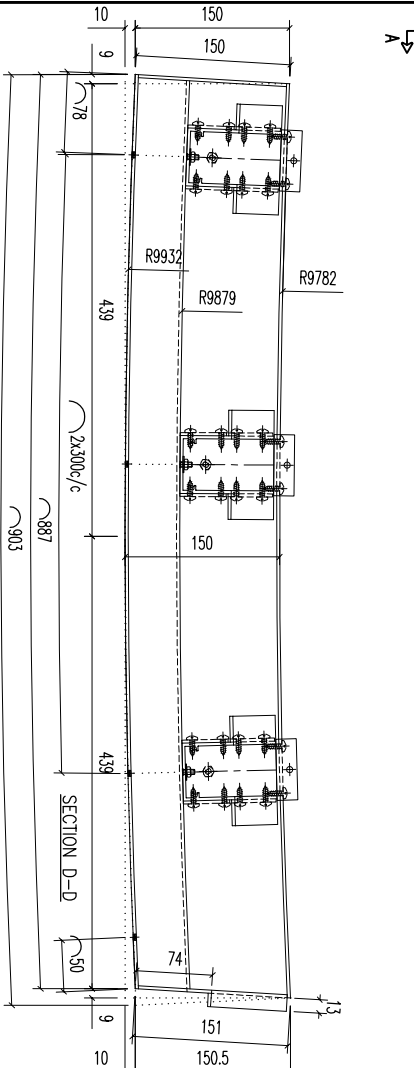
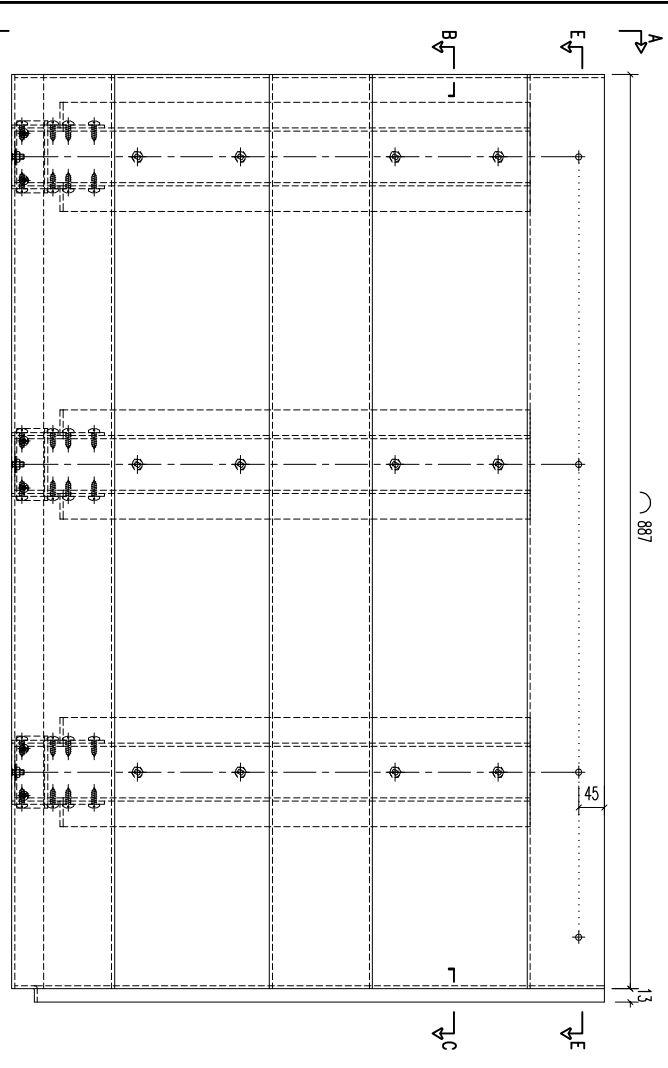
FACTORY	W/CENTRE	CUT ENDS	FINISH
01	M&X/S&X&A/F&B		EC-DG-0334232-201 (AL1)

POST PAINT	PART
PRE PAINT	TRACK TYPE
SCALE 1:5	S...

REV.	DATE	AMENDMENT	REVISED BY	PROJECT	JOB NO.	DRAWING TITLE	DRAWING NO.	SHT.	REV.
				J853-PODIUM ALUM CEILING & FEATURE CLADDING T3 3/F	J853	鋁板天花加工圖 3mm THK ALUM. PLATE	T3-AP13-01	-/-	-

美特鋁質有限公司
MIDI ALUMINIUM FABRICATOR LTD.
 Units 6-8, Sunroy Industrial Centre, 1/F
 610 Cha Kwo Ling Road, Kowloon
 Tel:23489211-4 Fax:(852)27727666

REV.	CHECKED BAR BY	PART NUMBER	Dim. A	Dim. B	Dim. C	Dim. D	Dim. E	Dim. F	Dim. G	QTY	Inv. Code	ASSEMBLE ON PARTS	EXTR. DRAWING PART DRAWING
-		T3-AP14-01							1	1			



序號	材料規格	長度	單位	備註
03	A1鋁型材	1000	3	牙料
03	A1鋁型材	91	3	牙料
02	30x20x3mm 鋁角	59.6	3	牙料
01d	90x90x3mm 鋁板	-	6	牙料

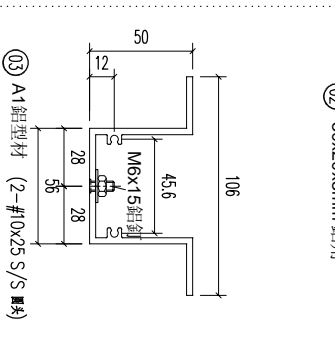
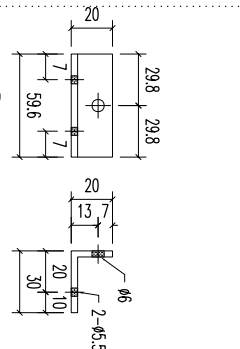
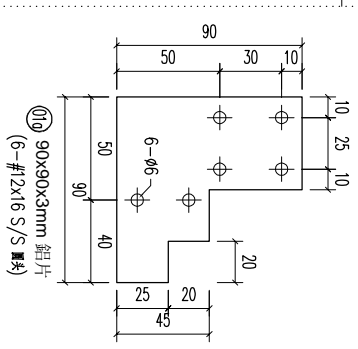
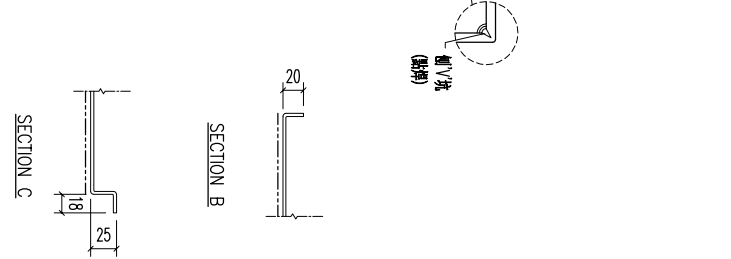
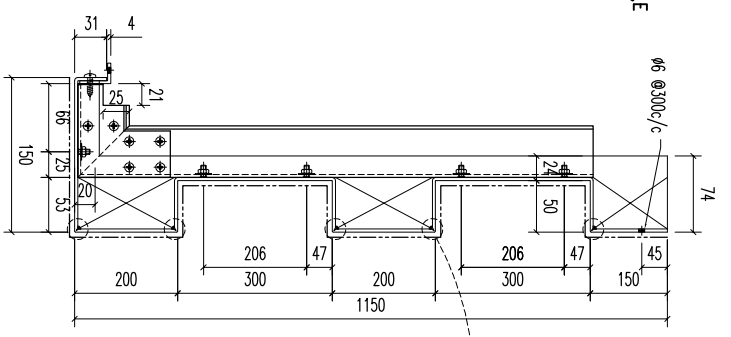
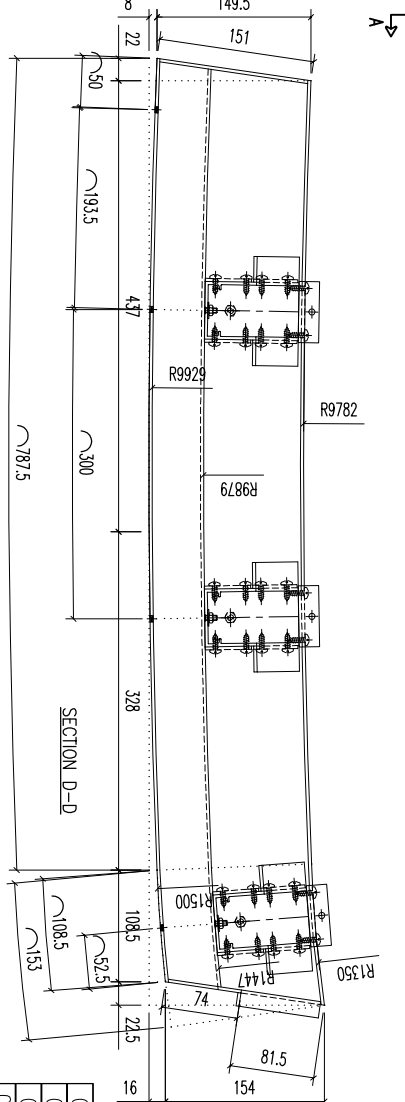
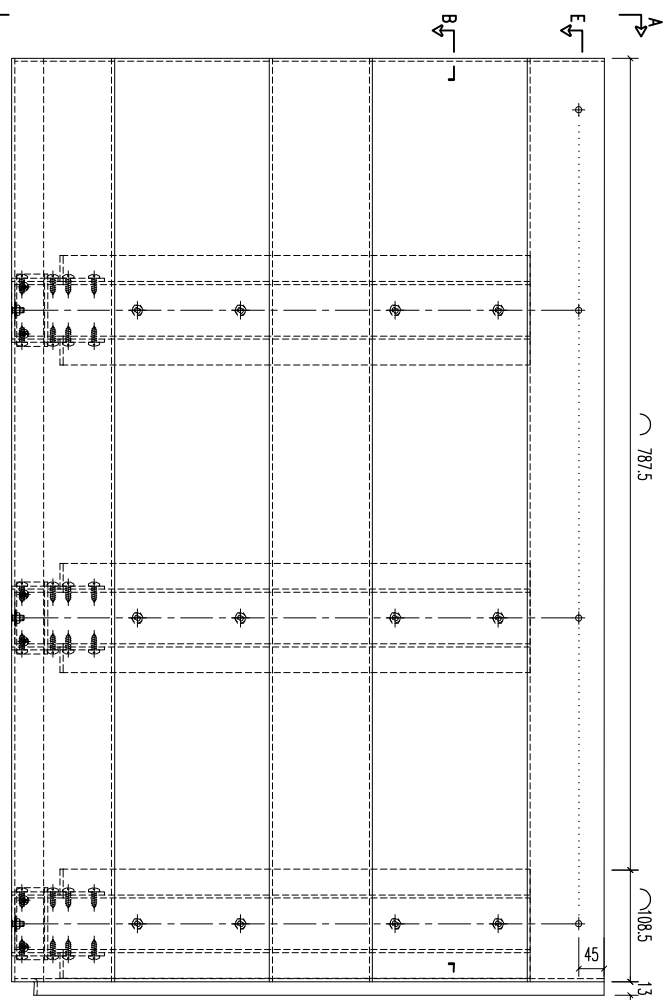
FACTORY	W/CENTRE	CUT ENDS	FINISH	DATE	DRAWN	SCALE	POST PAINT	PART
01	M&K/S&K&A/F&B		EC-DG-0334232-201 (A1)	5/8/2023	YEUNG	1:5		

美特鋁質有限公司
MIDI ALUMINIUM FABRICATOR LTD.
Units 6-8, Sunroy Industrial Centre, 1/F
610 Cha Kwo Ling Road, Kowloon
Tel:23489211-4 Fax:(852)27727666

REV.	DATE	AMENDMENT	REVISD BY	PROJECT	J853-PODIUM ALUM CEILING & FEATURE CLADDING T3 3/F	JOB NO.	J853
------	------	-----------	-----------	---------	--	---------	------

DRAWING TITLE	鋁板天花加工圖	DRAWING NO.	T3-AP14-01
Standard	X X . = ±1	Angle	±1°
Tolerances	X X . X = ±05	Squareness	±1°

REV. BAR BY	PART NUMBER	Dim. A	Dim. B	Dim. C	Dim. D	Dim. E	Dim. F	Dim. G	QTY	Inv. Code	ASSEMBLE ON PARTS	EXTR. DRAWING PART DRAWING
-	T3-AP15-01							1	1			



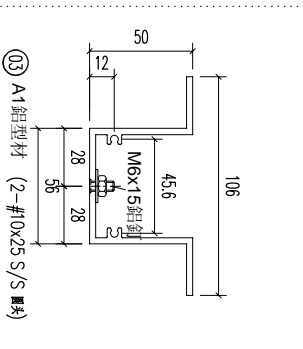
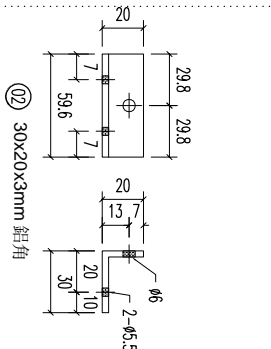
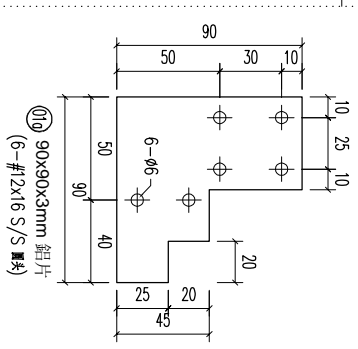
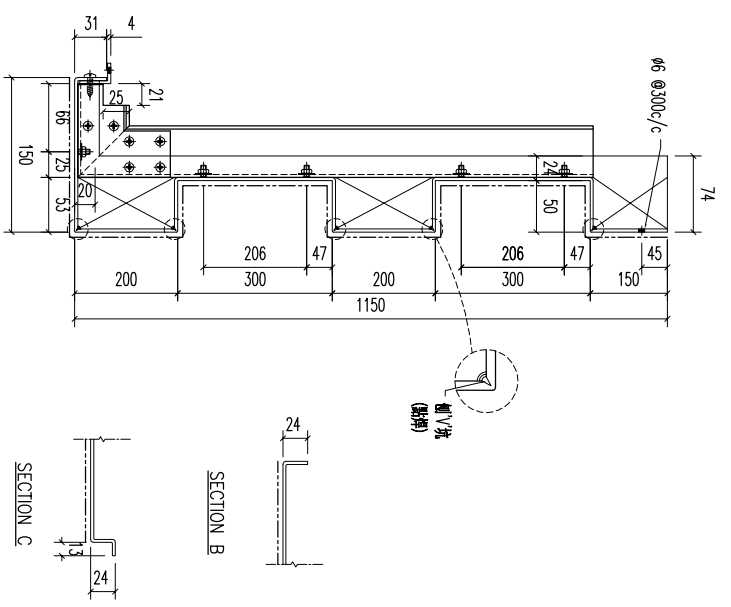
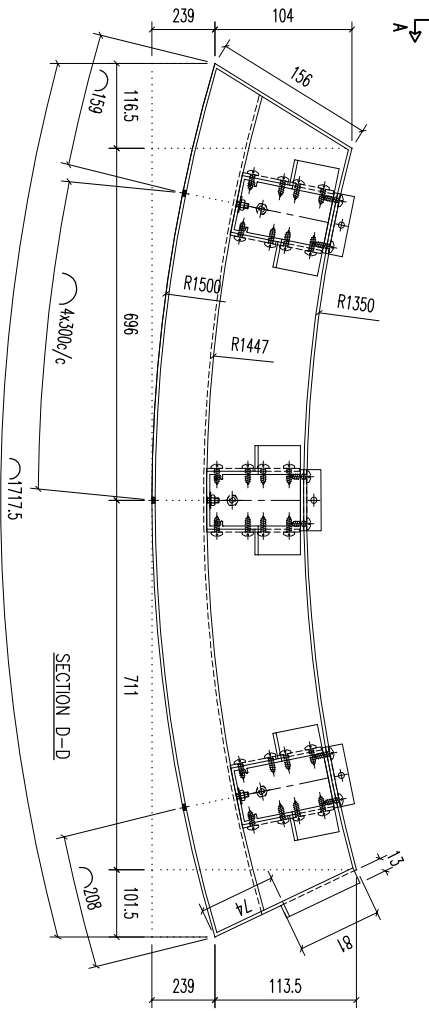
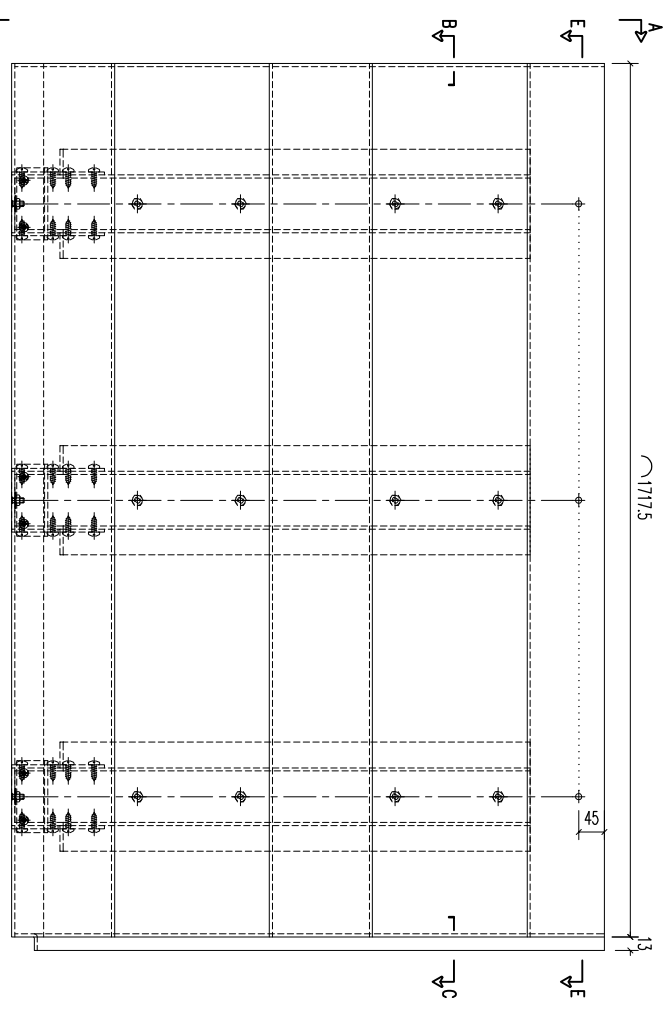
序号	材料规格	长度	备注
03	A1铝型材	1000	开料
03	A1铝型材	91	开料
02	30x20x3mm 铝角	59.6	开料
01d	90x90x3mm 铝板	-	开料

工厂	W/CENTRE	M&M/SK&A/FAB	CUT ENDS	FINISH	DATE	DRAWN	SCALE	POST PAINT	PRE PAINT	PART	SHT.	REV.
01				EC-DG-0334232-201 (A1)	5/8/2023	YEUNG	1:5				-/-	-

美特铝质有限公司
MIDI ALUMINIUM FABRICATOR LTD.
Units 6-8, Sunroy Industrial Centre, 1/F
610 Cha Kwo Ling Road, Kowloon
Tel:23489211-4 Fax:(852)27727666

REV.	DATE	AMENDMENT	REVISD BY	PROJECT	J853-PODIUM ALUM CEILING & FEATURE CLADDING T3 3/F	JOB NO.	J853	DRAWING TITLE	铝板天花加工图 3mm THK ALUM. PLATE	DRAWING NO.	T3-AP15-01	SHT.	-/-	REV.	-
------	------	-----------	-----------	---------	--	---------	------	---------------	--------------------------------	-------------	------------	------	-----	------	---

REV.	CHECKED BAR BY	PART NUMBER	Dim. A	Dim. B	Dim. C	Dim. D	Dim. E	Dim. F	Dim. G	QTY	Inv. Code	ASSEMBLE ON PARTS	EXTR. DRAWING PART DRAWING
-		T3-AP16-01								1			



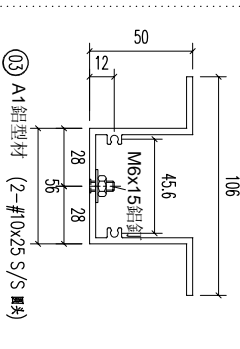
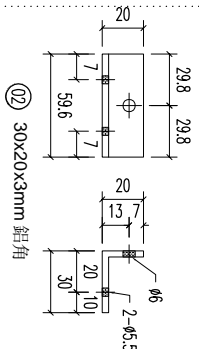
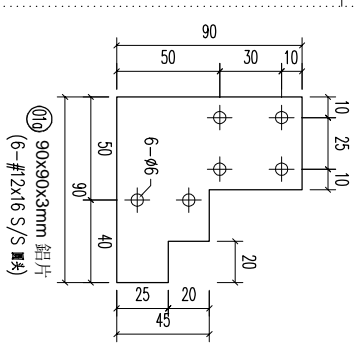
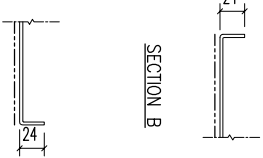
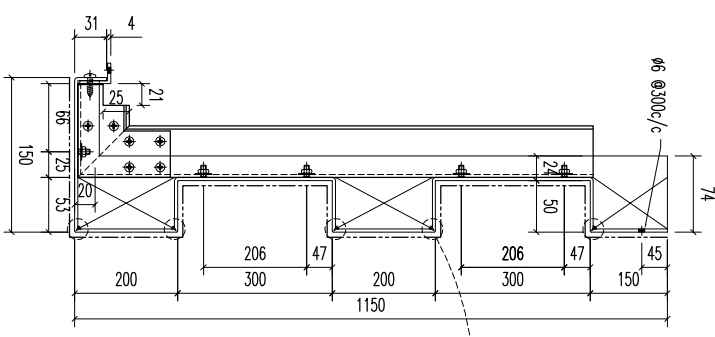
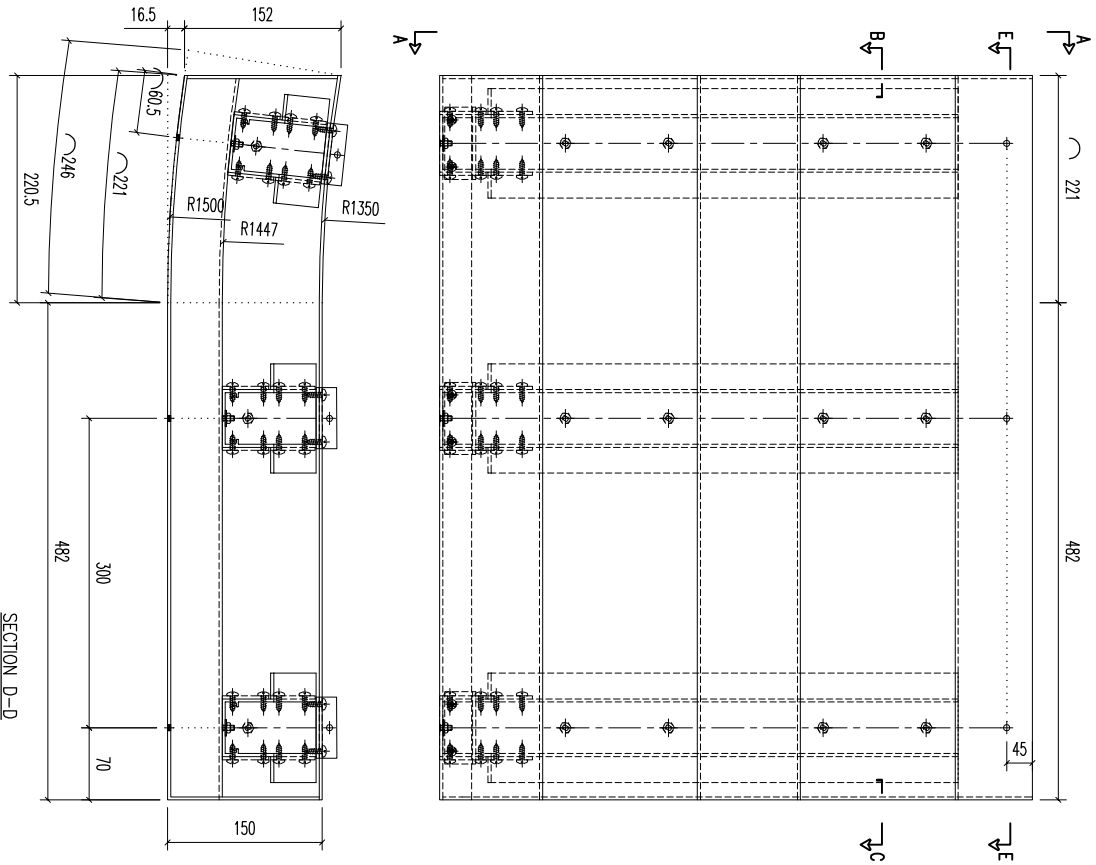
序号	材料规格	长度	备注
01	W/CENTRE M8X4/SK8A/FAB	CUT ENDS	FINISH
02	A1 铝型材	1000	开料
03	30x20x3mm 铝角	59.6	开料
04	90x90x3mm 铝板	12	开料

标准	公差	角度	日期	喷涂	后处理	零件
Standard	X X . X ±1	Angle	5/8/2023	EC-DG-0334232-201 (A1)	PRE PAINT	PART
Tolerances	X X . X = ±05	Squareness ±1°			SCALE	TRACK TYPE
					1:5	S....

REV.	DATE	AMENDMENT	REVISD BY	PROJECT	JOB NO.	DRAWING TITLE	DRAWING NO.	SHT.	REV.
				J853-PODIUM ALUM CEILING & FEATURE CLADDING T3 3/F	J853	铝板天花加工图 3mm THK ALUM. PLATE	T3-AP16-01	-/-	-

美特铝业有限公司
MIDI ALUMINIUM FABRICATOR LTD.
Units 6-8, Sunroy Industrial Centre, 1/F
610 Cha Kwo Ling Road, Kowloon
Tel:23489211-4 Fax:(852)27727666

REV.	CHECKED BY	PART NUMBER	Dim. A	Dim. B	Dim. C	Dim. D	Dim. E	Dim. F	Dim. G	QTY	Inv. Code	ASSEMBLE ON PARTS	EXTR. DRAWING PART DRAWING
-		T3-AP17-01								1			



序號	材料規格	長度	配件描述	數量	備註
03	A1鋁型材	1000	牙料	3	
03	A1鋁型材	91	牙料	3	
02	30x20x3mm 鋁角	59.6	牙料	3	
01d	90x90x3mm 鋁板	-	牙料	6	

FACTORY	W/CENTRE	CUT ENDS	FINISH	DATE	DRAWN	SCALE	POST PAINT	PART
01	M&K/S&K&A/F&B		EC-DG-0334232-201 (A1)	5/8/2023	YEUNG	1:5	噴塗	

美特鋁質有限公司
MIDI ALUMINIUM FABRICATOR LTD.
Units 6-8, Sunroy Industrial Centre, 1/F
610 Cha Kwo Ling Road, Kowloon
Tel:23489211-4 Fax:(852)27727666

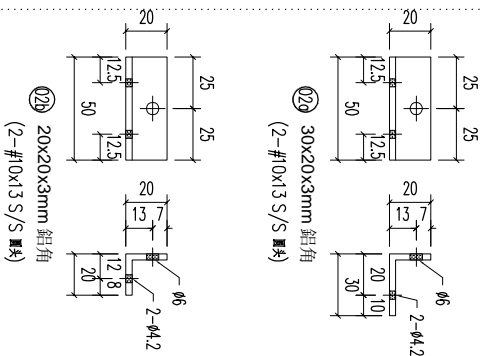
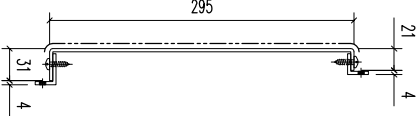
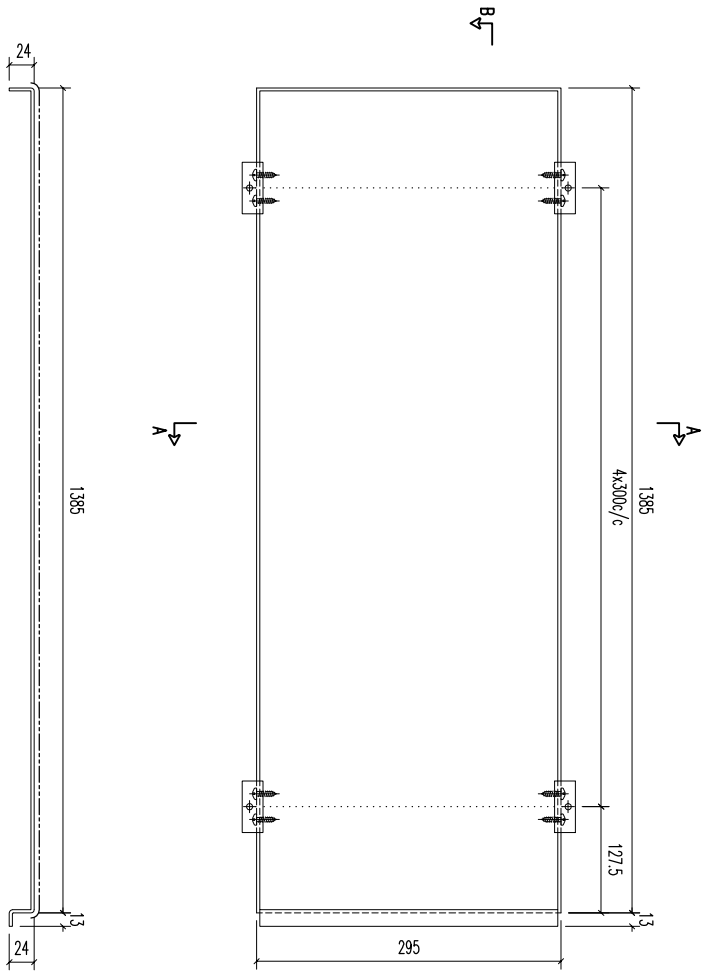
REV.	DATE	AMENDMENT	REVISD BY

PROJECT **J853-PODIUM ALUM CEILING**
& FEATURE CLADDING T3 3/F
JOB NO. **J853**

DRAWING TITLE
鋁板天花加工圖
3mm THK ALUM. PLATE

DRAWING NO.	T3-AP17-01	SHT.	-/-
REV.			

REV.	CHECKED BY	PART NUMBER	Dim. A	Dim. B	Dim. C	Dim. D	Dim. E	Dim. F	Dim. G	QTY	Inv. Code	ASSEMBLE ON PARTS	EXTR. DRAWING PART DRAWING
-		T3-CE01-01								13			



SECTION B-B

SECTION A-A

序號	材料規格	長度	開料	開料	零件描述	數量	備註
02b	20x20x3mm 鋁角	50		5			
02c	30x20x3mm 鋁角	50		5			

美特鋁質有限公司
MIDI ALUMINIUM FABRICATOR LTD.
 Units 6-8, Sunroy Industrial Centre, 1/F
 610 Cha Kwo Ling Road, Kowloon
 Tel:23489211-4 Fax:(852)27727666

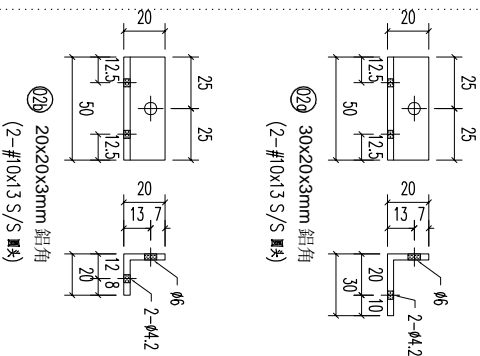
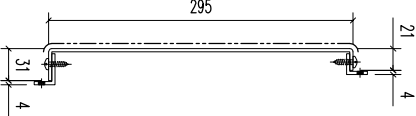
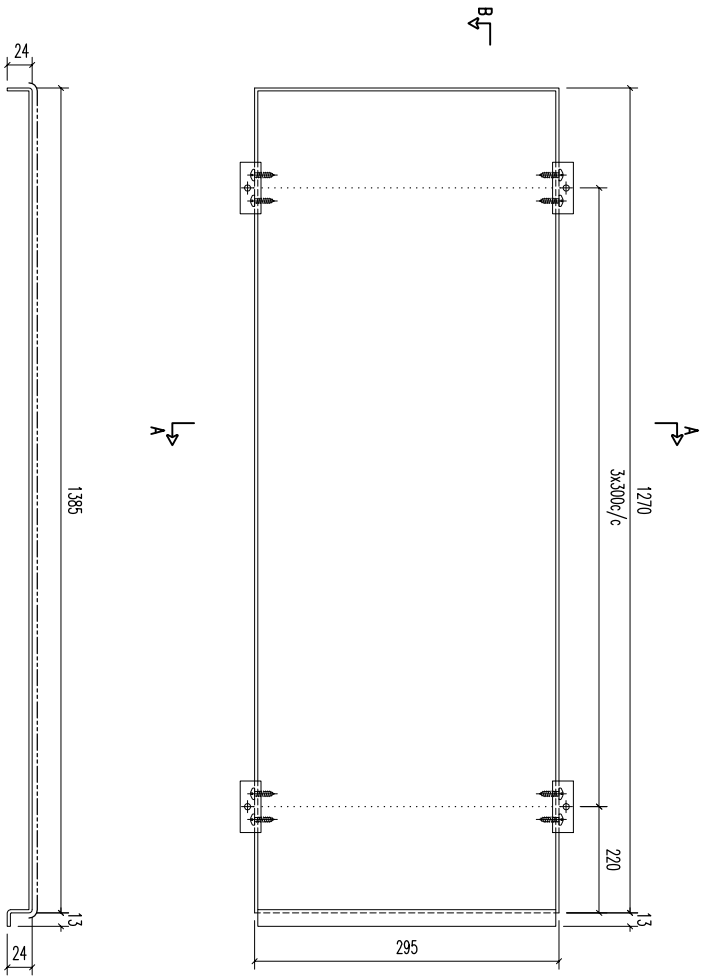
REV.	DATE	AMENDMENT	REVISED BY

PROJECT **J853-PODIUM ALUM CEILING & FEATURE CLADDING T3 3/F**
 JOB NO. **J853**

DRAWING TITLE: **鋁板天花加工圖 3mm THK ALUM. PLATE**
 Standard X X . = ±1
 Tolerances X X . X = ±05
 Angle ±1°
 Squareness ±1°
 DATE: 5/8/2023

DRAWING NO. T3-CE01-01
 DRAWN: YEUNG
 SCALE: 1:5
 POST PAINT: PRE PAINT
 PART: TRACK TYPE
 SHT. -/-
 REV. -

REV.	CHECKED BY	PART NUMBER	Dim. A	Dim. B	Dim. C	Dim. D	Dim. E	Dim. F	Dim. G	QTY	Inv. Code	ASSEMBLE ON PARTS	EXTR. DRAWING PART DRAWING
-		T3-CE01-03								1			



SECTION B-B

SECTION A-A

序号	材料规格	长度	开料	开料	配件描述	数量	备注
02b	20x20x3mm 铝角	50		开料		4	
02c	30x20x3mm 铝角	50		开料		4	

美特铝业有限公司
MIDI ALUMINUM FABRICATOR LTD.
Units 6-8, Sunroy Industrial Centre, 1/F
610 Cha Kwo Ling Road, Kowloon
Tel:23489211-4 Fax:(852)27727666

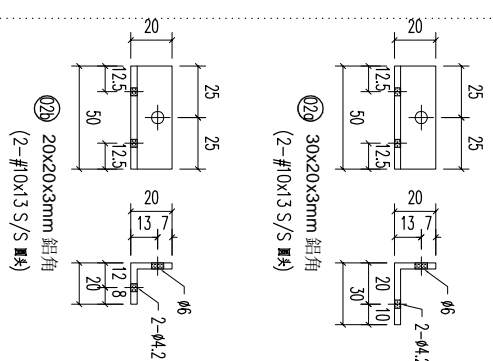
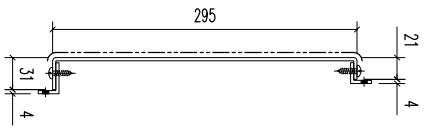
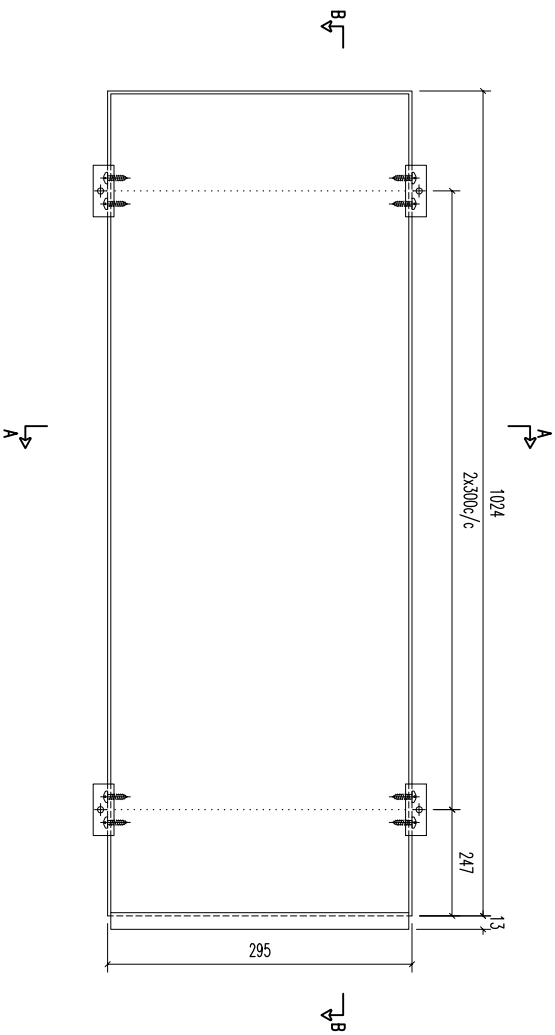
REV.	DATE	AMENDMENT	REVISED BY

PROJECT **J853-PODIUM ALUM CEILING**
& FEATURE CLADDING T3 3/F
JOB NO. **J853**

FACTORY	W/CENTRE	CUT ENDS	FINISH	DATE
01	M&B/S&B&A/F&B		EC-DG-0334232-201 (AL1)	5/8/2023

DRAWING TITLE	DRAWING NO.	POST PAINT	PART	SHT.	REV.
铝板天花加工图 3mm THK ALUM. PLATE	T3-CE01-03	PRE PAINT	TRACK TYPE	-/-	-
		SCALE			
		1:5			

REV.	CHECKED BY	PART NUMBER	Dim. A	Dim. B	Dim. C	Dim. D	Dim. E	Dim. F	Dim. G	QTY	Inv. Code	ASSEMBLE ON PARTS	EXTR. DRAWING PART DRAWING
-		T3-CE01-04								1			



SECTION B-B

SECTION A-A

序號	材料規格	長度	開料	開料	零件描述	數量	備註
02b	20x20x3mm 鋁角	50		3			
02c	30x20x3mm 鋁角	50		3			

噴塗	POST PAINT	PART
AL11	PRE PAINT	X
	SCALE	1:5
	TRACK TYPE	S.....

美特鋁質有限公司
MIDI ALUMINUM FABRICATOR LTD.
 Units 6-8, Sunroy Industrial Centre, 1/F
 610 Cha Kwo Ling Road, Kowloon
 Tel:23489211-4 Fax:(852)27727666

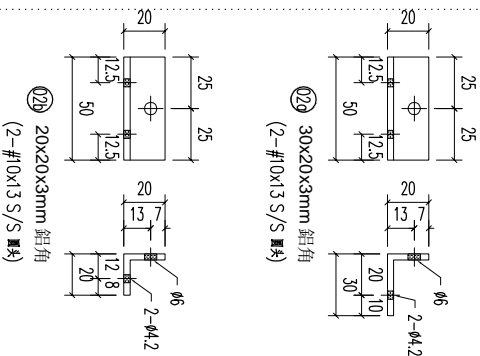
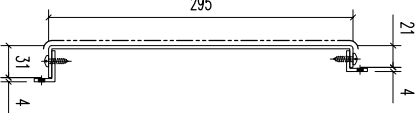
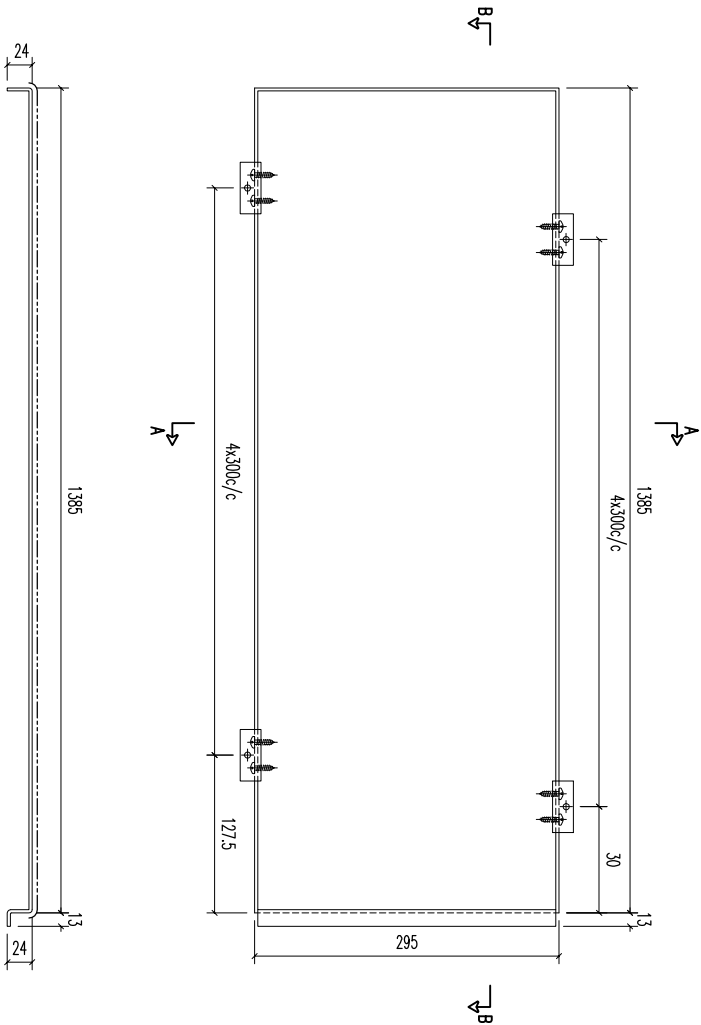
REV.	DATE	AMENDMENT	REVISED BY

PROJECT J853-PODIUM ALUM CEILING
 & FEATURE CLADDING T3 3/F
 JOB NO. J853

DRAWING TITLE
 鋁板天花加工圖
 3mm THK ALUM. PLATE

DRAWING NO. T3-CE01-04
 SH. -/-
 REV. -

REV.	CHECKED	PART NUMBER	Dim. A	Dim. B	Dim. C	Dim. D	Dim. E	Dim. F	Dim. G	QTY	Inv. Code	ASSEMBLE ON PARTS	EXTR. DRAWING
-	BAR BY	T3-CE01-06								1			PART DRAWING



SECTION B-B

SECTION A-A

序号	材料规格	长度	开料	开料	配件描述	数量	备注
02b	20x20x3mm 铝角	50		4			
02c	30x20x3mm 铝角	50		5			

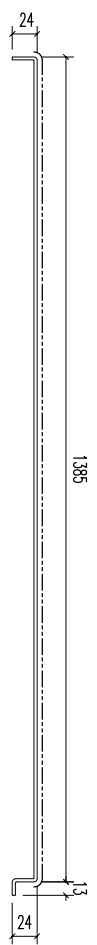
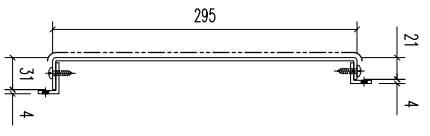
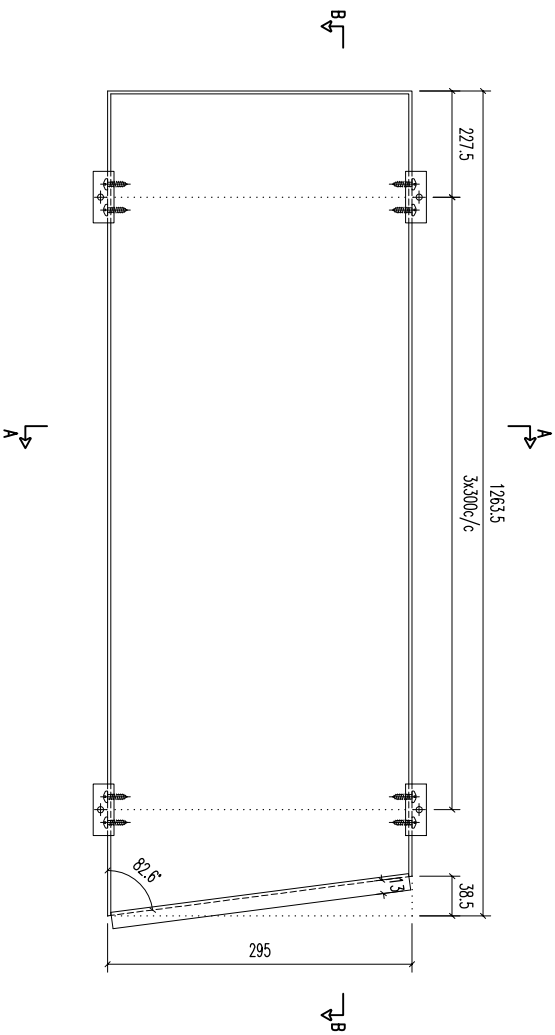
美特铝质有限公司
MIDI ALUMINUM FABRICATOR LTD.
Units 6-8, Sunroy Industrial Centre, 1/F
610 Cha Kwo Ling Road, Kowloon
Tel:23489211-4 Fax:(852)27727666

PROJECT J853-PODIUM ALUM CEILING
& FEATURE CLADDING T3 3/F

JOB NO.	J853
DRAWING TITLE	铝板天花加工图 3mm THK ALUM. PLATE
DATE	5/8/2023
FINISH	喷涂
CUT ENDS	Angle ±1°
W/CENTRE	±1°
Material	Material
Standard	Standard
Tolerances	Tolerances

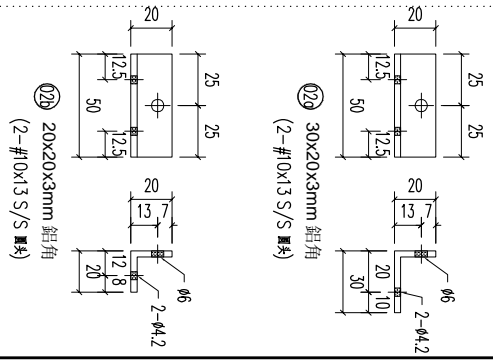
DRAWING NO.	T3-CE01-06
SCALE	1:5
POST PAINT	PRE PAINT
PART	SUB ASSEM.
SHT.	REV.
-/-	-

REV.	CHECKED BY	PART NUMBER	Dim. A	Dim. B	Dim. C	Dim. D	Dim. E	Dim. F	Dim. G	QTY	Inv. Code	ASSEMBLE ON PARTS	EXTR. DRAWING PART DRAWING
-		T3-CE02-01								1			



SECTION B-B

SECTION A-A



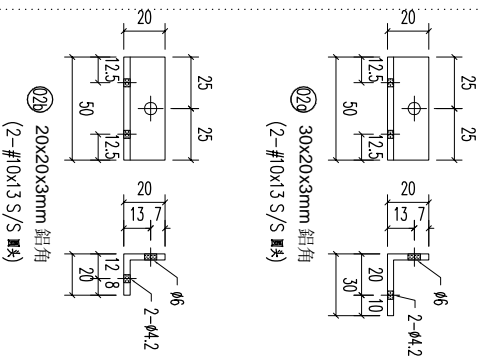
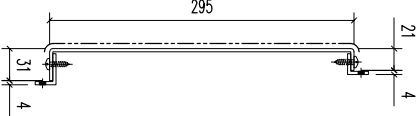
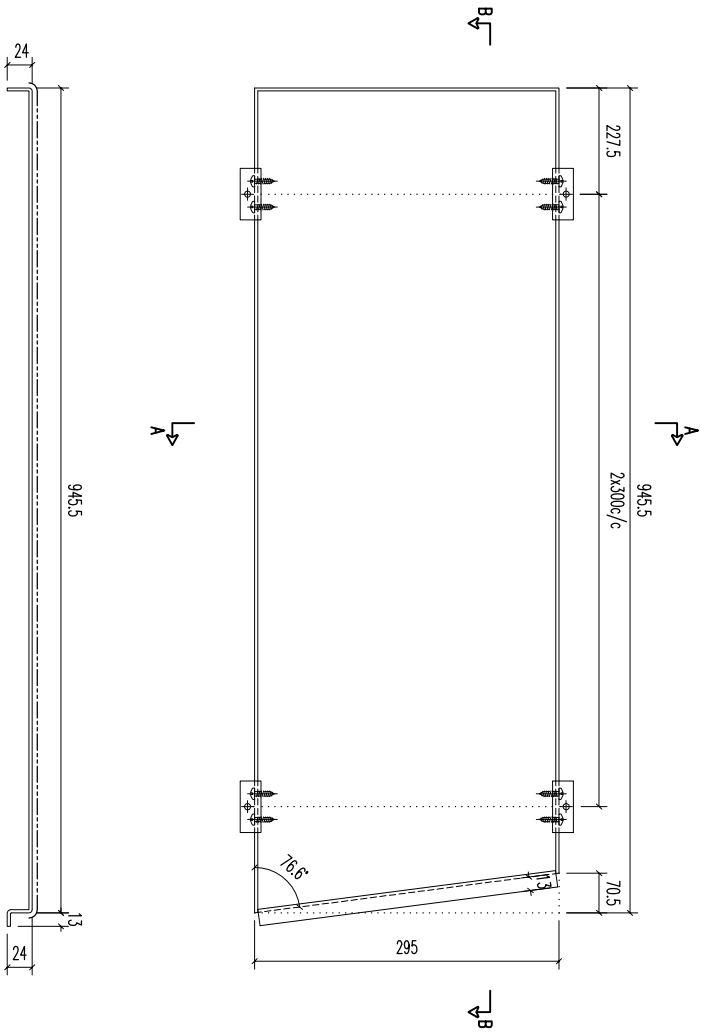
序號	材料規格	長度	開料	開料	零件描述	數量	備註
02b	20x20x3mm 鋁角	50	4	4			
02c	30x20x3mm 鋁角	50	4	4			

02b	20x20x3mm 鋁角	50	4	4			
02c	30x20x3mm 鋁角	50	4	4			

美特鋁質有限公司
MIDI ALUMINIUM FABRICATOR LTD.
 Units 6-8, Sunroy Industrial Centre, 1/F
 610 Cha Kwo Ling Road, Kowloon
 Tel:23489211-4 Fax:(852)27727666

REV.	DATE	AMENDMENT	REVISED BY	PROJECT	JOB NO.	DRAWING TITLE	DRAWING NO.	SHT.	REV.
				J853-PODIUM ALUM CEILING & FEATURE CLADDING T3 3/F	J853	鋁板天花加工圖 3mm THK ALUM. PLATE	T3-CE02-01	-/-	-

REV.	CHECKED BY	PART NUMBER	Dim. A	Dim. B	Dim. C	Dim. D	Dim. E	Dim. F	Dim. G	QTY	Inv. Code	ASSEMBLE ON PARTS	EXTR. DRAWING PART DRAWING
-		T3-CE02-02								1			



SECTION B-B

SECTION A-A

序號	材料規格	長度	開料	開料	零件描述	數量	備註
02b	20x20x3mm 鋁角	50	3				
02c	30x20x3mm 鋁角	50	3				

噴塗	POST PAINT	PART
AL11	PRE PAINT	SUB ASSEM.
SCALE	1:5	TRACK TYPE
SHT.	-/-	REV.

美特鋁質有限公司
MIDI ALUMINIUM FABRICATOR LTD.
 Units 6-8, Sunroy Industrial Centre, 1/F
 610 Cha Kwo Ling Road, Kowloon
 Tel:23489211-4 Fax:(852)27727666

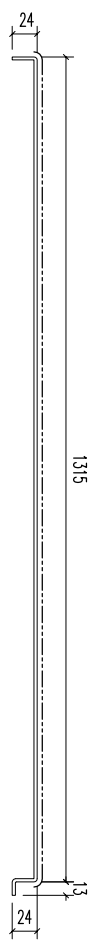
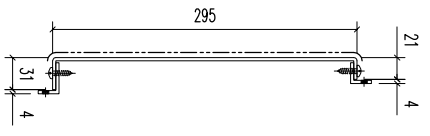
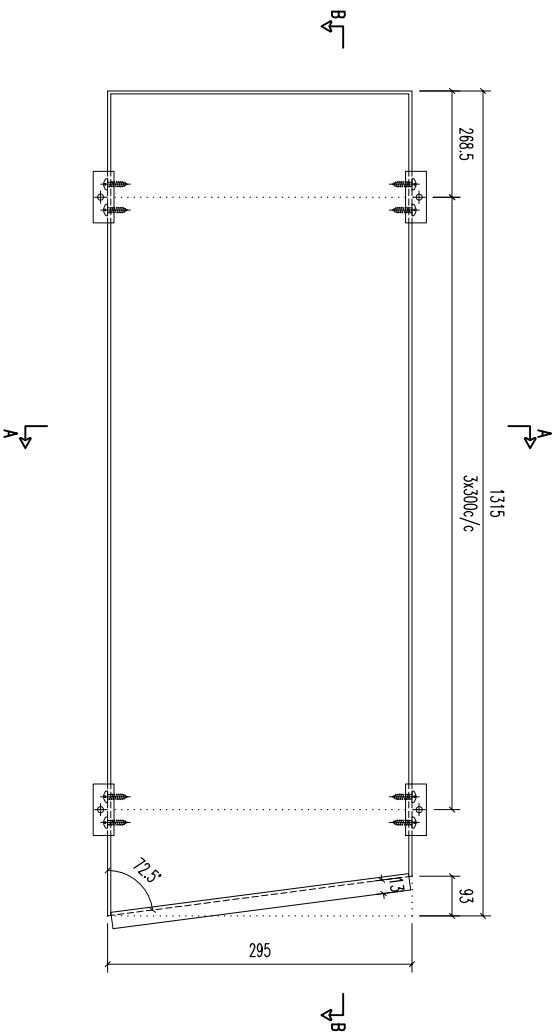
REV.	DATE	AMENDMENT	REVISD BY

PROJECT J853-PODIUM ALUM CEILING
 & FEATURE CLADDING T3 3/F
 JOB NO. J853

DRAWING TITLE
 鋁板天花加工圖
 3mm THK ALUM. PLATE

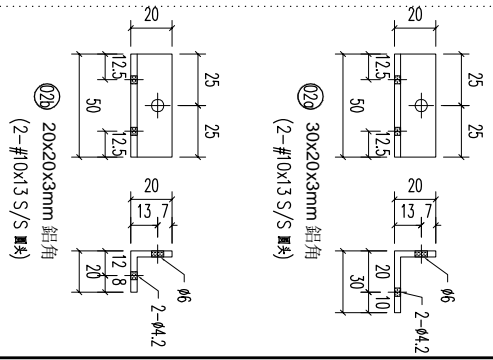
DRAWING NO. T3-CE02-02
 DRAMN YEUNG
 SCALE 1:5
 SHT. -/-
 REV. -

REV.	CHECKED BY	PART NUMBER	Dim. A	Dim. B	Dim. C	Dim. D	Dim. E	Dim. F	Dim. G	QTY	Inv. Code	ASSEMBLE ON PARTS	EXTR. DRAWING PART DRAWING
-		T3-CE02-04								1			



SECTION B-B

SECTION A-A



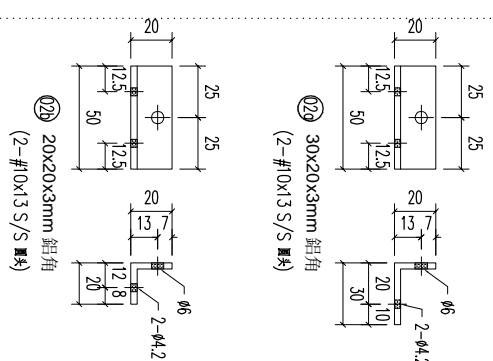
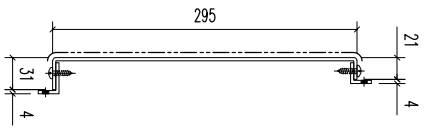
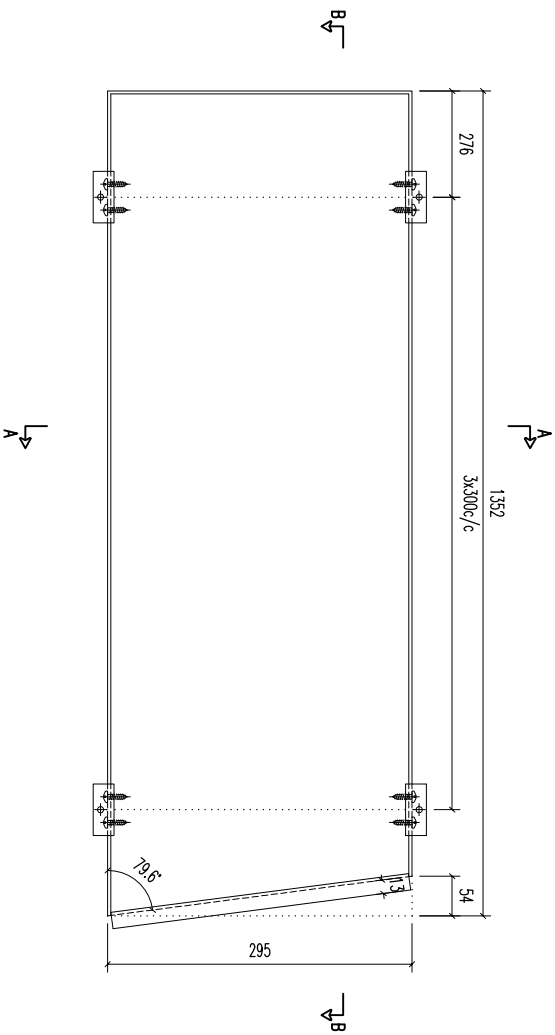
序號	材料規格	長度	開料	開料	配件描述	數量	備註
02b	20x20x3mm 鋁角	50	4	4			
02c	30x20x3mm 鋁角	50	4	4			

噴塗	POST PAINT	PART
AL11	PRE PAINT	TRACK TYPE
SCALE	1:5	S.....

美特鋁質有限公司
MIDI ALUMINUM FABRICATOR LTD.
 Units 6-8, Sunroy Industrial Centre, 1/F
 610 Cha Kwo Ling Road, Kowloon
 Tel:23489211-4 Fax:(852)27727666

REV.	DATE	AMENDMENT	REVISED BY	PROJECT	JOB NO.	DRAWING TITLE	DRAWING NO.	SHT.	REV.
				J853-PODIUM ALUM CEILING & FEATURE CLADDING T3 3/F	J853	鋁板天花加工圖 3mm THK ALUM. PLATE	T3-CE02-04	-/-	-

REV.	CHECKED BY	PART NUMBER	Dim. A	Dim. B	Dim. C	Dim. D	Dim. E	Dim. F	Dim. G	QTY	Inv. Code	ASSEMBLE ON PARTS	EXTR. DRAWING PART DRAWING
-		T3-CE02-06								1			



SECTION B-B

SECTION A-A

序号	材料规格	长度	开料	开料	配件描述	数量	备注
02b	20x20x3mm 铝角	50		4			
02c	30x20x3mm 铝角	50		4			

工厂号	W/CENTRE	CUT ENDS	FINISH	DATE	POST PAINT	PART
01	MAX/SKBA/FAB		EC-DG-0334232-201 (AL1)	5/8/2023	PRE PAINT	

美特铝业有限公司
MIDI ALUMINUM FABRICATOR LTD.
Units 6-8, Sunroy Industrial Centre, 1/F
610 Cha Kwo Ling Road, Kowloon
Tel:23489211-4 Fax:(852)27727666

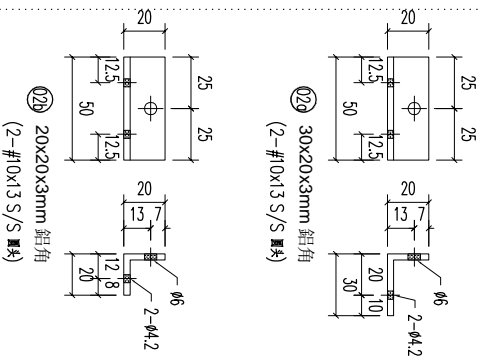
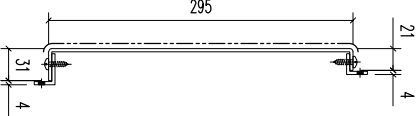
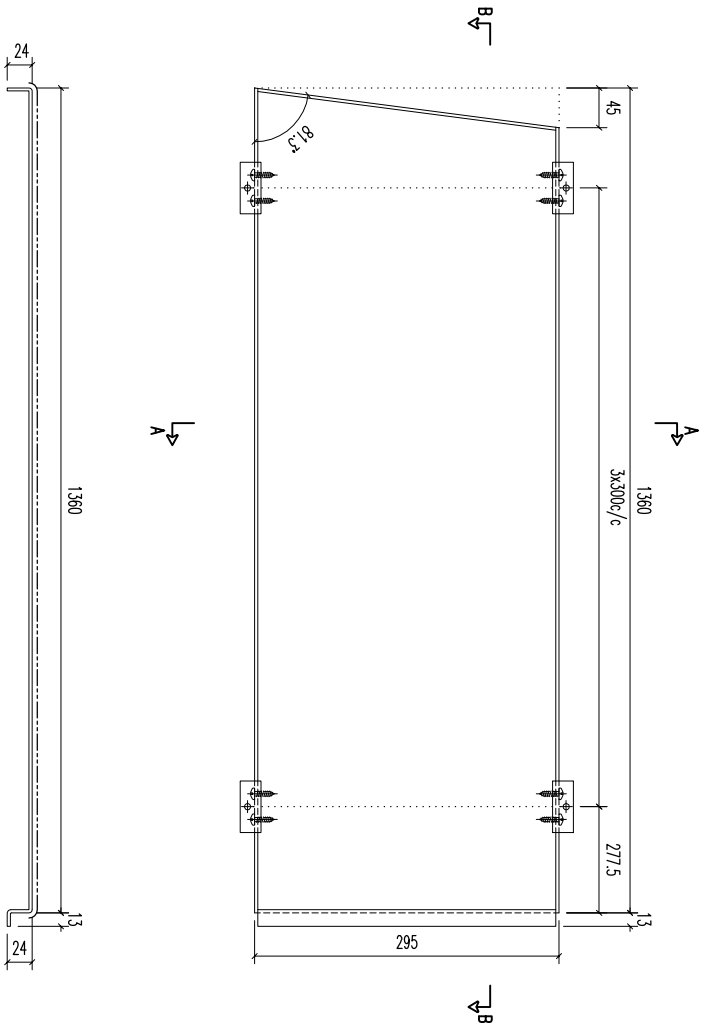
REV.	DATE	AMENDMENT	REVISD BY

PROJECT J853-PODIUM ALUM CEILING
& FEATURE CLADDING T3 3/F
JOB NO. J853

DRAWING TITLE
铝板天花加工图
3mm THK ALUM. PLATE

DRAWING NO. T3-CE02-06
SCALE 1:5
SHT. -/-
REV. -

REV.	CHECKED BY	PART NUMBER	Dim. A	Dim. B	Dim. C	Dim. D	Dim. E	Dim. F	Dim. G	QTY	Inv. Code	ASSEMBLE ON PARTS	EXTR. DRAWING PART DRAWING
-		T3-CE03-03								1			



SECTION B-B

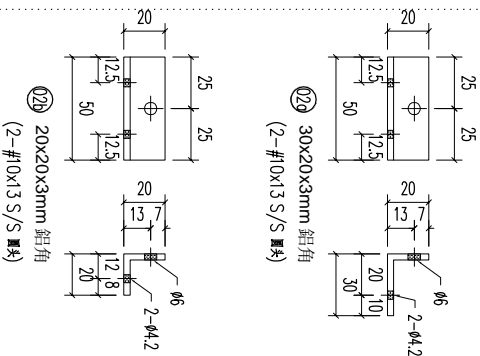
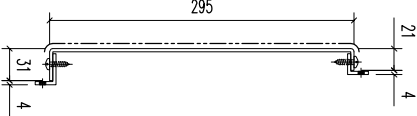
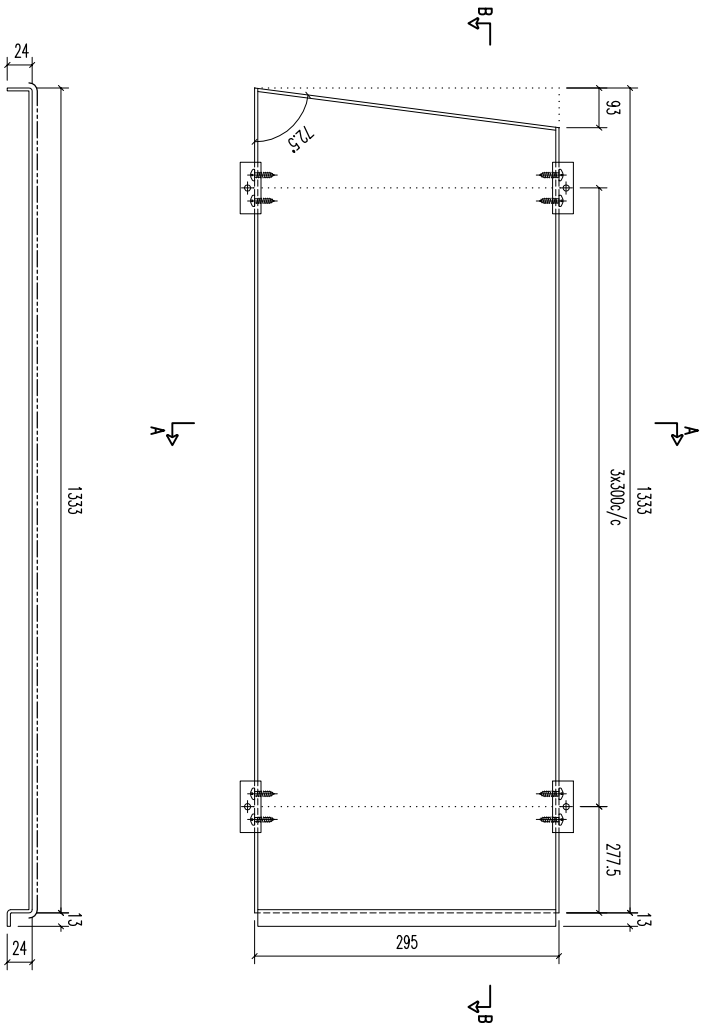
SECTION A-A

序号	材料规格	长度	开料	开料	配件描述	数量	备注
02b	20x20x3mm 铝角	50		4			
02c	30x20x3mm 铝角	50		4			

美特铝业有限公司
MIDI ALUMINUM FABRICATOR LTD.
Units 6-8, Sunroy Industrial Centre, 1/F
610 Cha Kwo Ling Road, Kowloon
Tel:23489211-4 Fax:(852)27727666

REV.	DATE	AMENDMENT	REVISED BY	PROJECT	JOB NO.	DRAWING TITLE	DRAWING NO.	SHT.	REV.
				J853-PODIUM ALUM CEILING & FEATURE CLADDING T3 3/F	J853	铝板天花加工图 3mm THK ALUM. PLATE	T3-CE03-03	-/-	-

REV.	CHECKED	PART NUMBER	Dim. A	Dim. B	Dim. C	Dim. D	Dim. E	Dim. F	Dim. G	QTY	Inv. Code	ASSEMBLE ON PARTS	EXTR. DRAWING
1	BAR BY	T3-CE03-04								1			PART DRAWING



SECTION B-B

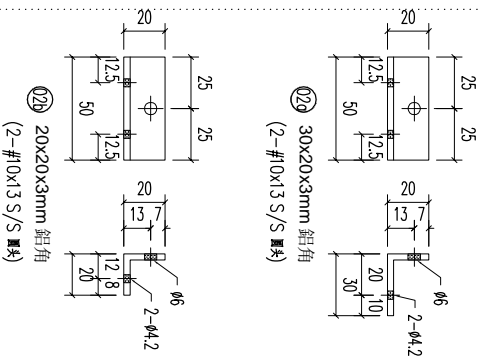
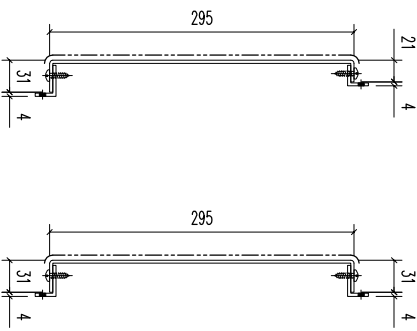
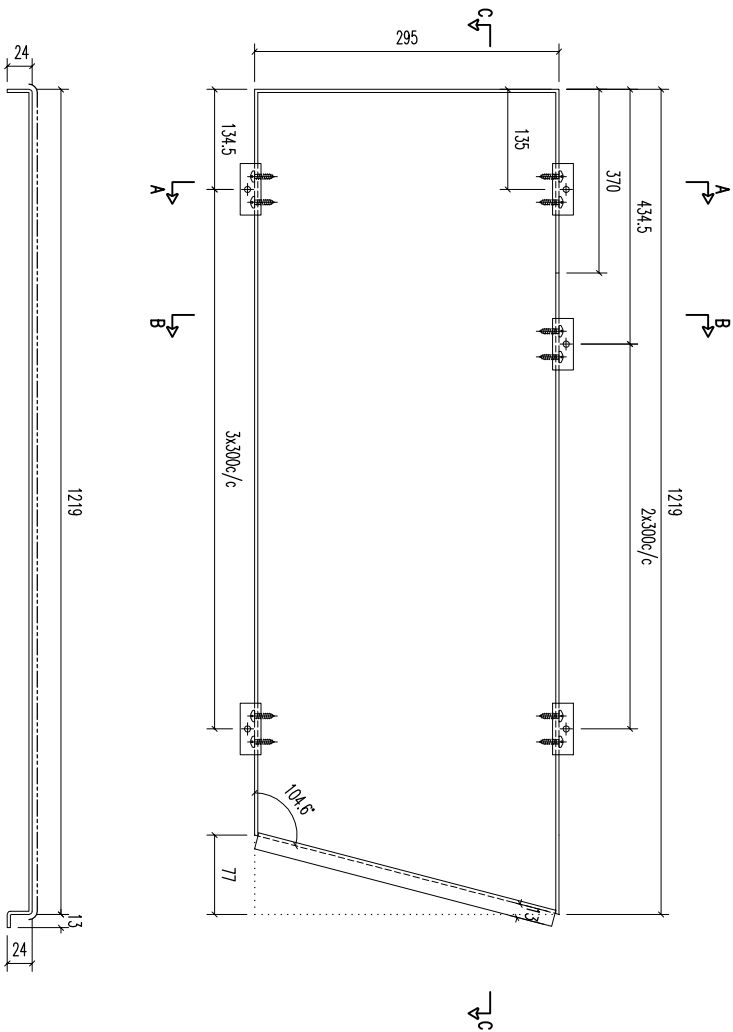
SECTION A-A

序號	材料規格	長度	開料	開料	零件描述	數量	備註
02b	20x20x3mm 鋁角	50		4			
02c	30x20x3mm 鋁角	50		4			

美特鋁質有限公司
MIDI ALUMINUM FABRICATOR LTD.
 Units 6-8, Sunroy Industrial Centre, 1/F
 610 Cha Kwo Ling Road, Kowloon
 Tel:23489211-4 Fax:(852)27727666

REV.	DATE	AMENDMENT	REVISED BY	PROJECT	JOB NO.	DRAWING TITLE	DRAWING NO.	SHT.	REV.
				J853-PODIUM ALUM CEILING & FEATURE CLADDING T3 3/F	J853	鋁板天花加工圖 3mm THK ALUM. PLATE	T3-CE03-04	-/-	-

REV.	CHECKED BAR BY	PART NUMBER	Dim. A	Dim. B	Dim. C	Dim. D	Dim. E	Dim. F	Dim. G	QTY	Inv. Code	ASSEMBLE ON PARTS	EXTR. DRAWING PART DRAWING
-		T3-CE05-01								1			



SECTION C-C

SECTION A-A

SECTION B-B

02b	20x20x3mm 鋁角	50	50	1	噴塗		
02c	30x20x3mm 鋁角	50	50	7	開料		
	材料規格	長度	數量	備註			



美特鋁質有限公司
MIDU ALUMINUM FABRICATOR LTD.
Units 6-8, Sunroy Industrial Centre, 1/F
610 Cha Kwo Ling Road, Kowloon
Tel:23489211-4 Fax:(852)27727666

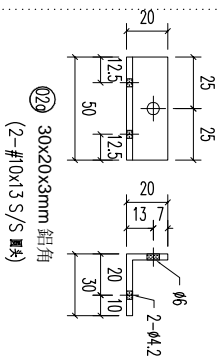
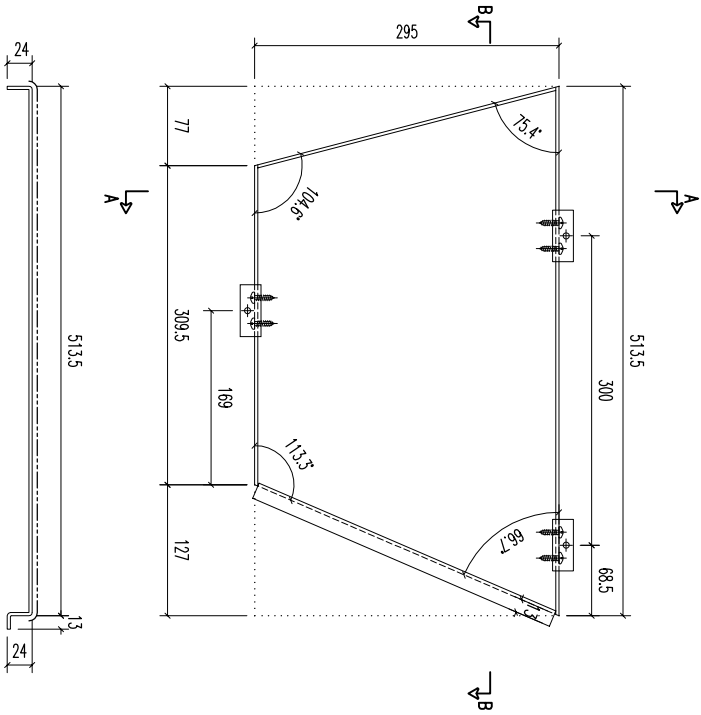
REV.	DATE	AMENDMENT	REVISD BY

PROJECT J853-PODIUM ALUM CEILING
& FEATURE CLADDING T3 3/F

JOB NO. J853
DRAWING TITLE 鋁板天花加工圖
3mm THK ALUM. PLATE

DRAWING NO. T3-CE05-01
SHT. -/-
REV. -

REV.	CHECKED BY	PART NUMBER	Dim. A	Dim. B	Dim. C	Dim. D	Dim. E	Dim. F	Dim. G	QTY	Inv. Code	ASSEMBLE ON PARTS	EXTR. DRAWING PART DRAWING
-		T3-CE06-01								1			



SECTION B-B

SECTION A-A

020	30x20x3mm 鋁角	50	開料	3	
序號	材料規格	長度	零件描述	數量	備註

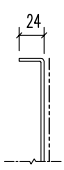
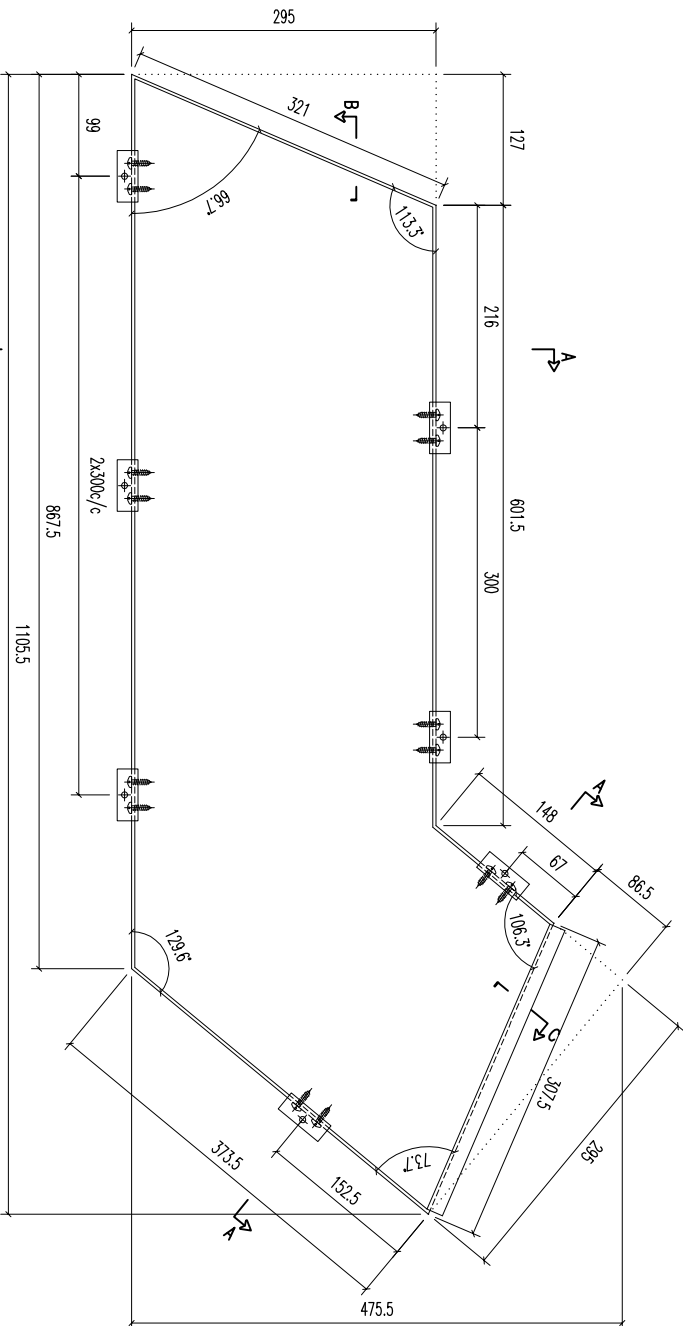


美特鋁質有限公司
MIDU ALUMINUM FABRICATOR LTD.
Units 6-8, Sunroy Industrial Centre, 1/F
610 Cha Kwo Ling Road, Kowloon
Tel:23489211-4 Fax:(852)27727666

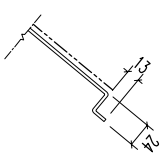
REV.	DATE	AMENDMENT	REVISD BY	PROJECT	JOB NO.
				J853-PODIUM ALUM CEILING & FEATURE CLADDING T3 3/F	J853

DRAWING TITLE		DRAWING NO.	
鋁板天花加工圖 3mm THK ALUM. PLATE		T3-CE06-01	
STANDARD	FINISH	POST PAINT	PART
X X X = ±1	EC-DG-0334232-201 (AL1)	PRE PAINT	SUB ASSEM.
ANGLE	DATE	SCALE	TRACK TYPE
±1°	5/8/2023	1:5	S.....
TOLERANCES			
X X X = ±05			
SQUARENESS ±1°			
SHT.	REV.		
-/-	-		

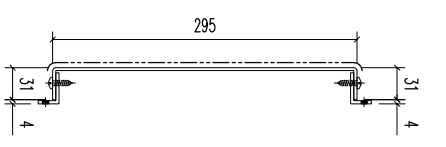
REV.	CHECKED BAR BY	PART NUMBER	Dim. A	Dim. B	Dim. C	Dim. D	Dim. E	Dim. F	Dim. G	QTY	Inv. Code	ASSEMBLE ON PARTS	EXTR. DRAWING PART DRAWING
-		T3-CE07-01								1			



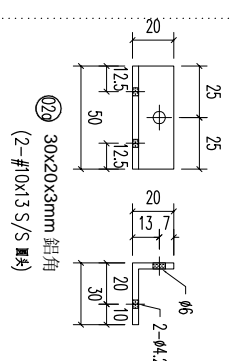
SECTION D



SECTION C



SECTION A-A



REV.	DATE	AMENDMENT	REVISED BY

美特鋁質有限公司
MIDI ALUMINUM FABRICATOR LTD.
Units 6-8, Sunroy Industrial Centre, 1/F
610 Cha Kwo Ling Road, Kowloon
Tel: 23489211-4 Fax: (852) 27727666

PROJECT J853-PODIUM ALUM CEILING
& FEATURE CLADDING T3 3/F
JOB NO. J853

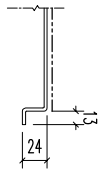
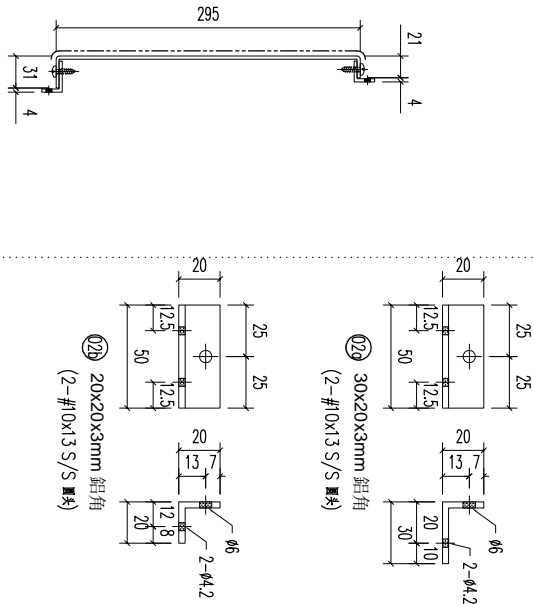
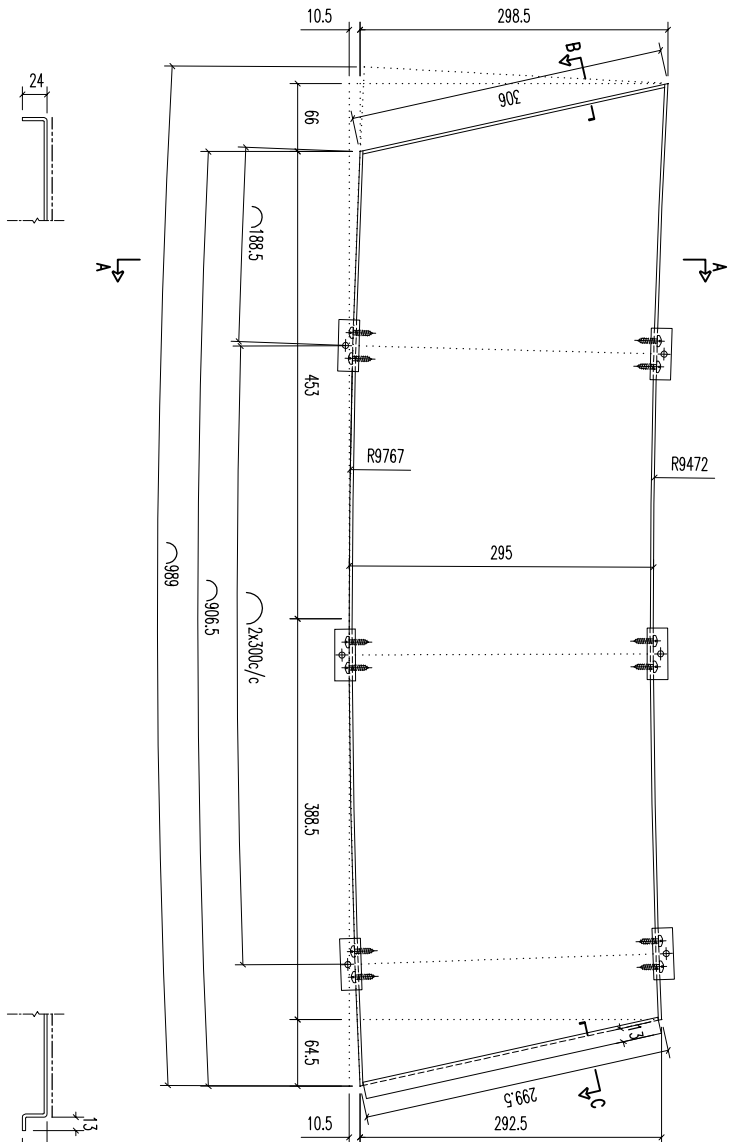
020	30x20x3mm 鋁角	50	開料	7	
	材料規格	長度	零件描述	數量	备注

FACTORY 01	W/CENTRE MARK/SKID/FAB	CUT ENDS	FINISH	DATE	
Standard	X X . = ±1	Angle	±1°	5/8/2023	
Tolerances	X X . X = ±05	Squareness	±1°		

DRAWING TITLE: 鋁板天花加工圖
3mm THK ALUM. PLATE
DRAWING NO.: T3-CE07-01

DRAWING NO. T3-CE07-01
SHT. -/-
REV. -

REV.	CHECKED BY	PART NUMBER	Dim. A	Dim. B	Dim. C	Dim. D	Dim. E	Dim. F	Dim. G	QTY	Inv. Code	ASSEMBLE ON PARTS	EXTR. DRAWING PART DRAWING
-		T3-CE11-01								1			



SECTION B



SECTION C

序号	材料规格	长度	开料	开料	配件描述	数量	备注
02b	20x20x3mm 铝角	50		开料		3	
02c	30x20x3mm 铝角	50		开料		3	

美特铝质有限公司
MIDI ALUMINIUM FABRICATOR LTD.
Units 6-8, Sunroy Industrial Centre, 1/F
610 Cha Kwo Ling Road, Kowloon
Tel:233489211-4 Fax:(852)27727666

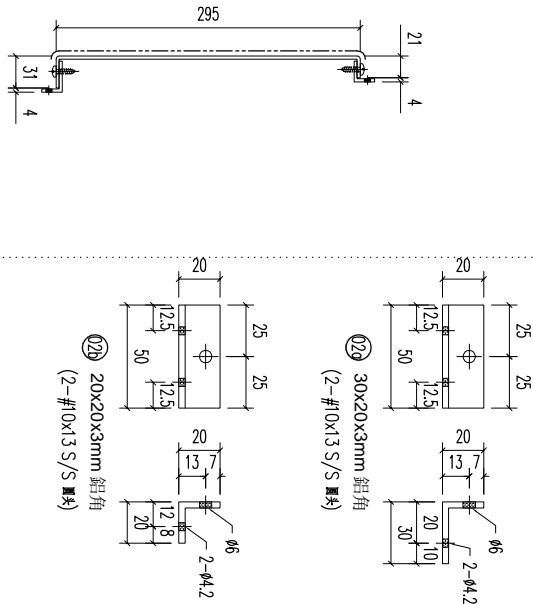
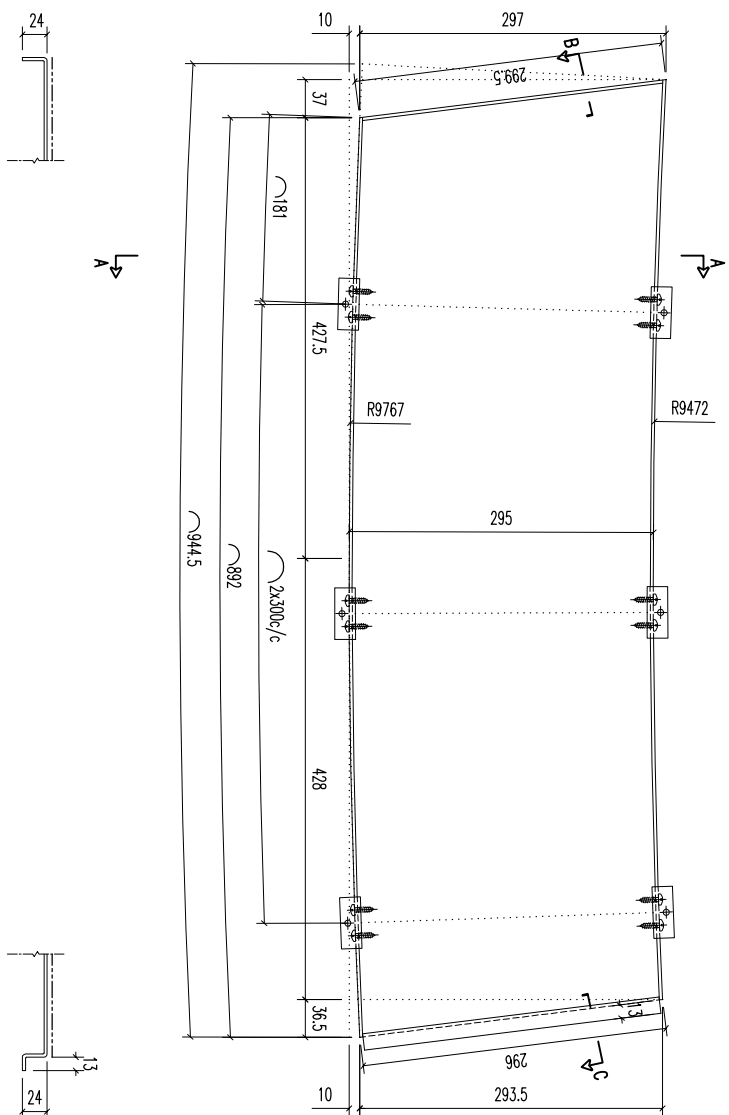
REV.	DATE	AMENDMENT	REVISED BY

PROJECT **J853-PODIUM ALUM CEILING**
& FEATURE CLADDING T3 3/F
JOB NO. **J853**

FACTORY	W/CENTRE	CUT ENDS	FINISH
01	M&B/S&B&F&B		EC-DG-D334232-201 (AL1)
Standard	X X . = ±1	Angle	DATE
Tolerances	X X . X = ±05	Squareness	5/8/2023

DRAWING TITLE	DRAWING NO.	POST PAINT	PART
铝板天花加工图	T3-CE11-01	PRE PAINT	
3mm THK ALUM. PLATE		SCALE	SCALE
		1:5	1:5
		TRACK TYPE	S...
		SHT.	-/-
		REV.	-

REV.	CHECKED	PART NUMBER	Dim. A	Dim. B	Dim. C	Dim. D	Dim. E	Dim. F	Dim. G	QTY	Inv. Code	ASSEMBLE ON PARTS	EXTR. DRAWING
-	BAR BY	T3-CE12-01								1			PART DRAWING



序号	材料规格	长度	开料	开料	配件描述	数量	备注
02b	20x20x3mm 铝角	50	3	3			
02c	30x20x3mm 铝角	50	3	3			

美特铝质有限公司
MIDI ALUMINIUM FABRICATOR LTD.
Units 6-8, Sunroy Industrial Centre, 1/F
610 Cha Kwo Ling Road, Kowloon
Tel:23489211-4 Fax:(852)27727666

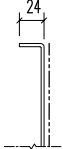
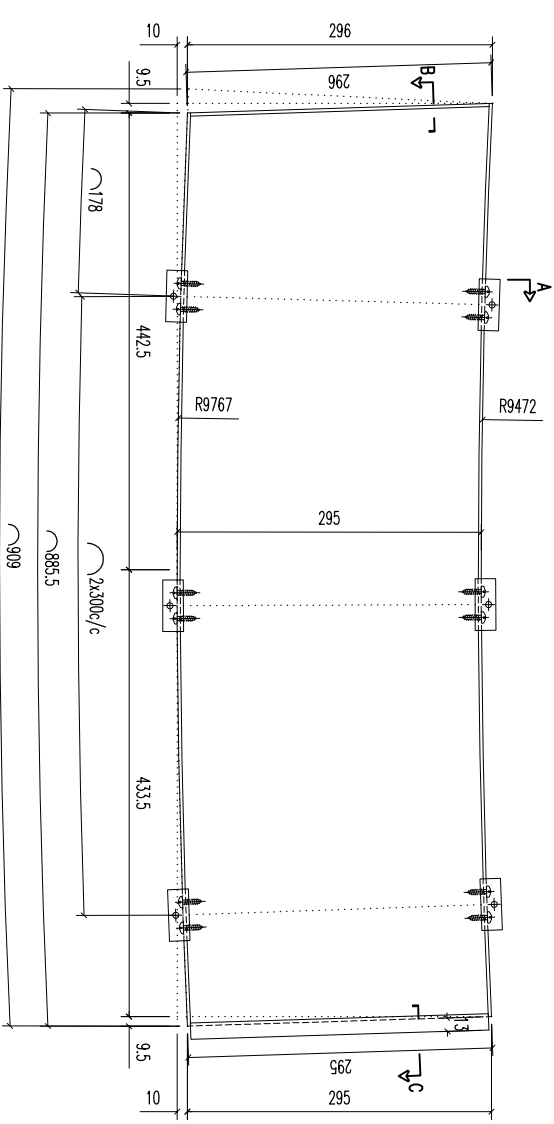
REV.	DATE	AMENDMENT	REVISED BY

PROJECT J853-PODIUM ALUM CEILING
& FEATURE CLADDING T3 3/F
JOB NO. J853

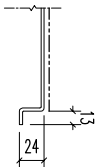
FACTORY	W/CENTRE	CUT ENDS	FINISH	DATE
01	M&B/S&B&A/F&B		EC-DG-0334232-201 (AL1)	5/8/2023
Standard	X X . X = ±1	Angle	±1°	
Tolerances	X X . X = ±05	Squareness	±1°	

DRAWING TITLE	DRAWING NO.	POST PAINT	PART	SHT.	REV.
铝板天花加工图 3mm THK ALUM. PLATE	T3-CE12-01	PRE PAINT	SUB ASSEM.	-/-	-
		SCALE	TRACK TYPE		
		1:5	S.....		

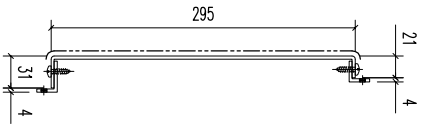
REV.	CHECKED BY	PART NUMBER	Dim. A	Dim. B	Dim. C	Dim. D	Dim. E	Dim. F	Dim. G	QTY	Inv. Code	ASSEMBLE ON PARTS	EXTR. DRAWING
—		T3-CE13-01								1			



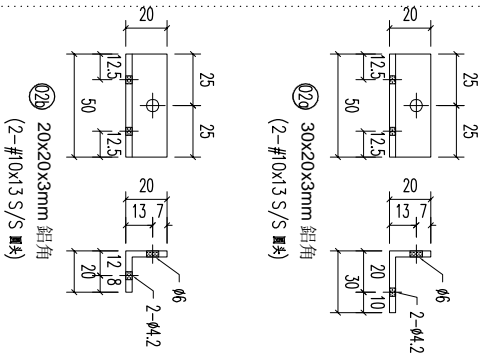
SECTION B



SECTION C



SECTION A-A



序号	材料规格	长度	开料	开料	配件描述	数量	备注
02a	20x20x3mm 铝角	50	3	3			
02b	30x20x3mm 铝角	50	3	3			



美特铝质有限公司
MIDU ALUMINUM FABRICATOR LTD.
Units 6-8, Sunroy Industrial Centre, 1/F
610 Cha Kwo Ling Road, Kowloon
Tel:23489211-4 Fax:(852)27727666

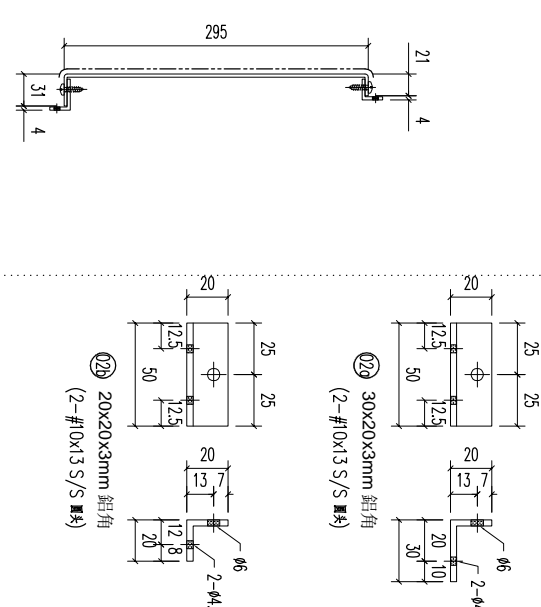
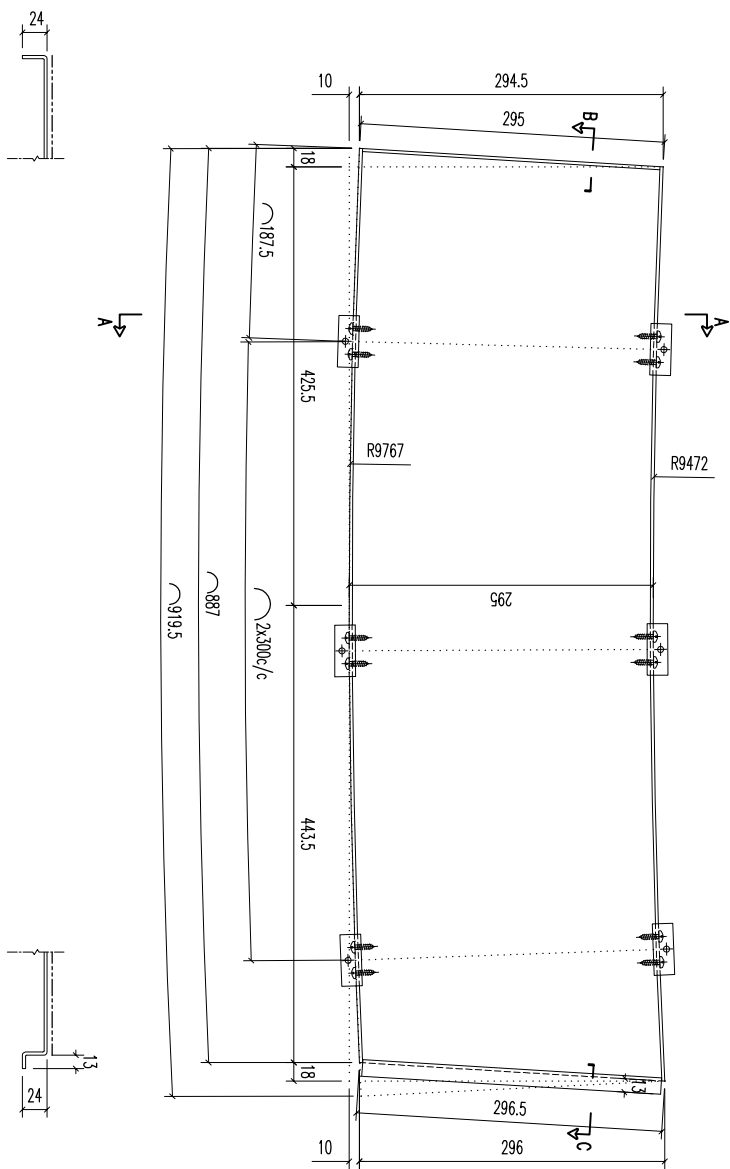
REV.	DATE	AMENDMENT	REVISD BY

PROJECT **J853-PODIUM ALUM CEILING**
& FEATURE CLADDING T3 3/F

JOB NO. **J853**
DRAWING TITLE **铝板天花加工图**
3mm THK ALUM. PLATE

DRAWING NO. **T3-CE13-01**
SCALE **1:5**
SHT. **-/-**
REV. **-**

REV.	CHECKED BY	PART NUMBER	Dim. A	Dim. B	Dim. C	Dim. D	Dim. E	Dim. F	Dim. G	QTY	Inv. Code	ASSEMBLE ON PARTS	EXTR. DRAWING
-		T3-CE14-01								1			



SECTION B

SECTION C

SECTION A-A

序号	材料规格	长度	开料	开料	配件描述	数量	备注
02b	20x20x3mm 铝角	50		3			
02c	30x20x3mm 铝角	50		3			

美特铝质有限公司
MIDI ALUMINUM FABRICATOR LTD.
Units 6-8, Sunroy Industrial Centre, 1/F
610 Cha Kwo Ling Road, Kowloon
Tel:23489211-4 Fax:(852)27727666

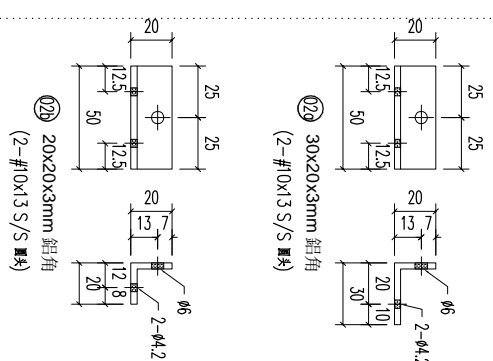
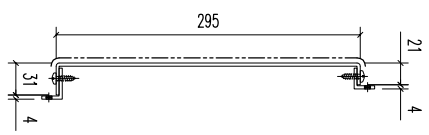
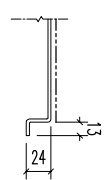
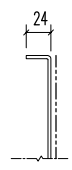
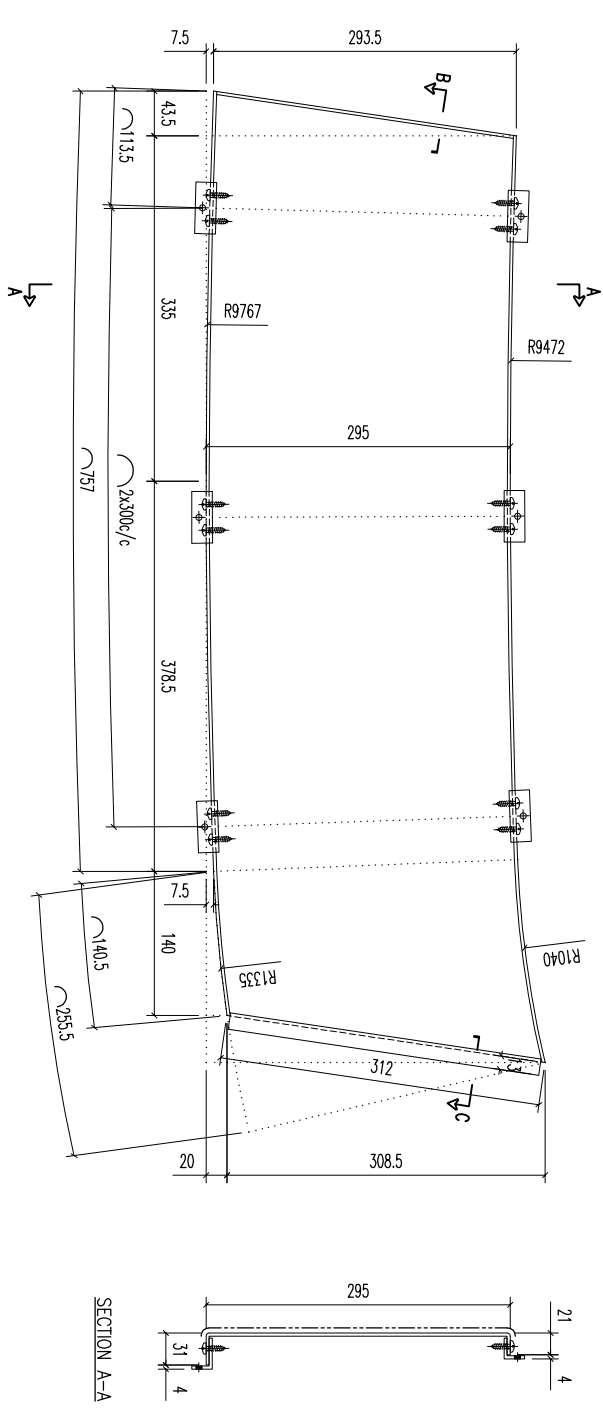
REV.	DATE	AMENDMENT	REVISD BY

PROJECT J853-PODIUM ALUM CEILING & FEATURE CLADDING T3 3/F
JOB NO. J853

DRAWING TITLE	铝板天花加工图
DRAWING NO.	T3-CE14-01
DRAWN	YEUNG
SCALE	1:5
POST PAINT	
PRE PAINT	
PART	
SUB ASSEM.	
TRACK TYPE	S.....
SHT.	-/-
REV.	-

FACTORY	W/CENTRE	CUT ENDS	FINISH	DATE	DRAWN	SCALE	POST PAINT	PART
01	M&B/S&B&F&B		EC-DG-0334232-201 (AL1)	5/8/2023	YEUNG	1:5		
Standard	X X . = ±1	Angle	±1°					
Tolerances	X X X . X = ±05	Squareness	±1°					

REV.	CHECKED	PART NUMBER	Dim. A	Dim. B	Dim. C	Dim. D	Dim. E	Dim. F	Dim. G	QTY	Inv. Code	ASSEMBLE ON PARTS	EXTR. DRAWING
1	BAR BY	T3-CE15-01								1			PART DRAWING

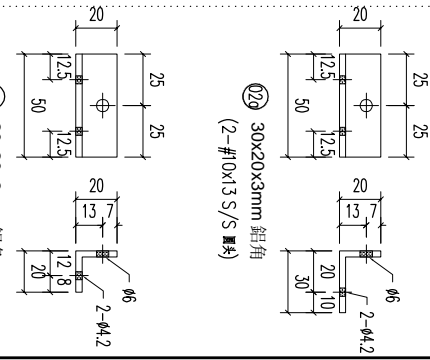
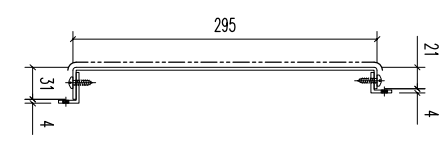
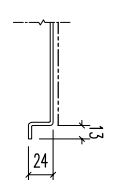
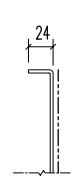
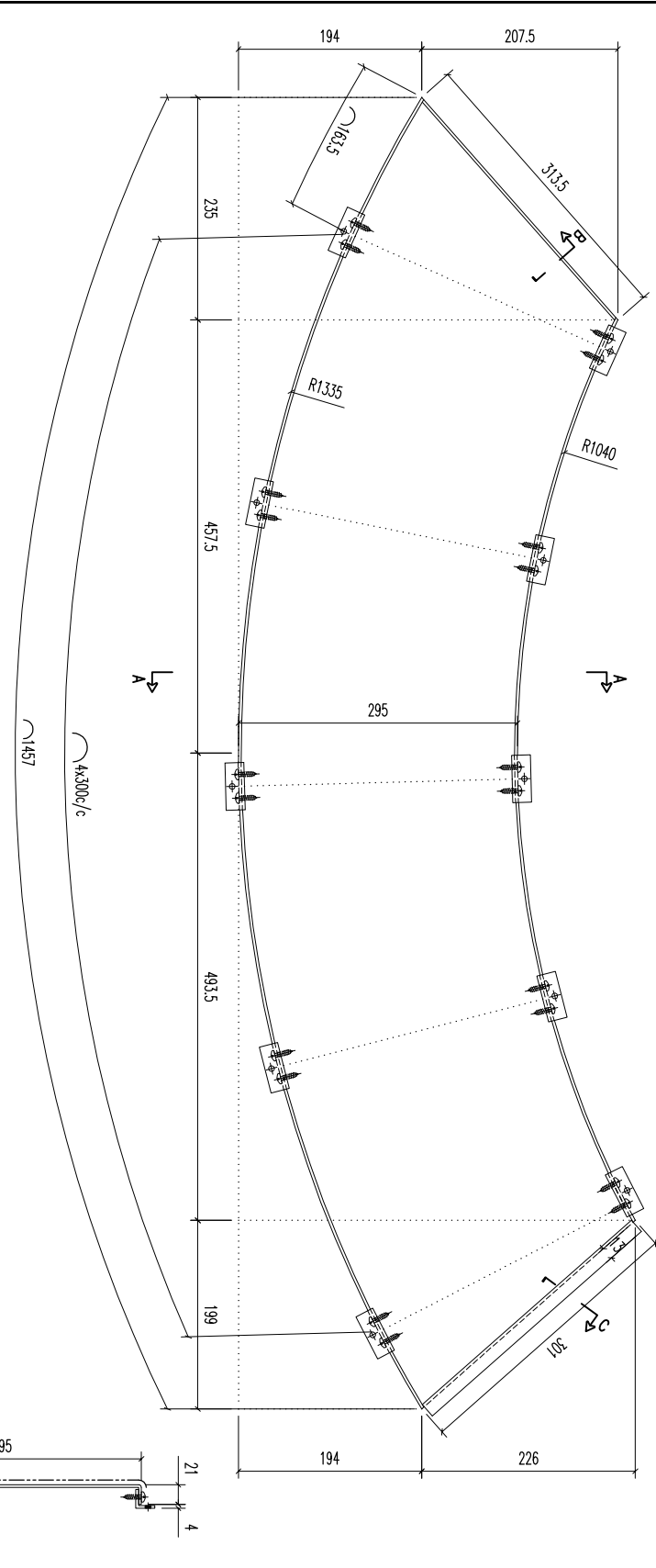


序号	材料规格	长度	开料	开料	备注
02b	20x20x3mm 铝角	50	3	3	
02c	30x20x3mm 铝角	50	3	3	

美特铝业有限公司
MIDI ALUMINUM FABRICATOR LTD.
Units 6-8, Sunroy Industrial Centre, 1/F
610 Cha Kwo Ling Road, Kowloon
Tel:23489211-4 Fax:(852)27727666

REV.	DATE	AMENDMENT	REVISED BY	PROJECT	JOB NO.	DRAWING TITLE	DRAWING NO.	SHT.	REV.
				J853-PODIUM ALUM CEILING & FEATURE CLADDING T3 3/F	J853	铝板天花加工图 3mm THK ALUM. PLATE	T3-CE15-01	-/-	-

REV.	CHECKED BY	PART NUMBER	Dim. A	Dim. B	Dim. C	Dim. D	Dim. E	Dim. F	Dim. G	QTY	Inv. Code	ASSEMBLE ON PARTS	EXTR. PART DRAWING
-	T3-CE16-01								1				



序号	材料规格	长度	开料	开料	配件描述	数量	备注
02b	20x20x3mm 铝角	50	5	5			
02c	30x20x3mm 铝角	50	5	5			

工厂	W/CENTRE	CUT ENDS	FINISH	DATE	DRAWN	SCALE	POST PAINT	PART
01	M&B/S&B&A/F&B		EC-DG-0334232-201 (A1)	5/8/2023	YEUNG	1:5		

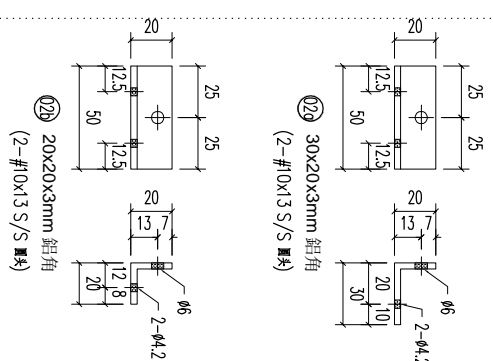
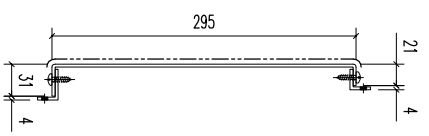
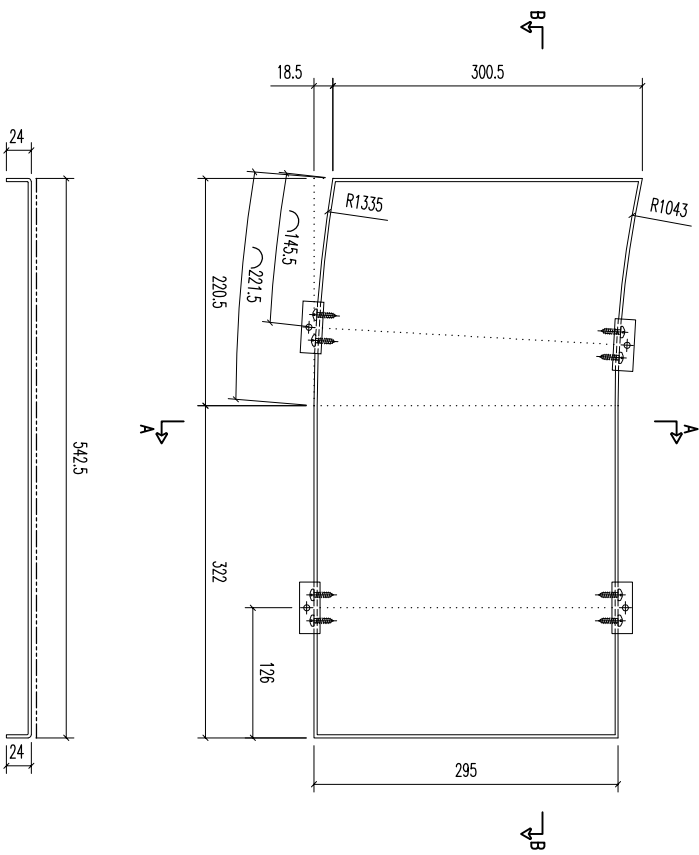
美特铝质有限公司
MIDI ALUMINIUM FABRICATOR LTD.
Units 6-8, Sunroy Industrial Centre, 1/F
610 Cha Kwo Ling Road, Kowloon
Tel:23489211-4 Fax:(852)27727666

PROJECT J853-PODIUM ALUM CEILING & FEATURE CLADDING T3 3/F
JOB NO. J853

DRAWING TITLE
铝板天花加工图
3mm THK ALUM. PLATE

DRAWING NO. T3-CE16-01
SHT. -/-
REV. -

REV.	CHECKED BY	PART NUMBER	Dim. A	Dim. B	Dim. C	Dim. D	Dim. E	Dim. F	Dim. G	QTY	Inv. Code	ASSEMBLE ON PARTS	EXTR. PART DRAWING
-		T3-CE17-01								1			

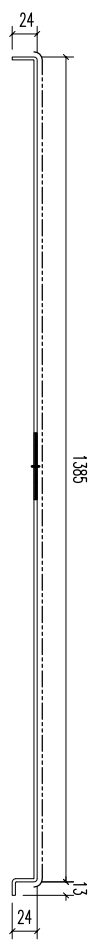
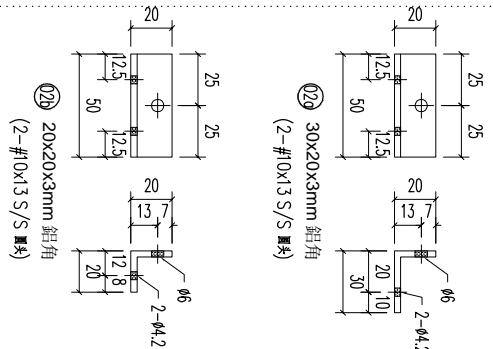
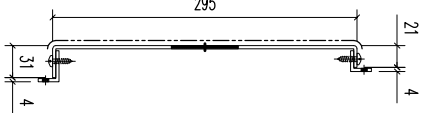
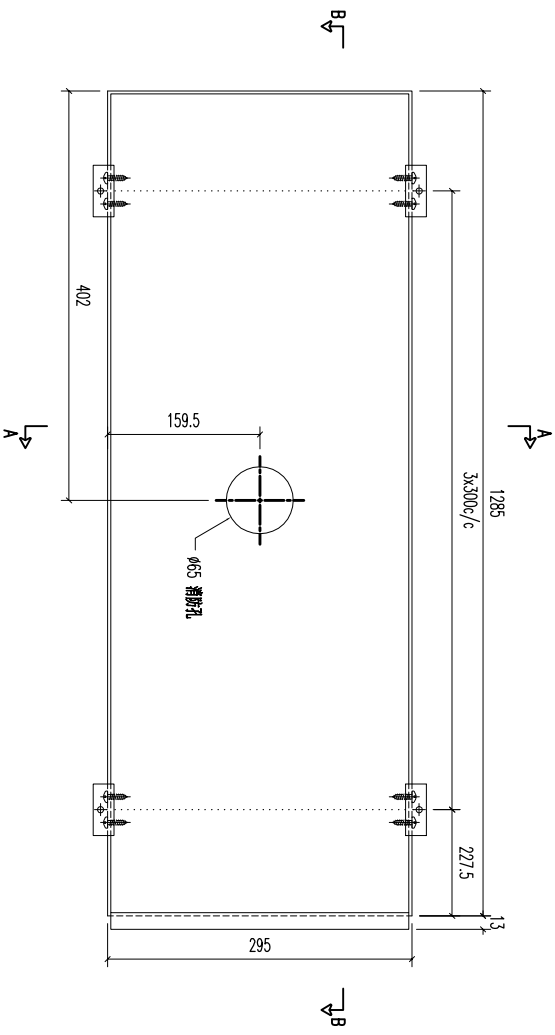


序号	材料规格	长度	开料	开料	配件描述	数量	备注
02b	20x20x3mm 铝角	50		开料		2	
02c	30x20x3mm 铝角	50		开料		2	

美特铝质有限公司
MIDI ALUMINUM FABRICATOR LTD.
Units 6-8, Sunroy Industrial Centre, 1/F
610 Cha Kwo Ling Road, Kowloon
Tel:23489211-4 Fax:(852)27727666

REV.	DATE	AMENDMENT	REVISED BY	PROJECT J853-PODIUM ALUM CEILING & FEATURE CLADDING T3 3/F	JOB NO. J853	DRAWING TITLE 铝板天花加工图 3mm THK ALUM. PLATE	DRAWING NO. T3-CE17-01	SHT. -/-	REV. -
------	------	-----------	------------	--	-----------------	---	---------------------------	-------------	-----------

REV.	CHECKED BAR BY	PART NUMBER	Dim. A	Dim. B	Dim. C	Dim. D	Dim. E	Dim. F	Dim. G	QTY	Inv. Code	ASSEMBLE ON PARTS	EXTR. DRAWING PART DRAWING
-		T3-CE21-02								1			



SECTION B-B

SECTION A-A

序号	材料规格	长度	开料	开料	配件描述	数量	备注
02b	20x20x3mm 铝角	50		开料		4	
02c	30x20x3mm 铝角	50		开料		4	

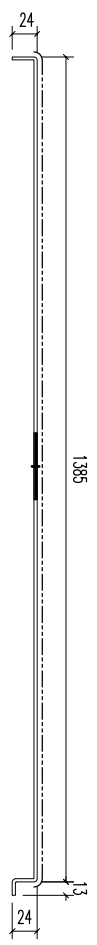
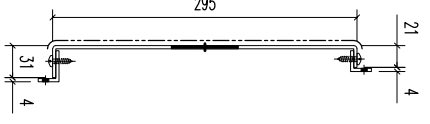
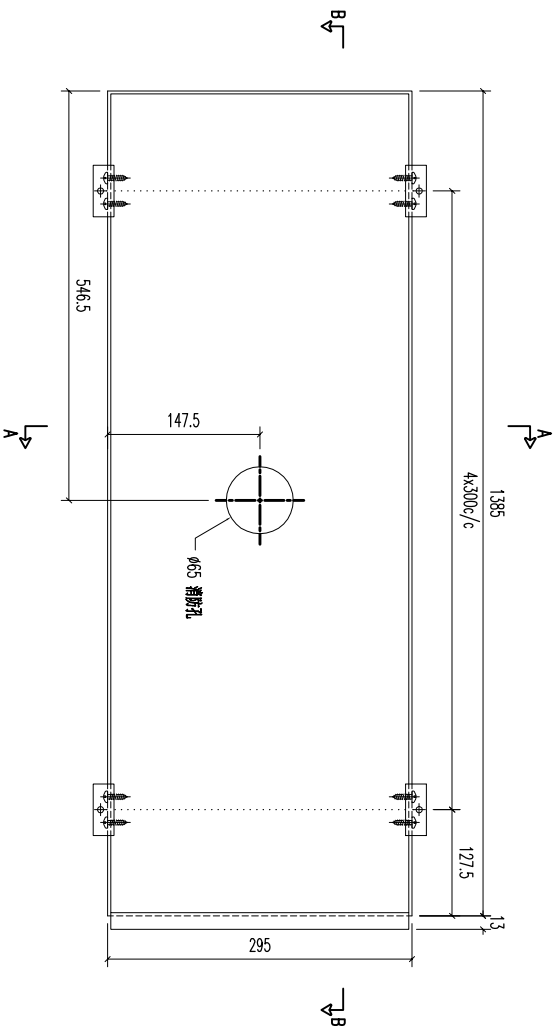


美特铝质有限公司
MIDU ALUMINUM FABRICATOR LTD.
Units 6-8, Sunroy Industrial Centre, 1/F
610 Cha Kwo Ling Road, Kowloon
Tel:23489211-4 Fax:(852)27727666

REV.	DATE	AMENDMENT	REVISD BY	PROJECT	JOB NO.
				J853-PODIUM ALUM CEILING & FEATURE CLADDING T3 3/F	J853

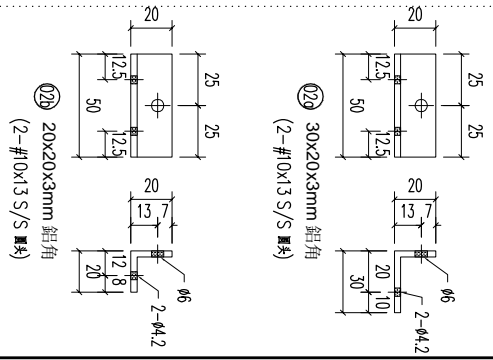
DRAWING TITLE	鋁板天花加工圖
DRAWING NO.	T3-CE21-02
DRAMN	YEUNG
SCALE	1:5
POST PAINT	噴塗
PRE PAINT	EC-DG-D334232-Z01 (A1)
PART	3mm THK ALUM. PLATE
SUB ASSEM.	
TRACK TYPE	S.....
SHT.	-/-
REV.	-

REV.	CHECKED BY	PART NUMBER	Dim. A	Dim. B	Dim. C	Dim. D	Dim. E	Dim. F	Dim. G	QTY	Inv. Code	ASSEMBLE ON PARTS	EXTR. DRAWING PART DRAWING
-		T3-CE21-03								1			



SECTION B-B

SECTION A-A



序號	材料規格	長度	開料	開料	零件描述	數量	備註
02b	20x20x3mm 鋁角	50	5				
02c	30x20x3mm 鋁角	50	5				



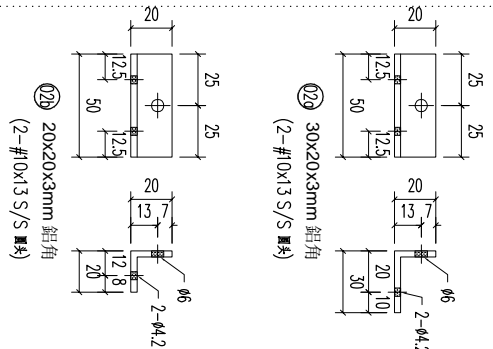
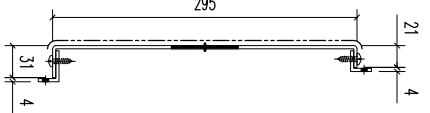
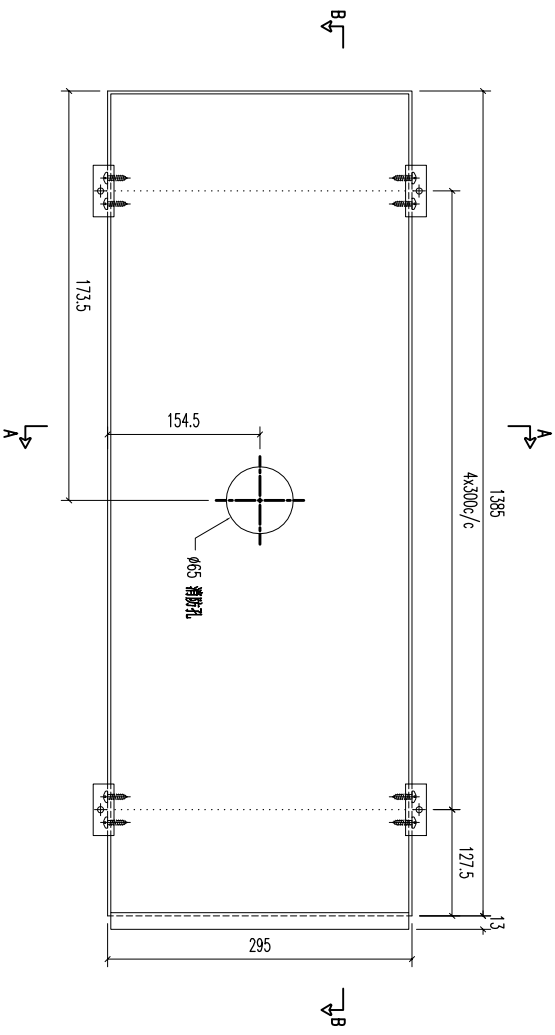
美特鋁質有限公司
MIDU ALUMINUM FABRICATOR LTD.
Units 6-8, Sunroy Industrial Centre, 1/F
610 Cha Kwo Ling Road, Kowloon
Tel:23489211-4 Fax:(852)27727666

REV.	DATE	AMENDMENT	REVISD BY	PROJECT	JOB NO.
				J853-PODIUM ALUM CEILING & FEATURE CLADDING T3 3/F	J853

FACTORY	W/CENTRE	CUT ENDS	FINISH	DATE
01	M&B/S&B&A/F&B		EC-DG-0334232-201 (A1)	5/8/2023

Standard	X X . = ±1	Angle	±1°	DRAWING NO.
Tolerances	X X . X = ±05	Squareness	±1°	T3-CE21-03
DRAWING TITLE	鋁板天花加工圖			DRAWING NO.
	3mm THK ALUM. PLATE			T3-CE21-03
		POST PAINT	PART	SHT.
		PRE PAINT	SUB ASSEM.	-/-
	SCALE	1:5	TRACK TYPE	REV.
			S.....	-

REV.	CHECKED BAR BY	PART NUMBER	Dim. A	Dim. B	Dim. C	Dim. D	Dim. E	Dim. F	Dim. G	QTY	Inv. Code	ASSEMBLE ON PARTS	EXTR. DRAWING PART DRAWING
-		T3-CE21-04								1			



SECTION B-B

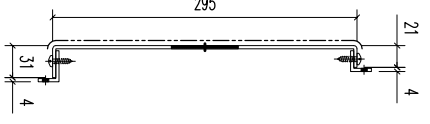
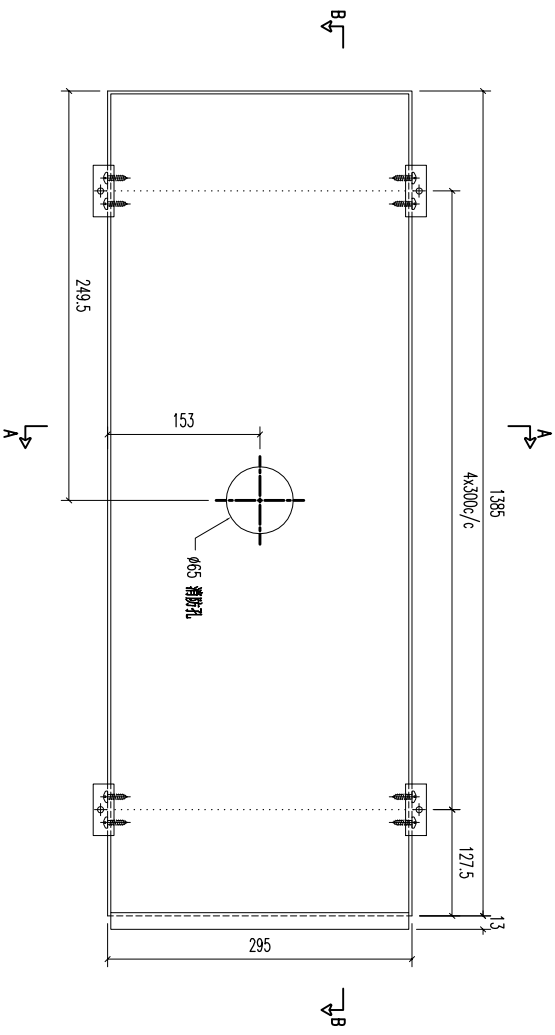
SECTION A-A

02b	20x20x3mm 鋁角	50	50	5	5	
02c	30x20x3mm 鋁角	50	50	5	5	
序號	材料規格	長度	開料	開料	數量	備註
01	W/CENTRE MAXI/SKBA/FAB	CUT ENDS	FINISH	EC-DG-0334232-201 (AL1)	噴塗	

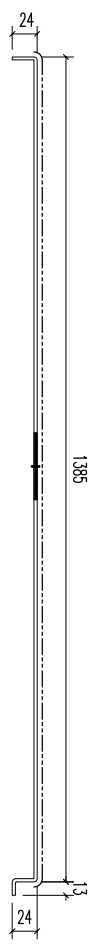
美特鋁質有限公司
MIDI ALUMINIUM FABRICATOR LTD.
Units 6-8, Sunroy Industrial Centre, 1/F
610 Cha Kwo Ling Road, Kowloon
Tel:23489211-4 Fax:(852)27727666

REV.	DATE	AMENDMENT	REVISED BY	PROJECT J853-PODIUM ALUM CEILING & FEATURE CLADDING T3 3/F	JOB NO. J853	DRAWING TITLE 鋁板天花加工圖 3mm THK ALUM. PLATE	DRAWING NO. T3-CE21-04	SHT. -/-	REV. -
------	------	-----------	------------	--	-----------------	---	---------------------------	-------------	-----------

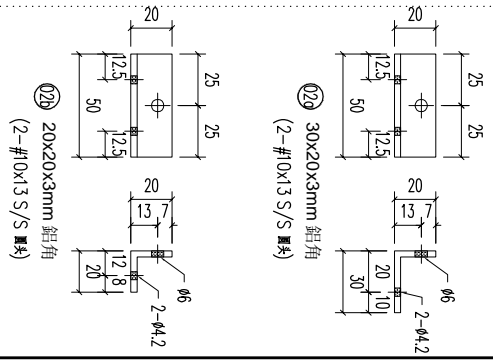
REV.	CHECKED BAR BY	PART NUMBER	Dim. A	Dim. B	Dim. C	Dim. D	Dim. E	Dim. F	Dim. G	QTY	Inv. Code	ASSEMBLE ON PARTS	EXTR. DRAWING PART DRAWING
-		T3-CE21-05								1			



SECTION A-A



SECTION B-B



02b	20x20x3mm 鋁角	50	50	5	5	
02c	30x20x3mm 鋁角	50	50	5	5	
序號	材料規格	長度	開料	開料	數量	備註

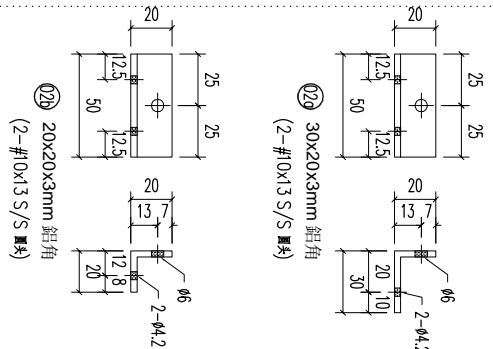
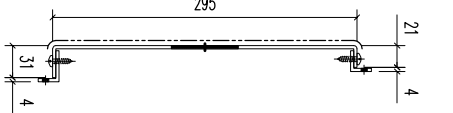
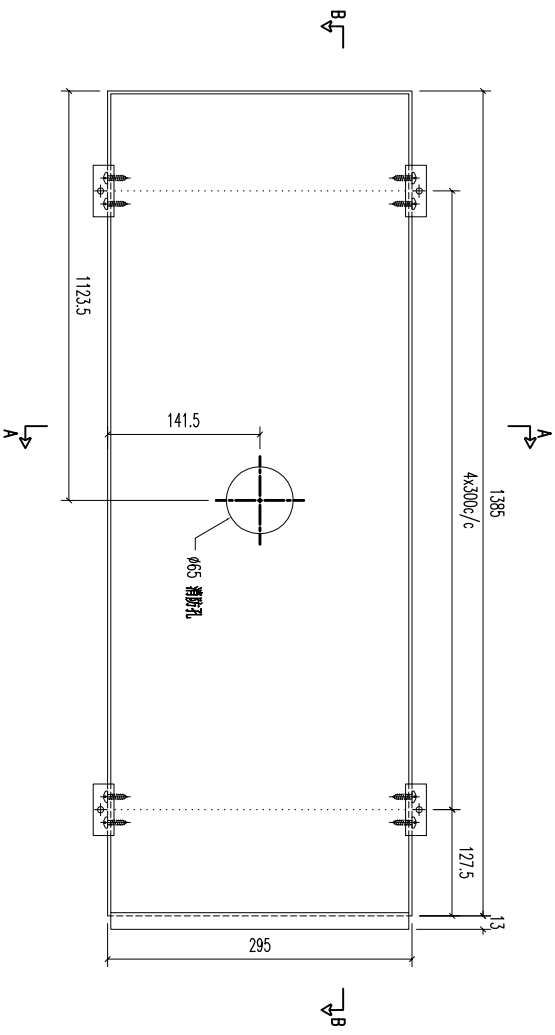


美特鋁質有限公司
MIDU ALUMINUM FABRICATOR LTD.
Units 6-8, Sunroy Industrial Centre, 1/F
610 Cha Kwo Ling Road, Kowloon
Tel:23489211-4 Fax:(852)27727666

REV.	DATE	AMENDMENT	REVISOR BY	PROJECT	JOB NO.
				J853-PODIUM ALUM CEILING & FEATURE CLADDING T3 3/F	J853

FACTORY	W/CENTRE	CUT ENDS	FINISH	DATE	DRAWN	SCALE	POST PAINT	PART
01	M&B/S&B&A/F&B		EC-DG-0334232-201 (A1)	5/8/2023	YEUNG	1:5	PRE PAINT	SUB ASSEM.
Standard	X X . = ±1	Angle	±1°				SCALE	TRACK TYPE
Tolerances	X X . X = ±05	Squareness	±1°					S.....
DRAWING TITLE				DRAWING NO.				
鋁板天花加工圖				T3-CE21-05				
3mm THK ALUM. PLATE								
				SHT.		REV.		
				-/-		-		

REV.	CHECKED BAR BY	PART NUMBER	Dim. A	Dim. B	Dim. C	Dim. D	Dim. E	Dim. F	Dim. G	QTY	Inv. Code	ASSEMBLE ON PARTS	EXTR. DRAWING PART DRAWING
-		T3-CE21-06								1			



SECTION B-B

SECTION A-A

序号	材料规格	长度	开料	开料	零件描述	数量	备注
02b	20x20x3mm 铝角	50		开料		5	
02c	30x20x3mm 铝角	50		开料		5	

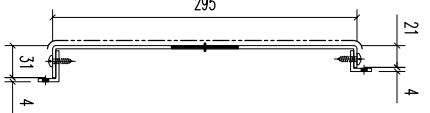
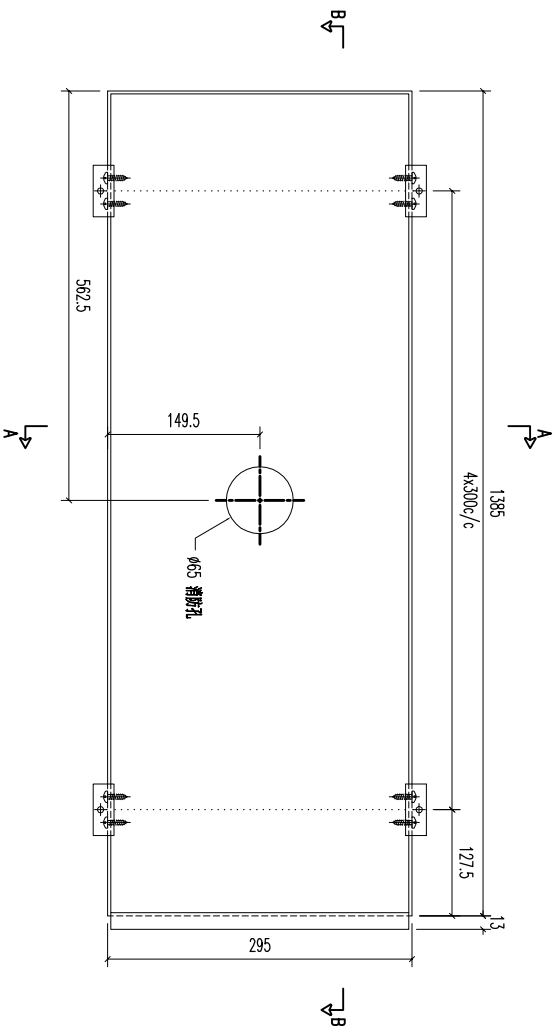
美特铝业有限公司
MIDI ALUMINUM FABRICATOR LTD.
Units 6-8, Sunroy Industrial Centre, 1/F
610 Cha Kwo Ling Road, Kowloon
Tel:23489211-4 Fax:(852)27727666

REV.	DATE	AMENDMENT	REVISD BY

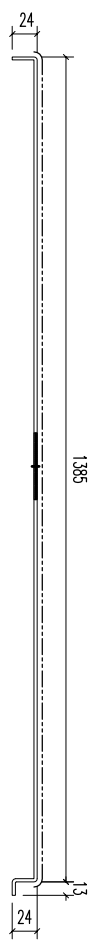
PROJECT J853-PODIUM ALUM CEILING
& FEATURE CLADDING T3 3/F
JOB NO. J853

DRAWING TITLE	铝板天花加工图	DRAWING NO.	T3-CE21-06
Standard	X X . = ±1	Angle	±1°
Tolerances	X X . X = ±05	Squareness	±1°
FACTORY	01	W/CENTRE	M&B/S&B&A/F&B
CUT ENDS		FINISH	EC-DG-0334232-201 (AL1)
DATE	5/8/2023	DRAWN	YEUNG
SCALE	1:5	POST PAINT	PRE PAINT
SHT.	-/-	PART	TRACK TYPE
REV.	-	SUB ASSEM.	S.....

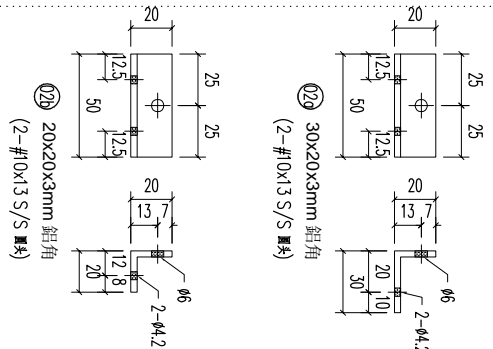
REV.	CHECKED BAR BY	PART NUMBER	Dim. A	Dim. B	Dim. C	Dim. D	Dim. E	Dim. F	Dim. G	QTY	Inv. Code	ASSEMBLE ON PARTS	EXTR. DRAWING PART DRAWING
-		T3-CE21-07								1			



SECTION A-A



SECTION B-B



02b	20x20x3mm 鋁角	50	50	5	5
02c	30x20x3mm 鋁角	50	50	5	5
序號	材料規格	長度	開料	開料	數量
01	W/CENTRE MAXI/SKBA/FAB	CUT ENDS	FINISH	EC-DG-0334232-201 (AL1)	噴塗

Standard	X X . = ±1	Angle	±1°	DATE	5/8/2023	DRAWN	YEUNG	SCALE	1:5	POST PAINT	PRE PAINT	PART	SHT.	REV.
Tolerances	X X . X = ±05	Squareness	±1°										-/-	-

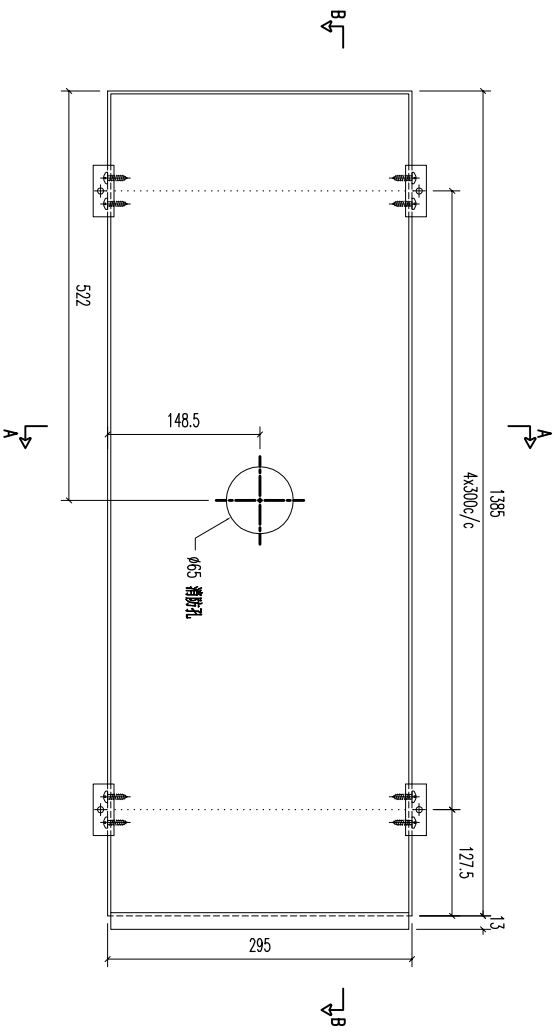
美特鋁質有限公司
MIDI ALUMINIUM FABRICATOR LTD.
Units 6-8, Sunroy Industrial Centre, 1/F
610 Cha Kwo Ling Road, Kowloon
Tel:23489211-4 Fax:(852)27727666

PROJECT J853-PODIUM ALUM CEILING
& FEATURE CLADDING T3 3/F
JOB NO. J853

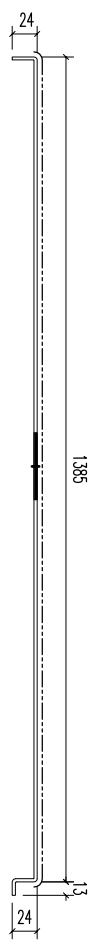
DRAWING TITLE
鋁板天花加工圖
3mm THK ALUM. PLATE

DRAWING NO. T3-CE21-07

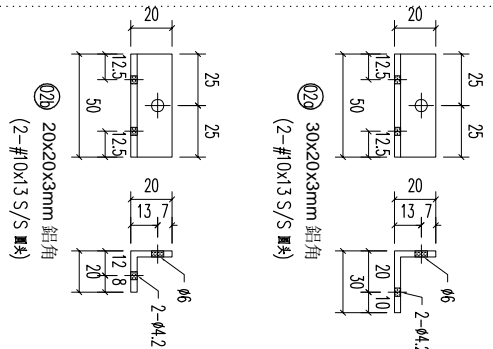
REV.	CHECKED BY	PART NUMBER	Dim. A	Dim. B	Dim. C	Dim. D	Dim. E	Dim. F	Dim. G	QTY	Inv. Code	ASSEMBLE ON PARTS	EXTR. DRAWING PART DRAWING
-		T3-CE21-08								1			



SECTION A-A



SECTION B-B



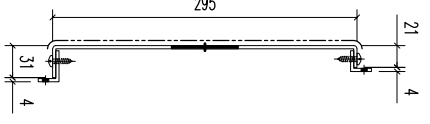
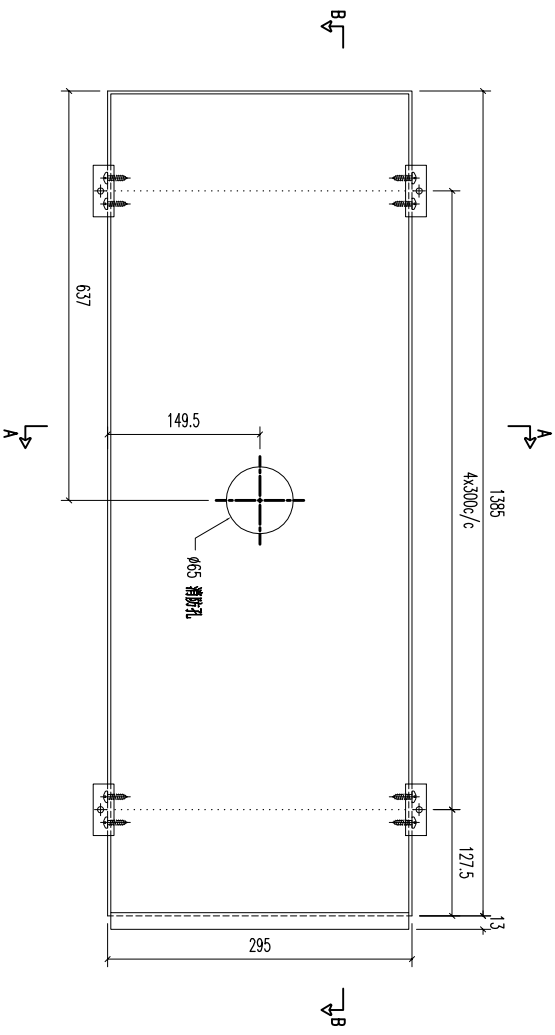
02b	20x20x3mm 鋁角	50	50	5	5	
02c	30x20x3mm 鋁角	50	50	5	5	

噴塗	POST PAINT	PART
PRE PAINT	SUB ASSEM.	
SCALE	1:5	TRACK TYPE
		S.....

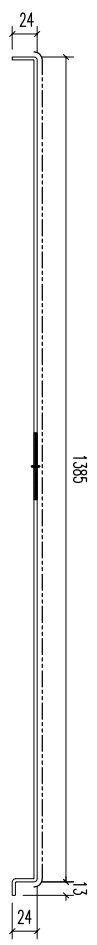
REV.	DATE	AMENDMENT	REVISED BY	PROJECT	JOB NO.	DRAWING TITLE	DRAWING NO.	SHT.	REV.
				J853-PODIUM ALUM CEILING & FEATURE CLADDING T3 3/F	J853	鋁板天花加工圖 3mm THK ALUM. PLATE	T3-CE21-08	-/-	-

美特鋁質有限公司
MIDI ALUMINIUM FABRICATOR LTD.
 Units 6-8, Sunroy Industrial Centre, 1/F
 610 Cha Kwo Ling Road, Kowloon
 Tel:23489211-4 Fax:(852)27727666

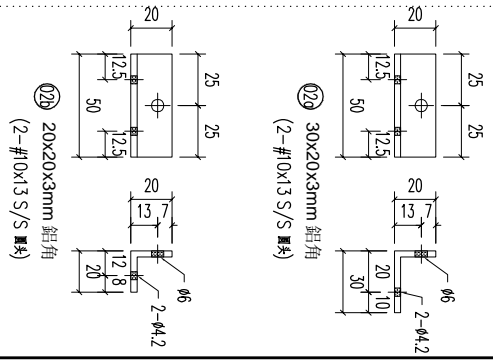
REV.	CHECKED BAR BY	PART NUMBER	Dim. A	Dim. B	Dim. C	Dim. D	Dim. E	Dim. F	Dim. G	QTY	Inv. Code	ASSEMBLE ON PARTS	EXTR. DRAWING PART DRAWING
-		T3-CE21-09								1			



SECTION A-A



SECTION B-B



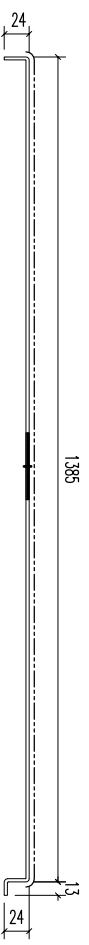
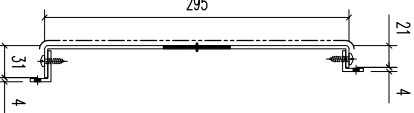
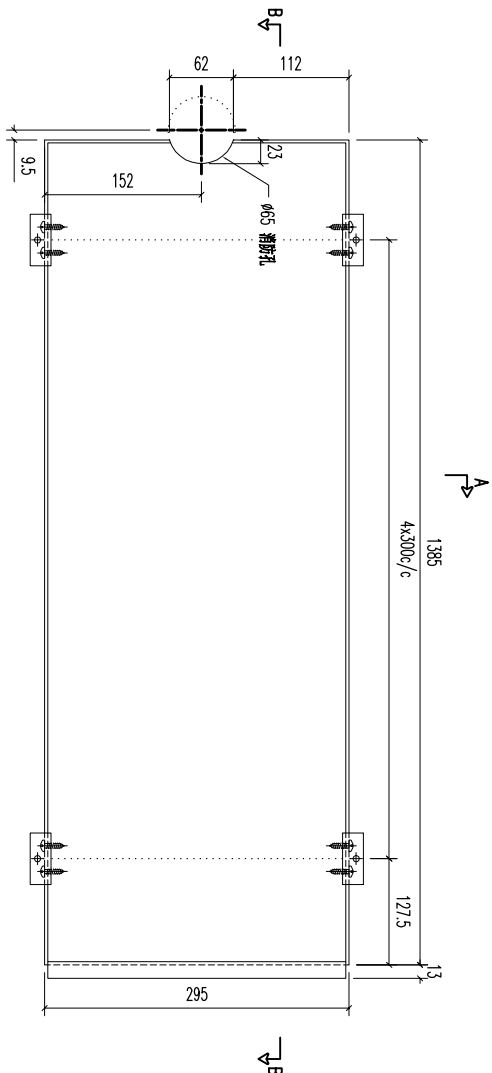
序號	材料規格	長度	開料	開料	零件描述	數量	備註
02b	20x20x3mm 鋁角	50	5				
02c	30x20x3mm 鋁角	50	5				

FACTORY	W/CENTRE	CUT ENDS	FINISH	DATE	POST PAINT	PART
01	M&B/S&B&A/F&B		EC-DG-0334232-201 (AL1)	5/8/2023	噴塗	

美特鋁質有限公司
MIDI ALUMINIUM FABRICATOR LTD.
 Units 6-8, Sunroy Industrial Centre, 1/F
 610 Cha Kwo Ling Road, Kowloon
 Tel:23489211-4 Fax:(852)27727666

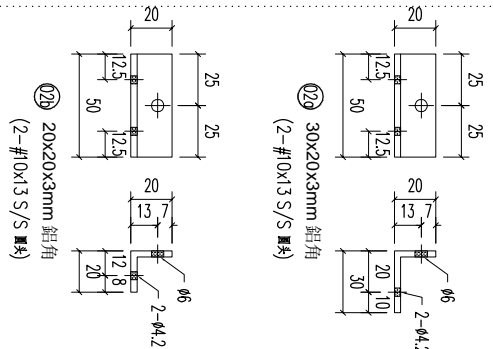
REV.	DATE	AMENDMENT	REVISED BY	PROJECT	JOB NO.	DRAWING TITLE	DRAWING NO.	SHT.	REV.
				J853-PODIUM ALUM CEILING & FEATURE CLADDING T3 3/F	J853	鋁板天花加工圖 3mm THK ALUM. PLATE	T3-CE21-09	-/-	-

REV.	CHECKED BY	PART NUMBER	Dim. A	Dim. B	Dim. C	Dim. D	Dim. E	Dim. F	Dim. G	QTY	Inv. Code	ASSEMBLE ON PARTS	EXTR. PART DRAWING
-	T3-CE21-10									1			



SECTION B-B

SECTION A-A



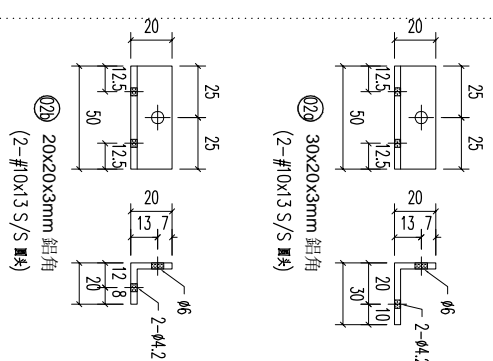
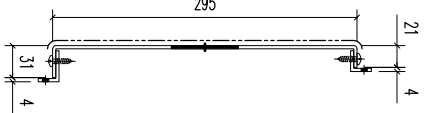
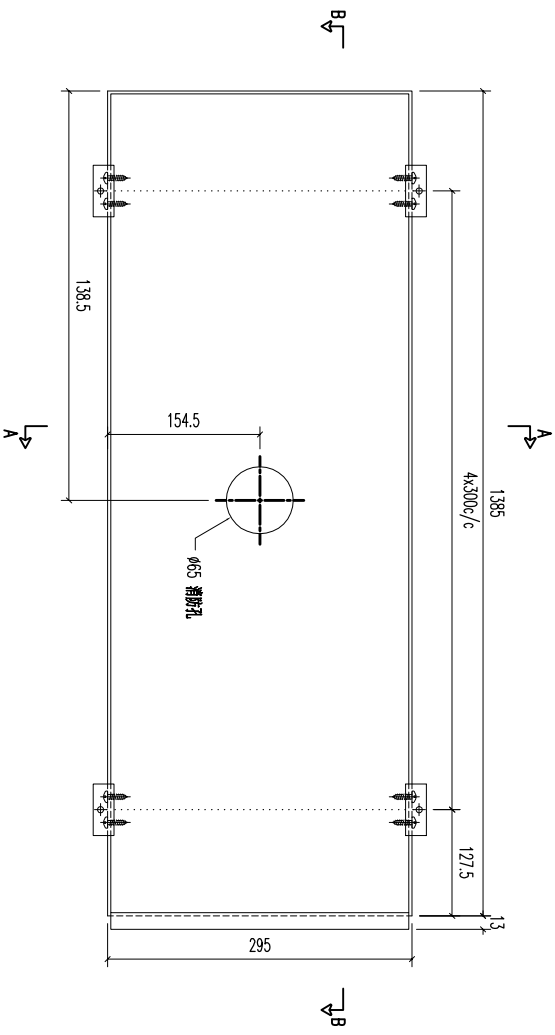
02b	20x20x3mm 鋁角	50	50	5	5
02c	30x20x3mm 鋁角	50	50	5	5

噴塗	POST PAINT	PART
PRE PAINT	SUB ASSEM.	
SCALE	1:5	TRACK TYPE
		S.....

美特鋁質有限公司
MIDI ALUMINUM FABRICATOR LTD.
Units 6-8, Sunroy Industrial Centre, 1/F
610 Cha Kwo Ling Road, Kowloon
Tel:23489211-4 Fax:(852)27727666

REV.	DATE	AMENDMENT	REVISED BY	PROJECT	JOB NO.	DRAWING TITLE	DRAWING NO.	SHT.	REV.
				J853-PODIUM ALUM CEILING & FEATURE CLADDING T3 3/F	J853	鋁板天花加工圖 3mm THK ALUM. PLATE	T3-CE21-10	-/-	-

REV.	CHECKED BAR BY	PART NUMBER	Dim. A	Dim. B	Dim. C	Dim. D	Dim. E	Dim. F	Dim. G	QTY	Inv. Code	ASSEMBLE ON PARTS	EXTR. DRAWING PART DRAWING
-		T3-CE21-11								1			



SECTION B-B

SECTION A-A

序號	材料規格	長度	開料	開料	零件描述	數量	備註
02b	20x20x3mm 鋁角	50		5			
02c	30x20x3mm 鋁角	50		5			

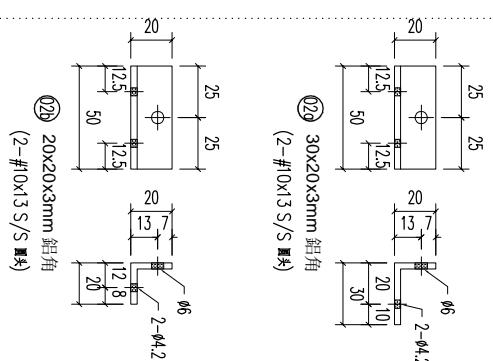
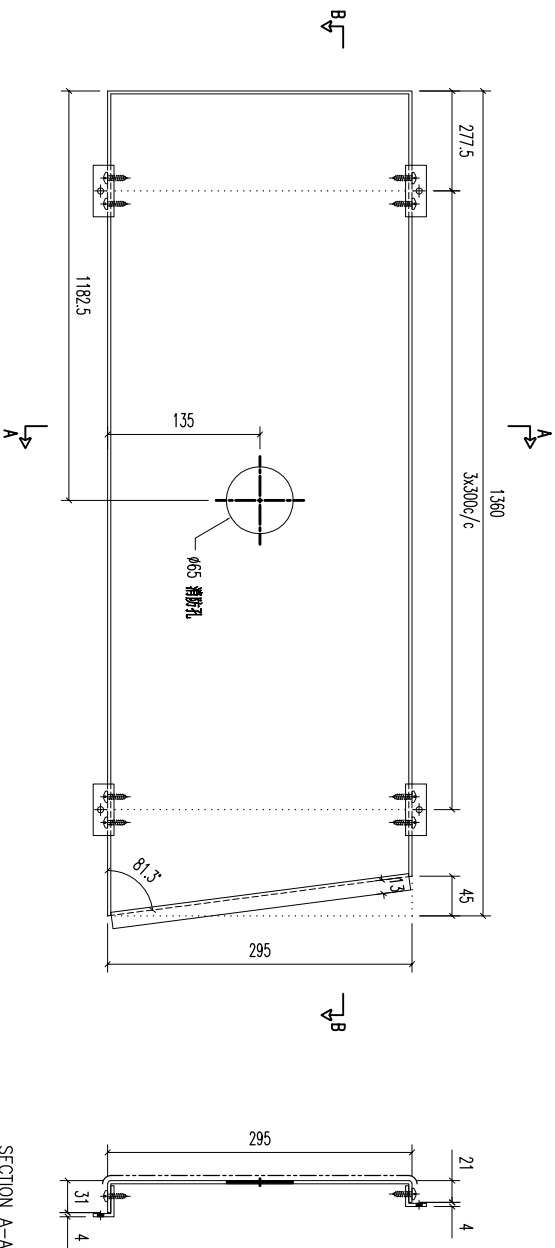
噴塗	POST PAINT	PART
EC-DG-0334232-201 (AL1)	SCALE 1:5	TRACK TYPE S.....

美特鋁質有限公司
MIDI ALUMINUM FABRICATOR LTD.
Units 6-8, Sunroy Industrial Centre, 1/F
610 Cha Kwo Ling Road, Kowloon
Tel:23489211-4 Fax:(852)27727666

REV.	DATE	AMENDMENT	REVISOR BY	PROJECT	JOB NO.
				J853-PODIUM ALUM CEILING & FEATURE CLADDING T3 3/F	J853

DRAWING TITLE	DRAWING NO.	SHT.	REV.
鋁板天花加工圖 3mm THK ALUM. PLATE	T3-CE21-11	-/-	-

REV.	CHECKED BY	PART NUMBER	Dim. A	Dim. B	Dim. C	Dim. D	Dim. E	Dim. F	Dim. G	QTY	Inv. Code	ASSEMBLE ON PARTS	EXTR. DRAWING PART DRAWING
-		T3-CE22-03								1			



序号	材料规格	长度	开料	开料	配件描述	数量	备注
02b	20x20x3mm 铝角	50		4			
02c	30x20x3mm 铝角	50		4			

FACTORY	W/CENTRE	CUT ENDS	FINISH	DATE	POST PAINT	PART
01	M&B/S&B&A/F&B		EC-DG-0334232-Z01 (AL1)	5/8/2023	PRE PAINT	

美特铝业有限公司
MIDI ALUMINIUM FABRICATOR LTD.
Units 6-8, Sunroy Industrial Centre, 1/F
610 Cha Kwo Ling Road, Kowloon
Tel:23489211-4 Fax:(852)27727666

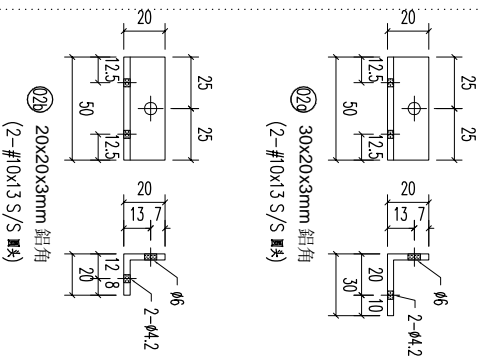
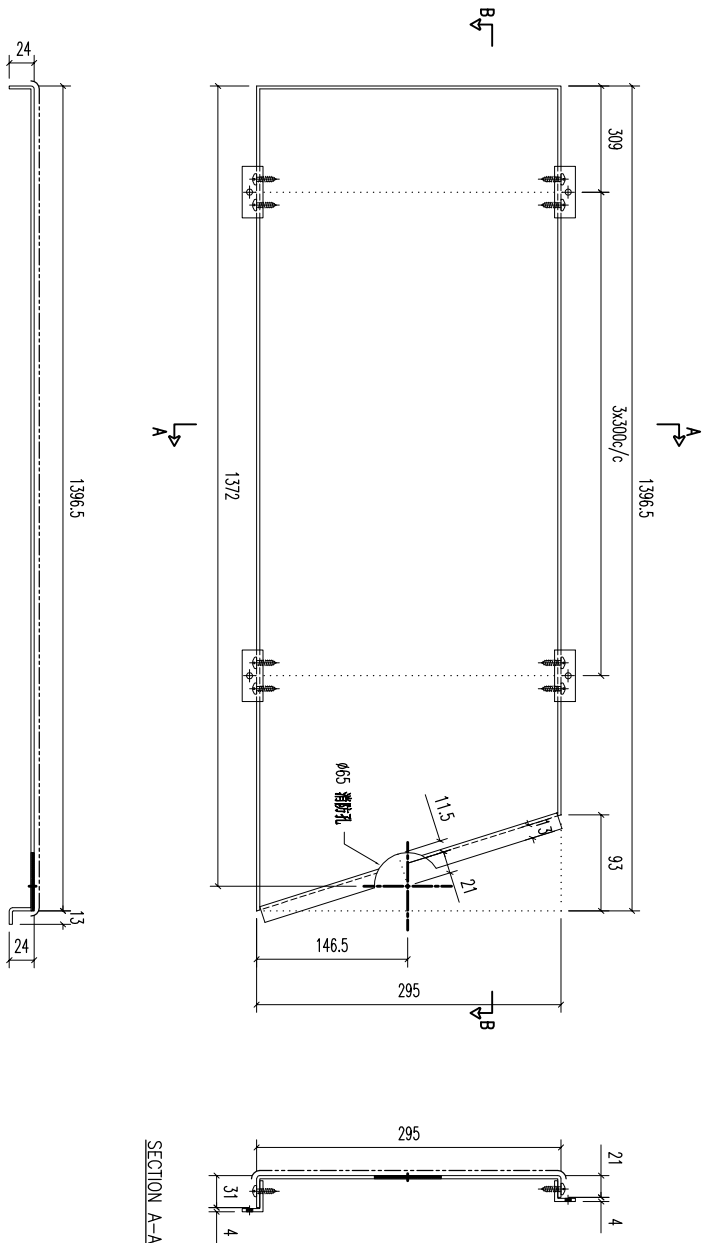
REV.	DATE	AMENDMENT	REVISD BY

PROJECT J853-PODIUM ALUM CEILING
& FEATURE CLADDING T3 3/F
JOB NO. J853

DRAWING TITLE	铝板天花加工图
DRAWING NO.	T3-CE22-03

SCALE	1:5
SHT.	-/-
REV.	-

REV.	CHECKED BAR BY	PART NUMBER	Dim. A	Dim. B	Dim. C	Dim. D	Dim. E	Dim. F	Dim. G	QTY	Inv. Code	ASSEMBLE ON PARTS	EXTR. DRAWING PART DRAWING
-		T3-CE22-05								1			



02b	20x20x3mm 鋁角	50	50	開料	4
02c	30x20x3mm 鋁角	50	50	開料	4
序號	材料規格	長度	數量	配件描述	備註



美特鋁質有限公司
MIDU ALUMINUM FABRICATOR LTD.
Units 6-8, Sunroy Industrial Centre, 1/F
610 Cha Kwo Ling Road, Kowloon
Tel:23489211-4 Fax:(852)27727666

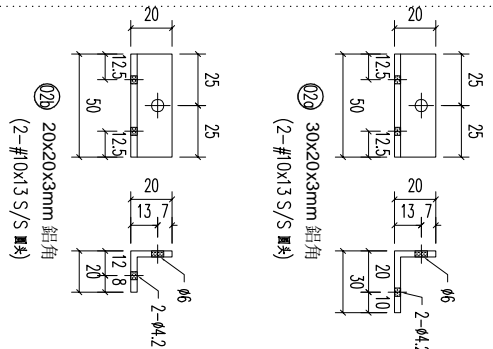
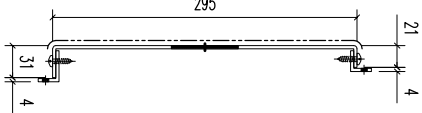
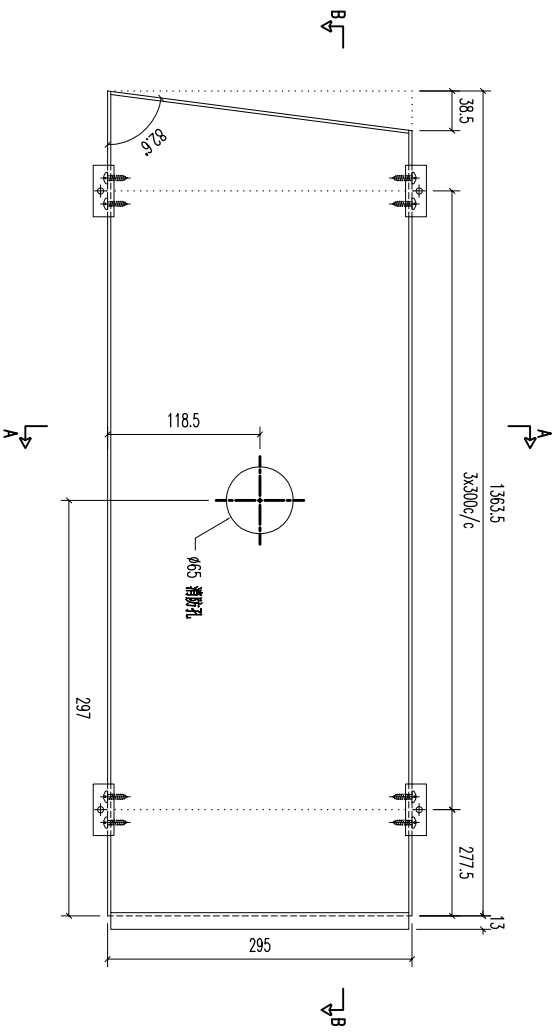
REV.	DATE	AMENDMENT	REVISED BY

PROJECT **J853-PODIUM ALUM CEILING & FEATURE CLADDING T3 3/F**
JOB NO. **J853**

DRAWING TITLE
**鋁板天花加工圖
3mm THK ALUM. PLATE**

DRAWING NO. **T3-CE22-05**
SCALE **1:5**
SHT. **-/-**
REV. **-**

REV.	CHECKED BAR BY	PART NUMBER	Dim. A	Dim. B	Dim. C	Dim. D	Dim. E	Dim. F	Dim. G	QTY	Inv. Code	ASSEMBLE ON PARTS	EXTR. DRAWING PART DRAWING
-		T3-CE23-01								1			



SECTION B-B

SECTION A-A

序號	材料規格	長度	開料	開料	零件描述	數量	備註
02b	20x20x3mm 鋁角	50		4			
02c	30x20x3mm 鋁角	50		4			

FACTORY	W/CENTRE	CUT ENDS	FINISH	DATE	DRAWN	POST PAINT	PART
01	M&B/S&B&A/F&B		EC-DG-0334232-201 (AL1)	5/8/2023	YEUNG	SCALE	TRACK TYPE

美特鋁質有限公司
MIDI ALUMINIUM FABRICATOR LTD.
Units 6-8, Sunroy Industrial Centre, 1/F
610 Cha Kwo Ling Road, Kowloon
Tel:23489211-4 Fax:(852)27727666

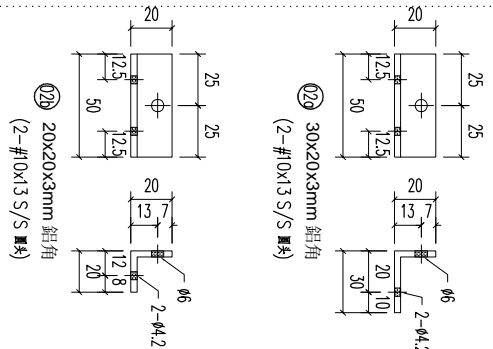
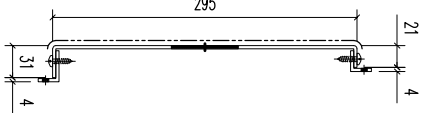
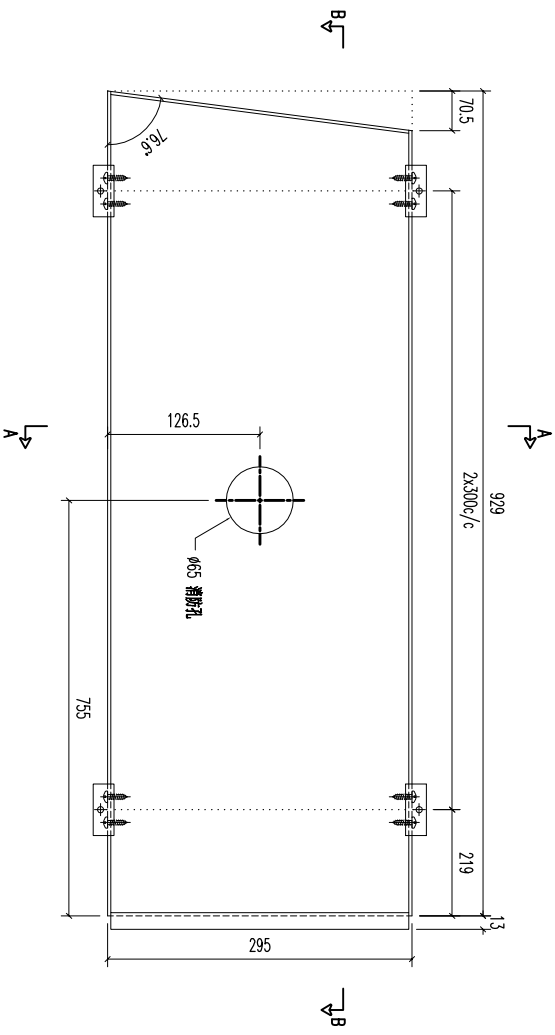
REV.	DATE	AMENDMENT	REVISD BY

PROJECT J853-PODIUM ALUM CEILING
& FEATURE CLADDING T3 3/F

JOB NO. J853
DRAWING TITLE 鋁板天花加工圖
3mm THK ALUM. PLATE

DRAWING NO. T3-CE23-01
SHT. -/-
REV. -

REV.	CHECKED BAR BY	PART NUMBER	Dim. A	Dim. B	Dim. C	Dim. D	Dim. E	Dim. F	Dim. G	QTY	Inv. Code	ASSEMBLE ON PARTS	EXTR. DRAWING PART DRAWING
-		T3-CE23-02								1			



SECTION B-B

SECTION A-A

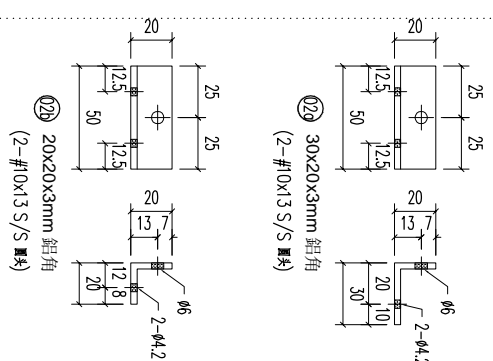
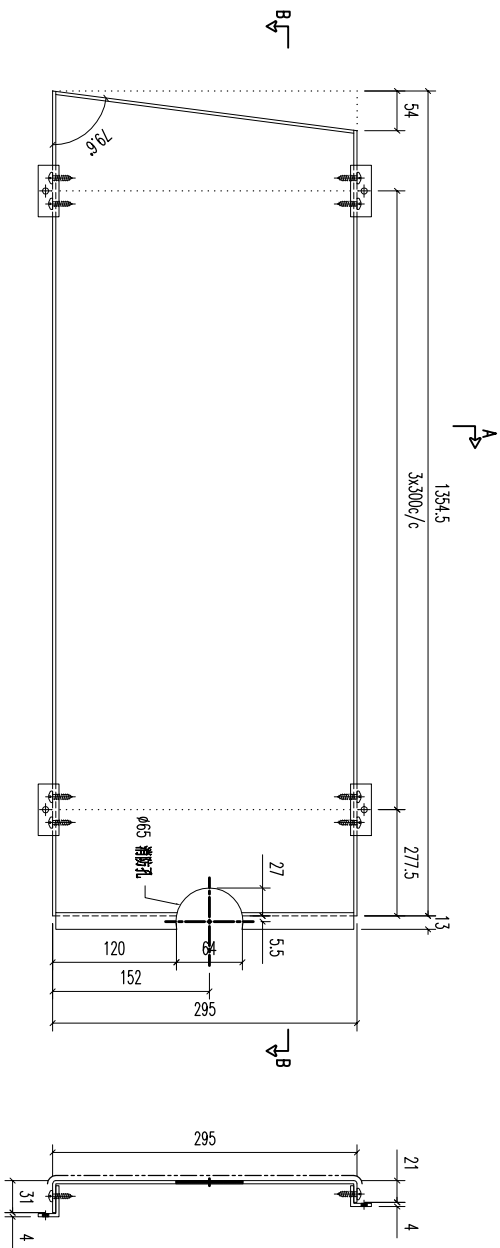
序号	材料规格	长度	开料	开料	配件描述	数量	备注
02b	20x20x3mm 铝角	50		4			
02c	30x20x3mm 铝角	50		4			

工厂	W/CENTRE	CUT ENDS	FINISH	DATE	DRAMN	SCALE	POST PAINT	PART
01	M&B/S&B&A/F&B		EC-DG-0334232-201 (AL1)	5/8/2023	YEUNG	1:5		

美特铝质有限公司
MIDI ALUMINIUM FABRICATOR LTD.
Units 6-8, Sunroy Industrial Centre, 1/F
610 Cha Kwo Ling Road, Kowloon
Tel:23489211-4 Fax:(852)27727666

REV.	DATE	AMENDMENT	REVISD BY	PROJECT J853-PODIUM ALUM CEILING & FEATURE CLADDING T3 3/F	JOB NO. J853	DRAWING TITLE 铝板天花加工图 3mm THK ALUM. PLATE	DRAWING NO. T3-CE23-02	SHT. -/-	REV. -
------	------	-----------	-----------	--	-----------------	---	---------------------------	-------------	-----------

REV.	CHECKED BY	PART NUMBER	Dim. A	Dim. B	Dim. C	Dim. D	Dim. E	Dim. F	Dim. G	QTY	Inv. Code	ASSEMBLE ON PARTS	EXTR. DRAWING PART DRAWING
-		T3-CE23-06								1			



序号	材料规格	长度	开料	开料	配件描述	数量	备注
02b	20x20x3mm 铝角	50		开料		4	
02c	30x20x3mm 铝角	50		开料		4	

工厂	W/CENTRE	CUT ENDS	FINISH	DATE	POST PAINT	PART
01	M&B/S&B&A/F&B		EC-DG-0334232-201 (AL1)	5/8/2023	PRE PAINT	

美特铝质有限公司
MIDI ALUMINIUM FABRICATOR LTD.
Units 6-8, Sunroy Industrial Centre, 1/F
610 Cha Kwo Ling Road, Kowloon
Tel:23489211-4 Fax:(852)27727666

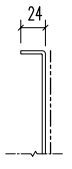
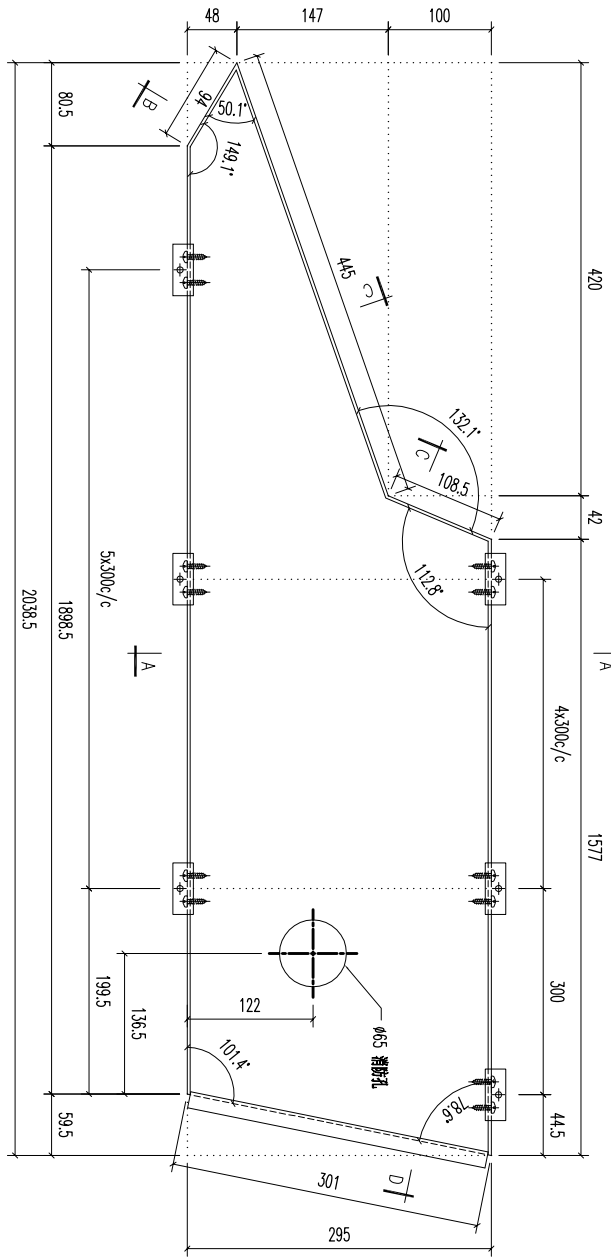
REV.	DATE	AMENDMENT	REVISD BY

PROJECT J853-PODIUM ALUM CEILING
& FEATURE CLADDING T3 3/F
JOB NO. J853

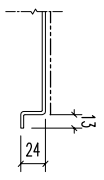
DRAWING TITLE
铝板天花加工图
3mm THK ALUM. PLATE

DRAWING NO. T3-CE23-06
SCALE 1:5
SHT. -/-
REV. -

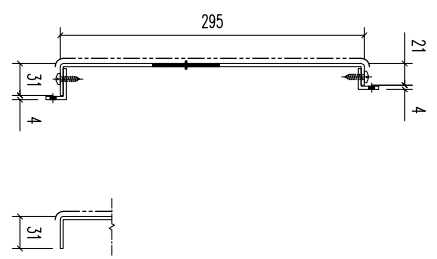
REV.	CHECKED BY	PART NUMBER	Dim. A	Dim. B	Dim. C	Dim. D	Dim. E	Dim. F	Dim. G	QTY	Inv. Code	ASSEMBLE ON PARTS	EXTR. DRAWING
-	T3-CE24-01									1			



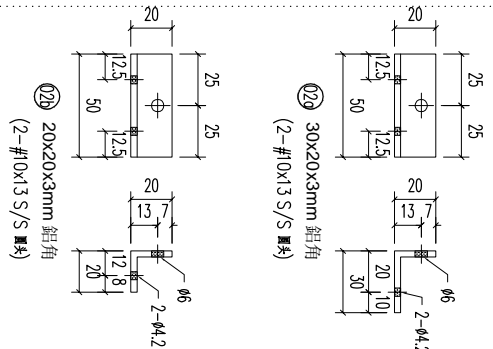
SECTION C



SECTION D



SECTION A-A



序号	材料规格	长度	开料	开料	配件描述	数量	备注
02b	20x20x3mm 铝角	50		6			
02c	30x20x3mm 铝角	50		6			

美特铝质有限公司
MIDI ALUMINUM FABRICATOR LTD.
Units 6-8, Sunroy Industrial Centre, 1/F
610 Cha Kwo Ling Road, Kowloon
Tel:23489211-4 Fax:(852)27727666

PROJECT J853-PODIUM ALUM CEILING
& FEATURE CLADDING T3 3/F
JOB NO. J853

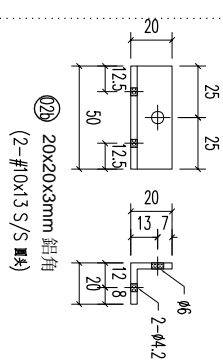
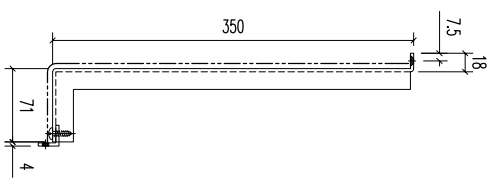
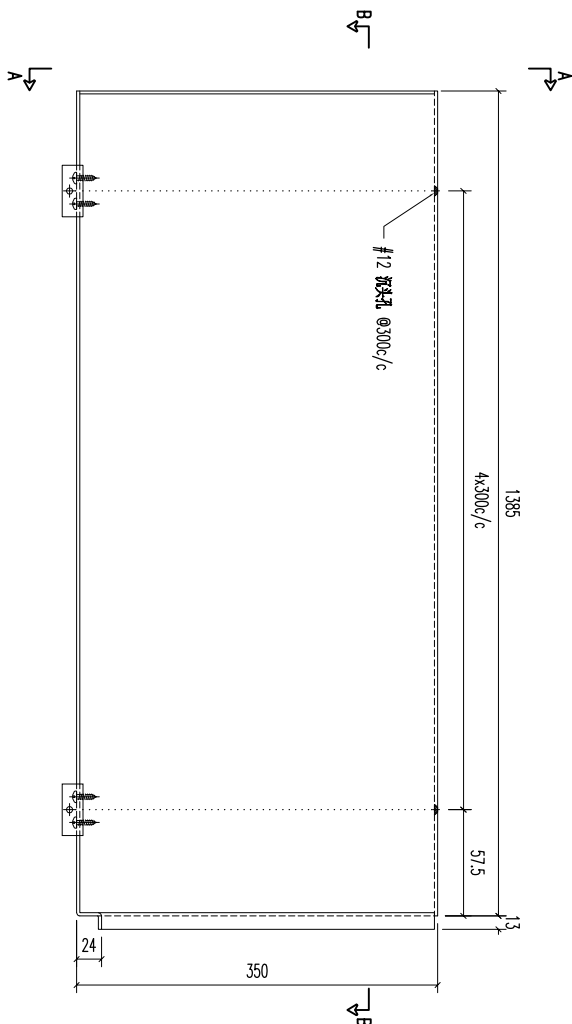
FACTORY	W/CENTRE	CUT ENDS	FINISH	DATE
01	M&B/S&B&F&B	±1°	EC-DG-D334232-201 (A1)	5/8/2023

DRAWING TITLE	DRAWN	POST PAINT	PART
铝板天花加工图	YEUNG	SCALE 1:5	TRACK TYPE S.....

STANDARD	TOLERANCES	ANGLE	SQUARENESS
X X . X ±1	X X . X ±0.5	±1°	±1°

REV.	DATE	AMENDMENT	REVISED BY
-			

REV.	CHECKED BY	PART NUMBER	Dim. A	Dim. B	Dim. C	Dim. D	Dim. E	Dim. F	Dim. G	QTY	Inv. Code	ASSEMBLE ON PARTS	EXTR. PART DRAWING
-		T3-CE31-01								12			



SECTION B-B

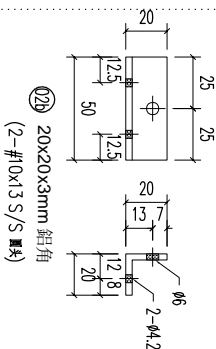
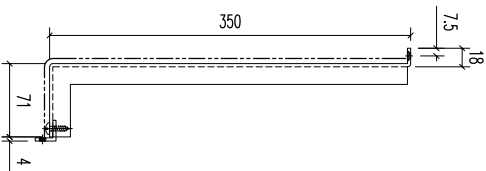
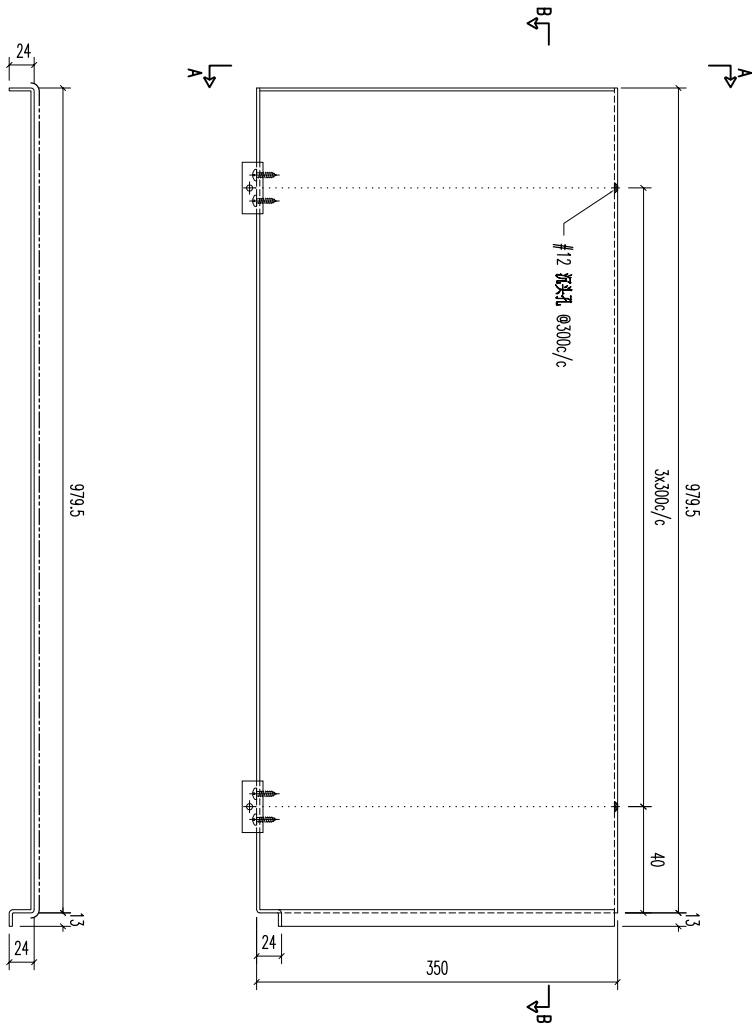
SECTION A-A

02b	20x20x3mm 鋁角	50	5	5/8/2023	YEUNG	1:5		
序號	材料規格	長度	開料	DATE	DRAWN	SCALE	POST PAINT	PART
01	W/CENTRE 1000/SKDA/FAB	CUT ENDS	FINISH	5/8/2023	YEUNG	1:5		
Standard	X X . = ±1	Angle	±1°					
Tolerances	X X . X = ±05	Squareness	±1°					

美特鋁質有限公司
MIDI ALUMINIUM FABRICATOR LTD.
 Units 6-8, Sunroy Industrial Centre, 1/F
 610 Cha Kwo Ling Road, Kowloon
 Tel:23489211-4 Fax:(852)27727666

REV.	DATE	AMENDMENT	REVISED BY	PROJECT	JOB NO.	DRAWING TITLE	DRAWING NO.	SHT.	REV.
				J853-PODIUM ALUM CEILING & FEATURE CLADDING T3 3/F	J853	鋁板天花加工圖 3mm THK ALUM. PLATE	T3-CE31-01	-/-	-

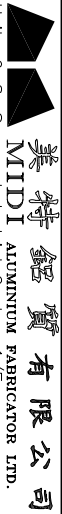
REV.	CHECKED BY	PART NUMBER	Dim. A	Dim. B	Dim. C	Dim. D	Dim. E	Dim. F	Dim. G	QTY	Inv. Code	ASSEMBLE ON PARTS	EXTR. PART DRAWING
-		T3-CE31-02								2			



SECTION B-B

SECTION A-A

02b	20x20x3mm 鋁角	50	開料	4	
序號	材料規格	長度	配件描述	數量	备注

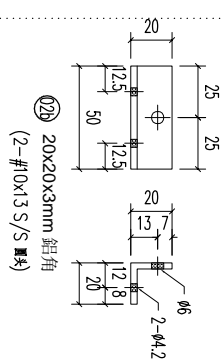
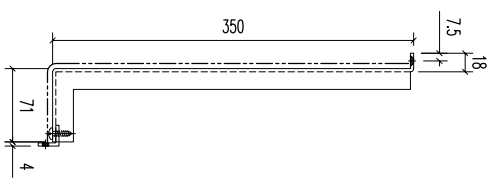
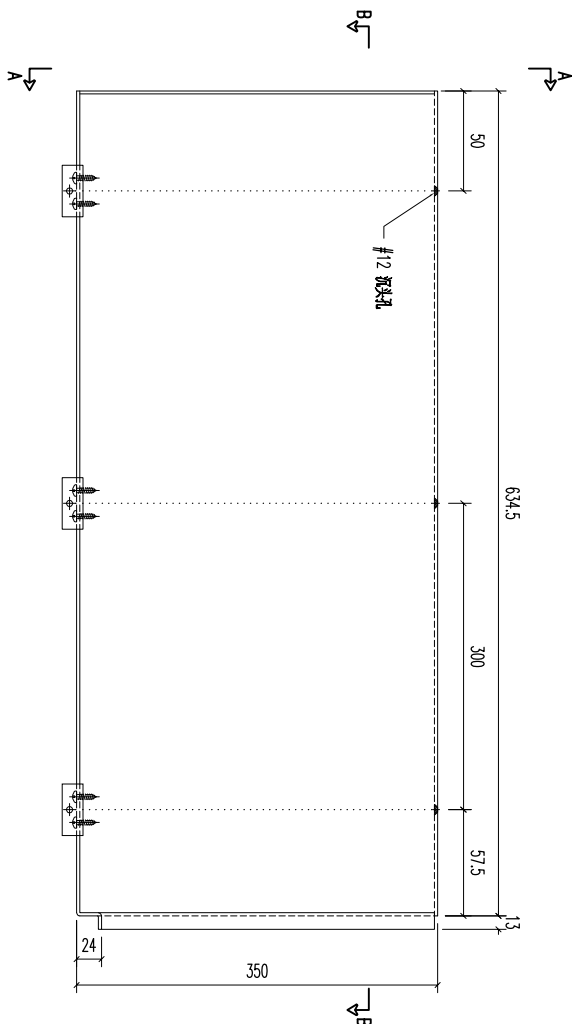


美特鋁質有限公司
MIDU ALUMINUM FABRICATOR LTD.
 Units 6-8, Sunroy Industrial Centre, 1/F
 610 Cha Kwo Ling Road, Kowloon
 Tel:23489211-4 Fax:(852)27727666

PROJECT **J853-PODIUM ALUM CEILING & FEATURE CLADDING T3 3/F**
 JOB NO. **J853**

DRAWING TITLE	鋁板天花加工圖	DRAWING NO.	T3-CE31-02
Standard	X X . = ±1	Angle	±1°
Tolerances	X X . X = ±05	Squareness	±1°
FINISH	EC-DG-0334232-201 (AL1)	DATE	5/8/2023
W/CENTRE MARK/SKID/FAB		DRAWN	YEUNG
CUT ENDS		POST PAINT	
		PRE PAINT	
		SCALE	1:5
		PART	
		SUB ASSEM.	
		TRACK TYPE	S.....
		SHT.	-/-
		REV.	-

REV.	CHECKED BY	PART NUMBER	Dim. A	Dim. B	Dim. C	Dim. D	Dim. E	Dim. F	Dim. G	QTY	Inv. Code	EXTR. PART DRAWING
-		T3-CE31-03								2		



SECTION B-B

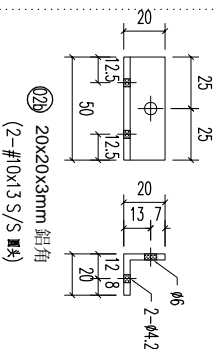
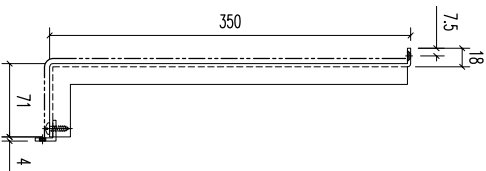
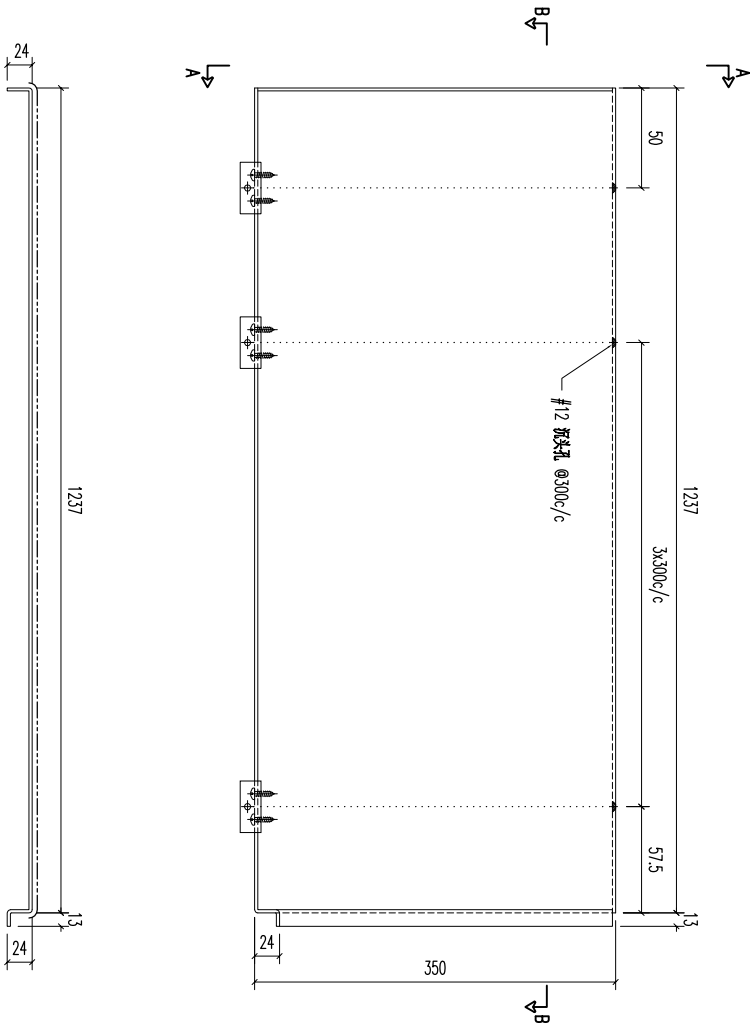
SECTION A-A

02b	20x20x3mm 鋁角	50	開料	3	
序號	材料規格	長度	配件描述	數量	备注

美特鋁質有限公司
MIDI ALUMINUM FABRICATOR LTD.
Units 6-8, Sunroy Industrial Centre, 1/F
610 Cha Kwo Ling Road, Kowloon
Tel:23489211-4 Fax:(852)27727666

REV.	DATE	AMENDMENT	REVISED BY	PROJECT	JOB NO.	DRAWING TITLE	DRAWING NO.	SHT.	REV.
				J853-PODIUM ALUM CEILING & FEATURE CLADDING T3 3/F	J853	鋁板天花加工圖 3mm THK ALUM. PLATE	T3-CE31-03	-/-	-

REV.	CHECKED BY	PART NUMBER	Dim. A	Dim. B	Dim. C	Dim. D	Dim. E	Dim. F	Dim. G	QTY	Inv. Code	ASSEMBLE ON PARTS	EXTR. PART DRAWING
-		T3-CE31-04								2			



SECTION B-B

SECTION A-A

02b	20x20x3mm 鋁角	50	開料	5	
序號	材料規格	長度	零件描述	數量	備註

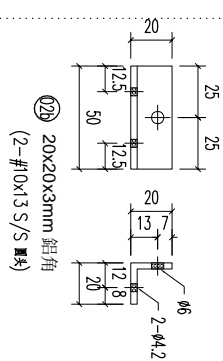
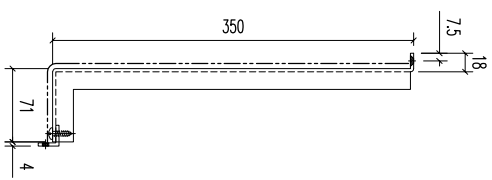
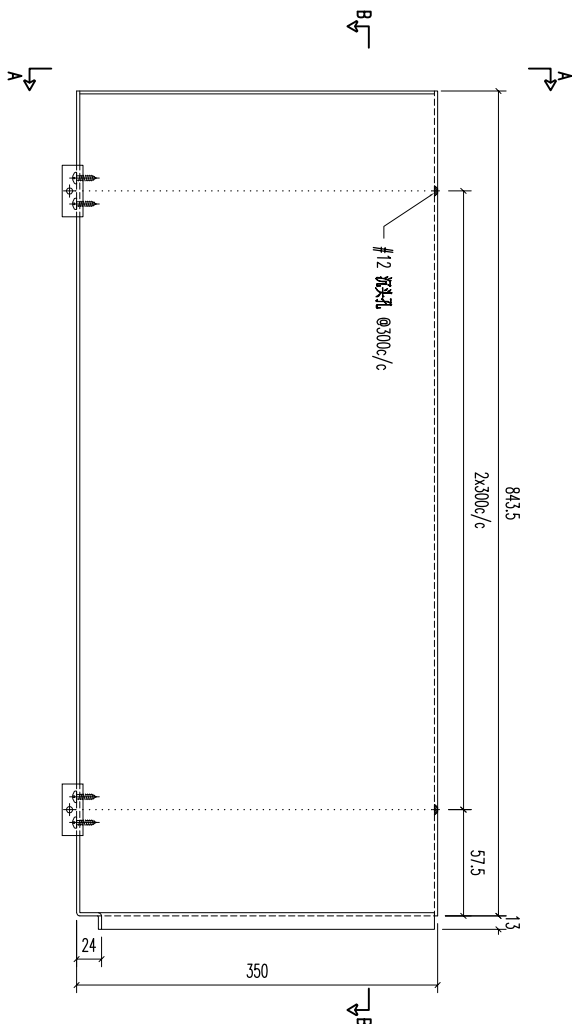
美特鋁質有限公司
MIDI ALUMINUM FABRICATOR LTD.
Units 6-8, Sunroy Industrial Centre, 1/F
610 Cha Kwo Ling Road, Kowloon
Tel:23489211-4 Fax:(852)27727666

REV.	DATE	AMENDMENT	REVISED BY	PROJECT	JOB NO.
				J853-PODIUM ALUM CEILING & FEATURE CLADDING T3 3/F	J853

Standard	X X . = ±1	Angle	±1°	DATE	5/8/2023
Tolerances	X X . X = ±05	Squareness	±1°	DRAWING TITLE	鋁板天花加工圖
					3mm THK ALUM. PLATE

DRAWING NO.	T3-CE31-04	DRAWING TITLE	鋁板天花加工圖
POST PAINT	PRE PAINT	SCALE	1:5
PART	SUB ASSEM.	SHT.	-/-
TRACK TYPE	S.....	REV.	-

REV.	CHECKED BY	PART NUMBER	Dim. A	Dim. B	Dim. C	Dim. D	Dim. E	Dim. F	Dim. G	QTY	Inv. Code	ASSEMBLE ON PARTS	EXTR. PART DRAWING
-		T3-CE31-05								1			



SECTION B-B

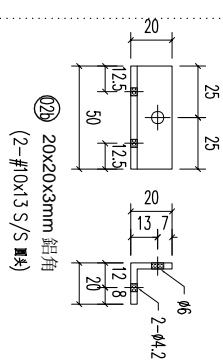
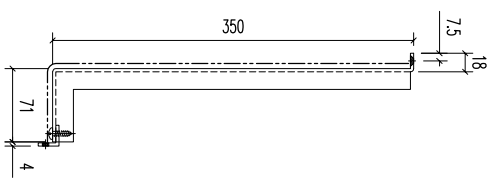
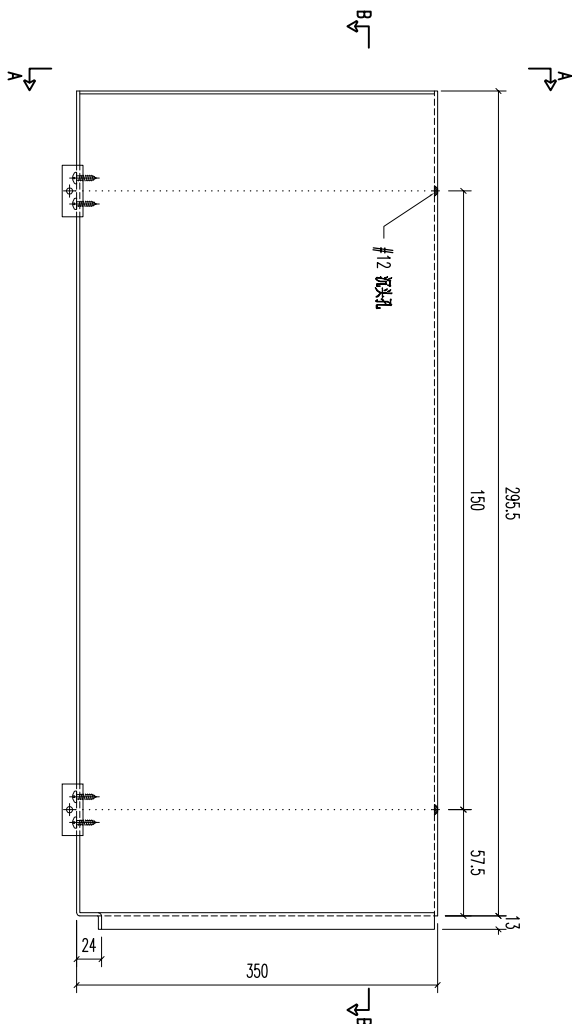
SECTION A-A

02b	20x20x3mm 鋁角	50	開料	3	
序號	材料規格	長度	配件描述	數量	備註

美特鋁質有限公司
MIDI ALUMINIUM FABRICATOR LTD.
 Units 6-8, Sunroy Industrial Centre, 1/F
 610 Cha Kwo Ling Road, Kowloon
 Tel:23489211-4 Fax:(852)27727666

REV.	DATE	AMENDMENT	REVISED BY	PROJECT	JOB NO.	DRAWING TITLE	DRAWING NO.	SHT.	REV.
				J853-PODIUM ALUM CEILING & FEATURE CLADDING T3 3/F	J853	鋁板天花加工圖 3mm THK ALUM. PLATE	T3-CE31-05	-/-	-

REV.	CHECKED BY	PART NUMBER	Dim. A	Dim. B	Dim. C	Dim. D	Dim. E	Dim. F	Dim. G	QTY	Inv. Code	ASSEMBLE ON PARTS	EXTR. PART DRAWING
-		T3-CE31-06								1			



SECTION B-B

SECTION A-A

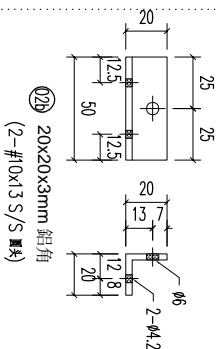
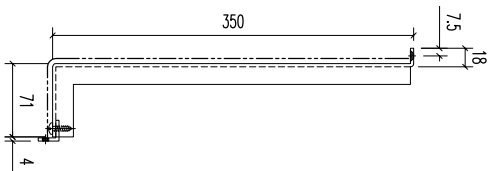
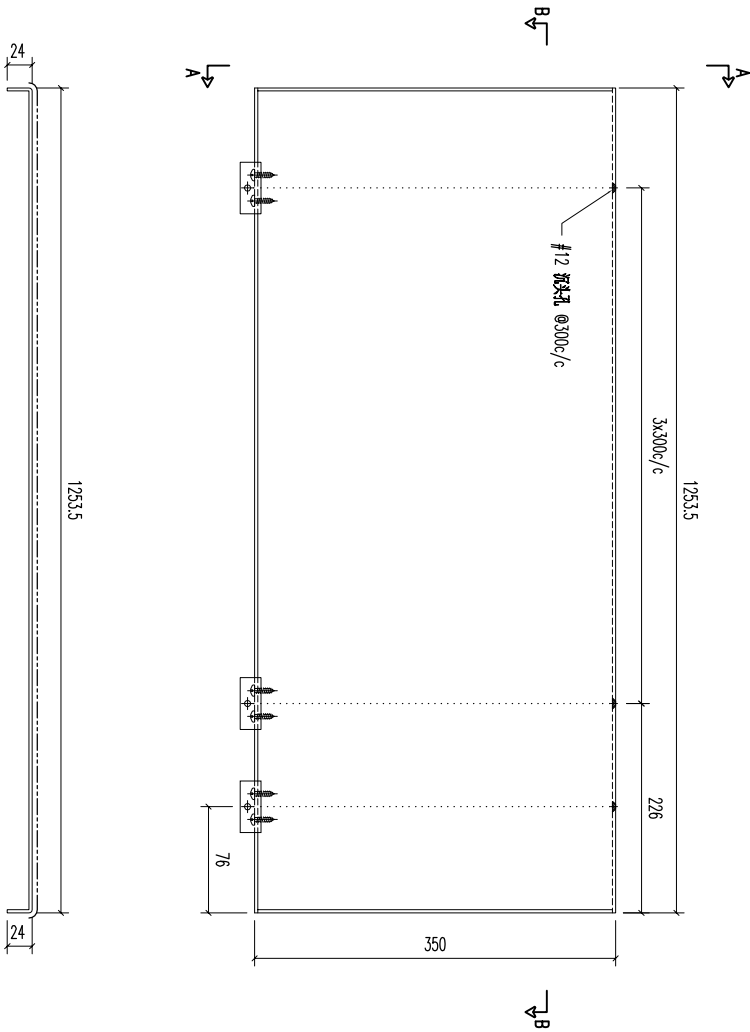
02b	20x20x3mm 鋁角	50	開料	2	
序號	材料規格	長度	配件描述	數量	備註

美特鋁質有限公司
MIDI ALUMINUM FABRICATOR LTD.
Units 6-8, Sunroy Industrial Centre, 1/F
610 Cha Kwo Ling Road, Kowloon
Tel:23489211-4 Fax:(852)27727666

REV.	DATE	AMENDMENT	REVISED BY	PROJECT	JOB NO.
				J853-PODIUM ALUM CEILING & FEATURE CLADDING T3 3/F	J853

DRAWING TITLE	DRAWING NO.	POST PAINT	PART	SHT.	REV.
鋁板天花加工圖 3mm THK ALUM. PLATE	T3-CE31-06	噴塗 PRE PAINT	噴塗 SUB ASSEM.	-/-	-
Standard X X . = ±1 Tolerances X X . X = ±05	DATE	SCALE	TRACK TYPE		
	5/8/2023	1:5	S.....		

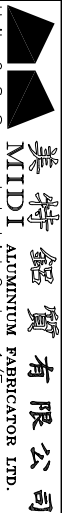
REV.	CHECKED BY	PART NUMBER	Dim. A	Dim. B	Dim. C	Dim. D	Dim. E	Dim. F	Dim. G	QTY	Inv. Code	ASSEMBLE ON PARTS	EXTR. PART DRAWING
-		T3-CE32-01								1			



SECTION B-B

SECTION A-A

02b	20x20x3mm 鋁角	50	開料	5	
序號	材料規格	長度	配件描述	數量	备注

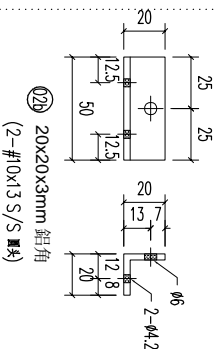
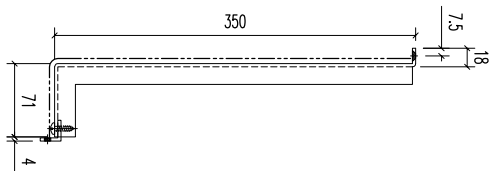
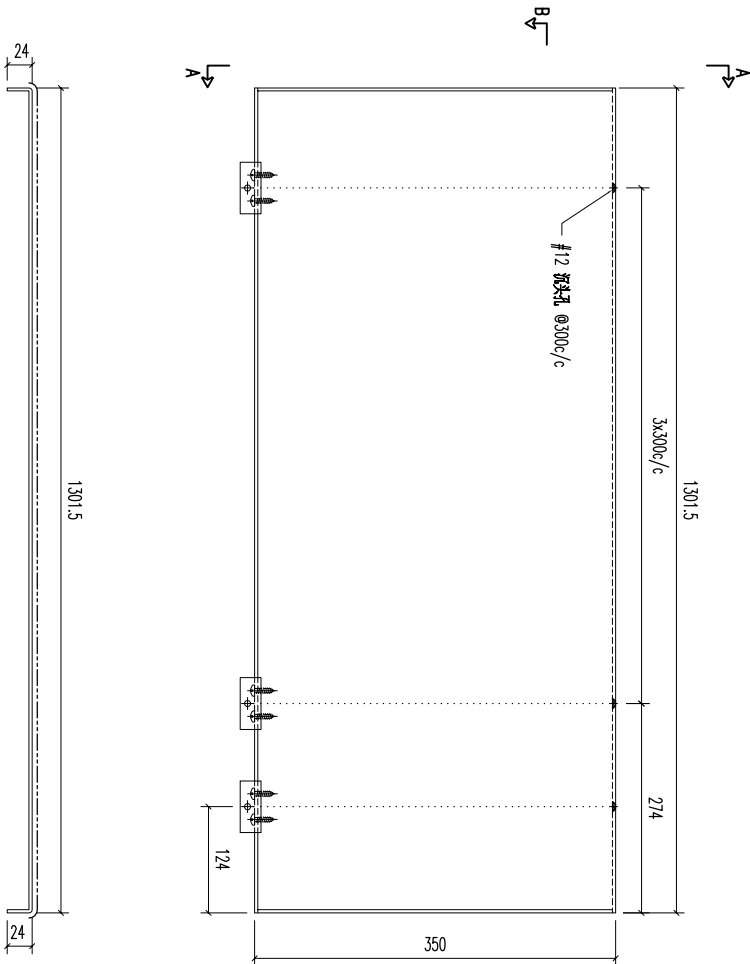


美特鋁質有限公司
MIDU ALUMINUM FABRICATOR LTD.
Units 6-8, Sunroy Industrial Centre, 1/F
610 Cha Kwo Ling Road, Kowloon
Tel:23489211-4 Fax:(852)27727666

PROJECT J853-PODIUM ALUM CEILING
& FEATURE CLADDING T3 3/F
JOB NO. J853

STANDARD	X X . = ±1	ANGLE	±1°	DATE	5/8/2023	DRAWING TITLE	鋁板天花加工圖	DRAWING NO.	T3-CE32-01	SHT.	-/-	REV.	-
TOLERANCES	X X . X = ±05	SQUARENESS	±1°				3mm THK ALUM. PLATE						
FACTORY	01	W/CENTRE	MAX/SCBA/FAB	FINISH	EC-DG-0334232-201 (AL1)	POST PAINT	PRE PAINT	PART					
						SCALE	1:5	TRACK TYPE	S.....				

REV.	CHECKED BY	PART NUMBER	Dim. A	Dim. B	Dim. C	Dim. D	Dim. E	Dim. F	Dim. G	QTY	Inv. Code	ASSEMBLE ON PARTS	EXTR. PART DRAWING
-		T3-CE32-02								1			



SECTION B-B

SECTION A-A

02b	20x20x3mm 鋁角	50	開料	5	
序號	材料規格	長度	配件描述	數量	備註



美特鋁質有限公司
MIDU ALUMINUM FABRICATOR LTD.
Units 6-8, Sunroy Industrial Centre, 1/F
610 Cha Kwo Ling Road, Kowloon
Tel:23489211-4 Fax:(852)27727666

PROJECT J853-PODIUM ALUM CEILING
& FEATURE CLADDING T3 3/F

JOB NO. J853

DRAWING TITLE
鋁板天花加工圖
3mm THK ALUM. PLATE

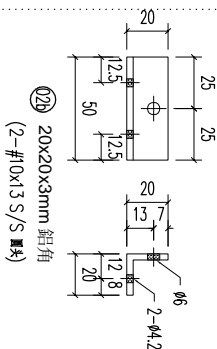
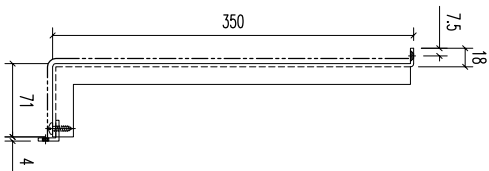
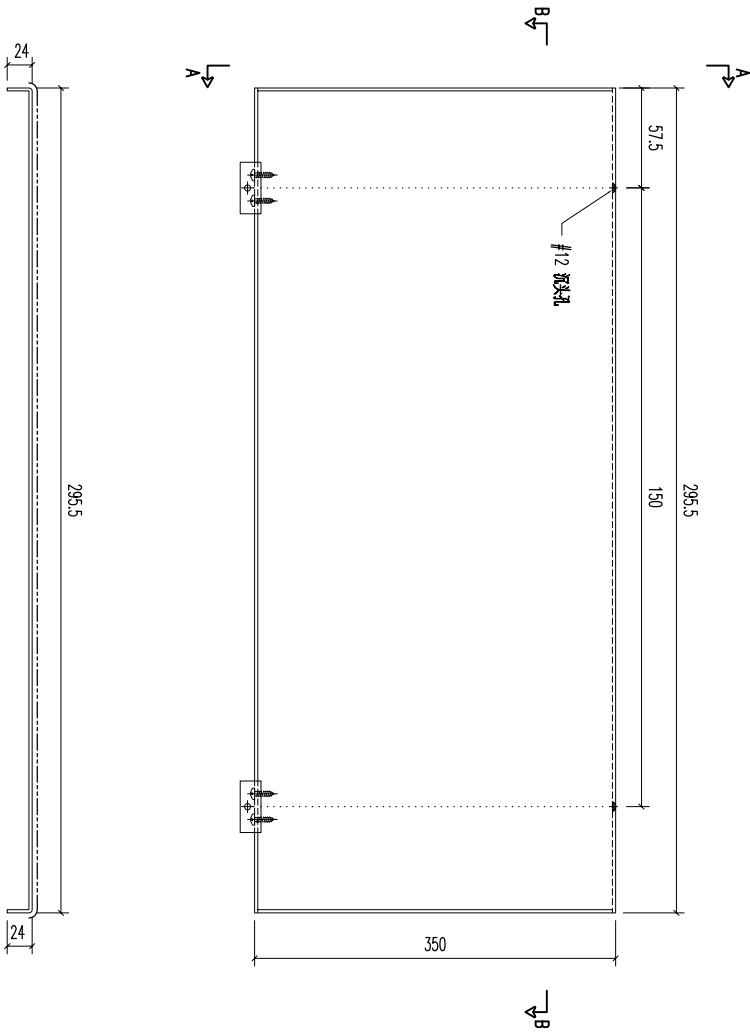
DRAWING NO. T3-CE32-02

SHT. -/-
REV. -

Standard	W/CENTRE	CUT ENDS	FINISH	DATE	POST PAINT	PART
X X . = ±1	M&B/S&B/F&B	Angle ±1°	EC-DG-0334232-201 (AL1)	5/8/2023	PRE PAINT	×
X X . X = ±05		Squareness ±1°			SCALE	1:5
					TRACK TYPE	S.....

REV.	DATE	AMENDMENT	REVISED BY

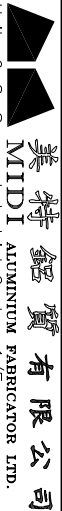
REV.	CHECKED BY	PART NUMBER	Dim. A	Dim. B	Dim. C	Dim. D	Dim. E	Dim. F	Dim. G	QTY	Inv. Code	ASSEMBLE ON PARTS	EXTR. PART DRAWING
-		T3-CE32-03								1			



SECTION B-B

SECTION A-A

02b	20x20x3mm 鋁角	50	開料	2	
序號	材料規格	長度	零件描述	數量	備註



美特鋁質有限公司
MIDU ALUMINUM FABRICATOR LTD.
Units 6-8, Sunroy Industrial Centre, 1/F
610 Cha Kwo Ling Road, Kowloon
Tel:23489211-4 Fax:(852)27727666

PROJECT J853-PODIUM ALUM CEILING
& FEATURE CLADDING T3 3/F

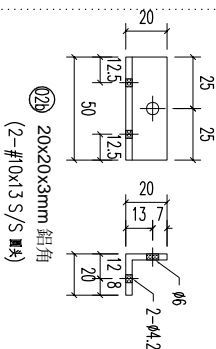
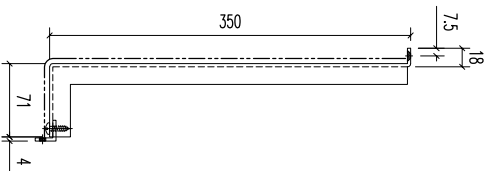
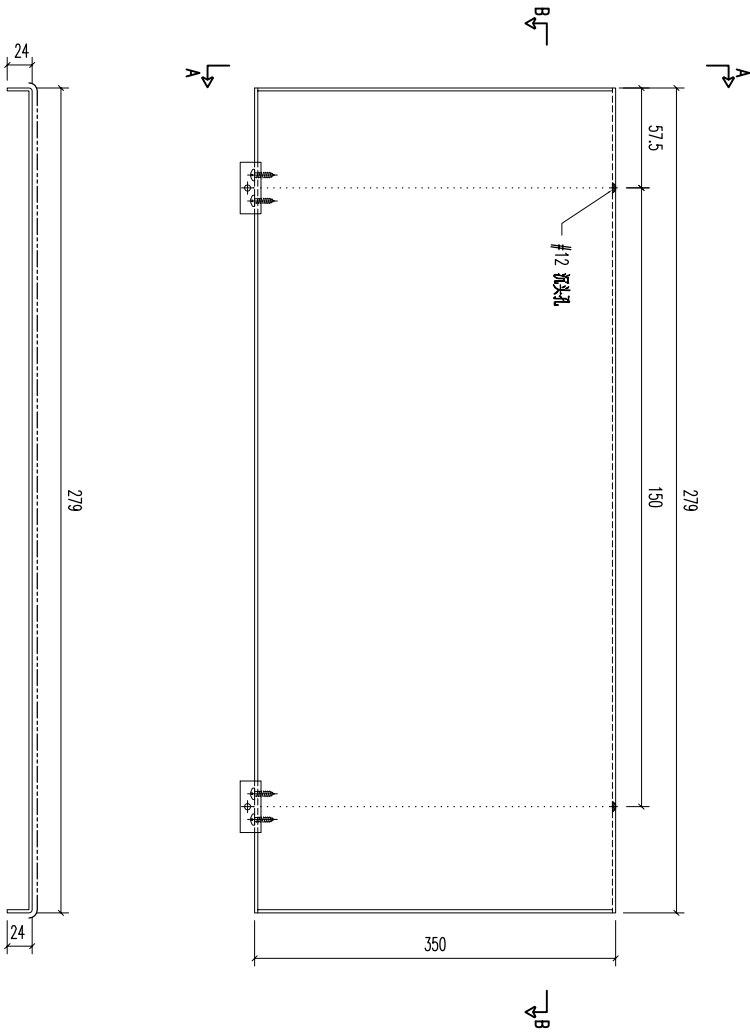
JOB NO. J853

FACTORY	W/CENTRE	CUT ENDS	FINISH	DATE	DRAWN	POST PAINT	PART
01	M&B/S&B/F&B		EC-DG-0334232-201 (AL1)	5/8/2023	YEUNG	PRE PAINT	SUB ASSEM.
Standard	X X . = ±1	Angle	±1°			SCALE	1:5
Tolerances	X X . X = ±05	Squareness	±1°				TRACK TYPE
							S.....

DRAWING TITLE
鋁板天花加工圖
3mm THK ALUM. PLATE

DRAWING NO. T3-CE32-03
SHT. -/-
REV. -

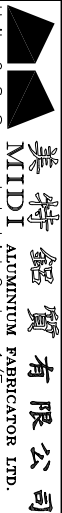
REV.	CHECKED BY	PART NUMBER	Dim. A	Dim. B	Dim. C	Dim. D	Dim. E	Dim. F	Dim. G	QTY	Inv. Code	ASSEMBLE ON PARTS	EXTR. PART DRAWING
-		T3-CE32-04								2			



SECTION B-B

SECTION A-A

02b	20x20x3mm 鋁角	50	開料	2	
序號	材料規格	長度	零件描述	數量	備註



美特鋁質有限公司
MIDU ALUMINUM FABRICATOR LTD.

Units 6-8, Sunroy Industrial Centre, 1/F
610 Cha Kwo Ling Road, Kowloon
Tel:23489211-4 Fax:(852)27727666

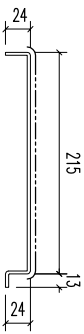
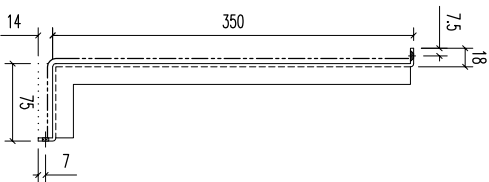
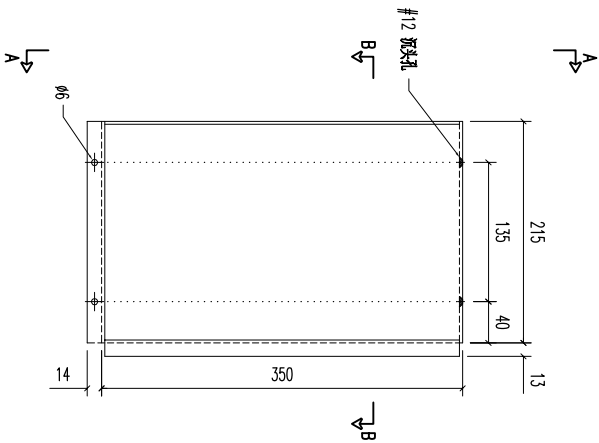
REV.	DATE	AMENDMENT	REVISED BY

PROJECT **J853-PODIUM ALUM CEILING & FEATURE CLADDING T3 3/F**
JOB NO. **J853**

DRAWING TITLE
**鋁板天花加工圖
3mm THK ALUM. PLATE**

DRAWING NO.	T3-CE32-04	POST PAINT	PRE PAINT	PART	SHT.	REV.
DRAWN	YEUNG	SCALE	1:5	TRACK TYPE	-/-	-
FINISH	EC-DG-0334232-201 (AL1)	SPRINT				
DATE	5/8/2023	ANGLE	±1°			
TOLERANCES	X X . X = ±1 X X . X = ±0.5	SQUARENESS	±1°			

REV.	CHECKED BY	PART NUMBER	Dim. A	Dim. B	Dim. C	Dim. D	Dim. E	Dim. F	Dim. G	QTY	Inv. Code	ASSEMBLE ON PARTS	EXTR. DRAWING PART DRAWING
-		T3-CE33-01								2			

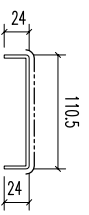
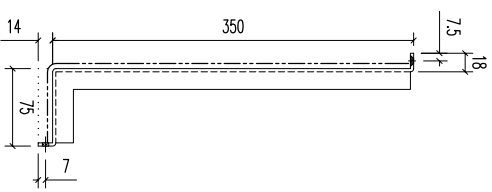
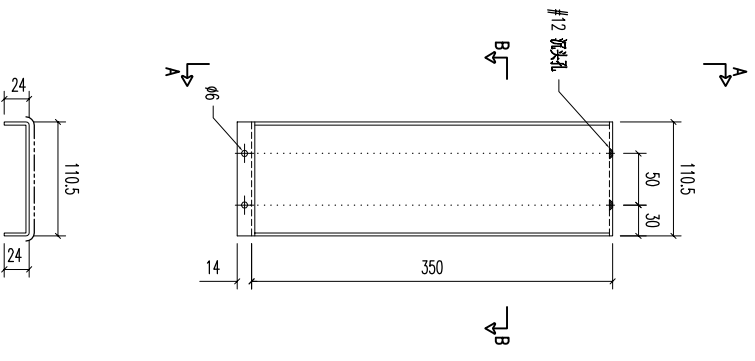


SECTION B-B

SECTION A-A


REV.	DATE	AMENDMENT	REVISED BY	 美特鋁質有限公司 MIDI ALUMINUM FABRICATOR LTD. Units 6-8, Sunroy Industrial Centre, 1/F 610 Cha Kwo Ling Road, Kowloon Tel:23489211-4 Fax:(852)27727666	PROJECT J853-PODIUM ALUM CEILING & FEATURE CLADDING T3 3/F	JOB NO. J853	FACTORY 01 Standard X X . = ±1 Tolerances X X . X = ±05	W/CENTRE MAX/SCA/FAB	CUT ENDS Angle ±1° Squareness ±1°	FINISH EC-DG-0334232-201 (AL1)	DRAWING TITLE 鋁板天花加工圖 3mm THK. ALUM. PLATE	DRAWING NO. T3-CE33-01	噴塗 PRE PAINT SCALE 1:5	PART SUB ASSEM.	SHI. -/-	REV. -
------	------	-----------	------------	--	--	------------------------	---	-------------------------	---	-----------------------------------	---	---------------------------	------------------------------	--------------------	-------------	-----------

REV.	CHECKED BAR BY	PART NUMBER	Dim. A	Dim. B	Dim. C	Dim. D	Dim. E	Dim. F	Dim. G	QTY	Inv. Code	ASSEMBLE ON PARTS	EXTR. DRAWING PART DRAWING
-		T3-CE34-01								1			

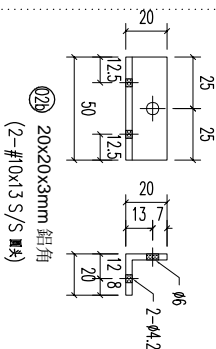
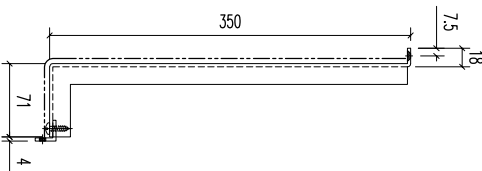
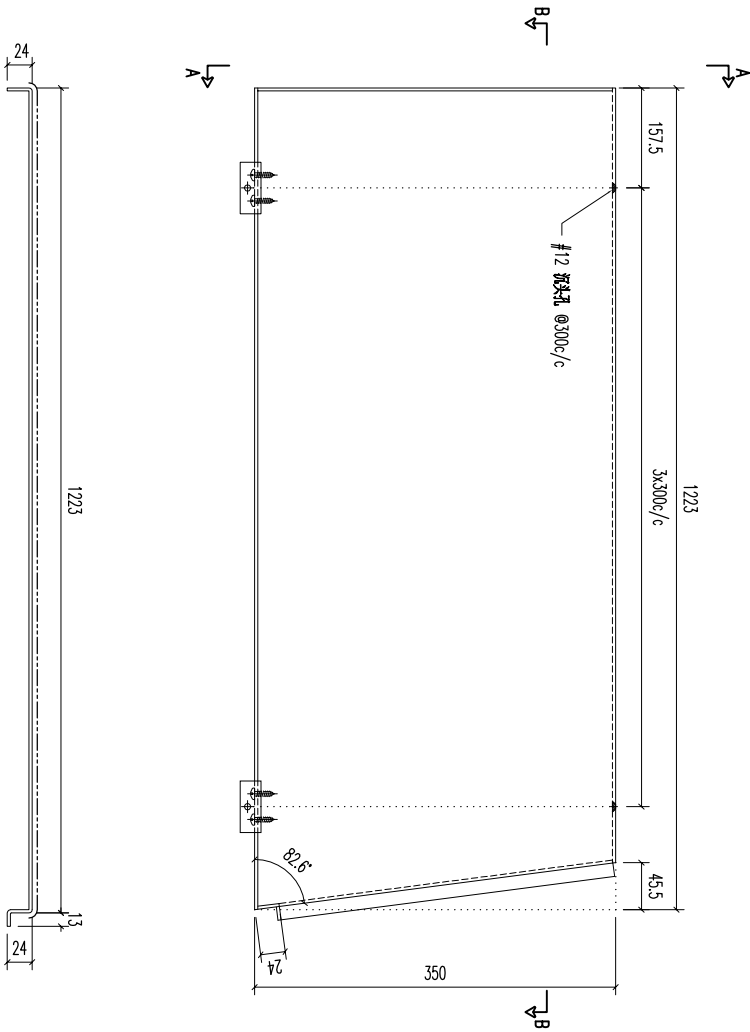


SECTION B-B

SECTION A-A

REV.	DATE	AMENDMENT	REVISED BY	 美特鋁質有限公司 MIDI ALUMINIUM FABRICATOR LTD. Units 6-8, Sunroy Industrial Centre, 1/F 610 Cha Kwo Ling Road, Kowloon Tel:23489211-4 Fax:(852)27727666	PROJECT J853-PODIUM ALUM CEILING & FEATURE CLADDING T3 3/F JOB NO. J853	FACTORY	W/CENTRE	CUT ENDS	FINISH	DRAWING NO.	POST PAINT	PART	
						01	M&B/S&B&A/F&B		EC-DG-0334232-201 (AL1)	T3-CE34-01	PRE PAINT	SUB ASSEM.	
						Standard	X X . = ±1	Angle	±1°	5/8/2023	YEUNG	SCALE	TRACK TYPE
						Tolerances	X X . X = ±0.5	Squareness	±1°			1:5	S.....
				DRAWING TITLE 鋁板天花加工圖 3mm THK. ALUM. PLATE		DRAWING NO. T3-CE34-01		SHT.	REV.				
								-/-	-				

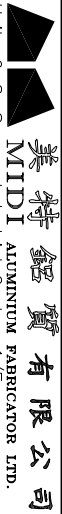
REV.	CHECKED BY	PART NUMBER	Dim. A	Dim. B	Dim. C	Dim. D	Dim. E	Dim. F	Dim. G	QTY	Inv. Code	ASSEMBLE ON PARTS	EXTR. PART DRAWING
-		T3-CE35-01								1			



SECTION B-B

SECTION A-A

02b	20x20x3mm 鋁角	50	開料	4	
序號	材料規格	長度	零件描述	數量	備註



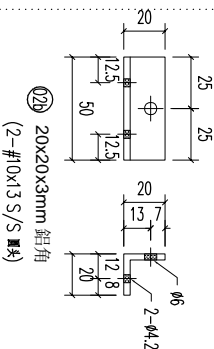
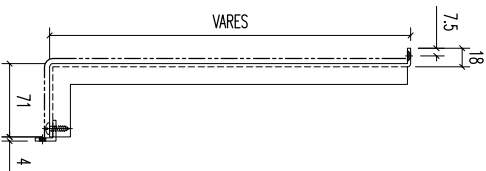
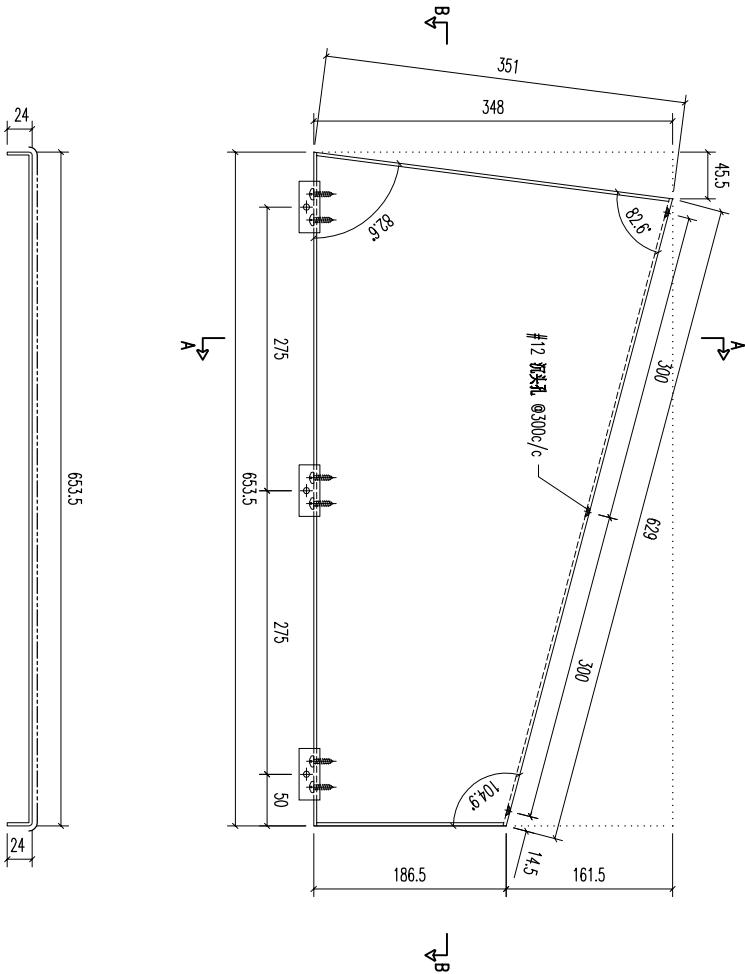
美特鋁質有限公司
MIDU ALUMINUM FABRICATOR LTD.

Units 6-8, Sunroy Industrial Centre, 1/F
610 Cha Kwo Ling Road, Kowloon
Tel:23489211-4 Fax:(852)27727666

REV.	DATE	AMENDMENT	REVISED BY	PROJECT	JOB NO.	DRAWING TITLE	DRAWING NO.	SHT.	REV.
				J853-PODIUM ALUM CEILING & FEATURE CLADDING T3 3/F	J853	鋁板天花加工圖 3mm THK ALUM. PLATE	T3-CE35-01	-/-	-

FACTORY	W/CENTRE	CUT ENDS	FINISH	DATE	POST PAINT	PART
01	M&B/S&B/F&B		EC-DG-0334232-201 (AL1)	5/8/2023	SCALE	1:5
Standard	X X . = ±1	Angle	±1°		PRE PAINT	
Tolerances	X X . X = ±05	Squareness	±1°		SUB ASSEM.	
					TRACK TYPE	S.....

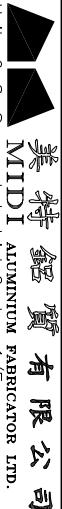
REV.	CHECKED	PART NUMBER	Dim. A	Dim. B	Dim. C	Dim. D	Dim. E	Dim. F	Dim. G	QTY	Inv. Code	ASSEMBLE ON PARTS	EXTR. DRAWING
-	BAR BY	T3-CE36-01								1			PART DRAWING



SECTION B-B

SECTION A-A

REV.	DATE	AMENDMENT	REVISED BY



美特鋁質有限公司
MIDU ALUMINUM FABRICATOR LTD.

Units 6-8, Sunroy Industrial Centre,
610 Cha Kwo Ling Road, Kowloon
Tel:23489211-4 Fax:(852)27727666

PROJECT J853-PODIUM ALUM CEILING
& FEATURE CLADDING T3 3/F

JOB NO. J853

02b	20x20x3mm 鋁角	50	開料	4	
序號	材料規格	長度	零件描述	數量	备注

FACTORY 01
W/CENTRE M806/SK0A/FAB

CUT ENDS
Angle $\pm 1^\circ$
Squariness $\pm 1^\circ$

FINISH
EC-DG-0334232-201 (AL1)
DATE 5/8/2023

DRAWN YEUNG

POST PAINT PRE PAINT

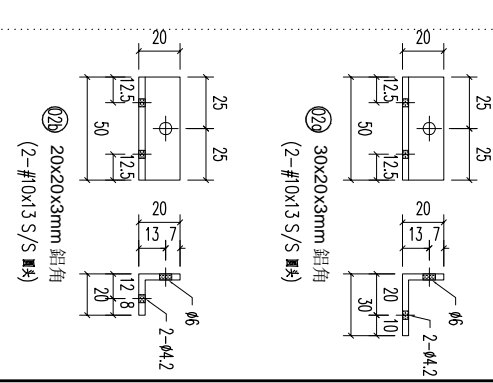
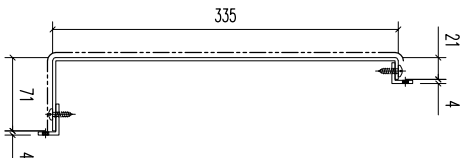
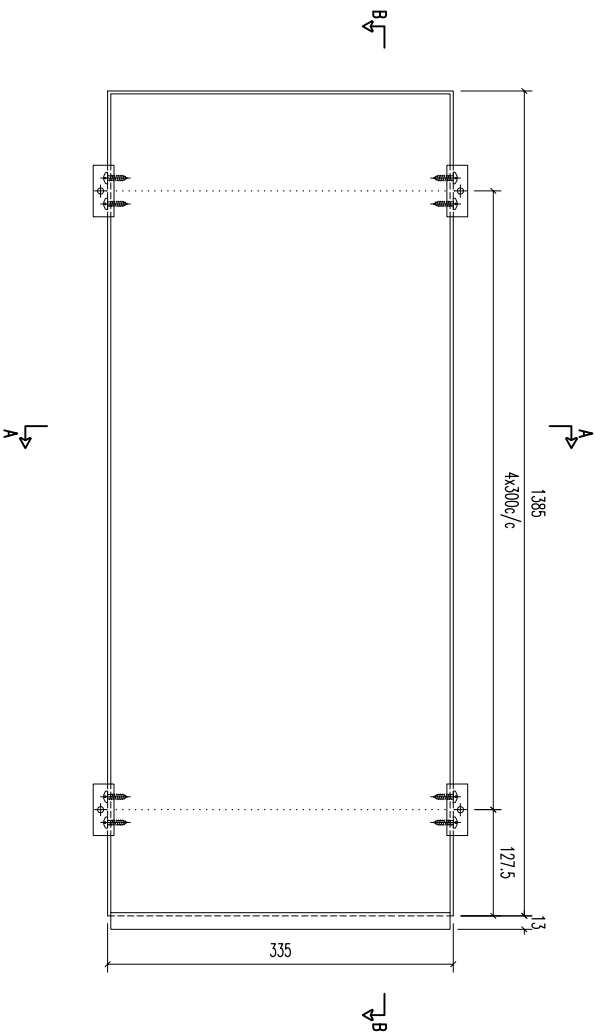
SCALE 1:5
PART SUB ASSEM.
TRACK TYPE S.....

DRAWING TITLE
鋁板天花加工圖
3mm THK ALUM. PLATE

DRAWING NO. T3-CE36-01

SHT. -/-
REV. -

REV.	CHECKED BY	PART NUMBER	Dim. A	Dim. B	Dim. C	Dim. D	Dim. E	Dim. F	Dim. G	QTY	Inv. Code	ASSEMBLE ON PARTS	EXTR. DRAWING PART DRAWING
-		T3-CE37-01								2			



SECTION B-B

SECTION A-A

序号	材料规格	长度	开料	开料	零件描述	数量	备注
02b	20x20x3mm 铝角	50		5			
02c	30x20x3mm 铝角	50		5			

工厂	W/CENTRE	CUT ENDS	FINISH	DATE	POST PAINT	PART
01	MAX84/SKBA/FAB		EC-DG-0334232-201 (AL1)	5/8/2023	PRE PAINT	

美特铝业有限公司
MIDI ALUMINUM FABRICATOR LTD.
Units 6-8, Sunroy Industrial Centre, 1/F
610 Cha Kwo Ling Road, Kowloon
Tel:23489211-4 Fax:(852)27727666

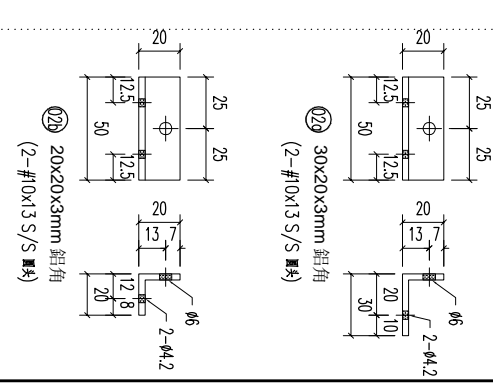
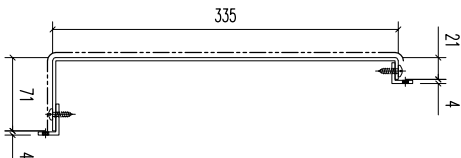
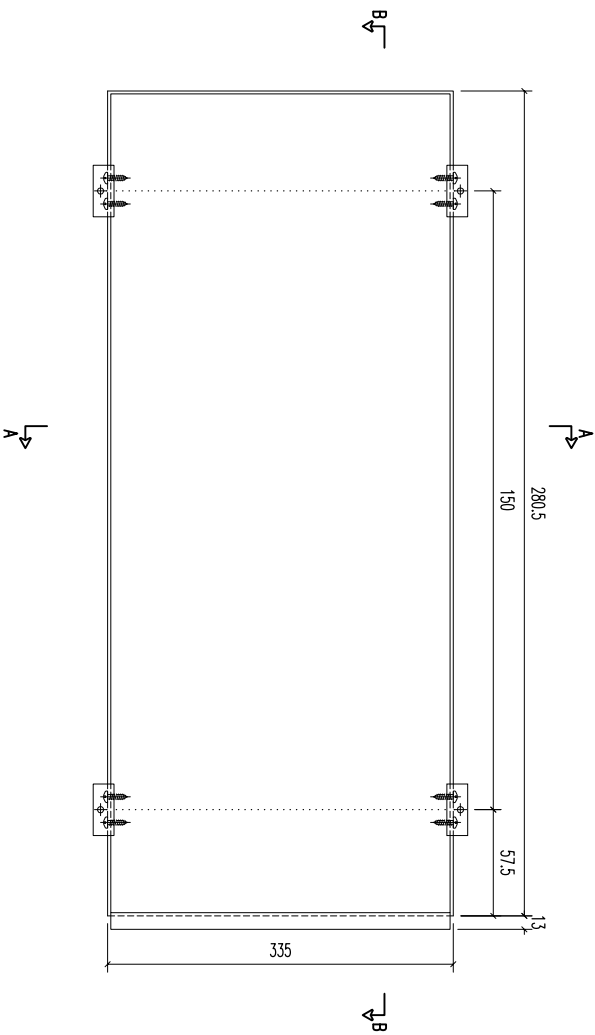
REV.	DATE	AMENDMENT	REVISD BY

PROJECT J853-PODIUM ALUM CEILING
& FEATURE CLADDING T3 3/F
JOB NO. J853

DRAWING TITLE
铝板天花加工图
3mm THK ALUM. PLATE

DRAWING NO. T3-CE37-01
SCALE 1:5
SHT. -/-
REV. -

REV.	CHECKED	PART NUMBER	Dim. A	Dim. B	Dim. C	Dim. D	Dim. E	Dim. F	Dim. G	QTY	Inv. Code	ASSEMBLE ON PARTS	EXTR. DRAWING
1	BAR BY	T3-CE37-02								1			PART DRAWING



SECTION B-B

SECTION A-A

序號	材料規格	長度	開料	開料	零件描述	數量	備註
02b	20x20x3mm 鋁角	50	2				
02c	30x20x3mm 鋁角	50	2				

美特鋁質有限公司
MIDI ALUMINIUM FABRICATOR LTD.
 Units 6-8, Sunroy Industrial Centre, 1/F
 610 Cha Kwo Ling Road, Kowloon
 Tel:23489211-4 Fax:(852)27727666

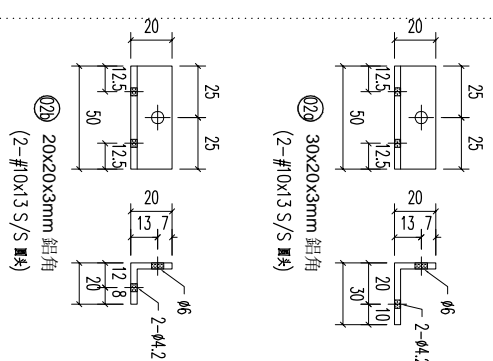
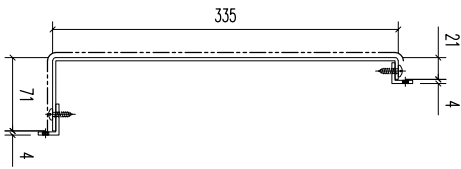
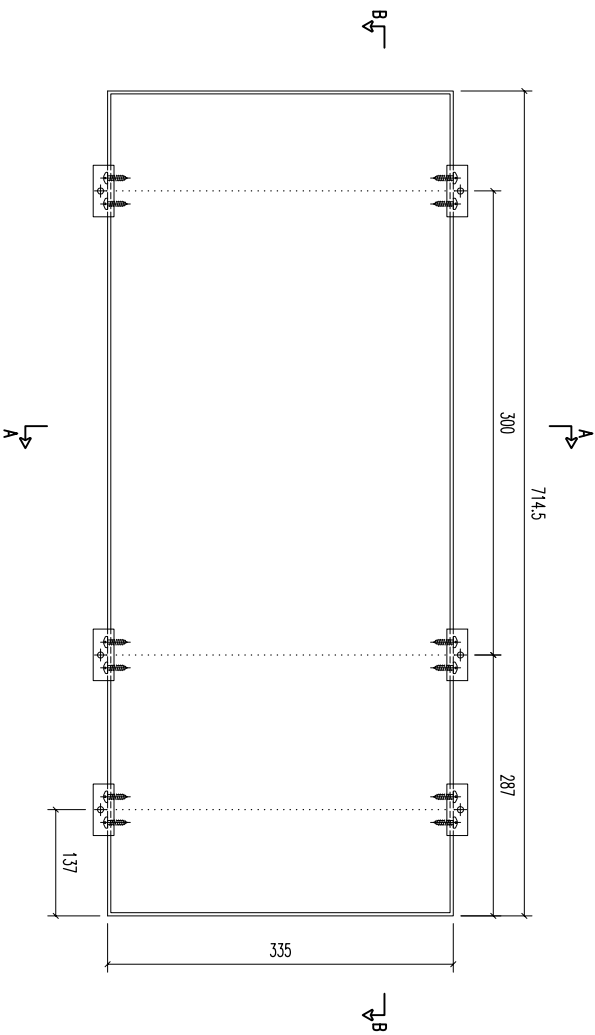
REV.	DATE	AMENDMENT	REVISED BY

PROJECT **J853-PODIUM ALUM CEILING**
 & FEATURE CLADDING T3 3/F
 JOB NO. **J853**

FACTORY	W/CENTRE	CUT ENDS	FINISH	DATE
01	M&B/S&B&F&B		EC-DG-0334232-201 (AL1)	5/8/2023

DRAWING TITLE	DRAWING NO.	POST PAINT	PART	SHT.	REV.
鋁板天花加工圖 3mm THK ALUM. PLATE	T3-CE37-02	SCALE 1:5	TRACK TYPE S.....	-/-	-

REV.	CHECKED	PART NUMBER	Dim. A	Dim. B	Dim. C	Dim. D	Dim. E	Dim. F	Dim. G	QTY	Inv. Code	ASSEMBLE ON PARTS	EXTR. DRAWING
1	BAR BY	T3-CE38-01								1			PART DRAWING



SECTION B-B

SECTION A-A

序号	材料规格	长度	开料	开料	配件描述	数量	备注
02b	20x20x3mm 铝角	50		3			
02c	30x20x3mm 铝角	50		3			

工厂号	W/CENTRE	CUT ENDS	FINISH	DATE	POST PAINT	PART
01	MAX84/SKDA/FAB		EC-DG-0334232-201 (AL1)	5/8/2023	PRE PAINT	

美特铝质有限公司
MIDI ALUMINIUM FABRICATOR LTD.
 Units 6-8, Sunroy Industrial Centre, 1/F
 610 Cha Kwo Ling Road, Kowloon
 Tel:23489211-4 Fax:(852)27727666

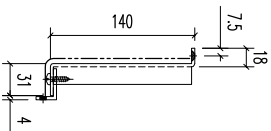
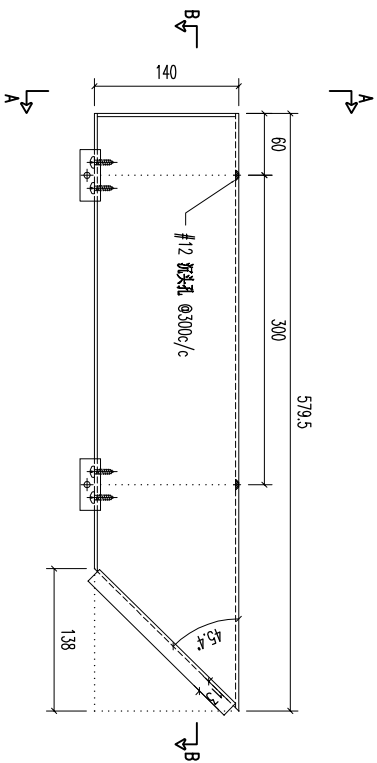
REV.	DATE	AMENDMENT	REVISED BY

PROJECT **J853-PODIUM ALUM CEILING**
& FEATURE CLADDING T3 3/F
 JOB NO. **J853**

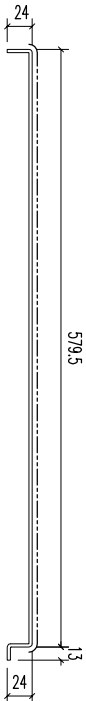
DRAWING TITLE
铝板天花加工图
3mm THK ALUM. PLATE

DRAWING NO. **T3-CE38-01**
 DRAWN **YEUNG**
 SCALE **1:5**
 SH. **-/-**
 REV. **-**

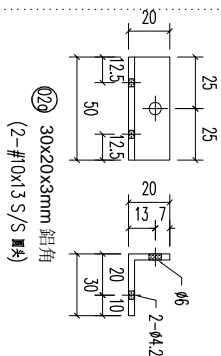
REV.	CHECKED BAR BY	PART NUMBER	Dim. A	Dim. B	Dim. C	Dim. D	Dim. E	Dim. F	Dim. G	QTY	Inv. Code	ASSEMBLE ON PARTS	EXTR. DRAWING PART DRAWING
-		T3-CE41-01								1			



SECTION A-A



SECTION B-B



020	30x20x3mm 鋁角	50	開料	2	
序號	材料規格	長度	零件描述	數量	備註

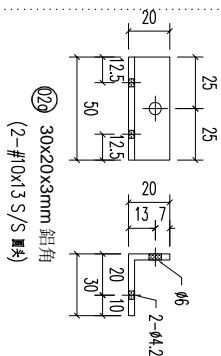
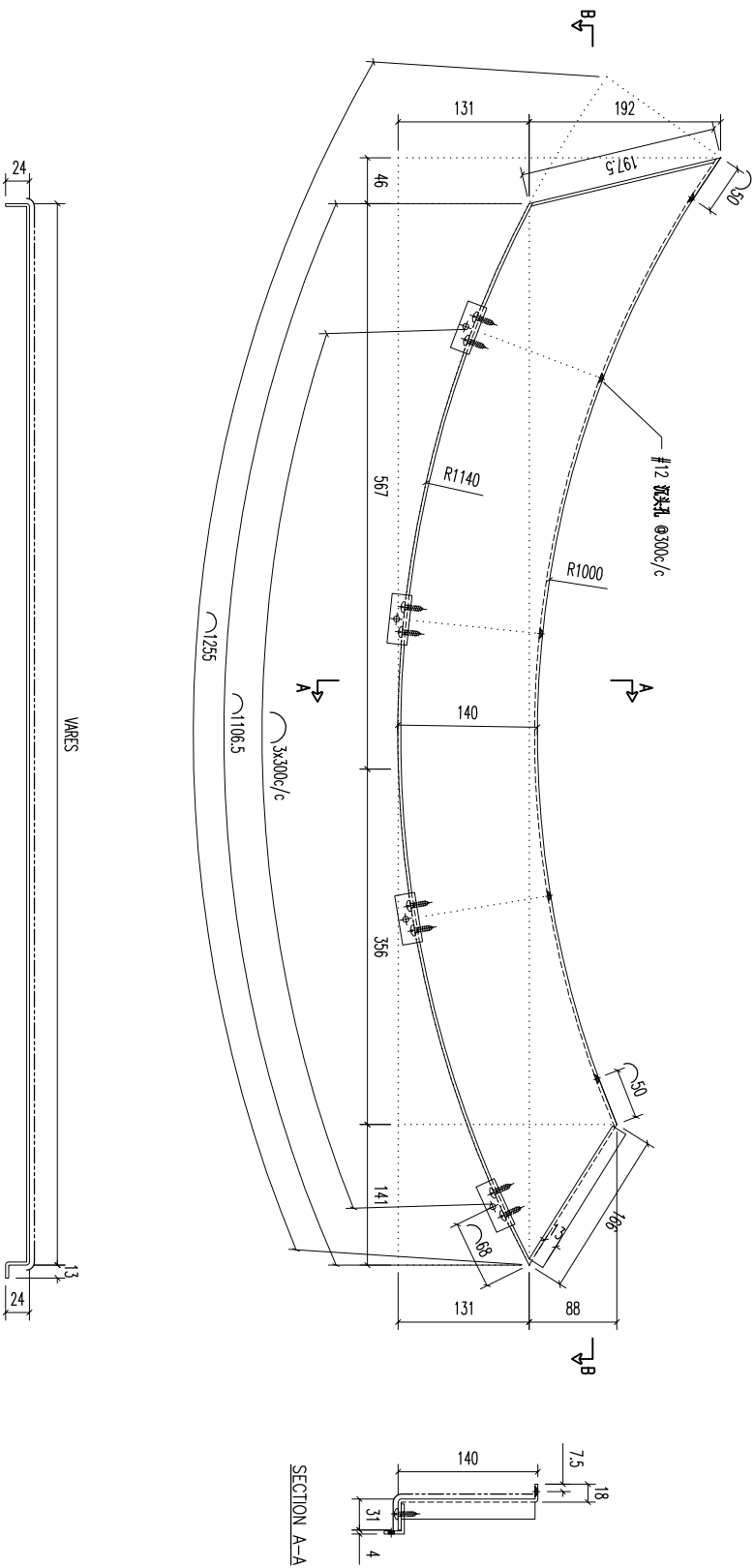


美特鋁質有限公司
MIDU ALUMINIUM FABRICATOR LTD.
Units 6-8, Sunroy Industrial Centre, 1/F
610 Cha Kwo Ling Road, Kowloon
Tel:23489211-4 Fax:(852)27727666

REV.	DATE	AMENDMENT	REVISED BY	PROJECT	JOB NO.
				J853-PODIUM ALUM CEILING & FEATURE CLADDING T3 3/F	J853

STANDARD	W/CENTRE	CUT ENDS	FINISH	DATE	DRAWN	POST PAINT	PART	SHT.	REV.
Standard	M&B/S&B&A/F&B	Angle	EC-DG-0334232-201 (AL1)	5/8/2023	YEUNG	PRE PAINT	SUB ASSEM.	-/-	-
Tolerances	X X . X = ±1	Squareness				SCALE	TRACK TYPE		
	X X . X = ±05	±1°				1:5	S.....		
DRAWING TITLE			DRAWING NO.						
鋁板天花加工圖			T3-CE41-01						
3mm THK ALUM. PLATE									

REV.	CHECKED BY	PART NUMBER	Dim. A	Dim. B	Dim. C	Dim. D	Dim. E	Dim. F	Dim. G	QTY	Inv. Code	ASSEMBLE ON PARTS	EXTR. DRAWING
-		T3-CE42-01								1			PART DRAWING



020	30x20x3mm 鋁角	50	開料	4	
序號	材料規格	長度	零件描述	數量	備註

美特鋁質有限公司
MIDI ALUMINIUM FABRICATOR LTD.
Units 6-8, Sunroy Industrial Centre, 1/F
610 Cha Kwo Ling Road, Kowloon
Tel:23489211-4 Fax:(852)27727666

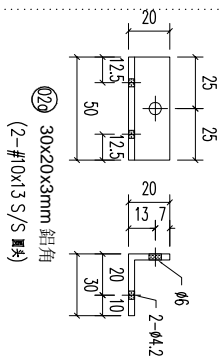
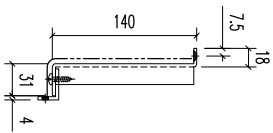
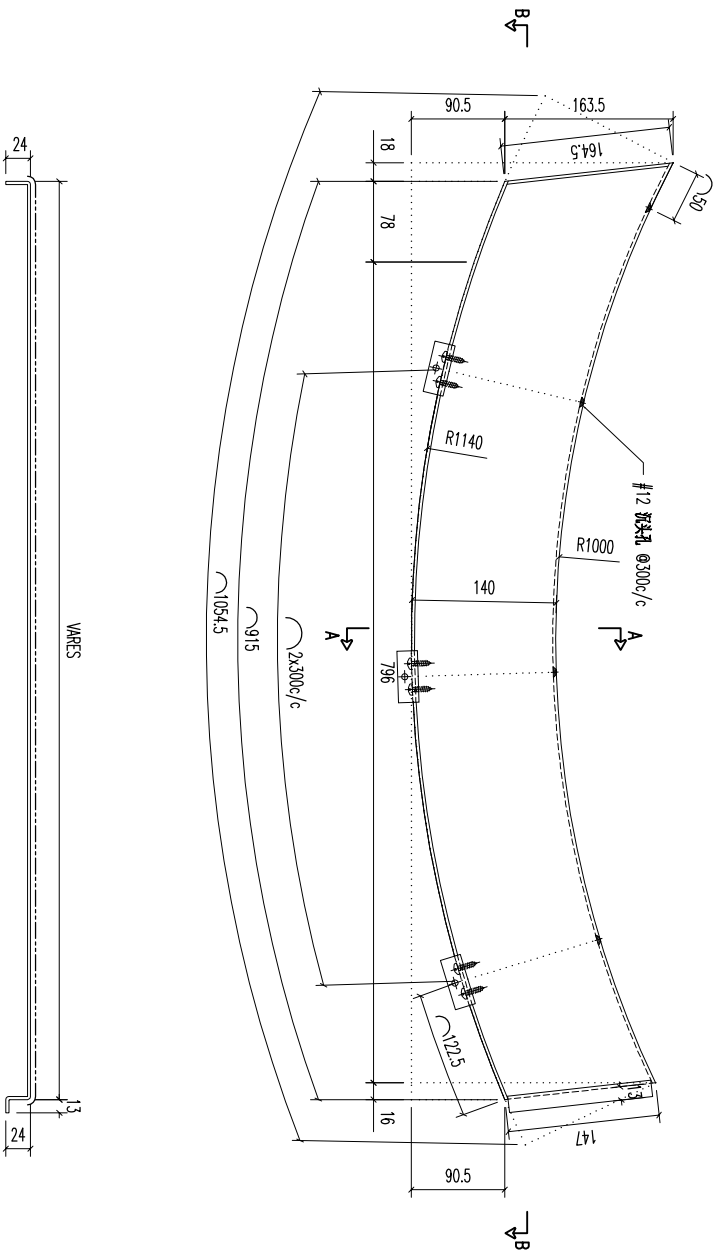
REV.	DATE	AMENDMENT	REVISD BY

PROJECT J853-PODIUM ALUM CEILING & FEATURE CLADDING T3 3/F
JOB NO. J853

DRAWING TITLE
鋁板天花加工圖
3mm THK ALUM. PLATE

DRAWING NO.	T3-CE42-01	SHT.	-/-	REV.	-
FINISH	EC-DG-0334232-201 (AL1)	POST PAINT	PRE PAINT	PART	
DATE	5/8/2023	SCALE	1:5	TRACK TYPE	S.....
DRAWN	YEUNG				

REV.	CHECKED	PART NUMBER	Dim. A	Dim. B	Dim. C	Dim. D	Dim. E	Dim. F	Dim. G	QTY	Inv. Code	ASSEMBLE ON PARTS	EXTR. DRAWING
-	BAR BY	T3-CE43-01								1			PART DRAWING



SECTION B-B

SECTION A-A

WAKES

020	30x20x3mm 鋁角	50	開料	3	
序號	材料規格	長度	零件描述	數量	備註

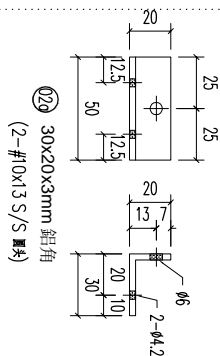
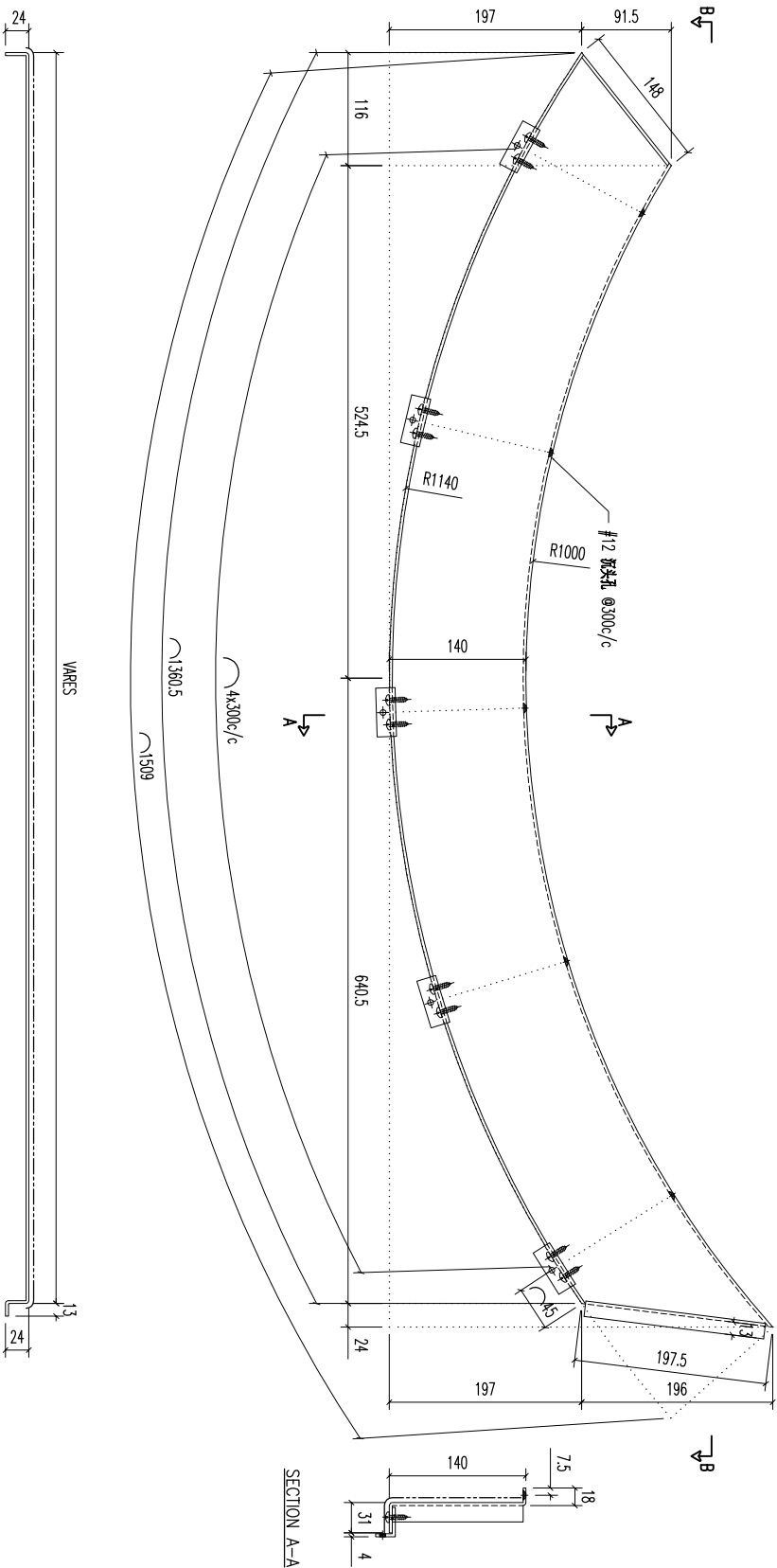
美特鋁質有限公司
MIDI ALUMINIUM FABRICATOR LTD.
Units 6-8, Sunroy Industrial Centre, 1/F
610 Cha Kwo Ling Road, Kowloon
Tel:23489211-4 Fax:(852)27727666

Standard	X X . = ±1	Angle	±1°	DATE	5/8/2023
Tolerances	X X . X = ±05	Squareness	±1°	FINISH	EC-DG-0334232-Z01 (AL1)

FACTORY	W/CENTRE	CUT ENDS	FINISH	DRAWN	POST PAINT	PART
01	M004/S00A/FAB		EC-DG-0334232-Z01 (AL1)	YEUNG	PRE PAINT	×

REV.	DATE	AMENDMENT	REVISED BY	PROJECT	JOB NO.	DRAWING TITLE	DRAWING NO.	SHT.	REV.
				J853-PODIUM ALUM CEILING & FEATURE CLADDING T3 3/F	J853	鋁板天花加工圖 3mm THK ALUM. PLATE	T3-CE43-01	-/-	-

REV.	CHECKED BY	PART NUMBER	Dim. A	Dim. B	Dim. C	Dim. D	Dim. E	Dim. F	Dim. G	QTY	Inv. Code	ASSEMBLE ON PARTS	EXTR. DRAWING PART DRAWING
-		T3-CE44-01							1				



020	30x20x3mm 鋁角	50	5
序號	材料規格	長度	開料
01	W/CENTRE MARK/SKID/FAB	CUT ENDS	零件描述
Standard	X X . = ±1	Angle	±1°
Tolerances	X X . X = ±05	Squareness	±1°

美特鋁質有限公司
MIDI ALUMINIUM FABRICATOR LTD.
Units 6-8, Sunroy Industrial Centre, 1/F
610 Cha Kwo Ling Road, Kowloon
Tel:23489211-4 Fax:(852)27727666

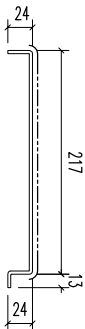
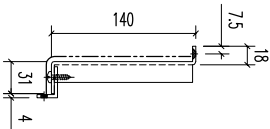
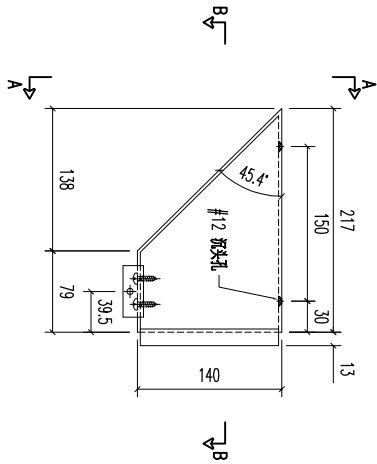
REV.	DATE	AMENDMENT	REVISED BY

PROJECT **J853-PODIUM ALUM CEILING & FEATURE CLADDING T3 3/F**
JOB NO. **J853**

DRAWING TITLE **鋁板天花加工圖 3mm THK ALUM. PLATE**

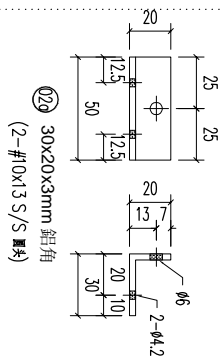
DRAWING NO. T3-CE44-01	DRAWN YEUNG	POST PAINT <input checked="" type="checkbox"/>	PART <input checked="" type="checkbox"/>	SHT. -/-	REV. -
	SCALE 1:5	PRE PAINT <input checked="" type="checkbox"/>	SUB ASSEM. <input checked="" type="checkbox"/>		
			TRACK TYPE S.....		

REV.	CHECKED BY	PART NUMBER	Dim. A	Dim. B	Dim. C	Dim. D	Dim. E	Dim. F	Dim. G	QTY	Inv. Code	ASSEMBLE ON PARTS	EXTR. DRAWING PART DRAWING
-		T3-CE45-01								1			



SECTION B-B

SECTION A-A



020	30x20x3mm 鋁角	50	開料	1	
序號	材料規格	長度	零件描述	數量	備註

美特鋁質有限公司
MIDI ALUMINIUM FABRICATOR LTD.
Units 6-8, Sunroy Industrial Centre, 1/F
610 Cha Kwo Ling Road, Kowloon
Tel:23489211-4 Fax:(852)27727666

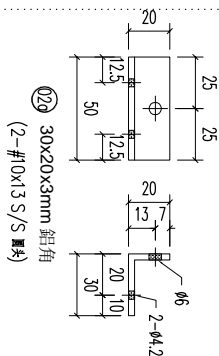
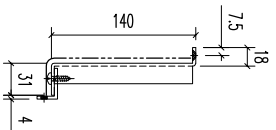
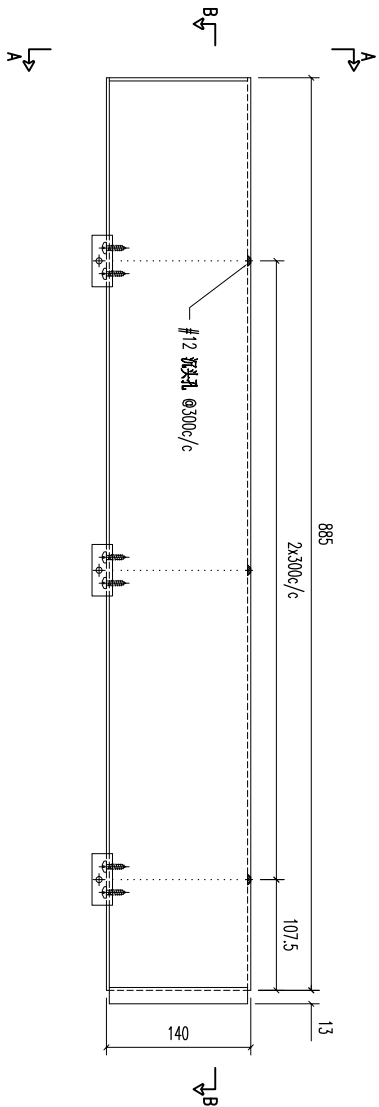
REV.	DATE	AMENDMENT	REVISED BY

PROJECT J853-PODIUM ALUM CEILING
& FEATURE CLADDING T3 3/F
JOB NO. J853

FACTORY	W/CENTRE	CUT ENDS	FINISH	DATE
01	M&M/S&K&A/F&B		EC-DG-0334232-201 (AL1)	5/8/2023
Standard	X X . X = ±1	Angle	±1°	
Tolerances	X X . X = ±05	Squareness	±1°	

DRAWING TITLE	DRAWING NO.	POST PAINT	PART	SHT.	REV.
鋁板天花加工圖 3mm THK ALUM. PLATE	T3-CE45-01	PRE PAINT	TRACK TYPE	-/-	-
		SCALE	S...		
		1:5			

REV.	CHECKED BAR BY	PART NUMBER	Dim. A	Dim. B	Dim. C	Dim. D	Dim. E	Dim. F	Dim. G	QTY	Inv. Code	ASSEMBLE ON PARTS	EXTR. DRAWING PART DRAWING
-		T3-CE46-01								1			



SECTION B-B

SECTION A-A

020	30x20x3mm 鋁角	50	開料	3	
序號	材料規格	長度	零件描述	數量	備註



美特鋁質有限公司
MIDU ALUMINIUM FABRICATOR LTD.
Units 6-8, Sunroy Industrial Centre, 1/F
610 Cha Kwo Ling Road, Kowloon
Tel:23489211-4 Fax:(852)27727666

REV.	DATE	AMENDMENT	REVISED BY

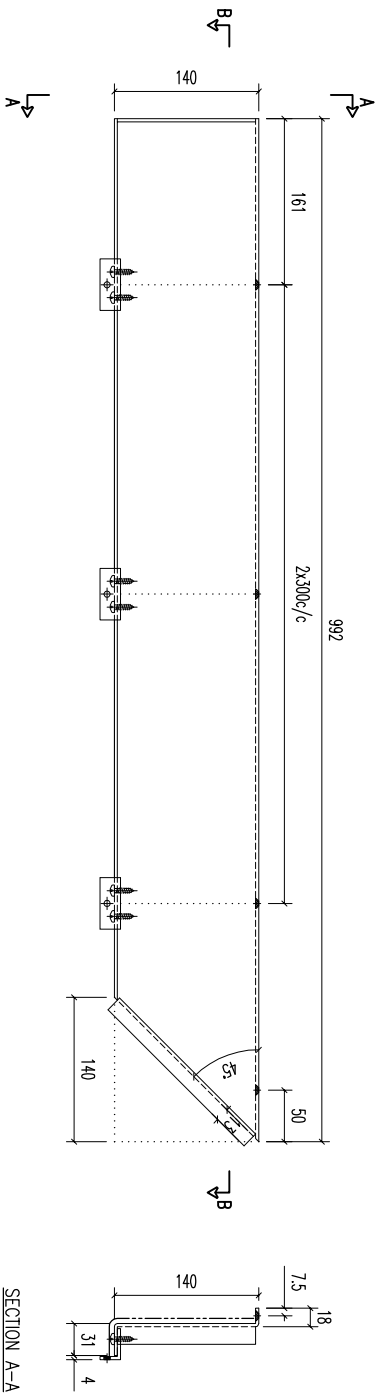
PROJECT J853-PODIUM ALUM CEILING
& FEATURE CLADDING T3 3/F

JOB NO. J853
DRAWING TITLE 鋁板天花加工圖
3mm THK. ALUM. PLATE

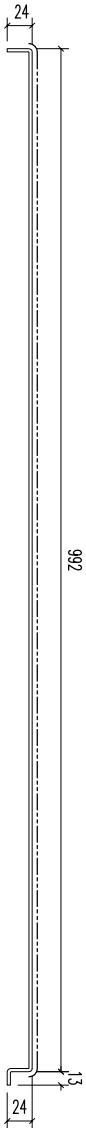
DRAWING NO. T3-CE46-01
SHT. -/-
REV. -

Standard	X X . = ±1	Angle	±1°	DATE	5/8/2023	DRAWN	YEUNG	POST PAINT	PRE PAINT	PART	TRACK TYPE	S.....
Tolerances	X X . X = ±05	Squareness	±1°					SCALE	1:5			
FACTORY	01	W/CENTRE	M8X8/SK8A/FAB	FINISH	EC-DG-0334232-201 (AL1)	噴塗						

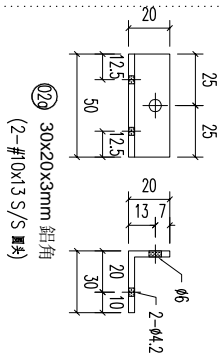
REV.	CHECKED BAR BY	PART NUMBER	Dim. A	Dim. B	Dim. C	Dim. D	Dim. E	Dim. F	Dim. G	QTY	Inv. Code	ASSEMBLE ON PARTS	EXTR. DRAWING PART DRAWING
-		T3-CE47-01								1			



SECTION A-A



SECTION B-B



020	30x20x3mm 鋁角	50	開料	3	
序號	材料規格	長度	零件描述	數量	備註

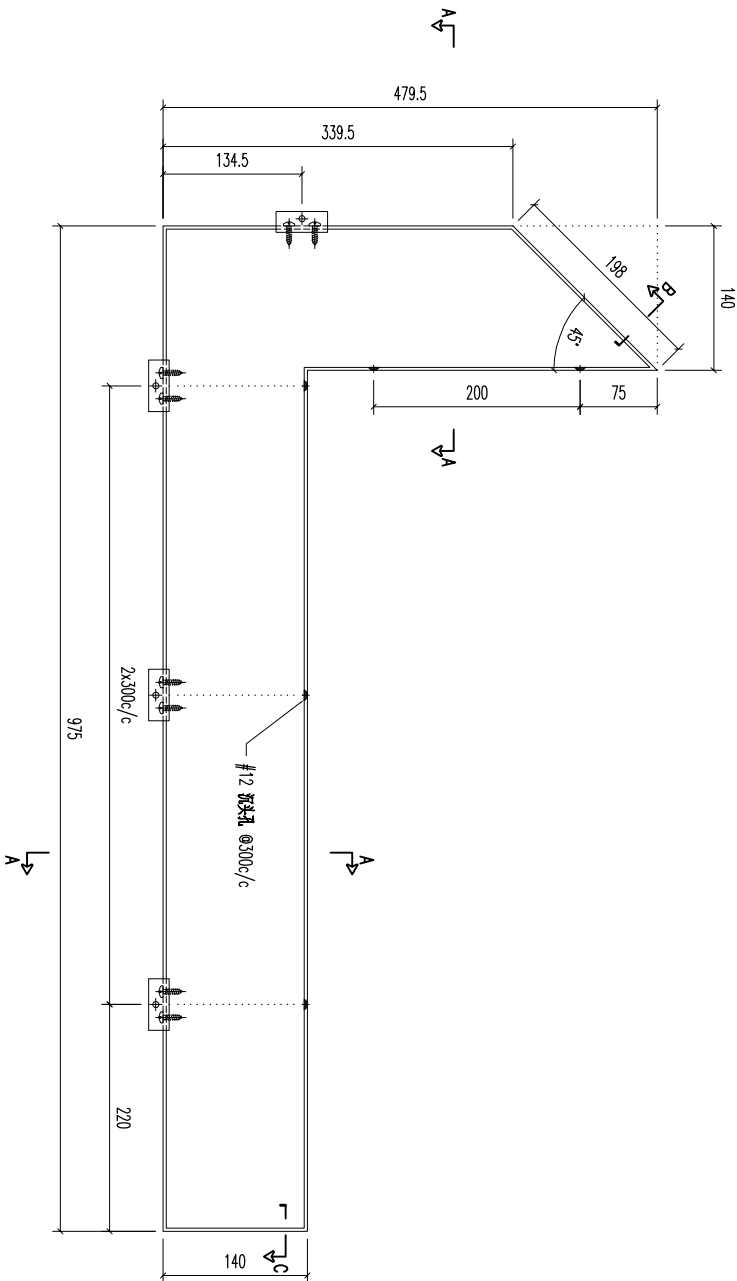


美特鋁質有限公司
MIDU ALUMINIUM FABRICATOR LTD.

Units 6-8, Sunroy Industrial Centre, 1/F
610 Cha Kwo Ling Road, Kowloon
Tel:23489211-4 Fax:(852)27727666

REV.	DATE	AMENDMENT	REVISED BY	PROJECT	JOB NO.	DRAWING TITLE	DRAWING NO.	SHT.	REV.
				J853-PODIUM ALUM CEILING & FEATURE CLADDING T3 3/F	J853	鋁板天花加工圖 3mm THK ALUM. PLATE	T3-CE47-01	-/-	-

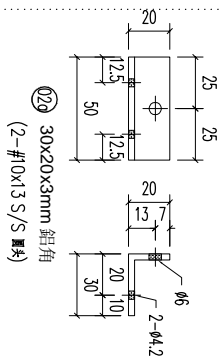
REV.	CHECKED BY	PART NUMBER	Dim. A	Dim. B	Dim. C	Dim. D	Dim. E	Dim. F	Dim. G	QTY	Inv. Code	ASSEMBLE ON PARTS	EXTR. DRAWING
-		T3-CE48-01								1			



SECTION B

SECTION C

SECTION A-A



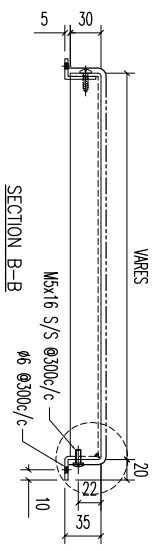
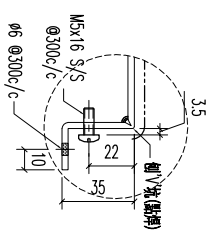
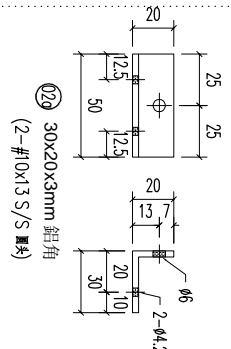
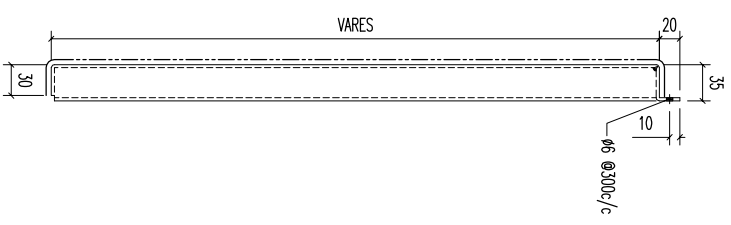
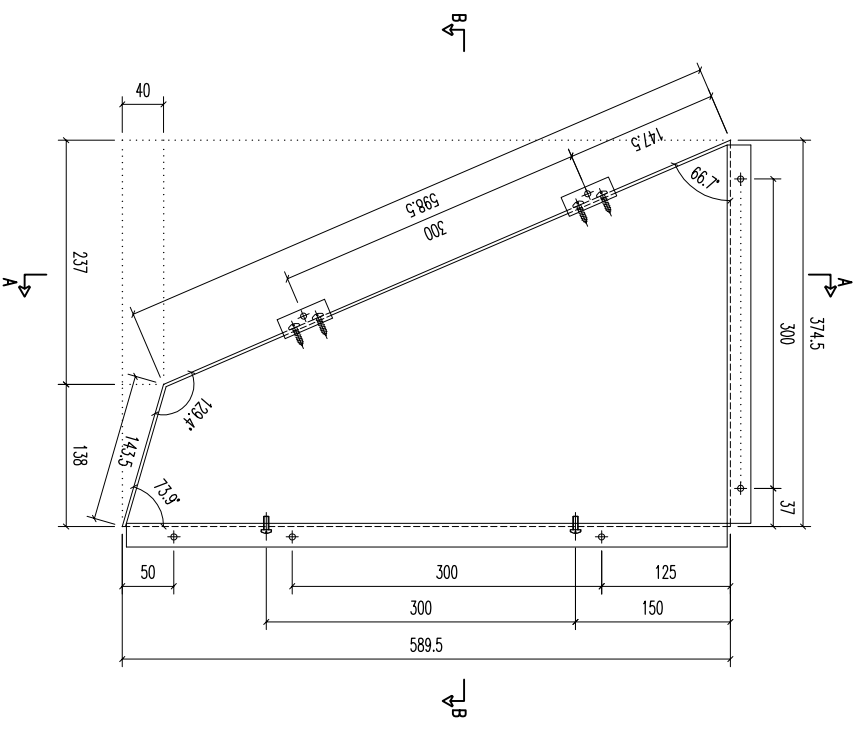
020	30x20x3mm 鋁角	50	開料	4	
序號	材料規格	長度	零件描述	數量	備註

美特鋁質有限公司
MIDI ALUMINIUM FABRICATOR LTD.
Units 6-8, Sunroy Industrial Centre, 1/F
610 Cha Kwo Ling Road, Kowloon
Tel:23489211-4 Fax:(852)27727666

REV.	DATE	AMENDMENT	REVISD BY	PROJECT	JOB NO.	DRAWING TITLE	DRAWING NO.	SHT.	REV.
				J853-PODIUM ALUM CEILING & FEATURE CLADDING T3 3/F	J853	鋁板天花加工圖 3mm THK ALUM. PLATE	T3-CE48-01	-/-	-

FACTORY	W/CENTRE	CUT ENDS	FINISH	POST PAINT	PART
01	M&B/S&B&A/F&B		EC-DG-0334232-201 (AL1)	PRE PAINT	SUB ASSEM.
Standard	X X . = ±1	Angle	DATE	SCALE	TRACK TYPE
Tolerances	X X . X = ±05	Squareness ±1°	5/8/2023	1:5	S.....

REV.	CHECKED BY	PART NUMBER	Dim. A	Dim. B	Dim. C	Dim. D	Dim. E	Dim. F	Dim. G	QTY	Inv. Code	ASSEMBLE ON PARTS	EXTR. DRAWING
-	T3-CE51-01									1			PART DRAWING



020	30x20x3mm 鋁角	50	開料	2	
01	W/CENTRE M6X16/SKIDA/FAB	CUT ENDS	FINISH	EC-DG-0334232-201 (AL1)	噴塗
	Standard X X . X = ±1	Angle ±1°	DATE	5/8/2023	DRAWN
	Tolerances X X . X = ±05	Squareness ±1°			YEUNG

美特鋁質有限公司
MIDI ALUMINIUM FABRICATOR LTD.
 Units 6-8, Sunroy Industrial Centre, 1/F
 610 Cha Kwo Ling Road, Kowloon
 Tel:23489211-4 Fax:(852)27727666

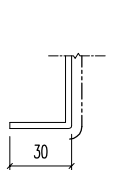
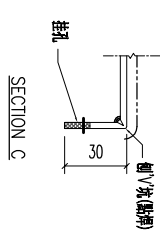
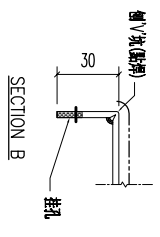
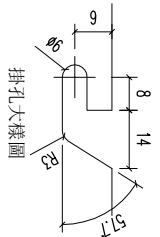
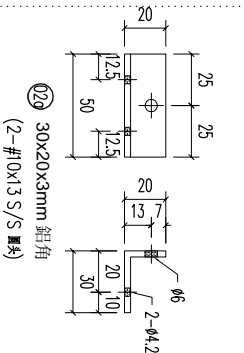
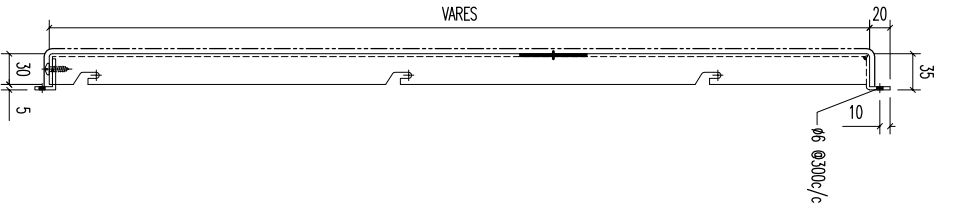
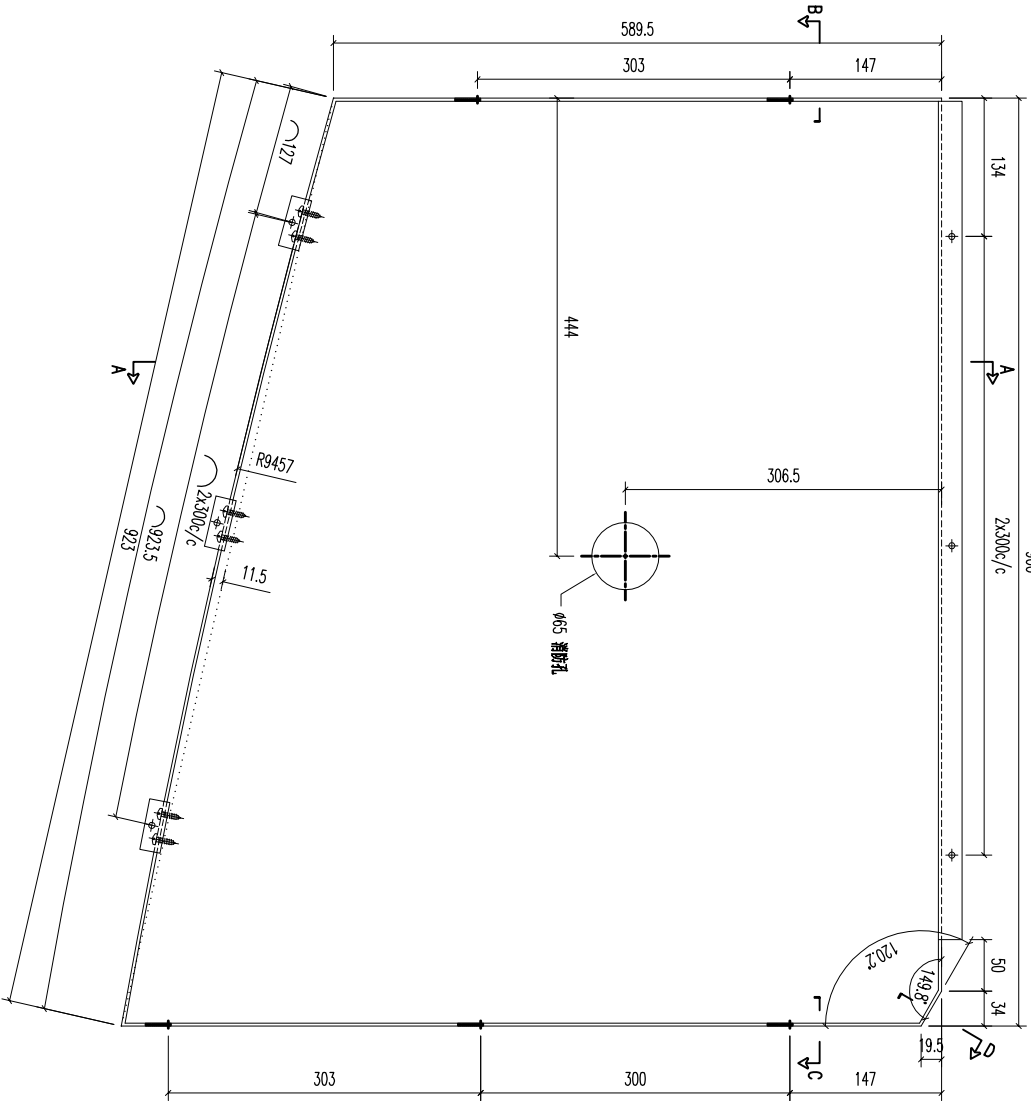
REV.	DATE	AMENDMENT	REVISD BY

PROJECT **J853-PODIUM ALUM CEILING & FEATURE CLADDING T3 3/F**
 JOB NO. **J853**

DRAWING TITLE **鋁板天花加工圖 3mm THK ALUM. PLATE**

DRAWING NO.	T3-CE51-01	SHT.	-/-	REV.	-
-------------	------------	------	-----	------	---

REV.	CHECKED BY	PART NUMBER	Dim. A	Dim. B	Dim. C	Dim. D	Dim. E	Dim. F	Dim. G	QTY	Inv. Code	ASSEMBLE ON PARTS	EXTR. DRAWING PART DRAWING
-		T3-CE52-01								1			

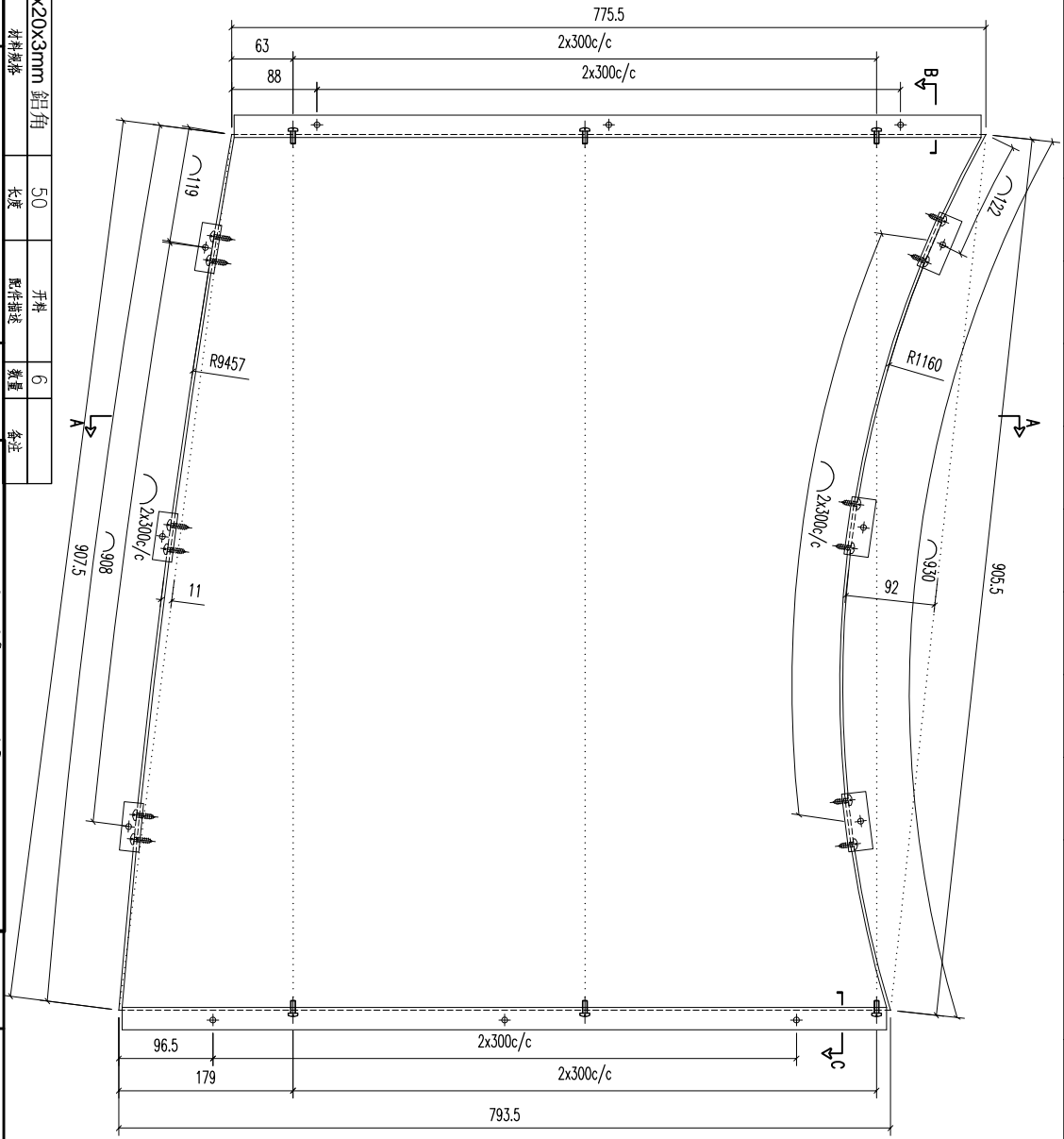


020	30x20x3mm 鋁角	50	開料	3	備註
序號	材料規格	長度	庫存描述	數量	

美特鋁質有限公司
MIDI ALUMINIUM FABRICATOR LTD.
Units 6-8, Sunroy Industrial Centre, 1/F
610 Cha Kwo Ling Road, Kowloon
Tel: 23489211-4 Fax: (852) 27727666

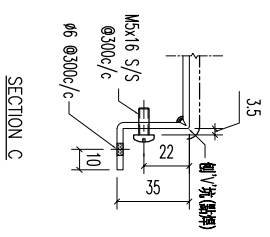
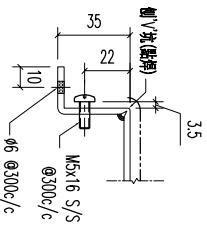
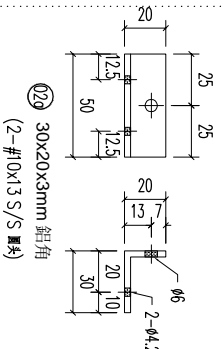
REV.	DATE	AMENDMENT	REVISED BY	PROJECT	JOB NO.	DRAWING TITLE	DRAWING NO.	SHT.	REV.
				J853-PODIUM ALUM CEILING & FEATURE CLADDING T3 3/F	J853	鋁板天花加工圖 3mm THK ALUM. PLATE	T3-CE52-01	-/-	-

REV.	CHECKED	PART NUMBER	Dim. A	Dim. B	Dim. C	Dim. D	Dim. E	Dim. F	Dim. G	QTY	Inv. Code	ASSEMBLE ON PARTS	EXTR. DRAWING
-	BAR BY	T3-CE53-01								1			PART DRAWING



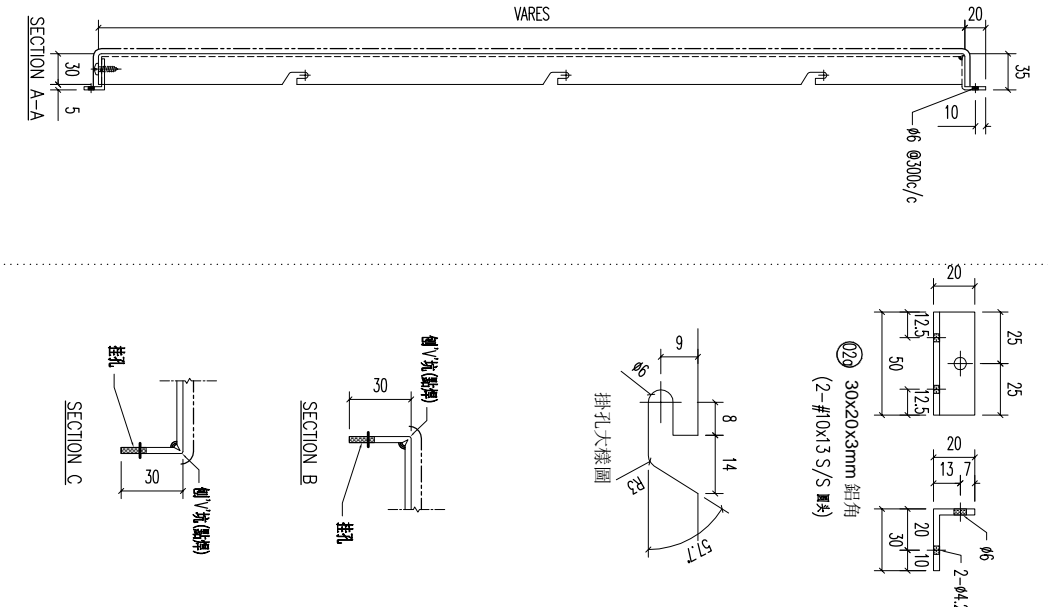
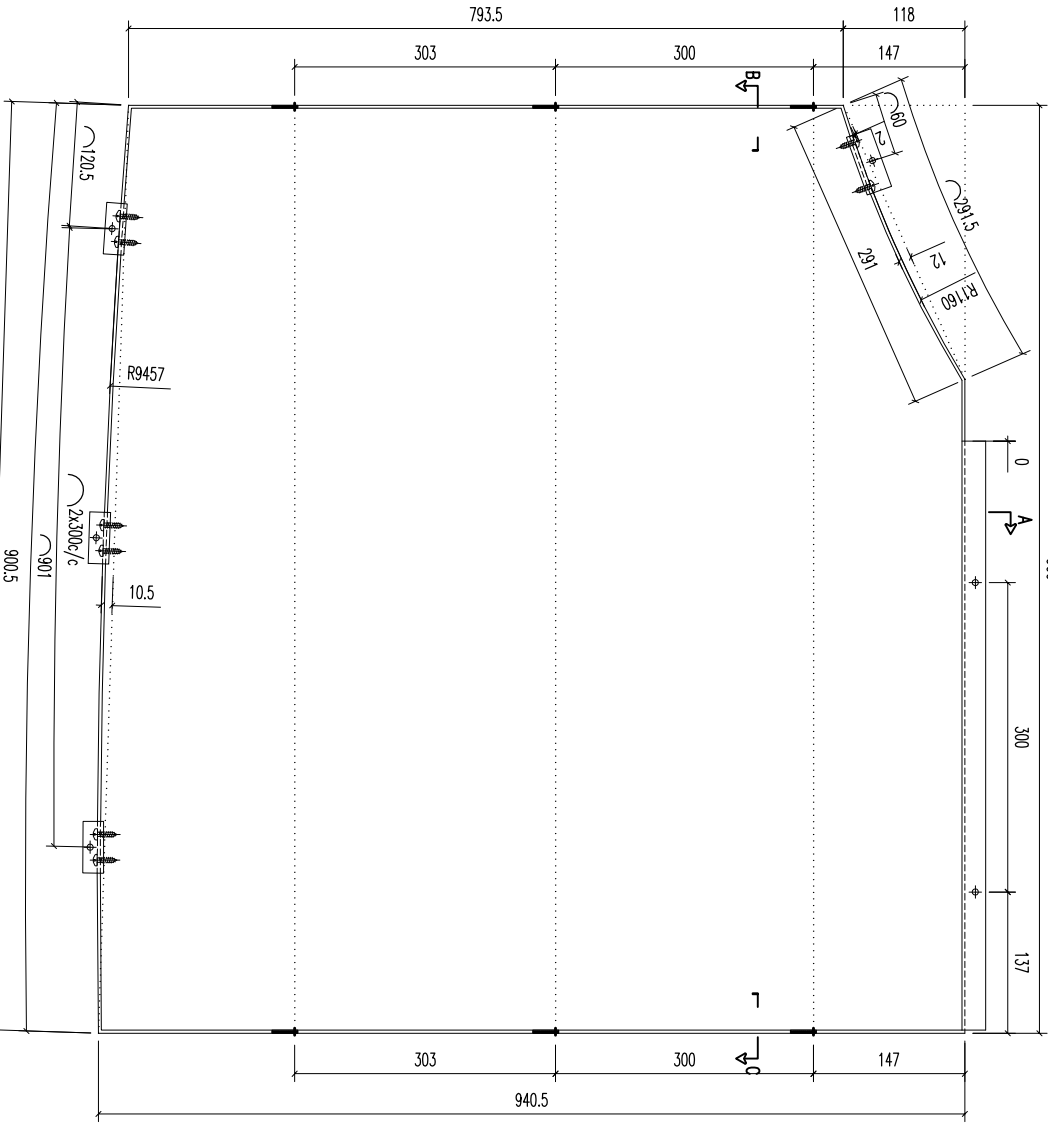
SECTION A-A

VARES



REV.	DATE	AMENDMENT	REVISED BY	PROJECT	JOB NO.	DRAWING TITLE	DRAWING NO.	SHT.	REV.
020				J853-PODIUM ALUM CEILING & FEATURE CLADDING T3 3/F	J853	鋁板天花加工圖 3mm THK ALUM. PLATE	T3-CE53-01	-/-	-
材料規格	50	開料	6	MIDI ALUMINIUM FABRICATOR LTD.					
零件描述	50	配件描述	6	Units 6-8, Sunroy Industrial Centre, 1/F 610 Cha Kwo Ling Road, Kowloon Tel: 23489211-4 Fax: (852) 27727666					
備註				Standard X X . X = ±1 Tolerances X X . X = ±05 Angle Squareness ±1° FINISH EC-DG-0334232-201 (AL1) 噴塗 PRE PAINT DATE 5/8/2023 DRAWN YEUNG SCALE 1:5 POST PAINT PART SUB ASSEM. TRACK TYPE S.....					

REV.	CHECKED BY	PART NUMBER	Dim. A	Dim. B	Dim. C	Dim. D	Dim. E	Dim. F	Dim. G	QTY	Inv. Code	ASSEMBLE ON PARTS	EXTR. DRAWING PART DRAWING
-		T3-CE54-01								1			



02b	30x20x3mm 鋁角	50	開料	4	
序號	材料規格	長度	庫存描述	數量	備註

美特鋁質有限公司
MIDI ALUMINUM FABRICATOR LTD.
Units 6-8, Sunroy Industrial Centre, 1/F
610 Cha Kwo Ling Road, Kowloon
Tel: 23489211-4 Fax: (852) 27727666

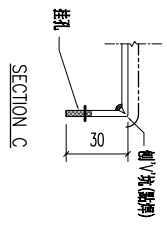
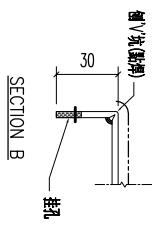
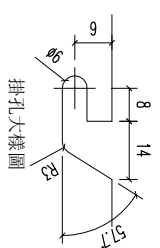
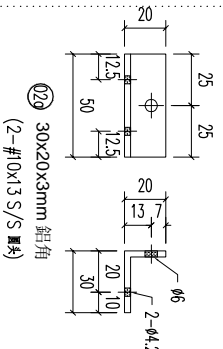
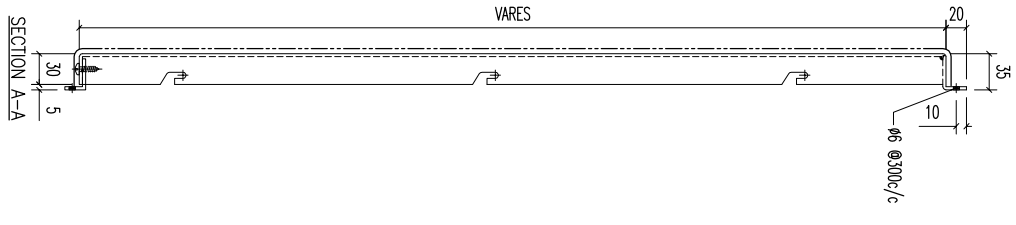
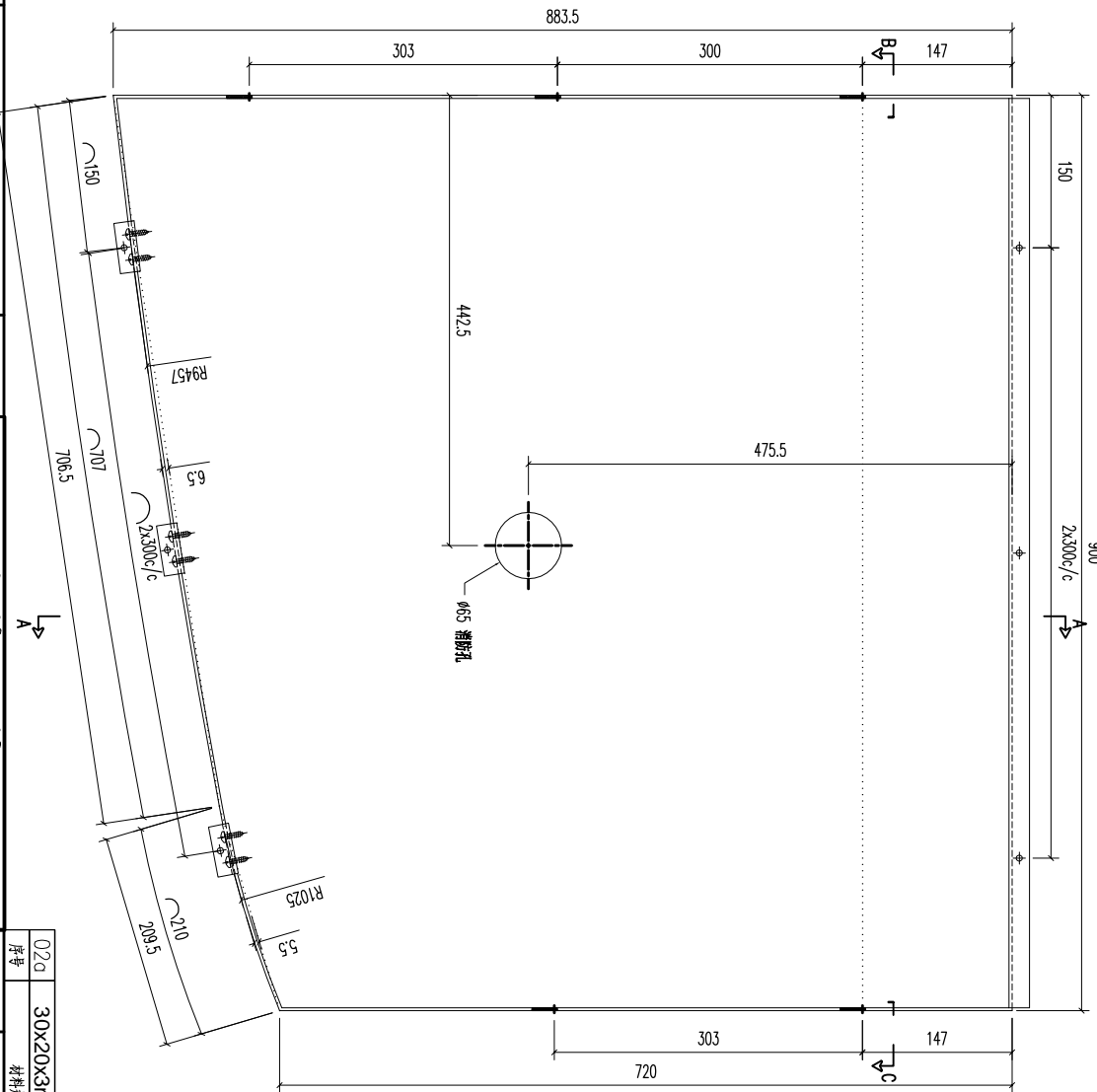
REV.	DATE	AMENDMENT	REVISD BY

PROJECT J853-PODIUM ALUM CEILING & FEATURE CLADDING T3 3/F
JOB NO. J853

FACTORY	W/CENTRE	CUT ENDS	FINISH	DATE
01	M&B/S&B&F&B	Angle	EC-DG-0334232-201 (AL1)	5/8/2023
Standard	X X . = ±1	Squareness ±1°		
Tolerances	X X . X = ±05			

DRAWING TITLE	鋁板天花加工圖	DRAWING NO.	T3-CE54-01
	3mm THK. ALUM. PLATE		
POST PAINT	噴塗	PART	
PRE PAINT		SUB ASSEM.	
SCALE	1:5	TRACK TYPE	S.....
SHT.	-/-	REV.	-

REV.	CHECKED	PART NUMBER	Dim. A	Dim. B	Dim. C	Dim. D	Dim. E	Dim. F	Dim. G	QTY	Inv. Code	ASSEMBLE ON PARTS	EXTR. DRAWING
1	BAR BY	T3-CE56-01								1			PART DRAWING



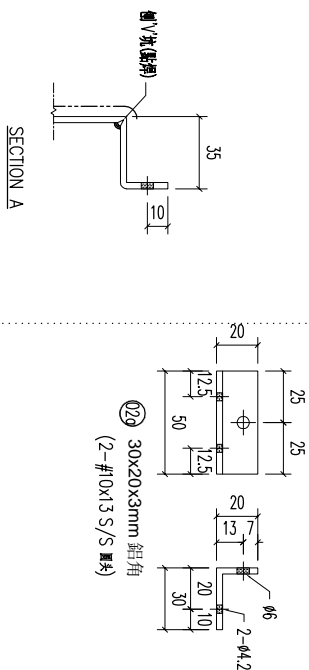
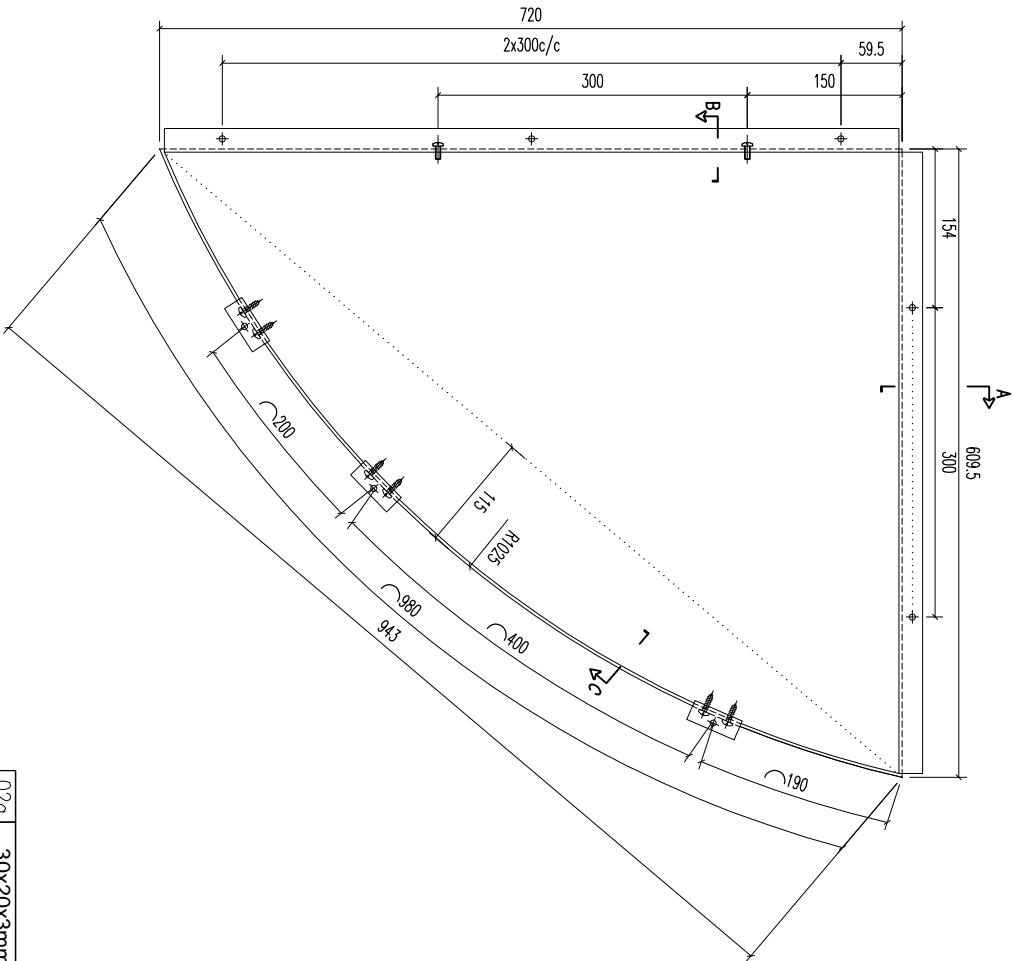
020	30x20x3mm 鋁角	50	開料	3	
01	W/CENTRE	CUT ENDS	FINISH	DATE	DRAMN
Standard	X X . = ±1	Angle	±1°	5/8/2023	YEUNG
Tolerances	X X . X = ±05	Squareness	±1°		

噴塗	POST PAINT	PART
PRE PAINT	SUB ASSEM.	
SCALE	TRACK TYPE	S.....
1:5		

REV.	DATE	AMENDMENT	REVISED BY	PROJECT	JOB NO.	DRAWING TITLE	DRAWING NO.	SHT.	REV.
				J853-PODIUM ALUM CEILING & FEATURE CLADDING T3 3/F	J853	鋁板天花加工圖 3mm THK ALUM. PLATE	T3-CE56-01	-/-	-

美特鋁質有限公司
 ALUMINIUM FABRICATOR LTD.
 Units 6-8, Sunroy Industrial Centre, 1/F
 610 Cha Kwo Ling Road, Kowloon
 Tel: 23489211-4 Fax: (852) 27727666

REV.	CHECKED BY	PART NUMBER	Dim. A	Dim. B	Dim. C	Dim. D	Dim. E	Dim. F	Dim. G	QTY	Inv. Code	ASSEMBLE ON PARTS	EXTR. DRAWING PART DRAWING
-		T3-CE57-01								1			



020	30x20x3mm 鋁角	50	開料	3	
序號	材料規格	長度	開料	數量	備註

美特鋁質有限公司
MIDI ALUMINIUM FABRICATOR LTD.
Units 6-8, Sunroy Industrial Centre, 1/F
610 Cha Kwo Ling Road, Kowloon
Tel:23489211-4 Fax:(852)27727666

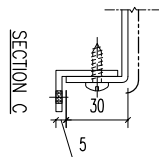
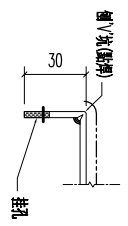
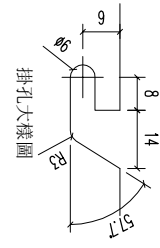
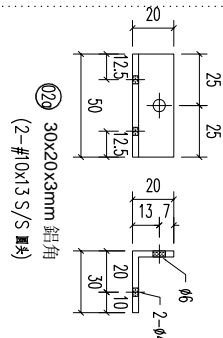
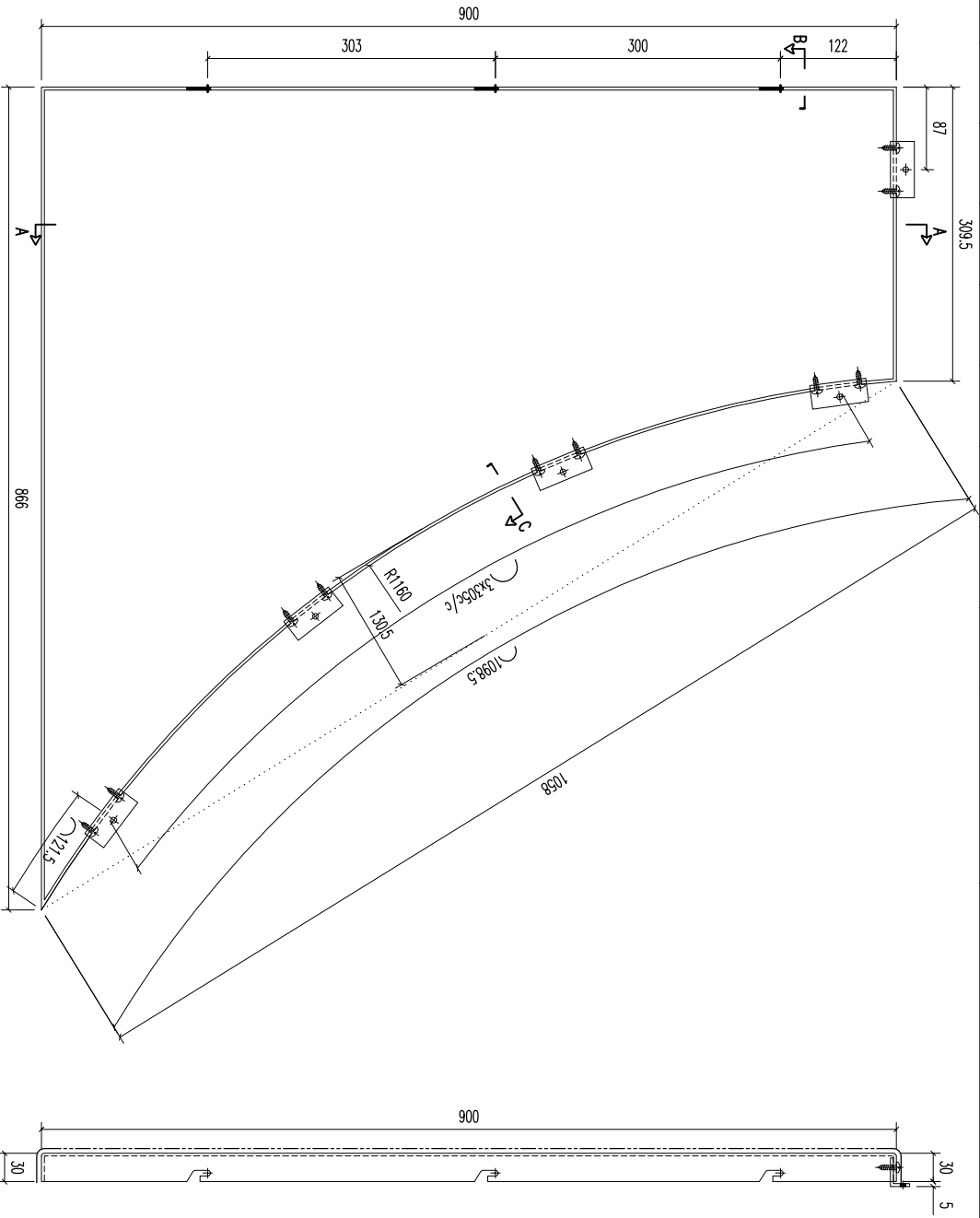
REV.	DATE	AMENDMENT	REVISED BY

PROJECT **J853-PODIUM ALUM. CEILING & FEATURE CLADDING T3 3/F**
JOB NO. **J853**

FACTORY	W/CENTRE	CUT ENDS	FINISH	DATE
01	M084/S08A/FAB		EC-DG-0334232-201 (AL1)	5/8/2023
Standard	X X . = ±1	Angle	±1°	
Tolerances	X X . X = ±05	Squareness	±1°	

DRAWING TITLE	鋁板天花加工圖	DRAWING NO.	T3-CE57-01
3mm THK. ALUM. PLATE		DRAWN	YEUNG
		SCALE	1:5
		POST PAINT	
		PRE PAINT	
		PART	
		SUB ASSEM.	
		TRACK TYPE	S.....
		SHT.	-/-
		REV.	-

REV.	CHECKED	PART NUMBER	Dim. A	Dim. B	Dim. C	Dim. D	Dim. E	Dim. F	Dim. G	QTY	Inv. Code	ASSEMBLE ON PARTS	EXTR. DRAWING
1	BAR BY	T3-CE59-01								1			PART DRAWING

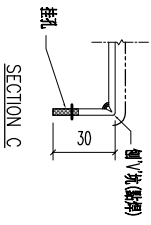
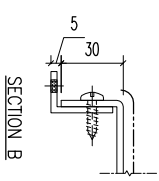
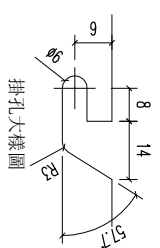
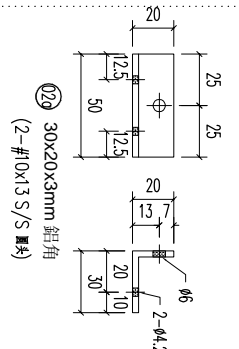
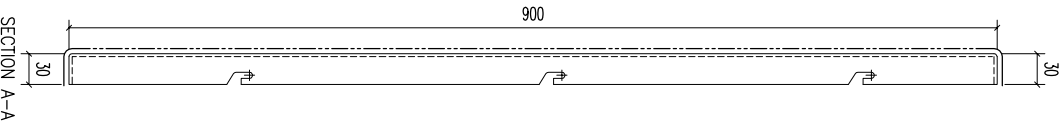
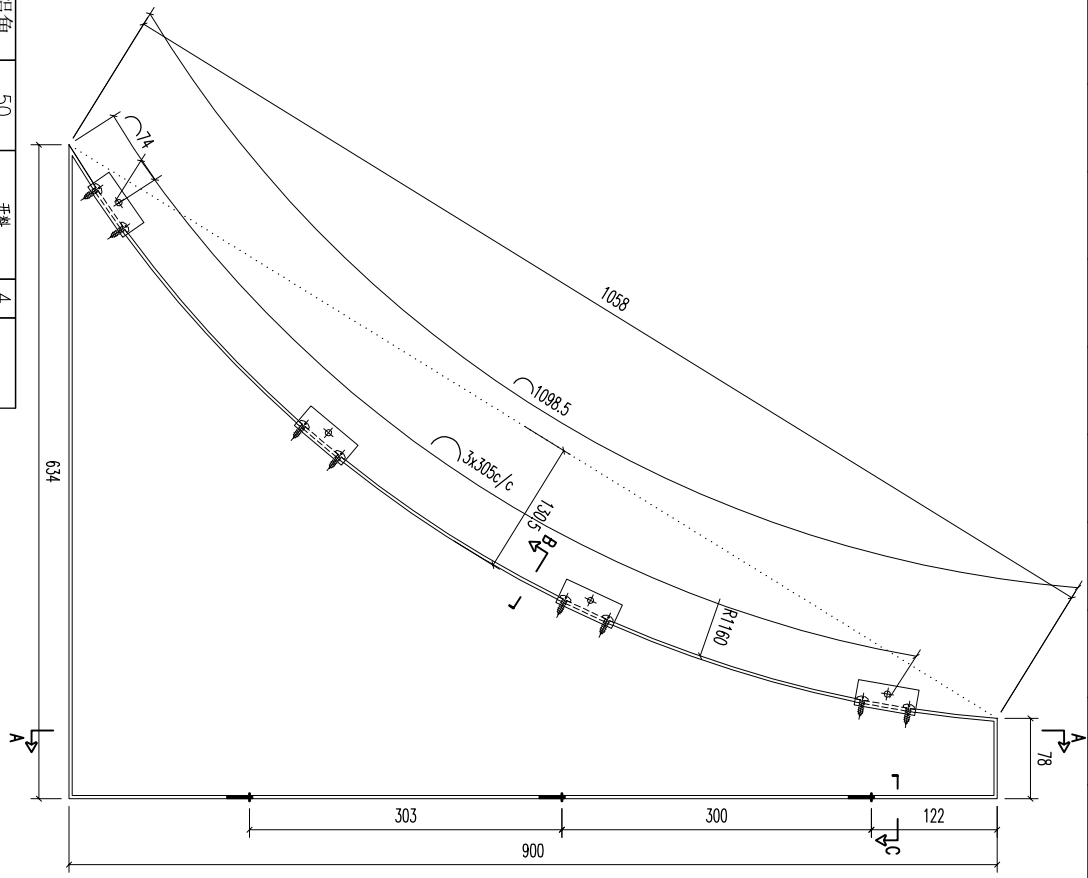


0201	30x20x3mm 鋁角	50	5
序號	材料規格	長度	開料
			零件描述
			數量
			備註

美特鋁質有限公司
MIDI ALUMINIUM FABRICATOR LTD.
Units 6-8, Sunroy Industrial Centre, 1/F
610 Cha Kwo Ling Road, Kowloon
Tel:23489211-4 Fax:(852)27727666

REV.	DATE	AMENDMENT	REVISED BY	PROJECT	JOB NO.	DRAWING TITLE	DRAWING NO.	SHT.	REV.
				J853-PODIUM ALUM CEILING & FEATURE CLADDING T3 3/F	J853	鋁板天花加工圖 3mm THK ALUM. PLATE	T3-CE59-01	-/-	-
				FACTORY	W/CENTRE	CUT ENDS	FINISH	POST PAINT	PART
				01	MASK/SKID/FAB		EC-DG-0334232-201 (AL1)	PRE PAINT	SUB ASSEM.
				Standard	X X . X = ±1	Angle	DATE	SCALE	TRACK TYPE
				Tolerances	X X . X = ±05	Squareness ±1°	5/8/2023	1:5	S.....

REV.	CHECKED	PART NUMBER	Dim. A	Dim. B	Dim. C	Dim. D	Dim. E	Dim. F	Dim. G	QTY	Inv. Code	ASSEMBLE ON PARTS	EXTR. DRAWING
1	BAR BY	T3-CE60-01								1			PART DRAWING



0201	30x20x3mm 鋁角	50	開料	4	
序號	材料規格	長度	配件描述	數量	备注

美特鋁質有限公司
MIDI ALUMINIUM FABRICATOR LTD.
Units 6-8, Sunroy Industrial Centre, 1/F
610 Cha Kwo Ling Road, Kowloon
Tel:23489211-4 Fax:(852)27727666

REV.	DATE	AMENDMENT	REVISED BY	PROJECT	JOB NO.	DRAWING TITLE	FINISH	DRAWN	POST PAINT	PART	SHT.	REV.
				J853-PODIUM ALUM CEILING & FEATURE CLADDING T3 3/F	J853	鋁板天花加工圖 3mm THK ALUM. PLATE	EC-DG-0334232-201 (A1) 5/8/2023	YEUNG	噴塗 PRE PAINT	2-44.2	-/-	-
				Standard	W/CENTRE	CUT ENDS	DATE		SCALE	TRACK TYPE		
				Tolerances	M&K/S&K&A/F&B	Angle	5/8/2023		1:5	S.....		
				X X . X = ±1		Squareness						
				X X . X = ±05		±1°						

