

工程指示 / 要求簡箋 ENGINEER INSTRUCTIONS(E.I.)

工程指示編號:	EI- 6023	修改版本:	-
	HK-1		
工程編號:	J 853	工程名稱:	延坪道
收件人:	Maggie Lor	發件人:	Joe Chan
工程項目:	Podium Ceiling Cladding Feature (Part 6) 第二批鐵件生產	日期:	17/04/2023

<input checked="" type="checkbox"/> 原合約工程包	<input type="checkbox"/> 原合約工程加 / 減賬 QT-	<input type="checkbox"/> 新工程報價 QT-
--	--	------------------------------------

信件批核號碼/圖紙參考編號:	批核模具圖紙編號:
客戶指示附件:	管理內部批簽署:

<input type="checkbox"/> 初步鋁料 B.M.	<input type="checkbox"/> 加工拆圖, 然後生產	<input type="checkbox"/> 尺寸表
<input type="checkbox"/> 正式鋁料 B.M.	<input type="checkbox"/> 技術上資料/指示	<input type="checkbox"/> 報價
<input type="checkbox"/> 配件 B.M.	<input type="checkbox"/> 樣辦或貨品說明書	<input type="checkbox"/> 分判合約
<input checked="" type="checkbox"/> 其他: 鐵件.		

內容: 請依附件資料, 生產GMS鐵件, 送地盤。
- 部份構件需在廠收螺絲, 安裝角碼, 鐵廠需按加工圖所示, 收螺絲。
廠驗焊: 10% 磁粉, 100% 目測。
驗焊報告名稱: Superstructure - Aluminium Cladding at Transfer plate
完成上列要求日期: 30/4/2023 ASAP

國內

<input type="checkbox"/> 生產技術總監	<input type="checkbox"/> 連附件	<input type="checkbox"/> 技術部	<input type="checkbox"/> 連附件	<input type="checkbox"/> 生產部	<input type="checkbox"/> 連附件
<input type="checkbox"/> 採購部	<input type="checkbox"/> 連附件	<input type="checkbox"/> 生產統籌部	<input type="checkbox"/> 連附件	<input type="checkbox"/> 報關組	<input type="checkbox"/> 連附件
<input type="checkbox"/> 質檢部	<input type="checkbox"/> 連附件	<input type="checkbox"/> 會計部	<input type="checkbox"/> 連附件	<input type="checkbox"/> 機械設計部	<input type="checkbox"/> 連附件
<input type="checkbox"/> 香港辦	<input type="checkbox"/> 連附件	<input type="checkbox"/> 其他:			

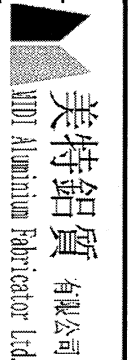
香港

<input type="checkbox"/> 行政部	<input type="checkbox"/> 連附件	<input type="checkbox"/> 會計部	<input type="checkbox"/> 連附件	<input type="checkbox"/> 統籌部	<input type="checkbox"/> 連附件	<input type="checkbox"/> 工程部	<input type="checkbox"/> 連附件
<input type="checkbox"/> 採購部	<input type="checkbox"/> 連附件	<input type="checkbox"/> QS部	<input type="checkbox"/> 連附件	<input checked="" type="checkbox"/> 地盤管理	<input checked="" type="checkbox"/> 連附件	<input type="checkbox"/> 維修部	<input type="checkbox"/> 連附件

炳哥

*發件人簽署:		*組別成員批核簽署:	P.P.
傳遞編號:		項目經理簽署:	

①



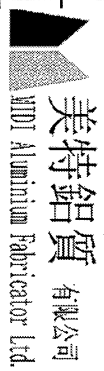
美特鋁質有限公司
MTDI Aluminium Fabricator Ltd.
地盤鐵件BM表

工程號:	J853 T2 P/F	計算:	李傳鵬	日期:	9/4/2023	送呈:	施哥
地盤名稱:	香港延坪道	核對:	練松文	日期:	9/4/2023	副本:	細佬
項目類別:	天花	批准:	陳梓豪	日期:	9/4/2023		

B/M編號:		修改版次:		A/C Code :	2023/04/09	鐵件總重量KG:	1092.90
--------	--	-------	--	------------	------------	----------	---------

序號	修改內容	鐵件圖號	鐵件名稱	顏色	實用	後備	總數	單位	單件重量 (kg)	總重量 (kg)	備注
1		T2-BK01-01-01	10mm thk.鋼板	熱浸鋅	21	0	21	件	3.900	81.900	
2		T2-BK01-01-02	10mm thk.鋼板	熱浸鋅	18	0	18	件	1.600	28.800	
3		T2-BK01-01-03	10mm thk.鋼板	熱浸鋅	14	0	14	件	2.000	28.000	
4		T2-BK01-01-04	75x50x6mm thk.角鋼	熱浸鋅	62	0	62	件	0.800	0.000	取消
5		T2-BK01-01-05	75x50x6mm thk.角鋼	熱浸鋅	10	0	10	件	1.100	11.000	
6		T2-MS01-01-01	60x60x5mm thk.鋼通+50x50x5mm thk.鋼通+75x50x6mm thk.角鋼	熱浸鋅	7	0	7	件	14.100	98.700	
7		T2-MS01-01-02	60x60x5mm thk.鋼通+75x50x6mm thk.角鋼	熱浸鋅	17	0	17	件	3.700	62.900	
8		T2-MS01-01-03	100x100x6.3mm thk.鋼通+75x50x6mm thk.角鋼	熱浸鋅	21	0	21	件	6.000	126.000	
9		T2-MS01-01-04	60x60x5mm thk.鋼通+50x50x5mm thk.鋼通+75x50x6mm thk.角鋼	熱浸鋅	1	0	1	件	4.400	4.400	
10		T2-MS01-01-05	40x40x5mm thk.鋼通	熱浸鋅	31	0	31	件	0.800	0.000	取消
11		T2-MS01-02-01	75x50x6mm thk.角鋼	熱浸鋅	116	0	116	件	0.200	0.000	取消
12		T2-MS01-02-02	40x40x5mm thk.鋼通	熱浸鋅	1	0	1	件	16.700	16.700	
13		T2-MS01-02-03	40x40x5mm thk.鋼通	熱浸鋅	1	0	1	件	15.900	15.900	
14		T2-MS01-02-04	40x40x5mm thk.鋼通	熱浸鋅	1	0	1	件	15.900	15.900	
15		T2-MS01-02-05	40x40x5mm thk.鋼通	熱浸鋅	1	0	1	件	20.800	20.800	
16		T2-MS01-02-06	40x40x5mm thk.鋼通	熱浸鋅	1	0	1	件	9.000	9.000	
17		T2-MS01-02-07	40x40x5mm thk.鋼通	熱浸鋅	1	0	1	件	20.500	20.500	
18		T2-MS01-02-08	40x40x5mm thk.鋼通	熱浸鋅	1	0	1	件	22.200	22.200	
19		T2-MS01-02-09	40x40x5mm thk.鋼通	熱浸鋅	1	0	1	件	27.900	27.900	

2

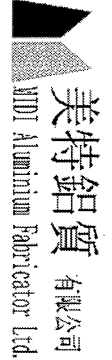


美特鋁質有限公司
MTD Aluminium Fabricator Ltd.
地盤鐵件BM表

BM編號:	修改版次:	工程號:	J853 T2 P/F	計算:	李傳鵬	日期:	9/4/2023	送呈:	施哥
		地盤名稱:	香港延坪道	核對:	練松文	日期:	9/4/2023	副本:	細佬
		項目類別:	天花	批准:	陳梓豪	日期:	9/4/2023		
		A/C Code:	2023/04/09			鐵件總重量KG:	1092.90		

序號	修改內容	鐵件圖號	鐵件名稱	顏色	實用	後備	總數	單位	單件重量 (kg)	總重量 (kg)	備注
20		T2-MS01-02-10	40x40x5mm thk.鋼通	熱浸鋅	1	0	1	件	18.400	18.400	
21		T2-MS01-02-11	40x40x5mm thk.鋼通	熱浸鋅	1	0	1	件	23.100	23.100	
22		T2-MS01-02-12	40x40x5mm thk.鋼通	熱浸鋅	4	0	4	件	10.700	42.800	
23		T2-MS01-02-13	40x40x5mm thk.鋼通	熱浸鋅	9	0	9	件	10.700	96.300	
24		T2-MS01-02-14	40x40x5mm thk.鋼通	熱浸鋅	1	0	1	件	10.400	10.400	
25		T2-MS01-02-15	40x40x5mm thk.鋼通	熱浸鋅	1	0	1	件	10.900	10.900	
26		T2-MS01-02-16	40x40x5mm thk.鋼通	熱浸鋅	1	0	1	件	10.900	10.900	
27		T2-MS01-02-17	40x40x5mm thk.鋼通	熱浸鋅	1	0	1	件	10.400	10.400	
28		T2-MS01-02-18	40x40x5mm thk.鋼通	熱浸鋅	1	0	1	件	7.000	7.000	
29		T2-MS01-02-19	40x40x5mm thk.鋼通	熱浸鋅	1	0	1	件	5.000	5.000	
30		T2-MS01-02-20	40x40x5mm thk.鋼通	熱浸鋅	1	0	1	件	4.000	4.000	
31		T2-MS01-02-21	40x40x5mm thk.鋼通	熱浸鋅	1	0	1	件	3.600	3.600	
32		T2-MS01-02-22	40x40x5mm thk.鋼通	熱浸鋅	1	0	1	件	35.500	35.500	
33		T2-MS01-03-01	40x40x5mm thk.鋼通	熱浸鋅	1	0	1	件	12.900	12.900	
34		T2-MS01-03-02	40x40x5mm thk.鋼通	熱浸鋅	1	0	1	件	26.800	26.800	
35		T2-MS01-03-03	40x40x5mm thk.鋼通	熱浸鋅	1	0	1	件	26.800	26.800	
36		T2-MS01-03-04	40x40x5mm thk.鋼通	熱浸鋅	2	0	2	件	29.800	59.600	
37		T2-MS01-03-05	40x40x5mm thk.鋼通	熱浸鋅	1	0	1	件	18.800	18.800	
38		T2-MS01-03-06	40x40x5mm thk.鋼通	熱浸鋅	1	0	1	件	30.100	30.100	

13



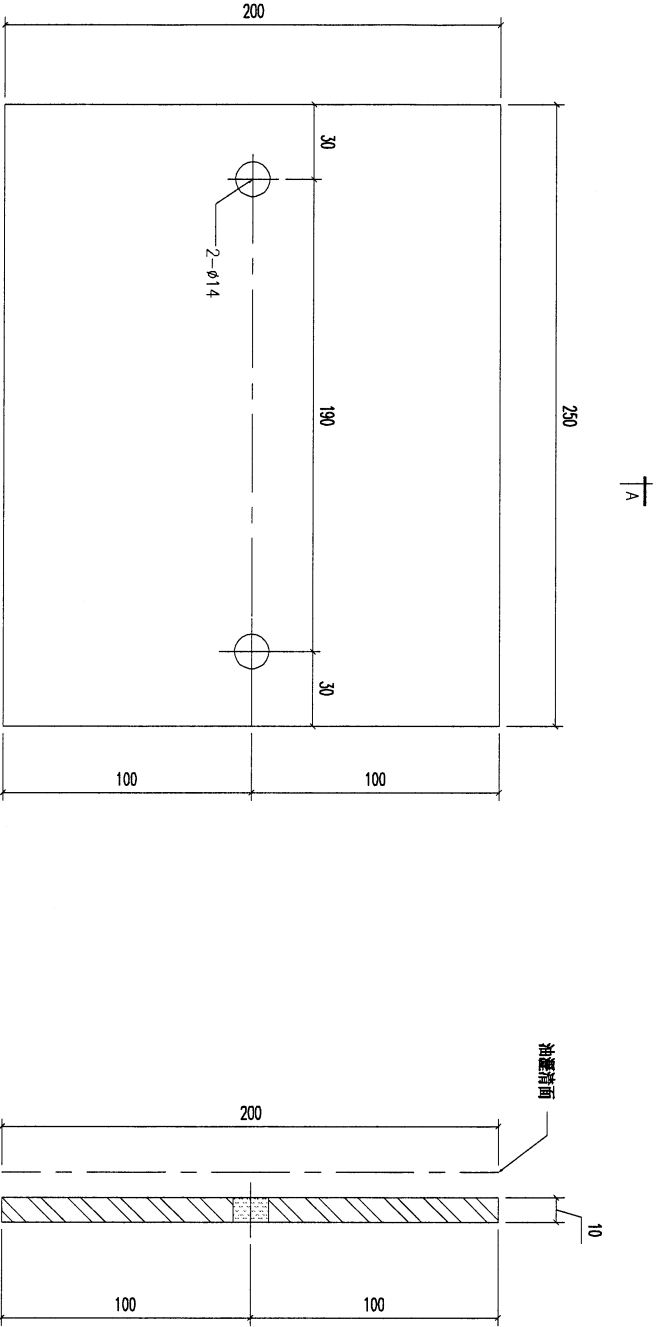
地盘鐵件BM表

BM編號:	工程號:	J853 T2 P/F	計算:	李傳鵬	日期:	9/4/2023	送呈:	施哥
	地盘名稱:	香港延坪道	核對:	練松文	日期:	9/4/2023	副本:	細佬
	項目類別:	天花	批准:	陳梓豪	日期:	9/4/2023		
	修改版次:		A/C Code :	2023/04/09	鐵件總重量KG:	1092.90		

序號	修改內容	鐵件圖號	鐵件名稱	顏色	實用	後備	總數	單位	單件 (kg)	總重量 (kg)	備注
39		T2-MS01-03-07	40x40x5mm thk.鋼通	熱浸鋅	1	0	1	件	26.800	26.800	
40		T2-MS01-04-01	50x50x5mm thk.角鋼	熱浸鋅	2	0	2	件	11.100	22.200	
41					360		360			1092.900	
42											
43											
44											

4

REV.	CHECKED CHK BY	PART NUMBER	Dim. A	Dim. B	Dim. C	Dim. D	Dim. E	Dim. F	Dim. G	QTY	Inv. Code	ASSEMBLE ON PARTS	EXTR. DRAWING PART DRAWING
-		T2-BK01-01-01								21			



1A

SECTION A-A

REV.	DATE	AMENDMENT	REVISED BY
01	200x10mm 鐵板	250	1
	材料規格	長度	開料
			零件描述
			數量
			备注

3.9 KG

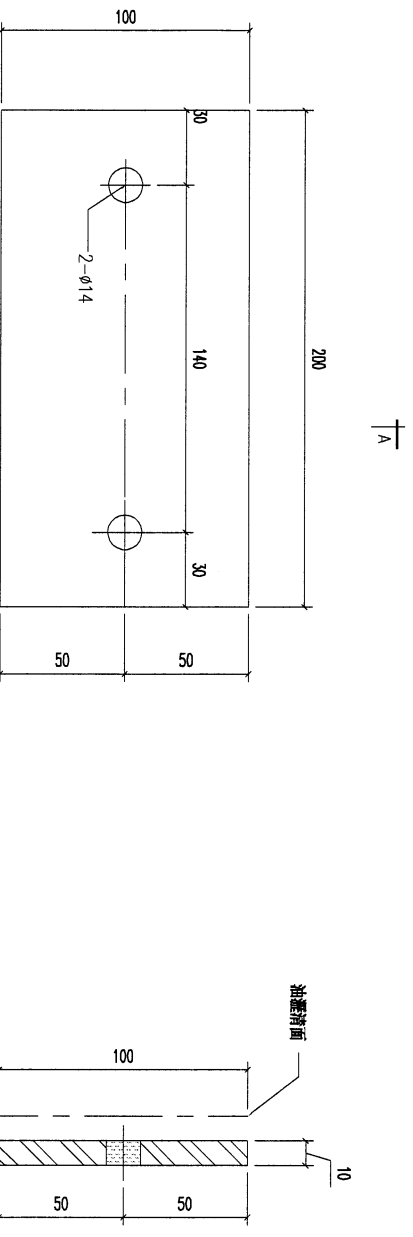
美特鋁質有限公司
MIDI ALUMINIUM FABRICATOR LTD.
 Units 6-8, Sunray Industrial Centre, 1/F
 610 Cha Kwo Ling Road, Kowloon
 Tel:23489211-4 Fax:(852)27727666

PROJECT J853-PODIUM ALUM CEILING
 & FEATURE CLADDING T2 P/F
 JOB NO. J853

FACTORY	01	W/CENTRE	MADE/SDRA/FAB	CUT ENDS	FINISH	DATE	4/9/2023	DRAWN	YELUNG	SCALE	1:5	PART	
Standard	X X .		= ±1	Angle	±1°							TRACK TYPE	S....
Tolerances	X X . X = ±0.5	Squareness	±1°					DRAWING NO.	T2-BK01-01-01			SHT.	-/-
DRAWING TITLE 鐵料加工圖													
熱浸													
POST PAINT													
PRE PAINT													
SUB ASSEM.													
REV.													

5

REV.	CHANGED BY	PART NUMBER	Dim. A	Dim. B	Dim. C	Dim. D	Dim. E	Dim. F	Dim. G	QTY	Inv. Code	ASSEMBLY ON PARTS	EXTR. DRAWING PART DRAWING
-		T2-BK01-01-02								18			

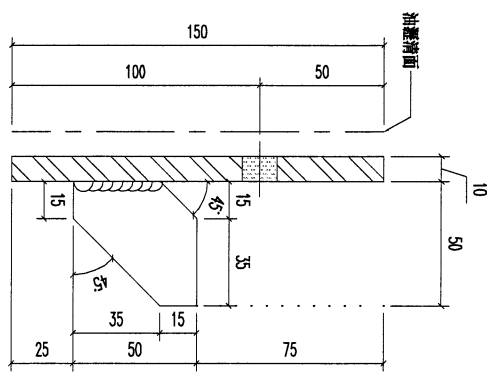
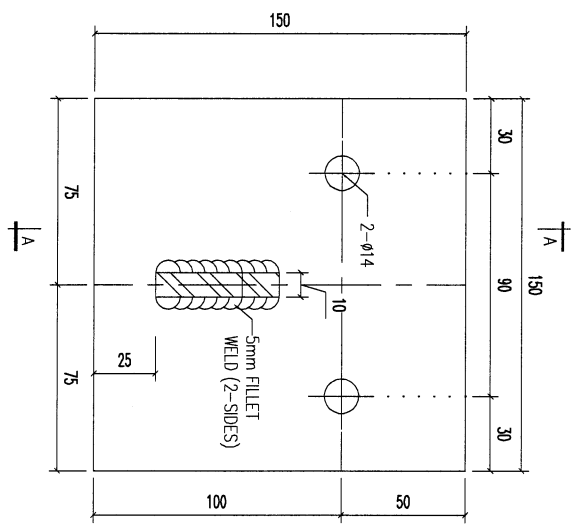


01	200x100mm 铁板	100	开料	1	-	1.6 KG
	材料规格	长度	零件描述	数量	备注	

REV.	DATE	AMENDMENT	REVISED BY	JOB NO. J853	DRAWING TITLE 金属材料加工图	DRAWING NO. T2-BK01-01-02	SHT. -/-	REV. -			
<p>Units 6-8, Sunray Industrial Centre, 1/F 610, Cha Kwo Ling Road, Kowloon Tel: 23489211-4 Fax: (852) 2727666</p>				PROJECT J853-PODIUM ALUM CEILING & FEATURE CLADDING T2 P/F	FACTORY 01	W/CENTRE MK08/SDB8/FAB	CUT ENDS Angle ±1° Squariness ±1°	FINISH 热浸	POST PAINT PRE PAINT	PART SUB ASSEM.	TRACK TYPE S.....
				Standard X X . = ±1	Tolerances X X . X = ±05	DATE 4/9/2023	DRAWN YEUNG	SCALE 1:5			

6

REV.	CHANGED BY	PART NUMBER	Dim. A	Dim. B	Dim. C	Dim. D	Dim. E	Dim. F	Dim. G	QTY	Inv. Code	ASSEMBLE ON PARTS	EXTR. DRAWING PART DRAWING
-		T2-BK01-01-03								14			



REV.	DATE	AMENDMENT	REVISED BY		
02	50x10mm 铁板	50	开料	1	
01	150x10mm 铁板	150	开料	1	
	材料规格	长度	配件描述	数量	备注

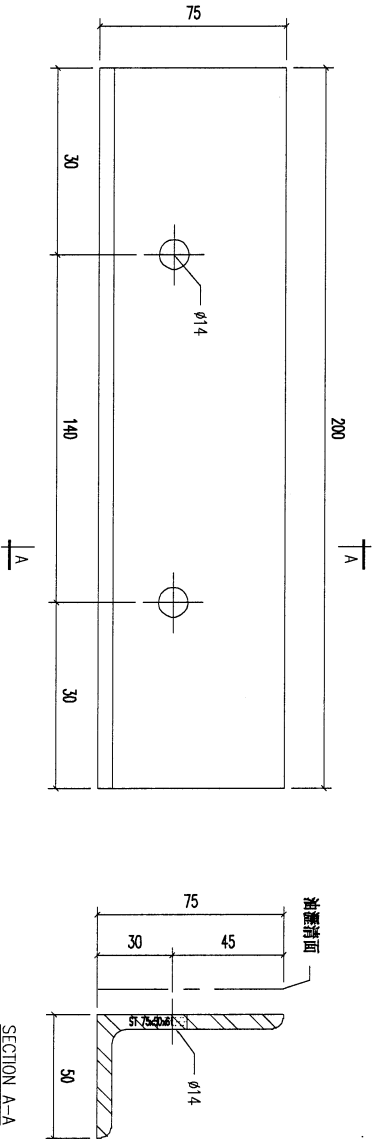
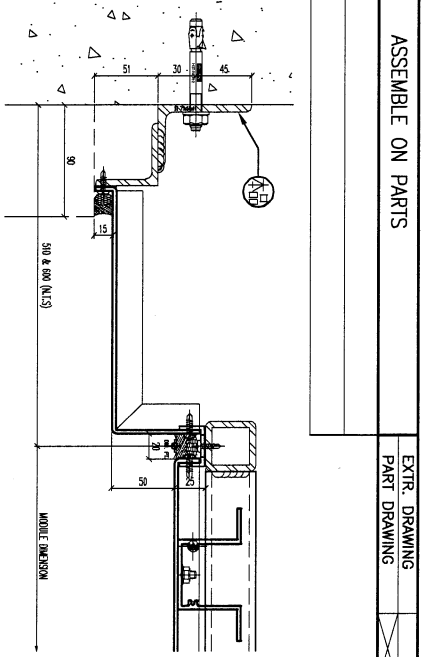
2.0 KG

美特铝业有限公司
MIDI ALUMINIUM FABRICATOR LTD.
Units 6-8, Sunny Industrial Centre, 1/F
610, Cha Kwo Ling Road, Kowloon
Tel: 23489211-4 Fax: (852) 27727666

PROJECT	J853-PODIUM ALUM CEILING & FEATURE CLADDING T2 P/F	JOB NO.	J853
FACTORY	01	W/CENTRE	MOQ/SIDE/FAB
Standard	X X . = ±1	CUT ENDS	FINISH
Tolerances	X X . X = ±0.5	Angle	±1°
		Squareness	±1°
DRAWING TITLE	材料加工圖	DATE	4/9/2023
DRAWING NO.	T2-BK01-01-03	DRAWN	YEUNG
		POST PAINT	SCALE
		PRE PAINT	1:5
		PART	TRACK TYPE
		SUB ASSEM.	S.....
		SHT.	-/-
		REV.	-

8

REV.	CHANGED BY	PART NUMBER	Dim. A	Dim. B	Dim. C	Dim. D	Dim. E	Dim. F	Dim. G	QTY	Inv. Code	EXTR. DRAWING PART DRAWING
-		T2-BK01-01-05								10		



REV.	DATE	AMENDMENT	REVISED BY
01			

材料規格	長度	零件描述	數量	备注
75x50x6mm 鋁條	200	吊桿	1	S7
				1.1 KG

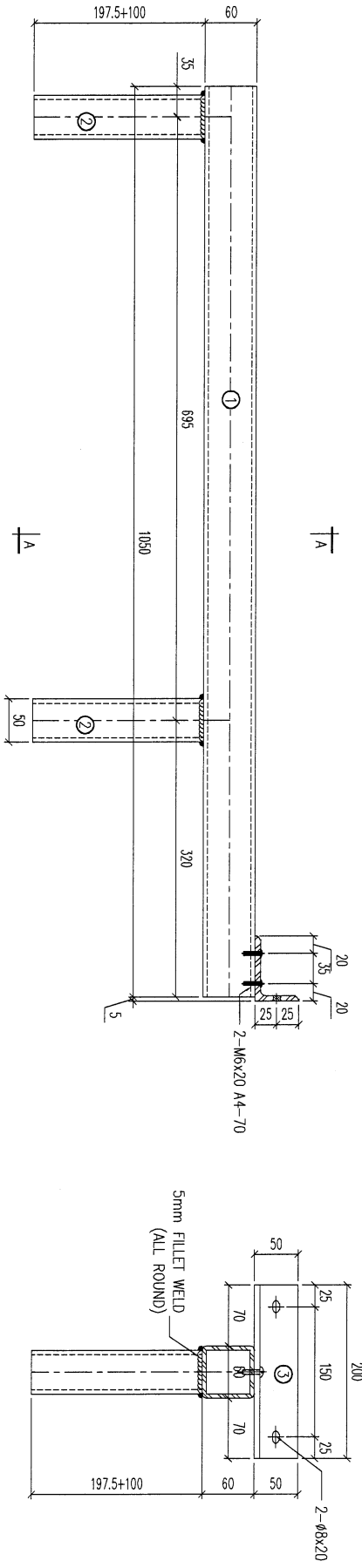
美特鋁質有限公司
MIDI ALUMINUM FABRICATOR LTD.
Units 6-8, Sunray Industrial Centre, 1/F
610, Cha Kwo Ling Road, Kowloon
Tel: 23489211-4 Fax: (852) 27727666

FACTORY	W/CENTRE	CUT ENDS	FINISH	POST PAINT	PART
01	M/DH/S/DH/FAB	Angle ±1° Squareness ±1°	DATE 4/9/2023	SCALE 1:5	TRACK TYPE S....

PROJECT	JOB NO.	DRAWING TITLE	DRAWING NO.	SHT.	REV.
J853-PODIUM ALUM CEILING & FEATURE CLADDING T2 P/F	J853	鐵料加工圖	T2-BK01-01-05	-/-	-

19

REV.	CHANGED BY	PART NUMBER	Dim. A	Dim. B	Dim. C	Dim. D	Dim. E	Dim. F	Dim. G	QTY	Inv. Code	ASSEMBLY ON PARTS	EXTR. DRAWING PART DRAWING
-		T2-MS01-01-01								7			



REV.	DATE	AMENDMENT	REVISED BY
03		75x50x6mm 鐵條	200
02		50x50x5mm 鐵通	297.5
01		60x60x5mm 鐵通	1050

REV.	DATE	AMENDMENT	REVISED BY
		材料規格	長度
		零件描述	數量
			備註

REV.	DATE	AMENDMENT	REVISED BY
		14.1 KG	

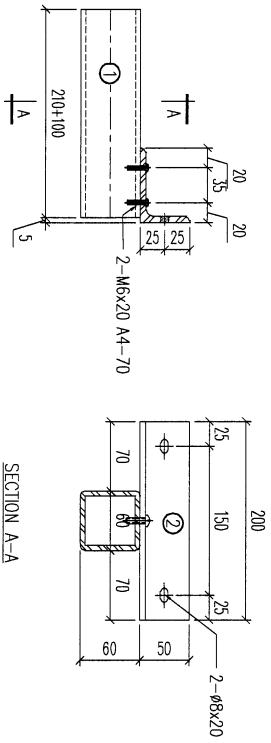
美特鋁業有限公司
MIDI ALUMINIUM FABRICATOR LTD.
Units 6-8, Sunny Industrial Centre, 1/F
610, Cha Kwo Ling Road, Kowloon
Tel: 23489211-4 Fax: (852) 27727666

PROJECT: J853-PODIUM ALUM CEILING
& FEATURE CLADDING T2 P/F

FACTORY	01	W/CENTRE	M/D/F/S/D/B/FAB	CUT ENDS	FINISH	DATE	DRAWN	POST PAINT	PART
Standard	X X .	= ±1	Angle	±1°	DATE	4/9/2023	YELUNG	SCALE	1:5
Tolerances	X X . X = ±0.5	Squareness	±1°						
DRAWING TITLE	鐵料加工圖								
DRAWING NO.	T2-MS01-01-01								
JOB NO.	J853								
SHIT.	-/-								
REV.	-								

10

REV.	CHECKED SHE BR	PART NUMBER	Dim. A	Dim. B	Dim. C	Dim. D	Dim. E	Dim. F	Dim. G	QTY	Inv. Code	ASSEMBLE ON PARTS	EXTR. DRAWING PART DRAWING
-		12-MS01-01-02								17			



02	75x50x6mm 角鐵	200	開料	1	S7
01	60x60x3mm 鐵邊	310	開料	1	S3
序号	材料规格	长度	配件描述	数量	备注

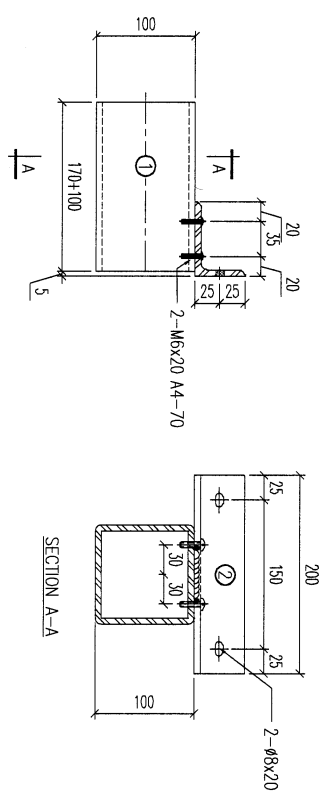
3.7 KG

美特鋁質有限公司
MIDI ALUMINIUM FABRICATOR LTD.
Units 6-8, Sunray Industrial Centre, 1/F
610 Cha Kwo Ling Road, Kowloon
Tel: 23489211-4 Fax: (852) 27727666

REV.	DATE	AMENDMENT	REVISED BY	PROJECT	JOB NO.	DRAWING TITLE	DRAWING NO.	POST PAINT	PART	SHT.	REV.
				PROJECT J853-PODIUM ALUM CEILING & FEATURE CLADDING T2 P/F	J853	鐵料加工圖	12-MS01-01-02	<input checked="" type="checkbox"/>	<input checked="" type="checkbox"/>	- / -	-

11

REV.	CHANGED BY	PART NUMBER	Dim. A	Dim. B	Dim. C	Dim. D	Dim. E	Dim. F	Dim. G	QTY	Inv. Code	ASSEMBLE ON PARTS	EXTR. DRAWING PART DRAWING
-		T2-MS01-01-03								21			



02	75x50x6mm 扁铁	200	开料	1	S7
01	100x100x6.3mm 铁通	270	开料	1	S2
序号	材料规格	长度	零件描述	数量	备注

6.0 KG

REV.	DATE	AMENDMENT	REVISED BY

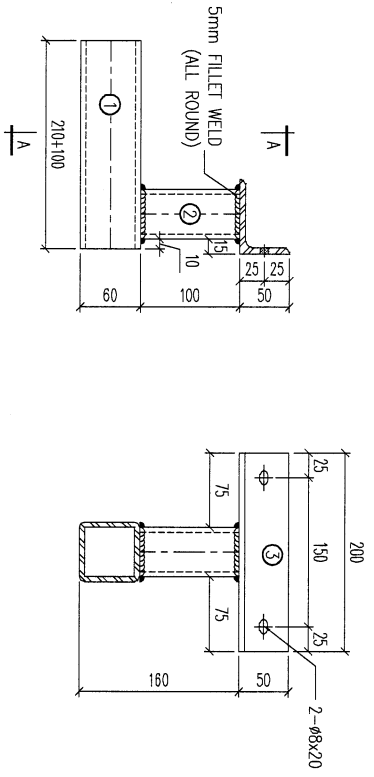
美特铝业有限公司
MIDI ALUMINIUM FABRICATOR LTD.
Units 6-8, Sunray Industrial Centre, 1/F
610, Cha Kwo Ling Road, Kowloon
Tel: 33489211-4 Fax: (852) 2727666

PROJECT J853-PODIUM ALUM CEILING
& FEATURE CLADDING T2 P/F

FACTORY	W/CENTRE	CUT ENDS	FINISH	DATE	DRAWN	POST PAINT	PART
01	M/D/S/D/FAB	±1°	热浸	4/9/2023	YEUNG	<input checked="" type="checkbox"/>	热浸
Standard	X X . = ±1	Angle	±1°				
Tolerances	X X . X = ±0.5	Squareness	±1°				
DRAWING TITLE				DRAWING NO.			
金属材料加工图				T2-MS01-01-03			

12

REV.	ORDERED PART NUMBER	Dim. A	Dim. B	Dim. C	Dim. D	Dim. E	Dim. F	Dim. G	QTY	Inv. Code	ASSEMBLY ON PARTS	EXTR. DRAWING PART DRAWING
-	T2-MS01-01-04								1			



SECTION A-A

REV.	DATE	AMENDMENT	REVISED BY
03		75x50x6mm 鐵條	200 1 1 S7
02		50x50x5mm 鐵條	100 1 1 S5
01		60x60x5mm 鐵條	310 1 1 S3

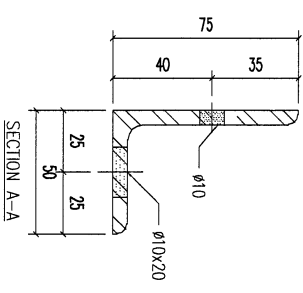
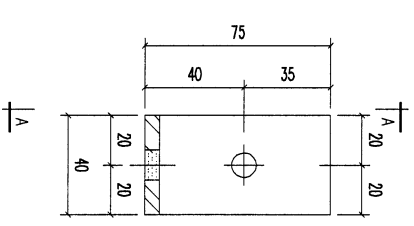
4.4 KG

美特鋁業有限公司
MIDI ALUMINIUM FABRICATOR LTD.
Units 6-8, Sunray Industrial Centre, 1/F
610 Cho Kwo Ling Road, Kowloon
Tel: 23489211-4 Fax: (852) 27727666

PROJECT	J853-PODIUM ALUM CEILING & FEATURE CLADDING T2 P/F	JOB NO.	J853
FACTORY	01	W/CENTRE	MACE/SDBA/FAB
Standard	X X . = ±1	CUT ENDS	ANGLE ±1°
Tolerances	X X . X = ±05	FINISH	DATE 4/9/2023
			DRAWN YEUNG
			DRAWING NO. T2-MS01-01-04
			POST PAINT
			SCALE 1:5
			PART TRACK TYPE S.....
			SHT. -/-
			REV. -

14

REV.	CHECKED DATE	PART NUMBER	Dim. A	Dim. B	Dim. C	Dim. D	Dim. E	Dim. F	Dim. G	QTY	Inv. Code	ASSEMBLY ON PARTS	EXTR. DRAWING PART DRAWING
-		T2-MS01-02-01								116			



取消

REV.	DATE	AMENDMENT	REVISED BY
01		75x50x6mm 角铁 材料规格	
		40 长度	
		开料 零件描述	
		1 数量	
		S7 备注	

0.2 KG

美特铝业有限公司
MIDI ALUMINIUM FABRICATOR LTD.
Units 6-8, Sunny Industrial Centre, 1/F
610 Cho Kwo Ling Road, Kowloon
Tel: 3489211-4 Fax: (852) 2727666

PROJECT J853-PODIUM ALUM CEILING
& FEATURE CLADDING T2 P/F

FACTORY 01
Standard X X . = ±1
Tolerances X X . X = ±05

W/CENTRE MAKE/SDBA/FAB
CUT ENDS
Angle ±1°
Squariness ±1°
DATE 4/9/2023

FINISH
DRAWN YEUNG
SCALE 1:5

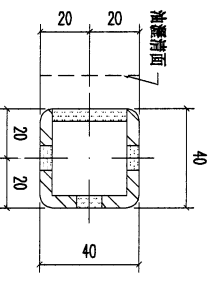
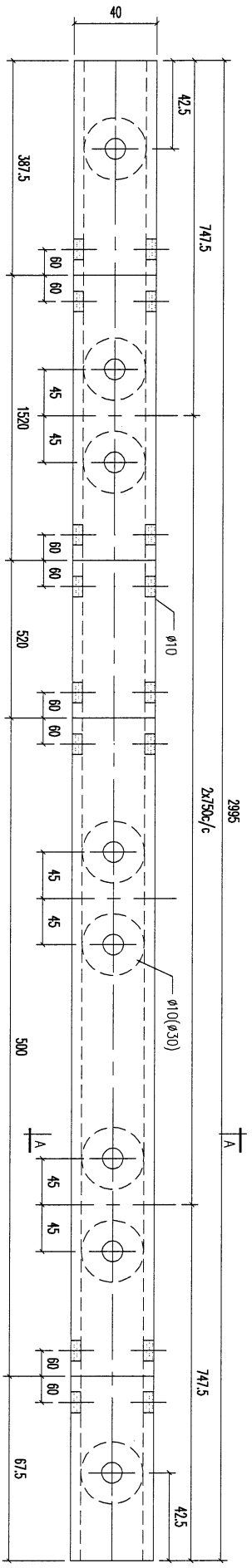
DRAWING TITLE 金属材料加工圖

POST PAINT PRE PAINT
SCALE 1:5

DRAWING NO. T2-MS01-02-01
PART TRACK TYPE S.....
SHT. REV.

16

CHKD BY	PART NUMBER	Dim. A	Dim. B	Dim. C	Dim. D	Dim. E	Dim. F	Dim. G	QTY	Inv. Code	ASSEMBLY ON PARTS	EXTR. DRAWING PART DRAWING
	T2-MS01-02-03								1			

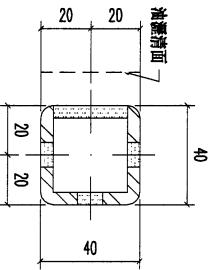
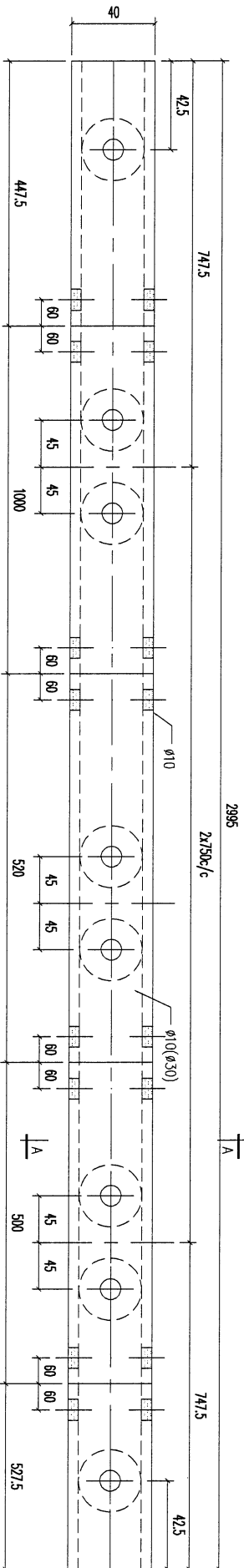


SECTION A-A


REV.	DATE	AMENDMENT	REVISED BY	JOB NO.	J853	DRAWING TITLE	鐵料加工圖	DRAWING NO.	T2-MS01-02-03	SHT.	REV.
01	40x40x5mm 條通	2995	開料	1	S4	Material Specification	長度	15.9KG			
			零件描述	數量	備註						

Units 6-8, Sunray Industrial Centre, 1/F 610 Cha Kwo Ling Road, Kowloon Tel: 23489211-4 Fax: (852) 27727666	美特鋁質有限公司 MIDI ALUMINIUM FABRICATOR LTD.	PROJECT J853-PODIUM ALUM CEILING & FEATURE CLADDING T2 P/F	FACTORY 01	W/CENTRE MARK/SDBA/FAB	CUT ENDS	FINISH	DATE	4/9/2023	DRAWN YEUNG	SCALE 1:5	POST PAINT	PART	TRACK TYPE	S.....
Standard	X X . = ±1	Angle	±1'	DATE	4/9/2023	FINISH	DATE	4/9/2023	DRAWN	YEUNG	SCALE	1:5	TRACK TYPE	S.....
Tolerances	X X . X = ±05	Squareness	±1'	DATE	4/9/2023	FINISH	DATE	4/9/2023	DRAWN	YEUNG	SCALE	1:5	TRACK TYPE	S.....

CHKD BY	PART NUMBER	Dim. A	Dim. B	Dim. C	Dim. D	Dim. E	Dim. F	Dim. G	QTY	Inv. Code	ASSEMBLE ON PARTS	EXTR. DRAWING PART DRAWING
—	T2-MS01-02-04								1			

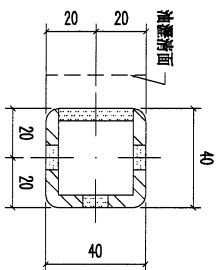
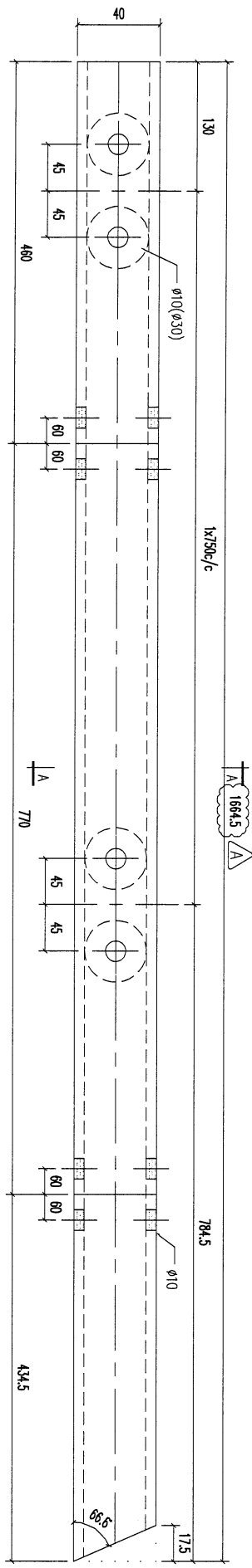


SECTION A-A

REV.	DATE	AMENDMENT	REVISED BY	PROJECT	J853-PODIUM ALUM CEILING & FEATURE CLADDING T2 P/F	JOB NO.	J853	DRAWING TITLE	鐵料加工圖	DRAWING NO.	T2-MS01-02-04	SHT.	REV.
01	40x40x5mm 條通	2995	材料規格	2995	零件規格	1	S4	數量	15.9KG	備註			
<p>  美特鋁質有限公司 MIDI ALUMINIUM FABRICATOR LTD. Units 6-8, Sunray Industrial Centre, 1/F 610, Cha Kwo Ling Road, Kowloon Tel: 23489211-4 Fax: (852) 2727666 </p>													
<p> Standard X X . = ±1 Angle ±1° DATE 4/9/2023 Tolerances X X . X = ±05 Squariness ±1° W/CENTRE MKC/F/SDB/FAB CUT ENDS FINISH FACTORY 01 POST PAINT PRE PAINT SCALE 1:5 PART SUB ASSEM. TRACK TYPE S..... 熱浸 </p>													

19

REV.	CHECKED CHK BY	PART NUMBER	Dim. A	Dim. B	Dim. C	Dim. D	Dim. E	Dim. F	Dim. G	QTY	Inv. Code	ASSEMBLE ON PARTS	EXTR. DRAWING PART DRAWING
-		T2-MS01-02-06								1			



SECTION A-A

序号	材料规格	长度	开槽	配件描述	数量	备注
01	40x40x5mm 铁通	1684.5			1	S4

9.0 KG

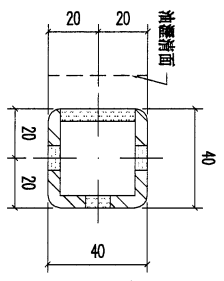
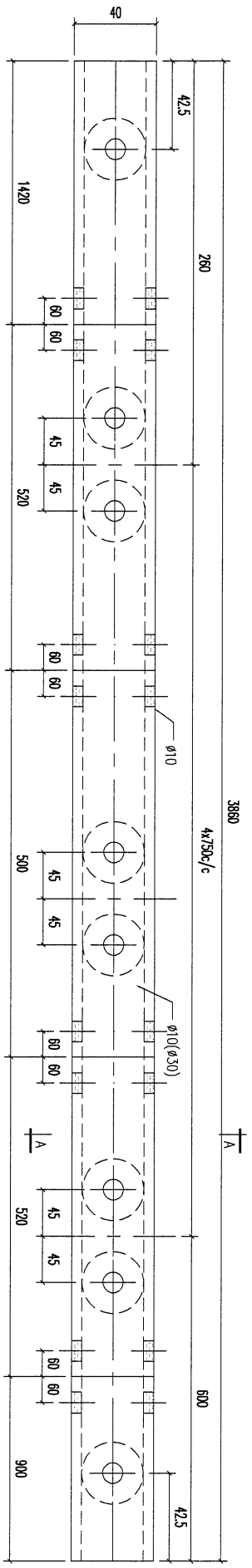
美特铝业有限公司
MIDI ALUMINIUM FABRICATOR LTD.
Units 6-8, Sunray Industrial Centre, 1/F
610 Cho Kwo Ling Road, Kowloon
Tel: 23489211-4 Fax: (852) 2727666

PROJECT J853-PODIUM ALUM CEILING
& FEATURE CLADDING T2 P/F
JOB NO. J853

FACTORY	W/CENTRE MACH/S&BA/FAB	CUT ENDS	FINISH	DATE	DRAWN	POST PAINT	PART
01	X X . = ±1 Tolerances X X . X = ±05	Angle ±1' Squariness ±1'	4/12/2023	YEUNG	SCALE 1:5		

20

REV.	CHECKED BY	PART NUMBER	Dim. A	Dim. B	Dim. C	Dim. D	Dim. E	Dim. F	Dim. G	QTY	Inv. Code	ASSEMBLY ON PARTS	EXTR. DRAWING PART DRAWING
-		T2-MS01-02-07								1			



SECTION A-A

REV.	DATE	AMENDMENT	REVISED BY
01		40x40x5mm 條通	
		材料規格	
		長度	
		開料	
		零件描述	
		數量	1
		料號	S4

20.B.G

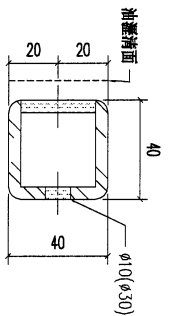
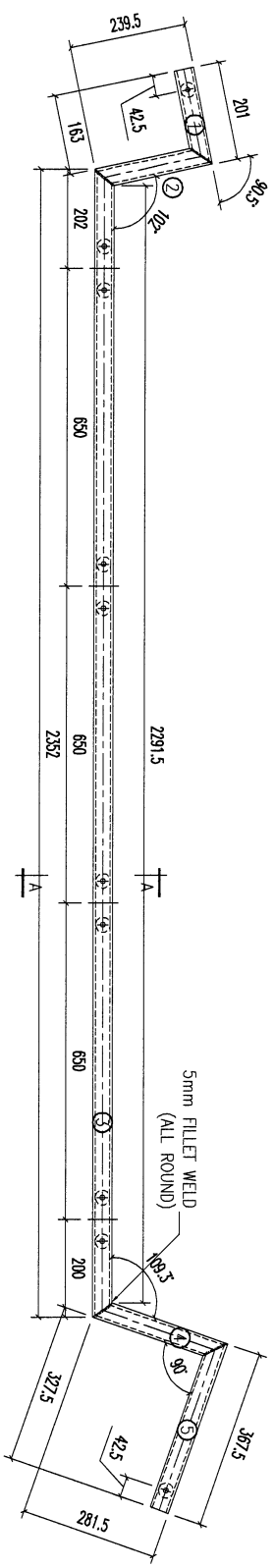
美特鋁業有限公司
MIDI ALUMINIUM FABRICATOR LTD.
 Units 6-8, Sunray Industrial Centre, 1/F
 610 Cha Kwo Ling Road, Kowloon
 Tel: 23489211-4 Fax: (852) 27727666

PROJECT J853-PODIUM ALUM CEILING
 & FEATURE CLADDING T2 P/F
 JOB NO. J853

FACTORY	W/CENTRE	CUT ENDS	FINISH	DATE	DRAWN	POST PAINT	PART
01	MACH/SDBA/FAB	±1	熱浸	4/9/2023	YEUNG	SCALE 1:5	PRE PAINT
Standard	X X . = ±1	Angle	±1°				
Tolerances	X X . X = ±05	Squareness	±1°				
DRAWING TITLE 鐵料加工圖				DRAWING NO. T2-MS01-02-07	SHT. -/-	REV. -	

23

REV.	CHECKED DATE	PART NUMBER	Dim. A	Dim. B	Dim. C	Dim. D	Dim. E	Dim. F	Dim. G	QTY	Inv. Code	ASSEMBLY ON PARTS	EXTR. DRAWING PART DRAWING
-		T2-MS01-02-10								1			



SECTION A-A

REV.	DATE	AMENDMENT	REVISED BY		
05		40x40x5mm 噴通	367.5	1	S4
04		40x40x5mm 噴通	281.5	1	S4
03		40x40x5mm 噴通	235.2	1	S4
02		40x40x5mm 噴通	239.5	1	S4
01		40x40x5mm 噴通	201	1	S4

18.4KG

美特鋁質有限公司
MIDI ALUMINIUM FABRICATOR LTD.
 Units 6-8, Sunray Industrial Centre, 1/F
 610 Cha Kwo Ling Road, Kowloon
 Tel: 23489211-4 Fax: (852) 27727666

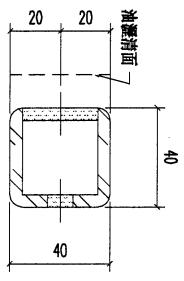
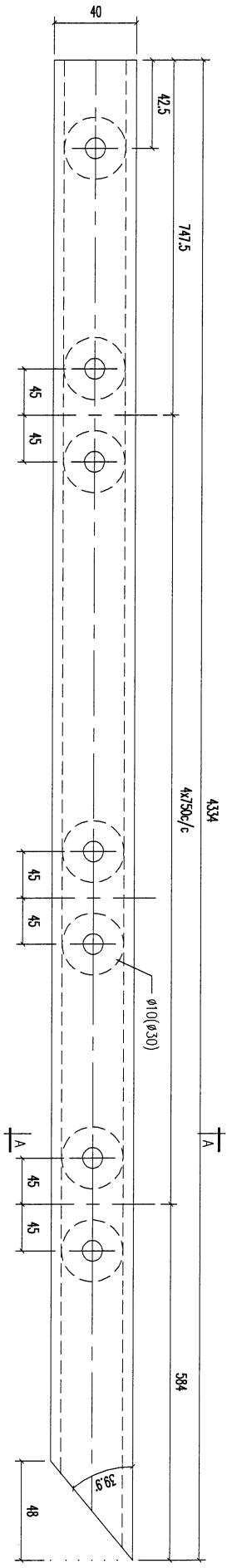
PROJECT J853-PODIUM ALUM CEILING
 & FEATURE CLADDING T2 P/F
 JOB NO. J853

FACTORY	W/CENTRE MARK/SDBA/FAB	CUT ENDS	FINISH	DATE	DRAWN	SCALE	POST PAINT	PART
01				4/9/2023	YEUNG	1:5	<input checked="" type="checkbox"/>	<input checked="" type="checkbox"/>

DRAWING TITLE	DRAWING NO.	SHT.	REV.
鐵料加工圖	T2-MS01-02-10	-/-	-

24

REV.	CHECKED CHK BY	PART NUMBER	Dim. A	Dim. B	Dim. C	Dim. D	Dim. E	Dim. F	Dim. G	QTY	Inv. Code	ASSEMBLE ON PARTS	EXTR. DRAWING PART DRAWING
-		T2-MS01-02-11								1			

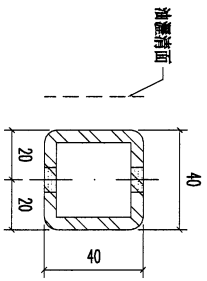
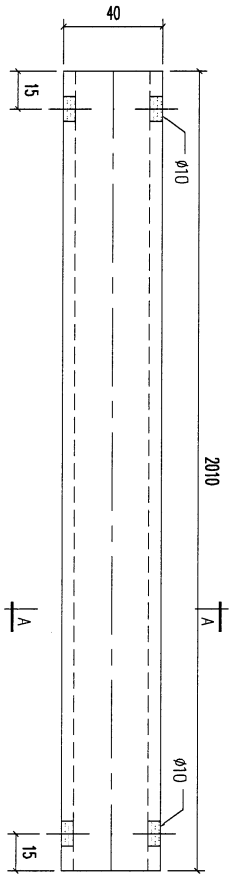


SECTION A-A

01	40x40x5mm 卷邊	4334	開料	1	S4	23.1KG							
REV.	DATE	AMENDMENT	REVISED BY	<p>美特鋁業有限公司 MIDI ALUMINIUM FABRICATOR LTD. Units 6-8, Sunray Industrial Centre, 1/F 610 Cha Kwo Ling Road, Kowloon Tel: 23489211-4 Fax: (852) 27727666</p> <p>PROJECT J853-PODIUM ALUM CEILING & FEATURE CLADDING T2 P/P</p> <p>JOB NO. J853</p>									
FACTORY 01		W/ENGINE MACH/SUBA/FAB		CUT ENDS		FINISH		POST PAINT		PART		REV.	
Standard X X . = ±1		Angle Squaredness ±1'		DATE 4/9/2023		DRAWN YEUNG		SCALE 1:5		TRACK TYPE S.....		SHT. -/-	
Tolerances X X . X = ±05		DRAWING TITLE 鐵料加工圖		DRAWING NO. T2-MS01-02-11		熱浸		PRE PAINT		PART		REV.	

25

REV.	CHECKED DATE BY	PART NUMBER	Dim. A	Dim. B	Dim. C	Dim. D	Dim. E	Dim. F	Dim. G	QTY	Inv. Code	ASSEMBLE ON PARTS	EXTR. DRAWING PART DRAWING
-		T2-MS01-02-12								4			



SECTION A-A

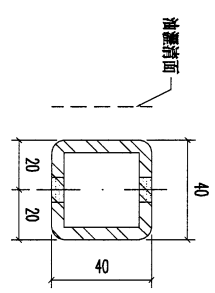
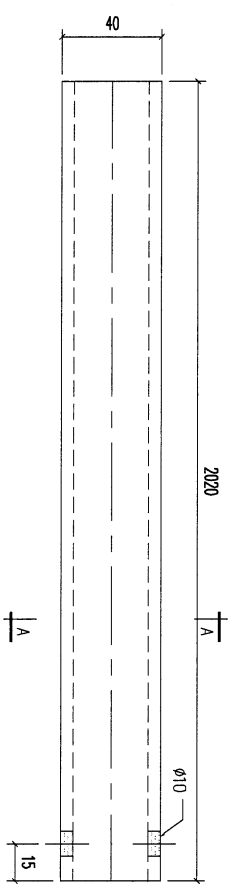
REV.	DATE	AMENDMENT	REVISED BY
01		40x40x5mm 卷邊 材料規格	
		2010 長度	
		1 數量	
		S4 公差	
		10.7KG	

美特鋁業有限公司 MIDI ALUMINIUM FABRICATOR LTD. Units 6-8, Sunray Industrial Centre, 1/F 610 Cha Kwo Ling Road, Kowloon Tel: 23489211-4 Fax: (852) 27727666	PROJECT J853-PODIUM ALUM CEILING & FEATURE CLADDING T2 P/F	JOB NO. J853
---	---	-----------------

FACTORY 01	W/CENTRE MACH/SUBA/FAB	CUT ENDS	FINISH	DATE	DRAWN	POST PAINT	PART
Standard X X . = ±1 Tolerances X X . X = ±05	Angle Squareness ±1'	±1'	4/9/2023	YEUNG	SCALE 1:5	PRE PAINT	TRACK TYPE S.....
DRAWING TITLE 鐵料加工圖				DRAWING NO. T2-MS01-02-12	SHT. REV.		

26

REV.	CHANGED BY	PART NUMBER	Dim. A	Dim. B	Dim. C	Dim. D	Dim. E	Dim. F	Dim. G	QTY	Inv. Code	EXTR. DRAWING PART DRAWING
-		T2-MS01-02-13								9		ASSEMBLE ON PARTS



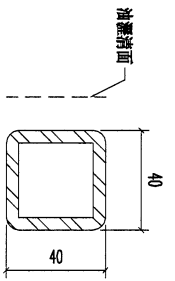
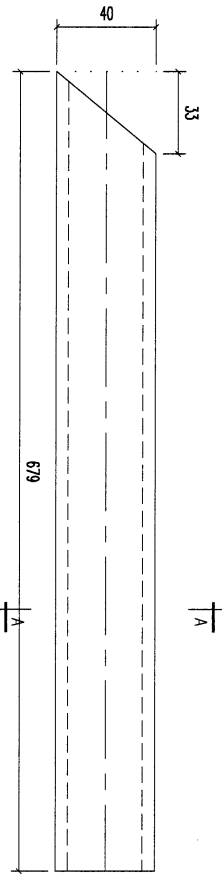
SECTION A-A

REV.	DATE	AMENDMENT	REVISED BY	REV.
01	2010	材料規格	1	S4
		长度		
		零件描述		
		数量		
		备注		

<p>10.7KG</p> <p>UNIT 6-8, SUNROY INDUSTRIAL CENTRE, 1/F 610, CHA KWO LING ROAD, KOWLOON TEL: 23489211-4 FAX: (852) 2727666</p> <p>PROJECT J853-PODIUM ALUM CEILING & FEATURE CLADDING T2 P/F</p> <p>JOB NO. J853</p>	<p>FACTORY 01</p> <p>W/CENTRE MACH/SDBX/FAB</p> <p>CUT ENDS</p> <p>FINISH 熱浸</p> <p>DATE 4/9/2023</p> <p>DRAWN YEUNG</p> <p>POST PAINT PRE PAINT</p> <p>SCALE 1:5</p> <p>PART SUB ASSEM.</p> <p>TRACK TYPE S.....</p>	<p>STANDARD X X . = ±1</p> <p>TOLERANCES X X . X = ±0.5</p> <p>ANGLE ±1°</p> <p>SQUARENESS ±1°</p> <p>DATE 4/9/2023</p> <p>DRAWING NO. T2-MS01-02-13</p>	<p>鐵料加工圖</p>
---	---	--	--------------

28

REV.	CHECKED DATE BY	PART NUMBER	Dim. A	Dim. B	Dim. C	Dim. D	Dim. E	Dim. F	Dim. G	QTY	Inv. Code	ASSEMBLE ON PARTS	EXTR. DRAWING PART DRAWING
-		T2-MS01-02-21								1			<input checked="" type="checkbox"/>

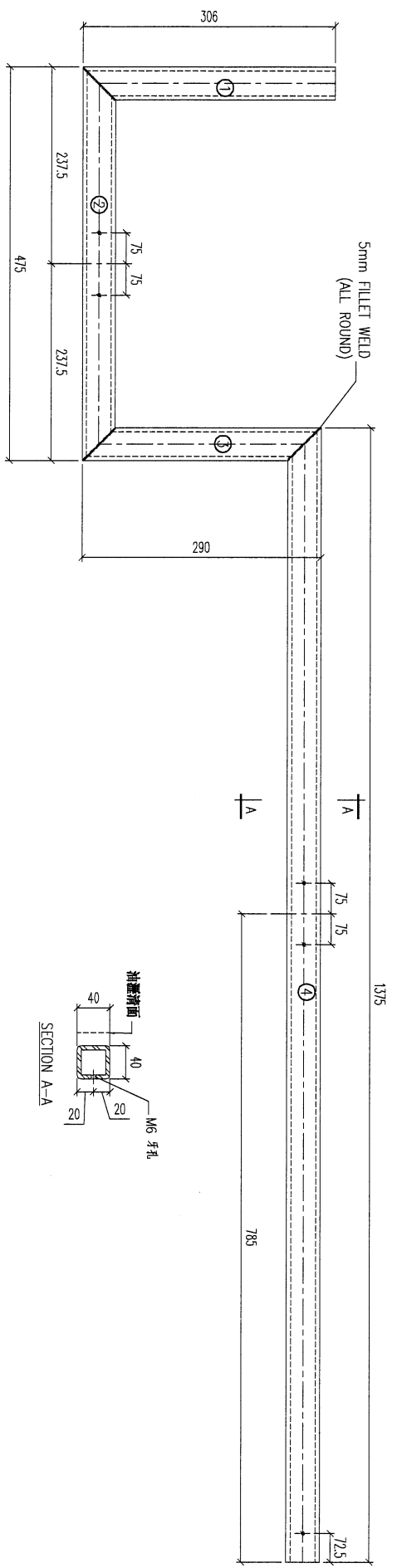


SECTION A-A

01	40x40x5mm 條通	679	開料	1	S4	3.6 KG
REV.	DATE	AMENDMENT	REVISED BY			
<p>UNITED KINGDOM 美特鋁業有限公司 MIDI ALUMINIUM FABRICATOR LTD. Units 6-8, Sunny Industrial Centre, 1/F 610 Che Kwo Ling Road, Kowloon Tel: 23489211-4 Fax: (852) 27727666</p>						
PROJECT J853-PODIUM ALUM CEILING & FEATURE CLADDING T2 P/F		JOB NO. J853		FACTORY 01 W/CENTRE MACH/SDBA/FAB CUT ENDS FINISH 熱浸 DRAWN YEUNG POST PAINT <input checked="" type="checkbox"/> SCALE 1:5 PART <input checked="" type="checkbox"/> TRACK TYPE S..... SHIT. -/- REV. -		
Tolerances X X . X = ±1 Angle Squareness ±1' DATE 4/9/2023 DRAWING TITLE 鐵料加工圖 DRAWING NO. T2-MS01-02-21						

59

REV.	CHECKED DATE BY	PART NUMBER	Dim. A	Dim. B	Dim. C	Dim. D	Dim. E	Dim. F	Dim. G	QTY	Inv. Code	ASSEMBLE ON PARTS	EXTR. DRAWING PART DRAWING
-		T2-MS01-03-01								1			



REV.	DATE	AMENDMENT	REVISED BY
04		40x40x5mm 修通	1375
03		40x40x5mm 修通	290
02		40x40x5mm 修通	475
01		40x40x5mm 修通	306

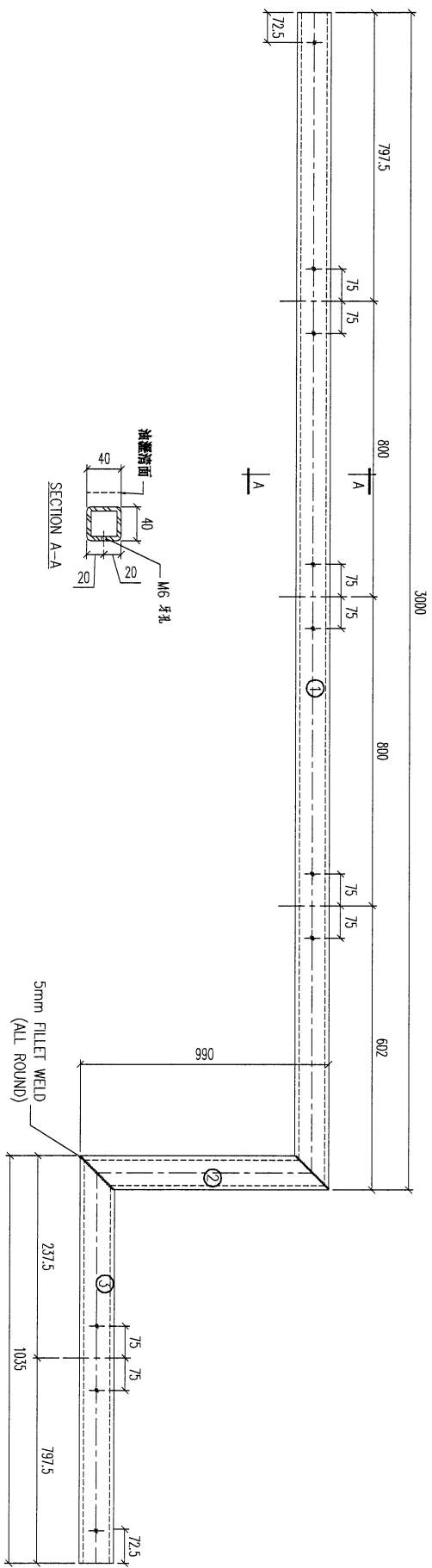
序号	材料规格	长度	零件描述	数量	备注
04	40x40x5mm 修通	1375	开料	1	S4
03	40x40x5mm 修通	290	开料	1	S4
02	40x40x5mm 修通	475	开料	1	S4
01	40x40x5mm 修通	306	开料	1	S4

12.9KG	UNIT	1	1375	1375	785	7.25
--------	------	---	------	------	-----	------

美特铝业有限公司 MIDI ALUMINIUM FABRICATOR LTD. Units 6-8, Sunray Industrial Centre, 1/F 610 Cho Kwo Ling Road, Kowloon Tel: 23489211-4 Fax: (852) 2727666		PROJECT: J853-PODIUM ALUM CEILING & FEATURE CLADDING T2 P/P	JOB NO. J853			
FACTORY	W/CENTRE	CUT ENDS	FINISH	DRAWN	SCALE	TRACK TYPE
01	MARK/SQBA/FAB	±1'	4/9/2023	YEUNG	1:5	S.....
Standard	X X . = ±1	Angle	DATE	DRAWING NO.		SHT.
Tolerances	X X . X = ±05	Squareness	4/9/2023	T2-MS01-03-01		REV.
DRAWING TITLE		DRAWING NO.		SHT.		REV.
金属材料加工圖		T2-MS01-03-01		-/-		-

30

REV.	CHECKED DATE BY	PART NUMBER	Dim. A	Dim. B	Dim. C	Dim. D	Dim. E	Dim. F	Dim. G	QTY	Inv. Code	ASSEMBLY ON PARTS	EXTR. DRAWING PART DRAWING
-		T2-MS01-03-02								1			



REV.	DATE	AMENDMENT	REVISED BY
03		40x40x5mm 修通	1035
02		40x40x5mm 修通	990
01		40x40x5mm 修通	3000

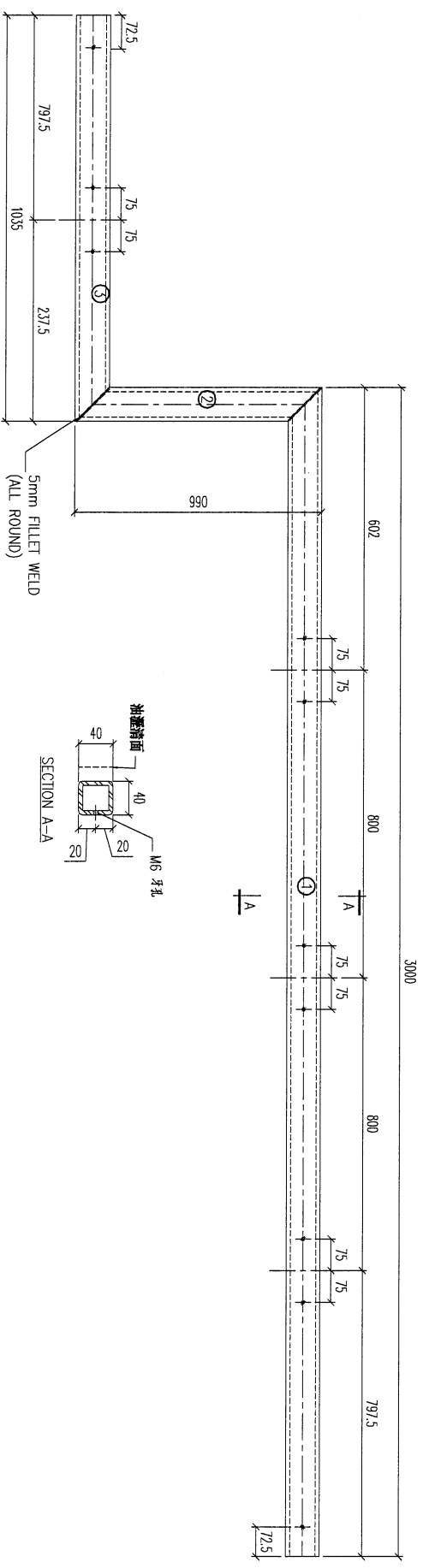
序号	材料规格	长度	附件描述	数量	备注
					26.BKG


美特铝有限公司
 MIDI ALUMINUM FABRICATOR LTD.
 Units 6-8, Sunray Industrial Centre, 1/F
 610 Cho Kwo Ling Road, Kowloon
 Tel: 23489211-4 Fax: (852) 27727666

PROJECT	J853-PODIUM ALUM CEILING & FEATURE CLADDING T2 P/F	JOB NO.	J853
FACTORY	01	W/CENTRE	MACH/SDBX/FAB
Standard	X X . = ±1	CUT ENDS	Angle ±1°
Tolerances	X X . X = ±05	FINISH	DATE 4/9/2023
DRAWING TITLE	金属材料加工圖	FINISH	DATE 4/9/2023
DRAWING NO.	T2-MS01-03-02	FINISH	DATE 4/9/2023
DRAWN	YEUNG	FINISH	DATE 4/9/2023
SCALE	1:5	FINISH	DATE 4/9/2023
SHT.	-/-	FINISH	DATE 4/9/2023
REV.	-	FINISH	DATE 4/9/2023

31

REV.	CHECKED DATE	PART NUMBER	Dim. A	Dim. B	Dim. C	Dim. D	Dim. E	Dim. F	Dim. G	QTY	Inv. Code	ASSEMBLY ON PARTS	EXTR. DRAWING PART DRAWING
-		T2-MS01-03-03								1			



REV.	DATE	AMENDMENT	REVISED BY
03		40x40x5mm 普通	1035
02		40x40x5mm 普通	990
01		40x40x5mm 普通	3000

材料規格	長度	零件描述	數量	備註
40x40x5mm 普通	1035	開梯	1	S4
40x40x5mm 普通	990	開梯	1	S4
40x40x5mm 普通	3000	開梯	1	S4

REV.	DATE	AMENDMENT	REVISED BY

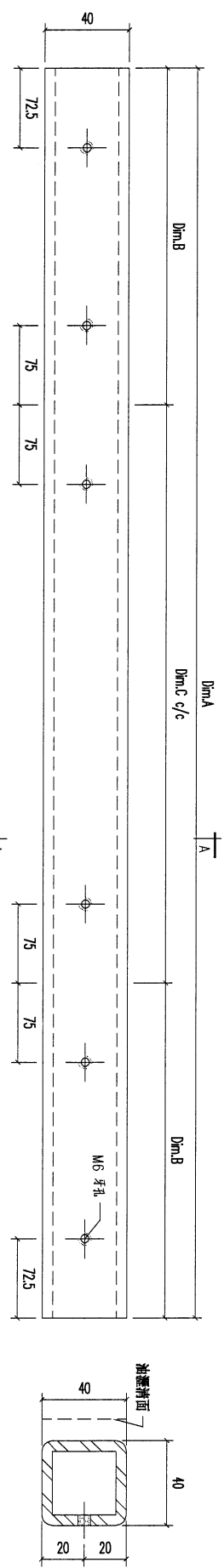

美特鋁質有限公司
 MIDI ALUMINIUM FABRICATOR LTD.
 Units 6-8, Sunray Industrial Centre, 1/F
 610 Cha Kwo Ling Road, Kowloon
 Tel: 23489211-4 Fax: (852) 2727666

PROJECT J853-PODIUM ALUM CEILING
 & FEATURE CLADDING T2 P/P
 JOB NO. J853
 FACTORY 01
 W/CENTRE MACH/SDBA/FAB
 CUT ENDS
 FINISH
 DATE 4/9/2023
 DRAWN YEUNG
 SCALE 1:5
 PART
 TRACK TYPE S.....

REV.	DATE	AMENDMENT	REVISED BY	JOB NO.	DRAWING TITLE	DRAWING NO.	SHT.	REV.
				J853	鐵料加工圖	T2-MS01-03-03	-/-	-

32

REV.	CHECKED DATE	PART NUMBER	Dim. A	Dim. B	Dim. C	Dim. D	Dim. E	Dim. F	Dim. G	QTY	Inv. Code	ASSEMBLE ON PARTS	EXTR. DRAWING PART DRAWING
-		T2-MS01-03-04	5595	797.5	5*800					2			



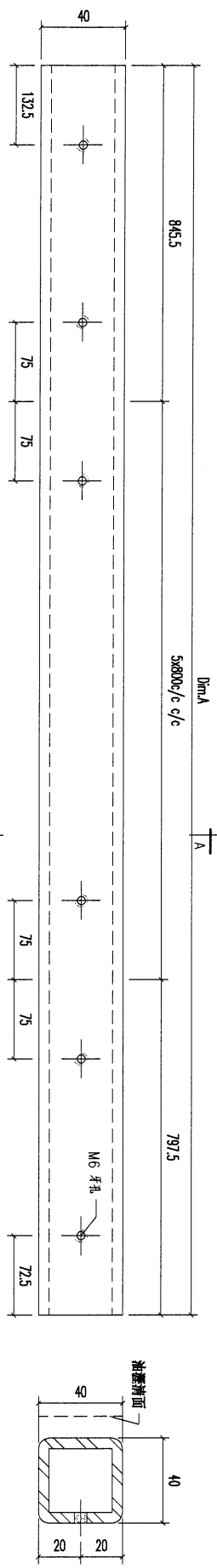
REV.	DATE	AMENDMENT	REVISED BY	PROJECT	JOB NO.	DRAWING TITLE	DRAWING NO.	SHT.	REV.
01		40x40x5mm 條通		PROJECT J853-PODIUM ALUM CEILING	J853	鐵料加工圖	T2-MS01-03-04	-/-	-
		材料規格	5595						
		長度	開料						
			零件描述						
			數量						
			1						
			備註						
			S4						
			29.BG						

美特鋁質有限公司
 MIDI ALUMINIUM FABRICATOR LTD.
 Units 6-8, Sunray Industrial Centre, 1/F
 610 Cho Kwo Ling Road, Kowloon
 Tel: 23489211-4 Fax: (852) 27727666

FACTORY	01	W/CENTRE	MACE/SDBA/FAB	CUT ENDS	FINISH	DATE	4/9/2023	POST PAINT	SCALE	1:5	PART	TRACK TYPE	S.....
Standard	X X .	= ±1	Angle	±1°	FINISH	DATE	4/9/2023	SCALE	1:5	TRACK TYPE	S.....		
Tolerances	X X . X = ±05	Squareness	±1°	DATE	4/9/2023								

34

REV. / CHECKED BY	PART NUMBER	Dim. A	Dim. B	Dim. C	Dim. D	Dim. E	Dim. F	Dim. G	QTY	Inv. Code	EXTR. DRAWING PART DRAWING
-	T2-MS01-03-06	564.3							1		



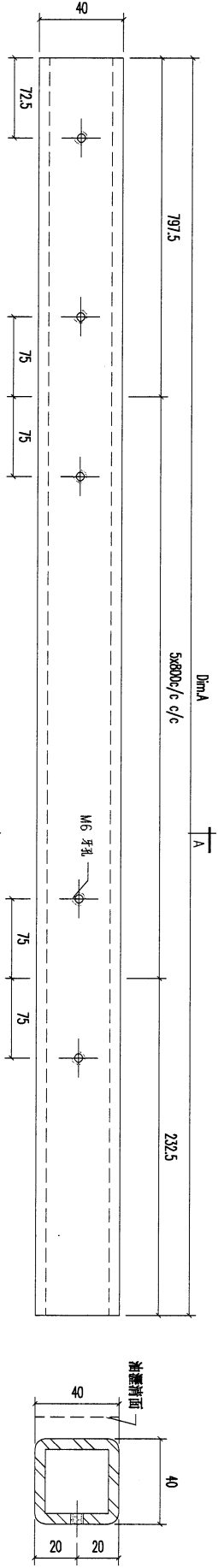
SECTION A-A

REV.	DATE	AMENDMENT	REVISED BY	QTY	REVISION
01	40x40x5mm 條通	564.3	564.3	1	S4
	材料規格	長度	零件描述	數量	备注
					30.0KG

美特鋁質有限公司 MIDI ALUMINUM FABRICATOR LTD. Units 6-8, Sunray Industrial Centre, 1/F 610 Cho Kwo Ling Road, Kowloon Tel: 23489211-4 Fax: (852) 27727666		PROJECT J853-PODIUM ALUM CEILING & FEATURE CLADDING T2 P/F	JOB NO. J853
FACTORY	W/CENTRE	CUT ENDS	FINISH
01	M08/S08A/FAB	Angle ±1°	熱浸
Standards	X X . = ±1	Squareness ±1°	PRE PAINT
Tolerances	X X . X = ±0.5		SCALE
			1:5
			PART
			SUB ASSEM.
			TRACK TYPE
			S.....
			SHIT
			REV
			A

35

REV.	CHANGED BY	PART NUMBER	Dim. A	Dim. B	Dim. C	Dim. D	Dim. E	Dim. F	Dim. G	QTY	Inv. Code	EXTR. DRAWING PART DRAWING
-		T2-MS01-03-07	5030							1		ASSEMBLE ON PARTS



SECTION A-A

REV.	DATE	AMENDMENT	REVISED BY
01	40x40x5mm 條通	5030	1
	材料規格	長度	零件描述
			數量
			單位

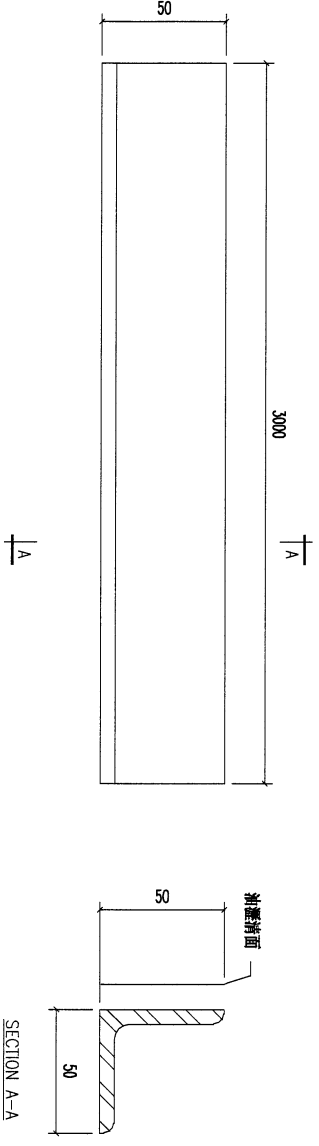
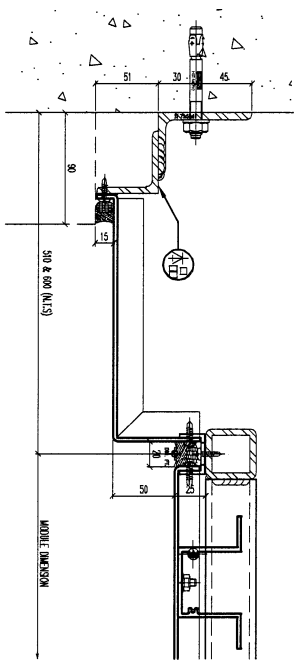
26 BKG

美特鋁業有限公司
MIDI ALUMINIUM FABRICATOR LTD.
 Units 6-8, Sunray Industrial Centre, 1/F
 610, Cho Kwo Ling Road, Kowloon
 Tel: 23489211-4 Fax: (852) 2727666

REV.	DATE	AMENDMENT	REVISED BY	PROJECT	JOB NO.	DRAWING TITLE	DRAWING NO.	POST PAINT	PART	SHT.	REV.
				PROJECT J853-PODIUM ALUM CEILING & FEATURE CLADDING T2 P/F	J853	鐵料加工圖	T2-MS01-03-07	<input checked="" type="checkbox"/>		-/-	-

36

REV. ORDERED DATE BY	PART NUMBER	Dim. A	Dim. B	Dim. C	Dim. D	Dim. E	Dim. F	Dim. G	QTY	Inv. Code	ASSEMBLE ON PARTS	EXTR. DRAWING PART DRAWING
-	T2-MS01-04-01								2			



SECTION A-A

REV.	DATE	AMENDMENT	REVISED BY
01			

序号	材料规格	长度	开料	零件描述	数量	备注
01	50x50x5mm 角铁	3000			1	S8

REV.	DATE	AMENDMENT	REVISED BY

11.1 KG

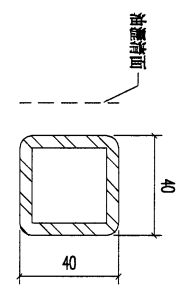
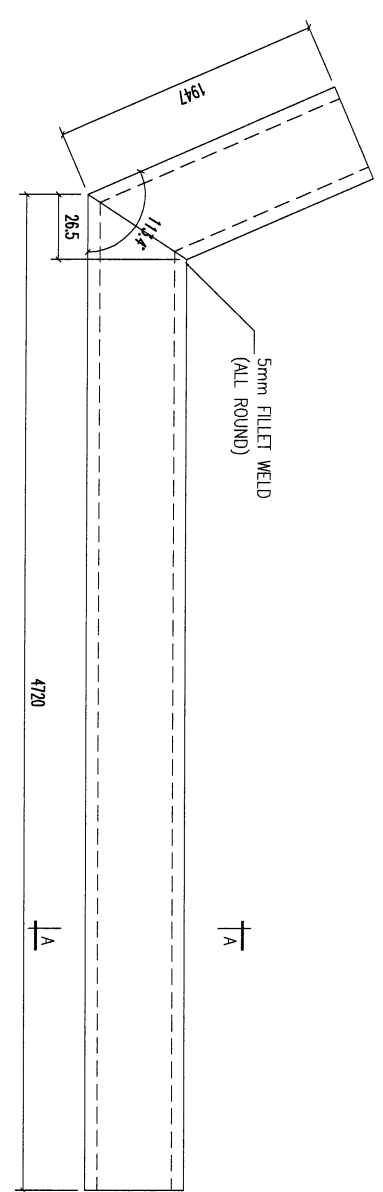
美特铝业有限公司
MIDI ALUMINIUM FABRICATOR LTD.
Units 6-8, Sunray Industrial Centre, 1/F
610 Cho Kwo Ling Road, Kowloon
Tel: 23489211-4 Fax: (852) 2727666

FACTORY	W/CENTRE	CUT ENDS	FINISH	DATE	DRAWN	POST PAINT	PART
01	MADE/SEMA/FAB			4/9/2023	YEUNG	<input checked="" type="checkbox"/>	

PROJECT	JOB NO.	DRAWING TITLE	DRAWING NO.	SHT.	REV.
J853-PODIUM ALUM CEILING & FEATURE CLADDING T2 P/F	J853	金属材料加工图	T2-MS01-04-01	-/-	-

137

REV. / CHECKED BY / DATE	PART NUMBER	Dim. A	Dim. B	Dim. C	Dim. D	Dim. E	Dim. F	Dim. G	QTY	Inv. Code	EXTR. DRAWING PART DRAWING
- / T2-MS01-02-22									1		



REV. / 序號	40x40x5mm 快通	4720	1947	1	1	S4
02	40x40x5mm 快通	4720	1947	1	1	S4
01	40x40x5mm 快通	1947	1	1	1	S4

美特鋁業有限公司
MIDI ALUMINIUM FABRICATOR LTD.

Units 6-8, Sunray Industrial Centre, 1/F
610 Cha Kwo Ling Road, Kowloon
Tel: 23489211-4 Fax: (852) 27276666

PROJECT J853-PODIUM ALUM CEILING
& FEATURE CLADDING T2 P/F

REV.	DATE	AMENDMENT	REVISED BY	35.8KG	UNIT NO. J853	DRAWING TITLE 鐵料加工圖	DRAWING NO. T2-MS01-02-22	SHT. -/-

