

工程指示 / 要求簡箋 ENGINEER INSTRUCTIONS (E.I.)

工程指示編號:	EI- 6022	修改版本:	-
	HK-1		
工程編號:	J 853	工程名稱:	延坪道
收件人:	Maggie Lor	發件人:	Joe Chan
工程項目:	Podium Ceiling Cladding Feature (Part 5) 第1批鐵件 生產.	日期:	17/04/2023

<input checked="" type="checkbox"/> 原合約工程包	<input type="checkbox"/> 原合約工程加 / 減賬 QT-	<input type="checkbox"/> 新工程報價 QT-
--	--	------------------------------------

信件批核號碼/圖紙參考編號:	批核模具圖紙編號:
客戶指示附件:	管理內部批簽署:

<input type="checkbox"/> 初步鋁料 B.M.	<input type="checkbox"/> 加工拆圖, 然後生產	<input type="checkbox"/> 尺寸表
<input type="checkbox"/> 正式鋁料 B.M.	<input type="checkbox"/> 技術上資料/指示	<input type="checkbox"/> 報價
<input type="checkbox"/> 配件 B.M.	<input type="checkbox"/> 樣辦或貨品說明書	<input type="checkbox"/> 分判合約
<input checked="" type="checkbox"/> 其他: 鐵件.		


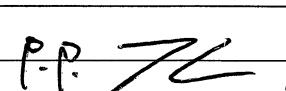

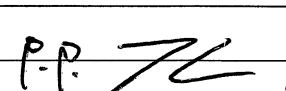
內容: 請依附件資料, 生產 GMS 鐵件, 遠地盤.  
- 部份構件需在廠收螺絲, 安裝角碼. 鐵廠需按加工圖所示, 收螺絲  
廠驗焊: 10% 磁粉, 100% 目測  
驗焊報告名稱: Superstructure - Aluminium Cladding at Transfer Plate  
完成上列要求日期: 30/4/2023 ASAP

國內

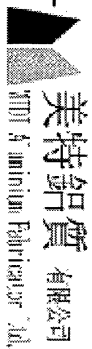
<input type="checkbox"/> 生產技術總監	<input type="checkbox"/> 連附件	<input type="checkbox"/> 技術部	<input type="checkbox"/> 連附件	<input type="checkbox"/> 生產部	<input type="checkbox"/> 連附件
<input type="checkbox"/> 採購部	<input type="checkbox"/> 連附件	<input type="checkbox"/> 生產統籌部	<input type="checkbox"/> 連附件	<input type="checkbox"/> 報關組	<input type="checkbox"/> 連附件
<input type="checkbox"/> 質檢部	<input type="checkbox"/> 連附件	<input type="checkbox"/> 會計部	<input type="checkbox"/> 連附件	<input type="checkbox"/> 機械設計部	<input type="checkbox"/> 連附件
<input type="checkbox"/> 香港辦	<input type="checkbox"/> 連附件	<input type="checkbox"/> 其他:			

香港

<input type="checkbox"/> 行政部	<input type="checkbox"/> 連附件	<input type="checkbox"/> 會計部	<input type="checkbox"/> 連附件	<input type="checkbox"/> 統籌部	<input type="checkbox"/> 連附件	<input type="checkbox"/> 工程部	<input type="checkbox"/> 連附件
<input type="checkbox"/> 採購部	<input type="checkbox"/> 連附件	<input type="checkbox"/> QS部	<input type="checkbox"/> 連附件	<input checked="" type="checkbox"/> 地盤管理	<input checked="" type="checkbox"/> 連附件	<input type="checkbox"/> 維修部	<input type="checkbox"/> 連附件

\*發件人簽署:   
\*組別成員批核簽署:   
傳遞編號:  項目經理簽署: 

①



美特鋁質 有限公司  
Meitong Aluminium Fabrication Co., Ltd.

### 地盤鐵件BM表

工程號:	J853 T3 P/F	計算:	李傳鵬	日期:	2023/4/7	送呈:	施哥
地盤名稱	香港延坪道	核對:	練松文	日期:	2023/4/7	副本:	細佬
項目類別	天花	批准:	陳梓豪	日期:	2023/4/7		
BM編號:		修改版次:		A/C Code :	2023/04/07	鐵件總重量KG:	2669.60

序號	修改內容	鐵件圖號	鐵件名稱	顏色	實用	後備	總數	單位	單件 (kg)	總重量 (kg)	備注
1		T3-BK01-01-01	10mm thk 鋼板	熱浸鋅	10	0	10	件	3.900	39.000	
2		T3-BK01-01-02	10mm thk 鋼板	熱浸鋅	20	0	20	件	1.600	32.000	
3		T3-BK01-01-03	10mm thk 鋼板	熱浸鋅	75	0	75	件	2.000	150.000	
4		T3-BK01-01-04	10mm thk 鋼板	熱浸鋅	75	0	75	件	2.400	180.000	
5		T3-BK01-01-05	10mm thk 鋼板	熱浸鋅	8	0	8	件	2.200	17.600	
6		T3-BK01-01-06	75x50x6mm thk.角鋼	熱浸鋅	36	0	36	件	0.800	28.800	
7		T3-BK01-01-07	50x50x5mm thk.角鋼	熱浸鋅	1	0	1	件	14.300	14.300	
8		T3-MS01-01-01	60x60x5mm thk.鋼通 + 50x50x5mm thk.鋼通 + 75x50x6mm thk.角鋼	熱浸鋅	75	0	75	件	14.700	1102.500	
9		T3-MS01-01-02	60x60x5mm thk.鋼通 + 50x50x5mm thk.鋼通 + 100x100x6.3mm thk.鋼通 + 75x50x6mm thk.角鋼	熱浸鋅	10	0	10	件	37.500	375.000	
10		T3-MS01-01-03	40x40x5mm thk.鋼通	熱浸鋅	18	0	18	件	5.500	99.000	
11		T3-MS01-02-01	75x50x6mm thk.角鋼	熱浸鋅	52	0	52	件	0.200	10.400	
12		T3-MS01-02-02	50x50x5mm thk.角鋼	熱浸鋅	12	0	12	件	3.600	43.200	
13		T3-MS01-02-03	40x40x5mm thk.鋼通	熱浸鋅	10	0	10	件	4.000	40.000	
14		T3-MS01-02-04	40x40x5mm thk.鋼通	熱浸鋅	1	0	1	件	10.000	10.000	
15		T3-MS01-02-05	40x40x5mm thk.鋼通	熱浸鋅	1	0	1	件	10.800	10.800	
16		T3-MS01-02-06	40x40x5mm thk.鋼通	熱浸鋅	1	0	1	件	11.100	11.100	
17		T3-MS01-02-07	40x40x5mm thk.鋼通	熱浸鋅	1	0	1	件	5.600	5.600	
18		T3-MS01-02-08	40x40x5mm thk.鋼通	熱浸鋅	1	0	1	件	5.700	5.700	
19		T3-MS01-02-09	40x40x5mm thk.鋼通	熱浸鋅	1	0	1	件	9.300	9.300	
20		T3-MS01-02-10	40x40x5mm thk.鋼通	熱浸鋅	2	0	2	件	4.500	9.000	

2



地盘鐵件BM表

工程號:	J853 T3 P/F	計算:	李傳鵬	日期:	2023/4/7	送呈:	施哥
地盘名稱:	香港延坪道	核對:	練松文	日期:	2023/4/7	副本:	細佬
項目類別:	天花	批准:	陳梓豪	日期:	2023/4/7		
BM編號:		A/C Code :	2023/04/07	鐵件總重量KG:	2669.60		
修改版次:							

序號	修改內容	鐵件圖號	鐵件名稱	顏色	實用	後備	總數	單位	單件 (kg)	總重量 (kg)	備注
21		T3-MS01-02-11	40X40X5mm thk.鋼通	熱浸鋅	3	0	3	件	4.500	13.500	
22		T3-MS01-03-01	40X40X5mm thk.鋼通	熱浸鋅	1	0	1	件	13.100	13.100	
23		T3-MS01-03-02	40X40X5mm thk.鋼通	熱浸鋅	1	0	1	件	24.000	24.000	
24		T3-MS01-03-03	40X40X5mm thk.鋼通	熱浸鋅	1	0	1	件	9.600	9.600	
25		T3-MS01-03-04	40X40X5mm thk.鋼通	熱浸鋅	3	0	3	件	31.900	95.700	
26		T3-MS01-03-05	40X40X5mm thk.鋼通	熱浸鋅	3	0	3	件	25.500	76.500	
27		T3-MS01-03-06	40X40X5mm thk.鋼通	熱浸鋅	3	0	3	件	27.900	83.700	
28		T3-MS01-03-07	40X40X5mm thk.鋼通	熱浸鋅	1	0	1	件	4.100	4.100	
29		T3-MS01-03-08	40X40X5mm thk.鋼通	熱浸鋅	2	0	2	件	4.200	8.400	
30		T3-MS01-03-09	40X40X5mm thk.鋼通	熱浸鋅	1	0	1	件	3.900	3.900	
31		T3-MS01-03-10	40X40X5mm thk.鋼通	熱浸鋅	1	0	1	件	4.900	4.900	
32		T3-MS01-03-11	40X40X5mm thk.鋼通	熱浸鋅	1	0	1	件	4.200	4.200	
33		T3-MS01-03-12	40X40X5mm thk.鋼通	熱浸鋅	1	0	1	件	10.200	10.200	
34		T3-MS01-04-01	40X40X5mm thk.鋼通	熱浸鋅	1	0	1	件	10.900	10.900	
35		T3-MS01-04-02	40X40X5mm thk.鋼通	熱浸鋅	1	0	1	件	23.500	23.500	
36		T3-MS01-04-03	40X40X5mm thk.鋼通	熱浸鋅	2	0	2	件	1.400	2.800	
37		T3-MS01-04-04	40X40X5mm thk.鋼通	熱浸鋅	1	0	1	件	3.200	3.200	
38		T3-MS01-04-05	40X40X5mm thk.鋼通	熱浸鋅	1	0	1	件	4.500	4.500	
39		T3-MS01-04-06	40X40X5mm thk.鋼通	熱浸鋅	1	0	1	件	7.700	7.700	
40		T3-MS01-06-01	40X40X5mm thk.鋼通	熱浸鋅	9	0	9	件	4.700	42.300	

3



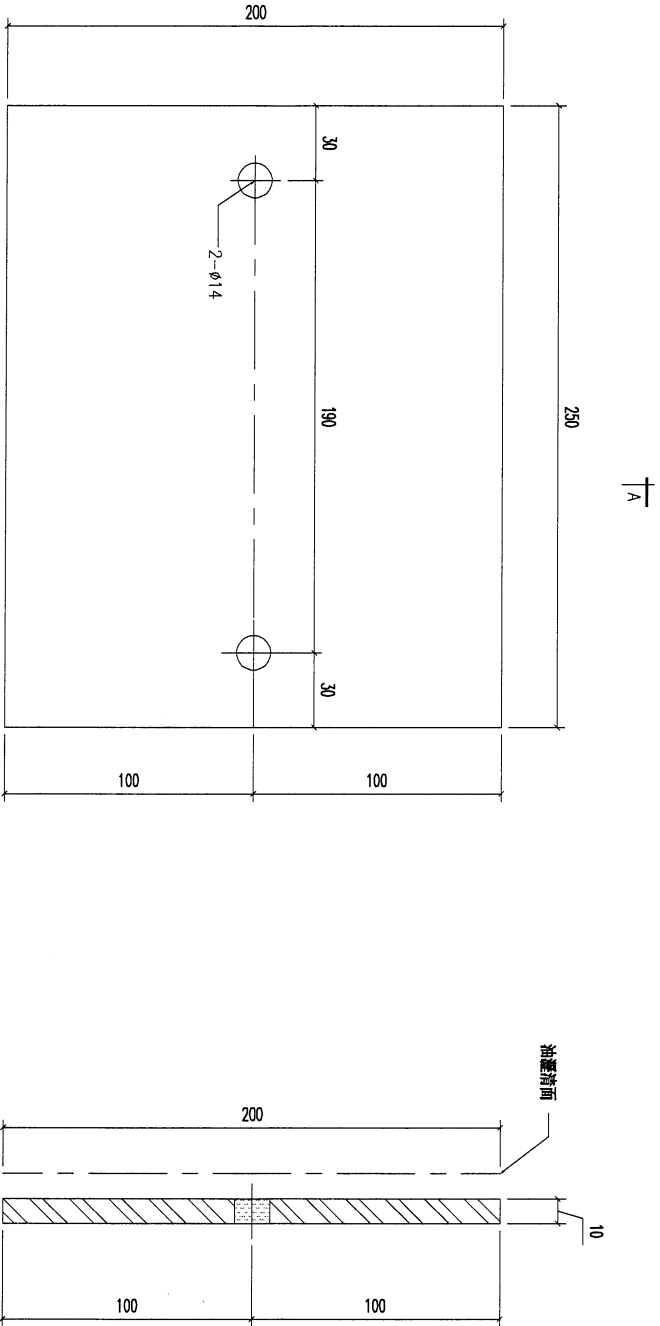
地盘鐵件BM表

工程號:	J853 T3 P/F	計算:	李傳鵬	日期:	2023/4/7	送呈:	施哥
地盘名稱	香港延坪道	核對:	練松文	日期:	2023/4/7	副本:	細佬
項目類別	天花	批准:	陳梓豪	日期:	2023/4/7		
修改版次:		A/C Code : 2023/04/07		鐵件總重量KG:	2669.60		

序號	修改內容	鐵件圖號	鐵件名稱	顏色	實用	後備	總數	單位	單件 (kg)	總重量 (kg)	備注
41		T3-MS01-06-02	40X40X5mm thk.鋼通	熱浸鋅	1	0	1	件	7.600	7.600	
42		T3-MS01-06-03	50X50X5mm thk.角鋼	熱浸鋅	1	0	1	件	22.000	22.000	
43					450		450				

4

REV.	CHECKED DATE BY	PART NUMBER	Dim. A	Dim. B	Dim. C	Dim. D	Dim. E	Dim. F	Dim. G	QTY	Inv. Code	ASSEMBLE ON PARTS	EXTR. DRAWING PART DRAWING
-		T3-BK01-01-01								10			



1A

SECTION A-A

REV.	DATE	AMENDMENT	REVISED BY
01		200x10mm 鐵板	
		材料規格	
		長度	
		開梯	
		零件描述	
		數量	
		备注	

3.9 KG

**美特鋁質有限公司**  
MIDI ALUMINIUM FABRICATOR LTD.  
Units 6-8, Sunray Industrial Centre, 1/F  
610 Cha Kwo Ling Road, Kowloon  
Tel: 23489211-4 Fax: (852) 2727666

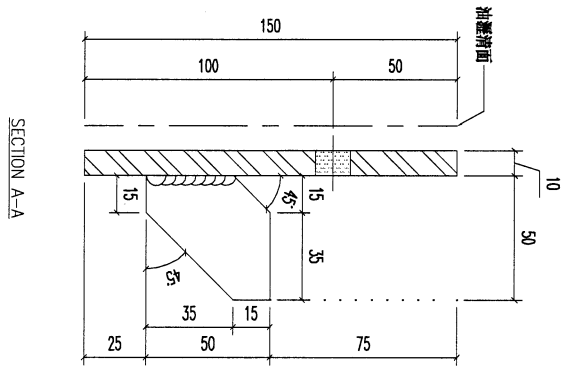
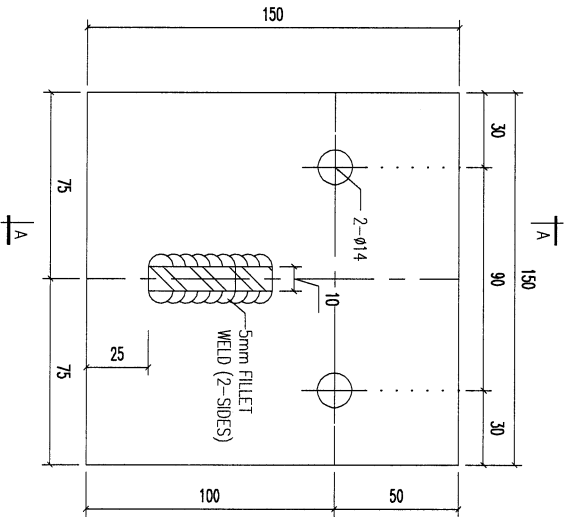
PROJECT J853-PODIUM ALUM CEILING  
& FEATURE CLADDING T3 P/F  
JOB NO. J853

FACTORY	W/CENTRE	CUT ENDS	FINISH	DATE	DRAWN	POST PAINT	PART	SHT.	REV.
01	MAX/SQDA/FAB			4/7/2023	YEUNG			-/-	-
Standard	X X . = ±1	Angle	±1°			PRE PAINT	PART		
Tolerances	X X . X = ±0.5	Squareness	±1°			SCALE	SUB ASSEM.		
						1:5	TRACK TYPE		
							S.....		
DRAWING TITLE		熱浸		DRAWING NO.	T3-BK01-01-01				
鐵料加工圖									



6

REV.	CHECKED DATE BY	PART NUMBER	Dim. A	Dim. B	Dim. C	Dim. D	Dim. E	Dim. F	Dim. G	QTY	Inv. Code	ASSEMBLE ON PARTS	EXTR. DRAWING PART DRAWING
-		T3-BK01-01-03								75			

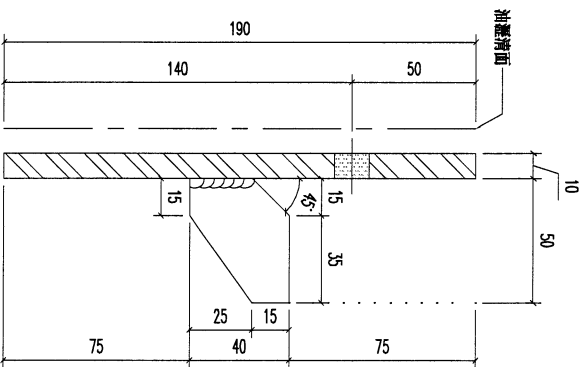
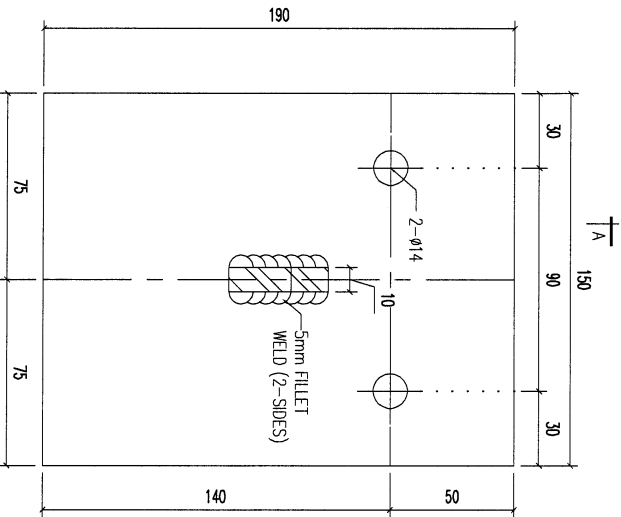


02	50x10mm 鐵板	50	開料	1	
01	150x10mm 鐵板	150	開料	1	
	材料規格	長度	零件描述	數量	备注
					2.0 KG

REV.	DATE	AMENDMENT	REVISED BY	<b>美特鋁質有限公司</b> MIDI ALUMINIUM FABRICATOR LTD. Units 6-8, Sunray Industrial Centre, 1/F 610 Cho Kwo Ling Road, Kowloon Tel: 23489211-4 Fax: (852) 2727666				PROJECT	J853-PODIUM ALUM CEILING & FEATURE CLADDING T3 P/F	JOB NO.	J853	FACILITY	01	W/CENTRE	MAX/SIDE/FAB	CUT ENDS	FINISH	熱浸	POST PAINT	PART
				Standard	X X .	= ±1	Angle	±1'	DATE	4/7/2023	DRAWN	YEUNG	SCALE	1:5	TRACK TYPE	S.....	SHT.	REV.		
				Tolerances	X X . X	= ±0.5	Squareness	±1'	DRAWING TITLE	鐵料加工圖	DRAWING NO.	T3-BK01-01-03								

7

REV.	CHECKED PART NO.	PART NUMBER	Dim. A	Dim. B	Dim. C	Dim. D	Dim. E	Dim. F	Dim. G	QTY	Inv. Code	EXTR. DRAWING PART DRAWING
-		T3-BK01-01-04								75		ASSEMBLE ON PARTS



REV.	DATE	AMENDMENT	REVISED BY
02		50x10mm 條板	
01		150x10mm 條板	

序號	材料規格	長度	開料	開料	零件描述	數量	備註
						1	2.4 KG

**美特鋁質有限公司**  
**MIDI ALUMINIUM FABRICATOR LTD.**  
 Units 6-8, Sunray Industrial Centre, 1/F  
 610 Cha Kwo Ling Road, Kowloon  
 Tel: 23489211-4 Fax: (852) 2727666

PROJECT J853-PODIUM ALUM CEILING & FEATURE CLADDING T3 P/F  
 JOB NO. J853

FACTORY	W/CENTRE	CUT ENDS	FINISH
01	MAX/SQDA/FAB		

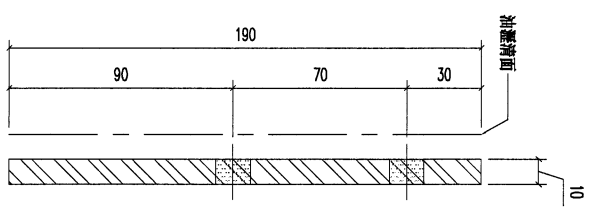
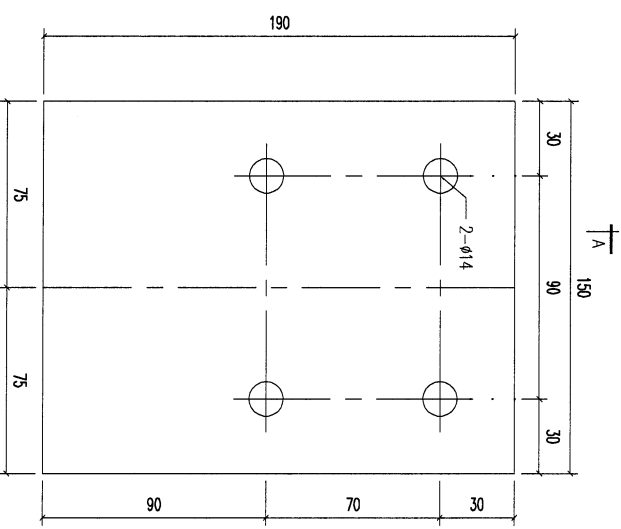
Standard	Angle	DATE
X X . = ±1	±1°	4/7/2023

DRAWING TITLE	DRAWN	POST PAINT	PART
鐵料加工圖	YEUNG	SCALE 1:5	TRACK TYPE S.....

DRAWING NO.	SHT.	REV.
T3-BK01-01-04	-/-	-

8

REV. PART NUMBER	Dim. A	Dim. B	Dim. C	Dim. D	Dim. E	Dim. F	Dim. G	QTY	Inv. Code	ASSEMBLE ON PARTS	EXTR. DRAWING PART DRAWING
13-BK01-01-05								8			



SECTION A-A

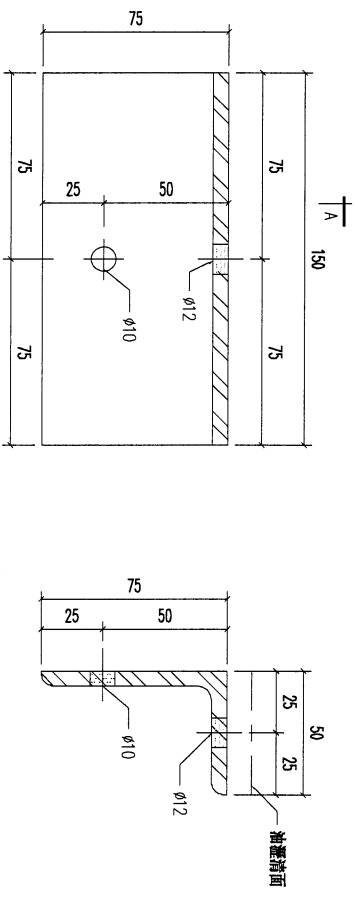
REV. 01	150x10mm 鐵板	190	開料	1	2.2 KG
REV.	材料規格	長度	零件描述	數量	备注
REV.	DATE	AMENDMENT	REVISED BY		

Units 6-8, Sunray Industrial Centre, 1/F 610 Cha Kwo Ling Road, Kowloon Tel: 23489211-4 Fax: (852) 2727666	<b>美特鋁質有限公司</b> MIDI ALUMINIUM FABRICATOR LTD.					
PROJECT J853-PODIUM ALUM CEILING & FEATURE CLADDING T3 P/F	JOB NO. J853					
FACTORY 01	W/CENTRE MARCH/SODA/FAB	CUT ENDS	FINISH	熱浸	POST PAINT PRE PAINT	PART SUB ASSEM.
Standard X X . = ±1	Angle ±1'	DATE 4/7/2023	DRAWN YEUNG	SCALE 1:5	TRACK TPE S.....	
Tolerances X X . X = ±05	Squareness ±1'	DRAWING TITLE 鐵料加工圖	DRAWING NO. T3-BK01-01-05	SHT. -/-	REV. -	

19

REV.	CHECKED DATE BY	PART NUMBER	Dim. A	Dim. B	Dim. C	Dim. D	Dim. E	Dim. F	Dim. G	QTY	Inv. Code	ASSEMBLE ON PARTS	EXTR. DRAWING PART DRAWING
-		T3-BK01-01-06								36			



SECTION A-A

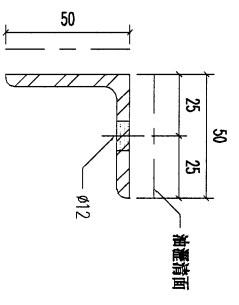
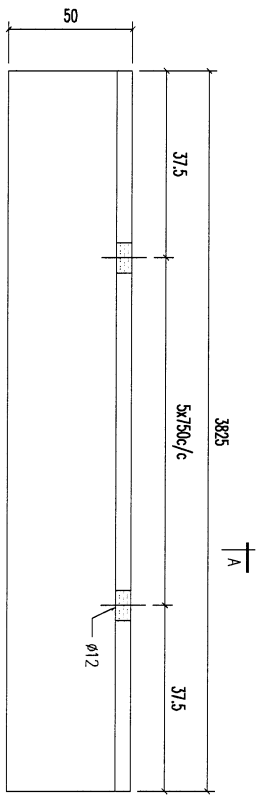
REV.	DATE	AMENDMENT	REVISED BY
01	75x50x6mm 角棒	150 长度	1 数量
	材料规格	开槽 零件描述	S7 备注
			0.8 KG

Units 6-8, Sunray Industrial Centre, 1/F 610 Cho Kwo Ling Road, Kowloon Tel: 23489211-4 Fax: (852) 2727666	<b>美特铝业有限公司</b> MIDI ALUMINIUM FABRICATOR LTD.		
PROJECT J853-PODIUM ALUM CEILING & FEATURE CLADDING T3 P/F	JOB NO. J853		
FACTORY 01	W/CENTRE MKH/SDBA/FAB	CUT ENDS	FINISH
Standard X X . = ±1	Angle ±1'	DATE 4/7/2023	熟浸
Tolerances X X . X = ±0.5	Squareness ±1'	DRAWN YEUNG	POST PAINT PRE PAINT
DRAWING TITLE 金属材料加工图	DRAWING NO. T3-BK01-01-06	SCALE 1:5	PART TRACK TYPE SUB ASSEM.
		SHT. -/-	REV. -

10

REV.	QTY	PART NUMBER	Dim. A	Dim. B	Dim. C	Dim. D	Dim. E	Dim. F	Dim. G	QTY	Inv. Code	ASSEMBLE ON PARTS	EXTR. DRAWING PART DRAWING
-		T3-BK01-01-07								1			



A

SECTION A-A

01	50x50x5mm 角條	3825	開梯	1	S8
	材料規格	長度	零件描述	數量	备注

14.3KG

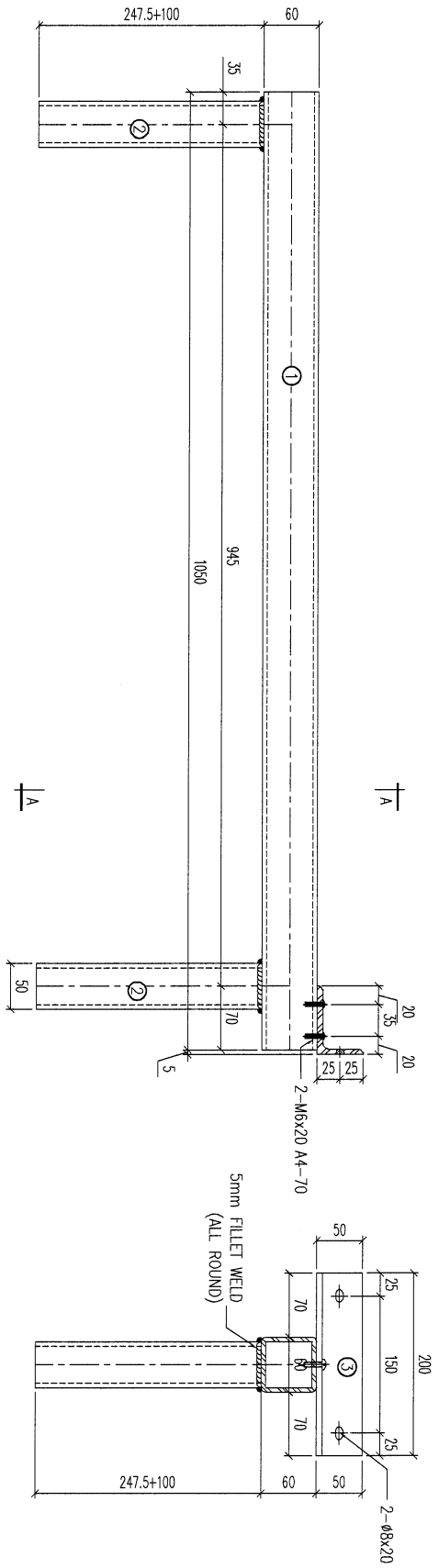
**美特鋁質有限公司**  
MIDI ALUMINIUM FABRICATOR LTD.  
Units 6-8, Sunny Industrial Centre, 1/F  
610 Cho Kwo Ling Road, Kowloon  
Tel: 23489211-4 Fax: (852) 27272666

REV.	DATE	AMENDMENT	REVISED BY	PROJECT	JOB NO.
				J853-PODIUM ALUM CEILING & FEATURE CLADDING T3 P/F	J853

FACTORY	01	W/CENTRE	INCH/SD/A/FAB	CUT ENDS	FINISH	DATE	4/7/2023	DRAWN	YEUNG	POST PAINT	SCALE	1:5	PART	TRACK TYPE	S...
Standard	X X . = ±1	Angle	±1°	DATE	4/7/2023	DRAWN	YEUNG	POST PAINT	SCALE	1:5	PART	TRACK TYPE	S...		
Tolerances	X X . X = ±05	Squareness	±1°	DATE	4/7/2023	DRAWN	YEUNG	POST PAINT	SCALE	1:5	PART	TRACK TYPE	S...		
DRAWING TITLE	鐵料加工圖														
DRAWING NO.	T3-BK01-01-07														

11

REV.	CHECKED DATE BY	PART NUMBER	Dim. A	Dim. B	Dim. C	Dim. D	Dim. E	Dim. F	Dim. G	QTY	Inv. Code	ASSEMBLE ON PARTS	EXTR. DRAWING PART DRAWING
-		T3-MS01-01-01								75			



SECTION A-A

REV.	DATE	AMENDMENT	REVISED BY
03	75x50x6mm 角铁	200	1 S7
02	50x50x5mm 铁通	347.5	2 S5
01	60x60x5mm 铁通	1050	1 S3

14.8KG

**美特铝业有限公司**  
MIDI ALUMINIUM FABRICATOR LTD.

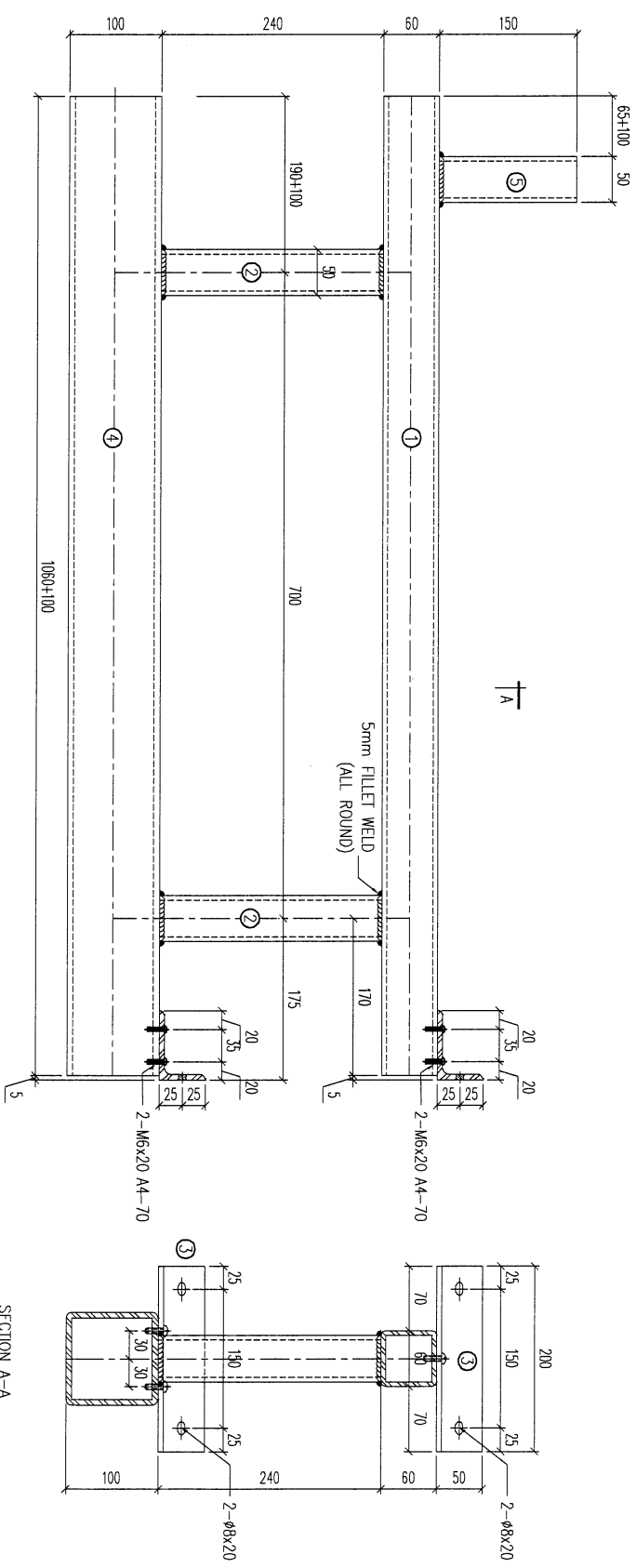
Units 6-8, Sunray Industrial Centre, 1/F  
610 Cho Kwo Ling Road, Kowloon  
Tel:23489211-4 Fax:(852)27127666

Product J853-PODIUM ALUM CEILING  
& FEATURE CLADDING T3 P/F

FACTORY	W/CENTRE MAX/SIDE/FAB	CUT ENDS	FINISH	DATE	DRAWN	POST PAINT	PART
01	X X . = ±1	Angle	±1'	4/7/2023	YEUNG	SCALE	1:5
Standard	X X . = ±1	Squareness	±1'				
Tolerances	X X . X = ±05						
DRAWING TITLE	金属材料加工图		DRAWING NO.	T3-MS01-01-01			
JOB NO.	J853		DRAWING NO.	T3-MS01-01-01			

12

REV.	CHANGED BY	PART NUMBER	Dim. A	Dim. B	Dim. C	Dim. D	Dim. E	Dim. F	Dim. G	QTY	Inv. Code	EXTR. DRAWING PART DRAWING
-		T3-MS01-01-02								10		ASSEMBLE ON PARTS



REV.	DATE	AMENDMENT	REVISED BY
05		50x50x5mm 鐵通	1 S5
04		100x100x6.3mm 鐵通	1 S2
03		75x50x6mm 鐵條	2 S7
02		50x50x5mm 鐵通	2 S5
01		60x60x5mm 鐵通	1 S3

37.5KG

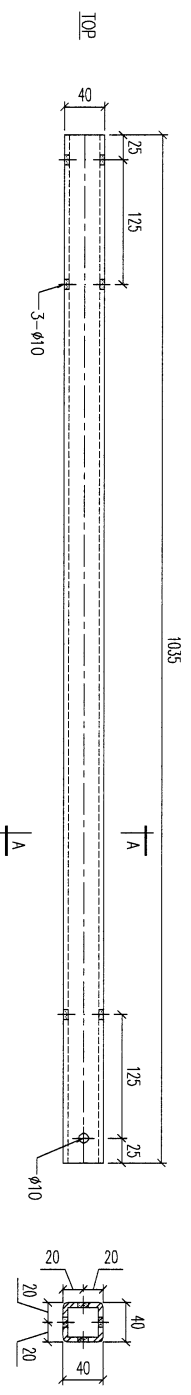
材料規格 長度 配件描述 數量 備註

**MIDI 美特鋁質有限公司**  
 ALUMINIUM FABRICATOR LTD.  
 Units 6-8, Sunny Industrial Centre, 1/F  
 610, Cha Kwo Ling Road, Kowloon  
 Tel: 23489211-4 Fax: (852) 2727666

PROJECT	J853-PODIUM ALUM CEILING & FEATURE CLADDING T3 P/F	JOB NO.	J853
FACTORY	01	W/CENTRE	M/D/F/S/D/B/FAB
Standard	X X . = ±1	CUT ENDS	Angle ±1°
Tolerances	X X . X = ±05	FINISH	Squareness ±1°
DRAWING TITLE	鐵料加工圖	DATE	4/7/2023
DRAWING NO.	T3-MS01-01-02	DRAWN	YEUNG
POST PAINT	熱浸	SCALE	1:5
PART		TRACK TYPE	S.....
SHT.	-/-	REV.	-

13

REV.	CHECKED DATE BY	PART NUMBER	Dim. A	Dim. B	Dim. C	Dim. D	Dim. E	Dim. F	Dim. G	QTY	Inv. Code	ASSEMBLE ON PARTS	EXTR. DRAWING PART DRAWING
-		T3-MS01-01-03								18			



SECTION A-A

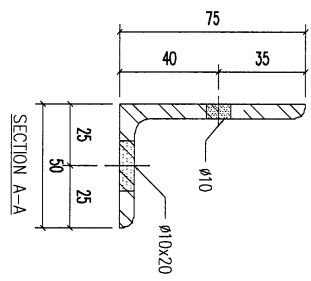
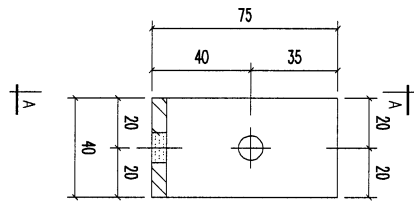
REV.	DATE	AMENDMENT	REVISED BY
01		40x40x5mm 卷邊	
		材料規格	
		1035 長度	
		開料 零件編號	
		1 數量	
		S4 备注	
		5.5 KG	

<p><b>美特鋁質有限公司</b> MIDI ALUMINIUM FABRICATOR LTD. Units 6-8, Sunray Industrial Centre, 1/F 610 Cha Kwo Ling Road, Kowloon Tel: 23489211-4 Fax: (852) 2727666</p>	<p>PROJECT J853-PODIUM ALUM CEILING &amp; FEATURE CLADDING T3 P/F</p>	<p>JOB NO. J853</p>
<p>FACTORY 01</p> <p>Standard X X . = ±1 Tolerances X X . X = ±05</p>	<p>W/CENTRE MACH/SDBA/FAB</p> <p>CUT ENDS Angle ±1° Squarness ±1°</p>	<p>FINISH</p> <p>DATE 4/7/2023</p> <p>DRAWN YEUNG</p>
<p>DRAWING TITLE 鐵料加工圖</p>	<p>POST PAINT PRE PAINT</p> <p>SCALE 1:5</p>	<p>熱浸</p> <p>DRAWING NO. T3-MS01-01-03</p>
	<p>PART</p> <p>TRACK TYPE S.....</p>	<p>SHT. -/-</p> <p>REV. -</p>


(14)

REV.	CHECKED DATE BY	PART NUMBER	Dim. A	Dim. B	Dim. C	Dim. D	Dim. E	Dim. F	Dim. G	QTY	Inv. Code	ASSEMBLE ON PARTS	EXTR. DRAWING PART DRAWING
-		T3-MS01-02-01								52			



REV.	DATE	AMENDMENT	REVISED BY
01		75x50x6mm 鋁棒 材料規格	
		40 長度	
		20 零件描述	
		1 數量	
		S7 备注	

0.2 KG

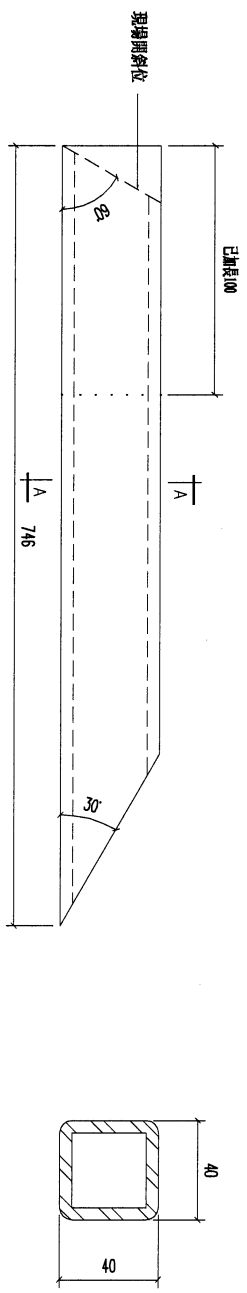

**美特鋁質有限公司**  
 MIDI ALUMINIUM FABRICATOR LTD.  
 Units 6-8, Sunny Industrial Centre, 1/F  
 610, Chai Kwo Ling Road, Kowloon  
 Tel: 23489211-4 Fax: (852) 2727666  
 PROJECT J853-PODIUM ALUM CEILING  
 & FEATURE CLADDING T3 P/F

FACTORY	W/CENTRE	CUT ENDS	FINISH	DATE	DRAWN	POST PAINT	PART	SHT.	REV.
01	M/D/S/D/FAB	Angle = ±1 Squareness ±1	熱浸	4/7/2023	YEUNG	SCALE 1:5	TRACK TYPE S.....	-/-	-
Standard X X . = ±1		Tolerances X X . X = ±0.5		DRAWING TITLE 鐵料加工圖		DRAWING NO. T3-MS01-02-01			



16

REV.	CHECKED DATE BY	PART NUMBER	Dim. A	Dim. B	Dim. C	Dim. D	Dim. E	Dim. F	Dim. G	QTY	Inv. Code	ASSEMBLE ON PARTS	EXTR. DRAWING PART DRAWING
-		T3-MS01-02-03								10			<input checked="" type="checkbox"/>



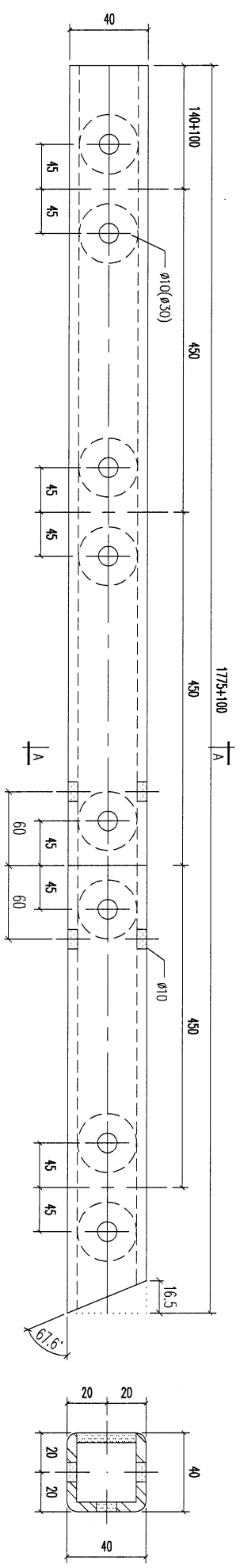
REV.	DATE	AMENDMENT	REVISED BY	REASON	QTY	UNIT	WEIGHT
01		40x40x5mm 條通			1	S4	4.0 KG
		材料規格					
		長度					
		開料					
		零件描述					

<b>美特鋁質有限公司</b> MIDI ALUMINIUM FABRICATOR LTD. Units 6-8, Sunray Industrial Centre, 1/F 610 Cha Kwo Ling Road, Kowloon Tel: 23489211-4 Fax: (852) 27278666		PROJECT J853-PODIUM ALUM CEILING & FEATURE CLADDING T3 P/F	JOB NO. J853			
FACTORY 01	W/CENTRE MACE/SDBA/FAB	CUT ENDS	FINISH	熱浸	POST PAINT	PART
Standard X X . = ±1	Angle ±1'	DATE	DATE	DRAWN	SCALE	TRACK TYPE
Tolerances X X . X = ±05	Squareness ±1'	4/7/2023	4/7/2023	YEUNG	1:5	S.....
DRAWING TITLE 鐵料加工圖		DRAWING NO. T3-MS01-02-03		SHT.	REV.	
				-/-	-	

17

REV. QTY	PART NUMBER	Dim. A	Dim. B	Dim. C	Dim. D	Dim. E	Dim. F	Dim. G	QTY	Inv. Code	ASSEMBLE ON PARTS	EXTR. DRAWING PART DRAWING
-	T3-MS01-02-04								1			



SECTION A-A

REV. 01	40x40x5mm 條通	1875	1	S4
	材料規格	長度	開槽	零件描述
			數量	备注

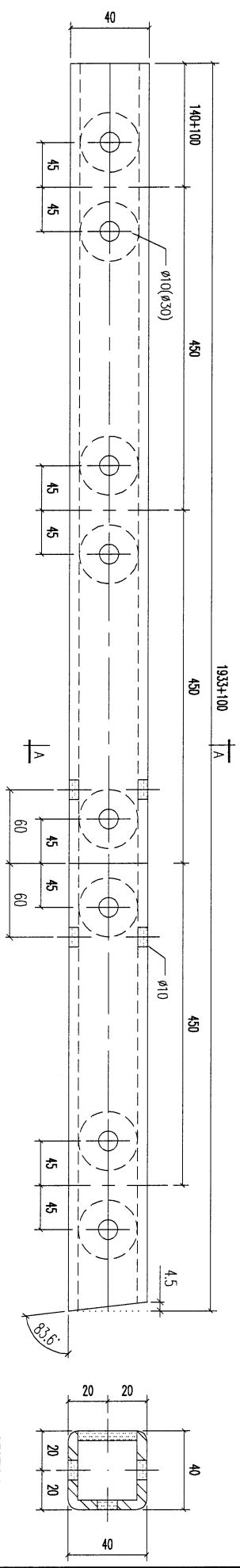
10.0KG

**美特鋁質有限公司**  
**MIDI ALUMINIUM FABRICATOR LTD.**  
 Units 6-8, Sunray Industrial Centre, 1/F  
 610 Choi Kwo Ling Road, Kowloon  
 Tel: 23489211-4 Fax: (852) 2727666

REV.	DATE	AMENDMENT	REVISED BY	PROJECT	JOB NO.	FACTORY	W/CENTRE	CUT ENDS	FINISH	DRAWN	POST PAINT	PART	SHT.	REV.
				PROJECT J853-PODIUM ALUM CEILING & FEATURE CLADDING T3 P/F	J853	01	MK08/S08A/FAB			YEUNG	SCALE 1:5		-/-	-
						Standard	X X . = ±1	Angle	±1°	DATE 4/7/2023				
						Tolerances	X X . X = ±05	Squareness	±1°					
						DRAWING TITLE	鐵料加工圖			DRAWING NO.				
										T3-MS01-02-04				

18

REV.	CHECKED DATE BY	PART NUMBER	Dim. A	Dim. B	Dim. C	Dim. D	Dim. E	Dim. F	Dim. G	QTY	Inv. Code	ASSEMBLE ON PARTS	EXTR. DRAWING PART DRAWING
-		T3-MS01-02-05								1			



SECTION A-A

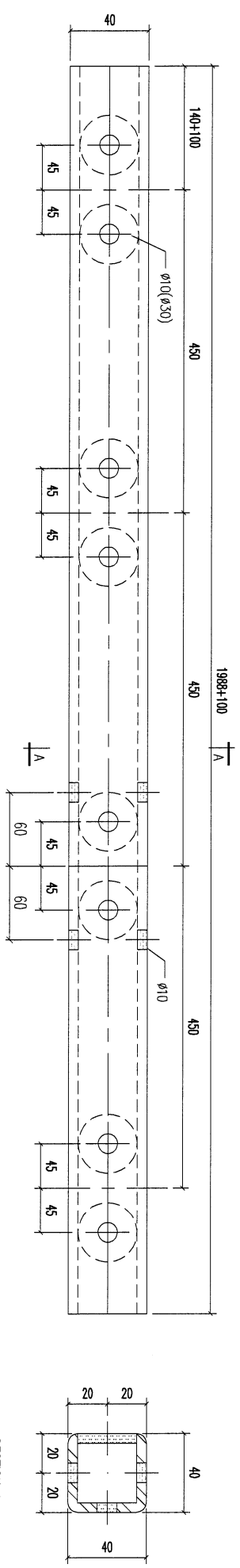
REV.	DATE	AMENDMENT	REVISED BY
01		40x40x5mm 普通	
		材料規格	
		2033	
		長度	
		開料	
		零件描述	
		1	
		數量	
		S4	
		公差	
		10.8KG	

<b>美特鋁質有限公司</b> MIDI ALUMINIUM FABRICATOR LTD. Units 6-8, Sunny Industrial Centre, 1/F 610 Cha Kwo Ling Road, Kowloon Tel: 23489211-4 Fax: (852) 2727666		PROJECT J853-PODIUM ALUM CEILING & FEATURE CLADDING T3 P/F JOB NO. J853				
FACTORY	W/CENTRE	CUT ENDS	FINISH	DRAWN	POST PAINT	PART
01	INCH/SI&A/FAB			YEUNG	PRE PAINT	SUB ASSEM.
Standard	X X . = ±1	Angle	±1°	DATE	SCALE	TRACK TYPE
Tolerances	X X . X = ±05	Squareness	±1°	4/7/2023	1:5	S.....
DRAWING TITLE		鐵料加工圖		DRAWING NO.	T3-MS01-02-05	
				SHT.	-/-	
				REV.	-	

(19)

REV.	CHECKED DATE	PART NUMBER	Dim. A	Dim. B	Dim. C	Dim. D	Dim. E	Dim. F	Dim. G	QTY	Inv. Code	ASSEMBLE ON PARTS	EXTR. DRAWING PART DRAWING
-		T3-MS01-02-06								1			



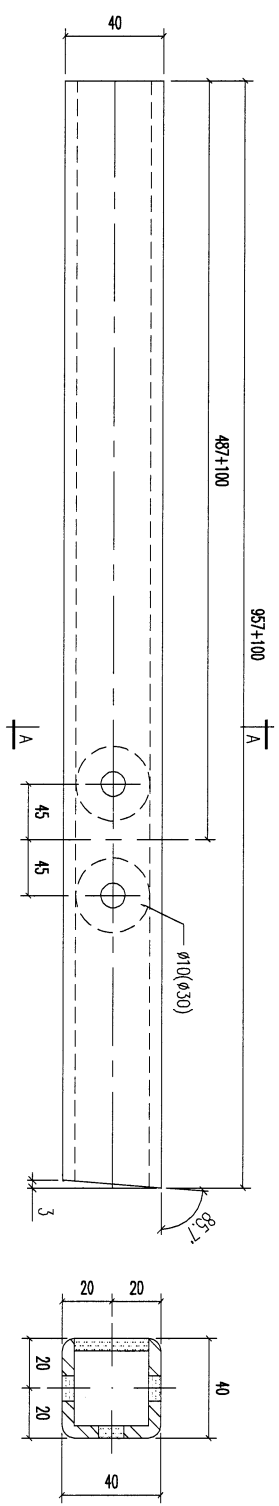
REV.	DATE	AMENDMENT	REVISED BY	REVISED BY	REVISED BY	REVISED BY	REVISED BY	REVISED BY	REVISED BY	REVISED BY	REVISED BY	REVISED BY	REVISED BY
01		40x40x5mm 卷邊	2088	開料	1	S4							
		材料規格	長度	配件描述	數量	备注							
						11.1KG							

Units 6-8, Sunray Industrial Centre, 1/F 610 Cho Kwo Ling Road, Kowloon Tel: 23489211-4 Fax: (852) 27278666	<b>美特鋁質有限公司</b> MIDI ALUMINIUM FABRICATOR LTD.					
Project J853-PODIUM ALUM CEILING & FEATURE CLADDING T3 P/F	JOB NO. J853					
FACTORY 01	W/CENTRE MKCH/SDBA/FAB	CUT ENDS	FINISH	熱浸	POST PAINT	PART
Standard X X . = ±1	Angle ±1'	DATE 4/7/2023	DRAWN YEUNG	SCALE 1:5	TRACK TYPE S.....	
Tolerances X X . X = ±0.5	Squareness ±1'	DRAWING NO. T3-MS01-02-06				
DRAWING TITLE 鐵料加工圖						

(20)

REV.	CHECKED DATE BY	PART NUMBER	Dim. A	Dim. B	Dim. C	Dim. D	Dim. E	Dim. F	Dim. G	QTY	Inv. Code	EXTR. DRAWING PART DRAWING
-		T3-MS01-02-07								1		ASSEMBLE ON PARTS



SECTION A-A

01	40x40x5mm 條通	1057	開梯	1	S4
	材料規格	長度	零件描述	數量	备注

5.6 KG

**美特鋁質有限公司**  
MIDI ALUMINIUM FABRICATOR LTD.  
Units 6-8, Sunray Industrial Centre, 1/F  
610 Cha Kwo Ling Road, Kowloon  
Tel: 23489211-4 Fax: (852) 27727666

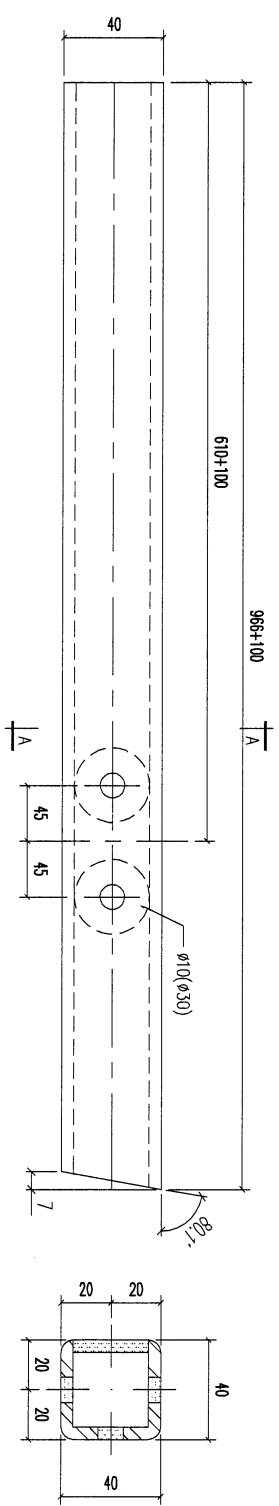
PROJECT J853-PODIUM ALUM CEILING  
& FEATURE CLADDING T3 P/F  
JOB NO. J853

FACTORY	01	W/CENTRE	MARK/SQDA/FAB	CUT ENDS	FINISH	熱浸	POST PAINT	PART
Standard	X X . = ±1	Angle	±1'	DATE	4/7/2023	DRAWN	YEUNG	SCALE
Tolerances	X X . X = ±0.5	Squareness	±1'	DRAWING NO.	T3-MS01-02-07	PRE PAINT	SCALE	1:5
DRAWING TITLE	鐵料加工圖					TRACK TYPE	S.....	

REV.	DATE	AMENDMENT	REVISED BY	SHT.	REV.
				-/-	-

21

REV.	CHECKED DATE BY	PART NUMBER	Dim. A	Dim. B	Dim. C	Dim. D	Dim. E	Dim. F	Dim. G	QTY	Inv. Code	ASSEMBLE ON PARTS	EXTR. DRAWING PART DRAWING
-		T3-MS01-02-08								1			



SECTION A-A

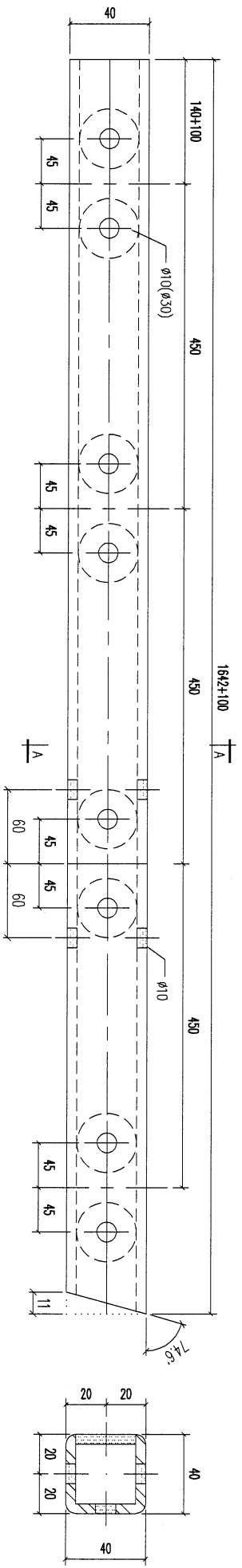
REV.	DATE	AMENDMENT	REVISED BY	QTY	REMARKS
01		40x40x5mm 普通		1	S4
		材料规格		1	5.7 KG
		长度		1	
		开样		1	
		附件描述		1	
				1	

Units 6-8, Sunray Industrial Centre, 1/F 610 Cha Kwo Ling Road, Kowloon Tel: 23489211-4 Fax: (852) 2727866	<b>美特铝业有限公司</b> MIDI ALUMINIUM FABRICATOR LTD.
Project J853-PODIUM ALUM CEILING & FEATURE CLADDING T3 P/F	JOB NO. J853
FACTORY 01	W/CENTRE MARK/SBPA/FAB
Standard X X . = ±1	CUT ENDS
Tolerances X X . X = ±05	FINISH
Angle ±1'	DATE 4/7/2023
Squareness ±1'	DRAWN YEUNG
DRAWING TITLE 金属材料加工圖	POST PAINT
DRAWING NO. T3-MS01-02-08	SCALE 1:5
	TRACK TYPE S.....
	SHT. -/-
	REV. -

22

REV.	QTY	PART NUMBER	Dim. A	Dim. B	Dim. C	Dim. D	Dim. E	Dim. F	Dim. G	QTY	Inv. Code	ASSEMBLE ON PARTS	EXTR. DRAWING PART DRAWING
-		T3-MS01-02-09								1			



SECTION A-A

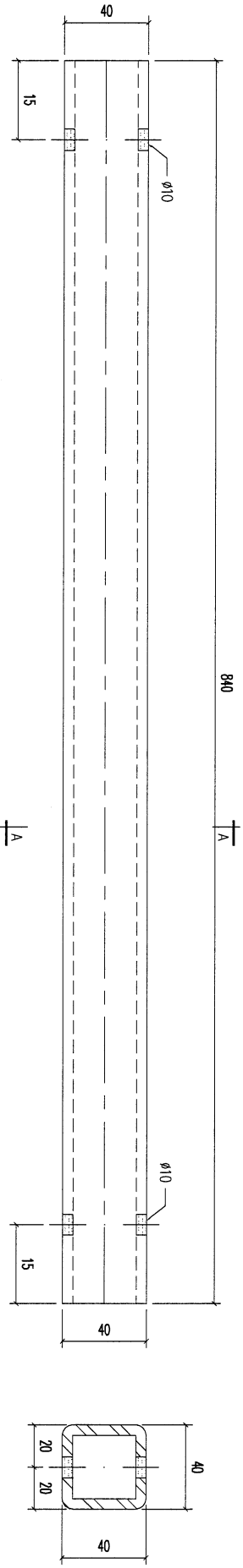
REV.	DATE	AMENDMENT	REVISED BY
01			
40x40x5mm 卷邊	1742	材料	1
材料規格	長度	零件描述	S4
			9.3 KG

Units: 6-8, Sunroy Aluminium Fabricator Ltd. 610 Cho Kwong Road, Kowloon Tel: 23489211-4 Fax: (852) 2727666	<b>美特鋁質有限公司</b> MIDI ALUMINIUM FABRICATOR LTD.						
PROJECT J853-PODIUM ALUM CEILING & FEATURE CLADDING T3 P/P	JOB NO. J853						
FACTORY 01	W/CENTRE MACH/S&BA/FAB	CUT ENDS	FINISH	DATE	DRAWN	POST PAINT	PART
Standard X X . = ±1	Angle ±1'	Squareness ±1'	4/7/2023	YEUNG	SCALE 1:5	PRE PAINT	SUB ASSEM.
Tolerances X X . X = ±05							
DRAWING TITLE	鐵料加工圖		DRAWING NO.	T3-MS01-02-09			
				SHT	REV.		
				-/-	-		

23

REV.	CHECKED DATE BY	PART NUMBER	Dim. A	Dim. B	Dim. C	Dim. D	Dim. E	Dim. F	Dim. G	QTY	Inv. Code	ASSEMBLE ON PARTS	EXTR. DRAWING PART DRAWING
-		T3-MS01-02-10								2			



SECTION A-A

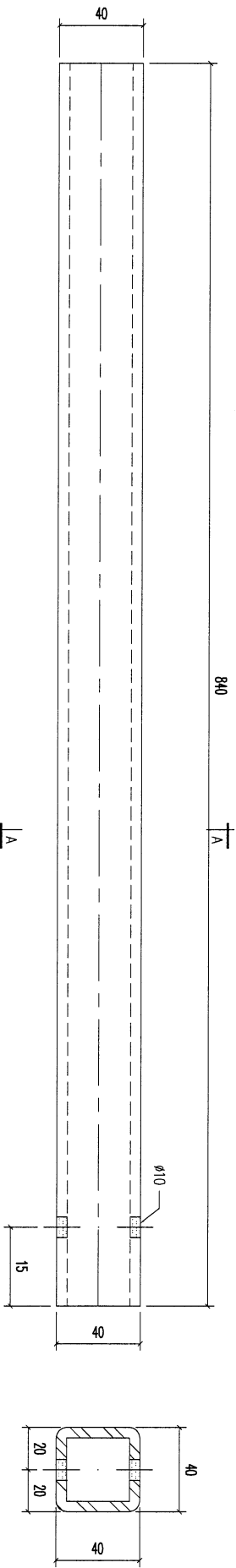
REV.	DATE	AMENDMENT	REVISED BY	REVISED DATE
01		40x40x5mm 卷邊		
		材料規格	長度	840
		開料	零件編號	1
			數量	S4
			备注	4.5 KG

Units 6-8, Sunray Industrial Centre, 1/F 610 Cha Kwo Ling Road, Kowloon Tel: 23489211-4 Fax: (852) 2727666	<b>美特鋁質有限公司</b> MIDI ALUMINIUM FABRICATOR LTD.					
PROJECT J853-PODIUM ALUM CEILING & FEATURE CLADDING T3 P/F	JOB NO. J853					
FACTORY 01	W/CENTRE MKH/SDBA/FAB	CUT ENDS	FINISH	熱浸	POST PAINT	PART
Standard X X . = ±1	Angle ±1'	DATE 4/7/2023	DRAWN YEUNG	SCALE 1:5	TRACK TYPE S.....	
Tolerances X X . X = ±0.5	Squareness ±1'		DRAWING NO. T3-MS01-02-10			
DRAWING TITLE 鐵料加工圖						

24

REV.	CHECKED BY	PART NUMBER	Dim. A	Dim. B	Dim. C	Dim. D	Dim. E	Dim. F	Dim. G	QTY	Inv. Code	EXTR. DRAWING PART DRAWING
-		T3-MS01-02-11								3		ASSEMBLE ON PARTS



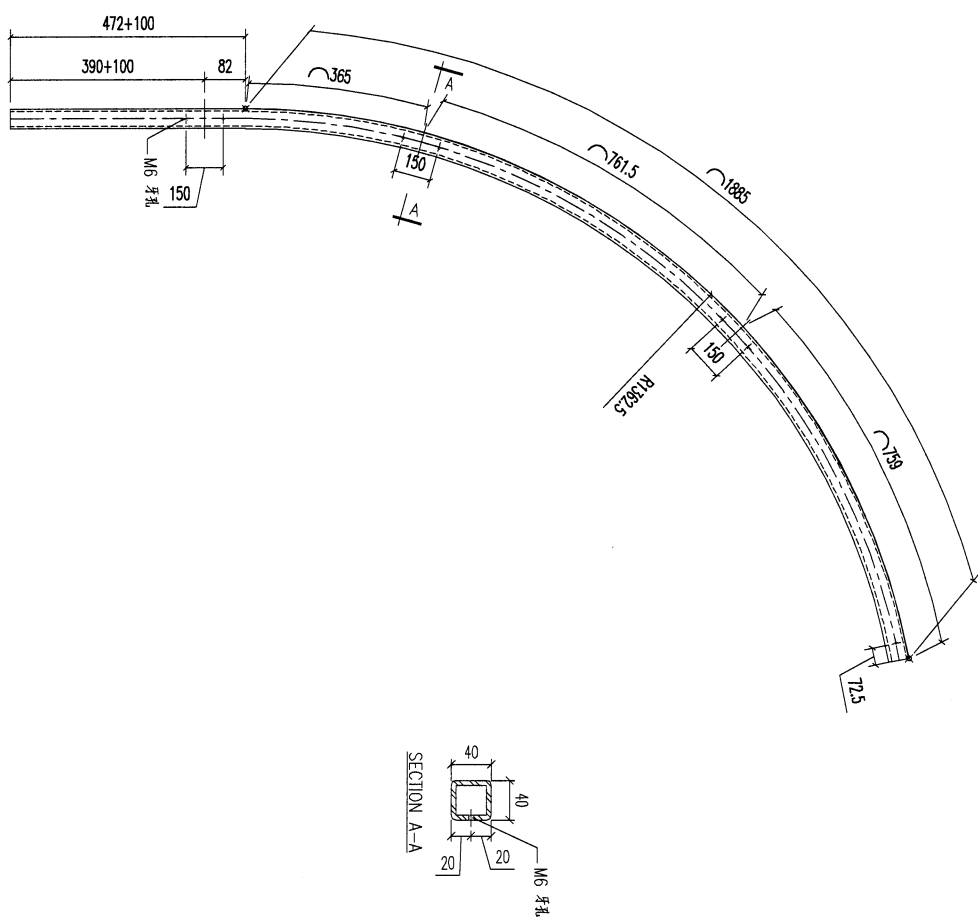
REV.	DATE	AMENDMENT	REVISED BY	QTY	UNIT	WEIGHT
01		40x40x5mm 條通		1	S4	4.5 KG
		材料規格				
		長度				
		開料				
		零件描述				

<b>美特鋁質有限公司</b> MIDI ALUMINIUM FABRICATOR LTD. Units 6-8, Sunray Industrial Centre, 1/F 610 Cha Kwo Ling Road, Kowloon Tel: 23489211-4 Fax: (852) 2727666		J853-PODIUM ALUM CEILING & FEATURE CLADDING T3 P/F	J853										
FACTORY	01	W/CENTRE	M/DX/S/DX/FAB	CUT ENDS	FINISH	DATE	4/7/2023	DRAWN	YEUNG	SCALE	1:5	TRACK TYPE	S.....
Standard	X X .	= ±1	Angle	±1°	DATE	4/7/2023	DRAWN	YEUNG	SCALE	1:5	TRACK TYPE	S.....	
Tolerances	X X . X = ±0.5	Squareness	±1°	DATE	4/7/2023	DRAWN	YEUNG	SCALE	1:5	TRACK TYPE	S.....		
DRAWING TITLE: 鐵料加工圖													
DRAWING NO. T3-MS01-02-11													
POST PAINT: <input checked="" type="checkbox"/> PRE PAINT: <input checked="" type="checkbox"/> PART: <input checked="" type="checkbox"/> SUB ASSEM.: <input checked="" type="checkbox"/>													
SHT. REV. -/-													

25

REV.	CHECKED CHK BY	PART NUMBER	Dim. A	Dim. B	Dim. C	Dim. D	Dim. E	Dim. F	Dim. G	QTY	Inv. Code	ASSEMBLE ON PARTS	EXTR. DRAWING PART DRAWING
-		T3-MS01-03-01								1			



REV.	DATE	AMENDMENT	REVISED BY
01		40x40x5mm 鐵通	S4
		材料規格	長度
		開料	數量
		零件描述	备注

13.1 KG

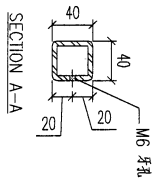
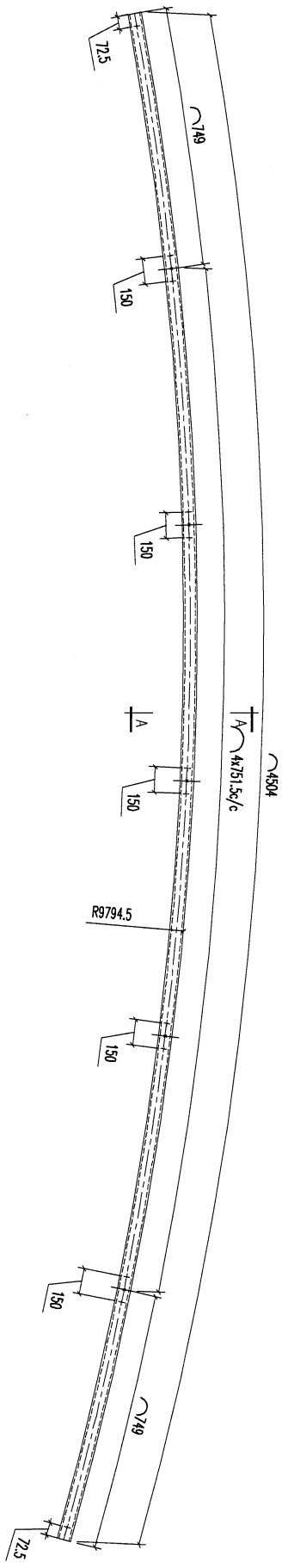
**美特鋁業有限公司**  
**MIDI ALUMINIUM FABRICATOR LTD.**  
 Units 6-8, Sunray Industrial Centre, 1/F  
 510, Cha Kwo Ling Road, Kowloon  
 Tel: 23489211-4 Fax: (852) 27276666

Project J853-PODIUM ALUM CEILING  
 & FEATURE CLADDING T3 P/F  
 JOB NO. J853

FACTORY	W/CENTRE MCH/SDBX/FAB	CUT ENDS	FINISH	POST PAINT	PART
01	X X . = ±1	Angle ±1°	DATE 4/7/2023	SCALE 1:5	TRACK TYPE S.....
Standard Tolerances	X X . X = ±0.5	Squareness ±1°	DRAWN YEUNG	PRE PAINT	SUB ASSEM.
DRAWING TITLE 鐵料加工圖			DRAWING NO. T3-MS01-03-01	SIT. -/-	REV. -

26

REV.	CHECKED BY	PART NUMBER	Dim. A	Dim. B	Dim. C	Dim. D	Dim. E	Dim. F	Dim. G	QTY	Inv. Code	ASSEMBLE ON PARTS	EXTR. DRAWING PART DRAWING
-		T3-MS01-03-02								1			



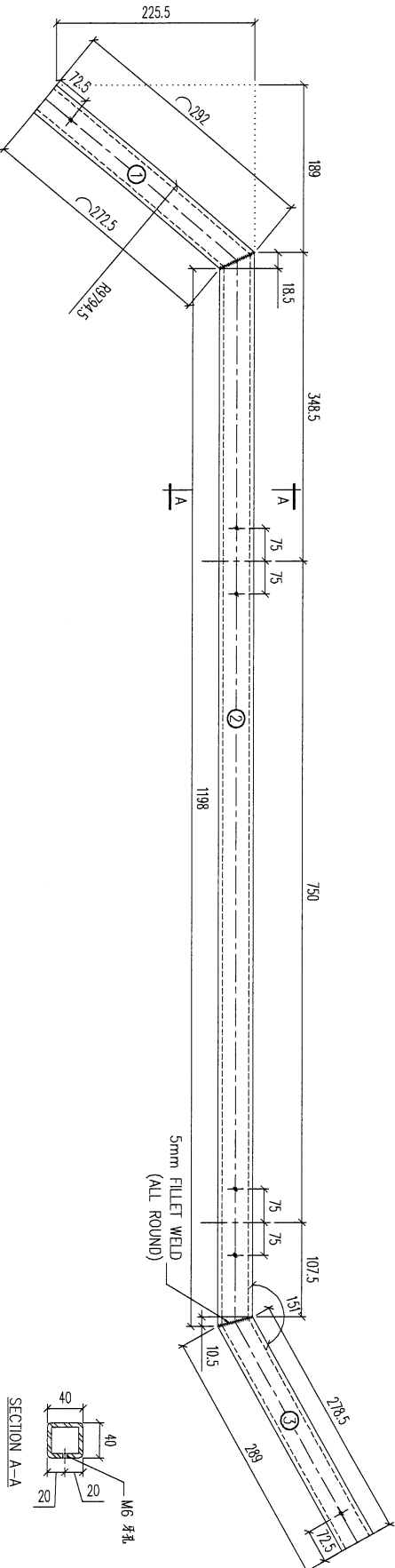
REV.	DATE	AMENDMENT	REVISED BY	REVISION	QTY	REMARKS
01		40x40x5mm 快通		1	S4	
		材料規格				
		長度				
		零件描述				

<b>美特鋁質有限公司</b> MIDI ALUMINIUM FABRICATOR LTD. Units 6-8, Sunray Industrial Centre, 1/F 610, Cha Kwo Ling Road, Kowloon Tel: 23489211-4 Fax: (852) 2727666		PROJECT J853-PODIUM ALUM CEILING & FEATURE CLADDING T3 P/F	
24.0 KG		JOB NO. J853	
FACTORY	W/CENTRE	CUT ENDS	FINISH
01	MACH/SDBA/FAB		熱浸
Standard	X X . = ±1	Angle	±1°
Tolerances	X X . X = ±0.5	Squareness	±1°
DATE 4/7/2023		DRAWN YEUNG	
DRAWING TITLE 鐵料加工圖		DRAWING NO. T3-MS01-03-02	
POST PAINT		SCALE 1:5	
PRE PAINT		TRACK TYPE S.....	
PART		SIT. -/-	
SUB ASSEM.		REV. -	

27

REV.	CHECKED DATE BY	PART NUMBER	Dim. A	Dim. B	Dim. C	Dim. D	Dim. E	Dim. F	Dim. G	QTY	Inv. Code	ASSEMBLE ON PARTS	EXTR. DRAWING PART DRAWING
-		T3-MS01-03-03								1			



REV.	DATE	AMENDMENT	REVISED BY
03		40x40x5mm 铁通	289
02		40x40x5mm 铁通	1216.5
01		40x40x5mm 铁通	292

材料描述	长度	配件描述	数量	备注
40x40x5mm 铁通	289	开梯	1	S4
40x40x5mm 铁通	1216.5	开梯	1	S4
40x40x5mm 铁通	292	开梯	1	S4

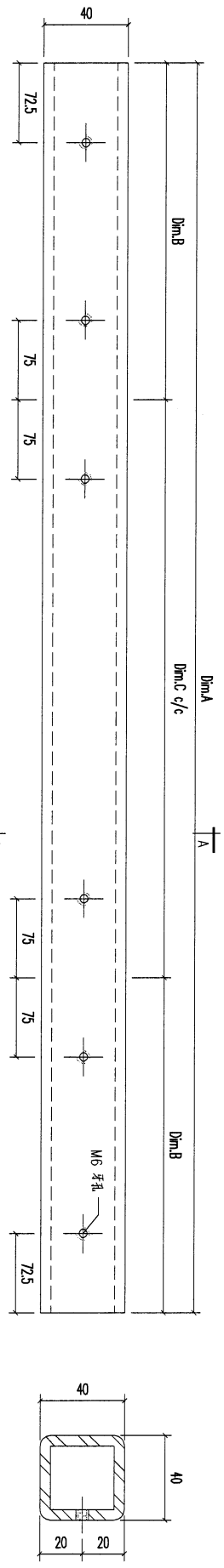
9.6 KG	Product J853-PODIUM ALUM CEILING & FEATURE CLADDING T3 P/F	J853	408 NO.	J853	FACTORY 01	W/CENTRE MCH/SUBA/FAB	CUT ENDS	FINISH 热浸	POST PAINT PRE PAINT	PART	SHT. -/-	REV. -
--------	--	------	---------	------	------------	-----------------------	----------	-----------	----------------------	------	----------	--------

**美特铝业有限公司**  
**MIDI ALUMINIUM FABRICATOR LTD.**  
 Units 6-8, Sunray Industrial Centre, 1/F  
 610 Cha Kwo Ling Road, Kowloon  
 Tel: 23489211-4 Fax: (852) 27727666

Standard	X X . = ±1	Angle	±1°	DATE	4/7/2023	DRAWN	YEUNG	SCALE	1:5	TRACK TYPE	S.....
Tolerances	X X . X = ±0.5	Squareness	±1°	DRAWING TITLE	金属材料加工图	DRAWING NO.	T3-MS01-03-03				

28

REV.	CHECKED DATE	PART NUMBER	Dim. A	Dim. B	Dim. C	Dim. D	Dim. E	Dim. F	Dim. G	QTY	Inv. Code	ASSEMBLE ON PARTS	EXTR. DRAWING PART DRAWING
-		T3-MS01-03-04	5995	747.5	6*750					3			



SECTION A-A

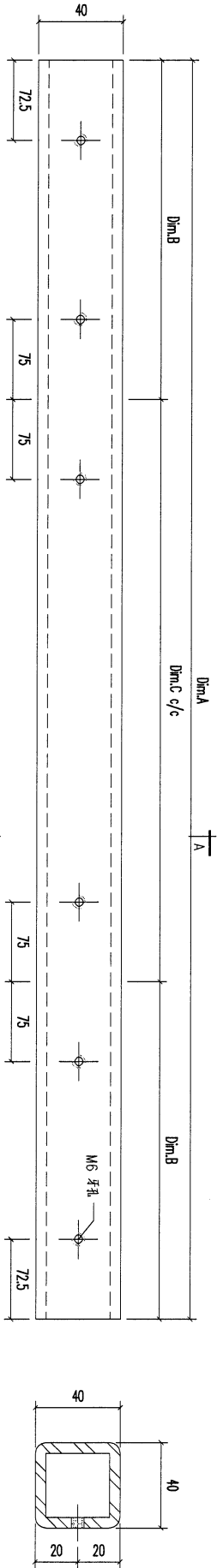
REV.	DATE	AMENDMENT	REVISED BY	REVISION	REVISION	REVISION	REVISION	REVISION	REVISION	REVISION	REVISION	REVISION	REVISION
01	40x40x5mm 铁通	5995	开料	1	S4								
	材料规格	长度	零件描述	数量	备注								
					31.9KG								

<b>美特铝业有限公司</b> MIDI ALUMINIUM FABRICATOR LTD. Units 6-8, Sunray Industrial Centre, 1/F 610 Cha Kwo Ling Road, Kowloon Tel: 23489211-4 Fax: (852) 27727666		PROJECT J853-PODIUM ALUM CEILING & FEATURE CLADDING T3 P/F		JOB NO.	J853
FACTORY	01	W/CENTRE	MOSH/SDBA/FAB	CUT ENDS	FINISH
Standard	X X .	= ±1	Angle	±1°	DATE
Tolerances	X X . X = ±0.5	Squareness	±1°		4/7/2023
DRAWING TITLE	金属材料加工图				DRAWING NO.
					T3-MS01-03-04
DRAWN	YEUNG	POST PAINT	SCALE	1:5	PART
					TRACK TYPE
					S.....
SHT.	-/-	REV.			

29

REV.	CHECKED BY	PART NUMBER	Dim. A	Dim. B	Dim. C	Dim. D	Dim. E	Dim. F	Dim. G	QTY	Inv. Code	ASSEMBLE ON PARTS	EXTR. DRAWING PART DRAWING
-		T3-MS01-03-05	4795	797.5	4*800					3			

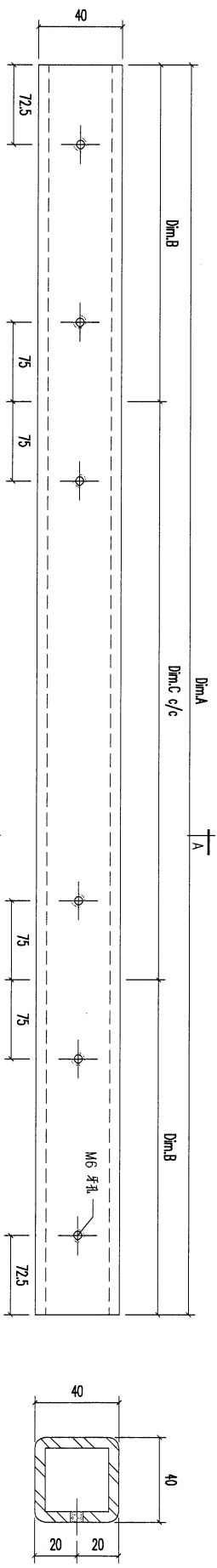


SECTION A-A

REV.	DATE	AMENDMENT	REVISED BY	REVISION	REVISION	REVISION	REVISION	REVISION	REVISION	REVISION	REVISION	REVISION	REVISION
01		40x40x5mm 铁通	4795	开料	1	S4							
		材料规格	长度	零件描述	数量	备注							
<p>UNITED ALUMINIUM FABRICATOR LTD.</p> <p>美特铝有限公司</p> <p>Units 6-8, Sunray Industrial Centre, 1/F 610 Cha Kwo Ling Road, Kowloon Tel: 23489211-4 Fax: (852) 27727666</p> <p>Project J853-Podium ALUM CEILING &amp; FEATURE CLADDING T3 P/F</p> <p>JOB NO. J853</p>							<p>FACTORY 01</p> <p>W/CENTRE MGH/SDBA/FAB</p> <p>CUT ENDS</p> <p>FINISH 热浸</p> <p>DATE 4/7/2023</p> <p>DRAWN YEUNG</p> <p>POST PAINT PRE PAINT</p> <p>SCALE 1:5</p> <p>PART TRACK TYPE S.....</p>		<p>DRAWING TITLE 金属材料加工图</p> <p>DRAWING NO. T3-MS01-03-05</p> <p>SHT. -/-</p> <p>REV. -</p>				

30

REV.	CHANGED BY	PART NUMBER	Dim. A	Dim. B	Dim. C	Dim. D	Dim. E	Dim. F	Dim. G	QTY	Inv. Code	EXTR. DRAWING PART DRAWING
-		T3-MS01-03-06	5245	747.5	5*750					3		ASSEMBLE ON PARTS



SECTION A-A

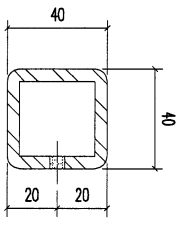
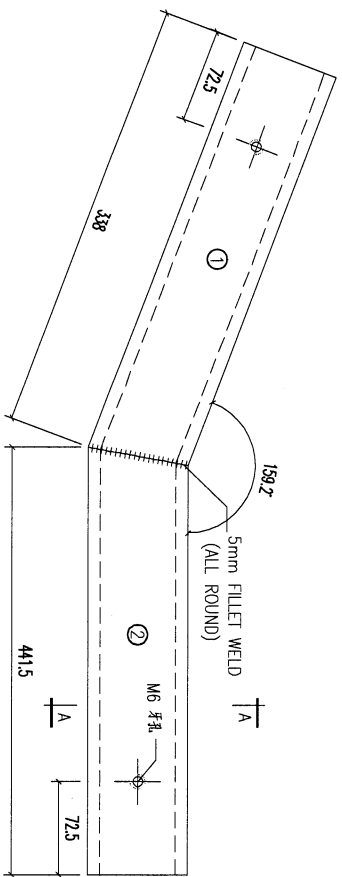
REV.	DATE	AMENDMENT	REVISED BY	REVISION	REVISION	REVISION	REVISION	REVISION	REVISION	REVISION	REVISION	REVISION
01		40x40x5mm 條通	5245	5245	747.5	5*750						
		材料規格	長度	開料	數量	4注						
					1	S4						
						27.9KG						

<b>美特鋁質有限公司</b> MIDI ALUMINIUM FABRICATOR LTD. Units 6-8, Sunray Industrial Centre, 1/F 610 Cha Kwo Ling Road, Kowloon Tel: 23489211-4 Fax: (852) 27727666		PROJECT 3853-PODIUM ALUM CEILING & FEATURE CLADDING T3 P/F	JOB NO. J853
FACTORY	W/CENTRE	CUT ENDS	FINISH
01	MAGH/SOBA/FAB	Angle ±1°	熱浸
Standard X X . = ±1		Squareness ±1°	DATE 4/7/2023
Tolerances X X . X = ±05			DRAWN YEUNG
			SCALE 1:5
			POST PAINT
			PRE PAINT
			SCALE 1:5
			TRACK TYPE S.....
			SIT. -/-
			REV. -

(31)

REV.	CHECKED DATE BY	PART NUMBER	Dim. A	Dim. B	Dim. C	Dim. D	Dim. E	Dim. F	Dim. G	QTY	Inv. Code	ASSEMBLE ON PARTS	EXTR. DRAWING PART DRAWING
-		T3-MS01-03-07								1			



SECTION A-A

REV.	DATE	AMENDMENT	REVISED BY
01	40x40x5mm 快通	441.5	开梯
01	40x40x5mm 快通	338	开梯
	材料规格	长度	配件描述
			数量
			备注

4.1 KG

**美特铝业有限公司**  
MIDI ALUMINIUM FABRICATOR LTD.

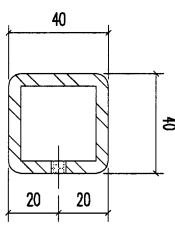
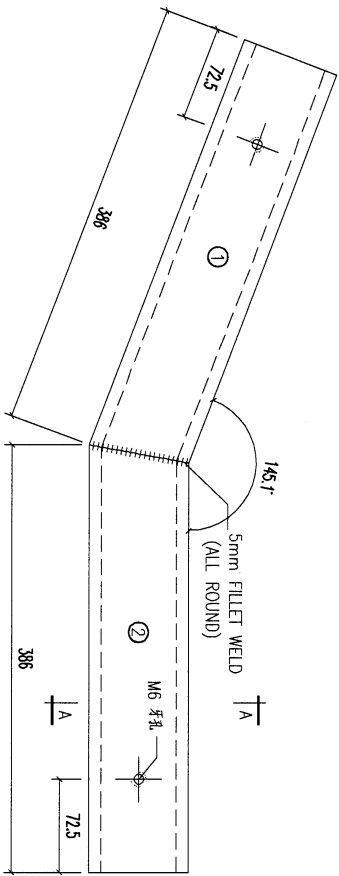
Units 6-8, Sunray Industrial Centre, 1/F  
610 Cha Kwo Ling Road, Kowloon  
Tel: 23489211-4 Fax: (852) 27727666

Product J853-PODIUM ALUM CEILING  
& FEATURE CLADDING T3 P/F

FACTORY	01	W/CENTRE MAX/SIDE/FAB	CUT ENDS	FINISH	DATE	4/7/2023	DRAWN	YEUNG	SCALE	1:5	PART	TRACK TYPE	S...
Standard	X X .	= ±1	Angle	±1°	DATE	4/7/2023	DRAWN	YEUNG	SCALE	1:5	PART	TRACK TYPE	S...
Tolerances	X X . X = ±0.5	Squareness	±1°	DATE	4/7/2023	DRAWN	YEUNG	SCALE	1:5	PART	TRACK TYPE	S...	
DRAWING TITLE													
金属材料加工圖													
DRAWING NO. T3-MS01-03-07													
POST PAINT	PRE PAINT	SCALE	1:5	PART	TRACK TYPE	S...	SHT.	-/-	REV.	-			

(32)

REV. / CHANGED BY	PART NUMBER	Dim. A	Dim. B	Dim. C	Dim. D	Dim. E	Dim. F	Dim. G	QTY	Inv. Code	ASSEMBLE ON PARTS	EXTR. DRAWING PART DRAWING
01	T3-MS01-03-08								2			



SECTION A-A

REV.	DATE	AMENDMENT	REVISED BY
01			
01			

REV.	DATE	AMENDMENT	REVISED BY
01			
01			

REV.	DATE	AMENDMENT	REVISED BY
01			
01			

4.2 KG

Units 6-8, Sunray Industrial Centre, 1/F  
610, Cha Kwo Ling Road, Kowloon  
Tel: 3489211-4 Fax: (852) 2727666

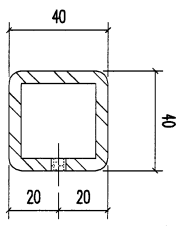
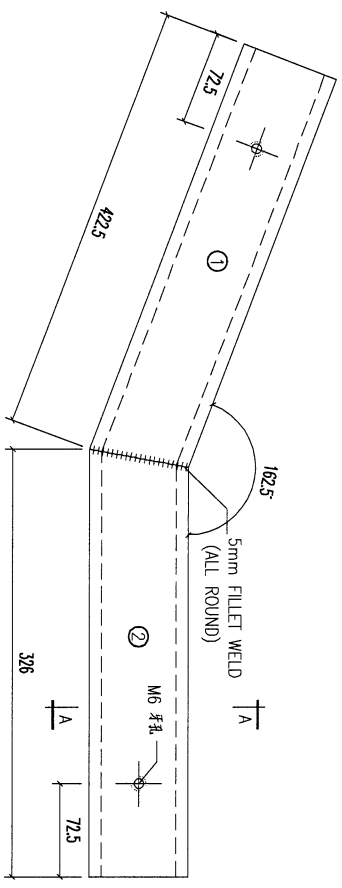
PROJECT J853-PODIUM ALUM CEILING & FEATURE CLADDING T3 P/P

JOB NO. J853

FACTORY	W/CENTRE	CUT ENDS	FINISH	DATE	DRAWN	SCALE	PART
01	M/DH/SDB/FAB	Angle ±1° Squareness ±1°	熱浸	4/7/2023	YEUNG	1:5	ASSEMBLY

33

REV.	CHECKED BY	PART NUMBER	Dim. A	Dim. B	Dim. C	Dim. D	Dim. E	Dim. F	Dim. G	QTY	Inv. Code	ASSEMBLE ON PARTS	EXTR. DRAWING PART DRAWING
-		T3-MS01-03-09								1			



REV.	DATE	AMENDMENT	REVISED BY
01			
01	40x40x5mm 快通	326	开料
	40x40x5mm 快通	422.5	开料
	材料规格	长度	配件描述
			数量
			备注

REV.	DATE	AMENDMENT	REVISED BY

REV.	DATE	AMENDMENT	REVISED BY

**美特铝业有限公司**  
**MIDI ALUMINIUM FABRICATOR LTD.**  
 Units 6-8, Sunray Industrial Centre, 1/F  
 610 Cha Kwo Ling Road, Kowloon  
 Tel: 23489211-4 Fax: (852) 27727666

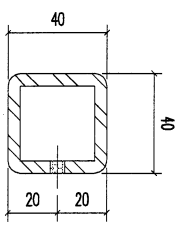
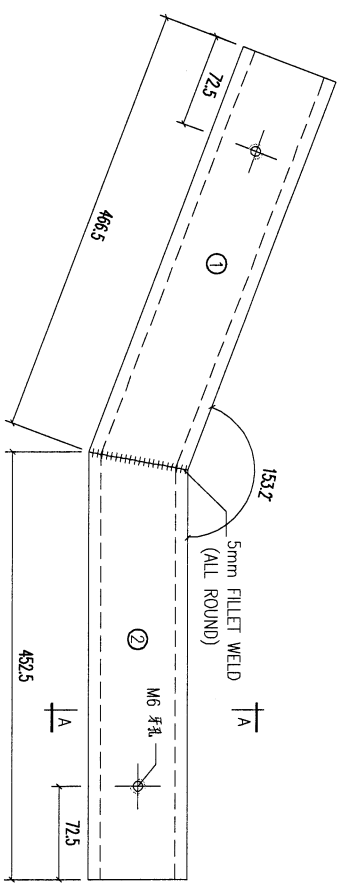
**PROJECT J853-PODIUM ALUM CEILING**  
**& FEATURE CLADDING T3 P/F**

JOB NO. J853  
 3.9 KG

FACTORY	W/GENRE	CUT ENDS	FINISH	DATE	DRAWN	POST PAINT	PART
01	MAOCH/SOBA/FAB		热浸	4/7/2023	YEUNG	PRE PAINT	
Standard	X X . = ±1	Angle	±1°			SCALE	TRACK TYPE
Tolerances	X X . X = ±0.5	Squareness	±1°			1:5	S.....
DRAWING TITLE				DRAWING NO.			
金属材料加工图				T3-MS01-03-09			
SIT.				REV.			
-/-				-			

34

REV.	ORDER REV. BY	PART NUMBER	Dim. A	Dim. B	Dim. C	Dim. D	Dim. E	Dim. F	Dim. G	QTY	Inv. Code	EXTR. DRAWING PART DRAWING
-		T3-MS01-03-10								1		ASSEMBLE ON PARTS



SECTION A-A

REV.	DATE	AMENDMENT	REVISED BY
01			
01	40x40x5mm 條通	452.5	牙料
01	40x40x5mm 條通	466.5	牙料
序号	材料规格	长度	零件描述
			数量
			备注

REV.	DATE	AMENDMENT	REVISED BY
01			
01	40x40x5mm 條通	452.5	牙料
01	40x40x5mm 條通	466.5	牙料
序号	材料规格	长度	零件描述
			数量
			备注

REV.	DATE	AMENDMENT	REVISED BY
01			
01	40x40x5mm 條通	452.5	牙料
01	40x40x5mm 條通	466.5	牙料
序号	材料规格	长度	零件描述
			数量
			备注

4.9 KG

**美特鋁質有限公司**  
MIDI ALUMINIUM FABRICATOR LTD.  
Units 6-8, Sunny Industrial Centre, 1/F  
610, Cha Kwo Ling Road, Kowloon  
Tel: 33489211-4 Fax: (852) 2727666

PROJECT J853-PODIUM ALUM CEILING  
& FEATURE CLADDING T3 P/F

JOB NO. J853

FACTORY	W/CENTRE	CUT ENDS	FINISH	DATE	DRAWN	POST PAINT	PART
01	M08/S08X/FAB	Angle ±1° Squariness ±1°	熱浸	4/7/2023	YEUNG	SCALE 1:5	TRACK TYPE S.....

DRAWING TITLE: 鐵料加工圖

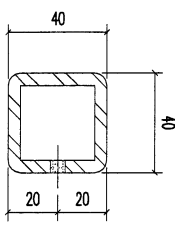
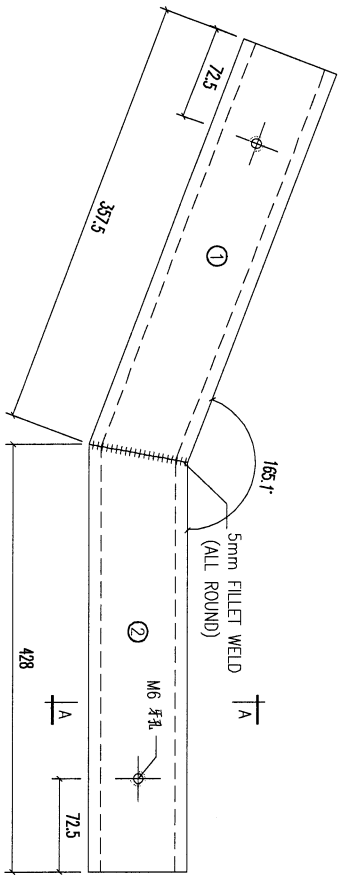
DRAWING NO.: T3-MS01-03-10

SHT. - / -


REV. -

35

REV.	CHANGED BY	PART NUMBER	Dim. A	Dim. B	Dim. C	Dim. D	Dim. E	Dim. F	Dim. G	QTY	Inv. Code	EXTR. DRAWING PART DRAWING
-		T3-MS01-03-11								1		ASSEMBLE ON PARTS

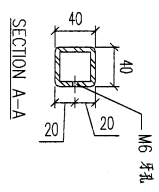
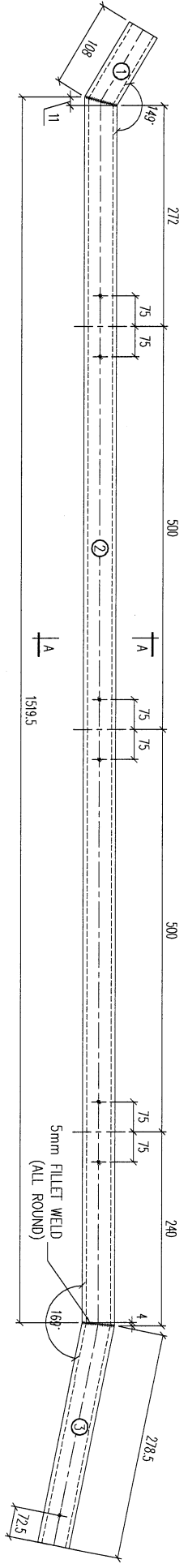


REV.	DATE	AMENDMENT	REVISED BY
01	40x40x5mm 條通	428	开料
01	40x40x5mm 條通	357.5	开料
材料規格	长度	零件描述	数量
			4.2 KG

 <b>美特鋁質有限公司</b> MIDI ALUMINIUM FABRICATOR LTD. Units 6-8, Sunray Industrial Centre, 1/F 610, Cha Kwo Ling Road, Kowloon Tel: 23489211-4 Fax: (852) 2727666		PROJECT: J853-PODIUM ALUM CEILING & FEATURE CLADDING T3 P/F		JOB NO.	J853								
FACTORY	01	W/CENTRE	MKCH/SDBA/FAB	CUT ENDS	FINISH	DATE	4/7/2023	DRAWN	YEUNG	SCALE	1:5	TRACK TYPE	S.....
Standard	X X .	= ±1	Angle	±1°	DATE	4/7/2023	DRAWN	YEUNG	SCALE	1:5	TRACK TYPE	S.....	
Tolerances	X X . X = ±0.5	Squareness	±1°	DATE	4/7/2023	DRAWN	YEUNG	SCALE	1:5	TRACK TYPE	S.....	SIT.	-/-
DRAWING TITLE		熱浸		POST PAINT		PART		SUB ASSEM.		SIT.		REV.	-
DRAWING TITLE		鐵料加工圖		PRE PAINT		PART		SUB ASSEM.		SIT.		REV.	-
DRAWING NO.		T3-MS01-03-11		PART		SUB ASSEM.		SIT.		REV.		-	

36

REV.	CHECKED DATE BY	PART NUMBER	Dim. A	Dim. B	Dim. C	Dim. D	Dim. E	Dim. F	Dim. G	QTY	Inv. Code	ASSEMBLE ON PARTS	EXTR. DRAWING PART DRAWING
-		T3-MS01-03-12								1			



REV.	DATE	AMENDMENT	REVISED BY
03		40x40x5mm 标准	
02		40x40x5mm 标准	
01		40x40x5mm 标准	

序号	材料规格	长度	配件描述	数量	备注
03	40x40x5mm 标准	278.5	开槽	1	S4
02	40x40x5mm 标准	1523.5	开槽	1	S4
01	40x40x5mm 标准	108	开槽	1	S4

REV.	DATE	AMENDMENT	REVISED BY

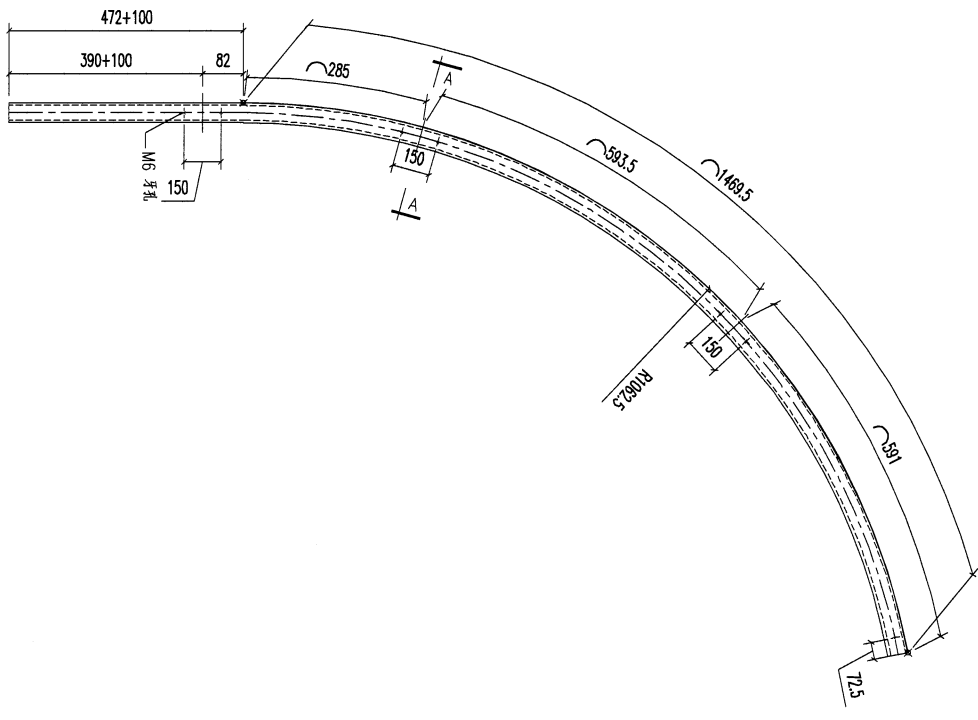

**美特铝业有限公司**  
 MIDI ALUMINIUM FABRICATOR LTD.  
 Units 6-8, Sunray Industrial Centre, 1/F  
 610 Cha Kwo Ling Road, Kowloon  
 Tel: 23489211-4 Fax: (852) 2727666

FACTORY	W/GENRE MARK/SDBA/FAB	CUT ENDS	FINISH	POST PAINT	PART
01	X X . = ±1 X X . X = ±05	Angle ±1° Squareness ±1'	DATE 4/7/2023	PRE PAINT	PART

PROJECT	JOB NO.	DRAWING TITLE	DRAWING NO.	SHT.	REV.
J853-PODIUM ALUM CEILING & FEATURE CLADDING T3 P/F	J853	金属材料加工圖	T3-MS01-03-12	-/-	-

37

REV.	CREATED BY	PART NUMBER	Dim. A	Dim. B	Dim. C	Dim. D	Dim. E	Dim. F	Dim. G	QTY	Inv. Code	ASSEMBLE ON PARTS	EXTR. DRAWING PART DRAWING
-		T3-MS01-04-01								1			



01	40x40x5mm 棒通	2041.5	开样	1	S4
序号	材料规格	长度	附件备注	数量	备注

10.9 KG

**美特铝业有限公司**  
MIDI ALUMINIUM FABRICATOR LTD.

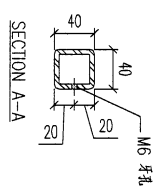
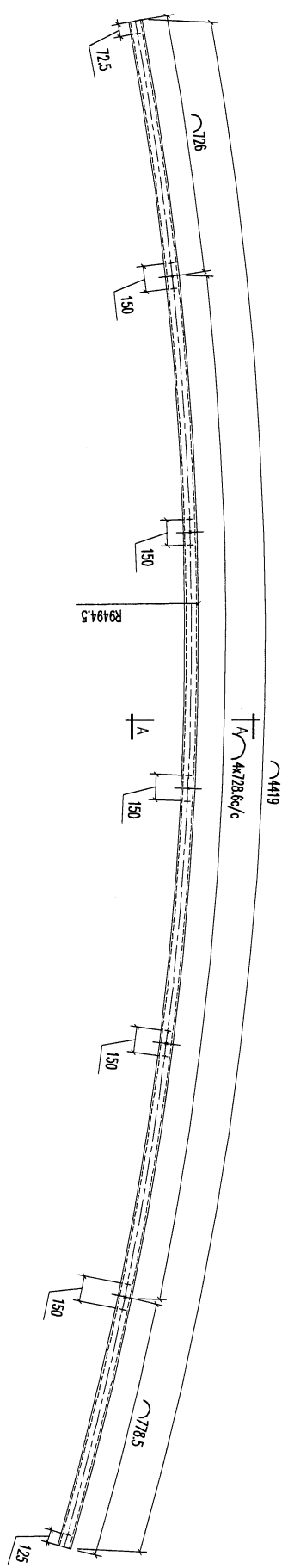
Units 6-8, Sunny Industrial Centre, 1/F  
610, Cha Kwo Ling Road, Kowloon  
Tel: 23489211-4 Fax: (852) 27727666

PROJECT J853-PODIUM ALUM CEILING  
& FEATURE CLADDING T3 P/F

FACTORY	01	W/CENTRE	M/KOY/S/OB/FAB	CUT ENDS	FINISH	DATE	4/7/2023	DRAWN	YEUNG	SCALE	1:5	TRACK TYPE	S.....
Standard	X X .	Angle	±1	Squareness	±1'	DATE	4/7/2023	DRAWN	YEUNG	SCALE	1:5	TRACK TYPE	S.....
Tolerances	X X . X = ±0.5	Squareness	±1'										
DRAWING TITLE	金属材料加工圖												
DRAWING NO.	T3-MS01-04-01												

38

REV.	CHECKED DATE	PART NUMBER	Dim. A	Dim. B	Dim. C	Dim. D	Dim. E	Dim. F	Dim. G	QTY	Inv. Code	ASSEMBLE ON PARTS	EXTR. DRAWING PART DRAWING
-		T3-MS01-04-02								1			



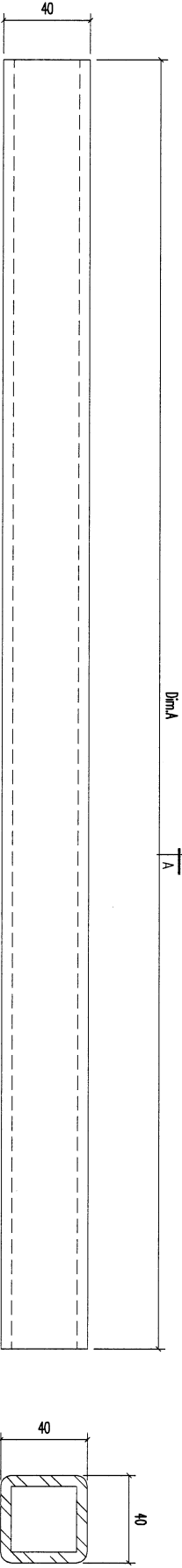
REV.	DATE	AMENDMENT	REVISED BY
01		40x40x5mm 普通 材料規格	4419 長度
		零件描述	1 數量
			S4 料號
			23.5 KG

<b>美特鋁質有限公司</b> MIDI ALUMINIUM FABRICATOR LTD. Units 6-8, Sunray Industrial Centre, 1/F 610 Cha Kwo Ling Road, Kowloon Tel: 23489211-4 Fax: (852) 2727666		PROJECT J853-PODIUM ALUM CEILING & FEATURE CLADDING T3 P/P	JOB NO. J853
FACTORY	W/CENTRE	CUT ENDS	FINISH
01	MARK/SDBA/FAB	Angle	DATE
Standard	X X . = ±1	Squareness ±1'	4/7/2023
Tolerances	X X . X = ±05		
DRAWING TITLE		DRAWING NO.	
鐵料加工圖		T3-MS01-04-02	
DRAWN	SCALE	PART	REV.
YEUNG	1:5		
POST PAINT		TRACK TYPE	
PRE PAINT		S.....	
SUB ASSEM.		SHT.	
		REV.	

39


REV.	CHECKED DATE BY	PART NUMBER	Dim. A	Dim. B	Dim. C	Dim. D	Dim. E	Dim. F	Dim. G	QTY	Inv. Code	EXTR. DRAWING PART DRAWING
-		T3-MS01-04-01	255							1		ASSEMBLE ON PARTS



1 A

SECTION A-A

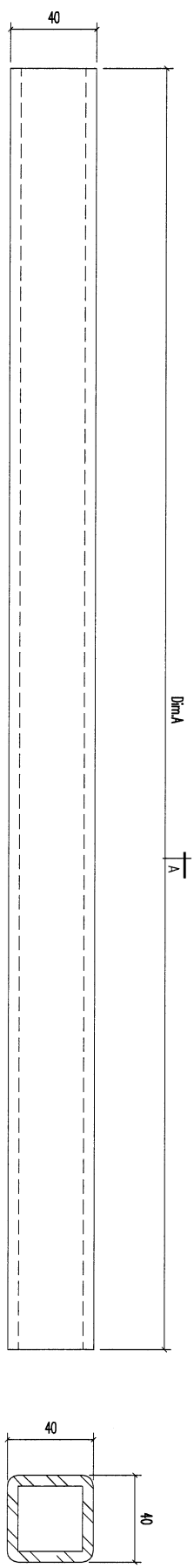
REV.	DATE	AMENDMENT	REVISED BY
01		40x40x5mm 條通	
		材料規格	
		長度	255
		零件描述	1
		數量	S4
		備註	1.4 KG


**美特鋁質有限公司**  
 MIDI ALUMINIUM FABRICATOR LTD.  
 Units 6-8, Sunray Industrial Centre, 1/F  
 610 Cho Kwo Ling Road, Kowloon  
 Tel: 23489211-4 Fax: (852) 27276666  
 PROJECT J853-PODIUM ALUM CEILING  
 & FEATURE CLADDING T3 P/F  
 JOB NO. J853

FACTORY	W/CENTRE MAGN/SDBX/FAB	CUT ENDS	FINISH	DATE	DRAWN	POST PAINT	PART
01				4/7/2023	YEUNG		
Standard	X X . = ±1	Angle	±1°				
Tolerances	X X . X = ±0.5	Squareness	±1°				
DRAWING TITLE 鐵料加工圖							
DRAWING NO. T3-MS01-04-01				熱浸			
DATE				SCALE 1:5			
SHT. -/-				REV. -			

40

REV.	CHECKED BY	PART NUMBER	Dim. A	Dim. B	Dim. C	Dim. D	Dim. E	Dim. F	Dim. G	QTY	Inv. Code	EXTR. DRAWING PART DRAWING
-		T3-MS01-04-02	608							1		ASSEMBLE ON PARTS



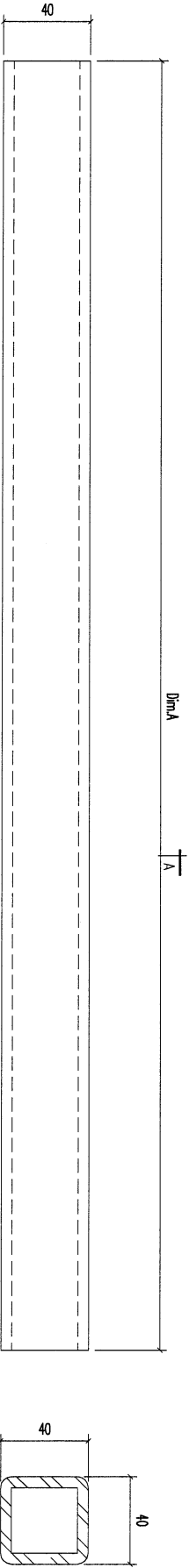
SECTION A-A

01	40x40x5mm 棒通	608	材料規格	零件	1	S4	3.2 KG
			長度	零件描述	數量	备注	

REV.	DATE	AMENDMENT	REVISED BY	<b>美特鋁寶有限公司</b> MIDI ALUMINIUM FABRICATOR LTD. Units 6-8, Sunray Industrial Centre, 1/F 610 Cha Kwo Ling Road, Kowloon Tel: 23489211-4 Fax: (852) 2727666				JOB NO.	J853	PROJECT J853-PODIUM ALUM CEILING & FEATURE CLADDING T3 P/F	
				FACTORY	W/CENTRE	CUT ENDS	FINISH	DRAWN	POST PAINT	PART	
				01	MACH/SDBX/FAB	±1	DATE	YEUNG	SCALE	SUB ASSEM.	
				Standard	X X . X = ±1	Angle	4/7/2023		1:5	TRACK TYPE	S.....
				Tolerances	X X . X = ±05	Squareness ±1'				SHT.	-/-
				DRAWING TITLE				DRAWING NO.		REV.	-
				- 鐵料加工圖				T3-MS01-04-02			

41

REV.	ORDERED PART NUMBER	Dim. A	Dim. B	Dim. C	Dim. D	Dim. E	Dim. F	Dim. G	QTY	Inv. Code	EXTR. DRAWING PART DRAWING
1	T3-MS01-04-03	855							2		ASSEMBLE ON PARTS



SECTION A-A

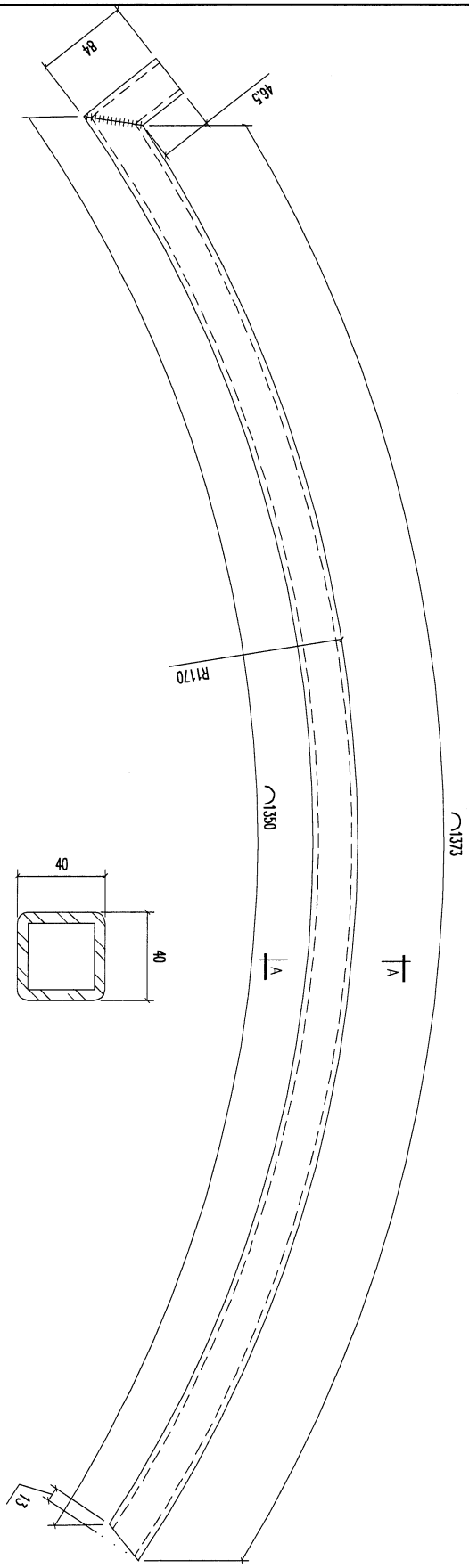
REV.	DATE	AMENDMENT	REVISED BY	REV.	DATE	AMENDMENT	REVISED BY
01	40x40x5mm 普通	855	开料	1	S4		
	材料规格	长度	零件描述	数量	备注		

Units 6-8, Sunray Industrial Centre, 1/F 610 Cha Kwo Ling Road, Kowloon Tel: 23489211-4 Fax: (852) 2727666	<b>美特铝业有限公司</b> MIDI ALUMINIUM FABRICATOR LTD.	PROJECT J853-PODIUM ALUM CEILING & FEATURE CLADDING T3 P/P	JOB NO. J853
Standard X X . = ±1 Tolerances X X . X = ±05	FACTORY 01 W/CENTRE MARK/SDBA/FAB	CUT ENDS Angle ±1° Squareness ±1°	FINISH DATE 4/7/2023
DRAWING TITLE 金属材料加工图	热浸 PRE PAINT <input checked="" type="checkbox"/>	DRAWN YEUNG	SCALE 1:5
DRAWING NO. T3-MS01-04-03	POST PAINT <input type="checkbox"/>	PART TRACK TYPE S.....	SHT. REV. -/-

42

REV.	CHANGED BY	PART NUMBER	Dim. A	Dim. B	Dim. C	Dim. D	Dim. E	Dim. F	Dim. G	QTY	Inv. Code	EXTR. DRAWING PART DRAWING
-		T3-MS01-04-04								1		ASSEMBLE ON PARTS



SECTION A-A

REV.	DATE	AMENDMENT	REVISED BY
02		40x40x5mm 條通	
01		40x40x5mm 條通	

序號	材料規格	長度	件數	材料	件數	備註
		84	1	開料	1	S4
		1363	1	開料	1	S4
				零件轉送		
				數量		
				備註		

7.7 KG												
--------	--	--	--	--	--	--	--	--	--	--	--	--

**美特鋁實有限公司**  
MIDI ALUMINIUM FABRICATOR LTD.

Units 6-8, Sunray Industrial Centre, 1/F  
610 Cha Kwo Ling Road, Kowloon  
Tel: 23469211-4 Fax: (852) 27727666

PROJECT: J853-PODIUM ALUM CEILING & FEATURE CLADDING T3 P/F

JOB NO. J853

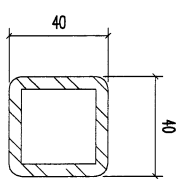
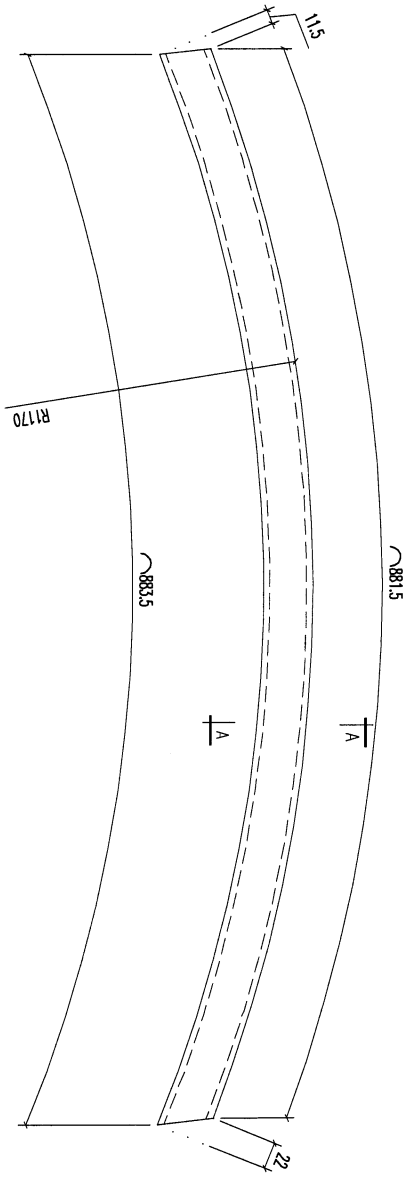
DRAWING TITLE: 鐵料加工圖

DRAWING NO. T3-MS01-04-04

FACTORY	W/CENTRE	CUT ENDS	FINISH	POST PAINT	PART
01	MGR/SDBR/FAB	Angle	熱浸	PRE PAINT	SUB ASSEM.
Standard	X X . = ±1	Squareness ±1'	DATE	SCALE	TRACK TYPE
Tolerances	X X . X = ±05		4/7/2023	1:5	S.....
					SHT.
					REV.

43

REV.	CHECKED BY	PART NUMBER	Dim. A	Dim. B	Dim. C	Dim. D	Dim. E	Dim. F	Dim. G	QTY	Inv. Code	ASSEMBLY ON PARTS	EXTR. DRAWING PART DRAWING
-		T3-MS01-04-05								1			



SECTION A-A

REV.	DATE	AMENDMENT	REVISED BY
01		40x40x5mm 卷邊	
		材料規格	
		長度	
		開料	
		零件描述	
		數量	1
		备注	S4

4.7 KG

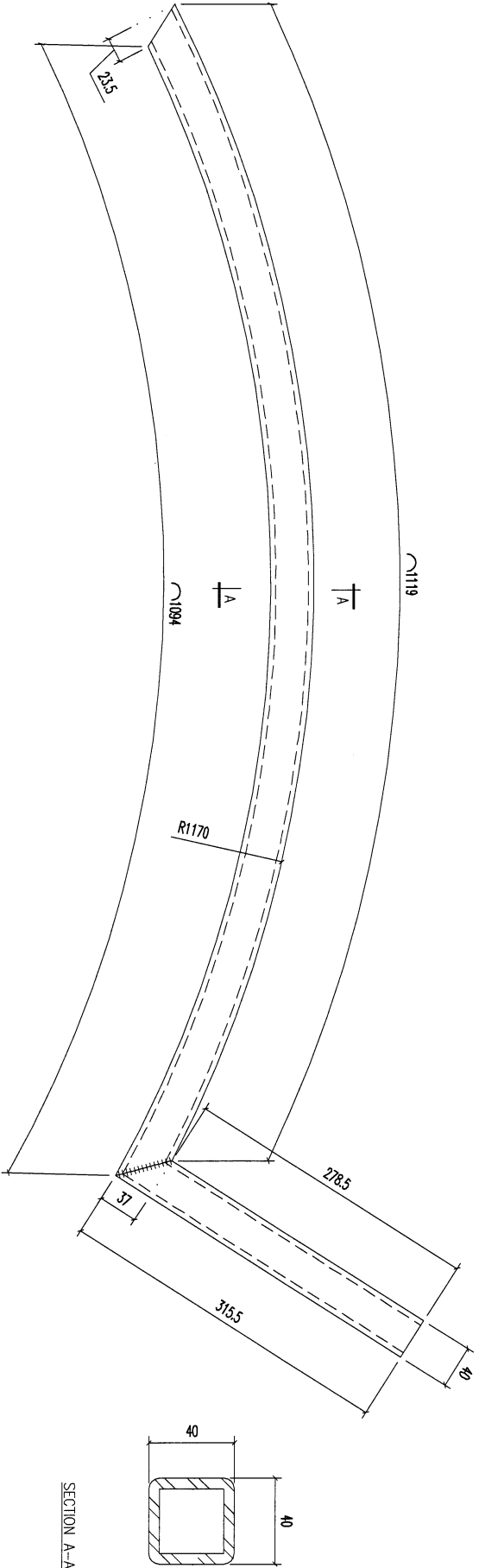
**美特鋁業有限公司**  
**MIDI ALUMINIUM FABRICATOR LTD.**  
 Units 6-8, Sunray Industrial Centre, 1/F  
 610 Choi Kwo Ling Road, Kowloon  
 Tel: 23489211-4 Fax: (852) 27276666

PROJECT J853-PODIUM ALUM CEILING  
 & FEATURE CLADDING T3 P/P  
 JOB NO. J853

FACTORY	W/CENTRE MARK/SUBA/FAB	CUT ENDS	FINISH	DATE	SCALE	POST PAINT	PART	SHIT	REV.
01	X X . = ±1 X X . X = ±05	Angle Squareness ±1'	±1'	4/7/2023	1:5	<input checked="" type="checkbox"/>	<input checked="" type="checkbox"/>	-/-	-
DRAWING TITLE 鋁料加工圖		DRAWN YEUNG		DRAWING NO. T3-MS01-04-05		TRACK TYPE S.....			

44

REV.	CHECKED BY	PART NUMBER	Dim. A	Dim. B	Dim. C	Dim. D	Dim. E	Dim. F	Dim. G	QTY	Inv. Code	EXTR. DRAWING PART DRAWING
-		T3-MS01-04-06								1		ASSEMBLE ON PARTS



SECTION A-A

REV.	DATE	AMENDMENT	REVISED BY
02		40x40x5mm 條通	
01		40x40x5mm 條通	

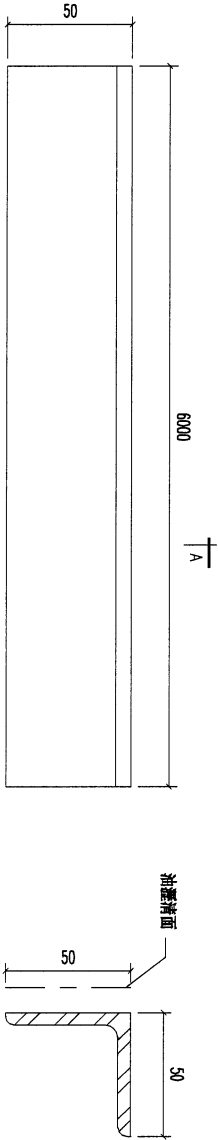
序号	材料规格	长度	附件描述	数量	备注
02	40x40x5mm 條通	315.5	开料	1	S4
01	40x40x5mm 條通	1117.5	开料	1	S4

REV.	DATE	AMENDMENT	REVISED BY
02		40x40x5mm 條通	
01		40x40x5mm 條通	

<p><b>美特鋁質有限公司</b> MIDI ALUMINIUM FABRICATOR LTD.</p>		<p>Units 6-8, Sunny Industrial Centre, 1/F 610, Cha Kwo Ling Road, Kowloon Tel: 23489211-4 Fax: (852) 2727666</p>	
<p>PROJECT J853-PODIUM ALUM CEILING &amp; FEATURE CLADDING T3 P/F</p>		<p>JOB NO. J853</p>	
FACTORY	01	W/CENTRE	MACH/SDBX/FAB
Standard	X X . = ±1	CUT ENDS	Angle ±1°
Tolerances	X X . X = ±0.5	FINISH	Squareness ±1°
DRAWING TITLE		鐵料加工圖	
DATE		4/7/2023	
DRAWN		YEUNG	
DRAWING NO.		T3-MS01-04-06	
POST PAINT		SCALE 1:5	
PRE PAINT		PART	
SUB ASSEM.		TRACK TYPE	
SHT.		REV.	

45

REV.	ORDERED BY	PART NUMBER	Dim. A	Dim. B	Dim. C	Dim. D	Dim. E	Dim. F	Dim. G	QTY	Inv. Code	EXTR. DRAWING PART DRAWING
-		T3-MS01-06-01								9		ASSEMBLE ON PARTS



1/A

SECTION A-A

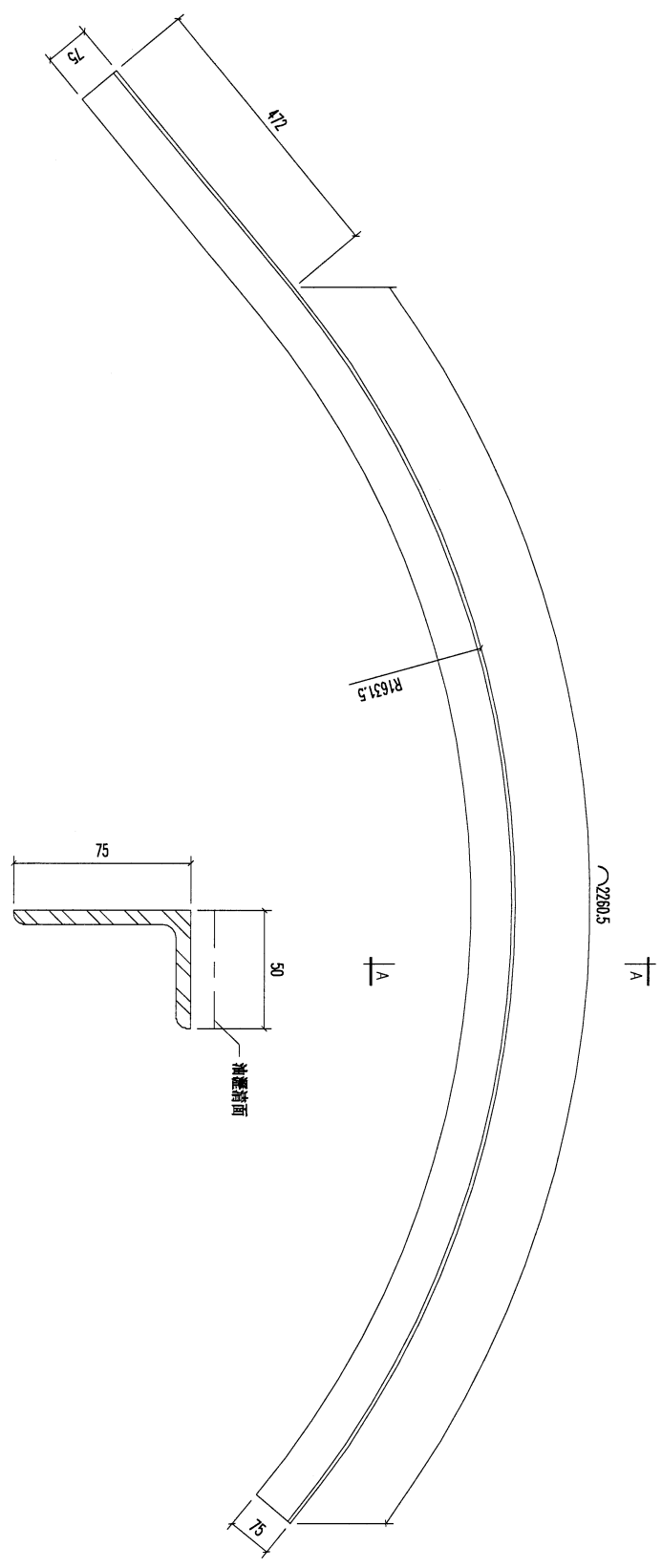
REV.	DATE	AMENDMENT	REVISED BY	REVISION
01		50x50x5mm 角鐵		
		材料規格	6000	长度
			零件	零件描述
			1	数量
			S8	备注
				22.4KG

<b>美特鋁質有限公司</b> MIDI ALUMINIUM FABRICATOR LTD. Units 6-8, Sunray Industrial Centre, 1/F 610 Cho Kwo Ling Road, Kowloon Tel: 23489211-4 Fax: (852) 2727666		PROJECT J853-PODIUM ALUM CEILING & FEATURE CLADDING T3 P/F JOB NO. J853											
FACTORY	01	W/CENTRE	MACH/SDBX/FAB	CUT ENDS	FINISH	DATE	4/7/2023	DRAWN	YEUNG	SCALE	1:5	TRACK TYPE	S.....
Standard	X X .	= ±1	Angle	±1'	DATE	4/7/2023							
Tolerances	X X . X = ±05	Squareness	±1'										
DRAWING TITLE		鐵料加工圖		DRAWING NO.		T3-MS01-06-01		POST PAINT		PART		SHT. REV.	

46

REV.	CHANGED BY	PART NUMBER	Dim. A	Dim. B	Dim. C	Dim. D	Dim. E	Dim. F	Dim. G	QTY	Inv. Code	ASSEMBLY ON PARTS	EXTR. DRAWING PART DRAWING
-		T3-MS01-06-02								1			



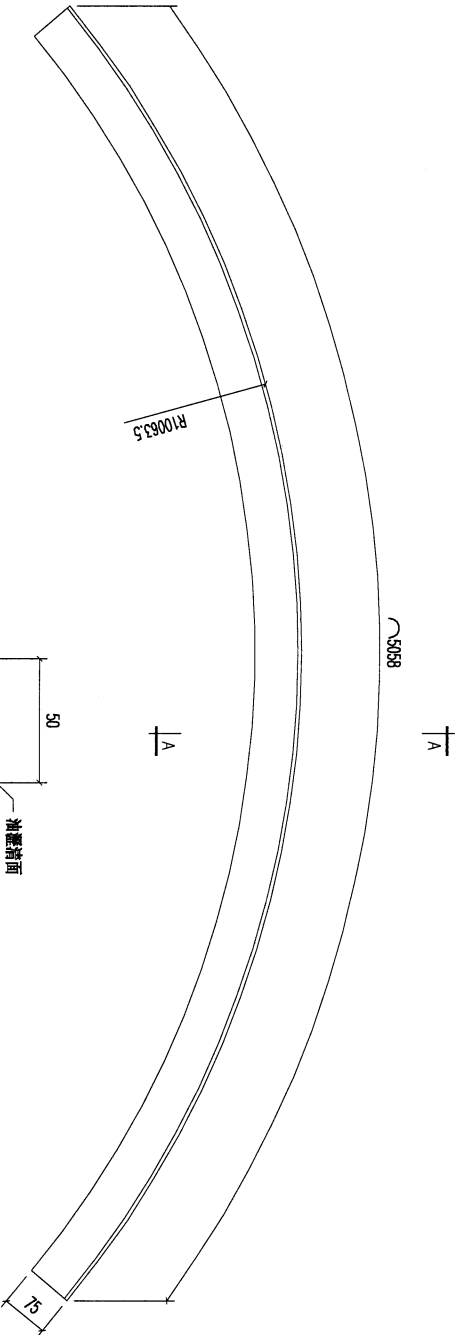
REV.	DATE	AMENDMENT	REVISED BY	REVISION	QTY	REMARKS
01		75x50x6mm 鋁條		1	57	15.3KG
		材料規格				
		長度				
		零件描述				

<b>美特鋁質有限公司</b> MIDI ALUMINIUM FABRICATOR LTD. Units 6-8, Sunny Industrial Centre, 1/F 610, Cha Kwo Ling Road, Kowloon Tel: 23489211-4 Fax: (852) 2727666		PROJECT: J853-PODIUM ALUM CEILING & FEATURE CLADDING T3 P/F JOB NO. J853					
FACTORY	W/CENTRE	CUT ENDS	FINISH	DATE	DRAWN	POST PAINT	PART
01	MCH/SDBX/FAH			4/7/2023	YEUNG		
Standard	X X . = ±1	Angle	±1°				
Tolerances	X X . X = ±0.5	Squareness	±1°				
DRAWING TITLE: 鐵料加工圖				DRAWING NO.:	T3-MS01-06-02		
DRAFTING TITLE: 鐵料加工圖				DRAWING NO.:	T3-MS01-06-02		
SHEET: - / -				REV:	-		

47

REV.	CHECKED DATE BY	PART NUMBER	Dim. A	Dim. B	Dim. C	Dim. D	Dim. E	Dim. F	Dim. G	QTY	Inv. Code	ASSEMBLE ON PARTS	EXTR. DRAWING PART DRAWING
-		T3-MS01-06-03								1			



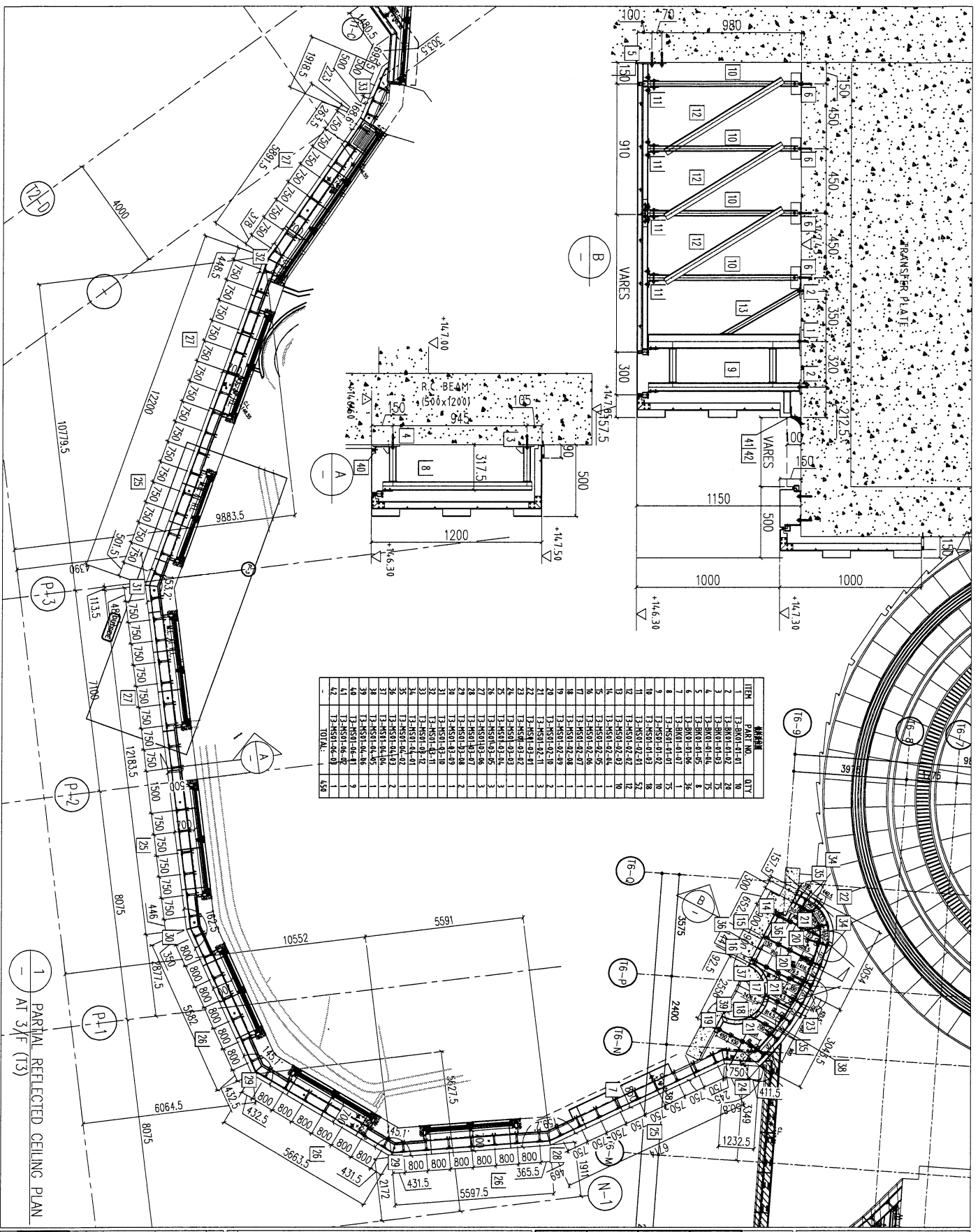
SECTION A-A

REV.	DATE	AMENDMENT	REVISED BY	QTY	SPEC	REMARKS
01		75x50x6mm 角條 材料規格	2732.5	1	S7	15.3KG
			材料	1		
			零件描述			
			長度			

Units: 6-8, Sunray Industrial Centre, 1/F	<b>美特鋁業有限公司</b>	熱浸	POST PAINT	PART
610 Cha Kwo Ling Road, Kowloon	<b>MIDI ALUMINIUM FABRICATOR LTD.</b>	PRE PAINT	<input checked="" type="checkbox"/>	<input checked="" type="checkbox"/>
Tel: 23489211-4 Fax: (852) 27727666		SCALE	1:5	TRACK TYPE
PROJECT J853-PODIUM ALUM CEILING	& FEATURE CLADDING T3 P/F	JOB NO.	J853	S.....
		DRAWING TITLE	鐵料加工圖	SHT.
		DRAWING NO.	T3-MS01-06-03	REV.

CP



BD. REF: 3/04/15

KEY PLAN

CLIENT: SHIMAO GROUP HOLDINGS LIMITED

ARCHITECT: WONG TUNG & PARTNERS LIMITED

MAIN CONTRACTOR: 協興建築有限公司 HOP HING CONSTRUCTION CO LTD

STRUCTURAL ENGINEER: CMA C M WONG & ASSOCIATES LTD 黃志輝建築工程師有限公司

PROJEC CONSULTANT: MENYROT

NOTE:

- ALL DIMENSIONS ARE IN mm
- ALL ELEVATIONS ARE VIEWED FROM OUTSIDE, BEHIND INFRASTRUCTURE

LEGEND:

- (X1) DENIAL MARK NO.
- (X2) REFER SHEET NO.
- 1. F.F.L. --- FINISHED FLOOR LEVEL
- 2. S.F.L. --- STRUCTURAL FLOOR LEVEL
- 3. (R) --- REVERSED DENIAL

DATE: 29-MAY-212 SCALE: 1:80 (A0)

DRAWN BY: C.M. CHECKED BY: [Signature]

PROJECT: PROPOSED RESIDENTIAL DEVELOPMENT AT N.K.L.L. 65-42 TAN HING ROAD KOWLOON

TITLE: PARTIAL REFLECTED CEILING PLAN AT P/F (T3)

DATE: 29-MAY-212 SCALE: 1:80 (A0)

DRAWN BY: C.M. CHECKED BY: [Signature]

PROJECT: PROPOSED RESIDENTIAL DEVELOPMENT AT N.K.L.L. 65-42 TAN HING ROAD KOWLOON

TITLE: PARTIAL REFLECTED CEILING PLAN AT P/F (T3)

DATE: 29-MAY-212 SCALE: 1:80 (A0)

DRAWN BY: C.M. CHECKED BY: [Signature]

PROJECT: PROPOSED RESIDENTIAL DEVELOPMENT AT N.K.L.L. 65-42 TAN HING ROAD KOWLOON

TITLE: PARTIAL REFLECTED CEILING PLAN AT P/F (T3)

DATE: 29-MAY-212 SCALE: 1:80 (A0)

DRAWN BY: C.M. CHECKED BY: [Signature]

PROJECT: PROPOSED RESIDENTIAL DEVELOPMENT AT N.K.L.L. 65-42 TAN HING ROAD KOWLOON

TITLE: PARTIAL REFLECTED CEILING PLAN AT P/F (T3)

DATE: 29-MAY-212 SCALE: 1:80 (A0)

DRAWN BY: C.M. CHECKED BY: [Signature]

PROJECT: PROPOSED RESIDENTIAL DEVELOPMENT AT N.K.L.L. 65-42 TAN HING ROAD KOWLOON

TITLE: PARTIAL REFLECTED CEILING PLAN AT P/F (T3)