

工程指示 / 要求簡箋 ENGINEER INSTRUCTIONS(E.I.)

工程指示編號:	EI- 5865	修改版本:	-
	HK- 0492		
工程編號:	J 853	工程名稱:	延坪道
收件人:	生統	發件人:	Joe Chan
工程項目:	T5, T7 特式層浴室位置 廠用鋁板生產	日期:	15/03/2023

<input checked="" type="checkbox"/> 原合約工程包	<input type="checkbox"/> 原合約工程加 / 減賬 QT-	<input type="checkbox"/> 新工程報價 QT-
--------------------------------------------	------------------------------------------	------------------------------------

信件批核號碼/圖紙參考編號:	批核模具圖紙編號:
客戶指示附件:	管理內部批簽署:

<input type="checkbox"/> 初步鋁料 B.M.	<input type="checkbox"/> 加工拆圖, 然後生產	<input type="checkbox"/> 尺寸表
<input type="checkbox"/> 正式鋁料 B.M.	<input type="checkbox"/> 技術上資料/指示	<input type="checkbox"/> 報價
<input type="checkbox"/> 配件 B.M.	<input type="checkbox"/> 樣辦或貨品說明書	<input type="checkbox"/> 分判合約
<input checked="" type="checkbox"/> 其他: 鋁板		

內容: 請依附件資料, 生產廠用鋁板.

完成上列要求日期: 28/03/2023      ASAP

**國內**

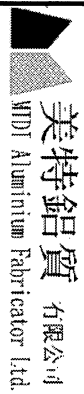
<input type="checkbox"/> 生產技術總監	<input type="checkbox"/> 連附件	<input type="checkbox"/> 技術部	<input type="checkbox"/> 連附件	<input type="checkbox"/> 生產部	<input type="checkbox"/> 連附件
<input type="checkbox"/> 採購部	<input type="checkbox"/> 連附件	<input checked="" type="checkbox"/> 生產統籌部	<input checked="" type="checkbox"/> 連附件	<input type="checkbox"/> 報關組	<input type="checkbox"/> 連附件
<input type="checkbox"/> 質檢部	<input type="checkbox"/> 連附件	<input type="checkbox"/> 會計部	<input type="checkbox"/> 連附件	<input type="checkbox"/> 機械設計部	<input type="checkbox"/> 連附件
<input type="checkbox"/> 香港辦	<input type="checkbox"/> 連附件	<input type="checkbox"/> 其他:			

**香港**

<input type="checkbox"/> 行政部	<input type="checkbox"/> 連附件	<input type="checkbox"/> 會計部	<input type="checkbox"/> 連附件	<input type="checkbox"/> 統籌部	<input type="checkbox"/> 連附件	<input type="checkbox"/> 工程部	<input type="checkbox"/> 連附件
<input type="checkbox"/> 採購部	<input type="checkbox"/> 連附件	<input type="checkbox"/> QS部	<input type="checkbox"/> 連附件	<input type="checkbox"/> 地盤管理	<input type="checkbox"/> 連附件	<input type="checkbox"/> 維修部	<input type="checkbox"/> 連附件

*發件人簽署:		*組別成員批核簽署:	
傳遞編號:	HK 0492/23	項目經理簽署:	

圖則登記表 DRAWING REGISTER												
												接收日期 Receiving Date (適用於客戶圖則)
工程名稱 Project Title: 延坪道住宅		年										
		月										
工程編號 Project No: J-853		日										
分發予 Distributed To						發出日期 Issued Date						
		年	23									
		月	1									
		日	5									
圖則編號 Drg. No.		圖則名稱 Drawing Title					修訂編號 Revision No.					
CW-LBC03-508		鋁板加工圖					-					
J853-SD-CW-4506		鋁板安裝位置圖					-					
J853-SD-CW-4509		鋁板安裝位置圖					-					
J853-SD-CW-4608		鋁板安裝位置圖					-					



美特鋁質 有限公司  
MIDI Aluminium Fabricator Ltd.

工程號: J-853

計算: HHQ

日期: 2023-1-5

地盤名稱: 延坪道住宅

核對: WLO

日期: 2023-1-5

廠用鋁板B.M.表

項目類別: 幕牆

批准:

日期:

總V.F.:

總重量:

副本:

BM編號:

修改版次:

A/C Code:

總V.F.:

1.06

總重量:

6.13

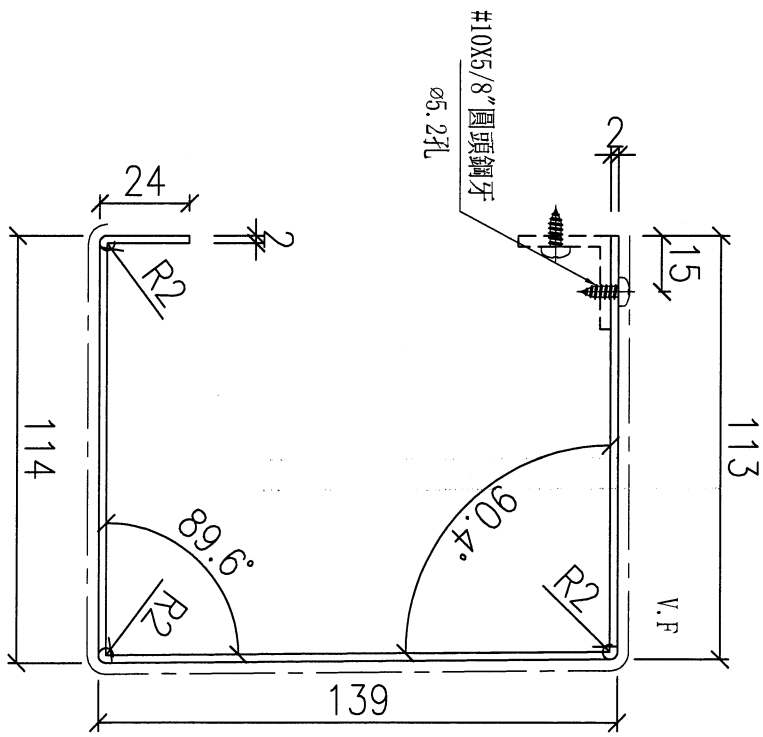
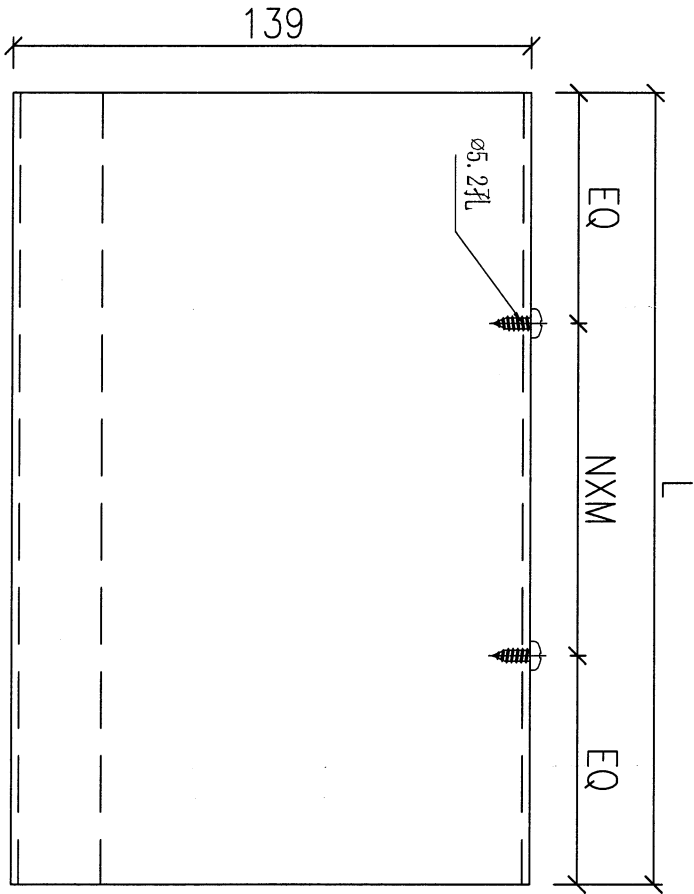
此BM依據資料計算

序號	修改內容	鋁板圖號	鋁板名稱	顏色	實用	後備	總數	總重量	平方米		平方米		備註
									單件展開面積	總展開面積	單件V.F.	總V.F.	
1		CW-LBC03-508	2mm厚鋁板	EG-DG-D334232-ZD1(閃粉古銅)	1	0	1	0.532	0.098	0.098	0.092	0.092	
2		CW-LBC03-6	2mm厚鋁板	EG-DG-D334232-ZD1(閃粉古銅)	1	0	1	0.637	0.118	0.118	0.110	0.110	
3		CW-LBC03-523	2mm厚鋁板	EG-DG-D334232-ZD1(閃粉古銅)	1	0	1	1.298	0.239	0.239	0.225	0.225	
4		CW-LBC03-512	2mm厚鋁板	EG-DG-D334232-ZD1(閃粉古銅)	1	0	1	0.843	0.156	0.156	0.146	0.146	
5		CW-LBC03-614	2mm厚鋁板	EG-DG-D334232-ZD1(閃粉古銅)	1	0	1	1.055	0.195	0.195	0.183	0.183	
6		CW-LBC03-618	2mm厚鋁板	EG-DG-D334232-ZD1(閃粉古銅)	1	0	1	1.768	0.326	0.326	0.306	0.306	
					總合計:		6	6.133		1.132		1.062	



美特鋁質 有限公司  
MIDI Aluminium Fabricator Ltd.

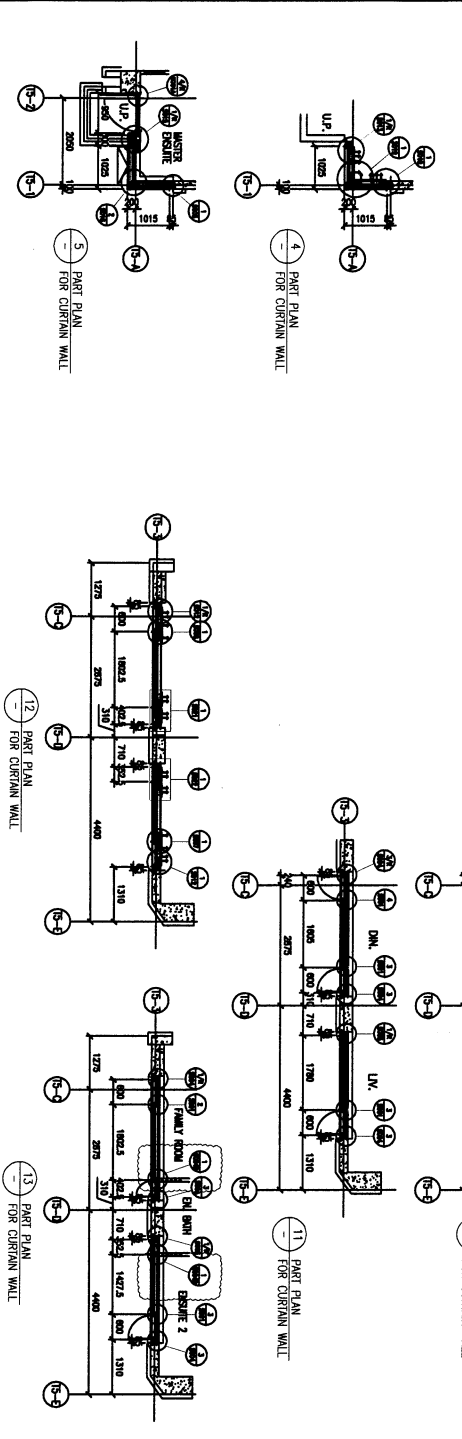
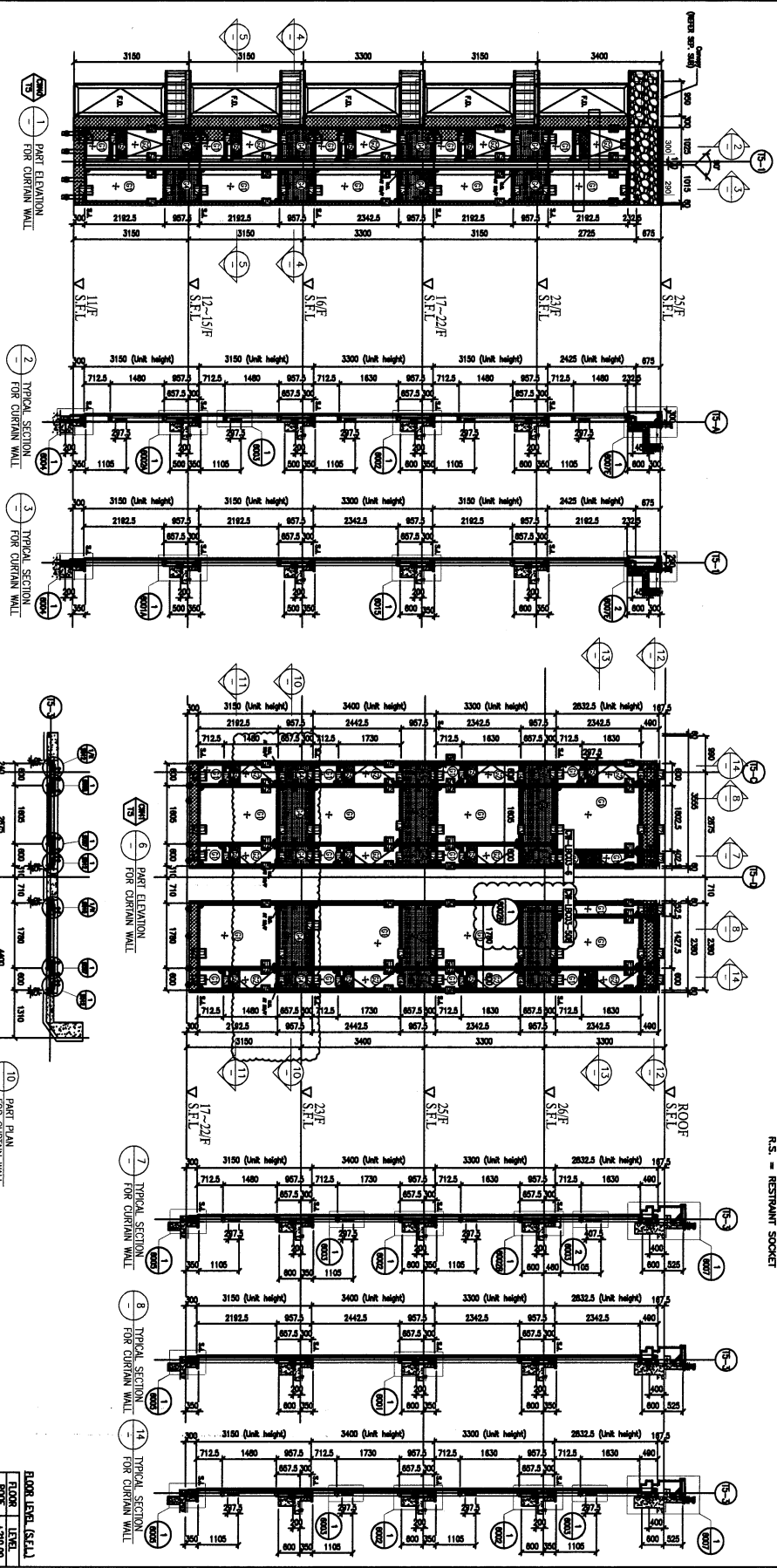
工程號 J853 地盤 延坪道住宅



圖號	數量	N	x	M	EQ	L	使用位置	樓層	分格尺寸
CW-LBC03-508	1	1	x	150	50.75	251.5	CW-508T	26F	352.5
CW-LBC03-6	1	1	x	200	50.75	301.5	CW-PRMB06T	26F	402.5
CW-LBC03-523	1	2	x	250	57	614	CW-523T	26F	715
CW-LBC03-512	1	1	x	300	49.5	399	CW-PLBG512T	26F	500
CW-LBC03-614	1	1	x	300	99.5	499	CW-PLMG614T	23F	600
CW-LBC03-618	1	2	x	300	118.25	836.5	CW-618T	23F	937.5

名稱	浴室位收口鋁板	制圖	黃漢卿	2023.1.5	修改	
材料	2mm鋁板	復核	王禮秋	2023.1.5	日期	
顏色	EC-DG-D334232-ZD1 (閃粉古銅)	批準	-		圖號	CW-LBC03-508

LEGEND :  
R.S. = RESTRAINT SOCKET



FLOOR LEVEL (S.F.L.)

FLOOR	LEVEL
ROOF	+282.5
45/F	+278.0
44/F	+273.5
43/F	+269.0
42/F	+264.5
41/F	+260.0
40/F	+255.5
39/F	+251.0
38/F	+246.5
37/F	+242.0
36/F	+237.5
35/F	+233.0
34/F	+228.5
33/F	+224.0
32/F	+219.5
31/F	+215.0
30/F	+210.5
29/F	+206.0
28/F	+201.5
27/F	+197.0
26/F	+192.5
25/F	+188.0
24/F	+183.5
23/F	+179.0
22/F	+174.5
21/F	+170.0
20/F	+165.5
19/F	+161.0
18/F	+156.5
17/F	+152.0
16/F	+147.5
15/F	+143.0
14/F	+138.5
13/F	+134.0
12/F	+129.5
11/F	+125.0

- LEGEND:
- ① 12mm HEAT STRENGTHENED GLASS (OUTER)
  - ② 12mm AIR SPACE + 12mm HEAT STRENGTHENED GLASS (INNER)
  - ③ 12mm HEAT STRENGTHENED GLASS (OUTER) + 12mm AIR SPACE + 12mm HEAT STRENGTHENED GLASS (INNER)
  - ④ 12mm THK. CLEAR TAPERED GLASS (INTERNAL PROTECTIVE BARBER)
  - ⑤ 12mm THK. CLEAR TAPERED GLASS (SPANDREL GLASS)
  - ⑥ 12mm THK. ALUM. BACKSPAN (SPANDREL GLASS)
  - ⑦ 12mm THK. ALUM. CLADDING
  - ⑧ 12mm THK. ALUM. CLADDING
  - ⑨ 12mm THK. ALUM. CLADDING
  - ⑩ 12mm THK. ALUM. CLADDING
  - ⑪ 12mm THK. ALUM. CLADDING
  - ⑫ 12mm THK. ALUM. CLADDING
  - ⑬ 12mm THK. ALUM. CLADDING
  - ⑭ 12mm THK. ALUM. CLADDING
  - ⑮ 12mm THK. ALUM. CLADDING
  - ⑯ 12mm THK. ALUM. CLADDING
  - ⑰ 12mm THK. ALUM. CLADDING
  - ⑱ 12mm THK. ALUM. CLADDING
  - ⑲ 12mm THK. ALUM. CLADDING
  - ⑳ 12mm THK. ALUM. CLADDING
  - ㉑ 12mm THK. ALUM. CLADDING
  - ㉒ 12mm THK. ALUM. CLADDING
  - ㉓ 12mm THK. ALUM. CLADDING
  - ㉔ 12mm THK. ALUM. CLADDING
  - ㉕ 12mm THK. ALUM. CLADDING
  - ㉖ 12mm THK. ALUM. CLADDING
  - ㉗ 12mm THK. ALUM. CLADDING
  - ㉘ 12mm THK. ALUM. CLADDING
  - ㉙ 12mm THK. ALUM. CLADDING
  - ㉚ 12mm THK. ALUM. CLADDING
  - ㉛ 12mm THK. ALUM. CLADDING
  - ㉜ 12mm THK. ALUM. CLADDING
  - ㉝ 12mm THK. ALUM. CLADDING
  - ㉞ 12mm THK. ALUM. CLADDING
  - ㉟ 12mm THK. ALUM. CLADDING
  - ㊱ 12mm THK. ALUM. CLADDING
  - ㊲ 12mm THK. ALUM. CLADDING
  - ㊳ 12mm THK. ALUM. CLADDING
  - ㊴ 12mm THK. ALUM. CLADDING
  - ㊵ 12mm THK. ALUM. CLADDING
  - ㊶ 12mm THK. ALUM. CLADDING
  - ㊷ 12mm THK. ALUM. CLADDING
  - ㊸ 12mm THK. ALUM. CLADDING
  - ㊹ 12mm THK. ALUM. CLADDING
  - ㊺ 12mm THK. ALUM. CLADDING
  - ㊻ 12mm THK. ALUM. CLADDING
  - ㊼ 12mm THK. ALUM. CLADDING
  - ㊽ 12mm THK. ALUM. CLADDING
  - ㊾ 12mm THK. ALUM. CLADDING
  - ㊿ 12mm THK. ALUM. CLADDING
  - Ⓜ - STACK JOINT (WIND LOAD)
  - Ⓝ - ALUM. EXTENSION BE NO.
  - Ⓞ - SUPPORT POINT (WIND LOAD) + DEAD LOAD
  - Ⓟ - SUPPORT POINT (WIND LOAD)

DWG. NO. :

CLIENT :  
SHIMAO GROUP HOLDINGS LIMITED

ARCHITECT :  
YONG TAI & PARTNERS LIMITED

MAIN CONTRACTOR :  
怡興建築有限公司  
HIP HING CONSTRUCTION CO. LTD

STRUCTURAL ENGINEER :  
C.M. WONG & ASSOCIATES LTD  
美志的建築工程師有限公司

TRACER CONSULTANT :  
MENYROT

NOTE:  
1. ALL DIMENSIONS ARE IN MM.  
2. ALL DIMENSIONS ARE TO FACE UNLESS OTHERWISE SPECIFIED.  
3. ALL DIMENSIONS TO BE CHECKED ON SITE.

LEGEND:  
① - DETAIL MARK NO.  
② - REFER SHEET NO.  
1. F.F.L. - FINISHED FLOOR LEVEL.  
2. S.F.L. - STRUCTURAL FLOOR LEVEL.  
3. Ⓜ - RESTRAINED DETAIL.

PROJECT : PROPOSED RESIDENTIAL DEVELOPMENT AT NKLL 6642 YIN PING ROAD KOWLOON

DWG. NO. : J-653

DATE : 05-APR-21

SCALE : 1:80 (A1)

DRAWN BY : UHR

CHECKED BY :

TITLE : PART ELEVATION FOR CURTAIN WALL AT TOWER 5

DATE : 05-APR-21

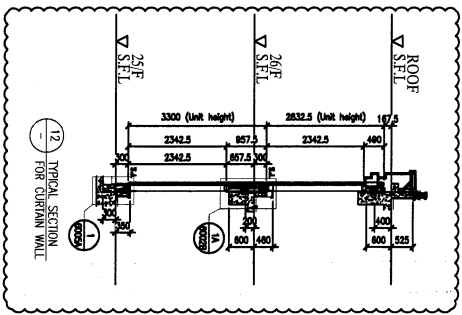
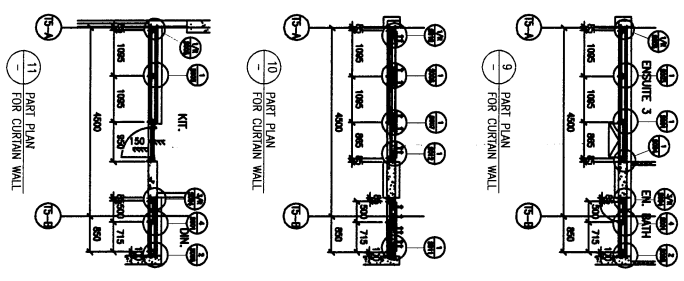
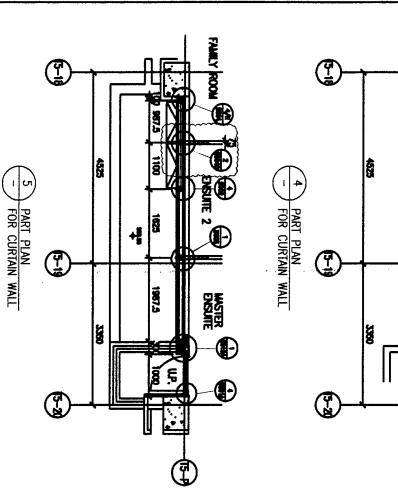
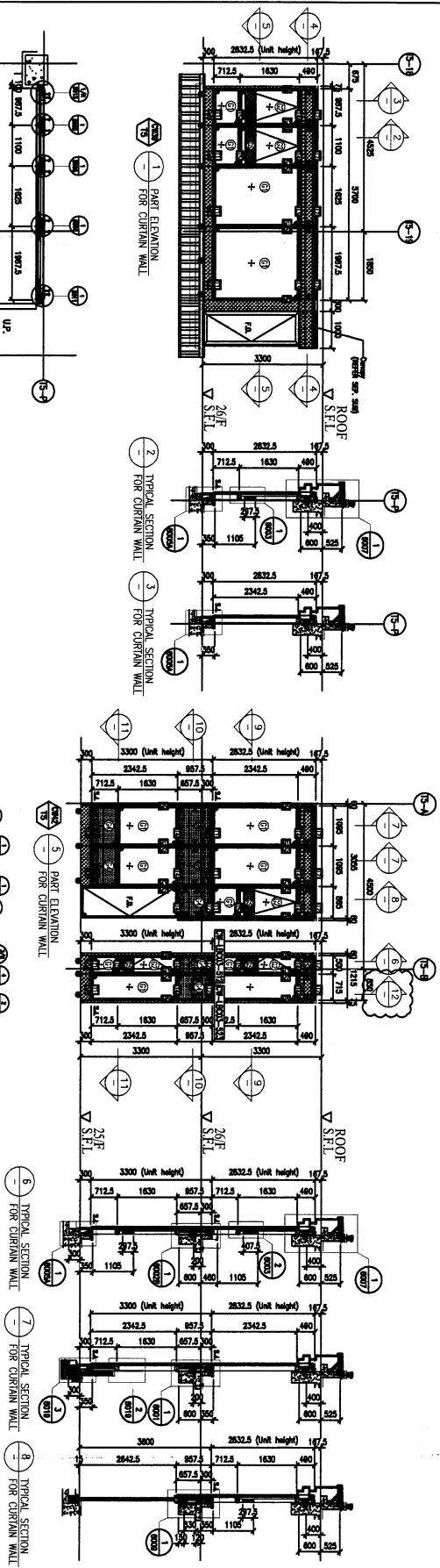
SCALE : 1:80 (A1)

DRAWN BY : UHR

CHECKED BY :

YONG TAI & PARTNERS LIMITED  
810 Cheung Yee Road, Kowloon  
Tel: (852) 27727888 Fax: (852) 27727888

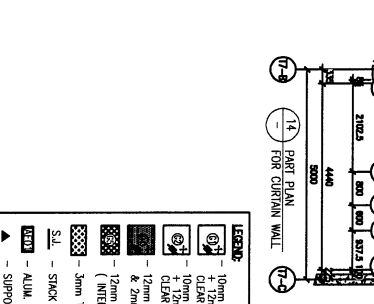
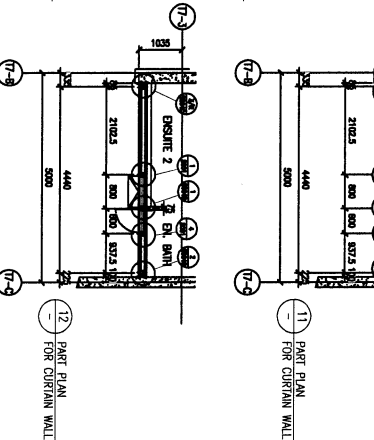
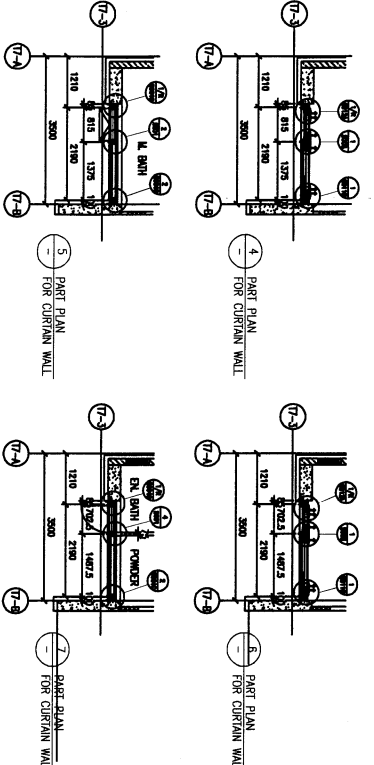
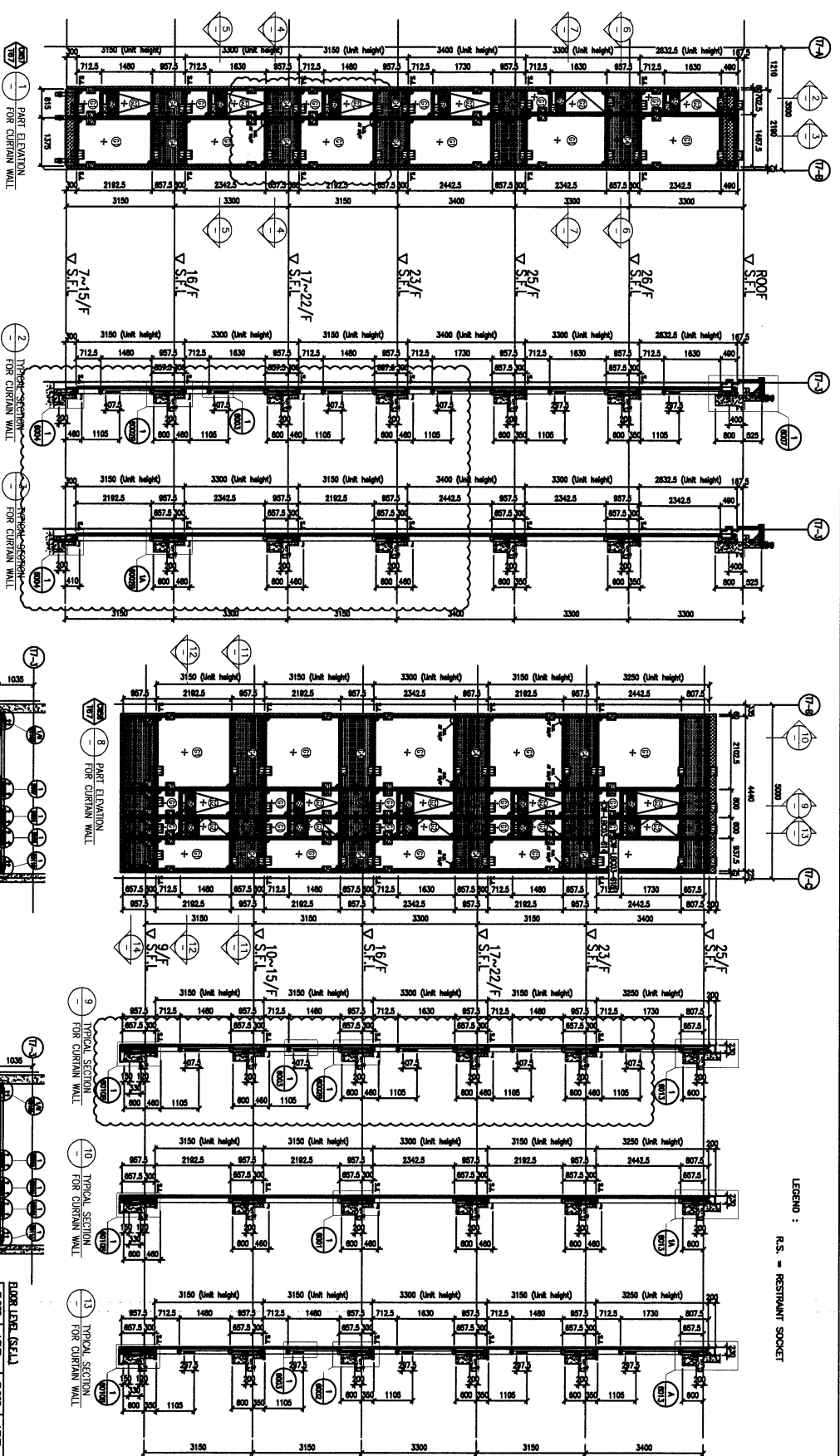
TEL. : C



FLOOR LEVEL (S.F.L.)	FLOOR LEVEL
ROOF	+210.00
25/F	+208.20
20/F	+203.40

- LEGEND:**
- ① 10mm HEAT STRENGTHENED GLASS (OUTER)
  - ② + 12mm AIR SPACE + 12mm THK. TEMPERED CLEAR GLASS (INNER)
  - ③ 10mm HEAT STRENGTHENED GLASS (OUTER)
  - ④ + 12mm AIR SPACE + 12mm THK. TEMPERED CLEAR GLASS (INNER)
  - ⑤ 12mm THK. HEAT STRENGTHENED GLASS & 20mm THK. ALUM. BACKPAN (SPANDREL GLASS) (INTERNAL PROTECTIVE BARRIER)
  - ⑥ 3mm THK. ALUM. CLADDING
  - ⑦ STACK JOINT (WIND LOAD)
  - ⑧ ALUM. EXPANSION JOINT (WIND LOAD)
  - ⑨ SUPPORT POINT (WIND LOAD + DEAD LOAD)
  - ⑩ SUPPORT POINT (WIND LOAD)

<p>DATE: 06-OCT-21 SCALE: 1:80 (A1) DRAWN BY: LHR CHECKED BY:</p>	<p>TITLE: PART ELEVATION FOR CURTAIN WALL AT TOWER 5</p>	<p>PROJECT: PROPOSED RESIDENTIAL DEVELOPMENT AT KILL 6542 NW PING ROAD KOWLOON</p>	<p>DWG NO.: J-053</p>	<p>1. ALL DIMENSIONS ARE IN MM. 2. ALL DIMENSIONS ARE MEASD FROM OUTSIDE. 3. ALL DIMENSIONS TO BE TOLERED ON SITE.</p> <p>LEGEND: ① - DETAIL WORK NO. ② - REFER SHEET NO. 1. F.F.L. - FINISHED FLOOR LEVEL 2. S.F.L. - STRUCTURAL FLOOR LEVEL 3. Ⓢ - REVERSED DETAIL.</p>	<p>CLIENT: SHIMAO GROUP HOLDINGS LIMITED</p> <p>PROJECT: YONG TAI KE INVESTMENTS LIMITED</p> <p>TEAM COORDINATOR: 恒興建築有限公司 HIP HING CONSTRUCTION CO LTD</p> <p>STRUCTURAL ENGINEER: C.M WONG &amp; ASSOCIATES LTD C.M WONG 黃志剛建築工程師有限公司</p> <p>PROJECT CONSULTANT: MENYARD</p>	<p>DATE: 06-OCT-21 SCALE: 1:80 (A1) DRAWN BY: LHR CHECKED BY:</p> <p>YONG TAI KE INVESTMENTS LIMITED Yong Tai Ke Investments Limited 10/F, 100, Nathan Road, Kowloon, Hong Kong Tel: (852) 27277888 Fax: (852) 27277885</p> <p>恒興建築有限公司 恒興建築有限公司 香港九龍彌敦道100號10樓 電話: (852) 27277888 傳真: (852) 27277885</p>
-------------------------------------------------------------------------------	----------------------------------------------------------	------------------------------------------------------------------------------------	-----------------------	-------------------------------------------------------------------------------------------------------------------------------------------------------------------------------------------------------------------------------------------------------------------------------------------------------	----------------------------------------------------------------------------------------------------------------------------------------------------------------------------------------------------------------------------------------------------------------------------------------	-------------------------------------------------------------------------------------------------------------------------------------------------------------------------------------------------------------------------------------------------------------------------------------------------------------------------------------------------------



LEGEND:  
R.S. = RESTAURANT SOCKET

**FLOOR LEVEL (SEA L)**

FLOOR	LEVEL	FLOOR	LEVEL
25/F	+302.40	16/F	+177.80
23/F	+300.00	12/F	+174.65
22/F	+198.05	12/F	+171.50
21/F	+193.70	11/F	+168.35
20/F	+190.55	10/F	+165.20
19/F	+187.40	9/F	+162.05
18/F	+184.25	8/F	+158.90
17/F	+181.10	7/F	+155.75

- LEGEND:**
- ① 10mm HEAT STRENGTHENED GLASS (OUTER)
  - ② 12mm HEAT STRENGTHENED GLASS (INNER)
  - ③ 10mm HEAT STRENGTHENED GLASS (OUTER)
  - ④ 12mm HEAT STRENGTHENED GLASS (INNER)
  - ⑤ 12mm HEAT STRENGTHENED GLASS (OUTER)
  - ⑥ 12mm HEAT STRENGTHENED GLASS (INNER)
  - ⑦ 12mm HEAT STRENGTHENED GLASS (OUTER)
  - ⑧ 12mm HEAT STRENGTHENED GLASS (INNER)
  - ⑨ 12mm HEAT STRENGTHENED GLASS (OUTER)
  - ⑩ 12mm HEAT STRENGTHENED GLASS (INNER)
  - ⑪ 12mm HEAT STRENGTHENED GLASS (OUTER)
  - ⑫ 12mm HEAT STRENGTHENED GLASS (INNER)
  - ⑬ 12mm HEAT STRENGTHENED GLASS (OUTER)
  - ⑭ 12mm HEAT STRENGTHENED GLASS (INNER)
  - ⑮ 12mm HEAT STRENGTHENED GLASS (OUTER)
  - ⑯ 12mm HEAT STRENGTHENED GLASS (INNER)
  - ⑰ 12mm HEAT STRENGTHENED GLASS (OUTER)
  - ⑱ 12mm HEAT STRENGTHENED GLASS (INNER)
  - ⑲ 12mm HEAT STRENGTHENED GLASS (OUTER)
  - ⑳ 12mm HEAT STRENGTHENED GLASS (INNER)
  - ㉑ 12mm HEAT STRENGTHENED GLASS (OUTER)
  - ㉒ 12mm HEAT STRENGTHENED GLASS (INNER)
  - ㉓ 12mm HEAT STRENGTHENED GLASS (OUTER)
  - ㉔ 12mm HEAT STRENGTHENED GLASS (INNER)
  - ㉕ 12mm HEAT STRENGTHENED GLASS (OUTER)
  - ㉖ 12mm HEAT STRENGTHENED GLASS (INNER)
  - ㉗ 12mm HEAT STRENGTHENED GLASS (OUTER)
  - ㉘ 12mm HEAT STRENGTHENED GLASS (INNER)
  - ㉙ 12mm HEAT STRENGTHENED GLASS (OUTER)
  - ㉚ 12mm HEAT STRENGTHENED GLASS (INNER)
  - ㉛ 12mm HEAT STRENGTHENED GLASS (OUTER)
  - ㉜ 12mm HEAT STRENGTHENED GLASS (INNER)
  - ㉝ 12mm HEAT STRENGTHENED GLASS (OUTER)
  - ㉞ 12mm HEAT STRENGTHENED GLASS (INNER)
  - ㉟ 12mm HEAT STRENGTHENED GLASS (OUTER)
  - ㊱ 12mm HEAT STRENGTHENED GLASS (INNER)
  - ㊲ 12mm HEAT STRENGTHENED GLASS (OUTER)
  - ㊳ 12mm HEAT STRENGTHENED GLASS (INNER)
  - ㊴ 12mm HEAT STRENGTHENED GLASS (OUTER)
  - ㊵ 12mm HEAT STRENGTHENED GLASS (INNER)
  - ㊶ 12mm HEAT STRENGTHENED GLASS (OUTER)
  - ㊷ 12mm HEAT STRENGTHENED GLASS (INNER)
  - ㊸ 12mm HEAT STRENGTHENED GLASS (OUTER)
  - ㊹ 12mm HEAT STRENGTHENED GLASS (INNER)
  - ㊺ 12mm HEAT STRENGTHENED GLASS (OUTER)
  - ㊻ 12mm HEAT STRENGTHENED GLASS (INNER)
  - ㊼ 12mm HEAT STRENGTHENED GLASS (OUTER)
  - ㊽ 12mm HEAT STRENGTHENED GLASS (INNER)
  - ㊾ 12mm HEAT STRENGTHENED GLASS (OUTER)
  - ㊿ 12mm HEAT STRENGTHENED GLASS (INNER)

- S.L. - STACK JOINT (WIND LOAD)
- ALU. - ALUMINUM CLADDING
- ALU. EXT. - ALUMINUM EXTENSION (IE NO.)
- S.P. - SUPPORT POINT (WIND LOAD + DEAD LOAD)
- S.P. - SUPPORT POINT (WIND LOAD)

**DLI REF.:**

**CLIENT:** SHIMAO GROUP HOLDINGS LIMITED

**PROJECT:** SHIMAO TOWER 6 & 7

**MAIN CONTRACTOR:** 協興建築有限公司  
HIP HING CONSTRUCTION CO LTD

**STRUCTURAL ENGINEER:** C M WONG & ASSOCIATES LTD  
美思和建築工程師有限公司

**FAÇADE CONSULTANT:** MENYROT

**NOTES:**

- ALL DIMENSIONS ARE IN MM.
- ALL DIMENSIONS ARE GIVEN FROM OUTSIDE UNLESS SPECIFIED OTHERWISE.
- ALL DIMENSIONS TO BE VERIFIED ON SITE BEFORE FABRICATION.

**LEGEND:**

- AN - GENERAL MARK NO.
- HS - HATCH SHEET NO.
- 1 - F.F.L. - FINISHED FLOOR LEVEL.
- 2 - S.F.L. - STRUCTURAL FLOOR LEVEL.
- 3 - REVERSED DENIM.

**DATE:** 13-APR-21

**SCALE:** 1:80 (A1)

**PROJECT:** PROPOSED RESIDENTIAL DEVELOPMENT AT N.K.L.L. 6&7 KOWLOON

**JOB NO.:** J-653

**DATE:** 08-08-2021

**REVISION:**

NO.	DESCRIPTION	DATE
1	ISSUED FOR PERMIT	08-08-2021

**DESIGNED BY:** LHR

**CHECKED BY:**

**DATE:** 13-APR-21

**SCALE:** 1:80 (A1)

**PROJECT:** PART ELEVATION FOR CURTAIN WALL AT TOWER 6 & 7

**CLIENT:** SHIMAO GROUP HOLDINGS LIMITED

**STRUCTURAL ENGINEER:** C M WONG & ASSOCIATES LTD

**FAÇADE CONSULTANT:** MENYROT

**DATE:** 13-APR-21

**SCALE:** 1:80 (A1)

**PROJECT:** PROPOSED RESIDENTIAL DEVELOPMENT AT N.K.L.L. 6&7 KOWLOON

**JOB NO.:** J-653

**DATE:** 08-08-2021

**REVISION:**

NO.	DESCRIPTION	DATE
1	ISSUED FOR PERMIT	08-08-2021

**DESIGNED BY:** LHR

**CHECKED BY:**

**DATE:** 13-APR-21

**SCALE:** 1:80 (A1)

**PROJECT:** PART ELEVATION FOR CURTAIN WALL AT TOWER 6 & 7