

工程指示 / 要求簡箋 ENGINEER INSTRUCTIONS(E.I.)

工程指示編號:	EI- 5761	修改版本:	-
	HK- /		
工程編號:	J 853	工程名稱:	延坪道
收件人:	Maggie Lor	發件人:	Joe Chan
工程項目:	Podium Ceiling Feature (Part 4) 第一批 鐵件生產	日期:	22/02/2023

<input checked="" type="checkbox"/> 原合約工程包	<input type="checkbox"/> 原合約工程加 / 減賬 QT-	<input type="checkbox"/> 新工程報價 QT-
--	--	------------------------------------

信件批核號碼/圖紙參考編號:	批核模具圖紙編號:
客戶指示附件:	管理內部批簽署:

<input type="checkbox"/> 初步鋁料 B.M.	<input type="checkbox"/> 加工拆圖, 然後生產	<input type="checkbox"/> 尺寸表
<input type="checkbox"/> 正式鋁料 B.M.	<input type="checkbox"/> 技術上資料/指示	<input type="checkbox"/> 報價
<input type="checkbox"/> 配件 B.M.	<input type="checkbox"/> 樣辦或貨品說明書	<input type="checkbox"/> 分判合約
<input checked="" type="checkbox"/> 其他: 鐵件		

內容: 請依附件資料, 生產GMS鐵件, 送地盤

完成上列要求日期: 10/04/2023 ASAP

國內

<input type="checkbox"/> 生產技術總監	<input type="checkbox"/> 連附件	<input type="checkbox"/> 技術部	<input type="checkbox"/> 連附件	<input type="checkbox"/> 生產部	<input type="checkbox"/> 連附件
<input type="checkbox"/> 採購部	<input type="checkbox"/> 連附件	<input type="checkbox"/> 生產統籌部	<input type="checkbox"/> 連附件	<input type="checkbox"/> 報關組	<input type="checkbox"/> 連附件
<input type="checkbox"/> 質檢部	<input type="checkbox"/> 連附件	<input type="checkbox"/> 會計部	<input type="checkbox"/> 連附件	<input type="checkbox"/> 機械設計部	<input type="checkbox"/> 連附件
<input type="checkbox"/> 香港辦	<input type="checkbox"/> 連附件	<input type="checkbox"/> 其他:			

香港

<input type="checkbox"/> 行政部	<input type="checkbox"/> 連附件	<input type="checkbox"/> 會計部	<input type="checkbox"/> 連附件	<input type="checkbox"/> 統籌部	<input type="checkbox"/> 連附件	<input type="checkbox"/> 工程部	<input type="checkbox"/> 連附件
<input type="checkbox"/> 採購部	<input type="checkbox"/> 連附件	<input type="checkbox"/> QS部	<input type="checkbox"/> 連附件	<input checked="" type="checkbox"/> 地盤管理	<input checked="" type="checkbox"/> 連附件	<input type="checkbox"/> 維修部	<input type="checkbox"/> 連附件

炳哥

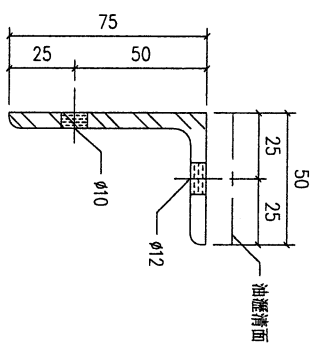
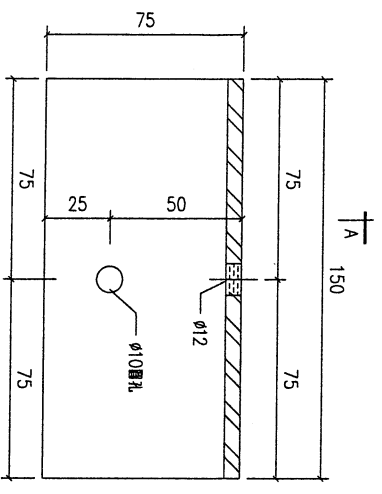
*發件人簽署:		*組別成員批核簽署:	
傳遞編號:	-	項目經理簽署:	

工程號:	J-853	計算:		日期:	22/12/2023	送呈:	
地盤名稱:	九龍延坪道 PODIUM CEILING & FEATURE (PART 4) 第 一批	核對:		日期:		副本:	
項目類別:		批准:		日期:			

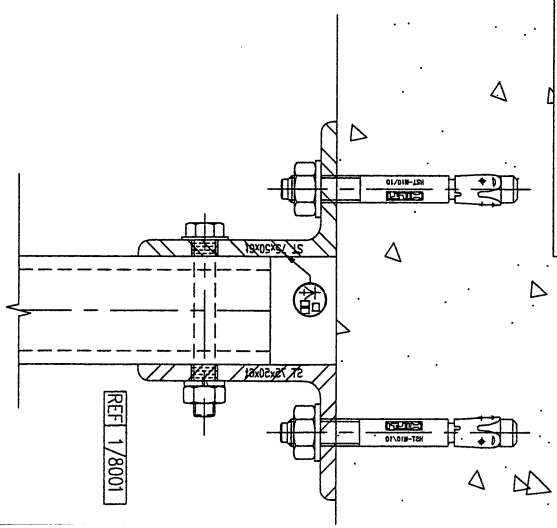
BM編號: 修改版本: A/C Code: 鐵件總重量KG: 3192.488

序號	修改內容	鐵件圖號	鐵件名稱	顏色	實用	後備	總數	單位	單件/件 (kg)	總重量 (kg)	備注
1		T5-XX-01	75x50x6mm 角碼 (L=150)	熱浸鋅	418	20	438	件	0.850	372.300	
2		T5-XX-02	50x50x5 角鐵 (L=1267)	熱浸鋅	196	10	206	件	4.776	983.856	
3		T5-XX-03	40x40x5mm 方通 (L=1265)	熱浸鋅	209	10	219	件	7.640	1673.160	
4		T5-XX-04	75x50x6mm 角碼 (L=40)	熱浸鋅	692	30	722	件	0.226	163.172	
5											
6											
合計:							1585			3192.488	

REV.	CHECKED DATE BY	PART NUMBER	Dim. A	Dim. B	Dim. C	Dim. D	Dim. E	Dim. F	Dim. G	QTY	Inv. Code	ASSEMBLE ON PARTS	EXTR. DRAWING PART DRAWING
-		15-XX-01								418			



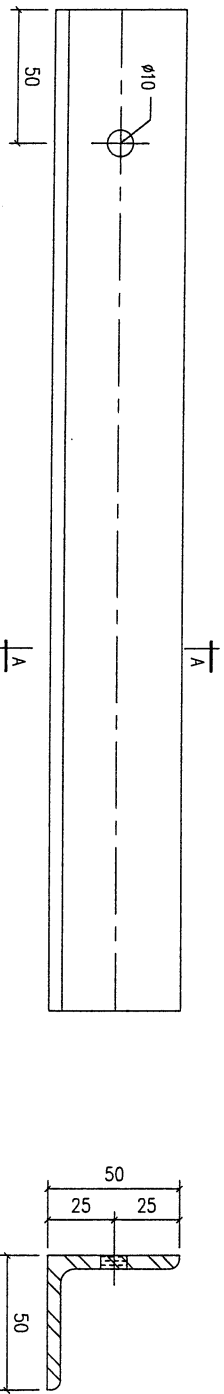
SECTION A-A



VS = VISIBLE SURFACE
ALL DIMENSIONS IN MILLIMETRES

REV.	DATE	AMENDMENT	REVISED BY	美特鋁業有限公司 MIDI ALUMINIUM FABRICATOR LTD. Units 6-8, Sunroy Industrial Road, Kowloon Tel: 23489211-4 Fax: (852) 27727666				PROJECT	J853-PODIUM ALUM CEILING & FEATURE CLADDING T6 9/F	JOB NO.	J853	DRAWING TITLE	鐵料加工圖 75x50x6mm THK. GMS. ANGEL (S7)	DRAWING NO.	熱浸 YEUNG	POST PAINT	SCALE	1:2	PART TRACK TYPE	S.....	SHT.	1 of 1	REV.	-
				FACTORY	01	W/CENTRE	MGRS/SQDR/FAB	CUT ENDS	N/A	FINISH		DATE	2/20/2023	DRAWN	YEUNG	SCALE	1:2	PART TRACK TYPE	S.....	SHT.	1 of 1	REV.	-	
				Standard	X X .	±1	Angle	±1°	DATE	2/20/2023	Tolerances	X X . X = ±0.5	Squareness	±1°	DRAWN	YEUNG	SCALE	1:2	PART TRACK TYPE	S.....	SHT.	1 of 1	REV.	-

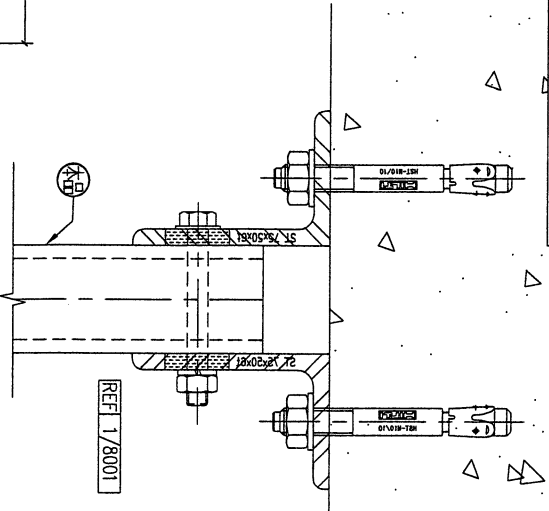
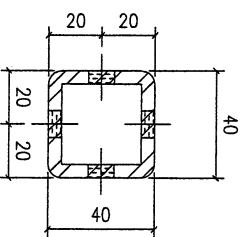
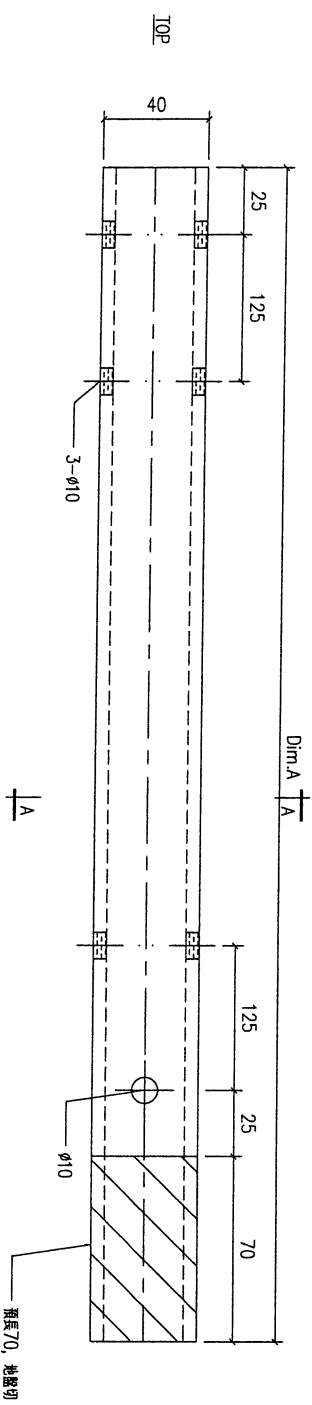
REV.	CHECKED DATE BY	PART NUMBER	Dim. A	Dim. B	Dim. C	Dim. D	Dim. E	Dim. F	Dim. G	QTY	Inv. Code	ASSEMBLE ON PARTS	EXTR. DRAWING PART DRAWING
-		15-XX-02	1267							196			



VS = VISIBLE SURFACE
ALL DIMENSIONS IN MILLIMETRES

REV.	DATE	AMENDMENT	REVISED BY	美特鋁實有限公司 ALUMINIUM FABRICATOR LTD. Units 6-8, Sunray Industrial Centre, 1/F 610 Cha Kwo Ling Road, Kowloon Tel:23489211-4 Fax:(852)27727666				PROJECT J853-PODIUM ALUM CEILING & FEATURE CLADDING T7 7/F		JOB NO.	J853	DRAWING TITLE 鐵料加工圖 50x50x5mm THK. GMS. ANGLE (S8)		DRAWING NO. 		SHT. 1 of 1 REV. -
				Standard X X . = ±1 Tolerances X X . X = ±0.5				CUT ENDS N/A	FINISH 2/20/2023	DRAWN YEUNG	POST PAINT <input checked="" type="checkbox"/>	PART <input checked="" type="checkbox"/>	SCALE 1:2	TRACK TYPE S.....	REF 1/5005	

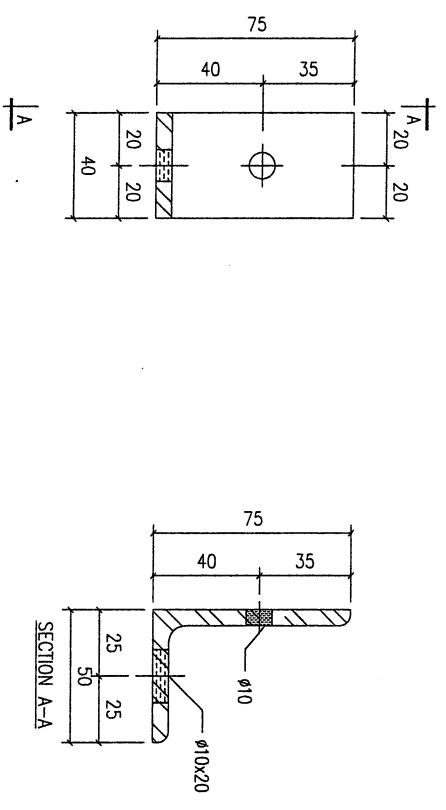
REV.	CHECKED BY	PART NUMBER	Dim. A	Dim. B	Dim. C	Dim. D	Dim. E	Dim. F	Dim. G	QTY	Inv. Code	ASSEMBLE ON PARTS	EXTR. DRAWING PART DRAWING
-		15-XX-03	1265							209			



VS = VISIBLE SURFACE
ALL DIMENSIONS IN MILLIMETRES

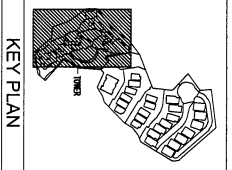
REV.		DATE	AMENDMENT	REVISED BY	美特鋁質有限公司 MIDI ALUMINIUM FABRICATOR LTD. Units 6-8, Sunroy Industrial Centre, 1/F 610 Cha Kwo Ling Road, Kowloon Tel: 23489211-4 Fax: (852) 27727666				JOB NO.	DRAWING TITLE		DATE	SCALE	TRACK TYPE	SHT.	REV.
-		-	-	-	Product J853-PODIUM ALUM CEILING & FEATURE CLADDING T6 9/F				J853	鐵料加工圖 (吊桿) 40x40x5mm THK. GMS. SHS.		2/20/2023	1:2	S.....	1 of 1	-
					FACTORY	W/CENTRE	CUT ENDS	FINISH	POST PAINT	PART						
					01	M/DK/S/DK/FAB	N/A									
					Standard	X X . = ±1	Angle	±1°								
					Tolerances	X X . X = ±0.5	Squareness	±1°								

REV. ORDERED PART NO.	PART NUMBER	Dim. A	Dim. B	Dim. C	Dim. D	Dim. E	Dim. F	Dim. G	QTY	Inv. Code	ASSEMBLE ON PARTS	EXTR. DRAWING PART DRAWING
-	15-XX-04								692			



VS = VISIBLE SURFACE
ALL DIMENSIONS IN MILLIMETRES

REV.		DATE	AMENDMENT	REVISED BY	PROJECT		JOB NO.	DRAWING TITLE	DRAWING NO.	SHT.	REV.		
					J853-PODIUM ALUM CEILING & FEATURE CLADDING T6 9/F		J853	鐵料加工圖 75x50x6mm THK. GMS. ANGEL (S7)		1	of 1		
					美特鋁業有限公司 M I D I ALUMINIUM FABRICATOR LTD. Units 6-8, Sunroy Industrial Centre, 610 Cha Kwo Ling Road, Kowloon Tel:23489211-4 Fax:(852)27727666		FACTORY	W/CENTRE	CUT ENDS	FINISH	熱浸	POST PAINT	PART
					Standard		01	MAG6/SQ6A/FAB	N/A				
					Tolerances		X X . X = ±1	Angle	±1°	DATE	SCALE	SUB ASSEM.	TRACK TYPE
					X X . X = ±0.5		Squareness	±1°	2/18/2023	1:2		S.....	
					DRAWING TITLE		鐵料加工圖	DRAWING NO.					
					75x50x6mm THK. GMS. ANGEL (S7)								
					DRAWING NO.								
					REF 1/7001								



CLIENT : SHIMAO GROUP HOLDINGS LIMITED

ARCHITECT : HOK TUNG & PARTNERS LIMITED

MAIN CONTRACTOR : 德興建築有限公司
HP HING CONSTRUCTION CO LTD

STRUCTURAL ENGINEER : CMA C M WONG & ASSOCIATES LTD
建築師樓宇工程師有限公司

PACKAGE CONSULTANT : MENHARDT

NOTE : 1. ALL DIMENSIONS ARE IN mm.
2. ALL DIMENSIONS ARE VIEWED FROM OUTSIDE.
3. ALL DIMENSIONS TO BE VIEWED ON SITE.
4. BEFORE PROVISION.

LEGEND :
A1 DETAIL MARK NO.
A2 REFER SHEET NO.
1. F.F.L. -- FINISHED FLOOR LEVEL
2. S.F.L. -- STRUCTURAL FLOOR LEVEL
3. @ -- REVERSED DETAIL

A1 3mm THK ALUM. FEATURE CLADDING
A2 3mm THK ALUM. CEILING CLADDING
A3 3mm THK ALUM. DOWNLIGHT CLADDING

NO.	REV.	REVISION

JOB NO. : J-9533
PROJECT : PROPOSED RESIDENTIAL DEVELOPMENT AT NAKIL 6542 TIN FRING ROAD KOMOLONG

TITLE : REFLECTED ALUM. CLADDING CEILING TOTAL PLAN AT 3/F (6/9/3/0/F)

DATE : 29-MAY-212 SCALE : 1:200 (A3)
DRAWN BY : CIM CHECKED BY :
MIDT 美特堅有限公司
810 Cheong Lee Ping Road, Kowloon
Tel: 24892111-4 Fax: (852) 27272866
DWC NO. : 953-CR20200 REV. :

ALUM. CLADDING CEILING		
T1	P/F	0211, 0212
T2	P/F	0213
T3	P/F	0214
T5		10/F, 0217
T6	3/F	9/F, 0215, 0218
T7	6/F	0216

Part 4

1 TOTAL REFLECTED ALUM. CLADDING CEILING PLAN AT 3/F (6/F, 9/F, 10/F)

