



工程指示 / 要求簡箋 ENGINEER INSTRUCTIONS(E.I.)

| | | | |
|---------|----------------------------------|-------|------------|
| 工程指示編號: | EI- 5573B | 修改版本: | B |
| | HK- 0100 | | |
| 工程編號: | J 853 | 工程名稱: | 大窩坪 (延坪道) |
| 收件人: | 生統 | 發件人: | Edwin Ho |
| 工程項目: | 廠用T1, T2及T3玻璃欄河鋁板加工 圖紙更新 (大貨) | 日期: | 19/01/2023 |

| | | |
|---------------------------------|--|------------------------------------|
| <input type="checkbox"/> 原合約工程包 | <input type="checkbox"/> 原合約工程加 / 減賬 QT- | <input type="checkbox"/> 新工程報價 QT- |
|---------------------------------|--|------------------------------------|

| | |
|----------------|-----------|
| 信件批核號碼/圖紙參考編號: | 批核模具圖紙編號: |
| 客戶指示附件: | 管理內部批簽署: |

| | | |
|------------------------------------|-------------------------------------|-------------------------------|
| <input type="checkbox"/> 初步鋁料 B.M. | <input type="checkbox"/> 加工拆圖, 然後生產 | <input type="checkbox"/> 尺寸表 |
| <input type="checkbox"/> 正式鋁料 B.M. | <input type="checkbox"/> 技術上資料/指示 | <input type="checkbox"/> 報價 |
| <input type="checkbox"/> 配件 B.M. | <input type="checkbox"/> 樣辦或貨品說明書 | <input type="checkbox"/> 分判合約 |
| <input type="checkbox"/> 其他: | | |

內容: 請根據附件加工圖圖紙, 更新廠用T1, T2及T3玻璃欄河鋁板加工圖紙。

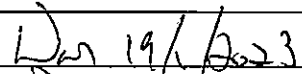

完成上列要求日期: ASAP

國內

| | | | | | |
|---|---|---|---|--------------------------------|------------------------------|
| <input type="checkbox"/> 生產技術總監 | <input type="checkbox"/> 連附件 | <input type="checkbox"/> 技術部 | <input type="checkbox"/> 連附件 | <input type="checkbox"/> 生產部 | <input type="checkbox"/> 連附件 |
| <input type="checkbox"/> 採購部 | <input type="checkbox"/> 連附件 | <input checked="" type="checkbox"/> 生產統籌部 | <input checked="" type="checkbox"/> 連附件 | <input type="checkbox"/> 報關組 | <input type="checkbox"/> 連附件 |
| <input type="checkbox"/> 質檢部 | <input type="checkbox"/> 連附件 | <input type="checkbox"/> 會計部 | <input type="checkbox"/> 連附件 | <input type="checkbox"/> 機械設計部 | <input type="checkbox"/> 連附件 |
| <input checked="" type="checkbox"/> 香港辦 | <input checked="" type="checkbox"/> 連附件 | <input type="checkbox"/> 其他: | | | |

香港

| | | | | | | | |
|------------------------------|------------------------------|------------------------------|------------------------------|--|---|------------------------------|------------------------------|
| <input type="checkbox"/> 行政部 | <input type="checkbox"/> 連附件 | <input type="checkbox"/> 會計部 | <input type="checkbox"/> 連附件 | <input type="checkbox"/> 統籌部 | <input type="checkbox"/> 連附件 | <input type="checkbox"/> 工程部 | <input type="checkbox"/> 連附件 |
| <input type="checkbox"/> 採購部 | <input type="checkbox"/> 連附件 | <input type="checkbox"/> QS部 | <input type="checkbox"/> 連附件 | <input checked="" type="checkbox"/> 地盤管理 | <input checked="" type="checkbox"/> 連附件 | <input type="checkbox"/> 維修部 | <input type="checkbox"/> 連附件 |

| | |
|------------------|--|
| *發件人簽署: Edwin Ho | *組別成員批核簽署:  |
| 傳遞編號: | 項目經理簽署:  |

| 圖則登記表 DRAWING REGISTER | | | | | | | | | | | | | | | | | | | | | | | | | | | | | | | | | | | | | | | | | | | | | | | | | | | | | | | | | | | | | | | | | | | | | | | | | | | | | | | |
|--|----------|---|---|--|-------------------------------|-----------------------|----|-------|--|-------|---------------|----------|---------------|----------|---------------|----------|---------------|----------|---------------|----------|---------------|----------|---------------|----------|---------------|----------|---------------|----------|---------------|----------|---------------|----------|---------------|----------|---------------|----------|---------------|----------|---------------|----------|---------------|----------|---------------|----------|---------------|----------|---------------|----------|---------------|----------|---------------|----------|---------------|----------|---------------|----------|---------------|----------|---------------|----------|---------------|----------|---------------|----------|---------------|----------|--|--|--|--|---|---|---|---|--|--|--|--|--|
| 工程名稱 Project Title: T1, T2, T3, GB攔河廠用鋁板 工程編號 Project No: J-853 | | | | | 接收日期 Receiving Date (適用於客戶圖則) | | | | | | | | | | | | | | | | | | | | | | | | | | | | | | | | | | | | | | | | | | | | | | | | | | | | | | | | | | | | | | | | | | | | | | | | | | |
| 分發予 Distributed To | | | | | 年 | | | | | | | | | | | | | | | | | | | | | | | | | | | | | | | | | | | | | | | | | | | | | | | | | | | | | | | | | | | | | | | | | | | | | | | | | | |
| | | | | | 月 | | | | | | | | | | | | | | | | | | | | | | | | | | | | | | | | | | | | | | | | | | | | | | | | | | | | | | | | | | | | | | | | | | | | | | | | | | |
| | | | | | 日 | | | | | | | | | | | | | | | | | | | | | | | | | | | | | | | | | | | | | | | | | | | | | | | | | | | | | | | | | | | | | | | | | | | | | | | | | | |
| | | | | | 發出日期 Issued Date | | | | | | | | | | | | | | | | | | | | | | | | | | | | | | | | | | | | | | | | | | | | | | | | | | | | | | | | | | | | | | | | | | | | | | | | | | |
| | | | | | 年 | 22 | 23 | 23 | | | | | | | | | | | | | | | | | | | | | | | | | | | | | | | | | | | | | | | | | | | | | | | | | | | | | | | | | | | | | | | | | | | | | | | |
| | | | | | 月 | 12 | 1 | 1 | | | | | | | | | | | | | | | | | | | | | | | | | | | | | | | | | | | | | | | | | | | | | | | | | | | | | | | | | | | | | | | | | | | | | | | |
| | | | | | 日 | 22 | 3 | 5 | | | | | | | | | | | | | | | | | | | | | | | | | | | | | | | | | | | | | | | | | | | | | | | | | | | | | | | | | | | | | | | | | | | | | | | |
| | | | | | 修訂編號 Revision No. | | | | | | | | | | | | | | | | | | | | | | | | | | | | | | | | | | | | | | | | | | | | | | | | | | | | | | | | | | | | | | | | | | | | | | | | | | |
| | | | | | 1 | - | A | B | | | | | | | | | | | | | | | | | | | | | | | | | | | | | | | | | | | | | | | | | | | | | | | | | | | | | | | | | | | | | | | | | | | | | | | |
| <table border="1" style="width:100%; border-collapse: collapse;"> <thead> <tr> <th style="text-align: center;">圖則編號 Drg. No.</th> <th style="text-align: center;">圖則名稱 Drawing Title</th> </tr> </thead> <tbody> <tr><td></td><td style="text-align: center;">圖則登記表</td></tr> <tr><td></td><td style="text-align: center;">鋁板BM表</td></tr> <tr><td>J853-GB1-LJ01</td><td>3mm鋁板加工圖</td></tr> <tr><td>J853-GB1-LJ02</td><td>3mm鋁板加工圖</td></tr> <tr><td>J853-GB1-LJ03</td><td>3mm鋁板加工圖</td></tr> <tr><td>J853-GB1-LJ04</td><td>3mm鋁板加工圖</td></tr> <tr><td>J853-GB1-LJ05</td><td>3mm鋁板加工圖</td></tr> <tr><td>J853-GB1-LJ06</td><td>3mm鋁板加工圖</td></tr> <tr><td>J853-GB1-LJ07</td><td>3mm鋁板加工圖</td></tr> <tr><td>J853-GB1-LJ08</td><td>3mm鋁板加工圖</td></tr> <tr><td>J853-GB1-LJ09</td><td>3mm鋁板加工圖</td></tr> <tr><td>J853-GB1-LJ10</td><td>3mm鋁板加工圖</td></tr> <tr><td>J853-GB1-LJ11</td><td>3mm鋁板加工圖</td></tr> <tr><td>J853-GB1-LJ12</td><td>3mm鋁板加工圖</td></tr> <tr><td>J853-GB1-LJ13</td><td>3mm鋁板加工圖</td></tr> <tr><td>J853-GB1-LJ14</td><td>3mm鋁板加工圖</td></tr> <tr><td>J853-GB1-LJ15</td><td>3mm鋁板加工圖</td></tr> <tr><td>J853-GB1-LJ16</td><td>3mm鋁板加工圖</td></tr> <tr><td>J853-GB1-LJ17</td><td>3mm鋁板加工圖</td></tr> <tr><td>J853-GB1-LJ18</td><td>3mm鋁板加工圖</td></tr> <tr><td>J853-GB1-LJ19</td><td>3mm鋁板加工圖</td></tr> <tr><td>J853-GB1-LJ20</td><td>3mm鋁板加工圖</td></tr> <tr><td>J853-GB1-LJ21</td><td>3mm鋁板加工圖</td></tr> <tr><td>J853-GB1-LJ22</td><td>3mm鋁板加工圖</td></tr> <tr><td>J853-GB1-LJ23</td><td>3mm鋁板加工圖</td></tr> <tr><td>J853-GB1-LJ24</td><td>3mm鋁板加工圖</td></tr> <tr><td>J853-GB1-LJ25</td><td>3mm鋁板加工圖</td></tr> <tr><td>J853-GB1-LJ26</td><td>3mm鋁板加工圖</td></tr> <tr><td>J853-GB1-LJ27</td><td>3mm鋁板加工圖</td></tr> <tr><td>J853-GB1-LJ28</td><td>3mm鋁板加工圖</td></tr> <tr><td></td><td></td></tr> <tr><td></td><td></td></tr> </tbody> </table> | | | | | 圖則編號 Drg. No. | 圖則名稱 Drawing Title | | 圖則登記表 | | 鋁板BM表 | J853-GB1-LJ01 | 3mm鋁板加工圖 | J853-GB1-LJ02 | 3mm鋁板加工圖 | J853-GB1-LJ03 | 3mm鋁板加工圖 | J853-GB1-LJ04 | 3mm鋁板加工圖 | J853-GB1-LJ05 | 3mm鋁板加工圖 | J853-GB1-LJ06 | 3mm鋁板加工圖 | J853-GB1-LJ07 | 3mm鋁板加工圖 | J853-GB1-LJ08 | 3mm鋁板加工圖 | J853-GB1-LJ09 | 3mm鋁板加工圖 | J853-GB1-LJ10 | 3mm鋁板加工圖 | J853-GB1-LJ11 | 3mm鋁板加工圖 | J853-GB1-LJ12 | 3mm鋁板加工圖 | J853-GB1-LJ13 | 3mm鋁板加工圖 | J853-GB1-LJ14 | 3mm鋁板加工圖 | J853-GB1-LJ15 | 3mm鋁板加工圖 | J853-GB1-LJ16 | 3mm鋁板加工圖 | J853-GB1-LJ17 | 3mm鋁板加工圖 | J853-GB1-LJ18 | 3mm鋁板加工圖 | J853-GB1-LJ19 | 3mm鋁板加工圖 | J853-GB1-LJ20 | 3mm鋁板加工圖 | J853-GB1-LJ21 | 3mm鋁板加工圖 | J853-GB1-LJ22 | 3mm鋁板加工圖 | J853-GB1-LJ23 | 3mm鋁板加工圖 | J853-GB1-LJ24 | 3mm鋁板加工圖 | J853-GB1-LJ25 | 3mm鋁板加工圖 | J853-GB1-LJ26 | 3mm鋁板加工圖 | J853-GB1-LJ27 | 3mm鋁板加工圖 | J853-GB1-LJ28 | 3mm鋁板加工圖 | | | | | 2 | - | A | B | | | | | |
| | | | | | 圖則編號 Drg. No. | 圖則名稱 Drawing Title | | | | | | | | | | | | | | | | | | | | | | | | | | | | | | | | | | | | | | | | | | | | | | | | | | | | | | | | | | | | | | | | | | | | | | | | | |
| | | | | | | 圖則登記表 | | | | | | | | | | | | | | | | | | | | | | | | | | | | | | | | | | | | | | | | | | | | | | | | | | | | | | | | | | | | | | | | | | | | | | | | | |
| | | | | | | 鋁板BM表 | | | | | | | | | | | | | | | | | | | | | | | | | | | | | | | | | | | | | | | | | | | | | | | | | | | | | | | | | | | | | | | | | | | | | | | | | |
| | | | | | J853-GB1-LJ01 | 3mm鋁板加工圖 | | | | | | | | | | | | | | | | | | | | | | | | | | | | | | | | | | | | | | | | | | | | | | | | | | | | | | | | | | | | | | | | | | | | | | | | | |
| | | | | | J853-GB1-LJ02 | 3mm鋁板加工圖 | | | | | | | | | | | | | | | | | | | | | | | | | | | | | | | | | | | | | | | | | | | | | | | | | | | | | | | | | | | | | | | | | | | | | | | | | |
| | | | | | J853-GB1-LJ03 | 3mm鋁板加工圖 | | | | | | | | | | | | | | | | | | | | | | | | | | | | | | | | | | | | | | | | | | | | | | | | | | | | | | | | | | | | | | | | | | | | | | | | | |
| | | | | | J853-GB1-LJ04 | 3mm鋁板加工圖 | | | | | | | | | | | | | | | | | | | | | | | | | | | | | | | | | | | | | | | | | | | | | | | | | | | | | | | | | | | | | | | | | | | | | | | | | |
| | | | | | J853-GB1-LJ05 | 3mm鋁板加工圖 | | | | | | | | | | | | | | | | | | | | | | | | | | | | | | | | | | | | | | | | | | | | | | | | | | | | | | | | | | | | | | | | | | | | | | | | | |
| | | | | | J853-GB1-LJ06 | 3mm鋁板加工圖 | | | | | | | | | | | | | | | | | | | | | | | | | | | | | | | | | | | | | | | | | | | | | | | | | | | | | | | | | | | | | | | | | | | | | | | | | |
| | | | | | J853-GB1-LJ07 | 3mm鋁板加工圖 | | | | | | | | | | | | | | | | | | | | | | | | | | | | | | | | | | | | | | | | | | | | | | | | | | | | | | | | | | | | | | | | | | | | | | | | | |
| | | | | | J853-GB1-LJ08 | 3mm鋁板加工圖 | | | | | | | | | | | | | | | | | | | | | | | | | | | | | | | | | | | | | | | | | | | | | | | | | | | | | | | | | | | | | | | | | | | | | | | | | |
| | | | | | J853-GB1-LJ09 | 3mm鋁板加工圖 | | | | | | | | | | | | | | | | | | | | | | | | | | | | | | | | | | | | | | | | | | | | | | | | | | | | | | | | | | | | | | | | | | | | | | | | | |
| | | | | | J853-GB1-LJ10 | 3mm鋁板加工圖 | | | | | | | | | | | | | | | | | | | | | | | | | | | | | | | | | | | | | | | | | | | | | | | | | | | | | | | | | | | | | | | | | | | | | | | | | |
| | | | | | J853-GB1-LJ11 | 3mm鋁板加工圖 | | | | | | | | | | | | | | | | | | | | | | | | | | | | | | | | | | | | | | | | | | | | | | | | | | | | | | | | | | | | | | | | | | | | | | | | | |
| | | | | | J853-GB1-LJ12 | 3mm鋁板加工圖 | | | | | | | | | | | | | | | | | | | | | | | | | | | | | | | | | | | | | | | | | | | | | | | | | | | | | | | | | | | | | | | | | | | | | | | | | |
| | | | | | J853-GB1-LJ13 | 3mm鋁板加工圖 | | | | | | | | | | | | | | | | | | | | | | | | | | | | | | | | | | | | | | | | | | | | | | | | | | | | | | | | | | | | | | | | | | | | | | | | | |
| | | | | | J853-GB1-LJ14 | 3mm鋁板加工圖 | | | | | | | | | | | | | | | | | | | | | | | | | | | | | | | | | | | | | | | | | | | | | | | | | | | | | | | | | | | | | | | | | | | | | | | | | |
| | | | | | J853-GB1-LJ15 | 3mm鋁板加工圖 | | | | | | | | | | | | | | | | | | | | | | | | | | | | | | | | | | | | | | | | | | | | | | | | | | | | | | | | | | | | | | | | | | | | | | | | | |
| | | | | | J853-GB1-LJ16 | 3mm鋁板加工圖 | | | | | | | | | | | | | | | | | | | | | | | | | | | | | | | | | | | | | | | | | | | | | | | | | | | | | | | | | | | | | | | | | | | | | | | | | |
| | | | | | J853-GB1-LJ17 | 3mm鋁板加工圖 | | | | | | | | | | | | | | | | | | | | | | | | | | | | | | | | | | | | | | | | | | | | | | | | | | | | | | | | | | | | | | | | | | | | | | | | | |
| | | | | | J853-GB1-LJ18 | 3mm鋁板加工圖 | | | | | | | | | | | | | | | | | | | | | | | | | | | | | | | | | | | | | | | | | | | | | | | | | | | | | | | | | | | | | | | | | | | | | | | | | |
| | | | | | J853-GB1-LJ19 | 3mm鋁板加工圖 | | | | | | | | | | | | | | | | | | | | | | | | | | | | | | | | | | | | | | | | | | | | | | | | | | | | | | | | | | | | | | | | | | | | | | | | | |
| | | | | | J853-GB1-LJ20 | 3mm鋁板加工圖 | | | | | | | | | | | | | | | | | | | | | | | | | | | | | | | | | | | | | | | | | | | | | | | | | | | | | | | | | | | | | | | | | | | | | | | | | |
| | | | | | J853-GB1-LJ21 | 3mm鋁板加工圖 | | | | | | | | | | | | | | | | | | | | | | | | | | | | | | | | | | | | | | | | | | | | | | | | | | | | | | | | | | | | | | | | | | | | | | | | | |
| | | | | | J853-GB1-LJ22 | 3mm鋁板加工圖 | | | | | | | | | | | | | | | | | | | | | | | | | | | | | | | | | | | | | | | | | | | | | | | | | | | | | | | | | | | | | | | | | | | | | | | | | |
| | | | | | J853-GB1-LJ23 | 3mm鋁板加工圖 | | | | | | | | | | | | | | | | | | | | | | | | | | | | | | | | | | | | | | | | | | | | | | | | | | | | | | | | | | | | | | | | | | | | | | | | | |
| | | | | | J853-GB1-LJ24 | 3mm鋁板加工圖 | | | | | | | | | | | | | | | | | | | | | | | | | | | | | | | | | | | | | | | | | | | | | | | | | | | | | | | | | | | | | | | | | | | | | | | | | |
| | | | | | J853-GB1-LJ25 | 3mm鋁板加工圖 | | | | | | | | | | | | | | | | | | | | | | | | | | | | | | | | | | | | | | | | | | | | | | | | | | | | | | | | | | | | | | | | | | | | | | | | | |
| | | | | | J853-GB1-LJ26 | 3mm鋁板加工圖 | | | | | | | | | | | | | | | | | | | | | | | | | | | | | | | | | | | | | | | | | | | | | | | | | | | | | | | | | | | | | | | | | | | | | | | | | |
| J853-GB1-LJ27 | 3mm鋁板加工圖 | | | | | | | | | | | | | | | | | | | | | | | | | | | | | | | | | | | | | | | | | | | | | | | | | | | | | | | | | | | | | | | | | | | | | | | | | | | | | | |
| J853-GB1-LJ28 | 3mm鋁板加工圖 | | | | | | | | | | | | | | | | | | | | | | | | | | | | | | | | | | | | | | | | | | | | | | | | | | | | | | | | | | | | | | | | | | | | | | | | | | | | | | |
| | | | | | | | | | | | | | | | | | | | | | | | | | | | | | | | | | | | | | | | | | | | | | | | | | | | | | | | | | | | | | | | | | | | | | | | | | | | | | | | |
| | | | | | | | | | | | | | | | | | | | | | | | | | | | | | | | | | | | | | | | | | | | | | | | | | | | | | | | | | | | | | | | | | | | | | | | | | | | | | | | |
| 3 | - | A | B | | | | | | | | | | | | | | | | | | | | | | | | | | | | | | | | | | | | | | | | | | | | | | | | | | | | | | | | | | | | | | | | | | | | | | | | | | | | |
| 4 | - | A | B | | | | | | | | | | | | | | | | | | | | | | | | | | | | | | | | | | | | | | | | | | | | | | | | | | | | | | | | | | | | | | | | | | | | | | | | | | | | |
| 5 | - | A | B | | | | | | | | | | | | | | | | | | | | | | | | | | | | | | | | | | | | | | | | | | | | | | | | | | | | | | | | | | | | | | | | | | | | | | | | | | | | |
| 6 | - | A | B | | | | | | | | | | | | | | | | | | | | | | | | | | | | | | | | | | | | | | | | | | | | | | | | | | | | | | | | | | | | | | | | | | | | | | | | | | | | |
| 7 | - | A | B | | | | | | | | | | | | | | | | | | | | | | | | | | | | | | | | | | | | | | | | | | | | | | | | | | | | | | | | | | | | | | | | | | | | | | | | | | | | |
| 8 | - | A | B | | | | | | | | | | | | | | | | | | | | | | | | | | | | | | | | | | | | | | | | | | | | | | | | | | | | | | | | | | | | | | | | | | | | | | | | | | | | |
| 9 | - | A | B | | | | | | | | | | | | | | | | | | | | | | | | | | | | | | | | | | | | | | | | | | | | | | | | | | | | | | | | | | | | | | | | | | | | | | | | | | | | |
| 10 | - | A | B | | | | | | | | | | | | | | | | | | | | | | | | | | | | | | | | | | | | | | | | | | | | | | | | | | | | | | | | | | | | | | | | | | | | | | | | | | | | |
| 11 | - | A | B | | | | | | | | | | | | | | | | | | | | | | | | | | | | | | | | | | | | | | | | | | | | | | | | | | | | | | | | | | | | | | | | | | | | | | | | | | | | |
| 12 | - | A | B | | | | | | | | | | | | | | | | | | | | | | | | | | | | | | | | | | | | | | | | | | | | | | | | | | | | | | | | | | | | | | | | | | | | | | | | | | | | |
| 13 | - | A | B | | | | | | | | | | | | | | | | | | | | | | | | | | | | | | | | | | | | | | | | | | | | | | | | | | | | | | | | | | | | | | | | | | | | | | | | | | | | |
| 14 | - | A | B | | | | | | | | | | | | | | | | | | | | | | | | | | | | | | | | | | | | | | | | | | | | | | | | | | | | | | | | | | | | | | | | | | | | | | | | | | | | |
| 15 | - | A | B | | | | | | | | | | | | | | | | | | | | | | | | | | | | | | | | | | | | | | | | | | | | | | | | | | | | | | | | | | | | | | | | | | | | | | | | | | | | |
| 16 | - | A | B | | | | | | | | | | | | | | | | | | | | | | | | | | | | | | | | | | | | | | | | | | | | | | | | | | | | | | | | | | | | | | | | | | | | | | | | | | | | |
| 17 | - | A | B | | | | | | | | | | | | | | | | | | | | | | | | | | | | | | | | | | | | | | | | | | | | | | | | | | | | | | | | | | | | | | | | | | | | | | | | | | | | |
| 18 | - | A | B | | | | | | | | | | | | | | | | | | | | | | | | | | | | | | | | | | | | | | | | | | | | | | | | | | | | | | | | | | | | | | | | | | | | | | | | | | | | |
| 19 | - | A | B | | | | | | | | | | | | | | | | | | | | | | | | | | | | | | | | | | | | | | | | | | | | | | | | | | | | | | | | | | | | | | | | | | | | | | | | | | | | |
| 20 | - | A | B | | | | | | | | | | | | | | | | | | | | | | | | | | | | | | | | | | | | | | | | | | | | | | | | | | | | | | | | | | | | | | | | | | | | | | | | | | | | |
| 21 | - | A | B | | | | | | | | | | | | | | | | | | | | | | | | | | | | | | | | | | | | | | | | | | | | | | | | | | | | | | | | | | | | | | | | | | | | | | | | | | | | |
| 22 | - | A | B | | | | | | | | | | | | | | | | | | | | | | | | | | | | | | | | | | | | | | | | | | | | | | | | | | | | | | | | | | | | | | | | | | | | | | | | | | | | |
| 23 | - | A | B | | | | | | | | | | | | | | | | | | | | | | | | | | | | | | | | | | | | | | | | | | | | | | | | | | | | | | | | | | | | | | | | | | | | | | | | | | | | |
| 24 | - | A | B | | | | | | | | | | | | | | | | | | | | | | | | | | | | | | | | | | | | | | | | | | | | | | | | | | | | | | | | | | | | | | | | | | | | | | | | | | | | |
| 25 | - | A | B | | | | | | | | | | | | | | | | | | | | | | | | | | | | | | | | | | | | | | | | | | | | | | | | | | | | | | | | | | | | | | | | | | | | | | | | | | | | |
| 26 | - | A | B | | | | | | | | | | | | | | | | | | | | | | | | | | | | | | | | | | | | | | | | | | | | | | | | | | | | | | | | | | | | | | | | | | | | | | | | | | | | |
| 27 | - | A | B | | | | | | | | | | | | | | | | | | | | | | | | | | | | | | | | | | | | | | | | | | | | | | | | | | | | | | | | | | | | | | | | | | | | | | | | | | | | |
| 28 | - | A | B | | | | | | | | | | | | | | | | | | | | | | | | | | | | | | | | | | | | | | | | | | | | | | | | | | | | | | | | | | | | | | | | | | | | | | | | | | | | |
| 29 | - | A | | | | | | | | | | | | | | | | | | | | | | | | | | | | | | | | | | | | | | | | | | | | | | | | | | | | | | | | | | | | | | | | | | | | | | | | | | | | | |
| 30 | - | A | | | | | | | | | | | | | | | | | | | | | | | | | | | | | | | | | | | | | | | | | | | | | | | | | | | | | | | | | | | | | | | | | | | | | | | | | | | | | |

| BM編號: | | 工程號: | | 計算: | | 日期: | | 2022/9/5 | | 送呈: | | | | | | |
|-------------------------------|-------|-----------|----------|-------------------------|-----|-----|-----|------------|--------|---------------|--------|-------|-----|---------------|-----|-----|
| MIDI Aluminum Fabricator Ltd. | | J853 | | LHR | | 日期: | | 2022.12.20 | | 副本: | | | | | | |
| 廠用鋁板B.M.表 | | 錦上路-延平道 | | WSH | | 日期: | | 總重量: | | 106.47 | | | | | | |
| A-2023.1.3 | | A/C Code: | | 總V.F.: | | 日期: | | 總重量: | | 此BM依據**拆圖資料計算 | | | | | | |
| 序號 | 修改內容 | 鋁板圖號 | 鋁板名稱 | 顏色 | 實用 | 後備 | 總數 | 總重量 | 單件展開面積 | 總展開面積 | 單件V.F. | 總V.F. | 備註 | 加工圖號 | | |
| | | | | | | | | | | | | | 平方米 | 平方米 | 平方米 | 平方米 |
| 1 | A-改顏色 | LJ-C01 | 3.0mm厚鋁板 | EC-DG-D334232-ZD1(閃粉古銅) | 59 | | 59 | 8.794 | 0.018 | 1.082 | 0.013 | 0.778 | | J853-CB1-LJ01 | | |
| 2 | A-改顏色 | LJ-C02 | 3.0mm厚鋁板 | EC-DG-D334232-ZD1(閃粉古銅) | 29 | | 29 | 2.241 | 0.010 | 0.276 | 0.007 | 0.206 | | J853-CB1-LJ02 | | |
| 3 | A-改顏色 | LJ-C03 | 3.0mm厚鋁板 | EC-DG-D334232-ZD1(閃粉古銅) | 30 | | 30 | 2.318 | 0.010 | 0.285 | 0.007 | 0.213 | | J853-CB1-LJ03 | | |
| 4 | A-改顏色 | LJ-C04 | 3.0mm厚鋁板 | EC-DG-D334232-ZD1(閃粉古銅) | 29 | | 29 | 2.101 | 0.009 | 0.258 | 0.006 | 0.161 | | J853-CB1-LJ04 | | |
| 5 | A-改顏色 | LJ-C05 | 3.0mm厚鋁板 | EC-DG-D334232-ZD1(閃粉古銅) | 30 | | 30 | 2.173 | 0.009 | 0.267 | 0.006 | 0.167 | | J853-CB1-LJ05 | | |
| 6 | A-改顏色 | LJ-C06 | 3.0mm厚鋁板 | EC-DG-D334232-ZD1(閃粉古銅) | 259 | | 259 | 30.852 | 0.015 | 3.795 | 0.011 | 2.837 | | J853-CB1-LJ06 | | |
| 7 | A-改顏色 | LJ-C07 | 3.0mm厚鋁板 | EC-DG-D334232-ZD1(閃粉古銅) | 257 | | 257 | 30.614 | 0.015 | 3.766 | 0.011 | 2.815 | | J853-CB1-LJ07 | | |
| 8 | A-改顏色 | LJ-C08 | 3.0mm厚鋁板 | EC-DG-D334232-ZD1(閃粉古銅) | 120 | | 120 | 7.823 | 0.008 | 0.962 | 0.006 | 0.719 | | J853-CB1-LJ08 | | |
| 9 | A-改顏色 | LJ-C09 | 3.0mm厚鋁板 | EC-DG-D334232-ZD1(閃粉古銅) | 120 | | 120 | 7.823 | 0.008 | 0.962 | 0.006 | 0.719 | | J853-CB1-LJ09 | | |
| 10 | A-改顏色 | LJ-C10 | 3.0mm厚鋁板 | EC-DG-D334232-ZD1(閃粉古銅) | 1 | | 1 | 0.079 | 0.010 | 0.010 | 0.007 | 0.007 | | J853-CB1-LJ10 | | |
| 11 | A-改顏色 | LJ-C11 | 3.0mm厚鋁板 | EC-DG-D334232-ZD1(閃粉古銅) | 1 | | 1 | 0.079 | 0.010 | 0.010 | 0.007 | 0.007 | | J853-CB1-LJ11 | | |
| 12 | A-改顏色 | LJ-C12 | 3.0mm厚鋁板 | EC-DG-D334232-ZD1(閃粉古銅) | 1 | | 1 | 0.062 | 0.008 | 0.008 | 0.006 | 0.006 | | J853-CB1-LJ12 | | |
| 13 | A-改顏色 | LJ-C13 | 3.0mm厚鋁板 | EC-DG-D334232-ZD1(閃粉古銅) | 1 | | 1 | 0.056 | 0.007 | 0.007 | 0.005 | 0.005 | | J853-CB1-LJ13 | | |
| 14 | A-改顏色 | LJ-C14 | 3.0mm厚鋁板 | EC-DG-D334232-ZD1(閃粉古銅) | 1 | | 1 | 0.078 | 0.010 | 0.010 | 0.007 | 0.007 | | J853-CB1-LJ14 | | |
| 15 | A-改顏色 | LJ-C15 | 3.0mm厚鋁板 | EC-DG-D334232-ZD1(閃粉古銅) | 1 | | 1 | 0.078 | 0.010 | 0.010 | 0.007 | 0.007 | | J853-CB1-LJ15 | | |
| 16 | A-改顏色 | LJ-C16 | 3.0mm厚鋁板 | EC-DG-D334232-ZD1(閃粉古銅) | 1 | | 1 | 0.109 | 0.013 | 0.013 | 0.010 | 0.010 | | J853-CB1-LJ16 | | |
| 17 | A-改顏色 | LJ-C17 | 3.0mm厚鋁板 | EC-DG-D334232-ZD1(閃粉古銅) | 1 | | 1 | 0.106 | 0.013 | 0.013 | 0.010 | 0.010 | | J853-CB1-LJ17 | | |
| 18 | A-改顏色 | LJ-C18 | 3.0mm厚鋁板 | EC-DG-D334232-ZD1(閃粉古銅) | 1 | | 1 | 0.076 | 0.009 | 0.009 | 0.007 | 0.007 | | J853-CB1-LJ18 | | |
| 19 | A-改顏色 | LJ-C19 | 3.0mm厚鋁板 | EC-DG-D334232-ZD1(閃粉古銅) | 1 | | 1 | 0.076 | 0.009 | 0.009 | 0.007 | 0.007 | | J853-CB1-LJ19 | | |
| 20 | A-改顏色 | LJ-C20 | 3.0mm厚鋁板 | EC-DG-D334232-ZD1(閃粉古銅) | 1 | | 1 | 0.073 | 0.009 | 0.009 | 0.006 | 0.006 | | J853-CB1-LJ20 | | |
| 21 | A-改顏色 | LJ-C21 | 3.0mm厚鋁板 | EC-DG-D334232-ZD1(閃粉古銅) | 1 | | 1 | 0.081 | 0.010 | 0.010 | 0.007 | 0.007 | | J853-CB1-LJ21 | | |
| 22 | A-改顏色 | LJ-C22 | 3.0mm厚鋁板 | EC-DG-D334232-ZD1(閃粉古銅) | 1 | | 1 | 0.223 | 0.027 | 0.027 | 0.020 | 0.020 | | J853-CB1-LJ22 | | |

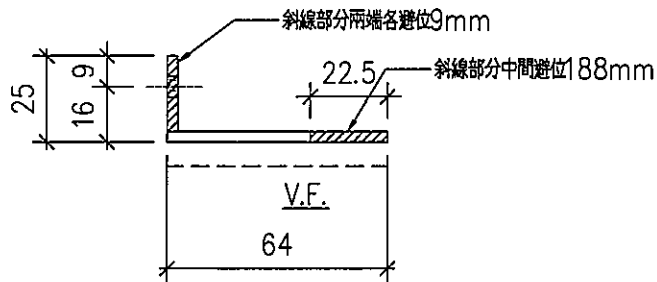
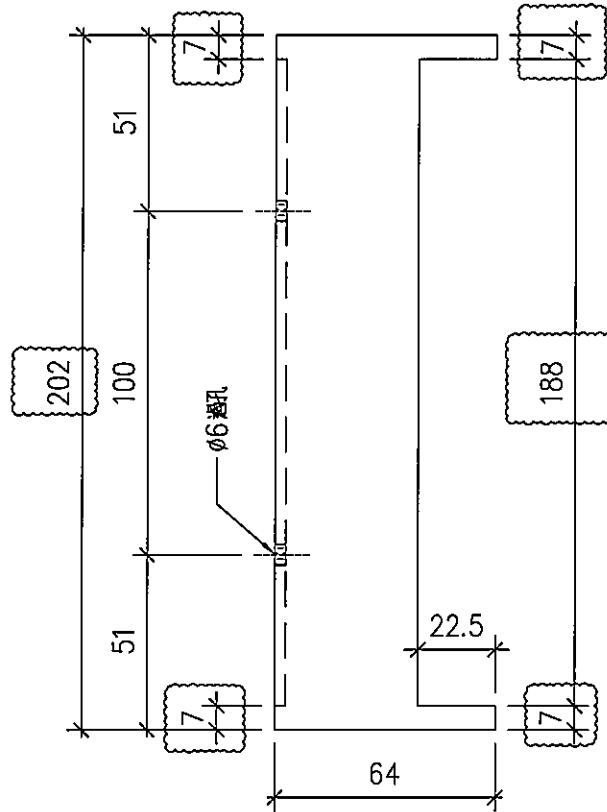


美特鋁質有限公司
MIDI Aluminium Fabricator Ltd.

| 序号 | 物料編號 | 數量 | 位置 |
|----|--------|----|------|
| 01 | LJ-C01 | 59 | 見組裝圖 |
| | | | |

工程號 J853 地盤 錦上路

工廠用



改用3mm 鋁板折

| | | | | | | | | |
|----|--------------------------|----|-----|------------|----|--------------|----------|--|
| 名稱 | 鋁角加工圖 | 制圖 | LHR | 2022,10,04 | 修改 | A | B | |
| 材料 | 25*64*3mm 厚鋁角 (用廢料) | 復核 | - | - | 日期 | 2023.1.3 | 2023.1.5 | |
| 顏色 | EC-DG-D334232-ZD1 (閃粉古銅) | 批準 | | | 圖號 | J853-GB-LJ01 | | |

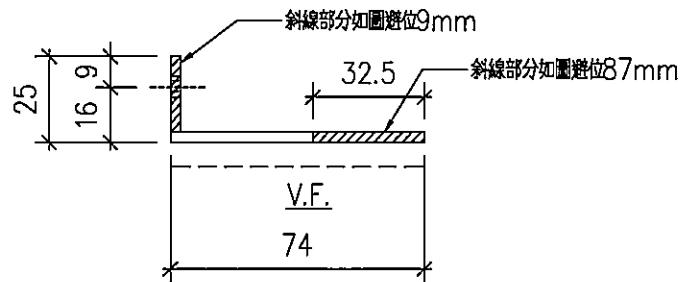
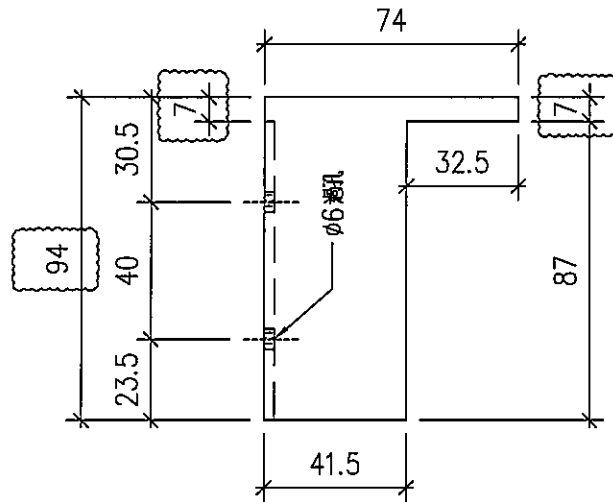


美特鋁質有限公司
MIDI Aluminium Fabricator Ltd.

| 序号 | 物料編號 | 數量 | 位置 |
|----|--------|----|------|
| 01 | LJ-C02 | 29 | 見組裝圖 |
| | | | |

工程號 J853 地盤 錦上路

工廠用



改用3mm 鋁板折

| | | | | | | | | |
|----|-------------------------|----|-----|------------|----|--------------|----------|--|
| 名稱 | 鋁角加工圖 | 制圖 | LHR | 2022,10,04 | 修改 | A | B | |
| 材料 | 25*74*3mm厚鋁角(用廢料) | 復核 | - | - | 日期 | 2023.1.3 | 2021.1.5 | |
| 顏色 | EC-DG-D334232-ZD1(閃粉古銅) | 批準 | | | 圖號 | J853-GB-LJ02 | | |

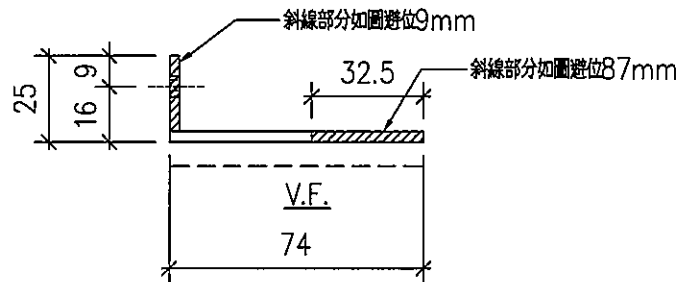
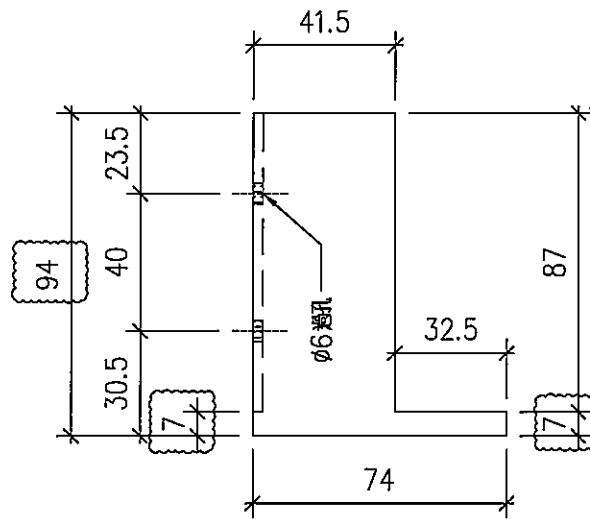


美特鋁質有限公司
MIDI Aluminium Fabricator Ltd.

| 序号 | 物料編號 | 數量 | 位置 |
|----|--------|----|------|
| 01 | LJ-C03 | 30 | 見組裝圖 |

工程號 J853 地盤 錦上路

工廠用



改用3mm 鋁板折

| | | | | | | | |
|----|-------------------------|----|-----|------------|----|--------------|----------|
| 名稱 | 鋁角加工圖 | 制圖 | LHR | 2022,10,04 | 修改 | A | B |
| 材料 | 25*74*3mm厚鋁角(用廢料) | 復核 | - | - | 日期 | 2023.1.3 | 2023.1.5 |
| 顏色 | EC-DG-D334232-ZD1(閃粉古銅) | 批準 | | | 圖號 | J853-GB-LJ03 | |

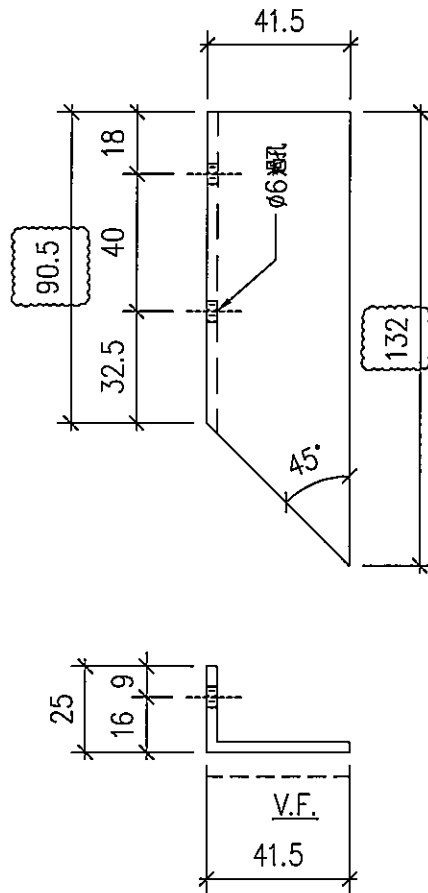


美特鋁質有限公司
MIDI Aluminium Fabricator Ltd.

| 序号 | 物料編號 | 數量 | 位置 |
|----|--------|----|------|
| 01 | LJ-C04 | 29 | 見組裝圖 |

| | | | |
|-----|------|----|-----|
| 工程號 | J853 | 地盤 | 錦上路 |
|-----|------|----|-----|

工廠用



改用3mm 鋁板折

| | | | | | | | |
|----|-------------------------|----|-----|------------|----|--------------|----------|
| 名稱 | 鋁角加工圖 | 制圖 | LHR | 2022,10,04 | 修改 | A | B |
| 材料 | 25*41*3mm 厚鋁角(用廢料) | 復核 | -- | -- | 日期 | 2023.1.3 | 2023.1.5 |
| 顏色 | EC-DG-D334232-ZD1(閃粉古銅) | 批准 | | | 圖號 | J853-GB-LJ04 | |

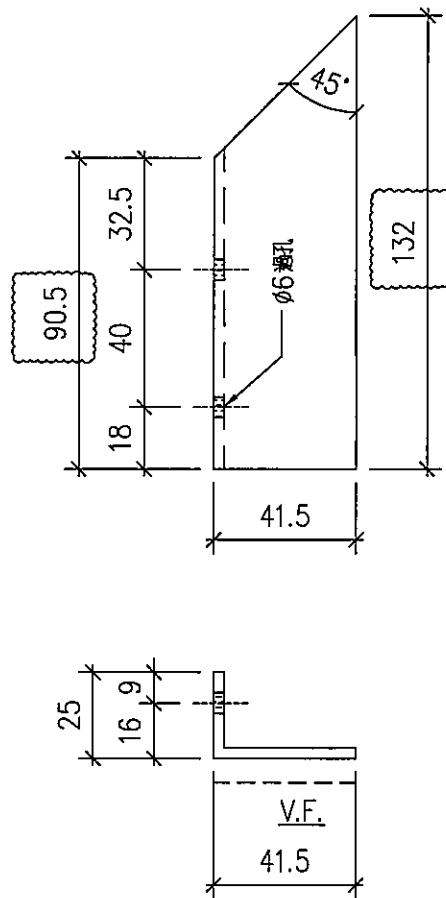


美特鋁質 有限公司
MIDI Aluminium Fabricator Ltd.

| 序号 | 物料編號 | 數量 | 位置 |
|----|--------|----|------|
| 01 | LJ-C05 | 30 | 見組裝圖 |
| | | | |

| | | | |
|-----|------|----|-----|
| 工程號 | J853 | 地盤 | 錦上路 |
|-----|------|----|-----|

工廠用



改用3mm 鋁板折

| | | | | | | | |
|----|-------------------------|----|-----|------------|----|--------------|----------|
| 名稱 | 鋁角加工圖 | 制圖 | LHR | 2022,10,04 | 修改 | A | B |
| 材料 | 25*41*3mm 厚鋁角(用廢料) | 復核 | - | - | 日期 | 2023.1.3 | 2023.1.5 |
| 顏色 | EC-DG-D334232-ZD1(銀粉古銅) | 批準 | | | 圖號 | J853-GB-LJ05 | |

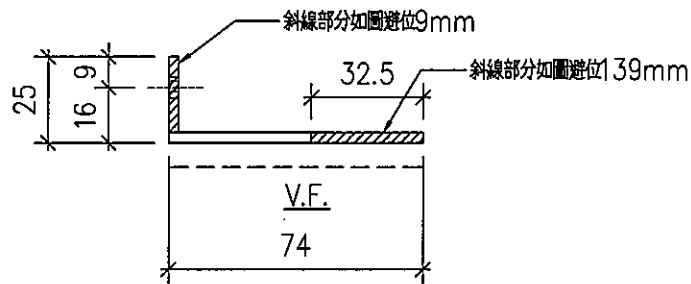
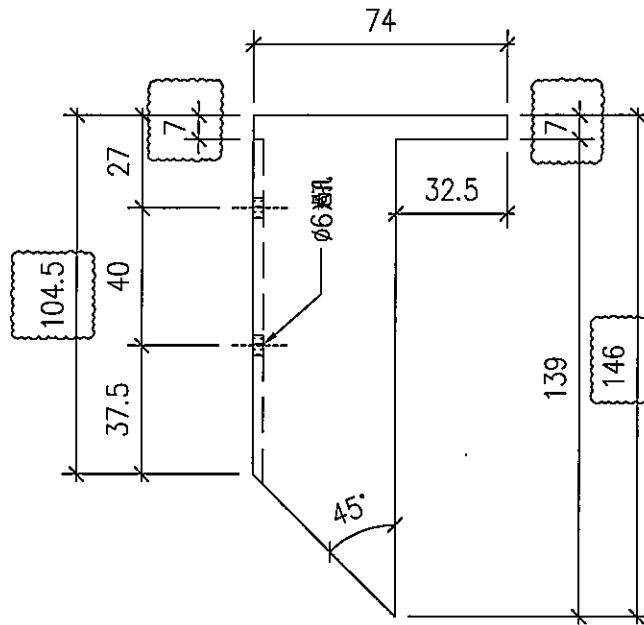


美特鋁質有限公司
MIDI Aluminium Fabricator Ltd.

| 序号 | 物料編號 | 數量 | 位置 |
|----|--------|-----|------|
| 01 | LJ-C06 | 259 | 見組裝圖 |

| | | | |
|-----|------|----|-----|
| 工程號 | J853 | 地盤 | 錦上路 |
|-----|------|----|-----|

工廠用



改用3mm 鋁板折

| | | | | | | | |
|----|-------------------------|----|-----|------------|----|--------------|----------|
| 名稱 | 鋁角加工圖 | 制圖 | LHR | 2022,10,04 | 修改 | A | B |
| 材料 | 25*74*3mm厚鋁角(用廢料) | 復核 | - | - | 日期 | 2023.1.3 | 2023.1.5 |
| 顏色 | EC-DG-D334232-ZD1(閃粉古銅) | 批准 | | | 圖號 | J853-GB-LJ06 | |

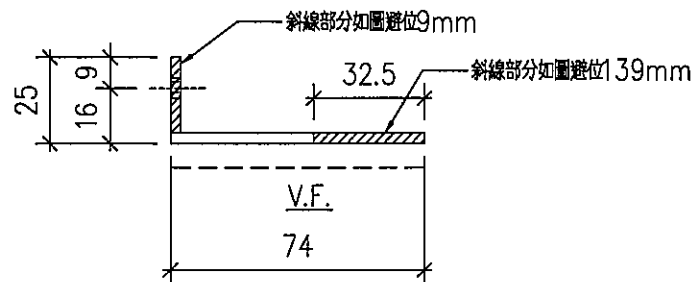
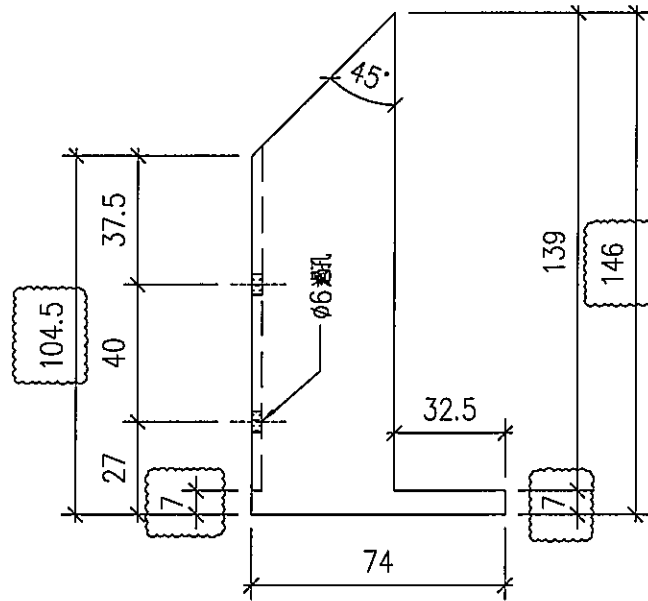


美特鋁質有限公司
MIDI Aluminium Fabricator Ltd.

| 序号 | 物料編號 | 數量 | 位置 |
|----|--------|-----|------|
| 01 | LJ-C07 | 257 | 見組裝圖 |

| | | | |
|-----|------|----|-----|
| 工程號 | J853 | 地盤 | 錦上路 |
|-----|------|----|-----|

工廠用



改用3mm 鋁板折

| | | | | | | | |
|----|-------------------------|----|-----|------------|----|--------------|----------|
| 名稱 | 鋁角加工圖 | 制圖 | LHR | 2022,10,04 | 修改 | A | B |
| 材料 | 25*74*3mm厚鋁角(用廢料) | 復核 | - | - | 日期 | 2023.1.3 | 2023.1.5 |
| 顏色 | EC-DG-D334232-ZD1(閃粉古銅) | 批準 | | | 圖號 | J853-GB-LJ07 | |

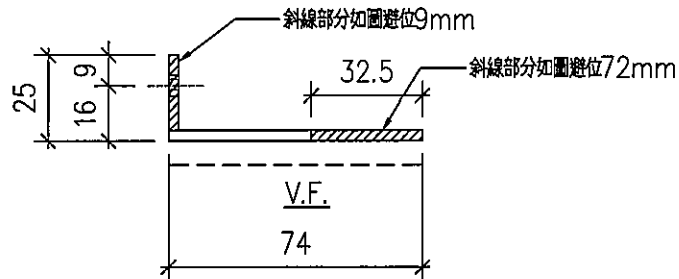
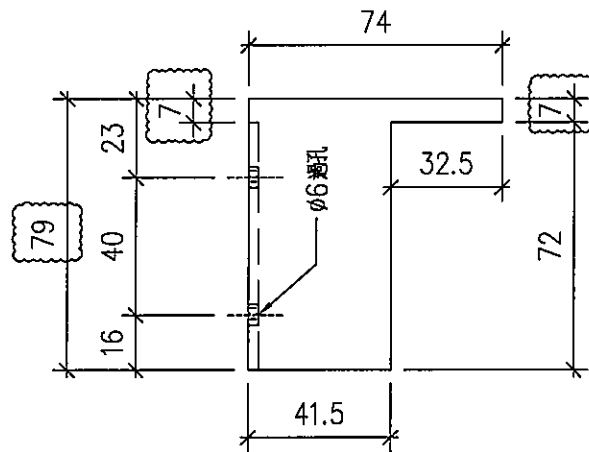


美特鋁質有限公司
MIDI Aluminium Fabricator Ltd.

| 序号 | 物料編號 | 數量 | 位置 |
|----|--------|-----|------|
| 01 | LJ-C08 | 120 | 見組裝圖 |

| | | | |
|-----|------|----|-----|
| 工程號 | J853 | 地盤 | 錦上路 |
|-----|------|----|-----|

工廠用



改用3mm 鋁板折

| | | | | | | | |
|----|-------------------------|----|-----|------------|----|--------------|----------|
| 名稱 | 鋁角加工圖 | 制圖 | LHR | 2022,10,04 | 修改 | A | B |
| 材料 | 25*74*3mm厚鋁角(用廢料) | 復核 | - | - | 日期 | 2023.1.3 | 2023.1.5 |
| 顏色 | EC-DG-D334232-ZD1(肉粉古銅) | 批準 | | | 圖號 | J853-GB-LJ08 | |

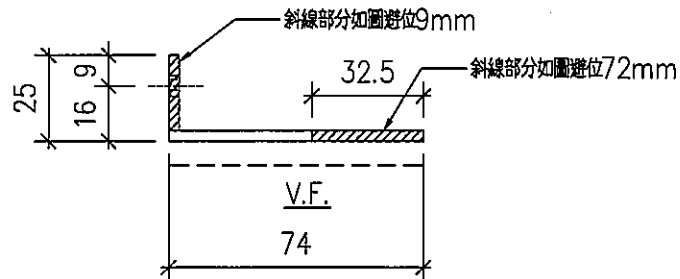
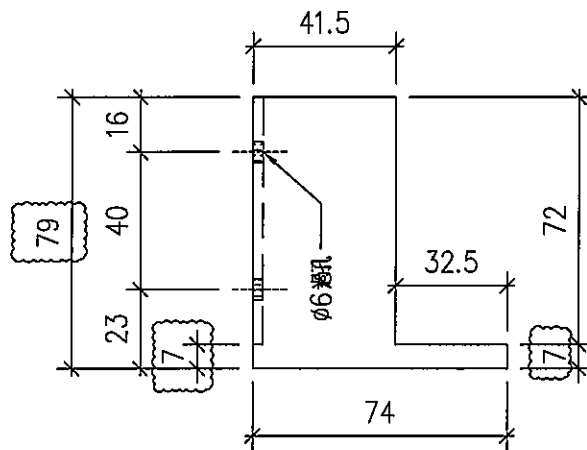


美特鋁質有限公司
MIDI Aluminium Fabricator Ltd.

| 序号 | 物料編號 | 數量 | 位置 |
|----|--------|-----|------|
| 01 | LJ-C09 | 120 | 見組裝圖 |

| | | | |
|-----|------|----|-----|
| 工程號 | J853 | 地盤 | 錦上路 |
|-----|------|----|-----|

工廠用



改用3mm 鋁板折

| | | | | | | | |
|----|-------------------------|----|-----|------------|----|--------------|----------|
| 名稱 | 鋁角加工圖 | 制圖 | LHR | 2022,10,04 | 修改 | A | B |
| 材料 | 25*74*3mm 厚鋁角(用廢料) | 復核 | - | - | 日期 | 2023.1.3 | 2023.1.5 |
| 顏色 | EC-DG-D334232-ZD1(閃粉古銅) | 批準 | | | 圖號 | J853-GB-LJ09 | |

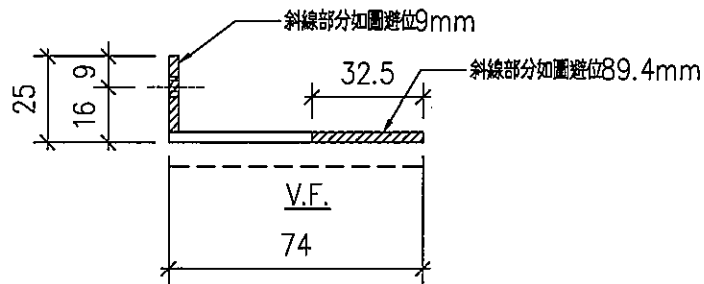
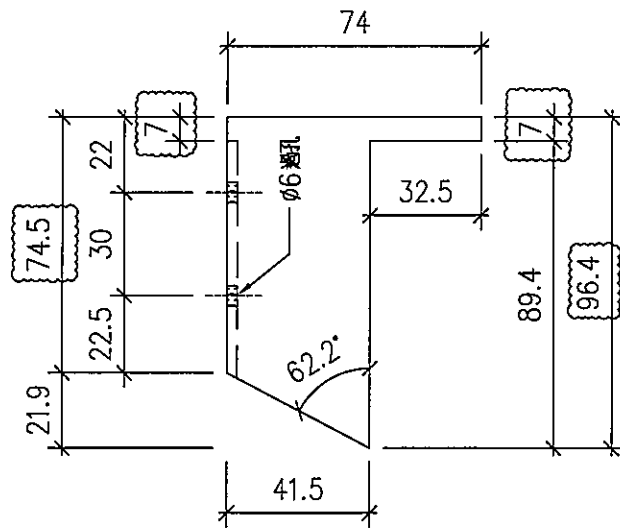


美特鋁質有限公司
MIDI Aluminium Fabricator Ltd.

| 序号 | 物料編號 | 數量 | 位置 |
|----|--------|----|------|
| 01 | LJ-C10 | 1 | 見組裝圖 |

| | | | |
|-----|------|----|-----|
| 工程號 | J853 | 地盤 | 錦上路 |
|-----|------|----|-----|

工廠用



改用3mm 鋁板折

| | | | | | | | |
|----|-------------------------|----|-----|------------|----|--------------|----------|
| 名稱 | 鋁角加工圖 | 制圖 | LHR | 2022,10,04 | 修改 | A | B |
| 材料 | 25*74*3mm厚鋁角(用廢料) | 復核 | - | - | 日期 | 2023.1.3 | 2023.1.5 |
| 顏色 | EC-DG-D334232-ZD1(閃粉古銅) | 批准 | | | 圖號 | J853-GB-LJ10 | |



美特鋁質有限公司

MIDI Aluminium Fabricator Ltd.

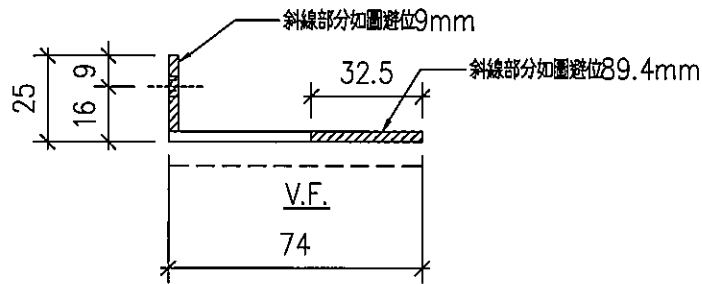
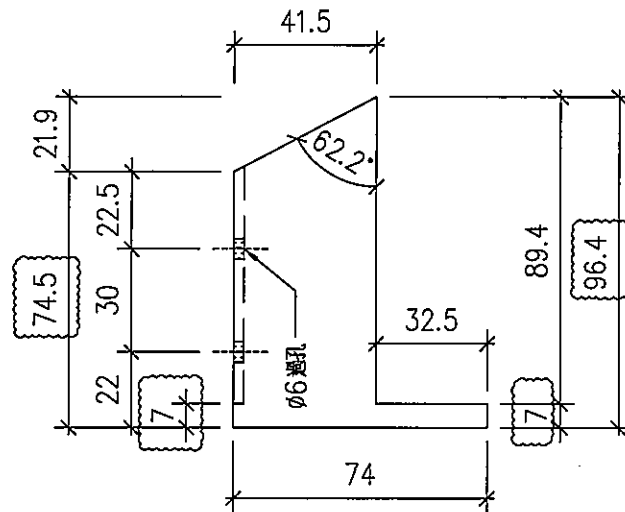
| 序号 | 物料編號 | 數量 | 位置 |
|----|--------|----|------|
| 01 | LJ-C11 | 1 | 見組裝圖 |

工程號

J853

地盤

錦上路



改用3mm 鋁板折

| | | | | | | | |
|----|-------------------------|----|-----|------------|----|--------------|----------|
| 名稱 | 鋁角加工圖 | 制圖 | LHR | 2022,10,04 | 修改 | A | B |
| 材料 | 25*74*3mm厚鋁角(用廢料) | 復核 | - | - | 日期 | 2023.1.3 | 2023.1.5 |
| 顏色 | EC-DG-D334232-ZD1(閃粉古銅) | 批準 | | | 圖號 | J853-GB-LJ11 | |

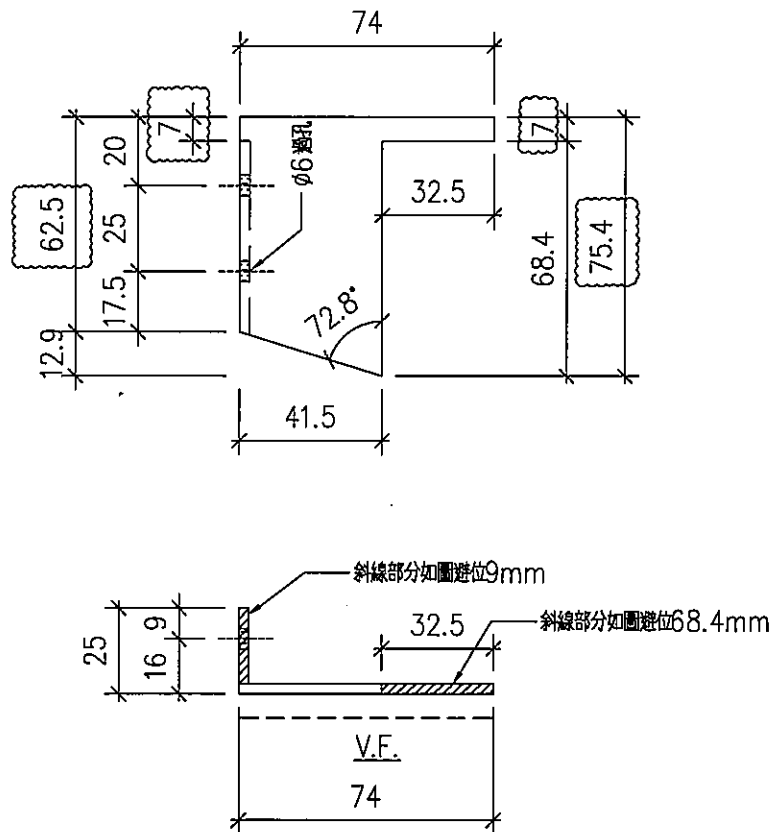


美特鋁質有限公司
MIDI Aluminium Fabricator Ltd.

| 序号 | 物料編號 | 數量 | 位置 |
|----|--------|----|------|
| 01 | LJ-C12 | 1 | 見組裝圖 |

| | | | |
|-----|------|----|-----|
| 工程號 | J853 | 地盤 | 錦上路 |
|-----|------|----|-----|

工廠用



改用3mm 鋁板折

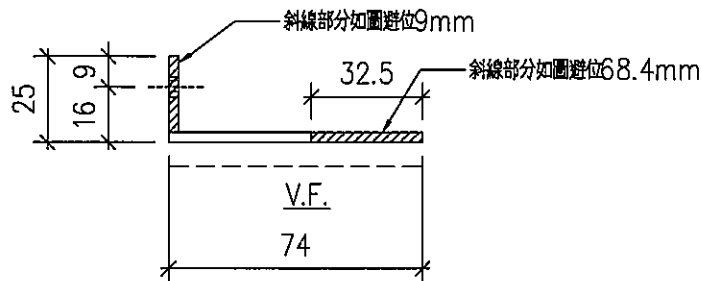
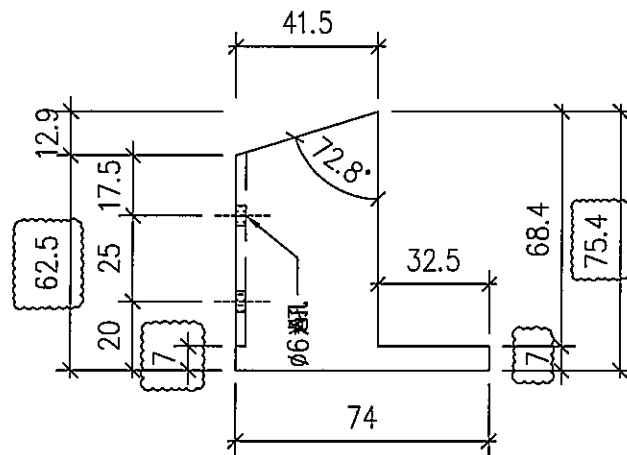
| | | | | | | | | |
|----|-------------------------|----|-----|------------|----|--------------|----------|--|
| 名稱 | 鋁角加工圖 | 制圖 | LHR | 2022,10,04 | 修改 | A | B | |
| 材料 | 25*74*3mm厚鋁角(用廢料) | 復核 | - | - | 日期 | 2023.1.3 | 2023.1.5 | |
| 顏色 | EC-DG-D334232-ZD1(閃粉古銅) | 批准 | | | 圖號 | J853-GB-LJ12 | | |



美特鋁質有限公司
MIDI Aluminium Fabricator Ltd.

| 序号 | 物料編號 | 數量 | 位置 |
|----|--------|----|------|
| 01 | LJ-C13 | 1 | 見組裝圖 |

| | | | |
|-----|------|----|-----|
| 工程號 | J853 | 地盤 | 錦上路 |
|-----|------|----|-----|



改用3mm 鋁板折

| | | | | | | | | |
|----|-------------------------|----|-----|------------|----|--------------|----------|--|
| 名稱 | 鋁角加工圖 | 制圖 | LHR | 2022,10,04 | 修改 | A | B | |
| 材料 | 25*74*3mm 厚鋁角(用廢料) | 復核 | - | - | 日期 | 2023.1.3 | 2023.1.5 | |
| 顏色 | EC-DG-D334232-ZD1(閃粉古銅) | 批准 | | | 圖號 | J853-GB-LJ13 | | |

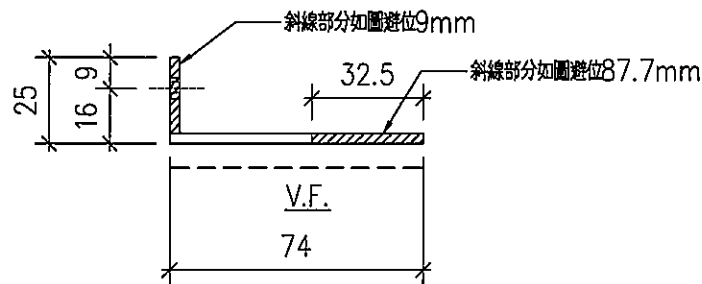
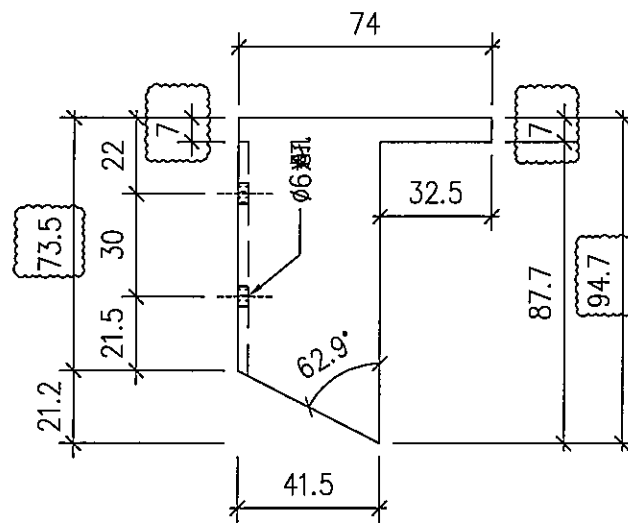


美特鋁質 有限公司
MIDI Aluminium Fabricator Ltd.

| 序号 | 物料編號 | 數量 | 位置 |
|----|--------|----|------|
| 01 | LJ-C14 | 1 | 見組裝圖 |

| | | | |
|-----|------|----|-----|
| 工程號 | J853 | 地盤 | 錦上路 |
|-----|------|----|-----|

工廠用



改用3mm 鋁板折

| | | | | | | | |
|----|-------------------------|----|-----|------------|----|--------------|----------|
| 名稱 | 鋁角加工圖 | 制圖 | LHR | 2022,10,04 | 修改 | A | B |
| 材料 | 25*74*3mm厚鋁角(用廢料) | 復核 | - | - | 日期 | 2023.1.3 | 2023.1.5 |
| 顏色 | EC-DG-D334232-ZD1(閃粉古銅) | 批準 | | | 圖號 | J853-GB-LJ14 | |

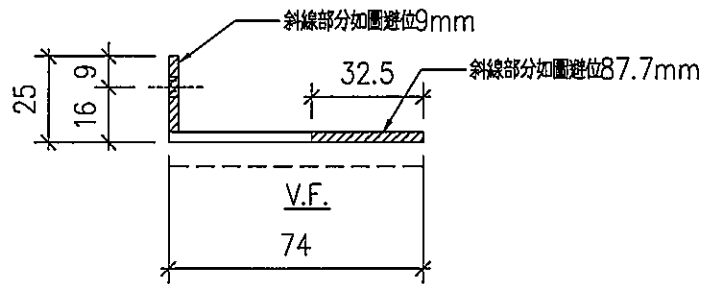
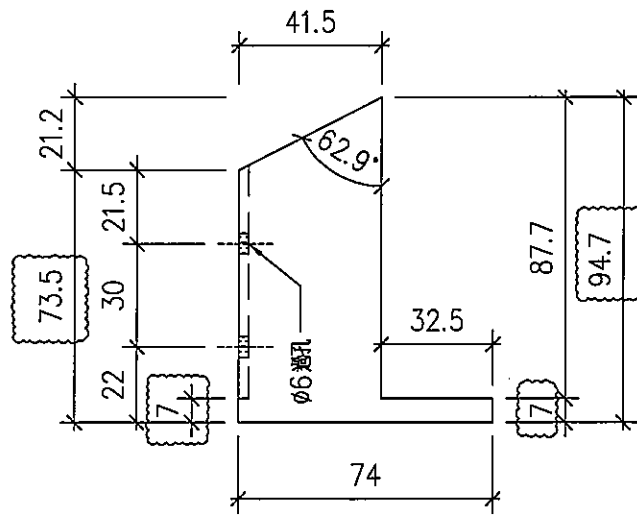


美特鋁質有限公司
MIDI Aluminium Fabricator Ltd.

| 序号 | 物料編號 | 數量 | 位置 |
|----|--------|----|------|
| 01 | LJ-C15 | 1 | 見組裝圖 |

| | | | |
|-----|------|----|-----|
| 工程號 | J853 | 地盤 | 錦上路 |
|-----|------|----|-----|

工廠用



改用3mm 鋁板折

| | | | | | | | |
|----|-------------------------|----|-----|------------|----|--------------|----------|
| 名稱 | 鋁角加工圖 | 制圖 | LHR | 2022,10,04 | 修改 | A | B |
| 材料 | 25*74*3mm厚鋁角(用廢料) | 復核 | - | - | 日期 | 2023.1.3 | 2023.1.5 |
| 顏色 | EC-DG-D334232-ZD1(閃粉古銅) | 批準 | | | 圖號 | J853-GB-LJ15 | |

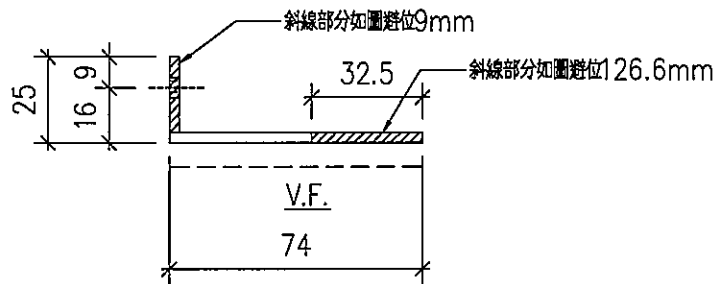
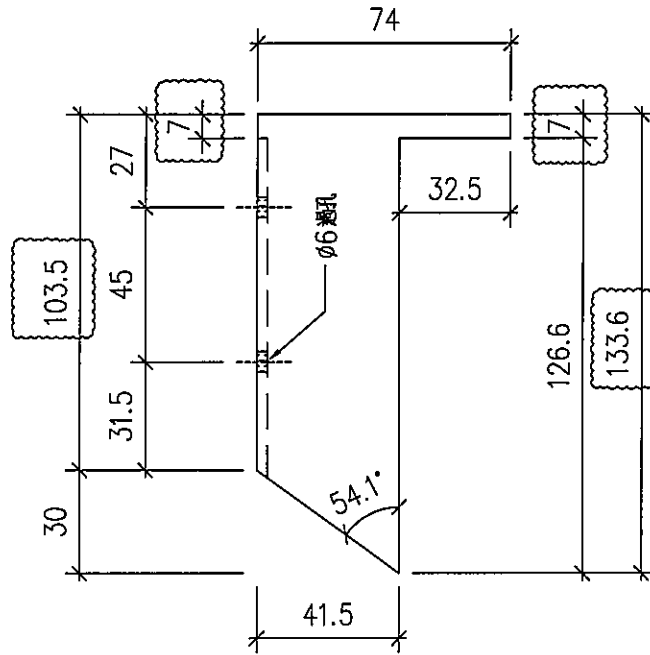


美特鋁質有限公司
MIDI Aluminium Fabricator Ltd.

| 序号 | 物料編號 | 數量 | 位置 |
|----|--------|----|------|
| 01 | LJ-C16 | 1 | 見組裝圖 |

| | | | |
|-----|------|----|-----|
| 工程號 | J853 | 地盤 | 錦上路 |
|-----|------|----|-----|

工廠用



改用3mm 鋁板折

| | | | | | | | |
|----|-------------------------|----|-----|------------|----|--------------|----------|
| 名稱 | 鋁角加工圖 | 制圖 | LHR | 2022,10,04 | 修改 | A | B |
| 材料 | 25*74*3mm 厚鋁角(用廢料) | 復核 | - | - | 日期 | 2023.1.3 | 2023.1.5 |
| 顏色 | EC-DG-D334232-ZD1(閃粉古銅) | 批準 | | | 圖號 | J853-GB-LJ16 | |

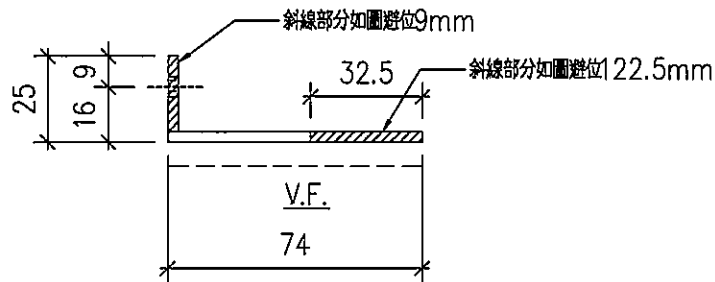
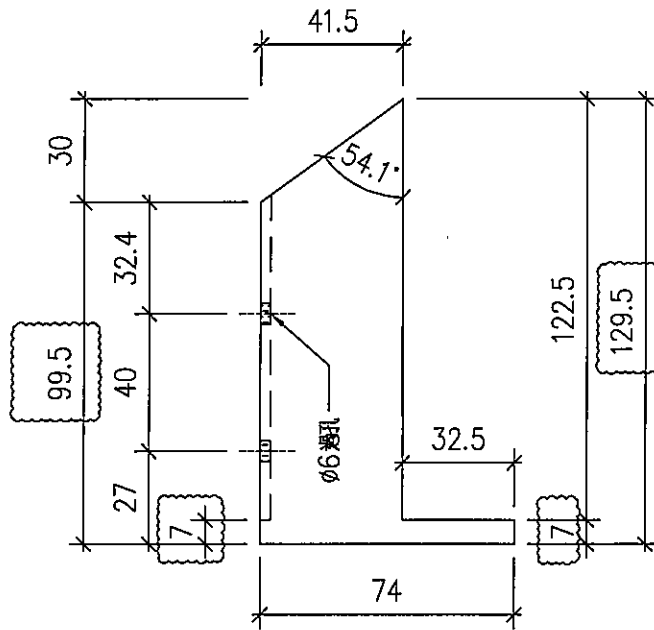


美特鋁質有限公司
MIDI Aluminium Fabricator Ltd.

| 序号 | 物料編號 | 數量 | 位置 |
|----|--------|----|------|
| 01 | LJ-C17 | 1 | 見組裝圖 |

| | | | |
|-----|------|----|-----|
| 工程號 | J853 | 地盤 | 錦上路 |
|-----|------|----|-----|

工廠用



改用3mm 鋁板折

| | | | | | | | |
|----|-------------------------|----|-----|------------|----|--------------|----------|
| 名稱 | 鋁角加工圖 | 制圖 | LHR | 2022,10,04 | 修改 | A | B |
| 材料 | 25*74*3mm厚鋁角(用廢料) | 復核 | - | - | 日期 | 2023.1.3 | 2023.1.5 |
| 顏色 | EC-DG-D334232-ZD1(閃粉古銅) | 批准 | | | 圖號 | J853-GB-LJ17 | |

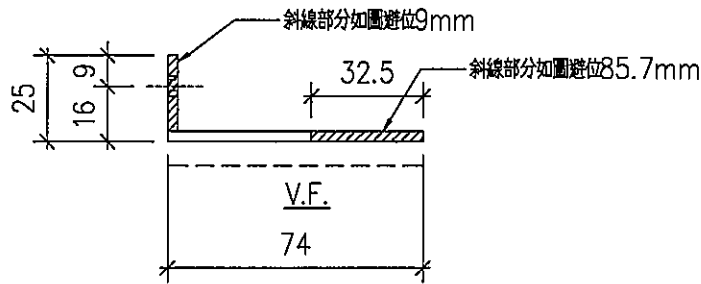
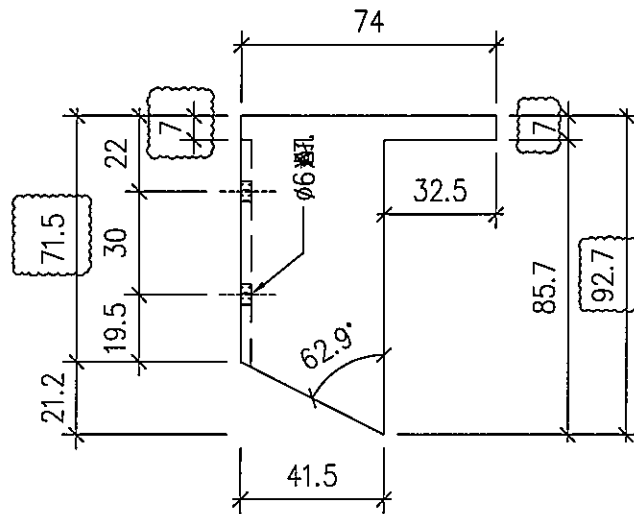


美特鋁質有限公司
MIDI Aluminium Fabricator Ltd.

| 序号 | 物料編號 | 數量 | 位置 |
|----|--------|----|------|
| 01 | LJ-C18 | 1 | 見組裝圖 |

| | | | |
|-----|------|----|-----|
| 工程號 | J853 | 地盤 | 錦上路 |
|-----|------|----|-----|

工廠用



改用3mm 鋁板折

| | | | | | | | |
|----|-------------------------|----|-----|------------|----|--------------|----------|
| 名稱 | 鋁角加工圖 | 制圖 | LHR | 2022,10,04 | 修改 | A | B |
| 材料 | 25*74*3mm厚鋁角(用廢料) | 復核 | - | - | 日期 | 2023.1.3 | 2023.1.5 |
| 顏色 | EC-DG-D334232-ZD1(閃粉古銅) | 批準 | | | 圖號 | J853-GB-LJ18 | |

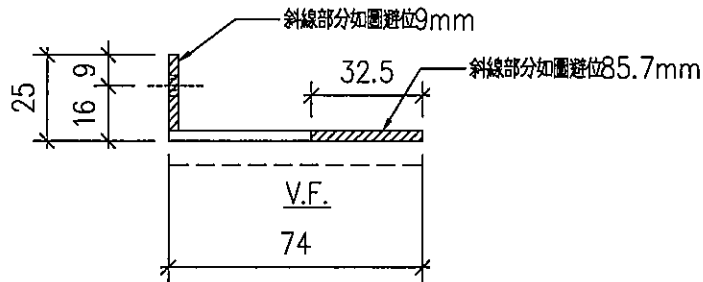
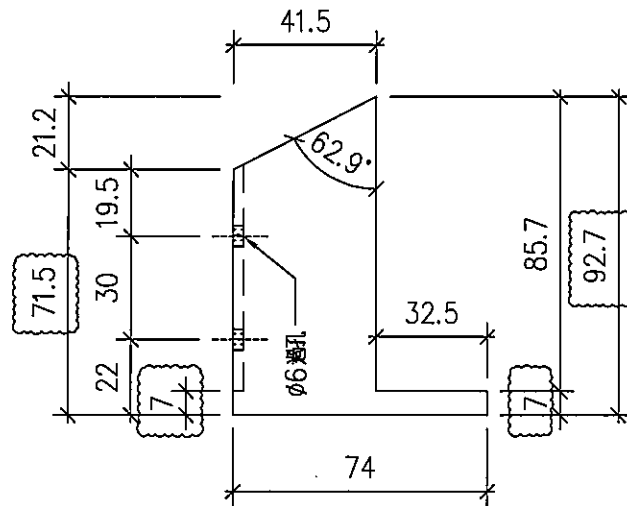


美特鋁質有限公司
MIDI Aluminium Fabricator Ltd.

| 序号 | 物料編號 | 數量 | 位置 |
|----|--------|----|------|
| 01 | LJ-C19 | 1 | 見組裝圖 |

| | | | |
|-----|------|----|-----|
| 工程號 | J853 | 地盤 | 錦上路 |
|-----|------|----|-----|

工廠用



改用3mm 鋁板折

| | | | | | | | |
|----|-------------------------|----|-----|------------|----|--------------|----------|
| 名稱 | 鋁角加工圖 | 制圖 | LHR | 2022,10,04 | 修改 | A | B |
| 材料 | 25*74*3mm 厚鋁角(用廢料) | 復核 | - | - | 日期 | 2023.1.3 | 2023.1.5 |
| 顏色 | EC-DG-D334232-ZD1(閃粉古銅) | 批準 | | | 圖號 | J853-GB-LJ19 | |

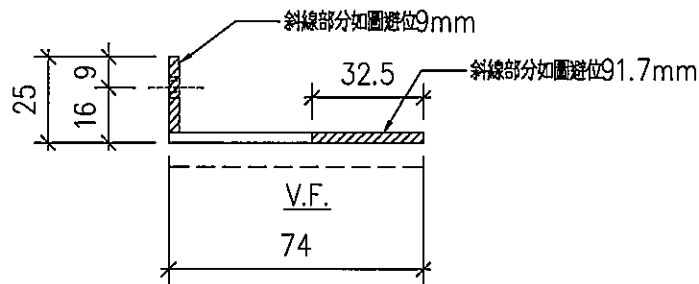
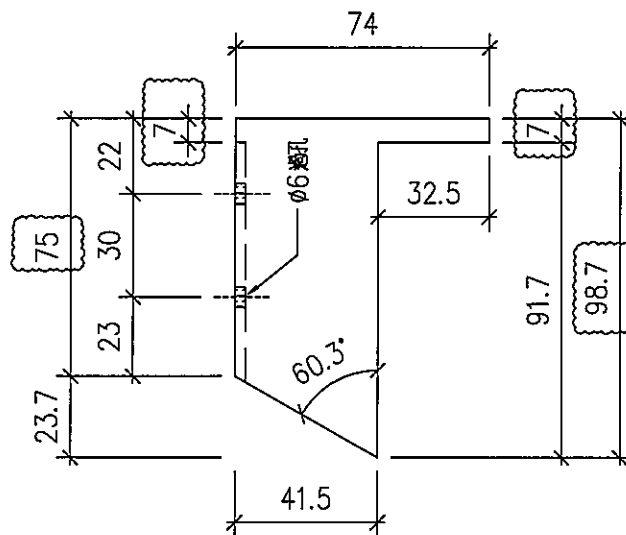


美特鋁質有限公司
MIDI Aluminium Fabricator Ltd.

| 序号 | 物料編號 | 數量 | 位置 |
|----|--------|----|------|
| 01 | LJ-C20 | 1 | 見組裝圖 |

| | | | |
|-----|------|----|-----|
| 工程號 | J853 | 地盤 | 錦上路 |
|-----|------|----|-----|

工廠用



改用3mm 鋁板折

| | | | | | | | |
|----|-------------------------|----|-----|------------|----|--------------|----------|
| 名稱 | 鋁角加工圖 | 制圖 | LHR | 2022,10,04 | 修改 | A | B |
| 材料 | 25*74*3mm厚鋁角(用廢料) | 復核 | - | - | 日期 | 2023.1.3 | 2023.1.5 |
| 顏色 | EC-DG-D334232-ZD1(閃粉古銅) | 批准 | | | 圖號 | J853-GB-LJ20 | |

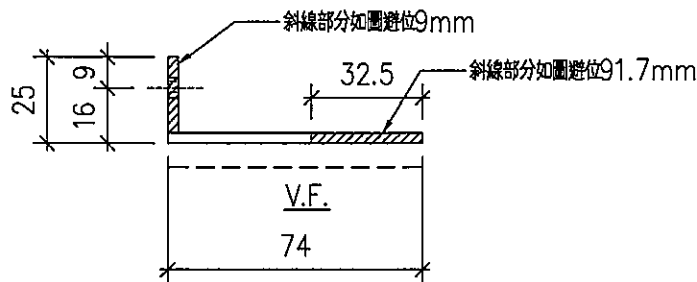
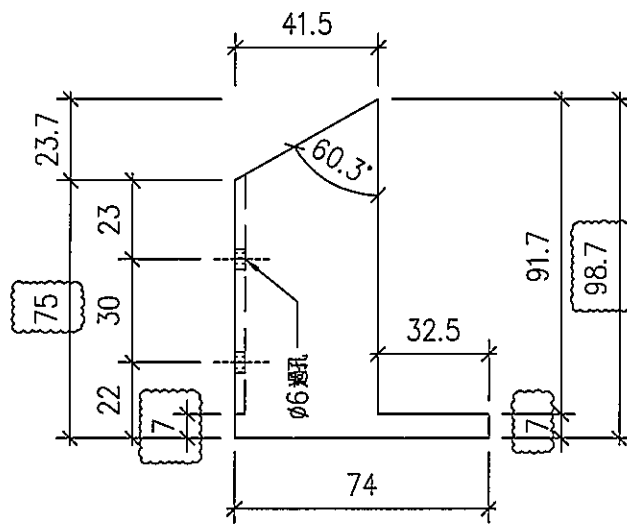


美特鋁質有限公司
MIDI Aluminium Fabricator Ltd.

| 序号 | 物料編號 | 數量 | 位置 |
|----|--------|----|------|
| 01 | LJ-C21 | 1 | 見組裝圖 |

| | | | |
|-----|------|----|-----|
| 工程號 | J853 | 地盤 | 錦上路 |
|-----|------|----|-----|

工廠用



改用3mm 鋁板折

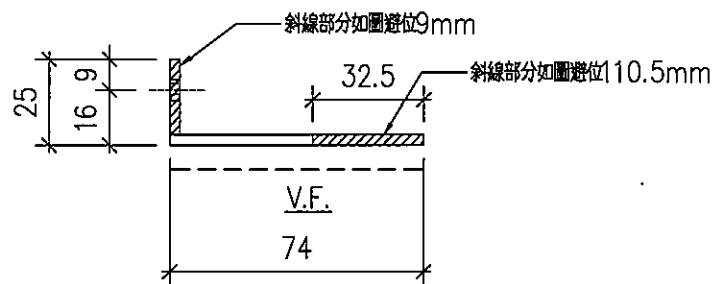
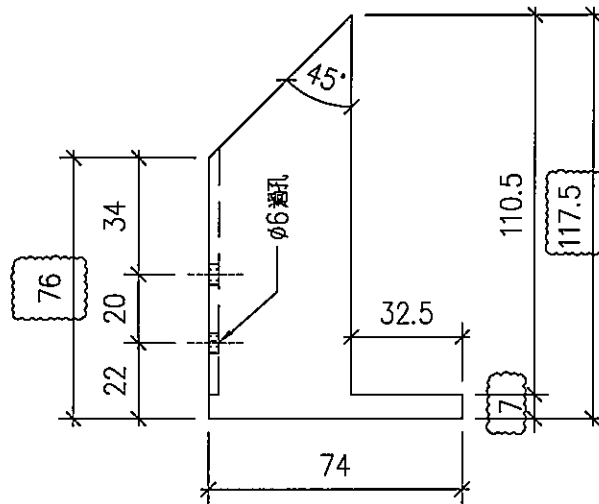
| | | | | | | | |
|----|-------------------------|----|-----|------------|----|--------------|----------|
| 名稱 | 鋁角加工圖 | 制圖 | LHR | 2022,10,04 | 修改 | A | B |
| 材料 | 25*74*3mm厚鋁角(用廢料) | 復核 | - | - | 日期 | 2023.1.3 | 2023.1.5 |
| 顏色 | EC-DG-D334232-ZD1(閃粉古銅) | 批準 | | | 圖號 | J853-GB-LJ21 | |



美特鋁質有限公司
MIDI Aluminium Fabricator Ltd.

| 序号 | 物料編號 | 數量 | 位置 |
|----|--------|----|------|
| 01 | LJ-C24 | 37 | 見組裝圖 |

| | | | |
|-----|------|----|-----|
| 工程號 | J853 | 地盤 | 錦上路 |
|-----|------|----|-----|



改用3mm 鋁板折

| | | | | | | | |
|----|-------------------------|----|-----|------------|----|---------------|----------|
| 名稱 | 鋁角加工圖 | 制圖 | LHR | 2022,10,04 | 修改 | A | B |
| 材料 | 25*74*3mm厚鋁角(用廢料) | 復核 | - | - | 日期 | 2023.1.3 | 2023.1.5 |
| 顏色 | EC-DG-D334232-ZD1(肉粉古銅) | 批准 | | | 圖號 | J853-GB1-LJ24 | |

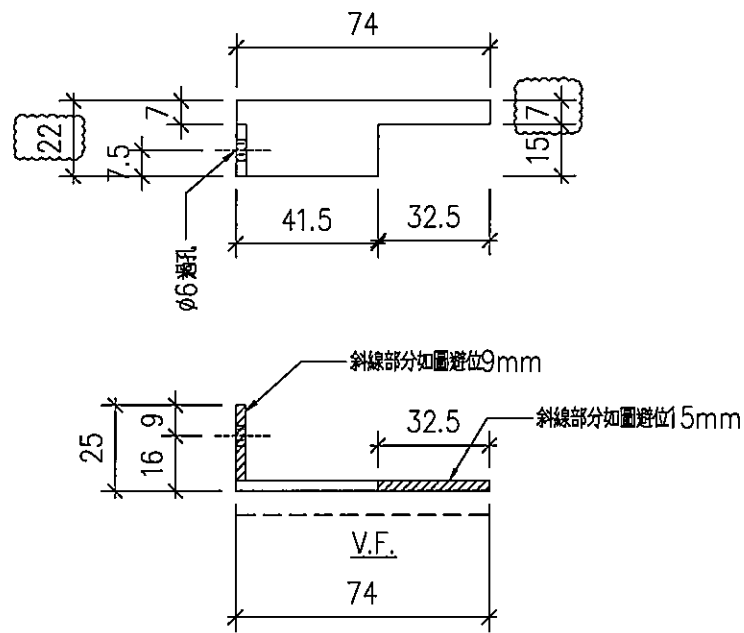


美特鋁質 有限公司
MIDI Aluminium Fabricator Ltd.

| 序号 | 物料編號 | 數量 | 位置 |
|----|--------|----|------|
| 01 | LJ-C25 | 37 | 見組裝圖 |

| | | | |
|-----|------|----|-----|
| 工程號 | J853 | 地盤 | 錦上路 |
|-----|------|----|-----|

工廠用



改用3mm 鋁板折

| | | | | | | | |
|----|-------------------------|----|-----|------------|----|---------------|----------|
| 名稱 | 鋁角加工圖 | 制圖 | LHR | 2022,10,04 | 修改 | A | B |
| 材料 | 25*74*3mm厚鋁角(用廢料) | 復核 | - | - | 日期 | 2023.1.3 | 2023.1.5 |
| 顏色 | EC-DG-D334232-ZD1(閃粉古銅) | 批準 | | | 圖號 | J853-GB1-LJ25 | |

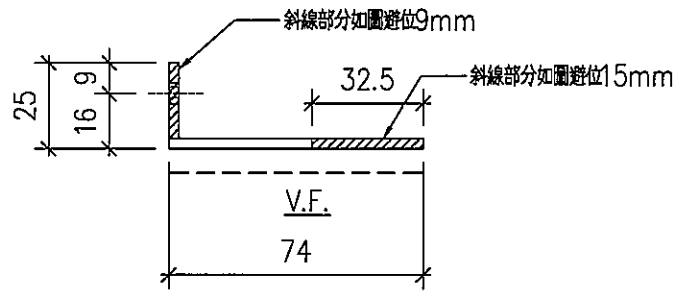
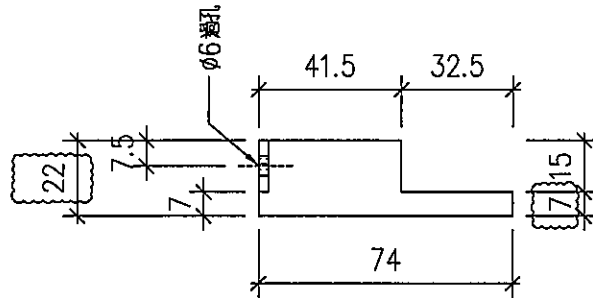


美特鋁質有限公司
MIDI Aluminium Fabricator Ltd.

| 序号 | 物料編號 | 數量 | 位置 |
|----|--------|----|------|
| 01 | LJ-C26 | 36 | 見組裝圖 |

| | | | |
|-----|------|----|-----|
| 工程號 | J853 | 地盤 | 錦上路 |
|-----|------|----|-----|

工廠用



改用3mm 鋁板折

| | | | | | | | |
|----|-------------------------|----|-----|------------|----|---------------|----------|
| 名稱 | 鋁角加工圖 | 制圖 | LHR | 2022,10,04 | 修改 | A | B |
| 材料 | 25*74*3mm厚鋁角(用廢料) | 復核 | - | - | 日期 | 2023.1.3 | 2023.1.5 |
| 顏色 | EC-DG-D334232-ZD1(閃粉古銅) | 批准 | | | 圖號 | J853-GB1-LJ26 | |

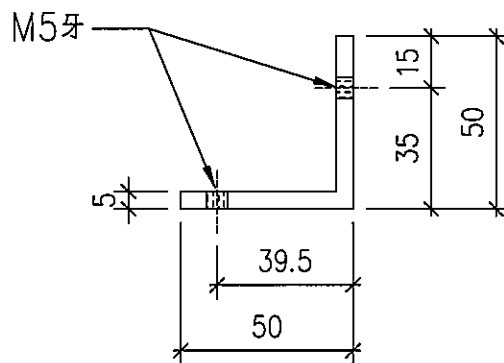
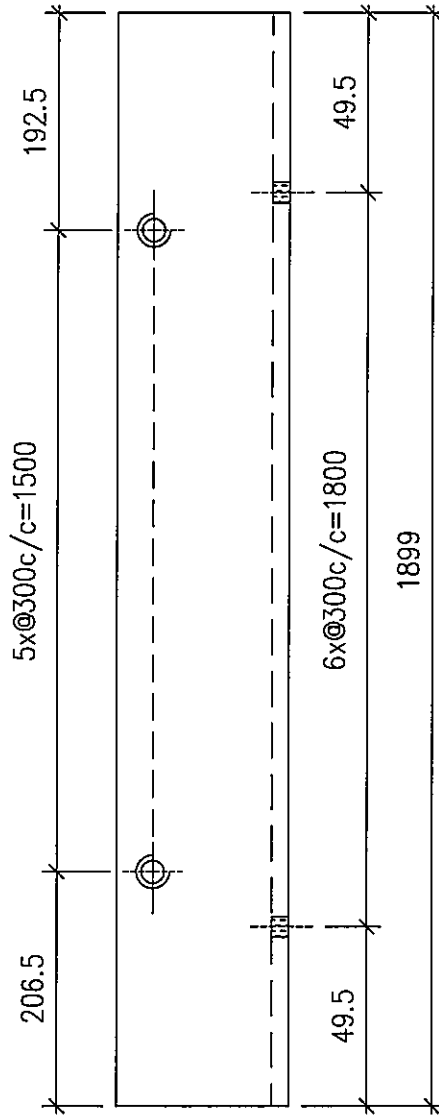


美特鋁質 有限公司
MIDI Aluminium Fabricator Ltd.

| 序号 | 物料編號 | 數量 | 位置 |
|----|-----------|----|------|
| 01 | ALA50-A01 | 1 | 見組裝圖 |
| | | | |

| | | | |
|-----|------|----|-----|
| 工程號 | J853 | 地盤 | 錦上路 |
|-----|------|----|-----|

工廠用



改用3mm 鋁板折

| | | | | | | | |
|----|-------------------|----|-----|------------|----|--------------|--|
| 名稱 | 鋁角加工圖 | 制圖 | LHR | 2022,10,04 | 修改 | - | |
| 材料 | 50*50*5mm厚鋁角(用廢料) | 復核 | - | - | 日期 | - | |
| 顏色 | MILL | 批準 | | | 圖號 | J853-GB-LJ27 | |

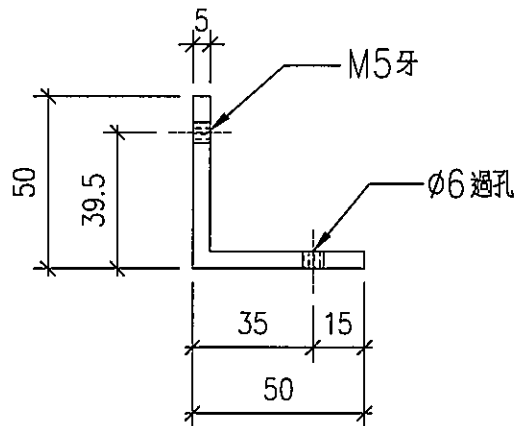
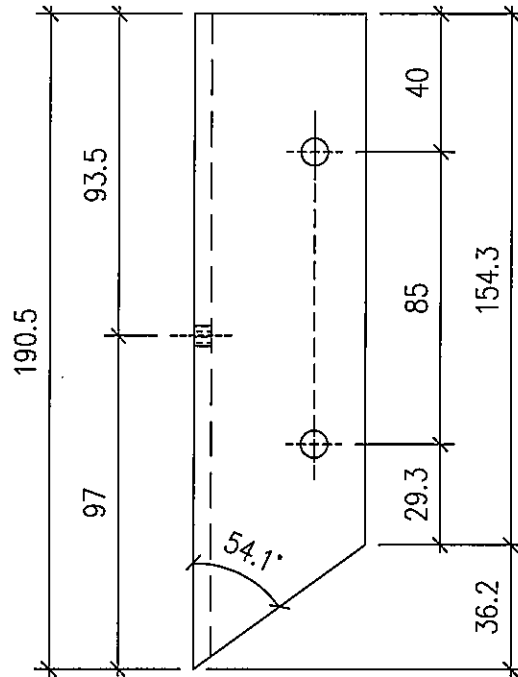


美特鋁質有限公司
MIDI Aluminium Fabricator Ltd.

| 序号 | 物料編號 | 數量 | 位置 |
|----|-----------|----|------|
| 01 | ALA50-A02 | 1 | 見組裝圖 |

| | | | |
|-----|------|----|-----|
| 工程號 | J853 | 地盤 | 錦上路 |
|-----|------|----|-----|

工廠用



改用3mm 鋁板折

| | | | | | | | |
|----|-------------------|----|-----|------------|----|--------------|--|
| 名稱 | 鋁角加工圖 | 制圖 | LHR | 2022,10,04 | 修改 | - | |
| 材料 | 50*50*5mm厚鋁角(用廢料) | 復核 | - | - | 日期 | - | |
| 顏色 | MILL | 批準 | | | 圖號 | J853-GB-LJ28 | |