

美特鋁質有限公司

MIDI ALUMINIUM FABRICATOR LTD.



工程指示 / 要求簡箋 ENGINEER INSTRUCTIONS(E.I.)

工程指示編號:	EI- 5531	修改版本:	-
	HK- 2357		
工程編號:	J 853	工程名稱:	延坪道
收件人:	技術部/方強	發件人:	Lai Sik Hung
工程項目:	國內廠房技術部問題回覆	日期:	22/12/2022

<input type="checkbox"/> 原合約工程包	<input type="checkbox"/> 原合約工程加 / 減賬 QT-	<input type="checkbox"/> 新工程報價 QT-
---------------------------------	--	------------------------------------

信件批核號碼/圖紙參考編號:	批核模具圖紙編號:
客戶指示附件:	管理內部批簽署:

<input type="checkbox"/> 初步鋁料 B.M.	<input type="checkbox"/> 加工拆圖, 然後生產	<input type="checkbox"/> 尺寸表
<input type="checkbox"/> 正式鋁料 B.M.	<input type="checkbox"/> 技術上資料 / 指示	<input type="checkbox"/> 報價
<input type="checkbox"/> 配件 B.M.	<input type="checkbox"/> 樣辦或貨品說明書	<input type="checkbox"/> 分判合約
<input type="checkbox"/> 其他:		

內容: 國內廠房技術部問題回覆

完成上列要求日期: ASAP

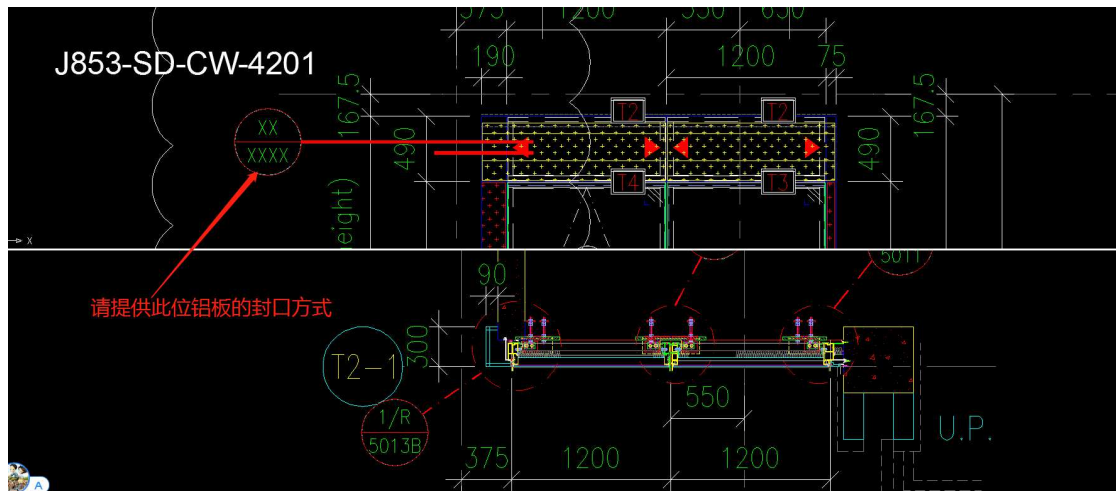
**國內**

<input type="checkbox"/> 生產技術總監	<input type="checkbox"/> 連附件	<input checked="" type="checkbox"/> 技術部	<input checked="" type="checkbox"/> 連附件	<input type="checkbox"/> 生產部	<input type="checkbox"/> 連附件
<input type="checkbox"/> 採購部	<input type="checkbox"/> 連附件	<input type="checkbox"/> 生產統籌部	<input type="checkbox"/> 連附件	<input type="checkbox"/> 報關組	<input type="checkbox"/> 連附件
<input type="checkbox"/> 質檢部	<input type="checkbox"/> 連附件	<input type="checkbox"/> 會計部	<input type="checkbox"/> 連附件	<input type="checkbox"/> 機械設計部	<input type="checkbox"/> 連附件
<input checked="" type="checkbox"/> 香港辦	<input checked="" type="checkbox"/> 連附件	<input type="checkbox"/> 其他:			

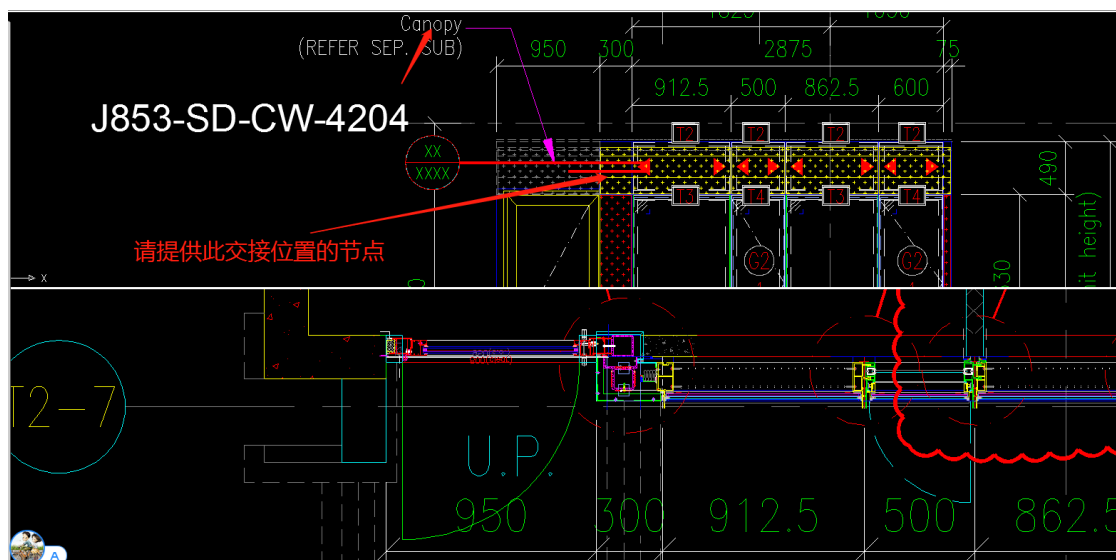
<input type="checkbox"/> 行政部	<input type="checkbox"/> 連附件	<input type="checkbox"/> 會計部	<input type="checkbox"/> 連附件	<input type="checkbox"/> 統籌部	<input type="checkbox"/> 連附件	<input type="checkbox"/> 工程部	<input type="checkbox"/> 連附件
<input type="checkbox"/> 採購部	<input type="checkbox"/> 連附件	<input type="checkbox"/> QS部	<input type="checkbox"/> 連附件	<input type="checkbox"/> 地盤管理	<input type="checkbox"/> 連附件	<input type="checkbox"/> 維修部	<input type="checkbox"/> 連附件

*發件人簽署:	方強	*組別成員批核簽署:	Wai 22/12/2022
傳遞編號:		項目經理簽署:	Wai

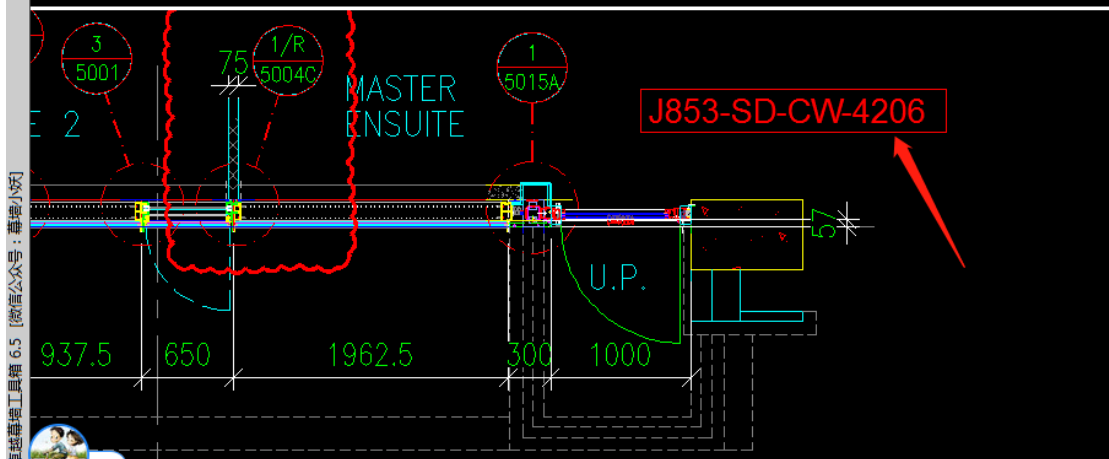
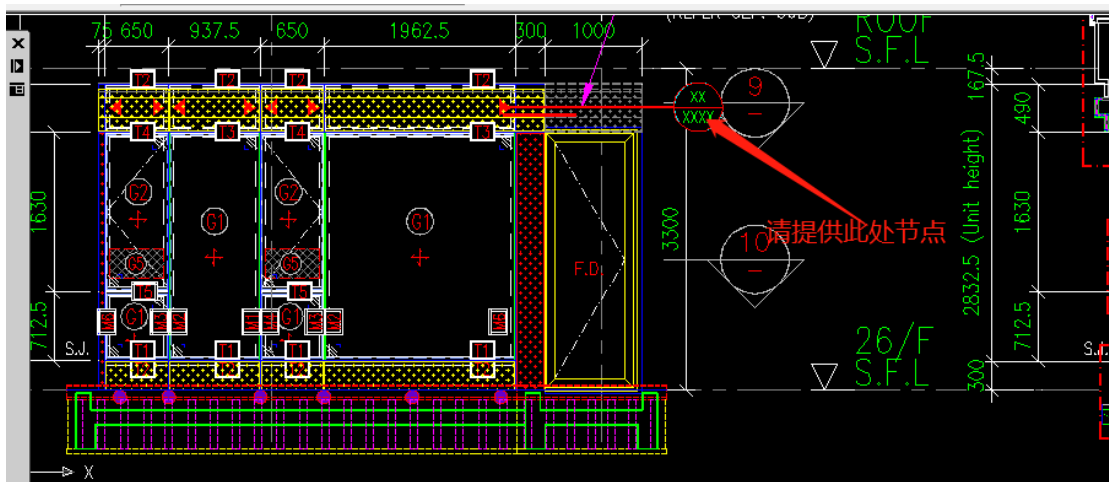
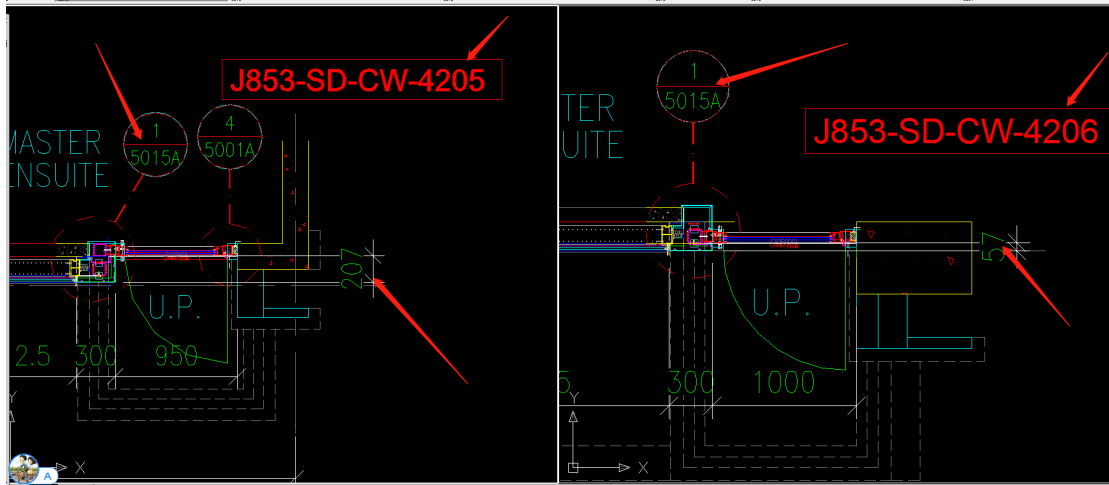
问题 1: 因边位是石材, 鹅头铝板与 (2022.12.17 收顶部铝板做法) 的边位铝板不同, 烦请提供此位顶部边位铝板的封口方式。



问题 2: 因鹅头位铝板与 FD 門頂部 canopy 交接位置节点不明, 请提供节点。

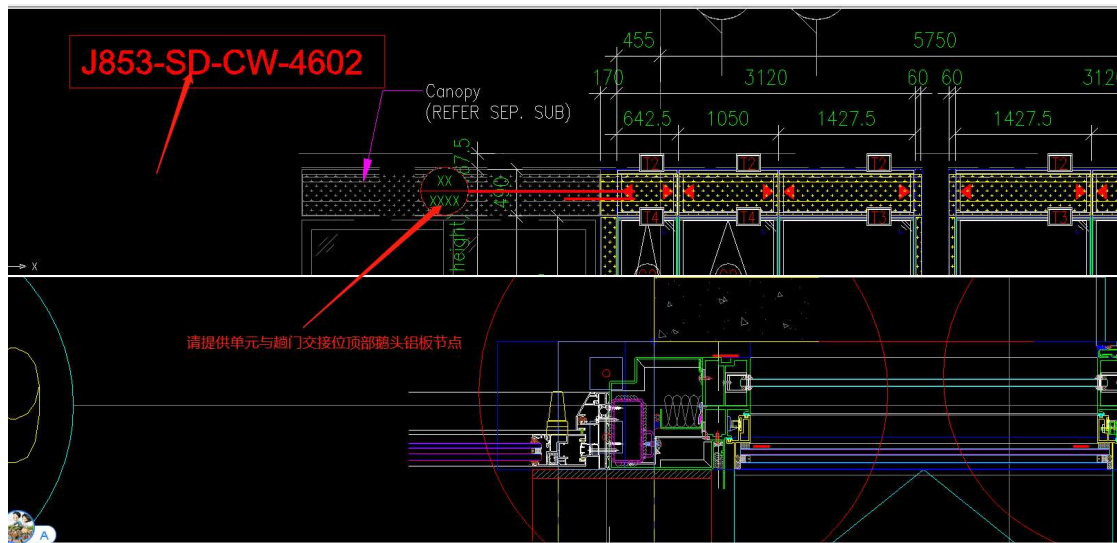


问题3: 立面编号J853-SD-CW-4205和J853-SD-CW-4206, 从平面图上看, 铝板到门框的距离是不同的, 但所用节点都是1/5015A, 请查! 並請提供 J853-SD-CW-4206 FD門與單元件鵝頭位鋁板節點。

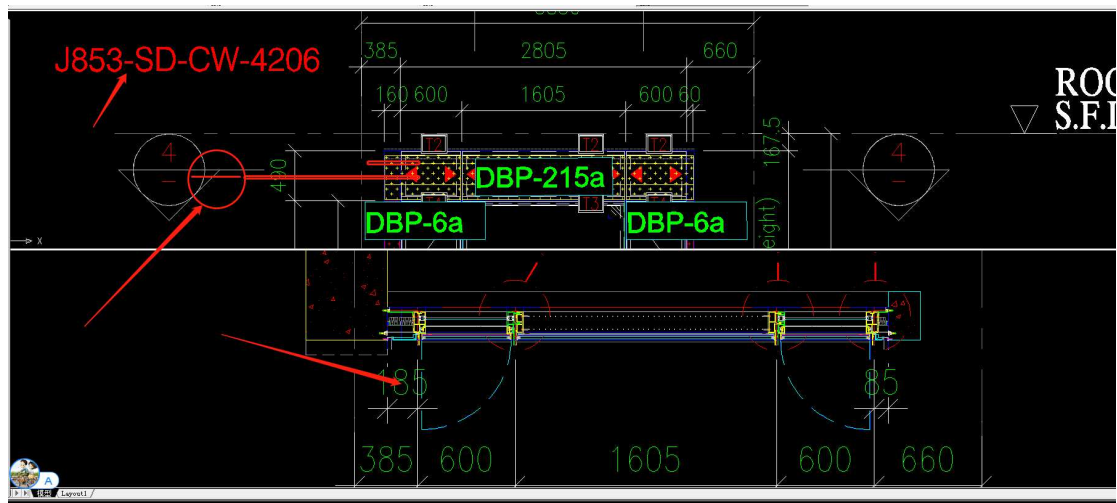


皇球建築工具箱 6.5 [微信公眾號: 皇球小筑]

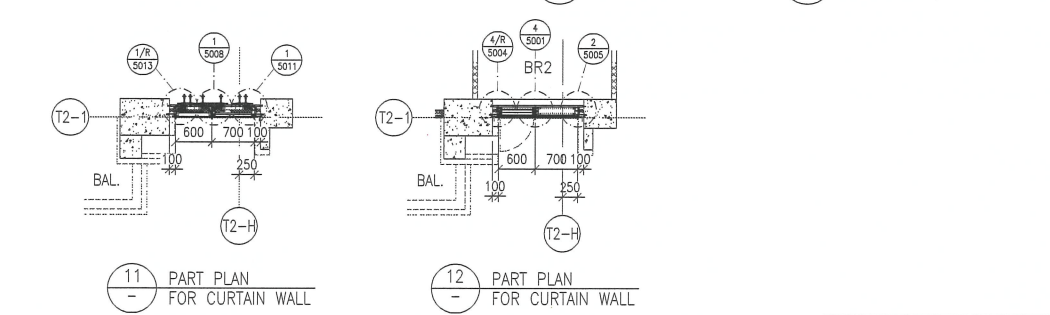
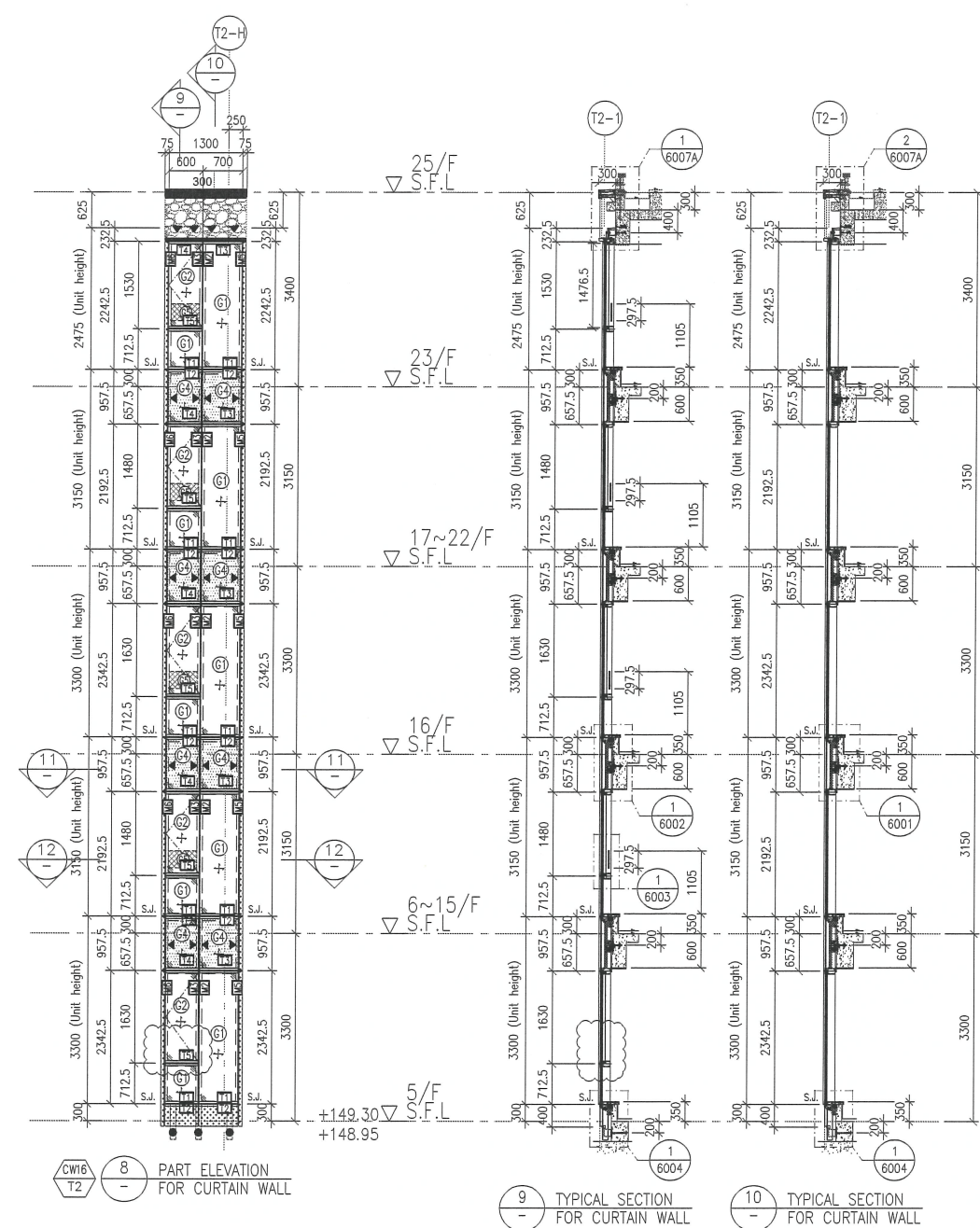
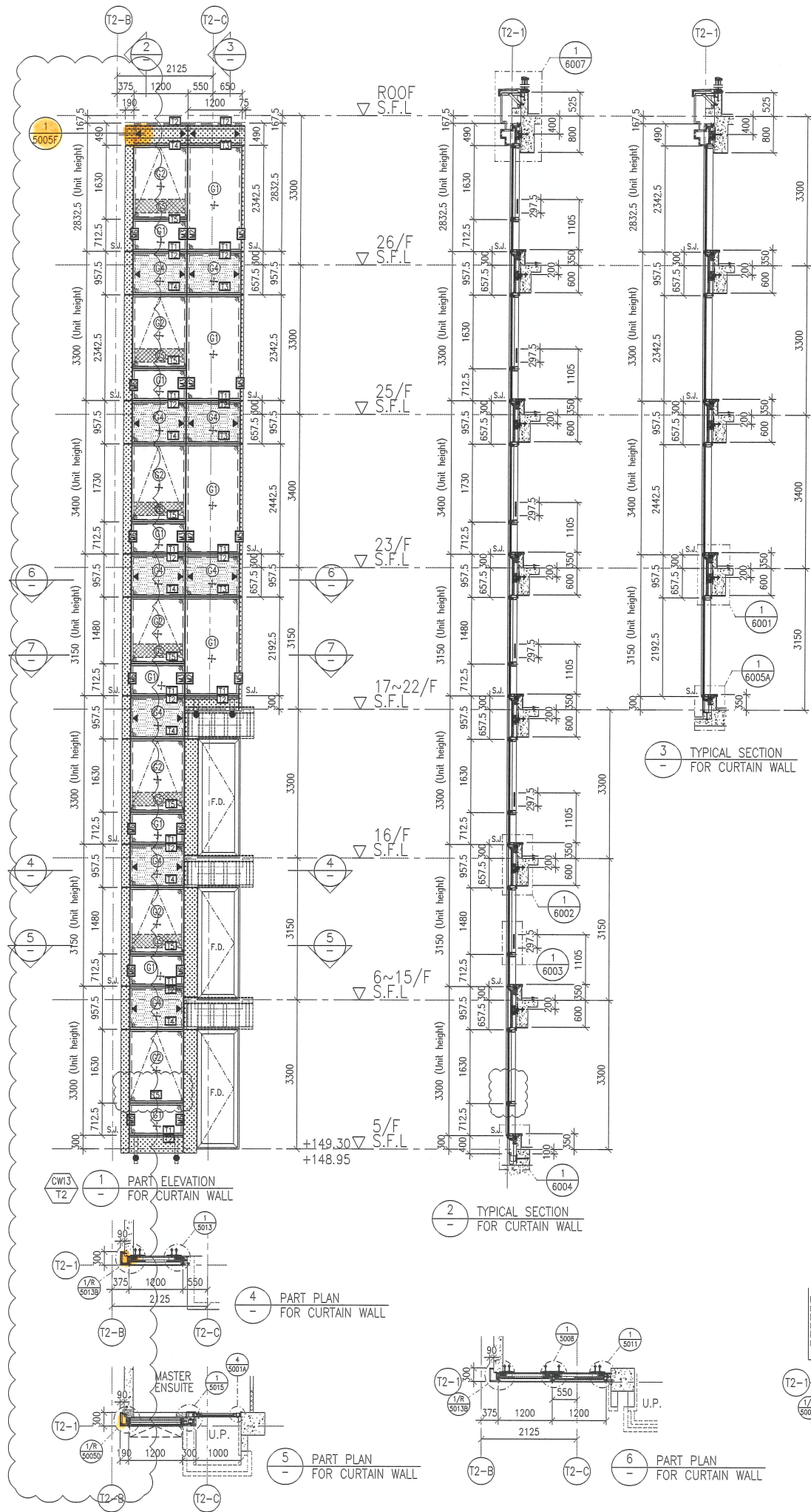
問題 4: 因鵝頭位鋁板與趟門頂部 canopy 交接位置節點不明, 請提供節點。



問題 5: 因邊位鋁板與 (2022.12.17 收頂部鋁板做法) 的邊位鋁板不同, 煩請提供此位頂部邊位鋁板的封口方式。



更新  
節點



T2 FLOOR LEVEL (S.F.L.)

FLOOR	LEVEL
R/F	+210.00
26/F	+206.70
25/F	+203.40
23/F	+200.00
22/F	+196.85
21/F	+193.70
20/F	+190.55
19/F	+187.40
18/F	+184.25
17/F	+181.10
16/F	+177.80
15/F	+174.65
12/F	+171.50
11/F	+168.35
10/F	+165.20
9/F	+162.05
8/F	+158.90
7/F	+155.75
6/F	+152.60
5/F	+149.30

- LEGEND:**
- 10mm HEAT STRENGTHENED GLASS (OUTER) + 12mm AIR SPACE + 12mm THK. TEMPERED CLEAR GLASS (INNER)
  - 10mm HEAT STRENGTHENED GLASS (OUTER) + 12mm AIR SPACE + 10mm THK. TEMPERED CLEAR GLASS (INNER)
  - 12mm THK. HEAT STRENGTHENED GLASS & 2mm THK. ALUM. BACKPAN (SPANDREL GLASS)
  - 12mm THK. CLEAR TEMPERED GLASS (INTERNAL PROTECTIVE BARRIER)
  - 3mm THK. ALUM. CLADDING
  - S.J. - STACK JOINT (WIND LOAD)
  - AC01 - ALUM. EXTRUSION DIE NO.
  - SUPPORT POINT (WIND LOAD + DEAD LOAD)
  - SUPPORT POINT (WIND LOAD)

B.D. REF :

# 問題 1

CLIENT : SHIMAO GROUP HOLDINGS LIMITED

ARCHITECT : WONG TUNG & PARTNERS LIMITED ARCHITECTS & PLANNERS

MAIN CONTRACTOR : 協興建築有限公司 HIP HING CONSTRUCTION CO LTD

STRUCTURAL ENGINEER : ICMA C M WONG & ASSOCIATES LTD 黃志明建築工程師有限公司

FACADE CONSULTANT : MEIN-HARDT

NOTE :

- ALL DIMENSIONS ARE IN mm.
- ALL ELEVATIONS ARE VIEWED FROM OUTSIDE.
- ALL DIMENSIONS TO BE VERIFIED ON SITE BEFORE FABRICATION.

LEGEND :

- X1 - DETAIL MARK NO.
- X001 - REFER SHEET NO.
- F.F.L. -- FINISHED FLOOR LEVEL
- S.F.L. -- STRUCTURAL FLOOR LEVEL
- (R) -- REVERSED DETAIL

A	05-10-2021	REVISION SUBJECT TO ARCH. COMMENT	
NO.	DATE	REVISED	BY

JOB NO. : J-853

PROJECT : PROPOSED RESIDENTIAL DEVELOPMENT AT N.K.I.L. 6542 YIN PING ROAD KOWLOON

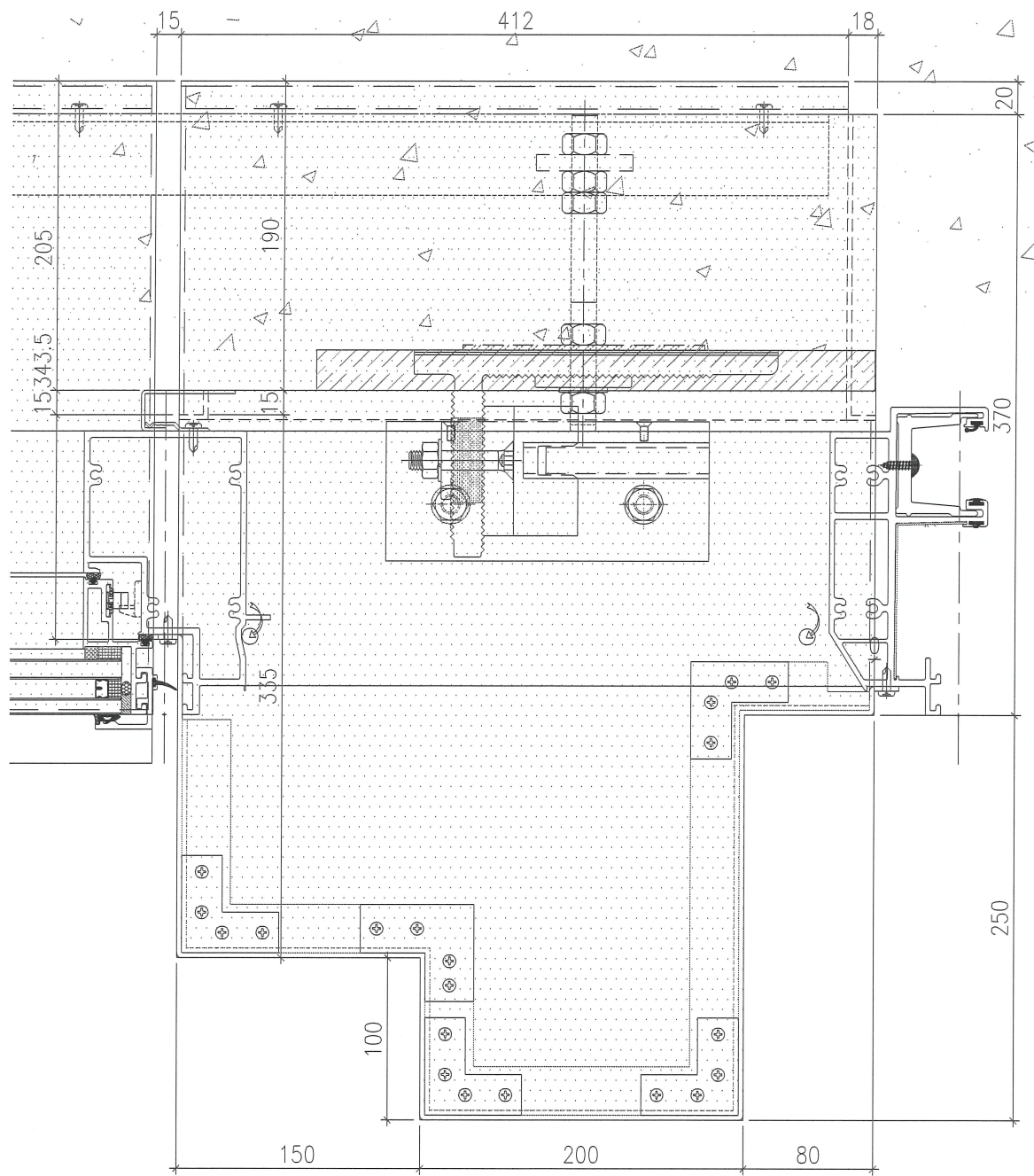
TITLE : PART ELEVATION FOR CURTAIN WALL AT TOWER 2

DATE : 26-MAR-21 SCALE : 1:60 (A1)

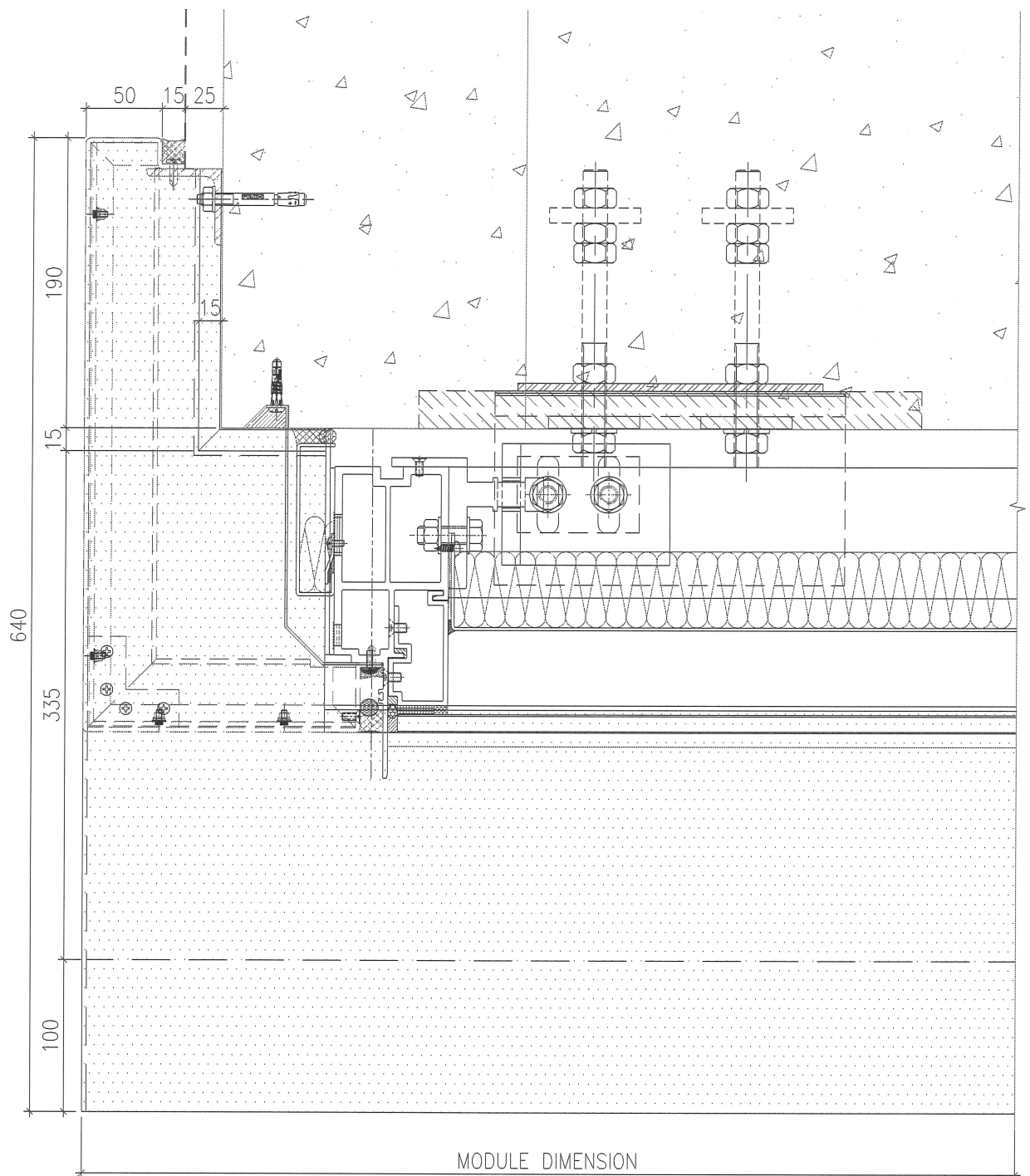
DRAWN BY : LHR CHECKED BY :

美特鋁質有限公司  
MIDI ALUMINIUM FABRICATOR LTD.  
Units 6-8, Sunray Industrial Centre, 1/F  
610 Cha Kwo Ling Road, Kowloon  
Tel: 23489211-4 Fax: (852) 2727666

DWG NO. : J853-SD-CW-4201 REV. : C



**A** SECTION DETAIL  
5005F (FOR EDGE MULLION)



**1** HORIZONTAL DETAIL  
5005F (FOR EDGE MULLION)

**A**  
5005F

B.D. REF :

問題 1

CLIENT :  
**SHIMAO GROUP HOLDINGS LIMITED**

ARCHITECT :  
**WONG TUNG & PARTNERS LIMITED ARCHITECTS & PLANNERS**  
**WT**

MAIN CONTRACTOR :  
**協興建築有限公司 HIP HING CONSTRUCTION CO LTD**

STRUCTURAL ENGINEER :  
**ICMA C M WONG & ASSOCIATES LTD**  
黃志明建築工程師有限公司

FACADE CONSULTANT:  
**MEIN-HARDT**

NOTE :  
1. ALL DIMENSIONS ARE IN mm.  
2. ALL ELEVATIONS ARE VIEWED FROM OUTSIDE.  
3. ALL DIMENSIONS TO BE VERIFIED ON SITE BEFORE FABRICATION.

LEGEND :  
X1 — DETAIL MARK NO.  
X001 — REFER SHEET NO.  
1. F.F.L. — FINISHED FLOOR LEVEL  
2. S.F.L. — STRUCTURAL FLOOR LEVEL  
3. (R) — REVERSED DETAIL

NO.	DATE	REVISED	BY

JOB NO. : J-853  
PROJECT : PROPOSED RESIDENTIAL DEVELOPMENT AT N.K.I.L. 6542 YIN PING ROAD KOWLOON

TITLE : HORIZONTAL DETAIL FOR CURTAIN WALL

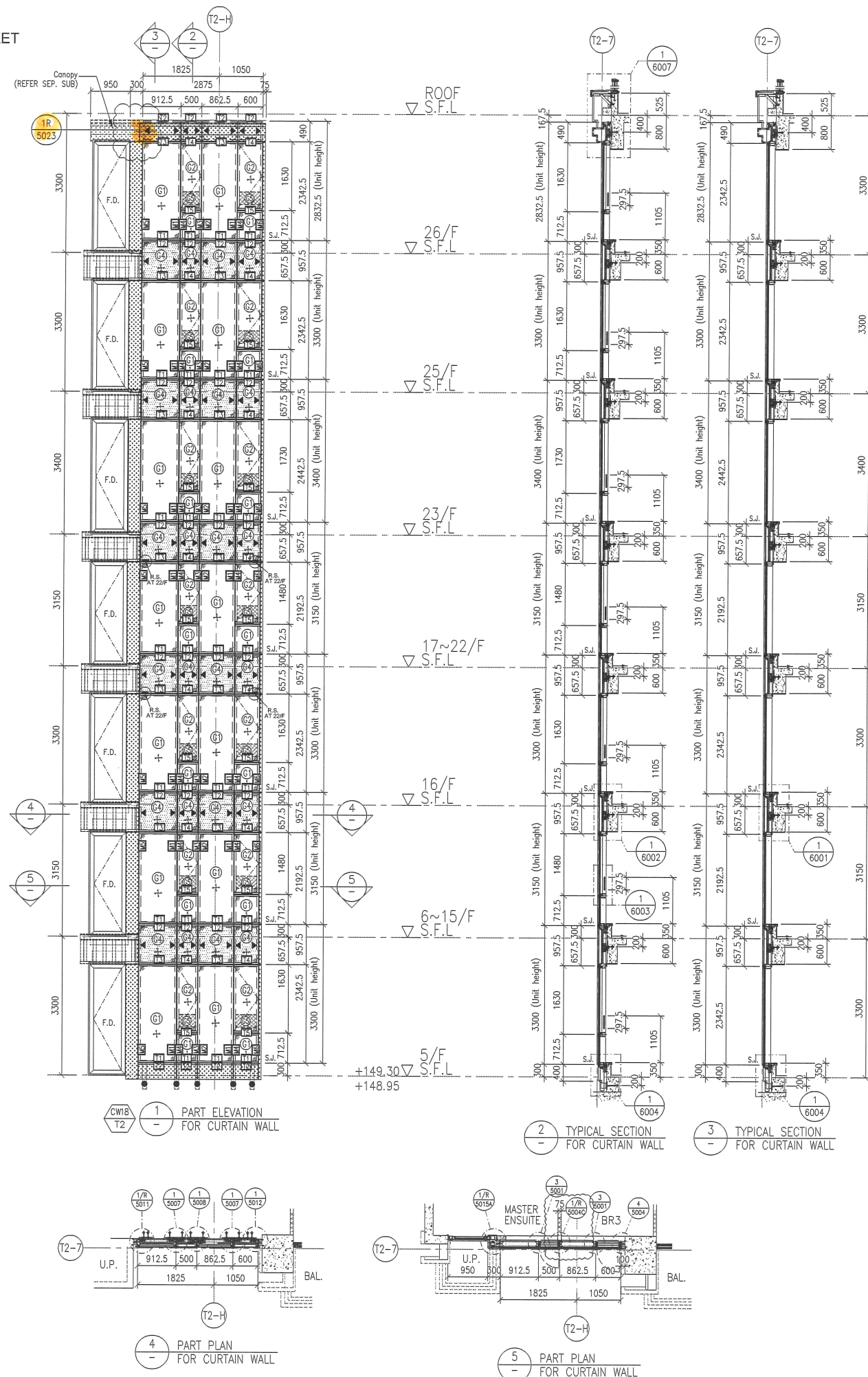
DATE : 07-OCT-21 SCALE : 1:2 (A3)

DRAWN BY : LHR CHECKED BY :

**美特鋁質有限公司**  
**MIDI ALUMINIUM FABRICATOR LTD.**  
Units 6-8, Sunray Industrial Centre, 1/F  
610 Cha Kwo Ling Road, Kowloon  
Tel: 23489211-4 Fax: (852) 2772666

DWG NO. : J853-SD-CW-5005F REV. : -

LEGEND :  
R.S. = RESTRAINT SOCKET



FLOOR LEVEL (S.F.L.)

FLOOR	LEVEL
ROOF	+210.00
26/F	+206.70
25/F	+203.40
23/F	+200.00
22/F	+196.85
21/F	+193.70
20/F	+190.55
19/F	+187.40
18/F	+184.25
17/F	+181.10
16/F	+177.80
15/F	+174.65
12/F	+171.50
11/F	+168.35
10/F	+165.20
9/F	+162.05
8/F	+158.90
7/F	+155.75
6/F	+152.60
5/F	+149.30

B.D. REF :

問題 2

CLIENT :  
**SHIMAO GROUP HOLDINGS LIMITED**

ARCHITECT :  
**WONG TUNG & PARTNERS LIMITED ARCHITECTS & PLANNERS**

MAIN CONTRACTOR :  
**協興建築有限公司 HIP HING CONSTRUCTION CO LTD**

STRUCTURAL ENGINEER :  
**ICMA C M WONG & ASSOCIATES LTD 黃志明建築工程師有限公司**

FACADE CONSULTANT:  
**MEINHARDT**

NOTE :  
1. ALL DIMENSIONS ARE IN mm.  
2. ALL ELEVATIONS ARE VIEWED FROM OUTSIDE.  
3. ALL DIMENSIONS TO BE VERIFIED ON SITE BEFORE FABRICATION.

LEGEND :  
X1 -- DETAIL MARK NO.  
X001 -- REFER SHEET NO.  
1. F.F.L. -- FINISHED FLOOR LEVEL  
2. S.F.L. -- STRUCTURAL FLOOR LEVEL  
3. (R) -- REVERSED DETAIL

NO.	DATE	REVISION SUBJECT TO ARCH. COMMENT	REVISOR	BY
A	05-10-2021	REVISION SUBJECT TO ARCH. COMMENT		

JOB NO. : J-853  
PROJECT : PROPOSED RESIDENTIAL DEVELOPMENT AT N.K.I.L. 6542 YIN PING ROAD KOWLOON

TITLE : PART ELEVATION FOR CURTAIN WALL AT TOWER 2

DATE : 26-MAR-21 SCALE : 1:60 (A1)

DRAWN BY : LHR CHECKED BY :

**美特鋁質有限公司**  
**MIDI ALUMINIUM FABRICATOR LTD.**  
Units 6-8, Sunray Industrial Centre, 1/F  
610 Cho Kwo Ling Road, Kowloon  
Tel:23489211-4 Fax:(852)2772666

DWG NO. : J853-SD-CW-4204 REV. : B

- LEGEND:
- 10mm HEAT STRENGTHENED GLASS (OUTER) + 12mm AIR SPACE + 12mm THK. TEMPERED CLEAR GLASS (INNER)
  - 10mm HEAT STRENGTHENED GLASS (OUTER) + 12mm AIR SPACE + 10mm THK. TEMPERED CLEAR GLASS (INNER)
  - 12mm THK. HEAT STRENGTHENED GLASS & 2mm THK. ALUM. BACKPAN (SPANDREL GLASS)
  - 12mm THK. CLEAR TEMPERED GLASS ( INTERNAL PROTECTIVE BARRIER )
  - 3mm THK. ALUM. CLADDING
  - S.J. - STACK JOINT (WIND LOAD)
  - ALUM. EXTRUSION DIE NO.
  - SUPPORT POINT (WIND LOAD + DEAD LOAD)
  - SUPPORT POINT (WIND LOAD)

B.D. REF :

問題  
3,5

CLIENT :

SHIMAO GROUP HOLDINGS LIMITED

ARCHITECT : WONG TUNG & PARTNERS LIMITED ARCHITECTS & PLANNERS

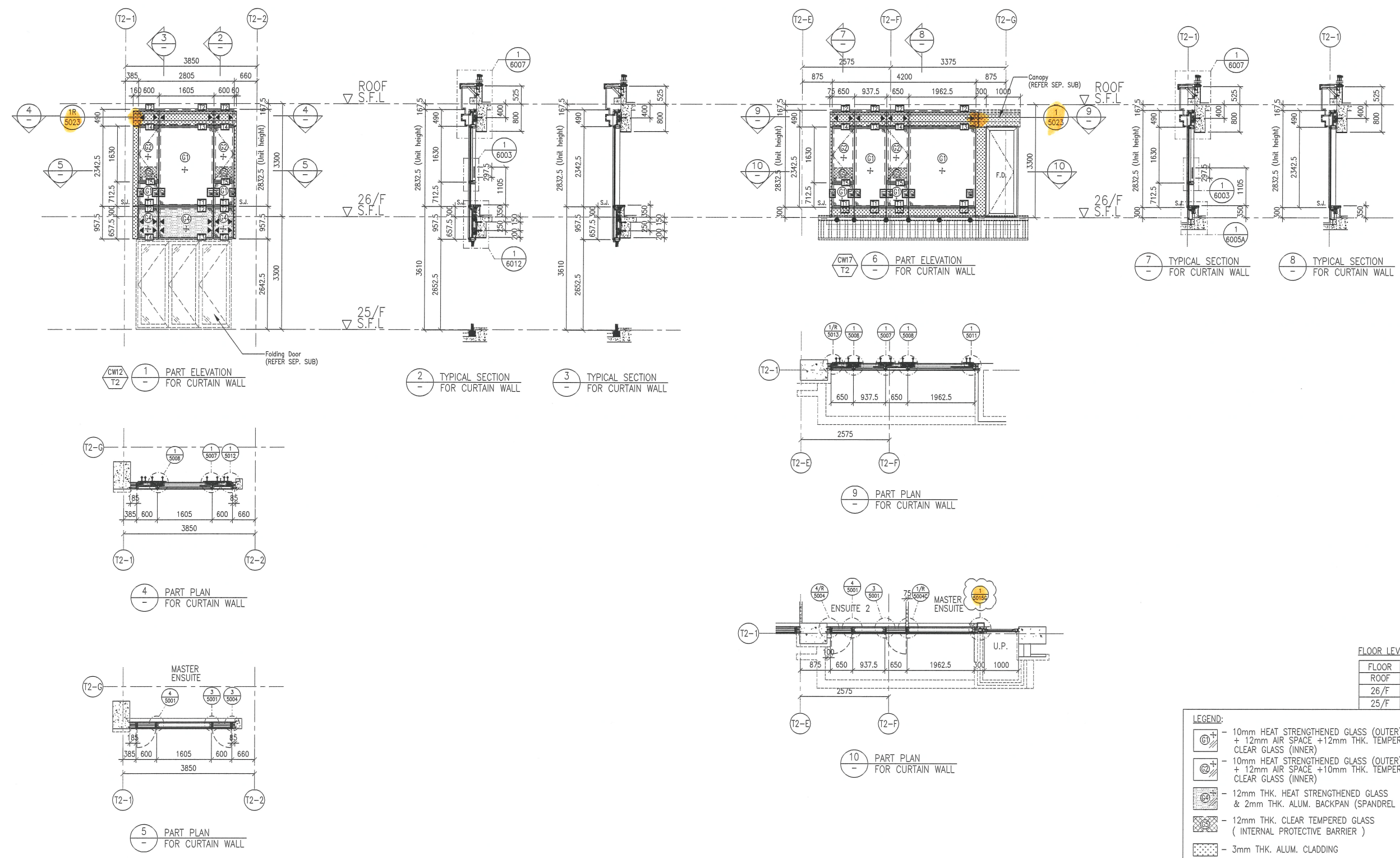


MAIN CONTRACTOR : 協興建築有限公司 HIP HING CONSTRUCTION CO LTD

STRUCTURAL ENGINEER : ICMA C M WONG & ASSOCIATES LTD 黃志明建築工程師有限公司

FACADE CONSULTANT: MEINHARDT

NOTE :  
1. ALL DIMENSIONS ARE IN mm.  
2. ALL ELEVATIONS ARE VIEWED FROM OUTSIDE.  
3. ALL DIMENSIONS TO BE VERIFIED ON SITE BEFORE FABRICATION.  
LEGEND :  
X1 -- DETAIL MARK NO.  
X001 -- REFER SHEET NO.  
1. F.F.L. -- FINISHED FLOOR LEVEL  
2. S.F.L. -- STRUCTURAL FLOOR LEVEL  
3. (R) -- REVERSED DETAIL



FLOOR LEVEL (S.F.L.)	
FLOOR	LEVEL
ROOF	+210.00
26/F	+206.70
25/F	+203.40

- LEGEND:
- 10mm HEAT STRENGTHENED GLASS (OUTER) + 12mm AIR SPACE + 12mm THK. TEMPERED CLEAR GLASS (INNER)
  - 10mm HEAT STRENGTHENED GLASS (OUTER) + 12mm AIR SPACE + 10mm THK. TEMPERED CLEAR GLASS (INNER)
  - 12mm THK. HEAT STRENGTHENED GLASS & 2mm THK. ALUM. BACKPAN (SPANDREL GLASS)
  - 12mm THK. CLEAR TEMPERED GLASS ( INTERNAL PROTECTIVE BARRIER )
  - 3mm THK. ALUM. CLADDING
  - S.J. - STACK JOINT (WIND LOAD)
  - AK01 - ALUM. EXTRUSION DIE NO.
  - ▲ - SUPPORT POINT (WIND LOAD + DEAD LOAD)
  - - SUPPORT POINT (WIND LOAD)

NO.	DATE	REVISED	BY

JOB NO. : J-853

PROJECT : PROPOSED RESIDENTIAL DEVELOPMENT AT N.K.I.L. 6542 YIN PING ROAD KOWLOON

TITLE : PART ELEVATION FOR CURTAIN WALL AT TOWER 2

DATE : 05-OCT-21    SCALE : 1:60 (A1)

DRAWN BY : LHR    CHECKED BY :

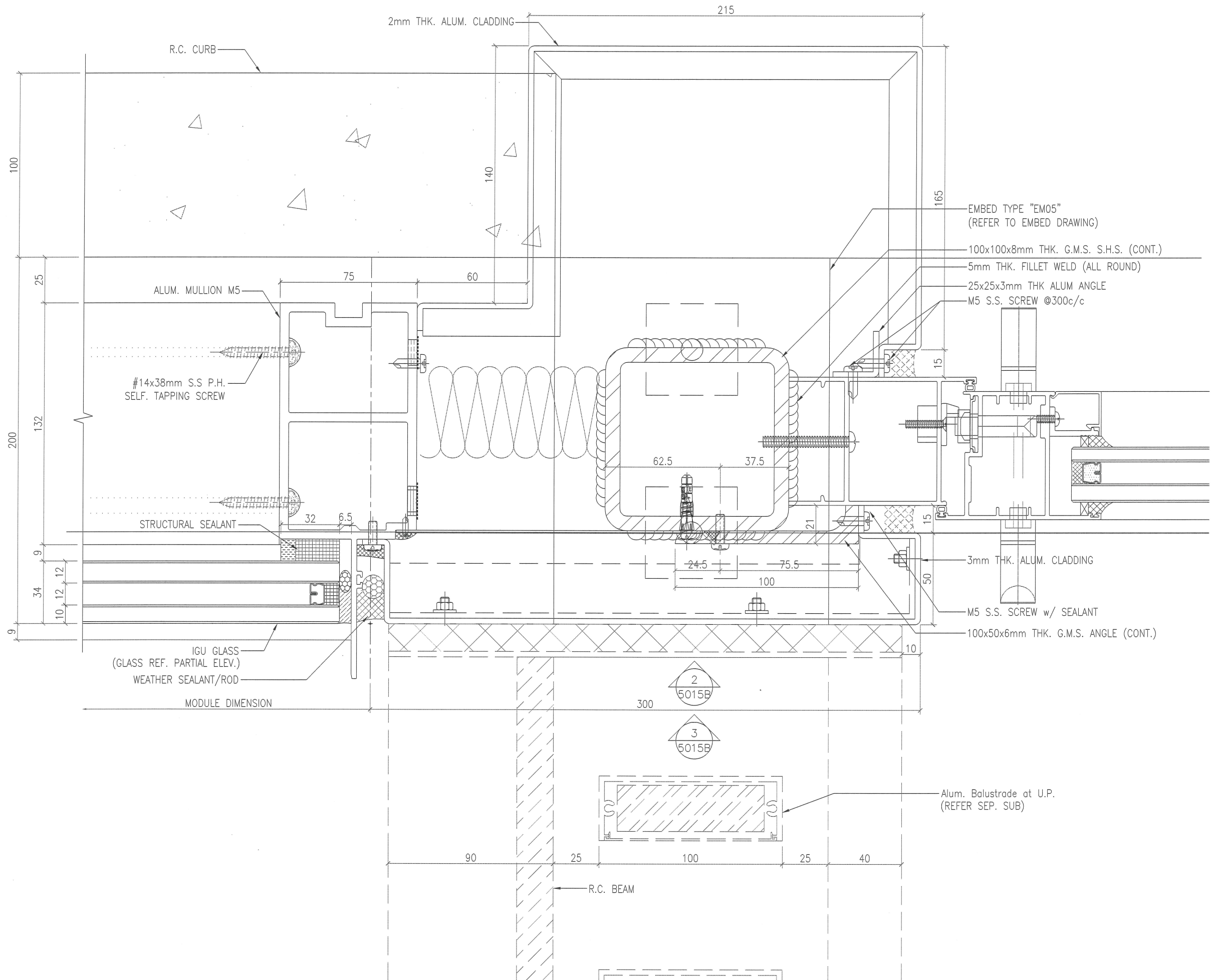
**美特鋁質有限公司**  
MIDI ALUMINIUM FABRICATOR LTD.  
Units 6-8, Sunray Industrial Centre, 1/F  
610 Cha Kwo Ling Road, Kowloon  
Tel: 23489211-4    Fax: (852) 2727666

DWG NO. : J853-SD-CW-4206    REV. : B

T:\Jobs\J-853\3.Submission\1. Shop Drawing\Curtain Wall\9th Shopdrawing\4. PART ELEVATION\4201-4206 Part elevation (T2).dwg, Model

B.D. REF :

問題 3



CLIENT :  
**SHIMAO GROUP HOLDINGS LIMITED**

ARCHITECT :  
**WONG TUNG & PARTNERS LIMITED ARCHITECTS & PLANNERS**

MAIN CONTRACTOR :  
**協興建築有限公司 HIP HING CONSTRUCTION CO LTD**

STRUCTURAL ENGINEER :  
**ICMA C M WONG & ASSOCIATES LTD 黃志明建築工程師有限公司**

FAÇADE CONSULTANT:  
**MEIN-HARDT**

NOTE :  
 1. ALL DIMENSIONS ARE IN mm.  
 2. ALL ELEVATIONS ARE VIEWED FROM OUTSIDE.  
 3. ALL DIMENSIONS TO BE VERIFIED ON SITE BEFORE FABRICATION.

LEGEND :  
 X1 --- DETAIL MARK NO.  
 X001 --- REFER SHEET NO.  
 1. F.F.L. --- FINISHED FLOOR LEVEL  
 2. S.F.L. --- STRUCTURAL FLOOR LEVEL  
 3. (R) --- REVERSED DETAIL

NO.	DATE	REVISED	BY

JOB NO. : J-853  
 PROJECT : PROPOSED RESIDENTIAL DEVELOPMENT AT N.K.I.L. 6542 YIN PING ROAD KOWLOON

TITLE :  
 HORIZONTAL DETAIL FOR CURTAIN WALL

DATE : 20-APR-21 SCALE : 1:2 (A3)

DRAWN BY : LHR CHECKED BY :

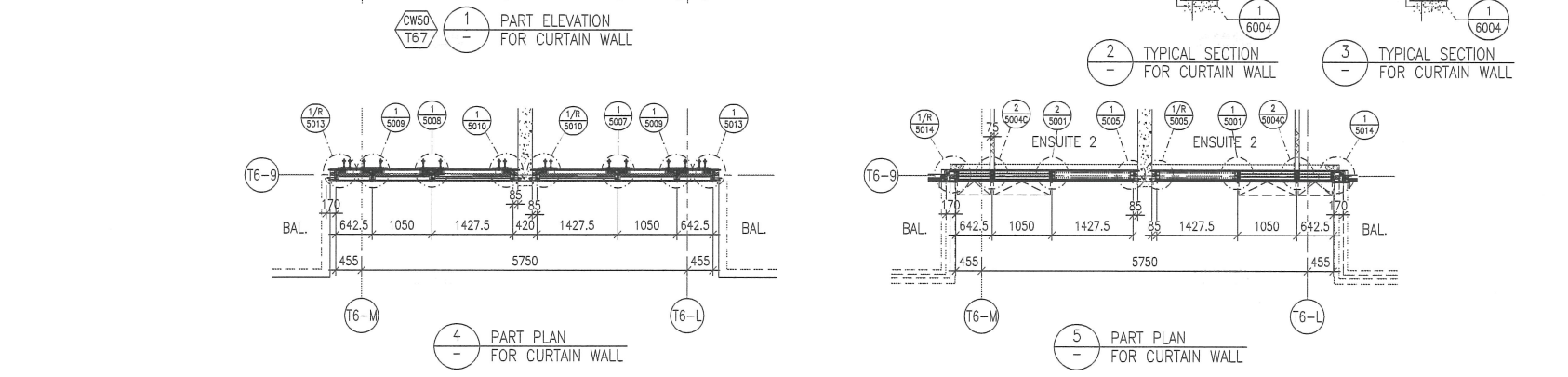
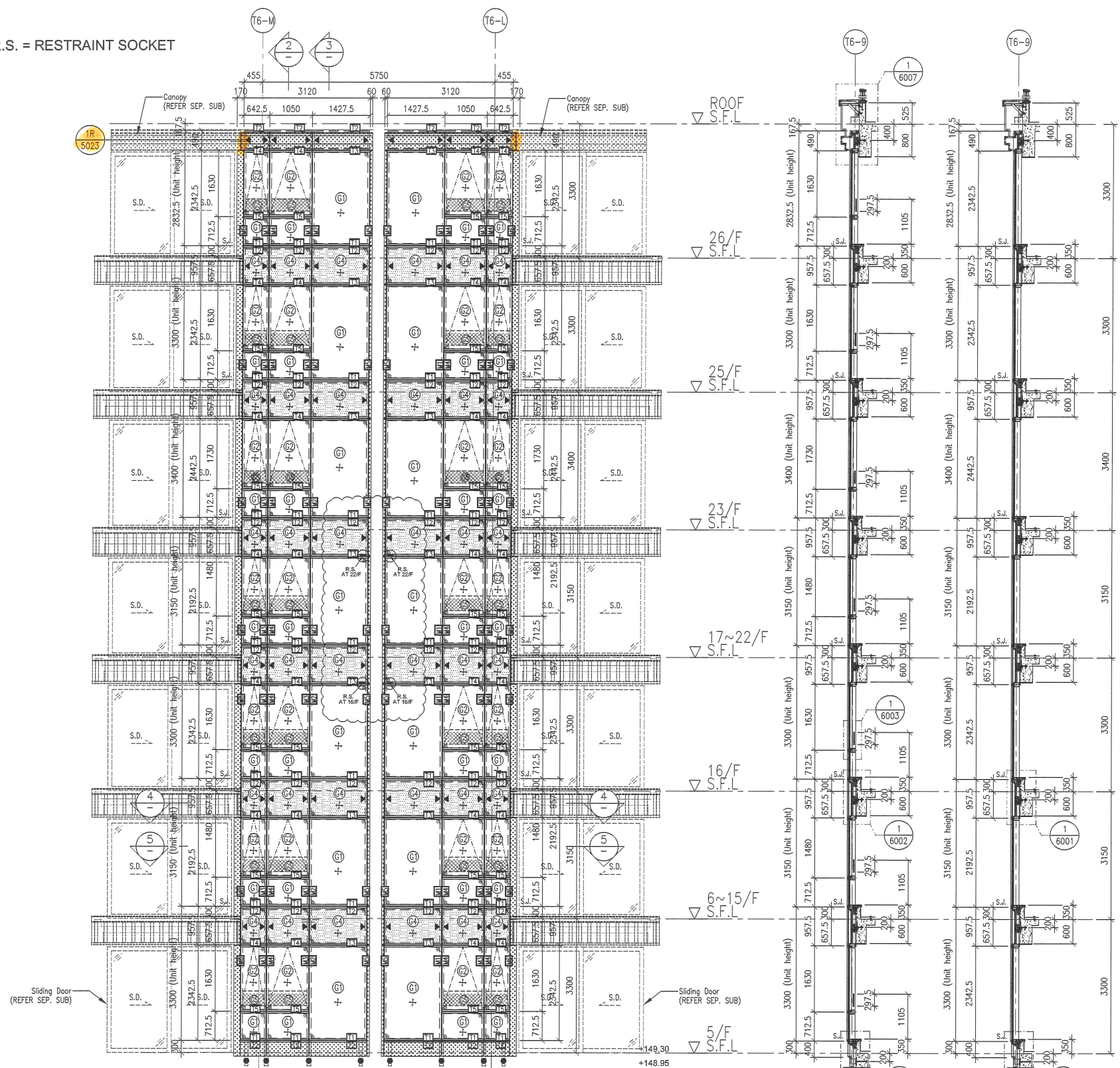
**美特鋁質有限公司**  
**MIDI ALUMINIUM FABRICATOR LTD.**  
 Units 6-8, Sunray Industrial Centre, 1/F  
 610 Cho Kwo Ling Road, Kowloon  
 Tel: 23489211-4 Fax: (852) 2727666

DWG NO. : J853-SD-CW-50156 REV. : -

B.D. REF :

# 問題 4

LEGEND :  
R.S. = RESTRAINT SOCKET



FLOOR LEVEL (S.F.L.)

FLOOR	LEVEL
ROOF	+210.00
26/F	+206.70
25/F	+203.40
23/F	+200.00
22/F	+196.85
21/F	+193.70
20/F	+190.55
19/F	+187.40
18/F	+184.25
17/F	+181.10
16/F	+177.80
15/F	+174.65
12/F	+171.50
11/F	+168.35
10/F	+165.20
9/F	+162.05
8/F	+158.90
7/F	+155.75
6/F	+152.60
5/F	+149.30

- NOTE :
- ALL DIMENSIONS ARE IN mm.
  - ALL ELEVATIONS ARE VIEWED FROM OUTSIDE.
  - ALL DIMENSIONS TO BE VERIFIED ON SITE BEFORE FABRICATION.
- LEGEND :
- X1 - DETAIL MARK NO.
  - X001 - REFER SHEET NO.
  - 1. F.F.L. --- FINISHED FLOOR LEVEL
  - 2. S.F.L. --- STRUCTURAL FLOOR LEVEL
  - 3. (R) --- REVERSED DETAIL

- LEGEND:
- (1) 10mm HEAT STRENGTHENED GLASS (OUTER) + 12mm AIR SPACE +12mm THK. TEMPERED CLEAR GLASS (INNER)
  - (2) 10mm HEAT STRENGTHENED GLASS (OUTER) + 12mm AIR SPACE +10mm THK. TEMPERED CLEAR GLASS (INNER)
  - (3) 12mm THK. HEAT STRENGTHENED GLASS & 2mm THK. ALUM. BACKPAN (SPANDREL GLASS)
  - (4) 12mm THK. CLEAR TEMPERED GLASS ( INTERNAL PROTECTIVE BARRIER )
  - (5) 3mm THK. ALUM. CLADDING
  - S.J. - STACK JOINT (WIND LOAD)
  - (AK01) - ALUM. EXTRUSION DIE NO.
  - ▲ - SUPPORT POINT (WIND LOAD + DEAD LOAD)
  - - SUPPORT POINT (WIND LOAD)

CLIENT :  
**SHIMAO GROUP HOLDINGS LIMITED**

ARCHITECT :  
**WONG TUNG & PARTNERS LIMITED ARCHITECTS & PLANNERS**

MAIN CONTRACTOR :  
**協興建築有限公司 HIP HING CONSTRUCTION CO LTD**

STRUCTURAL ENGINEER :  
**ICMA C M WONG & ASSOCIATES LTD 黃志明建築工程師有限公司**

FAÇADE CONSULTANT:  
**MEIN-HARDT**

JOB NO. : J-853

PROJECT : PROPOSED RESIDENTIAL DEVELOPMENT AT N.K.I.L. 6542 YIN PING ROAD KOWLOON

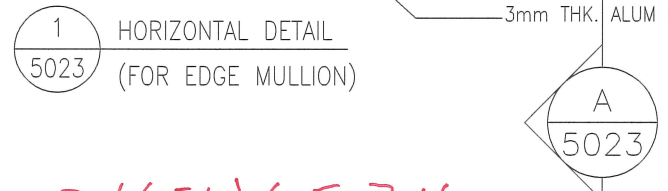
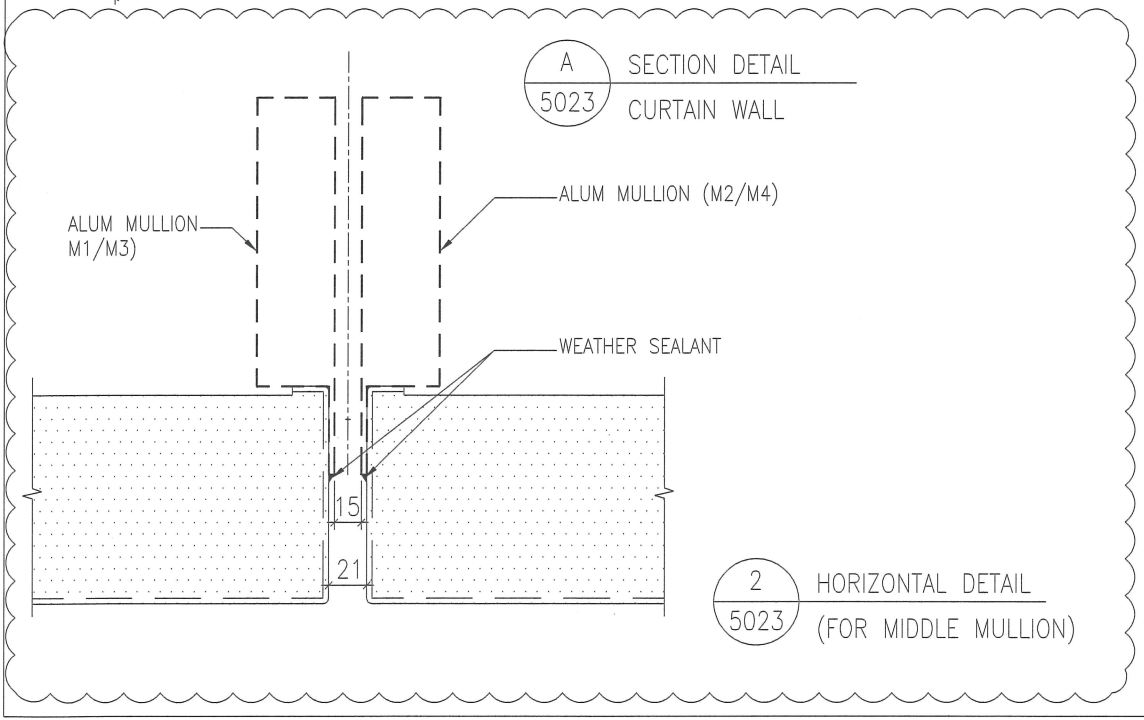
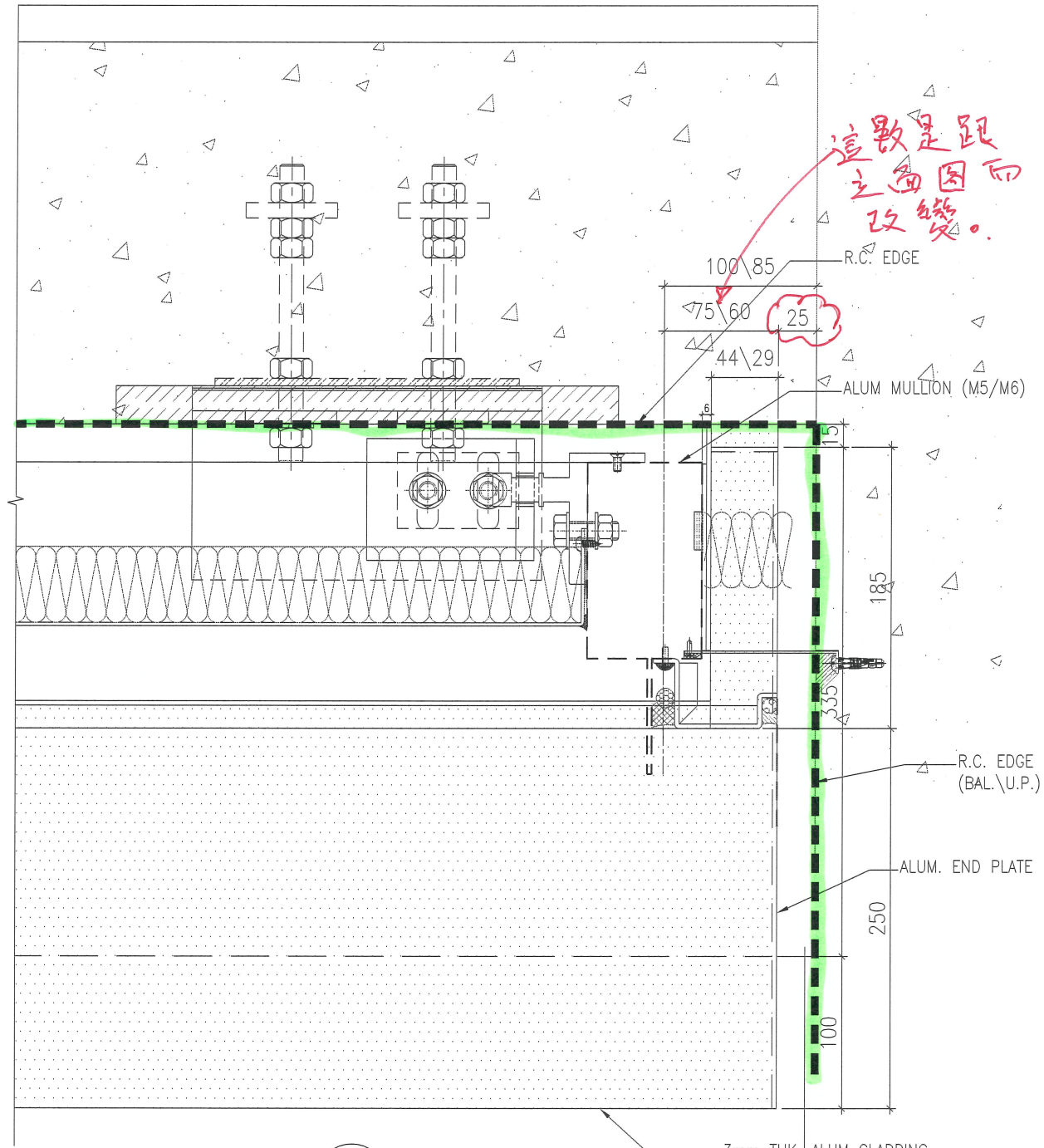
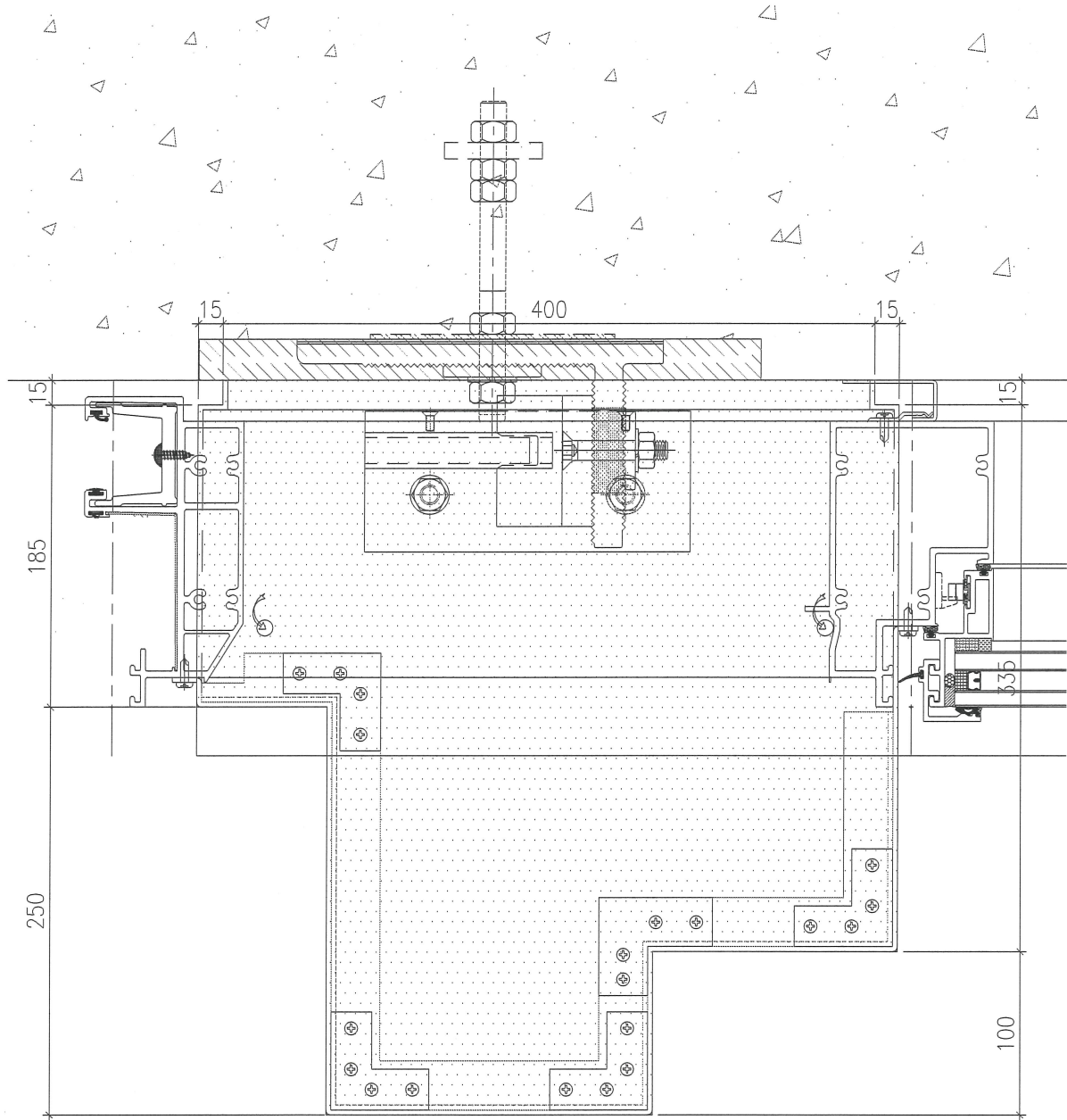
TITLE : PART ELEVATION FOR CURTAIN WALL AT TOWER 6 & 7

DATE : 12-APR-21 SCALE : 1:60 (A1)

DRAWN BY : LHR CHECKED BY :

**美特鋁質有限公司**  
MIDI ALUMINIUM FABRICATOR LTD.  
Units 6-8, Sunray Industrial Centre, 1/F  
610 Cha Kwo Ling Road, Kowloon  
Tel:23489211-4 Fax:(852)2727666

DWG NO. : J853-SD-CW-4602 REV. : B



所有頂鋁窗做到離石屎線 25mm

B.D. REF :  
問題  
2,3,4,5

CLIENT : SHIMAO GROUP HOLDINGS LIMITED  
ARCHITECT : WONG TUNG & PARTNERS LIMITED ARCHITECTS & PLANNERS  
MAIN CONTRACTOR : 協興建築有限公司 HIP HING CONSTRUCTION CO LTD  
STRUCTURAL ENGINEER : C M WONG & ASSOCIATES LTD 黃志明建築工程師有限公司  
FACADE CONSULTANT : MEIN-HARDT

NOTE :  
1. ALL DIMENSIONS ARE IN mm.  
2. ALL ELEVATIONS ARE VIEWED FROM OUTSIDE.  
3. ALL DIMENSIONS TO BE VERIFIED ON SITE BEFORE FABRICATION.  
LEGEND :  
X1 -- DETAIL MARK NO.  
X001 -- REFER SHEET NO.  
1. F.F.L. -- FINISHED FLOOR LEVEL  
2. S.F.L. -- STRUCTURAL FLOOR LEVEL  
3. (R) -- REVERSED DETAIL

NO.	DATE	REVISED	BY

JOB NO. : J-853  
PROJECT : PROPOSED RESIDENTIAL DEVELOPMENT AT N.K.I.L. 6542 YIN PING ROAD KOWLOON  
TITLE : HORIZONTAL DETAIL FOR CURTAIN WALL

DATE : 20-APR-21 SCALE : 1:2 (A3)  
DRAWN BY : LHR CHECKED BY :  
MIDI ALUMINIUM FABRICATOR LTD.  
Units 6-8, Sunray Industrial Centre, 1/F  
610 Cha Kwo Ling Road, Kowloon  
Tel: 23489211-4 Fax: (852) 27727666  
DWG NO. : J853-SD-CW-5023 REV. : -