

美特鋁質有限公司

MIDI ALUMINIUM FABRICATOR LTD.



工程指示 / 要求簡箋 ENGINEER INSTRUCTIONS(E.I.)

工程指示編號:	EI- 5531A	修改版本:	A
	HK-2369		
工程編號:	J 853	工程名稱:	延坪道
收件人:	技術部/方強	發件人:	Lai Sik Hung
工程項目:	國內廠房技術部問題回覆(修訂A:更正回覆)	日期:	23/12/2022

<input type="checkbox"/> 原合約工程包	<input type="checkbox"/> 原合約工程加 / 減賬 QT-	<input type="checkbox"/> 新工程報價 QT-
---------------------------------	--	------------------------------------

信件批核號碼/圖紙參考編號:	批核模具圖紙編號:
客戶指示附件:	管理內部批簽署:

<input type="checkbox"/> 初步鋁料 B.M.	<input type="checkbox"/> 加工拆圖, 然後生產	<input type="checkbox"/> 尺寸表
<input type="checkbox"/> 正式鋁料 B.M.	<input type="checkbox"/> 技術上資料/指示	<input type="checkbox"/> 報價
<input type="checkbox"/> 配件 B.M.	<input type="checkbox"/> 樣辦或貨品說明書	<input type="checkbox"/> 分判合約
<input type="checkbox"/> 其他:		

內容: 修訂A: 更正回覆

國內廠房技術部問題回覆

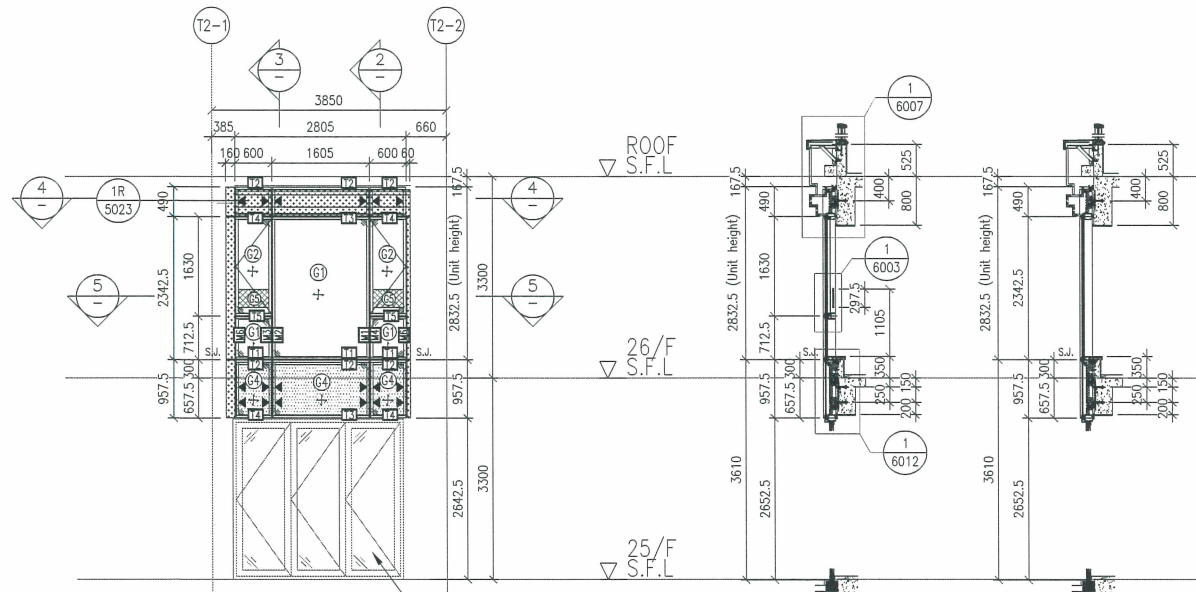
完成上列要求日期: ASAP

國內

<input type="checkbox"/> 生產技術總監	<input type="checkbox"/> 連附件	<input checked="" type="checkbox"/> 技術部	<input checked="" type="checkbox"/> 連附件	<input type="checkbox"/> 生產部	<input type="checkbox"/> 連附件
<input type="checkbox"/> 採購部	<input type="checkbox"/> 連附件	<input type="checkbox"/> 生產統籌部	<input type="checkbox"/> 連附件	<input type="checkbox"/> 報關組	<input type="checkbox"/> 連附件
<input type="checkbox"/> 質檢部	<input type="checkbox"/> 連附件	<input type="checkbox"/> 會計部	<input type="checkbox"/> 連附件	<input type="checkbox"/> 機械設計部	<input type="checkbox"/> 連附件
<input checked="" type="checkbox"/> 香港辦	<input checked="" type="checkbox"/> 連附件	<input type="checkbox"/> 其他:			

<input type="checkbox"/> 行政部	<input type="checkbox"/> 連附件	<input type="checkbox"/> 會計部	<input type="checkbox"/> 連附件	<input type="checkbox"/> 統籌部	<input type="checkbox"/> 連附件	<input type="checkbox"/> 工程部	<input type="checkbox"/> 連附件
<input type="checkbox"/> 採購部	<input type="checkbox"/> 連附件	<input type="checkbox"/> QS部	<input type="checkbox"/> 連附件	<input type="checkbox"/> 地盤管理	<input type="checkbox"/> 連附件	<input type="checkbox"/> 維修部	<input type="checkbox"/> 連附件

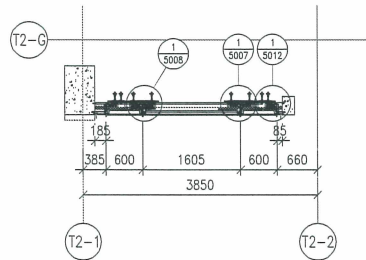
*發件人簽署:		*組別成員批核簽署:	
傳遞編號:		項目經理簽署:	



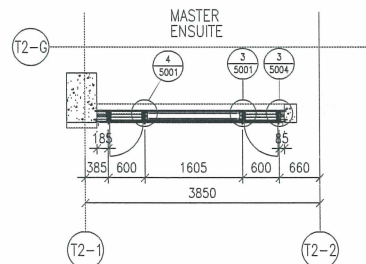
1 PART ELEVATION FOR CURTAIN WALL

2 TYPICAL SECTION FOR CURTAIN WALL

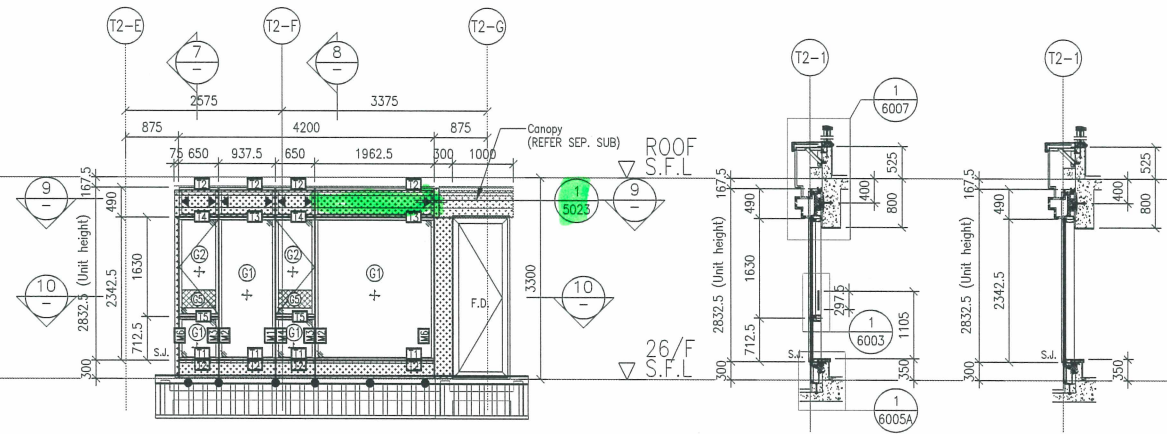
3 TYPICAL SECTION FOR CURTAIN WALL



4 PART PLAN FOR CURTAIN WALL



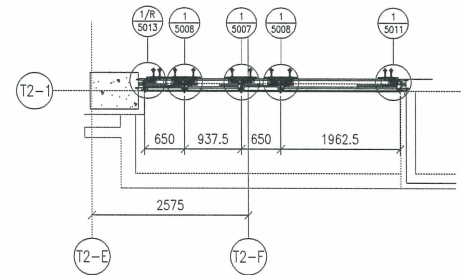
5 PART PLAN FOR CURTAIN WALL



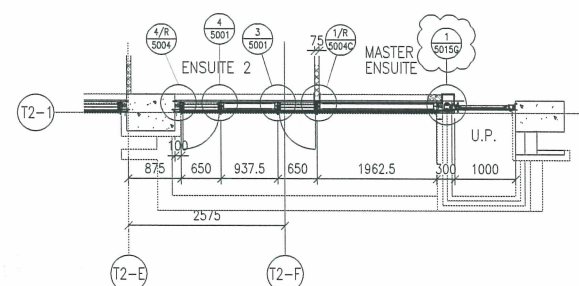
6 PART ELEVATION FOR CURTAIN WALL

7 TYPICAL SECTION FOR CURTAIN WALL

8 TYPICAL SECTION FOR CURTAIN WALL



9 PART PLAN FOR CURTAIN WALL



10 PART PLAN FOR CURTAIN WALL

FLOOR LEVEL (S.F.L.)	
FLOOR	LEVEL
ROOF	+210.00
26/F	+206.70
25/F	+203.40

- LEGEND:**
- 10mm HEAT STRENGTHENED GLASS (OUTER) + 12mm AIR SPACE + 12mm THK. TEMPERED CLEAR GLASS (INNER)
 - 10mm HEAT STRENGTHENED GLASS (INNER) + 12mm AIR SPACE + 10mm THK. TEMPERED CLEAR GLASS (OUTER)
 - 12mm THK. HEAT STRENGTHENED GLASS & 2mm THK. ALUM. BACKPAN (SPANDEL GLASS)
 - 12mm THK. CLEAR TEMPERED GLASS (INTERNAL PROTECTIVE BARRIER)
 - 3mm THK. ALUM. CLADDING
 - S.J. - STACK JOINT (WIND LOAD)
 - A5-01 - ALUM. EXTRUSION DIE NO.
 - SUPPORT POINT (WIND LOAD + DEAD LOAD)
 - SUPPORT POINT (WIND LOAD)

B.D. REF :

CLIENT : SHIMAO GROUP HOLDINGS LIMITED

ARCHITECT : WONG TUNG & PARTNERS LIMITED ARCHITECTS & PLANNERS

MAIN CONTRACTOR : 協興建築有限公司 HIP HING CONSTRUCTION CO LTD

STRUCTURAL ENGINEER : ICMA C M WONG & ASSOCIATES LTD 黃志明建築工程師有限公司

FACADE CONSULTANT: MEINHARDT

NOTE :

- ALL DIMENSIONS ARE IN mm.
- ALL ELEVATIONS ARE VIEWED FROM OUTSIDE.
- ALL DIMENSIONS TO BE VERIFIED ON SITE BEFORE FABRICATION.

LEGEND :

- X1 - DETAIL MARK NO.
- X001 - REFER SHEET NO.

- F.F.L. -- FINISHED FLOOR LEVEL
- S.F.L. -- STRUCTURAL FLOOR LEVEL
- (R) -- REVERSED DETAIL

NO.	DATE	REVISED	BY

JOB NO. : J-853

PROJECT : PROPOSED RESIDENTIAL DEVELOPMENT AT N.K.I.L. 6542 YIN PING ROAD KOWLOON

TITLE : PART ELEVATION FOR CURTAIN WALL AT TOWER 2

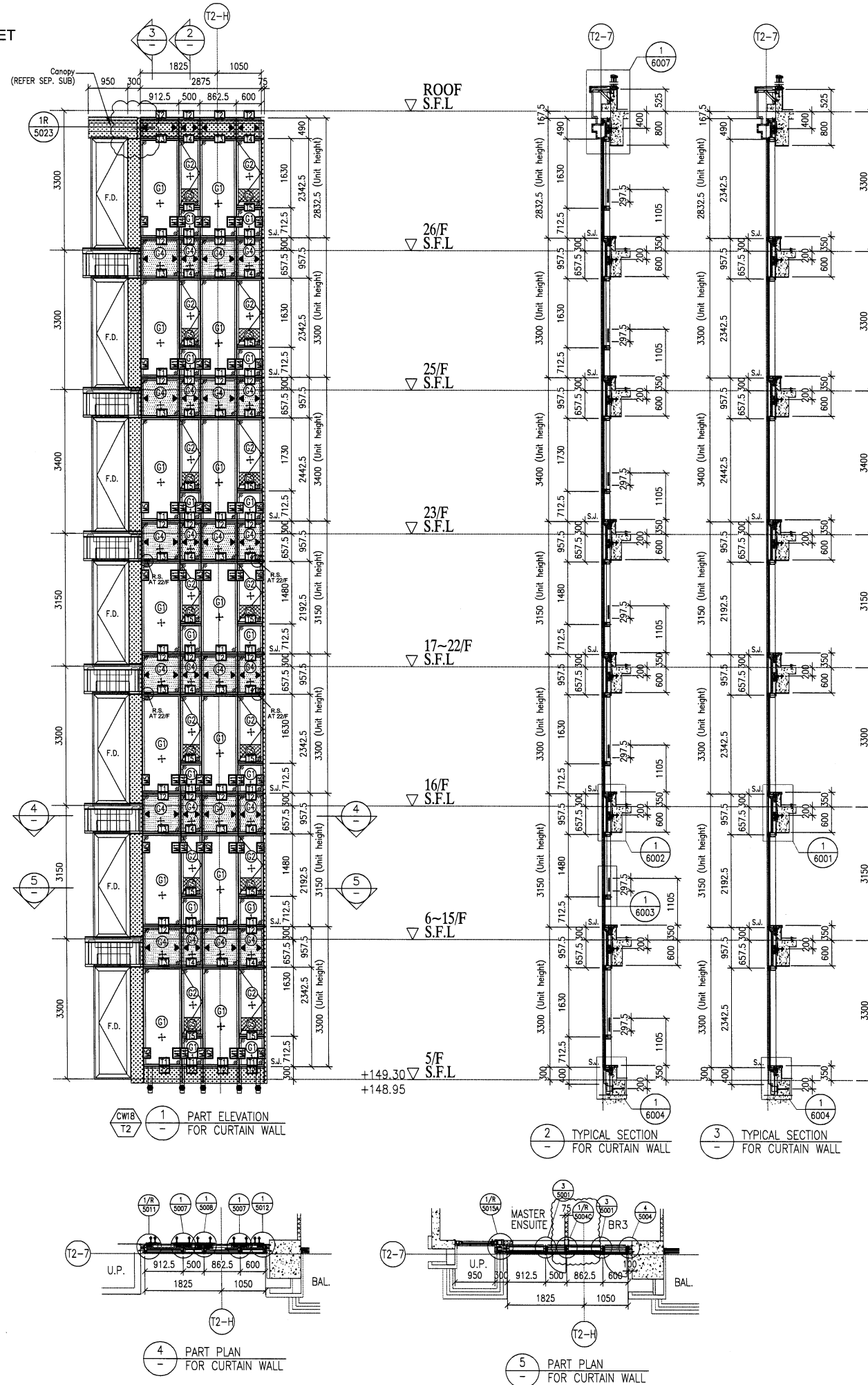
DATE : 05-OCT-21 SCALE : 1:60 (A1)

DRAWN BY : LHR CHECKED BY :

美特鋁質有限公司
MIDI ALUMINIUM FABRICATOR LTD.
Units 6-8, Sunray Industrial Centre, 1/F
610 Cha Kwo Ling Road, Kowloon
Tel:23489211-4 Fax:(852)27727666

DWG NO. : J853-SD-CW-4206 REV. : B

LEGEND :
R.S. = RESTRAINT SOCKET



FLOOR	LEVEL
ROOF	+210.00
26/F	+206.70
25/F	+203.40
23/F	+200.00
22/F	+196.85
21/F	+193.70
20/F	+190.55
19/F	+187.40
18/F	+184.25
17/F	+181.10
16/F	+177.80
15/F	+174.65
12/F	+171.50
11/F	+168.35
10/F	+165.20
9/F	+162.05
8/F	+158.90
7/F	+155.75
6/F	+152.60
5/F	+149.30

- LEGEND:
- ① - 10mm HEAT STRENGTHENED GLASS (OUTER) + 12mm AIR SPACE + 12mm THK. TEMPERED CLEAR GLASS (INNER)
 - ② - 10mm HEAT STRENGTHENED GLASS (OUTER) + 12mm AIR SPACE + 10mm THK. TEMPERED CLEAR GLASS (INNER)
 - ③ - 12mm THK. HEAT STRENGTHENED GLASS & 2mm THK. ALUM. BACKPAN (SPANDREL GLASS)
 - ④ - 12mm THK. CLEAR TEMPERED GLASS (INTERNAL PROTECTIVE BARRIER)
 - ⑤ - 3mm THK. ALUM. CLADDING
 - S.J. - STACK JOINT (WIND LOAD)
 - A-01 - ALUM. EXTRUSION DIE NO.
 - ▲ - SUPPORT POINT (WIND LOAD + DEAD LOAD)
 - - SUPPORT POINT (WIND LOAD)

B.D. REF :

CLIENT : SHIMAO GROUP HOLDINGS LIMITED

ARCHITECT : WONG TUNG & PARTNERS LIMITED ARCHITECTS & PLANNERS

MAIN CONTRACTOR : 協興建築有限公司 HIP HING CONSTRUCTION CO LTD

STRUCTURAL ENGINEER : ICMA C M WONG & ASSOCIATES LTD 黃志明建築工程師有限公司

FAÇADE CONSULTANT: MEINHARDT

NOTE :

- ALL DIMENSIONS ARE IN mm.
- ALL ELEVATIONS ARE VIEWED FROM OUTSIDE.
- ALL DIMENSIONS TO BE VERIFIED ON SITE BEFORE FABRICATION.

LEGEND :

- X1 - DETAIL MARK NO.
- X001 - REFER SHEET NO.

1. F.F.L. -- FINISHED FLOOR LEVEL
2. S.F.L. -- STRUCTURAL FLOOR LEVEL
3. (R) -- REVERSED DETAIL

NO.	DATE	REVISION	REVISOR	COMMENT	BY
A	05-10-2021	REVISION SUBJECT TO ARCH. COMMENT			

JOB NO. : J-853

PROJECT : PROPOSED RESIDENTIAL DEVELOPMENT AT N.K.I.L. 6542 YIN PING ROAD KOWLOON

TITLE : PART ELEVATION FOR CURTAIN WALL AT TOWER 2

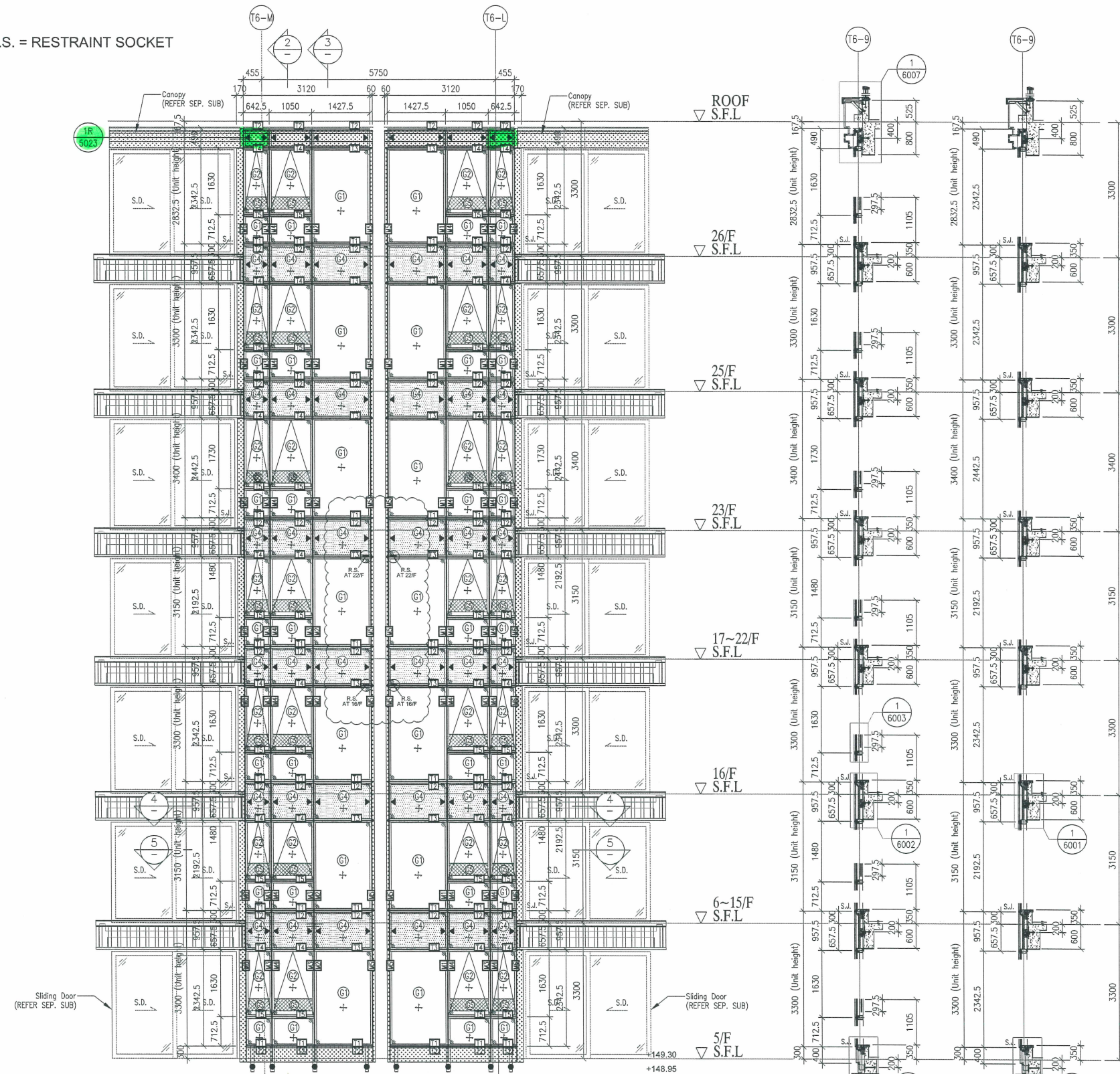
DATE : 26-MAR-21 SCALE : 1:60 (A1)

DRAWN BY : LHR CHECKED BY :

美特鋁質有限公司
MIDI ALUMINIUM FABRICATOR LTD.
Units 6-8, Sunray Industrial Centre, 1/F
610 Cha Kwo Ling Road, Kowloon
Tel:23489211-4 Fax:(852)2727666

DWG NO. : J853-SD-CW-4204 REV. : B

LEGEND :
R.S. = RESTRAINT SOCKET



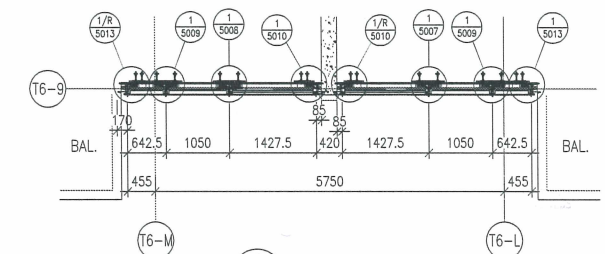
Sliding Door
(REFER SEP. SUB)

Sliding Door
(REFER SEP. SUB)

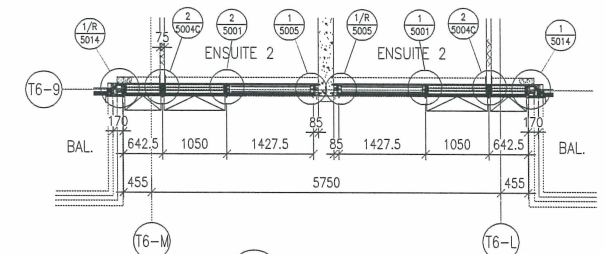
1 PART ELEVATION FOR CURTAIN WALL

2 TYPICAL SECTION FOR CURTAIN WALL

3 TYPICAL SECTION FOR CURTAIN WALL



4 PART PLAN FOR CURTAIN WALL



5 PART PLAN FOR CURTAIN WALL

FLOOR LEVEL (S.F.L.)

FLOOR	LEVEL
ROOF	+210.00
26/F	+206.70
25/F	+203.40
23/F	+200.00
22/F	+196.85
21/F	+193.70
20/F	+190.55
19/F	+187.40
18/F	+184.25
17/F	+181.10
16/F	+177.80
15/F	+174.65
12/F	+171.50
11/F	+168.35
10/F	+165.20
9/F	+162.05
8/F	+158.90
7/F	+155.75
6/F	+152.60
5/F	+149.30

- LEGEND:
- 10mm HEAT STRENGTHENED GLASS (OUTER) + 12mm AIR SPACE + 12mm THK. TEMPERED CLEAR GLASS (INNER)
 - 10mm HEAT STRENGTHENED GLASS (OUTER) + 12mm AIR SPACE + 10mm THK. TEMPERED CLEAR GLASS (INNER)
 - 12mm THK. HEAT STRENGTHENED GLASS & 2mm THK. ALUM. BACKPAN (SPANDREL GLASS)
 - 12mm THK. CLEAR TEMPERED GLASS (INTERNAL PROTECTIVE BARRIER)
 - 3mm THK. ALUM. CLADDING
 - STACK JOINT (WIND LOAD)
 - ALUM. EXTRUSION DIE NO.
 - SUPPORT POINT (WIND LOAD + DEAD LOAD)
 - SUPPORT POINT (WIND LOAD)

B.D. REF :

CLIENT :
SHIMAO GROUP HOLDINGS LIMITED

ARCHITECT :
WONG TUNG & PARTNERS LIMITED ARCHITECTS & PLANNERS

MAIN CONTRACTOR :
協興建築有限公司 HIP HING CONSTRUCTION CO LTD

STRUCTURAL ENGINEER :
ICMA C M WONG & ASSOCIATES LTD 黃志明建築工程師有限公司

FAÇADE CONSULTANT:
MEINHARDT

NOTE :
1. ALL DIMENSIONS ARE IN mm.
2. ALL ELEVATIONS ARE VIEWED FROM OUTSIDE.
3. ALL DIMENSIONS TO BE VERIFIED ON SITE BEFORE FABRICATION.

LEGEND :
X1 - DETAIL MARK NO.
X001 - REFER SHEET NO.

1. F.F.L. -- FINISHED FLOOR LEVEL
2. S.F.L. -- STRUCTURAL FLOOR LEVEL
3. (R) -- REVERSED DETAIL

A	09-10-2021	REVISION SUBJECT TO ARCH. COMMENT	BY
NO.	DATE	REVISED	

JOB NO. : J-853
PROJECT : PROPOSED RESIDENTIAL DEVELOPMENT AT N.K.I.L. 6542 YIN PING ROAD KOWLOON

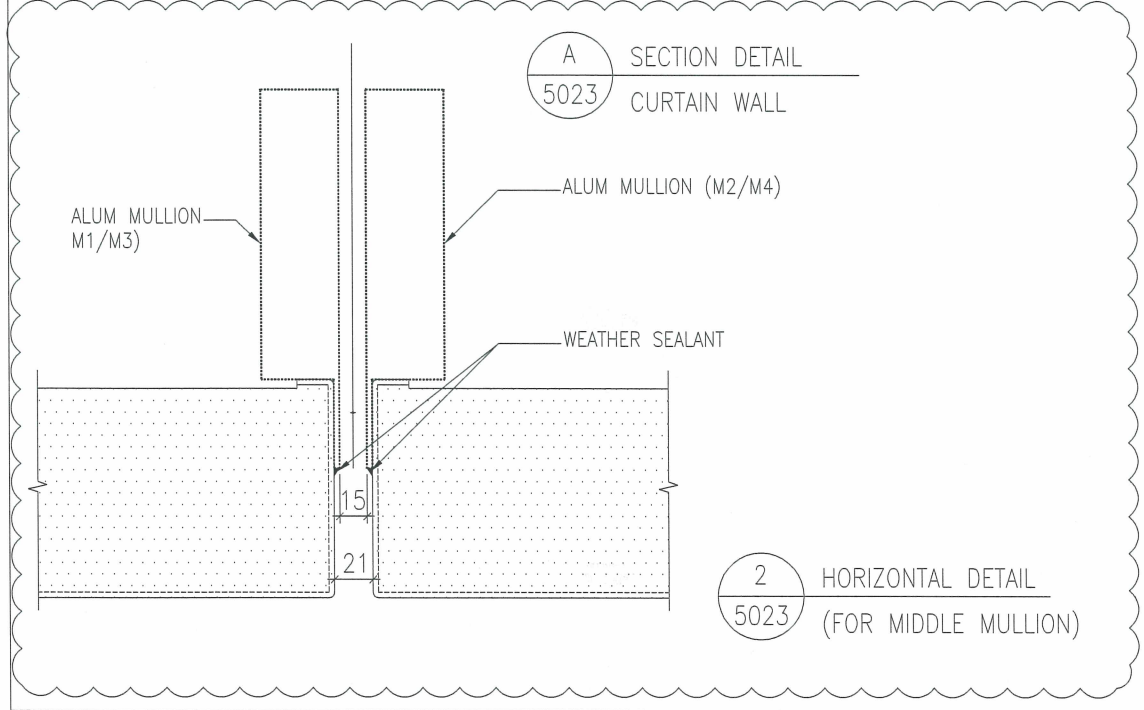
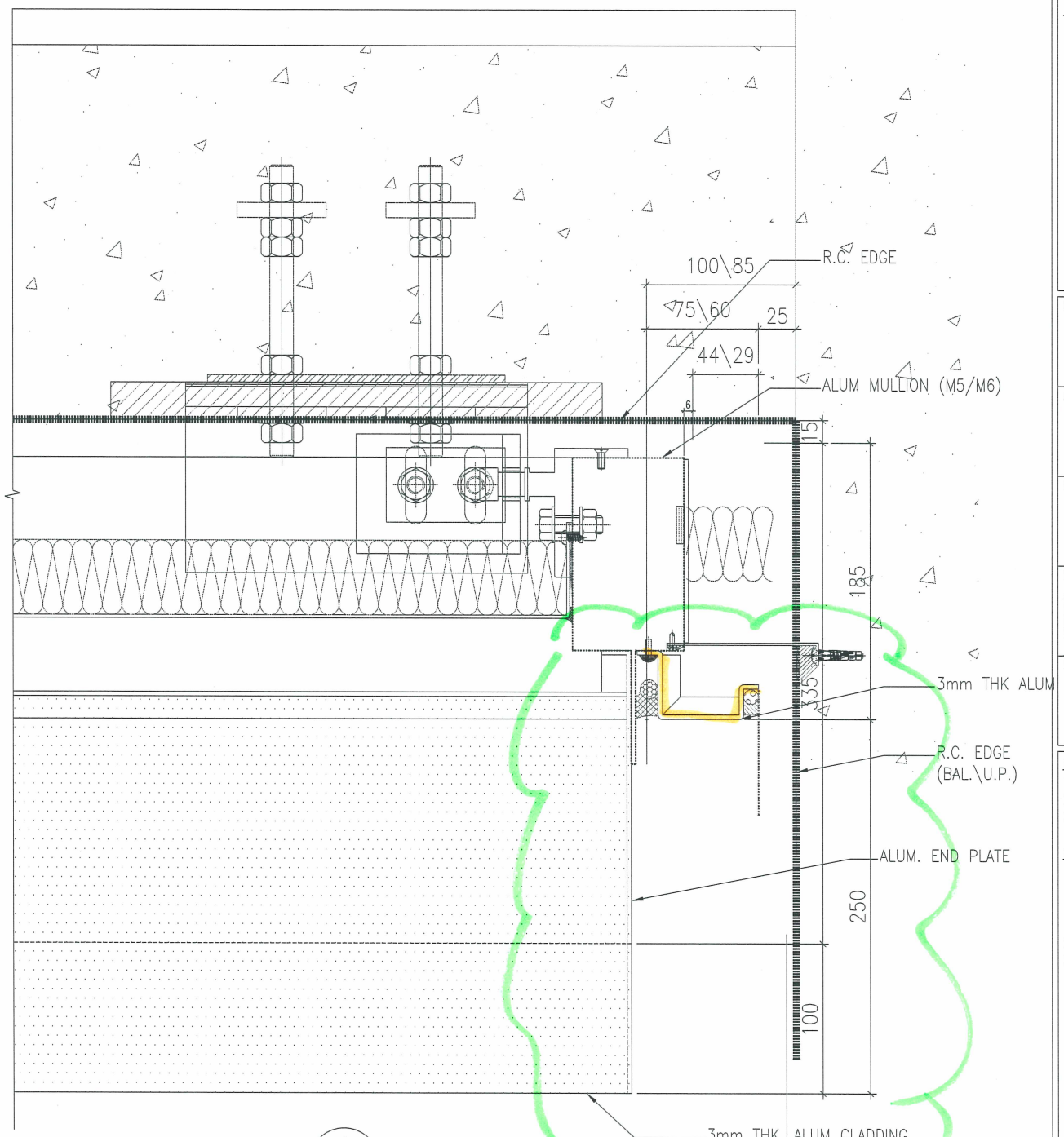
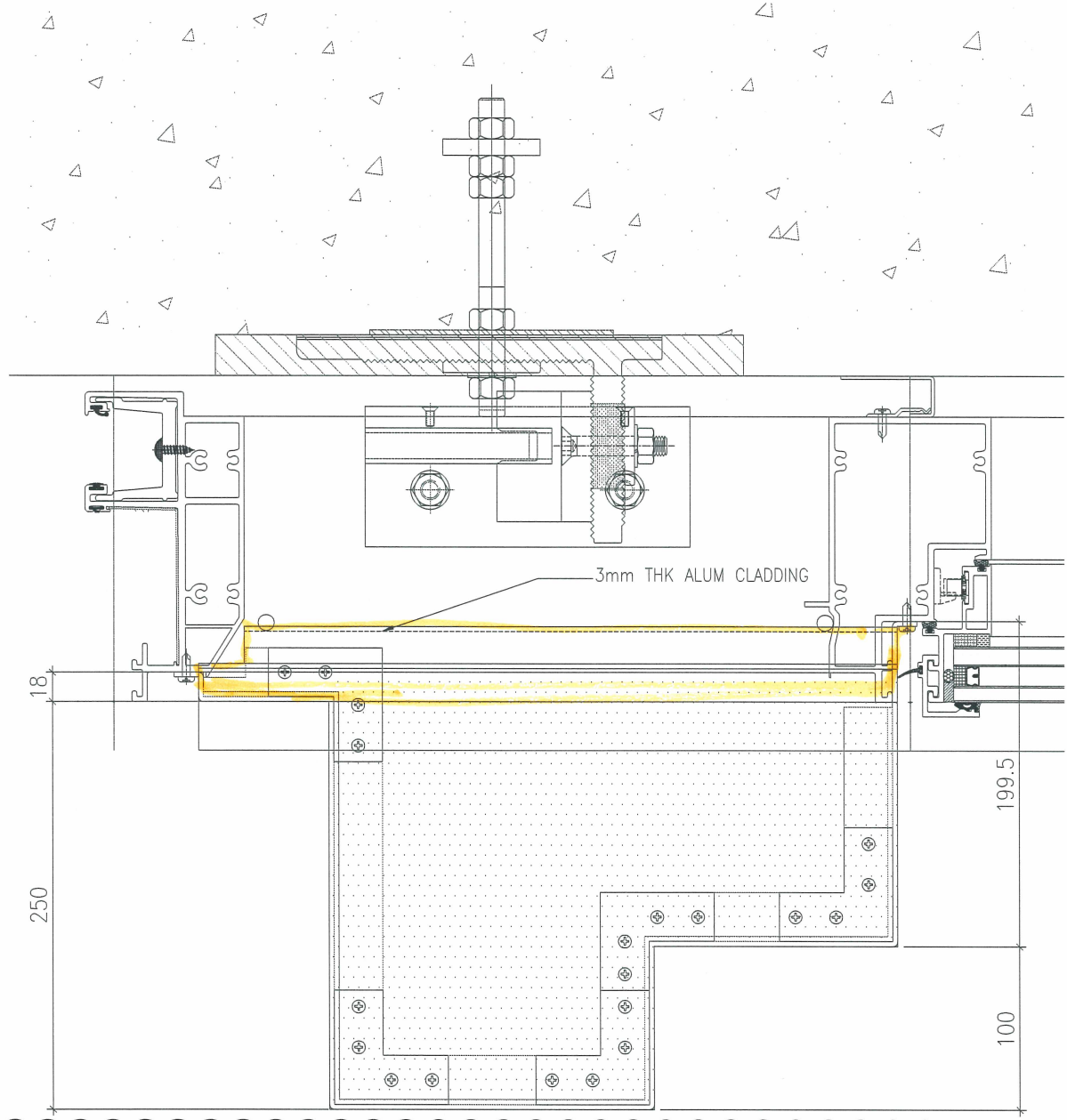
TITLE : PART ELEVATION FOR CURTAIN WALL AT TOWER 6 & 7

DATE : 12-APR-21 SCALE : 1:60 (A1)

DRAWN BY : LHR CHECKED BY :

美特鋁質有限公司
MIDI ALUMINIUM FABRICATOR LTD.
Units 6-8, Sunray Industrial Centre, 1/F
610 Cho Kwo Ling Road, Kowloon
Tel:23489211-4 Fax:(852)2727666

DWG NO. : J853-SD-CW-4602 REV. : B



更新 5023 節點

B.D. REF :

CLIENT : SHIMAO GROUP HOLDINGS LIMITED

ARCHITECT : WONG TUNG & PARTNERS LIMITED ARCHITECTS & PLANNERS

MAIN CONTRACTOR : 協興建築有限公司 HIP HING CONSTRUCTION CO LTD

STRUCTURAL ENGINEER : ICMA C M WONG & ASSOCIATES LTD 黃志明建築工程師有限公司

FACADE CONSULTANT: MEINHARDT

NOTE :

1. ALL DIMENSIONS ARE IN mm.
2. ALL ELEVATIONS ARE VIEWED FROM OUTSIDE.
3. ALL DIMENSIONS TO BE VERIFIED ON SITE BEFORE FABRICATION.

LEGEND :

x1 — DETAIL MARK NO.
x001 — REFER SHEET NO.

1. F.F.L. — FINISHED FLOOR LEVEL
2. S.F.L. — STRUCTURAL FLOOR LEVEL
3. (R) — REVERSED DETAIL

NO.	DATE	REVISED	BY

JOB NO. : J-853

PROJECT : PROPOSED RESIDENTIAL DEVELOPMENT AT N.K.I.L. 6542 YIN PING ROAD KOWLOON

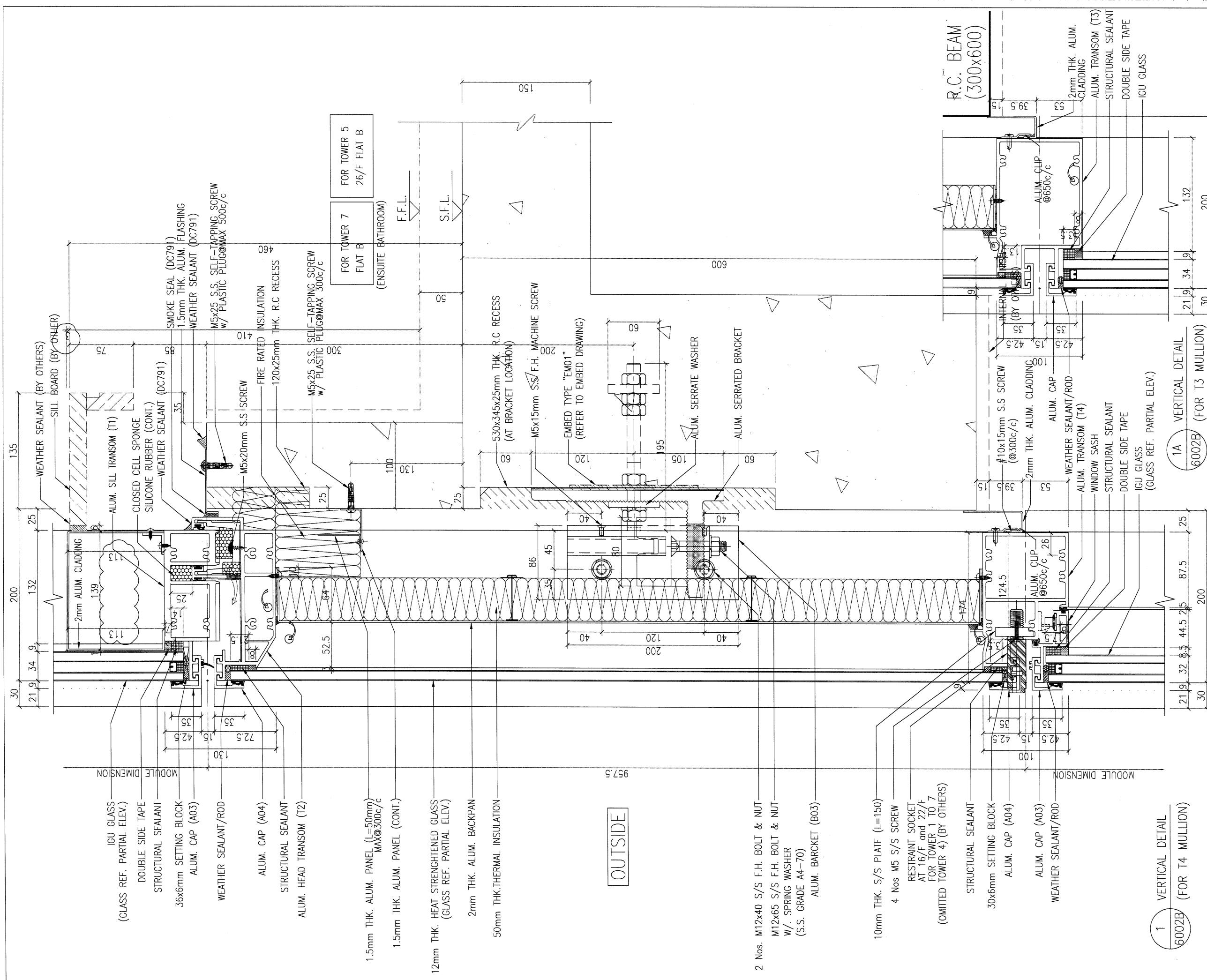
TITLE : HORIZONTAL DETAIL FOR CURTAIN WALL

DATE : 20-APR-21 SCALE : 1:2 (A3)

DRAWN BY : LHR CHECKED BY :

MIDI ALUMINIUM FABRICATOR LTD.
Units 6-8, Sunray Industrial Centre, 1/F
610 Cha Kwo Ling Road, Kowloon
Tel:23489211-4 Fax:(852)27727666

DWG NO. : J853-SD-CW-5023 REV. : -



B.D. REF :

CLIENT : SHIMAO GROUP HOLDINGS LIMITED

ARCHITECT : WONG TUNG & PARTNERS LIMITED ARCHITECTS & PLANNERS

MAIN CONTRACTOR : 協興建築有限公司 HIP HING CONSTRUCTION CO LTD

STRUCTURAL ENGINEER : ICMA C M WONG & ASSOCIATES LTD 黃志明建築工程師有限公司

FAÇADE CONSULTANT: MEINHARDT

NOTE :

1. ALL DIMENSIONS ARE IN mm.
2. ALL ELEVATIONS ARE VIEWED FROM OUTSIDE.
3. ALL DIMENSIONS TO BE VERIFIED ON SITE BEFORE FABRICATION.

LEGEND :

(X1) -- DETAIL MARK NO.
 (X001) -- REFER SHEET NO.

1. F.F.L. -- FINISHED FLOOR LEVEL
2. S.F.L. -- STRUCTURAL FLOOR LEVEL
3. (R) -- REVERSED DETAIL

A	05-10-2021	REVISION SUBJECT TO ARCH. COMMENT
NO.	DATE	REVISED BY

JOB NO. : J-853

PROJECT : PROPOSED RESIDENTIAL DEVELOPMENT AT N.K.I.L. 6542 YIN PING ROAD KOWLOON

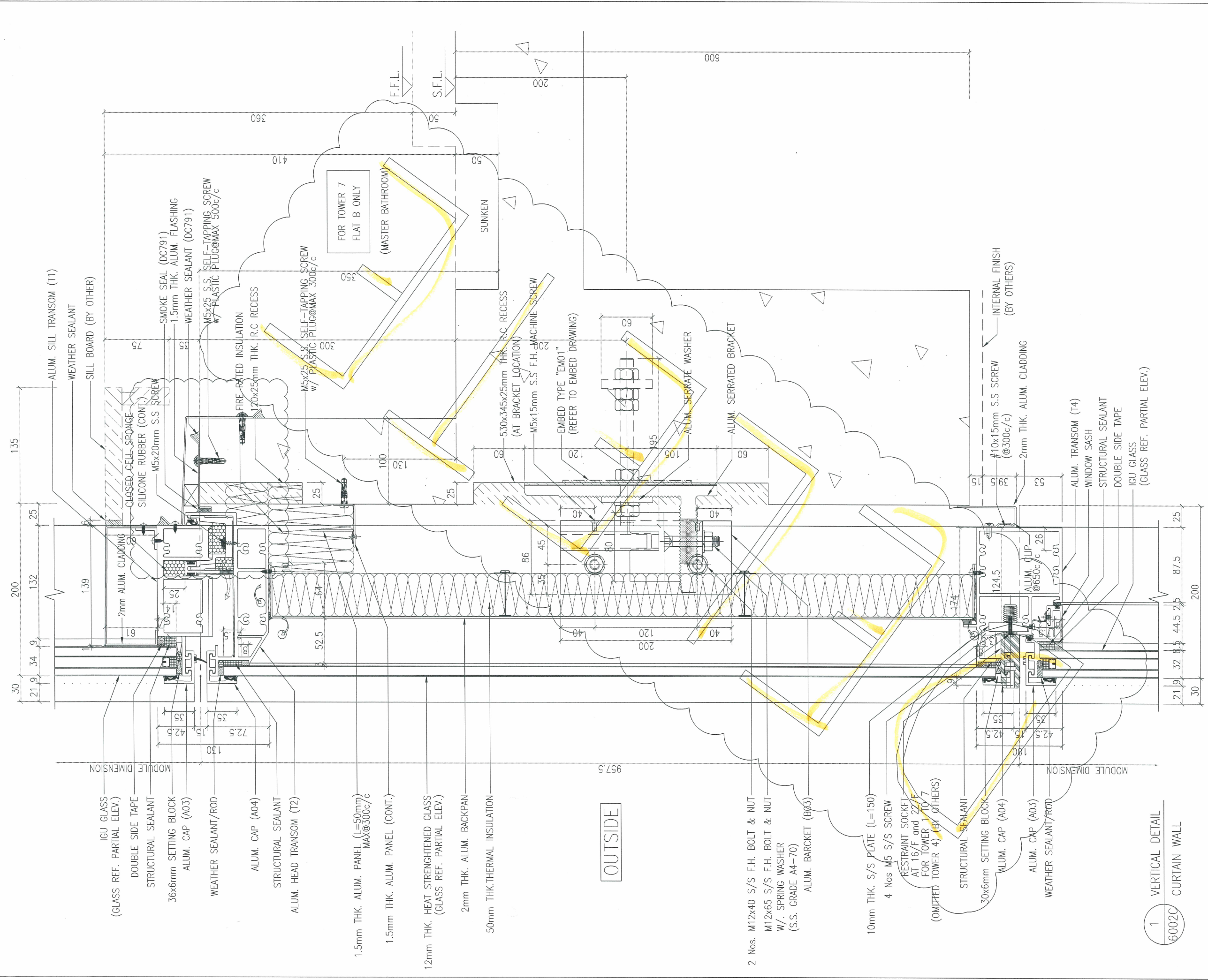
TITLE : VERTICAL DETAIL FOR CURTAIN WALL

DATE : 20-APR-21 SCALE : 1:4 (A3)

DRAWN BY : LHR CHECKED BY :

美特鋁質有限公司
 MIDI ALUMINIUM FABRICATOR LTD.
 Units 6-8, Sunray Industrial Centre, 1/F
 610 Cha Kwo Ling Road, Kowloon
 Tel:23489211-4 Fax:(852)27727666

DWG NO. : J853-SD-CW-6002B REV. : A



B.D. REF :
 CLIENT : SHIMAO GROUP HOLDINGS LIMITED
 ARCHITECT : WONG TUNG & PARTNERS LIMITED ARCHITECTS & PLANNERS
 MAIN CONTRACTOR : 協興建築有限公司 HIP HING CONSTRUCTION CO LTD
 STRUCTURAL ENGINEER : C M WONG & ASSOCIATES LTD 黃志明建築工程師有限公司
 FACADE CONSULTANT : MEINHARDT

NOTE :
 1. ALL DIMENSIONS ARE IN mm.
 2. ALL ELEVATIONS ARE VIEWED FROM OUTSIDE.
 3. ALL DIMENSIONS TO BE VERIFIED ON SITE BEFORE FABRICATION.
 LEGEND :
 X1 -- DETAIL MARK NO.
 X001 -- REFER SHEET NO.
 1. F.F.L. -- FINISHED FLOOR LEVEL
 2. S.F.L. -- STRUCTURAL FLOOR LEVEL
 3. (R) -- REVERSED DETAIL

A	05-10-2021	REVISION SUBJECT TO ARCH. COMMENT	BY
NO.	DATE	REVISED	

JOB NO. : J-853
 PROJECT : PROPOSED RESIDENTIAL DEVELOPMENT AT N.K.I.L. 6542 YIN PING ROAD KOWLOON
 TITLE : VERTICAL DETAIL FOR CURTAIN WALL

DATE : 20-APR-21 SCALE : 1:4 (A3)
 DRAWN BY : LHR CHECKED BY :
 DWG NO. : J853-SD-CW-6002C REV. : A

1 VERTICAL DETAIL
 6002C CURTAIN WALL