

工程指示 / 要求簡箋 ENGINEER INSTRUCTIONS(E.I.)

工程指示編號:	EI- 5293	修改版本:	-
	HK- 1925		
工程編號:	J 853	工程名稱:	大窩坪 (延坪道)
收件人:	生統 / 水洪	發件人:	Edwin Ho
工程項目:	佛沙窗轉後裝窗圖拆加工圖	日期:	04/11/2022

<input type="checkbox"/> 原合約工程包	<input type="checkbox"/> 原合約工程加 / 減賬 QT-	<input type="checkbox"/> 新工程報價 QT-
---------------------------------	--	------------------------------------

信件批核號碼/圖紙參考編號:	批核模具圖紙編號:
客戶指示附件:	管理內部批簽署:

<input type="checkbox"/> 初步鋁料 B.M.	<input type="checkbox"/> 加工拆圖, 然後生產	<input type="checkbox"/> 尺寸表
<input type="checkbox"/> 正式鋁料 B.M.	<input type="checkbox"/> 技術上資料/指示	<input type="checkbox"/> 報價
<input checked="" type="checkbox"/> 配件 B.M.	<input type="checkbox"/> 樣辦或貨品說明書	<input type="checkbox"/> 分判合約
<input type="checkbox"/> 其他:		

內容: 請依附件資料, 佛沙窗轉後裝窗圖拆加工圖。

完成上列要求日期: 11/11/2022

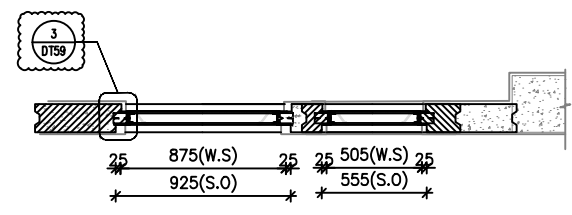
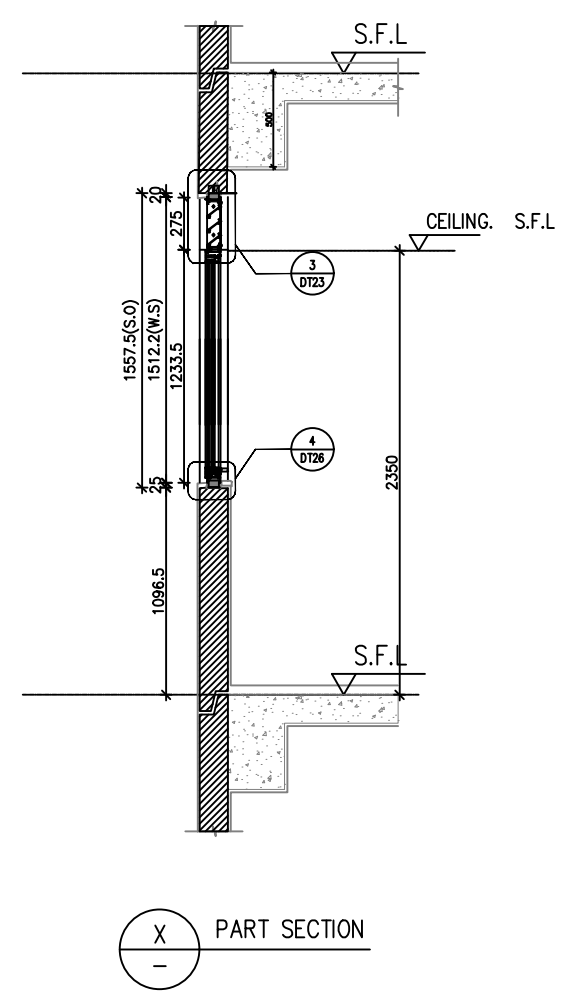
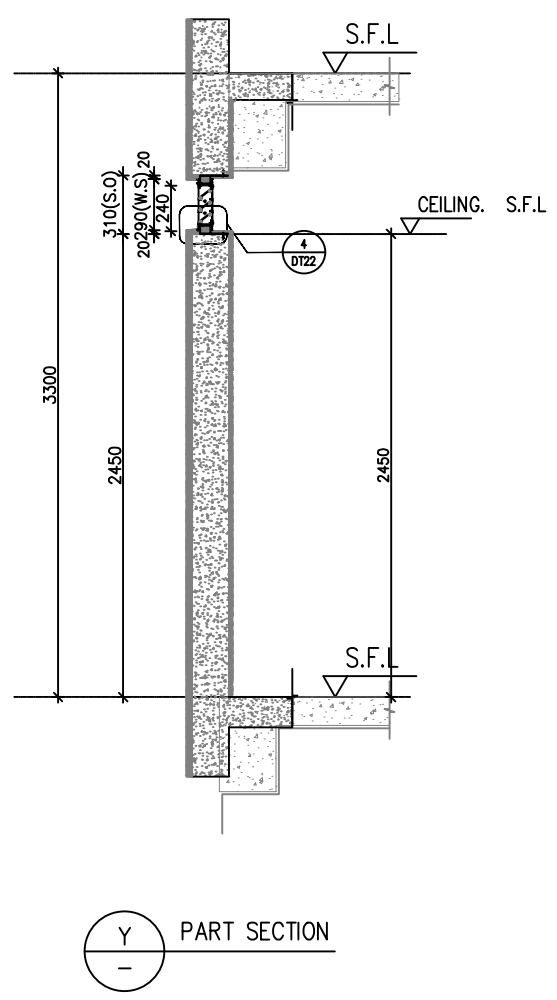
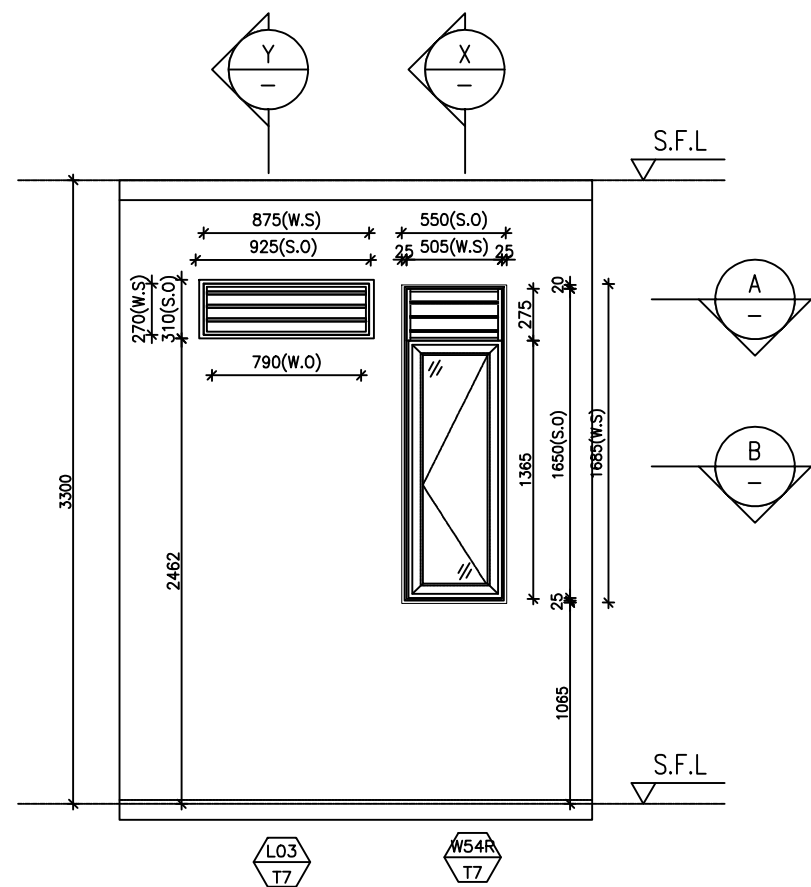
國內

<input type="checkbox"/> 生產技術總監	<input type="checkbox"/> 連附件	<input type="checkbox"/> 技術部	<input type="checkbox"/> 連附件	<input type="checkbox"/> 生產部	<input type="checkbox"/> 連附件
<input type="checkbox"/> 採購部	<input type="checkbox"/> 連附件	<input checked="" type="checkbox"/> 生產統籌部	<input checked="" type="checkbox"/> 連附件	<input type="checkbox"/> 報關組	<input type="checkbox"/> 連附件
<input type="checkbox"/> 質檢部	<input type="checkbox"/> 連附件	<input type="checkbox"/> 會計部	<input type="checkbox"/> 連附件	<input type="checkbox"/> 機械設計部	<input type="checkbox"/> 連附件
<input type="checkbox"/> 香港辦	<input checked="" type="checkbox"/> 連附件	<input type="checkbox"/> 其他:			

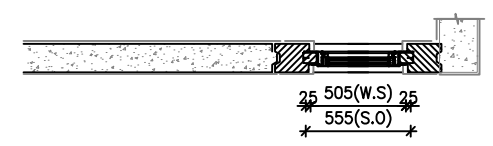
香港

<input type="checkbox"/> 行政部	<input type="checkbox"/> 連附件	<input type="checkbox"/> 會計部	<input type="checkbox"/> 連附件	<input type="checkbox"/> 統籌部	<input type="checkbox"/> 連附件	<input type="checkbox"/> 工程部	<input type="checkbox"/> 連附件
<input type="checkbox"/> 採購部	<input type="checkbox"/> 連附件	<input type="checkbox"/> QS部	<input type="checkbox"/> 連附件	<input checked="" type="checkbox"/> 地盤管理	<input checked="" type="checkbox"/> 連附件	<input type="checkbox"/> 維修部	<input type="checkbox"/> 連附件

*發件人簽署: Edwin Ho	*組別成員批核簽署:
傳遞編號:	項目經理簽署:



A PART PLAN



B PART PLAN

B.D. REF :

CLIENT : SHIMAO GROUP HOLDINGS LIMITED

ARCHITECT : WONG TUNG & PARTNERS LIMITED ARCHITECTS & PLANNERS

MAIN CONTRACTOR : 協興建築有限公司 HIP HING CONSTRUCTION CO LTD

STRUCTURAL ENGINEER : C M WONG & ASSOCIATES LTD Consulting Engineers

SITE IN SITU CONSULTANT: MEINHARDT

NOTE :

- ALL DIMENSIONS ARE IN mm.
- ALL ELEVATIONS ARE VIEWED FROM OUTSIDE.
- ALL DIMENSIONS TO BE VERIFIED ON SITE BEFORE FABRICATION.

LEGEND :

X1 - DETAIL MARK NO.
X001 - REFER SHEET NO.

- F.F.L. -- FINISHED FLOOR LEVEL
- S.F.L. -- STRUCTURAL FLOOR LEVEL
- (R) -- REVERSED DETAIL
- ▲ -- FIXING LOCATION
- △ -- FIXING LUG LOCATION

GLASS LEGEND

GL01 -- 10mm+12mm AIR GAP+10mm THK. I.G.U.
 GL05 -- 10mm+12mm AIR GAP+10mm THK. I.G.U.
 GL06 -- 10mm+12mm AIR GAP+12mm THK. I.G.U.
 PDO1 -- 10mm T.P+12mm AIR GAP+8mm T.P
 GL07 -- 10mm+12mm AIR GAP+12mm THK. I.G.U.
 GL08 -- 10mm+12mm AIR GAP+10mm THK. I.G.U.

NO.	DATE	REVISED	BY
JOB NO. : J-853			
PROJECT : PROPOSED RESIDENTIAL DEVELOPMENT AT N.K.I.L. 6542 YIN PING ROAD KOWLOON			
TITLE : WINDOW SCHEDULE FOR TOWER 7 ALUM. WINDOW			

W54R T7 PROVIDED		
GLAZING AREA	-	m ²
OPENABLE AREA	-	m ²
FREE AREA	55.4	%

DATE : 16-SEP-2022 SCALE : 1:40

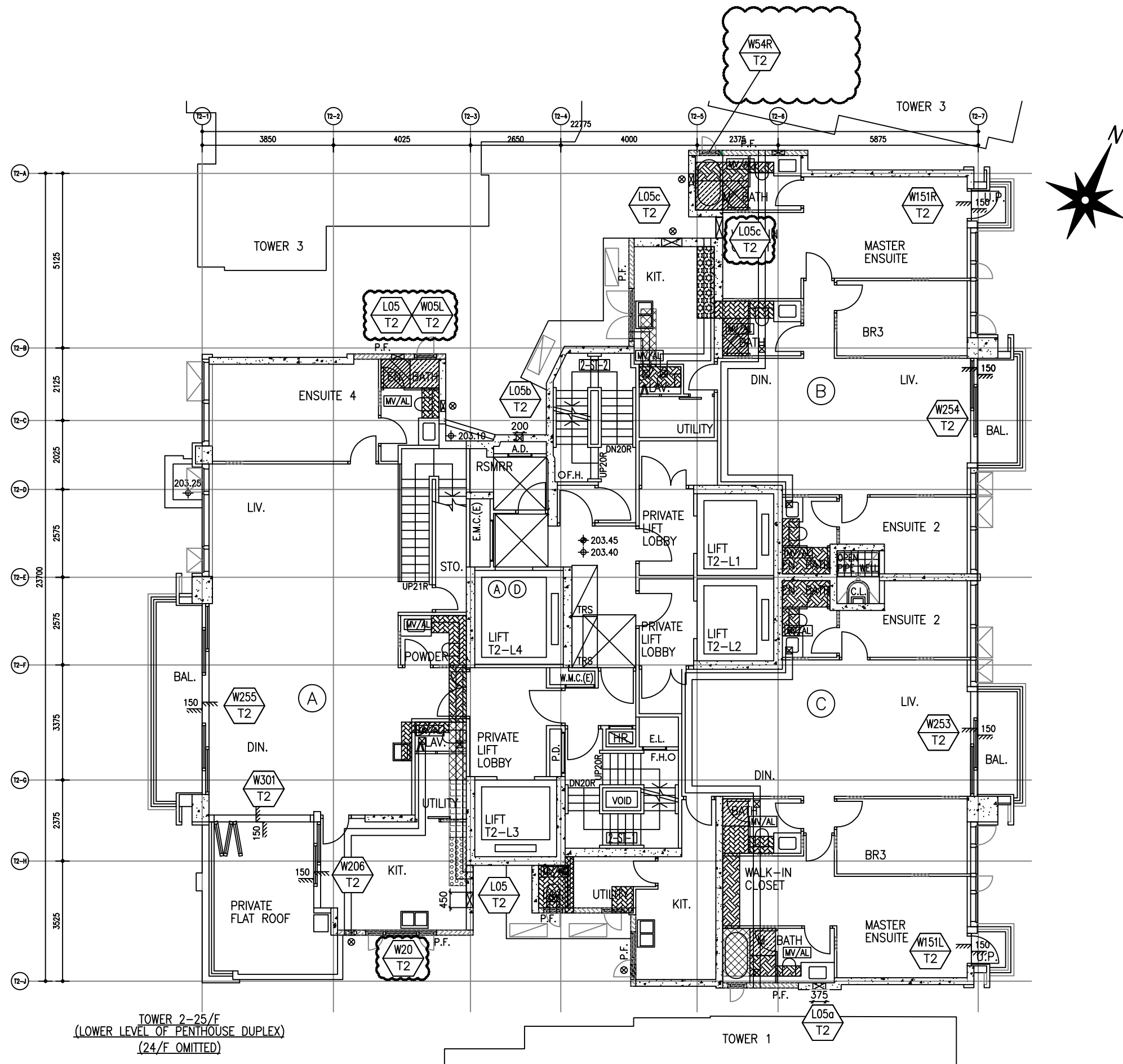
DRAWN BY : JK CHECKED BY :

美特鋁質有限公司
MIDI ALUMINIUM FABRICATOR LTD.
Units 6-8, Sunray Industrial Centre, 1/F
610 Cha Kwo Ling Road, Kowloon
Tel: 23489211-4 Fax: (852) 27727666

DWG NO. : J853-SD-IW-SC712a REV. : -

ELEVATION

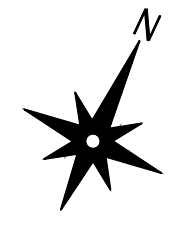
WINDOW MARK	W04R T7
LOCATION	26F FLAT B BATH RM
SECTION	70mm ALUM. SECTION
GLAZING	GL05
QUANTITY	1 No.
REMARKS	FACADE (T7-01-07A/25F)



TOWER 2-25/F
(LOWER LEVEL OF PENTHOUSE DUPLEX)
(24/F OMITTED)

TOWER 1

TOWER 3



WINDOW MARK	FLOOR	Q.T.	TOTAL
T2- W05	25F	1	1
T2- W20	25F	1	1
T2- W151L	25F	1	1
T2- W206	25F	1	1
T2- W301	25F	1	1
T2- W255	25F	1	1
T2- W151R	25F	1	1
T2- W254	25F	1	1
T2- W253	25F	1	1
T2- L05	25F	2	2
T2- L05a	25F	1	1
T2- L05b	25F	1	1
T2- L05c	25F	1	1
TOTAL		14	14

B.D. REF :

CLIENT :
SHIMAO GROUP HOLDINGS LIMITED

ARCHITECT :
WONG TUNG & PARTNERS LIMITED
ARCHITECTS & PLANNERS

MAIN CONTRACTOR :
協興建築有限公司
HIP HING CONSTRUCTION CO LTD

STRUCTURAL ENGINEER :
ICMA C M WONG & ASSOCIATES LTD
黃志明建築工程師有限公司

FACADE CONSULTANT:
MEINHARDT

NOTE :
1. ALL DIMENSIONS ARE IN mm.
2. ALL ELEVATIONS ARE VIEWED FROM OUTSIDE.
3. ALL DIMENSIONS TO BE VERIFIED ON SITE BEFORE FABRICATION.

LEGEND :
X1 --- DETAIL MARK NO.
X001 --- REFER SHEET NO.

1. F.F.L. --- FINISHED FLOOR LEVEL
2. S.F.L. --- STRUCTURAL FLOOR LEVEL
3. (R) --- REVERSED DETAIL

NO.	DATE	REVISION	BY
E	10/10/2022	REVISION SUBJECT TO ARCH.COMMENT	LHR
D	15/07/2022	REVISION SUBJECT TO ARCH.COMMENT	LHR
C	08/06/2022	REVISION SUBJECT TO ARCH.COMMENT	LHR
B	30/12/2021	REVISION SUBJECT TO ARCH.COMMENT	LHR

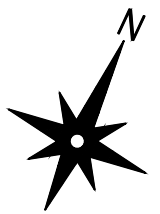
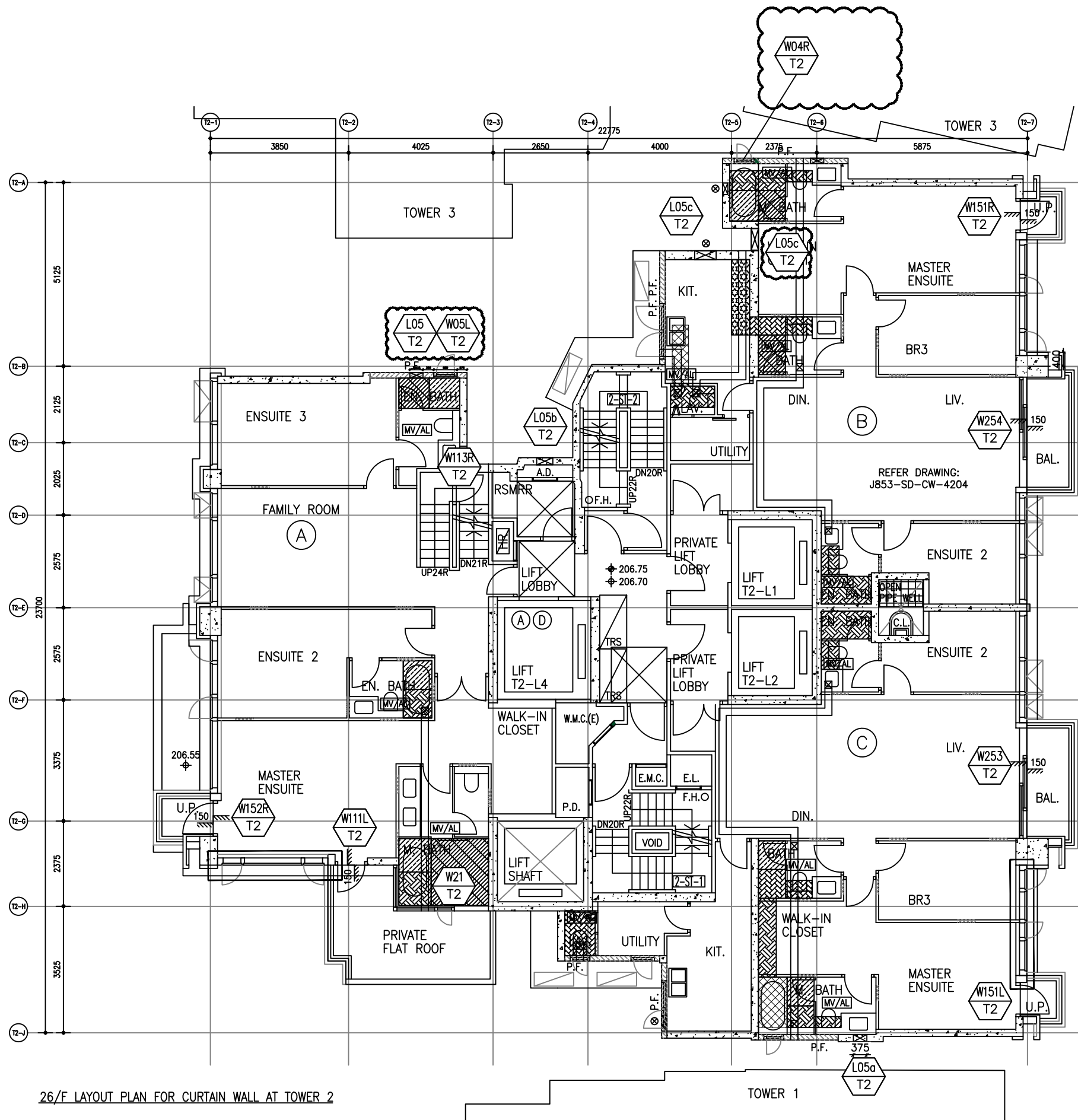
JOB NO. : J-853
PROJECT : PROPOSED RESIDENTIAL DEVELOPMENT AT N.K.I.L. 6542 YIN PING ROAD KOWLOON

TITLE : 25/F LAYOUT PLAN FOR CURTAIN WALL AT TOWER 2

DATE : 19-MAR-21 SCALE : 1:50 (A1)
DRAWN BY : LHR CHECKED BY :

美特鋁質有限公司
MIDI ALUMINIUM FABRICATOR LTD.
Units 6-8, Sunray Industrial Centre, 1/F
610 Cha Kwo Ling Road, Kowloon
Tel:23489211-4 Fax:(852)27727666

DWG NO. : J853-SD-IW-LP024 REV. : E



26/F LAYOUT PLAN FOR CURTAIN WALL AT TOWER 2

WINDOW MARK	FLOOR	Q.T.	TOTAL
T2- W05L	26F	1	1
T2- W151L	26F	1	1
T2- W21	26F	1	1
T2- W111L	26F	1	1
T2- W152R	26F	1	1
T2- W113R	26F	1	1
T2- W151R	26F	1	1
T2- W254	26F	1	1
T2- W253	26F	1	1
T2- L05	26F	1	1
T2- L05a	26F	1	1
T2- L05b	26F	1	1
T2- L05c	26F	1	1
TOTAL		13	13

B.D. REF :

CLIENT : SHIMAO GROUP HOLDINGS LIMITED

ARCHITECT : WONG TUNG & PARTNERS LIMITED ARCHITECTS & PLANNERS

MAIN CONTRACTOR : 協興建築有限公司 HIP HING CONSTRUCTION CO LTD

STRUCTURAL ENGINEER : ICMA C M WONG & ASSOCIATES LTD 黃志明建築工程師有限公司

FACADE CONSULTANT: MEINHARDT

NOTE :
 1. ALL DIMENSIONS ARE IN mm.
 2. ALL ELEVATIONS ARE VIEWED FROM OUTSIDE.
 3. ALL DIMENSIONS TO BE VERIFIED ON SITE BEFORE FABRICATION.

LEGEND :
 X1 - DETAIL MARK NO.
 X001 - REFER SHEET NO.

1. F.F.L. --- FINISHED FLOOR LEVEL
 2. S.F.L. --- STRUCTURAL FLOOR LEVEL
 3. (R) --- REVERSED DETAIL

NO.	DATE	REVISED	BY
E	10/10/2022	REVISION SUBJECT TO ARCH.COMMENT	LHR
D	15/07/2022	REVISION SUBJECT TO ARCH.COMMENT	LHR
C	08/06/2022	REVISION SUBJECT TO ARCH.COMMENT	LHR
B	30/12/2021	REVISION SUBJECT TO ARCH.COMMENT	LHR

JOB NO. : J-853

PROJECT : PROPOSED RESIDENTIAL DEVELOPMENT AT N.K.I.L. 6542 YIN PING ROAD KOWLOON

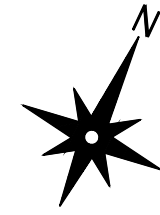
TITLE : 26/F LAYOUT PLAN FOR CURTAIN WALL AT TOWER 2

DATE : 19-MAR-21 SCALE : 1:50 (A1)

DRAWN BY : LHR CHECKED BY :

美特鋁質有限公司
 MIDI ALUMINIUM FABRICATOR LTD.
 Units 6-8, Sunray Industrial Centre, 1/F
 610 Cha Kwo Ling Road, Kowloon
 Tel:23489211-4 Fax:(852)27727666

DWG NO. : J853-SD-IW-LP025 REV. : E



TOWER 3-25/F PLAN
(LOWER LEVEL OF PENTHOUSE DUPLEX)
24/F OMITTED

WINDOW MARK	FLOOR	Q.T.	TOTAL
T3-W20	25F	1	1
T3-W55AR	25F	1	1
T3-W151L	25F	1	1
T3-W206	25F	1	1
T3-W301	25F	1	1
T3-W255	25F	1	1
T3-W151R	25F	1	1
T3-W254	25F	1	1
T3-W253	25F	1	1
T3-L01A	25F	1	1
T3-L05	25F	2	2
TOTAL		11	11

B.D. REF :

CLIENT :
SHIMAO GROUP HOLDINGS LIMITED

ARCHITECT :
WONG TUNG & PARTNERS LIMITED
ARCHITECTS & PLANNERS

MAIN CONTRACTOR :
協興建築有限公司
HIP HING CONSTRUCTION CO LTD

STRUCTURAL ENGINEER :
ICMA C M WONG & ASSOCIATES LTD
黃志明建築工程師有限公司

FACADE CONSULTANT :
MEINHARDT

NOTE :
1. ALL DIMENSIONS ARE IN mm.
2. ALL ELEVATIONS ARE VIEWED FROM OUTSIDE.
3. ALL DIMENSIONS TO BE VERIFIED ON SITE BEFORE FABRICATION.

LEGEND :
X1 --- DETAIL MARK NO.
X001 --- REFER SHEET NO.

1. F.F.L. --- FINISHED FLOOR LEVEL
2. S.F.L. --- STRUCTURAL FLOOR LEVEL
3. (R) --- REVERSED DETAIL

NO.	DATE	REVISED	BY
C	10/10/2022	REVISION SUBJECT TO ARCH.COMMENT	LHR
B	30/12/2021	REVISION SUBJECT TO ARCH.COMMENT	LHR

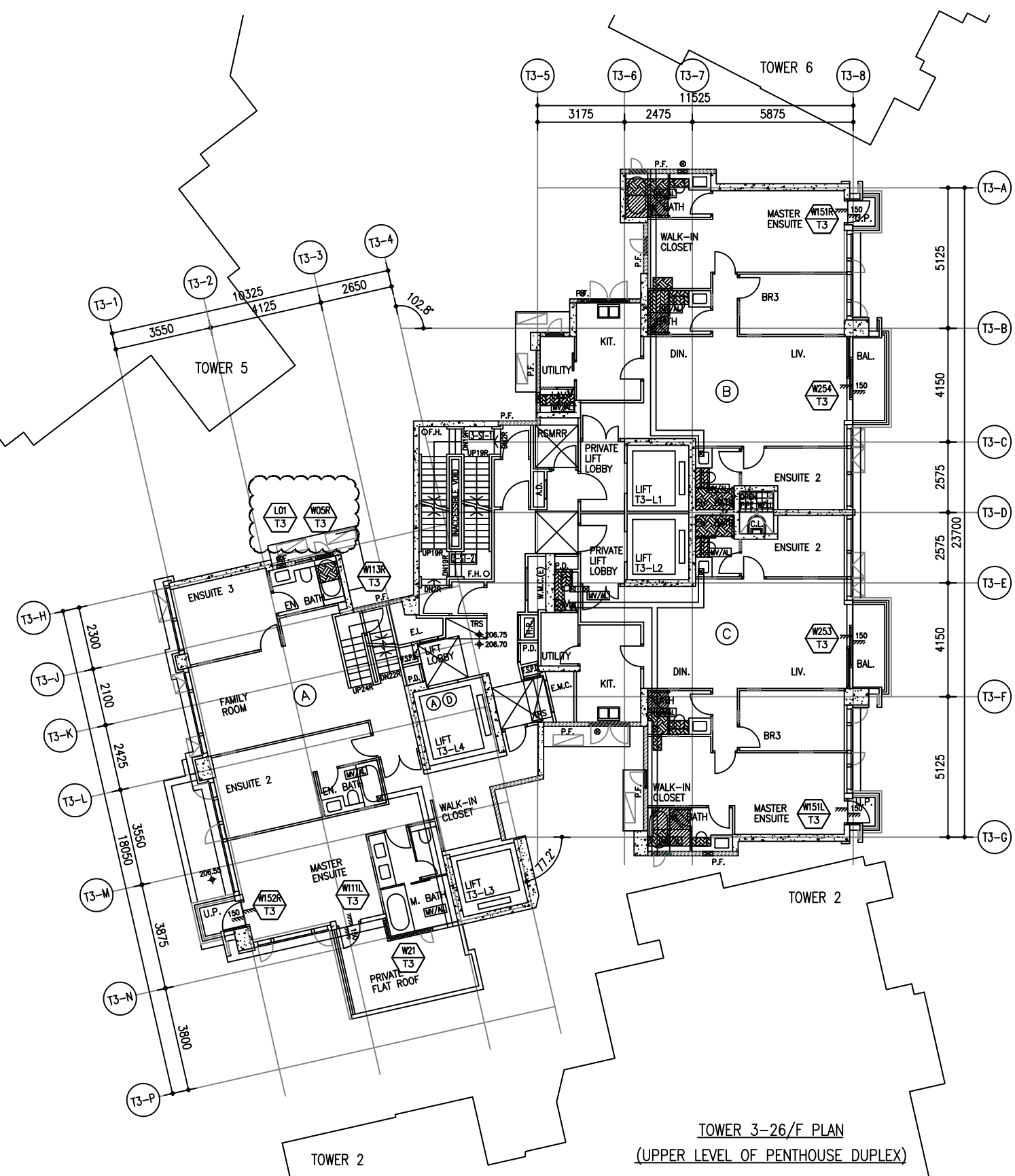
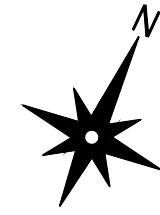
JOB NO. : J-853
PROJECT : PROPOSED RESIDENTIAL DEVELOPMENT AT N.K.I.L. 6542 YIN PING ROAD KOWLOON

TITLE : 25/F LAYOUT PLAN FOR CURTAIN WALL AT TOWER 3

DATE : 22-APR-21 SCALE : 1:75 (A1)
DRAWN BY : LHR CHECKED BY :

美特鋁質有限公司
MIDI ALUMINIUM FABRICATOR LTD.
Units 6-8, Sunray Industrial Centre, 1/F
610 Cha Kwo Ling Road, Kowloon
Tel: 23489211-4 Fax: (852) 27727666

DWG NO. : J853-SD-IW-LP034 REV. : C



TOWER 3-26/F PLAN
(UPPER LEVEL OF PENTHOUSE DUPLEX)

WINDOW MARK	FLOOR	Q.T.	TOTAL
T3-L01	26F	1	1
T3-W05R	26F	1	1
T3-W151L	26F	1	1
T3-W21	26F	1	1
T3-W111L	26F	1	1
T3-W152R	26F	1	1
T3-W113R	26F	1	1
T3-W151R	26F	1	1
T3-W254	26F	1	1
T3-W253	26F	1	1
TOTAL		10	10

B.D. REF :

CLIENT :
SHIMAO GROUP HOLDINGS LIMITED

ARCHITECT :
WONG TUNG & PARTNERS LIMITED
ARCHITECTS & PLANNERS
WT

MAIN CONTRACTOR :
協興建築有限公司
HIP HING CONSTRUCTION CO LTD

STRUCTURAL ENGINEER :
ICMA C M WONG & ASSOCIATES LTD
黃志明建築工程師有限公司

FACADE CONSULTANT :
MEINHARDT

NOTE :
1. ALL DIMENSIONS ARE IN mm.
2. ALL ELEVATIONS ARE VIEWED FROM OUTSIDE.
3. ALL DIMENSIONS TO BE VERIFIED ON SITE BEFORE FABRICATION.

LEGEND :
X1 --- DETAIL MARK NO.
X001 --- REFER SHEET NO.
1. F.F.L. --- FINISHED FLOOR LEVEL
2. S.F.L. --- STRUCTURAL FLOOR LEVEL
3. (R) --- REVERSED DETAIL

NO.	DATE	REVISION SUBJECT TO ARCH.COMMENT	REVISOR	BY
	05/10/2022	REVISION SUBJECT TO ARCH.COMMENT		LHR

JOB NO. : J-853
PROJECT : PROPOSED RESIDENTIAL DEVELOPMENT AT N.K.I.L. 6542 YIN PING ROAD KOWLOON

TITLE : 26/F LAYOUT PLAN FOR CURTAIN WALL AT TOWER 3

DATE : 22-APR-21 SCALE : 1:75 (A1)
DRAWN BY : LHR CHECKED BY :

美特鋁質有限公司
MIDI ALUMINIUM FABRICATOR LTD.
Units 6-8, Sunray Industrial Centre, 1/F
610 Cha Kwo Ling Road, Kowloon
Tel: 23489211-4 Fax: (852) 27727666
DWG NO. : J853-SD-IW-LP035 REV. : A

B.D. REF :

CLIENT :

SHIMAO GROUP HOLDINGS LIMITED

ARCHITECT :

WONG TUNG & PARTNERS LIMITED ARCHITECTS & PLANNERS



MAIN CONTRACTOR :

協興建築有限公司 HIP HING CONSTRUCTION CO LTD

STRUCTURAL ENGINEER :

ICMA C M WONG & ASSOCIATES LTD 黃志明建築工程師有限公司

FACADE CONSULTANT :



NOTE :

1. ALL DIMENSIONS ARE IN mm.
2. ALL ELEVATIONS ARE VIEWED FROM OUTSIDE.
3. ALL DIMENSIONS TO BE VERIFIED ON SITE BEFORE FABRICATION.

LEGEND :

- X1 --- DETAIL MARK NO.
- X001 --- REFER SHEET NO.

1. F.F.L. --- FINISHED FLOOR LEVEL
2. S.F.L. --- STRUCTURAL FLOOR LEVEL
3. (R) --- REVERSED DETAIL

B	16/12/2021		
A	28/8/2021		
NO.	DATE	REVISED	BY

JOB NO. : J-853

PROJECT : PROPOSED RESIDENTIAL DEVELOPMENT AT N.K.I.L. 6542 YIN PING ROAD KOWLOON

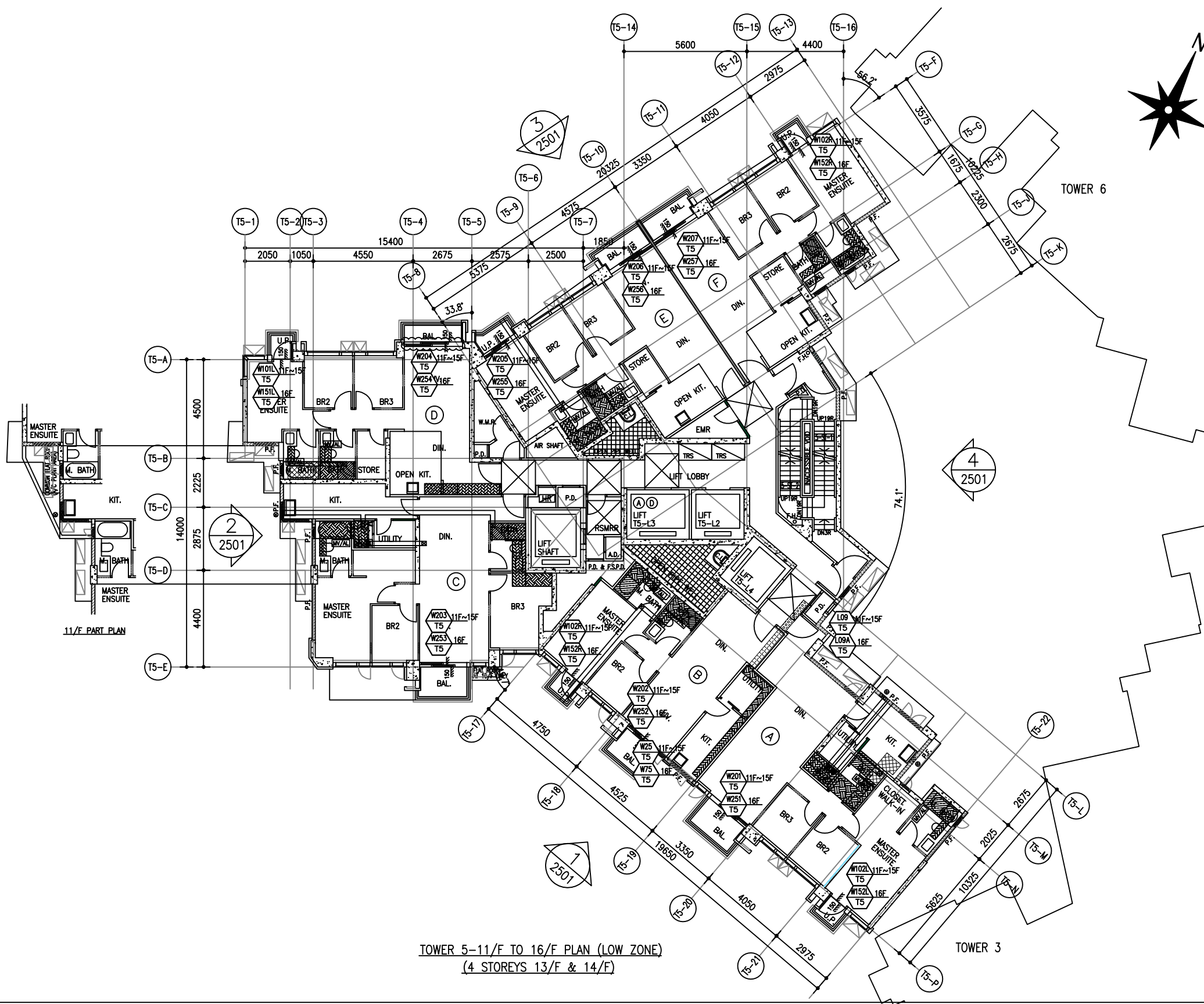
TITLE : 11/F TO 16/F LAYOUT PLAN FOR CURTAIN WALL AT TOWER 5

DATE : 29-MAR-21 SCALE : 1:80 (A1)

DRAWN BY : LHR CHECKED BY :

美特鋁質有限公司
MIDI ALUMINIUM FABRICATOR LTD.
 Units 6-8, Sunray Industrial Centre, 1/F
 610 Cha Kwo Ling Road, Kowloon
 Tel: 23489211-4 Fax: (852) 27272666

DWG NO. : J853-SD-IW-LP054 REV. : B



WINDOW MARK	FLOOR	Q.T.	TOTAL
T5-W102L	11F-15F	1	1x3=3
T5-W201	11F-15F	1	1x3=3
T5-W25	11F-15F	1	1x3=3
T5-W202	11F-15F	1	1x3=3
T5-W102R	11F-15F	1	1x3=3
T5-W203	11F-15F	1	1x3=3
T5-W101L	11F-15F	1	1x3=3
T5-W204	11F-15F	1	1x3=3
T5-W205	11F-15F	1	1x3=3
T5-W206	11F-15F	1	1x3=3
T5-W207	11F-15F	1	1x3=3
T5-W102R	11F-15F	1	1x3=3
T5-W152L	16F	1	1
T5-W251	16F	1	1
T5-W75	16F	1	1
T5-W252	16F	1	1
T5-W152R	16F	1	1
T5-W253	16F	1	1
T5-W151L	16F	1	1
T5-W254	16F	1	1
T5-W255	16F	1	1
T5-W256	16F	1	1
T5-W257	16F	1	1
T5-W152R	16F	1	1
TOTAL		24	48

TOWER 5-11/F TO 16/F PLAN (LOW ZONE)
(4 STOREYS 13/F & 14/F)

B.D. REF :

CLIENT : SHIMAO GROUP HOLDINGS LIMITED

ARCHITECT : WONG TUNG & PARTNERS LIMITED ARCHITECTS & PLANNERS

MAIN CONTRACTOR : 協興建築有限公司 HIP HING CONSTRUCTION CO LTD

STRUCTURAL ENGINEER : ICMA C M WONG & ASSOCIATES LTD 黃志明建築工程師有限公司

FACADE CONSULTANT: MEINHARDT

NOTE : 1. ALL DIMENSIONS ARE IN mm. 2. ALL ELEVATIONS ARE VIEWED FROM OUTSIDE. 3. ALL DIMENSIONS TO BE VERIFIED ON SITE BEFORE FABRICATION. LEGEND : X1 - DETAIL MARK NO. X001 - REFER SHEET NO. 1. F.F.L. --- FINISHED FLOOR LEVEL 2. S.F.L. --- STRUCTURAL FLOOR LEVEL 3. (R) --- REVERSED DETAIL

Table with 3 columns: NO., DATE, REVISION SUBJECT TO ARCH.COMMENT, and BY. It lists three revision entries.

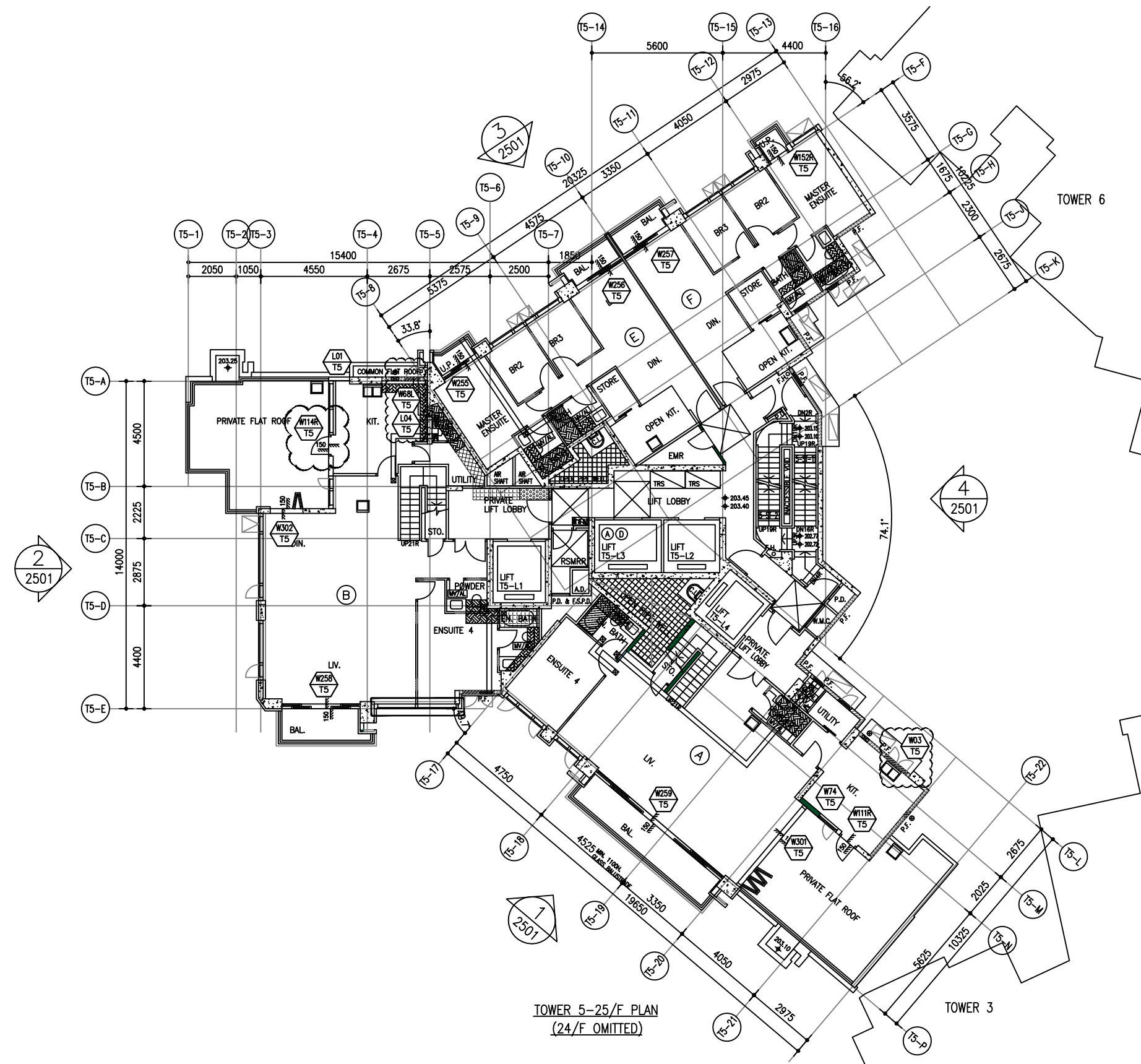
JOB NO. : J-853 PROJECT : PROPOSED RESIDENTIAL DEVELOPMENT AT N.K.I.L. 6542 YIN PING ROAD KOWLOON

TITLE : 25/F LAYOUT PLAN FOR CURTAIN WALL AT TOWER 5

DATE : 22-APR-21 SCALE : 1:80 (A1) DRAWN BY : LHR CHECKED BY :

MIDI ALUMINIUM FABRICATOR LTD. 美特鋁質有限公司 Units 6-8, Sunray Industrial Centre, 1/F 610 Cha Kwo Ling Road, Kowloon Tel:23489211-4 Fax:(852)27727666

DWG NO. : J853-SD-IW-LP056 REV. : C



TOWER 5-25/F PLAN (24/F OMITTED)

Table with 4 columns: WINDOW MARK, FLOOR, Q.T., and TOTAL. It lists window specifications for the 25th floor, including window marks like T5-W74, T5-W111R, T5-W301, etc., and their respective quantities and totals.

B.D. REF :

CLIENT : SHIMAO GROUP HOLDINGS LIMITED

ARCHITECT : WONG TUNG & PARTNERS LIMITED ARCHITECTS & PLANNERS

MAIN CONTRACTOR : 協興建築有限公司 HIP HING CONSTRUCTION CO LTD

STRUCTURAL ENGINEER : ICMA C M WONG & ASSOCIATES LTD 黃志明建築工程師有限公司

FACADE CONSULTANT: MEINHARDT

NOTE : 1. ALL DIMENSIONS ARE IN mm. 2. ALL ELEVATIONS ARE VIEWED FROM OUTSIDE. 3. ALL DIMENSIONS TO BE VERIFIED ON SITE BEFORE FABRICATION. LEGEND : X1 - DETAIL MARK NO. X001 - REFER SHEET NO. 1. F.F.L. --- FINISHED FLOOR LEVEL 2. S.F.L. --- STRUCTURAL FLOOR LEVEL 3. (R) --- REVERSED DETAIL

Revision table with columns: NO., DATE, REVISION, REVISOR. Includes entries for 16/09/2022 and 28/8/2021.

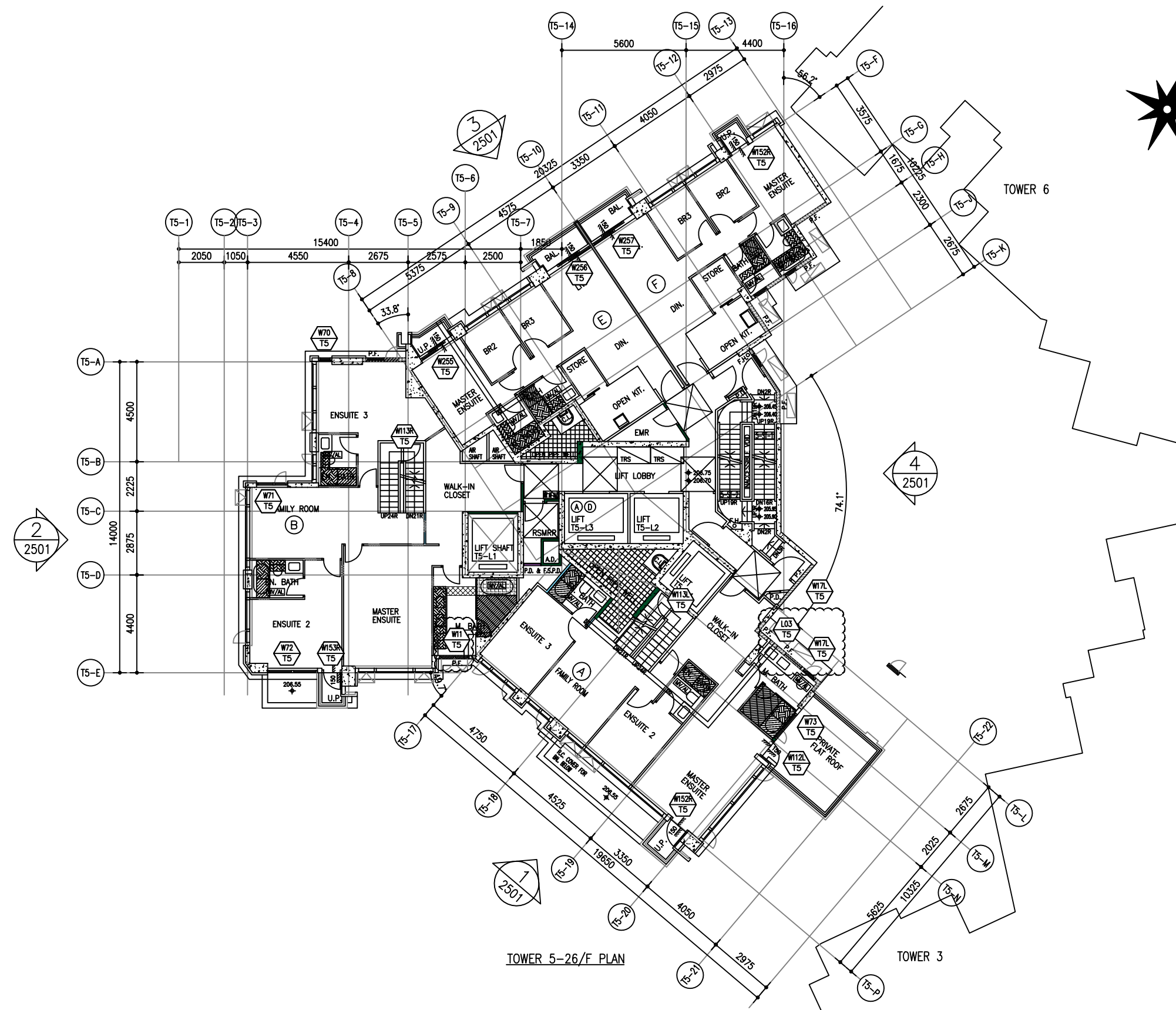
JOB NO. : J-853 PROJECT : PROPOSED RESIDENTIAL DEVELOPMENT AT N.K.I.L. 6542 YIN PING ROAD KOWLOON

TITLE : 26/F LAYOUT PLAN FOR CURTAIN WALL AT TOWER 5

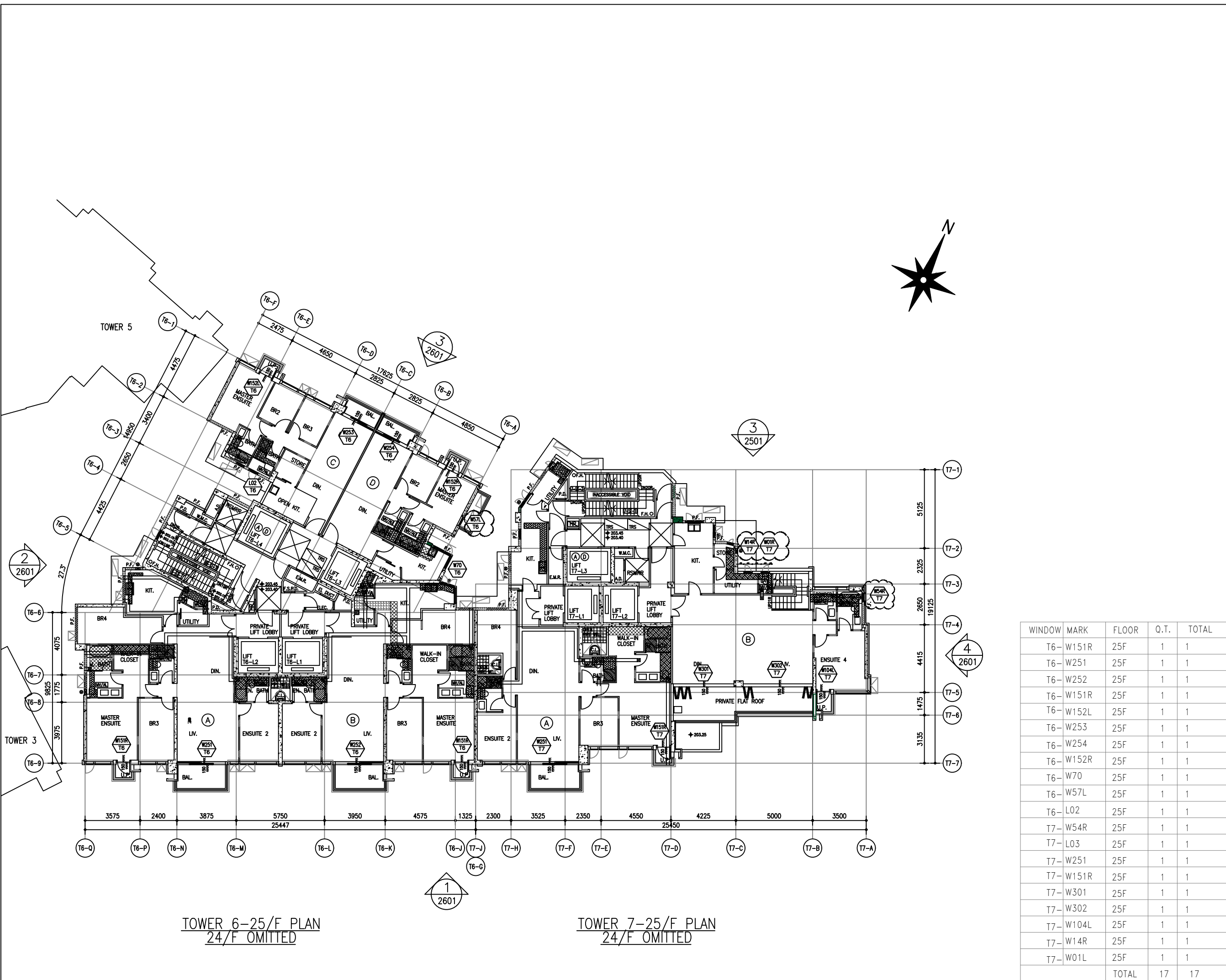
DATE : 22-APR-21 SCALE : 1:80 (A1) DRAWN BY : LHR CHECKED BY :

美特鋁質有限公司 MIDI ALUMINIUM FABRICATOR LTD. Units 6-8, Sunray Industrial Centre, 1/F 610 Cha Kwo Ling Road, Kowloon Tel:23489211-4 Fax:(852)27727666

DWG NO. : J853-SD-IW-LP057 REV. : B



Window Mark Summary Table with columns: WINDOW MARK, FLOOR, Q.T., TOTAL. Lists window types like W152R, W73, W112L, etc.



TOWER 6-25/F PLAN
24/F OMITTED

TOWER 7-25/F PLAN
24/F OMITTED

B.D. REF :

CLIENT :
SHIMAO GROUP HOLDINGS LIMITED

ARCHITECT :
WONG TUNG & PARTNERS LIMITED
ARCHITECTS & PLANNERS
WT

MAIN CONTRACTOR :
協興建築有限公司
HIP HING CONSTRUCTION CO LTD

STRUCTURAL ENGINEER :
ICMA C M WONG & ASSOCIATES LTD
黃志明建築工程師有限公司

FACADE CONSULTANT:
MEINHARDT

NOTE :
1. ALL DIMENSIONS ARE IN mm.
2. ALL ELEVATIONS ARE VIEWED FROM OUTSIDE.
3. ALL DIMENSIONS TO BE VERIFIED ON SITE BEFORE FABRICATION.

LEGEND :
X1 --- DETAIL MARK NO.
X001 --- REFER SHEET NO.
1. F.F.L. --- FINISHED FLOOR LEVEL
2. S.F.L. --- STRUCTURAL FLOOR LEVEL
3. (R) --- REVERSED DETAIL

WINDOW	MARK	FLOOR	Q.T.	TOTAL
T6-W151R		25F	1	1
T6-W251		25F	1	1
T6-W252		25F	1	1
T6-W151R		25F	1	1
T6-W152L		25F	1	1
T6-W253		25F	1	1
T6-W254		25F	1	1
T6-W152R		25F	1	1
T6-W70		25F	1	1
T6-W57L		25F	1	1
T6-L02		25F	1	1
T7-W54R		25F	1	1
T7-L03		25F	1	1
T7-W251		25F	1	1
T7-W151R		25F	1	1
T7-W301		25F	1	1
T7-W302		25F	1	1
T7-W104L		25F	1	1
T7-W14R		25F	1	1
T7-W01L		25F	1	1
		TOTAL	17	17

NO.	DATE	REVISED	BY
D	16/09/2022	REVISION SUBJECT TO ARCH.COMMENT	LK
C	02/08/2022	REVISION SUBJECT TO ARCH.COMMENT	LHR
B	16/12/2021	REVISION SUBJECT TO ARCH.COMMENT	LHR
A	28/8/2021	REVISION SUBJECT TO ARCH.COMMENT	WSH

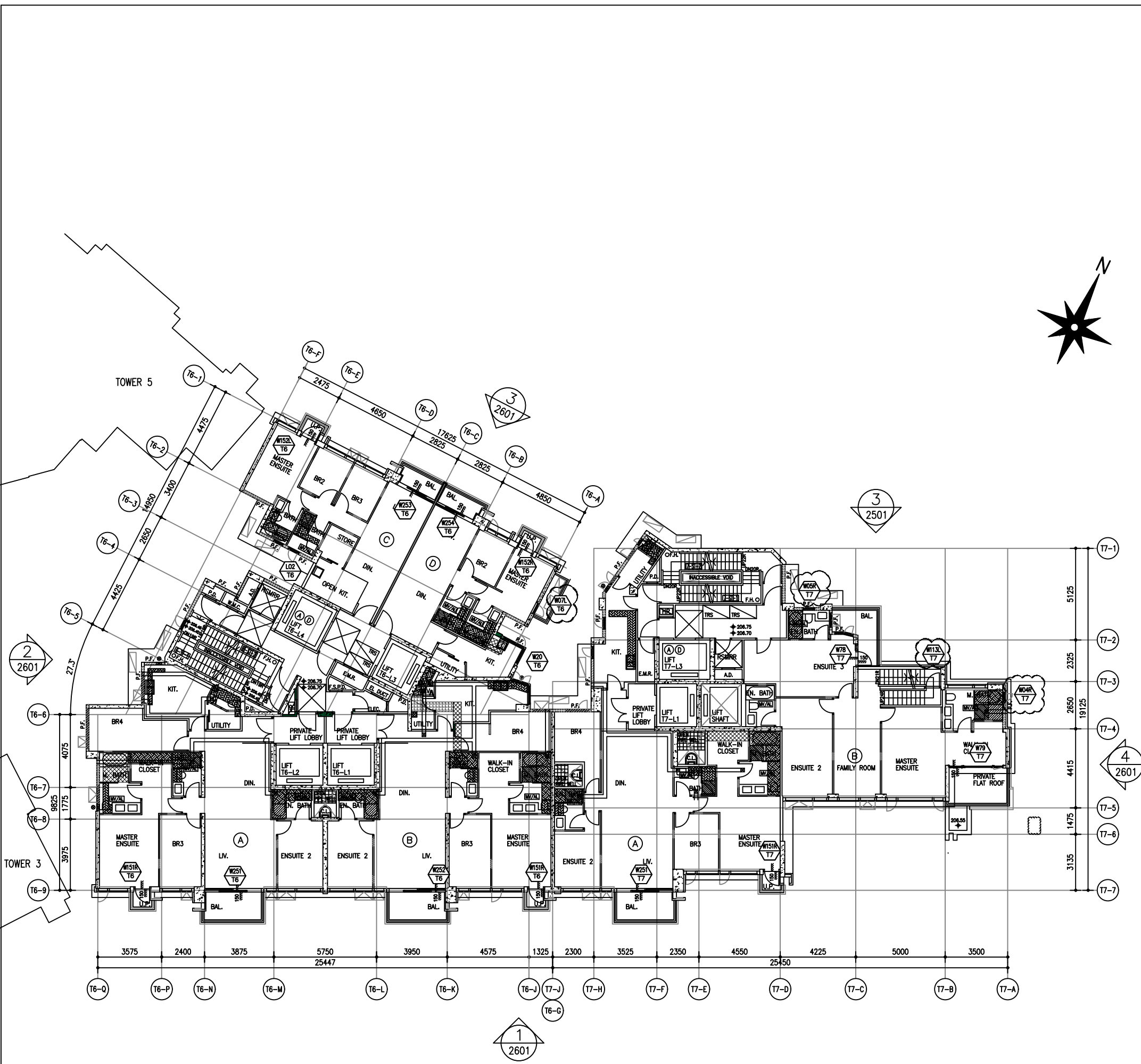
JOB NO. : J-853
PROJECT : PROPOSED RESIDENTIAL DEVELOPMENT AT N.K.I.L. 6542 YIN PING ROAD KOWLOON

TITLE : 25/F LAYOUT PLAN FOR CURTAIN WALL AT TOWER 6 & 7

DATE : 22-APR-21 SCALE : 1:90 (A1)
DRAWN BY : LHR CHECKED BY :

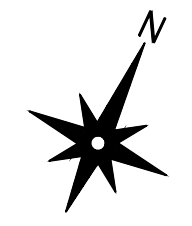
美特鋁質有限公司
MIDI ALUMINIUM FABRICATOR LTD.
Units 6-8, Sunray Industrial Centre, 1/F
610 Cho Kwo Ling Road, Kowloon
Tel:23489211-4 Fax:(852)27272666

DWG NO. : J853-SD-IW-LP066 REV. : D



TOWER 6-26/F PLAN

TOWER 7-26/F PLAN



WINDOW MARK	FLOOR	Q.T.	TOTAL
T6-W151R	26F	1	1
T6-W251	26F	1	1
T6-W252	26F	1	1
T6-W151R	26F	1	1
T6-W152L	26F	1	1
T6-W253	26F	1	1
T6-W254	26F	1	1
T6-W152R	26F	1	1
T6-L02	26F	1	1
T6-W20	26F	1	1
T7-W04R	26F	1	1
T7-L03	26F	1	1
T7-W251	26F	1	1
T7-W151R	26F	1	1
T7-W113L	26F	1	1
T7-W78	26F	1	1
TOTAL		16	16

B.D. REF :

CLIENT : SHIMAO GROUP HOLDINGS LIMITED

ARCHITECT : WONG TUNG & PARTNERS LIMITED ARCHITECTS & PLANNERS

MAIN CONTRACTOR : 協興建築有限公司 HIP HING CONSTRUCTION CO LTD

STRUCTURAL ENGINEER : ICMA C M WONG & ASSOCIATES LTD 黃志明建築工程師有限公司

FACADE CONSULTANT: MEINHARDT

NOTE :
 1. ALL DIMENSIONS ARE IN mm.
 2. ALL ELEVATIONS ARE VIEWED FROM OUTSIDE.
 3. ALL DIMENSIONS TO BE VERIFIED ON SITE BEFORE FABRICATION.

LEGEND :
 X1 --- DETAIL MARK NO.
 X001 --- REFER SHEET NO.

1. F.F.L. --- FINISHED FLOOR LEVEL
 2. S.F.L. --- STRUCTURAL FLOOR LEVEL
 3. (R) --- REVERSED DETAIL

NO.	DATE	REVISED	BY
D	16/09/2022	REVISION SUBJECT TO ARCH.COMMENT	JK
C	02/08/2022	REVISION SUBJECT TO ARCH.COMMENT	LHR
B	16/12/2021	REVISION SUBJECT TO ARCH.COMMENT	LHR
A	28/8/2021	REVISION SUBJECT TO ARCH.COMMENT	WSH

JOB NO. : J-853

PROJECT : PROPOSED RESIDENTIAL DEVELOPMENT AT N.K.I.L. 6542 YIN PING ROAD KOWLOON

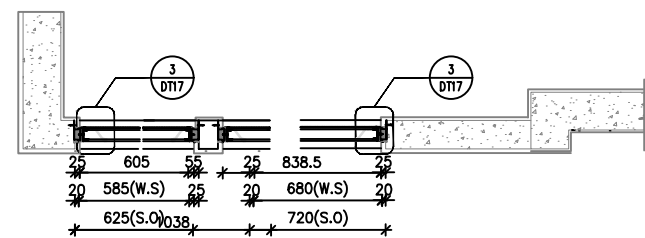
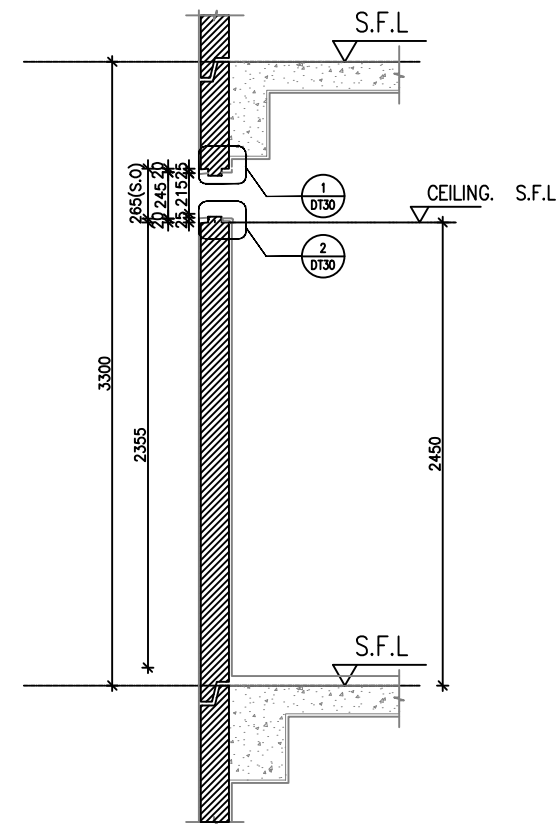
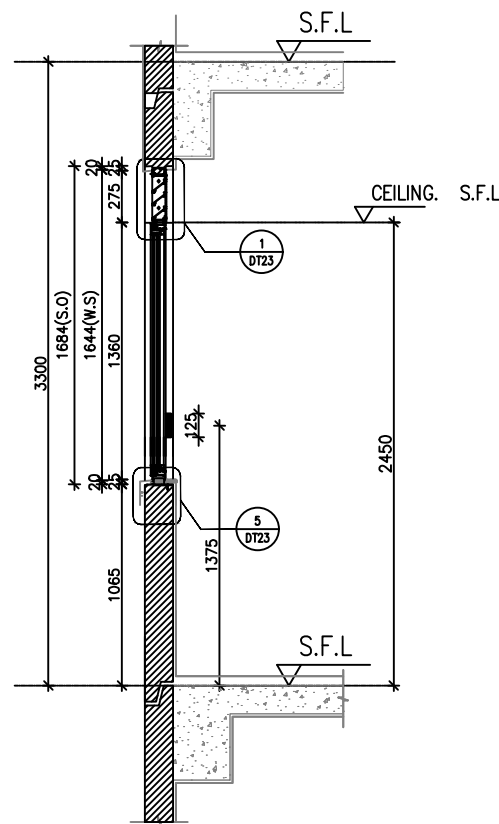
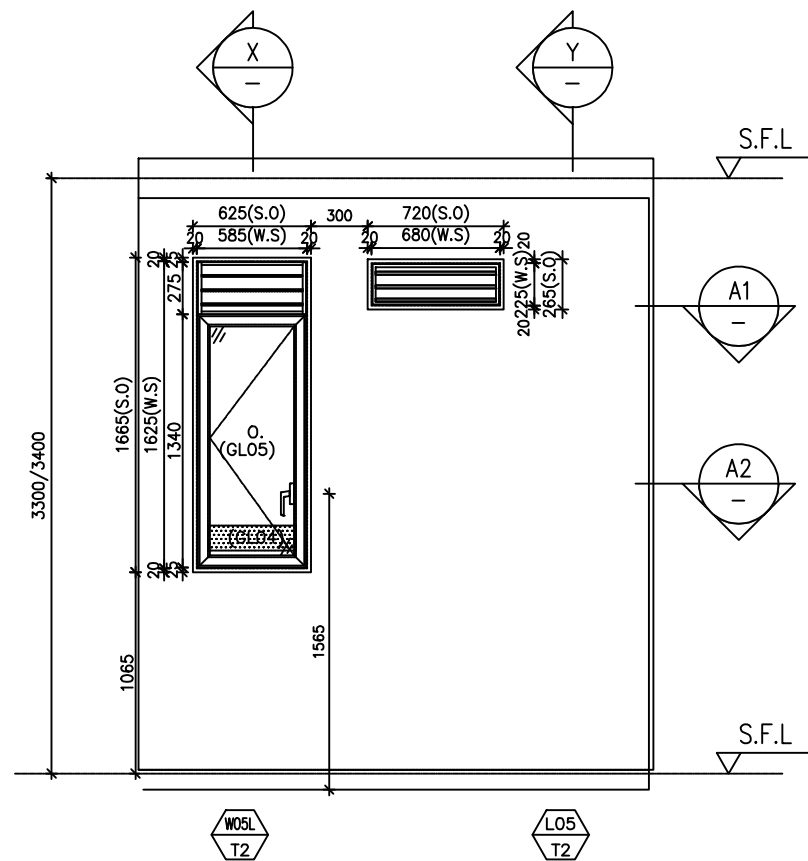
TITLE : 26/F LAYOUT PLAN FOR CURTAIN WALL AT TOWER 6 & 7

DATE : 22-APR-21 SCALE : 1:90 (A1)

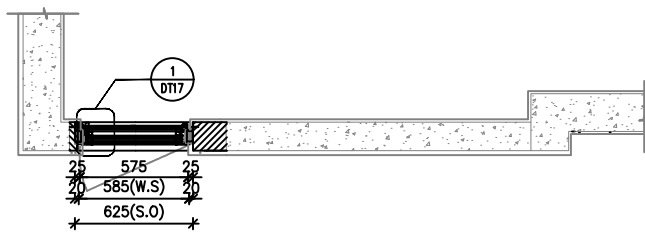
DRAWN BY : LHR CHECKED BY :

美特鋁質有限公司
 MIDI ALUMINIUM FABRICATOR LTD.
 Units 6-8, Sunray Industrial Centre, 1/F
 610 Cha Kwo Ling Road, Kowloon
 Tel:23489211-4 Fax:(852)27727666

DWG NO. : J853-SD-IW-LP067 REV. : D



A1 PART PLAN



A2 PART PLAN

X PART SECTION

Y PART SECTION

L05 T2 PROVIDED		
GLAZING AREA	-	m ²
OPENABLE AREA	-	m ²
FREE AREA	55.4	%

W05L T2 PROVIDED		
GLAZING AREA	0.584	m ²
OPENABLE AREA	0.620	m ²
FREE AREA	60.7	%

ELEVATION

WINDOW MARK	W05L T2
LOCATION	26F FLAT A MASTER BATH
SECTION	70mm ALUM. SECTION
GLAZING	GL05
QUANTITY	1 Nos / 1 Nos
REMARKS	FACADE(T2-01-09A/26F)

B.D. REF :

CLIENT :

SHIMAO GROUP HOLDINGS LIMITED

ARCHITECT :

WONG TUNG & PARTNERS LIMITED ARCHITECTS & PLANNERS



MAIN CONTRACTOR :

協興建築有限公司 HIP HING CONSTRUCTION CO LTD

STRUCTURAL ENGINEER :

C M WONG & ASSOCIATES LTD Consulting Engineers

SITE IN SITU CONSULTANT:



NOTE :

- ALL DIMENSIONS ARE IN mm.
- ALL ELEVATIONS ARE VIEWED FROM OUTSIDE.
- ALL DIMENSIONS TO BE VERIFIED ON SITE BEFORE FABRICATION.

LEGEND :

- X1 -- DETAIL MARK NO.
- X001 -- REFER SHEET NO.

- F.F.L. -- FINISHED FLOOR LEVEL
- S.F.L. -- STRUCTURAL FLOOR LEVEL
- (R) -- REVERSED DETAIL
- ▲ -- FIXING LOCATION
- △ -- FIXING LUG LOCATION

GLASS LEGEND

- GL01 -- 10mm+12mm AIR GAP+10mm THK. I.G.U.
- GL05 -- 10mm+12mm AIR GAP+10mm THK. I.G.U.
- GL06 -- 10mm+12mm AIR GAP+12mm THK. I.G.U.
- PDO1 -- 10mm T.P+12mm AIR GAP+8mm T.P
- GL07 -- 10mm+12mm AIR GAP+12mm THK. I.G.U.
- GL08 -- 10mm+12mm AIR GAP+10mm THK. I.G.U.

NO.	DATE	REVISED	BY

JOB NO. : J-853

PROJECT : PROPOSED RESIDENTIAL DEVELOPMENT AT N.K.I.L. 6542 YIN PING ROAD KOWLOON

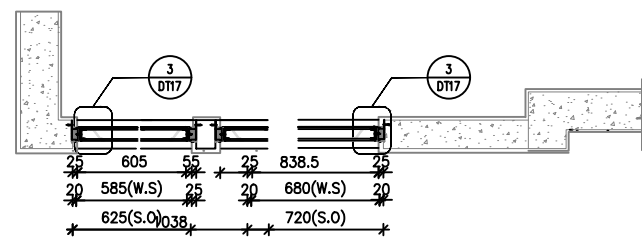
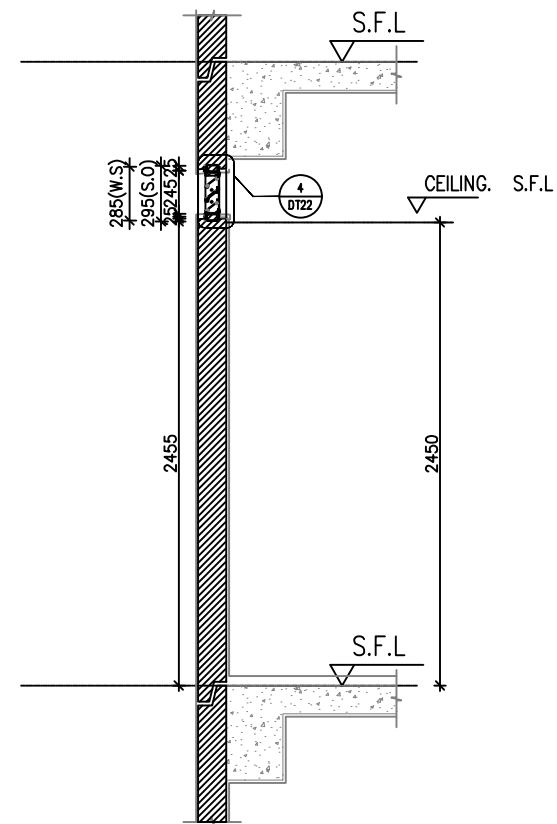
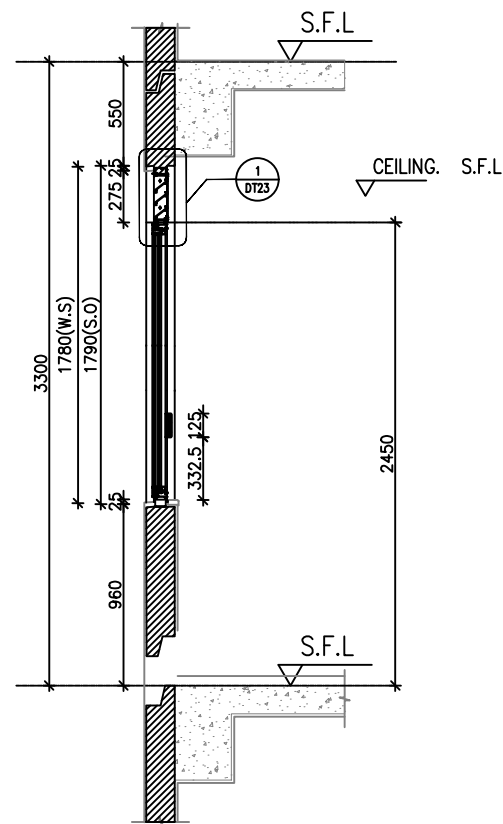
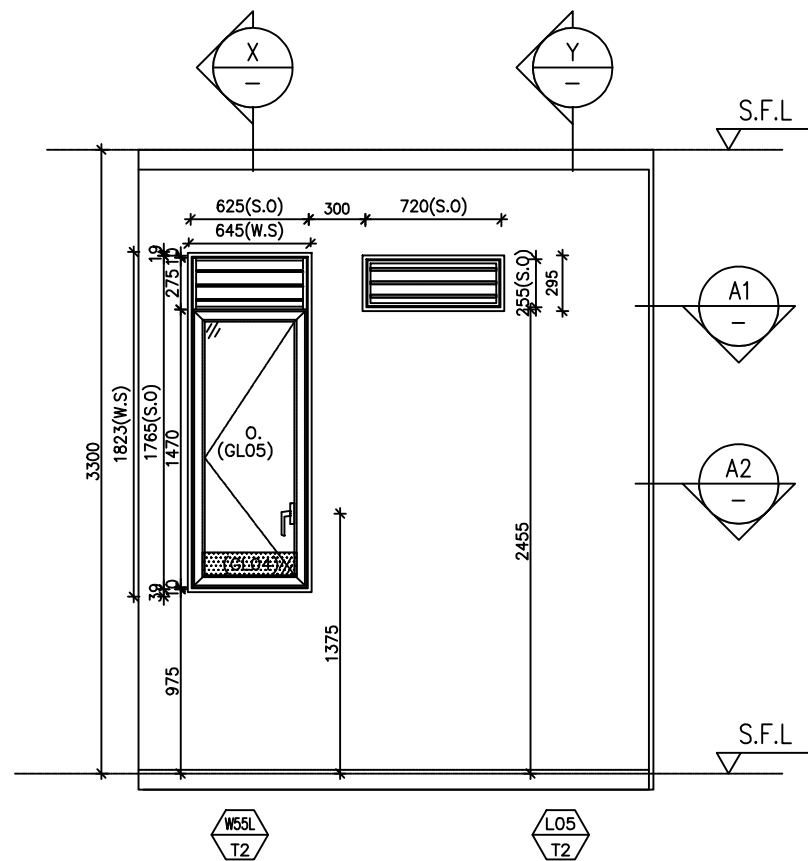
TITLE : WINDOW SCHEDULE FOR TOWER 2 ALUM. WINDOW

DATE : 03-APR-21 SCALE : 1:40

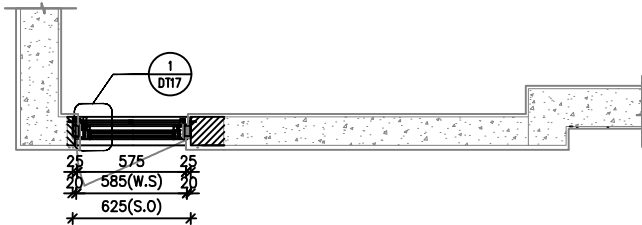
DRAWN BY : CHECKED BY :

美特鋁質有限公司
MIDI ALUMINIUM FABRICATOR LTD.
Units 6-8, Sunray Industrial Centre, 1/F
610 Cha Kwo Ling Road, Kowloon
Tel:23489211-4 Fax:(852)27727666

DWG NO. : J853-SD-IW-SC220 REV. : -



A1 PART PLAN



A2 PART PLAN

X PART SECTION

Y PART SECTION

L05 T2

W05L T2

PROVIDED		
GLAZING AREA	-	m ²
OPENABLE AREA	-	m ²
FREE AREA	55.4	%

PROVIDED		
GLAZING AREA	0.584	m ²
OPENABLE AREA	0.620	m ²
FREE AREA	60.7	%

ELEVATION

WINDOW MARK	W55L T2
LOCATION	25F FLAT A ENSUITE 4 BATH
SECTION	70mm ALUM. SECTION
GLAZING	GL05
QUANTITY	1 Nos / 1 Nos
REMARKS	T2-01-09A-25F

B.D. REF :

CLIENT :

SHIMAO GROUP HOLDINGS LIMITED

ARCHITECT :

WONG TUNG & PARTNERS LIMITED ARCHITECTS & PLANNERS



MAIN CONTRACTOR :

協興建築有限公司 HIP HING CONSTRUCTION CO LTD

STRUCTURAL ENGINEER :

C M WONG & ASSOCIATES LTD Consulting Engineers

SITE IN SITU CONSULTANT:



NOTE :

1. ALL DIMENSIONS ARE IN mm.
2. ALL ELEVATIONS ARE VIEWED FROM OUTSIDE.
3. ALL DIMENSIONS TO BE VERIFIED ON SITE BEFORE FABRICATION.

LEGEND :

- X1 - DETAIL MARK NO.
- X001 - REFER SHEET NO.

1. F.F.L. -- FINISHED FLOOR LEVEL
2. S.F.L. -- STRUCTURAL FLOOR LEVEL
3. (R) -- REVERSED DETAIL
4. ▲ -- FIXING LOCATION
5. △ -- FIXING LUG LOCATION

6. GLASS LEGEND

- GL01 -- 10mm+12mm AIR GAP+10mm THK. I.G.U.
- GL05 -- 10mm+12mm AIR GAP+10mm THK. I.G.U.
- GL06 -- 10mm+12mm AIR GAP+12mm THK. I.G.U.
- PDO1 -- 10mm T.P+12mm AIR GAP+8mm T.P
- GL07 -- 10mm+12mm AIR GAP+12mm THK. I.G.U.
- GL08 -- 10mm+12mm AIR GAP+10mm THK. I.G.U.

NO.	DATE	REVISED	BY

JOB NO. : J-853

PROJECT : PROPOSED RESIDENTIAL DEVELOPMENT AT N.K.I.L. 6542 YIN PING ROAD KOWLOON

TITLE : WINDOW SCHEDULE FOR TOWER 2 ALUM. WINDOW

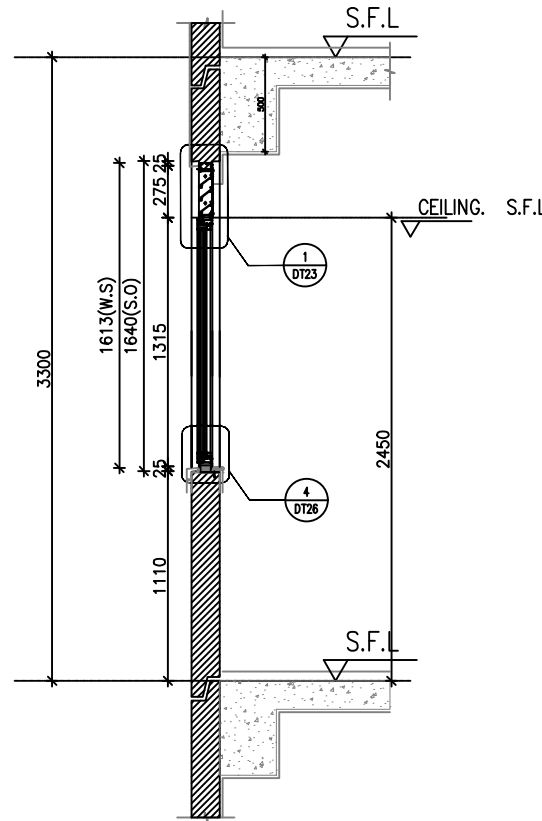
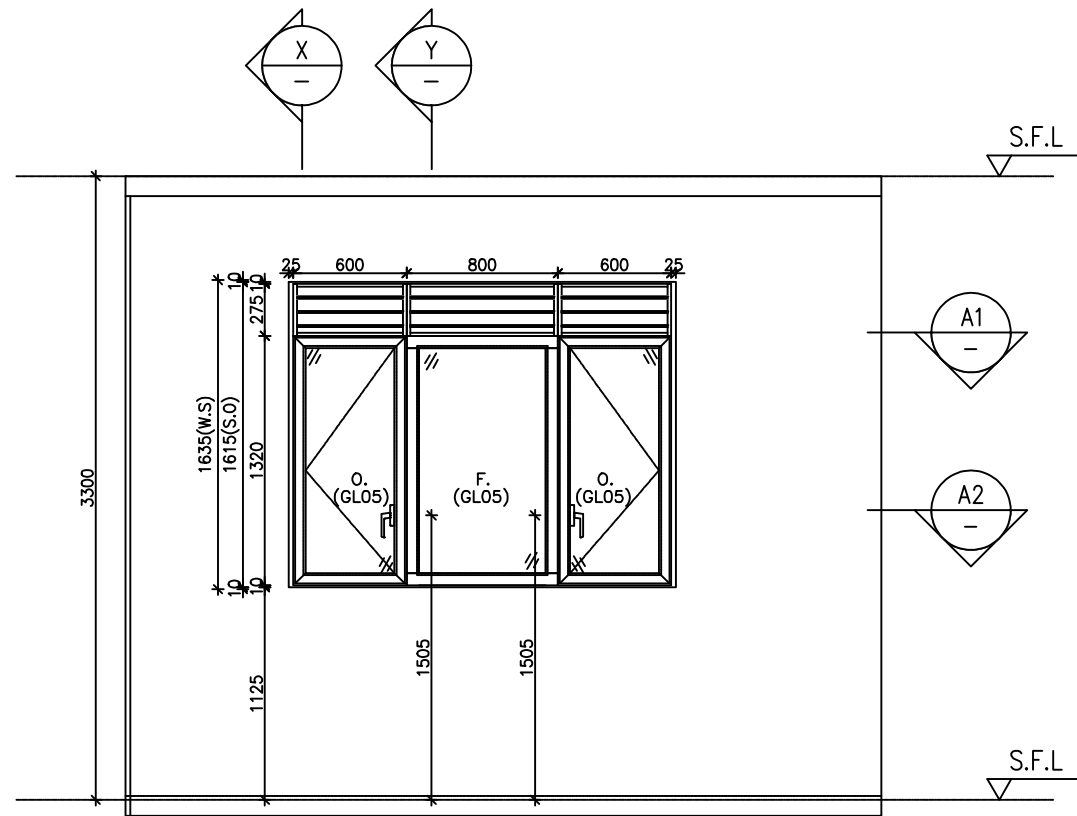
DATE : 20 JUL 2022 SCALE : 1:40

DRAWN BY : CHECKED BY :

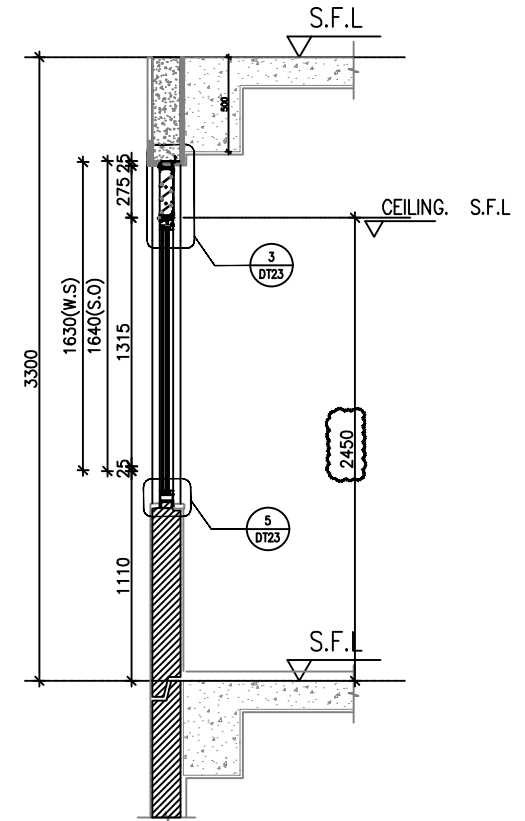
美特鋁質有限公司
MIDI ALUMINIUM FABRICATOR LTD.
Units 6-8, Sunray Industrial Centre, 1/F
610 Cha Kwo Ling Road, Kowloon
Tel: 23489211-4 Fax: (852) 27727666

DWG NO. : J853-SD-IW-SC220a REV. : -

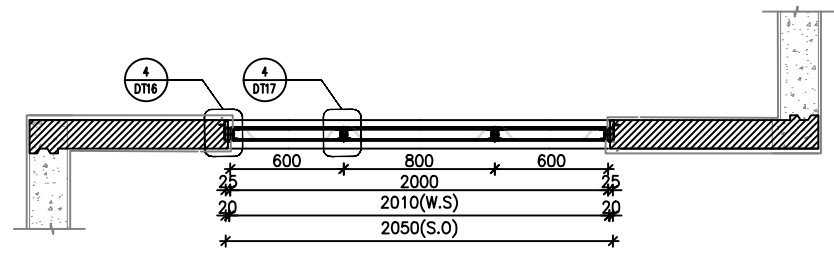
ELEVATION



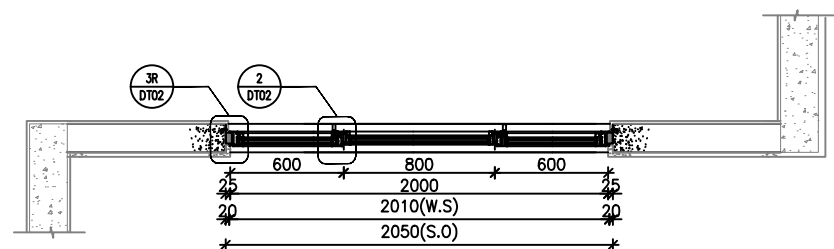
X PART SECTION



Y PART SECTION



A1 PART PLAN



A2 PART PLAN

W20
T2

PROVIDED		
GLAZING AREA	1.852	m ²
OPENABLE AREA	1.237	m ²
FREE AREA	60.7	%

B.D. REF :

CLIENT : SHIMAO GROUP HOLDINGS LIMITED

ARCHITECT : WONG TUNG & PARTNERS LIMITED ARCHITECTS & PLANNERS

MAIN CONTRACTOR : 協興建築有限公司 HIP HING CONSTRUCTION CO LTD

STRUCTURAL ENGINEER : C M WONG & ASSOCIATES LTD Consulting Engineers

SITE IN SITU CONSULTANT: MEINHARDT

NOTE :
1. ALL DIMENSIONS ARE IN mm.
2. ALL ELEVATIONS ARE VIEWED FROM OUTSIDE.
3. ALL DIMENSIONS TO BE VERIFIED ON SITE BEFORE FABRICATION.

LEGEND :
X1 - DETAIL MARK NO.
X001 - REFER SHEET NO.
1. F.F.L. --- FINISHED FLOOR LEVEL
2. S.F.L. --- STRUCTURAL FLOOR LEVEL
3. (R) --- REVERSED DETAIL
4. ▲ --- FIXING LOCATION
5. △ --- FIXING LUG LOCATION
6. GLASS LEGEND
GL01 --- 10mm+12mm AIR GAP+10mm THK. I.G.U.
GL05 --- 10mm+12mm AIR GAP+10mm THK. I.G.U.
GL06 --- 10mm+12mm AIR GAP+12mm THK. I.G.U.
PDO1 --- 10mm T.P+12mm AIR GAP+8mm T.P
GL07 --- 10mm+12mm AIR GAP+12mm THK. I.G.U.
GL08 --- 10mm+12mm AIR GAP+10mm THK. I.G.U.

NO.	DATE	REVISED	BY

JOB NO. : J-853
PROJECT : PROPOSED RESIDENTIAL DEVELOPMENT AT N.K.I.L. 6542 YIN PING ROAD KOWLOON

TITLE : WINDOW SCHEDULE FOR TOWER 2 ALUM. WINDOW

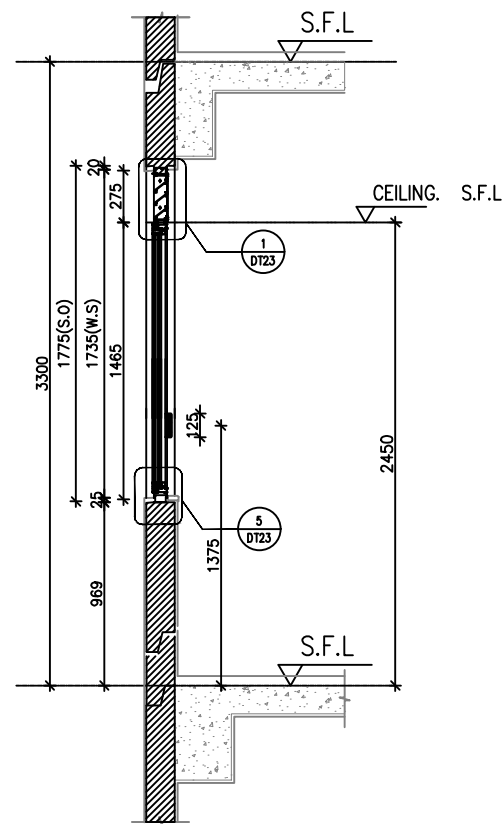
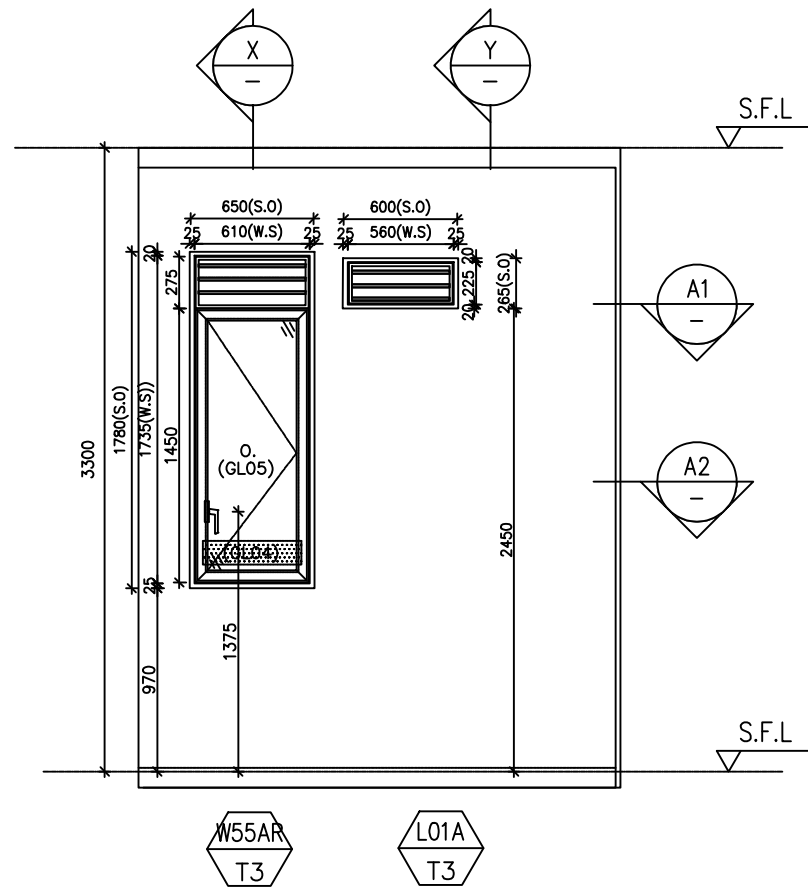
DATE : 03-APR-21 SCALE : 1:40
DRAWN BY : CHECKED BY :

美特鋁質有限公司
MIDI ALUMINIUM FABRICATOR LTD.
Units 6-8, Sunray Industrial Centre, 1/F
610 Cho Kwo Ling Road, Kowloon
Tel:23489211-4 Fax:(852)27727666

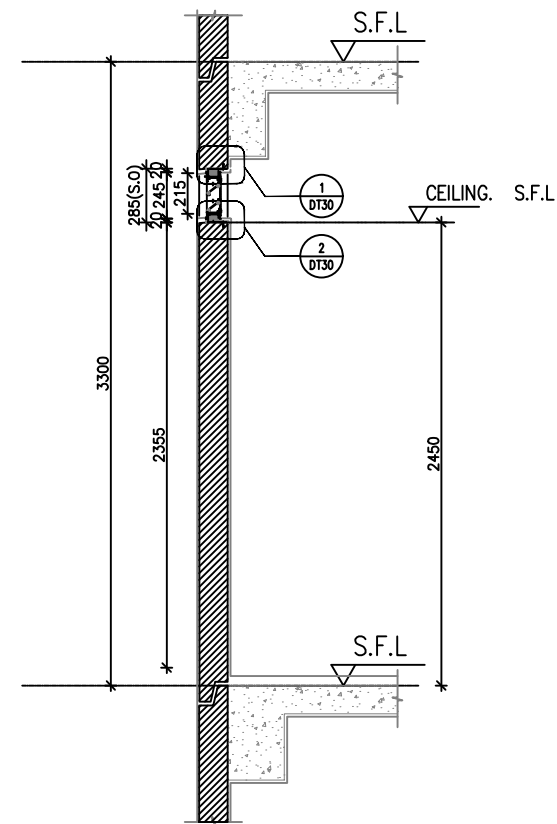
WINDOW MARK	W20 T2
LOCATION	25F FLAT A KITCHEN
SECTION	70mm ALUM. SECTION
GLAZING	GL05
QUANTITY	1 Nos
REMARKS	FACADE (T2-01-10A/25F)

DWG NO. : J853-SD-IW-SC221 REV. : -

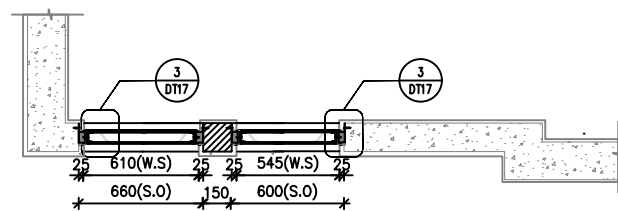
ELEVATION



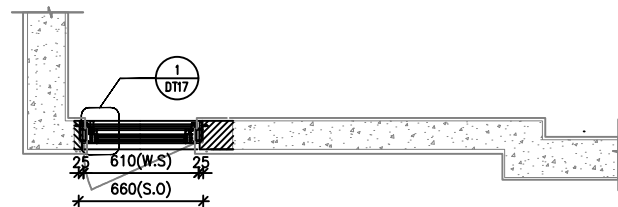
X PART SECTION



Y PART SECTION



A1 PART PLAN



A2 PART PLAN

L01A T3

PROVIDED		
GLAZING AREA	-	m ²
OPENABLE AREA	-	m ²
FREE AREA	55.4	%

W55AR T3

PROVIDED		
GLAZING AREA	0.652	m ²
OPENABLE AREA	0.697	m ²
FREE AREA	60.7	%

WINDOW MARK	W55AR T3 L01A T3
LOCATION	25F FLAT A EN.BATH & MASTER BATH
SECTION	70mm ALUM. SECTION
GLAZING	GL05
QUANTITY	1 Nos / 1 Nos
REMARKS	FACADE(T3-01-01A/25F)

B.D. REF :

CLIENT : SHIMAO GROUP HOLDINGS LIMITED

ARCHITECT : WONG TUNG & PARTNERS LIMITED ARCHITECTS & PLANNERS

MAIN CONTRACTOR : 協興建築有限公司 HIP HING CONSTRUCTION CO LTD

STRUCTURAL ENGINEER : C M WONG & ASSOCIATES LTD Consulting Engineers

SITE IN SITU CONSULTANT: MEINHARDT

NOTE :
 1. ALL DIMENSIONS ARE IN mm.
 2. ALL ELEVATIONS ARE VIEWED FROM OUTSIDE.
 3. ALL DIMENSIONS TO BE VERIFIED ON SITE BEFORE FABRICATION.

LEGEND :
 X1 - DETAIL MARK NO.
 X001 - REFER SHEET NO.
 1. F.F.L. -- FINISHED FLOOR LEVEL
 2. S.F.L. -- STRUCTURAL FLOOR LEVEL
 3. (R) -- REVERSED DETAIL
 4. ▲ -- FIXING LOCATION
 5. △ -- FIXING LUG LOCATION
 6. GLASS LEGEND
 GL01 -- 10mm+12mm AIR GAP+10mm THK. I.G.U.
 GL05 -- 10mm+12mm AIR GAP+10mm THK. I.G.U.
 GL06 -- 10mm+12mm AIR GAP+12mm THK. I.G.U.
 PDO1 -- 10mm T.P+12mm AIR GAP+8mm T.P
 GL07 -- 10mm+12mm AIR GAP+12mm THK. I.G.U.
 GL08 -- 10mm+12mm AIR GAP+10mm THK. I.G.U.

H	30/06/2022	GENERAL REVISION
G	22/10/2021	REVISION SUBJECT TO ARCH.COMMENT
NO.	DATE	REVISED

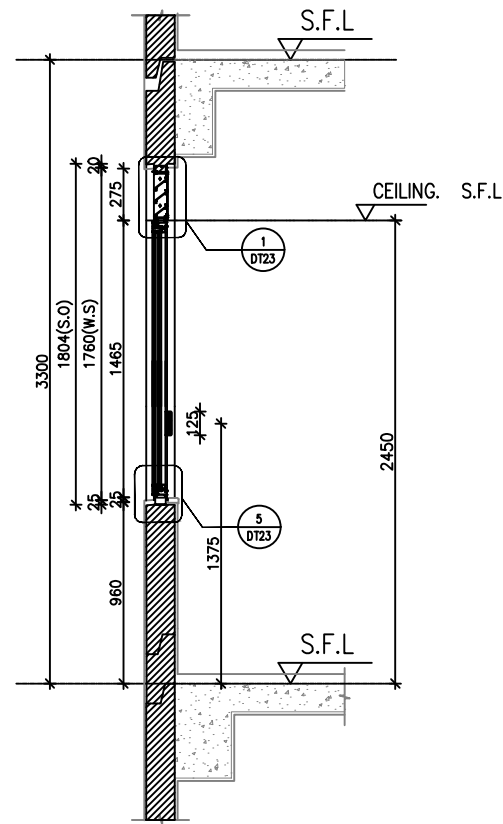
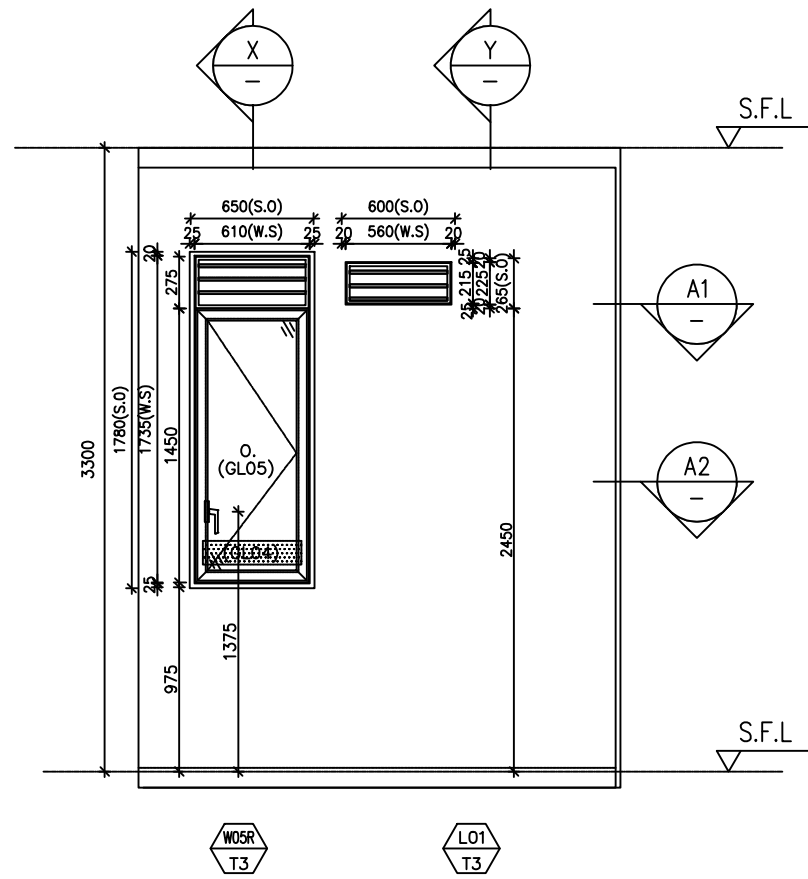
JOB NO. : J-853
 PROJECT : PROPOSED RESIDENTIAL DEVELOPMENT AT N.K.I.L. 6542 YIN PING ROAD KOWLOON

TITLE : WINDOW SCHEDULE FOR TOWER 3 ALUM. WINDOW

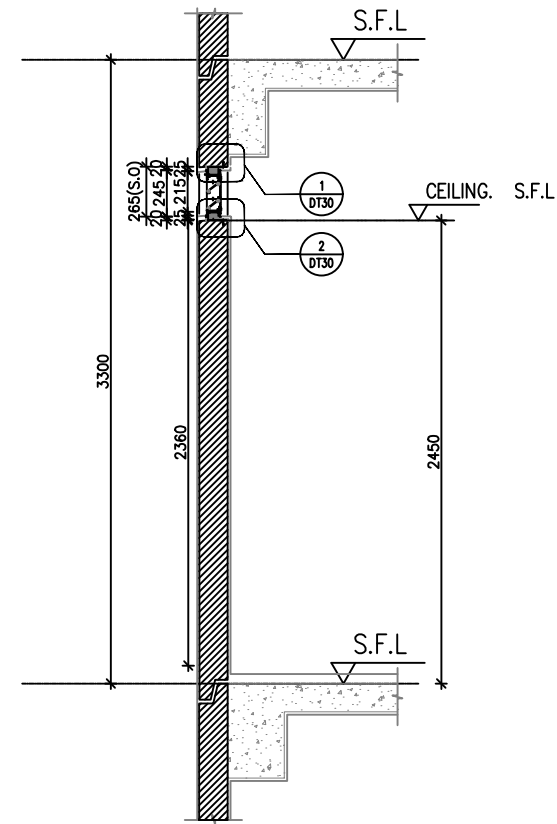
DATE : 03-APR-21 SCALE : 1:40
 DRAWN BY : CHECKED BY :

美特鋁質有限公司
 MIDI ALUMINIUM FABRICATOR LTD.
 Units 6-8, Sunray Industrial Centre, 1/F
 610 Cha Kwo Ling Road, Kowloon
 Tel:23489211-4 Fax:(852)2727666
 DWG NO. : J853-SD-IW-SC321a REV. : H

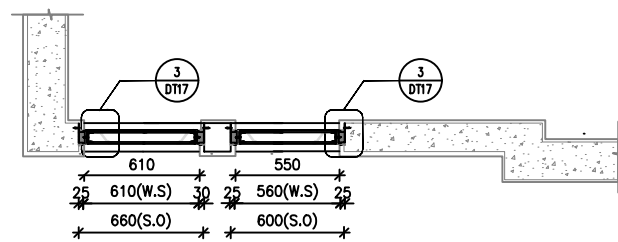
ELEVATION



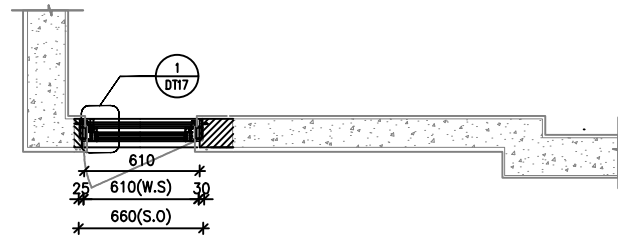
X PART SECTION



Y PART SECTION



A1 PART PLAN



A2 PART PLAN

L01 T3

PROVIDED		
GLAZING AREA	-	m ²
OPENABLE AREA	-	m ²
FREE AREA	55.4	%

W05R T3

PROVIDED		
GLAZING AREA	0.584	m ²
OPENABLE AREA	0.618	m ²
FREE AREA	60.7	%

B.D. REF :

CLIENT : SHIMAO GROUP HOLDINGS LIMITED

ARCHITECT : WONG TUNG & PARTNERS LIMITED ARCHITECTS & PLANNERS

MAIN CONTRACTOR : 協興建築有限公司 HIP HING CONSTRUCTION CO LTD

STRUCTURAL ENGINEER : C M WONG & ASSOCIATES LTD Consulting Engineers

SITE IN SITU CONSULTANT: MEINHARDT

NOTE :
1. ALL DIMENSIONS ARE IN mm.
2. ALL ELEVATIONS ARE VIEWED FROM OUTSIDE.
3. ALL DIMENSIONS TO BE VERIFIED ON SITE BEFORE FABRICATION.

LEGEND :
X1 - DETAIL MARK NO.
X001 - REFER SHEET NO.
1. F.F.L. -- FINISHED FLOOR LEVEL
2. S.F.L. -- STRUCTURAL FLOOR LEVEL
3. (R) -- REVERSED DETAIL
4. ▲ -- FIXING LOCATION
5. △ -- FIXING LUG LOCATION
6. GLASS LEGEND
GL01 -- 10mm+12mm AIR GAP+10mm THK. I.G.U.
GL05 -- 10mm+12mm AIR GAP+10mm THK. I.G.U.
GL06 -- 10mm+12mm AIR GAP+12mm THK. I.G.U.
PDO1 -- 10mm T.P+12mm AIR GAP+8mm T.P
GL07 -- 10mm+12mm AIR GAP+12mm THK. I.G.U.
GL08 -- 10mm+12mm AIR GAP+10mm THK. I.G.U.

NO.	DATE	REVISION	BY
I	31/08/2022	GENERAL REVISION	
H	30/06/2022	GENERAL REVISION	
G	22/10/2021	REVISION SUBJECT TO ARCH.COMMENT	

JOB NO. : J-853
PROJECT : PROPOSED RESIDENTIAL DEVELOPMENT AT N.K.I.L. 6542 YIN PING ROAD KOWLOON

TITLE : WINDOW SCHEDULE FOR TOWER 3 ALUM. WINDOW

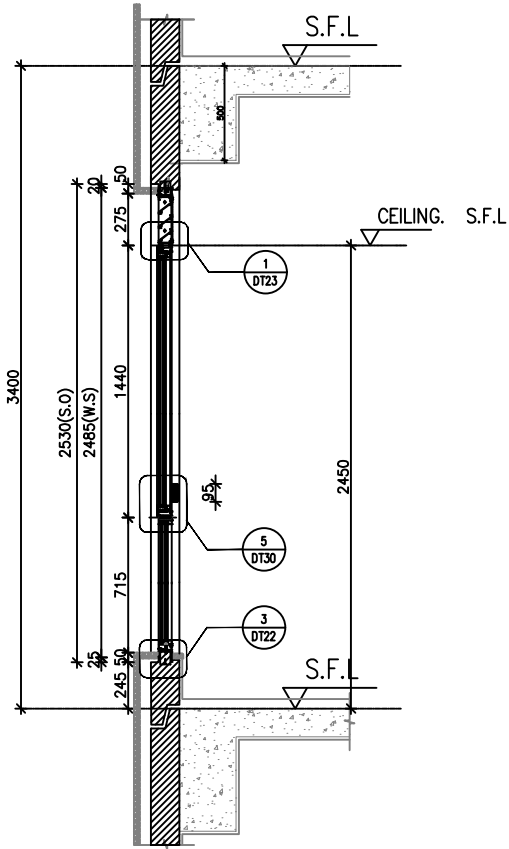
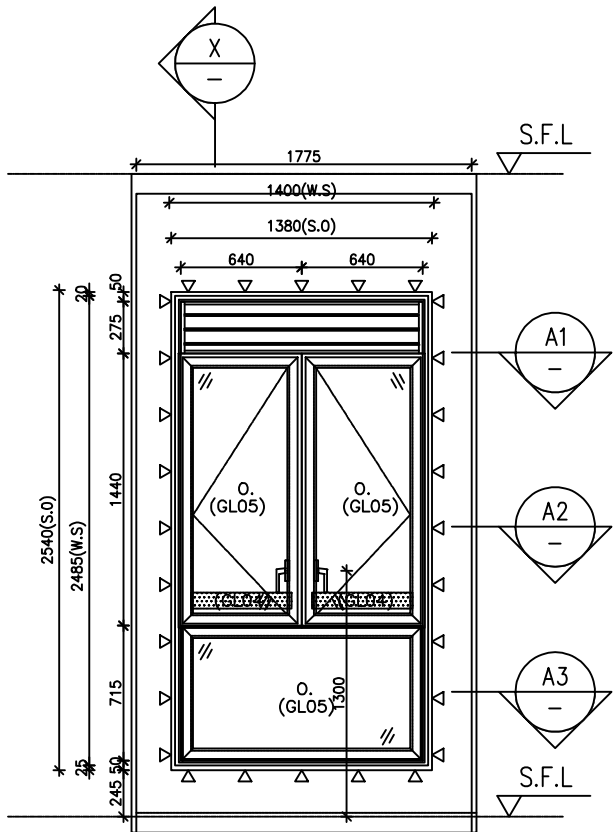
DATE : 03-APR-21 SCALE : 1:40
DRAWN BY : CHECKED BY :

美特鋁質有限公司
MIDI ALUMINIUM FABRICATOR LTD.
Units 6-8, Sunray Industrial Centre, 1/F
610 Cha Kwo Ling Road, Kowloon
Tel:23489211-4 Fax:(852)2727666

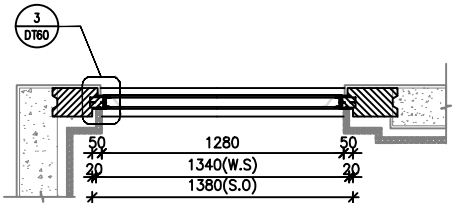
DWG NO. : J853-SD-IW-SC321 REV. : 1

WINDOW MARK	W05R T3 & L01 T3
LOCATION	26F FLAT A EN.BATH & MASTER BATH
SECTION	70mm ALUM. SECTION
GLAZING	GL05
QUANTITY	1 Nos / 1 Nos
REMARKS	FACADE(T3-01-01A/26F)

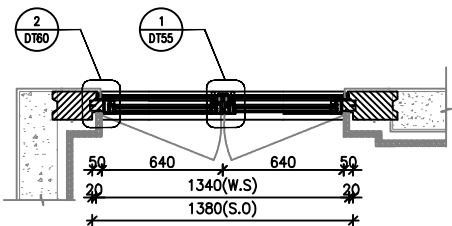
STONE CLADDING FINISHING



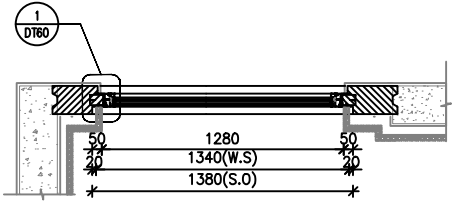
X PART SECTION



A1 PART PLAN



A2 PART PLAN



A3 PART PLAN

ELEVATION

B.D. REF :

CLIENT : SHIMAO GROUP HOLDINGS LIMITED

ARCHITECT : WONG TUNG & PARTNERS LIMITED ARCHITECTS & PLANNERS

MAIN CONTRACTOR : 協興建築有限公司 HIP HING CONSTRUCTION CO LTD

STRUCTURAL ENGINEER : C M WONG & ASSOCIATES LTD Consulting Engineers

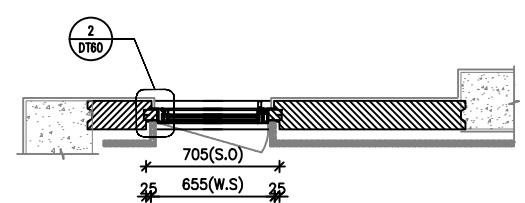
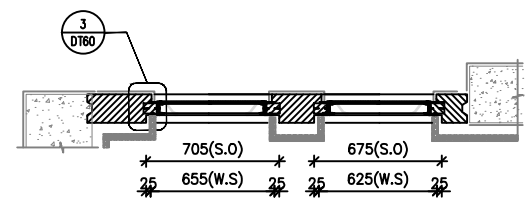
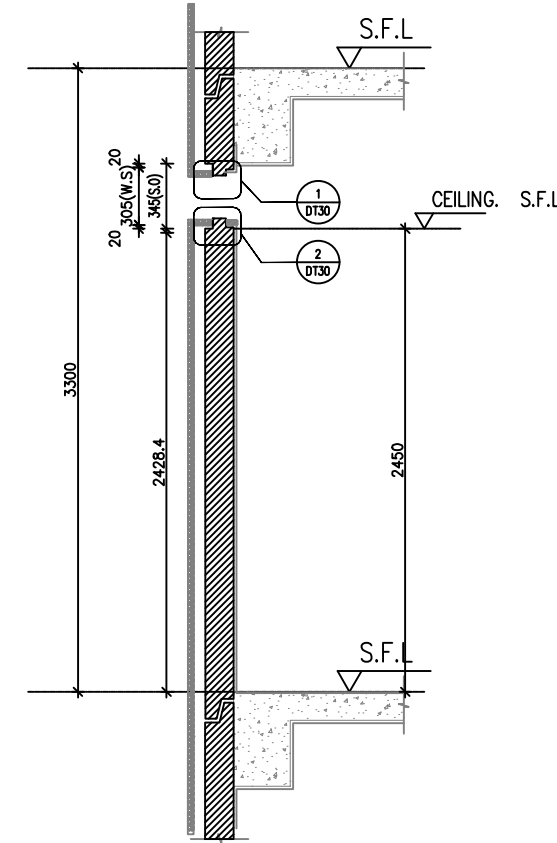
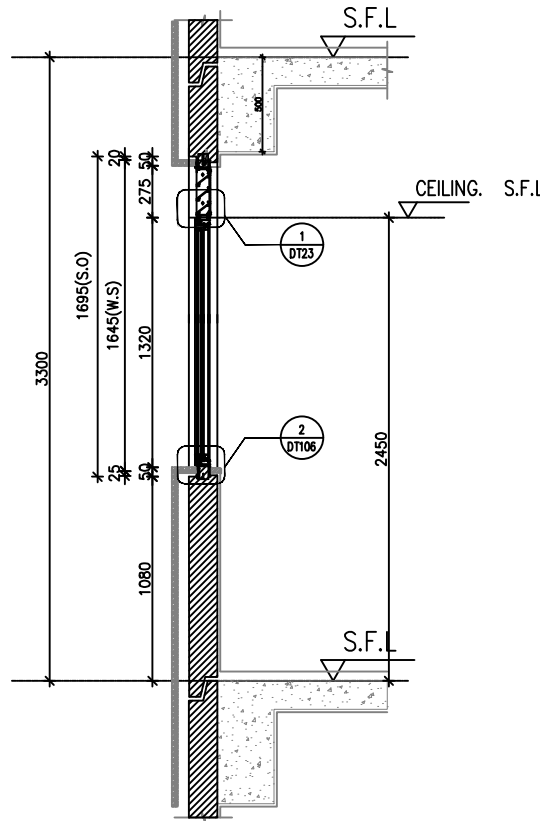
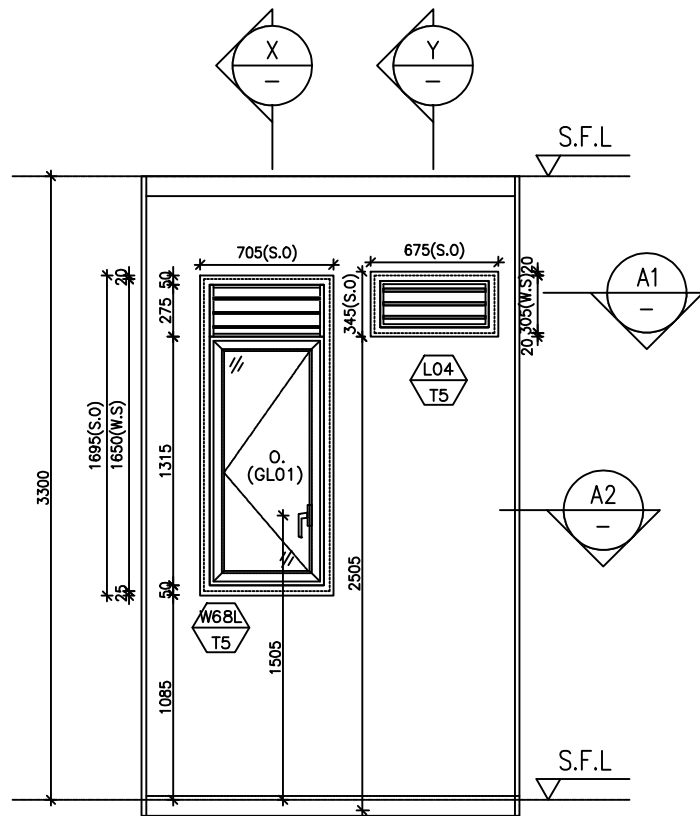
SITE IN SITU CONSULTANT : MEINHARDT

- NOTE :
- ALL DIMENSIONS ARE IN mm.
 - ALL ELEVATIONS ARE VIEWED FROM OUTSIDE.
 - ALL DIMENSIONS TO BE VERIFIED ON SITE BEFORE FABRICATION.
- LEGEND :
- X1 - DETAIL MARK NO.
 - X001 - REFER SHEET NO.
 - 1. F.F.L. -- FINISHED FLOOR LEVEL
 - 2. S.F.L. -- STRUCTURAL FLOOR LEVEL
 - 3. (R) -- REVERSED DETAIL
 - 4. ▲ -- FIXING LOCATION
 - 5. △ -- FIXING LUG LOCATION
 - 6. GLASS LEGEND
 - GL01 -- 10mm+12mm AIR GAP+10mm THK. I.G.U.
 - GL05 -- 10mm+12mm AIR GAP+10mm THK. I.G.U.
 - GL06 -- 10mm+12mm AIR GAP+12mm THK. I.G.U.
 - PDO1 -- 10mm T.P+12mm AIR GAP+8mm T.P
 - GL07 -- 10mm+12mm AIR GAP+12mm THK. I.G.U.
 - GL08 -- 10mm+12mm AIR GAP+10mm THK. I.G.U.

NO.	DATE	REVISED	BY
JOB NO. : J-853		PROJECT : PROPOSED RESIDENTIAL DEVELOPMENT AT N.K.I.L. 6542 YIN PING ROAD KOWLOON	
TITLE : WINDOW SCHEDULE FOR TOWER 5 ALUM. WINDOW		DATE : 16-SEP-22 SCALE : 1:40	
DRAWN BY : JK		CHECKED BY :	
<p>美特鋁質有限公司 MIDI ALUMINIUM FABRICATOR LTD. Units 6-8, Sunray Industrial Centre, 1/F 610 Cha Kwo Ling Road, Kowloon Tel:23489211-4 Fax:(852)27727666</p>			
DWG NO. : J853-SD-IW-SC529		REV. : -	

PROVIDED		
GLAZING AREA	1.010	m ²
OPENABLE AREA	1.258	m ²
FREE AREA	60.8	%

WINDOW MARK	W11 T5
LOCATION	17F~22F; 23F & 26F FLAT B MASTER BATH
SECTION	70mm ALUM. SECTION
GLAZING	GL05
QUANTITY	8 Nos.
REMARKS	FACADE(T5-01-14A/26F)



X PART SECTION

Y PART SECTION

A1 PART PLAN

A2 PART PLAN

STONE CLADDING FINISHING

PROVIDED		
GLAZING AREA	-	m ²
OPENABLE AREA	-	m ²
FREE AREA	54.4	%

PROVIDED		
GLAZING AREA	0.582	m ²
OPENABLE AREA	0.669	m ²
FREE AREA	60.8	%

B.D. REF :

CLIENT : SHIMAO GROUP HOLDINGS LIMITED

ARCHITECT : WONG TUNG & PARTNERS LIMITED ARCHITECTS & PLANNERS

MAIN CONTRACTOR : 協興建築有限公司 HIP HING CONSTRUCTION CO LTD

STRUCTURAL ENGINEER : C M WONG & ASSOCIATES LTD Consulting Engineers

SITE IN SITU CONSULTANT: MEINHARDT

- NOTE :
- ALL DIMENSIONS ARE IN mm.
 - ALL ELEVATIONS ARE VIEWED FROM OUTSIDE.
 - ALL DIMENSIONS TO BE VERIFIED ON SITE BEFORE FABRICATION.
- LEGEND :
- X1 - DETAIL MARK NO.
 - X001 - REFER SHEET NO.
 - F.F.L. -- FINISHED FLOOR LEVEL
 - S.F.L. -- STRUCTURAL FLOOR LEVEL
 - (R) -- REVERSED DETAIL
 - ▲ -- FIXING LOCATION
 - △ -- FIXING LUG LOCATION
- GLASS LEGEND
- GL01 -- 10mm+12mm AIR GAP+10mm THK. I.G.U.
 - GL05 -- 10mm+12mm AIR GAP+10mm THK. I.G.U.
 - GL06 -- 10mm+12mm AIR GAP+12mm THK. I.G.U.
 - PDO1 -- 10mm T.P+12mm AIR GAP+8mm T.P
 - GL07 -- 10mm+12mm AIR GAP+12mm THK. I.G.U.
 - GL08 -- 10mm+12mm AIR GAP+10mm THK. I.G.U.

NO.	DATE	REVISED	BY

JOB NO. : J-853

PROJECT : PROPOSED RESIDENTIAL DEVELOPMENT AT N.K.I.L. 6542 YIN PING ROAD KOWLOON

TITLE : WINDOW SCHEDULE FOR TOWER 5 ALUM. WINDOW

DATE : 16-SEP-22 SCALE : 1:40

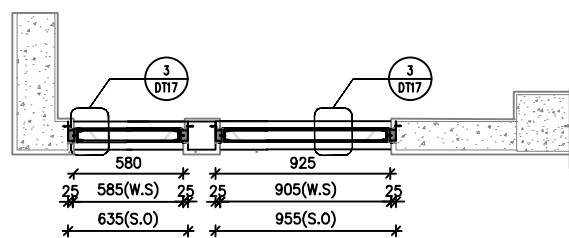
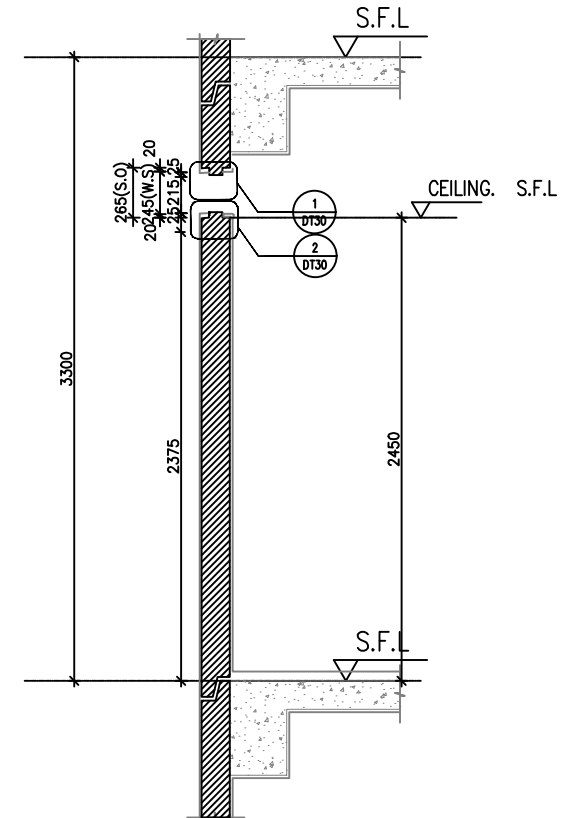
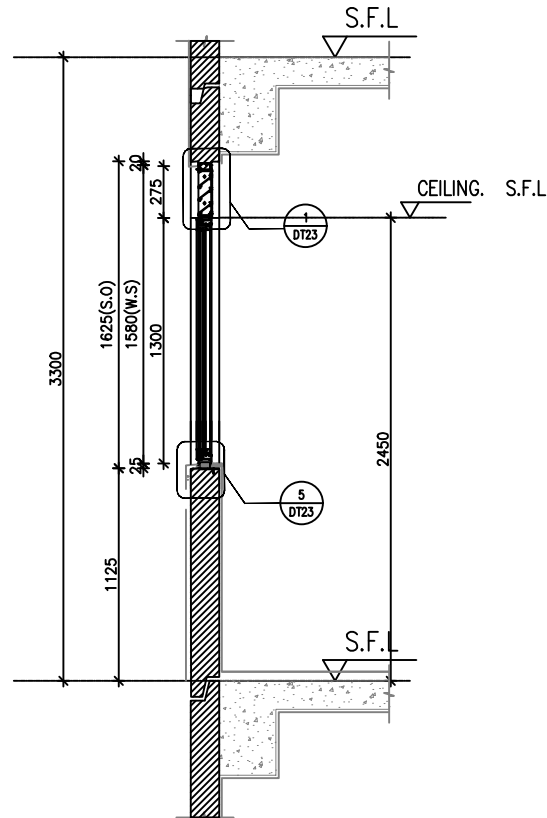
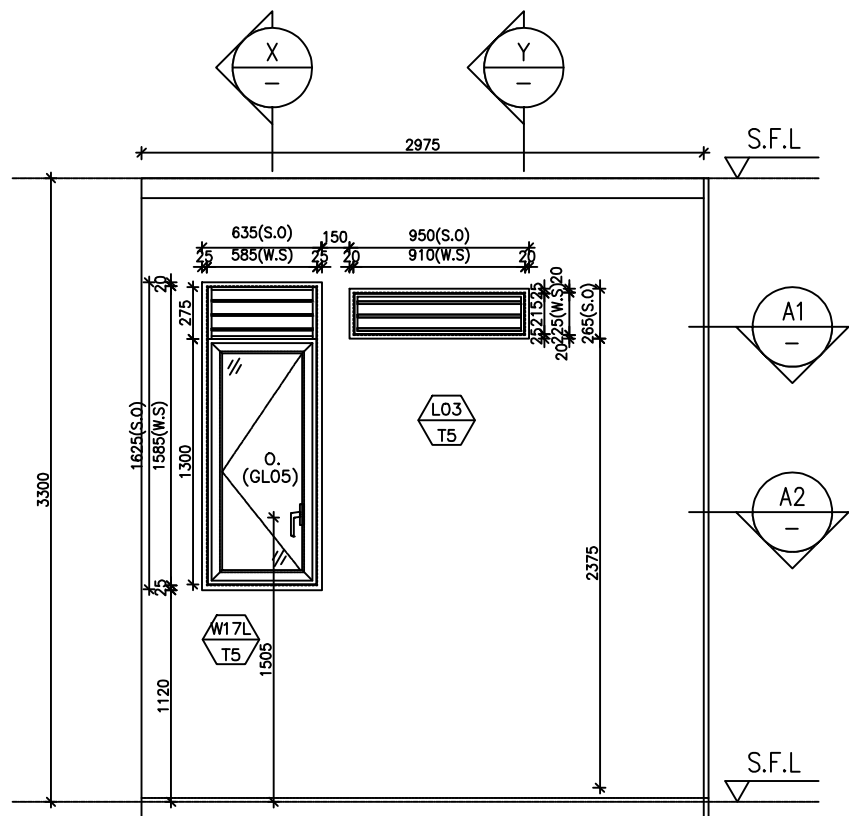
DRAWN BY : JK CHECKED BY :

美特鋁質有限公司
MIDI ALUMINIUM FABRICATOR LTD.
Units 6-8, Sunray Industrial Centre, 1/F
610 Cha Kwo Ling Road, Kowloon
Tel: 23489211-4 Fax: (852) 27727666

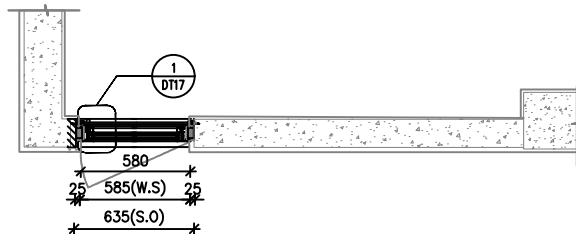
DWG NO. : J853-SD-IW-SC530 REV. : -

ELEVATION

WINDOW MARK	W68L T5 & LO4 T5
LOCATION	25F FLAT B KITCHEN
SECTION	70mm ALUM. SECTION
GLAZING	GL01
QUANTITY	1 Nos.
REMARKS	FACADE (T5-01-10A)



A1 PART PLAN



A2 PART PLAN

X PART SECTION

Y PART SECTION

PROVIDED		
GLAZING AREA	-	m ²
OPENABLE AREA	-	m ²
FREE AREA	60.8	%

PROVIDED		
GLAZING AREA	0.512	m ²
OPENABLE AREA	0.590	m ²
FREE AREA	60.8	%

B.D. REF :

CLIENT : SHIMAO GROUP HOLDINGS LIMITED

ARCHITECT : WONG TUNG & PARTNERS LIMITED ARCHITECTS & PLANNERS

MAIN CONTRACTOR : 協興建築有限公司 HIP HING CONSTRUCTION CO LTD

STRUCTURAL ENGINEER : C M WONG & ASSOCIATES LTD Consulting Engineers

SITE IN SITU CONSULTANT: MEINHARDT

- NOTE :
1. ALL DIMENSIONS ARE IN mm.
 2. ALL ELEVATIONS ARE VIEWED FROM OUTSIDE.
 3. ALL DIMENSIONS TO BE VERIFIED ON SITE BEFORE FABRICATION.

- LEGEND :
- X1 - DETAIL MARK NO.
X001 - REFER SHEET NO.
1. F.F.L. -- FINISHED FLOOR LEVEL
 2. S.F.L. -- STRUCTURAL FLOOR LEVEL
 3. (R) -- REVERSED DETAIL
 4. ▲ -- FIXING LOCATION
 5. △ -- FIXING LUG LOCATION
 6. GLASS LEGEND
GL01 -- 10mm+12mm AIR GAP+10mm THK. I.G.U.
GL05 -- 10mm+12mm AIR GAP+10mm THK. I.G.U.
GL06 -- 10mm+12mm AIR GAP+12mm THK. I.G.U.
PDO1 -- 10mm T.P+12mm AIR GAP+8mm T.P
GL07 -- 10mm+12mm AIR GAP+12mm THK. I.G.U.
GL08 -- 10mm+12mm AIR GAP+10mm THK. I.G.U.

NO.	DATE	REVISED	BY
JOB NO. : J-853			
PROJECT : PROPOSED RESIDENTIAL DEVELOPMENT AT N.K.I.L. 6542 YIN PING ROAD KOWLOON			
TITLE : WINDOW SCHEDULE FOR TOWER 5 ALUM. WINDOW			

DATE : 16-SEP-22 SCALE : 1:40
DRAWN BY : JK CHECKED BY :

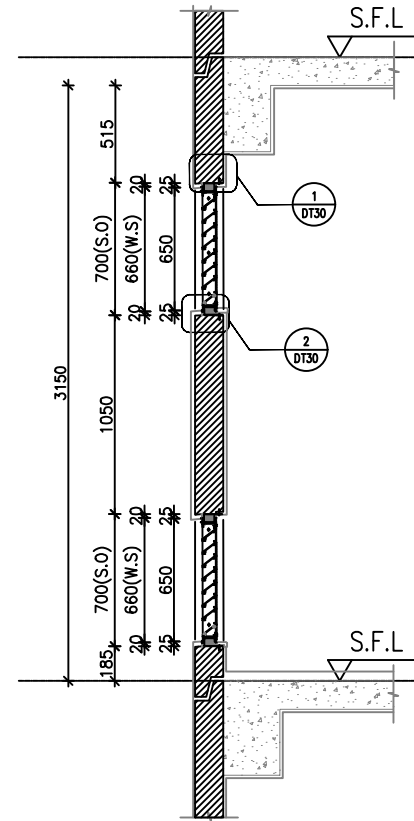
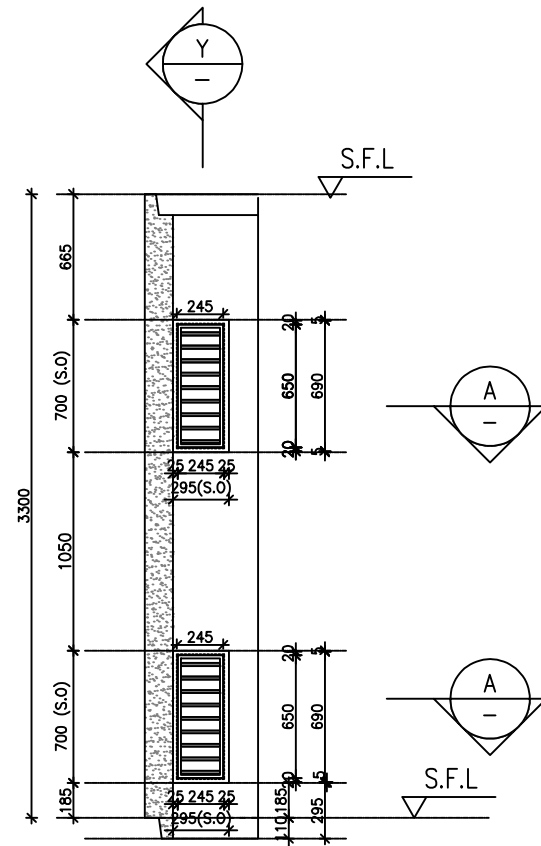
美特鋁質有限公司
MIDI ALUMINIUM FABRICATOR LTD.
Units 6-8, Sunray Industrial Centre, 1/F
610 Cha Kwo Ling Road, Kowloon
Tel: 23489211-4 Fax: (852) 27727666

ELEVATION

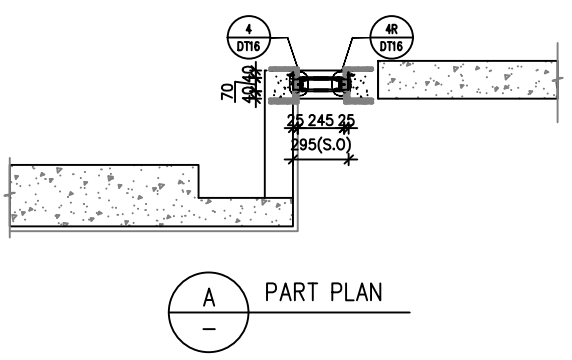
WINDOW MARK	W17L T5 & LO3 T5
LOCATION	26F FLAT A LAY. UTILITY
SECTION	70mm ALUM. SECTION
GLAZING	GL05
QUANTITY	1 No.
REMARKS	FACADE (T5-02-06A)

DWG NO. : J853-SD-IW-531 REV. : -

ELEVATION



X PART SECTION



A PART PLAN

B.D. REF :

CLIENT : SHIMAO GROUP HOLDINGS LIMITED

ARCHITECT : WONG TUNG & PARTNERS LIMITED ARCHITECTS & PLANNERS

MAIN CONTRACTOR : 協興建築有限公司 HIP HING CONSTRUCTION CO LTD

STRUCTURAL ENGINEER : C M WONG & ASSOCIATES LTD Consulting Engineers

SITE IN SITU CONSULTANT: MEINHARDT

NOTE :
 1. ALL DIMENSIONS ARE IN mm.
 2. ALL ELEVATIONS ARE VIEWED FROM OUTSIDE.
 3. ALL DIMENSIONS TO BE VERIFIED ON SITE BEFORE FABRICATION.

LEGEND :
 X1 --- DETAIL MARK NO.
 X001 --- REFER SHEET NO.
 1. F.F.L. --- FINISHED FLOOR LEVEL
 2. S.F.L. --- STRUCTURAL FLOOR LEVEL
 3. (R) --- REVERSED DETAIL
 4. ▲ --- FIXING LOCATION
 5. △ --- FIXING LUG LOCATION
 6. GLASS LEGEND
 GL01 --- 10mm+12mm AIR GAP+10mm THK. I.G.U.
 GL05 --- 10mm+12mm AIR GAP+10mm THK. I.G.U.
 GL06 --- 10mm+12mm AIR GAP+12mm THK. I.G.U.
 PDO1 --- 10mm T.P+12mm AIR GAP+8mm T.P
 GL07 --- 10mm+12mm AIR GAP+12mm THK. I.G.U.
 GL08 --- 10mm+12mm AIR GAP+10mm THK. I.G.U.

NO.	DATE	REVISED	BY
-----	------	---------	----

JOB NO. : J-853

PROJECT : PROPOSED RESIDENTIAL DEVELOPMENT AT N.K.I.L. 6542 YIN PING ROAD KOWLOON

TITLE : WINDOW SCHEDULE FOR TOWER 5 ALUM. WINDOW

DATE : 06-OCT-22 SCALE : 1:40

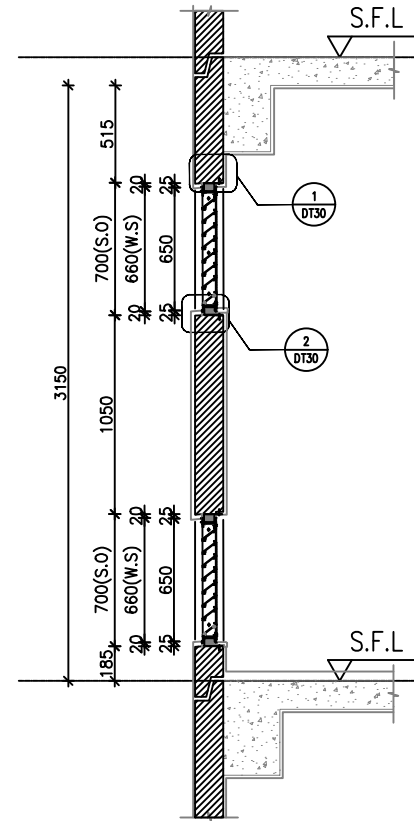
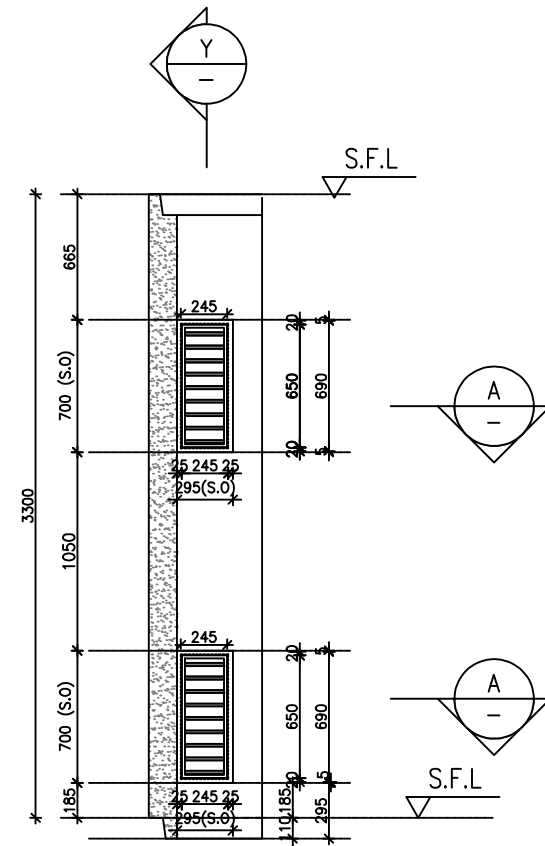
DRAWN BY : JK CHECKED BY :

美特鋁質有限公司
 MIDI ALUMINIUM FABRICATOR LTD.
 Units 6-8, Sunray Industrial Centre, 1/F
 610 Cha Kwo Ling Road, Kowloon
 Tel:23489211-4 Fax:(852)27727666

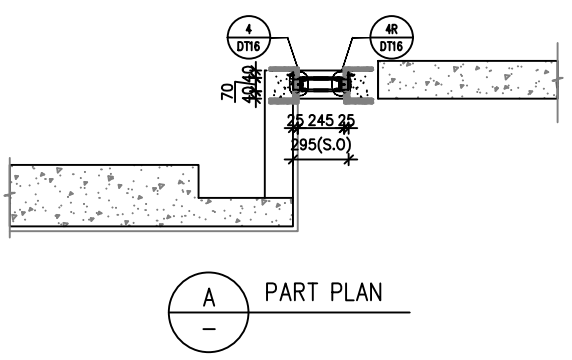
WINDOW MARK	L09 T5
LOCATION	6-15F PIPE DUCT
SECTION	70mm ALUM. SECTION
GLAZING	-
QUANTITY	8 Nos.
REMARKS	FACADE (T5-02-02)

DWG NO. : J853-SD-IW-532 REV. : -

ELEVATION



X PART SECTION



A PART PLAN

B.D. REF :

CLIENT : SHIMAO GROUP HOLDINGS LIMITED

ARCHITECT : WONG TUNG & PARTNERS LIMITED ARCHITECTS & PLANNERS

MAIN CONTRACTOR : 協興建築有限公司 HIP HING CONSTRUCTION CO LTD

STRUCTURAL ENGINEER : C M WONG & ASSOCIATES LTD Consulting Engineers

SITE IN SITU CONSULTANT: MEINHARDT

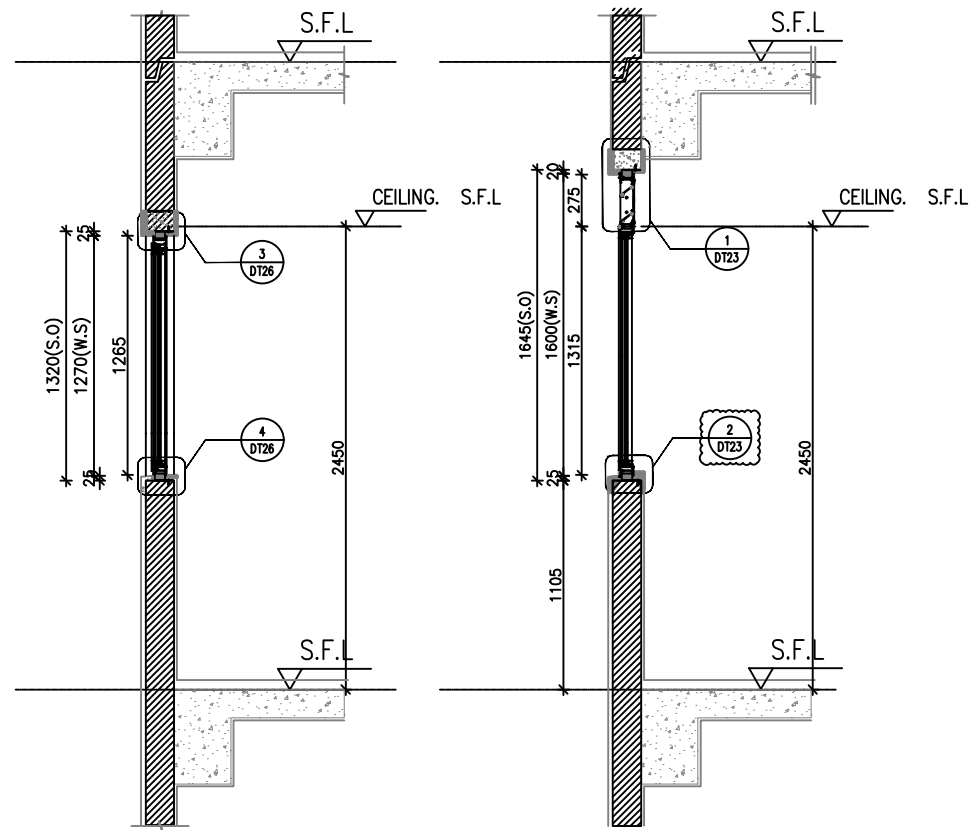
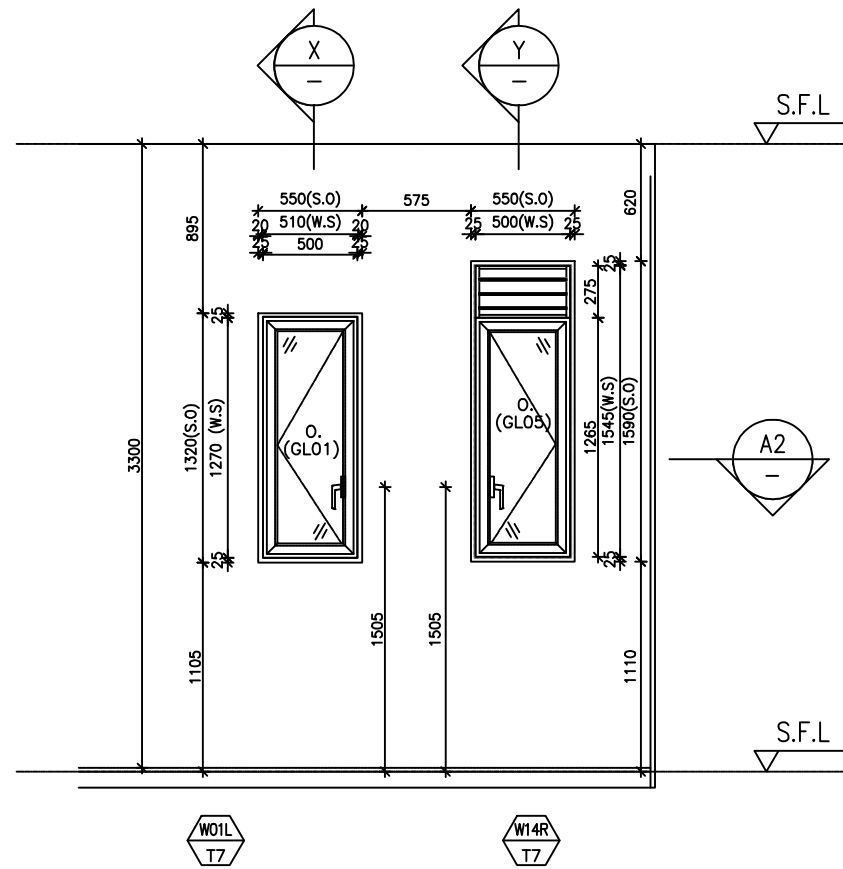
NOTE :
 1. ALL DIMENSIONS ARE IN mm.
 2. ALL ELEVATIONS ARE VIEWED FROM OUTSIDE.
 3. ALL DIMENSIONS TO BE VERIFIED ON SITE BEFORE FABRICATION.

LEGEND :
 X1 --- DETAIL MARK NO.
 X001 --- REFER SHEET NO.
 1. F.F.L. --- FINISHED FLOOR LEVEL
 2. S.F.L. --- STRUCTURAL FLOOR LEVEL
 3. (R) --- REVERSED DETAIL
 4. ▲ --- FIXING LOCATION
 5. △ --- FIXING LUG LOCATION
 6. GLASS LEGEND
 GL01 --- 10mm+12mm AIR GAP+10mm THK. I.G.U.
 GL05 --- 10mm+12mm AIR GAP+10mm THK. I.G.U.
 GL06 --- 10mm+12mm AIR GAP+12mm THK. I.G.U.
 PDO1 --- 10mm T.P+12mm AIR GAP+8mm T.P
 GL07 --- 10mm+12mm AIR GAP+12mm THK. I.G.U.
 GL08 --- 10mm+12mm AIR GAP+10mm THK. I.G.U.

WINDOW MARK	LO9A T5
LOCATION	16F PIPE DUCT
SECTION	70mm ALUM. SECTION
GLAZING	-
QUANTITY	1 Nos.
REMARKS	FACADE (T5-02-02A)

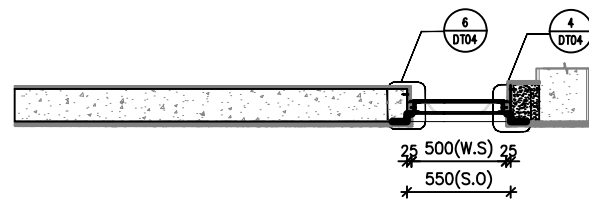
NO.	DATE	REVISED	BY
JOB NO. : J-853			
PROJECT : PROPOSED RESIDENTIAL DEVELOPMENT AT N.K.I.L. 6542 YIN PING ROAD KOWLOON			
TITLE : WINDOW SCHEDULE FOR TOWER 5 ALUM. WINDOW			
DATE : 06-OCT-22	SCALE : 1:40		
DRAWN BY : JK	CHECKED BY :		
美特鋁質有限公司 MIDI ALUMINIUM FABRICATOR LTD. Units 6-8, Sunray Industrial Centre, 1/F 610 Cha Kwo Ling Road, Kowloon Tel:23489211-4 Fax:(852)27727666			
DWG NO. : J853-SD-IW-532a	REV. : -		

ELEVATION

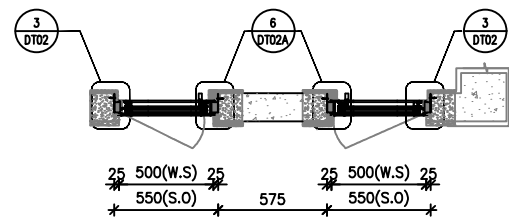


X PART SECTION

Y PART SECTION



PART PLAN A1



PART PLAN A2

PROVIDED		
W01R T7	GLAZING AREA	0.524 m ²
	OPENABLE AREA	0.618 m ²
	FREE AREA	- %

PROVIDED		
W14R T7	GLAZING AREA	0.865 m ²
	OPENABLE AREA	1.044 m ²
	FREE AREA	60.7 %

B.D. REF :

CLIENT : SHIMAO GROUP HOLDINGS LIMITED

ARCHITECT : WONG TUNG & PARTNERS LIMITED ARCHITECTS & PLANNERS

MAIN CONTRACTOR : 協興建築有限公司 HIP HING CONSTRUCTION CO LTD

STRUCTURAL ENGINEER : C M WONG & ASSOCIATES LTD Consulting Engineers

SITE IN SITU CONSULTANT: MEINHARDT

- NOTE :
- ALL DIMENSIONS ARE IN mm.
 - ALL ELEVATIONS ARE VIEWED FROM OUTSIDE.
 - ALL DIMENSIONS TO BE VERIFIED ON SITE BEFORE FABRICATION.
- LEGEND :
- X1 - DETAIL MARK NO.
 - X001 - REFER SHEET NO.
 - F.F.L. -- FINISHED FLOOR LEVEL
 - S.F.L. -- STRUCTURAL FLOOR LEVEL
 - (R) -- REVERSED DETAIL
 - ▲ -- FIXING LOCATION
 - △ -- FIXING LUG LOCATION
- GLASS LEGEND
- GL01 -- 10mm+12mm AIR GAP+10mm THK. I.G.U.
 - GL05 -- 10mm+12mm AIR GAP+10mm THK. I.G.U.
 - GL06 -- 10mm+12mm AIR GAP+12mm THK. I.G.U.
 - PDO1 -- 10mm T.P+12mm AIR GAP+8mm T.P
 - GL07 -- 10mm+12mm AIR GAP+12mm THK. I.G.U.
 - GL08 -- 10mm+12mm AIR GAP+10mm THK. I.G.U.

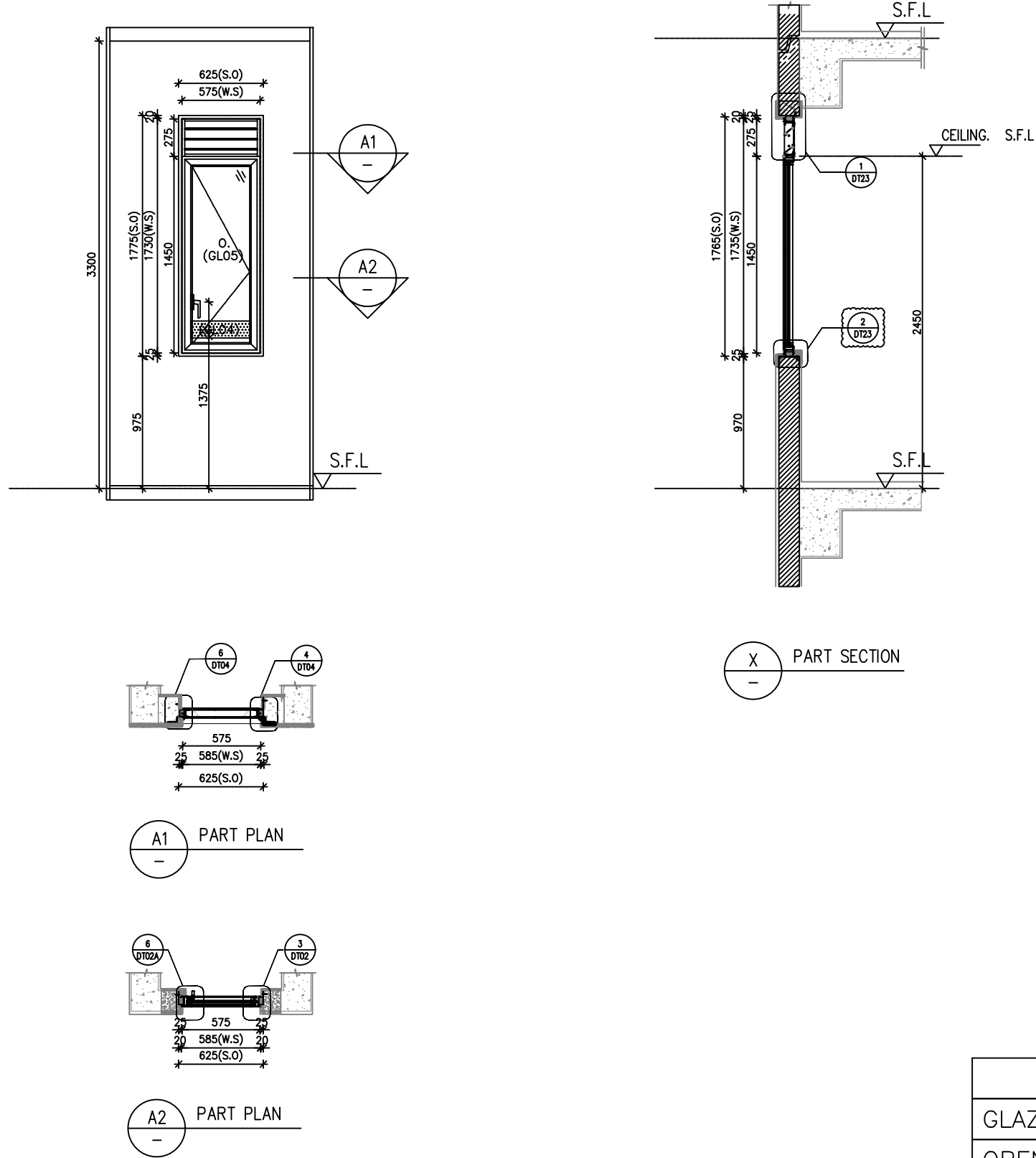
NO.	DATE	REVISED	BY
JOB NO. : J-853			
PROJECT : PROPOSED RESIDENTIAL DEVELOPMENT AT N.K.I.L. 6542 YIN PING ROAD KOWLOON			
TITLE : WINDOW SCHEDULE FOR TOWER 7 ALUM. WINDOW			
DATE : 03-APR-21		SCALE : 1:40	
DRAWN BY :		CHECKED BY :	

美特鋁質有限公司
MIDI ALUMINIUM FABRICATOR LTD.
Units 6-8, Sunray Industrial Centre, 1/F
610 Cho Kwo Ling Road, Kowloon
Tel: 23489211-4 Fax: (852) 27727666

DWG NO. : J853-SD-IW-SC710 REV. : -

WINDOW MARK	W01L T7	W14R T7
LOCATION	T7 25F FLAT B UTILITY & LAV	
SECTION	70mm ALUM. SECTION	
GLAZING	GL01	
QUANTITY	1 Nos./ 1 Nos.	
REMARKS	SITE IN SITU	

ELEVATION



PROVIDED		
GLAZING AREA	0.513	m ²
OPENABLE AREA	0.611	m ²
FREE AREA	60.7	%

B.D. REF :

CLIENT : SHIMAO GROUP HOLDINGS LIMITED

ARCHITECT : WONG TUNG & PARTNERS LIMITED ARCHITECTS & PLANNERS

MAIN CONTRACTOR : 協興建築有限公司 HIP HING CONSTRUCTION CO LTD

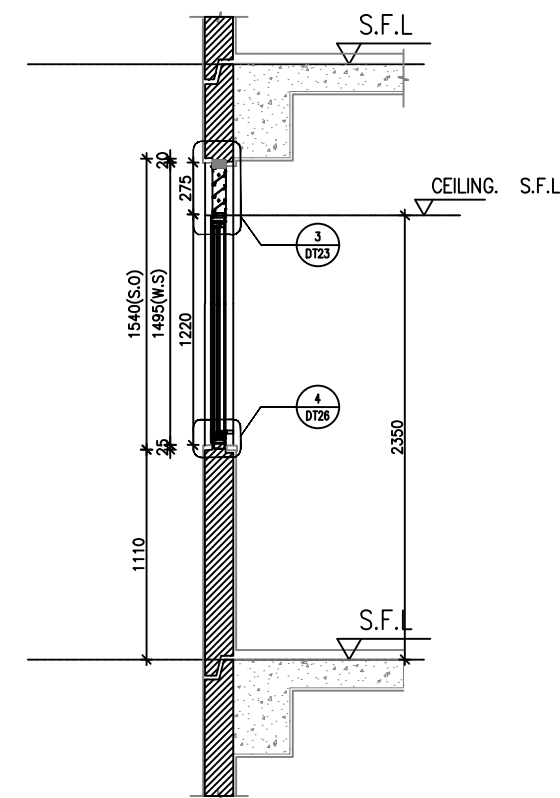
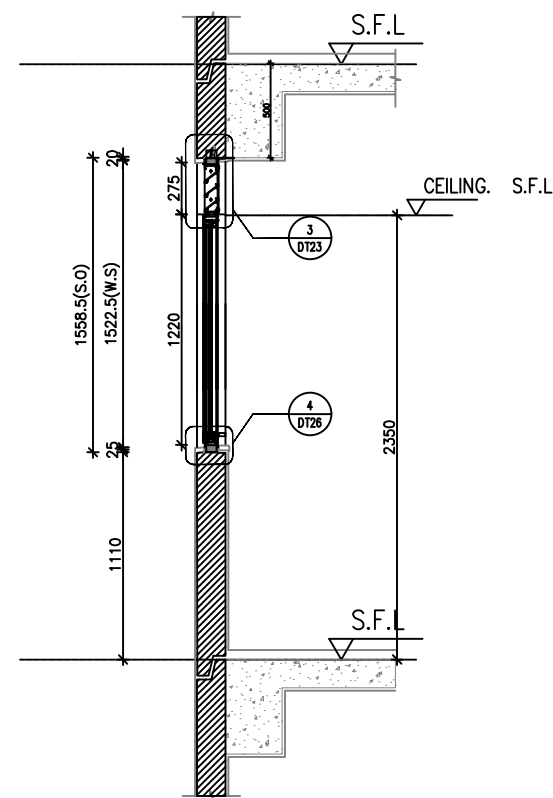
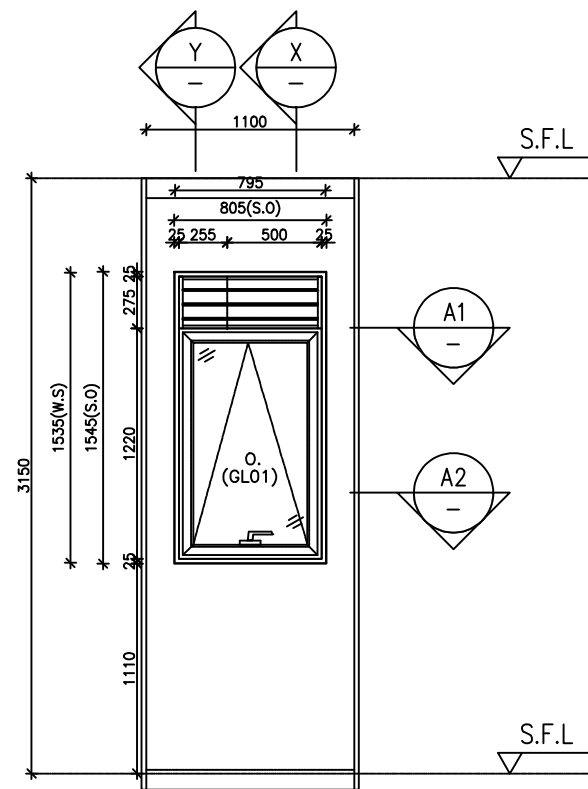
STRUCTURAL ENGINEER : C M WONG & ASSOCIATES LTD Consulting Engineers

SITE IN SITU CONSULTANT: MEINHARDT

- NOTE :
- ALL DIMENSIONS ARE IN mm.
 - ALL ELEVATIONS ARE VIEWED FROM OUTSIDE.
 - ALL DIMENSIONS TO BE VERIFIED ON SITE BEFORE FABRICATION.
- LEGEND :
- X1 --- DETAIL MARK NO.
 - X001 --- REFER SHEET NO.
 - 1. F.F.L. --- FINISHED FLOOR LEVEL
 - 2. S.F.L. --- STRUCTURAL FLOOR LEVEL
 - 3. (R) --- REVERSED DETAIL
 - 4. ▲ --- FIXING LOCATION
 - 5. △ --- FIXING LUG LOCATION
 - 6. GLASS LEGEND
 - GL01 --- 10mm+12mm AIR GAP+10mm THK. I.G.U.
 - GL05 --- 10mm+12mm AIR GAP+10mm THK. I.G.U.
 - GL06 --- 10mm+12mm AIR GAP+12mm THK. I.G.U.
 - PDO1 --- 10mm T.P+12mm AIR GAP+8mm T.P
 - GL07 --- 10mm+12mm AIR GAP+12mm THK. I.G.U.
 - GL08 --- 10mm+12mm AIR GAP+10mm THK. I.G.U.

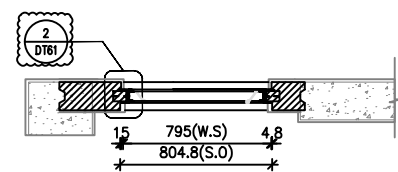
NO.	DATE	REVISED	BY
JOB NO. : J-853		PROJECT : PROPOSED RESIDENTIAL DEVELOPMENT AT N.K.I.L. 6542 YIN PING ROAD KOWLOON	
TITLE : WINDOW SCHEDULE FOR TOWER 7 ALUM. WINDOW		DATE : 16-SEP-22 SCALE : 1:40	
DRAWN BY : JK		CHECKED BY :	
<p>美特鋁質有限公司 MIDI ALUMINIUM FABRICATOR LTD. Units 6-8, Sunray Industrial Centre, 1/F 610 Cha Kwo Ling Road, Kowloon Tel:23489211-4 Fax:(852)27727666</p>			
DWG NO. : J853-SD-IW-SC711a		REV. : -	

WINDOW MARK	W05R T7
LOCATION	26F FLAT B ENSUITE 3 BATH
SECTION	70mm ALUM. SECTION
GLAZING	GL05
QUANTITY	1 Nos.
REMARKS	FACADE (T7-01-03A/26F)

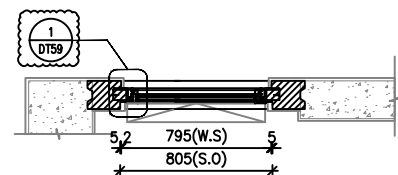


X PART SECTION

Y PART SECTION



A1 PART PLAN



A2 PART PLAN

ELEVATION

WINDOW MARK	W10A T7
LOCATION	7F~15F & 17F~22F FLAT B KITCHEN
SECTION	70mm ALUM. SECTION
GLAZING	GL01
QUANTITY	13 Nos
REMARKS	FACADE(T7-01-05/7F~15F&17F~22F)

PROVIDED		
GLAZING AREA	0.676	m ²
OPENABLE AREA	0.778	m ²
FREE AREA	60.7	%

B.D. REF :

CLIENT :

SHIMAO GROUP HOLDINGS LIMITED

ARCHITECT :

WONG TUNG & PARTNERS LIMITED ARCHITECTS & PLANNERS



MAIN CONTRACTOR :

協興建築有限公司
HIP HING CONSTRUCTION CO LTD

STRUCTURAL ENGINEER :

C M WONG & ASSOCIATES LTD
Consulting Engineers

SITE IN SITU CONSULTANT:



NOTE :

1. ALL DIMENSIONS ARE IN mm.
2. ALL ELEVATIONS ARE VIEWED FROM OUTSIDE.
3. ALL DIMENSIONS TO BE VERIFIED ON SITE BEFORE FABRICATION.

LEGEND :

- X1 --- DETAIL MARK NO.
- X001 --- REFER SHEET NO.

1. F.F.L. --- FINISHED FLOOR LEVEL
2. S.F.L. --- STRUCTURAL FLOOR LEVEL
3. (R) --- REVERSED DETAIL
4. ▲ --- FIXING LOCATION
5. △ --- FIXING LUG LOCATION

6. GLASS LEGEND

- GL01 --- 10mm+12mm AIR GAP+10mm THK. I.G.U.
- GL05 --- 10mm+12mm AIR GAP+10mm THK. I.G.U.
- GL06 --- 10mm+12mm AIR GAP+12mm THK. I.G.U.
- PDO1 --- 10mm T.P+12mm AIR GAP+8mm T.P
- GL07 --- 10mm+12mm AIR GAP+12mm THK. I.G.U.
- GL08 --- 10mm+12mm AIR GAP+10mm THK. I.G.U.

NO.	DATE	REVISED	BY

JOB NO. : J-853

PROJECT : PROPOSED RESIDENTIAL DEVELOPMENT AT N.K.I.L. 6542 YIN PING ROAD KOWLOON

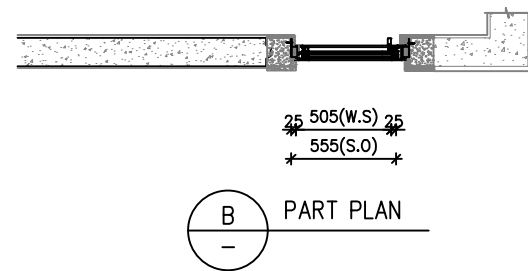
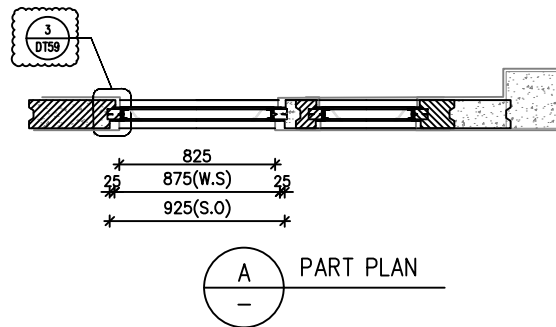
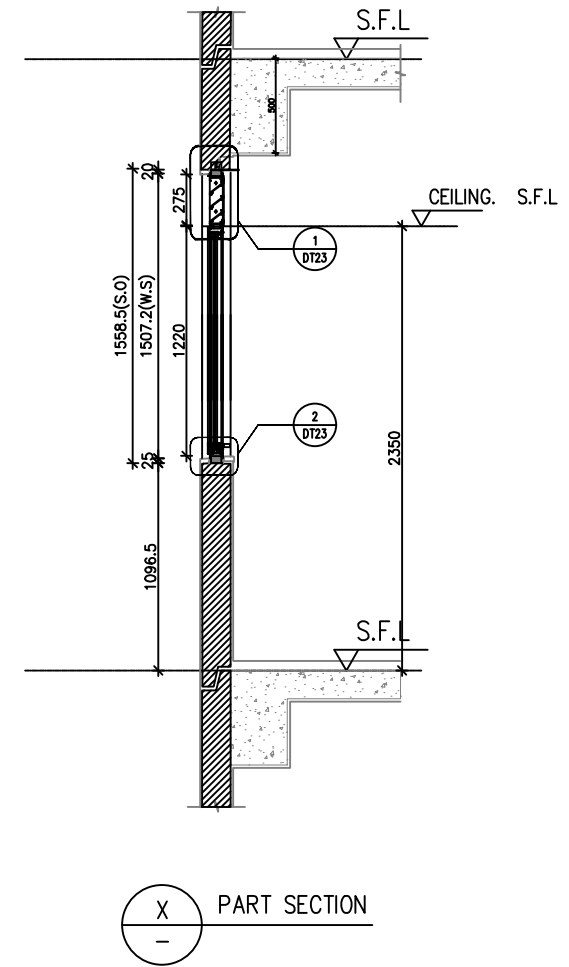
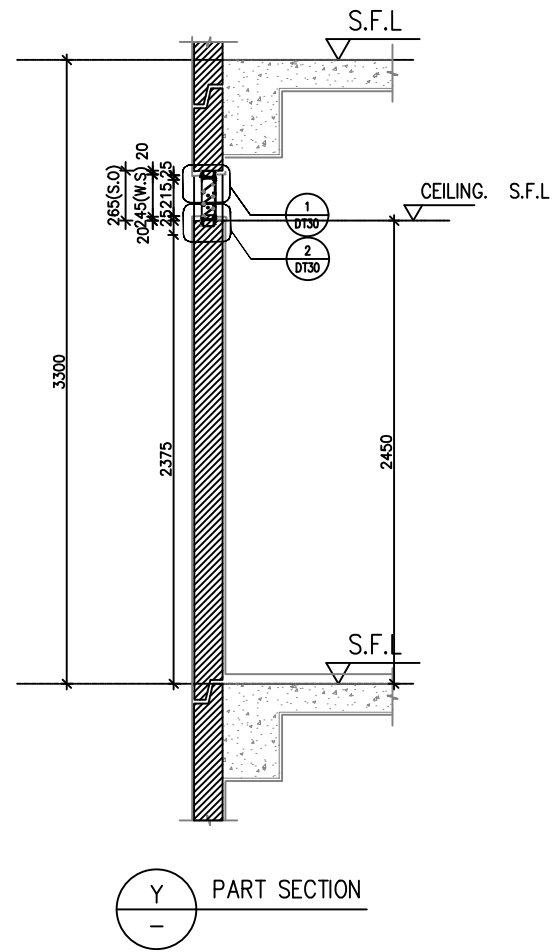
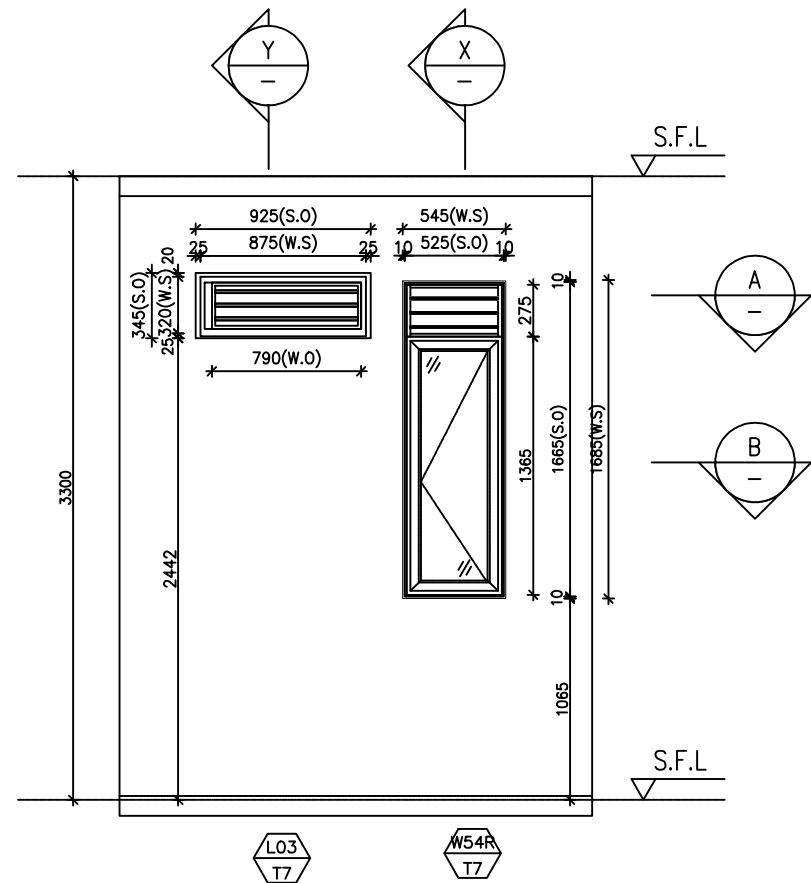
TITLE : WINDOW SCHEDULE FOR TOWER 7 ALUM. WINDOW

DATE : 16-09-2022 SCALE : 1:40

DRAWN BY : CHECKED BY :

美特鋁質有限公司
MIDI ALUMINIUM FABRICATOR LTD.
Units 6-8, Sunray Industrial Centre, 1/F
610 Cha Kwo Ling Road, Kowloon
Tel:23489211-4 Fax:(852)27727666

DWG NO. : J853-SD-IW-711b REV. : -



W54R T7 PROVIDED		
GLAZING AREA	-	m ²
OPENABLE AREA	-	m ²
FREE AREA	55.4	%

ELEVATION

B.D. REF :

CLIENT : SHIMAO GROUP HOLDINGS LIMITED

ARCHITECT : WONG TUNG & PARTNERS LIMITED ARCHITECTS & PLANNERS

MAIN CONTRACTOR : 協興建築有限公司 HIP HING CONSTRUCTION CO LTD

STRUCTURAL ENGINEER : C M WONG & ASSOCIATES LTD Consulting Engineers

SITE IN SITU CONSULTANT: MEINHARDT

- NOTE :
- ALL DIMENSIONS ARE IN mm.
 - ALL ELEVATIONS ARE VIEWED FROM OUTSIDE.
 - ALL DIMENSIONS TO BE VERIFIED ON SITE BEFORE FABRICATION.
- LEGEND :
- X1 - DETAIL MARK NO.
 - X001 - REFER SHEET NO.
 - F.F.L. -- FINISHED FLOOR LEVEL
 - S.F.L. -- STRUCTURAL FLOOR LEVEL
 - (R) -- REVERSED DETAIL
 - ▲ -- FIXING LOCATION
 - △ -- FIXING LUG LOCATION
- GLASS LEGEND
- GL01 -- 10mm+12mm AIR GAP+10mm THK. I.G.U.
 - GL05 -- 10mm+12mm AIR GAP+10mm THK. I.G.U.
 - GL06 -- 10mm+12mm AIR GAP+12mm THK. I.G.U.
 - PDO1 -- 10mm T.P+12mm AIR GAP+8mm T.P
 - GL07 -- 10mm+12mm AIR GAP+12mm THK. I.G.U.
 - GL08 -- 10mm+12mm AIR GAP+10mm THK. I.G.U.

NO.	DATE	REVISED	BY
JOB NO. : J-853			
PROJECT : PROPOSED RESIDENTIAL DEVELOPMENT AT N.K.I.L. 6542 YIN PING ROAD KOWLOON			
TITLE : WINDOW SCHEDULE FOR TOWER 7 ALUM. WINDOW			

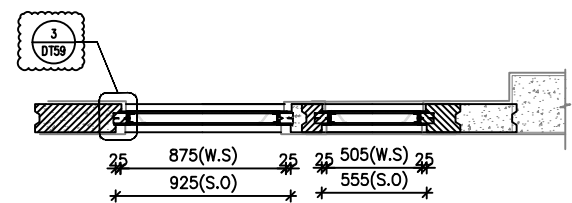
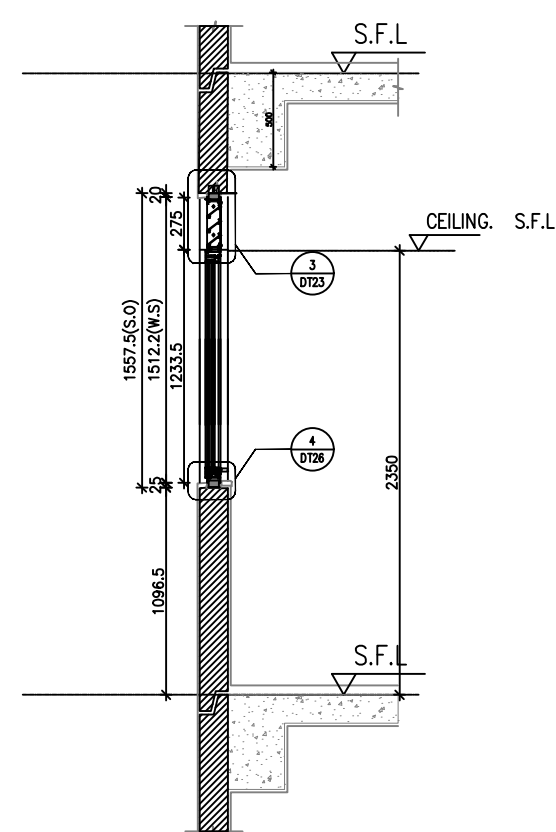
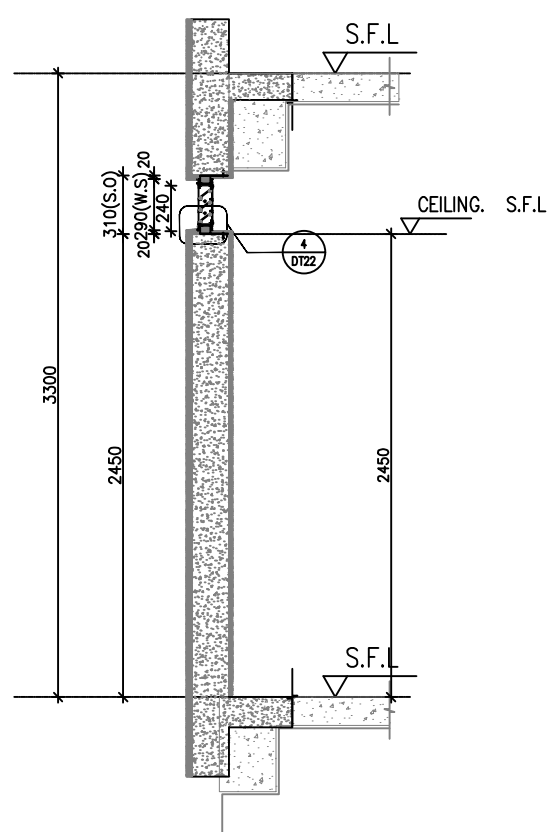
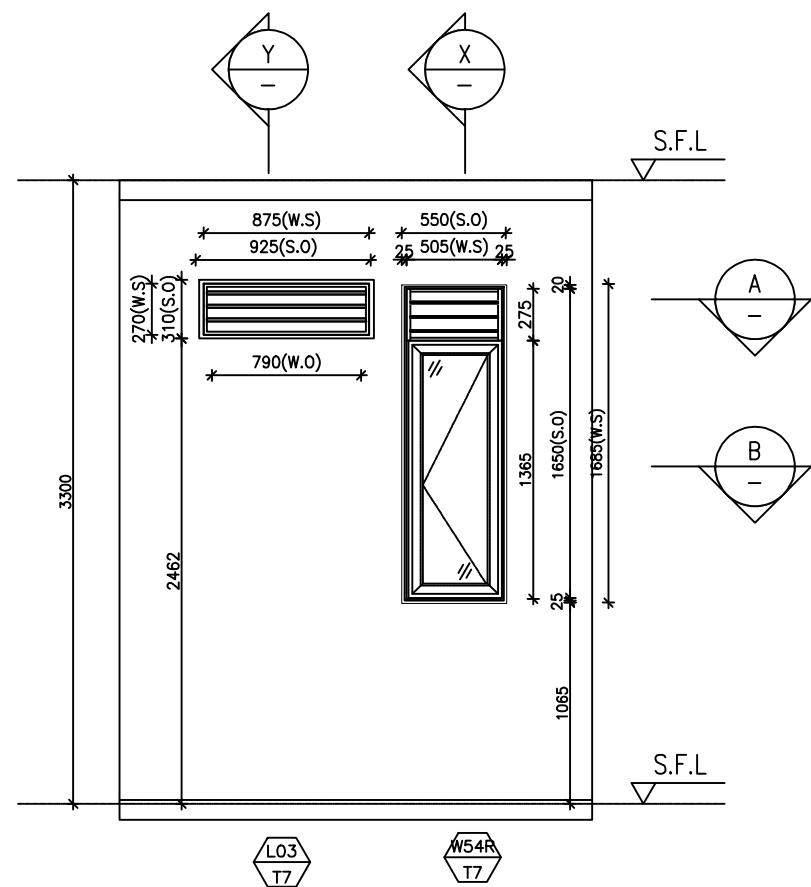
DATE : 16-SEP-2022 SCALE : 1:40

DRAWN BY : JK CHECKED BY :

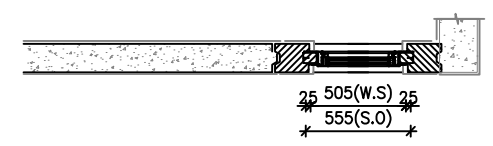
美特鋁質有限公司
MIDI ALUMINIUM FABRICATOR LTD.
Units 6-8, Sunray Industrial Centre, 1/F
610 Cha Kwo Ling Road, Kowloon
Tel: 23489211-4 Fax: (852) 27727666

DWG NO. : J853-SD-IW-SC712 REV. : -

WINDOW MARK	W54R T7
LOCATION	25F FLAT B BATH RM
SECTION	70mm ALUM. SECTION
GLAZING	GL05
QUANTITY	1 No.
REMARKS	FACADE (T7-01-07A/25F)



A PART PLAN



B PART PLAN

Y PART SECTION

X PART SECTION

W54R T7 PROVIDED		
GLAZING AREA	-	m ²
OPENABLE AREA	-	m ²
FREE AREA	55.4	%

ELEVATION

WINDOW MARK	W04R T7
LOCATION	26F FLAT B BATH RM
SECTION	70mm ALUM. SECTION
GLAZING	GL05
QUANTITY	1 No.
REMARKS	FACADE (T7-01-07A/25F)

B.D. REF :

CLIENT : SHIMAO GROUP HOLDINGS LIMITED

ARCHITECT : WONG TUNG & PARTNERS LIMITED ARCHITECTS & PLANNERS

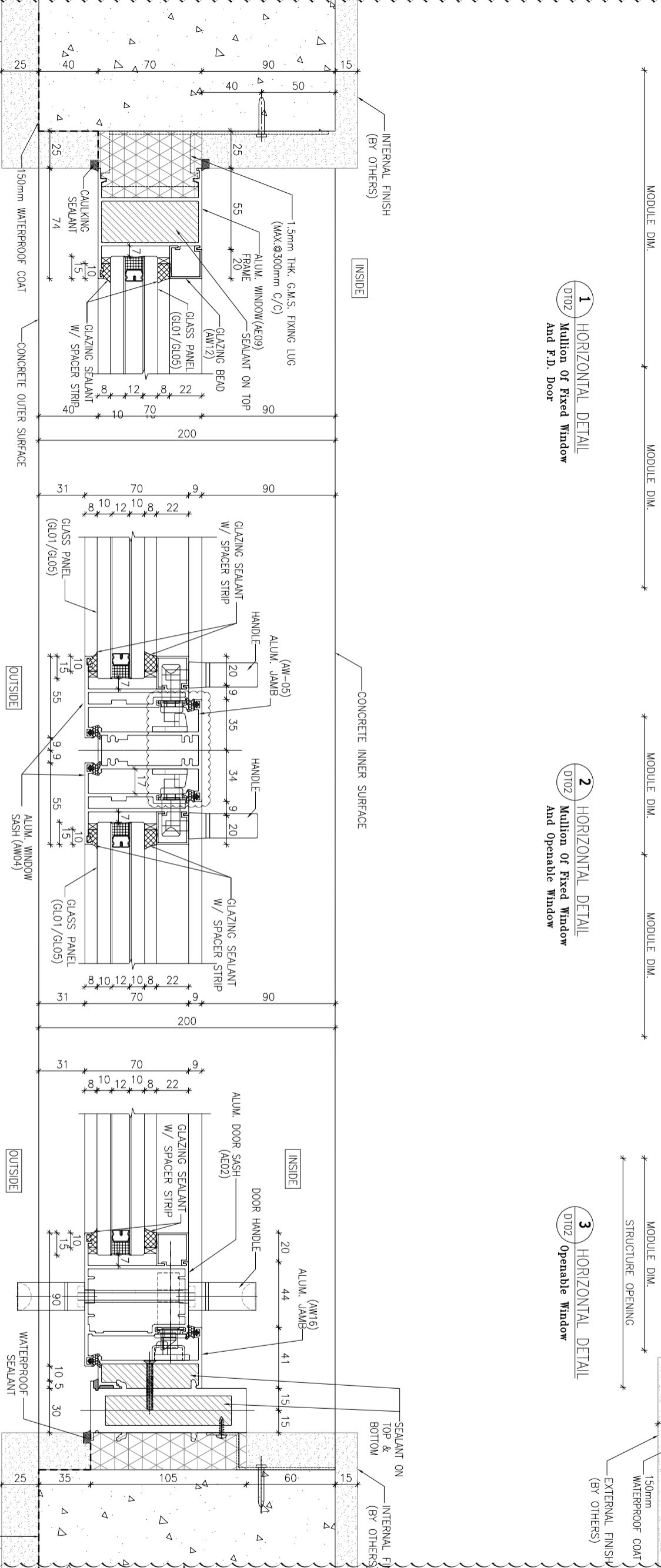
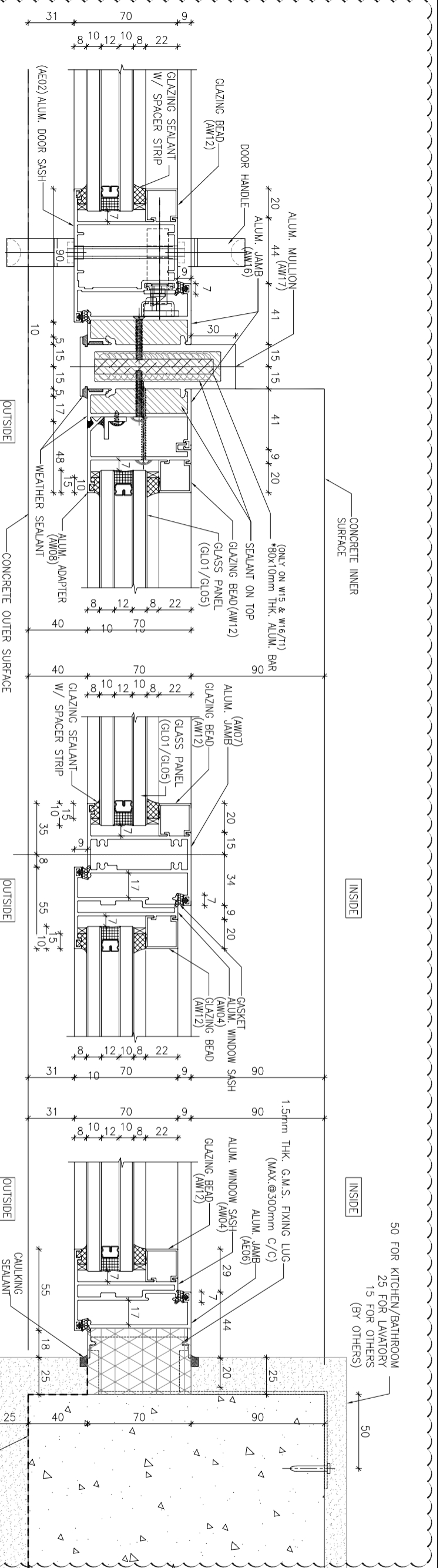
MAIN CONTRACTOR : 協興建築有限公司 HIP HING CONSTRUCTION CO LTD

STRUCTURAL ENGINEER : C M WONG & ASSOCIATES LTD Consulting Engineers

SITE IN SITU CONSULTANT: MEINHARDT

- NOTE :
- ALL DIMENSIONS ARE IN mm.
 - ALL ELEVATIONS ARE VIEWED FROM OUTSIDE.
 - ALL DIMENSIONS TO BE VERIFIED ON SITE BEFORE FABRICATION.
- LEGEND :
- X1 - DETAIL MARK NO.
 - X001 - REFER SHEET NO.
 - 1. F.F.L. -- FINISHED FLOOR LEVEL
 - 2. S.F.L. -- STRUCTURAL FLOOR LEVEL
 - 3. (R) -- REVERSED DETAIL
 - 4. ▲ -- FIXING LOCATION
 - 5. △ -- FIXING LUG LOCATION
 - 6. GLASS LEGEND
- GL01 -- 10mm+12mm AIR GAP+10mm THK. I.G.U.
 GL05 -- 10mm+12mm AIR GAP+10mm THK. I.G.U.
 GL06 -- 10mm+12mm AIR GAP+12mm THK. I.G.U.
 PDO1 -- 10mm T.P+12mm AIR GAP+8mm T.P
 GL07 -- 10mm+12mm AIR GAP+12mm THK. I.G.U.
 GL08 -- 10mm+12mm AIR GAP+10mm THK. I.G.U.

NO.	DATE	REVISED	BY
JOB NO. : J-853			
PROJECT : PROPOSED RESIDENTIAL DEVELOPMENT AT N.K.I.L. 6542 YIN PING ROAD KOWLOON			
TITLE : WINDOW SCHEDULE FOR TOWER 7 ALUM. WINDOW			
DATE : 16-SEP-2022		SCALE : 1:40	
DRAWN BY : JK		CHECKED BY :	
<p>Units 6-8, Sunray Industrial Centre, 1/F 610 Cha Kwo Ling Road, Kowloon Tel:23489211-4 Fax:(852)27727666</p>			
DWG NO. : J853-SD-IW-SC712a			REV. : -



B.O. REF. :

CLIENT : SHIMAO GROUP HOLDINGS LIMITED

ARCHITECT : WONG TUNG & PARTNERS LIMITED ARCHITECTS & PLANNERS

MAIN CONTRACTOR : 協興建築有限公司 HIP HING CONSTRUCTION CO LTD

STRUCTURAL ENGINEER : C M WONG & ASSOCIATES LTD 黃志明建築工程師有限公司

FAÇADE CONSULTANT : WEINHARDT

NOTE :

1. ALL DIMENSIONS ARE IN mm.
2. ALL ELEVATIONS ARE VIEWED FROM OUTSIDE.
3. ALL DIMENSIONS TO BE VERIFIED ON SITE BEFORE FABRICATION.

LEGEND :

X1 --- DETAIL MARK NO.
X001 --- REFER SHEET NO.

1. F.F.L. --- FINISHED FLOOR LEVEL
S.F.L. --- STRUCTURAL FLOOR LEVEL
S.F.L. --- REVERSED DETAIL
▲ --- FINING LOCATION
△ --- FINING LUG LOCATION

6. GLASS LEGEND

GL01 --- 10mm+12mm AR G4P+10mm THK. I.G.U.
GL05 --- 10mm+12mm AR G4P+10mm THK. I.G.U.
GL06 --- 10mm+12mm AR G4P+12mm THK. I.G.U.
PD01 --- 10mm T.P.+12mm AR G4P+8mm T.P.
GL07 --- 10mm+12mm AR G4P+12mm THK. I.G.U.
GL08 --- 10mm+12mm AR G4P+10mm THK. I.G.U.

NO.	DATE	REVISION SUBJECT TO REVISION	BY
A	28/08/2021	REVISION SUBJECT TO ARCHITECT COMMENT	MSH
B	19/12/2021	REVISION SUBJECT TO ARCHITECT COMMENT	MSH

JOB NO. : J-853

PROJECT : PROPOSED RESIDENTIAL DEVELOPMENT AT N.K.I.L. 65-42 YIN PING ROAD KOWLOON

TITLE : TYPICAL DETAILS FOR ALUM. DOOR AND ALUM. WINDOW

DATE : 03-APR-21 SCALE : 1 : 3 (A3)

DRAWN BY : A.C. CHECKED BY :

Units 6-8 - Sunny Industrial Centre, 1/F
610 Che Kwo Ling Road, Kowloon
Tel:23469211-4 Fax:185212727666

DWG NO. : J853-SD-IW-D102 REV. : B

B.O. REF. :

CLIENT : SHIMAO GROUP HOLDINGS LIMITED

ARCHITECT : WONG TUNG & PARTNERS LIMITED ARCHITECTS & PLANNERS

MAIN CONTRACTOR : 協興建築有限公司 HIP HING CONSTRUCTION CO. LTD

STRUCTURAL ENGINEER : C M WONG & ASSOCIATES LTD 黃志明建築工程師有限公司

FAÇADE CONSULTANT : WEINHARDT

NOTE :

- 1. ALL DIMENSIONS ARE IN mm.
2. ALL ELEVATIONS ARE VIEWED FROM OUTSIDE.
3. ALL DIMENSIONS TO BE VERIFIED ON SITE BEFORE FABRICATION.

LEGEND :

- X1 - DETAIL MARK NO.
X001 - REFER SHEET NO.
1. F.F.L.--FINISHED FLOOR LEVEL
2. S.F.L.--STRUCTURAL FLOOR LEVEL
3. (R) --REVERSED DETAIL
4. ▲ --FIXING LOCATION
5. Δ --FIXING LUG LOCATION
6. GLASS LEGEND
GL01 --10mm+12mm AIR GAP+10mm THK. I.G.U.
GL05 --10mm+12mm AIR GAP+10mm THK. I.G.U.
GL06 --10mm+12mm AIR GAP+12mm THK. I.G.U.
GL07 --10mm+12mm AIR GAP+12mm THK. I.G.U.
GL08 --10mm+12mm AIR GAP+10mm THK. I.G.U.

Table with columns: NO., DATE, REVISION, BY

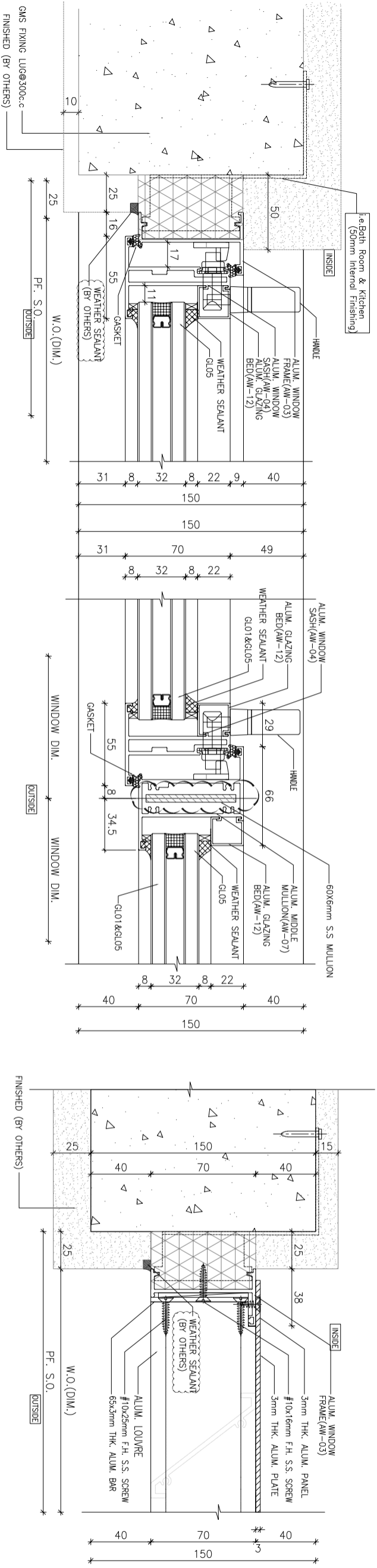
JOB NO. : J-853
PROJECT : PROPOSED RESIDENTIAL DEVELOPMENT AT N.K.I.L. 654-2 YIN PING ROAD KOWLOON

TITLE : TYPICAL DETAILS FOR SLIDING DOOR

DATE : 03-APR-21 SCALE : 1 : 3 (A3)

DRAWN BY : A.C. CHECKED BY :

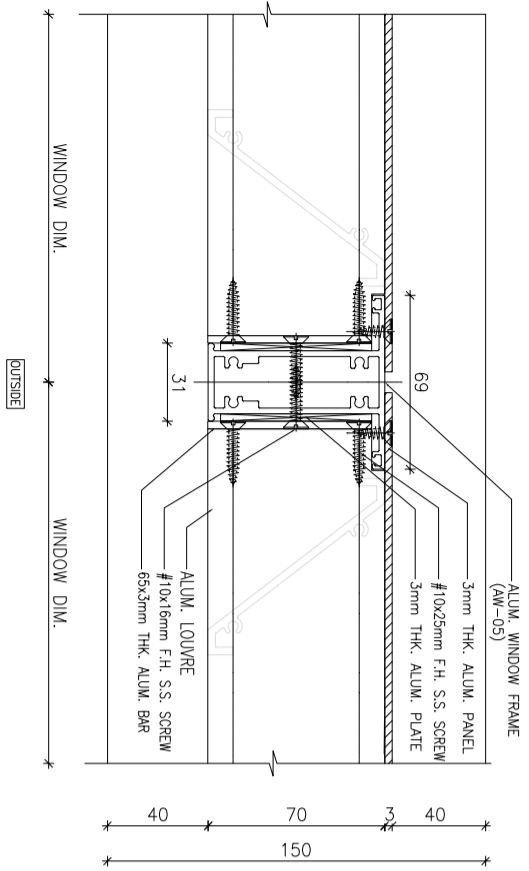
MIDI ALUMINIUM FABRICATOR LTD.
Units 6-8, Sunny Industrial Centre, 1/F,
610 Cho Kwo Ling Road, Kowloon
Tel:23489211-4 Fax:185212727666
DWG NO. : J853-SD-IW-D117 REV. : -



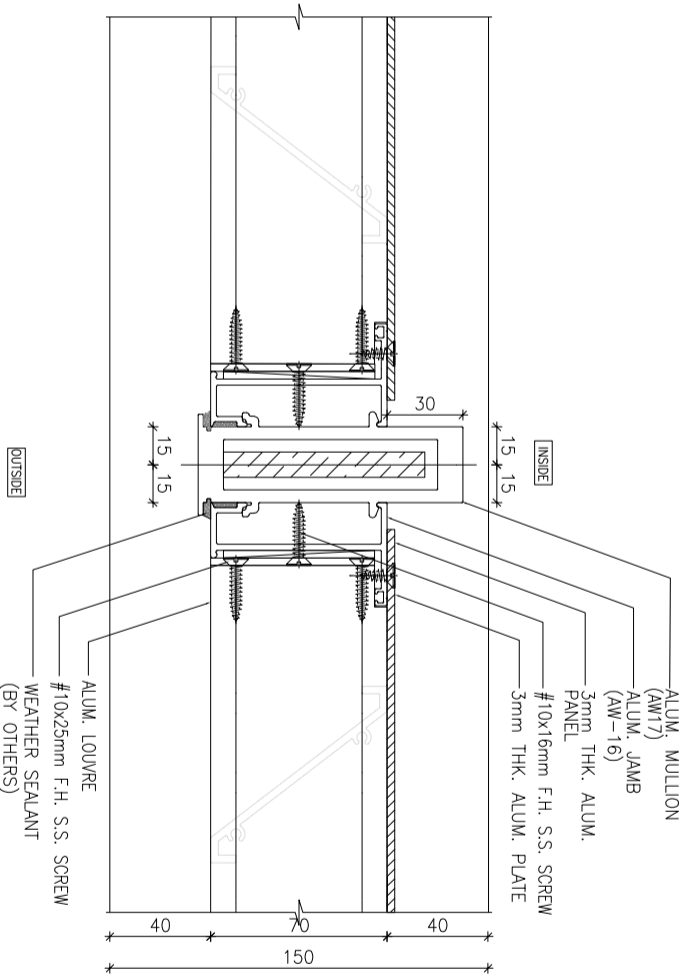
1 HORIZONTAL DETAIL
D117 Openable Window

2 HORIZONTAL DETAIL
D117 Mullion Of Fixed Window And Openable Window

3 HORIZONTAL DETAIL
D117 Fixed Louvre



4 HORIZONTAL DETAIL
D117 Mullion Of Louvre



5 HORIZONTAL DETAIL
D117 Mullion for Louvre with supporting G.M.S. Bar

B.O. REF :

CLIENT :

SHIMAO GROUP HOLDINGS LIMITED

ARCHITECT :



MAIN CONTRACTOR :

協興建築有限公司
HIP HING CONSTRUCTION CO. LTD

STRUCTURAL ENGINEER :

CMWONG & ASSOCIATES LTD
黃志明建築工程師有限公司

FAÇADE CONSULTANT :

WEINHARDT

NOTE :

1. ALL DIMENSIONS ARE IN mm.
2. ALL ELEVATIONS ARE VIEWED FROM OUTSIDE.
3. ALL DIMENSIONS TO BE VERIFIED ON SITE BEFORE FABRICATION.

LEGEND :

- 1. F.F.L.--FINISHED FLOOR LEVEL
- 2. S.F.L.--STRUCTURAL FLOOR LEVEL
- 3. (R) --REVERSED DETAIL
- 4. ▲ --FIXING LOCATION
- 5. △ --FIXING LUG LOCATION
- 6. GLASS LEGEND

NO.	DATE	REVISION SUBJECT TO ARCH/COMMENT	BY
C	08/08/2022	REVISION SUBJECT TO ARCH/COMMENT	LHR
B	19/12/2021	REVISION SUBJECT TO ARCH/COMMENT	LHR

JOB NO. : J-853

PROJECT : PROPOSED RESIDENTIAL DEVELOPMENT AT N.K.I.L. 654-2 YIN PING ROAD KOWLOON

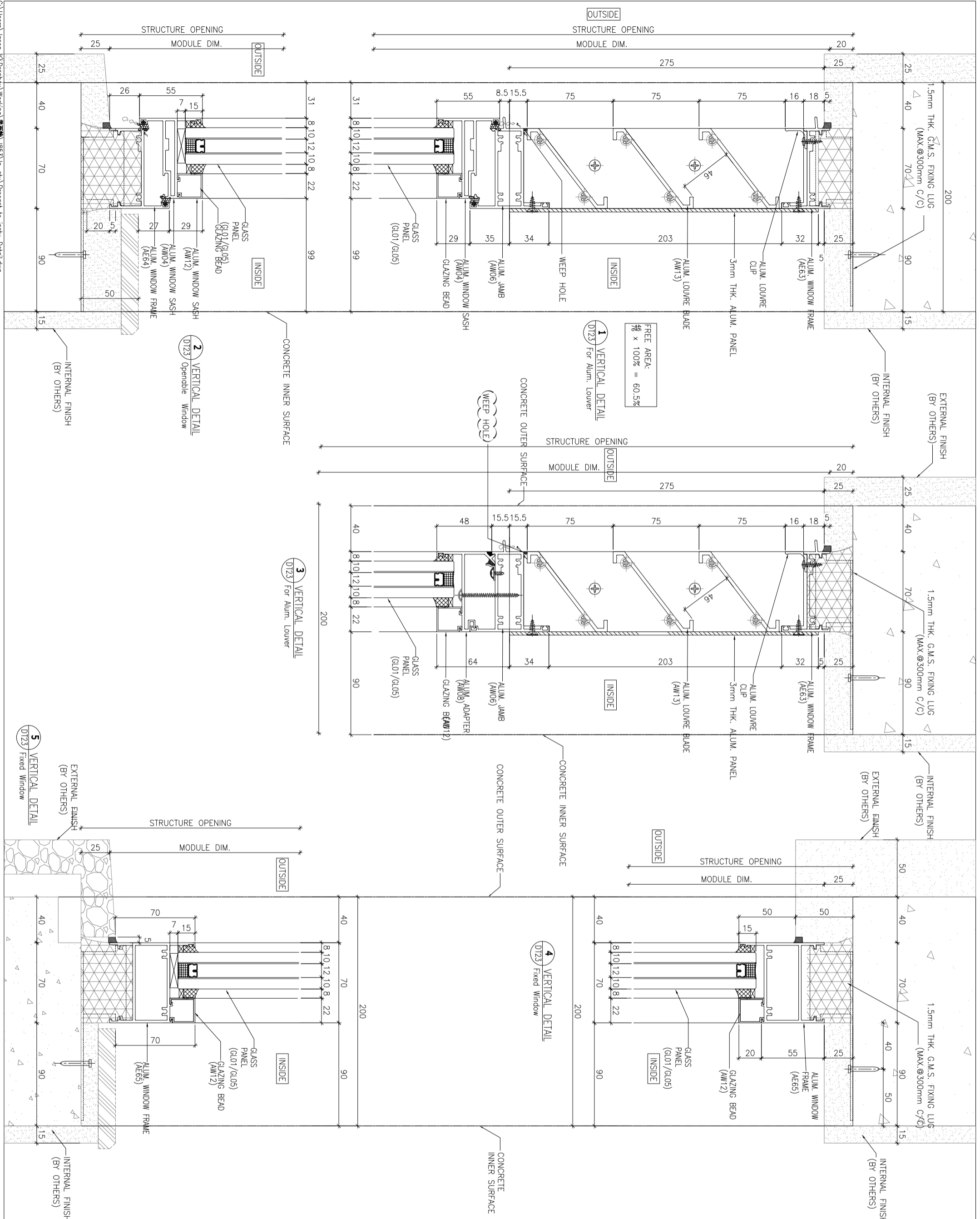
TITLE : TYPICAL DETAILS FOR ALUM. WINDOW

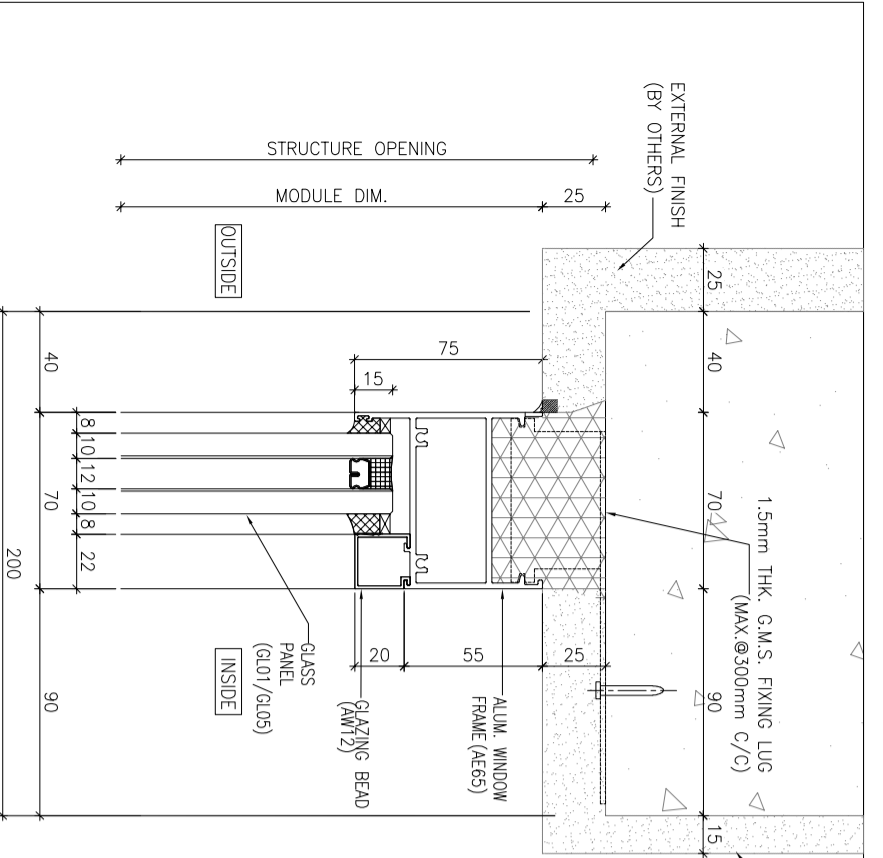
DATE : 03-APR-21 SCALE : 1 : 3 (A3)

DRAWN BY : A.C. CHECKED BY :

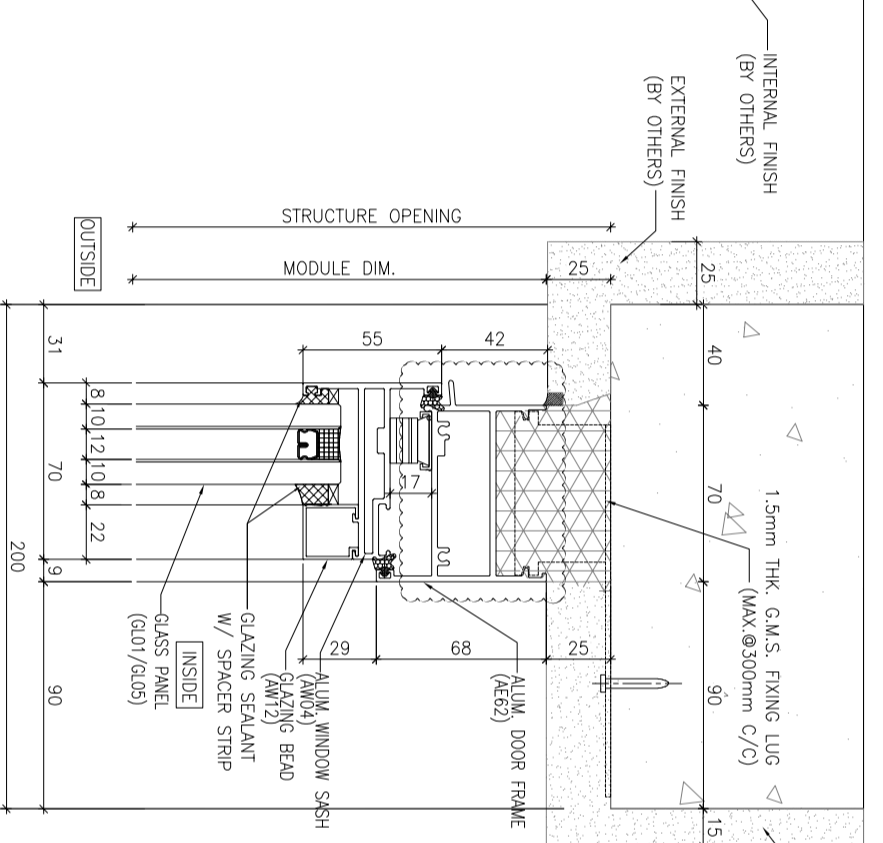
UNITED ALUMINIUM FABRICATOR LTD.
Units 6-8, Sunny Industrial Centre, 1/F
610 Che Kwo Ling Road, Kowloon
Tel: 23489211-4 Fax: (852) 2727666

UNITED ALUMINIUM FABRICATOR LTD.
Units 6-8, Sunny Industrial Centre, 1/F
610 Che Kwo Ling Road, Kowloon
Tel: 23489211-4 Fax: (852) 2727666

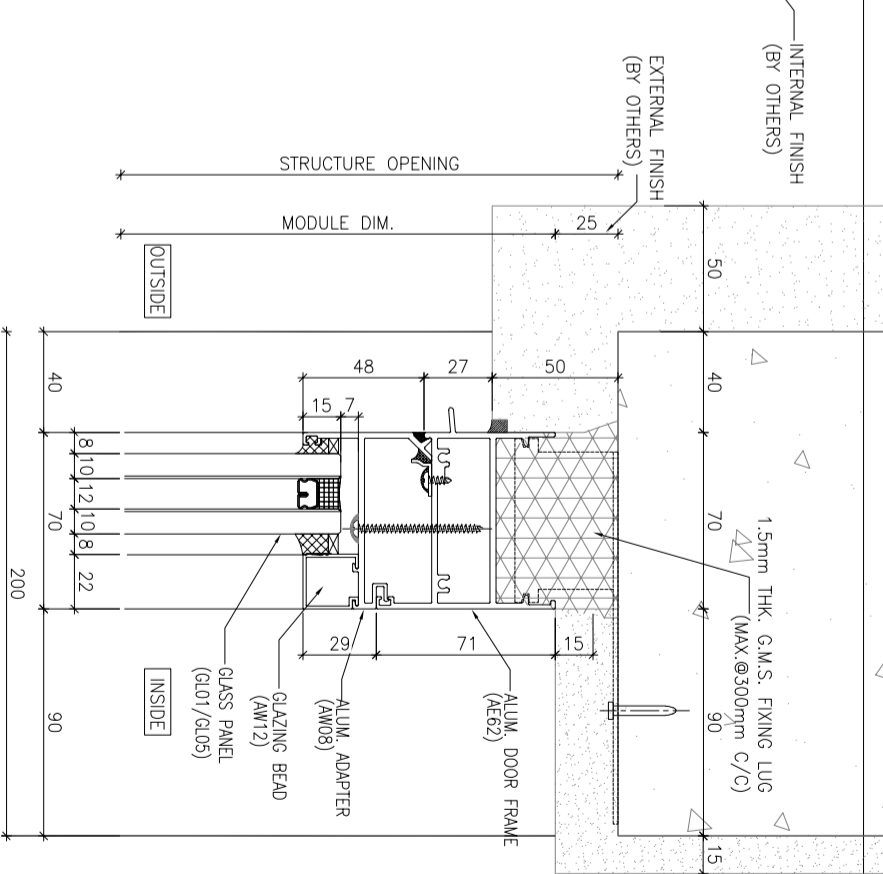




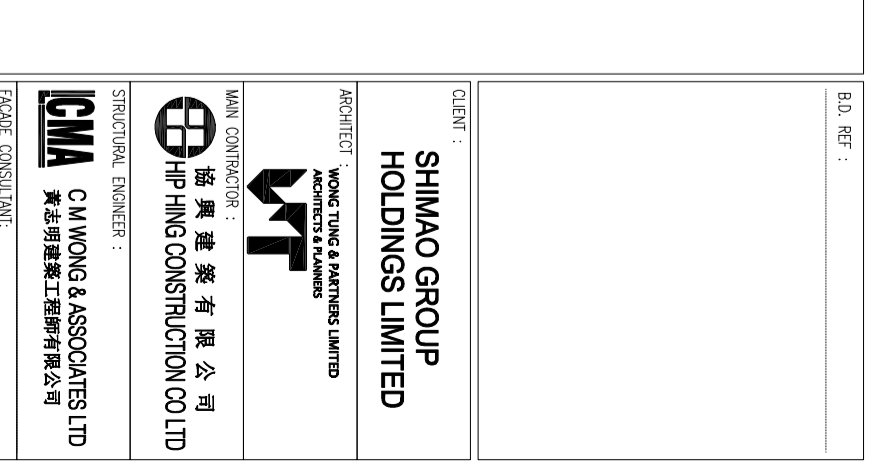
1 VERTICAL DETAIL
DT26 Fixed Window



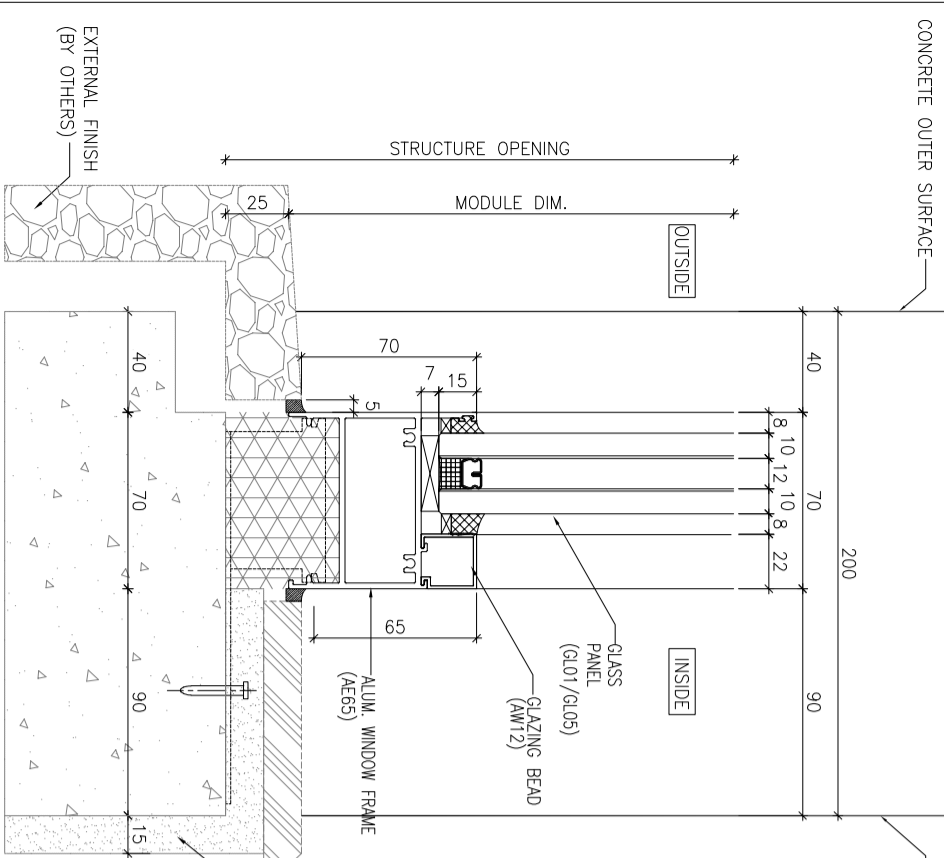
2 VERTICAL DETAIL
DT26 Fixed Window



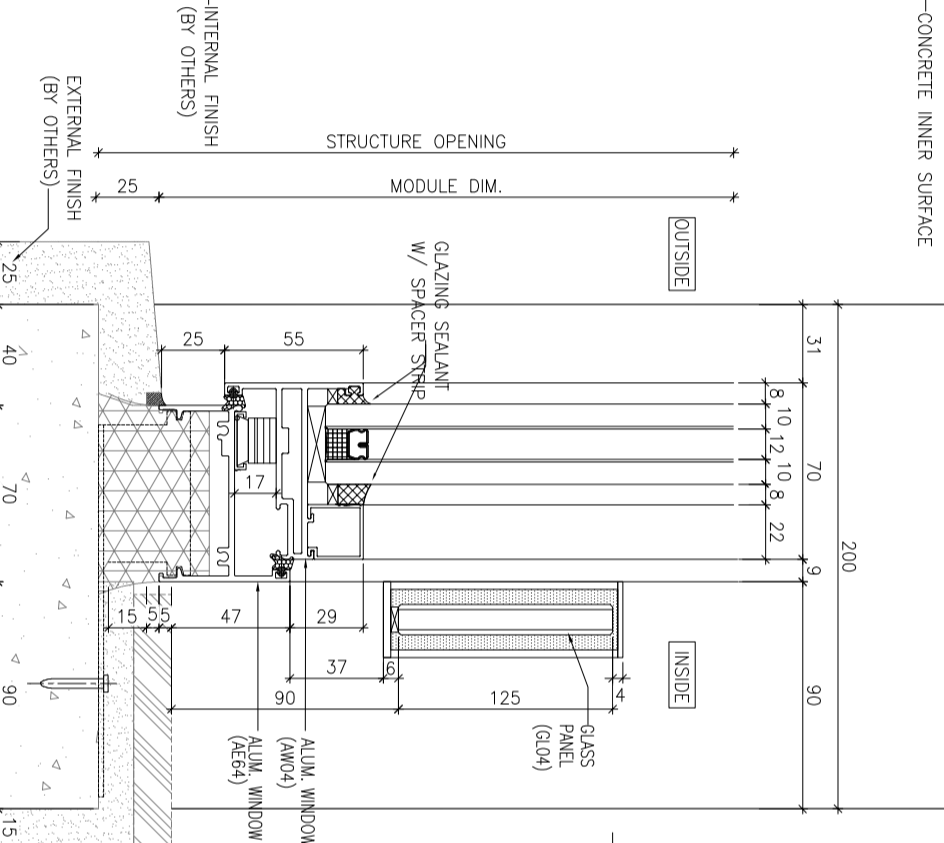
3 VERTICAL DETAIL
DT26 Operable Window



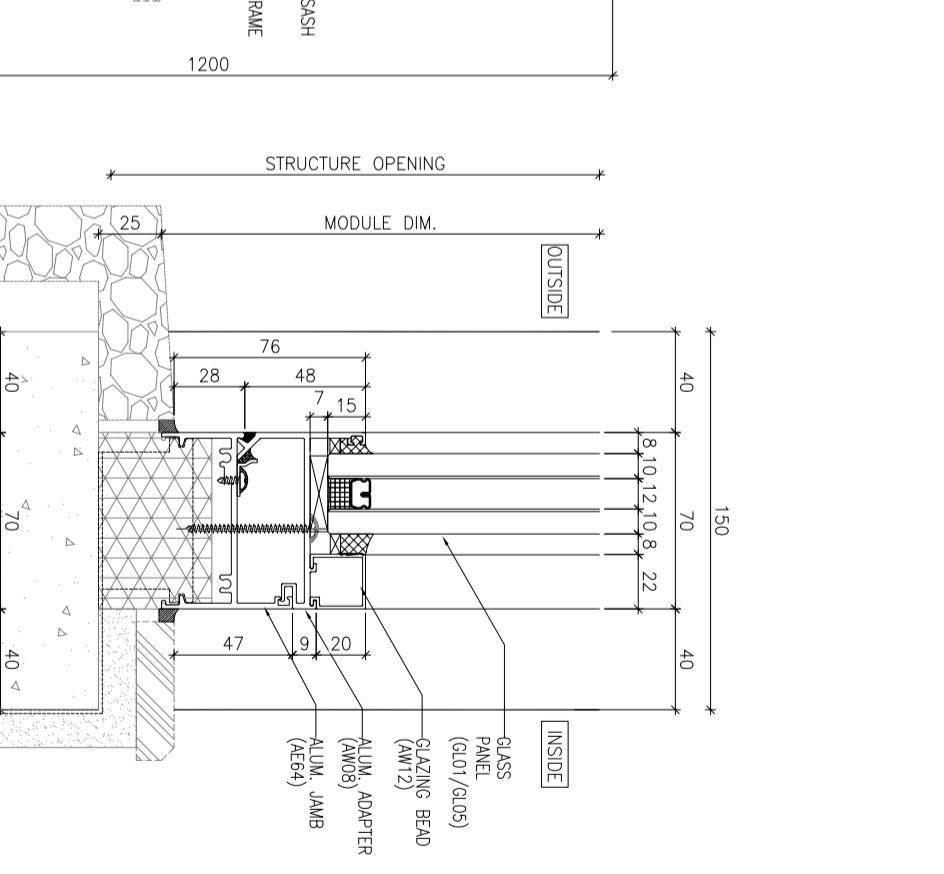
4 VERTICAL DETAIL
DT26 Fixed Window w/ Adapter



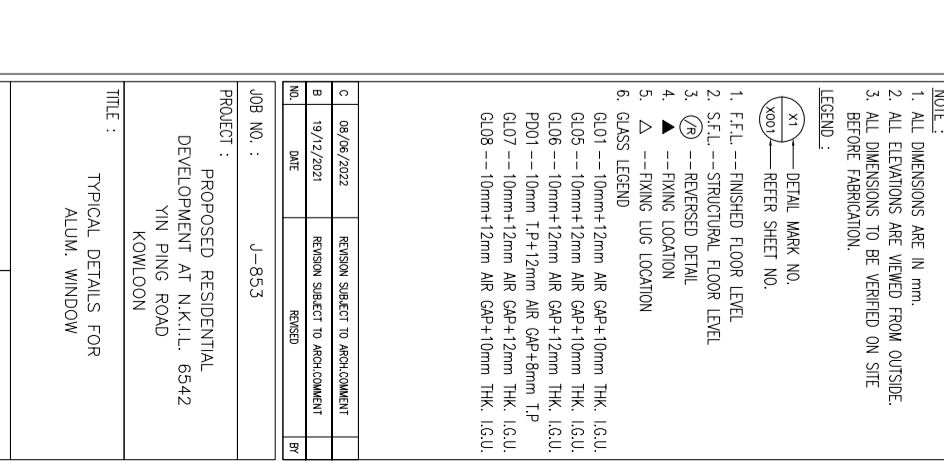
5 VERTICAL DETAIL
DT26 Fixed Window



6 VERTICAL DETAIL
DT26 Operable Window



7 VERTICAL DETAIL
DT26 Fixed Window



8 VERTICAL DETAIL
DT26 Fixed Window

B.O. REF. :

CLIENT : SHIMAO GROUP HOLDINGS LIMITED

ARCHITECT : WONG TUNG & PARTNERS LIMITED ARCHITECTS & PLANNERS

MAIN CONTRACTOR : 協興建築有限公司 HIP HING CONSTRUCTION CO. LTD

STRUCTURAL ENGINEER : C M WONG & ASSOCIATES LTD 黃志明建築工程師有限公司

FAÇADE CONSULTANT : WEINHARDT

NOTE :
1. ALL DIMENSIONS ARE IN mm.
2. ALL ELEVATIONS ARE VIEWED FROM OUTSIDE.
3. ALL DIMENSIONS TO BE VERIFIED ON SITE BEFORE FABRICATION.

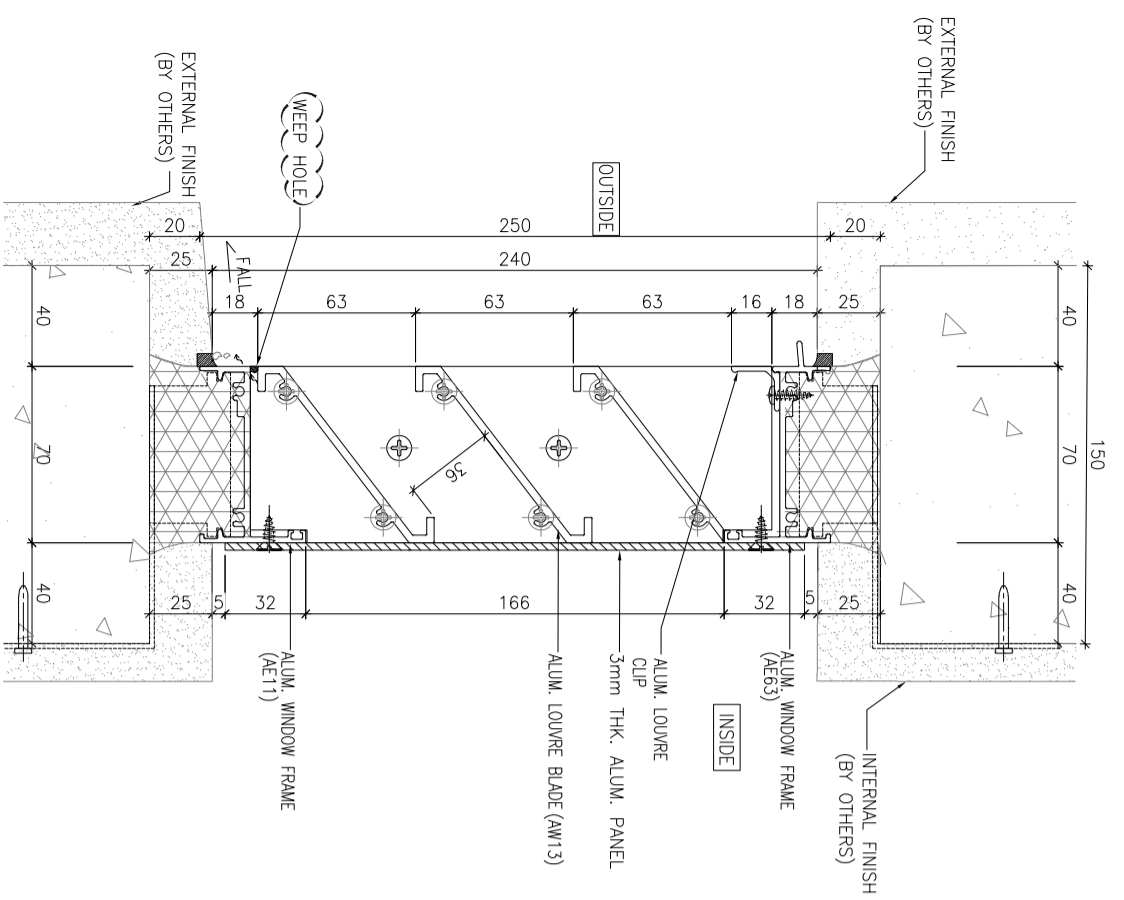
LEGEND :
X1 DETAIL MARK NO.
X001 REFER SHEET NO.
1. F.F.L.--FINISHED FLOOR LEVEL
2. S.F.L.--STRUCTURAL FLOOR LEVEL
3. (R) --REVERSED DETAIL
4. ▲ --FIXING LOCATION
5. Δ --FIXING LUG LOCATION
6. GLASS LEGEND
GL01 --10mm+12mm AIR GAP+10mm THK. I.G.U.
GL05 --10mm+12mm AIR GAP+10mm THK. I.G.U.
GL06 --10mm+12mm AIR GAP+12mm THK. I.G.U.
GL07 --10mm+12mm AIR GAP+12mm THK. I.G.U.
GL08 --10mm+12mm AIR GAP+10mm THK. I.G.U.

NO.	DATE	REVISION SUBJECT TO ARCH/COMMENT	REMOVED
C	08/08/2022	REVISION SUBJECT TO ARCH/COMMENT	
B	19/12/2021	REVISION SUBJECT TO ARCH/COMMENT	

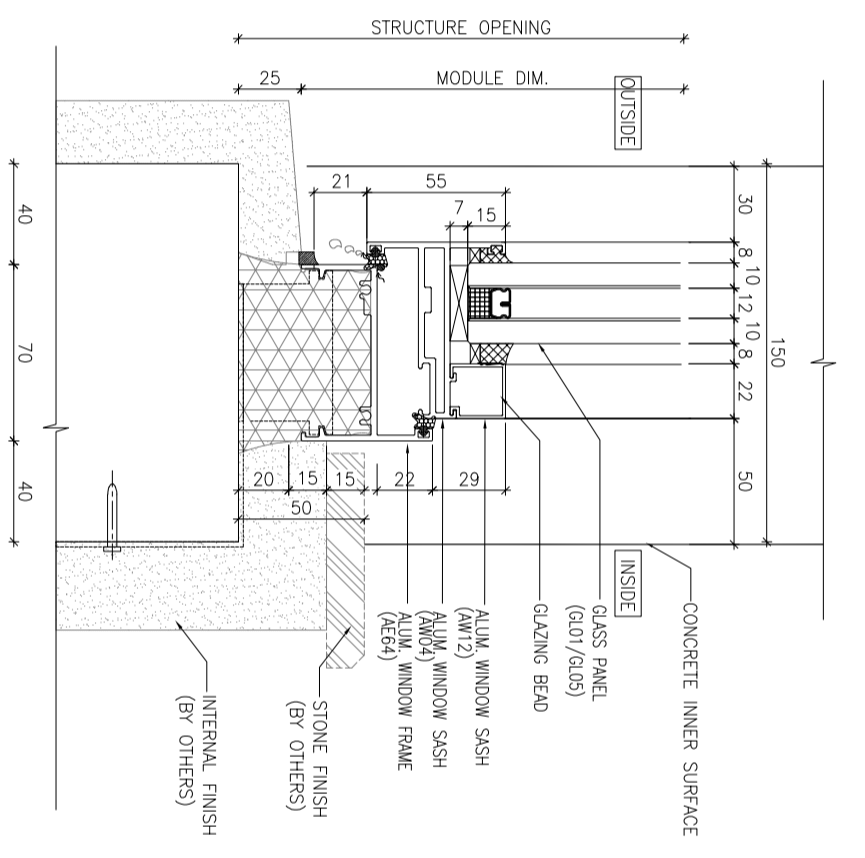
JOB NO. : J-853
PROJECT : PROPOSED RESIDENTIAL DEVELOPMENT AT N.K.I.L. 6542 YIN PING ROAD KOWLOON

TITLE : TYPICAL DETAILS FOR ALUM. WINDOW

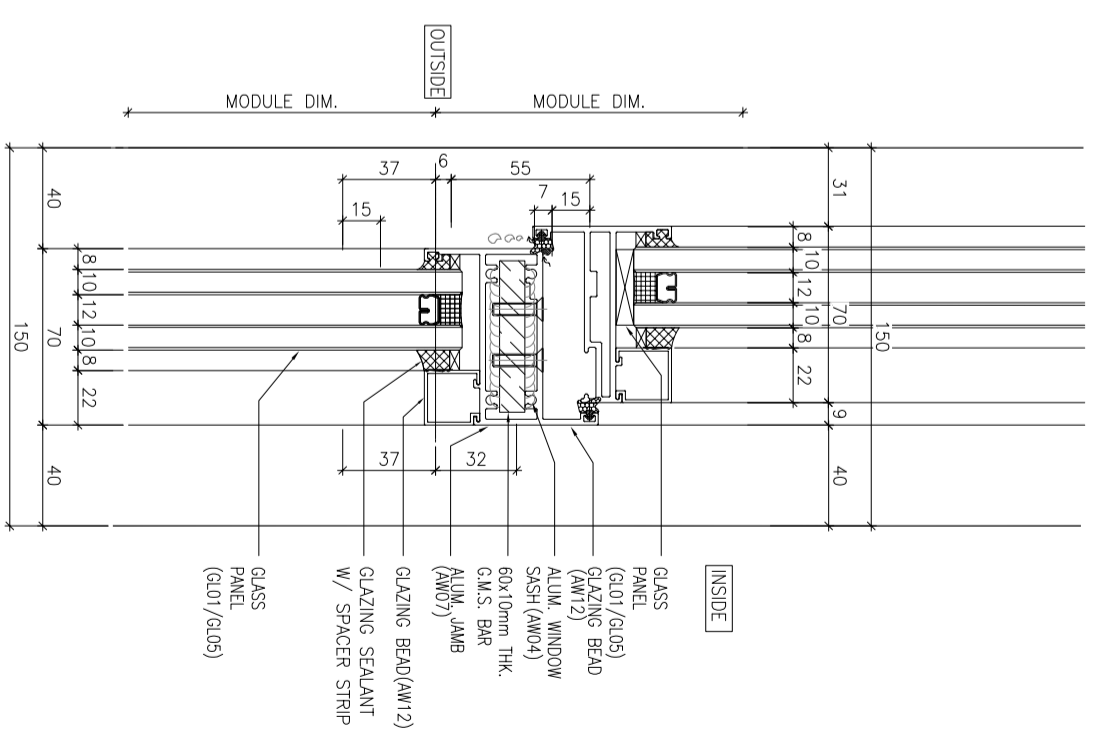
DATE : 03-APR-21 SCALE : 1 : 3 (A3)
DRAWN BY : A.C. CHECKED BY :
MIDI ALUMINIUM FABRICATOR LTD.
Units 6-8, Sunny Industrial Centre, 1/F
610 Che Kwo Ling Road, Kowloon
Tel:23489211-4 Fax:18527272666
DWG NO. : J853-SD-IW-D126 REV. : C



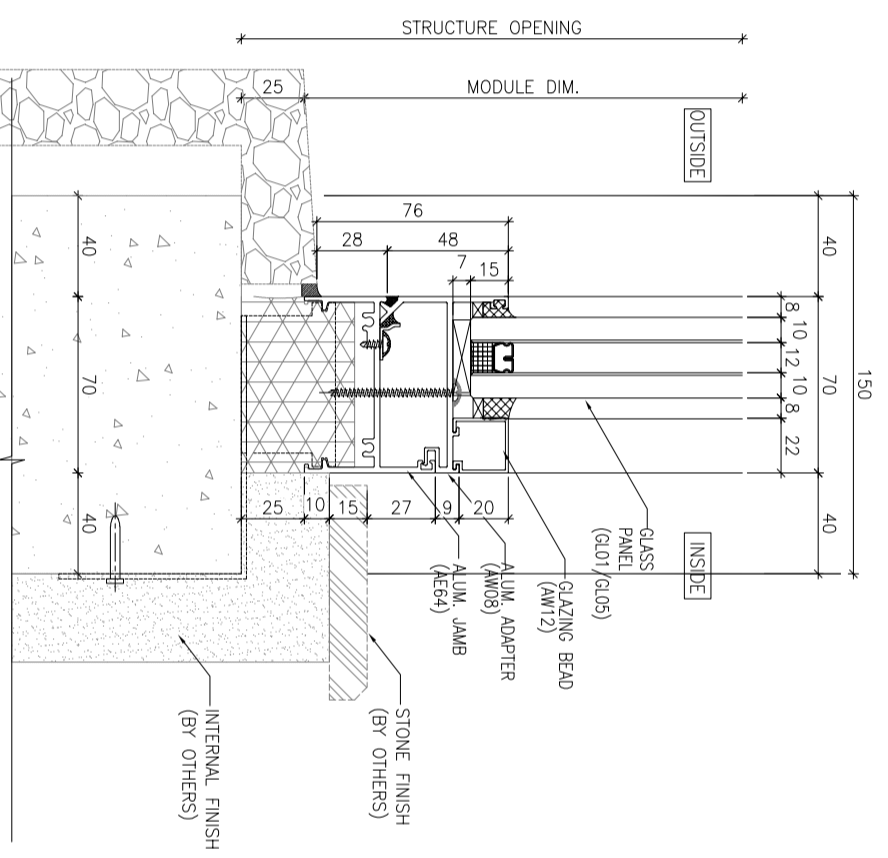
1 VERTICAL DETAIL
DT30 Fixed LOUVRE



3 VERTICAL DETAIL
DT30 Operable Window



5 VERTICAL DETAIL
DT30 For Transom Of Operable Window



5 VERTICAL DETAIL
DT30 Fixed Window w/ Adapter

B.O. REF. :

CLIENT :
SHIMAO GROUP HOLDINGS LIMITED

ARCHITECT :
WONG TUNG & PARTNERS LIMITED ARCHITECTS & PLANNERS

MAIN CONTRACTOR :
協興建築有限公司 HIP HING CONSTRUCTION CO. LTD

STRUCTURAL ENGINEER :
ICMA C M WONG & ASSOCIATES LTD 黃志明建築工程師有限公司

FAÇADE CONSULTANT :
WEINHARDT

NOTE :
1. ALL DIMENSIONS ARE IN mm.
2. ALL ELEVATIONS ARE VIEWED FROM OUTSIDE.
3. ALL DIMENSIONS TO BE VERIFIED ON SITE BEFORE FABRICATION.

LEGEND :
X1 DETAIL MARK NO.
X001 REFER SHEET NO.

1. F.F.L.--FINISHED FLOOR LEVEL
2. S.F.L.--STRUCTURAL FLOOR LEVEL
3. (R) --REVERSED DETAIL
4. ▲ --FIXING LOCATION
5. Δ --FIXING LUG LOCATION
6. GLASS LEGEND
GL01 --10mm+12mm AR G4P+10mm THK. I.G.U.
GL05 --10mm+12mm AR G4P+10mm THK. I.G.U.
GL06 --10mm+12mm AR G4P+12mm THK. I.G.U.
GL07 --10mm+12mm AR G4P+12mm THK. I.G.U.
GL08 --10mm+12mm AR G4P+10mm THK. I.G.U.

NO.	DATE	REVISION	BY
JOB NO. :	J-853		

PROJECT :
PROPOSED RESIDENTIAL DEVELOPMENT AT N.K.I.L. 6542 YIN PING ROAD KOWLOON

TITLE :
TYPICAL DETAILS FOR SLIDING DOOR

DATE : 03-OCT-22 SCALE : 1 : 3 (A3)
DRAWN BY : A.C. CHECKED BY :

MIDI ALUMINIUM FABRICATOR LTD.
Units 6-8, Sunny Industrial Centre, 1/F
610 Che Kwo Ling Road, Kowloon
Tel:23489211-4 Fax:18527272666
DWG NO. : J853-SD-IW-DT30 REV. : -

