



工程指示 / 要求簡箋 ENGINEER INSTRUCTIONS(E.I.)

工程指示編號:	EI- 4835	修改版本:	-
	HK- 1061		
工程編號:	J 853	工程名稱:	大窩坪
收件人:	生統/技術部/峰少	發件人:	Lai Sik Hung
工程項目:	T5,T6,T7 後裝窗- SCHUCO趟門及摺趟門拆加工圖	日期:	29/06/2022

<input type="checkbox"/> 原合約工程包	<input type="checkbox"/> 原合約工程加 / 減賬 QT-	<input type="checkbox"/> 新工程報價 QT-
---------------------------------	------------------------------------------	------------------------------------

信件批核號碼/圖紙參考編號:	批核模具圖紙編號:
客戶指示附件:	管理內部批簽署:

<input type="checkbox"/> 初步鋁料 B.M.	<input type="checkbox"/> 加工拆圖, 然後生產	<input type="checkbox"/> 尺寸表
<input type="checkbox"/> 正式鋁料 B.M.	<input type="checkbox"/> 技術上資料/指示	<input type="checkbox"/> 報價
<input type="checkbox"/> 配件 B.M.	<input type="checkbox"/> 樣辦或貨品說明書	<input type="checkbox"/> 分判合約
<input type="checkbox"/> 其他:		

內容: 請就附件內的SCHUCO趟門及摺趟門拆加工圖, 請留意圖紙內SCHUCO趟門及摺趟門門邊有鐵件及鋁板, 拆加工圖時需一併處理

完成上列要求日期: 06/07/2022

國內

<input type="checkbox"/> 生產技術總監	<input type="checkbox"/> 連附件	<input checked="" type="checkbox"/> 技術部	<input checked="" type="checkbox"/> 連附件	<input type="checkbox"/> 生產部	<input type="checkbox"/> 連附件
<input type="checkbox"/> 採購部	<input type="checkbox"/> 連附件	<input checked="" type="checkbox"/> 生產統籌部	<input checked="" type="checkbox"/> 連附件	<input type="checkbox"/> 報關組	<input type="checkbox"/> 連附件
<input type="checkbox"/> 質檢部	<input type="checkbox"/> 連附件	<input type="checkbox"/> 會計部	<input type="checkbox"/> 連附件	<input type="checkbox"/> 機械設計部	<input type="checkbox"/> 連附件
<input checked="" type="checkbox"/> 香港辦	<input checked="" type="checkbox"/> 連附件	<input type="checkbox"/> 其他:			

<input type="checkbox"/> 行政部	<input type="checkbox"/> 連附件	<input type="checkbox"/> 會計部	<input type="checkbox"/> 連附件	<input type="checkbox"/> 統籌部	<input type="checkbox"/> 連附件	<input type="checkbox"/> 工程部	<input type="checkbox"/> 連附件
<input type="checkbox"/> 採購部	<input type="checkbox"/> 連附件	<input type="checkbox"/> QS部	<input type="checkbox"/> 連附件	<input type="checkbox"/> 地盤管理	<input type="checkbox"/> 連附件	<input type="checkbox"/> 維修部	<input type="checkbox"/> 連附件

*發件人簽署:		*組別成員批核簽署:	
傳遞編號:		項目經理簽署:	29/6/2022

PROJECT :

PROPOSED RESIDENTIAL DEVELOPMENT AT N.K.I.L. 6542
YIN PING ROAD, KOWLOON

4

TITLE: IN-STIU ALUM. WINDOW & LOUVER SHOPDRAWING SUBMISSION (T5, T6 & T7)

DATE: 23-APR-22

 美特鋁質有限公司
MIDI ALUMINIUM FABRICATOR LTD.
Units 6-8, Sunray Industrial Centre, 1/F
610 Cha Kwo Ling Road, Kowloon
Tel:23489211-4 Fax:(852)27727666

DWG NO. : J853-SFU-CP01

REV. : C

DRAWING SUBMISSION REGISTER

PROJECT: PROPOSED RESIDENTIAL DEVELOPMENT AT N.K.I.L. 6542 YIN PING ROAD KOWLOON TITLE: IN-STIU ALUM. WINDOW & LOUVER SHOPDRAWING SUBMISSION (T5, T6 & T7)	DATE OF ISSUE					SUBMISSION STATE (FOR B.D / A.S.D)	SUBMISSION STATE (FOR CLIENT / CONSULTANT)	SUBMISSION STATE (FOR ARCHITECT)	FABRICATION / CONSTRUCTION STATE						
	ISSUE	1	2	3	4		AP - APPROVED	AP - APPROVED	AP - APPROVED	ISSUE TO CHINA OFFICE		ISSUE TO SITE		ISSUE TO SUB-CONTRACTOR	
	DAY	29	28	17	23		AC - APPROVED SUB. TO CONDITION	AC - APPROVED SUB. TO CONDITION	AC - APPROVED SUB. TO CONDITION						
	MONTH	4	8	1	4		NA - NOT APPROVED	NA - NOT APPROVED	NA - NOT APPROVED						
	YEAR	21	21	22	22										

DRAWING TITLE	DWG. NO.	REVISIONS					COMMENT DATE	REV.	STATE	COMMENT DATE	REV.	STATE	COMMENT DATE	REV.	STATE	REV.	DATE	REV.	DATE	REV.	DATE
COVER PAGE	J853-SFU-CP01	-	A	B	C																
DRAWING REGISTER	J853-SD-IW-DR01	-	A	B	C																
DRAWING REGISTER	J853-SD-IW-DR02	-	A	B	C																
DRAWING REGISTER	J853-SD-IW-DR03	-	A	B	C																
DRAWING REGISTER	J853-SD-IW-DR04	-	A	B	C																
GENERAL NOTES FOR ALUM. WINDOW																					
DIE LIST FOR ALUM. WINDOW	J853-SD-IWL01	-	A	A	C																
DIE LIST FOR ALUM. WINDOW	J853-SD-IWL02	-	A	A	A																
DIE LIST FOR ALUM. WINDOW	J853-SD-IWL03	-	A	A	A																
DIE LIST FOR ALUM. WINDOW	J853-SD-IWL04	-	-	B	C																
SECTION PROPERTIES OF CURTAIN WALL (STEEL EXTRUSIONS)	J853-SD-IW-1201	/	/	B	C																
WINDOW LOCATION FOR TOWER 5	J853-SD-PWLP051	-	A	B	B																
WINDOW LOCATION FOR TOWER 5	J853-SD-PWLP052	-	A	A	A																
WINDOW LOCATION FOR TOWER 5	J853-SD-PWLP053	-	A	A	A																
WINDOW LOCATION FOR TOWER 5	J853-SD-PWLP054	-	A	B	B																
WINDOW LOCATION FOR TOWER 5	J853-SD-PWLP055	-	A	B	B																
WINDOW LOCATION FOR TOWER 5	J853-SD-PWLP056	-	A	A	A																
WINDOW LOCATION FOR TOWER 5	J853-SD-PWLP057	-	A	A	A																
WINDOW LOCATION FOR TOWER 6&7	J853-SD-PWLP061	-	A	B	B																
WINDOW LOCATION FOR TOWER 6&7	J853-SD-PWLP062	-	A	B	B																
WINDOW LOCATION FOR TOWER 6&7	J853-SD-PWLP063	-	A	B	B																
WINDOW LOCATION FOR TOWER 6&7	J853-SD-PWLP064	-	A	B	B																
WINDOW LOCATION FOR TOWER 6&7	J853-SD-PWLP065	-	A	B	B																
WINDOW LOCATION FOR TOWER 6&7	J853-SD-PWLP066	-	A	B	B																
WINDOW LOCATION FOR TOWER 6&7	J853-SD-PWLP067	-	A	B	B																
WINDOW SCHEDULE FOR TOWER 5 ALUM.WINDOW	J853-SD-IW-SC501	-	A	B	C																
WINDOW SCHEDULE FOR TOWER 5 ALUM.WINDOW	J853-SD-IW-SC501a	-	-	B	C																
WINDOW SCHEDULE FOR TOWER 5 ALUM.WINDOW	J853-SD-IW-SC501b	/	/	/	C																
WINDOW SCHEDULE FOR TOWER 5 ALUM.WINDOW	J853-SD-IW-SC502	-	A	B	C																
WINDOW SCHEDULE FOR TOWER 5 ALUM.WINDOW	J853-SD-IW-SC502a	-	-	B	C																
WINDOW SCHEDULE FOR TOWER 5 ALUM.WINDOW	J853-SD-IW-SC503	-	A	B	C																
WINDOW SCHEDULE FOR TOWER 5 ALUM.WINDOW	J853-SD-IW-SC503a	-	-	B	C																
WINDOW SCHEDULE FOR TOWER 5 ALUM.WINDOW	J853-SD-IW-SC504	-	A	B	C																
WINDOW SCHEDULE FOR TOWER 5 ALUM.WINDOW	J853-SD-IW-SC504a	-	-	B	C																
WINDOW SCHEDULE FOR TOWER 5 ALUM.WINDOW	J853-SD-IW-SC505	-	A	B	C																
WINDOW SCHEDULE FOR TOWER 5 ALUM.WINDOW	J853-SD-IW-SC505a	-	-	B	C																
WINDOW SCHEDULE FOR TOWER 5 ALUM.WINDOW	J853-SD-IW-SC505b	-	-	B	C																
WINDOW SCHEDULE FOR TOWER 5 ALUM.WINDOW	J853-SD-IW-SC506	-	A	B	C																
WINDOW SCHEDULE FOR TOWER 5 ALUM.WINDOW	J853-SD-IW-SC506a	-	-	B	C																
WINDOW SCHEDULE FOR TOWER 5 ALUM.WINDOW	J853-SD-IW-SC507	-	A	B	C																
WINDOW SCHEDULE FOR TOWER 5 ALUM.WINDOW	J853-SD-IW-SC507a	-	-	B	C																
WINDOW SCHEDULE FOR TOWER 5 ALUM.WINDOW	J853-SD-IW-SC507b	-	-	/	/																
WINDOW SCHEDULE FOR TOWER 5 ALUM.WINDOW	J853-SD-IW-SC508	-	A	B	C																
WINDOW SCHEDULE FOR TOWER 5 ALUM.WINDOW	J853-SD-IW-SC508	-	-	B	C																

IN-HOUSE DESIGN CHECKER


美特鋁質有限公司
 MIDI ALUMINIUM FABRICATOR LTD.
 Units 6-8, Sunray Industrial Centre, 1/F
 610 Cha Kwo Ling Road, Kowloon
 Tel:23489211-4 Fax:(852)27727666

DWG NO. : J853-SD-IW-DR01 REV. : C

DRAWING SUBMISSION REGISTER

PROJECT: PROPOSED RESIDENTIAL DEVELOPMENT AT N.K.I.L. 6542 YIN PING ROAD KOWLOON	DATE OF ISSUE										SUBMISSION STATE (FOR B.D / A.S.D)			SUBMISSION STATE (FOR CLIENT / CONSULTANT)			SUBMISSION STATE (FOR ARCHITECT)			FABRICATION / CONSTRUCTION STATE							
	ISSUE	1	2	3	4							AP - APPROVED			AP - APPROVED			AP - APPROVED			ISSUE TO CHINA OFFICE		ISSUE TO SITE		ISSUE TO SUB-CONTRACTOR		
	DAY	29	28	17	23							AC - APPROVED SUB. TO CONDITION			AC - APPROVED SUB. TO CONDITION			AC - APPROVED SUB. TO CONDITION									
	MONTH	4	8	1	4							NA - NOT APPROVED			NA - NOT APPROVED			NA - NOT APPROVED									
	YEAR	21	21	22	22																						
DRAWING TITLE	DWG. NO.	REVISIONS										COMMENT DATE	REV.	STATE	COMMENT DATE	REV.	STATE	COMMENT DATE	REV.	STATE	REV.	DATE	REV.	DATE	REV.	DATE	
WINDOW SCHEDULE FOR TOWER 5 ALUM.WINDOW	J853-SD-IW-SC509	-	A	B	C																						
WINDOW SCHEDULE FOR TOWER 5 ALUM.WINDOW	J853-SD-IW-SC509a	-		B	C																						
WINDOW SCHEDULE FOR TOWER 5 ALUM.WINDOW	J853-SD-IW-SC509b	-		B	C																						
WINDOW SCHEDULE FOR TOWER 5 ALUM.WINDOW	J853-SD-IW-SC510	-	A	B	C																						
WINDOW SCHEDULE FOR TOWER 5 ALUM.WINDOW	J853-SD-IW-SC510a	-		B	C																						
WINDOW SCHEDULE FOR TOWER 5 ALUM.WINDOW	J853-SD-IW-SC510b	-		B	C																						
WINDOW SCHEDULE FOR TOWER 5 ALUM.WINDOW	J853-SD-IW-SC511	-	A	B	C																						
WINDOW SCHEDULE FOR TOWER 5 ALUM.WINDOW	J853-SD-IW-SC511a	-		B	C																						
WINDOW SCHEDULE FOR TOWER 5 ALUM.WINDOW	J853-SD-IW-SC511b	-		B	C																						
WINDOW SCHEDULE FOR TOWER 5 ALUM.WINDOW	J853-SD-IW-SC512	-	A	B	C																						
WINDOW SCHEDULE FOR TOWER 5 ALUM.WINDOW	J853-SD-IW-SC512a	-		B	C																						
WINDOW SCHEDULE FOR TOWER 5 ALUM.WINDOW	J853-SD-IW-SC512b	-		B	C																						
WINDOW SCHEDULE FOR TOWER 5 ALUM.WINDOW	J853-SD-IW-SC513	-	A	B	C																						
WINDOW SCHEDULE FOR TOWER 5 ALUM.WINDOW	J853-SD-IW-SC513a	-		B	C																						
WINDOW SCHEDULE FOR TOWER 5 ALUM.WINDOW	J853-SD-IW-SC513b	-		B	C																						
WINDOW SCHEDULE FOR TOWER 5 ALUM.WINDOW	J853-SD-IW-SC513c	-		B	C																						
WINDOW SCHEDULE FOR TOWER 5 ALUM.WINDOW	J853-SD-IW-SC514	-	A	B	B																						
WINDOW SCHEDULE FOR TOWER 5 ALUM.WINDOW	J853-SD-IW-SC515	-	A	B	B																						
WINDOW SCHEDULE FOR TOWER 5 ALUM.WINDOW	J853-SD-IW-SC516	-	A	B	B																						
WINDOW SCHEDULE FOR TOWER 5 ALUM.WINDOW	J853-SD-IW-SC517	-	A	B	B																						
WINDOW SCHEDULE FOR TOWER 5 ALUM.WINDOW	J853-SD-IW-SC518	-	A	B	B																						
WINDOW SCHEDULE FOR TOWER 5 ALUM.WINDOW	J853-SD-IW-SC519	-	A	B	C																						
WINDOW SCHEDULE FOR TOWER 5 ALUM.WINDOW	J853-SD-IW-SC520	-	A	B	B																						
WINDOW SCHEDULE FOR TOWER 5 ALUM.WINDOW	J853-SD-IW-SC521	-	A	B	C																						
WINDOW SCHEDULE FOR TOWER 5 ALUM.WINDOW	J853-SD-IW-SC522	-	A	B	B																						
WINDOW SCHEDULE FOR TOWER 5 ALUM.WINDOW	J853-SD-IW-SC523	-	A	B	B																						
WINDOW SCHEDULE FOR TOWER 5 ALUM.WINDOW	J853-SD-IW-SC524	-	A	B	C																						
WINDOW SCHEDULE FOR TOWER 5 ALUM.WINDOW	J853-SD-IW-SC525	-	A	B	C																						
WINDOW SCHEDULE FOR TOWER 5 ALUM.WINDOW	J853-SD-IW-SC526	-	A	/	/																						
WINDOW SCHEDULE FOR TOWER 5 ALUM.WINDOW	J853-SD-IW-SC527	-	A	B	B																						
WINDOW SCHEDULE FOR TOWER 6 ALUM.WINDOW	J853-SD-IW-SC601	-	A	B	C																						
WINDOW SCHEDULE FOR TOWER 6 ALUM.WINDOW	J853-SD-IW-SC601a	-		B	C																						
WINDOW SCHEDULE FOR TOWER 6 ALUM.WINDOW	J853-SD-IW-SC601b	-		B	C																						
WINDOW SCHEDULE FOR TOWER 6 ALUM.WINDOW	J853-SD-IW-SC602	-	A	B	C																						
WINDOW SCHEDULE FOR TOWER 6 ALUM.WINDOW	J853-SD-IW-SC602a	-		B	C																						
WINDOW SCHEDULE FOR TOWER 6 ALUM.WINDOW	J853-SD-IW-SC602b	-		B	C																						
WINDOW SCHEDULE FOR TOWER 6 ALUM.WINDOW	J853-SD-IW-SC603	-	A	B	C																						
WINDOW SCHEDULE FOR TOWER 6 ALUM.WINDOW	J853-SD-IW-SC603a	-		B	C																						
WINDOW SCHEDULE FOR TOWER 6 ALUM.WINDOW	J853-SD-IW-SC603b	-		B	C																						
WINDOW SCHEDULE FOR TOWER 6 ALUM.WINDOW	J853-SD-IW-SC604	-	A	B	C																						
WINDOW SCHEDULE FOR TOWER 6 ALUM.WINDOW	J853-SD-IW-SC604a	-		B	C																						
WINDOW SCHEDULE FOR TOWER 6 ALUM.WINDOW	J853-SD-IW-SC604b	-		B	C																						
WINDOW SCHEDULE FOR TOWER 6 ALUM.WINDOW	J853-SD-IW-SC605	-	A	B	C																						
WINDOW SCHEDULE FOR TOWER 6 ALUM.WINDOW	J853-SD-IW-SC605a	-		B	C																						

IN-HOUSE DESIGN CHECKER



Units 6-8, Sunray Industrial Centre, 1/F
610 Cha Kwo Ling Road, Kowloon
Tel: 23489211-4 Fax: (852) 27727666

DWG NO. : J853-SD-IW-DR02 REV. : C

DRAWING SUBMISSION REGISTER

PROJECT: PROPOSED RESIDENTIAL DEVELOPMENT AT N.K.I.L. 6542 YIN PING ROAD KOWLOON	DATE OF ISSUE								SUBMISSION STATE (FOR B.D / A.S.D)			SUBMISSION STATE (FOR CLIENT / CONSULTANT)			SUBMISSION STATE (FOR ARCHITECT)			FABRICATION / CONSTRUCTION STATE						
	ISSUE	1	2	3	4					AP - APPROVED			AP - APPROVED			AP - APPROVED			ISSUE TO CHINA OFFICE	ISSUE TO SITE	ISSUE TO SUB-CONTRACTOR			
	DAY	29	28	17	23					AC - APPROVED SUB. TO CONDITION			AC - APPROVED SUB. TO CONDITION			AC - APPROVED SUB. TO CONDITION								
	MONTH	4	8	1	4					NA - NOT APPROVED			NA - NOT APPROVED			NA - NOT APPROVED								
	YEAR	21	21	22	22																			
DRAWING TITLE	DWG. NO.	REVISIONS								COMMENT DATE	REV.	STATE	COMMENT DATE	REV.	STATE	COMMENT DATE	REV.	STATE	REV.	DATE	REV.	DATE	REV.	DATE
WINDOW SCHEDULE FOR TOWER 6 ALUM.WINDOW	J853-SD-IW-SC605b	-	B	C																				
WINDOW SCHEDULE FOR TOWER 6 ALUM.WINDOW	J853-SD-IW-SC606	-	A	B	C																			
WINDOW SCHEDULE FOR TOWER 6 ALUM.WINDOW	J853-SD-IW-SC606a	-	B	C																				
WINDOW SCHEDULE FOR TOWER 6 ALUM.WINDOW	J853-SD-IW-SC606b	-	B	C																				
WINDOW SCHEDULE FOR TOWER 6 ALUM.WINDOW	J853-SD-IW-SC607	-	A	B	C																			
WINDOW SCHEDULE FOR TOWER 6 ALUM.WINDOW	J853-SD-IW-SC607a	-	B	C																				
WINDOW SCHEDULE FOR TOWER 6 ALUM.WINDOW	J853-SD-IW-SC607b	-	B	C																				
WINDOW SCHEDULE FOR TOWER 6 ALUM.WINDOW	J853-SD-IW-SC608	-	A	B	C																			
WINDOW SCHEDULE FOR TOWER 6 ALUM.WINDOW	J853-SD-IW-SC609	-	A	B	C																			
WINDOW SCHEDULE FOR TOWER 6 ALUM.WINDOW	J853-SD-IW-SC610	-	A	/	/																			
WINDOW SCHEDULE FOR TOWER 6 ALUM.WINDOW	J853-SD-IW-SC611	-	A	B	C																			
WINDOW SCHEDULE FOR TOWER 6 ALUM.WINDOW	J853-SD-IW-SC612	-	A	B	C																			
WINDOW SCHEDULE FOR TOWER 6 ALUM.WINDOW	J853-SD-IW-SC612a	-	B	C																				
WINDOW SCHEDULE FOR TOWER 7 ALUM.WINDOW	J853-SD-IW-SC701	-	A	B	C																			
WINDOW SCHEDULE FOR TOWER 7 ALUM.WINDOW	J853-SD-IW-SC701a	-	B	C																				
WINDOW SCHEDULE FOR TOWER 7 ALUM.WINDOW	J853-SD-IW-SC701b	-	B	C																				
WINDOW SCHEDULE FOR TOWER 7 ALUM.WINDOW	J853-SD-IW-SC702	-	A	B	C																			
WINDOW SCHEDULE FOR TOWER 7 ALUM.WINDOW	J853-SD-IW-SC702a	-	B	C																				
WINDOW SCHEDULE FOR TOWER 7 ALUM.WINDOW	J853-SD-IW-SC702b	/	/	B	C																			
WINDOW SCHEDULE FOR TOWER 7 ALUM.WINDOW	J853-SD-IW-SC703	-	A	B	C																			
WINDOW SCHEDULE FOR TOWER 7 ALUM.WINDOW	J853-SD-IW-SC703a	-	B	C																				
WINDOW SCHEDULE FOR TOWER 7 ALUM.WINDOW	J853-SD-IW-SC703b	-	B	C																				
WINDOW SCHEDULE FOR TOWER 7 ALUM.WINDOW	J853-SD-IW-SC704	-	A	B	C																			
WINDOW SCHEDULE FOR TOWER 7 ALUM.WINDOW	J853-SD-IW-SC704a	-	B	C																				
WINDOW SCHEDULE FOR TOWER 7 ALUM.WINDOW	J853-SD-IW-SC704b	-	B	C																				
WINDOW SCHEDULE FOR TOWER 7 ALUM.WINDOW	J853-SD-IW-SC705	-	A	B	C																			
WINDOW SCHEDULE FOR TOWER 7 ALUM.WINDOW	J853-SD-IW-SC706	-	A	B	C																			
WINDOW SCHEDULE FOR TOWER 7 ALUM.WINDOW	J853-SD-IW-SC707	-	A	B	C																			
WINDOW SCHEDULE FOR TOWER 7 ALUM.WINDOW	J853-SD-IW-SC708	-	A	B	C																			
WINDOW SCHEDULE FOR TOWER 7 ALUM.WINDOW	J853-SD-IW-SC709	-	A	/	/																			
TYPICAL DETAILS FOR ALUM.DOOR	J853-SD-IW-DT01	-	A	B	C																			
TYPICAL DETAILS FOR ALUM.DOOR	J853-SD-IW-DT01A	/	/	B	C																			
TYPICAL DETAILS FOR ALUM.DOOR	J853-SD-IW-DT02	-	A	B	B																			
TYPICAL DETAILS FOR ALUM.DOOR	J853-SD-IW-DT03	-	A	B	C																			
TYPICAL DETAILS FOR ALUM.DOOR	J853-SD-IW-DT04	-	B	C																				
TYPICAL DETAILS FOR ALUM.DOOR	J853-SD-IW-DT04A	/	/	/	C																			
TYPICAL DETAILS FOR ALUM.DOOR	J853-SD-IW-DT05	-	B	B																				
TYPICAL DETAILS FOR ALUM.DOOR	J853-SD-IW-DT06	-	B	B																				
TYPICAL DETAILS FOR SLIDING .DOOR	J853-SD-IW-DT11	-	B	C																				
TYPICAL DETAILS FOR SLIDING .DOOR	J853-SD-IW-DT12	-	B	C																				
TYPICAL DETAILS FOR SLIDING .DOOR	J853-SD-IW-DT13	-	B	C																				
TYPICAL DETAILS FOR SLIDING .DOOR	J853-SD-IW-DT14	-	B	C																				
TYPICAL DETAILS FOR SLIDING .DOOR	J853-SD-IW-DT15	-	B	B																				
TYPICAL DETAILS FOR ALUM.WINDOW & LOUVRE	J853-SD-IW-DT21	-	A	B	C																			

IN-HOUSE DESIGN CHECKER

美特鋁質有限公司
MIDI ALUMINIUM FABRICATOR LTD.
 Units 6-8, Sunray Industrial Centre, 1/F
 610 Cha Kwo Ling Road, Kowloon
 Tel:23489211-4 Fax:(852)27727666

DWG NO. : J853-SD-IW-DR03 REV. : C

MEMBER: AE01
GRADE: 6063-T5
FINISH: PVF2
3-COATING

PROPERTIES

REGIONS	VALUES
Area (mm ²)	766.2
Perimeter (mm)	256.7
Bounding Box - X (mm)	-46.5 to 46.5
Bounding Box - Y (mm)	-37.3 to 37.3
Centroid - X (mm)	0.0
Centroid - Y (mm)	0.0
Moments of Inertia - X (mm ⁴)	619464.0
Moments of Inertia - Y (mm ⁴)	548774.6
Product of Inertia - XY (mm ⁴)	-4731.2
Radius of Gyration - X (mm)	28.4
Radius of Gyration - Y (mm)	23.3
Principal Moments along X-Y (mm ⁴)	602063.8 along (0.0 -0.0)
Principal Moments along X-Y (mm ⁴)	70527.4 along (0.0 0.0)
Elastic Modulus - Zx (mm ³)	177 z-max=18497.7
Elastic Modulus - Zy (mm ³)	177 z-max=11749.8

MEMBER: AE02
GRADE: 6063-T5
FINISH: PVF2
3-COATING

PROPERTIES

REGIONS	VALUES
Area (mm ²)	766.2
Perimeter (mm)	256.7
Bounding Box - X (mm)	-44.4 to 45.6
Bounding Box - Y (mm)	-30.1 to 30.1
Centroid - X (mm)	0.0
Centroid - Y (mm)	0.0
Moments of Inertia - X (mm ⁴)	619464.0
Moments of Inertia - Y (mm ⁴)	548774.6
Product of Inertia - XY (mm ⁴)	-4731.2
Radius of Gyration - X (mm)	28.4
Radius of Gyration - Y (mm)	23.3
Principal Moments along X-Y (mm ⁴)	602063.8 along (0.0 -0.0)
Principal Moments along X-Y (mm ⁴)	70527.4 along (0.0 0.0)
Elastic Modulus - Zx (mm ³)	177 z-max=18497.7
Elastic Modulus - Zy (mm ³)	177 z-max=11749.8

MEMBER: AW16
GRADE: 6063-T5
FINISH: PVF2
3-COATING

PROPERTIES

REGIONS	VALUES
Area (mm ²)	684.4
Perimeter (mm)	241.9
Bounding Box - X (mm)	-16.4 to 24.6
Bounding Box - Y (mm)	-38.0 to 38.0
Centroid - X (mm)	0.0
Centroid - Y (mm)	0.0
Moments of Inertia - X (mm ⁴)	548774.6
Moments of Inertia - Y (mm ⁴)	52026.5
Product of Inertia - XY (mm ⁴)	-3861.1
Radius of Gyration - X (mm)	25.4
Radius of Gyration - Y (mm)	15.4
Principal Moments along X-Y (mm ⁴)	548774.6 along (0.0 -0.0)
Principal Moments along X-Y (mm ⁴)	54874.6 along (0.0 0.0)
Elastic Modulus - Zx (mm ³)	177 z-max=6442.8
Elastic Modulus - Zy (mm ³)	177 z-max=1986.3

MEMBER: AW08
GRADE: 6063-T5
FINISH: PVF2
3-COATING

PROPERTIES

REGIONS	VALUES
Area (mm ²)	531.6
Perimeter (mm)	225.1
Bounding Box - X (mm)	-25.8 to 25.2
Bounding Box - Y (mm)	-26.3 to 26.3
Centroid - X (mm)	0.0
Centroid - Y (mm)	0.0
Moments of Inertia - X (mm ⁴)	229797.1
Moments of Inertia - Y (mm ⁴)	26292.1
Product of Inertia - XY (mm ⁴)	-3337.0
Radius of Gyration - X (mm)	21.4
Radius of Gyration - Y (mm)	10.4
Principal Moments along X-Y (mm ⁴)	229797.0 along (0.0 0.0)
Principal Moments along X-Y (mm ⁴)	5631.8 along (0.0 0.0)
Elastic Modulus - Zx (mm ³)	177 z-max=1408.3
Elastic Modulus - Zy (mm ³)	177 z-max=468.3

MEMBER: AW04
GRADE: 6063-T5
FINISH: PVF2
3-COATING

PROPERTIES

REGIONS	VALUES
Area (mm ²)	514.8
Perimeter (mm)	192.9
Bounding Box - X (mm)	-27.7 to 27.3
Bounding Box - Y (mm)	-28.4 to 28.4
Centroid - X (mm)	0.0
Centroid - Y (mm)	0.0
Moments of Inertia - X (mm ⁴)	286344.5
Moments of Inertia - Y (mm ⁴)	43394.8
Product of Inertia - XY (mm ⁴)	-3494.8
Radius of Gyration - X (mm)	23.3
Radius of Gyration - Y (mm)	15.4
Principal Moments along X-Y (mm ⁴)	286344.5 along (0.0 0.0)
Principal Moments along X-Y (mm ⁴)	43394.8 along (0.0 0.0)
Elastic Modulus - Zx (mm ³)	177 z-max=9884.0
Elastic Modulus - Zy (mm ³)	177 z-max=6162.4

MEMBER: AE06
GRADE: 6063-T5
FINISH: PVF2
3-COATING

PROPERTIES

REGIONS	VALUES
Area (mm ²)	514.8
Perimeter (mm)	192.9
Bounding Box - X (mm)	-26.2 to 25.8
Bounding Box - Y (mm)	-39.7 to 39.7
Centroid - X (mm)	0.0
Centroid - Y (mm)	0.0
Moments of Inertia - X (mm ⁴)	286344.5
Moments of Inertia - Y (mm ⁴)	43394.8
Product of Inertia - XY (mm ⁴)	-3494.8
Radius of Gyration - X (mm)	23.3
Radius of Gyration - Y (mm)	15.4
Principal Moments along X-Y (mm ⁴)	286344.5 along (0.0 -0.0)
Principal Moments along X-Y (mm ⁴)	43394.8 along (0.0 0.0)
Elastic Modulus - Zx (mm ³)	177 z-max=9884.0
Elastic Modulus - Zy (mm ³)	177 z-max=6162.4

MEMBER: AW03
GRADE: 6063-T5
FINISH: PVF2
3-COATING

PROPERTIES

REGIONS	VALUES
Area (mm ²)	584.4
Perimeter (mm)	217.9
Bounding Box - X (mm)	-39.7 to 29.3
Bounding Box - Y (mm)	-40.9 to 40.9
Centroid - X (mm)	0.0
Centroid - Y (mm)	0.0
Moments of Inertia - X (mm ⁴)	308364.6
Moments of Inertia - Y (mm ⁴)	77775.0
Product of Inertia - XY (mm ⁴)	-5895.8
Radius of Gyration - X (mm)	23.2
Radius of Gyration - Y (mm)	14.3
Principal Moments along X-Y (mm ⁴)	308364.6 along (0.0 0.0)
Principal Moments along X-Y (mm ⁴)	77775.0 along (0.0 0.0)
Elastic Modulus - Zx (mm ³)	177 z-max=9815.0
Elastic Modulus - Zy (mm ³)	177 z-max=6162.4

MEMBER: AW07
GRADE: 6063-T5
FINISH: PVF2
3-COATING

PROPERTIES

REGIONS	VALUES
Area (mm ²)	674.8
Perimeter (mm)	262.9
Bounding Box - X (mm)	-34.3 to 34.7
Bounding Box - Y (mm)	-34.6 to 34.6
Centroid - X (mm)	0.0
Centroid - Y (mm)	0.0
Moments of Inertia - X (mm ⁴)	428792.3
Moments of Inertia - Y (mm ⁴)	123304.3
Product of Inertia - XY (mm ⁴)	-184.0
Radius of Gyration - X (mm)	25.4
Radius of Gyration - Y (mm)	17.4
Principal Moments along X-Y (mm ⁴)	428792.3 along (0.0 0.0)
Principal Moments along X-Y (mm ⁴)	123304.3 along (0.0 0.0)
Elastic Modulus - Zx (mm ³)	177 z-max=10124.4
Elastic Modulus - Zy (mm ³)	177 z-max=6162.4

MEMBER: AE09
GRADE: 6063-T5
FINISH: PVF2
3-COATING

PROPERTIES

REGIONS	VALUES
Area (mm ²)	614.8
Perimeter (mm)	241.9
Bounding Box - X (mm)	-34.7 to 39.8
Bounding Box - Y (mm)	-37.2 to 37.2
Centroid - X (mm)	0.0
Centroid - Y (mm)	0.0
Moments of Inertia - X (mm ⁴)	428792.3
Moments of Inertia - Y (mm ⁴)	123304.3
Product of Inertia - XY (mm ⁴)	-184.0
Radius of Gyration - X (mm)	25.4
Radius of Gyration - Y (mm)	17.4
Principal Moments along X-Y (mm ⁴)	428792.3 along (0.0 0.0)
Principal Moments along X-Y (mm ⁴)	123304.3 along (0.0 0.0)
Elastic Modulus - Zx (mm ³)	177 z-max=9815.0
Elastic Modulus - Zy (mm ³)	177 z-max=6162.4

MEMBER: AE10
GRADE: 6063-T5
FINISH: PVF2
3-COATING

PROPERTIES

REGIONS	VALUES
Area (mm ²)	514.8
Perimeter (mm)	192.9
Bounding Box - X (mm)	-26.2 to 25.8
Bounding Box - Y (mm)	-39.7 to 39.7
Centroid - X (mm)	0.0
Centroid - Y (mm)	0.0
Moments of Inertia - X (mm ⁴)	286344.5
Moments of Inertia - Y (mm ⁴)	43394.8
Product of Inertia - XY (mm ⁴)	-3494.8
Radius of Gyration - X (mm)	23.3
Radius of Gyration - Y (mm)	15.4
Principal Moments along X-Y (mm ⁴)	286344.5 along (0.0 -0.0)
Principal Moments along X-Y (mm ⁴)	43394.8 along (0.0 0.0)
Elastic Modulus - Zx (mm ³)	177 z-max=9884.0
Elastic Modulus - Zy (mm ³)	177 z-max=6162.4

MEMBER: AE11
GRADE: 6063-T5
FINISH: PVF2
3-COATING

PROPERTIES

REGIONS	VALUES
Area (mm ²)	528.4
Perimeter (mm)	204.9
Bounding Box - X (mm)	-38.2 to 31.8
Bounding Box - Y (mm)	-26.2 to 26.2
Centroid - X (mm)	0.0
Centroid - Y (mm)	0.0
Moments of Inertia - X (mm ⁴)	301947.7
Moments of Inertia - Y (mm ⁴)	30194.7
Product of Inertia - XY (mm ⁴)	-7092.8
Radius of Gyration - X (mm)	27.7
Radius of Gyration - Y (mm)	17.4
Principal Moments along X-Y (mm ⁴)	301947.7 along (0.0 0.0)
Principal Moments along X-Y (mm ⁴)	30194.7 along (0.0 0.0)
Elastic Modulus - Zx (mm ³)	177 z-max=9815.0
Elastic Modulus - Zy (mm ³)	177 z-max=6162.4

MEMBER: AW17
GRADE: 6063-T5
FINISH: PVF2
3-COATING

PROPERTIES

REGIONS	VALUES
Area (mm ²)	1548.8
Perimeter (mm)	364.9
Bounding Box - X (mm)	-21.0 to 21.0
Bounding Box - Y (mm)	-51.4 to 51.4
Centroid - X (mm)	0.0
Centroid - Y (mm)	0.0
Moments of Inertia - X (mm ⁴)	188104.3
Moments of Inertia - Y (mm ⁴)	211483.7
Product of Inertia - XY (mm ⁴)	18.4
Radius of Gyration - X (mm)	30.4
Radius of Gyration - Y (mm)	31.1
Principal Moments along X-Y (mm ⁴)	188104.3 along (0.0 0.0)
Principal Moments along X-Y (mm ⁴)	211483.7 along (0.0 0.0)
Elastic Modulus - Zx (mm ³)	177 z-max=3745.0
Elastic Modulus - Zy (mm ³)	177 z-max=10081.4

MEMBER: AW18
GRADE: 6063-T5
FINISH: PVF2
3-COATING

PROPERTIES

REGIONS	VALUES
Area (mm ²)	1588.0
Perimeter (mm)	614.8
Bounding Box - X (mm)	-38.8 to 42.2
Bounding Box - Y (mm)	-38.8 to 38.8
Centroid - X (mm)	0.0
Centroid - Y (mm)	0.0
Moments of Inertia - X (mm ⁴)	1280881.3
Moments of Inertia - Y (mm ⁴)	1280881.3
Product of Inertia - XY (mm ⁴)	10815.7
Radius of Gyration - X (mm)	58.0
Radius of Gyration - Y (mm)	58.0
Principal Moments along X-Y (mm ⁴)	1280881.3 along (0.0 -0.0)
Principal Moments along X-Y (mm ⁴)	1280881.3 along (0.0 0.0)
Elastic Modulus - Zx (mm ³)	177 z-max=28831.7
Elastic Modulus - Zy (mm ³)	177 z-max=28831.7

MEMBER: AE14
GRADE: 6063-T5
FINISH: PVF2
3-COATING

PROPERTIES

REGIONS	VALUES
Area (mm ²)	1960.0
Perimeter (mm)	786.0
Bounding Box - X (mm)	-50.0 to 50.0
Bounding Box - Y (mm)	-50.0 to 50.0
Centroid - X (mm)	0.0
Centroid - Y (mm)	0.0
Moments of Inertia - X (mm ⁴)	286344.5
Moments of Inertia - Y (mm ⁴)	286344.5
Product of Inertia - XY (mm ⁴)	0.0
Radius of Gyration - X (mm)	38.0
Radius of Gyration - Y (mm)	38.0
Principal Moments along X-Y (mm ⁴)	286344.5 along (0.0 -0.0)
Principal Moments along X-Y (mm ⁴)	286344.5 along (0.0 0.0)
Elastic Modulus - Zx (mm ³)	177 z-max=17171.7
Elastic Modulus - Zy (mm ³)	177 z-max=17171.7

MEMBER: AW13
GRADE: 6063-T5
FINISH: PVF2
3-COATING

PROPERTIES

REGIONS	VALUES
Area (mm ²)	384.4
Perimeter (mm)	174.9
Bounding Box - X (mm)	-35.1 to 34.9
Bounding Box - Y (mm)	-34.6 to 34.6
Centroid - X (mm)	0.0
Centroid - Y (mm)	0.0
Moments of Inertia - X (mm ⁴)	187924.5
Moments of Inertia - Y (mm ⁴)	112842.7
Product of Inertia - XY (mm ⁴)	-18533.7
Radius of Gyration - X (mm)	21.8
Radius of Gyration - Y (mm)	16.8
Principal Moments along X-Y (mm ⁴)	187924.5 along (0.7 0.0)
Principal Moments along X-Y (mm ⁴)	112842.7 along (0.0 0.0)
Elastic Modulus - Zx (mm ³)	177 z-max=4197.9
Elastic Modulus - Zy (mm ³)	177 z-max=607.5

MEMBER: AW12
GRADE: 6063-T5
FINISH: PVF2
3-COATING

PROPERTIES

REGIONS	VALUES
Area (mm ²)	184.8
Perimeter (mm)	104.9
Bounding Box - X (mm)	-12.595 to 11.0
Bounding Box - Y (mm)	-11.0 to 11.0
Centroid - X (mm)	0.0
Centroid - Y (mm)	0.0
Moments of Inertia - X (mm ⁴)	7018.5
Moments of Inertia - Y (mm ⁴)	2054.4
Product of Inertia - XY (mm ⁴)	44.3
Radius of Gyration - X (mm)	7.7
Radius of Gyration - Y (mm)	4.5
Principal Moments along X-Y (mm ⁴)	7018.5 along (1.0 0.0)
Principal Moments along X-Y (mm ⁴)	2054.4 along (0.0 1.0)
Elastic Modulus - Zx (mm ³)	177 z-max=884.3
Elastic Modulus - Zy (mm ³)	177 z-max=47.8

B.D. REF :

CLIENT :
SHIMAO GROUP HOLDINGS LIMITED

ARCHITECT :
WONG TUNG & PARTNERS LIMITED
ARCHITECTS & PLANNERS

MAIN CONTRACTOR :

STRUCTURAL ENGINEER :
C M WONG & ASSOCIATES LTD
Consulting Engineers

SITE IN SITU CONSULTANT:
MEINHARDT

NOTE :
1. ALL DIMENSIONS ARE IN mm.
2. ALL ELEVATIONS ARE VIEWED FROM OUTSIDE.
3. ALL DIMENSIONS TO BE VERIFIED ON SITE BEFORE FABRICATION.

LEGEND :

 1. F.F.L. -- FINISHED FLOOR LEVEL
 2. S.F.L. -- STRUCTURAL FLOOR LEVEL
 3. (circle with slash) -- REVERSED DETAIL

NO.	DATE	REVISION	SUBJECT TO ARCH-COMMENT	WSH
C	23/04/2021	REVISION	SUBJECT TO ARCH-COMMENT	WSH
A	28/08/2022	REVISION	SUBJECT TO ARCH-COMMENT	WSH

JOB NO. : J-853
PROJECT : PROPOSED RESIDENTIAL DEVELOPMENT AT N.K.I.L. 6542 YIN PING ROAD KOWLOON
TITLE : DIE LIST FOR ALUM. WINDOW

DATE : 22/10/2020 SCALE : 1 : 2 (A3)
DRAWN BY : A.C. CHECKED BY :

美特鋁質有限公司
MIDI ALUMINUM FABRICATOR LTD.
Units 6-8, Sunray Industrial Centre, 1/F
610 Cha Kwo Ling Road, Kowloon
Tel:23489211-4 Fax:(852)27272666
DWG NO. : J853-SD-IW-L01 REV. : C

MEMBER : AE33
GRADE : 6063-T5
FINISH : PVF2
3-COATING

REGIONS

MASS PROPERTIES (MM)	VALUES
Area (mm ²)	454.4
Perimeter (mm)	703.7
Bounding Box - X (mm)	-40.6 to 39.4
Bounding Box - Y (mm)	-38.7 to 21.5
Centroid - X (mm)	0.0
Centroid - Y (mm)	0.0
Moments of Inertia - X (mm ⁴)	13113.8
Moments of Inertia - Y (mm ⁴)	81208.7
Product of Inertia - XY (mm ⁴)	3659.7
Radius of Gyration - X (mm)	13.7
Radius of Gyration - Y (mm)	27.3
Principal Moments along X-Y (mm ⁴)	12002.8 along (1.0, -0.1)
Principal Moments along X-Y (mm ⁴)	52926.7 along (0.1, 1.0)
Steepest Modulus - Zx (mm ²)	1 / r ² = 3388.8
Steepest Modulus - Zy (mm ²)	1 / r ² = 1268.8

MEMBER : AE34
GRADE : 6063-T5
FINISH : PVF2
3-COATING

REGIONS

MASS PROPERTIES (MM)	VALUES
Area (mm ²)	454.4
Perimeter (mm)	588.3
Bounding Box - X (mm)	-35.0 to 35.0
Bounding Box - Y (mm)	-14.5 to 14.5
Centroid - X (mm)	0.0
Centroid - Y (mm)	0.0
Moments of Inertia - X (mm ⁴)	33191.4
Moments of Inertia - Y (mm ⁴)	229430.8
Product of Inertia - XY (mm ⁴)	0.0
Radius of Gyration - X (mm)	15.1
Radius of Gyration - Y (mm)	28.3
Principal Moments along X-Y (mm ⁴)	12002.8 along (1.0, 0.0)
Principal Moments along X-Y (mm ⁴)	229430.8 along (0.0, 1.0)
Steepest Modulus - Zx (mm ²)	1 / r ² = 3388.8
Steepest Modulus - Zy (mm ²)	1 / r ² = 1268.8

MEMBER : AE35
GRADE : 6063-T5
FINISH : PVF2
3-COATING

REGIONS

MASS PROPERTIES (MM)	VALUES
Area (mm ²)	454.4
Perimeter (mm)	485.3
Bounding Box - X (mm)	-35.0 to 35.0
Bounding Box - Y (mm)	-21.5 to 21.5
Centroid - X (mm)	0.0
Centroid - Y (mm)	0.0
Moments of Inertia - X (mm ⁴)	122926.8
Moments of Inertia - Y (mm ⁴)	229430.8
Product of Inertia - XY (mm ⁴)	0.0
Radius of Gyration - X (mm)	15.1
Radius of Gyration - Y (mm)	28.3
Principal Moments along X-Y (mm ⁴)	12002.8 along (1.0, 0.0)
Principal Moments along X-Y (mm ⁴)	229430.8 along (0.0, 1.0)
Steepest Modulus - Zx (mm ²)	1 / r ² = 3388.8
Steepest Modulus - Zy (mm ²)	1 / r ² = 1268.8

MEMBER : AE36
GRADE : 6063-T5
FINISH : PVF2
3-COATING

REGIONS

MASS PROPERTIES (MM)	VALUES
Area (mm ²)	441.0
Perimeter (mm)	570.3
Bounding Box - X (mm)	-39.8 to 30.2
Bounding Box - Y (mm)	-20.3 to 33.7
Centroid - X (mm)	0.0
Centroid - Y (mm)	0.0
Moments of Inertia - X (mm ⁴)	102363.0
Moments of Inertia - Y (mm ⁴)	302140.8
Product of Inertia - XY (mm ⁴)	42061.2
Radius of Gyration - X (mm)	14.0
Radius of Gyration - Y (mm)	24.7
Principal Moments along X-Y (mm ⁴)	110814.8 along (1.0, 0.0)
Principal Moments along X-Y (mm ⁴)	225413.2 along (-0.2, 1.0)
Steepest Modulus - Zx (mm ²)	1 / r ² = 3127.8
Steepest Modulus - Zy (mm ²)	1 / r ² = 981.9

MEMBER : AE37
GRADE : 6063-T5
FINISH : PVF2
3-COATING

REGIONS

MASS PROPERTIES (MM)	VALUES
Area (mm ²)	1028.9
Perimeter (mm)	891.0
Bounding Box - X (mm)	-51.0 to 39.0
Bounding Box - Y (mm)	-31.7 to 38.3
Centroid - X (mm)	0.0
Centroid - Y (mm)	0.0
Moments of Inertia - X (mm ⁴)	76288.1
Moments of Inertia - Y (mm ⁴)	120880.3
Product of Inertia - XY (mm ⁴)	-42045.2
Radius of Gyration - X (mm)	27.3
Radius of Gyration - Y (mm)	31.7
Principal Moments along X-Y (mm ⁴)	87934.4 along (0.7, -0.7)
Principal Moments along X-Y (mm ⁴)	80819.3 along (0.7, 0.7)
Steepest Modulus - Zx (mm ²)	1 / r ² = 1845.9
Steepest Modulus - Zy (mm ²)	1 / r ² = 1431.8

MEMBER : AE38
GRADE : 6063-T5
FINISH : PVF2
3-COATING

REGIONS

MASS PROPERTIES (MM)	VALUES
Area (mm ²)	745.7
Perimeter (mm)	773.4
Bounding Box - X (mm)	-40.4 to 39.6
Bounding Box - Y (mm)	-22.0 to 38.0
Centroid - X (mm)	0.0
Centroid - Y (mm)	0.0
Moments of Inertia - X (mm ⁴)	130465.3
Moments of Inertia - Y (mm ⁴)	338486.3
Product of Inertia - XY (mm ⁴)	-62251.1
Radius of Gyration - X (mm)	18.0
Radius of Gyration - Y (mm)	28.8
Principal Moments along X-Y (mm ⁴)	181811.9 along (1.0, 0.1)
Principal Moments along X-Y (mm ⁴)	348130.8 along (-0.1, 1.0)
Steepest Modulus - Zx (mm ²)	1 / r ² = 3087.2
Steepest Modulus - Zy (mm ²)	1 / r ² = 1238.3

Area: 699.1745
Perimeter: 700.6888
Bounding box: X: -40.5979 -- 39.4021
Y: -38.6807 -- 21.3193
Centroid: X: 0.0000 -- 0.0000
Y: 0.0000
Z: 0.0000

MEMBER : AE39
GRADE : 6063-T5
FINISH : PVF2
3-COATING

REGIONS

MASS PROPERTIES (MM)	VALUES
Area (mm ²)	745.7
Perimeter (mm)	773.4
Bounding Box - X (mm)	-40.4 to 39.6
Bounding Box - Y (mm)	-22.0 to 38.0
Centroid - X (mm)	0.0
Centroid - Y (mm)	0.0
Moments of Inertia - X (mm ⁴)	130465.3
Moments of Inertia - Y (mm ⁴)	338486.3
Product of Inertia - XY (mm ⁴)	-62251.1
Radius of Gyration - X (mm)	18.0
Radius of Gyration - Y (mm)	28.8
Principal Moments along X-Y (mm ⁴)	181811.9 along (1.0, 0.1)
Principal Moments along X-Y (mm ⁴)	348130.8 along (-0.1, 1.0)
Steepest Modulus - Zx (mm ²)	1 / r ² = 3087.2
Steepest Modulus - Zy (mm ²)	1 / r ² = 1238.3

MEMBER : AE40
GRADE : 6063-T5
FINISH : PVF2
3-COATING

REGIONS

MASS PROPERTIES (MM)	VALUES
Area (mm ²)	217.2
Perimeter (mm)	274.5
Bounding Box - X (mm)	-24.6 to 25.0
Bounding Box - Y (mm)	-9.3 to 8.1
Centroid - X (mm)	0.0
Centroid - Y (mm)	0.0
Moments of Inertia - X (mm ⁴)	6288.8
Moments of Inertia - Y (mm ⁴)	5828.4
Product of Inertia - XY (mm ⁴)	284.2
Radius of Gyration - X (mm)	5.6
Radius of Gyration - Y (mm)	5.4
Principal Moments along X-Y (mm ⁴)	6288.8 along (1.0, 0.0)
Principal Moments along X-Y (mm ⁴)	5828.4 along (0.0, 1.0)
Steepest Modulus - Zx (mm ²)	1 / r ² = 3219.9
Steepest Modulus - Zy (mm ²)	1 / r ² = 3268.3

MEMBER : AE41
GRADE : 6063-T5
FINISH : PVF2
3-COATING

REGIONS

MASS PROPERTIES (MM)	VALUES
Area (mm ²)	146.2
Perimeter (mm)	176.1
Bounding Box - X (mm)	-13.4 to 25.8
Bounding Box - Y (mm)	-17.4 to 8.6
Centroid - X (mm)	0.0
Centroid - Y (mm)	0.0
Moments of Inertia - X (mm ⁴)	10388.5
Moments of Inertia - Y (mm ⁴)	2468.9
Product of Inertia - XY (mm ⁴)	-7322.5
Radius of Gyration - X (mm)	13.7
Radius of Gyration - Y (mm)	5.5
Principal Moments along X-Y (mm ⁴)	7286.7 along (0.9, 0.0)
Principal Moments along X-Y (mm ⁴)	60819.3 along (0.0, 0.9)
Steepest Modulus - Zx (mm ²)	1 / r ² = 5268.8
Steepest Modulus - Zy (mm ²)	1 / r ² = 326.3

MEMBER : AE42
GRADE : 6063-T5
FINISH : PVF2
3-COATING

REGIONS

MASS PROPERTIES (MM)	VALUES
Area (mm ²)	186.0
Perimeter (mm)	214.8
Bounding Box - X (mm)	-24.2 to 14.9
Bounding Box - Y (mm)	-14.9 to 8.9
Centroid - X (mm)	0.0
Centroid - Y (mm)	0.0
Moments of Inertia - X (mm ⁴)	11885.2
Moments of Inertia - Y (mm ⁴)	2816.1
Product of Inertia - XY (mm ⁴)	-5771.4
Radius of Gyration - X (mm)	15.8
Radius of Gyration - Y (mm)	5.3
Principal Moments along X-Y (mm ⁴)	8152.8 along (0.9, -0.0)
Principal Moments along X-Y (mm ⁴)	2816.1 along (0.0, 0.9)
Steepest Modulus - Zx (mm ²)	1 / r ² = 3925.3
Steepest Modulus - Zy (mm ²)	1 / r ² = 352.3

MEMBER : AE43
GRADE : 6063-T5
FINISH : PVF2
3-COATING

REGIONS

MASS PROPERTIES (MM)	VALUES
Area (mm ²)	115.3
Perimeter (mm)	147.8
Bounding Box - X (mm)	-9.5 to 9.5
Bounding Box - Y (mm)	-10.0 to 10.0
Centroid - X (mm)	0.0
Centroid - Y (mm)	0.0
Moments of Inertia - X (mm ⁴)	3844.8
Moments of Inertia - Y (mm ⁴)	3886.4
Product of Inertia - XY (mm ⁴)	38.0
Radius of Gyration - X (mm)	5.8
Radius of Gyration - Y (mm)	5.8
Principal Moments along X-Y (mm ⁴)	3844.8 along (1.0, 0.0)
Principal Moments along X-Y (mm ⁴)	3886.4 along (0.0, 1.0)
Steepest Modulus - Zx (mm ²)	1 / r ² = 3063.3
Steepest Modulus - Zy (mm ²)	1 / r ² = 3063.3

MEMBER : AE44
GRADE : 6063-T5
FINISH : PVF2
3-COATING

REGIONS

MASS PROPERTIES (MM)	VALUES
Area (mm ²)	138.4
Perimeter (mm)	174.0
Bounding Box - X (mm)	-14.2 to 25.2
Bounding Box - Y (mm)	-17.1 to 8.9
Centroid - X (mm)	0.0
Centroid - Y (mm)	0.0
Moments of Inertia - X (mm ⁴)	8876.8
Moments of Inertia - Y (mm ⁴)	2318.8
Product of Inertia - XY (mm ⁴)	-7841.8
Radius of Gyration - X (mm)	8.8
Radius of Gyration - Y (mm)	4.8
Principal Moments along X-Y (mm ⁴)	6274.2 along (0.9, 0.0)
Principal Moments along X-Y (mm ⁴)	2318.8 along (-0.0, 0.9)
Steepest Modulus - Zx (mm ²)	1 / r ² = 3218.8
Steepest Modulus - Zy (mm ²)	1 / r ² = 427.1

MEMBER : AE45
GRADE : 6063-T5
FINISH : PVF2
3-COATING

REGIONS

MASS PROPERTIES (MM)	VALUES
Area (mm ²)	87.4
Perimeter (mm)	126.3
Bounding Box - X (mm)	-12.5 to 10.4
Bounding Box - Y (mm)	-10.4 to 13.6
Centroid - X (mm)	0.0
Centroid - Y (mm)	0.0
Moments of Inertia - X (mm ⁴)	3723.8
Moments of Inertia - Y (mm ⁴)	1971.9
Product of Inertia - XY (mm ⁴)	-1311.4
Radius of Gyration - X (mm)	6.5
Radius of Gyration - Y (mm)	4.4
Principal Moments along X-Y (mm ⁴)	3683.5 along (0.9, -0.3)
Principal Moments along X-Y (mm ⁴)	1344.3 along (0.3, 0.9)
Steepest Modulus - Zx (mm ²)	1 / r ² = 388.8
Steepest Modulus - Zy (mm ²)	1 / r ² = 518.9

MEMBER : AE46
GRADE : 6063-T5
FINISH : PVF2
3-COATING

REGIONS

MASS PROPERTIES (MM)	VALUES
Area (mm ²)	88.3
Perimeter (mm)	95.3
Bounding Box - X (mm)	-14.3 to 14.2
Bounding Box - Y (mm)	-14.3 to 14.2
Centroid - X (mm)	0.0
Centroid - Y (mm)	0.0
Moments of Inertia - X (mm ⁴)	4782.7
Moments of Inertia - Y (mm ⁴)	317.4
Product of Inertia - XY (mm ⁴)	-458.7
Radius of Gyration - X (mm)	6.6
Radius of Gyration - Y (mm)	1.8
Principal Moments along X-Y (mm ⁴)	4814.4 along (1.0, -0.1)
Principal Moments along X-Y (mm ⁴)	253.2 along (0.1, 1.0)
Steepest Modulus - Zx (mm ²)	1 / r ² = 388.8
Steepest Modulus - Zy (mm ²)	1 / r ² = 31.8

B.D. REF :

CLIENT :
SHIMAO GROUP HOLDINGS LIMITED

ARCHITECT :
WONG TUNG & PARTNERS LIMITED ARCHITECTS & PLANNERS

MAIN CONTRACTOR :

STRUCTURAL ENGINEER :
C M WONG & ASSOCIATES LTD Consulting Engineers

SITE IN SITU CONSULTANT:
MEINHARDT

NOTE :
1. ALL DIMENSIONS ARE IN mm.
2. ALL ELEVATIONS ARE VIEWED FROM OUTSIDE.
3. ALL DIMENSIONS TO BE VERIFIED ON SITE BEFORE FABRICATION.

LEGEND :
X1 --- DETAIL MARK NO.
X001 --- REFER SHEET NO.
1. F.F.L --- FINISHED FLOOR LEVEL
2. S.F.L --- STRUCTURAL FLOOR LEVEL
3. (R) --- REVERSED DETAIL

NO.	DATE	REVISION SUBJECT TO ARCH.COMMENT	BY
A	28/08/2021	REVISION SUBJECT TO ARCH.COMMENT	WSH

JOB NO. : J-853
PROJECT : PROPOSED RESIDENTIAL DEVELOPMENT AT N.K.I.L. 6542 YIN PING ROAD KOWLOON
TITLE : DIE LIST FOR ALUM. WINDOW

DATE : 22/10/2020 SCALE : 1 : 2 (A3)
DRAWN BY : A.C. CHECKED BY :

美特铝业有限公司
MIDI ALUMINIUM FABRICATOR LTD.
Units 6-8, Sunray Industrial Centre, 1/F
610 Cha Kwo Ling Road, Kowloon
Tel:23489211-4 Fax:(852)27727666
DWG NO. : J853-SD-IW-L02 REV. : A

PROPERTIES

MEMBER : AE47
GRADE : 6063-T5
FINISH : PVF2
3-COATING

REGIONS	
Area (mm ²)	24.8
Perimeter (mm)	49.7
Bounding Box - X (mm)	-4.0 to 6.5
Bounding Box - Y (mm)	-4.0 to 9.1
Centroid - X (mm)	0.0
Centroid - Y (mm)	0.0
Moments of Inertia - X (mm ⁴)	125.8
Moments of Inertia - Y (mm ⁴)	482.2
Product of Inertia - XY (mm ⁴)	18.6
Radius of Gyration - X (mm)	2.5
Radius of Gyration - Y (mm)	4.4
Principal Moments along X'-Y' (mm ⁴)	11.1 along (0.0 -0.0)
Principal Moments along X''-Y'' (mm ⁴)	543.0 along (0.0 0.0)
Static Modulus - Zx (mm ³)	1.7 / y-max= 30.8
Static Modulus - Zy (mm ³)	1.7 / x-max= 33.8

PROPERTIES

MEMBER : AE48
GRADE : 6063-T5
FINISH : PVF2
3-COATING

REGIONS	
Area (mm ²)	156.4
Perimeter (mm)	1185.2
Bounding Box - X (mm)	-14.4 to 23.6
Bounding Box - Y (mm)	-26.1 to 98.9
Centroid - X (mm)	0.0
Centroid - Y (mm)	0.0
Moments of Inertia - X (mm ⁴)	3479201.9
Moments of Inertia - Y (mm ⁴)	20084.3
Product of Inertia - XY (mm ⁴)	-34988.8
Radius of Gyration - X (mm)	51.1
Radius of Gyration - Y (mm)	9.4
Principal Moments along X'-Y' (mm ⁴)	3479201.9 along (1.0 0.0)
Principal Moments along X''-Y'' (mm ⁴)	84728.3 along (0.0 1.0)
Static Modulus - Zx (mm ³)	1.7 / y-max= 3872.1
Static Modulus - Zy (mm ³)	1.7 / x-max= 402.8

PROPERTIES

MEMBER : AE49
GRADE : 6063-T5
FINISH : PVF2
3-COATING

REGIONS	
Area (mm ²)	711.7
Perimeter (mm)	807.3
Bounding Box - X (mm)	-57.4 to 62.6
Bounding Box - Y (mm)	-14.7 to 23.3
Centroid - X (mm)	0.0
Centroid - Y (mm)	0.0
Moments of Inertia - X (mm ⁴)	84110.3
Moments of Inertia - Y (mm ⁴)	1040853.3
Product of Inertia - XY (mm ⁴)	20422.5
Radius of Gyration - X (mm)	6.8
Radius of Gyration - Y (mm)	38.3
Principal Moments along X'-Y' (mm ⁴)	83887.7 along (1.0 0.0)
Principal Moments along X''-Y'' (mm ⁴)	1040853.3 along (0.0 1.0)
Static Modulus - Zx (mm ³)	1.7 / y-max= 2751.8
Static Modulus - Zy (mm ³)	1.7 / x-max= 19788.4

PROPERTIES

MEMBER : AE50
GRADE : 6063-T5
FINISH : PVF2
3-COATING

REGIONS	
Area (mm ²)	742.8
Perimeter (mm)	988.4
Bounding Box - X (mm)	-61.6 to 58.4
Bounding Box - Y (mm)	-16.1 to 26.9
Centroid - X (mm)	0.0
Centroid - Y (mm)	0.0
Moments of Inertia - X (mm ⁴)	100004.4
Moments of Inertia - Y (mm ⁴)	891348.3
Product of Inertia - XY (mm ⁴)	30020.9
Radius of Gyration - X (mm)	11.8
Radius of Gyration - Y (mm)	33.8
Principal Moments along X'-Y' (mm ⁴)	100004.4 along (1.0 0.0)
Principal Moments along X''-Y'' (mm ⁴)	891348.3 along (0.0 1.0)
Static Modulus - Zx (mm ³)	1.7 / y-max= 3736.8
Static Modulus - Zy (mm ³)	1.7 / x-max= 18828.4

PROPERTIES

MEMBER : AE51
GRADE : 6063-T5
FINISH : PVF2
3-COATING

REGIONS	
Area (mm ²)	774.9
Perimeter (mm)	751.2
Bounding Box - X (mm)	-44.7 to 51.3
Bounding Box - Y (mm)	-23.5 to 26.5
Centroid - X (mm)	0.0
Centroid - Y (mm)	0.0
Moments of Inertia - X (mm ⁴)	276270.8
Moments of Inertia - Y (mm ⁴)	486962.1
Product of Inertia - XY (mm ⁴)	47208.4
Radius of Gyration - X (mm)	18.0
Radius of Gyration - Y (mm)	24.8
Principal Moments along X'-Y' (mm ⁴)	276270.8 along (1.0 -0.0)
Principal Moments along X''-Y'' (mm ⁴)	476775.1 along (0.0 1.0)
Static Modulus - Zx (mm ³)	1.7 / y-max= 15914.3
Static Modulus - Zy (mm ³)	1.7 / x-max= 8087.9

PROPERTIES

MEMBER : AE52
GRADE : 6063-T5
FINISH : PVF2
3-COATING

REGIONS	
Area (mm ²)	380.5
Perimeter (mm)	183.7
Bounding Box - X (mm)	-24.8 to 32.3
Bounding Box - Y (mm)	-5.4 to 8.8
Centroid - X (mm)	0.0
Centroid - Y (mm)	0.0
Moments of Inertia - X (mm ⁴)	3332.3
Moments of Inertia - Y (mm ⁴)	87824.4
Product of Inertia - XY (mm ⁴)	981.9
Radius of Gyration - X (mm)	3.8
Radius of Gyration - Y (mm)	13.8
Principal Moments along X'-Y' (mm ⁴)	2884.1 along (1.0 -0.1)
Principal Moments along X''-Y'' (mm ⁴)	86122.8 along (0.1 1.0)
Static Modulus - Zx (mm ³)	1.7 / y-max= 276.4
Static Modulus - Zy (mm ³)	1.7 / x-max= 2082.5

PROPERTIES

MEMBER : AE53
GRADE : 6063-T5
FINISH : PVF2
3-COATING

REGIONS	
Area (mm ²)	24.8
Perimeter (mm)	42.8
Bounding Box - X (mm)	-2.0 to 4.8
Bounding Box - Y (mm)	-4.0 to 6.0
Centroid - X (mm)	0.0
Centroid - Y (mm)	0.0
Moments of Inertia - X (mm ⁴)	336.7
Moments of Inertia - Y (mm ⁴)	88.2
Product of Inertia - XY (mm ⁴)	0.0
Radius of Gyration - X (mm)	3.2
Radius of Gyration - Y (mm)	1.0
Principal Moments along X'-Y' (mm ⁴)	336.7 along (1.0 0.0)
Principal Moments along X''-Y'' (mm ⁴)	88.2 along (0.0 1.0)
Static Modulus - Zx (mm ³)	1.7 / y-max= 98.1
Static Modulus - Zy (mm ³)	1.7 / x-max= 17.8

PROPERTIES

MEMBER : AE54
GRADE : 6063-T5
FINISH : PVF2
3-COATING

REGIONS	
Area (mm ²)	87.7
Perimeter (mm)	151.4
Bounding Box - X (mm)	-23.5 to 23.5
Bounding Box - Y (mm)	-4.8 to 7.7
Centroid - X (mm)	0.0
Centroid - Y (mm)	0.0
Moments of Inertia - X (mm ⁴)	813.5
Moments of Inertia - Y (mm ⁴)	21088.8
Product of Inertia - XY (mm ⁴)	-30.7
Radius of Gyration - X (mm)	3.2
Radius of Gyration - Y (mm)	14.7
Principal Moments along X'-Y' (mm ⁴)	813.5 along (1.0 0.0)
Principal Moments along X''-Y'' (mm ⁴)	21088.8 along (0.0 1.0)
Static Modulus - Zx (mm ³)	1.7 / y-max= 70.1
Static Modulus - Zy (mm ³)	1.7 / x-max= 686.1

PROPERTIES

MEMBER : AE55
GRADE : 6063-T5
FINISH : PVF2
3-COATING

REGIONS	
Area (mm ²)	82.8
Perimeter (mm)	116.2
Bounding Box - X (mm)	-12.6 to 12.6
Bounding Box - Y (mm)	-11.6 to 11.6
Centroid - X (mm)	0.0
Centroid - Y (mm)	0.0
Moments of Inertia - X (mm ⁴)	1088.1
Moments of Inertia - Y (mm ⁴)	1088.1
Product of Inertia - XY (mm ⁴)	0.0
Radius of Gyration - X (mm)	3.6
Radius of Gyration - Y (mm)	3.6
Principal Moments along X'-Y' (mm ⁴)	1088.1 along (1.0 0.0)
Principal Moments along X''-Y'' (mm ⁴)	1088.1 along (0.0 1.0)
Static Modulus - Zx (mm ³)	1.7 / y-max= 126.8
Static Modulus - Zy (mm ³)	1.7 / x-max= 126.8

PROPERTIES

MEMBER : AE56
GRADE : 6063-T5
FINISH : PVF2
3-COATING

REGIONS	
Area (mm ²)	88.3
Perimeter (mm)	129.4
Bounding Box - X (mm)	-10.7 to 10.7
Bounding Box - Y (mm)	-8.9 to 8.9
Centroid - X (mm)	0.0
Centroid - Y (mm)	0.0
Moments of Inertia - X (mm ⁴)	2883.7
Moments of Inertia - Y (mm ⁴)	3984.3
Product of Inertia - XY (mm ⁴)	263.8
Radius of Gyration - X (mm)	5.3
Radius of Gyration - Y (mm)	7.0
Principal Moments along X'-Y' (mm ⁴)	2788.8 along (1.0 -0.1)
Principal Moments along X''-Y'' (mm ⁴)	3788.8 along (0.1 1.0)
Static Modulus - Zx (mm ³)	1.7 / y-max= 163.8
Static Modulus - Zy (mm ³)	1.7 / x-max= 566.1

PROPERTIES

MEMBER : AE57
GRADE : 6063-T5
FINISH : PVF2
3-COATING

REGIONS	
Area (mm ²)	1184.9
Perimeter (mm)	574.9
Bounding Box - X (mm)	-75.0 to 75.0
Bounding Box - Y (mm)	-25.0 to 25.0
Centroid - X (mm)	0.0
Centroid - Y (mm)	0.0
Moments of Inertia - X (mm ⁴)	240292.0
Moments of Inertia - Y (mm ⁴)	313882.0
Product of Inertia - XY (mm ⁴)	0.0
Radius of Gyration - X (mm)	44.8
Radius of Gyration - Y (mm)	57.7
Principal Moments along X'-Y' (mm ⁴)	240292.0 along (1.0 0.0)
Principal Moments along X''-Y'' (mm ⁴)	313882.0 along (0.0 1.0)
Static Modulus - Zx (mm ³)	1.7 / y-max= 21811.7
Static Modulus - Zy (mm ³)	1.7 / x-max= 41918.8

PROPERTIES

MEMBER : AE58
GRADE : 6063-T5
FINISH : PVF2
3-COATING

REGIONS	
Area (mm ²)	884.9
Perimeter (mm)	574.9
Bounding Box - X (mm)	-50.0 to 50.0
Bounding Box - Y (mm)	-25.0 to 25.0
Centroid - X (mm)	0.0
Centroid - Y (mm)	0.0
Moments of Inertia - X (mm ⁴)	37482.0
Moments of Inertia - Y (mm ⁴)	12182.0
Product of Inertia - XY (mm ⁴)	0.0
Radius of Gyration - X (mm)	20.8
Radius of Gyration - Y (mm)	11.0
Principal Moments along X'-Y' (mm ⁴)	37482.0 along (1.0 0.0)
Principal Moments along X''-Y'' (mm ⁴)	12182.0 along (0.0 1.0)
Static Modulus - Zx (mm ³)	1.7 / y-max= 1497.7
Static Modulus - Zy (mm ³)	1.7 / x-max= 2323.8

PROPERTIES

MEMBER : AE59
GRADE : 6063-T5
FINISH : PVF2
3-COATING

REGIONS	
Area (mm ²)	788.8
Perimeter (mm)	521.4
Bounding Box - X (mm)	-41.1 to 39.0
Bounding Box - Y (mm)	-26.0 to 26.0
Centroid - X (mm)	0.0
Centroid - Y (mm)	0.0
Moments of Inertia - X (mm ⁴)	12862.8
Moments of Inertia - Y (mm ⁴)	81438.1
Product of Inertia - XY (mm ⁴)	33.2
Radius of Gyration - X (mm)	12.8
Radius of Gyration - Y (mm)	28.3
Principal Moments along X'-Y' (mm ⁴)	8288.8 along (1.0 0.0)
Principal Moments along X''-Y'' (mm ⁴)	81438.1 along (0.0 1.0)
Static Modulus - Zx (mm ³)	1.7 / y-max= 1287.4
Static Modulus - Zy (mm ³)	1.7 / x-max= 1858.3

PROPERTIES

MEMBER : AE60
GRADE : 6063-T5
FINISH : PVF2
3-COATING

REGIONS	
Area (mm ²)	838.8
Perimeter (mm)	504.8
Bounding Box - X (mm)	-25.0 to 25.0
Bounding Box - Y (mm)	-40.7 to 39.3
Centroid - X (mm)	0.0
Centroid - Y (mm)	0.0
Moments of Inertia - X (mm ⁴)	86464.4
Moments of Inertia - Y (mm ⁴)	326430.8
Product of Inertia - XY (mm ⁴)	33.2
Radius of Gyration - X (mm)	23.3
Radius of Gyration - Y (mm)	19.8
Principal Moments along X'-Y' (mm ⁴)	86464.4 along (1.0 0.0)
Principal Moments along X''-Y'' (mm ⁴)	326430.8 along (0.0 1.0)
Static Modulus - Zx (mm ³)	1.7 / y-max= 14288.0
Static Modulus - Zy (mm ³)	1.7 / x-max= 12812.4

PROPERTIES

MEMBER : AE61
GRADE : 6063-T5
FINISH : PVF2
3-COATING

REGIONS	
Area (mm ²)	1184.9
Perimeter (mm)	574.9
Bounding Box - X (mm)	-75.0 to 75.0
Bounding Box - Y (mm)	-25.0 to 25.0
Centroid - X (mm)	0.0
Centroid - Y (mm)	0.0
Moments of Inertia - X (mm ⁴)	240292.0
Moments of Inertia - Y (mm ⁴)	313882.0
Product of Inertia - XY (mm ⁴)	0.0
Radius of Gyration - X (mm)	44.8
Radius of Gyration - Y (mm)	57.7
Principal Moments along X'-Y' (mm ⁴)	240292.0 along (1.0 0.0)
Principal Moments along X''-Y'' (mm ⁴)	313882.0 along (0.0 1.0)
Static Modulus - Zx (mm ³)	1.7 / y-max= 21811.7
Static Modulus - Zy (mm ³)	1.7 / x-max= 41918.8

PROPERTIES

MEMBER : AE62
GRADE : 6063-T5
FINISH : PVF2
3-COATING

REGIONS	
Area (mm ²)	884.9
Perimeter (mm)	574.9
Bounding Box - X (mm)	-50.0 to 50.0
Bounding Box - Y (mm)	-25.0 to 25.0
Centroid - X (mm)	0.0
Centroid - Y (mm)	0.0
Moments of Inertia - X (mm ⁴)	37482.0
Moments of Inertia - Y (mm ⁴)	12182.0
Product of Inertia - XY (mm ⁴)	0.0
Radius of Gyration - X (mm)	20.8
Radius of Gyration - Y (mm)	11.0
Principal Moments along X'-Y' (mm ⁴)	37482.0 along (1.0 0.0)
Principal Moments along X''-Y'' (mm ⁴)	12182.0 along (0.0 1.0)
Static Modulus - Zx (mm ³)	1.7 / y-max= 1497.7
Static Modulus - Zy (mm ³)	1.7 / x-max= 2323.8

B.D. REF :

CLIENT :
SHIMAO GROUP HOLDINGS LIMITED

ARCHITECT :
WONG TUNG & PARTNERS LIMITED
ARCHITECTS & PLANNERS

MAIN CONTRACTOR :

STRUCTURAL ENGINEER :
C M WONG & ASSOCIATES LTD
Consulting Engineers

SITE IN SITU CONSULTANT:
MEINHARDT

NOTE :
1. ALL DIMENSIONS ARE IN mm.
2. ALL ELEVATIONS ARE VIEWED FROM OUTSIDE.
3. ALL DIMENSIONS TO BE VERIFIED ON SITE BEFORE FABRICATION.

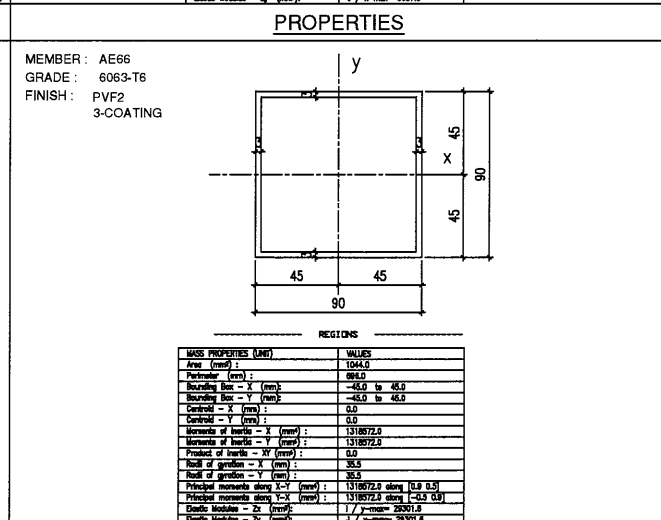
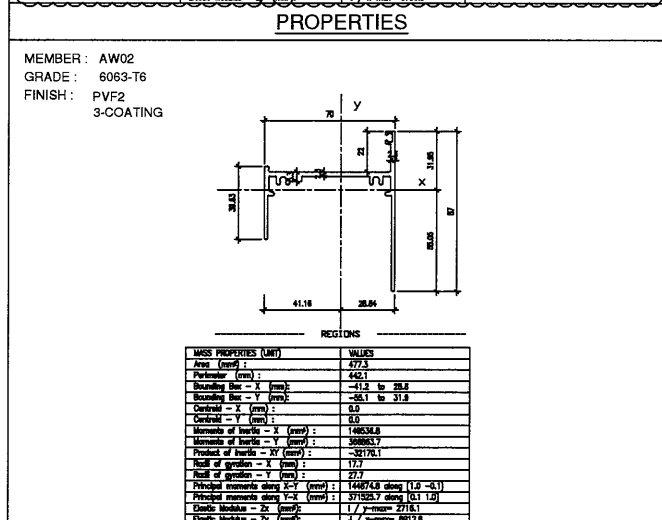
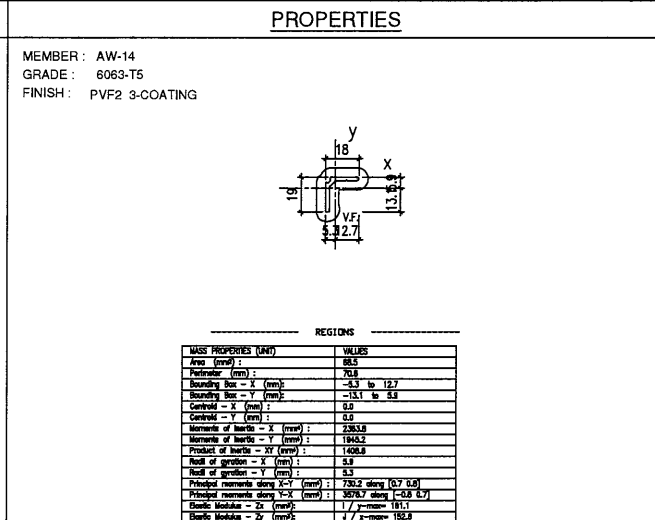
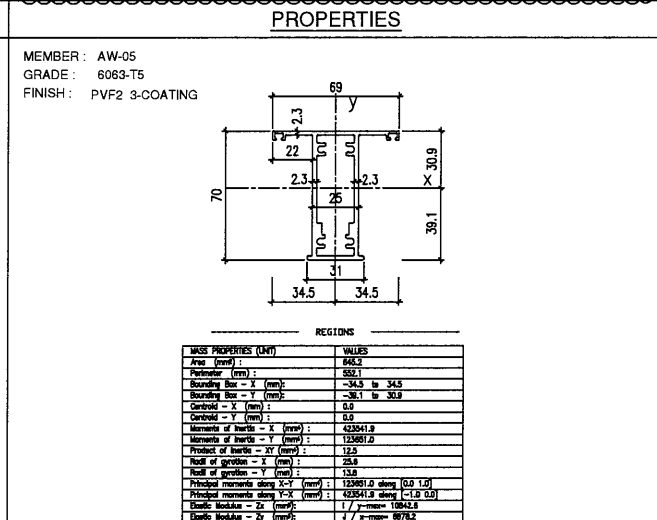
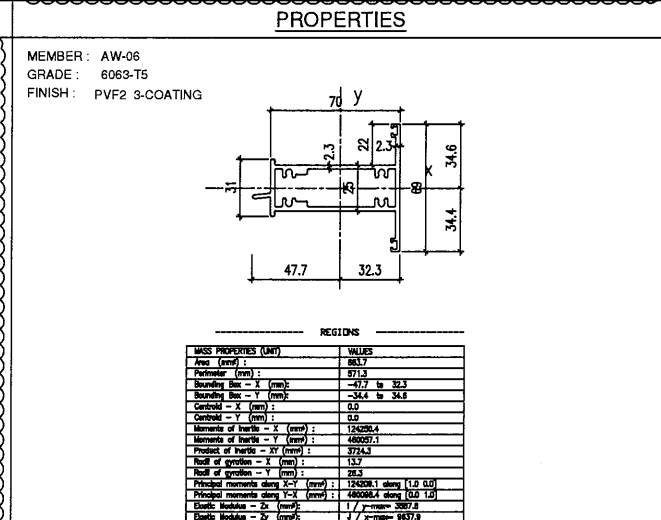
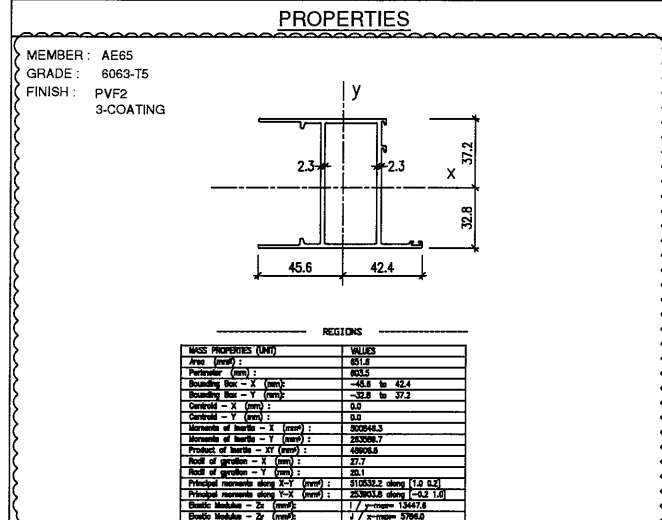
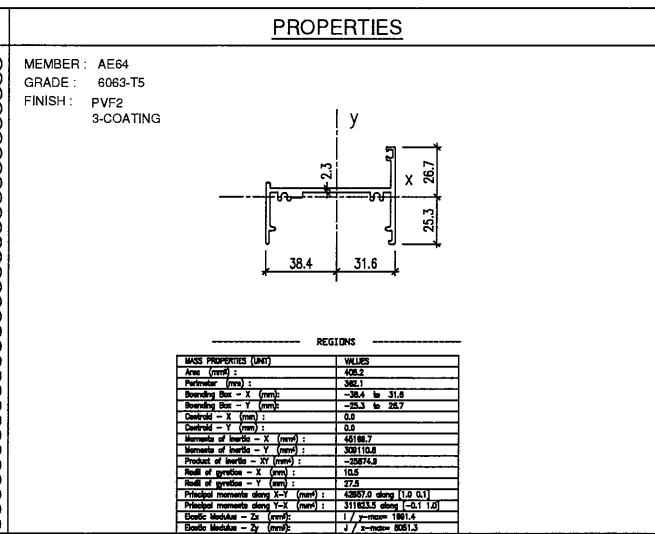
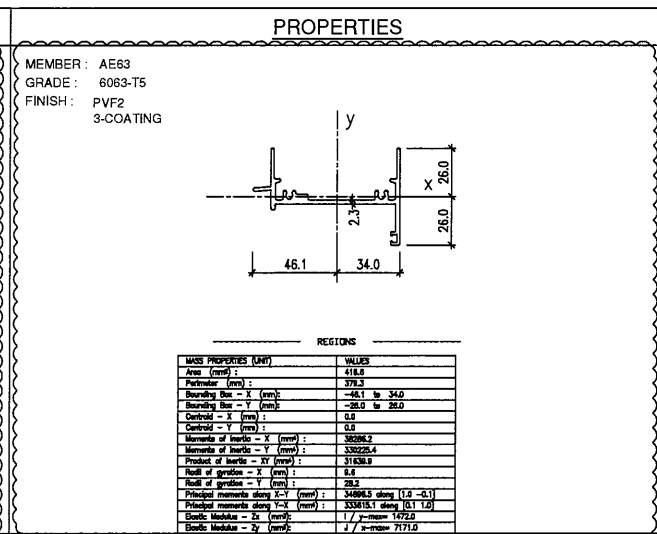
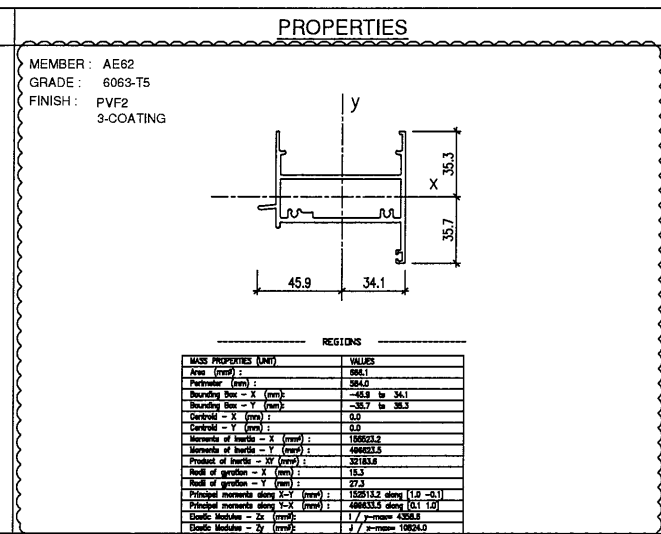
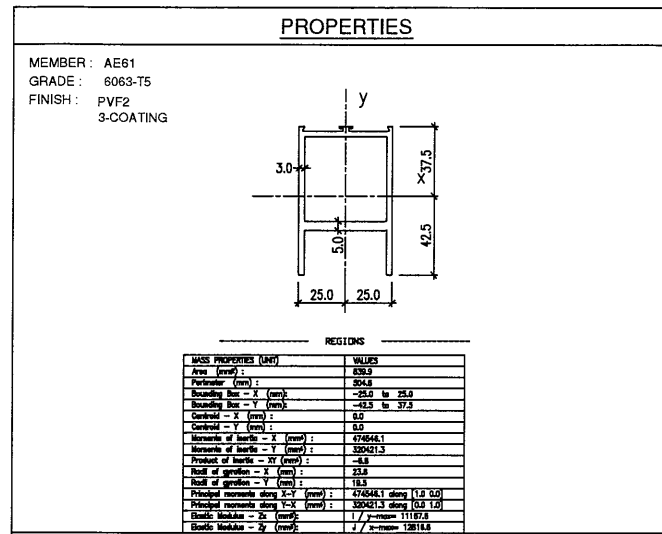
LEGEND :
X1 --- DETAIL MARK NO.
X001 --- REFER SHEET NO.
1. F.F.L --- FINISHED FLOOR LEVEL
2. S.F.L --- STRUCTURAL FLOOR LEVEL
3. (R) --- REVERSED DETAIL

NO.	DATE	REVISION SUBJECT TO ARCH.COMMENT	WSH
A	28/08/2021	REVISION SUBJECT TO ARCH.COMMENT	WSH
		REVISED	BY

JOB NO. : J-853
PROJECT : PROPOSED RESIDENTIAL DEVELOPMENT AT N.K.I.L. 6542 YIN PING ROAD KOWLOON
TITLE : DIE LIST FOR ALUM. WINDOW

DATE : 22/10/2020 SCALE : 1 : 2 (A3)
DRAWN BY : A.C. CHECKED BY :

美特鋁質有限公司
MIDI ALUMINIUM FABRICATOR LTD.
Units 6-8, Sunray Industrial Centre, 1/F
610 Cha Kwo Ling Road, Kowloon
Tel:23489211-4 Fax:(852)27272666
DWG NO. : J853-SD-IW-L03 REV. : A



B.D. REF :

CLIENT : SHIMAO GROUP HOLDINGS LIMITED

ARCHITECT : WONG TUNG & PARTNERS LIMITED ARCHITECTS & PLANNERS

MAIN CONTRACTOR :

STRUCTURAL ENGINEER : C M WONG & ASSOCIATES LTD Consulting Engineers

SITE IN SITU CONSULTANT: MEINHARDT

NOTE :
1. ALL DIMENSIONS ARE IN mm.
2. ALL ELEVATIONS ARE VIEWED FROM OUTSIDE.
3. ALL DIMENSIONS TO BE VERIFIED ON SITE BEFORE FABRICATION.

LEGEND :
X1 --- DETAIL MARK NO.
X001 --- REFER SHEET NO.
1. F.F.L --- FINISHED FLOOR LEVEL
2. S.F.L --- STRUCTURAL FLOOR LEVEL
3. (R) --- REVERSED DETAIL

NO.	DATE	REVISION	BY
C	23/04/2022	REVISION SUBJECT TO ARCH.COMMENT	WSH
B	16/01/2022	REVISION SUBJECT TO ARCH.COMMENT	WSH

JOB NO. : J-853
PROJECT : PROPOSED RESIDENTIAL DEVELOPMENT AT N.K.I.L. 6542 YIN PING ROAD KOWLOON
TITLE : DIE LIST FOR ALUM. WINDOW

DATE : 22/10/2020 SCALE : 1 : 2 (A3)
DRAWN BY : A.C. CHECKED BY :

美特鋁質有限公司
MIDI ALUMINIUM FABRICATOR LTD.
Units 6-8, Sunray Industrial Centre, 1/F
610 Cha Kwo Ling Road, Kowloon
Tel:23489211-4 Fax:(852)2727666

DWG NO. : J853-SD-IW-L04 REV. : C

PROPERTIES

MEMBER : 120x80x5mm THK. G.M.S. S.H.S.
GRADE : S275J0
FINISH : MILL

REGIONS

MASS PROPERTIES (UNIT)	VALUES
Area (mm ²)	1840.50
Perimeter (mm)	742.82
Bounding Box - X (mm)	-60.00 to 60.00
Bounding Box - Y (mm)	-40.00 to 40.00
Centroid - X (mm)	0.00
Centroid - Y (mm)	0.00
Moments of Inertia - X (mm ⁴)	188060.00
Moments of Inertia - Y (mm ⁴)	3079750.25
Product of Inertia - XY (mm ⁴)	0.00
Radius of Gyration - X (mm)	32.08
Radius of Gyration - Y (mm)	44.01
Principal Moments along X-Y (mm ⁴)	188060.00 along (1.00 0.00)
Principal Moments along Y-X (mm ⁴)	3079750.25 along (0.00 1.00)
Elastic Modulus - X (mm ²)	I / y ² = 3848.88
Elastic Modulus - Y (mm ²)	I / x ² = 8202.42

PROPERTIES

MEMBER : 80x80x8mm THK. G.M.S. S.H.S.
GRADE : S275J0
FINISH : MILL

REGIONS

MASS PROPERTIES (UNIT)	VALUES
Area (mm ²)	1714.78
Perimeter (mm)	321.62
Bounding Box - X (mm)	-40.00 to 40.00
Bounding Box - Y (mm)	-40.00 to 40.00
Centroid - X (mm)	0.00
Centroid - Y (mm)	0.00
Moments of Inertia - X (mm ⁴)	133060.48
Moments of Inertia - Y (mm ⁴)	133060.48
Product of Inertia - XY (mm ⁴)	0.00
Radius of Gyration - X (mm)	39.87
Radius of Gyration - Y (mm)	39.87
Principal Moments along X-Y (mm ⁴)	133060.48 along (1.00 0.00)
Principal Moments along Y-X (mm ⁴)	133060.48 along (0.00 1.00)
Elastic Modulus - X (mm ²)	I / y ² = 3348.79
Elastic Modulus - Y (mm ²)	I / x ² = 3348.79

PROPERTIES

MEMBER : 120x60x5mm THK. G.M.S. S.H.S.
GRADE : S275J0
FINISH : MILL

REGIONS

MASS PROPERTIES (UNIT)	VALUES
Area (mm ²)	1840.50
Perimeter (mm)	361.62
Bounding Box - X (mm)	-60.00 to 60.00
Bounding Box - Y (mm)	-30.00 to 30.00
Centroid - X (mm)	0.00
Centroid - Y (mm)	0.00
Moments of Inertia - X (mm ⁴)	472364.12
Moments of Inertia - Y (mm ⁴)	2919003.58
Product of Inertia - XY (mm ⁴)	0.00
Radius of Gyration - X (mm)	34.39
Radius of Gyration - Y (mm)	42.07
Principal Moments along X-Y (mm ⁴)	472364.12 along (1.00 0.00)
Principal Moments along Y-X (mm ⁴)	2919003.58 along (0.00 1.00)
Elastic Modulus - X (mm ²)	I / y ² = 32412.80
Elastic Modulus - Y (mm ²)	I / x ² = 4854.94

PROPERTIES

MEMBER : 110X37X5mm THK. GMS CHANNEL
GRADE : S275J0
FINISH : MILL

REGIONS

MASS PROPERTIES (UNIT)	VALUES
Area (mm ²)	1814.20
Perimeter (mm)	441.42
Bounding Box - X (mm)	-55.00 to 55.00
Bounding Box - Y (mm)	-43.12 to 17.88
Centroid - X (mm)	0.00
Centroid - Y (mm)	0.00
Moments of Inertia - X (mm ⁴)	365660.22
Moments of Inertia - Y (mm ⁴)	1580336.85
Product of Inertia - XY (mm ⁴)	0.00
Radius of Gyration - X (mm)	30.83
Radius of Gyration - Y (mm)	43.13
Principal Moments along X-Y (mm ⁴)	365660.22 along (1.00 0.00)
Principal Moments along Y-X (mm ⁴)	1580336.85 along (0.00 1.00)
Elastic Modulus - X (mm ²)	I / y ² = 6336.51
Elastic Modulus - Y (mm ²)	I / x ² = 3837.88

PROPERTIES

MEMBER : 40x80x5mm THK. G.M.S. S.H.S.
GRADE : S275J0
FINISH : MILL

REGIONS

MASS PROPERTIES (UNIT)	VALUES
Area (mm ²)	1068.88
Perimeter (mm)	427.88
Bounding Box - X (mm)	-40.00 to 40.00
Bounding Box - Y (mm)	-20.00 to 20.00
Centroid - X (mm)	0.00
Centroid - Y (mm)	0.00
Moments of Inertia - X (mm ⁴)	226005.08
Moments of Inertia - Y (mm ⁴)	833979.28
Product of Inertia - XY (mm ⁴)	0.00
Radius of Gyration - X (mm)	33.53
Radius of Gyration - Y (mm)	37.41
Principal Moments along X-Y (mm ⁴)	226005.08 along (1.00 0.00)
Principal Moments along Y-X (mm ⁴)	833979.28 along (0.00 1.00)
Elastic Modulus - X (mm ²)	I / y ² = 12927.76
Elastic Modulus - Y (mm ²)	I / x ² = 3304.42

PROPERTIES

MEMBER : 50x50x5mm THK. G.M.S. S.H.S.
GRADE : S275J0
FINISH : MILL

REGIONS

MASS PROPERTIES (UNIT)	VALUES
Area (mm ²)	1068.88
Perimeter (mm)	347.88
Bounding Box - X (mm)	-25.00 to 25.00
Bounding Box - Y (mm)	-25.00 to 25.00
Centroid - X (mm)	0.00
Centroid - Y (mm)	0.00
Moments of Inertia - X (mm ⁴)	226007.78
Moments of Inertia - Y (mm ⁴)	226007.78
Product of Inertia - XY (mm ⁴)	0.00
Radius of Gyration - X (mm)	30.33
Radius of Gyration - Y (mm)	30.33
Principal Moments along X-Y (mm ⁴)	226007.78 along (0.71 0.71)
Principal Moments along Y-X (mm ⁴)	226007.78 along (-0.71 0.71)
Elastic Modulus - X (mm ²)	I / y ² = 11819.31
Elastic Modulus - Y (mm ²)	I / x ² = 11819.31

PROPERTIES

MEMBER : 60x60x5mm THK. G.M.S. S.H.S.
GRADE : S275J0
FINISH : MILL

REGIONS

MASS PROPERTIES (UNIT)	VALUES
Area (mm ²)	1068.88
Perimeter (mm)	427.88
Bounding Box - X (mm)	-30.00 to 30.00
Bounding Box - Y (mm)	-30.00 to 30.00
Centroid - X (mm)	0.00
Centroid - Y (mm)	0.00
Moments of Inertia - X (mm ⁴)	334271.80
Moments of Inertia - Y (mm ⁴)	334271.80
Product of Inertia - XY (mm ⁴)	0.00
Radius of Gyration - X (mm)	33.53
Radius of Gyration - Y (mm)	33.53
Principal Moments along X-Y (mm ⁴)	334271.80 along (0.71 0.71)
Principal Moments along Y-X (mm ⁴)	334271.80 along (-0.71 0.71)
Elastic Modulus - X (mm ²)	I / y ² = 17809.26
Elastic Modulus - Y (mm ²)	I / x ² = 17809.26

PROPERTIES

MEMBER : 100X65X6mm THK. G.M.S. ANGLE
GRADE : S275J0
FINISH : MILL

REGIONS

MASS PROPERTIES (UNIT)	VALUES
Area (mm ²)	691.88
Perimeter (mm)	319.38
Bounding Box - X (mm)	-31.26 to 68.45
Bounding Box - Y (mm)	-14.48 to 30.92
Centroid - X (mm)	0.00
Centroid - Y (mm)	0.00
Moments of Inertia - X (mm ⁴)	314863.84
Moments of Inertia - Y (mm ⁴)	822544.42
Product of Inertia - XY (mm ⁴)	319483.48
Radius of Gyration - X (mm)	31.26
Radius of Gyration - Y (mm)	31.26
Principal Moments along X-Y (mm ⁴)	118276.43 along (0.81 -0.58)
Principal Moments along Y-X (mm ⁴)	102272.42 along (0.58 -0.81)
Elastic Modulus - X (mm ²)	I / y ² = 6336.42
Elastic Modulus - Y (mm ²)	I / x ² = 3816.15

PROPERTIES

MEMBER : 50X50x5mm THK. G.M.S. ANGLE
GRADE : S275J0
FINISH : MILL

REGIONS

MASS PROPERTIES (UNIT)	VALUES
Area (mm ²)	477.88
Perimeter (mm)	185.71
Bounding Box - X (mm)	-14.18 to 35.82
Bounding Box - Y (mm)	-14.18 to 35.82
Centroid - X (mm)	0.00
Centroid - Y (mm)	0.00
Moments of Inertia - X (mm ⁴)	111079.28
Moments of Inertia - Y (mm ⁴)	111079.28
Product of Inertia - XY (mm ⁴)	8531.82
Radius of Gyration - X (mm)	33.25
Radius of Gyration - Y (mm)	33.25
Principal Moments along X-Y (mm ⁴)	48741.48 along (0.71 -0.71)
Principal Moments along Y-X (mm ⁴)	179493.08 along (0.71 0.71)
Elastic Modulus - X (mm ²)	I / y ² = 3102.76
Elastic Modulus - Y (mm ²)	I / x ² = 3102.76

PROPERTIES

MEMBER : 125x50x5mm THK. G.M.S. S.H.S.
GRADE : S275J0
FINISH : MILL

REGIONS

MASS PROPERTIES (UNIT)	VALUES
Area (mm ²)	1827.58
Perimeter (mm)	342.62
Bounding Box - X (mm)	-62.50 to 62.50
Bounding Box - Y (mm)	-25.00 to 25.00
Centroid - X (mm)	0.00
Centroid - Y (mm)	0.00
Moments of Inertia - X (mm ⁴)	884414.17
Moments of Inertia - Y (mm ⁴)	2807084.24
Product of Inertia - XY (mm ⁴)	0.00
Radius of Gyration - X (mm)	37.33
Radius of Gyration - Y (mm)	43.53
Principal Moments along X-Y (mm ⁴)	884414.17 along (1.00 0.00)
Principal Moments along Y-X (mm ⁴)	2807084.24 along (0.00 1.00)
Elastic Modulus - X (mm ²)	I / y ² = 3916.57
Elastic Modulus - Y (mm ²)	I / x ² = 46813.38

B.D. REF :

CLIENT : SHIMAO GROUP HOLDINGS LIMITED

ARCHITECT : WONG TUNG & PARTNERS LIMITED ARCHITECTS & PLANNERS

MAIN CONTRACTOR : 協興建築有限公司 HIP HING CONSTRUCTION CO LTD

STRUCTURAL ENGINEER : C M WONG & ASSOCIATES LTD 黃志明建築工程師有限公司

FACADE CONSULTANT : MEINHARDT

NOTE :
1. ALL DIMENSIONS ARE IN mm.
2. ALL ELEVATIONS ARE VIEWED FROM OUTSIDE.
3. ALL DIMENSIONS TO BE VERIFIED ON SITE BEFORE FABRICATION.

LEGEND :
X1 --- DETAIL MARK NO.
X001 --- REFER SHEET NO.
1. F.F.L --- FINISHED FLOOR LEVEL
2. S.F.L --- STRUCTURAL FLOOR LEVEL
3. (R) --- REVERSED DETAIL

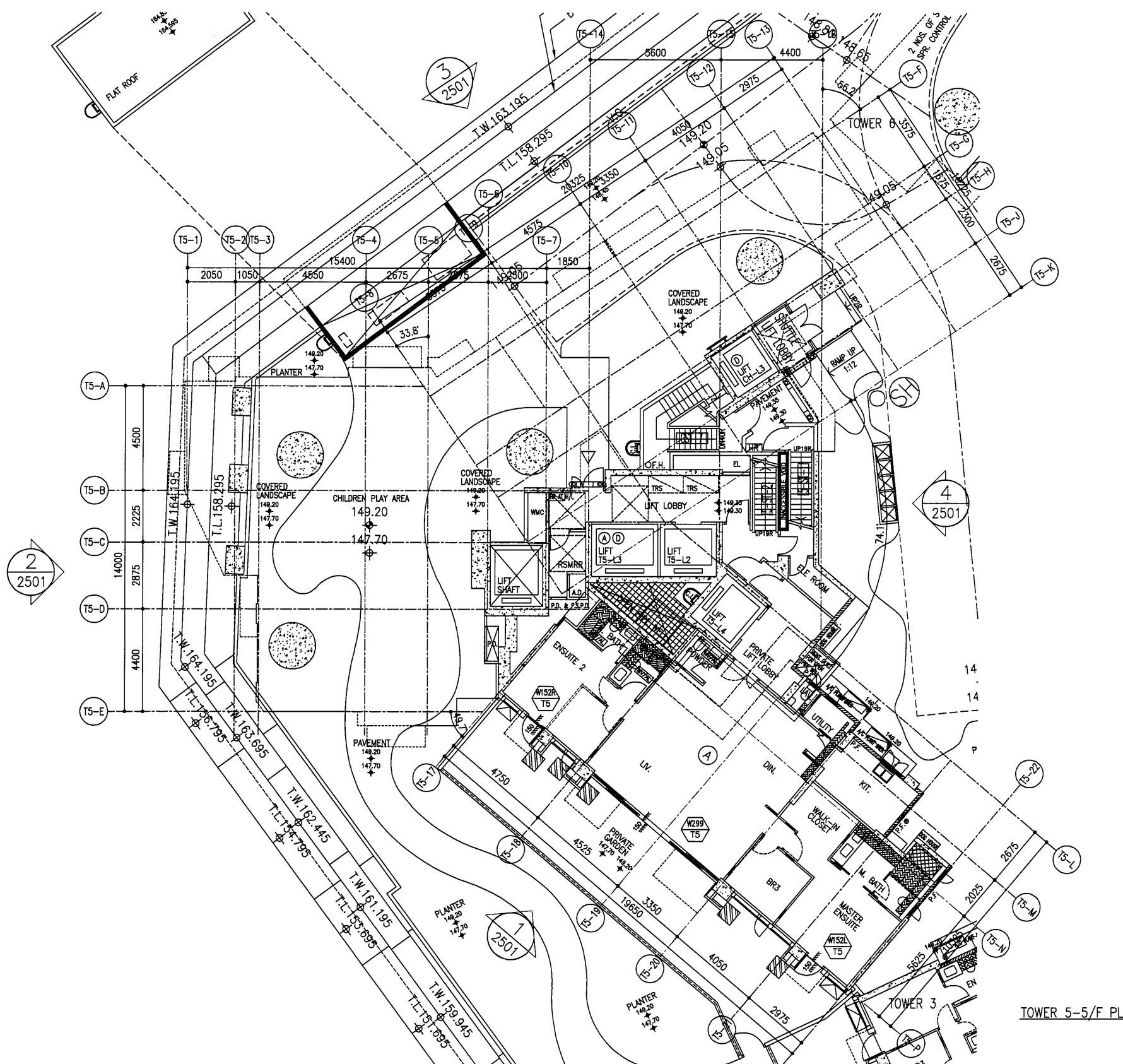
C	23/04/2022	REVISION SUBJECT TO ARCH COMMENT	WSH
NO.	DATE	REVISED	BY

JOB NO. : J-853
PROJECT : PROPOSED RESIDENTIAL DEVELOPMENT AT N.K.I.L. 6542 YIN PING ROAD KOWLOON
TITLE : MEMBER LIST FOR GALVANIZED MEMBER SECTION

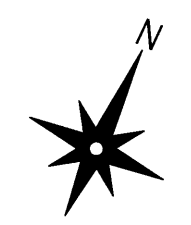
DATE : 16-JAN-22 SCALE : 1:2 (A1)
DRAWN BY : LHR CHECKED BY :

美特鋁質有限公司
MIDI ALUMINIUM FABRICATOR LTD.
Units 6-8, Sunray Industrial Centre, 1/F
810 Cha Kwo Ling Road, Kowloon
Tel:23489211-4 Fax:(852)2727666

DWG NO. : J853-SD-IW-1201 REV. : C



TOWER 5-5/F PLAN



WINDOW MARK	FLOOR	Q.T.	TOTAL
T5-W152L	5F	1	1
T5-W299	5F	1	1
T5-W152R	5F	1	1
TOTAL		3	3

B.D. REF :

CLIENT :
SHIMAO GROUP HOLDINGS LIMITED

ARCHITECT :
WONG TUNG & PARTNERS LIMITED ARCHITECTS & PLANNERS

MAIN CONTRACTOR :
協興建築有限公司 HIP HING CONSTRUCTION CO LTD

STRUCTURAL ENGINEER :
ICMA C M WONG & ASSOCIATES LTD 黃志明建築工程師有限公司

FACADE CONSULTANT:
MEINHARDT

NOTE :
1. ALL DIMENSIONS ARE IN mm.
2. ALL ELEVATIONS ARE VIEWED FROM OUTSIDE.
3. ALL DIMENSIONS TO BE VERIFIED ON SITE BEFORE FABRICATION.

LEGEND :
 (X1) --- DETAIL MARK NO.
 (X001) --- REFER SHEET NO.
 1. F.F.L. --- FINISHED FLOOR LEVEL
 2. S.F.L. --- STRUCTURAL FLOOR LEVEL
 3. (R) --- REVERSED DETAIL

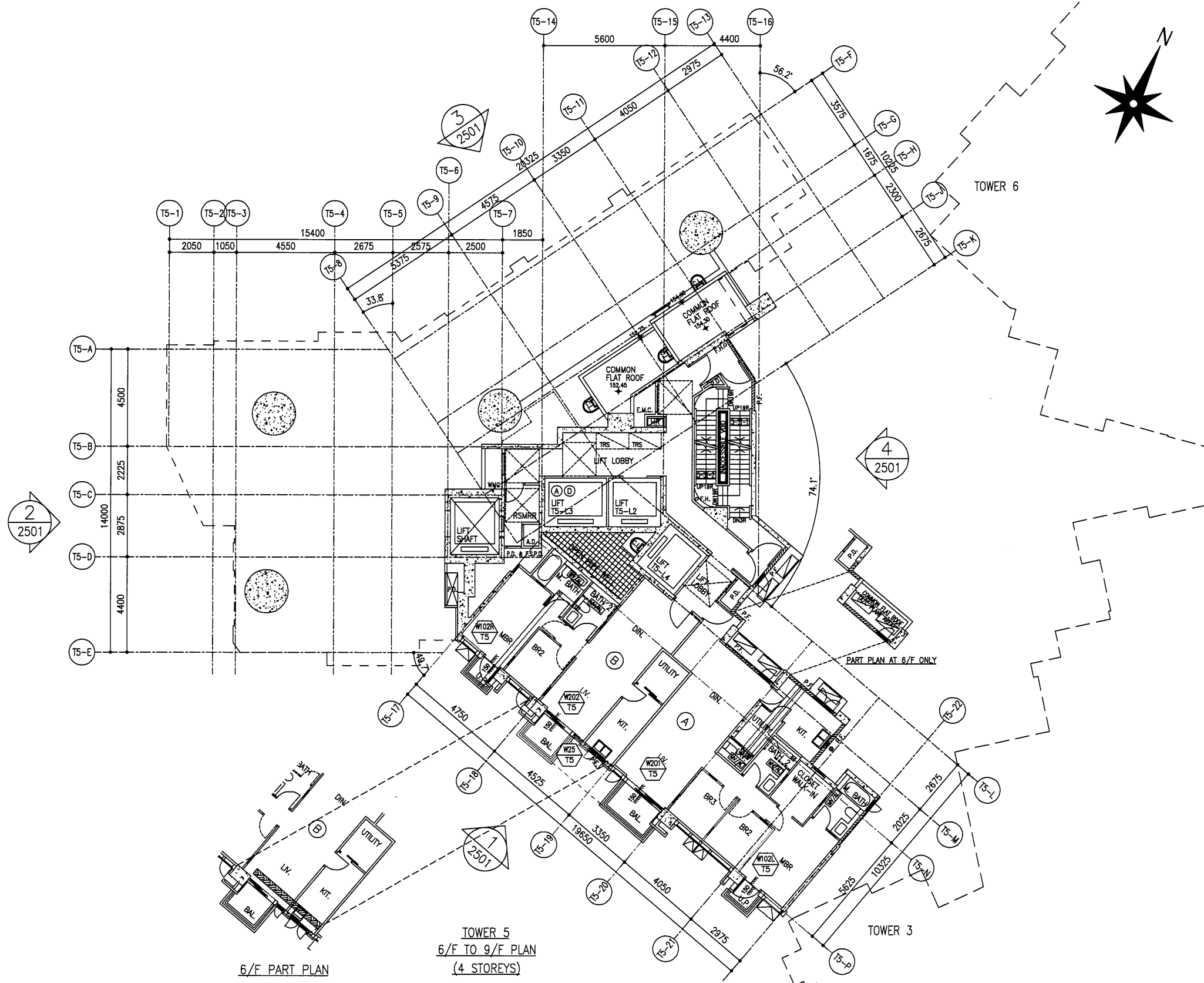
B	16/12/2021	REVISION SUBJECT TO ARCH-COMMENT	LHR
A	28/8/2021	REVISION SUBJECT TO ARCH-COMMENT	WSH
NO.	DATE	REVISED	BY

JOB NO. : J-853
 PROJECT : PROPOSED RESIDENTIAL DEVELOPMENT AT N.K.I.L. 6542 YIN PING ROAD KOWLOON
 TITLE : 5/F LAYOUT PLAN FOR CURTAIN WALL AT TOWER 5

DATE : 29-MAR-21 SCALE : 1:80 (A1)
 DRAWN BY : LHR CHECKED BY :

美特鋁質有限公司
MIDI ALUMINIUM FABRICATOR LTD.
 Units 6-8, Sunray Industrial Centre, 1/F
 610 Cha Kwo Ling Road, Kowloon
 Tel:23489211-4 Fax:(852)27727666

DWG NO. : J853-SD-IW-LP051 REV. : B



WINDOW MARK	FLOOR	Q.T.	TOTAL
T5-W102L	6F-9F	1	1x4=4
T5-W201	6F-9F	1	1x4=4
T5-W25	6F-9F	1	1x4=4
T5-W202	6F-9F	1	1x4=4
T5-W102R	6F-9F	1	1x4=4
	TOTAL	5	20

B.D. REF :

CLIENT :
SHIMAO GROUP HOLDINGS LIMITED

ARCHITECT :
WONG TUNG & PARTNERS LIMITED
ARCHITECTS & PLANNERS

MAIN CONTRACTOR :
協興建築有限公司
HIP HING CONSTRUCTION CO LTD

STRUCTURAL ENGINEER :
ICMA C M WONG & ASSOCIATES LTD
黃志明建築工程師有限公司

FACADE CONSULTANT:
MEINHARDT

NOTE :
1. ALL DIMENSIONS ARE IN mm.
2. ALL ELEVATIONS ARE VIEWED FROM OUTSIDE.
3. ALL DIMENSIONS TO BE VERIFIED ON SITE BEFORE FABRICATION.

LEGEND :
 (X1) --- DETAIL MARK NO.
 (X001) --- REFER SHEET NO.
 1. F.F.L. --- FINISHED FLOOR LEVEL
 2. S.F.L. --- STRUCTURAL FLOOR LEVEL
 3. (R) --- REVERSED DETAIL

NO.	DATE	REVISION	BY
A	28/8/2021	REVISION SUBJECT TO ARCH.COMMENT	WSH

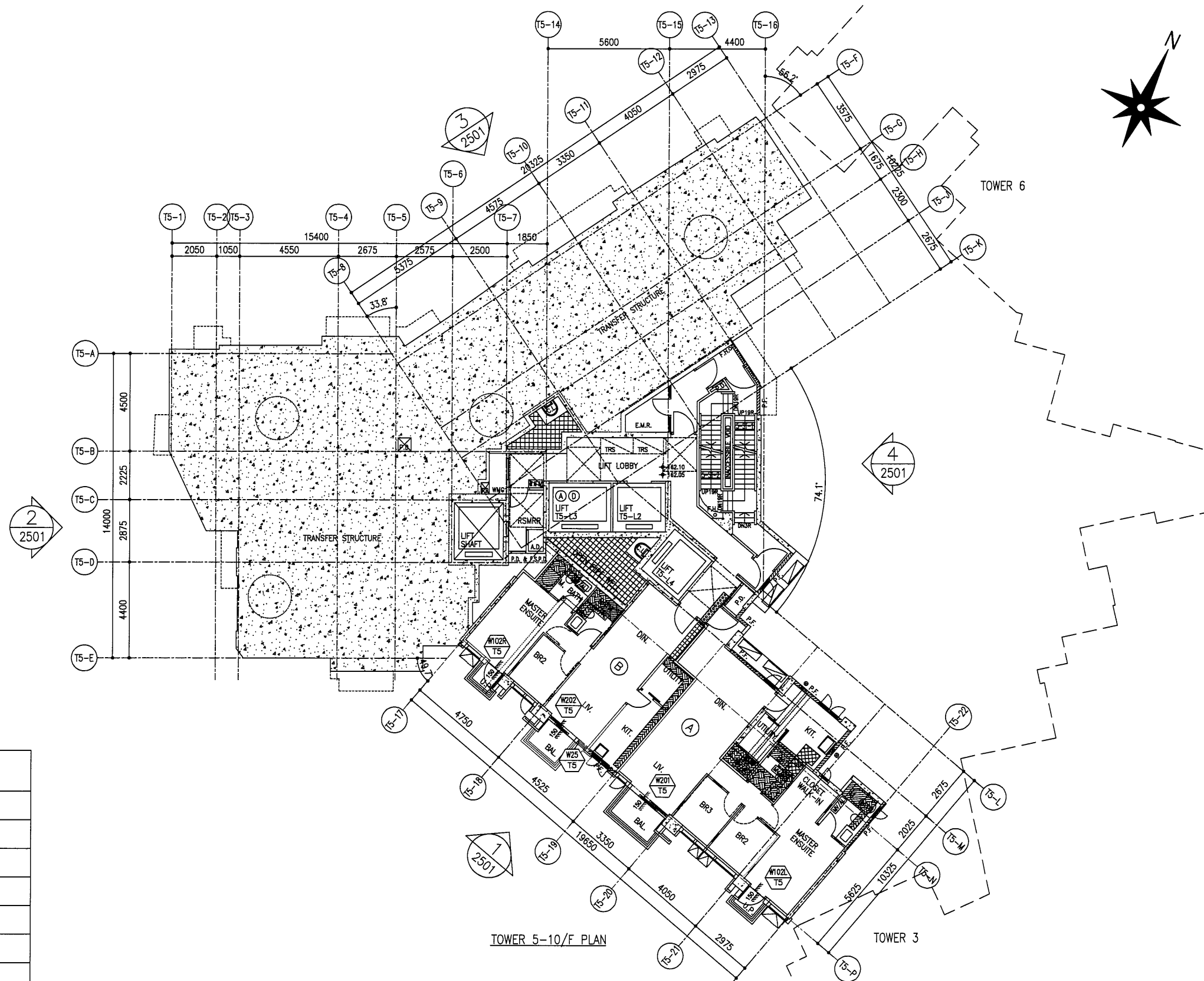
JOB NO. : J-853
 PROJECT : PROPOSED RESIDENTIAL DEVELOPMENT AT N.K.I.L. 6542 YIN PING ROAD KOWLOON

TITLE : 6/F TO 9/F LAYOUT PLAN FOR CURTAIN WALL AT TOWER 5

DATE : 29-MAR-21 SCALE : 1:80 (A1)
 DRAWN BY : LHR CHECKED BY :

美特鋁質有限公司
MIDI ALUMINIUM FABRICATOR LTD.
 Units 6-8, Sunray Industrial Centre, 1/F
 610 Cha Kwo Ling Road, Kowloon
 Tel:23489211-4 Fax:(852)27727666

DWG NO. : J853-SD-IW-LP052 REV. : A



WINDOW MARK	FLOOR	Q.T.	TOTAL
T5-W102L	10F	1	1
T5-W201	10F	1	1
T5-W25	10F	1	1
T5-W202	10F	1	1
T5-W102R	10F	1	1
	TOTAL	5	5

B.D. REF :

CLIENT :
SHIMAO GROUP HOLDINGS LIMITED

ARCHITECT :
WONG TUNG & PARTNERS LIMITED
ARCHITECTS & PLANNERS
WT

MAIN CONTRACTOR :
協興建築有限公司
HIP HING CONSTRUCTION CO LTD

STRUCTURAL ENGINEER :
ICMA C M WONG & ASSOCIATES LTD
黃志明建築工程師有限公司

FACADE CONSULTANT:
MEINHARDT

NOTE :
1. ALL DIMENSIONS ARE IN mm.
2. ALL ELEVATIONS ARE VIEWED FROM OUTSIDE.
3. ALL DIMENSIONS TO BE VERIFIED ON SITE BEFORE FABRICATION.

LEGEND :
 (X1) --- DETAIL MARK NO.
 (X001) --- REFER SHEET NO.
 1. F.F.L --- FINISHED FLOOR LEVEL
 2. S.F.L --- STRUCTURAL FLOOR LEVEL
 3. (R) --- REVERSED DETAIL

NO.	DATE	REVISION	BY
A	28/8/2021	REVISION SUBJECT TO ARCH COMMENT	WSH

JOB NO. : J-853
 PROJECT : PROPOSED RESIDENTIAL DEVELOPMENT AT N.K.I.L. 6542 YIN PING ROAD KOWLOON

TITLE : 10/F LAYOUT PLAN FOR CURTAIN WALL AT TOWER 5

DATE : 29-MAR-21 SCALE : 1:80 (A1)
 DRAWN BY : LHR CHECKED BY :

美特鋁質有限公司
MIDI ALUMINIUM FABRICATOR LTD.
 Units 6-8, Sunray Industrial Centre, 1/F
 610 Cha Kwo Ling Road, Kowloon
 Tel:23489211-4 Fax:(852)2727666
 DWG NO. : J853-SD-IW-LP053 REV. : A

B.D. REF :

CLIENT :
SHIMAO GROUP HOLDINGS LIMITED

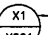
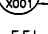
ARCHITECT :
WONG TUNG & PARTNERS LIMITED
ARCHITECTS & PLANNERS
WT

MAIN CONTRACTOR :
協興建築有限公司
HIP HING CONSTRUCTION CO LTD

STRUCTURAL ENGINEER :
ICMA C M WONG & ASSOCIATES LTD
黃志明建築工程師有限公司

FACADE CONSULTANT:
MEINHARDT

NOTE:
1. ALL DIMENSIONS ARE IN mm.
2. ALL ELEVATIONS ARE VIEWED FROM OUTSIDE.
3. ALL DIMENSIONS TO BE VERIFIED ON SITE BEFORE FABRICATION.

LEGEND:
 — DETAIL MARK NO.
 — REFER SHEET NO.
 1. F.F.L. --- FINISHED FLOOR LEVEL
 2. S.F.L. --- STRUCTURAL FLOOR LEVEL
 3. (R) --- REVERSED DETAIL

B	16/12/2021	REVISION SUBJECT TO ARCH.COMMENT	LHR
A	28/8/2021	REVISION SUBJECT TO ARCH.COMMENT	WSH
NO.	DATE	REVISED	BY

JOB NO. : J-853
PROJECT : PROPOSED RESIDENTIAL DEVELOPMENT AT N.K.I.L. 6542 YIN PING ROAD KOWLOON

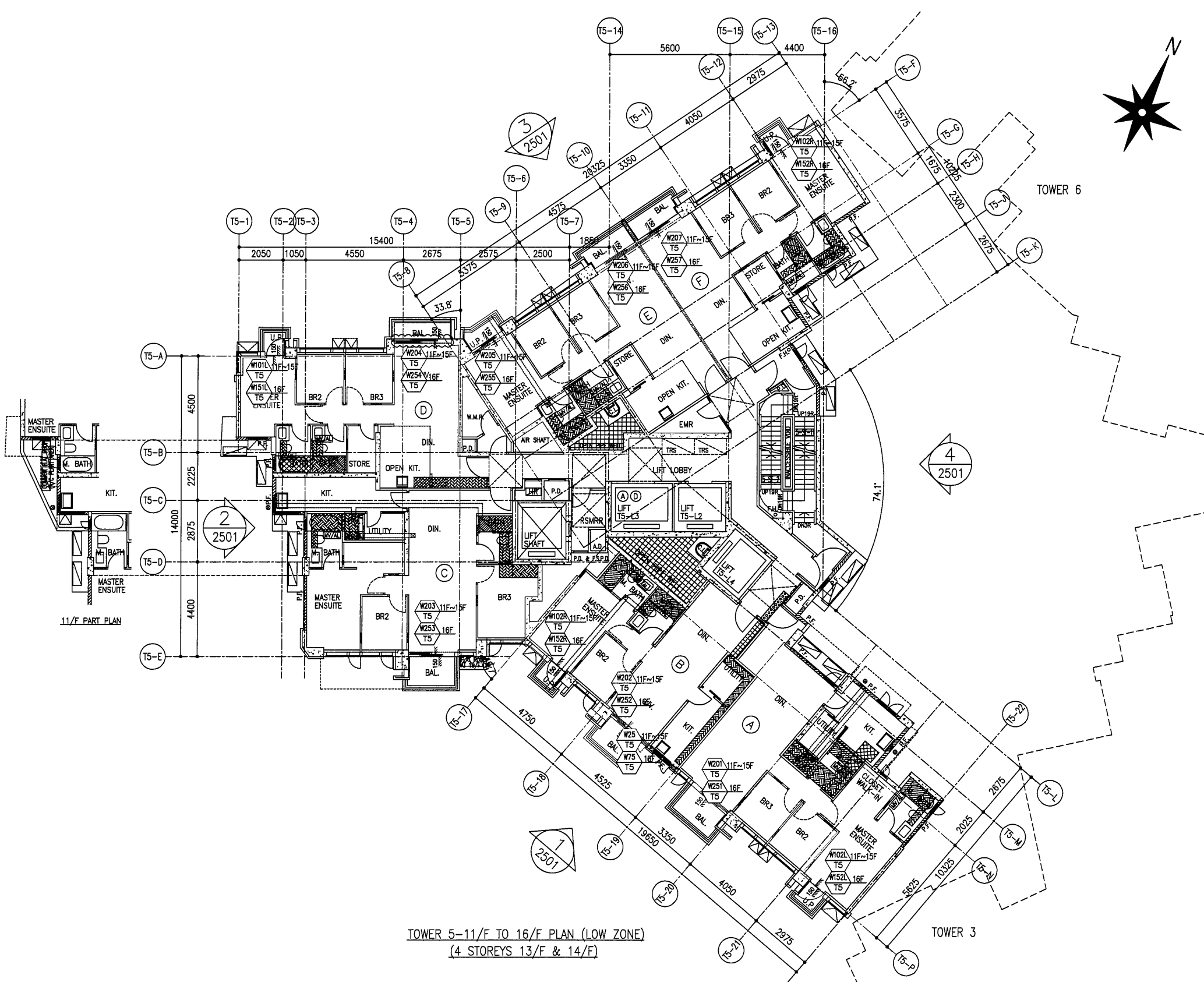
TITLE : 11/F TO 16/F LAYOUT PLAN FOR CURTAIN WALL AT TOWER 5

DATE : 29-MAR-21 SCALE : 1:80 (A1)

DRAWN BY : LHR CHECKED BY :

美特鋁質有限公司
MIDI ALUMINIUM FABRICATOR LTD.
Units 6-8, Sunray Industrial Centre, 1/F
610 Cha Kwo Ling Road, Kowloon
Tel:23489211-4 Fax:(852)2727666

DWG NO. : J853-SD-IW-LP054 REV. : B



WINDOW MARK	FLOOR	Q.T.	TOTAL
T5-W102L	11F-15F	1	1x3=3
T5-W201	11F-15F	1	1x3=3
T5-W25	11F-15F	1	1x3=3
T5-W202	11F-15F	1	1x3=3
T5-W102R	11F-15F	1	1x3=3
T5-W203	11F-15F	1	1x3=3
T5-W101L	11F-15F	1	1x3=3
T5-W204	11F-15F	1	1x3=3
T5-W205	11F-15F	1	1x3=3
T5-W206	11F-15F	1	1x3=3
T5-W207	11F-15F	1	1x3=3
T5-W102R	11F-15F	1	1x3=3
T5-W152L	16F	1	1
T5-W251	16F	1	1
T5-W75	16F	1	1
T5-W252	16F	1	1
T5-W152R	16F	1	1
T5-W253	16F	1	1
T5-W151L	16F	1	1
T5-W254	16F	1	1
T5-W255	16F	1	1
T5-W256	16F	1	1
T5-W257	16F	1	1
T5-W152R	16F	1	1
TOTAL		24	48

TOWER 5-11/F TO 16/F PLAN (LOW ZONE)
(4 STOREYS 13/F & 14/F)

B.D. REF :

CLIENT :

SHIMAO GROUP HOLDINGS LIMITED

ARCHITECT :

WONG TUNG & PARTNERS LIMITED
ARCHITECTS & PLANNERS



MAIN CONTRACTOR :

協興建築有限公司
HIP HING CONSTRUCTION CO LTD

STRUCTURAL ENGINEER :

ICMA C M WONG & ASSOCIATES LTD
黃志明建築工程師有限公司

FACADE CONSULTANT :

MEINHARDT

NOTE :

1. ALL DIMENSIONS ARE IN mm.
2. ALL ELEVATIONS ARE VIEWED FROM OUTSIDE.
3. ALL DIMENSIONS TO BE VERIFIED ON SITE BEFORE FABRICATION.

LEGEND :

- (X1) --- DETAIL MARK NO.
- (X001) --- REFER SHEET NO.

1. F.F.L --- FINISHED FLOOR LEVEL
2. S.F.L --- STRUCTURAL FLOOR LEVEL
3. (R) --- REVERSED DETAIL

B	16/12/2021	REVISION SUBJECT TO ARCH.COMMENT	LHR
A	28/8/2021	REVISION SUBJECT TO ARCH.COMMENT	WSH
NO.	DATE	REVISED	BY

JOB NO. : J-853
PROJECT : PROPOSED RESIDENTIAL DEVELOPMENT AT N.K.I.L. 6542 YIN PING ROAD KOWLOON

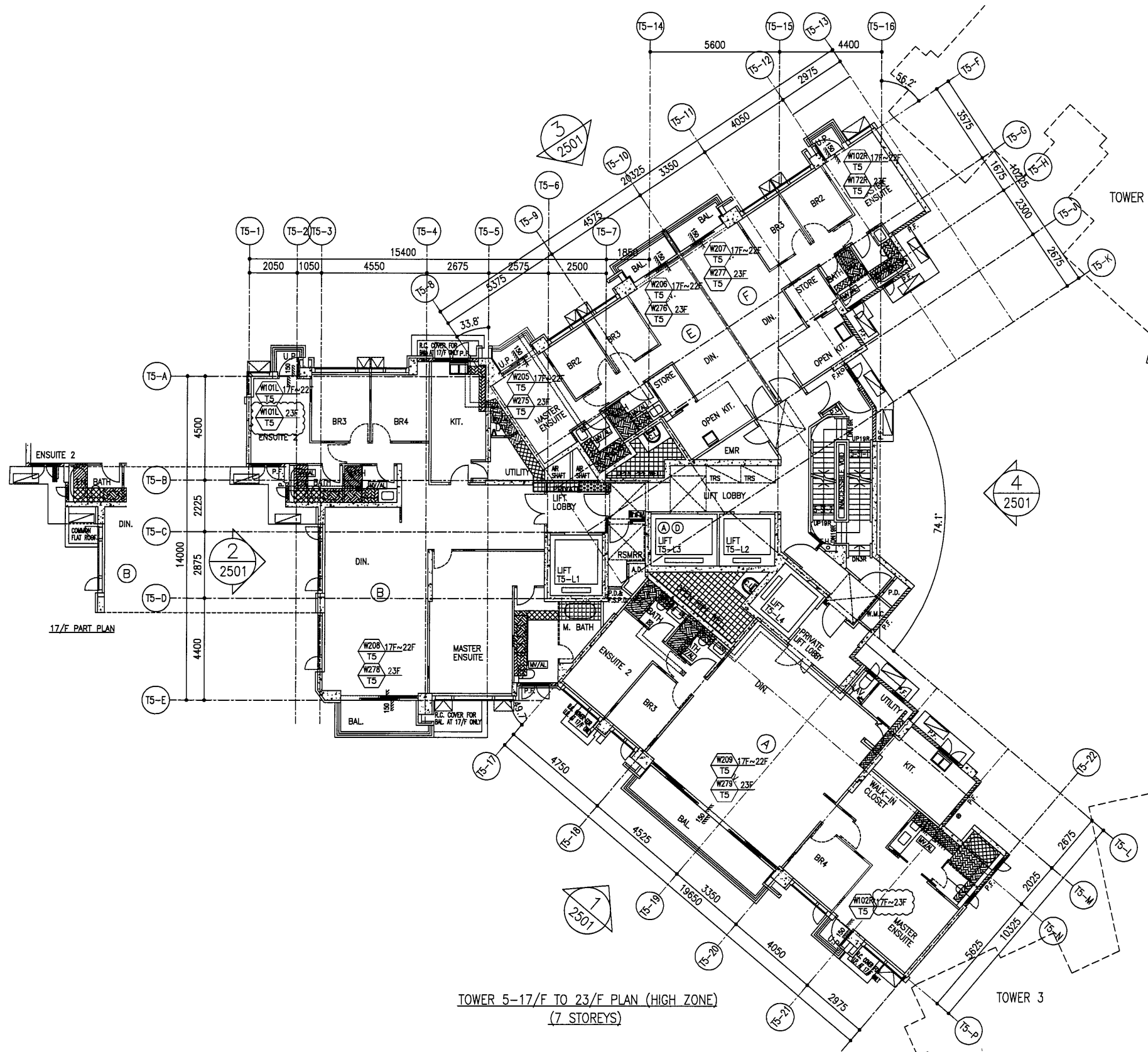
TITLE : 17/F TO 23/F LAYOUT PLAN FOR CURTAIN WALL AT TOWER 5

DATE : 29-MAR-21 SCALE : 1:80 (A1)

DRAWN BY : LHR CHECKED BY :

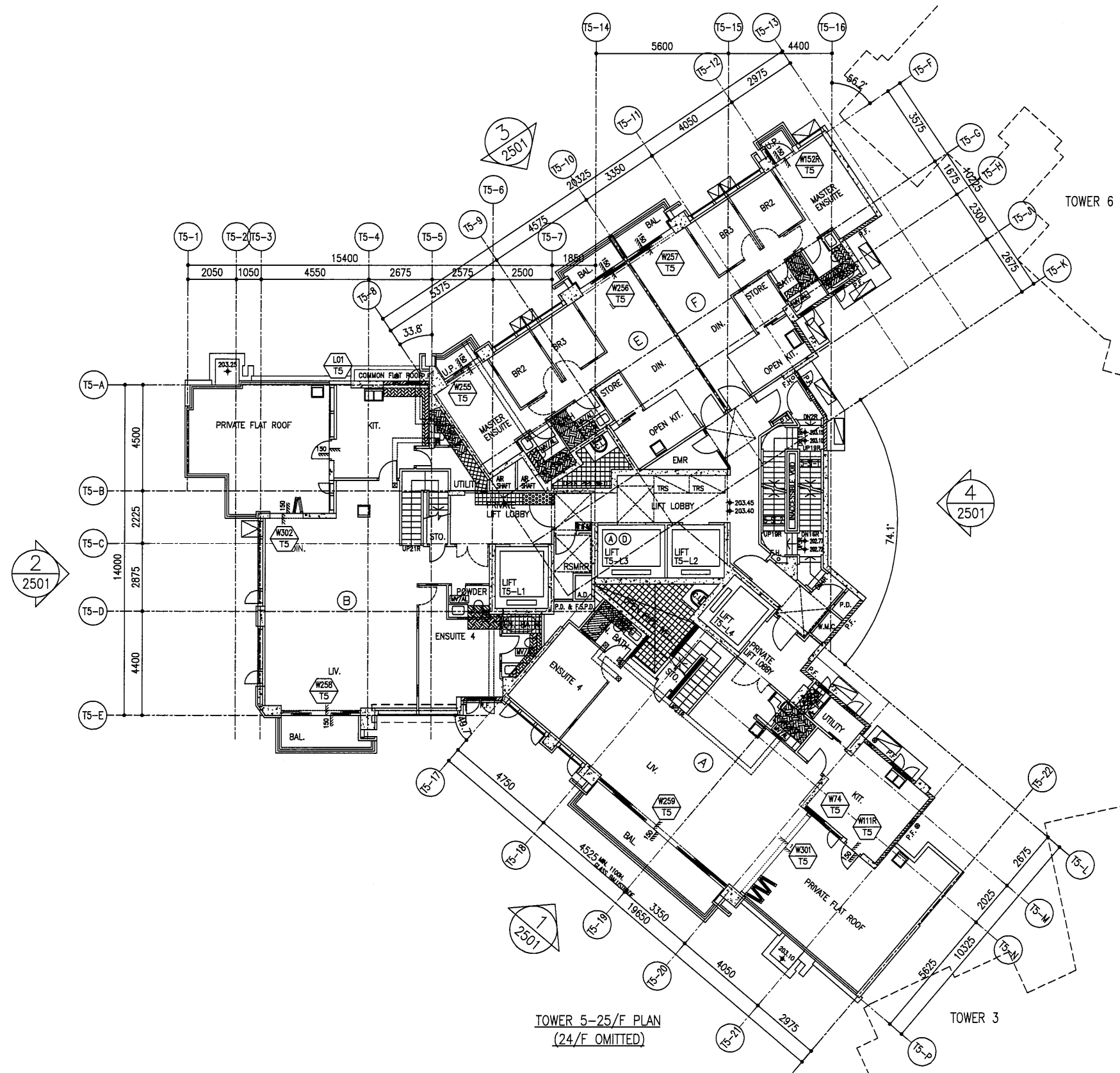
美特鋁質有限公司
MIDI ALUMINIUM FABRICATOR LTD.
Units 6-8, Sunray Industrial Centre, 1/F
610 Cha Kwo Ling Road, Kowloon
Tel:23489211-4 Fax:(852)2727666

DWG NO. : J853-SD-IW-LP055 REV. : B



WINDOW MARK	FLOOR	Q.T.	TOTAL
T5-W102R	17F-22F	1	1x6=6
T5-W209	17F-22F	1	1x6=6
T5-W208	17F-22F	1	1x6=6
T5-W101L	17F-23F	1	1x7=7
T5-W205	17F-22F	1	1x6=6
T5-W206	17F-22F	1	1x6=6
T5-W207	17F-22F	1	1x6=6
T5-W102R	17F-23F	1	1x7=7
T5-W279	23F	1	1
T5-W278	23F	1	1
T5-W275	23F	1	1
T5-W276	23F	1	1
T5-W277	23F	1	1
T5-W172R	23F	1	1
TOTAL		16	56

WINDOW MARK	FLOOR	Q.T.	TOTAL
T5-W74	25F	1	1
T5-W111R	25F	1	1
T5-W301	25F	1	1
T5-W259	25F	1	1
T5-W258	25F	1	1
T5-W302	25F	1	1
T5-W255	25F	1	1
T5-W256	25F	1	1
T5-W257	25F	1	1
T5-W152R	25F	1	1
T5-L01	25F	1	1
T5-W114R	25F	1	1
TOTAL		12	12



TOWER 5-25/F PLAN
(24/F OMITTED)

B.D. REF :

CLIENT : SHIMAO GROUP HOLDINGS LIMITED

ARCHITECT : WONG TUNG & PARTNERS LIMITED ARCHITECTS & PLANNERS

MAIN CONTRACTOR : 協興建築有限公司 HIP HING CONSTRUCTION CO LTD

STRUCTURAL ENGINEER : ICMA C M WONG & ASSOCIATES LTD 黃志明建築工程師有限公司

FAÇADE CONSULTANT: MEINHARDT

NOTE :

1. ALL DIMENSIONS ARE IN mm.
2. ALL ELEVATIONS ARE VIEWED FROM OUTSIDE.
3. ALL DIMENSIONS TO BE VERIFIED ON SITE BEFORE FABRICATION.

LEGEND :

- (X1) --- DETAIL MARK NO.
- (X001) --- REFER SHEET NO.
- (F.F.L) --- FINISHED FLOOR LEVEL
- (S.F.L) --- STRUCTURAL FLOOR LEVEL
- (R) --- REVERSED DETAIL

A	28/8/2021	REVISION SUBJECT TO ARCH.COMMENT	NSH
NO.	DATE	REVISED	BY

JOB NO. : J-853

PROJECT : PROPOSED RESIDENTIAL DEVELOPMENT AT N.K.I.L. 6542 YIN PING ROAD KOWLOON

TITLE : 25/F LAYOUT PLAN FOR CURTAIN WALL AT TOWER 5

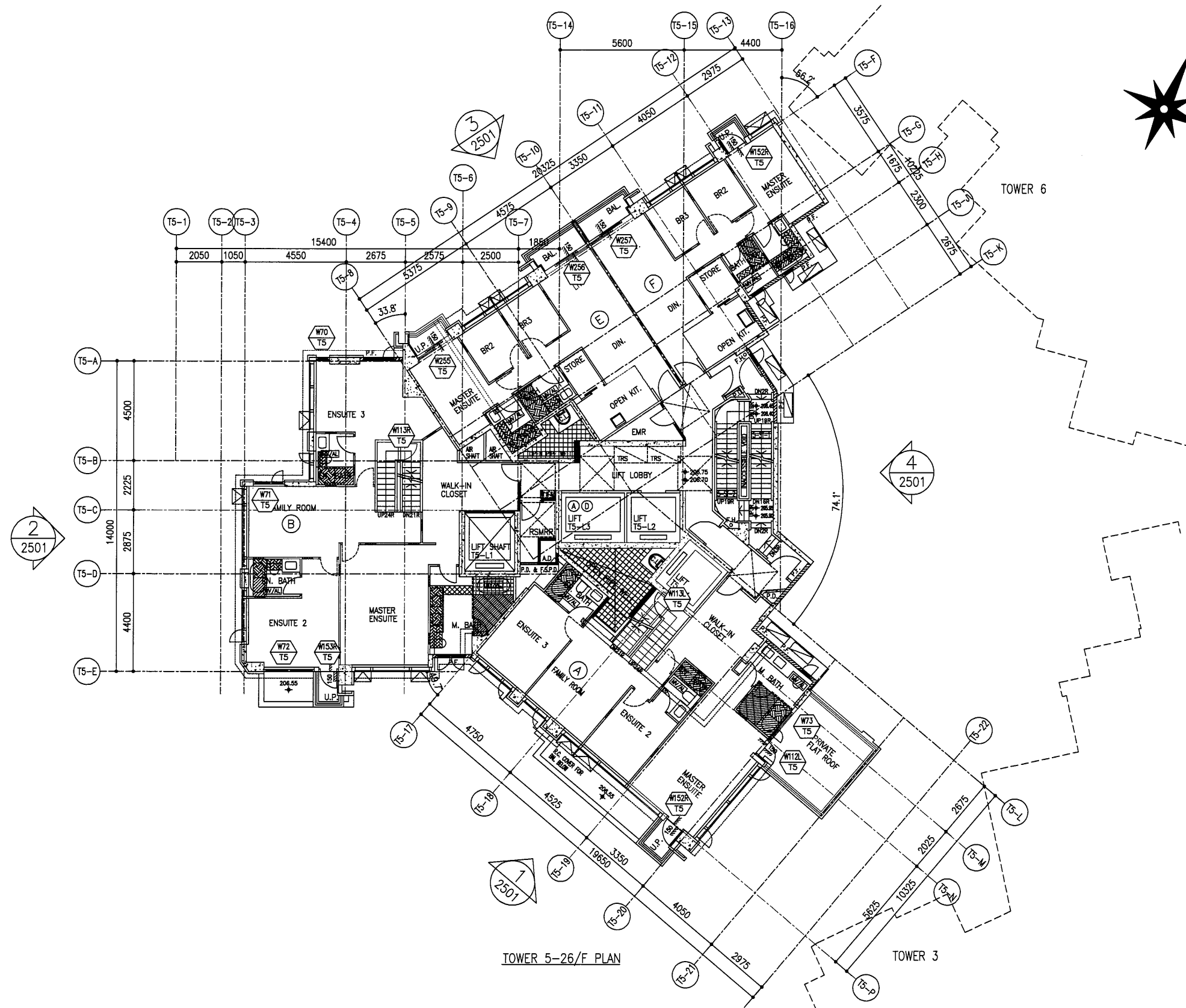
DATE : 22-APR-21 SCALE : 1:80 (A1)

DRAWN BY : LHR CHECKED BY :

美特鋁質有限公司
MIDI ALUMINIUM FABRICATOR LTD.
Units 6-8, Sunray Industrial Centre, 1/F
610 Cha Kwo Ling Road, Kowloon
Tel:23489211-4 Fax:(852)27727666

DWG NO. : J853-SD-IW-LP056 REV. : A

WINDOW MARK	FLOOR	Q.T.	TOTAL
T5-W152R	26F	1	1
T5-W73	26F	1	1
T5-W112L	26F	1	1
T5-W113L	26F	1	1
T5-W72	26F	1	1
T5-W153R	26F	1	1
T5-W71	26F	1	1
T5-W113R	26F	1	1
T5-W70	26F	1	1
T5-W255	26F	1	1
T5-W256	26F	1	1
T5-W257	26F	1	1
T5-W152R	26F	1	1
TOTAL		13	13



B.D. REF :

CLIENT :
SHIMAO GROUP HOLDINGS LIMITED

ARCHITECT :
WONG TUNG & PARTNERS LIMITED
ARCHITECTS & PLANNERS

MAIN CONTRACTOR :
協興建築有限公司
HIP HING CONSTRUCTION CO LTD

STRUCTURAL ENGINEER :
ICMA C M WONG & ASSOCIATES LTD
黃志明建築工程師有限公司

FACADE CONSULTANT:
MEINHARDT

NOTE :
1. ALL DIMENSIONS ARE IN mm.
2. ALL ELEVATIONS ARE VIEWED FROM OUTSIDE.
3. ALL DIMENSIONS TO BE VERIFIED ON SITE BEFORE FABRICATION.

LEGEND :
X1 --- DETAIL MARK NO.
X001 --- REFER SHEET NO.
1. F.F.L. --- FINISHED FLOOR LEVEL
2. S.F.L. --- STRUCTURAL FLOOR LEVEL
3. (R) --- REVERSED DETAIL

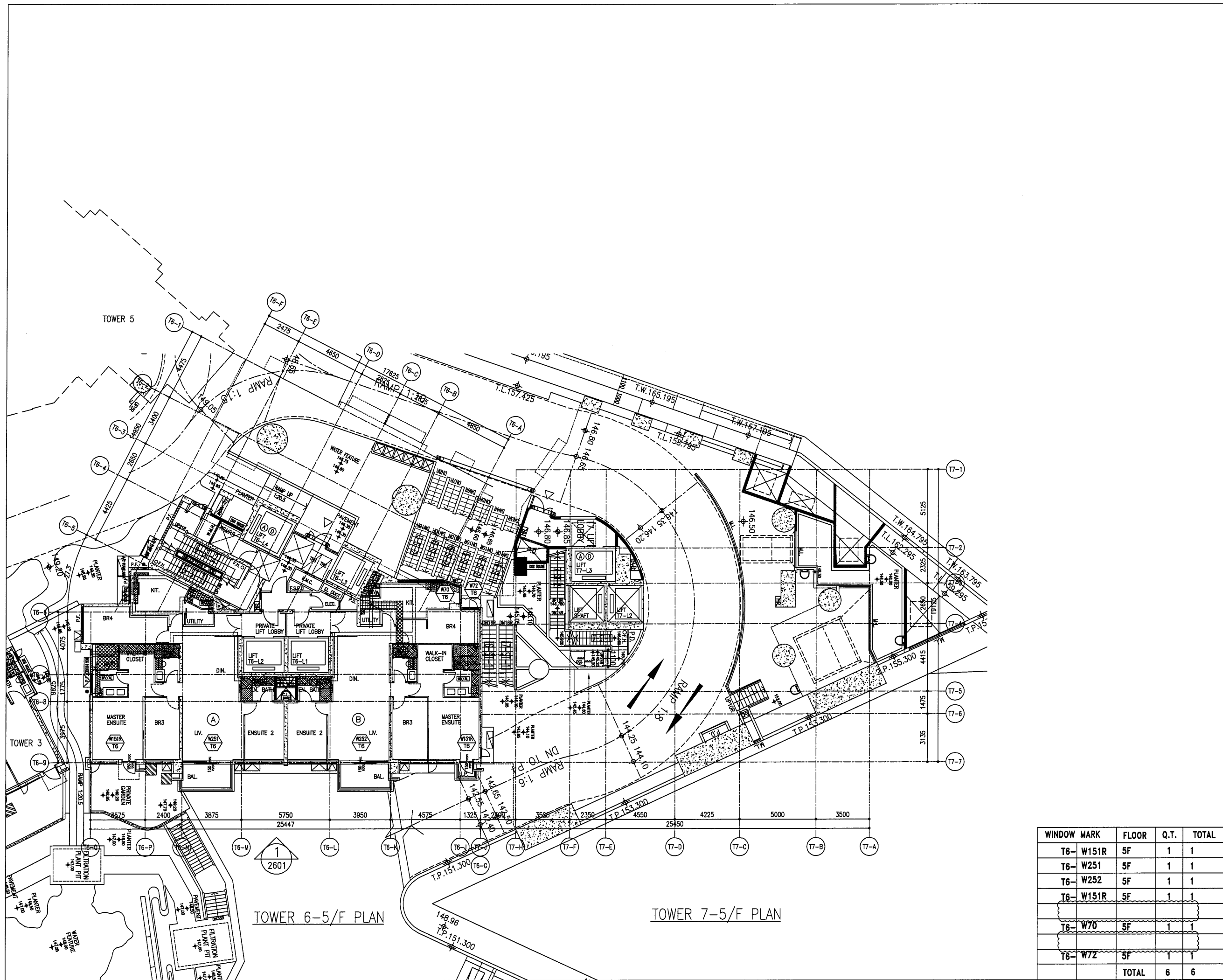
NO.	DATE	REVISION SUBJECT TO ARCH.COMMENT	BY
A	28/8/2021	REVISION SUBJECT TO ARCH.COMMENT	WSH
		REVISED	

JOB NO. : J-853
PROJECT : PROPOSED RESIDENTIAL DEVELOPMENT AT N.K.I.L. 6542 YIN PING ROAD KOWLOON

TITLE : 26/F LAYOUT PLAN FOR CURTAIN WALL AT TOWER 5

DATE : 22-APR-21 SCALE : 1:80 (A1)
DRAWN BY : LHR CHECKED BY :

美特鋁質有限公司
MIDI ALUMINIUM FABRICATOR LTD.
Units 6-8, Sunray Industrial Centre, 1/F
610 Cha Kwo Ling Road, Kowloon
Tel:23489211-4 Fax:(852)27727666
DWG NO. : J853-SD-IW-LP057 REV. : A



B.D. REF :

CLIENT :
SHIMAO GROUP HOLDINGS LIMITED

ARCHITECT :
WONG TUNG & PARTNERS LIMITED ARCHITECTS & PLANNERS

MAIN CONTRACTOR :
協興建築有限公司 HIP HING CONSTRUCTION CO LTD

STRUCTURAL ENGINEER :
ICMA C M WONG & ASSOCIATES LTD 黃志明建築工程師有限公司

FACADE CONSULTANT:
MEINHARDT

NOTE :
1. ALL DIMENSIONS ARE IN mm.
2. ALL ELEVATIONS ARE VIEWED FROM OUTSIDE.
3. ALL DIMENSIONS TO BE VERIFIED ON SITE BEFORE FABRICATION.

LEGEND :
 (X1) --- DETAIL MARK NO.
 (X001) --- REFER SHEET NO.
 1. F.F.L --- FINISHED FLOOR LEVEL
 2. S.F.L --- STRUCTURAL FLOOR LEVEL
 3. (R) --- REVERSED DETAIL

B	16/12/2021	REVISION SUBJECT TO ARCH/COMMENT	LHR
A	28/8/2021	REVISION SUBJECT TO ARCH/COMMENT	WSH
NO.	DATE	REVISED	BY

JOB NO. : J-853
 PROJECT : PROPOSED RESIDENTIAL DEVELOPMENT AT N.K.I.L. 6542 YIN PING ROAD KOWLOON

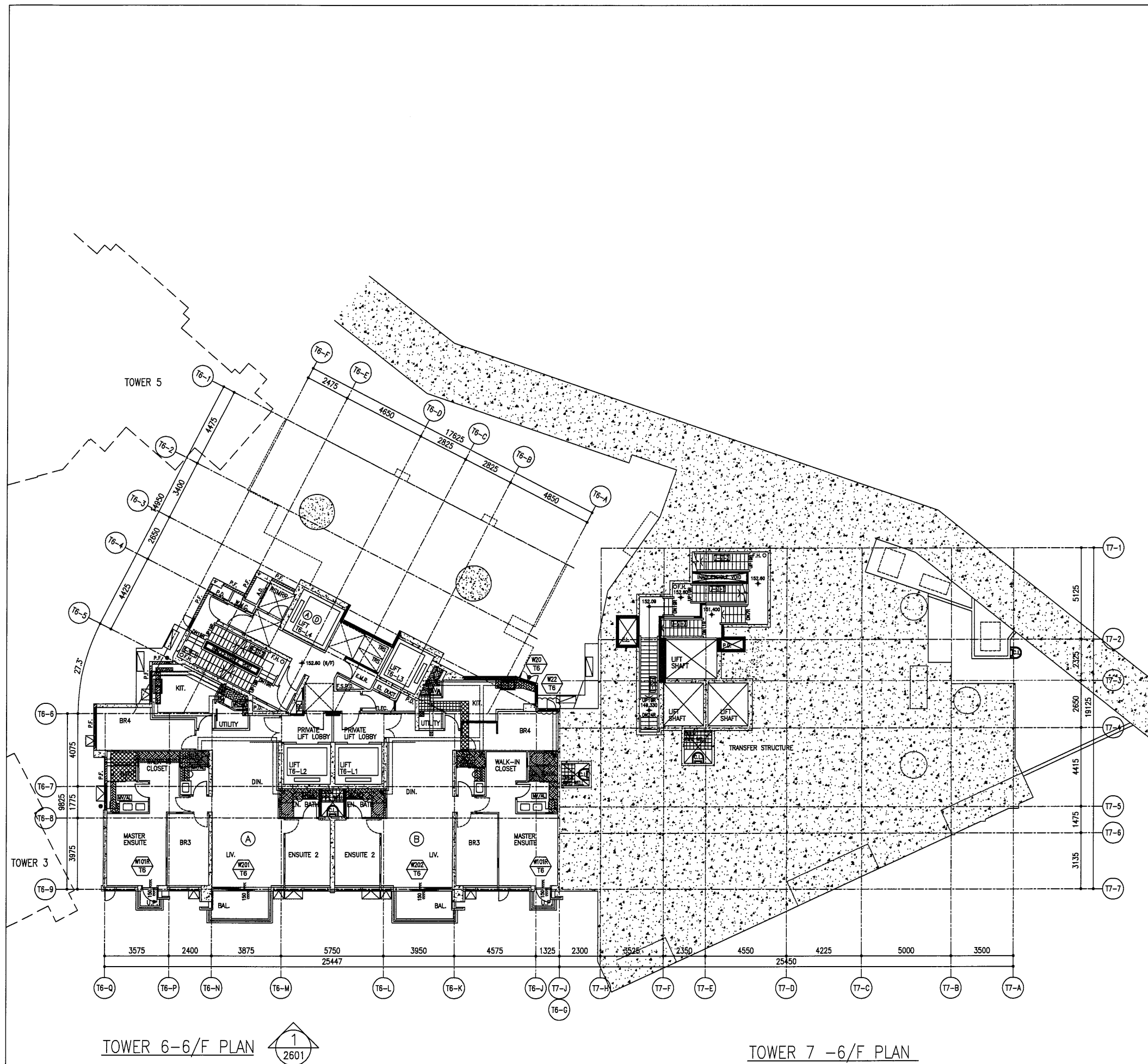
TITLE :
5/F LAYOUT PLAN FOR CURTAIN WALL AT TOWER 6 & 7

DATE : 14-APR-21 SCALE : 1:90 (A1)
 DRAWN BY : LHR CHECKED BY :

美特鋁質有限公司
MIDI ALUMINIUM FABRICATOR LTD.
 Units 6-8, Sunray Industrial Centre, 1/F
 610 Cha Kwo Ling Road, Kowloon
 Tel:23489211-4 Fax:(852)2727666

DWG NO. : J853-SD-IW-LP061 REV. : B

WINDOW MARK	FLOOR	Q.T.	TOTAL
T6-W151R	5F	1	1
T6-W251	5F	1	1
T6-W252	5F	1	1
T6-W151R	5F	1	1
T6-W70	5F	1	1
T6-W72	5F	1	1
TOTAL		6	6



TOWER 6-6/F PLAN

TOWER 7 -6/F PLAN

WINDOW MARK	FLOOR	Q.T.	TOTAL
T6-W101R	6F	1	1
T6-W201	6F	1	1
T6-W202	6F	1	1
T6-W101R	6F	1	1
T6-W20	6F	1	1
T6-W22	6F	1	1
TOTAL		6	6

B.D. REF :

CLIENT :
SHIMAO GROUP HOLDINGS LIMITED

ARCHITECT :
WONG TUNG & PARTNERS LIMITED ARCHITECTS & PLANNERS

MAIN CONTRACTOR :
協興建築有限公司 HIP HING CONSTRUCTION CO LTD

STRUCTURAL ENGINEER :
ICMA C M WONG & ASSOCIATES LTD 黃志明建築工程師有限公司

FACADE CONSULTANT:
MEINHARDT

NOTE :
1. ALL DIMENSIONS ARE IN mm.
2. ALL ELEVATIONS ARE VIEWED FROM OUTSIDE.
3. ALL DIMENSIONS TO BE VERIFIED ON SITE BEFORE FABRICATION.

LEGEND :
 (x1) — DETAIL MARK NO.
 (x001) — REFER SHEET NO.
 1. F.F.L. --- FINISHED FLOOR LEVEL
 2. S.F.L. --- STRUCTURAL FLOOR LEVEL
 3. (R) --- REVERSED DETAIL

NO.	DATE	REVISED	BY
B	16/12/2021	REVISION SUBJECT TO ARCH.COMMENT	LHR
A	28/8/2021	REVISION SUBJECT TO ARCH.COMMENT	WSH

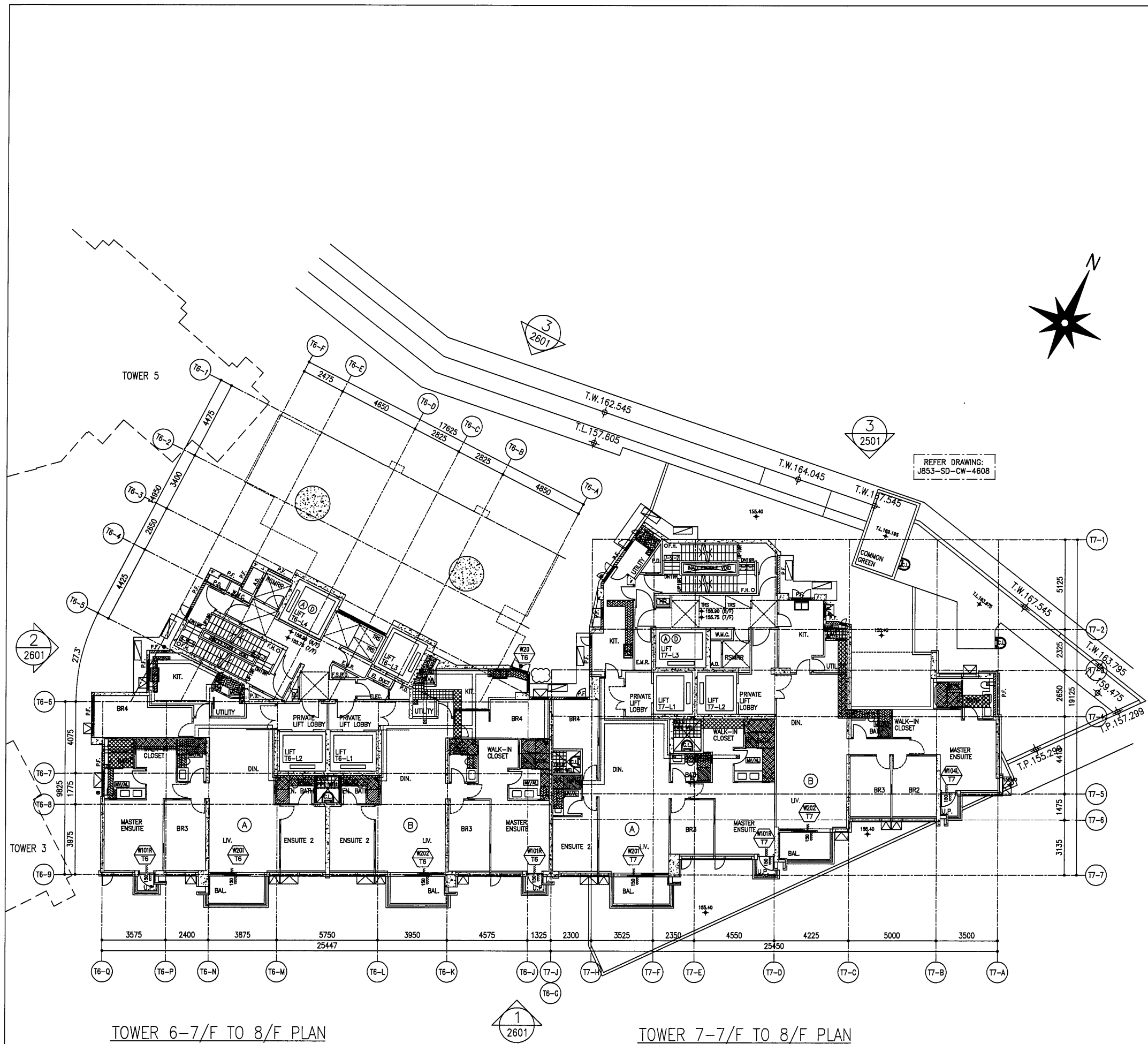
JOB NO. : J-853
 PROJECT : PROPOSED RESIDENTIAL DEVELOPMENT AT N.K.I.L. 6542 YIN PING ROAD KOWLOON

TITLE :
6/F LAYOUT PLAN FOR CURTAIN WALL AT TOWER 6 & 7

DATE : 14-APR-21 SCALE : 1:90 (A1)
 DRAWN BY : LHR CHECKED BY :

美特鋁質有限公司
MIDI ALUMINIUM FABRICATOR LTD.
 Units 6-8, Sunray Industrial Centre, 1/F
 610 Cha Kwo Ling Road, Kowloon
 Tel:23489211-4 Fax:(852)2772666

DWG NO. : J853-SD-IW-LP062 REV. : B



TOWER 6-7/F TO 8/F PLAN

TOWER 7-7/F TO 8/F PLAN

B.D. REF :

CLIENT :
SHIMAO GROUP HOLDINGS LIMITED

ARCHITECT :
WONG TUNG & PARTNERS LIMITED ARCHITECTS & PLANNERS

MAIN CONTRACTOR :
協興建築有限公司 HIP HING CONSTRUCTION CO LTD

STRUCTURAL ENGINEER :
ICMA C M WONG & ASSOCIATES LTD 黃志明建築工程師有限公司

FACADE CONSULTANT:
MEINHARDT

NOTE :
1. ALL DIMENSIONS ARE IN mm.
2. ALL ELEVATIONS ARE VIEWED FROM OUTSIDE.
3. ALL DIMENSIONS TO BE VERIFIED ON SITE BEFORE FABRICATION.

LEGEND :
 (X1) --- DETAIL MARK NO.
 (X001) --- REFER SHEET NO.
 1. F.F.L. --- FINISHED FLOOR LEVEL
 2. S.F.L. --- STRUCTURAL FLOOR LEVEL
 3. (R) --- REVERSED DETAIL

B	16/12/2021	REVISION SUBJECT TO ARCH/COMMENT	LHR
A	28/8/2021	REVISION SUBJECT TO ARCH/COMMENT	WSH
NO.	DATE	REVISED	BY

JOB NO. : J-853
 PROJECT : PROPOSED RESIDENTIAL DEVELOPMENT AT N.K.I.L. 6542 YIN PING ROAD KOWLOON

TITLE : 7/F TO 8/F LAYOUT PLAN FOR CURTAIN WALL AT TOWER 6 & 7

DATE : 14-APR-21 SCALE : 1:90 (A1)
 DRAWN BY : LHR CHECKED BY :

美特鋁質有限公司
MIDI ALUMINIUM FABRICATOR LTD.
 Units 6-8, Sunray Industrial Centre, 1/F
 610 Cha Kwo Ling Road, Kowloon
 Tel:23489211-4 Fax:(852)27727666

DWG NO. : J853-SD-IW-LP063 REV. : B

WINDOW MARK	FLOOR	Q.T.	TOTAL
T6- W101R	7F-8F	1	1x2=2
T6- W201	7F-8F	1	1x2=2
T6- W202	7F-8F	1	1x2=2
T6- W101R	7F-8F	1	1x2=2
T6- W20	7F-8F	1	1x2=2
T7- W201	7F-8F	1	1x2=2
T7- W101R	7F-8F	1	1x2=2
T7- W202	7F-8F	1	1x2=2
T7- W104L	7F-8F	1	1x2=2
TOTAL		10	18



TOWER 6-9/F PLAN

TOWER 7-9/F PLAN

WINDOW MARK	FLOOR	Q.T.	TOTAL
T6-W101R	9F	1	1
T6-W201	9F	1	1
T6-W202	9F	1	1
T6-W101R	9F	1	1
T6-W20	9F	1	1
T7-W201	9F	1	1
T7-W101R	9F	1	1
T7-W202	9F	1	1
T7-W104L	9F	1	1
TOTAL		9	9

B.D. REF :

CLIENT :
SHIMAO GROUP HOLDINGS LIMITED

ARCHITECT :
WONG TUNG & PARTNERS LIMITED
ARCHITECTS & PLANNERS

MAIN CONTRACTOR :
協興建築有限公司
HIP HING CONSTRUCTION CO LTD

STRUCTURAL ENGINEER :
ICMA C M WONG & ASSOCIATES LTD
黃志明建築工程師有限公司

FACADE CONSULTANT:
MEINHARDT

NOTE :
1. ALL DIMENSIONS ARE IN mm.
2. ALL ELEVATIONS ARE VIEWED FROM OUTSIDE.
3. ALL DIMENSIONS TO BE VERIFIED ON SITE BEFORE FABRICATION.

LEGEND :
 (x1) --- DETAIL MARK NO.
 (x001) --- REFER SHEET NO.
 1. F.F.L. --- FINISHED FLOOR LEVEL
 2. S.F.L. --- STRUCTURAL FLOOR LEVEL
 3. (R) --- REVERSED DETAIL

NO.	DATE	REVISED	BY
B	16/12/2021	REVISION SUBJECT TO ARCH.COMMENT	LHR
A	28/8/2021	REVISION SUBJECT TO ARCH.COMMENT	WSH

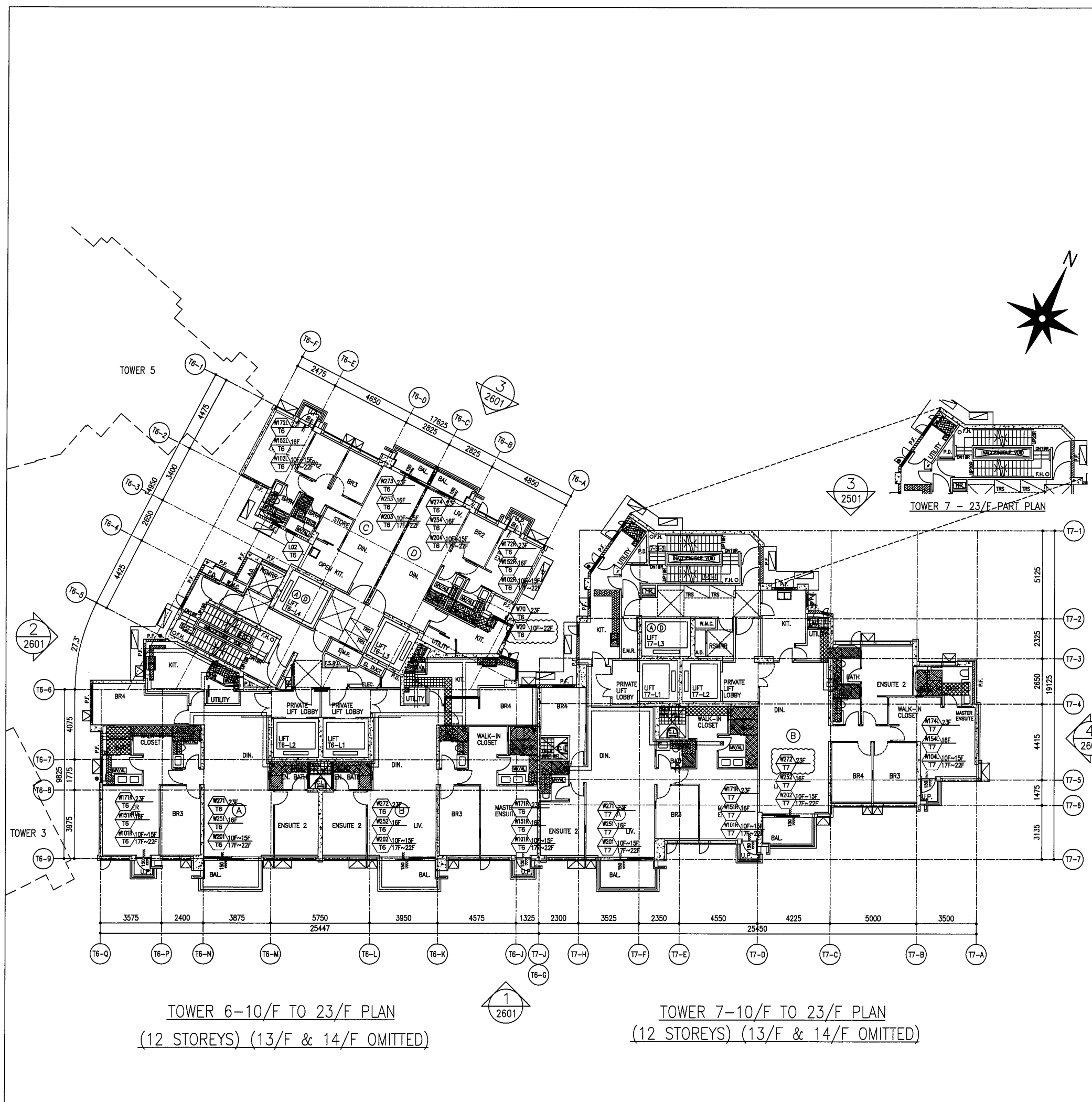
JOB NO. : J-853
PROJECT : PROPOSED RESIDENTIAL DEVELOPMENT AT N.K.I.L. 6542 YIN PING ROAD KOWLOON

TITLE : 9/F LAYOUT PLAN FOR CURTAIN WALL AT TOWER 6 & 7

DATE : 14-APR-21 SCALE : 1:90 (A1)
DRAWN BY : LHR CHECKED BY :

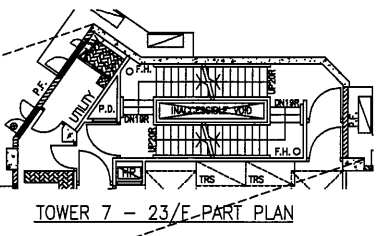
美特鋁質有限公司
MIDI ALUMINIUM FABRICATOR LTD.
Units 6-8, Sunray Industrial Centre, 1/F
610 Cha Kwo Ling Road, Kowloon
Tel:23489211-4 Fax:(852)27727666

DWG NO. : J853-SD-IW-LP064 REV. : B



TOWER 6-10/F TO 23/F PLAN
(12 STOREYS) (13/F & 14/F OMITTED)

TOWER 7-10/F TO 23/F PLAN
(12 STOREYS) (13/F & 14/F OMITTED)



WINDOW MARK	FLOOR	Q.T.	TOTAL
T6-W101R	10F-15F & 17F-22F	1	1x10=10
T6-W201	10F-15F & 17F-22F	1	1x10=10
T6-W202	10F-15F & 17F-22F	1	1x10=10
T6-W101R	10F-15F & 17F-22F	1	1x10=10
T6-W102L	10F-15F & 17F-22F	1	1x10=10
T6-W203	10F-15F & 17F-22F	1	1x10=10
T6-W204	10F-15F & 17F-22F	1	1x10=10
T6-W102R	10F-15F & 17F-22F	1	1x10=10
T6-W20	10F-22F	1	1x11=11
T6-W151R	16F	1	1
T6-W251	16F	1	1
T6-W252	16F	1	1
T6-W151R	16F	1	1
T6-W152L	16F	1	1
T6-W253	16F	1	1
T6-W254	16F	1	1
T6-W152R	16F	1	1
T6-W171R	23F	1	1
T6-W271	23F	1	1
T6-W272	23F	1	1
T6-W171R	23F	1	1
T6-W172L	23F	1	1
T6-W273	23F	1	1
T6-W274	23F	1	1
T6-W172R	23F	1	1
T6-W70	23F	1	1
T6-L02	10F-23F	1	1x12=12
T7-W201	10F-15F & 17F-22F	1	1x10=10
T7-W101R	10F-15F & 17F-22F	1	1x10=10
T7-W202	10F-15F & 17F-22F	1	1x10=10
T7-W104L	10F-15F & 17F-22F	1	1x10=10
T7-W251	16F	1	1
T7-W151R	16F	1	1
T7-W252	16F	1	1
T7-W154L	16F	1	1
T7-W271	23F	1	1
T7-W171R	23F	1	1
T7-W174L	23F	1	1
T7-W272	23F	1	1
TOTAL			168

B.D. REF :

CLIENT : **SHIMAO GROUP HOLDINGS LIMITED**

ARCHITECT : **WONG TUNG & PARTNERS LIMITED ARCHITECTS & PLANNERS**

MAIN CONTRACTOR : **協興建築有限公司 HIP HING CONSTRUCTION CO LTD**

STRUCTURAL ENGINEER : **ICMA C M WONG & ASSOCIATES LTD 黃志明建築工程師有限公司**

FAÇADE CONSULTANT : **MEINHARDT**

NOTE :

- ALL DIMENSIONS ARE IN mm.
- ALL ELEVATIONS ARE VIEWED FROM OUTSIDE.
- ALL DIMENSIONS TO BE VERIFIED ON SITE BEFORE FABRICATION.

LEGEND :

- x1 - DETAIL MARK NO.
- x001 - REFER SHEET NO.

- F.F.L. -- FINISHED FLOOR LEVEL
- S.F.L. -- STRUCTURAL FLOOR LEVEL
- ⊗ -- REVERSED DETAIL

B	16/12/2021	REVISION SUBJECT TO ARCH.COMMENT	LHR
A	28/8/2021	REVISION SUBJECT TO ARCH.COMMENT	WSH
NO.	DATE	REVISED	BY

JOB NO. : J-853

PROJECT : PROPOSED RESIDENTIAL DEVELOPMENT AT N.K.I.L. 6542 YIN PING ROAD KOWLOON

TITLE : 10/F TO 23/F LAYOUT PLAN FOR CURTAIN WALL AT TOWER 6 & 7

DATE : 14-APR-21 SCALE : 1:90 (A1)

DRAWN BY : LHR CHECKED BY :

美特鋁質有限公司
MIDI ALUMINIUM FABRICATOR LTD.
Units 6-8, Sunray Industrial Centre, 1/F
610 Cha Kwo Ling Road, Kowloon
Tel:23489211-4 Fax:(852)27727666

DWG NO. : J853-SD-IW-LP065 REV. : B



TOWER 6-25/F PLAN
24/F OMITTED

TOWER 7-25/F PLAN
24/F OMITTED

WINDOW MARK	FLOOR	Q.T.	TOTAL
T6-W151R	25F	1	1
T6-W251	25F	1	1
T6-W252	25F	1	1
T6-W151R	25F	1	1
T6-W152L	25F	1	1
T6-W253	25F	1	1
T6-W254	25F	1	1
T6-W152R	25F	1	1
T6-W70	25F	1	1
T6-L02	25F	1	1
T7-W251	25F	1	1
T7-W151R	25F	1	1
T7-W301	25F	1	1
T7-W302	25F	1	1
T7-W104L	25F	1	1
TOTAL		15	15

B.D. REF :

CLIENT : SHIMAO GROUP HOLDINGS LIMITED

ARCHITECT : WONG TUNG & PARTNERS LIMITED ARCHITECTS & PLANNERS

MAIN CONTRACTOR : 協興建築有限公司 HIP HING CONSTRUCTION CO LTD

STRUCTURAL ENGINEER : ICMA C M WONG & ASSOCIATES LTD 黃志明建築工程師有限公司

FACADE CONSULTANT: MEINHARDT

NOTE :

- ALL DIMENSIONS ARE IN mm.
- ALL ELEVATIONS ARE VIEWED FROM OUTSIDE.
- ALL DIMENSIONS TO BE VERIFIED ON SITE BEFORE FABRICATION.

LEGEND :

(X1) --- DETAIL MARK NO.
(X001) --- REFER SHEET NO.

- F.F.L. --- FINISHED FLOOR LEVEL
- S.F.L. --- STRUCTURAL FLOOR LEVEL
- (R) --- REVERSED DETAIL

B	16/12/2021	REVISION SUBJECT TO ARCH.COMMENT	LHR
A	28/8/2021	REVISION SUBJECT TO ARCH.COMMENT	WSH
NO.	DATE	REVISED	BY

JOB NO. : J-853

PROJECT : PROPOSED RESIDENTIAL DEVELOPMENT AT N.K.I.L. 6542 YIN PING ROAD KOWLOON

TITLE : 25/F LAYOUT PLAN FOR CURTAIN WALL AT TOWER 6 & 7

DATE : 22-APR-21 SCALE : 1:90 (A1)

DRAWN BY : LHR CHECKED BY :

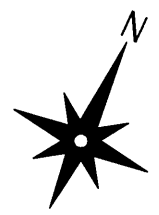
美特鋁質有限公司
MIDI ALUMINIUM FABRICATOR LTD.
Units 6-8, Sunray Industrial Centre, 1/F
610 Cha Kwo Ling Road, Kowloon
Tel:23489211-4 Fax:(852)2727666

DWG NO. : J853-SD-IW-LP066 REV. : B



TOWER 6-26/F PLAN

TOWER 7-26/F PLAN



WINDOW MARK	FLOOR	Q.T.	TOTAL
T6-W151R	26F	1	1
T6-W251	26F	1	1
T6-W252	26F	1	1
T6-W151R	26F	1	1
T6-W152L	26F	1	1
T6-W253	26F	1	1
T6-W254	26F	1	1
T6-W152R	26F	1	1
T6-L02	26F	1	1
T6-W20	26F	1	1
T7-W251	26F	1	1
T7-W151R	26F	1	1
T7-W79	26F	1	1
T7-W78	26F	1	1
TOTAL		14	14

B.D. REF :

CLIENT : **SHIMAO GROUP HOLDINGS LIMITED**

ARCHITECT : **WONG TUNG & PARTNERS LIMITED ARCHITECTS & PLANNERS**

MAIN CONTRACTOR : **協興建築有限公司 HIP HING CONSTRUCTION CO LTD**

STRUCTURAL ENGINEER : **ICMA C M WONG & ASSOCIATES LTD 黃志明建築工程師有限公司**

FACADE CONSULTANT : **MEIN-HARDT**

NOTE :
 1. ALL DIMENSIONS ARE IN mm.
 2. ALL ELEVATIONS ARE VIEWED FROM OUTSIDE.
 3. ALL DIMENSIONS TO BE VERIFIED ON SITE BEFORE FABRICATION.

LEGEND :
 X1 --- DETAIL MARK NO.
 X001 --- REFER SHEET NO.

1. F.F.L. --- FINISHED FLOOR LEVEL
 2. S.F.L. --- STRUCTURAL FLOOR LEVEL
 3. (R) --- REVERSED DETAIL

NO.	DATE	REVISED	BY
16/12/2021		REVISION SUBJECT TO ARCH.COMMENT	LHR
28/8/2021		REVISION SUBJECT TO ARCH.COMMENT	WSH

JOB NO. : J-853

PROJECT : PROPOSED RESIDENTIAL DEVELOPMENT AT N.K.I.L. 6542 YIN PING ROAD KOWLOON

TITLE : 26/F LAYOUT PLAN FOR CURTAIN WALL AT TOWER 6 & 7

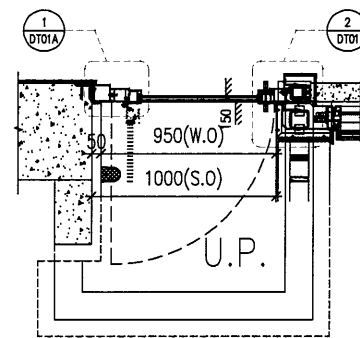
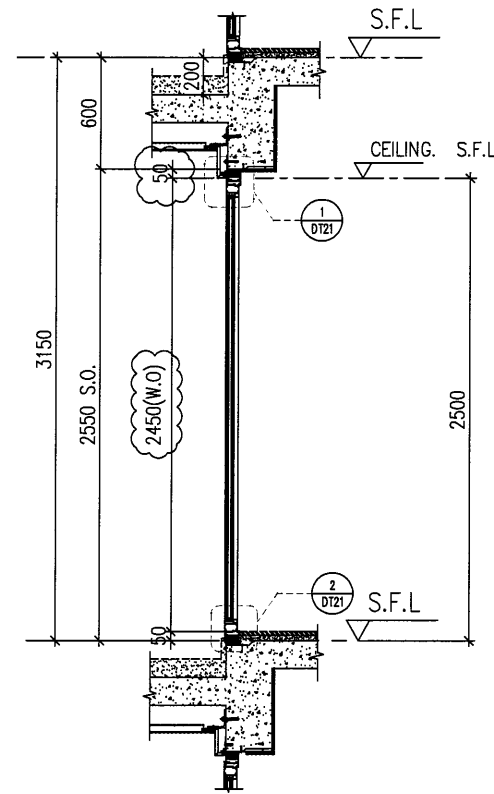
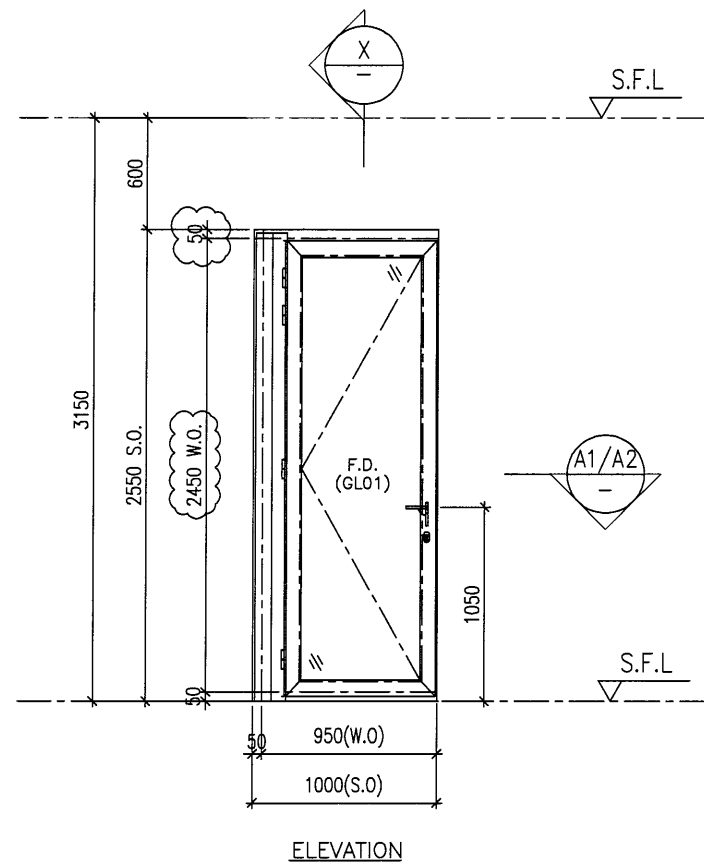
DATE : 22-APR-21 SCALE : 1:90 (A1)

DRAWN BY : LHR CHECKED BY :

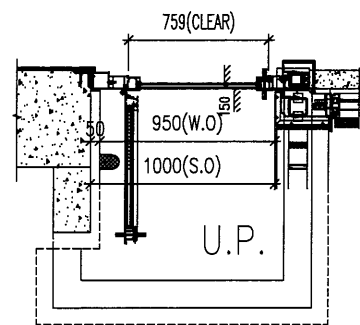
美特鋁質有限公司
 MIDI ALUMINIUM FABRICATOR LTD.
 Units 6-8, Sunray Industrial Centre, 1/F
 610 Cha Kwo Ling Road, Kowloon
 Tel:23489211-4 Fax:(852)2727666

DWG NO. : J853-SD-IW-LP067 REV. : B

ELEVATION



A1 PART PLAN



A2 PART PLAN

PROVIDED		
GLAZING AREA	0.751	m ²
OPENABLE AREA	0.951	m ²
FREE AREA	-	%

WINDOW MARK	W102L T5
LOCATION	6F~15F UNIT A ENSUITE
SECTION	70mm ALUM. SECTION
GLAZING	GLO1
QUANTITY	8 Nos.
REMARKS	SITE IN SITU

B.D. REF :

CLIENT :
SHIMAO GROUP HOLDINGS LIMITED

ARCHITECT :
WONG TUNG & PARTNERS LIMITED ARCHITECTS & PLANNERS

MAIN CONTRACTOR :

STRUCTURAL ENGINEER :
C M WONG & ASSOCIATES LTD Consulting Engineers

SITE IN SITU CONSULTANT:
MEINHARDT

NOTE :
1. ALL DIMENSIONS ARE IN mm.
2. ALL ELEVATIONS ARE VIEWED FROM OUTSIDE.
3. ALL DIMENSIONS TO BE VERIFIED ON SITE BEFORE FABRICATION.

LEGEND :
 (X1) --- DETAIL MARK NO.
 (X001) --- REFER SHEET NO.
 1. F.F.L --- FINISHED FLOOR LEVEL
 2. S.F.L --- STRUCTURAL FLOOR LEVEL
 3. (R) --- REVERSED DETAIL
 4. ▲ --- FIXING LOCATION
 5. △ --- FIXING LUG LOCATION
 6. GLASS LEGEND
 GLO1 --- 10mm+12mm AIR GAP+10mm THK. I.G.U.
 GLO5 --- 10mm+12mm AIR GAP+10mm THK. I.G.U.
 GLO6 --- 10mm+12mm AIR GAP+12mm THK. I.G.U.
 PDO1 --- 10mm T.P+12mm AIR GAP+8mm T.P
 GLO7 --- 10mm+12mm AIR GAP+12mm THK. I.G.U.
 GLO8 --- 10mm+12mm AIR GAP+10mm THK. I.G.U.

NO.	DATE	REVISION	BY
C	16/04/2022	REVISION SUBJECT TO ARCH.COMMENT	LHR
B	16/12/2021	REVISION SUBJECT TO ARCH.COMMENT	LHR
A	28/08/2021	REVISION SUBJECT TO ARCH.COMMENT	WSH

JOB NO. : J-853
 PROJECT : PROPOSED RESIDENTIAL DEVELOPMENT AT N.K.I.L. 6542 YIN PING ROAD KOWLOON

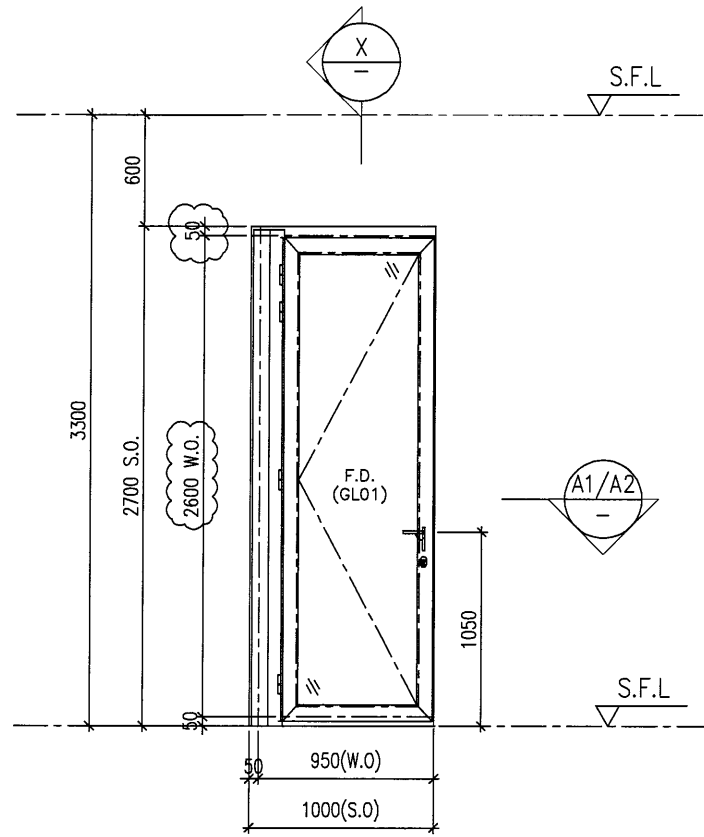
TITLE : WINDOW SCHEDULE FOR TOWER 5 ALUM. WINDOW

DATE : 03-APR-21 SCALE : 1:40
 DRAWN BY : CHECKED BY :

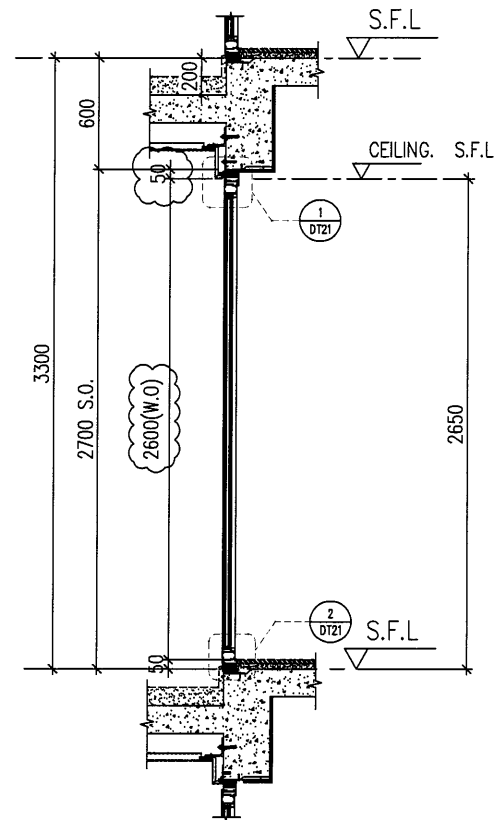
美特鋁質有限公司
MIDI ALUMINIUM FABRICATOR LTD.
 Units 6-8, Sunray Industrial Centre, 1/F
 610 Cha Kwo Ling Road, Kowloon
 Tel:23489211-4 Fax:(852)2727666

DWG NO. : J853-SD-IW-SC501 REV. : C

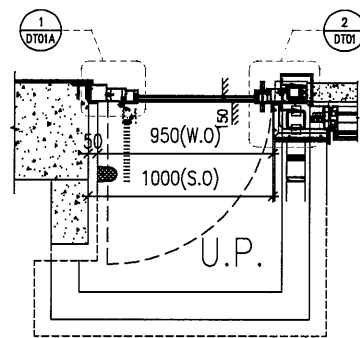
ELEVATION



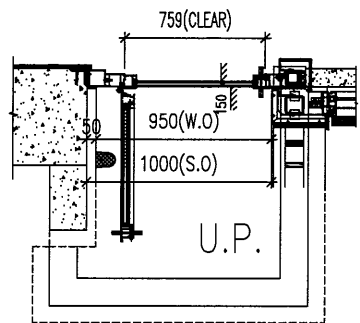
ELEVATION



X PART SECTION



A1 PART PLAN



A2 PART PLAN

PROVIDED		
GLAZING AREA	0.845	m ²
OPENABLE AREA	1.065	m ²
FREE AREA	-	%

WINDOW MARK	
LOCATION	16F UNIT A ENSUITE
SECTION	70mm ALUM. SECTION
GLAZING	GLO1
QUANTITY	2 Nos.
REMARKS	SITE IN SITU

B.D. REF :

CLIENT :
SHIMAO GROUP HOLDINGS LIMITED

ARCHITECT :
WONG TUNG & PARTNERS LIMITED
ARCHITECTS & PLANNERS

MAIN CONTRACTOR :

STRUCTURAL ENGINEER :
 C M WONG & ASSOCIATES LTD
Consulting Engineers

SITE IN SITU CONSULTANT:
 MEHARDT

NOTE :
1. ALL DIMENSIONS ARE IN mm.
2. ALL ELEVATIONS ARE VIEWED FROM OUTSIDE.
3. ALL DIMENSIONS TO BE VERIFIED ON SITE BEFORE FABRICATION.

LEGEND :
 -- DETAIL MARK NO.
 -- REFER SHEET NO.
1. F.F.L -- FINISHED FLOOR LEVEL
2. S.F.L -- STRUCTURAL FLOOR LEVEL
3. -- REVERSED DETAIL
4. -- FIXING LOCATION
5. -- FIXING LUG LOCATION
6. GLASS LEGEND
GL01 -- 10mm+12mm AIR GAP+10mm THK. I.G.U.
GL05 -- 10mm+12mm AIR GAP+10mm THK. I.G.U.
GL06 -- 10mm+12mm AIR GAP+12mm THK. I.G.U.
PD01 -- 10mm T.P+12mm AIR GAP+8mm T.P
GL07 -- 10mm+12mm AIR GAP+12mm THK. I.G.U.
GL08 -- 10mm+12mm AIR GAP+10mm THK. I.G.U.

NO.	DATE	REVISED	BY
C	16/04/2022	REVISION SUBJECT TO ARCH.COMMENT	LHR
B	16/12/2021	REVISION SUBJECT TO ARCH.COMMENT	LHR

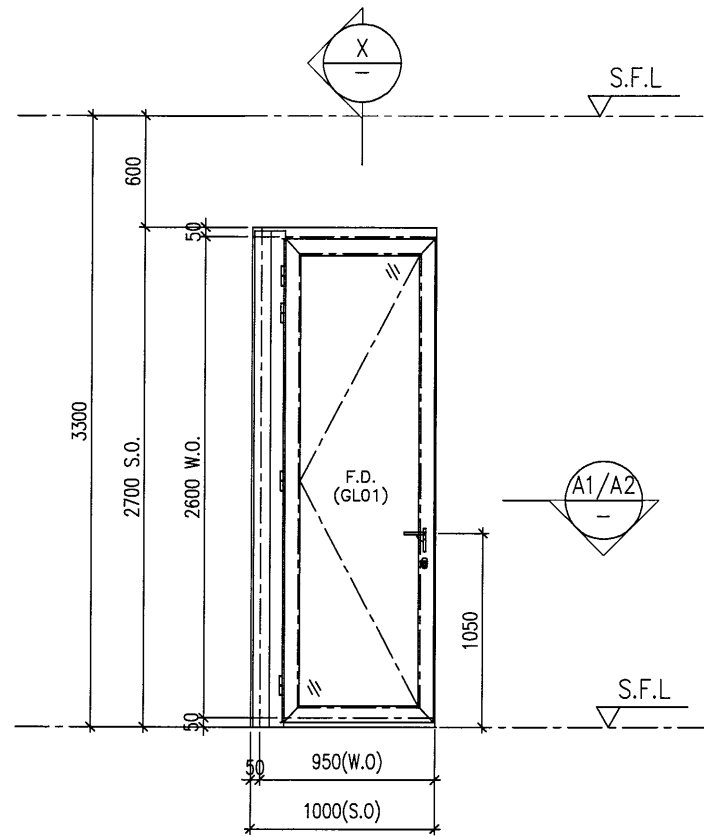
JOB NO. : J-853
PROJECT : PROPOSED RESIDENTIAL DEVELOPMENT AT N.K.I.L. 6542 YIN PING ROAD KOWLOON

TITLE : WINDOW SCHEDULE FOR TOWER 5 ALUM. WINDOW

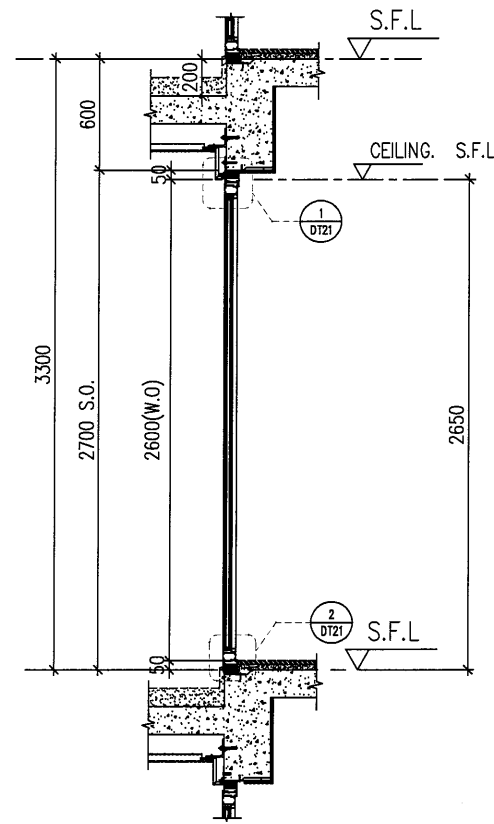
DATE : 03-APR-21 SCALE : 1:40
DRAWN BY : CHECKED BY :

美特铝质有限公司
MIDI ALUMINIUM FABRICATOR LTD.
Units 6-8, Sunray Industrial Centre, 1/F
610 Cha Kwo Ling Road, Kowloon
Tel:23489211-4 Fax:(852)27727666

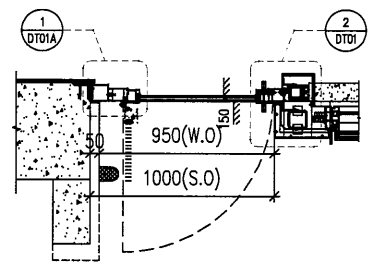
DWG NO. : J853-SD-IW-SC501a REV. : C



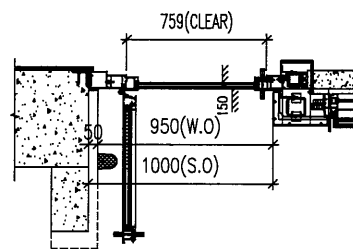
ELEVATION



X PART SECTION



A1 PART PLAN



A2 PART PLAN

ELEVATION

B.D. REF :

CLIENT :

SHIMAO GROUP HOLDINGS LIMITED

ARCHITECT : **WONG TUNG & PARTNERS LIMITED**
ARCHITECTS & PLANNERS



MAIN CONTRACTOR :

STRUCTURAL ENGINEER :

C M WONG & ASSOCIATES LTD
Consulting Engineers

SITE IN SITU CONSULTANT:



NOTE :

1. ALL DIMENSIONS ARE IN mm.
2. ALL ELEVATIONS ARE VIEWED FROM OUTSIDE.
3. ALL DIMENSIONS TO BE VERIFIED ON SITE BEFORE FABRICATION.

LEGEND :

- (x1) — DETAIL MARK NO.
- (x001) — REFER SHEET NO.

1. F.F.L. --- FINISHED FLOOR LEVEL
2. S.F.L. --- STRUCTURAL FLOOR LEVEL
3. (R) --- REVERSED DETAIL
4. ▲ --- FIXING LOCATION
5. △ --- FIXING LUG LOCATION

6. GLASS LEGEND

- GL01 --- 10mm+12mm AIR GAP+10mm THK. I.G.U.
- GL05 --- 10mm+12mm AIR GAP+10mm THK. I.G.U.
- GL06 --- 10mm+12mm AIR GAP+12mm THK. I.G.U.
- PD01 --- 10mm T.P+12mm AIR GAP+8mm T.P
- GL07 --- 10mm+12mm AIR GAP+12mm THK. I.G.U.
- GL08 --- 10mm+12mm AIR GAP+10mm THK. I.G.U.

NO.	DATE	REVISED	BY

JOB NO. : J-853

PROJECT : PROPOSED RESIDENTIAL DEVELOPMENT AT N.K.I.L. 6542 YIN PING ROAD KOWLOON

TITLE : WINDOW SCHEDULE FOR TOWER 5 ALUM. WINDOW

DATE : 16-APR-22 SCALE : 1:40

DRAWN BY : CHECKED BY :

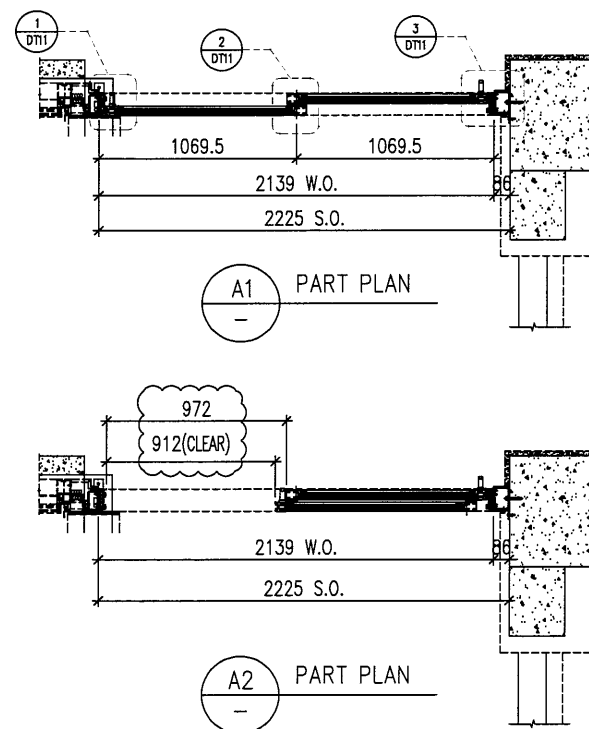
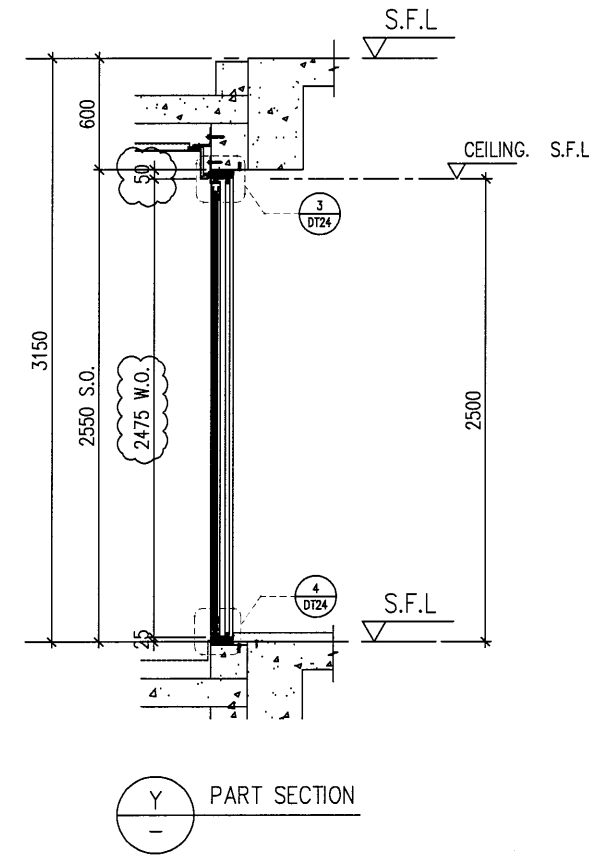
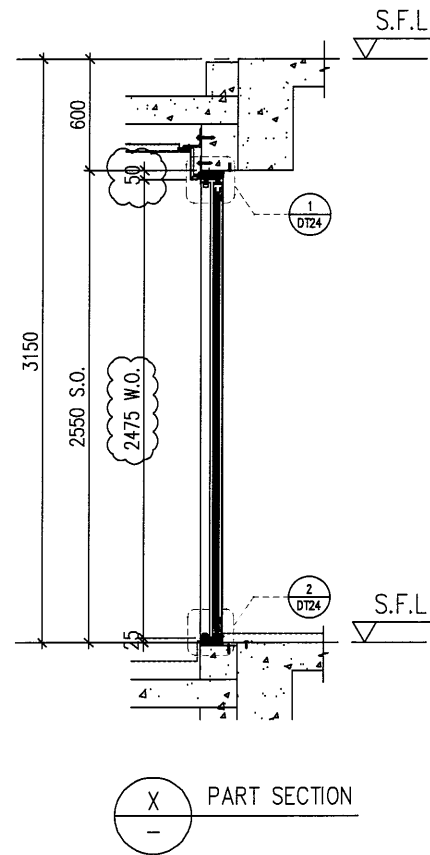
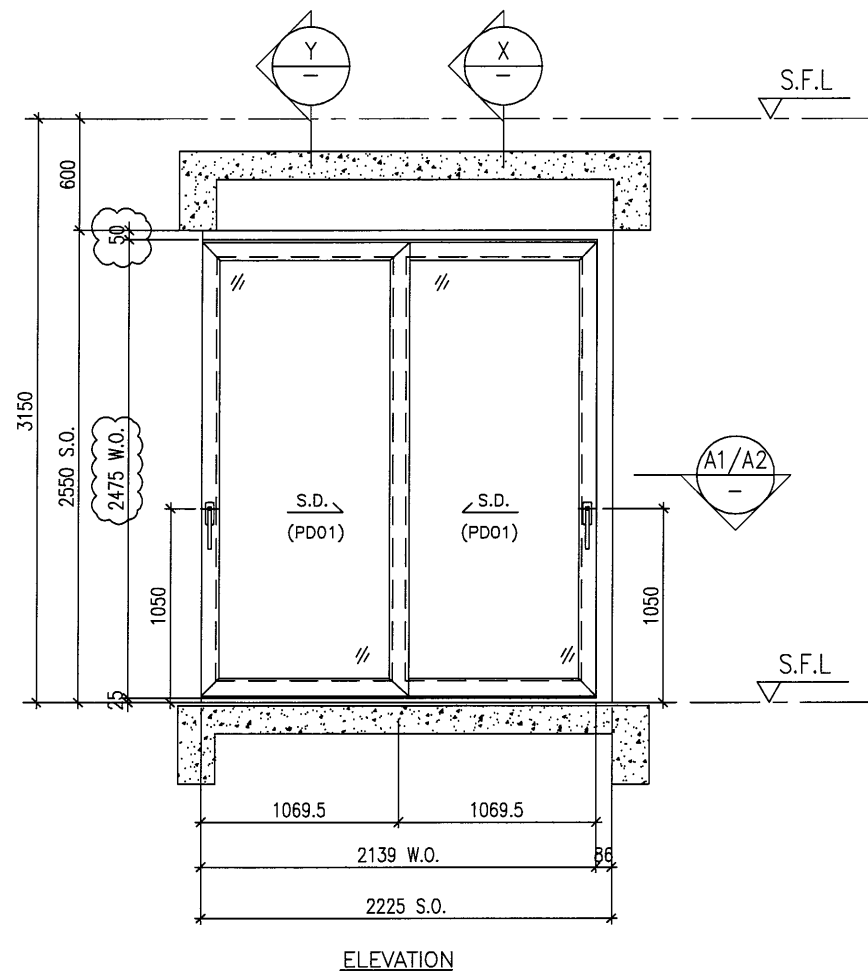
英特鋁質有限公司
MIDI ALUMINIUM FABRICATOR LTD.
Units 6-8, Sunray Industrial Centre, 1/F
610 Cha Kwo Ling Road, Kowloon
Tel:23489211-4 Fax:(852)27727666

DWG NO. : J853-SD-IW-SC501b REV. : C

PROVIDED		
GLAZING AREA	0.0.845	m ²
OPENABLE AREA	1.065	m ²
FREE AREA	—	%

WINDOW MARK	
LOCATION	5F UNIT A MASTER ENSUITE
SECTION	70mm ALUM. SECTION
GLAZING	GL01
QUANTITY	2 Nos.
REMARKS	SITE IN SITU

ELEVATION



PROVIDED		
GLAZING AREA	2.084	m ²
OPENABLE AREA	1.150	m ²
FREE AREA	-	%

B.D. REF :

CLIENT :

SHIMAO GROUP HOLDINGS LIMITED

ARCHITECT : **WONG TUNG & PARTNERS LIMITED ARCHITECTS & PLANNERS**



MAIN CONTRACTOR :

STRUCTURAL ENGINEER :

C M WONG & ASSOCIATES LTD
Consulting Engineers

SITE IN SITU CONSULTANT:

MEINHARDT

NOTE :

1. ALL DIMENSIONS ARE IN mm.
2. ALL ELEVATIONS ARE VIEWED FROM OUTSIDE.
3. ALL DIMENSIONS TO BE VERIFIED ON SITE BEFORE FABRICATION.

LEGEND :

- (x1) --- DETAIL MARK NO.
- (x001) --- REFER SHEET NO.

1. F.F.L. --- FINISHED FLOOR LEVEL
2. S.F.L. --- STRUCTURAL FLOOR LEVEL
3. (R) --- REVERSED DETAIL
4. ▲ --- FIXING LOCATION
5. △ --- FIXING LUG LOCATION
6. GLASS LEGEND

- GL01 --- 10mm+12mm AIR GAP+10mm THK. I.G.U.
- GL05 --- 10mm+12mm AIR GAP+10mm THK. I.G.U.
- GL06 --- 10mm+12mm AIR GAP+12mm THK. I.G.U.
- PD01 --- 10mm T.P+12mm AIR GAP+8mm T.P
- GL07 --- 10mm+12mm AIR GAP+12mm THK. I.G.U.
- GL08 --- 10mm+12mm AIR GAP+10mm THK. I.G.U.

NO.	DATE	REVISION	BY
C	16/04/2022	REVISION SUBJECT TO ARCH.COMMENT	LHR
B	16/12/2021	REVISION SUBJECT TO ARCH.COMMENT	LHR
A	28/08/2021	REVISION SUBJECT TO ARCH.COMMENT	WSH

JOB NO. : J-853

PROJECT : PROPOSED RESIDENTIAL DEVELOPMENT AT N.K.I.L. 6542 YIN PING ROAD KOWLOON

TITLE : WINDOW SCHEDULE FOR TOWER 5 ALUM. WINDOW

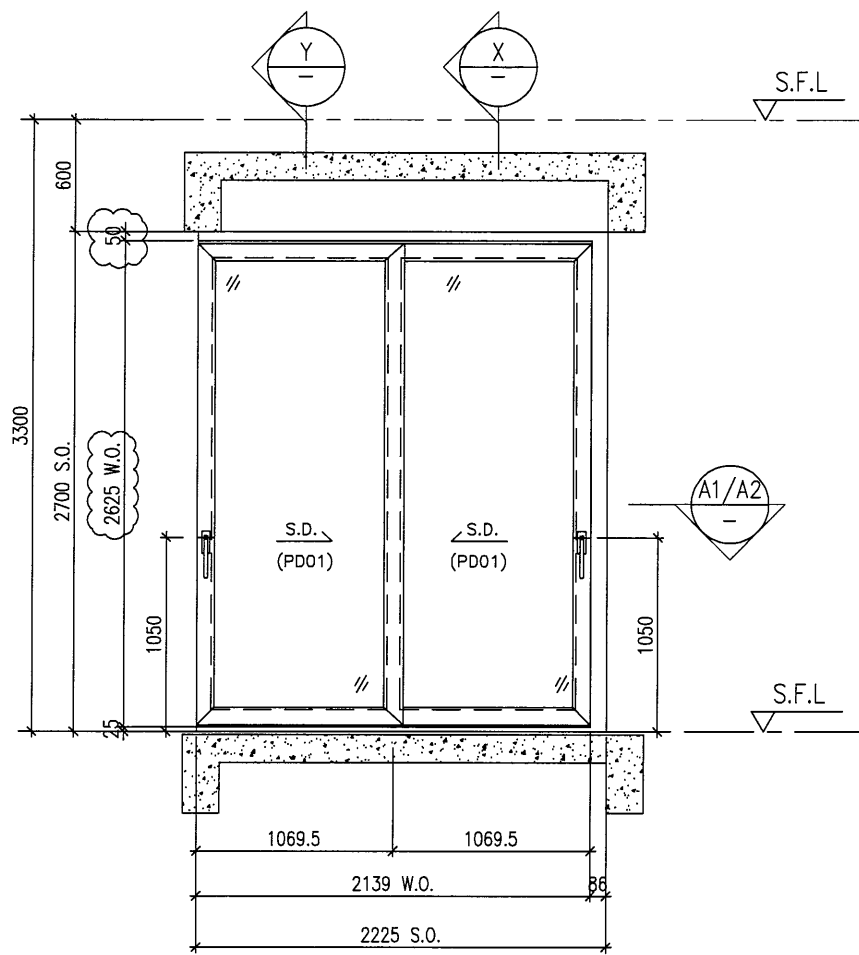
DATE : 03-APR-21 SCALE : 1:40

DRAWN BY : CHECKED BY :

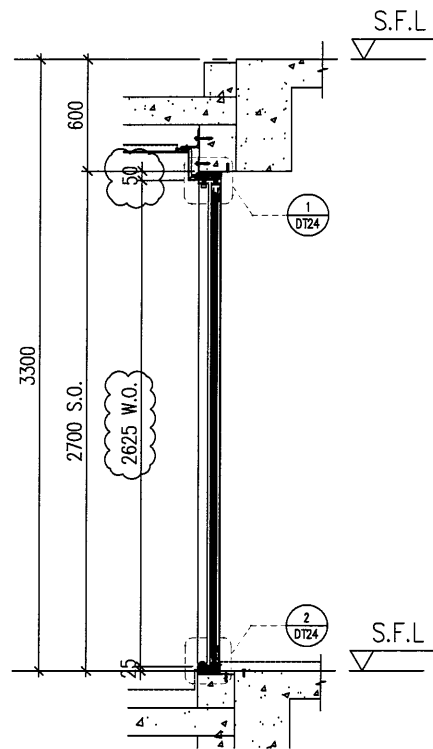
美特铝质有限公司
MIDI ALUMINIUM FABRICATOR LTD.
Units 6-8, Sunray Industrial Centre, 1/F
610 Cha Kwo Ling Road, Kowloon
Tel:23489211-4 Fax:(852)27727666

DWG NO. : J853-SD-IW-SC502 REV. : C

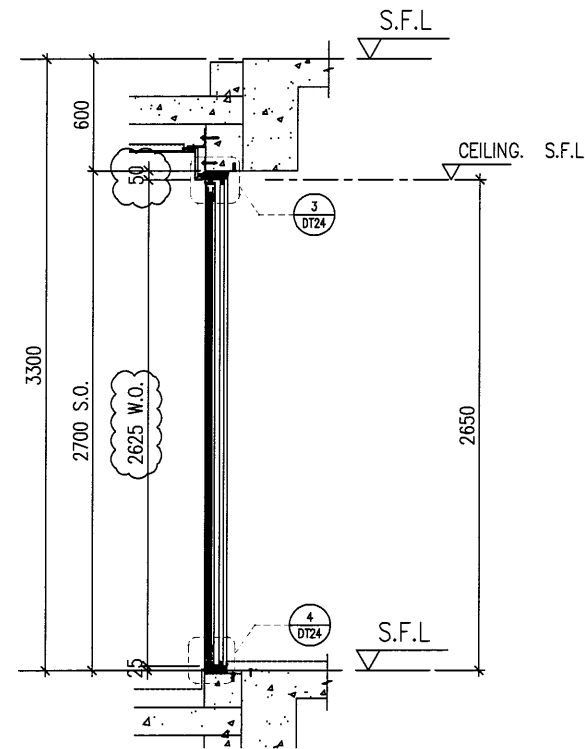
WINDOW MARK	W201 T5
LOCATION	6F~15F UNIT A LIVING
SECTION	50mm ALUM. SECTION
GLAZING	PD01
QUANTITY	8 Nos.
REMARKS	SITE IN SITU



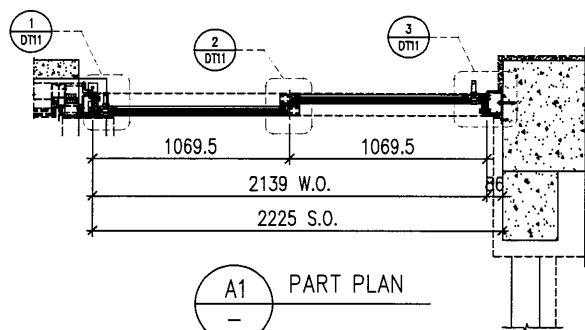
ELEVATION



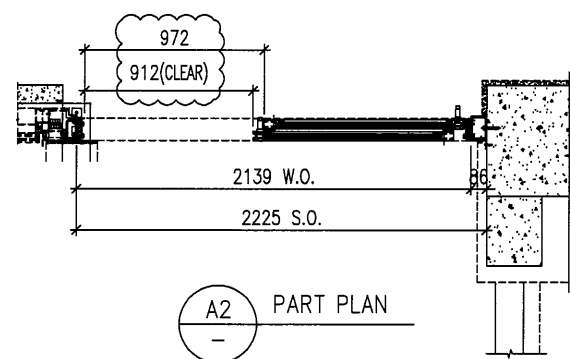
X PART SECTION



Y PART SECTION



A1 PART PLAN



A2 PART PLAN

B.D. REF :

CLIENT :

SHIMAO GROUP HOLDINGS LIMITED

ARCHITECT : **WONG TUNG & PARTNERS LIMITED**
ARCHITECTS & PLANNERS



MAIN CONTRACTOR :

STRUCTURAL ENGINEER :

C M WONG & ASSOCIATES LTD
Consulting Engineers

SITE IN SITU CONSULTANT:



NOTE :

1. ALL DIMENSIONS ARE IN mm.
2. ALL ELEVATIONS ARE VIEWED FROM OUTSIDE.
3. ALL DIMENSIONS TO BE VERIFIED ON SITE BEFORE FABRICATION.

LEGEND :

- (X1) --- DETAIL MARK NO.
- (X001) --- REFER SHEET NO.

1. F.F.L --- FINISHED FLOOR LEVEL
2. S.F.L --- STRUCTURAL FLOOR LEVEL
3. (R) --- REVERSED DETAIL
4. ▲ --- FIXING LOCATION
5. △ --- FIXING LUG LOCATION
6. GLASS LEGEND

- GL01 --- 10mm+12mm AIR GAP+10mm THK. I.G.U.
- GL05 --- 10mm+12mm AIR GAP+10mm THK. I.G.U.
- GL06 --- 10mm+12mm AIR GAP+12mm THK. I.G.U.
- PD01 --- 10mm T.P+12mm AIR GAP+8mm T.P
- GL07 --- 10mm+12mm AIR GAP+12mm THK. I.G.U.
- GL08 --- 10mm+12mm AIR GAP+10mm THK. I.G.U.

C	16/04/2022	REVISION SUBJECT TO ARCH.COMMENT	LHR
B	16/12/2021	REVISION SUBJECT TO ARCH.COMMENT	LHR
NO.	DATE	REVISED	BY

JOB NO. : J-853

PROJECT : PROPOSED RESIDENTIAL DEVELOPMENT AT N.K.I.L. 6542 YIN PING ROAD KOWLOON

TITLE : WINDOW SCHEDULE FOR TOWER 5 ALUM. WINDOW

DATE : 03-APR-21 SCALE : 1:40

DRAWN BY : CHECKED BY :

美特鋁質有限公司
MIDI ALUMINIUM FABRICATOR LTD.
Units 6-8, Sunray Industrial Centre, 1/F
610 Cha Kwo Ling Road, Kowloon
Tel:23489211-4 Fax:(852)2727666

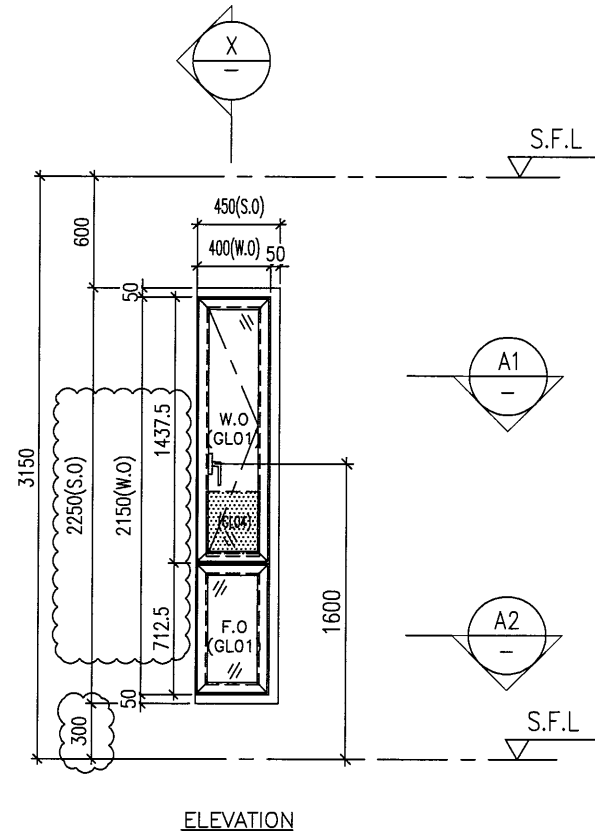
DWG NO. : J853-SD-IW-SC502a REV. : C

PROVIDED		
GLAZING AREA	2.353	m ²
OPENABLE AREA	1.288	m ²
FREE AREA	-	%

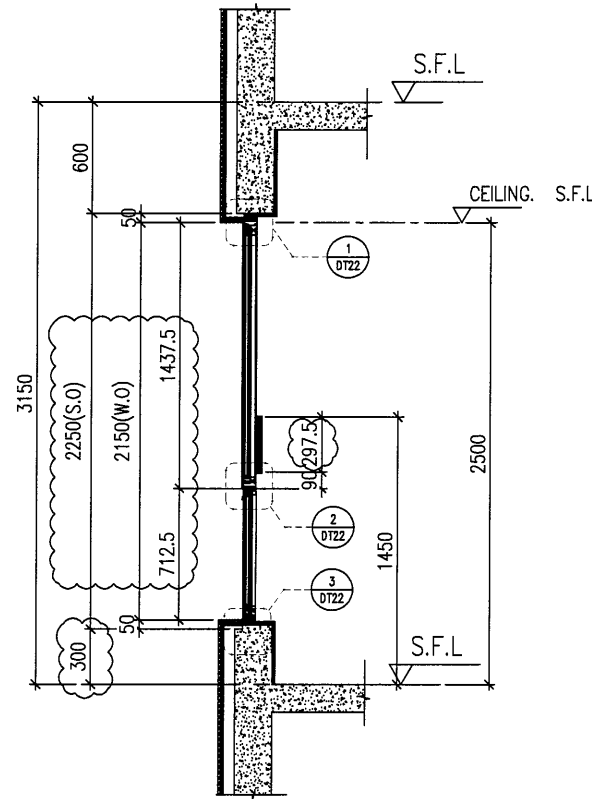
ELEVATION

WINDOW MARK	
LOCATION	16F UNIT A LIVING
SECTION	50mm ALUM. SECTION
GLAZING	PD01
QUANTITY	1 Nos.
REMARKS	SITE IN SITU

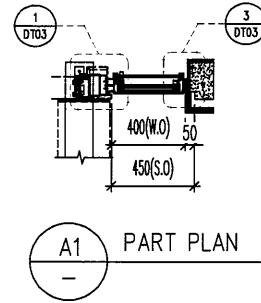
ELEVATION



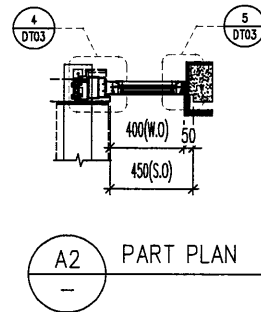
ELEVATION



X PART SECTION



A1 PART PLAN



A2 PART PLAN

PROVIDED		
GLAZING AREA	0.262	m ²
OPENABLE AREA	0.319	m ²
FREE AREA		%

WINDOW MARK	W25 T5
LOCATION	6F~15F UNIT B LIVING
SECTION	70mm ALUM. SECTION
GLAZING	GL01
QUANTITY	8 Nos.
REMARKS	SITE IN SITU

B.D. REF :

CLIENT :
SHIMAO GROUP HOLDINGS LIMITED

ARCHITECT :
WONG TUNG & PARTNERS LIMITED ARCHITECTS & PLANNERS

MAIN CONTRACTOR :

STRUCTURAL ENGINEER :
C M WONG & ASSOCIATES LTD Consulting Engineers

SITE IN SITU CONSULTANT:
MEINHARDT

NOTE :
1. ALL DIMENSIONS ARE IN mm.
2. ALL ELEVATIONS ARE VIEWED FROM OUTSIDE.
3. ALL DIMENSIONS TO BE VERIFIED ON SITE BEFORE FABRICATION.

LEGEND :
 (X1) --- DETAIL MARK NO.
 (X001) --- REFER SHEET NO.
 1. F.F.L --- FINISHED FLOOR LEVEL
 2. S.F.L --- STRUCTURAL FLOOR LEVEL
 3. (R) --- REVERSED DETAIL
 4. ▲ --- FIXING LOCATION
 5. △ --- FIXING LUG LOCATION
 6. GLASS LEGEND
 GL01 --- 10mm+12mm AIR GAP+10mm THK. I.G.U.
 GL05 --- 10mm+12mm AIR GAP+10mm THK. I.G.U.
 GL06 --- 10mm+12mm AIR GAP+12mm THK. I.G.U.
 PD01 --- 10mm T.P+12mm AIR GAP+8mm T.P
 GL07 --- 10mm+12mm AIR GAP+12mm THK. I.G.U.
 GL08 --- 10mm+12mm AIR GAP+10mm THK. I.G.U.

NO.	DATE	REVISION	BY
C	16/04/2022	REVISION SUBJECT TO ARCH.COMMENT	LHR
B	16/12/2021	REVISION SUBJECT TO ARCH.COMMENT	LHR
A	28/08/2021	REVISION SUBJECT TO ARCH.COMMENT	WSH

JOB NO. : J-853
 PROJECT : PROPOSED RESIDENTIAL DEVELOPMENT AT N.K.I.L. 6542 YIN PING ROAD KOWLOON

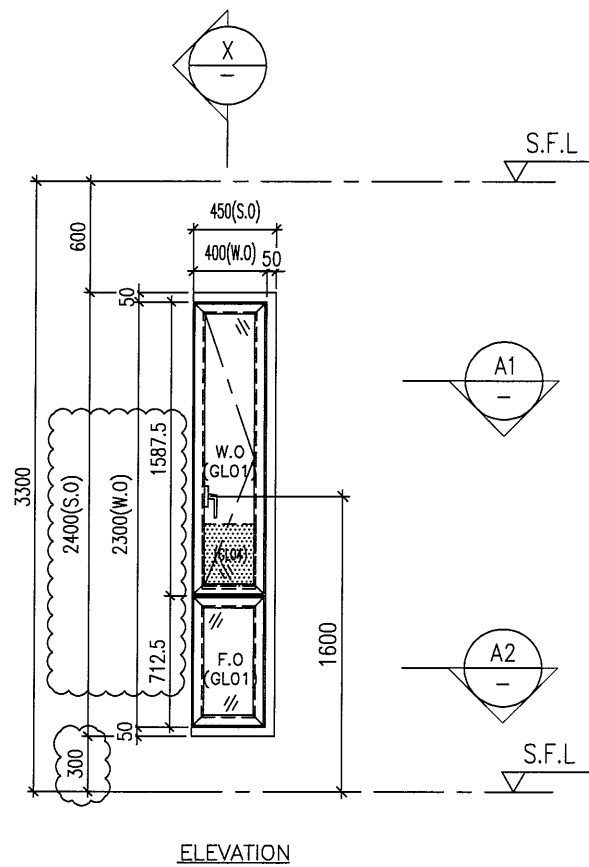
TITLE : WINDOW SCHEDULE FOR TOWER 5 ALUM. WINDOW

DATE : 03-APR-21 SCALE : 1:40
 DRAWN BY : CHECKED BY :

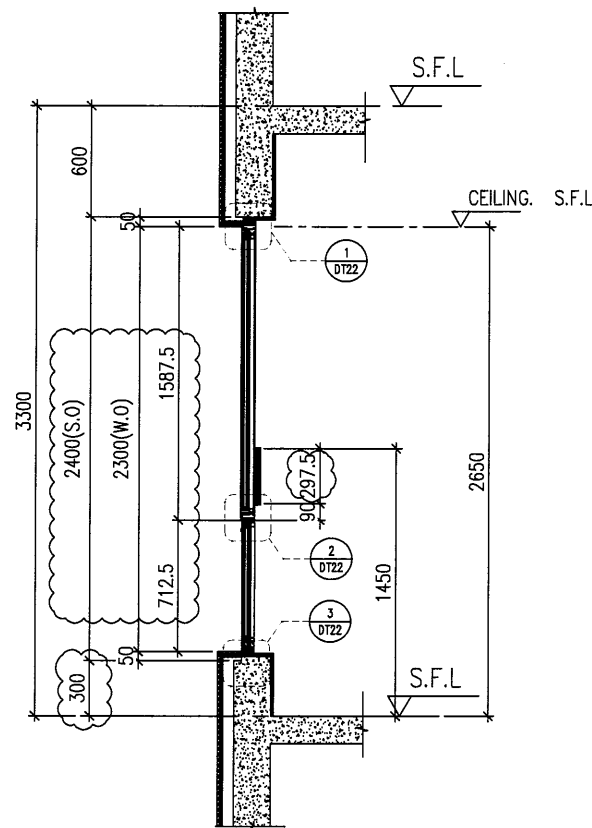
美特鋁質有限公司
MIDI ALUMINIUM FABRICATOR LTD.
 Units 6-8, Sunray Industrial Centre, 1/F
 610 Cha Kwo Ling Road, Kowloon
 Tel:23489211-4 Fax:(852)27727666

DWG NO. : J853-SD-IW-SC503 REV. : C

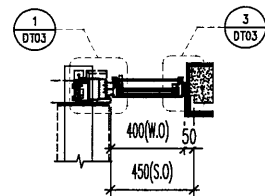
ELEVATION



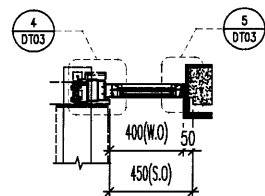
ELEVATION



X PART SECTION



A1 PART PLAN



A2 PART PLAN

PROVIDED		
GLAZING AREA	0.302	m ²
OPENABLE AREA	0.368	m ²
FREE AREA	-	%

WINDOW MARK	W75 T5
LOCATION	16F UNIT B LIVING
SECTION	70mm ALUM. SECTION
GLAZING	GLO1
QUANTITY	1 Nos.
REMARKS	SITE IN SITU

B.D. REF :

CLIENT :
SHIMAO GROUP HOLDINGS LIMITED

ARCHITECT :
WONG TUNG & PARTNERS LIMITED
ARCHITECTS & PLANNERS

MAIN CONTRACTOR :

STRUCTURAL ENGINEER :
C M WONG & ASSOCIATES LTD
Consulting Engineers

SITE IN SITU CONSULTANT:
MEINHARDT

NOTE :
1. ALL DIMENSIONS ARE IN mm.
2. ALL ELEVATIONS ARE VIEWED FROM OUTSIDE.
3. ALL DIMENSIONS TO BE VERIFIED ON SITE BEFORE FABRICATION.

LEGEND :
 (x1) — DETAIL MARK NO.
 (x001) — REFER SHEET NO.
 1. F.F.L. — FINISHED FLOOR LEVEL
 2. S.F.L. — STRUCTURAL FLOOR LEVEL
 3. (R) — REVERSED DETAIL
 4. ▲ — FIXING LOCATION
 5. △ — FIXING LUG LOCATION
 6. GLASS LEGEND
 GLO1 — 10mm+12mm AIR GAP+10mm THK. I.G.U.
 GLO5 — 10mm+12mm AIR GAP+10mm THK. I.G.U.
 GLO6 — 10mm+12mm AIR GAP+12mm THK. I.G.U.
 PDO1 — 10mm T.P+12mm AIR GAP+8mm T.P
 GLO7 — 10mm+12mm AIR GAP+12mm THK. I.G.U.
 GLO8 — 10mm+12mm AIR GAP+10mm THK. I.G.U.

NO.	DATE	REVISION	BY
C	16/04/2022	REVISION SUBJECT TO ARCHCOMMENT	LHR
B	16/12/2021	REVISION SUBJECT TO ARCHCOMMENT	LHR

JOB NO. : J-853
 PROJECT : PROPOSED RESIDENTIAL DEVELOPMENT AT N.K.I.L. 6542 YIN PING ROAD KOWLOON

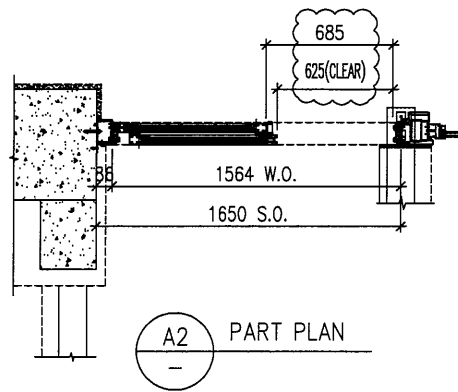
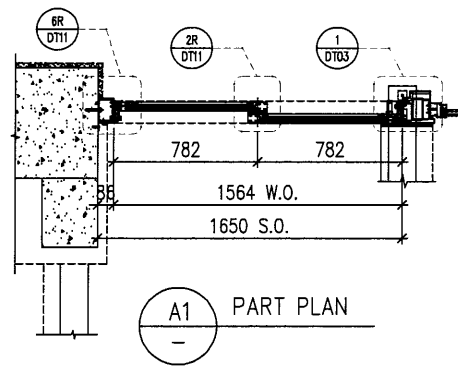
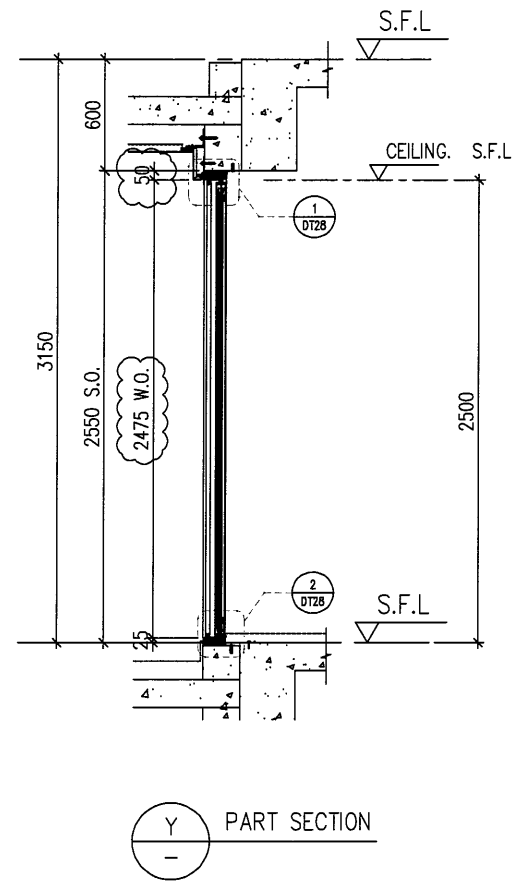
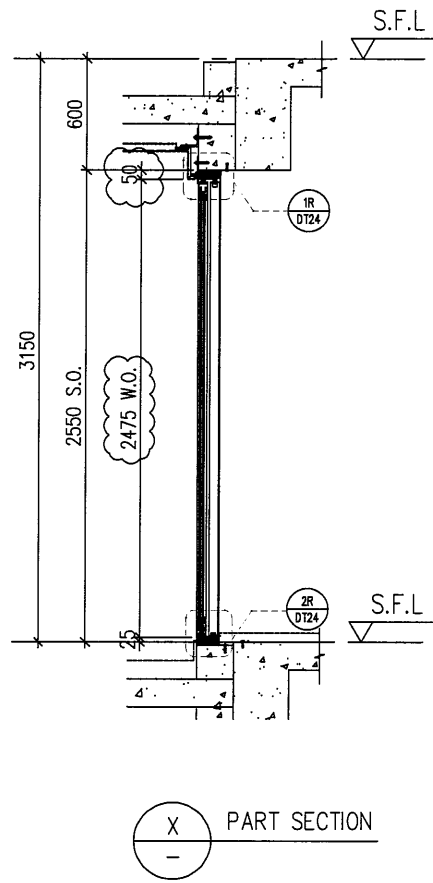
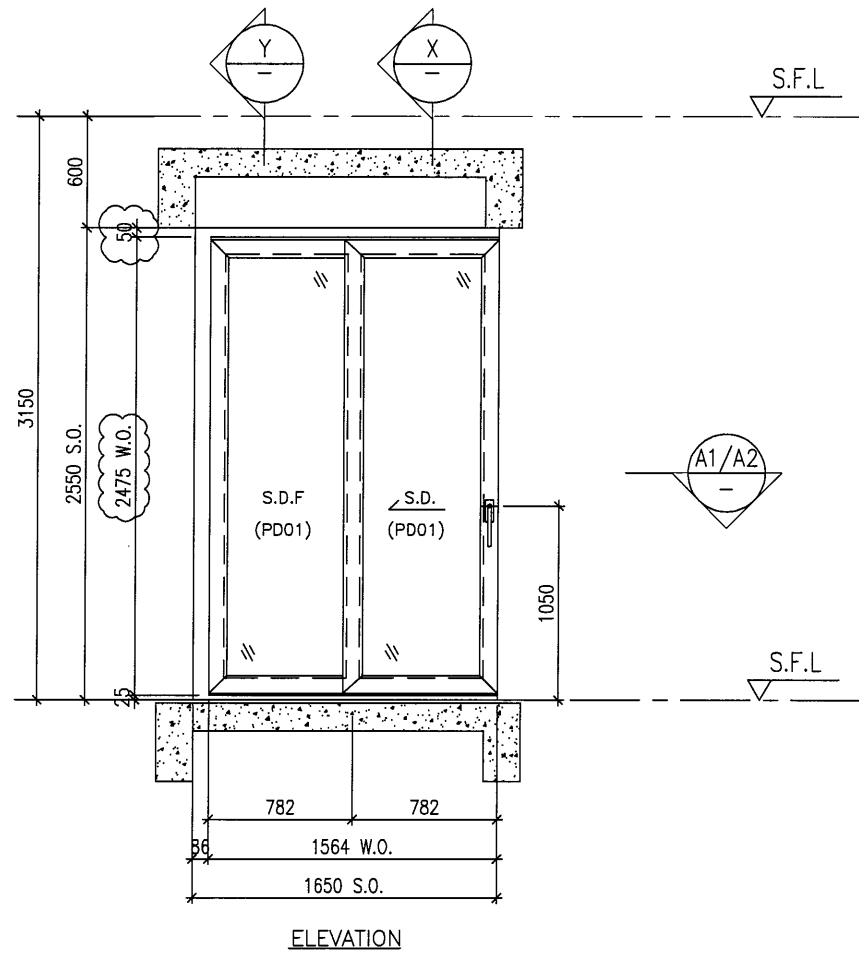
TITLE : WINDOW SCHEDULE FOR TOWER 5 ALUM. WINDOW

DATE : 03-APR-21 SCALE : 1:40
 DRAWN BY : CHECKED BY :

美特鋁質有限公司
MIDI ALUMINIUM FABRICATOR LTD.
 Units 6-8, Sunray Industrial Centre, 1/F
 610 Cha Kwo Ling Road, Kowloon
 Tel:23489211-4 Fax:(852)27727666

DWG NO. : J853-SD-IW-SC503a REV. : C

ELEVATION



B.D. REF :

CLIENT :

SHIMAO GROUP HOLDINGS LIMITED

ARCHITECT : **WONG TUNG & PARTNERS LIMITED ARCHITECTS & PLANNERS**



MAIN CONTRACTOR :

STRUCTURAL ENGINEER :

C M WONG & ASSOCIATES LTD
Consulting Engineers

SITE IN SITU CONSULTANT:



NOTE :

1. ALL DIMENSIONS ARE IN mm.
2. ALL ELEVATIONS ARE VIEWED FROM OUTSIDE.
3. ALL DIMENSIONS TO BE VERIFIED ON SITE BEFORE FABRICATION.

LEGEND :

- (x1) --- DETAIL MARK NO.
- (x001) --- REFER SHEET NO.

1. F.F.L --- FINISHED FLOOR LEVEL
2. S.F.L --- STRUCTURAL FLOOR LEVEL
3. (R) --- REVERSED DETAIL
4. ▲ --- FIXING LOCATION
5. △ --- FIXING LUG LOCATION
6. GLASS LEGEND

- GL01 --- 10mm+12mm AIR GAP+10mm THK. I.G.U.
- GL05 --- 10mm+12mm AIR GAP+10mm THK. I.G.U.
- GL06 --- 10mm+12mm AIR GAP+12mm THK. I.G.U.
- PD01 --- 10mm T.P+12mm AIR GAP+8mm T.P
- GL07 --- 10mm+12mm AIR GAP+12mm THK. I.G.U.
- GL08 --- 10mm+12mm AIR GAP+10mm THK. I.G.U.

NO.	DATE	REVISION	BY
C	16/04/2022	REVISION SUBJECT TO ARCH.COMMENT	LHR
B	16/12/2021	REVISION SUBJECT TO ARCH.COMMENT	LHR
A	28/08/2021	REVISION SUBJECT TO ARCH.COMMENT	WSH

JOB NO. : J-853

PROJECT : PROPOSED RESIDENTIAL DEVELOPMENT AT N.K.I.L. 6542 YIN PING ROAD KOWLOON

TITLE : WINDOW SCHEDULE FOR TOWER 5 ALUM. WINDOW

DATE : 03-APR-21 SCALE : 1:40

DRAWN BY : CHECKED BY :

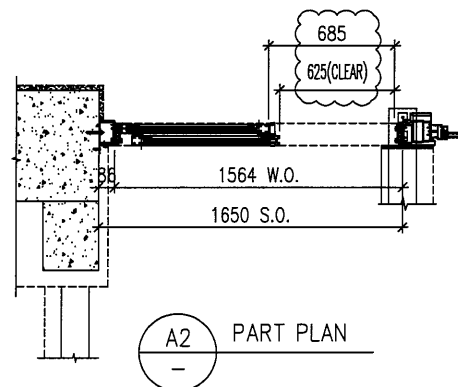
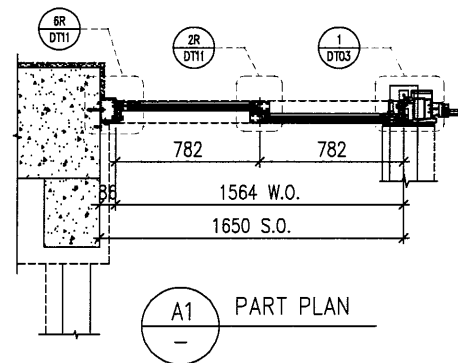
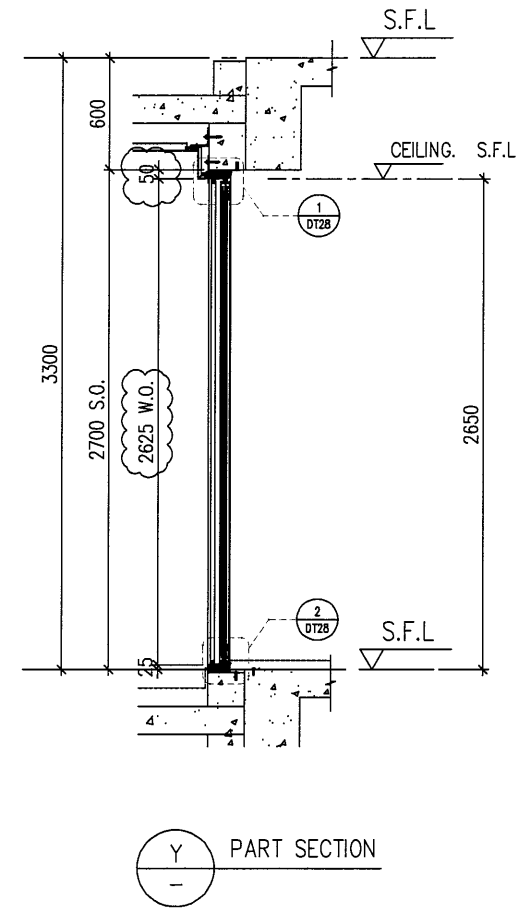
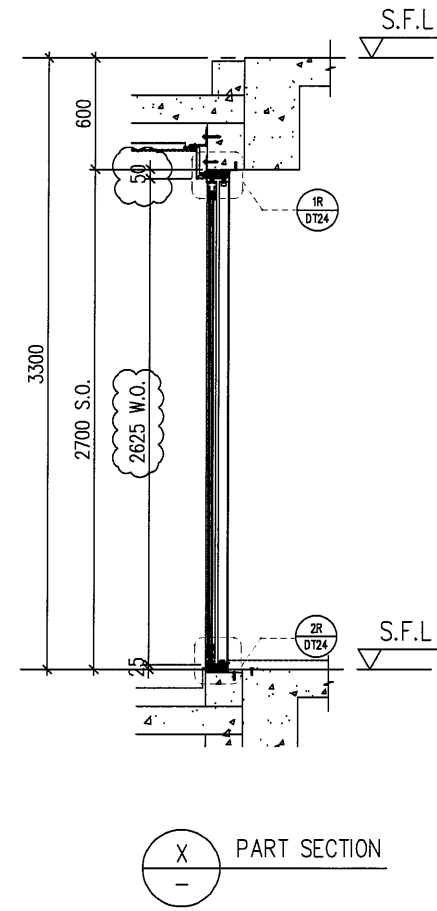
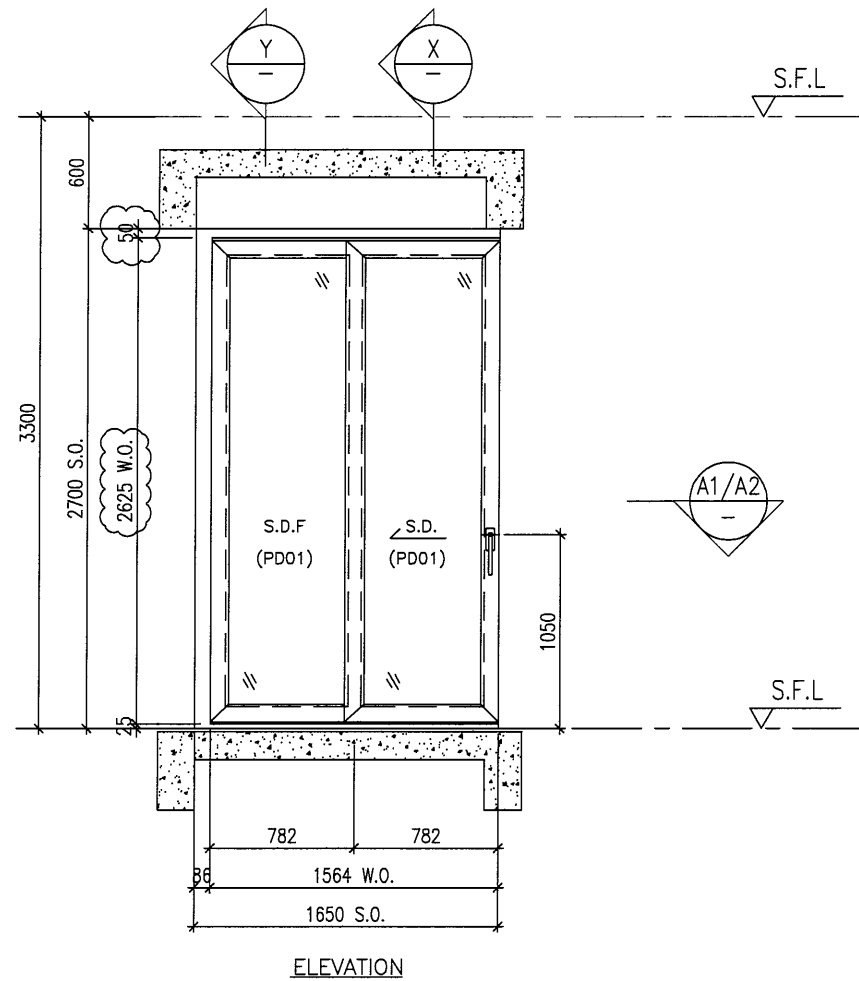
美特铝质有限公司
MIDI ALUMINIUM FABRICATOR LTD.
Units 6-8, Sunray Industrial Centre, 1/F
610 Cha Kwo Ling Road, Kowloon
Tel:23489211-4 Fax:(852)27727666

DWG NO. : J853-SD-IW-SC504 REV. : C

PROVIDED		
GLAZING AREA	1.414	m ²
OPENABLE AREA	0.790	m ²
FREE AREA	-	%

WINDOW MARK	W202 T5
LOCATION	6F~15F UNIT B LIVING
SECTION	50mm ALUM. SECTION
GLAZING	PD01
QUANTITY	8 Nos.
REMARKS	SITE IN SITU

ELEVATION



B.D. REF :

CLIENT :

SHIMAO GROUP HOLDINGS LIMITED

ARCHITECT : **WONG TUNG & PARTNERS LIMITED**
ARCHITECTS & PLANNERS



MAIN CONTRACTOR :

STRUCTURAL ENGINEER :

C M WONG & ASSOCIATES LTD
Consulting Engineers

SITE IN SITU CONSULTANT:



NOTE :

1. ALL DIMENSIONS ARE IN mm.
2. ALL ELEVATIONS ARE VIEWED FROM OUTSIDE.
3. ALL DIMENSIONS TO BE VERIFIED ON SITE BEFORE FABRICATION.

LEGEND :

- (X1) --- DETAIL MARK NO.
- (X001) --- REFER SHEET NO.

1. F.F.L --- FINISHED FLOOR LEVEL
2. S.F.L --- STRUCTURAL FLOOR LEVEL
3. (R) --- REVERSED DETAIL
4. ▲ --- FIXING LOCATION
5. △ --- FIXING LUG LOCATION

6. GLASS LEGEND

- GL01 --- 10mm+12mm AIR GAP+10mm THK. I.G.U.
- GL05 --- 10mm+12mm AIR GAP+10mm THK. I.G.U.
- GL06 --- 10mm+12mm AIR GAP+12mm THK. I.G.U.
- PD01 --- 10mm T.P+12mm AIR GAP+8mm T.P
- GL07 --- 10mm+12mm AIR GAP+12mm THK. I.G.U.
- GL08 --- 10mm+12mm AIR GAP+10mm THK. I.G.U.

NO.	DATE	REVISED	BY
C	16/04/2022	REVISION SUBJECT TO ARCH/COMMENT	LHR
B	16/12/2021	REVISION SUBJECT TO ARCH/COMMENT	LHR

JOB NO. : J-853

PROJECT : PROPOSED RESIDENTIAL DEVELOPMENT AT N.K.I.L. 6542 YIN PING ROAD KOWLOON

TITLE : WINDOW SCHEDULE FOR TOWER 5 ALUM. WINDOW

DATE : 03-APR-21 SCALE : 1:40

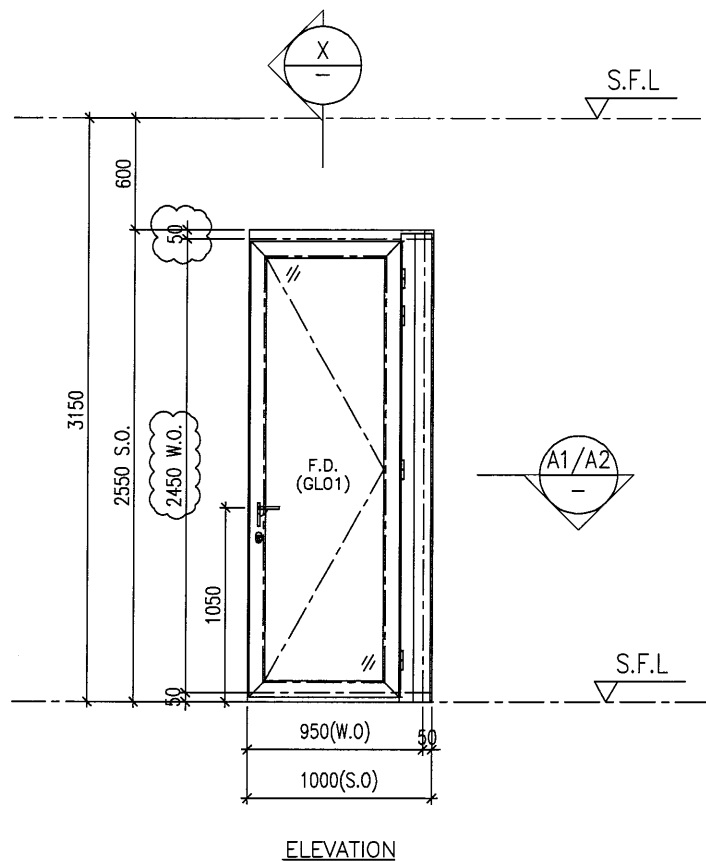
DRAWN BY : CHECKED BY :

英特鋁質有限公司
MIDI ALUMINIUM FABRICATOR LTD.
Units 6-8, Sunray Industrial Centre, 1/F
610 Cha Kwo Ling Road, Kowloon
Tel:23489211-4 Fax:(852)2727666

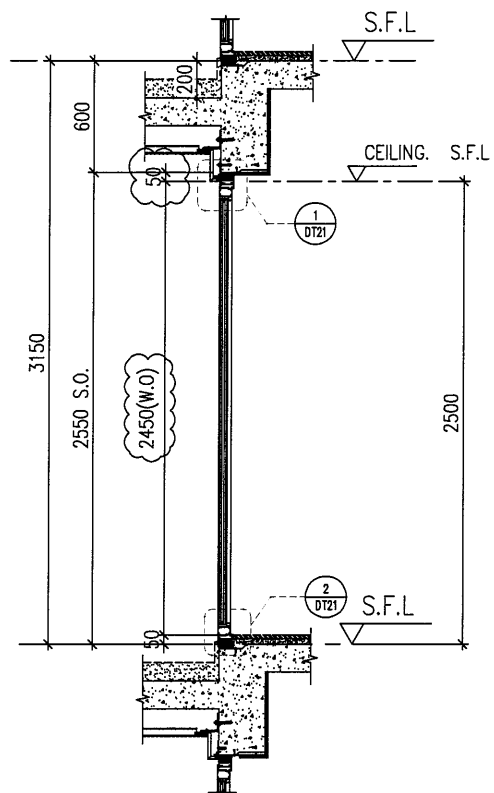
DWG NO. : J853-SD-IW-SC504a REV. : C

PROVIDED		
GLAZING AREA	1.596	m ²
OPENABLE AREA	0.885	m ²
FREE AREA	-	%

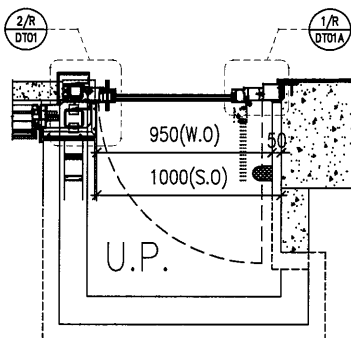
WINDOW MARK	W252 TS
LOCATION	16F UNIT B LIVING
SECTION	50mm ALUM. SECTION
GLAZING	PD01
QUANTITY	1 Nos.
REMARKS	SITE IN SITU



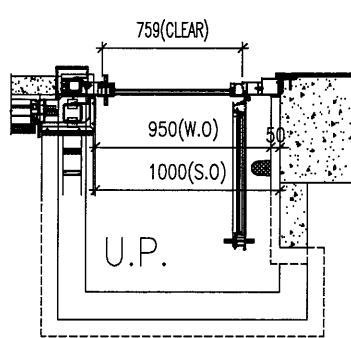
ELEVATION



X PART SECTION



A1 PART PLAN



A2 PART PLAN

ELEVATION

B.D. REF :

CLIENT :
SHIMAO GROUP HOLDINGS LIMITED

ARCHITECT :
WONG TUNG & PARTNERS LIMITED
ARCHITECTS & PLANNERS
WT

MAIN CONTRACTOR :

STRUCTURAL ENGINEER :
C M WONG & ASSOCIATES LTD
Consulting Engineers

SITE IN SITU CONSULTANT:
MEINHARDT

NOTE :
1. ALL DIMENSIONS ARE IN mm.
2. ALL ELEVATIONS ARE VIEWED FROM OUTSIDE.
3. ALL DIMENSIONS TO BE VERIFIED ON SITE BEFORE FABRICATION.

LEGEND :
X1 --- DETAIL MARK NO.
X001 --- REFER SHEET NO.
1. F.F.L --- FINISHED FLOOR LEVEL
2. S.F.L --- STRUCTURAL FLOOR LEVEL
3. (R) --- REVERSED DETAIL
4. ▲ --- FIXING LOCATION
5. △ --- FIXING LUG LOCATION
6. GLASS LEGEND
GLO1 --- 10mm+12mm AIR GAP+10mm THK. I.G.U.
GLO5 --- 10mm+12mm AIR GAP+10mm THK. I.G.U.
GLO6 --- 10mm+12mm AIR GAP+12mm THK. I.G.U.
PDO1 --- 10mm T.P+12mm AIR GAP+8mm T.P
GLO7 --- 10mm+12mm AIR GAP+12mm THK. I.G.U.
GLO8 --- 10mm+12mm AIR GAP+10mm THK. I.G.U.

NO.	DATE	REVISED	BY
C	16/04/2022	REVISION SUBJECT TO ARCH.COMMENT	LHR
B	16/12/2021	REVISION SUBJECT TO ARCH.COMMENT	LHR
A	28/08/2021	REVISION SUBJECT TO ARCH.COMMENT	WSH

JOB NO. : J-853
PROJECT : PROPOSED RESIDENTIAL DEVELOPMENT AT N.K.I.L. 6542 YIN PING ROAD KOWLOON

TITLE : WINDOW SCHEDULE FOR TOWER 5 ALUM. WINDOW

DATE : 03-APR-21 SCALE : 1:40
DRAWN BY : CHECKED BY :

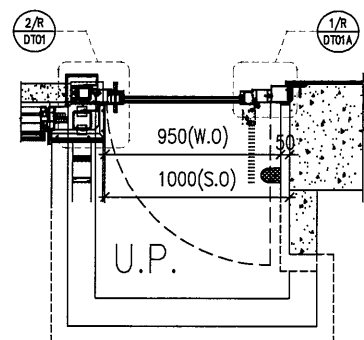
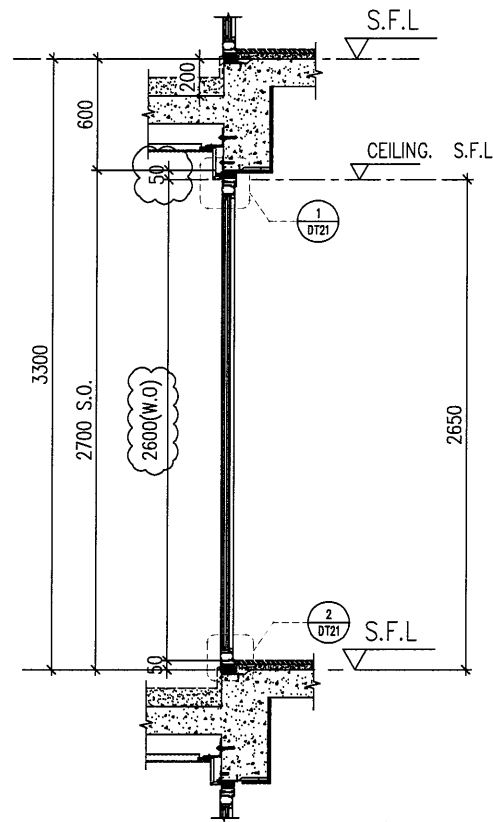
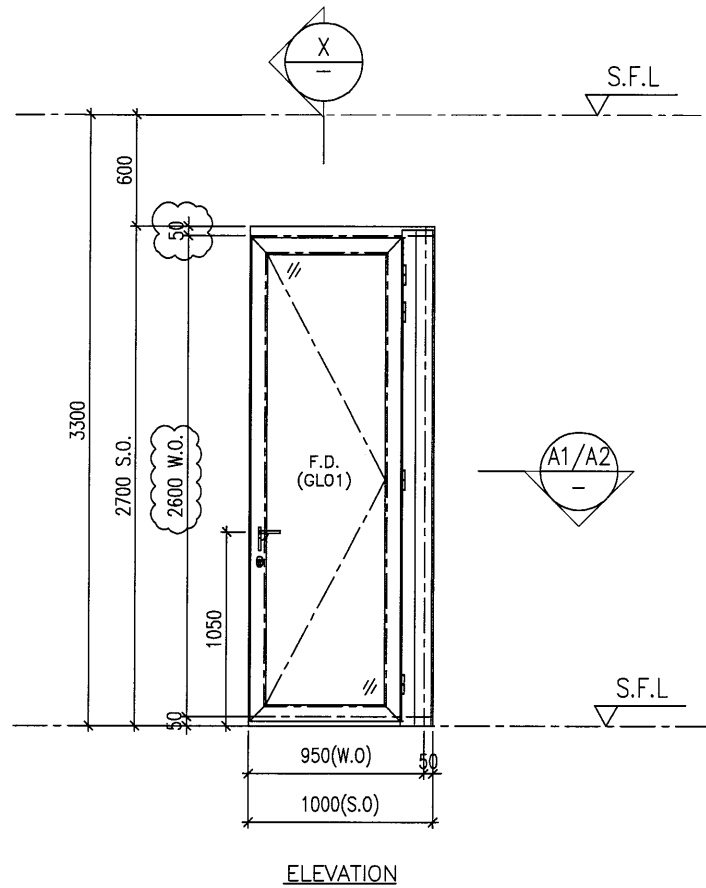
美特鋁質有限公司
MIDI ALUMINIUM FABRICATOR LTD.
Units 6-8, Sunray Industrial Centre, 1/F
610 Cha Kwo Ling Road, Kowloon
Tel:23489211-4 Fax:(852)27727666

DWG NO. : J853-SD-IW-SC505 REV. : C

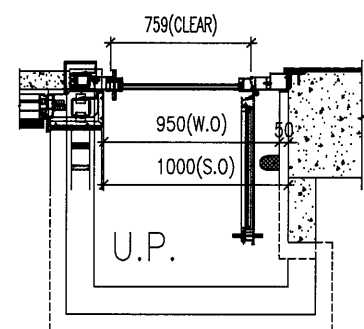
PROVIDED		
GLAZING AREA	0.751	m ²
OPENABLE AREA	0.951	m ²
FREE AREA	-	%

WINDOW MARK	W102R T5	W102R T5	W102R T5
LOCATION	6F~15F UNIT B ENSUITE	17F~23F UNIT A ENSUITE	11F~15F&17F~22F UNIT F ENSUITE
SECTION	70mm ALUM. SECTION	70mm ALUM. SECTION	70mm ALUM. SECTION
GLAZING	GLO1	PDO1	PDO1
QUANTITY	8 Nos.	7 Nos.	9 Nos.
REMARKS	SITE IN SITU	SITE IN SITU	SITE IN SITU

ELEVATION



A1 PART PLAN



A2 PART PLAN

X PART SECTION

B.D. REF :

CLIENT :

SHIMAO GROUP HOLDINGS LIMITED

ARCHITECT : WONG TUNG & PARTNERS LIMITED ARCHITECTS & PLANNERS



MAIN CONTRACTOR :

STRUCTURAL ENGINEER :

C M WONG & ASSOCIATES LTD Consulting Engineers

SITE IN SITU CONSULTANT:



NOTE :

1. ALL DIMENSIONS ARE IN mm.
2. ALL ELEVATIONS ARE VIEWED FROM OUTSIDE.
3. ALL DIMENSIONS TO BE VERIFIED ON SITE BEFORE FABRICATION.

LEGEND :

- X1 -- DETAIL MARK NO.
- X001 -- REFER SHEET NO.

1. F.F.L. -- FINISHED FLOOR LEVEL
2. S.F.L. -- STRUCTURAL FLOOR LEVEL
3. (R) -- REVERSED DETAIL
4. ▲ -- FIXING LOCATION
5. △ -- FIXING LUG LOCATION
6. GLASS LEGEND

- GL01 -- 10mm+12mm AIR GAP+10mm THK. I.G.U.
- GL05 -- 10mm+12mm AIR GAP+10mm THK. I.G.U.
- GL06 -- 10mm+12mm AIR GAP+12mm THK. I.G.U.
- PD01 -- 10mm T.P.+12mm AIR GAP+8mm T.P
- GL07 -- 10mm+12mm AIR GAP+12mm THK. I.G.U.
- GL08 -- 10mm+12mm AIR GAP+10mm THK. I.G.U.

NO.	DATE	REVISION	BY
C	16/04/2022	REVISION SUBJECT TO ARCH.COMMENT	LHR
B	16/12/2021	REVISION SUBJECT TO ARCH.COMMENT	LHR

JOB NO. : J-853

PROJECT : PROPOSED RESIDENTIAL DEVELOPMENT AT N.K.I.L. 6542 YIN PING ROAD KOWLOON

TITLE : WINDOW SCHEDULE FOR TOWER 5 ALUM. WINDOW

DATE : 03-APR-21 SCALE : 1:40

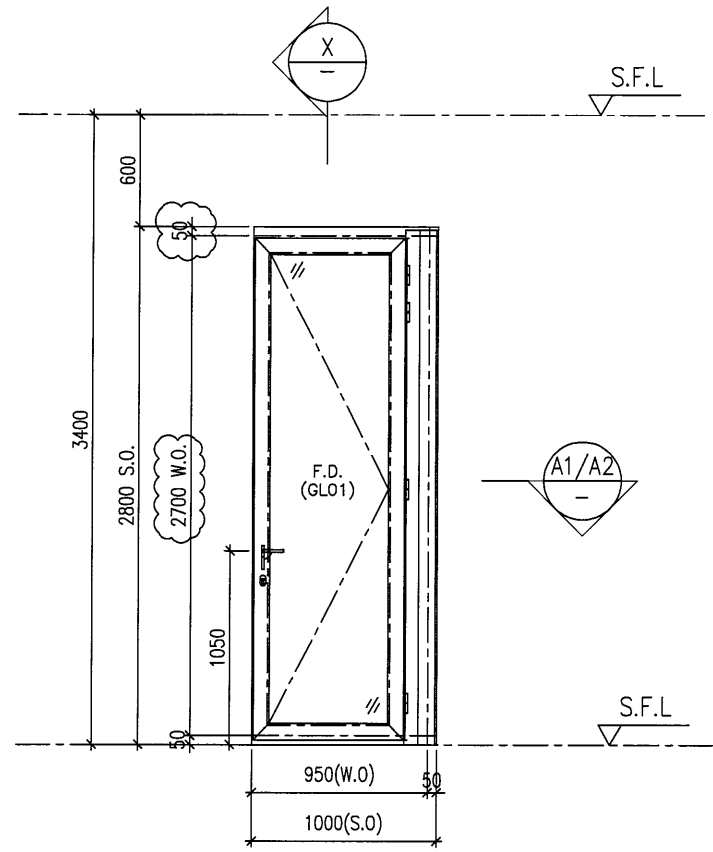
DRAWN BY : CHECKED BY :

美特鋁質有限公司
MIDI ALUMINIUM FABRICATOR LTD.
Units 6-8, Sunray Industrial Centre, 1/F
610 Cha Kwo Ling Road, Kowloon
Tel:23489211-4 Fax:(852)2727666

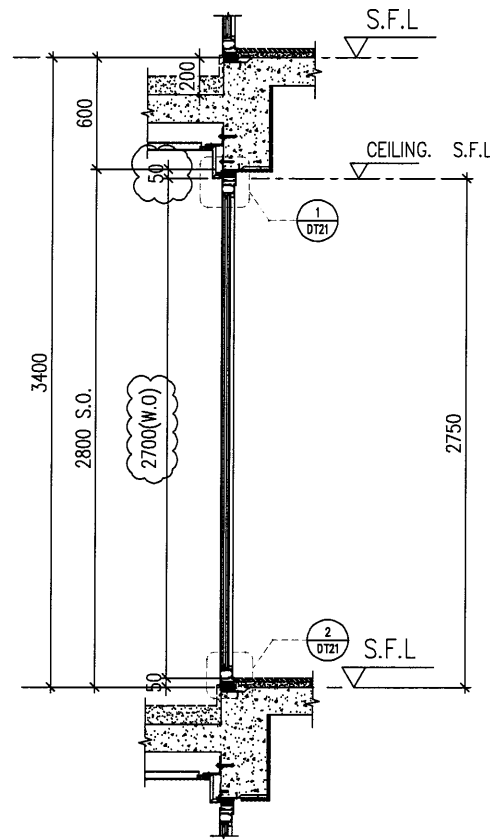
DWG NO. : J853-SD-IW-SC505a REV. : C

PROVIDED		
GLAZING AREA	0.845	m ²
OPENABLE AREA	1.065	m ²
FREE AREA	-	%

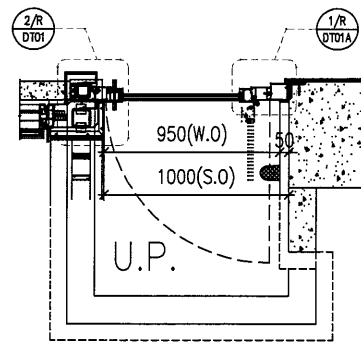
WINDOW MARK	W152R T5	W152R T5	W152R T5	W152R T5
LOCATION	5F UNIT A ENSUITE 2	16F UNIT B ENSUITE	26F UNIT A ENSUITE	16F&25F~26F UNIT F ENSUITE
SECTION	70mm ALUM. SECTION	70mm ALUM. SECTION	70mm ALUM. SECTION	70mm ALUM. SECTION
GLAZING	GL01	GL01	GL01	PD01
QUANTITY	1 Nos.	1 Nos.	1 Nos.	3 Nos.
REMARKS	SITE IN SITU	SITE IN SITU	SITE IN SITU	SITE IN SITU



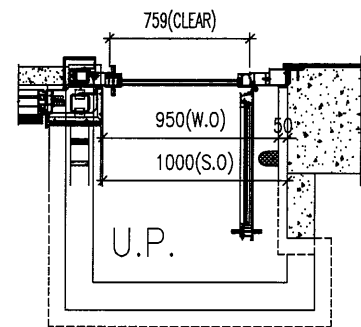
ELEVATION



PART SECTION



A1 PART PLAN



A2 PART PLAN

ELEVATION

B.D. REF :

CLIENT :

SHIMAO GROUP HOLDINGS LIMITED

ARCHITECT : **WONG TUNG & PARTNERS LIMITED ARCHITECTS & PLANNERS**



MAIN CONTRACTOR :

STRUCTURAL ENGINEER :

C M WONG & ASSOCIATES LTD
Consulting Engineers

SITE IN SITU CONSULTANT:



NOTE :

1. ALL DIMENSIONS ARE IN mm.
2. ALL ELEVATIONS ARE VIEWED FROM OUTSIDE.
3. ALL DIMENSIONS TO BE VERIFIED ON SITE BEFORE FABRICATION.

LEGEND :

- (x1) --- DETAIL MARK NO.
- (x001) --- REFER SHEET NO.

1. F.F.L. --- FINISHED FLOOR LEVEL
2. S.F.L. --- STRUCTURAL FLOOR LEVEL
3. (R) --- REVERSED DETAIL
4. ▲ --- FIXING LOCATION
5. △ --- FIXING LUG LOCATION

6. GLASS LEGEND

- GL01 --- 10mm+12mm AIR GAP+10mm THK. I.G.U.
- GL05 --- 10mm+12mm AIR GAP+10mm THK. I.G.U.
- GL06 --- 10mm+12mm AIR GAP+12mm THK. I.G.U.
- PD01 --- 10mm T.P+12mm AIR GAP+8mm T.P
- GL07 --- 10mm+12mm AIR GAP+12mm THK. I.G.U.
- GL08 --- 10mm+12mm AIR GAP+10mm THK. I.G.U.

C	16/04/2022	REVISION SUBJECT TO ARCH/COMMENT	LHR
B	16/12/2021	REVISION SUBJECT TO ARCH/COMMENT	LHR
NO.	DATE	REVISED	BY

JOB NO. : J-853

PROJECT : PROPOSED RESIDENTIAL DEVELOPMENT AT N.K.I.L. 6542 YIN PING ROAD KOWLOON

TITLE : WINDOW SCHEDULE FOR TOWER 5 ALUM. WINDOW

DATE : 03-APR-21 SCALE : 1:40

DRAWN BY : CHECKED BY :

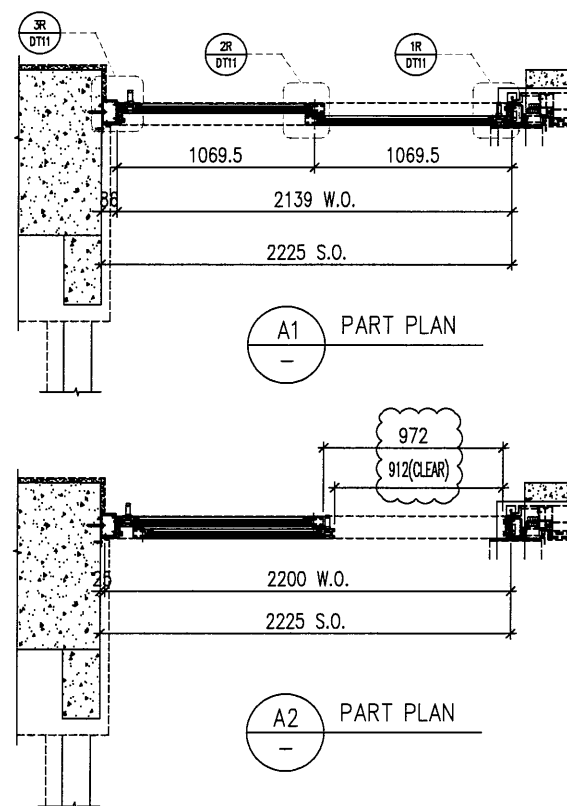
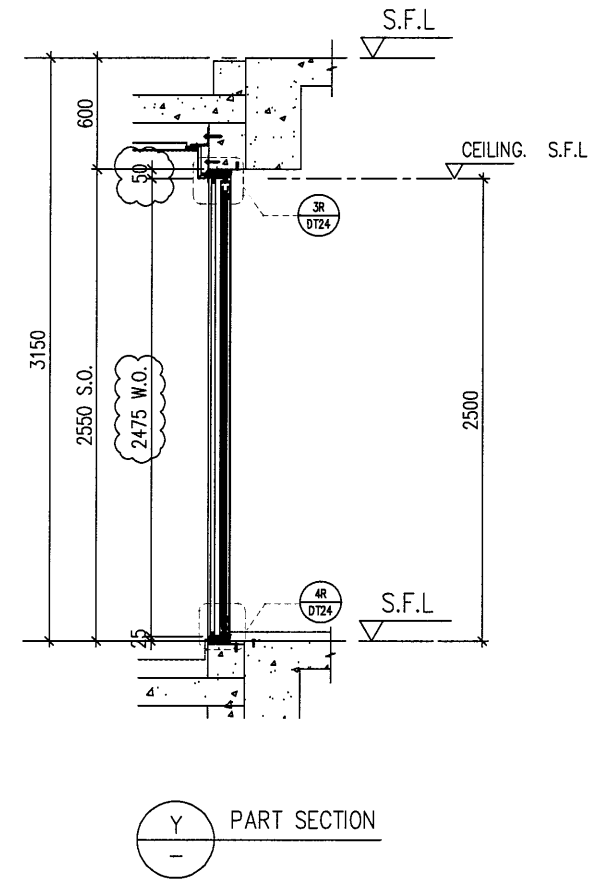
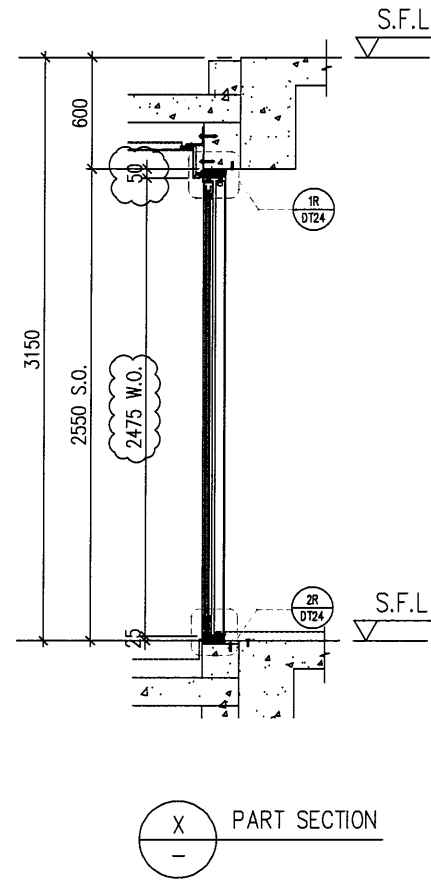
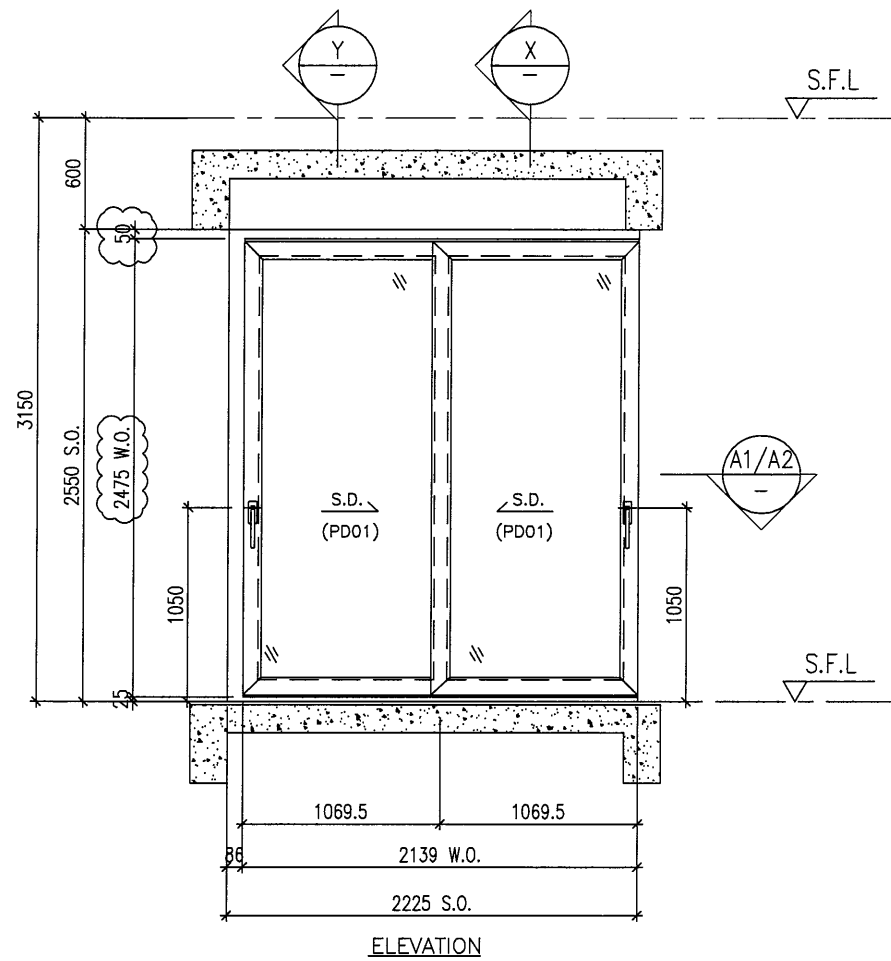
美特鋁質有限公司
MIDI ALUMINIUM FABRICATOR LTD.
Units 6-8, Sunray Industrial Centre, 1/F
610 Cha Kwo Ling Road, Kowloon
Tel:23489211-4 Fax:(852)27727666

DWG NO. : J853-SD-IW-SC505b REV. : C

PROVIDED		
GLAZING AREA	0.908	m ²
OPENABLE AREA	1.141	m ²
FREE AREA	-	%

WINDOW MARK	
LOCATION	23F UNIT F ENSUITE
SECTION	70mm ALUM. SECTION
GLAZING	PD01
QUANTITY	1 Nos.
REMARKS	SITE IN SITU

ELEVATION



B.D. REF :

CLIENT :

SHIMAO GROUP HOLDINGS LIMITED

ARCHITECT :

WONG TUNG & PARTNERS LIMITED ARCHITECTS & PLANNERS

MAIN CONTRACTOR :

STRUCTURAL ENGINEER :

C M WONG & ASSOCIATES LTD Consulting Engineers

SITE IN SITU CONSULTANT:

MEINHARDT

NOTE :

1. ALL DIMENSIONS ARE IN mm.
2. ALL ELEVATIONS ARE VIEWED FROM OUTSIDE.
3. ALL DIMENSIONS TO BE VERIFIED ON SITE BEFORE FABRICATION.

LEGEND :

- (X1) --- DETAIL MARK NO.
- (X001) --- REFER SHEET NO.

1. F.F.L. --- FINISHED FLOOR LEVEL
2. S.F.L. --- STRUCTURAL FLOOR LEVEL
3. (R) --- REVERSED DETAIL
4. ▲ --- FIXING LOCATION
5. △ --- FIXING LUG LOCATION
6. GLASS LEGEND

- GL01 --- 10mm+12mm AIR GAP+10mm THK. I.G.U.
- GL05 --- 10mm+12mm AIR GAP+10mm THK. I.G.U.
- GL06 --- 10mm+12mm AIR GAP+12mm THK. I.G.U.
- PD01 --- 10mm T.P+12mm AIR GAP+8mm T.P
- GL07 --- 10mm+12mm AIR GAP+12mm THK. I.G.U.
- GL08 --- 10mm+12mm AIR GAP+10mm THK. I.G.U.

NO.	DATE	REVISED	BY
C	16/04/2022	REVISION SUBJECT TO ARCH.COMMENT	LHR
B	16/12/2021	REVISION SUBJECT TO ARCH.COMMENT	LHR
A	28/08/2021	REVISION SUBJECT TO ARCH.COMMENT	WSH

JOB NO. : J-853

PROJECT : PROPOSED RESIDENTIAL DEVELOPMENT AT N.K.I.L. 6542 YIN PING ROAD KOWLOON

TITLE : WINDOW SCHEDULE FOR TOWER 5 ALUM. WINDOW

DATE : 03-APR-21 SCALE : 1:40

DRAWN BY : CHECKED BY :

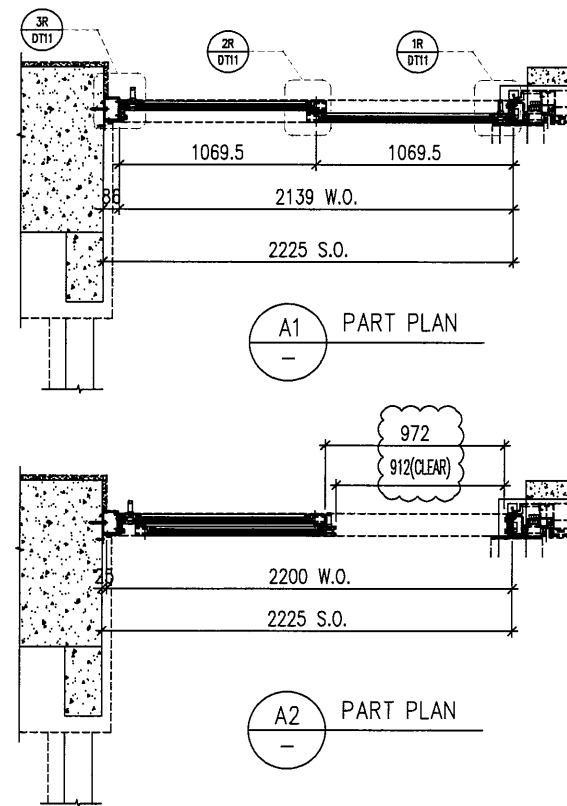
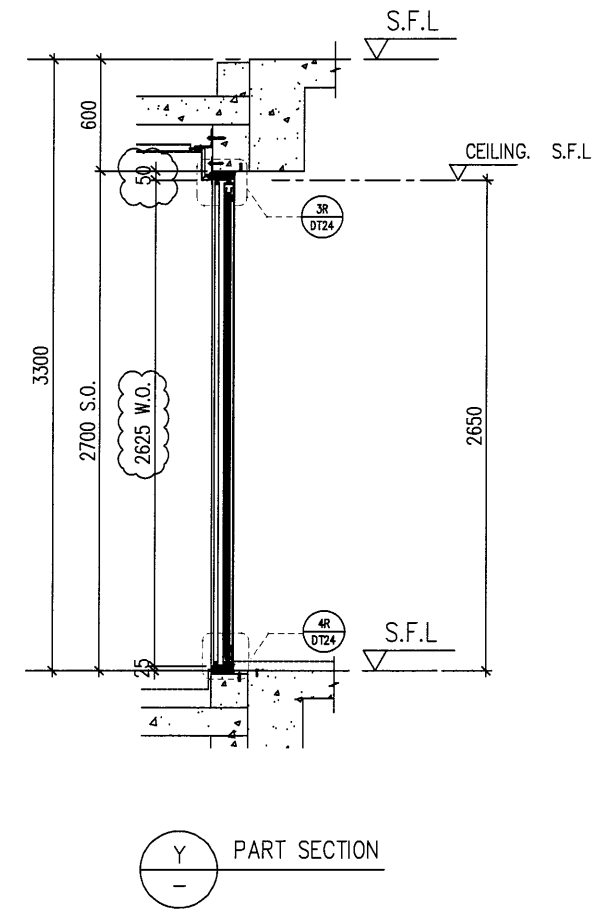
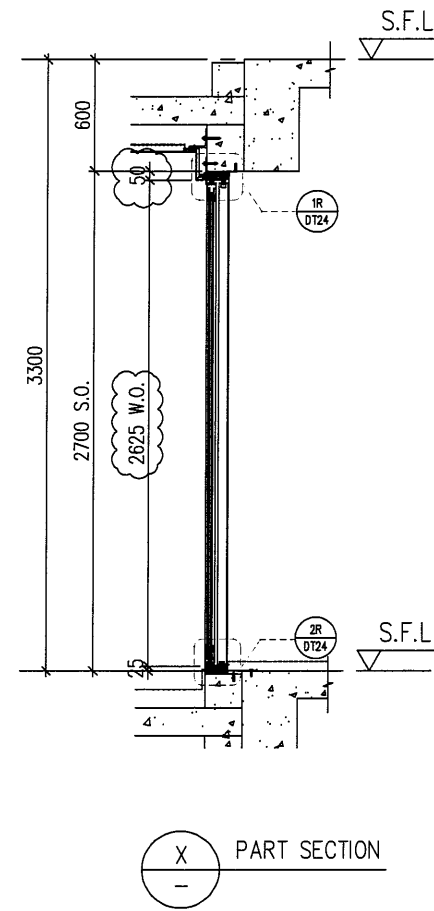
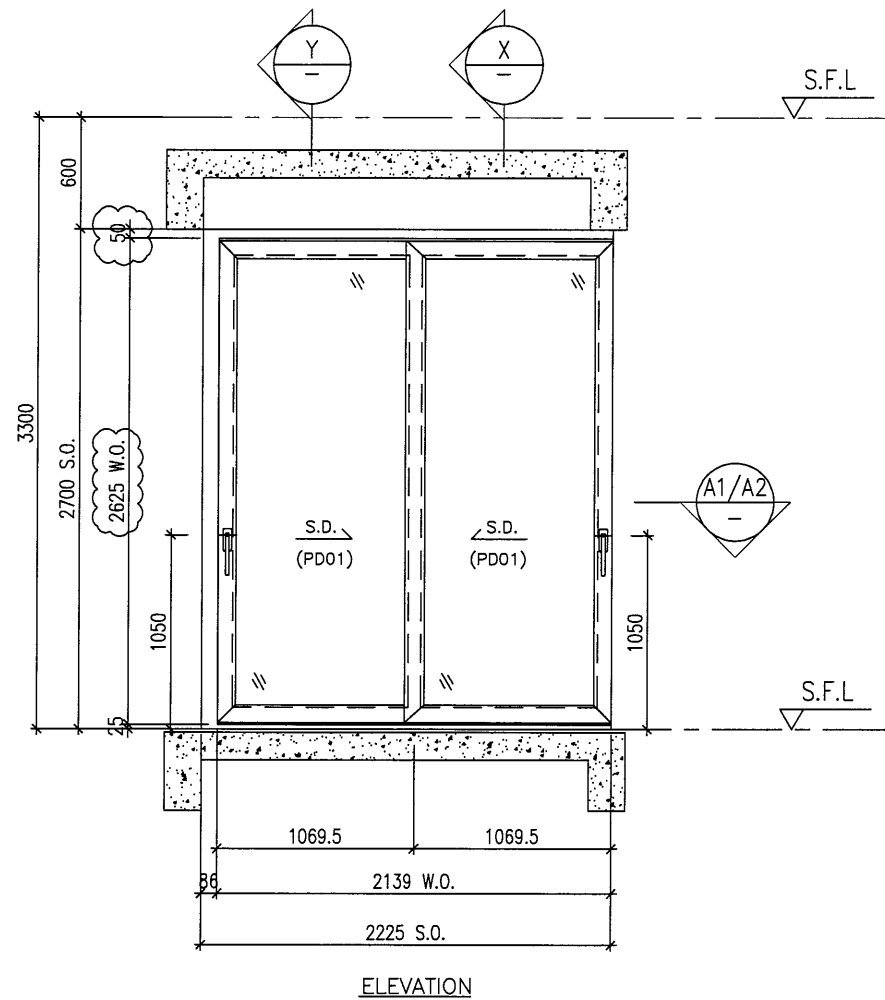
美特铝质有限公司
MIDI ALUMINIUM FABRICATOR LTD.
 Units 6-8, Sunray Industrial Centre, 1/F
 610 Cha Kwo Ling Road, Kowloon
 Tel:23489211-4 Fax:(852)27727666

DWG NO. : J853-SD-IW-SC506 REV. : C

PROVIDED		
GLAZING AREA	2.084	m ²
OPENABLE AREA	1.150	m ²
FREE AREA	-	%

WINDOW MARK	W203 T5
LOCATION	11F~15F UNIT C LIVING
SECTION	50mm ALUM. SECTION
GLAZING	PD01
QUANTITY	3 Nos.
REMARKS	SITE IN SITU

ELEVATION



PROVIDED		
GLAZING AREA	2.353	m ²
OPENABLE AREA	1.288	m ²
FREE AREA	-	%

B.D. REF :

CLIENT :

SHIMAO GROUP HOLDINGS LIMITED

ARCHITECT :

WONG TUNG & PARTNERS LIMITED
ARCHITECTS & PLANNERS

MAIN CONTRACTOR :

STRUCTURAL ENGINEER :

C M WONG & ASSOCIATES LTD
Consulting Engineers

SITE IN SITU CONSULTANT:

MEINHARDT

NOTE :

1. ALL DIMENSIONS ARE IN mm.
2. ALL ELEVATIONS ARE VIEWED FROM OUTSIDE.
3. ALL DIMENSIONS TO BE VERIFIED ON SITE BEFORE FABRICATION.

LEGEND :

- (X1) --- DETAIL MARK NO.
- (X001) --- REFER SHEET NO.

1. F.F.L. --- FINISHED FLOOR LEVEL
2. S.F.L. --- STRUCTURAL FLOOR LEVEL
3. (R) --- REVERSED DETAIL
4. ▲ --- FIXING LOCATION
5. △ --- FIXING LUG LOCATION

6. GLASS LEGEND
- GL01 --- 10mm+12mm AIR GAP+10mm THK. I.G.U.
 - GL05 --- 10mm+12mm AIR GAP+10mm THK. I.G.U.
 - GL06 --- 10mm+12mm AIR GAP+12mm THK. I.G.U.
 - PD01 --- 10mm T.P+12mm AIR GAP+8mm T.P
 - GL07 --- 10mm+12mm AIR GAP+12mm THK. I.G.U.
 - GL08 --- 10mm+12mm AIR GAP+10mm THK. I.G.U.

NO.	DATE	REVISION	BY
C	16/04/2022	REVISION SUBJECT TO ARCH.COMMENT	LHR
B	16/12/2021	REVISION SUBJECT TO ARCH.COMMENT	LHR

JOB NO. : J-853

PROJECT : PROPOSED RESIDENTIAL DEVELOPMENT AT N.K.I.L. 6542 YIN PING ROAD KOWLOON

TITLE : WINDOW SCHEDULE FOR TOWER 5 ALUM. WINDOW

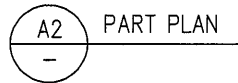
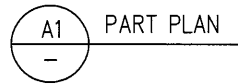
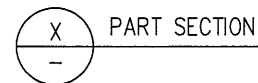
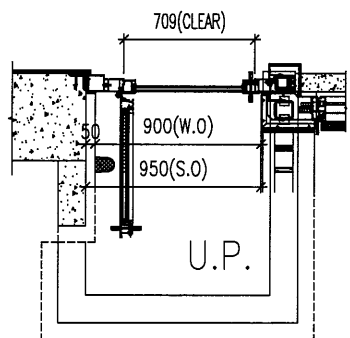
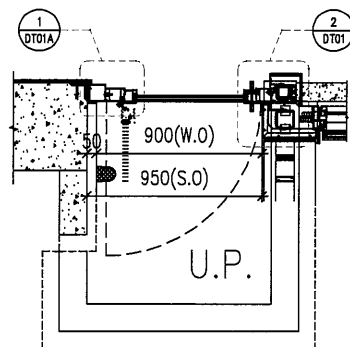
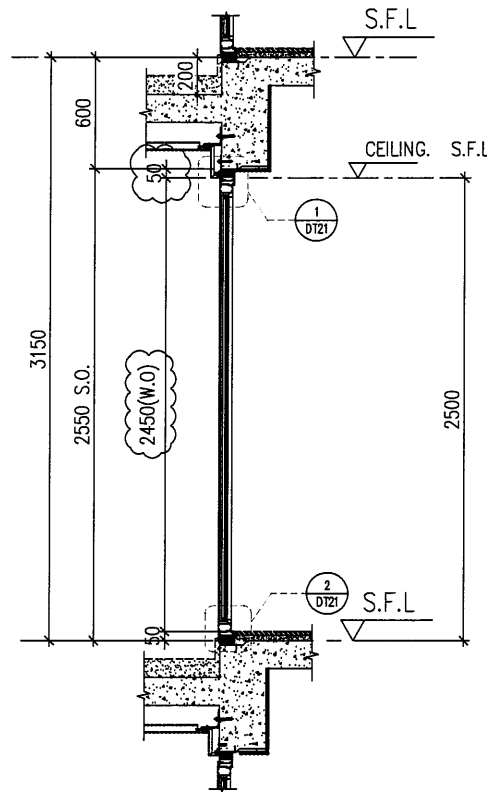
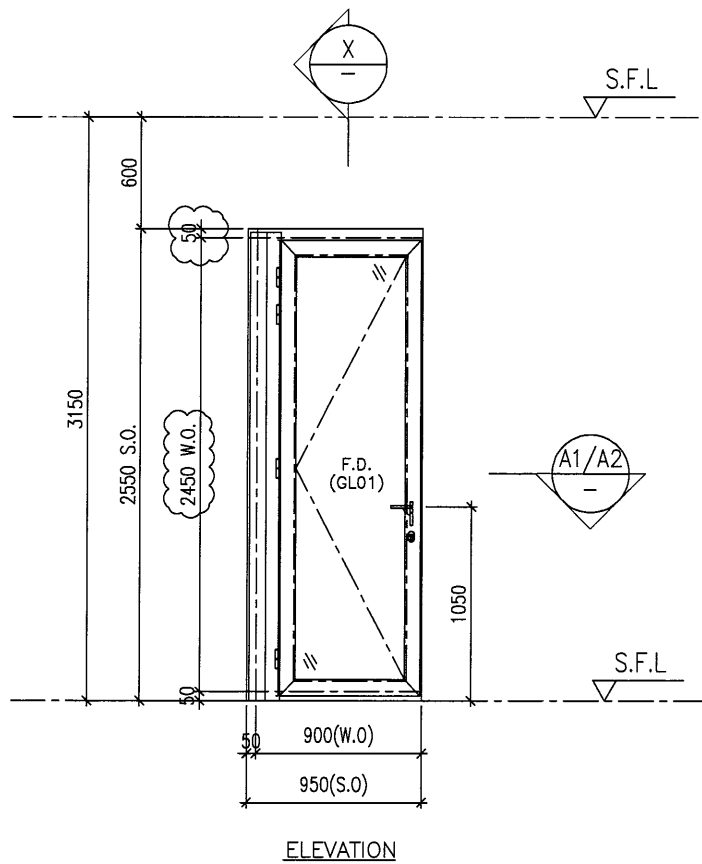
DATE : 03-APR-21 SCALE : 1:40

DRAWN BY : CHECKED BY :

美特鋁質有限公司
MIDI ALUMINIUM FABRICATOR LTD.
Units 6-8, Sunray Industrial Centre, 1/F
610 Cha Kwo Ling Road, Kowloon
Tel:23489211-4 Fax:(852)2727666

DWG NO. : J853-SD-IW-SC506a REV. : C

WINDOW MARK	W253 T5
LOCATION	16F UNIT C LIVING
SECTION	50mm ALUM. SECTION
GLAZING	PD01
QUANTITY	1 Nos.
REMARKS	SITE IN SITU



PROVIDED		
GLAZING AREA	0.691	m ²
OPENABLE AREA	0.889	m ²
FREE AREA	-	%

ELEVATION

WINDOW MARK	W101L T5	W101L T5
LOCATION	11F~15F UNIT D M. ENSUITE, 17F~22F UNIT B ENSUITE 2	23F UNIT B ENSUITE 2
SECTION	70mm ALUM. SECTION	70mm ALUM. SECTION
GLAZING	GL01	GL01
QUANTITY	9 Nos.	1 Nos.
REMARKS	SITE IN SITU	SITE IN SITU

WINDOW MARK	W101L T5	W101L T5
LOCATION	11F~15F UNIT D M. ENSUITE, 17F~22F UNIT B ENSUITE 2	23F UNIT B ENSUITE 2
SECTION	70mm ALUM. SECTION	70mm ALUM. SECTION
GLAZING	GL01	GL01
QUANTITY	9 Nos.	1 Nos.
REMARKS	SITE IN SITU	SITE IN SITU

B.D. REF :

CLIENT :
SHIMAO GROUP HOLDINGS LIMITED

ARCHITECT :
WONG TUNG & PARTNERS LIMITED ARCHITECTS & PLANNERS

MAIN CONTRACTOR :

STRUCTURAL ENGINEER :
C M WONG & ASSOCIATES LTD Consulting Engineers

SITE IN SITU CONSULTANT:
MEINHARDT

NOTE :
1. ALL DIMENSIONS ARE IN mm.
2. ALL ELEVATIONS ARE VIEWED FROM OUTSIDE.
3. ALL DIMENSIONS TO BE VERIFIED ON SITE BEFORE FABRICATION.

LEGEND :
X1 --- DETAIL MARK NO.
X001 --- REFER SHEET NO.
1. F.F.L --- FINISHED FLOOR LEVEL
2. S.F.L --- STRUCTURAL FLOOR LEVEL
3. (R) --- REVERSED DETAIL
4. ▲ --- FIXING LOCATION
5. △ --- FIXING LUG LOCATION
6. GLASS LEGEND
GL01 --- 10mm+12mm AIR GAP+10mm THK. I.G.U.
GL05 --- 10mm+12mm AIR GAP+10mm THK. I.G.U.
GL06 --- 10mm+12mm AIR GAP+12mm THK. I.G.U.
PDO1 --- 10mm T.P+12mm AIR GAP+8mm T.P
GL07 --- 10mm+12mm AIR GAP+12mm THK. I.G.U.
GL08 --- 10mm+12mm AIR GAP+10mm THK. I.G.U.

NO.	DATE	REVISED	BY
C	16/04/2022	REVISION SUBJECT TO ARCH.COMMENT	LHR
B	16/12/2021	REVISION SUBJECT TO ARCH.COMMENT	LHR
A	28/08/2021	REVISION SUBJECT TO ARCH.COMMENT	WSH

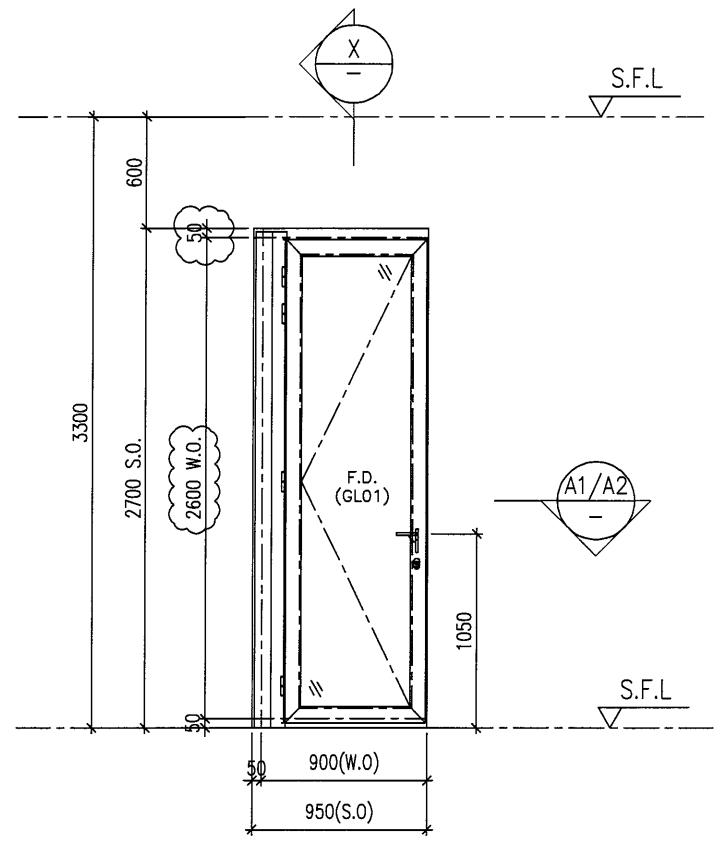
JOB NO. : J-853
PROJECT : PROPOSED RESIDENTIAL DEVELOPMENT AT N.K.I.L. 6542 YIN PING ROAD KOWLOON

TITLE : WINDOW SCHEDULE FOR TOWER 5 ALUM. WINDOW

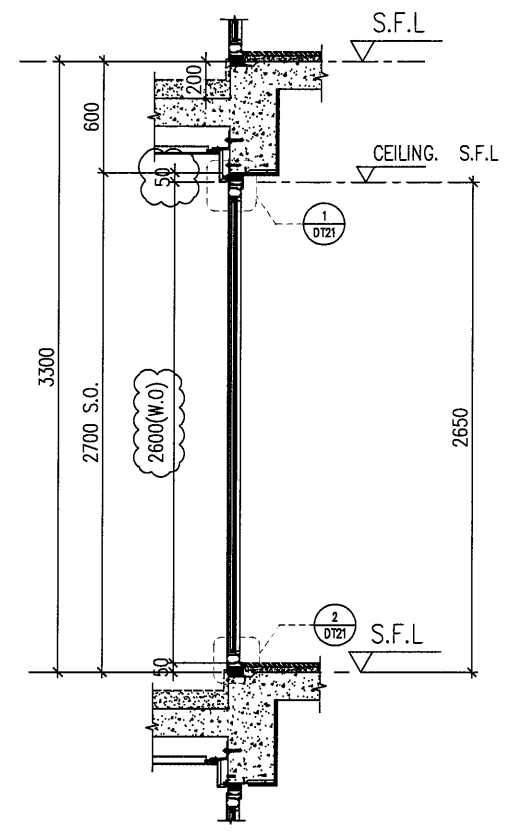
DATE : 03-APR-21 SCALE : 1:40
DRAWN BY : CHECKED BY :

英特鋁質有限公司
MIDI ALUMINIUM FABRICATOR LTD.
Units 6-8, Sunray Industrial Centre, 1/F
610 Cha Kwo Ling Road, Kowloon
Tel:23489211-4 Fax:(852)27727666

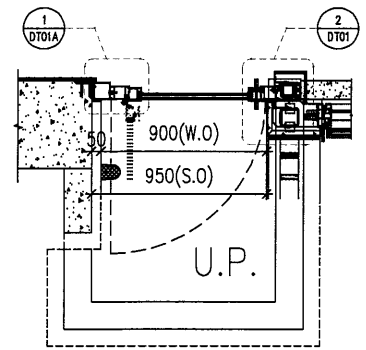
DWG NO. : J853-SD-IW-SC507 REV. : C



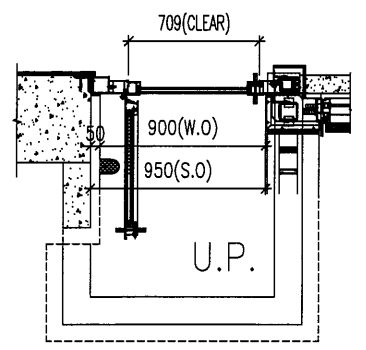
ELEVATION



PART SECTION



A1 PART PLAN



A2 PART PLAN

ELEVATION

B.D. REF :

CLIENT :
SHIMAO GROUP HOLDINGS LIMITED

ARCHITECT :
WONG TUNG & PARTNERS LIMITED ARCHITECTS & PLANNERS

MAIN CONTRACTOR :

STRUCTURAL ENGINEER :
C M WONG & ASSOCIATES LTD Consulting Engineers

SITE IN SITU CONSULTANT:
MEINHARDT

NOTE :
1. ALL DIMENSIONS ARE IN mm.
2. ALL ELEVATIONS ARE VIEWED FROM OUTSIDE.
3. ALL DIMENSIONS TO BE VERIFIED ON SITE BEFORE FABRICATION.

LEGEND :
 (x1) --- DETAIL MARK NO.
 (x001) --- REFER SHEET NO.
 1. F.F.L. --- FINISHED FLOOR LEVEL
 2. S.F.L. --- STRUCTURAL FLOOR LEVEL
 3. (R) --- REVERSED DETAIL
 4. ▲ --- FIXING LOCATION
 5. △ --- FIXING LUG LOCATION
 6. GLASS LEGEND
 GL01 --- 10mm+12mm AIR GAP+10mm THK. I.G.U.
 GL05 --- 10mm+12mm AIR GAP+10mm THK. I.G.U.
 GL06 --- 10mm+12mm AIR GAP+12mm THK. I.G.U.
 PDO1 --- 10mm T.P+12mm AIR GAP+8mm T.P
 GL07 --- 10mm+12mm AIR GAP+12mm THK. I.G.U.
 GL08 --- 10mm+12mm AIR GAP+10mm THK. I.G.U.

C	16/04/2022	REVISION SUBJECT TO ARCH.COMMENT	LHR
B	16/12/2021	REVISION SUBJECT TO ARCH.COMMENT	LHR
NO.	DATE	REVISED	BY

JOB NO. : J-853
 PROJECT : PROPOSED RESIDENTIAL DEVELOPMENT AT N.K.I.L. 6542 YIN PING ROAD KOWLOON

TITLE : WINDOW SCHEDULE FOR TOWER 5 ALUM. WINDOW

DATE : 03-APR-21 SCALE : 1:40
 DRAWN BY : CHECKED BY :

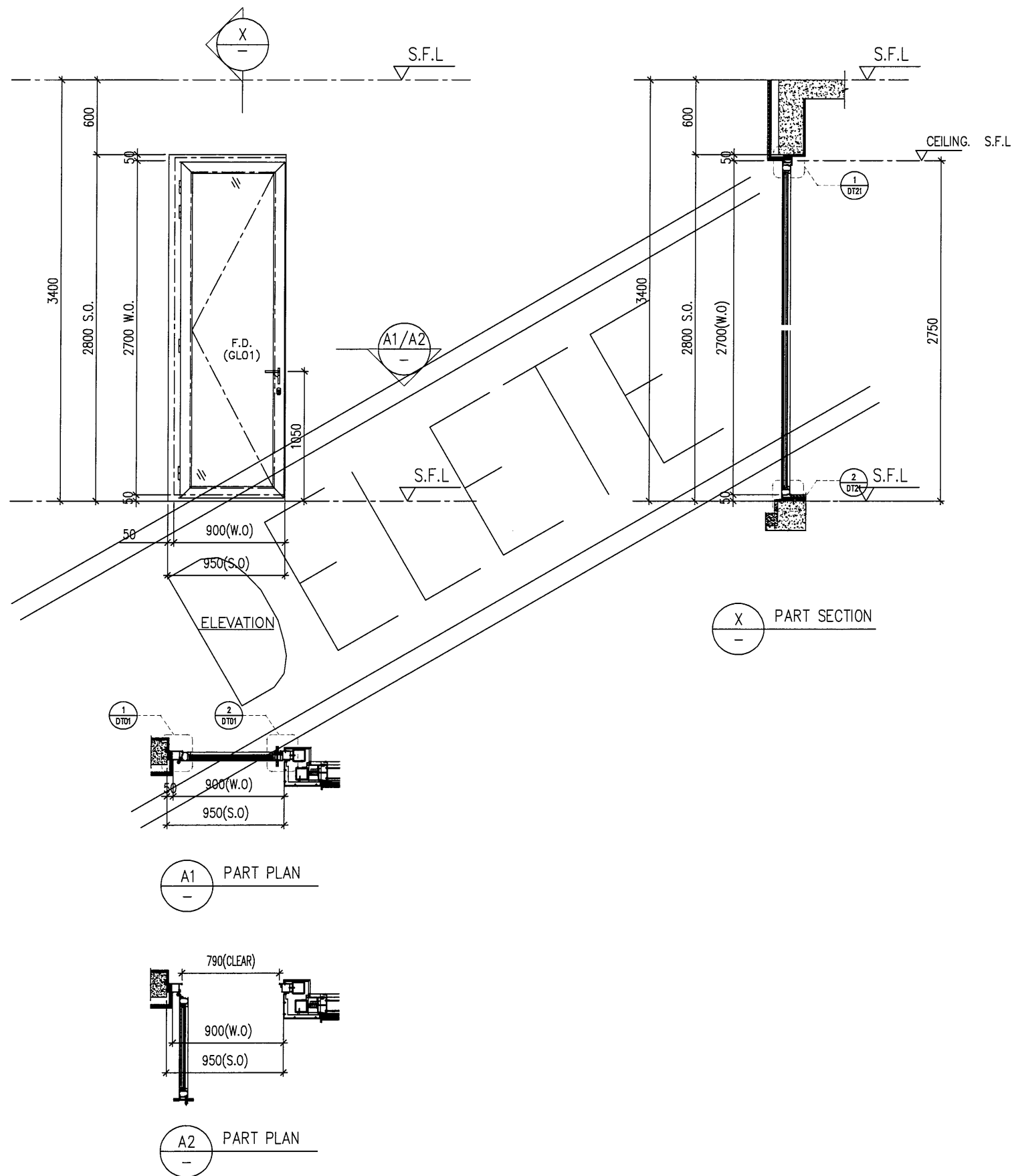
美特铝质有限公司
MIDI ALUMINIUM FABRICATOR LTD.
 Units 6-8, Sunray Industrial Centre, 1/F
 610 Cha Kwo Ling Road, Kowloon
 Tel:23489211-4 Fax:(852)27727666

DWG NO. : J853-SD-IW-SC507a REV. : C

PROVIDED		
GLAZING AREA	0.778	m ²
OPENABLE AREA	0.995	m ²
FREE AREA	-	%

WINDOW MARK	
LOCATION	16F UNIT D ENSUITE
SECTION	70mm ALUM. SECTION
GLAZING	GL01
QUANTITY	1 Nos.
REMARKS	SITE IN SITU

ELEVATION



PROVIDED		
GLAZING AREA	0.959	m ²
OPENABLE AREA	1.195	m ²
FREE AREA	—	%

WINDOW MARK	
LOCATION	23F UNIT B ENSUITE 2
SECTION	70mm ALUM. SECTION
GLAZING	GL01
QUANTITY	1 Nos.
REMARKS	SITE IN SITU

B.D. REF :

CLIENT :
SHIMAO GROUP HOLDINGS LIMITED

ARCHITECT :
WONG TUNG & PARTNERS LIMITED
ARCHITECTS & PLANNERS

MAIN CONTRACTOR :

STRUCTURAL ENGINEER :
 C M WONG & ASSOCIATES LTD
Consulting Engineers

SITE IN SITU CONSULTANT:
 MEHARDT

NOTE :
1. ALL DIMENSIONS ARE IN mm.
2. ALL ELEVATIONS ARE VIEWED FROM OUTSIDE.
3. ALL DIMENSIONS TO BE VERIFIED ON SITE BEFORE FABRICATION.

LEGEND :
 — DETAIL MARK NO.
 — REFER SHEET NO.
1. F.F.L. — FINISHED FLOOR LEVEL
2. S.F.L. — STRUCTURAL FLOOR LEVEL
3. — REVERSED DETAIL
4. — FIXING LOCATION
5. — FIXING LUG LOCATION
6. GLASS LEGEND
GL01 — 10mm+12mm AIR GAP+10mm THK. I.G.U.
GL05 — 10mm+12mm AIR GAP+10mm THK. I.G.U.
GL06 — 10mm+12mm AIR GAP+12mm THK. I.G.U.
PD01 — 10mm T.P+12mm AIR GAP+8mm T.P
GL07 — 10mm+12mm AIR GAP+12mm THK. I.G.U.
GL08 — 10mm+12mm AIR GAP+10mm THK. I.G.U.

NO.	DATE	REVISED	BY
-----	------	---------	----

JOB NO. : J-853
PROJECT : PROPOSED RESIDENTIAL DEVELOPMENT AT N.K.I.L. 6542 YIN PING ROAD KOWLOON

TITLE : WINDOW SCHEDULE FOR TOWER 5 ALUM. WINDOW

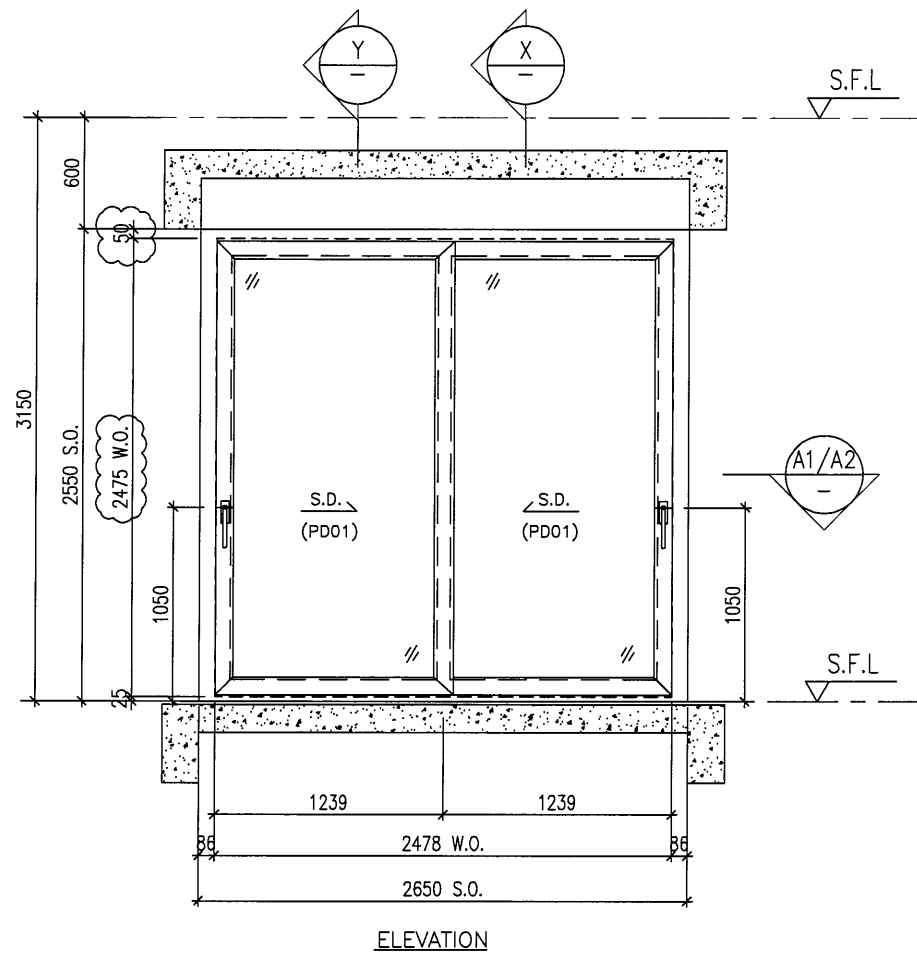
DATE : 03-APR-21 SCALE : 1:40

DRAWN BY : CHECKED BY :

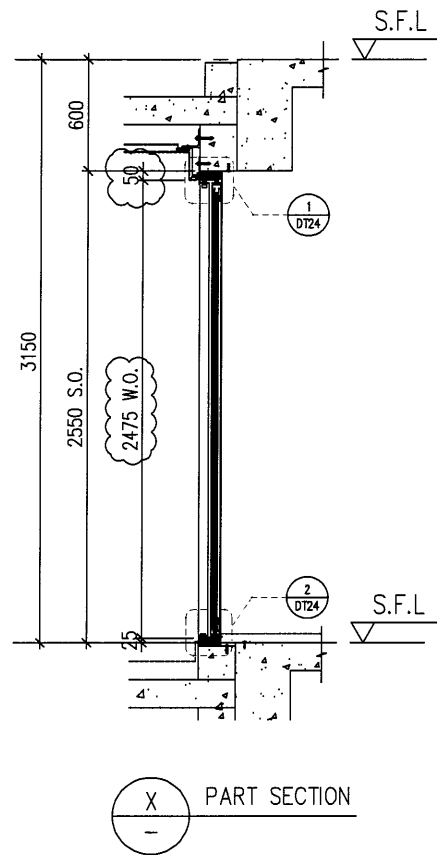
美特鋁質有限公司
MIDI ALUMINIUM FABRICATOR LTD.
Units 6-8, Sunray Industrial Centre, 1/F
610 Cha Kwo Ling Road, Kowloon
Tel:23489211-4 Fax:(852)27727666

DWG NO. : J853-SD-IW-SC507b REV. : —

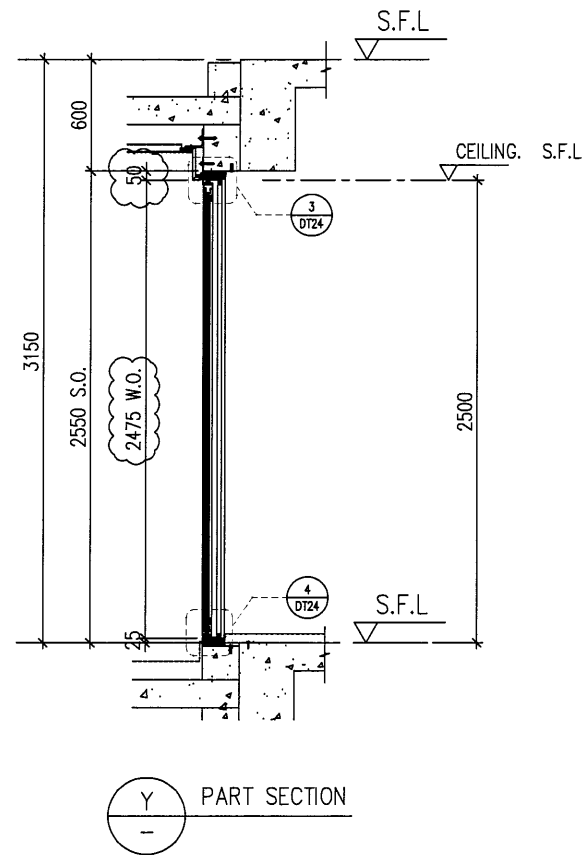
ELEVATION



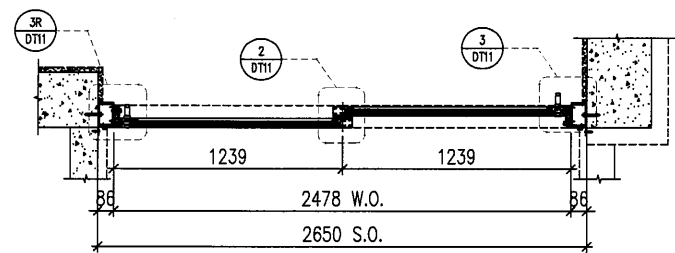
ELEVATION



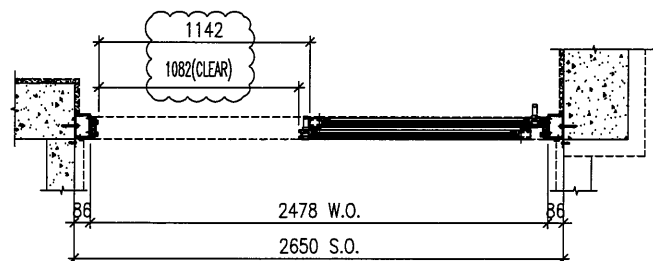
X PART SECTION



Y PART SECTION



A1 PART PLAN



A2 PART PLAN

PROVIDED		
GLAZING AREA	2.479	m ²
OPENABLE AREA	1.362	m ²
FREE AREA	-	%

WINDOW MARK	W204 T5
LOCATION	11F~15F UNIT D LIVING
SECTION	50mm ALUM. SECTION
GLAZING	PD01
QUANTITY	3 Nos.
REMARKS	SITE IN SITU

B.D. REF :

CLIENT :
SHIMAO GROUP HOLDINGS LIMITED

ARCHITECT :
WONG TUNG & PARTNERS LIMITED ARCHITECTS & PLANNERS

MAIN CONTRACTOR :

STRUCTURAL ENGINEER :
C M WONG & ASSOCIATES LTD Consulting Engineers

SITE IN SITU CONSULTANT:
MEINHARDT

- NOTE :
1. ALL DIMENSIONS ARE IN mm.
 2. ALL ELEVATIONS ARE VIEWED FROM OUTSIDE.
 3. ALL DIMENSIONS TO BE VERIFIED ON SITE BEFORE FABRICATION.

- LEGEND :
- (X1) --- DETAIL MARK NO.
 - (X001) --- REFER SHEET NO.
 - 1. F.F.L. --- FINISHED FLOOR LEVEL
 - 2. S.F.L. --- STRUCTURAL FLOOR LEVEL
 - 3. (R) --- REVERSED DETAIL
 - 4. ▲ --- FIXING LOCATION
 - 5. △ --- FIXING LUG LOCATION
 - 6. GLASS LEGEND
- GL01 --- 10mm+12mm AIR GAP+10mm THK. I.G.U.
GL05 --- 10mm+12mm AIR GAP+10mm THK. I.G.U.
GL06 --- 10mm+12mm AIR GAP+12mm THK. I.G.U.
PD01 --- 10mm T.P+12mm AIR GAP+8mm T.P
GL07 --- 10mm+12mm AIR GAP+12mm THK. I.G.U.
GL08 --- 10mm+12mm AIR GAP+10mm THK. I.G.U.

NO.	DATE	REVISED	BY
C	16/04/2022	REVISION SUBJECT TO ARCHCOMMENT	LHR
B	16/12/2021	REVISION SUBJECT TO ARCHCOMMENT	LHR
A	28/08/2021	REVISION SUBJECT TO ARCHCOMMENT	WSH

JOB NO. : J-853
PROJECT : PROPOSED RESIDENTIAL DEVELOPMENT AT N.K.I.L. 6542 YIN PING ROAD KOWLOON

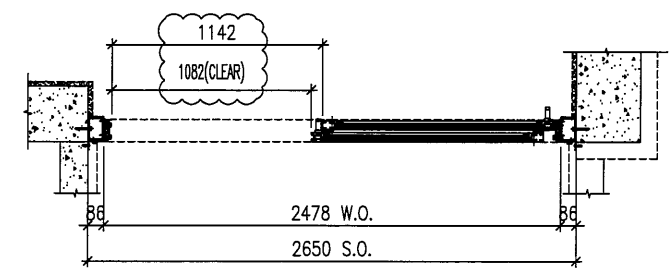
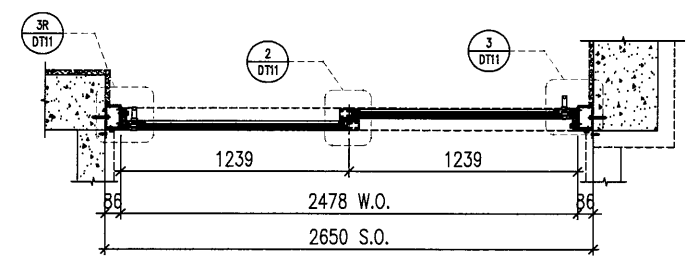
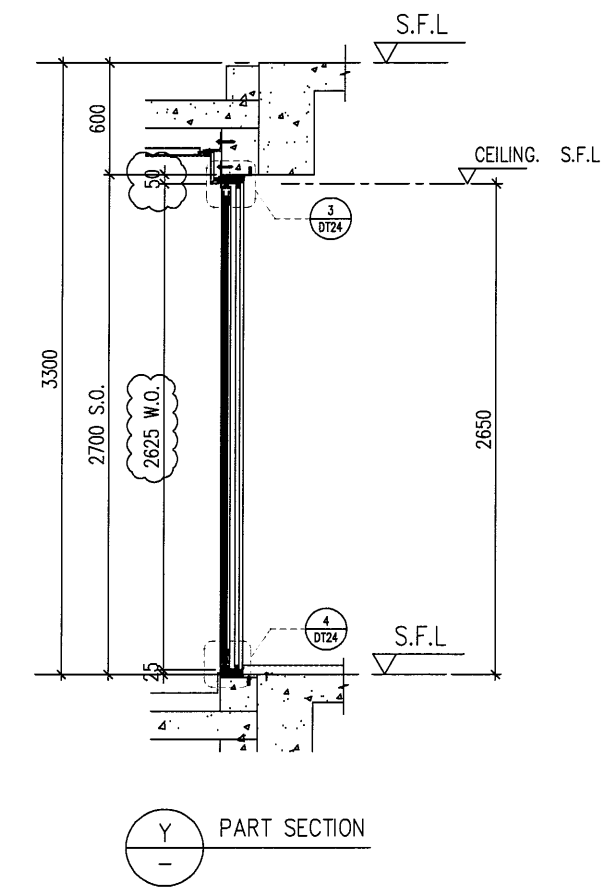
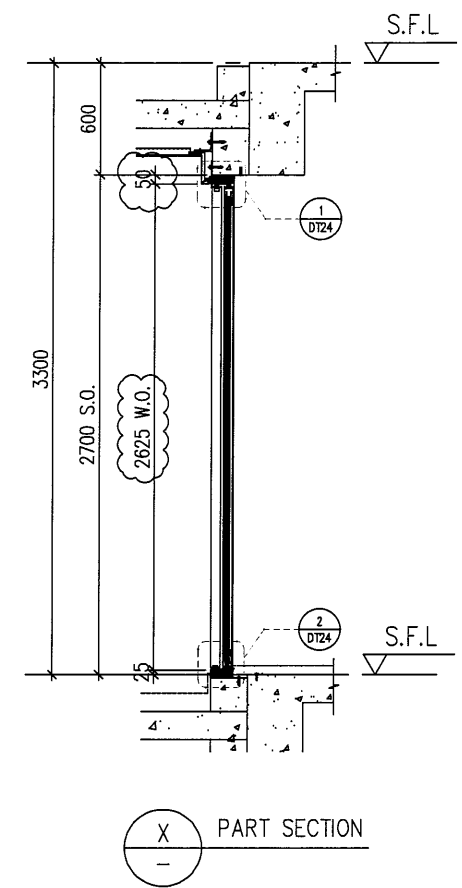
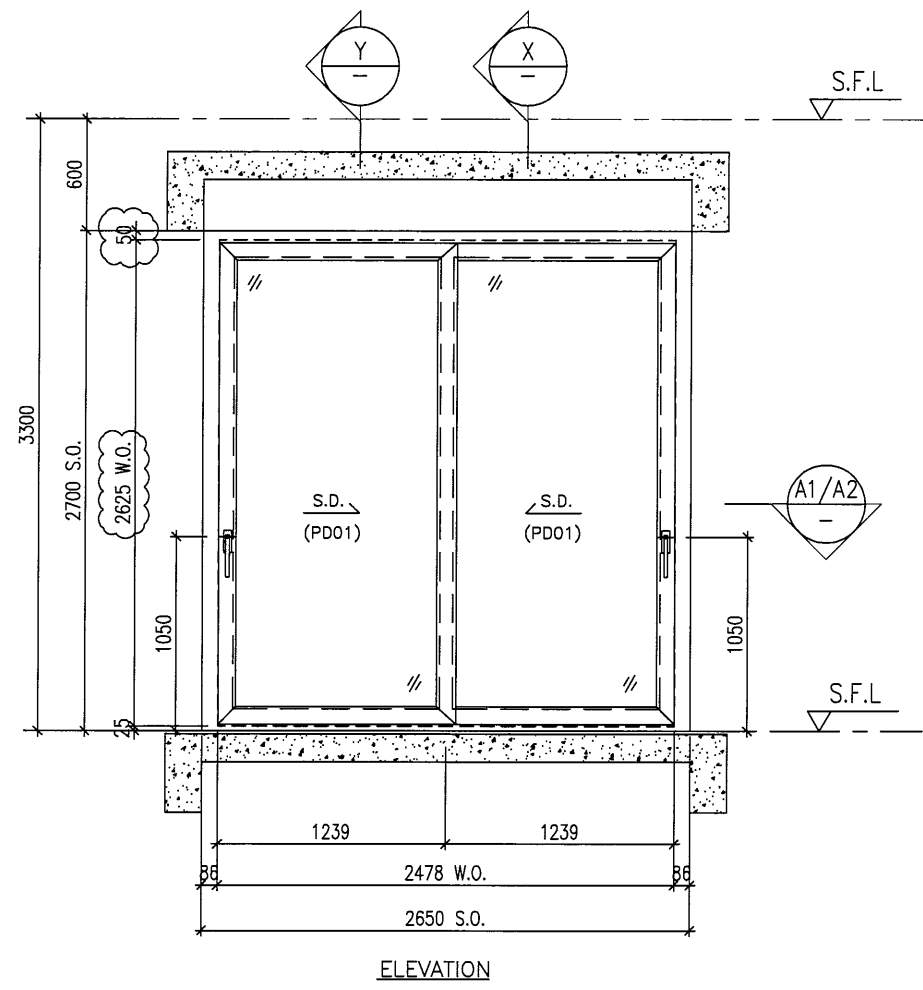
TITLE : WINDOW SCHEDULE FOR TOWER 5 ALUM. WINDOW

DATE : 03-APR-21 SCALE : 1:40
DRAWN BY : CHECKED BY :

美特鋁質有限公司
MIDI ALUMINIUM FABRICATOR LTD.
Units 6-8, Sunray Industrial Centre, 1/F
610 Cha Kwo Ling Road, Kowloon
Tel:23489211-4 Fax:(852)27727666

DWG NO. : J853-SD-IW-SC508 REV. : C

ELEVATION



B.D. REF :

CLIENT :
SHIMAO GROUP HOLDINGS LIMITED

ARCHITECT :
WONG TUNG & PARTNERS LIMITED ARCHITECTS & PLANNERS

MAIN CONTRACTOR :

STRUCTURAL ENGINEER :
C M WONG & ASSOCIATES LTD Consulting Engineers

SITE IN SITU CONSULTANT:
MEINHARDT

NOTE :
1. ALL DIMENSIONS ARE IN mm.
2. ALL ELEVATIONS ARE VIEWED FROM OUTSIDE.
3. ALL DIMENSIONS TO BE VERIFIED ON SITE BEFORE FABRICATION.

LEGEND :
 (X1) --- DETAIL MARK NO.
 (X001) --- REFER SHEET NO.
 1. F.F.L --- FINISHED FLOOR LEVEL
 2. S.F.L --- STRUCTURAL FLOOR LEVEL
 3. (R) --- REVERSED DETAIL
 4. ▲ --- FIXING LOCATION
 5. △ --- FIXING LUG LOCATION
 6. GLASS LEGEND
 GL01 --- 10mm+12mm AIR GAP+10mm THK. I.G.U.
 GL05 --- 10mm+12mm AIR GAP+10mm THK. I.G.U.
 GL06 --- 10mm+12mm AIR GAP+12mm THK. I.G.U.
 PDO1 --- 10mm T.P+12mm AIR GAP+8mm T.P
 GL07 --- 10mm+12mm AIR GAP+12mm THK. I.G.U.
 GL08 --- 10mm+12mm AIR GAP+10mm THK. I.G.U.

NO.	DATE	REVISED	BY
C	16/04/2022	REVISION SUBJECT TO ARCH.COMMENT	LHR
B	16/12/2021	REVISION SUBJECT TO ARCH.COMMENT	LHR

JOB NO. : J-853
 PROJECT : PROPOSED RESIDENTIAL DEVELOPMENT AT N.K.I.L. 6542 YIN PING ROAD KOWLOON

TITLE : WINDOW SCHEDULE FOR TOWER 5 ALUM. WINDOW

DATE : 03-APR-21 SCALE : 1:40
 DRAWN BY : CHECKED BY :

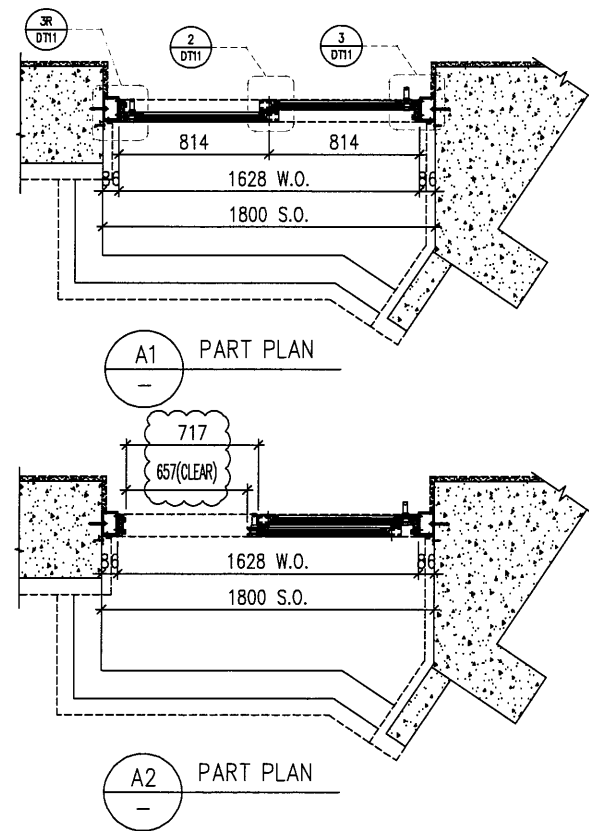
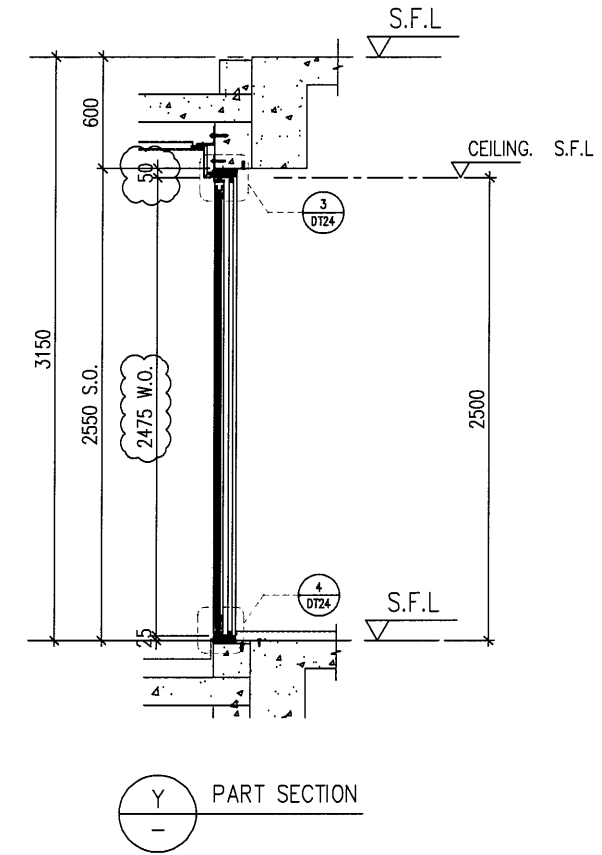
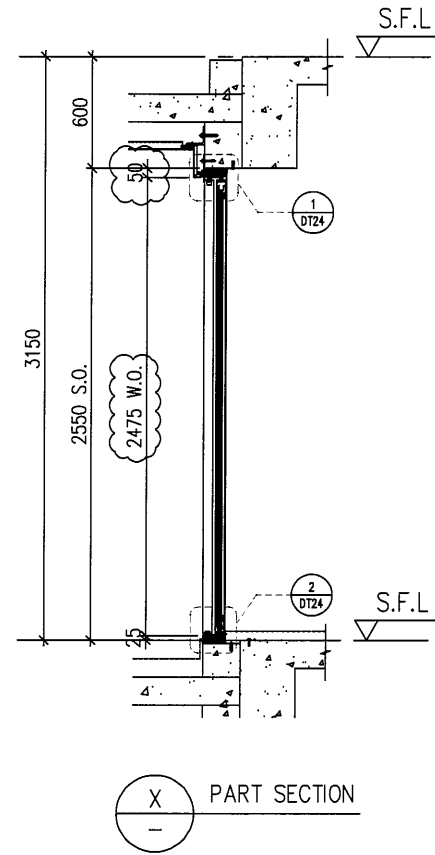
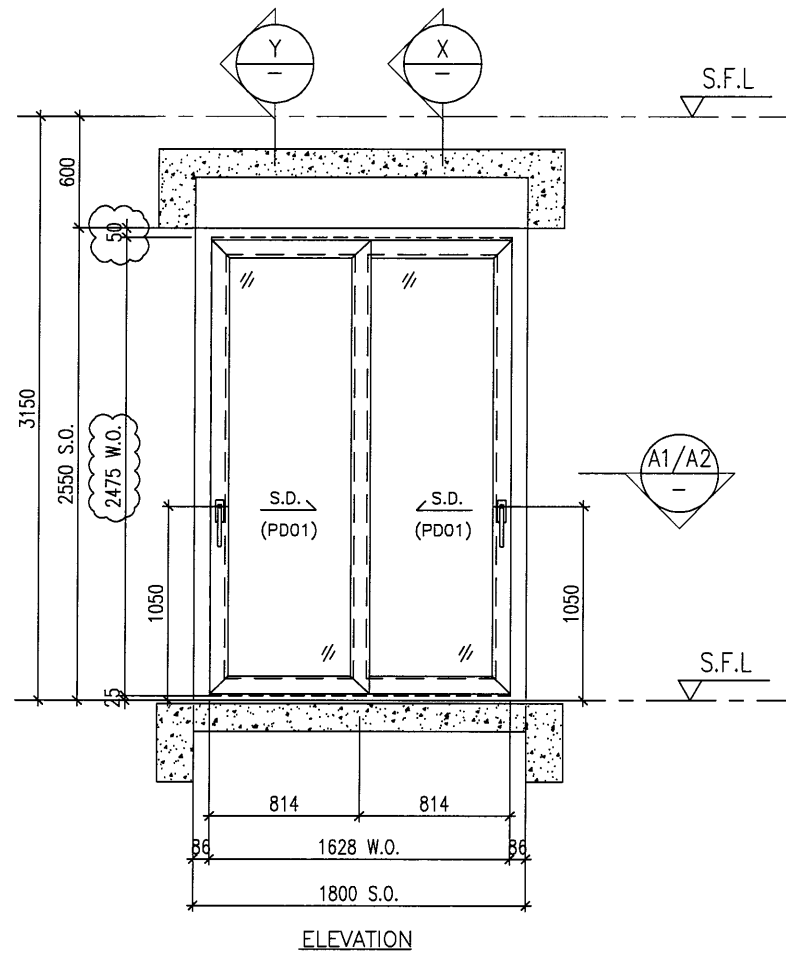
英特鋁質有限公司
MIDI ALUMINIUM FABRICATOR LTD.
 Units 6-8, Sunray Industrial Centre, 1/F
 610 Cha Kwo Ling Road, Kowloon
 Tel:23489211-4 Fax:(852)2727666

PROVIDED		
GLAZING AREA	2.798	m ²
OPENABLE AREA	1.525	m ²
FREE AREA	-	%

WINDOW MARK	W254 T5
LOCATION	16F UNIT D LIVING
SECTION	50mm ALUM. SECTION
GLAZING	PD01
QUANTITY	1 Nos.
REMARKS	SITE IN SITU

DWG NO. : J853-SD-IW-SC508a REV. : C

ELEVATION



PROVIDED		
GLAZING AREA	1.489	m ²
OPENABLE AREA	0.830	m ²
FREE AREA	-	%

B.D. REF :

CLIENT :
SHIMAO GROUP HOLDINGS LIMITED

ARCHITECT :
WONG TUNG & PARTNERS LIMITED
ARCHITECTS & PLANNERS

MAIN CONTRACTOR :

STRUCTURAL ENGINEER :
C M WONG & ASSOCIATES LTD
Consulting Engineers

SITE IN SITU CONSULTANT:
MEINHARDT

NOTE :
1. ALL DIMENSIONS ARE IN mm.
2. ALL ELEVATIONS ARE VIEWED FROM OUTSIDE.
3. ALL DIMENSIONS TO BE VERIFIED ON SITE BEFORE FABRICATION.

LEGEND :
 (X1) --- DETAIL MARK NO.
 (X001) --- REFER SHEET NO.
 1. F.F.L --- FINISHED FLOOR LEVEL
 2. S.F.L --- STRUCTURAL FLOOR LEVEL
 3. (R) --- REVERSED DETAIL
 4. ▲ --- FIXING LOCATION
 5. △ --- FIXING LUG LOCATION
 6. GLASS LEGEND
 GL01 --- 10mm+12mm AIR GAP+10mm THK. I.G.U.
 GL05 --- 10mm+12mm AIR GAP+10mm THK. I.G.U.
 GL06 --- 10mm+12mm AIR GAP+12mm THK. I.G.U.
 PDO1 --- 10mm T.P+12mm AIR GAP+8mm T.P
 GL07 --- 10mm+12mm AIR GAP+12mm THK. I.G.U.
 GL08 --- 10mm+12mm AIR GAP+10mm THK. I.G.U.

NO.	DATE	REVISED	BY
C	16/04/2022	REVISION SUBJECT TO ARCH-COMMENT	LHR
B	16/12/2021	REVISION SUBJECT TO ARCH-COMMENT	LHR
A	28/08/2021	REVISION SUBJECT TO ARCH-COMMENT	WSH

JOB NO. : J-853
PROJECT : PROPOSED RESIDENTIAL DEVELOPMENT AT N.K.I.L. 6542 YIN PING ROAD KOWLOON

TITLE : WINDOW SCHEDULE FOR TOWER 5 ALUM. WINDOW

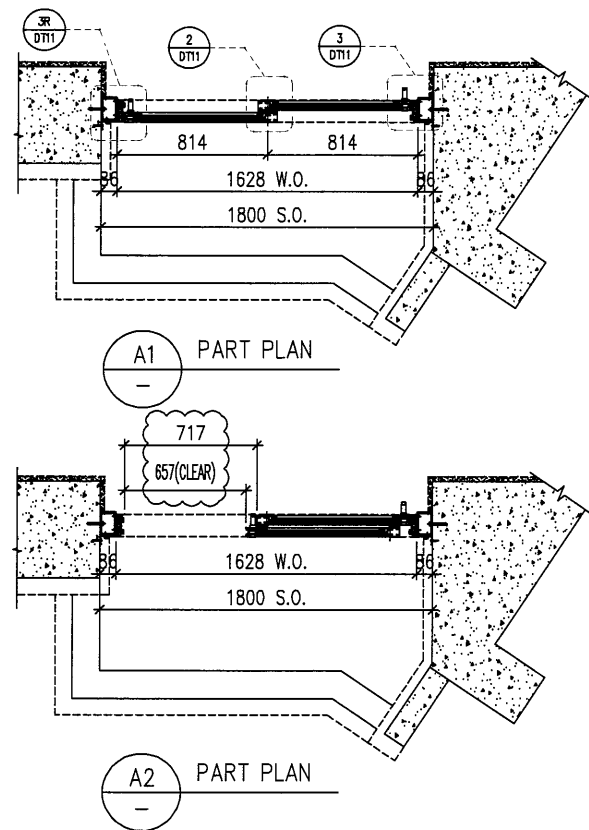
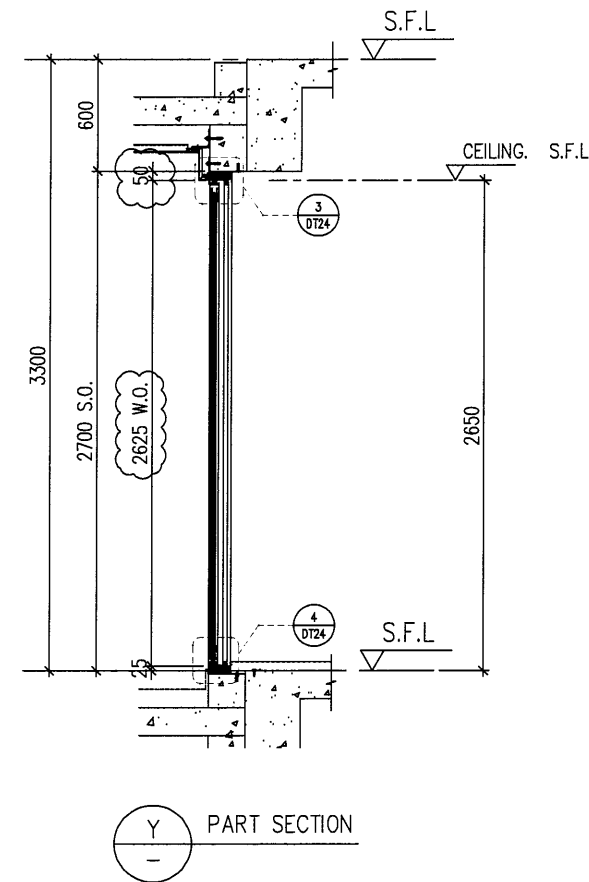
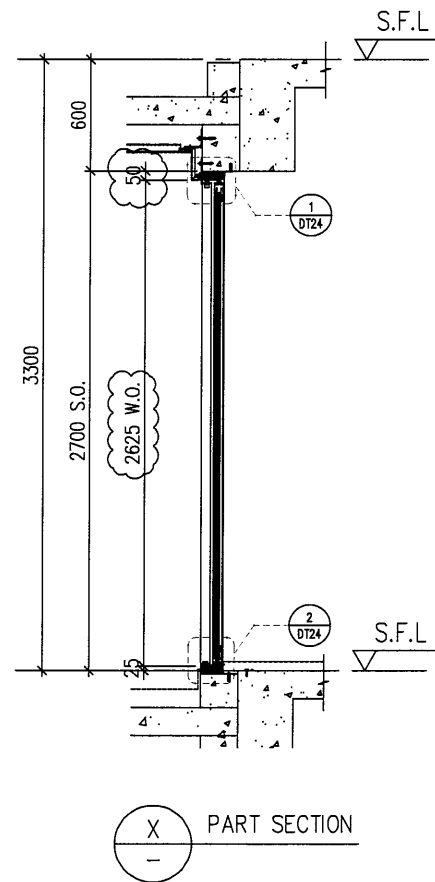
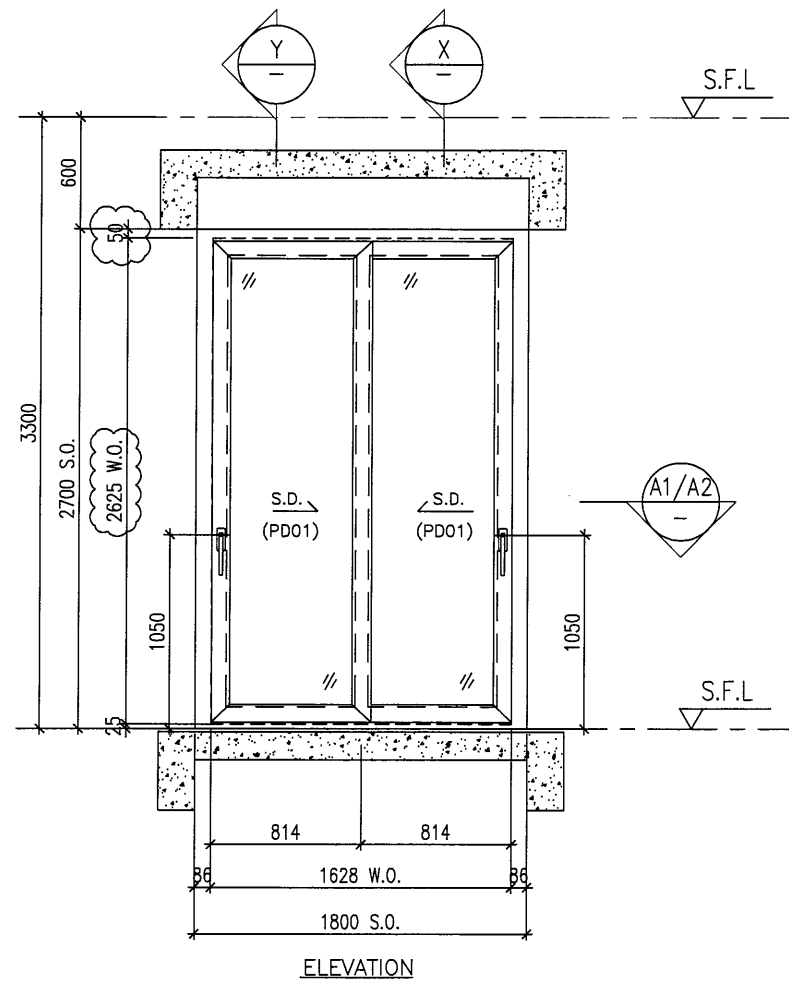
DATE : 03-APR-21 SCALE : 1:40
DRAWN BY : CHECKED BY :

美特鋁質有限公司
MIDI ALUMINIUM FABRICATOR LTD.
Units 6-8, Sunray Industrial Centre, 1/F
610 Cho Kwo Ling Road, Kowloon
Tel:23489211-4 Fax:(852)2727666

DWG NO. : J853-SD-IW-SC509 REV. : C

WINDOW MARK	W205 T5
LOCATION	11F~15F&17F~22F UNIT E ENSUITE
SECTION	50mm ALUM. SECTION
GLAZING	PD01
QUANTITY	9 Nos.
REMARKS	SITE IN SITU

ELEVATION



PROVIDED		
GLAZING AREA	1.681	m ²
OPENABLE AREA	0.930	m ²
FREE AREA	-	%

WINDOW MARK	W255 T5
LOCATION	16F&25F~26F UNIT E ENSUITE
SECTION	50mm ALUM. SECTION
GLAZING	PD01
QUANTITY	3 Nos.
REMARKS	SITE IN SITU

B.D. REF :

CLIENT :
SHIMAO GROUP HOLDINGS LIMITED

ARCHITECT :
WONG TUNG & PARTNERS LIMITED ARCHITECTS & PLANNERS

MAIN CONTRACTOR :

STRUCTURAL ENGINEER :
C M WONG & ASSOCIATES LTD Consulting Engineers

SITE IN SITU CONSULTANT:
MEINHARDT

NOTE :
1. ALL DIMENSIONS ARE IN mm.
2. ALL ELEVATIONS ARE VIEWED FROM OUTSIDE.
3. ALL DIMENSIONS TO BE VERIFIED ON SITE BEFORE FABRICATION.

LEGEND :
 (X1) --- DETAIL MARK NO.
 (X001) --- REFER SHEET NO.
 1. F.F.L --- FINISHED FLOOR LEVEL
 2. S.F.L --- STRUCTURAL FLOOR LEVEL
 3. (R) --- REVERSED DETAIL
 4. ▲ --- FIXING LOCATION
 5. △ --- FIXING LUG LOCATION
 6. GLASS LEGEND
 GL01 --- 10mm+12mm AIR GAP+10mm THK. I.G.U.
 GL05 --- 10mm+12mm AIR GAP+10mm THK. I.G.U.
 GL06 --- 10mm+12mm AIR GAP+12mm THK. I.G.U.
 PD01 --- 10mm T.P+12mm AIR GAP+8mm T.P
 GL07 --- 10mm+12mm AIR GAP+12mm THK. I.G.U.
 GL08 --- 10mm+12mm AIR GAP+10mm THK. I.G.U.

C	16/04/2022	REVISION SUBJECT TO ARCH-COMMENT	LHR
B	16/12/2021	REVISION SUBJECT TO ARCH-COMMENT	LHR
NO.	DATE	REVISED	BY

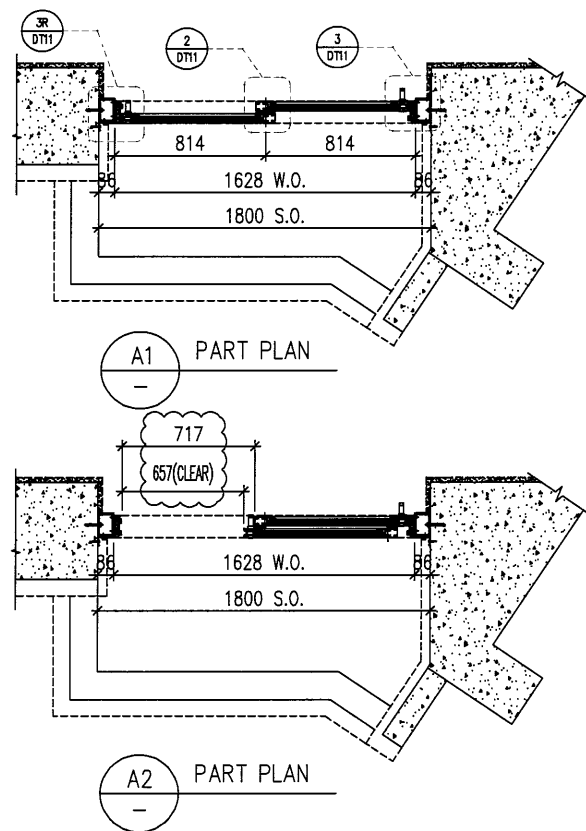
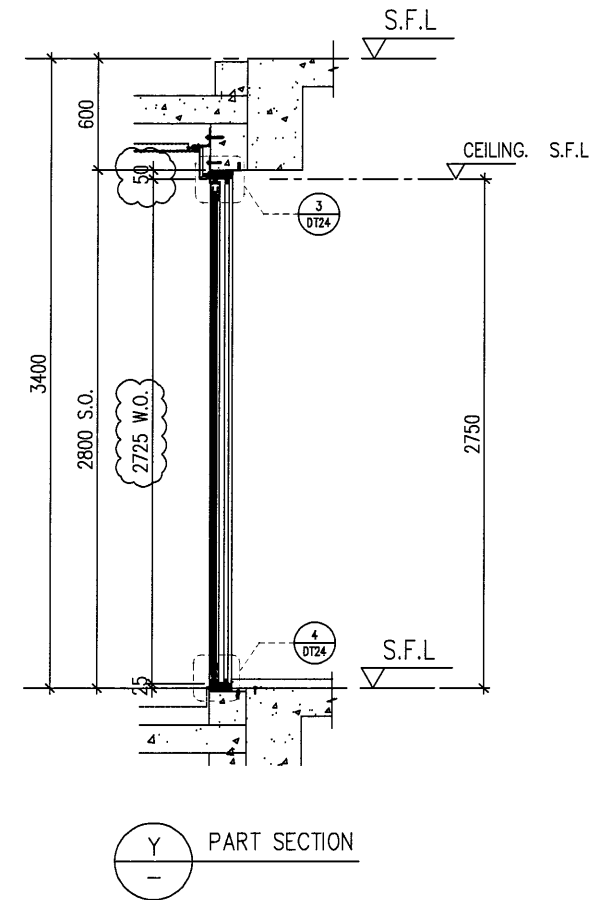
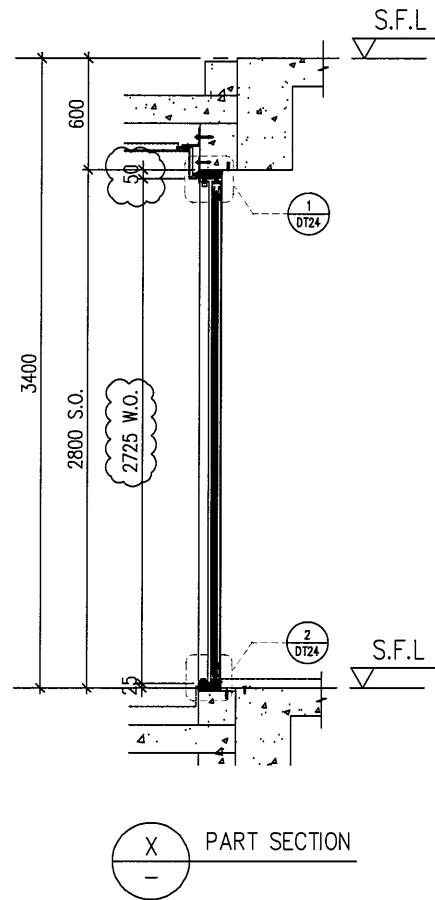
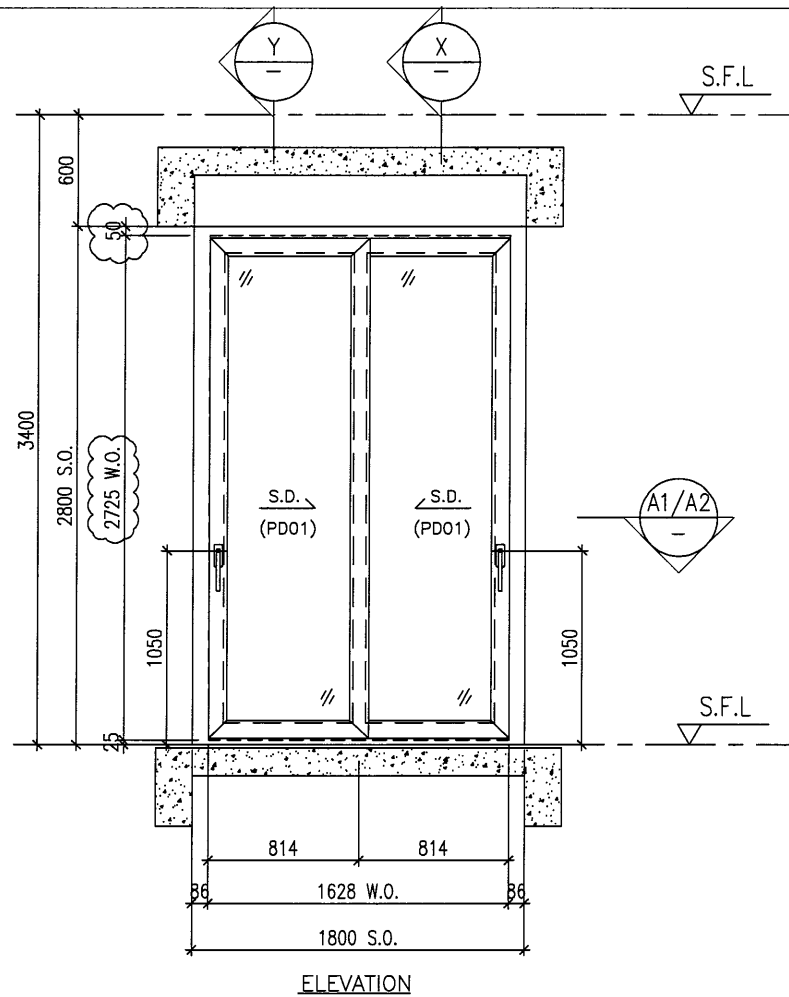
JOB NO. : J-853
PROJECT : PROPOSED RESIDENTIAL DEVELOPMENT AT N.K.I.L. 6542 YIN PING ROAD KOWLOON

TITLE : WINDOW SCHEDULE FOR TOWER 5 ALUM. WINDOW

DATE : 03-APR-21 SCALE : 1:40
DRAWN BY : CHECKED BY :

美特鋁質有限公司
MIDI ALUMINIUM FABRICATOR LTD.
Units 6-8, Sunray Industrial Centre, 1/F
610 Cha Kwo Ling Road, Kowloon
Tel:23489211-4 Fax:(852)2727666
DWG NO. : J853-SD-IW-SC509a REV. : C

ELEVATION



PROVIDED		
GLAZING AREA	1.808	m ²
OPENABLE AREA	0.996	m ²
FREE AREA	-	%

WINDOW MARK	W275 T5
LOCATION	23F UNIT E ENSUITE
SECTION	50mm ALUM. SECTION
GLAZING	PD01
QUANTITY	1 Nos.
REMARKS	SITE IN SITU

B.D. REF :

CLIENT :
SHIMAO GROUP HOLDINGS LIMITED

ARCHITECT :
WONG TUNG & PARTNERS LIMITED
ARCHITECTS & PLANNERS

MAIN CONTRACTOR :

STRUCTURAL ENGINEER :
C M WONG & ASSOCIATES LTD
Consulting Engineers

SITE IN SITU CONSULTANT:
MEINHARDT

NOTE :
1. ALL DIMENSIONS ARE IN mm.
2. ALL ELEVATIONS ARE VIEWED FROM OUTSIDE.
3. ALL DIMENSIONS TO BE VERIFIED ON SITE BEFORE FABRICATION.

LEGEND :
 (x1) — DETAIL MARK NO.
 (x001) — REFER SHEET NO.
 1. F.F.L. — FINISHED FLOOR LEVEL
 2. S.F.L. — STRUCTURAL FLOOR LEVEL
 3. (R) — REVERSED DETAIL
 4. ▲ — FIXING LOCATION
 5. △ — FIXING LUG LOCATION
 6. GLASS LEGEND
 GL01 — 10mm+12mm AIR GAP+10mm THK. I.G.U.
 GL05 — 10mm+12mm AIR GAP+10mm THK. I.G.U.
 GL06 — 10mm+12mm AIR GAP+12mm THK. I.G.U.
 PD01 — 10mm T.P+12mm AIR GAP+8mm T.P
 GL07 — 10mm+12mm AIR GAP+12mm THK. I.G.U.
 GL08 — 10mm+12mm AIR GAP+10mm THK. I.G.U.

C	16/04/2022	REVISION SUBJECT TO ARCH/COMMENT	LHR
B	16/12/2021	REVISION SUBJECT TO ARCH/COMMENT	LHR
NO.	DATE	REVISED	BY

JOB NO. : J-853
PROJECT : PROPOSED RESIDENTIAL DEVELOPMENT AT N.K.I.L. 6542 YIN PING ROAD KOWLOON

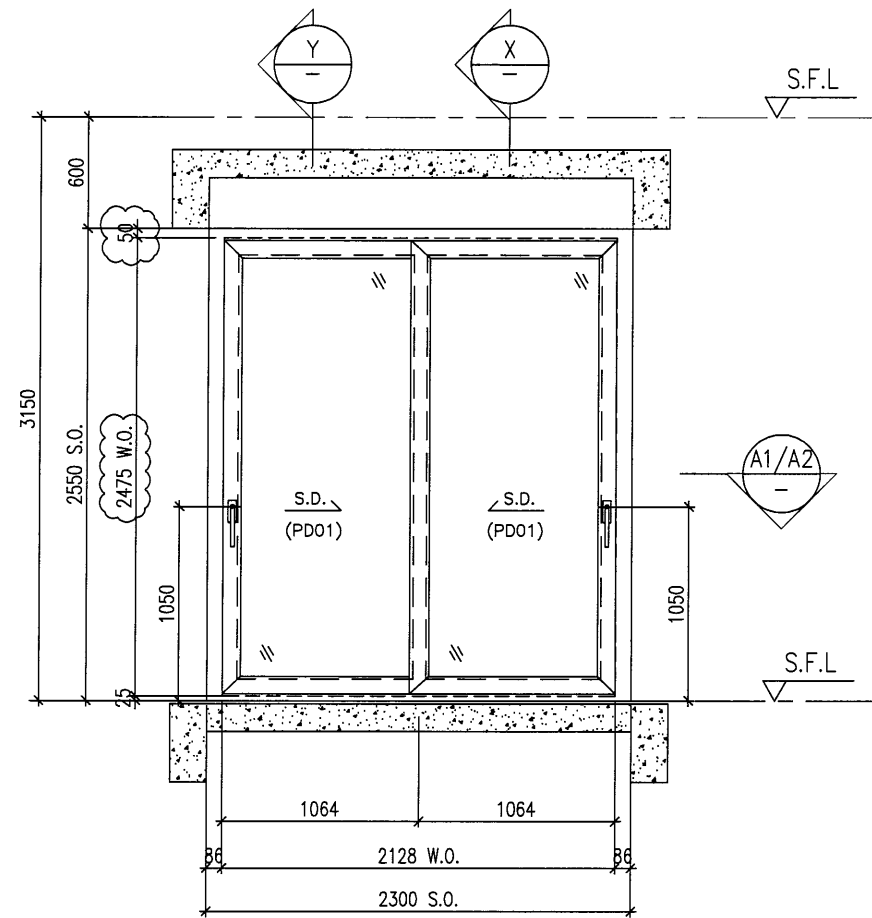
TITLE : WINDOW SCHEDULE FOR TOWER 5 ALUM. WINDOW

DATE : 03-APR-21 SCALE : 1:40
DRAWN BY : CHECKED BY :

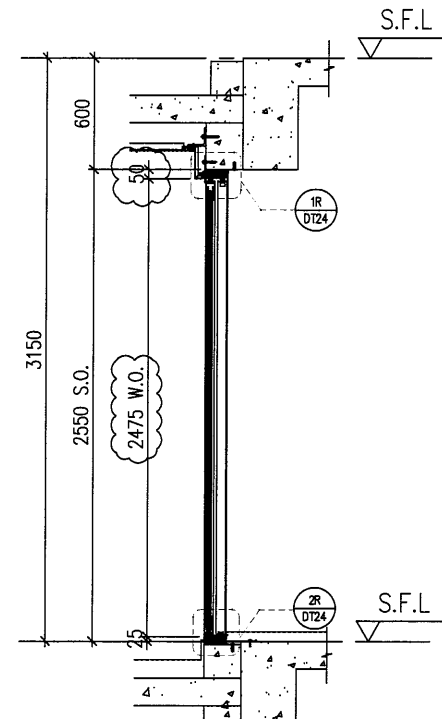
美特铝质有限公司
MIDI ALUMINIUM FABRICATOR LTD.
Units 6-8, Sunray Industrial Centre, 1/F
610 Cha Kwo Ling Road, Kowloon
Tel:23489211-4 Fax:(852)27727666

DWG NO. : J853-SD-IW-SC509b REV. : C

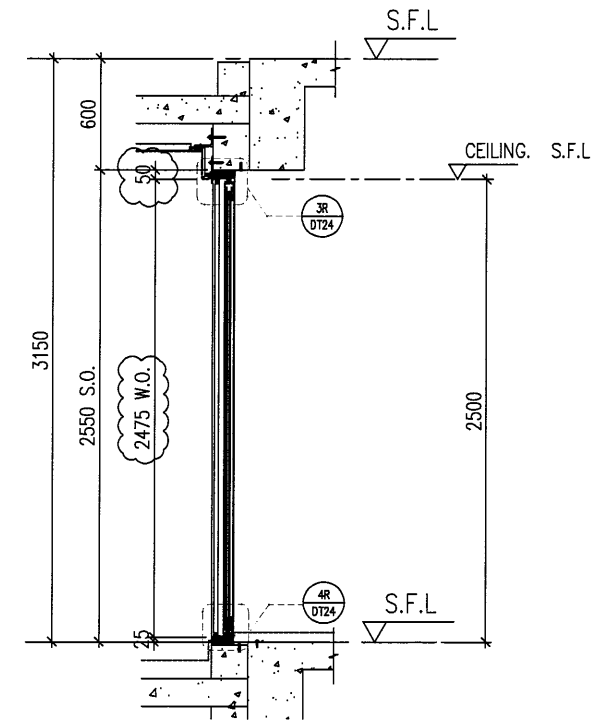
ELEVATION



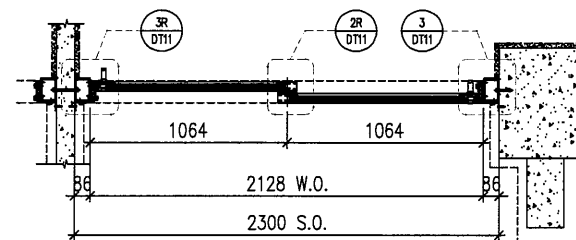
ELEVATION



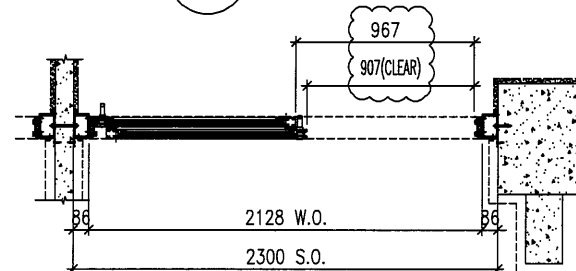
X PART SECTION



Y PART SECTION



A1 PART PLAN



A2 PART PLAN

PROVIDED		
GLAZING AREA	2.071	m ²
OPENABLE AREA	1.143	m ²
FREE AREA	-	%

B.D. REF :

CLIENT :

SHIMAO GROUP HOLDINGS LIMITED

ARCHITECT :

WONG TUNG & PARTNERS LIMITED ARCHITECTS & PLANNERS

MAIN CONTRACTOR :

STRUCTURAL ENGINEER :

C M WONG & ASSOCIATES LTD Consulting Engineers

SITE IN SITU CONSULTANT:

MEINHARDT

NOTE :

1. ALL DIMENSIONS ARE IN mm.
2. ALL ELEVATIONS ARE VIEWED FROM OUTSIDE.
3. ALL DIMENSIONS TO BE VERIFIED ON SITE BEFORE FABRICATION.

LEGEND :

- (X1) — DETAIL MARK NO.
- (X001) — REFER SHEET NO.

1. F.F.L. — FINISHED FLOOR LEVEL
2. S.F.L. — STRUCTURAL FLOOR LEVEL
3. (R) — REVERSED DETAIL
4. ▲ — FIXING LOCATION
5. △ — FIXING LUG LOCATION

6. GLASS LEGEND

- GL01 — 10mm+12mm AIR GAP+10mm THK. I.G.U.
- GL05 — 10mm+12mm AIR GAP+10mm THK. I.G.U.
- GL06 — 10mm+12mm AIR GAP+12mm THK. I.G.U.
- PD01 — 10mm T.P+12mm AIR GAP+8mm T.P
- GL07 — 10mm+12mm AIR GAP+12mm THK. I.G.U.
- GL08 — 10mm+12mm AIR GAP+10mm THK. I.G.U.

NO.	DATE	REVISION	BY
C	16/04/2022	REVISION SUBJECT TO ARCH.COMMENT	LHR
B	16/12/2021	REVISION SUBJECT TO ARCH.COMMENT	LHR
A	28/08/2021	REVISION SUBJECT TO ARCH.COMMENT	WSH

JOB NO. : J-853

PROJECT : PROPOSED RESIDENTIAL DEVELOPMENT AT N.K.I.L. 6542 YIN PING ROAD KOWLOON

TITLE : WINDOW SCHEDULE FOR TOWER 5 ALUM. WINDOW

DATE : 03-APR-21 SCALE : 1:40

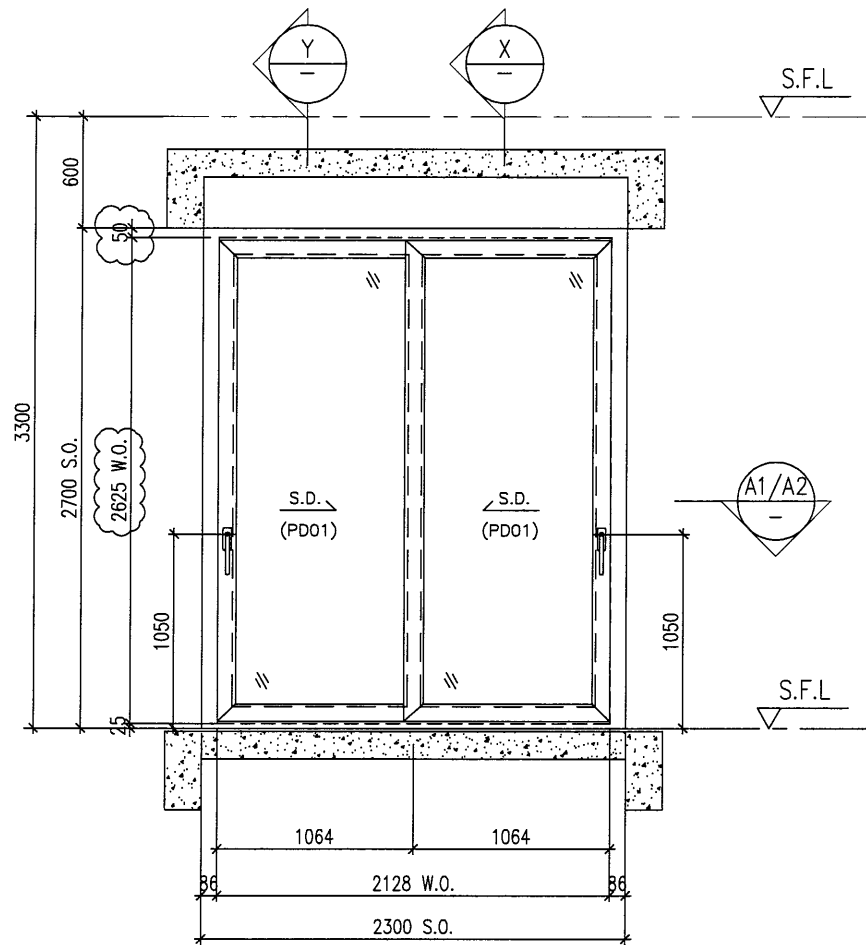
DRAWN BY : CHECKED BY :

美特鋁質有限公司
MIDI ALUMINIUM FABRICATOR LTD.
 Units 6-8, Sunray Industrial Centre, 1/F
 610 Cha Kwo Ling Road, Kowloon
 Tel:23489211-4 Fax:(852)2727666

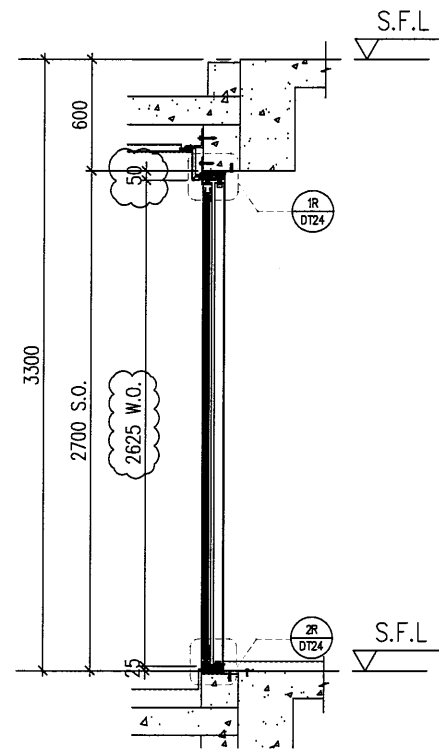
DWG NO. : J853-SD-IW-SC510 REV. : C

WINDOW MARK	W206 T5
LOCATION	11F~15F&17F~22F UNIT E LIVING
SECTION	50mm ALUM. SECTION
GLAZING	PD01
QUANTITY	9 Nos.
REMARKS	SITE IN SITU

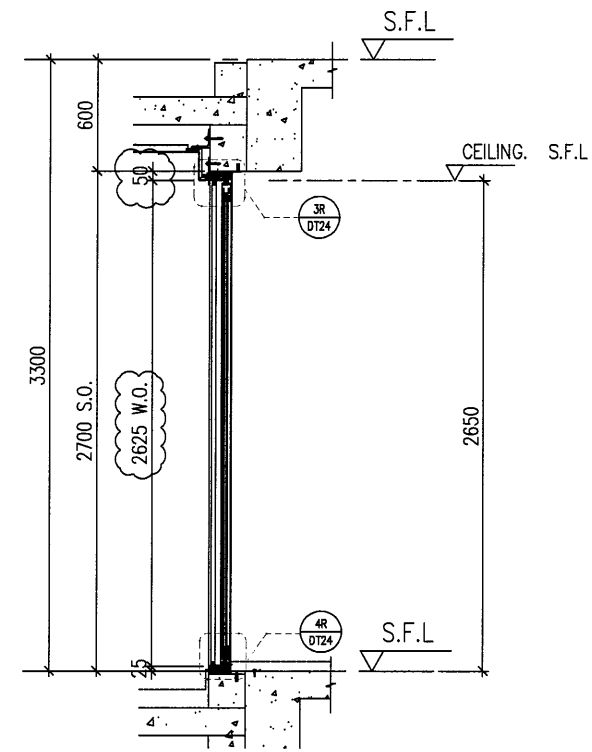
ELEVATION



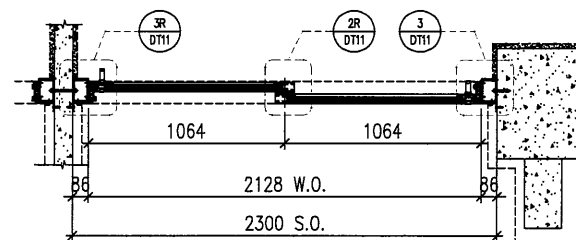
ELEVATION



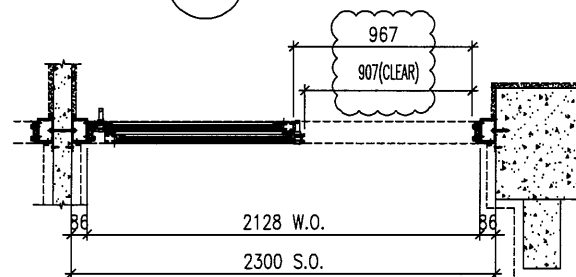
X PART SECTION



Y PART SECTION



A1 PART PLAN



A2 PART PLAN

B.D. REF :

CLIENT :

SHIMAO GROUP HOLDINGS LIMITED

ARCHITECT :

WONG TUNG & PARTNERS LIMITED
ARCHITECTS & PLANNERS

MAIN CONTRACTOR :

STRUCTURAL ENGINEER :

C M WONG & ASSOCIATES LTD
Consulting Engineers

SITE IN SITU CONSULTANT:

MEINHARDT

NOTE :

1. ALL DIMENSIONS ARE IN mm.
2. ALL ELEVATIONS ARE VIEWED FROM OUTSIDE.
3. ALL DIMENSIONS TO BE VERIFIED ON SITE BEFORE FABRICATION.

LEGEND :

- (X1) — DETAIL MARK NO.
- (X001) — REFER SHEET NO.

1. F.F.L. — FINISHED FLOOR LEVEL
2. S.F.L. — STRUCTURAL FLOOR LEVEL
3. (R) — REVERSED DETAIL
4. ▲ — FIXING LOCATION
5. △ — FIXING LUG LOCATION

6. GLASS LEGEND

- GL01 — 10mm+12mm AIR GAP+10mm THK. I.G.U.
- GL05 — 10mm+12mm AIR GAP+10mm THK. I.G.U.
- GL06 — 10mm+12mm AIR GAP+12mm THK. I.G.U.
- PD01 — 10mm T.P+12mm AIR GAP+8mm T.P
- GL07 — 10mm+12mm AIR GAP+12mm THK. I.G.U.
- GL08 — 10mm+12mm AIR GAP+10mm THK. I.G.U.

NO.	DATE	REVISED	BY
C	16/04/2022	REVISION SUBJECT TO ARCH.COMMENT	LHR
B	16/12/2021	REVISION SUBJECT TO ARCH.COMMENT	LHR

JOB NO. : J-853

PROJECT : PROPOSED RESIDENTIAL DEVELOPMENT AT N.K.I.L. 6542 YIN PING ROAD KOWLOON

TITLE : WINDOW SCHEDULE FOR TOWER 5 ALUM. WINDOW

DATE : 03-APR-21 SCALE : 1:40

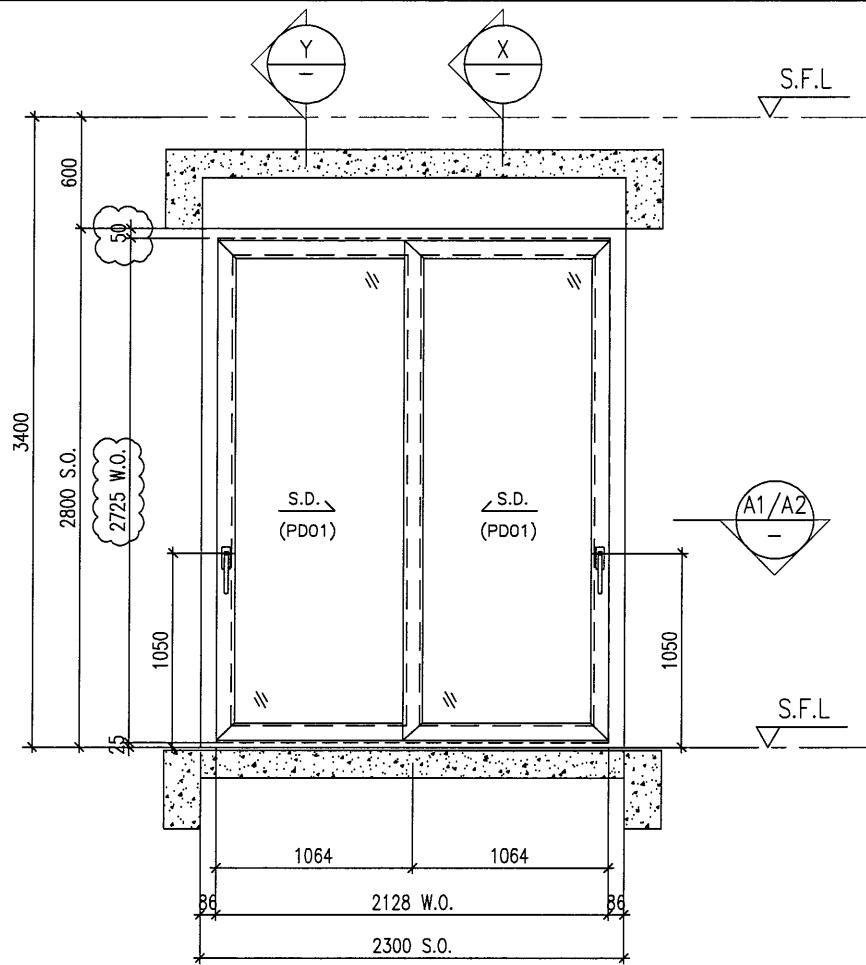
DRAWN BY : CHECKED BY :

美特鋁質有限公司
MIDI ALUMINIUM FABRICATOR LTD.
Units 6-8, Sunray Industrial Centre, 1/F
610 Cha Kwo Ling Road, Kowloon
Tel:23489211-4 Fax:(852)2727666

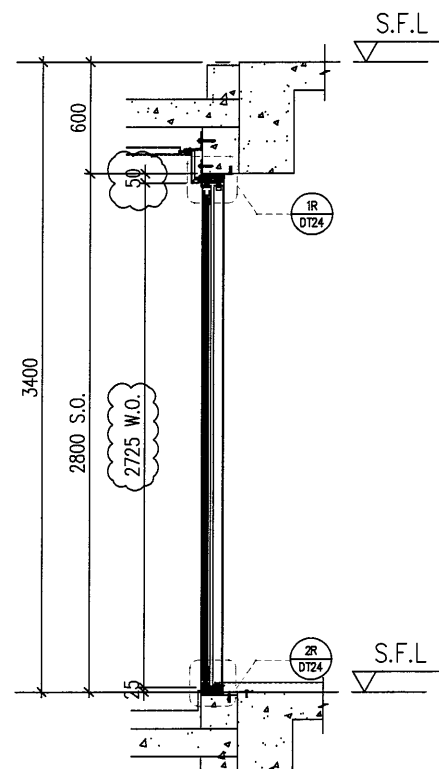
DWG NO. : J853-SD-IW-SC510a REV. : C

PROVIDED		
GLAZING AREA	2.338	m ²
OPENABLE AREA	1.280	m ²
FREE AREA	-	%

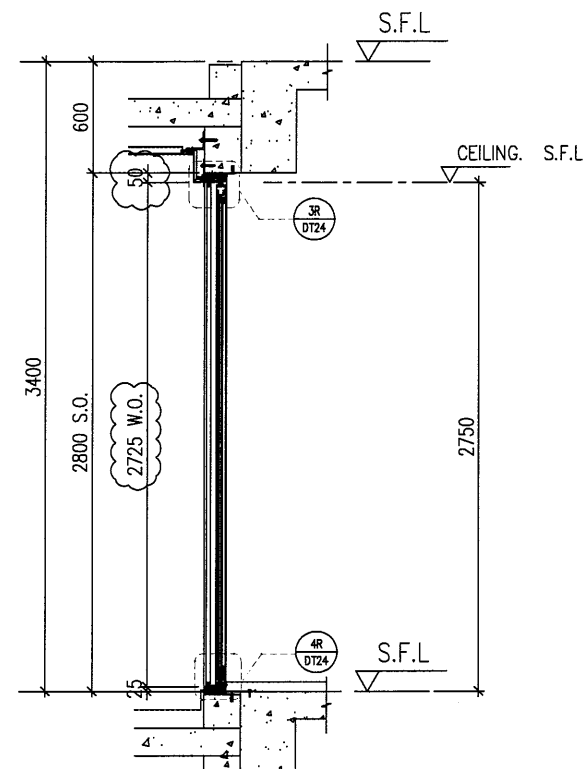
WINDOW MARK	W256 T5
LOCATION	16F&25F~26F UNIT E LIVING
SECTION	50mm ALUM. SECTION
GLAZING	PD01
QUANTITY	3 Nos.
REMARKS	SITE IN SITU



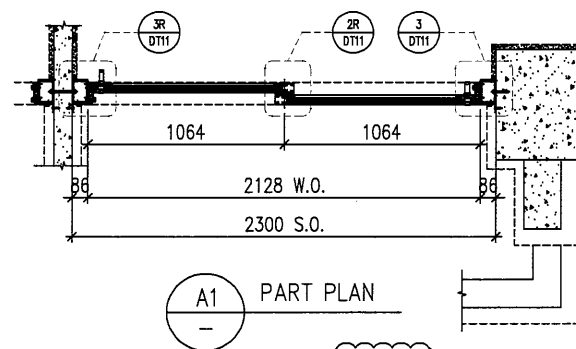
ELEVATION



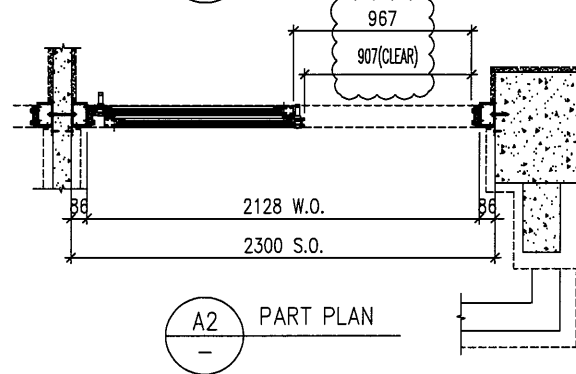
X PART SECTION



Y PART SECTION



A1 PART PLAN



A2 PART PLAN

PROVIDED		
GLAZING AREA	2.516	m ²
OPENABLE AREA	1.371	m ²
FREE AREA	-	%

B.D. REF :

CLIENT :

SHIMAO GROUP HOLDINGS LIMITED

ARCHITECT : **WONG TUNG & PARTNERS LIMITED ARCHITECTS & PLANNERS**



MAIN CONTRACTOR :

STRUCTURAL ENGINEER :

C M WONG & ASSOCIATES LTD
Consulting Engineers

SITE IN SITU CONSULTANT:



NOTE :

1. ALL DIMENSIONS ARE IN mm.
2. ALL ELEVATIONS ARE VIEWED FROM OUTSIDE.
3. ALL DIMENSIONS TO BE VERIFIED ON SITE BEFORE FABRICATION.

LEGEND :

- x1 — DETAIL MARK NO.
- x001 — REFER SHEET NO.

1. F.F.L. — FINISHED FLOOR LEVEL
2. S.F.L. — STRUCTURAL FLOOR LEVEL
3. (R) — REVERSED DETAIL
4. ▲ — FIXING LOCATION
5. △ — FIXING LUG LOCATION

6. GLASS LEGEND

- GL01 — 10mm+12mm AIR GAP+10mm THK. I.G.U.
- GL05 — 10mm+12mm AIR GAP+10mm THK. I.G.U.
- GL06 — 10mm+12mm AIR GAP+12mm THK. I.G.U.
- PD01 — 10mm T.P+12mm AIR GAP+8mm T.P
- GL07 — 10mm+12mm AIR GAP+12mm THK. I.G.U.
- GL08 — 10mm+12mm AIR GAP+10mm THK. I.G.U.

NO.	DATE	REVISION	BY
C	16/04/2022	REVISION SUBJECT TO ARCH.COMMENT	LHR
B	16/12/2021	REVISION SUBJECT TO ARCH.COMMENT	LHR

JOB NO. : J-853

PROJECT : PROPOSED RESIDENTIAL DEVELOPMENT AT N.K.I.L. 6542 YIN PING ROAD KOWLOON

TITLE : WINDOW SCHEDULE FOR TOWER 5 ALUM. WINDOW

DATE : 03-APR-21 SCALE : 1:40

DRAWN BY : CHECKED BY :

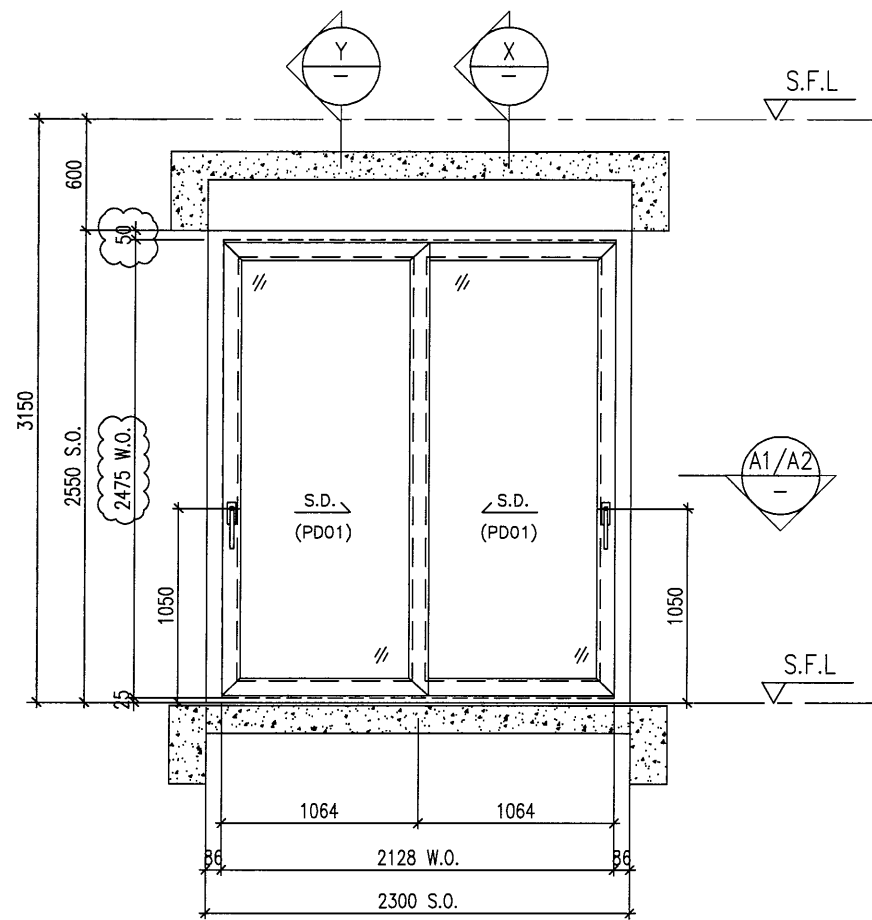
美特铝质有限公司
MIDI ALUMINIUM FABRICATOR LTD.
Units 6-8, Sunray Industrial Centre, 1/F
610 Cha Kwo Ling Road, Kowloon
Tel:23489211-4 Fax:(852)2727666

DWG NO. : J853-SD-IW-SC510b REV. : C

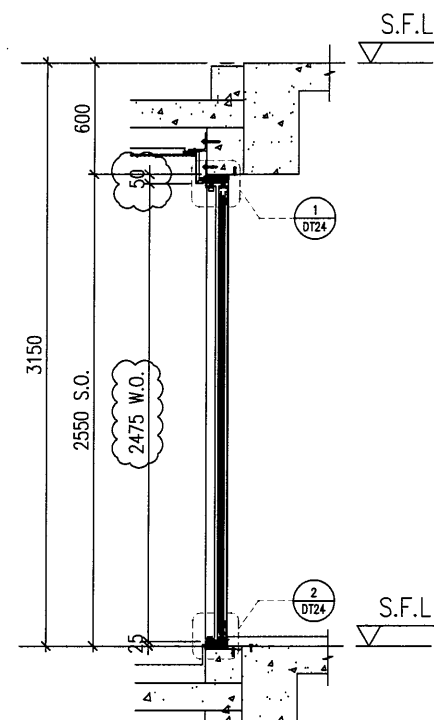
ELEVATION

WINDOW MARK	W276 T5
LOCATION	23F UNIT E LIVING
SECTION	50mm ALUM. SECTION
GLAZING	PD01
QUANTITY	1 Nos.
REMARKS	SITE IN SITU

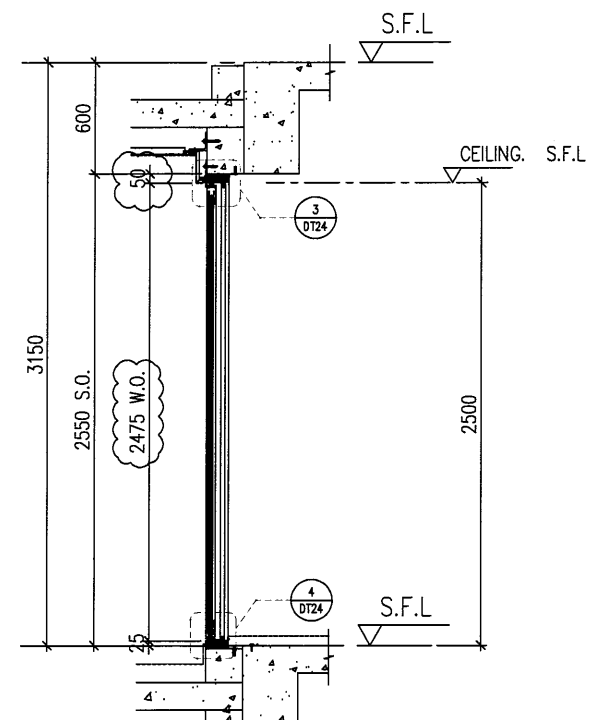
ELEVATION



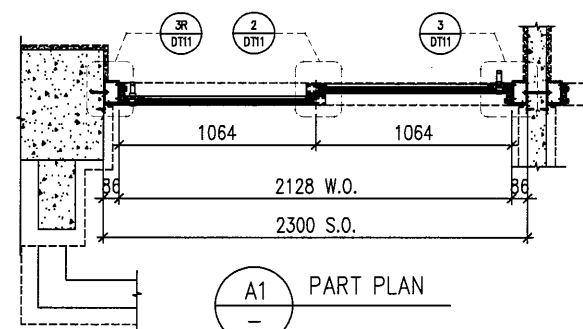
ELEVATION



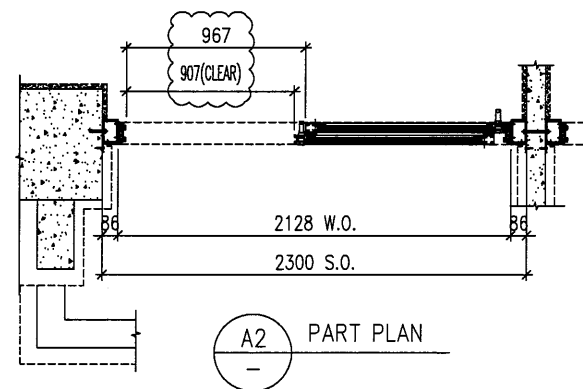
X PART SECTION



Y PART SECTION



A1 PART PLAN



A2 PART PLAN

PROVIDED		
GLAZING AREA	2.071	m ²
OPENABLE AREA	1.143	m ²
FREE AREA	-	%

WINDOW MARK	W207 T5
LOCATION	11F~15F&17F~22F UNIT F LIVING
SECTION	50mm ALUM. SECTION
GLAZING	PD01
QUANTITY	9 Nos.
REMARKS	SITE IN SITU

B.D. REF :

CLIENT :
SHIMAO GROUP HOLDINGS LIMITED

ARCHITECT :
WONG TUNG & PARTNERS LIMITED ARCHITECTS & PLANNERS

MAIN CONTRACTOR :

STRUCTURAL ENGINEER :
C M WONG & ASSOCIATES LTD Consulting Engineers

SITE IN SITU CONSULTANT:
MEINHARDT

NOTE :
1. ALL DIMENSIONS ARE IN mm.
2. ALL ELEVATIONS ARE VIEWED FROM OUTSIDE.
3. ALL DIMENSIONS TO BE VERIFIED ON SITE BEFORE FABRICATION.

LEGEND :
 (X1) --- DETAIL MARK NO.
 (X001) --- REFER SHEET NO.
 1. F.F.L --- FINISHED FLOOR LEVEL
 2. S.F.L --- STRUCTURAL FLOOR LEVEL
 3. (R) --- REVERSED DETAIL
 4. ▲ --- FIXING LOCATION
 5. △ --- FIXING LUG LOCATION
 6. GLASS LEGEND
 GLO1 --- 10mm+12mm AIR GAP+10mm THK. I.G.U.
 GLO5 --- 10mm+12mm AIR GAP+10mm THK. I.G.U.
 GLO6 --- 10mm+12mm AIR GAP+12mm THK. I.G.U.
 PD01 --- 10mm T.P+12mm AIR GAP+8mm T.P
 GLO7 --- 10mm+12mm AIR GAP+12mm THK. I.G.U.
 GLO8 --- 10mm+12mm AIR GAP+10mm THK. I.G.U.

NO.	DATE	REVISION	BY
C	16/04/2022	REVISION SUBJECT TO ARCH.COMMENT	LHR
B	16/12/2021	REVISION SUBJECT TO ARCH.COMMENT	LHR
A	28/08/2021	REVISION SUBJECT TO ARCH.COMMENT	WSH

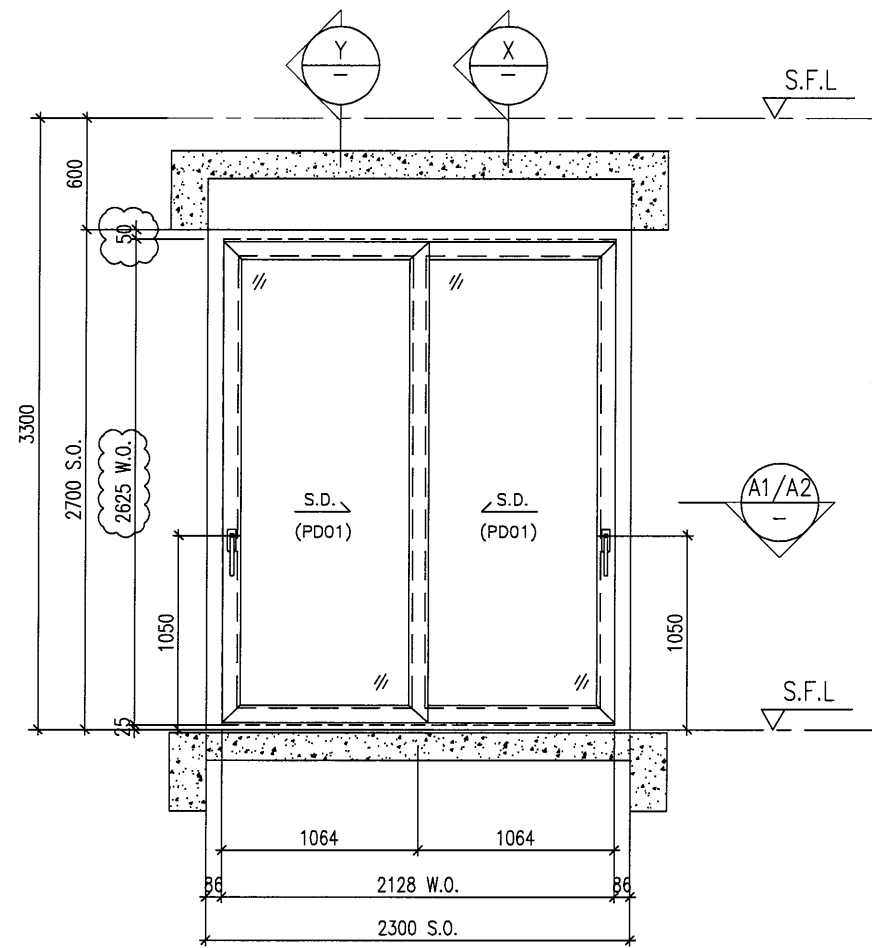
JOB NO. : J-853
PROJECT : PROPOSED RESIDENTIAL DEVELOPMENT AT N.K.I.L. 6542 YIN PING ROAD KOWLOON

TITLE : WINDOW SCHEDULE FOR TOWER 5 ALUM. WINDOW

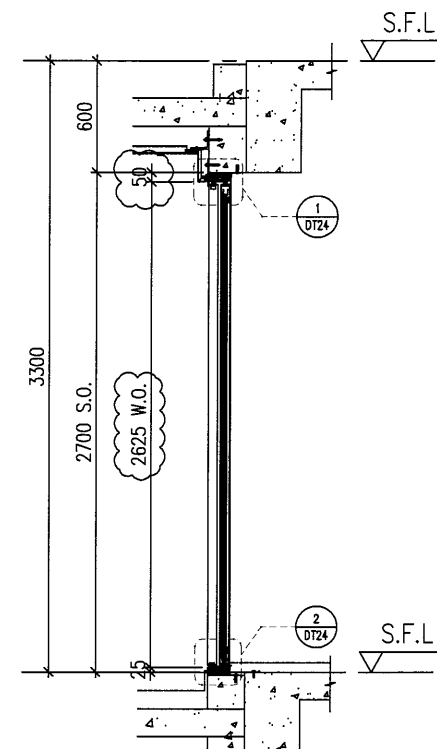
DATE : 03-APR-21 SCALE : 1:40
DRAWN BY : CHECKED BY :

美特铝质有限公司
MIDI ALUMINIUM FABRIC
Units 6-8, Sunray Industrial Centre, 1/F
610 Cha Kwo Ling Road, Kowloon
Tel:23489211-4 Fax:(852)2727666
DWG NO. : J853-SD-IW-SC511

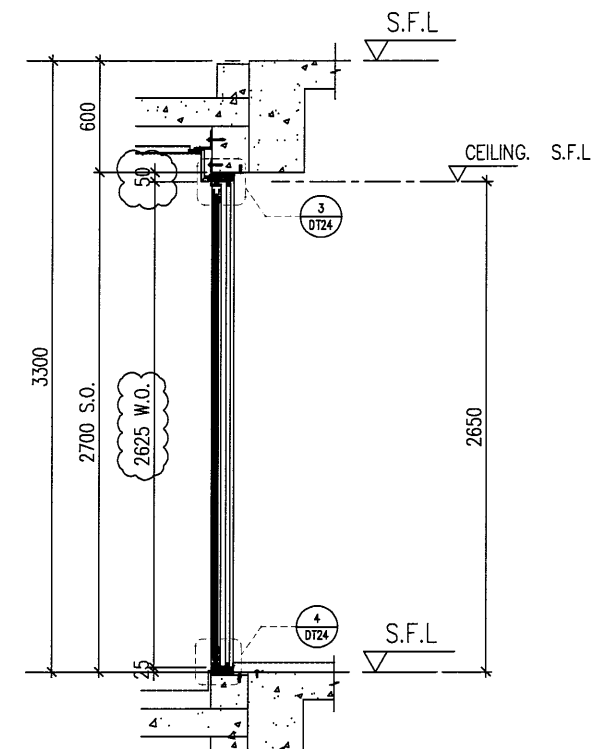
ELEVATION



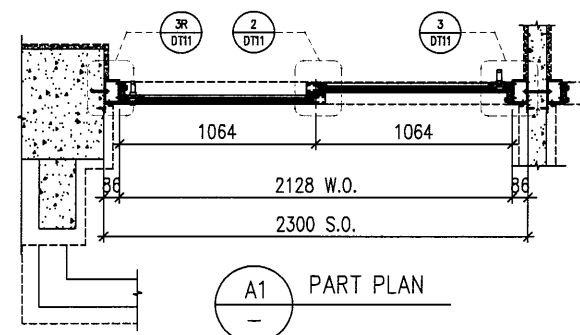
ELEVATION



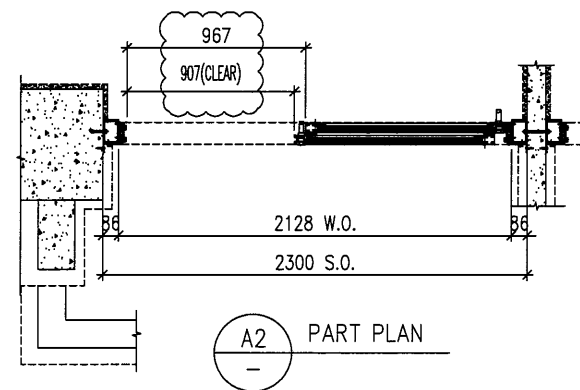
X PART SECTION



Y PART SECTION



A1 PART PLAN



A2 PART PLAN

B.D. REF :

CLIENT :

SHIMAO GROUP HOLDINGS LIMITED

ARCHITECT : **WONG TUNG & PARTNERS LIMITED ARCHITECTS & PLANNERS**



MAIN CONTRACTOR :

STRUCTURAL ENGINEER :

C M WONG & ASSOCIATES LTD
Consulting Engineers

SITE IN SITU CONSULTANT:



NOTE :

1. ALL DIMENSIONS ARE IN mm.
2. ALL ELEVATIONS ARE VIEWED FROM OUTSIDE.
3. ALL DIMENSIONS TO BE VERIFIED ON SITE BEFORE FABRICATION.

LEGEND :

- (x1) — DETAIL MARK NO.
- (x001) — REFER SHEET NO.

1. F.F.L. — FINISHED FLOOR LEVEL
2. S.F.L. — STRUCTURAL FLOOR LEVEL
3. (R) — REVERSED DETAIL
4. ▲ — FIXING LOCATION
5. △ — FIXING LUG LOCATION
6. GLASS LEGEND

- GL01 — 10mm+12mm AIR GAP+10mm THK. I.G.U.
- GL05 — 10mm+12mm AIR GAP+10mm THK. I.G.U.
- GL06 — 10mm+12mm AIR GAP+12mm THK. I.G.U.
- PD01 — 10mm T.P+12mm AIR GAP+8mm T.P
- GL07 — 10mm+12mm AIR GAP+12mm THK. I.G.U.
- GL08 — 10mm+12mm AIR GAP+10mm THK. I.G.U.

C	16/04/2022	REVISION SUBJECT TO ARCH.COMMENT	LHR
B	16/12/2021	REVISION SUBJECT TO ARCH.COMMENT	LHR
NO.	DATE	REVISED	BY

JOB NO. : J-853

PROJECT : PROPOSED RESIDENTIAL DEVELOPMENT AT N.K.I.L. 6542 YIN PING ROAD KOWLOON

TITLE : WINDOW SCHEDULE FOR TOWER 5 ALUM. WINDOW

DATE : 03-APR-21 SCALE : 1:40

DRAWN BY : CHECKED BY :

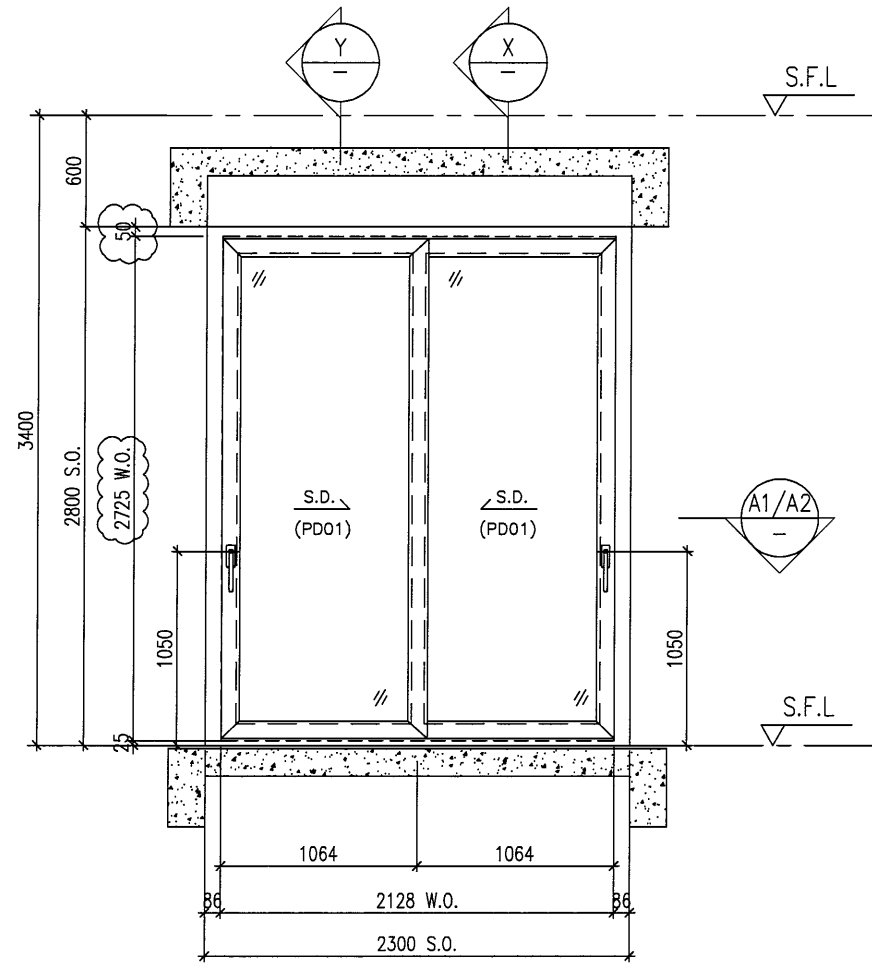
美特鋁質有限公司
MIDI ALUMINIUM FABRICATOR LTD.
Units 6-8, Sunray Industrial Centre, 1/F
610 Cha Kwo Ling Road, Kowloon
Tel:23489211-4 Fax:(852)2727666

DWG NO. : J853-SD-IW-SC511a REV. : C

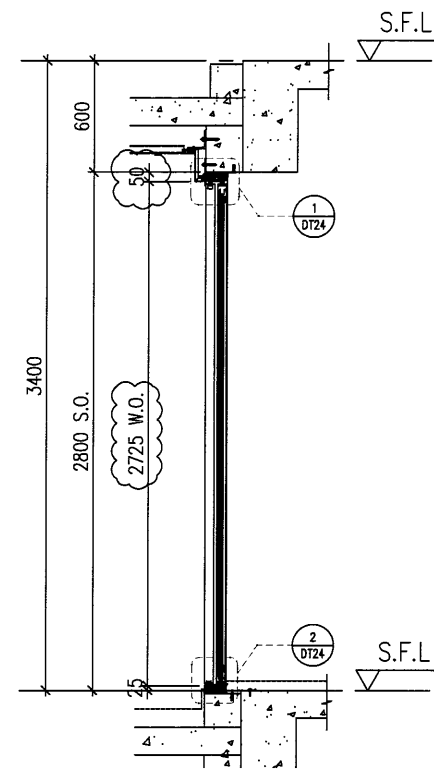
PROVIDED		
GLAZING AREA	2.338	m ²
OPENABLE AREA	1.280	m ²
FREE AREA	-	%

WINDOW MARK	W257 T5
LOCATION	16F&25F~26F UNIT F LIVING
SECTION	50mm ALUM. SECTION
GLAZING	PD01
QUANTITY	3 Nos.
REMARKS	SITE IN SITU

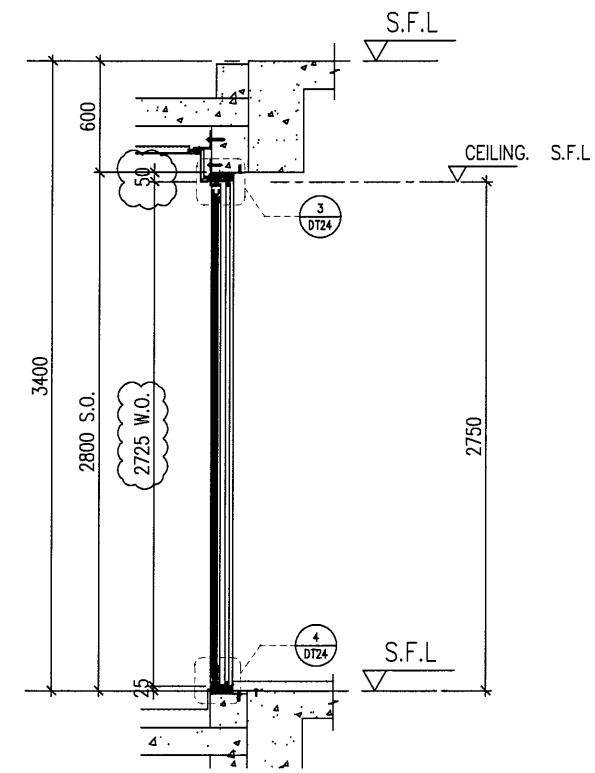
ELEVATION



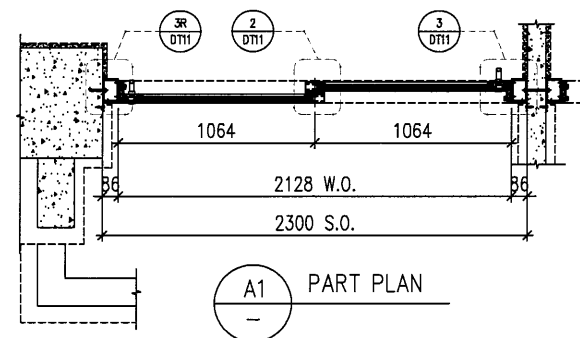
ELEVATION



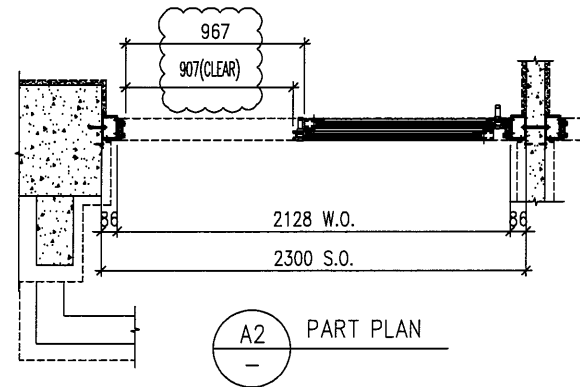
X PART SECTION



Y PART SECTION



A1 PART PLAN



A2 PART PLAN

B.D. REF :

CLIENT :

SHIMAO GROUP HOLDINGS LIMITED

ARCHITECT : **WONG TUNG & PARTNERS LIMITED ARCHITECTS & PLANNERS**



MAIN CONTRACTOR :

STRUCTURAL ENGINEER :

C M WONG & ASSOCIATES LTD
Consulting Engineers

SITE IN SITU CONSULTANT:



NOTE :

1. ALL DIMENSIONS ARE IN mm.
2. ALL ELEVATIONS ARE VIEWED FROM OUTSIDE.
3. ALL DIMENSIONS TO BE VERIFIED ON SITE BEFORE FABRICATION.

LEGEND :

- (X1) — DETAIL MARK NO.
- (X001) — REFER SHEET NO.

1. F.F.L. — FINISHED FLOOR LEVEL
2. S.F.L. — STRUCTURAL FLOOR LEVEL
3. (R) — REVERSED DETAIL
4. ▲ — FIXING LOCATION
5. △ — FIXING LUG LOCATION

6. GLASS LEGEND

- GL01 — 10mm+12mm AIR GAP+10mm THK. I.G.U.
- GL05 — 10mm+12mm AIR GAP+10mm THK. I.G.U.
- GL06 — 10mm+12mm AIR GAP+12mm THK. I.G.U.
- PD01 — 10mm T.P+12mm AIR GAP+8mm T.P
- GL07 — 10mm+12mm AIR GAP+12mm THK. I.G.U.
- GL08 — 10mm+12mm AIR GAP+10mm THK. I.G.U.

NO.	DATE	REVISION	BY
C	16/04/2022	REVISION SUBJECT TO ARCH/COMMENT	LHR
B	16/12/2021	REVISION SUBJECT TO ARCH/COMMENT	LHR

JOB NO. : J-853

PROJECT : PROPOSED RESIDENTIAL DEVELOPMENT AT N.K.I.L. 6542 YIN PING ROAD KOWLOON

TITLE : WINDOW SCHEDULE FOR TOWER 5 ALUM. WINDOW

DATE : 03-APR-21 SCALE : 1:40

DRAWN BY : CHECKED BY :

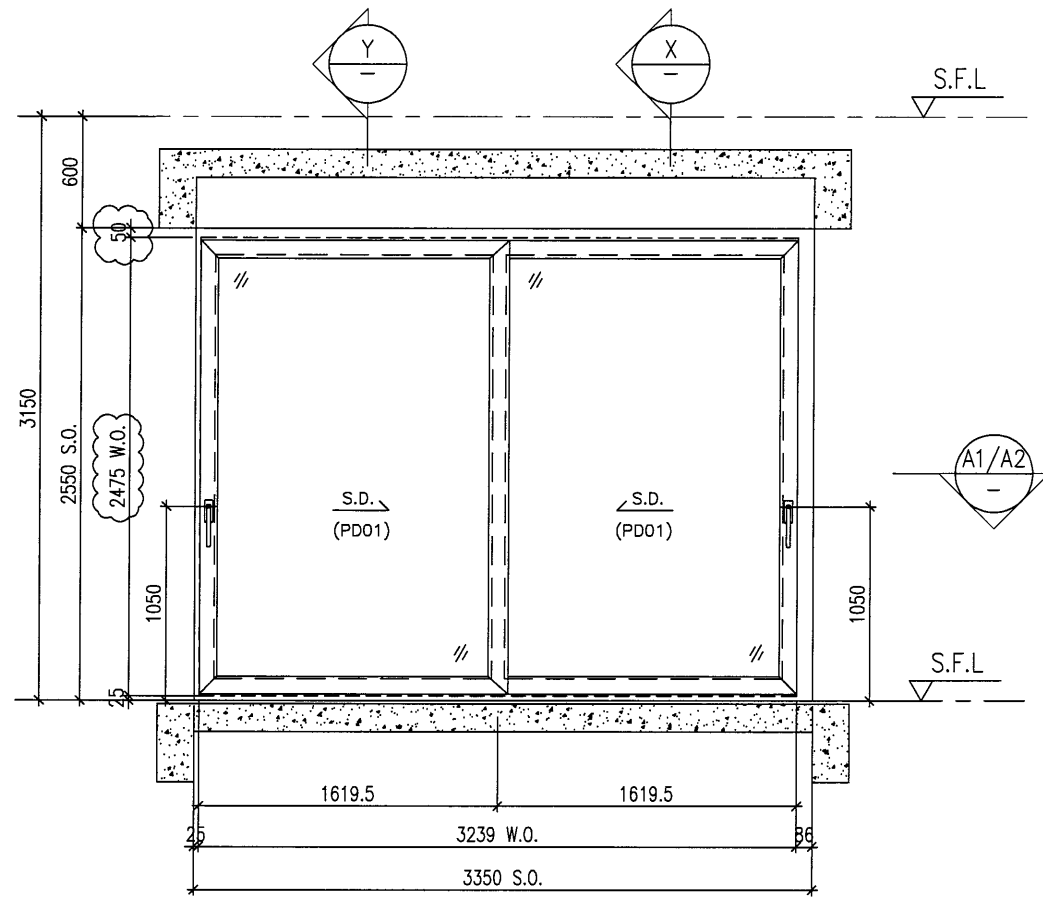
美特鋁質有限公司
MIDI ALUMINIUM FABRICATOR LTD.
Units 6-8, Sunray Industrial Centre, 1/F
610 Cha Kwo Ling Road, Kowloon
Tel:23489211-4 Fax:(852)27727666

DWG NO. : J853-SD-IW-SC511b REV. : C

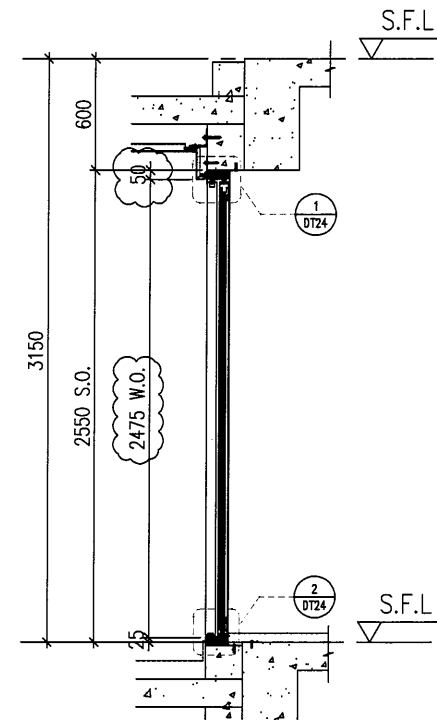
PROVIDED		
GLAZING AREA	2.516	m ²
OPENABLE AREA	1.371	m ²
FREE AREA	-	%

WINDOW MARK	
LOCATION	23F UNIT F LIVING
SECTION	50mm ALUM. SECTION
GLAZING	PD01
QUANTITY	1 Nos.
REMARKS	SITE IN SITU

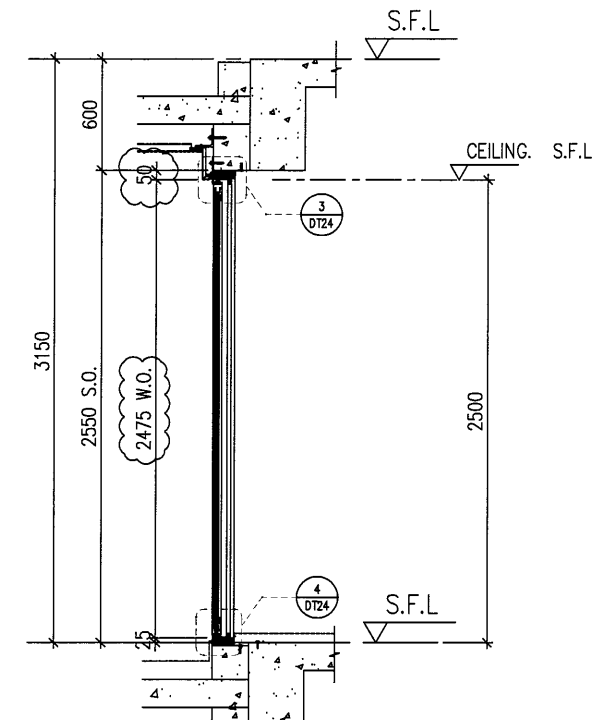
ELEVATION



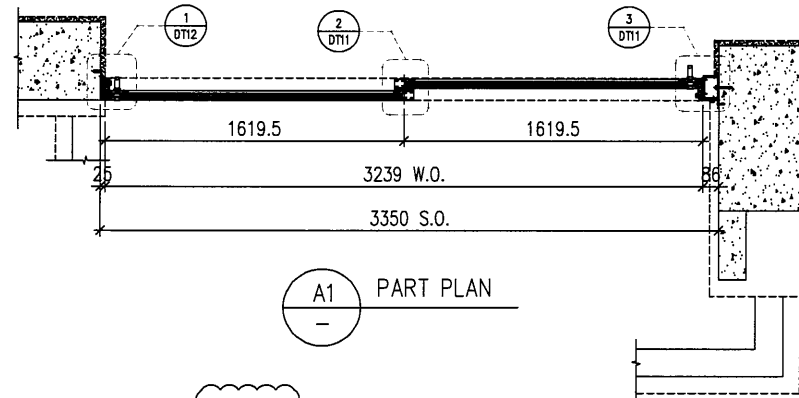
ELEVATION



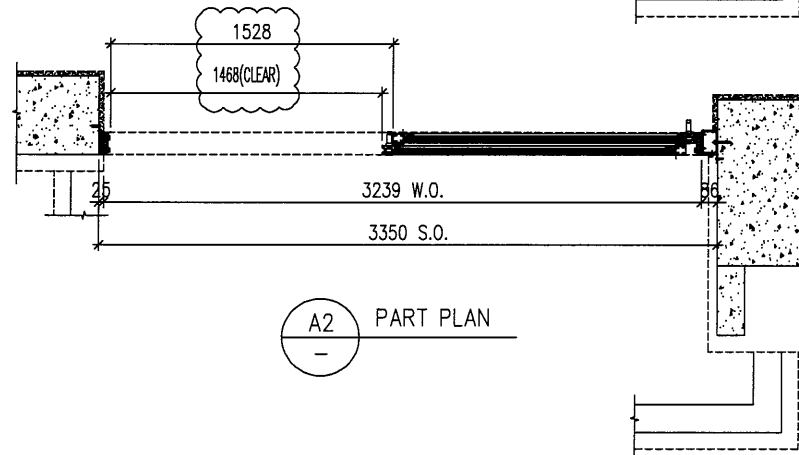
X PART SECTION



Y PART SECTION



A1 PART PLAN



A2 PART PLAN

PROVIDED		
GLAZING AREA	3.366	m ²
OPENABLE AREA	1.839	m ²
FREE AREA	-	%

WINDOW MARK	W208 T5
LOCATION	17F~22F UNIT B LIVING
SECTION	50mm ALUM. SECTION
GLAZING	PDO1
QUANTITY	6 Nos.
REMARKS	SITE IN SITU

B.D. REF :

CLIENT :
SHIMAO GROUP HOLDINGS LIMITED

ARCHITECT :
WONG TUNG & PARTNERS LIMITED ARCHITECTS & PLANNERS

MAIN CONTRACTOR :

STRUCTURAL ENGINEER :
C M WONG & ASSOCIATES LTD Consulting Engineers

SITE IN SITU CONSULTANT:
MEINHARDT

NOTE :
1. ALL DIMENSIONS ARE IN mm.
2. ALL ELEVATIONS ARE VIEWED FROM OUTSIDE.
3. ALL DIMENSIONS TO BE VERIFIED ON SITE BEFORE FABRICATION.

LEGEND :
 (X1) --- DETAIL MARK NO.
 (X001) --- REFER SHEET NO.
 1. F.F.L --- FINISHED FLOOR LEVEL
 2. S.F.L --- STRUCTURAL FLOOR LEVEL
 3. (R) --- REVERSED DETAIL
 4. ▲ --- FIXING LOCATION
 5. △ --- FIXING LUG LOCATION
 6. GLASS LEGEND
 GL01 --- 10mm+12mm AIR GAP+10mm THK. I.G.U.
 GL05 --- 10mm+12mm AIR GAP+10mm THK. I.G.U.
 GL06 --- 10mm+12mm AIR GAP+12mm THK. I.G.U.
 PDO1 --- 10mm T.P+12mm AIR GAP+8mm T.P
 GL07 --- 10mm+12mm AIR GAP+12mm THK. I.G.U.
 GL08 --- 10mm+12mm AIR GAP+10mm THK. I.G.U.

NO.	DATE	REVISION	BY
C	16/04/2022	REVISION SUBJECT TO ARCH.COMMENT	LHR
B	16/12/2021	REVISION SUBJECT TO ARCH.COMMENT	LHR
A	28/08/2021	REVISION SUBJECT TO ARCH.COMMENT	WSH

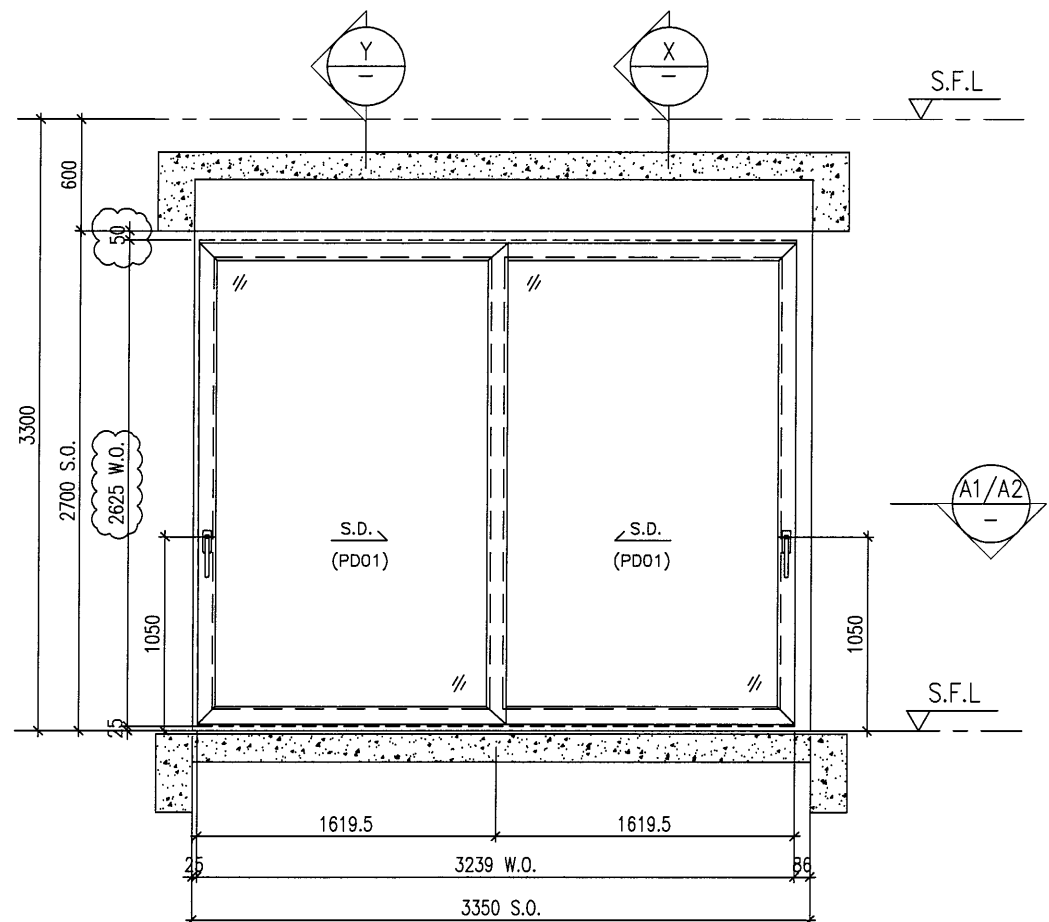
JOB NO. : J-853
PROJECT : PROPOSED RESIDENTIAL DEVELOPMENT AT N.K.I.L. 6542 YIN PING ROAD KOWLOON

TITLE : WINDOW SCHEDULE FOR TOWER 5 ALUM. WINDOW

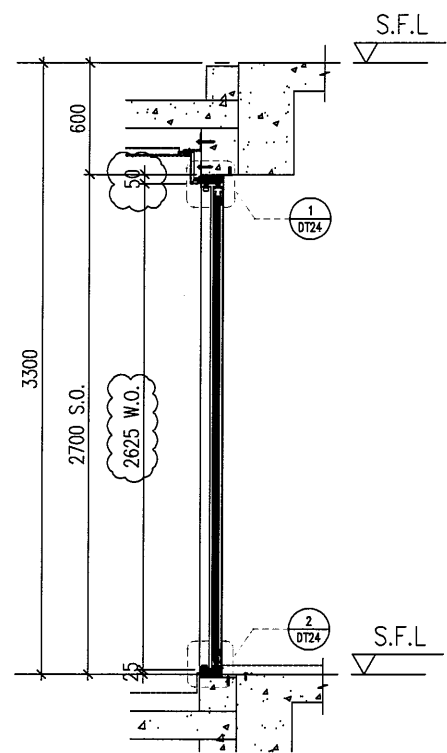
DATE : 03-APR-21 SCALE : 1:40
DRAWN BY : CHECKED BY :

美特鋁質有限公司
MIDI ALUMINIUM FABRICATOR LTD.
Units 6-8, Sunray Industrial Centre, 1/F
610 Cha Kwo Ling Road, Kowloon
Tel:23489211-4 Fax:(852)2727666

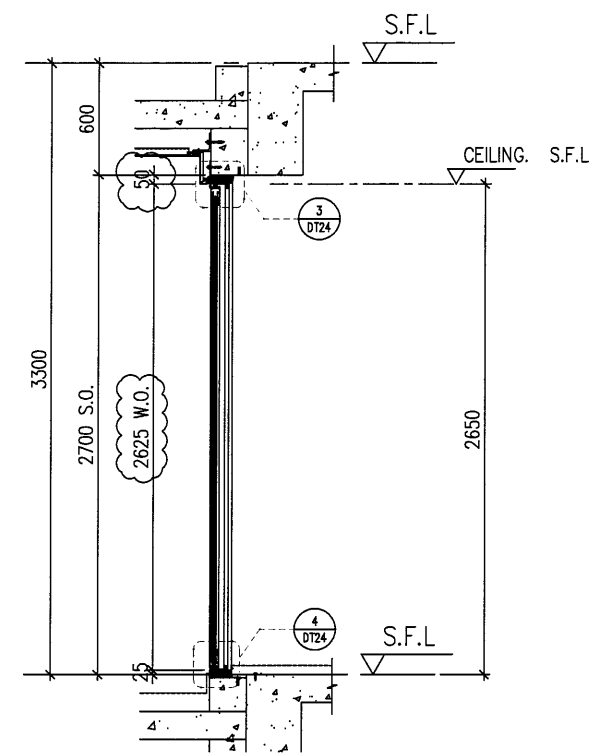
DWG NO. : J853-SD-IW-SC512 REV. : C



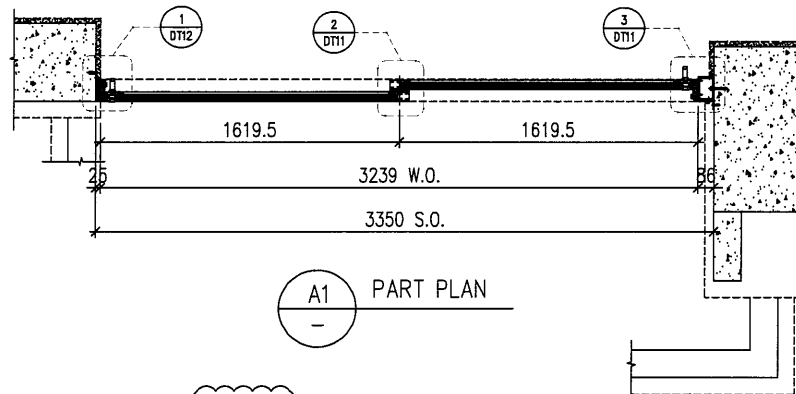
ELEVATION



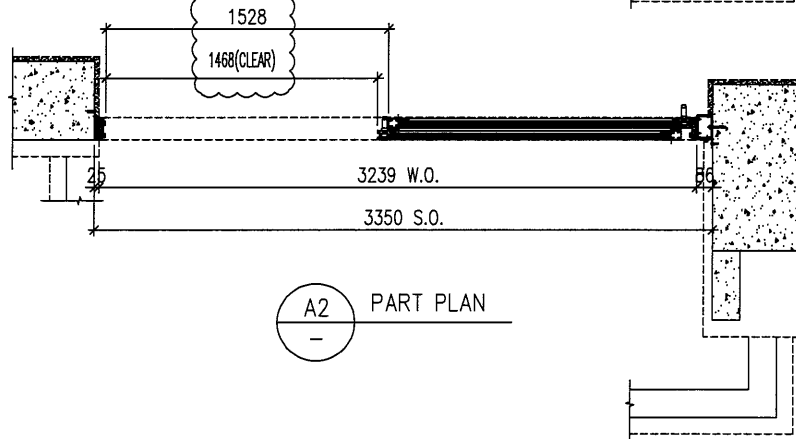
X PART SECTION



Y PART SECTION



A1 PART PLAN



A2 PART PLAN

ELEVATION

B.D. REF :

CLIENT :
SHIMAO GROUP HOLDINGS LIMITED

ARCHITECT :
WONG TUNG & PARTNERS LIMITED
ARCHITECTS & PLANNERS

MAIN CONTRACTOR :

STRUCTURAL ENGINEER :
C M WONG & ASSOCIATES LTD
Consulting Engineers

SITE IN SITU CONSULTANT:
MEINHARDT

NOTE :
1. ALL DIMENSIONS ARE IN mm.
2. ALL ELEVATIONS ARE VIEWED FROM OUTSIDE.
3. ALL DIMENSIONS TO BE VERIFIED ON SITE BEFORE FABRICATION.

LEGEND :
 (X1) --- DETAIL MARK NO.
 (X001) --- REFER SHEET NO.
 1. F.F.L. --- FINISHED FLOOR LEVEL
 2. S.F.L. --- STRUCTURAL FLOOR LEVEL
 3. (R) --- REVERSED DETAIL
 4. ▲ --- FIXING LOCATION
 5. △ --- FIXING LUG LOCATION
 6. GLASS LEGEND
 GL01 --- 10mm+12mm AIR GAP+10mm THK. I.G.U.
 GL05 --- 10mm+12mm AIR GAP+10mm THK. I.G.U.
 GL06 --- 10mm+12mm AIR GAP+12mm THK. I.G.U.
 PD01 --- 10mm T.P+12mm AIR GAP+8mm T.P
 GL07 --- 10mm+12mm AIR GAP+12mm THK. I.G.U.
 GL08 --- 10mm+12mm AIR GAP+10mm THK. I.G.U.

C	16/04/2022	REVISION SUBJECT TO ARCH.COMMENT	LHR
B	16/12/2021	REVISION SUBJECT TO ARCH.COMMENT	LHR
NO.	DATE	REVISED	BY

JOB NO. : J-853
PROJECT : PROPOSED RESIDENTIAL DEVELOPMENT AT N.K.I.L. 6542 YIN PING ROAD KOWLOON

TITLE : WINDOW SCHEDULE FOR TOWER 5 ALUM. WINDOW

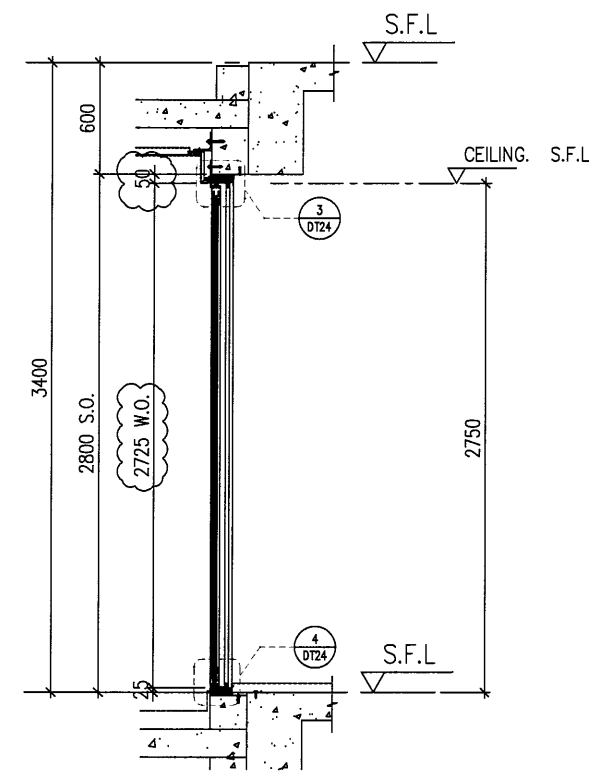
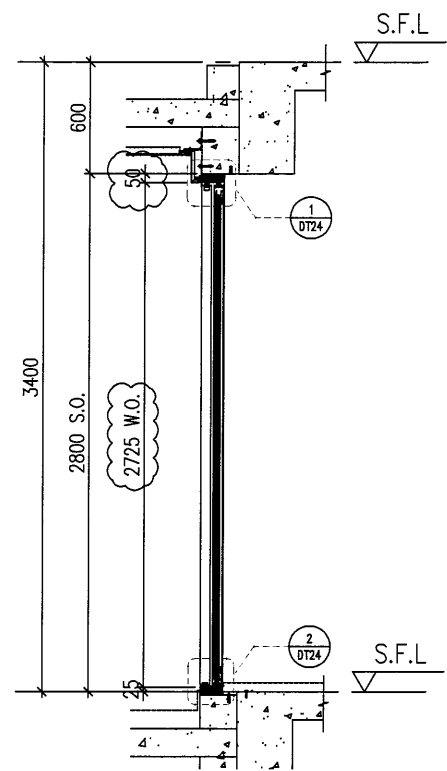
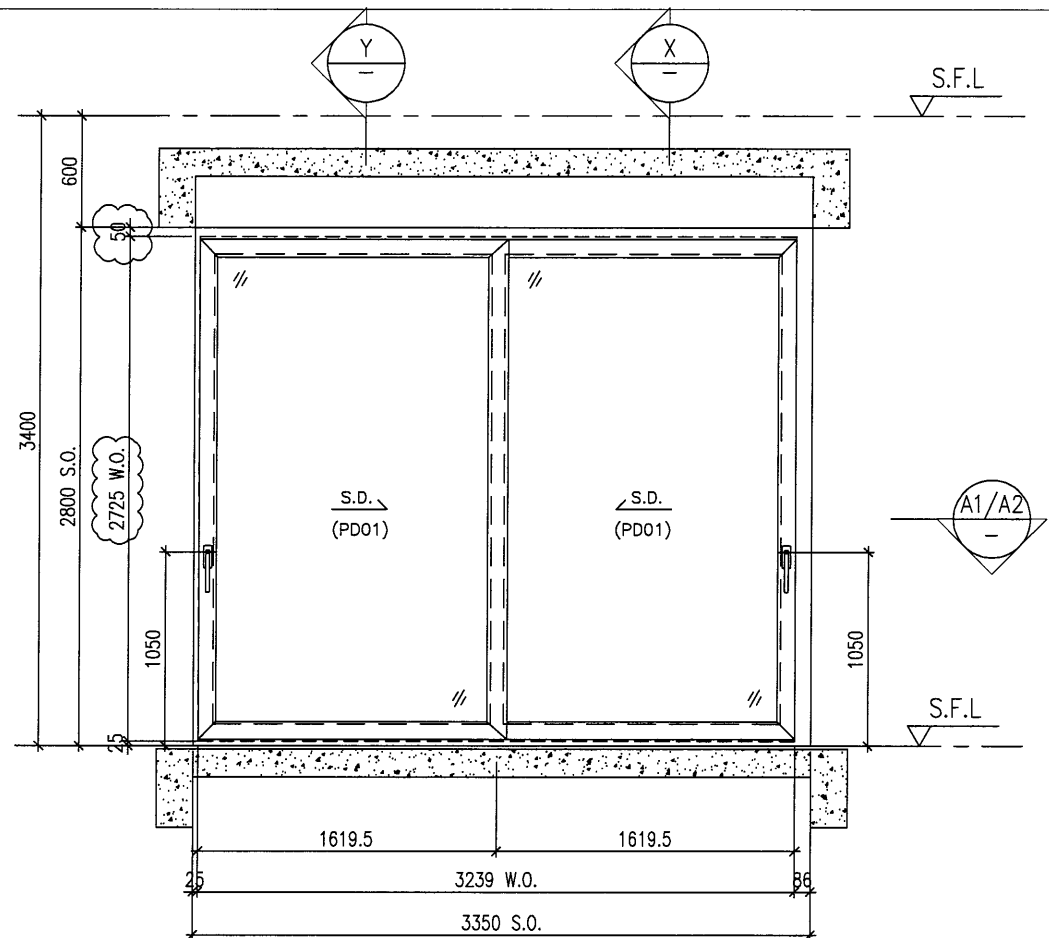
DATE : 03-APR-21 SCALE : 1:40
DRAWN BY : CHECKED BY :

美特鋁質有限公司
MIDI ALUMINIUM FABRICATOR LTD.
Units 6-8, Sunray Industrial Centre, 1/F
610 Cha Kwo Ling Road, Kowloon
Tel:23489211-4 Fax:(852)2727666

DWG NO. : J853-SD-IW-SC512a REV. : C

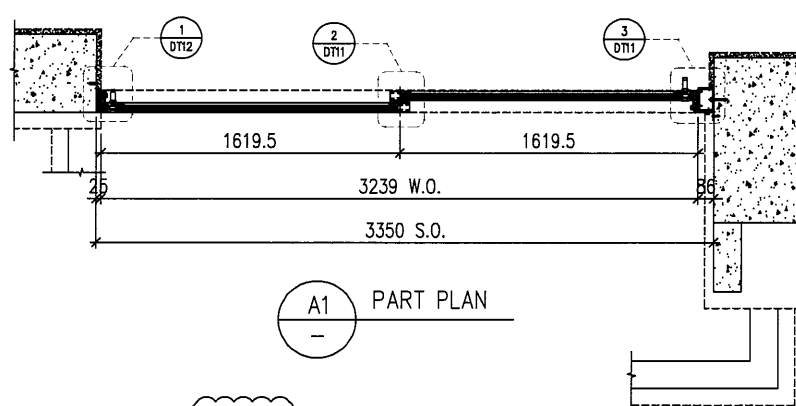
PROVIDED		
GLAZING AREA	3.799	m ²
OPENABLE AREA	2.059	m ²
FREE AREA	-	%

WINDOW MARK	W258 T5
LOCATION	25F UNIT B LIVING
SECTION	50mm ALUM. SECTION
GLAZING	PD01
QUANTITY	1 Nos.
REMARKS	SITE IN SITU

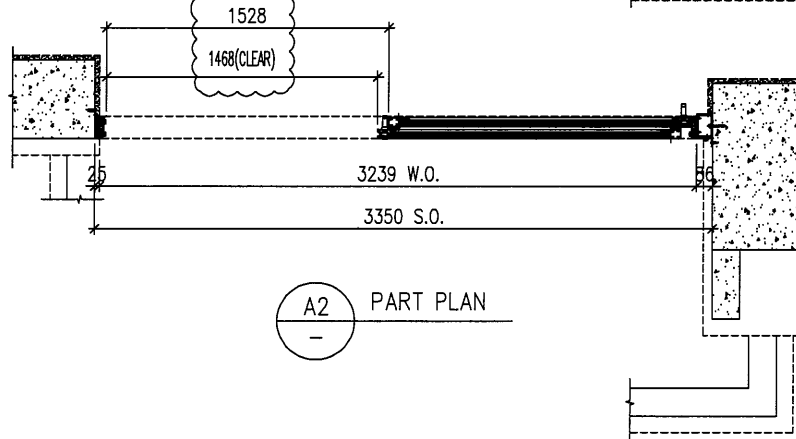


X PART SECTION

Y PART SECTION



A1 PART PLAN



A2 PART PLAN

B.D. REF :

CLIENT :
SHIMAO GROUP HOLDINGS LIMITED

ARCHITECT :
WONG TUNG & PARTNERS LIMITED ARCHITECTS & PLANNERS

MAIN CONTRACTOR :

STRUCTURAL ENGINEER :
C M WONG & ASSOCIATES LTD Consulting Engineers

SITE IN SITU CONSULTANT:
MEINHARDT

NOTE:
1. ALL DIMENSIONS ARE IN mm.
2. ALL ELEVATIONS ARE VIEWED FROM OUTSIDE.
3. ALL DIMENSIONS TO BE VERIFIED ON SITE BEFORE FABRICATION.

LEGEND:
 (X1) --- DETAIL MARK NO.
 (X001) --- REFER SHEET NO.
 1. F.F.L. --- FINISHED FLOOR LEVEL
 2. S.F.L. --- STRUCTURAL FLOOR LEVEL
 3. (R) --- REVERSED DETAIL
 4. ▲ --- FIXING LOCATION
 5. △ --- FIXING LUG LOCATION
 6. GLASS LEGEND
 GL01 --- 10mm+12mm AIR GAP+10mm THK. I.G.U.
 GL05 --- 10mm+12mm AIR GAP+10mm THK. I.G.U.
 GL06 --- 10mm+12mm AIR GAP+12mm THK. I.G.U.
 PDO1 --- 10mm T.P+12mm AIR GAP+8mm T.P
 GL07 --- 10mm+12mm AIR GAP+12mm THK. I.G.U.
 GL08 --- 10mm+12mm AIR GAP+10mm THK. I.G.U.

C	16/04/2022	REVISION SUBJECT TO ARCH-COMMENT	LHR
B	16/12/2021	REVISION SUBJECT TO ARCH-COMMENT	LHR
NO.	DATE	REVISED	BY

JOB NO. : J-853
 PROJECT : PROPOSED RESIDENTIAL DEVELOPMENT AT N.K.I.L. 6542 YIN PING ROAD KOWLOON

TITLE : WINDOW SCHEDULE FOR TOWER 5 ALUM. WINDOW

DATE : 03-APR-21 SCALE : 1:40
 DRAWN BY : CHECKED BY :

美特鋁質有限公司
MIDI ALUMINIUM FABRICATOR LTD.
 Units 6-8, Sunray Industrial Centre, 1/F
 610 Cho Kwo Ling Road, Kowloon
 Tel:23489211-4 Fax:(852)2727666

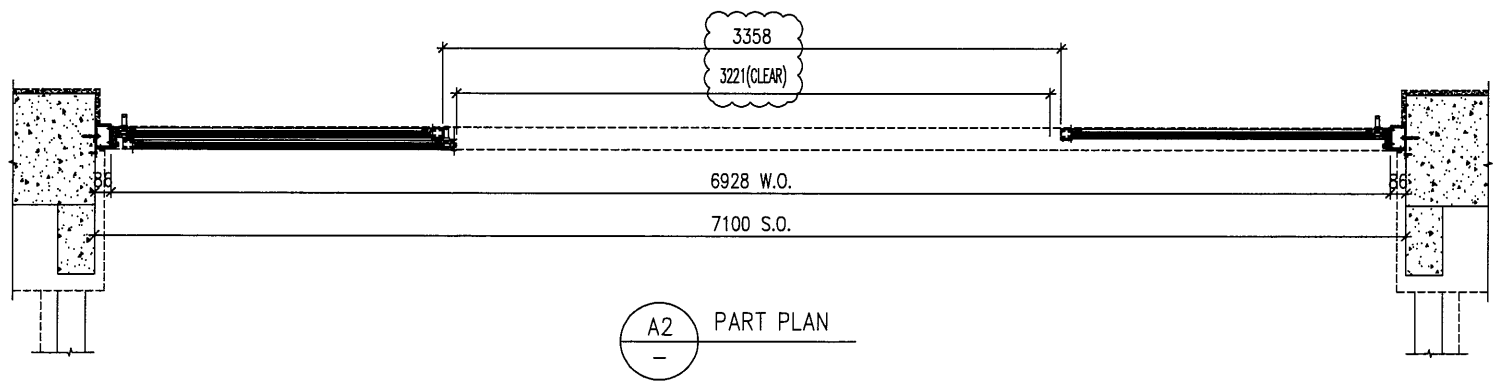
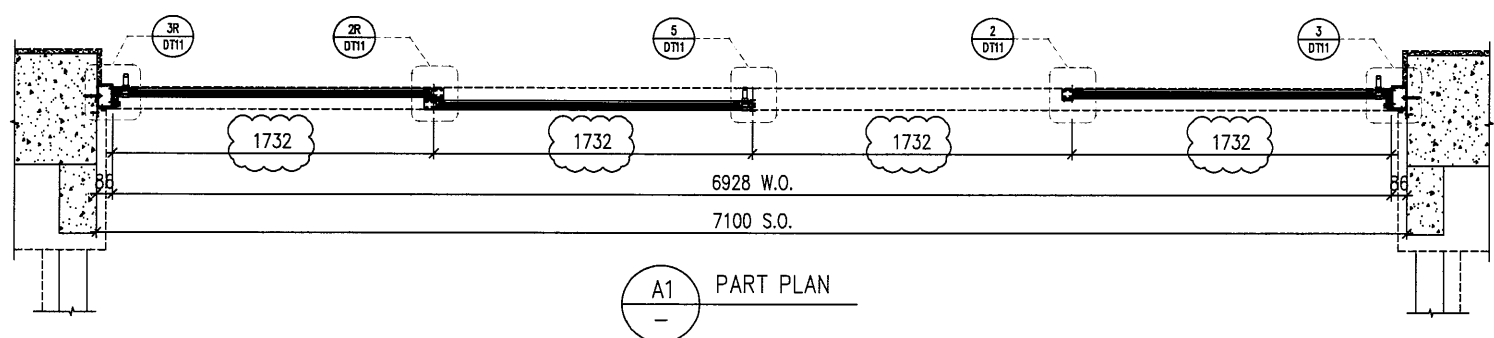
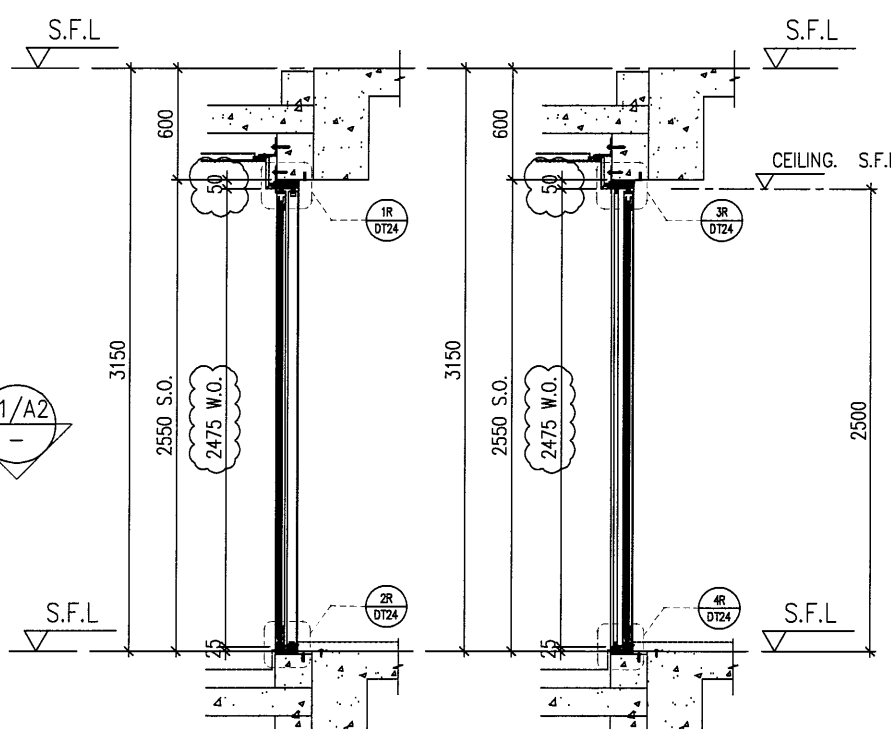
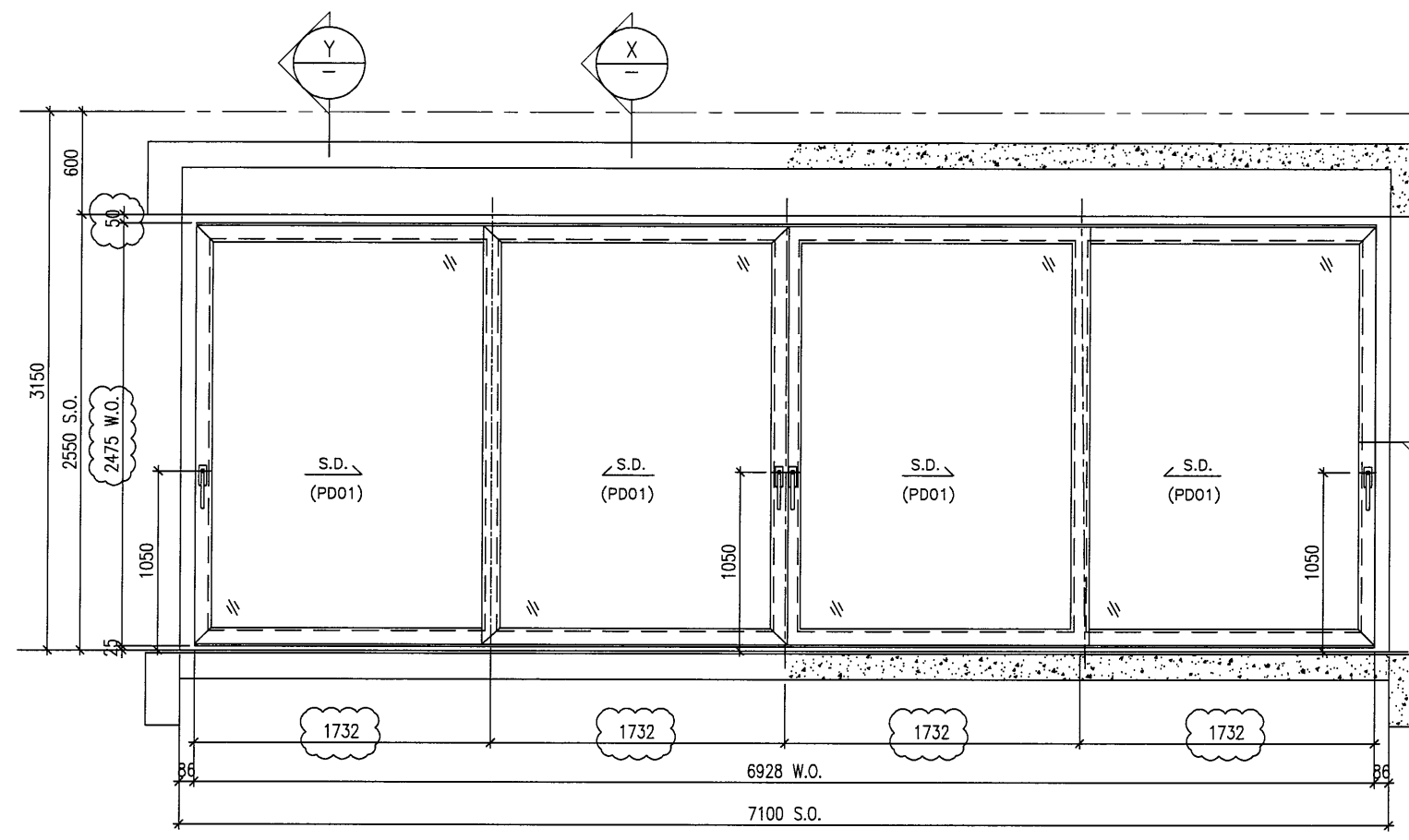
DWG NO. : J853-SD-IW-SC512b REV. : C

PROVIDED		
GLAZING AREA	4.088	m ²
OPENABLE AREA	2.206	m ²
FREE AREA	-	%

ELEVATION

WINDOW MARK
 LOCATION
 SECTION
 GLAZING
 QUANTITY
 REMARKS

W278
 T5
 23F UNIT B LIVING
 50mm ALUM. SECTION
 PDO1
 1 Nos.
 SITE IN SITU



X PART SECTION
Y PART SECTION

A1 PART PLAN

A2 PART PLAN

ELEVATION

ELEVATION

B.D. REF :

CLIENT :
SHIMAO GROUP HOLDINGS LIMITED

ARCHITECT :
WONG TUNG & PARTNERS LIMITED
ARCHITECTS & PLANNERS

MAIN CONTRACTOR :

STRUCTURAL ENGINEER :
C M WONG & ASSOCIATES LTD
Consulting Engineers

SITE IN SITU CONSULTANT:
MEINHARDT

NOTE :
1. ALL DIMENSIONS ARE IN mm.
2. ALL ELEVATIONS ARE VIEWED FROM OUTSIDE.
3. ALL DIMENSIONS TO BE VERIFIED ON SITE BEFORE FABRICATION.

LEGEND :

(X1) — DETAIL MARK NO.
(X001) — REFER SHEET NO.

1. F.F.L. — FINISHED FLOOR LEVEL
2. S.F.L. — STRUCTURAL FLOOR LEVEL
3. (R) — REVERSED DETAIL
4. ▲ — FIXING LOCATION
5. △ — FIXING LUG LOCATION
6. GLASS LEGEND
GL01 — 10mm+12mm AIR GAP+10mm THK. I.G.U.
GL05 — 10mm+12mm AIR GAP+10mm THK. I.G.U.
GL06 — 10mm+12mm AIR GAP+12mm THK. I.G.U.
PD01 — 10mm T.P+12mm AIR GAP+8mm T.P
GL07 — 10mm+12mm AIR GAP+12mm THK. I.G.U.
GL08 — 10mm+12mm AIR GAP+10mm THK. I.G.U.

NO.	DATE	REVISION	BY
C	16/04/2022	REVISION SUBJECT TO ARCH COMMENT	LHR
B	16/12/2021	REVISION SUBJECT TO ARCH COMMENT	LHR
A	28/08/2021	REVISION SUBJECT TO ARCH COMMENT	WSH

JOB NO. : J-853
PROJECT : PROPOSED RESIDENTIAL DEVELOPMENT AT N.K.I.L. 6542 YIN PING ROAD KOWLOON

TITLE : WINDOW SCHEDULE FOR TOWER 5 ALUM. WINDOW

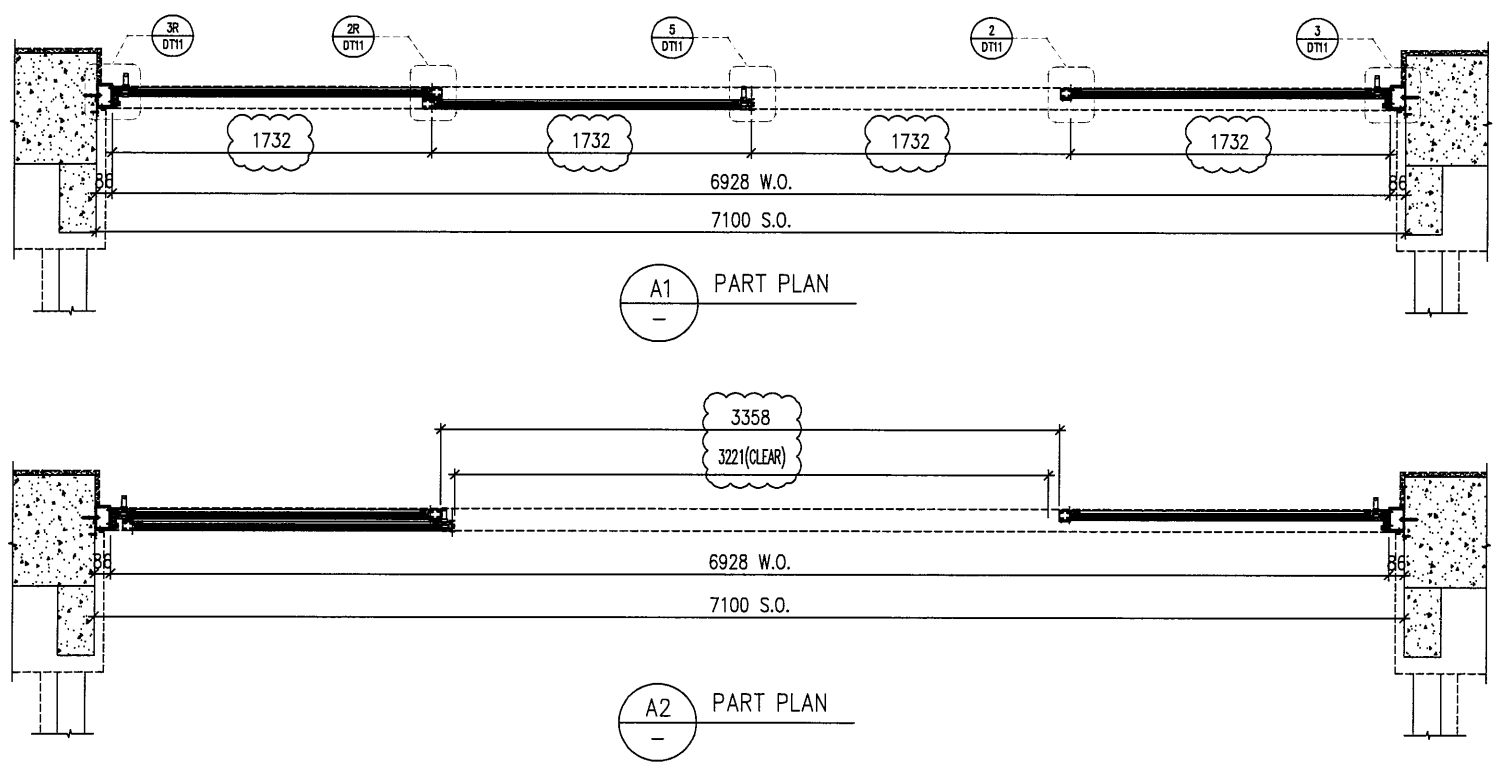
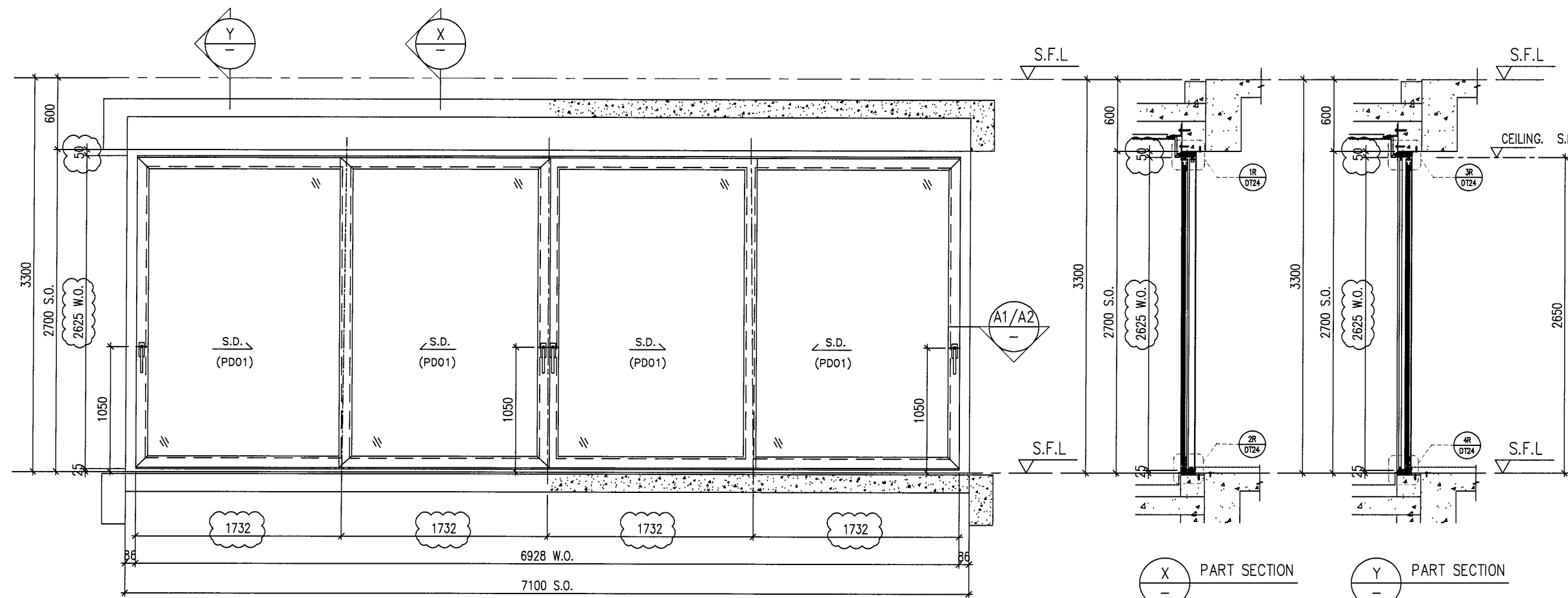
DATE : 03-APR-21 SCALE : 1:40
DRAWN BY : CHECKED BY :

美特鋁質有限公司
MIDI ALUMINIUM FABRICATOR LTD.
Units 6-8, Sunray Industrial Centre, 1/F
610 Cha Kwo Ling Road, Kowloon
Tel:23489211-4 Fax:(852)2727666

DWG NO. : J853-SD-IW-SC513 REV. : C

PROVIDED		
GLAZING AREA	7.307	m ²
OPENABLE AREA	4.066	m ²
FREE AREA	-	%

WINDOW MARK	W209 T5
LOCATION	17F~22F UNIT A LIVING
SECTION	50mm ALUM. SECTION
GLAZING	PD01
QUANTITY	6 No.
REMARKS	SITE IN SITU



X PART SECTION
Y PART SECTION

ELEVATION

ELEVATION

A1 PART PLAN

A2 PART PLAN

B.D. REF :

CLIENT :
SHIMAO GROUP HOLDINGS LIMITED

ARCHITECT :
WONG TUNG & PARTNERS LIMITED ARCHITECTS & PLANNERS

MAIN CONTRACTOR :

STRUCTURAL ENGINEER :
C M WONG & ASSOCIATES LTD Consulting Engineers

SITE IN SITU CONSULTANT:
MEINHARDT

NOTE :
1. ALL DIMENSIONS ARE IN mm.
2. ALL ELEVATIONS ARE VIEWED FROM OUTSIDE.
3. ALL DIMENSIONS TO BE VERIFIED ON SITE BEFORE FABRICATION.

LEGEND :

- (X1) — DETAIL MARK NO.
- (X001) — REFER SHEET NO.
- 1. F.F.L. — FINISHED FLOOR LEVEL
- 2. S.F.L. — STRUCTURAL FLOOR LEVEL
- 3. (R) — REVERSED DETAIL
- 4. ▲ — FIXING LOCATION
- 5. △ — FIXING LUG LOCATION
- 6. GLASS LEGEND
 - GL01 — 10mm+12mm AIR GAP+10mm THK. I.G.U.
 - GL05 — 10mm+12mm AIR GAP+10mm THK. I.G.U.
 - GL06 — 10mm+12mm AIR GAP+12mm THK. I.G.U.
 - PD01 — 10mm T.P+12mm AIR GAP+8mm T.P
 - GL07 — 10mm+12mm AIR GAP+12mm THK. I.G.U.
 - GL08 — 10mm+12mm AIR GAP+10mm THK. I.G.U.

C	16/04/2022	REVISION SUBJECT TO ARCH.COMMENT	LHR
B	16/12/2021	REVISION SUBJECT TO ARCH.COMMENT	LHR
NO.	DATE	REVISED	BY

JOB NO. : J-853
PROJECT : PROPOSED RESIDENTIAL DEVELOPMENT AT N.K.I.L. 6542 YIN PING ROAD KOWLOON

TITLE : WINDOW SCHEDULE FOR TOWER 5 ALUM. WINDOW

DATE : 03-APR-21 SCALE : 1:40
DRAWN BY : CHECKED BY :

美特铝质有限公司
MIDI ALUMINIUM FABRICATOR LTD.
Units 6-8, Sunray Industrial Centre, 1/F
610 Cha Kwo Ling Road, Kowloon
Tel:23489211-4 Fax:(852)27727666

DWG NO. : J853-SD-IW-SC513a REV. : C

PROVIDED		
GLAZING AREA	8.248	m ²
OPENABLE AREA	4.549	m ²
FREE AREA	-	%

WINDOW MARK	W259 T5
LOCATION	25F UNIT A LIVING
SECTION	50mm ALUM. SECTION
GLAZING	PD01
QUANTITY	1 No.
REMARKS	SITE IN SITU

B.D. REF :

CLIENT :
SHIMAO GROUP HOLDINGS LIMITED

ARCHITECT :
WONG TUNG & PARTNERS LIMITED ARCHITECTS & PLANNERS

MAIN CONTRACTOR :

STRUCTURAL ENGINEER :
C M WONG & ASSOCIATES LTD Consulting Engineers

SITE IN SITU CONSULTANT:
MEINHARDT

NOTE:
1. ALL DIMENSIONS ARE IN mm.
2. ALL ELEVATIONS ARE VIEWED FROM OUTSIDE.
3. ALL DIMENSIONS TO BE VERIFIED ON SITE BEFORE FABRICATION.

LEGEND:
 (X1) --- DETAIL MARK NO.
 X001 --- REFER SHEET NO.
 1. F.F.L. --- FINISHED FLOOR LEVEL
 2. S.F.L. --- STRUCTURAL FLOOR LEVEL
 3. (R) --- REVERSED DETAIL
 4. ▲ --- FIXING LOCATION
 5. △ --- FIXING LUG LOCATION
 6. GLASS LEGEND
 GL01 --- 10mm+12mm AIR GAP+10mm THK. I.G.U.
 GL05 --- 10mm+12mm AIR GAP+10mm THK. I.G.U.
 GL06 --- 10mm+12mm AIR GAP+12mm THK. I.G.U.
 PDO1 --- 10mm T.P+12mm AIR GAP+8mm T.P
 GL07 --- 10mm+12mm AIR GAP+12mm THK. I.G.U.
 GL08 --- 10mm+12mm AIR GAP+10mm THK. I.G.U.

C	16/04/2022	REVISION SUBJECT TO ARCH.COMMENT	LHR
B	16/12/2021	REVISION SUBJECT TO ARCH.COMMENT	LHR
NO.	DATE	REVISED	BY

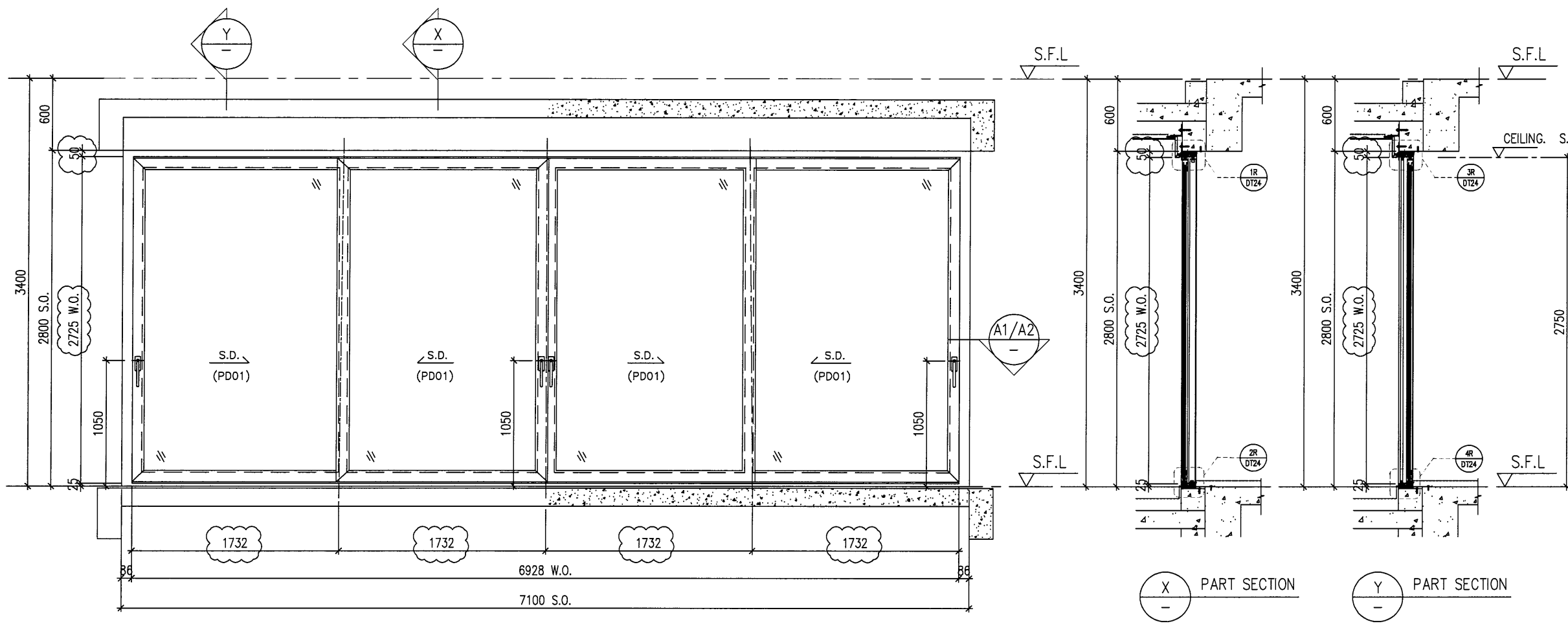
JOB NO. : J-853
 PROJECT : PROPOSED RESIDENTIAL DEVELOPMENT AT N.K.I.L. 6542 YIN PING ROAD KOWLOON

TITLE : WINDOW SCHEDULE FOR TOWER 5 ALUM. WINDOW

DATE : 03-APR-21 SCALE : 1:40
 DRAWN BY : CHECKED BY :

美特鋁質有限公司
MIDI ALUMINIUM FABRICATOR LTD.
 Units 6-8, Sunroy Industrial Centre, 1/F
 610 Cho Kwo Ling Road, Kowloon
 Tel:23489211-4 Fax:(852)2727666

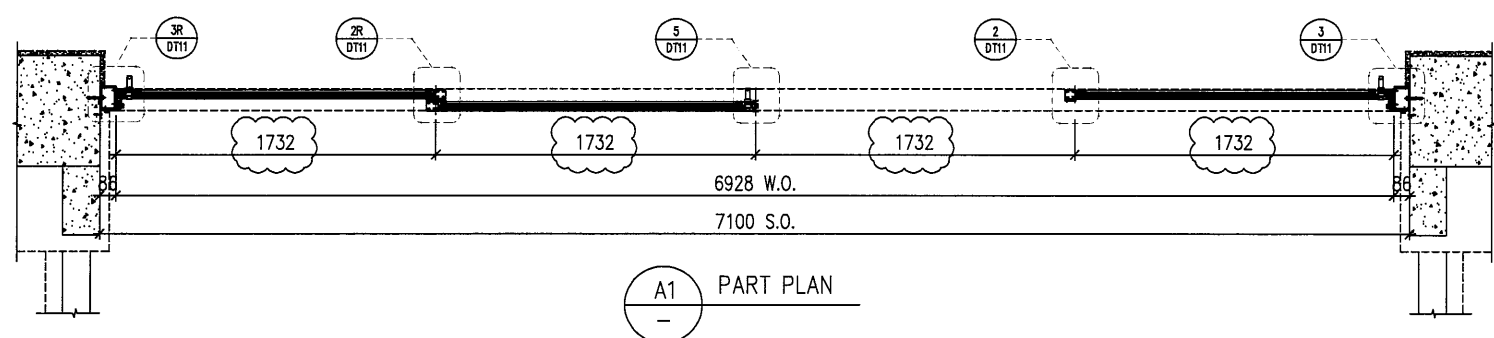
DWG NO. : J853-SD-IW-SC513b REV. : C



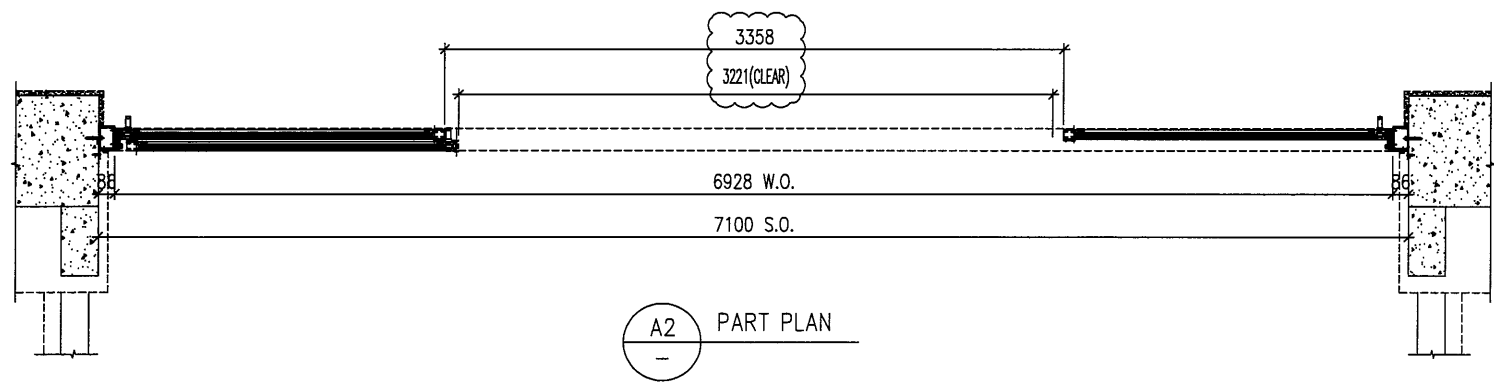
ELEVATION

ELEVATION

X PART SECTION Y PART SECTION



A1 PART PLAN



A2 PART PLAN

PROVIDED		
GLAZING AREA	8.875	m ²
OPENABLE AREA	4.872	m ²
FREE AREA	-	%

WINDOW MARK	W279 T5
LOCATION	23F UNIT A LIVING
SECTION	50mm ALUM. SECTION
GLAZING	PD01
QUANTITY	1 No.
REMARKS	SITE IN SITU

B.D. REF :

CLIENT :
SHIMAO GROUP HOLDINGS LIMITED

ARCHITECT :
WONG TUNG & PARTNERS LIMITED ARCHITECTS & PLANNERS

MAIN CONTRACTOR :

STRUCTURAL ENGINEER :
C M WONG & ASSOCIATES LTD Consulting Engineers

SITE IN SITU CONSULTANT:
MEINHARDT

NOTE:
1. ALL DIMENSIONS ARE IN mm.
2. ALL ELEVATIONS ARE VIEWED FROM OUTSIDE.
3. ALL DIMENSIONS TO BE VERIFIED ON SITE BEFORE FABRICATION.

LEGEND :

(X1) --- DETAIL MARK NO.
X001 --- REFER SHEET NO.

1. F.F.L. --- FINISHED FLOOR LEVEL
2. S.F.L. --- STRUCTURAL FLOOR LEVEL
3. (R) --- REVERSED DETAIL
4. ▲ --- FIXING LOCATION
5. △ --- FIXING LUG LOCATION
6. GLASS LEGEND
GL01 --- 10mm+12mm AIR GAP+10mm THK. I.G.U.
GL05 --- 10mm+12mm AIR GAP+10mm THK. I.G.U.
GL06 --- 10mm+12mm AIR GAP+12mm THK. I.G.U.
PD01 --- 10mm T.P+12mm AIR GAP+8mm T.P
GL07 --- 10mm+12mm AIR GAP+12mm THK. I.G.U.
GL08 --- 10mm+12mm AIR GAP+10mm THK. I.G.U.

NO.	DATE	REVISED	BY
C	16/04/2022	REVISION SUBJECT TO ARCH/COMMENT	LHR
B	16/12/2021	REVISION SUBJECT TO ARCH/COMMENT	LHR

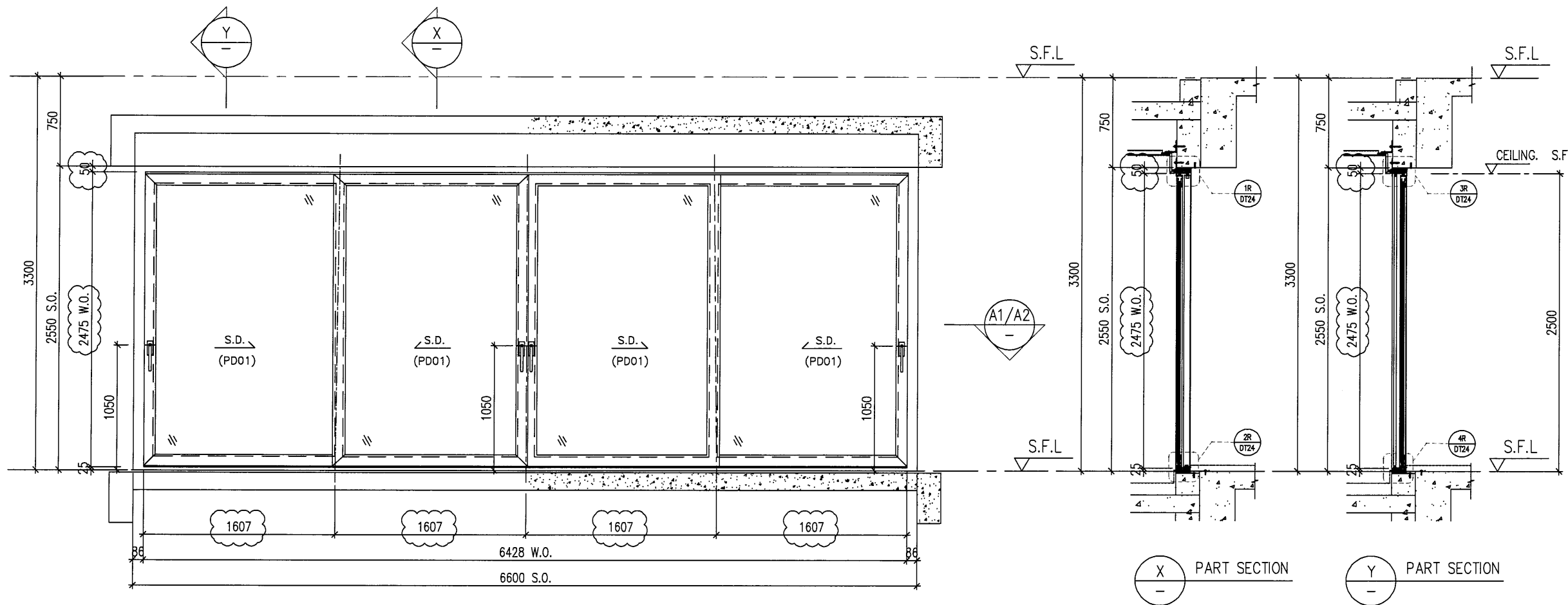
JOB NO. : J-853
PROJECT : PROPOSED RESIDENTIAL DEVELOPMENT AT N.K.I.L. 6542 YIN PING ROAD KOWLOON

TITLE : WINDOW SCHEDULE FOR TOWER 5 ALUM. WINDOW

DATE : 03-APR-21 SCALE : 1:40
DRAWN BY : CHECKED BY :

美特鋁質有限公司
MIDI ALUMINIUM FABRICATOR LTD.
Units 6-8, Sunray Industrial Centre, 1/F
610 Cha Kwo Ling Road, Kowloon
Tel:23489211-4 Fax:(852)2727666

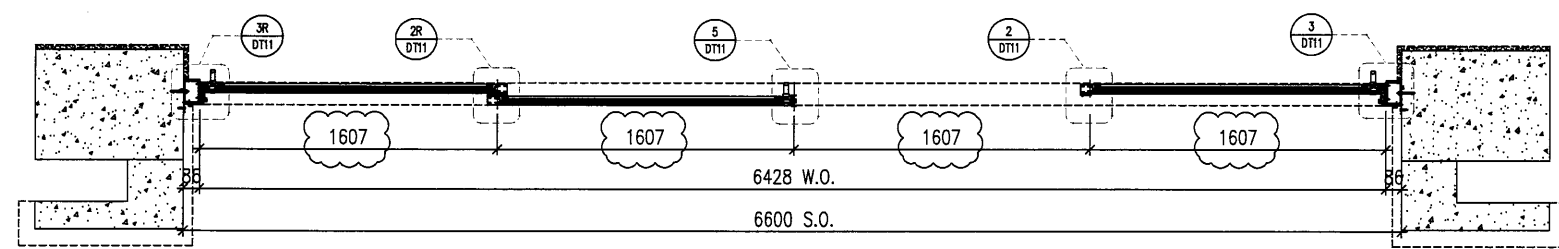
DWG NO. : J853-SD-IW-SC513c REV. : C



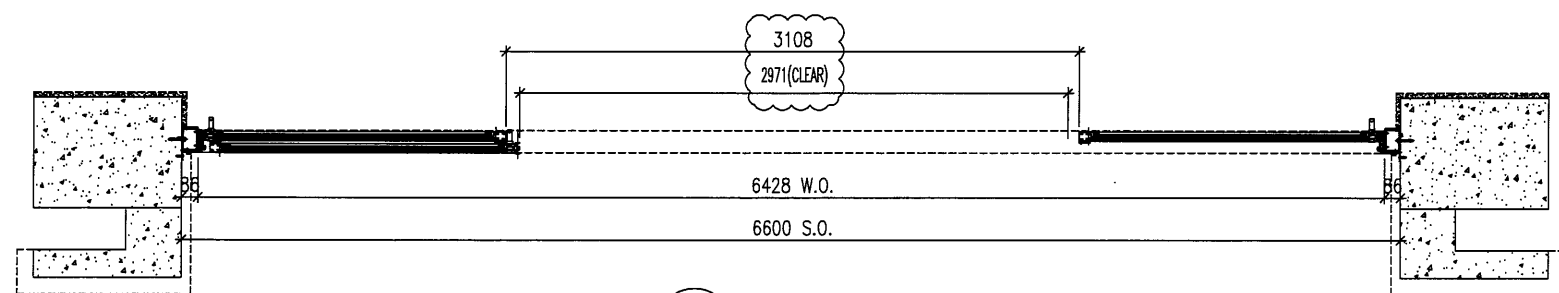
ELEVATION

ELEVATION

X PART SECTION Y PART SECTION



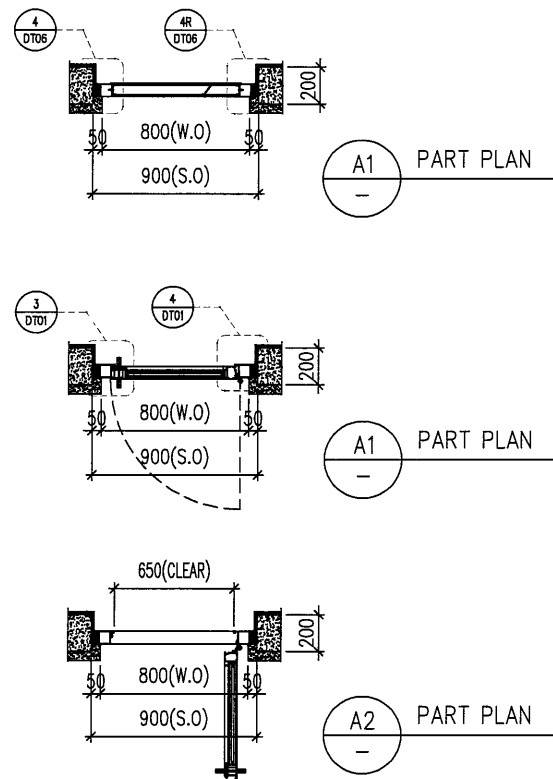
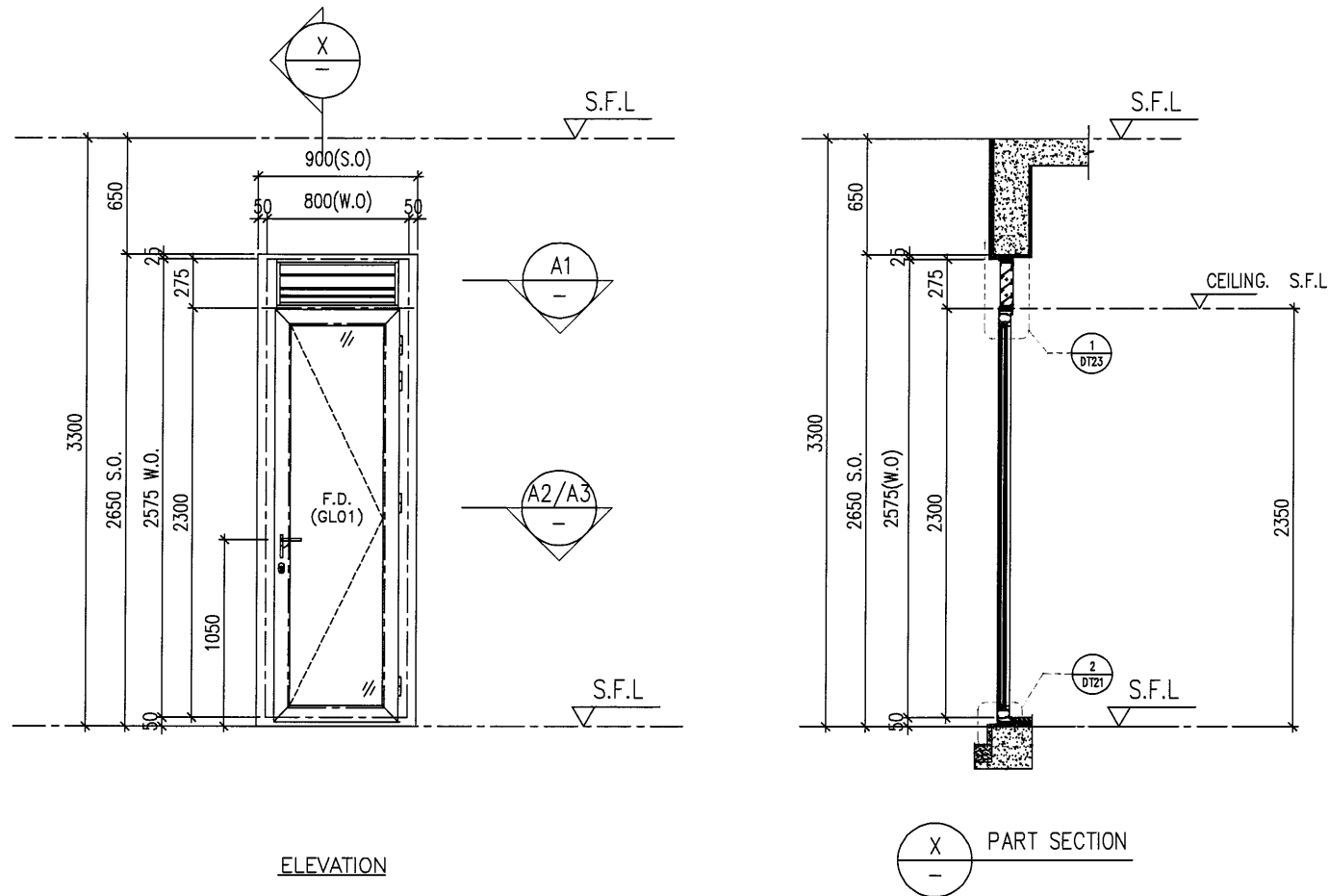
A1 PART PLAN



A2 PART PLAN

PROVIDED		
GLAZING AREA	6.724	m ²
OPENABLE AREA	3.750	m ²
FREE AREA	-	%

WINDOW MARK	W299 T5
LOCATION	5F UNIT A LIVING
SECTION	50mm ALUM. SECTION
GLAZING	PD01
QUANTITY	1 No.
REMARKS	SITE IN SITU



PROVIDED		
GLAZING AREA	0.543	m ²
OPENABLE AREA	0.672	m ²
FREE AREA	-	%

B.D. REF :

CLIENT :
SHIMAO GROUP HOLDINGS LIMITED

ARCHITECT :
WONG TUNG & PARTNERS LIMITED
ARCHITECTS & PLANNERS
WT

MAIN CONTRACTOR :

STRUCTURAL ENGINEER :
C M WONG & ASSOCIATES LTD
Consulting Engineers

SITE IN SITU CONSULTANT:
MEINHARDT

NOTE :
1. ALL DIMENSIONS ARE IN mm.
2. ALL ELEVATIONS ARE VIEWED FROM OUTSIDE.
3. ALL DIMENSIONS TO BE VERIFIED ON SITE BEFORE FABRICATION.

LEGEND :
 (X1) — DETAIL MARK NO.
 (X001) — REFER SHEET NO.
 1. F.F.L. — FINISHED FLOOR LEVEL
 2. S.F.L. — STRUCTURAL FLOOR LEVEL
 3. (R) — REVERSED DETAIL
 4. ▲ — FIXING LOCATION
 5. △ — FIXING LUG LOCATION
 6. GLASS LEGEND
 GLO1 — 10mm+12mm AIR GAP+10mm THK. I.G.U.
 GLO5 — 10mm+12mm AIR GAP+10mm THK. I.G.U.
 GLO6 — 10mm+12mm AIR GAP+12mm THK. I.G.U.
 PDO1 — 10mm T.P+12mm AIR GAP+8mm T.P
 GLO7 — 10mm+12mm AIR GAP+12mm THK. I.G.U.
 GLO8 — 10mm+12mm AIR GAP+10mm THK. I.G.U.

NO.	DATE	REVISED	BY
B	16/12/2021	REVISION SUBJECT TO ARCH.COMMENT	LHR
A	28/08/2021	REVISION SUBJECT TO ARCH.COMMENT	WSH

JOB NO. : J-853
 PROJECT : PROPOSED RESIDENTIAL DEVELOPMENT AT N.K.I.L. 6542 YIN PING ROAD KOWLOON

TITLE : WINDOW SCHEDULE FOR TOWER 5 ALUM. WINDOW

DATE : 03-APR-21 SCALE : 1:40
 DRAWN BY : CHECKED BY :

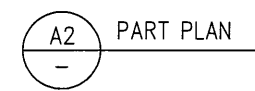
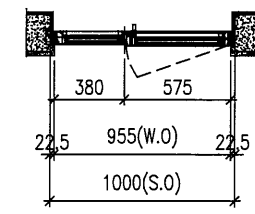
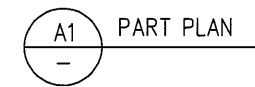
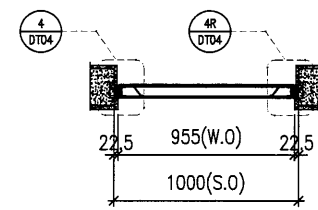
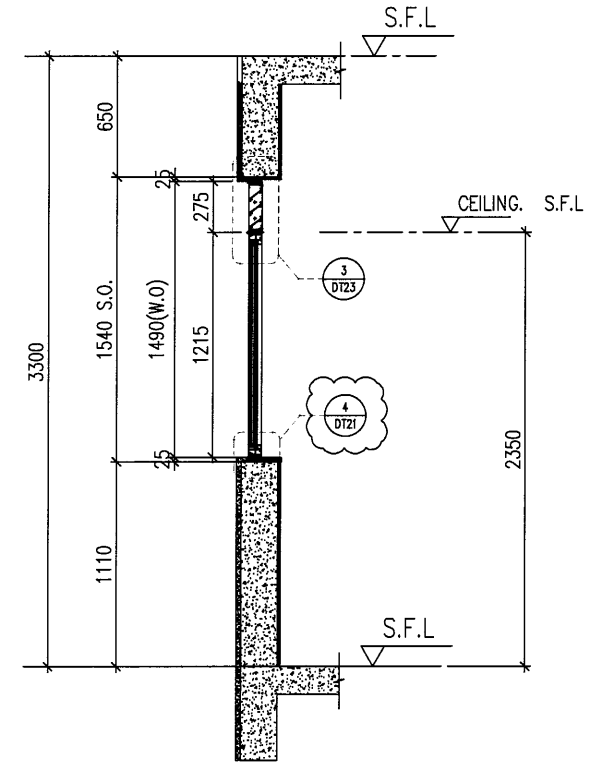
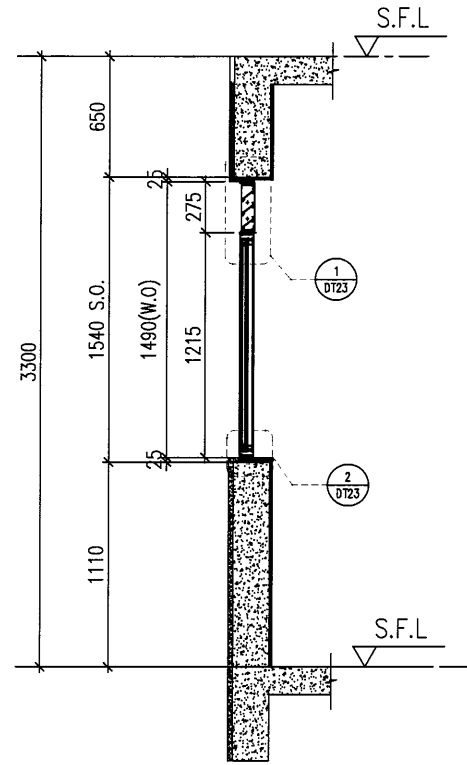
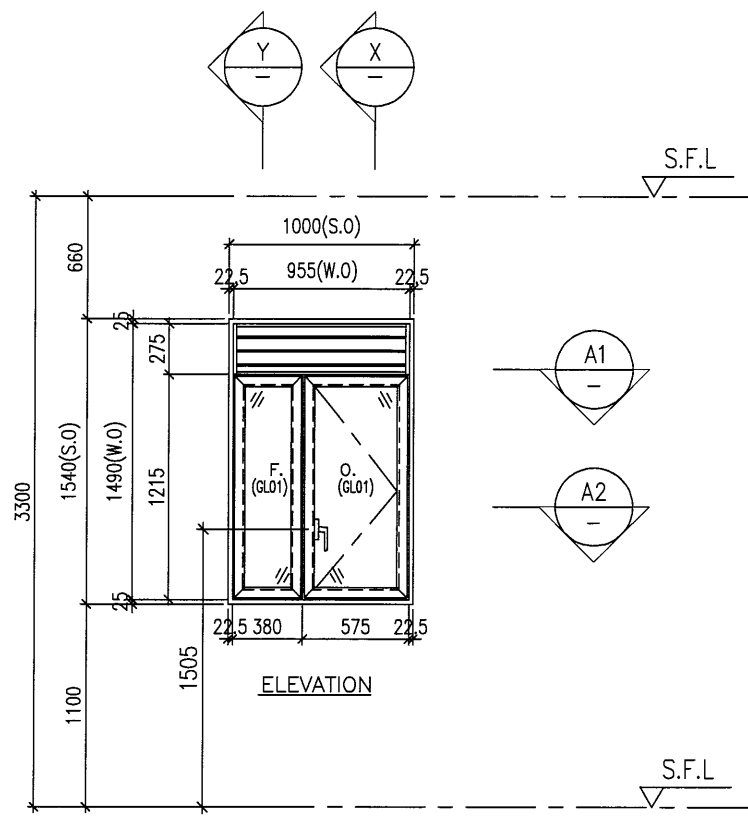
美特鋁質有限公司
MIDI ALUMINIUM FABRICATOR LTD.
 Units 6-8, Sunray Industrial Centre, 1/F
 610 Cha Kwo Ling Road, Kowloon
 Tel:23489211-4 Fax:(852)2727666

DWG NO. : J853-SD-IW-SC514 REV. : B

ELEVATION

WINDOW MARK	
LOCATION	25F UNIT A KITCHEN
SECTION	70mm ALUM. SECTION
GLAZING	GLO1
QUANTITY	1 No.
REMARKS	SITE IN SITU

ELEVATION



PROVIDED		
GLAZING AREA	0.800	m ²
OPENABLE AREA	0.569	m ²
FREE AREA	60.5	%

WINDOW MARK	W74 T5
LOCATION	25F UNIT A KITCHEN
SECTION	70mm ALUM. SECTION
GLAZING	GLO1
QUANTITY	1 Nos.
REMARKS	SITE IN SITU

B.D. REF :

CLIENT :
SHIMAO GROUP HOLDINGS LIMITED

ARCHITECT :
WONG TUNG & PARTNERS LIMITED
ARCHITECTS & PLANNERS

MAIN CONTRACTOR :

STRUCTURAL ENGINEER :
C M WONG & ASSOCIATES LTD
Consulting Engineers

SITE IN SITU CONSULTANT:
MEINHARDT

NOTE :
1. ALL DIMENSIONS ARE IN mm.
2. ALL ELEVATIONS ARE VIEWED FROM OUTSIDE.
3. ALL DIMENSIONS TO BE VERIFIED ON SITE BEFORE FABRICATION.

LEGEND :
x1 --- DETAIL MARK NO.
x001 --- REFER SHEET NO.
1. F.F.L --- FINISHED FLOOR LEVEL
2. S.F.L --- STRUCTURAL FLOOR LEVEL
3. (R) --- REVERSED DETAIL
4. ▲ --- FIXING LOCATION
5. △ --- FIXING LUG LOCATION
6. GLASS LEGEND
GLO1 --10mm+12mm AIR GAP+10mm THK. I.G.U.
GLO5 --10mm+12mm AIR GAP+10mm THK. I.G.U.
GLO6 --10mm+12mm AIR GAP+12mm THK. I.G.U.
PDO1 --10mm T.P+12mm AIR GAP+8mm T.P
GLO7 --10mm+12mm AIR GAP+12mm THK. I.G.U.
GLO8 --10mm+12mm AIR GAP+10mm THK. I.G.U.

B	16/12/2021	REVISION SUBJECT TO ARCH.COMMENT	LHR
A	28/08/2021	REVISION SUBJECT TO ARCH.COMMENT	WSH
NO.	DATE	REVISED	BY

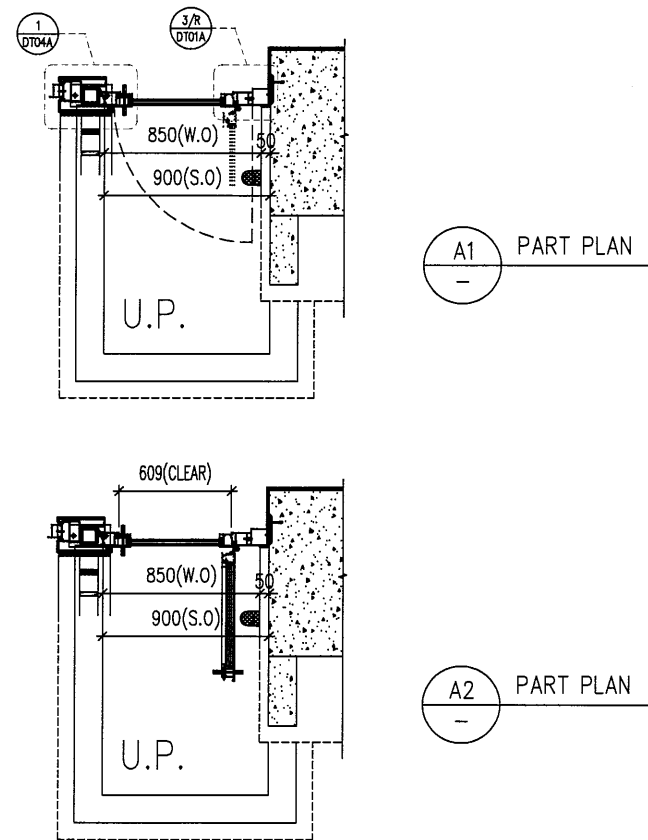
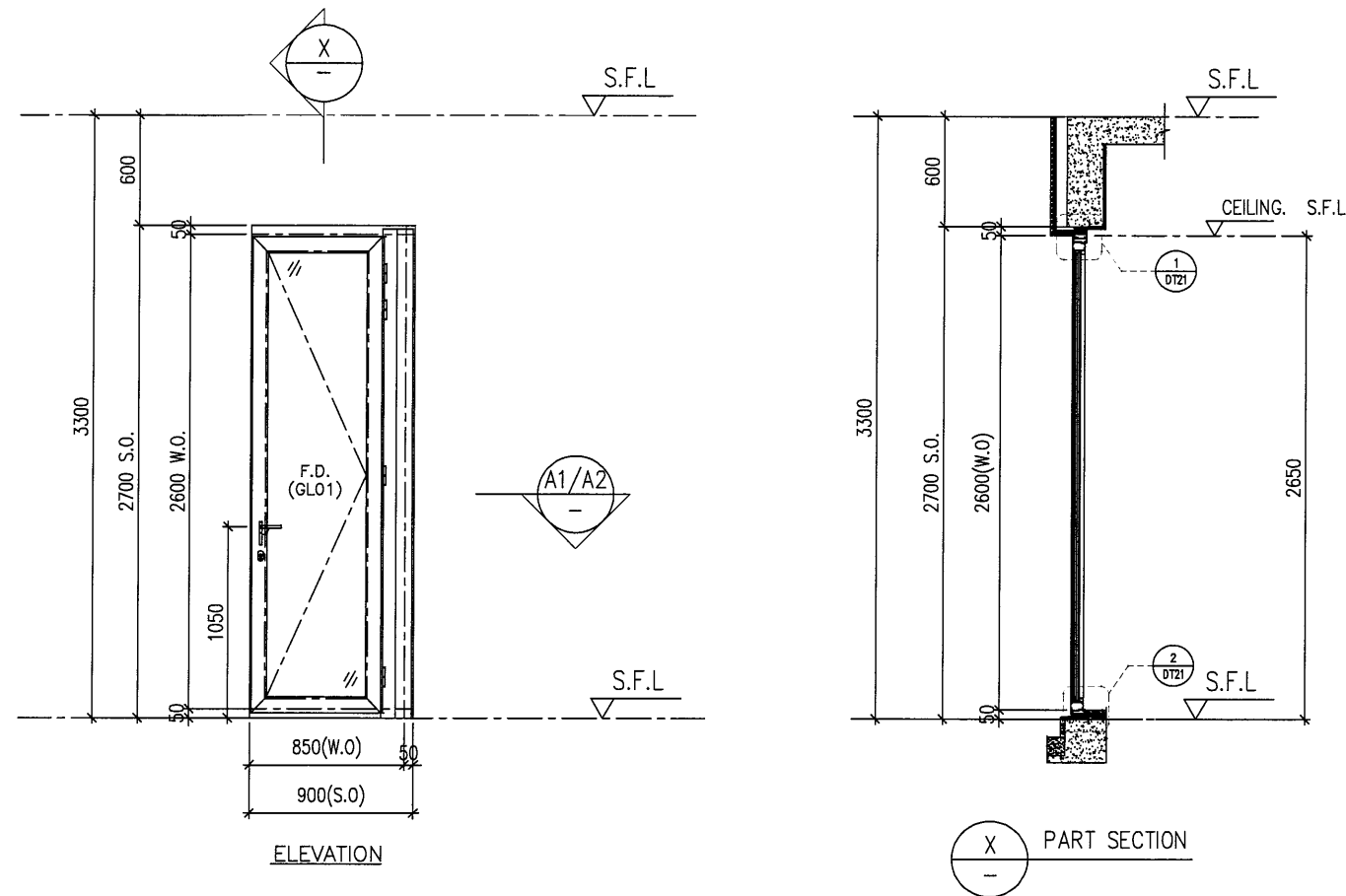
JOB NO. : J-853
PROJECT : PROPOSED RESIDENTIAL DEVELOPMENT AT N.K.I.L. 6542 YIN PING ROAD KOWLOON

TITLE : WINDOW SCHEDULE FOR TOWER 5 ALUM. WINDOW

DATE : 03-APR-21 SCALE : 1:40
DRAWN BY : CHECKED BY :

美特鋁質有限公司
MIDI ALUMINIUM FABRICATOR LTD.
Units 6-8, Sunray Industrial Centre, 1/F
610 Cha Kwo Ling Road, Kowloon
Tel:23489211-4 Fax:(852)27727666

DWG NO. : J853-SD-IW-SC515 REV. : B



PROVIDED		
GLAZING AREA	0.656	m ²
OPENABLE AREA	0.925	m ²
FREE AREA	—	%

ELEVATION

WINDOW MARK	W153R T5
LOCATION	26F UNIT B ENSUITE 2
SECTION	70mm ALUM. SECTION
GLAZING	GL01
QUANTITY	1 No.
REMARKS	SITE IN SITU

B.D. REF :

CLIENT :
SHIMAO GROUP HOLDINGS LIMITED

ARCHITECT :
WONG TUNG & PARTNERS LIMITED ARCHITECTS & PLANNERS

MAIN CONTRACTOR :

STRUCTURAL ENGINEER :
C M WONG & ASSOCIATES LTD Consulting Engineers

SITE IN SITU CONSULTANT:
MEINHARDT

NOTE :
1. ALL DIMENSIONS ARE IN mm.
2. ALL ELEVATIONS ARE VIEWED FROM OUTSIDE.
3. ALL DIMENSIONS TO BE VERIFIED ON SITE BEFORE FABRICATION.

LEGEND :
 (X1) — DETAIL MARK NO.
 (X001) — REFER SHEET NO.

1. F.F.L. — FINISHED FLOOR LEVEL
 2. S.F.L. — STRUCTURAL FLOOR LEVEL
 3. (R) — REVERSED DETAIL
 4. ▲ — FIXING LOCATION
 5. △ — FIXING LUG LOCATION
 6. GLASS LEGEND
 GL01 — 10mm+12mm AIR GAP+10mm THK. I.G.U.
 GL05 — 10mm+12mm AIR GAP+10mm THK. I.G.U.
 GL06 — 10mm+12mm AIR GAP+12mm THK. I.G.U.
 PD01 — 10mm T.P+12mm AIR GAP+8mm T.P.
 GL07 — 10mm+12mm AIR GAP+12mm THK. I.G.U.
 GL08 — 10mm+12mm AIR GAP+10mm THK. I.G.U.

NO.	DATE	REVISION	BY
B	16/12/2021	REVISION SUBJECT TO ARCH-COMMENT	LHR
A	28/08/2021	REVISION SUBJECT TO ARCH-COMMENT	WSH

JOB NO. : J-853
 PROJECT : PROPOSED RESIDENTIAL DEVELOPMENT AT N.K.I.L. 6542 YIN PING ROAD KOWLOON

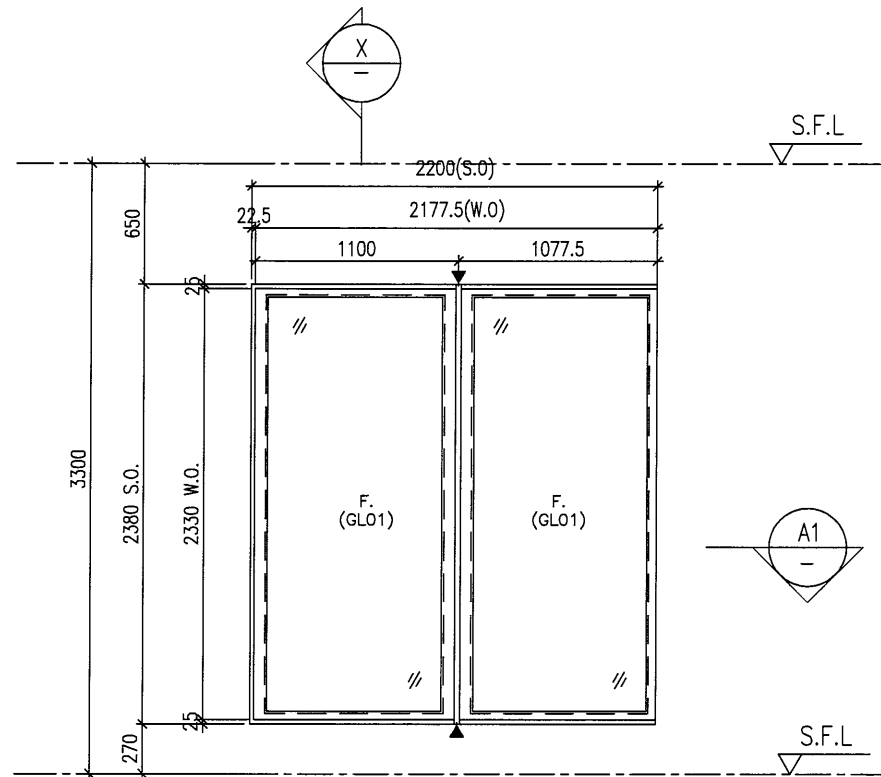
TITLE : WINDOW SCHEDULE FOR TOWER 5 ALUM. WINDOW

DATE : 03-APR-21 SCALE : 1:40
 DRAWN BY : CHECKED BY :

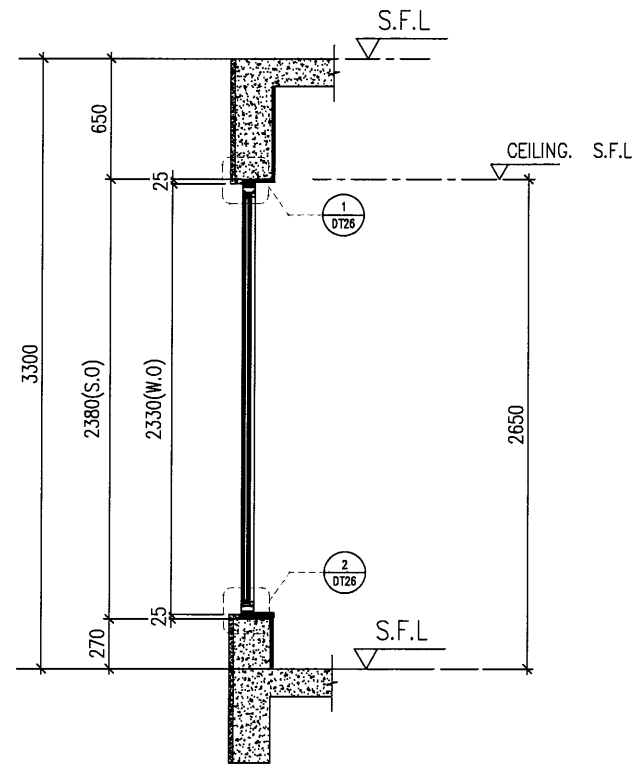
美特鋁質有限公司
MIDI ALUMINIUM FABRICATOR LTD.
 Units 6-8, Sunray Industrial Centre, 1/F
 610 Cha Kwo Ling Road, Kowloon
 Tel:23489211-4 Fax:(852)27727666

DWG NO. : J853-SD-IW-SC516 REV. : B

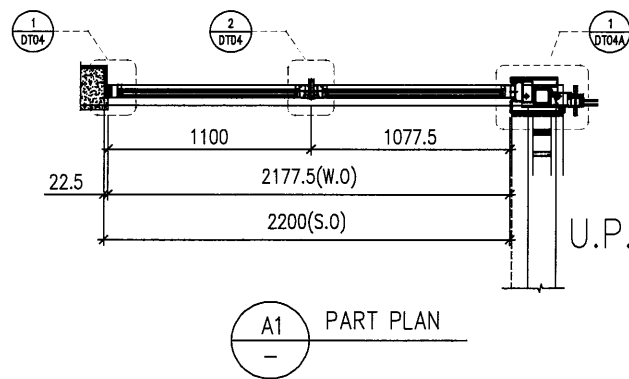
ELEVATION



ELEVATION



X PART SECTION



A1 PART PLAN

B.D. REF :

CLIENT :

SHIMAO GROUP HOLDINGS LIMITED

ARCHITECT : **WONG TUNG & PARTNERS LIMITED**
ARCHITECTS & PLANNERS



MAIN CONTRACTOR :

STRUCTURAL ENGINEER :

C M WONG & ASSOCIATES LTD
Consulting Engineers

SITE IN SITU CONSULTANT:



NOTE :

1. ALL DIMENSIONS ARE IN mm.
2. ALL ELEVATIONS ARE VIEWED FROM OUTSIDE.
3. ALL DIMENSIONS TO BE VERIFIED ON SITE BEFORE FABRICATION.

LEGEND :

- (X1) --- DETAIL MARK NO.
- (X001) --- REFER SHEET NO.

1. F.F.L. --- FINISHED FLOOR LEVEL
2. S.F.L. --- STRUCTURAL FLOOR LEVEL
3. (R) --- REVERSED DETAIL
4. ▲ --- FIXING LOCATION
5. △ --- FIXING LUG LOCATION

6. GLASS LEGEND

- GL01 --- 10mm+12mm AIR GAP+10mm THK. I.G.U.
- GL05 --- 10mm+12mm AIR GAP+10mm THK. I.G.U.
- GL06 --- 10mm+12mm AIR GAP+12mm THK. I.G.U.
- PDO1 --- 10mm T.P+12mm AIR GAP+8mm T.P
- GL07 --- 10mm+12mm AIR GAP+12mm THK. I.G.U.
- GL08 --- 10mm+12mm AIR GAP+10mm THK. I.G.U.

NO.	DATE	REVISED	BY
B	16/12/2021	REVISION SUBJECT TO ARCH-COMMENT	LHR
A	28/08/2021	REVISION SUBJECT TO ARCH-COMMENT	WSH

JOB NO. : J-853

PROJECT : PROPOSED RESIDENTIAL DEVELOPMENT AT N.K.I.L. 6542 YIN PING ROAD KOWLOON

TITLE : WINDOW SCHEDULE FOR TOWER 5 ALUM. WINDOW

DATE : 03-APR-21 SCALE : 1:40

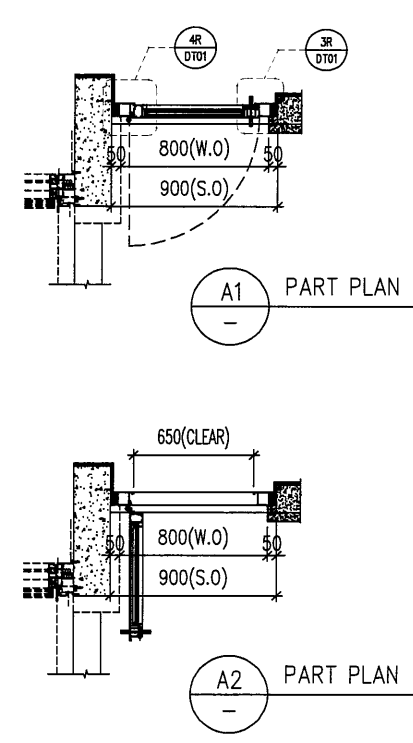
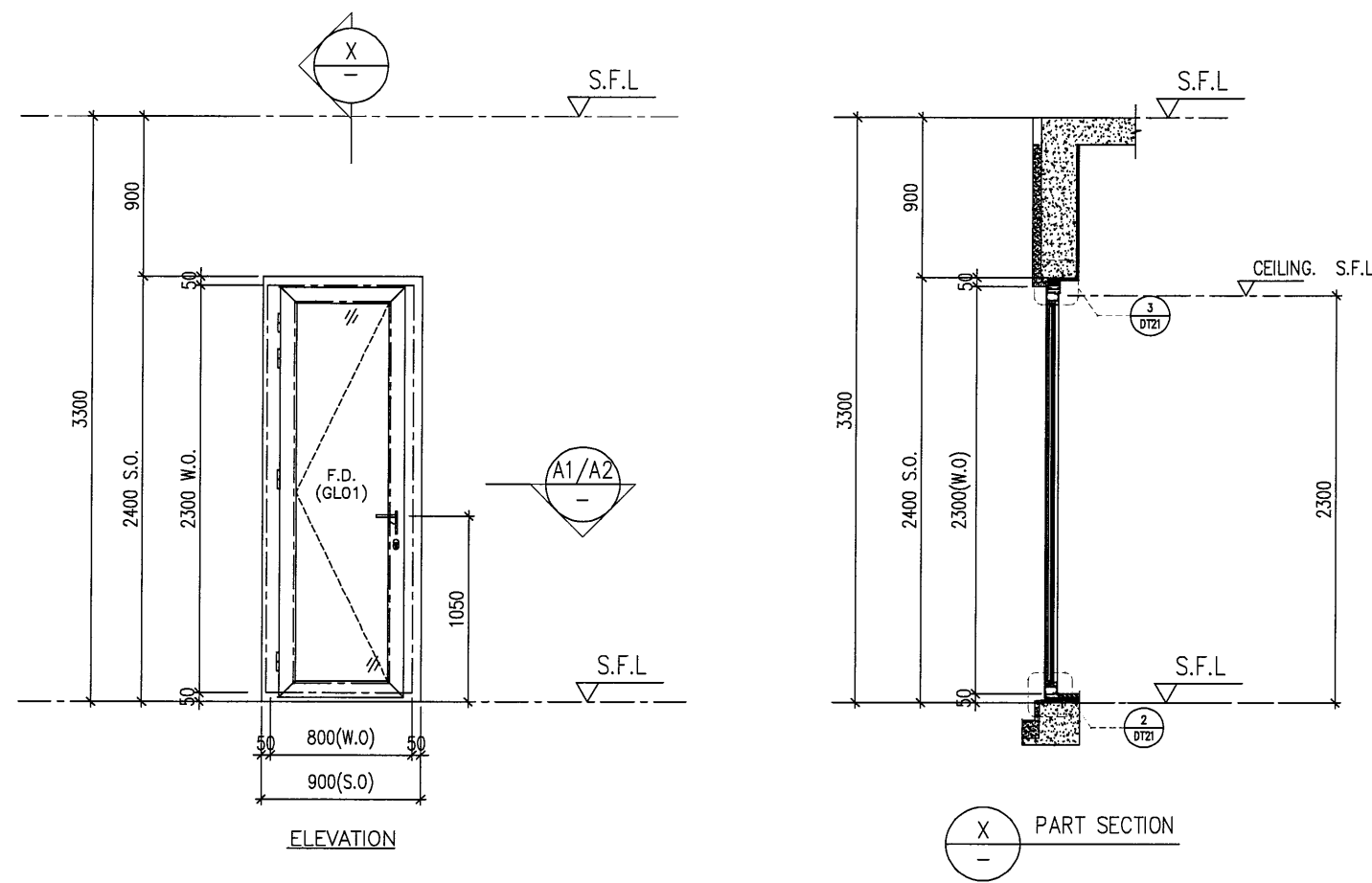
DRAWN BY : CHECKED BY :

美特鋁質有限公司
MIDI ALUMINIUM FABRICATOR LTD.
Units 6-8, Sunray Industrial Centre, 1/F
610 Cho Kwo Ling Road, Kowloon
Tel:23489211-4 Fax:(852)2727666

DWG NO. : J853-SD-IW-SC517 REV. : B

PROVIDED		
GLAZING AREA	2.556	m ²
OPENABLE AREA	-	m ²
FREE AREA	-	%

WINDOW MARK	
LOCATION	26F UNIT B ENSUITE 2
SECTION	70mm ALUM. SECTION
GLAZING	GL01
QUANTITY	1 No.
REMARKS	SITE IN SITU



PROVIDED		
GLAZING AREA	0.543	m ²
OPENABLE AREA	0.672	m ²
FREE AREA	-	%

ELEVATION

WINDOW MARK



LOCATION 26F UNIT A ENSUITE
 SECTION 70mm ALUM. SECTION
 GLAZING GL01
 QUANTITY 1 No.
 REMARKS SITE IN SITU

B.D. REF :

CLIENT :
SHIMAO GROUP HOLDINGS LIMITED

ARCHITECT :
WONG TUNG & PARTNERS LIMITED
 ARCHITECTS & PLANNERS

MAIN CONTRACTOR :

STRUCTURAL ENGINEER :

C M WONG & ASSOCIATES LTD
 Consulting Engineers

SITE IN SITU CONSULTANT:

MEINHARDT

NOTE :
 1. ALL DIMENSIONS ARE IN mm.
 2. ALL ELEVATIONS ARE VIEWED FROM OUTSIDE.
 3. ALL DIMENSIONS TO BE VERIFIED ON SITE BEFORE FABRICATION.

LEGEND :
 (X1) --- DETAIL MARK NO.
 (X001) --- REFER SHEET NO.
 1. F.F.L --- FINISHED FLOOR LEVEL
 2. S.F.L --- STRUCTURAL FLOOR LEVEL
 3. (R) --- REVERSED DETAIL
 4. ▲ --- FIXING LOCATION
 5. △ --- FIXING LUG LOCATION
 6. GLASS LEGEND
 GL01 --- 10mm+12mm AIR GAP+10mm THK. I.G.U.
 GL05 --- 10mm+12mm AIR GAP+10mm THK. I.G.U.
 GL06 --- 10mm+12mm AIR GAP+12mm THK. I.G.U.
 PDO1 --- 10mm T.P+12mm AIR GAP+8mm T.P
 GL07 --- 10mm+12mm AIR GAP+12mm THK. I.G.U.
 GL08 --- 10mm+12mm AIR GAP+10mm THK. I.G.U.

NO.	DATE	REVISED	BY
B	16/12/2021	REVISION SUBJECT TO ARCH-COMMENT	LHR
A	28/08/2021	REVISION SUBJECT TO ARCH-COMMENT	WSH

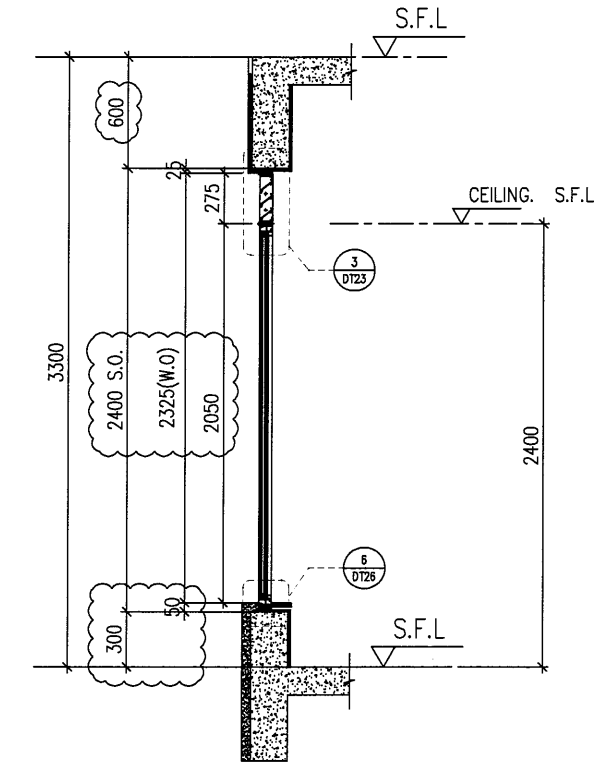
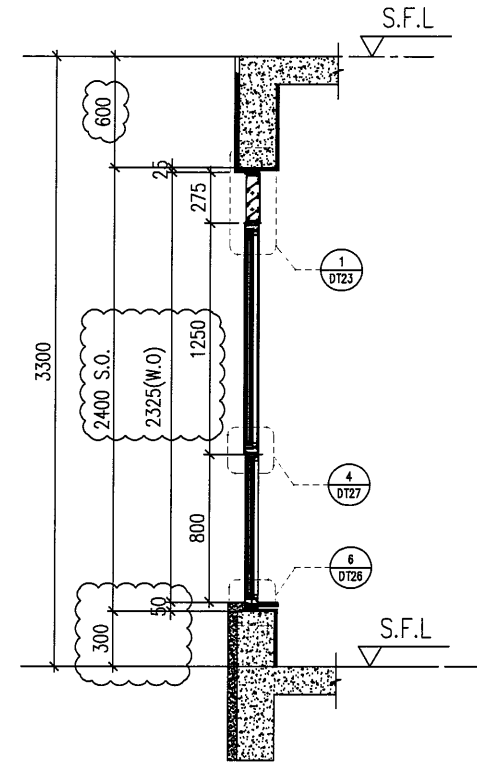
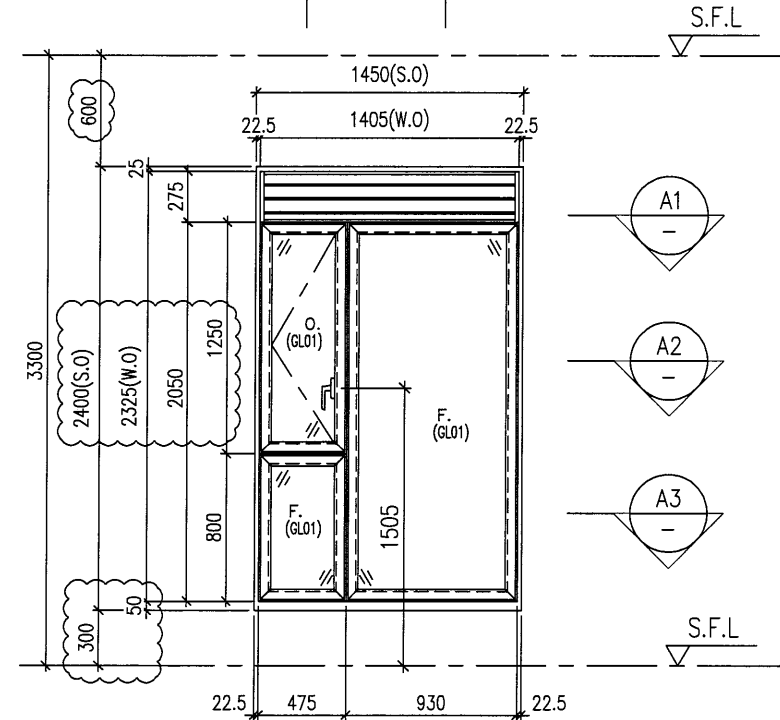
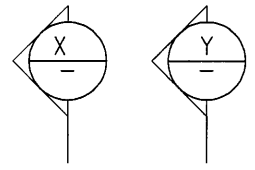
JOB NO. : J-853
 PROJECT : PROPOSED RESIDENTIAL DEVELOPMENT AT N.K.I.L. 6542 YIN PING ROAD KOWLOON

TITLE : WINDOW SCHEDULE FOR TOWER 5 ALUM. WINDOW

DATE : 03-APR-21 SCALE : 1:40
 DRAWN BY : CHECKED BY :

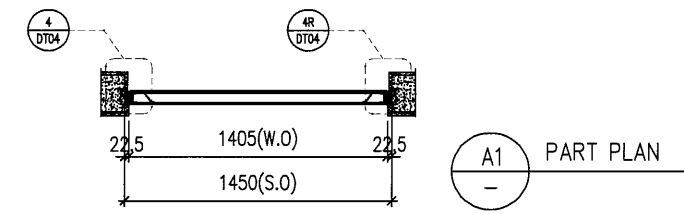
美特鋁質有限公司
MIDI ALUMINIUM FABRICATOR LTD.
 Units 6-8, Sunray Industrial Centre, 1/F
 610 Cha Kwo Ling Road, Kowloon
 Tel:23489211-4 Fax:(852)2727666

DWG NO. : J853-SD-IW-SC518 REV. : B

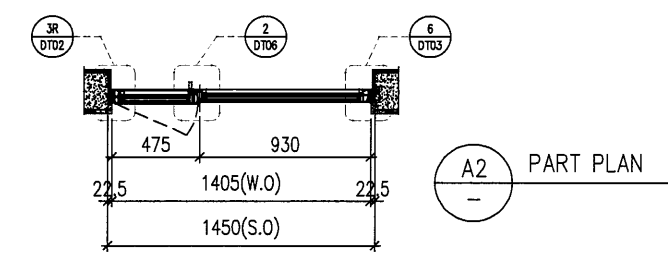


X PART SECTION

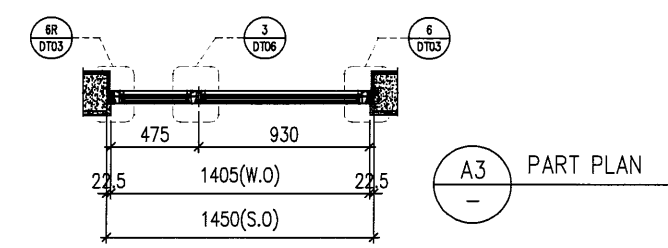
Y PART SECTION



A1 PART PLAN



A2 PART PLAN



A3 PART PLAN

ELEVATION

ELEVATION

B.D. REF :

CLIENT : SHIMAO GROUP HOLDINGS LIMITED

ARCHITECT : WONG TUNG & PARTNERS LIMITED ARCHITECTS & PLANNERS

MAIN CONTRACTOR :

STRUCTURAL ENGINEER : C M WONG & ASSOCIATES LTD Consulting Engineers

SITE IN SITU CONSULTANT: MEINHARDT

NOTE :
 1. ALL DIMENSIONS ARE IN mm.
 2. ALL ELEVATIONS ARE VIEWED FROM OUTSIDE.
 3. ALL DIMENSIONS TO BE VERIFIED ON SITE BEFORE FABRICATION.

LEGEND :
 (X1) --- DETAIL MARK NO.
 (X001) --- REFER SHEET NO.
 1. F.F.L --- FINISHED FLOOR LEVEL
 2. S.F.L --- STRUCTURAL FLOOR LEVEL
 3. (R) --- REVERSED DETAIL
 4. ▲ --- FIXING LOCATION
 5. △ --- FIXING LUG LOCATION
 6. GLASS LEGEND
 GL01 --- 10mm+12mm AIR GAP+10mm THK. I.G.U.
 GL05 --- 10mm+12mm AIR GAP+10mm THK. I.G.U.
 GL06 --- 10mm+12mm AIR GAP+12mm THK. I.G.U.
 PDO1 --- 10mm T.P+12mm AIR GAP+8mm T.P
 GL07 --- 10mm+12mm AIR GAP+12mm THK. I.G.U.
 GL08 --- 10mm+12mm AIR GAP+10mm THK. I.G.U.

NO.	DATE	REVISION	BY
C	18/04/2022	REVISION SUBJECT TO ARCH.COMMENT	LHR
B	16/12/2021	REVISION SUBJECT TO ARCH.COMMENT	LHR
A	28/08/2021	REVISION SUBJECT TO ARCH.COMMENT	WSH

JOB NO. : J-853
 PROJECT : PROPOSED RESIDENTIAL DEVELOPMENT AT N.K.I.L. 6542 YIN PING ROAD KOWLOON

TITLE : WINDOW SCHEDULE FOR TOWER 5 ALUM. WINDOW

DATE : 03-APR-21 SCALE : 1:40
 DRAWN BY : CHECKED BY :

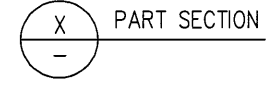
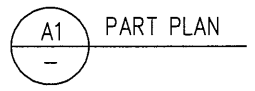
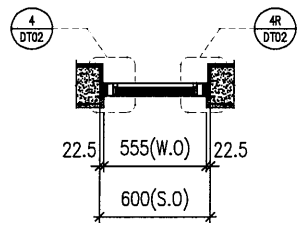
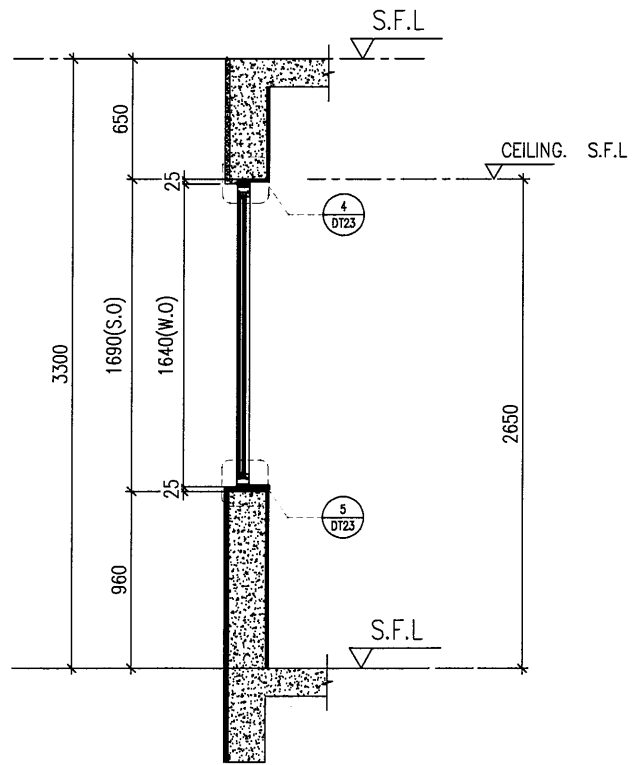
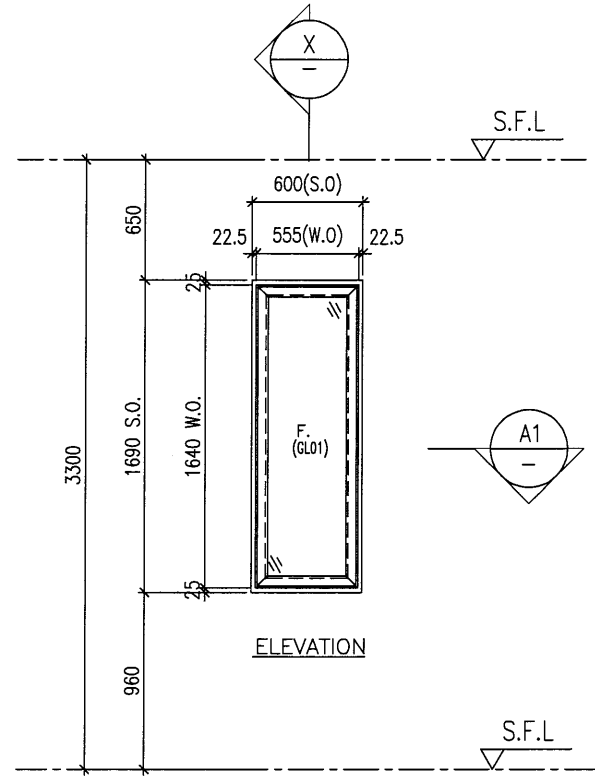
美特鋁質有限公司
 MIDI ALUMINIUM FABRICATOR LTD.
 Units 6-8, Sunray Industrial Centre, 1/F
 610 Cha Kwo Ling Road, Kowloon
 Tel:23489211-4 Fax:(852)2727666

DWG NO. : J853-SD-IW-SC519 REV. : C

PROVIDED		
GLAZING AREA	1.327	m ²
OPENABLE AREA	0.460	m ²
FREE AREA	60.5	%

WINDOW MARK	W73 T5
LOCATION	26F UNIT A BATH
SECTION	70mm ALUM. SECTION
GLAZING	GL01
QUANTITY	1 No.
REMARKS	SITE IN SITU

ELEVATION



B.D. REF :

CLIENT :
SHIMAO GROUP HOLDINGS LIMITED

ARCHITECT :
WONG TUNG & PARTNERS LIMITED
ARCHITECTS & PLANNERS

MAIN CONTRACTOR :

STRUCTURAL ENGINEER :
C M WONG & ASSOCIATES LTD
Consulting Engineers

SITE IN SITU CONSULTANT:
MEINHARDT

NOTE :
1. ALL DIMENSIONS ARE IN mm.
2. ALL ELEVATIONS ARE VIEWED FROM OUTSIDE.
3. ALL DIMENSIONS TO BE VERIFIED ON SITE BEFORE FABRICATION.

LEGEND :

(X1) --- DETAIL MARK NO.
(X001) --- REFER SHEET NO.

1. F.F.L --- FINISHED FLOOR LEVEL
2. S.F.L --- STRUCTURAL FLOOR LEVEL
3. (R) --- REVERSED DETAIL
4. ▲ --- FIXING LOCATION
5. △ --- FIXING LUG LOCATION
6. GLASS LEGEND
GL01 --- 10mm+12mm AIR GAP+10mm THK. I.G.U.
GL05 --- 10mm+12mm AIR GAP+10mm THK. I.G.U.
GL06 --- 10mm+12mm AIR GAP+12mm THK. I.G.U.
PD01 --- 10mm T.P+12mm AIR GAP+8mm T.P
GL07 --- 10mm+12mm AIR GAP+12mm THK. I.G.U.
GL08 --- 10mm+12mm AIR GAP+10mm THK. I.G.U.

B	16/12/2021	REVISION SUBJECT TO ARCH-COMMENT	LHR
A	28/08/2021	REVISION SUBJECT TO ARCH-COMMENT	WSH
NO.	DATE	REVISED	BY

JOB NO. : J-853
PROJECT : PROPOSED RESIDENTIAL DEVELOPMENT AT N.K.I.L. 6542 YIN PING ROAD KOWLOON

TITLE : WINDOW SCHEDULE FOR TOWER 5 ALUM. WINDOW

DATE : 03-APR-21 SCALE : 1:40
DRAWN BY : CHECKED BY :

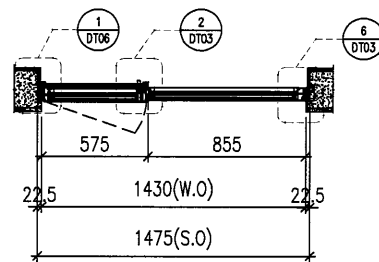
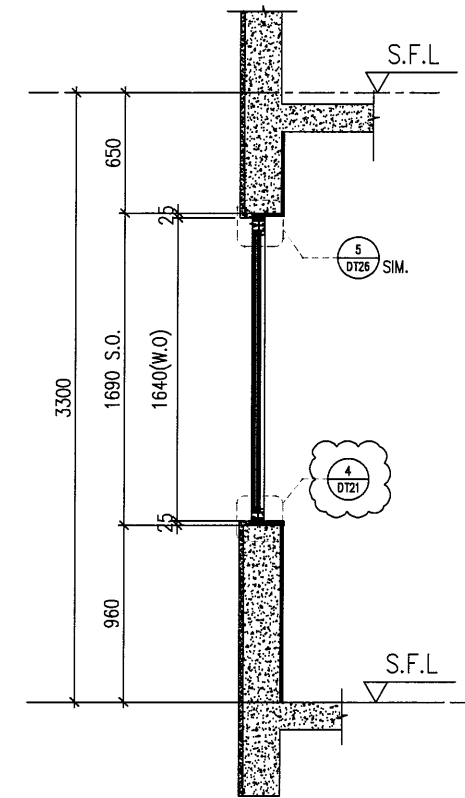
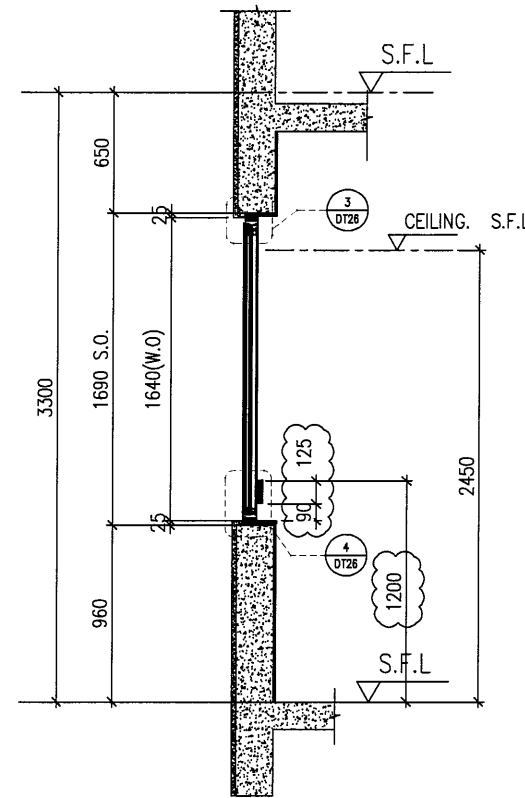
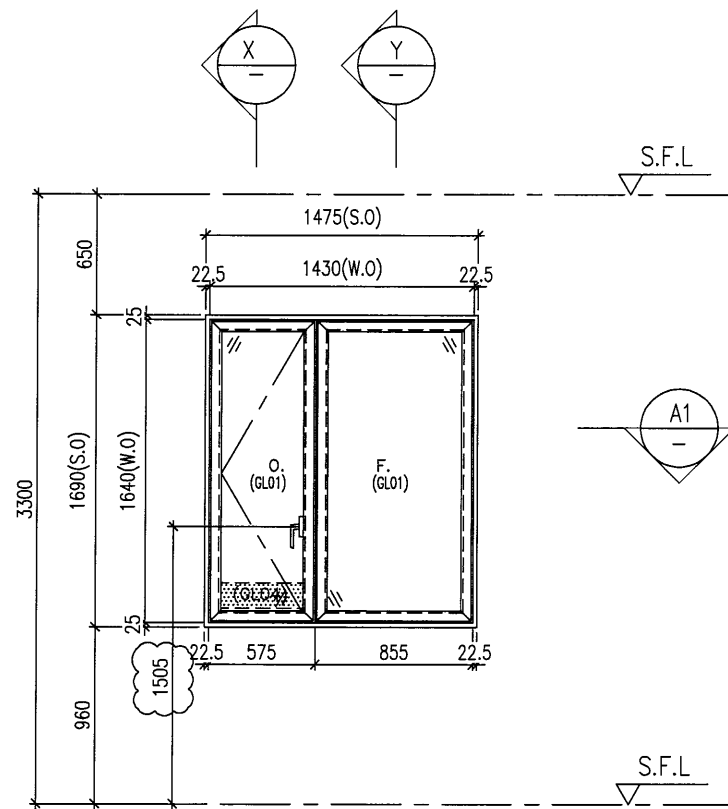
美特鋁質有限公司
MIDI ALUMINIUM FABRICATOR LTD.
Units 6-8, Sunray Industrial Centre, 1/F
810 Cha Kwo Ling Road, Kowloon
Tel:23489211-4 Fax:(852)27727666

DWG NO. : J853-SD-IW-SC520 REV. : B

PROVIDED		
GLAZING AREA	0.697	m ²
OPENABLE AREA	—	m ²
FREE AREA	—	%

WINDOW MARK	
LOCATION	26F UNIT B ENSUITE 3
SECTION	70mm ALUM. SECTION
GLAZING	GL01
QUANTITY	1 No.
REMARKS	SITE IN SITU

ELEVATION



A1 PART PLAN

X PART SECTION

Y PART SECTION

B.D. REF :

CLIENT :

SHIMAO GROUP HOLDINGS LIMITED

ARCHITECT : **WONG TUNG & PARTNERS LIMITED ARCHITECTS & PLANNERS**



MAIN CONTRACTOR :

STRUCTURAL ENGINEER :

C M WONG & ASSOCIATES LTD
Consulting Engineers

SITE IN SITU CONSULTANT:



NOTE :

1. ALL DIMENSIONS ARE IN mm.
2. ALL ELEVATIONS ARE VIEWED FROM OUTSIDE.
3. ALL DIMENSIONS TO BE VERIFIED ON SITE BEFORE FABRICATION.

LEGEND :

- (x1) — DETAIL MARK NO.
- (x001) — REFER SHEET NO.

1. F.F.L. — FINISHED FLOOR LEVEL
2. S.F.L. — STRUCTURAL FLOOR LEVEL
3. (R) — REVERSED DETAIL
4. ▲ — FIXING LOCATION
5. △ — FIXING LUG LOCATION

6. GLASS LEGEND

- GL01 — 10mm+12mm AIR GAP+10mm THK. I.G.U.
- GL05 — 10mm+12mm AIR GAP+10mm THK. I.G.U.
- GL06 — 10mm+12mm AIR GAP+12mm THK. I.G.U.
- PD01 — 10mm T.P+12mm AIR GAP+8mm T.P
- GL07 — 10mm+12mm AIR GAP+12mm THK. I.G.U.
- GL08 — 10mm+12mm AIR GAP+10mm THK. I.G.U.

NO.	DATE	REVISION	BY
C	16/04/2022	REVISION SUBJECT TO ARCHCOMMENT	LHR
B	16/12/2021	REVISION SUBJECT TO ARCHCOMMENT	LHR
A	28/08/2021	REVISION SUBJECT TO ARCHCOMMENT	WSH

JOB NO. : J-853

PROJECT : PROPOSED RESIDENTIAL DEVELOPMENT AT N.K.I.L. 6542 YIN PING ROAD KOWLOON

TITLE : WINDOW SCHEDULE FOR TOWER 5 ALUM. WINDOW

DATE : 03-APR-21 SCALE : 1:40

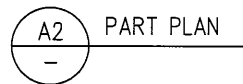
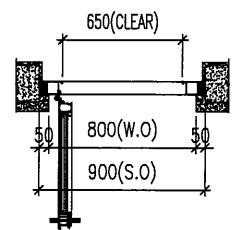
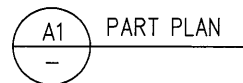
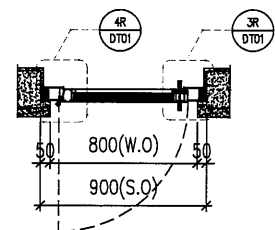
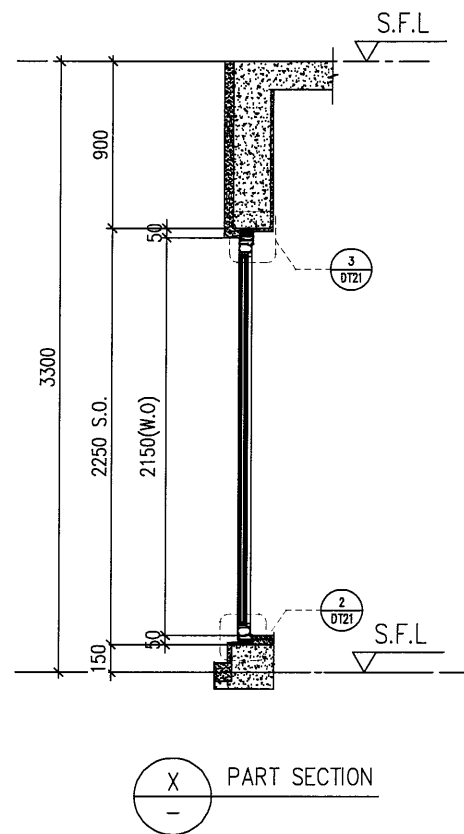
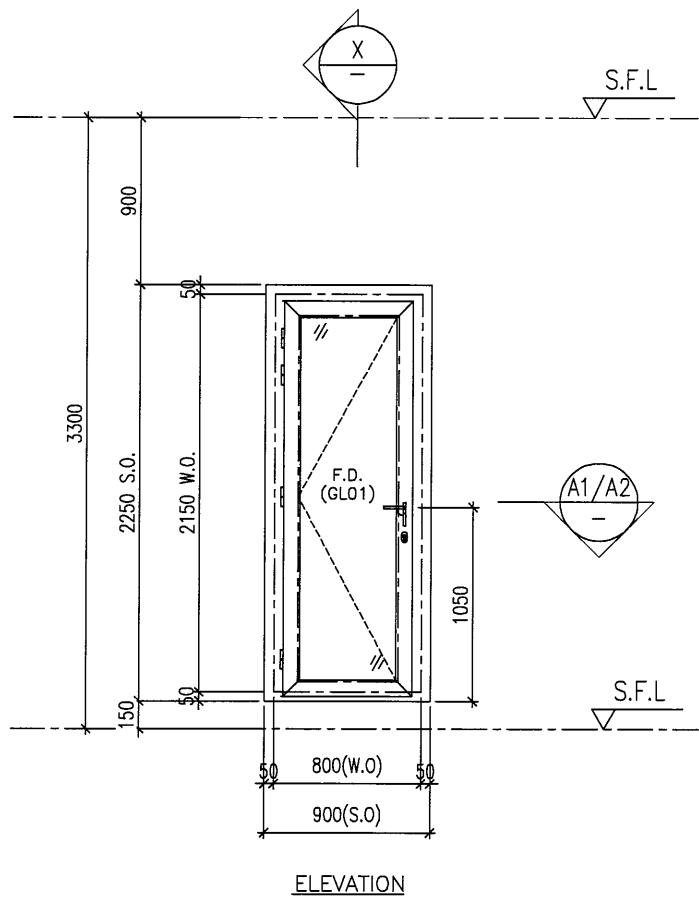
DRAWN BY : CHECKED BY :

美特铝质有限公司
MIDI ALUMINIUM FABRICATOR LTD.
Units 6-8, Sunray Industrial Centre, 1/F
610 Cha Kwo Ling Road, Kowloon
Tel:23489211-4 Fax:(852)27727666

DWG NO. : J853-SD-IW-SC521 REV. : C

PROVIDED		
GLAZING AREA	1.677	m ²
OPENABLE AREA	0.703	m ²
FREE AREA	60.5	%

WINDOW MARK	W71 T5
LOCATION	26F UNIT B FAMILY ROOM
SECTION	70mm ALUM. SECTION
GLAZING	GL01
QUANTITY	1 Nos.
REMARKS	SITE IN SITU



ELEVATION

ELEVATION

PART SECTION

PART PLAN

PART PLAN

PROVIDED		
GLAZING AREA	0.434	m ²
OPENABLE AREA	0.560	m ²
FREE AREA	-	%

B.D. REF :

CLIENT :
SHIMAO GROUP HOLDINGS LIMITED

ARCHITECT :
WONG TUNG & PARTNERS LIMITED ARCHITECTS & PLANNERS

MAIN CONTRACTOR :

STRUCTURAL ENGINEER :
C M WONG & ASSOCIATES LTD Consulting Engineers

SITE IN SITU CONSULTANT:
MEINHARDT

NOTE :
1. ALL DIMENSIONS ARE IN mm.
2. ALL ELEVATIONS ARE VIEWED FROM OUTSIDE.
3. ALL DIMENSIONS TO BE VERIFIED ON SITE BEFORE FABRICATION.

LEGEND :
 (X1) --- DETAIL MARK NO.
 (X001) --- REFER SHEET NO.
 1. F.F.L --- FINISHED FLOOR LEVEL
 2. S.F.L --- STRUCTURAL FLOOR LEVEL
 3. (R) --- REVERSED DETAIL
 4. ▲ --- FIXING LOCATION
 5. △ --- FIXING LUG LOCATION
 6. GLASS LEGEND
 GL01 --- 10mm+12mm AIR GAP+10mm THK. I.G.U.
 GL05 --- 10mm+12mm AIR GAP+10mm THK. I.G.U.
 GL06 --- 10mm+12mm AIR GAP+12mm THK. I.G.U.
 PDO1 --- 10mm T.P+12mm AIR GAP+8mm T.P
 GL07 --- 10mm+12mm AIR GAP+12mm THK. I.G.U.
 GL08 --- 10mm+12mm AIR GAP+10mm THK. I.G.U.

NO.	DATE	REVISION	BY
B	16/12/2021	REVISION SUBJECT TO ARCH.COMMENT	LHR
A	28/08/2021	REVISION SUBJECT TO ARCH.COMMENT	WSH

JOB NO. : J-853
 PROJECT : PROPOSED RESIDENTIAL DEVELOPMENT AT N.K.I.L. 6542 YIN PING ROAD KOWLOON

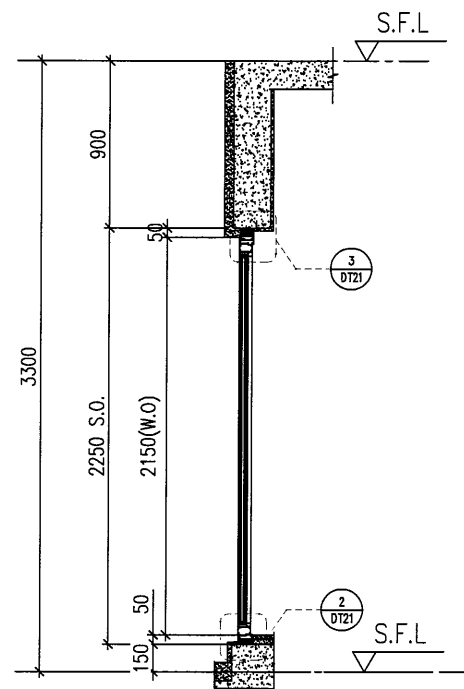
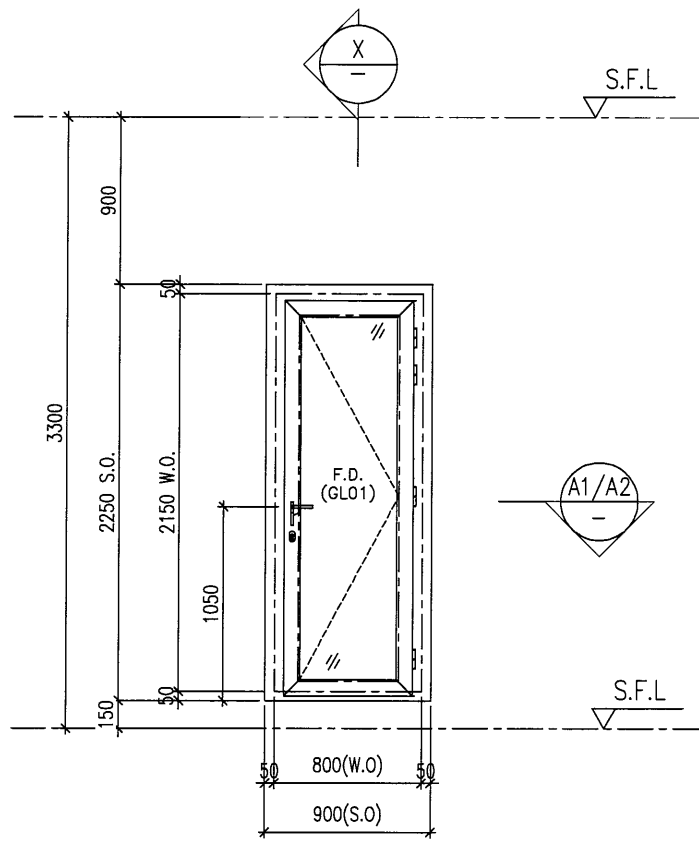
TITLE : WINDOW SCHEDULE FOR TOWER 5 ALUM. WINDOW

DATE : 03-APR-21 SCALE : 1:40
 DRAWN BY : CHECKED BY :

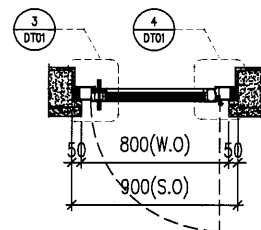
美特鋁質有限公司
MIDI ALUMINIUM FABRICATOR LTD.
 Units 6-8, Sunray Industrial Centre, 1/F
 610 Cha Kwo Ling Road, Kowloon
 Tel:23489211-4 Fax:(852)2727666

DWG NO. : J853-SD-IW-SC522 REV. : B

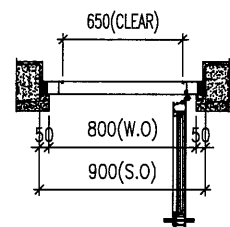
WINDOW MARK	W113L T5
LOCATION	26F UNIT A STAIRCASE
SECTION	70mm ALUM. SECTION
GLAZING	GL01
QUANTITY	1 Nos.
REMARKS	SITE IN SITU



X
-
PART SECTION



A1
-
PART PLAN



A2
-
PART PLAN

ELEVATION

ELEVATION

B.D. REF :

CLIENT :

SHIMAO GROUP HOLDINGS LIMITED

ARCHITECT : **WONG TUNG & PARTNERS LIMITED ARCHITECTS & PLANNERS**



MAIN CONTRACTOR :

STRUCTURAL ENGINEER :

C M WONG & ASSOCIATES LTD
Consulting Engineers

SITE IN SITU CONSULTANT:



NOTE :

1. ALL DIMENSIONS ARE IN mm.
2. ALL ELEVATIONS ARE VIEWED FROM OUTSIDE.
3. ALL DIMENSIONS TO BE VERIFIED ON SITE BEFORE FABRICATION.

LEGEND :

- (X1) --- DETAIL MARK NO.
- (X001) --- REFER SHEET NO.

1. F.F.L --- FINISHED FLOOR LEVEL
2. S.F.L --- STRUCTURAL FLOOR LEVEL
3. (R) --- REVERSED DETAIL
4. ▲ --- FIXING LOCATION
5. △ --- FIXING LUG LOCATION

6. GLASS LEGEND
- GL01 --- 10mm+12mm AIR GAP+10mm THK. I.G.U.
 - GL05 --- 10mm+12mm AIR GAP+10mm THK. I.G.U.
 - GL06 --- 10mm+12mm AIR GAP+12mm THK. I.G.U.
 - PDO1 --- 10mm T.P+12mm AIR GAP+8mm T.P
 - GL07 --- 10mm+12mm AIR GAP+12mm THK. I.G.U.
 - GL08 --- 10mm+12mm AIR GAP+10mm THK. I.G.U.

NO.	DATE	REVISION	BY
B	16/12/2021	REVISION SUBJECT TO ARCH/COMMENT	LHR
A	28/08/2021	REVISION SUBJECT TO ARCH/COMMENT	WSH

JOB NO. : J-853

PROJECT : PROPOSED RESIDENTIAL DEVELOPMENT AT N.K.I.L. 6542 YIN PING ROAD KOWLOON

TITLE : WINDOW SCHEDULE FOR TOWER 5 ALUM. WINDOW

DATE : 03-APR-21 SCALE : 1:40

DRAWN BY : CHECKED BY :

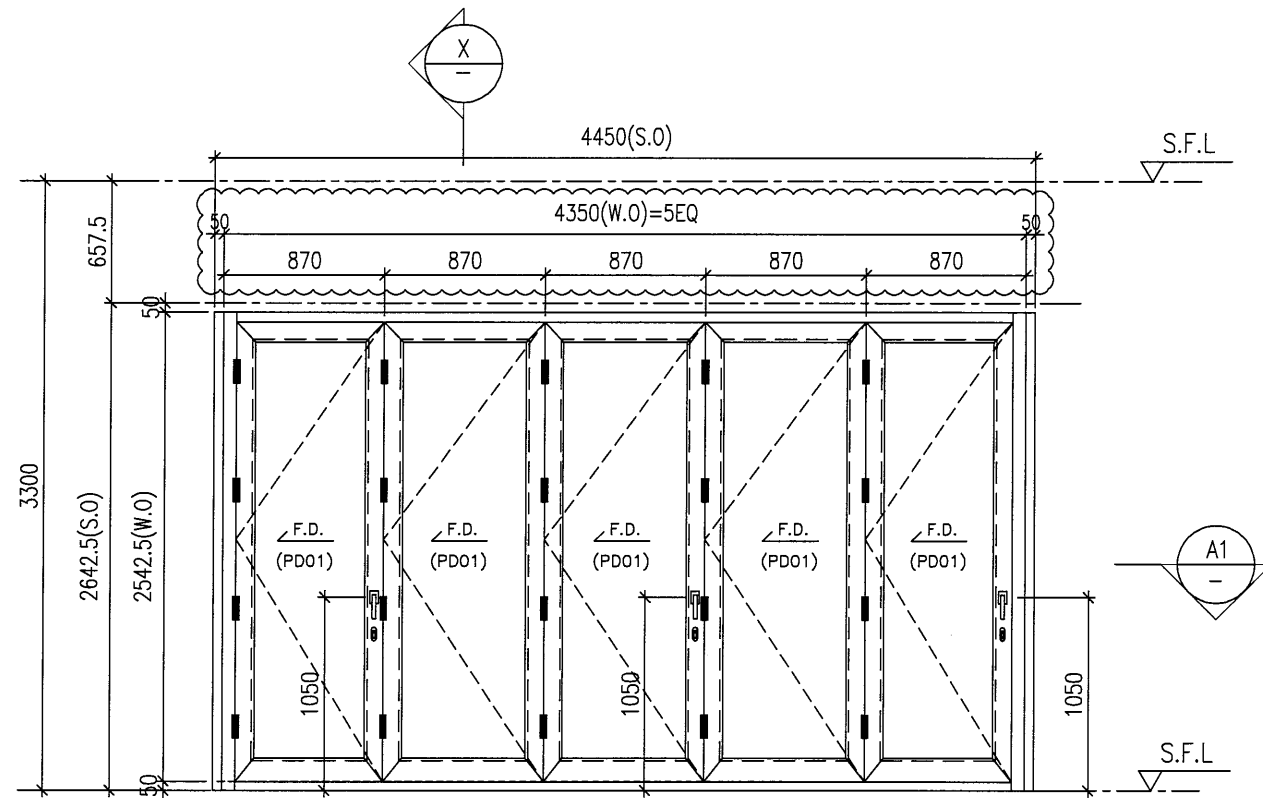
美特铝质有限公司
MIDI ALUMINIUM FABRICATOR LTD.
Units 6-8, Sunray Industrial Centre, 1/F
610 Cha Kwo Ling Road, Kowloon
Tel:23489211-4 Fax:(852)2727666

DWG NO. : J853-SD-IW-SC523 REV. : B

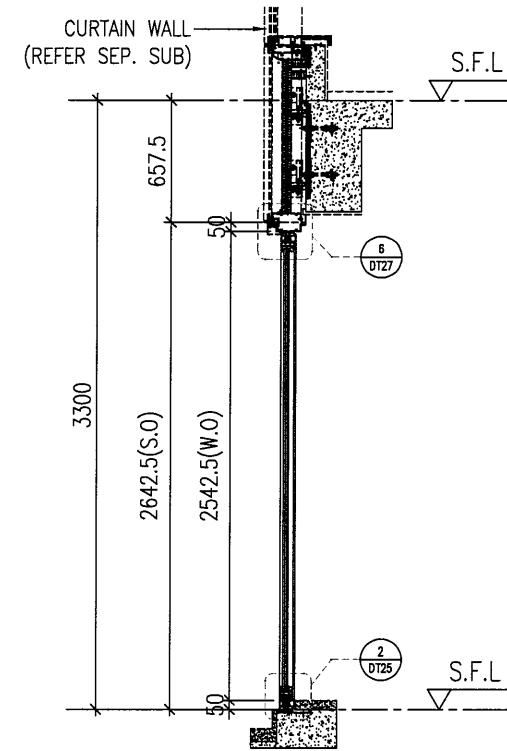
PROVIDED		
GLAZING AREA	0.434	m ²
OPENABLE AREA	0.560	m ²
FREE AREA	-	%

WINDOW MARK	
LOCATION	26F UNIT B STAIRCASE
SECTION	70mm ALUM. SECTION
GLAZING	GL01
QUANTITY	1 Nos.
REMARKS	SITE IN SITU

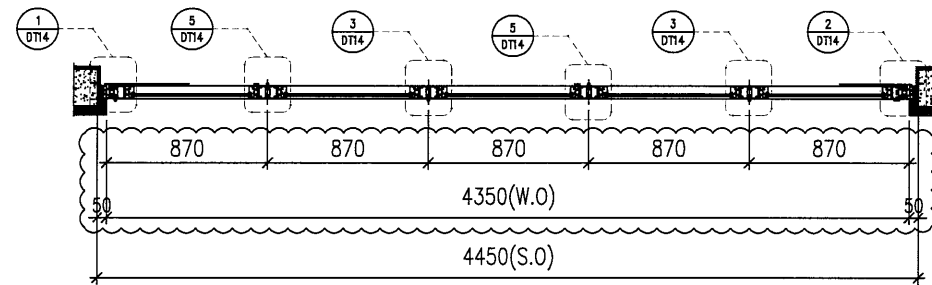
ELEVATION



ELEVATION



X PART SECTION



A1 PART PLAN

PROVIDED		
GLAZING AREA	4.201	m ²
OPENABLE AREA	4.397	m ²
FREE AREA	-	%

B.D. REF :

CLIENT :

SHIMAO GROUP HOLDINGS LIMITED

ARCHITECT : **WONG TUNG & PARTNERS LIMITED**
ARCHITECTS & PLANNERS



MAIN CONTRACTOR :

STRUCTURAL ENGINEER :

C M WONG & ASSOCIATES LTD
Consulting Engineers

SITE IN SITU CONSULTANT:



NOTE :

1. ALL DIMENSIONS ARE IN mm.
2. ALL ELEVATIONS ARE VIEWED FROM OUTSIDE.
3. ALL DIMENSIONS TO BE VERIFIED ON SITE BEFORE FABRICATION.

LEGEND :

- (X1) --- DETAIL MARK NO.
- (X001) --- REFER SHEET NO.

1. F.F.L --- FINISHED FLOOR LEVEL
2. S.F.L --- STRUCTURAL FLOOR LEVEL
3. (R) --- REVERSED DETAIL
4. ▲ --- FIXING LOCATION
5. △ --- FIXING LUG LOCATION

6. GLASS LEGEND

- GL01 --- 10mm+12mm AIR GAP+10mm THK. I.G.U.
- GL05 --- 10mm+12mm AIR GAP+10mm THK. I.G.U.
- GL06 --- 10mm+12mm AIR GAP+12mm THK. I.G.U.
- PD01 --- 10mm T.P+12mm AIR GAP+8mm T.P
- GL07 --- 10mm+12mm AIR GAP+12mm THK. I.G.U.
- GL08 --- 10mm+12mm AIR GAP+10mm THK. I.G.U.

NO.	DATE	REVISION	BY
C	18/04/2022	REVISION SUBJECT TO ARCH.COMMENT	LHR
B	16/12/2021	REVISION SUBJECT TO ARCH.COMMENT	LHR
A	28/08/2021	REVISION SUBJECT TO ARCH.COMMENT	WSH

JOB NO. : J-853

PROJECT : PROPOSED RESIDENTIAL DEVELOPMENT AT N.K.I.L. 6542 YIN PING ROAD KOWLOON

TITLE : WINDOW SCHEDULE FOR TOWER 5 ALUM. WINDOW

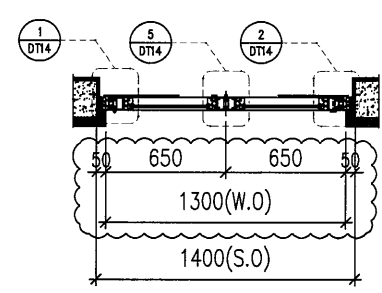
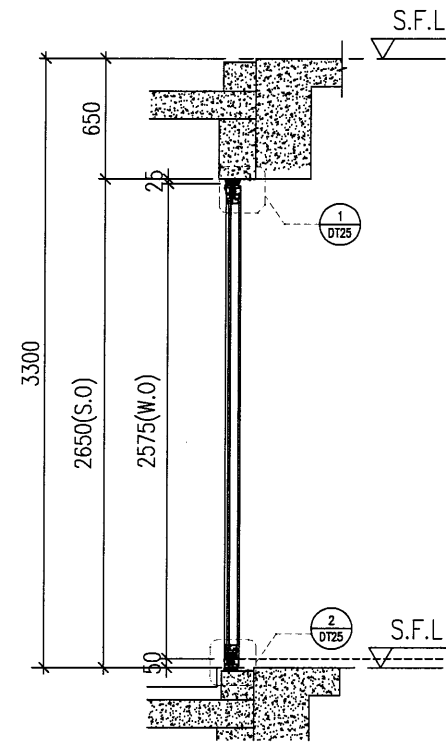
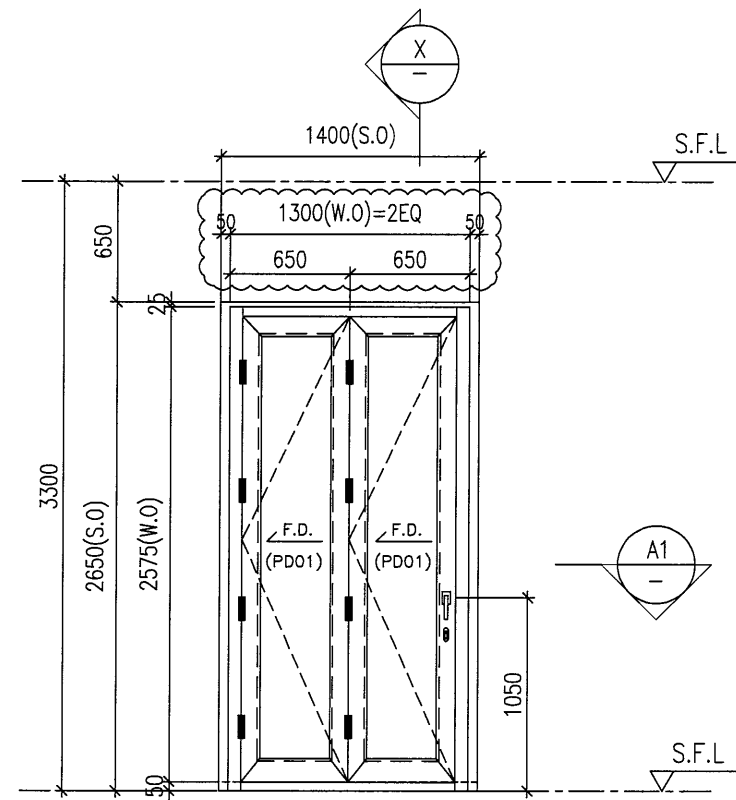
DATE : 03-APR-21 SCALE : 1:40

DRAWN BY : CHECKED BY :

美特铝质有限公司
MIDI ALUMINIUM FABRICATOR LTD.
Units 6-8, Sunray Industrial Centre, 1/F
610 Cha Kwo Ling Road, Kowloon
Tel:23489211-4 Fax:(852)2727666

DWG NO. : J853-SD-IW-SC524 REV. : C

WINDOW MARK	W301 T5
LOCATION	25F UNIT A LIVING
SECTION	70mm ALUM. SECTION
GLAZING	PD01
QUANTITY	1 No.
REMARKS	SITE IN SITU



A1 PART PLAN

X PART SECTION

ELEVATION

ELEVATION

PROVIDED		
GLAZING AREA	1.025	m ²
OPENABLE AREA	1.305	m ²
FREE AREA	-	%

WINDOW MARK	W302 T5
LOCATION	25F UNIT B DINNING
SECTION	70mm ALUM. SECTION
GLAZING	PDO1
QUANTITY	1 No.
REMARKS	SITE IN SITU

B.D. REF :

CLIENT : SHIMAO GROUP HOLDINGS LIMITED

ARCHITECT : WONG TUNG & PARTNERS LIMITED ARCHITECTS & PLANNERS

MAIN CONTRACTOR :

STRUCTURAL ENGINEER : C M WONG & ASSOCIATES LTD Consulting Engineers

SITE IN SITU CONSULTANT: MEINHARDT

NOTE :
 1. ALL DIMENSIONS ARE IN mm.
 2. ALL ELEVATIONS ARE VIEWED FROM OUTSIDE.
 3. ALL DIMENSIONS TO BE VERIFIED ON SITE BEFORE FABRICATION.

LEGEND :

(x1) --- DETAIL MARK NO.
 (x001) --- REFER SHEET NO.

1. F.F.L --- FINISHED FLOOR LEVEL
 2. S.F.L --- STRUCTURAL FLOOR LEVEL
 3. (R) --- REVERSED DETAIL
 4. ▲ --- FIXING LOCATION
 5. △ --- FIXING LUG LOCATION
 6. GLASS LEGEND
 GL01 --- 10mm+12mm AIR GAP+10mm THK. I.G.U.
 GL05 --- 10mm+12mm AIR GAP+10mm THK. I.G.U.
 GL06 --- 10mm+12mm AIR GAP+12mm THK. I.G.U.
 PDO1 --- 10mm T.P+12mm AIR GAP+8mm T.P
 GL07 --- 10mm+12mm AIR GAP+12mm THK. I.G.U.
 GL08 --- 10mm+12mm AIR GAP+10mm THK. I.G.U.

NO.	DATE	REVISION	BY
C	18/04/2022	REVISION SUBJECT TO ARCH.COMMENT	LHR
B	16/12/2021	REVISION SUBJECT TO ARCH.COMMENT	LHR
A	28/08/2021	REVISION SUBJECT TO ARCH.COMMENT	WSH

JOB NO. : J-853
 PROJECT : PROPOSED RESIDENTIAL DEVELOPMENT AT N.K.I.L. 6542 YIN PING ROAD KOWLOON

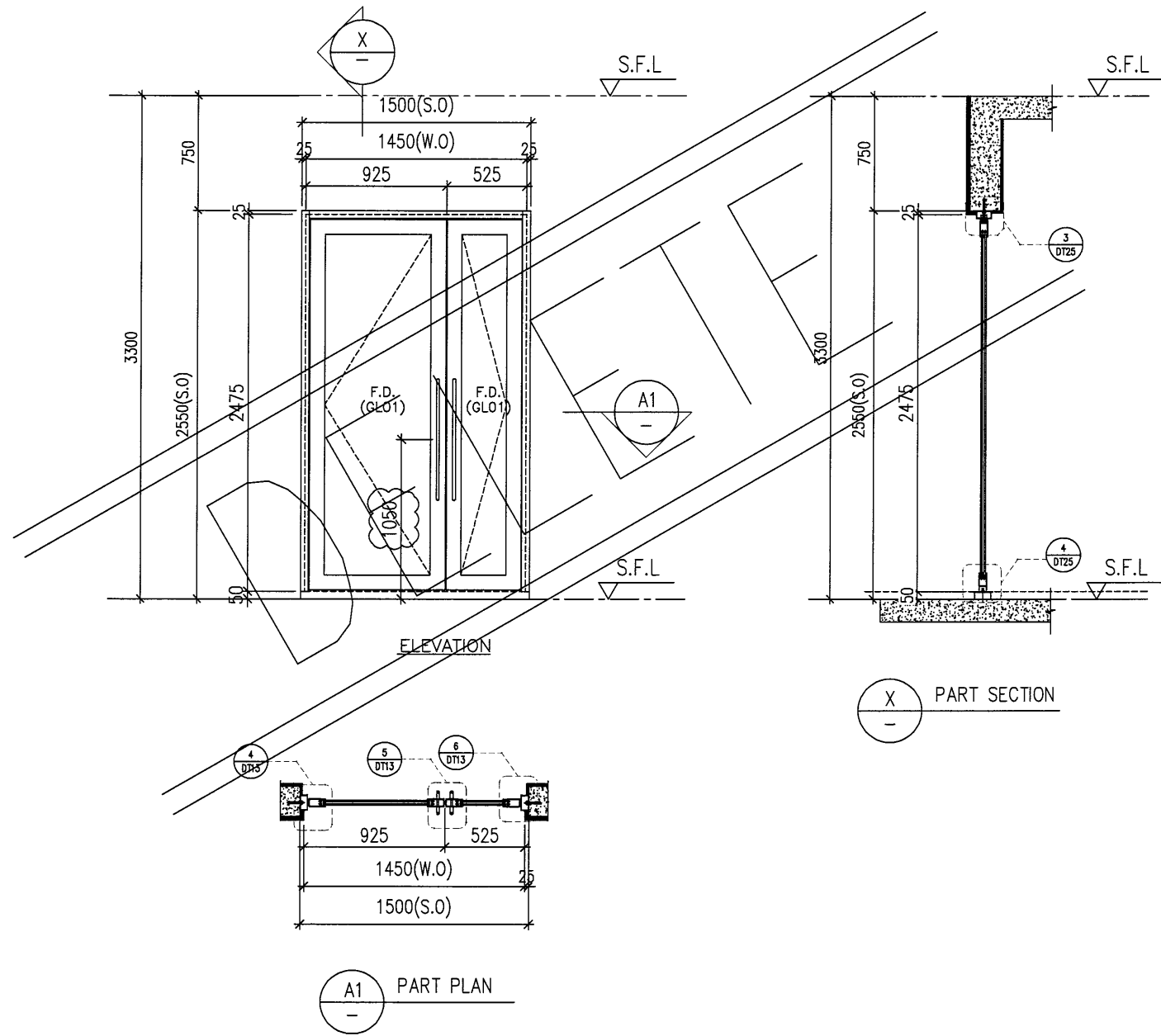
TITLE : WINDOW SCHEDULE FOR TOWER 5 ALUM. WINDOW

DATE : 03-APR-21 SCALE : 1:40
 DRAWN BY : CHECKED BY :

美特鋁質有限公司
 MIDI ALUMINIUM FABRICATOR LTD.
 Units 6-8, Sunray Industrial Centre, 1/F
 610 Cha Kwo Ling Road, Kowloon
 Tel:23489211-4 Fax:(852)27727666

DWG NO. : J853-SD-IW-SC525 REV. : C

ELEVATION



B.D. REF :

CLIENT :

SHIMAO GROUP HOLDINGS LIMITED

ARCHITECT : **WONG TUNG & PARTNERS LIMITED ARCHITECTS & PLANNERS**



MAIN CONTRACTOR :

STRUCTURAL ENGINEER :

C M WONG & ASSOCIATES LTD
Consulting Engineers

SITE IN SITU CONSULTANT:



NOTE :

1. ALL DIMENSIONS ARE IN mm.
2. ALL ELEVATIONS ARE VIEWED FROM OUTSIDE.
3. ALL DIMENSIONS TO BE VERIFIED ON SITE BEFORE FABRICATION.

LEGEND :

- (x1) — DETAIL MARK NO.
- (x001) — REFER SHEET NO.

1. F.F.L. — FINISHED FLOOR LEVEL
2. S.F.L. — STRUCTURAL FLOOR LEVEL
3. (R) — REVERSED DETAIL
4. ▲ — FIXING LOCATION
5. △ — FIXING LUG LOCATION

6. GLASS LEGEND
- GL01 — 10mm+12mm AIR GAP+10mm THK. I.G.U.
 - GL05 — 10mm+12mm AIR GAP+10mm THK. I.G.U.
 - GL06 — 10mm+12mm AIR GAP+12mm THK. I.G.U.
 - PD01 — 10mm T.P+12mm AIR GAP+8mm T.P
 - GL07 — 10mm+12mm AIR GAP+12mm THK. I.G.U.
 - GL08 — 10mm+12mm AIR GAP+10mm THK. I.G.U.

NO.	DATE	REVISED	BY
-----	------	---------	----

JOB NO. : J-853

PROJECT : PROPOSED RESIDENTIAL DEVELOPMENT AT N.K.I.L. 6542 YIN PING ROAD KOWLOON

TITLE : WINDOW SCHEDULE FOR TOWER 5 ALUM. WINDOW

DATE : 03-APR-21 SCALE : 1:40

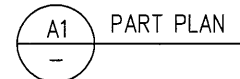
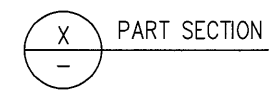
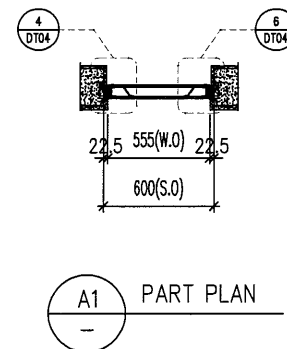
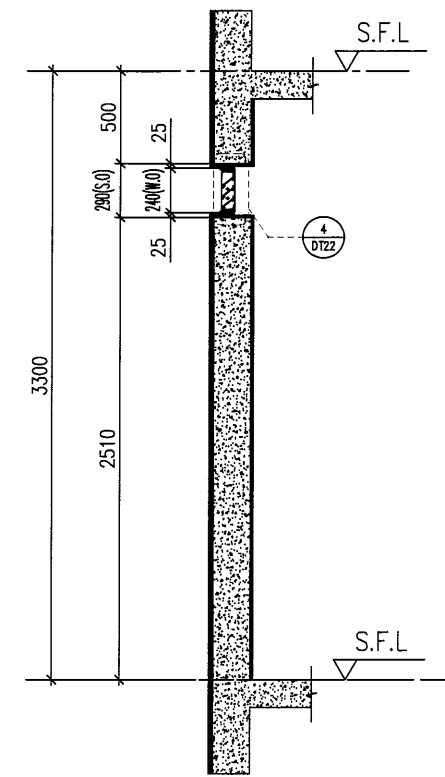
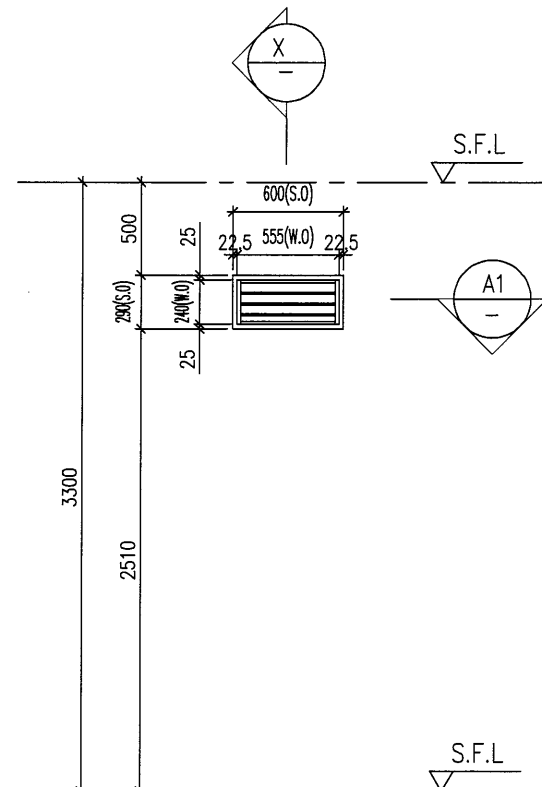
DRAWN BY : CHECKED BY :

美特鋁質有限公司
MIDI ALUMINIUM FABRICATOR LTD.
Units 6-8, Sunray Industrial Centre, 1/F
610 Cha Kwo Ling Road, Kowloon
Tel:23489211-4 Fax:(852)27727666

DWG NO. : J853-SD-IW-SC526 REV. : A

PROVIDED		
GLAZING AREA	1.104	m ²
OPENABLE AREA	1.82	m ²
FREE AREA	—	%

WINDOW MARK	
LOCATION	5F LOBBY
SECTION	52mm ALUM. SECTION
GLAZING	GL01
QUANTITY	1 No.
REMARKS	SITE IN SITU



ELEVATION

B.D. REF :

CLIENT : **SHIMAO GROUP HOLDINGS LIMITED**

ARCHITECT : **WONG TUNG & PARTNERS LIMITED ARCHITECTS & PLANNERS**

MAIN CONTRACTOR :

STRUCTURAL ENGINEER : **C M WONG & ASSOCIATES LTD Consulting Engineers**

SITE IN SITU CONSULTANT: **MEINHARDT**

NOTE :
 1. ALL DIMENSIONS ARE IN mm.
 2. ALL ELEVATIONS ARE VIEWED FROM OUTSIDE.
 3. ALL DIMENSIONS TO BE VERIFIED ON SITE BEFORE FABRICATION.

LEGEND :
 (X1) --- DETAIL MARK NO.
 (X001) --- REFER SHEET NO.
 1. F.F.L --- FINISHED FLOOR LEVEL
 2. S.F.L --- STRUCTURAL FLOOR LEVEL
 3. (R) --- REVERSED DETAIL
 4. ▲ --- FIXING LOCATION
 5. △ --- FIXING LUG LOCATION
 6. GLASS LEGEND
 GLO1 --- 10mm+12mm AIR GAP+10mm THK. I.G.U.
 GLO5 --- 10mm+12mm AIR GAP+10mm THK. I.G.U.
 GLO6 --- 10mm+12mm AIR GAP+12mm THK. I.G.U.
 PDO1 --- 10mm T.P+12mm AIR GAP+8mm T.P
 GLO7 --- 10mm+12mm AIR GAP+12mm THK. I.G.U.
 GLO8 --- 10mm+12mm AIR GAP+10mm THK. I.G.U.

B	16/12/2021	REVISION SUBJECT TO ARCH.COMMENT	LHR
A	28/08/2021	REVISION SUBJECT TO ARCH.COMMENT	WSH
NO.	DATE	REVISED	BY

JOB NO. : J-853
 PROJECT : PROPOSED RESIDENTIAL DEVELOPMENT AT N.K.I.L. 6542 YIN PING ROAD KOWLOON

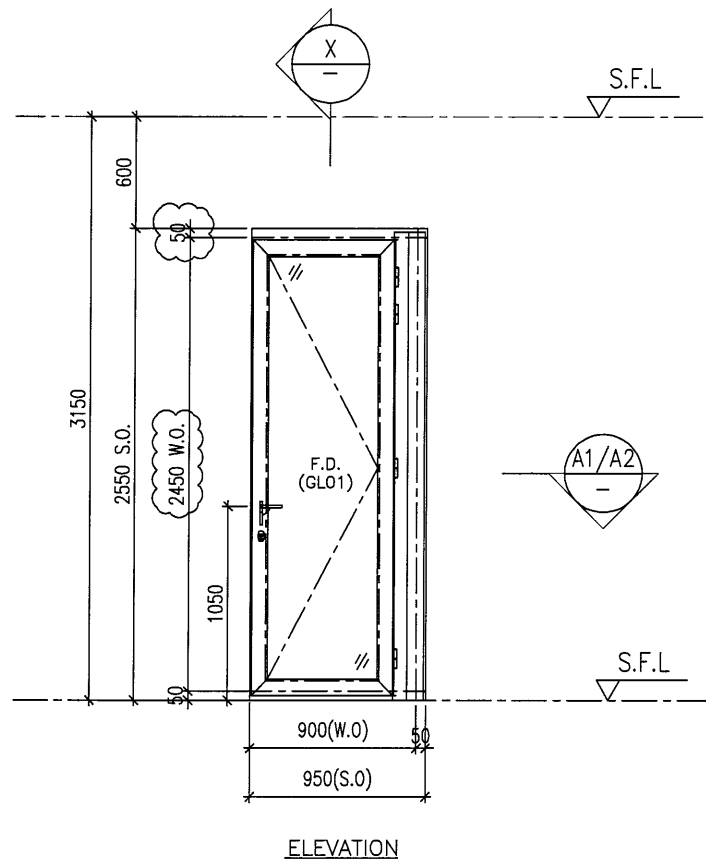
TITLE : WINDOW SCHEDULE FOR TOWER 5 ALUM. WINDOW

DATE : 03-APR-21 SCALE : 1:40
 DRAWN BY : CHECKED BY :

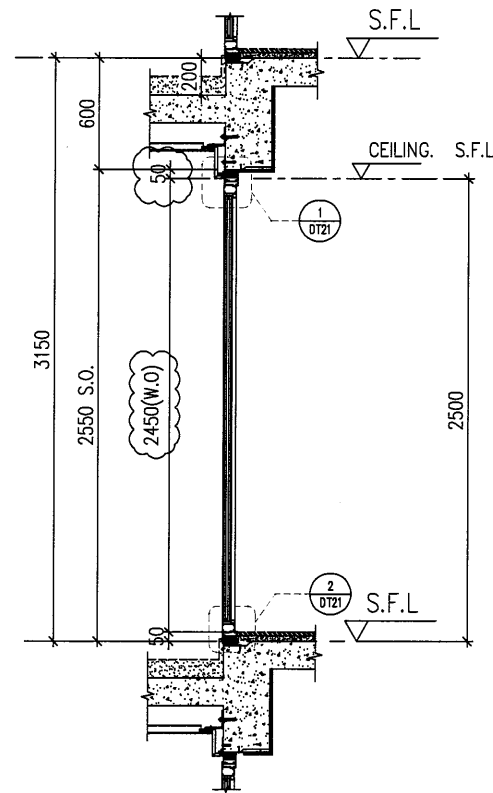
美特铝质有限公司
MIDI ALUMINIUM FABRICATOR LTD.
 Units 6-8, Sunray Industrial Centre, 1/F
 610 Cha Kwo Ling Road, Kowloon
 Tel:23489211-4 Fax:(852)27727666
 DWG NO. : J853-SD-IW-SC527 REV. : B

PROVIDED		
GLAZING AREA	-	m ²
OPENABLE AREA	-	m ²
FREE AREA	54.86	%

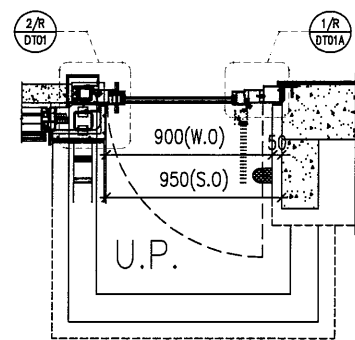
WINDOW MARK	
LOCATION	25F UNIT B KIT.
SECTION	70mm ALUM. SECTION
GLAZING	-
QUANTITY	1 No.
REMARKS	SITE IN SITU



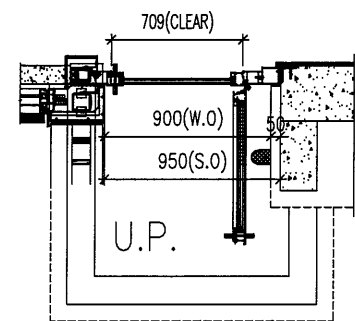
ELEVATION



X PART SECTION



A1 PART PLAN



A2 PART PLAN

ELEVATION

B.D. REF :

CLIENT :

SHIMAO GROUP HOLDINGS LIMITED

ARCHITECT : **WONG TUNG & PARTNERS LIMITED ARCHITECTS & PLANNERS**



MAIN CONTRACTOR :

STRUCTURAL ENGINEER :



SITE IN SITU CONSULTANT:



NOTE :

1. ALL DIMENSIONS ARE IN mm.
2. ALL ELEVATIONS ARE VIEWED FROM OUTSIDE.
3. ALL DIMENSIONS TO BE VERIFIED ON SITE BEFORE FABRICATION.

LEGEND :

- X1 --- DETAIL MARK NO.
- X001 --- REFER SHEET NO.

1. F.F.L. --- FINISHED FLOOR LEVEL
2. S.F.L. --- STRUCTURAL FLOOR LEVEL
3. (R) --- REVERSED DETAIL
4. ▲ --- FIXING LOCATION
5. △ --- FIXING LUG LOCATION

6. GLASS LEGEND

- GLO1 --- 10mm+12mm AIR GAP+10mm THK. I.G.U.
- GLO5 --- 10mm+12mm AIR GAP+10mm THK. I.G.U.
- GLO6 --- 10mm+12mm AIR GAP+12mm THK. I.G.U.
- PD01 --- 10mm T.P+12mm AIR GAP+8mm T.P
- GLO7 --- 10mm+12mm AIR GAP+12mm THK. I.G.U.
- GLO8 --- 10mm+12mm AIR GAP+10mm THK. I.G.U.

NO.	DATE	REVISION	BY
C	18/04/2022	REVISION SUBJECT TO ARCH.COMMENT	LHR
B	16/12/2021	REVISION SUBJECT TO ARCH.COMMENT	LHR
A	28/08/2021	REVISION SUBJECT TO ARCH.COMMENT	WSH

JOB NO. : J-853

PROJECT : PROPOSED RESIDENTIAL DEVELOPMENT AT N.K.I.L. 6542 YIN PING ROAD KOWLOON

TITLE : WINDOW SCHEDULE FOR TOWER 6 ALUM. WINDOW

DATE : 03-APR-21

SCALE : 1:40

DRAWN BY :

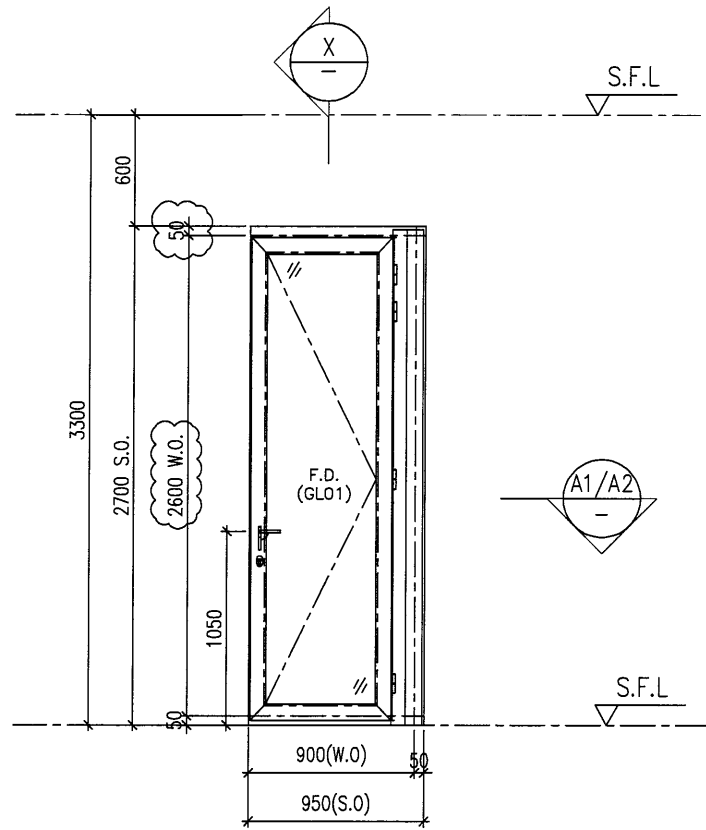
CHECKED BY :

美特鋁質有限公司
MIDI ALUMINIUM FABRICATOR LTD.
 Units 6-8, Sunray Industrial Centre, 1/F
 610 Cha Kwo Ling Road, Kowloon
 Tel:23489211-4 Fax:(852)27727666

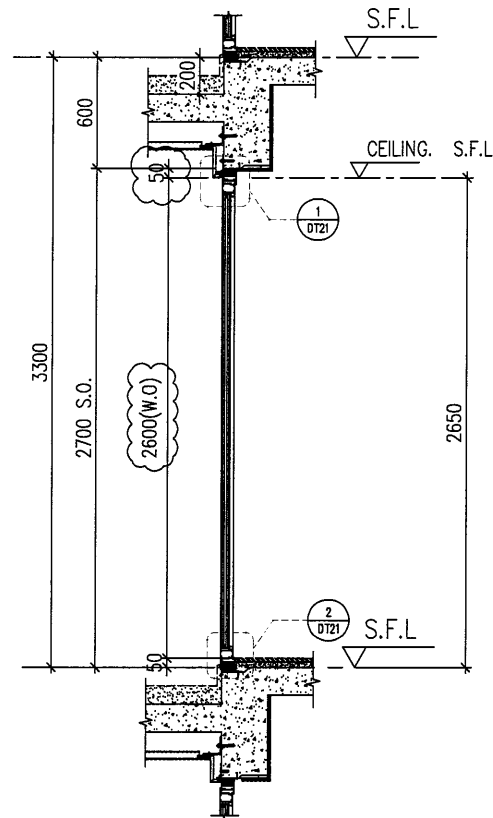
DWG NO. : J853-SD-IW-SC601 REV. : C

PROVIDED		
GLAZING AREA	0.691	m ²
OPENABLE AREA	0.889	m ²
FREE AREA	-	%

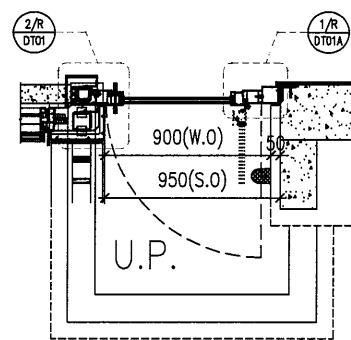
WINDOW MARK	W101R T6	W101R T6
LOCATION	6F~15F & 17F-22F UNIT A ENSUITE	6F~15F & 17F-22F UNIT B ENSUITE
SECTION	70mm ALUM. SECTION	70mm ALUM. SECTION
GLAZING	GLO1	GLO1
QUANTITY	14 Nos.	14 Nos.
REMARKS	SITE IN SITU	SITE IN SITU



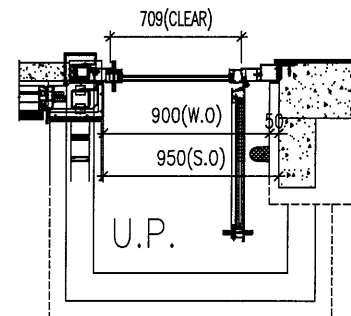
ELEVATION



X PART SECTION



A1 PART PLAN



A2 PART PLAN

ELEVATION

B.D. REF :

CLIENT :

SHIMAO GROUP HOLDINGS LIMITED

ARCHITECT : **WONG TUNG & PARTNERS LIMITED**
ARCHITECTS & PLANNERS



MAIN CONTRACTOR :

STRUCTURAL ENGINEER :

C M WONG & ASSOCIATES LTD
Consulting Engineers

SITE IN SITU CONSULTANT:



NOTE :

1. ALL DIMENSIONS ARE IN mm.
2. ALL ELEVATIONS ARE VIEWED FROM OUTSIDE.
3. ALL DIMENSIONS TO BE VERIFIED ON SITE BEFORE FABRICATION.

LEGEND :

- (X1) --- DETAIL MARK NO.
- (X001) --- REFER SHEET NO.

1. F.F.L --- FINISHED FLOOR LEVEL
2. S.F.L --- STRUCTURAL FLOOR LEVEL
3. (R) --- REVERSED DETAIL
4. ▲ --- FIXING LOCATION
5. △ --- FIXING LUG LOCATION

6. GLASS LEGEND

- GL01 --- 10mm+12mm AIR GAP+10mm THK. I.G.U.
- GL05 --- 10mm+12mm AIR GAP+10mm THK. I.G.U.
- GL06 --- 10mm+12mm AIR GAP+12mm THK. I.G.U.
- PD01 --- 10mm T.P+12mm AIR GAP+8mm T.P
- GL07 --- 10mm+12mm AIR GAP+12mm THK. I.G.U.
- GL08 --- 10mm+12mm AIR GAP+10mm THK. I.G.U.

NO.	DATE	REVISED	BY
C	18/04/2022	REVISION SUBJECT TO ARCH.COMMENT	LHR
B	16/12/2021	REVISION SUBJECT TO ARCH.COMMENT	LHR

JOB NO. : J-853

PROJECT : PROPOSED RESIDENTIAL DEVELOPMENT AT N.K.I.L. 6542 YIN PING ROAD KOWLOON

TITLE : WINDOW SCHEDULE FOR TOWER 6 ALUM. WINDOW

PROVIDED		
GLAZING AREA	0.778	m ²
OPENABLE AREA	0.995	m ²
FREE AREA	-	%

DATE : 03-APR-21 SCALE : 1:40

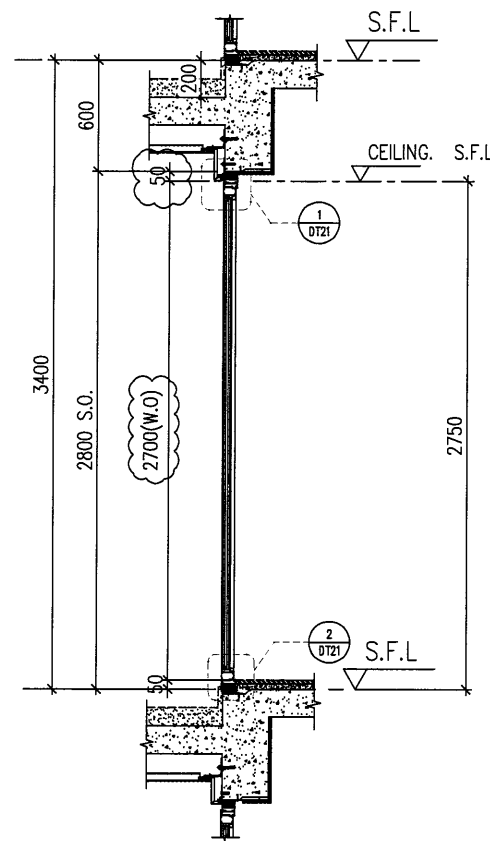
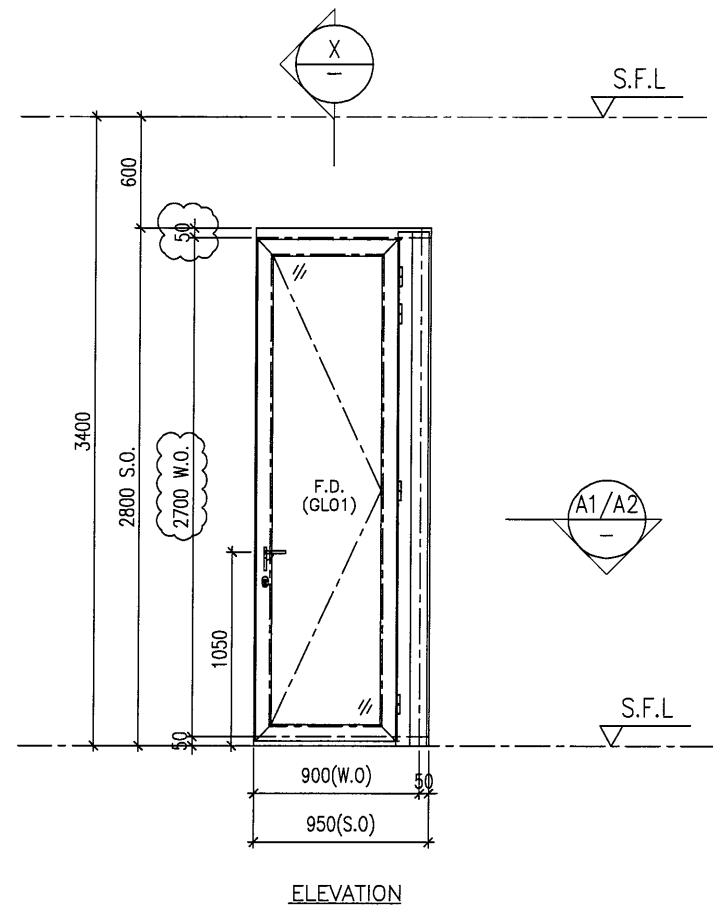
DRAWN BY : CHECKED BY :

美特鋁質有限公司
MIDI ALUMINIUM FABRICATOR LTD.
Units 6-8, Sunray Industrial Centre, 1/F
610 Cha Kwo Ling Road, Kowloon
Tel:23489211-4 Fax:(852)27727666

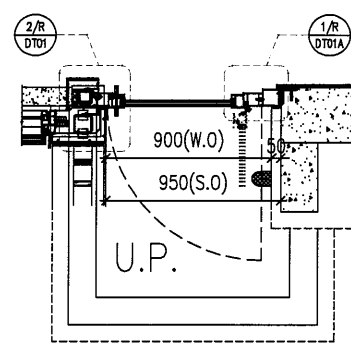
DWG NO. : J853-SD-IW-SC601a REV. : C

WINDOW MARK	W151R T6	W151R T6
LOCATION	5F UNITE A ENSUITE & 16F & 25-26F UNIT A ENSUITE	5F UNITE B ENSUITE & 16F & 25-26F UNIT B ENSUITE
SECTION	70mm ALUM. SECTION	70mm ALUM. SECTION
GLAZING	GL01	GL01
QUANTITY	4 Nos.	4 Nos.
REMARKS	SITE IN SITU	SITE IN SITU

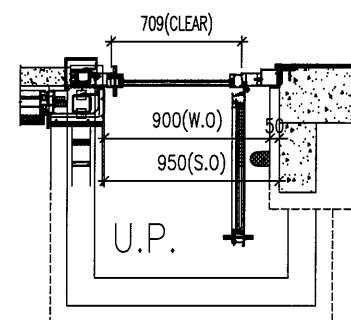
ELEVATION



X PART SECTION



A1 PART PLAN



A2 PART PLAN

PROVIDED		
GLAZING AREA	0.836	m ²
OPENABLE AREA	1.066	m ²
FREE AREA	-	%

WINDOW MARK	W171R T6	W171R T6
LOCATION	23F UNIT A ENSUITE	23F UNIT B ENSUITE
SECTION	70mm ALUM. SECTION	70mm ALUM. SECTION
GLAZING	GLO1	GLO1
QUANTITY	1 Nos.	1 Nos.
REMARKS	SITE IN SITU	SITE IN SITU

B.D. REF :

CLIENT :
SHIMAO GROUP HOLDINGS LIMITED

ARCHITECT :
WONG TUNG & PARTNERS LIMITED
ARCHITECTS & PLANNERS
WT

MAIN CONTRACTOR :

STRUCTURAL ENGINEER :
C M WONG & ASSOCIATES LTD
Consulting Engineers

SITE IN SITU CONSULTANT:
MEINHARDT

NOTE :
1. ALL DIMENSIONS ARE IN mm.
2. ALL ELEVATIONS ARE VIEWED FROM OUTSIDE.
3. ALL DIMENSIONS TO BE VERIFIED ON SITE BEFORE FABRICATION.

LEGEND :
X1 — DETAIL MARK NO.
X001 — REFER SHEET NO.

1. F.F.L. — FINISHED FLOOR LEVEL
2. S.F.L. — STRUCTURAL FLOOR LEVEL
3. (R) — REVERSED DETAIL
4. ▲ — FIXING LOCATION
5. △ — FIXING LUG LOCATION

6. GLASS LEGEND
GLO1 — 10mm+12mm AIR GAP+10mm THK. I.G.U.
GLO5 — 10mm+12mm AIR GAP+10mm THK. I.G.U.
GLO6 — 10mm+12mm AIR GAP+12mm THK. I.G.U.
PDO1 — 10mm T.P+12mm AIR GAP+8mm T.P
GLO7 — 10mm+12mm AIR GAP+12mm THK. I.G.U.
GLO8 — 10mm+12mm AIR GAP+10mm THK. I.G.U.

NO.	DATE	REVISED	BY
C	18/04/2022	REVISION SUBJECT TO ARCH COMMENT	LHR
B	16/12/2021	REVISION SUBJECT TO ARCH COMMENT	LHR

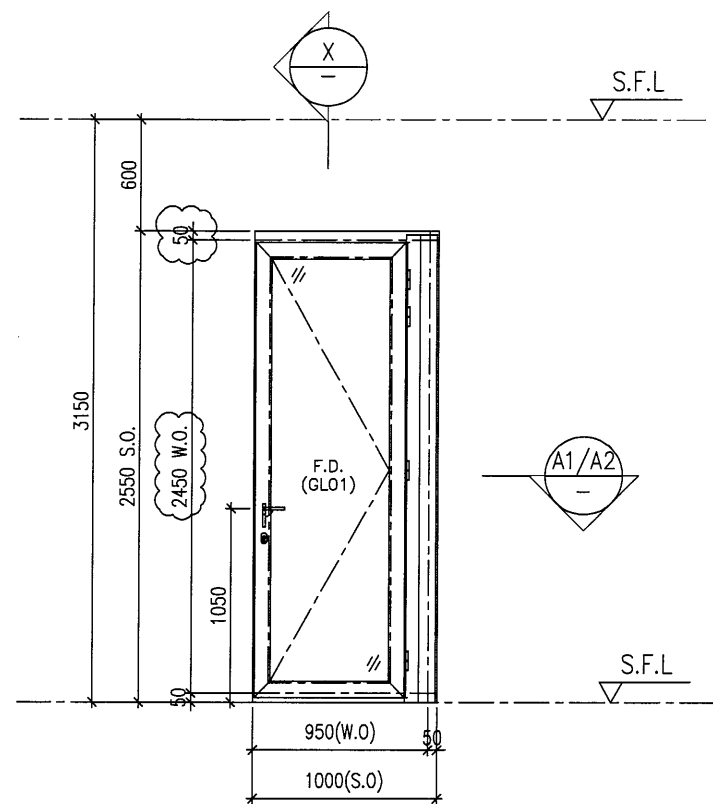
JOB NO. : J-853
PROJECT : PROPOSED RESIDENTIAL DEVELOPMENT AT N.K.I.L. 6542 YIN PING ROAD KOWLOON

TITLE : WINDOW SCHEDULE FOR TOWER 6 ALUM. WINDOW

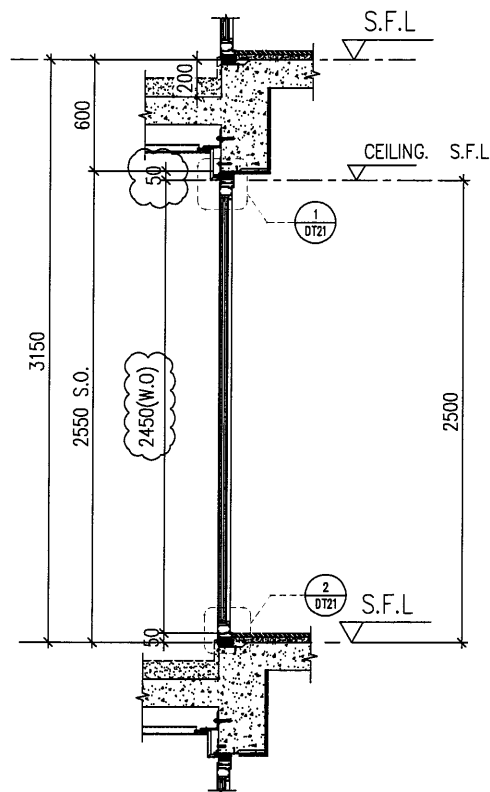
DATE : 03-APR-21 SCALE : 1:40
DRAWN BY : CHECKED BY :

美特鋁質有限公司
MIDI ALUMINIUM FABRICATOR LTD.
Units 6-8, Sunray Industrial Centre, 1/F
610 Cha Kwo Ling Road, Kowloon
Tel:23489211-4 Fax:(852)2727666

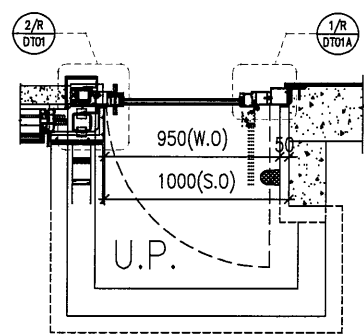
DWG NO. : J853-SD-IW-SC601b REV. : C



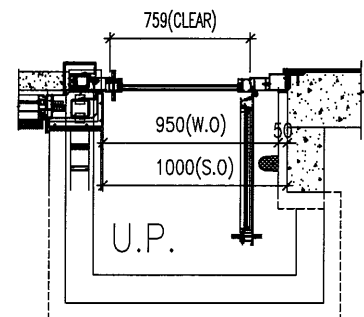
ELEVATION



X PART SECTION



A1 PART PLAN



A2 PART PLAN

ELEVATION

B.D. REF :

CLIENT : SHIMAO GROUP HOLDINGS LIMITED

ARCHITECT : WONG TUNG & PARTNERS LIMITED ARCHITECTS & PLANNERS

MAIN CONTRACTOR :

STRUCTURAL ENGINEER : C M WONG & ASSOCIATES LTD Consulting Engineers

SITE IN SITU CONSULTANT: MEINHARDT

NOTE :
 1. ALL DIMENSIONS ARE IN mm.
 2. ALL ELEVATIONS ARE VIEWED FROM OUTSIDE.
 3. ALL DIMENSIONS TO BE VERIFIED ON SITE BEFORE FABRICATION.

LEGEND :
 x1 — DETAIL MARK NO.
 x001 — REFER SHEET NO.
 1. F.F.L. — FINISHED FLOOR LEVEL
 2. S.F.L. — STRUCTURAL FLOOR LEVEL
 3. (R) — REVERSED DETAIL
 4. (▲) — FIXING LOCATION
 5. (△) — FIXING LUG LOCATION
 6. GLASS LEGEND
 GLO1 — 10mm+12mm AIR GAP+10mm THK. I.G.U.
 GLO5 — 10mm+12mm AIR GAP+10mm THK. I.G.U.
 GLO6 — 10mm+12mm AIR GAP+12mm THK. I.G.U.
 PD01 — 10mm T.P+12mm AIR GAP+8mm T.P
 GLO7 — 10mm+12mm AIR GAP+12mm THK. I.G.U.
 GLO8 — 10mm+12mm AIR GAP+10mm THK. I.G.U.

C	18/04/2022	REVISION SUBJECT TO ARCH.COMMENT	LHR
B	16/12/2021	REVISION SUBJECT TO ARCH.COMMENT	LHR
A	28/08/2021	REVISION SUBJECT TO ARCH.COMMENT	WSH
NO.	DATE	REVISED	BY

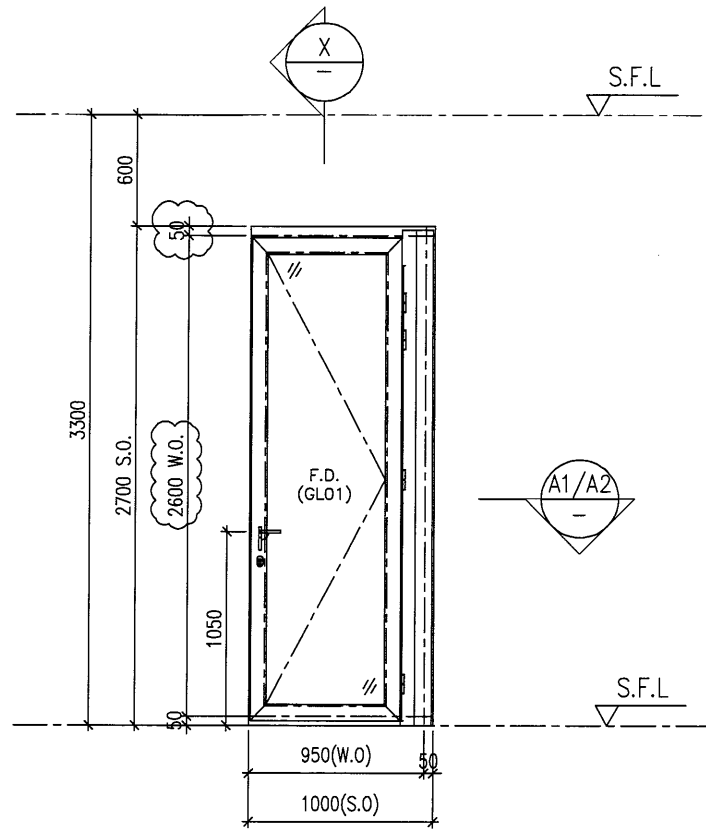
JOB NO. : J-853
 PROJECT : PROPOSED RESIDENTIAL DEVELOPMENT AT N.K.I.L. 6542 YIN PING ROAD KOWLOON

TITLE : WINDOW SCHEDULE FOR TOWER 6 ALUM. WINDOW

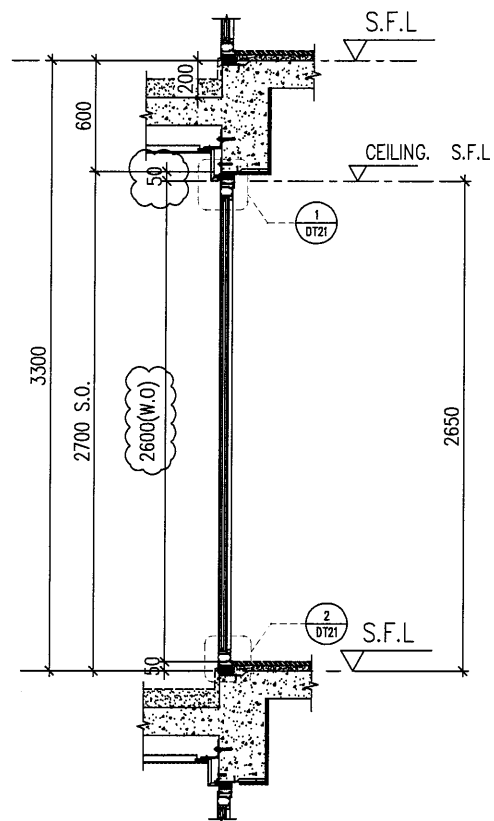
PROVIDED		
GLAZING AREA	0.751	m ²
OPENABLE AREA	0.951	m ²
FREE AREA	-	%

WINDOW MARK	WT02R T6
LOCATION	10F~15F&17F~22F UNIT D ENSUITE
SECTION	70mm ALUM. SECTION
GLAZING	GLO1
QUANTITY	10 Nos.
REMARKS	SITE IN SITU

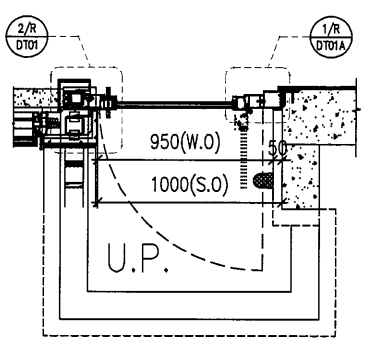
DATE : 03-APR-21 SCALE : 1:40
 DRAWN BY : CHECKED BY :
 英特鋁質有限公司
 MIDI ALUMINIUM FABRICATOR LTD.
 Units 6-8, Sunray Industrial Centre, 1/F
 610 Cha Kwo Ling Road, Kowloon
 Tel:23489211-4 Fax:(852)2727666
 DWG NO. : J853-SD-IW-SC602 REV. : C



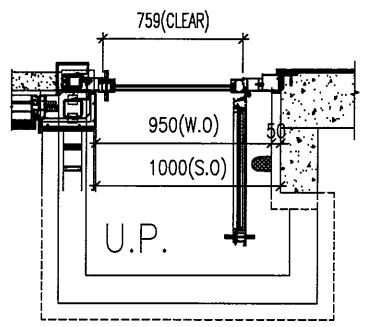
ELEVATION



X PART SECTION



A1 PART PLAN



A2 PART PLAN

B.D. REF :

CLIENT : SHIMAO GROUP HOLDINGS LIMITED

ARCHITECT : WONG TUNG & PARTNERS LIMITED ARCHITECTS & PLANNERS

MAIN CONTRACTOR :

STRUCTURAL ENGINEER : C M WONG & ASSOCIATES LTD Consulting Engineers

SITE IN SITU CONSULTANT: MEINHARDT

NOTE :
 1. ALL DIMENSIONS ARE IN mm.
 2. ALL ELEVATIONS ARE VIEWED FROM OUTSIDE.
 3. ALL DIMENSIONS TO BE VERIFIED ON SITE BEFORE FABRICATION.

LEGEND :
 X1 --- DETAIL MARK NO.
 X001 --- REFER SHEET NO.
 1. F.F.L --- FINISHED FLOOR LEVEL
 2. S.F.L --- STRUCTURAL FLOOR LEVEL
 3. (R) --- REVERSED DETAIL
 4. ▲ --- FIXING LOCATION
 5. △ --- FIXING LUG LOCATION
 6. GLASS LEGEND
 GL01 --- 10mm+12mm AIR GAP+10mm THK. I.G.U.
 GL05 --- 10mm+12mm AIR GAP+10mm THK. I.G.U.
 GL06 --- 10mm+12mm AIR GAP+12mm THK. I.G.U.
 PDO1 --- 10mm T.P+12mm AIR GAP+8mm T.P
 GL07 --- 10mm+12mm AIR GAP+12mm THK. I.G.U.
 GL08 --- 10mm+12mm AIR GAP+10mm THK. I.G.U.

C	18/04/2022	REVISION SUBJECT TO ARCH.COMMENT	LHR
B	16/12/2021	REVISION SUBJECT TO ARCH.COMMENT	LHR
NO.	DATE	REVISED	BY

JOB NO. : J-853
 PROJECT : PROPOSED RESIDENTIAL DEVELOPMENT AT N.K.I.L. 6542 YIN PING ROAD KOWLOON
 TITLE : WINDOW SCHEDULE FOR TOWER 6 ALUM. WINDOW

PROVIDED		
GLAZING AREA	0.845	m ²
OPENABLE AREA	1.065	m ²
FREE AREA	-	%

DATE : 03-APR-21 SCALE : 1:40
 DRAWN BY : CHECKED BY :

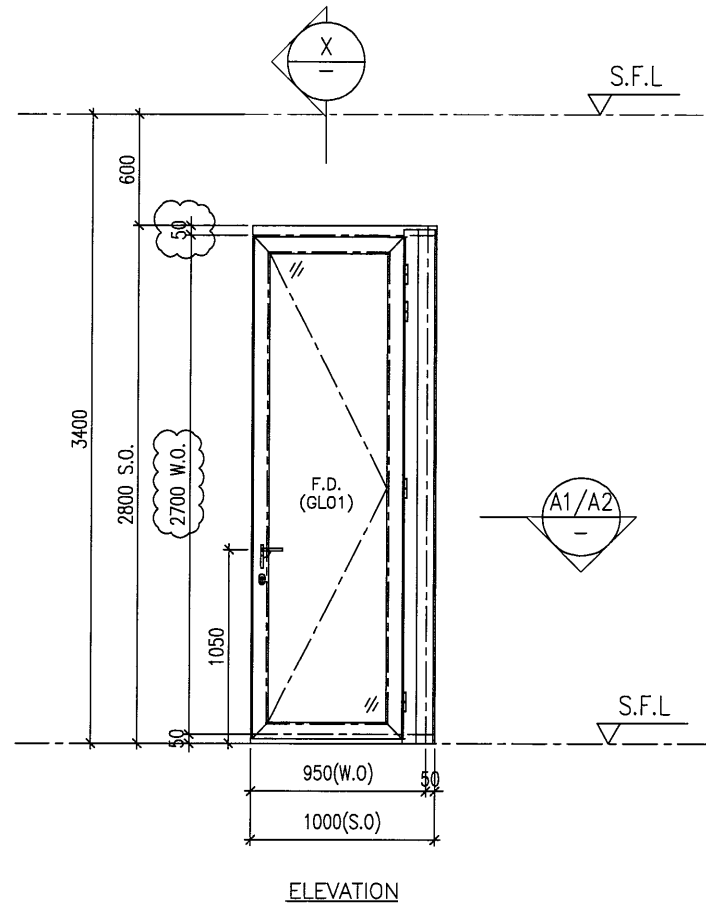
美特鋁質有限公司
 MIDI ALUMINIUM FABRICATOR LTD.
 Units 6-8, Sunray Industrial Centre, 1/F
 610 Cha Kwo Ling Road, Kowloon
 Tel:23489211-4 Fax:(852)2727666

DWG NO. : J853-SD-IW-SC602a REV. : C

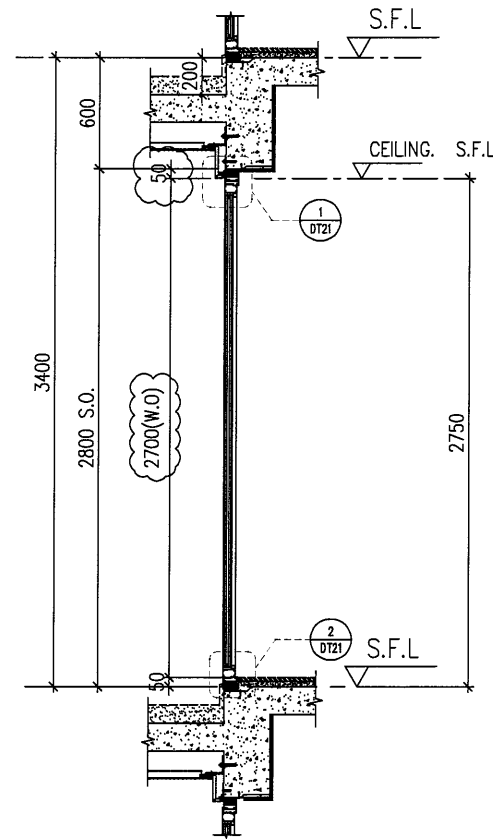
ELEVATION

WINDOW MARK	W52R T6
LOCATION	16F&25-26F UNIT D ENSUITE
SECTION	70mm ALUM. SECTION
GLAZING	GL01
QUANTITY	3 Nos.
REMARKS	SITE IN SITU

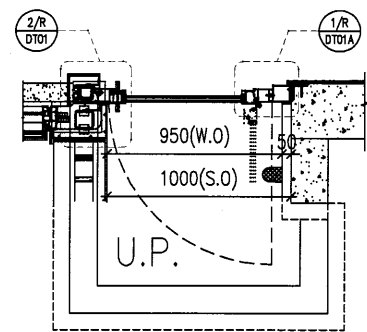
ELEVATION



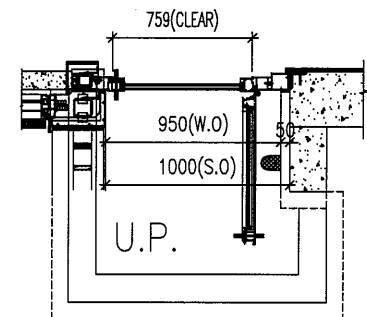
ELEVATION



X PART SECTION



A1 PART PLAN



A2 PART PLAN

B.D. REF :

CLIENT :

SHIMAO GROUP HOLDINGS LIMITED

ARCHITECT : **WONG TUNG & PARTNERS LIMITED ARCHITECTS & PLANNERS**



MAIN CONTRACTOR :

STRUCTURAL ENGINEER :



SITE IN SITU CONSULTANT:



NOTE :

1. ALL DIMENSIONS ARE IN mm.
2. ALL ELEVATIONS ARE VIEWED FROM OUTSIDE.
3. ALL DIMENSIONS TO BE VERIFIED ON SITE BEFORE FABRICATION.

LEGEND :

- X1 --- DETAIL MARK NO.
- X001 --- REFER SHEET NO.

1. F.F.L --- FINISHED FLOOR LEVEL
2. S.F.L --- STRUCTURAL FLOOR LEVEL
3. (B) --- REVERSED DETAIL
4. (▲) --- FIXING LOCATION
5. (△) --- FIXING LUG LOCATION

6. GLASS LEGEND

- GLO1 --- 10mm+12mm AIR GAP+10mm THK. I.G.U.
- GLO5 --- 10mm+12mm AIR GAP+10mm THK. I.G.U.
- GLO6 --- 10mm+12mm AIR GAP+12mm THK. I.G.U.
- PD01 --- 10mm T.P+12mm AIR GAP+8mm T.P
- GLO7 --- 10mm+12mm AIR GAP+12mm THK. I.G.U.
- GLO8 --- 10mm+12mm AIR GAP+10mm THK. I.G.U.

NO.	DATE	REVISED	BY
C	18/04/2022	REVISION SUBJECT TO ARCH.COMMENT	LJR
B	16/12/2021	REVISION SUBJECT TO ARCH.COMMENT	LJR

JOB NO. : J-853

PROJECT : PROPOSED RESIDENTIAL DEVELOPMENT AT N.K.I.L. 6542 YIN PING ROAD KOWLOON

TITLE : WINDOW SCHEDULE FOR TOWER 6 ALUM. WINDOW

DATE : 03-APR-21 SCALE : 1:40

DRAWN BY : CHECKED BY :

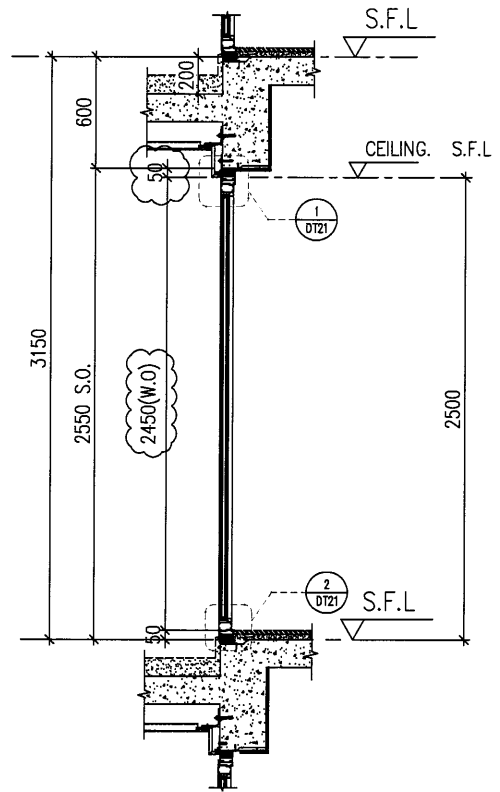
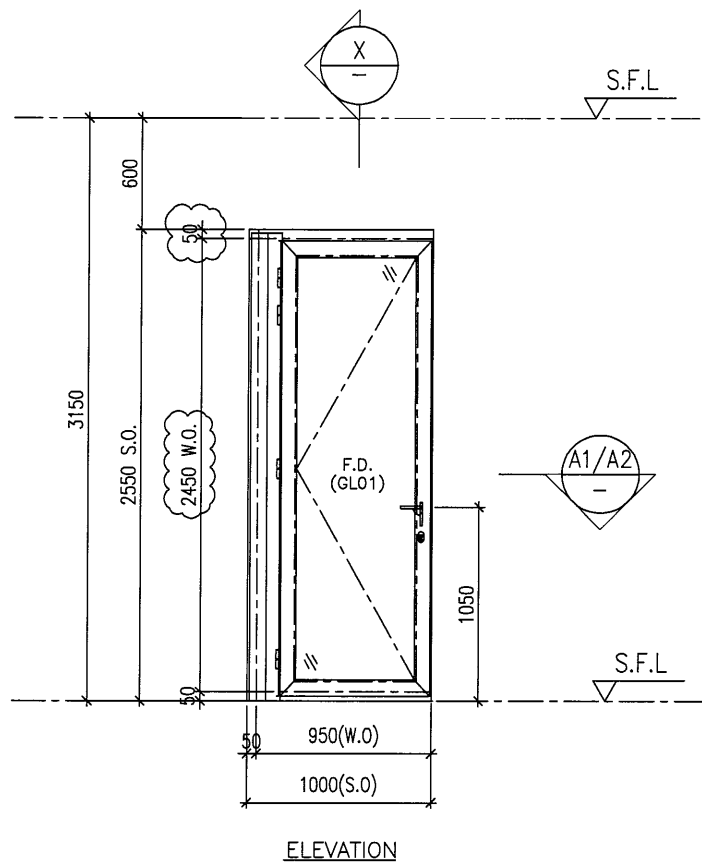
美特鋁質有限公司
MIDI ALUMINIUM FABRICATOR LTD.
 Units 6-8, Sunray Industrial Centre, 1/F
 610 Cha Kwo Ling Road, Kowloon
 Tel:23489211-4 Fax:(852)2727666

DWG NO. : J853-SD-IW-SC602b REV. : C

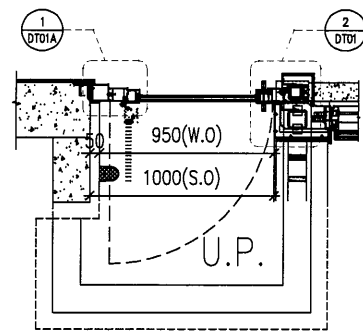
PROVIDED		
GLAZING AREA	0.908	m ²
OPENABLE AREA	1.141	m ²
FREE AREA	-	%

WINDOW MARK	M172R T6
LOCATION	23F UNIT D ENSUITE
SECTION	70mm ALUM. SECTION
GLAZING	GLO1
QUANTITY	1 Nos.
REMARKS	SITE IN SITU

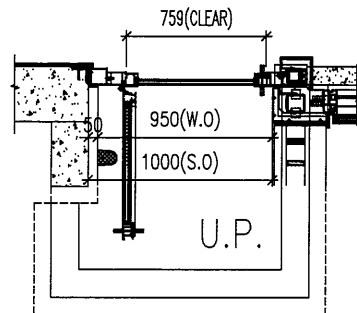
ELEVATION



X
-
PART SECTION



A1
-
PART PLAN



A2
-
PART PLAN

PROVIDED		
GLAZING AREA	0.751	m ²
OPENABLE AREA	0.951	m ²
FREE AREA	-	%

B.D. REF :

CLIENT :
SHIMAO GROUP HOLDINGS LIMITED

ARCHITECT :
WONG TUNG & PARTNERS LIMITED ARCHITECTS & PLANNERS

MAIN CONTRACTOR :

STRUCTURAL ENGINEER :
C M WONG & ASSOCIATES LTD Consulting Engineers

SITE IN SITU CONSULTANT:
MEINHARDT

- NOTE :
1. ALL DIMENSIONS ARE IN mm.
 2. ALL ELEVATIONS ARE VIEWED FROM OUTSIDE.
 3. ALL DIMENSIONS TO BE VERIFIED ON SITE BEFORE FABRICATION.

- LEGEND :
- (X1) --- DETAIL MARK NO.
 - (X001) --- REFER SHEET NO.
 - 1. F.F.L --- FINISHED FLOOR LEVEL
 - 2. S.F.L --- STRUCTURAL FLOOR LEVEL
 - 3. (R) --- REVERSED DETAIL
 - 4. ▲ --- FIXING LOCATION
 - 5. △ --- FIXING LUG LOCATION
 - 6. GLASS LEGEND
- GL01 --- 10mm+12mm AIR GAP+10mm THK. I.G.U.
GL05 --- 10mm+12mm AIR GAP+10mm THK. I.G.U.
GL06 --- 10mm+12mm AIR GAP+12mm THK. I.G.U.
PD01 --- 10mm T.P+12mm AIR GAP+8mm T.P
GL07 --- 10mm+12mm AIR GAP+12mm THK. I.G.U.
GL08 --- 10mm+12mm AIR GAP+10mm THK. I.G.U.

NO.	DATE	REVISED	BY
C	18/04/2022	REVISION SUBJECT TO ARCH.COMMENT	LHR
B	16/12/2021	REVISION SUBJECT TO ARCH.COMMENT	LHR
A	28/08/2021	REVISION SUBJECT TO ARCH.COMMENT	WSH

JOB NO. : J-853
PROJECT : PROPOSED RESIDENTIAL DEVELOPMENT AT N.K.I.L. 6542 YIN PING ROAD KOWLOON

TITLE : WINDOW SCHEDULE FOR TOWER 6 ALUM. WINDOW

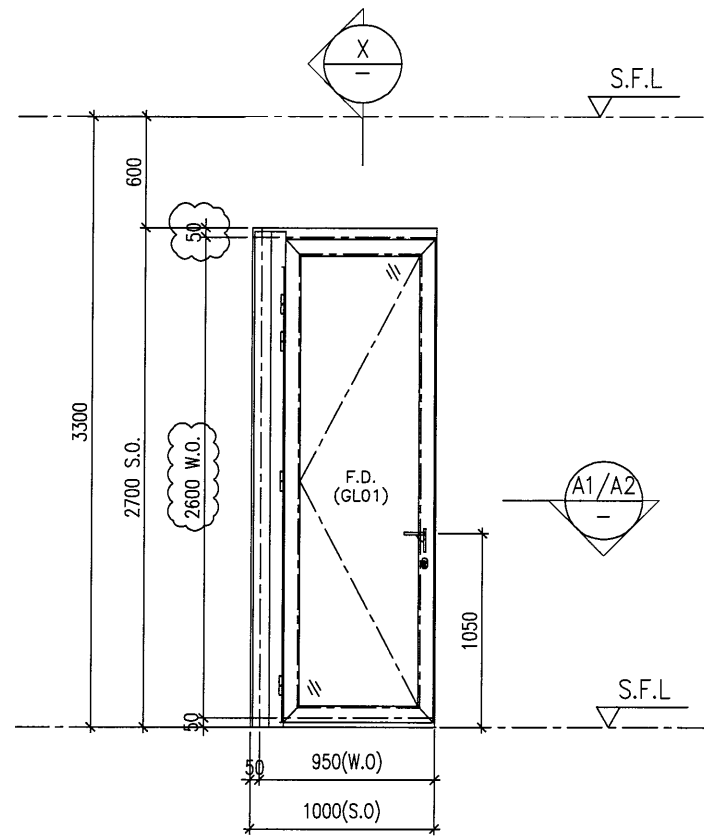
DATE : 03-APR-21 SCALE : 1:40
DRAWN BY : CHECKED BY :

美特鋁質有限公司
MIDI ALUMINIUM FABRICATOR LTD.
Units 6-8, Sunray Industrial Centre, 1/F
610 Cha Kwo Ling Road, Kowloon
Tel:23489211-4 Fax:(852)2727666

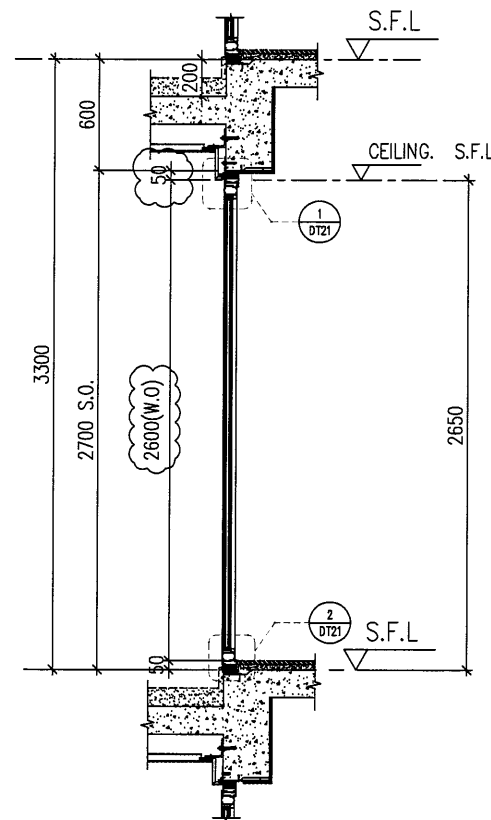
DWG NO. : J853-SD-IW-SC603 REV. : C

WINDOW MARK	
LOCATION	10F~15F&17F-22F UNIT C ENSUITE
SECTION	70mm ALUM. SECTION
GLAZING	GL01
QUANTITY	10 Nos.
REMARKS	SITE IN SITU

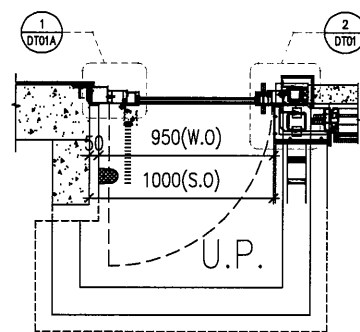
ELEVATION



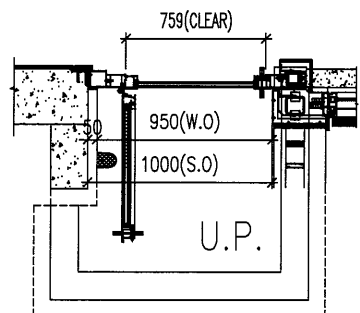
ELEVATION



X PART SECTION



A1 PART PLAN



A2 PART PLAN

B.D. REF :

CLIENT :

SHIMAO GROUP HOLDINGS LIMITED

ARCHITECT : **WONG TUNG & PARTNERS LIMITED ARCHITECTS & PLANNERS**



MAIN CONTRACTOR :

STRUCTURAL ENGINEER :

C M WONG & ASSOCIATES LTD Consulting Engineers

SITE IN SITU CONSULTANT:



NOTE :

1. ALL DIMENSIONS ARE IN mm.
2. ALL ELEVATIONS ARE VIEWED FROM OUTSIDE.
3. ALL DIMENSIONS TO BE VERIFIED ON SITE BEFORE FABRICATION.

LEGEND :

- (X1) --- DETAIL MARK NO.
- (X001) --- REFER SHEET NO.

1. F.F.L. --- FINISHED FLOOR LEVEL
2. S.F.L. --- STRUCTURAL FLOOR LEVEL
3. (R) --- REVERSED DETAIL
4. (▲) --- FIXING LOCATION
5. (△) --- FIXING LUG LOCATION
6. GLASS LEGEND

- GL01 --- 10mm+12mm AIR GAP+10mm THK. I.G.U.
- GL05 --- 10mm+12mm AIR GAP+10mm THK. I.G.U.
- GL06 --- 10mm+12mm AIR GAP+12mm THK. I.G.U.
- PD01 --- 10mm T.P.+12mm AIR GAP+8mm T.P.
- GL07 --- 10mm+12mm AIR GAP+12mm THK. I.G.U.
- GL08 --- 10mm+12mm AIR GAP+10mm THK. I.G.U.

NO.	DATE	REVISED	BY
C	18/04/2022	REVISION SUBJECT TO ARCH.COMMENT	LHR
B	16/12/2021	REVISION SUBJECT TO ARCH.COMMENT	LHR

JOB NO. : J-853

PROJECT : PROPOSED RESIDENTIAL DEVELOPMENT AT N.K.I.L. 6542 YIN PING ROAD KOWLOON

TITLE : WINDOW SCHEDULE FOR TOWER 6 ALUM. WINDOW

DATE : 03-APR-21 SCALE : 1:40

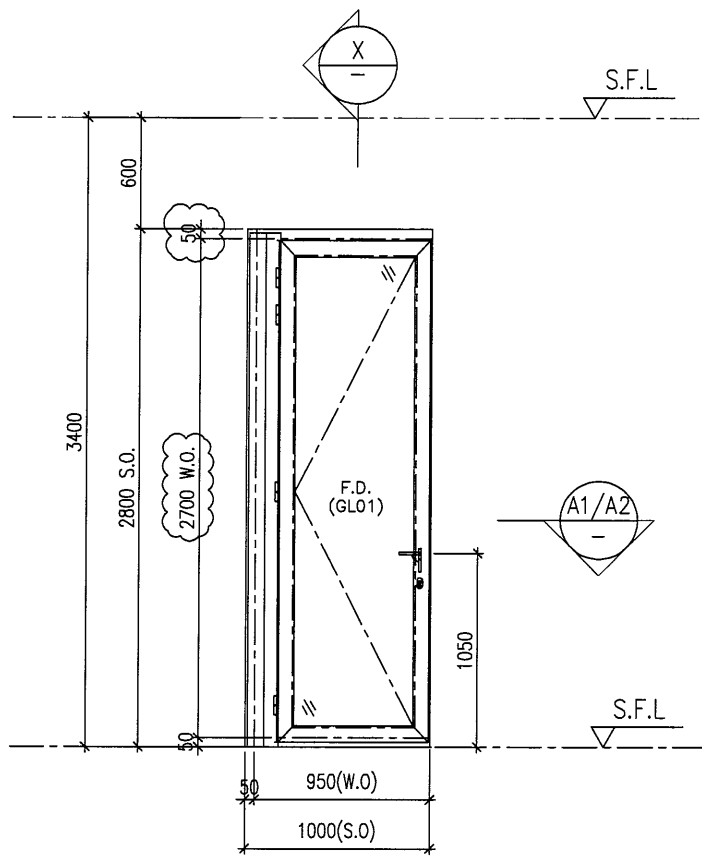
DRAWN BY : CHECKED BY :

美特鋁質有限公司
MIDI ALUMINIUM FABRICATOR LTD.
 Units 6-8, Sunray Industrial Centre, 1/F
 610 Cha Kwo Ling Road, Kowloon
 Tel:23489211-4 Fax:(852)27727666

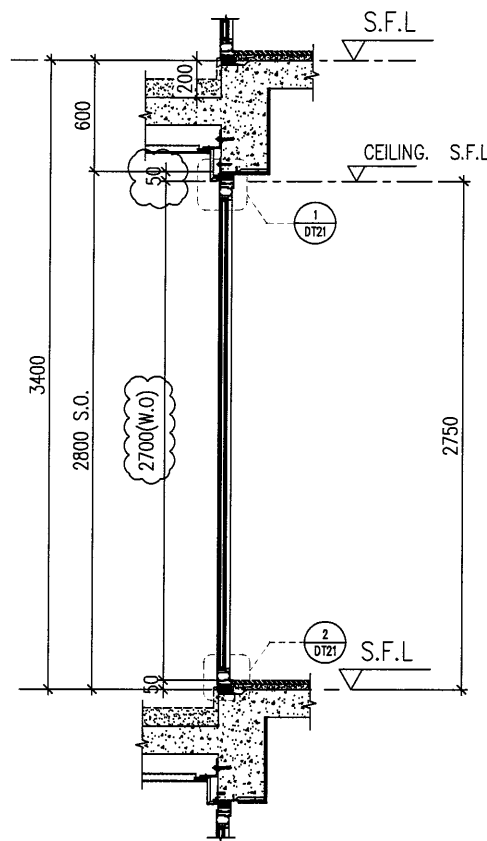
DWG NO. : J853-SD-IW-SC603a REV. : C

PROVIDED		
GLAZING AREA	0.845	m ²
OPENABLE AREA	1.065	m ²
FREE AREA	-	%

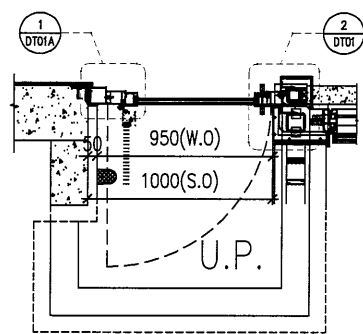
WINDOW MARK	
LOCATION	16F&25-26F UNIT C ENSUITE
SECTION	70mm ALUM. SECTION
GLAZING	GL01
QUANTITY	3 Nos.
REMARKS	SITE IN SITU



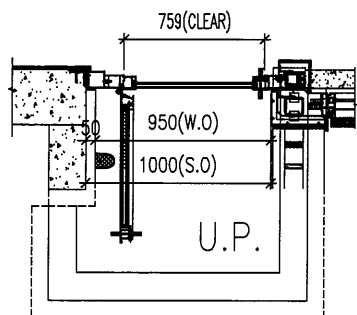
ELEVATION



X PART SECTION



A1 PART PLAN



A2 PART PLAN

ELEVATION

B.D. REF :

CLIENT :

SHIMAO GROUP HOLDINGS LIMITED

ARCHITECT : **WONG TUNG & PARTNERS LIMITED**
ARCHITECTS & PLANNERS



MAIN CONTRACTOR :

STRUCTURAL ENGINEER :

C M WONG & ASSOCIATES LTD
Consulting Engineers

SITE IN SITU CONSULTANT:



NOTE :

1. ALL DIMENSIONS ARE IN mm.
2. ALL ELEVATIONS ARE VIEWED FROM OUTSIDE.
3. ALL DIMENSIONS TO BE VERIFIED ON SITE BEFORE FABRICATION.

LEGEND :

- (X1) --- DETAIL MARK NO.
- (X001) --- REFER SHEET NO.

1. F.F.L. --- FINISHED FLOOR LEVEL
2. S.F.L. --- STRUCTURAL FLOOR LEVEL
3. (R) --- REVERSED DETAIL
4. (▲) --- FIXING LOCATION
5. (△) --- FIXING LUG LOCATION

6. GLASS LEGEND
- GL01 --- 10mm+12mm AIR GAP+10mm THK. I.G.U.
 - GL05 --- 10mm+12mm AIR GAP+10mm THK. I.G.U.
 - GL06 --- 10mm+12mm AIR GAP+12mm THK. I.G.U.
 - PD01 --- 10mm T.P.+12mm AIR GAP+8mm T.P.
 - GL07 --- 10mm+12mm AIR GAP+12mm THK. I.G.U.
 - GL08 --- 10mm+12mm AIR GAP+10mm THK. I.G.U.

NO.	DATE	REVISED	BY
c	18/04/2022	REVISION SUBJECT TO ARCH/COMMENT	LHR
B	16/12/2021	REVISION SUBJECT TO ARCH/COMMENT	LHR

JOB NO. : J-853

PROJECT : PROPOSED RESIDENTIAL DEVELOPMENT AT N.K.I.L. 6542 YIN PING ROAD KOWLOON

TITLE : WINDOW SCHEDULE FOR TOWER 6 ALUM. WINDOW

PROVIDED		
GLAZING AREA	0.908	m ²
OPENABLE AREA	1.141	m ²
FREE AREA	-	%

WINDOW MARK	
LOCATION	23F UNIT C ENSUITE
SECTION	70mm ALUM. SECTION
GLAZING	GL01
QUANTITY	1 Nos.
REMARKS	SITE IN SITU

DATE : 03-APR-21

SCALE : 1:40

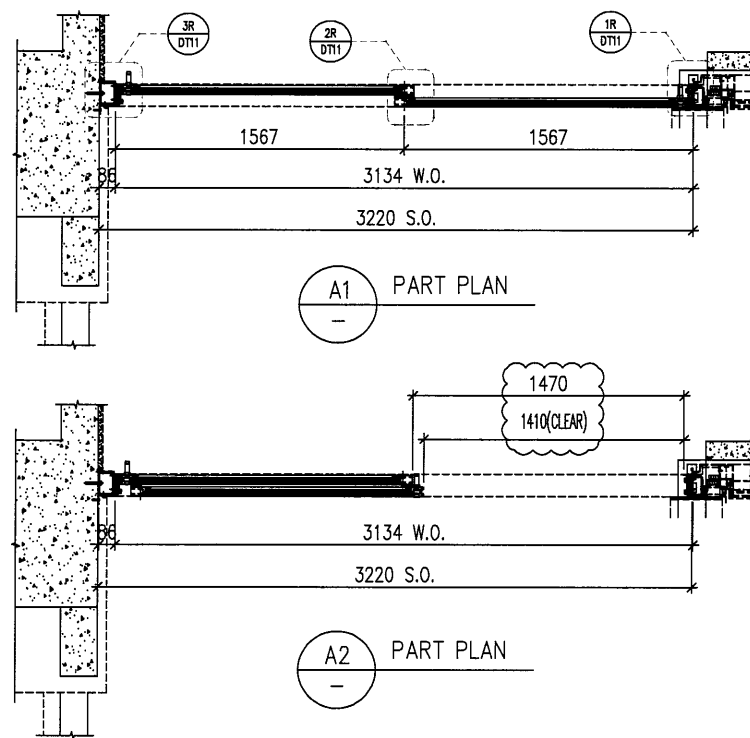
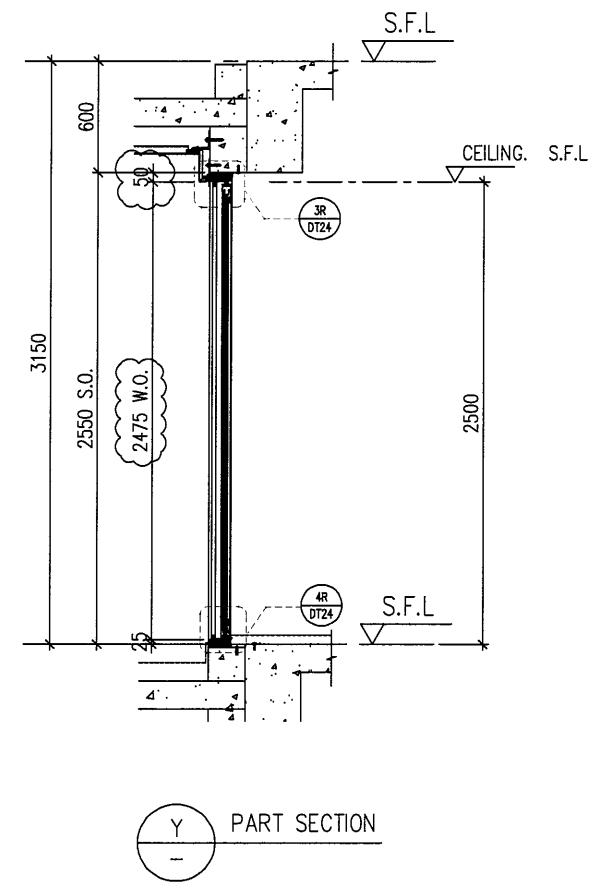
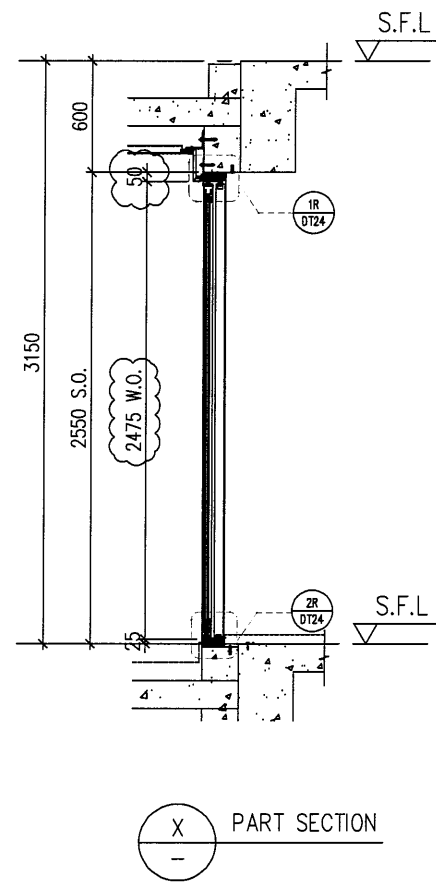
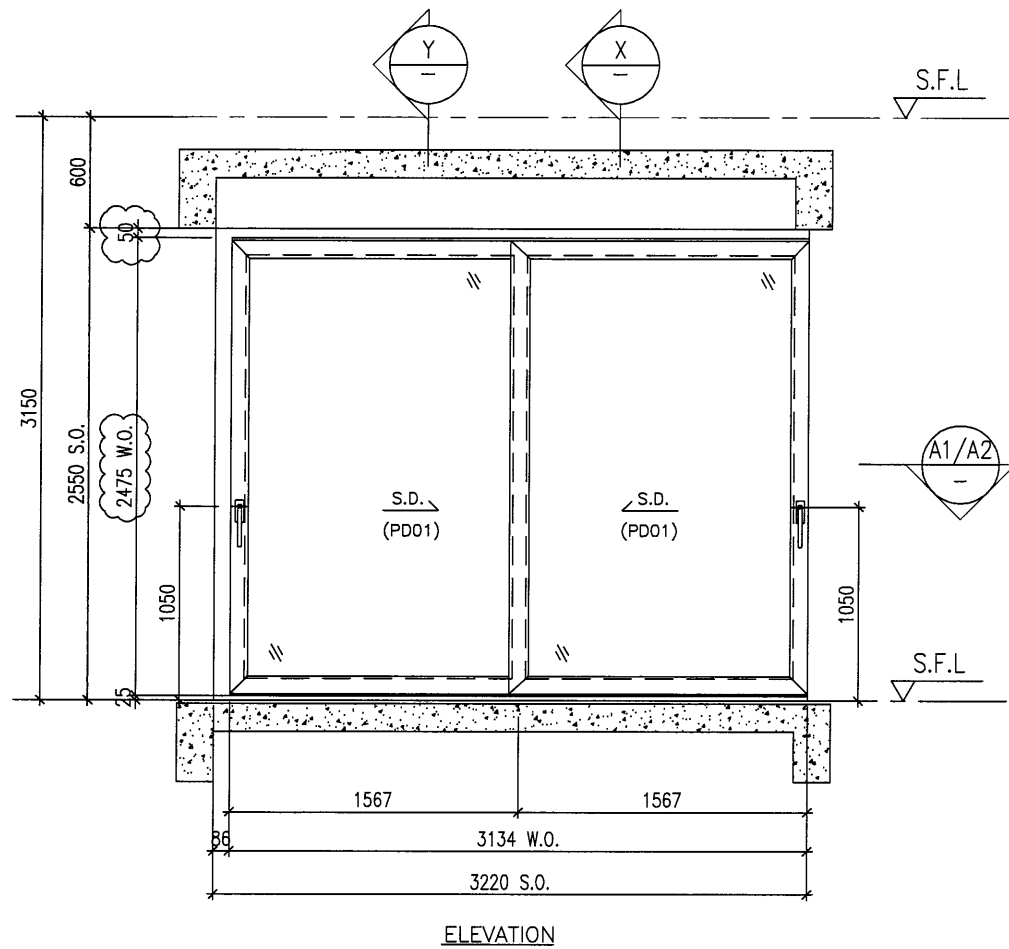
DRAWN BY :

CHECKED BY :

美特鋁質有限公司
MIDI ALUMINIUM FABRICATOR LTD.
Units 6-8, Sunray Industrial Centre, 1/F
610 Cha Kwo Ling Road, Kowloon
Tel:23489211-4 Fax:(852)27727666

DWG NO. : J853-SD-IW-SC603b REV. : C

ELEVATION



B.D. REF :

CLIENT :

SHIMAO GROUP HOLDINGS LIMITED

ARCHITECT : **WONG TUNG & PARTNERS LIMITED**
ARCHITECTS & PLANNERS



MAIN CONTRACTOR :

STRUCTURAL ENGINEER :

C M WONG & ASSOCIATES LTD
Consulting Engineers

SITE IN SITU CONSULTANT:



NOTE :

1. ALL DIMENSIONS ARE IN mm.
2. ALL ELEVATIONS ARE VIEWED FROM OUTSIDE.
3. ALL DIMENSIONS TO BE VERIFIED ON SITE BEFORE FABRICATION.

LEGEND :

- X1 --- DETAIL MARK NO.
- X001 --- REFER SHEET NO.

1. F.F.L --- FINISHED FLOOR LEVEL
2. S.F.L --- STRUCTURAL FLOOR LEVEL
3. (R) --- REVERSED DETAIL
4. ▲ --- FIXING LOCATION
5. △ --- FIXING LUG LOCATION

GLASS LEGEND

- GL01 --- 10mm+12mm AIR GAP+10mm THK. I.G.U.
- GL05 --- 10mm+12mm AIR GAP+10mm THK. I.G.U.
- GL06 --- 10mm+12mm AIR GAP+12mm THK. I.G.U.
- PD01 --- 10mm T.P+12mm AIR GAP+8mm T.P
- GL07 --- 10mm+12mm AIR GAP+12mm THK. I.G.U.
- GL08 --- 10mm+12mm AIR GAP+10mm THK. I.G.U.

NO.	DATE	REVISION	BY
C	16/04/2022	REVISION SUBJECT TO ARCH.COMMENT	LHR
B	16/12/2021	REVISION SUBJECT TO ARCH.COMMENT	LHR
A	28/08/2021	REVISION SUBJECT TO ARCH.COMMENT	WSH

JOB NO. : J-853

PROJECT : PROPOSED RESIDENTIAL DEVELOPMENT AT N.K.I.L. 6542 YIN PING ROAD KOWLOON

TITLE : WINDOW SCHEDULE FOR TOWER 6 ALUM. WINDOW

PROVIDED		
GLAZING AREA	3.243	m ²
OPENABLE AREA	1.773	m ²
FREE AREA	-	%

DATE : 03-APR-21

SCALE : 1:40

DRAWN BY :

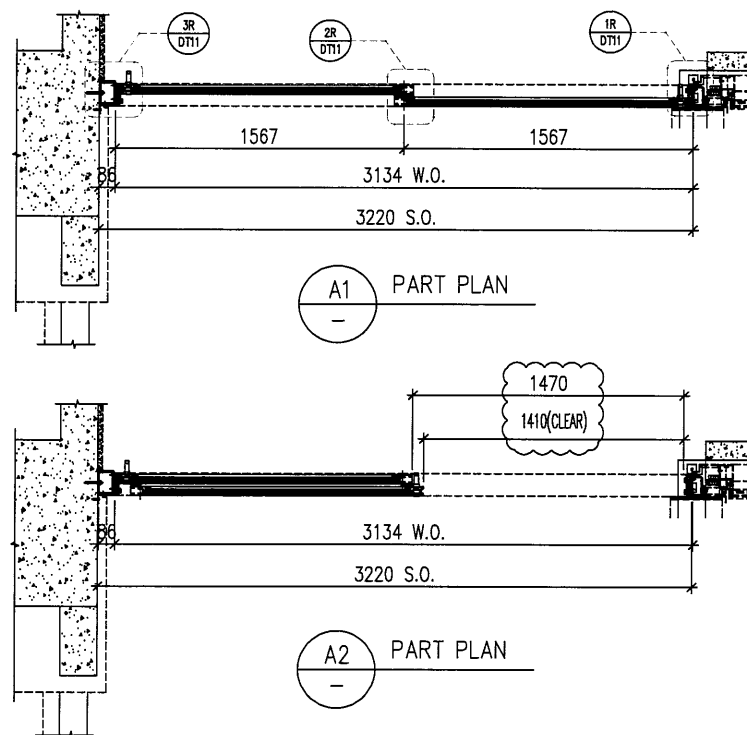
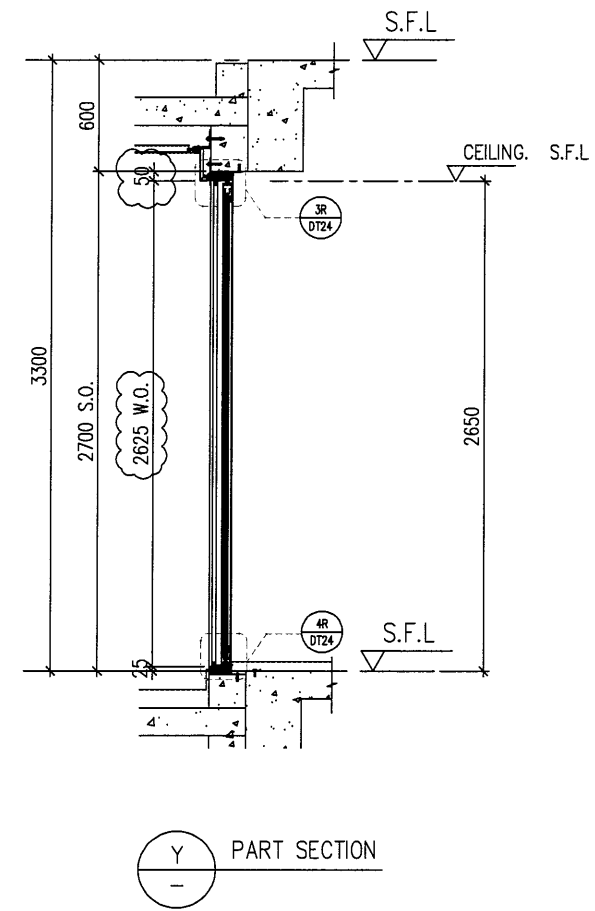
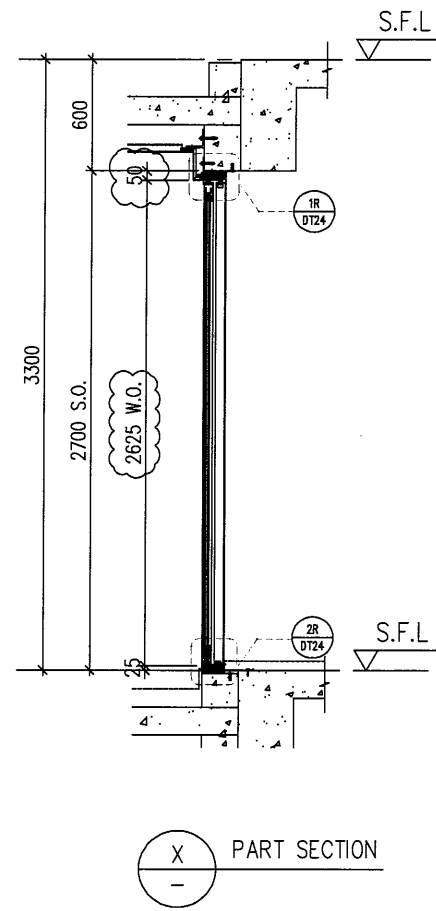
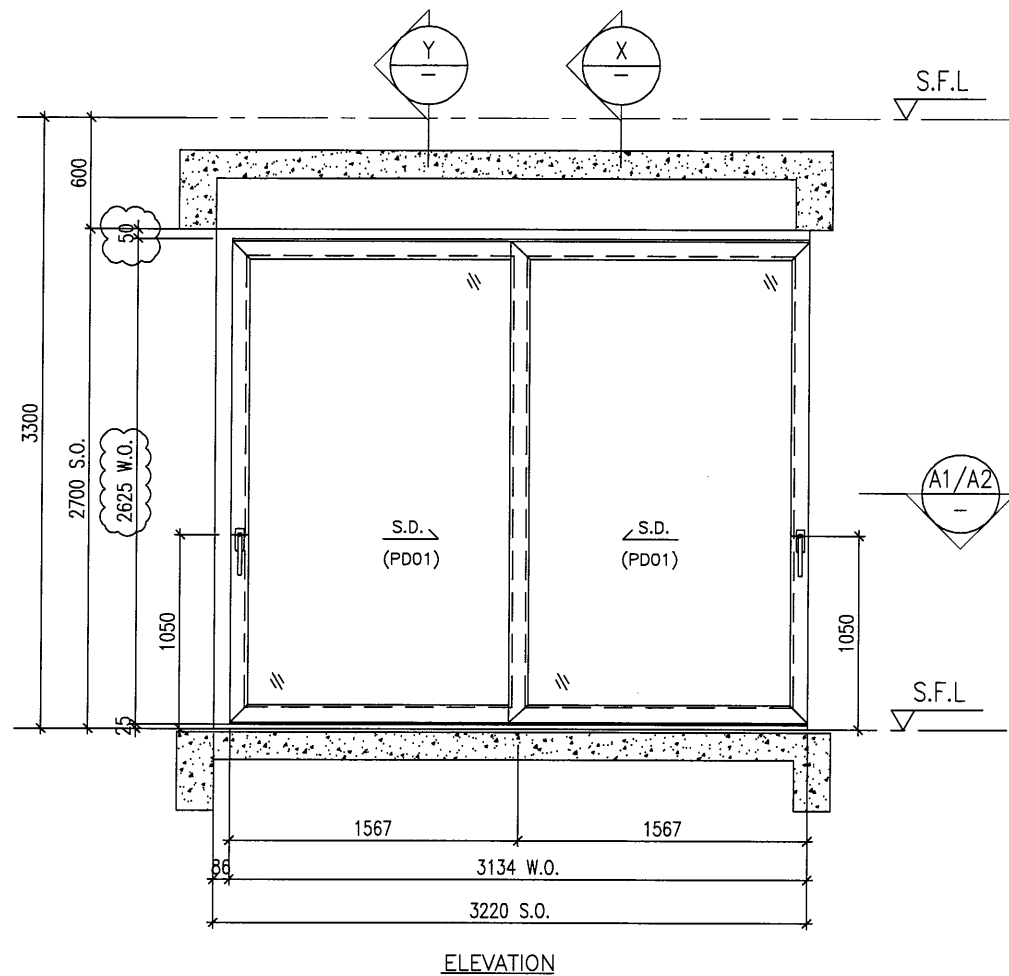
CHECKED BY :

美特鋁質有限公司
MIDI ALUMINIUM FABRICATOR LTD.
Units 6-8, Sunray Industrial Centre, 1/F
610 Cha Kwo Ling Road, Kowloon
Tel:23489211-4 Fax:(852)27727666

DWG NO. : J853-SD-IW-SC604

REV. : C

WINDOW MARK	W201 T6
LOCATION	6F~15F&17F~22F UNIT A LIVING
SECTION	50mm ALUM. SECTION
GLAZING	PD01
QUANTITY	14 Nos.
REMARKS	SITE IN SITU



B.D. REF :

CLIENT : SHIMAO GROUP HOLDINGS LIMITED

ARCHITECT : WONG TUNG & PARTNERS LIMITED ARCHITECTS & PLANNERS

MAIN CONTRACTOR :

STRUCTURAL ENGINEER : C M WONG & ASSOCIATES LTD Consulting Engineers

SITE IN SITU CONSULTANT: MEINHARDT

NOTE :
 1. ALL DIMENSIONS ARE IN mm.
 2. ALL ELEVATIONS ARE VIEWED FROM OUTSIDE.
 3. ALL DIMENSIONS TO BE VERIFIED ON SITE BEFORE FABRICATION.

LEGEND :
 (X1) --- DETAIL MARK NO.
 (X001) --- REFER SHEET NO.
 1. F.F.L --- FINISHED FLOOR LEVEL
 2. S.F.L --- STRUCTURAL FLOOR LEVEL
 3. (R) --- REVERSED DETAIL
 4. ▲ --- FIXING LOCATION
 5. △ --- FIXING LUG LOCATION
 6. GLASS LEGEND
 GL01 --- 10mm+12mm AIR GAP+10mm THK. I.G.U.
 GL05 --- 10mm+12mm AIR GAP+10mm THK. I.G.U.
 GL06 --- 10mm+12mm AIR GAP+12mm THK. I.G.U.
 PD01 --- 10mm T.P+12mm AIR GAP+8mm T.P
 GL07 --- 10mm+12mm AIR GAP+12mm THK. I.G.U.
 GL08 --- 10mm+12mm AIR GAP+10mm THK. I.G.U.

NO.	DATE	REVISED	BY
C	18/04/2022	REVISION SUBJECT TO ARCH/COMMENT	LHR
B	16/12/2021	REVISION SUBJECT TO ARCH/COMMENT	LHR

JOB NO. : J-853
 PROJECT : PROPOSED RESIDENTIAL DEVELOPMENT AT N.K.I.L. 6542 YIN PING ROAD KOWLOON

TITLE : WINDOW SCHEDULE FOR TOWER 6 ALUM. WINDOW

PROVIDED		
GLAZING AREA	3.661	m ²
OPENABLE AREA	1.985	m ²
FREE AREA	-	%

DATE : 03-APR-21 SCALE : 1:40

DRAWN BY : CHECKED BY :

美特鋁質有限公司
 MIDI ALUMINIUM FABRICATOR LTD.
 Units 6-8, Sunray Industrial Centre, 1/F
 610 Cha Kwo Ling Road, Kowloon
 Tel:23489211-4 Fax:(852)27727666

DWG NO. : J853-SD-IW-SC604a REV. : C

ELEVATION

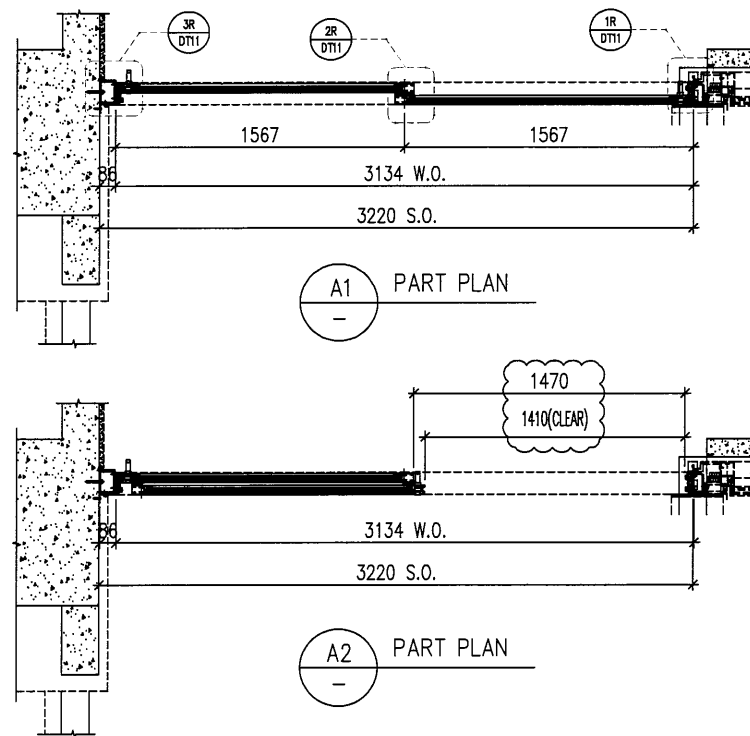
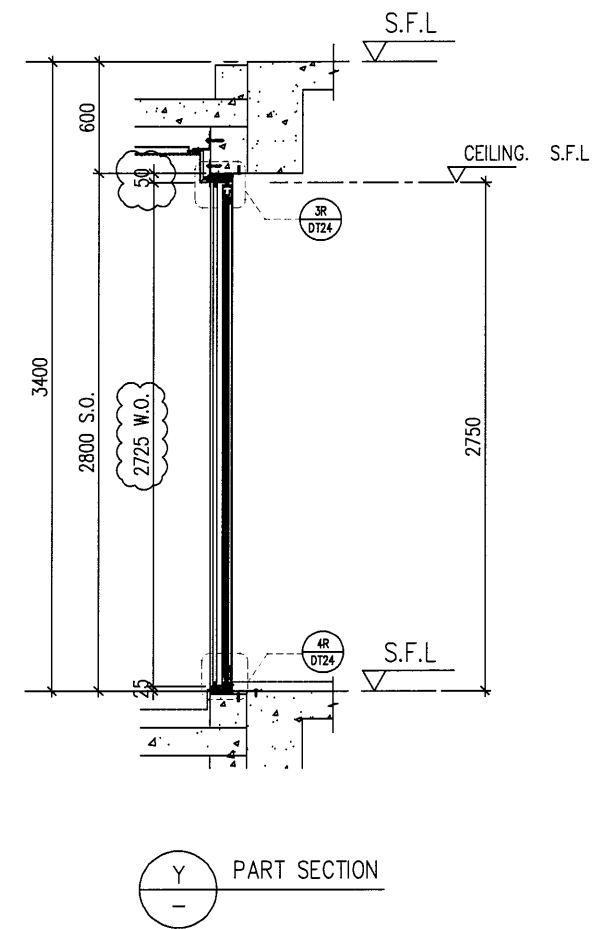
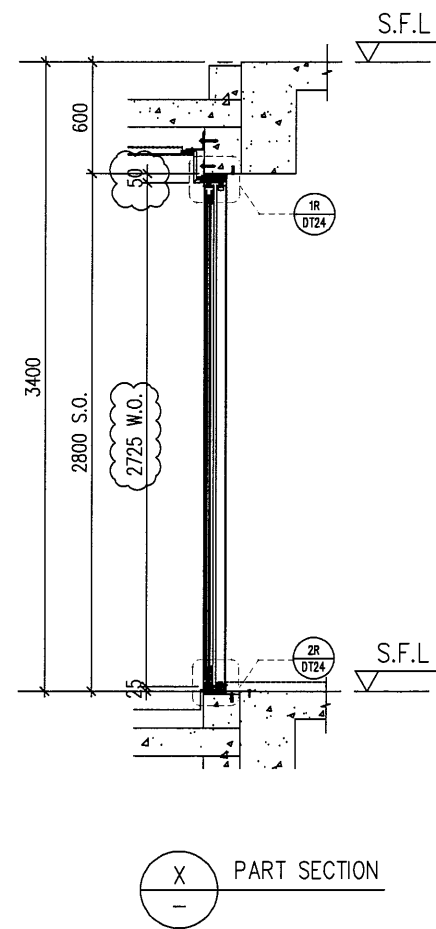
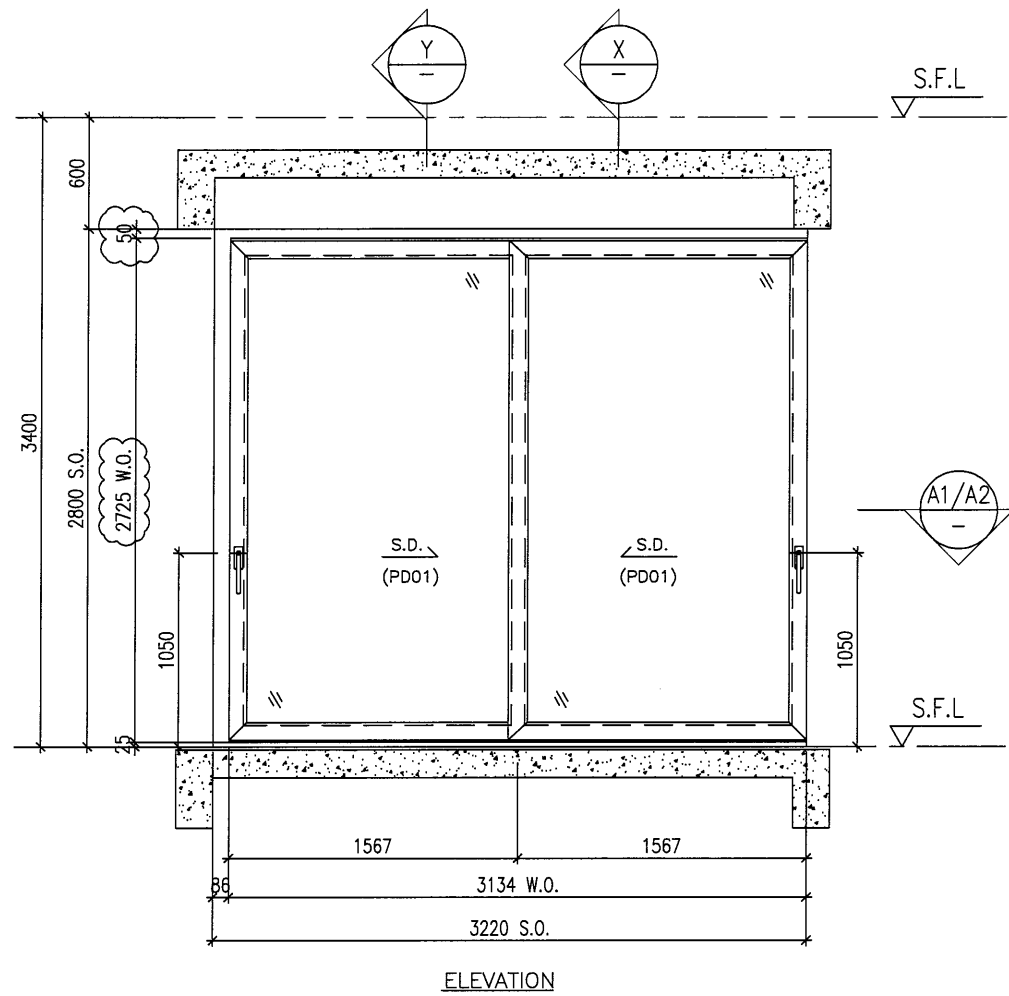
ELEVATION

A1 PART PLAN

A2 PART PLAN

WINDOW MARK	W251 T6
LOCATION	5F&16F&25F~26F UNIT A LIVING
SECTION	50mm ALUM. SECTION
GLAZING	PD01
QUANTITY	4 Nos.
REMARKS	SITE IN SITU

ELEVATION



B.D. REF :

CLIENT : SHIMAO GROUP HOLDINGS LIMITED

ARCHITECT : WONG TUNG & PARTNERS LIMITED ARCHITECTS & PLANNERS

MAIN CONTRACTOR :

STRUCTURAL ENGINEER : C M WONG & ASSOCIATES LTD Consulting Engineers

SITE IN SITU CONSULTANT: MEINHARDT

NOTE :
 1. ALL DIMENSIONS ARE IN mm.
 2. ALL ELEVATIONS ARE VIEWED FROM OUTSIDE.
 3. ALL DIMENSIONS TO BE VERIFIED ON SITE BEFORE FABRICATION.

LEGEND :
 (X1) --- DETAIL MARK NO.
 (X001) --- REFER SHEET NO.
 1. F.F.L --- FINISHED FLOOR LEVEL
 2. S.F.L --- STRUCTURAL FLOOR LEVEL
 3. (R) --- REVERSED DETAIL
 4. ▲ --- FIXING LOCATION
 5. △ --- FIXING LUG LOCATION
 6. GLASS LEGEND
 GL01 --- 10mm+12mm AIR GAP+10mm THK. I.G.U.
 GL05 --- 10mm+12mm AIR GAP+10mm THK. I.G.U.
 GL06 --- 10mm+12mm AIR GAP+12mm THK. I.G.U.
 PDO1 --- 10mm T.P+12mm AIR GAP+8mm T.P
 GL07 --- 10mm+12mm AIR GAP+12mm THK. I.G.U.
 GL08 --- 10mm+12mm AIR GAP+10mm THK. I.G.U.

C	18/04/2022	REVISION SUBJECT TO ARCH.COMMENT	LHR
B	16/12/2021	REVISION SUBJECT TO ARCH.COMMENT	LHR
NO.	DATE	REVISED	BY

JOB NO. : J-853
 PROJECT : PROPOSED RESIDENTIAL DEVELOPMENT AT N.K.I.L.L. 6542 YIN PING ROAD KOWLOON

PROVIDED		
GLAZING AREA	3.939	m ²
OPENABLE AREA	2.127	m ²
FREE AREA	-	%

TITLE : WINDOW SCHEDULE FOR TOWER 6 ALUM. WINDOW

DATE : 03-APR-21 SCALE : 1:40

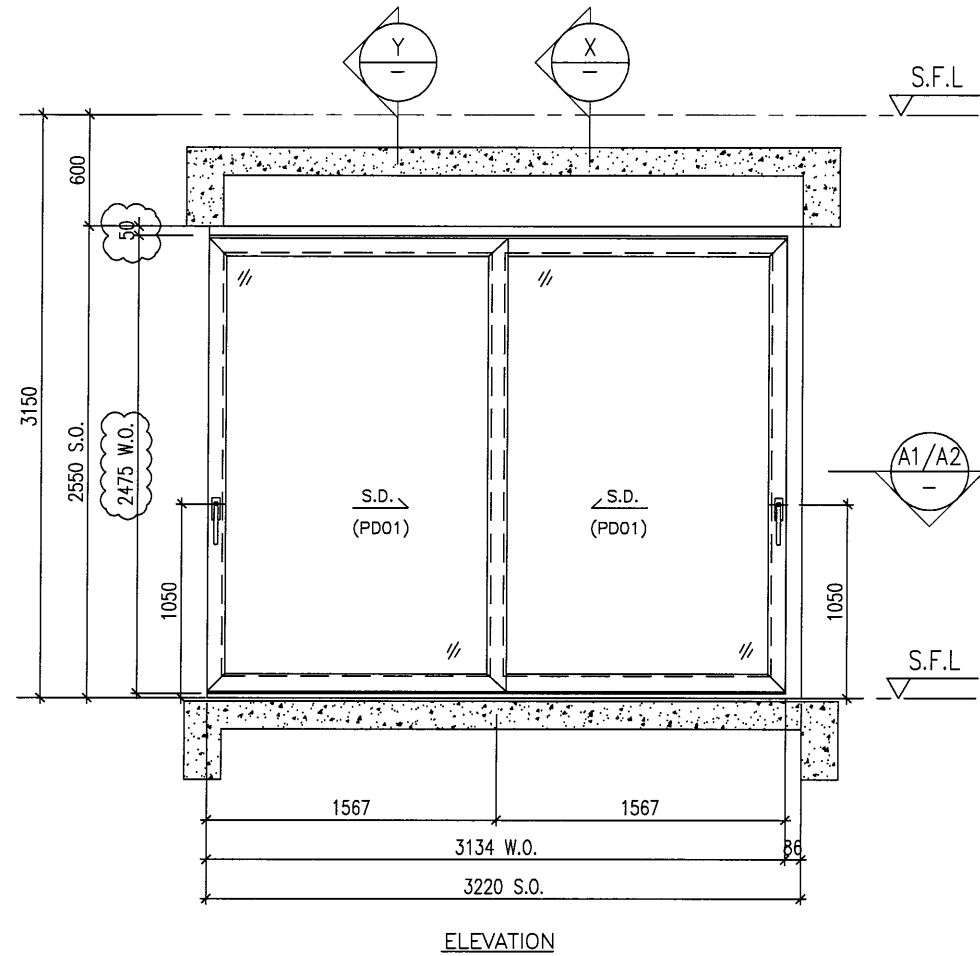
DRAWN BY : CHECKED BY :

美特鋁質有限公司
 MIDI ALUMINIUM FABRICATOR LTD.
 Units 6-8, Sunray Industrial Centre, 1/F
 610 Cha Kwo Ling Road, Kowloon
 Tel:23489211-4 Fax:(852)2727666

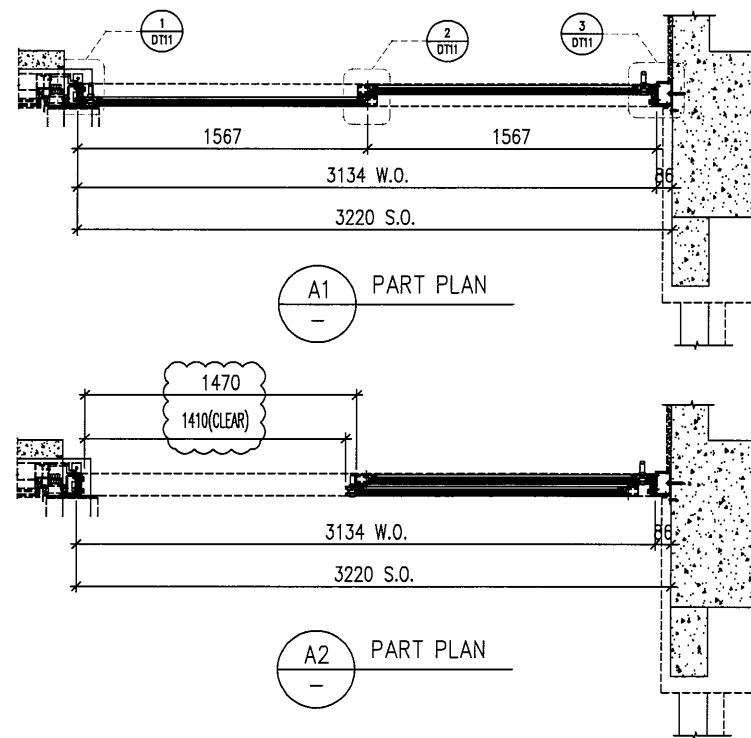
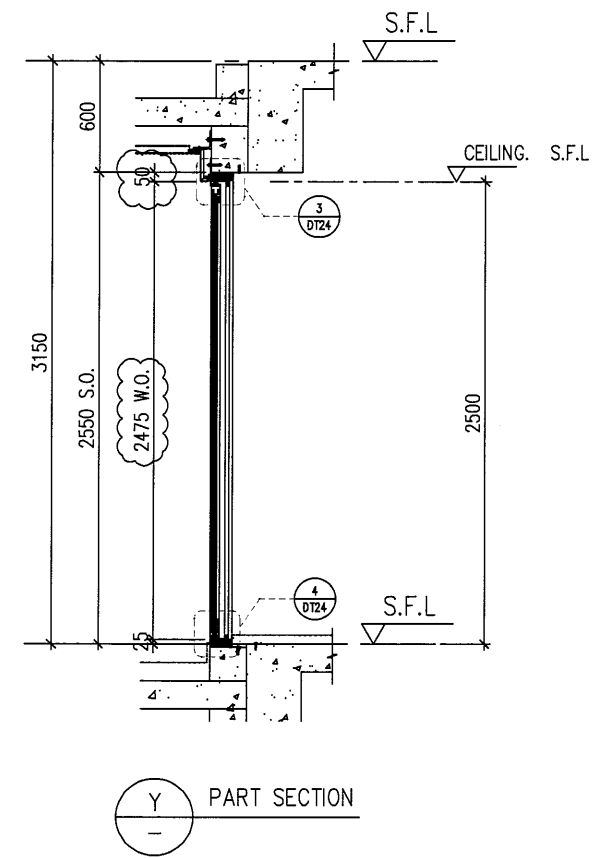
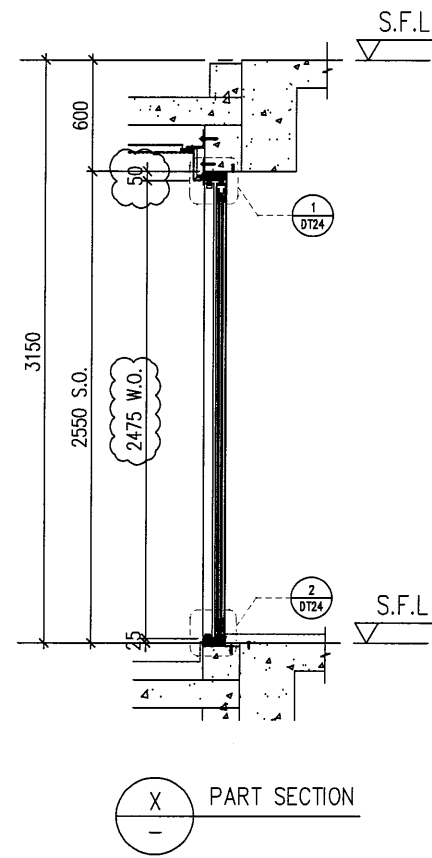
DWG NO. : J853-SD-IW-SC604b REV. : C

WINDOW MARK	W271 T6
LOCATION	23F UNIT A LIVING
SECTION	50mm ALUM. SECTION
GLAZING	PD01
QUANTITY	1 Nos.
REMARKS	SITE IN SITU

ELEVATION



ELEVATION



B.D. REF :

CLIENT : SHIMAO GROUP HOLDINGS LIMITED

ARCHITECT : WONG TUNG & PARTNERS LIMITED ARCHITECTS & PLANNERS

MAIN CONTRACTOR :

STRUCTURAL ENGINEER : C M WONG & ASSOCIATES LTD Consulting Engineers

SITE IN SITU CONSULTANT: MEINHARDT

NOTE :
1. ALL DIMENSIONS ARE IN mm.
2. ALL ELEVATIONS ARE VIEWED FROM OUTSIDE.
3. ALL DIMENSIONS TO BE VERIFIED ON SITE BEFORE FABRICATION.

LEGEND :
x1 --- DETAIL MARK NO.
x001 --- REFER SHEET NO.
1. F.F.L. --- FINISHED FLOOR LEVEL
2. S.F.L. --- STRUCTURAL FLOOR LEVEL
3. (R) --- REVERSED DETAIL
4. ▲ --- FIXING LOCATION
5. △ --- FIXING LUG LOCATION
6. GLASS LEGEND
GL01 --- 10mm+12mm AIR GAP+10mm THK. I.G.U.
GL05 --- 10mm+12mm AIR GAP+10mm THK. I.G.U.
GL06 --- 10mm+12mm AIR GAP+12mm THK. I.G.U.
PD01 --- 10mm T.P+12mm AIR GAP+8mm T.P
GL07 --- 10mm+12mm AIR GAP+12mm THK. I.G.U.
GL08 --- 10mm+12mm AIR GAP+10mm THK. I.G.U.

NO.	DATE	REVISION	BY
C	18/04/2022	REVISION SUBJECT TO ARCH.COMMENT	LHR
B	16/12/2021	REVISION SUBJECT TO ARCH.COMMENT	LHR
A	28/08/2021	REVISION SUBJECT TO ARCH.COMMENT	WSH

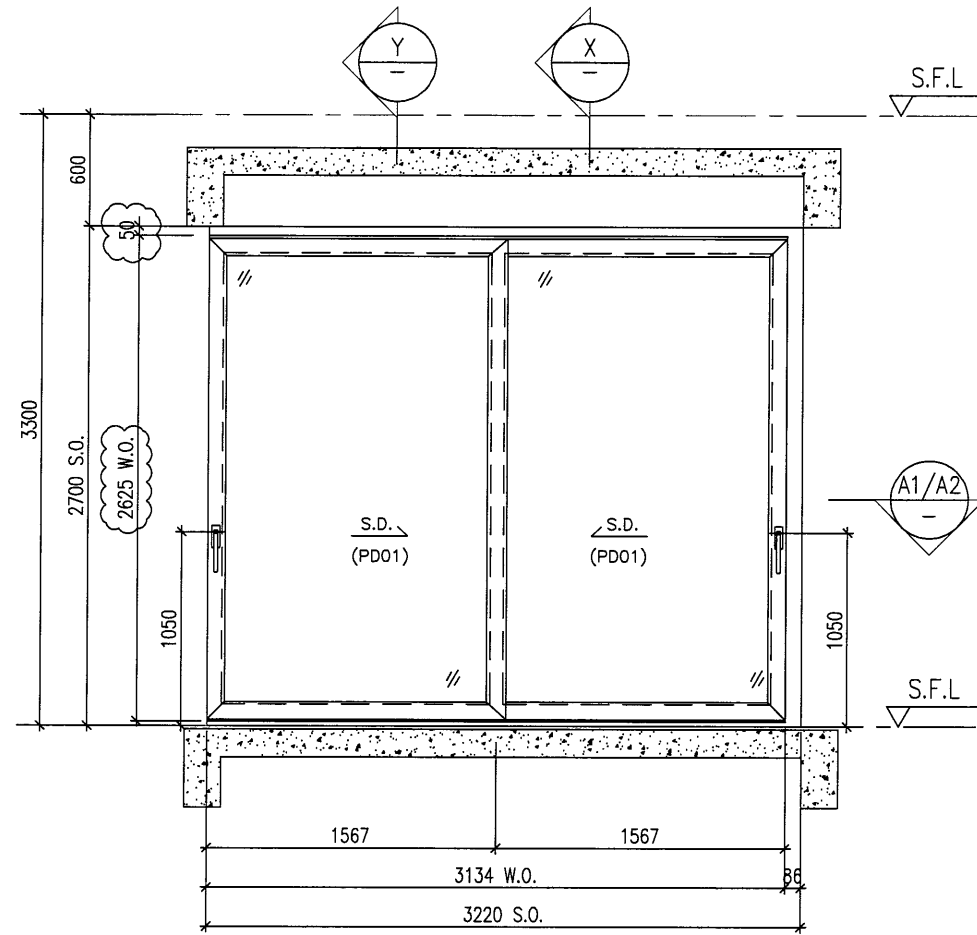
JOB NO. : J-853
PROJECT : PROPOSED RESIDENTIAL DEVELOPMENT AT N.K.I.L. 6542 YIN PING ROAD KOWLOON
TITLE : WINDOW SCHEDULE FOR TOWER 6 ALUM. WINDOW

PROVIDED		
GLAZING AREA	3.243	m ²
OPENABLE AREA	1.773	m ²
FREE AREA	-	%

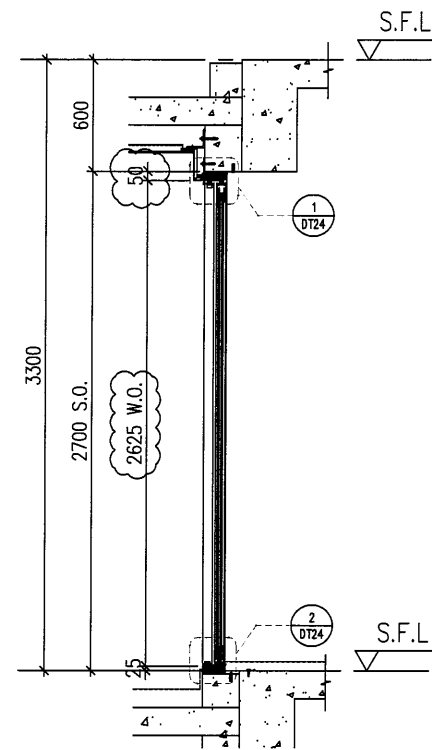
WINDOW MARK	W202 T6
LOCATION	6F~15F&17F~22F UNIT B LIVING
SECTION	50mm ALUM. SECTION
GLAZING	PD01
QUANTITY	14 Nos.
REMARKS	SITE IN SITU

DATE : 03-APR-21 SCALE : 1:40
DRAWN BY : CHECKED BY :
MIDI ALUMINIUM FABRICATOR LTD.
Units 6-8, Sunray Industrial Centre, 1/F
610 Cha Kwo Ling Road, Kowloon
Tel:23489211-4 Fax:(852)27727666
DWG NO. : J853-SD-IW-SC605 REV. : C

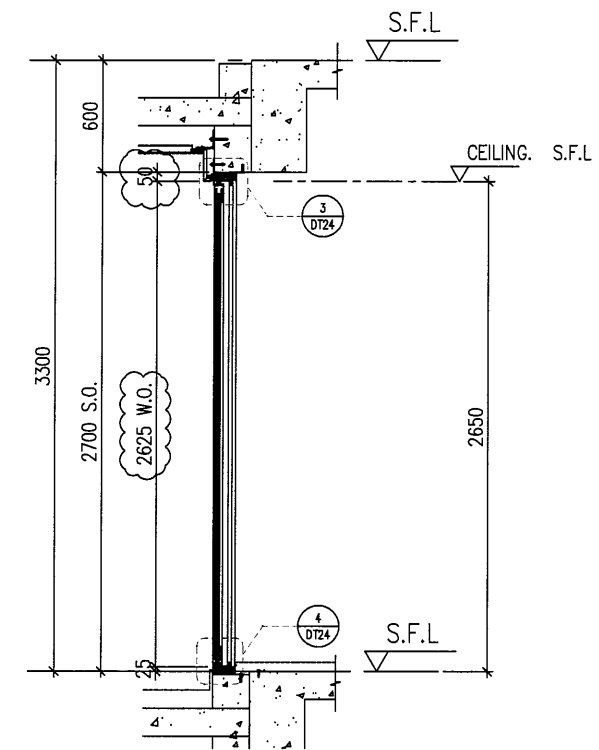
ELEVATION



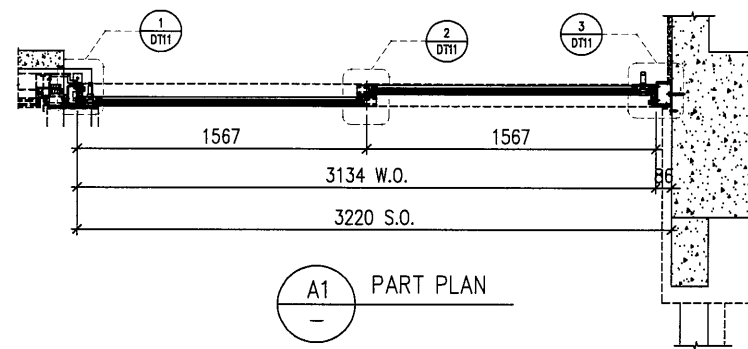
ELEVATION



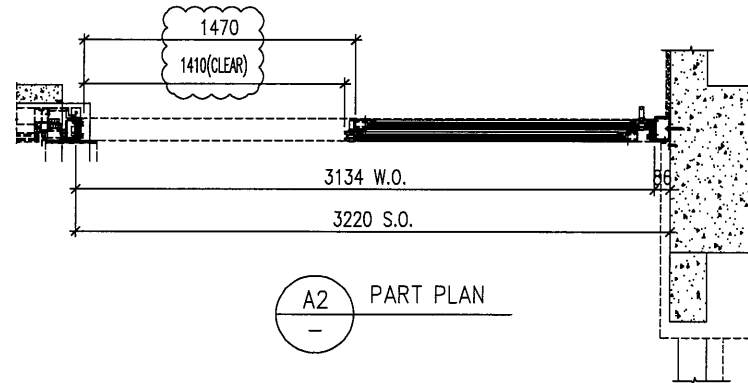
X PART SECTION



Y PART SECTION



A1 PART PLAN



A2 PART PLAN

B.D. REF :

CLIENT :
SHIMAO GROUP HOLDINGS LIMITED

ARCHITECT :
WONG TUNG & PARTNERS LIMITED
ARCHITECTS & PLANNERS

MAIN CONTRACTOR :

STRUCTURAL ENGINEER :
C M WONG & ASSOCIATES LTD
Consulting Engineers

SITE IN SITU CONSULTANT:

MEINHARDT

NOTE :

1. ALL DIMENSIONS ARE IN mm.
2. ALL ELEVATIONS ARE VIEWED FROM OUTSIDE.
3. ALL DIMENSIONS TO BE VERIFIED ON SITE BEFORE FABRICATION.

LEGEND :

- (X1) --- DETAIL MARK NO.
- (X001) --- REFER SHEET NO.

1. F.F.L. --- FINISHED FLOOR LEVEL
2. S.F.L. --- STRUCTURAL FLOOR LEVEL
3. (R) --- REVERSED DETAIL
4. ▲ --- FIXING LOCATION
5. △ --- FIXING LUG LOCATION

GLASS LEGEND

- GL01 --- 10mm+12mm AIR GAP+10mm THK. I.G.U.
- GL05 --- 10mm+12mm AIR GAP+10mm THK. I.G.U.
- GL06 --- 10mm+12mm AIR GAP+12mm THK. I.G.U.
- PD01 --- 10mm T.P+12mm AIR GAP+8mm T.P.
- GL07 --- 10mm+12mm AIR GAP+12mm THK. I.G.U.
- GL08 --- 10mm+12mm AIR GAP+10mm THK. I.G.U.

NO.	DATE	REVISION	BY
c	18/04/2022	REVISION SUBJECT TO ARCH.COMMENT	LHR
B	16/12/2021	REVISION SUBJECT TO ARCH.COMMENT	LHR

JOB NO. : J-853

PROJECT :
PROPOSED RESIDENTIAL DEVELOPMENT AT N.K.I.L. 6542 YIN PING ROAD KOWLOON

TITLE :
WINDOW SCHEDULE FOR TOWER 6 ALUM. WINDOW

PROVIDED		
GLAZING AREA	3.661	m ²
OPENABLE AREA	1.985	m ²
FREE AREA	-	%

WINDOW MARK	W252 T6
LOCATION	5F&16F&25F~26F UNIT B LIVING
SECTION	50mm ALUM. SECTION
GLAZING	PD01
QUANTITY	4 Nos.
REMARKS	SITE IN SITU

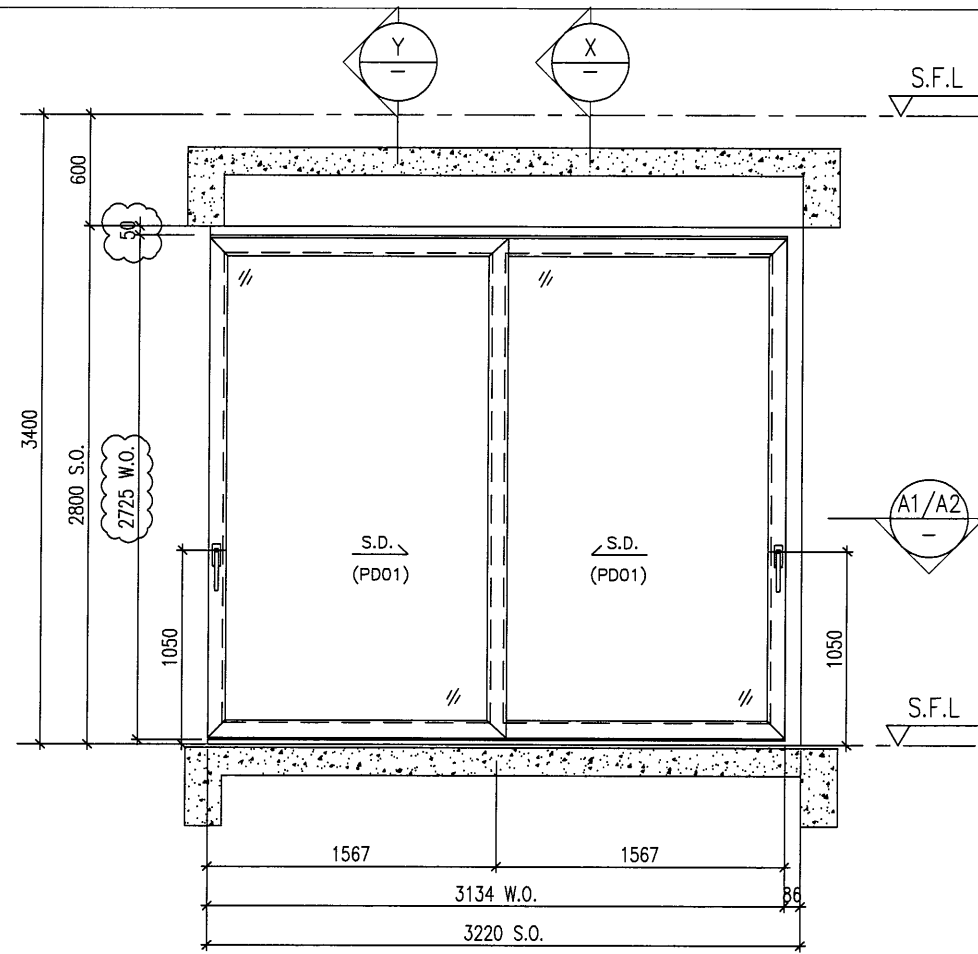
DATE : 03-APR-21 SCALE : 1:40

DRAWN BY : CHECKED BY :

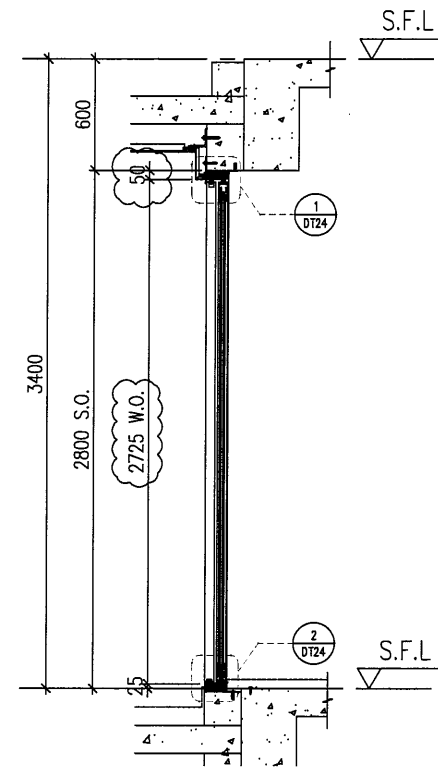
美特鋁質有限公司
MIDI ALUMINIUM FABRICATOR LTD.
Units 6-8, Sunray Industrial Centre, 1/F
610 Cha Kwo Ling Road, Kowloon
Tel:23489211-4 Fax:(852)27727666

DWG NO. : J853-SD-IW-SC605a REV. : C

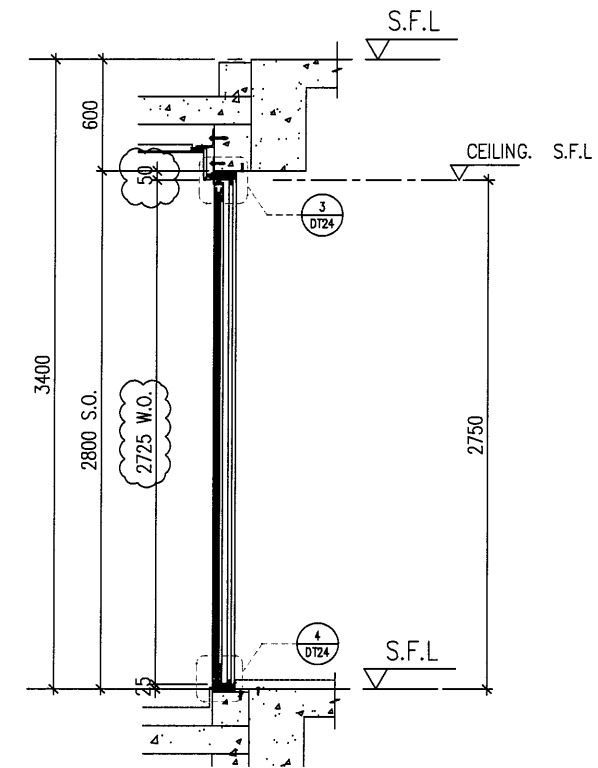
ELEVATION



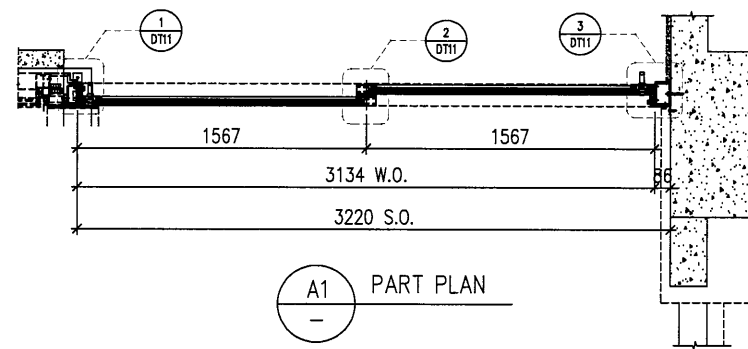
ELEVATION



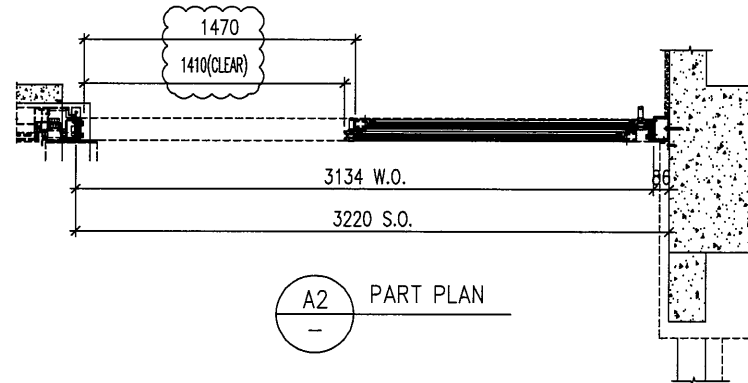
X PART SECTION



Y PART SECTION



A1 PART PLAN



A2 PART PLAN

PROVIDED		
GLAZING AREA	3.939	m ²
OPENABLE AREA	2.127	m ²
FREE AREA	-	%

B.D. REF :

CLIENT : SHIMAO GROUP HOLDINGS LIMITED

ARCHITECT : WONG TUNG & PARTNERS LIMITED ARCHITECTS & PLANNERS

MAIN CONTRACTOR :

STRUCTURAL ENGINEER : C M WONG & ASSOCIATES LTD Consulting Engineers

SITE IN SITU CONSULTANT: MEINHARDT

- NOTE :
1. ALL DIMENSIONS ARE IN mm.
 2. ALL ELEVATIONS ARE VIEWED FROM OUTSIDE.
 3. ALL DIMENSIONS TO BE VERIFIED ON SITE BEFORE FABRICATION.

- LEGEND :
- (X1) --- DETAIL MARK NO.
 - (X001) --- REFER SHEET NO.
 - 1. F.F.L --- FINISHED FLOOR LEVEL
 - 2. S.F.L --- STRUCTURAL FLOOR LEVEL
 - 3. (R) --- REVERSED DETAIL
 - 4. ▲ --- FIXING LOCATION
 - 5. △ --- FIXING LUG LOCATION
 - 6. GLASS LEGEND
- GL01 --- 10mm+12mm AIR GAP+10mm THK. I.G.U.
 GL05 --- 10mm+12mm AIR GAP+10mm THK. I.G.U.
 GL06 --- 10mm+12mm AIR GAP+12mm THK. I.G.U.
 PD01 --- 10mm T.P+12mm AIR GAP+8mm T.P
 GL07 --- 10mm+12mm AIR GAP+12mm THK. I.G.U.
 GL08 --- 10mm+12mm AIR GAP+10mm THK. I.G.U.

NO.	DATE	REVISED	BY
C	18/04/2022	REVISION SUBJECT TO ARCH.COMMENT	LHR
B	16/12/2021	REVISION SUBJECT TO ARCH.COMMENT	LHR

JOB NO. : J-853
 PROJECT : PROPOSED RESIDENTIAL DEVELOPMENT AT N.K.I.L. 6542 YIN PING ROAD KOWLOON

TITLE : WINDOW SCHEDULE FOR TOWER 6 ALUM. WINDOW

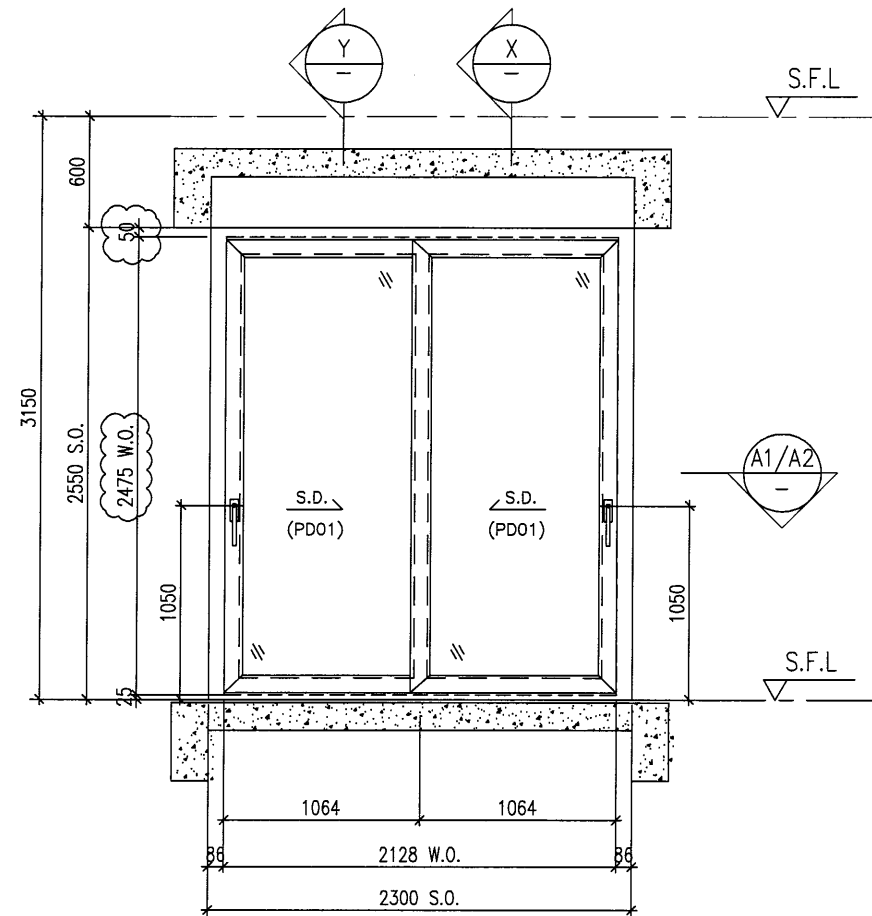
DATE : 03-APR-21 SCALE : 1:40
 DRAWN BY : CHECKED BY :

美特鋁質有限公司
 MIDI ALUMINIUM FABRICATOR LTD.
 Units 6-8, Sunray Industrial Centre, 1/F
 610 Cha Kwo Ling Road, Kowloon
 Tel:23489211-4 Fax:(852)27727666

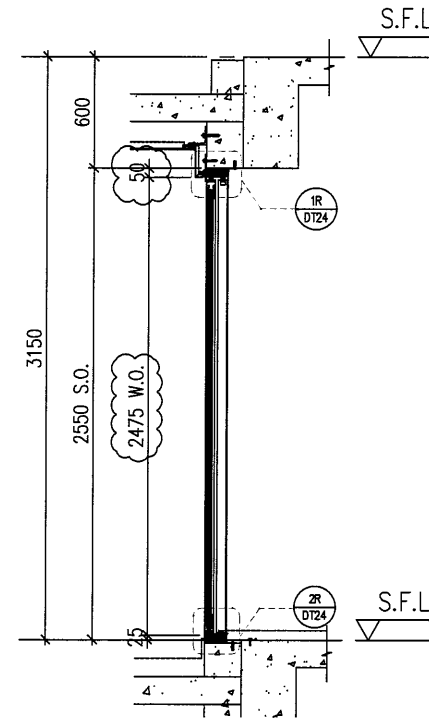
DWG NO. : J853-SD-IW-SC605b REV. : C

WINDOW MARK	W272 T6
LOCATION	23F UNIT B LIVING
SECTION	50mm ALUM. SECTION
GLAZING	PD01
QUANTITY	1 Nos.
REMARKS	SITE IN SITU

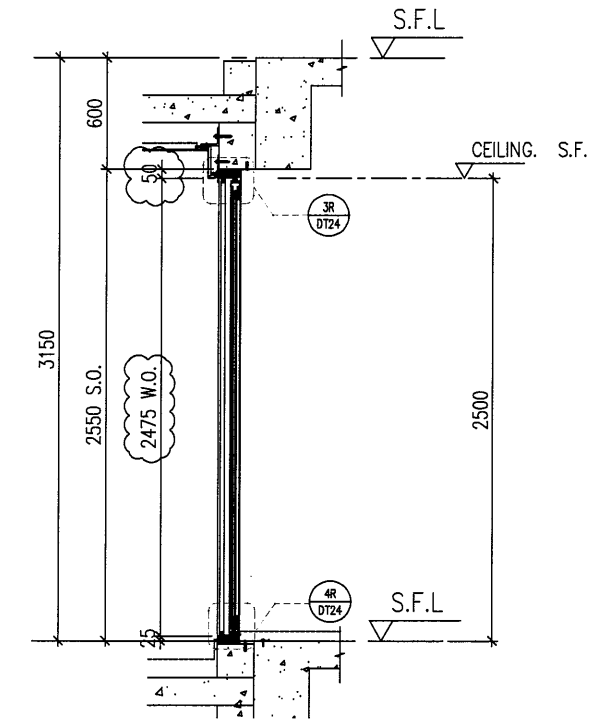
ELEVATION



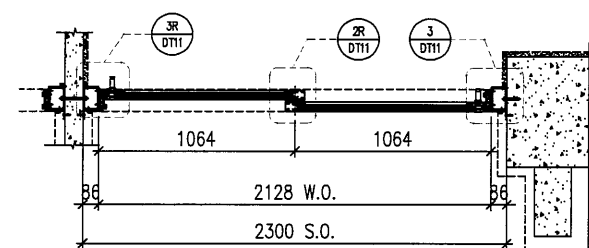
ELEVATION



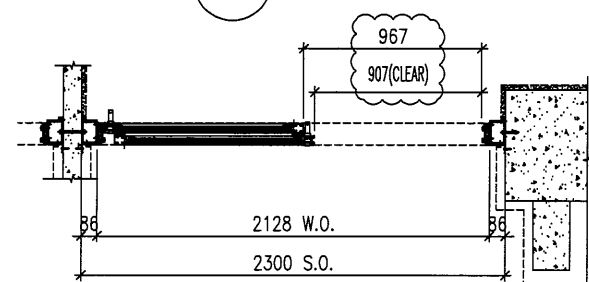
X PART SECTION



Y PART SECTION



A1 PART PLAN



A2 PART PLAN

B.D. REF :

CLIENT : SHIMAO GROUP HOLDINGS LIMITED

ARCHITECT : WONG TUNG & PARTNERS LIMITED ARCHITECTS & PLANNERS

MAIN CONTRACTOR :

STRUCTURAL ENGINEER : C M WONG & ASSOCIATES LTD Consulting Engineers

SITE IN SITU CONSULTANT: MEINHARDT

NOTE :
 1. ALL DIMENSIONS ARE IN mm.
 2. ALL ELEVATIONS ARE VIEWED FROM OUTSIDE.
 3. ALL DIMENSIONS TO BE VERIFIED ON SITE BEFORE FABRICATION.

LEGEND :
 X1 --- DETAIL MARK NO.
 X001 --- REFER SHEET NO.
 1. F.F.L --- FINISHED FLOOR LEVEL
 2. S.F.L --- STRUCTURAL FLOOR LEVEL
 3. (R) --- REVERSED DETAIL
 4. ▲ --- FIXING LOCATION
 5. △ --- FIXING LUG LOCATION
 6. GLASS LEGEND
 GL01 --- 10mm+12mm AIR GAP+10mm THK. I.G.U.
 GL05 --- 10mm+12mm AIR GAP+10mm THK. I.G.U.
 GL06 --- 10mm+12mm AIR GAP+12mm THK. I.G.U.
 PD01 --- 10mm T.P+12mm AIR GAP+8mm T.P
 GL07 --- 10mm+12mm AIR GAP+12mm THK. I.G.U.
 GL08 --- 10mm+12mm AIR GAP+10mm THK. I.G.U.

NO.	DATE	REVISED	BY
C	18/04/2022	REVISION SUBJECT TO ARCH.COMMENT	LHR
B	16/12/2021	REVISION SUBJECT TO ARCH.COMMENT	LHR
A	28/08/2021	REVISION SUBJECT TO ARCH.COMMENT	WSH

JOB NO. : J-853
 PROJECT : PROPOSED RESIDENTIAL DEVELOPMENT AT N.K.I.L. 6542 YIN PING ROAD KOWLOON

TITLE : WINDOW SCHEDULE FOR TOWER 6 ALUM. WINDOW

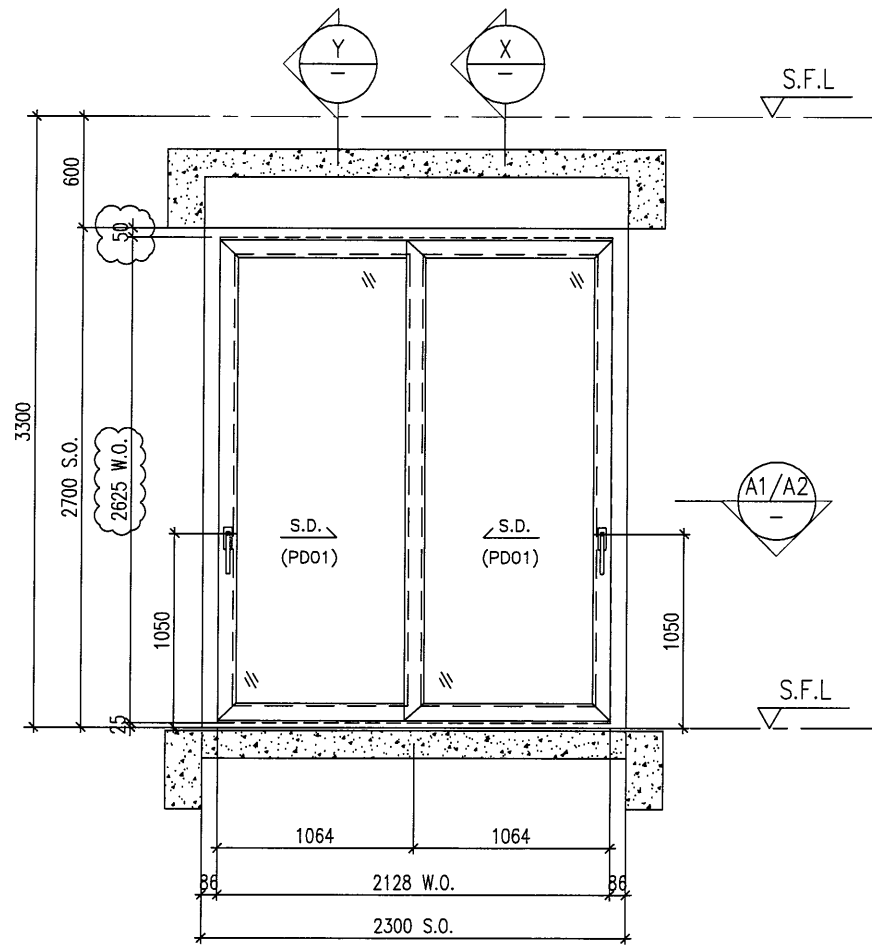
PROVIDED		
GLAZING AREA	2.071	m ²
OPENABLE AREA	1.143	m ²
FREE AREA	-	%

DATE : 03-APR-21 SCALE : 1:40
 DRAWN BY : CHECKED BY :

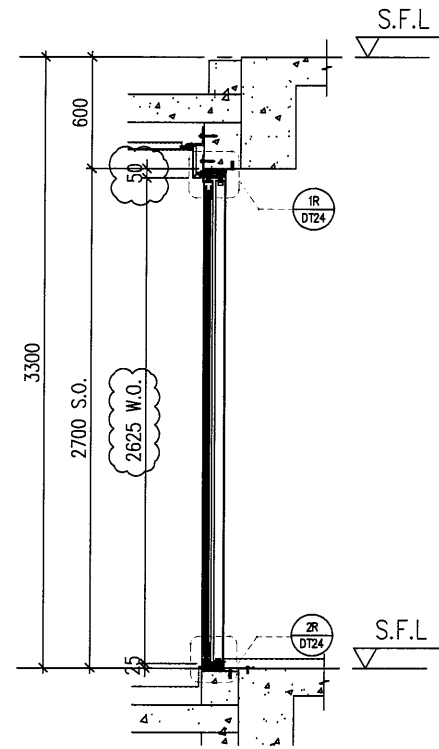
美特鋁質有限公司
 MIDI ALUMINIUM FABRICATOR LTD.
 Units 6-8, Sunray Industrial Centre, 1/F
 610 Cha Kwo Ling Road, Kowloon
 Tel:23489211-4 Fax:(852)27727666
 DWG NO. : J853-SD-IW-SC606 REV. : C

WINDOW MARK	W203 T6
LOCATION	10F~15F&17F~22F UNIT C LIVING
SECTION	50mm ALUM. SECTION
GLAZING	PD01
QUANTITY	10 Nos.
REMARKS	SITE IN SITU

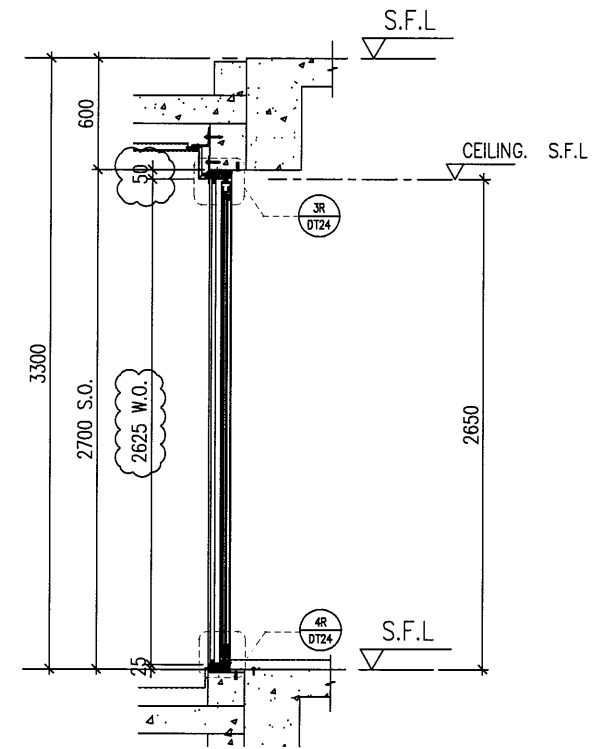
ELEVATION



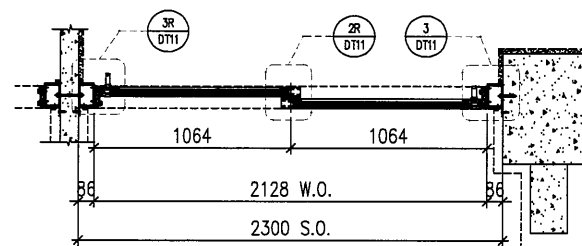
ELEVATION



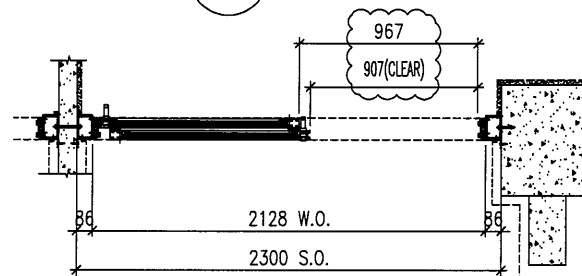
X PART SECTION



Y PART SECTION



A1 PART PLAN



A2 PART PLAN

B.D. REF :

CLIENT :

SHIMAO GROUP HOLDINGS LIMITED

ARCHITECT : **WONG TUNG & PARTNERS LIMITED ARCHITECTS & PLANNERS**



MAIN CONTRACTOR :

STRUCTURAL ENGINEER :

C M WONG & ASSOCIATES LTD
Consulting Engineers

SITE IN SITU CONSULTANT:



NOTE :

1. ALL DIMENSIONS ARE IN mm.
2. ALL ELEVATIONS ARE VIEWED FROM OUTSIDE.
3. ALL DIMENSIONS TO BE VERIFIED ON SITE BEFORE FABRICATION.

LEGEND :

- (X1) --- DETAIL MARK NO.
- (X001) --- REFER SHEET NO.

1. F.F.L --- FINISHED FLOOR LEVEL
2. S.F.L --- STRUCTURAL FLOOR LEVEL
3. (R) --- REVERSED DETAIL
4. ▲ --- FIXING LOCATION
5. △ --- FIXING LUG LOCATION

6. GLASS LEGEND

- GLO1 --- 10mm+12mm AIR GAP+10mm THK. I.G.U.
- GLO5 --- 10mm+12mm AIR GAP+10mm THK. I.G.U.
- GLO6 --- 10mm+12mm AIR GAP+12mm THK. I.G.U.
- PD01 --- 10mm T.P+12mm AIR GAP+8mm T.P
- GLO7 --- 10mm+12mm AIR GAP+12mm THK. I.G.U.
- GLO8 --- 10mm+12mm AIR GAP+10mm THK. I.G.U.

NO.	DATE	REVISION	BY
C	18/04/2022	REVISION SUBJECT TO ARCH COMMENT	LHR
B	16/12/2021	REVISION SUBJECT TO ARCH COMMENT	LHR

JOB NO. : J-853

PROJECT : PROPOSED RESIDENTIAL DEVELOPMENT AT N.K.I.L. 6542 YIN PING ROAD KOWLOON

TITLE : WINDOW SCHEDULE FOR TOWER 6 ALUM. WINDOW

PROVIDED		
GLAZING AREA	2.338	m ²
OPENABLE AREA	1.280	m ²
FREE AREA	-	%

DATE : 03-APR-21 SCALE : 1:40

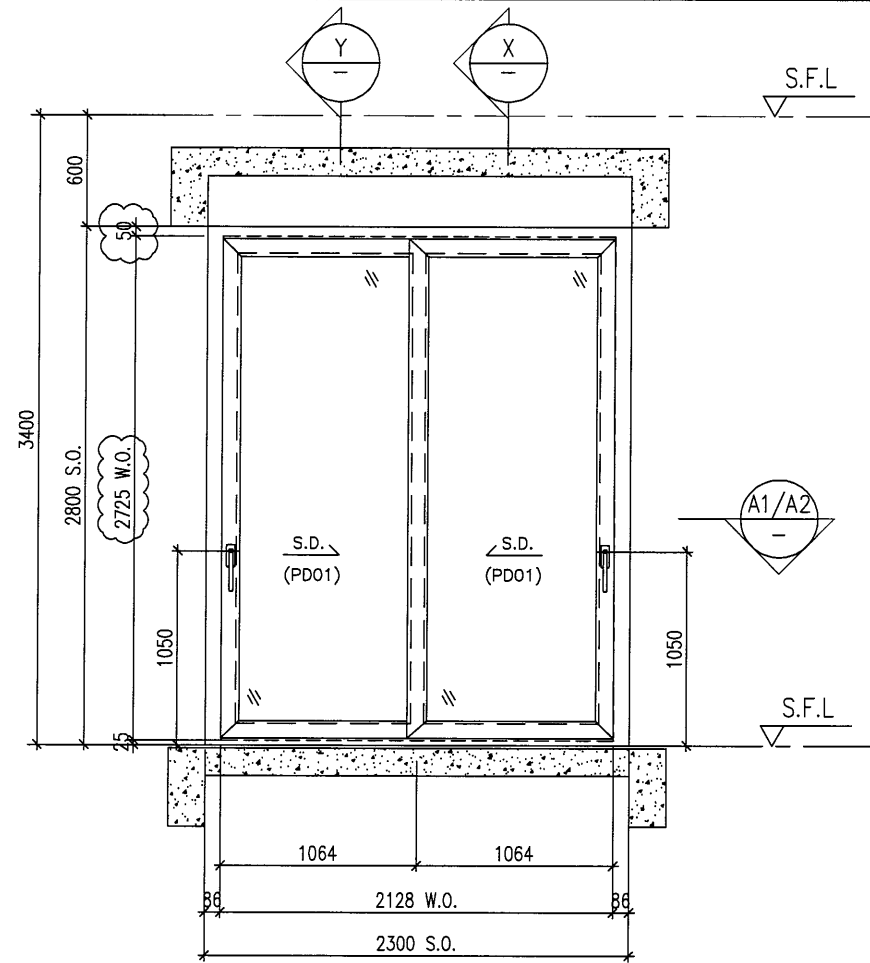
DRAWN BY : CHECKED BY :

英特鋁質有限公司
MIDI ALUMINIUM FABRICATOR LTD.
Units 6-8, Sunray Industrial Centre, 1/F
610 Cha Kwo Ling Road, Kowloon
Tel:23489211-4 Fax:(852)27727666

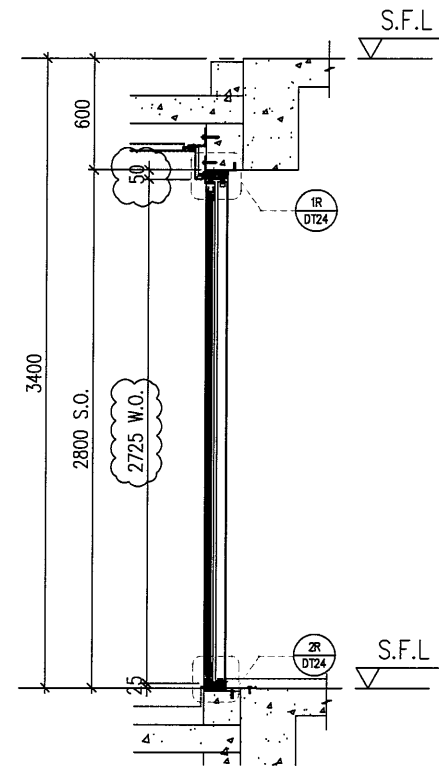
DWG NO. : J853-SD-IW-SC606a REV. : C

WINDOW MARK	
LOCATION	16F&25F~26F UNIT C LIVING
SECTION	50mm ALUM. SECTION
GLAZING	PD01
QUANTITY	3 Nos.
REMARKS	SITE IN SITU

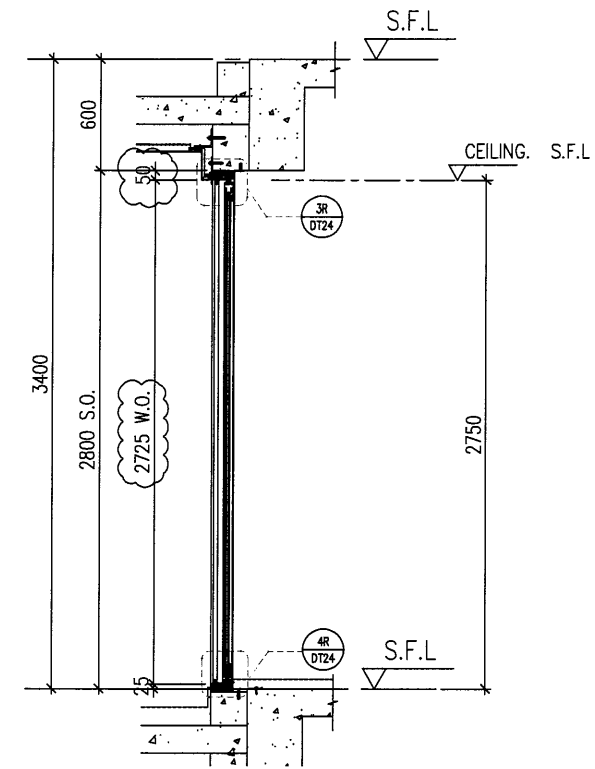
ELEVATION



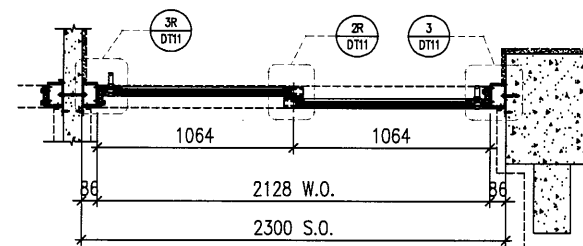
ELEVATION



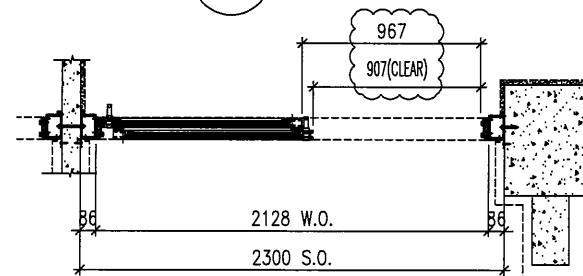
X PART SECTION



Y PART SECTION



A1 PART PLAN



A2 PART PLAN

B.D. REF :

CLIENT : SHIMAO GROUP HOLDINGS LIMITED

ARCHITECT : WONG TUNG & PARTNERS LIMITED ARCHITECTS & PLANNERS

MAIN CONTRACTOR :

STRUCTURAL ENGINEER : C M WONG & ASSOCIATES LTD Consulting Engineers

SITE IN SITU CONSULTANT: MEINHARDT

- NOTE :
1. ALL DIMENSIONS ARE IN mm.
 2. ALL ELEVATIONS ARE VIEWED FROM OUTSIDE.
 3. ALL DIMENSIONS TO BE VERIFIED ON SITE BEFORE FABRICATION.

- LEGEND :
- (X1) — DETAIL MARK NO.
 - (X001) — REFER SHEET NO.
 - 1. F.F.L. — FINISHED FLOOR LEVEL
 - 2. S.F.L. — STRUCTURAL FLOOR LEVEL
 - 3. (R) — REVERSED DETAIL
 - 4. ▲ — FIXING LOCATION
 - 5. △ — FIXING LUG LOCATION
 - 6. GLASS LEGEND
 - GL01 — 10mm+12mm AIR GAP+10mm THK. I.G.U.
 - GL05 — 10mm+12mm AIR GAP+10mm THK. I.G.U.
 - GL06 — 10mm+12mm AIR GAP+12mm THK. I.G.U.
 - PD01 — 10mm T.P+12mm AIR GAP+8mm T.P
 - GL07 — 10mm+12mm AIR GAP+12mm THK. I.G.U.
 - GL08 — 10mm+12mm AIR GAP+10mm THK. I.G.U.

c	18/04/2022	REVISION SUBJECT TO ARCH COMMENT	LHR
B	16/12/2021	REVISION SUBJECT TO ARCH COMMENT	LHR
NO.	DATE	REVISED	BY

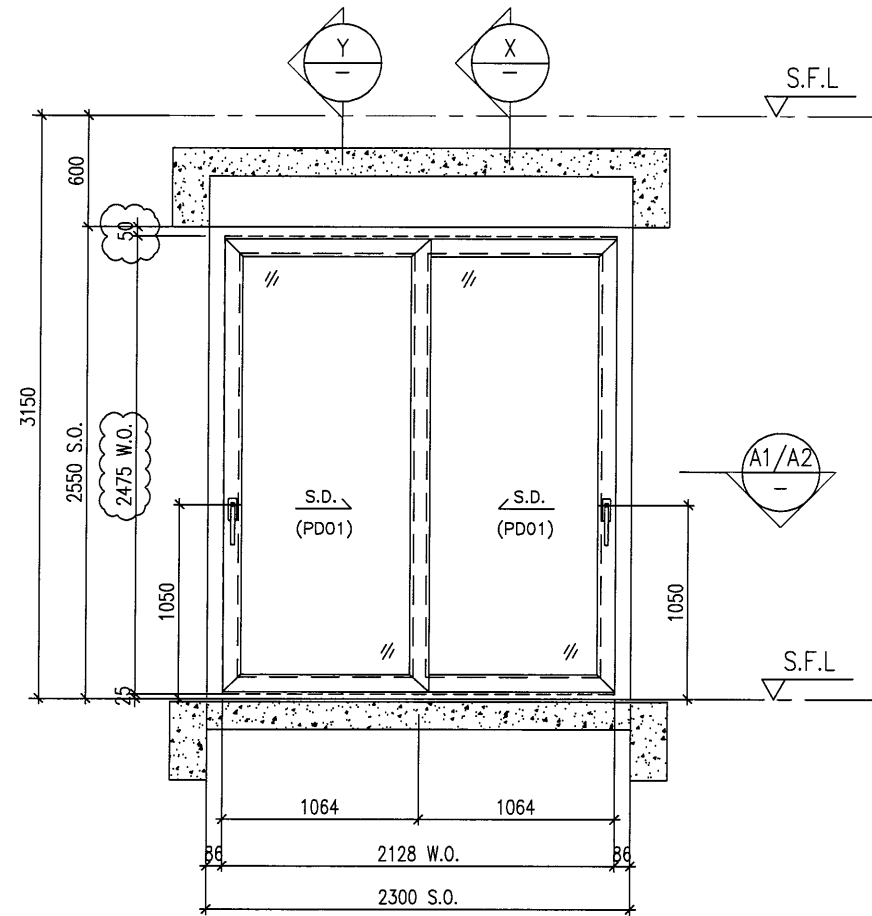
JOB NO. : J-853
 PROJECT : PROPOSED RESIDENTIAL DEVELOPMENT AT N.K.I.L. 6542 YIN PING ROAD KOWLOON
 TITLE : WINDOW SCHEDULE FOR TOWER 6 ALUM. WINDOW

PROVIDED		
GLAZING AREA	2.516	m ²
OPENABLE AREA	1.371	m ²
FREE AREA	-	%

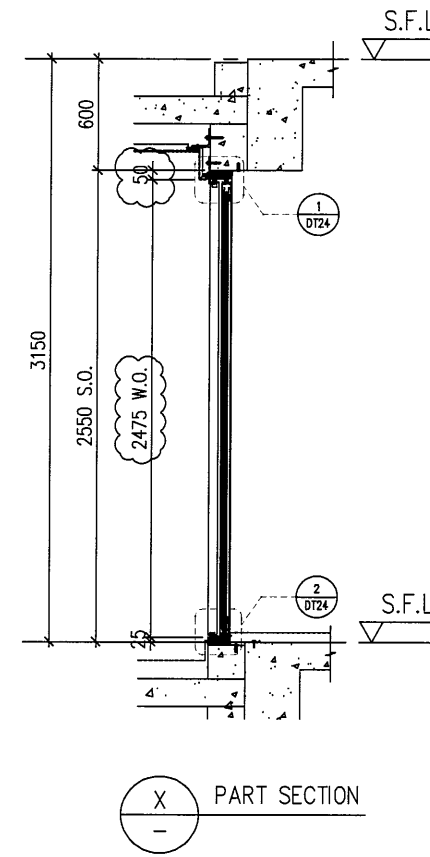
WINDOW MARK	W273 T6
LOCATION	23F UNIT C LIVING
SECTION	50mm ALUM. SECTION
GLAZING	PD01
QUANTITY	1 Nos.
REMARKS	SITE IN SITU

DATE : 03-APR-21 SCALE : 1:40
 DRAWN BY : CHECKED BY :
美特鋁質有限公司
 MIDI ALUMINIUM FABRICATOR LTD.
 Units 6-8, Sunray Industrial Centre, 1/F
 610 Cha Kwo Ling Road, Kowloon
 Tel:23489211-4 Fax:(852)2727666
 DWG NO. : J853-SD-1W-SC606b REV. : C

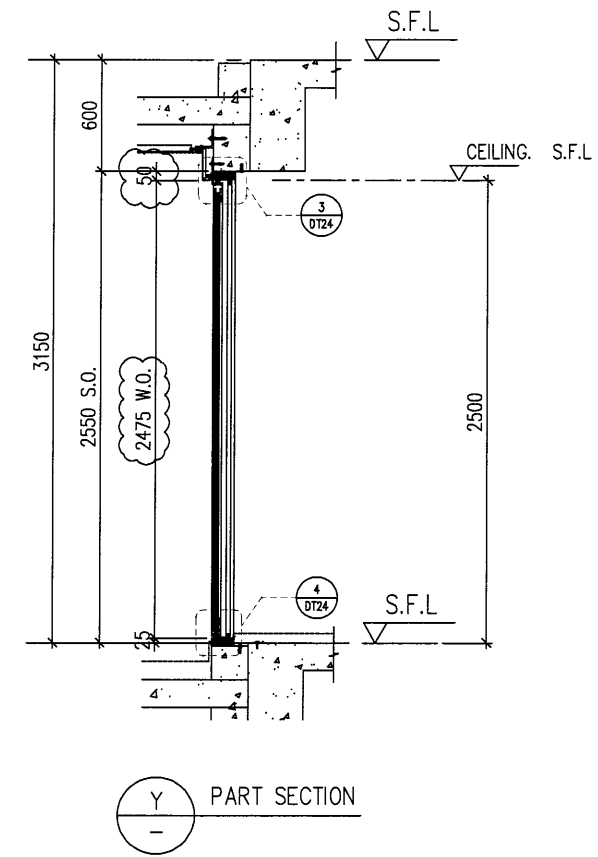
ELEVATION



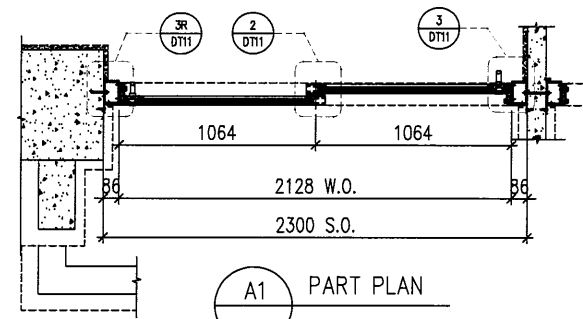
ELEVATION



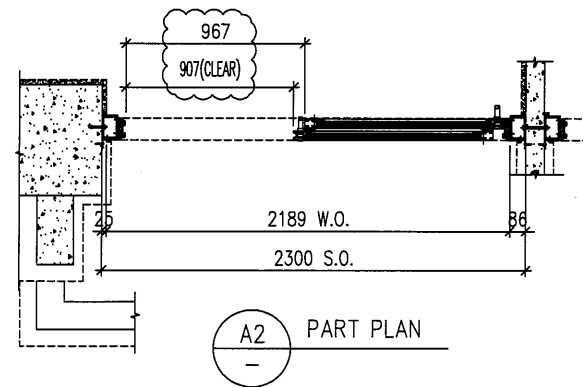
X PART SECTION



Y PART SECTION



A1 PART PLAN



A2 PART PLAN

B.D. REF :

CLIENT :

SHIMAO GROUP HOLDINGS LIMITED

ARCHITECT : **WONG TUNG & PARTNERS LIMITED ARCHITECTS & PLANNERS**



MAIN CONTRACTOR :

STRUCTURAL ENGINEER :

C M WONG & ASSOCIATES LTD Consulting Engineers

SITE IN SITU CONSULTANT:



NOTE :

1. ALL DIMENSIONS ARE IN mm.
2. ALL ELEVATIONS ARE VIEWED FROM OUTSIDE.
3. ALL DIMENSIONS TO BE VERIFIED ON SITE BEFORE FABRICATION.

LEGEND :

- x1 — DETAIL MARK NO.
- xxx1 — REFER SHEET NO.

1. F.F.L. — FINISHED FLOOR LEVEL
2. S.F.L. — STRUCTURAL FLOOR LEVEL
3. (R) — REVERSED DETAIL
4. ▲ — FIXING LOCATION
5. △ — FIXING LUG LOCATION

GLASS LEGEND

- GL01 — 10mm+12mm AIR GAP+10mm THK. I.G.U.
- GL05 — 10mm+12mm AIR GAP+10mm THK. I.G.U.
- GL06 — 10mm+12mm AIR GAP+12mm THK. I.G.U.
- PD01 — 10mm T.P+12mm AIR GAP+8mm T.P
- GL07 — 10mm+12mm AIR GAP+12mm THK. I.G.U.
- GL08 — 10mm+12mm AIR GAP+10mm THK. I.G.U.

C	18/04/2022	REVISION SUBJECT TO ARCH/COMMENT	LHR
B	16/12/2021	REVISION SUBJECT TO ARCH/COMMENT	LHR
A	28/08/2021	REVISION SUBJECT TO ARCH/COMMENT	WSH
NO.	DATE	REVISED	BY

JOB NO. : J-853

PROJECT : PROPOSED RESIDENTIAL DEVELOPMENT AT N.K.I.L. 6542 YIN PING ROAD KOWLOON

TITLE : WINDOW SCHEDULE FOR TOWER 6 ALUM. WINDOW

PROVIDED		
GLAZING AREA	2.071	m ²
OPENABLE AREA	1.143	m ²
FREE AREA	—	%

WINDOW MARK	W204 T6
LOCATION	10F~15F&17F~22F UNIT D LIVING
SECTION	50mm ALUM. SECTION
GLAZING	PD01
QUANTITY	10 Nos.
REMARKS	SITE IN SITU

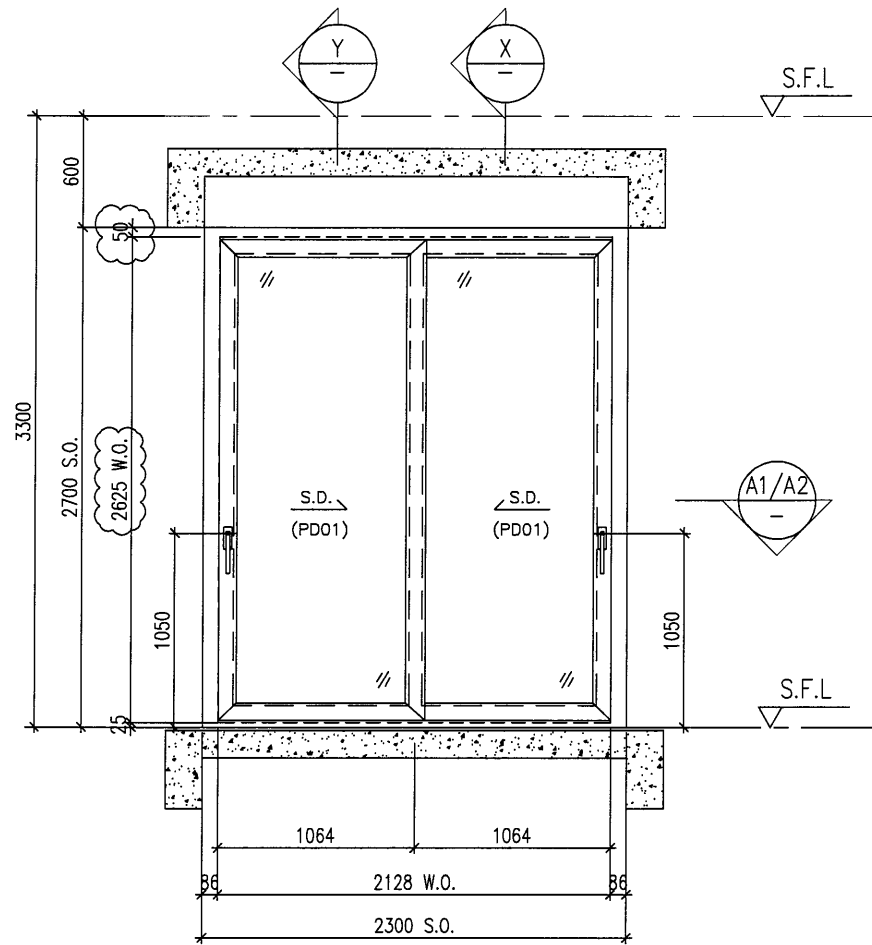
DATE : 03-APR-21 SCALE : 1:40

DRAWN BY : CHECKED BY :

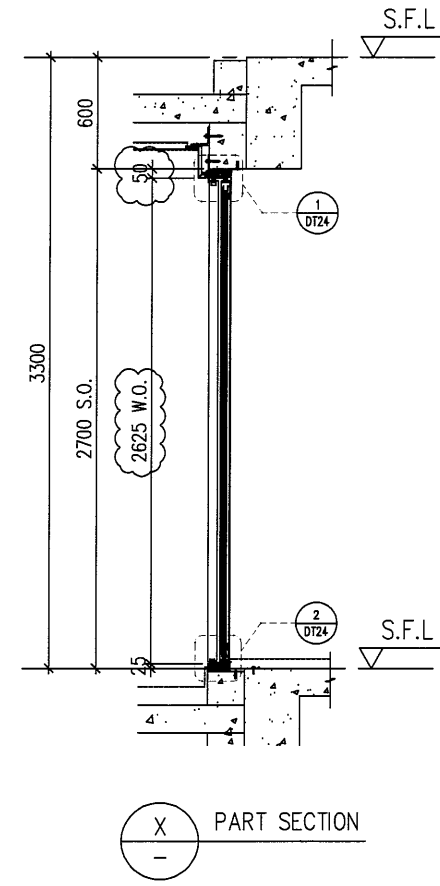
美特鋁質有限公司
MIDI ALUMINIUM FABRICATOR LTD.
Units 6-8, Sunray Industrial Centre, 1/F
610 Cha Kwo Ling Road, Kowloon
Tel:23489211-4 Fax:(852)2727666

DWG NO. : J853-SD-IW-SC607 REV. : C

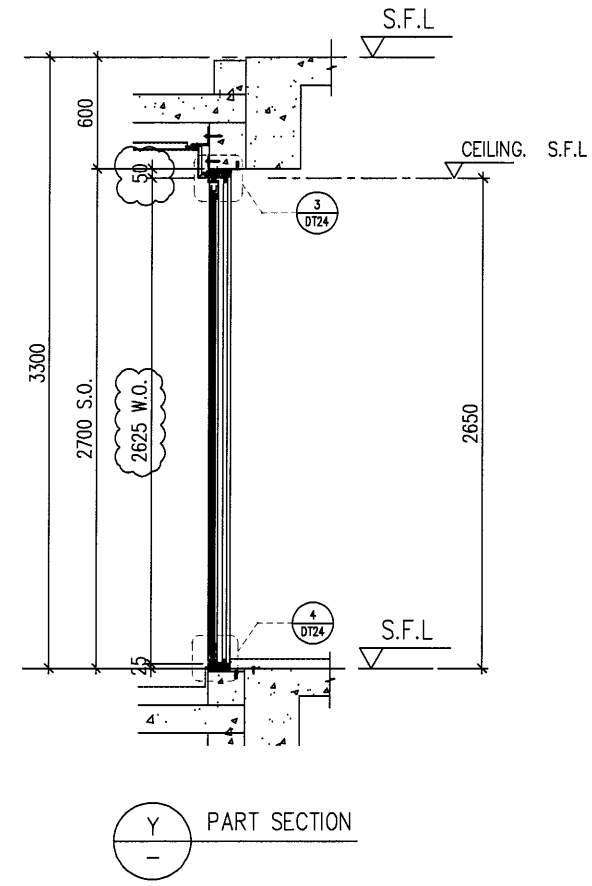
ELEVATION



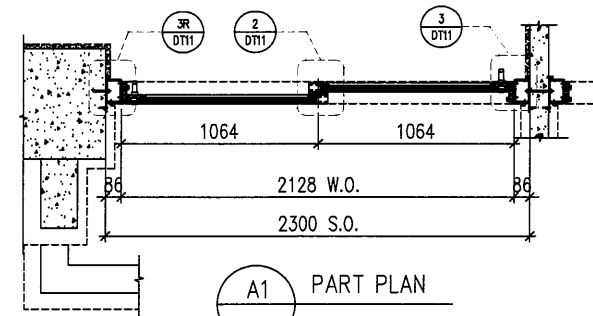
ELEVATION



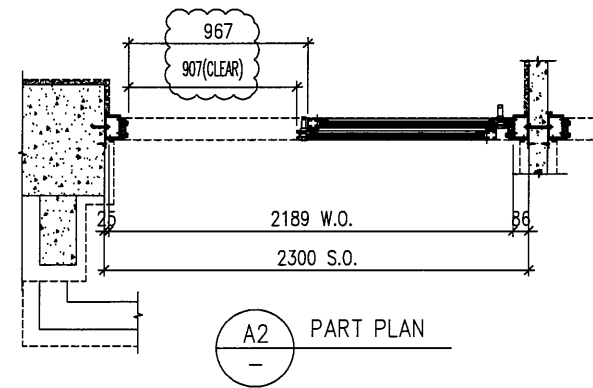
X PART SECTION



Y PART SECTION



A1 PART PLAN



A2 PART PLAN

B.D. REF :

CLIENT : SHIMAO GROUP HOLDINGS LIMITED

ARCHITECT : WONG TUNG & PARTNERS LIMITED ARCHITECTS & PLANNERS

MAIN CONTRACTOR :

STRUCTURAL ENGINEER : C M WONG & ASSOCIATES LTD Consulting Engineers

SITE IN SITU CONSULTANT: MEINHARDT

NOTE :
1. ALL DIMENSIONS ARE IN mm.
2. ALL ELEVATIONS ARE VIEWED FROM OUTSIDE.
3. ALL DIMENSIONS TO BE VERIFIED ON SITE BEFORE FABRICATION.

LEGEND :
X1 --- DETAIL MARK NO.
X001 --- REFER SHEET NO.
1. F.F.L --- FINISHED FLOOR LEVEL
2. S.F.L --- STRUCTURAL FLOOR LEVEL
3. (B) --- REVERSED DETAIL
4. ▲ --- FIXING LOCATION
5. △ --- FIXING LUG LOCATION
6. GLASS LEGEND
GL01 --- 10mm+12mm AIR GAP+10mm THK. I.G.U.
GL05 --- 10mm+12mm AIR GAP+10mm THK. I.G.U.
GL06 --- 10mm+12mm AIR GAP+12mm THK. I.G.U.
PD01 --- 10mm T.P+12mm AIR GAP+8mm T.P
GL07 --- 10mm+12mm AIR GAP+12mm THK. I.G.U.
GL08 --- 10mm+12mm AIR GAP+10mm THK. I.G.U.

NO.	DATE	REVISED	BY
C	18/04/2022	REVISION SUBJECT TO ARCH.COMMENT	LHR
B	16/12/2021	REVISION SUBJECT TO ARCH.COMMENT	LHR

JOB NO. : J-853
PROJECT : PROPOSED RESIDENTIAL DEVELOPMENT AT N.K.I.L. 6542 YIN PING ROAD KOWLOON

TITLE : WINDOW SCHEDULE FOR TOWER 6 ALUM. WINDOW

DATE : 03-APR-21 SCALE : 1:40

DRAWN BY : CHECKED BY :

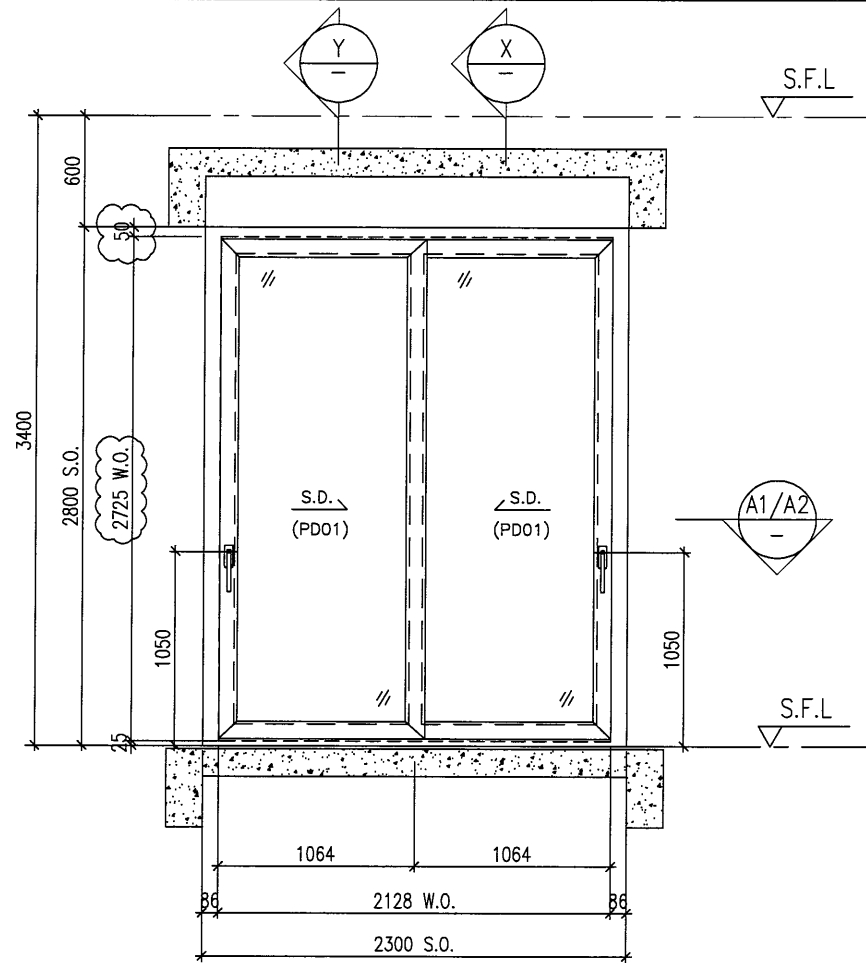
美特鋁質有限公司
MIDI ALUMINIUM FABRICATOR LTD.
Units 6-8, Sunray Industrial Centre, 1/F
610 Cha Kwo Ling Road, Kowloon
Tel:23489211-4 Fax:(852)2727666

DWG NO. : J853-SD-IW-SC607a REV. : C

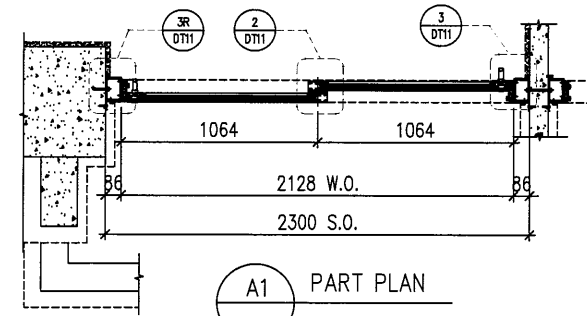
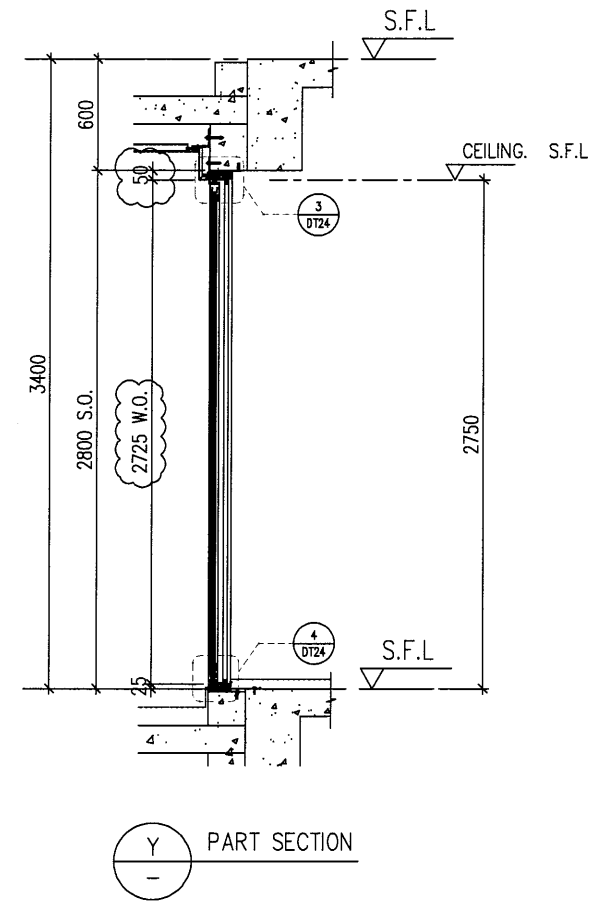
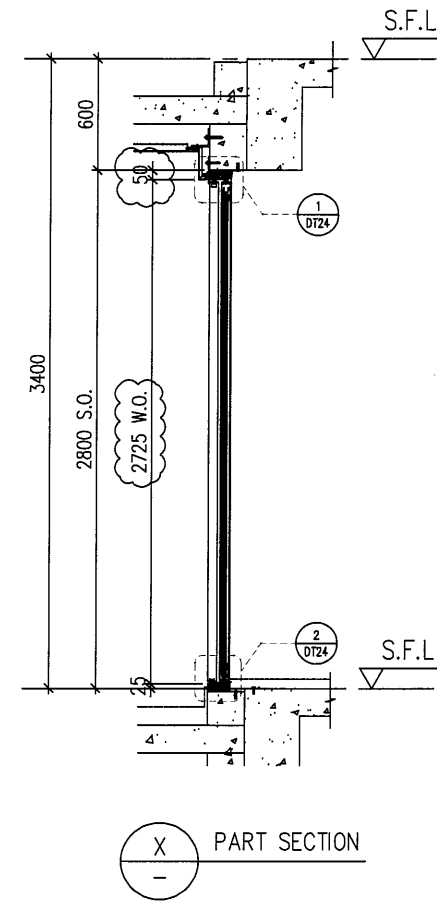
PROVIDED		
GLAZING AREA	2.338	m ²
OPENABLE AREA	1.280	m ²
FREE AREA	-	%

WINDOW MARK	W25A T6
LOCATION	16F&25F~26F UNIT D LIVING
SECTION	50mm ALUM. SECTION
GLAZING	PD01
QUANTITY	3 Nos.
REMARKS	SITE IN SITU

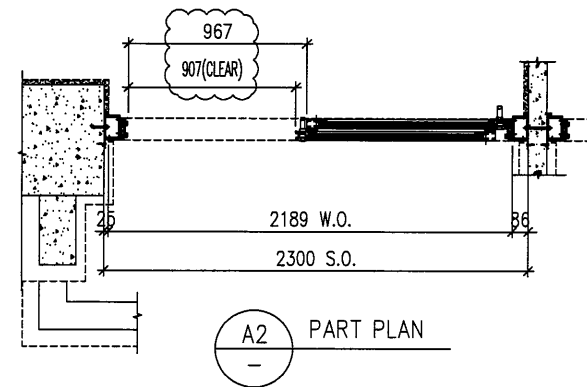
ELEVATION



ELEVATION



A1 PART PLAN



A2 PART PLAN

B.D. REF :

CLIENT : SHIMAO GROUP HOLDINGS LIMITED

ARCHITECT : WONG TUNG & PARTNERS LIMITED ARCHITECTS & PLANNERS

MAIN CONTRACTOR :

STRUCTURAL ENGINEER : C M WONG & ASSOCIATES LTD Consulting Engineers

SITE IN SITU CONSULTANT: MEINHARDT

NOTE :
1. ALL DIMENSIONS ARE IN mm.
2. ALL ELEVATIONS ARE VIEWED FROM OUTSIDE.
3. ALL DIMENSIONS TO BE VERIFIED ON SITE BEFORE FABRICATION.

LEGEND :
X1 --- DETAIL MARK NO.
X001 --- REFER SHEET NO.
1. F.F.L --- FINISHED FLOOR LEVEL
2. S.F.L --- STRUCTURAL FLOOR LEVEL
3. (R) --- REVERSED DETAIL
4. ▲ --- FIXING LOCATION
5. △ --- FIXING LUG LOCATION
6. GLASS LEGEND
GL01 --- 10mm+12mm AIR GAP+10mm THK. I.G.U.
GL05 --- 10mm+12mm AIR GAP+10mm THK. I.G.U.
GL06 --- 10mm+12mm AIR GAP+12mm THK. I.G.U.
PDO1 --- 10mm T.P+12mm AIR GAP+8mm T.P
GL07 --- 10mm+12mm AIR GAP+12mm THK. I.G.U.
GL08 --- 10mm+12mm AIR GAP+10mm THK. I.G.U.

C	18/04/2022	REVISION SUBJECT TO ARCH/COMMENT	LHR
B	16/12/2021	REVISION SUBJECT TO ARCH/COMMENT	LHR
NO.	DATE	REVISED	BY

JOB NO. : J-853
PROJECT : PROPOSED RESIDENTIAL DEVELOPMENT AT N.K.I.L. 6542 YIN PING ROAD KOWLOON

TITLE : WINDOW SCHEDULE FOR TOWER 6 ALUM. WINDOW

DATE : 03-APR-21 SCALE : 1:40

DRAWN BY : CHECKED BY :

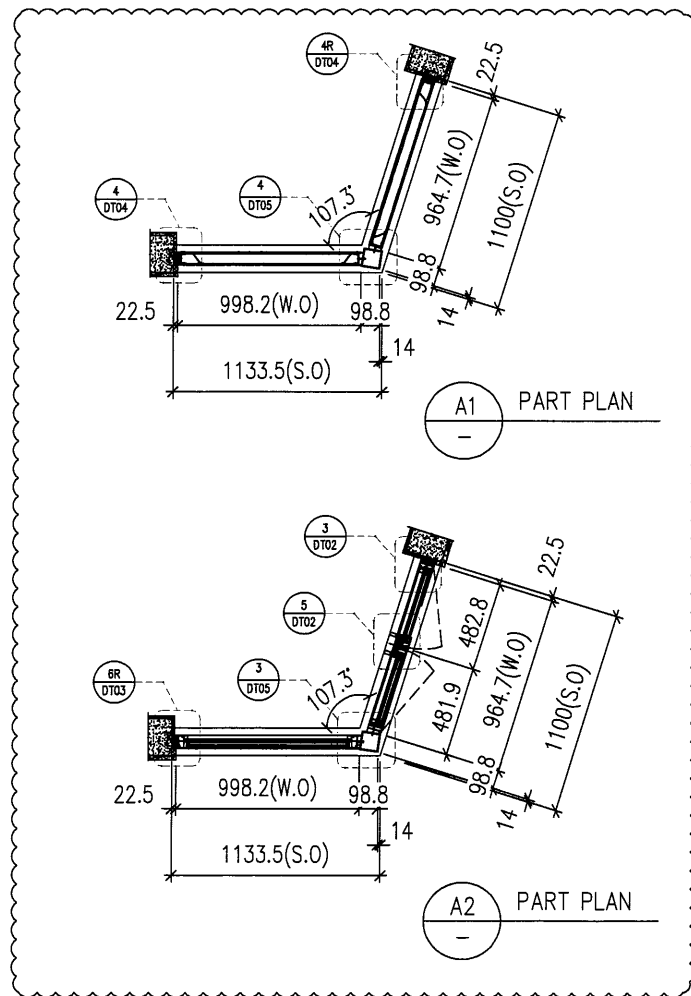
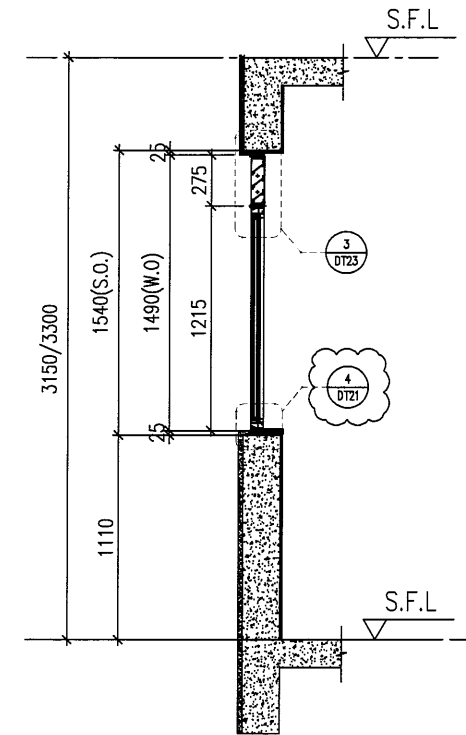
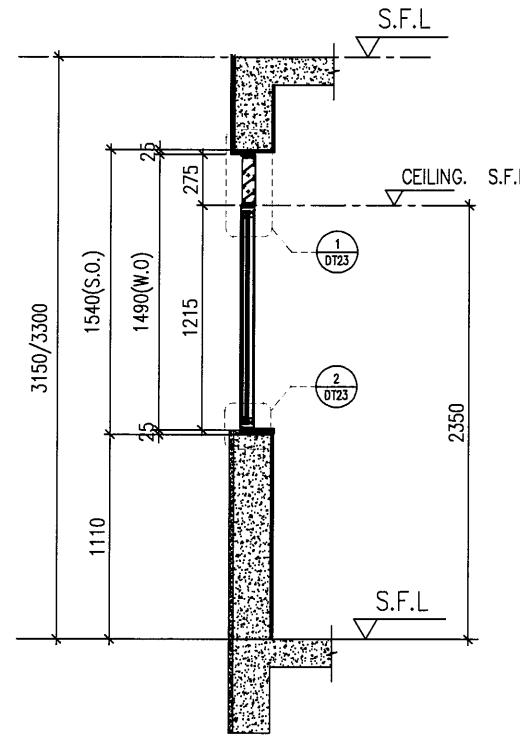
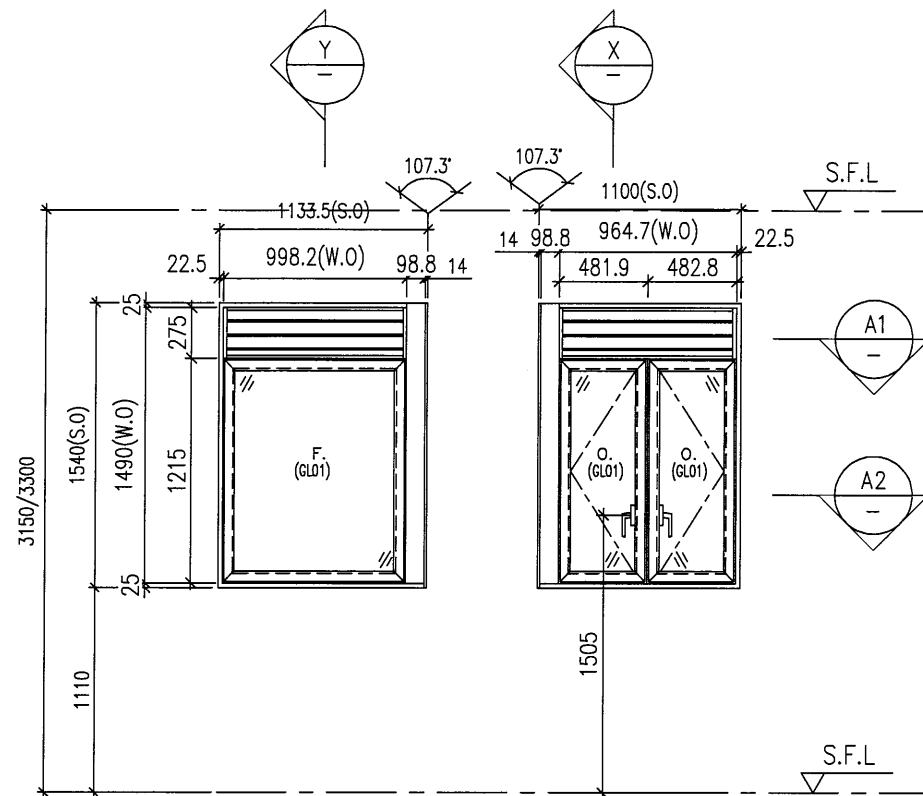
美特鋁質有限公司
MIDI ALUMINIUM FABRICATOR LTD.
Units 6-8, Sunray Industrial Centre, 1/F
610 Cha Kwo Ling Road, Kowloon
Tel:23489211-4 Fax:(852)2727666

DWG NO. : J853-SD-IW-SC607b REV. : C

PROVIDED		
GLAZING AREA	2.516	m ²
OPENABLE AREA	1.371	m ²
FREE AREA	-	%

WINDOW MARK	W274 T6
LOCATION	23F UNIT D LIVING
SECTION	50mm ALUM. SECTION
GLAZING	PDO1
QUANTITY	1 Nos.
REMARKS	SITE IN SITU

ELEVATION



B.D. REF :

CLIENT : SHIMAO GROUP HOLDINGS LIMITED

ARCHITECT : WONG TUNG & PARTNERS LIMITED ARCHITECTS & PLANNERS

MAIN CONTRACTOR :

STRUCTURAL ENGINEER : C M WONG & ASSOCIATES LTD Consulting Engineers

SITE IN SITU CONSULTANT: MEINHARDT

NOTE :
 1. ALL DIMENSIONS ARE IN mm.
 2. ALL ELEVATIONS ARE VIEWED FROM OUTSIDE.
 3. ALL DIMENSIONS TO BE VERIFIED ON SITE BEFORE FABRICATION.

LEGEND :
 X1 --- DETAIL MARK NO.
 X001 --- REFER SHEET NO.
 1. F.F.L --- FINISHED FLOOR LEVEL
 2. S.F.L --- STRUCTURAL FLOOR LEVEL
 3. (B) --- REVERSED DETAIL
 4. ▲ --- FIXING LOCATION
 5. △ --- FIXING LUG LOCATION
 6. GLASS LEGEND
 GL01 --- 10mm+12mm AIR GAP+10mm THK. I.G.U.
 GL05 --- 10mm+12mm AIR GAP+10mm THK. I.G.U.
 GL06 --- 10mm+12mm AIR GAP+12mm THK. I.G.U.
 PD01 --- 10mm T.P+12mm AIR GAP+8mm T.P
 GL07 --- 10mm+12mm AIR GAP+12mm THK. I.G.U.
 GL08 --- 10mm+12mm AIR GAP+10mm THK. I.G.U.

C	18/04/2022	REVISION SUBJECT TO ARCH/COMMITMENT	LHR
B	16/12/2021	REVISION SUBJECT TO ARCH/COMMITMENT	LHR
A	28/08/2021	REVISION SUBJECT TO ARCH/COMMITMENT	WSH
NO.	DATE	REVISED	BY

JOB NO. : J-853
 PROJECT : PROPOSED RESIDENTIAL DEVELOPMENT AT N.K.I.L. 6542 YIN PING ROAD KOWLOON

PROVIDED		
GLAZING AREA	1.709	m ²
OPENABLE AREA	0.941	m ²
FREE AREA	60.5	%

TITLE : WINDOW SCHEDULE FOR TOWER 6 ALUM. WINDOW

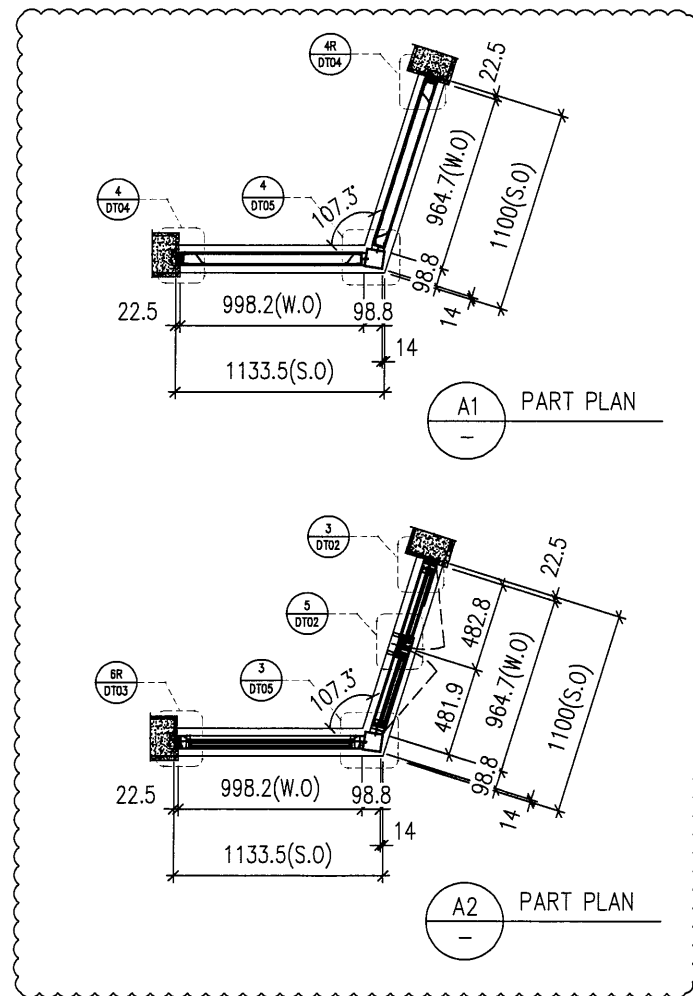
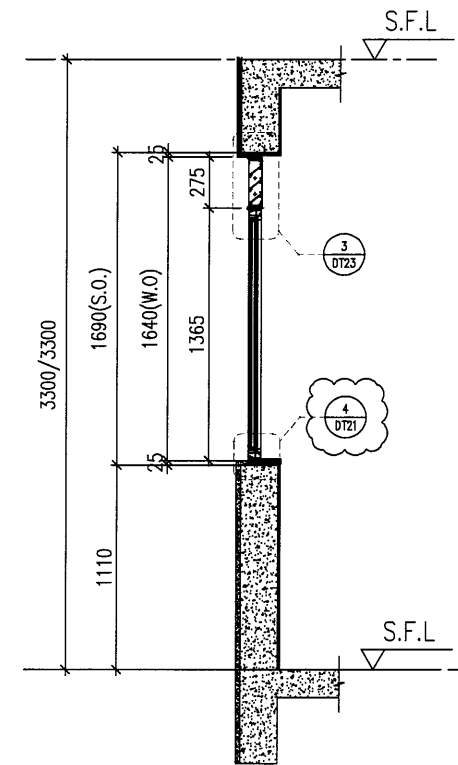
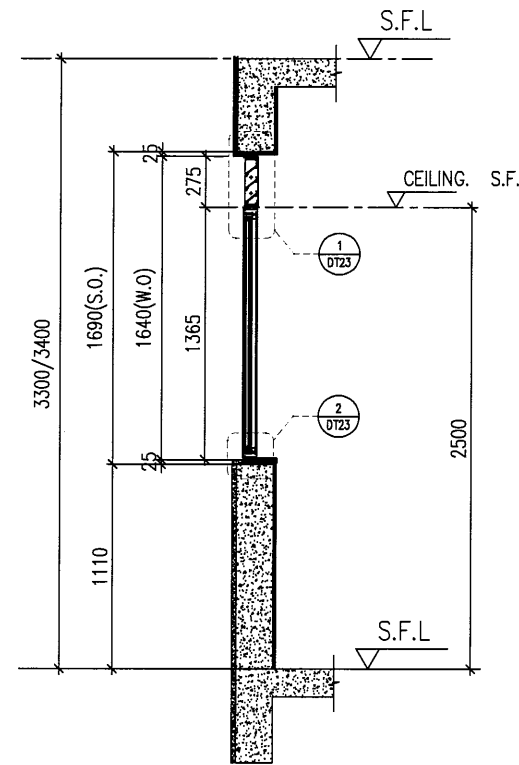
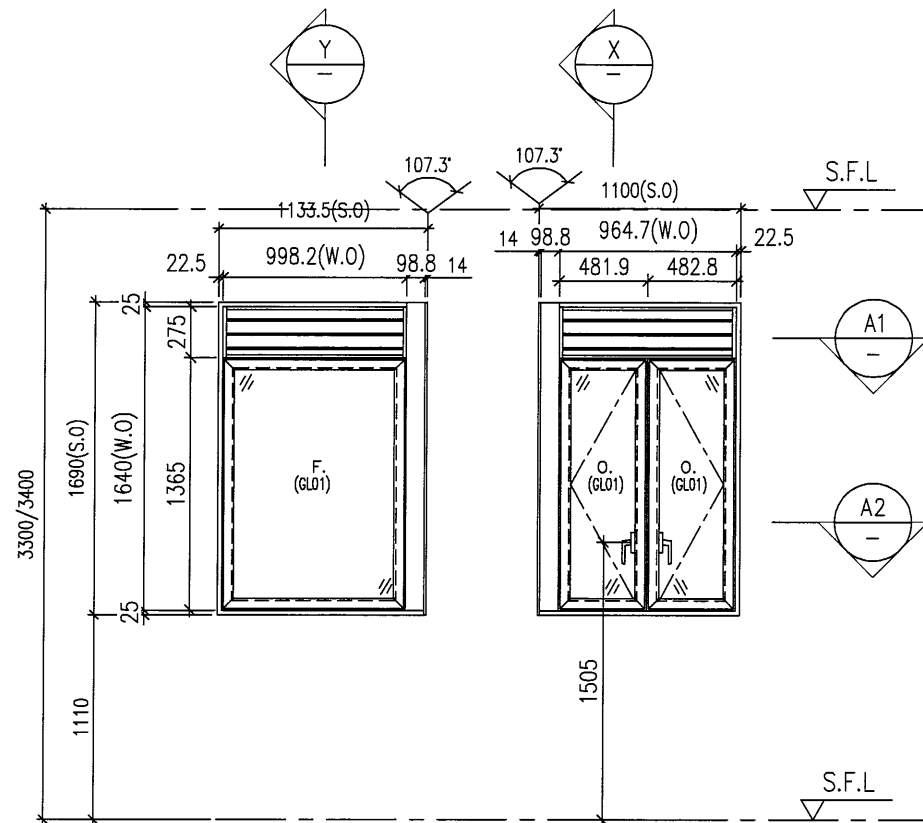
DATE : 03-APR-21 SCALE : 1:40
 DRAWN BY : CHECKED BY :

美特鋁質有限公司
 MIDI ALUMINIUM FABRICATOR LTD.
 Units 6-8, Sunray Industrial Centre, 1/F
 810 Cha Kwo Ling Road, Kowloon
 Tel:23489211-4 Fax:(852)2727666

DWG NO. : J853-SD-IW-SC608 REV. : C

WINDOW MARK	W20 T6
LOCATION	6F~22F, 26F UNIT B KITCHEN
SECTION	70mm ALUM. SECTION
GLAZING	GL01
QUANTITY	16 Nos.
REMARKS	SITE IN SITU

ELEVATION



X PART SECTION

Y PART SECTION

B.D. REF :

CLIENT : SHIMAO GROUP HOLDINGS LIMITED

ARCHITECT : WONG TUNG & PARTNERS LIMITED ARCHITECTS & PLANNERS

MAIN CONTRACTOR :

STRUCTURAL ENGINEER : C M WONG & ASSOCIATES LTD Consulting Engineers

SITE IN SITU CONSULTANT: MEINHARDT

- NOTE :
- ALL DIMENSIONS ARE IN mm.
 - ALL ELEVATIONS ARE VIEWED FROM OUTSIDE.
 - ALL DIMENSIONS TO BE VERIFIED ON SITE BEFORE FABRICATION.

- LEGEND :
- X1 --- DETAIL MARK NO.
 - XX01 --- REFER SHEET NO.
 - 1. F.F.L. --- FINISHED FLOOR LEVEL
 - 2. S.F.L. --- STRUCTURAL FLOOR LEVEL
 - 3. (R) --- REVERSED DETAIL
 - 4. ▲ --- FIXING LOCATION
 - 5. △ --- FIXING LUG LOCATION
 - 6. GLASS LEGEND
 - GL01 --- 10mm+12mm AIR GAP+10mm THK. I.G.U.
 - GL05 --- 10mm+12mm AIR GAP+10mm THK. I.G.U.
 - GL06 --- 10mm+12mm AIR GAP+12mm THK. I.G.U.
 - PD01 --- 10mm T.P+12mm AIR GAP+8mm T.P
 - GL07 --- 10mm+12mm AIR GAP+12mm THK. I.G.U.
 - GL08 --- 10mm+12mm AIR GAP+10mm THK. I.G.U.

NO.	DATE	REVISION	BY
C	18/04/2022	REVISION SUBJECT TO ARCH-COMMENT	LHR
B	16/12/2021	REVISION SUBJECT TO ARCH-COMMENT	LHR
A	28/08/2021	REVISION SUBJECT TO ARCH-COMMENT	WSH

JOB NO. : J-853
 PROJECT : PROPOSED RESIDENTIAL DEVELOPMENT AT N.K.I.L. 6542 YIN PING ROAD KOWLOON

TITLE : WINDOW SCHEDULE FOR TOWER 6 ALUM. WINDOW

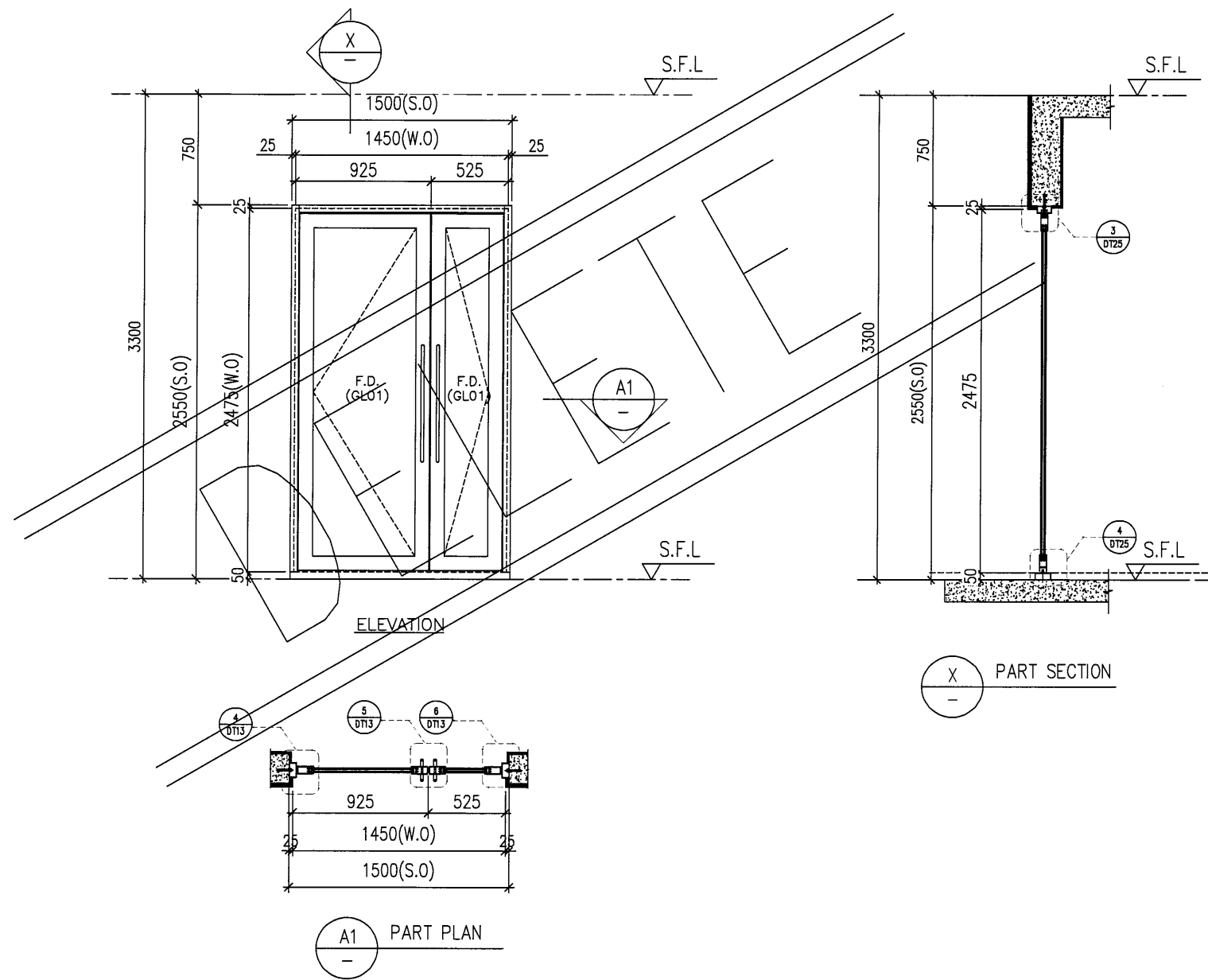
PROVIDED		
GLAZING AREA	1.946	m ²
OPENABLE AREA	1.065	m ²
FREE AREA	60.5	%

DATE : 03-APR-21 SCALE : 1:40
 DRAWN BY : CHECKED BY :

美特鋁質有限公司
 MIDI ALUMINIUM FABRICATOR LTD.
 Units 6-8, Sunray Industrial Centre, 1/F
 610 Cha Kwo Ling Road, Kowloon
 Tel:23489211-4 Fax:(852)2727666

WINDOW MARK	W70 T6
LOCATION	5F, 23F & 25F UNIT B KITCHEN
SECTION	70mm ALUM. SECTION
GLAZING	GL01
QUANTITY	3 Nos.
REMARKS	SITE IN SITU

DWG NO. : J853-SD-IW-SC609 REV. : C



ELEVATION

ELEVATION

X PART SECTION

A1 PART PLAN

B.D. REF :

CLIENT : SHIMAO GROUP HOLDINGS LIMITED

ARCHITECT : WONG TUNG & PARTNERS LIMITED ARCHITECTS & PLANNERS

MAIN CONTRACTOR :

STRUCTURAL ENGINEER : C M WONG & ASSOCIATES LTD Consulting Engineers

SITE IN SITU CONSULTANT: MEINHARDT

NOTE :
 1. ALL DIMENSIONS ARE IN mm.
 2. ALL ELEVATIONS ARE VIEWED FROM OUTSIDE.
 3. ALL DIMENSIONS TO BE VERIFIED ON SITE BEFORE FABRICATION.

LEGEND :
 (X1) — DETAIL MARK NO.
 (X001) — REFER SHEET NO.
 1. F.F.L. — FINISHED FLOOR LEVEL
 2. S.F.L. — STRUCTURAL FLOOR LEVEL
 3. (R) — REVERSED DETAIL
 4. ▲ — FIXING LOCATION
 5. △ — FIXING LUG LOCATION
 6. GLASS LEGEND
 GL01 — 10mm+12mm AIR GAP+10mm THK. I.G.U.
 GL05 — 10mm+12mm AIR GAP+10mm THK. I.G.U.
 GL06 — 10mm+12mm AIR GAP+12mm THK. I.G.U.
 PD01 — 10mm T.P+12mm AIR GAP+8mm T.P.
 GL07 — 10mm+12mm AIR GAP+12mm THK. I.G.U.
 GL08 — 10mm+12mm AIR GAP+10mm THK. I.G.U.

NO.	DATE	REVISED	BY
-----	------	---------	----

JOB NO. : J-853
 PROJECT : PROPOSED RESIDENTIAL DEVELOPMENT AT N.K.I.L. 6542 YIN PING ROAD KOWLOON

TITLE : WINDOW SCHEDULE FOR TOWER 6 ALUM. WINDOW

PROVIDED		
GLAZING AREA	1.104	m ²
OPENABLE AREA	1.82	m ²
FREE AREA	—	%

DATE : 03-APR-21 SCALE : 1:40

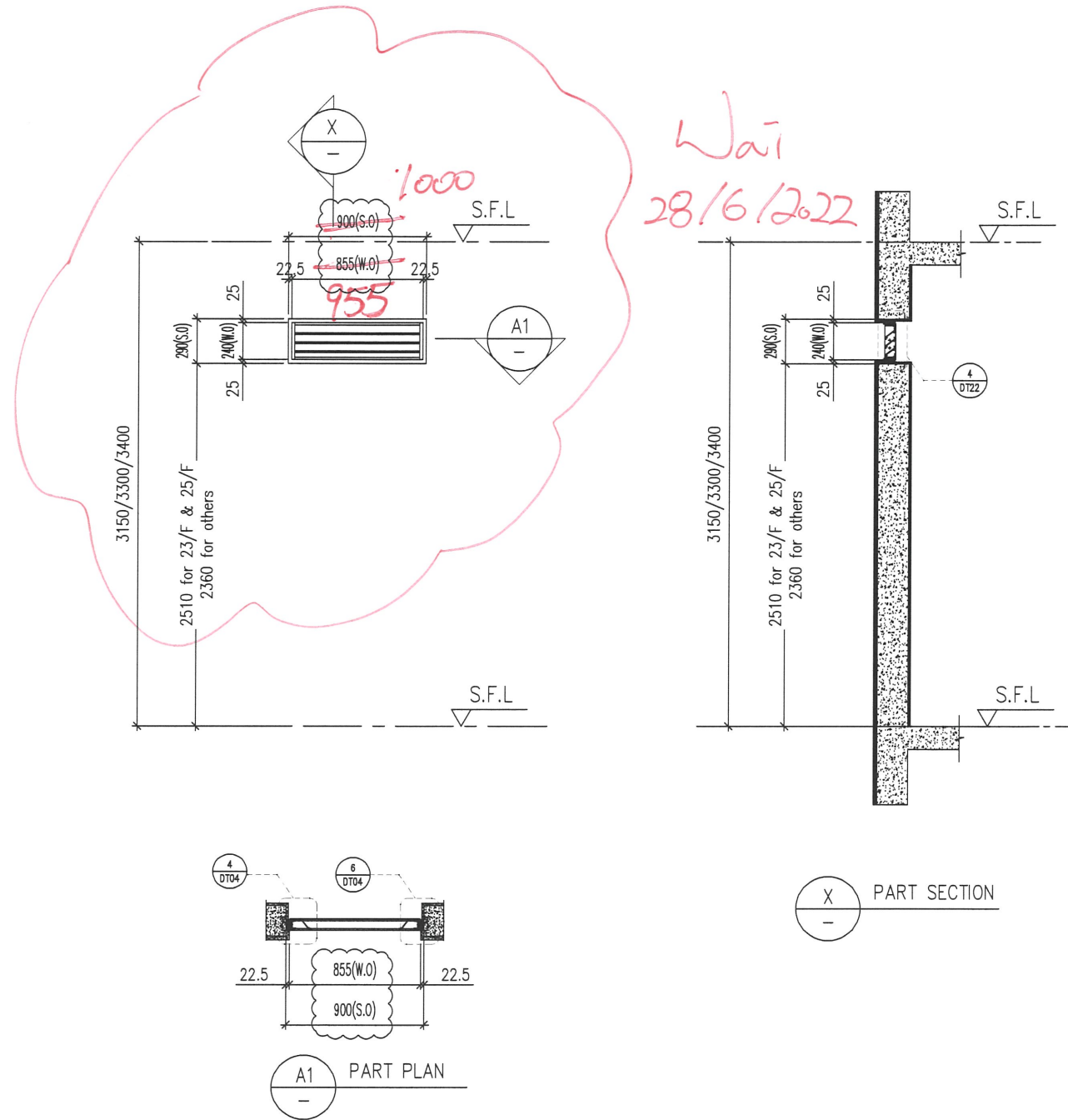
DRAWN BY : CHECKED BY :

英特鋁質有限公司
 MIDI ALUMINIUM FABRICATOR LTD.
 Units 6-8, Sunray Industrial Centre, 1/F
 610 Cha Kwo Ling Road, Kowloon
 Tel:23489211-4 Fax:(852)2727666

DWG NO. : J853-SD-IW-SC610 REV. : A

WINDOW MARK	W121 T6
LOCATION	5F LOBBY
SECTION	70mm ALUM. SECTION
GLAZING	GL01
QUANTITY	18 Nos.
REMARKS	SITE IN SITU

ELEVATION



B.D. REF :

CLIENT :
SHIMAO GROUP HOLDINGS LIMITED

ARCHITECT :
WONG TUNG & PARTNERS LIMITED
ARCHITECTS & PLANNERS
WT

MAIN CONTRACTOR :

STRUCTURAL ENGINEER :
C M WONG & ASSOCIATES LTD
Consulting Engineers

SITE IN SITU CONSULTANT:
MEINHARDT

NOTE :
1. ALL DIMENSIONS ARE IN mm.
2. ALL ELEVATIONS ARE VIEWED FROM OUTSIDE.
3. ALL DIMENSIONS TO BE VERIFIED ON SITE BEFORE FABRICATION.

LEGEND :
X1 — DETAIL MARK NO.
X001 — REFER SHEET NO.
1. F.F.L. — FINISHED FLOOR LEVEL
2. S.F.L. — STRUCTURAL FLOOR LEVEL
3. (R) — REVERSED DETAIL
4. ▲ — FIXING LOCATION
5. △ — FIXING LUG LOCATION
6. GLASS LEGEND
GL01 — 10mm+12mm AIR GAP+10mm THK. I.G.U.
GL05 — 10mm+12mm AIR GAP+10mm THK. I.G.U.
GL06 — 10mm+12mm AIR GAP+12mm THK. I.G.U.
PD01 — 10mm T.P+12mm AIR GAP+8mm T.P
GL07 — 10mm+12mm AIR GAP+12mm THK. I.G.U.
GL08 — 10mm+12mm AIR GAP+10mm THK. I.G.U.

C	18/04/2022	REVISION SUBJECT TO ARCH.COMMENT	LHR
B	16/12/2021	REVISION SUBJECT TO ARCH.COMMENT	LHR
A	28/08/2021	REVISION SUBJECT TO ARCH.COMMENT	WSH
NO.	DATE	REVISED	BY

JOB NO. : J-853
PROJECT :
PROPOSED RESIDENTIAL DEVELOPMENT AT N.K.I.L. 6542 YIN PING ROAD KOWLOON

TITLE : WINDOW SCHEDULE FOR TOWER 6 ALUM. WINDOW

DATE : 03-APR-21 SCALE : 1:40
DRAWN BY : CHECKED BY :

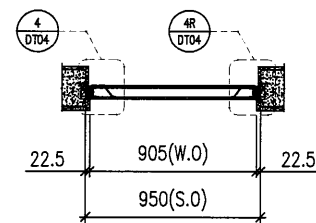
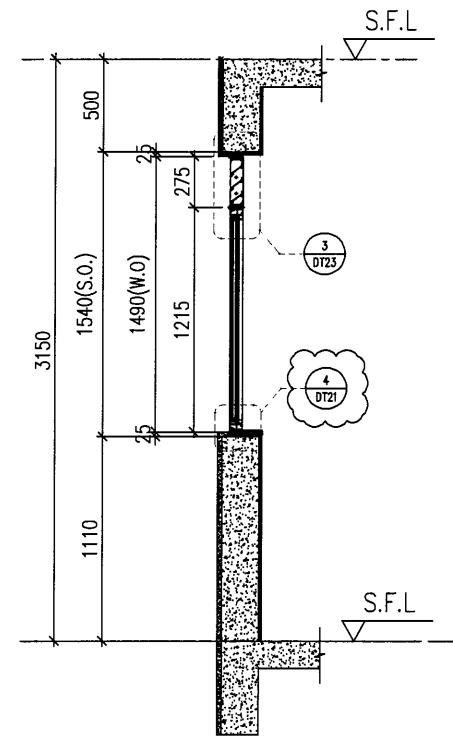
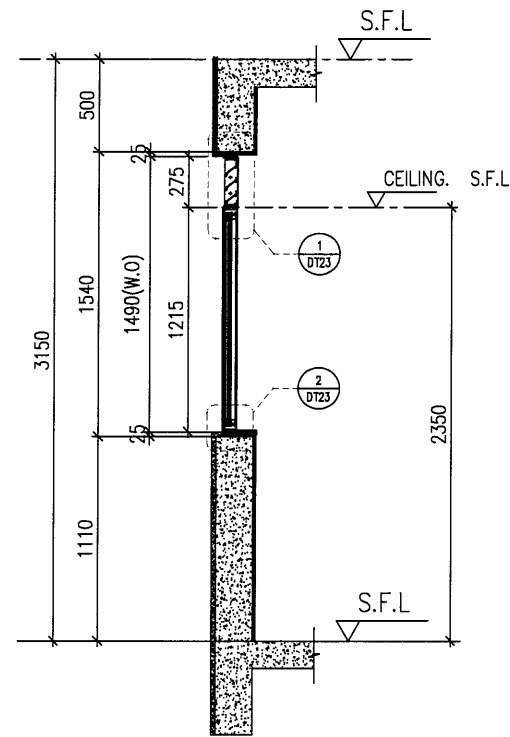
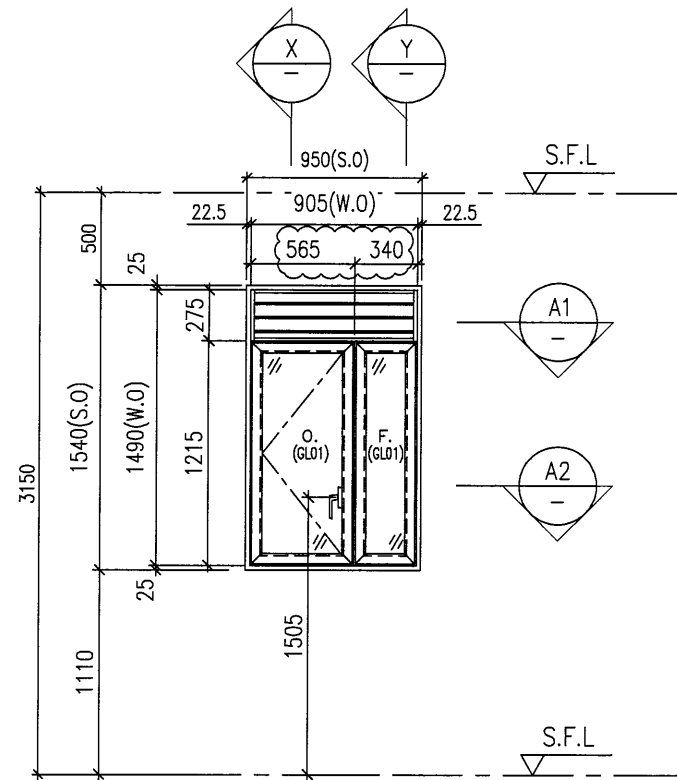
美特鋁質有限公司
MIDI ALUMINIUM FABRICATOR LTD.
Units 6-8, Sunray Industrial Centre, 1/F
610 Cha Kwo Ling Road, Kowloon
Tel:23489211-4 Fax:(852)2727666

DWG NO. : J853-SD-IW-SC611 REV. : C

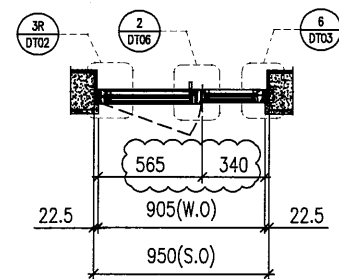
PROVIDED		
GLAZING AREA	—	m ²
OPENABLE AREA	—	m ²
FREE AREA	54.86	%

WINDOW MARK	L02 T6
LOCATION	10F~26F UNIT C O.KIT.
SECTION	70mm ALUM. SECTION
GLAZING	—
QUANTITY	14 No.
REMARKS	SITE IN SITU

ELEVATION



A1 PART PLAN



A2 PART PLAN

X PART SECTION

Y PART SECTION

B.D. REF :

CLIENT :

SHIMAO GROUP HOLDINGS LIMITED

ARCHITECT : **WONG TUNG & PARTNERS LIMITED ARCHITECTS & PLANNERS**



MAIN CONTRACTOR :

STRUCTURAL ENGINEER :

C M WONG & ASSOCIATES LTD
Consulting Engineers

SITE IN SITU CONSULTANT:



NOTE :

1. ALL DIMENSIONS ARE IN mm.
2. ALL ELEVATIONS ARE VIEWED FROM OUTSIDE.
3. ALL DIMENSIONS TO BE VERIFIED ON SITE BEFORE FABRICATION.

LEGEND :

- X1 --- DETAIL MARK NO.
- X001 --- REFER SHEET NO.

1. F.F.L. --- FINISHED FLOOR LEVEL
2. S.F.L. --- STRUCTURAL FLOOR LEVEL
3. (B) --- REVERSED DETAIL
4. ▲ --- FIXING LOCATION
5. △ --- FIXING LUG LOCATION

6. GLASS LEGEND

- GL01 --- 10mm+12mm AIR GAP+10mm THK. I.G.U.
- GL05 --- 10mm+12mm AIR GAP+10mm THK. I.G.U.
- GL06 --- 10mm+12mm AIR GAP+12mm THK. I.G.U.
- PDO1 --- 10mm T.P+12mm AIR GAP+8mm T.P
- GL07 --- 10mm+12mm AIR GAP+12mm THK. I.G.U.
- GL08 --- 10mm+12mm AIR GAP+10mm THK. I.G.U.

NO.	DATE	REVISION	BY
C	16/04/2022	REVISION SUBJECT TO ARCH.COMMENT	LHR
B	16/12/2021	REVISION SUBJECT TO ARCH.COMMENT	LHR
A	28/08/2021	REVISION SUBJECT TO ARCH.COMMENT	WSH

JOB NO. : J-853

PROJECT : PROPOSED RESIDENTIAL DEVELOPMENT AT N.K.I.L. 6542 YIN PING ROAD KOWLOON

TITLE : WINDOW SCHEDULE FOR TOWER 6 ALUM. WINDOW

DATE : 03-APR-21

SCALE : 1:40

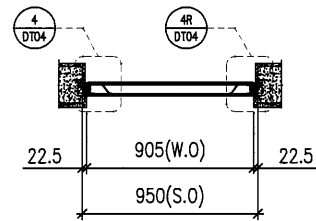
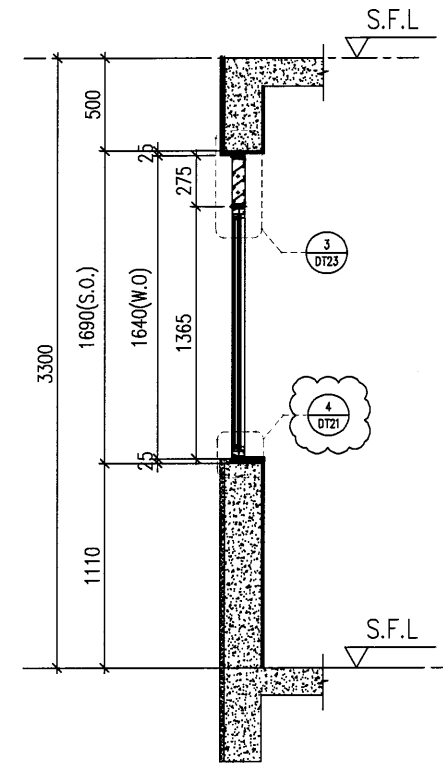
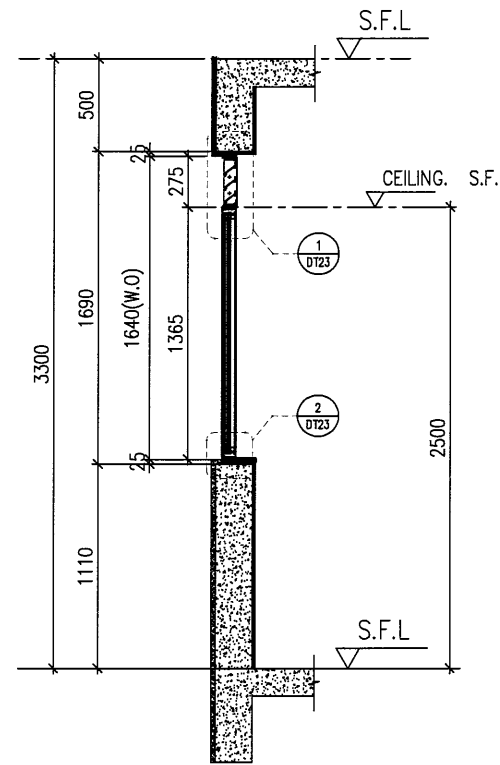
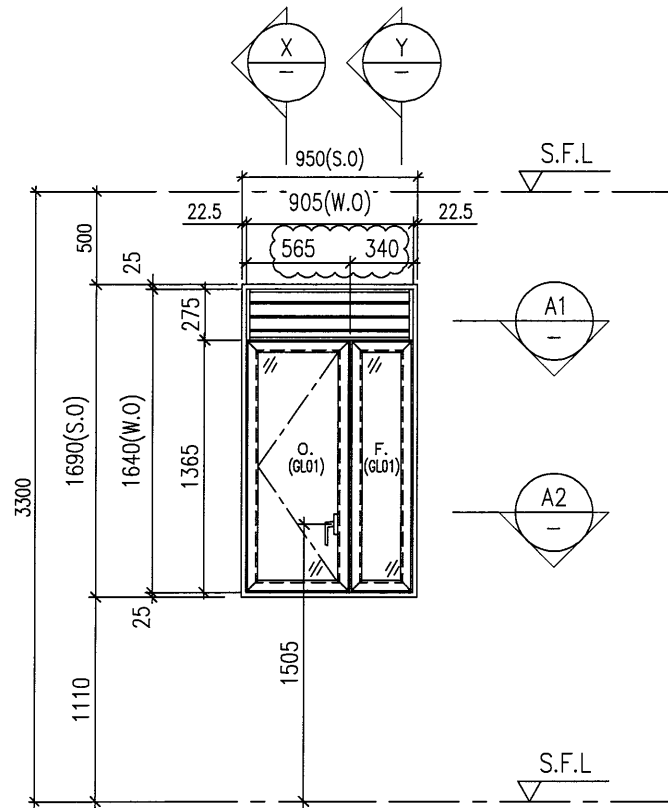
DRAWN BY : CHECKED BY :

美特鋁質有限公司
MIDI ALUMINIUM FABRICATOR LTD.
Units 6-8, Sunray Industrial Centre, 1/F
610 Cha Kwo Ling Road, Kowloon
Tel:23489211-4 Fax:(852)2727666

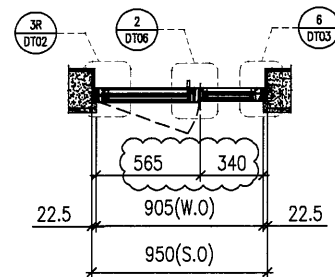
DWG NO. : J853-SD-IW-SC612 REV. : C

PROVIDED		
GLAZING AREA	0.733	m ²
OPENABLE AREA	0.564	m ²
FREE AREA	60.5	%

WINDOW MARK	
LOCATION	6F UNIT B BR4
SECTION	70mm ALUM. SECTION
GLAZING	GL01
QUANTITY	1 No.
REMARKS	SITE IN SITU



A1 PART PLAN



A2 PART PLAN

X PART SECTION

Y PART SECTION

ELEVATION

B.D. REF :

CLIENT : SHIMAO GROUP HOLDINGS LIMITED

ARCHITECT : WONG TUNG & PARTNERS LIMITED ARCHITECTS & PLANNERS

MAIN CONTRACTOR :

STRUCTURAL ENGINEER : C M WONG & ASSOCIATES LTD Consulting Engineers

SITE IN SITU CONSULTANT: MEINHARDT

NOTE :
 1. ALL DIMENSIONS ARE IN mm.
 2. ALL ELEVATIONS ARE VIEWED FROM OUTSIDE.
 3. ALL DIMENSIONS TO BE VERIFIED ON SITE BEFORE FABRICATION.

LEGEND :
 X1 — DETAIL MARK NO.
 X001 — REFER SHEET NO.
 1. F.F.L — FINISHED FLOOR LEVEL
 2. S.F.L — STRUCTURAL FLOOR LEVEL
 3. (R) — REVERSED DETAIL
 4. ▲ — FIXING LOCATION
 5. △ — FIXING LUG LOCATION
 6. GLASS LEGEND
 GL01 — 10mm+12mm AIR GAP+10mm THK. I.G.U.
 GL05 — 10mm+12mm AIR GAP+10mm THK. I.G.U.
 GL06 — 10mm+12mm AIR GAP+12mm THK. I.G.U.
 PD01 — 10mm T.P+12mm AIR GAP+8mm T.P
 GL07 — 10mm+12mm AIR GAP+12mm THK. I.G.U.
 GL08 — 10mm+12mm AIR GAP+10mm THK. I.G.U.

C	18/04/2022	REVISION SUBJECT TO ARCH.COMMENT	LHR
B	16/12/2021	REVISION SUBJECT TO ARCH.COMMENT	LHR
NO.	DATE	REVISED	BY

JOB NO. : J-853
 PROJECT : PROPOSED RESIDENTIAL DEVELOPMENT AT N.K.I.L.L. 6542 YIN PING ROAD KOWLOON

TITLE : WINDOW SCHEDULE FOR TOWER 6 ALUM. WINDOW

DATE : 03-APR-21 SCALE : 1:40

DRAWN BY : CHECKED BY :

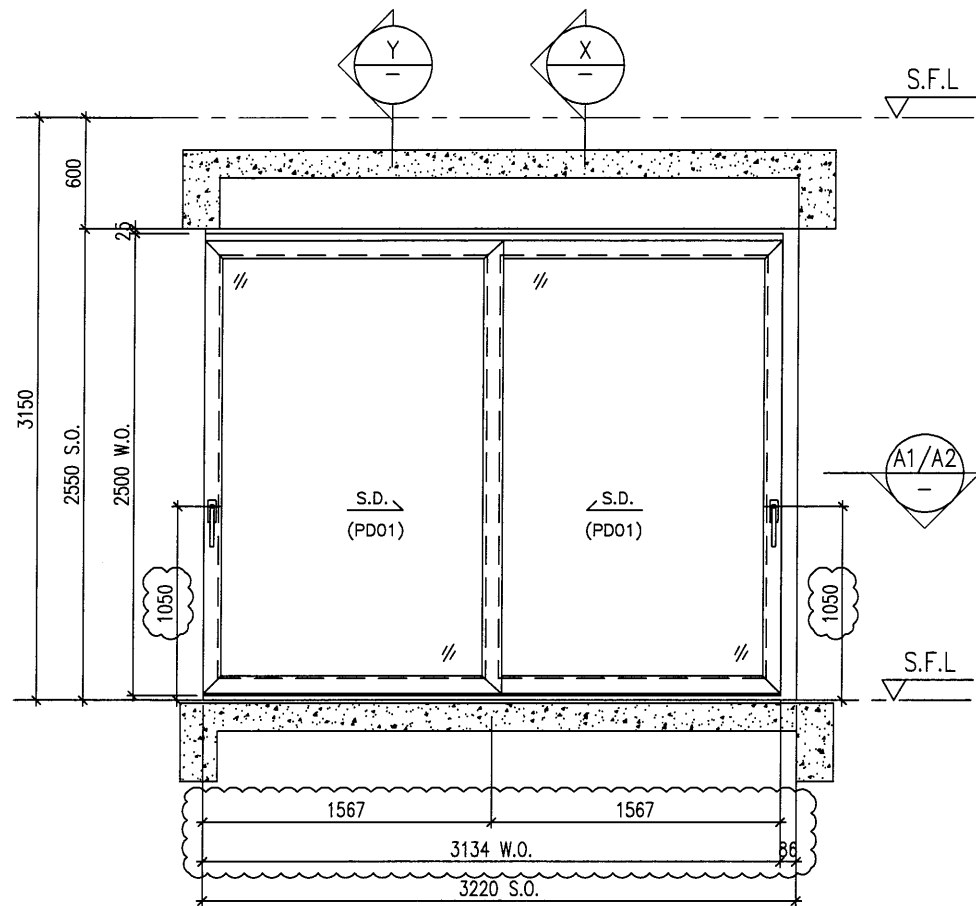
美特鋁質有限公司
 MIDI ALUMINIUM FABRICATOR LTD.
 Units 6-8, Sunray Industrial Centre, 1/F
 610 Cha Kwo Ling Road, Kowloon
 Tel:23489211-4 Fax:(852)2727666

DWG NO. : J853-SD-IW-SC612a REV. : C

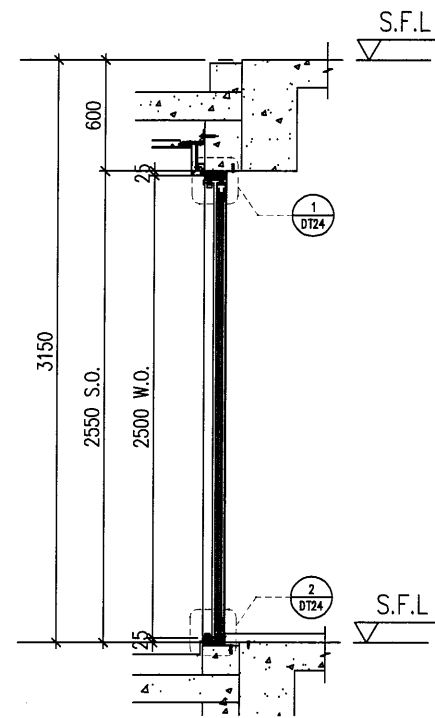
PROVIDED		
GLAZING AREA	0.834	m ²
OPENABLE AREA	0.638	m ²
FREE AREA	60.5	%

WINDOW MARK	W72 T6
LOCATION	5F UNIT B BR4
SECTION	70mm ALUM. SECTION
GLAZING	GL01
QUANTITY	1 No.
REMARKS	SITE IN SITU

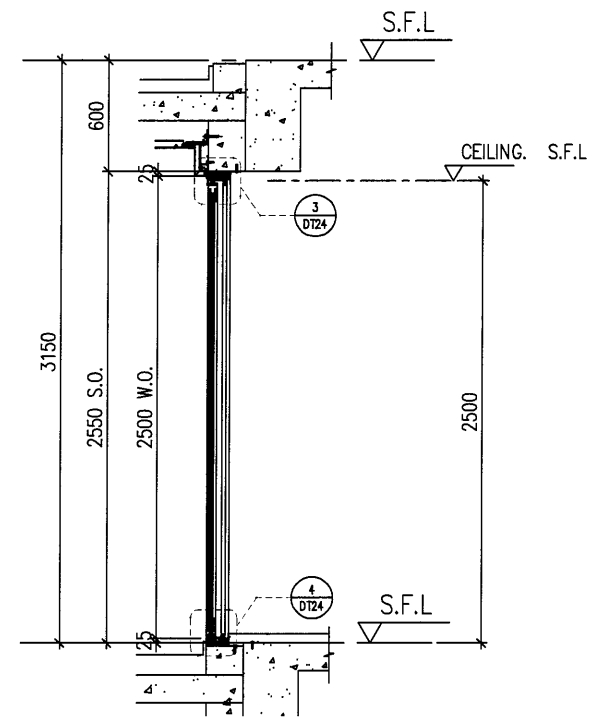
ELEVATION



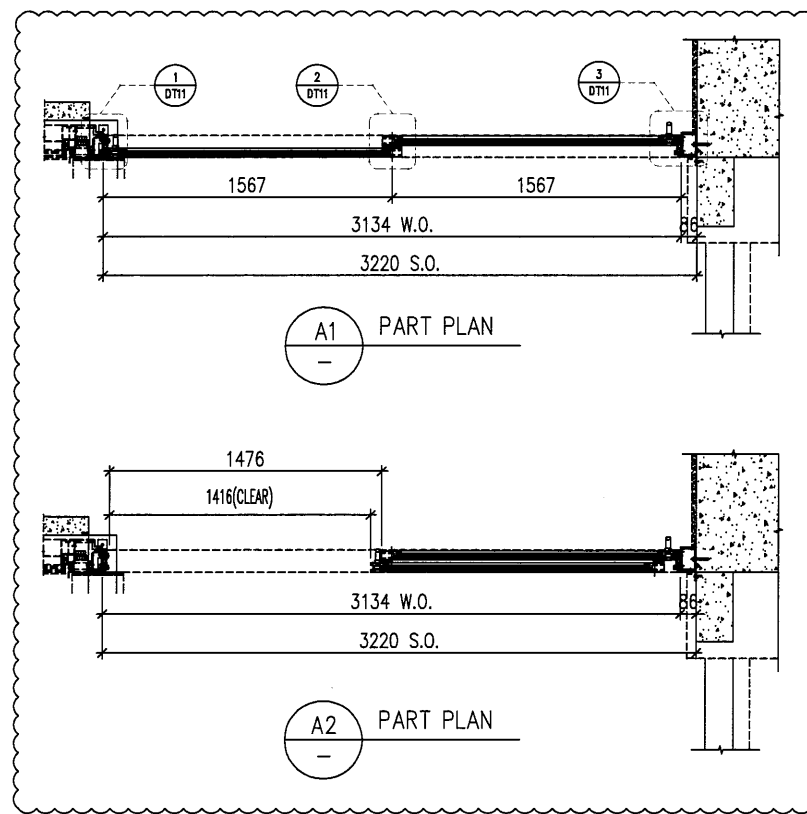
ELEVATION



X PART SECTION



Y PART SECTION



PROVIDED		
GLAZING AREA	3.313	m ²
OPENABLE AREA	1.808	m ²
FREE AREA	-	%

B.D. REF :

CLIENT :

SHIMAO GROUP HOLDINGS LIMITED

ARCHITECT :

WONG TUNG & PARTNERS LIMITED ARCHITECTS & PLANNERS

MAIN CONTRACTOR :

STRUCTURAL ENGINEER :

C M WONG & ASSOCIATES LTD
Consulting Engineers

SITE IN SITU CONSULTANT:

MEINHARDT

NOTE :

1. ALL DIMENSIONS ARE IN mm.
2. ALL ELEVATIONS ARE VIEWED FROM OUTSIDE.
3. ALL DIMENSIONS TO BE VERIFIED ON SITE BEFORE FABRICATION.

LEGEND :

- X1 — DETAIL MARK NO.
- X001 — REFER SHEET NO.

1. F.F.L. — FINISHED FLOOR LEVEL
2. S.F.L. — STRUCTURAL FLOOR LEVEL
3. (B) — REVERSED DETAIL
4. ▲ — FIXING LOCATION
5. △ — FIXING LUG LOCATION

6. GLASS LEGEND
- GL01 — 10mm+12mm AIR GAP+10mm THK. I.G.U.
 - GL05 — 10mm+12mm AIR GAP+10mm THK. I.G.U.
 - GL06 — 10mm+12mm AIR GAP+12mm THK. I.G.U.
 - PD01 — 10mm T.P+12mm AIR GAP+8mm T.P
 - GL07 — 10mm+12mm AIR GAP+12mm THK. I.G.U.
 - GL08 — 10mm+12mm AIR GAP+10mm THK. I.G.U.

NO.	DATE	REVISED	BY
B	16/12/2021	REVISION SUBJECT TO ARCH.COMMENT	LHR
A	28/08/2021	REVISION SUBJECT TO ARCH.COMMENT	WSH

JOB NO. : J-853

PROJECT : PROPOSED RESIDENTIAL DEVELOPMENT AT N.K.I.L. 6542 YIN PING ROAD KOWLOON

TITLE : WINDOW SCHEDULE FOR TOWER 7 ALUM. WINDOW

DATE : 03-APR-21 SCALE : 1:40

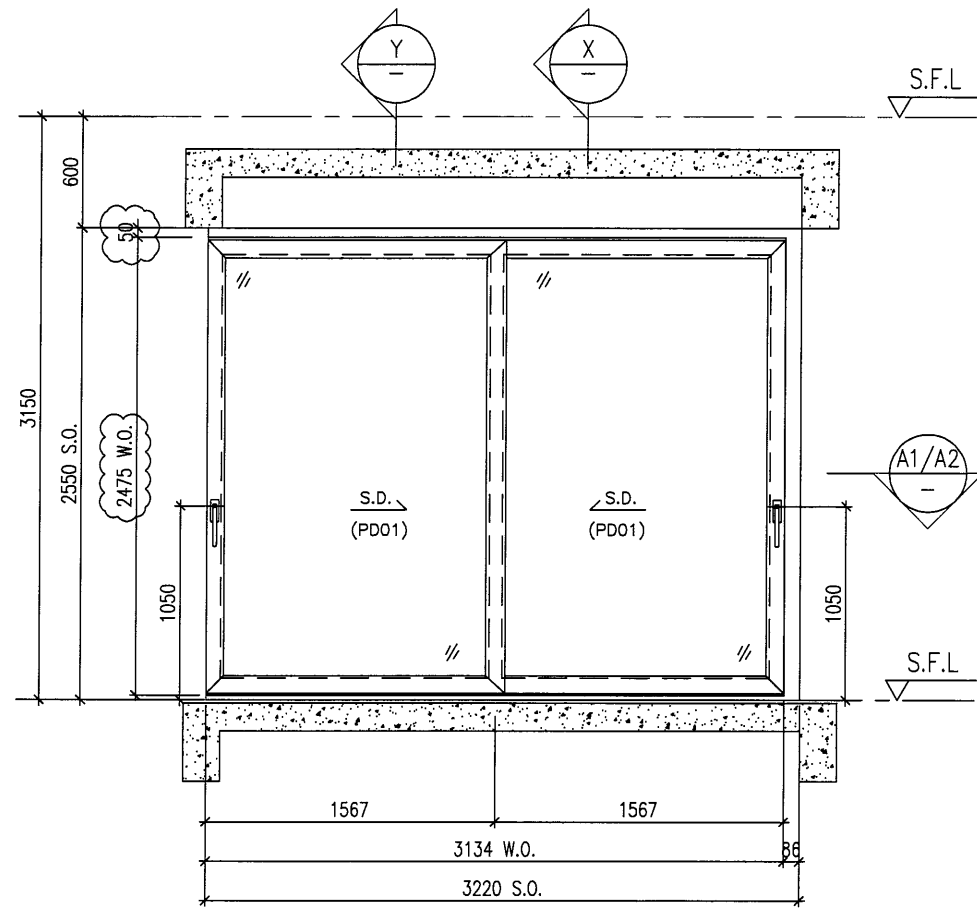
DRAWN BY : CHECKED BY :

美特铝质有限公司
MIDI ALUMINIUM FABRICATOR LTD.
Units 6-8, Sunray Industrial Centre, 1/F
610 Cha Kwo Ling Road, Kowloon
Tel:23489211-4 Fax:(852)2727666

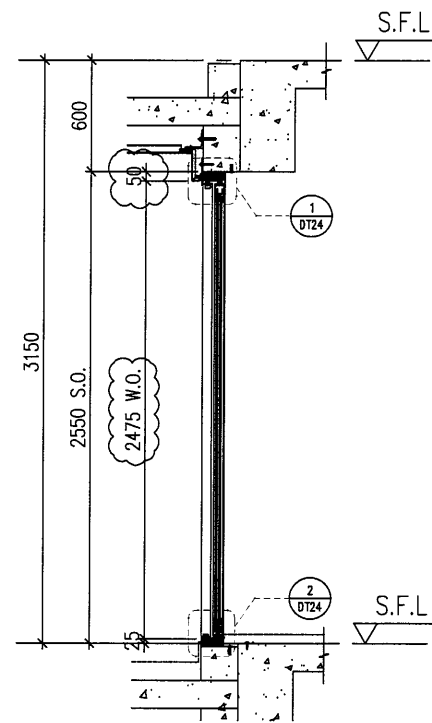
DWG NO. : J853-SD-IW-SC701 REV. : B

WINDOW MARK	W201 T7
LOCATION	7F~15F&17F~22F UNIT A LIVING
SECTION	50mm ALUM. SECTION
GLAZING	PD01
QUANTITY	13 Nos.
REMARKS	SITE IN SITU

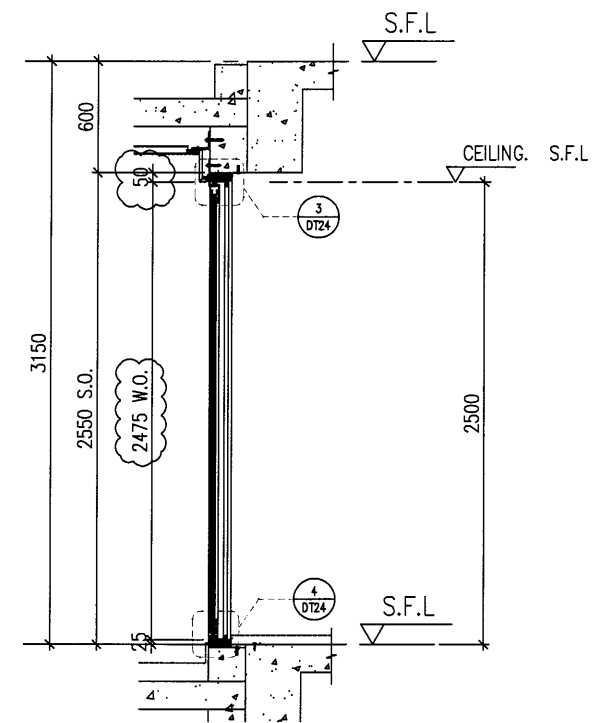
ELEVATION



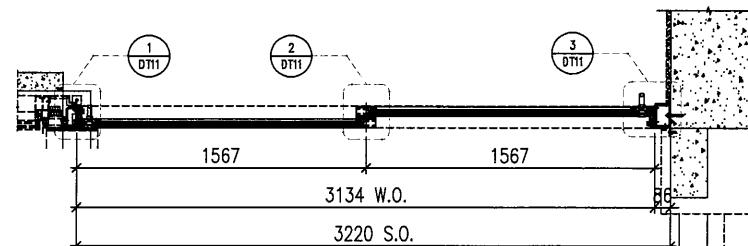
ELEVATION



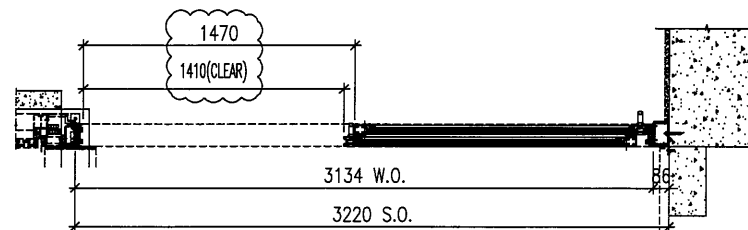
X PART SECTION



Y PART SECTION



A1 PART PLAN



A2 PART PLAN

B.D. REF :

CLIENT : SHIMAO GROUP HOLDINGS LIMITED

ARCHITECT : WONG TUNG & PARTNERS LIMITED ARCHITECTS & PLANNERS

MAIN CONTRACTOR :

STRUCTURAL ENGINEER : C M WONG & ASSOCIATES LTD Consulting Engineers

SITE IN SITU CONSULTANT:

MEINHARDT

NOTE :

1. ALL DIMENSIONS ARE IN mm.
2. ALL ELEVATIONS ARE VIEWED FROM OUTSIDE.
3. ALL DIMENSIONS TO BE VERIFIED ON SITE BEFORE FABRICATION.

LEGEND :

- (X1) --- DETAIL MARK NO.
- (X001) --- REFER SHEET NO.

1. F.F.L. --- FINISHED FLOOR LEVEL
2. S.F.L. --- STRUCTURAL FLOOR LEVEL
3. (R) --- REVERSED DETAIL
4. ▲ --- FIXING LOCATION
5. △ --- FIXING LUG LOCATION

GLASS LEGEND

- GL01 --- 10mm+12mm AIR GAP+10mm THK. I.G.U.
- GL05 --- 10mm+12mm AIR GAP+10mm THK. I.G.U.
- GL06 --- 10mm+12mm AIR GAP+12mm THK. I.G.U.
- PD01 --- 10mm T.P+12mm AIR GAP+8mm T.P
- GL07 --- 10mm+12mm AIR GAP+12mm THK. I.G.U.
- GL08 --- 10mm+12mm AIR GAP+10mm THK. I.G.U.

NO.	DATE	REVISED	BY
C	18/04/2022	REVISION SUBJECT TO ARCH.COMMENT	LHR
B	16/12/2021	REVISION SUBJECT TO ARCH.COMMENT	LHR
A	28/08/2021	REVISION SUBJECT TO ARCH.COMMENT	WSH

JOB NO. : J-853

PROJECT : PROPOSED RESIDENTIAL DEVELOPMENT AT N.K.I.L. 6542 YIN PING ROAD KOWLOON

TITLE : WINDOW SCHEDULE FOR TOWER 7 ALUM. WINDOW

PROVIDED		
GLAZING AREA	3.243	m ²
OPENABLE AREA	1.773	m ²
FREE AREA		%

WINDOW MARK	W201 T7
LOCATION	7F~15F&17F~22F UNIT A LIVING
SECTION	50mm ALUM. SECTION
GLAZING	PD01
QUANTITY	13 Nos.
REMARKS	SITE IN SITU

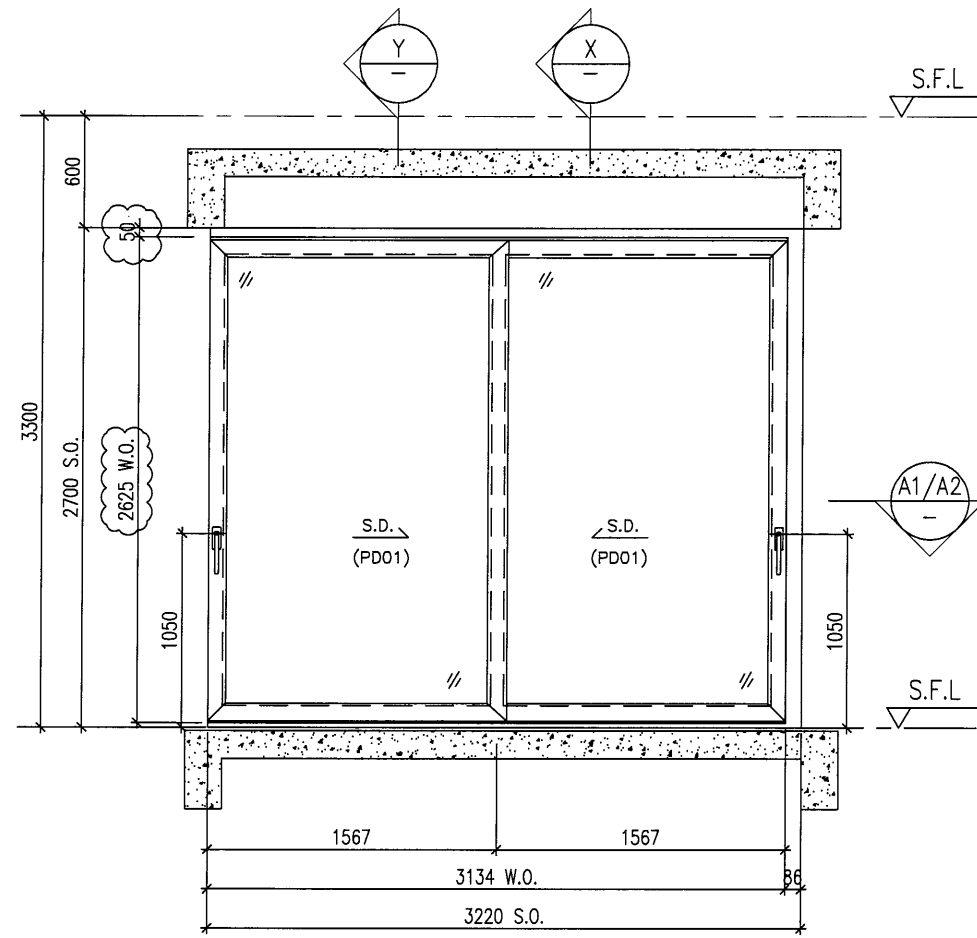
DATE : 03-APR-21 SCALE : 1:40

DRAWN BY : CHECKED BY :

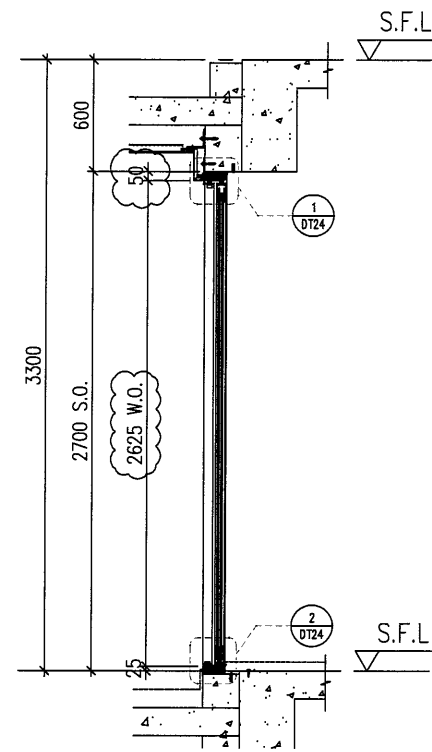
美特鋁質有限公司
MIDI ALUMINIUM FABRICATOR LTD.
Units 6-8, Sunray Industrial Centre, 1/F
610 Cha Kwo Ling Road, Kowloon
Tel:23489211-4 Fax:(852)27727666

DWG NO. : J853-SD-IW-SC701 REV. : C

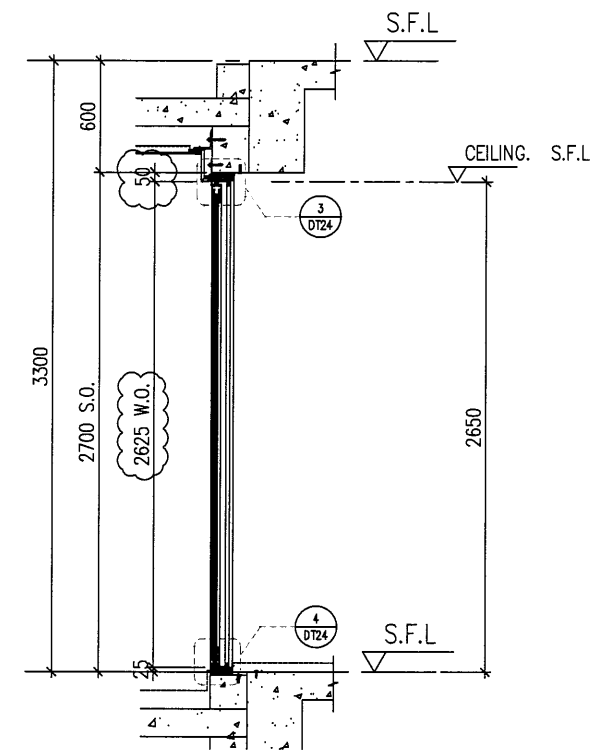
ELEVATION



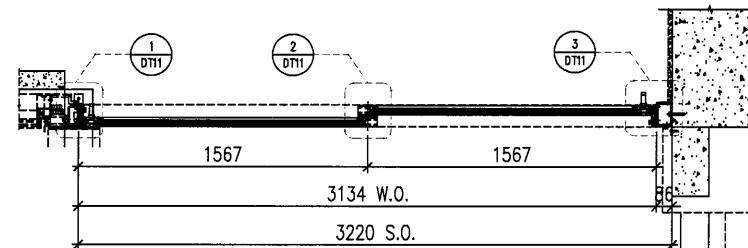
ELEVATION



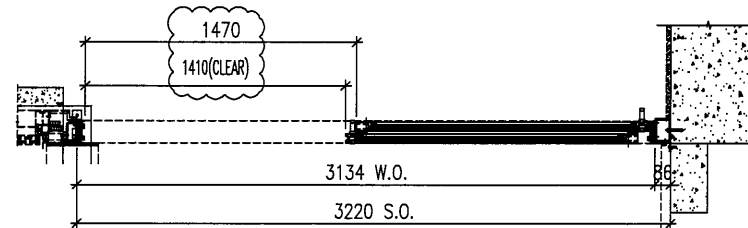
X PART SECTION



Y PART SECTION



A1 PART PLAN



A2 PART PLAN

B.D. REF :

CLIENT :

SHIMAO GROUP HOLDINGS LIMITED

ARCHITECT : **WONG TUNG & PARTNERS LIMITED ARCHITECTS & PLANNERS**



MAIN CONTRACTOR :

STRUCTURAL ENGINEER :

C M WONG & ASSOCIATES LTD Consulting Engineers

SITE IN SITU CONSULTANT:

MEINHARDT

NOTE :

1. ALL DIMENSIONS ARE IN mm.
2. ALL ELEVATIONS ARE VIEWED FROM OUTSIDE.
3. ALL DIMENSIONS TO BE VERIFIED ON SITE BEFORE FABRICATION.

LEGEND :

- (X1) --- DETAIL MARK NO.
- (X001) --- REFER SHEET NO.

1. F.F.L. --- FINISHED FLOOR LEVEL
2. S.F.L. --- STRUCTURAL FLOOR LEVEL
3. (R) --- REVERSED DETAIL
4. ▲ --- FIXING LOCATION
5. △ --- FIXING LUG LOCATION

GLASS LEGEND

- GL01 --- 10mm+12mm AIR GAP+10mm THK. I.G.U.
- GL05 --- 10mm+12mm AIR GAP+10mm THK. I.G.U.
- GL06 --- 10mm+12mm AIR GAP+12mm THK. I.G.U.
- PD01 --- 10mm T.P+12mm AIR GAP+8mm T.P
- GL07 --- 10mm+12mm AIR GAP+12mm THK. I.G.U.
- GL08 --- 10mm+12mm AIR GAP+10mm THK. I.G.U.

NO.	DATE	REVISION	BY
C	18/04/2022	REVISION SUBJECT TO ARCH-COMMENT	LHR
B	16/12/2021	REVISION SUBJECT TO ARCH-COMMENT	LHR

JOB NO. : J-853

PROJECT : PROPOSED RESIDENTIAL DEVELOPMENT AT N.K.I.L. 6542 YIN PING ROAD KOWLOON

TITLE : WINDOW SCHEDULE FOR TOWER 7 ALUM. WINDOW

PROVIDED		
GLAZING AREA	3.661	m ²
OPENABLE AREA	1.985	m ²
FREE AREA	-	%

WINDOW MARK	W251 T7
LOCATION	16F&25F~26F UNIT A LIVING
SECTION	50mm ALUM. SECTION
GLAZING	PD01
QUANTITY	3 Nos.
REMARKS	SITE IN SITU

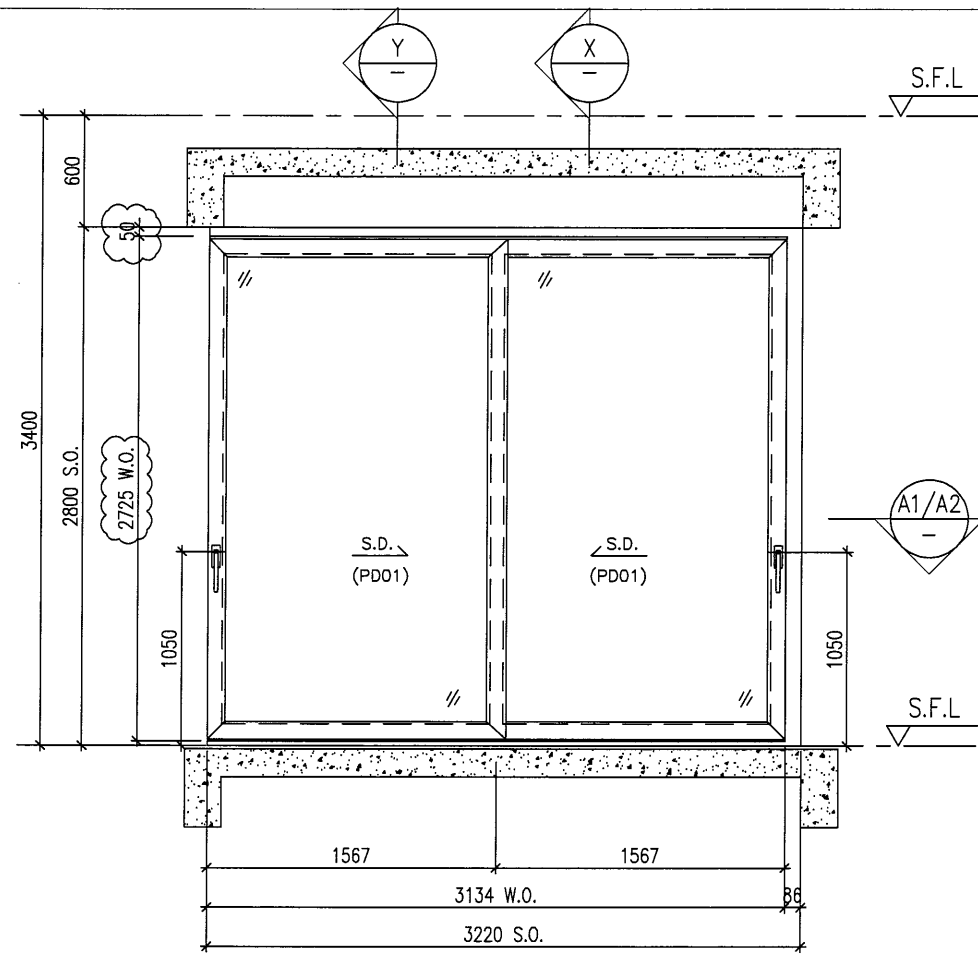
DATE : 03-APR-21 SCALE : 1:40

DRAWN BY : CHECKED BY :

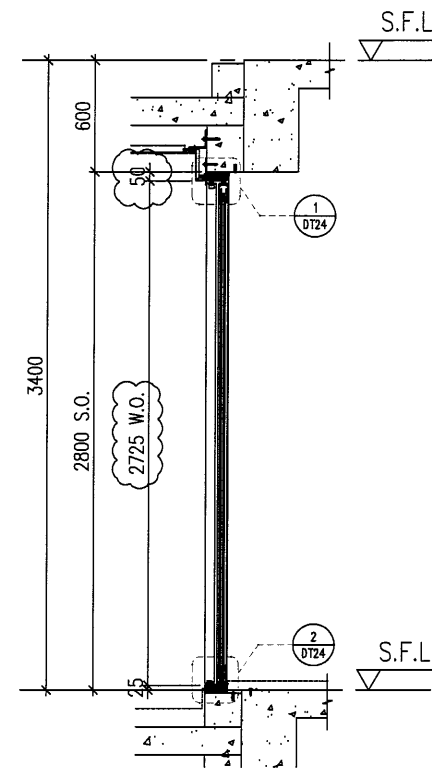
美特鋁質有限公司
MIDI ALUMINIUM FABRICATOR LTD.
Units 6-8, Sunray Industrial Centre, 1/F
610 Cha Kwo Ling Road, Kowloon
Tel:23489211-4 Fax:(852)2727666

DWG NO. : J853-SD-IW-SC701a REV. : C

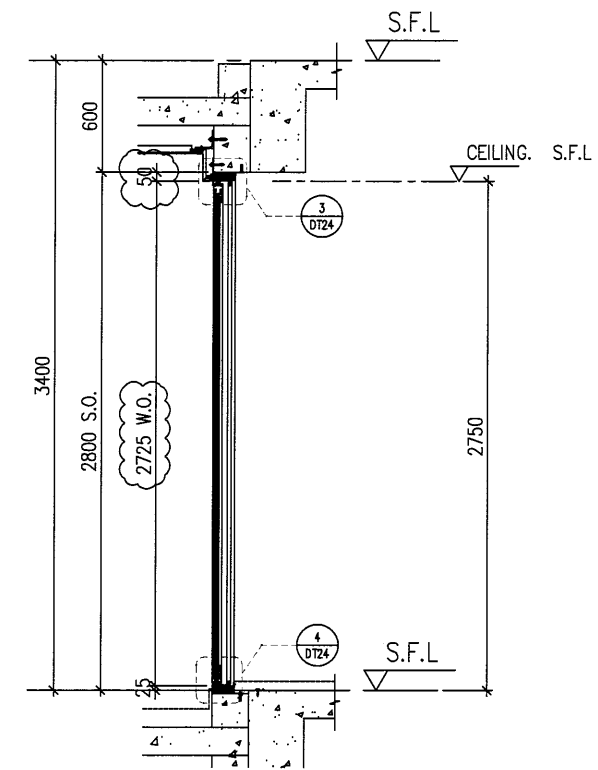
ELEVATION



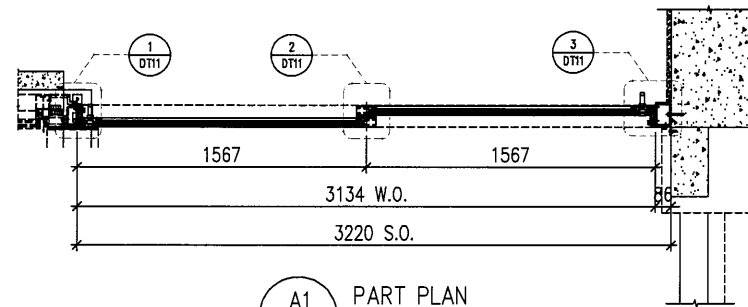
ELEVATION



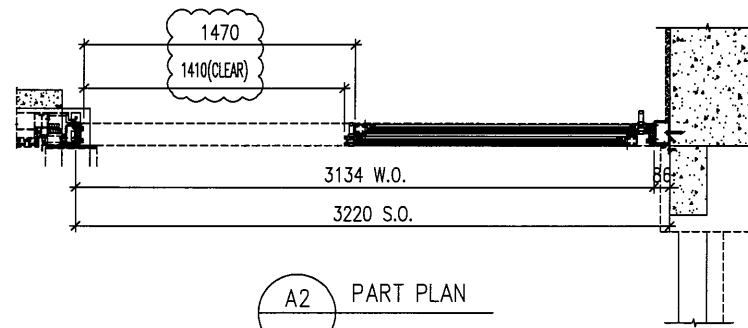
X PART SECTION



Y PART SECTION



A1 PART PLAN



A2 PART PLAN

B.D. REF :

CLIENT :
SHIMAO GROUP HOLDINGS LIMITED

ARCHITECT :
WONG TUNG & PARTNERS LIMITED ARCHITECTS & PLANNERS

MAIN CONTRACTOR :

STRUCTURAL ENGINEER :
C M WONG & ASSOCIATES LTD Consulting Engineers

SITE IN SITU CONSULTANT:
MEINHARDT

- NOTE :
1. ALL DIMENSIONS ARE IN mm.
 2. ALL ELEVATIONS ARE VIEWED FROM OUTSIDE.
 3. ALL DIMENSIONS TO BE VERIFIED ON SITE BEFORE FABRICATION.

- LEGEND :
- (X1) --- DETAIL MARK NO.
 - (X001) --- REFER SHEET NO.
 - 1. F.F.L --- FINISHED FLOOR LEVEL
 - 2. S.F.L --- STRUCTURAL FLOOR LEVEL
 - 3. (R) --- REVERSED DETAIL
 - 4. ▲ --- FIXING LOCATION
 - 5. △ --- FIXING LUG LOCATION
 - 6. GLASS LEGEND
 - GL01 --- 10mm+12mm AIR GAP+10mm THK. I.G.U.
 - GL05 --- 10mm+12mm AIR GAP+10mm THK. I.G.U.
 - GL06 --- 10mm+12mm AIR GAP+12mm THK. I.G.U.
 - PD01 --- 10mm T.P+12mm AIR GAP+8mm T.P
 - GL07 --- 10mm+12mm AIR GAP+12mm THK. I.G.U.
 - GL08 --- 10mm+12mm AIR GAP+10mm THK. I.G.U.

NO.	DATE	REVISION	BY
C	18/04/2022	REVISION SUBJECT TO ARCH/COMMENT	LHR
B	16/12/2021	REVISION SUBJECT TO ARCH/COMMENT	LHR

JOB NO. : J-853
PROJECT : PROPOSED RESIDENTIAL DEVELOPMENT AT N.K.I.L. 6542 YIN PING ROAD KOWLOON

TITLE : WINDOW SCHEDULE FOR TOWER 7 ALUM. WINDOW

DATE : 03-APR-21 SCALE : 1:40
DRAWN BY : CHECKED BY :

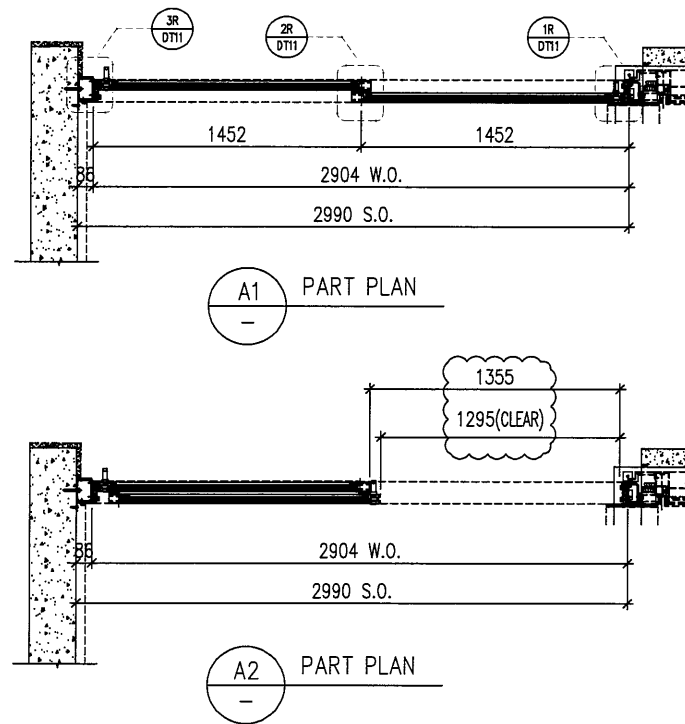
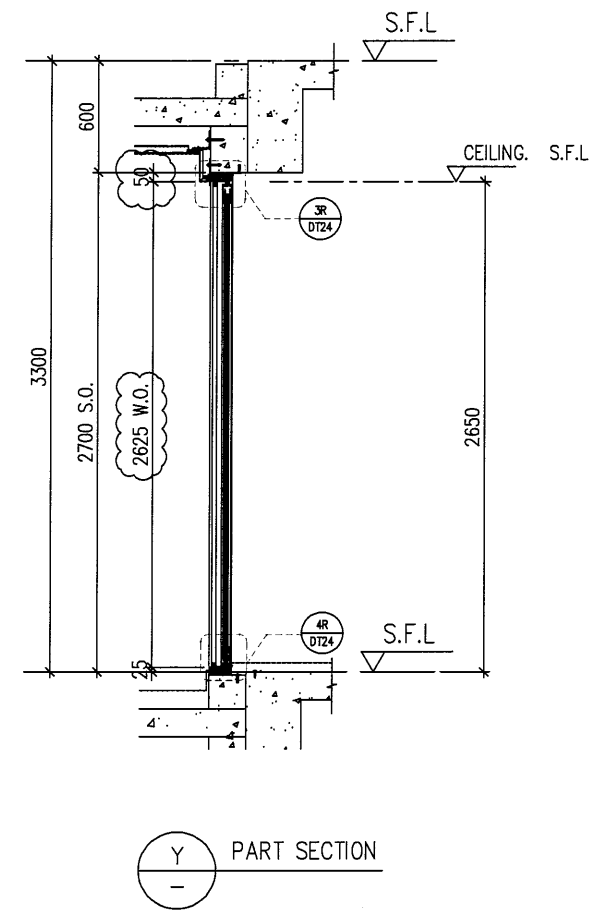
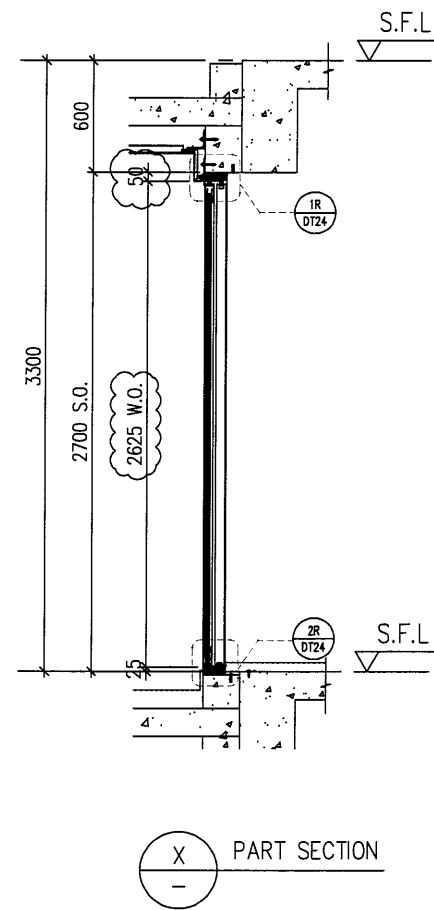
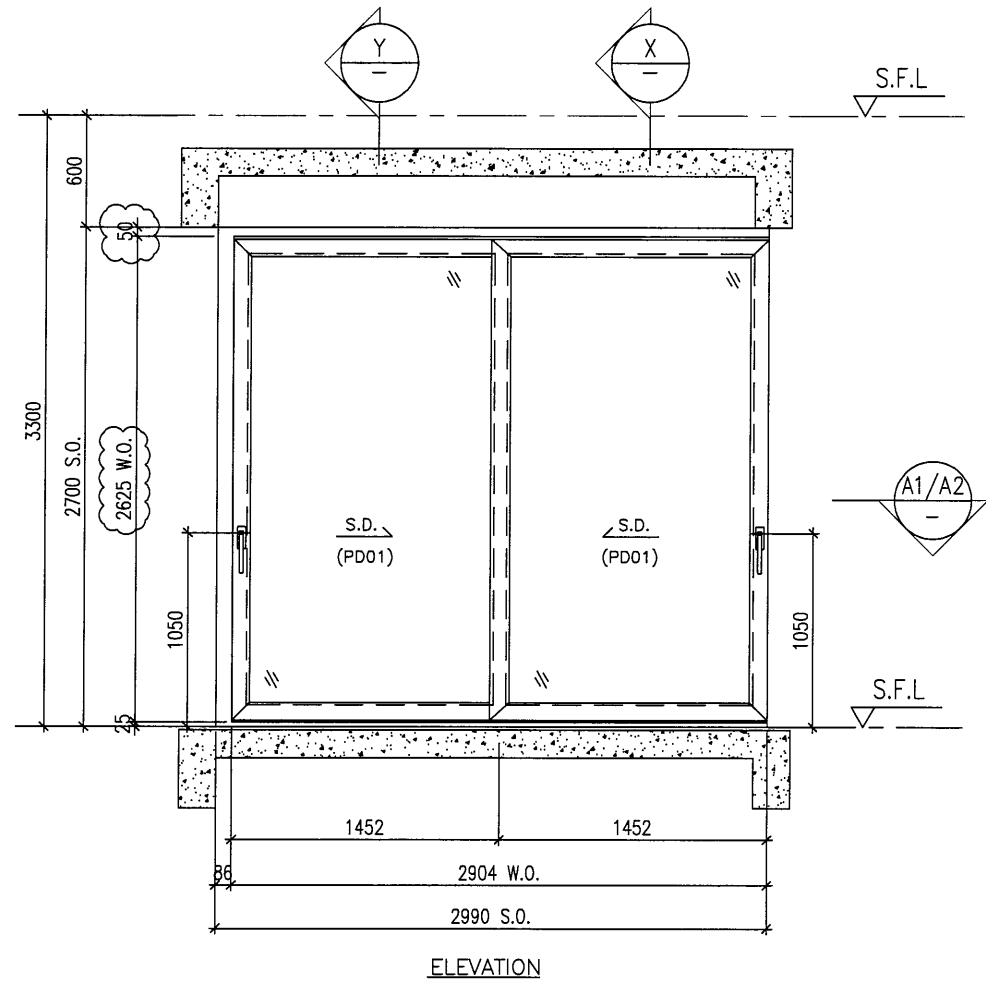
美特鋁質有限公司
MIDI ALUMINIUM FABRICATOR LTD.
Units 6-8, Sunray Industrial Centre, 1/F
610 Cha Kwo Ling Road, Kowloon
Tel:23489211-4 Fax:(852)2727666

DWG NO. : J853-SD-IW-SC701b REV. : C

PROVIDED		
GLAZING AREA	3.939	m ²
OPENABLE AREA	2.127	m ²
FREE AREA	-	%

WINDOW MARK	
LOCATION	23F UNIT A LIVING
SECTION	50mm ALUM. SECTION
GLAZING	PD01
QUANTITY	1 Nos.
REMARKS	SITE IN SITU

ELEVATION



PROVIDED		
GLAZING AREA	3.359	m ²
OPENABLE AREA	1.824	m ²
FREE AREA	-	%

B.D. REF :

CLIENT :
SHIMAO GROUP HOLDINGS LIMITED

ARCHITECT :
WONG TUNG & PARTNERS LIMITED ARCHITECTS & PLANNERS

MAIN CONTRACTOR :

STRUCTURAL ENGINEER :
C M WONG & ASSOCIATES LTD Consulting Engineers

SITE IN SITU CONSULTANT:
MEINHARDT

NOTE :
1. ALL DIMENSIONS ARE IN mm.
2. ALL ELEVATIONS ARE VIEWED FROM OUTSIDE.
3. ALL DIMENSIONS TO BE VERIFIED ON SITE BEFORE FABRICATION.

LEGEND :
 (X1) --- DETAIL MARK NO.
 (X001) --- REFER SHEET NO.
 1. F.F.L. --- FINISHED FLOOR LEVEL
 2. S.F.L. --- STRUCTURAL FLOOR LEVEL
 3. (R) --- REVERSED DETAIL
 4. ▲ --- FIXING LOCATION
 5. △ --- FIXING LUG LOCATION
 6. GLASS LEGEND
 GL01 --- 10mm+12mm AIR GAP+10mm THK. I.G.U.
 GL05 --- 10mm+12mm AIR GAP+10mm THK. I.G.U.
 GL06 --- 10mm+12mm AIR GAP+12mm THK. I.G.U.
 PD01 --- 10mm T.P+12mm AIR GAP+8mm T.P.
 GL07 --- 10mm+12mm AIR GAP+12mm THK. I.G.U.
 GL08 --- 10mm+12mm AIR GAP+10mm THK. I.G.U.

NO.	DATE	REVISED	BY
C	18/04/2022	REVISION SUBJECT TO ARCH/COMMENT	LHR
B	16/12/2021	REVISION SUBJECT TO ARCH/COMMENT	LHR

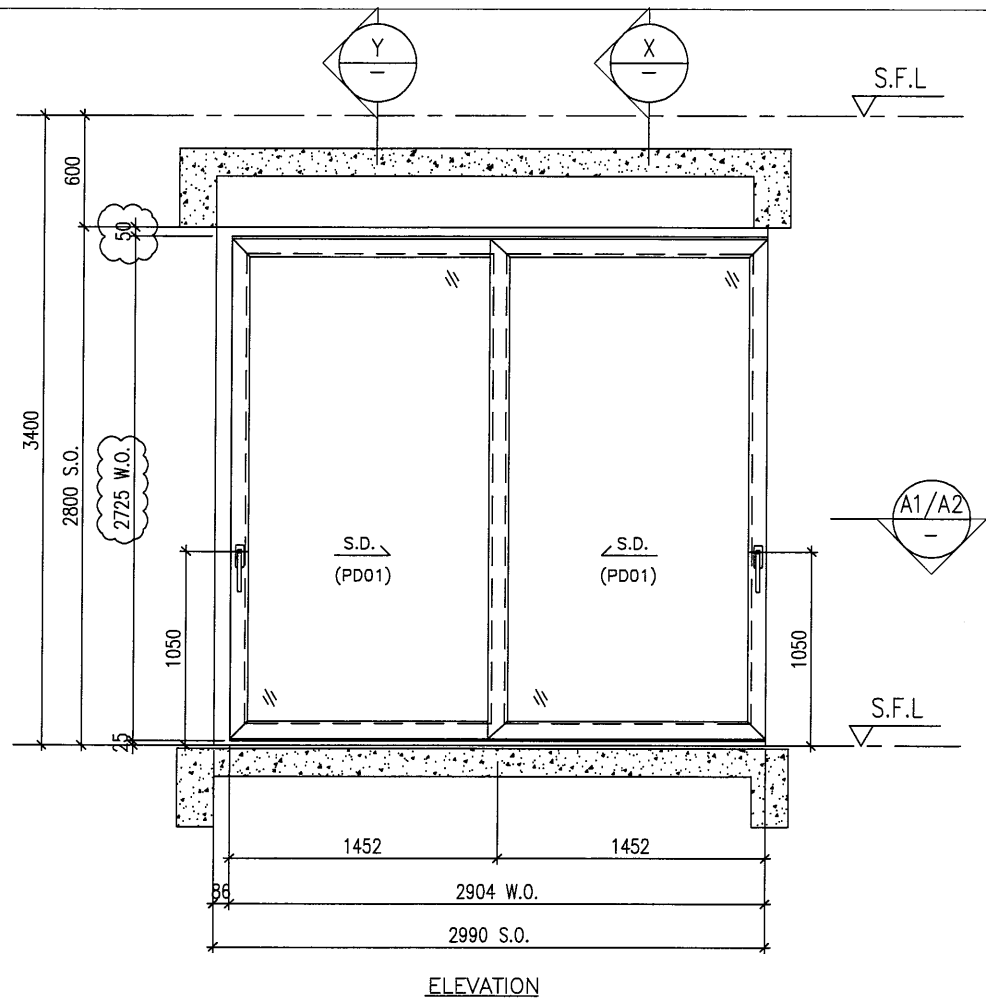
JOB NO. : J-853
 PROJECT : PROPOSED RESIDENTIAL DEVELOPMENT AT N.K.I.L. 6542 YIN PING ROAD KOWLOON
 TITLE : WINDOW SCHEDULE FOR TOWER 7 ALUM. WINDOW

DATE : 03-APR-21 SCALE : 1:40
 DRAWN BY : CHECKED BY :

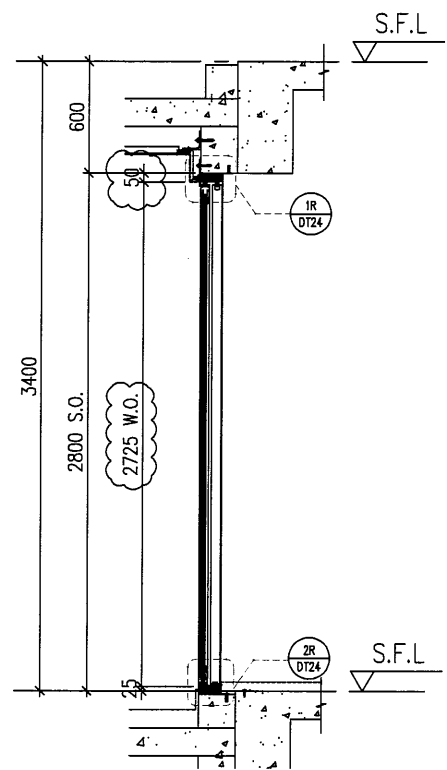
美特鋁質有限公司
MIDI ALUMINIUM FABRICATOR LTD.
 Units 6-8, Sunray Industrial Centre, 1/F
 610 Cha Kwo Ling Road, Kowloon
 Tel:23489211-4 Fax:(852)2727666
 DWG NO. : J853-SD-IW-SC702a REV. : C

WINDOW MARK	W252 T7
LOCATION	16F UNIT B LIVING
SECTION	50mm ALUM. SECTION
GLAZING	PD01
QUANTITY	1 Nos.
REMARKS	SITE IN SITU

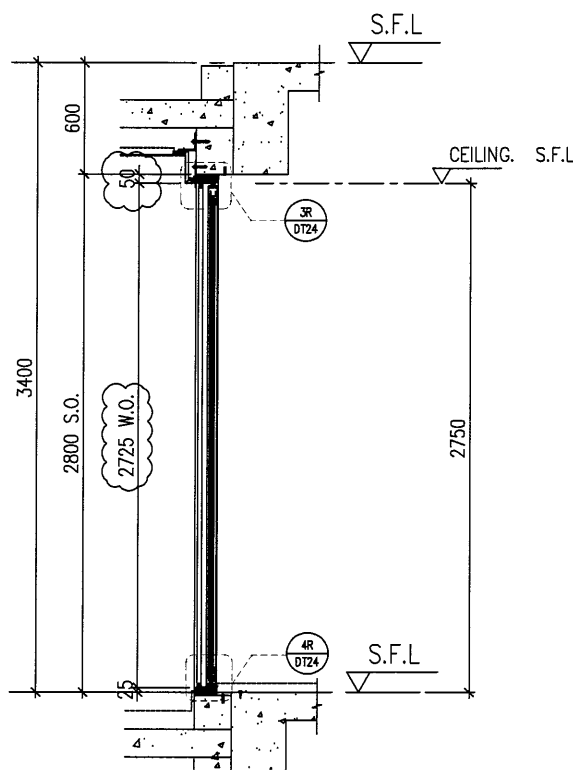
ELEVATION



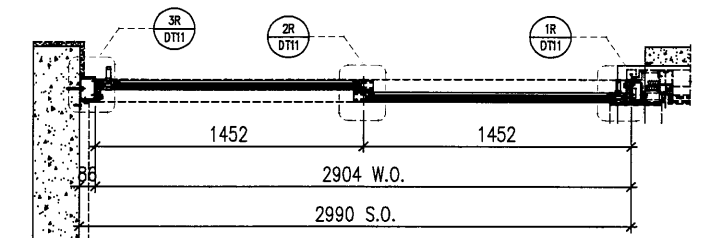
ELEVATION



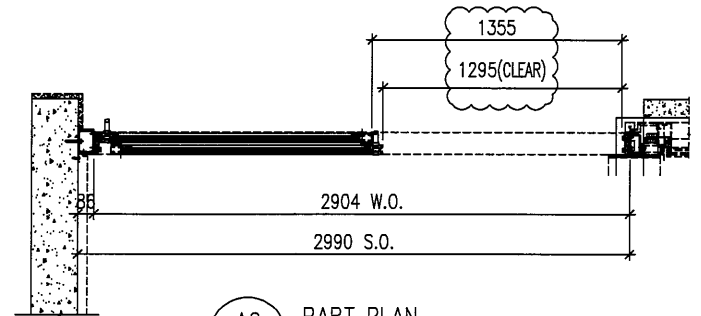
X PART SECTION



Y PART SECTION



A1 PART PLAN



A2 PART PLAN

B.D. REF :

CLIENT : SHIMAO GROUP HOLDINGS LIMITED

ARCHITECT : WONG TUNG & PARTNERS LIMITED ARCHITECTS & PLANNERS

MAIN CONTRACTOR :

STRUCTURAL ENGINEER : C M WONG & ASSOCIATES LTD Consulting Engineers

SITE IN SITU CONSULTANT: MEINHARDT

NOTE :
1. ALL DIMENSIONS ARE IN mm.
2. ALL ELEVATIONS ARE VIEWED FROM OUTSIDE.
3. ALL DIMENSIONS TO BE VERIFIED ON SITE BEFORE FABRICATION.

LEGEND :
X1 --- DETAIL MARK NO.
X001 --- REFER SHEET NO.
1. F.F.L. --- FINISHED FLOOR LEVEL
2. S.F.L. --- STRUCTURAL FLOOR LEVEL
3. (R) --- REVERSED DETAIL
4. ▲ --- FIXING LOCATION
5. △ --- FIXING LUG LOCATION
6. GLASS LEGEND
GL01 --- 10mm+12mm AIR GAP+10mm THK. I.G.U.
GL05 --- 10mm+12mm AIR GAP+10mm THK. I.G.U.
GL06 --- 10mm+12mm AIR GAP+12mm THK. I.G.U.
PD01 --- 10mm T.P+12mm AIR GAP+8mm T.P.
GL07 --- 10mm+12mm AIR GAP+12mm THK. I.G.U.
GL08 --- 10mm+12mm AIR GAP+10mm THK. I.G.U.

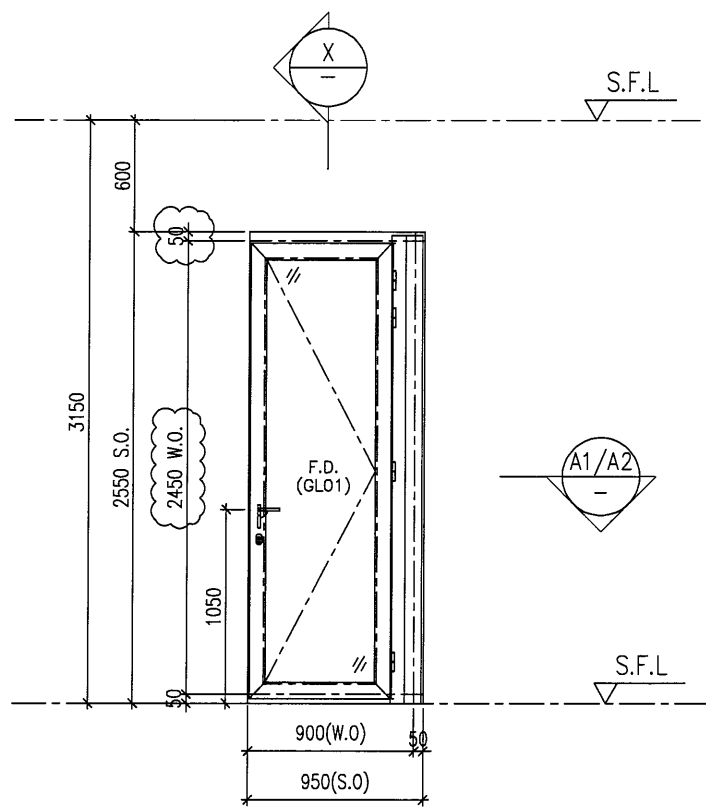
C	18/04/2022	REVISION SUBJECT TO ARCH-COMMENT	LHR
NO.	DATE	REVISED	BY

JOB NO. : J-853
PROJECT : PROPOSED RESIDENTIAL DEVELOPMENT AT N.K.I.L. 6542 YIN PING ROAD KOWLOON
TITLE : WINDOW SCHEDULE FOR TOWER 7 ALUM. WINDOW

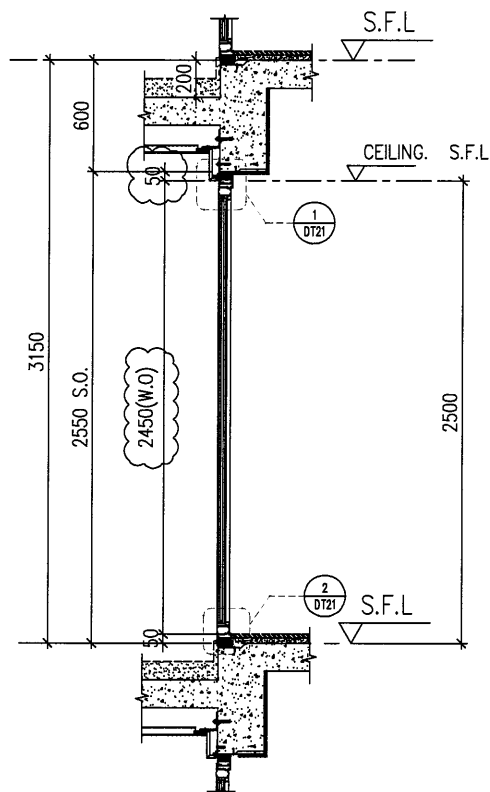
PROVIDED		
GLAZING AREA	3.614	m ²
OPENABLE AREA	1.954	m ²
FREE AREA	-	%

WINDOW MARK	W272 T7
LOCATION	23F UNIT B LIVING
SECTION	50mm ALUM. SECTION
GLAZING	PD01
QUANTITY	1 Nos.
REMARKS	SITE IN SITU

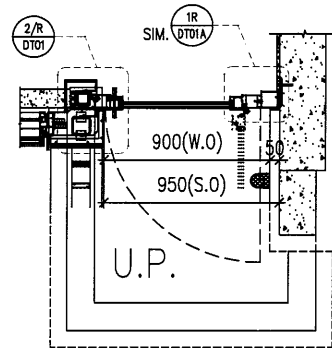
DATE : 03-APR-21 SCALE : 1:40
DRAWN BY : CHECKED BY :
MIDI ALUMINIUM FABRICATOR LTD.
Units 6-8, Sunray Industrial Centre, 1/F
610 Cha Kwo Ling Road, Kowloon
Tel:23489211-4 Fax:(852)27727666
DWG NO. : J853-SD-IW-SC702b REV. : C



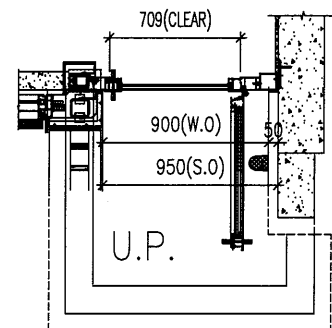
ELEVATION



X PART SECTION



A1 PART PLAN



A2 PART PLAN

ELEVATION

B.D. REF :

CLIENT :

SHIMAO GROUP HOLDINGS LIMITED

ARCHITECT : **WONG TUNG & PARTNERS LIMITED**
ARCHITECTS & PLANNERS



MAIN CONTRACTOR :

STRUCTURAL ENGINEER :

C M WONG & ASSOCIATES LTD
Consulting Engineers

SITE IN SITU CONSULTANT:



NOTE :

1. ALL DIMENSIONS ARE IN mm.
2. ALL ELEVATIONS ARE VIEWED FROM OUTSIDE.
3. ALL DIMENSIONS TO BE VERIFIED ON SITE BEFORE FABRICATION.

LEGEND :

- X1 --- DETAIL MARK NO.
- X001 --- REFER SHEET NO.

1. F.F.L --- FINISHED FLOOR LEVEL
2. S.F.L --- STRUCTURAL FLOOR LEVEL
3. (R) --- REVERSED DETAIL
4. ▲ --- FIXING LOCATION
5. △ --- FIXING LUG LOCATION

6. GLASS LEGEND

- GL01 --- 10mm+12mm AIR GAP+10mm THK. I.G.U.
- GL05 --- 10mm+12mm AIR GAP+10mm THK. I.G.U.
- GL06 --- 10mm+12mm AIR GAP+12mm THK. I.G.U.
- PD01 --- 10mm T.P+12mm AIR GAP+8mm T.P
- GL07 --- 10mm+12mm AIR GAP+12mm THK. I.G.U.
- GL08 --- 10mm+12mm AIR GAP+10mm THK. I.G.U.

NO.	DATE	REVISED	BY
C	18/04/2022	REVISION SUBJECT TO ARCH.COMMENT	LHR
B	16/12/2021	REVISION SUBJECT TO ARCH.COMMENT	LHR
A	28/08/2021	REVISION SUBJECT TO ARCH.COMMENT	WSH

JOB NO. : J-853

PROJECT : PROPOSED RESIDENTIAL DEVELOPMENT AT N.K.I.L. 6542 YIN PING ROAD KOWLOON

TITLE : WINDOW SCHEDULE FOR TOWER 7 ALUM. WINDOW

DATE : 03-APR-21

SCALE : 1:40

DRAWN BY :

CHECKED BY :

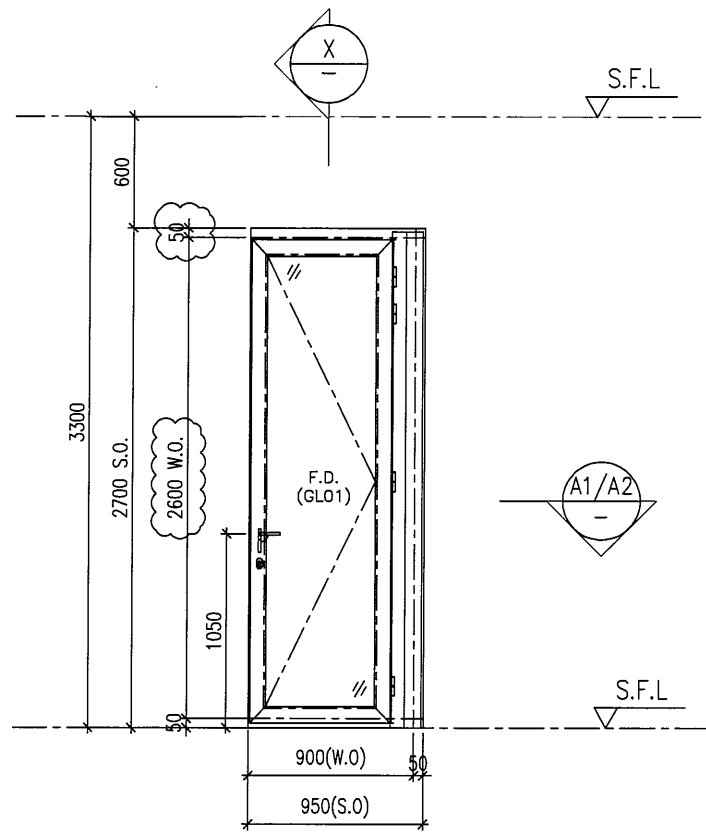
美特鋁質有限公司
MIDI ALUMINIUM FABRICATOR LTD.
Units 6-8, Sunray Industrial Centre, 1/F
610 Cha Kwo Ling Road, Kowloon
Tel:23489211-4 Fax:(852)2727666

DWG NO. : J853-SD-IW-SC703

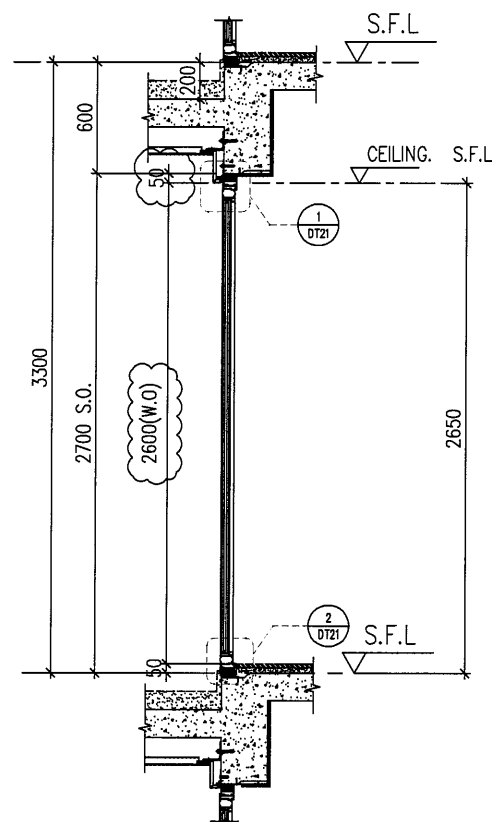
REV. : C

PROVIDED		
GLAZING AREA	0.691	m ²
OPENABLE AREA	0.889	m ²
FREE AREA	-	%

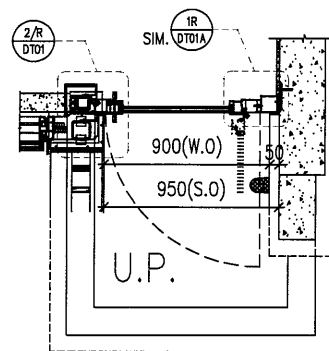
WINDOW MARK	
LOCATION	7F~15F&17F~22F UNIT A ENSUITE
SECTION	70mm ALUM. SECTION
GLAZING	GL01
QUANTITY	13 Nos.
REMARKS	SITE IN SITU



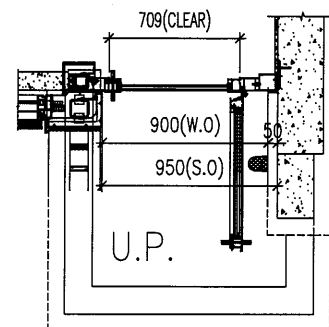
ELEVATION



PART SECTION



PART PLAN



PART PLAN

ELEVATION

B.D. REF :

CLIENT :

SHIMAO GROUP HOLDINGS LIMITED

ARCHITECT : **WONG TUNG & PARTNERS LIMITED**
ARCHITECTS & PLANNERS



MAIN CONTRACTOR :

STRUCTURAL ENGINEER :

C M WONG & ASSOCIATES LTD
Consulting Engineers

SITE IN SITU CONSULTANT:



NOTE :

1. ALL DIMENSIONS ARE IN mm.
2. ALL ELEVATIONS ARE VIEWED FROM OUTSIDE.
3. ALL DIMENSIONS TO BE VERIFIED ON SITE BEFORE FABRICATION.

LEGEND :

- (X1) --- DETAIL MARK NO.
- (X001) --- REFER SHEET NO.

1. F.F.L --- FINISHED FLOOR LEVEL
2. S.F.L --- STRUCTURAL FLOOR LEVEL
3. (R) --- REVERSED DETAIL
4. ▲ --- FIXING LOCATION
5. △ --- FIXING LUG LOCATION

GLASS LEGEND

- GLO1 --- 10mm+12mm AIR GAP+10mm THK. I.G.U.
- GLO5 --- 10mm+12mm AIR GAP+10mm THK. I.G.U.
- GLO6 --- 10mm+12mm AIR GAP+12mm THK. I.G.U.
- PD01 --- 10mm T.P+12mm AIR GAP+8mm T.P
- GLO7 --- 10mm+12mm AIR GAP+12mm THK. I.G.U.
- GLO8 --- 10mm+12mm AIR GAP+10mm THK. I.G.U.

NO.	DATE	REVISION	BY
C	18/04/2022	REVISION SUBJECT TO ARCH-COMMENT	LHR
B	16/12/2021	REVISION SUBJECT TO ARCH-COMMENT	LHR

JOB NO. : J-853

PROJECT : PROPOSED RESIDENTIAL DEVELOPMENT AT N.K.I.L. 6542 YIN PING ROAD KOWLOON

TITLE : WINDOW SCHEDULE FOR TOWER 7 ALUM. WINDOW

PROVIDED		
GLAZING AREA	0.778	m ²
OPENABLE AREA	0.995	m ²
FREE AREA	-	%

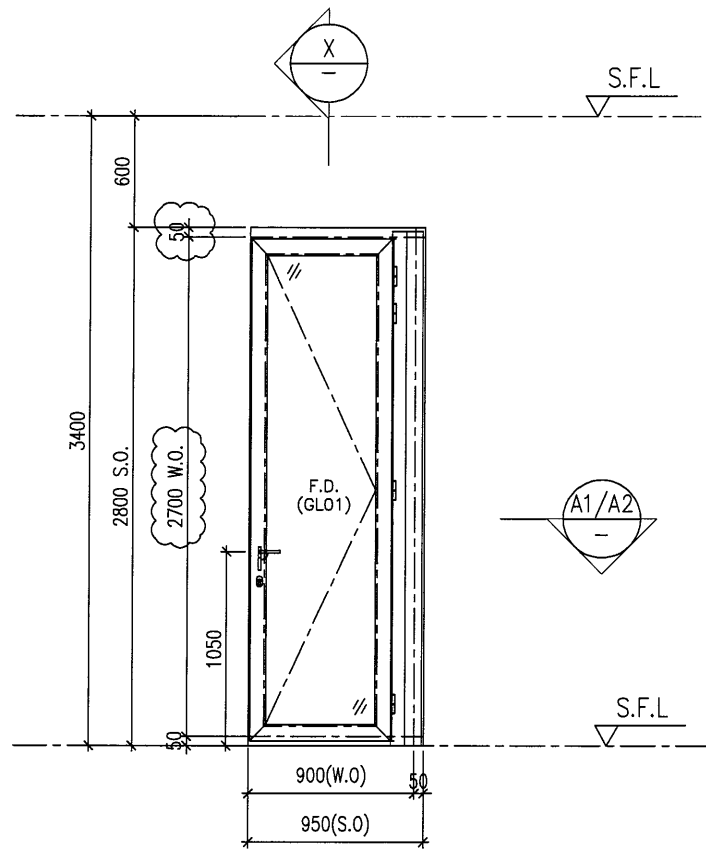
WINDOW MARK	
LOCATION	16F&25F~26F UNIT A ENSUITE
SECTION	70mm ALUM. SECTION
GLAZING	GLO1
QUANTITY	3 Nos.
REMARKS	SITE IN SITU

DATE : 03-APR-21 SCALE : 1:40

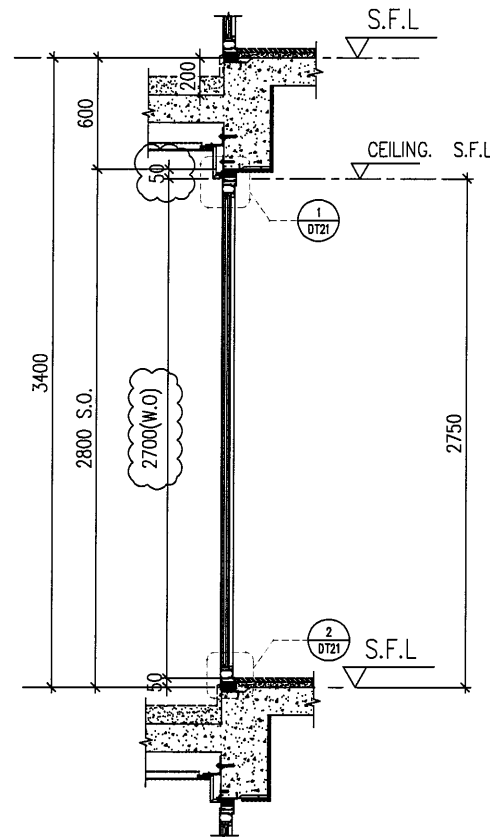
DRAWN BY : CHECKED BY :

美特鋁質有限公司
MIDI ALUMINIUM FABRICATOR LTD.
Units 6-8, Sunray Industrial Centre, 1/F
610 Cha Kwo Ling Road, Kowloon
Tel:23489211-4 Fax:(852)2727666

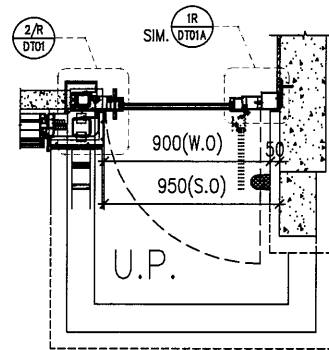
DWG NO. : J853-SD-IW-SC703a REV. : C



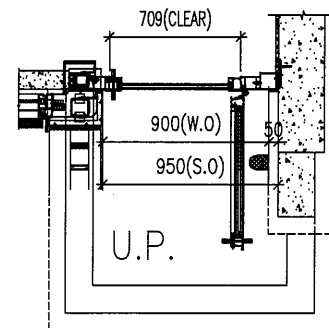
ELEVATION



X PART SECTION



A1 PART PLAN



A2 PART PLAN

ELEVATION

B.D. REF :

CLIENT :

SHIMAO GROUP HOLDINGS LIMITED

ARCHITECT : **WONG TUNG & PARTNERS LIMITED**
ARCHITECTS & PLANNERS



MAIN CONTRACTOR :

STRUCTURAL ENGINEER :

C M WONG & ASSOCIATES LTD
Consulting Engineers

SITE IN SITU CONSULTANT:



NOTE :

1. ALL DIMENSIONS ARE IN mm.
2. ALL ELEVATIONS ARE VIEWED FROM OUTSIDE.
3. ALL DIMENSIONS TO BE VERIFIED ON SITE BEFORE FABRICATION.

LEGEND :

- X1 --- DETAIL MARK NO.
- X001 --- REFER SHEET NO.

1. F.F.L --- FINISHED FLOOR LEVEL
2. S.F.L --- STRUCTURAL FLOOR LEVEL
3. (B) --- REVERSED DETAIL
4. ▲ --- FIXING LOCATION
5. △ --- FIXING LUG LOCATION
6. GLASS LEGEND

- GL01 --- 10mm+12mm AIR GAP+10mm THK. I.G.U.
- GL05 --- 10mm+12mm AIR GAP+10mm THK. I.G.U.
- GL06 --- 10mm+12mm AIR GAP+12mm THK. I.G.U.
- PD01 --- 10mm T.P+12mm AIR GAP+8mm T.P
- GL07 --- 10mm+12mm AIR GAP+12mm THK. I.G.U.
- GL08 --- 10mm+12mm AIR GAP+10mm THK. I.G.U.

NO.	DATE	REVISED	BY
C	18/04/2022	REVISION SUBJECT TO ARCH.COMMENT	LHR
B	16/12/2021	REVISION SUBJECT TO ARCH.COMMENT	LHR

JOB NO. : J-853

PROJECT : PROPOSED RESIDENTIAL DEVELOPMENT AT N.K.I.L. 6542 YIN PING ROAD KOWLOON

TITLE : WINDOW SCHEDULE FOR TOWER 7 ALUM. WINDOW

PROVIDED		
GLAZING AREA	0.836	m ²
OPENABLE AREA	1.066	m ²
FREE AREA	-	%

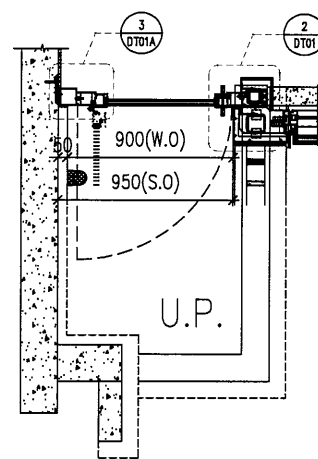
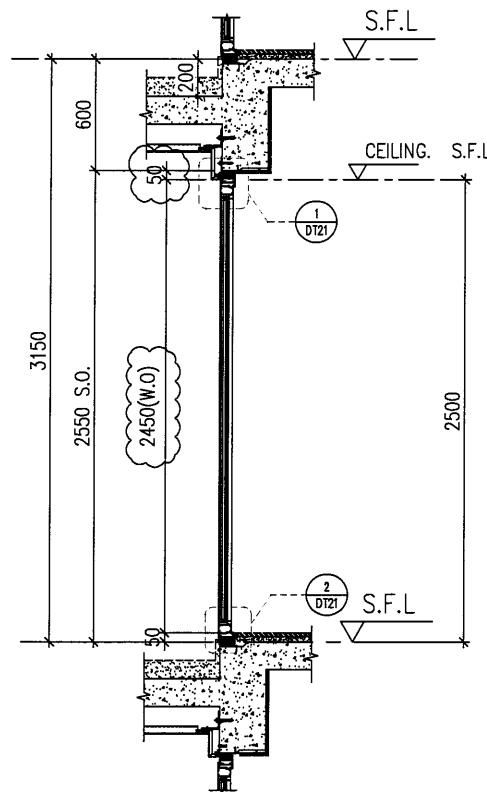
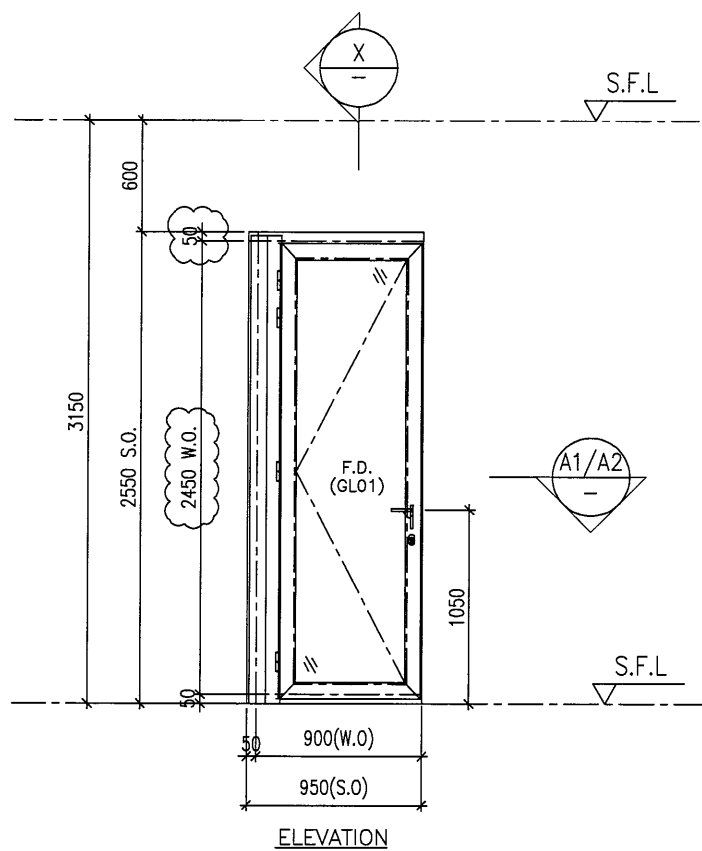
DATE : 03-APR-21 SCALE : 1:40

DRAWN BY : CHECKED BY :

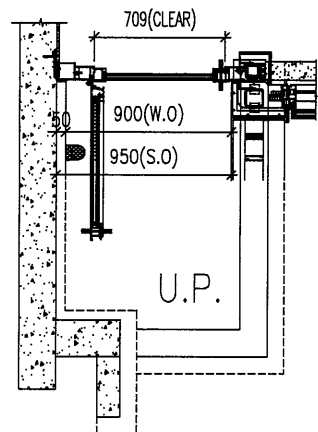
美特鋁質有限公司
MIDI ALUMINIUM FABRICATOR LTD.
Units 6-8, Sunray Industrial Centre, 1/F
610 Cha Kwo Ling Road, Kowloon
Tel:23489211-4 Fax:(852)2727666

DWG NO. : JB53-SD-IW-SC703b REV. : C

WINDOW MARK	
LOCATION	23F UNIT A ENSUITE
SECTION	70mm ALUM. SECTION
GLAZING	GL01
QUANTITY	1 Nos.
REMARKS	SITE IN SITU



A1 PART PLAN



A2 PART PLAN

X PART SECTION

ELEVATION

B.D. REF :

CLIENT :
SHIMAO GROUP HOLDINGS LIMITED

ARCHITECT :
WONG TUNG & PARTNERS LIMITED
ARCHITECTS & PLANNERS

MAIN CONTRACTOR :

STRUCTURAL ENGINEER :
C M WONG & ASSOCIATES LTD
Consulting Engineers

SITE IN SITU CONSULTANT:
MEINHARDT

NOTE :
1. ALL DIMENSIONS ARE IN mm.
2. ALL ELEVATIONS ARE VIEWED FROM OUTSIDE.
3. ALL DIMENSIONS TO BE VERIFIED ON SITE BEFORE FABRICATION.

LEGEND :
X1 --- DETAIL MARK NO.
X001 --- REFER SHEET NO.
1. F.F.L --- FINISHED FLOOR LEVEL
2. S.F.L --- STRUCTURAL FLOOR LEVEL
3. (R) --- REVERSED DETAIL
4. ▲ --- FIXING LOCATION
5. △ --- FIXING LUG LOCATION
6. GLASS LEGEND
GL01 --- 10mm+12mm AIR GAP+10mm THK. I.G.U.
GL05 --- 10mm+12mm AIR GAP+10mm THK. I.G.U.
GL06 --- 10mm+12mm AIR GAP+12mm THK. I.G.U.
PD01 --- 10mm T.P+12mm AIR GAP+8mm T.P
GL07 --- 10mm+12mm AIR GAP+12mm THK. I.G.U.
GL08 --- 10mm+12mm AIR GAP+10mm THK. I.G.U.

NO.	DATE	REVISED	BY
C	18/04/2022	REVISION SUBJECT TO ARCH.COMMENT	LHR
B	16/12/2021	REVISION SUBJECT TO ARCH.COMMENT	LHR
A	28/08/2021	REVISION SUBJECT TO ARCH.COMMENT	WSH

JOB NO. : J-853
PROJECT :
PROPOSED RESIDENTIAL DEVELOPMENT AT N.K.I.L. 6542 YIN PING ROAD KOWLOON

TITLE : WINDOW SCHEDULE FOR TOWER 7 ALUM. WINDOW

PROVIDED		
GLAZING AREA	0.691	m ²
OPENABLE AREA	0.889	m ²
FREE AREA	-	%

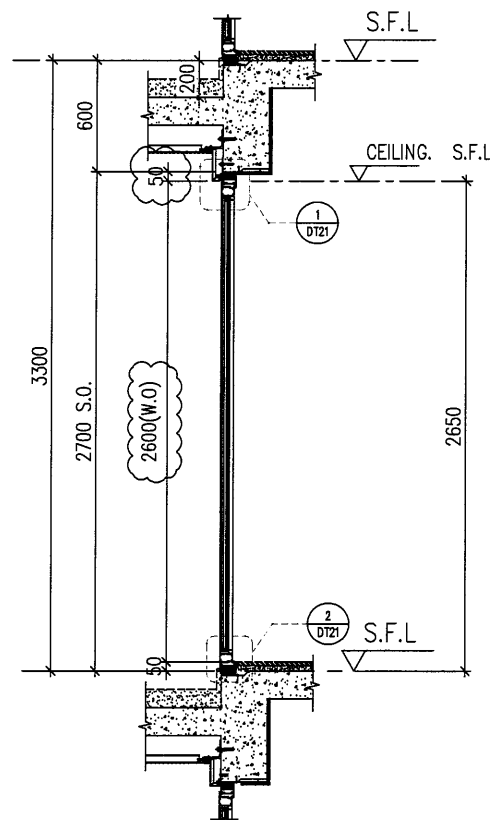
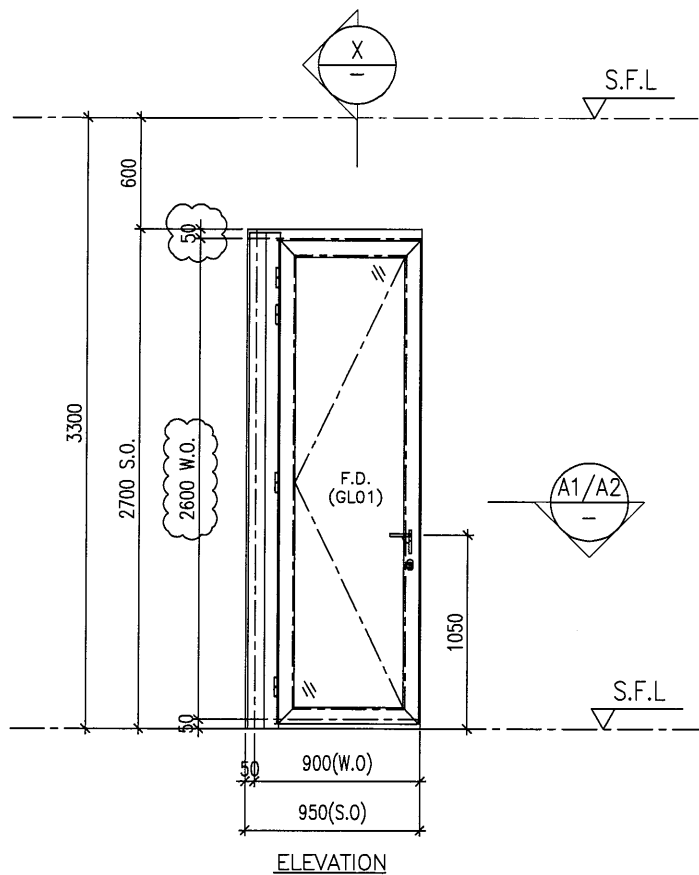
DATE : 03-APR-21 SCALE : 1:40
DRAWN BY : CHECKED BY :

美特鋁質有限公司
MIDI ALUMINIUM FABRICATOR LTD.
Units 6-8, Sunray Industrial Centre, 1/F
610 Cha Kwo Ling Road, Kowloon
Tel:23489211-4 Fax:(852)2727666

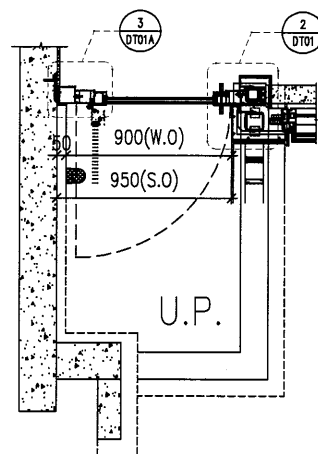
DWG NO. : J853-SD-IW-SC704 REV. : C

WINDOW MARK	
LOCATION	7F~15F&17F~22F &25F UNIT B ENSUITE
SECTION	70mm ALUM. SECTION
GLAZING	GL01
QUANTITY	14 Nos.
REMARKS	SITE IN SITU

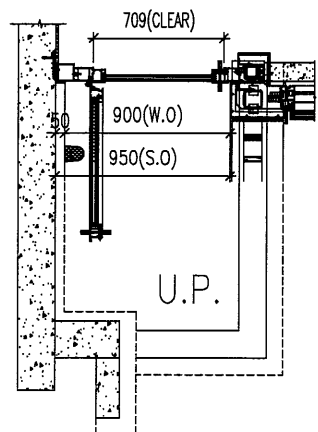
ELEVATION



X
-
PART SECTION



A1
-
PART PLAN



A2
-
PART PLAN

B.D. REF :

CLIENT :

SHIMAO GROUP HOLDINGS LIMITED

ARCHITECT : **WONG TUNG & PARTNERS LIMITED ARCHITECTS & PLANNERS**



MAIN CONTRACTOR :

STRUCTURAL ENGINEER :

C M WONG & ASSOCIATES LTD Consulting Engineers

SITE IN SITU CONSULTANT:



NOTE :

1. ALL DIMENSIONS ARE IN mm.
2. ALL ELEVATIONS ARE VIEWED FROM OUTSIDE.
3. ALL DIMENSIONS TO BE VERIFIED ON SITE BEFORE FABRICATION.

LEGEND :

- (X1) --- DETAIL MARK NO.
- (X001) --- REFER SHEET NO.

1. F.F.L. --- FINISHED FLOOR LEVEL
2. S.F.L. --- STRUCTURAL FLOOR LEVEL
3. (R) --- REVERSED DETAIL
4. ▲ --- FIXING LOCATION
5. △ --- FIXING LUG LOCATION

GLASS LEGEND

- GL01 --- 10mm+12mm AIR GAP+10mm THK. I.G.U.
- GL05 --- 10mm+12mm AIR GAP+10mm THK. I.G.U.
- GL06 --- 10mm+12mm AIR GAP+12mm THK. I.G.U.
- PD01 --- 10mm T.P+12mm AIR GAP+8mm T.P
- GL07 --- 10mm+12mm AIR GAP+12mm THK. I.G.U.
- GL08 --- 10mm+12mm AIR GAP+10mm THK. I.G.U.

NO.	DATE	REVISION	BY
C	18/04/2022	REVISION SUBJECT TO ARCH COMMENT	LHR
B	16/12/2021	REVISION SUBJECT TO ARCH COMMENT	LHR

JOB NO. : J-853

PROJECT : PROPOSED RESIDENTIAL DEVELOPMENT AT N.K.I.L. 6542 YIN PING ROAD KOWLOON

TITLE : WINDOW SCHEDULE FOR TOWER 7 ALUM. WINDOW

DATE : 03-APR-21 SCALE : 1:40

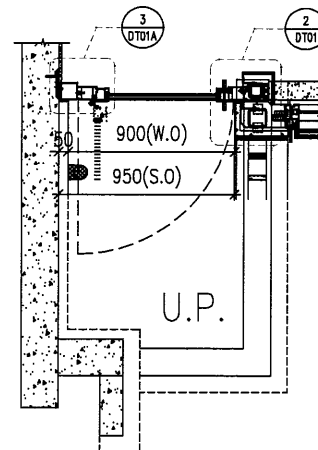
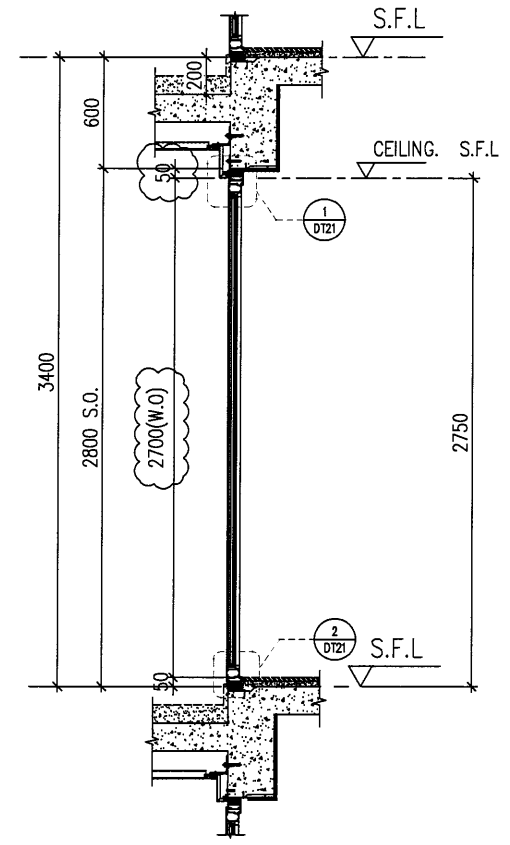
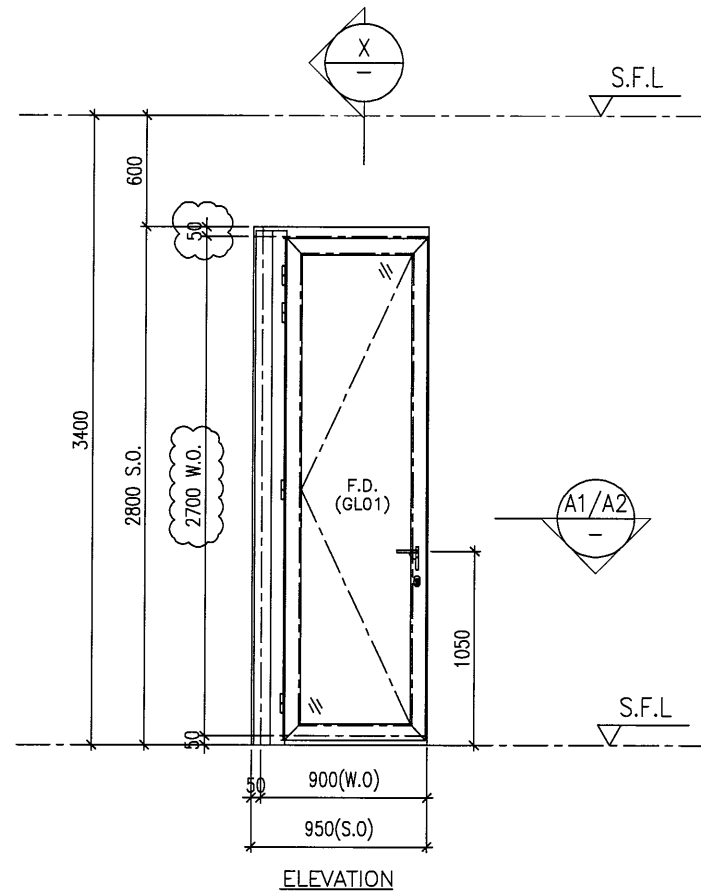
DRAWN BY : CHECKED BY :

美特鋁質有限公司
MIDI ALUMINIUM FABRICATOR LTD.
Units 6-8, Sunray Industrial Centre, 1/F
610 Cha Kwo Ling Road, Kowloon
Tel:23489211-4 Fax:(852)27727666

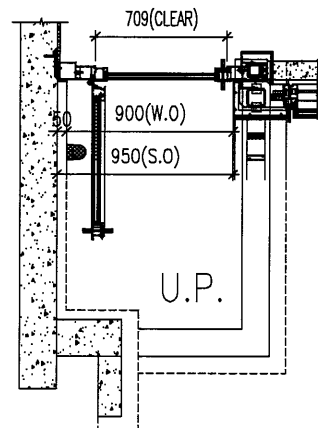
DWG NO. : J853-SD-IW-SC704a REV. : C

PROVIDED		
GLAZING AREA	0.778	m ²
OPENABLE AREA	0.995	m ²
FREE AREA	-	%

WINDOW MARK	
LOCATION	16F UNIT B ENSUITE
SECTION	70mm ALUM. SECTION
GLAZING	GL01
QUANTITY	1Nos.
REMARKS	SITE IN SITU



A1 PART PLAN



A2 PART PLAN

X PART SECTION

ELEVATION

ELEVATION

PROVIDED		
GLAZING AREA	0.836	m ²
OPENABLE AREA	1.066	m ²
FREE AREA	-	%

WINDOW MARK	W174L T7
LOCATION	23F UNIT B ENSUITE
SECTION	70mm ALUM. SECTION
GLAZING	GL01
QUANTITY	1 Nos.
REMARKS	SITE IN SITU

B.D. REF :

CLIENT :
SHIMAO GROUP HOLDINGS LIMITED

ARCHITECT :
WONG TUNG & PARTNERS LIMITED
ARCHITECTS & PLANNERS
WT

MAIN CONTRACTOR :

STRUCTURAL ENGINEER :
C M WONG & ASSOCIATES LTD
Consulting Engineers

SITE IN SITU CONSULTANT:
MEINHARDT

NOTE :
1. ALL DIMENSIONS ARE IN mm.
2. ALL ELEVATIONS ARE VIEWED FROM OUTSIDE.
3. ALL DIMENSIONS TO BE VERIFIED ON SITE BEFORE FABRICATION.

LEGEND :
x1 --- DETAIL MARK NO.
x001 --- REFER SHEET NO.
1. F.F.L. --- FINISHED FLOOR LEVEL
2. S.F.L. --- STRUCTURAL FLOOR LEVEL
3. (R) --- REVERSED DETAIL
4. ▲ --- FIXING LOCATION
5. △ --- FIXING LUG LOCATION
6. GLASS LEGEND
GL01 --- 10mm+12mm AIR GAP+10mm THK. I.G.U.
GL05 --- 10mm+12mm AIR GAP+10mm THK. I.G.U.
GL06 --- 10mm+12mm AIR GAP+12mm THK. I.G.U.
PD01 --- 10mm T.P+12mm AIR GAP+8mm T.P.
GL07 --- 10mm+12mm AIR GAP+12mm THK. I.G.U.
GL08 --- 10mm+12mm AIR GAP+10mm THK. I.G.U.

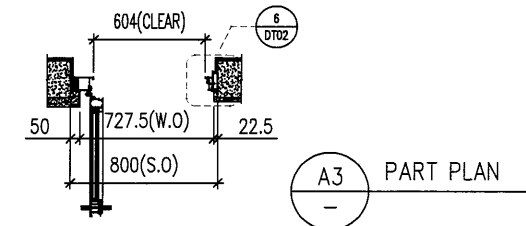
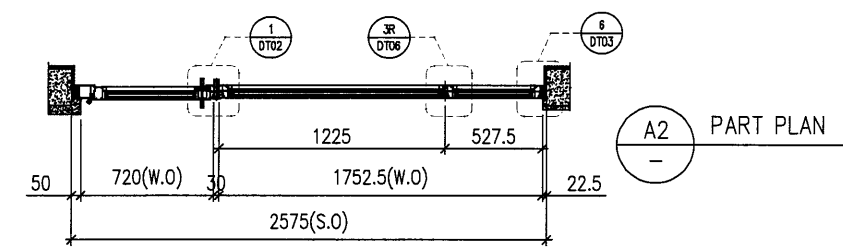
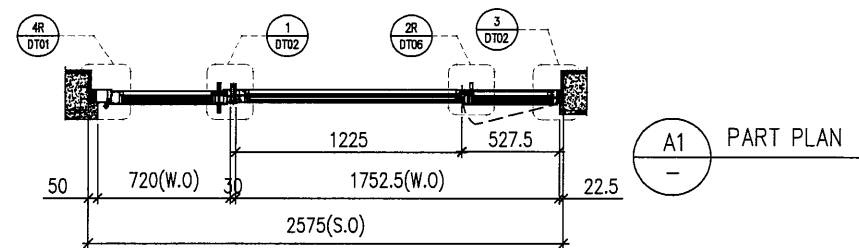
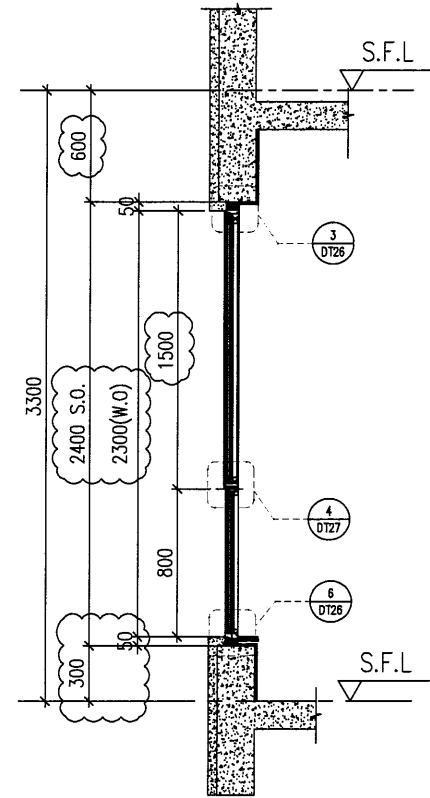
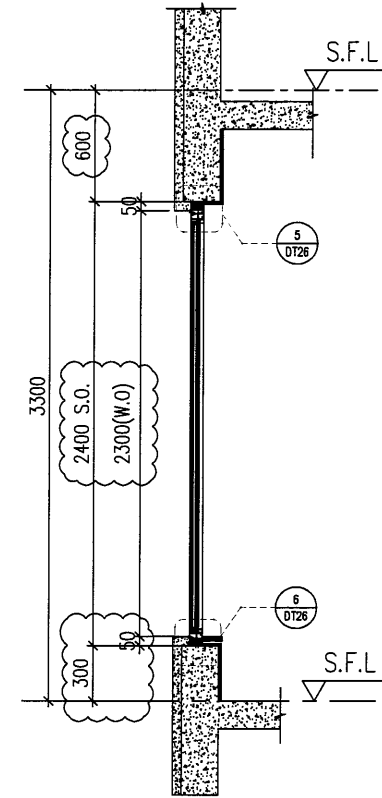
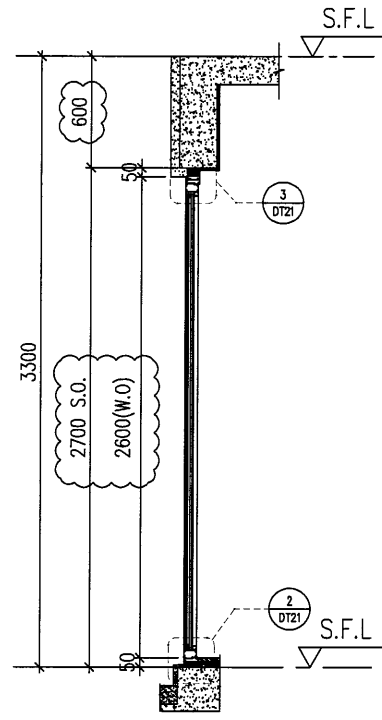
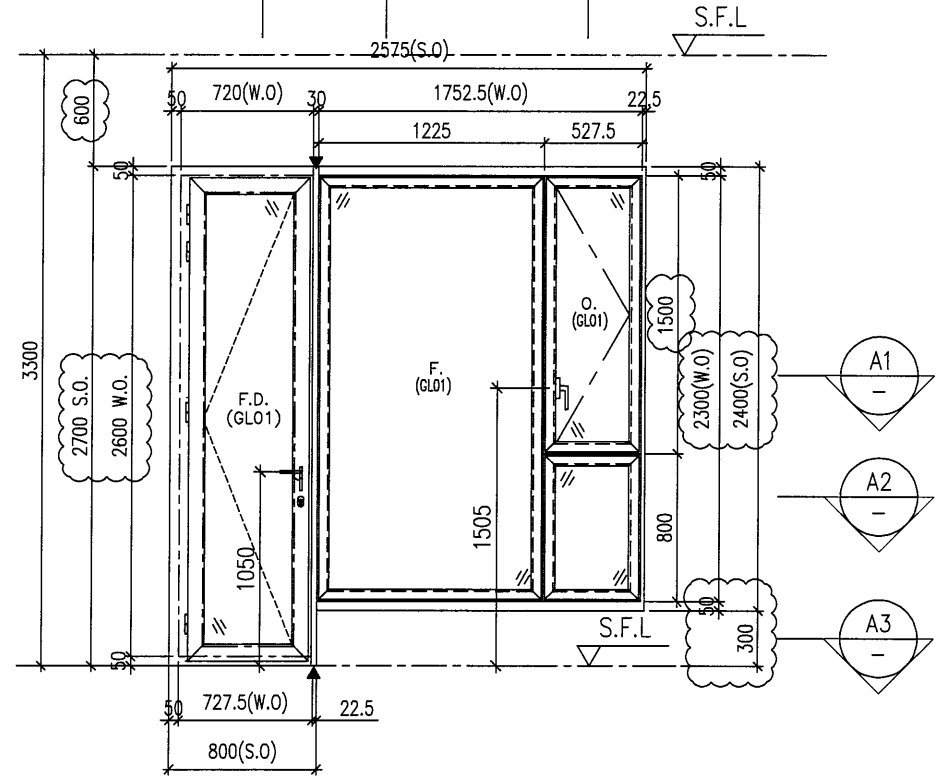
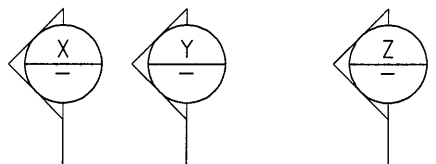
NO.	DATE	REVISED	BY
C	18/04/2022	REVISION SUBJECT TO ARCH/COMMENT	LHR
B	16/12/2021	REVISION SUBJECT TO ARCH/COMMENT	LHR

JOB NO. : J-853
PROJECT : PROPOSED RESIDENTIAL DEVELOPMENT AT N.K.I.L. 6542 YIN PING ROAD KOWLOON

TITLE : WINDOW SCHEDULE FOR TOWER 7 ALUM. WINDOW

DATE : 03-APR-21 SCALE : 1:40
DRAWN BY : CHECKED BY :

美特鋁質有限公司
MIDI ALUMINIUM FABRICATOR LTD.
Units 6-8, Sunray Industrial Centre, 1/F
610 Cha Kwo Ling Road, Kowloon
Tel:23489211-4 Fax:(852)2727666
DWG NO. : J853-SD-IW-SC704b REV. : C



X PART SECTION

Y PART SECTION

Z PART SECTION

A1 PART PLAN

A2 PART PLAN

A3 PART PLAN

B.D. REF :

CLIENT : SHIMAO GROUP HOLDINGS LIMITED

ARCHITECT : WONG TUNG & PARTNERS LIMITED ARCHITECTS & PLANNERS

MAIN CONTRACTOR :

STRUCTURAL ENGINEER : C M WONG & ASSOCIATES LTD Consulting Engineers

SITE IN SITU CONSULTANT: MEINHARDT

NOTE :
 1. ALL DIMENSIONS ARE IN mm.
 2. ALL ELEVATIONS ARE VIEWED FROM OUTSIDE.
 3. ALL DIMENSIONS TO BE VERIFIED ON SITE BEFORE FABRICATION.

LEGEND :
 X1 --- DETAIL MARK NO.
 X001 --- REFER SHEET NO.
 1. F.F.L --- FINISHED FLOOR LEVEL
 2. S.F.L --- STRUCTURAL FLOOR LEVEL
 3. (B) --- REVERSED DETAIL
 4. ▲ --- FIXING LOCATION
 5. △ --- FIXING LUG LOCATION
 6. GLASS LEGEND
 GL01 --- 10mm+12mm AIR GAP+10mm THK. I.G.U.
 GL05 --- 10mm+12mm AIR GAP+10mm THK. I.G.U.
 GL06 --- 10mm+12mm AIR GAP+12mm THK. I.G.U.
 PD01 --- 10mm T.P+12mm AIR GAP+8mm T.P
 GL07 --- 10mm+12mm AIR GAP+12mm THK. I.G.U.
 GL08 --- 10mm+12mm AIR GAP+10mm THK. I.G.U.

C	18/04/2022	REVISION SUBJECT TO ARCH.COMMENT	LHR
B	16/12/2021	REVISION SUBJECT TO ARCH.COMMENT	LHR
A	28/08/2021	REVISION SUBJECT TO ARCH.COMMENT	WSH
NO.	DATE	REVISED	BY

JOB NO. : J-853
 PROJECT : PROPOSED RESIDENTIAL DEVELOPMENT AT N.K.I.L. 6542 YIN PING ROAD KOWLOON

PROVIDED		
GLAZING AREA	2.709	m ²
OPENABLE AREA	1.504	m ²
FREE AREA	-	%

TITLE : WINDOW SCHEDULE FOR TOWER 7 ALUM. WINDOW

DATE : 03-APR-21 SCALE : 1:40
 DRAWN BY : CHECKED BY :

美特鋁質有限公司
 MIDI ALUMINIUM FABRICATOR LTD.
 Units 6-8, Sunray Industrial Centre, 1/F
 610 Cha Kwo Ling Road, Kowloon
 Tel:23489211-4 Fax:(852)27727666

DWG NO. : J853-SD-IW-SC705 REV. : C

ELEVATION

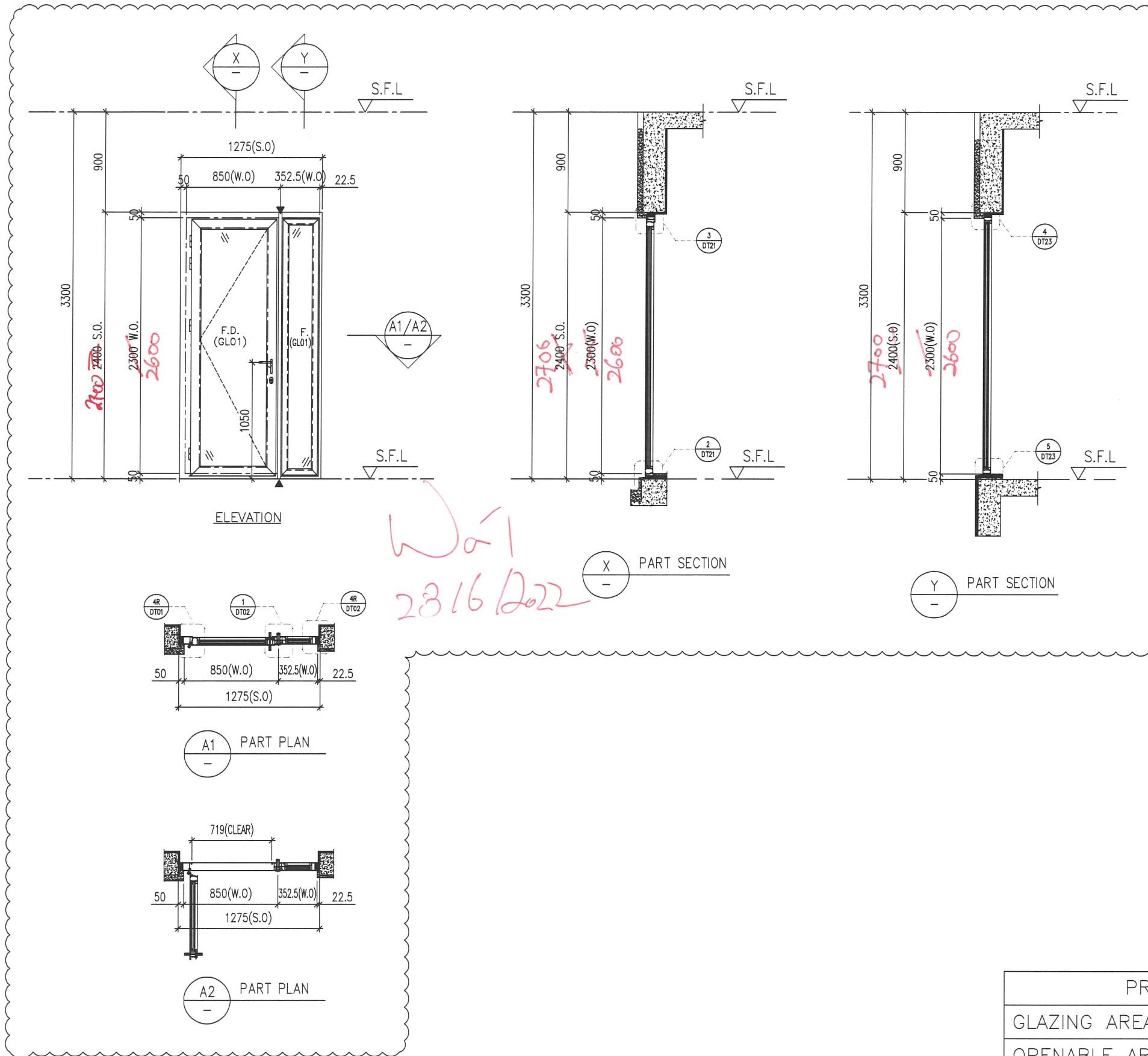
ELEVATION

WINDOW MARK



LOCATION 26F UNIT B WALK-IN CLOSET
 SECTION 70mm ALUM. SECTION
 GLAZING GL01
 QUANTITY 1 Nos.
 REMARKS SITE IN SITU

ELEVATION



W01
28/6/2022

B.D. REF :

CLIENT : SHIMAO GROUP HOLDINGS LIMITED

ARCHITECT : WONG TUNG & PARTNERS LIMITED ARCHITECTS & PLANNERS

MAIN CONTRACTOR :

STRUCTURAL ENGINEER : C M WONG & ASSOCIATES LTD Consulting Engineers

SITE IN SITU CONSULTANT: MEINHARDT

- NOTE :
- ALL DIMENSIONS ARE IN mm.
 - ALL ELEVATIONS ARE VIEWED FROM OUTSIDE.
 - ALL DIMENSIONS TO BE VERIFIED ON SITE BEFORE FABRICATION.
- LEGEND :
- X1 - DETAIL MARK NO.
 - X001 - REFER SHEET NO.
 - F.F.L. -- FINISHED FLOOR LEVEL
 - S.F.L. -- STRUCTURAL FLOOR LEVEL
 - (R) -- REVERSED DETAIL
 - ▲ -- FIXING LOCATION
 - △ -- FIXING LUG LOCATION
 - GLASS LEGEND
 - GLO1 -- 10mm+12mm AIR GAP+10mm THK. I.G.U.
 - GLO5 -- 10mm+12mm AIR GAP+10mm THK. I.G.U.
 - GLO6 -- 10mm+12mm AIR GAP+12mm THK. I.G.U.
 - PD01 -- 10mm T.P+12mm AIR GAP+8mm T.P
 - GLO7 -- 10mm+12mm AIR GAP+12mm THK. I.G.U.
 - GLO8 -- 10mm+12mm AIR GAP+10mm THK. I.G.U.

B	16/12/2021	REVISION SUBJECT TO ARCH.COMMENT	LHR
A	28/08/2021	REVISION SUBJECT TO ARCH.COMMENT	WSH
NO.	DATE	REVISED	BY

JOB NO. : J-853

PROJECT : PROPOSED RESIDENTIAL DEVELOPMENT AT N.K.I.L. 6542 YIN PING ROAD KOWLOON

TITLE : WINDOW SCHEDULE FOR TOWER 7 ALUM. WINDOW

PROVIDED		
GLAZING AREA	0.836	m ²
OPENABLE AREA	0.800	m ²
FREE AREA	-	%

DATE : 03-APR-21 SCALE : 1:40

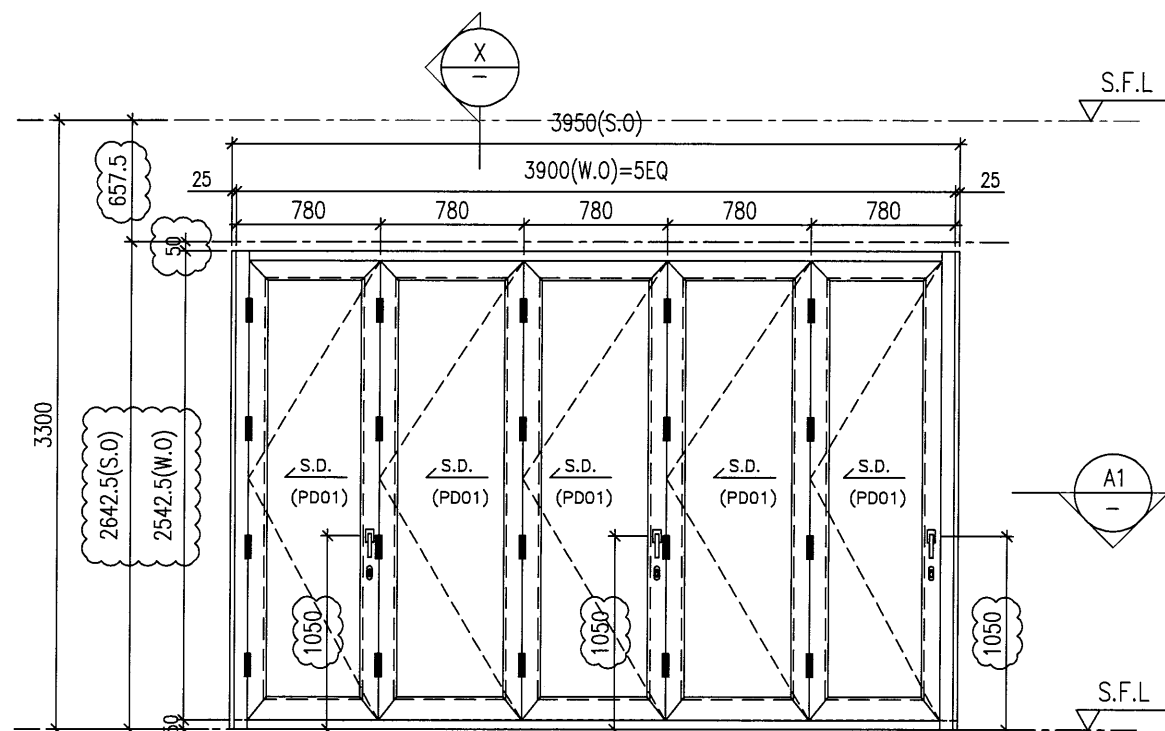
DRAWN BY : CHECKED BY :

美特鋁質有限公司
MIDI ALUMINIUM FABRICATOR LTD.
Units 6-8, Sunray Industrial Centre, 1/F
610 Cha Kwo Ling Road, Kowloon
Tel:23489211-4 Fax:(852)2727666

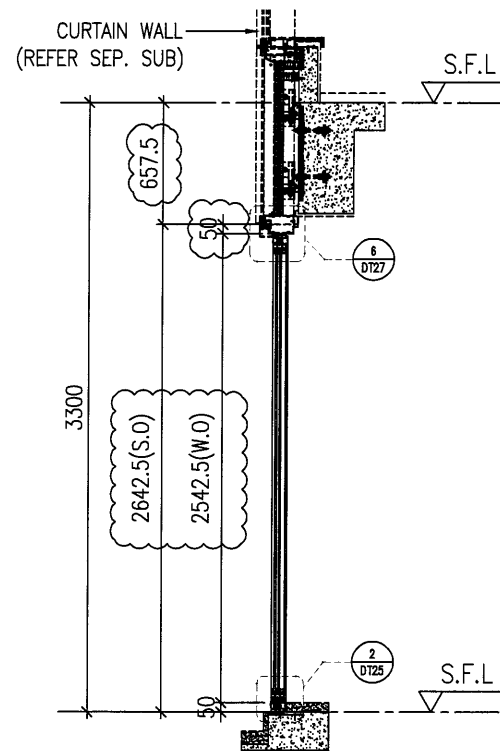
DWG NO. : J853-SD-IW-SC706 REV. : B

WINDOW MARK	W78 T7
LOCATION	26F UNIT B ENSUITE 3
SECTION	70mm ALUM. SECTION
GLAZING	GLO1
QUANTITY	1 Nos.
REMARKS	SITE IN SITU

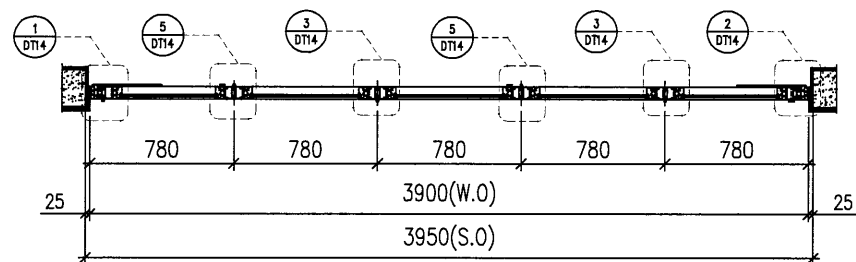
ELEVATION



ELEVATION



X
-
PART SECTION



A1
-
PART PLAN

B.D. REF :		
CLIENT : SHIMAO GROUP HOLDINGS LIMITED		
ARCHITECT : WONG TUNG & PARTNERS LIMITED ARCHITECTS & PLANNERS		
MAIN CONTRACTOR :		
STRUCTURAL ENGINEER : C M WONG & ASSOCIATES LTD Consulting Engineers		
SITE IN SITU CONSULTANT: MEINHARDT		

NOTE :

- ALL DIMENSIONS ARE IN mm.
- ALL ELEVATIONS ARE VIEWED FROM OUTSIDE.
- ALL DIMENSIONS TO BE VERIFIED ON SITE BEFORE FABRICATION.

LEGEND :

X1 --- DETAIL MARK NO.
X001 --- REFER SHEET NO.

- F.F.L. --- FINISHED FLOOR LEVEL
- S.F.L. --- STRUCTURAL FLOOR LEVEL
- (R) --- REVERSED DETAIL
- ▲ --- FIXING LOCATION
- △ --- FIXING LUG LOCATION

GLASS LEGEND

GL01 --- 10mm+12mm AIR GAP+10mm THK. I.G.U.
 GL05 --- 10mm+12mm AIR GAP+10mm THK. I.G.U.
 GL06 --- 10mm+12mm AIR GAP+12mm THK. I.G.U.
 PD01 --- 10mm T.P+12mm AIR GAP+8mm T.P
 GL07 --- 10mm+12mm AIR GAP+12mm THK. I.G.U.
 GL08 --- 10mm+12mm AIR GAP+10mm THK. I.G.U.

B	16/12/2021	REVISION SUBJECT TO ARCH.COMMENT	LHR
A	28/08/2021	REVISION SUBJECT TO ARCH.COMMENT	WGH
NO.	DATE	REVISED	BY

JOB NO. : J-853

PROJECT : PROPOSED RESIDENTIAL DEVELOPMENT AT N.K.I.L. 6542 YIN PING ROAD KOWLOON

PROVIDED		
GLAZING AREA	3.612	m ²
OPENABLE AREA	3.817	m ²
FREE AREA	-	%

TITLE : WINDOW SCHEDULE FOR TOWER 7 ALUM. WINDOW

DATE : 03-APR-21 SCALE : 1:40

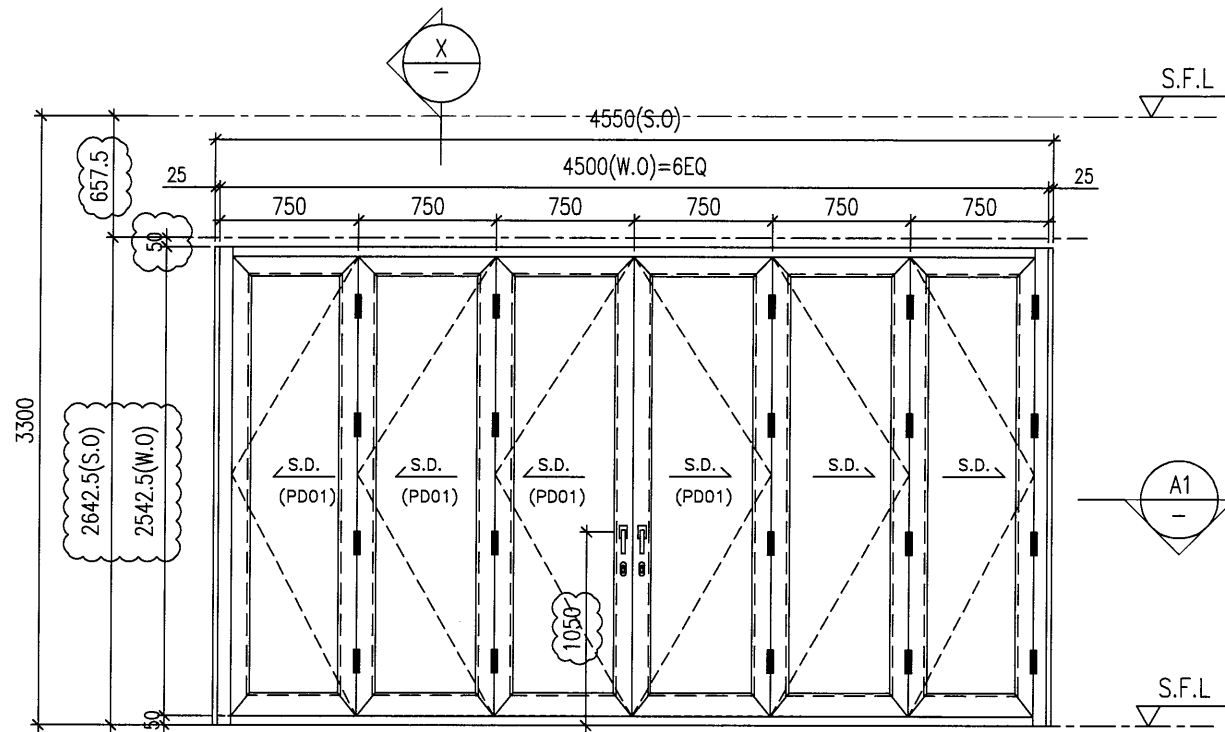
DRAWN BY : CHECKED BY :

美特鋁質有限公司
MIDI ALUMINIUM FABRICATOR LTD.
 Units 6-8, Sunray Industrial Centre, 1/F
 610 Cha Kwo Ling Road, Kowloon
 Tel:23489211-4 Fax:(852)2727666

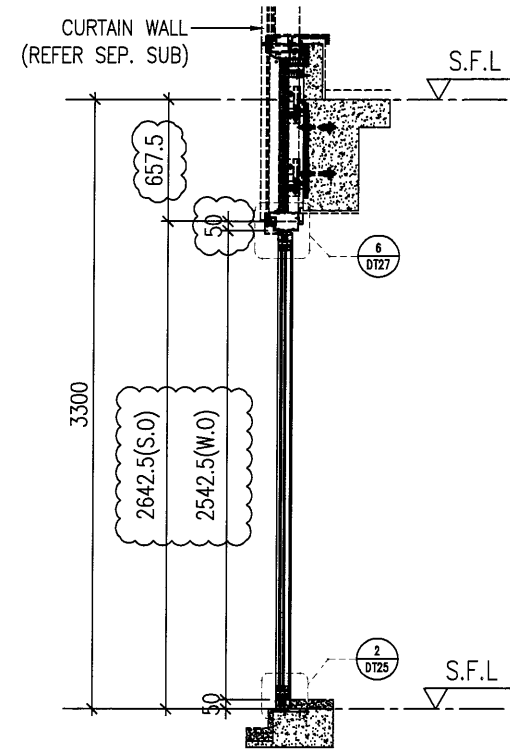
WINDOW MARK	W301 T7
LOCATION	25F UNIT B LIVING
SECTION	70mm ALUM. SECTION
GLAZING	PD01
QUANTITY	1 Nos.
REMARKS	SITE IN SITU

DWG NO. : J853-SD-IW-SC707 REV. : B

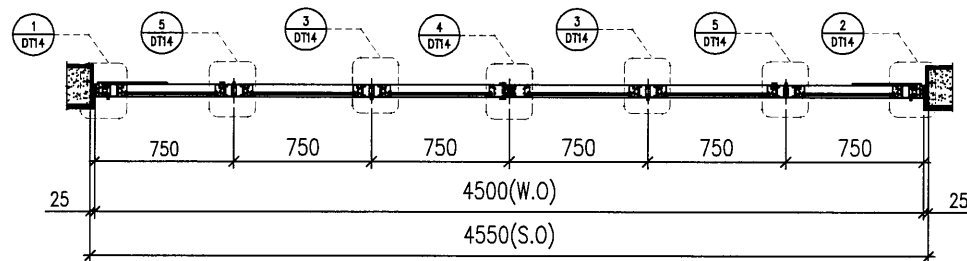
ELEVATION



ELEVATION



X PART SECTION



A1 PART PLAN

B.D. REF :

CLIENT :

SHIMAO GROUP HOLDINGS LIMITED

ARCHITECT : **WONG TUNG & PARTNERS LIMITED ARCHITECTS & PLANNERS**



MAIN CONTRACTOR :

STRUCTURAL ENGINEER :

C M WONG & ASSOCIATES LTD
Consulting Engineers

SITE IN SITU CONSULTANT:



NOTE :

1. ALL DIMENSIONS ARE IN mm.
2. ALL ELEVATIONS ARE VIEWED FROM OUTSIDE.
3. ALL DIMENSIONS TO BE VERIFIED ON SITE BEFORE FABRICATION.

LEGEND :

- X1 --- DETAIL MARK NO.
- X001 --- REFER SHEET NO.

1. F.F.L --- FINISHED FLOOR LEVEL
2. S.F.L --- STRUCTURAL FLOOR LEVEL
3. (R) --- REVERSED DETAIL
4. ▲ --- FIXING LOCATION
5. △ --- FIXING LUG LOCATION

6. GLASS LEGEND

- GL01 --- 10mm+12mm AIR GAP+10mm THK. I.G.U.
- GL05 --- 10mm+12mm AIR GAP+10mm THK. I.G.U.
- GL06 --- 10mm+12mm AIR GAP+12mm THK. I.G.U.
- PD01 --- 10mm T.P+12mm AIR GAP+8mm T.P
- GL07 --- 10mm+12mm AIR GAP+12mm THK. I.G.U.
- GL08 --- 10mm+12mm AIR GAP+10mm THK. I.G.U.

NO.	DATE	REVISED	BY
B	16/12/2021	REVISION SUBJECT TO ARCH.COMMENT	LHR
A	28/08/2021	REVISION SUBJECT TO ARCH.COMMENT	WSH

JOB NO. : J-853

PROJECT : PROPOSED RESIDENTIAL DEVELOPMENT AT N.K.I.L. 6542 YIN PING ROAD KOWLOON

TITLE : WINDOW SCHEDULE FOR TOWER 7 ALUM. WINDOW

DATE : 03-APR-21 SCALE : 1:40

DRAWN BY : CHECKED BY :

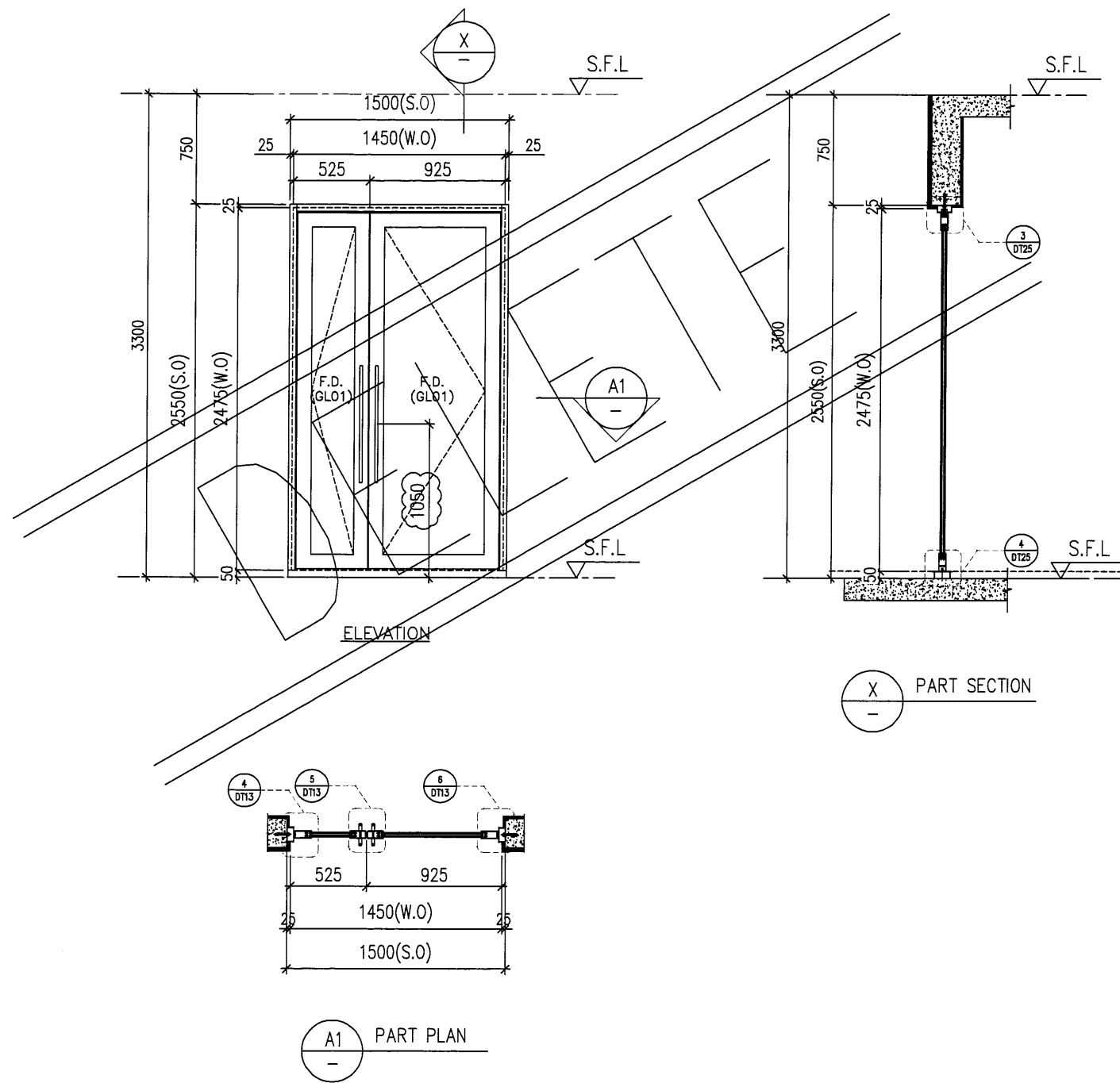
美特铝质有限公司
MIDI ALUMINIUM FABRICATOR LTD.
Units 6-8, Sunray Industrial Centre, 1/F
610 Cha Kwo Ling Road, Kowloon
Tel:23489211-4 Fax:(852)27727666

DWG NO. : J853-SD-IW-SC708 REV. : B

PROVIDED		
GLAZING AREA	4.133	m ²
OPENABLE AREA	4.590	m ²
FREE AREA	-	%

WINDOW MARK	W302 T7
LOCATION	25F UNIT B LIVING
SECTION	70mm ALUM. SECTION
GLAZING	PD01
QUANTITY	1 Nos.
REMARKS	SITE IN SITU

ELEVATION



PROVIDED		
GLAZING AREA	1.104	m ²
OPENABLE AREA	1.82	m ²
FREE AREA	-	%

WINDOW MARK	
LOCATION	5F LOBBY
SECTION	52mm ALUM. SECTION
GLAZING	GLO1
QUANTITY	1 Nos.
REMARKS	SITE IN SITU

B.D. REF :

CLIENT :
SHIMAO GROUP HOLDINGS LIMITED

ARCHITECT :
WONG TUNG & PARTNERS LIMITED ARCHITECTS & PLANNERS

MAIN CONTRACTOR :

STRUCTURAL ENGINEER :
 C M WONG & ASSOCIATES LTD
Consulting Engineers

SITE IN SITU CONSULTANT:
 MEINHARDT

NOTE :
1. ALL DIMENSIONS ARE IN mm.
2. ALL ELEVATIONS ARE VIEWED FROM OUTSIDE.
3. ALL DIMENSIONS TO BE VERIFIED ON SITE BEFORE FABRICATION.

LEGEND :
 -- DETAIL MARK NO.
 -- REFER SHEET NO.
1. F.F.L -- FINISHED FLOOR LEVEL
2. S.F.L -- STRUCTURAL FLOOR LEVEL
3. -- REVERSED DETAIL
4. -- FIXING LOCATION
5. -- FIXING LUG LOCATION
6. GLASS LEGEND
GLO1 -- 10mm+12mm AIR GAP+10mm THK. I.G.U.
GLO5 -- 10mm+12mm AIR GAP+10mm THK. I.G.U.
GLO6 -- 10mm+12mm AIR GAP+12mm THK. I.G.U.
PDO1 -- 10mm T.P+12mm AIR GAP+8mm T.P
GLO7 -- 10mm+12mm AIR GAP+12mm THK. I.G.U.
GLO8 -- 10mm+12mm AIR GAP+10mm THK. I.G.U.

A	28/08/2021	REVISION SUBJECT TO ARCH/COMMENT	WSH
NO.	DATE	REVISED	BY

JOB NO. : J-853
PROJECT : PROPOSED RESIDENTIAL DEVELOPMENT AT N.K.I.L. 6542 YIN PING ROAD KOWLOON

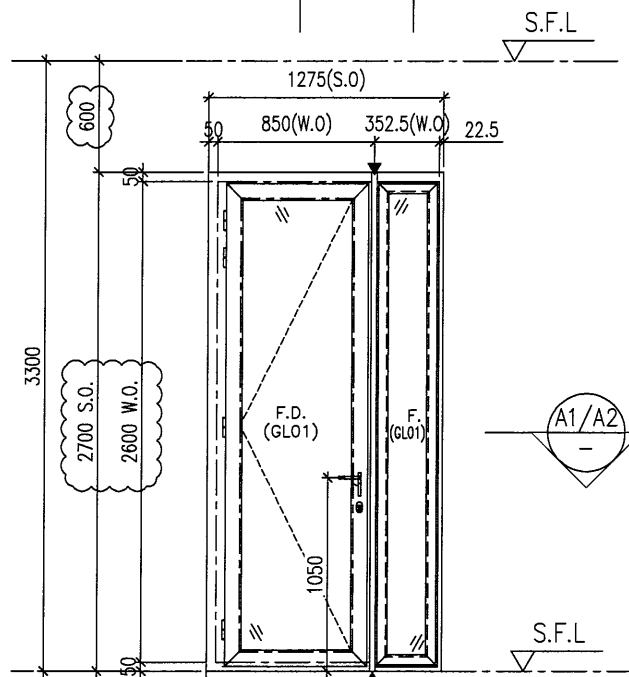
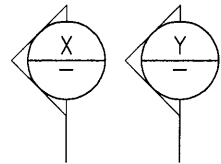
TITLE : WINDOW SCHEDULE FOR TOWER 7 ALUM. WINDOW

DATE : 03-APR-21 SCALE : 1:40

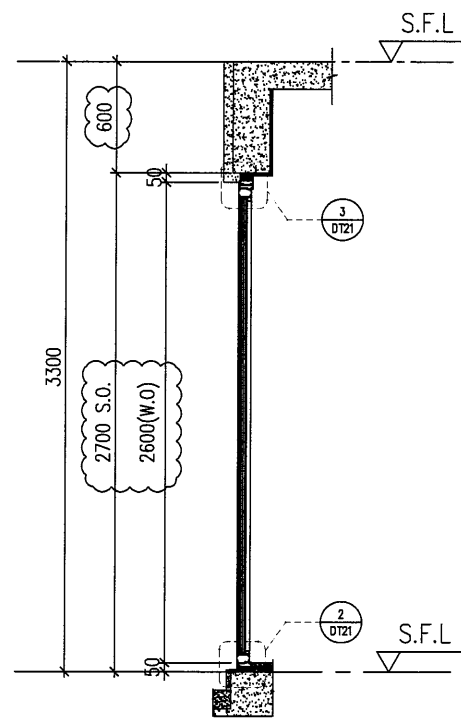
DRAWN BY : CHECKED BY :

美特鋁質有限公司
MIDI ALUMINIUM FABRICATOR LTD.
Units 6-8, Sunray Industrial Centre, 1/F
610 Cha Kwo Ling Road, Kowloon
Tel:23489211-4 Fax:(852)27727666

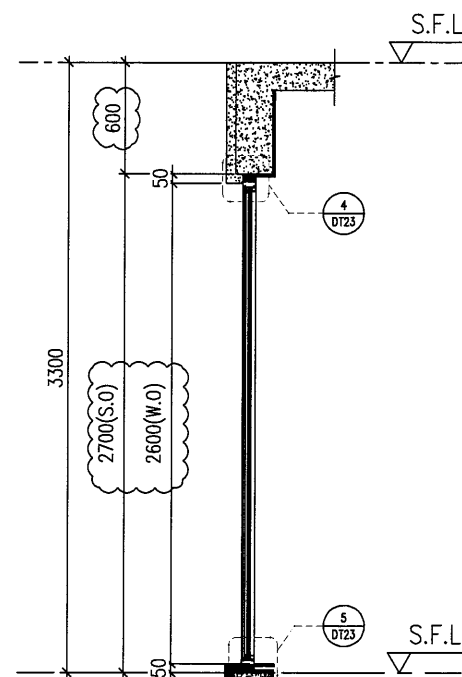
DWG NO. : J853-SD-IW-SC709 REV. : A



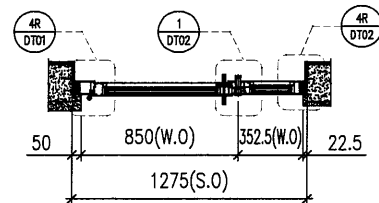
ELEVATION



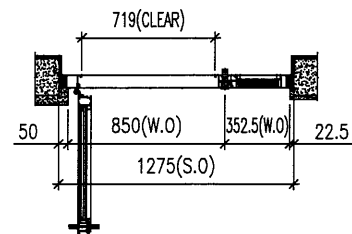
X PART SECTION



Y PART SECTION



A1 PART PLAN



A2 PART PLAN

ELEVATION

B.D. REF :

CLIENT :

SHIMAO GROUP HOLDINGS LIMITED

ARCHITECT : **WONG TUNG & PARTNERS LIMITED ARCHITECTS & PLANNERS**



MAIN CONTRACTOR :

STRUCTURAL ENGINEER :

C M WONG & ASSOCIATES LTD
Consulting Engineers

SITE IN SITU CONSULTANT:



NOTE :

1. ALL DIMENSIONS ARE IN mm.
2. ALL ELEVATIONS ARE VIEWED FROM OUTSIDE.
3. ALL DIMENSIONS TO BE VERIFIED ON SITE BEFORE FABRICATION.

LEGEND :

- (X1) --- DETAIL MARK NO.
- (X001) --- REFER SHEET NO.

1. F.F.L --- FINISHED FLOOR LEVEL
2. S.F.L --- STRUCTURAL FLOOR LEVEL
3. (R) --- REVERSED DETAIL
4. ▲ --- FIXING LOCATION
5. △ --- FIXING LUG LOCATION

6. GLASS LEGEND

- GL01 --- 10mm+12mm AIR GAP+10mm THK. I.G.U.
- GL05 --- 10mm+12mm AIR GAP+10mm THK. I.G.U.
- GL06 --- 10mm+12mm AIR GAP+12mm THK. I.G.U.
- PD01 --- 10mm T.P+12mm AIR GAP+8mm T.P
- GL07 --- 10mm+12mm AIR GAP+12mm THK. I.G.U.
- GL08 --- 10mm+12mm AIR GAP+10mm THK. I.G.U.

NO.	DATE	REVISED	BY
C	18/04/2022	REVISION SUBJECT TO ARCH.COMMENT	LHR
B	16/12/2021	REVISION SUBJECT TO ARCH.COMMENT	LHR
A	28/08/2021	REVISION SUBJECT TO ARCH.COMMENT	WSH

JOB NO. : J-853

PROJECT : PROPOSED RESIDENTIAL DEVELOPMENT AT N.K.I.L. 6542 YIN PING ROAD KOWLOON

TITLE : WINDOW SCHEDULE FOR TOWER 7 ALUM. WINDOW

PROVIDED		
GLAZING AREA	1.072	m ²
OPENABLE AREA	1.016	m ²
FREE AREA	-	%

DATE : 03-APR-21

SCALE : 1:40

DRAWN BY :

CHECKED BY :

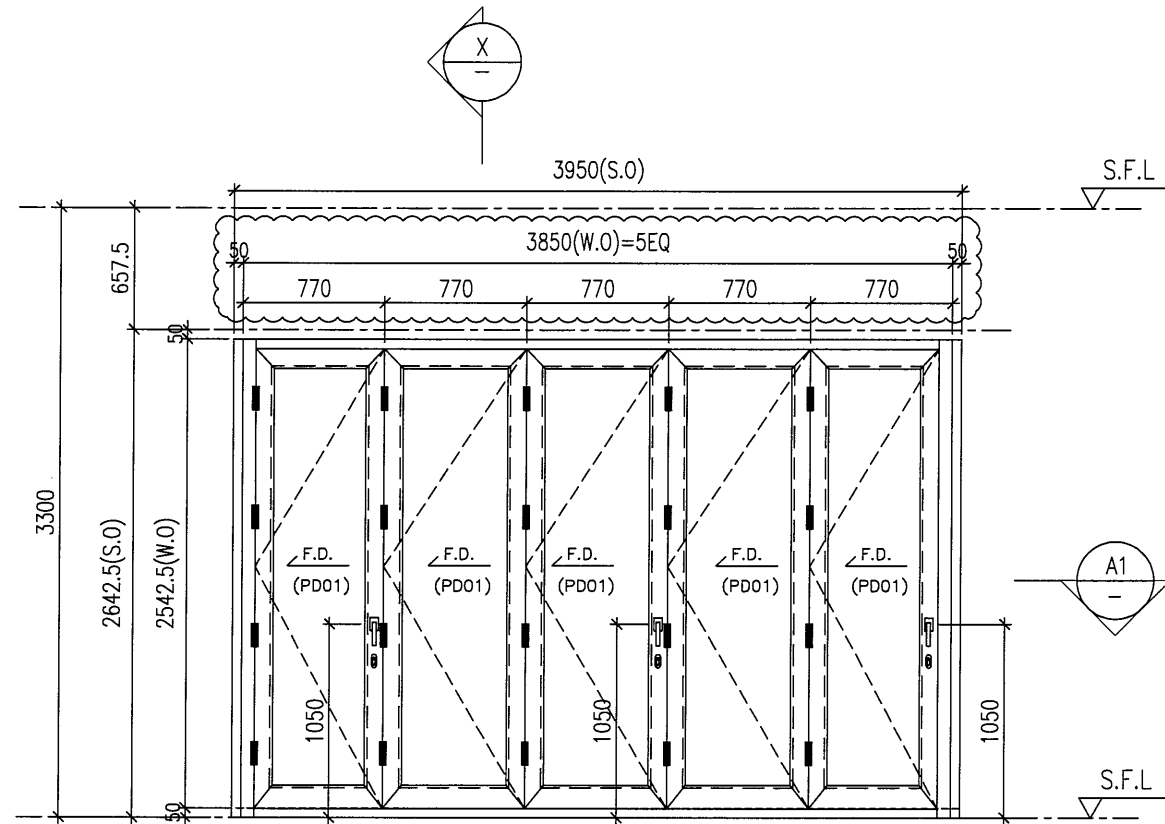
美特鋁質有限公司
MIDI ALUMINIUM FABRICATOR LTD.
Units 6-8, Sunray Industrial Centre, 1/F
610 Cha Kwo Ling Road, Kowloon
Tel:23489211-4 Fax:(852)2727666

DWG NO. : J853-SD-IW-SC706

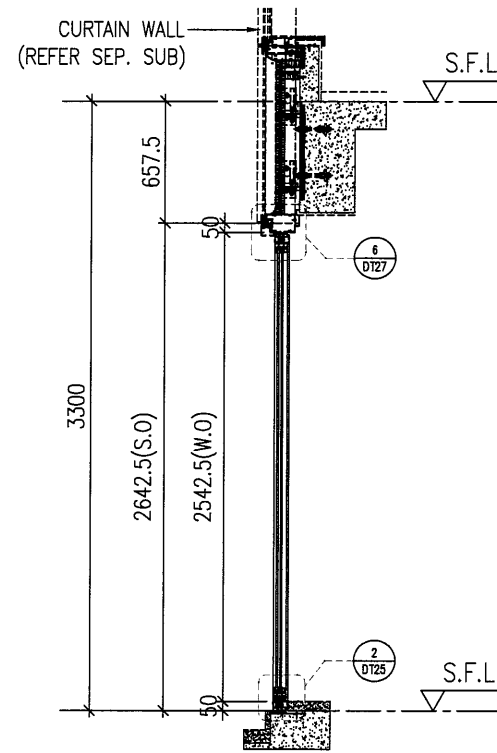
REV. : C

WINDOW MARK	
LOCATION	26F UNIT B ENSUITE 3
SECTION	70mm ALUM. SECTION
GLAZING	GL01
QUANTITY	1 Nos.
REMARKS	SITE IN SITU

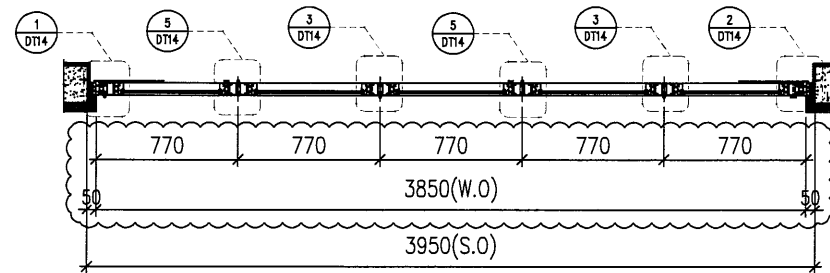
ELEVATION



ELEVATION



X PART SECTION



A1 PART PLAN

B.D. REF :

CLIENT :

SHIMAO GROUP HOLDINGS LIMITED

ARCHITECT : **WONG TUNG & PARTNERS LIMITED ARCHITECTS & PLANNERS**



MAIN CONTRACTOR :

STRUCTURAL ENGINEER :

C M WONG & ASSOCIATES LTD
Consulting Engineers

SITE IN SITU CONSULTANT:



NOTE :

1. ALL DIMENSIONS ARE IN mm.
2. ALL ELEVATIONS ARE VIEWED FROM OUTSIDE.
3. ALL DIMENSIONS TO BE VERIFIED ON SITE BEFORE FABRICATION.

LEGEND :

- X1 --- DETAIL MARK NO.
- X001 --- REFER SHEET NO.

1. F.F.L --- FINISHED FLOOR LEVEL
2. S.F.L --- STRUCTURAL FLOOR LEVEL
3. (R) --- REVERSED DETAIL
4. ▲ --- FIXING LOCATION
5. △ --- FIXING LUG LOCATION

6. GLASS LEGEND

- GL01 --- 10mm+12mm AIR GAP+10mm THK. I.G.U.
- GL05 --- 10mm+12mm AIR GAP+10mm THK. I.G.U.
- GL06 --- 10mm+12mm AIR GAP+12mm THK. I.G.U.
- PD01 --- 10mm T.P+12mm AIR GAP+8mm T.P
- GL07 --- 10mm+12mm AIR GAP+12mm THK. I.G.U.
- GL08 --- 10mm+12mm AIR GAP+10mm THK. I.G.U.

NO.	DATE	REVISED	BY
C	18/04/2022	REVISION SUBJECT TO ARCH/COMMENT	LHR
B	16/12/2021	REVISION SUBJECT TO ARCH/COMMENT	LHR
A	28/08/2021	REVISION SUBJECT TO ARCH/COMMENT	WSH

JOB NO. : J-853

PROJECT : PROPOSED RESIDENTIAL DEVELOPMENT AT N.K.I.L. 6542 YIN PING ROAD KOWLOON

TITLE : WINDOW SCHEDULE FOR TOWER 7 ALUM. WINDOW

DATE : 03-APR-21 SCALE : 1:40

DRAWN BY : CHECKED BY :

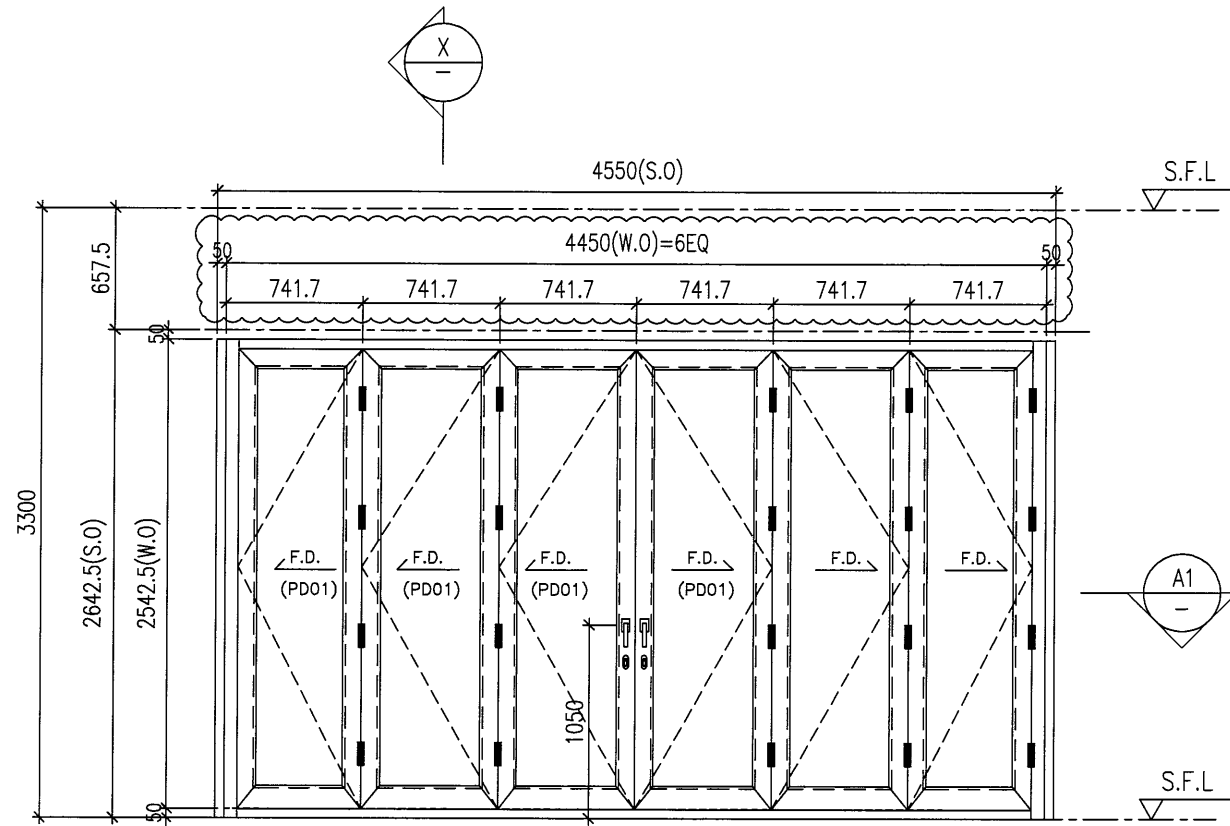
美特鋁質有限公司
MIDI ALUMINIUM FABRICATOR LTD.
Units 6-8, Sunray Industrial Centre, 1/F
610 Cha Kwo Ling Road, Kowloon
Tel:23489211-4 Fax:(852)2727666

DWG NO. : J853-SD-IW-SC707 REV. : C

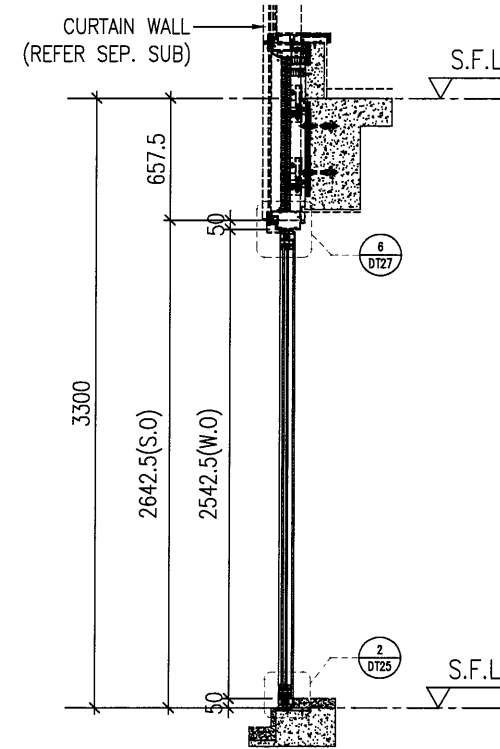
PROVIDED		
GLAZING AREA	3.546	m ²
OPENABLE AREA	3.753	m ²
FREE AREA	-	%

WINDOW MARK	W301 T7
LOCATION	25F UNIT B LIVING
SECTION	70mm ALUM. SECTION
GLAZING	PD01
QUANTITY	1 Nos.
REMARKS	SITE IN SITU

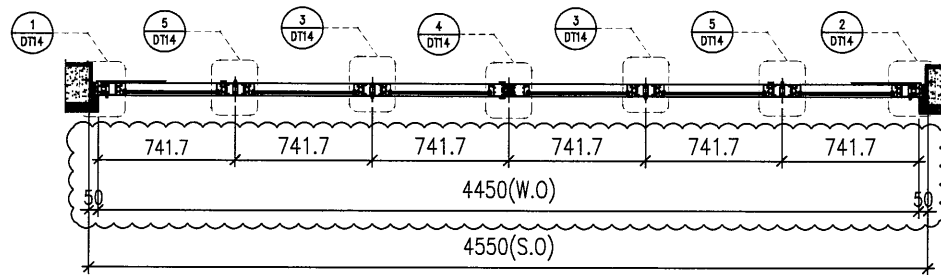
ELEVATION



ELEVATION



X PART SECTION



A1 PART PLAN

B.D. REF :

CLIENT : SHIMAO GROUP HOLDINGS LIMITED

ARCHITECT : WONG TUNG & PARTNERS LIMITED ARCHITECTS & PLANNERS

MAIN CONTRACTOR :

STRUCTURAL ENGINEER : C M WONG & ASSOCIATES LTD Consulting Engineers

SITE IN SITU CONSULTANT: MEINHARDT

NOTE :
 1. ALL DIMENSIONS ARE IN mm.
 2. ALL ELEVATIONS ARE VIEWED FROM OUTSIDE.
 3. ALL DIMENSIONS TO BE VERIFIED ON SITE BEFORE FABRICATION.

LEGEND :
 (X1) --- DETAIL MARK NO.
 (X001) --- REFER SHEET NO.
 1. F.F.L --- FINISHED FLOOR LEVEL
 2. S.F.L --- STRUCTURAL FLOOR LEVEL
 3. (R) --- REVERSED DETAIL
 4. ▲ --- FIXING LOCATION
 5. △ --- FIXING LUG LOCATION
 6. GLASS LEGEND
 GL01 --- 10mm+12mm AIR GAP+10mm THK. I.G.U.
 GL05 --- 10mm+12mm AIR GAP+10mm THK. I.G.U.
 GL06 --- 10mm+12mm AIR GAP+12mm THK. I.G.U.
 PD01 --- 10mm T.P+12mm AIR GAP+8mm T.P
 GL07 --- 10mm+12mm AIR GAP+12mm THK. I.G.U.
 GL08 --- 10mm+12mm AIR GAP+10mm THK. I.G.U.

C	18/04/2022	REVISION SUBJECT TO ARCH.COMMENT	LHR
B	16/12/2021	REVISION SUBJECT TO ARCH.COMMENT	LHR
A	28/08/2021	REVISION SUBJECT TO ARCH.COMMENT	WSH
NO.	DATE	REVISED	BY

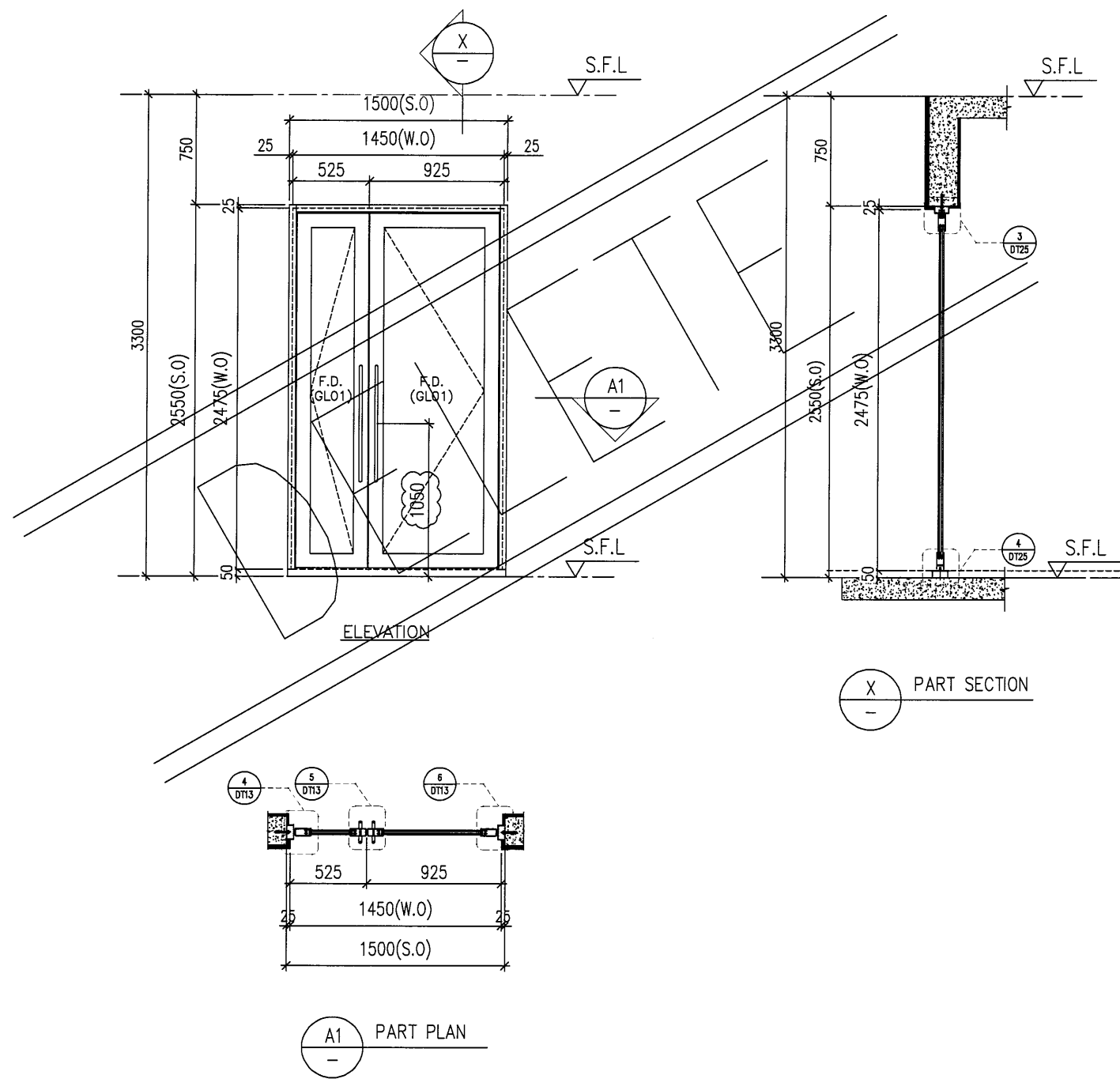
JOB NO. : J-853
 PROJECT : PROPOSED RESIDENTIAL DEVELOPMENT AT N.K.I.L. 6542 YIN PING ROAD KOWLOON
 TITLE : WINDOW SCHEDULE FOR TOWER 7 ALUM. WINDOW

PROVIDED		
GLAZING AREA	4.067	m ²
OPENABLE AREA	4.526	m ²
FREE AREA	-	%

WINDOW MARK	W302 T7
LOCATION	25F UNIT B LIVING
SECTION	70mm ALUM. SECTION
GLAZING	PD01
QUANTITY	1 Nos.
REMARKS	SITE IN SITU

DATE : 03-APR-21 SCALE : 1:40
 DRAWN BY : CHECKED BY :
 美特鋁質有限公司
 MIDI ALUMINIUM FABRICATOR LTD.
 Units 6-8, Sunray Industrial Centre, 1/F
 610 Cha Kwo Ling Road, Kowloon
 Tel:23489211-4 Fax:(852)27727666
 DWG NO. : J853-SD-IW-SC708 REV. : C

ELEVATION



PROVIDED		
GLAZING AREA	1.104	m ²
OPENABLE AREA	1.82	m ²
FREE AREA	—	%

WINDOW MARK	
LOCATION	5F LOBBY
SECTION	52mm ALUM. SECTION
GLAZING	GLO1
QUANTITY	1 Nos.
REMARKS	SITE IN SITU

B.D. REF :

CLIENT :
SHIMAO GROUP HOLDINGS LIMITED

ARCHITECT :
WONG TUNG & PARTNERS LIMITED ARCHITECTS & PLANNERS

MAIN CONTRACTOR :

STRUCTURAL ENGINEER :
C M WONG & ASSOCIATES LTD Consulting Engineers

SITE IN SITU CONSULTANT:
MEINHARDT

NOTE :
1. ALL DIMENSIONS ARE IN mm.
2. ALL ELEVATIONS ARE VIEWED FROM OUTSIDE.
3. ALL DIMENSIONS TO BE VERIFIED ON SITE BEFORE FABRICATION.

LEGEND :

- (X1) — DETAIL MARK NO.
- (X001) — REFER SHEET NO.
- 1. F.F.L. — FINISHED FLOOR LEVEL
- 2. S.F.L. — STRUCTURAL FLOOR LEVEL
- 3. (R) — REVERSED DETAIL
- 4. ▲ — FIXING LOCATION
- 5. △ — FIXING LUG LOCATION
- 6. GLASS LEGEND

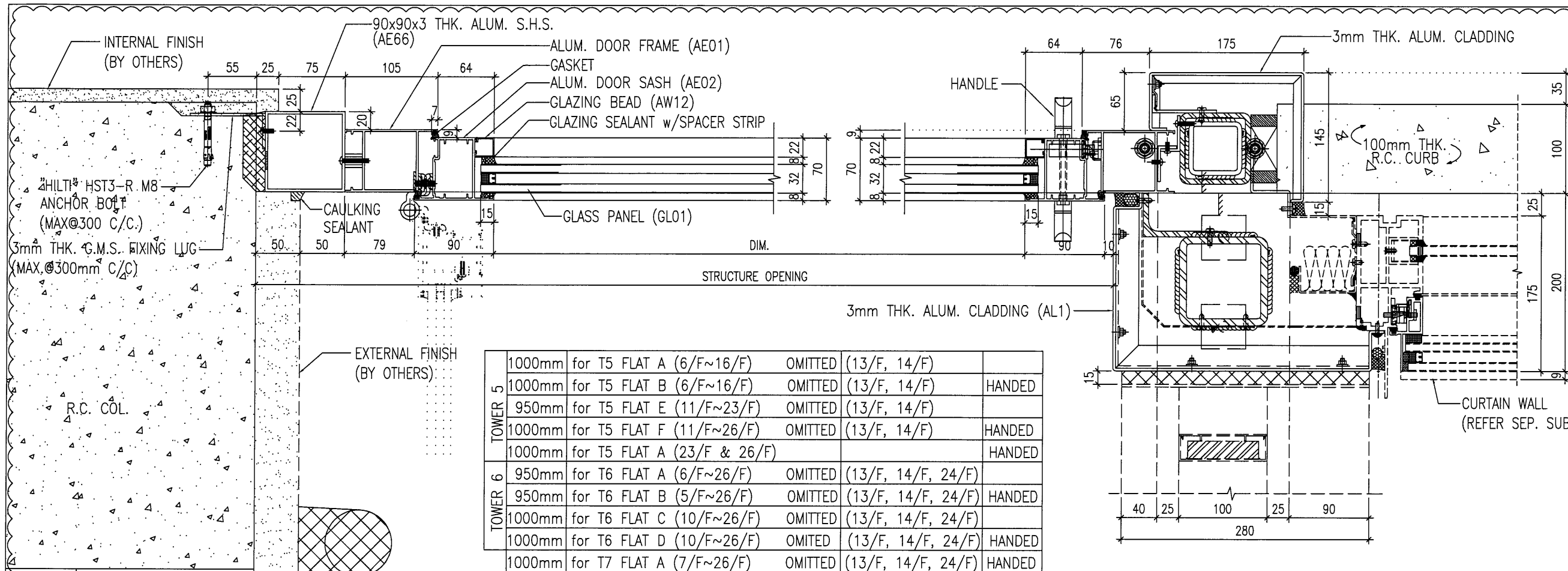
GL01 — 10mm+12mm AIR GAP+10mm THK. I.G.U.
GL05 — 10mm+12mm AIR GAP+10mm THK. I.G.U.
GL06 — 10mm+12mm AIR GAP+12mm THK. I.G.U.
PD01 — 10mm T.P+12mm AIR GAP+8mm T.P.
GL07 — 10mm+12mm AIR GAP+12mm THK. I.G.U.
GL08 — 10mm+12mm AIR GAP+10mm THK. I.G.U.

NO.	DATE	REVISION	REVISION SUBJECT TO ARCH-COMMENT	WSH BY
A	28/08/2021		REVISION SUBJECT TO ARCH-COMMENT	WSH

JOB NO. : J-853
PROJECT : PROPOSED RESIDENTIAL DEVELOPMENT AT N.K.I.L. 6542 YIN PING ROAD KOWLOON
TITLE : WINDOW SCHEDULE FOR TOWER 7 ALUM. WINDOW

DATE : 03-APR-21 SCALE : 1:40
DRAWN BY : CHECKED BY :

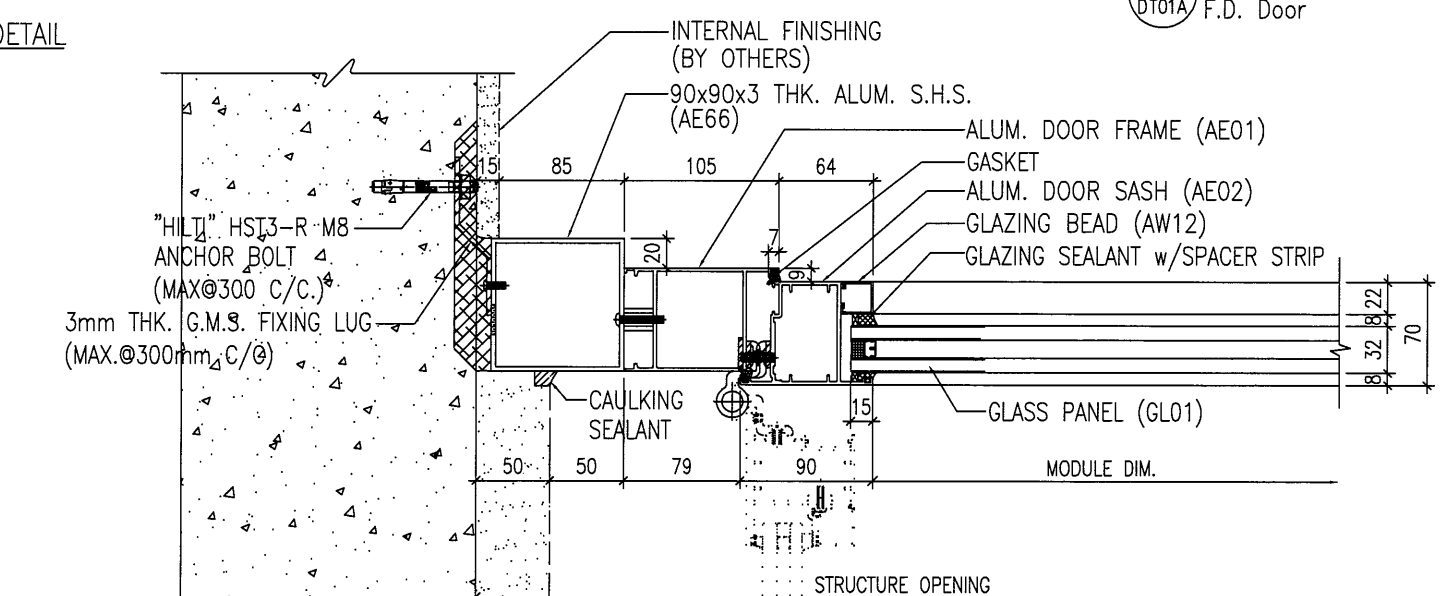
美特鋁質有限公司
MIDI ALUMINIUM FABRICATOR LTD.
Units 6-8, Sunray Industrial Centre, 1/F
610 Cha Kwo Ling Road, Kowloon
Tel:23489211-4 Fax:(852)27727666
DWG NO. : JB53-SD-IW-SC709 REV. : A



TOWER	FLAT	OMITTED	HANDLED
TOWER 5	1000mm for T5 FLAT A (6/F~16/F)	OMITTED	(13/F, 14/F)
	1000mm for T5 FLAT B (6/F~16/F)	OMITTED	(13/F, 14/F)
	950mm for T5 FLAT E (11/F~23/F)	OMITTED	(13/F, 14/F)
	1000mm for T5 FLAT F (11/F~26/F)	OMITTED	(13/F, 14/F)
	1000mm for T5 FLAT A (23/F & 26/F)		HANDED
TOWER 6	950mm for T6 FLAT A (6/F~26/F)	OMITTED	(13/F, 14/F, 24/F)
	950mm for T6 FLAT B (5/F~26/F)	OMITTED	(13/F, 14/F, 24/F)
	1000mm for T6 FLAT C (10/F~26/F)	OMITTED	(13/F, 14/F, 24/F)
	1000mm for T6 FLAT D (10/F~26/F)	OMITTED	(13/F, 14/F, 24/F)
	1000mm for T7 FLAT A (7/F~26/F)	OMITTED	(13/F, 14/F, 24/F)

2 HORIZONTAL DETAIL
DT01A F.D. Door

1 HORIZONTAL DETAIL
DT01A F.D. Door



3 HORIZONTAL DETAIL
DT01A F.D. Door

B.D. REF :

CLIENT :
SHIMAO GROUP HOLDINGS LIMITED

ARCHITECT :
WONG TUNG & PARTNERS LIMITED ARCHITECTS & PLANNERS

MAIN CONTRACTOR :
協興建築有限公司 HIP HING CONSTRUCTION CO LTD

STRUCTURAL ENGINEER :
ICMA C M WONG & ASSOCIATES LTD 黃志明建築工程師有限公司

FACADE CONSULTANT :
MEINHARDT

NOTE :
1. ALL DIMENSIONS ARE IN mm.
2. ALL ELEVATIONS ARE VIEWED FROM OUTSIDE.
3. ALL DIMENSIONS TO BE VERIFIED ON SITE BEFORE FABRICATION.

LEGEND :

X1 --- DETAIL MARK NO.
X001 --- REFER SHEET NO.

1. F.F.L --- FINISHED FLOOR LEVEL
2. S.F.L --- STRUCTURAL FLOOR LEVEL
3. (R) --- REVERSED DETAIL
4. ▲ --- FIXING LOCATION
5. △ --- FIXING LUG LOCATION
6. GLASS LEGEND
GL01 --- 10mm+12mm AIR GAP+10mm THK. I.G.U.
GL05 --- 10mm+12mm AIR GAP+10mm THK. I.G.U.
GL06 --- 10mm+12mm AIR GAP+12mm THK. I.G.U.
PD01 --- 10mm T.P+12mm AIR GAP+8mm T.P
GL07 --- 10mm+12mm AIR GAP+12mm THK. I.G.U.
GL08 --- 10mm+12mm AIR GAP+10mm THK. I.G.U.

C	19/04/2022	REVISION SUBJECT TO ARCH/COMMITMENT	LHR
NO.	DATE	REVISED	BY

JOB NO. : J-853
PROJECT : PROPOSED RESIDENTIAL DEVELOPMENT AT N.K.I.L. 6542 YIN PING ROAD KOWLOON

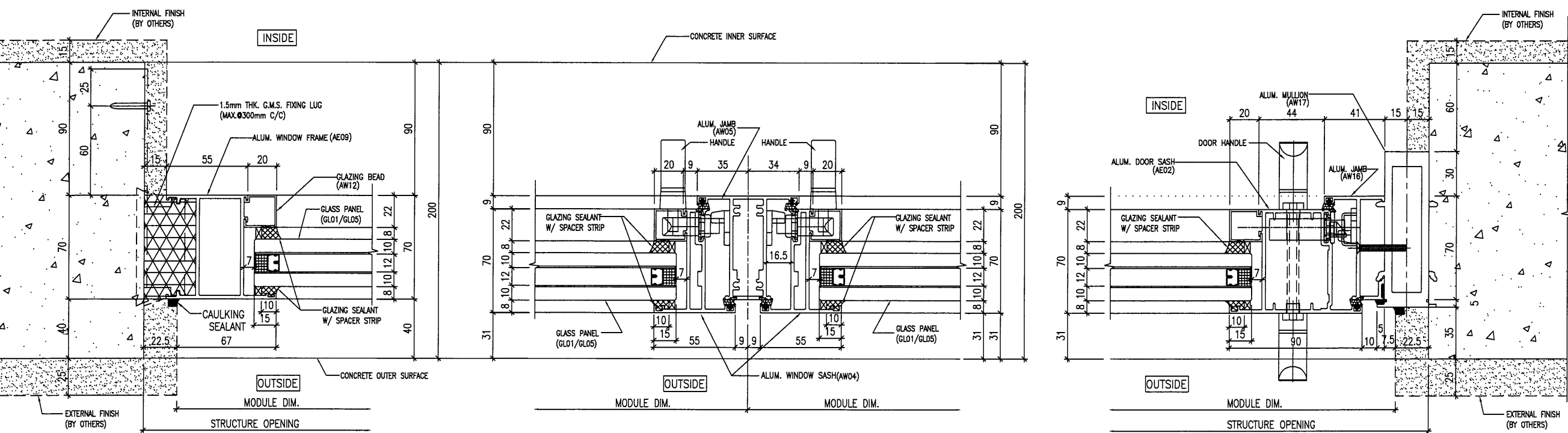
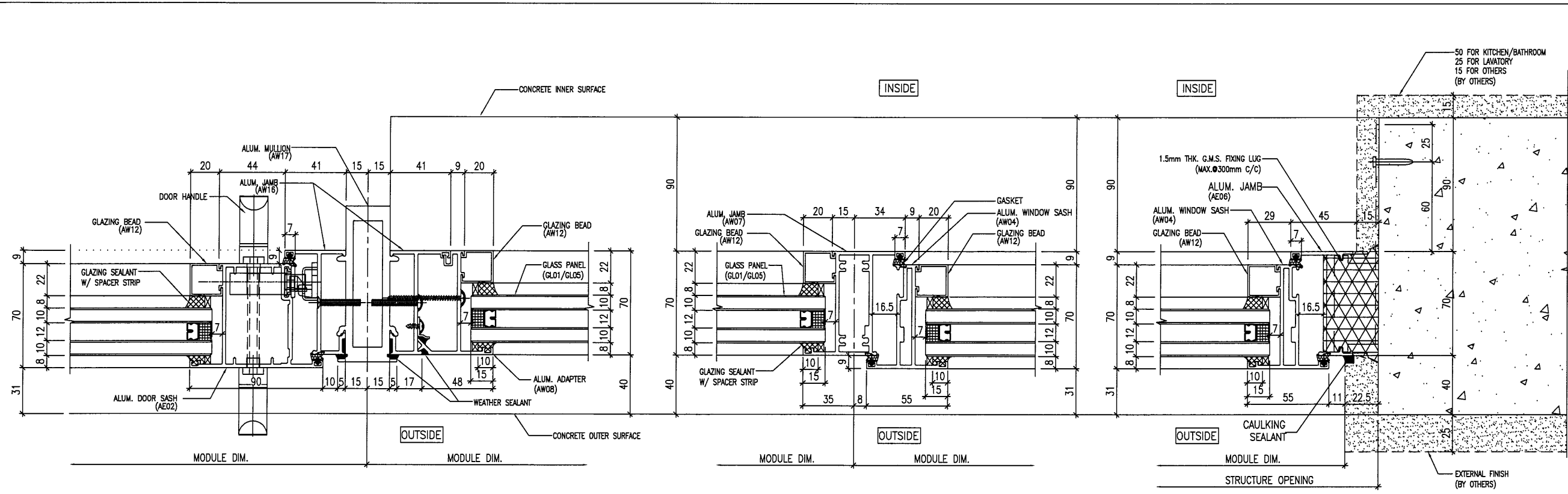
TITLE : TYPICAL DETAILS FOR ALUM. DOOR

DATE : 03-APR-21 SCALE : 1 : 5 (A3)

DRAWN BY : A.C. CHECKED BY :

美特鋁質有限公司
MIDI ALUMINIUM FABRICATOR LTD.
Units 6-8, Sunray Industrial Centre, 1/F
610 Cha Kwo Ling Road, Kowloon
Tel: 23489211-4 Fax: (852) 2727666

DWG NO. : J853-SD-IW-DT01A REV. : c



B.D. REF :

CLIENT : SHIMAO GROUP HOLDINGS LIMITED

ARCHITECT : WONG TUNG & PARTNERS LIMITED ARCHITECTS & PLANNERS

MAIN CONTRACTOR : 協興建築有限公司 HIP HING CONSTRUCTION CO LTD

STRUCTURAL ENGINEER : ICMA C M WONG & ASSOCIATES LTD 黃志明建築工程師有限公司

FAÇADE CONSULTANT : MEINHARDT

NOTE :

- ALL DIMENSIONS ARE IN mm.
- ALL ELEVATIONS ARE VIEWED FROM OUTSIDE.
- ALL DIMENSIONS TO BE VERIFIED ON SITE BEFORE FABRICATION.

LEGEND :

X1 — DETAIL MARK NO.
X001 — REFER SHEET NO.

- F.F.L. — FINISHED FLOOR LEVEL
- S.F.L. — STRUCTURAL FLOOR LEVEL
- (R) — REVERSED DETAIL
- ▲ — FIXING LOCATION
- △ — FIXING LUG LOCATION

GLASS LEGEND

GL01 — 10mm+12mm AIR GAP+10mm THK. I.G.U.
GL05 — 10mm+12mm AIR GAP+10mm THK. I.G.U.
GL06 — 10mm+12mm AIR GAP+12mm THK. I.G.U.
PD01 — 10mm T.P+12mm AIR GAP+8mm T.P
GL07 — 10mm+12mm AIR GAP+12mm THK. I.G.U.
GL08 — 10mm+12mm AIR GAP+10mm THK. I.G.U.

NO.	DATE	REVISION	BY
B	19/12/2021	REVISION SUBJECT TO ARCH.COMMENT	LHR
A	28/08/2021	REVISION SUBJECT TO ARCH.COMMENT	WSH

JOB NO. : J-853

PROJECT : PROPOSED RESIDENTIAL DEVELOPMENT AT N.K.I.L. 6542 YIN PING ROAD KOWLOON

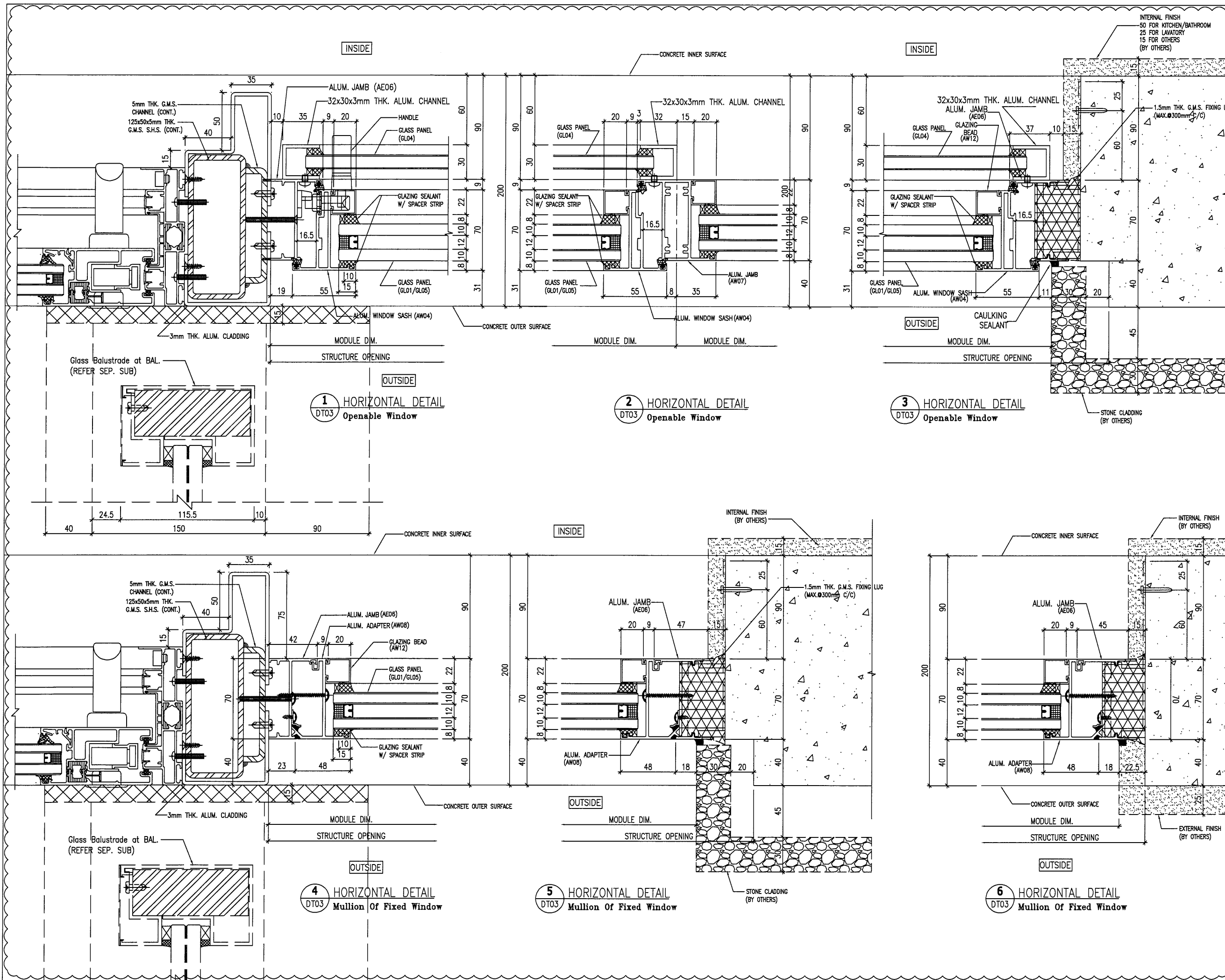
TITLE : TYPICAL DETAILS FOR ALUM. DOOR And ALUM. WINDOW

DATE : 03-APR-21 SCALE : 1 : 3 (A3)

DRAWN BY : A.C. CHECKED BY :

美特鋁質有限公司
MIDI ALUMINIUM FABRICATOR LTD.
Units 6-8, Sunray Industrial Centre, 1/F
610 Cha Kwo Ling Road, Kowloon
Tel:23489211-4 Fax:(852)2727666

DWG NO. : J853-SD-IW-DT02 REV. : B



B.D. REF :

CLIENT : **SHIMAO GROUP HOLDINGS LIMITED**

ARCHITECT : **WONG TUNG & PARTNERS LIMITED ARCHITECTS & PLANNERS**

MAIN CONTRACTOR : **協興建築有限公司 HIP HING CONSTRUCTION CO LTD**

STRUCTURAL ENGINEER : **ICMA C M WONG & ASSOCIATES LTD 黃志明建築工程師有限公司**

FAÇADE CONSULTANT : **MEINHARDT**

NOTE :
 1. ALL DIMENSIONS ARE IN mm.
 2. ALL ELEVATIONS ARE VIEWED FROM OUTSIDE.
 3. ALL DIMENSIONS TO BE VERIFIED ON SITE BEFORE FABRICATION.

LEGEND :

(X1) -- DETAIL MARK NO.
 (X001) -- REFER SHEET NO.

1. F.F.L. -- FINISHED FLOOR LEVEL
 2. S.F.L. -- STRUCTURAL FLOOR LEVEL
 3. (R) -- REVERSED DETAIL
 4. ▲ -- FIXING LOCATION
 5. △ -- FIXING LUG LOCATION
 6. GLASS LEGEND
 GL01 -- 10mm+12mm AIR GAP+10mm THK. I.G.U.
 GL05 -- 10mm+12mm AIR GAP+10mm THK. I.G.U.
 GL06 -- 10mm+12mm AIR GAP+12mm THK. I.G.U.
 PD01 -- 10mm T.P+12mm AIR GAP+8mm T.P
 GL07 -- 10mm+12mm AIR GAP+12mm THK. I.G.U.
 GL08 -- 10mm+12mm AIR GAP+10mm THK. I.G.U.

NO.	DATE	REVISION	BY
C	19/04/2022	REVISION SUBJECT TO ARCH.COMMENT	LHR
B	19/12/2021	REVISION SUBJECT TO ARCH.COMMENT	LHR
A	28/08/2021	REVISION SUBJECT TO ARCH.COMMENT	WSH

JOB NO. : J-853

PROJECT : PROPOSED RESIDENTIAL DEVELOPMENT AT N.K.I.L. 6542 YIN PING ROAD KOWLOON

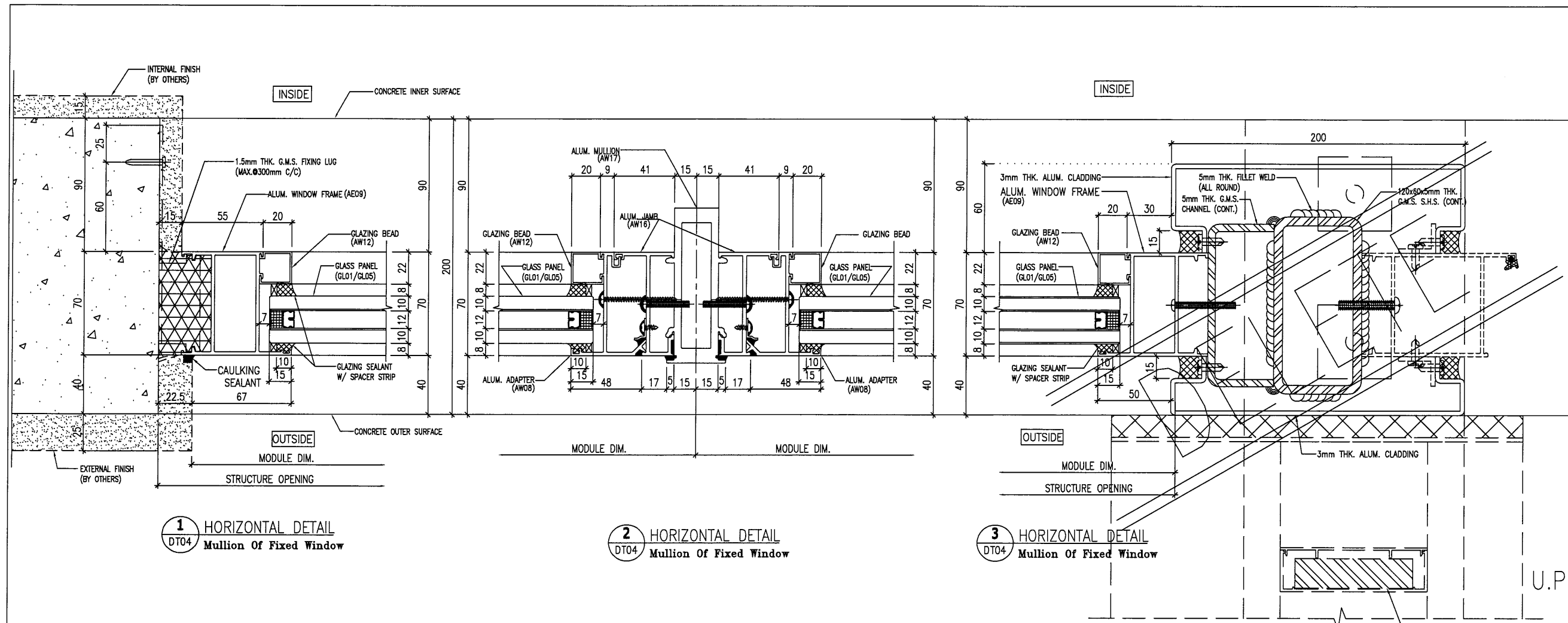
TITLE : TYPICAL DETAILS FOR ALUM. WINDOW

DATE : 03-APR-21 SCALE : 1 : 3 (A3)

DRAWN BY : A.C. CHECKED BY :

美特鋁質有限公司
MIDI ALUMINIUM FABRICATOR LTD.
 Units 6-8, Sunray Industrial Centre, 1/F
 610 Cha Kwo Ling Road, Kowloon
 Tel:23489211-4 Fax:(852)27727666

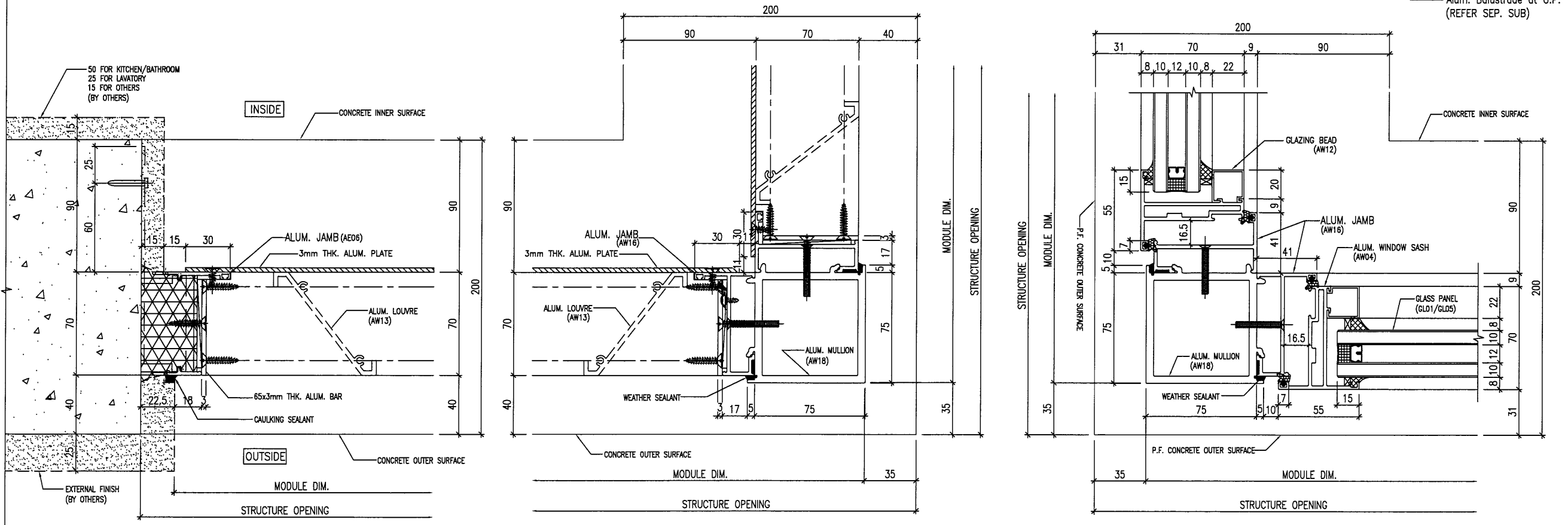
DWG NO. : J853-SD-IW-DT03 REV. : C



1 HORIZONTAL DETAIL
DT04 Mullion Of Fixed Window

2 HORIZONTAL DETAIL
DT04 Mullion Of Fixed Window

3 HORIZONTAL DETAIL
DT04 Mullion Of Fixed Window



4 HORIZONTAL DETAIL
DT04 Mullion Of Louvre

5 HORIZONTAL DETAIL
DT04 Mullion Of Louvre

6 HORIZONTAL DETAIL
DT04 Mullion Of Fixed Window

B.D. REF :

CLIENT :
SHIMAO GROUP HOLDINGS LIMITED

ARCHITECT :
WONG TUNG & PARTNERS LIMITED ARCHITECTS & PLANNERS

MAIN CONTRACTOR :
協興建築有限公司 HIP HING CONSTRUCTION CO LTD

STRUCTURAL ENGINEER :
ICMA C M WONG & ASSOCIATES LTD 黃志明建築工程師有限公司

FAÇADE CONSULTANT :
MEINHARDT

NOTE :
1. ALL DIMENSIONS ARE IN mm.
2. ALL ELEVATIONS ARE VIEWED FROM OUTSIDE.
3. ALL DIMENSIONS TO BE VERIFIED ON SITE BEFORE FABRICATION.

LEGEND :
X1 — DETAIL MARK NO.
X001 — REFER SHEET NO.
1. F.F.L. — FINISHED FLOOR LEVEL
2. S.F.L. — STRUCTURAL FLOOR LEVEL
3. (R) — REVERSED DETAIL
4. ▲ — FIXING LOCATION
5. △ — FIXING LUG LOCATION
6. GLASS LEGEND
GL01 — 10mm+12mm AIR GAP+10mm THK. I.G.U.
GL05 — 10mm+12mm AIR GAP+10mm THK. I.G.U.
GL06 — 10mm+12mm AIR GAP+12mm THK. I.G.U.
PD01 — 10mm T.P+12mm AIR GAP+8mm T.P
GL07 — 10mm+12mm AIR GAP+12mm THK. I.G.U.
GL08 — 10mm+12mm AIR GAP+10mm THK. I.G.U.

C	19/04/2022	REVISION SUBJECT TO ARCH.COMMENT	LHR
B	19/12/2021	REVISION SUBJECT TO ARCH.COMMENT	LHR
NO.	DATE	REVISED	BY

JOB NO. : J-853
PROJECT : PROPOSED RESIDENTIAL DEVELOPMENT AT N.K.I.L. 6542 YIN PING ROAD KOWLOON

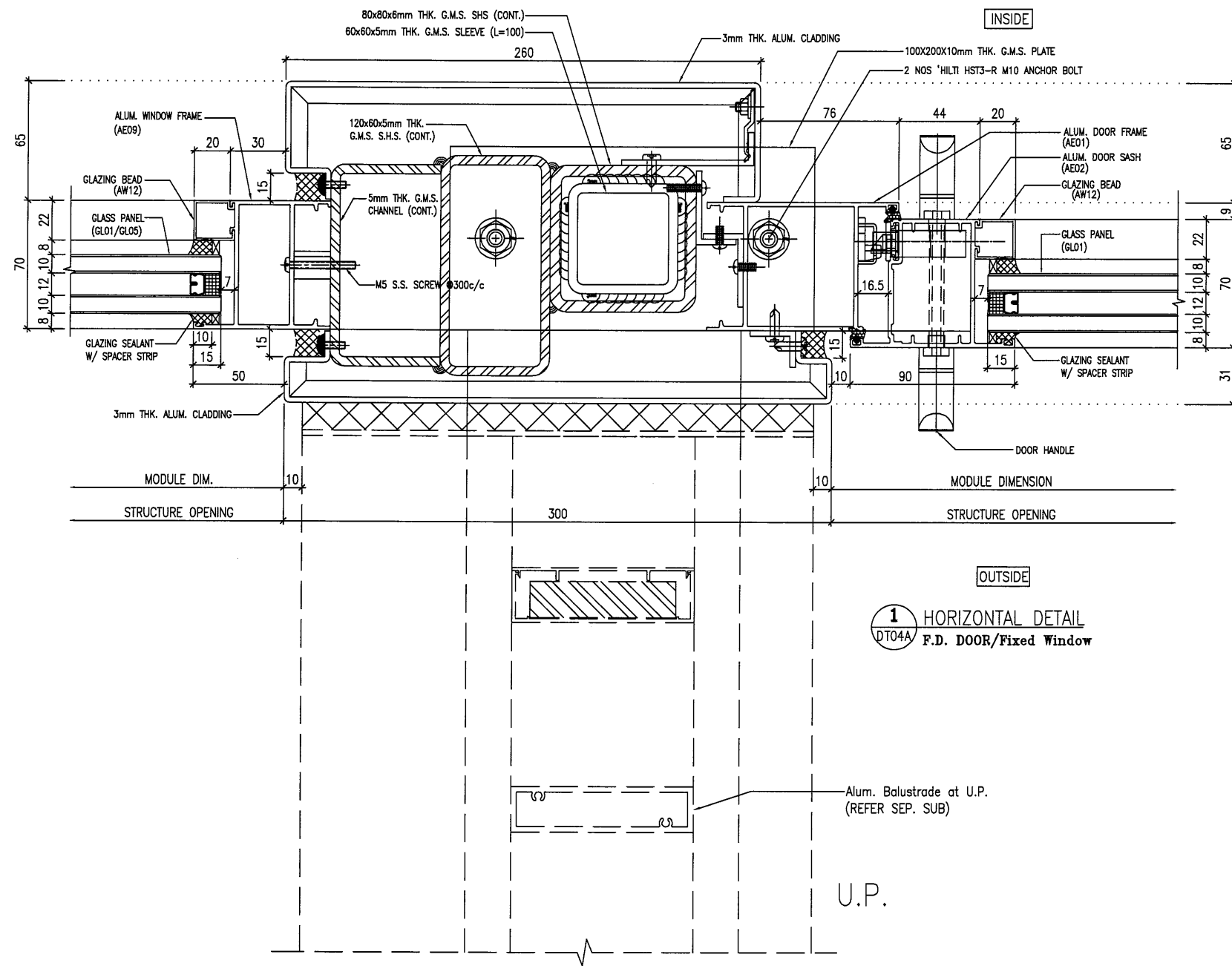
TITLE : TYPICAL DETAILS FOR ALUM. WINDOW

DATE : 03-APR-21 SCALE : 1 : 3 (A3)

DRAWN BY : A.C. CHECKED BY :

美特鋁質有限公司
MIDI ALUMINIUM FABRICATOR LTD.
Units 6-8, Sunray Industrial Centre, 1/F
610 Cha Kwo Ling Road, Kowloon
Tel:23489211-4 Fax:(852)2727666

DWG NO. : J853-SD-IW-DT04 REV. : C



B.D. REF :

CLIENT :
SHIMAO GROUP HOLDINGS LIMITED

ARCHITECT :
WONG TUNG & PARTNERS LIMITED ARCHITECTS & PLANNERS

MAIN CONTRACTOR :
協興建築有限公司 HIP HING CONSTRUCTION CO LTD

STRUCTURAL ENGINEER :
ICMA C M WONG & ASSOCIATES LTD 黃志明建築工程師有限公司

FAÇADE CONSULTANT:
MEINHARDT

NOTE :
1. ALL DIMENSIONS ARE IN mm.
2. ALL ELEVATIONS ARE VIEWED FROM OUTSIDE.
3. ALL DIMENSIONS TO BE VERIFIED ON SITE BEFORE FABRICATION.

LEGEND :

(X1) --- DETAIL MARK NO.
(X001) --- REFER SHEET NO.

1. F.F.L --- FINISHED FLOOR LEVEL
2. S.F.L --- STRUCTURAL FLOOR LEVEL
3. (R) --- REVERSED DETAIL
4. ▲ --- FIXING LOCATION
5. △ --- FIXING LUG LOCATION
6. GLASS LEGEND
GL01 --- 10mm+12mm AIR GAP+10mm THK. I.G.U.
GL05 --- 10mm+12mm AIR GAP+10mm THK. I.G.U.
GL06 --- 10mm+12mm AIR GAP+12mm THK. I.G.U.
PDO1 --- 10mm T.P+12mm AIR GAP+8mm T.P
GL07 --- 10mm+12mm AIR GAP+12mm THK. I.G.U.
GL08 --- 10mm+12mm AIR GAP+10mm THK. I.G.U.

NO.	DATE	REVISED	BY
-----	------	---------	----

JOB NO. : J-853
PROJECT : PROPOSED RESIDENTIAL DEVELOPMENT AT N.K.I.L. 6542 YIN PING ROAD KOWLOON

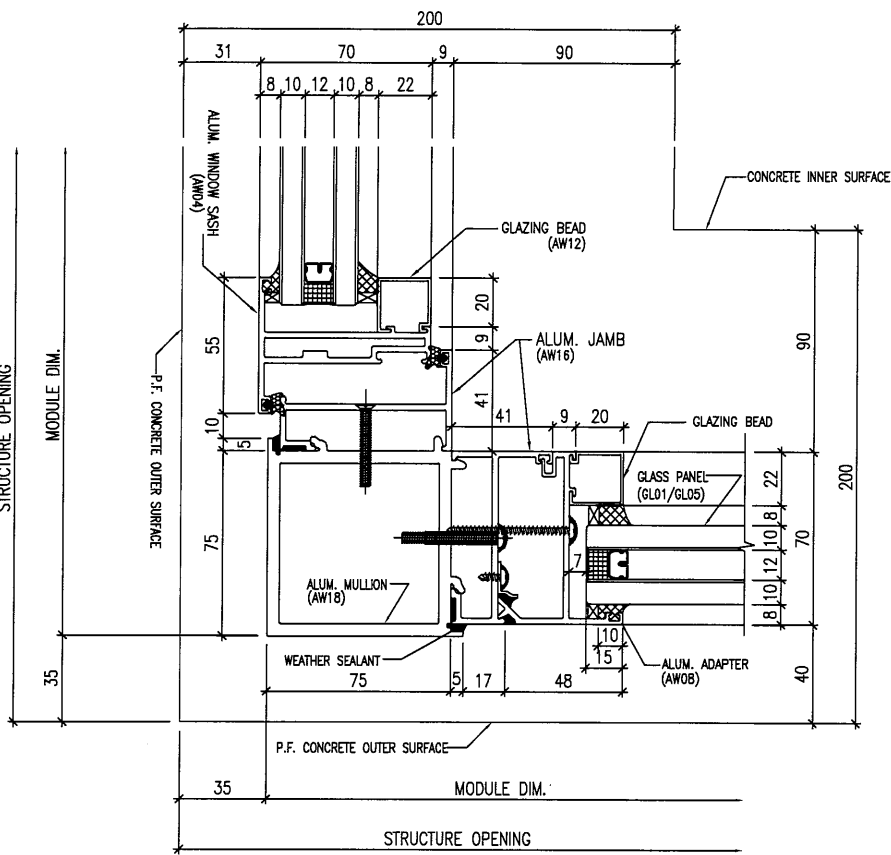
TITLE : TYPICAL DETAILS FOR ALUM. DOOR

DATE : 21-APR-22 SCALE : 1 : 3 (A3)

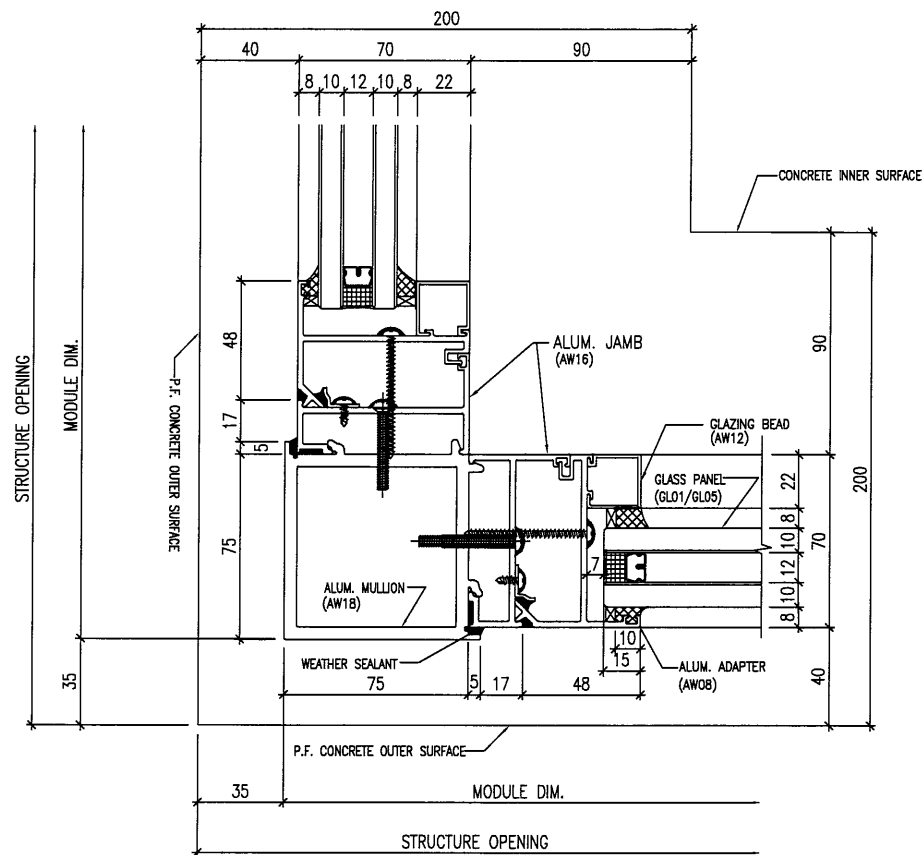
DRAWN BY : LHR CHECKED BY :

美特鋁質有限公司
MIDI ALUMINIUM FABRICATOR LTD.
Units 6-8, Sunray Industrial Centre, 1/F
610 Cha Kwo Ling Road, Kowloon
Tel:23489211-4 Fax:(852)27727666

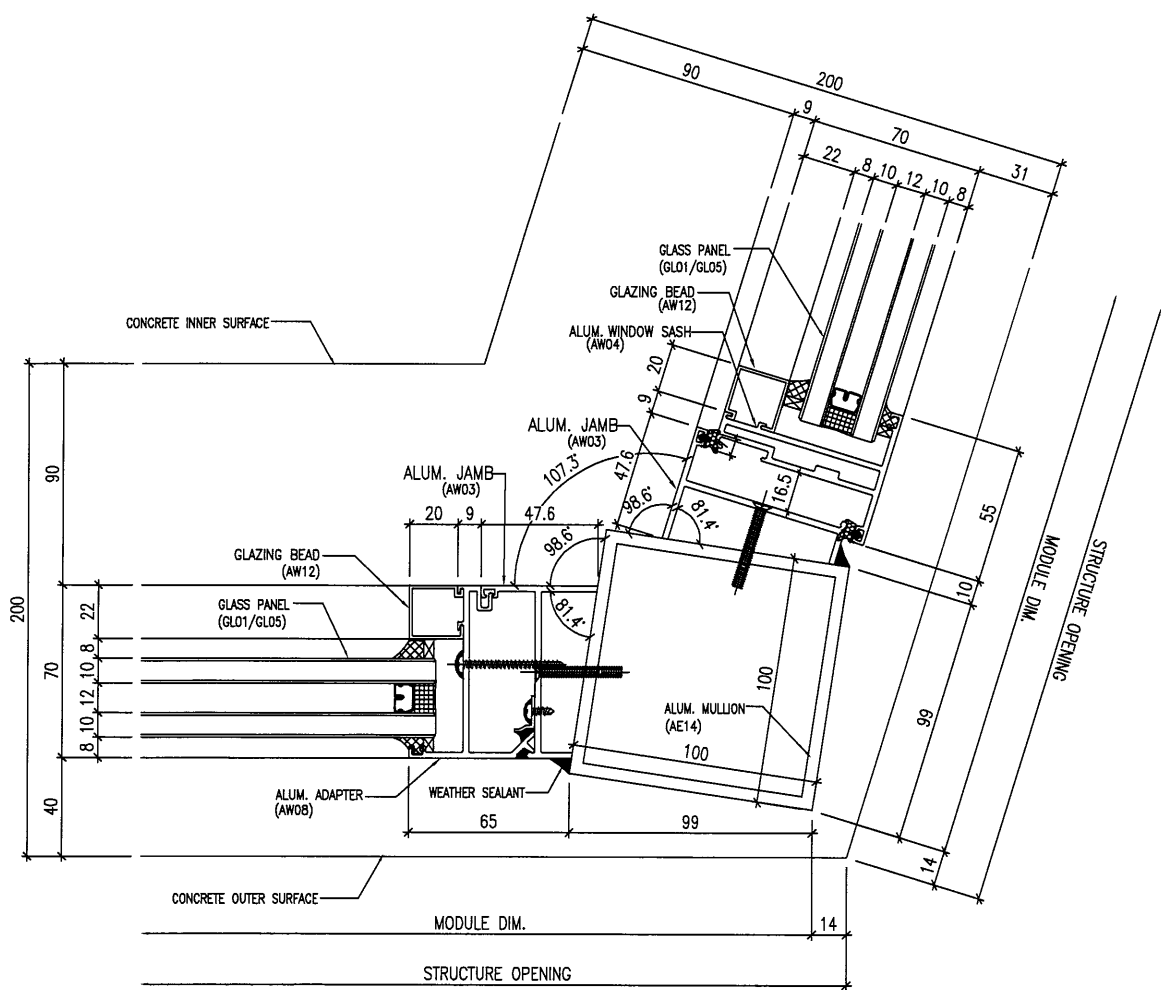
DWG NO. : J853-SD-IW-DT04A REV. : C



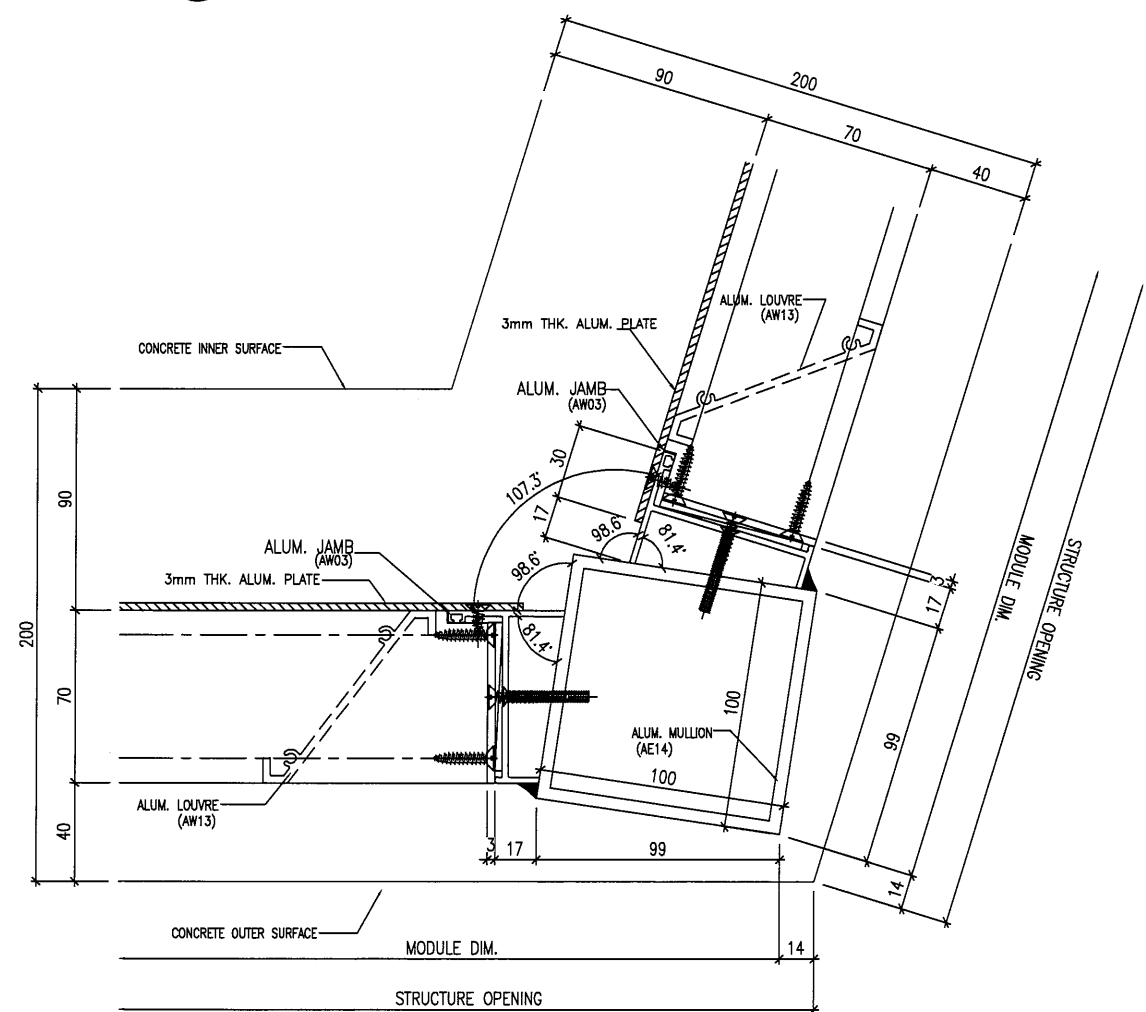
1 HORIZONTAL DETAIL
DT05 Mullion Of Fixed Window



2 HORIZONTAL DETAIL
DT05 Mullion Of Fixed Window



3 HORIZONTAL DETAIL
DT05 Openable Window



4 HORIZONTAL DETAIL
DT05 Mullion Of Louvre

B.D. REF :
.....

CLIENT :
SHIMAO GROUP HOLDINGS LIMITED

ARCHITECT :
WONG TUNG & PARTNERS LIMITED ARCHITECTS & PLANNERS

MAIN CONTRACTOR :
協興建築有限公司 HIP HING CONSTRUCTION CO LTD

STRUCTURAL ENGINEER :
ICMA C M WONG & ASSOCIATES LTD 黃志明建築工程師有限公司

FACADE CONSULTANT:
MEINHARDT

NOTE :
1. ALL DIMENSIONS ARE IN mm.
2. ALL ELEVATIONS ARE VIEWED FROM OUTSIDE.
3. ALL DIMENSIONS TO BE VERIFIED ON SITE BEFORE FABRICATION.

LEGEND :
X1 --- DETAIL MARK NO.
X001 --- REFER SHEET NO.
1. F.F.L --- FINISHED FLOOR LEVEL
2. S.F.L --- STRUCTURAL FLOOR LEVEL
3. (B) --- REVERSED DETAIL
4. ▲ --- FIXING LOCATION
5. △ --- FIXING LUG LOCATION
6. GLASS LEGEND
GL01 --- 10mm+12mm AIR GAP+10mm THK. I.G.U.
GL05 --- 10mm+12mm AIR GAP+10mm THK. I.G.U.
GL06 --- 10mm+12mm AIR GAP+12mm THK. I.G.U.
PDO1 --- 10mm T.P+12mm AIR GAP+8mm T.P
GL07 --- 10mm+12mm AIR GAP+12mm THK. I.G.U.
GL08 --- 10mm+12mm AIR GAP+10mm THK. I.G.U.

B	19/12/2021	REVISION SUBJECT TO ARCH/COMMENT	LHR
NO.	DATE	REVISED	BY

JOB NO. : J-853
PROJECT : PROPOSED RESIDENTIAL DEVELOPMENT AT N.K.I.L. 6542 YIN PING ROAD KOWLOON

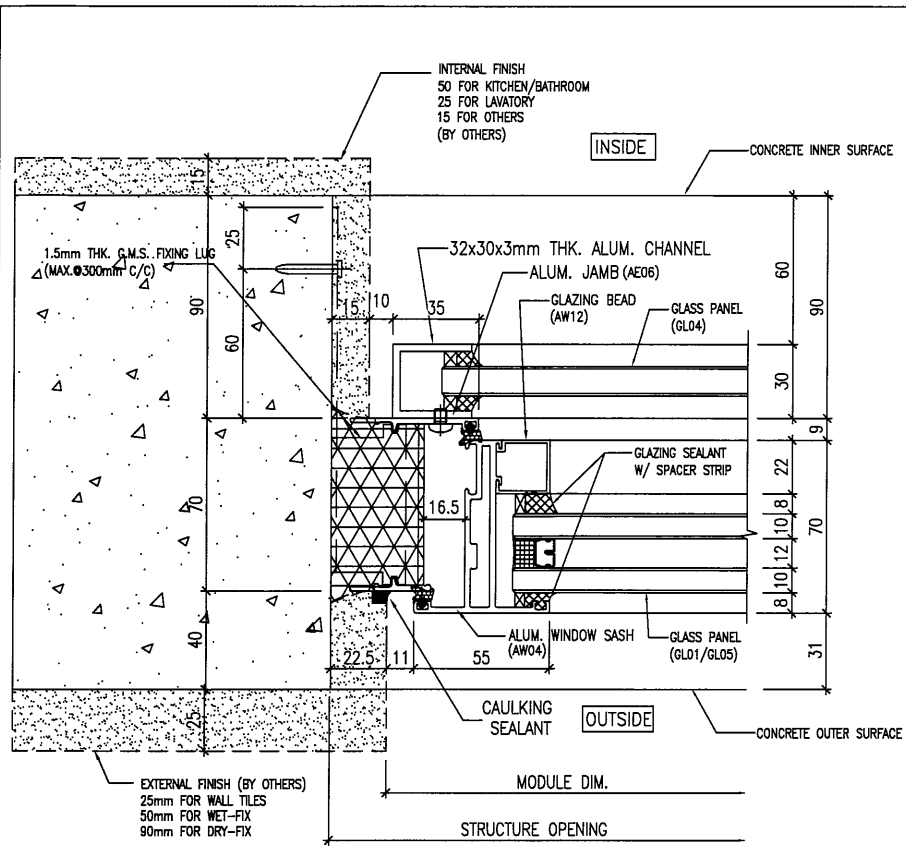
TITLE : TYPICAL DETAILS FOR ALUM. WINDOW

DATE : 03-APR-21 SCALE : 1 : 3 (A3)

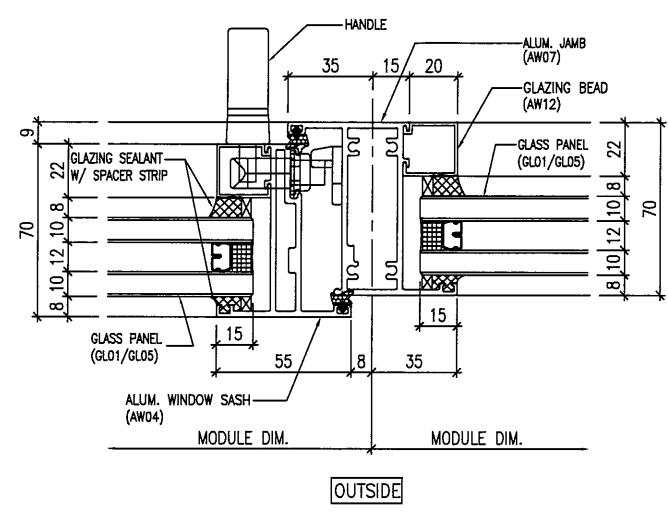
DRAWN BY : A.C. CHECKED BY :

美特鋁質有限公司
MIDI ALUMINIUM FABRICATOR LTD.
Units 6-8, Sunray Industrial Centre, 1/F
610 Cha Kwo Ling Road, Kowloon
Tel:23489211-4 Fax:(852)2727666

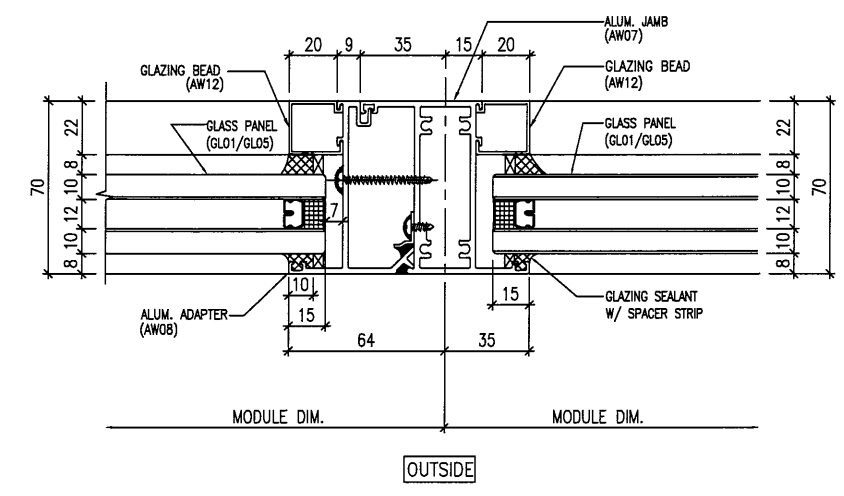
DWG NO. : J853-SD-IW-DT05 REV. : B



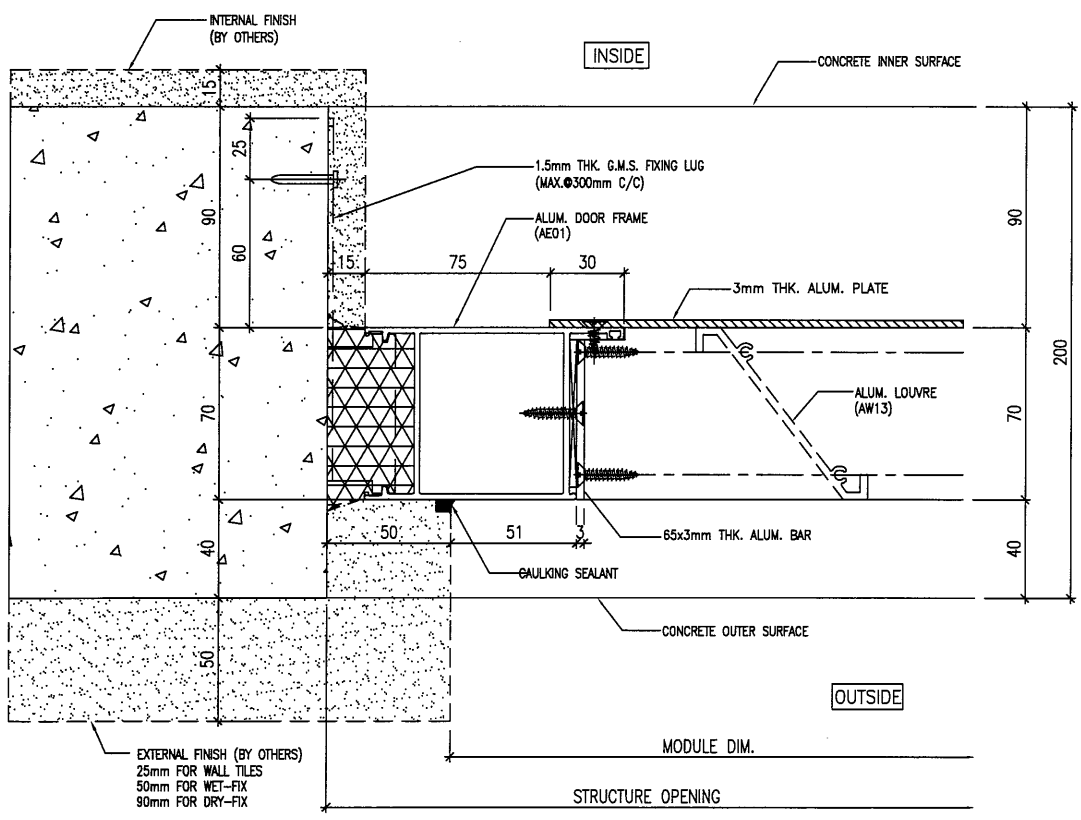
1 HORIZONTAL DETAIL
DT06 Openable Window



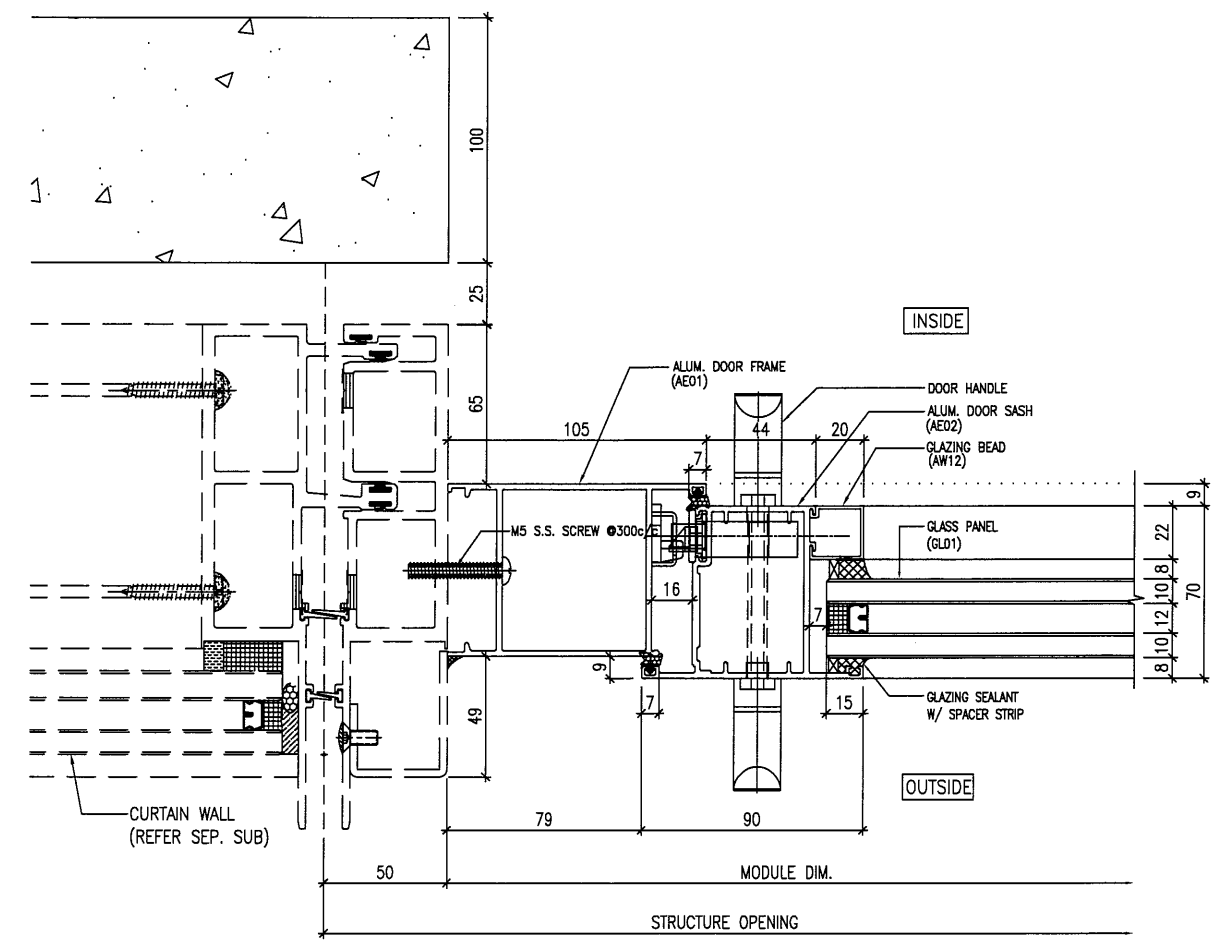
2 HORIZONTAL DETAIL
DT06 Mullion Of Fixed Window And Openable Window



3 HORIZONTAL DETAIL
DT06 Mullion Of Fixed Window



4 HORIZONTAL DETAIL
DT06 Mullion Of Louvre



5 HORIZONTAL DETAIL
DT06 F.D. Door

B.D. REF :
.....

CLIENT :
SHIMAO GROUP HOLDINGS LIMITED

ARCHITECT :
WONG TUNG & PARTNERS LIMITED ARCHITECTS & PLANNERS

MAIN CONTRACTOR :
協興建築有限公司 HIP HING CONSTRUCTION CO LTD

STRUCTURAL ENGINEER :
ICMA C M WONG & ASSOCIATES LTD 黃志明建築工程師有限公司

FAÇADE CONSULTANT:
MEINHARDT

NOTE :
1. ALL DIMENSIONS ARE IN mm.
2. ALL ELEVATIONS ARE VIEWED FROM OUTSIDE.
3. ALL DIMENSIONS TO BE VERIFIED ON SITE BEFORE FABRICATION.

LEGEND :
X1 --- DETAIL MARK NO.
X001 --- REFER SHEET NO.
1. F.F.L --- FINISHED FLOOR LEVEL
2. S.F.L --- STRUCTURAL FLOOR LEVEL
3. (R) --- REVERSED DETAIL
4. ▲ --- FIXING LOCATION
5. △ --- FIXING LUG LOCATION
6. GLASS LEGEND
GL01 --- 10mm+12mm AIR GAP+10mm THK. I.G.U.
GL05 --- 10mm+12mm AIR GAP+10mm THK. I.G.U.
GL06 --- 10mm+12mm AIR GAP+12mm THK. I.G.U.
PD01 --- 10mm T.P+12mm AIR GAP+8mm T.P
GL07 --- 10mm+12mm AIR GAP+12mm THK. I.G.U.
GL08 --- 10mm+12mm AIR GAP+10mm THK. I.G.U.

B	19/12/2021	REVISION SUBJECT TO ARCH.COMMENT	LHR
NO.	DATE	REVISED	BY

JOB NO. : J-853
PROJECT : PROPOSED RESIDENTIAL DEVELOPMENT AT N.K.I.L. 6542 YIN PING ROAD KOWLOON

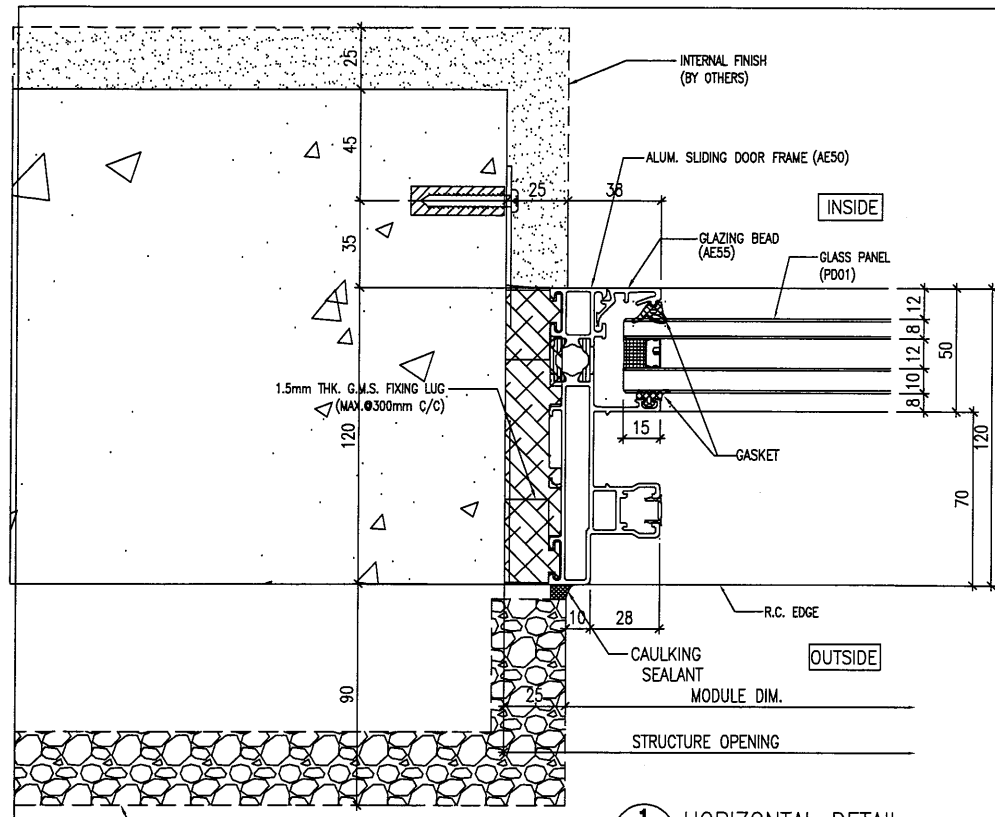
TITLE : TYPICAL DETAILS FOR ALUM. WINDOW

DATE : 03-APR-21 SCALE : 1 : 3 (A3)

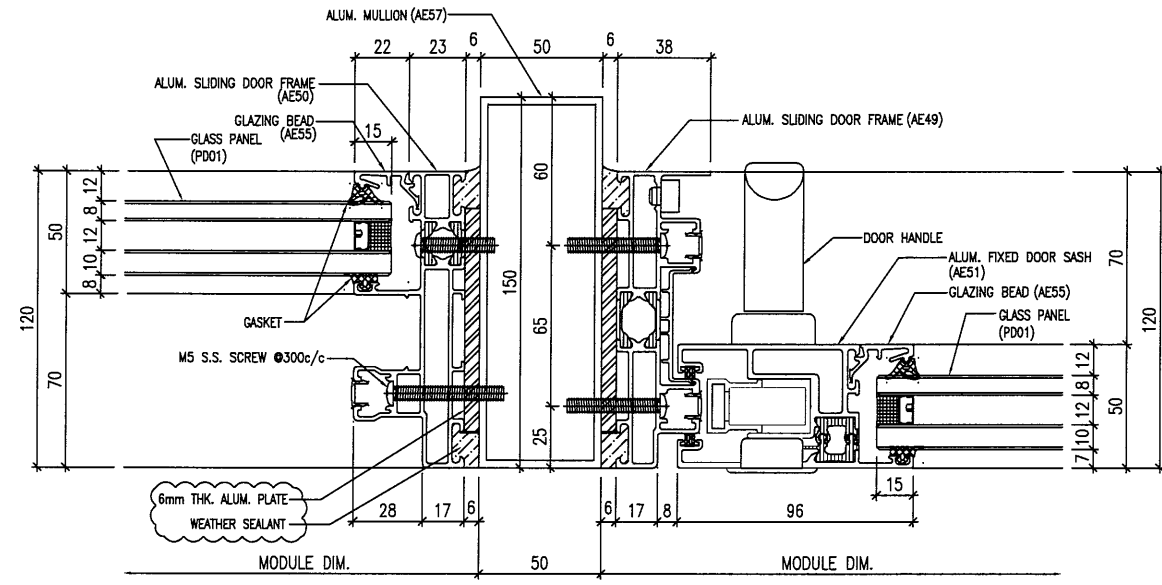
DRAWN BY : A.C. CHECKED BY :

美特鋁質有限公司
MIDI ALUMINIUM FABRICATOR LTD.
Units 6-8, Sunray Industrial Centre, 1/F
810 Cha Kwo Ling Road, Kowloon
Tel:23489211-4 Fax:(852)2727666

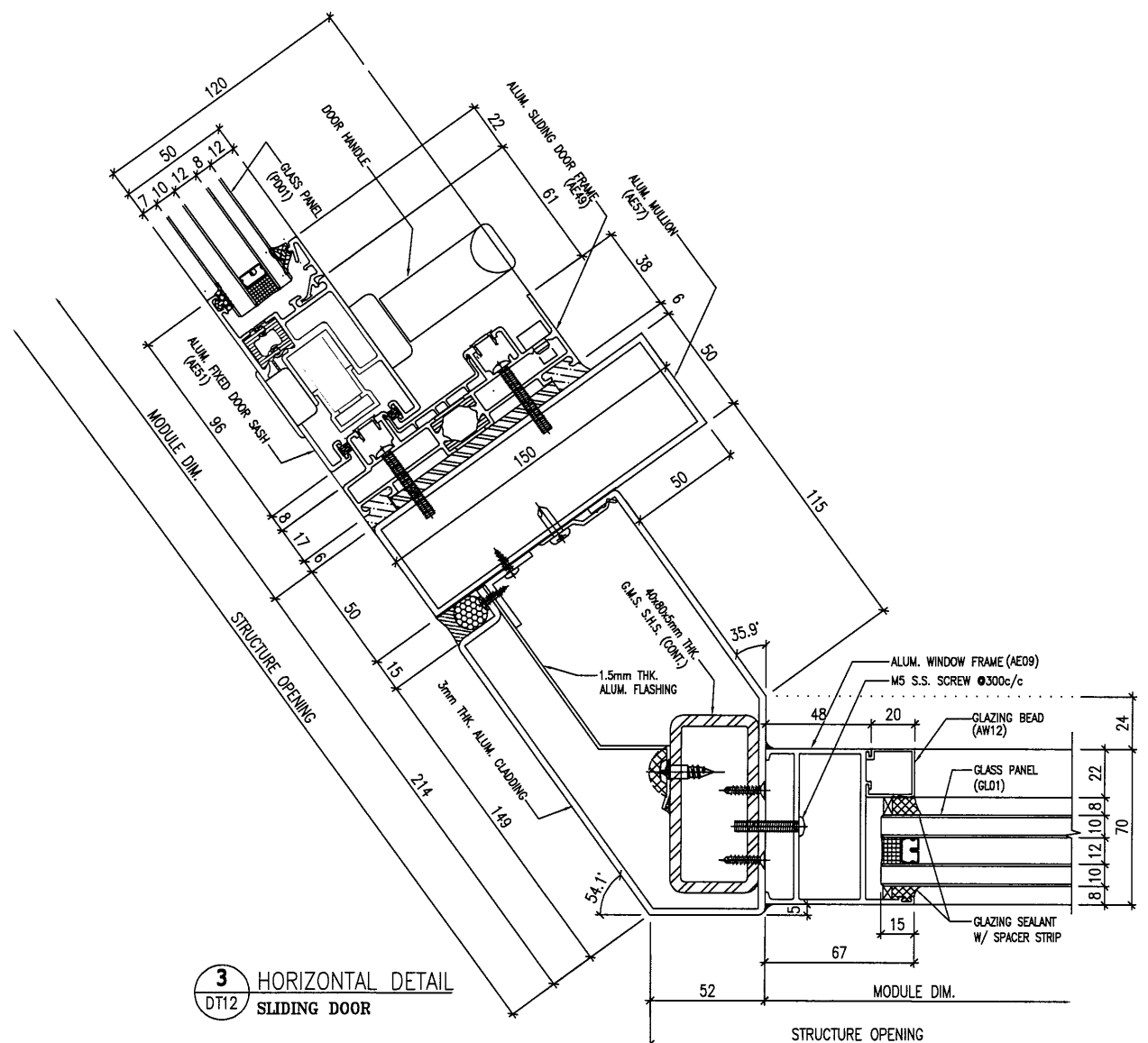
DWG NO. : J853-SD-IW-DT06 REV. : B



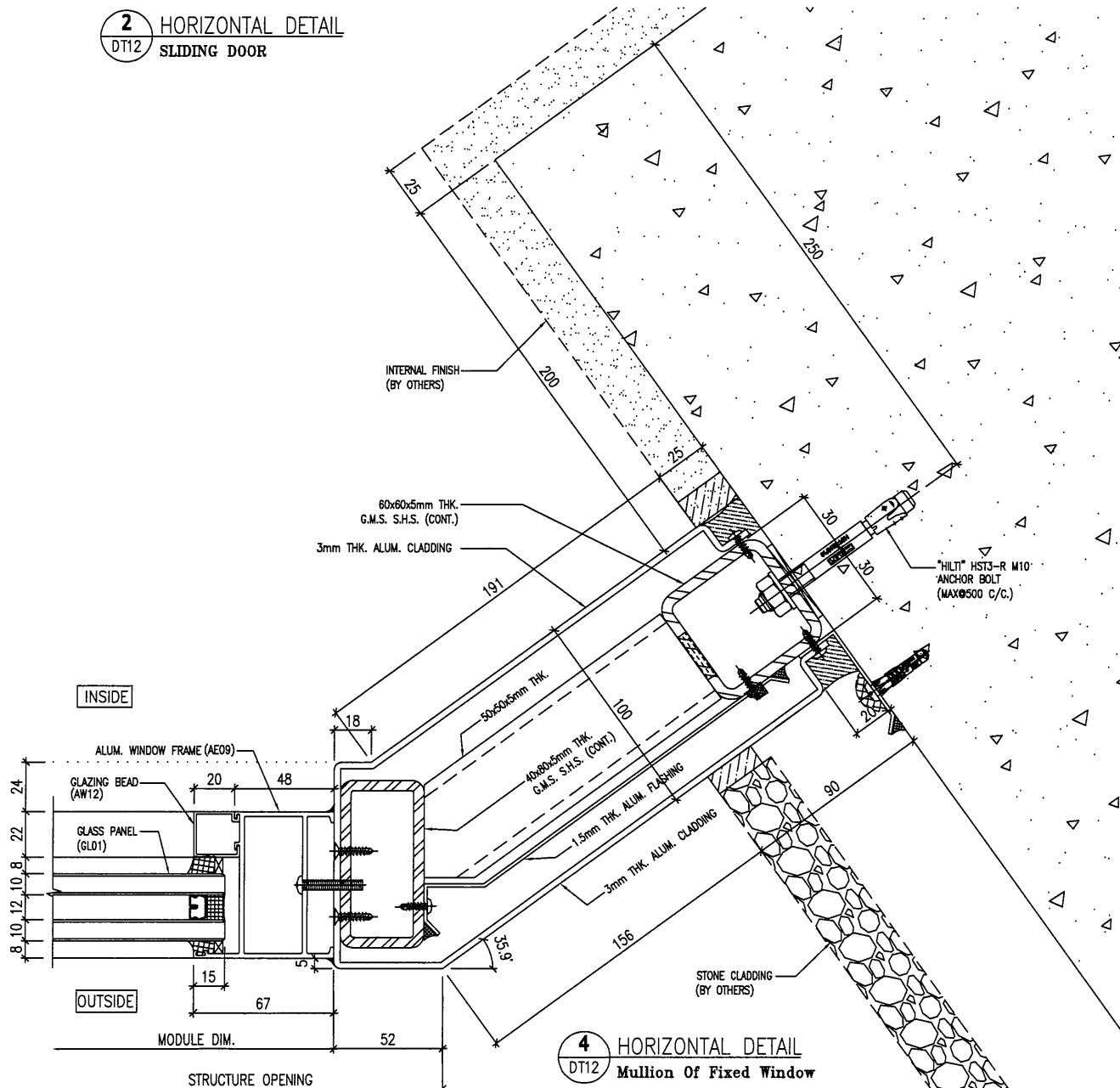
1 HORIZONTAL DETAIL
DT12 SLIDING DOOR



2 HORIZONTAL DETAIL
DT12 SLIDING DOOR



3 HORIZONTAL DETAIL
DT12 SLIDING DOOR



4 HORIZONTAL DETAIL
DT12 Mullion Of Fixed Window

B.D. REF :

CLIENT :
SHIMAO GROUP HOLDINGS LIMITED

ARCHITECT :
WONG TUNG & PARTNERS LIMITED ARCHITECTS & PLANNERS

MAIN CONTRACTOR :
協興建築有限公司 HIP HING CONSTRUCTION CO LTD

STRUCTURAL ENGINEER :
ICMA C M WONG & ASSOCIATES LTD 黃志明建築工程師有限公司

FAÇADE CONSULTANT:
MEINHARDT

NOTE :
1. ALL DIMENSIONS ARE IN mm.
2. ALL ELEVATIONS ARE VIEWED FROM OUTSIDE.
3. ALL DIMENSIONS TO BE VERIFIED ON SITE BEFORE FABRICATION.

LEGEND :
X1 — DETAIL MARK NO.
X001 — REFER SHEET NO.
1. F.F.L. — FINISHED FLOOR LEVEL
2. S.F.L. — STRUCTURAL FLOOR LEVEL
3. (R) — REVERSED DETAIL
4. ▲ — FIXING LOCATION
5. △ — FIXING LUG LOCATION
6. GLASS LEGEND
GL01 — 10mm+12mm AIR GAP+10mm THK. I.G.U.
GL05 — 10mm+12mm AIR GAP+10mm THK. I.G.U.
GL06 — 10mm+12mm AIR GAP+12mm THK. I.G.U.
PD01 — 10mm T.P+12mm AIR GAP+8mm T.P
GL07 — 10mm+12mm AIR GAP+12mm THK. I.G.U.
GL08 — 10mm+12mm AIR GAP+10mm THK. I.G.U.

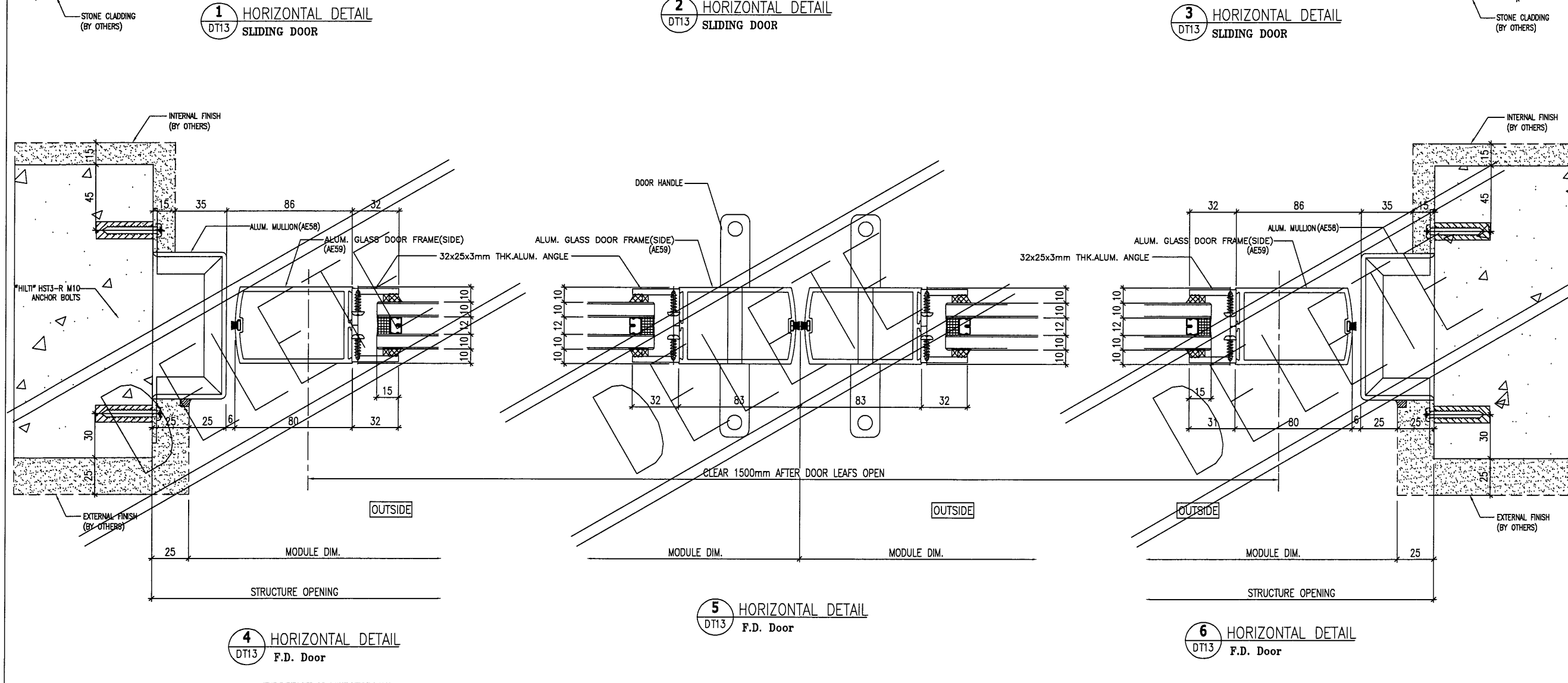
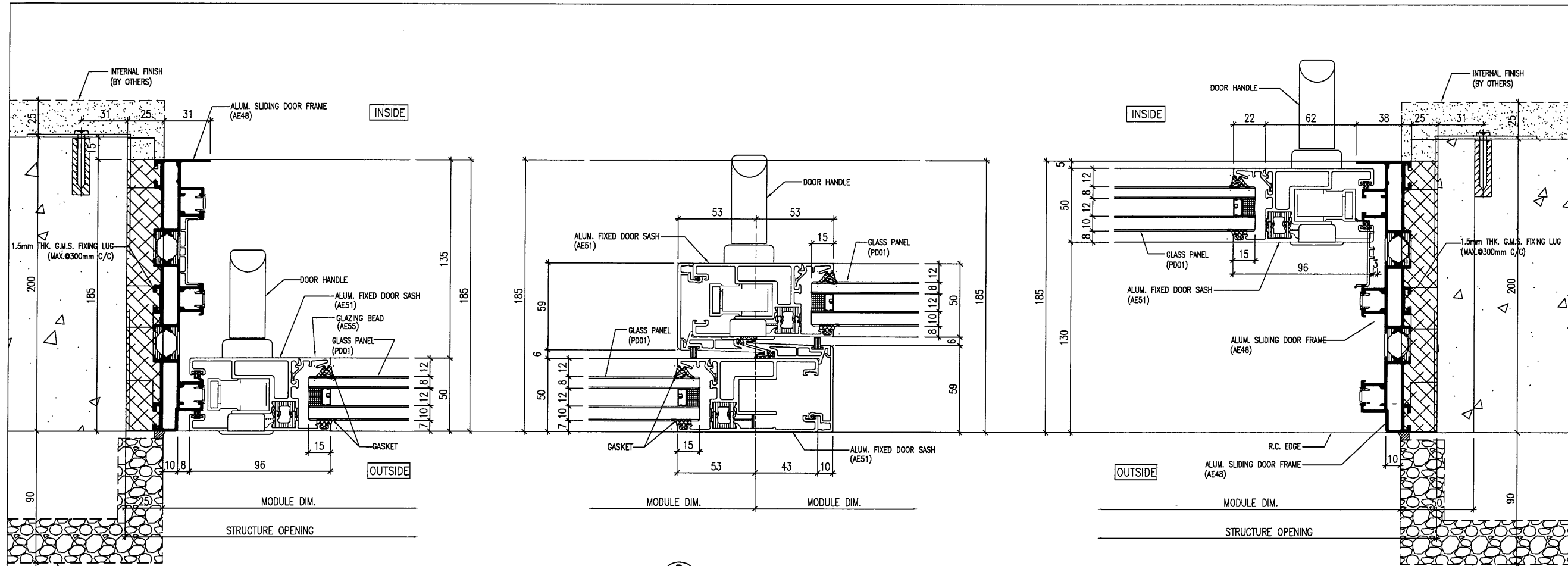
C	19/04/2022	REVISION SUBJECT TO ARCH.COMMENT	LHR
B	19/12/2021	REVISION SUBJECT TO ARCH.COMMENT	LHR
NO.	DATE	REVISED	BY

JOB NO. : J-853
PROJECT : PROPOSED RESIDENTIAL DEVELOPMENT AT N.K.I.L. 6542 YIN PING ROAD KOWLOON
TITLE : TYPICAL DETAILS FOR SLIDING DOOR

DATE : 03-APR-21 SCALE : 1 : 3 (A3)
DRAWN BY : A.C. CHECKED BY :

美特鋁質有限公司
MIDI ALUMINIUM FABRICATOR LTD.
Units 6-8, Sunray Industrial Centre, 1/F
610 Cha Kwo Ling Road, Kowloon
Tel:23489211-4 Fax:(852)27727666

DWG NO. : J853-SD-IW-DT12 REV. : C



B.D. REF :

CLIENT : SHIMAO GROUP HOLDINGS LIMITED

ARCHITECT : WONG TUNG & PARTNERS LIMITED ARCHITECTS & PLANNERS

MAIN CONTRACTOR : 協興建築有限公司 HIP HING CONSTRUCTION CO LTD

STRUCTURAL ENGINEER : I.C.M.A. C M WONG & ASSOCIATES LTD 黃志明建築工程師有限公司

FACADE CONSULTANT : MEINHARDT

- NOTE :
- ALL DIMENSIONS ARE IN mm.
 - ALL ELEVATIONS ARE VIEWED FROM OUTSIDE.
 - ALL DIMENSIONS TO BE VERIFIED ON SITE BEFORE FABRICATION.
- LEGEND :
- X1 --- DETAIL MARK NO.
 - X001 --- REFER SHEET NO.
- F.F.L --- FINISHED FLOOR LEVEL
 - S.F.L --- STRUCTURAL FLOOR LEVEL
 - ⊖ --- REVERSED DETAIL
 - ▲ --- FIXING LOCATION
 - △ --- FIXING LUG LOCATION
6. GLASS LEGEND
- GL01 --- 10mm+12mm AIR GAP+10mm THK. I.G.U.
 - GL05 --- 10mm+12mm AIR GAP+10mm THK. I.G.U.
 - GL06 --- 10mm+12mm AIR GAP+12mm THK. I.G.U.
 - PD01 --- 10mm T.P+12mm AIR GAP+8mm T.P
 - GL07 --- 10mm+12mm AIR GAP+12mm THK. I.G.U.
 - GL08 --- 10mm+12mm AIR GAP+10mm THK. I.G.U.

C	19/04/2022	REVISION SUBJECT TO ARCH COMMENT	LHR
B	19/12/2021	REVISION SUBJECT TO ARCH COMMENT	LHR
NO.	DATE	REVISED	BY

JOB NO. : J-853

PROJECT : PROPOSED RESIDENTIAL DEVELOPMENT AT N.K.I.L. 6542 YIN PING ROAD KOWLOON

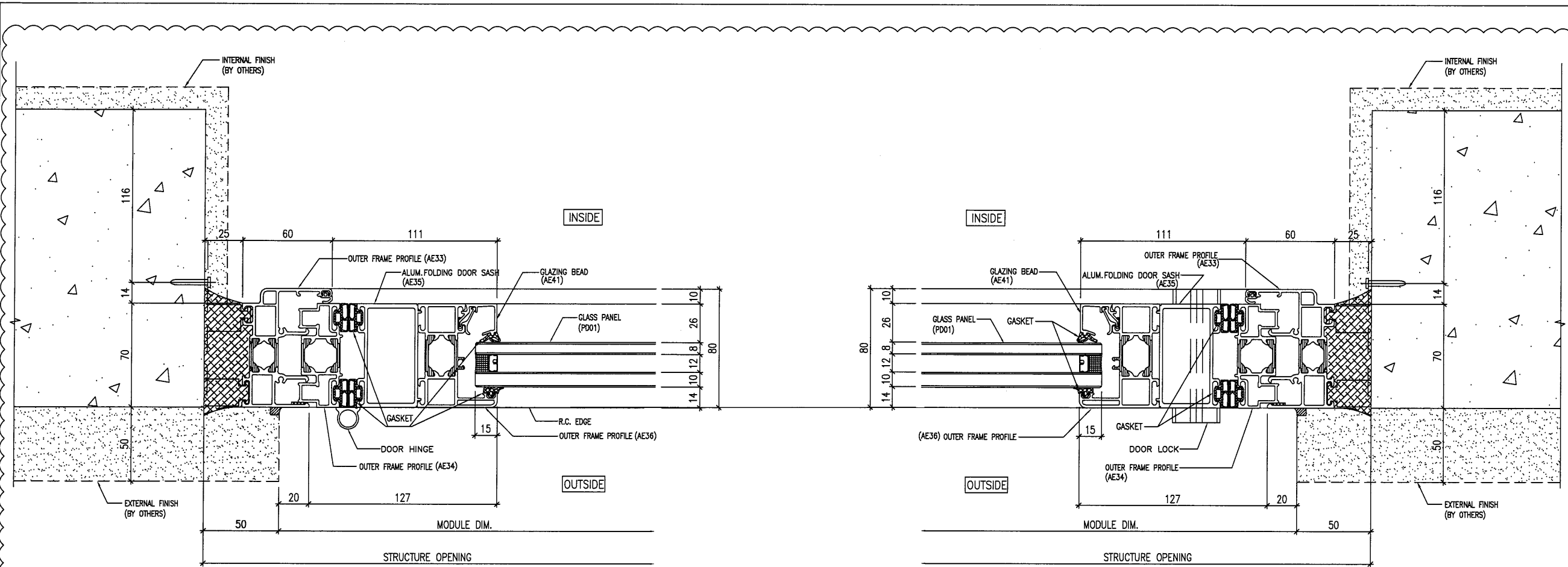
TITLE : TYPICAL DETAILS FOR SLIDING DOOR

DATE : 03-APR-21 SCALE : 1 : 3 (A3)

DRAWN BY : A.C. CHECKED BY :

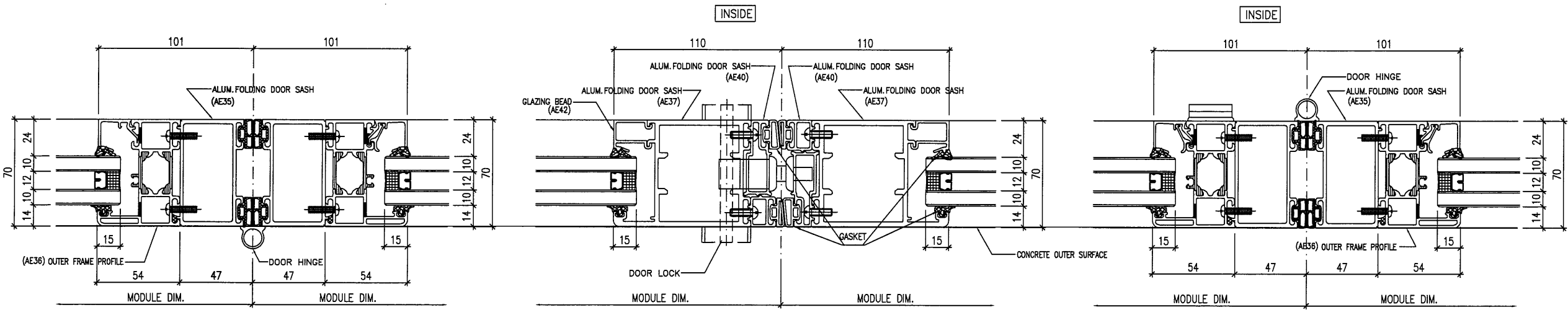
美特鋁質有限公司
MIDI ALUMINIUM FABRICATOR LTD.
Units 6-8, Sunray Industrial Centre, 1/F
610 Cha Kwo Ling Road, Kowloon
Tel:23489211-4 Fax:(852)2727666

DWG NO. : J853-SD-IW-DT13 REV. : C



1 HORIZONTAL DETAIL
DT14 Folding Door

2 HORIZONTAL DETAIL
DT14 Folding Door



3 HORIZONTAL DETAIL
DT14 Folding Door

4 HORIZONTAL DETAIL
DT14 Mullion Of Fixed Window

5 HORIZONTAL DETAIL
DT14 Folding Door

B.D. REF :

CLIENT :
SHIMAO GROUP HOLDINGS LIMITED

ARCHITECT :
WONG TUNG & PARTNERS LIMITED ARCHITECTS & PLANNERS

MAIN CONTRACTOR :
協興建築有限公司 HIP HING CONSTRUCTION CO LTD

STRUCTURAL ENGINEER :
ICMA C M WONG & ASSOCIATES LTD 黃志明建築工程師有限公司

FAÇADE CONSULTANT:
MEINHARDT

NOTE:
1. ALL DIMENSIONS ARE IN mm.
2. ALL ELEVATIONS ARE VIEWED FROM OUTSIDE.
3. ALL DIMENSIONS TO BE VERIFIED ON SITE BEFORE FABRICATION.

LEGEND:
X1 --- DETAIL MARK NO.
X001 --- REFER SHEET NO.
1. F.F.L --- FINISHED FLOOR LEVEL
2. S.F.L --- STRUCTURAL FLOOR LEVEL
3. (R) --- REVERSED DETAIL
4. ▲ --- FIXING LOCATION
5. △ --- FIXING LUG LOCATION
6. GLASS LEGEND
GL01 --- 10mm+12mm AIR GAP+10mm THK. I.G.U.
GL05 --- 10mm+12mm AIR GAP+10mm THK. I.G.U.
GL06 --- 10mm+12mm AIR GAP+12mm THK. I.G.U.
PD01 --- 10mm T.P+12mm AIR GAP+8mm T.P
GL07 --- 10mm+12mm AIR GAP+12mm THK. I.G.U.
GL08 --- 10mm+12mm AIR GAP+10mm THK. I.G.U.

NO.	DATE	REVISION	BY
C	19/04/2022	REVISION SUBJECT TO ARCH.COMMENT	LHR
B	19/12/2021	REVISION SUBJECT TO ARCH.COMMENT	LHR

JOB NO. : J-853
PROJECT : PROPOSED RESIDENTIAL DEVELOPMENT AT N.K.I.L. 6542 YIN PING ROAD KOWLOON

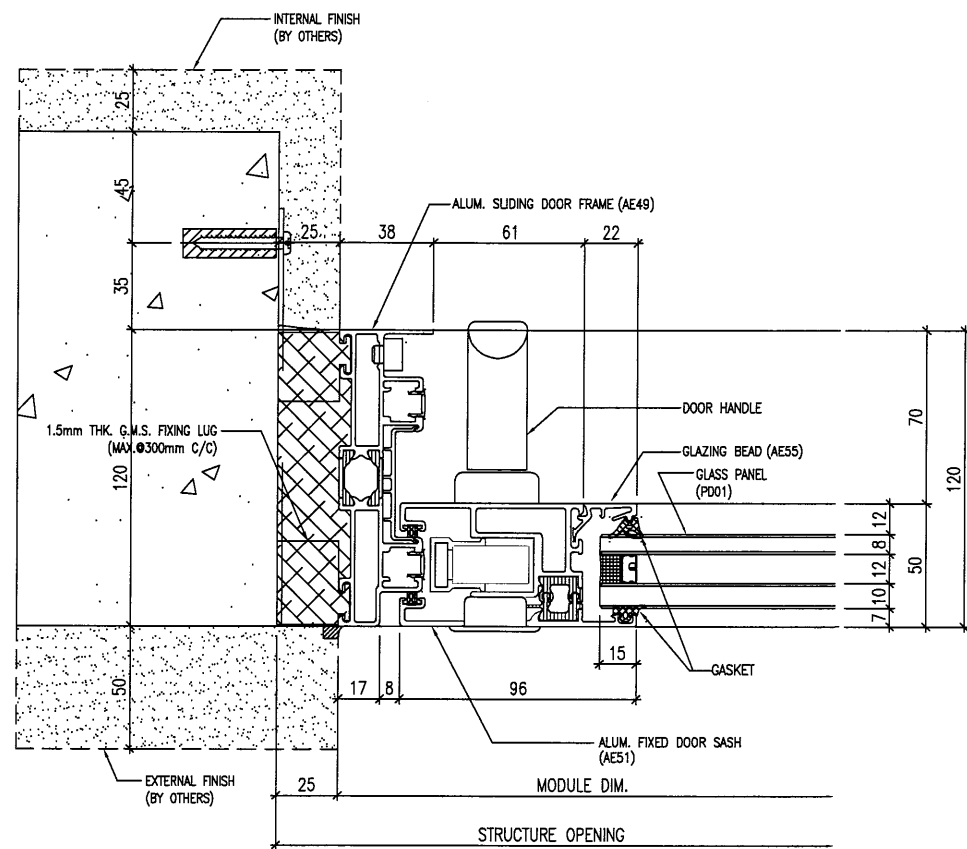
TITLE : TYPICAL DETAILS FOR SLIDING DOOR

DATE : 03-APR-21 SCALE : 1 : 3 (A3)

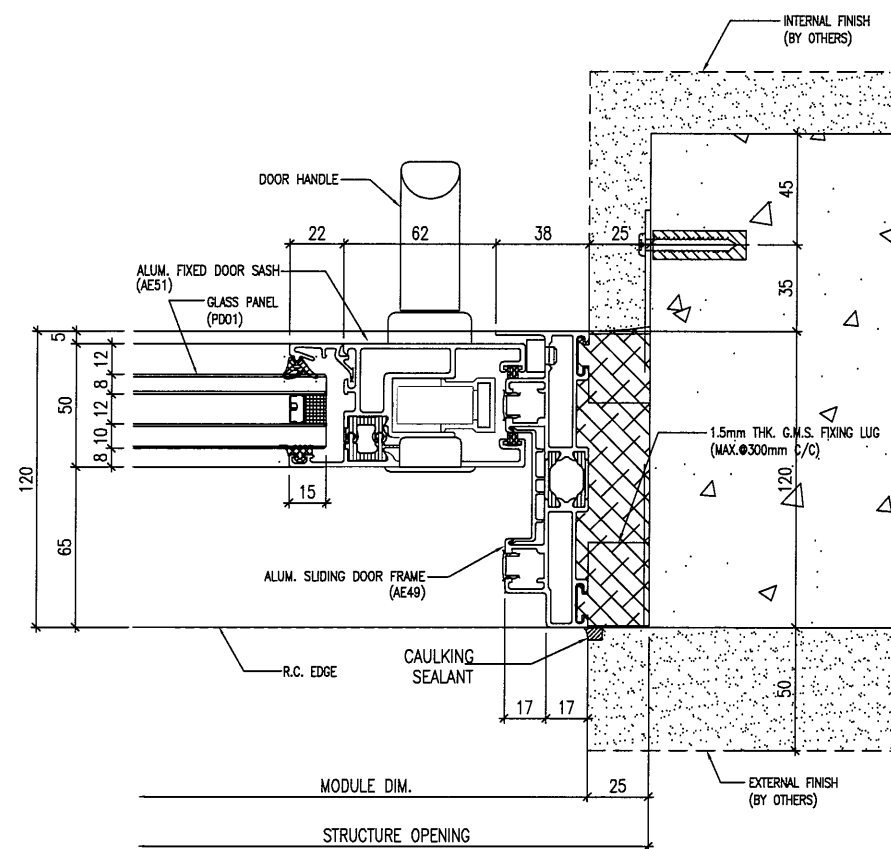
DRAWN BY : A.C. CHECKED BY :

英特鋁質有限公司
MIDI ALUMINIUM FABRICATOR LTD.
Units 6-8, Sunray Industrial Centre, 1/F
610 Cha Kwo Ling Road, Kowloon
Tel:23489211-4 Fax:(852)2727666

DWG NO. : J853-SD-IW-DT14 REV. : C



1 HORIZONTAL DETAIL
DT15 SLIDING DOOR



2 HORIZONTAL DETAIL
DT15 SLIDING DOOR

B.D. REF :
.....

CLIENT :
SHIMAO GROUP HOLDINGS LIMITED

ARCHITECT :
WONG TUNG & PARTNERS LIMITED ARCHITECTS & PLANNERS

MAIN CONTRACTOR :
協興建築有限公司 HIP HING CONSTRUCTION CO LTD

STRUCTURAL ENGINEER :
ICMA C M WONG & ASSOCIATES LTD 黃志明建築工程師有限公司

FACADE CONSULTANT:
MEINHARDT

NOTE :
1. ALL DIMENSIONS ARE IN mm.
2. ALL ELEVATIONS ARE VIEWED FROM OUTSIDE.
3. ALL DIMENSIONS TO BE VERIFIED ON SITE BEFORE FABRICATION.

LEGEND :
X1 — DETAIL MARK NO.
X001 — REFER SHEET NO.
1. F.F.L. — FINISHED FLOOR LEVEL
2. S.F.L. — STRUCTURAL FLOOR LEVEL
3. (R) — REVERSED DETAIL
4. (R) — FIXING LOCATION
5. ▲ — FIXING LUG LOCATION
6. GLASS LEGEND
GL01 — 10mm+12mm AIR GAP+10mm THK. I.G.U.
GL05 — 10mm+12mm AIR GAP+10mm THK. I.G.U.
GL06 — 10mm+12mm AIR GAP+12mm THK. I.G.U.
PD01 — 10mm T.P+12mm AIR GAP+8mm T.P
GL07 — 10mm+12mm AIR GAP+12mm THK. I.G.U.
GL08 — 10mm+12mm AIR GAP+10mm THK. I.G.U.

NO.	DATE	REVISION SUBJECT TO ARCH COMMENT	REVISOR	BY
19/12/2021				

JOB NO. : J-853
PROJECT : PROPOSED RESIDENTIAL DEVELOPMENT AT N.K.I.L. 6542 YIN PING ROAD KOWLOON

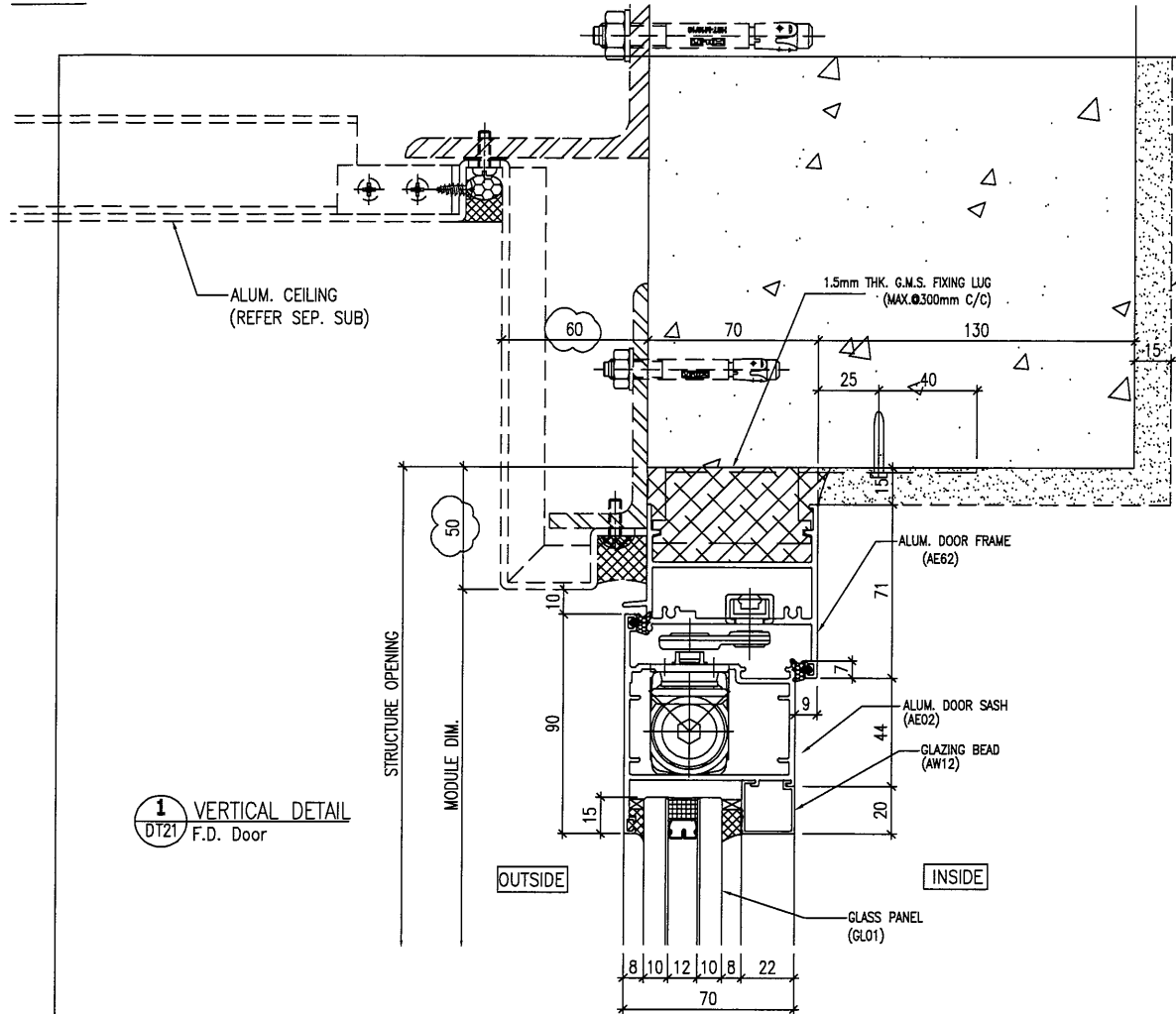
TITLE : TYPICAL DETAILS FOR SLIDING DOOR

DATE : 03-APR-21 SCALE : 1 : 3 (A3)

DRAWN BY : A.C. CHECKED BY :

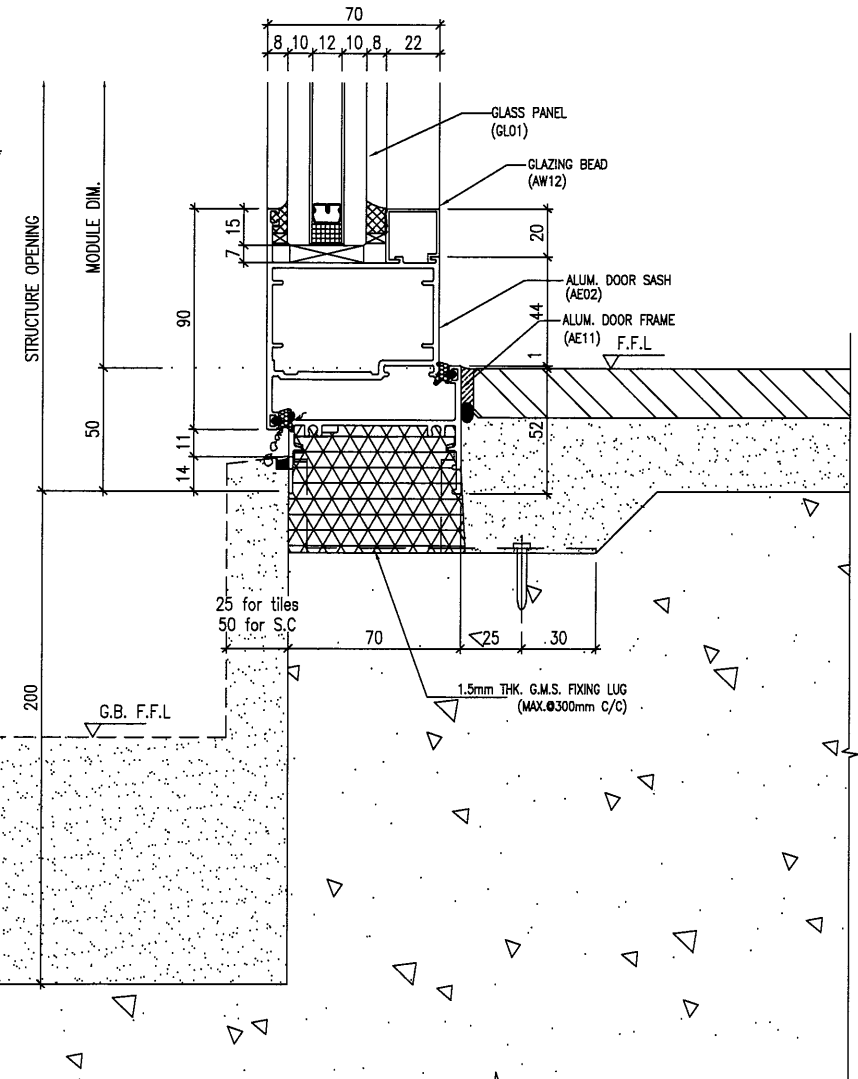
美特鋁質有限公司
MIDI ALUMINIUM FABRICATOR LTD.
Units 6-8, Sunray Industrial Centre, 1/F
610 Cha Kwo Ling Road, Kowloon
Tel:23489211-4 Fax:(852)2727666

DWG NO. : J853-SD-IW-DT15 REV. : B

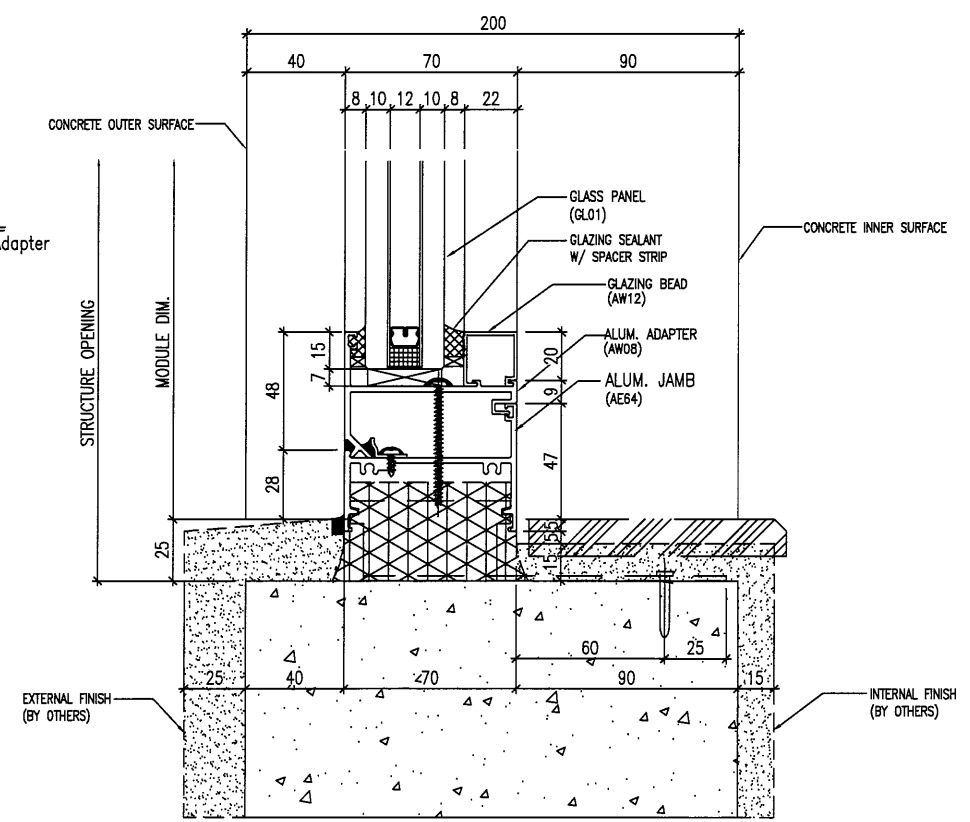


1 VERTICAL DETAIL
DT21 F.D. Door

2 VERTICAL DETAIL
DT21 F.D. Door



4 VERTICAL DETAIL
DT21 Fixed Window w/ Adapter



EXTERNAL FINISH (BY OTHERS)
25mm FOR WALL TILES
50mm FOR WET-FIX
90mm FOR DRY-FIX

INTERNAL FINISH (BY OTHERS)

B.D. REF :
.....

CLIENT :
SHIMAO GROUP HOLDINGS LIMITED

ARCHITECT :
WONG TUNG & PARTNERS LIMITED ARCHITECTS & PLANNERS

MAIN CONTRACTOR :
協興建築有限公司 HIP HING CONSTRUCTION CO LTD

STRUCTURAL ENGINEER :
ICMA C M WONG & ASSOCIATES LTD 黃志明建築工程師有限公司

FACADE CONSULTANT :
MEINHARDT

NOTE :
1. ALL DIMENSIONS ARE IN mm.
2. ALL ELEVATIONS ARE VIEWED FROM OUTSIDE.
3. ALL DIMENSIONS TO BE VERIFIED ON SITE BEFORE FABRICATION.

LEGEND :
x1 --- DETAIL MARK NO.
x001 --- REFER SHEET NO.
1. F.F.L. --- FINISHED FLOOR LEVEL
2. S.F.L. --- STRUCTURAL FLOOR LEVEL
3. (R) --- REVERSED DETAIL
4. ▲ --- FIXING LOCATION
5. △ --- FIXING LUG LOCATION
6. GLASS LEGEND
GL01 --- 10mm+12mm AIR GAP+10mm THK. I.G.U.
GL05 --- 10mm+12mm AIR GAP+10mm THK. I.G.U.
GL06 --- 10mm+12mm AIR GAP+12mm THK. I.G.U.
PD01 --- 10mm T.P+12mm AIR GAP+8mm T.P
GL07 --- 10mm+12mm AIR GAP+12mm THK. I.G.U.
GL08 --- 10mm+12mm AIR GAP+10mm THK. I.G.U.

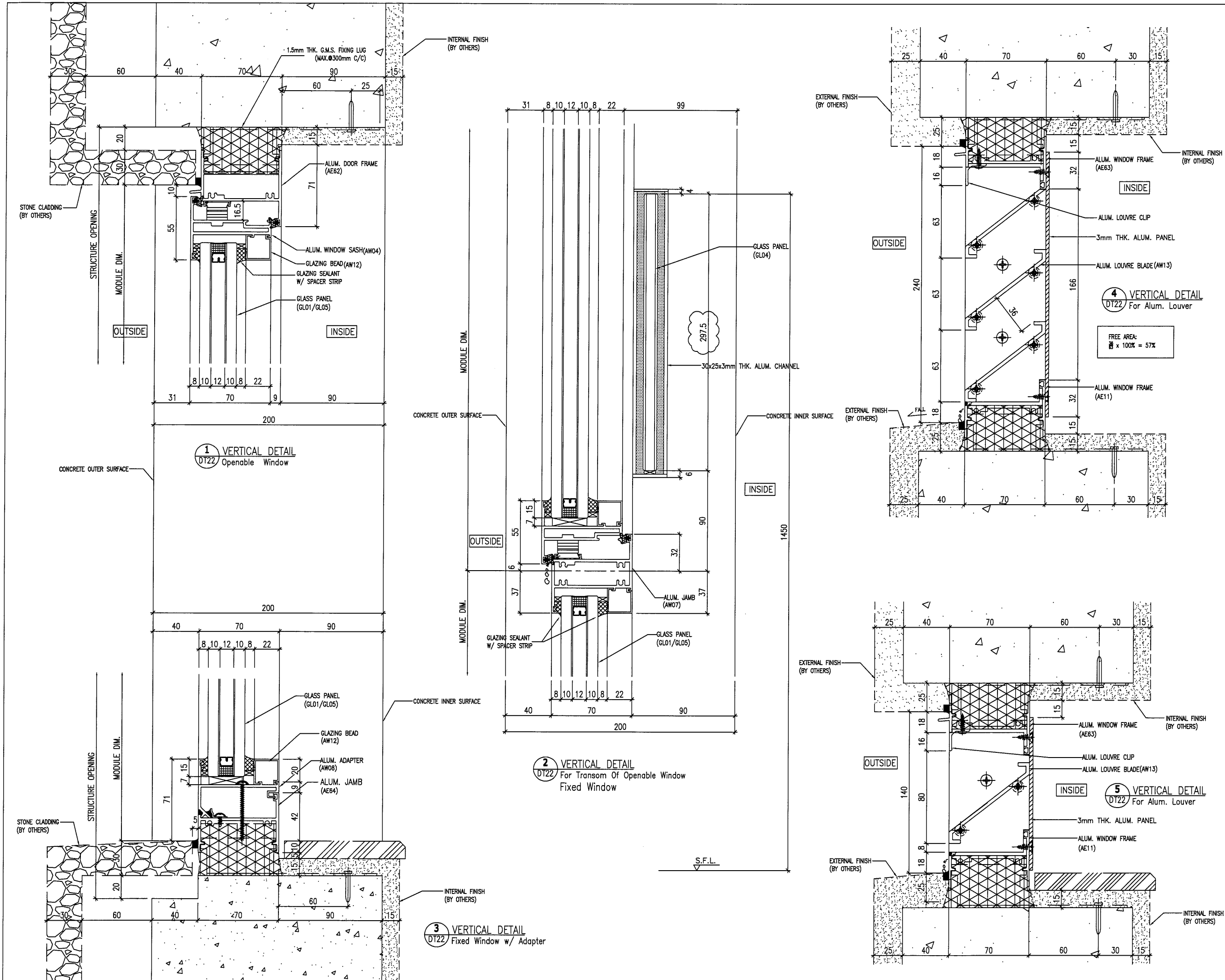
C	19/04/2022	REVISION SUBJECT TO ARCH.COMMENT	LHR
B	19/12/2021	REVISION SUBJECT TO ARCH.COMMENT	LHR
NO.	DATE	REVISED	BY

JOB NO. : J-853
PROJECT : PROPOSED RESIDENTIAL DEVELOPMENT AT N.K.I.L. 6542 YIN PING ROAD KOWLOON
TITLE : TYPICAL DETAILS FOR ALUM. DOOR

DATE : 03-APR-21 SCALE : 1 : 3 (A3)
DRAWN BY : A.C. CHECKED BY :

美特鋁質有限公司
MIDI ALUMINIUM FABRICATOR LTD.
Units 6-8, Sunray Industrial Centre, 1/F
610 Cha Kwo Ling Road, Kowloon
Tel:23489211-4 Fax:(852)27727666

DWG NO. : J853-SD-IW-DT21 REV. : C



B.D. REF :

CLIENT : **SHIMAO GROUP HOLDINGS LIMITED**

ARCHITECT : **WONG TUNG & PARTNERS LIMITED ARCHITECTS & PLANNERS**

MAIN CONTRACTOR : **協興建築有限公司 HIP HING CONSTRUCTION CO LTD**

STRUCTURAL ENGINEER : **ICMA C M WONG & ASSOCIATES LTD 黃志明建築工程師有限公司**

FACADE CONSULTANT : **MEINHARDT**

NOTE :

- ALL DIMENSIONS ARE IN mm.
- ALL ELEVATIONS ARE VIEWED FROM OUTSIDE.
- ALL DIMENSIONS TO BE VERIFIED ON SITE BEFORE FABRICATION.

LEGEND :

- X1 --- DETAIL MARK NO.
- X001 --- REFER SHEET NO.
- F.F.L --- FINISHED FLOOR LEVEL
- S.F.L --- STRUCTURAL FLOOR LEVEL
- (R) --- REVERSED DETAIL
- ▲ --- FIXING LOCATION
- △ --- FIXING LUG LOCATION

GLASS LEGEND

- GL01 --- 10mm+12mm AIR GAP+10mm THK. I.G.U.
- GL05 --- 10mm+12mm AIR GAP+10mm THK. I.G.U.
- GL06 --- 10mm+12mm AIR GAP+12mm THK. I.G.U.
- PO01 --- 10mm T.P+12mm AIR GAP+8mm T.P
- GL07 --- 10mm+12mm AIR GAP+12mm THK. I.G.U.
- GL08 --- 10mm+12mm AIR GAP+10mm THK. I.G.U.

B	19/12/2021	REVISION SUBJECT TO ARCH.COMMENT	LJR
NO.	DATE	REVISED	BY

JOB NO. : J-853

PROJECT : PROPOSED RESIDENTIAL DEVELOPMENT AT N.K.I.L. 6542 YIN PING ROAD KOWLOON

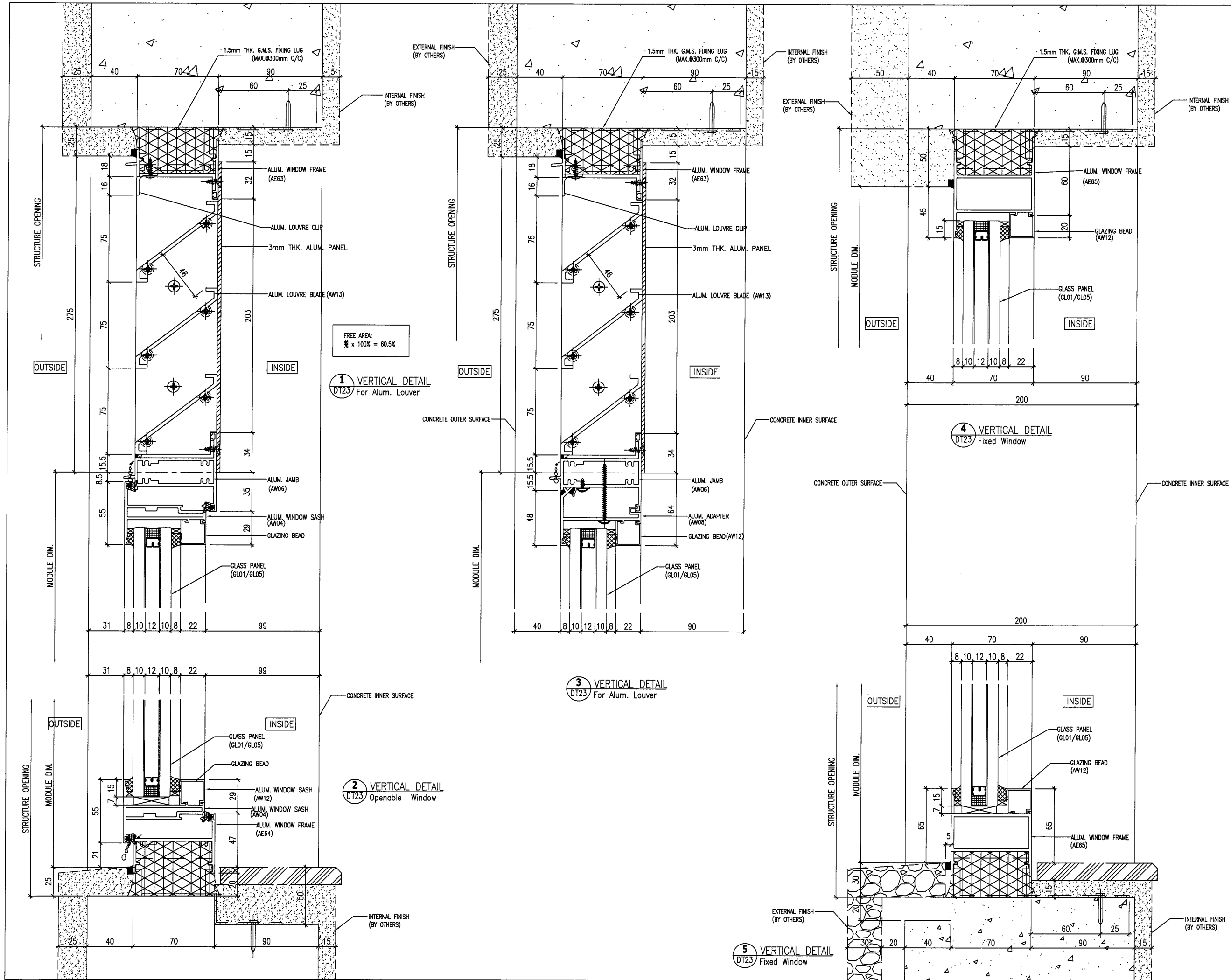
TITLE : TYPICAL DETAILS FOR ALUM. WINDOW

DATE : 03-APR-21 SCALE : 1 : 3 (A3)

DRAWN BY : A.C. CHECKED BY :

美特鋁質有限公司
MIDI ALUMINIUM FABRICATOR LTD.
Units 6-8, Sunray Industrial Centre, 1/F
610 Cha Kwo Ling Road, Kowloon
Tel:23489211-4 Fax:(852)27727666

DWG NO. : J853-SD-IW-DT22 REV. : B



FREE AREA:
 $\frac{203}{275} \times 100\% = 60.5\%$

1 VERTICAL DETAIL
 DT23 For Alum. Louver

2 VERTICAL DETAIL
 DT23 Operable Window

3 VERTICAL DETAIL
 DT23 For Alum. Louver

4 VERTICAL DETAIL
 DT23 Fixed Window

5 VERTICAL DETAIL
 DT23 Fixed Window

B.D. REF :

CLIENT :
SHIMAO GROUP HOLDINGS LIMITED

ARCHITECT :
WONG TUNG & PARTNERS LIMITED
 ARCHITECTS & PLANNERS

MAIN CONTRACTOR :
協興建築有限公司
HIP HING CONSTRUCTION CO LTD

STRUCTURAL ENGINEER :
ICMA C M WONG & ASSOCIATES LTD
 黃志明建築工程師有限公司

FACADE CONSULTANT:
MEINHARDT

NOTE:
 1. ALL DIMENSIONS ARE IN mm.
 2. ALL ELEVATIONS ARE VIEWED FROM OUTSIDE.
 3. ALL DIMENSIONS TO BE VERIFIED ON SITE BEFORE FABRICATION.

LEGEND:
 (X1) -- DETAIL MARK NO.
 (X001) -- REFER SHEET NO.

1. F.F.L -- FINISHED FLOOR LEVEL
 2. S.F.L -- STRUCTURAL FLOOR LEVEL
 3. (R) -- REVERSED DETAIL
 4. ▲ -- FIXING LOCATION
 5. △ -- FIXING LUG LOCATION
 6. GLASS LEGEND
 GL01 -- 10mm+12mm AIR GAP+10mm THK. I.G.U.
 GL05 -- 10mm+12mm AIR GAP+10mm THK. I.G.U.
 GL06 -- 10mm+12mm AIR GAP+12mm THK. I.G.U.
 PDO1 -- 10mm T.P+12mm AIR GAP+8mm T.P
 GL07 -- 10mm+12mm AIR GAP+12mm THK. I.G.U.
 GL08 -- 10mm+12mm AIR GAP+10mm THK. I.G.U.

C	19/04/2022	REVISION SUBJECT TO ARCH.COMMENT	LHR
B	19/12/2021	REVISION SUBJECT TO ARCH.COMMENT	LHR
NO.	DATE	REVISED	BY

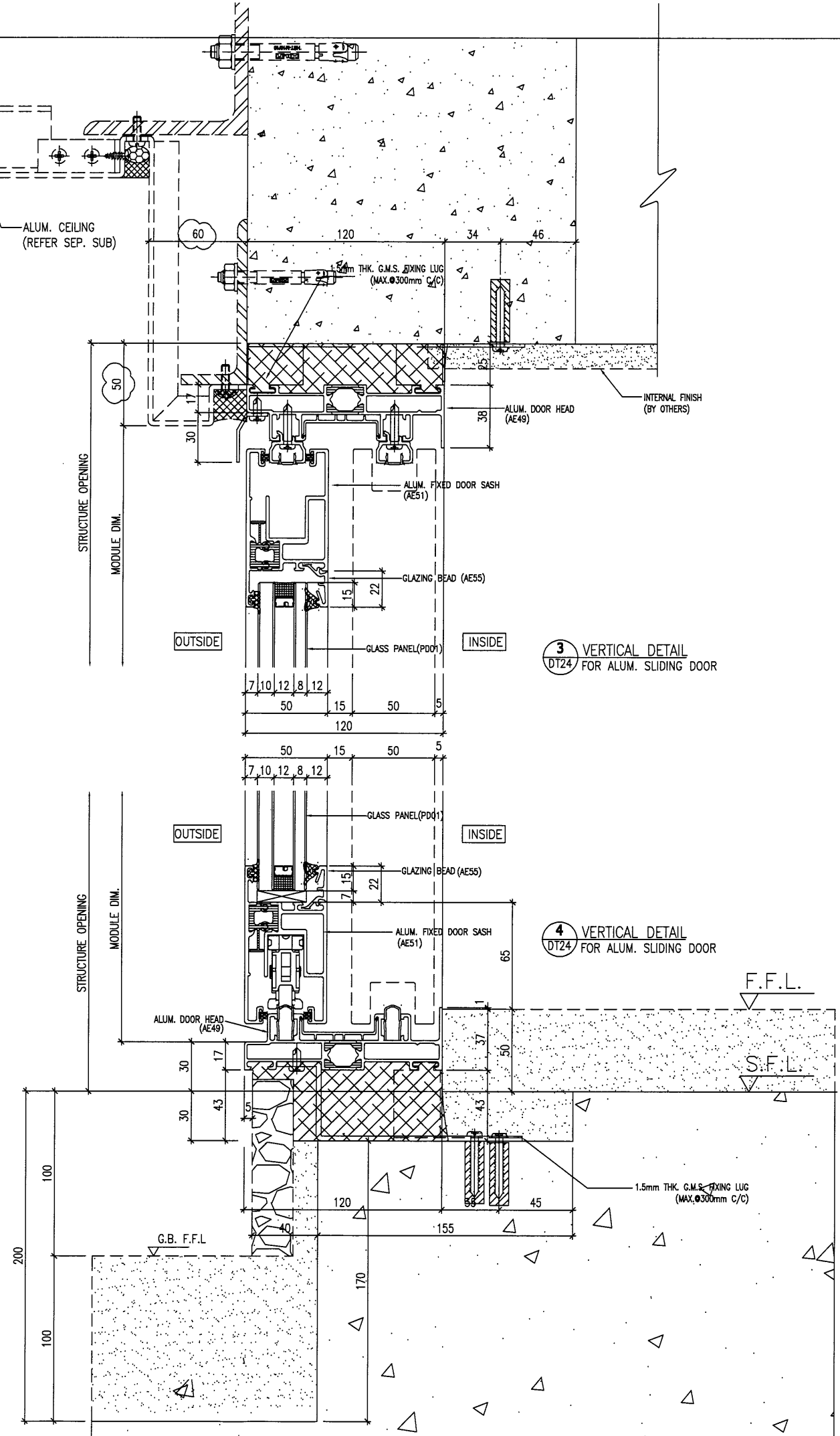
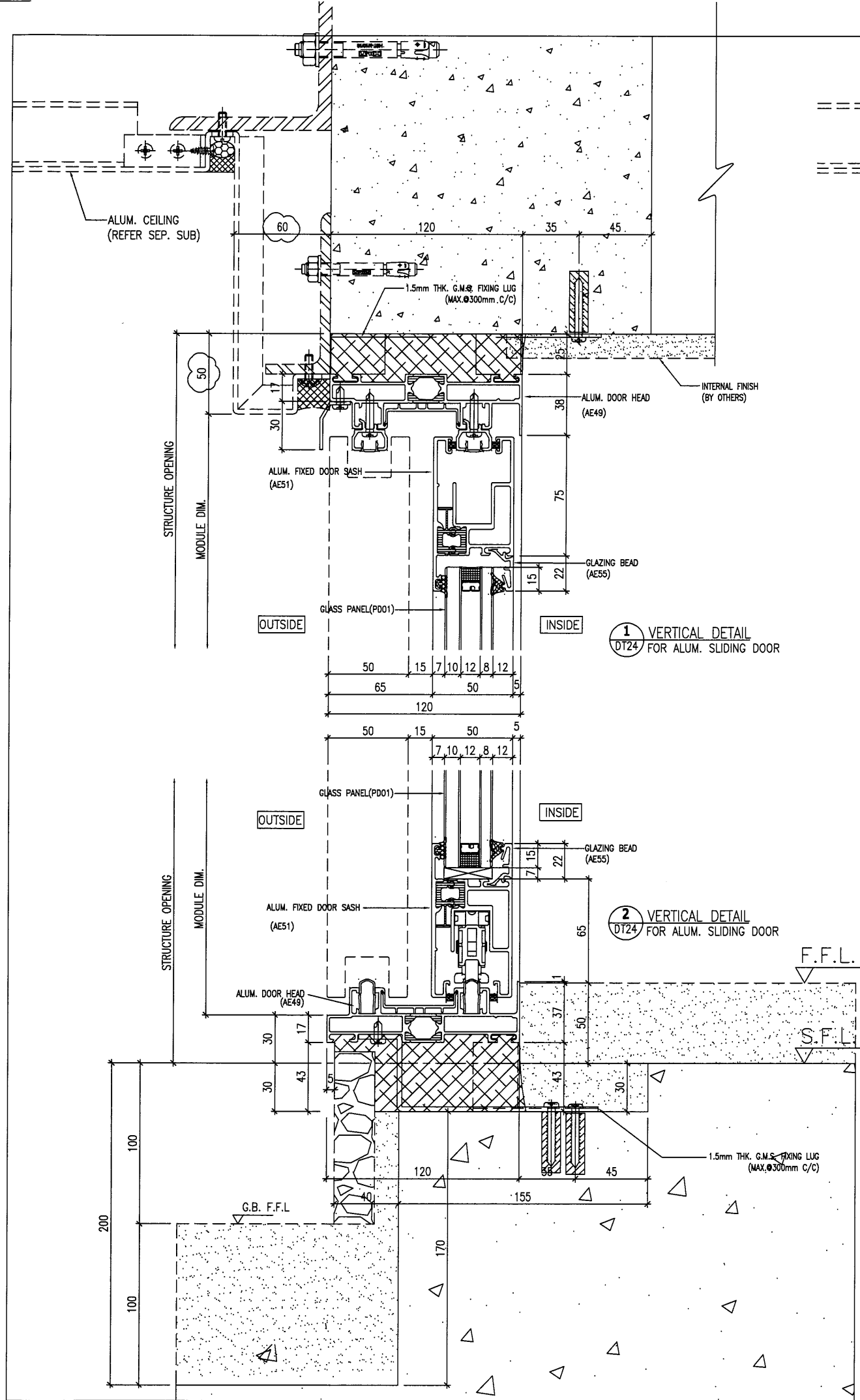
JOB NO. : J-853
 PROJECT : PROPOSED RESIDENTIAL DEVELOPMENT AT N.K.I.L. 6542 YIN PING ROAD KOWLOON
 TITLE : TYPICAL DETAILS FOR ALUM. WINDOW

DATE : 03-APR-21 SCALE : 1 : 3 (A3)

DRAWN BY : A.C. CHECKED BY :

美特鋁質有限公司
MIDI ALUMINIUM FABRICATOR LTD.
 Units 6-8, Sunray Industrial Centre, 1/F
 610 Cha Kwo Ling Road, Kowloon
 Tel:23489211-4 Fax:(852)2727666

DWG NO. : J853-SD-IW-DT23 REV. : C



B.D. REF :

CLIENT : **SHIMAO GROUP HOLDINGS LIMITED**

ARCHITECT : **WONG TUNG & PARTNERS LIMITED ARCHITECTS & PLANNERS**

MAIN CONTRACTOR : **協興建築有限公司 HIP HING CONSTRUCTION CO LTD**

STRUCTURAL ENGINEER : **C M WONG & ASSOCIATES LTD 黃志明建築工程師有限公司**

FACADE CONSULTANT : **MEINHARDT**

NOTE :
 1. ALL DIMENSIONS ARE IN mm.
 2. ALL ELEVATIONS ARE VIEWED FROM OUTSIDE.
 3. ALL DIMENSIONS TO BE VERIFIED ON SITE BEFORE FABRICATION.

LEGEND :

X1 --- DETAIL MARK NO.
 X001 --- REFER SHEET NO.

1. F.F.L. --- FINISHED FLOOR LEVEL
 2. S.F.L. --- STRUCTURAL FLOOR LEVEL
 3. (B) --- REVERSED DETAIL
 4. ▲ --- FIXING LOCATION
 5. △ --- FIXING LUG LOCATION
 6. GLASS LEGEND
 GL01 --- 10mm+12mm AIR GAP+10mm THK. I.G.U.
 GL05 --- 10mm+12mm AIR GAP+10mm THK. I.G.U.
 GL06 --- 10mm+12mm AIR GAP+12mm THK. I.G.U.
 PD01 --- 10mm T.P+12mm AIR GAP+8mm T.P
 GL07 --- 10mm+12mm AIR GAP+12mm THK. I.G.U.
 GL08 --- 10mm+12mm AIR GAP+10mm THK. I.G.U.

NO.	DATE	REVISION	BY
C	19/04/2022	REVISION SUBJECT TO ARCH.COMMENT	LHR
B	18/12/2021	REVISION SUBJECT TO ARCH.COMMENT	LHR

JOB NO. : J-853

PROJECT : PROPOSED RESIDENTIAL DEVELOPMENT AT N.K.I.L. 6542 YIN PING ROAD KOWLOON

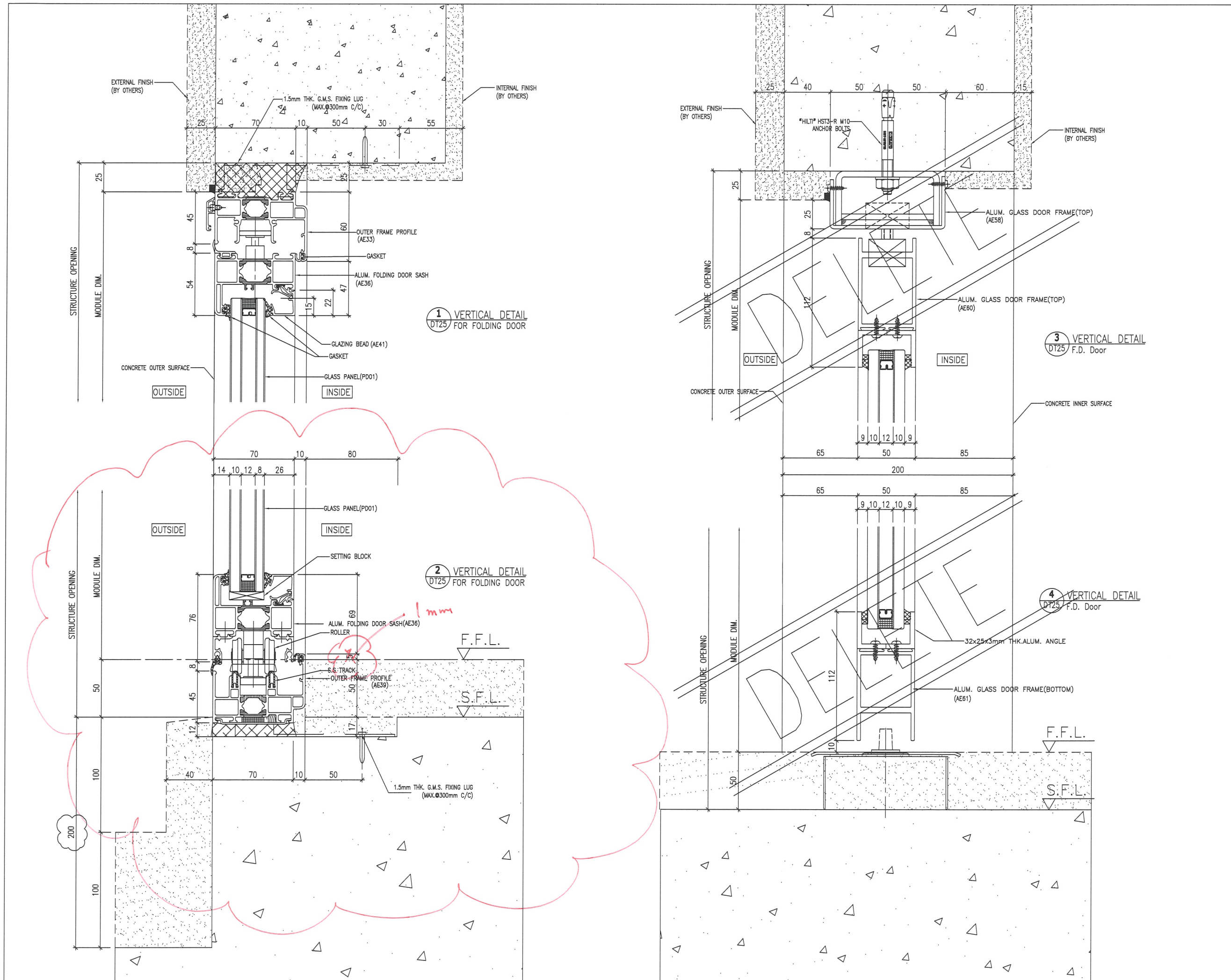
TITLE : TYPICAL DETAILS FOR SLIDING DOOR

DATE : 03-APR-21 SCALE : 1 : 3 (A3)

DRAWN BY : A.C. CHECKED BY :

美特鋁質有限公司
 MID ALUMINIUM FABRICATOR LTD.
 Units 6-8, Sunray Industrial Centre, 1/F
 610 Cha Kwo Ling Road, Kowloon
 Tel:23489211-4 Fax:(852)2727666

DWG NO. : J853-SD-IW-DT24 REV. : C



B.D. REF :

CLIENT :
SHIMAO GROUP HOLDINGS LIMITED

ARCHITECT :
WONG TUNG & PARTNERS LIMITED ARCHITECTS & PLANNERS

MAIN CONTRACTOR :
協興建築有限公司 HIP HING CONSTRUCTION CO LTD

STRUCTURAL ENGINEER :
ICMA C M WONG & ASSOCIATES LTD 黃志明建築工程師有限公司

FAÇADE CONSULTANT:
MEINHARDT

NOTE :
 1. ALL DIMENSIONS ARE IN mm.
 2. ALL ELEVATIONS ARE VIEWED FROM OUTSIDE.
 3. ALL DIMENSIONS TO BE VERIFIED ON SITE BEFORE FABRICATION.

LEGEND :
 (X1) --- DETAIL MARK NO.
 (X001) --- REFER SHEET NO.
 1. F.F.L. --- FINISHED FLOOR LEVEL
 2. S.F.L. --- STRUCTURAL FLOOR LEVEL
 3. (R) --- REVERSED DETAIL
 4. ▲ --- FIXING LOCATION
 5. △ --- FIXING LUG LOCATION
 6. GLASS LEGEND
 GL01 --- 10mm+12mm AIR GAP+10mm THK. I.G.U.
 GL05 --- 10mm+12mm AIR GAP+10mm THK. I.G.U.
 GL06 --- 10mm+12mm AIR GAP+12mm THK. I.G.U.
 PD01 --- 10mm T.P+12mm AIR GAP+8mm T.P
 GL07 --- 10mm+12mm AIR GAP+12mm THK. I.G.U.
 GL08 --- 10mm+12mm AIR GAP+10mm THK. I.G.U.

C	19/04/2022	REVISION SUBJECT TO ARCH.COMMENT	LHR
B	19/12/2021	REVISION SUBJECT TO ARCH.COMMENT	LHR
NO.	DATE	REVISED	BY

JOB NO. : J-853
 PROJECT : PROPOSED RESIDENTIAL DEVELOPMENT AT N.K.I.L. 6542 YIN PING ROAD KOWLOON

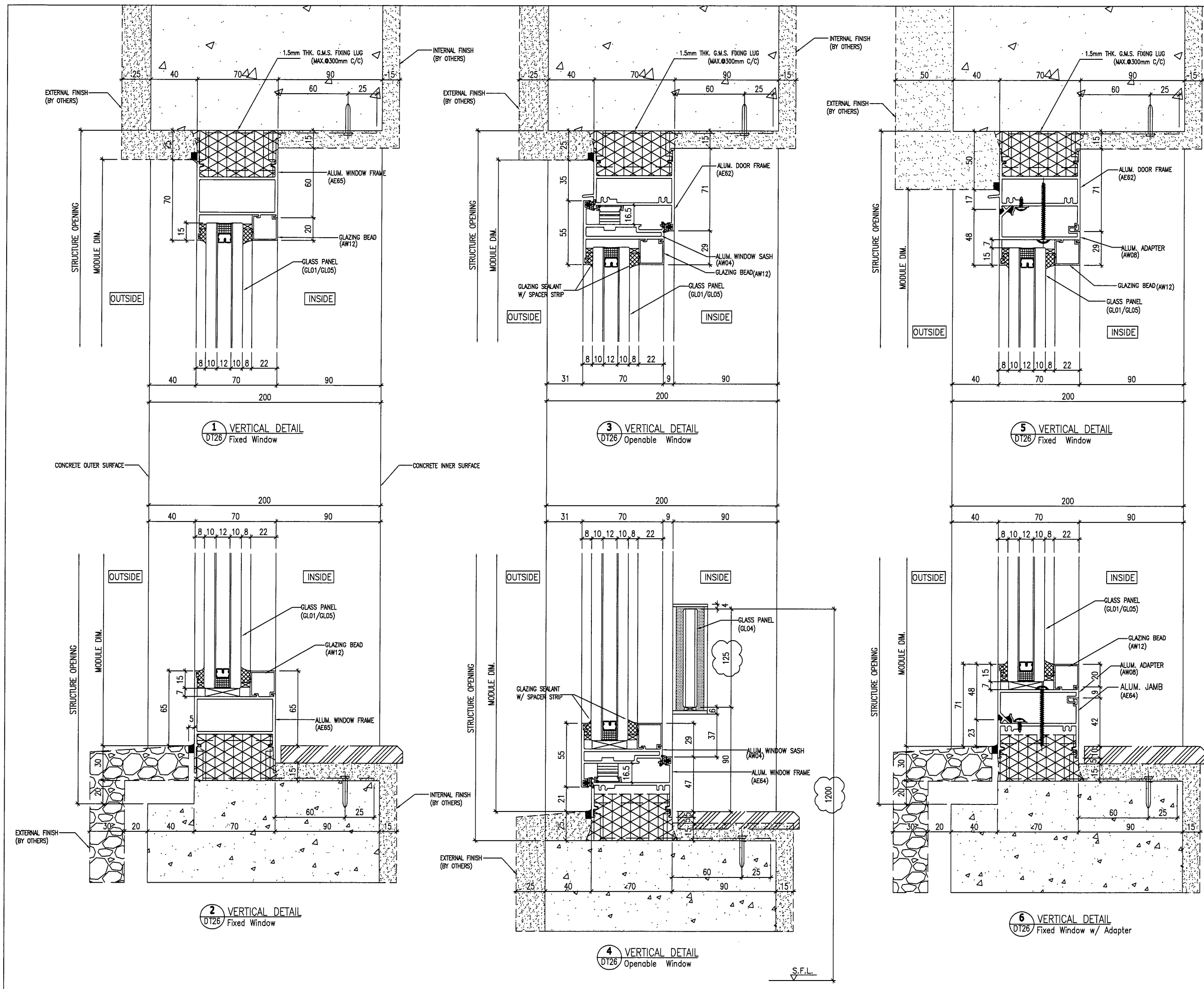
TITLE : TYPICAL DETAILS FOR SLIDING DOOR

DATE : 03-APR-21 SCALE : 1 : 3 (A3)

DRAWN BY : A.C. CHECKED BY :

美特鋁質有限公司
MIDI ALUMINIUM FABRICATOR LTD.
 Units 6-8, Sunray Industrial Centre, 1/F
 610 Cha Kwo Ling Road, Kowloon
 Tel:23489211-4 Fax:(852)2727666

DWG NO. : J853-SD-IW-DT25 REV. : C



B.D. REF :

CLIENT :
SHIMAO GROUP HOLDINGS LIMITED

ARCHITECT :
WONG TUNG & PARTNERS LIMITED ARCHITECTS & PLANNERS

MAIN CONTRACTOR :
協興建築有限公司 HIP HING CONSTRUCTION CO LTD

STRUCTURAL ENGINEER :
ICMA C M WONG & ASSOCIATES LTD 黃志明建築工程師有限公司

FACADE CONSULTANT:
MEINHARDT

NOTE :
1. ALL DIMENSIONS ARE IN mm.
2. ALL ELEVATIONS ARE VIEWED FROM OUTSIDE.
3. ALL DIMENSIONS TO BE VERIFIED ON SITE BEFORE FABRICATION.

LEGEND :

(X1) --- DETAIL MARK NO.
(X001) --- REFER SHEET NO.

1. F.F.L --- FINISHED FLOOR LEVEL
2. S.F.L --- STRUCTURAL FLOOR LEVEL
3. (R) --- REVERSED DETAIL
4. ▲ --- FIXING LOCATION
5. △ --- FIXING LUG LOCATION
6. GLASS LEGEND
GL01 --- 10mm+12mm AIR GAP+10mm THK. I.G.U.
GL05 --- 10mm+12mm AIR GAP+10mm THK. I.G.U.
GL06 --- 10mm+12mm AIR GAP+12mm THK. I.G.U.
PD01 --- 10mm T.P+12mm AIR GAP+8mm T.P
GL07 --- 10mm+12mm AIR GAP+12mm THK. I.G.U.
GL08 --- 10mm+12mm AIR GAP+10mm THK. I.G.U.

C	19/04/2022	REVISION SUBJECT TO ARCH COMMENT	LHR
B	19/12/2021	REVISION SUBJECT TO ARCH COMMENT	LHR
NO.	DATE	REVISED	BY

JOB NO. : J-853

PROJECT :
PROPOSED RESIDENTIAL DEVELOPMENT AT N.K.I.L. 6542 YIN PING ROAD KOWLOON

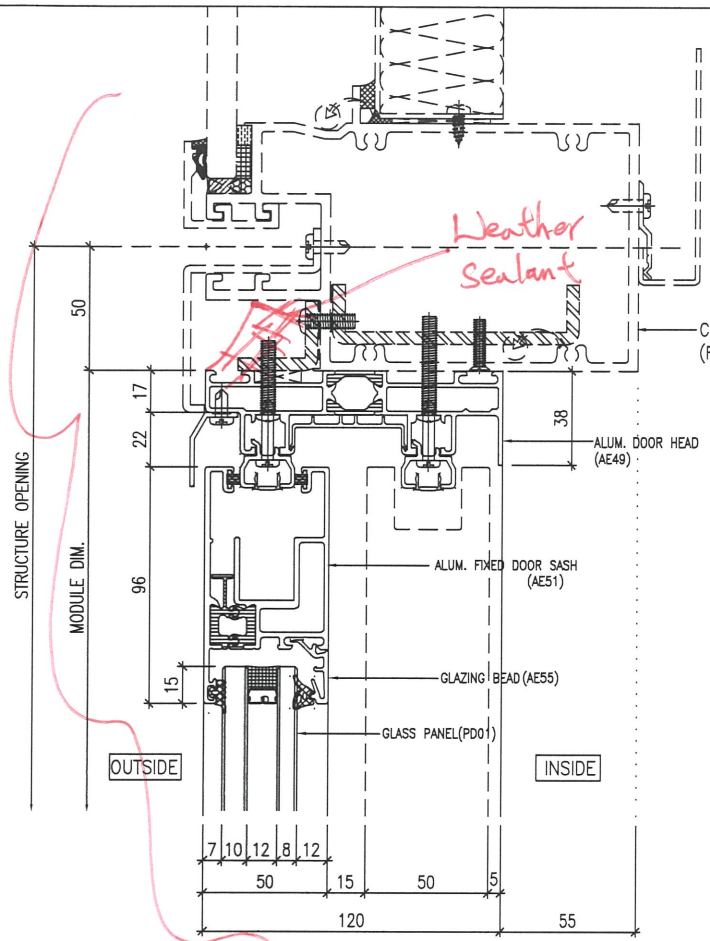
TITLE :
TYPICAL DETAILS FOR ALUM. WINDOW

DATE : 03-APR-21 SCALE : 1 : 3 (A3)

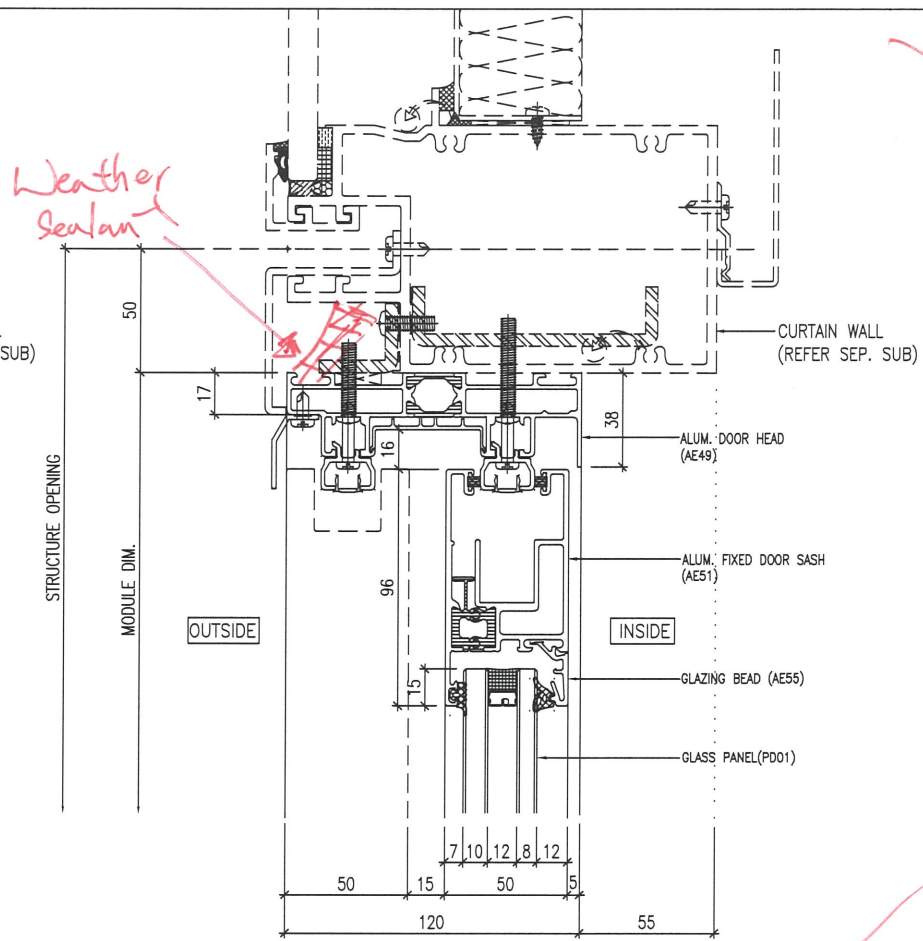
DRAWN BY : A.C. CHECKED BY :

美特鋁質有限公司
MIDI ALUMINIUM FABRICATOR LTD.
Units 6-8, Sunray Industrial Centre, 1/F
610 Cha Kwo Ling Road, Kowloon
Tel:23489211-4 Fax:(852)27727666

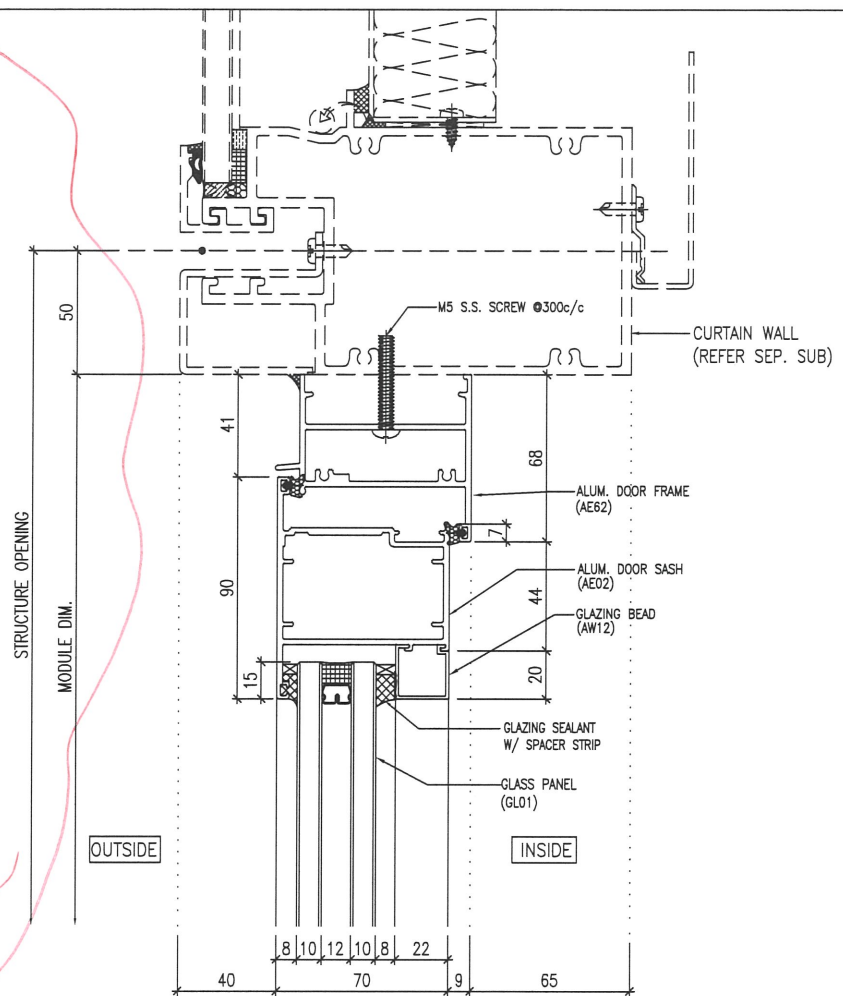
DWG NO. : J853-SD-IW-DT26 REV. : C



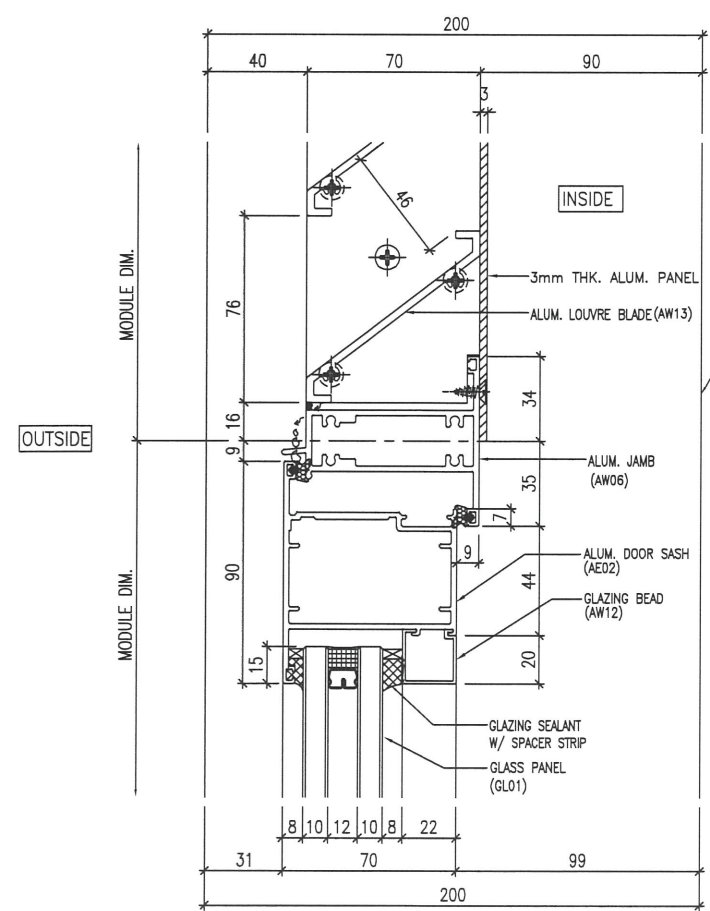
1 VERTICAL DETAIL
DT27 FOR ALUM. SLIDING DOOR



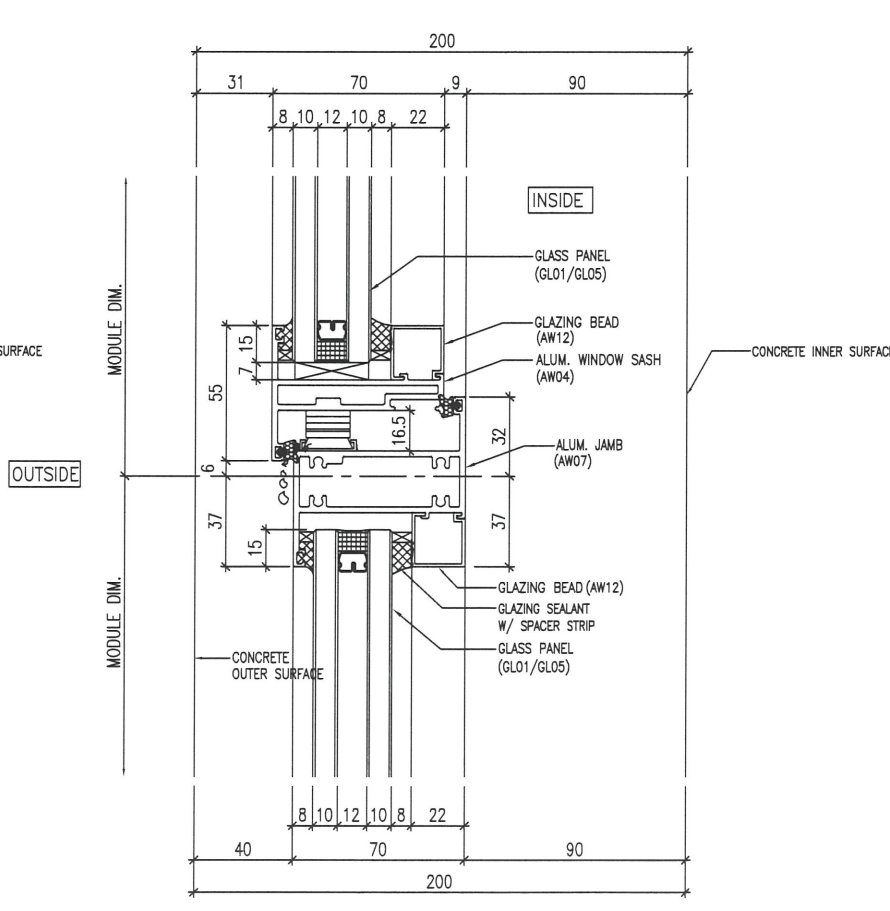
2 VERTICAL DETAIL
DT27 FOR ALUM. SLIDING DOOR



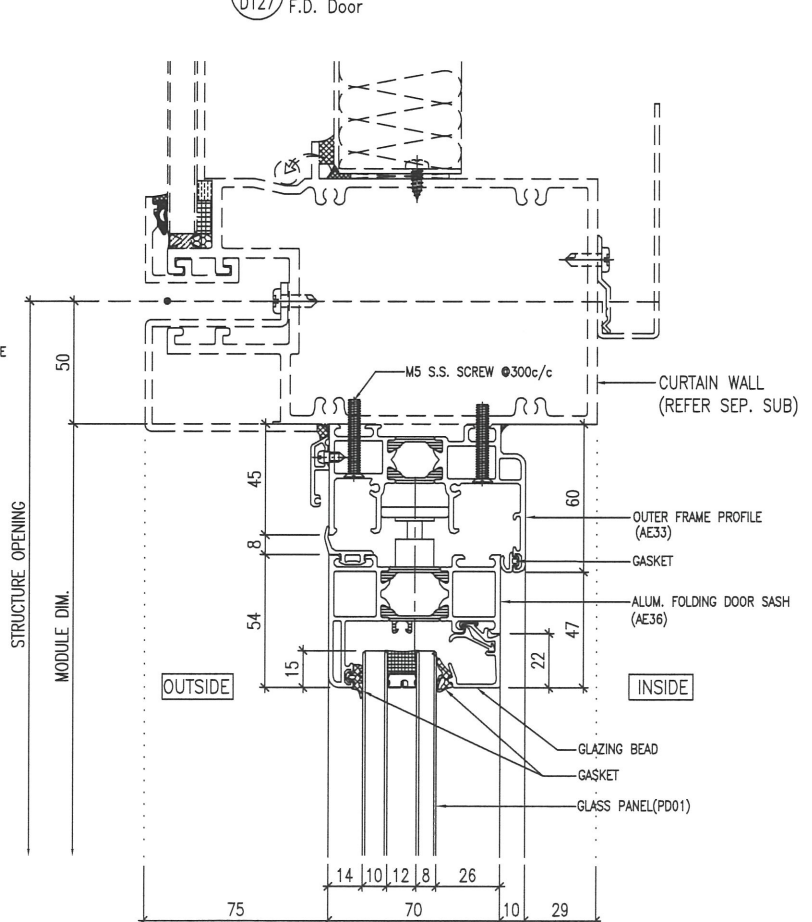
5 VERTICAL DETAIL
DT27 F.D. Door



3 VERTICAL DETAIL
DT27 For Alum. Louver / F.D. Door



4 VERTICAL DETAIL
DT27 For Transom Of Openable Window Fixed Window



6 VERTICAL DETAIL
DT27 FOR FOLDING DOOR

B.D. REF : _____

CLIENT : **SHIMAO GROUP HOLDINGS LIMITED**

ARCHITECT : **WONG TUNG & PARTNERS LIMITED ARCHITECTS & PLANNERS**

MAIN CONTRACTOR : **協興建築有限公司 HIP HING CONSTRUCTION CO LTD**

STRUCTURAL ENGINEER : **ICMA C M WONG & ASSOCIATES LTD 黃志明建築工程師有限公司**

FACADE CONSULTANT : **MEINHARDT**

- NOTE :
1. ALL DIMENSIONS ARE IN mm.
 2. ALL ELEVATIONS ARE VIEWED FROM OUTSIDE.
 3. ALL DIMENSIONS TO BE VERIFIED ON SITE BEFORE FABRICATION.

- LEGEND :
- (X1) --- DETAIL MARK NO.
 - (X001) --- REFER SHEET NO.
 - 1. F.F.L. --- FINISHED FLOOR LEVEL
 - 2. S.F.L. --- STRUCTURAL FLOOR LEVEL
 - 3. (R) --- REVERSED DETAIL
 - 4. ▲ --- FIXING LOCATION
 - 5. △ --- FIXING LUG LOCATION
 - 6. GLASS LEGEND
- GL01 --- 10mm+12mm AIR GAP+10mm THK. I.G.U.
 GL05 --- 10mm+12mm AIR GAP+10mm THK. I.G.U.
 GL06 --- 10mm+12mm AIR GAP+12mm THK. I.G.U.
 PD01 --- 10mm T.P+12mm AIR GAP+8mm T.P
 GL07 --- 10mm+12mm AIR GAP+12mm THK. I.G.U.
 GL08 --- 10mm+12mm AIR GAP+10mm THK. I.G.U.

NO.	DATE	REVISION	REVISOR	CHKD BY
B	19/12/2021	REVISION SUBJECT TO ARCH.COMMENT		LHR

JOB NO. : J-853

PROJECT : PROPOSED RESIDENTIAL DEVELOPMENT AT N.K.I.L. 6542 YIN PING ROAD KOWLOON

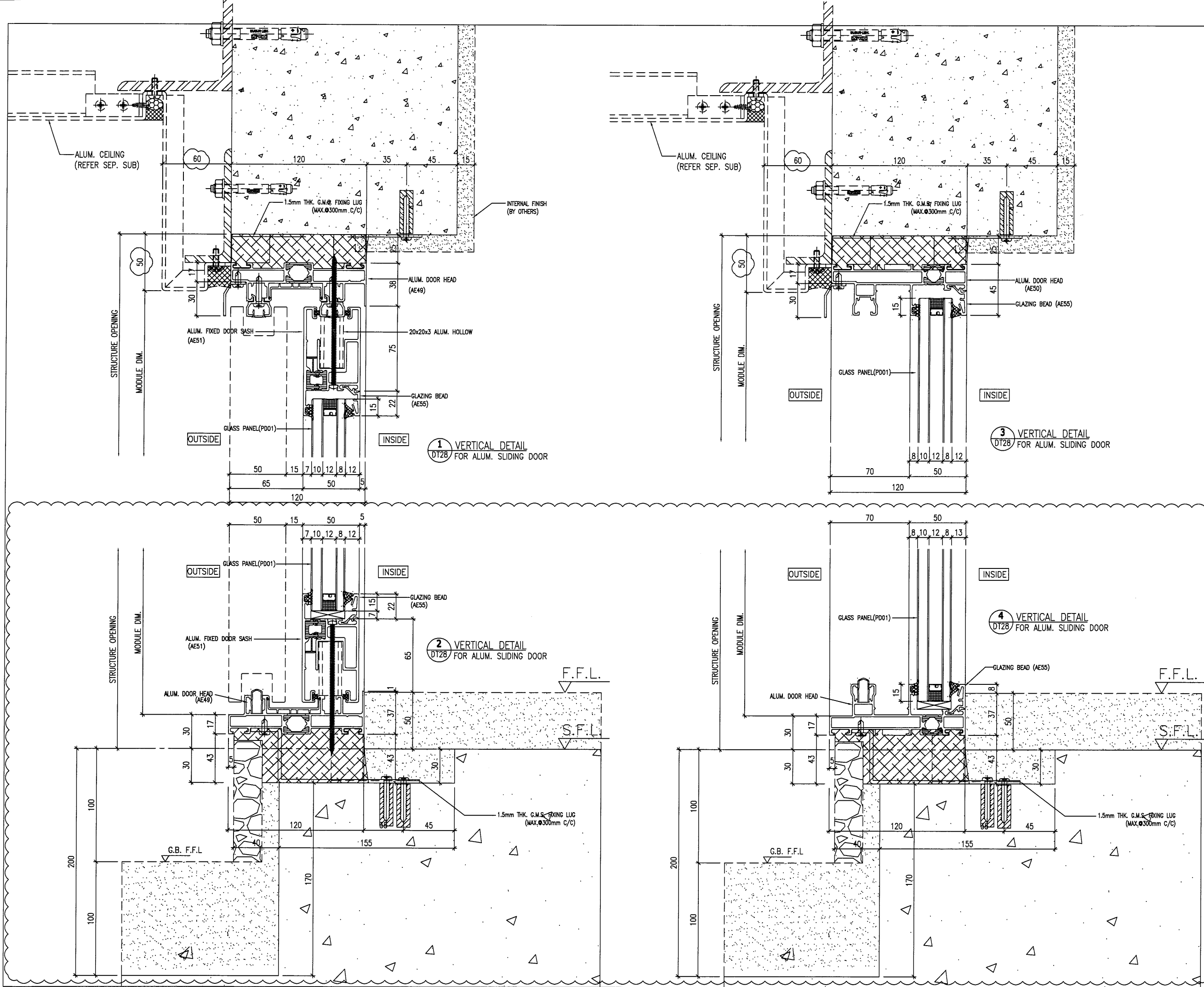
TITLE : TYPICAL DETAILS FOR SLIDING DOOR

DATE : 03-APR-21 SCALE : 1 : 3 (A3)

DRAWN BY : A.C. CHECKED BY :

美特鋁質有限公司
MIDI ALUMINIUM FABRICATOR LTD.
 Units 6-8, Sunray Industrial Centre, 1/F
 610 Cha Kwo Ling Road, Kowloon
 Tel:23489211-4 Fax:(852)27727666

DWG NO. : J853-SD-IW-DT27 REV. : B



B.D. REF :

CLIENT :
SHIMAO GROUP HOLDINGS LIMITED

ARCHITECT :
WONG TUNG & PARTNERS LIMITED ARCHITECTS & PLANNERS

MAIN CONTRACTOR :
協興建築有限公司 HIP HING CONSTRUCTION CO LTD

STRUCTURAL ENGINEER :
ICMA C M WONG & ASSOCIATES LTD 黃志明建築工程師有限公司

FAÇADE CONSULTANT:
MEINHARDT

NOTE :
 1. ALL DIMENSIONS ARE IN mm.
 2. ALL ELEVATIONS ARE VIEWED FROM OUTSIDE.
 3. ALL DIMENSIONS TO BE VERIFIED ON SITE BEFORE FABRICATION.

LEGEND :
 (X1) -- DETAIL MARK NO.
 (X001) -- REFER SHEET NO.

1. F.F.L -- FINISHED FLOOR LEVEL
 2. S.F.L -- STRUCTURAL FLOOR LEVEL
 3. (R) -- REVERSED DETAIL
 4. ▲ -- FIXING LOCATION
 5. △ -- FIXING LUG LOCATION
 6. GLASS LEGEND
 GL01 -- 10mm+12mm AIR GAP+10mm THK. I.G.U.
 GL05 -- 10mm+12mm AIR GAP+10mm THK. I.G.U.
 GL06 -- 10mm+12mm AIR GAP+12mm THK. I.G.U.
 PD01 -- 10mm T.P+12mm AIR GAP+8mm T.P
 GL07 -- 10mm+12mm AIR GAP+12mm THK. I.G.U.
 GL08 -- 10mm+12mm AIR GAP+10mm THK. I.G.U.

NO.	DATE	REVISED	BY
C	19/04/2022	REVISION SUBJECT TO ARCH-COMMENT	LHR
B	19/12/2021	REVISION SUBJECT TO ARCH-COMMENT	LHR

JOB NO. : J-853
 PROJECT : PROPOSED RESIDENTIAL DEVELOPMENT AT N.K.I.L. 6542 YIN PING ROAD KOWLOON

TITLE : TYPICAL DETAILS FOR SLIDING DOOR

DATE : 03-APR-21 SCALE : 1 : 3 (A3)

DRAWN BY : A.C. CHECKED BY :

美特鋁質有限公司
MIDI ALUMINIUM FABRICATOR LTD.
 Units 6-8, Sunray Industrial Centre, 1/F
 610 Cha Kwo Ling Road, Kowloon
 Tel:23489211-4 Fax:(852)2727666

DWG NO. : J853-SD-IW-DT28 REV. : C

DWG NO. : J853-SD-IW-DT29		REV. : C
610 Cha Kwo Ling Road, Kowloon Units 6-8, Sunray Industrial Centre, 1/F MIDI ALUMINIUM FABRICATOR LTD. 美特铝业有限公司		
DRAWN BY : A.C.		CHECKED BY :
DATE : 03-APR-21		SCALE : 1 : 3 (A3)
TITLE : TYPICAL DETAILS FOR SLIDING DOOR		
PROJECT : PROPOSED RESIDENTIAL DEVELOPMENT AT N.K.I.L. 6542 YIN PING ROAD KOWLOON		
JOB NO. : J-853		
NO.	DATE	REVISION
B	19/12/2021	REVISION SUBJECT TO ARCH/COMMENT
C	19/04/2022	REVISION SUBJECT TO ARCH/COMMENT
LHR UHR BR		
NOTE: 1. ALL DIMENSIONS ARE IN mm. 2. ALL ELEVATIONS ARE VIEWED FROM OUTSIDE. 3. ALL DIMENSIONS TO BE VERIFIED ON SITE BEFORE FABRICATION. LEGEND: (X1) DETAIL MARK NO. (X01) REFER SHEET NO. 1. F.F.L. -- FINISHED FLOOR LEVEL 2. S.F.L. -- STRUCTURAL FLOOR LEVEL 3. (R) -- REVERSED DETAIL 4. (L) -- FIXING LOCATION 5. (L) -- FIXING LUG LOCATION 6. GLASS LEGEND GLO1 -- 10mm+12mm AIR GAP+10mm THK. I.G.U. GLO5 -- 10mm+12mm AIR GAP+10mm THK. I.G.U. GLO6 -- 10mm+12mm AIR GAP+12mm THK. I.G.U. P001 -- 10mm TP+12mm AIR GAP+8mm TP GLO7 -- 10mm+12mm AIR GAP+12mm THK. I.G.U. GLO8 -- 10mm+12mm AIR GAP+10mm THK. I.G.U.		

CLIENT : **SHIMAO GROUP HOLDINGS LIMITED**

ARCHITECT : **WONG TUNG & PARTNERS LIMITED**
ARCHITECTS & PLANNERS

MAIN CONTRACTOR : **協興建築有限公司**
HIP HING CONSTRUCTION CO LTD

STRUCTURAL ENGINEER : **C M WONG & ASSOCIATES LTD**
黃志明建築工程師有限公司

FAÇADE CONSULTANT : **WEINHARDT**

B.D. REF. :

