

工程指示 / 要求簡箋 ENGINEER INSTRUCTIONS(E.I.)

工程指示編號:	EI- 4797	修改版本:	-
	HK- 0999		
工程編號:	J 853	工程名稱:	大窩坪 (延坪道)
收件人:	生統	發件人:	Lai Sik Hung
工程項目:	工地現場樣辦樓層及T5協調優先生產部分幕牆單元件起步水槽料並送地盤(EI4660)(EI4463)	日期:	21/06/2022

<input type="checkbox"/> 原合約工程包	<input type="checkbox"/> 原合約工程加 / 減賬 QT-	<input type="checkbox"/> 新工程報價 QT-
---------------------------------	--	------------------------------------

信件批核號碼/圖紙參考編號:	批核模具圖紙編號:
客戶指示附件:	管理內部批簽署:

<input type="checkbox"/> 初步鋁料 B.M.	<input type="checkbox"/> 加工拆圖, 然後生產	<input type="checkbox"/> 尺寸表
<input type="checkbox"/> 正式鋁料 B.M.	<input type="checkbox"/> 技術上資料/指示	<input type="checkbox"/> 報價
<input type="checkbox"/> 配件 B.M.	<input type="checkbox"/> 樣辦或貨品說明書	<input type="checkbox"/> 分判合約
<input type="checkbox"/> 其他:		

內容: 因地盤樣辦樓層及T5需先行安裝幕牆單元件, 所以協調優先生產部分起步水槽並送地盤
 ~ EI4660 T1(5-16/F)
 T2(5-16/F)
 ~ EI4463 T5(5-16F)
 另外請留意所有編號KG的玻璃扣蓋暫不用送地盤

完成上列要求日期: 30/06/2022

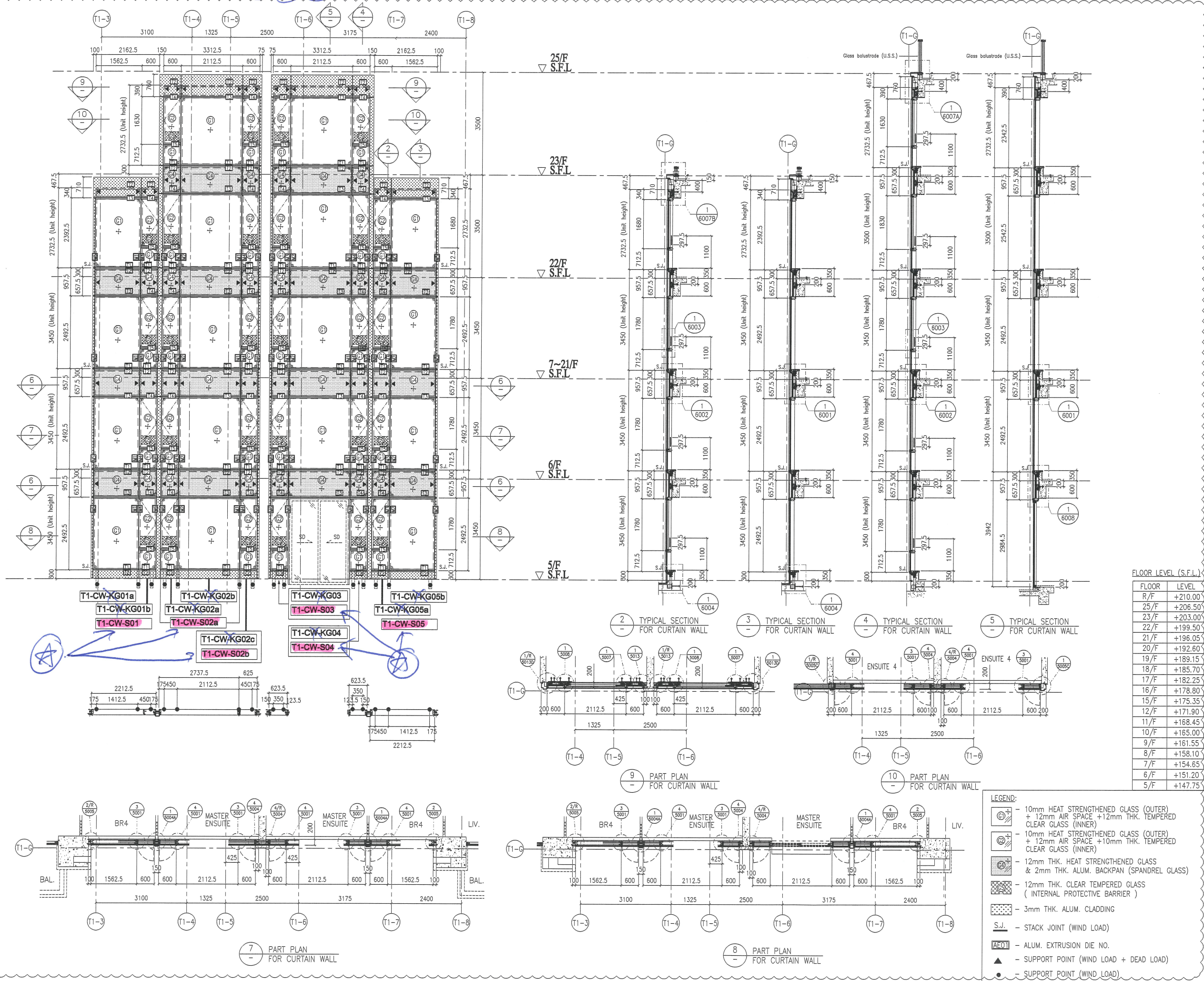
國內

<input type="checkbox"/> 生產技術總監	<input type="checkbox"/> 連附件	<input checked="" type="checkbox"/> 技術部	<input checked="" type="checkbox"/> 連附件	<input type="checkbox"/> 生產部	<input type="checkbox"/> 連附件
<input type="checkbox"/> 採購部	<input type="checkbox"/> 連附件	<input checked="" type="checkbox"/> 生產統籌部	<input checked="" type="checkbox"/> 連附件	<input type="checkbox"/> 報關組	<input type="checkbox"/> 連附件
<input type="checkbox"/> 質檢部	<input type="checkbox"/> 連附件	<input type="checkbox"/> 會計部	<input type="checkbox"/> 連附件	<input type="checkbox"/> 機械設計部	<input type="checkbox"/> 連附件
<input checked="" type="checkbox"/> 香港辦	<input checked="" type="checkbox"/> 連附件	<input type="checkbox"/> 其他:			

<input type="checkbox"/> 行政部	<input type="checkbox"/> 連附件	<input type="checkbox"/> 會計部	<input type="checkbox"/> 連附件	<input type="checkbox"/> 統籌部	<input type="checkbox"/> 連附件	<input type="checkbox"/> 工程部	<input type="checkbox"/> 連附件
<input type="checkbox"/> 採購部	<input type="checkbox"/> 連附件	<input type="checkbox"/> QS部	<input type="checkbox"/> 連附件	<input type="checkbox"/> 地盤管理	<input type="checkbox"/> 連附件	<input type="checkbox"/> 維修部	<input type="checkbox"/> 連附件

*發件人簽署:		*組別成員批核簽署:	
傳遞編號:		項目經理簽署:	21/6/2022

ET 4660



B.D. REF :

請用A3紙打印

CLIENT : SHIMAO GROUP HOLDINGS LIMITED

ARCHITECT : WONG TUNG & PARTNERS LIMITED ARCHITECTS & PLANNERS

MAIN CONTRACTOR : 協興建築有限公司 HIP HING CONSTRUCTION CO LTD

STRUCTURAL ENGINEER : CMA C M WONG & ASSOCIATES LTD 黃志明建築工程師有限公司

FAÇADE CONSULTANT : MEIN-HARDT

NOTE :
 1. ALL DIMENSIONS ARE IN mm.
 2. ALL ELEVATIONS ARE VIEWED FROM OUTSIDE.
 3. ALL DIMENSIONS TO BE VERIFIED ON SITE BEFORE FABRICATION.

LEGEND :
 X1 - DETAIL MARK NO.
 X001 - REFER SHEET NO.
 1. F.F.L. --- FINISHED FLOOR LEVEL
 2. S.F.L. --- STRUCTURAL FLOOR LEVEL
 3. (R) --- HANDED DETAIL

FLOOR	LEVEL
R/F	+210.00'
25/F	+206.50'
23/F	+203.00'
22/F	+199.50'
21/F	+196.05'
20/F	+192.60'
19/F	+189.15'
18/F	+185.70'
17/F	+182.25'
16/F	+178.80'
15/F	+175.35'
12/F	+171.90'
11/F	+168.45'
10/F	+165.00'
9/F	+161.55'
8/F	+158.10'
7/F	+154.65'
6/F	+151.20'
5/F	+147.75'

NO.	DATE	REVISION	REVISOR	BY
A	02-10-2021	REVISION SUBJECT TO ARCH. COMMENT		
9/F		+161.55'		
8/F		+158.10'		
7/F		+154.65'		
6/F		+151.20'		
5/F		+147.75'		

JOB NO. : J-853
 PROJECT : PROPOSED RESIDENTIAL DEVELOPMENT AT N.K.I.L. 6542 YIN PING ROAD KOWLOON

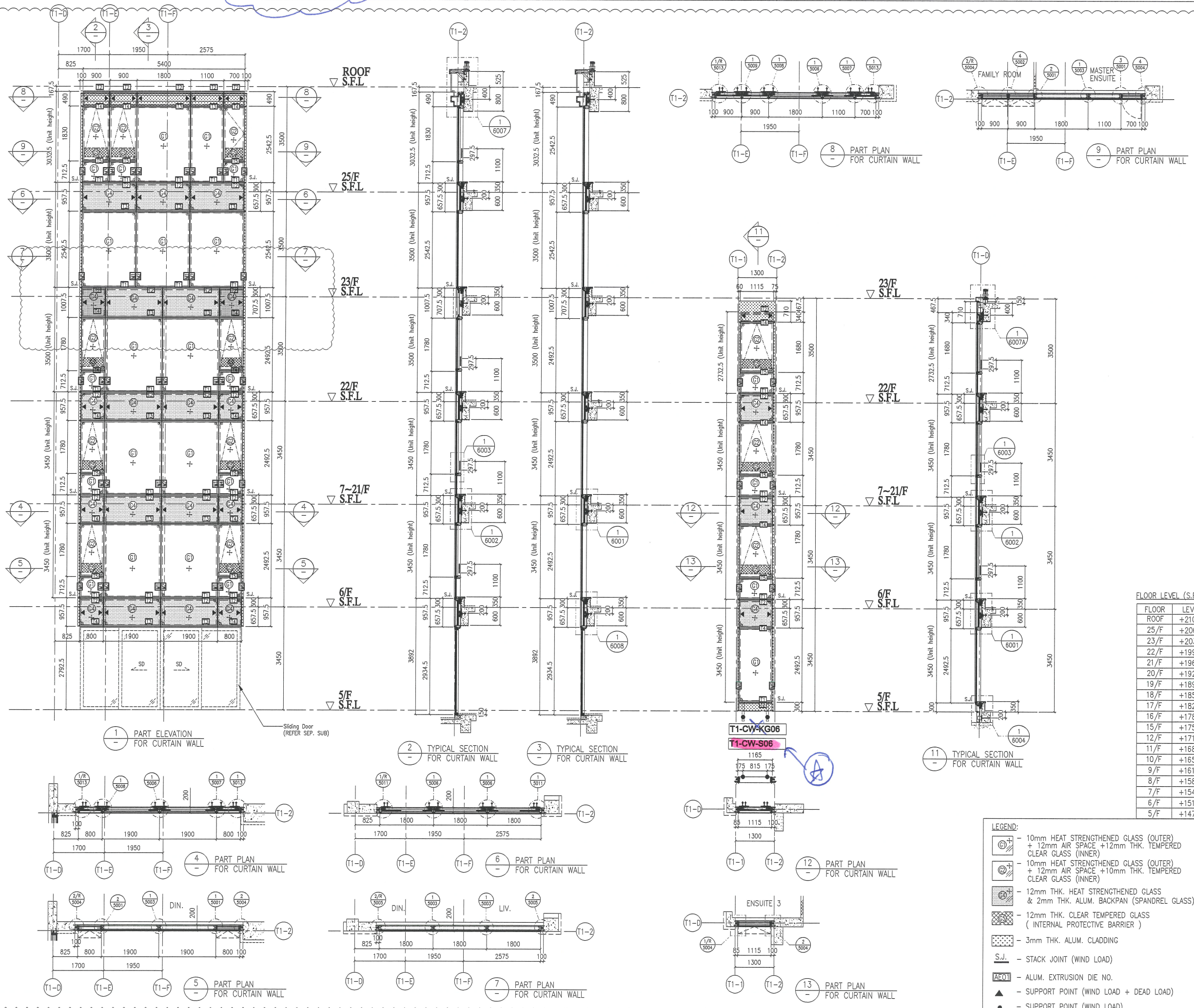
TITLE : PART ELEVATION OF CURTAIN WALL AT TOWER 1

DATE : 18-MAR-21 SCALE : 1:60 (A1)
 DRAWN BY : LHR CHECKED BY : -

美特鋁質有限公司
 MIDI ALUMINIUM FABRICATOR LTD.
 Units 6-8, Sunray Industrial Centre, 1/F
 610 Cha Kwo Ling Road, Kowloon
 Tel: 23489211-4 Fax: (852) 2727666

DWG NO. : J853-BD-CW-4101 REV. : A

CEI 4660



FLOOR LEVEL (S.F.L.)

FLOOR	LEVEL
ROOF	+210.00
25/F	+206.50
23/F	+203.00
22/F	+199.50
21/F	+196.05
20/F	+192.60
19/F	+189.15
18/F	+185.70
17/F	+182.25
16/F	+178.80
15/F	+175.35
12/F	+171.90
11/F	+168.45
10/F	+165.00
9/F	+161.55
8/F	+158.10
7/F	+154.65
6/F	+151.20
5/F	+147.75

- LEGEND:
- 10mm HEAT STRENGTHENED GLASS (OUTER) + 12mm AIR SPACE + 12mm THK. TEMPERED CLEAR GLASS (INNER)
 - 10mm HEAT STRENGTHENED GLASS (OUTER) + 12mm AIR SPACE + 10mm THK. TEMPERED CLEAR GLASS (INNER)
 - 12mm THK. HEAT STRENGTHENED GLASS & 2mm THK. ALUM. BACKPAN (SPANDREL GLASS)
 - 12mm THK. CLEAR TEMPERED GLASS (INTERNAL PROTECTIVE BARRIER)
 - 3mm THK. ALUM. CLADDING
 - S.J. - STACK JOINT (WIND LOAD)
 - AFO1 - ALUM. EXTRUSION DIE NO.
 - SUPPORT POINT (WIND LOAD + DEAD LOAD)
 - SUPPORT POINT (WIND LOAD)

B.D. REF :

請用A3紙打印

CLIENT : SHIMAO GROUP HOLDINGS LIMITED

ARCHITECT : WONG TUNG & PARTNERS LIMITED ARCHITECTS & PLANNERS

MAIN CONTRACTOR : 協興建築有限公司 HIP HING CONSTRUCTION CO LTD

STRUCTURAL ENGINEER : ICMA C M WONG & ASSOCIATES LTD 黃志明建築工程師有限公司

FACADE CONSULTANT : MEIN-HARDT

NOTE :

- ALL DIMENSIONS ARE IN mm.
- ALL ELEVATIONS ARE VIEWED FROM OUTSIDE.
- ALL DIMENSIONS TO BE VERIFIED ON SITE BEFORE FABRICATION.

LEGEND :

- X1 - DETAIL MARK NO.
- X001 - REFER SHEET NO.

- F.F.L. --- FINISHED FLOOR LEVEL
- S.F.L. --- STRUCTURAL FLOOR LEVEL
- ⊖ --- REVERSED DETAIL

A	DATE	REVISION SUBJECT TO ARCH. COMMENT	BY
1	02-10-2021	REVISION SUBJECT TO ARCH. COMMENT	
2		REVISED	

JOB NO. : J-853

PROJECT : PROPOSED RESIDENTIAL DEVELOPMENT AT N.K.I.L. 6542 YIN PING ROAD KOWLOON

TITLE : PART ELEVATION FOR CURTAIN WALL AT TOWER 1

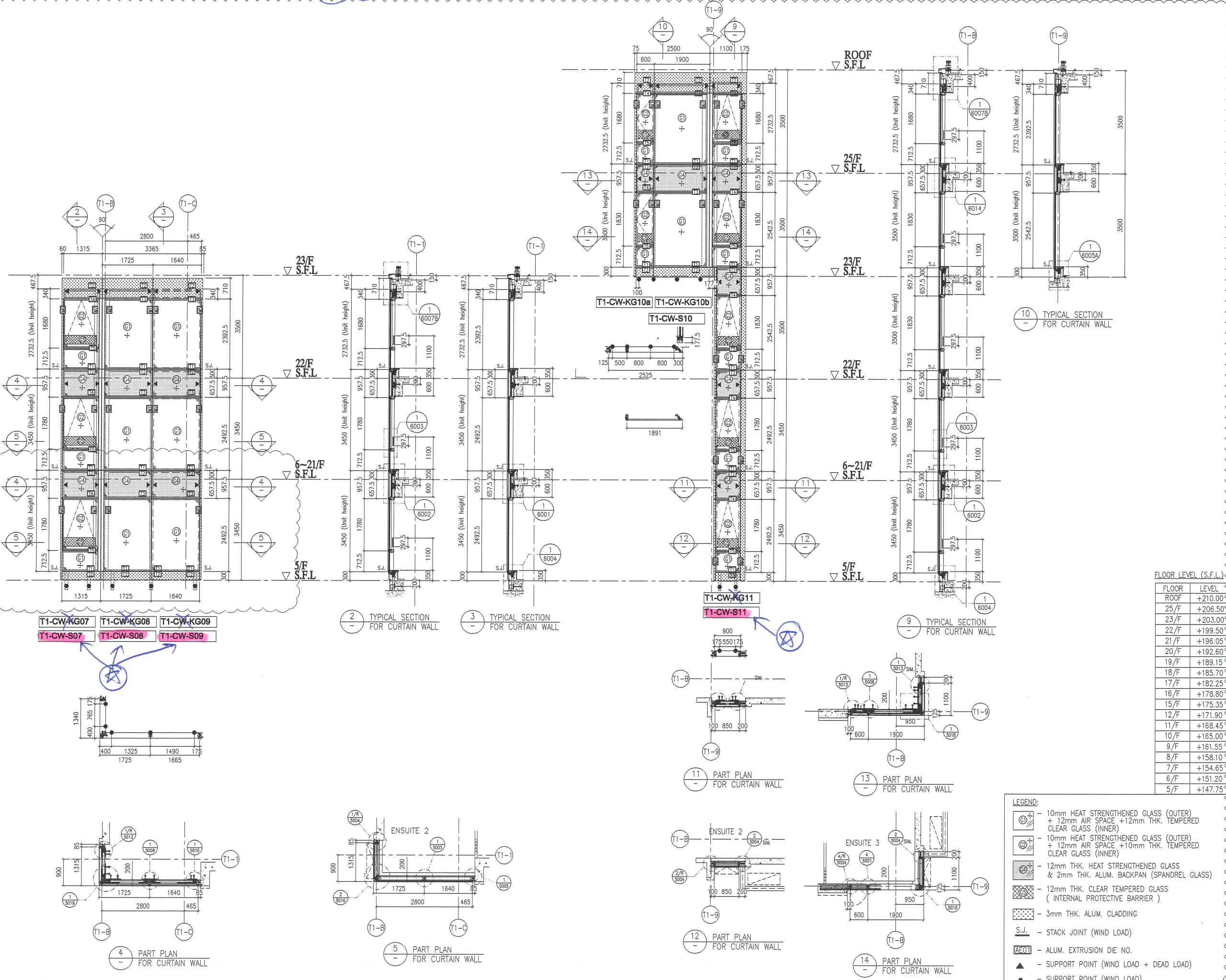
DATE : 18-MAR-21 SCALE : 1:60 (A1)

DRAWN BY : LHR CHECKED BY :

美特鋁質有限公司
MIDI ALUMINIUM FABRICATOR LTD.
Units 6-8, Sunray Industrial Centre, 1/F
610 Cha Kwo Ling Road, Kowloon
Tel: 23489211-4 Fax: (852) 2727666

DWG NO. : J853-SD-CW-4102 REV. : A

CEJ 4660



B.D. REF :

請用A3紙打印

CLIENT : **SHIMAO GROUP HOLDINGS LIMITED**

ARCHITECT : **WONG TUNG & PARTNERS LIMITED ARCHITECTS & PLANNERS**

MAIN CONTRACTOR : **協興建築有限公司 HIP HING CONSTRUCTION CO LTD**

STRUCTURAL ENGINEER : **ICMA C M WONG & ASSOCIATES LTD 黃志明建築工程師有限公司**

FAÇADE CONSULTANT : **MEIN-HARDT**

NOTE :

- ALL DIMENSIONS ARE IN mm.
- ALL ELEVATIONS ARE VIEWED FROM OUTSIDE.
- ALL DIMENSIONS TO BE VERIFIED ON SITE BEFORE FABRICATION.

LEGEND :

X1 --- DETAIL MARK NO.
X001 --- REFER SHEET NO.

1. F.F.L. --- FINISHED FLOOR LEVEL
2. S.F.L. --- STRUCTURAL FLOOR LEVEL
3. (R) --- REVERSED DETAIL

FLOOR	LEVEL
ROOF	+210.00
25/F	+206.50
23/F	+203.00
22/F	+199.50
21/F	+196.05
20/F	+192.60
19/F	+189.15
18/F	+185.70
17/F	+182.25
16/F	+178.80
15/F	+175.35
12/F	+171.90
11/F	+168.45
10/F	+165.00
9/F	+161.55
8/F	+158.10
7/F	+154.65
6/F	+151.20
5/F	+147.75

A	02-10-2021	REVISION SUBJECT TO ARCH. COMMENT	BY
NO.	DATE	REVISED	BY

JOB NO. : J-853

PROJECT : PROPOSED RESIDENTIAL DEVELOPMENT AT N.K.I.L. 6542 YIN PING ROAD KOWLOON

TITLE : PART ELEVATION FOR CURTAIN WALL AT TOWER 1

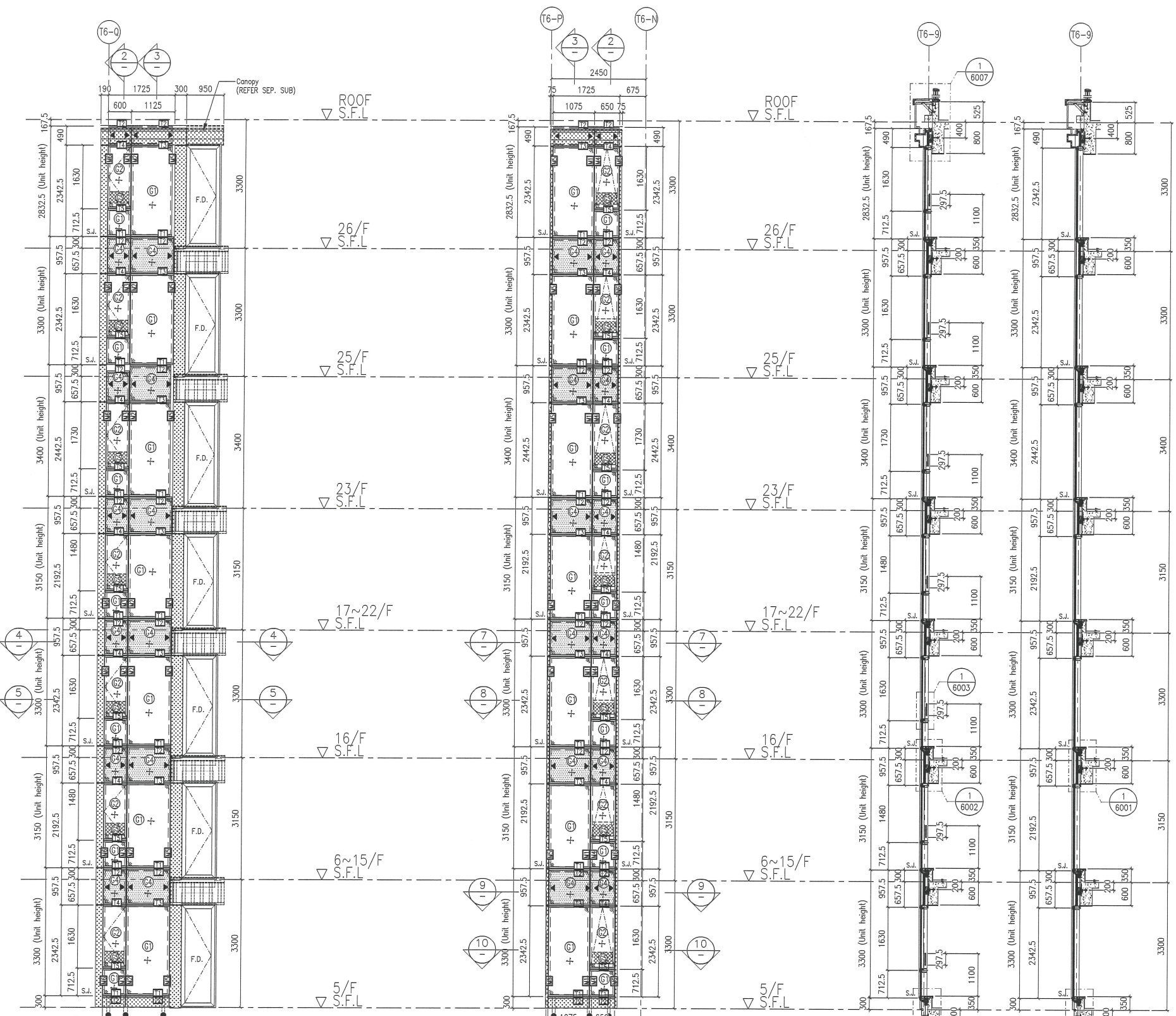
DATE : 18-MAR-21 SCALE : 1:60 (A1)

DRAWN BY : LHR CHECKED BY :

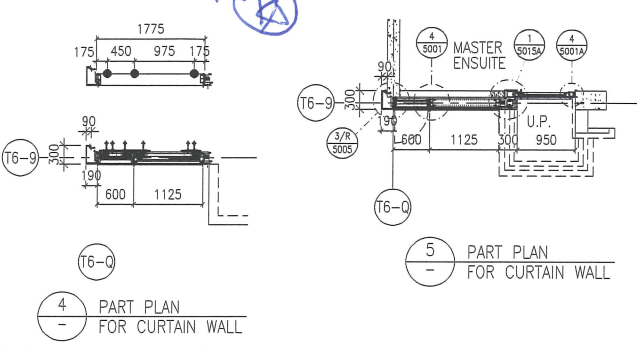
美特鋁質有限公司
MIDI ALUMINIUM FABRICATOR LTD.
Units 6-8, Sunray Industrial Centre, 1/F
610 Cha Kwo Ling Road, Kowloon
Tel: 23489211-4 Fax: (852) 2727666

DWG NO. : J853-SD-CW-4103 REV. : A

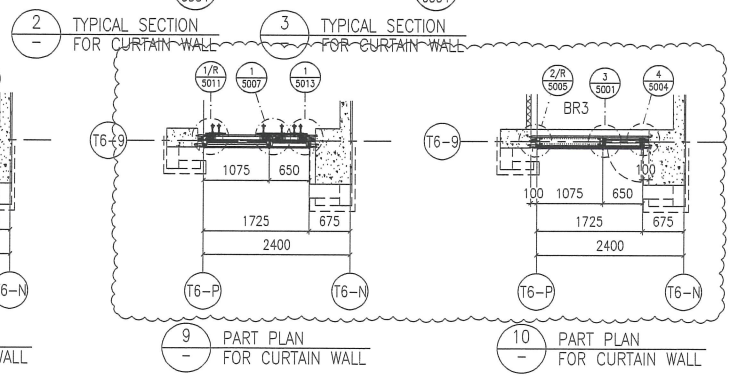
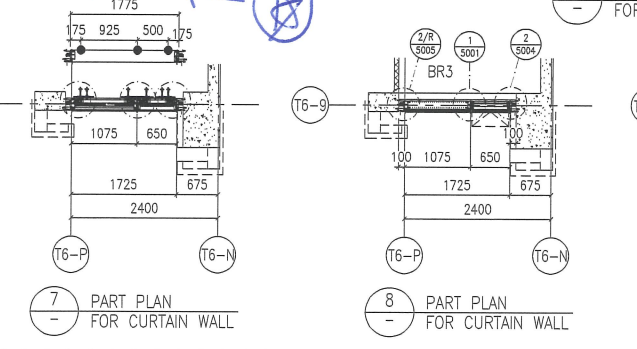
EL4660



T6-CW-KG01a T6-CW-KG01b
T6-CW-S01



T6-CW-KG02a T6-CW-KG02b
T6-CW-S02



- LEGEND:**
- 10mm HEAT STRENGTHENED GLASS (OUTER) + 12mm AIR SPACE + 12mm THK. TEMPERED CLEAR GLASS (INNER)
 - 10mm HEAT STRENGTHENED GLASS (OUTER) + 12mm AIR SPACE + 10mm THK. TEMPERED CLEAR GLASS (INNER)
 - 12mm THK. HEAT STRENGTHENED GLASS & 2mm THK. ALUM. BACKPAN (SPANDEL GLASS)
 - 12mm THK. CLEAR TEMPERED GLASS (INTERNAL PROTECTIVE BARRIER)
 - 3mm THK. ALUM. CLADDING
 - S.J. - STACK JOINT (WIND LOAD)
 - AK01 - ALUM. EXTRUSION DIE NO.
 - SUPPORT POINT (WIND LOAD + DEAD LOAD)
 - SUPPORT POINT (WIND LOAD)

FLOOR LEVEL (S.F.L.)

FLOOR	LEVEL
ROOF	+210.00'
26/F	+206.70'
25/F	+203.40'
23/F	+200.00'
22/F	+196.85'
21/F	+193.70'
20/F	+190.55'
19/F	+187.40'
18/F	+184.25'
17/F	+181.10'
16/F	+177.80'
15/F	+174.65'
12/F	+171.50'
11/F	+168.35'
10/F	+165.20'
9/F	+162.05'
8/F	+158.90'
7/F	+155.75'
6/F	+152.60'
5/F	+149.30'

B.D. REF :

請用A3紙打印

CLIENT : **SHIMAO GROUP HOLDINGS LIMITED**

ARCHITECT : **WONG TUNG & PARTNERS LIMITED ARCHITECTS & PLANNERS**

MAIN CONTRACTOR : **協興建築有限公司 HIP HING CONSTRUCTION CO LTD**

STRUCTURAL ENGINEER : **ICMA C M WONG & ASSOCIATES LTD 黃志明建築工程師有限公司**

FAÇADE CONSULTANT : **MEINHARDT**

NOTE :

- ALL DIMENSIONS ARE IN mm.
- ALL ELEVATIONS ARE VIEWED FROM OUTSIDE.
- ALL DIMENSIONS TO BE VERIFIED ON SITE BEFORE FABRICATION.

LEGEND :

- X1 - DETAIL MARK NO.
- X001 - REFER SHEET NO.

1. F.F.L. --- FINISHED FLOOR LEVEL
2. S.F.L. --- STRUCTURAL FLOOR LEVEL
3. (R) --- REVERSED DETAIL

NO.	DATE	REVISION SUBJECT TO ARCH. COMMENT	BY
A	09-10-2021	REVISION SUBJECT TO ARCH. COMMENT	

JOB NO. : J-853

PROJECT : PROPOSED RESIDENTIAL DEVELOPMENT AT N.K.I.L. 6542 YIN PING ROAD KOWLOON

TITLE : PART ELEVATION FOR CURTAIN WALL AT TOWER 6 & 7

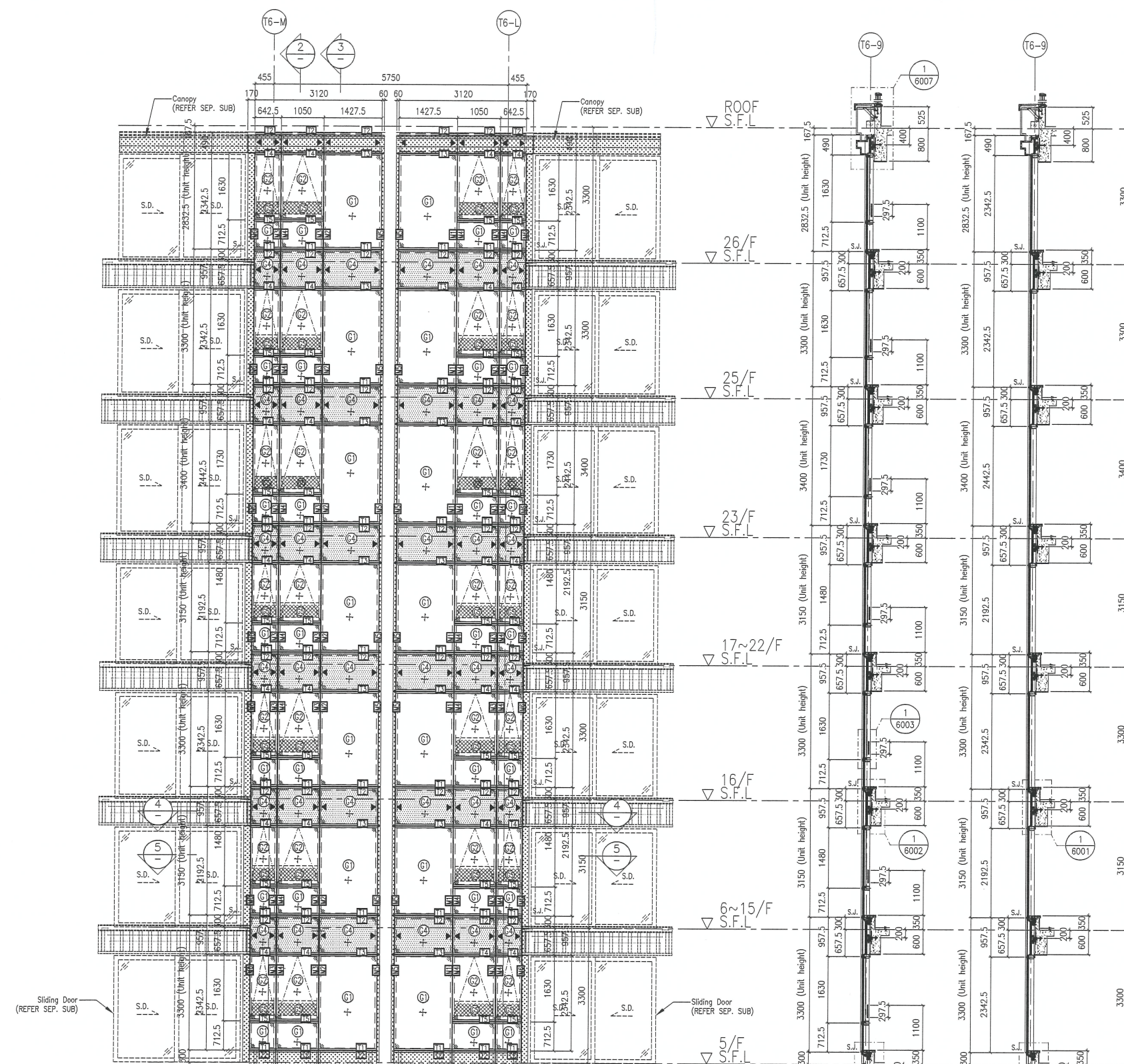
DATE : 12-APR-21 SCALE : 1:60 (A1)

DRAWN BY : LHR CHECKED BY :

美特鋁質有限公司
MIDI ALUMINIUM FABRICATOR LTD.
Units 6-8, Sunray Industrial Centre, 1/F
610 Cha Kwo Ling Road, Kowloon
Tel: 23489211-4 Fax: (852) 2727666

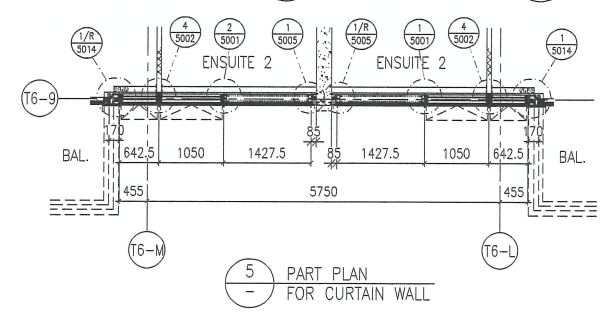
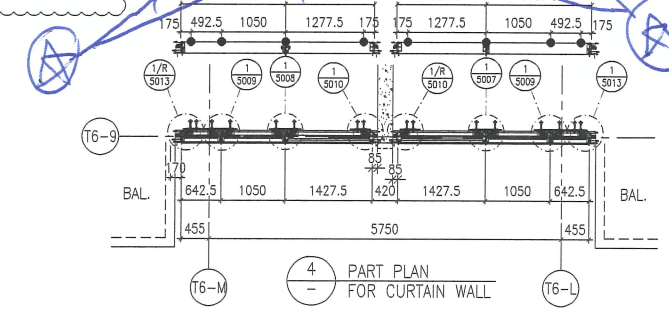
DWG NO. : J853-SD-CW-4601 REV. : A

EL46603



KG03a/b/c相對應圖號
J853-T6-CW-KG03a/b/c

KG04a/b/c相對應圖號
J853-T6-CW-KG04a/b/c



- LEGEND:**
- (1) 10mm HEAT STRENGTHENED GLASS (OUTER) + 12mm AIR SPACE + 12mm THK. TEMPERED CLEAR GLASS (INNER)
 - (2) 10mm HEAT STRENGTHENED GLASS (OUTER) + 12mm AIR SPACE + 10mm THK. TEMPERED CLEAR GLASS (INNER)
 - (3) 12mm THK. HEAT STRENGTHENED GLASS & 2mm THK. ALUM. BACKPAN (SPANDREL GLASS)
 - (4) 12mm THK. CLEAR TEMPERED GLASS (INTERNAL PROTECTIVE BARRIER)
 - (5) 3mm THK. ALUM. CLADDING
 - S.J. - STACK JOINT (WIND LOAD)
 - ALU01 - ALUM. EXTRUSION DIE NO.
 - ▲ - SUPPORT POINT (WIND LOAD + DEAD LOAD)
 - - SUPPORT POINT (WIND LOAD)

FLOOR LEVEL (S.F.L.)

FLOOR	LEVEL
ROOF	+210.00
26/F	+206.70
25/F	+203.40
23/F	+200.00
22/F	+196.85
21/F	+193.70
20/F	+190.55
19/F	+187.40
18/F	+184.25
17/F	+181.10
16/F	+177.80
15/F	+174.65
12/F	+171.50
11/F	+168.35
10/F	+165.20
9/F	+162.05
8/F	+158.90
7/F	+155.75
6/F	+152.60
5/F	+149.30

B.D. REF :

請用A3紙打印

CLIENT :
SHIMAO GROUP HOLDINGS LIMITED

ARCHITECT :
WONG TUNG & PARTNERS LIMITED ARCHITECTS & PLANNERS

MAIN CONTRACTOR :
協興建築有限公司 HIP HING CONSTRUCTION CO LTD

STRUCTURAL ENGINEER :
ICMA C M WONG & ASSOCIATES LTD 黃志明建築工程師有限公司

FAÇADE CONSULTANT:
MEIN-HARDT

NOTE :
1. ALL DIMENSIONS ARE IN mm.
2. ALL ELEVATIONS ARE VIEWED FROM OUTSIDE.
3. ALL DIMENSIONS TO BE VERIFIED ON SITE BEFORE FABRICATION.

LEGEND :
X1 - DETAIL MARK NO.
X001 - REFER SHEET NO.

1. F.F.L. --- FINISHED FLOOR LEVEL
2. S.F.L. --- STRUCTURAL FLOOR LEVEL
3. (R) --- REVERSED DETAIL

A	09-10-2021	REVISION SUBJECT TO ARCH. COMMENT	BY
NO.	DATE	REVISED	BY

JOB NO. : J-853
PROJECT : PROPOSED RESIDENTIAL DEVELOPMENT AT N.K.I.L. 6542 YIN PING ROAD KOWLOON

TITLE : PART ELEVATION FOR CURTAIN WALL AT TOWER 6 & 7

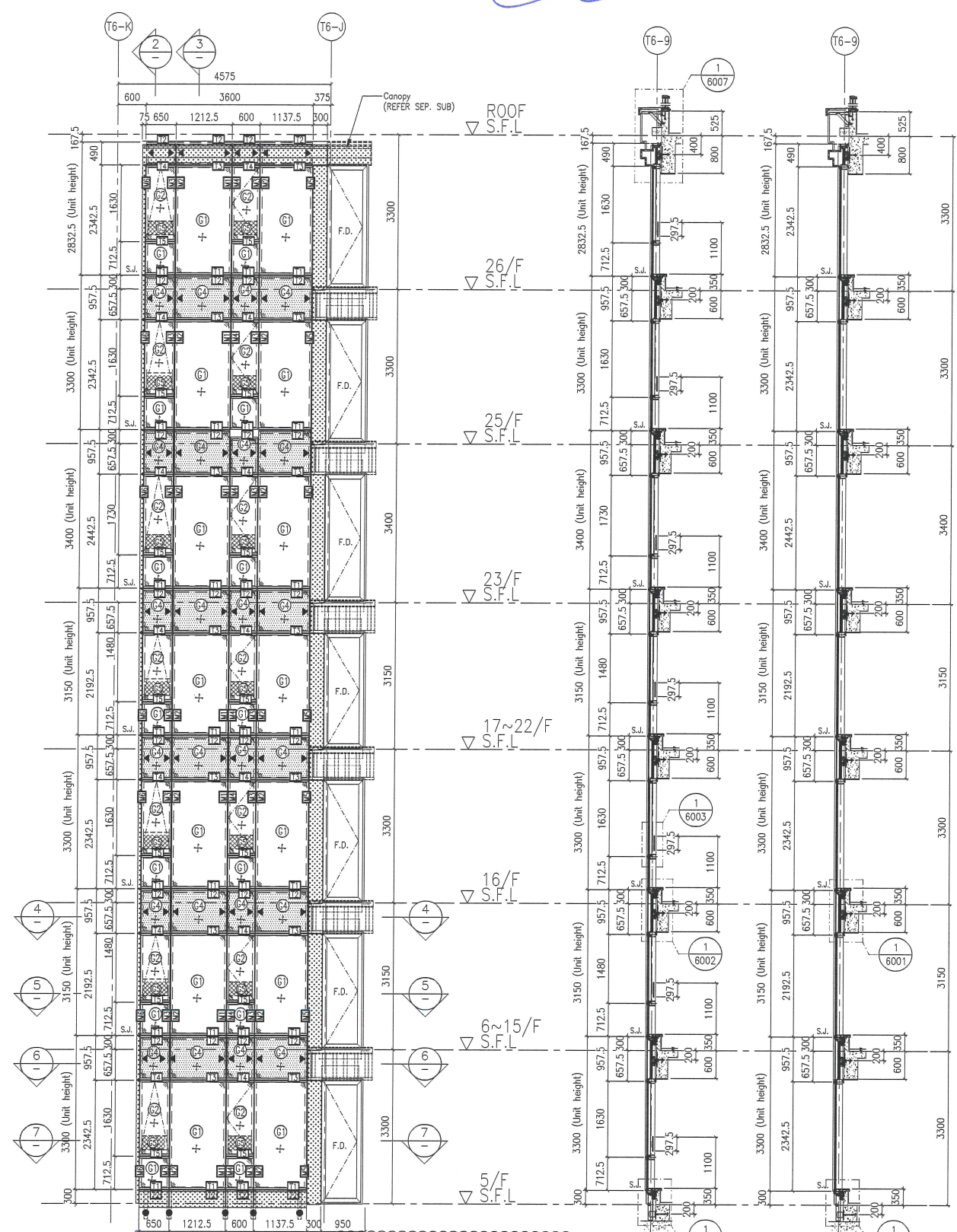
DATE : 12-APR-21 SCALE : 1:60 (A1)

DRAWN BY : LHR CHECKED BY :

美特鋁質有限公司
MIDI ALUMINIUM FABRICATOR LTD.
Units 6-8, Sunray Industrial Centre, 1/F
610 Cha Kwo Ling Road, Kowloon
Tel:23489211-4 Fax:(852)2772666

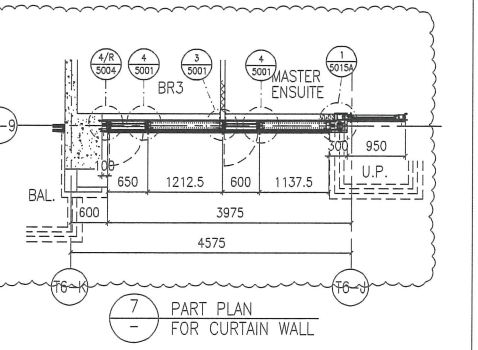
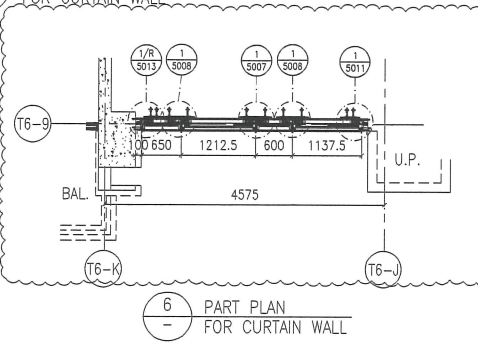
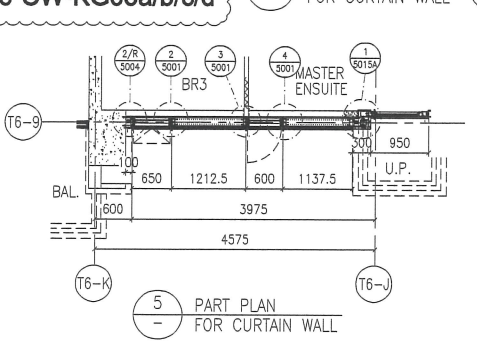
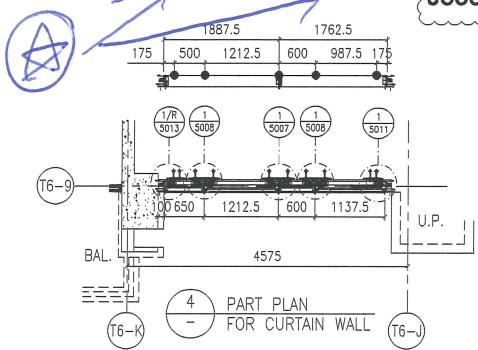
DWG NO. : J853-SD-CW-4602 REV. : A

ET4660



KG05a KG05b KG05c KG05d
T6-CW-S05a T6-CW-S05b

KG05a/b/c/d相對應圖號
J853-T6-CW-KG05a/b/c/d



FLOOR	LEVEL
ROOF	+210.00
26/F	+206.70
25/F	+203.40
23/F	+200.00
22/F	+196.85
21/F	+193.70
20/F	+190.55
19/F	+187.40
18/F	+184.25
17/F	+181.10
16/F	+177.80
15/F	+174.65
12/F	+171.50
11/F	+168.35
10/F	+165.20
9/F	+162.05
8/F	+158.90
7/F	+155.75
6/F	+152.60
5/F	+149.30

- LEGEND:
- (1) 10mm HEAT STRENGTHENED GLASS (OUTER) + 12mm AIR SPACE + 12mm THK. TEMPERED CLEAR GLASS (INNER)
 - (2) 10mm HEAT STRENGTHENED GLASS (OUTER) + 12mm AIR SPACE + 10mm THK. TEMPERED CLEAR GLASS (INNER)
 - (3) 12mm THK. HEAT STRENGTHENED GLASS + 12mm AIR SPACE + 10mm THK. TEMPERED CLEAR GLASS (INNER)
 - (4) 12mm THK. CLEAR TEMPERED GLASS (INTERNAL PROTECTIVE BARRIER)
 - (5) 3mm THK. ALUM. CLADDING
 - S.J. - STACK JOINT (WIND LOAD)
 - AF01 - ALUM. EXTRUSION DIE NO.
 - ▲ - SUPPORT POINT (WIND LOAD + DEAD LOAD)
 - - SUPPORT POINT (WIND LOAD)

B.D. REF :

請用A3紙打印

CLIENT : SHIMAO GROUP HOLDINGS LIMITED

ARCHITECT : WONG TUNG & PARTNERS LIMITED ARCHITECTS & PLANNERS

MAIN CONTRACTOR : 協興建築有限公司 HIP HING CONSTRUCTION CO LTD

STRUCTURAL ENGINEER : ICMA C M WONG & ASSOCIATES LTD 黃志明建築工程師有限公司

FAÇADE CONSULTANT : MEIN-HARDT

NOTE :

- ALL DIMENSIONS ARE IN mm.
- ALL ELEVATIONS ARE VIEWED FROM OUTSIDE.
- ALL DIMENSIONS TO BE VERIFIED ON SITE BEFORE FABRICATION.

LEGEND :

X1 - DETAIL MARK NO.
X001 - REFER SHEET NO.

1. F.F.L. -- FINISHED FLOOR LEVEL
2. S.F.L. -- STRUCTURAL FLOOR LEVEL
3. (R) -- REVERSED DETAIL

NO.	DATE	REVISED	BY

JOB NO. : J-853

PROJECT : PROPOSED RESIDENTIAL DEVELOPMENT AT N.K.I.L. 6542 YIN PING ROAD KOWLOON

TITLE : PART ELEVATION FOR CURTAIN WALL AT TOWER 6 & 7

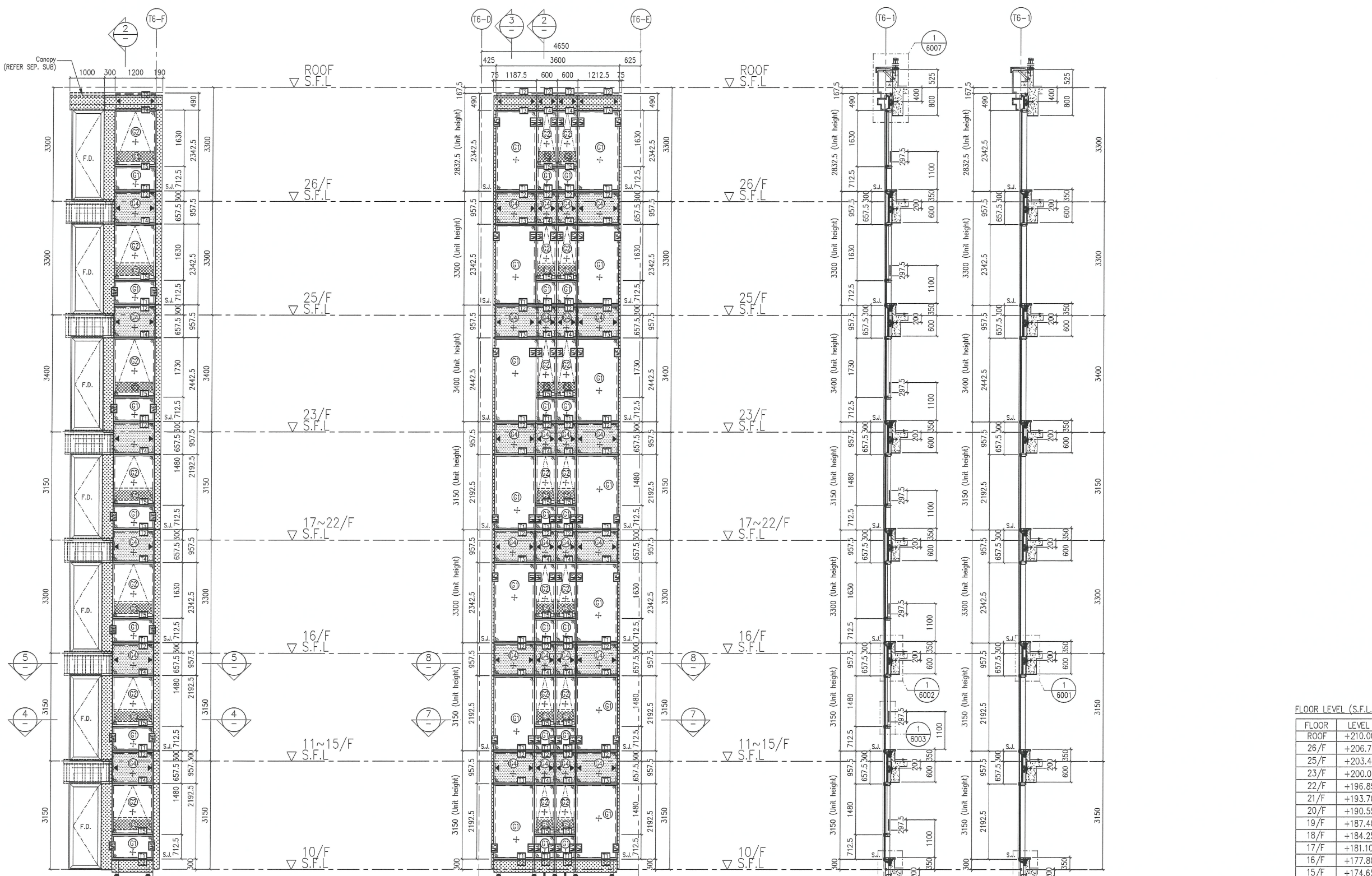
DATE : 24-OCT-21 SCALE : 1:60 (A1)

DRAWN BY : LHR CHECKED BY :

美特鋁質有限公司
MIDI ALUMINIUM FABRICATOR LTD.
Units 6-8, Sunray Industrial Centre, 1/F
610 Cha Kwo Ling Road, Kowloon
Tel: 23489211-4 Fax: (852) 2772666

DWG NO. : J853-SD-CW-4602A REV. : A

EL4660



FLOOR LEVEL (S.F.L.)

FLOOR	LEVEL
ROOF	+210.00
26/F	+206.70
25/F	+203.40
23/F	+200.00
22/F	+196.85
21/F	+193.70
20/F	+190.55
19/F	+187.40
18/F	+184.25
17/F	+181.10
16/F	+177.80
15/F	+174.65
12/F	+171.50
11/F	+168.35
10/F	+165.20

- LEGEND:
- 10mm HEAT STRENGTHENED GLASS (OUTER) + 12mm AIR SPACE + 12mm THK. TEMPERED CLEAR GLASS (INNER)
 - 10mm HEAT STRENGTHENED GLASS (OUTER) + 12mm AIR SPACE + 10mm THK. TEMPERED CLEAR GLASS (INNER)
 - 12mm THK. HEAT STRENGTHENED GLASS & 2mm THK. ALUM. BACKPAN (SPANDREL GLASS)
 - 12mm THK. CLEAR TEMPERED GLASS (INTERNAL PROTECTIVE BARRIER)
 - 3mm THK. ALUM. CLADDING
 - S.J. - STACK JOINT (WIND LOAD)
 - 1A01 - ALUM. EXTRUSION DIE NO.
 - SUPPORT POINT (WIND LOAD + DEAD LOAD)
 - SUPPORT POINT (WIND LOAD)

B.D. REF :

請用A3紙打印

CLIENT : SHIMAO GROUP HOLDINGS LIMITED

ARCHITECT : WONG TUNG & PARTNERS LIMITED ARCHITECTS & PLANNERS

MAIN CONTRACTOR : 協興建築有限公司 HIP HING CONSTRUCTION CO LTD

STRUCTURAL ENGINEER : CMA C M WONG & ASSOCIATES LTD 黃志明建築工程師有限公司

FACADE CONSULTANT : MEIN-HARDT

NOTE :

- ALL DIMENSIONS ARE IN mm.
- ALL ELEVATIONS ARE VIEWED FROM OUTSIDE.
- ALL DIMENSIONS TO BE VERIFIED ON SITE BEFORE FABRICATION.

LEGEND :

(X1) - DETAIL MARK NO.
(X001) - REFER SHEET NO.

- F.F.L. -- FINISHED FLOOR LEVEL
- S.F.L. -- STRUCTURAL FLOOR LEVEL
- (R) -- REVERSED DETAIL

NO.	DATE	REVISION	BY
A	09-10-2021	REVISION SUBJECT TO ARCH. COMMENT	

JOB NO. : J-853

PROJECT : PROPOSED RESIDENTIAL DEVELOPMENT AT N.K.I.L. 6542 YIN PING ROAD KOWLOON

TITLE : PART ELEVATION FOR CURTAIN WALL AT TOWER 6 & 7

DATE : 13-APR-21 SCALE : 1:60 (A1)

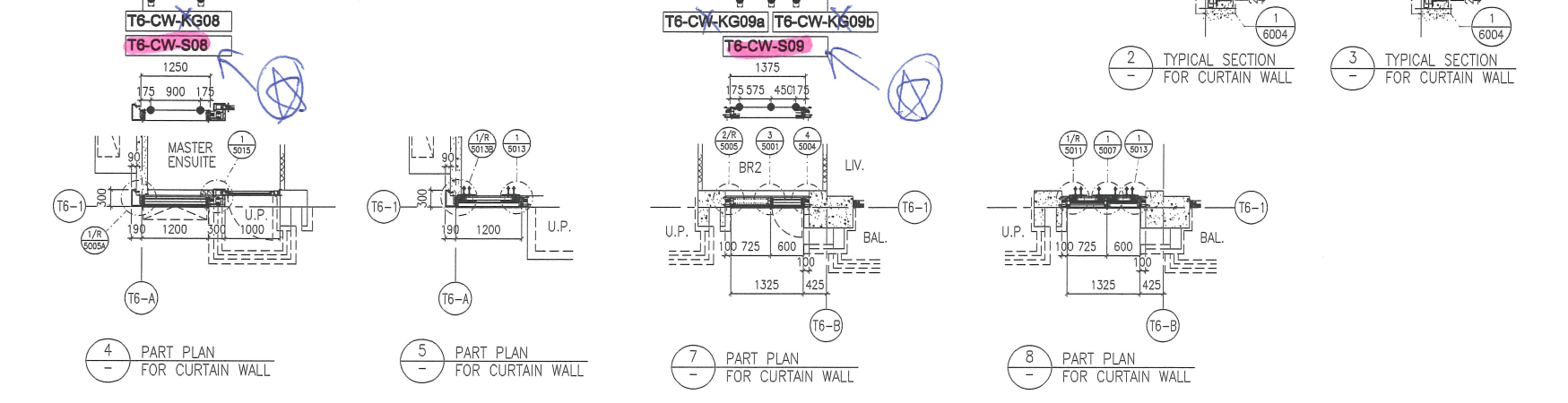
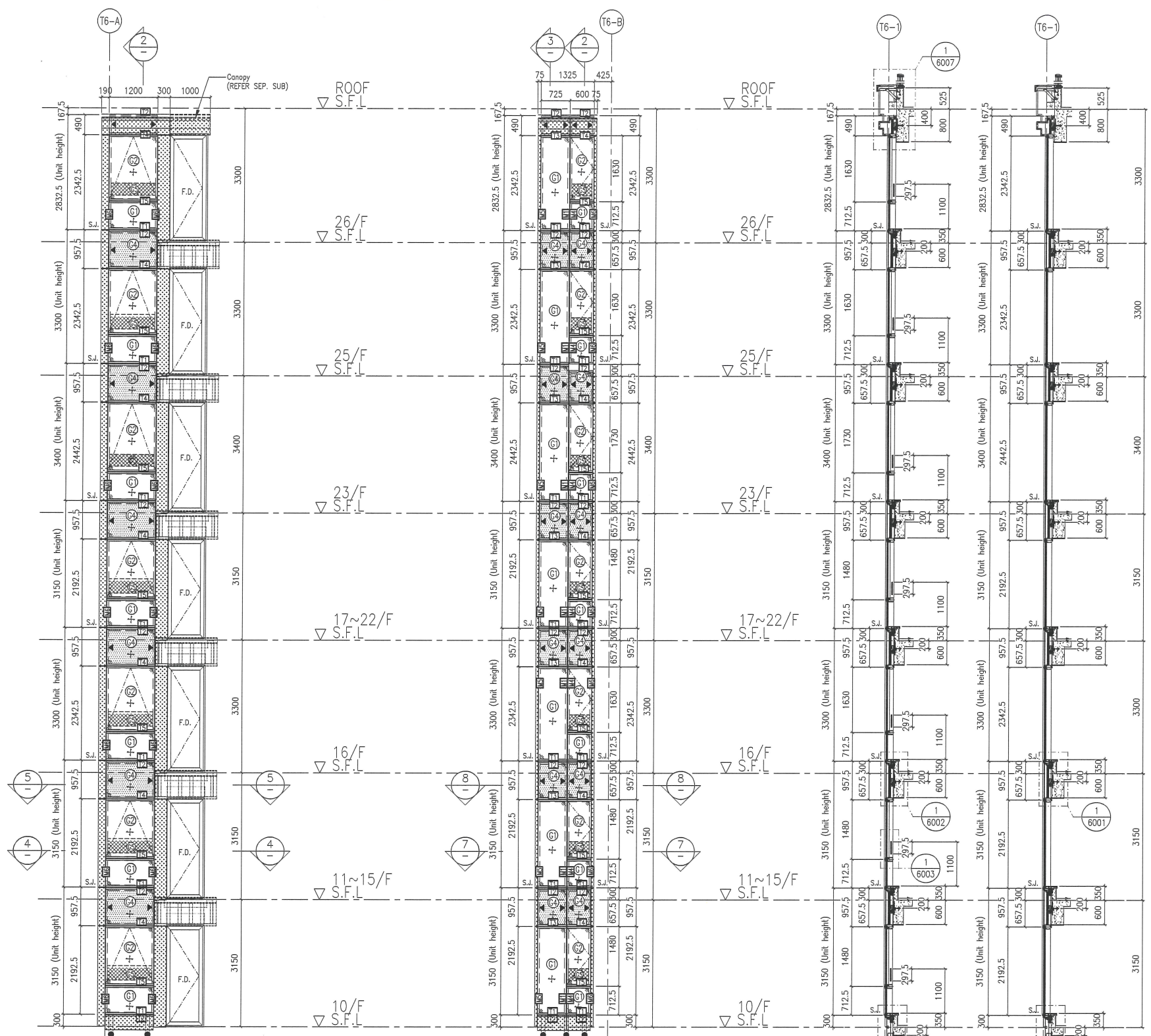
DRAWN BY : LHR CHECKED BY :

美特鋁質有限公司
MIDI ALUMINIUM FABRICATOR LTD.

Units 6-8, Sunray Industrial Centre, 1/F
610 Cha Kwo Ling Road, Kowloon
Tel: 23489211-4 Fax: (852) 2727666

DWG NO. : J853-SD-CW-4606 REV. : A

TJ4660



FLOOR LEVEL (S.F.L.)

FLOOR	LEVEL
ROOF	+210.00
26/F	+206.70
25/F	+203.40
23/F	+200.00
22/F	+196.85
21/F	+193.70
20/F	+190.55
19/F	+187.40
18/F	+184.25
17/F	+181.10
16/F	+177.80
15/F	+174.65
12/F	+171.50
11/F	+168.35
10/F	+165.20

- LEGEND:
- 10mm HEAT STRENGTHENED GLASS (OUTER) + 12mm AIR SPACE + 12mm THK. TEMPERED CLEAR GLASS (INNER)
 - 10mm HEAT STRENGTHENED GLASS (OUTER) + 12mm AIR SPACE + 10mm THK. TEMPERED CLEAR GLASS (INNER)
 - 12mm THK. HEAT STRENGTHENED GLASS & 2mm THK. ALUM. BACKPAN (SPANDEL GLASS)
 - 12mm THK. CLEAR TEMPERED GLASS (INTERNAL PROTECTIVE BARRIER)
 - 3mm THK. ALUM. CLADDING
 - S.J. - STACK JOINT (WIND LOAD)
 - AF01 - ALUM. EXTRUSION DIE NO.
 - SUPPORT POINT (WIND LOAD + DEAD LOAD)
 - SUPPORT POINT (WIND LOAD)

B.D. REF :

請用A3紙打印

CLIENT : SHIMAO GROUP HOLDINGS LIMITED

ARCHITECT : WONG TUNG & PARTNERS LIMITED ARCHITECTS & PLANNERS

MAIN CONTRACTOR : 協興建築有限公司 HIP HING CONSTRUCTION CO LTD

STRUCTURAL ENGINEER : CMA C M WONG & ASSOCIATES LTD 黃志明建築工程師有限公司

FACADE CONSULTANT : MEIN-HARDT

NOTE :

- ALL DIMENSIONS ARE IN mm.
- ALL ELEVATIONS ARE VIEWED FROM OUTSIDE.
- ALL DIMENSIONS TO BE VERIFIED ON SITE BEFORE FABRICATION.

LEGEND :

X1 - DETAIL MARK NO.
X001 - REFER SHEET NO.

- F.F.L. -- FINISHED FLOOR LEVEL
- S.F.L. -- STRUCTURAL FLOOR LEVEL
- ⊖ -- REVERSED DETAIL

DATE : 13-APR-21 SCALE : 1:60 (A1)

DRAWN BY : LHR CHECKED BY :

PROJECT : PROPOSED RESIDENTIAL DEVELOPMENT AT N.K.I.L. 6542 YIN PING ROAD KOWLOON

TITLE : PART ELEVATION FOR CURTAIN WALL AT TOWER 6 & 7

JOB NO. : J-853

REV. : A

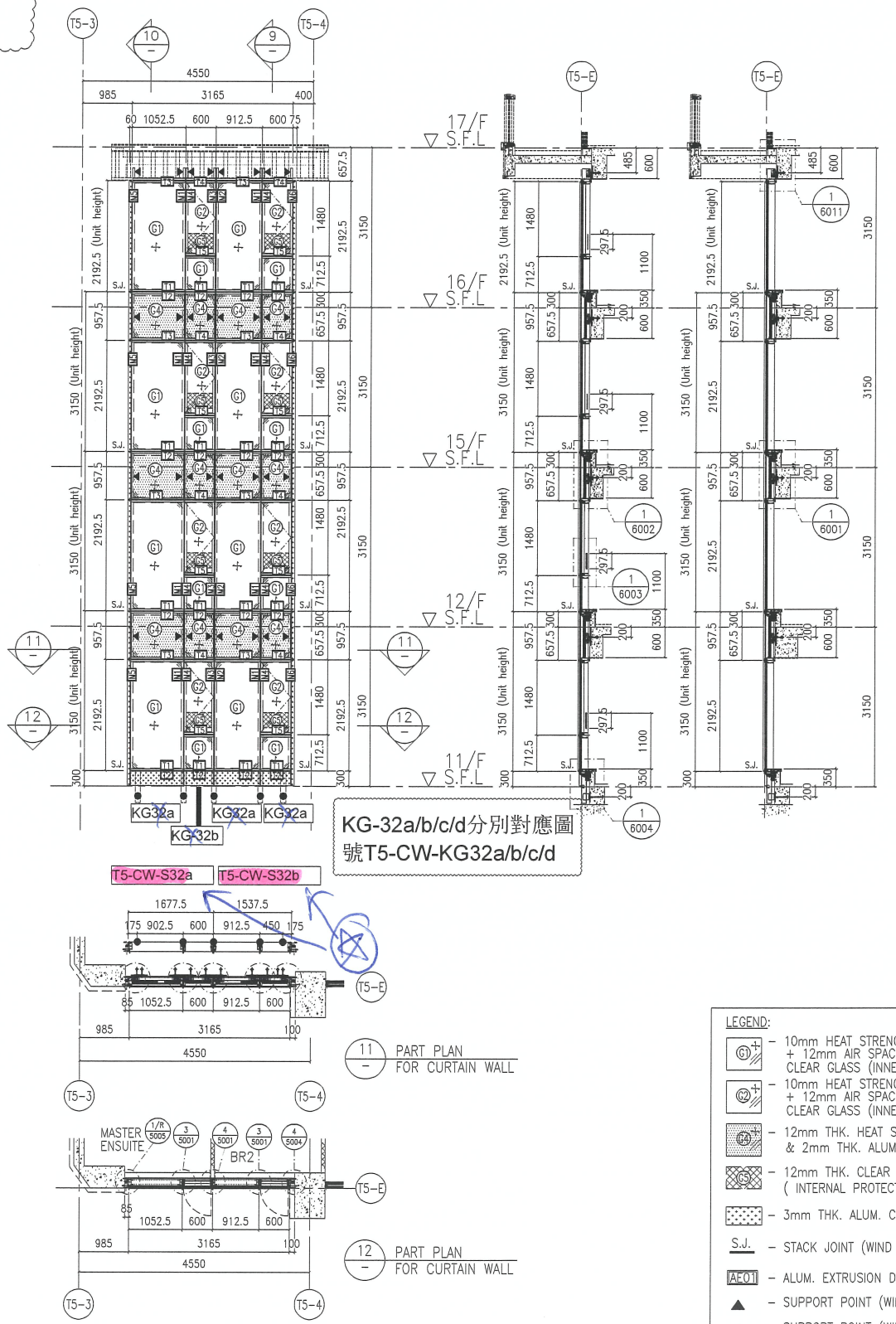
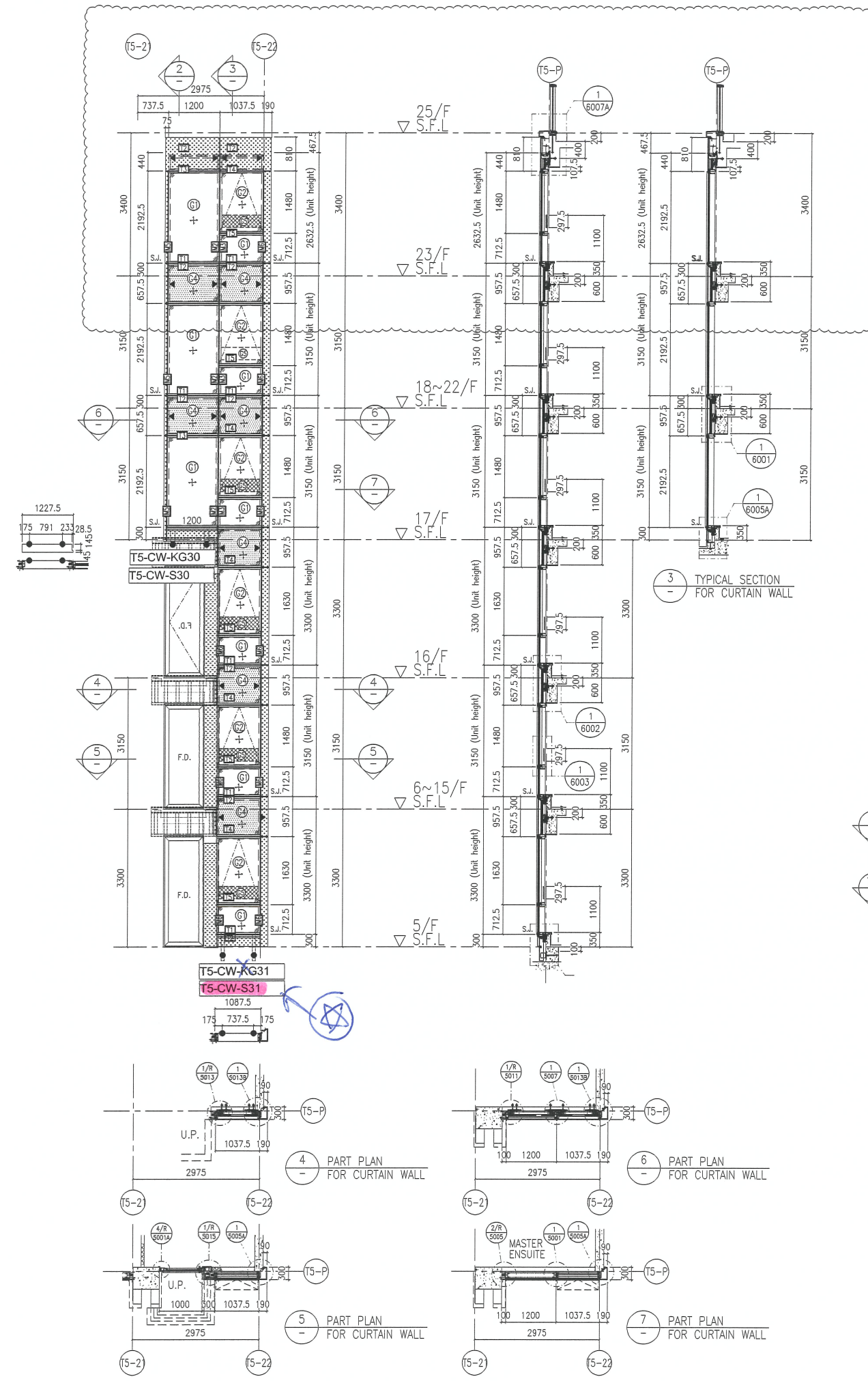
DWG NO. : J853-SD-CW-4607

美特鋁質有限公司
MIDI ALUMINIUM FABRICATOR LTD.

Units 6-8, Sunray Industrial Centre, 1/F
610 Cho Kwo Ling Road, Kowloon
Tel: 23489211-4 Fax: (852) 27727666

請用A3紙打印

EI4463



FLOOR LEVEL (S.F.L.)

FLOOR	LEVEL
25/F	+203.40
23/F	+200.00
22/F	+196.85
21/F	+193.70
20/F	+190.55
19/F	+187.40
18/F	+184.25
17/F	+181.10
16/F	+177.80
15/F	+174.65
12/F	+171.50
11/F	+168.35
10/F	+165.20
9/F	+162.05
8/F	+158.90
7/F	+155.75
6/F	+152.60
5/F	+149.30

- LEGEND:
- (1) - 10mm HEAT STRENGTHENED GLASS (OUTER) + 12mm AIR SPACE + 12mm THK. TEMPERED CLEAR GLASS (INNER)
 - (2) - 10mm HEAT STRENGTHENED GLASS (OUTER) + 12mm AIR SPACE + 10mm THK. TEMPERED CLEAR GLASS (INNER)
 - (3) - 12mm THK. HEAT STRENGTHENED GLASS & 2mm THK. ALUM. BACKPAN (SPANDREL GLASS)
 - (4) - 12mm THK. CLEAR TEMPERED GLASS (INTERNAL PROTECTIVE BARRIER)
 - (5) - 3mm THK. ALUM. CLADDING
 - S.J. - STACK JOINT (WIND LOAD)
 - AL01 - ALUM. EXTRUSION DIE NO.
 - ▲ - SUPPORT POINT (WIND LOAD + DEAD LOAD)
 - - SUPPORT POINT (WIND LOAD)

B.D. REF :

CLIENT : SHIMAO GROUP HOLDINGS LIMITED

ARCHITECT : WONG TUNG & PARTNERS LIMITED ARCHITECTS & PLANNERS

MAIN CONTRACTOR : 協興建築有限公司 HIP HING CONSTRUCTION CO LTD

STRUCTURAL ENGINEER : ICMA C M WONG & ASSOCIATES LTD 黃志明建築工程師有限公司

FACADE CONSULTANT : MEIN-HARDT

NOTE :

- ALL DIMENSIONS ARE IN mm.
- ALL ELEVATIONS ARE VIEWED FROM OUTSIDE.
- ALL DIMENSIONS TO BE VERIFIED ON SITE BEFORE FABRICATION.

LEGEND :

- (X1) - DETAIL MARK NO.
- (X001) - REFER SHEET NO.

- F.F.L. --- FINISHED FLOOR LEVEL
- S.F.L. --- STRUCTURAL FLOOR LEVEL
- (R) --- REVERSED DETAIL

NO.	DATE	REVISION SUBJECT TO ARCH. COMMENT	REVISED	BY
A	06-10-2021	REVISION SUBJECT TO ARCH. COMMENT		

JOB NO. : J-853

PROJECT : PROPOSED RESIDENTIAL DEVELOPMENT AT N.K.I.L. 6542 YIN PING ROAD KOWLOON

TITLE : PART ELEVATION FOR CURTAIN WALL AT TOWER 5

DATE : 31-MAR-21 SCALE : 1:60 (A1)

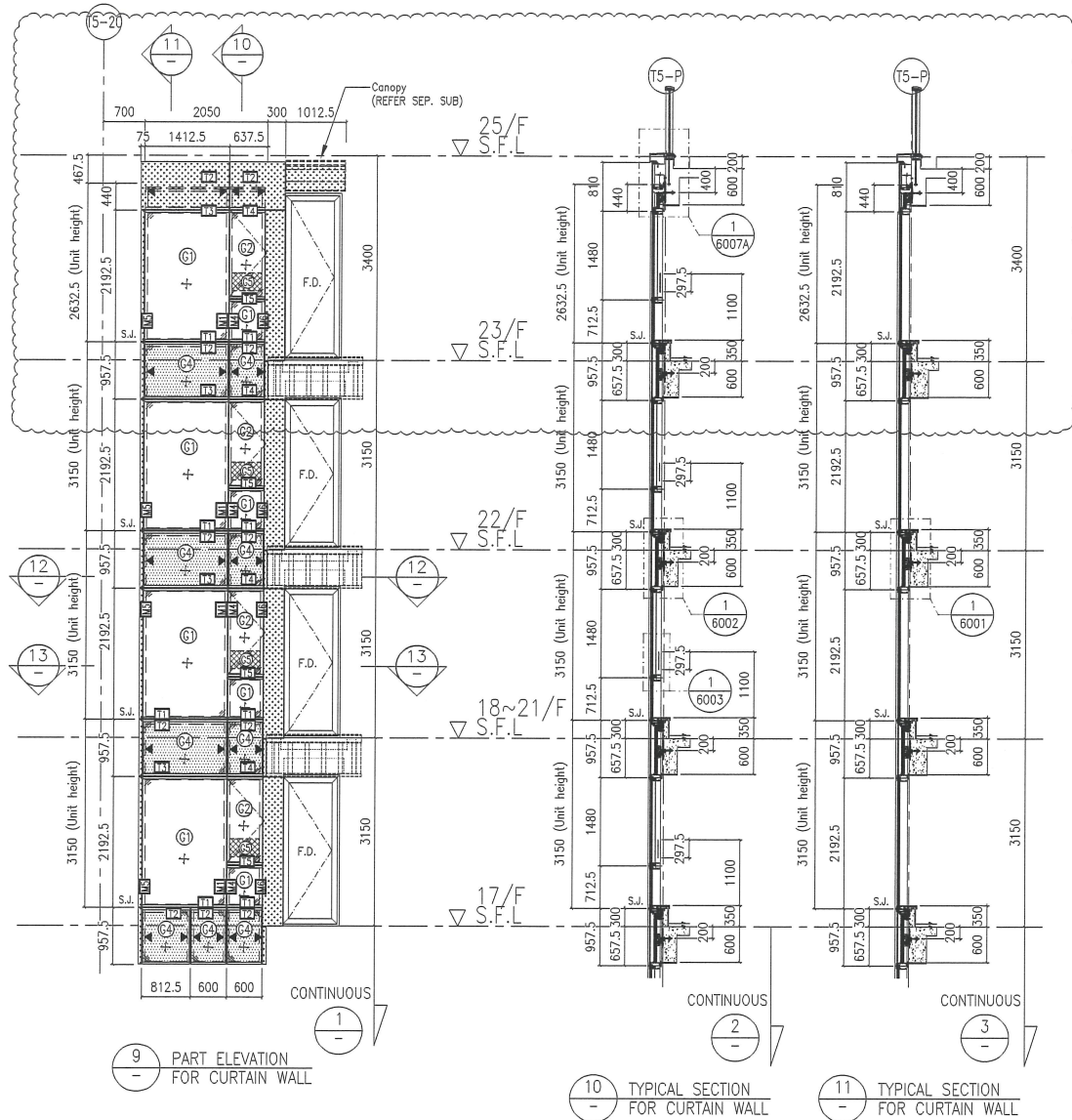
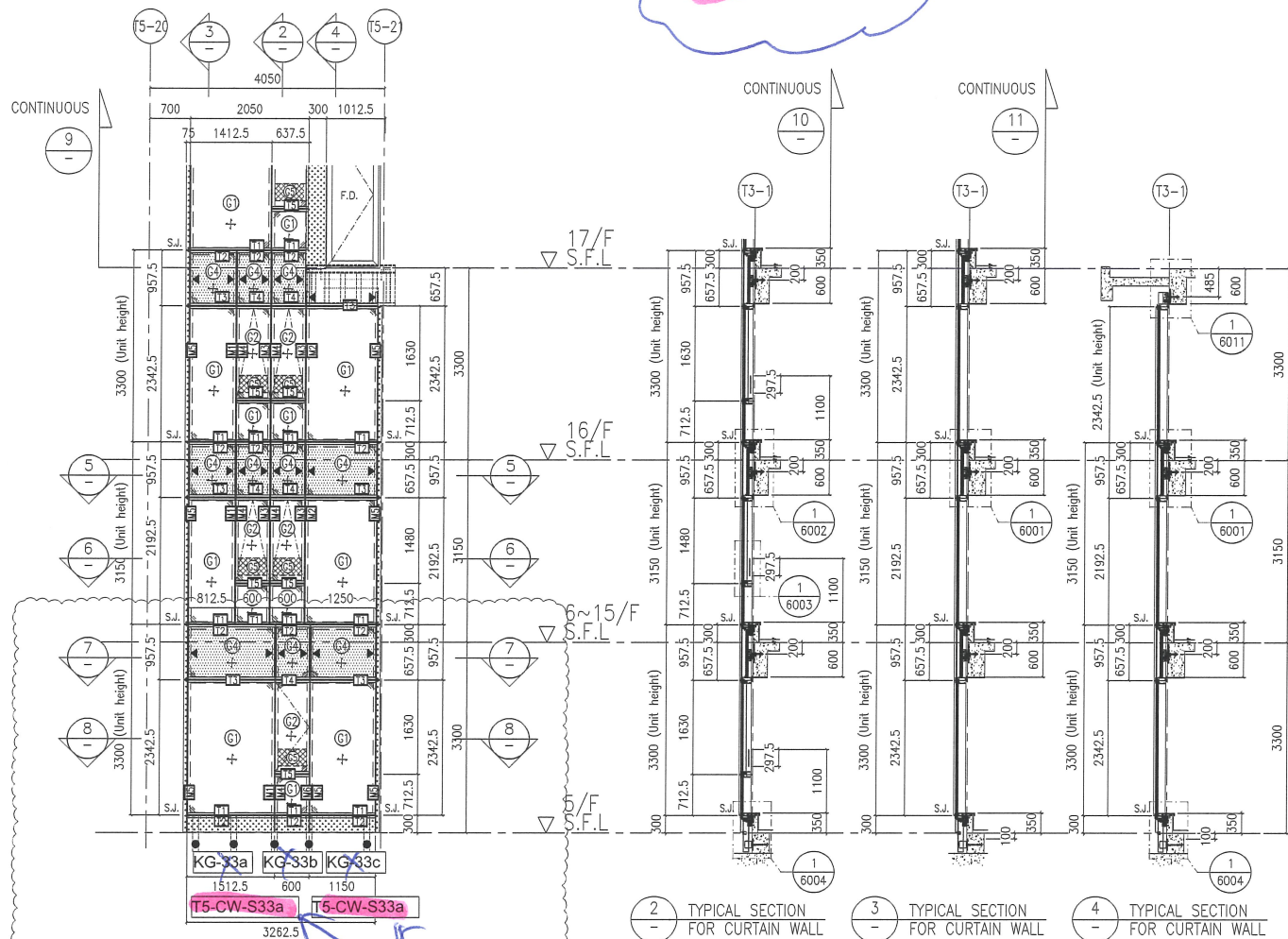
DRAWN BY : LHR CHECKED BY :

美特鋁質有限公司 MIDI ALUMINIUM FABRICATOR LTD. Units 6-8, Sunray Industrial Centre, 1/F 610 Cha Kwo Ling Road, Kowloon Tel:23489211-4 Fax:(852)2772666

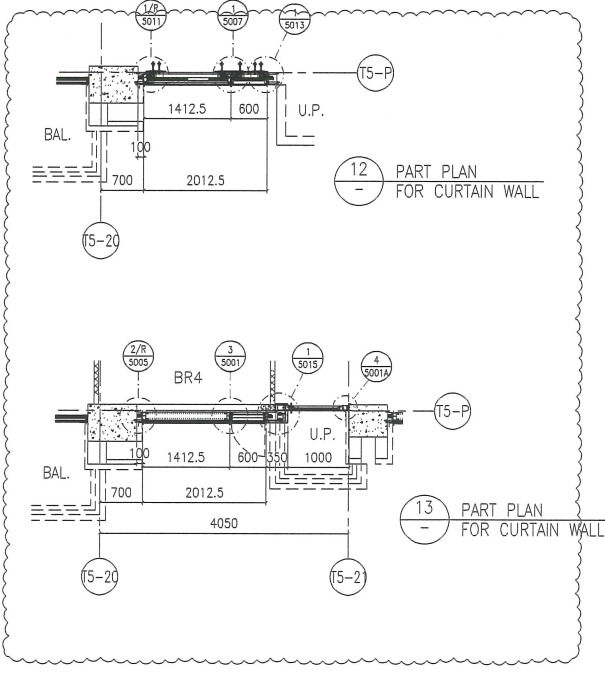
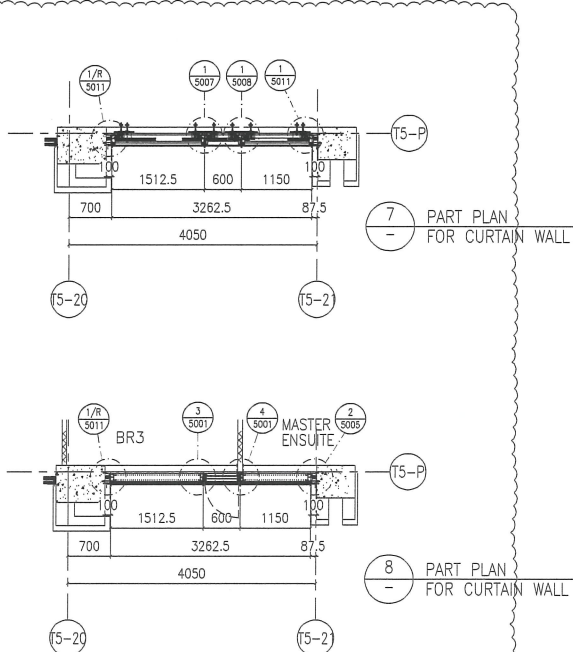
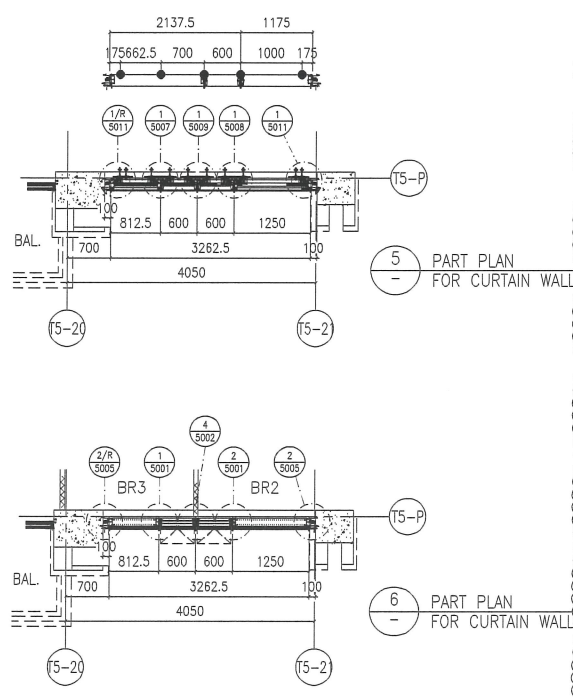
DWG NO. : J853-SD-CW-4501 REV. : A

請用A3紙打印

EI 4463



KG-33a/b/c分別對應圖號T5-CW-KG33a/b/c



- LEGEND:**
- (G1) - 10mm HEAT STRENGTHENED GLASS (OUTER) + 12mm AIR SPACE + 12mm THK. TEMPERED CLEAR GLASS (INNER)
 - (G2) - 10mm HEAT STRENGTHENED GLASS (OUTER) + 12mm AIR SPACE + 10mm THK. TEMPERED CLEAR GLASS (INNER)
 - (G3) - 12mm THK. HEAT STRENGTHENED GLASS & 2mm THK. ALUM. BACKPAN (SPANDREL GLASS)
 - (G4) - 12mm THK. CLEAR TEMPERED GLASS (INTERNAL PROTECTIVE BARRIER)
 - (G5) - 3mm THK. ALUM. CLADDING
 - S.J. - STACK JOINT (WIND LOAD)
 - AE01 - ALUM. EXTRUSION DIE NO.
 - ▲ - SUPPORT POINT (WIND LOAD + DEAD LOAD)
 - - SUPPORT POINT (WIND LOAD)

FLOOR	LEVEL
25/F	+203.40
23/F	+200.00
22/F	+196.85
21/F	+193.70
20/F	+190.55
19/F	+187.40
18/F	+184.25
17/F	+181.10
16/F	+177.80
15/F	+174.65
12/F	+171.50
11/F	+168.35
10/F	+165.20
9/F	+162.05
8/F	+158.90
7/F	+155.75
6/F	+152.60
5/F	+149.30

B.D. REF :

CLIENT : **SHIMAO GROUP HOLDINGS LIMITED**

ARCHITECT : **WONG TUNG & PARTNERS LIMITED ARCHITECTS & PLANNERS**

MAIN CONTRACTOR : **協興建築有限公司 HIP HING CONSTRUCTION CO LTD**

STRUCTURAL ENGINEER : **ICMA C M WONG & ASSOCIATES LTD 黃志明建築工程師有限公司**

FAÇADE CONSULTANT : **MEIN-HARDT**

NOTE :

- ALL DIMENSIONS ARE IN mm.
- ALL ELEVATIONS ARE VIEWED FROM OUTSIDE.
- ALL DIMENSIONS TO BE VERIFIED ON SITE BEFORE FABRICATION.

LEGEND :

(X1) --- DETAIL MARK NO.
(X001) --- REFER SHEET NO.

- F.F.L. --- FINISHED FLOOR LEVEL
- S.F.L. --- STRUCTURAL FLOOR LEVEL
- (/R) --- REVERSED DETAIL

NO.	DATE	REVISION SUBJECT TO ARCH. COMMENT	REVISED	BY
A	06-10-2021	REVISION SUBJECT TO ARCH. COMMENT		

JOB NO. : J-853

PROJECT : PROPOSED RESIDENTIAL DEVELOPMENT AT N.K.I.L. 6542 YIN PING ROAD KOWLOON

TITLE : PART ELEVATION FOR CURTAIN WALL AT TOWER 5

DATE : 31-MAR-21 SCALE : 1:60 (A1)

DRAWN BY : LHR CHECKED BY :

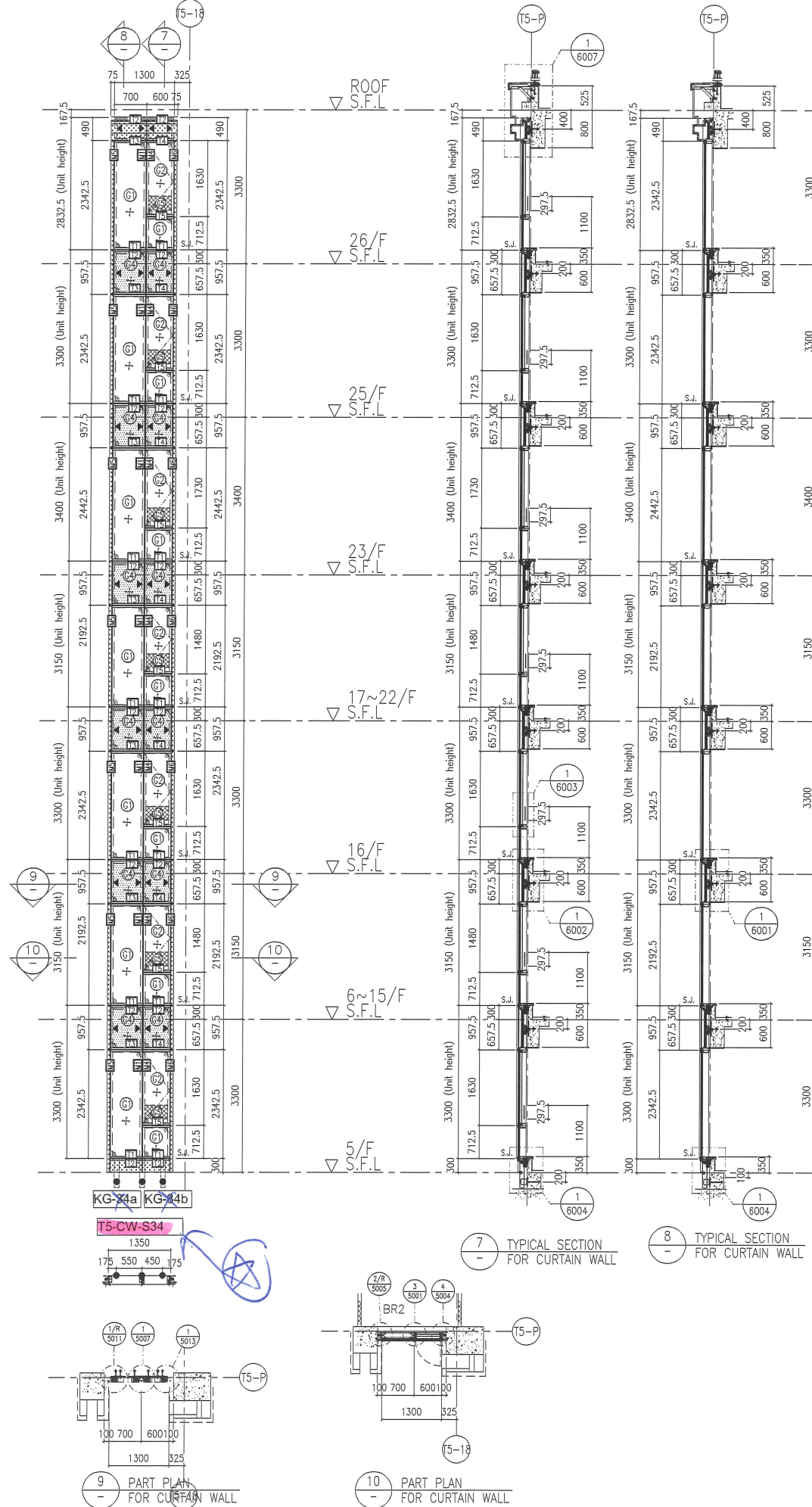
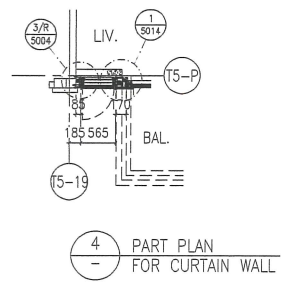
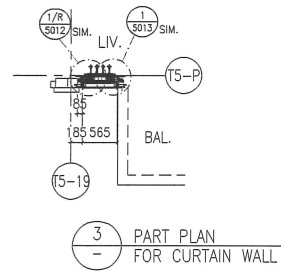
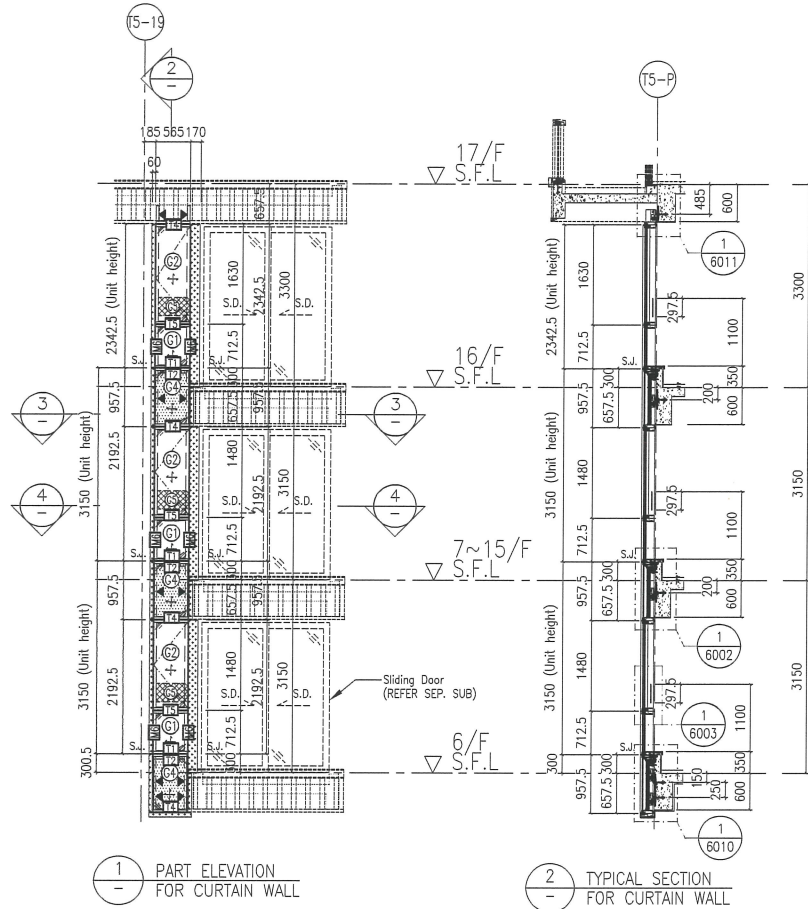
英特鋁質有限公司
MIDI ALUMINIUM FABRICATOR LTD.
Units 6-8, Sunray Industrial Centre, 1/F
610 Cha Kwo Ling Road, Kowloon
Tel:23489211-4 Fax:(852)2727666

DWG NO. : J853-SD-CW-4502 REV. : A

EJ4463

請用A3紙打印

B.D. REF :



FLOOR LEVEL (S.F.L.)

FLOOR	LEVEL
ROOF	+210.00
26/F	+206.70
25/F	+203.40
23/F	+200.00
22/F	+196.85
21/F	+193.70
20/F	+190.55
19/F	+187.40
18/F	+184.25
17/F	+181.10
16/F	+177.80
15/F	+174.65
12/F	+171.50
11/F	+168.35
10/F	+165.20
9/F	+162.05
8/F	+158.90
7/F	+155.75
6/F	+152.60
5/F	+149.30

- LEGEND:
- (1) - 10mm HEAT STRENGTHENED GLASS (OUTER) + 12mm AIR SPACE + 12mm THK. TEMPERED CLEAR GLASS (INNER)
 - (2) - 10mm HEAT STRENGTHENED GLASS (OUTER) + 12mm AIR SPACE + 10mm THK. TEMPERED CLEAR GLASS (INNER)
 - (3) - 12mm THK. HEAT STRENGTHENED GLASS & 2mm THK. ALUM. BACKPAN (SPANDREL GLASS)
 - (4) - 12mm THK. CLEAR TEMPERED GLASS (INTERNAL PROTECTIVE BARRIER)
 - (5) - 3mm THK. ALUM. CLADDING
 - S.J. - STACK JOINT (WIND LOAD)
 - AL01 - ALUM. EXTRUSION DIE NO.
 - ▲ - SUPPORT POINT (WIND LOAD + DEAD LOAD)
 - - SUPPORT POINT (WIND LOAD)

CLIENT : SHIMAO GROUP HOLDINGS LIMITED

ARCHITECT : WONG TUNG & PARTNERS LIMITED ARCHITECTS & PLANNERS

MAIN CONTRACTOR : 協興建築有限公司 HIP HING CONSTRUCTION CO LTD

STRUCTURAL ENGINEER : ICMA C M WONG & ASSOCIATES LTD 黃志明建築工程師有限公司

FACADE CONSULTANT : MEIN-HARDT

NOTE :

- ALL DIMENSIONS ARE IN mm.
- ALL ELEVATIONS ARE VIEWED FROM OUTSIDE.
- ALL DIMENSIONS TO BE VERIFIED ON SITE BEFORE FABRICATION.

LEGEND :

- (X1) - DETAIL MARK NO.
- (X001) - REFER SHEET NO.

- F.F.L. --- FINISHED FLOOR LEVEL
- S.F.L. --- STRUCTURAL FLOOR LEVEL
- (R) --- REVERSED DETAIL

NO.	DATE	REVISION SUBJECT TO ARCH. COMMENT	REVISED	BY
A	06-10-2021	REVISION SUBJECT TO ARCH. COMMENT		

JOB NO. : J-853

PROJECT : PROPOSED RESIDENTIAL DEVELOPMENT AT N.K.I.L. 6542 YIN PING ROAD KOWLOON

TITLE : PART ELEVATION FOR CURTAIN WALL AT TOWER 5

DATE : 31-MAR-21 SCALE : 1:60 (A1)

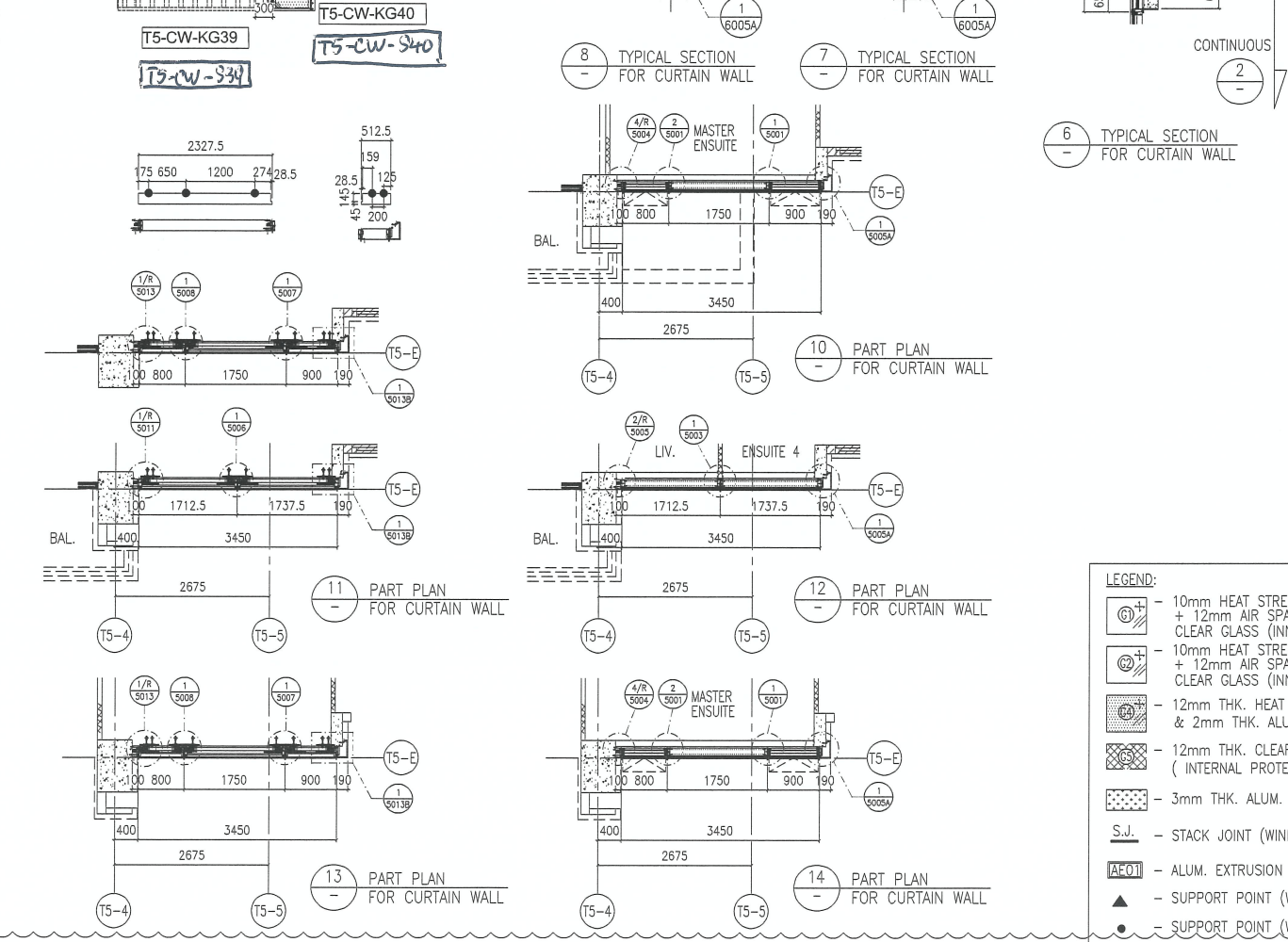
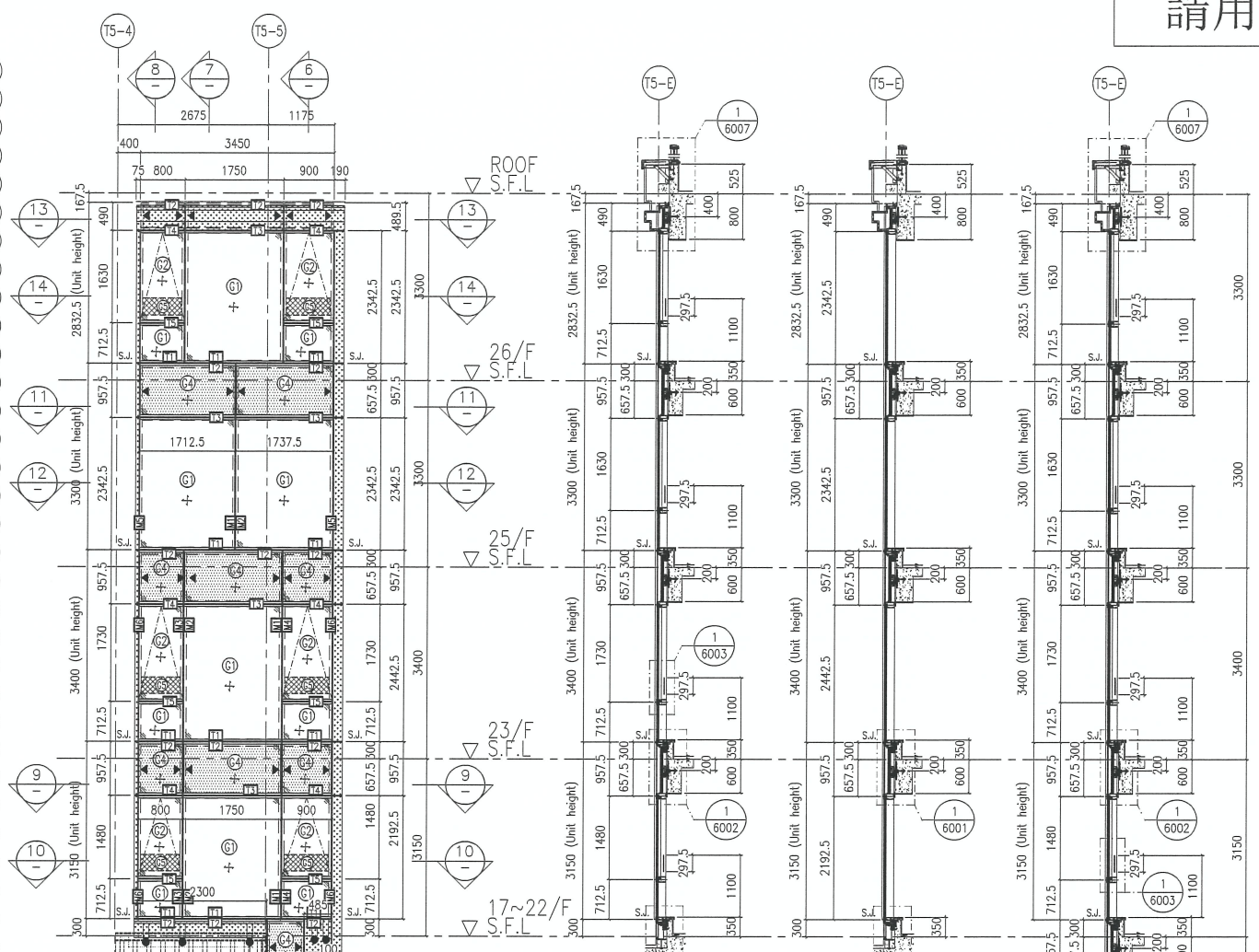
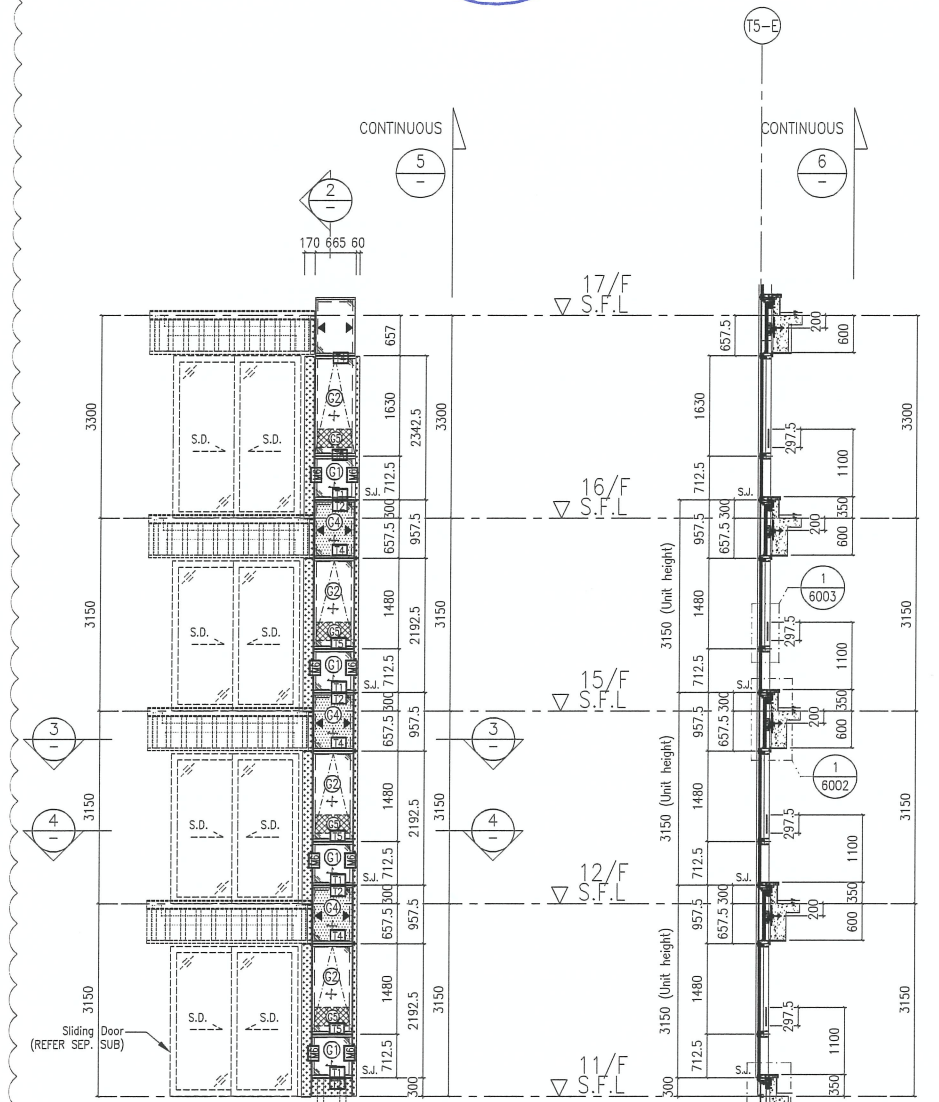
DRAWN BY : LHR CHECKED BY :

美特鋁質有限公司
MIDI ALUMINIUM FABRICATOR LTD.
Units 6-8, Sunray Industrial Centre, 1/F
610 Cha Kwo Ling Road, Kowloon
Tel:23489211-4 Fax:(852)2727666

DWG NO. : J853-SD-CW-4503 REV. : A

請用A3紙打印

EI4463



FLOOR	LEVEL
ROOF	+210.00'
26/F	+206.70'
25/F	+203.40'
23/F	+200.00'
22/F	+196.85'
21/F	+193.70'
20/F	+190.55'
19/F	+187.40'
18/F	+184.25'
17/F	+181.10'
16/F	+177.80'
15/F	+174.65'
12/F	+171.50'
11/F	+168.35'

- LEGEND:
- 10mm HEAT STRENGTHENED GLASS (OUTER) + 12mm AIR SPACE + 12mm THK. TEMPERED CLEAR GLASS (INNER)
 - 10mm HEAT STRENGTHENED GLASS (OUTER) + 12mm AIR SPACE + 10mm THK. TEMPERED CLEAR GLASS (INNER)
 - 12mm THK. HEAT STRENGTHENED GLASS & 2mm THK. ALUM. BACKPAN (SPANDREL GLASS)
 - 12mm THK. CLEAR TEMPERED GLASS (INTERNAL PROTECTIVE BARRIER)
 - 3mm THK. ALUM. CLADDING
 - S.J. - STACK JOINT (WIND LOAD)
 - A601 - ALUM. EXTRUSION DIE NO.
 - SUPPORT POINT (WIND LOAD + DEAD LOAD)
 - SUPPORT POINT (WIND LOAD)

B.D. REF :

CLIENT : SHIMAO GROUP HOLDINGS LIMITED

ARCHITECT : WONG TUNG & PARTNERS LIMITED ARCHITECTS & PLANNERS

MAIN CONTRACTOR : 協興建築有限公司 HIP HING CONSTRUCTION CO LTD

STRUCTURAL ENGINEER : CMA C M WONG & ASSOCIATES LTD 黃志明建築工程師有限公司

FAÇADE CONSULTANT : MEIN-HARDT

NOTE :

- ALL DIMENSIONS ARE IN mm.
- ALL ELEVATIONS ARE VIEWED FROM OUTSIDE.
- ALL DIMENSIONS TO BE VERIFIED ON SITE BEFORE FABRICATION.

LEGEND :

- X1 - DETAIL MARK NO.
- X001 - REFER SHEET NO.

- F.F.L. -- FINISHED FLOOR LEVEL
- S.F.L. -- STRUCTURAL FLOOR LEVEL
- (R) -- REVERSED DETAIL

NO.	DATE	REVISION SUBJECT TO ARCH. COMMENT	BY
A	06-10-2021	REVISION SUBJECT TO ARCH. COMMENT	

JOB NO. : J-853

PROJECT : PROPOSED RESIDENTIAL DEVELOPMENT AT N.K.I.L. 6542 YIN PING ROAD KOWLOON

TITLE : PART ELEVATION FOR CURTAIN WALL AT TOWER 5

DATE : 01-APR-21 SCALE : 1:60 (A1)

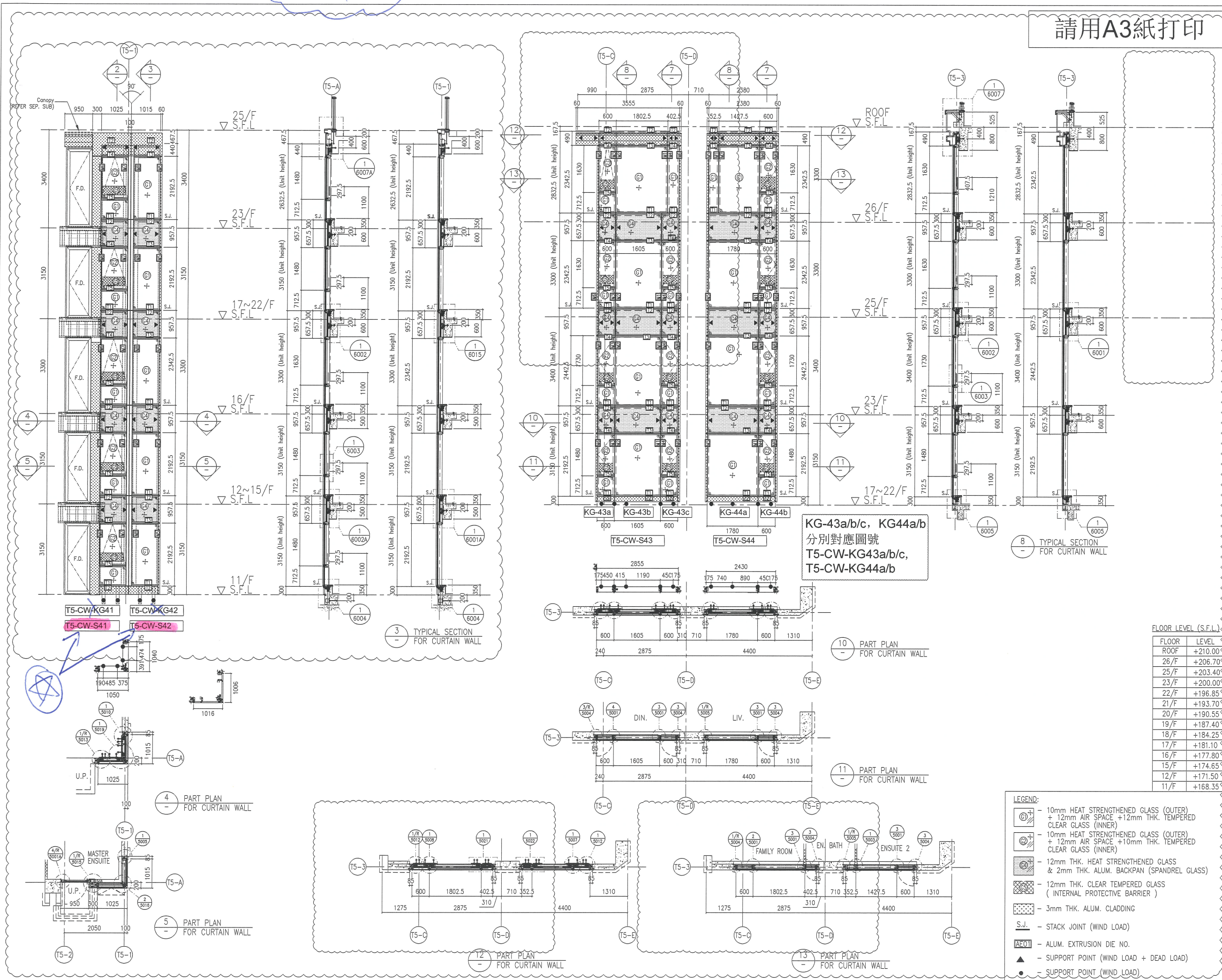
DRAWN BY : LHR CHECKED BY :

美特鋁質有限公司 MIDI ALUMINIUM FABRICATOR LTD. Units 6-8, Sunray Industrial Centre, 1/F 610 Cha Kwo Ling Road, Kowloon Tel:23489211-4 Fax:(852)2727666

DWG NO. : J853-SD-CW-4505 REV. : A

ET4463

請用A3紙打印



B.D. REF :

CLIENT :
SHIMAO GROUP HOLDINGS LIMITED

ARCHITECT :
WONG TUNG & PARTNERS LIMITED
ARCHITECTS & PLANNERS

MAIN CONTRACTOR :
協興建築有限公司
HIP HING CONSTRUCTION CO LTD

STRUCTURAL ENGINEER :
ICMA C M WONG & ASSOCIATES LTD
黃志明建築工程師有限公司

FACADE CONSULTANT:
MEIN-HARDT

NOTE :
1. ALL DIMENSIONS ARE IN mm.
2. ALL ELEVATIONS ARE VIEWED FROM OUTSIDE.
3. ALL DIMENSIONS TO BE VERIFIED ON SITE BEFORE FABRICATION.

LEGEND :
X1 - DETAIL MARK NO.
X001 - REFER SHEET NO.
1. F.F.L. --- FINISHED FLOOR LEVEL
2. S.F.L. --- STRUCTURAL FLOOR LEVEL
3. /R --- REVERSED DETAIL

FLOOR	LEVEL (S.F.L.)
ROOF	+210.00
26/F	+206.70
25/F	+203.40
23/F	+200.00
22/F	+196.85
21/F	+193.70
20/F	+190.55
19/F	+187.40
18/F	+184.25
17/F	+181.10
16/F	+177.80
15/F	+174.65
12/F	+171.50
11/F	+168.35

NO.	DATE	REVISION SUBJECT TO ARCH. COMMENT	BY
A	06-10-2021	REVISION SUBJECT TO ARCH. COMMENT	

JOB NO. : J-853

PROJECT :
PROPOSED RESIDENTIAL DEVELOPMENT AT N.K.I.L. 6542 YIN PING ROAD KOWLOON

TITLE :
PART ELEVATION FOR CURTAIN WALL AT TOWER 5

DATE : 05-APR-21 SCALE : 1:60 (A1)

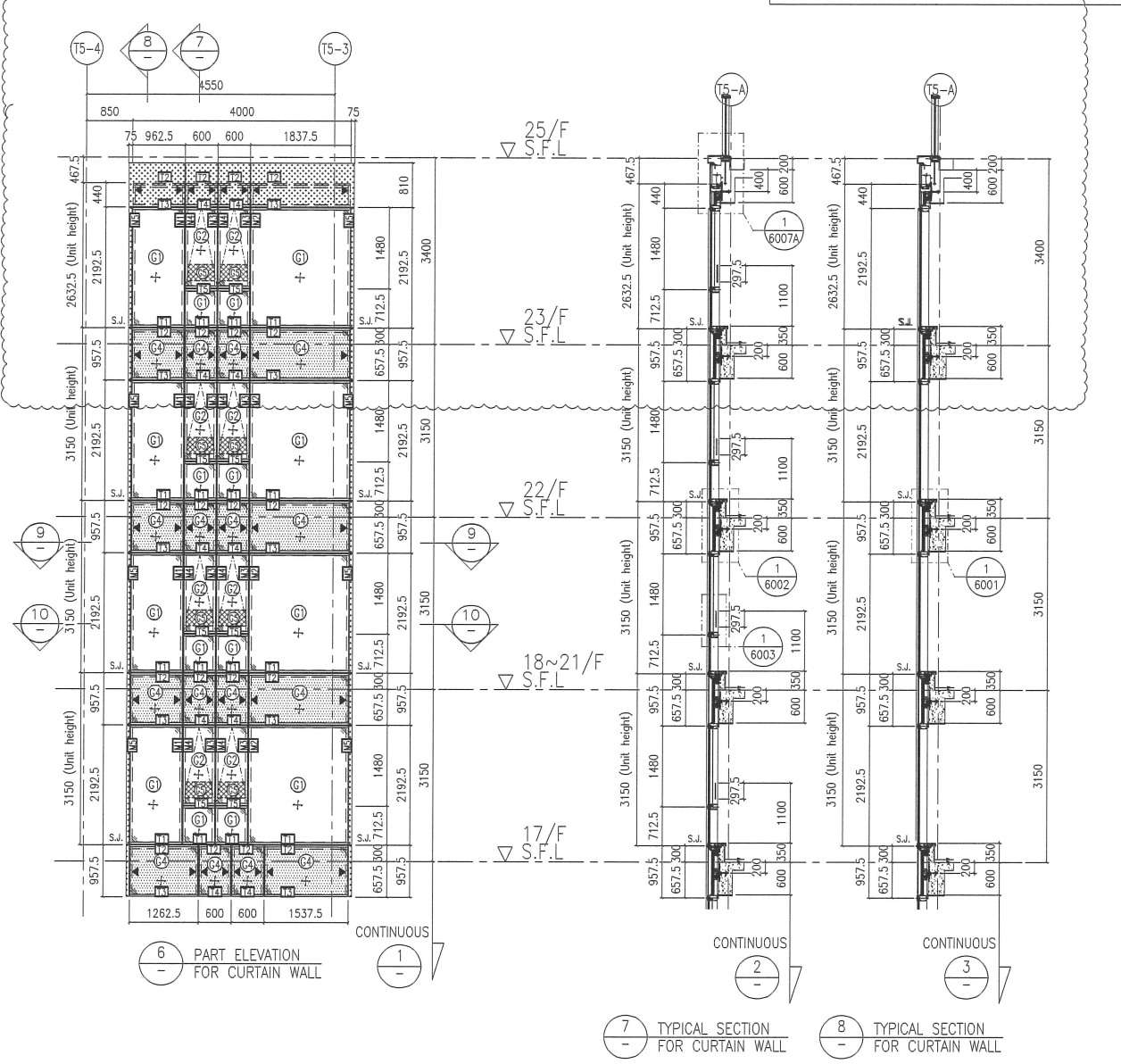
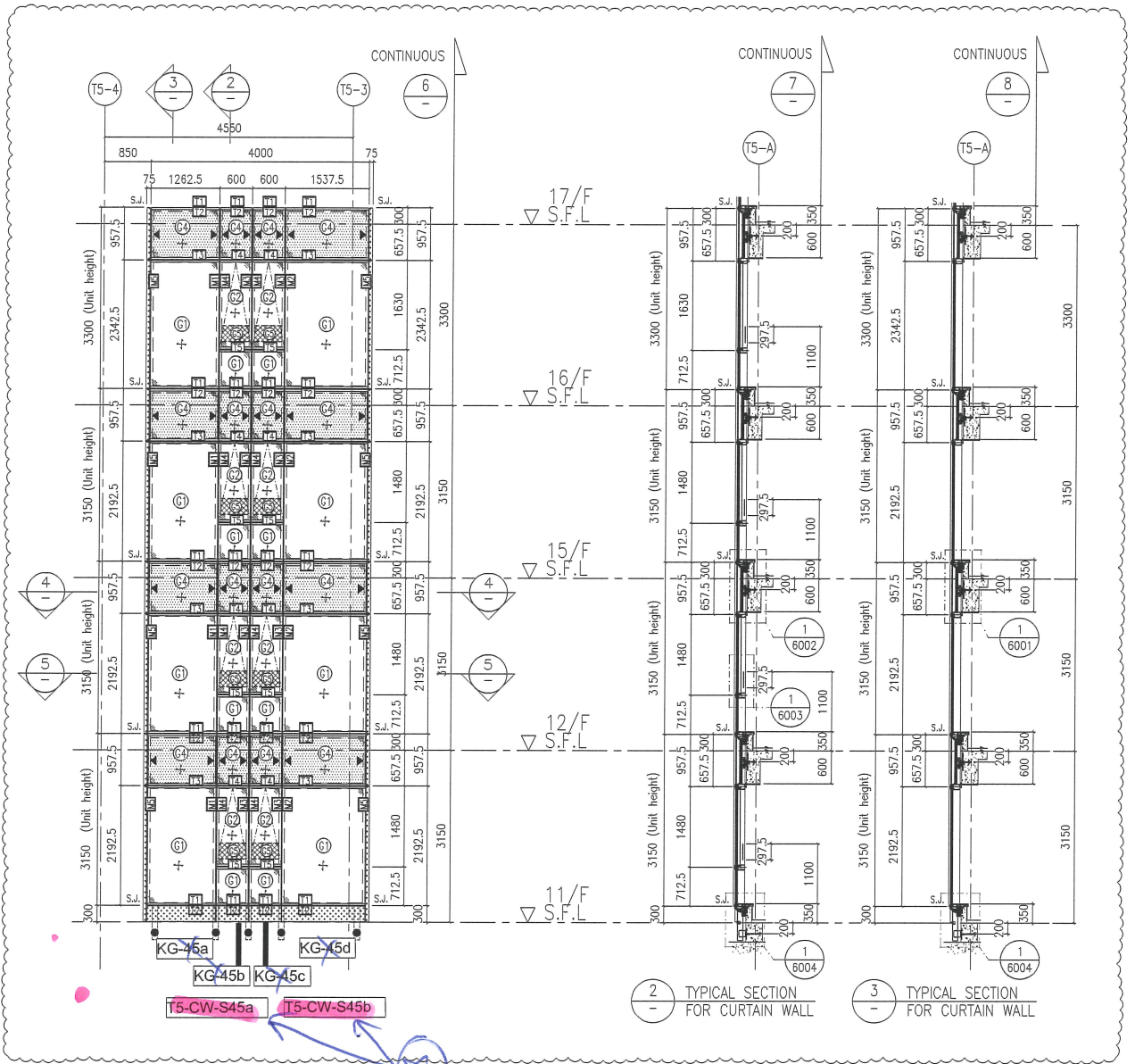
DRAWN BY : LHR CHECKED BY :

美特鋁質有限公司
MIDI ALUMINIUM FABRICATOR LTD.
Units 6-8, Sunray Industrial Centre, 1/F
610 Cha Kwo Ling Road, Kowloon
Tel:23489211-4 Fax:(852)2727666

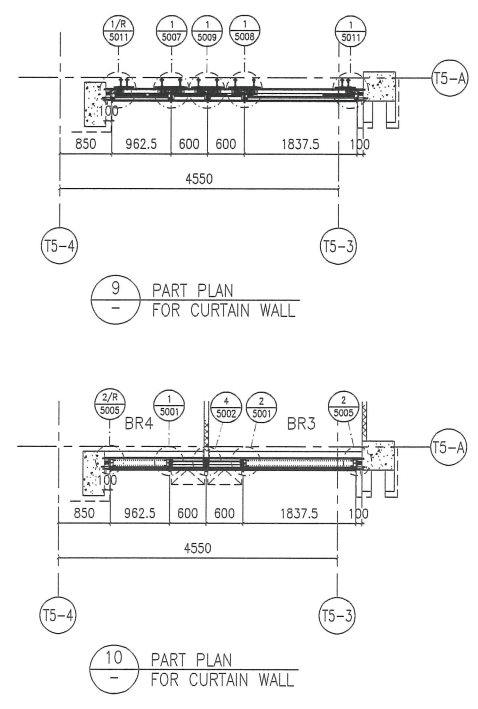
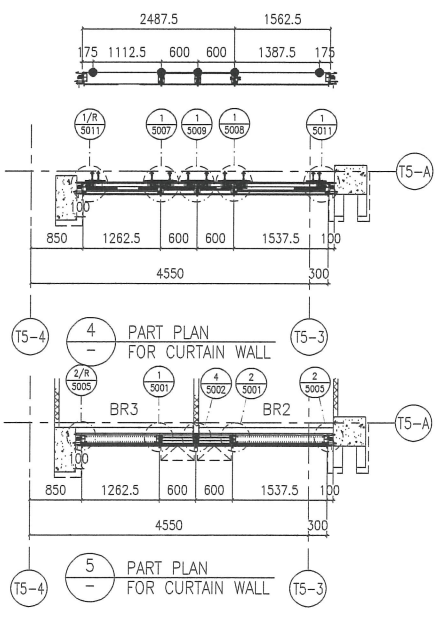
DWG NO. : J853-SD-CW-4506 REV. : A

EL 4463

請用A3紙打印



KG-45a/b/c/d分別對應圖號T5-CW-KG45a/b/c/d



- LEGEND:
- (1) 10mm HEAT STRENGTHENED GLASS (OUTER) + 12mm AIR SPACE + 12mm THK. TEMPERED CLEAR GLASS (INNER)
 - (2) 10mm HEAT STRENGTHENED GLASS (OUTER) + 12mm AIR SPACE + 10mm THK. TEMPERED CLEAR GLASS (INNER)
 - (3) 12mm THK. HEAT STRENGTHENED GLASS & 2mm THK. ALUM. BACKPAN (SPANDREL GLASS)
 - (4) 12mm THK. CLEAR TEMPERED GLASS (INTERNAL PROTECTIVE BARRIER)
 - (5) 3mm THK. ALUM. CLADDING
 - S.J. - STACK JOINT (WIND LOAD)
 - AE01 - ALUM. EXTRUSION DIE NO.
 - ▲ - SUPPORT POINT (WIND LOAD + DEAD LOAD)
 - - SUPPORT POINT (WIND LOAD)

FLOOR	LEVEL (S.F.L.)
25/F	+203.40
23/F	+200.00
22/F	+196.85
21/F	+193.70
20/F	+190.55
19/F	+187.40
18/F	+184.25
17/F	+181.10
16/F	+177.80
15/F	+174.65
12/F	+171.50
11/F	+168.35

B.D. REF :

CLIENT : SHIMAO GROUP HOLDINGS LIMITED

ARCHITECT : WONG TUNG & PARTNERS LIMITED ARCHITECTS & PLANNERS

MAIN CONTRACTOR : 協興建築有限公司 HIP HING CONSTRUCTION CO LTD

STRUCTURAL ENGINEER : ICMA C M WONG & ASSOCIATES LTD 黃志明建築工程師有限公司

FACADE CONSULTANT : MEIN-HARDT

NOTE :

- ALL DIMENSIONS ARE IN mm.
- ALL ELEVATIONS ARE VIEWED FROM OUTSIDE.
- ALL DIMENSIONS TO BE VERIFIED ON SITE BEFORE FABRICATION.

LEGEND :

(X1) - DETAIL MARK NO.
(X001) - REFER SHEET NO.

- F.F.L. -- FINISHED FLOOR LEVEL
- S.F.L. -- STRUCTURAL FLOOR LEVEL
- (/R) -- REVERSED DETAIL

NO.	DATE	REVISION SUBJECT TO ARCH. COMMENT	BY
A	06-10-2021	REVISION SUBJECT TO ARCH. COMMENT	

JOB NO. : J-853

PROJECT : PROPOSED RESIDENTIAL DEVELOPMENT AT N.K.I.L. 6542 YIN PING ROAD KOWLOON

TITLE : PART ELEVATION FOR CURTAIN WALL AT TOWER 5

DATE : 05-APR-21 SCALE : 1:60 (A1)

DRAWN BY : LHR CHECKED BY :

美特鋁質有限公司 MIDI ALUMINIUM FABRICATOR LTD.
Units 6-8, Sunray Industrial Centre, 1/F
610 Cha Kwo Ling Road, Kowloon
Tel:23489211-4 Fax:(852)2727666

DWG NO. : J853-SD-CW-4507 REV. : A

EJ4463

請用A3紙打印

B.P. REF :



CLIENT : SHIMAO GROUP HOLDINGS LIMITED

ARCHITECT : WONG TUNG & PARTNERS LIMITED ARCHITECTS & PLANNERS

MAIN CONTRACTOR : 協興建築有限公司 HIP HING CONSTRUCTION CO LTD

STRUCTURAL ENGINEER : ICMA C M WONG & ASSOCIATES LTD 黃志明建築工程師有限公司

FACADE CONSULTANT : MEIN-HARDT

NOTE :

- ALL DIMENSIONS ARE IN mm.
- ALL ELEVATIONS ARE VIEWED FROM OUTSIDE.
- ALL DIMENSIONS TO BE VERIFIED ON SITE BEFORE FABRICATION.

LEGEND :

X1 - DETAIL MARK NO.
X001 - REFER SHEET NO.

- F.F.L. --- FINISHED FLOOR LEVEL
- S.F.L. --- STRUCTURAL FLOOR LEVEL
- (/R) --- REVERSED DETAIL

FLOOR	LEVEL (S.F.L.)
ROOF	+210.00
26/F	+206.70
25/F	+203.40
23/F	+200.00
22/F	+196.85
21/F	+193.70
20/F	+190.55
19/F	+187.40
18/F	+184.25
17/F	+181.10
16/F	+177.80
15/F	+174.65
12/F	+171.50
11/F	+168.35

NO.	DATE	REVISION SUBJECT TO ARCH. COMMENT	BY
A	06-10-2021	REVISION SUBJECT TO ARCH. COMMENT	

JOB NO. : J-853

PROJECT : PROPOSED RESIDENTIAL DEVELOPMENT AT N.K.I.L. 6542 YIN PING ROAD KOWLOON

TITLE : PART ELEVATION FOR CURTAIN WALL AT TOWER 5

DATE : 05-APR-21 SCALE : 1:60 (A1)

DRAWN BY : LHR CHECKED BY :

美特鋁質有限公司
MIDI ALUMINIUM FABRICATOR LTD.
Units 6-8, Sunray Industrial Centre, 1/F
610 Cha Kwo Ling Road, Kowloon
Tel:23489211-4 Fax:(852)2727666

DWG NO. : J853-SD-CW-4508 REV. : A

- LEGEND:
- (1) + 10mm HEAT STRENGTHENED GLASS (OUTER) + 12mm AIR SPACE + 12mm THK. TEMPERED CLEAR GLASS (INNER)
 - (2) + 10mm HEAT STRENGTHENED GLASS (OUTER) + 12mm AIR SPACE + 10mm THK. TEMPERED CLEAR GLASS (INNER)
 - (3) - 12mm THK. HEAT STRENGTHENED GLASS & 2mm THK. ALUM. BACKPAN (SPANDREL GLASS)
 - (4) - 12mm THK. CLEAR TEMPERED GLASS (INTERNAL PROTECTIVE BARRIER)
 - (5) - 3mm THK. ALUM. CLADDING
 - S.J. - STACK JOINT (WIND LOAD)
 - AL01 - ALUM. EXTRUSION DIE NO.
 - ▲ - SUPPORT POINT (WIND LOAD + DEAD LOAD)
 - - SUPPORT POINT (WIND LOAD)