

工程指示 / 要求簡箋 ENGINEER INSTRUCTIONS(E.I.)

工程指示編號:	EI- 4696	修改版本:	-
	HK- 0819		
工程編號:	J 853	工程名稱:	大窩坪 (延坪路)
收件人:	生統 / 謝永林 / 水洪	發件人:	Edwin Ho
工程項目:	鋁質天花, T1及T6現場工場Mock Up, 拆圖連加工生產	日期:	23/05/2022

<input type="checkbox"/> 原合約工程包	<input type="checkbox"/> 原合約工程加 / 減脹 QT-	<input type="checkbox"/> 新工程報價 QT-
---------------------------------	--	------------------------------------

信件批核號碼/圖紙參考編號:	批核模具圖紙編號:
客戶指示附件:	管理內部批簽署:

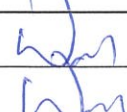
<input type="checkbox"/> 初步鋁料 B.M.	<input type="checkbox"/> 加工拆圖, 然後生產	<input type="checkbox"/> 尺寸表
<input type="checkbox"/> 正式鋁料 B.M.	<input type="checkbox"/> 技術上資料 / 指示	<input type="checkbox"/> 報價
<input type="checkbox"/> 配件 B.M.	<input type="checkbox"/> 樣辦或貨品說明書	<input type="checkbox"/> 分判合約
<input type="checkbox"/> 其他:		

內容: 請根據附件, 拆圖連加工圖。 T1, 6/F全層。 T6, 7/F全層。 拆圖: 請於31/5前完成。 加工生產: 請於30/6前完成。 完成上列要求日期: 30/06/2022
--

國內

<input type="checkbox"/> 生產技術總監	<input type="checkbox"/> 連附件	<input checked="" type="checkbox"/> 技術部	<input checked="" type="checkbox"/> 連附件	<input type="checkbox"/> 生產部	<input type="checkbox"/> 連附件
<input type="checkbox"/> 採購部	<input type="checkbox"/> 連附件	<input checked="" type="checkbox"/> 生產統籌部	<input checked="" type="checkbox"/> 連附件	<input type="checkbox"/> 報關組	<input type="checkbox"/> 連附件
<input type="checkbox"/> 質檢部	<input type="checkbox"/> 連附件	<input type="checkbox"/> 會計部	<input type="checkbox"/> 連附件	<input type="checkbox"/> 機械設計部	<input type="checkbox"/> 連附件
<input checked="" type="checkbox"/> 香港辦	<input checked="" type="checkbox"/> 連附件	<input type="checkbox"/> 其他:			

<input type="checkbox"/> 行政部	<input type="checkbox"/> 連附件	<input type="checkbox"/> 會計部	<input type="checkbox"/> 連附件	<input type="checkbox"/> 統籌部	<input type="checkbox"/> 連附件	<input type="checkbox"/> 工程部	<input type="checkbox"/> 連附件
<input type="checkbox"/> 採購部	<input type="checkbox"/> 連附件	<input type="checkbox"/> QS部	<input type="checkbox"/> 連附件	<input type="checkbox"/> 地盤管理	<input type="checkbox"/> 連附件	<input type="checkbox"/> 維修部	<input type="checkbox"/> 連附件


*發件人簽署:	*組別成員批核簽署:
傳遞編號:	項目經理簽署:  23/5/2022

3

**PROPOSED RESIDENTIAL DEVELOPMENT
AT N.K.I.L. 6542 YIN PING ROAD KOWLOON
SHOPDRAWING SUBMISSION FOR ALUM. CEILING
@ TOWER 1 , 2, 3, 5, 6 & 7**

CLIENT: SHIMAO GROUP HOLDINGS LIMITED
ARCHITECT: WONG TUNG & PARTNERS LIMITED ARCHITECTS & PLANNERS
STRUCTURAL ENGINEER : C M WONG & ASSOCIATES LTD
MAIN CONTRACTOR: HIP HING CONSTRUCTION CO LTD

DATE: 06 - May - 2022

 **美特鋁質有限公司**
MIDI ALUMINIUM FABRICATOR LTD.
Units 6-8, Sunray Industrial Centre, 1/F
610 Cha Kwo Ling Road, Kowloon
Tel:23489211-4 Fax:(852)27727666
DWG NO. : J853-SD-ALC-0000 | REV. : -

GENERAL NOTES FOR ALUM. CLADDING CEILING

1. DESIGN CODES

- CODE OF PRACTICE ON WIND EFFECTS IN HONG KONG 2004.
- CODE OF PRACTICE FOR DEAD AND IMPOSED LOADS 2011.
- CODE OF PRACTICE FOR STRUCTURAL USE OF CONCRETE 2013.
- CODE OF PRACTICE FOR THE STRUCTURAL USE OF STEEL 2011.
- STRUCTURAL USE OF ALUMINIUM, BS 8118-1:1991. (WIND LOAD FACTOR OF 1.4 FOR ALUMINIUM DESIGN TO PNAP APP53)
- BUILDING (CONSTRUCTION) REGULATIONS CAP 123.

2. DESIGN LOADS

CODE OF PRACTICE ON WIND EFFECTS IN HONG KONG 2004.

HEIGHT ABOVE GROUND LEVEL	VERTICAL SURFACE	
95m	95m	
BASIC WIND PRESSURE	2.8kPa	
TOPOGRAPHY FACTOR (S _g)	1.00	
PRESSURE COEFFICIENT (C _p)	+2.2/-2.2	UPWARD/DOWNWARD
DESIGN WIND PRESSURE	+6.16/-6.16kPa	
PRESSURE COEFFICIENT (C _p)	+1.0/-1.4	INWARD/OUTWARD
DESIGN WIND PRESSURE	+2.8/-3.92kPa	

3. ALUMINIUM ALLOY :

ALL ALUMINIUM EXTRUSIONS TO BE GRADE 6063-T6 TO BS EN 755-2:2013 AND BS 8118: PART 1:1991

MODULUS OF ELASTICITY	= 70000 MPa
DENSITY = 27.2kN/m ³	6063-T6
0.2% PROOF STRENGTH	= 170 MPa
MINIMUM TENSILE STRENGTH	= 215 MPa
LIMITING BENDING STRENGTH	= 160 MPa
LIMITING TENSILE STRENGTH	= 175 MPa
LIMITING SHEAR STRENGTH	= 95 MPa

ALL ALUMINIUM SHEET TO BE GRADE 3003-H14 TO BS EN 485-2:2008 AND BS 8118: PART 1:1991

DENSITY = 27.2kN/m ³	
MODULUS OF ELASTICITY	= 70000 MPa
0.2% PROOF STRENGTH	= 125 MPa
MINIMUM TENSILE STRENGTH	= 145 MPa
	3003-H14
LIMITING BENDING STRENGTH	= 125 MPa
LIMITING TENSILE STRENGTH	= 135 MPa
LIMITING SHEAR STRENGTH	= 75 MPa

4. ALUMINIUM STUD BOLT

ALL ALUMINIUM STUD BOLT TO BE GRADE 5754-H14.
LIMITING TENSILE STRENGTH 95MPa

5. STEEL

- ALL STEEL MEMBERS SHALL MEET THE MINIMUM REQUIREMENTS OF BS EN10025:2004, BS EN10210:2006 FOR THE STRUCTURAL USE OF STEEL 2011.
- SURFACE TREATMENT SHALL BE HOT-DIP GALVANIZED COMPLIED WITH BS EN ISO 1461, 2009 (MIN. THICKNESS = 85 MICRONS)

FOR THICKNESS "t": t≤16mm (GRADE S275J0)

FOR THICKNESS "t": 16mm<t≤40mm (GRADE S275J0)

YOUNG'S MODULUS	205,000 N/mm ²	YOUNG'S MODULUS	205,000 N/mm ²
DENSITY	77 kN/m ³	DENSITY	77 kN/m ³
YIELD STRENGTH	275 N/mm ²	YIELD STRENGTH	265 N/mm ²
TENSILE STRENGTH	275 N/mm ²	TENSILE STRENGTH	265 N/mm ²
BENDING STRENGTH	275 N/mm ²	BENDING STRENGTH	265 N/mm ²
SHEAR STRENGTH	158.8 N/mm ²	SHEAR STRENGTH	153 N/mm ²
STRESS AT 0.2% PERMANENT STRAIN = 275MPa ; ULTIMATE TENSILE STRENGTH = 410MPa			

6. DEFLECTION CRITERIA

DEFLECTION LIMIT FOR STRUCTURAL STEEL MEMBER = SPAN/180
DEFLECTION LIMIT FOR ALUMINIUM CEILING CLADDING = SPAN/90

7. FASTENERS

ALL FASTENERS, BOLTS & NUTS SHALL BE STAINLESS STEEL GRADE A4-70 COMPLYING WITH BS EN ISO 3506 PART 1:2009.

FOR GRADE A4-70	
0.2 PROOF STRENGTH	= 450 MPa
ULTIMATE TENSILE STRENGTH	= 700 MPa
DESIGN SHEAR STRENGTH	= 311 MPa
DESIGN TENSILE STRENGTH	= 450 MPa
DESIGN BEARING STRENGTH	= 828 MPa
UNLESS OTHER SPECIFIED, ALL SCREWS SHALL BE M5 AT 300 C/C	

8. SILICONE SEALANT : (FOR INFORMATION ONLY)

'DOW SIL - 791' TO BE USED AS WEATHER SEALED

9. ISOLATION FOR METALS

PVC TAPE TO BE APPLIED BETWEEN DISSIMILAR METAL TO PREVENT BIMETALLIC CORROSION TO PD6484
PVC TAPE TO BE APPLIED BETWEEN METAL AND CONCRETE SURFACE

10. CONCRETE (UNDER SEPARATED SUBMISSION)

ALL CONCRETE STRUCTURE SHOWN IN THE SUBMISSION ARE FOR INFORMATION ONLY.
CONCRETE ELEMENTS TO BE MINIMUM GRADE C45.

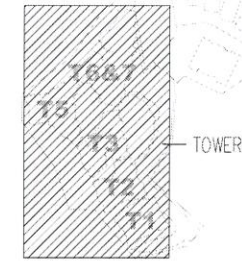
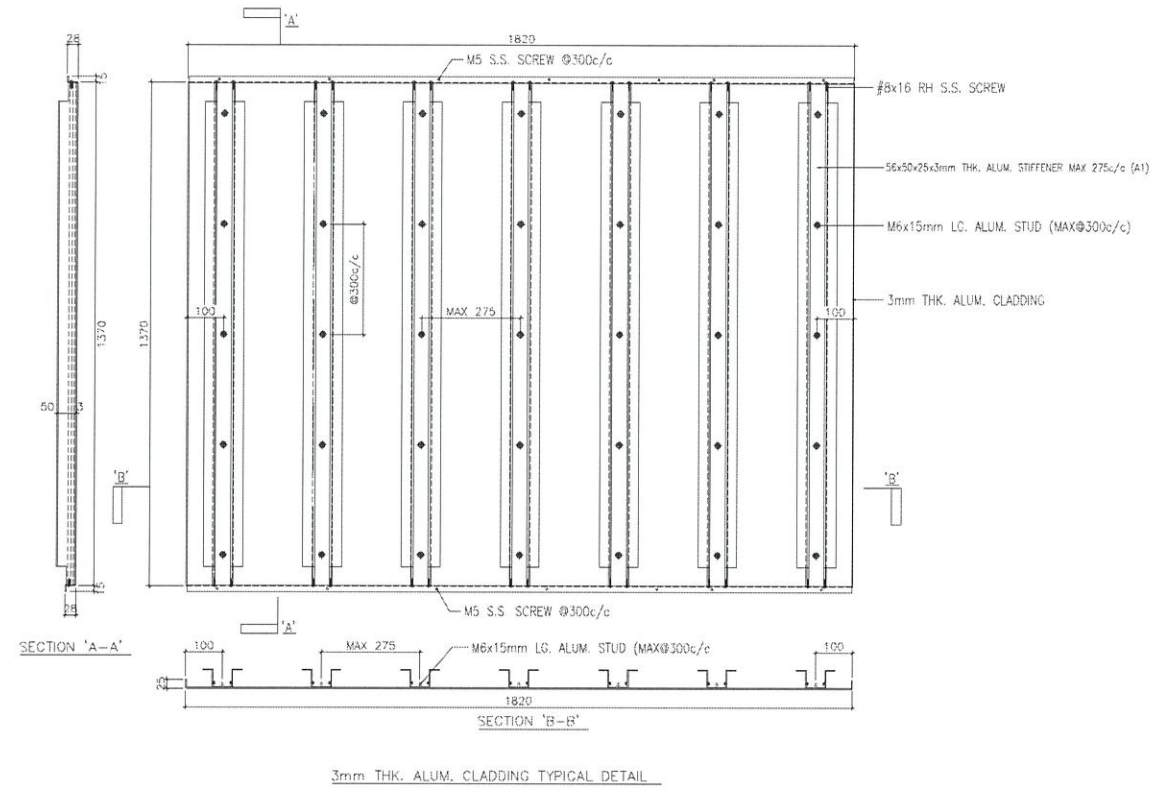
11. ANCHOR BOLT

ANCHOR BOLT TO BE "HILTI". DESIGN AND INSTALLATION TO BE IN ACCORDANCE WITH MANUFACTURER SPECIFICATION

B.D. REF.	TYPE (FOR CRACKED CONCRETE)	MINIMUM CONCRETE THICKNESS (mm)	EFFECTIVE ANCHORAGE DEPTH (mm)	MINIMUM EDGE DISTANCE (mm)	MINIMUM SPACING (mm)	RECOMMENDED TENSILE FORCE (kN)	RECOMMENDED SHEAR FORCE (kN)	PULL-OUT TEST LOAD (kN)
BD-AF 151	'HILTI' HST3-R M8	100	47	40	35	2.8	5.2	1.342x1.5x2.8=5.64
BD-AF 149	'HILTI' HST3-R M12	120	70	60	50	6.7	12.2	1.342x1.5x6.7=13.50

CONSIDER CONCRETE GRADE FACTOR: $\sqrt{\frac{45}{25}} = 1.342$
FACTOR OF SAFETY = 3.0

THIS SUBMISSION CORRESPONDING WITH
GBP APPROVAL DATE : 05/07/2021
SUPERSTRUCTURE PLAN APPROVAL DATE : 10/05/2019



KEY PLAN

SECTION	PROPERTIES
SECTION	
MEMBER MARK	ALUM. EXTRUSION STIFFENER (A1)
Area (mm ²)	937
Lxx (mm ⁴)	234519
Lyy (mm ⁴)	515073
Zxx (mm ³)	9105
Zyy (mm ³)	9128
REMARK	6063-T6
SECTION	PROPERTIES
SECTION	
MEMBER MARK	100x100x6mm THK QMS ANGLE (S1)
Area (mm ²)	1522
Lxx (mm ⁴)	1411394
Lyy (mm ⁴)	1411394
Zxx (mm ³)	19429
Zyy (mm ³)	19429
REMARK	5275 J0
SECTION	PROPERTIES
SECTION	
MEMBER MARK	100x50x6mm THK QMS ANGLE (S2)
Area (mm ²)	834
Lxx (mm ⁴)	82261
Lyy (mm ⁴)	815229
Zxx (mm ³)	2579
Zyy (mm ³)	12981
REMARK	5275 J0
SECTION	PROPERTIES
SECTION	
MEMBER MARK	70x50x6mm THK QMS ANGLE (S3)
Area (mm ²)	706
Lxx (mm ⁴)	137324
Lyy (mm ⁴)	392319
Zxx (mm ³)	3609
Zyy (mm ³)	7689
REMARK	5275 J0

B.D. REF :

CLIENT :

SHIMAO GROUP
HOLDINGS LIMITED

ARCHITECT :

WONG TUNG & PARTNERS LIMITED
ARCHITECTS & PLANNERS



MAIN CONTRACTOR :

協興建築有限公司
HIP HING CONSTRUCTION CO LTD

STRUCTURAL ENGINEER :

ICMA C M WONG & ASSOCIATES LTD
黃志明建築工程師有限公司

FAÇADE CONSULTANT:

MEIN-HARDT

NOTE :

- ALL DIMENSIONS ARE IN mm.
- ALL ELEVATIONS ARE VIEWED FROM OUTSIDE.
- ALL DIMENSIONS TO BE VERIFIED ON SITE BEFORE FABRICATION.

LEGEND :

- X1 --- DETAIL MARK NO.
- X001 --- REFER SHEET NO.

- F.F.L. --- FINISHED FLOOR LEVEL
- S.F.L. --- STRUCTURAL FLOOR LEVEL
- (/R) --- REVERSED DETAIL

NO. DATE REVISED BY

JOB NO. : J-853

PROJECT :
PROPOSED RESIDENTIAL
DEVELOPMENT AT N.K.I.L. 6542
YIN PING ROAD
KOWLOON

TITLE :
GENERAL NOTES FOR
ALUM. CLADDING CEILING

DATE : 08-MAR-21 SCALE : NTS

DRAWN BY : C.J.M. CHECKED BY :

英特鋁質有限公司
MIDI ALUMINIUM FABRICATOR LTD.
Units 6-8, Sunray Industrial Centre, 1/F
610 Cha Kwo Ling Road, Kowloon
Tel:23489211-4 Fax:(852)2727666

DWG NO. : J853-SD-AL-0001 REV. : -

DRAWING SUBMISSION REGISTER

NO.	DRAWING TITLE	DWG. NO.	DATE OF ISSUE							SUBMISSION STATE (FOR B.D / A.S.D)			SUBMISSION STATE (FOR CLIENT / CONSULTANT)			SUBMISSION STATE (FOR ARCHITECT)			FABRICATION / CONSTRUCTION STATE						
			ISSUE	1	2	3																			
			DAY	19	24	06																			
			MONTH	9	01	05																			
YEAR	21	22	22																						
NO.	DRAWING TITLE	DWG. NO.	REVISIONS							COMMENT DATE	REV.	STATE	COMMENT DATE	REV.	STATE	COMMENT DATE	REV.	STATE	REV.	DATE	REV.	DATE	REV.	DATE	
01	COVER PAGE	J853-SD-ALC-0000	-	A	B																				
02	DRAWING REGISTER @ TOWER 1, 2, 3, 5, 6 & 7	J853-SD-ALC-1001	-	A	B																				
03	DRAWING REGISTER @ TOWER 1, 2, 3, 5, 6 & 7	J853-SD-ALC-1002	-	A	B																				
04	DRAWING REGISTER @ TOWER 1, 2, 3, 5, 6 & 7	J853-SD-ALC-1003	-	A	B																				
05	GENERAL NOTES FOR ALUM. CEILING	J853-SD-ALC-0001	-	A	B																				
06	BUILDING ELEVATION FOR TOWER 1	J853-SD-ALC-2101	-	A	B																				
07	BUILDING ELEVATION FOR TOWER 2	J853-SD-ALC-2201	-	A	B																				
08	BUILDING ELEVATION FOR TOWER 3	J853-SD-ALC-2301	-	A	B																				
09	BUILDING ELEVATION FOR TOWER 5	J853-SD-ALC-2501	-	A	B																				
10	BUILDING ELEVATION FOR TOWER 6 & 7	J853-SD-ALC-2601	-	A	B																				
11	5/F LOCATION PLAN FOR ALUM. CEILING AT TOWER 1	J853-SD-ALC-3101	-	A	B																				
12	6/F TO 22/F LOCATION PLAN FOR ALUM. CEILING AT TOWER 1	J853-SD-ALC-3102	-	A	B																				
13	23/F LOCATION PLAN FOR ALUM. CEILING AT TOWER 1	J853-SD-ALC-3103	-	A	B																				
14	5/F LOCATION PLAN FOR ALUM. CEILING AT TOWER 2	J853-SD-ALC-3201	-	A	B																				
15	6/F TO 16/F LOCATION PLAN FOR ALUM. CEILING AT TOWER 2	J853-SD-ALC-3202	-	A	B																				
16	17/F TO 23/F LOCATION PLAN FOR ALUM. CEILING AT TOWER 2	J853-SD-ALC-3203	-	A	B																				
17	25/F LOCATION PLAN FOR ALUM. CEILING AT TOWER 2	J853-SD-ALC-3204	-	A	B																				
18	26/F LOCATION PLAN FOR ALUM. CEILING AT TOWER 2	J853-SD-ALC-3205	-	A	B																				
19	6/F TO 16/F LOCATION PLAN FOR ALUM. CEILING AT TOWER 3	J853-SD-ALC-3301	-	A	B																				
20	17/F TO 23/F LOCATION PLAN FOR ALUM. CEILING AT TOWER 3	J853-SD-ALC-3302	-	A	B																				
21	25/F LOCATION PLAN FOR ALUM. CEILING AT TOWER 3	J853-SD-ALC-3303	-	A	B																				
22	26/F LOCATION PLAN FOR ALUM. CEILING AT TOWER 3	J853-SD-ALC-3304	-	A	B																				
23	6/F TO 9/F LOCATION PLAN FOR ALUM. CEILING AT TOWER 5	J853-SD-ALC-3501	-	A	B																				
24	10/F LOCATION PLAN FOR ALUM. CEILING AT TOWER 5	J853-SD-ALC-3502	-	A	B																				
25	11/F TO 16/F LOCATION PLAN FOR ALUM. CEILING AT TOWER 5	J853-SD-ALC-3503	-	A	B																				
26	17/F TO 23/F LOCATION PLAN FOR ALUM. CEILING AT TOWER 5	J853-SD-ALC-3504	-	A	B																				
27	25/F LOCATION PLAN FOR ALUM. CEILING AT TOWER 5	J853-SD-ALC-3505	-	A	B																				
28	26/F LOCATION PLAN FOR ALUM. CEILING AT TOWER 5	J853-SD-ALC-3506	-	A	B																				
29	5/F LOCATION PLAN FOR ALUM. CEILING AT TOWER 6 & 7	J853-SD-ALC-3601	-	A	B																				
30	6/F LOCATION PLAN FOR ALUM. CEILING AT TOWER 6 & 7	J853-SD-ALC-3602	-	A	B																				
31	7/F TO 8/F LOCATION PLAN FOR ALUM. CEILING AT TOWER 6 & 7	J853-SD-ALC-3603	-	A	B																				
32	9/F LOCATION PLAN FOR ALUM. CEILING AT TOWER 6 & 7	J853-SD-ALC-3604	-	A	B																				
33	10/F TO 23/F LOCATION PLAN FOR ALUM. CEILING AT TOWER 6 & 7	J853-SD-ALC-3605	-	A	B																				
34	25/F LOCATION PLAN FOR ALUM. CEILING AT TOWER 6 & 7	J853-SD-ALC-3606	-	A	B																				
35	26/F LOCATION PLAN FOR ALUM. CEILING AT TOWER 6 & 7	J853-SD-ALC-3607	-	A	B																				
36	ROOF LOCATION PLAN FOR ALUM. CEILING AT TOWER 6 & 7	J853-SD-ALC-3608	-	A	B																				
37	ALUM. CEILING FOR ALC-101 OF LIV./DIN. AT TOWER 1 FLAT A (5/F)	J853-SD-ALC-4101	-	A	B																				
38	ALUM. CEILING FOR ALC-102 OF LIV./DIN. AT TOWER 1 FLAT A (6/F~23/F)	J853-SD-ALC-4102	-	A	B																				
39	ALUM. CEILING FOR ALC-103 OF LIV./DIN. AT TOWER 1 FLAT B (6/F~23/F)	J853-SD-ALC-4103	-	A	B																				
40	ALUM. CEILING FOR ALC-104 OF ENSUITE 2 AT TOWER 1 FLAT B (5/F~23/F)	J853-SD-ALC-4104	-	A	B																				
41	ALUM. CEILING FOR ALC-105 OF ENSUITE 3 AT TOWER 1 FLAT A (6/F~23/F)	J853-SD-ALC-4105	-	A	B																				
42	ALUM. CEILING FOR ALC-201 OF MASTER ENSUITE AT TOWER 2 FLAT A (6/F~17/F)	J853-SD-ALC-4201	-	A	B																				
43	ALUM. CEILING FOR ALC-202 OF LIV./DIN. AT TOWER 2 FLAT A (6/F~16/F)	J853-SD-ALC-4202	-	A	B																				
44	ALUM. CEILING FOR ALC-203 OF LIV./DIN. AT TOWER 2 FLAT D (6/F~16/F)	J853-SD-ALC-4203	-	A	B																				
45	ALUM. CEILING FOR ALC-204 OF MASTER ENSUITE AT TOWER 2 FLAT D (6/F~17/F)	J853-SD-ALC-4204	-	A	B																				
46	ALUM. CEILING FOR ALC-205 OF MASTER ENSUITE AT TOWER 2 FLAT B (6/F~26/F)	J853-SD-ALC-4205	-	A	B																				
47	ALUM. CEILING FOR ALC-206 OF LIV./DIN. AT TOWER 2 FLAT B (6/F~26/F)	J853-SD-ALC-4206	-	A	B																				
48	ALUM. CEILING FOR ALC-207 OF LIV./DIN. AT TOWER 2 FLAT C (6/F~26/F)	J853-SD-ALC-4207	-	A	B																				

B.D. REF :

CLIENT : SHIMAO GROUP HOLDINGS LIMITED

ARCHITECT : WONG TUNG & PARTNERS LIMITED ARCHITECTS & PLANNERS

MAIN CONTRACTOR : 協興建築有限公司 HIP HING CONSTRUCTION CO LTD

STRUCTURAL ENGINEER : ICMA C M WONG & ASSOCIATES LTD 黃志明建築工程師有限公司

FACADE CONSULTANT : MEINHARDT

NOTE :
 1. ALL DIMENSIONS ARE IN mm.
 2. ALL ELEVATIONS ARE VIEWED FROM OUTSIDE.
 3. ALL DIMENSIONS TO BE VERIFIED ON SITE BEFORE FABRICATION.

LEGEND :
 *1 - DETAIL MARK NO.
 1001 - REFER SHEET NO.
 1. F.F.L. -- FINISHED FLOOR LEVEL
 2. S.F.L. -- STRUCTURAL FLOOR LEVEL
 3. (R) -- REVERSED DETAIL

NO.	DATE	REVISED	BY

JOB NO. : J-853

PROJECT : PROPOSED RESIDENTIAL DEVELOPMENT AT N.K.I.L. 6542 YIN PING ROAD KOWLOON

TITLE : DRAWING LIST FOR ALUM. CEILING @ TOWER 1, 2, 3, 5, 6 & 7

DATE : 15-AUG-21 SCALE : 1:1 (A1)

DRAWN BY : LHR CHECKED BY :

MIDI ALUMINIUM FABRICATOR LTD.
 Units 6-8, Sunray Industrial Centre, 1/F
 610 Cha Kwo Ling Road, Kowloon
 Tel:23489211-4 Fax:(852)2727666

DWG NO. : J853-SD-ALC-1001 REV. : -

DRAWING SUBMISSION REGISTER

NO.	DRAWING TITLE	DWG. NO.	DATE OF ISSUE							SUBMISSION STATE (FOR B.D / A.S.D)			SUBMISSION STATE (FOR CLIENT / CONSULTANT)			SUBMISSION STATE (FOR ARCHITECT)			FABRICATION / CONSTRUCTION STATE						
			ISSUE	1	2	3																			
			DAY	19	24	06																			
			MONTH	9	01	05																			
			YEAR	21	22	22																			
NO.	DRAWING TITLE	DWG. NO.	REVISIONS							COMMENT DATE	REV.	STATE	COMMENT DATE	REV.	STATE	COMMENT DATE	REV.	STATE	REV.	DATE	REV.	DATE	REV.	DATE	
49	ALUM. CEILING FOR ALC-208 OF MASTER ENSUITE AT TOWER 2 FLAT C (6/F~26/F)	J853-SD-ALC-4208	-	A	B																				
50	ALUM. CEILING FOR ALC-206A OF LIV./DIN. AT TOWER 2 FLAT B (5/F)	J853-SD-ALC-4209	-	A	B																				
51	ALUM. CEILING FOR ALC-207A OF LIV./DIN. AT TOWER 2 FLAT C (5/F)	J853-SD-ALC-4210	-	A	B																				
52	ALUM. CEILING FOR ALC-208A OF MASTER ENSUITE AT TOWER 2 FLAT C (5/F)	J853-SD-ALC-4211	-	A	B																				
53	ALUM. CEILING FOR ALC-201A OF MASTER ENSUITE AT TOWER 2 FLAT A (17/F~25/F)	J853-SD-ALC-4212	-	A	B																				
54	ALUM. CEILING FOR ALC-209 OF LIV./DIN. AT TOWER 2 FLAT A (17/F~26/F)	J853-SD-ALC-4213	-	A	B																				
55	ALUM. CEILING FOR ALC-301 OF MASTER ENSUITE AT TOWER 3 FLAT A (6/F~17/F)	J853-SD-ALC-4301	-	A	B																				
56	ALUM. CEILING FOR ALC-302 OF LIV./DIN. AT TOWER 3 FLAT A (6/F~16/F)	J853-SD-ALC-4302	-	A	B																				
57	ALUM. CEILING FOR ALC-303 OF LIV./DIN. AT TOWER 3 FLAT D (6/F~16/F)	J853-SD-ALC-4303	-	A	B																				
58	ALUM. CEILING FOR ALC-304 OF MASTER ENSUITE AT TOWER 3 FLAT D (6/F~17/F)	J853-SD-ALC-4304	-	A	B																				
59	ALUM. CEILING FOR ALC-305 OF MASTER ENSUITE AT TOWER 3 FLAT B (6/F~26/F)	J853-SD-ALC-4305	-	A	B																				
60	ALUM. CEILING FOR ALC-306 OF LIV./DIN. AT TOWER 3 FLAT B (6/F~26/F)	J853-SD-ALC-4306	-	A	B																				
61	ALUM. CEILING FOR ALC-307 OF LIV./DIN. AT TOWER 3 FLAT C (6/F~26/F)	J853-SD-ALC-4307	-	A	B																				
62	ALUM. CEILING FOR ALC-308 OF MASTER ENSUITE AT TOWER 3 FLAT C (6/F~26/F)	J853-SD-ALC-4308	-	A	B																				
63	ALUM. CEILING FOR ALC-301A OF MASTER ENSUITE AT TOWER 3 FLAT A (17/F~25/F)	J853-SD-ALC-4309	-	A	B																				
64	ALUM. CEILING FOR ALC-309 OF LIV./DIN. AT TOWER 3 FLAT A (17/F~26/F)	J853-SD-ALC-4310	-	A	B																				
65	ALUM. CEILING FOR ALC-501 OF MASTER ENSUITE AT TOWER 5 FLAT A (6/F~17/F)	J853-SD-ALC-4501	-	A	B																				
66	ALUM. CEILING FOR ALC-502 OF LIV./DIN. AT TOWER 5 FLAT A (6/F~16/F)	J853-SD-ALC-4502	-	A	B																				
67	ALUM. CEILING FOR ALC-503 OF LIV./DIN. AT TOWER 5 FLAT B (6/F~16/F)	J853-SD-ALC-4503	-	A	B																				
68	ALUM. CEILING FOR ALC-504 OF MASTER ENSUITE AT TOWER 5 FLAT B (6/F~17/F)	J853-SD-ALC-4504	-	A	B																				
69	ALUM. CEILING FOR ALC-505 OF LIV./DIN. AT TOWER 5 FLAT C (12/F~16/F)	J853-SD-ALC-4505	-	A	B																				
70	ALUM. CEILING FOR ALC-505A OF LIV./DIN. AT TOWER 5 FLAT C (11/F)	J853-SD-ALC-4506	-	A	B																				
71	ALUM. CEILING FOR ALC-506 OF MASTER ENSUITE AT TOWER 5 FLAT D (12/F~25/F)	J853-SD-ALC-4507	-	A	B																				
72	ALUM. CEILING FOR ALC-506A OF MASTER ENSUITE AT TOWER 5 FLAT D (11/F)	J853-SD-ALC-4508	-	A	B																				
73	ALUM. CEILING FOR ALC-507 OF LIV./DIN. AT TOWER 5 FLAT D (12/F~17/F)	J853-SD-ALC-4509	-	A	B																				
74	ALUM. CEILING FOR ALC-507A OF LIV./DIN. AT TOWER 5 FLAT D (11/F)	J853-SD-ALC-4510	-	A	B																				
75	ALUM. CEILING FOR ALC-508 OF MASTER ENSUITE AT TOWER 5 FLAT E (12/F~17/F)	J853-SD-ALC-4511	-	A	B																				
76	ALUM. CEILING FOR ALC-508A OF MASTER ENSUITE AT TOWER 5 FLAT E (11/F)	J853-SD-ALC-4512	-	A	B																				
77	ALUM. CEILING FOR ALC-509 OF LIV./DIN. AT TOWER 5 FLAT E & F (12/F~17/F)	J853-SD-ALC-4513	-	A	B																				
78	ALUM. CEILING FOR ALC-509A OF LIV./DIN. AT TOWER 5 FLAT E & F (11/F)	J853-SD-ALC-4514	-	A	B																				
79	ALUM. CEILING FOR ALC-510 OF MASTER ENSUITE AT TOWER 5 FLAT F (12/F~17/F)	J853-SD-ALC-4515	-	A	B																				
80	ALUM. CEILING FOR ALC-510A OF MASTER ENSUITE AT TOWER 5 FLAT F (11/F)	J853-SD-ALC-4516	-	A	B																				
81	ALUM. CEILING FOR ALC-511 OF MASTER ENSUITE AT TOWER 5 FLAT A (17/F~23/F)	J853-SD-ALC-4517	-	A	B																				
82	ALUM. CEILING FOR ALC-512 OF LIV./DIN. AT TOWER 5 FLAT A (17/F~26/F)	J853-SD-ALC-4518	-	A	B																				
83	ALUM. CEILING FOR ALC-513 OF LIV./DIN. AT TOWER 5 FLAT B (18/F~26/F)	J853-SD-ALC-4519	-	A	B																				
84	ALUM. CEILING FOR ALC-601 OF MASTER ENSUITE AT TOWER 6 FLAT A (6/F~26/F)	J853-SD-ALC-4601	-	A	B																				
85	ALUM. CEILING FOR ALC-602 OF LIV./DIN. AT TOWER 6 FLAT A (6/F~26/F)	J853-SD-ALC-4602	-	A	B																				
86	ALUM. CEILING FOR ALC-602A OF LIV./DIN. AT TOWER 6 FLAT A (5/F)	J853-SD-ALC-4603	-	A	B																				
87	ALUM. CEILING FOR ALC-603 OF LIV./DIN. AT TOWER 6 FLAT B (6/F~26/F)	J853-SD-ALC-4604	-	A	B																				
88	ALUM. CEILING FOR ALC-603A OF LIV./DIN. AT TOWER 6 FLAT B (5/F)	J853-SD-ALC-4605	-	A	B																				
89	ALUM. CEILING FOR ALC-604 OF MASTER ENSUITE AT TOWER 6 FLAT B (6/F~26/F)	J853-SD-ALC-4606	-	A	B																				
90	ALUM. CEILING FOR ALC-604A OF MASTER ENSUITE AT TOWER 6 FLAT B (5/F)	J853-SD-ALC-4607	-	A	B																				
91	ALUM. CEILING FOR ALC-605 OF MASTER ENSUITE AT TOWER 6 FLAT C (11/F~26/F)	J853-SD-ALC-4608	-	A	B																				
92	ALUM. CEILING FOR ALC-605A OF MASTER ENSUITE AT TOWER 6 FLAT C (10/F)	J853-SD-ALC-4609	-	A	B																				
93	ALUM. CEILING FOR ALC-606 OF LIV./DIN. AT TOWER 6 FLAT C & D (11/F~26/F)	J853-SD-ALC-4610	-	A	B																				
94	ALUM. CEILING FOR ALC-606A OF LIV./DIN. AT TOWER 6 FLAT C & D (10/F)	J853-SD-ALC-4611	-	A	B																				
95	ALUM. CEILING FOR ALC-607 OF MASTER ENSUITE AT TOWER 6 FLAT D (11/F~26/F)	J853-SD-ALC-4612	-	A	B																				
96	ALUM. CEILING FOR ALC-607A OF MASTER ENSUITE AT TOWER 6 FLAT D (10/F)	J853-SD-ALC-4613	-	A	B																				

B.D. REF :

CLIENT : SHIMAO GROUP HOLDINGS LIMITED

ARCHITECT : WONG TUNG & PARTNERS LIMITED ARCHITECTS & PLANNERS

MAIN CONTRACTOR : 協興建築有限公司 HIP HING CONSTRUCTION CO LTD

STRUCTURAL ENGINEER : C M WONG & ASSOCIATES LTD 黃志明建築工程師有限公司

FACADE CONSULTANT: MEINHARDT

NOTE :
 1. ALL DIMENSIONS ARE IN mm.
 2. ALL ELEVATIONS ARE VIEWED FROM OUTSIDE.
 3. ALL DIMENSIONS TO BE VERIFIED ON SITE BEFORE FABRICATION.

LEGEND :
 X1 --- DETAIL MARK NO.
 X001 --- REFER SHEET NO.
 1. F.F.L. --- FINISHED FLOOR LEVEL
 2. S.F.L. --- STRUCTURAL FLOOR LEVEL
 3. (7B) --- REVERSED DETAIL

NO.	DATE	REVISED	BY

JOB NO. : J-853

PROJECT : PROPOSED RESIDENTIAL DEVELOPMENT AT N.K.I.L. 6542 YIN PING ROAD KOWLOON

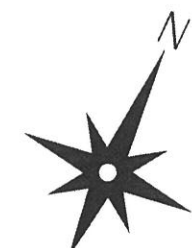
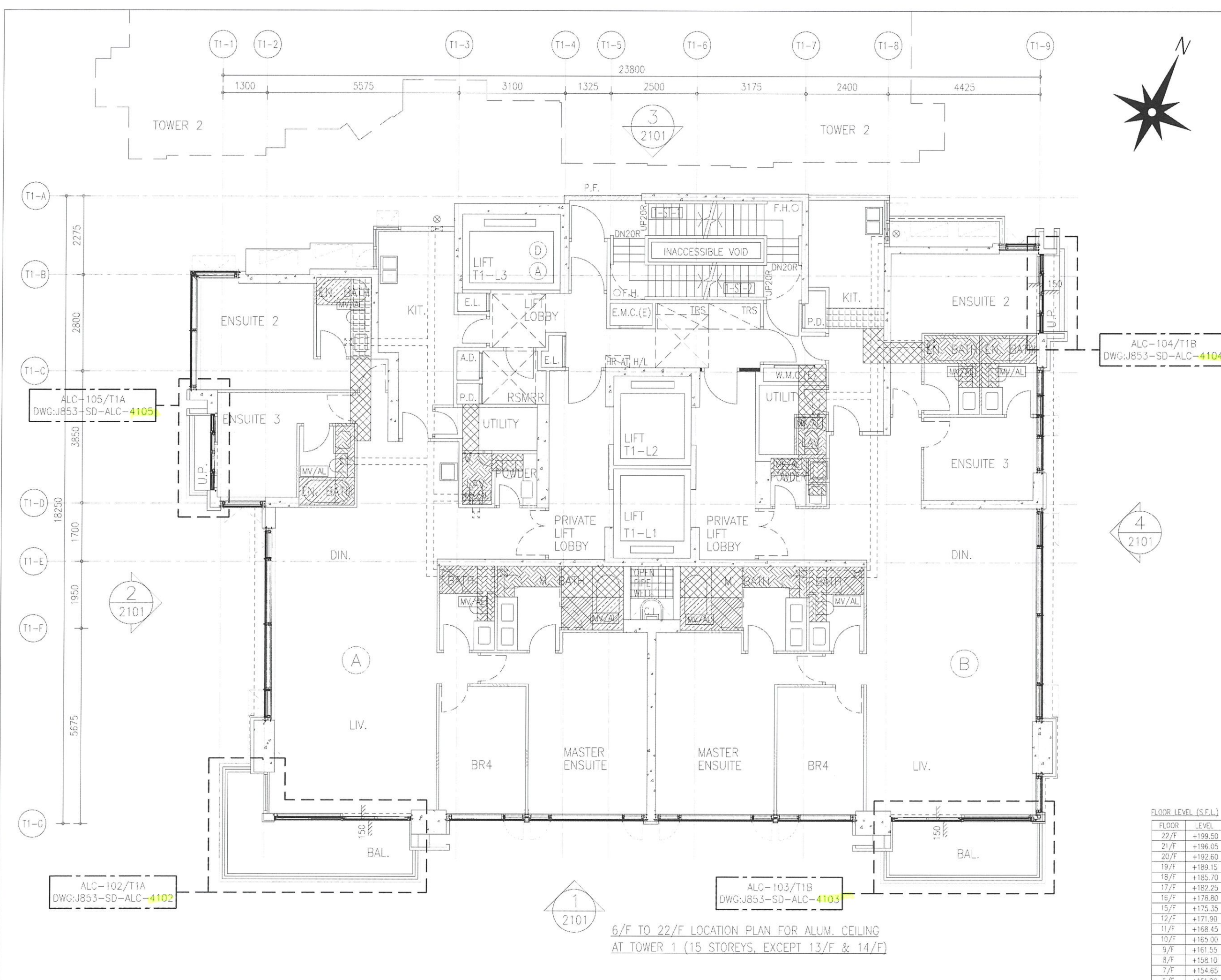
TITLE : DRAWING LIST FOR ALUM. CEILING @ TOWER 1, 2, 3, 5, 6 & 7

DATE : 15-AUG-21 SCALE : 1:1 (A1)

DRAWN BY : LHR CHECKED BY :

MIDI ALUMINIUM FABRICATOR LTD.
 Units 6-8, Sunray Industrial Centre, 1/F
 610 Cha Kwo Ling Road, Kowloon
 Tel:23489211-4 Fax:(852)2772666

DWG NO. : J853-SD-ALC-1002 REV. : -



B.O. REF :

CLIENT :
SHIMAO GROUP HOLDINGS LIMITED

ARCHITECT :
WONG TUNG & PARTNERS LIMITED ARCHITECTS & PLANNERS

MAIN CONTRACTOR :
協興建築有限公司 HIP HING CONSTRUCTION CO LTD

STRUCTURAL ENGINEER :
ICMA C M WONG & ASSOCIATES LTD 黃志明建築工程師有限公司

FACADE CONSULTANT :
MEIN-HARDT

NOTE :
1. ALL DIMENSIONS ARE IN mm.
2. ALL ELEVATIONS ARE VIEWED FROM OUTSIDE.
3. ALL DIMENSIONS TO BE VERIFIED ON SITE BEFORE FABRICATION.

LEGEND :
X1 --- DETAIL MARK NO.
X001 --- REFER SHEET NO.
1. F.F.L. --- FINISHED FLOOR LEVEL
2. S.F.L. --- STRUCTURAL FLOOR LEVEL
3. --- REVERSED DETAIL

NO.	DATE	REVISED	BY

JOB NO. : J-853
PROJECT : PROPOSED RESIDENTIAL DEVELOPMENT AT N.K.I.L. 6542 YIN PING ROAD KOWLOON

TITLE : 6/F TO 22/F LOCATION PLAN FOR ALUM. CEILING AT TOWER 1 (15 STOREYS, EXCEPT 13/F & 14/F)

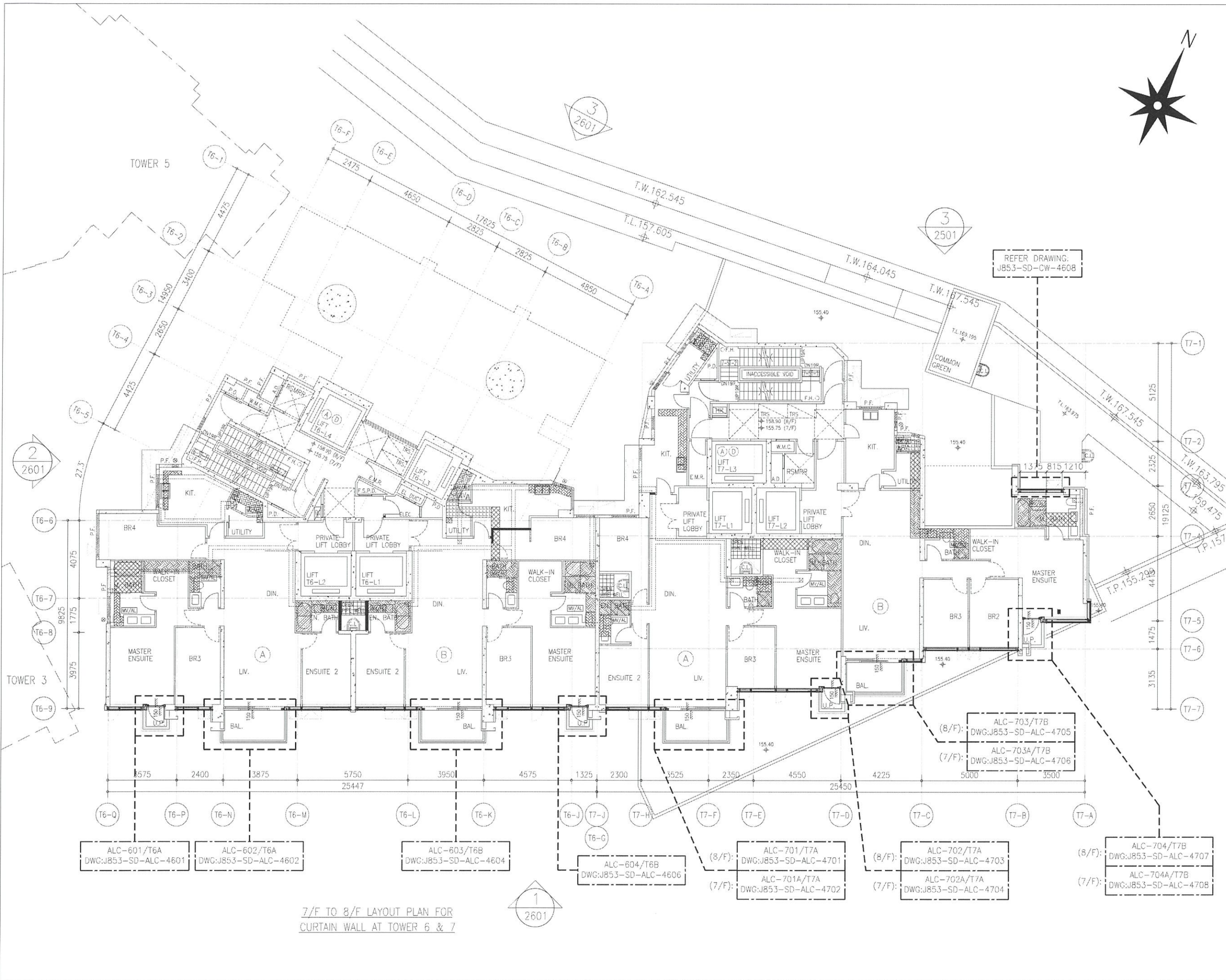
DATE : 01-AUG-21 SCALE : 1:50 (A1)
DRAWN BY : LHR CHECKED BY :

美特鋁質有限公司
MIDI ALUMINIUM FABRICATOR LTD.
Units 6-8, Sunray Industrial Centre, 1/F
610 Cha Kwo Ling Road, Kowloon
Tel:23489211-4 Fax:(852)2727666
DWG NO. : J853-SD-ALC-3102 REV. : -

FLOOR LEVEL (S.F.L.)

FLOOR	LEVEL
22/F	+199.50
21/F	+196.05
20/F	+192.60
19/F	+189.15
18/F	+185.70
17/F	+182.25
16/F	+178.80
15/F	+175.35
12/F	+171.90
11/F	+168.45
10/F	+165.00
9/F	+161.55
8/F	+158.10
7/F	+154.65
6/F	+151.20

6/F TO 22/F LOCATION PLAN FOR ALUM. CEILING AT TOWER 1 (15 STOREYS, EXCEPT 13/F & 14/F)



B.D. REF :

CLIENT :
SHIMAO GROUP HOLDINGS LIMITED

ARCHITECT :
WONG TUNG & PARTNERS LIMITED ARCHITECTS & PLANNERS

MAIN CONTRACTOR :
協興建築有限公司 HIP HING CONSTRUCTION CO LTD

STRUCTURAL ENGINEER :
ICMA C M WONG & ASSOCIATES LTD 黃志明建築工程師有限公司

FACADE CONSULTANT :
MEIN-HARDT

NOTE :
1. ALL DIMENSIONS ARE IN mm.
2. ALL ELEVATIONS ARE VIEWED FROM OUTSIDE.
3. ALL DIMENSIONS TO BE VERIFIED ON SITE BEFORE FABRICATION.

LEGEND :
XT --- DETAIL MARK NO.
X001 --- REFER SHEET NO.
1. F.F. --- FINISHED FLOOR LEVEL
2. S.F.L. --- STRUCTURAL FLOOR LEVEL
3. (R) --- REVERSED DETAIL

NO.	DATE	REVISED	BY

JOB NO. : J-853
PROJECT : PROPOSED RESIDENTIAL DEVELOPMENT AT N.K.I.L. 6542 YIN PING ROAD KOWLOON

TITLE : 7/F TO 8/F LAYOUT PLAN FOR CURTAIN WALL AT TOWER 6 & 7

DATE : 14-APR-21 SCALE : 1:90 (A1)

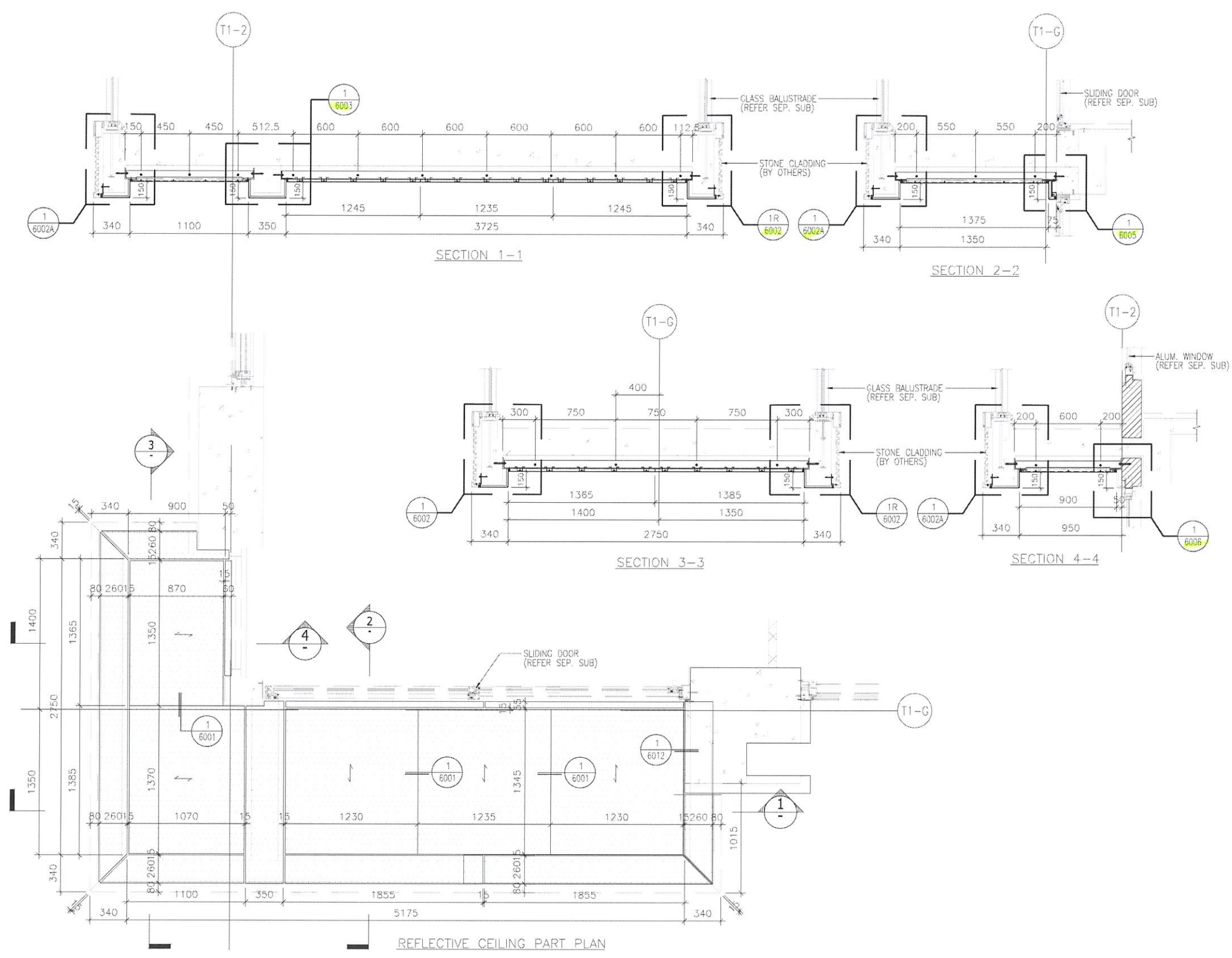
DRAWN BY : LHR CHECKED BY :

英特鋁質有限公司
MIDI ALUMINIUM FABRICATOR LTD.
Units 6-8, Sunray Industrial Centre, 1/F
610 Cha Kwo Ling Road, Kowloon
Tel:23489211-4 Fax:(852)27727666

DWG NO. : J853-SD-CW-3603 REV : -

CEILING MARK	TYPE	FLAT	FLOOR(S)	TOTAL
ALC-102/T1A	NORMAL	A	6/F~23/F	16

B.D. REF :



CLIENT :
SHIMAO GROUP HOLDINGS LIMITED

ARCHITECT :
WONG TUNG & PARTNERS LIMITED ARCHITECTS & PLANNERS

MAIN CONTRACTOR :
協興建築有限公司 HIP HING CONSTRUCTION CO LTD

STRUCTURAL ENGINEER :
ICMA C M WONG & ASSOCIATES LTD 黃志明建築工程師有限公司

FACADE CONSULTANT:
MEIN-HARDT

NOTE :

- ALL DIMENSIONS ARE IN mm.
- ALL ELEVATIONS ARE VIEWED FROM OUTSIDE.
- ALL DIMENSIONS TO BE VERIFIED ON SITE BEFORE FABRICATION.

LEGEND :

- X1 - DETAIL MARK NO.
- X001 - REFER SHEET NO.
- 1. F.F.L. -- FINISHED FLOOR LEVEL
- 2. S.F.L. -- STRUCTURAL FLOOR LEVEL
- 3. (R) -- REVERSED DETAIL
- 4. [] -- 3mm THK. ALUM. CEILING

NO.	DATE	REVISED	BY
JOB NO. : J-853			
PROJECT : PROPOSED RESIDENTIAL DEVELOPMENT AT N.K.I.L. 6542 YIN PING ROAD KOWLOON			
TITLE : ALUM. CEILING FOR ALC-102 OF LIV./DIN. AT TOWER 1 FLAT A (6/F~23/F) (EXCEPT 13/F, 14/F)			
DATE : 29-JUL-21	SCALE : 1 : 40 (A3)		
DRAWN BY : LHR	CHECKED BY :		
英特鋁質有限公司 MIDI ALUMINIUM FABRICATOR LTD. Units 6-8, Sunray Industrial Centre, 1/F 610 Cha Kwo Ling Road, Kowloon Tel:23489211-4 Fax:(852)27727666			
DWG NO. : J853-SD-ALC-4102	REV. : -		

CEILING MARK	TYPE	FLAT	FLOOR(S)	TOTAL
ALC-103/T1B	NORMAL	B	6/F~23/F	16

B.D. REF :

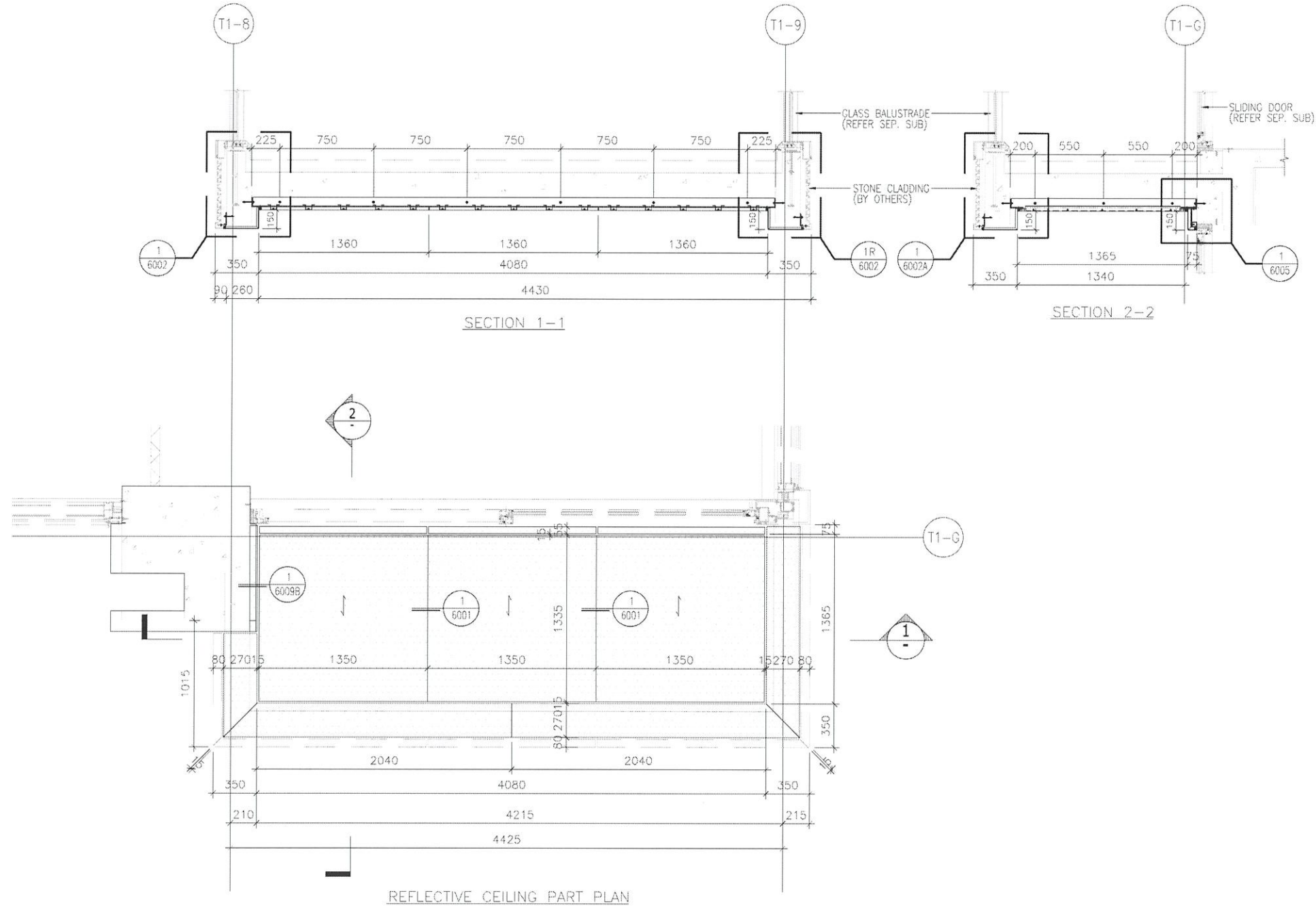
CLIENT :
SHIMAO GROUP HOLDINGS LIMITED

ARCHITECT :
WONG TUNG & PARTNERS LIMITED ARCHITECTS & PLANNERS

MAIN CONTRACTOR :
協興建築有限公司 HIP HING CONSTRUCTION CO LTD

STRUCTURAL ENGINEER :
ICMA C M WONG & ASSOCIATES LTD 黃志明建築工程師有限公司

FACADE CONSULTANT:
MEINHARDT



NOTE :
1. ALL DIMENSIONS ARE IN mm.
2. ALL ELEVATIONS ARE VIEWED FROM OUTSIDE.
3. ALL DIMENSIONS TO BE VERIFIED ON SITE BEFORE FABRICATION.

LEGEND :
 (X1) --- DETAIL MARK NO.
 (X001) --- REFER SHEET NO.
 1. F.F.L. --- FINISHED FLOOR LEVEL
 2. S.F.L. --- STRUCTURAL FLOOR LEVEL
 3. (R) --- REVERSED DETAIL
 4. [] --- 3mm THK. ALUM. CEILING

NO.	DATE	REVISED	BY

JOB NO. : J-853
 PROJECT : PROPOSED RESIDENTIAL DEVELOPMENT AT N.K.I.L. 6542 YIN PING ROAD KOWLOON

TITLE : ALUM. CEILING FOR ALC-103 OF LIV./DIN. AT TOWER 1 FLAT B (6/F~23/F) (EXCEPT 13/F, 14/F)

DATE : 29-JUL-21 SCALE : 1 : 40 (A3)

DRAWN BY : LHR CHECKED BY :

美特鋁質有限公司
MIDI ALUMINIUM FABRICATOR LTD.
 Units 6-8, Sunray Industrial Centre, 1/F
 610 Cha Kwo Ling Road, Kowloon
 Tel: 23489211-4 Fax: (852) 27727666

DWG NO. : J853-SD-ALC-4103 REV. : -

CEILING MARK	TYPE	FLAT	FLOOR(S)	TOTAL
ALC-104/T1B	NORMAL	B	5/F~23/F	17

B.D. REF :

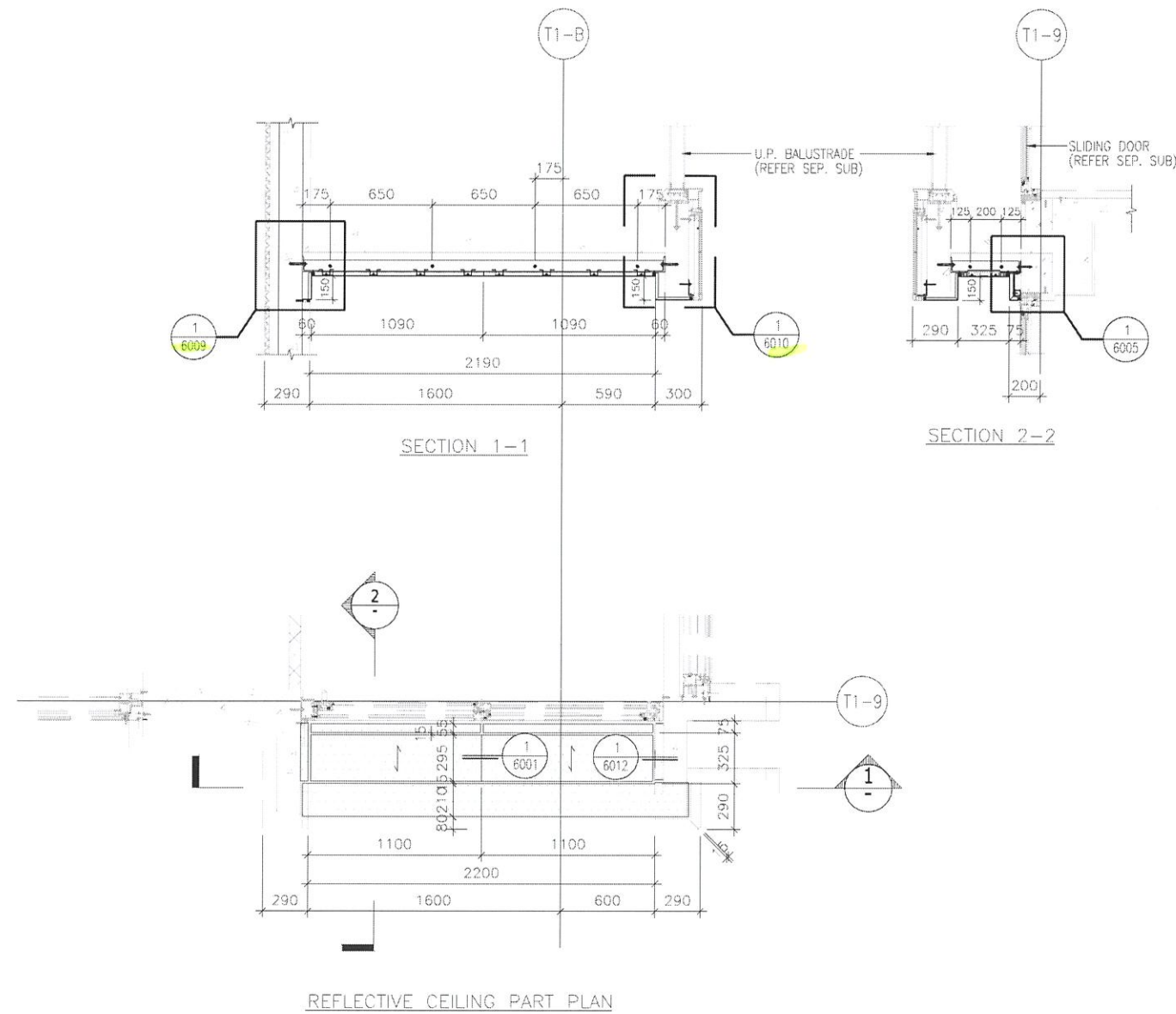
CLIENT :
SHIMAO GROUP HOLDINGS LIMITED

ARCHITECT :
WONG TUNG & PARTNERS LIMITED
ARCHITECTS & PLANNERS
WT

MAIN CONTRACTOR :
協興建築有限公司
HIP HING CONSTRUCTION CO LTD

STRUCTURAL ENGINEER :
ICMA C M WONG & ASSOCIATES LTD
黃志明建築工程師有限公司

FAÇADE CONSULTANT:
MEINHARDT



NOTE :
1. ALL DIMENSIONS ARE IN mm.
2. ALL ELEVATIONS ARE VIEWED FROM OUTSIDE.
3. ALL DIMENSIONS TO BE VERIFIED ON SITE BEFORE FABRICATION.

LEGEND :
X1 -- DETAIL MARK NO.
X001 -- REFER SHEET NO.
1. F.F.L. -- FINISHED FLOOR LEVEL
2. S.F.L. -- STRUCTURAL FLOOR LEVEL
3. (R) -- REVERSED DETAIL
4. [] -- 3mm THK. ALUM. CEILING

NO.	DATE	REVISED	BY
JOB NO. : J-853			
PROJECT : PROPOSED RESIDENTIAL DEVELOPMENT AT N.K.I.L. 6542 YIN PING ROAD KOWLOON			
TITLE : ALUM. CEILING FOR ALC-104 OF ENSUITE 2 AT TOWER 1 FLAT B (5/F~23/F) (EXCEPT 13/F, 14/F)			
DATE : 29-JUL-21		SCALE : 1 : 40 (A3)	
DRAWN BY : LHR		CHECKED BY :	
MIDI ALUMINIUM FABRICATOR LTD. Units 6-8, Sunray Industrial Centre, 1/F 610 Cha Kwo Ling Road, Kowloon Tel:23489211-4 Fax:(852)2727666			
DWG NO. : J853-SD-ALC-4104			REV. : -

CEILING MARK	TYPE	FLAT	FLOOR(S)	TOTAL
ALC-105/T1A	NORMAL	A	6/F~23/F	16

B.O. REF :

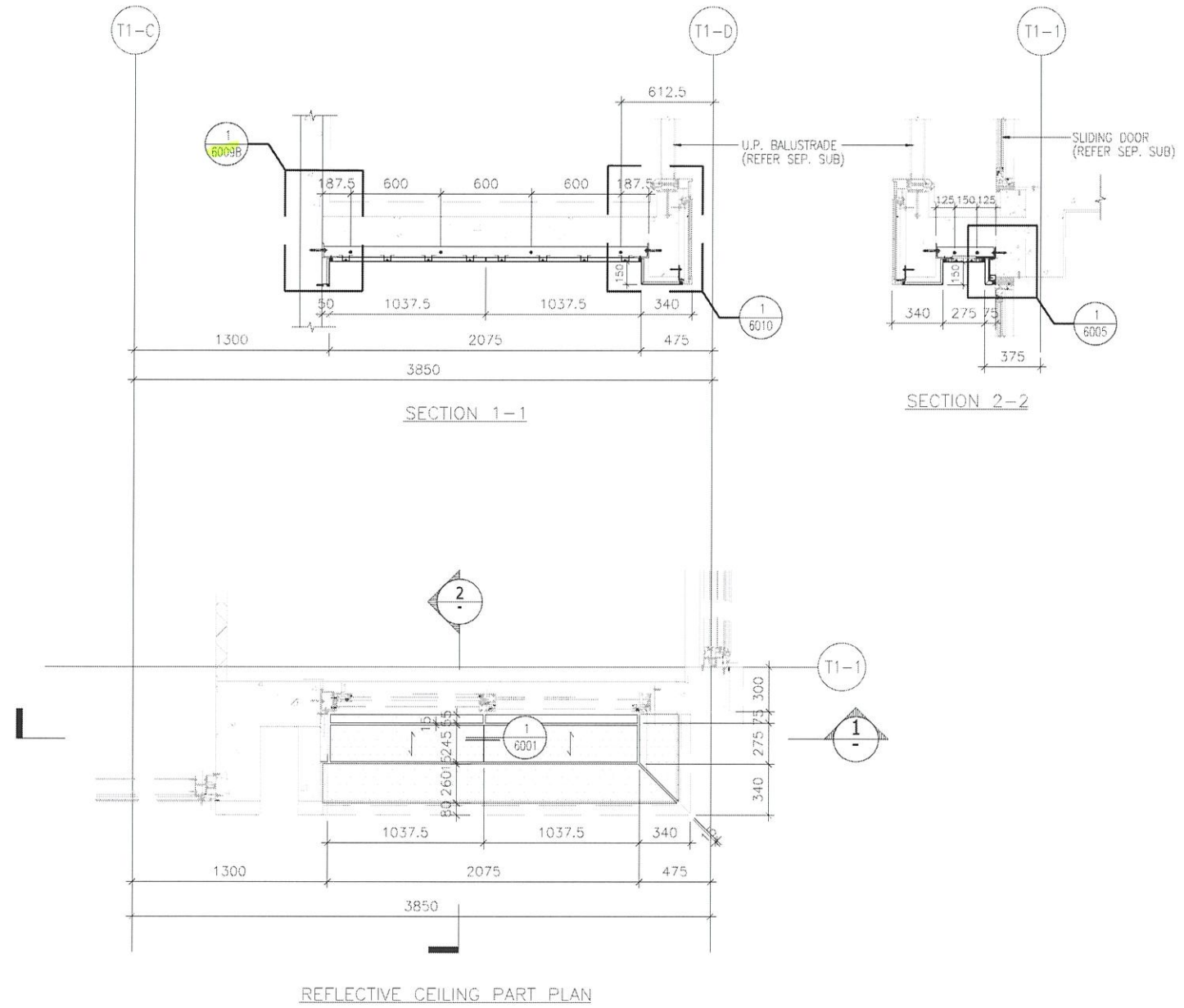
CLIENT :
SHIMAO GROUP HOLDINGS LIMITED

ARCHITECT :
WONG TUNG & PARTNERS LIMITED
ARCHITECTS & PLANNERS
WT

MAIN CONTRACTOR :
協興建築有限公司
HIP HING CONSTRUCTION CO LTD

STRUCTURAL ENGINEER :
ICMA C M WONG & ASSOCIATES LTD
黃志明建築工程師有限公司

FACADE CONSULTANT:
MEIN-HARDT



NOTE :
1. ALL DIMENSIONS ARE IN mm.
2. ALL ELEVATIONS ARE VIEWED FROM OUTSIDE.
3. ALL DIMENSIONS TO BE VERIFIED ON SITE BEFORE FABRICATION.

LEGEND :
X1 --- DETAIL MARK NO.
X001 --- REFER SHEET NO.
1. F.F.L. --- FINISHED FLOOR LEVEL
2. S.F.L. --- STRUCTURAL FLOOR LEVEL
3. (R) --- REVERSED DETAIL
4. [] --- 3mm THK. ALUM. CEILING

NO	DATE	REVISED	BY
----	------	---------	----

JOB NO. : J-853

PROJECT :
PROPOSED RESIDENTIAL DEVELOPMENT AT N.K.I.L. 6542 YIN PING ROAD KOWLOON

TITLE :
ALUM. CEILING FOR ALC-105 OF ENSUITE 3 AT TOWER 1 FLAT A (6/F~23/F) (EXCEPT 13/F, 14/F)

DATE : 29-JUL-21 SCALE : 1 : 40 (A3)

DRAWN BY : LHR CHECKED BY :

美特鋁質有限公司
MIDI ALUMINIUM FABRICATOR LTD.
Units 6-8, Sunray Industrial Centre, 1/F
610 Cha Kwo Ling Road, Kowloon
Tel:23489211-4 Fax:(852)2727666

DWG NO. : J853-SD-ALC-4105 REV. : -

CEILING MARK	TYPE	FLAT	FLOOR(S)	TOTAL
ALC-601/T6A	NORMAL	A	6/F~26/F	18

B.D. REF :

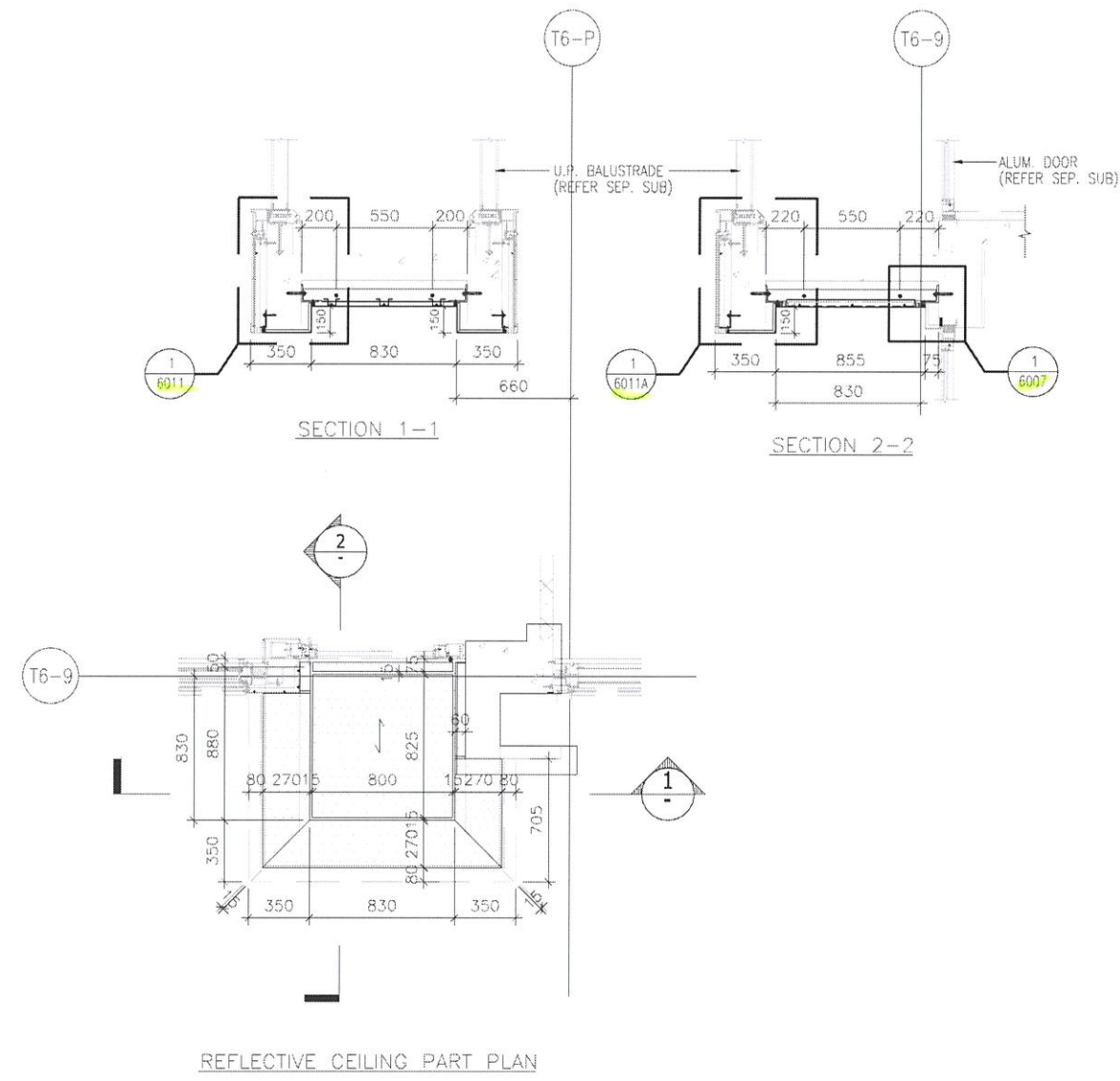
CLIENT :
SHIMAO GROUP HOLDINGS LIMITED

ARCHITECT :
WONG TUNG & PARTNERS LIMITED ARCHITECTS & PLANNERS
WT

MAIN CONTRACTOR :
協興建築有限公司 HIP HING CONSTRUCTION CO LTD

STRUCTURAL ENGINEER :
ICMA C M WONG & ASSOCIATES LTD 黃志明建築工程師有限公司

FACADE CONSULTANT:
MEIN-HARDT



NOTE :
1. ALL DIMENSIONS ARE IN mm.
2. ALL ELEVATIONS ARE VIEWED FROM OUTSIDE.
3. ALL DIMENSIONS TO BE VERIFIED ON SITE BEFORE FABRICATION.

LEGEND :
X1 --- DETAIL MARK NO.
X001 --- REFER SHEET NO.
1. F.F.L. --- FINISHED FLOOR LEVEL
2. S.F.L. --- STRUCTURAL FLOOR LEVEL
3. (R) --- REVERSED DETAIL
4. [] --- 3mm THK. ALUM. CEILING

NO.	DATE	REVISED	BY

JOB NO. : J-853
PROJECT : PROPOSED RESIDENTIAL DEVELOPMENT AT N.K.I.L. 6542 YIN PING ROAD KOWLOON

TITLE : ALUM. CEILING FOR ALC-601 OF MASTER ENSUITE AT TOWER 6 FLAT A (6/F~26/F) (EXCEPT 13/F, 14/F, 24/F)

DATE : 09-AUG-21 SCALE : 1 : 40 (A3)

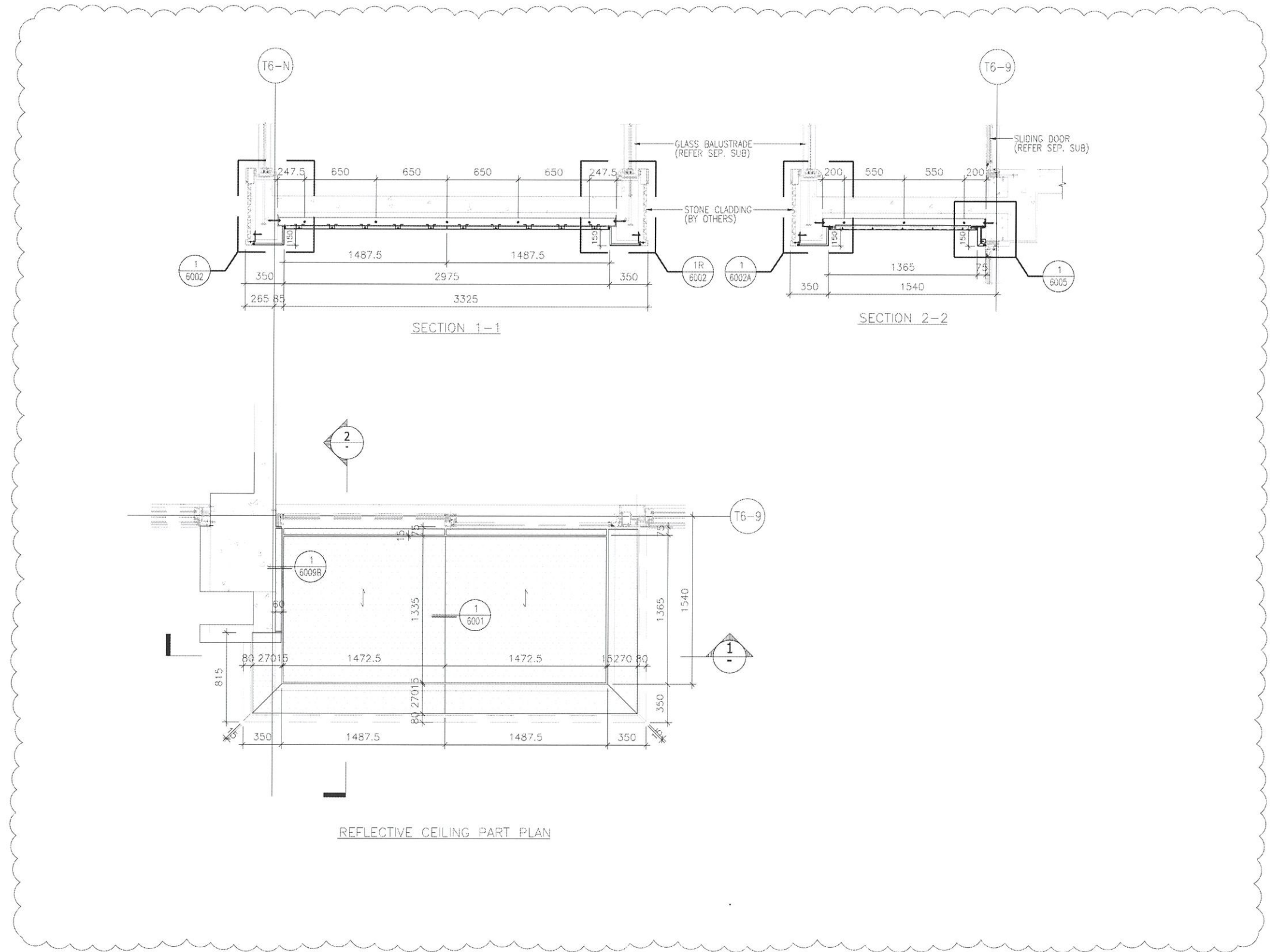
DRAWN BY : LHR CHECKED BY :

美特鋁質有限公司
MIDI ALUMINIUM FABRICATOR LTD.
Units 6-8, Sunray Industrial Centre, 1/F
610 Cha Kwo Ling Road, Kowloon
Tel:23489211-4 Fax:(852)2727666

DWG NO. : J853-SD-ALC-4601 REV. : -

CEILING MARK	TYPE	FLAT	FLOOR(S)	TOTAL
ALC-602/T6A	NORMAL	A	6/F~26/F	18

B.D. REF :



CLIENT :
SHIMAO GROUP HOLDINGS LIMITED

ARCHITECT :
WONG TUNG & PARTNERS LIMITED ARCHITECTS & PLANNERS

MAIN CONTRACTOR :
協興建築有限公司 HIP HING CONSTRUCTION CO LTD

STRUCTURAL ENGINEER :
ICMA C M WONG & ASSOCIATES LTD 黃志明建築工程師有限公司

FACADE CONSULTANT:
MEIN-HARDT

NOTE :
1. ALL DIMENSIONS ARE IN mm.
2. ALL ELEVATIONS ARE VIEWED FROM OUTSIDE.
3. ALL DIMENSIONS TO BE VERIFIED ON SITE BEFORE FABRICATION.

LEGEND :
 (X1) --- DETAIL MARK NO.
 (X001) --- REFER SHEET NO.
 1. F.F.L. -- FINISHED FLOOR LEVEL
 2. S.F.L. -- STRUCTURAL FLOOR LEVEL
 3. (R) -- REVERSED DETAIL
 4. [] -- 3mm THK. ALUM. CEILING

NO.	DATE	REVISED	BY

JOB NO. : J-853
 PROJECT : PROPOSED RESIDENTIAL DEVELOPMENT AT N.K.I.L. 6542 YIN PING ROAD KOWLOON

TITLE : ALUM. CEILING FOR ALC-602 OF LIV./DIN. AT TOWER 6 FLAT A (6/F~26/F) (EXCEPT 13/F, 14/F, 24/F)

DATE : 09-AUG-21 SCALE : 1 : 40 (A3)
 DRAWN BY : LHR CHECKED BY :

英特鋁質有限公司
MIDI ALUMINIUM FABRICATOR LTD.
 Units 6-8, Sunray Industrial Centre, 1/F
 610 Cha Kwo Ling Road, Kowloon
 Tel:23489211-4 Fax:(852)2727666

DWG NO. : JB53-SD-ALC-4602 REV. : -

CEILING MARK	TYPE	FLAT	FLOOR(S)	TOTAL
ALC-603/T6B	NORMAL	B	6/F~26/F	18

B.O. REF :

CLIENT :
SHIMAO GROUP HOLDINGS LIMITED

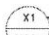

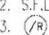

ARCHITECT :
WONG TUNG & PARTNERS LIMITED
ARCHITECTS & PLANNERS
WT

MAIN CONTRACTOR :
協興建築有限公司
HIP HING CONSTRUCTION CO LTD

STRUCTURAL ENGINEER :
ICMA C M WONG & ASSOCIATES LTD
黃志明建築工程師有限公司

FACADE CONSULTANT:
MEINHARDT

NOTE :
1. ALL DIMENSIONS ARE IN mm.
2. ALL ELEVATIONS ARE VIEWED FROM OUTSIDE.
3. ALL DIMENSIONS TO BE VERIFIED ON SITE BEFORE FABRICATION.

LEGEND :
 -- DETAIL MARK NO.
 -- REFER SHEET NO.
 1. F.F.L. -- FINISHED FLOOR LEVEL
 2. S.F.L. -- STRUCTURAL FLOOR LEVEL
 3.  -- REVERSED DETAIL
 4.  -- 3mm THK. ALUM. CEILING

NO.	DATE	REVISED	BY

JOB NO. : J-853
 PROJECT : PROPOSED RESIDENTIAL DEVELOPMENT AT N.K.I.L. 6542 YIN PING ROAD KOWLOON

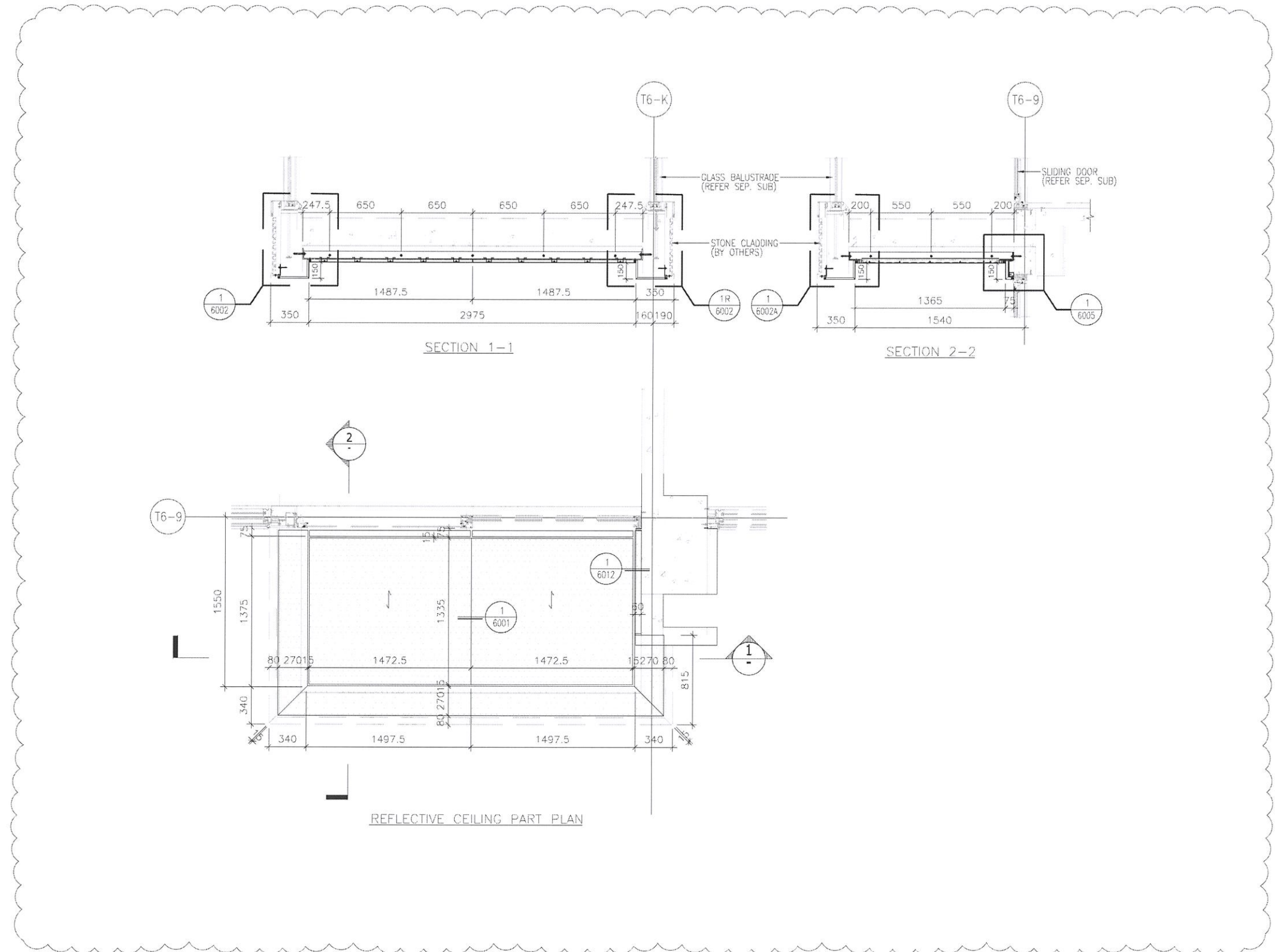
TITLE : ALUM. CEILING FOR ALC-603 OF LIV./DIN. AT TOWER 6 FLAT B (6/F~26/F) (EXCEPT 13/F, 14/F, 24/F)

DATE : 09-AUG-21 SCALE : 1 : 40 (A3)

DRAWN BY : LHR CHECKED BY :

英特鋁質有限公司
MIDI ALUMINIUM FABRICATOR LTD.
 Units 6-8, Sunray Industrial Centre, 1/F
 610 Che Kwo Ling Road, Kowloon
 Tel: 23489211-4 Fax: (852) 27727666

DWG NO. : JB53-SD-ALC-4604 REV. : -



CEILING MARK	TYPE	FLAT	FLOOR(S)	TOTAL
ALC-604/T6B	NORMAL	B	6/F~26/F	18

B.O. REF :

CLIENT :
SHIMAO GROUP HOLDINGS LIMITED

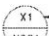
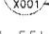

ARCHITECT :
WONG TUNG & PARTNERS LIMITED
ARCHITECTS & PLANNERS
WT

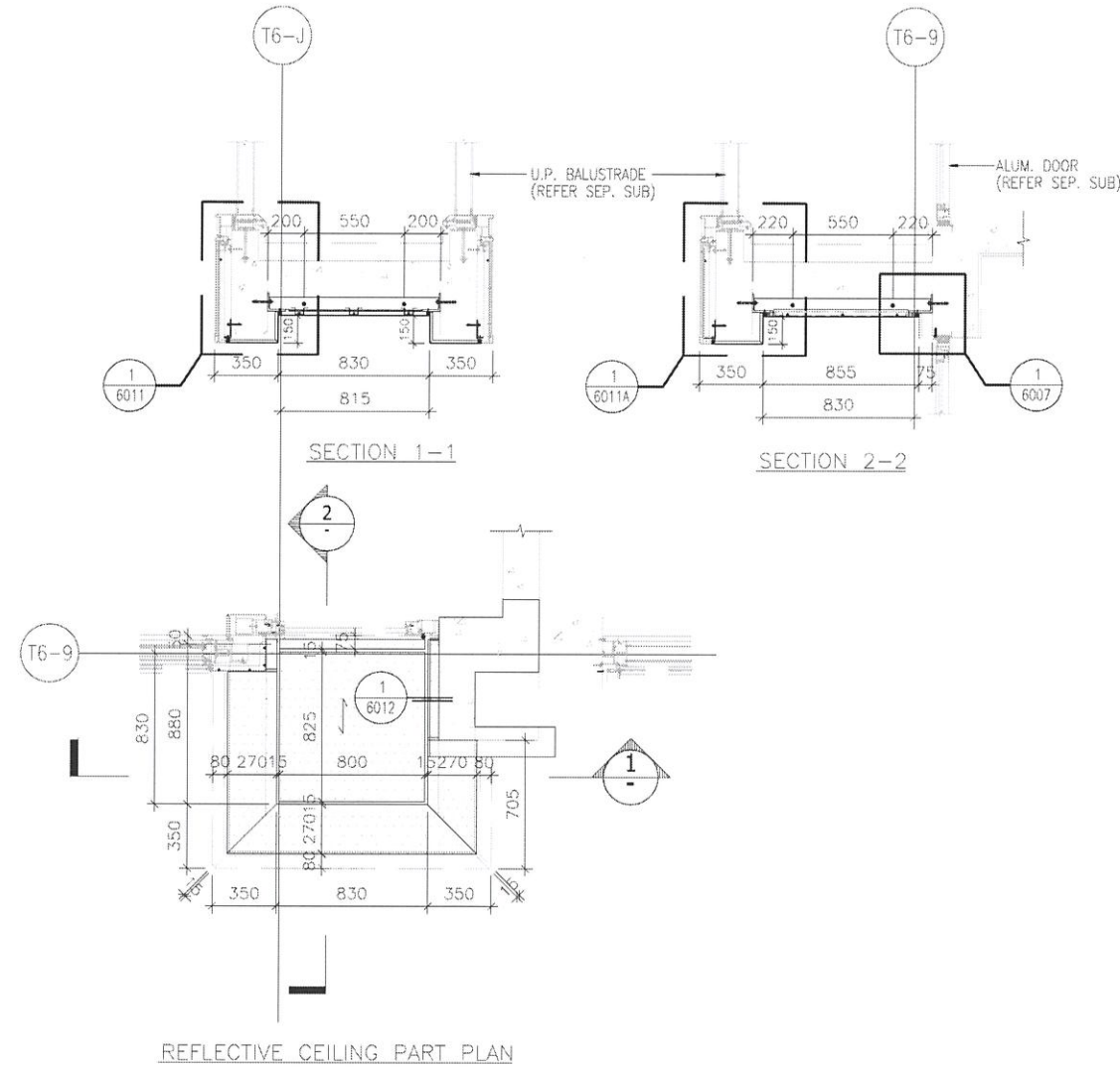
MAIN CONTRACTOR :
協興建築有限公司
HIP HING CONSTRUCTION CO LTD

STRUCTURAL ENGINEER :
ICMA C M WONG & ASSOCIATES LTD
黃志明建築工程師有限公司

FACADE CONSULTANT:
MEINHARDT

NOTE :
1. ALL DIMENSIONS ARE IN mm.
2. ALL ELEVATIONS ARE VIEWED FROM OUTSIDE.
3. ALL DIMENSIONS TO BE VERIFIED ON SITE BEFORE FABRICATION.

LEGEND :
 -- DETAIL MARK NO.
 -- REFER SHEET NO.
1. F.F.L. -- FINISHED FLOOR LEVEL
2. S.F.L. -- STRUCTURAL FLOOR LEVEL
3. (R) -- REVERSED DETAIL
4.  -- 3mm THK. ALUM. CEILING



NO.	DATE	REVISED	BY
-----	------	---------	----

JOB NO. : J-853

PROJECT :
PROPOSED RESIDENTIAL DEVELOPMENT AT N.K.I.L. 6542 YIN PING ROAD KOWLOON

TITLE :
ALUM. CEILING FOR ALC-604 OF MASTER ENSUITE AT TOWER 6 FLAT B (6/F~26/F) (EXCEPT 13/F, 14/F, 24/F)

DATE : 09-AUG-21 SCALE : 1 : 40 (A3)

DRAWN BY : LHR CHECKED BY :

美特鋁質有限公司
MIDI ALUMINIUM FABRICATOR LTD.
Units 6-8, Sunray Industrial Centre, 1/F
610 Cha Kwo Ling Road, Kowloon
Tel:23489211-4 Fax:(852)27727666

DWG NO. : J853-SD-ALC-4606 REV. : -

B.O. REF :

CLIENT :

SHIMAO GROUP HOLDINGS LIMITED

ARCHITECT : WONG TUNG & PARTNERS LIMITED ARCHITECTS & PLANNERS



MAIN CONTRACTOR :

協興建築有限公司 HIP HING CONSTRUCTION CO LTD

STRUCTURAL ENGINEER :

ICMA C M WONG & ASSOCIATES LTD 黃志明建築工程師有限公司

FACADE CONSULTANT :



NOTE :

1. ALL DIMENSIONS ARE IN mm.
2. ALL ELEVATIONS ARE VIEWED FROM OUTSIDE.
3. ALL DIMENSIONS TO BE VERIFIED ON SITE BEFORE FABRICATION.

LEGEND :

- X1 - DETAIL MARK NO.
- X001 - REFER SHEET NO.

1. F.F.L. -- FINISHED FLOOR LEVEL
2. S.F.L. -- STRUCTURAL FLOOR LEVEL
3. (R) -- REVERSED DETAIL

NO.	DATE	REVISED	BY

JOB NO. : J-853

PROJECT : PROPOSED RESIDENTIAL DEVELOPMENT AT N.K.I.L. 6542 YIN PING ROAD KOWLOON

TITLE : VERTICAL DETAIL FOR NORMAL ALUM. CEILING

DATE : 11-AUG-21 SCALE : 1 : 4

DRAWN BY : LHR CHECKED BY :

美特鋁質有限公司 MIDI ALUMINIUM FABRICATOR LTD.

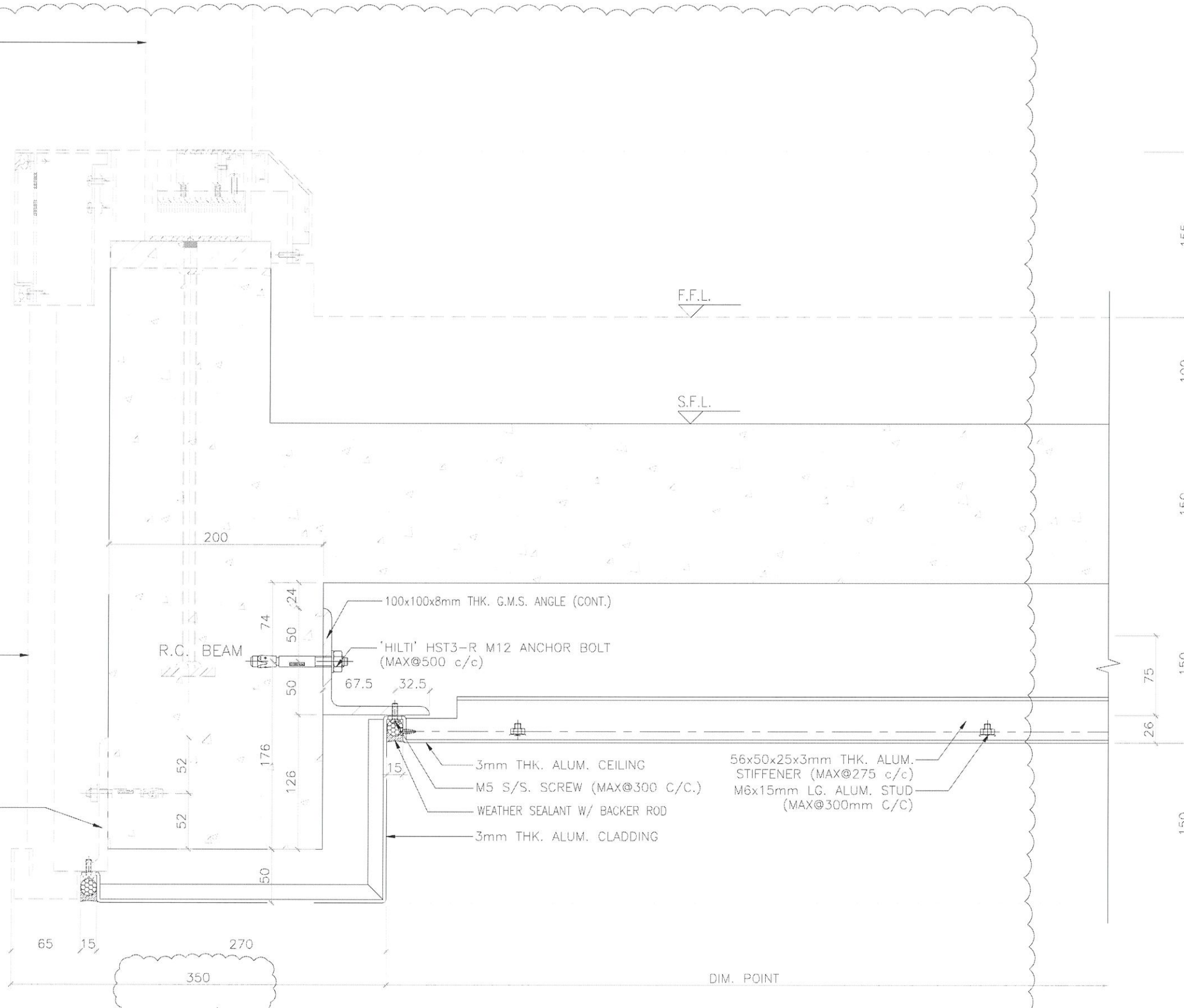
Units 6-8, Sunray Industrial Centre, 1/F 610 Cha Kwo Ling Road, Kowloon Tel:23489211-4 Fax:(852)2727666

DWG NO. : JB53-SD-ALC-6002 REV. : -

GLASS BALUSTRADE (REFER SEP. SUB)

STONE CLADDING (BY OTHERS)

125x60x8mm THK. G.M.S. ANGLE (cont.) (cut from 125x75x8mm G.M.S. ANGLE) W/ "HILTI" HST3-R M8 ANCHOR BOLT (MAX@750 C/C)



1 VERTICAL DETAIL SCALE 1:4 OUTSIDE

B.D. REF :

CLIENT : SHIMAO GROUP HOLDINGS LIMITED

ARCHITECT : WONG TUNG & PARTNERS LIMITED ARCHITECTS & PLANNERS

MAIN CONTRACTOR : 協興建築有限公司 HIP HING CONSTRUCTION CO LTD

STRUCTURAL ENGINEER : ICMA C M WONG & ASSOCIATES LTD 黃志明建築工程師有限公司

FACADE CONSULTANT : MEINHARDT

NOTE : 1. ALL DIMENSIONS ARE IN mm. 2. ALL ELEVATIONS ARE VIEWED FROM OUTSIDE. 3. ALL DIMENSIONS TO BE VERIFIED ON SITE BEFORE FABRICATION.

LEGEND : X1 - DETAIL MARK NO. X001 - REFER SHEET NO.

1. F.F.L. -- FINISHED FLOOR LEVEL 2. S.F.L. -- STRUCTURAL FLOOR LEVEL 3. (R) -- REVERSED DETAIL

Table with 4 columns: NO., DATE, REVISED, BY

JOB NO. : J-853

PROJECT : PROPOSED RESIDENTIAL DEVELOPMENT AT N.K.I.L. 6542 YIN PING ROAD KOWLOON

TITLE : VERTICAL DETAIL FOR NORMAL ALUM. CEILING

DATE : 11-AUG-21 SCALE : 1 : 4

DRAWN BY : LHR CHECKED BY :

MIDI ALUMINIUM FABRICATOR LTD. Units 6-8, Sunray Industrial Centre, 1/F 610 Cha Kwo Ling Road, Kowloon. Tel:23489211-4 Fax:(852)27727666

DWG NO. : J853-SD-ALC-6002A REV. : -

GLASS BALUSTRADE (REFER SEP. SUB)

F.F.L.

S.F.L.

155

100

150

150

75

26

150

STONE CLADDING (BY OTHERS)

125x60x8mm THK. G.M.S. ANGLE (cont.) (cut from 125x75x8mm G.M.S. ANGLE) W/ "HILTI" HST3-R M8 ANCHOR BOLT (MAX@750 C/C)

R.C. BEAM

100x100x8mm THK. G.M.S. ANGLE (CONT.)

"HILTI" HST3-R M12 ANCHOR BOLT (MAX@500 c/c)

56x50x25x3mm THK. ALUM. STIFFENER (MAX@275 c/c)

M6x15mm LG. ALUM. STUD (MAX@300mm C/C)

3mm THK. ALUM. CEILING

M5 S/S. SCREW (MAX@300 C/C)

WEATHER SEALANT W/ BACKER ROD

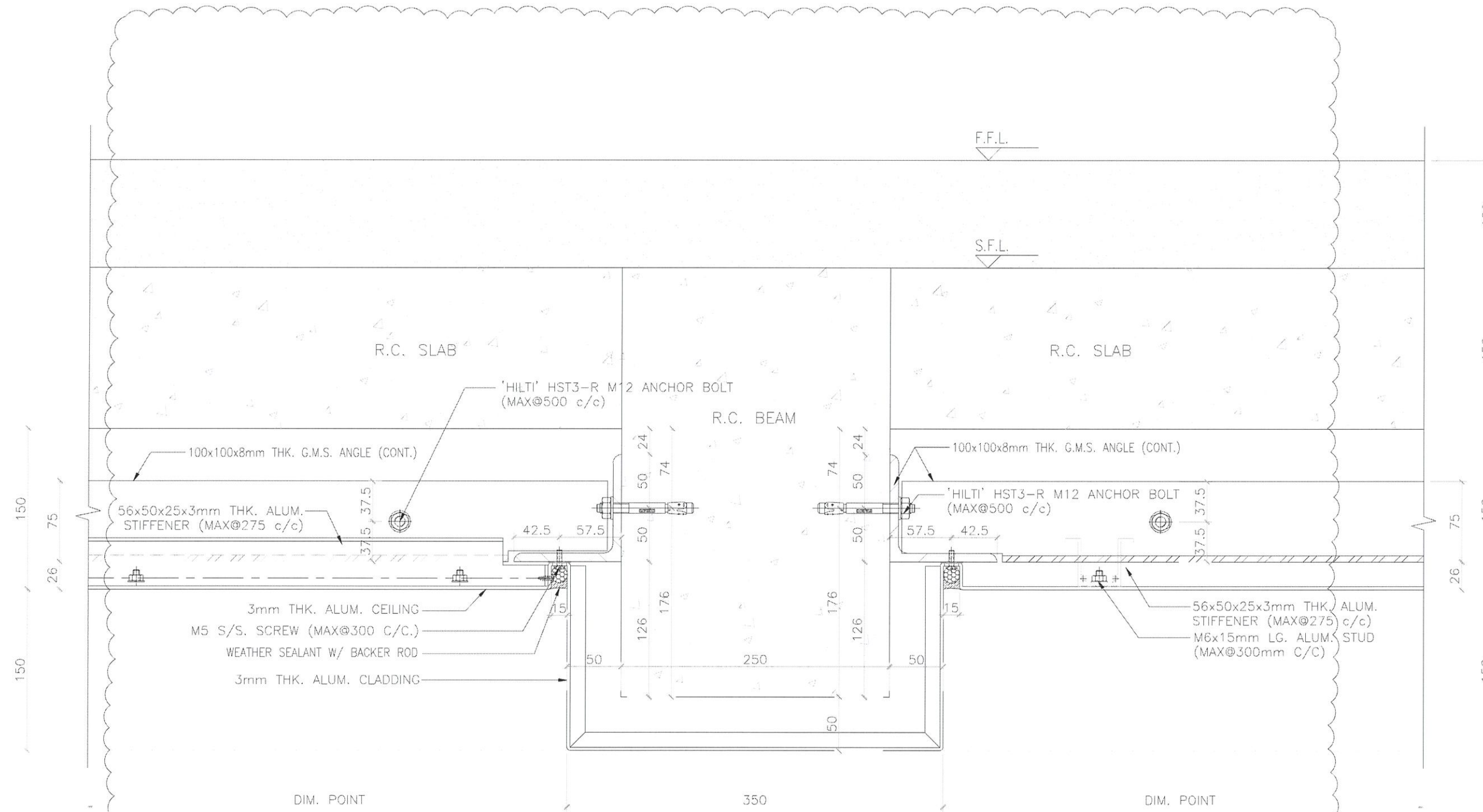
3mm THK. ALUM. CLADDING

65 15 270

1 VERTICAL DETAIL SCALE 1:4

OUTSIDE

DIM. POINT



1 VERTICAL DETAIL
SCALE 1:4

B.D. REF :

CLIENT :
SHIMAO GROUP HOLDINGS LIMITED

ARCHITECT :
WONG TUNG & PARTNERS LIMITED ARCHITECTS & PLANNERS
WT

MAIN CONTRACTOR :
協興建築有限公司 HIP HING CONSTRUCTION CO LTD

STRUCTURAL ENGINEER :
ICMA C M WONG & ASSOCIATES LTD 黃志明建築工程師有限公司

FACADE CONSULTANT:
MEINHARDT

NOTE :
1. ALL DIMENSIONS ARE IN mm.
2. ALL ELEVATIONS ARE VIEWED FROM OUTSIDE.
3. ALL DIMENSIONS TO BE VERIFIED ON SITE BEFORE FABRICATION.

LEGEND :
X1 --- DETAIL MARK NO.
X001 --- REFER SHEET NO.
1. F.F.L. --- FINISHED FLOOR LEVEL
2. S.F.L. --- STRUCTURAL FLOOR LEVEL
3. (R) --- REVERSED DETAIL

NO.	DATE	REVISED	BY

JOB NO. : J-853
PROJECT : PROPOSED RESIDENTIAL DEVELOPMENT AT N.K.I.L. 6542 YIN PING ROAD KOWLOON

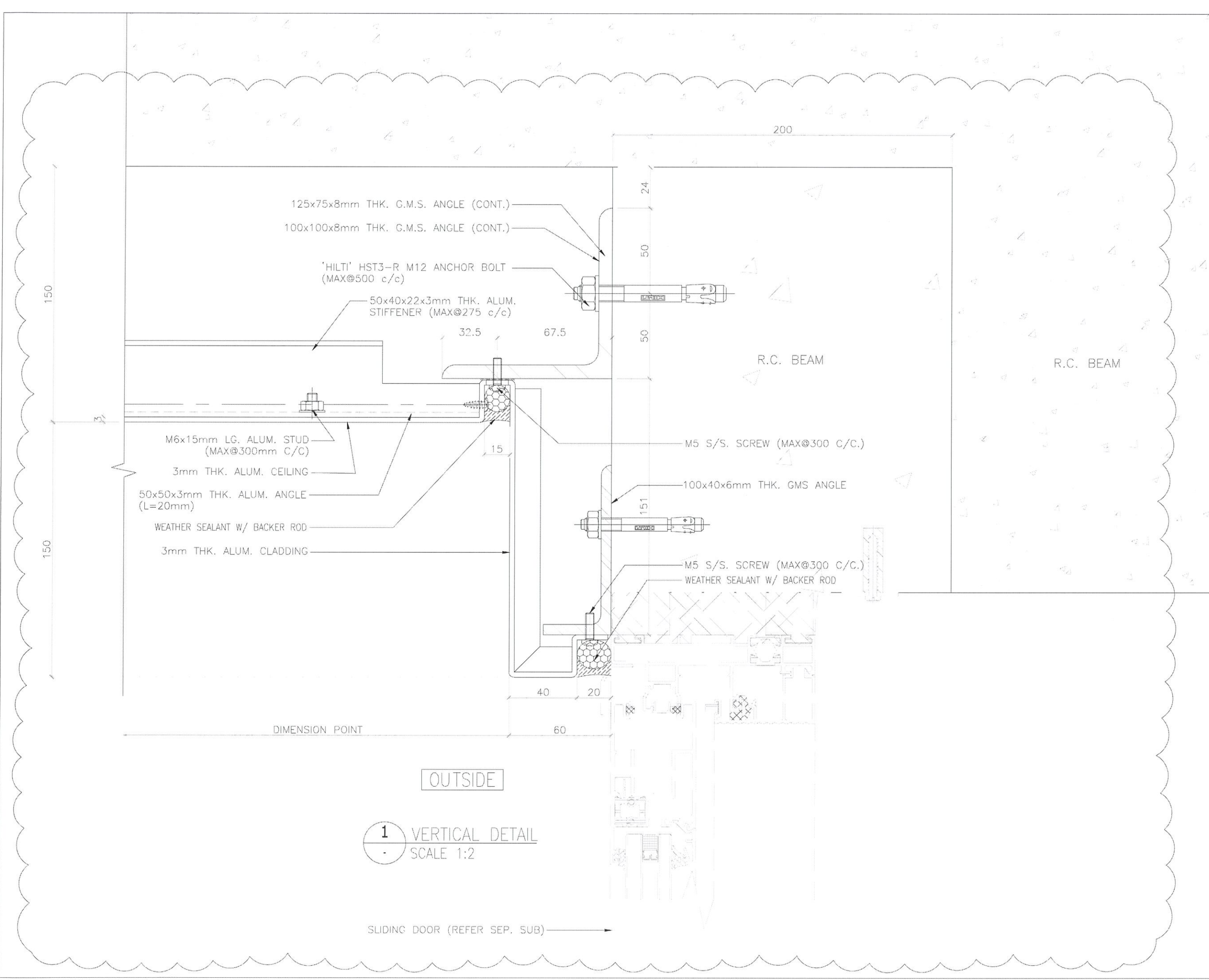
TITLE : VERTICAL DETAIL FOR NORMAL ALUM. CEILING

DATE : 11-AUG-21 SCALE : 1 : 4

DRAWN BY : LHR CHECKED BY :

英特鋁質有限公司
MIDI ALUMINIUM FABRICATOR LTD.
Units 6-8, Sunray Industrial Centre, 1/F
610 Cha Kwo Ling Road, Kowloon
Tel:23489211-4 Fax:(852)27727666

DWG NO. : J853-SD-ALC-6003 REV. : -



B.O. REF :

CLIENT :
SHIMAO GROUP HOLDINGS LIMITED

ARCHITECT :
WONG TUNG & PARTNERS LIMITED ARCHITECTS & PLANNERS

MAIN CONTRACTOR :
協興建築有限公司 HIP HING CONSTRUCTION CO LTD

STRUCTURAL ENGINEER :
ICMA C M WONG & ASSOCIATES LTD 黃志明建築工程師有限公司

FACADE CONSULTANT:
MEIN-HARDT

NOTE :
1. ALL DIMENSIONS ARE IN mm.
2. ALL ELEVATIONS ARE VIEWED FROM OUTSIDE.
3. ALL DIMENSIONS TO BE VERIFIED ON SITE BEFORE FABRICATION.

LEGEND :
X1 - DETAIL MARK NO.
X001 - REFER SHEET NO.
1. F.F.L. -- FINISHED FLOOR LEVEL
2. S.F.L. -- STRUCTURAL FLOOR LEVEL
3. (R) -- REVERSED DETAIL

NO	DATE	REVISED	BY

JOB NO. : J-853

PROJECT :
PROPOSED RESIDENTIAL DEVELOPMENT AT N.K.I.L. 6542 YIN PING ROAD KOWLOON

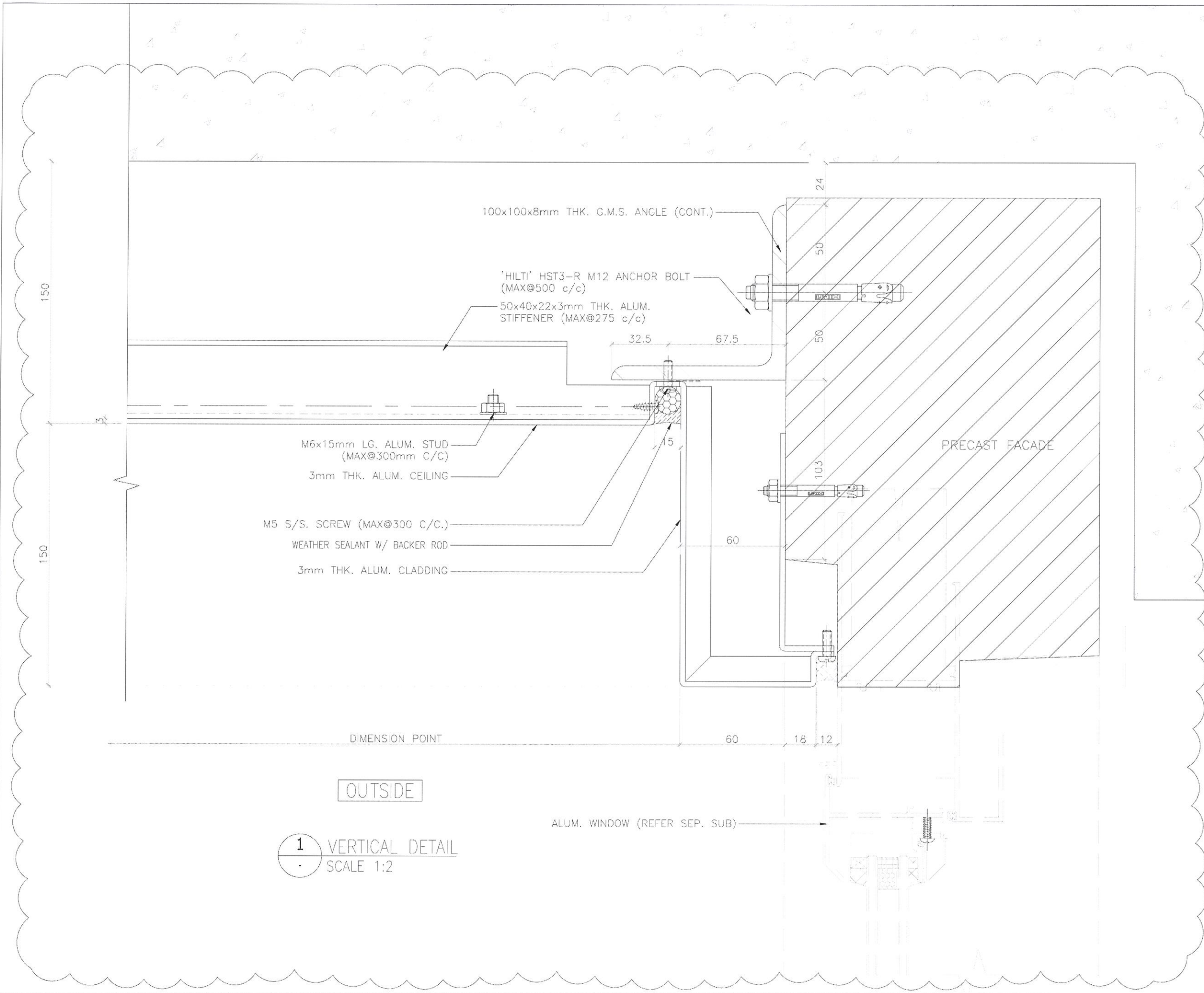
TITLE :
VERTICAL DETAIL FOR NORMAL ALUM. CEILING

DATE : 11-AUG-21 SCALE : 1 : 2

DRAWN BY : LHR CHECKED BY :

MIDI ALUMINIUM FABRICATOR LTD.
Units 6-8, Sunray Industrial Centre, 1/F
610 Cha Kwo Ling Road, Kowloon
Tel: 23489211-4 Fax: (852) 27727666

DWG NO. : J853-SD-ALC-6005 REV. : -



B.D. REF :

CLIENT :
SHIMAO GROUP HOLDINGS LIMITED

ARCHITECT :
WONG TUNG & PARTNERS LIMITED ARCHITECTS & PLANNERS
WT

MAIN CONTRACTOR :
協興建築有限公司 HIP HING CONSTRUCTION CO LTD

STRUCTURAL ENGINEER :
ICMA C M WONG & ASSOCIATES LTD 黃志明建築工程師有限公司

FACADE CONSULTANT:
MEIN-HARDT

NOTE:
1. ALL DIMENSIONS ARE IN mm.
2. ALL ELEVATIONS ARE VIEWED FROM OUTSIDE.
3. ALL DIMENSIONS TO BE VERIFIED ON SITE BEFORE FABRICATION.

LEGEND:
X1 --- DETAIL MARK NO.
X001 --- REFER SHEET NO.
1. F.F.L. --- FINISHED FLOOR LEVEL
2. S.F.L. --- STRUCTURAL FLOOR LEVEL
3. (R) --- REVERSED DETAIL

NO.	DATE	REVISED	BY

JOB NO. : J-853

PROJECT :
PROPOSED RESIDENTIAL DEVELOPMENT AT N.K.I.L. 6542 YIN PING ROAD KOWLOON

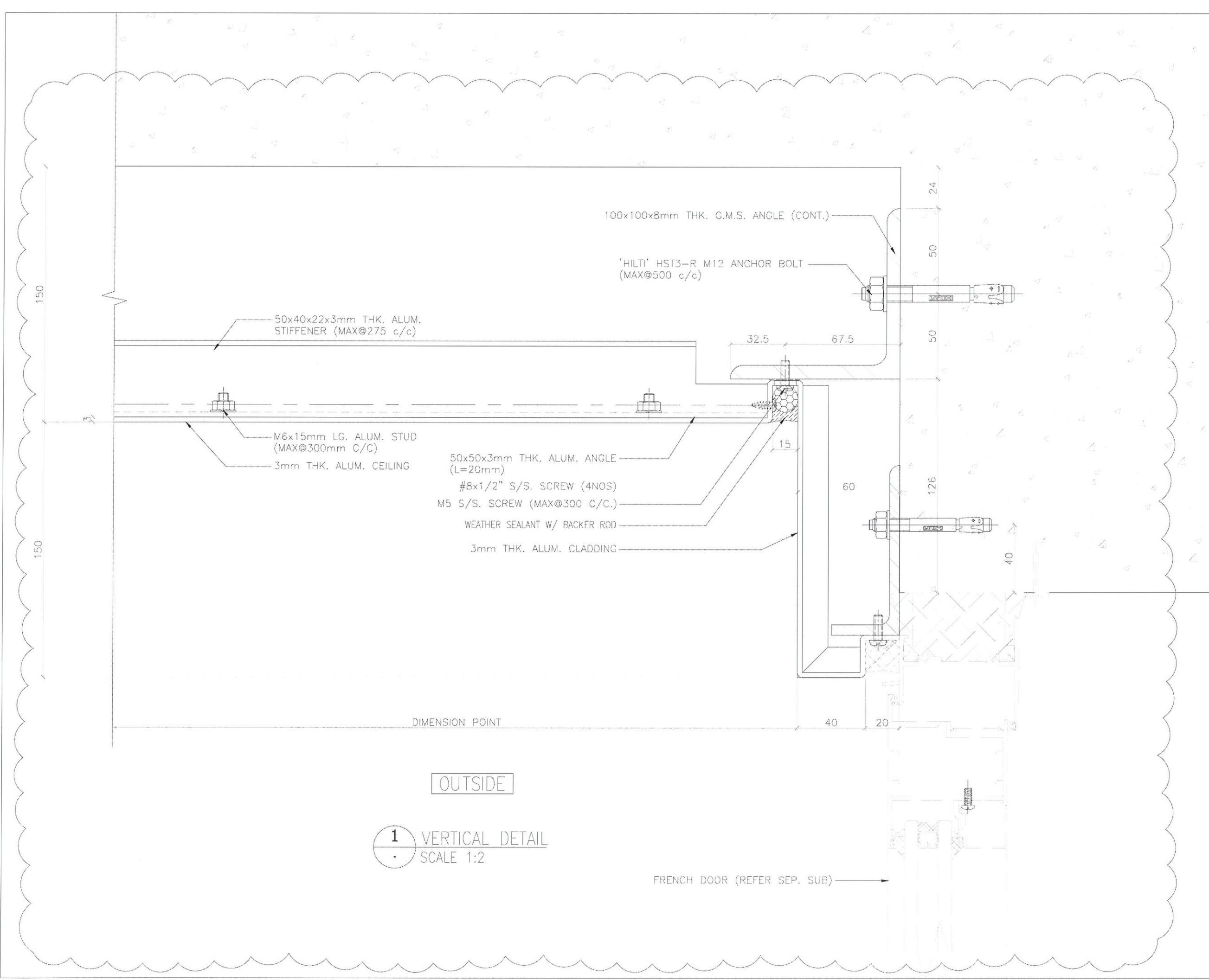
TITLE :
VERTICAL DETAIL FOR NORMAL ALUM. CEILING

DATE : 11-AUG-21 SCALE : 1 : 2

DRAWN BY : LHR CHECKED BY :

英特鋁質有限公司
MIDI ALUMINIUM FABRICATOR LTD.
Units 6-8, Sunray Industrial Centre, 1/F
610 Cha Kwo Ling Road, Kowloon
Tel:23489211-4 Fax:(852)27727666

DWG NO. : J853-SD-ALC-6006 REV. : -



B.D. REF :

CLIENT :
SHIMAO GROUP HOLDINGS LIMITED

ARCHITECT :
WONG TUNG & PARTNERS LIMITED ARCHITECTS & PLANNERS

MAIN CONTRACTOR :
協興建築有限公司 HIP HING CONSTRUCTION CO LTD

STRUCTURAL ENGINEER :
ICMA C M WONG & ASSOCIATES LTD 黃志明建築工程師有限公司

FACADE CONSULTANT:
MEINHARDT

NOTE:
1. ALL DIMENSIONS ARE IN mm.
2. ALL ELEVATIONS ARE VIEWED FROM OUTSIDE.
3. ALL DIMENSIONS TO BE VERIFIED ON SITE BEFORE FABRICATION.

LEGEND:
X1 -- DETAIL MARK NO.
X001 -- REFER SHEET NO.
1. F.F.L. -- FINISHED FLOOR LEVEL
2. S.F.L. -- STRUCTURAL FLOOR LEVEL
3. (R) -- REVERSED DETAIL

NO.	DATE	REVISED	BY
-----	------	---------	----

JOB NO. : J-853

PROJECT :
PROPOSED RESIDENTIAL DEVELOPMENT AT N.K.I.L. 6542 YIN PING ROAD KOWLOON

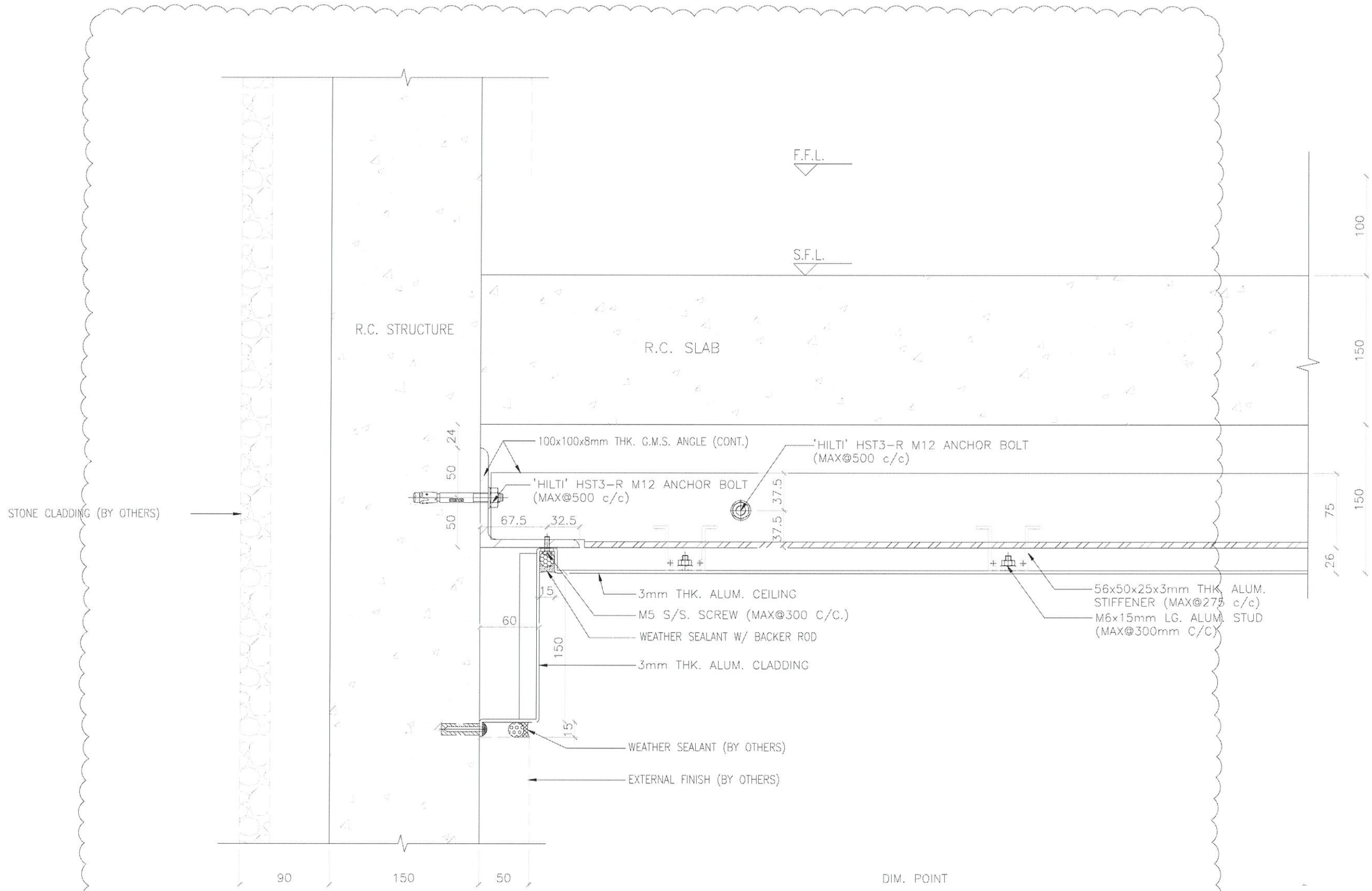
TITLE :
VERTICAL DETAIL FOR NORMAL ALUM. CEILING

DATE : 11-AUG-21 SCALE : 1 : 2

DRAWN BY : LHR CHECKED BY :

英特鋁質有限公司
MIDI ALUMINIUM FABRICATOR LTD.
Units 6-8, Sunray Industrial Centre, 1/F
610 Cha Kwo Ling Road, Kowloon
Tel:23489211-4 Fax:(852)27727666

DWG NO. : J853-SD-ALC-6007 REV. : -



1 VERTICAL DETAIL OUTSIDE
SCALE 1:4

B.O. REF :
.....

CLIENT :
SHIMAO GROUP HOLDINGS LIMITED

ARCHITECT :
WONG TUNG & PARTNERS LIMITED
ARCHITECTS & PLANNERS
WT

MAIN CONTRACTOR :
協興建築有限公司
HIP HING CONSTRUCTION CO LTD

STRUCTURAL ENGINEER :
ICMA C M WONG & ASSOCIATES LTD
黃志明建築工程師有限公司

FACADE CONSULTANT:
MEINHARDT

NOTE :
1. ALL DIMENSIONS ARE IN mm.
2. ALL ELEVATIONS ARE VIEWED FROM OUTSIDE.
3. ALL DIMENSIONS TO BE VERIFIED ON SITE BEFORE FABRICATION.

LEGEND :
X1 -- DETAIL MARK NO.
X001 -- REFER SHEET NO.
1. F.F.L. -- FINISHED FLOOR LEVEL
2. S.F.L. -- STRUCTURAL FLOOR LEVEL
3. (R) -- REVERSED DETAIL

NO.	DATE	REVISED	BY
-----	------	---------	----

JOB NO. : J-853

PROJECT :
PROPOSED RESIDENTIAL DEVELOPMENT AT N.K.I.L. 6542 YIN PING ROAD KOWLOON

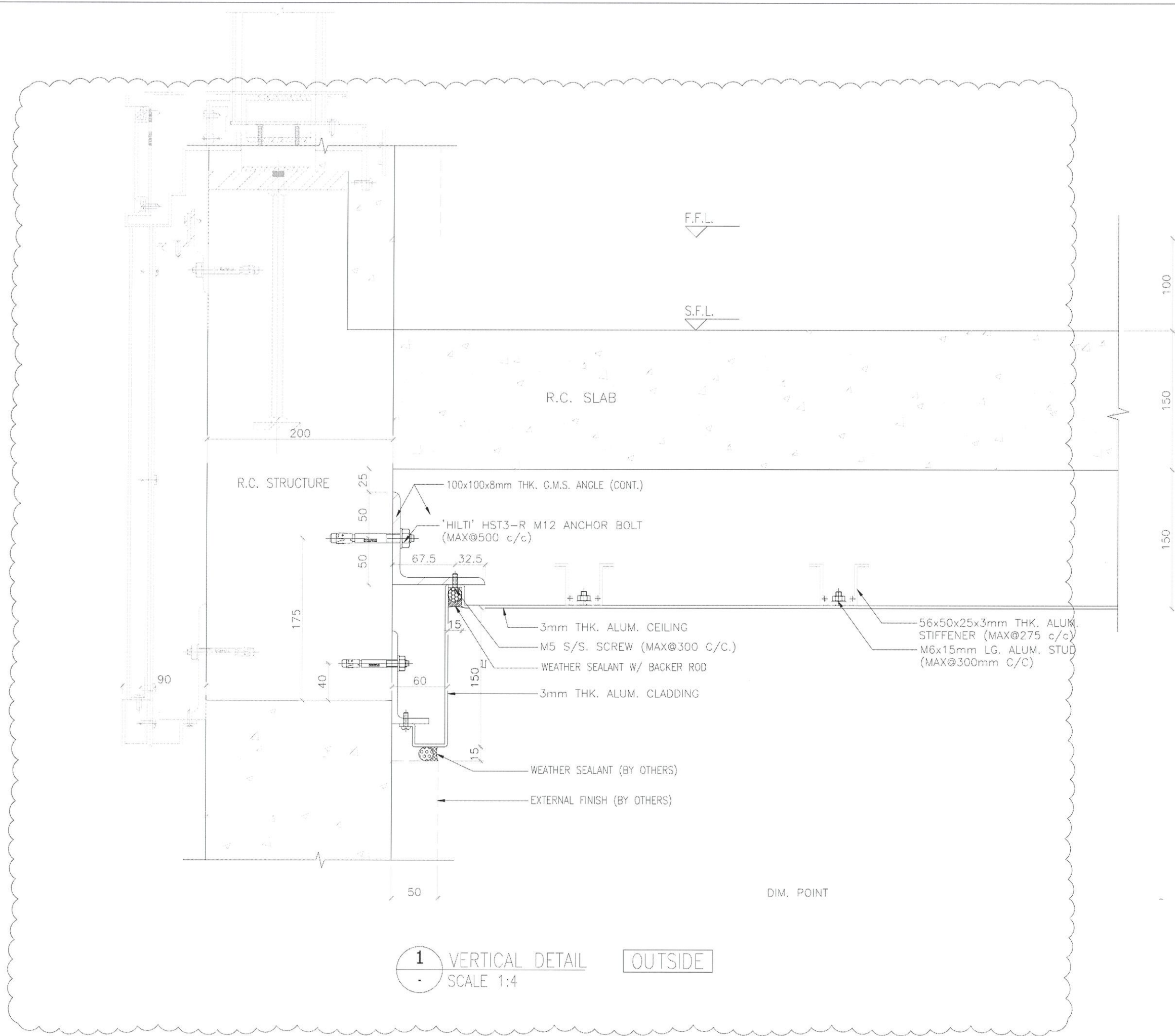
TITLE :
VERTICAL DETAIL FOR NORMAL ALUM. CEILING

DATE : 11-AUG-21 SCALE : 1 : 4

DRAWN BY : LHR CHECKED BY :

美特鋁質有限公司
MIDI ALUMINIUM FABRICATOR LTD.
Units 6-8, Sunray Industrial Centre, 1/F
610 Cha Kwo Ling Road, Kowloon
Tel:23489211-4 Fax:(852)27727666

DWG NO. : J853-SD-ALC-6009 REV. : -



1 VERTICAL DETAIL OUTSIDE
SCALE 1:4

B.O. REF :

CLIENT :
SHIMAO GROUP HOLDINGS LIMITED

ARCHITECT :
WONG TUNG & PARTNERS LIMITED
ARCHITECTS & PLANNERS
WT

MAIN CONTRACTOR :
協興建築有限公司
HIP HING CONSTRUCTION CO LTD

STRUCTURAL ENGINEER :
ICMA C M WONG & ASSOCIATES LTD
黃志明建築工程師有限公司

FACADE CONSULTANT:
MEINHARDT

NOTE :
1. ALL DIMENSIONS ARE IN mm.
2. ALL ELEVATIONS ARE VIEWED FROM OUTSIDE.
3. ALL DIMENSIONS TO BE VERIFIED ON SITE BEFORE FABRICATION.

LEGEND :
X1 — DETAIL MARK NO.
X001 — REFER SHEET NO.
1. F.F.L. — FINISHED FLOOR LEVEL
2. S.F.L. — STRUCTURAL FLOOR LEVEL
3. (R) — REVERSED DETAIL

NO.	DATE	REVISED	BY

JOB NO. : J-853
PROJECT : PROPOSED RESIDENTIAL DEVELOPMENT AT N.K.I.L. 6542 YIN PING ROAD KOWLOON

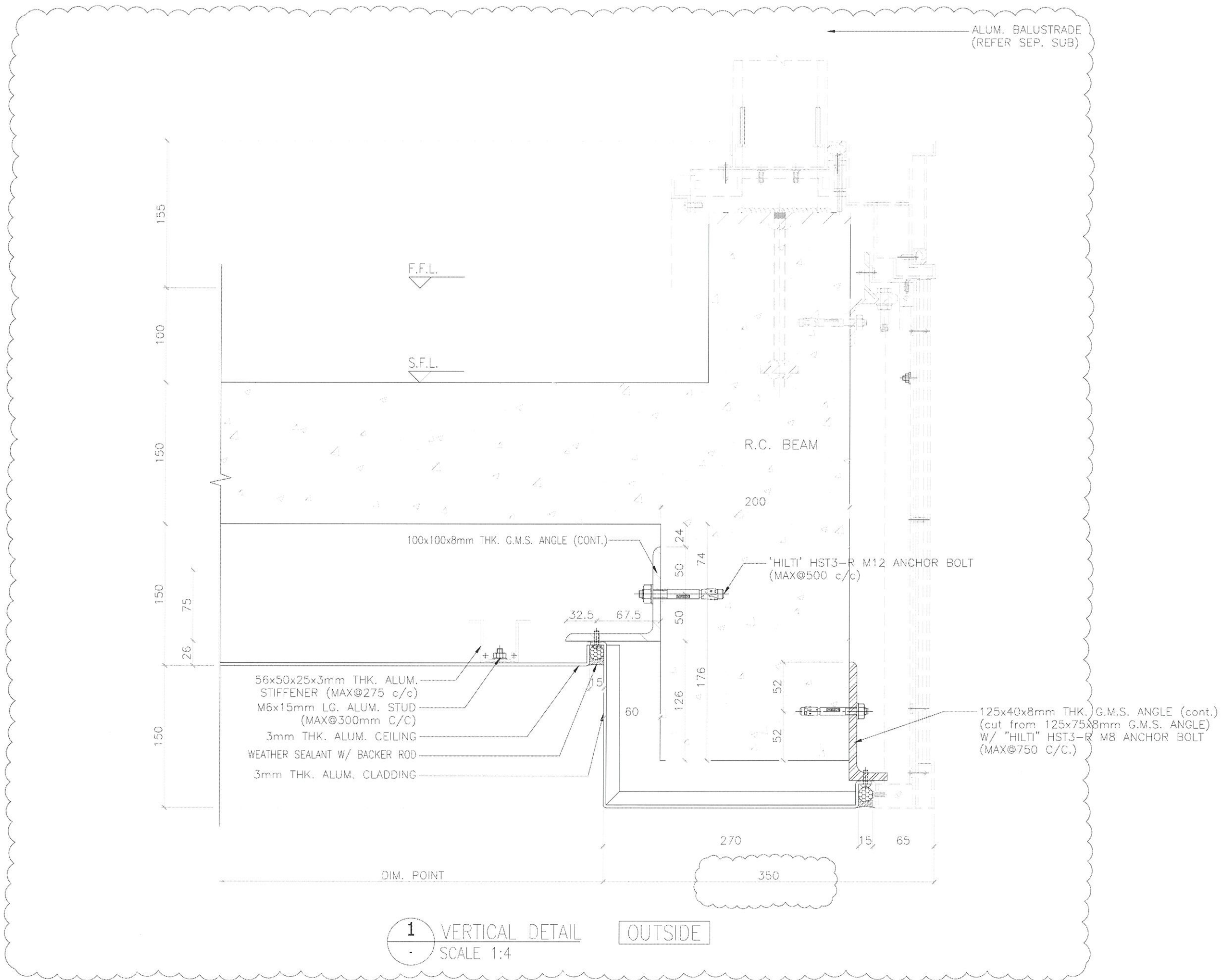
TITLE : VERTICAL DETAIL FOR NORMAL ALUM. CEILING

DATE : 11-AUG-21 SCALE : 1 : 4

DRAWN BY : LHR CHECKED BY :

美特鋁質有限公司
MIDI ALUMINIUM FABRICATOR LTD.
Units 6-8, Sunray Industrial Centre, 1/F
610 Cha Kwo Ling Road, Kowloon
Tel:23489211-4 Fax:(852)27727666

DWG NO. : J853-SD-ALC-6009B REV. : -



B.D. REF :

CLIENT :
SHIMAO GROUP HOLDINGS LIMITED

ARCHITECT :
WONG TUNG & PARTNERS LIMITED ARCHITECTS & PLANNERS
WT

MAIN CONTRACTOR :
協興建築有限公司 HIP HING CONSTRUCTION CO LTD

STRUCTURAL ENGINEER :
ICMA C M WONG & ASSOCIATES LTD 黃志明建築工程師有限公司

FACADE CONSULTANT:
MEIN-HARDT

NOTE :
1. ALL DIMENSIONS ARE IN mm.
2. ALL ELEVATIONS ARE VIEWED FROM OUTSIDE.
3. ALL DIMENSIONS TO BE VERIFIED ON SITE BEFORE FABRICATION.

LEGEND :
X1 --- DETAIL MARK NO.
X001 --- REFER SHEET NO.
1. F.F.L. --- FINISHED FLOOR LEVEL
2. S.F.L. --- STRUCTURAL FLOOR LEVEL
3. (R) --- REVERSED DETAIL

NO.	DATE	REVISED	BY

JOB NO. : J-853
PROJECT : PROPOSED RESIDENTIAL DEVELOPMENT AT N.K.I.L. 6542 YIN PING ROAD KOWLOON

TITLE : VERTICAL DETAIL FOR NORMAL ALUM. CEILING

DATE : 11-AUG-21 SCALE : 1 : 4

DRAWN BY : LHR CHECKED BY :

美特鋁質有限公司
MIDI ALUMINIUM FABRICATOR LTD.
Units 6-8, Sunray Industrial Centre, 1/F
610 Cha Kwo Ling Road, Kowloon
Tel:23489211-4 Fax:(852)2727666

DWG NO. : J853-SD-ALC-6010 REV. : -

B.O. REF :

CLIENT :
SHIMAO GROUP HOLDINGS LIMITED

ARCHITECT :
WONG TUNG & PARTNERS LIMITED
ARCHITECTS & PLANNERS
WT

MAIN CONTRACTOR :
協興建築有限公司
HIP HING CONSTRUCTION CO LTD

STRUCTURAL ENGINEER :
ICMA C M WONG & ASSOCIATES LTD
黃志明建築工程師有限公司

FACADE CONSULTANT:
MEIN-HARDT

NOTE :
1. ALL DIMENSIONS ARE IN mm.
2. ALL ELEVATIONS ARE VIEWED FROM OUTSIDE.
3. ALL DIMENSIONS TO BE VERIFIED ON SITE BEFORE FABRICATION.

LEGEND :

	DETAIL MARK NO.
	REFER SHEET NO.

- F.F.L. -- FINISHED FLOOR LEVEL
- S.F.L. -- STRUCTURAL FLOOR LEVEL
- (R) -- REVERSED DETAIL

NO.	DATE	REVISED	BY

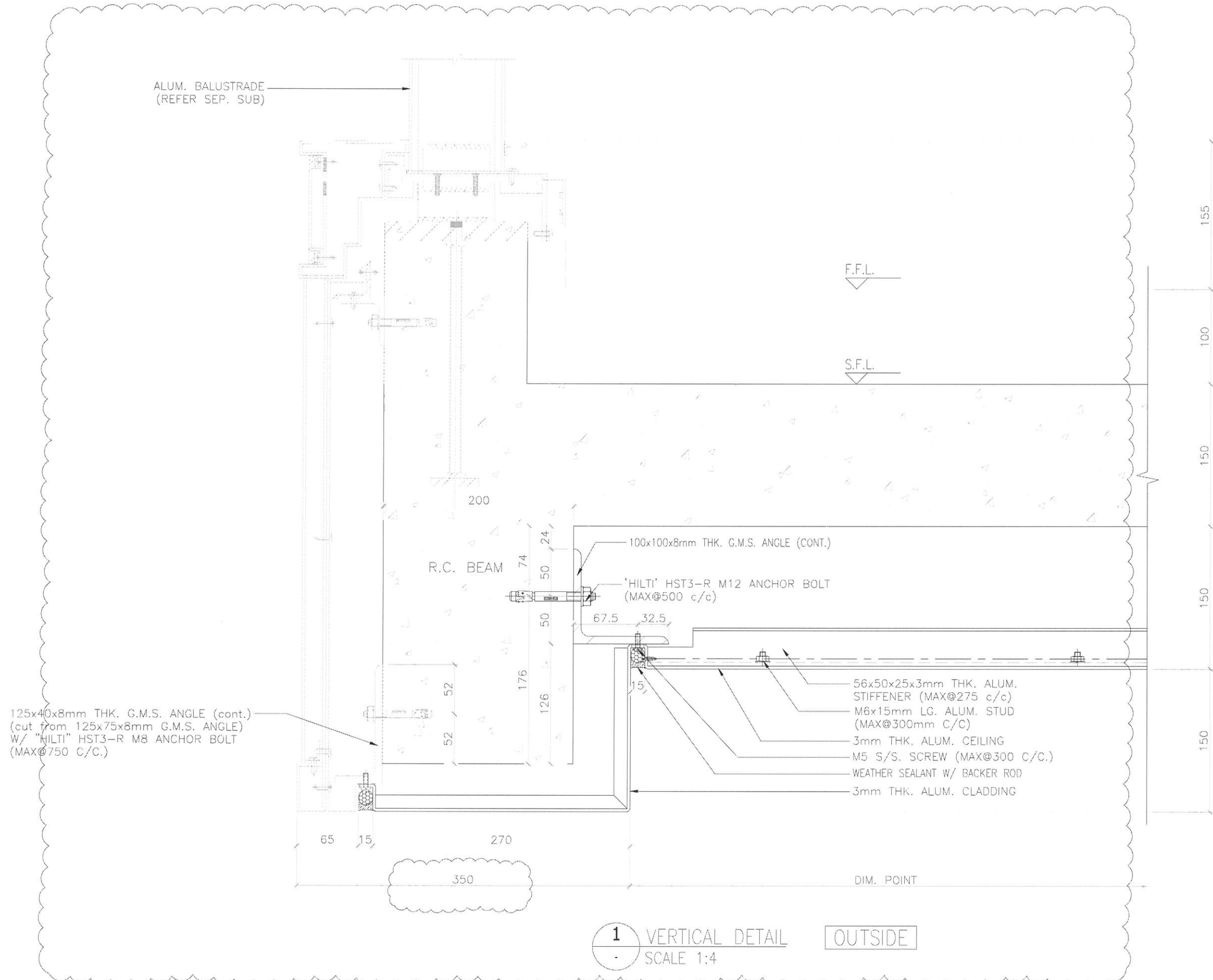
JOB NO. : J-853
PROJECT : PROPOSED RESIDENTIAL DEVELOPMENT AT N.K.I.L. 6542 YIN PING ROAD KOWLOON

TITLE : VERTICAL DETAIL FOR NORMAL ALUM. CEILING

DATE : 11-AUG-21 SCALE : 1 : 4
DRAWN BY : LHR CHECKED BY :

美特鋁質有限公司
MIDI ALUMINIUM FABRICATOR LTD.
Units 6-8, Sunray Industrial Centre, 1/F
610 Cha Kwo Ling Road, Kowloon
Tel:23489211-4 Fax:(852)2727666

DWG NO. : J853-SD-ALC-6011 REV. : -



1 VERTICAL DETAIL OUTSIDE
SCALE 1:4

B.D. REF :

CLIENT :
SHIMAO GROUP HOLDINGS LIMITED

ARCHITECT :
WONG TUNG & PARTNERS LIMITED
ARCHITECTS & PLANNERS
WT

MAIN CONTRACTOR :
協興建築有限公司
HIP HING CONSTRUCTION CO LTD

STRUCTURAL ENGINEER :
ICMA C M WONG & ASSOCIATES LTD
黃志明建築工程師有限公司

FAÇADE CONSULTANT:
MEINHARDT

NOTE :
1. ALL DIMENSIONS ARE IN mm.
2. ALL ELEVATIONS ARE VIEWED FROM OUTSIDE.
3. ALL DIMENSIONS TO BE VERIFIED ON SITE BEFORE FABRICATION.

LEGEND :
X1 --- DETAIL MARK NO.
X001 --- REFER SHEET NO.
1. F.F.L. --- FINISHED FLOOR LEVEL
2. S.F.L. --- STRUCTURAL FLOOR LEVEL
3. (R) --- REVERSED DETAIL

NO.	DATE	REVISED	BY

JOB NO. : J-853
PROJECT : PROPOSED RESIDENTIAL DEVELOPMENT AT N.K.I.L. 6542 YIN PING ROAD KOWLOON

TITLE : VERTICAL DETAIL FOR NORMAL ALUM. CEILING

DATE : 11-AUG-21 SCALE : 1 : 4

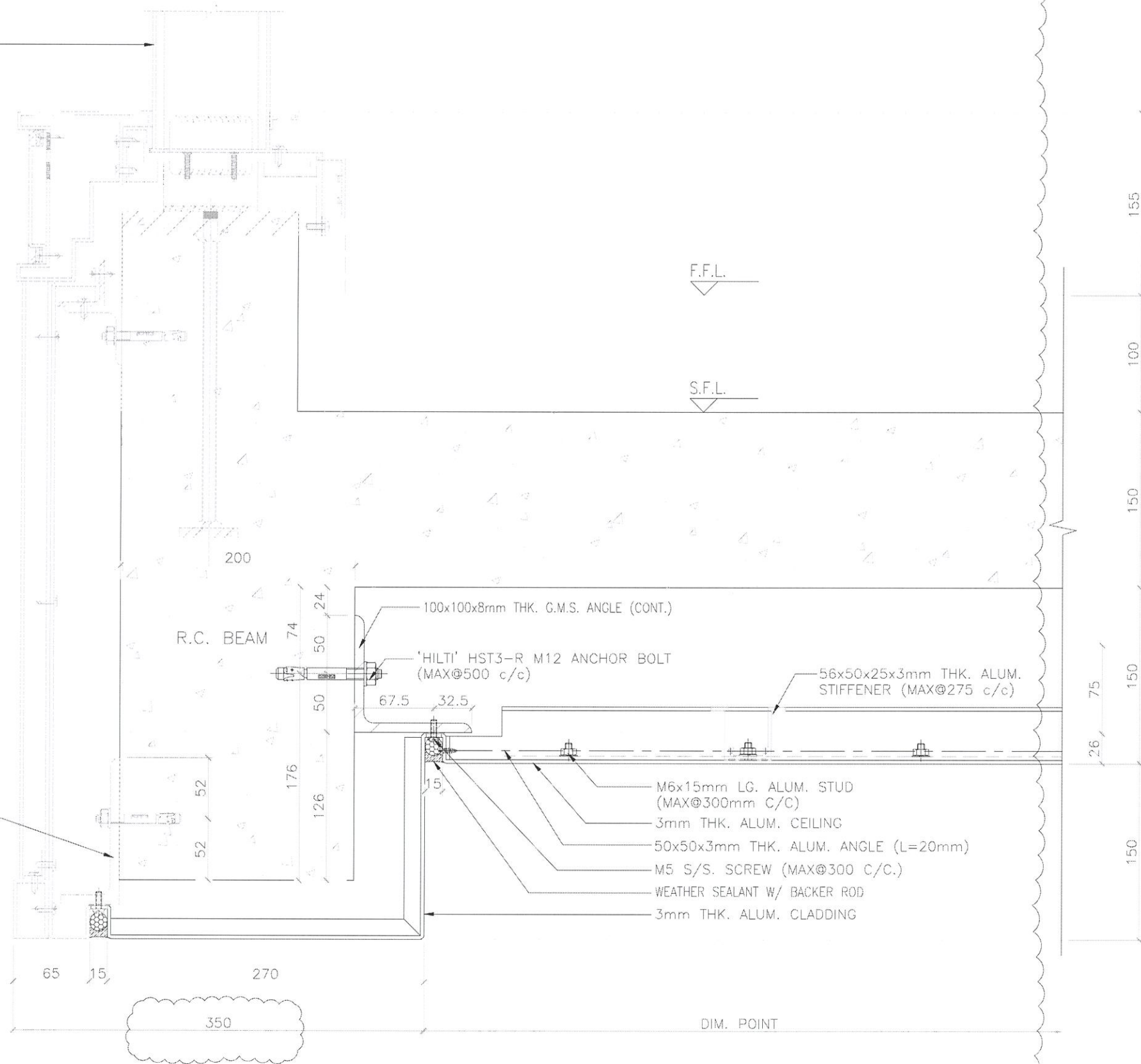
DRAWN BY : LHR CHECKED BY :

美特鋁質有限公司
MIDI ALUMINIUM FABRICATOR LTD.
Units 6-8, Sunray Industrial Centre, 1/F
610 Cha Kwo Ling Road, Kowloon
Tel:23489211-4 Fax:(852)27727666

DWG NO. : J853-SD-ALC-6011A REV. : -

ALUM. BALUSTRADE
(REFER SEP. SUB)

125x40x8mm THK. G.M.S. ANGLE (cont.)
(cut from 125x75x8mm G.M.S. ANGLE)
W/ "HILTI" HST3-R M8 ANCHOR BOLT
(MAX@750 C/C.)



1 VERTICAL DETAIL
SCALE 1:4
OUTSIDE