

工程指示 / 要求簡箋(E.I.)

工程指示編號：EI/ 4353 122 修改版次：
 工程編號：J853 工程名稱：延坪道住宅項目
 工程項目：T2 露台欄河地盤用鐵件
 收件人：Maggie Lor 發件人：Joe Chan 日期：8/2/2022

要求提供 / 確認 事項：

- | | | |
|------------------------------------|-------------------------------------|-------------------------------|
| <input type="checkbox"/> 初步鋁料 B.M. | <input type="checkbox"/> 加工拆圖，然後生產 | <input type="checkbox"/> 尺寸表 |
| <input type="checkbox"/> 正式鋁料 B.M. | <input type="checkbox"/> 技術上資料 / 指示 | <input type="checkbox"/> 報價 |
| <input type="checkbox"/> 配件 B.M. | <input type="checkbox"/> 樣辦或貨品說明書 | <input type="checkbox"/> 分判合約 |
| <input type="checkbox"/> 其他：_____ | | |

內容：

請依附件資料，生產 GMS 鐵件，分樓層，送地盤
 廠驗焊：10% 磁粉，100% 目測
 驗焊報告名稱：Superstructure - Glass and Metal Balustrade

請在 15/3/2022 前完成上列要求。按地盤進度，分層送貨。

附有關圖紙 / 文件：

1+55頁

以上項目為：

- 原合約工程包 原合約工程加 / 減賬 新工程報價

原因：-

分發東莞各部門：

- () 生產技術總監 連附件 () 技術部 連附件 () 生產部 連附件 () 機械設計部 連附件
 () 採購部 連附件 () 生產統籌部 連附件
 () 質檢部 連附件 () 會計部 連附件 () 報關組 連附件 () 其他 _____ 連附件

分發香港各部門：

- () 行政部 連附件 () 會計部 連附件 () 統籌部 連附件 () 工程部地盤科文 連附件 炳哥
 () 採購部 連附件 () QS 部 連附件 () 維修部 連附件 () 其他 _____ 連附件

傳遞編號：

發件人簽署：

項目經理簽署：



美特鋁質有限公司
MADI Aluminium Fabricator Ltd.

工程號：
1853

地盤名稱：
錦上路/延平道

計算：
核對：

日期：
27/1/2022

送呈：
副本：

日期：
修改：

總重量(KG):
32219.7

BM編號：

項目類別：

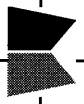
T2欄河;UP,BAL地盤用鋼件

修改：

總重量(KG):

備註

序號	修改標示	配件圖號	物料編號	配件名稱	顏色	實用	後備	總數	單位	單件重量	總重量	備註
									件	KG	KG	
1		21-M01-GMU01	21-M01-GMU01	80*20*1183mm鋼巴	熱浸鋅	301	16	317	件	14.858	4710.138	
2		21-M01-GMU02	21-M01-GMU02	80*20*1183mm鋼巴	熱浸鋅	124	6	130	件	14.858	1931.602	
3		21-M01-GTR01	21-M01-GTR01	80*10*935mm鋼巴	熱浸鋅	9	0	9	件	5.872	52.846	
4			22-M01-GTR01	80*10*320mm鋼巴	熱浸鋅	7	0	7	件	5.872	41.103	
5		21-M01-GTR01	23-M01-GTR01	80*10*910mm鋼巴	熱浸鋅	18	0	18	件	5.715	102.866	
6			24-M01-GTR01	80*10*570mm鋼巴	熱浸鋅	19	0	19	件	5.715	108.581	
7		21-M01-GTR01	25-M01-GTR01	80*10*320mm鋼巴	熱浸鋅	9	0	9	件	2.010	18.086	
8			21-M01-GTR02	80*10*1330mm鋼巴	熱浸鋅	9	0	9	件	8.352	75.172	
9		21-M01-GTR02	23-M01-GTR02	80*10*1280mm鋼巴	熱浸鋅	18	0	18	件	8.038	144.691	
10			21-M01-GTR03	31-M01-GTR03	80*10*228mm鋼巴	熱浸鋅	9	0	9	件	8.038	72.346
11		22-M01-GTR03	22-M01-GTR03	80*10*935mm鋼巴	熱浸鋅	7	0	7	件	5.872	41.103	
12			23-M01-GTR03	80*10*455mm鋼巴	熱浸鋅	18	0	18	件	2.857	51.433	
13		22-M01-GTR03	24-M01-GTR03	80*10*910mm鋼巴	熱浸鋅	19	0	19	件	5.715	108.581	
14			25-M01-GTR03	80*10*935mm鋼巴	熱浸鋅	9	0	9	件	5.872	52.846	
15		22-M01-GTR02	22-M01-GTR02	80*10*1280mm鋼巴	熱浸鋅	7	1	8	件	8.038	64.307	
16			24-M01-GTR02	80*10*1280mm鋼巴	熱浸鋅	18	1	19	件	8.038	152.730	
17		22-M01-GTR02	25-M01-GTR02	80*10*1330mm鋼巴	熱浸鋅	9	1	10	件	8.352	83.524	
18			21-N01-GTR01	40*40*4mm角鋼	熱浸鋅	9	0	9	件	2.483	22.343	
19		21-N01-GTR01	23-N01-GTR01	40*40*4mm角鋼	熱浸鋅	18	0	18	件	2.422	43.596	
20			24-N01-GTR01	40*40*4mm角鋼	熱浸鋅	19	0	19	件	1.599	30.372	
21		22-N01-GTR01	22-N01-GTR01	40*40*4mm角鋼	熱浸鋅	7	0	7	件	0.993	6.951	
22			25-N01-GTR01	40*40*4mm角鋼	熱浸鋅	9	0	9	件	0.993	8.937	



美特鋁質有限公司

MTDI Aluminium Fabricator Ltd.

工程號：

1853

計算：

CJM

日期：

27/1/2022

送呈：

地盤名稱：

錦上路/延平道

核對：

日期：

副本：

BM編號：

項目類別：

T2攔河;UP,BAL地盤用鋼件

修改：

總重量(Kg):

32219.7

序號	修改標示	配件圖號	物料編號	配件名稱	顏色	實用	後備	總數	單位	單件重量	總重量	備註
									件	KG	KG	
23			21-N01-GTR02	40*40*4mm角鋼	熱浸鋅	9	0	9	件	3.657	32.915	
24			22-N01-GTR02	40*40*4mm角鋼	熱浸鋅	7	0	7	件	3.536	24.753	
25		31-N01-GTR02	23-N01-GTR02	40*40*4mm角鋼	熱浸鋅	18	0	18	件	3.536	63.650	
26			24-N01-GTR02	40*40*4mm角鋼	熱浸鋅	19	0	19	件	3.536	67.186	
27			25-N01-GTR02	40*40*4mm角鋼	熱浸鋅	9	0	9	件	3.657	32.915	
28			21-N01-GTR03	40*40*4mm角鋼	熱浸鋅	9	0	9	件	0.775	6.975	
29			22-N01-GTR03	40*40*4mm角鋼	熱浸鋅	7	0	7	件	2.483	17.378	
30		22-N01-GTR03	23N01-GTR03	40*40*4mm角鋼	熱浸鋅	18	0	18	件	0.775	13.951	
31			24-N01-GTR03	40*40*4mm角鋼	熱浸鋅	19	1	20	件	2.483	49.651	
32			25-N01-GTR03	40*40*4mm角鋼	熱浸鋅	9	1	10	件	1.320	13.200	
33			21-P01-GTR01	125*75*8mm角鋼	熱浸鋅	9	0	9	件	12.802	115.218	
34		21-P01-GTR01	23-P01-GTR01	125*75*8mm角鋼	熱浸鋅	18	0	18	件	12.488	224.788	
35			24-P01-GTR01	125*75*8mm角鋼	熱浸鋅	19	0	19	件	8.221	156.197	
36			22-P01-GTR01	125*75*8mm角鋼	熱浸鋅	7	0	7	件	5.083	35.582	
37		22-P01-GTR01	25-P01-GTR01	125*75*8mm角鋼	熱浸鋅	9	0	9	件	5.083	45.748	
38			21-P01-GTR02	125*75*8mm角鋼	熱浸鋅	9	0	9	件	18.827	169.439	
39			22-P01-GTR02	125*75*8mm角鋼	熱浸鋅	7	0	7	件	18.199	127.393	
40		21-P01-GTR02	23-P01-GTR02	125*75*8mm角鋼	熱浸鋅	18	0	18	件	18.199	327.581	
41			24-P01-GTR02	125*75*8mm角鋼	熱浸鋅	19	0	19	件	18.199	345.780	
42			25-P01-GTR03	125*75*8mm角鋼	熱浸鋅	9	0	9	件	18.827	169.439	
43		21-P01-GTR03	21-P01-GTR03	125*75*8mm角鋼	熱浸鋅	9	0	9	件	3.954	35.582	
44			22-P01-GTR03	125*75*8mm角鋼	熱浸鋅	7	0	7	件	12.802	89.614	

(2)



美特鋁質有限公司

MDI Aluminium Fabricator Ltd.

工程號：

J853

計算：

CIM

日期：

27/1/2022

送呈：

地盤名稱：

錦上路/延平道

核對：

日期：

修改：

日期：

副本：

BM編號：

項目類別：

T2欄河;UP,BAL地盤用鋼件

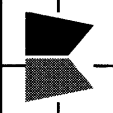
修改：

總重量(Kg):

32219.7

序號	修改標示	配件圖號	物料編號	配件名稱	顏色	實用	後備	總數	單位	單件重量	總重量	備註
									件	KG	KG	
45		22-P01-GTR03	23-P01-GTR03	125*75*8mm角鋼	熱浸鋅	18	0	18	件	6.778	121.996	
46			24-P01-GTR03	125*75*8mm角鋼	熱浸鋅	19	0	19	件	12.488	237.277	
47		21-BA01-GMU01	25-P01-GTR03	125*75*8mm角鋼	熱浸鋅	9	0	9	件	12.802	115.218	
48			21-BA01-GMU01	100*40*1029mm鋼巴	熱浸鋅	154	8	162	件	32.311	5234.317	
49		21-BA01-GMU02	100*40*1029mm鋼巴	熱浸鋅	192	9	201	件	32.311	6494.431		
50		22-BA01-GMU03	100*40*1029mm鋼巴	熱浸鋅	54	3	57	件	32.311	1841.704		
51		21-BA01-GTR01	21-BA01-GTR01	100*15鋼巴	熱浸鋅	9	0	9	件	7.866	70.791	
52			22-BA01-GTR01	100*15鋼巴	熱浸鋅	8	0	8	件	7.866	62.926	
53		21-BA01-GTR01	23-BA01-GTR01	100*15鋼巴	熱浸鋅	18	0	18	件	6.983	125.686	
54			25-BA01-GTR01	100*15鋼巴	熱浸鋅	9	0	9	件	7.866	70.791	
55		24-BA01-GTR01	100*15鋼巴	熱浸鋅	19	0	19	件	2.567	48.772		
56		21-BA01-GTR02	21-BA01-GTR02	100*15鋼巴	熱浸鋅	9	0	9	件	26.906	242.153	
57			25-BA01-GTR02	100*15鋼巴	熱浸鋅	9	0	9	件	25.728	231.555	
58		22-BA01-GTR02	100*15鋼巴	熱浸鋅	8	0	8	件	71.651	573.207		
59		23-BA01-GTR02	23-BA01-GTR02	100*15鋼巴	熱浸鋅	18	0	18	件	39.505	711.092	
60			24-BA01-GTR02	100*15鋼巴	熱浸鋅	19	0	19	件	39.505	750.597	
61		21-BA01-GTR03	21-BA01-GTR03	100*15鋼巴	熱浸鋅	9	0	9	件	16.874	151.862	
62			22-BA01-GTR03	100*15鋼巴	熱浸鋅	8	0	8	件	6.983	55.861	
63		21-BA01-GTR03	24-BA01-GTR02	100*15鋼巴	熱浸鋅	19	0	19	件	13.341	253.480	
64			25-BA01-GTR03	100*15鋼巴	熱浸鋅	9	0	9	件	6.983	62.843	
65		23-BA01-GTR01	100*15鋼巴	熱浸鋅	18	0	18	件	2.273	40.906		
66		21-BB01-GTR01	125*75*8mm角鋼	熱浸鋅	9	0	9	件	9.413	84.719		

3



美特鋁質有限公司
MDDI Aluminium Fabricator Ltd.

工程號： J853
地盤名稱： 錦上路延平道

計算： CIM
核對： 錦上路延平道

日期： 27/11/2022
修改： T2欄河;UP,BAL地盤用鋼件

送呈： 副本：
總重量(kg): 32219.7

BM編號： 項目類別： 配件名稱： 顏色 實用 後備 總數 單位 單件重量 總重量 備註

序號	修改標示	配件圖號	物料編號	配件名稱	顏色	實用	後備	總數	單位	單件重量	總重量	備註
									件	KG	KG	
67		21-BB01-GTR01	22-BB01-GTR01	125*75*8mm角鋼	熱浸鋅	8	0	8	件	8.472	67.775	
68			23-BB01-GTR01	125*75*8mm角鋼	熱浸鋅	18	0	18	件	16.818	302.730	
69			25-BB01-GTR01	125*75*8mm角鋼	熱浸鋅	9	0	9	件	19.015	171.133	
70		24-BB01-GTR01	24-BB01-GTR01	125*75*8mm角鋼	熱浸鋅	19	0	19	件	3.765	71.541	
71		21-BB01-GTR02	21-BB01-GTR02	125*75*8mm角鋼	熱浸鋅	9	0	9	件	30.750	276.750	
72			25-BB01-GTR02	125*75*8mm角鋼	熱浸鋅	9	0	9	件	29.495	265.454	
73			22-BB01-GTR02	125*75*8mm角鋼	熱浸鋅	8	0	8	件	78.444	627.550	
74		22-BB01-GTR02	23-BB01-GTR02	125*75*8mm角鋼	熱浸鋅	18	0	18	件	44.180	795.231	
75			24-BB01-GTR02	125*75*8mm角鋼	熱浸鋅	19	0	19	件	44.180	839.411	
76			21-BB01-GTR03	125*75*8mm角鋼	熱浸鋅	9	0	9	件	19.015	171.133	
77		21-BB01-GTR03	22-BB01-GTR03	125*75*8mm角鋼	熱浸鋅	8	0	8	件	8.472	67.775	
78			24-BB01-GTR03	125*75*8mm角鋼	熱浸鋅	19	0	19	件	15.249	289.740	
79			25-BB01-GTR03	125*75*8mm角鋼	熱浸鋅	9	0	9	件	8.472	76.247	
80		23-BB01-GTR03	23-BB01-GTR03	125*75*8mm角鋼	熱浸鋅	18	0	18	件	3.765	67.775	
81			XX-01	50*50*5角鐵	熱浸鋅	25	1	26	件	11.300	293.800	
82			GS01-AK02	50*50*5角鐵	熱浸鋅	434	2	436	件	0.377	164.372	
83												
						總計	2269		件		32219.7	

4

5

1 TYPICAL FLOOR PLAN AT TOWER 2

TOWER 2 - 6/F FLOOR PLAN (LOW ZONE)



TOWER 1

FLOOR LEVEL (SEFL)	FLOOR LEVEL
16/F	+177.80
15/F	+174.65
12/F	+171.50
11/F	+168.35
10/F	+165.20
8/F	+162.05
7/F	+158.90
6/F	+155.75
5/F	+152.60
4/F	+149.45

TITLE: LOCATION PLAN FOR GLASS BALUSTRADE AT TOWER 2 (6/F TO 16/F)

DATE: 19-MAR-21 **SCALE:** 1:50 (A1)

DRAWN BY: C/M **CHECKED BY:** -

PROJECT: PROPOSED RESIDENTIAL DEVELOPMENT AT N.K.L.L. 6542 YIM PING ROAD KOWLOON

CLIENT: SHIMAO GROUP HOLDINGS LIMITED

ARCHITECT: C.M. WONG & ASSOCIATES LTD

STRUCTURAL ENGINEER: C.M. WONG & ASSOCIATES LTD

MECHANICAL ENGINEER: C.M. WONG & ASSOCIATES LTD

ELECTRICAL ENGINEER: C.M. WONG & ASSOCIATES LTD

PLUMBING ENGINEER: C.M. WONG & ASSOCIATES LTD

FAÇADE CONSULTANT: MENYHARDT

DATE: 19-MAR-21 **SCALE:** 1:50 (A1)

DRAWN BY: C/M **CHECKED BY:** -

PROJECT: PROPOSED RESIDENTIAL DEVELOPMENT AT N.K.L.L. 6542 YIM PING ROAD KOWLOON

CLIENT: SHIMAO GROUP HOLDINGS LIMITED

ARCHITECT: C.M. WONG & ASSOCIATES LTD

STRUCTURAL ENGINEER: C.M. WONG & ASSOCIATES LTD

MECHANICAL ENGINEER: C.M. WONG & ASSOCIATES LTD

ELECTRICAL ENGINEER: C.M. WONG & ASSOCIATES LTD

PLUMBING ENGINEER: C.M. WONG & ASSOCIATES LTD

FAÇADE CONSULTANT: MENYHARDT

NOTE:

1. ALL DIMENSIONS ARE IN mm.
2. ALL DIMENSIONS ARE VERIFIED FROM COURSE.
3. REFER TO DRAWING FOR DIMENSIONS TO BE VERIFIED ON SITE.
4. REFER TO DRAWING FOR DIMENSIONS TO BE VERIFIED ON SITE.

LEGEND:

- 1. DETAIL MARK NO.
- 2. REFER SHEET NO.
- 3. S.E.L. - STRUCTURAL FLOOR LEVEL
- 4. R.E.S.D. - REINFORCED DETAIL

REVISION:

NO.	DATE	REVISION
1		

CLIENT: SHIMAO GROUP HOLDINGS LIMITED

ARCHITECT: C.M. WONG & ASSOCIATES LTD

STRUCTURAL ENGINEER: C.M. WONG & ASSOCIATES LTD

MECHANICAL ENGINEER: C.M. WONG & ASSOCIATES LTD

ELECTRICAL ENGINEER: C.M. WONG & ASSOCIATES LTD

PLUMBING ENGINEER: C.M. WONG & ASSOCIATES LTD

FAÇADE CONSULTANT: MENYHARDT

DATE: 19-MAR-21 **SCALE:** 1:50 (A1)

DRAWN BY: C/M **CHECKED BY:** -

PROJECT: PROPOSED RESIDENTIAL DEVELOPMENT AT N.K.L.L. 6542 YIM PING ROAD KOWLOON

CLIENT: SHIMAO GROUP HOLDINGS LIMITED

ARCHITECT: C.M. WONG & ASSOCIATES LTD

STRUCTURAL ENGINEER: C.M. WONG & ASSOCIATES LTD

MECHANICAL ENGINEER: C.M. WONG & ASSOCIATES LTD

ELECTRICAL ENGINEER: C.M. WONG & ASSOCIATES LTD

PLUMBING ENGINEER: C.M. WONG & ASSOCIATES LTD

FAÇADE CONSULTANT: MENYHARDT

DATE: 19-MAR-21 **SCALE:** 1:50 (A1)

DRAWN BY: C/M **CHECKED BY:** -

PROJECT: PROPOSED RESIDENTIAL DEVELOPMENT AT N.K.L.L. 6542 YIM PING ROAD KOWLOON

CLIENT: SHIMAO GROUP HOLDINGS LIMITED

ARCHITECT: C.M. WONG & ASSOCIATES LTD

STRUCTURAL ENGINEER: C.M. WONG & ASSOCIATES LTD

MECHANICAL ENGINEER: C.M. WONG & ASSOCIATES LTD

ELECTRICAL ENGINEER: C.M. WONG & ASSOCIATES LTD

PLUMBING ENGINEER: C.M. WONG & ASSOCIATES LTD

FAÇADE CONSULTANT: MENYHARDT

DATE: 19-MAR-21 **SCALE:** 1:50 (A1)

DRAWN BY: C/M **CHECKED BY:** -

PROJECT: PROPOSED RESIDENTIAL DEVELOPMENT AT N.K.L.L. 6542 YIM PING ROAD KOWLOON

CLIENT: SHIMAO GROUP HOLDINGS LIMITED

ARCHITECT: C.M. WONG & ASSOCIATES LTD

STRUCTURAL ENGINEER: C.M. WONG & ASSOCIATES LTD

MECHANICAL ENGINEER: C.M. WONG & ASSOCIATES LTD

ELECTRICAL ENGINEER: C.M. WONG & ASSOCIATES LTD

PLUMBING ENGINEER: C.M. WONG & ASSOCIATES LTD

FAÇADE CONSULTANT: MENYHARDT

DATE: 19-MAR-21 **SCALE:** 1:50 (A1)

DRAWN BY: C/M **CHECKED BY:** -

PROJECT: PROPOSED RESIDENTIAL DEVELOPMENT AT N.K.L.L. 6542 YIM PING ROAD KOWLOON

CLIENT: SHIMAO GROUP HOLDINGS LIMITED

ARCHITECT: C.M. WONG & ASSOCIATES LTD

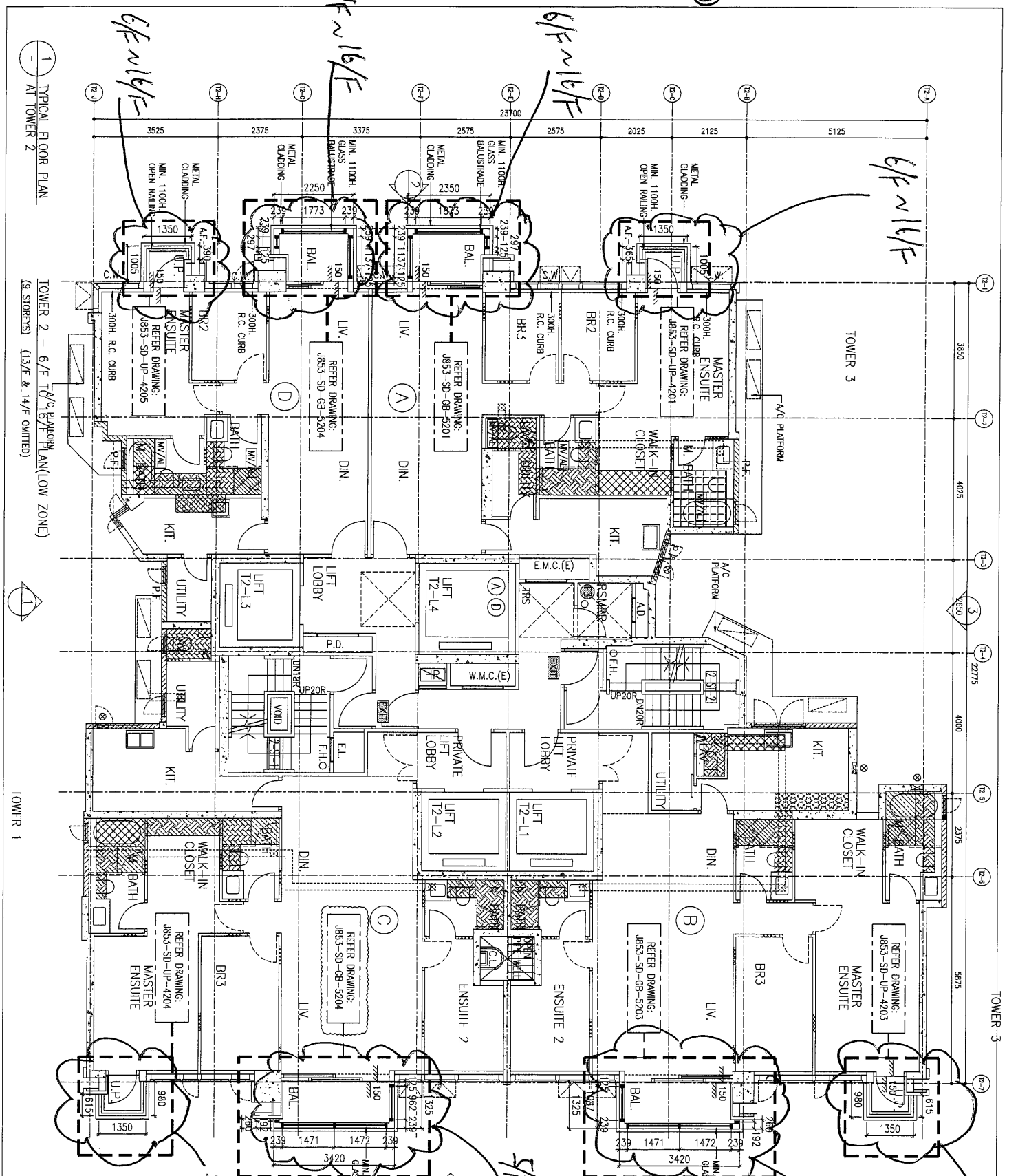
STRUCTURAL ENGINEER: C.M. WONG & ASSOCIATES LTD

MECHANICAL ENGINEER: C.M. WONG & ASSOCIATES LTD

ELECTRICAL ENGINEER: C.M. WONG & ASSOCIATES LTD

PLUMBING ENGINEER: C.M. WONG & ASSOCIATES LTD

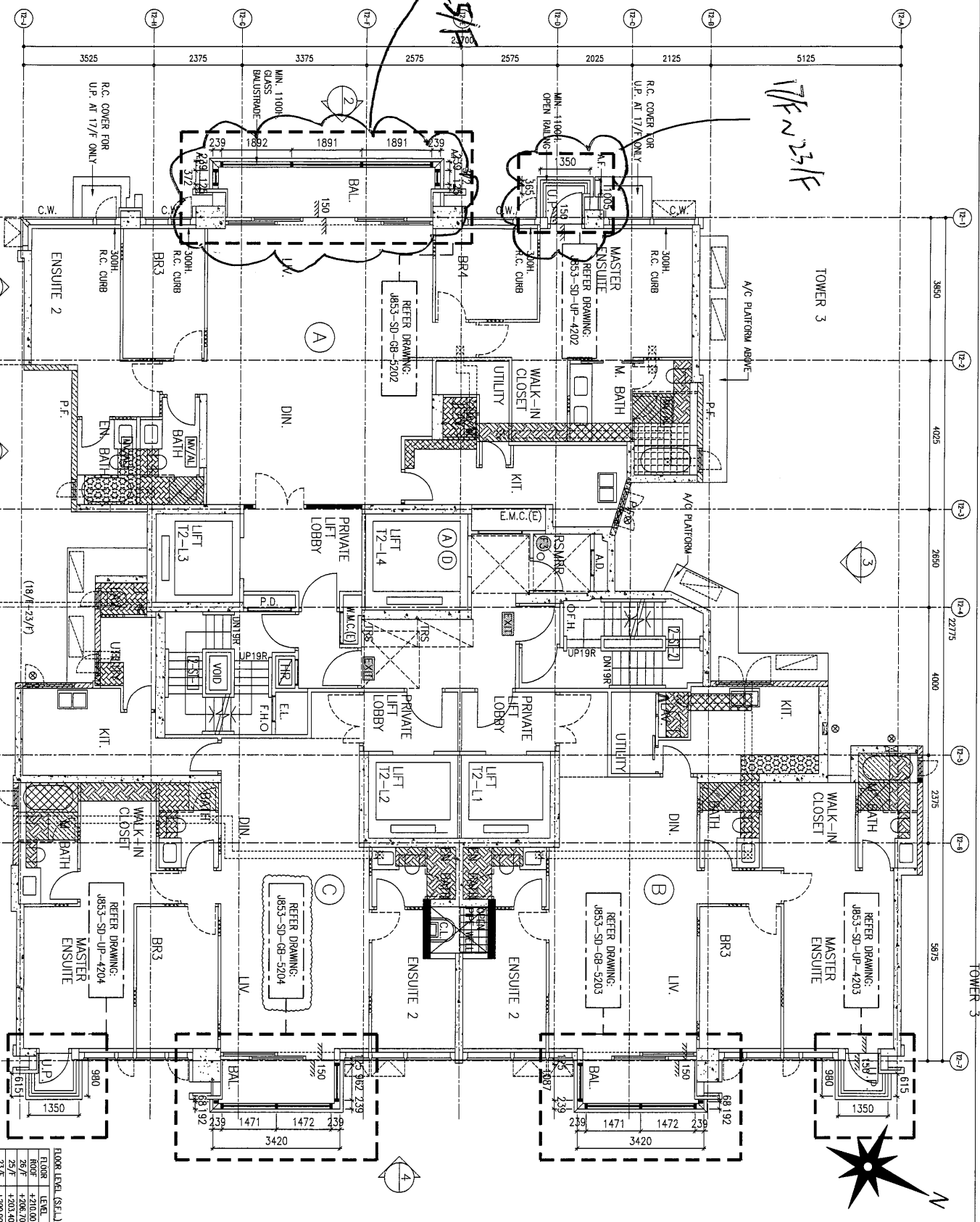
FAÇADE CONSULTANT: MENYHARDT



6

1 TYPICAL FLOOR PLAN AT TOWER 2

TOWER 2 - 17/F TO 23/F PLAN(HIGH ZONE) (Z STOREYS)



FLOOR LEVEL (S.F.L.)	FLOOR LEVEL (E.L.)
ROOF	+210.00
17/F	+208.70
21/F	+205.40
22/F	+198.85
20/F	+195.20
19/F	+192.40
18/F	+189.20
17/F	+181.10

TITLE : LOCATION PLAN FOR GLASS BALUSTRADE AT TOWER 2 (17/F TO 23/F)

DATE : 19-MAR-21 **SCALE :** 1:50 (A1)

PROJECT : PROPOSED RESIDENTIAL DEVELOPMENT AT N.K.I.L. 6542 YIN PING ROAD KOWLOON

DRAWN BY : C.M. **CHECKED BY :** -

ARCHITECT : CHINESE ENGINEERING ARCHITECTS & PLANNERS LIMITED

CLIENT : SHIMAO GROUP HOLDINGS LIMITED

STRUCTURAL ENGINEER : C.M. WONG & ASSOCIATES LTD Consulting Engineers

FRIDGE CONSULTANT : MENYARDT

REVISIONS :

NO.	DATE	REASON	BY
1			

NOTE :

1. ALL DIMENSIONS ARE IN mm.
2. ALL ELEVATIONS ARE TAKEN FROM OUTSIDE.
3. BEHIND DIMENSIONS ARE VERIFIED ON SITE.
4. BEHIND FABRICATION.

LEGEND :

- (X) DETAIL MARK NO.
- (S) REFER SHEET NO.
- 1. F.F.L. - FINISHED FLOOR LEVEL.
- 2. S.F.L. - STRUCTURAL FLOOR LEVEL.
- 3. (R) - REINFORCED CONCRETE.

KEY :

1. ALL DIMENSIONS ARE IN mm.
2. ALL ELEVATIONS ARE TAKEN FROM OUTSIDE.
3. BEHIND DIMENSIONS ARE VERIFIED ON SITE.
4. BEHIND FABRICATION.

CLIENT : SHIMAO GROUP HOLDINGS LIMITED

ARCHITECT : CHINESE ENGINEERING ARCHITECTS & PLANNERS LIMITED

STRUCTURAL ENGINEER : C.M. WONG & ASSOCIATES LTD Consulting Engineers

FRIDGE CONSULTANT : MENYARDT

MAIN CONTRACTOR : W.T.

CLIENT : SHIMAO GROUP HOLDINGS LIMITED

B.D. REF. :

DATE : 19-MAR-21

SCALE : 1:50 (A1)

PROJECT : PROPOSED RESIDENTIAL DEVELOPMENT AT N.K.I.L. 6542 YIN PING ROAD KOWLOON

DRAWN BY : C.M. **CHECKED BY :** -

ARCHITECT : CHINESE ENGINEERING ARCHITECTS & PLANNERS LIMITED

CLIENT : SHIMAO GROUP HOLDINGS LIMITED

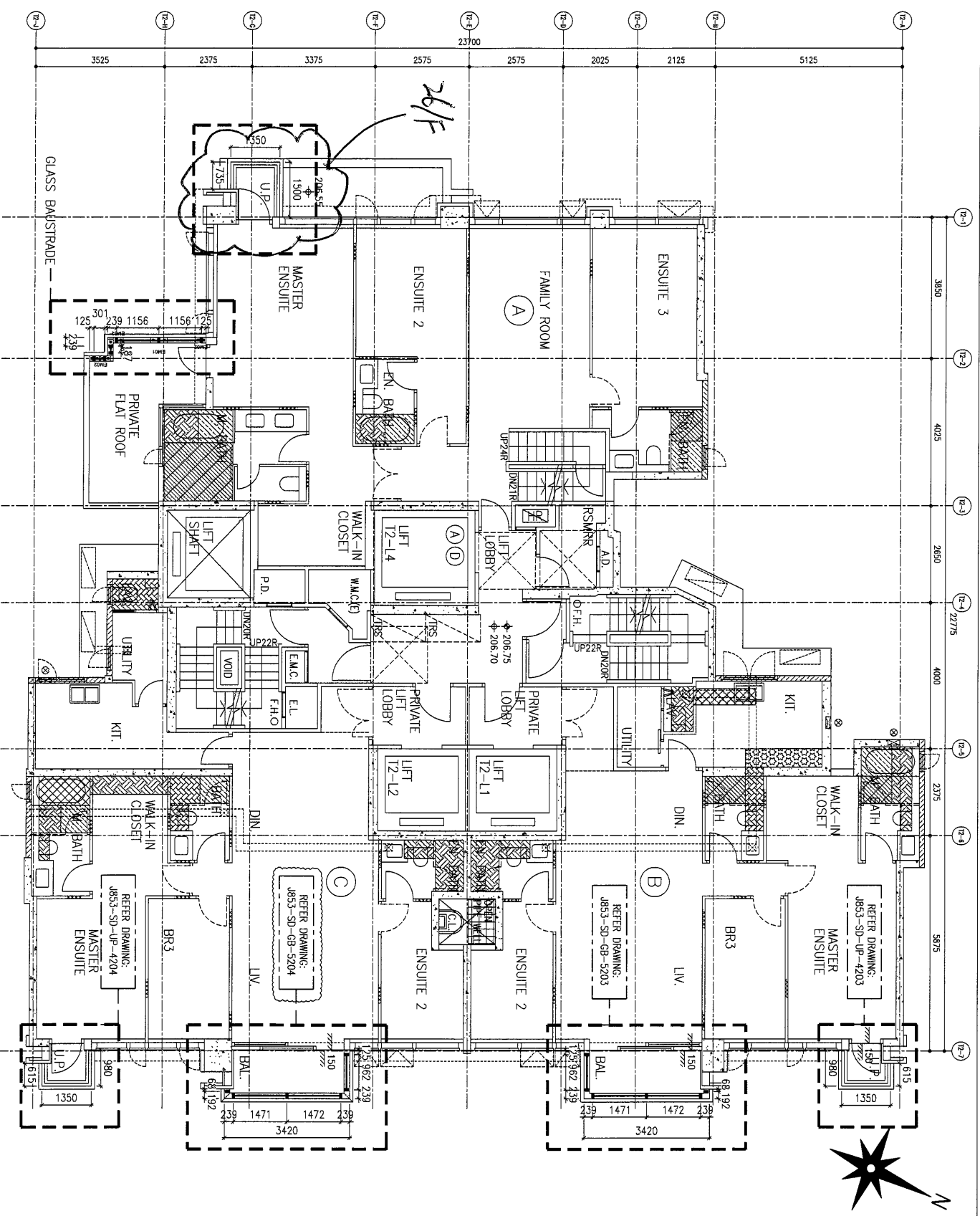
STRUCTURAL ENGINEER : C.M. WONG & ASSOCIATES LTD Consulting Engineers

FRIDGE CONSULTANT : MENYARDT

7

1 TYPICAL FLOOR PLAN
AT TOWER 2

TOWER 2 - 26/F PLAN
(UPPER LEVEL OF PENTHOUSE DUPLEX)



B.D. REF :

CLIENT :
SHIMAO GROUP HOLDINGS LIMITED

ARCHITECT :
WONG TUNG & PARTNERS LIMITED
ARCHITECTS & PLANNERS
WTP

STRUCTURAL ENGINEER :
C M WONG & ASSOCIATES LTD
Consulting Engineers
WENHARDT

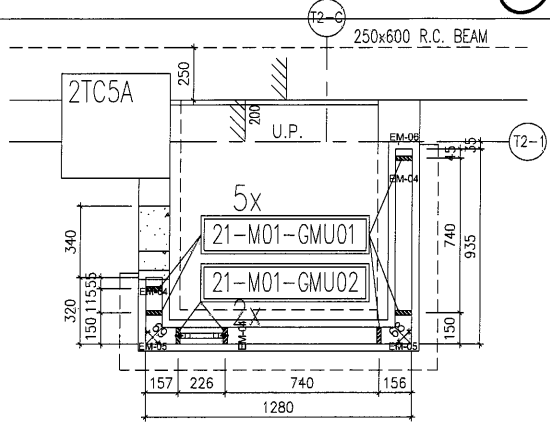
NOTE :
1. ALL DIMENSIONS ARE IN mm.
2. ALL ELEVATIONS ARE VIEWED FROM OUTSIDE.
3. ALL DIMENSIONS TO BE VERIFIED ON SITE BEFORE FABRICATION.
LEGEND :
① DETAIL MARK NO.
② REFER SHEET NO.
1. F.F.L. --- FINISHED FLOOR LEVEL.
2. S.F.L. --- STRUCTURAL FLOOR LEVEL.
3. Ⓣ --- REVERSED DETAIL.

DATE	REVISION	BY
J-4853		
JOB NO. :		
PRODUCT : PROPOSED RESIDENTIAL DEVELOPMENT AT N.K.I.L. 6542 TIN TING ROAD KOWLOON		
TITLE : LOCATION PLAN FOR GLASS BALCONY AT TOWER 2 (26/F)		
DATE : 19-MAR-21	SCALE : 1:50 (A1)	
DRAWN BY : C.M.	CHECKED BY : --	
美特投资有限公司 MIDI Architecture & Interiors Ltd. Units 6-8, Sunny Industrial Centre, 1/F 610 Che Kwo Ling Road, Kowloon Tel: 23892111-4 Fax: 6627272566 DWG NO. : 853-SD-BC-P-3205 REV. : A		

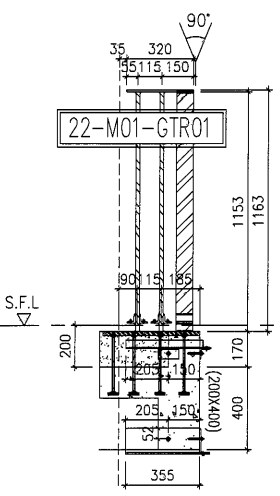
9

編號:	數量:	總數量:
22-M01-GMU01	5	35
22-M01-GMU02	2	14
22-M01-GTR01	1	7
22-M01-GTR02	1	7
22-M01-GTR03	1	7
22-N01-GTR01	1	7
22-N01-GTR02	1	7
22-N01-GTR03	1	7
22-P01-GTR01	1	7
22-P01-GTR02	1	7
22-P01-GTR03	1	7
		112

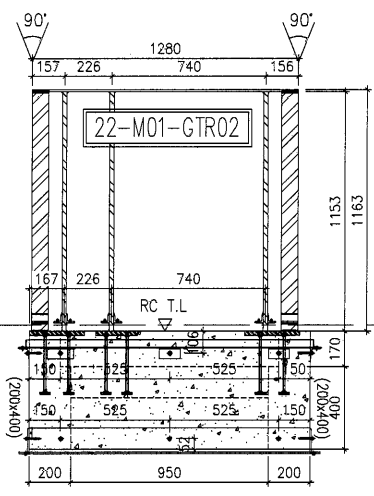
J853-SD-UP-4202
1350 T2 FLAT A
17/F-23/F=7



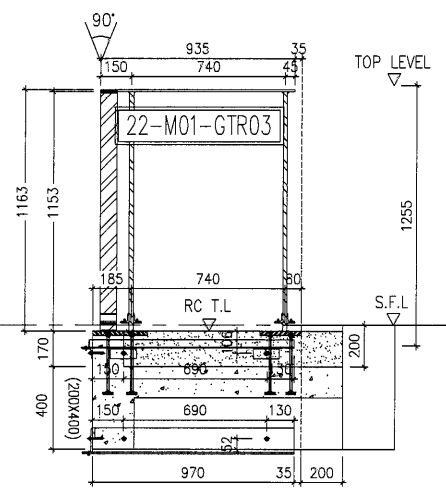
1 TYPICAL PART PLAN FOR
4202 T2 FLAT A U.P. 17/F-23/F
(OMITTED 24)



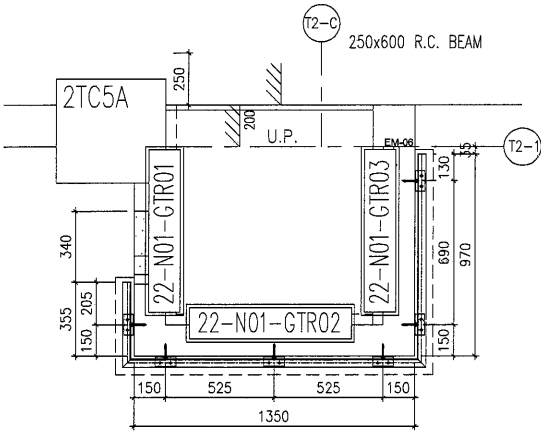
1 TYPICAL PART PLAN FOR
T2 FLAT A U.P. 17/F ~ 23/F
(OMITTED 24)



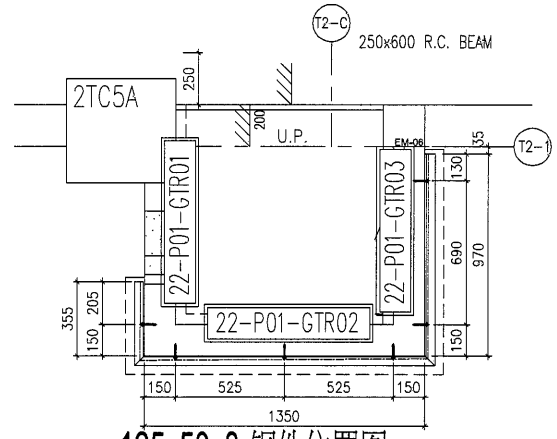
2 TYPICAL PART PLAN FOR
T2 FLAT A U.P. 17/F ~ 23/F
(OMITTED 24)



3 TYPICAL PART PLAN FOR
T2 FLAT A U.P. 17/F ~ 23/F
(OMITTED 24)



40x40x4-鋼件位置圖



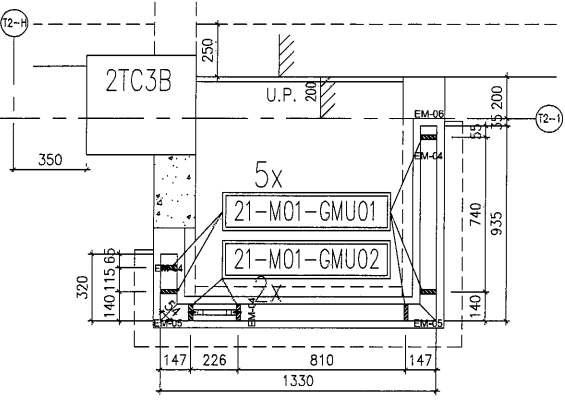
125x50x8-鋼件位置圖

UP4202-鋼件位置圖

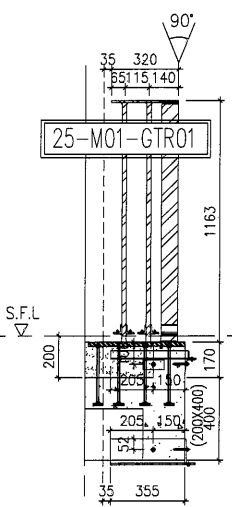
<p>DATE: 08-MAR-21</p> <p>SCALE: 1:50(A1)</p> <p>CHECKED BY:</p> <p>DRAWN BY: CLM</p>	<p>TITLE:</p> <p>PART ELEVATION OF ALUM. BALUSTRADE AT TOWER 2</p>	<p>PROJECT:</p> <p>PROPOSED RESIDENTIAL DEVELOPMENT AT N.K.I.L. 6542 YIN PING ROAD KOWLOON</p>	<p>JOB NO.:</p> <p>J-853</p>	<p>DATE:</p> <p>08-MAR-21</p>	<p>NO.:</p> <p>REV:</p>	<p>CLIENT:</p>	<p>ARCHITECT:</p> <p>WONG TUNG & PARTNERS LIMITED</p>	<p>STRUCTURAL ENGINEER:</p> <p>WONG TUNG & PARTNERS LIMITED</p>	<p>FAÇADE CONSULTANT:</p> <p>WEINYARDT</p>	<p>NOTE:</p> <p>1. ALL DIMENSIONS ARE IN MM.</p> <p>2. ALL ELEVATIONS ARE MEASURED FROM OUTSIDE FINISH FABRICATION.</p> <p>3. BEFORE FABRICATION.</p>	<p>LEGEND:</p> <p>(A) DETAIL MARK NO.</p> <p>(REV) REFER SHEET NO.</p> <p>1. F.F.L. --- FINISHED FLOOR LEVEL.</p> <p>2. S.F.L. --- STRUCTURAL FLOOR LEVEL.</p> <p>3. (R) --- REVERSED DETAIL.</p>	<p>UNIT: REF:</p>

J853-SD-UP-4205
1400 T2 FLAT D
6/F-16/F=9

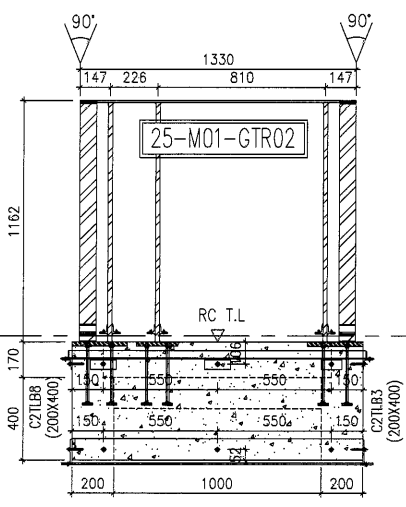
編號:	數量:	總數量:
25-M01-GMU01	5	45
25-M01-GMU02	2	18
25-M01-GTR01	1	9
25-M01-GTR02	1	9
25-M01-GTR03	1	9
25-N01-GTR01	1	9
25-N01-GTR02	1	9
25-N01-GTR03	1	9
25-P01-GTR01	1	9
25-P01-GTR02	1	9
25-P01-GTR03	1	9
		144



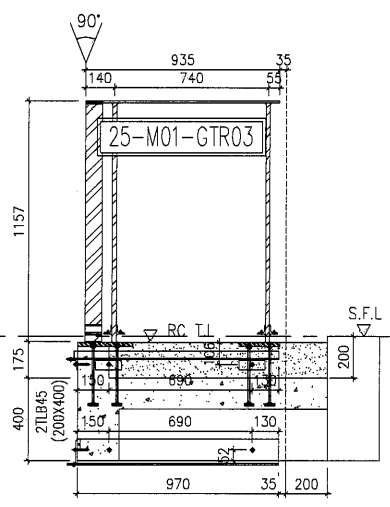
1 TYPICAL PART PLAN FOR
4205 T2 FLAT D U.P. 6/F-16/F
(OMITTED 13, 14)



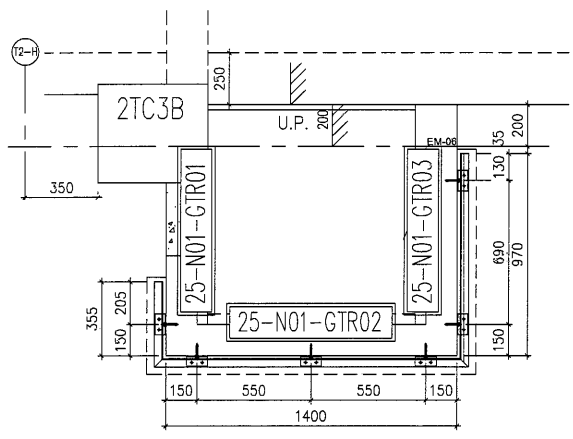
3B STEEL FRAME ONLY FOR
4204 T2 FLAT D U/P @ 6/F-16/F



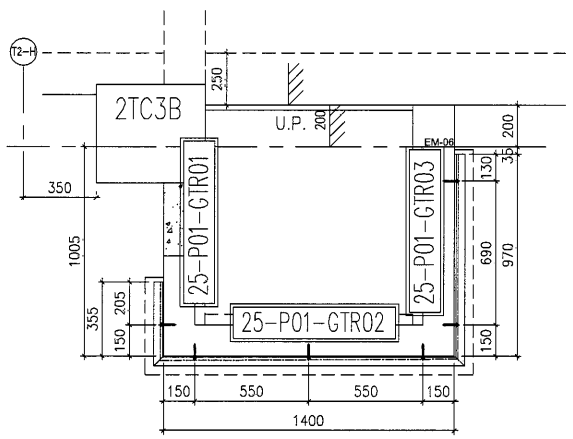
3A STEEL FRAME ONLY FOR
4204 T2 FLAT D U/P @ 6/F-16/F



3C STEEL FRAME ONLY FOR
4204 T2 FLAT D U/P @ 6/F-16/F



40x40x4-鋼件位置圖



125x50x8-鋼件位置圖

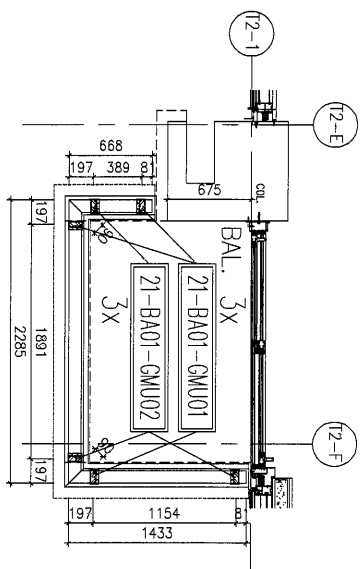
UP4205-鋼件位置圖

<p>DATE: 08-MAR-21 SCALE: 1:60(A1) DRAWN BY: CLM CHECKED BY:</p>	<p>TITLE: PART ELEVATION OF ALUM. BALUSTRADE AT TOWER 2</p>	<p>PROJECT: PROPOSED RESIDENTIAL DEVELOPMENT AT N.K.I.L. 6542, YIN PING ROAD, KOWLOON</p>	<p>JOB NO.: J-853</p>	<p>DATE: 08-MAR-21</p>	<p>REV: 1</p>	<p>CLIENT:</p>	<p>ARCHITECT: HONG TUNG & PARTNERS LIMITED</p>	<p>STRUCTURAL ENGINEER: HONG TUNG & PARTNERS LIMITED</p>	<p>TRADING CONSULTANT: MEINYARD</p>	<p>NOTE: 1. ALL DIMENSIONS ARE IN MM. 2. ALL DIMENSIONS ARE MEASURED FROM OUTSIDE. 3. BEFORE FABRICATION. LEGEND: (A) DETAIL MARK NO. (B) HEATER SHEET NO. 1. F.F.L. --- FINISHED FLOOR LEVEL. 2. S.F.L. --- STRUCTURAL FLOOR LEVEL. 3. (R) --- REVERSED DETAIL.</p>	<p>DATE: 08-MAR-21</p>
--	---	---	-----------------------	------------------------	---------------	----------------	--	--	-------------------------------------	--	------------------------

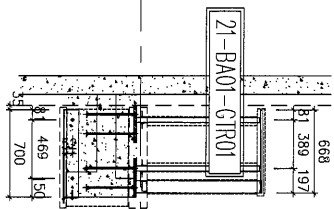
J853-SD-GB-5201

T2 FLAT A

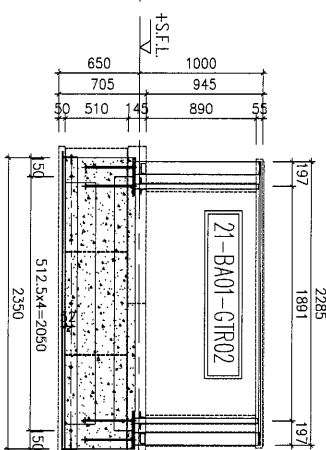
6/F-16/F=9



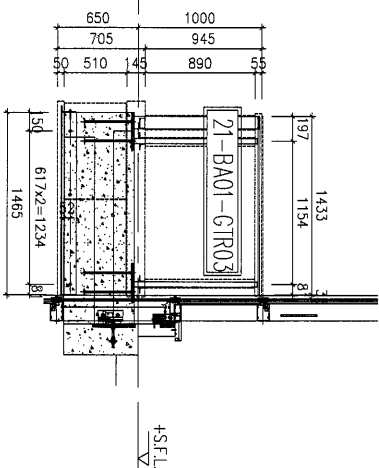
1 PART PLAN For GLASS BALUSTRADE
T2 FLAT A at 6/F~16/F



2 PART ELEV For GLASS BALUSTRADE
T2 FLAT A at 6/F~16/F

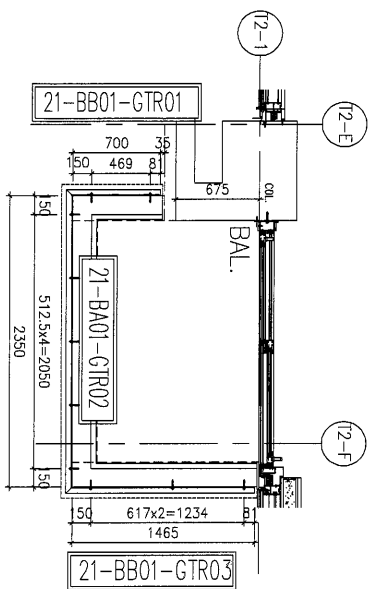


3 PART ELEV For GLASS BALUSTRADE
T2 FLAT A at 6/F~16/F



4 PART ELEV For GLASS BALUSTRADE
T2 FLAT A at 6/F~16/F

編號:	數量:	總數量:
21-BA01-GMU01	3	27
21-BA01-GMU02	3	27
21-BA01-GTR01	1	9
21-BA01-GTR02	1	9
21-BA01-GTR03	1	9
21-BB01-GTR01	1	9
21-BB01-GTR02	1	9
21-BB01-GTR03	1	9
		108



125x50x8-鋼材位置圖

BA15201-鋼材位置圖

B.A. REF :

CLIENT :

ARCHITECT :
WONG TUNG & PARTNERS LIMITED
WONG TUNG & PARTNERS

MAIN CONTRACTOR :

STRUCTURAL ENGINEER :
WTF
WONG TUNG & PARTNERS LIMITED

FAÇADE CONSULTANT :

MEINERD

NOTE:
1. ALL DIMENSIONS ARE IN MM.
2. ALL DIMENSIONS ARE TO FACE UNLESS OTHERWISE SPECIFIED.
3. ALL DIMENSIONS TO BE CHECKED ON SITE BEFORE FABRICATION.

LEGEND :

- (A) DETAIL MARK NO.
- (B) REFER SHEET NO.
- 1. F.F.L. --- FINISHED FLOOR LEVEL
- 2. S.F.L. --- STRUCTURAL FLOOR LEVEL
- 3. (R) --- REVERSED DETAIL

NO.	REV.	DESCRIPTION	DATE

JOB NO. : J-853
PROJECT : PROPOSED RESIDENTIAL DEVELOPMENT AT N.K.I.L. 6542 YIN PING ROAD KOWLOON
TITLE : PART ELEV and PART PLAN for GLASS BALUSTRADE AT TOWER 2 FLAT A
DATE : 18-MAY-21 SCALE : 1:90(A1)
DRAWN BY : ivon
CHECKED BY :

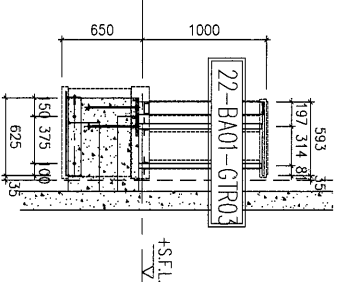
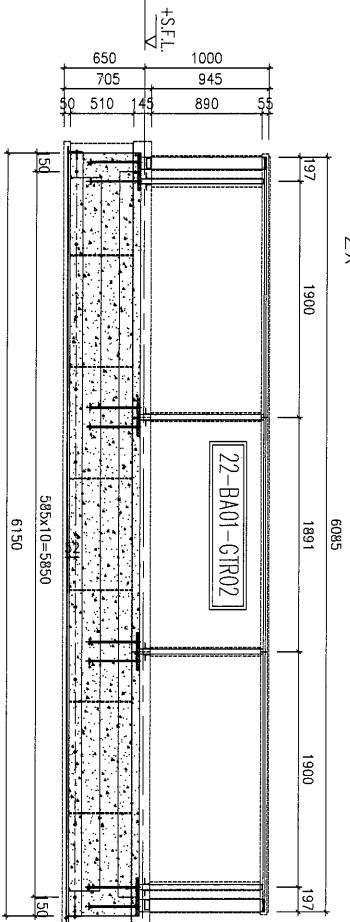
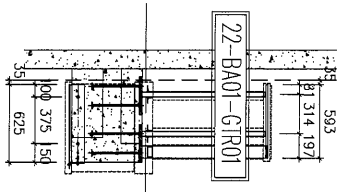
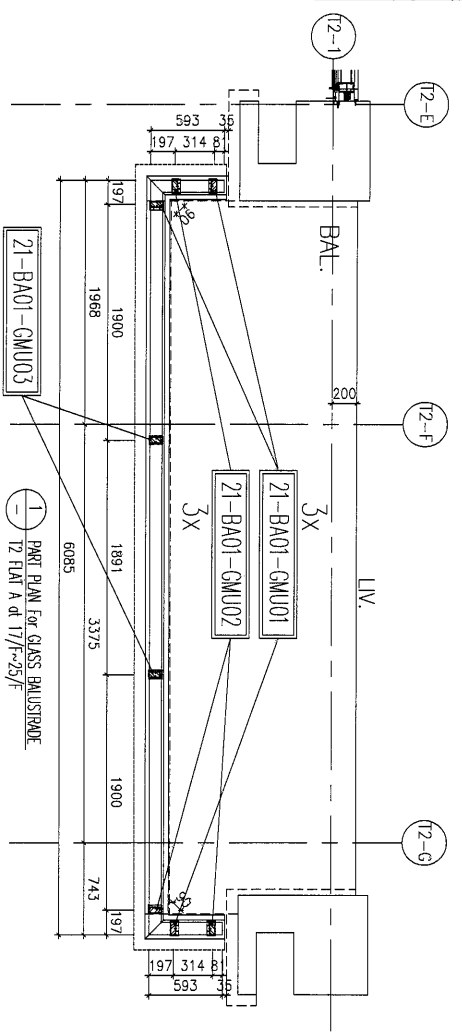
WONG TUNG & PARTNERS LIMITED
610 Chee Kwo Ling Road, Kowloon
Tel: (852) 27727665 Fax: (852) 27727665
WONG TUNG & PARTNERS LIMITED
Unit 6-8, Sunray Industrial Centre, 1/F
610 Chee Kwo Ling Road, Kowloon
Tel: (852) 27727665 Fax: (852) 27727665
JOB NO. : J853-SD-GB-5201
REV. :

J853-SD-GB-5202

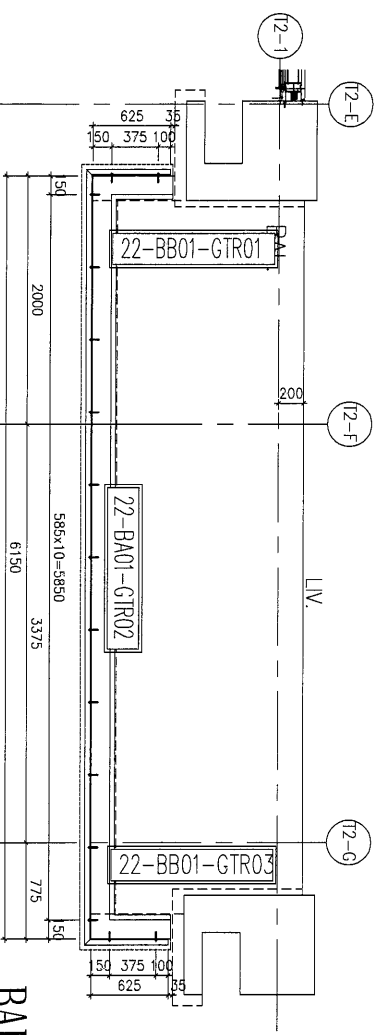
T2 FLAT A

17/F-25/F=8

14



編號:	數量:	總數量:
21-BA01-GMU01	3	24
21-BA01-GMU02	3	24
22-BA01-GMU02	2	16
22-BA01-GTR01	1	8
22-BA01-GTR02	1	8
22-BA01-GTR03	1	8
22-BB01-GTR01	1	8
22-BB01-GTR02	1	8
22-BB01-GTR03	1	8
		112



125x50x8-鋼材位置圖

BAL5202-鋼材位置圖

B.L. REF.:

CLIENT:

ARCHITECT: WONG TUNG & PARTNERS LIMITED

MAIN CONTRACTOR:

STRUCTURAL ENGINEER:

PROJECT CONSULTANT: WONG TUNG & PARTNERS LIMITED

MEINHARDT

NOTE: DIMENSIONS ARE IN mm.
1. ALL DIMENSIONS ARE MEASURED FROM OUTSIDE.
2. ALL DIMENSIONS TO BE CHECKED ON SITE BEFORE FABRICATION.

LEGEND:
 (X1) DETAIL MARK NO.
 (REF) REFER SHEET NO.
 1. F.F.L. --- FINISHED FLOOR LEVEL
 2. S.F.L. --- STRUCTURAL FLOOR LEVEL
 3. (R) --- REVERSED DETAIL

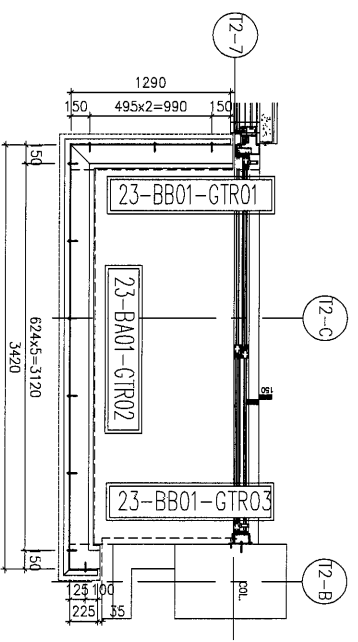
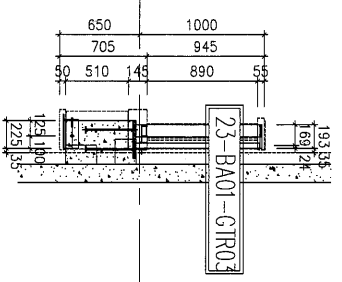
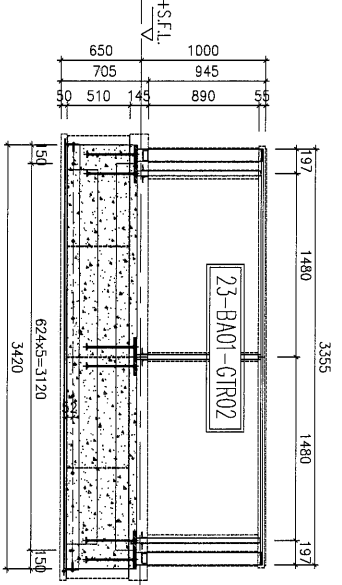
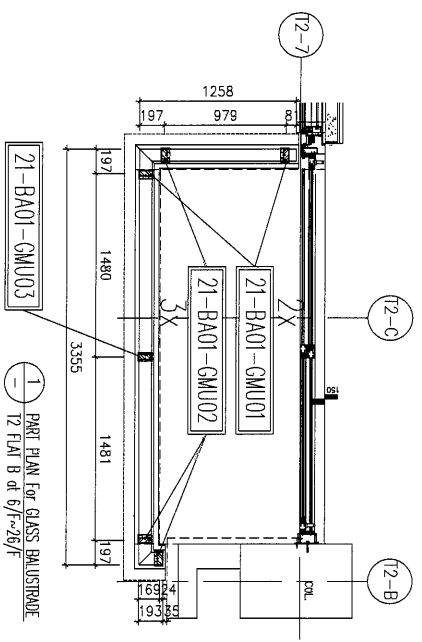
DATE: 18-MAY-21 SCALE: 1:50(A1)
 DRAWN BY: hcm CHECKED BY:
 PROJECT: PROPOSED RESIDENTIAL DEVELOPMENT AT N.K.I.L. 6542 YIN PING ROAD KOWLOON
 TITLE: PART ELEV and PART PLAN for GLASS BALUSTRADE AT TOWER 2 FLAT A
 美特堅實有限公司
 MTDI
 610 Chee Kwo Ling Road, Kowloon
 Tel: 23489211-4 Fax: (852) 27277668
 DMC NO.: J853-SD-GB-5202 REV.:

J853-SD-GB-5203

T2 FLAT B

6/F-26/F=18

15



編號:	數量:	總數量:
21-BA01-GMU01	2	36
21-BA01-GMU02	3	54
23-BA01-GMU03	1	18
23-BA01-GTR01	1	18
23-BA01-GTR02	1	18
23-BA01-GTR03	1	18
23-BB01-GTR01	1	18
23-BB01-GTR02	1	18
23-BB01-GTR03	1	18
		216

125x50x8-鋼材位置圖

BAL5203-鋼材位置圖

B.O. REF :

CLIENT :

ARCHITECT : WONG TUNG & PARTNERS LIMITED

MAIN CONTRACTOR :

STRUCTURAL ENGINEER :

MOCK TUNG & PARTNERS LIMITED

MOCK TUNG & PARTNERS LIMITED

MOCK TUNG & PARTNERS LIMITED

NOTE:
1. ALL DIMENSIONS ARE IN MM.
2. ALL DIMENSIONS TO BE TAKEN FROM OUTSIDE.
3. BEFORE FABRICATION.
LEGEND:
① DETAIL MARK NO.
② REFER SHEET NO.
1. F.F.L. --- FINISHED FLOOR LEVEL.
2. S.F.L. --- STRUCTURAL FLOOR LEVEL.
3. Ⓞ --- REVERSED DETAIL.

JOB NO. :	J-853
PROJECT :	PROPOSED RESIDENTIAL DEVELOPMENT AT N.K.I.L. 65+2 YIN PING ROAD KOWLOON
TITLE :	PART ELEV and PART PLAN for GLASS BALUSTRADE AT TOWER 2 FLAT B
DATE :	18-MAY-21
SCALE :	1:30(A1)
DRAWN BY :	WON
CHECKED BY :	
DATE :	18-MAY-21
SCALE :	1:30(A1)
DATE :	18-MAY-21
SCALE :	1:30(A1)

MOCK TUNG & PARTNERS LIMITED
510 Cheong Chee Road, Kowloon
1423489211-4 Fax: (852) 77277668
DME NO. : J853-SD-GB-5203 REV :

18



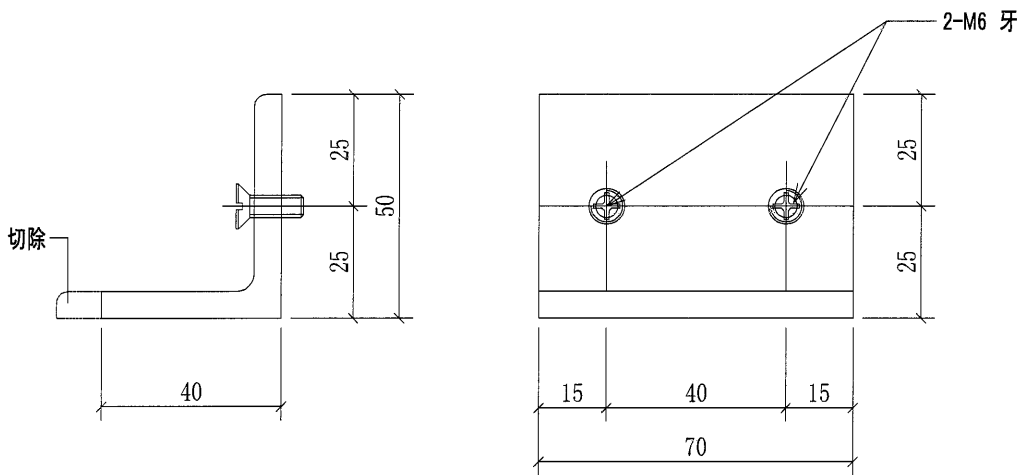
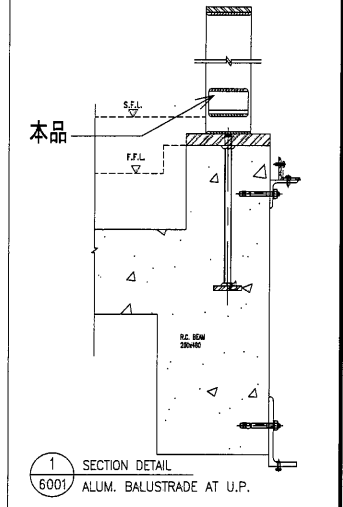
美特鋁質 有限公司
MIDI Aluminium Fabricator Ltd.

工程號

J-853

地盤

錦上路/延平道

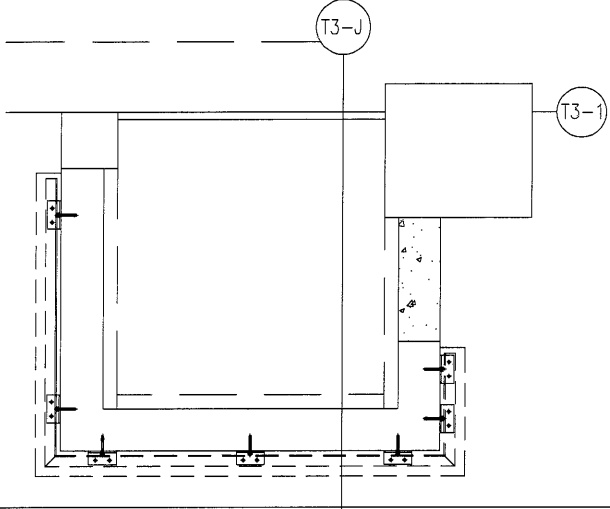


序號	物料編號	數量	使用位置	樓層
01	GS01-AK01	108	UP-4201	T2/(6/F-16/F)
02	GS01-AK01	98	UP-4202	T2/(17F-23/F)
03	GS01-AK01	252	UP-4203	T2/(6/F-26/F)
04	GS01-AK01	266	UP-4204	T2/(5/F-26/F)
05	GS01-AK01	126	UP-4205	T2/(6/F-16/F)
		850		

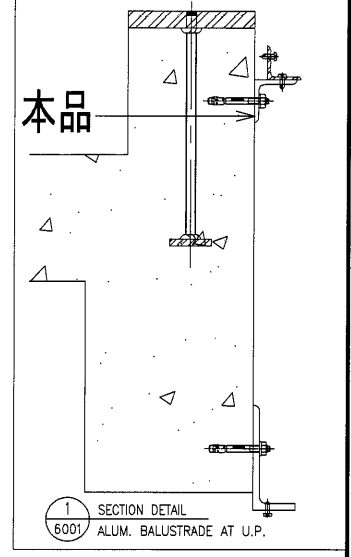
名稱	欄河UP用鍍鋅角碼	制圖	CJM	2022.01.18	修改		
材料	50x50x6mm 鍍鋅角鋼(材質: SJ275)	復核	SHUI	2022.01.19	日期		
顏色		批準			圖號	GS01-AK01	

美特鋁質 有限公司
MIDI Aluminium Fabricator Ltd.

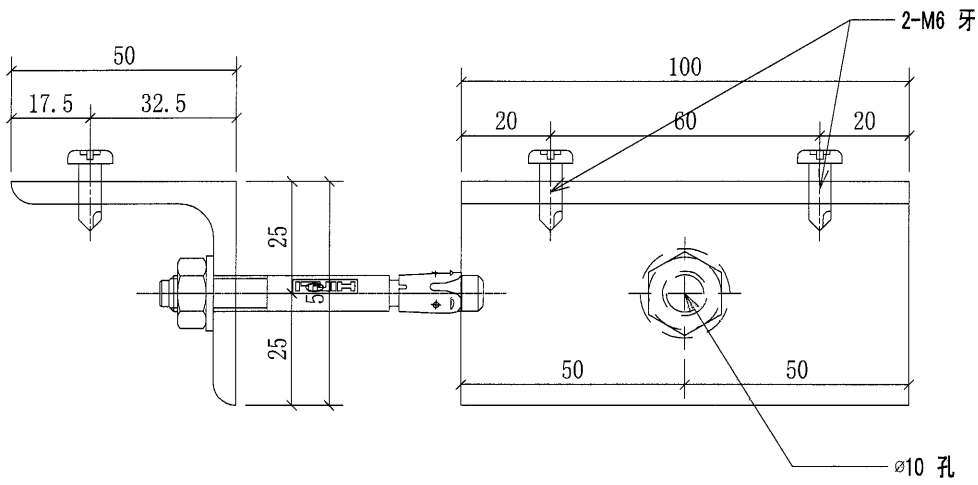
工程號 J-853 地盤 錦上路/延平道



送地盤



每个UP露台用7只



序號	物料編號	數量	使用位置	樓層
01	GS01-AK02	63	UP-4201	T2/(6/F-16/F)
02	GS01-AK02	49	UP-4202	T2/(17F-23/F)
03	GS01-AK02	126	UP-4203	T2/(6/F-26/F)
04	GS01-AK02	133	UP-4204	T2/(5/F-26/F)
05	GS01-AK02	63	UP-4205	T2/(6/F-16/F)
		434		

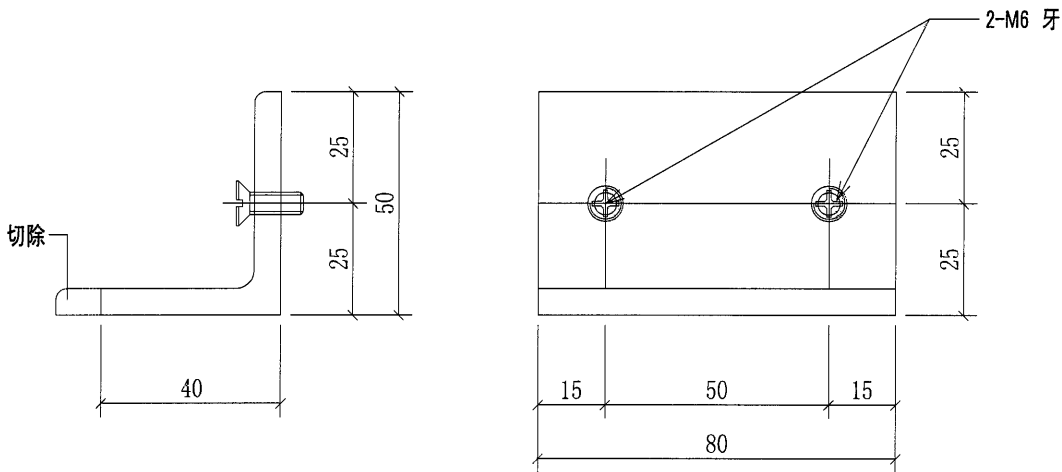
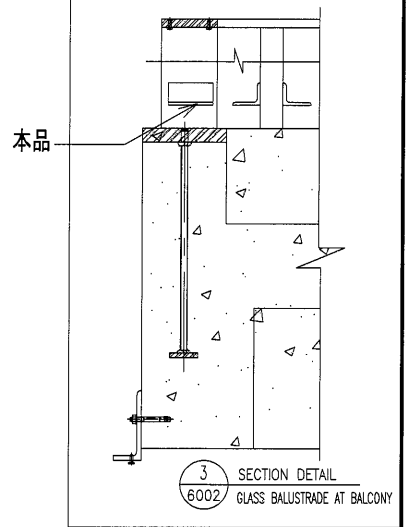
名稱	欄河UP用鍍鋅角碼	制圖	CJM	2022.01.18	修改		
材料	50x50x5mm 鍍鋅角鋼(材質: SJ275)	復核	SHUI	2022.01.19	日期		
顏色		批準			圖號	GS01-AK02	



美特鋁質 有限公司
MIDI Aluminium Fabricator Ltd.

工程號 J-853 地盤 錦上路/延平道

厂用



序號	物料編號	數量	使用位置	樓層
01	GS01-AK03	108	BAL-4201	T2/(6/F-16/F)
02	GS01-AK03	128	BAL-4202	T2/(17F-25/F)
03	GS01-AK03	216	BAL-4203	T2/(6/F-26/F)
04	GS01-AK03	228	BAL-4204	T2/(5/F-26/F)
05	GS01-AK03	108	BAL-4205	T2/(6/F-16/F)
		788		

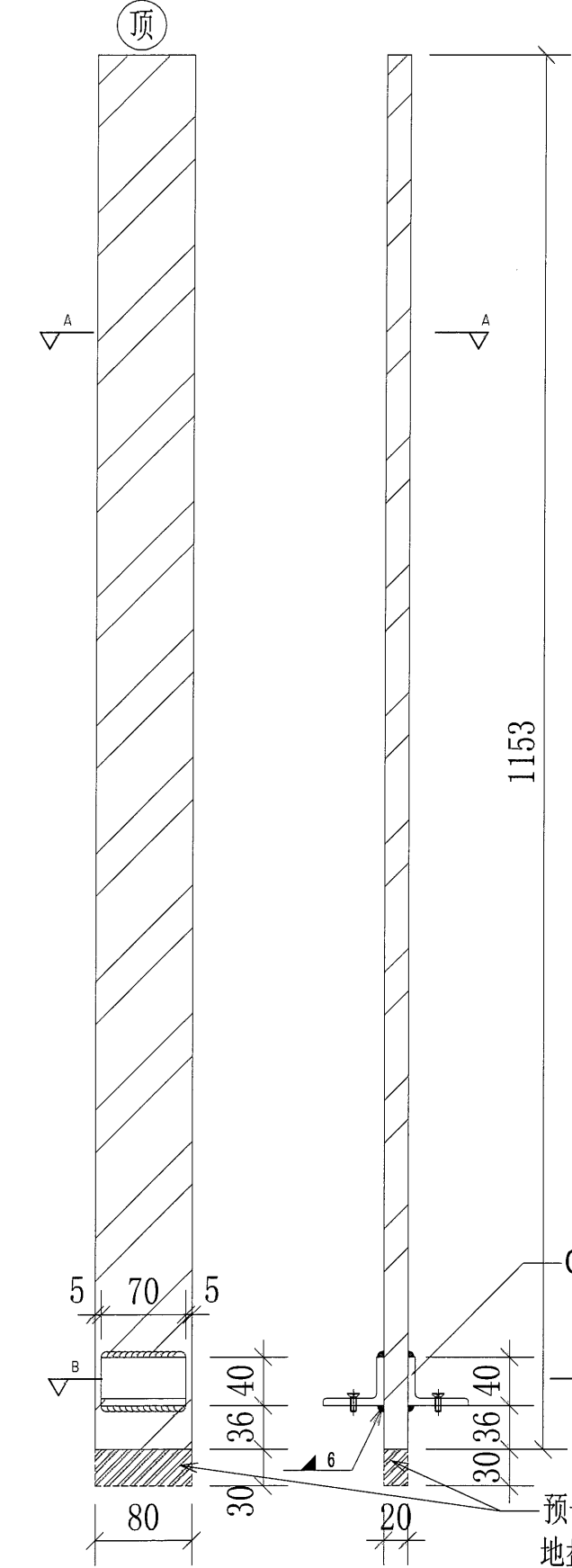
名稱	欄河BAL用鍍鋅角碼	制圖	CJM	2022.01.18	修改			
材料	50x50x6mm 鍍鋅角鋼(材質: SJ275)	復核	SHUI	2022.01.19	日期			
顏色		批準			圖號	GS01-AK03		



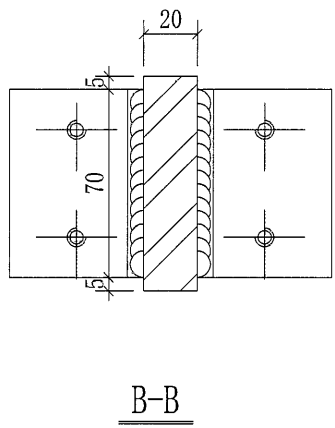
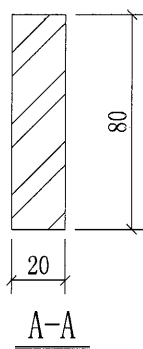
美特鋁質 有限公司
MIDI Aluminium Fabricator Ltd.

工程號 J-853 地盤 錦上路/延平道

序號	物料編號	數量	使用位置	樓層
01	21-M01-GMU01	36	UP-4201	T3/(6/F-16/F)
02	21-M01-GMU01	35	UP-4202	T3/(17F-23/F)
03	21-M01-GMU01	90	UP-4203	T3/(6/F-26/F)
04	21-M01-GMU01	95	UP-4204	T3/(6/F-26/F)
05	21-M01-GMU01	45	UP-4205	T3/(6/F-16/F)
		301		



地盤用

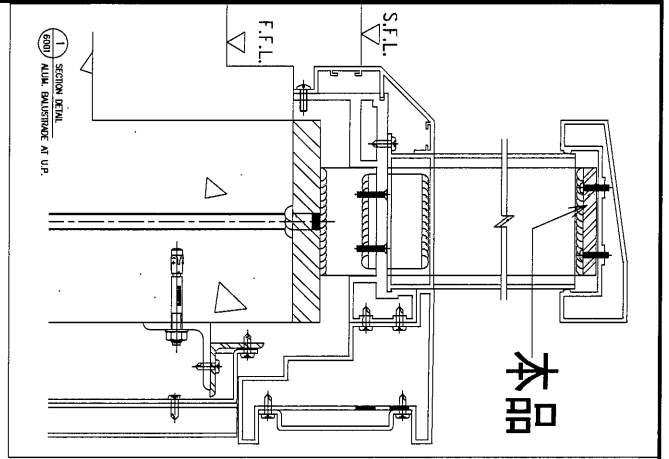


名稱	欄河UP 鋼企料	制圖	CJM	2022.01.18	修改		
材料	80x20mm 鍍鋅鋼巴 (材質: SJ275)	復核	SHUI	2022.01.19	日期		
顏色		批準			圖號	21-M01-GMU01	

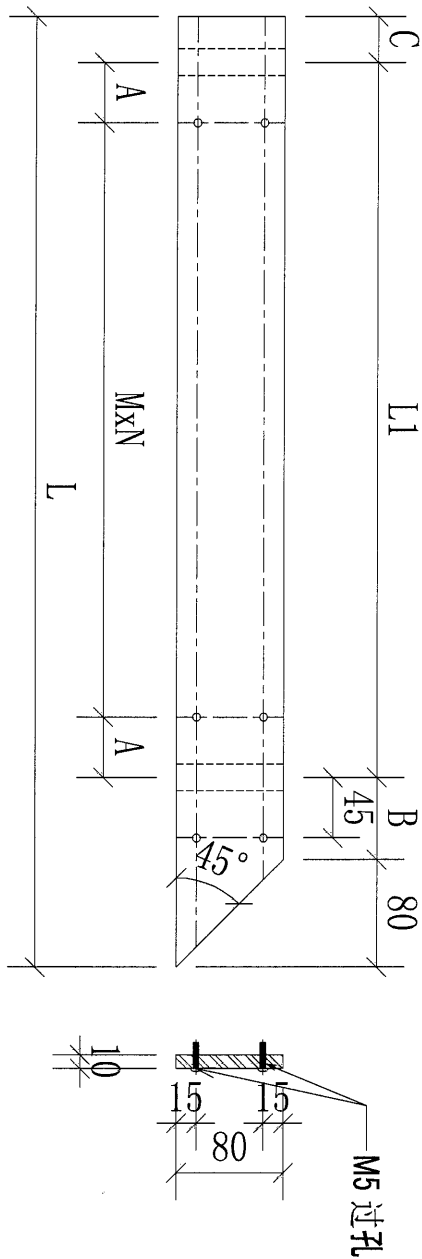


美特鋁質 有限公司
MIDI Aluminium Fabricator Ltd.

工程號 J-853 地盤 錦上路/延平道



地盤用



序號	物料編號	數量	L:	L1:	M:	N:	A:	B:	C:	使用位置	樓層
01	21-M01-GTR01	9	935	740	300	2	70	61	54	UP-4201	T2/(6/F-16/F)
02	22-M01-GTR01	7	320	115	57.5	2		70	55	UP-4202	T2/(17/F-23/F)
03	23-M01-GTR01	18	910	695	300	2	47.5	71	64	UP-4203	T2/(6/F-26/F)
04	24-M01-GTR01	19	570	350	250	1	50	70	70	UP-4204	T2/(5/F-26/F)
05	25-M01-GTR01	9	320	115	57.5	2		60	65	UP-4205	T2/(6/F-16/F)

名稱	攔河鋼橫樑	制圖	CJM	2022.01.18	修改		
材料	80x10mm 鍍鋅鋼巴(材質: SJ275)	復核	SHUI	2022.01.19	日期		
顏色		批準			圖號	21-M01-GTR01	

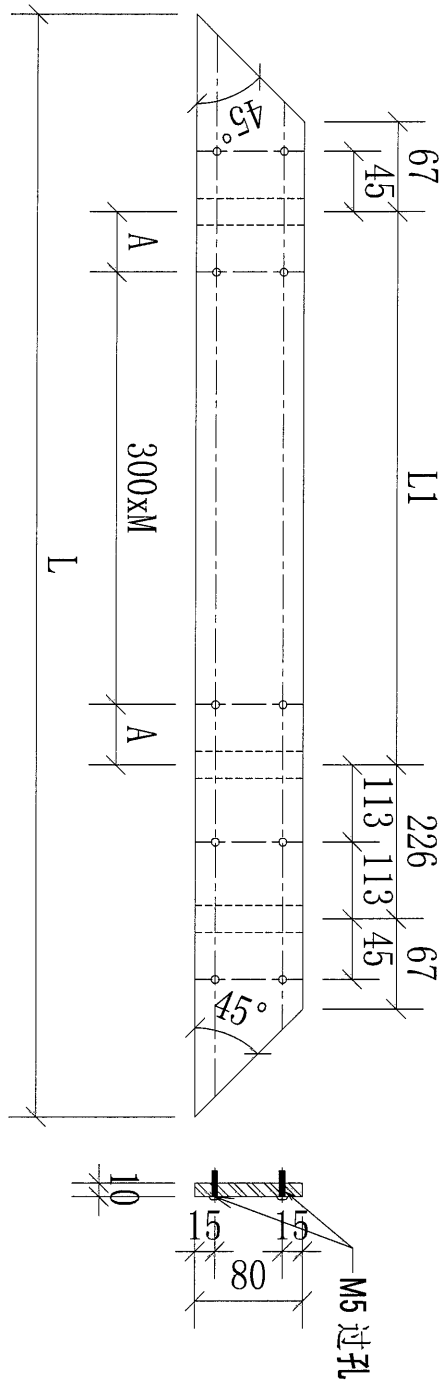


美特鋁質 有限公司
MIDI Aluminium Fabricator Ltd.

工程號 J-853 地盤 錦上路/延平道

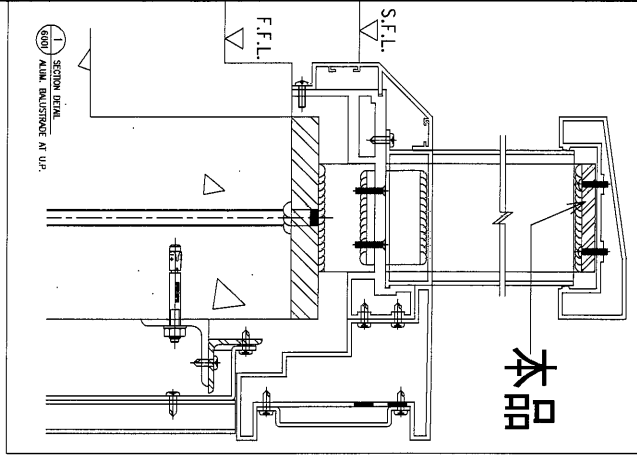
序號	物料編號	數量	L:	L1:	M:	A:	使用位置	樓層
01	21-M01-GTR02	9	1330	740	2	70	UP-4201	T2/(6/F-16/F)
02	23-M01-GTR02	18	1280	740	2	70	UP-4203	T2/(6/F-26/F)
		27						

名稱	欄河鋼橫樑	制圖	CJM	2022.01.18	修改			
材料	80x10mm 鍍鋅鋼巴 (材質: SJ275)	復核	SHUI	2022.01.19	日期			
顏色		批準			圖號	21-M01-GTR02		



地盤用

本品

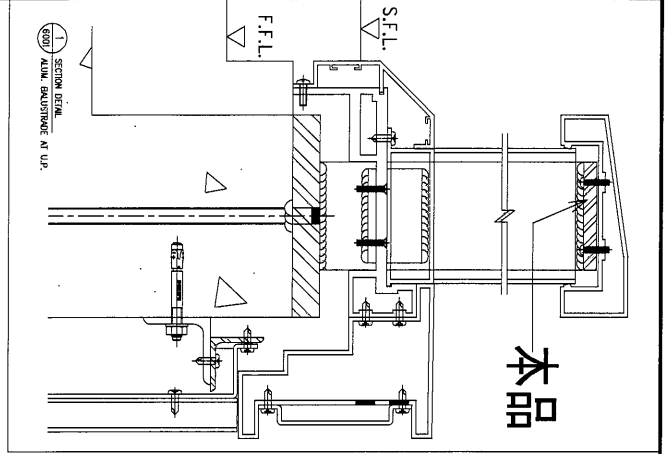


24



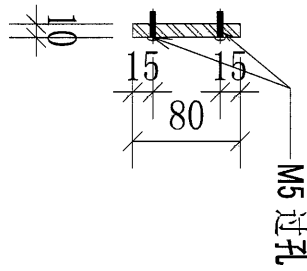
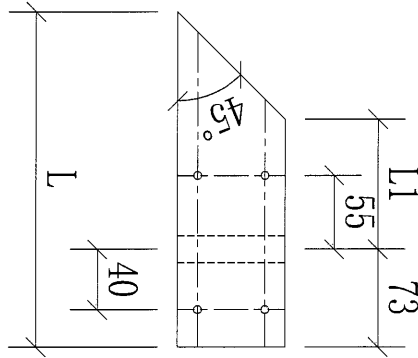
美特鋁質 有限公司
MIDI Aluminium Fabricator Ltd.

工程號 J-853 地盤 錦上路/延平道



本品

地盘用



序號	物料編號	數量	L:	L1:	M:	A:	使用位置	樓層
01	21-M01-GTR03	9	230	77			UP-4201	T2/(6/F-16/F)

名稱	攔河鋼橫樑	制圖	CJM	2022.01.18	修改			
材料	80x10mm 鍍鋅鋼巴 (材質: SJ275)	復核	SHUI	2022.01.19	日期			
顏色		批准			圖號	21-M01-GTR03		



美特鋁質 有限公司
MIDI Aluminium Fabricator Ltd.

工程號

J-853

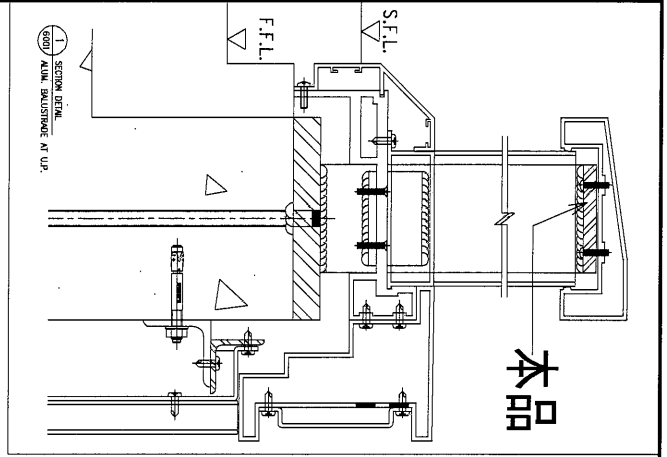
地盤

錦上路/延平道

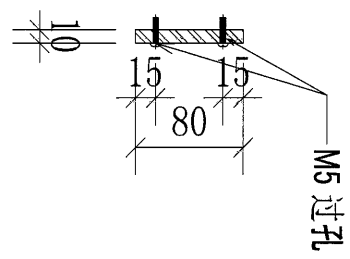
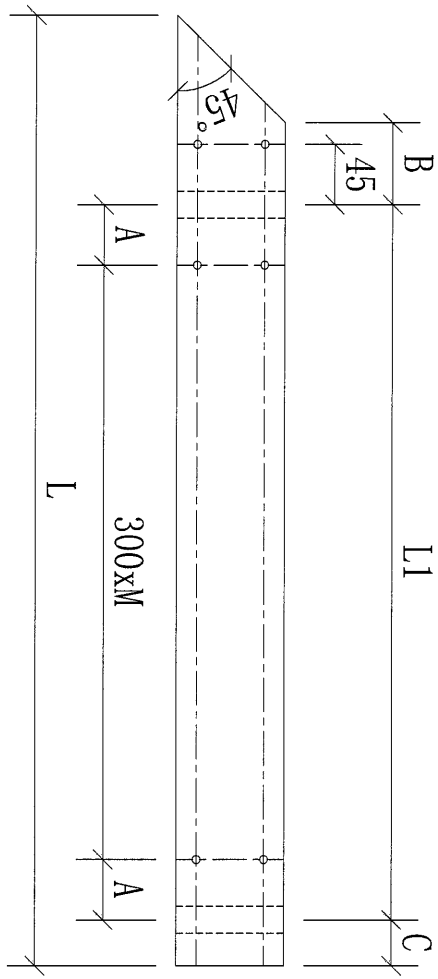
序號	物料編號	數量	L:	L1:	M:	N:	A:	B:	C:	使用位置	樓層
01	22-M01-GTR03	7	935	740	300	2	70	70	45	UP-4202	T2/(17F-23/F)
02	23-M01-GTR03	18	455	235	117.5	2		70	70	UP-4203	T2/(6/F-26/F)
03	24-M01-GTR03	19	910	695	300	2	47.5	70	65	UP-4204	T2/(5/F-26/F)
04	25-M01-GTR03	9	935	740	300	2	70	60	55	UP-4205	T2/(6/F-16/F)
		53									

名稱	欄河鋼橫樑	制圖	CJM	2022.01.18	修改			
材料	80x10mm 鍍鋅鋼巴(材質: SJ275)	復核	SHUI	2022.01.19	日期			
顏色		批準			圖號	22-M01-GTR03		

26



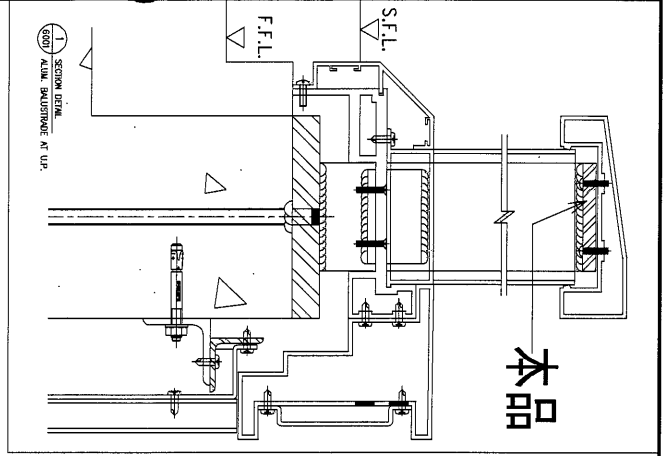
地盤用



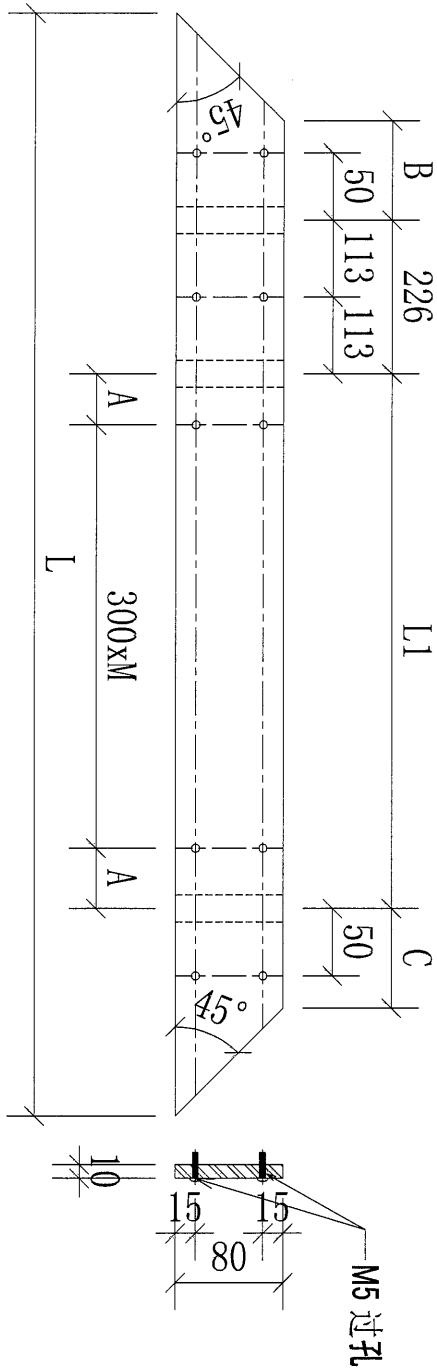


美特鋁質 有限公司
MIDI Aluminium Fabricator Ltd.

工程號 J-853 地盤 錦上路/延平道



地盤用



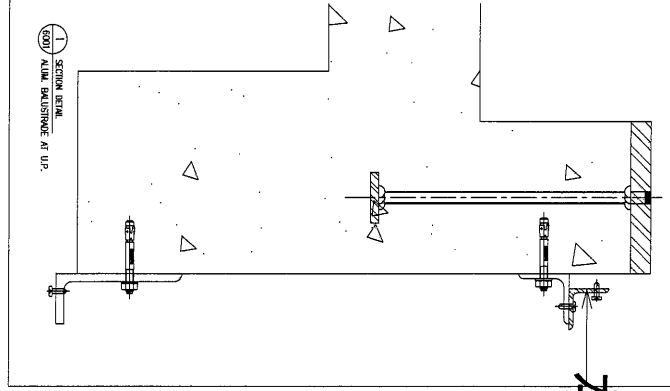
序號	物料編號	數量	L:	L1:	M:	A:	B:	C:	使用位置	樓層
01	22-M01-GTR02	7	1280	740	2	70	77	77	UP-4302	T2/(17F-23/F)
02	24-M01-GTR02	19	1280	762	2	81	56	76	UP-4304	T2/(6/F-26/F)
03	25-M01-GTR02	9	1330	810	2	105	67	67	UP-4305	T2/(6/F-16/F)
		35								

名稱	欄河鋼橫樑	制圖	CJM	2022.01.18	修改		
材料	80x10mm 鍍鋅鋼巴(材質:SJ275)	復核	SHUI	2022.01.19	日期		
顏色		批準			圖號	22-M01-GTR02	



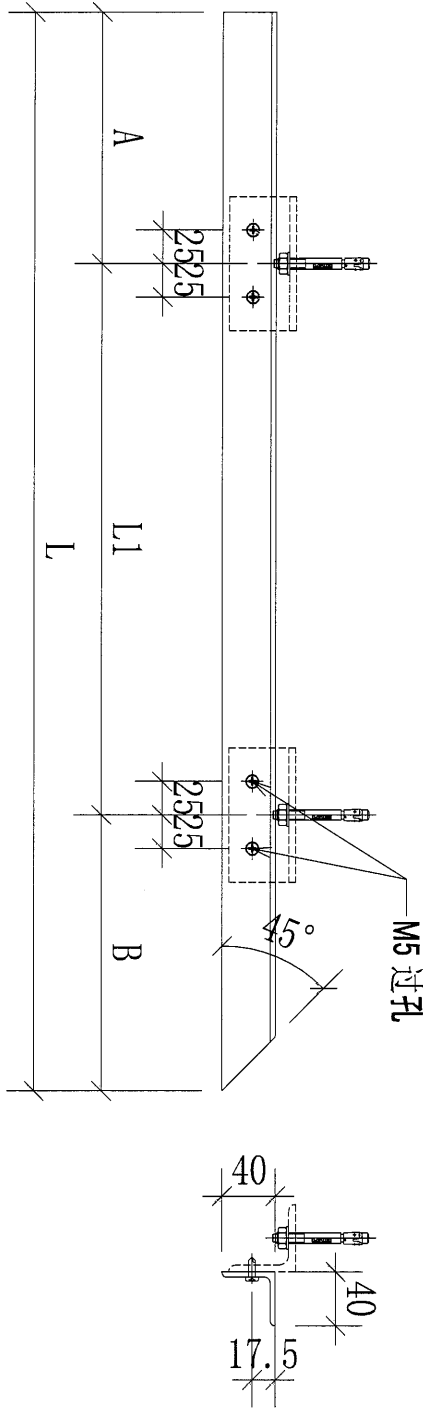
美特鋁質 有限公司
MIDI Aluminium Fabricator Ltd.

工程號	J-853	地盤	錦上路/延平道
-----	-------	----	---------



本品

地盤用



序號	物料編號	數量	L:	L1:	A:	B:	C:	使用位置	樓層
01	21-N01-GTR01	9	1025	690	130	205		UP-4201	T2/(6/F-16/F)
02	23-N01-GTR01	18	1000	690	105	205		UP-4203	T2/(6/F-26/F)
03	24-N01-GTR01	19	660	355	100	205		UP-4204	T2/(5/F-26/F)
		46							

名稱	欄河鋼橫樑	制圖	CJM	2022.01.18	修改		
材料	40x40x4mm 鍍鋅角鋼(材質: SJ275)	復核	SHUI	2022.01.19	日期		
顏色		批準			圖號	21-N01-GTR01	



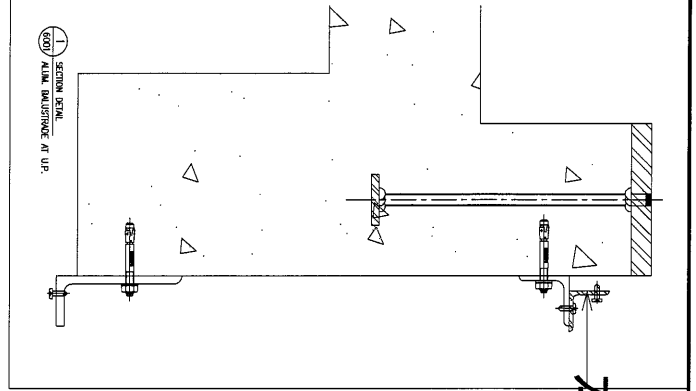
美特鋁質 有限公司
MIDI Aluminium Fabricator Ltd.

工程號 J-853 地盤 錦上路/延平道

序號	物料編號	數量	L:	L1:	M:	A:	使用位置	樓層
01	22-N01-GTR01	7	410			205	UP-4202	T2/(17F-23/F)
02	25-N01-GTR01	9	410			205	UP-4205	T2/(6/F-16/F)
		16						

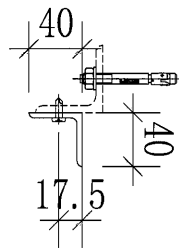
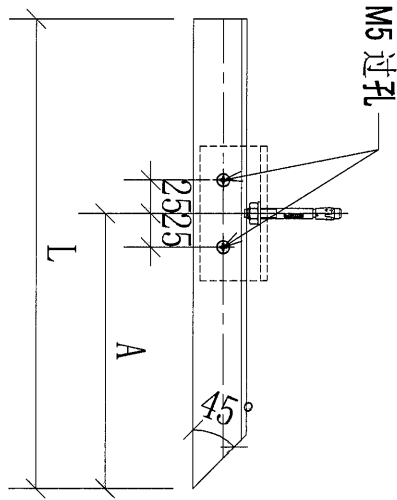
名稱	欄河鋼橫樑	制圖	CJM	2022.01.18	修改			
材料	40x40x4mm 鍍鋅角鋼(材質: SJ275)	復核	SHUI	2022.01.19	日期			
顏色		批準			圖號	22-N01-GTR01		

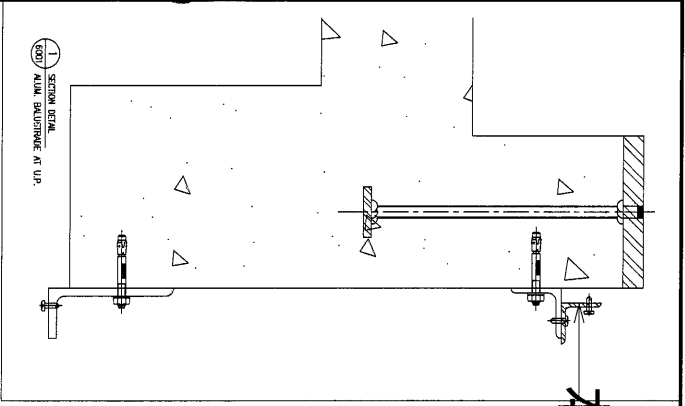
29



本品

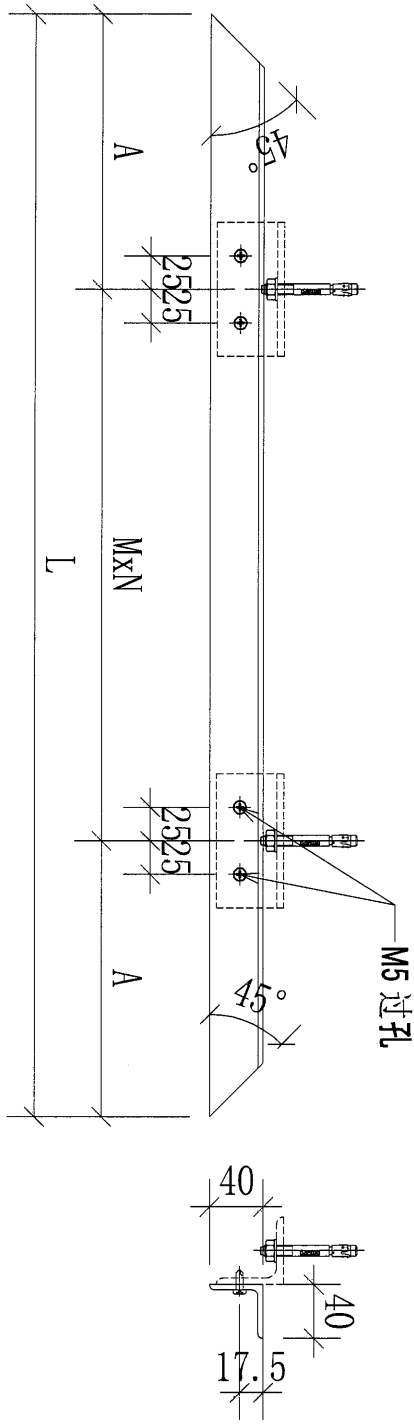
地盤用





本品

地盤用



序號	物料編號	數量	L:	L1:	M:	N:	A:	使用位置	樓層
01	21-N01-GTR02	9	1510		550	2	205	UP-4201	T2/(6/F-16/F)
02	22-N01-GTR02	7	1460		525	2	205	UP-4202	T2/(17F-23/F)
03	23-N01-GTR02	18	1460		525	2	205	UP-4203	T2/(6/F-26/F)
04	24-N01-GTR02	19	1460		525	2	205	UP-4204	T2/(5/F-26/F)
05	25-N01-GTR02	9	1510		550	2	205	UP-4205	T2/(6/F-16/F)

名稱	欄河鋼橫樑	制圖	CJM	2022.01.18	修改		
材料	40x40x4mm 鍍鋅角鋼(材質:SJ275)	復核	SHUI	2022.01.19	日期		
顏色		批準			圖號	21-N01-GTR02	



美特鋁質 有限公司
MIDI Aluminium Fabricator Ltd.

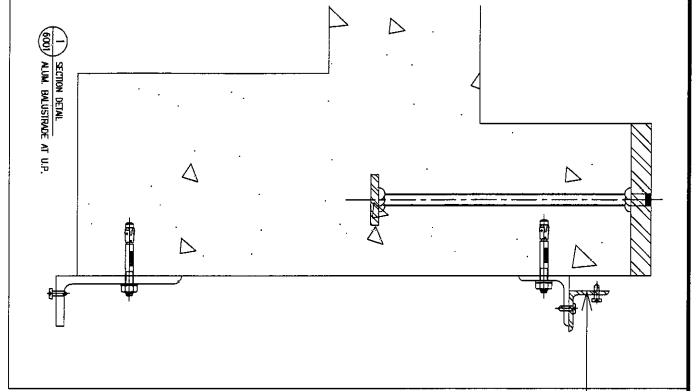
工程號

J-853

地盤

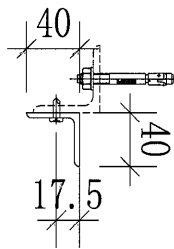
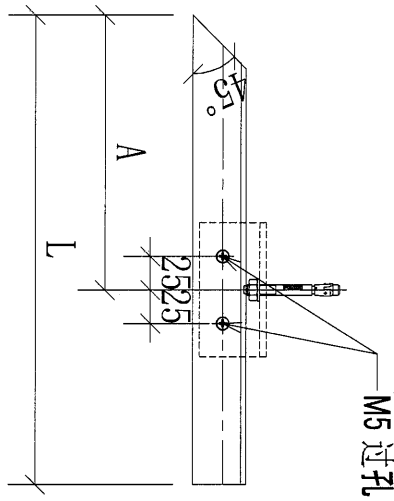
錦上路/延平道

31



本品

地盤用



序號	物料編號	數量	L:	L1:	M:	A:	使用位置	樓層
01	21-N01-GTR03	9	320			205	UP-4201	T2/(6/F-16/F)

名稱	欄河鋼橫樑	制圖	CJM	2022.01.18	修改			
材料	40x40x4mm 鍍鋅角鋼(材質: SJ275)	復核	SHUI	2022.01.19	日期			
顏色		批準			圖號	21-N01-GTR03		



美特鋁質 有限公司
MIDI Aluminium Fabricator Ltd.

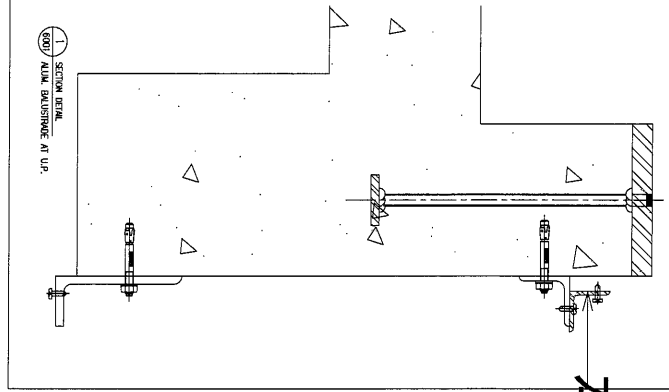
工程號

J-853

地盤

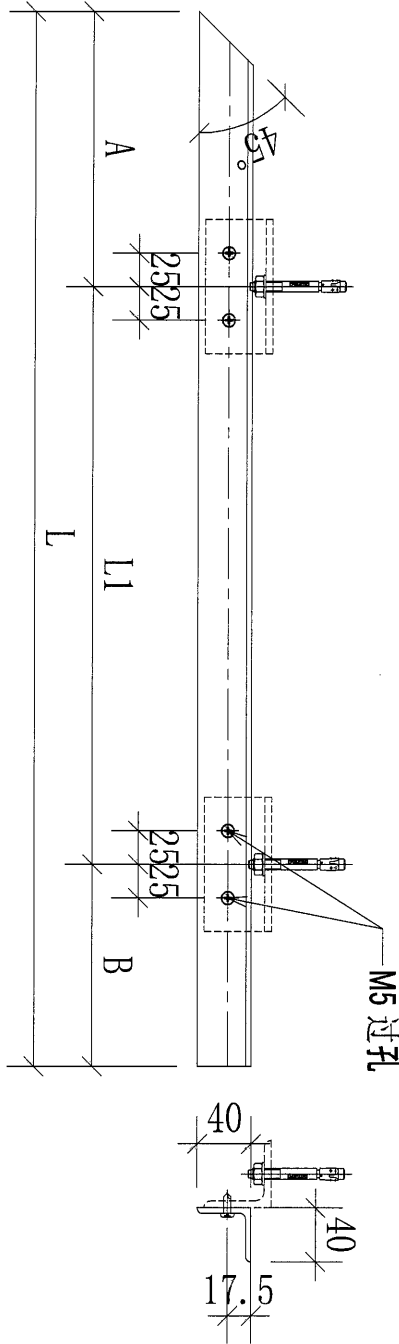
錦上路/延平道

32



本品

地盤用



序號	物料編號	數量	L:	L1:	M:	N:	A:	B:	C:	使用位置	樓層
01	22-N01-GTR03	7	1025	690			205	130		UP-4202	T2/(17F-23/F)
02	23-N01-GTR03	18	545	270			205	70		UP-4203	T2/(6/F-26/F)
03	24-N01-GTR03	19	1000	690			205	105		UP-4204	T2/(5/F-26/F)
04	25-N01-GTR03	9	1025	690			205	130		UP-4205	T2/(6/F-16/F)
		53									

名稱	欄河鋼橫樑	制圖	CJM	2022.01.18	修改			
材料	40x40x4mm 鍍鋅角鋼(材質: SJ275)	復核	SHUI	2022.01.19	日期			
顏色		批准			圖號	22-N01-GTR03		



美特鋁質 有限公司
MIDI Aluminium Fabricator Ltd.

工程號

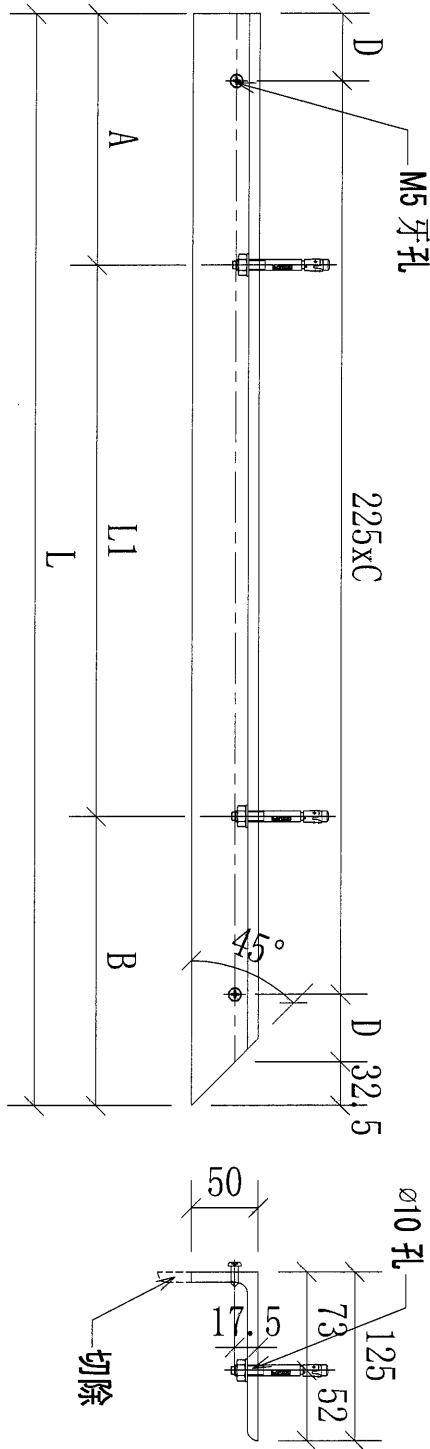
J-853

地盤

錦上路/延平道

序號	物料編號	數量	L:	L1:	A:	B:	C:	D:	E:	使用位置	樓層
01	21-P01-GTR01	9	1020	690	130	200	4	43.75		UP-4201	T2/(6/F-16/F)
02	23-P01-GTR01	18	995	690	105	200	3	143.75		UP-4203	T2/(6/F-26/F)
03	24-P01-GTR01	19	655	355	100	200	2	73.75		UP-4204	T2/(5/F-26/F)
		46									

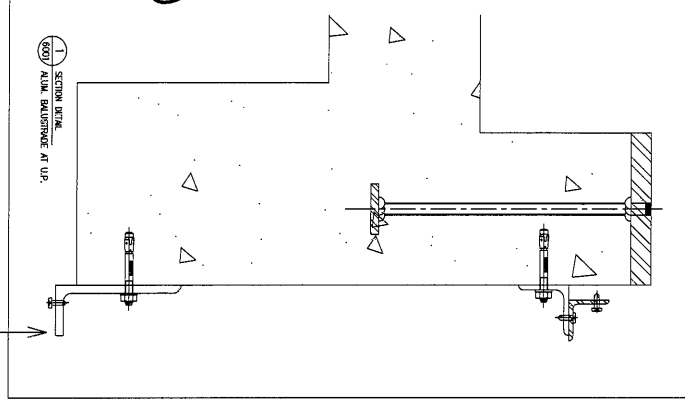
本品



地盤用

名稱	欄河鋼橫樑	制圖	CJM	2022.01.18	修改		
材料	125x75x8mm 鍍鋅角鋼 (材質: SJ275)	復核	SHUI	2022.01.19	日期		
顏色		批準			圖號	21-P01-GTR01	

33





美特鋁質 有限公司
MIDI Aluminium Fabricator Ltd.

工程號

J-853

地盤

錦上路/延平道

序號	物料編號	數量	L:	L1:	M:	A:	使用位置	樓層
01	22-P01-GTR01	7	405			200	UP-4202	T2/(17F-23/F)
02	25-P01-GTR01	9	405			200	UP-4205	T2/(6/F-16/F)
		16						

名稱 欄河鋼橫樑
材料 125x75x8mm 鍍鋅角鋼 (材質: SJ275)
顏色

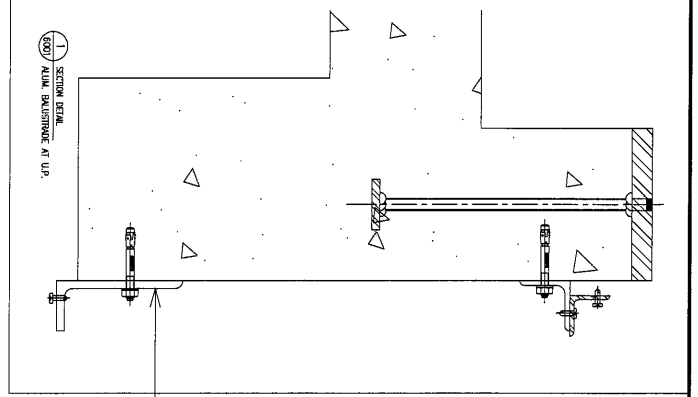
制圖 CJM
復核 SHUI
批准

2022.01.18
2022.01.19

修改
日期
圖號

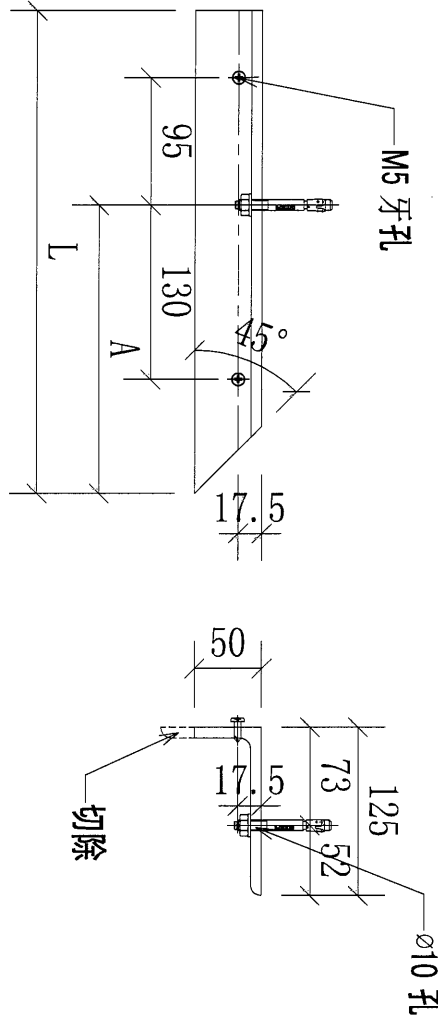
22-P01-GTR01

34

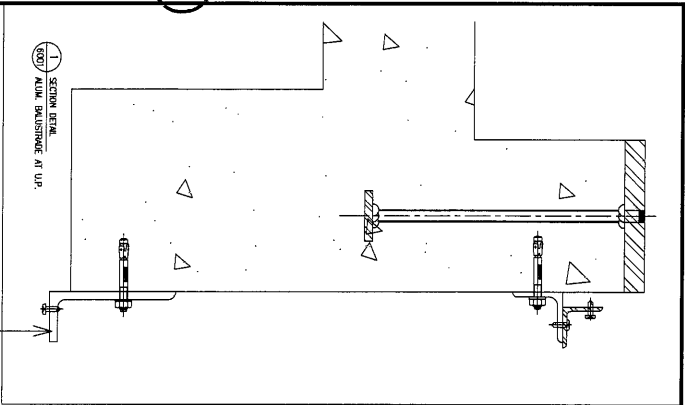


本品

地盤用

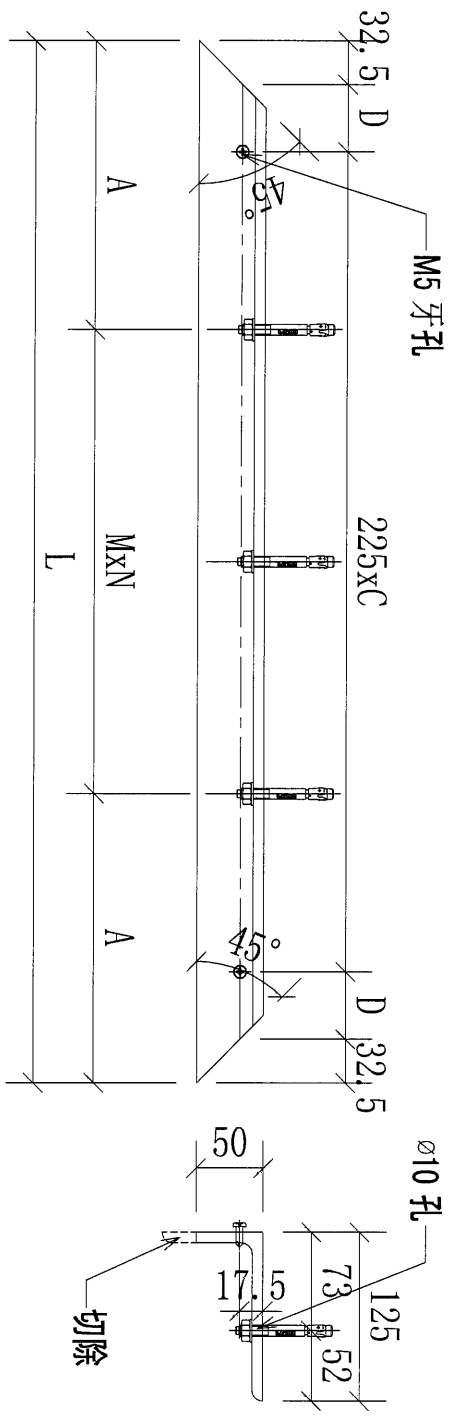


35



地盘用

本品



美特鋁質有限公司
MIDI Aluminium Fabricator Ltd.

工程號 J-853 地盤 錦上路/延平道

序號	物料編號	數量	L:	A	C	D	M:	N:	使用位置	樓層
01	21-P01-GTR02	9	1500	200	6	42.5	550	2	UP-4201	T2/(6/F-16/F)
02	22-P01-GTR02	7	1450	200	5	130	525	2	UP-4202	T2/(17F-23/F)
03	23-P01-GTR02	18	1450	200	5	130	525	2	UP-4203	T2/(6/F-26/F)
04	24-P01-GTR02	19	1450	200	5	130	525	2	UP-4204	T2/(5/F-26/F)
05	25-P01-GTR02	9	1500	200	6	42.5	550	2	UP-4205	T2/(6/F-16/F)
		72								

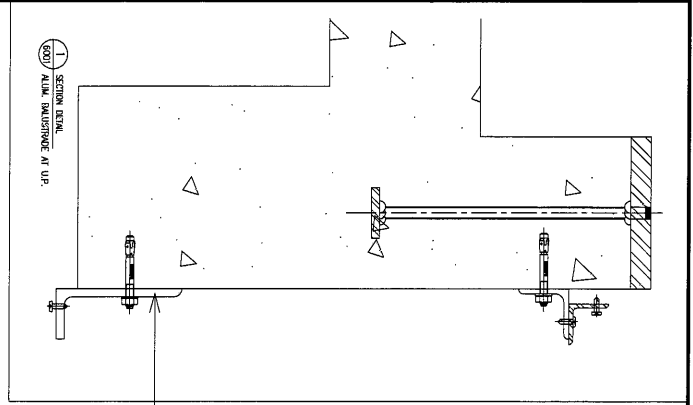
名稱	攔河鋼橫樑	制圖	CJM	2022.01.18	修改		
材料	125x75x8mm 鍍鋅角鋼 (材質: SJ275)	復核	SHUI	2022.01.19	日期		
顏色		批准			圖號	21-P01-GTR02	

36



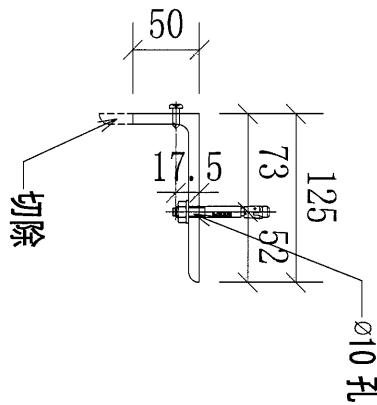
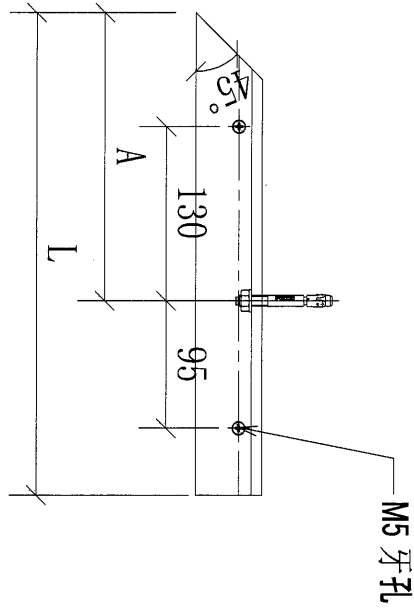
美特鋁質 有限公司
MIDI Aluminium Fabricator Ltd.

工程號 J-853 地盤 錦上路/延平道



本品

地盤用



序號	物料編號	數量	L:	L1:	M:	A:	使用位置	樓層
01	21-P01-GTR03	9	315			200	UP-4201	T2/(6/F-16/F)

名稱	欄河鋼橫樑	制圖	CJM	2022.01.18	修改			
材料	125x75x8mm 鍍鋅角鋼 (材質: SJ275)	復核	SHUI	2022.01.19	日期			
顏色		批準			圖號	21-P01-GTR03		



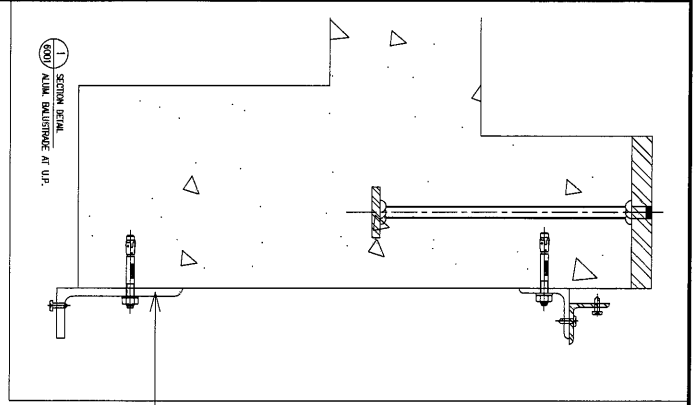
美特鋁質 有限公司
MIDI Aluminium Fabricator Ltd.

工程號

J-853

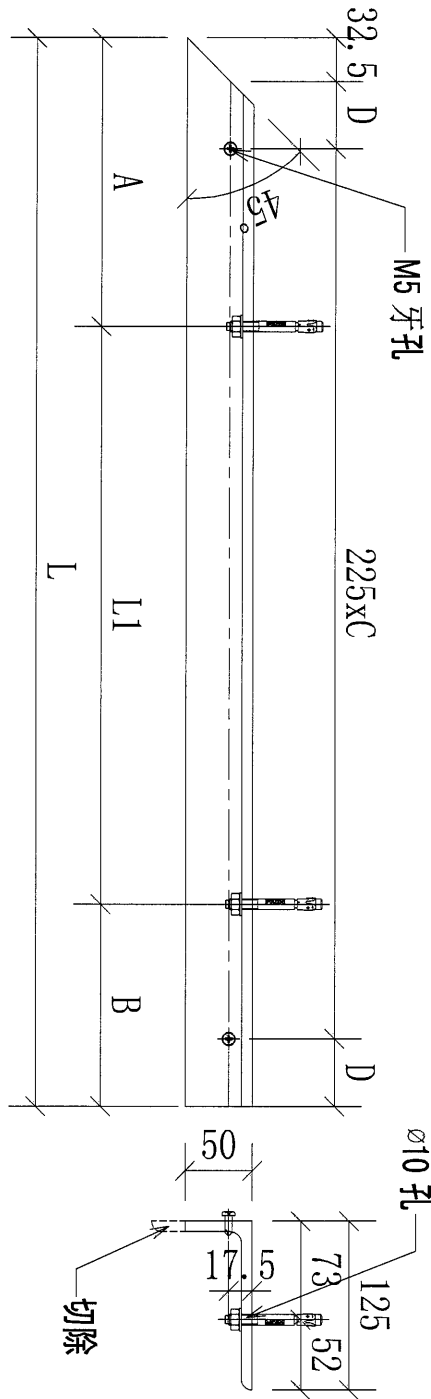
地盤

錦上路/延平道



本品

地盤用

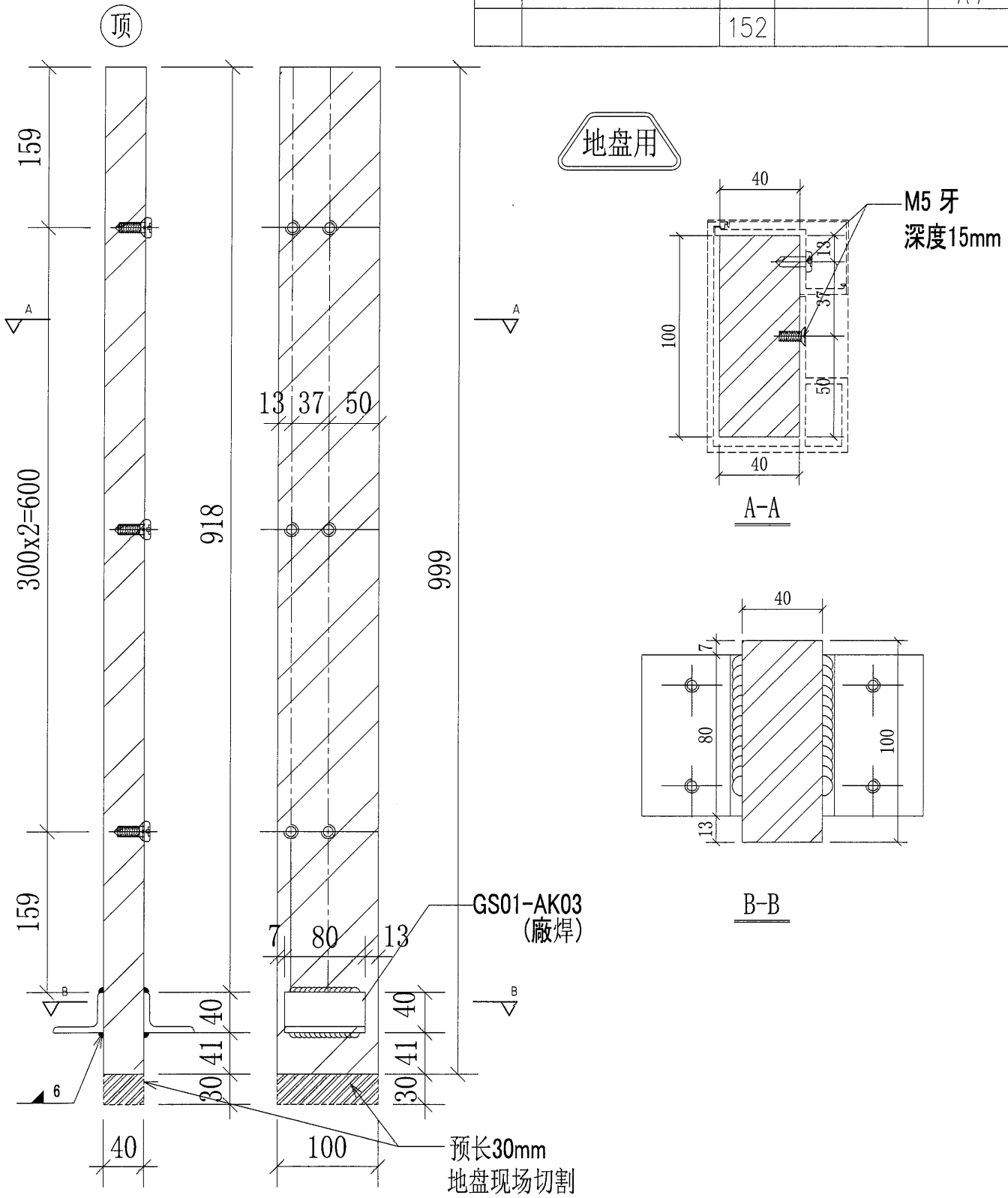


序號	物料編號	數量	L:	L1:	A:	B:	C:	D:	使用位置	樓層
01	22-P01-GTR03	7	1020	690	200	130	4	43.75	UP-4202	T2/(17F-23/F)
02	23-P01-GTR03	18	540	270	200	70	2	73.75	UP-4203	T2/(6/F-26/F)
03	24-P01-GTR03	19	995	690	200	105	4	31.25	UP-4204	T2/(5/F-26/F)
04	25-P01-GTR03	9	1020	690	200	130	4	43.75	UP-4205	T2/(6/F-16/F)
		53								

名稱	欄河鋁橫樑	制圖	CJM	2022.01.18	修改		
材料	125x75x8mm 鍍鋅角鋼(材質: SJ275)	復核	SHUI	2022.01.19	日期		
顏色		批準			圖號	22-P01-GTR03	

37

序號	物料編號	數量	使用位置	樓層
01	21-BA01-GMU01	27	GB-5201	T2/(6/F-16/F)
02	21-BA01-GMU01	24	GB-5202	T2/(17F-25/F)
03	21-BA01-GMU01	36	GB-5203	T2/(6/F-26/F)
04	21-BA01-GMU01	38	GB-5204	T2/(5/F-26/F)
05	21-BA01-GMU01	27	GB-5205	T2/(6/F-16/F)
		152		

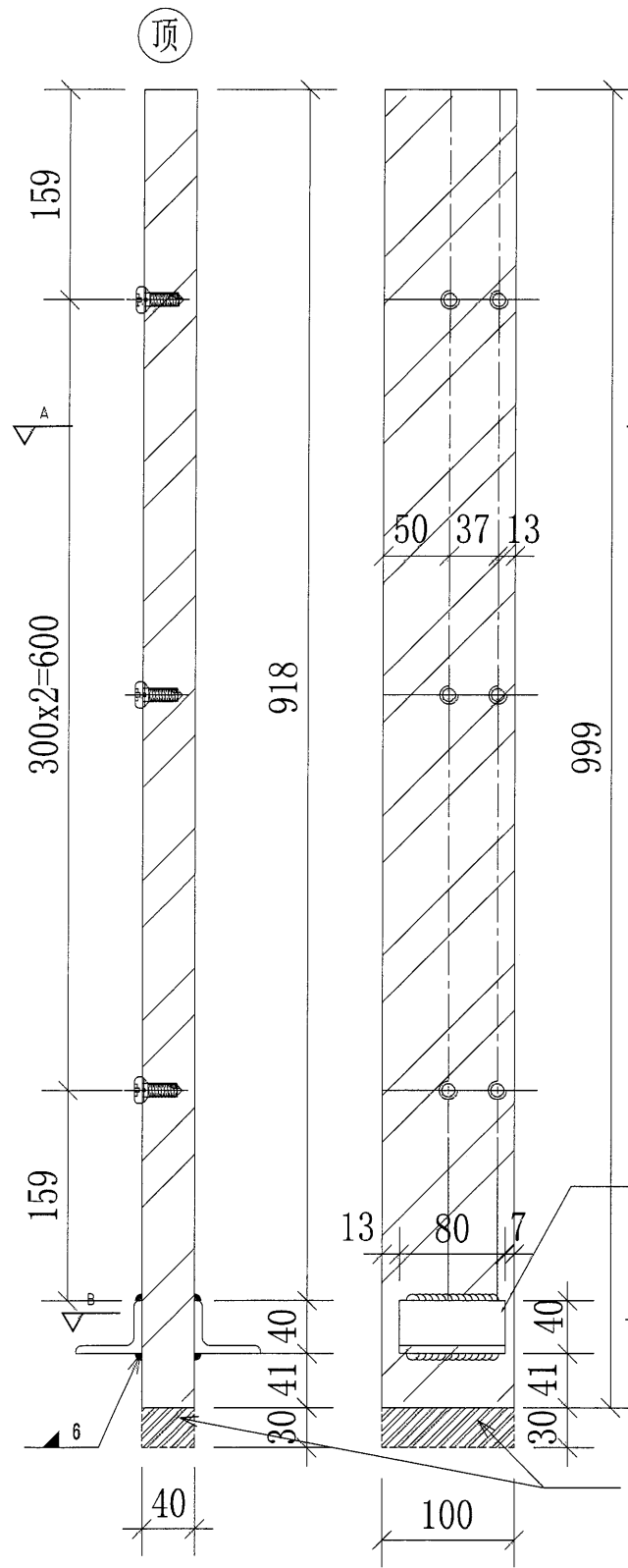


名稱	橫河BAL 鋼企料	制圖	CJM	2022.01.18	修改		
材料	100x40mm 鍍鋅鋼巴(材質:SJ275)	復核	SHUI	2022.01.19	日期		
顏色		批準			圖號	21-BA01-GMU01	

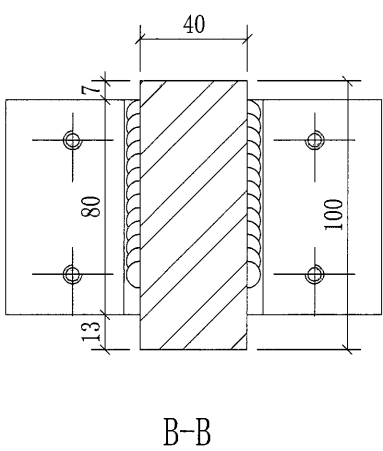
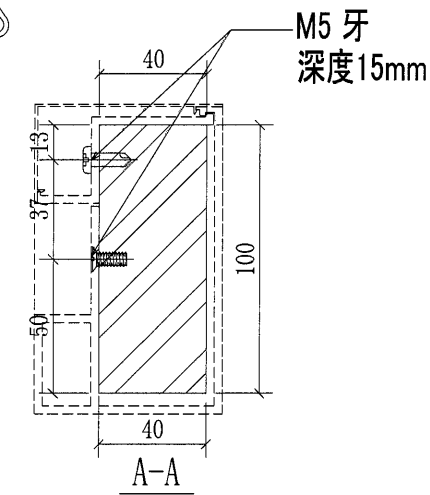
美特鋁質 有限公司
MIDI Aluminium Fabricator Ltd.

工程號 J-853 地盤 錦上路/延平道

序號	物料編號	數量	使用位置	樓層
01	21-BA01-GMU02	27	GB-5201	T2/(6/F-16/F)
02	21-BA01-GMU02	24	GB-5202	T2/(17F-25/F)
03	21-BA01-GMU02	54	GB-5203	T2/(6/F-26/F)
04	21-BA01-GMU02	57	GB-5204	T2/(5/F-26/F)
05	21-BA01-GMU02	27	GB-5205	T2/(6/F-16/F)
		189		



地盤用



GS01-AK03 (廠焊)

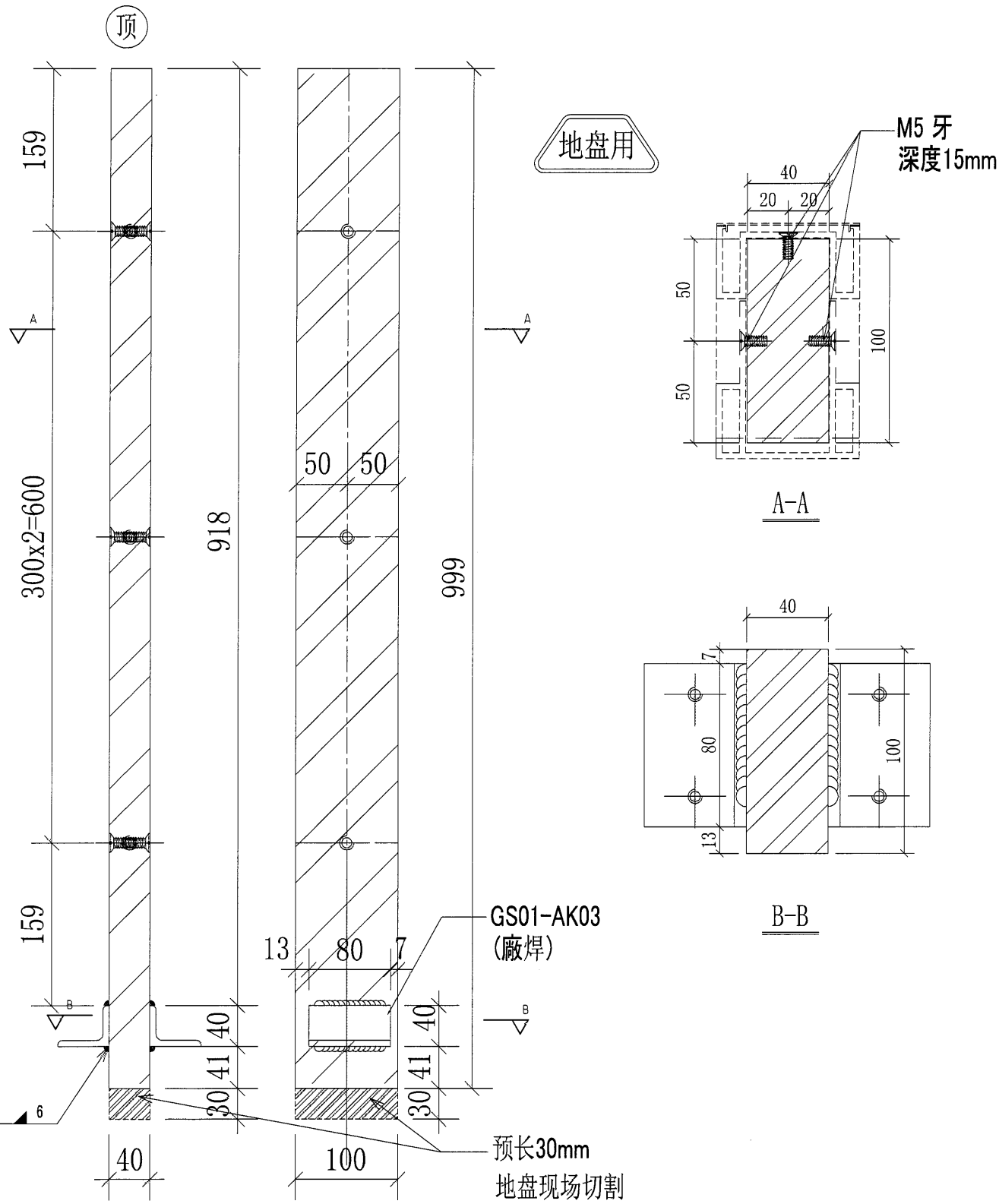
名稱	欄河BAL 鋼企料	制圖	CJM	2022.01.18	修改		
材料	100x40mm 鍍鋅鋼巴 (材質: SJ275)	復核	SHUI	2022.01.19	日期		
顏色		批准			圖號	21-BA01-GMU02	

40

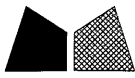
美特鋁質 有限公司
MIDI Aluminium Fabricator Ltd.

工程號 J-853 地盤 錦上路/延平道

序號	物料編號	數量	使用位置	樓層
01	22-BA01-GMU03	16	GB-5202	T2/(17F-25/F)
02	23-BA01-GMU03	18	GB-5203	T2/(6/F-26/F)
03	24-BA01-GMU03	19	GB-5204	T2/(5/F-26/F)
		53		



名稱	欄河BAL 鋼企料	制圖	CJM	2022.01.18	修改		
材料	100x40mm 鍍鋅鋼巴(材質: SJ275)	復核	SHUI	2022.01.19	日期		
顏色		批准			圖號	22-BA01-GMU03	



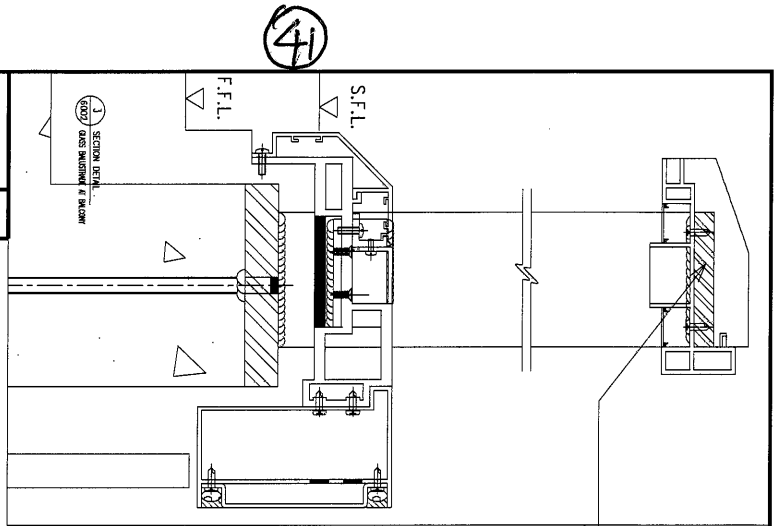
美特鋁質 有限公司
MIDI Aluminium Fabricator Ltd.

工程號

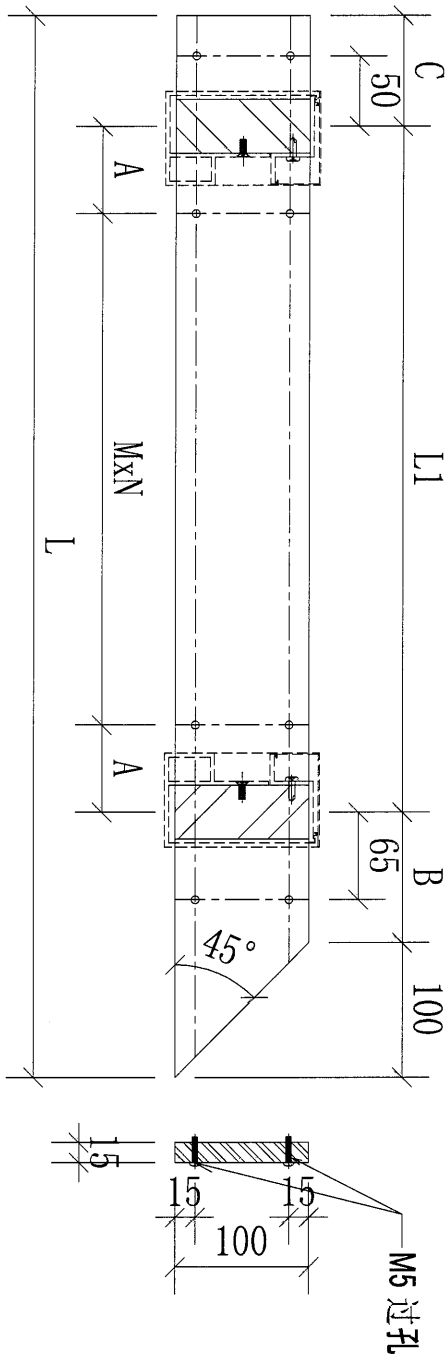
J-853

地盤

錦上路/延平道



本品



地盘用

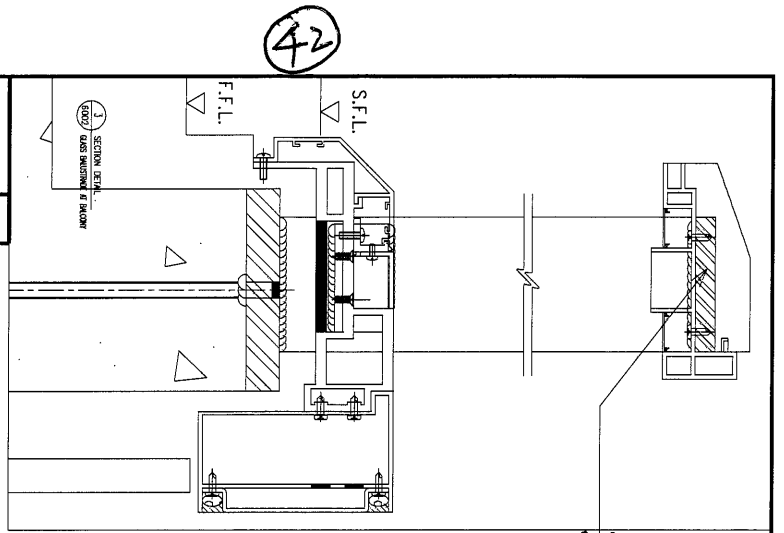
序號	物料編號	數量	L:	L1:	M:	N:	A:	B:	C:	使用位置	樓層
01	21-BA01-GTR01	9	668	390	300	1	45	97	81	BAL-5201	T2/(6/F-16/F)
02	22-BA01-GTR01	8	593	315	200	2	57.5	97	81	BAL-5202	T2/(17F-25/F)
03	23-BA01-GTR01	18	1258	980	300	3	40	97	81	BAL-5203	T2/(6/F-26/F)
04	25-BA01-GTR01	9	1433	1155	300	3	127.5	97	81	BAL-5205	T2/(6/F-16/F)
		44									

名稱	欄河鋁橫樑	制圖	CJM	2022.01.18	修改		
材料	100x15mm 鍍鋅鋼(材質: SJ275)	復核	SHUI	2022.01.19	日期		
顏色		批準			圖號	21-BA01-GTR01	

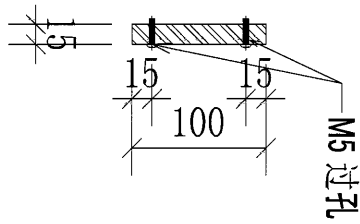
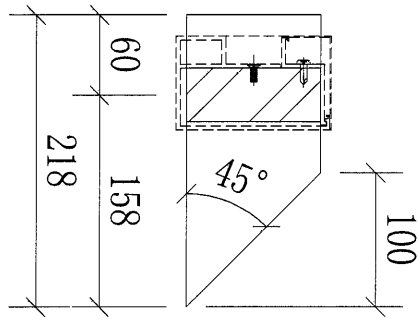


美特鋁質 有限公司
MIDI Aluminium Fabricator Ltd.

工程號 J-853 地盤 錦上路/延平道



本品



01	物料編號 24-BA01-GTR01	數量 19	L: 218	L1:	M:	A:	使用位置 BAL-5204	樓層 T2/(5/F-26/F)
----	-----------------------	----------	-----------	-----	----	----	------------------	---------------------

名稱	欄河鋼橫樑	制圖	CJM	2022.01.18	修改		
材料	100x15mm 鍍鋅鋼巴(材質: SJ275)	復核	SHUI	2022.01.19	日期		
顏色		批準			圖號	24-BA01-GTR01	



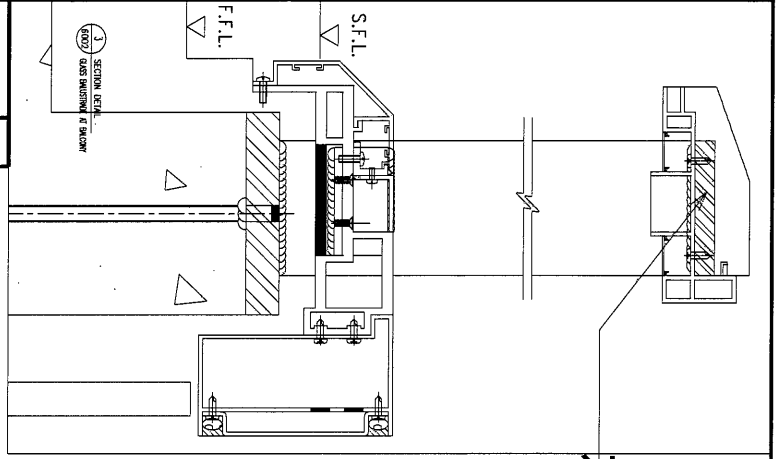
美特鋁質 有限公司
MIDI Aluminium Fabricator Ltd.

工程號

J-853

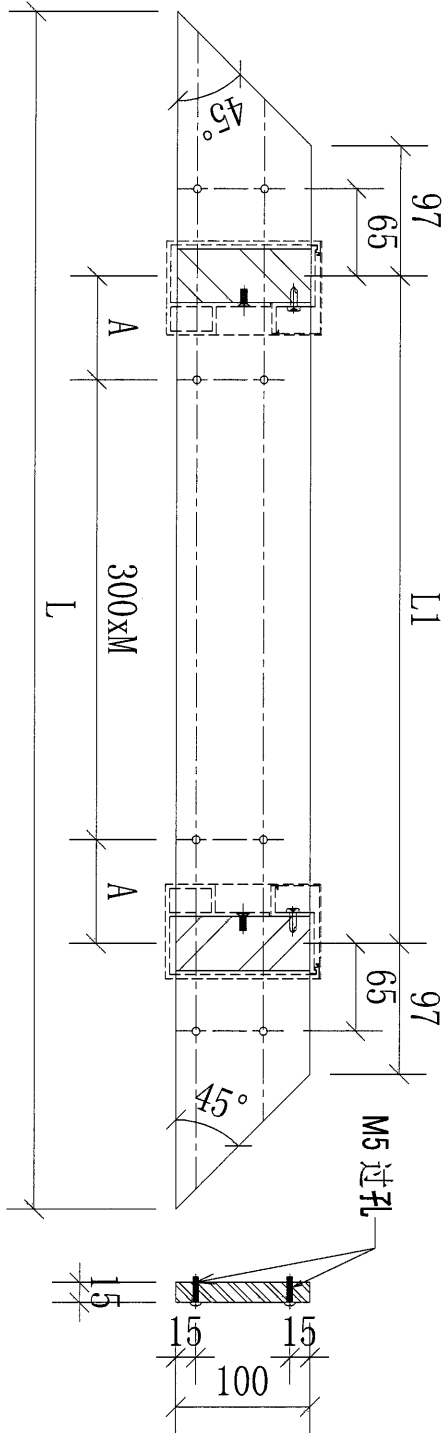
地盤

錦上路/延平道



本品

地盤用



序號	物料編號	數量	L:	L1:	M:	A:	使用位置	樓層
01	21-BA01-GTR02	9	2285	1891	6	45.5	BAL-5201	T2/(6/F-16/F)
02	25-BA01-GTR02	9	2185	1791	5	145.5	BAL-5205	T2/(6/F-16/F)
		18						

名稱	欄河鋼橫樑	制圖	CJM	2022.01.18	修改		
材料	100x15mm 鍍鋅鋼巴(材質: SJ275)	復核	SHUI	2022.01.19	日期		
顏色		批准			圖號	21-BA01-GTR02	



美特鋁質 有限公司
MIDI Aluminium Fabricator Ltd.

工程號

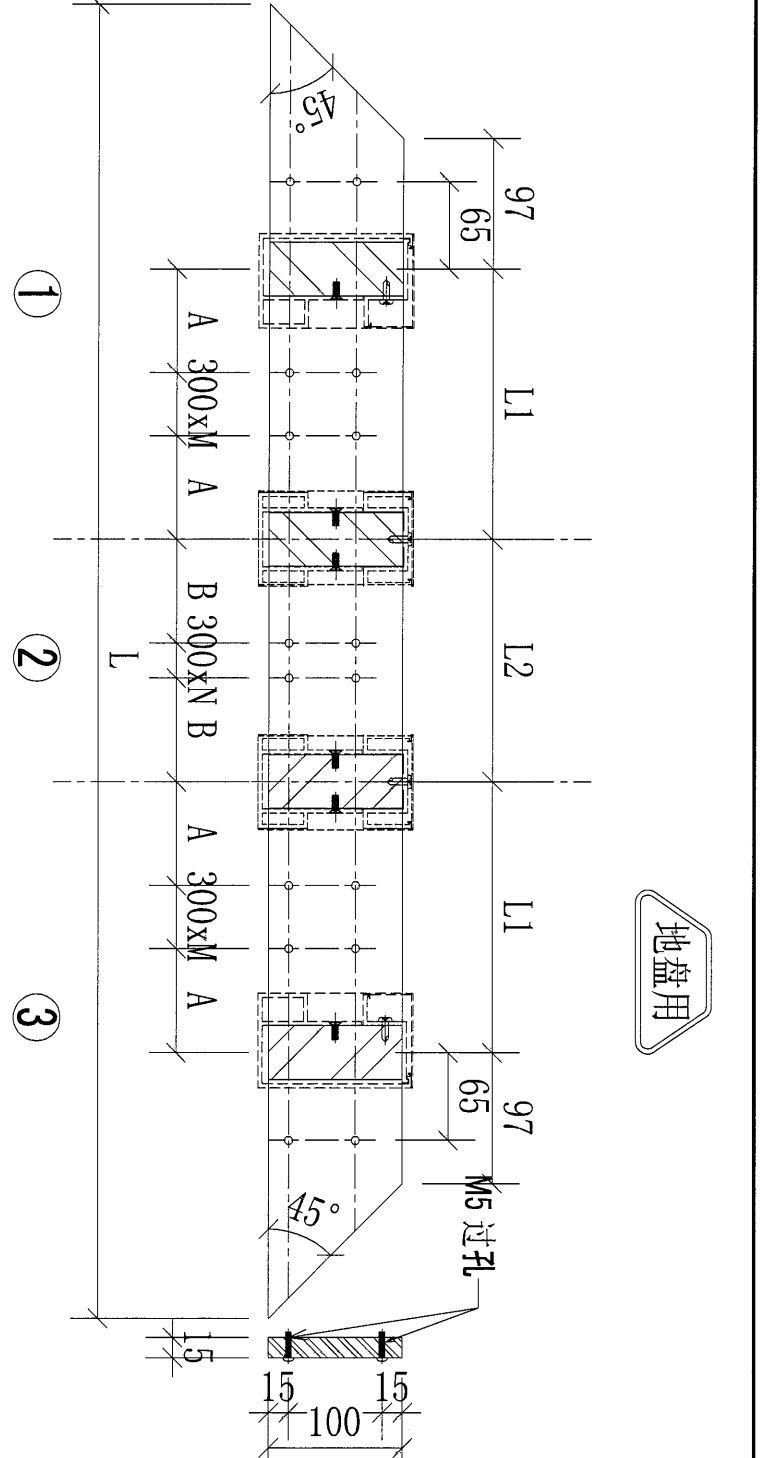
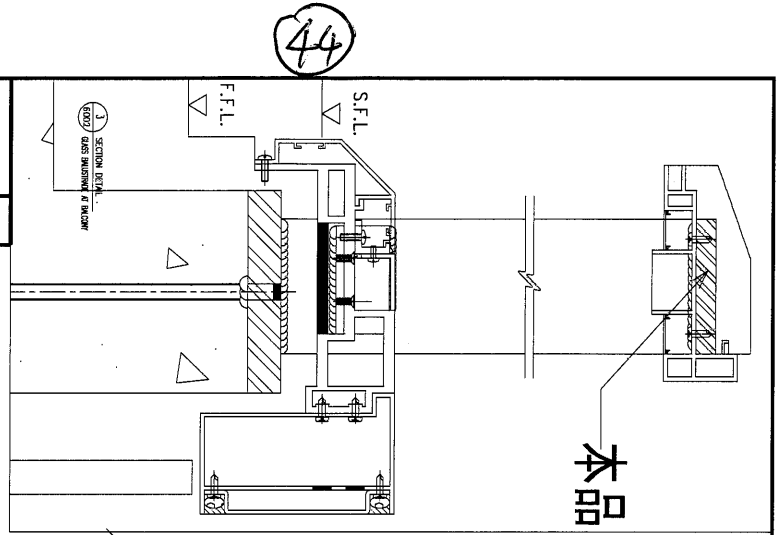
J-853

地盤

錦上路/延平道

序號	物料編號	數量	L:	L1:	L2:	A:	B:	M:	N:	使用位置	樓層
01	22-BA01-GTR02	8	6085	1900	1891	50	45.5	6	6	BAL-5202	T2/(17F-25/F)
		8									

此件分为三件(1,2,3)

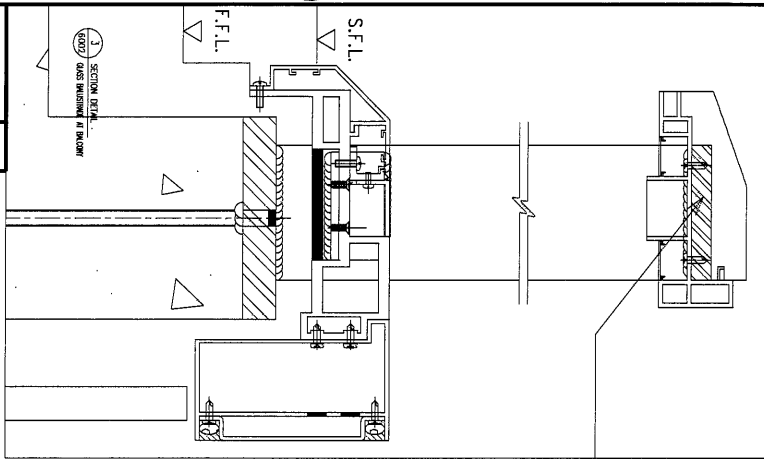


名稱	欄河銅橫樑	制圖	CJM	2022.01.18	修改		
材料	100x15mm 鍍鋅鋼巴(材質: SJ275)	復核	SHUI	2022.01.19	日期		
顏色		批準			圖號	22-BA01-GTR02	

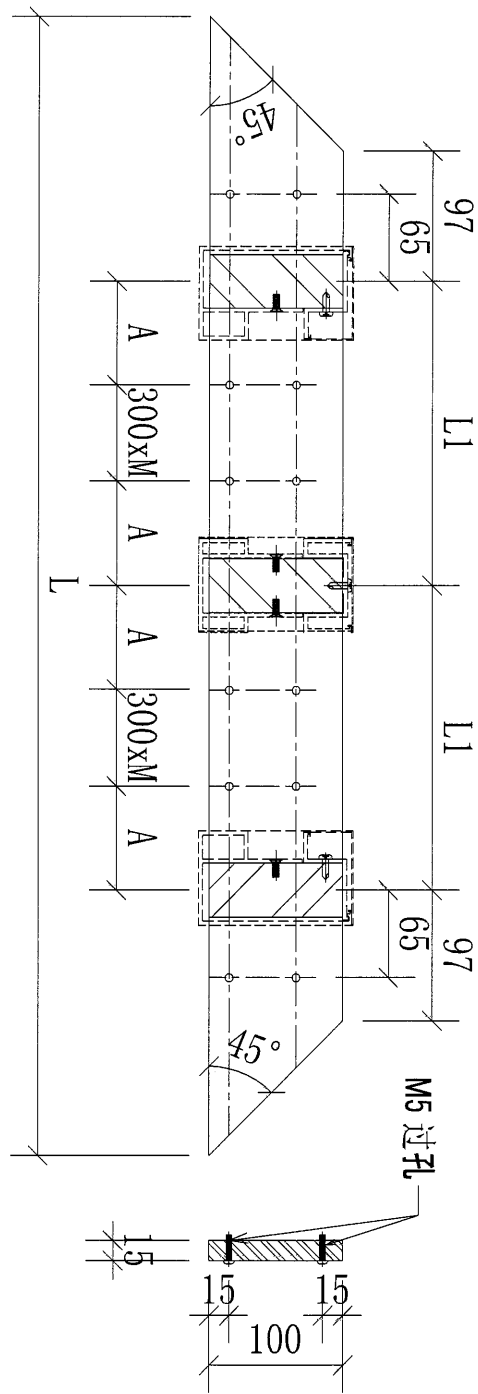


美特鋁質 有限公司
MIDI Aluminium Fabricator Ltd.

工程號 J-853 地盤 錦上路/延平道



本品



序號	物料編號	數量	L:	L1:	L2:	A:	B:	M:	N:	使用位置	樓層
01	23-BA01-GTR02	18	3355	1480		140		4		BA1-5203	T2/(6/F-26/F)
02	24-BA01-GTR02	19	3355	1480		140		4		BA1-5204	T2/(5/F-26/F)
		37									

名稱	攔河鋼橫樑	制圖	CJM	2022.01.18	修改		
材料	100x15mm 鍍鋅鋼巴(材質: SJ275)	復核	SHUI	2022.01.19	日期		
顏色		批準			圖號	23-BA01-GTR02	



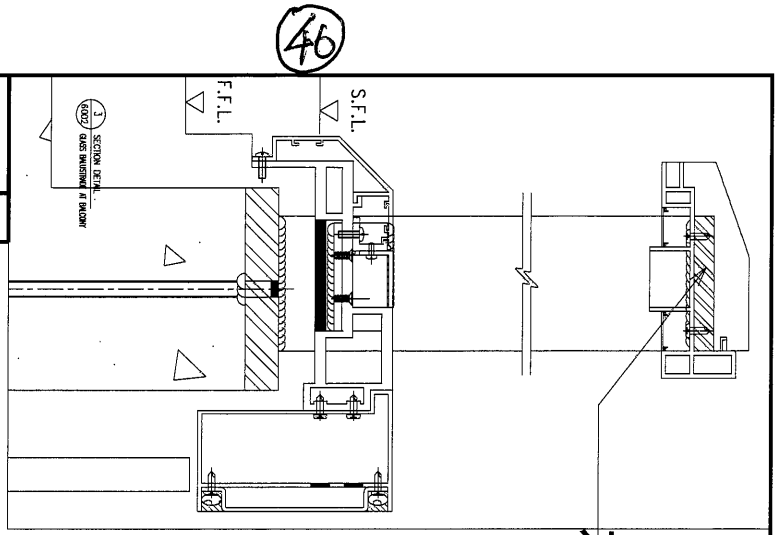
美特鋁質 有限公司
MIDI Aluminium Fabricator Ltd.

工程號

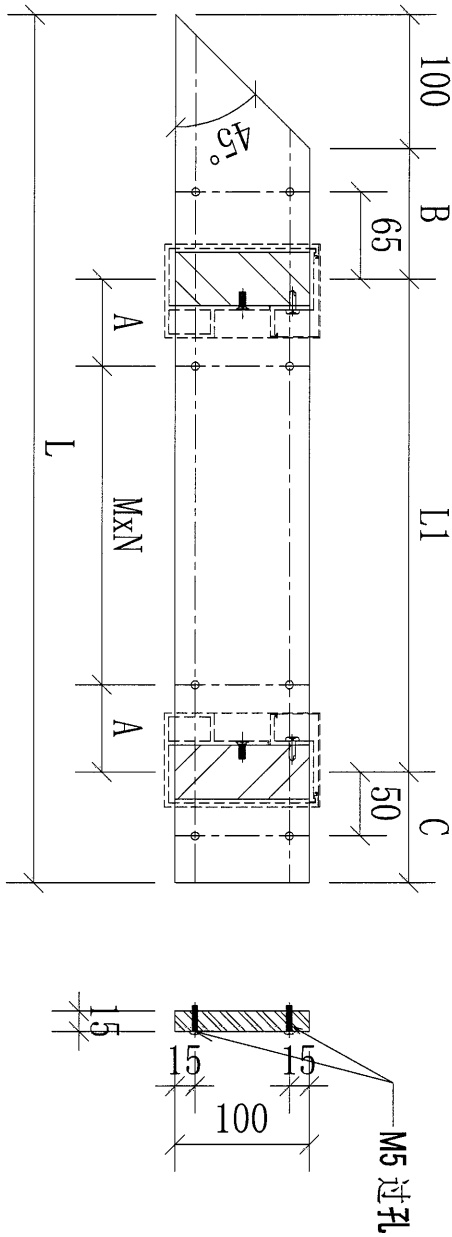
J-853

地盤

錦上路/延平道



本品



序號	物料編號	數量	L:	L1:	M:	N:	A:	B:	C:	使用位置	樓層
01	21-BA01-GTR03	9	1433	1155	300	3	127.5	97	81	BAL-5201	T2/(6/F-16/F)
02	22-BA01-GTR03	8	593	314	200	1	57	97	81	BAL-5202	T2/(17F-25/F)
03	24-BA01-GTR03	19	1133	855	300	2	127.5	97	81	BAL-5204	T2/(5/F-26/F)
04	25-BA01-GTR03	9	593	314	200	1	57	97	81	BAL-5205	T2/(6/F-16/F)
		45									

名稱	攔河鋼橫樑	制圖	CJM	2022.01.18	修改		
材料	100x15mm 鍍鋅鋼(材質: SJ275)	復核	SHUI	2022.01.19	日期		
顏色		批准			圖號	21-BL01-GTR03	



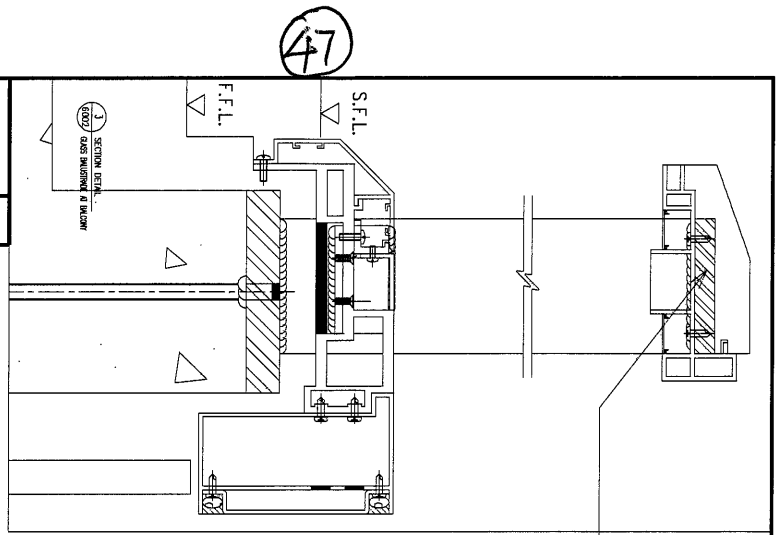
美特鋁質 有限公司
MIDI Aluminium Fabricator Ltd.

工程號

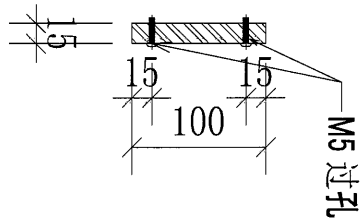
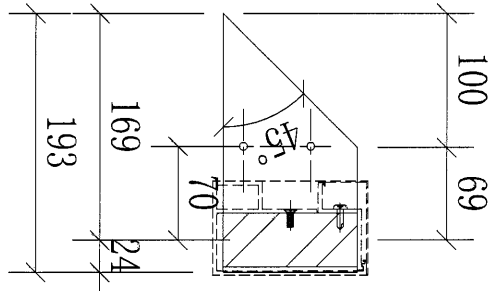
J-853

地盤

錦上路/延平道



本品



序號	物料編號	數量	L:	L1:	M:	A:	使用位置	樓層
01	23-BA01-GTR01	18	193				BAL-5203	T2/(6/F-26/F)

名稱	攔河鋼橫樑	制圖	CJM	2022.01.18	修改		
材料	100x15mm 鍍鋅鋼巴(材質: SJ275)	復核	SHUI	2022.01.19	日期		
顏色		批准			圖號	23-BA01-GTR03	



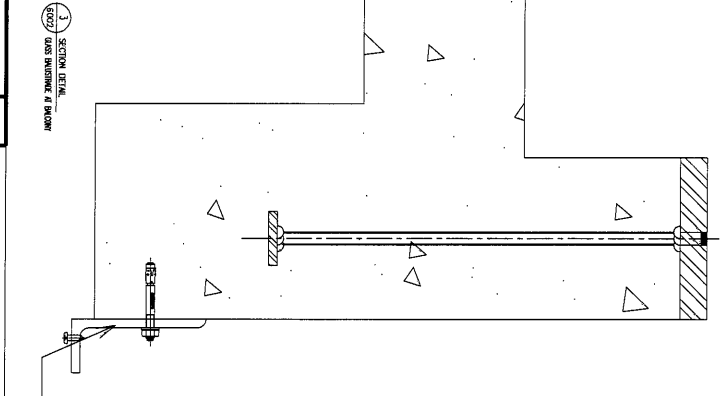
美特鋁質 有限公司
MIDI Aluminium Fabricator Ltd.

工程號

J-853

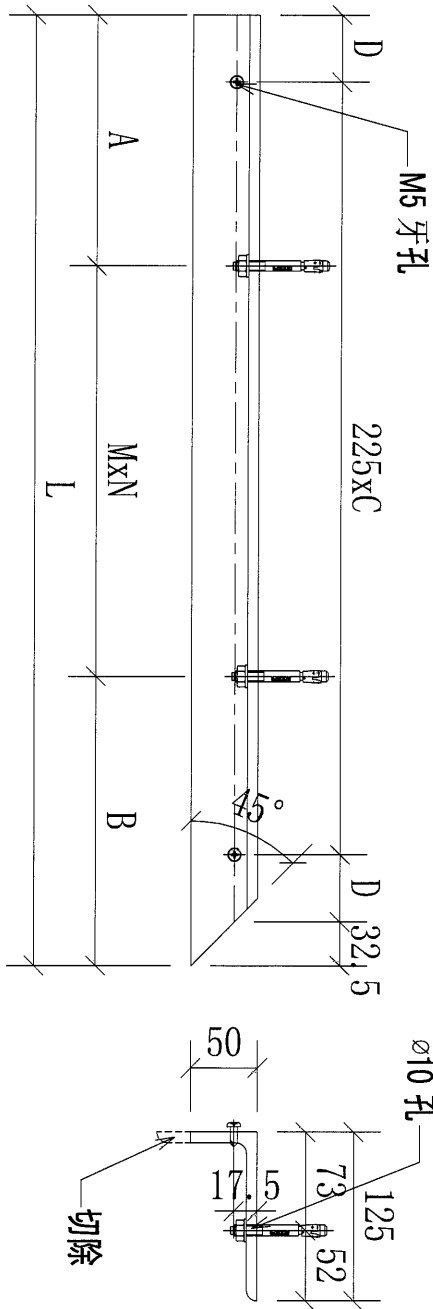
地盤

錦上路/延平道



本品

地盤用

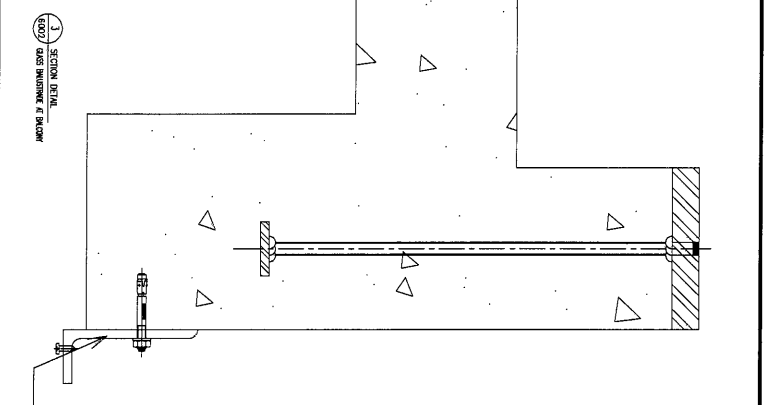


序號	物料編號	數量	L:	A:	B:	C:	D:	M:	N:	使用位置	樓層
01	21-BB01-GTR01	9	750	81	200	3	21.25	469	1	BA1-5201	T2/(6/F-16/F)
02	22-BB01-GTR01	8	675	100	200	2	96.25	375	1	BA1-5202	T2/(17F-25/F)
03	23-BB01-GTR01	18	1340	150	200	5	91.25	495	2	BA1-5203	T2/(6/F-26/F)
04	25-BB01-GTR01	9	1515	81	200	6	66.25	617	2	BA1-5205	T2/(6/F-16/F)
		44									

名稱	欄河鋼橫樑	制圖	CJM	2022.01.18	修改		
材料	125x75x8mm 鍍鋅角鋼(材質: SJ275)	復核	SHUI	2022.01.19	日期		
顏色		批準			圖號	21-BB01-GTR01	

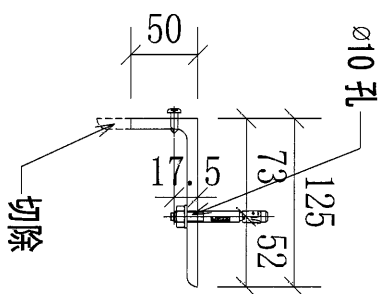
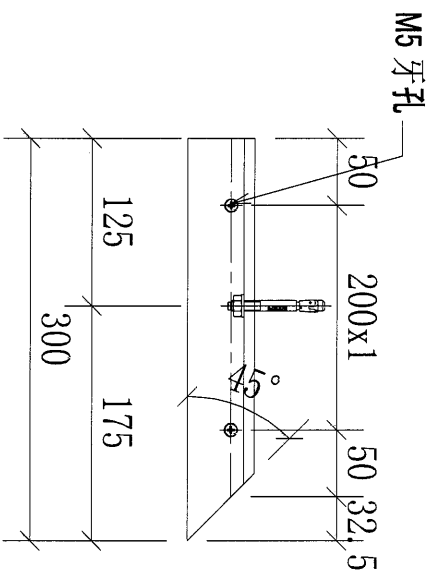
49

工程號 J-853 地盤 錦上路/延平道



本品

地盤用



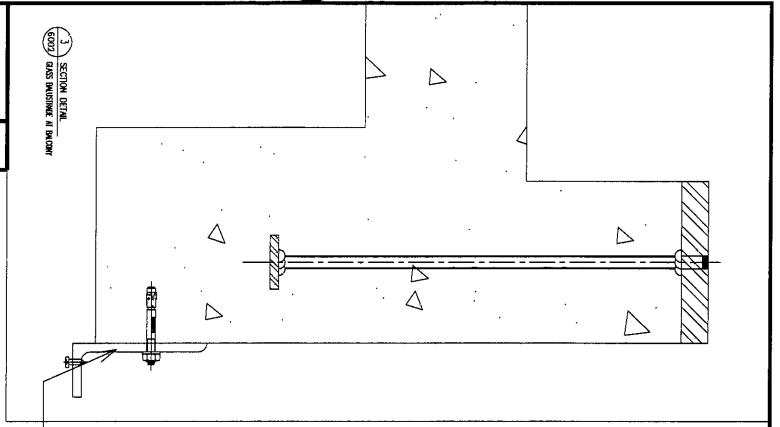
序號	物料編號	數量	L:	A:	B:	C:	D:	M:	N:	使用位置	樓層
01	24-BB01-GTR01	19	300							BAL-5204	T3/(5/F-26/F)

名稱	欄河鋼橫樑	制圖	CJM	2022.01.18	修改		
材料	125x75x8mm 鍍鋅角鋼(材質: SJ275)	復核	SHUI	2022.01.19	日期		
顏色		批準			圖號	24-BB01-GTR01	

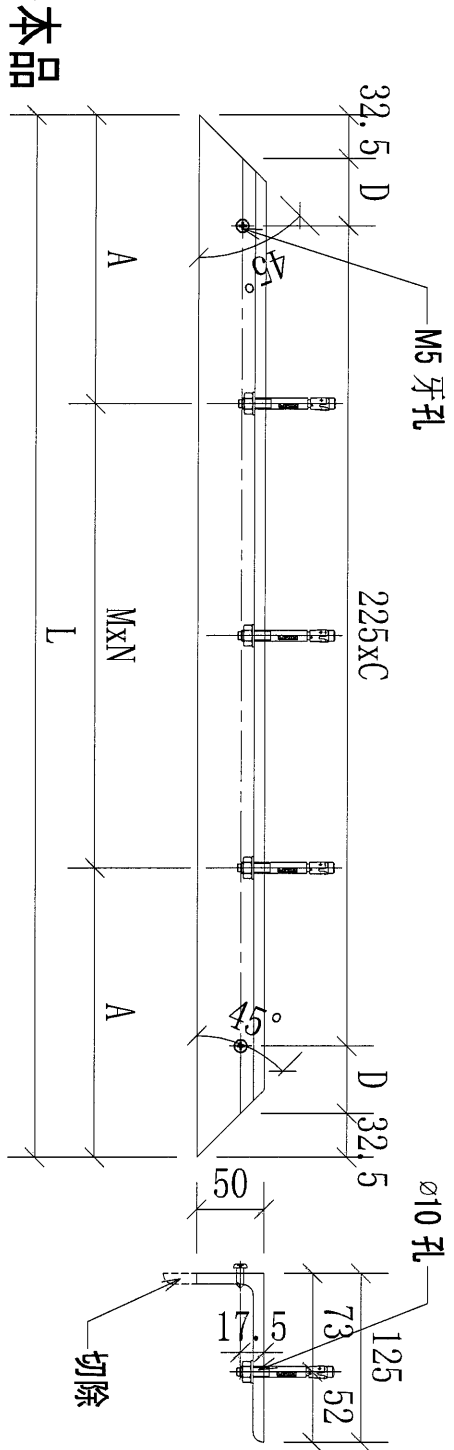


美特鋁質 有限公司
MIDI Aluminium Fabricator Ltd.

工程號 J-853 地盤 錦上路/延平道



地盘用

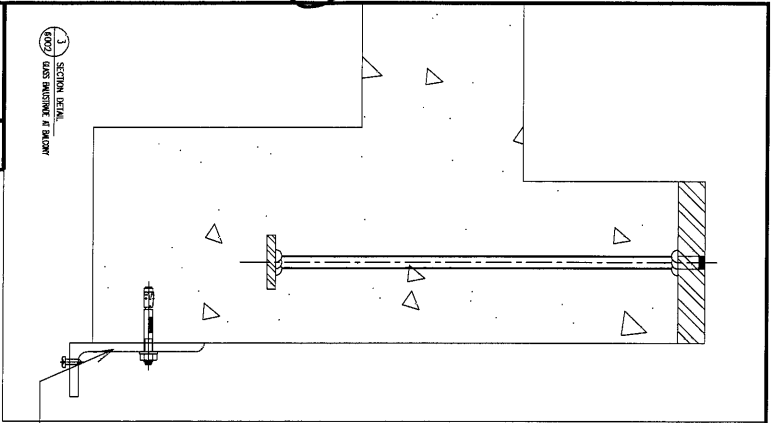


本品

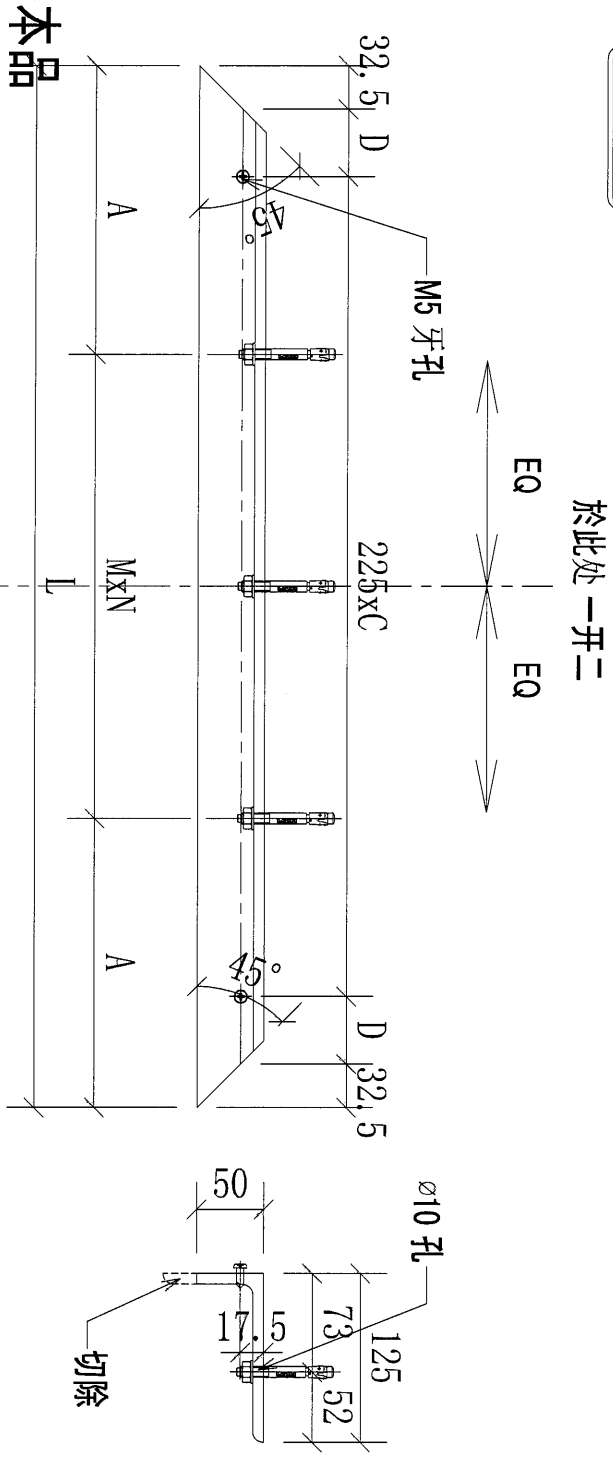
序號	物料編號	數量	L:	A	C	D	M:	N:	使用位置	樓層
01	21-BB01-GTR02	9	2450	200	10	67.5	512.5	4	BAL-5201	T2/(6/F-16/F)
02	25-BB01-GTR02	9	2350	200	9	130	487.5	4	BAL-5205	T2/(6/F-16/F)
		18								

名稱	攔河鋼橫樑	制圖	CJM	2022.01.18	修改		
材料	125x75x8mm 鍍鋅角鋼(材質: SJ275)	復核	SHUI	2022.01.19	日期		
顏色		批准			圖號	21-BB01-GTR02	

(51)



地盘用



本品

美特鋁質 有限公司
MIDI Aluminium Fabricator Ltd.

工程號 J-853 地盤 錦上路/延平道

序號	物料編號	數量	L:	A	C	D	M:	N:	使用位置	樓層
01	22-BB01-GTR02	8	6250	200	27	55	585	10	BAL-5202	T2/(17F-25/F)
02	23-BB01-GTR02	18	3520	200	15	40	624	5	BAL-5203	T2/(6/F-26/F)
03	24-BB01-GTR02	19	3520	200	15	40	624	5	BAL-5204	T2/(5/F-26/F)
		45								

名稱	攔河鋼橫樑	制圖	CJM	2022.01.18	修改		
材料	125x75x8mm 鍍鋅角鋼 (材質: SJ275)	復核	SHUI	2022.01.19	日期		
顏色		批准			圖號	22-BB01-GTR02	



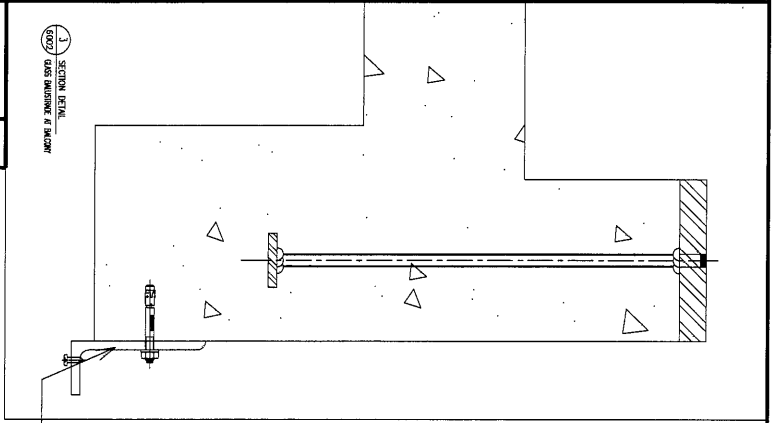
美特鋁質 有限公司
MIDI Aluminium Fabricator Ltd.

工程號

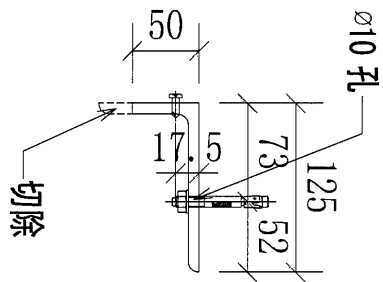
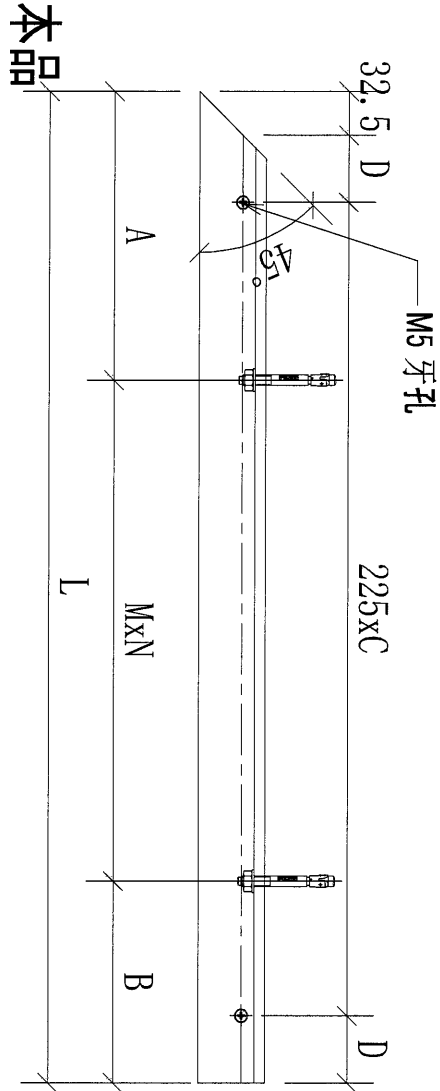
J-853

地盤

錦上路/延平道



地盘用



序號	物料編號	數量	L:	M:	N:	A:	B:	C:	D:	使用位置	樓層
01	21-BB01-GTR03	9	1515	617	2	200	81	6	66.25	BAL-5201	T2/(6/F-16/F)
02	22-BB01-GTR03	8	675	375	1	200	100	2	96.25	BAL-5202	T2/(17F-25/F)
03	24-BB01-GTR03	19	1215	457.5	2	200	100	5	28.75	BAL-5204	T2/(5/F-26/F)
04	25-BB01-GTR03	9	675	375	1	200	100	2	96.25	BAL-5205	T2/(6/F-16/F)
		45									

名稱	欄河鋼橫樑	制圖	CJM	2022.01.18	修改		
材料	125x75x8mm 鍍鋅角鋼 (材質: SJ275)	復核	SHUI	2022.01.19	日期		
顏色		批準			圖號	21-BB01-GTR03	



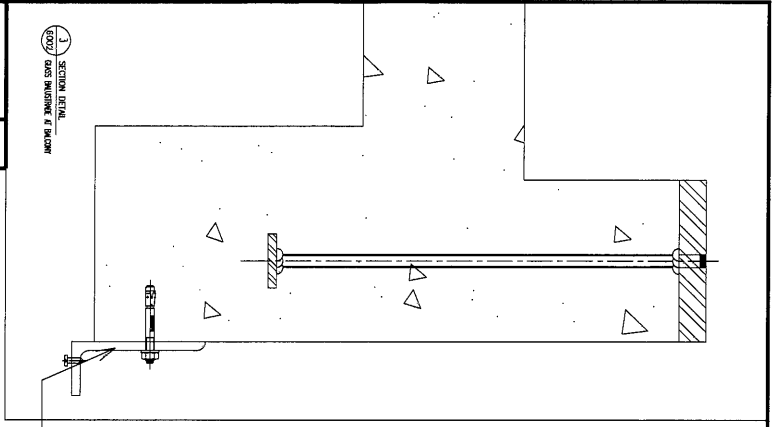
美特鋁質 有限公司
MIDI Aluminium Fabricator Ltd.

工程號

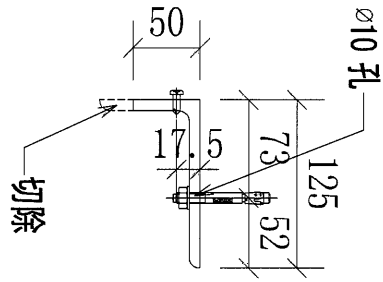
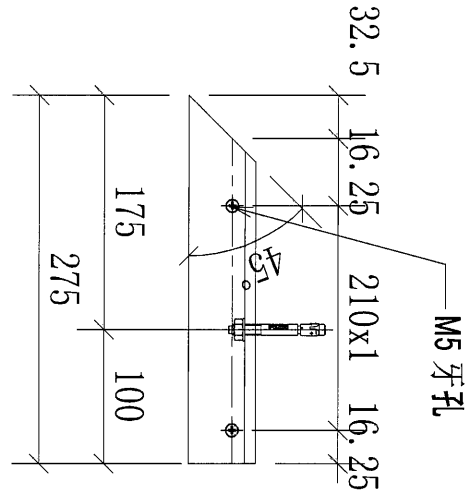
J-853

地盤

錦上路/延平道



地盘用



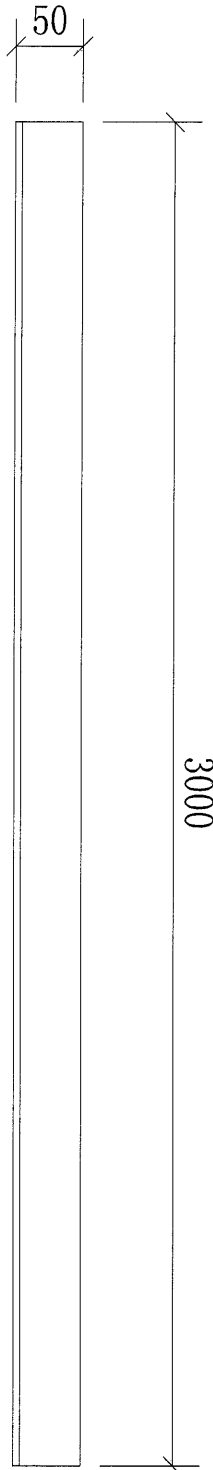
序號	物料編號	數量	L:	M:	N:	A:	B:	C:	D:	使用位置	樓層
01	23-BB01-GTR03	18	300							BAL-5203	T2/(6/F-26/F)

名稱	攔河鋼橫樑	制圖	CJM	2022.01.18	修改		
材料	125x75x8mm 鍍鋅角鋼 (材質: SJ275)	復核	SHUI	2022.01.19	日期		
顏色		批准			圖號	23-BB01-GTR03	



美特鋁質 有限公司
MIDI Aluminium Fabricator Ltd.

工程號 J-853 地盤 錦上路/延平道



地盤用

地盤用拉水角鐵，地盤切割所需長度，整座循環使用

序號	物料編號	數量	L:	M:	N:	A:	B:	C:	D:	使用位置	樓層
01	XX-01	25	3000								T2/(6/F--26/F)

名稱	攔河鋼橫樑	制圖	CJM	2022.01.18	修改		
材料	50x50x5mm 鍍鋅角鋼(材質:SJ275)	復核	SHUI	2022.01.19	日期		
顏色		批准			圖號	XX-01	

