

工程指示 / 要求簡箋(E.I.)

工程指示編號：EI/ 3662 /21

修改版次：

工程編號：J853

工程名稱：延坪道住宅項目

工程項目：平台 Glass Wall 地盤用預埋碼

收件人：Maggie Lo

發件人：Joe Chan

日期：23/7/2021

要求提供 / 確認 事項：

- () 初步鋁料 B.M.
- () 加工拆圖，然後生產
- () 尺寸表
- () 正式鋁料 B.M.
- () 技術上資料 / 指示
- () 報價
- () 配件 B.M.
- () 樣辦或貨品說明書
- () 分判合約
- () 其他：_____

內容：

請依附件資料，生產 GMS 預埋碼，送地盤。
廠驗將：100%目測，10%磁粉。

請在 31/8 /2021 前完成上列要求。按地盤進度，分批送出

附有關圖紙 / 文件：

1 + 13 頁

以上項目為：

- 原合約工程包
- 原合約工程加 / 減賬
- 新工程報價

原因：-

分發東莞各部門：

- () 生產技術總監 連附件 () 技術部 連附件 () 生產部 連附件 () 機械設計部 連附件
- () 採購部 連附件 () 生產統籌部 連附件
- () 質檢部 連附件 () 會計部 連附件 () 報關組 連附件 () 其他 _____ 連附件

分發香港各部門：

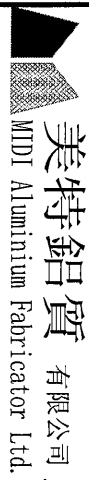
- () 行政部 連附件 () 會計部 連附件 () 統籌部 連附件 () 工程部地盤科 連附件
- () 採購部 連附件 () QS 部 連附件 () 維修部 連附件 () 其他 _____ 連附件

傳遞編號：

發件人簽署：

項目經理簽署：

①



美特鋁質有限公司
MDDI Aluminium Fabricator Ltd.

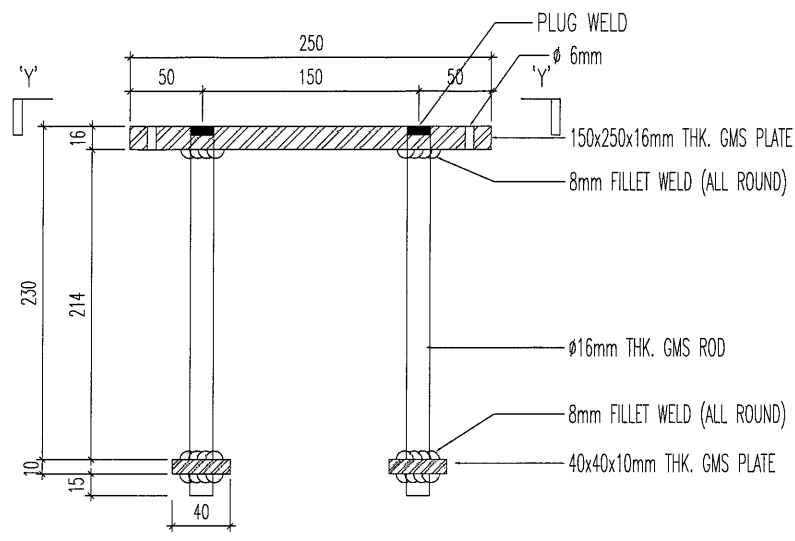
地盤用鐵件BM表

工程號:	J-853	計算:	JOE	日期:	23/7/2021	送呈:	胡哥
地盤名稱:	香港延坪道	核對:	大明	日期:		副本:	
項目類別:	PODIUM GW	批准:		日期:			
修改版次:		A/C Code:		鐵件總重量KG:	1713.15	此BM依據試水箱資料計	

序號	修改內容	鐵件圖號	鐵件名稱	顏色	實用	後備	總數	單位	單件/件 (kg)	總重量 (kg)	備注
1		EM-07	EM-07	GMMS	116	9	125	件	6.91	863.75	
2		EM-08	EM-08	GMMS	58	4	62	件	13.70	849.40	
3											
4											
5											
6											
7											
8											
				合計			187			1713.150	

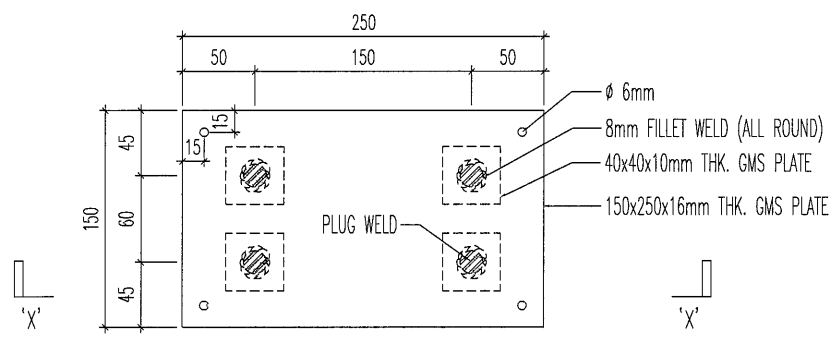
(2)

EM07



CAST-IN EMBED FOR PODIUM GLASS WALL
TYPE 'EM-07'

SECTION 'X-X'



SECTION 'Y-Y'

預埋碼鐵件

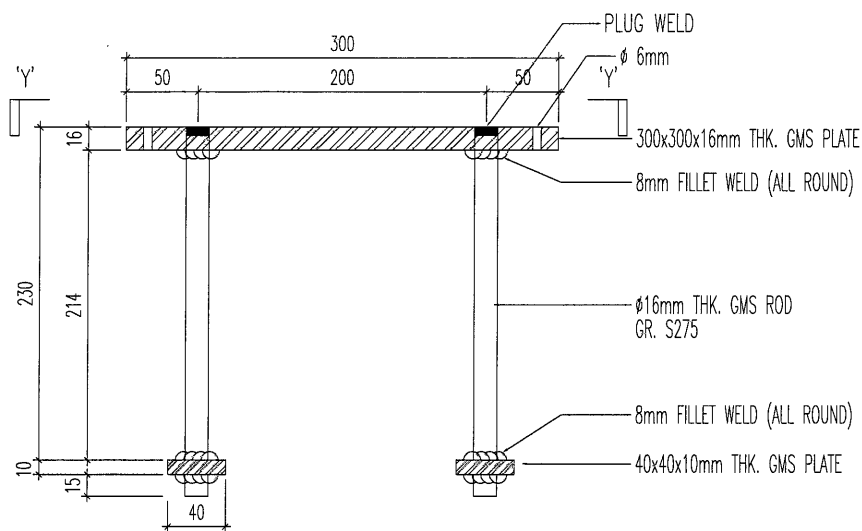
16mm 厚鐵板

熱浸鋅

數量: 116 件 + 9 件

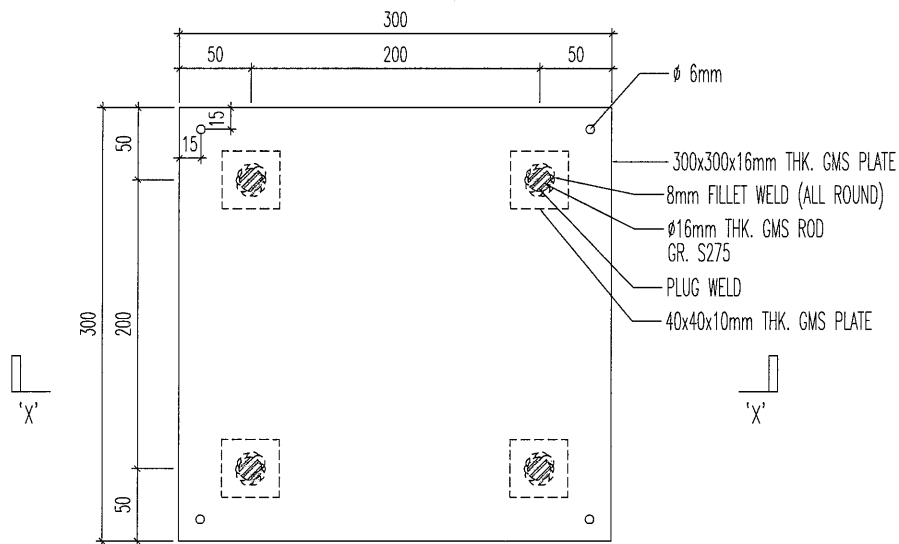
重量 6.91 kg/pc

EM08



CAST-IN EMBED FOR PODIUM GLASS WALL
TYPE 'EM-08'

SECTION 'X-X'



SECTION 'Y-Y'

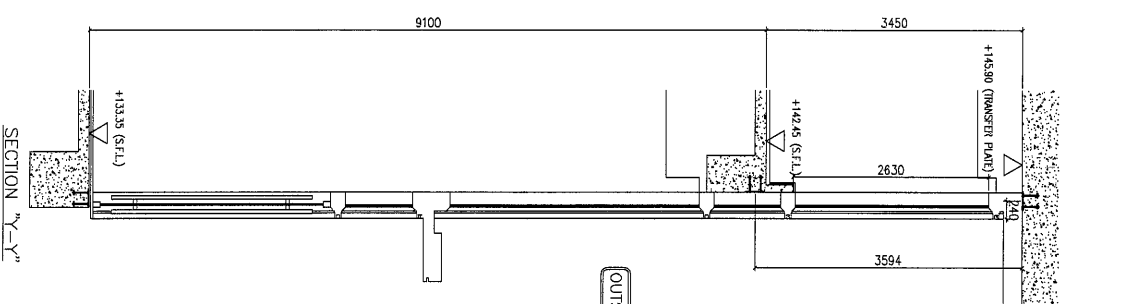
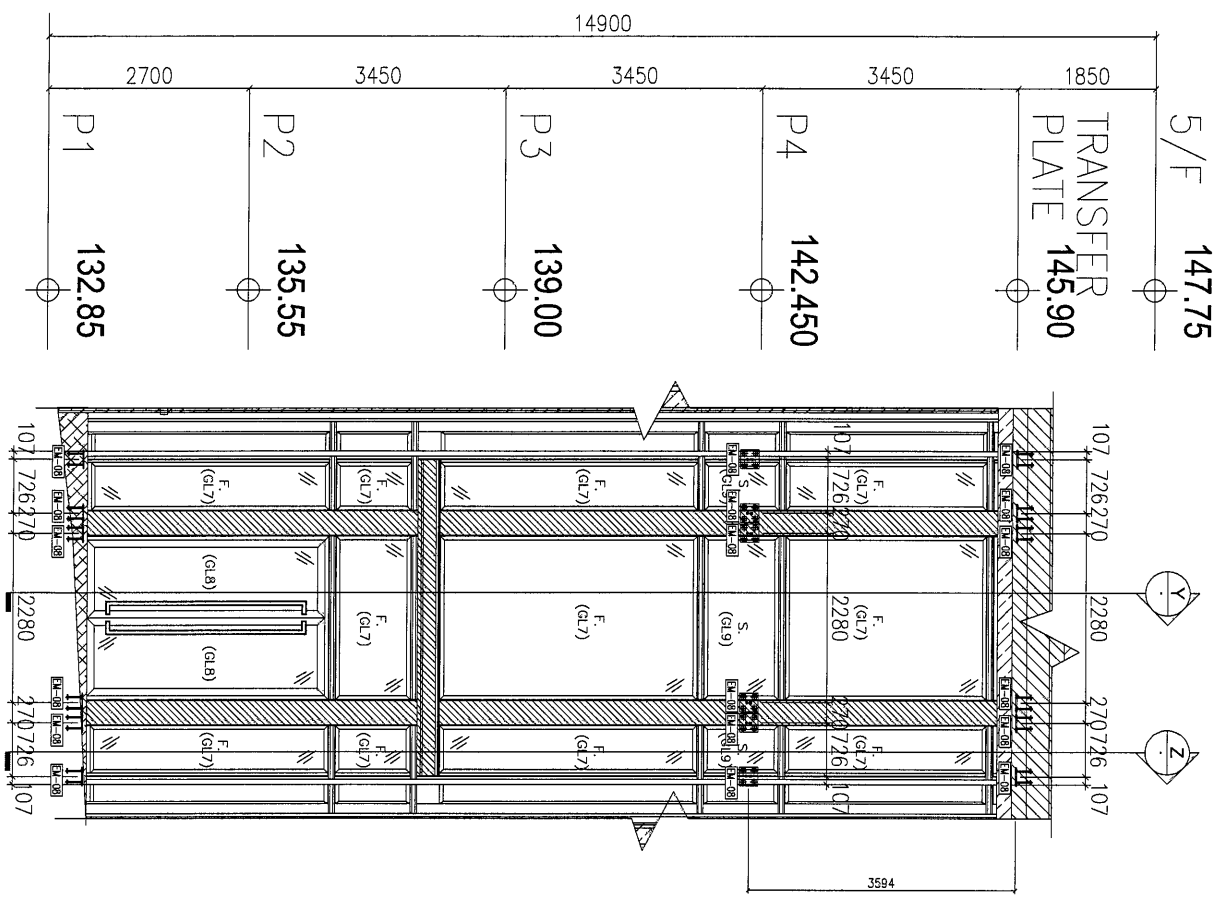
預埋碼鐵件

16mm 厚鐵板

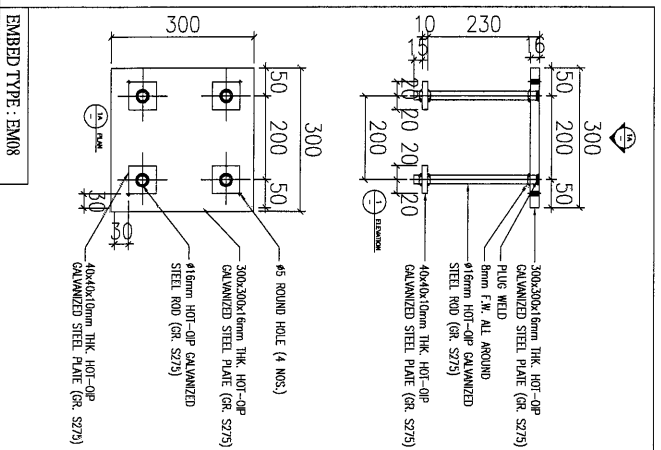
熱浸鋅

數量: 58 件 + 4 件

重量 13.70 kg/pc



OUTSIDE



NOTE:
 1. ALL DIMENSIONS ARE IN mm.
 2. ALL DIMENSIONS ARE MEASURED FROM OUTSIDE.
 3. ALL DIMENSIONS TO BE REFERRED ON SITE BEFORE FABRICATION.

LEGEND:
 (M) DETAIL MARK NO.
 (R) REFER SHEET NO.
 1. F.F.L. — FINISHED FLOOR LEVEL.
 2. S.F.L. — STRUCTURAL FLOOR LEVEL.
 3. (R) — REFERRED DETAIL.

DATE: 18-Mar-21	SCALE: 1:70
DRAWN BY: IYON	CHECKED BY:
PROJECT: PROPOSED RESIDENTIAL DEVELOPMENT AT N.K.I.L.L. 6542 YIN PING ROAD KOWLOON	
TITLE: EMBED LAYOUT OF Pedium FOR GLASS WALL	
JOB NO.: J-853	REV: -
DATE: 18-Mar-21	SCALE: 1:70
DRAWN BY: IYON	CHECKED BY:
PROJECT: PROPOSED RESIDENTIAL DEVELOPMENT AT N.K.I.L.L. 6542 YIN PING ROAD KOWLOON	
TITLE: EMBED LAYOUT OF Pedium FOR GLASS WALL	
JOB NO.: J-853	REV: -

B.B. REF: _____

CLIENT: SHIMAO GROUP HOLDINGS LIMITED

ARCHITECT: WONG TUNG & PARTNERS LIMITED

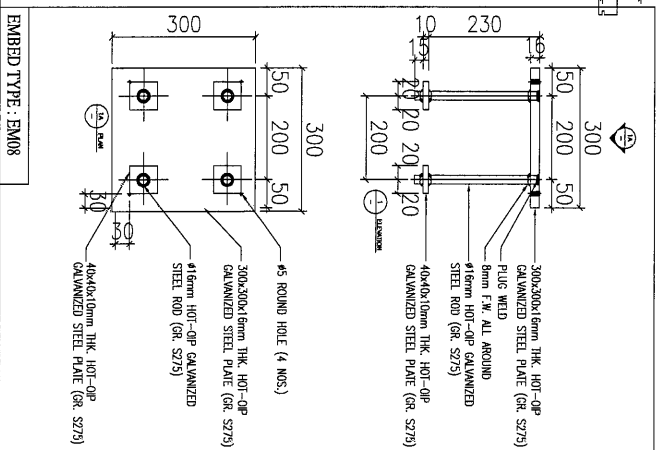
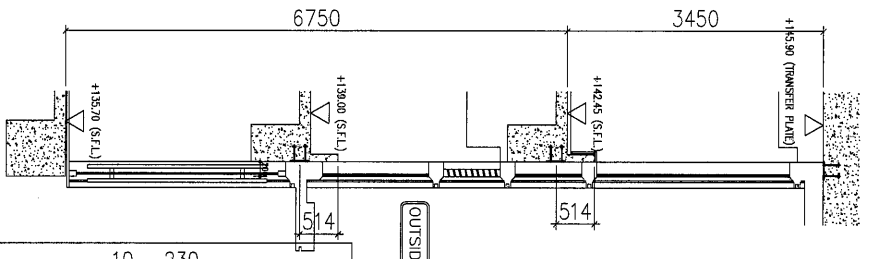
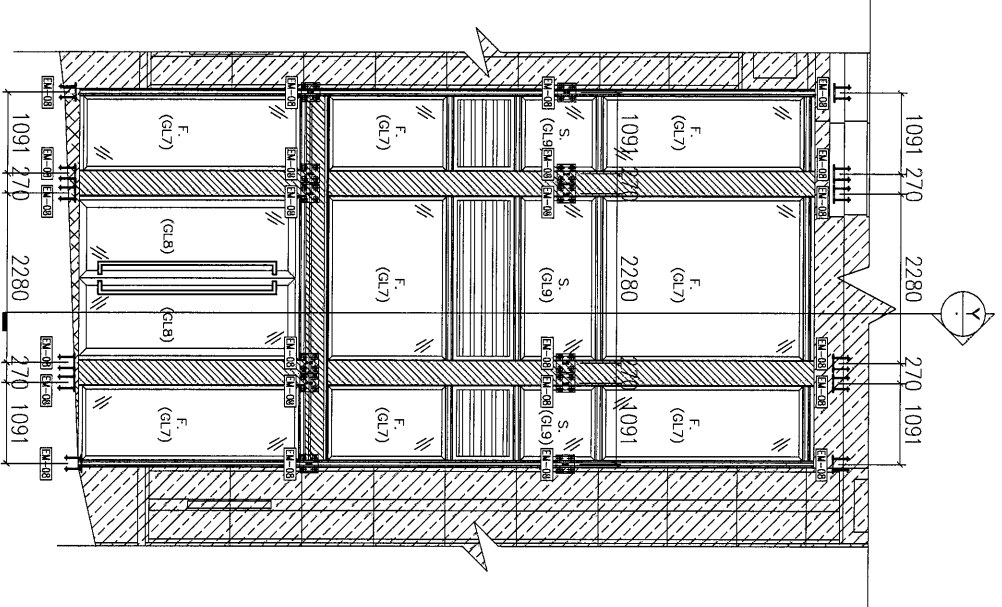
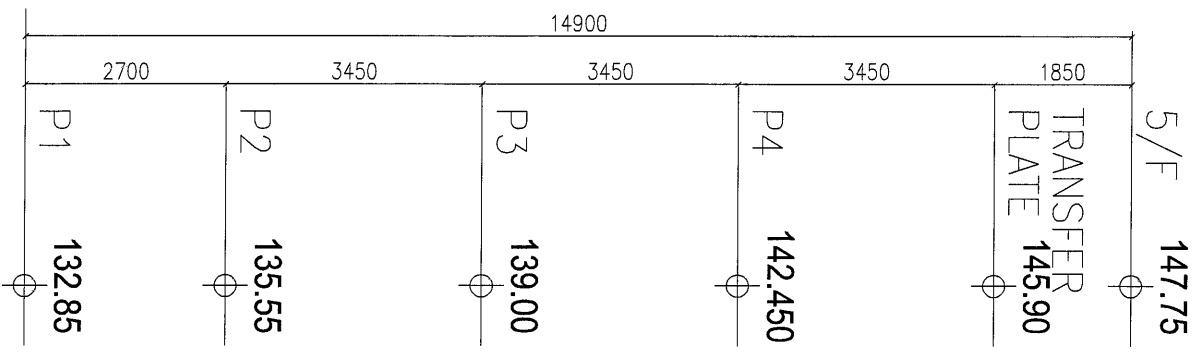
STRUCTURAL ENGINEER: C.M. WONG & ASSOCIATES LTD Consulting Engineers

PROJECT CONSULTANT: MENHARDT

UNIT 6-8, SIMTONG INDUSTRIAL CENTRE 1/F
 610 Chee Kwoong Road, Kowloon
 TEL: 24248271-4 Fax: (852) 27177088
 WONG TUNG & PARTNERS LIMITED
 24248271-4 Fax: (852) 27177088

UNIT 6-8, SIMTONG INDUSTRIAL CENTRE 1/F
 610 Chee Kwoong Road, Kowloon
 TEL: 24248271-4 Fax: (852) 27177088

UNIT 6-8, SIMTONG INDUSTRIAL CENTRE 1/F
 610 Chee Kwoong Road, Kowloon
 TEL: 24248271-4 Fax: (852) 27177088



B/L REF :

CLIENT : SHIMAO GROUP HOLDINGS LIMITED

ARCHITECT : WONG TUNG & PARTNERS LIMITED

MAIN CONTRACTOR :

STRUCTURAL ENGINEER : C. M. WONG & ASSOCIATES LTD Consulting Engineers

FAÇADE CONSULTANT : MENHARDT

NOTE :
 1. DIMENSIONS ARE IN MM.
 2. ALL DIMENSIONS ARE MEASURED FROM OUTSIDE.
 3. ALL DIMENSIONS TO BE REFERRED ON SITE BEFORE FABRICATION.

LEGEND :
 (M) DETAIL MARK NO.
 (S) REFER SHEET NO.
 1. F.F.L. --- FINISHED FLOOR LEVEL.
 2. S.F.L. --- STRUCTURAL FLOOR LEVEL.
 3. (R) --- REVERSED DETAIL.

JOB NO. : J-853
 PROJECT : PROPOSED RESIDENTIAL DEVELOPMENT AT N.K.L.L. 6542 YIN PING ROAD KOWLOON

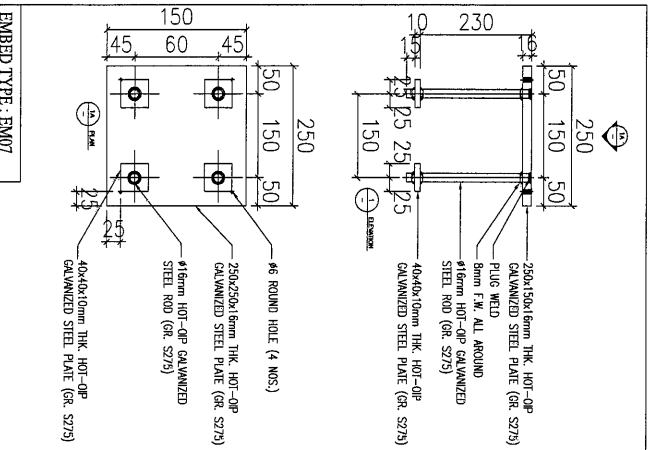
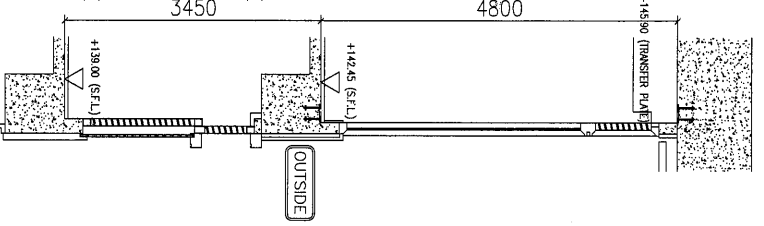
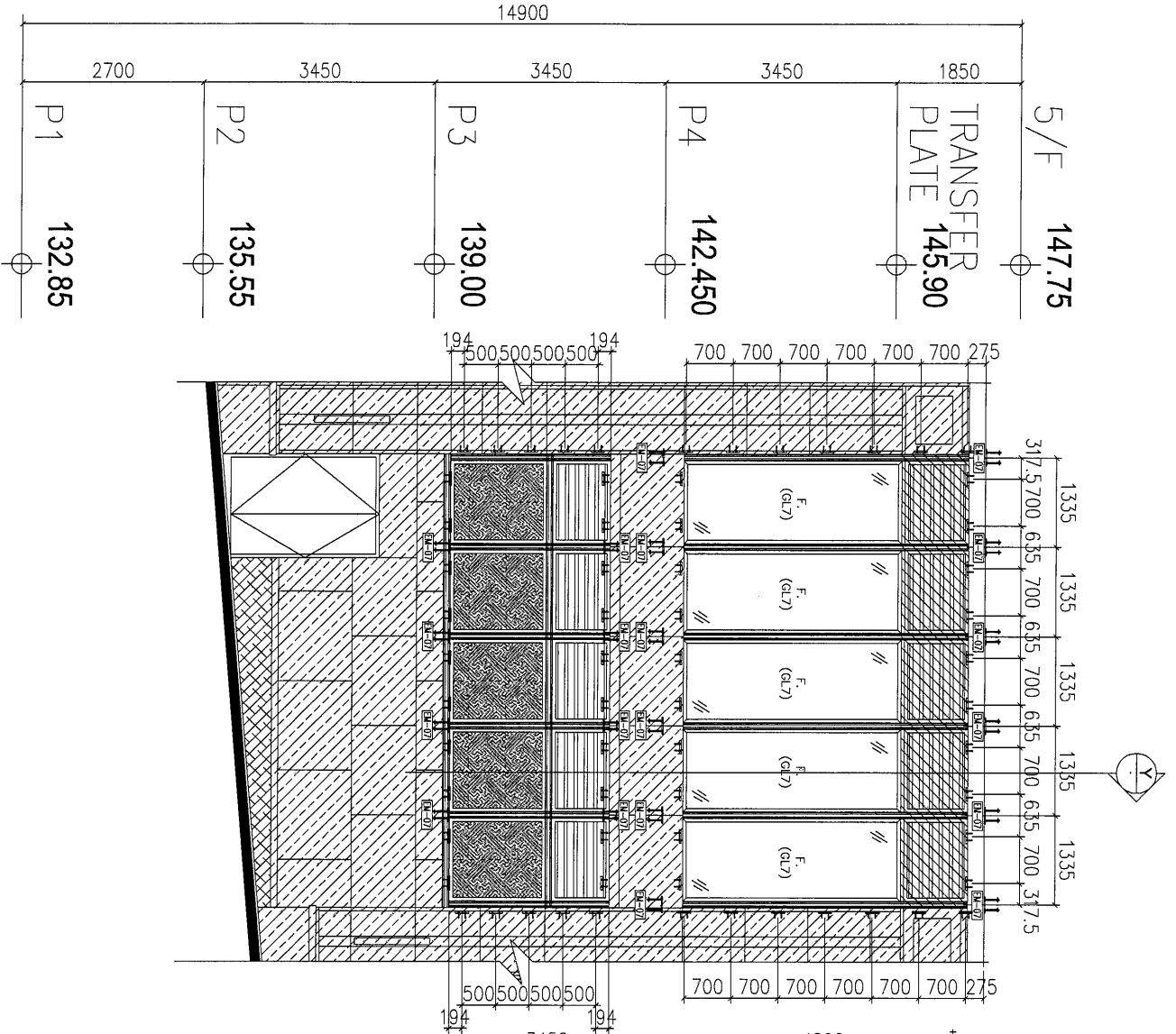
TITLE : EMBED LAYOUT OF Pedium FOR GLASS WALL

DATE : 18-Mar-21 SCALE : 1:70
 DRAWN BY : Iwon CHECKED BY :

Unit 6-8, Sunny Industrial Centre 1/F
 610 Chee Kwo Ling Road, Kowloon
 Tel: 25498271-4 Fax: (852) 27727868

REV : -

2



B/D. REF :

CLIENT : SHIMAO GROUP HOLDINGS LIMITED

ARCHITECT : WONG TUNG & PARTNERS LIMITED

MAIN CONTRACTOR :

STRUCTURAL ENGINEER : C M WONG & ASSOCIATES LTD
Consulting Engineers

FOCAD CONSULTANT : MENHARDT

NOTE :
1. ALL DIMENSIONS ARE IN mm.
2. ALL DIMENSIONS ARE MEASD FROM OUTSIDE.
3. ALL DIMENSIONS TO BE VERIFIED ON SITE BEFORE FABRICATION.

LEGEND :
① --- DETAIL MARK NO.
② --- REFER SHEET NO.

1. F.F.L. --- FINISHED FLOOR LEVEL.
2. S.F.L. --- STRUCTURAL FLOOR LEVEL.
3. Ⓜ --- REVERSED DETAIL.

NO.	DATE	REVISION	BY
1	J-853		

PROJECT : PROPOSED RESIDENTIAL DEVELOPMENT AT N.K.I.L.L. 6542 YIN PING ROAD KOWLOON

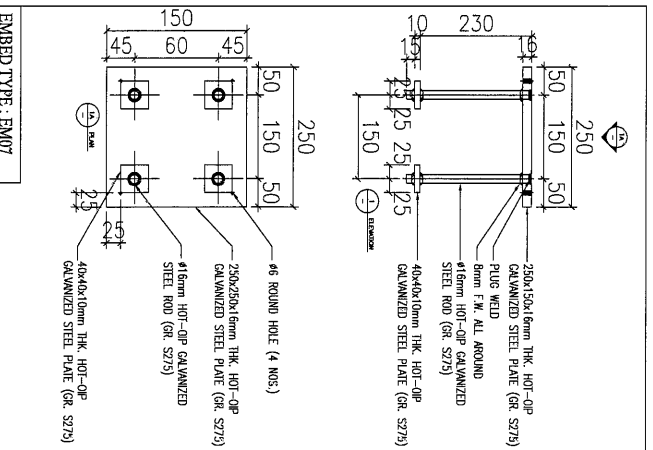
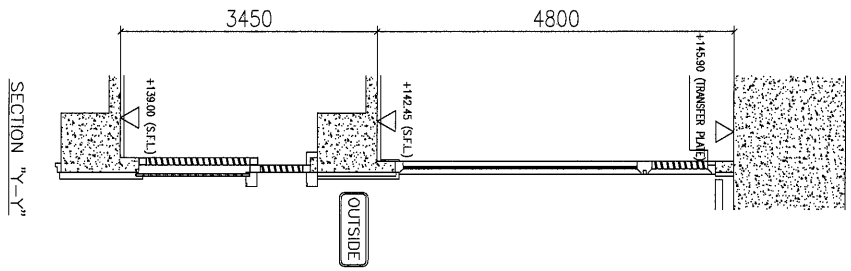
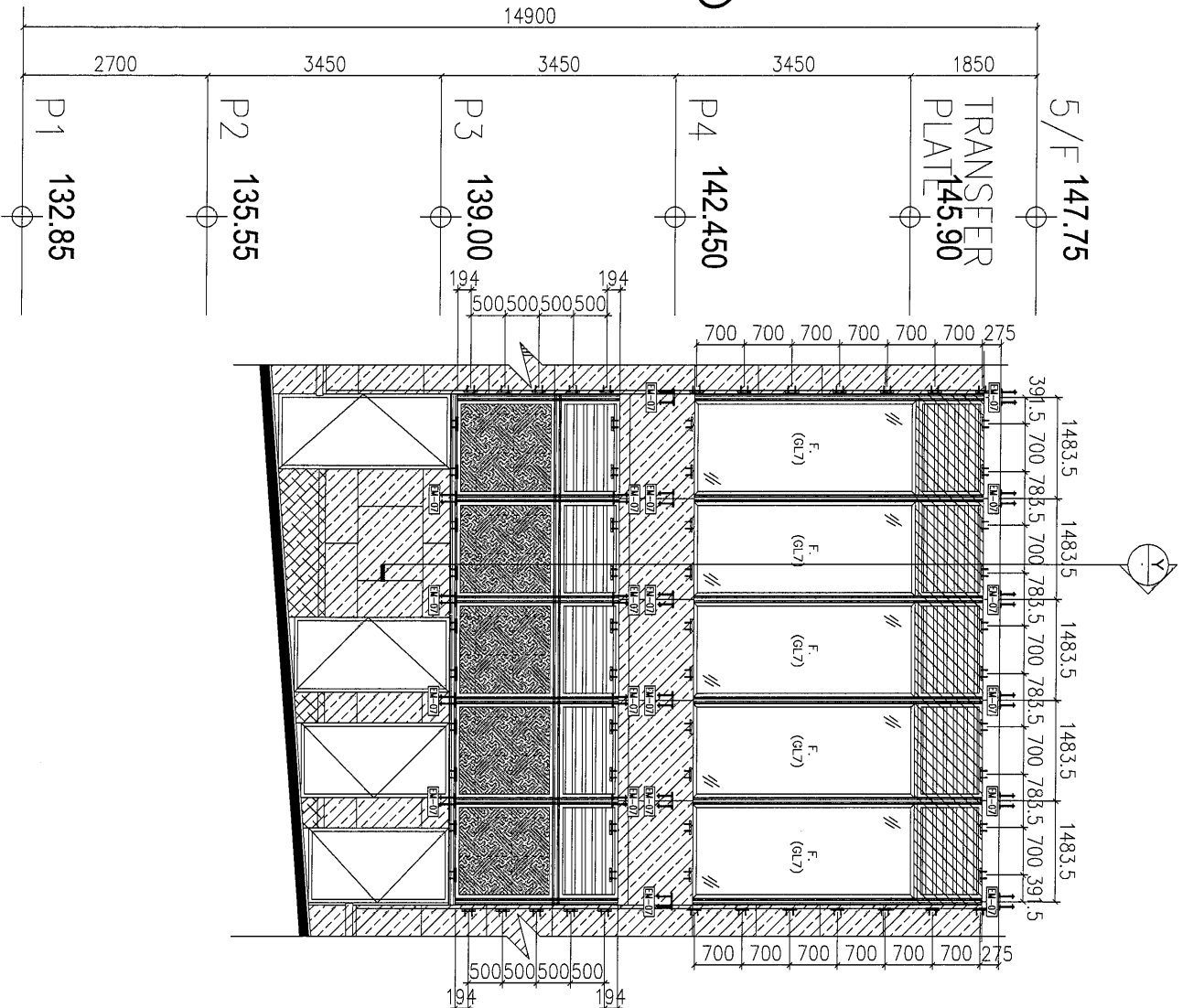
TITLE : EMBED LAYOUT OF Pedium FOR GLASS WALL

DATE : 18-Mar-21 SCALE : 1:70

DRAWN BY : Ivan CHECKED BY :

UNITED ENGINEERS LIMITED
MIDI ARCHITECTURE & INTERIOR DESIGN
610 Chee Kwo Ling Road, Kowloon
Tel: 23486211-4 Fax: (852) 27227885
DWG NO. : 14853-CW-3005

80



B.O. REF :
REV : -

CLIENT :
SHIMAO GROUP HOLDINGS LIMITED

ARCHITECT :
WONG TUNG & PARTNERS LIMITED

STRUCTURAL ENGINEER :
C.M. WONG & ASSOCIATES LTD
Consulting Engineers

PROJECT CONSULTANT:
MEINHARDT

NOTE:
1. ALL DIMENSIONS ARE IN mm.
2. ALL DIMENSIONS ARE MEASURED FROM OUTSIDE, BEFORE FABRICATION.

LEGEND:
1. F.F.L. --- FINISHED FLOOR LEVEL.
2. S.F.L. --- STRUCTURAL FLOOR LEVEL.
3. (Y) --- REVERSED DETAIL.

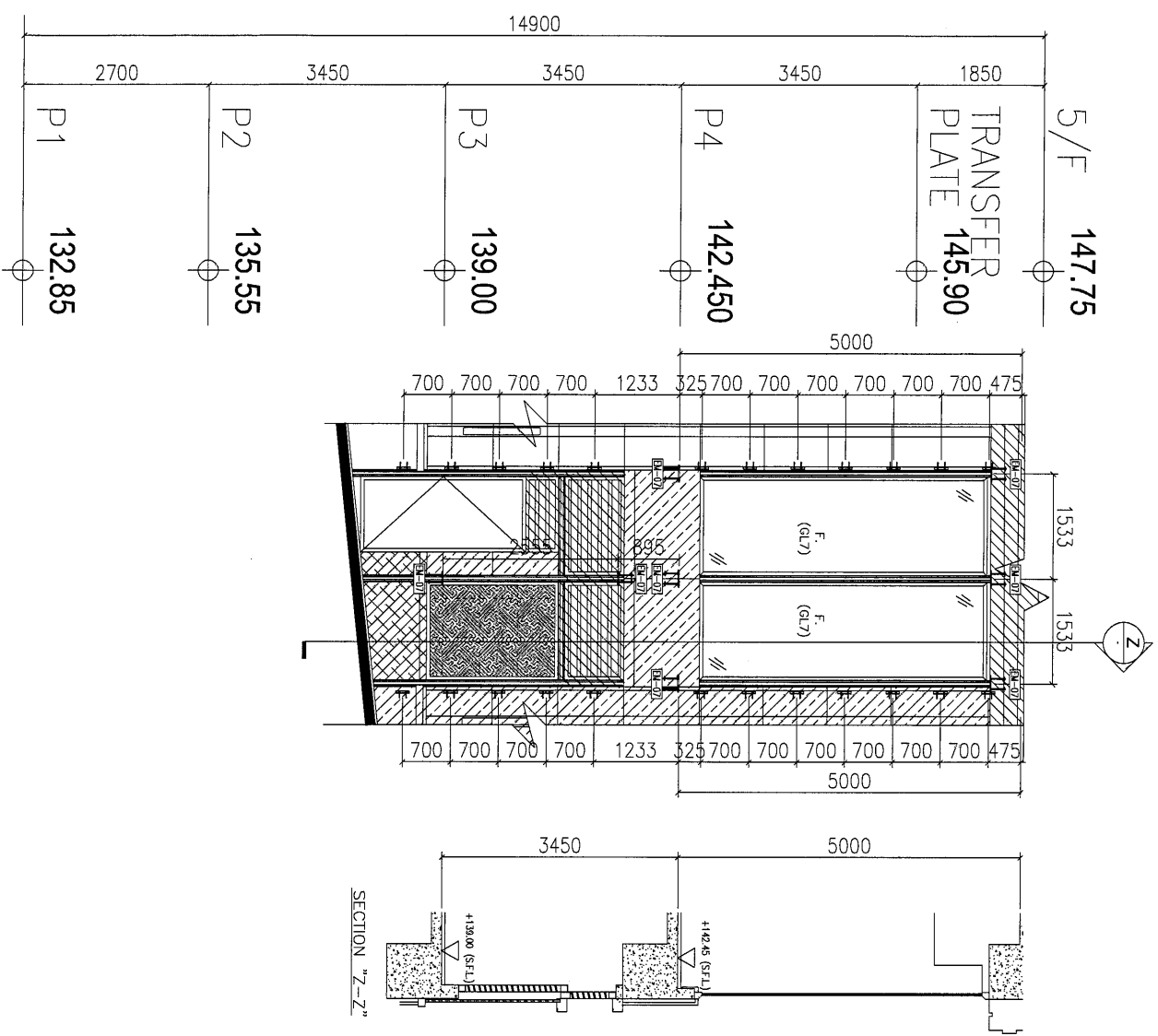
DATE : 18-Mar-21	SCALE : 1:70
DRAWN BY : IYON	CHECKED BY :
PROJECT : PROPOSED RESIDENTIAL DEVELOPMENT AT N.K.I.L. 6542 YIN PING ROAD KOWLOON	
TITLE : EMBED LAYOUT OF Pedium FOR GLASS WALL	
JOB NO. : J-853	REV : -
DATE : 18-Mar-21	SCALE : 1:70
DRAWN BY : IYON	CHECKED BY :
PROJECT : PROPOSED RESIDENTIAL DEVELOPMENT AT N.K.I.L. 6542 YIN PING ROAD KOWLOON	
TITLE : EMBED LAYOUT OF Pedium FOR GLASS WALL	
JOB NO. : J-853	REV : -
DATE : 18-Mar-21	SCALE : 1:70
DRAWN BY : IYON	CHECKED BY :
PROJECT : PROPOSED RESIDENTIAL DEVELOPMENT AT N.K.I.L. 6542 YIN PING ROAD KOWLOON	
TITLE : EMBED LAYOUT OF Pedium FOR GLASS WALL	
JOB NO. : J-853	REV : -
DATE : 18-Mar-21	SCALE : 1:70
DRAWN BY : IYON	CHECKED BY :
PROJECT : PROPOSED RESIDENTIAL DEVELOPMENT AT N.K.I.L. 6542 YIN PING ROAD KOWLOON	
TITLE : EMBED LAYOUT OF Pedium FOR GLASS WALL	
JOB NO. : J-853	REV : -

EMBEDDED TYPE: EM07

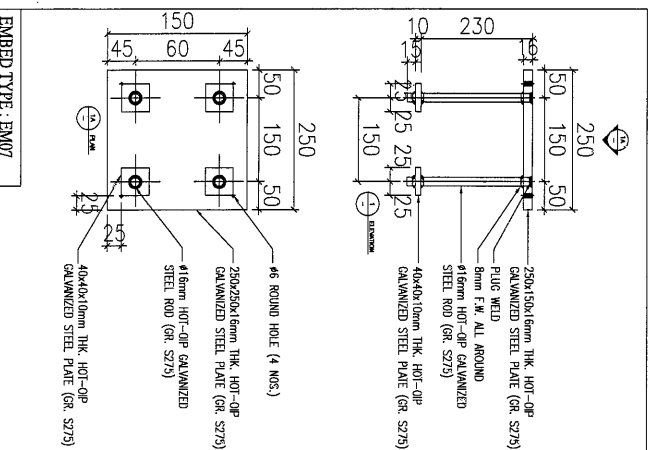
Unit 6-8, Sunny Industrial Centre, 1/F
610 Chee Koo Ling Road, Kowloon
Tel: (852) 2722 7865

美特经贸有限公司
MTI ASSOCIATE ENGINEER S.M.

DWG NO. : 1853-CW-3006



OUTSIDE



- NOTE:**
1. ALL DIMENSIONS ARE IN mm.
 2. ALL CONDITIONS ARE VIEWED FROM OUTSIDE.
 3. ALL DIMENSIONS TO BE MARKED ON SITE BEFORE FABRICATION.
- LEGEND:**
- 1. F.F.L. — FINISHED FLOOR LEVEL.
 - 2. S.F.L. — STRUCTURAL FLOOR LEVEL.
 - 3. (R) — REVERSED DETAIL.

STRUCTURAL ENGINEER :
C.M. WONG & ASSOCIATES LTD
 Consulting Engineers

FAÇADE CONSULTANT:
MEINHARDT

CLIENT :
SHIMAO GROUP HOLDINGS LIMITED

ARCHITECT :
WONG TUNG & PARTNERS LIMITED

MAIN CONTRACTOR :

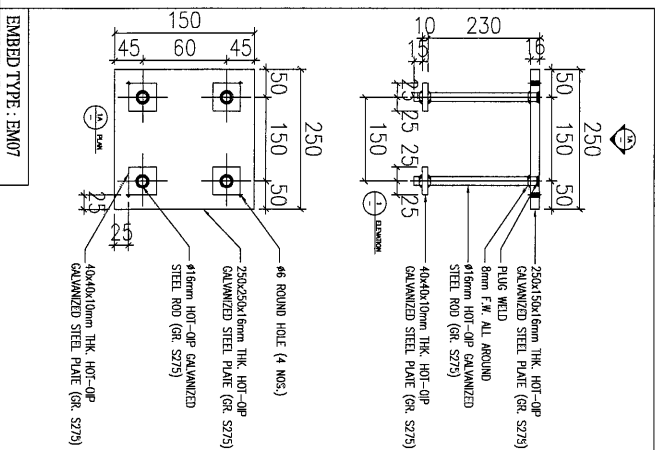
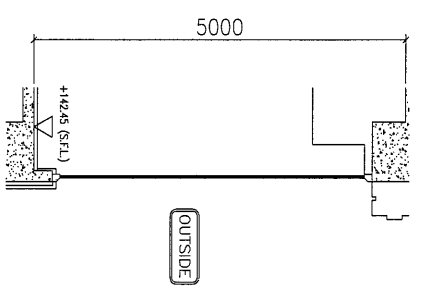
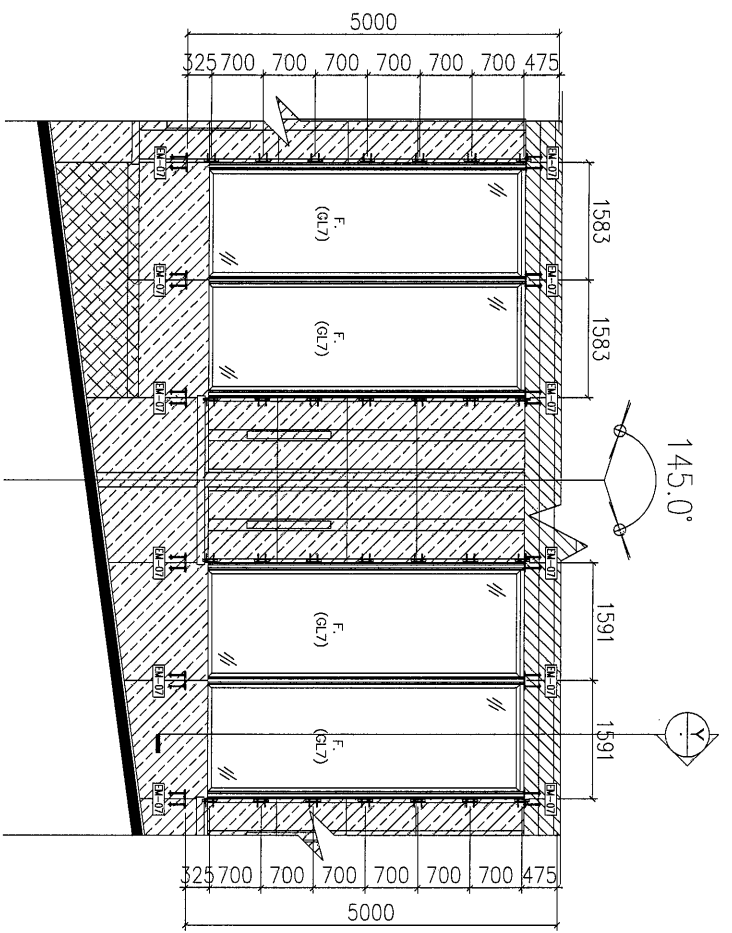
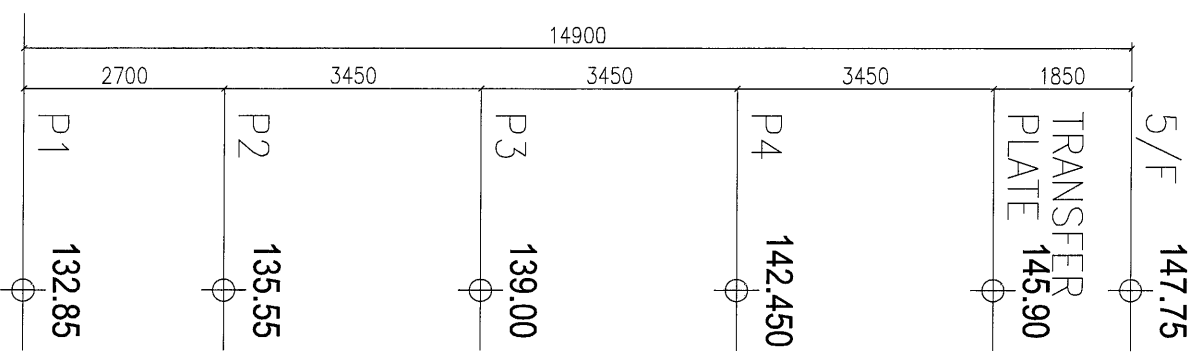
B.D. REF. :

DATE : 18-Mar-21 SCALE : 1:70
 DRAWN BY : WGM CHECKED BY :
美特经贸有限公司
MIDI Architectural Consultants Ltd.
 Units 6-8, Sunny Industrial Centre, 1/F
 610 Chee Chee Road, Kowloon
 Tel: 2368211-4 Fax: (852) 2727865
 PWS NO. : J853-GW-3008 REV. : -

TITLE :
 EMBED LAYOUT OF Pedium
 FOR GLASS WALL

PROJECT :
 PROPOSED RESIDENTIAL
 DEVELOPMENT AT N.K.L.L. 6542
 YIN PING ROAD
 KOWLOON

NO.	DATE	REVISION	BY
1			
2			
3			



<p>BLK. REF. :</p>	
<p>CLIENT : SHIMAO GROUP HOLDINGS LIMITED</p>	
<p>ARCHITECT : WING TUNG & PARTNERS LIMITED</p>	
<p>STRUCTURAL ENGINEER : C.M WONG & ASSOCIATES LTD Consulting Engineers</p>	
<p>FAÇADE CONSULTANT : NEUNHARDT</p>	
<p>MAIN CONTRACTOR : WING TUNG & PARTNERS LIMITED</p>	
<p>PROJECT : PROPOSED RESIDENTIAL DEVELOPMENT AT N.K.I.L. 6542 YIN PING ROAD KOWLOON</p>	
<p>TITLE : EMBED LAYOUT OF Pedium FOR GLASS WALL</p>	
DATE : 18-Mar-21	SCALE : 1:70
DRAWN BY : IYON	CHECKED BY :
JOB NO. : J-853	REV. : -
DATE : 18-Mar-21	SCALE : 1:70
DRAWN BY : IYON	CHECKED BY :
JOB NO. : J-853	REV. : -
DATE : 18-Mar-21	SCALE : 1:70
DRAWN BY : IYON	CHECKED BY :
JOB NO. : J-853	REV. : -

EMBED TYPE : EM07

Units 6-8, Sunny Industrial Centre, 1/F
610 Chea Kwo Ling Road, Kowloon
Tel: 2368211-4 Fax: 85271277855

WING TUNG & PARTNERS LIMITED
Architects & Engineers

C.M WONG & ASSOCIATES LTD
Consulting Engineers

NEUNHARDT
Façade Consultants

SHIMAO GROUP HOLDINGS LIMITED

PROPOSED RESIDENTIAL DEVELOPMENT AT N.K.I.L. 6542 YIN PING ROAD KOWLOON

EMBED LAYOUT OF Pedium FOR GLASS WALL

18-Mar-21

J-853

1:70

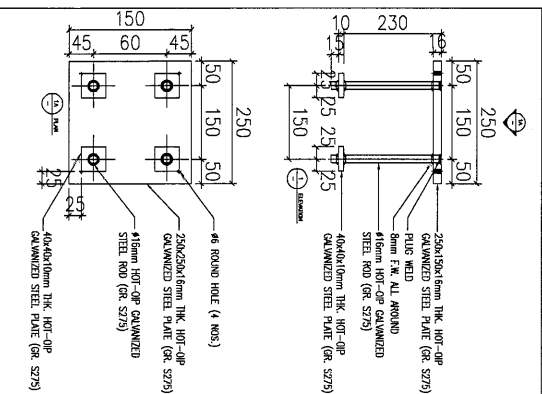
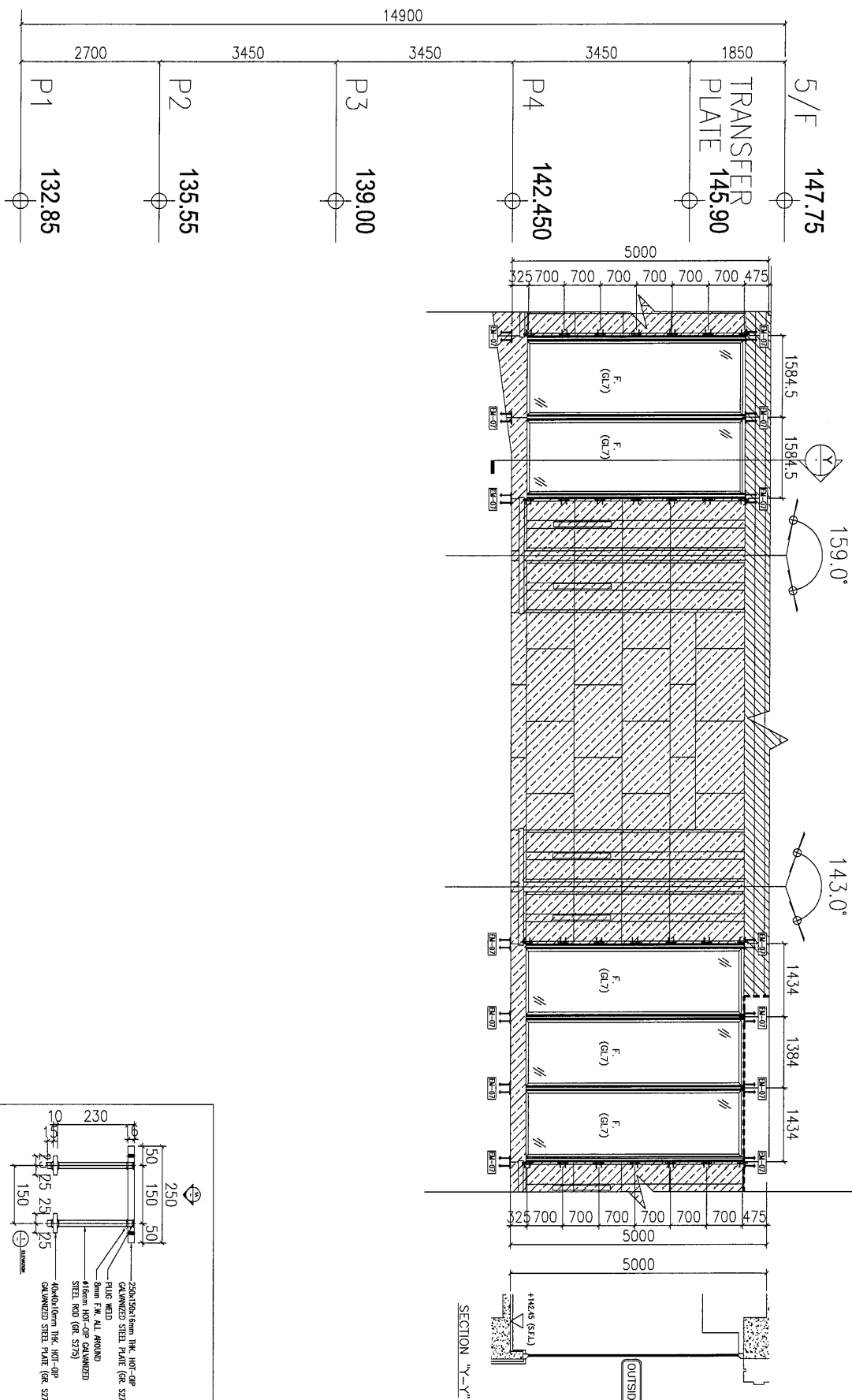
IYON

NOTE:

- ALL DIMENSIONS ARE IN MM.
- ALL DIMENSIONS ARE VERIFIED FROM OUTSIDE.
- ALL DIMENSIONS TO BE VERIFIED ON SITE BEFORE FABRICATION.

LEGEND:

- 21 - DETAIL MARK NO.
- 21 - REFER SHEET NO.
- 1. FFL - FINISHED FLOOR LEVEL
- 2. SFL - STRUCTURAL FLOOR LEVEL
- 3. (R) - REVERSED DETAIL



BD. REF. :

CLIENT :
SHIMAO GROUP HOLDINGS LIMITED

ARCHITECT :
WONG TUNG & PARTNERS LIMITED
 CONSULTING ARCHITECTS

STRUCTURAL ENGINEER :
C M WONG & ASSOCIATES, LTD
 Consulting Engineers

FAÇADE CONSULTANT:
MEYHARDT

NOTE :
 1. ALL DIMENSIONS ARE IN mm.
 2. ALL ELEVATIONS ARE VIEWED FROM OUTSIDE.
 3. ALL DIMENSIONS TO BE CHECKED ON SITE BEFORE FABRICATION.

LEGEND :
 (A) — DETAIL MARK NO.
 (B) — REFER SHEET NO.
 1. F.F.L. — FINISHED FLOOR LEVEL.
 2. S.F.L. — STRUCTURAL FLOOR LEVEL.
 3. (R) — REVERSED DETAIL.

NO.	REV.	REASON	BY

JOB NO. : J-853

PROJECT : PROPOSED RESIDENTIAL DEVELOPMENT AT N.K.I.L.L. 65-42 YIN PING ROAD HONGKONG

TITLE : EMBED LAYOUT OF Pedium FOR GLASS WALL

DATE : 18-Mar-21 SCALE : 1:80
 DRAWN BY : Iwon CHECKED BY :
美特经贸有限公司
MIDI Architectural Examination Ltd.
 Units 6-8, Sunny Industrial Centre, 1/F
 610 Chea Kwo Ling Road, Kowloon
 (tel:2489211-4 fax:8527171866)
 DWG NO. : 1853-QW-3011 REV. : -