

工程指示 / 要求簡箋 ENGINEER INSTRUCTIONS(E.I.)

工程指示編號:	EI- 8766	修改版本:	-
	HK-0122		
工程編號:	J 853	工程名稱:	延坪道
收件人:	生統	發件人:	Joe Chan
工程項目:	Feature Wall 門拱項目 地盤用鋁板.	日期:	13/2/2024

<input type="checkbox"/> 原合約工程包	<input type="checkbox"/> 原合約工程加 / 減賬 QT-	<input type="checkbox"/> 新工程報價 QT-
---------------------------------	--	------------------------------------

信件批核號碼/圖紙參考編號:	批核模具圖紙編號:
客戶指示附件:	管理內部批簽署:

<input type="checkbox"/> 初步鋁料 B.M.	<input type="checkbox"/> 加工拆圖, 然後生產	<input type="checkbox"/> 尺寸表
<input type="checkbox"/> 正式鋁料 B.M.	<input type="checkbox"/> 技術上資料/指示	<input type="checkbox"/> 報價
<input type="checkbox"/> 配件 B.M.	<input type="checkbox"/> 樣辦或貨品說明書	<input type="checkbox"/> 分判合約
<input type="checkbox"/> 其他:		

內容: 請依附件資料, 生產鋁板, 送地盤.
(附 CAD 檔)

完成上列要求日期: 15/3/2025

國內

<input type="checkbox"/> 生產技術總監	<input type="checkbox"/> 連附件	<input type="checkbox"/> 技術部	<input type="checkbox"/> 連附件	<input type="checkbox"/> 生產部	<input type="checkbox"/> 連附件
<input type="checkbox"/> 採購部	<input type="checkbox"/> 連附件	<input checked="" type="checkbox"/> 生產統籌部	<input checked="" type="checkbox"/> 連附件	<input type="checkbox"/> 報關組	<input type="checkbox"/> 連附件
<input type="checkbox"/> 質檢部	<input type="checkbox"/> 連附件	<input type="checkbox"/> 會計部	<input type="checkbox"/> 連附件	<input type="checkbox"/> 機械設計部	<input type="checkbox"/> 連附件
<input type="checkbox"/> 香港辦	<input type="checkbox"/> 連附件	<input type="checkbox"/> 其他:			

香港

<input type="checkbox"/> 行政部	<input type="checkbox"/> 連附件	<input type="checkbox"/> 會計部	<input type="checkbox"/> 連附件	<input type="checkbox"/> 統籌部	<input type="checkbox"/> 連附件	<input type="checkbox"/> 工程部	<input type="checkbox"/> 連附件
<input type="checkbox"/> 採購部	<input type="checkbox"/> 連附件	<input type="checkbox"/> QS部	<input type="checkbox"/> 連附件	<input checked="" type="checkbox"/> 地盤管理	<input checked="" type="checkbox"/> 連附件	<input type="checkbox"/> 維修部	<input type="checkbox"/> 連附件

炳哥

*發件人簽署:		*組別成員批核簽署:	
傳遞編號:	HK0122/25	項目經理簽署:	

地盤用鋁板B.M.表

B.M.編號:

修改版本:

A/C Code:

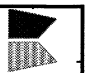
總V.F.:

65.097

總重量:

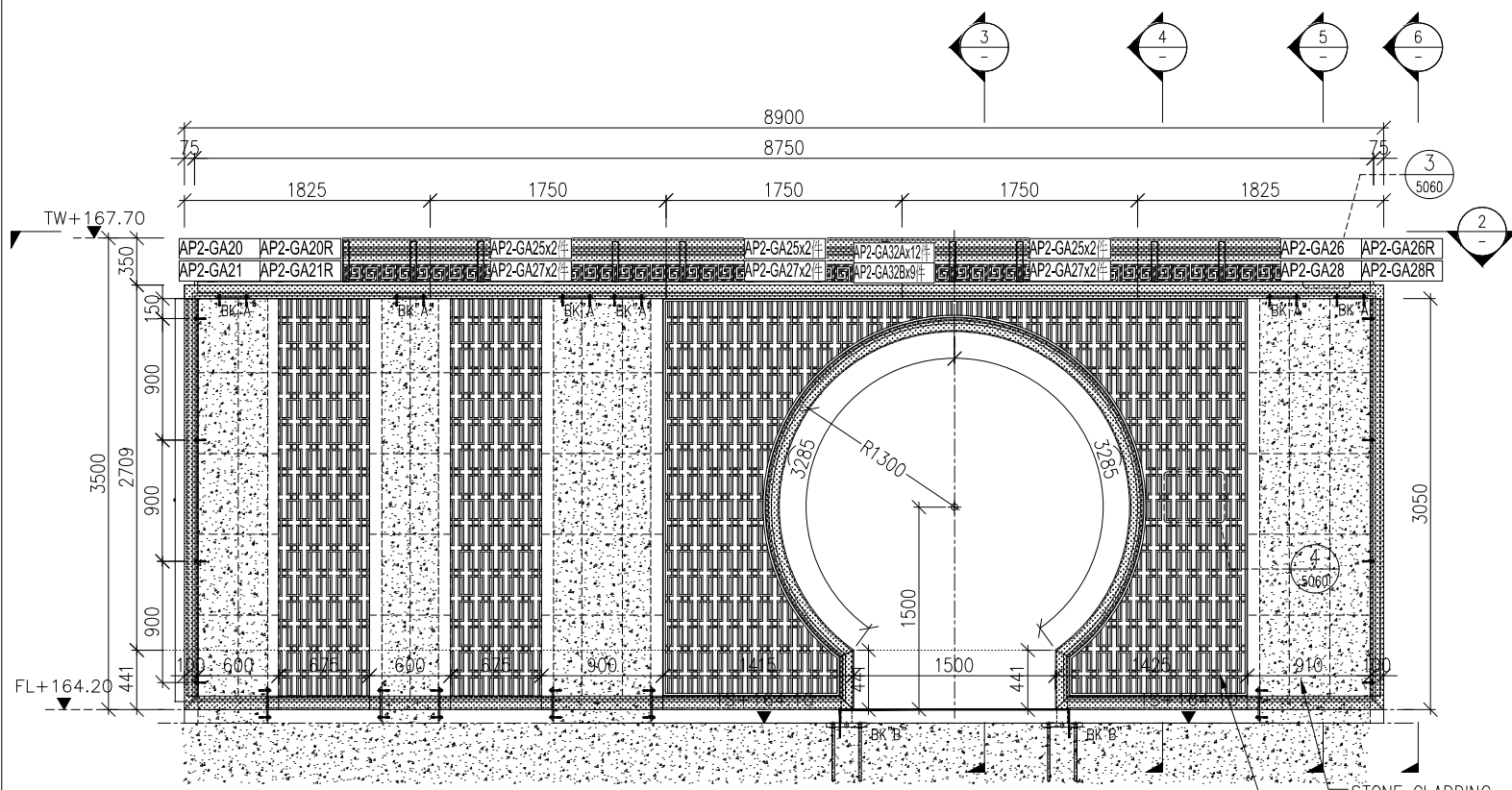
667.05

序號	修改內容	鋁板圖號	鋁板名稱	顏色	實用	後備	總數	總重量	65.097		總重量:		圖紙編號
									單件展開面積	總展開面積	單件V.F.	總V.F.	
									平方米		平方米		
1		AP2-GA20	3mm/厚鋁板	EC-DG-D334232-ZD1 (SS-01)	1	0	1	6.626	0.815	0.815	0.815	0.815	
2		AP2-GA20R	3mm/厚鋁板	EC-DG-D334232-ZD1 (SS-01)	1	0	1	6.626	0.815	0.815	0.815	0.815	
3		AP2-GA21	3mm/厚鋁板	EC-DG-D334232-ZD1 (SS-01)	1	0	1	6.960	0.856	0.856	0.856	0.856	
4		AP2-GA21R	3mm/厚鋁板	EC-DG-D334232-ZD1 (SS-01)	1	0	1	6.960	0.856	0.856	0.856	0.856	
5		AP2-GA25	3mm/厚鋁板	EC-DG-D334232-ZD1 (SS-01)	6	0	6	38.157	0.782	4.693	0.782	4.693	
6		AP2-GA26	3mm/厚鋁板	EC-DG-D334232-ZD1 (SS-01)	1	0	1	6.626	0.815	0.815	0.815	0.815	
7		AP2-GA26R	3mm/厚鋁板	EC-DG-D334232-ZD1 (SS-01)	1	0	1	6.626	0.815	0.815	0.815	0.815	
8		AP2-GA27	3mm/厚鋁板	EC-DG-D334232-ZD1 (SS-01)	6	0	6	40.078	0.822	4.930	0.822	4.930	
9		AP2-GA28	3mm/厚鋁板	EC-DG-D334232-ZD1 (SS-01)	1	0	1	6.960	0.856	0.856	0.856	0.856	
10		AP2-GA28R	3mm/厚鋁板	EC-DG-D334232-ZD1 (SS-01)	1	0	1	6.960	0.856	0.856	0.856	0.856	
11		AP2-GA32A	1.5mm/厚鋁板	EC-DG-D334232-ZD1 (SS-01)	12	0	12	3.415	0.070	0.840	0.070	0.840	
12		AP2-GA32B	1.5mm/厚鋁板	EC-DG-D334232-ZD1 (SS-01)	9	0	9	2.671	0.073	0.657	0.073	0.657	
13		AP2-GA32C	1.5mm/厚鋁板	EC-DG-D334232-ZD1 (SS-01)	9	0	9	2.195	0.060	0.540	0.060	0.540	
14		AP2-GA32D	1.5mm/厚鋁板	EC-DG-D334232-ZD1 (SS-01)	5	0	5	1.626	0.080	0.400	0.080	0.400	
15		AP2-GA32E	1.5mm/厚鋁板	EC-DG-D334232-ZD1 (SS-01)	20	0	20	4.980	0.061	1.225	0.061	1.225	
16		AP2-GA48	3mm/厚鋁板	EC-DG-D334232-ZD1 (SS-01)	2	0	2	9.240	0.568	1.137	0.568	1.137	
17		AP2-GA49	3mm/厚鋁板	EC-DG-D334232-ZD1 (SS-01)	2	0	2	11.719	0.721	1.441	0.721	1.441	
18		AP2-GA50	3mm/厚鋁板	EC-DG-D334232-ZD1 (SS-01)	2	0	2	10.740	0.661	1.321	0.661	1.321	
19		AP2-GA51	3mm/厚鋁板	EC-DG-D334232-ZD1 (SS-01)	2	0	2	13.621	0.838	1.675	0.838	1.675	
20		AP2-GA52	3mm/厚鋁板	EC-DG-D334232-ZD1 (SS-01)	2	0	2	9.240	0.568	1.137	0.568	1.137	
21		AP2-GA52R	3mm/厚鋁板	EC-DG-D334232-ZD1 (SS-01)	2	0	2	9.240	0.568	1.137	0.568	1.137	
22		AP2-GA53	3mm/厚鋁板	EC-DG-D334232-ZD1 (SS-01)	2	0	2	11.719	0.721	1.441	0.721	1.441	
23		AP2-GA53R	3mm/厚鋁板	EC-DG-D334232-ZD1 (SS-01)	2	0	2	11.719	0.721	1.441	0.721	1.441	
24		AP2-GA54	3mm/厚鋁板	EC-DG-D334232-ZD1 (SS-01)	1	0	1	5.394	0.663	0.663	0.663	0.663	
25		AP2-GA54R	3mm/厚鋁板	EC-DG-D334232-ZD1 (SS-01)	1	0	1	5.394	0.663	0.663	0.663	0.663	
26		AP2-GA55	3mm/厚鋁板	EC-DG-D334232-ZD1 (SS-01)	1	0	1	6.841	0.841	0.841	0.841	0.841	
27		AP2-GA55R	3mm/厚鋁板	EC-DG-D334232-ZD1 (SS-01)	1	0	1	6.841	0.841	0.841	0.841	0.841	

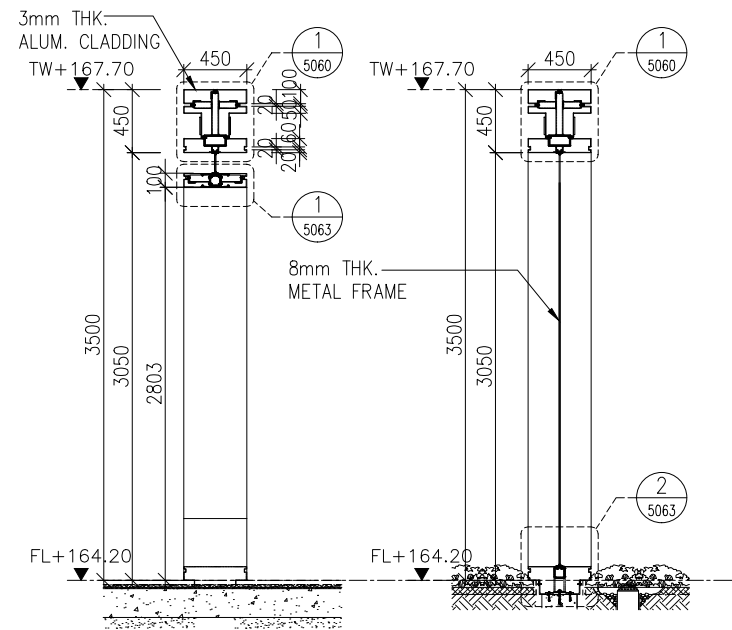
 美特鋁質有限公司 MTDI Aluminum Fabricator Ltd.	工程號: J-853	計算: ming	日期: 2024.12.10	送呈: JOB
地盤名稱: 地盤名稱:	延坪路	核對:	日期:	副本:
項目類別: 拱門(2區)	批准:	A/C Code:	日期:	

B/M編號:	修改版次:	A/C Code:	總V.F.:	65.097	總重量:	667.05
--------	-------	-----------	--------	--------	------	--------

序號	修改內容	鋁板圖號	鋁板名稱	顏色	實用	後備	總數	總重量	65.097		總重量:	667.05	圖紙編號
									單件展開面積	總展開面積			
									平方米		平方米		
28		AP2-GA56	3mm/厚鋁板	EC-DG-D334232-ZD1 (SS-01)	1	0	1	6.120	0.753	0.753	0.753	0.753	
29		AP2-GA56R	3mm/厚鋁板	EC-DG-D334232-ZD1 (SS-01)	1	0	1	6.120	0.753	0.753	0.753	0.753	
30		AP2-GA57	3mm/厚鋁板	EC-DG-D334232-ZD1 (SS-01)	1	0	1	7.381	0.908	0.908	0.908	0.908	
31		AP2-GA57R	3mm/厚鋁板	EC-DG-D334232-ZD1 (SS-01)	1	0	1	7.381	0.908	0.908	0.908	0.908	
32		AP2-GA60	3mm/厚鋁板	EC-DG-D334232-ZD1 (SS-01)	2	0	2	25.761	1.584	3.169	1.584	3.169	
33		AP2-GA61	3mm/厚鋁板	EC-DG-D334232-ZD1 (SS-01)	2	0	2	24.966	1.535	3.071	1.535	3.071	
34		AP2-GA62	3mm/厚鋁板	EC-DG-D334232-ZD1 (SS-01)	1	0	1	14.040	1.727	1.727	1.727	1.727	
35		AP2-GA62R	3mm/厚鋁板	EC-DG-D334232-ZD1 (SS-01)	1	0	1	14.040	1.727	1.727	1.727	1.727	
36		AP2-GA63	3mm/厚鋁板	EC-DG-D334232-ZD1 (SS-01)	1	0	1	14.040	1.727	1.727	1.727	1.727	
37		AP2-GA63R	3mm/厚鋁板	EC-DG-D334232-ZD1 (SS-01)	1	0	1	14.040	1.727	1.727	1.727	1.727	
38		AP2-GA64	3mm/厚鋁板	EC-DG-D334232-ZD1 (SS-01)	2	0	2	39.078	2.403	4.807	2.403	4.807	
39		AP2-GA65	3mm/厚鋁板	EC-DG-D334232-ZD1 (SS-01)	2	0	2	39.078	2.403	4.807	2.403	4.807	
40		AP2-GA01	10mm/厚鋁板	EC-DG-D334232-ZD1 (SS-01)	150	0	150	127.031	0.031	4.688	0.031	4.688	廠組裝配件
41		AN-01	3mm/厚鋁板	鍍化	16	0	16	52.032	0.120	1.920	0.000	0.000	
42		DT-P1	3mm/厚鋁板	EC-DG-D334232-ZD1 (SS-01)	66	0	66	16.276	0.009	0.601	0.009	0.601	廠組裝配件
43		DT-P1a	3mm/厚鋁板	EC-DG-D334232-ZD1 (SS-01)	2	0	2	0.247	0.005	0.009	0.005	0.009	廠組裝配件
44		DT-P1b	3mm/厚鋁板	EC-DG-D334232-ZD1 (SS-01)	2	0	2	0.247	0.005	0.009	0.005	0.009	廠組裝配件
45													
總計:					347	0	347	667	35	67	35	65	

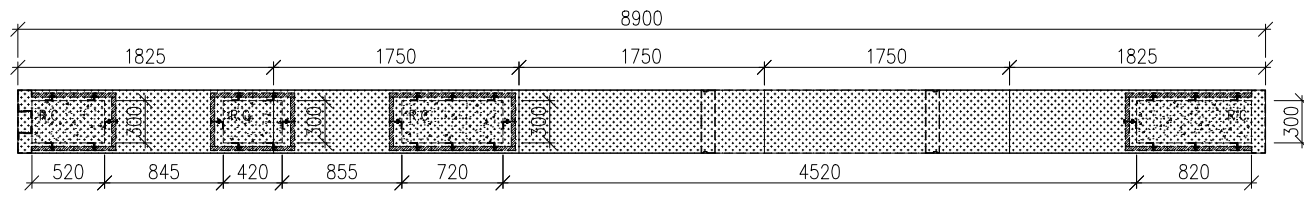


1 PARTIAL ELEVATION
- GARDEN ARCHWAY

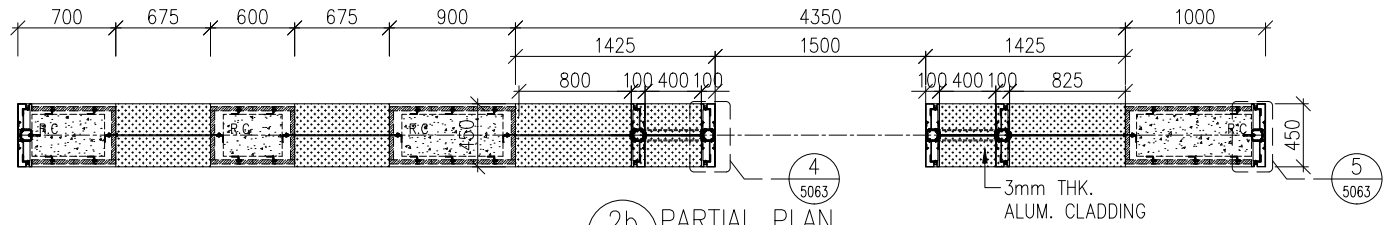


3 PARTIAL SECTION
- GARDEN ARCHWAY

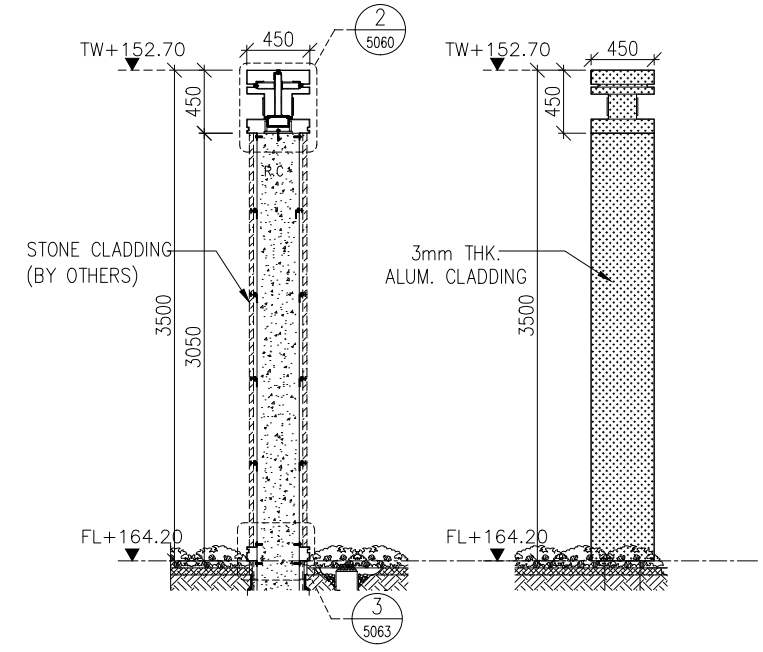
4 PARTIAL SECTION
- GARDEN ARCHWAY



2 PARTIAL PLAN
- GARDEN ARCHWAY



2b PARTIAL PLAN
- GARDEN ARCHWAY



5 PARTIAL SECTION
- GARDEN ARCHWAY

6 PARTIAL SECTION
- GARDEN ARCHWAY

GARDEN ARCHWAY 铝板派位图

LEGEND:

3mm THK. ALUM. CLADDING

B.D. REF :

CLIENT : SHIMAO GROUP HOLDINGS LIMITED

ARCHITECT : WONG TUNG & PARTNERS LIMITED ARCHITECTS & PLANNERS

MAIN CONTRACTOR : HIP HING CONSTRUCTION CO LTD

STRUCTURAL ENGINEER : ICMA C M WONG & ASSOCIATES LTD

FAÇADE CONSULTANT : MEINHARDT

NOTE :

- ALL DIMENSIONS ARE IN mm.
- ALL ELEVATIONS ARE VIEWED FROM OUTSIDE.
- ALL DIMENSIONS TO BE VERIFIED ON SITE BEFORE FABRICATION.

LEGEND :

X1 -- DETAIL MARK NO.
X001 -- REFER SHEET NO.

- F.F.L. -- FINISHED FLOOR LEVEL
- S.F.L. -- STRUCTURAL FLOOR LEVEL
- (R) -- REVERSED DETAIL

NO.	DATE	REVISED	BY

JOB NO. : J-853

PROJECT : PROPOSED RESIDENTIAL DEVELOPMENT AT N.K.I.L. 6542 YIN PING ROAD KOWLOON

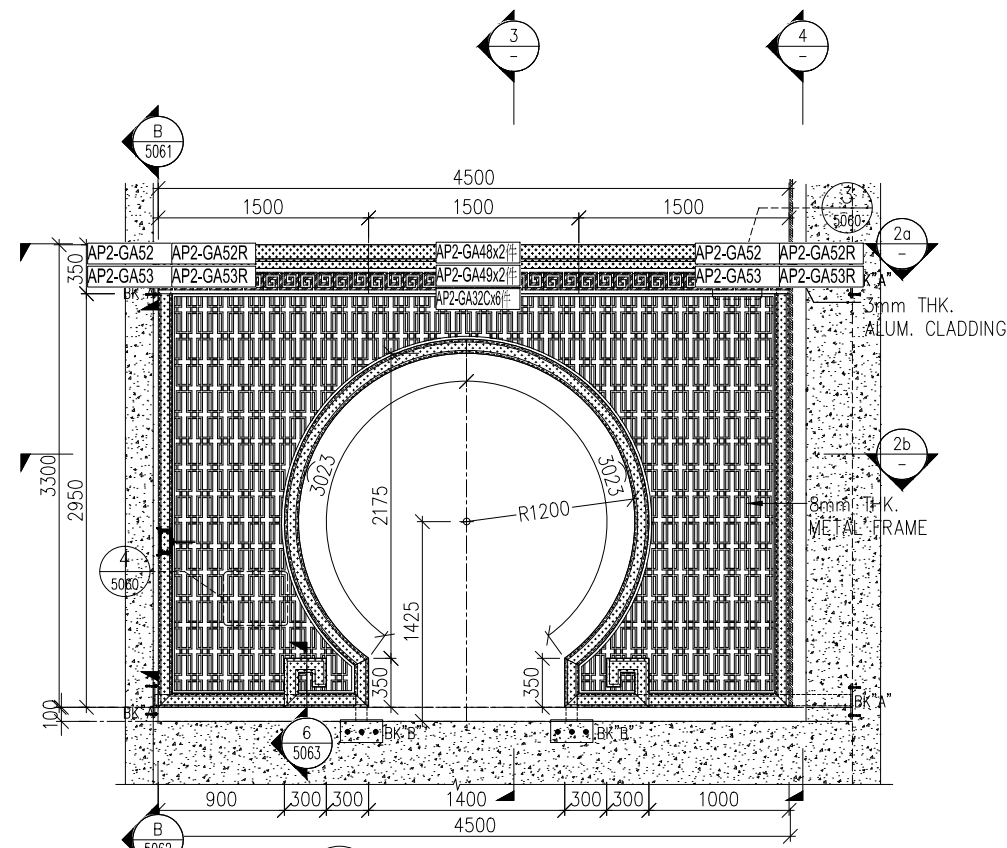
TITLE : GARDEN ARCHWAY 02 (PHASE 2)

DATE : 10-Nov-13 SCALE : 1:50 (A3)

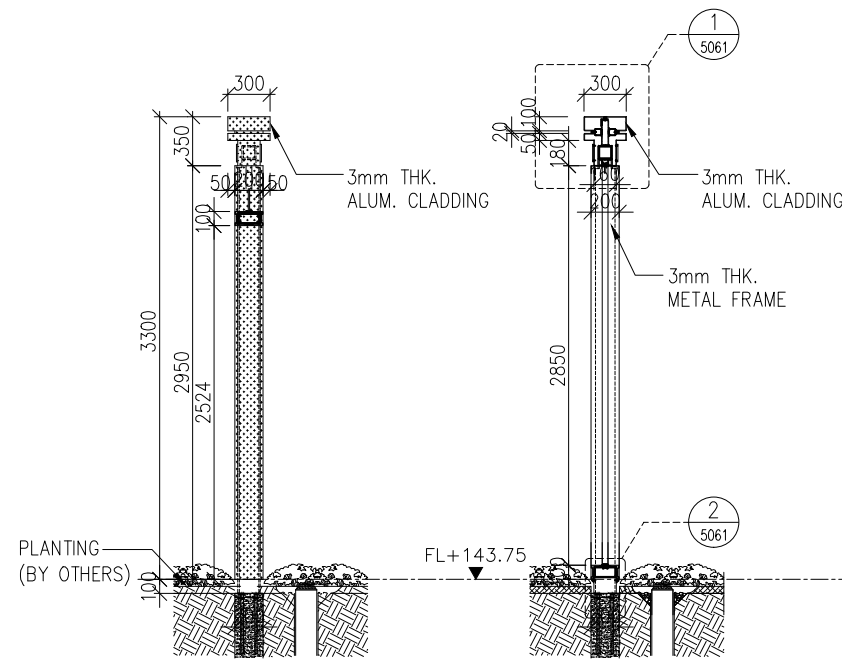
DRAWN BY : LHR CHECKED BY :

美特鋁質有限公司
MIDI ALUMINIUM FABRICATOR LTD.
Units 6-8, Sunray Industrial Centre, 1/F
610 Cha Kwo Ling Road, Kowloon
Tel:23489211-4 Fax:(852)27727666

DWG NO. : J853-SD-FW-4060 REV. : -

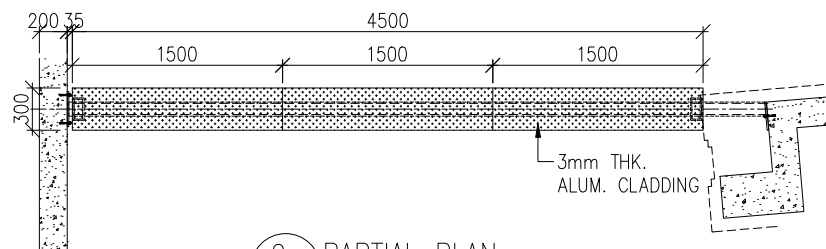


1 PARTIAL ELEVATION
- GARDEN ARCHWAY

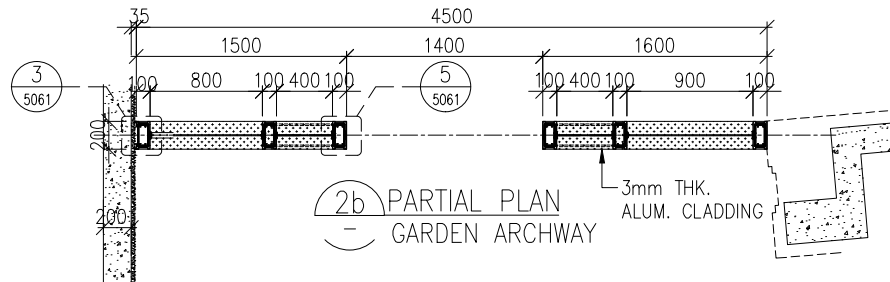


3 PARTIAL SECTION
- GARDEN ARCHWAY

4 PARTIAL SECTION
- GARDEN ARCHWAY



2a PARTIAL PLAN
- GARDEN ARCHWAY



2b PARTIAL PLAN
- GARDEN ARCHWAY

B.D. REF :

CLIENT :
SHIMAO GROUP HOLDINGS LIMITED

ARCHITECT :
WONG TUNG & PARTNERS LIMITED ARCHITECTS & PLANNERS

MAIN CONTRACTOR :
HIP HING CONSTRUCTION CO LTD

STRUCTURAL ENGINEER :
ICMA C M WONG & ASSOCIATES LTD

FACADE CONSULTANT :
MEINHARDT

NOTE :
1. ALL DIMENSIONS ARE IN mm.
2. ALL ELEVATIONS ARE VIEWED FROM OUTSIDE.
3. ALL DIMENSIONS TO BE VERIFIED ON SITE BEFORE FABRICATION.

LEGEND :
X1 -- DETAIL MARK NO.
X001 -- REFER SHEET NO.

1. F.F.L. -- FINISHED FLOOR LEVEL
2. S.F.L. -- STRUCTURAL FLOOR LEVEL
3. (R) -- REVERSED DETAIL

NO.	DATE	REVISED	BY

JOB NO. : J-853

PROJECT :
PROPOSED RESIDENTIAL DEVELOPMENT AT N.K.I.L. 6542 YIN PING ROAD KOWLOON

TITLE :
GARDEN ARCHWAY 02 (PHASE 2)

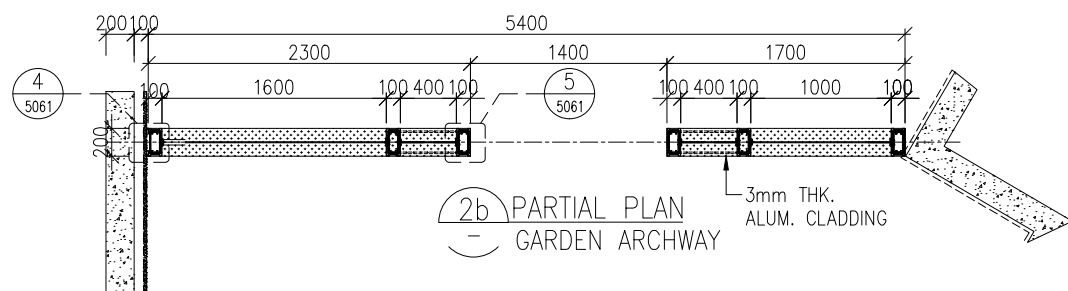
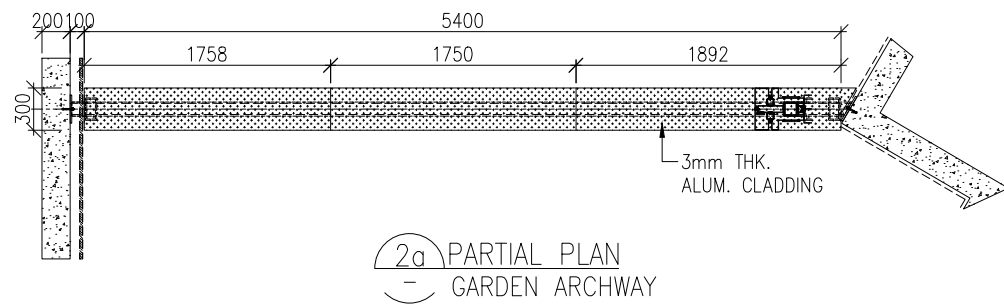
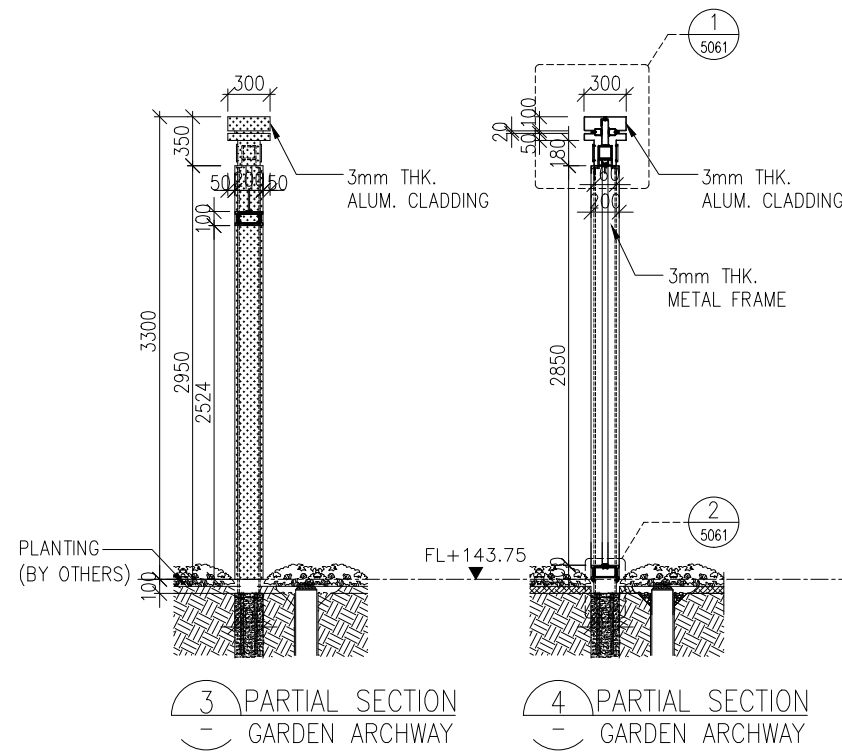
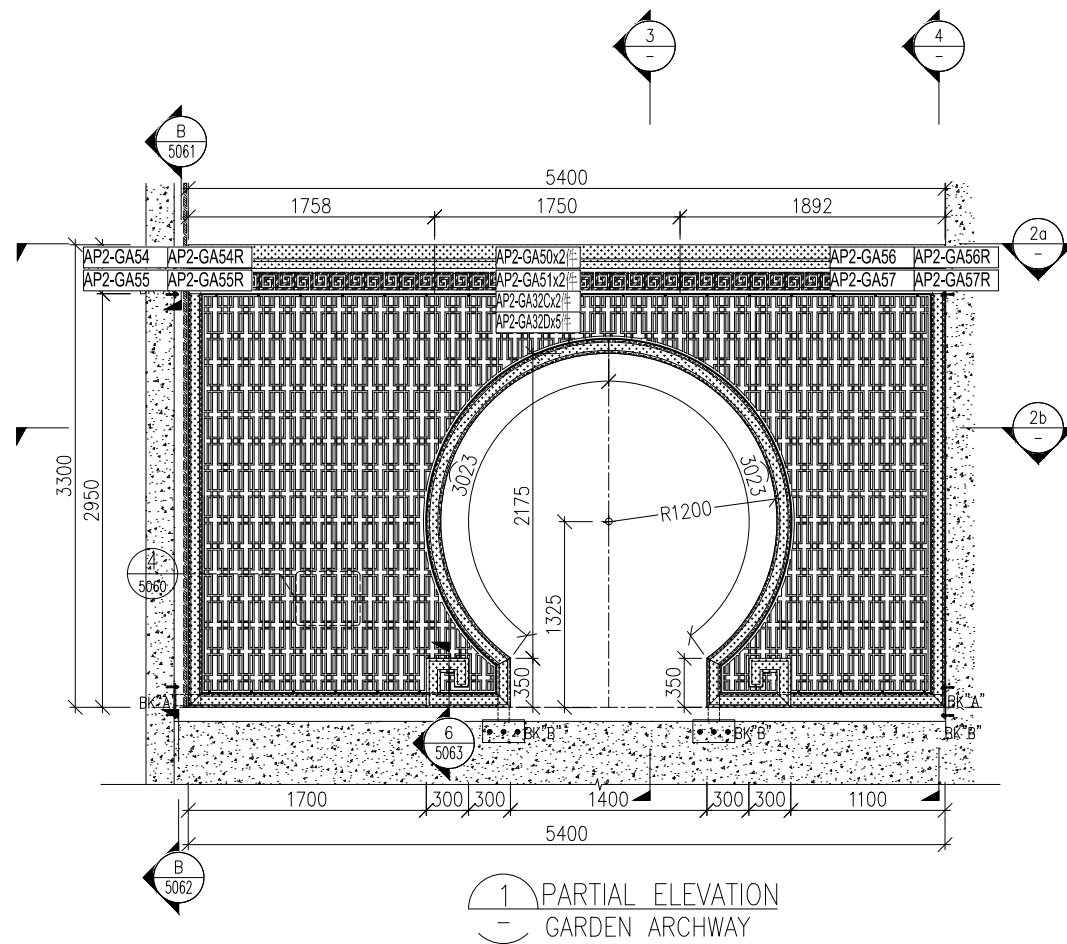
DATE : 10-Nov-13 SCALE : 1:50 (A3)

DRAWN BY : LHR CHECKED BY :

美特鋁質有限公司
MIDI ALUMINIUM FABRICATOR LTD.
Units 6-8, Sunray Industrial Centre, 1/F
610 Cha Kwo Ling Road, Kowloon
Tel:23489211-4 Fax:(852)27727666

DWG NO. : J853-SD-FW-4061 REV. : -

LEGEND:
3mm THK. ALUM. CLADDING



B.D. REF :

CLIENT :
SHIMAO GROUP HOLDINGS LIMITED

ARCHITECT :
WONG TUNG & PARTNERS LIMITED ARCHITECTS & PLANNERS

MAIN CONTRACTOR :
HIP HING CONSTRUCTION CO LTD

STRUCTURAL ENGINEER :
ICMA C M WONG & ASSOCIATES LTD

FAÇADE CONSULTANT:
MEINHARDT

NOTE :
1. ALL DIMENSIONS ARE IN mm.
2. ALL ELEVATIONS ARE VIEWED FROM OUTSIDE.
3. ALL DIMENSIONS TO BE VERIFIED ON SITE BEFORE FABRICATION.

LEGEND :
X1 --- DETAIL MARK NO.
X001 --- REFER SHEET NO.

1. F.F.L. --- FINISHED FLOOR LEVEL
2. S.F.L. --- STRUCTURAL FLOOR LEVEL
3. (R) --- REVERSED DETAIL

NO.	DATE	REVISED	BY

JOB NO. : J-853

PROJECT :
PROPOSED RESIDENTIAL DEVELOPMENT AT N.K.I.L. 6542 YIN PING ROAD KOWLOON

TITLE :
GARDEN ARCHWAY 02 (PHASE 2)

DATE : 10-Nov-13 SCALE : 1:50 (A3)

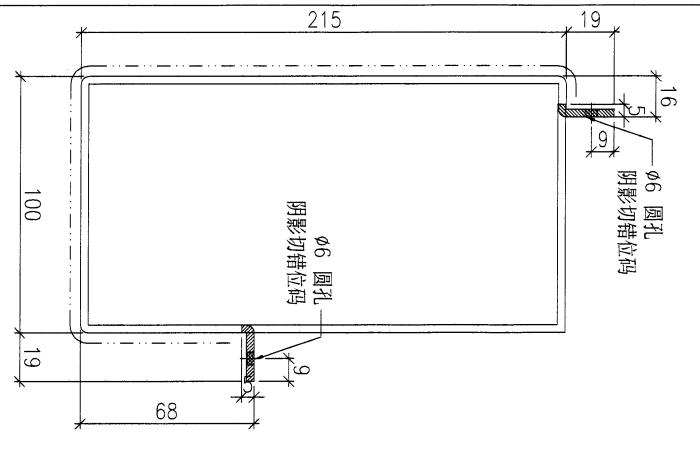
DRAWN BY : LHR CHECKED BY :

美特鋁質有限公司
MIDI ALUMINIUM FABRICATOR LTD.
Units 6-8, Sunray Industrial Centre, 1/F
610 Cha Kwo Ling Road, Kowloon
Tel: 23489211-4 Fax: (852) 27727666

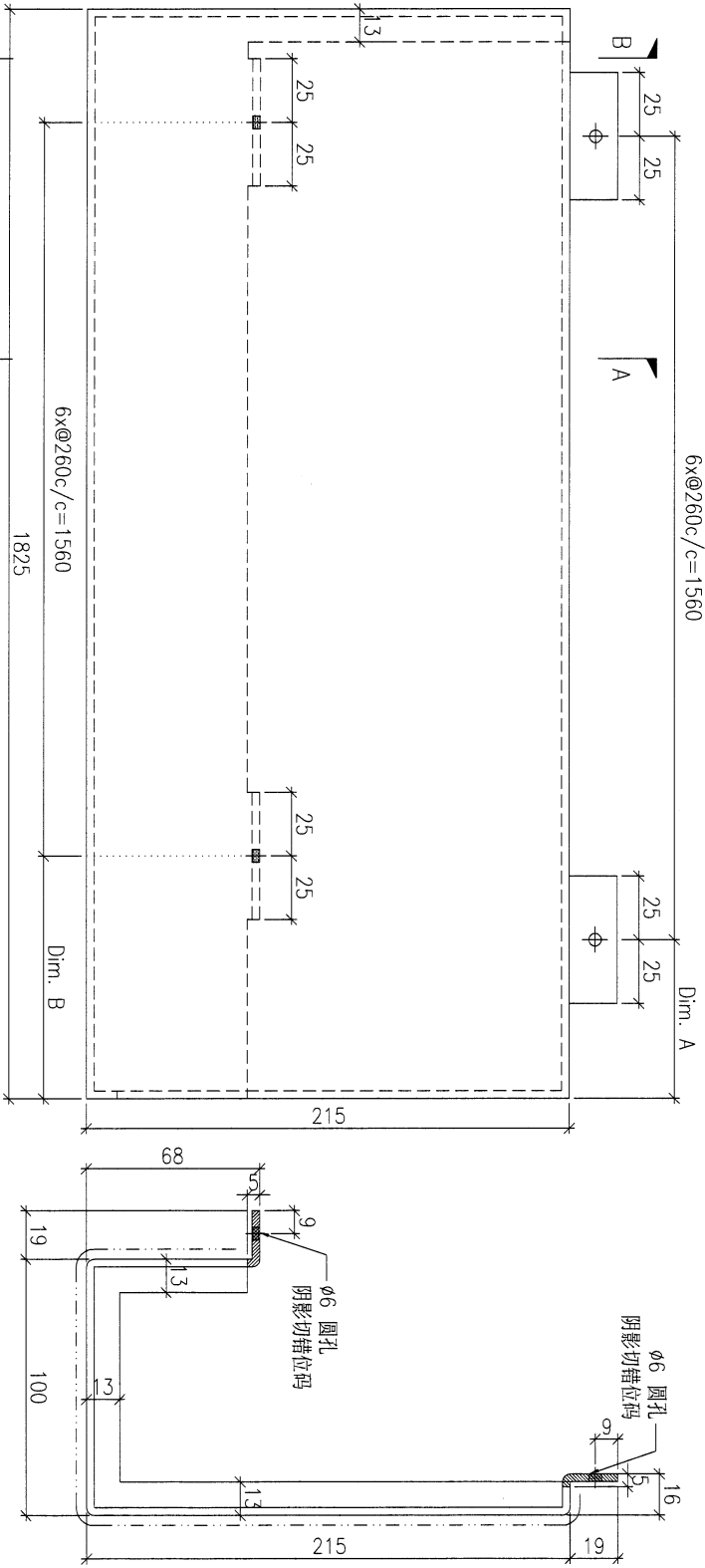
DWG NO. : J853-SD-FW-4062 REV. : -

LEGEND:
3mm THK. ALUM. CLADDING

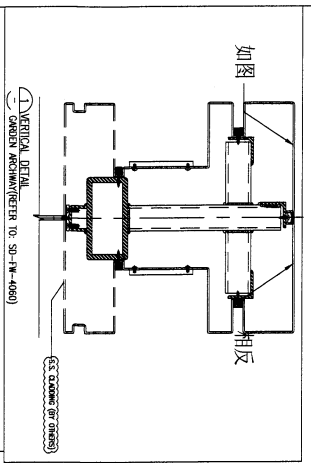
PROJECT				MATERIAL				COATING				COLOUR		MARK. NO.		QTY.	
YIN PING ROAD KOWLOON GARDEN ARCHWAY (PHASE 2)				3mm 铝板				PVF2				EC-DG-D334232-ZD1 (SS-01)		-		-	
REV.	CHECKED BY	PART NUMBER	Dim. A	Dim. B	Dim. C	Dim. D	Dim. E	Dim. F	Dim. G	Dim. H	QTY.	Inv. Code	ASSEMBLE ON PARTS				
-	-	AP2-GA20	50	140	-	-	-	-	-	-	1	-	注: 如图加工				
-	-	AP2-GA20R	140	50	-	-	-	-	-	-	1	-	注: 相反加工				
												注: 地盤用					



SECTION B-B



SECTION A-A



VERTICAL DETAIL
陰影切錯位碼

DWG. NO.

AP2-GA20

REV.

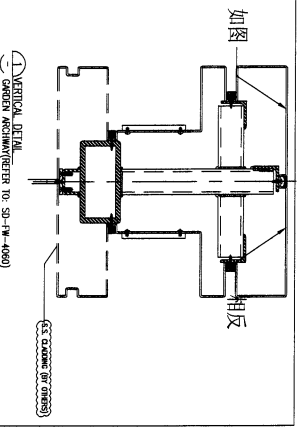
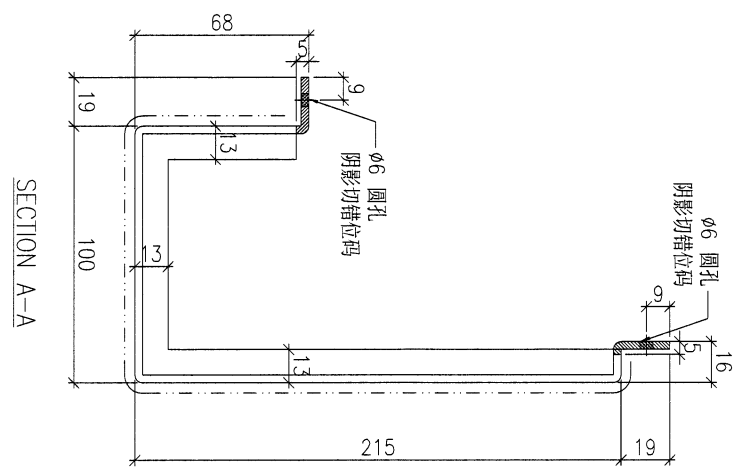
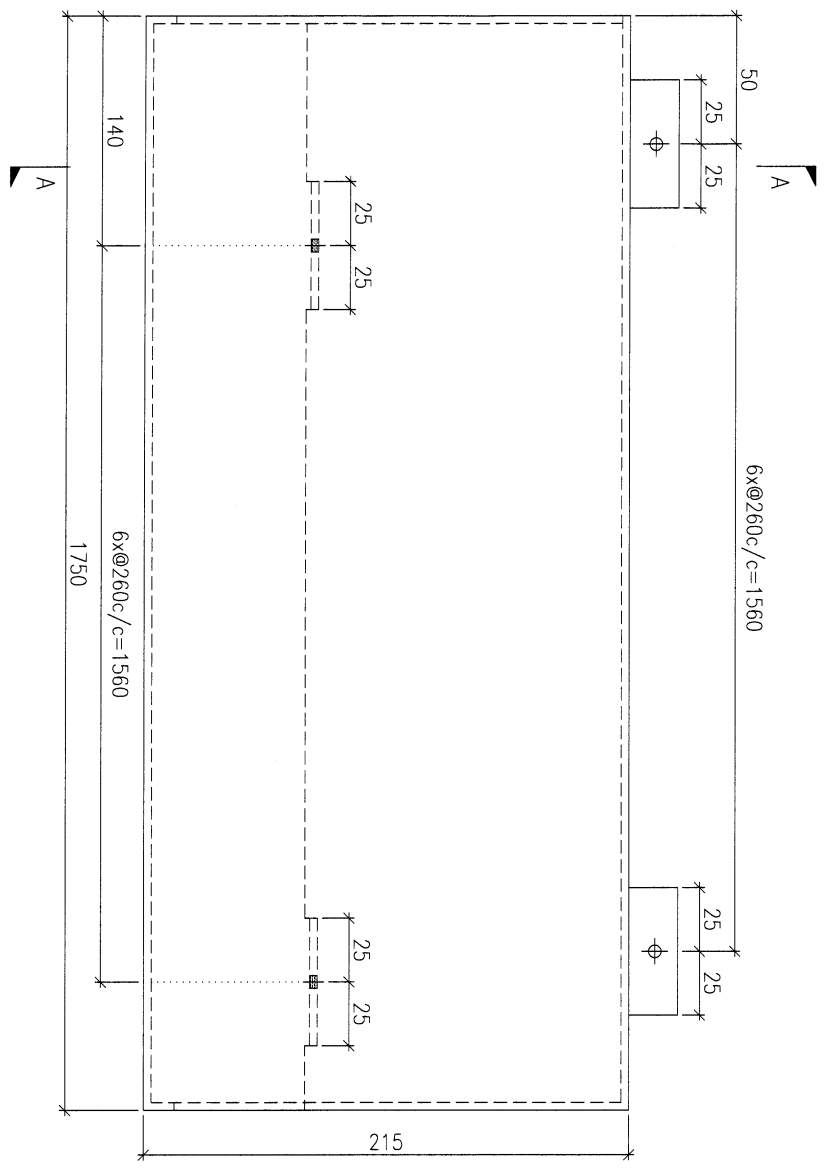
SCALE

DATE
09-12-2023

DRAWN BY

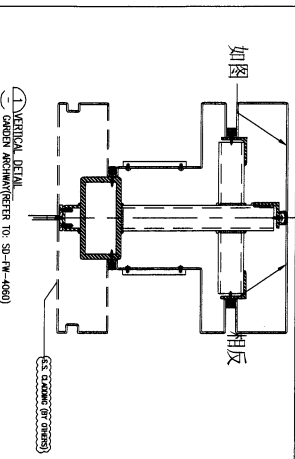
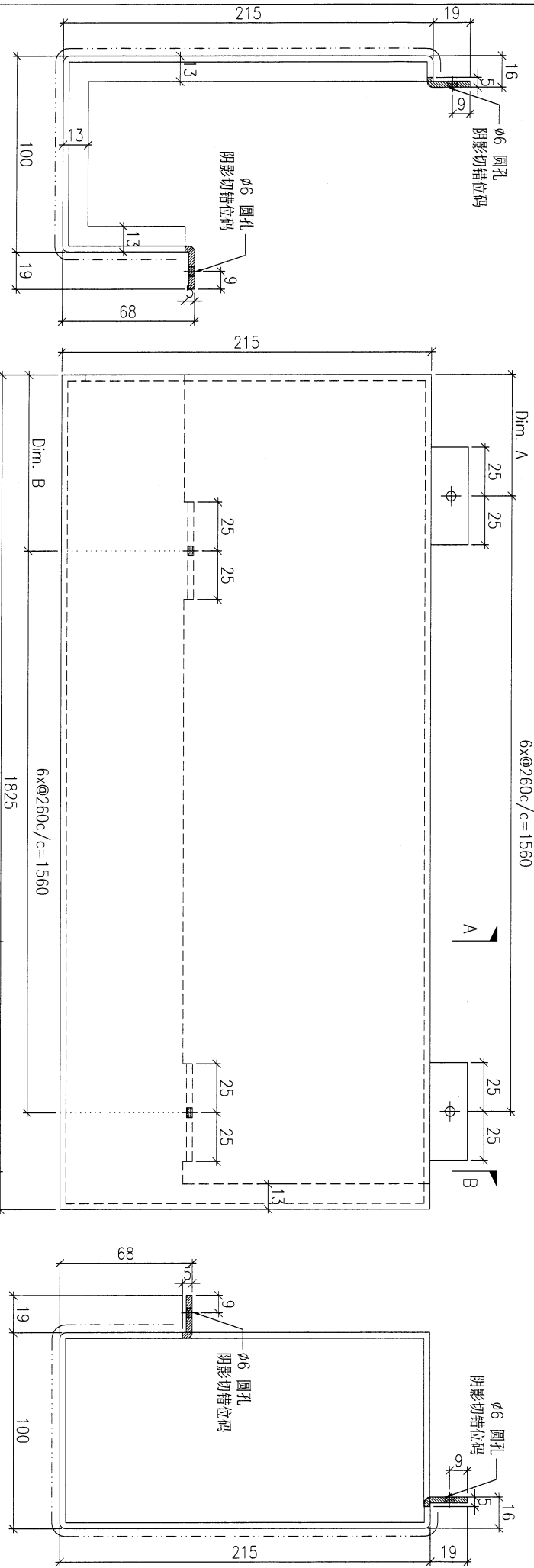
APPROVED BY

PROJECT				YIN PING ROAD KOWLOON GARDEN ARCHWAY (PHASE 2)				MATERIAL				3mm 铝板				COATING				PVF2				COLOUR				EC-DG-D334232-ZD1 (SS-01)				MARK. NO.				-				QTY.				-			
CHECKED		PART NUMBER		Dim. A		Dim. B		Dim. C		Dim. D		Dim. E		Dim. F		Dim. G		Dim. H		QTY.		Inv. Code		ASSEMBLE ON PARTS				注: 地盤用																			
-		AP2-GA25		-		-		-		-		-		-		-		-		6																											



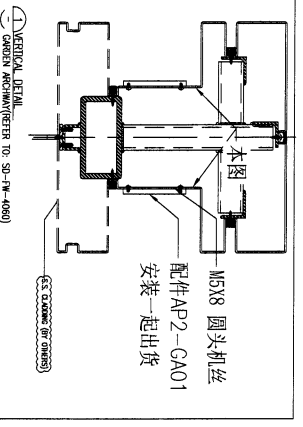
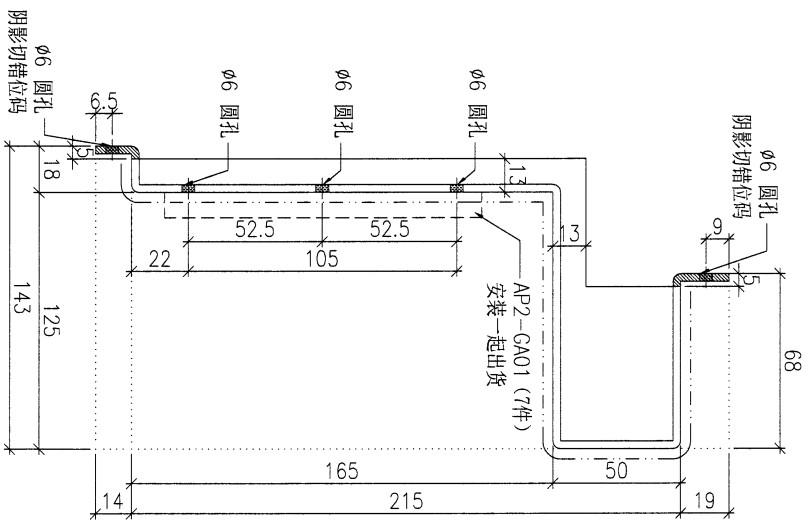
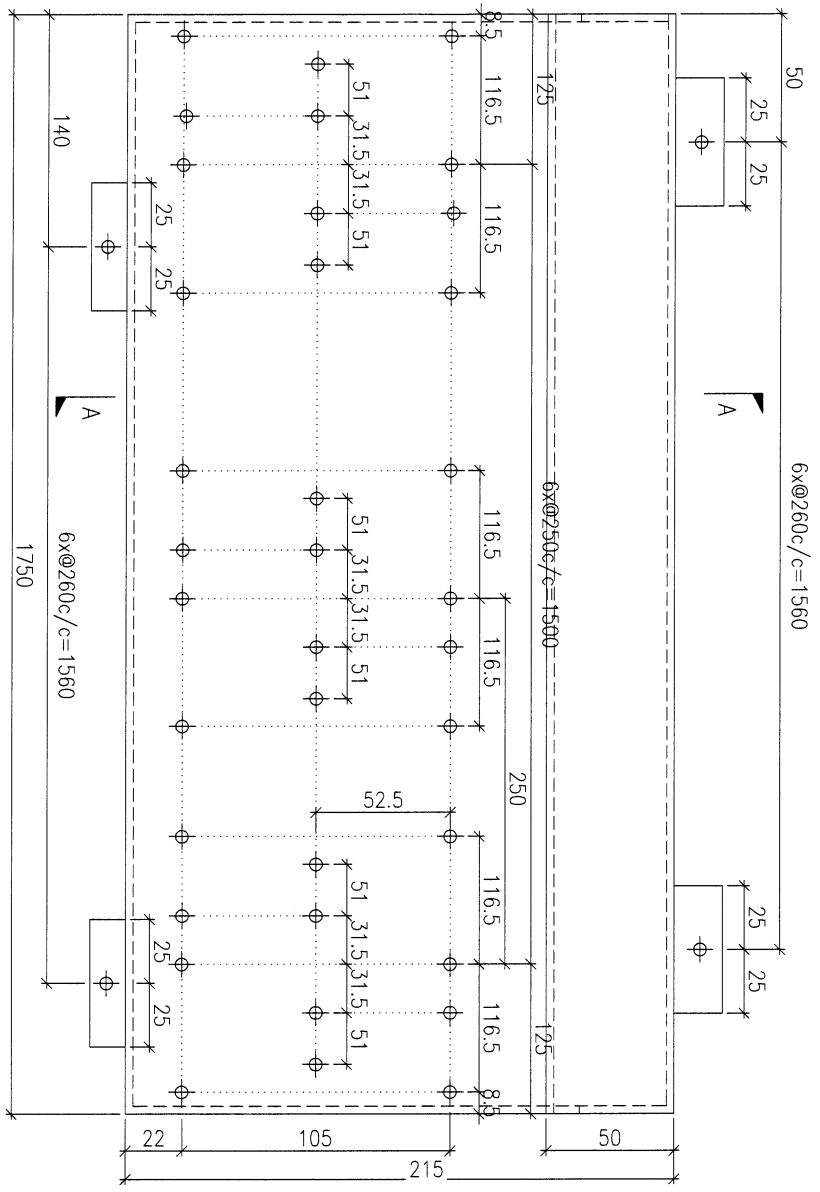
DWG. NO.		AP2-GA25		REV.		SCALE		DATE		DRAWN BY		APPROVED BY	
				-				09-12-2023					

PROJECT				YIN PING ROAD KOWLOON GARDEN ARCHWAY (PHASE 2)				MATERIAL				3mm 铝板				COATING				PVF2				COLOUR				EC-DG-D34232-ZD1(SS-01)				MARK. NO.				-				QTY.				-			
REV. / QTY.		PART NUMBER		Dim. A		Dim. B		Dim. C		Dim. D		Dim. E		Dim. F		Dim. G		Dim. H		QTY.		Inv. Code		ASSEMBLE ON PARTS				注: 地盤用																			
-		AP2-GA26		50		140		-		-		-		-		-		-		1		-		注: 如图加工																							
-		AP2-GA26R		140		50		-		-		-		-		-		-		1		-		注: 相反加工																							



DWG. NO.		AP2-GA26		REV.		-		SCALE		-		DATE		09-12-2023		DRAWN BY		-		APPROVED BY		-	
----------	--	----------	--	------	--	---	--	-------	--	---	--	------	--	------------	--	----------	--	---	--	-------------	--	---	--

PROJECT				MATERIAL				COATING				COLOUR		MARK. NO.		QTY.	
YIN PING ROAD KOWLOON GARDEN ARCHWAY (PHASE 2)				3mm 铝板				PVF2				EC-DG-D334232-ZD1(SS-01)		-		-	
REV.	CHG/CD/BR BY	PART NUMBER	Dim. A	Dim. B	Dim. C	Dim. D	Dim. E	Dim. F	Dim. G	Dim. H	QTY.	Inv. Code	ASSEMBLE ON PARTS				
-		AP2-GA27	-	-	-	-	-	-	-	-	6						
													注: 地盤用				



DWG. NO.		REV.		SCALE		DATE		DRAWN BY		APPROVED BY	
AP2-GA27		-		-		09-12-2023		-		-	

PROJECT
YIN PING ROAD KOWLOON
GARDEN ARCHWAY (PHASE 2)

MATERIAL
3mm 铝板

COATING
PVF2

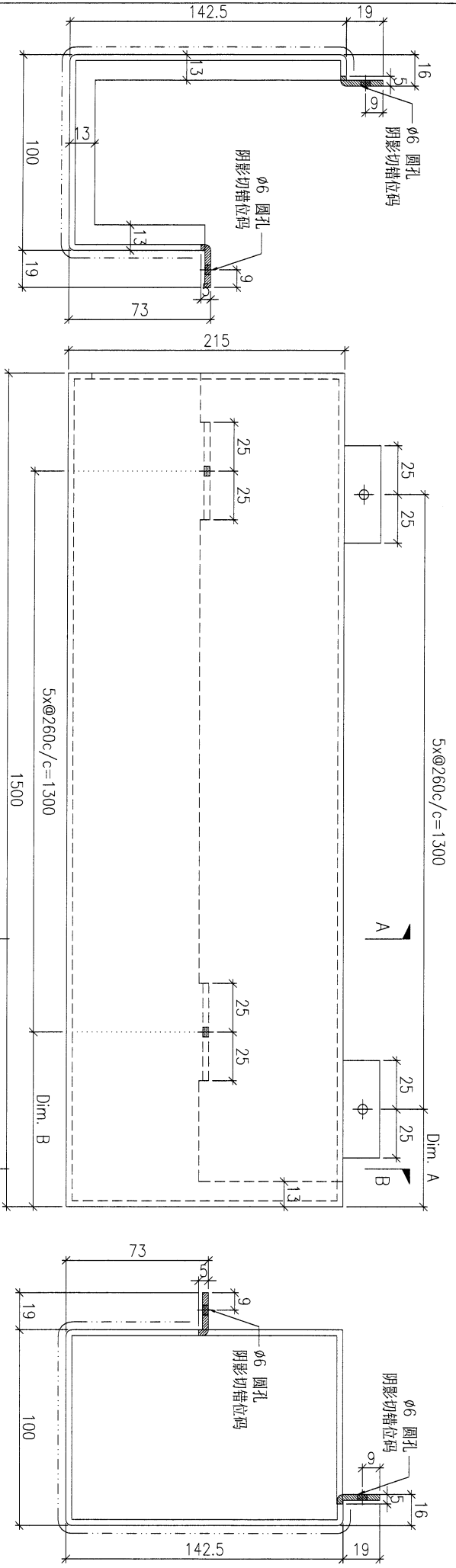
COLOUR
EC-DG-D334232-ZD1(SS-01)

MARK. NO.
-

QTY.
-

REV.	CHECKED BY	PART NUMBER	Dim. A	Dim. B	Dim. C	Dim. D	Dim. E	Dim. F	Dim. G	Dim. H	QTY.	Inv. Code	ASSEMBLE ON PARTS
-		AP2-GA52	50	150	-						2		注: 如图加工
-		AP2-GA52R	150	50	-						2		注: 相反加工

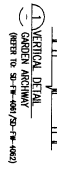
注: 地盤用



SECTION A-A

SECTION B-B

如图
相反



DWG. NO.

AP2-GA52

REV.

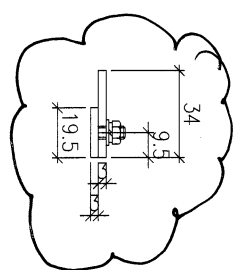
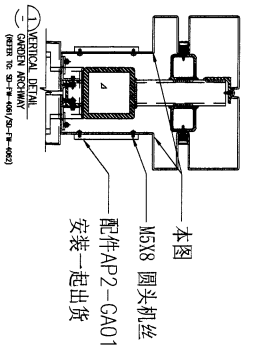
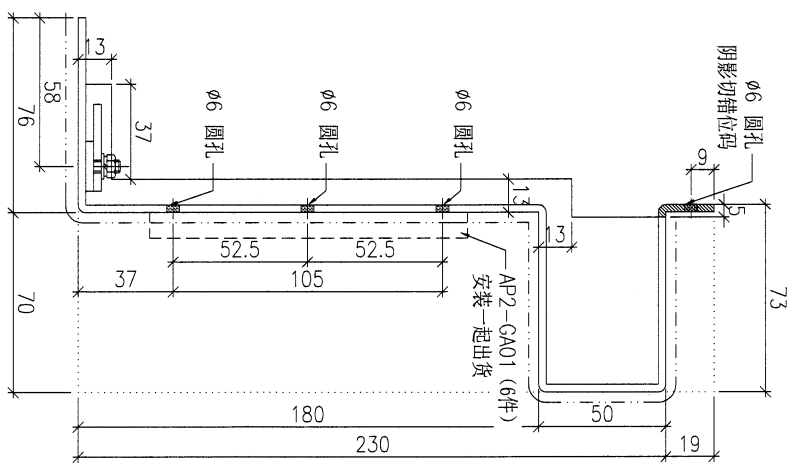
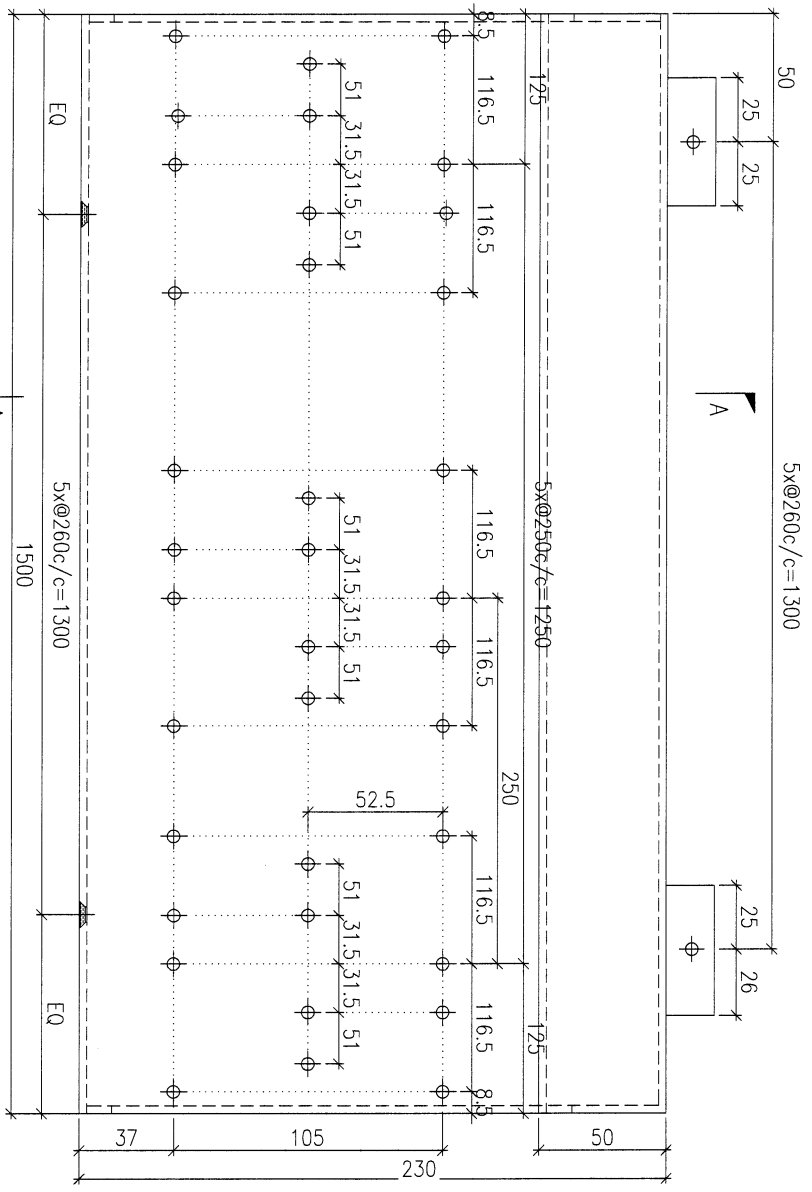
SCALE

DATE
09-12-2023

DRAWN BY

APPROVED BY

PROJECT				MATERIAL				COATING				COLOUR		MARK. NO.		QTY.	
YIN PING ROAD KOWLOON GARDEN ARCHWAY (PHASE 2)				3mm 铝板				PVF2				EC-DG-D334232-ZD1 (SS-01)		-		-	
REV.	CHECKED/	PART NUMBER	Dim. A	Dim. B	Dim. C	Dim. D	Dim. E	Dim. F	Dim. G	Dim. H	QTY.	Inv. Code	ASSEMBLE ON PARTS				
-	BAR BY	AP2-GA49	-	-	-	-	-	-	-	-	2	-	注: 地盤用				

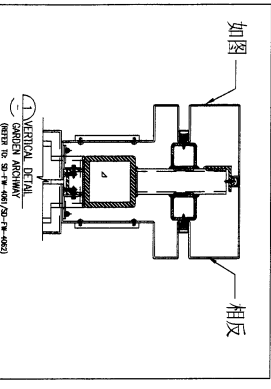
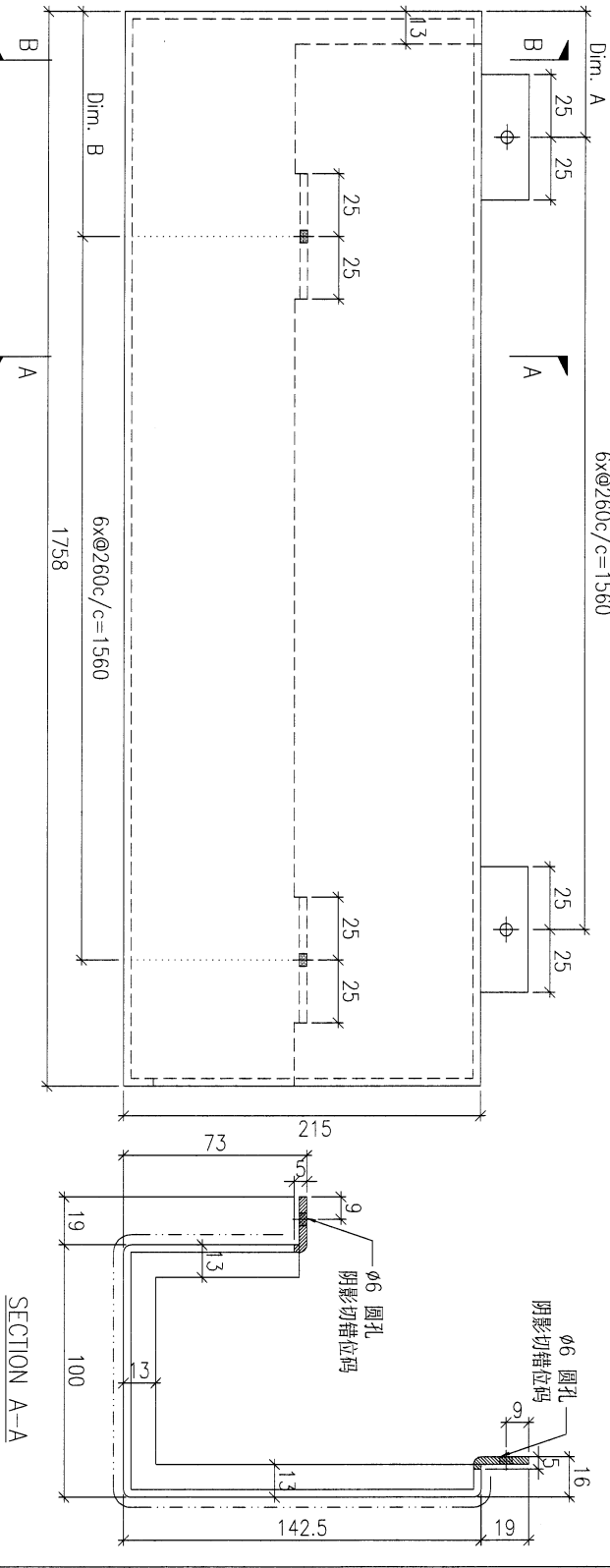
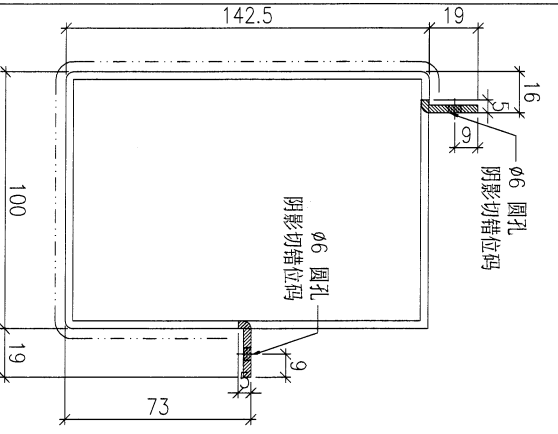


此铝件
厂配套生产
安装

DWG. NO.	REV.	SCALE	DATE	DRAWN BY	APPROVED BY
AP2-GA49	-	-	09-12-2023	-	-

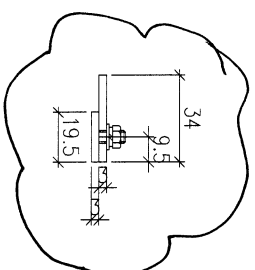
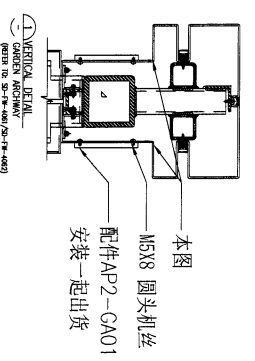
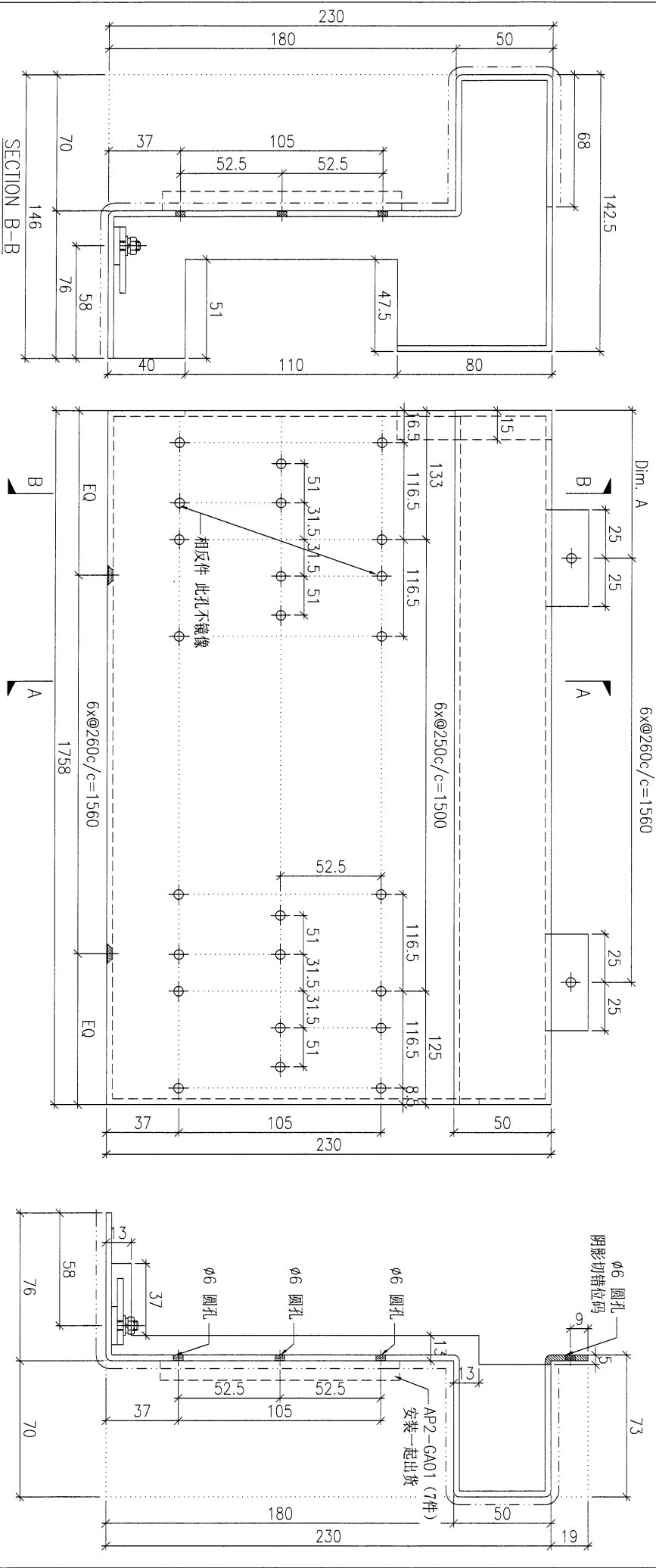
PROJECT YIN PING ROAD KOWLOON GARDEN ARCHWAY (PHASE 2)				MATERIAL 3mm 铝板				COATING PVF2		COLOUR EC-DG-D334232-ZD1(SS-01)		MARK. NO. -	QTY. -
REV. BAR BY	PART NUMBER	Dim. A	Dim. B	Dim. C	Dim. D	Dim. E	Dim. F	Dim. G	Dim. H	QTY.	Inv. Code	ASSEMBLE ON PARTS	
-	AP2-GA54	50	148	-	-	-	-	-	-	1	-	注: 如图加工	
-	AP2-GA54R	148	50	-	-	-	-	-	-	1	-	注: 相反加工	

注: 地盤用



DWG. NO. AP2-GA54		REV. -		SCALE -		DATE 09-12-2023		DRAWN BY -		APPROVED BY -	
----------------------	--	-----------	--	------------	--	--------------------	--	---------------	--	------------------	--

PROJECT				MATERIAL				COATING				COLOUR		MARK. NO.		QTY.	
YIN PING ROAD KOWI LOON GARDEN ARCHWAY (PHASE 2)				3mm 铝板				PVF2				EC-DG-D334232-ZD1(SS-01)		-		-	
REV.	CHANGED BAR BY	PART NUMBER	Dim. A	Dim. B	Dim. C	Dim. D	Dim. E	Dim. F	Dim. G	Dim. H	QTY.	Inv. Code	ASSEMBLE ON PARTS				
-	-	AP2-GA55	50	-	-	-	-	-	-	-	1	-	注: 如图加工				
-	-	AP2-GA55R	148	-	-	-	-	-	-	-	1	-	注: 相反加工				

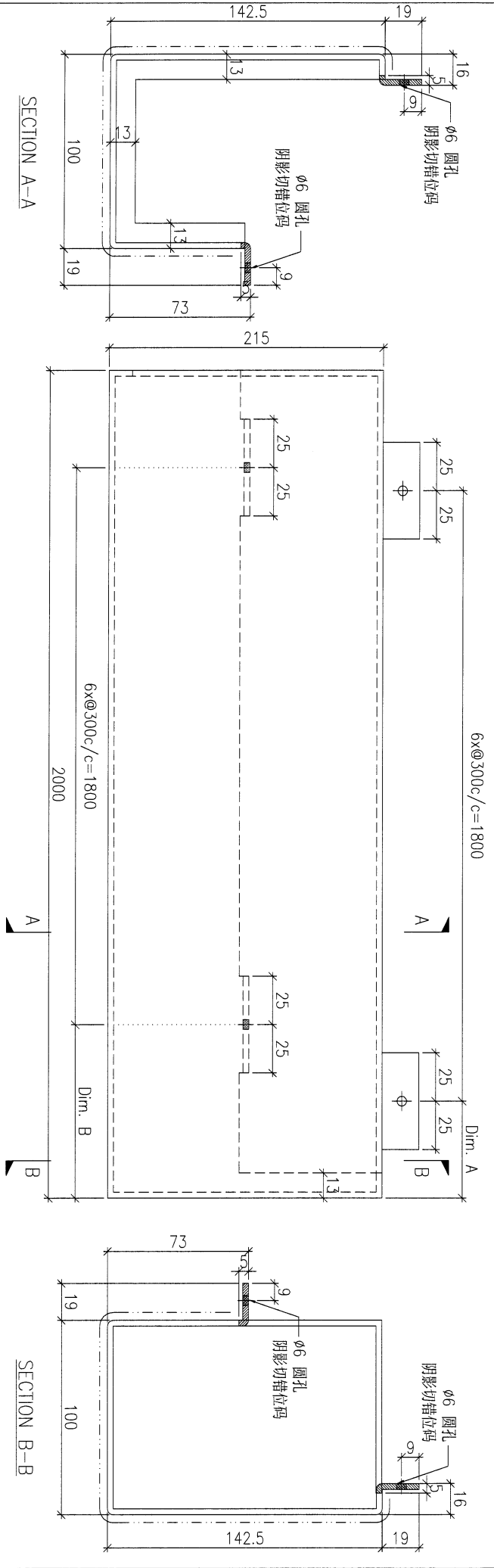


此铝件做配套牛座安装
 钻孔固定.

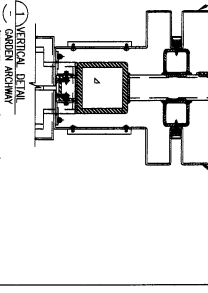
DWG. NO.		REV.		SCALE		DATE		DRAWN BY		APPROVED BY	
AP2-GA55		-		-		09-12-2023		-		-	

PROJECT		YIN PING ROAD KOWIL OON GARDEN ARCHWAY (PHASE 2)					MATERIAL		3mm 铝板					COATING		PVF2		COLOUR		EC-DG-D334232-ZD1(SS-01)		MARK. NO.		-		QTY.		-	
REV.	QTY.	PART NUMBER	Dim. A	Dim. B	Dim. C	Dim. D	Dim. E	Dim. F	Dim. G	Dim. H	QTY.	Inv. Code	ASSEMBLE ON PARTS																
-	1	AP2-GA56	50	150	-	-	-	-	-	-	1		注: 如图加工																
-	1	AP2-GA56R	150	50	-	-	-	-	-	-	1		注: 相反加工																

注: 地盘用



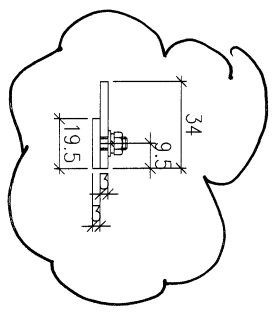
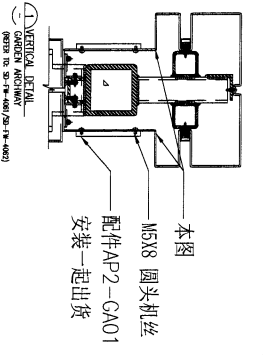
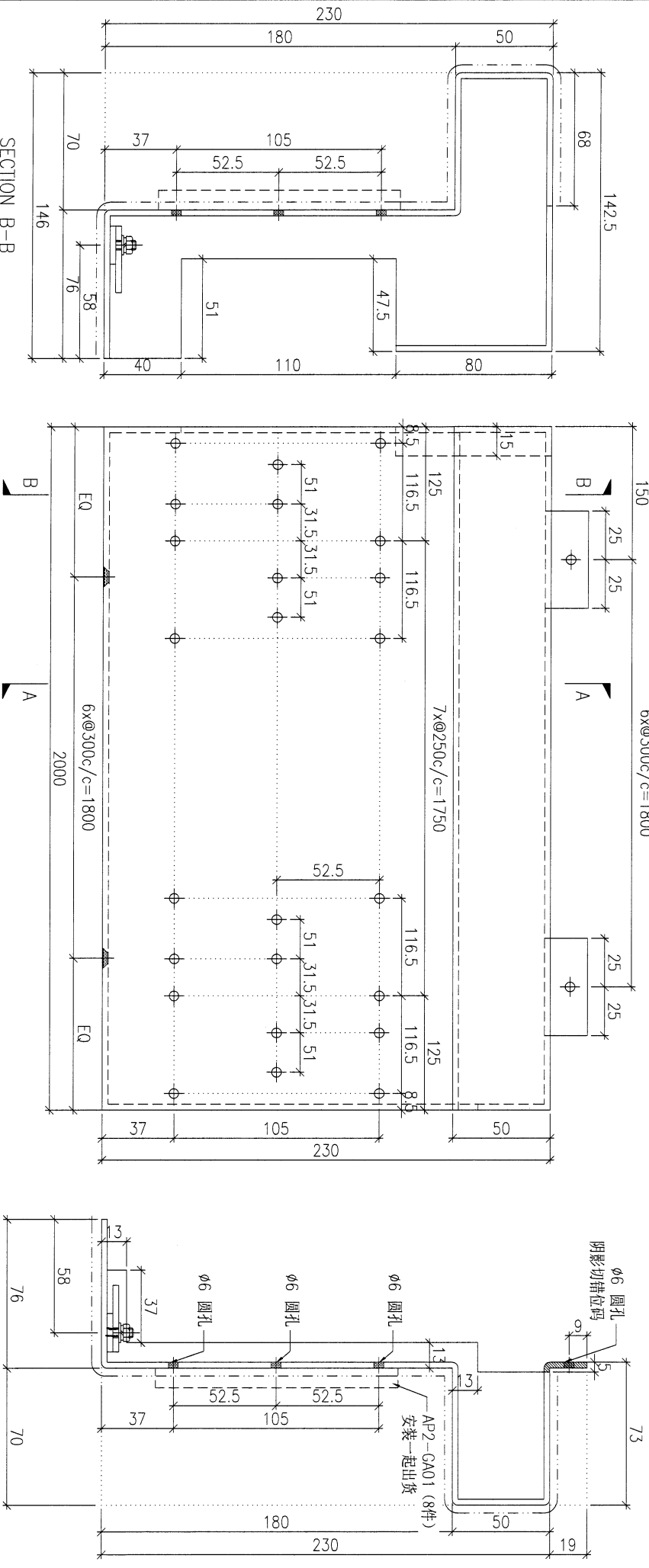
如图



相反

DWG. NO.		AP2-GA56		REV.		-		SCALE		-		DATE		09-12-2023		DRAWN BY		-		APPROVED BY		-	
----------	--	----------	--	------	--	---	--	-------	--	---	--	------	--	------------	--	----------	--	---	--	-------------	--	---	--

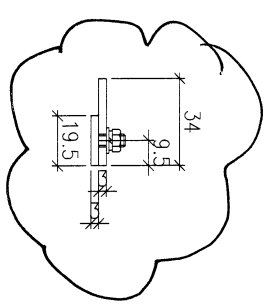
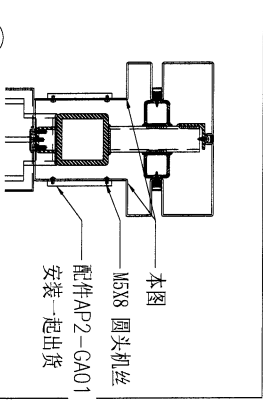
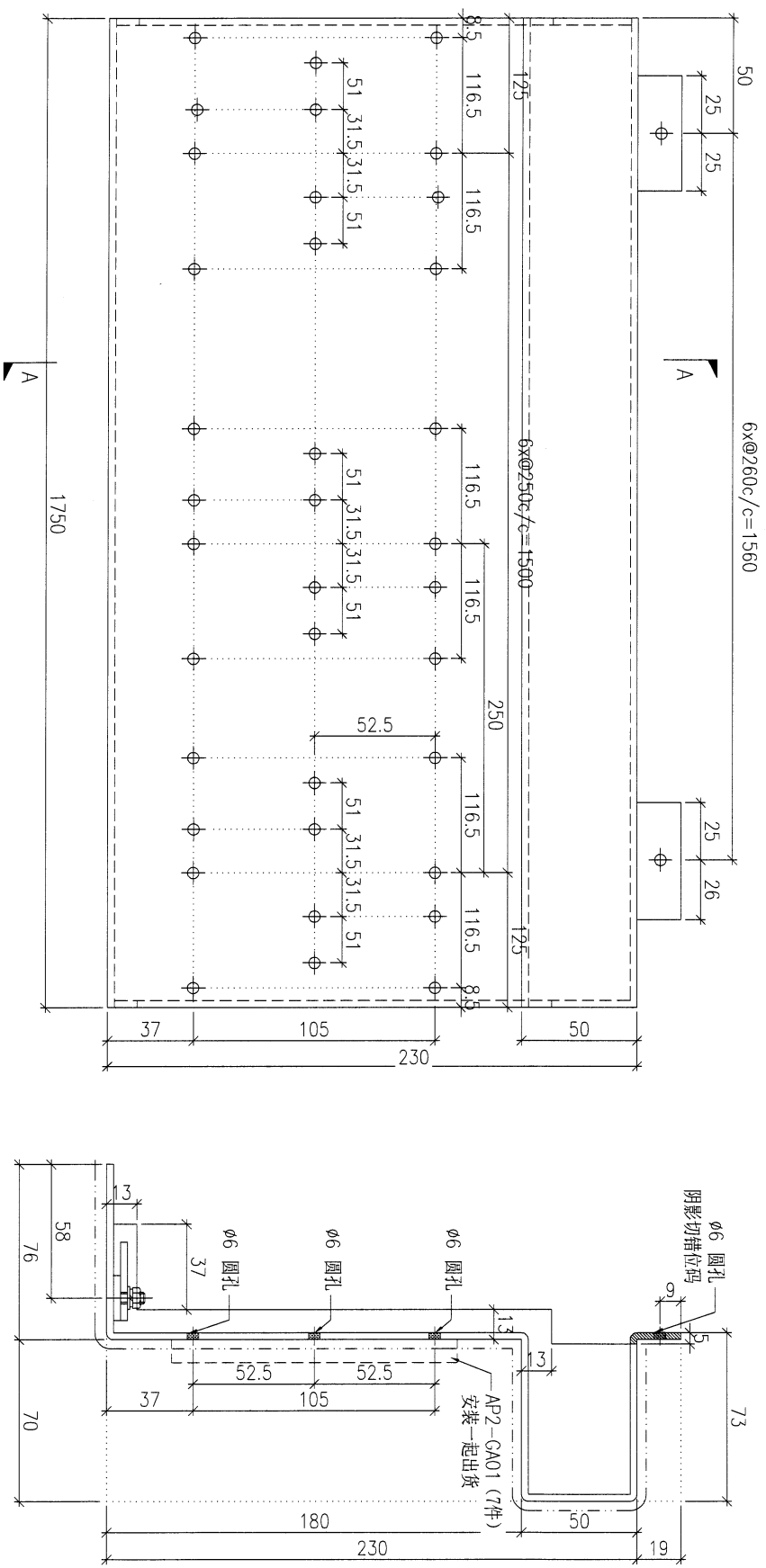
PROJECT				MATERIAL				COATING		COLOUR		MARK. NO.		QTY.	
YIN PING ROAD KOWLOON GARDEN ARCHWAY (PHASE 2)				3mm 铝板				PVF2		EC-DG-D334232-ZD1(SS-01)		-		-	
REV.	CHECKED	PART NUMBER	Dim. A	Dim. B	Dim. C	Dim. D	Dim. E	Dim. F	Dim. G	Dim. H	QTY.	Inv. Code	ASSEMBLE ON PARTS		
-		AP2-GA57R	-	-	-						1				
													注: 地盘用		



此铝件厂家已生产安装。
 铝钉固定

DWG. NO.	REV.	SCALE	DATE	DRAWN BY	APPROVED BY
AP2-GA57R	-	-	09-12-2023		

PROJECT				MATERIAL				COATING		COLOUR		MARK. NO.	QTY.
YIN PING ROAD KOWLOON GARDEN ARCHWAY (PHASE 2)				3mm 铝板				PVF2		EC-DG-D334232-ZD1(SS-01)		-	-
REV.	ORDERED PART NUMBER	Dim. A	Dim. B	Dim. C	Dim. D	Dim. E	Dim. F	Dim. G	Dim. H	QTY.	Inv. Code	ASSEMBLE ON PARTS	
-	AP2-GA51	-	-	-	-	-	-	-	-	2	-	注: 地盤用	

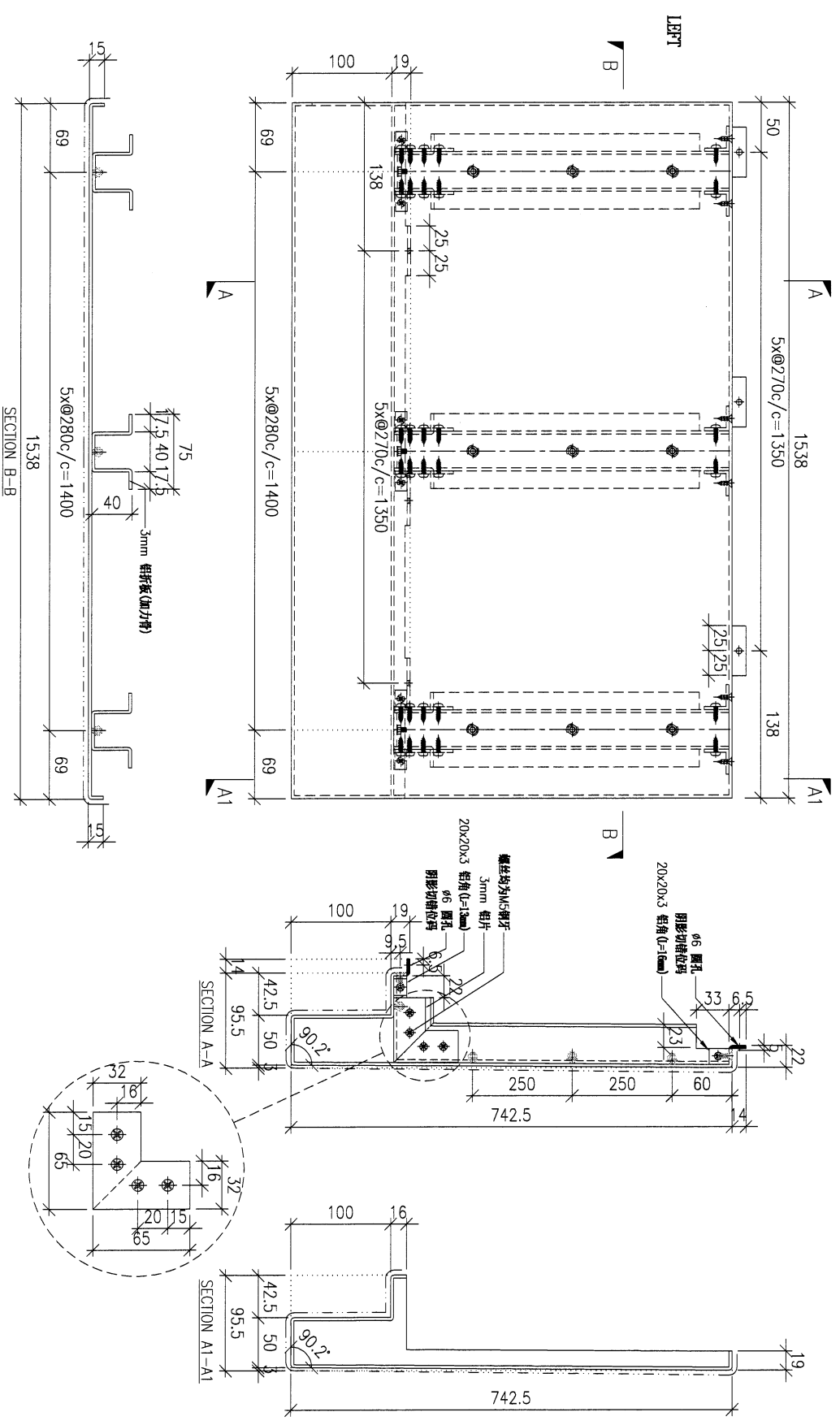


此铝件厂家配套生产安装
 铝钉固定

SECTION A-A

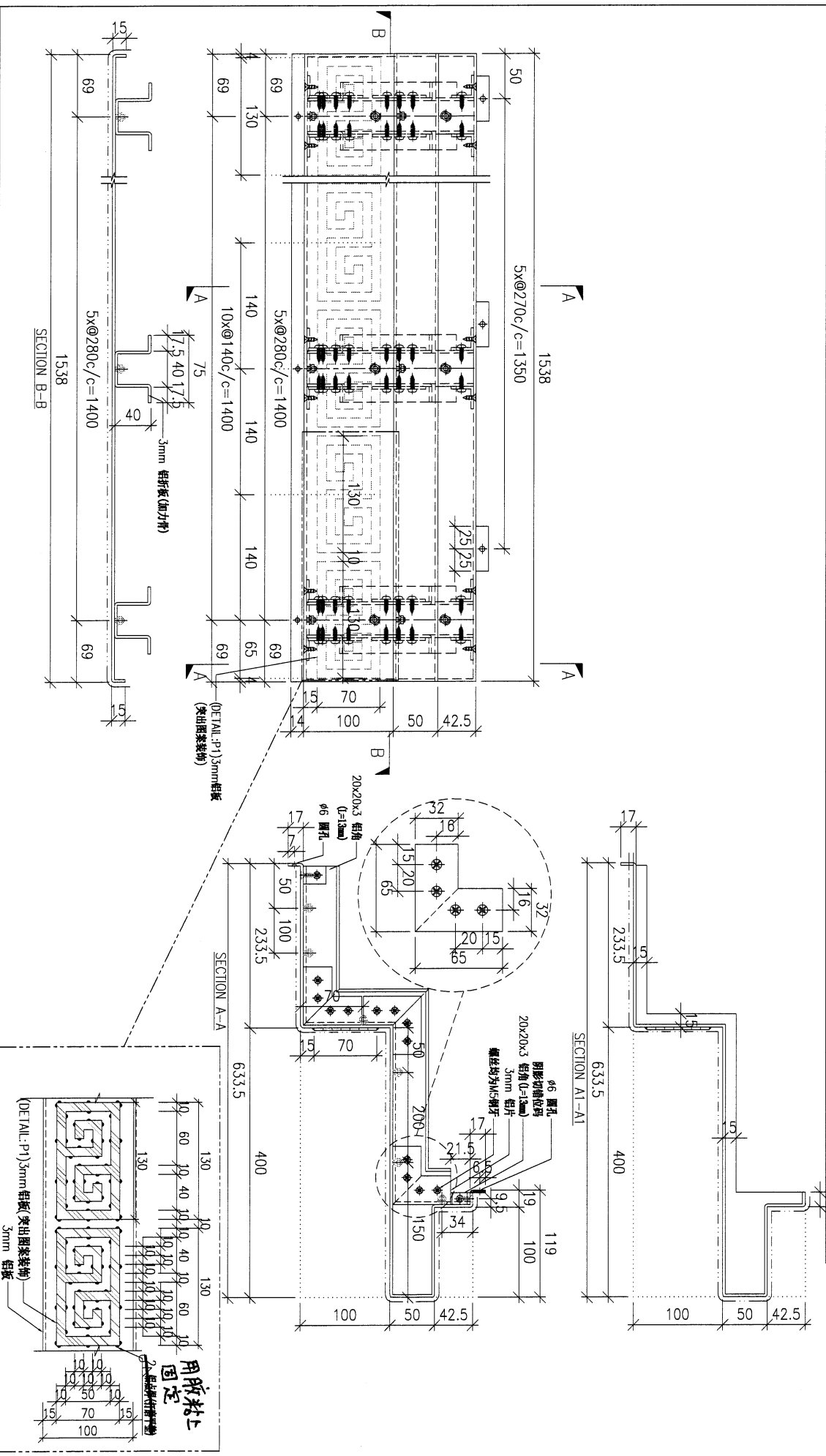
DWG. NO.	REV.	SCALE	DATE	DRAWN BY	APPROVED BY
AP2-GA51	-	-	09-12-2023	-	-

PROJECT				MATERIAL				COATING				COLOUR		MARK. NO.		QTY.	
YIN PING ROAD KOWLOON GARDEN ARCHWAY (PHASE 2)				3mm 铝板				PVF2				EC-DG-D334232-ZD1(SS-01)		-		-	
REV.	CHECKED BY	PART NUMBER	Dim. A	Dim. B	Dim. C	Dim. D	Dim. E	Dim. F	Dim. G	Dim. H	QTY.	Inv. Code	ASSEMBLE ON PARTS				
-		AP2-GA60	-	-	-	-	-	-	-	-	2						
													注：地盤用				



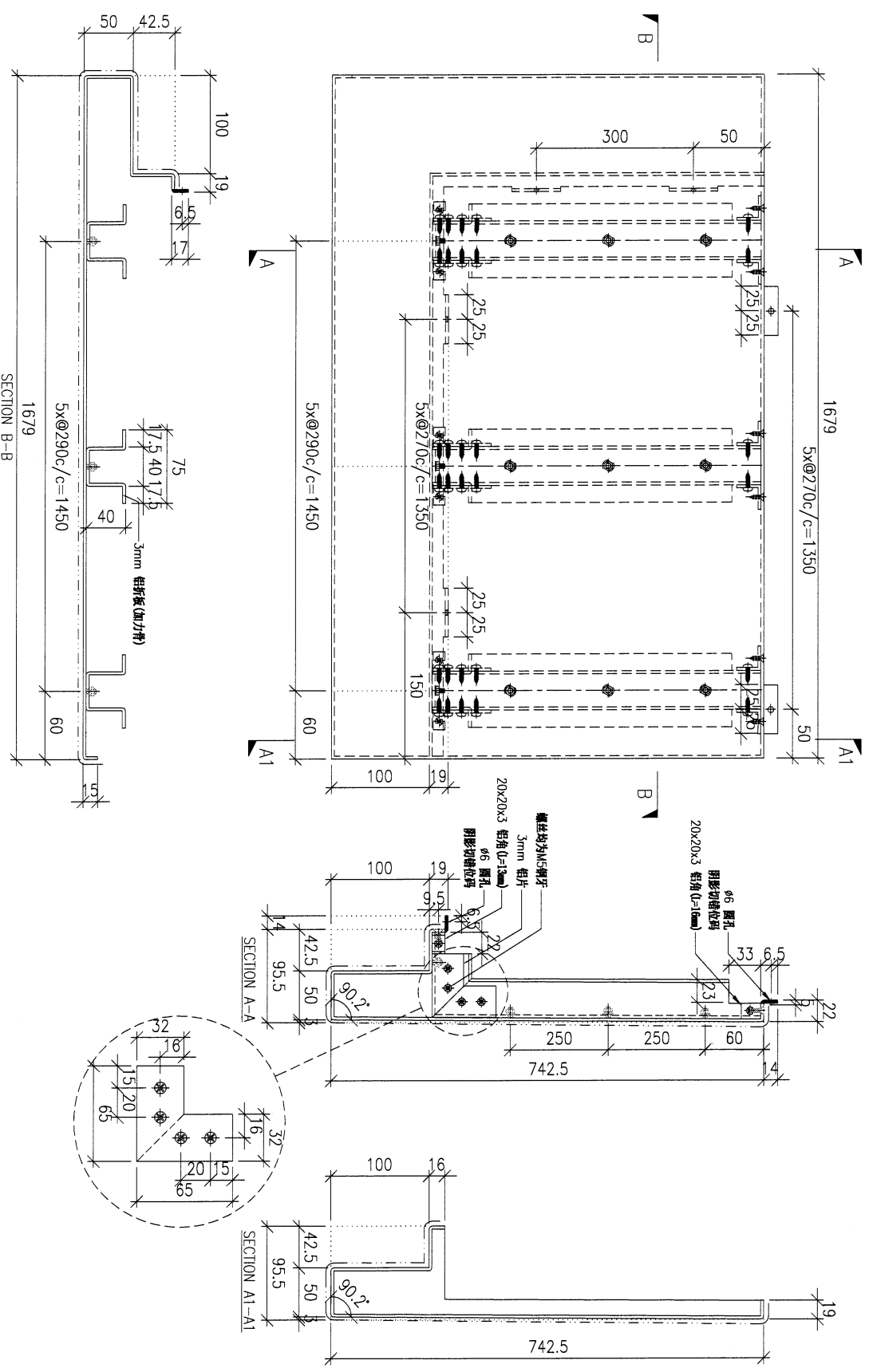
DWG. NO.		REV.		SCALE		DATE		DRAWN BY		APPROVED BY	
AP2-GA60		-		-		09-12-2023		-		-	

PROJECT				MATERIAL				COATING				COLOUR				MARK. NO.		QTY.	
YIN PING ROAD KOWLOON GARDEN ARCHWAY (PHASE 2)				3mm 铝板				PVF2				EC-DG-DJ34232-ZD1(SS-01)				-		-	
REV.	CHECKED BY	PART NUMBER	Dim. A	Dim. B	Dim. C	Dim. D	Dim. E	Dim. F	Dim. G	Dim. H	QTY.	Inv. Code	ASSEMBLE ON PARTS						
-		AP2-GA61	-	-	-	-	-	-	-	-	2								
注: 地盘用																			



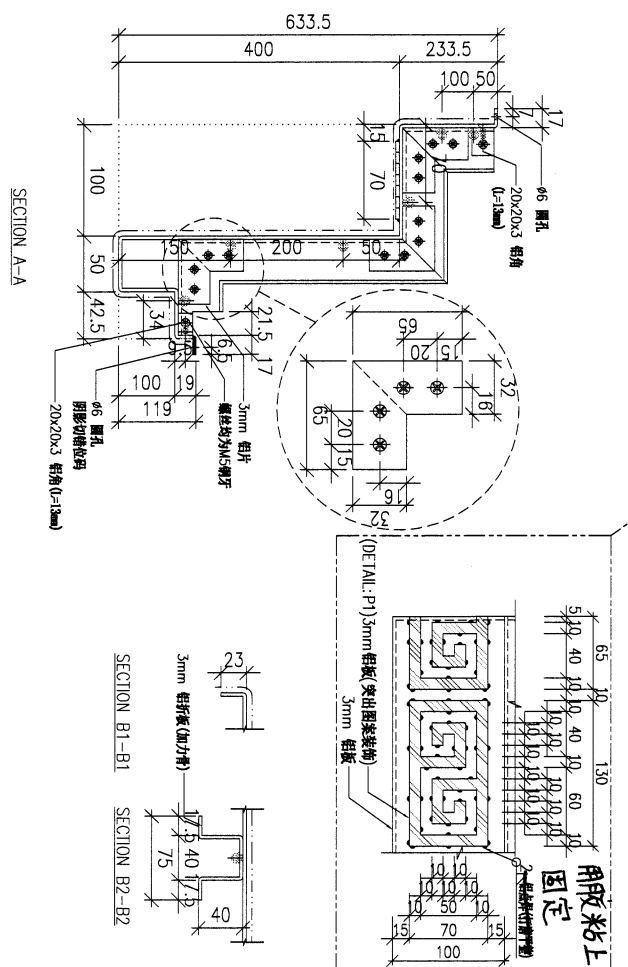
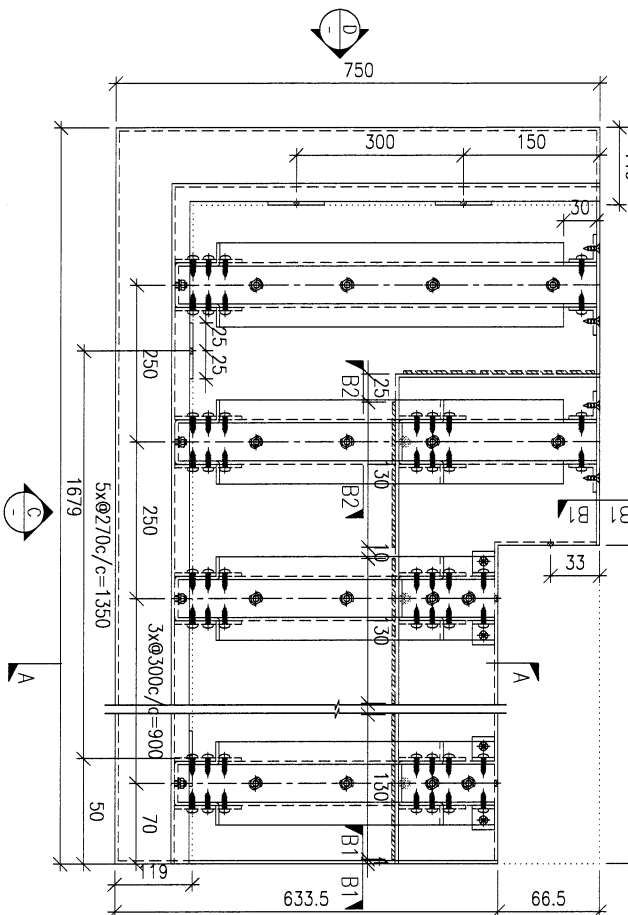
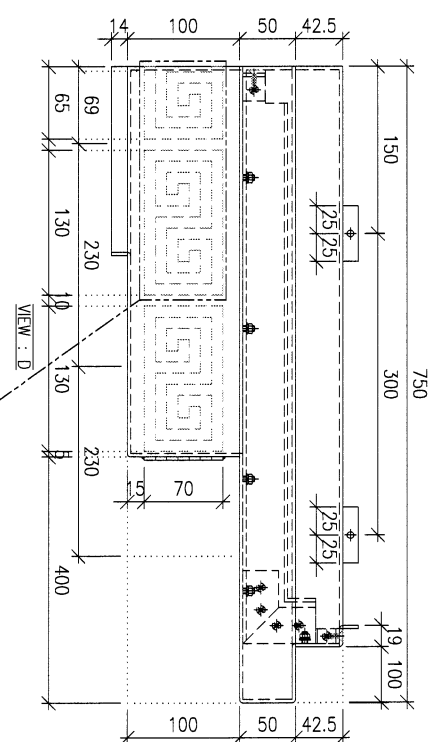
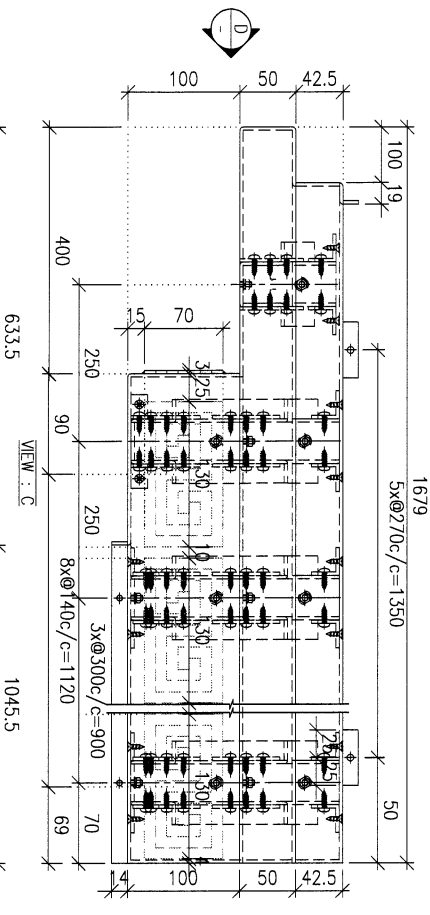
DWG. NO.		REV.		SCALE		DATE		DRAWN BY		APPROVED BY	
AP2-GA61		-		-		09-12-2023		-		-	

PROJECT				MATERIAL				COATING				COLOUR		MARK. NO.		QTY.	
YIN PING ROAD KOWLOON GARDEN ARCHWAY (PHASE 2)				3mm 铝板				PVF2				EC-DG-DJ34232-ZD1(SS-01)		-		-	
REV.	CHECKED DATE BY	PART NUMBER	Dim. A	Dim. B	Dim. C	Dim. D	Dim. E	Dim. F	Dim. G	Dim. H	QTY.	Inv. Code	ASSEMBLE ON PARTS				
-	-	AP2-GA62	-	-	-	-	-	-	-	-	1	-	注: 如图加工				
-	-	AP2-GA62R	-	-	-	-	-	-	-	-	1	-	注: 相反加工				
													注: 地盘用				



DWG. NO.		REV.		SCALE		DATE		DRAWN BY		APPROVED BY	
AP2-GA62		-		-		09-12-2023		-		-	

PROJECT				MATERIAL				COATING				COLOUR				MARK. NO.		QTY.	
YIN PING ROAD KOWLOON GARDEN ARCHWAY (PHASE 2)				3mm 铝板				PVF2				EC-DG-D334232-ZD1(SS-01)				-		-	
CHKD BY	PART NUMBER	Dim. A	Dim. B	Dim. C	Dim. D	Dim. E	Dim. F	Dim. G	Dim. H	QTY.	Inv. Code	ASSEMBLE ON PARTS							
-	AP2-GA64	-	-	-	-	-	-	-	-	2									
注: 地盘用																			



DWG. NO.	REV.	SCALE	DATE	DRAWN BY	APPROVED BY
AP2-GA64	-	-	09-12-2023	-	-

PROJECT: YIN PING ROAD KOWLOON GARDEN ARCHWAY (PHASE 2)

MATERIAL: 1.5 mm 铝板

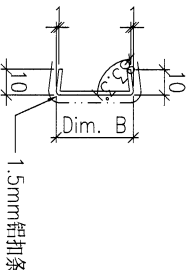
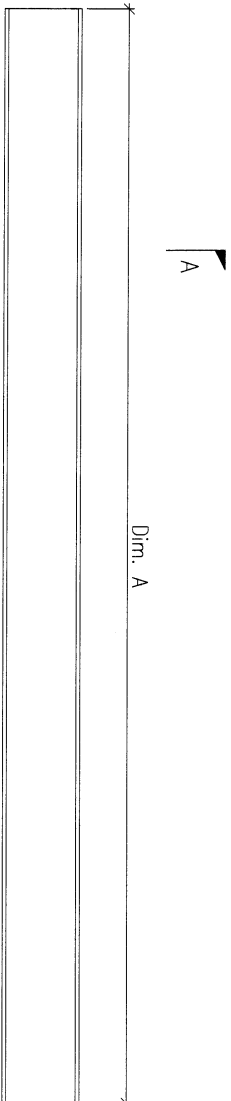
COATING: PVF2

COLOUR: EC-DG-D334232-ZD1(SS-01)

MARK. NO.:

QTY.:

REV.	QTY.	Dim. A	Dim. B	Dim. C	Dim. D	Dim. E	Dim. F	Dim. G	Dim. H	QTY.	Inv. Code	ASSEMBLE ON PARTS	REMARKS
AP2-GA32A	12	1750	19.5	-									
AP2-GA32B	9	1825	19.5	-									
AP2-GA32C	9	1500	19.5	-									
AP2-GA32D	5	2000	19.5	-									
AP2-GA32E	20	1750	14.5	-									



SECTION A-A

DWG. NO. AP2-GA32

REV. -

SCALE -

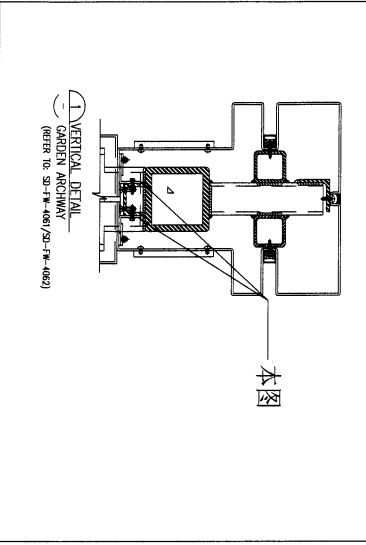
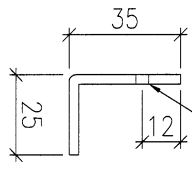
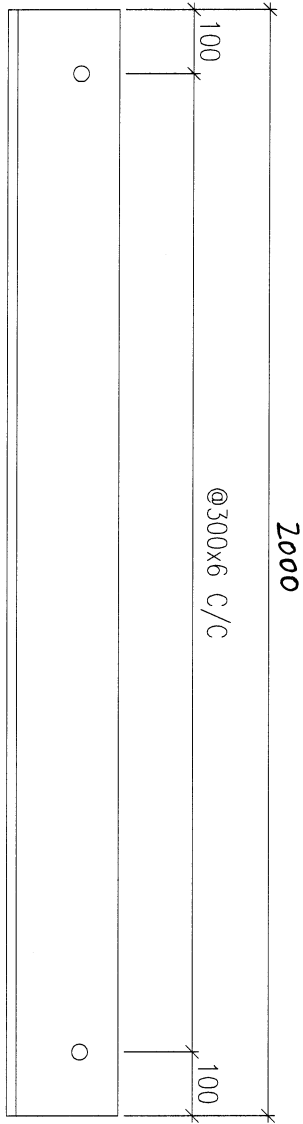
DATE 09-12-2023

DRAWN BY -

APPROVED BY -

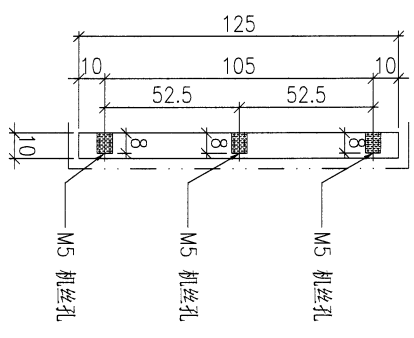
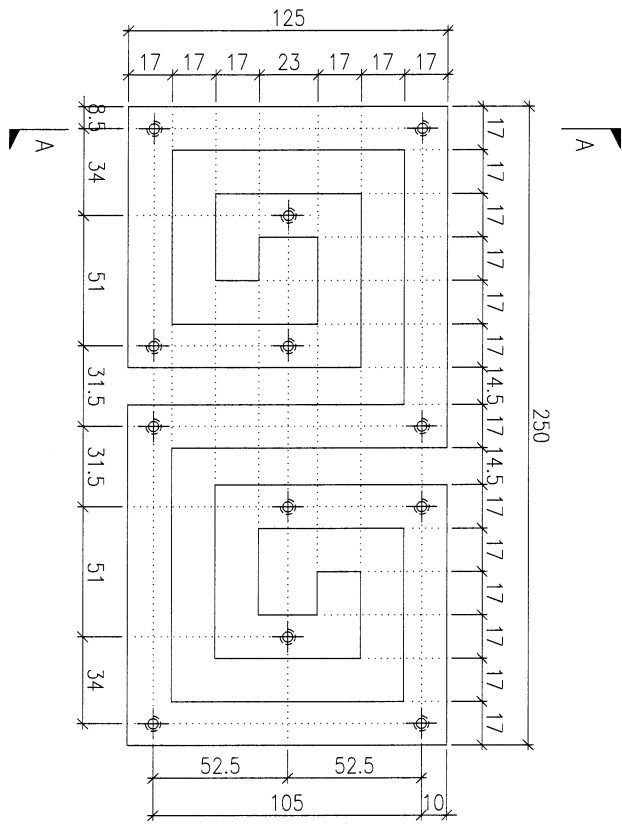
注: 地盘用

PROJECT				YIN PING ROAD KOWLOON GARDEN ARCHWAY (PHASE 2)				MATERIAL				COATING				COLOUR				MARK. NO.		QTY.	
				3mm 铝板								ASSEMBLE ON PARTS				氧化		-		-			
REV.	CHANGED BY	PART NUMBER	Dim. A	Dim. B	Dim. C	Dim. D	Dim. E	Dim. F	Dim. G	Dim. H	QTY.	Inv. Code	注: 如图加工				注: 地盤用						
-	-	AN-01	-	-	-	-	-	-	-	-	16	-											



DWG. NO.	REV.	SCALE	DATE	DRAWN BY	APPROVED BY
AP2-GA53	-	-	09-12-2023	-	-

PROJECT				MATERIAL				COATING				COLOUR		MARK. NO.		QTY.	
YIN PING ROAD KOWLOON GARDEN ARCHWAY (PHASE 2)				10mm 铝板				PVF2				EC-DG-D334232-ZD1(SS-01)		-		-	
REV.	CHANGED BY	PART NUMBER	Dim. A	Dim. B	Dim. C	Dim. D	Dim. E	Dim. F	Dim. G	Dim. H	QTY.	Inv. Code	ASSEMBLE ON PARTS				
-	-	AP2-GA01	-	-	-	-	-	-	-	-	150	-	注: 工厂用				



SECTION A-A

DWG. NO.		REV.		SCALE		DATE		DRAWN BY		APPROVED BY	
AP2-GA01		-		-		09-12-2023		-		-	

PROJECT
YIN PING ROAD KOWLOON
GARDEN ARCHWAY (PHASE 2)

MATERIAL

3mm 铝板

COATING

PVF2

COLOUR

EC-DG-D334232-ZD1(SS-01)

MARK. NO.

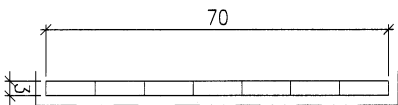
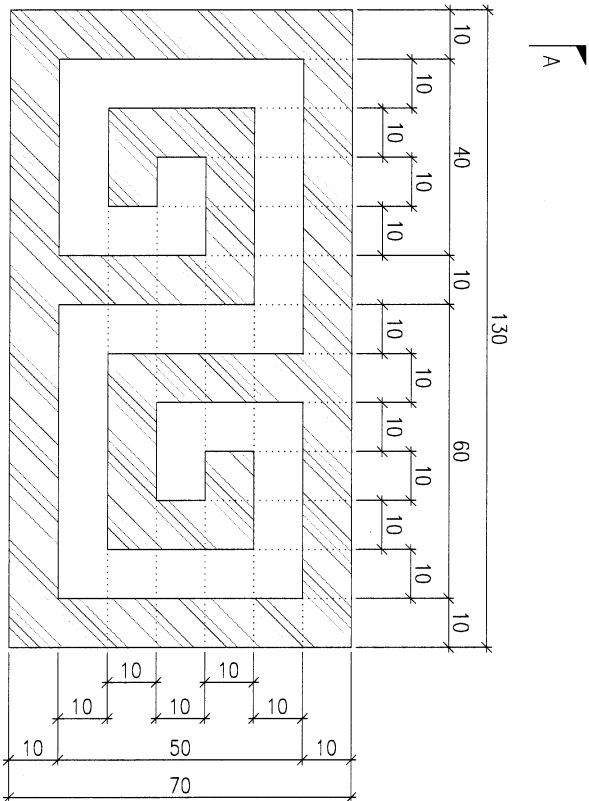
-

QTY.

-

注: 工厂用

REV.	CHECKED DATE BY	PART NUMBER	Dim. A	Dim. B	Dim. C	Dim. D	Dim. E	Dim. F	Dim. G	Dim. H	QTY.	Inv. Code	ASSEMBLE ON PARTS
-		DT-P1	-	-	-						66		注: 安装于 铝板编号 AP2-GA61/AP2-GA64/AP2-GA65 标准位置



DWG. NO.

DT-P1

REV.

-

SCALE

-

DATE

09-12-2023

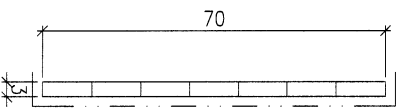
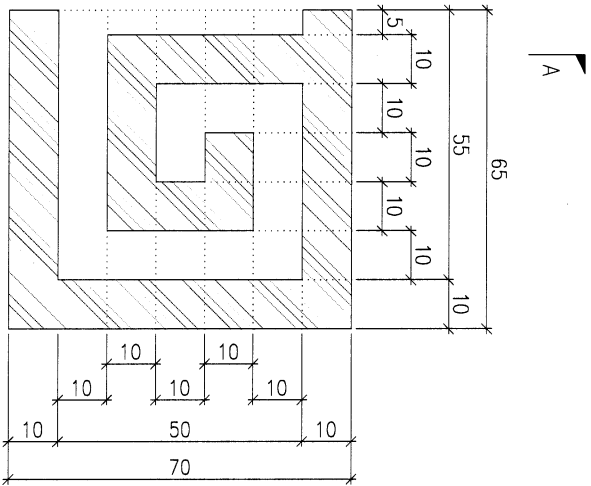
DRAWN BY

-

APPROVED BY

-

PROJECT				YIN PING ROAD KOWLOON GARDEN ARCHWAY (PHASE 2)				MATERIAL				3mm 铝板				COATING				PVF2				COLOUR				EC-DG-D334232-ZD1(SS-01)				MARK. NO.				-				QTY.				-			
CHECKED		PART NUMBER		Dim. A		Dim. B		Dim. C		Dim. D		Dim. E		Dim. F		Dim. G		Dim. H		QTY.		Inv. Code		ASSEMBLE ON PARTS				注: 工厂用																			
REV.		DT-P10		-		-		-		-		-		-		-		-		2				注: 安装于 铝板编号AP2-GA64 左端部																							



SECTION A-A

DWG. NO.		DT-P10		REV.		-		SCALE		-		DATE		09-12-2023		DRAWN BY		-		APPROVED BY		-	
----------	--	--------	--	------	--	---	--	-------	--	---	--	------	--	------------	--	----------	--	---	--	-------------	--	---	--

