

工程指示 / 要求簡箋 ENGINEER INSTRUCTIONS(E.I.)

工程指示編號:	EI- 8261	修改版本:	-
	HK-1		
工程編號:	J 853	工程名稱:	延坪道
收件人:	Maggie Lor	發件人:	Joe Chan
工程項目:	PU Lift 位置風罩 地盤用鐵件	日期:	28/8/2024

<input type="checkbox"/> 原合約工程包	<input type="checkbox"/> 原合約工程加 / 減賬 QT-	<input type="checkbox"/> 新工程報價 QT-
---------------------------------	--	------------------------------------

信件批核號碼/圖紙參考編號:	批核模具圖紙編號:
客戶指示附件:	管理內部批簽署:

<input type="checkbox"/> 初步鋁料 B.M.	<input type="checkbox"/> 加工拆圖, 然後生產	<input type="checkbox"/> 尺寸表
<input type="checkbox"/> 正式鋁料 B.M.	<input type="checkbox"/> 技術上資料/指示	<input type="checkbox"/> 報價
<input type="checkbox"/> 配件 B.M.	<input type="checkbox"/> 樣辦或貨品說明書	<input type="checkbox"/> 分判合約
<input type="checkbox"/> 其他:		

內容: 請依 附件資料, 生產 GMS 鐵件, 送地盤
廠驗牌: 10% 磁粉, 100% 目測.
報告名: Wind Guard for House.

完成上列要求日期: 15/9/2024


國內

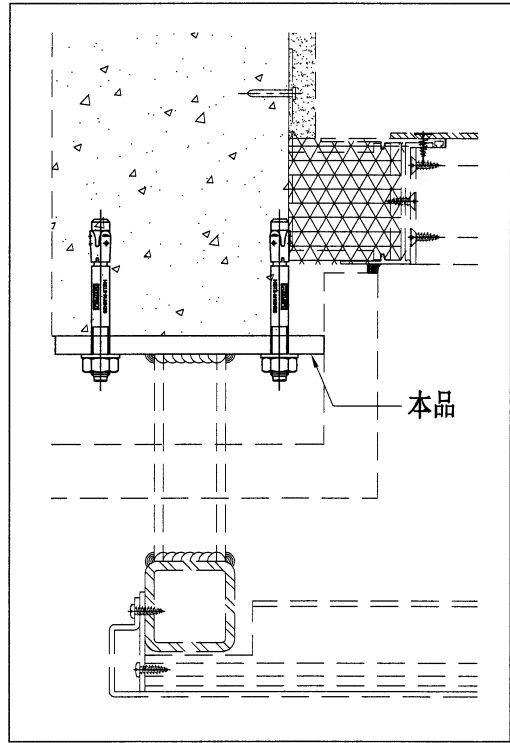
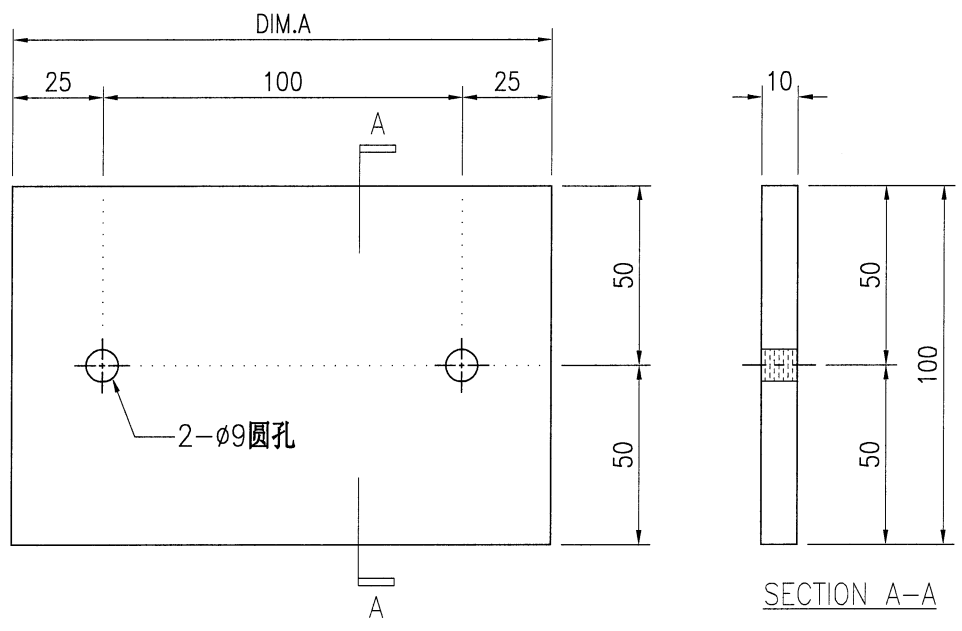
<input type="checkbox"/> 生產技術總監	<input type="checkbox"/> 連附件	<input type="checkbox"/> 技術部	<input type="checkbox"/> 連附件	<input type="checkbox"/> 生產部	<input type="checkbox"/> 連附件
<input type="checkbox"/> 採購部	<input type="checkbox"/> 連附件	<input type="checkbox"/> 生產統籌部	<input type="checkbox"/> 連附件	<input type="checkbox"/> 報關組	<input type="checkbox"/> 連附件
<input type="checkbox"/> 質檢部	<input type="checkbox"/> 連附件	<input type="checkbox"/> 會計部	<input type="checkbox"/> 連附件	<input type="checkbox"/> 機械設計部	<input type="checkbox"/> 連附件
<input type="checkbox"/> 香港辦	<input type="checkbox"/> 連附件	<input type="checkbox"/> 其他:			

香港

<input type="checkbox"/> 行政部	<input type="checkbox"/> 連附件	<input type="checkbox"/> 會計部	<input type="checkbox"/> 連附件	<input type="checkbox"/> 統籌部	<input type="checkbox"/> 連附件	<input type="checkbox"/> 工程部	<input type="checkbox"/> 連附件
<input type="checkbox"/> 採購部	<input type="checkbox"/> 連附件	<input type="checkbox"/> QS部	<input type="checkbox"/> 連附件	<input checked="" type="checkbox"/> 地盤管理	<input checked="" type="checkbox"/> 連附件	<input type="checkbox"/> 維修部	<input type="checkbox"/> 連附件

*發件人簽署:		*組別成員批核簽署:	
傳遞編號:		項目經理簽署:	

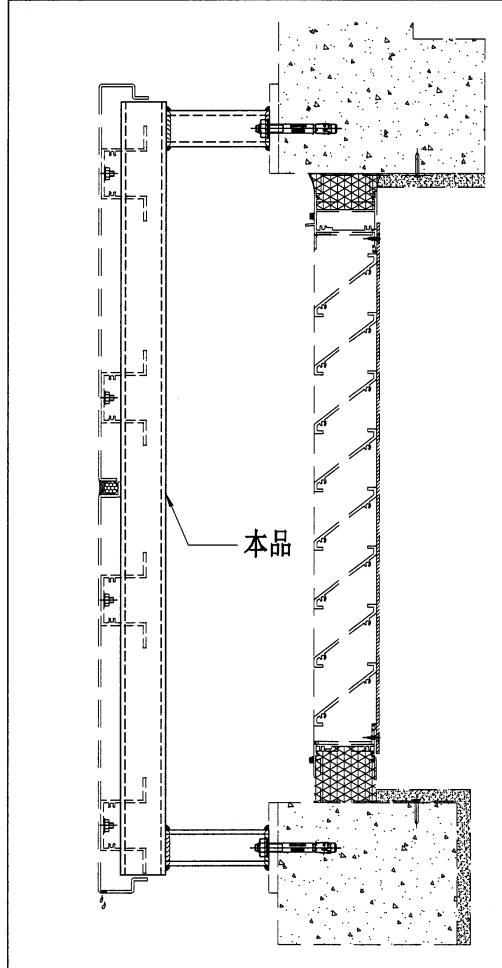
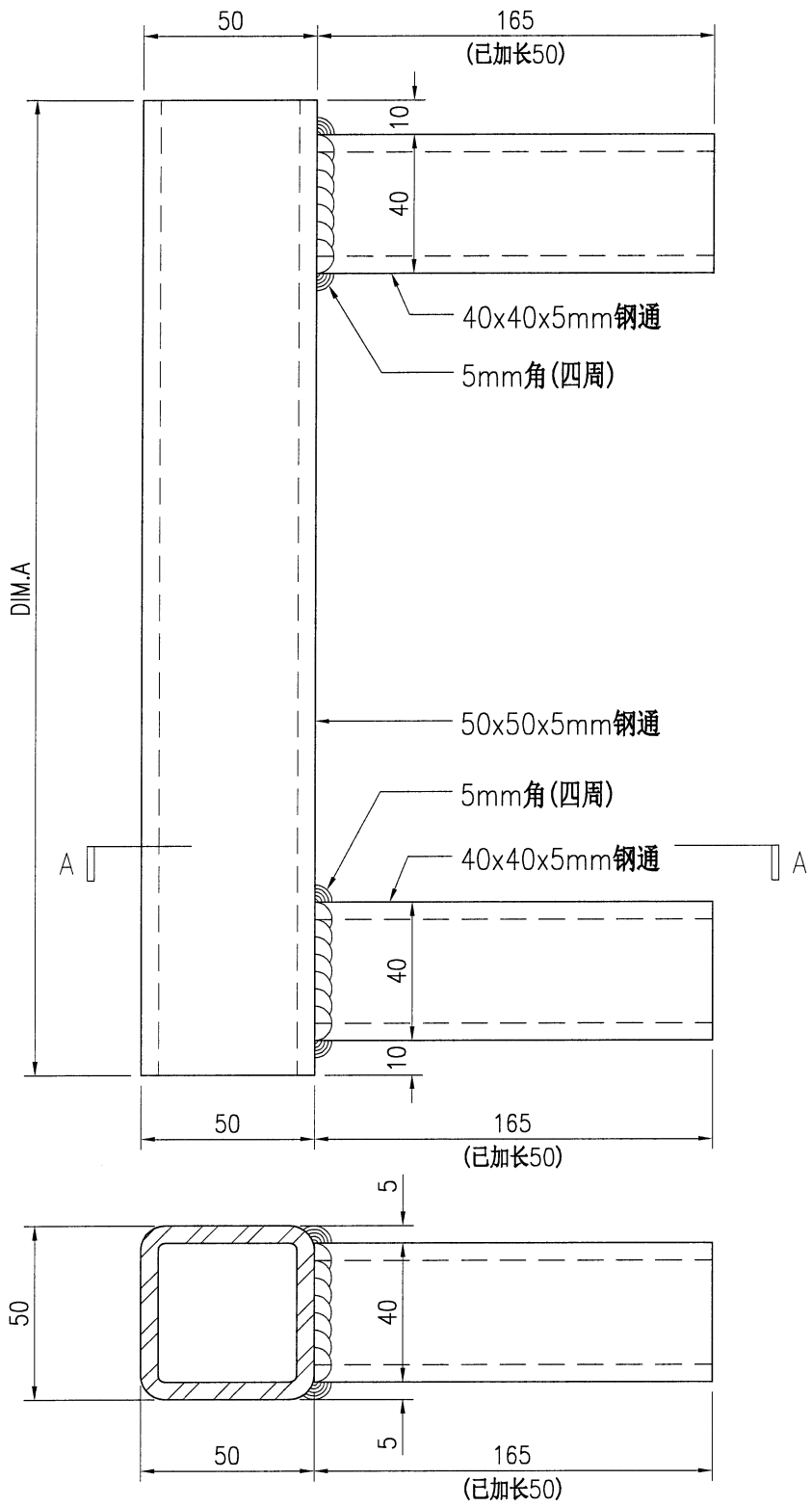
 美特铝质 有限公司 MIDI Aluminium Fabricator Ltd.				工程号 J853 地盘 香港延坪路	制图 I.H. 28/02/24 物料号 -
版本 A 日期 20240709	采用 工厂 颜色 热浸锌	地盘 <input checked="" type="checkbox"/>	名称 钢件加工图 材料 100x10mm 铁板	复核 - 批准 -	图号 J853-WG-ST-001 数量 - 长度 - 宽度 -
物料编号 J853-WG-ST-001	DIM.A 150 DIM.B DIM.C DIM.D DIM.E	数量 30 单件重量(kg) 1.178			



技术说明:

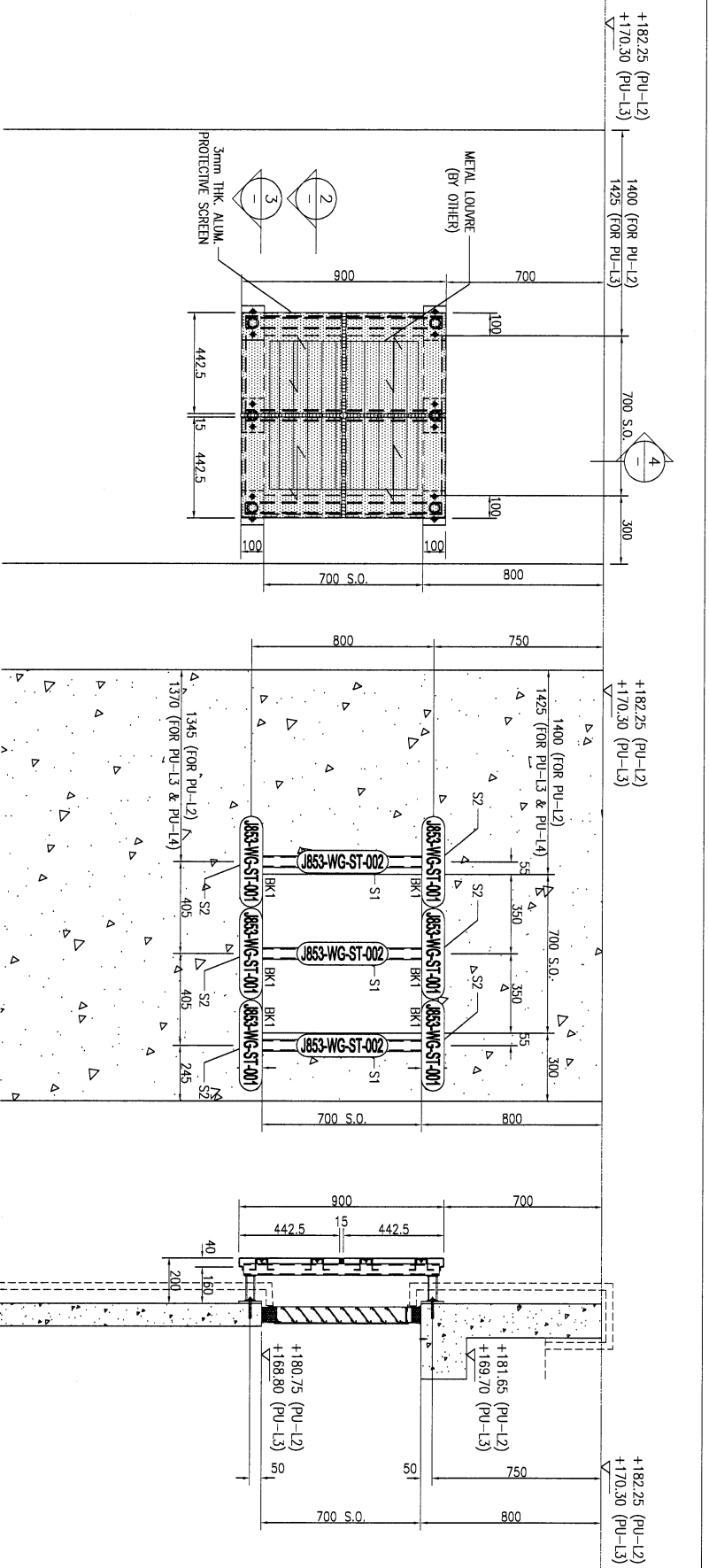
1. 所需材料为: 铁件; 等级为: S275;
2. 外形尺寸允许偏差为±0.5mm, 角度的允许偏差为±0.5°; 孔位的允许偏差为±0.5mm, 孔距的允许偏差为±0.5mm, 累计偏差为±0.5mm;
3. 槽口、豁口的长宽边允许偏差为+0.5mm, 中心线允许偏差都为±0.5mm;
4. " * "为重要尺寸, 加工过程中要保证此尺寸, 加工完毕须标示代号。

 美特铝质 有限公司 MIDI Aluminium Fabricator Ltd.				工程号 J853 地盘 香港延坪路	制图 I.H. 复核 -	28/02/24 -	物料号 - 图号 J853-WG-ST-002
版本 A 日期 20240709	采用 工厂 颜色 热浸锌	地盘 ✓ 材料 50x50x5mm 铁通	名称 钢件加工图 材料 50x50x5mm 铁通	批准 - 单件重量(kg) -	数量 - 长度 -	宽度 -	
物料编号	DIM.A	DIM.B	DIM.C	DIM.D	DIM.E	数量	单件重量(kg)
J853-WG-ST-002	860					15	7.50



技术说明:

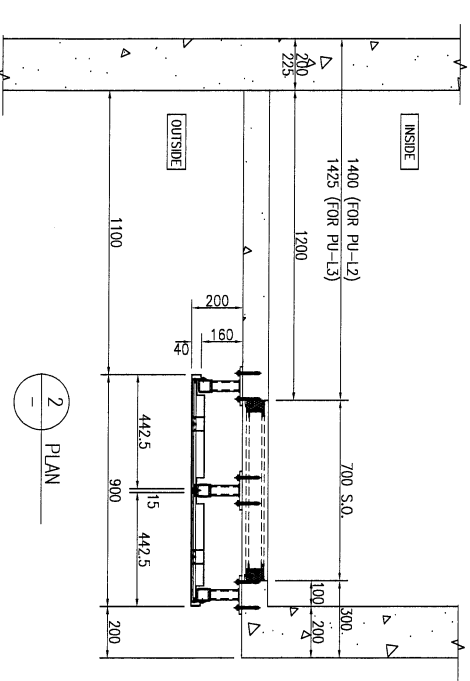
1. 所需材料为: 铁件; 等级为: S275;
2. 外形尺寸允许偏差为±0.5mm, 角度的允许偏差为±0.5°; 孔位的允许偏差为±0.5mm, 孔距的允许偏差为±0.5mm, 累计偏差为±0.5mm;
3. 槽口、豁口的长宽边允许偏差为+0.5mm, 中心线允许偏差都为±0.5mm;
4. " * " 为重要尺寸, 加工过程中要保证此尺寸, 加工完毕须标示代号。



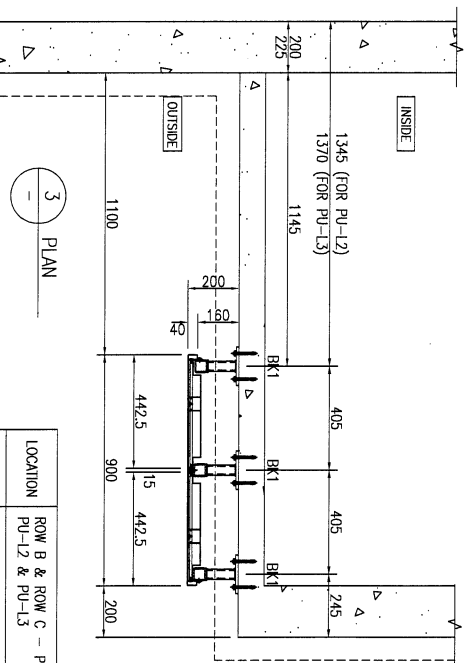
1 ELEVATION
OUTSIDE VIEW FROM PLANTER

1A PART ELEVATION OF G.M.S. FRAME

4 SECTION



2 PLAN



3 PLAN

LOCATION	QUANTITY	REMARK
ROW B & ROW C - PU LIFT	2	

REV. REF. :

CLIENT : SHIMAO GROUP HOLDINGS LIMITED

ARCHITECT : WONG TUNG & PARTNERS ARCHITECTS & PLANNERS

MAIN CONTRACTOR : 協興建築有限公司 HIP HING CONSTRUCTION CO LTD

STRUCTURAL ENGINEER : C M WONG & ASSOCIATES LTD 葉志明建築工程師有限公司

FAVOUR CONSULTANT : MENHARDT

NOTE :
 1. ALL DIMENSIONS ARE IN mm.
 2. ALL ELEVATIONS ARE VIEWED FROM OUTSIDE.
 3. ALL DIMENSIONS TO BE VERIFIED ON SITE BEFORE FABRICATION.

LEGEND :
 (X1) DETAIL MARK NO.
 (S1) REFER SHEET NO.
 1. F.F.L. --- FINISHED FLOOR LEVEL
 2. S.F.L. --- STRUCTURAL FLOOR LEVEL
 3. (R) --- REVERSED DETAIL

S1 - 50x50x5mm THK. G.A.S. SH.S.
 S2 - 40x40x5mm THK. G.A.S. SH.S.
 BK1 - BRACKET BK1 REFER DMC NO. M/853-SI-HWC-6001

JOB NO. : J-853

PROJECT : PROPOSED RESIDENTIAL DEVELOPMENT AT N.K.L.L. 6542 YIN PING ROAD KOWLOON

TITLE : PART ELEVATION FOR WIND GUARD AT HOUSE (ROW B & ROW C) (PU-12 & PU-13)

DATE : 15-07-23 **SCALE :** 1:20 (A3)

DRAWN BY : YI **CHECKED BY :**

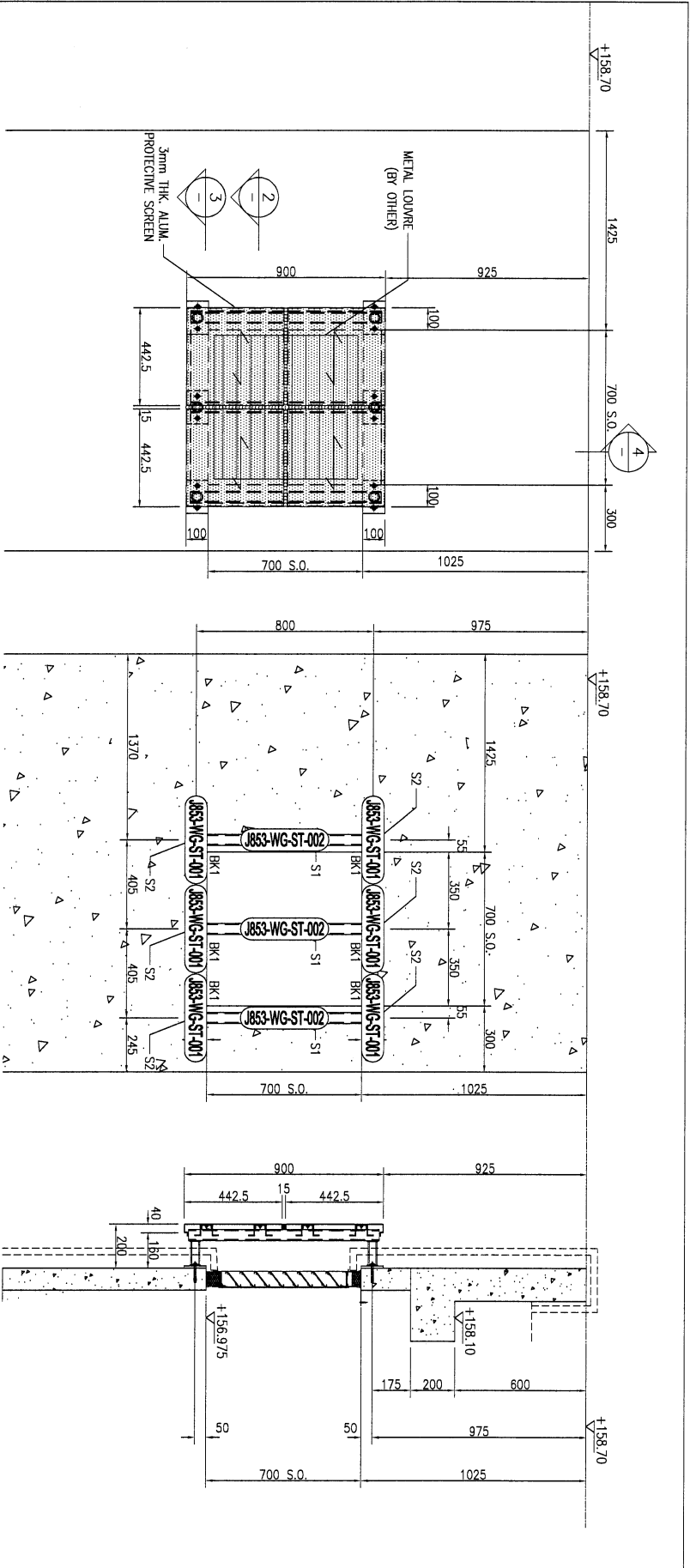
DATE : 16/06/2024 **REVISION TO THIS COMMENT :**
 02/05/2024 NEW DRAWING

DATE : 16/23/89/211-4 Fax:(852)27271866

REMARK :

ING NO. : 853-WG-SI-3007 **REV. :**

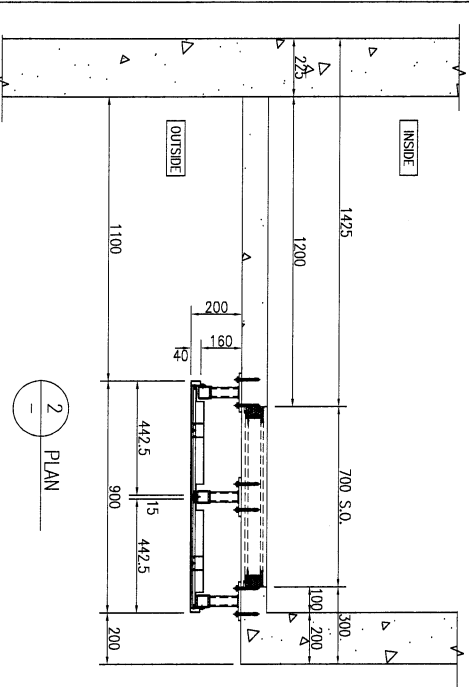
COMPANY : 榮特堅實有限公司
 11/F, 60 Cheung Kuen Road, Kowloon
 Tel:(852)27271866



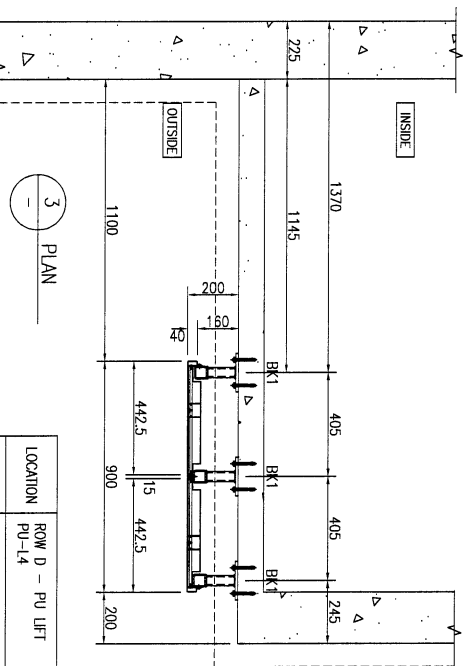
1 ELEVATION
OUTSIDE VIEW FROM PLANTER

1A PART ELEVATION OF G.M.S. FRAME

4 SECTION



2 PLAN



3 PLAN

LOCATION	QUANTITY	REMARK
ROW D - PU LIFT	1	

CLIENT : SHIMAO GROUP HOLDINGS LIMITED

ARCHITECT : WONG TUNG & PARTNERS LIMITED

MAIN CONTRACTOR : 恆美建築有限公司
HP HING CONSTRUCTION CO LTD

STRUCTURAL ENGINEER : C M WONG & ASSOCIATES LTD
黃志明建築工程師有限公司

FAÇADE CONSULTANT : MENYARD

DATE : 15-07-23
SCALE : 1:20 (A3)

TITLE : PART ELEVATION FOR WIND GUARD AT HOUSE (PU-14)

PROJECT : PROPOSED RESIDENTIAL DEVELOPMENT AT N.K.I.L. 6542 YIN PING ROAD KOWLOON

JOB NO. : J-853

REVISIONS:

NO.	DATE	DESCRIPTION	BY	CHKD.
1	18/08/2024	REVISION TO HRS COMMENT	YH	YH
2	03/05/2024	NEW DRAWING	YH	YH

NOTES:

- ALL DIMENSIONS ARE IN mm.
- ALL DIMENSIONS ARE VERIFIED FROM OUTSIDE.
- ALL DIMENSIONS TO BE VERIFIED ON SITE BEFORE FABRICATION.

LEGEND:

- (X) DETAIL MARK NO.
- (R) REFER SHEET NO.
- 1. F.F.L. --- FINISHED FLOOR LEVEL
- 2. S.F.L. --- STRUCTURAL FLOOR LEVEL
- 3. (R) --- REVERSED DETAIL

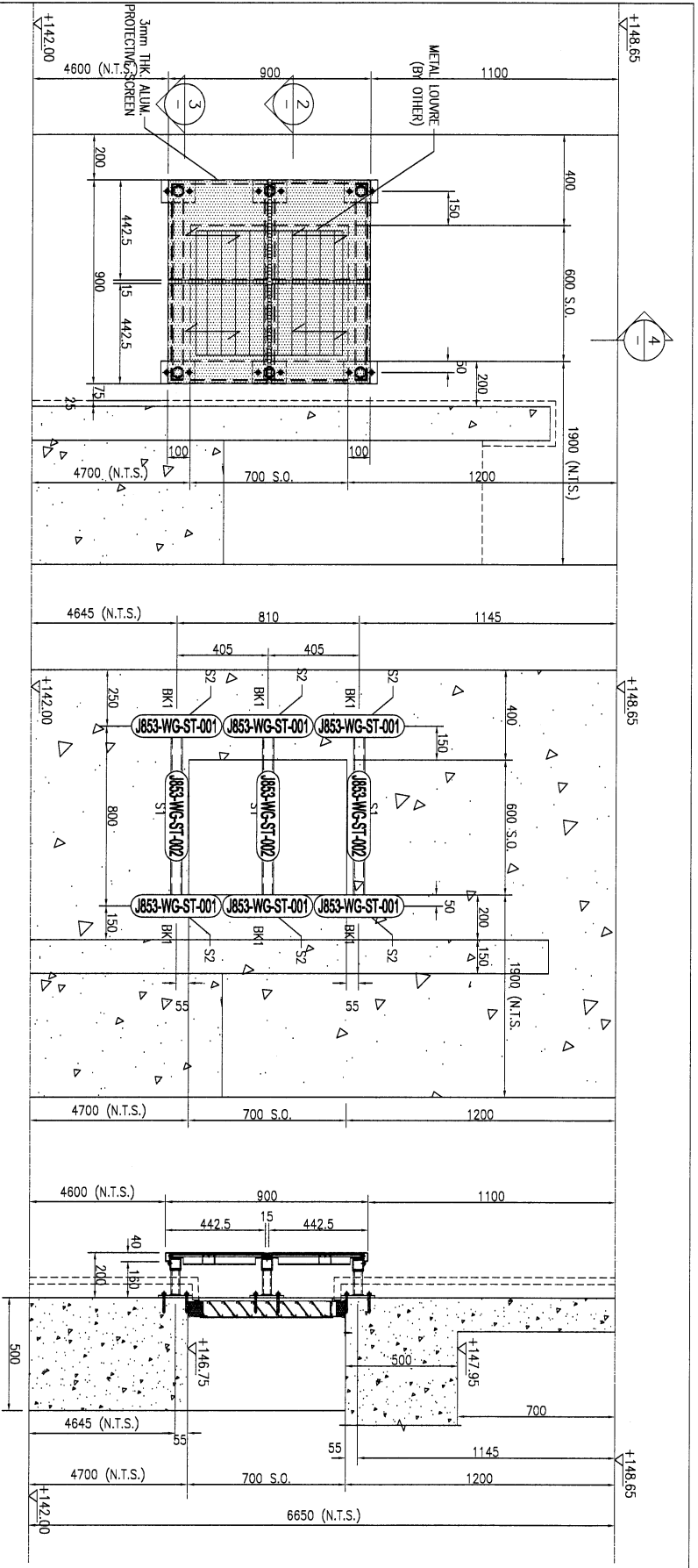
S1 - 60x60x3mm THK. G.M.S. S.H.S.
S2 - 40x40x3mm THK. G.M.S. S.H.S.
BK1 - BRACKET BK1 REFER
DWC NO. A/853-SD-HWC-6001

DRAWN BY : YH
CHECKED BY :

DATE : 15-07-23
SCALE : 1:20 (A3)

FOR WIND GUARD AT HOUSE (PU-14)

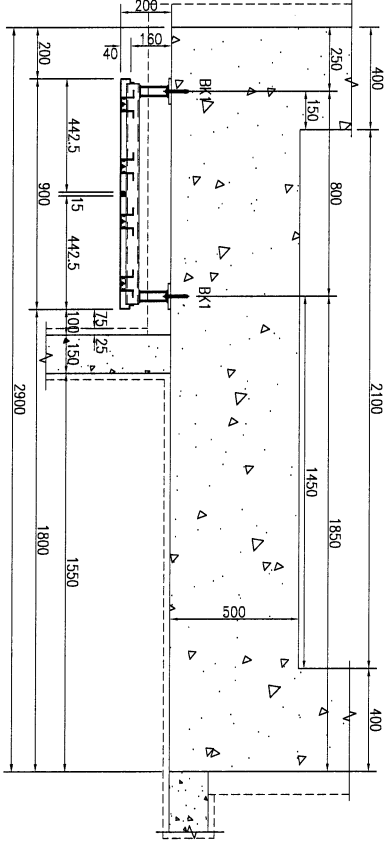
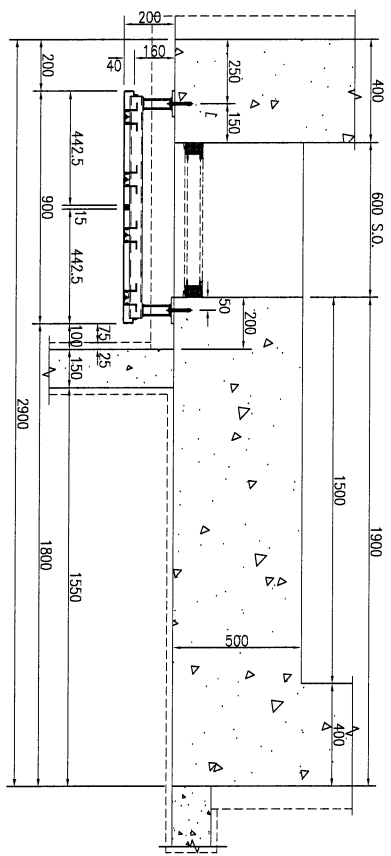
COMPANY : 美特堅實有限公司
MIDI ALUMINIUM FABRICATOR LTD.
610 Cheung San Yee Industrial Estate, 1/F
1623489211-4 Fax: (852) 27275866
DWC NO. : 853-WG-ST-3076



1 ELEVATION
OUTSIDE VIEW FROM PLANTER

1A PART ELEVATION OF G.M.S. FRAME

4 SECTION



2 PLAN

3 PLAN

LOCATION	PODIUM - PU LIFT
QUANTITY	1
REMARK	-

CLIENT: SHIMAO GROUP HOLDINGS LIMITED
ARCHITECT: HOKI TAKI & PARTNERS LIMITED
MAIN CONTRACTOR: 德興建築有限公司
STRUCTURAL ENGINEER: H P HING CONSTRUCTION CO LTD
FAÇADE CONSULTANT: C M WONG & ASSOCIATES LTD
MEYERHARDT

DATE: 15-07-23 **SCALE:** 1:20 (A3)
DRAWN BY: YI **CHECKED BY:** [Blank]
PROJECT: PROPOSED RESIDENTIAL DEVELOPMENT AT N.K.I.L. 6542 YIN PING ROAD KOWLOON
TITLE: PART ELEVATION FOR WIND GUARD AT HOUSE (PODIUM - PU-L5)

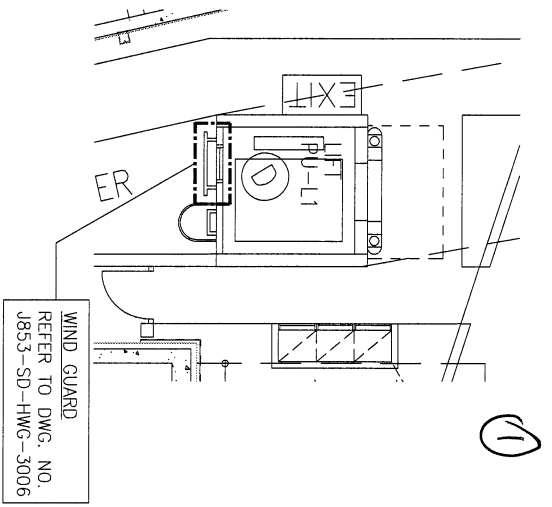
JOB NO.: J-853
REVISIONS:

NO.	DATE	DESCRIPTION	BY	APP.
1	18/06/2024	REVISION TO ARCHT'S COMMENT	YI	YI
2	02/05/2024	NEW DRAWING	YI	YI

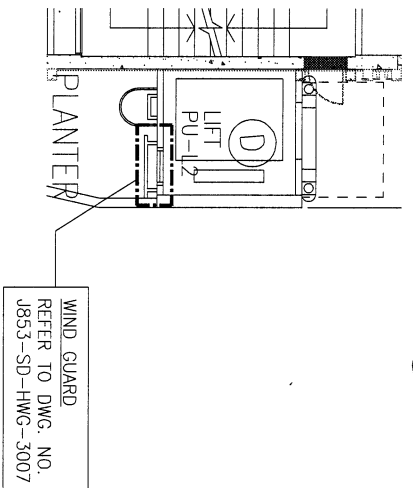
NOTES:
 1. ALL DIMENSIONS ARE IN mm.
 2. ALL ELEVATIONS ARE VIEWED FROM OUTSIDE.
 3. BEFORE FABRICATION.
LEGEND:
 (S1) DETAIL WORK NO.
 (S2) REFER SHEET NO.
 1. FEEL --- FINISHED FLOOR LEVEL
 2. SEL --- STRUCTURAL FLOOR LEVEL
 3. (R) --- REVERSED DETAIL

S1 - 50x50x5mm THK G.M.S. S.H.S.
 S2 - 40x40x5mm THK G.M.S. S.H.S.
 BK1 - BRACKET BK1 REFER
 DMC NO. A/4853-SH-HWC-6001

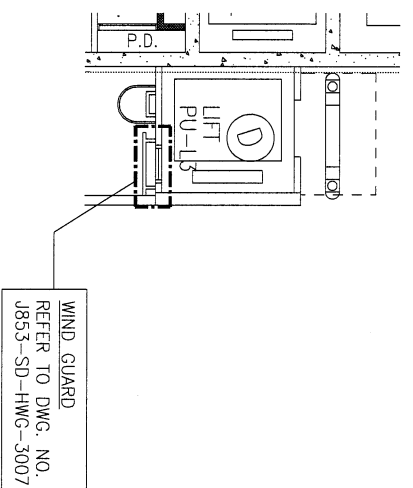
DWG NO.: 853-WG-ST-3008 **REV.:** -
COMPANY: 美特堅實有限公司
 MIDEL Architecture & Interiors Ltd.
 610 Shun Yee Street, Industrial Centre, 1/F
 Tel: 23489211 Fax: (852) 27275566



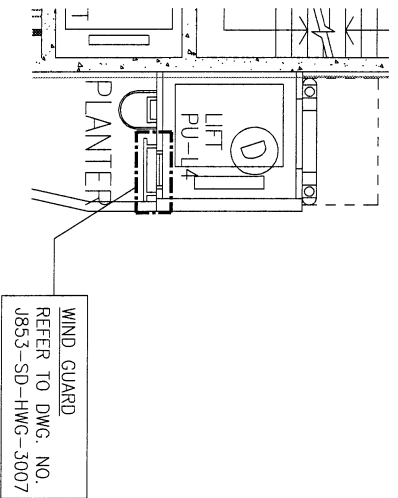
G/F PLAN - ROW A
(PU-L1)



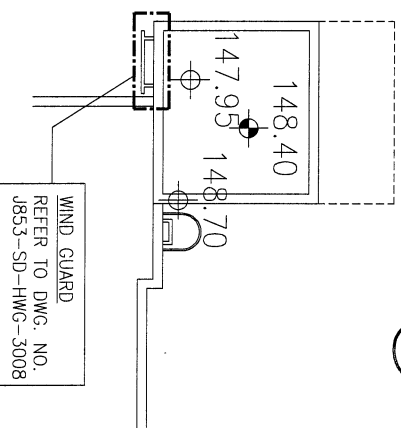
G/F PLAN - ROW B
(PU-L2)



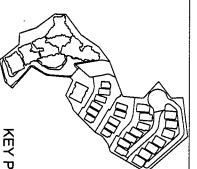
G/F PLAN - ROW C
(PU-L3)



G/F PLAN - ROW D
(PU-L4)



5/F PLAN - PODIUM
(PU-L5)



KEY PLAN

CLIENT :
SHIMAO GROUP HOLDINGS LIMITED

ARCHITECT :
WTF
WONG TUNG & PARTNERS LIMITED
ARCHITECTS & ENGINEERS

MAIN CONTRACTOR :
協興建築有限公司
HIP HING CONSTRUCTION CO.LTD

STRUCTURAL ENGINEER :
C.M WONG & ASSOCIATES LTD
黃志明建築工程師有限公司

FAÇADE CONSULTANT:

MEINHARDT

NOTE :
1. ALL DIMENSIONS ARE IN mm.

2. ALL ELEVATIONS ARE VIEWED FROM OUTSIDE.

3. ALL DIMENSIONS TO BE CHECKED ON SITE BEFORE FABRICATION.

LEGEND :

(X1) --- DETAIL MARK NO.

(X2) --- REFER SHEET NO.

1. FEEL --- FINISHED FLOOR LEVEL

2. SEIL --- STRUCTURAL FLOOR LEVEL

3. (R) --- REVERSED DETAIL

R.C. STRUCTURAL ELEMENT

COL. / BEAM / SLAB

IS (UNDER SEPARATED SUBMISSION)

NO.	DATE	REVISION	BY

JDH NO. : J-853

PROJECT : PROPOSED RESIDENTIAL DEVELOPMENT AT NIKILL 6542 YIN PING ROAD KOWLOON

TITLE : LOCATION PLAN FOR WIND GUARD AT HOUSE (3)

DATE : 10-07-23 SCALE : 1:80 (A3)

DRAWN BY : Y1 CHECKED BY :

DATE : 10-07-23

SCALE : 1:80 (A3)

PROJECT : PROPOSED RESIDENTIAL DEVELOPMENT AT NIKILL 6542 YIN PING ROAD KOWLOON

TITLE : LOCATION PLAN FOR WIND GUARD AT HOUSE (3)

DATE : 10-07-23

SCALE : 1:80 (A3)

DRAWN BY : Y1 CHECKED BY :

DATE : 10-07-23

SCALE : 1:80 (A3)

美特堅實有限公司
 MTDI Architectural Practitioner Ltd.
 Suite 6-9, Spring Industrial Centre, 1/F
 162-168, 171-174, Kwai Fong Street, Kowloon
 DWS NO. : J853-SD-HWG-2004 REV. : -