



工程指示 / 要求簡箋 ENGINEER INSTRUCTIONS (E.I.)

工程指示編號:	EI- 2022	修改版本:	-
	HK- 1518		
工程編號:	J 853	工程名稱:	延坪道 (第2期)
收件人:	生統	發件人:	Jingo
工程項目:	Feature wall 飾線 弧形鋁料加工圖 part 8	日期:	16/8/2024

<input type="checkbox"/> 原合約工程包	<input type="checkbox"/> 原合約工程加 / 減脹 QT-	<input type="checkbox"/> 新工程報價 QT-
---------------------------------	--	------------------------------------

信件批核號碼/圖紙參考編號:	批核模具圖紙編號:
客戶指示附件:	管理內部批簽署:

<input type="checkbox"/> 初步鋁料 B.M.	<input type="checkbox"/> 加工拆圖, 然後生產	<input type="checkbox"/> 尺寸表
<input type="checkbox"/> 正式鋁料 B.M.	<input type="checkbox"/> 技術上資料/指示	<input type="checkbox"/> 報價
<input type="checkbox"/> 配件 B.M.	<input type="checkbox"/> 樣辦或貨品說明書	<input type="checkbox"/> 分判合約
<input type="checkbox"/> 其他:		

內容:

按弧位圖包裝

完成上列要求日期: 2/9/2024


國內

<input type="checkbox"/> 生產技術總監	<input type="checkbox"/> 連附件	<input type="checkbox"/> 技術部	<input type="checkbox"/> 連附件	<input type="checkbox"/> 生產部	<input type="checkbox"/> 連附件
<input type="checkbox"/> 採購部	<input type="checkbox"/> 連附件	<input checked="" type="checkbox"/> 生產統籌部	<input checked="" type="checkbox"/> 連附件	<input type="checkbox"/> 報關組	<input type="checkbox"/> 連附件
<input type="checkbox"/> 質檢部	<input type="checkbox"/> 連附件	<input type="checkbox"/> 會計部	<input type="checkbox"/> 連附件	<input type="checkbox"/> 機械設計部	<input type="checkbox"/> 連附件
<input type="checkbox"/> 香港辦	<input type="checkbox"/> 連附件	<input type="checkbox"/> 其他:			

香港

<input type="checkbox"/> 行政部	<input type="checkbox"/> 連附件	<input type="checkbox"/> 會計部	<input type="checkbox"/> 連附件	<input type="checkbox"/> 統籌部	<input type="checkbox"/> 連附件	<input type="checkbox"/> 工程部	<input type="checkbox"/> 連附件
<input type="checkbox"/> 採購部	<input type="checkbox"/> 連附件	<input type="checkbox"/> QS部	<input type="checkbox"/> 連附件	<input type="checkbox"/> 地盤管理	<input type="checkbox"/> 連附件	<input type="checkbox"/> 維修部	<input type="checkbox"/> 連附件

*發件人簽署:	*組別成員批核簽署:
傳遞編號:	項目經理簽署:

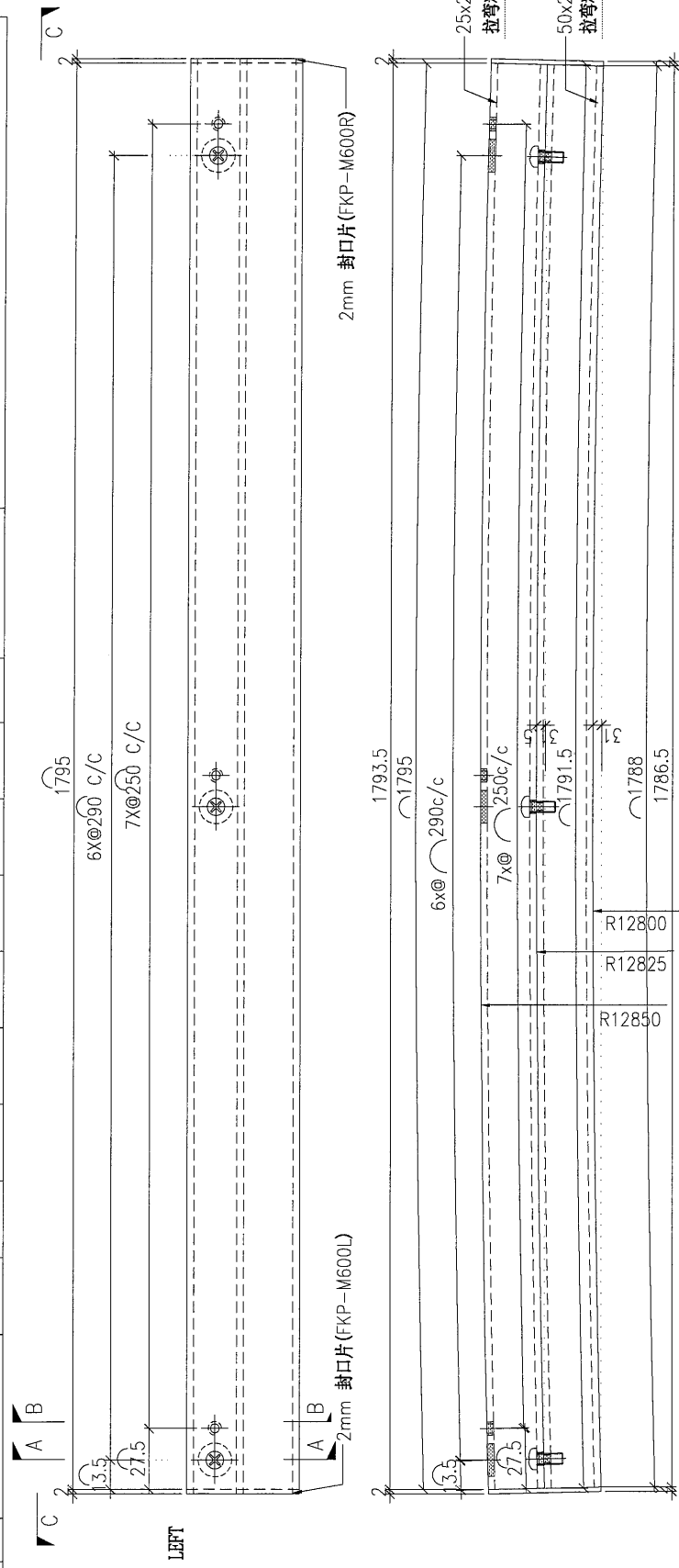
		工程號: J-853		計算:		送呈:		
廠用鋁型材B.M.表		地盤名稱: 香港廷坪路		核對:		副本:		
BM編號:		項目類別: FEATURE WALL(PHASE 2)鋁料Part.8		批准:		日期:		
A/C Code :								
序號	修改標示	物料編號	鋁料名稱	顏色	合金狀態	長度 (mm)	實用長料總數量 支數	材料利用率 (%)
1		JM3034	拉彎料LW02-M01	JMQ213457(SS-01)	6063-T4	弧5400	2	98.000
2		JM3034	拉彎料LW02-M02	JMQ213457(SS-01)	6063-T4	弧5400	4	98.000
3		JM3034	拉彎料LW02-M03	JMQ213457(SS-01)	6063-T4	弧5400	1	98.000
4		JM3034	拉彎料LW02-M04	JMQ213457(SS-01)	6063-T4	弧5400	4	98.000
5		JM3034	拉彎料LW02-M05	JMQ213457(SS-01)	6063-T4	弧5400	1	98.000
6		JM3010	拉彎料LW03-M01	JMQ213457(SS-01)	6063-T4	弧5400	2	98.000
7		JM3010	拉彎料LW03-M02	JMQ213457(SS-01)	6063-T4	弧5400	4	98.000
8		JM3010	拉彎料LW03-M03	JMQ213457(SS-01)	6063-T4	弧5400	1	98.000
9		JM3010	拉彎料LW03-M04	JMQ213457(SS-01)	6063-T4	弧5400	4	98.000
10		JM3010	拉彎料LW03-M05	JMQ213457(SS-01)	6063-T4	弧5400	1	98.000
11		JM3034	直料	JMQ213457(SS-01)	6063-T5	6000	3	98.000
12		JM3010	直料	JMQ213457(SS-01)	6063-T5	6000	3	98.000
				以下空白				

圖則登記表
DRAWING REGISTER

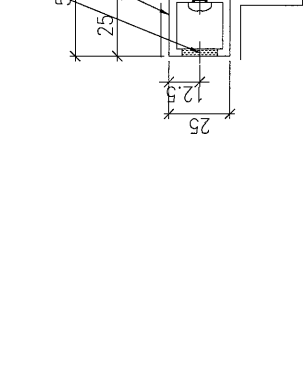
		接收日期 Receiving Date (適用於客戶圖則)						
工程名稱 Project Title:	J-853香港廷坪路							
	FEATURE WALL(Phase 2)拆圖	月						
工程編號 Project No: J-853		日						
分發予 Distributed To		發出日期 Issued Date						
		年	24					
		月	08					
		日	15					
圖則編號 Drg. No.	圖則名稱 Drawing Title	修訂編號 RevNo.						
P2-AL-D600	鋁料加工圖/組裝圖	-						
P2-AL-B600	鋁料加工圖/組裝圖	-						
P2-AL-B601	鋁料加工圖/組裝圖	-						
P2-AL-B602	鋁料加工圖/組裝圖	-						
P2-AL-A600	鋁料加工圖/組裝圖	-						
P2-AL-A601	鋁料加工圖/組裝圖	-						
P2-AL-A602	鋁料加工圖/組裝圖	-						
P2-AL-605	鋁料加工圖/組裝圖	-						
P2-AL-606	鋁料加工圖/組裝圖	-						
J853-FW-3011J	位置圖	-						
J853-FW-3023J	位置圖	-						
J853-FW-3030J	位置圖	-						
J853-FW-3034J	位置圖	-						
J853-FW-3016J	位置圖	-						

PROJECT		YIN PING ROAD KOWLOON FEATURE WALL (PHASE 2)				MATERIAL				铅通加工图(JM3010/3034)		COATING		PVF2		COLOUR		JMQ213457(SS-01)		MARK. NO.		-		QTY.		-	
REV.	CHECKED BY	PART NUMBER	Dim. A	Dim. B	Dim. C	Dim. D	Dim. E	Dim. F	Dim. G	Dim. H	QTY.	Inv. Code	ASSEMBLE ON PARTS														
-		P2-AL-D600	-	-	-	-	-	-	-	-	6		注: 用于 D 区域														

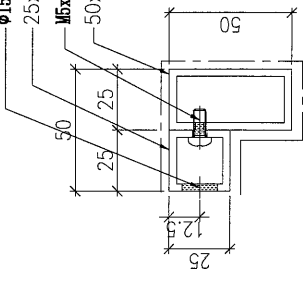
注: 地盘用



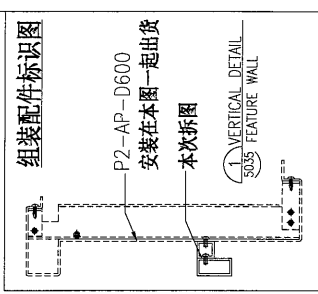
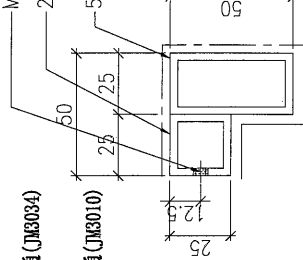
SECTION C-C



SECTION A-A



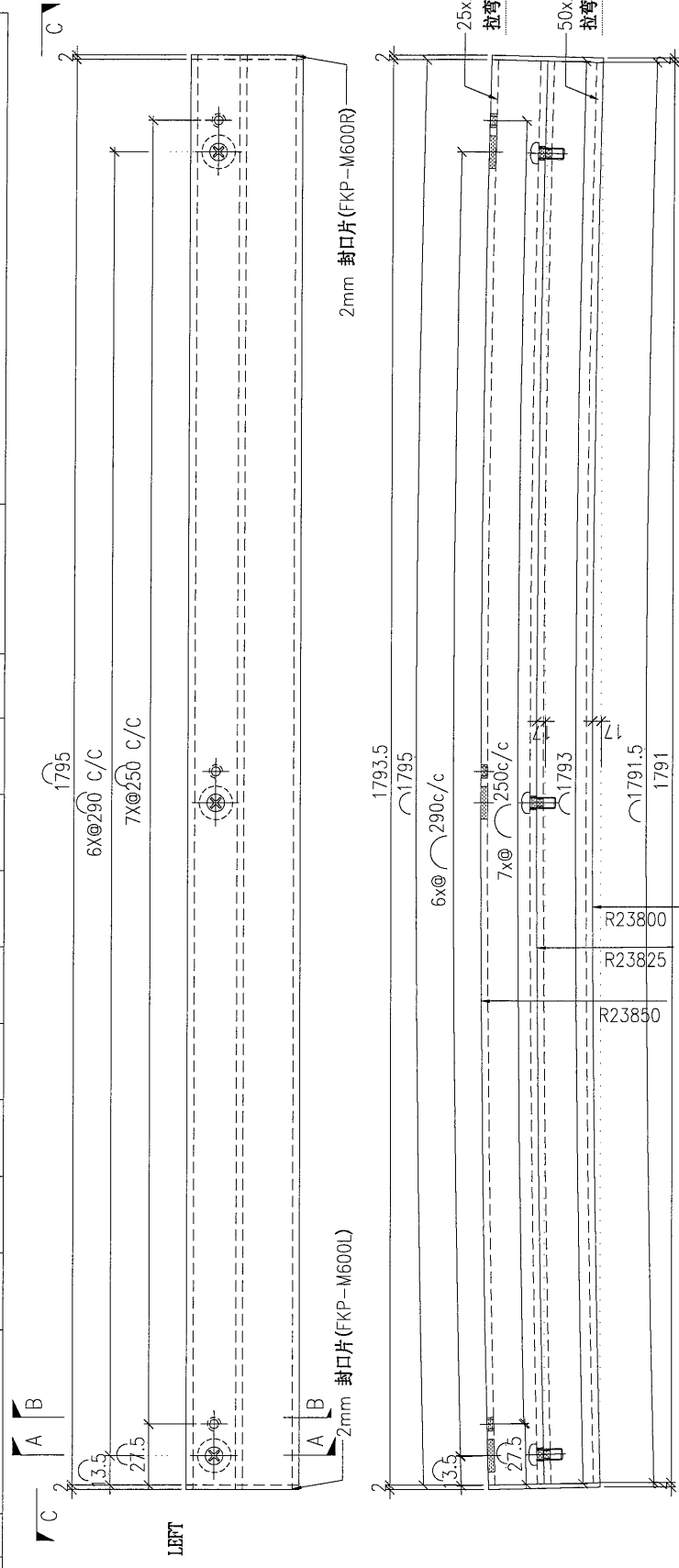
SECTION B-B



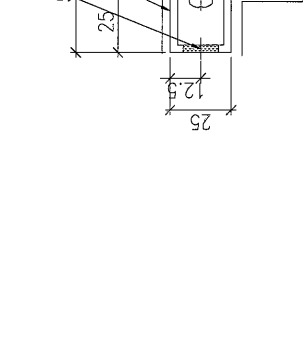
DWG. NO.	P2-AL-D600	REV.	-	SCALE	-	DATE	13-04-2024	DRAWN BY	-	APPROVED BY	-
----------	------------	------	---	-------	---	------	------------	----------	---	-------------	---

PROJECT		YIN PING ROAD KOWLOON FEATURE WALL (PHASE 2)				MATERIAL				铝通加工图(JM3010/3034)				COATING		PVF2		COLOUR		JM0213457(SS-01)		MARK. NO.		-		QTY.		-	
REV.	CHECKED DATE	PART NUMBER	Dim. A	Dim. B	Dim. C	Dim. D	Dim. E	Dim. F	Dim. G	Dim. H	QTY.	Inv. Code	ASSEMBLE ON PARTS																
-		P2-AL-B601	-	-	-	-	-	-	-	-	2		注: 用于 B 区域																

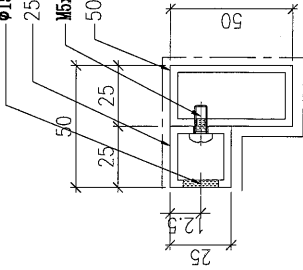
注: 地盘用



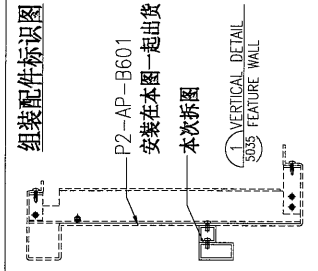
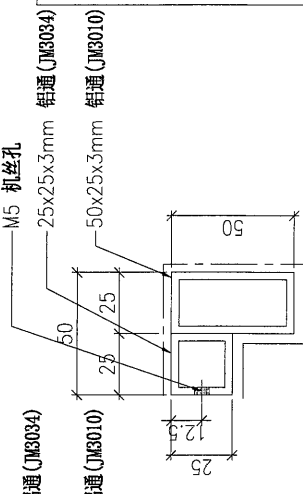
SECTION C-C



SECTION A-A



SECTION B-B

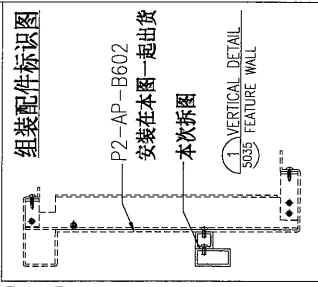
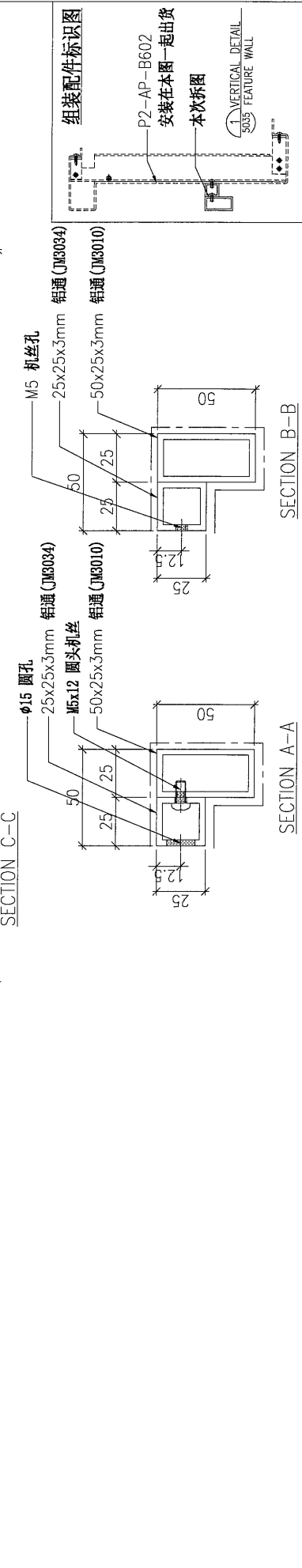
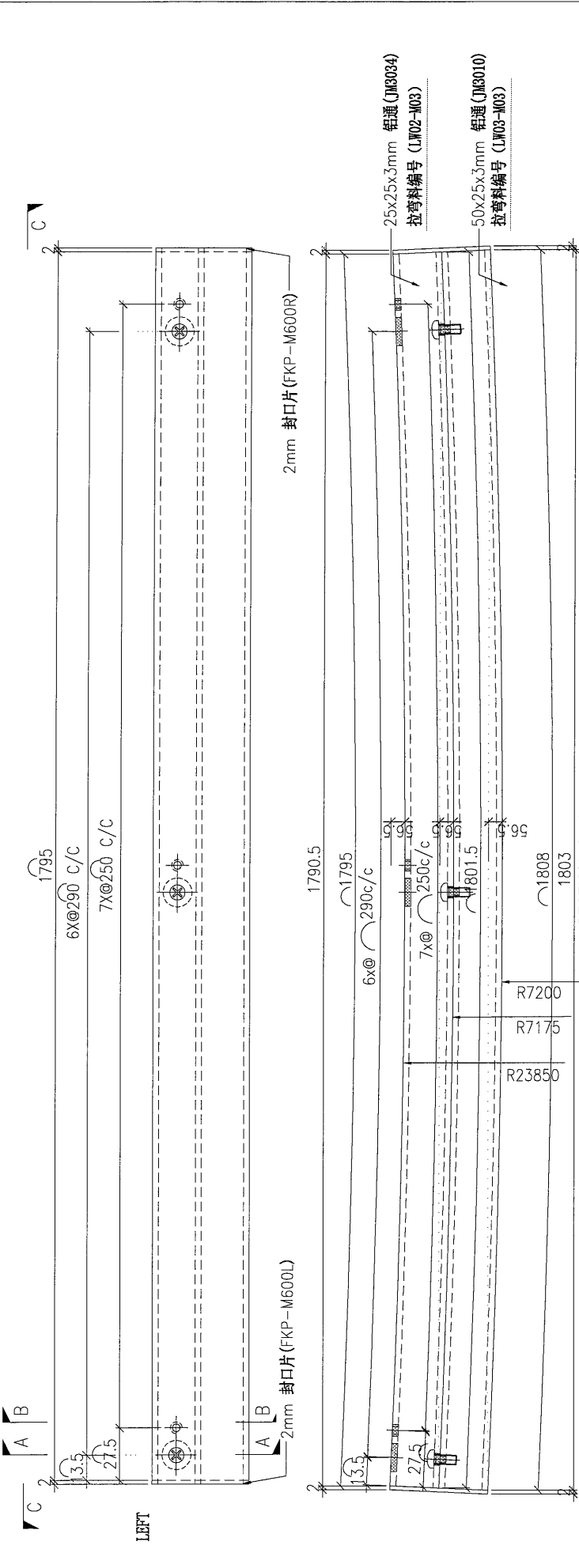


DWG. NO.	P2-AL-B601	REV.	-	SCALE	-	DATE	13-04-2024	DRAWN BY	-	APPROVED BY	-
----------	------------	------	---	-------	---	------	------------	----------	---	-------------	---

PROJECT		YIN PING ROAD KOWLOON FEATURE WALL (PHASE 2)		MATERIAL		铝通加工图(JM3010/3034)		COATING		PVF2		COLOUR		JMQ213457(SS-01)		MARK. NO.		-		QTY.		-	
---------	--	--	--	----------	--	--------------------	--	---------	--	------	--	--------	--	------------------	--	-----------	--	---	--	------	--	---	--

REV.	CHECKED BY	PART NUMBER	Dim. A	Dim. B	Dim. C	Dim. D	Dim. E	Dim. F	Dim. G	Dim. H	QTY.	Inv. Code	ASSEMBLE ON PARTS									
-		P2-AL-B602	-	-	-	-	-	-	-	-	2		注: 用于 B 区域									

注: 地盘用

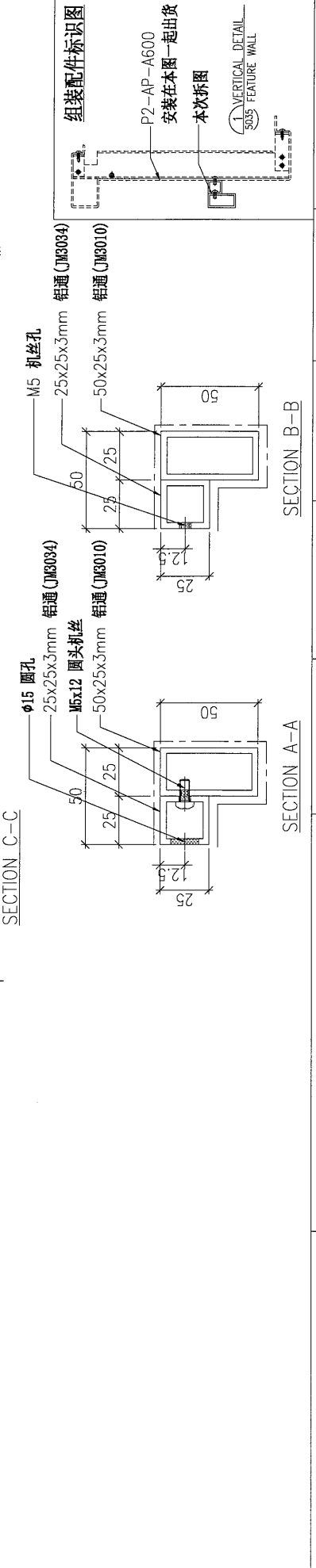
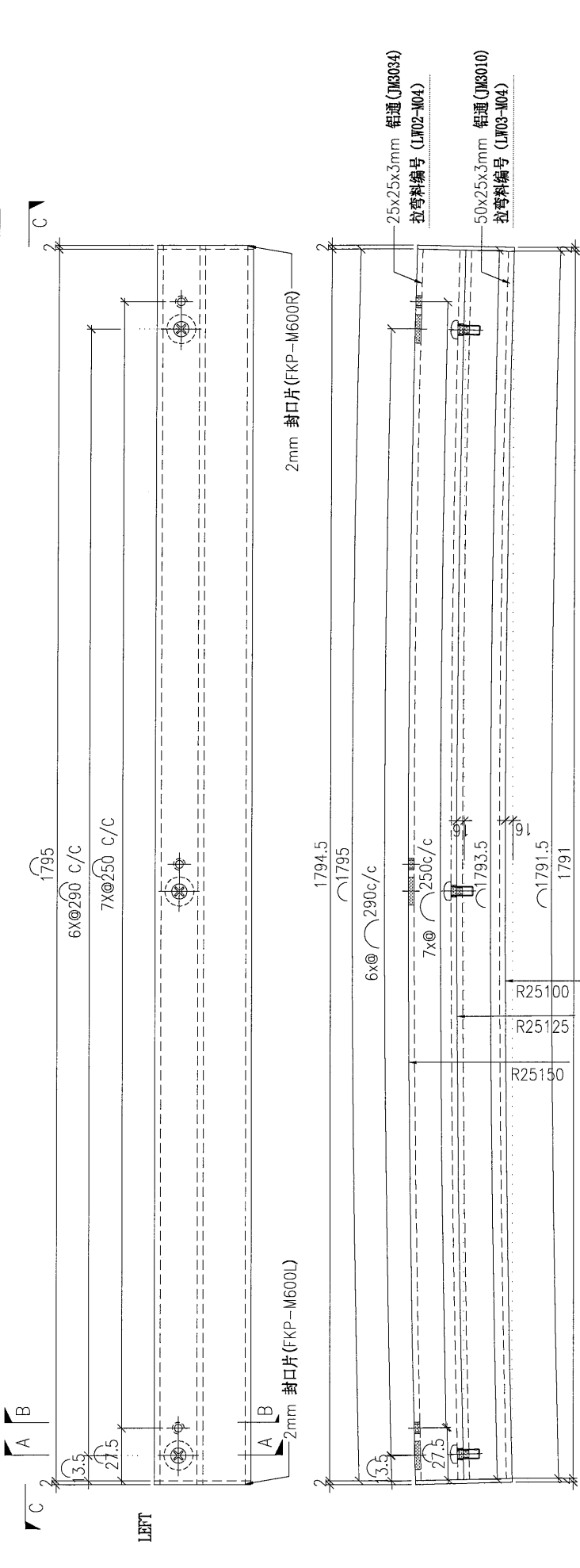


DWG. NO.	P2-AL-B602	REV.	-	SCALE	-	DATE	13-04-2024	DRAWN BY	-	APPROVED BY	-
----------	------------	------	---	-------	---	------	------------	----------	---	-------------	---

PROJECT		YIN PING ROAD KOWLOON FEATURE WALL (PHASE 2)			MATERIAL			铝通加工图(JM3010/3034)			COATING		PVF2		COLOUR		JM213457(SS-01)		MARK. NO.		-		QTY.		-	
---------	--	--	--	--	----------	--	--	--------------------	--	--	---------	--	------	--	--------	--	-----------------	--	-----------	--	---	--	------	--	---	--

REV.	CHANGED BY	PART NUMBER	Dim. A	Dim. B	Dim. C	Dim. D	Dim. E	Dim. F	Dim. G	Dim. H	QTY.	Inv. Code	ASSEMBLE ON PARTS									
-		P2-AL-A600	-	-	-	-	-	-	-	-	6		注: 用于A区域									

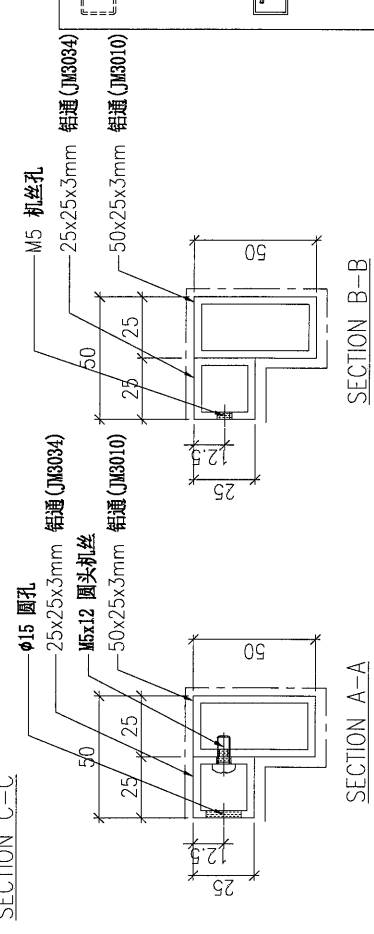
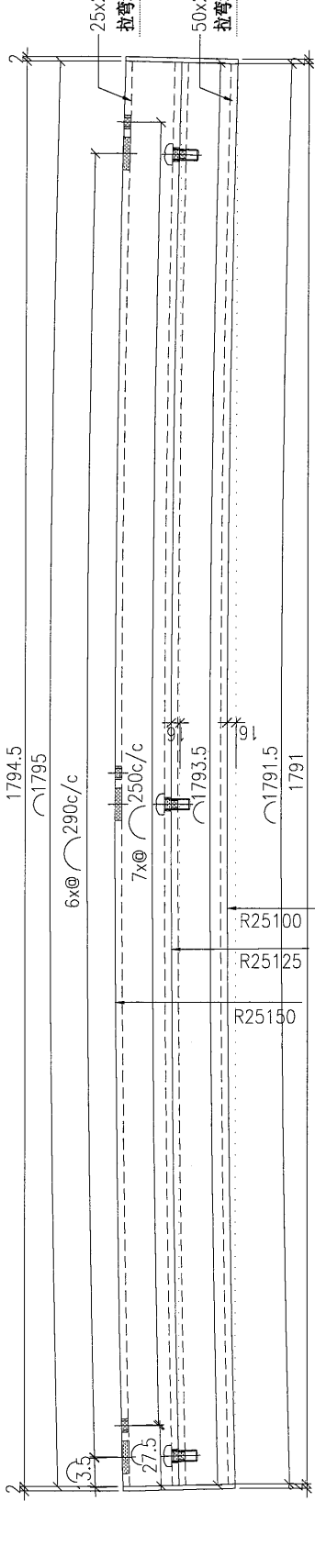
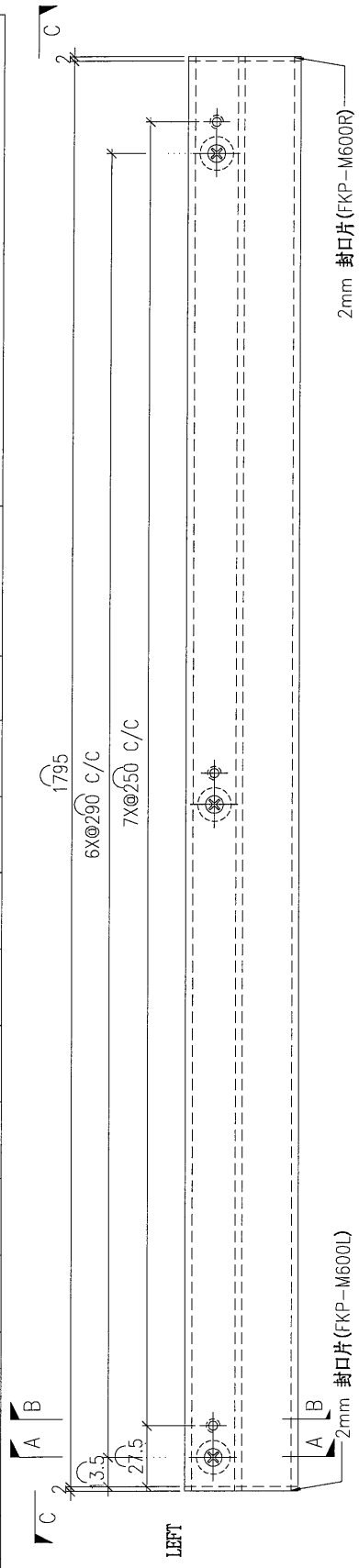
注: 地盘用



DWG. NO.	P2-AL-A600	REV.	-	SCALE	-	DATE	13-04-2024	DRAWN BY	-	APPROVED BY	-
----------	------------	------	---	-------	---	------	------------	----------	---	-------------	---

PROJECT		YIN PING ROAD KOWLOON FEATURE WALL (PHASE 2)			MATERIAL			铝通加工图(JM3010/3034)			COATING		PVF2		COLOUR		JM213457(SS-01)		MARK. NO.		-		QTY.		-	
REV.	CHECKED BAR BY	PART NUMBER	Dim. A	Dim. B	Dim. C	Dim. D	Dim. E	Dim. F	Dim. G	Dim. H	QTY.	Inv. Code	ASSEMBLE ON PARTS													
-	-	P2-AL-A601	-	-	-	-	-	-	-	-	6	-	注: 用于 A 区域													

注: 地盘用



DWG. NO.	P2-AL-A601	REV.	-	SCALE	-	DATE	13-04-2024	DRAWN BY	-	APPROVED BY	-
----------	------------	------	---	-------	---	------	------------	----------	---	-------------	---

PROJECT: YIN PING ROAD KOWLOON FEATURE WALL (PHASE 2)

MATERIAL: 铝通加工图(JM3010/3034)

COATING: PVF2

COLOUR: JMQ213457(SS-01)

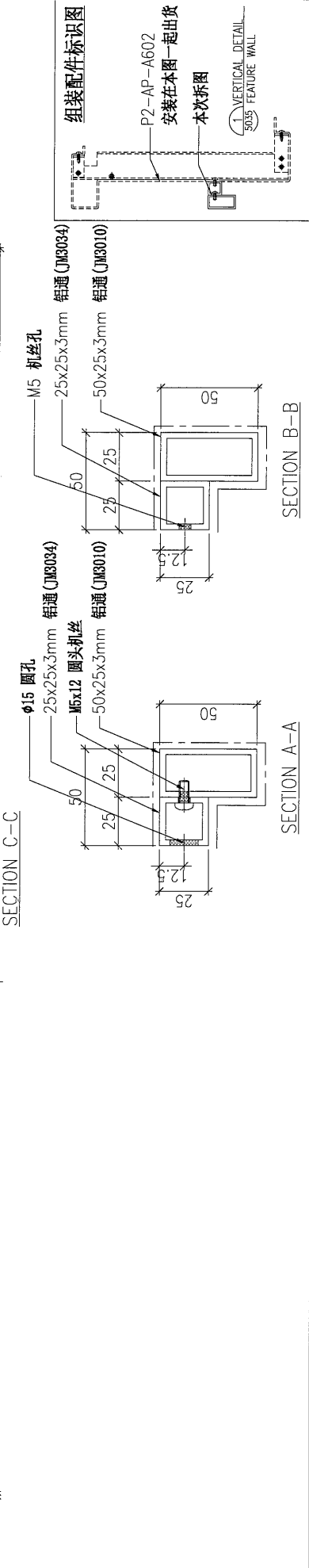
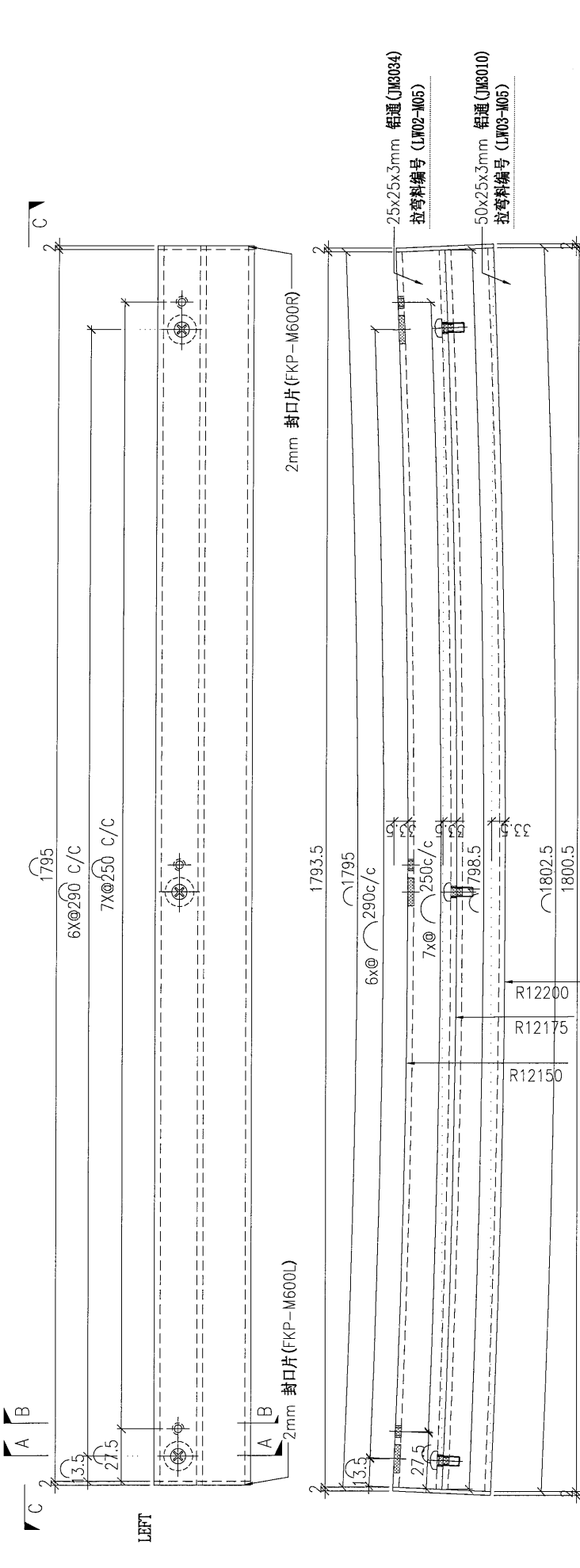
MARK. NO.:

QTY.:

REV.	DESCRIPTION	Dim. A	Dim. B	Dim. C	Dim. D	Dim. E	Dim. F	Dim. G	Dim. H	QTY.	Inv. Code
-	P2-AL-A602	-	-	-	-	-	-	-	-	3	-

注: 用于 A 区域

注: 地盘用

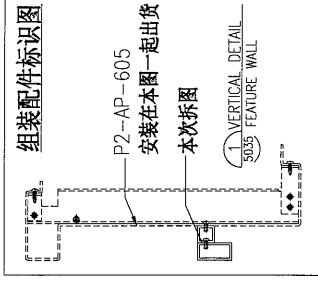
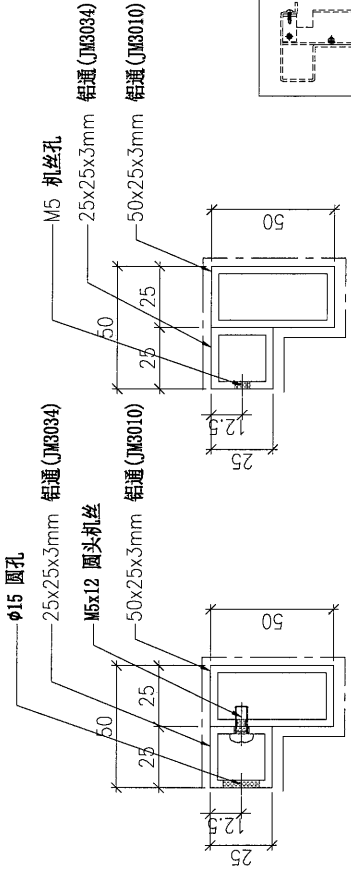
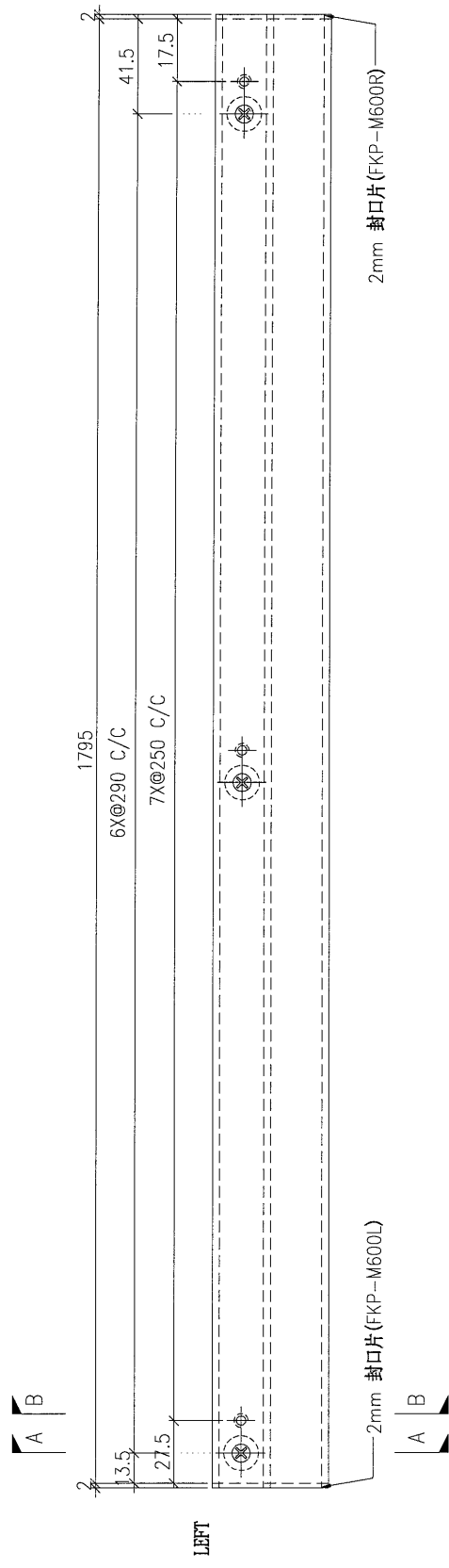


DWG. NO.:	P2-AL-A602	REV.:	-	SCALE:	-	DATE:	13-04-2024	DRAWN BY:	-	APPROVED BY:	-
-----------	------------	-------	---	--------	---	-------	------------	-----------	---	--------------	---

PROJECT		YIN PING ROAD KOWLOON FEATURE WALL (PHASE 2)			MATERIAL			铝通加工图(JM3010/3034)			COATING		PVF2		COLOUR		JM0213457(SS-01)		MARK. NO.		-		QTY.		-	
---------	--	--	--	--	----------	--	--	--------------------	--	--	---------	--	------	--	--------	--	------------------	--	-----------	--	---	--	------	--	---	--

REV.	CHANGED BY	PART NUMBER	Dim. A	Dim. B	Dim. C	Dim. D	Dim. E	Dim. F	Dim. G	Dim. H	QTY.	Inv. Code	ASSEMBLE ON PARTS									
-		P2-AL-B605	-	-	-	-	-	-	-	-	3		注: 用于 B 区域									
-		P2-AL-C605	-	-	-	-	-	-	-	-	3		注: 用于 C 区域									

注: 地盘用

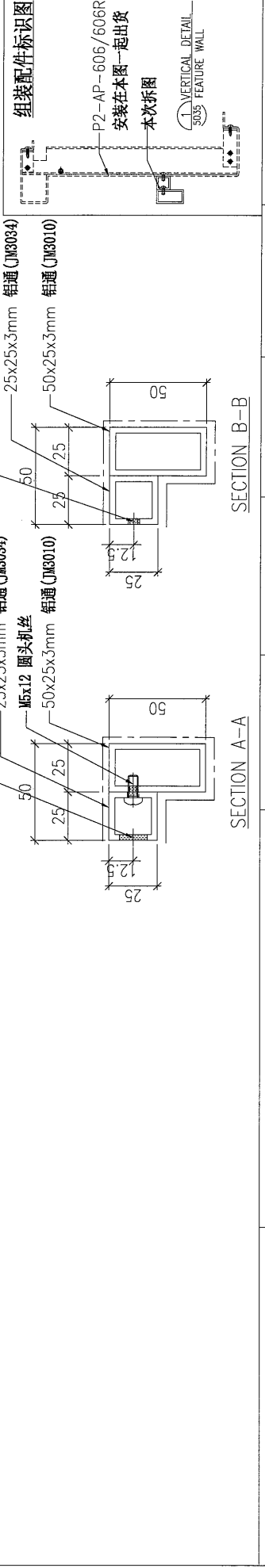
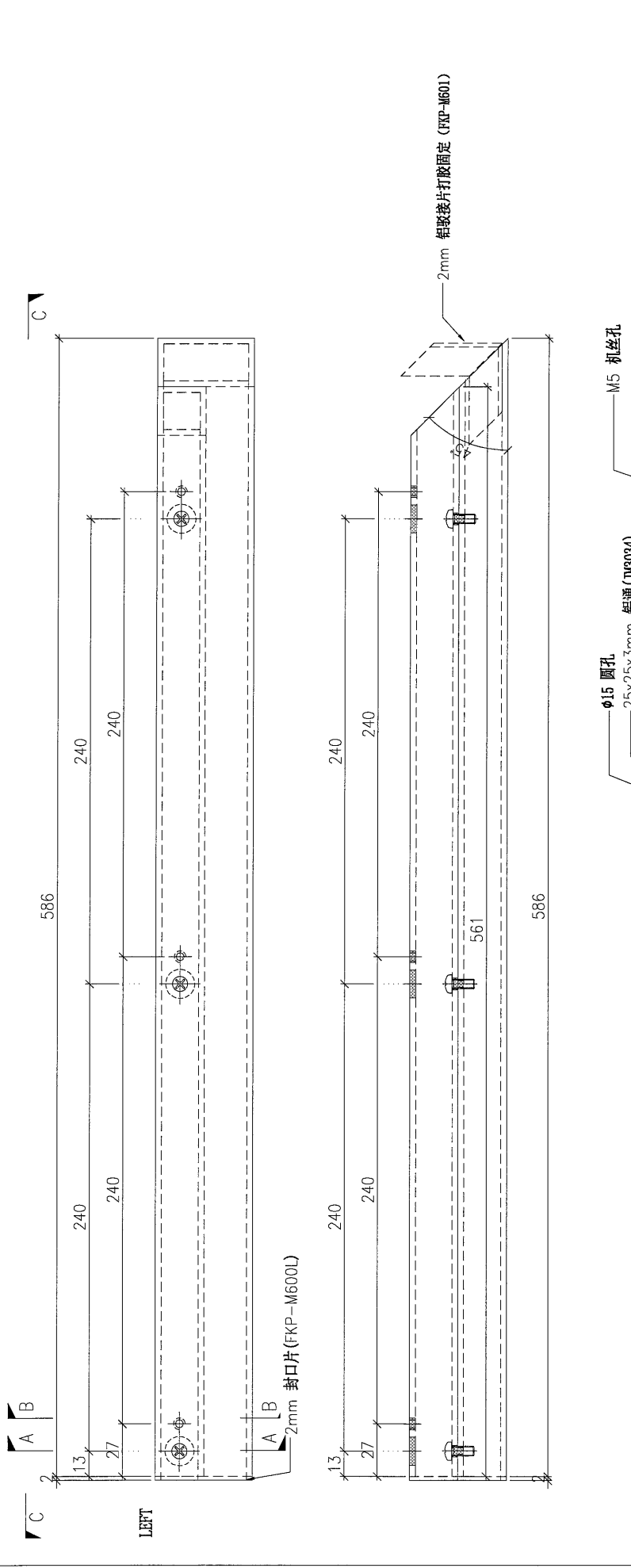


DWG. NO.	P2-AL-605	REV.	-	SCALE	-	DATE	13-04-2024	DRAWN BY	-	APPROVED BY	-
----------	-----------	------	---	-------	---	------	------------	----------	---	-------------	---

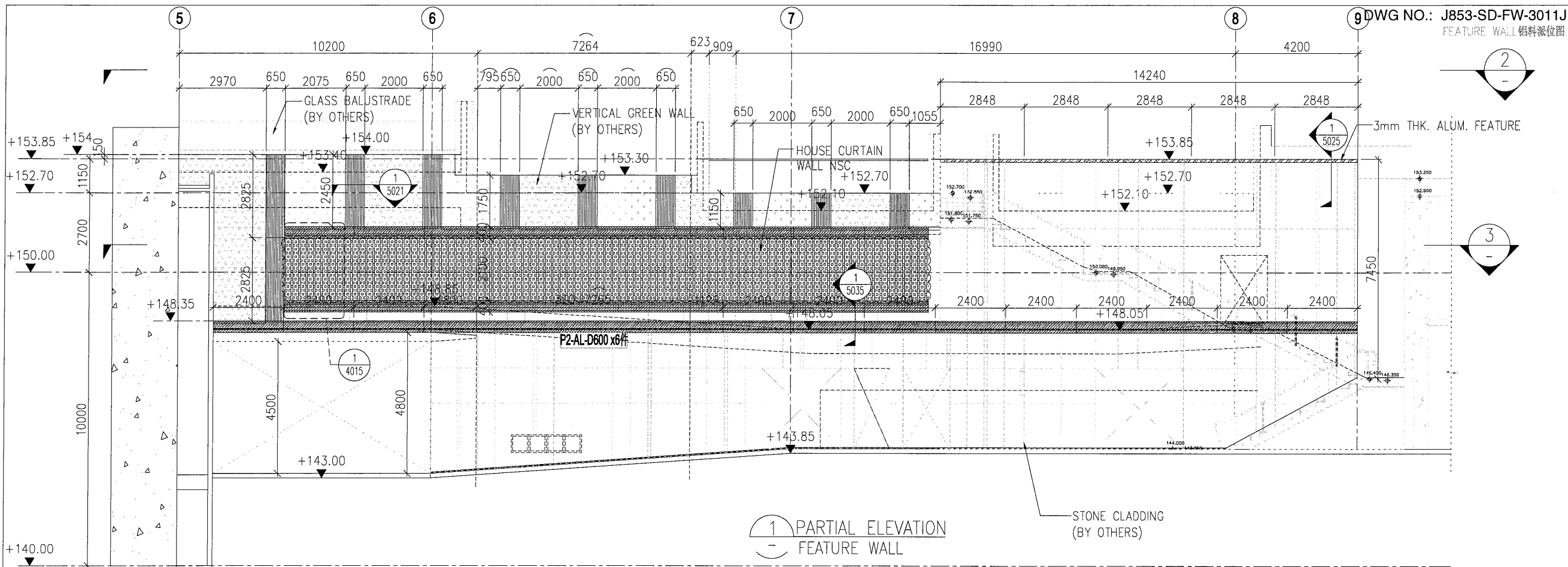
PROJECT		YIN PING ROAD KOWLOON FEATURE WALL (PHASE 2)			MATERIAL			铝通加工图(JM3010/3034)			COATING		PVF2		COLOUR		JMQ213457(SS-01)		MARK. NO.		--		QTY.		-	
---------	--	--	--	--	----------	--	--	--------------------	--	--	---------	--	------	--	--------	--	------------------	--	-----------	--	----	--	------	--	---	--

REV.	CHANGED BY	PART NUMBER	Dim. A	Dim. B	Dim. C	Dim. D	Dim. E	Dim. F	Dim. G	Dim. H	QTY.	Inv. Code	ASSEMBLE ON PARTS												
-		P2-AL-606	-	-	-	-	-	-	-	-	3		注: 如图加工												
-		P2-AL-606R	-	-	-	-	-	-	-	-	3		注: 相反加工												

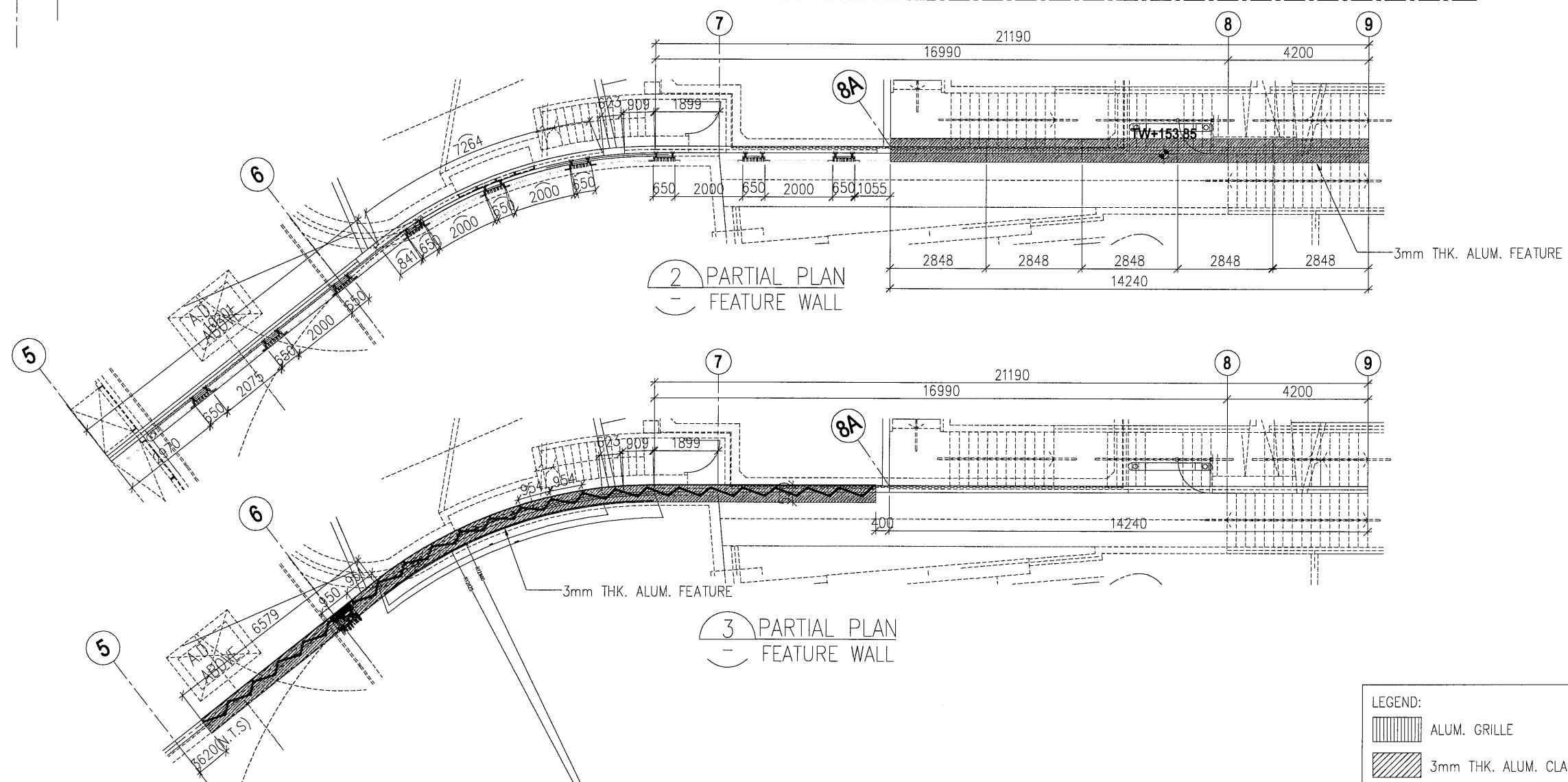
注: 地盘用



DWG. NO.	P2-AL-606	REV.	-	SCALE	-	DATE	13-04-2024	DRAWN BY	-	APPROVED BY	-
----------	-----------	------	---	-------	---	------	------------	----------	---	-------------	---



1 PARTIAL ELEVATION
- FEATURE WALL



2 PARTIAL PLAN
- FEATURE WALL

3 PARTIAL PLAN
- FEATURE WALL

- LEGEND:
- ALUM. GRILLE
 - 3mm THK. ALUM. CLADDING

DWG NO.: J853-SD-FW-3011J
FEATURE WALL 材料表位圖

B.D. REF :

CLIENT :
SHIMAO GROUP HOLDINGS LIMITED

ARCHITECT :
WONG TUNG & PARTNERS LIMITED
ARCHITECTS & PLANNERS

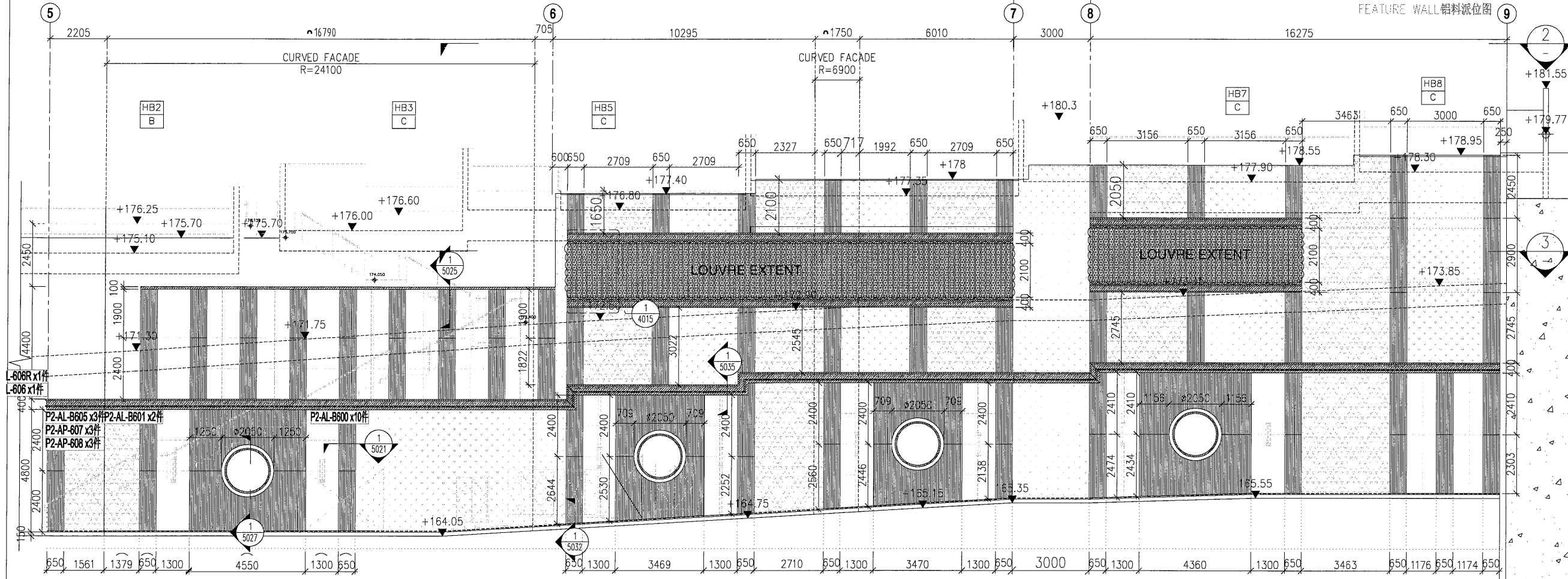
MAIN CONTRACTOR :
 協興建築有限公司
HIP HING CONSTRUCTION CO LTD

STRUCTURAL ENGINEER :
 C M WONG & ASSOCIATES LTD
黃志明建築工程師有限公司

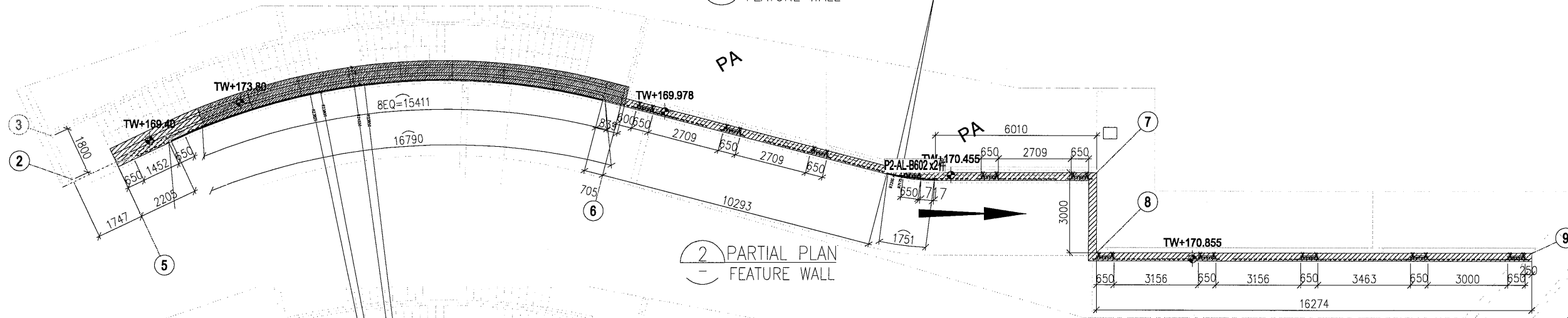
FACADE CONSULTANT:
MEIN-HARDT

- NOTE :
1. ALL DIMENSIONS ARE IN mm.
 2. ALL ELEVATIONS ARE VIEWED FROM OUTSIDE.
 3. ALL DIMENSIONS TO BE VERIFIED ON SITE BEFORE FABRICATION.
- LEGEND :
- DETAIL MARK NO.
 - REFER SHEET NO.
1. F.F.L. -- FINISHED FLOOR LEVEL
 2. S.F.L. -- STRUCTURAL FLOOR LEVEL
 3. (R) -- REVERSED DETAIL

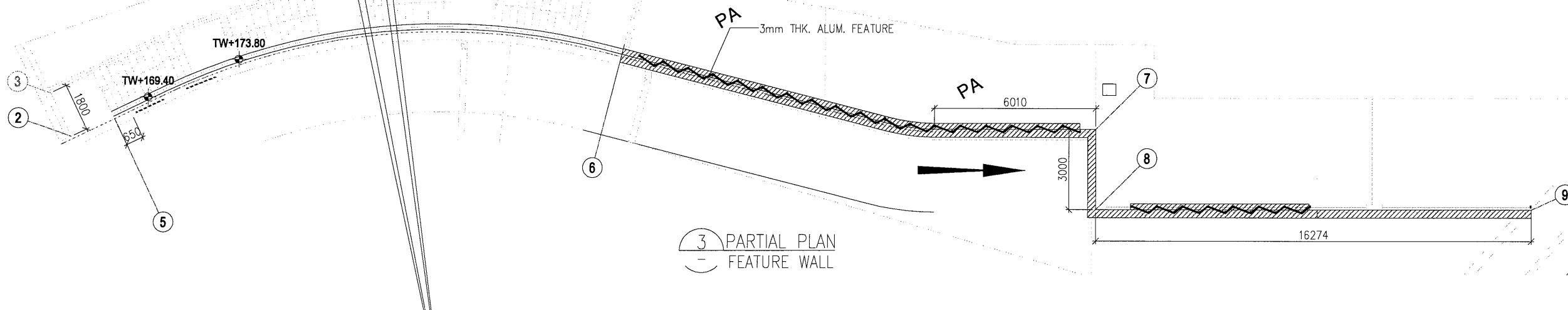
NO.	DATE	REVISED	BY
JOB NO. : J-853			
PROJECT : PROPOSED RESIDENTIAL DEVELOPMENT AT N.K.I.L. 6542 YIN PING ROAD KOWLOON			
TITLE : PARTIAL ELEVATION & PLAN OF FEATURE WALL (PHASE 2)			
DATE : 23-Feb-24		SCALE : 1:150 (A3)	
DRAWN BY : LHR		CHECKED BY :	
美特鋁質有限公司 MIDI ALUMINIUM FABRICATOR LTD. Units 6-8, Sunray Industrial Centre, 1/F 610 Cha Kwa Ling Road, Kowloon Tel: 23489211-4 Fax: (852) 27727666			
DWG NO. : J853-SD-FW-3011		REV. : B	



1 PARTIAL ELEVATION
- FEATURE WALL



2 PARTIAL PLAN
- FEATURE WALL



3 PARTIAL PLAN
- FEATURE WALL

B.D. REF :

CLIENT : SHIMAO GROUP HOLDINGS LIMITED

ARCHITECT : WONG TUNG & PARTNERS LIMITED ARCHITECTS & PLANNERS

MAIN CONTRACTOR : 協興建築有限公司 HIP HING CONSTRUCTION CO LTD

STRUCTURAL ENGINEER : C M WONG & ASSOCIATES LTD 黃志明建築工程師有限公司

FACADE CONSULTANT : MEINHARDT

NOTE :
1. ALL DIMENSIONS ARE IN mm.
2. ALL ELEVATIONS ARE VIEWED FROM OUTSIDE.
3. ALL DIMENSIONS TO BE VERIFIED ON SITE BEFORE FABRICATION.

LEGEND :
K1 - DETAIL MARK NO.
X001 - REFER SHEET NO.
1. F.F.L. -- FINISHED FLOOR LEVEL
2. S.F.L. -- STRUCTURAL FLOOR LEVEL
3. (R) -- REVERSED DETAIL

NO.	DATE	REVISED	BY

JOB NO. : J-853
PROJECT : PROPOSED RESIDENTIAL DEVELOPMENT AT N.K.I.L. 6542 YIN PING ROAD KOWLOON

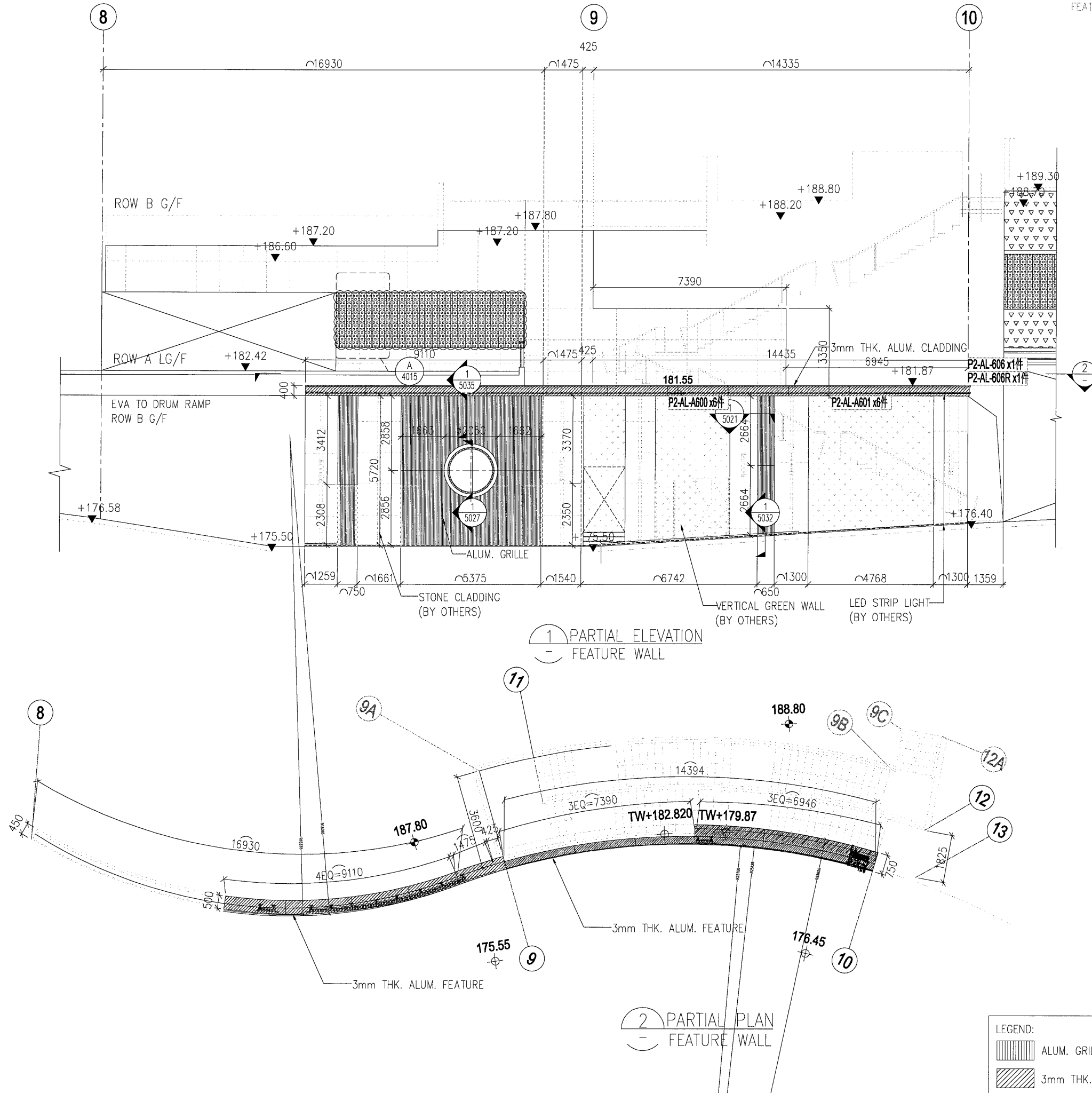
TITLE : PARTIAL ELEVATION & PLAN OF FEATURE WALL (PHASE 2)

DATE : 23-Feb-24 SCALE : 1:150 (A3)

DRAWN BY : LHR CHECKED BY :

MIDI 鋁質有限公司
MIDI ALUMINIUM FABRICATOR LTD.
Units 6-B, Sunray Industrial Centre, 1/F
610 Cha Kwo Ling Road, Kowloon
Tel: 23489211-4 Fax: (852) 27727666

DWG NO. : J853-SD-FW-3023J REV. : B



CLIENT :
SHIMAO GROUP HOLDINGS LIMITED

ARCHITECT :
WONG TUNG & PARTNERS LIMITED ARCHITECTS & PLANNERS

MAIN CONTRACTOR :
協興建築有限公司 HIP HING CONSTRUCTION CO LTD

STRUCTURAL ENGINEER :
ICMA C M WONG & ASSOCIATES LTD 黃志明建築工程師有限公司

FACADE CONSULTANT :
MEIN-HARDT

NOTE :
1. ALL DIMENSIONS ARE IN mm.
2. ALL ELEVATIONS ARE VIEWED FROM OUTSIDE.
3. ALL DIMENSIONS TO BE VERIFIED ON SITE BEFORE FABRICATION.

LEGEND :
X1 -- DETAIL MARK NO.
X001 -- REFER SHEET NO.
1. F.F.L. -- FINISHED FLOOR LEVEL
2. S.F.L. -- STRUCTURAL FLOOR LEVEL
3. (R) -- REVERSED DETAIL

NO.	DATE	REVISED	BY

JOB NO. : J-853
PROJECT : PROPOSED RESIDENTIAL DEVELOPMENT AT N.K.I.L. 6542 YIN PING ROAD KOWLOON

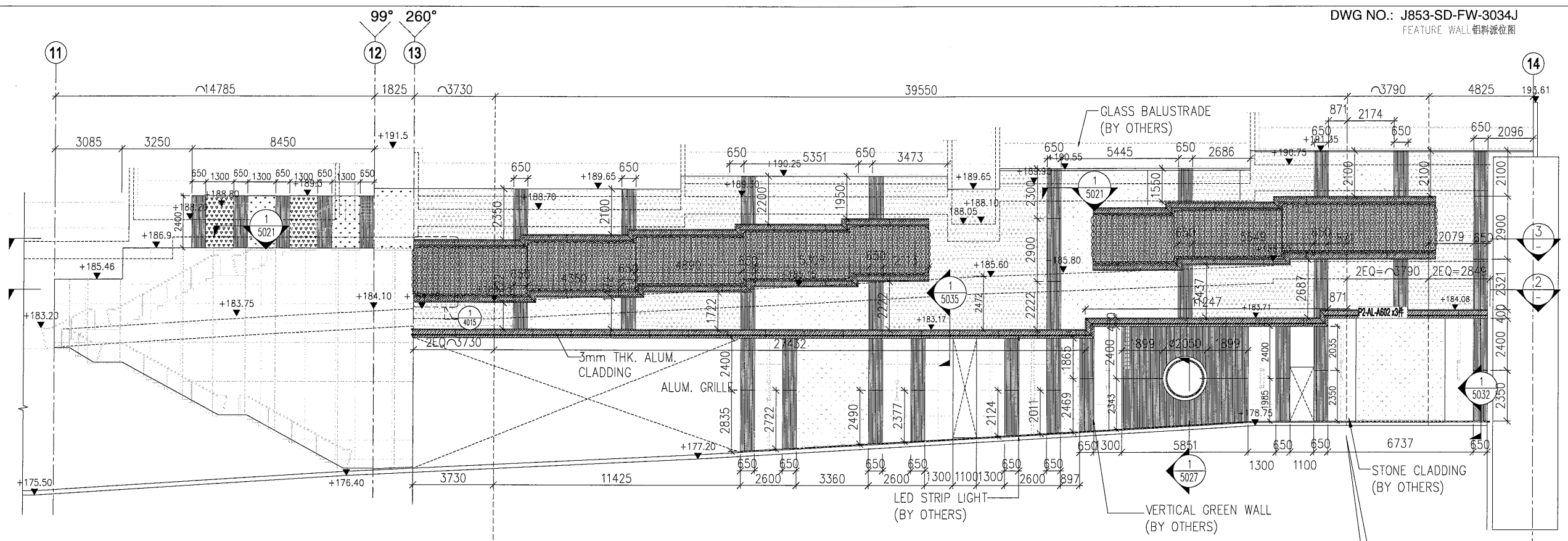
TITLE : PARTIAL ELEVATION & PLAN OF FEATURE WALL (PHASE 2)

DATE : 23-Feb-24 SCALE : 1:150 (A3)

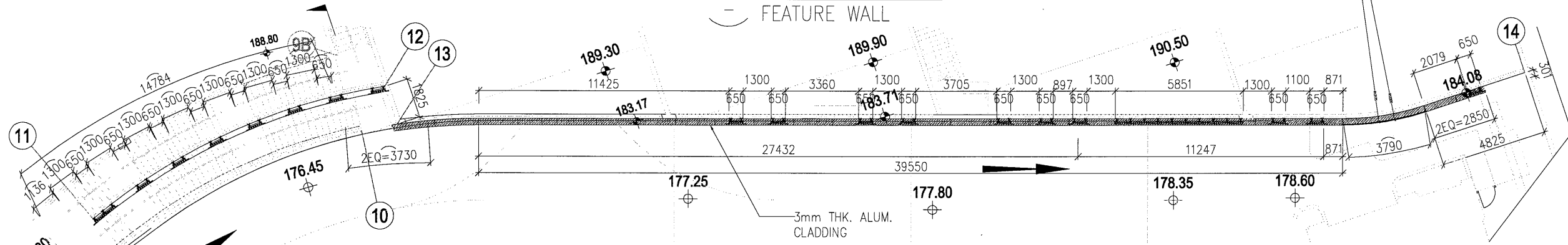
DRAWN BY : LHR CHECKED BY :

美特鋁質有限公司
MIDI ALUMINIUM FABRICATOR LTD.
Units 6-8, Sunray Industrial Centre, 1/F
610 Cha Kwa Ling Road, Kowloon
Tel:23489211-4 Fax:(852)27727666

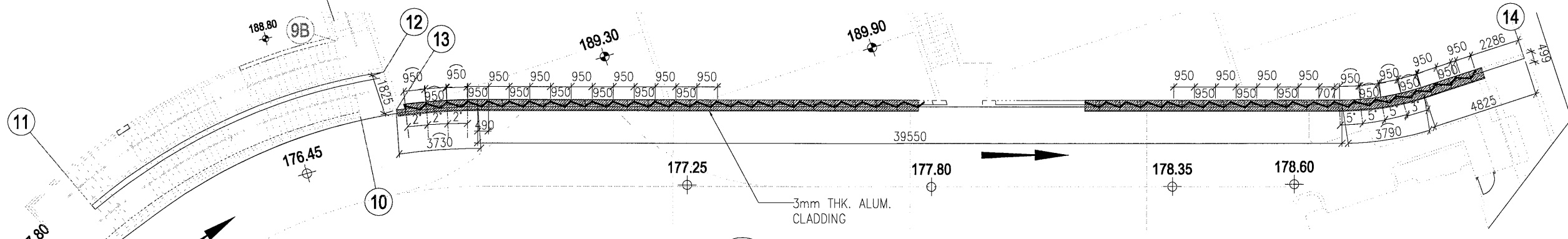
DWC NO. : J853-SD-FW-3030J REV. : B



1 PARTIAL ELEVATION
- FEATURE WALL



2 PARTIAL PLAN
- FEATURE WALL



3 PARTIAL PLAN
- FEATURE WALL

LEGEND:

- ALUM. GRILLE
- 3mm THK. ALUM. CLADDING

B.D. REF :

CLIENT : SHIMAO GROUP HOLDINGS LIMITED

ARCHITECT : WONG TUNG & PARTNERS LIMITED ARCHITECTS & PLANNERS

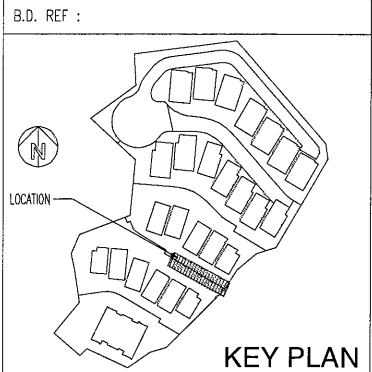
MAIN CONTRACTOR : 協興建築有限公司 HIP HING CONSTRUCTION CO LTD

STRUCTURAL ENGINEER : C M WONG & ASSOCIATES LTD 黃志明建築工程師有限公司

FAÇADE CONSULTANT : MEIN-HARDT

- NOTE :
1. ALL DIMENSIONS ARE IN mm.
 2. ALL ELEVATIONS ARE VIEWED FROM OUTSIDE.
 3. ALL DIMENSIONS TO BE VERIFIED ON SITE BEFORE FABRICATION.
- LEGEND :
- X1 - DETAIL MARK NO.
 - X001 - REFER SHEET NO.
 - 1. F.F.L. -- FINISHED FLOOR LEVEL
 - 2. S.F.L. -- STRUCTURAL FLOOR LEVEL
 - 3. (R) -- REVERSED DETAIL

NO.	DATE	REVISED	BY
JOB NO. : J-853			
PROJECT : PROPOSED RESIDENTIAL DEVELOPMENT AT N.K.I.L. 6542 YIN PING ROAD KOWLOON			
TITLE : PARTIAL ELEVATION & PLAN OF FEATURE WALL (PHASE 2)			
DATE : 23-Feb-24		SCALE : 1:210 (A3)	
DRAWN BY : LHR		CHECKED BY :	
美特鋁質有限公司 MIDI ALUMINUM FABRICATOR LTD. Units 6-8, Sunray Industrial Centre, 1/F 610 Cha Kwa Ling Road, Kowloon Tel:23489211-4 Fax:(852)27727666			
DWG NO. : J853-SD-FW-3034		REV. : B	



CLIENT :
SHIMAO GROUP HOLDINGS LIMITED

ARCHITECT :
WONG TUNG & PARTNERS LIMITED ARCHITECTS & PLANNERS

MAIN CONTRACTOR :
協興建築有限公司 HIP HING CONSTRUCTION CO LTD

STRUCTURAL ENGINEER :
CMA C M WONG & ASSOCIATES LTD 黃志明建築工程師有限公司

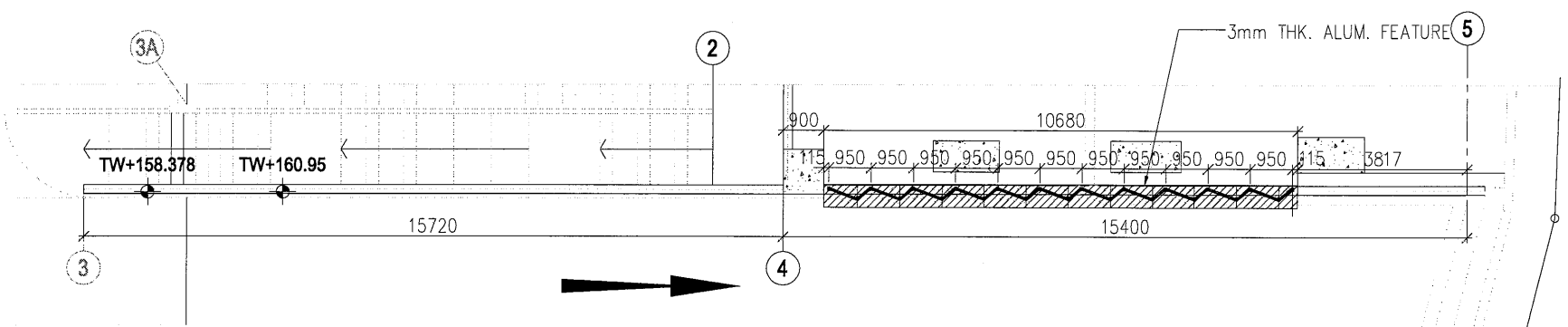
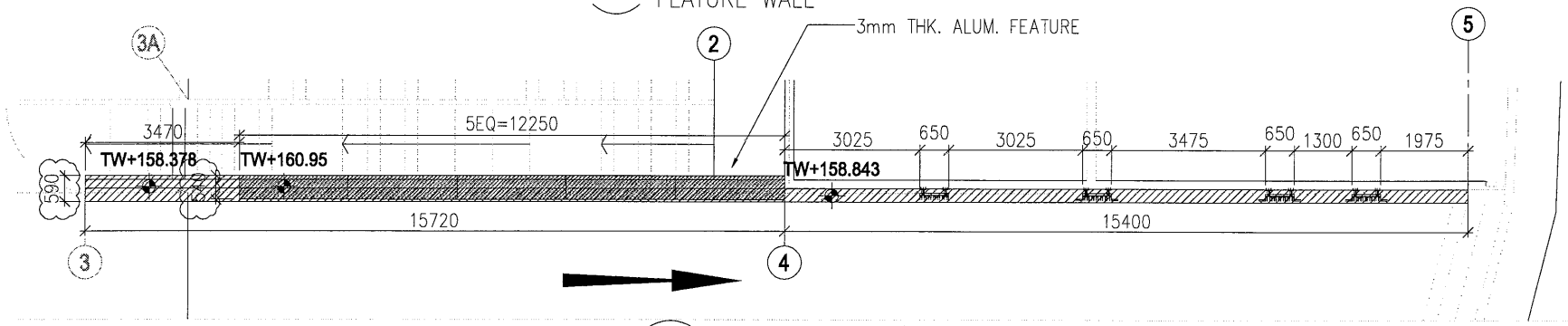
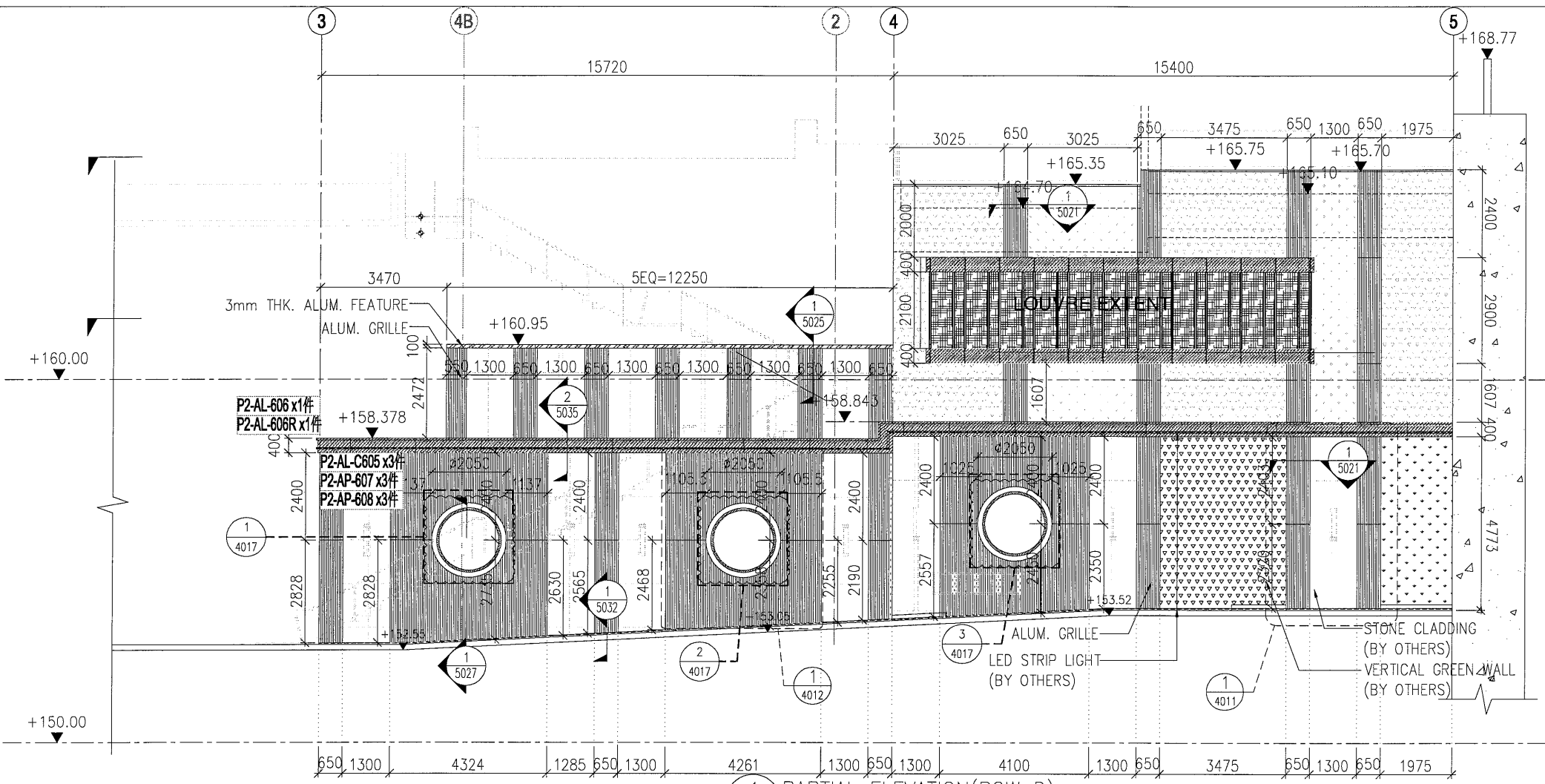
FACADE CONSULTANT :
MEINHARDT

NOTE :

- ALL DIMENSIONS ARE IN mm.
- ALL ELEVATIONS ARE VIEWED FROM OUTSIDE.
- ALL DIMENSIONS TO BE VERIFIED ON SITE BEFORE FABRICATION.

LEGEND :

- (X1) — DETAIL MARK NO.
- (X001) — REFER SHEET NO.
- 1. F.F.L. — FINISHED FLOOR LEVEL
- 2. S.F.L. — STRUCTURAL FLOOR LEVEL
- 3. (R) — REVERSED DETAIL



LEGEND:

- [Hatched pattern] ALUM. GRILLE
- [Dotted pattern] 3mm THK. ALUM. CLADDING

NO.	DATE	REVISED	BY
JOB NO. : J-853			
PROJECT : PROPOSED RESIDENTIAL DEVELOPMENT AT N.K.I.L. 6542 YIN PING ROAD KOWLOON			
TITLE : PARTIAL ELEVATION & PLAN OF FEATURE WALL (PHASE 2)			
DATE : 30-Apr-24		SCALE : 1:150 (A3)	
DRAWN BY : LHR		CHECKED BY :	
美特鋁質有限公司 MIDI ALUMINIUM FABRICATOR LTD. Units 6-8, Sunray Industrial Centre, 1/F 610 Cha Kwo Ling Road, Kowloon Tel: 23489211-4 Fax: (852) 2727666			
DWG NO. : J853-SD-FW-3016			REV. : E