



工程指示 / 要求簡箋 ENGINEER INSTRUCTIONS(E.I.)

工程指示編號:	EI- 8092	修改版本:	-
	HK- 1365		
工程編號:	J 853	工程名稱:	延坪道 (第2期)
收件人:	生統/	發件人:	Jingo
工程項目:	Feature wall 飾線 地盤用鋁板 part 7.	日期:	23/7/2024

<input type="checkbox"/> 原合約工程包	<input type="checkbox"/> 原合約工程加 / 減賬 QT-	<input type="checkbox"/> 新工程報價 QT-
---------------------------------	--	------------------------------------

信件批核號碼/圖紙參考編號:	批核模具圖紙編號:
客戶指示附件:	管理內部批簽署:

<input type="checkbox"/> 初步鋁料 B.M.	<input type="checkbox"/> 加工拆圖, 然後生產	<input type="checkbox"/> 尺寸表
<input type="checkbox"/> 正式鋁料 B.M.	<input type="checkbox"/> 技術上資料/指示	<input type="checkbox"/> 報價
<input type="checkbox"/> 配件 B.M.	<input type="checkbox"/> 樣辦或貨品說明書	<input type="checkbox"/> 分判合約
<input type="checkbox"/> 其他:		

內容:

按張依圖包裝

完成上列要求日期: 21/8/2024

國內

<input type="checkbox"/> 生產技術總監	<input type="checkbox"/> 連附件	<input type="checkbox"/> 技術部	<input type="checkbox"/> 連附件	<input type="checkbox"/> 生產部	<input type="checkbox"/> 連附件
<input type="checkbox"/> 採購部	<input type="checkbox"/> 連附件	<input checked="" type="checkbox"/> 生產統籌部	<input checked="" type="checkbox"/> 連附件	<input type="checkbox"/> 報關組	<input type="checkbox"/> 連附件
<input type="checkbox"/> 質檢部	<input type="checkbox"/> 連附件	<input type="checkbox"/> 會計部	<input type="checkbox"/> 連附件	<input type="checkbox"/> 機械設計部	<input type="checkbox"/> 連附件
<input type="checkbox"/> 香港辦	<input type="checkbox"/> 連附件	<input type="checkbox"/> 其他:			

香港

<input type="checkbox"/> 行政部	<input type="checkbox"/> 連附件	<input type="checkbox"/> 會計部	<input type="checkbox"/> 連附件	<input type="checkbox"/> 統籌部	<input type="checkbox"/> 連附件	<input type="checkbox"/> 工程部	<input type="checkbox"/> 連附件
<input type="checkbox"/> 採購部	<input type="checkbox"/> 連附件	<input type="checkbox"/> QS部	<input type="checkbox"/> 連附件	<input checked="" type="checkbox"/> 地盤管理	<input checked="" type="checkbox"/> 連附件	<input type="checkbox"/> 維修部	<input type="checkbox"/> 連附件

*發件人簽署:	*組別成員批核簽署: Jingo
傳遞編號:	項目經理簽署:

美特鋁質有限公司 MTI Aluminium Fabricator Ltd.		工程號: J-853	計算: ming	日期:	2024.07.22		送呈:	JOB				
地盤名稱: 特征牆(2区)		地盤名稱: 廷坪路	核對:	日期:			副本:					
項目類別: 修改版次:		A/C Code:	批准:	日期:			總重量:	2783.45				
序號	修改內容	鋁板圖號	鋁板名稱	顏色	實用	後備	總數	總重量	342.368		圖紙編號	
									單件展開面積	總展開面積		
平方米												
31		FW-V106	3mm厚鋁板	EC-DG-D334232-ZD1 (SS-01)	14	0	14	106.390	0.935	13.086	0.935	13.086
32		FW-X106	3mm厚鋁板	EC-DG-D334232-ZD1 (SS-01)	5	0	5	37.996	0.935	4.674	0.935	4.674
33		FW-M107	3mm厚鋁板	EC-DG-D334232-ZD1 (SS-01)	1	0	1	8.425	1.036	1.036	1.036	1.036
34		FW-X107	3mm厚鋁板	EC-DG-D334232-ZD1 (SS-01)	1	0	1	8.425	1.036	1.036	1.036	1.036
35		FW-M108	3mm厚鋁板	EC-DG-D334232-ZD1 (SS-01)	1	0	1	8.425	1.036	1.036	1.036	1.036
36		FW-X108	3mm厚鋁板	EC-DG-D334232-ZD1 (SS-01)	2	0	2	16.851	1.036	2.073	1.036	2.073
37		FW-M109	3mm厚鋁板	EC-DG-D334232-ZD1 (SS-01)	2	0	2	15.199	0.935	1.869	0.935	1.869
38		FW-X109	3mm厚鋁板	EC-DG-D334232-ZD1 (SS-01)	2	0	2	15.199	0.935	1.869	0.935	1.869
39		FW-M110	3mm厚鋁板	EC-DG-D334232-ZD1 (SS-01)	1	0	1	7.599	0.935	0.935	0.935	0.935
40		FW-V110	3mm厚鋁板	EC-DG-D334232-ZD1 (SS-01)	1	0	1	7.599	0.935	0.935	0.935	0.935
41		FW-X110	3mm厚鋁板	EC-DG-D334232-ZD1 (SS-01)	1	0	1	7.599	0.935	0.935	0.935	0.935
42		FW-V114	3mm厚鋁板	EC-DG-D334232-ZD1 (SS-01)	2	0	2	15.199	0.935	1.869	0.935	1.869
43		FW-V115	3mm厚鋁板	EC-DG-D334232-ZD1 (SS-01)	2	0	2	15.199	0.935	1.869	0.935	1.869
44		FW-V116	3mm厚鋁板	EC-DG-D334232-ZD1 (SS-01)	2	0	2	15.612	0.960	1.920	0.960	1.920
45		FW-V117	3mm厚鋁板	EC-DG-D334232-ZD1 (SS-01)	2	0	2	15.612	0.960	1.920	0.960	1.920
46		FW-V118	3mm厚鋁板	EC-DG-D334232-ZD1 (SS-01)	6	0	6	45.596	0.935	5.608	0.935	5.608
47		FW-V119	3mm厚鋁板	EC-DG-D334232-ZD1 (SS-01)	1	0	1	7.599	0.935	0.935	0.935	0.935
48		FW-V120	3mm厚鋁板	EC-DG-D334232-ZD1 (SS-01)	1	0	1	7.599	0.935	0.935	0.935	0.935
49		FW-M201	3mm厚鋁板	EC-DG-D334232-ZD1 (SS-01)	2	0	2	9.963	0.613	1.225	0.613	1.225
50		FW-M202	3mm厚鋁板	EC-DG-D334232-ZD1 (SS-01)	1	0	1	5.225	0.643	0.643	0.643	0.643
51		FW-M203	3mm厚鋁板	EC-DG-D334232-ZD1 (SS-01)	1	0	1	5.523	0.679	0.679	0.679	0.679
52		FW-M204	3mm厚鋁板	EC-DG-D334232-ZD1 (SS-01)	1	0	1	5.523	0.679	0.679	0.679	0.679
53		FW-M206	3mm厚鋁板	EC-DG-D334232-ZD1 (SS-01)	9	0	9	44.833	0.613	5.514	0.613	5.514
54		FW-V206	3mm厚鋁板	EC-DG-D334232-ZD1 (SS-01)	14	0	14	69.740	0.613	8.578	0.613	8.578
55		FW-X206	3mm厚鋁板	EC-DG-D334232-ZD1 (SS-01)	5	0	5	24.907	0.613	3.064	0.613	3.064
56		FW-M207	3mm厚鋁板	EC-DG-D334232-ZD1 (SS-01)	1	0	1	5.767	0.709	0.709	0.709	0.709
57		FW-X207	3mm厚鋁板	EC-DG-D334232-ZD1 (SS-01)	1	0	1	5.767	0.709	0.709	0.709	0.709
58		FW-M208	3mm厚鋁板	EC-DG-D334232-ZD1 (SS-01)	1	0	1	5.279	0.649	0.649	0.649	0.649
59		FW-X208	3mm厚鋁板	EC-DG-D334232-ZD1 (SS-01)	2	0	2	10.558	0.649	1.299	0.649	1.299
60		FW-M209	3mm厚鋁板	EC-DG-D334232-ZD1 (SS-01)	2	0	2	9.963	0.613	1.225	0.613	1.225

美特鋁質有限公司 MEDI Aluminium Fabricator Ltd.		工程號: J-853	計算:	ming	日期:	2024.07.22		送呈:	JOE			
地盤名稱: 延坪路		核對:			日期:			副本:				
項目類別: 特征牆(2区)		批准:			日期:							
BM編號:	修改版次:	A/C Code:	顏色		總V.F.:	342.368		總重量:	2783.45			
序號	修改內容	鋁板圖號	鋁板名稱	顏色	後備	實用	總數	總重量	總展開面積	圖紙編號		
					平方米		平方米		平方米			
61		FW-X209	3mm厚铝板	EC-DG-D334232-ZD1 (SS-01)	2	0	2	9.963	0.613	1.225	0.613	1.225
62		FW-M210	3mm厚铝板	EC-DG-D334232-ZD1 (SS-01)	1	0	1	4.981	0.613	0.613	0.613	0.613
63		FW-V210	3mm厚铝板	EC-DG-D334232-ZD1 (SS-01)	1	0	1	4.981	0.613	0.613	0.613	0.613
64		FW-X210	3mm厚铝板	EC-DG-D334232-ZD1 (SS-01)	1	0	1	4.981	0.613	0.613	0.613	0.613
65		FW-V214	3mm厚铝板	EC-DG-D334232-ZD1 (SS-01)	2	0	2	9.963	0.613	1.225	0.613	1.225
66		FW-V215	3mm厚铝板	EC-DG-D334232-ZD1 (SS-01)	2	0	2	9.963	0.613	1.225	0.613	1.225
67		FW-V216	3mm厚铝板	EC-DG-D334232-ZD1 (SS-01)	2	0	2	10.450	0.643	1.285	0.643	1.285
68		FW-V217	3mm厚铝板	EC-DG-D334232-ZD1 (SS-01)	2	0	2	10.450	0.643	1.285	0.643	1.285
69		FW-V218	3mm厚铝板	EC-DG-D334232-ZD1 (SS-01)	6	0	6	29.076	0.596	3.576	0.596	3.576
70		AP-X130	3mm厚铝板	EC-DG-D334232-ZD1 (SS-01)	34	0	34	484.181	1.752	59.555	1.752	59.555
71		AP-X131	3mm厚铝板	EC-DG-D334232-ZD1 (SS-01)	17	0	17	314.235	2.274	38.651	2.274	38.651
72		AP-X132	3mm厚铝板	EC-DG-D334232-ZD1 (SS-01)	2	0	2	40.289	2.478	4.956	2.478	4.956
73		AP-X133	3mm厚铝板	EC-DG-D334232-ZD1 (SS-01)	1	0	1	26.148	3.216	3.216	3.216	3.216
74		AP-X134	3mm厚铝板	EC-DG-D334232-ZD1 (SS-01)	2	0	2	40.289	2.478	4.956	2.478	4.956
75		AP-X135	3mm厚铝板	EC-DG-D334232-ZD1 (SS-01)	1	0	1	26.148	3.216	3.216	3.216	3.216
76		AP-X136	3mm厚铝板	EC-DG-D334232-ZD1 (SS-01)	15	0	15	176.177	1.445	21.670	1.445	21.670
77		AP-X137	3mm厚铝板	EC-DG-D334232-ZD1 (SS-01)	5	0	5	92.422	2.274	11.368	2.274	11.368
78		AP-X138	3mm厚铝板	EC-DG-D334232-ZD1 (SS-01)	6	0	6	99.687	2.044	12.262	2.044	12.262
79		AP-X139	3mm厚铝板	EC-DG-D334232-ZD1 (SS-01)	2	0	2	52.295	3.216	6.432	3.216	6.432
					總計:		379	2783	72	342	72	342

PROJECT: YIN PING ROAD KOWLOON FEATURE WALL (PHASE 2)

MATERIAL: 3mm鋁板

COATING: PVF2

COLOUR: EC-DG-D334232-ZD1(SS-01)

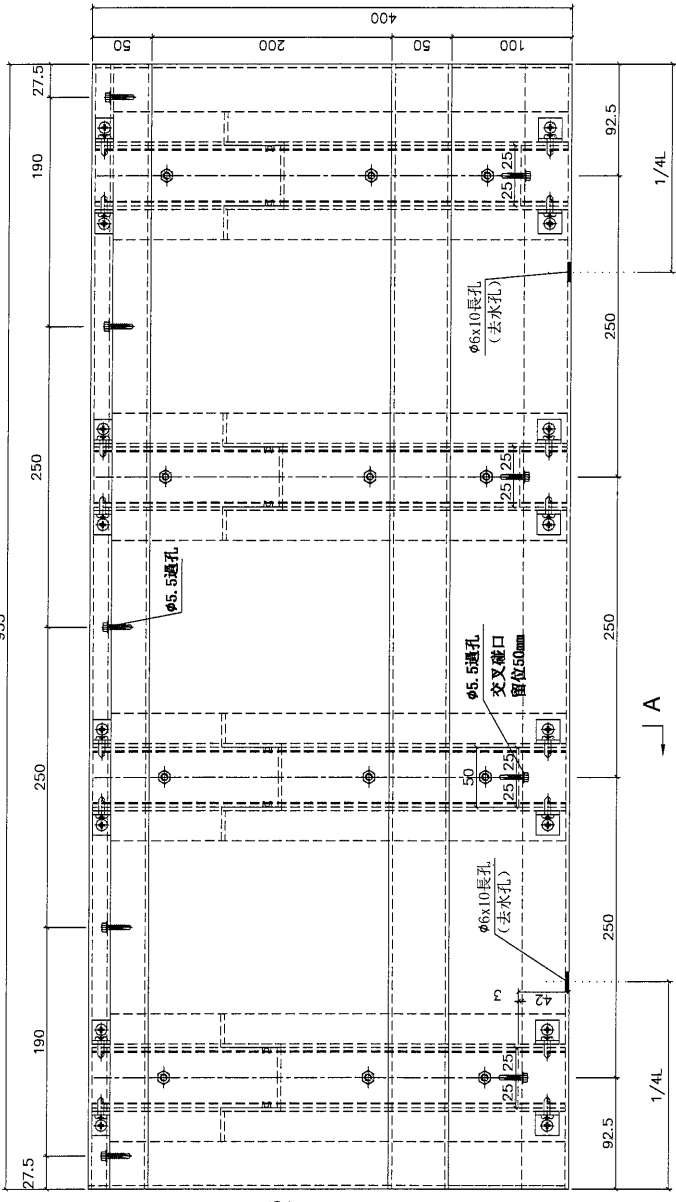
MARK. NO.:

QTY.:

REV.	CHECKED BY	PART NUMBER	Dim. A	Dim. B	Dim. C	Dim. D	Dim. E	Dim. F	Dim. G	Dim. H	QTY.	Inv. Code
-	-	FW-D50	-	-	-	-	-	-	-	-	14	ASSEMBLE ON PARTS

地盤用

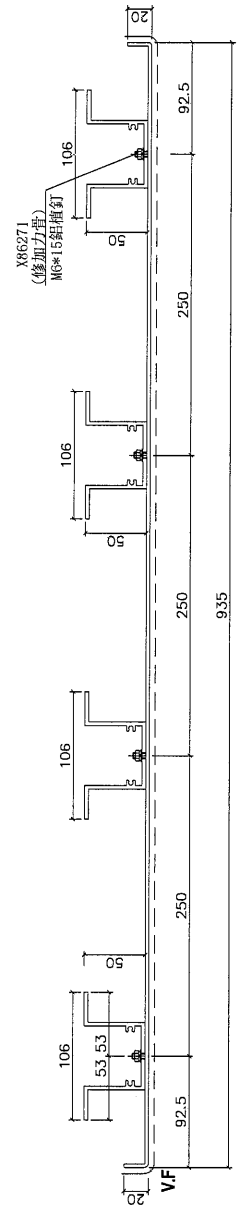
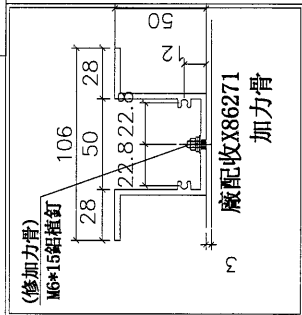
用A3紙打印



室外

剖面A-A

底部



剖面B-B

DWG. NO.	REV.	SCALE	DATE	DRAWN BY	APPROVED BY
FW-D50	-	-	17-04-2024	-	-

PROJECT

YIN PING ROAD KOWLOON
FEATURE WALL (PHASE 2)

MATERIAL

3mm鋁板

COATING

PVF2

COLOUR

EC-DG-D334232-ZD1(SS-01)

MARK. NO.

-

QTY.

-

REV.

FW-D53

PART NUMBER

Dim. A

Dim. B

Dim. C

Dim. D

Dim. E

Dim. F

Dim. G

Dim. H

QTY.

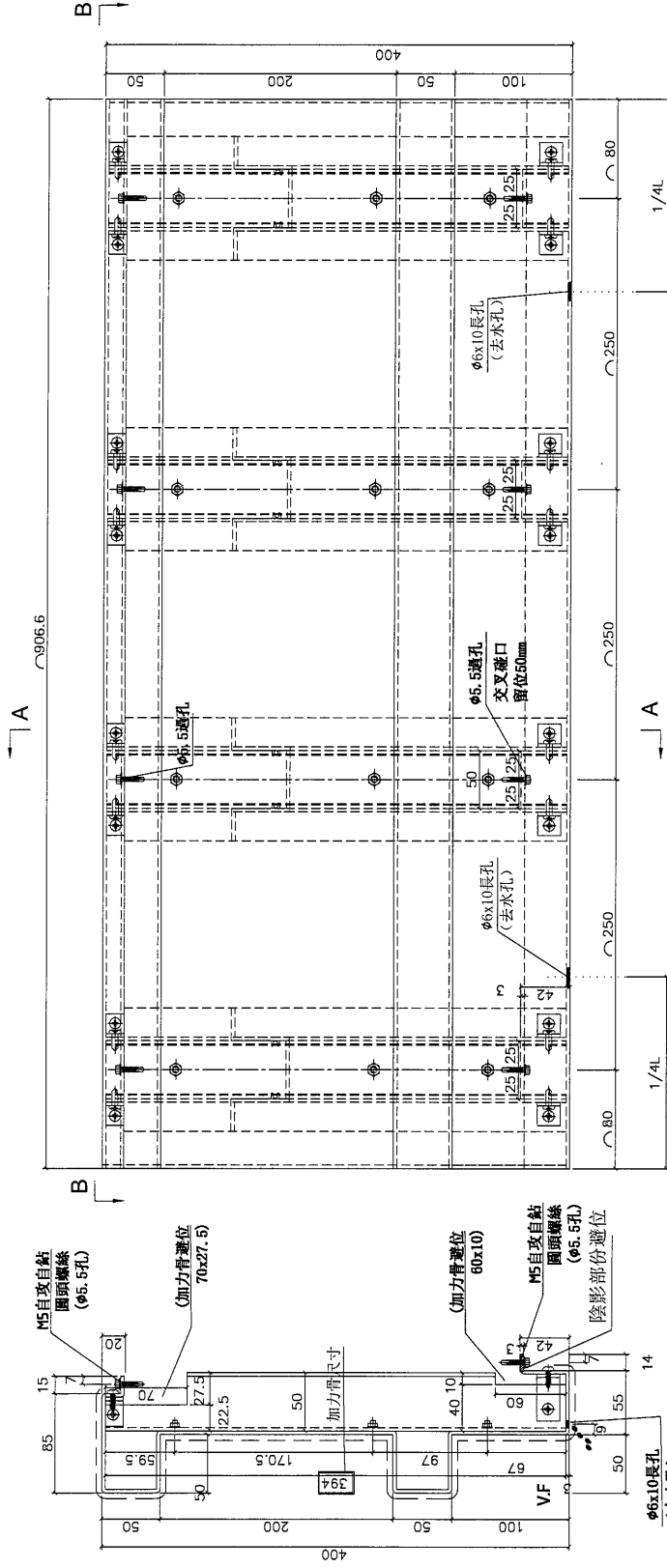
Inv. Code

ASSEMBLE ON PARTS

地盤用

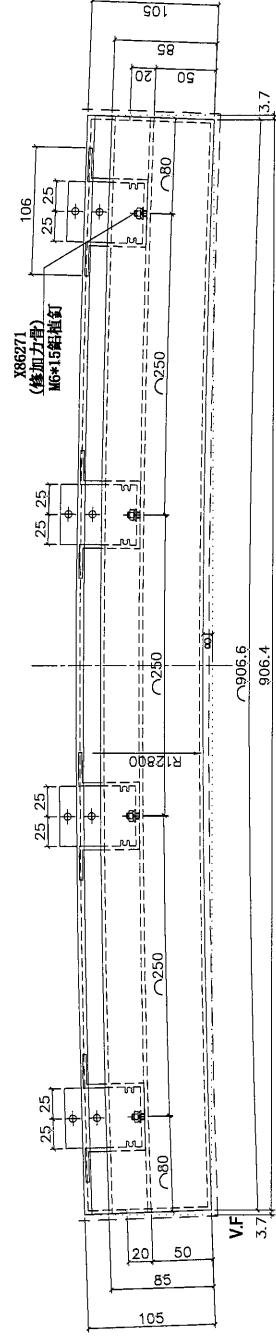
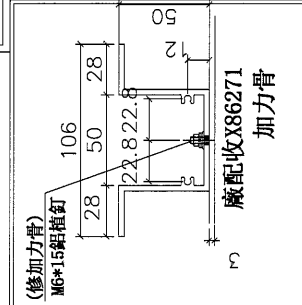
用A3紙打印

室外



剖面A-A

底部



剖面B-B

DWG. NO.

FW-D53

REV.

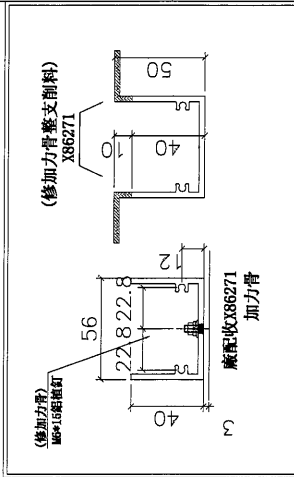
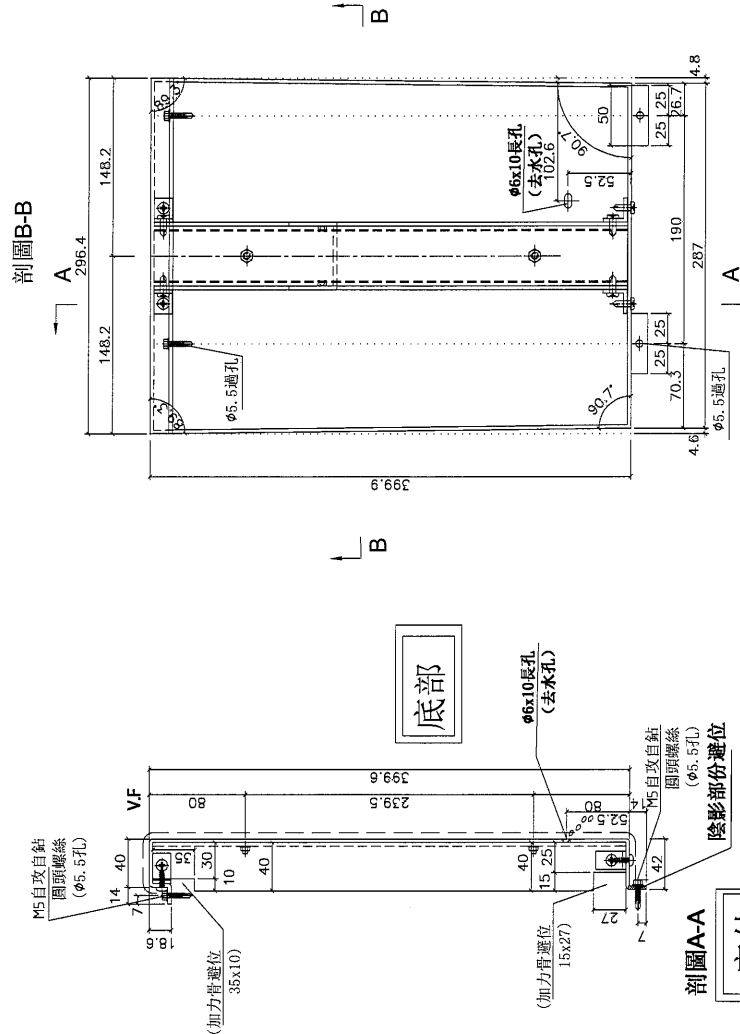
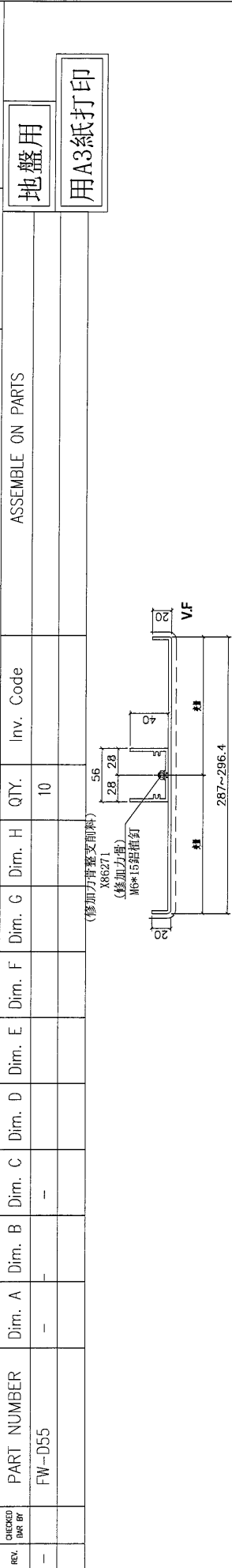
SCALE

DATE
17-04-2024

DRAWN BY

APPROVED BY

PROJECT		YIN PING ROAD KOWLOON FEATURE WALL (PHASE 2)				MATERIAL				COATING		COLOUR		MARK. NO.		QTY.	
PART NUMBER		FW-D55		-		3mm鋁板		PVF2		EC-DG-D334232-ZD1(SS-01)		-		-		-	
REV.	CHECKED	DATE	Dim. A	Dim. B	Dim. C	Dim. D	Dim. E	Dim. F	Dim. G	Dim. H	QTY.	Inv. Code	ASSEMBLE ON PARTS				
-	-	-	-	-	-	-	-	-	-	-	10	-	地盤用				
用A3紙打印																	



DWG. NO.	FW-D55	REV.	-	SCALE	-	DATE	17-04-2024	DRAWN BY	-	APPROVED BY	-
----------	--------	------	---	-------	---	------	------------	----------	---	-------------	---

PROJECT: YIN PING ROAD KOWLOON FEATURE WALL (PHASE 2)

MATERIAL: 3mm鋁板

COATING: PVF2

COLOUR: EC-DG-D334232-ZD1(SS-01)

MARK. NO.:

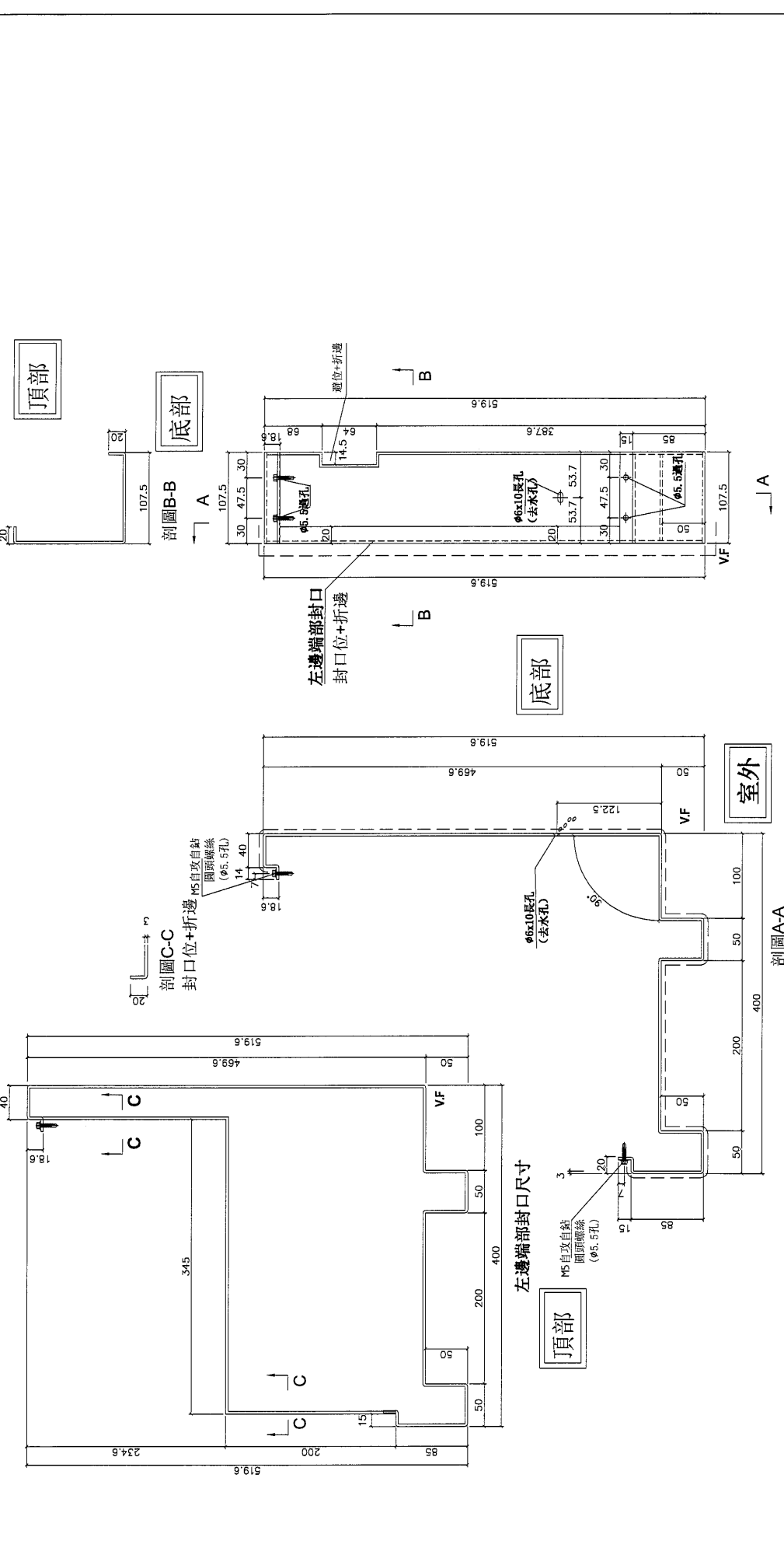
QTY.:

REV.	CHECKED DATE	PART NUMBER	Dim. A	Dim. B	Dim. C	Dim. D	Dim. E	Dim. F	Dim. G	Dim. H	QTY.	Inv. Code
-		FW-D56L	-	-	-	-	-	-	-	-	1	注: 如圖加工
-		FW-D56R	-	-	-	-	-	-	-	-	1	注: 相反加工

ASSEMBLE ON PARTS

地盤用

用A3紙打印



DWG. NO.	REV.	SCALE	DATE	DRAWN BY	APPROVED BY
FW-D56	-	-	17-04-2024	-	-

PROJECT

YIN PING ROAD KOWLOON
FEATURE WALL (PHASE 2)

MATERIAL

3mm鋁板

COATING

PVF2

COLOUR

EC-DG-D334232-ZD1(SS-01)

MARK. NO.

-

QTY.

-

REV.

CHK BY

PART NUMBER

FW-D70

Dim. A

Dim. B

Dim. C

Dim. D

Dim. E

Dim. F

Dim. G

Dim. H

QTY.

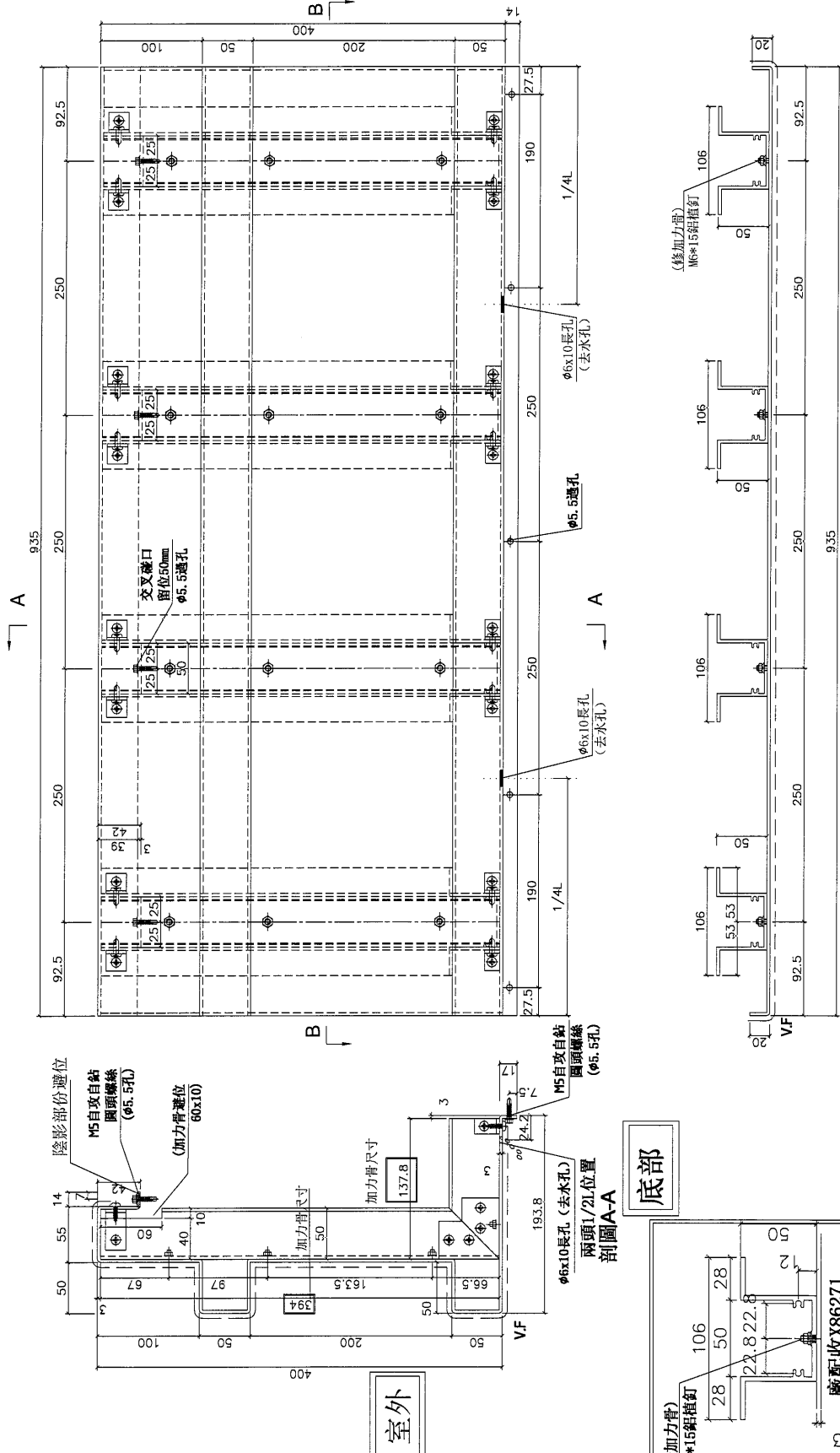
14

Inv. Code

ASSEMBLE ON PARTS

地盤用

用A3紙打印



剖面B-B

剖面A-A

底部

DWG. NO.

FW-D70

REV.

-

SCALE

-

DATE

17-04-2024

DRAWN BY

-

APPROVED BY

-

PROJECT

YIN PING ROAD KOWLOON
FEATURE WALL (PHASE 2)

MATERIAL

3mm鋁板

COATING

PVF2

COLOUR

EC-DG-D334232-ZD1(SS-01)

MARK. NO.

-

QTY.

-

REV.

CHECKED
DATE

PART NUMBER

FW-D73

Dim. A

Dim. B

Dim. C

Dim. D

Dim. E

Dim. F

Dim. G

Dim. H

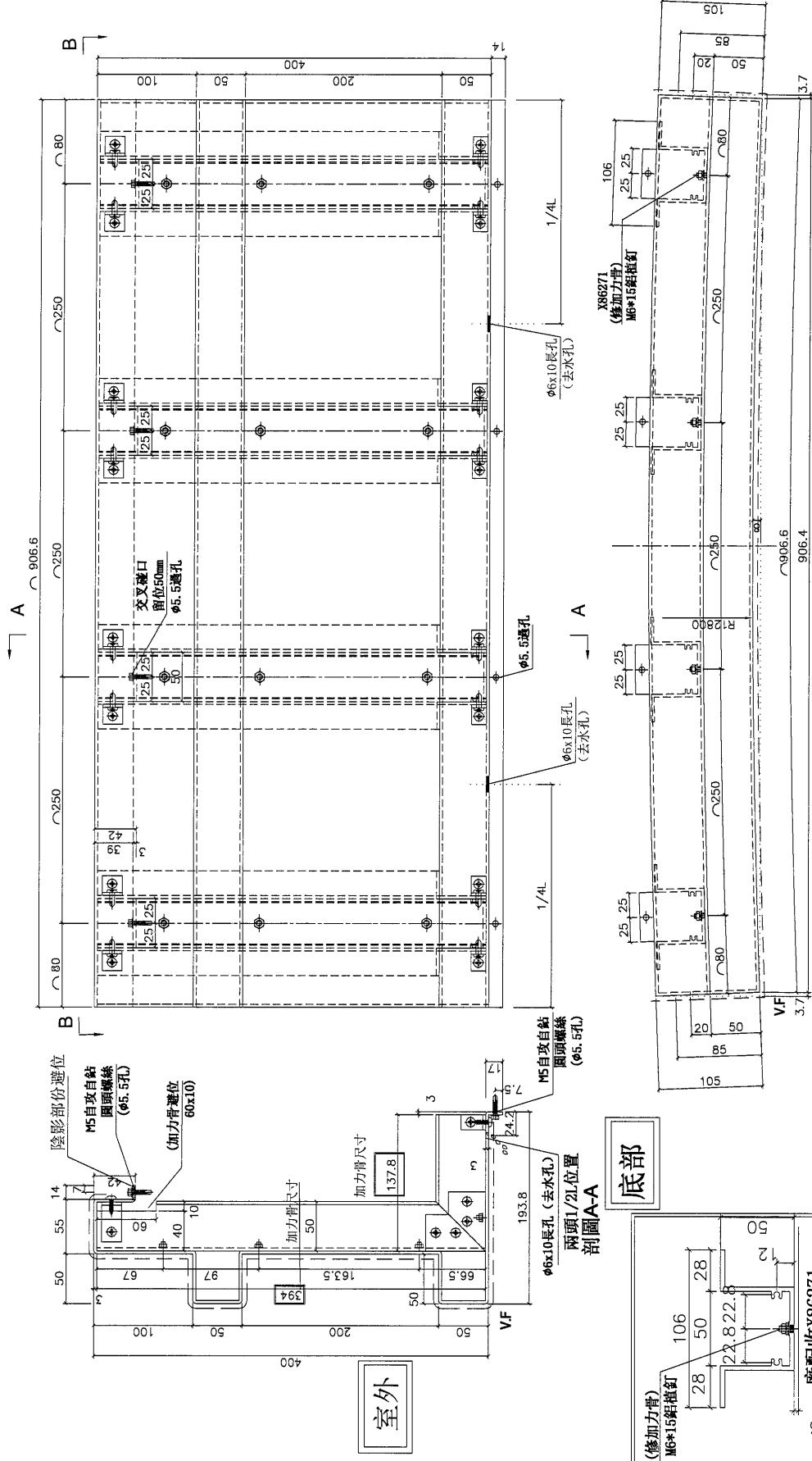
QTY.

Inv. Code

ASSEMBLE ON PARTS

地盤用

用A3紙打印



剖面B-B

DWG. NO.

FW-D73

REV.

SCALE

DATE
17-04-2024

DRAWN BY

APPROVED BY

PROJECT

YIN PING ROAD KOWLOON
FEATURE WALL (PHASE 2)

MATERIAL

3mm鋁板

COATING

PVF2

COLOUR

EC-DG-D334232-ZD1(SS-01)

MARK. NO.

-

QTY.

-

REV.

CHANGED
DATE

FW-D74

Dim. A

Dim. B

Dim. C

Dim. D

Dim. E

Dim. F

Dim. G

Dim. H

QTY.

Inv. Code

ASSEMBLE ON PARTS

611~632.6

230

230

230

230

230

230

230

230

REV.

CHANGED
DATE

FW-D74

Dim. A

Dim. B

Dim. C

Dim. D

Dim. E

Dim. F

Dim. G

Dim. H

QTY.

Inv. Code

ASSEMBLE ON PARTS

611~632.6

230

230

230

230

230

230

230

230

REV.

CHANGED
DATE

FW-D74

Dim. A

Dim. B

Dim. C

Dim. D

Dim. E

Dim. F

Dim. G

Dim. H

QTY.

Inv. Code

ASSEMBLE ON PARTS

611~632.6

230

230

230

230

230

230

230

230

REV.

CHANGED
DATE

FW-D74

Dim. A

Dim. B

Dim. C

Dim. D

Dim. E

Dim. F

Dim. G

Dim. H

QTY.

Inv. Code

ASSEMBLE ON PARTS

611~632.6

230

230

230

230

230

230

230

230

REV.

CHANGED
DATE

FW-D74

Dim. A

Dim. B

Dim. C

Dim. D

Dim. E

Dim. F

Dim. G

Dim. H

QTY.

Inv. Code

ASSEMBLE ON PARTS

611~632.6

230

230

230

230

230

230

230

230

REV.

CHANGED
DATE

FW-D74

Dim. A

Dim. B

Dim. C

Dim. D

Dim. E

Dim. F

Dim. G

Dim. H

QTY.

Inv. Code

ASSEMBLE ON PARTS

611~632.6

230

230

230

230

230

230

230

230

REV.

CHANGED
DATE

FW-D74

Dim. A

Dim. B

Dim. C

Dim. D

Dim. E

Dim. F

Dim. G

Dim. H

QTY.

Inv. Code

ASSEMBLE ON PARTS

611~632.6

230

230

230

230

230

230

230

230

REV.

CHANGED
DATE

FW-D74

Dim. A

Dim. B

Dim. C

Dim. D

Dim. E

Dim. F

Dim. G

Dim. H

QTY.

Inv. Code

ASSEMBLE ON PARTS

611~632.6

230

230

230

230

230

230

230

230

REV.

CHANGED
DATE

FW-D74

Dim. A

Dim. B

Dim. C

Dim. D

Dim. E

Dim. F

Dim. G

Dim. H

QTY.

Inv. Code

ASSEMBLE ON PARTS

611~632.6

230

230

230

230

230

230

230

230

REV.

CHANGED
DATE

FW-D74

Dim. A

Dim. B

Dim. C

Dim. D

Dim. E

Dim. F

Dim. G

Dim. H

QTY.

Inv. Code

ASSEMBLE ON PARTS

611~632.6

230

230

230

230

230

230

230

230

REV.

CHANGED
DATE

FW-D74

Dim. A

Dim. B

Dim. C

Dim. D

Dim. E

Dim. F

Dim. G

Dim. H

QTY.

Inv. Code

ASSEMBLE ON PARTS

611~632.6

230

230

230

230

230

230

230

230

REV.

CHANGED
DATE

FW-D74

Dim. A

Dim. B

Dim. C

Dim. D

Dim. E

Dim. F

Dim. G

Dim. H

QTY.

Inv. Code

ASSEMBLE ON PARTS

611~632.6

230

230

230

230

230

230

230

230

REV.

CHANGED
DATE

FW-D74

Dim. A

Dim. B

Dim. C

Dim. D

Dim. E

Dim. F

Dim. G

Dim. H

QTY.

Inv. Code

ASSEMBLE ON PARTS

611~632.6

230

230

230

230

230

230

230

230

REV.

CHANGED
DATE

FW-D74

Dim. A

Dim. B

Dim. C

Dim. D

Dim. E

Dim. F

Dim. G

Dim. H

QTY.

Inv. Code

ASSEMBLE ON PARTS

611~632.6

230

230

230

230

230

230

PROJECT

YIN PING ROAD KOWLOON
FEATURE WALL (PHASE 2)

MATERIAL

3mm鋁板

COATING

PVF2

COLOUR

EC-DG-D334232-ZD1(SS-01)

MARK. NO.

-

QTY.

-

REV.

FW-D75

Dim. A

Dim. B

Dim. C

Dim. D

Dim. E

Dim. F

Dim. G

Dim. H

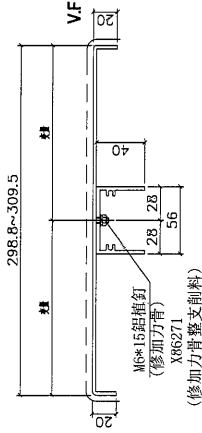
QTY.

Inv. Code

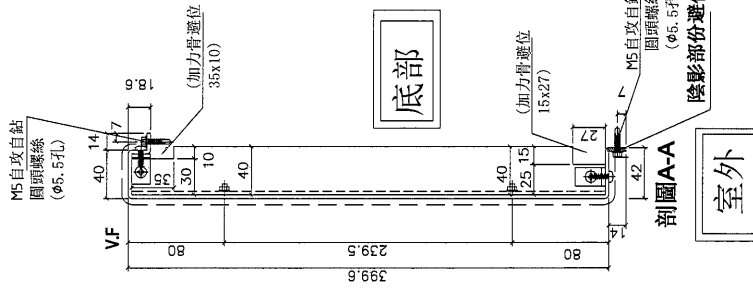
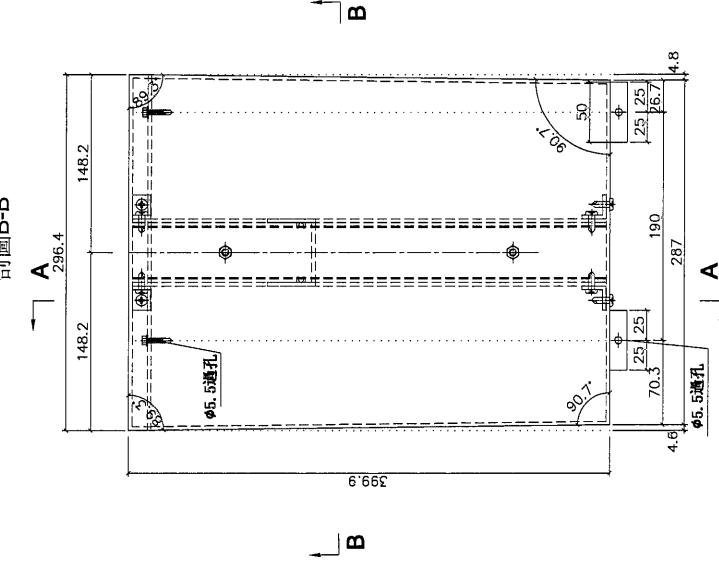
ASSEMBLE ON PARTS

地盤用

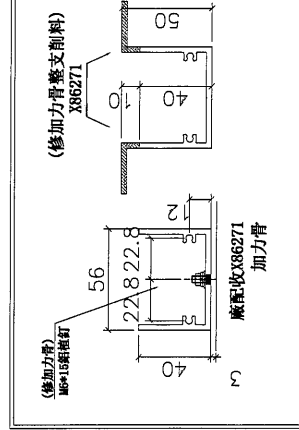
用A3紙打印



剖面B-B



室外



DWG. NO.

FW-D75

REV.

SCALE

DATE
17-04-2024

DRAWN BY

APPROVED BY

PROJECT: YIN PING ROAD KOWLOON FEATURE WALL (PHASE 2)

COLOUR: EC-DG-D334232-ZD1(SS-01)

COATING: PVF2

MATERIAL: 3mm鋁板

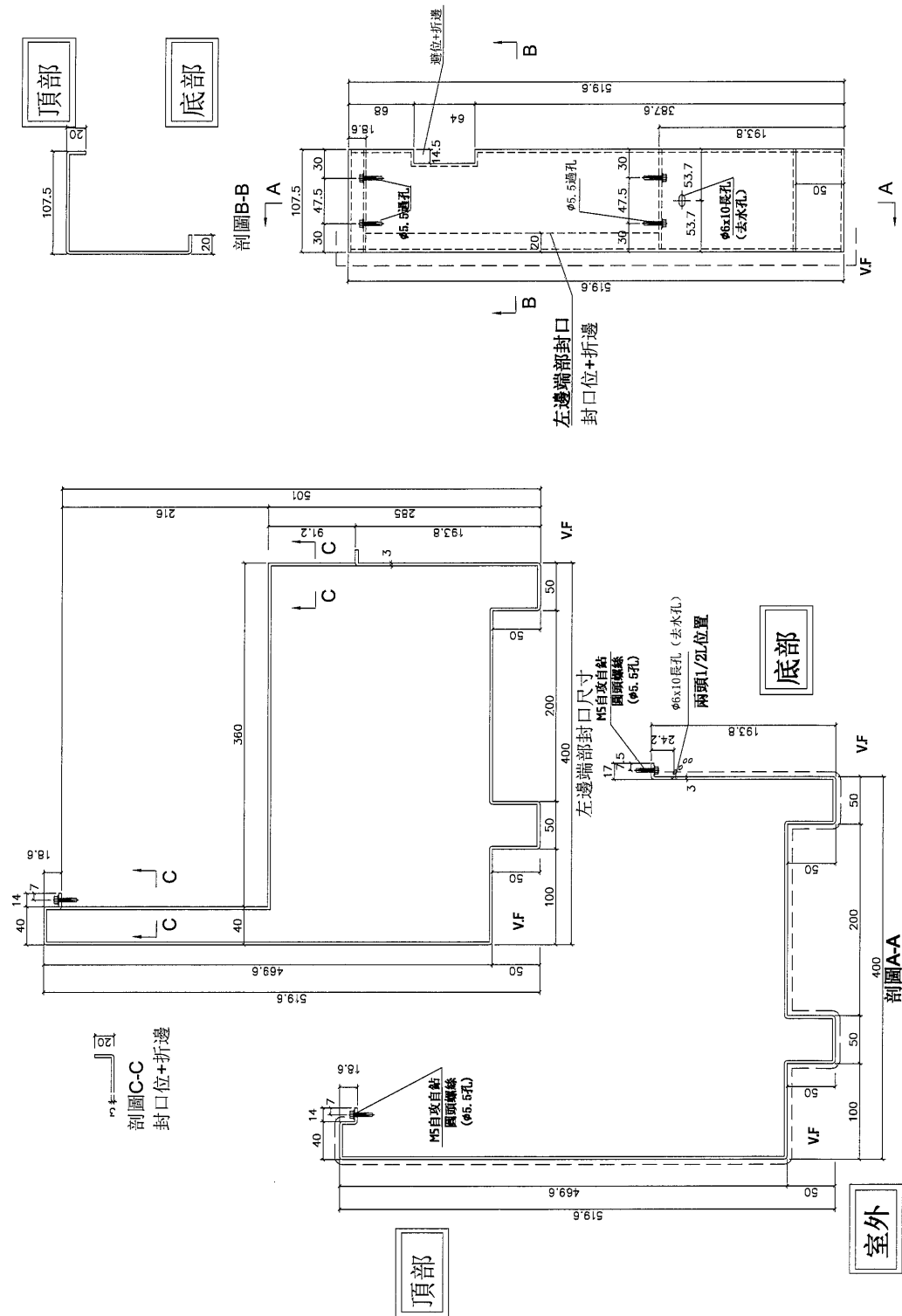
MARK. NO.:

QTY.:

REV.	CHECKED BY	PART NUMBER	Dim. A	Dim. B	Dim. C	Dim. D	Dim. E	Dim. F	Dim. G	Dim. H	QTY.	Inv. Code	ASSEMBLE ON PARTS
-	-	FW-D76L	-	-	-	-	-	-	-	-	1	-	注: 如圖加工
-	-	FW-D76R	-	-	-	-	-	-	-	-	1	-	注: 相反加工

地盤用

用A3紙打印

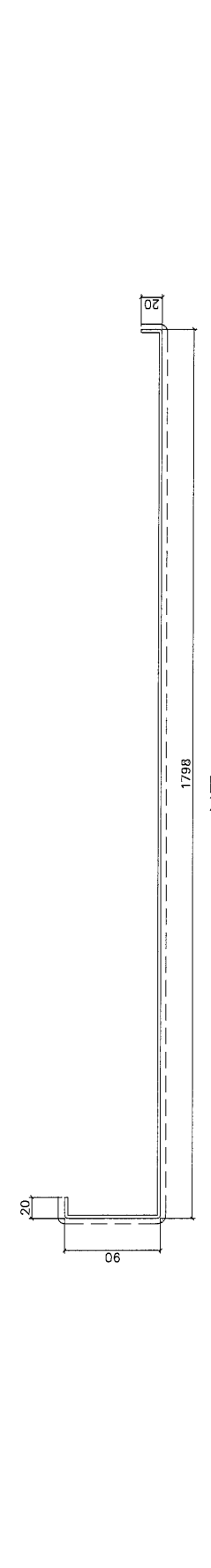
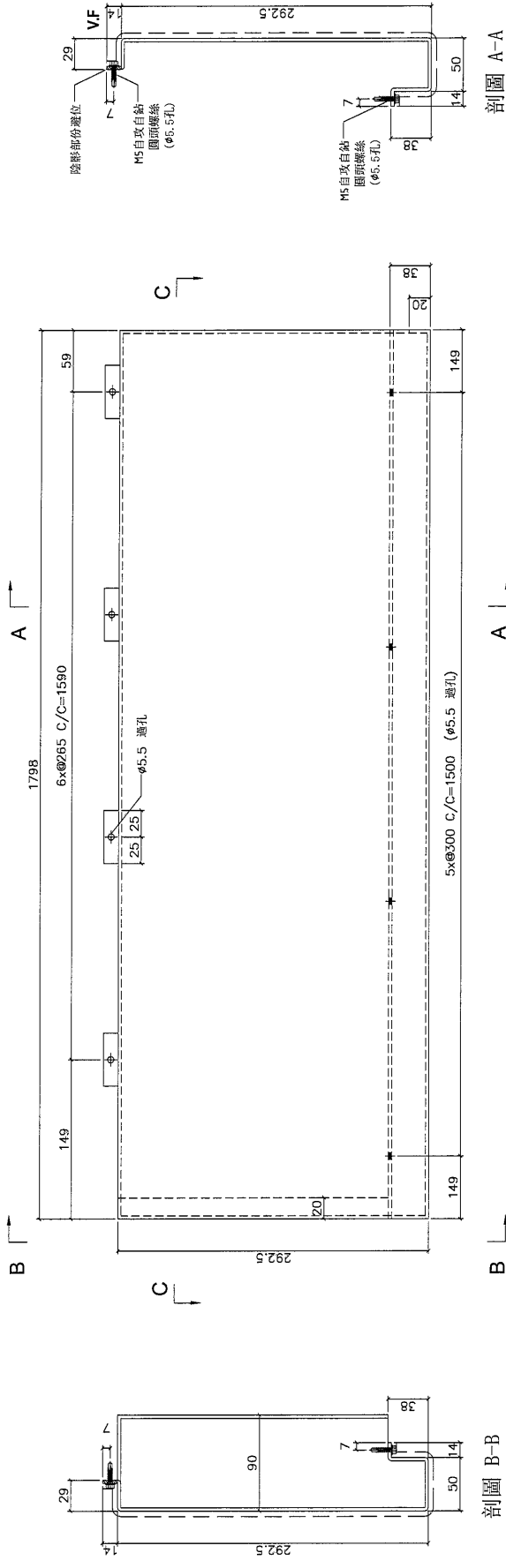


DWG. NO.	REV.	SCALE	DATE	DRAWN BY	APPROVED BY
FW-D76	-	-	17-04-2024	-	-

PROJECT		YIN PING ROAD KOWLOON FEATURE WALL (PHASE 2)		MATERIAL		3mm鋁板		COATING		PVF2		COLOUR		EC-DG-D334232-ZD1(SS-01)		MARK. NO.		-		QTY.		-	
---------	--	--	--	----------	--	-------	--	---------	--	------	--	--------	--	--------------------------	--	-----------	--	---	--	------	--	---	--

REV.	CHANGED BY	PART NUMBER	Dim. A	Dim. B	Dim. C	Dim. D	Dim. E	Dim. F	Dim. G	Dim. H	QTY.	Inv. Code	ASSEMBLE ON PARTS									
-		FW-D111	-	-	-	-	-	-	-	-	1		注: 現場復尺									

地盤用
用A3紙打印



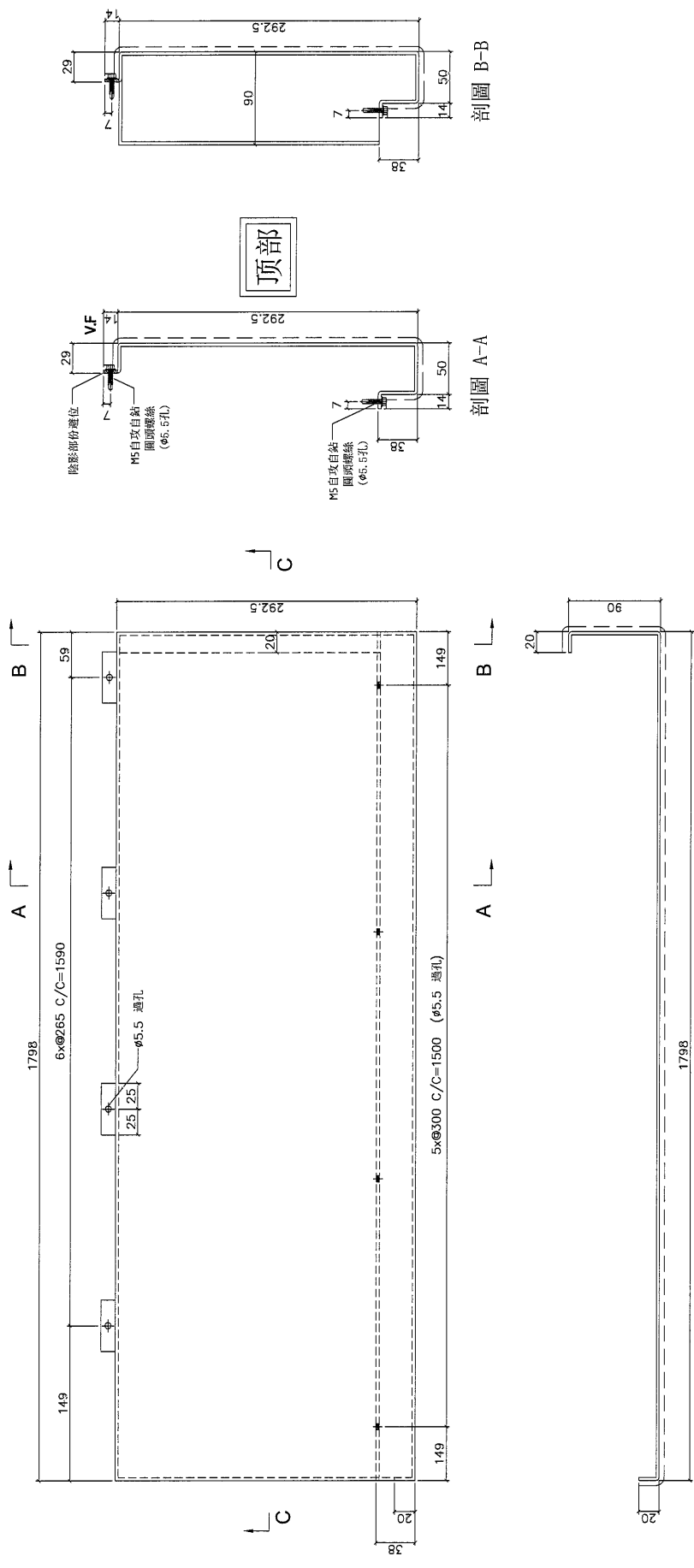
DWG. NO.	FW-D111	REV.	-	SCALE	-	DATE	06-07-2024	DRAWN BY	-	APPROVED BY	-
----------	---------	------	---	-------	---	------	------------	----------	---	-------------	---

PROJECT		YIN PING ROAD KOWLOON FEATURE WALL (PHASE 2)			MATERIAL		3mm鋁板		COATING		PVF2		COLOUR		EC-DG-D334232-ZD1(SS-01)		MARK. NO.		-		QTY.		-	
---------	--	--	--	--	----------	--	-------	--	---------	--	------	--	--------	--	--------------------------	--	-----------	--	---	--	------	--	---	--

REV.	CHECKED	DRAWN	PART NUMBER	Dim. A	Dim. B	Dim. C	Dim. D	Dim. E	Dim. F	Dim. G	Dim. H	QTY.	Inv. Code	ASSEMBLE ON PARTS								
-	-	-	FW-D112	-	-	-	-	-	-	-	-	1	-	注: 現場復尺								

地盤用

用A3紙打印

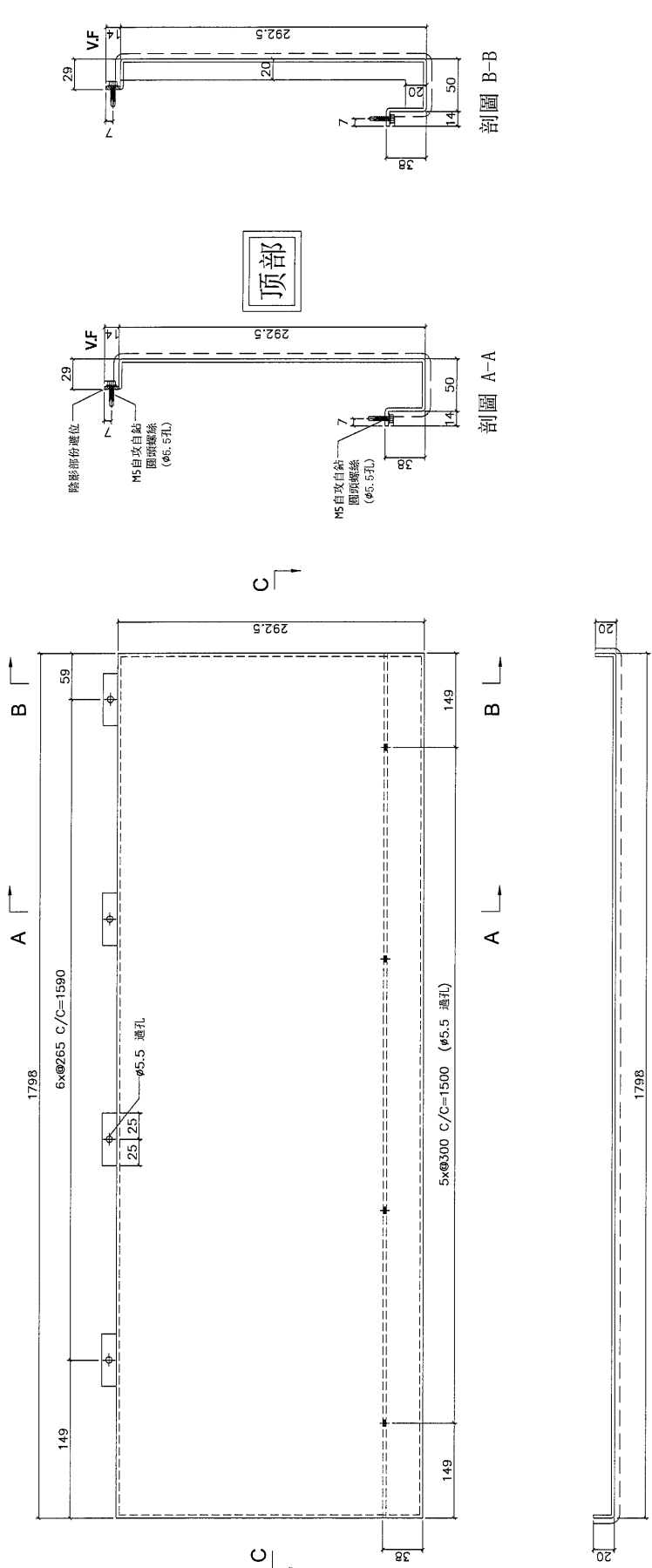


DWG. NO.		FW-D112		REV.		-		SCALE		-		DATE		06-07-2024		DRAWN BY		-		APPROVED BY		-	
----------	--	---------	--	------	--	---	--	-------	--	---	--	------	--	------------	--	----------	--	---	--	-------------	--	---	--

PROJECT: YIN PING ROAD KOWLOON FEATURE WALL (PHASE 2) MATERIAL: 3mm鋁板 COATING: PVF2 COLOUR: EC-DG-D334232-ZD1(SS-01) MARK. NO.: - QTY.: -

REV.	CHECKED DATE BY	PART NUMBER	Dim. A	Dim. B	Dim. C	Dim. D	Dim. E	Dim. F	Dim. G	Dim. H	QTY.	Inv. Code	ASSEMBLE ON PARTS
-		FW-D113	-	-	-	-	-	-	-	-	7		地盤用

用A3紙打印



頂部

剖面 B-B

剖面 A-A

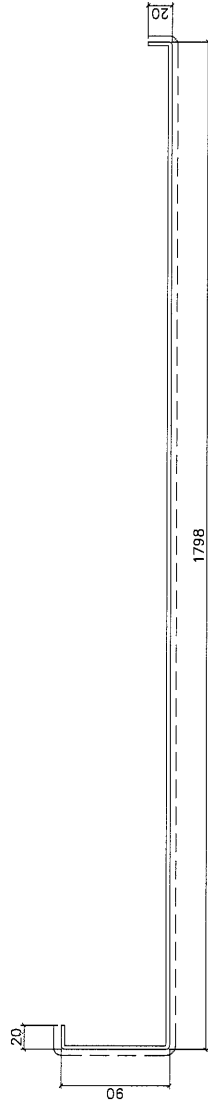
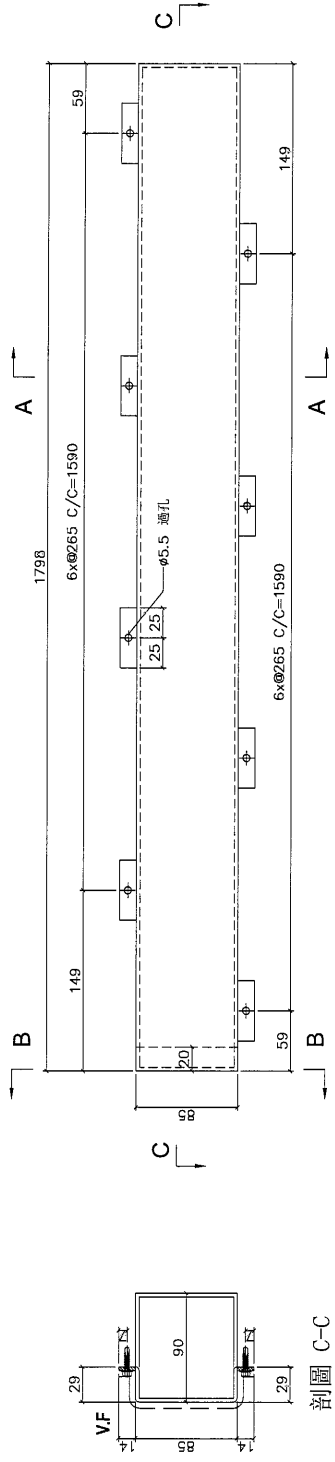
剖面 C-C

DWG. NO.	FW-D113	REV.	-	SCALE	-	DATE	06-07-2024	DRAWN BY	-	APPROVED BY	-
----------	---------	------	---	-------	---	------	------------	----------	---	-------------	---

PROJECT		YIN PING ROAD KOWLOON FEATURE WALL (PHASE 2)		MATERIAL		3mm鋁板		COATING		PVF2		COLOUR		EC-DG-D334232-ZD1(SS-01)		MARK. NO.		-		QTY.		-	
---------	--	--	--	----------	--	-------	--	---------	--	------	--	--------	--	--------------------------	--	-----------	--	---	--	------	--	---	--

REV.	CHANGED BY	PART NUMBER	Dim. A	Dim. B	Dim. C	Dim. D	Dim. E	Dim. F	Dim. G	Dim. H	QTY.	Inv. Code	ASSEMBLE ON PARTS									
-		FW-D211	-	-	-	-	-	-	-	-	1		注: 現場復尺									

地盤用
用A3紙打印



DWG. NO.	FW-D211	REV.	-	SCALE	-	DATE	06-07-2024	DRAWN BY	-	APPROVED BY	-
----------	---------	------	---	-------	---	------	------------	----------	---	-------------	---

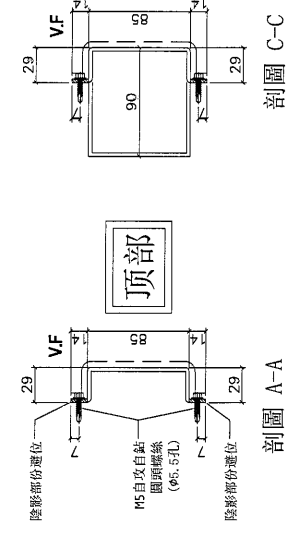
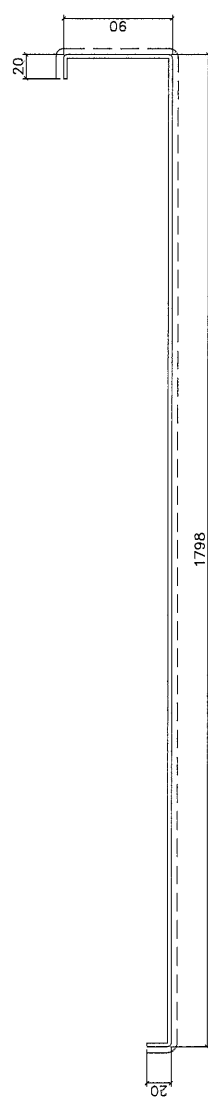
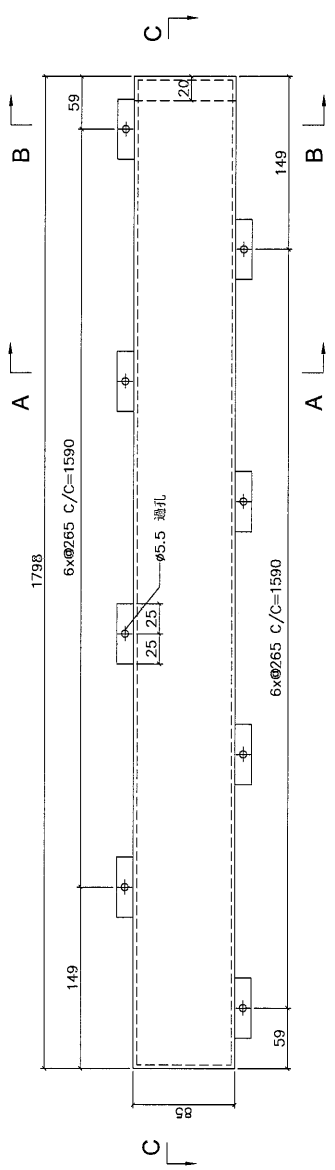
PROJECT		YIN PING ROAD KOWLOON FEATURE WALL (PHASE 2)			MATERIAL			COATING			COLOUR			MARK. NO.			QTY.		
		3mm鋁板			PVF2			EC-DG-D334232-ZD1(SS-01)			ASSEMBLE ON PARTS			-			-		

REV.	CHECKED BY	PART NUMBER	Dim. A	Dim. B	Dim. C	Dim. D	Dim. E	Dim. F	Dim. G	Dim. H	QTY.	Inv. Code
-		FW-D212	-	-	-	-	-	-	-	-	1	

注: 埋磅复尺

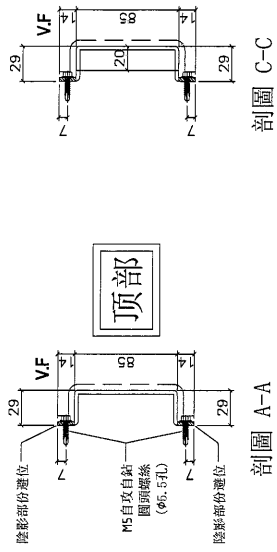
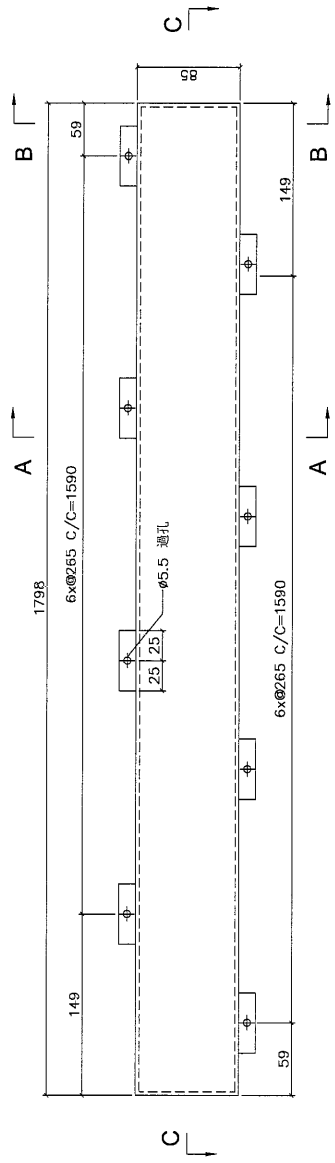
地盤用

用A3紙打印



DWG. NO.	FW-D212	REV.	-	SCALE	-	DATE	06-07-2024	DRAWN BY	-	APPROVED BY	-
----------	---------	------	---	-------	---	------	------------	----------	---	-------------	---

PROJECT		YIN PING ROAD KOWLOON FEATURE WALL (PHASE 2)				MATERIAL				3mm鋁板		COATING		PVF2		COLOUR		EC-DG-D334232-ZD1(SS-01)		MARK. NO.		-		QTY.		-	
REV.	CHECKED DATE	Dim. A	Dim. B	Dim. C	Dim. D	Dim. E	Dim. F	Dim. G	Dim. H	QTY.	Inv. Code	ASSEMBLE ON PARTS															
-		-	-	-	-	-	-	-	-	7		地盤用															
														用A3紙打印													

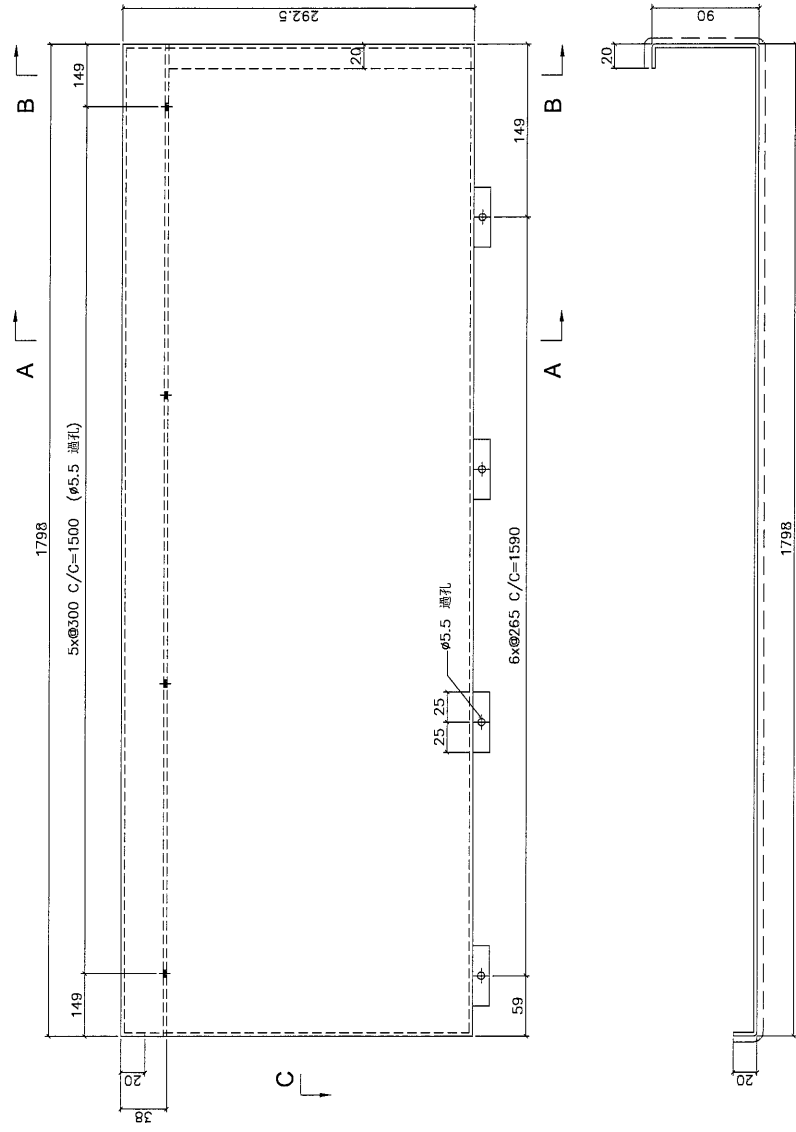


剖面 C-C

DWG. NO.	FW-D213	REV.	-	SCALE	-	DATE	06-07-2024	DRAWN BY	-	APPROVED BY	-
----------	---------	------	---	-------	---	------	------------	----------	---	-------------	---

PROJECT		YIN PING ROAD KOWLOON FEATURE WALL (PHASE 2)		MATERIAL		3mm鋁板		COATING		PVF2		COLOUR		EC-DG-D334232-ZD1(SS-01)		MARK. NO.		-		QTY.		-	
REV.	CREATED BY	PART NUMBER	Dim. A	Dim. B	Dim. C	Dim. D	Dim. E	Dim. F	Dim. G	Dim. H	QTY.	Inv. Code	ASSEMBLE ON PARTS										
-		FW-D312	-	-	-	-	-	-	-	-	1		注: 現場复尺										

地盤用																					
用A3紙打印																					



DWG. NO.		FW-D312		REV.		-		SCALE		-		DATE		06-07-2024		DRAWN BY		-		APPROVED BY		-	
----------	--	---------	--	------	--	---	--	-------	--	---	--	------	--	------------	--	----------	--	---	--	-------------	--	---	--

PROJECT: YIN PING ROAD KOWLOON FEATURE WALL (PHASE 2)

COLOUR: EC-DG-D334232-ZD1(SS-01)

MARK. NO.: -

QTY.: -

REV.	CHANGED BY	PART NUMBER	Dim. A	Dim. B	Dim. C	Dim. D	Dim. E	Dim. F	Dim. G	Dim. H	QTY.	Inv. Code
-	-	FW-D313	-	-	-	-	-	-	-	-	7	-

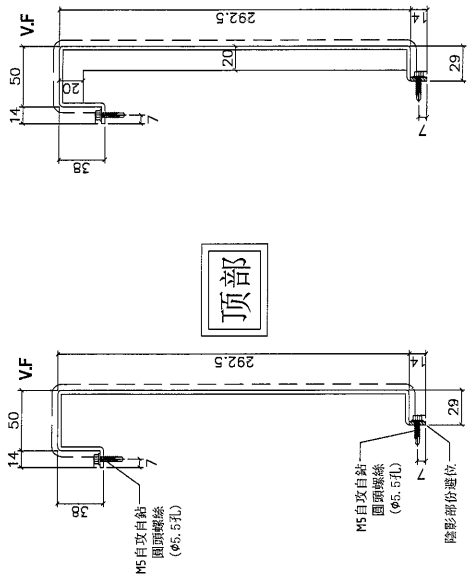
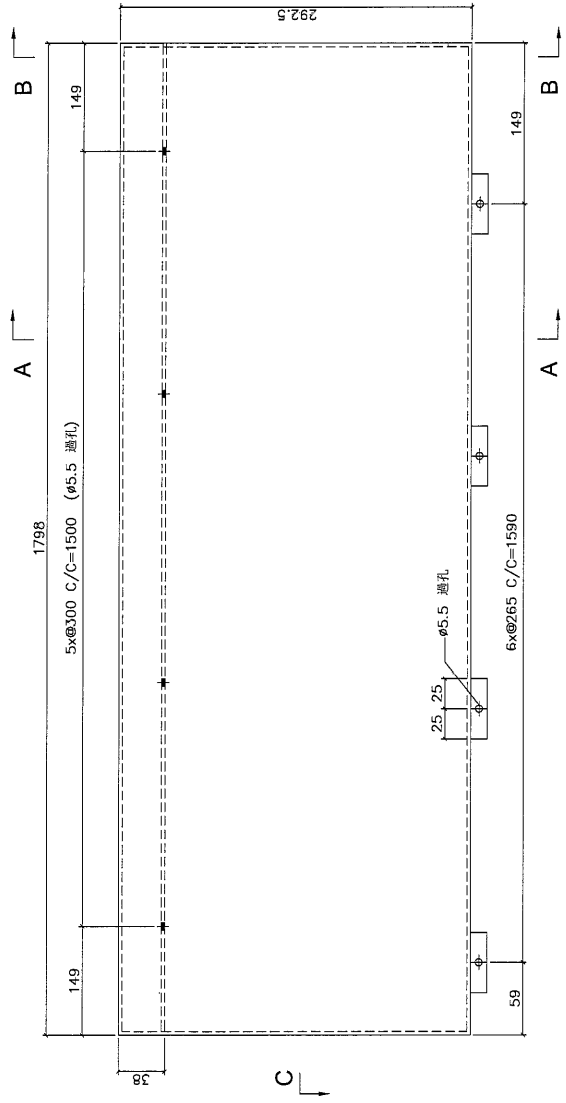
MATERIAL: 3mm鋁板

COATING: PVF2

ASSEMBLE ON PARTS

地盤用

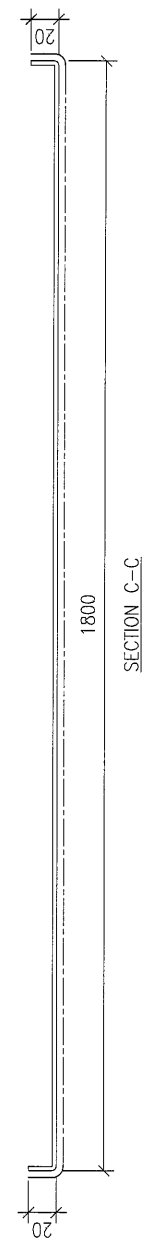
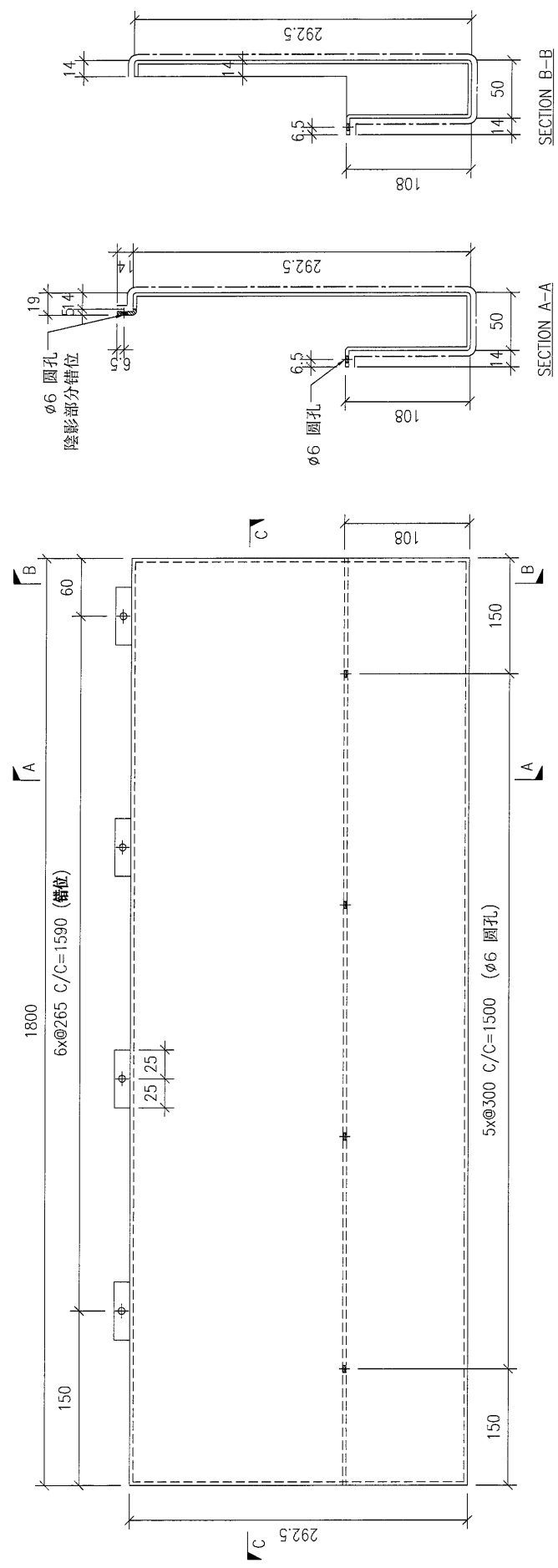
用A3紙打印



DWG. NO.	FW-D313	REV.	-	SCALE	-	DATE	06-07-2024	DRAWN BY	-	APPROVED BY	-
----------	---------	------	---	-------	---	------	------------	----------	---	-------------	---

PROJECT: YIN PING ROAD KOWLOON FEATURE WALL (PHASE 2) MATERIAL: 3mm鋁板 COATING: PVF2 COLOUR: EC-DG-D334232-ZD1(SS-01) MARK. NO.: - QTY.: -

REV.	CHANGED FOR	PART NUMBER	Dim. A	Dim. B	Dim. C	Dim. D	Dim. E	Dim. F	Dim. G	Dim. H	QTY.	Inv. Code	ASSEMBLE ON PARTS	注: 地盤用
-		FW-M101	-	-	-	-	-	-	-	-	2			



DWG. NO.	REV.	SCALE	DATE	DRAWN BY	APPROVED BY
FW-M101	-	-	11-07-2024	-	-

PROJECT

YIN PING ROAD KOWLOON
FEATURE WALL (PHASE 2)

MATERIAL

3mm鋁板

COATING

PVF2

COLOUR

EC-DG-D334232-ZD1(SS-01)

MARK. NO.

-

QTY.

-

REV. /
CHECKED
BY

-

FW-M102

-

-

-

-

-

-

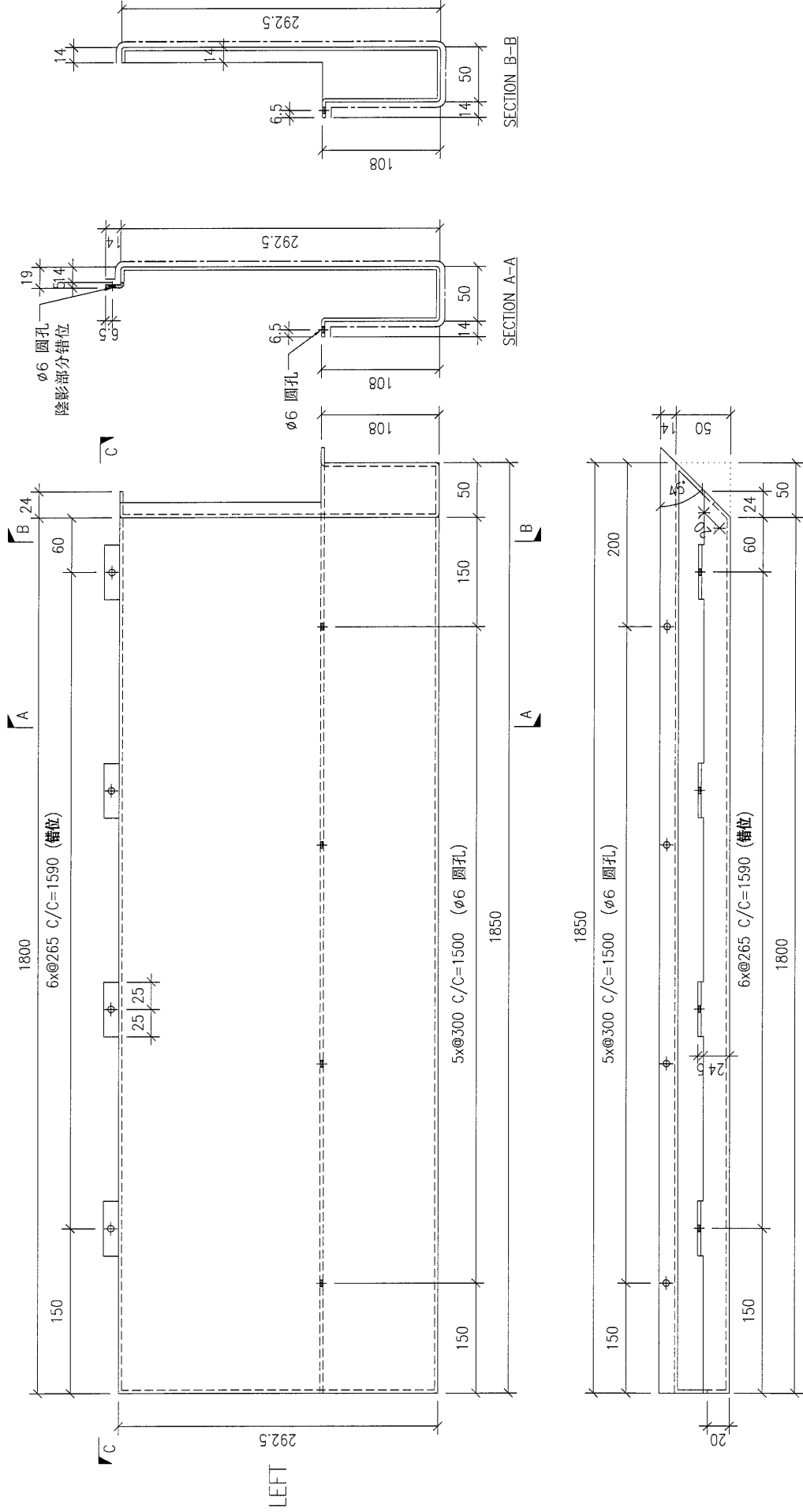
-

1

Inv. Code

ASSEMBLE ON PARTS

注: 地盤用



DWG. NO.

FW-M102

REV.

-

SCALE

-

DATE

11-07-2024

DRAWN BY

-

APPROVED BY

-

PROJECT: YIN PING ROAD KOWLOON FEATURE WALL (PHASE 2)

MATERIAL: 3mm鋁板

COATING: PVF2

COLOUR: EC-DG-D334232-ZD1(SS-01)

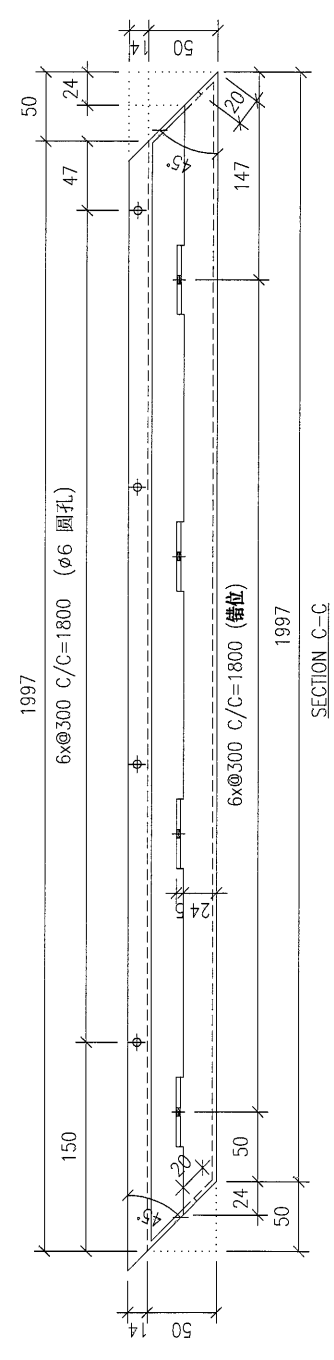
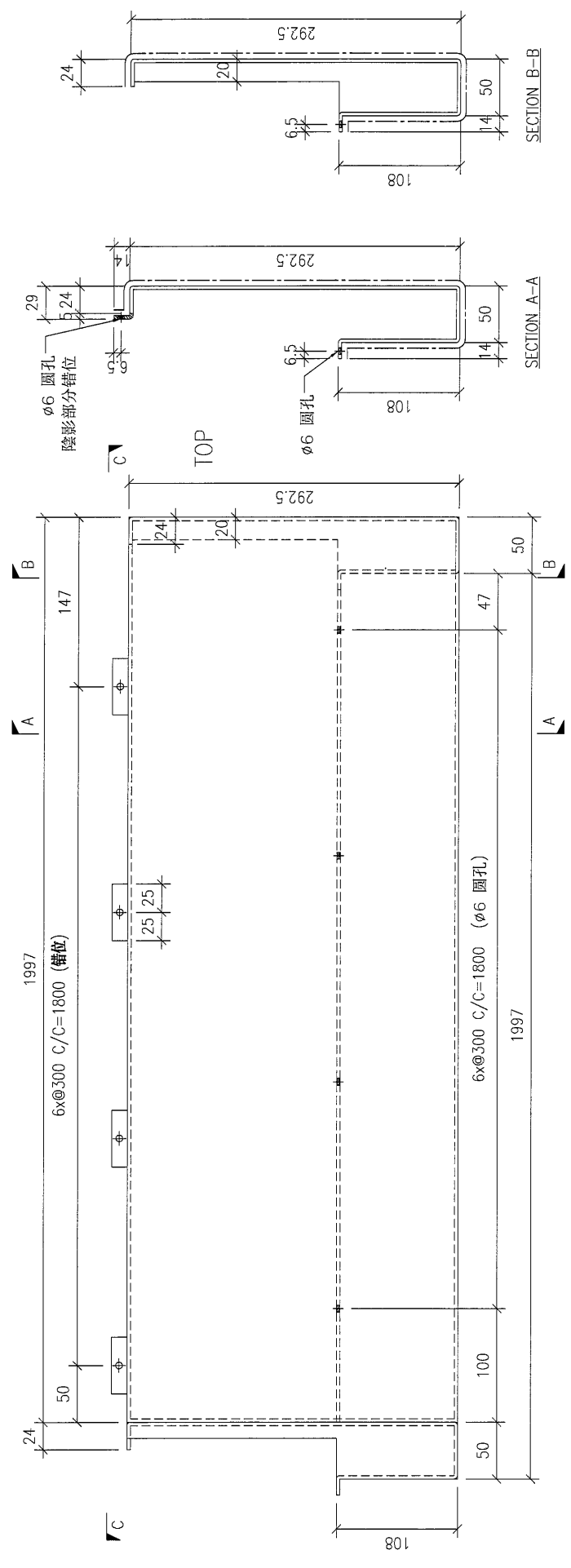
MARK. NO.:

QTY.:

REV.	CHECKED FOR DR	PART NUMBER	Dim. A	Dim. B	Dim. C	Dim. D	Dim. E	Dim. F	Dim. G	Dim. H	QTY.	Inv. Code
-		FW-M103	-	-	-	-	-	-	-	-	1	

注: 現場量尺

注: 地盤用



DWG. NO.	REV.	SCALE	DATE	DRAWN BY	APPROVED BY
FW-M103	-	-	11-07-2024	-	-

PROJECT

YIN PING ROAD KOWLOON
FEATURE WALL (PHASE 2)

MATERIAL

3mm鋁板

COATING

PVF2

COLOUR

EC-DG-D334232-ZD1(SS-01)

MARK. NO.

-

QTY.

-

REV.

FW-M104

Dim. A

Dim. B

Dim. C

Dim. D

Dim. E

Dim. F

Dim. G

Dim. H

QTY.

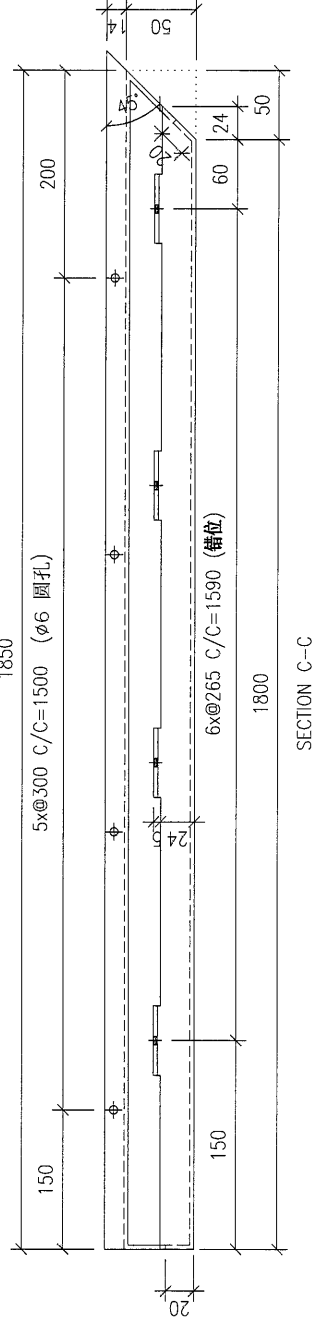
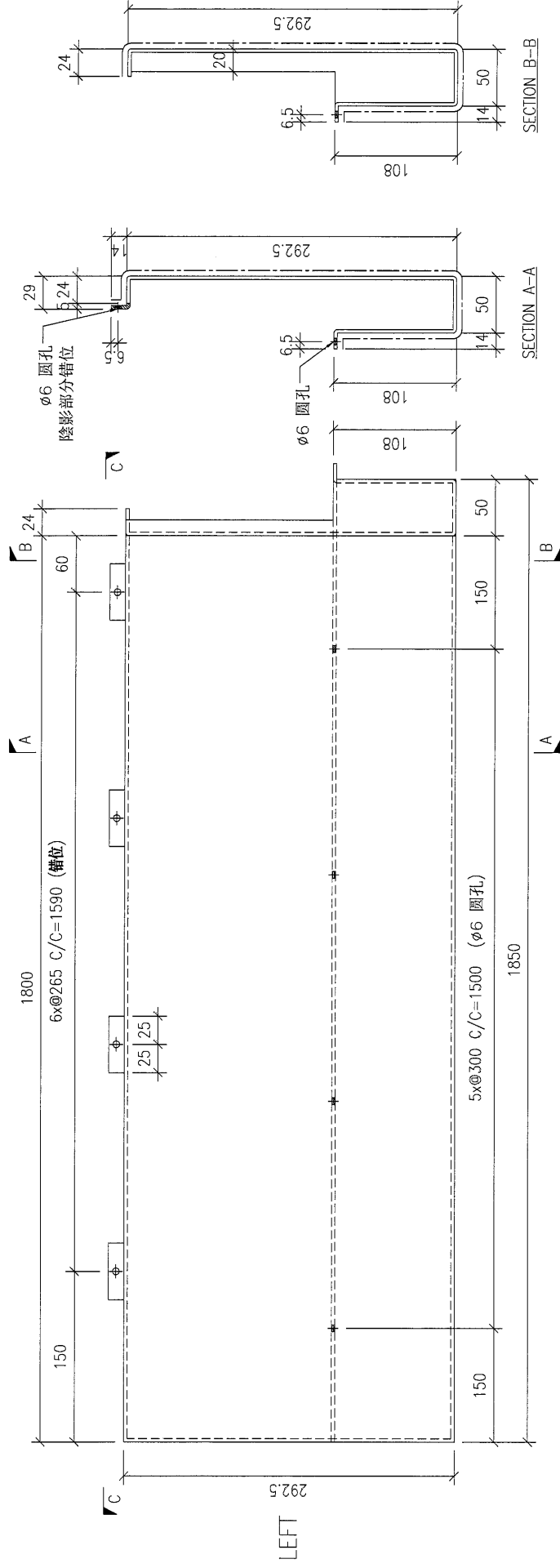
Inv. Code

ASSEMBLE ON PARTS

1

注：現場量尺

注：地盤用



DWG. NO.

FW-M104

REV.

-

SCALE

-

DATE

11-07-2024

DRAWN BY

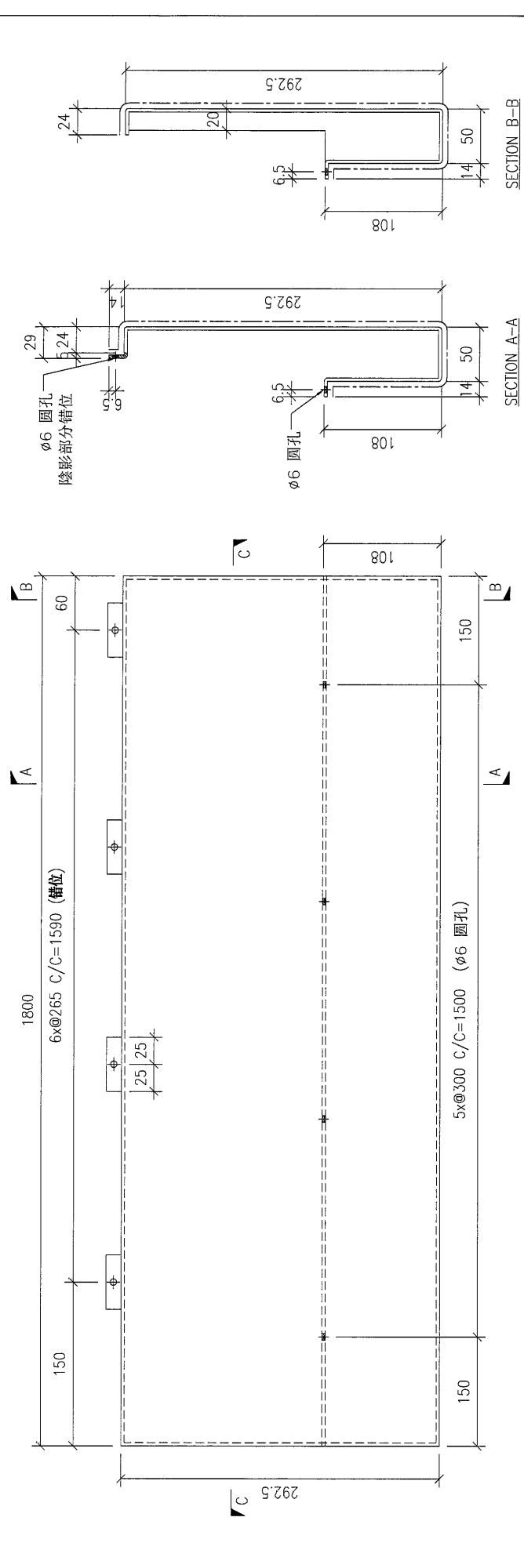
-

APPROVED BY

-

PROJECT: YIN PING ROAD KOWLOON FEATURE WALL (PHASE 2) MATERIAL: 3mm鋁板 COLOUR: EC-DG-D334232-ZD1(SS-01) MARK. NO. - QTY. -

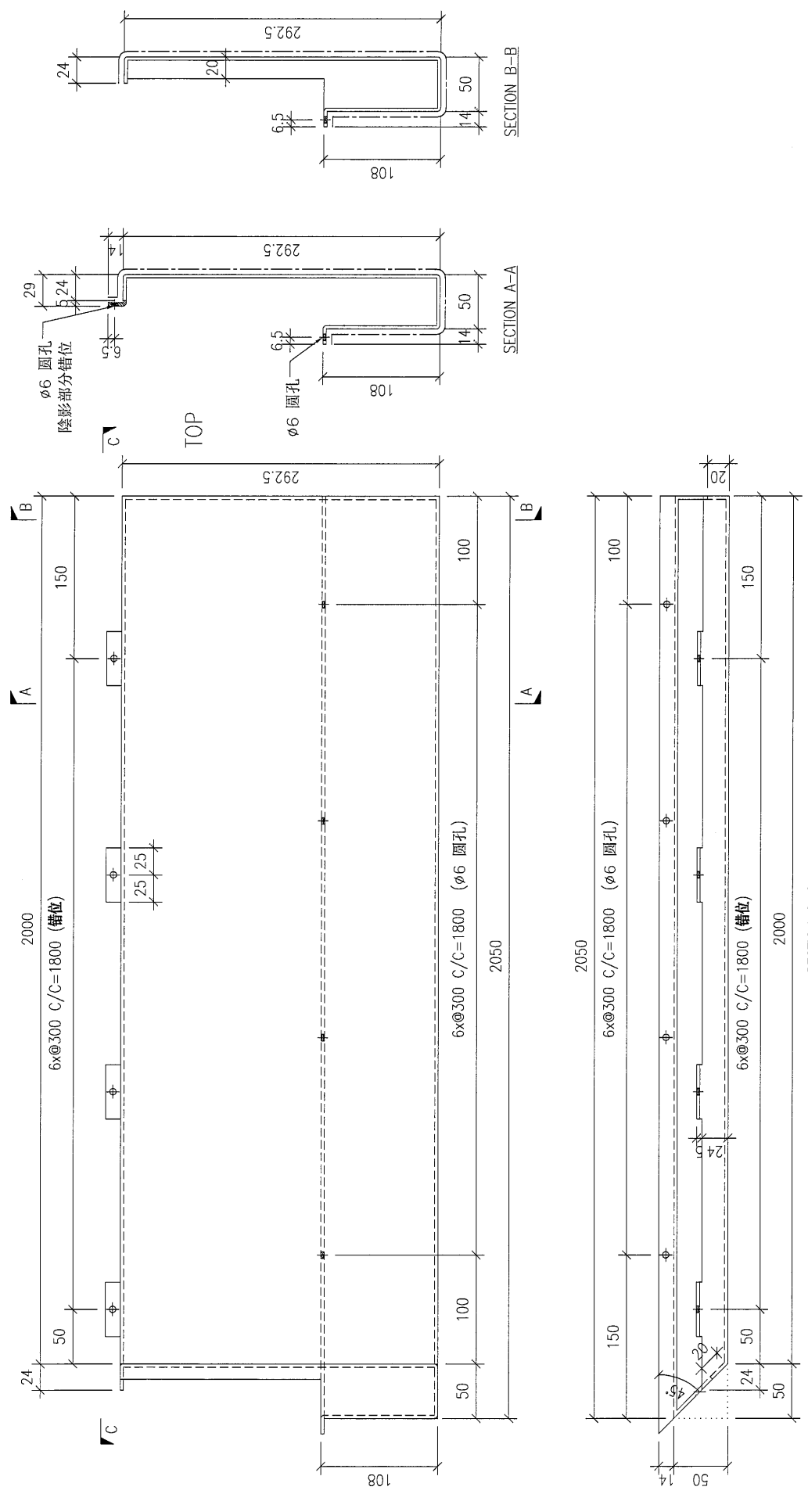
REV.	CHECKED DATE	PART NUMBER	Dim. A	Dim. B	Dim. C	Dim. D	Dim. E	Dim. F	Dim. G	Dim. H	QTY.	Inv. Code	ASSEMBLE ON PARTS	注: 地盤用
-	-	FW-M106	-	-	-	-	-	-	-	-	9	-	-	-
-	-	FW-V106	-	-	-	-	-	-	-	-	14	-	-	-
-	-	FW-X106	-	-	-	-	-	-	-	-	5	-	-	-



DWG. NO.	REV.	SCALE	DATE	DRAWN BY	APPROVED BY
FW-MX106	-	-	11-07-2024	-	-

PROJECT		YIN PING ROAD KOWLOON FEATURE WALL (PHASE 2)		MATERIAL		3mm鋁板		COATING		PVF2		COLOUR		EC-DG-D334232-ZD1(SS-01)		MARK. NO.		-		QTY.		-	
REV.	CHANGED DATE OF	PART NUMBER	Dim. A	Dim. B	Dim. C	Dim. D	Dim. E	Dim. F	Dim. G	Dim. H	QTY.	Inv. Code	ASSEMBLE ON PARTS										
-		FW-M107	-	-	-	-	-	-	-	-	1												
-		FW-X107	-	-	-	-	-	-	-	-	1												

注: 地盤用																					
--------	--	--	--	--	--	--	--	--	--	--	--	--	--	--	--	--	--	--	--	--	--



DWG. NO.	FW-MX107	REV.	-	SCALE	-	DATE	11-07-2024	DRAWN BY	-	APPROVED BY	-
----------	----------	------	---	-------	---	------	------------	----------	---	-------------	---

PROJECT: YIN PING ROAD KOWLOON FEATURE WALL (PHASE 2)

MATERIAL: 3mm鋁板

COATING: PVF2

COLOUR: EC-DG-D334232-ZD1(SS-01)

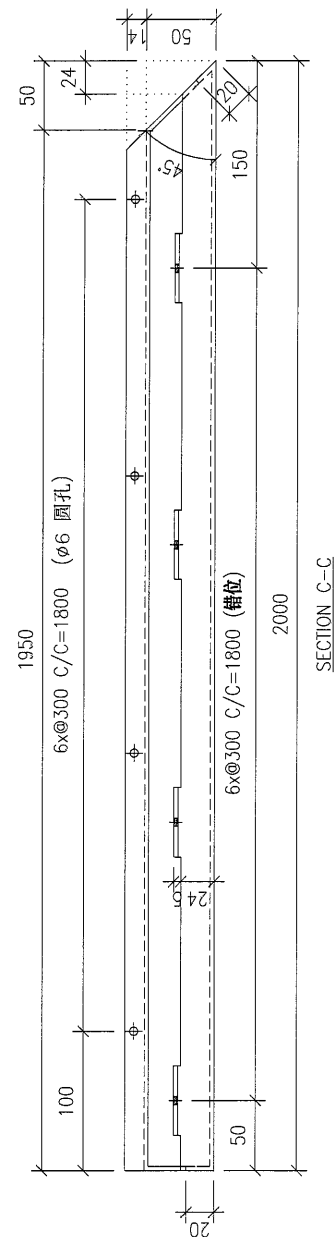
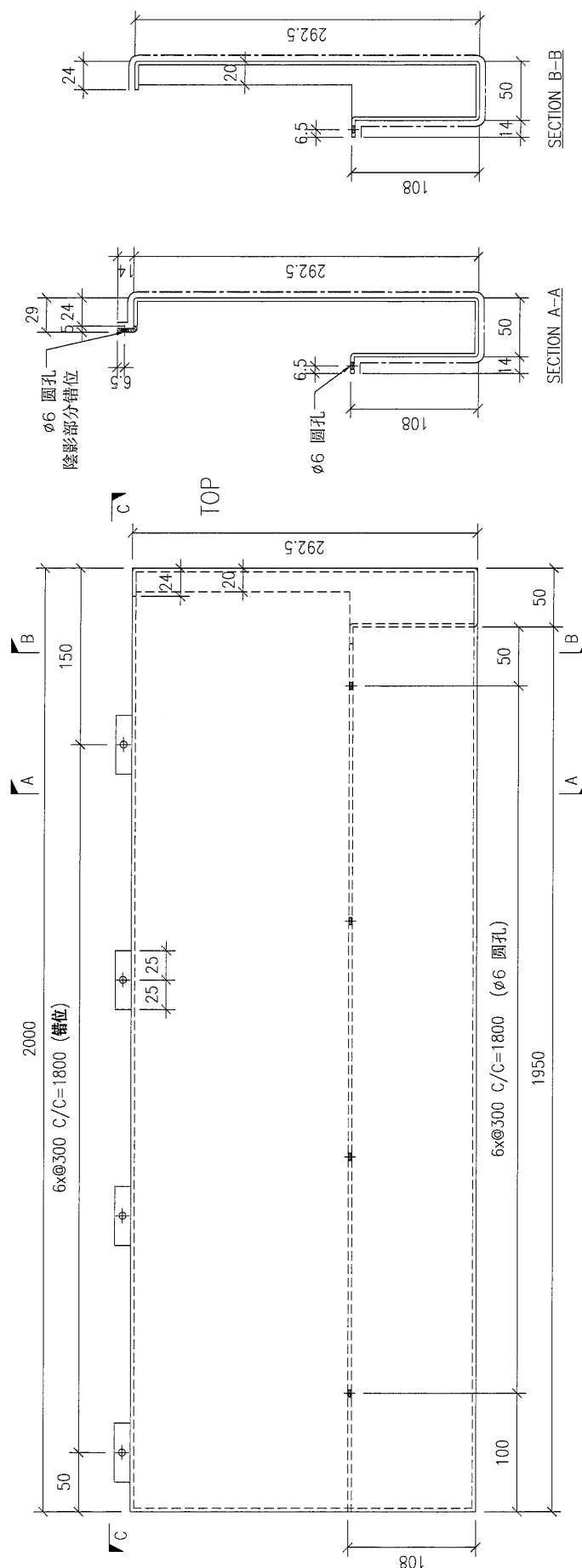
MARK. NO.:

QTY.:

REV.	CHECKED BY	PART NUMBER	Dim. A	Dim. B	Dim. C	Dim. D	Dim. E	Dim. F	Dim. G	Dim. H	QTY.	Inv. Code
-		FW-M108	-	-	-	-	-	-	-	-	1	
-		FW-X108	-	-	-	-	-	-	-	-	2	

ASSEMBLE ON PARTS

注: 地盤用



DWG. NO.	REV.	SCALE	DATE	DRAWN BY	APPROVED BY
FW-MX108	-	-	11-07-2024	-	-

PROJECT: YIN PING ROAD KOWLOON FEATURE WALL (PHASE 2)

MATERIAL: 3mm鋁板

COATING: PVF2

COLOUR: EC-DG-D334232-ZD1(SS-01)

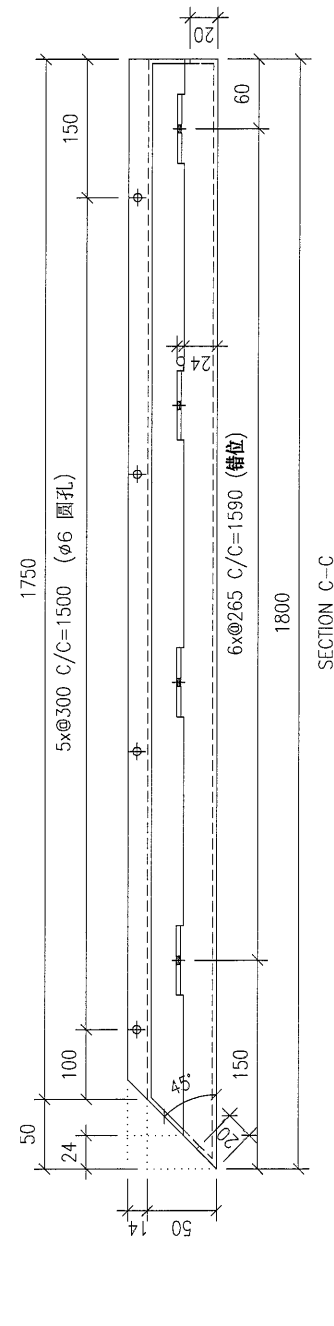
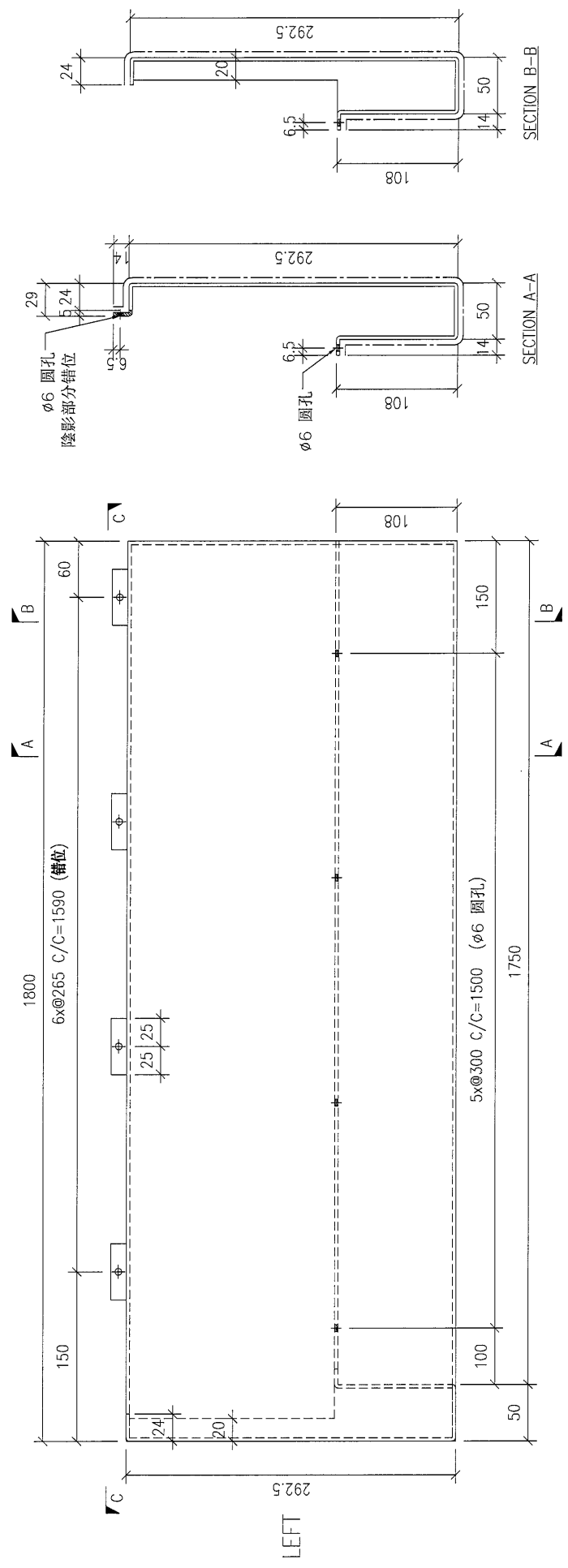
MARK. NO.:

QTY.:

REV.	CHANGED/ISSUED BY	PART NUMBER	Dim. A	Dim. B	Dim. C	Dim. D	Dim. E	Dim. F	Dim. G	Dim. H	QTY.	Inv. Code
-	-	FW-M109	-	-	-	-	-	-	-	-	2	-
-	-	FW-X109	-	-	-	-	-	-	-	-	2	-

ASSEMBLE ON PARTS

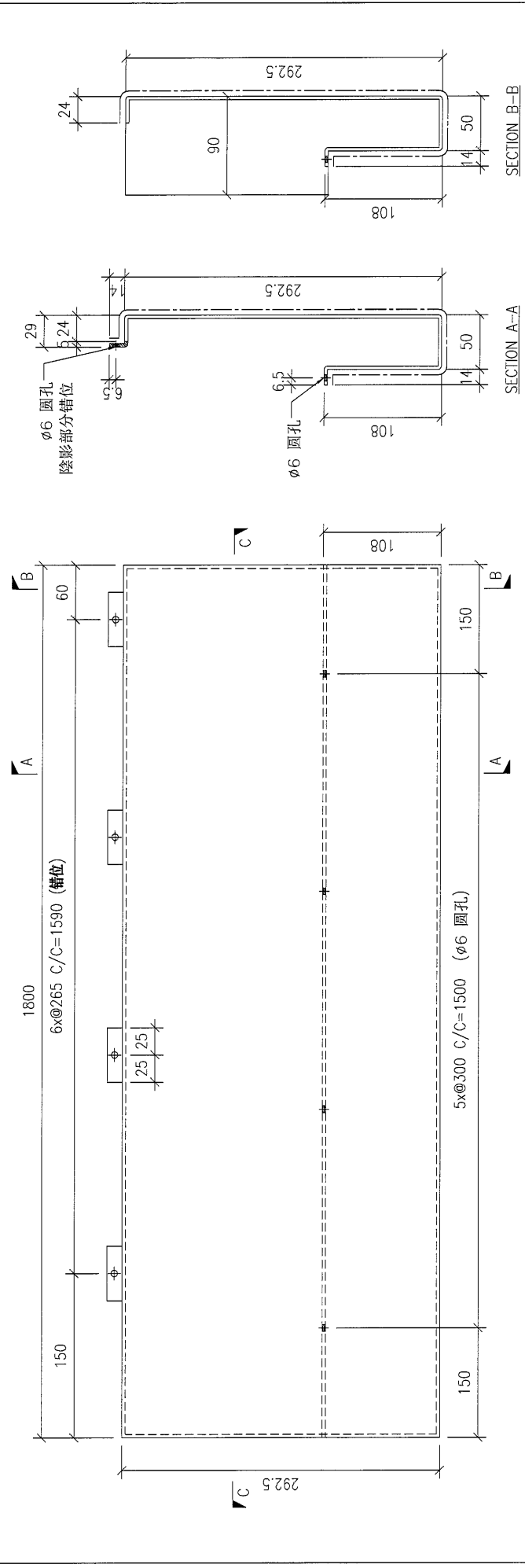
注: 地盤用



DWG. NO.	REV.	SCALE	DATE	DRAWN BY	APPROVED BY
FW-MX109	-	-	11-07-2024	-	-

PROJECT: YIN PING ROAD KOWLOON FEATURE WALL (PHASE 2) MATERIAL: 3mm鋁板 COLOUR: EC-DG-D334232-ZD1(SS-01) MARK. NO. - QTY. -

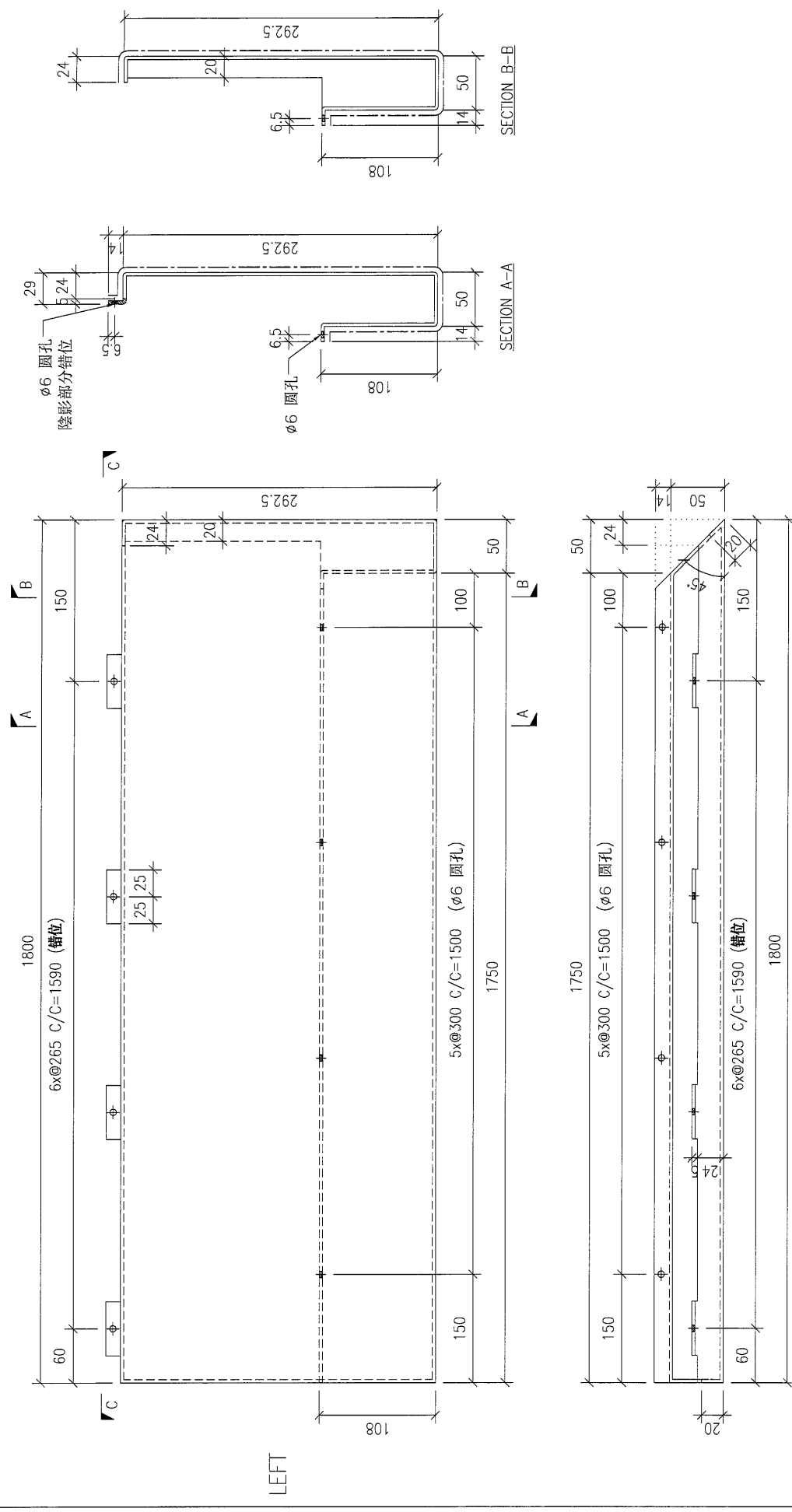
REV.	CHECKED DATE	PART NUMBER	Dim. A	Dim. B	Dim. C	Dim. D	Dim. E	Dim. F	Dim. G	Dim. H	QTY.	Inv. Code	ASSEMBLE ON PARTS	注: 地盤用
-		FW-M110	-	-	-	-	-	-	-	-	1			
-		FW-V110	-	-	-	-	-	-	-	-	1			
-		FW-X110	-	-	-	-	-	-	-	-	1			



DWG. NO.	REV.	SCALE	DATE	DRAWN BY	APPROVED BY
FW-MX110	-	-	11-07-2024	-	-

PROJECT: YIN PING ROAD KOWLOON FEATURE WALL (PHASE 2) MATERIAL: 3mm鋁板 COATING: PVF2 COLOUR: EC-DG-D334232-ZD1(SS-01) MARK. NO. - QTY. -

REV.	CHECKED FOR DP	PART NUMBER	Dim. A	Dim. B	Dim. C	Dim. D	Dim. E	Dim. F	Dim. G	Dim. H	QTY.	Inv. Code	ASSEMBLE ON PARTS	注: 地盤用
-		FW-V114	-	-	-	-	-	-	-	-	2			



DWG. NO.	REV.	SCALE	DATE	DRAWN BY	APPROVED BY
FW-V114	-	-	11-07-2024	-	-

PROJECT: YIN PING ROAD KOWLOON FEATURE WALL (PHASE 2)

MARK. NO.: -

COLOUR: EC-DG-D334232-ZD1(SS-01)

COATING: PVF2

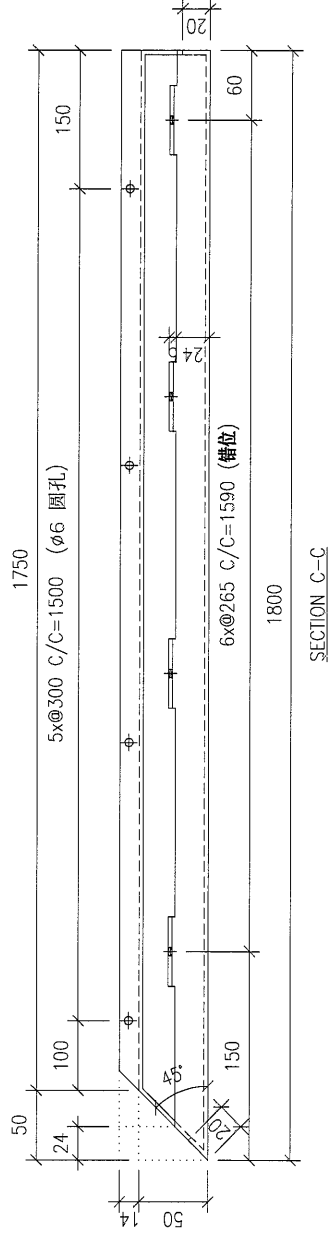
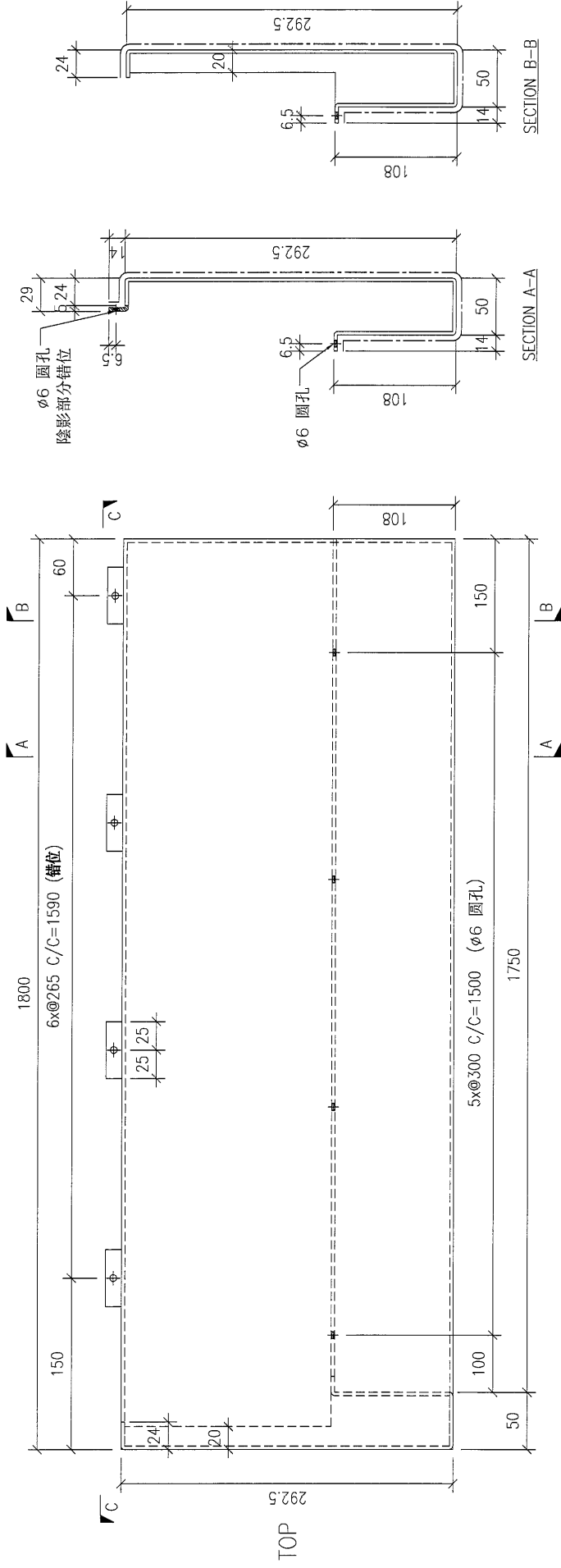
MATERIAL: 3mm鋁板

QTY.: -

REV.	CHANGED FOR	PART NUMBER	Dim. A	Dim. B	Dim. C	Dim. D	Dim. E	Dim. F	Dim. G	Dim. H	QTY.	Inv. Code
-		FW-V115	-	-	-	-	-	-	-	-	2	

ASSEMBLE ON PARTS

注: 地盤用



DWG. NO.	REV.	SCALE	DATE	DRAWN BY	APPROVED BY
FW-V115	-	-	11-07-2024	-	-

PROJECT: YIN PING ROAD KOWLOON FEATURE WALL (PHASE 2)

MATERIAL: 3mm鋁板

COATING: PVF2

COLOUR: EC-DG-D334232-ZD1(SS-01)

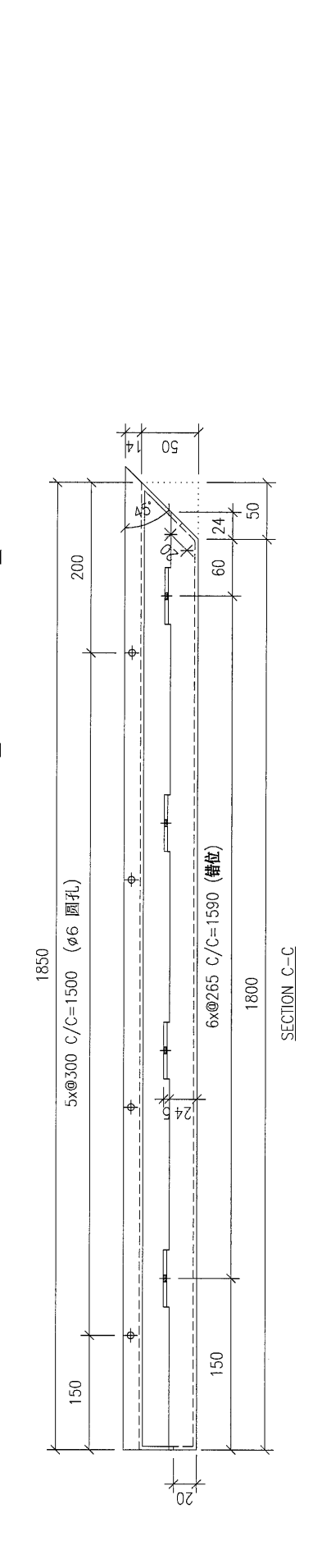
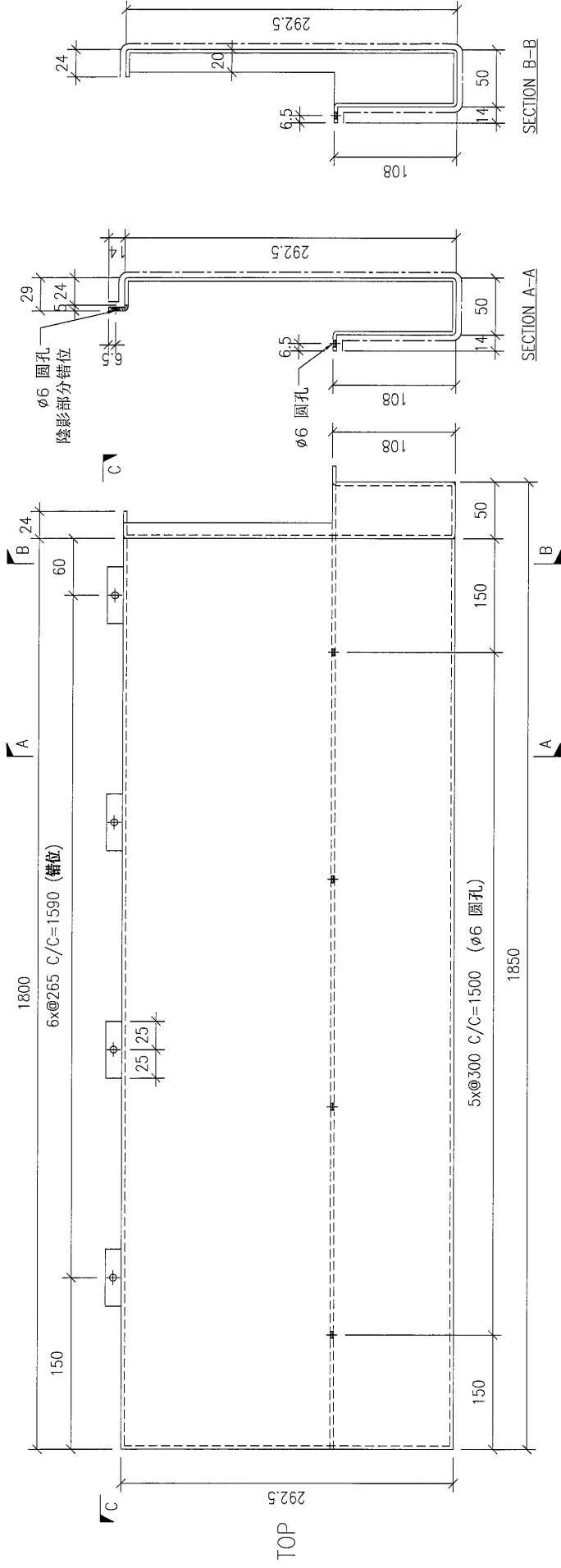
MARK. NO.:

QTY.:

REV.	CHECKED DATE	PART NUMBER	Dim. A	Dim. B	Dim. C	Dim. D	Dim. E	Dim. F	Dim. G	Dim. H	QTY.	Inv. Code
-		FW-V116	-	-	-	-	-	-	-	-	2	

ASSEMBLE ON PARTS

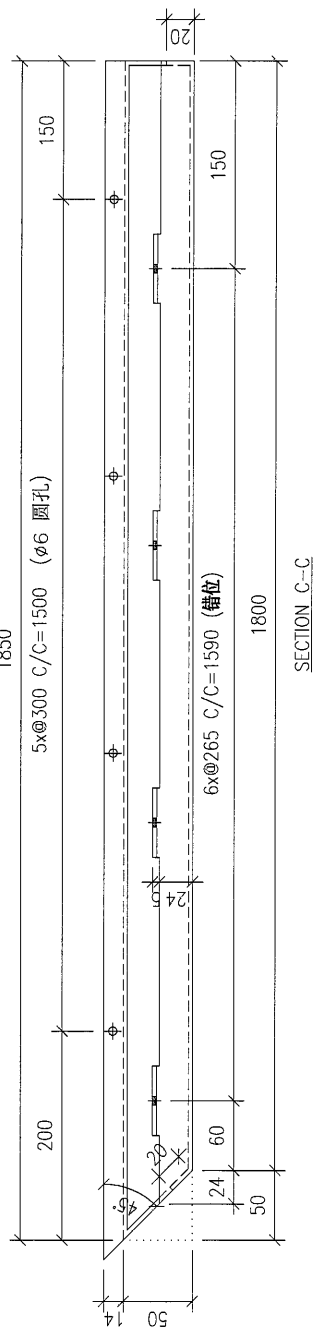
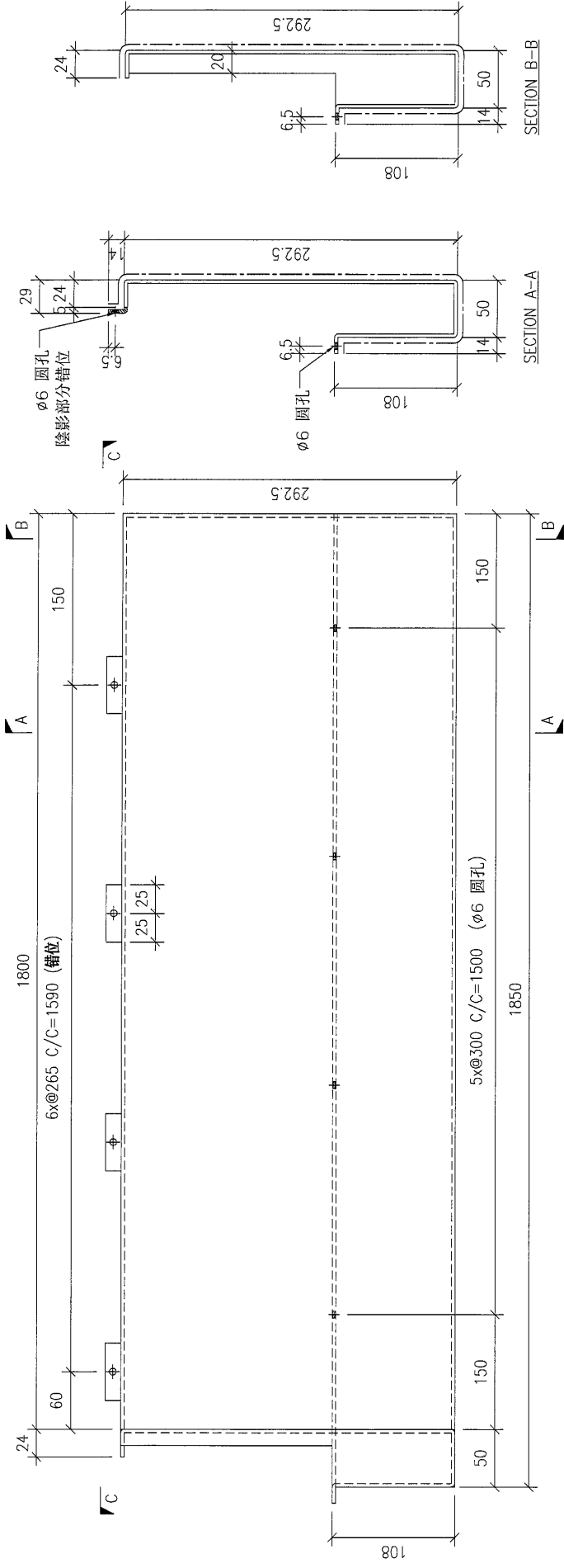
注: 地盤用



DWG. NO.	REV.	SCALE	DATE	DRAWN BY	APPROVED BY
FW-V116	--	-	11-07-2024	-	-

PROJECT: YIN PING ROAD KOWLOON FEATURE WALL (PHASE 2) MATERIAL: 3mm鋁板 COATING: PVF2 COLOUR: EC-DG-D334232-ZD1(SS-01) MARK. NO.: - QTY.: -

REV.	CHANGED FOR	PART NUMBER	Dim. A	Dim. B	Dim. C	Dim. D	Dim. E	Dim. F	Dim. G	Dim. H	QTY.	Inv. Code	ASSEMBLE ON PARTS	注: 地盤用
-		FW-V117	-	-	-	-	-	-	-	-	2			



DWG. NO.	REV.	SCALE	DATE	DRAWN BY	APPROVED BY
FW-V117	-	-	11-07-2024	-	-

PROJECT: YIN PING ROAD KOWLOON FEATURE WALL (PHASE 2)

MATERIAL: 3mm鋁板

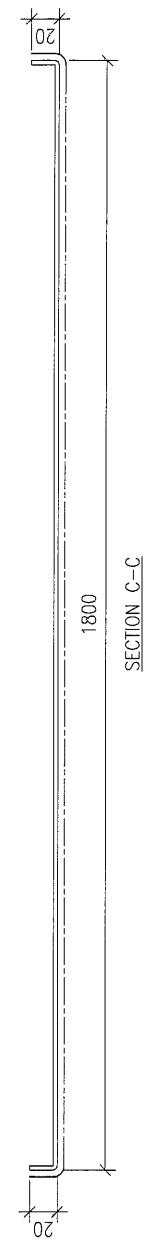
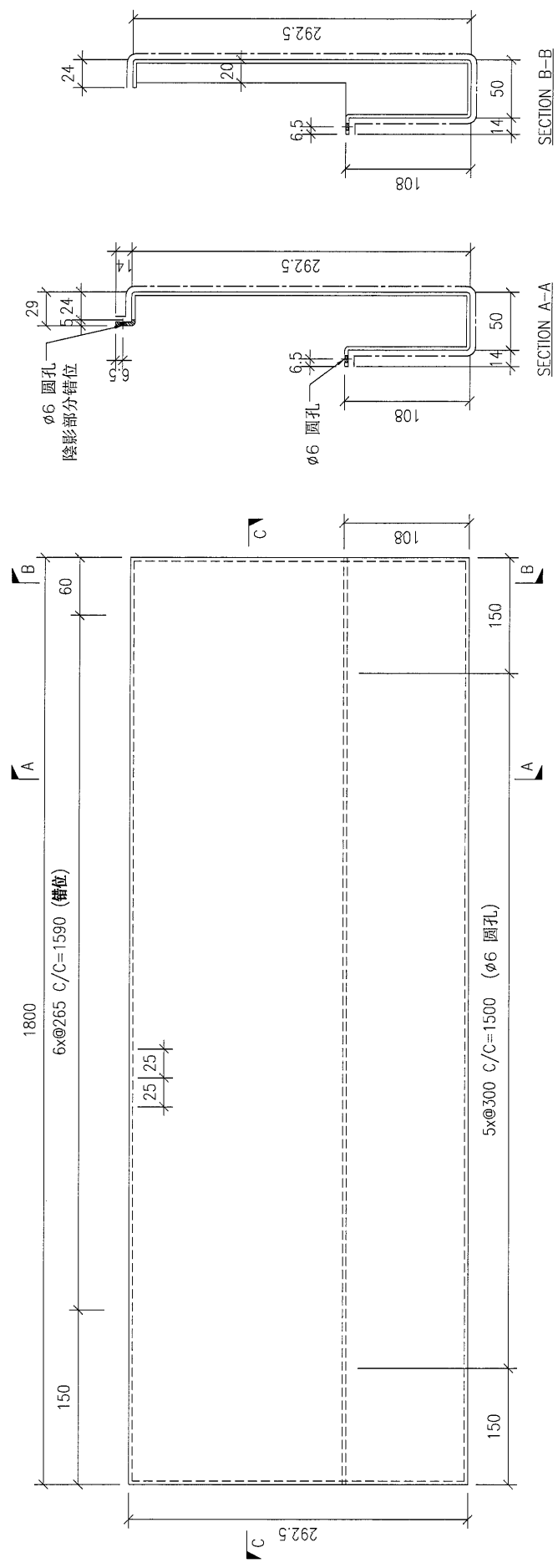
COATING: PVF2

COLOUR: EC-DG-D334232-ZD1(SS-01)

MARK. NO.: -

QTY.: -

REV.	CHECKED DATE	PART NUMBER	Dim. A	Dim. B	Dim. C	Dim. D	Dim. E	Dim. F	Dim. G	Dim. H	QTY.	Inv. Code	ASSEMBLE ON PARTS	法: 地盤用
-	-	FW-V118	-	-	-	-	-	-	-	-	6	-	-	-



DWG. NO.	REV.	SCALE	DATE	DRAWN BY	APPROVED BY
FW-V118	-	-	11-07-2024	-	-

PROJECT: YIN PING ROAD KOWLOON FEATURE WALL (PHASE 2)

COLOUR: EC-DG-D334232-ZD1(SS-01)

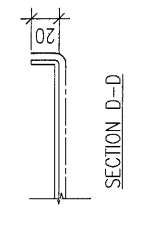
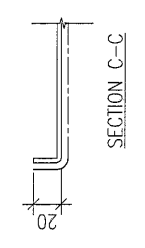
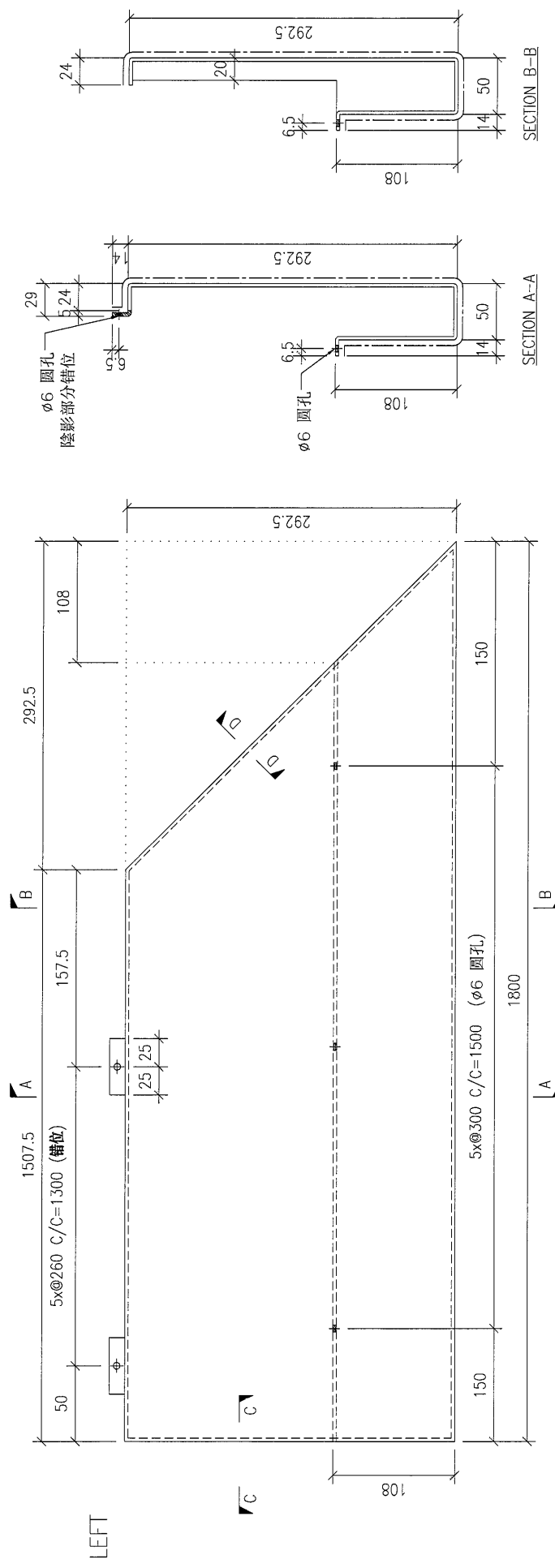
MARK. NO.: -

QTY.: -

REV.	DESCRIPTION	Dim. A	Dim. B	Dim. C	Dim. D	Dim. E	Dim. F	Dim. G	Dim. H	QTY.	Inv. Code
-	FW-V119	-	-	-	-	-	-	-	-	1	-

ASSEMBLE ON PARTS

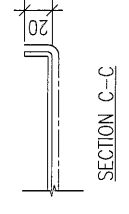
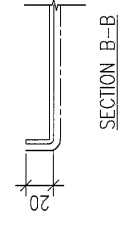
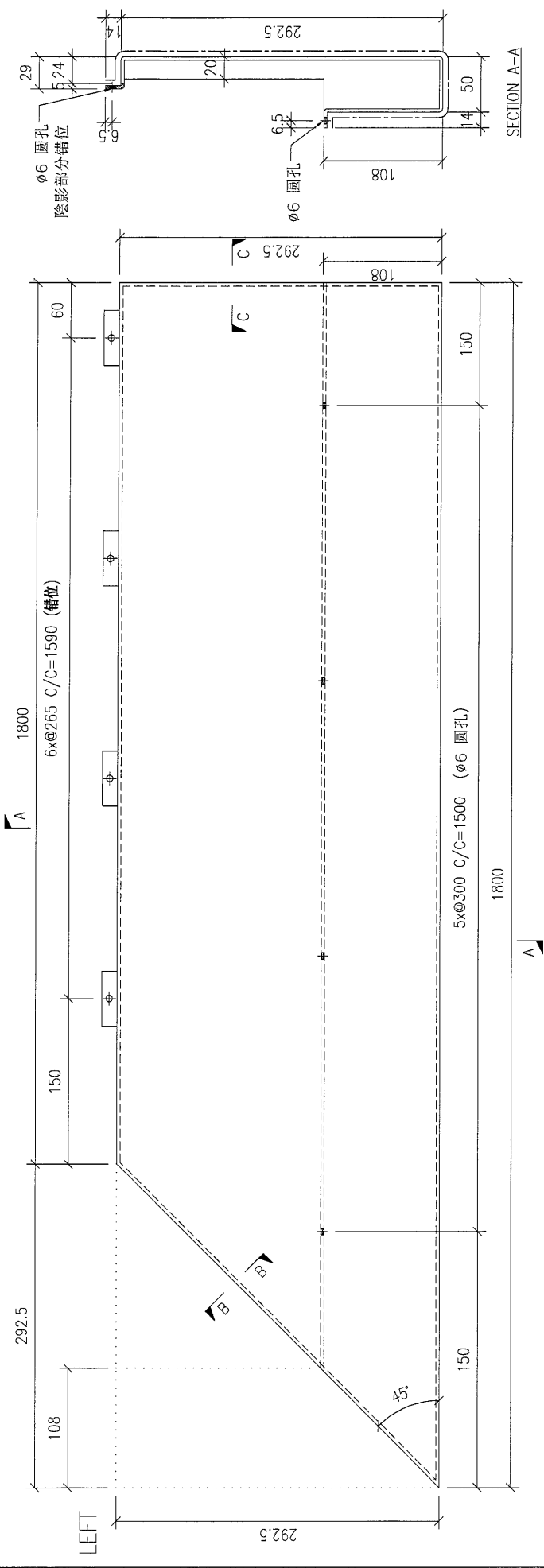
注: 地盤用



DWG. NO.	REV.	SCALE	DATE	DRAWN BY	APPROVED BY
FW-V119	-	-	11-07-2024	-	-

PROJECT		YIN PING ROAD KOWLOON FEATURE WALL (PHASE 2)				MATERIAL				3mm鋁板		COATING		PVF2		COLOUR		EC-DG-D334232-ZD1(SS-01)		MARK. NO.		-		QTY.		-	
REV.	CHANGED BY	PART NUMBER	Dim. A	Dim. B	Dim. C	Dim. D	Dim. E	Dim. F	Dim. G	Dim. H	QTY.	Inv. Code	ASSEMBLE ON PARTS														
-	-	FW-V120	-	-	-	-	-	-	-	-	1	-	注: 地盤用														

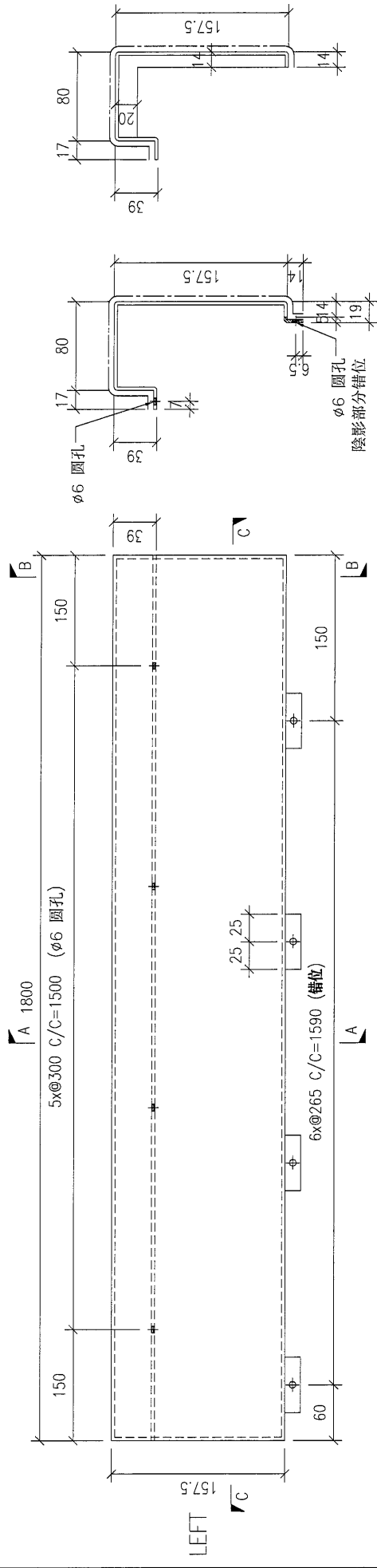
REV.	CHANGED BY	PART NUMBER	Dim. A	Dim. B	Dim. C	Dim. D	Dim. E	Dim. F	Dim. G	Dim. H	QTY.	Inv. Code	ASSEMBLE ON PARTS													
-	-	FW-V120	-	-	-	-	-	-	-	-	1	-	注: 地盤用													



DWG. NO.	FW-V120	REV.	-	SCALE	-	DATE	11-07-2024	DRAWN BY	-	APPROVED BY	-
----------	---------	------	---	-------	---	------	------------	----------	---	-------------	---

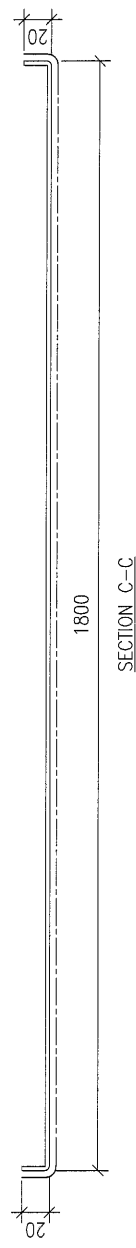
PROJECT		YIN PING ROAD KOWLOON FEATURE WALL (PHASE 2)				MATERIAL				COATING		COLOUR		MARK. NO.		QTY.			
REV.		PART NUMBER		Dim. A	Dim. B	Dim. C	Dim. D	Dim. E	Dim. F	Dim. G	Dim. H	QTY.	Inv. Code	EC-DG-D334232-ZD1(SS-01)		-		-	
-		FW-M201		-	-	-	-	-	-	-	-	2	-	ASSEMBLE ON PARTS		-		-	

注: 地盤用																	
--------	--	--	--	--	--	--	--	--	--	--	--	--	--	--	--	--	--



SECTION A-A

SECTION B-B



SECTION C-C

DWG. NO.		FW-M201		REV.	-		SCALE	-		DATE	11-07-2024		DRAWN BY	-		APPROVED BY	-	
----------	--	---------	--	------	---	--	-------	---	--	------	------------	--	----------	---	--	-------------	---	--

PROJECT: YIN PING ROAD KOWLOON FEATURE WALL (PHASE 2)

MATERIAL: 3mm鋁板

COATING: PVF2

COLOUR: EC-DG-D334232-ZD1(SS-01)

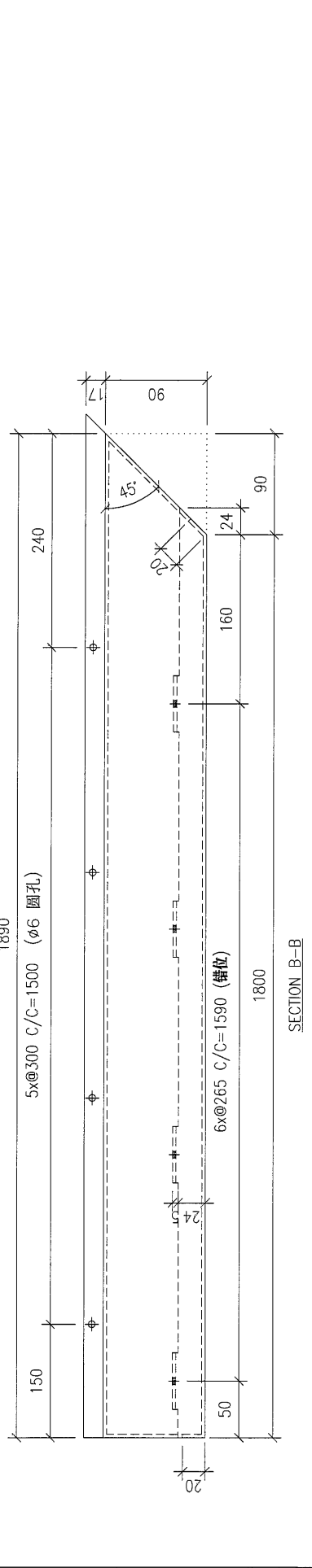
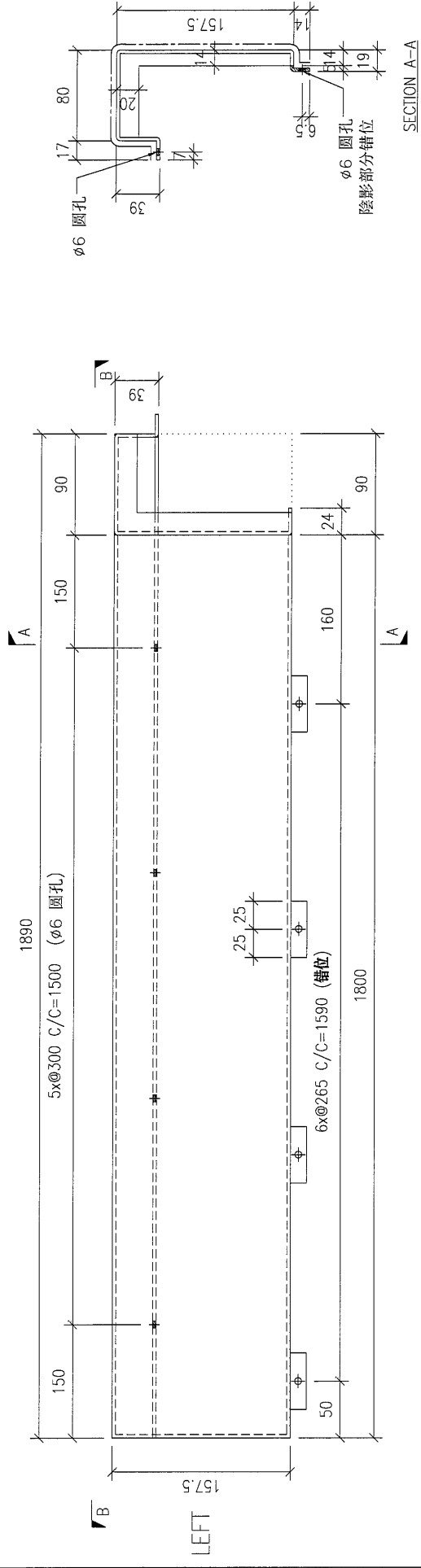
MARK. NO.:

QTY.:

REV.	CHECKED DATE BY	PART NUMBER	Dim. A	Dim. B	Dim. C	Dim. D	Dim. E	Dim. F	Dim. G	Dim. H	QTY.	Inv. Code
-		FW-M202	-	-	-	-	-	-	-	-	1	

ASSEMBLE ON PARTS

注: 地盤用



DWG. NO.	REV.	SCALE	DATE	DRAWN BY	APPROVED BY
FW-M202	-	-	11-07-2024	-	-

PROJECT: YIN PING ROAD KOWLOON FEATURE WALL (PHASE 2)

MATERIAL: 3mm鋁板

COATING: PVF2

COLOUR: EC-DG-D334232-ZD1(SS-01)

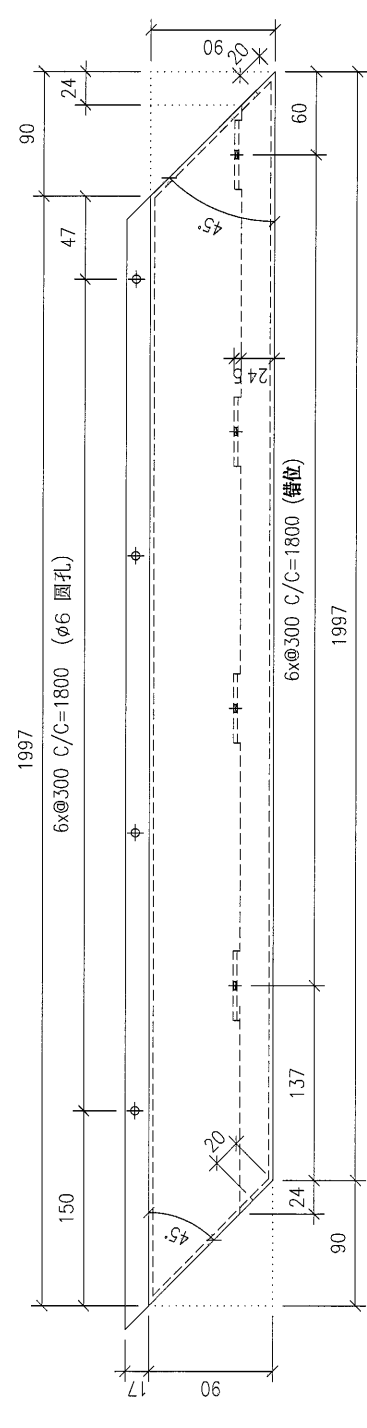
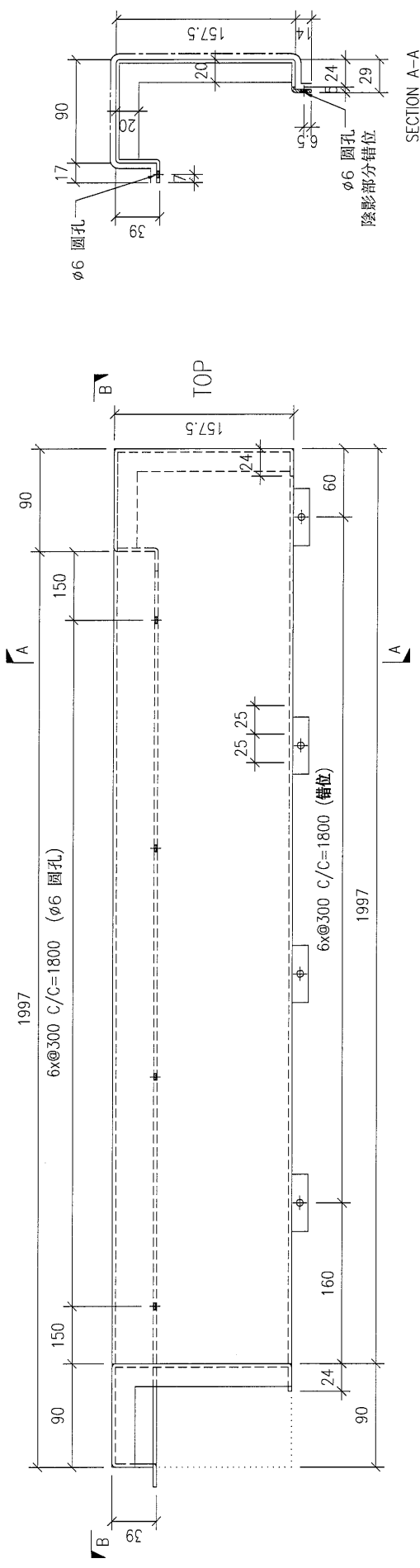
MARK. NO.:

QTY.:

REV.	CHANGED FOR	PART NUMBER	Dim. A	Dim. B	Dim. C	Dim. D	Dim. E	Dim. F	Dim. G	Dim. H	QTY.	Inv. Code
-		FW-M203	-	-	-	-	-	-	-	-	1	

注: 現場量尺

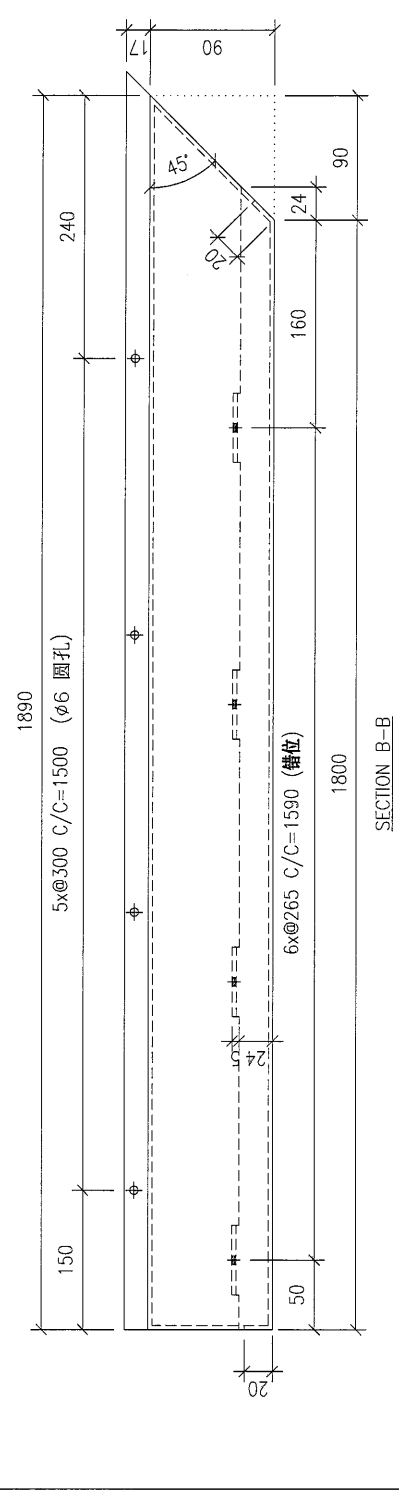
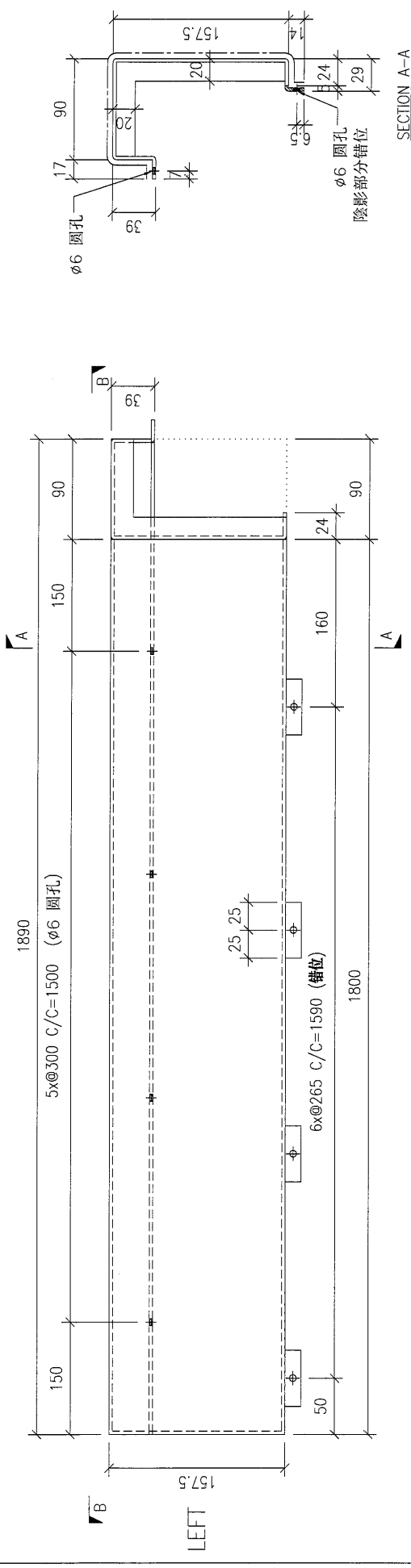
注: 地盤用



DWG. NO.	FW-M203	REV.	-	SCALE	-	DATE	11-07-2024	DRAWN BY	-	APPROVED BY	-
----------	---------	------	---	-------	---	------	------------	----------	---	-------------	---

PROJECT		YIN PING ROAD KOWLOON FEATURE WALL (PHASE 2)				MATERIAL				COATING				COLOUR		MARK. NO.		QTY.	
		3mm鋁板				PVF2				EC-DG-D334232-ZD1(SS-01)									
REV.	CHANGED FOR	PART NUMBER	Dim. A	Dim. B	Dim. C	Dim. D	Dim. E	Dim. F	Dim. G	Dim. H	QTY.	Inv. Code	ASSEMBLE ON PARTS						
-		FW-M204	-	-	-	-	-	-	-	-	1								

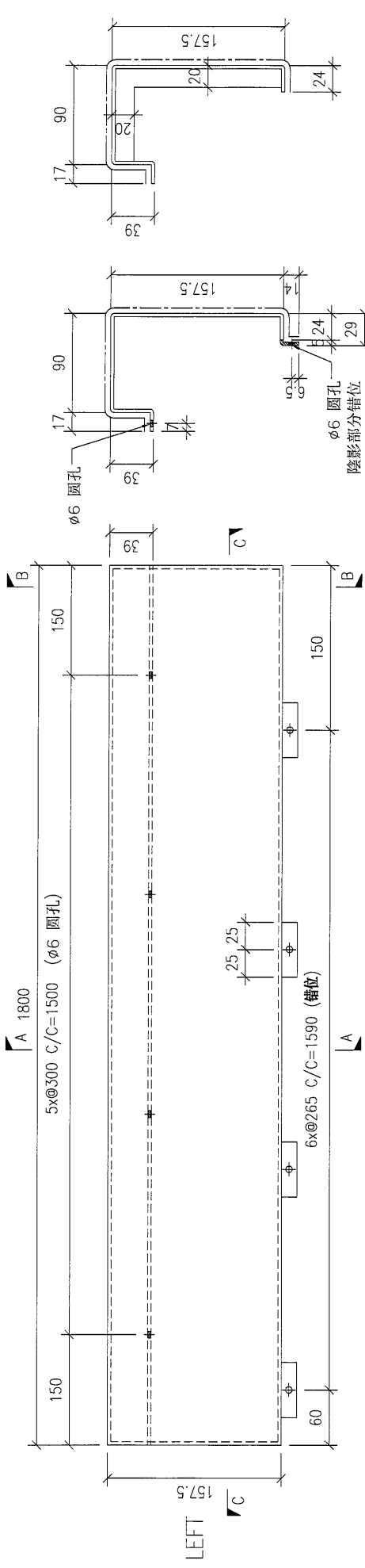
注: 地盤用												
--------	--	--	--	--	--	--	--	--	--	--	--	--



DWG. NO.	FW-M204	REV.	-	SCALE	-	DATE	11-07-2024	DRAWN BY	-	APPROVED BY	-
----------	---------	------	---	-------	---	------	------------	----------	---	-------------	---

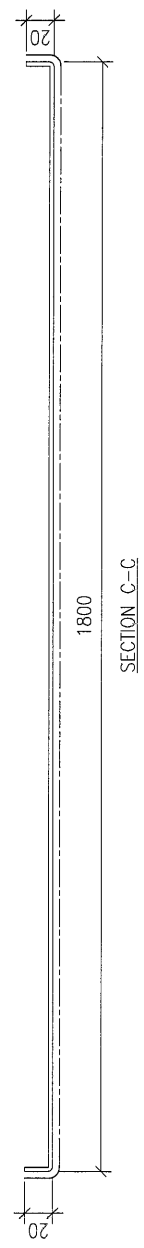
PROJECT: YIN PING ROAD KOWLOON FEATURE WALL (PHASE 2) MATERIAL: 3mm鋁板 COLOUR: EC-DG-D334232-ZD1(SS-01) MARK. NO. - QTY. -

REV.	CHECKED BY	PART NUMBER	Dim. A	Dim. B	Dim. C	Dim. D	Dim. E	Dim. F	Dim. G	Dim. H	QTY.	Inv. Code	COATING	ASSEMBLE ON PARTS	注: 地盤用
-	-	FW-M206	-	-	-	-	-	-	-	-	9	-	PVF2	-	-
-	-	FW-V206	-	-	-	-	-	-	-	-	14	-	-	-	-
-	-	FW-X206	-	-	-	-	-	-	-	-	5	-	-	-	-



SECTION A-A

SECTION B-B

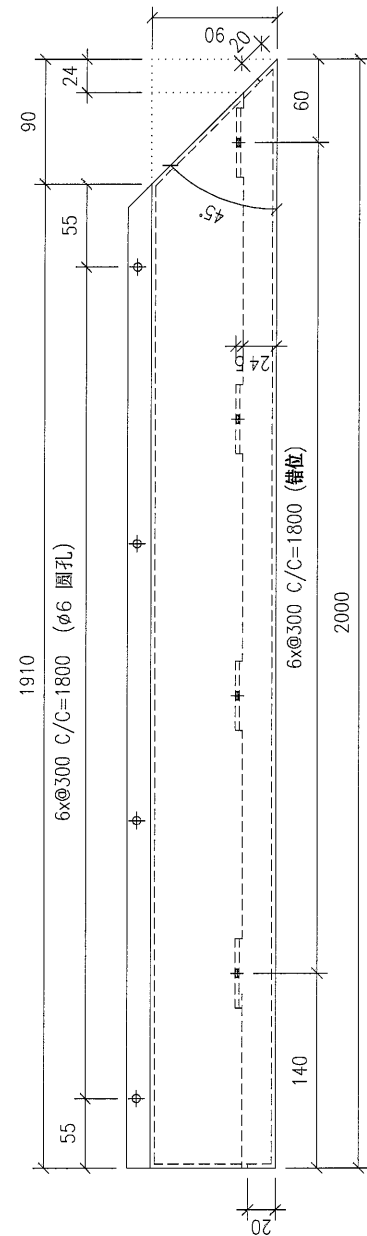
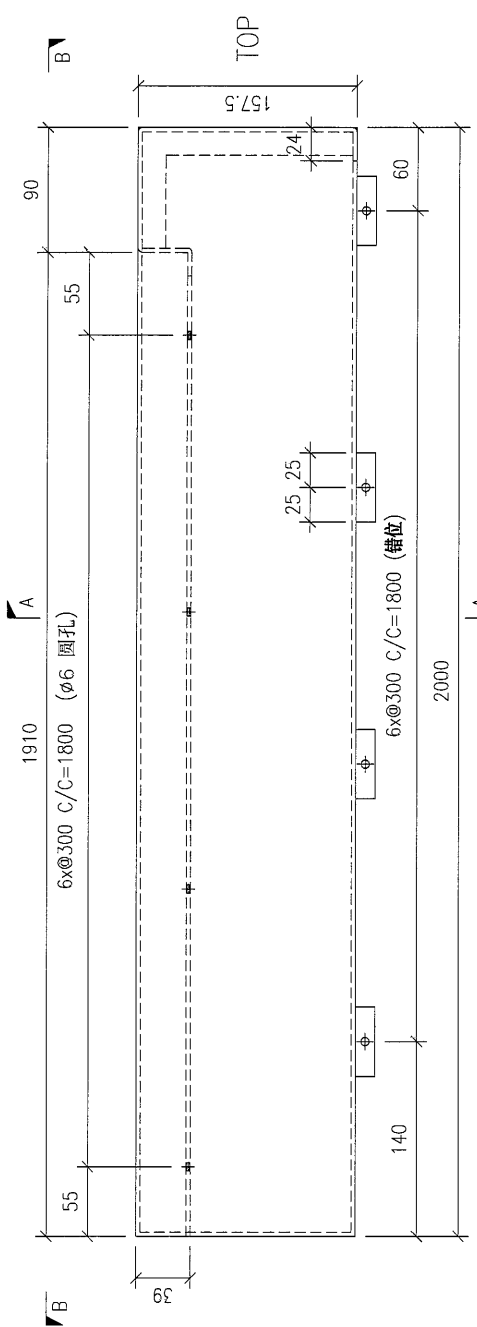


SECTION C-C

DWG. NO.	FW-MX206	REV.	-	SCALE	-	DATE	11-07-2024	DRAWN BY	-	APPROVED BY	-
----------	----------	------	---	-------	---	------	------------	----------	---	-------------	---

PROJECT		YIN PING ROAD KOWLOON FEATURE WALL (PHASE 2)				MATERIAL				3mm鋁板		COATING		PVF2		COLOUR		EC-DG-D334232-ZD1(SS-01)		MARK. NO.		-		QTY.		-	
REV.	CHANGED BY	PART NUMBER	Dim. A	Dim. B	Dim. C	Dim. D	Dim. E	Dim. F	Dim. G	Dim. H	QTY.	Inv. Code	ASSEMBLE ON PARTS														
-		FW-M208	-	-	-	-	-	-	-	-	1	-															
-		FW-X208	-	-	-	-	-	-	-	-	2	-															

														注: 地盤用									
--	--	--	--	--	--	--	--	--	--	--	--	--	--	--------	--	--	--	--	--	--	--	--	--

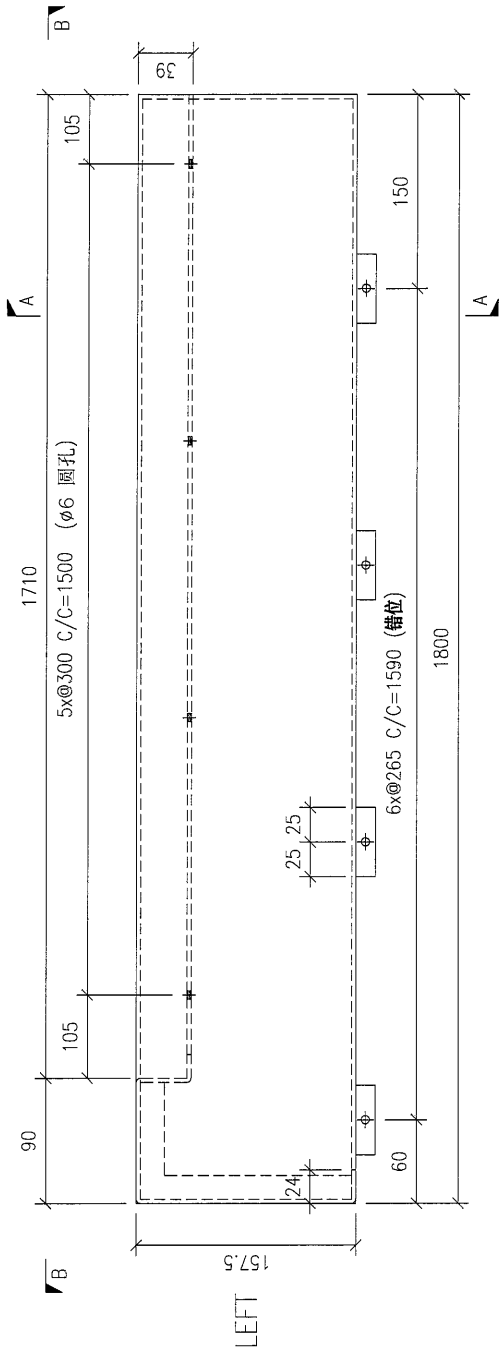


DWG. NO.		FW-MX208		REV.		-		SCALE		-		DATE		11-07-2024		DRAWN BY		-		APPROVED BY		-	
----------	--	----------	--	------	--	---	--	-------	--	---	--	------	--	------------	--	----------	--	---	--	-------------	--	---	--

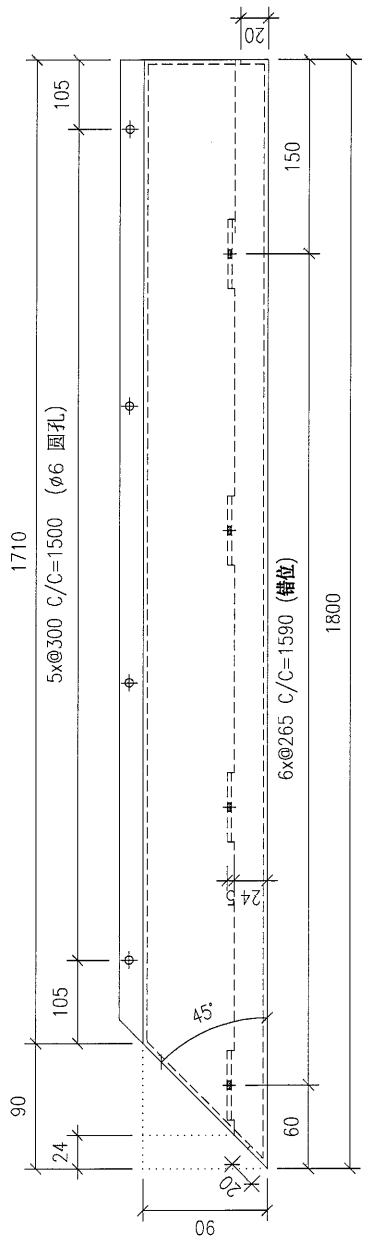
PROJECT		YIN PING ROAD KOWLOON FEATURE WALL (PHASE 2)										MATERIAL		COATING		COLOUR		MARK. NO.		QTY.	
		3mm铝板										PVF2		EC-DG-D334232-ZD1(SS-01)		-		-		-	

REV.	CHANGED FOR	PART NUMBER	Dim. A	Dim. B	Dim. C	Dim. D	Dim. E	Dim. F	Dim. G	Dim. H	QTY.	Inv. Code	ASSEMBLE ON PARTS								
-		FW-M209	-	-	-	-	-	-	-	-	2										
-		FW-X209	-	-	-	-	-	-	-	-	2										

注: 地盘用



SECTION A-A

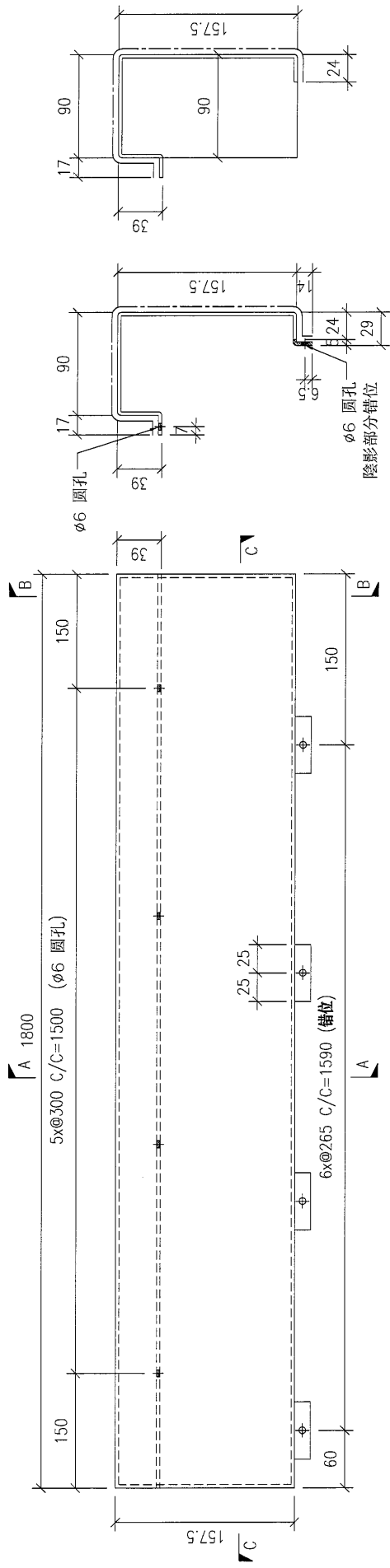


SECTION B-B

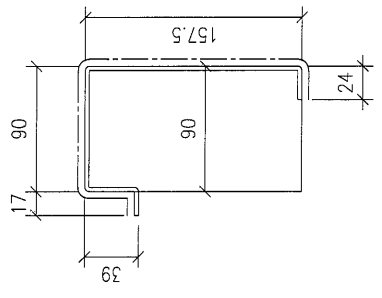
DWG. NO.	FW-MX209	REV.	-	SCALE	-	DATE	11-07-2024	DRAWN BY	-	APPROVED BY	-
----------	----------	------	---	-------	---	------	------------	----------	---	-------------	---

PROJECT: YIN PING ROAD KOWLOON FEATURE WALL (PHASE 2) MATERIAL: 3mm铝板 COLOUR: EC-DG-D334232-ZD1(SS-01) MARK. NO. - QTY. -

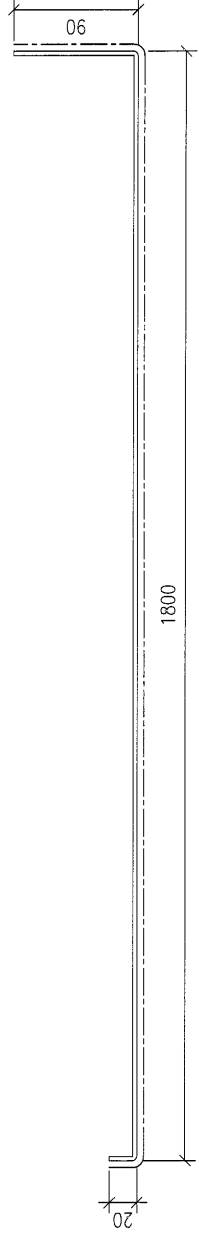
REV.	CHANGED FOR	PART NUMBER	Dim. A	Dim. B	Dim. C	Dim. D	Dim. E	Dim. F	Dim. G	Dim. H	QTY.	Inv. Code	ASSEMBLE ON PARTS	注: 地盘用
-		FW-M210	-	-	-	-	-	-	-	-	1			
-		FW-V210	-	-	-	-	-	-	-	-	1			
-		FW-X210	-	-	-	-	-	-	-	-	1			



SECTION A-A



SECTION B-B



SECTION C-C

DWG. NO.	REV.	SCALE	DATE	DRAWN BY	APPROVED BY
FW-MX210	-	-	11-07-2024	-	-

PROJECT

YIN PING ROAD KOWLOON
FEATURE WALL (PHASE 2)

MATERIAL

3mm鋁板

COATING

PVF2

COLOUR

EC-DG-D334232-ZD1(SS-01)

MARK. NO.

-

QTY.

-

REV.

CHECKED
DATE

FW-V214

Dim. A

Dim. B

Dim. C

Dim. D

Dim. E

Dim. F

Dim. G

Dim. H

QTY.

Inv. Code

ASSEMBLE ON PARTS

2

1710

5x@300 C/C=1500 (ø6 圓孔)

105

90

105

157.5

20

17

ø6 圓孔

39

20

14

ø6 圓孔

29

124

陰影部分錯位

SECTION A-A

1800

6x@265 C/C=1590 (錯位)

25

25

ø

60

1800

150

ø

1800

1710

5x@300 C/C=1500 (ø6 圓孔)

105

90

105

24

ø

60

1800

6x@265 C/C=1590 (錯位)

24

ø

1800

150

ø

1800

1710

5x@300 C/C=1500 (ø6 圓孔)

105

90

105

24

ø

60

1800

6x@265 C/C=1590 (錯位)

24

ø

1800

150

ø

1800

1710

5x@300 C/C=1500 (ø6 圓孔)

105

90

105

24

ø

60

1800

6x@265 C/C=1590 (錯位)

24

ø

1800

150

ø

1800

1710

5x@300 C/C=1500 (ø6 圓孔)

105

90

105

24

ø

60

1800

6x@265 C/C=1590 (錯位)

24

ø

1800

DWG. NO.

FW-V214

REV.

-

SCALE

-

DATE

11-07-2024

DRAWN BY

-

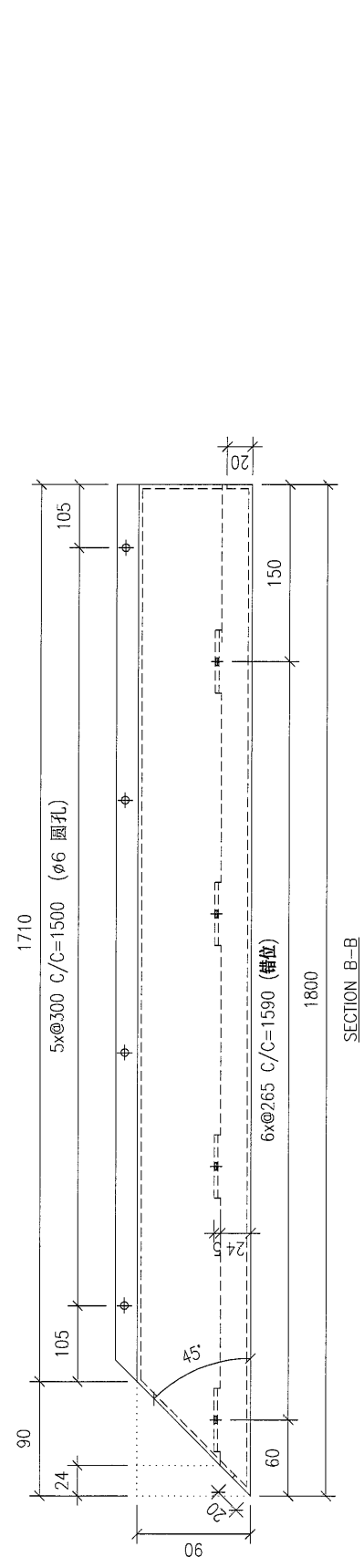
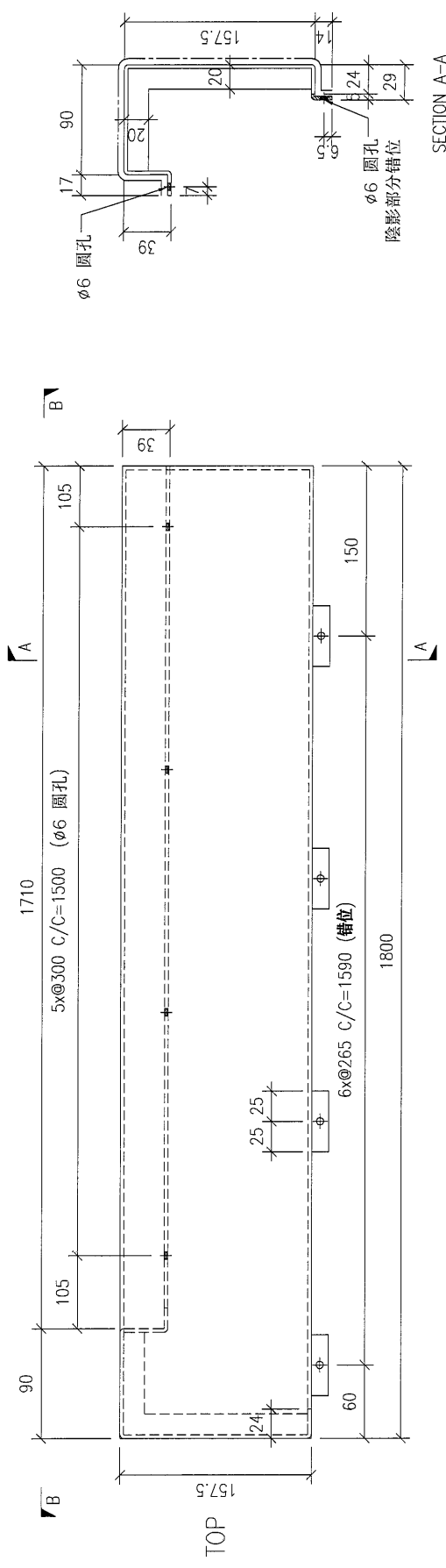
APPROVED BY

-

注: 地盤用

PROJECT		YIN PING ROAD KOWLOON FEATURE WALL (PHASE 2)				MATERIAL				3mm鋁板		COATING		PVF2		COLOUR		EC-DG-D334232-ZD1(SS-01)		MARK. NO.		-		QTY.		-	
REV.	CHECKED DATE	PART NUMBER	Dim. A	Dim. B	Dim. C	Dim. D	Dim. E	Dim. F	Dim. G	Dim. H	QTY.	Inv. Code	ASSEMBLE ON PARTS														
-		FW-V215	-	-	-	-	-	-	-	-	2																

														注: 地盤用													
--	--	--	--	--	--	--	--	--	--	--	--	--	--	--------	--	--	--	--	--	--	--	--	--	--	--	--	--



DWG. NO.		FW-V215		REV.		-		SCALE		-		DATE		11-07-2024		DRAWN BY		-		APPROVED BY		-	
----------	--	---------	--	------	--	---	--	-------	--	---	--	------	--	------------	--	----------	--	---	--	-------------	--	---	--

PROJECT

YIN PING ROAD KOWLOON
FEATURE WALL (PHASE 2)

MATERIAL

3mm鋁板

COATING

PVF2

COLOUR

EC-DG-D334232-ZD1(SS-01)

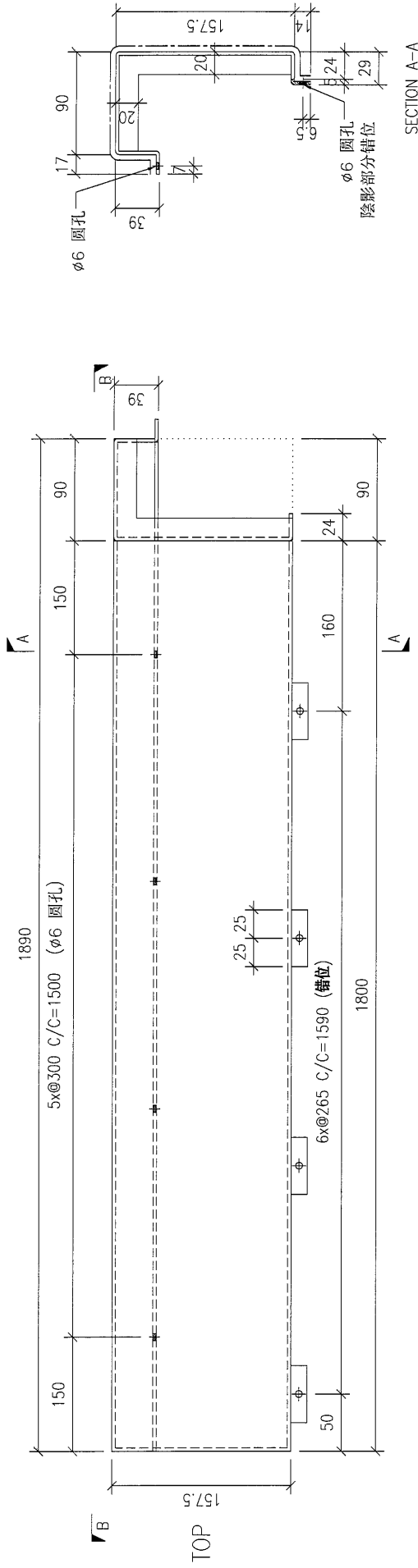
MARK. NO.

-

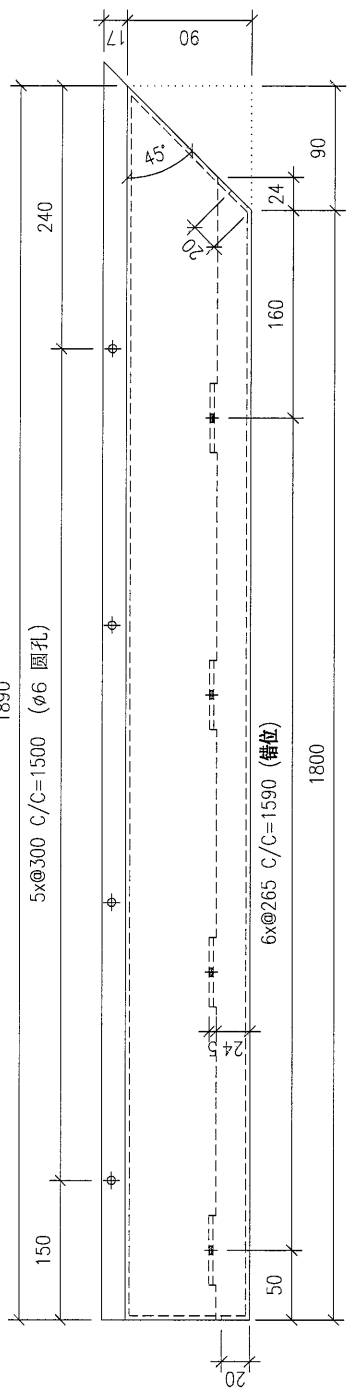
QTY.

-

REV.	CHECKED DATE	PART NUMBER	Dim. A	Dim. B	Dim. C	Dim. D	Dim. E	Dim. F	Dim. G	Dim. H	QTY.	Inv. Code	ASSEMBLE ON PARTS	注: 地盤用
-		FW-V216	-	-	-	-	-	-	-	-	2			



SECTION A-A



SECTION B-B

DWG. NO.	REV.	SCALE	DATE	DRAWN BY	APPROVED BY
FW-V216	-	-	11-07-2024	-	-

PROJECT: YIN PING ROAD KOWLOON FEATURE WALL (PHASE 2)

MATERIAL: 3mm鋁板

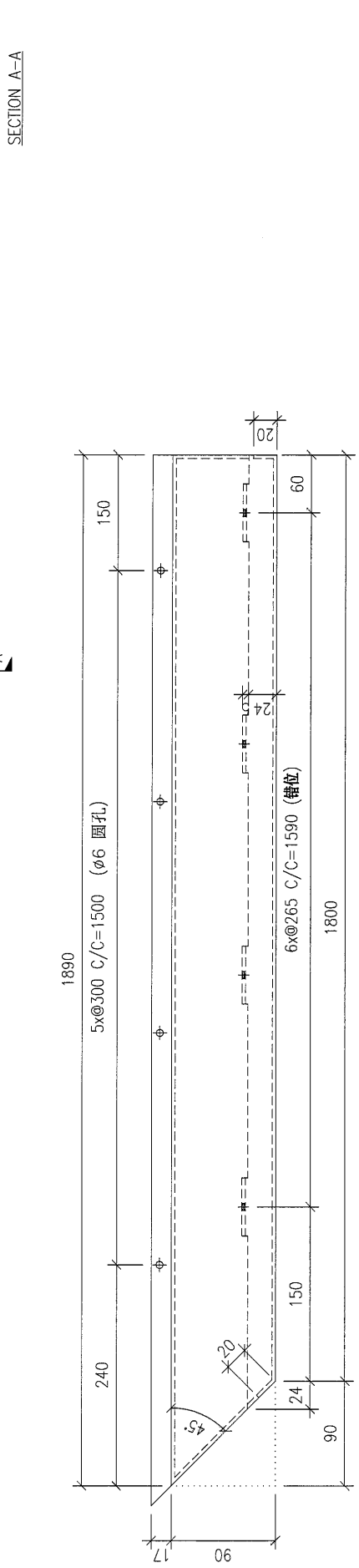
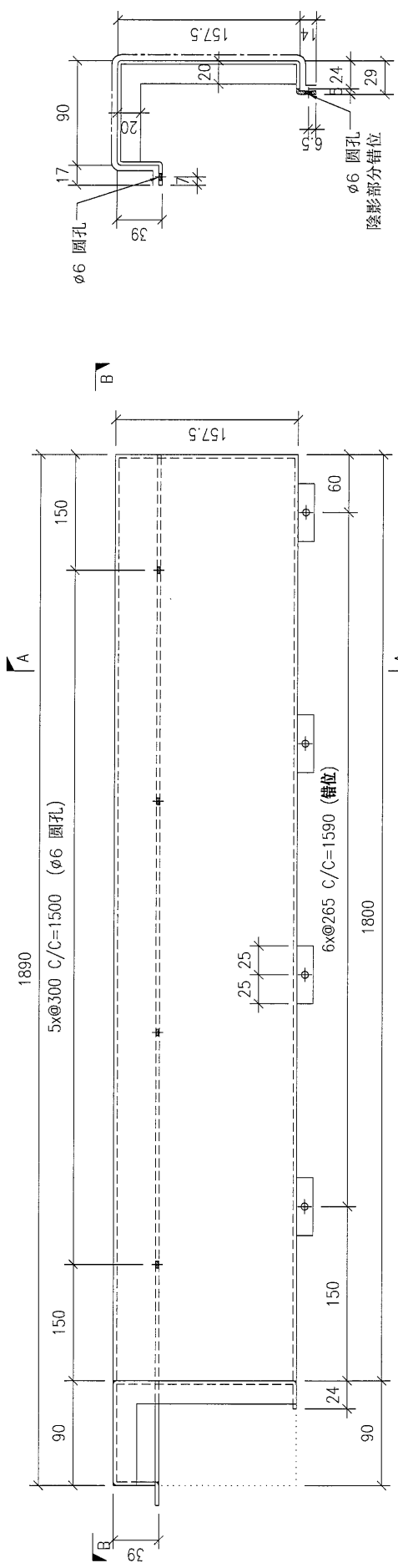
COATING: PVF2

COLOUR: EC-DG-D334232-ZD1(SS-01)

MARK. NO.: -

QTY.: -

REV.	CHECKED/DATE	PART NUMBER	Dim. A	Dim. B	Dim. C	Dim. D	Dim. E	Dim. F	Dim. G	Dim. H	QTY.	Inv. Code	ASSEMBLE ON PARTS	NOTE
-		FW-V217	-	-	-	-	-	-	-	-	2			注: 地盤用



DWG. NO.	REV.	SCALE	DATE	DRAWN BY	APPROVED BY
FW-V217	-	-	11-07-2024	-	-

PROJECT: YIN PING ROAD KOWLOON FEATURE WALL (PHASE 2)

MATERIAL: 3mm鋁板

COATING: PVF2

COLOUR: EC-DG-D334232-ZD1(SS-01)

MARK. NO.:

QTY.:

REV.	CHECKED / DATE	PART NUMBER	Dim. A	Dim. B	Dim. C	Dim. D	Dim. E	Dim. F	Dim. G	Dim. H	QTY.	Inv. Code
-		FW-V218	-	-	-	-	-	-	-	-	6	

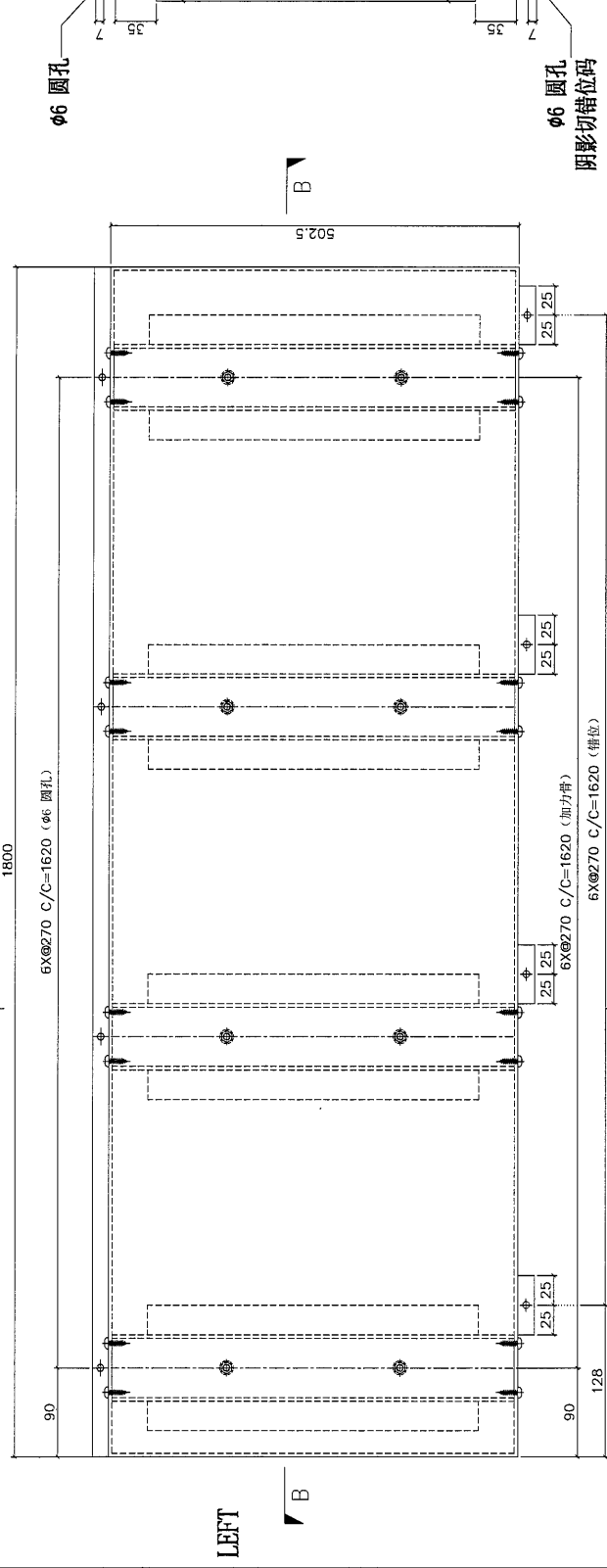
ASSEMBLE ON PARTS

注: 地盘用

LEFT

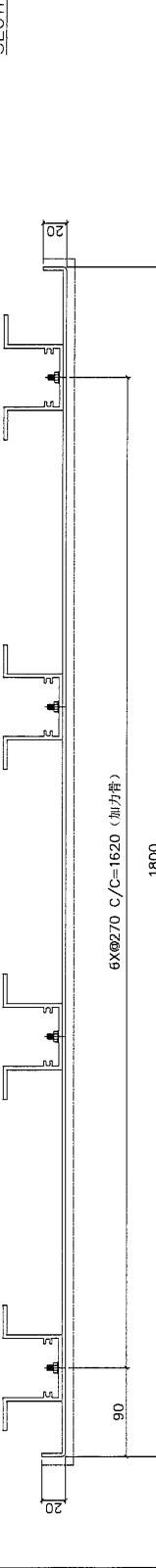
A

1800



SECTION A-A

SECTION B-B



SECTION B-B

1800



DWG. NO.	FW-V218	REV.	-	SCALE	-	DATE	15-06-2023	DRAWN BY	-	APPROVED BY	-
----------	---------	------	---	-------	---	------	------------	----------	---	-------------	---

PROJECT

YIN PING ROAD KOWLOON
FEATURE WALL (PHASE 2)

MATERIAL

细节放大图

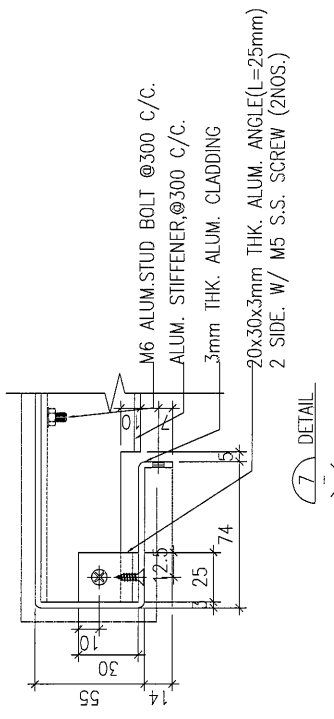
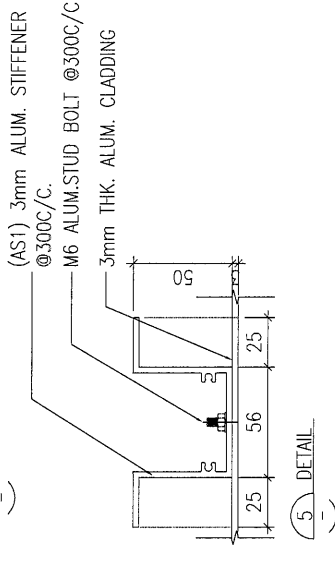
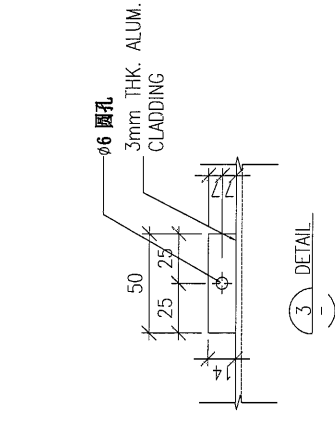
COATING

COLOUR

MARK. NO.

QTY.

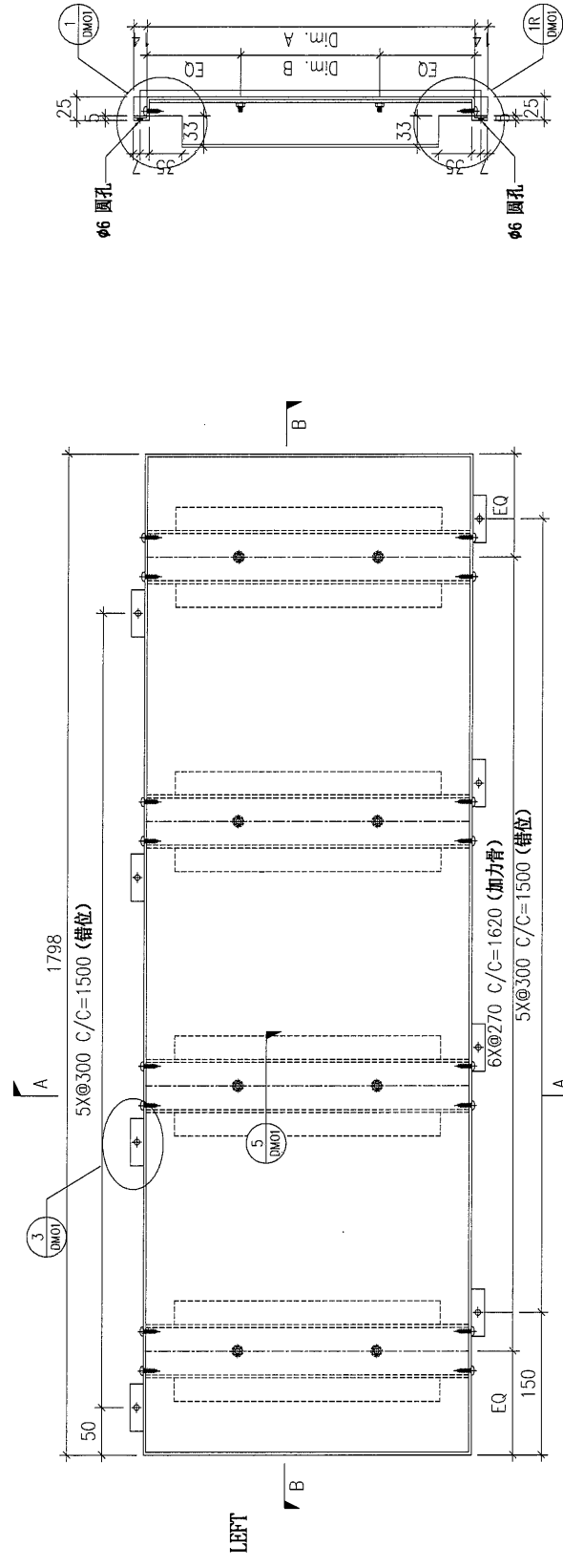
REV.	CHANGED FOR	PART NUMBER	Dim. A	Dim. B	Dim. C	Dim. D	Dim. E	Dim. F	Dim. G	Dim. H	QTY.	Inv. Code	ASSEMBLE ON PARTS	MARK. NO.	QTY.



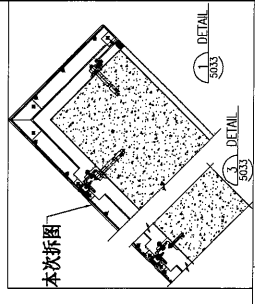
DWG. NO.	REV.	SCALE	DATE	DRAWN BY	APPROVED BY
DM01	--	--	17-04-2024	--	--

PROJECT		YIN PING ROAD KOWLOON FEATURE WALL (PHASE 2)				MATERIAL				3mm铝板				COATING		PVF2		COLOUR		EC-DG-D334232-ZD1(SS-01)		MARK. NO.		-		QTY.		-	
REV.	CHANGED FOR BT	PART NUMBER	Dim. A	Dim. B	Dim. C	Dim. D	Dim. E	Dim. F	Dim. G	Dim. H	QTY.	Inv. Code	ASSEMBLE ON PARTS																
-		AP-X130	875	3x@50c/c	-						34		注: 用于 X 区域																

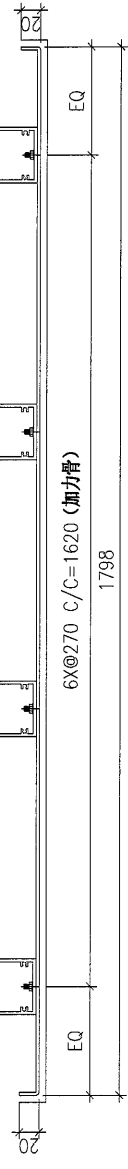
														注: 地盘用													
														注: 工地复尺													



SECTION A-A



SECTION B-B



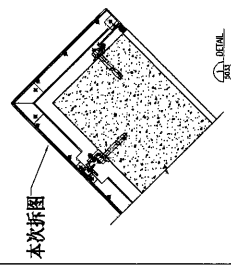
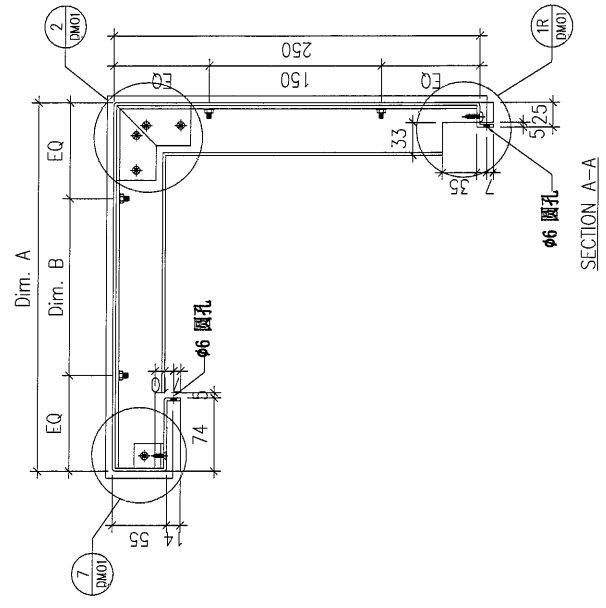
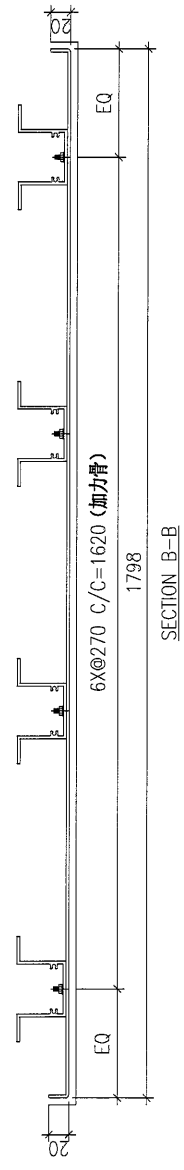
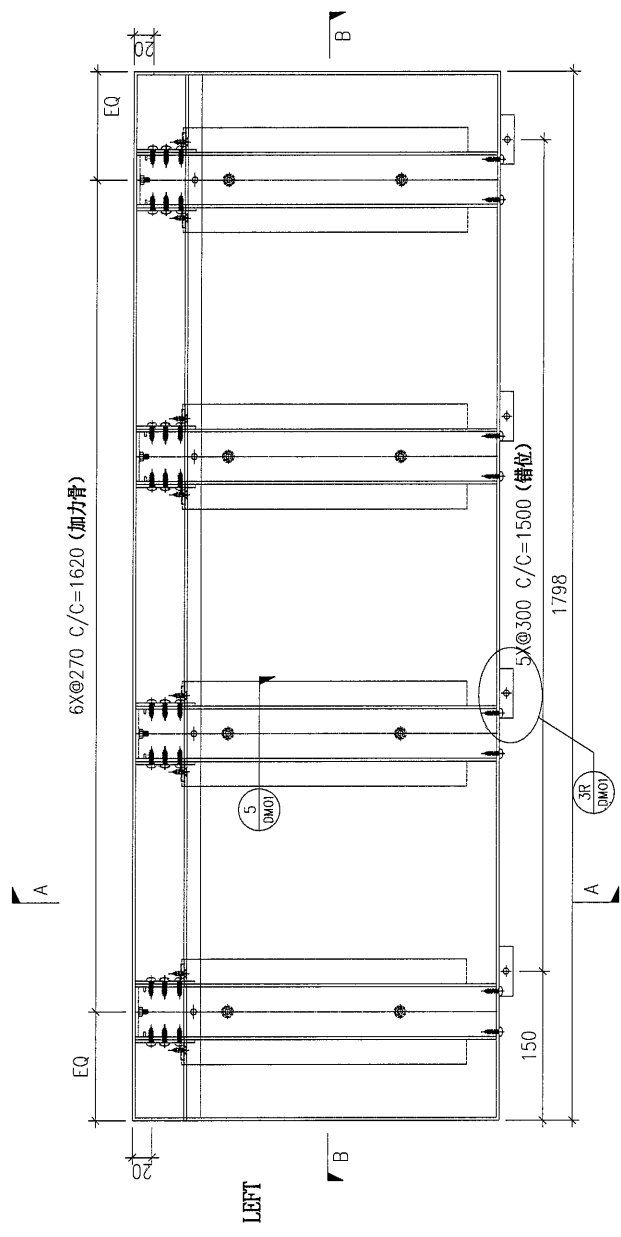
SECTION B-B

DWG. NO.		AP-X130		REV.		-		SCALE		-		DATE		17-04-2024		DRAWN BY		-		APPROVED BY		-	
----------	--	---------	--	------	--	---	--	-------	--	---	--	------	--	------------	--	----------	--	---	--	-------------	--	---	--

PROJECT		YIN PING ROAD KOWLOON FEATURE WALL (PHASE 2)				MATERIAL				COATING		COLOUR		MARK. NO.		QTY.															
REV.		CHECKED		PART NUMBER		Dim. A		Dim. B		Dim. C		Dim. D		Dim. E		Dim. F		Dim. G		Dim. H		QTY.		ASSEMBLE ON PARTS		EC-DG-D334232-ZD1(SS-01)		-		-	
-		AP-X131		800		2x@300c/c		-		-		-		-		-		-		17		-		-		-		-			

注: 地盘用	
注: 用于 X 区域	
注: 工地复尺	

注: 工地复尺



DWG. NO.		AP-X131		REV.		-		SCALE		-		DATE		17-04-2024		DRAWN BY		-		APPROVED BY		-	
----------	--	---------	--	------	--	---	--	-------	--	---	--	------	--	------------	--	----------	--	---	--	-------------	--	---	--

PROJECT: YIN PING ROAD KOWLOON FEATURE WALL (PHASE 2)

MATERIAL: 3mm铝板

COATING: PVF2

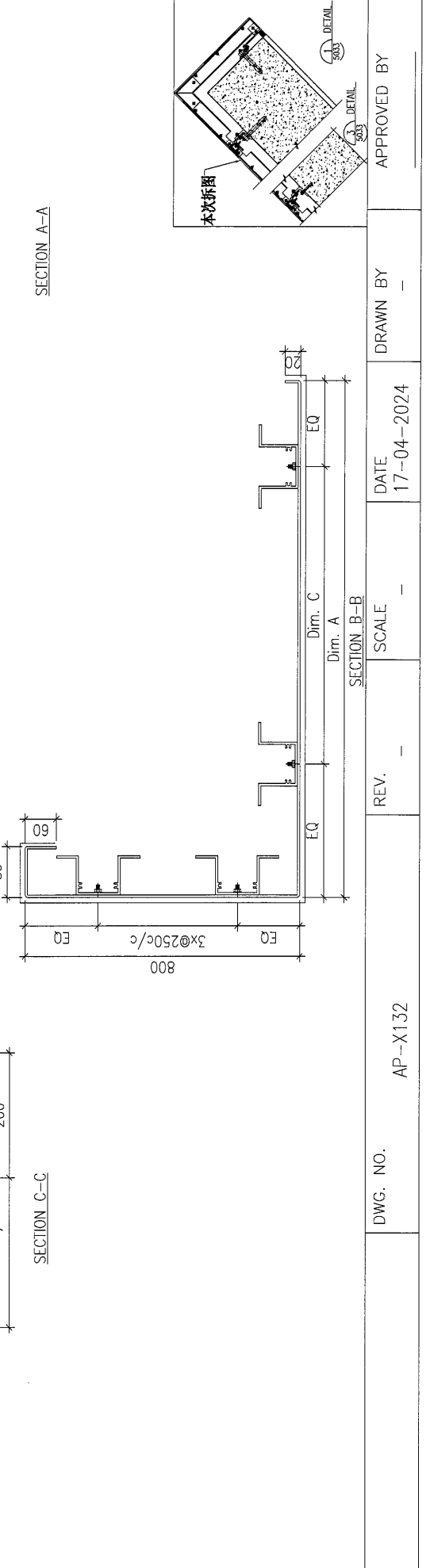
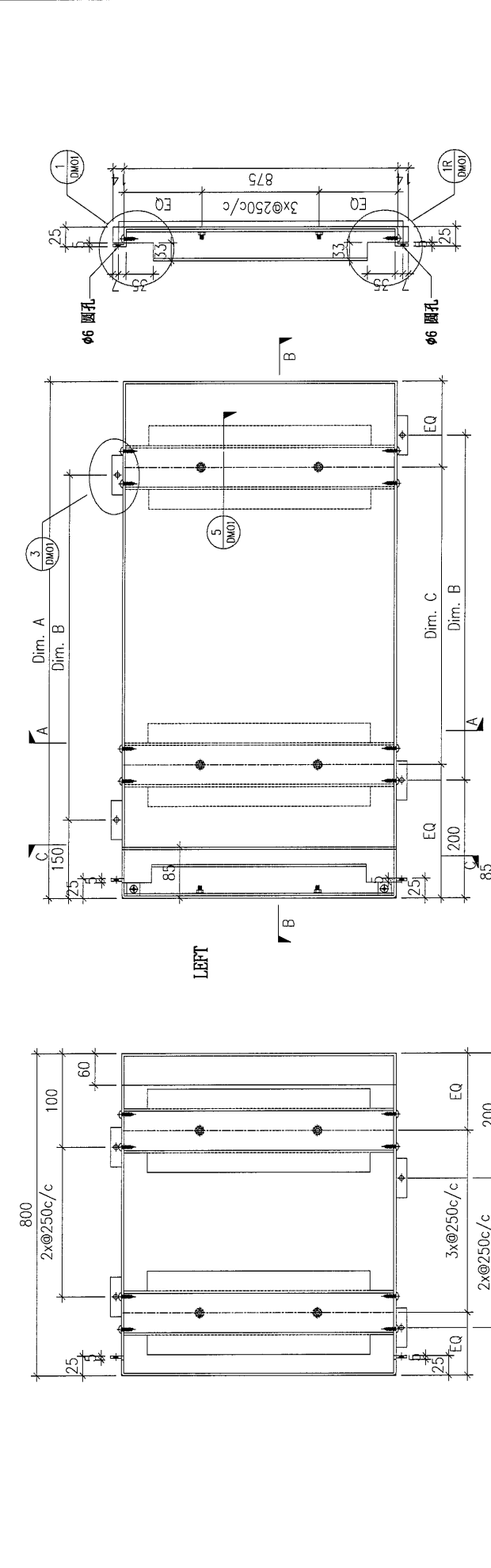
COLOUR: EC-DG-D334232-ZD1(SS-01)

MARK. NO.:

QTY.:

REV.	DESCRIPTION	Dim. A	Dim. B	Dim. C	Dim. D	Dim. E	Dim. F	Dim. G	Dim. H	QTY.	Inv. Code	ASSEMBLE ON PARTS
-	AP-X132	1799	5x@300c/c	6x@270c/c	-	-	-	-	-	2	-	注: 用于 X 区域

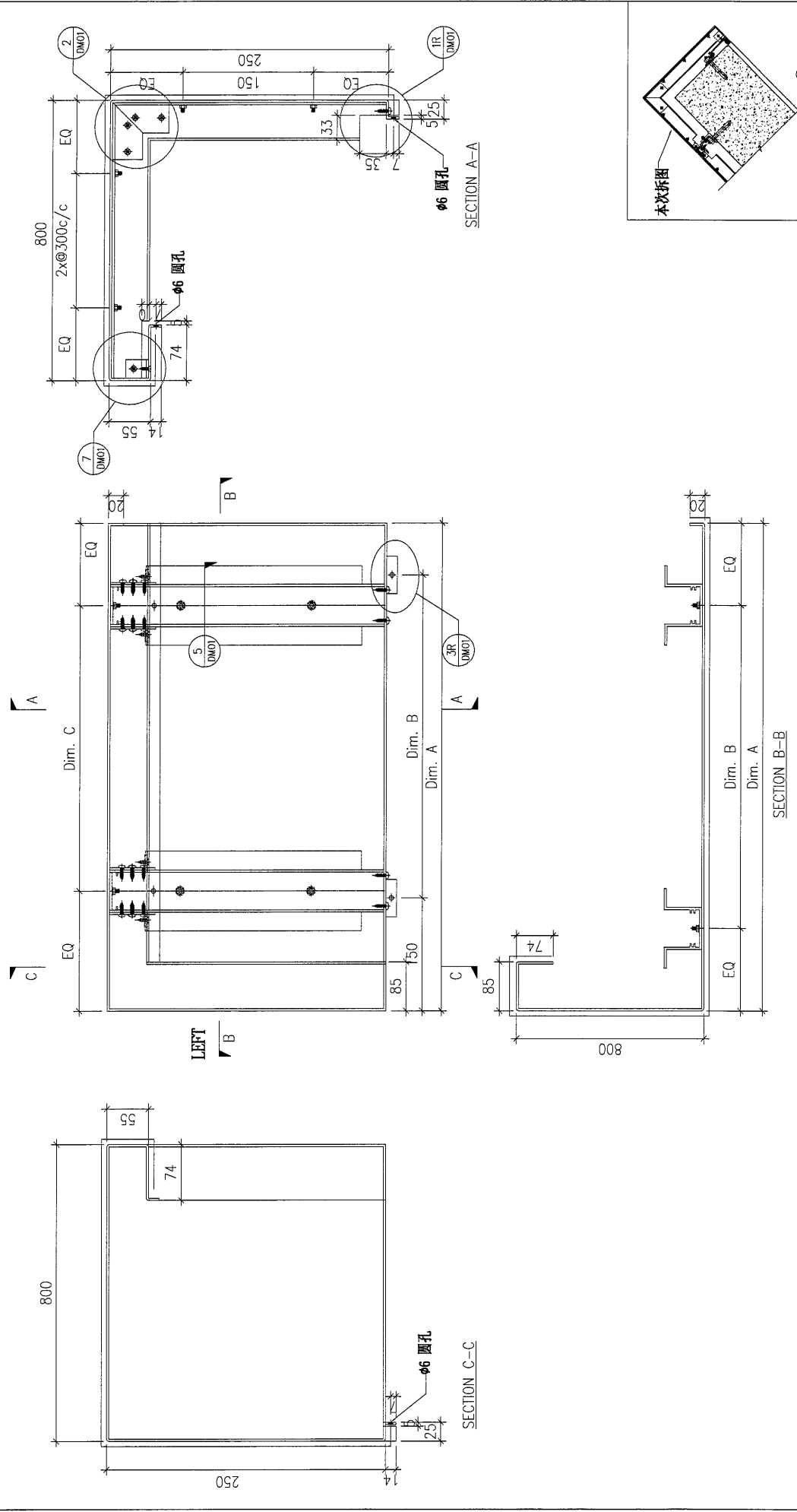
注: 工地复尺



DWG. NO.	REV.	SCALE	DATE	DRAWN BY	APPROVED BY
AP-X132	-	-	17-04-2024	-	-

PROJECT		YIN PING ROAD KOWLOON FEATURE WALL (PHASE 2)				MATERIAL				3mm铝板				COATING		PVF2		COLOUR		EC-DG-D334232-ZD1(SS-01)		MARK. NO.		-		QTY.		-	
REV.	CHECKED	PART NUMBER	Dim. A	Dim. B	Dim. C	Dim. D	Dim. E	Dim. F	Dim. G	Dim. H	QTY.	Inv. Code	ASSEMBLE ON PARTS																
-		AP-X133	1799	5x@300c/c	6x@270c/c	-	-	-	-	-	1		注: 用于 X 区域																

注: 工地复尺														注: 地盘用													
---------	--	--	--	--	--	--	--	--	--	--	--	--	--	--------	--	--	--	--	--	--	--	--	--	--	--	--	--



DWG. NO.	AP-X133	REV.	-	SCALE	-	DATE	17-04-2024	DRAWN BY	-	APPROVED BY	-
----------	---------	------	---	-------	---	------	------------	----------	---	-------------	---

PROJECT: YIN PING ROAD KOWLOON FEATURE WALL (PHASE 2)

MATERIAL: 3mm鋁板

COATING: PVF2

COLOUR: EC-DG-D334232-ZD1(SS-01)

MARK. NO.:

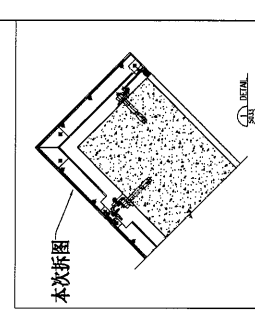
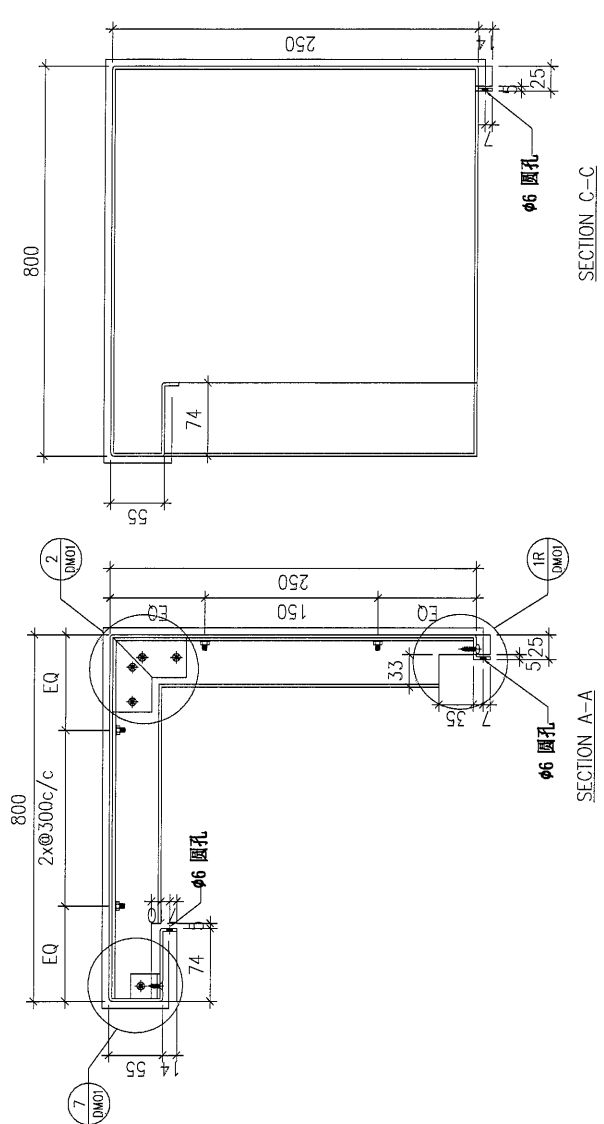
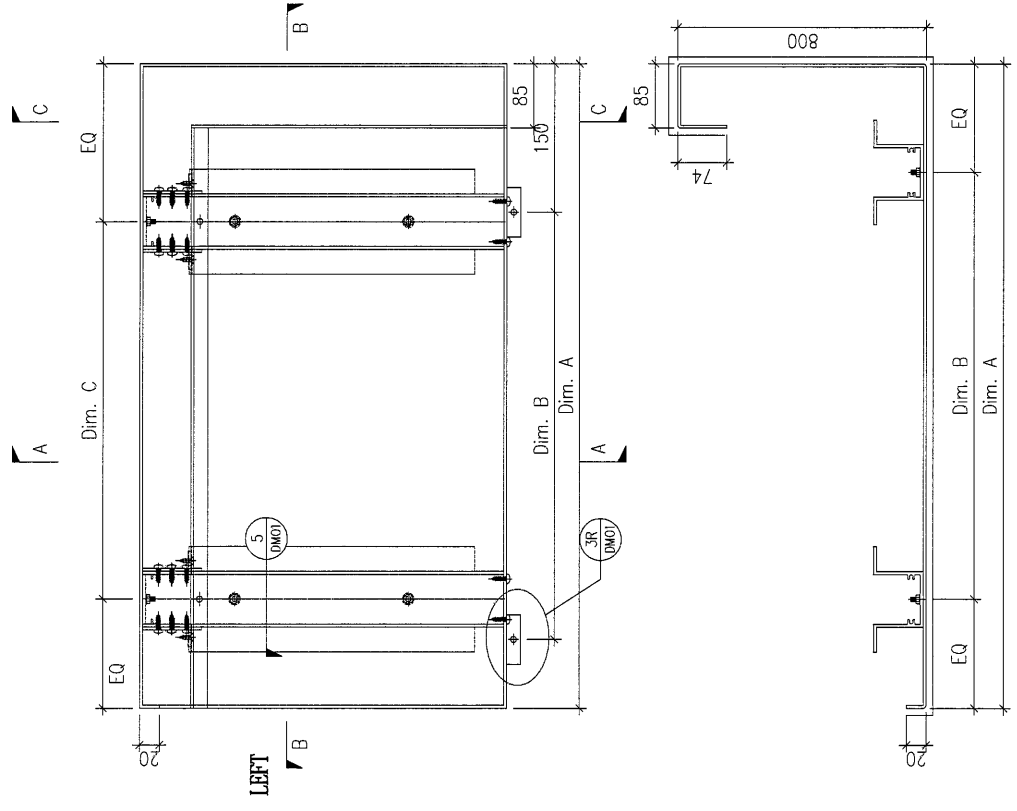
QTY.:

REV.	CHANGED / MARK BY	PART NUMBER	Dim. A	Dim. B	Dim. C	Dim. D	Dim. E	Dim. F	Dim. G	Dim. H	QTY.	Inv. Code	ASSEMBLE ON PARTS
-		AP-X135	1799	5x@300c/c	6x@270c/c	-	-	-	-	-	1		

注: 工地复尺

注: 用于 X 区域

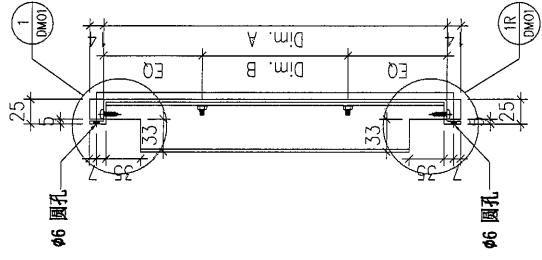
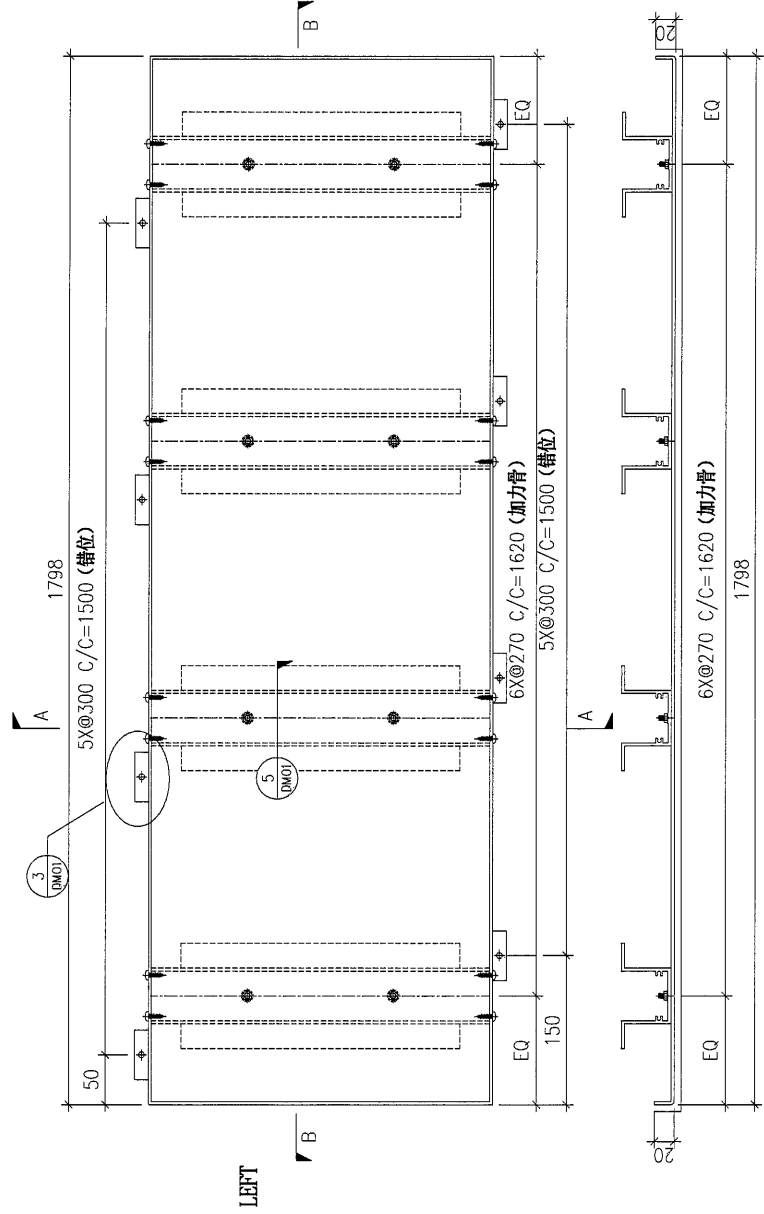
注: 地盘用



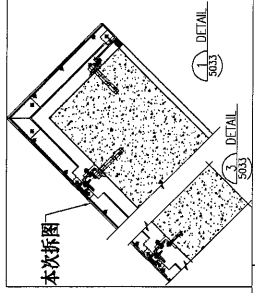
DWG. NO. AP-X135	REV. -	SCALE -	DATE 17-04-2024	DRAWN BY -	APPROVED BY -
------------------	--------	---------	-----------------	------------	---------------

PROJECT		YIN PING ROAD KOWLOON FEATURE WALL (PHASE 2)				MATERIAL		3mm鋁板		COATING		PVF2		COLOUR		EC-DG-D334232-ZD1(SS-01)		MARK. NO.		-		QTY.		-	
REV.	CHECKED (DATE)	PART NUMBER	Dim. A	Dim. B	Dim. C	Dim. D	Dim. E	Dim. F	Dim. G	Dim. H	QTY.	Inv. Code	ASSEMBLE ON PARTS												
-		AP-X136	708	2x@300c/c	-						15		注: 用于 X 区域												

注: 地盘用																							
注: 工地复尺																							



SECTION A-A

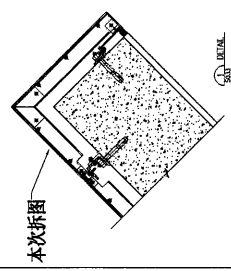
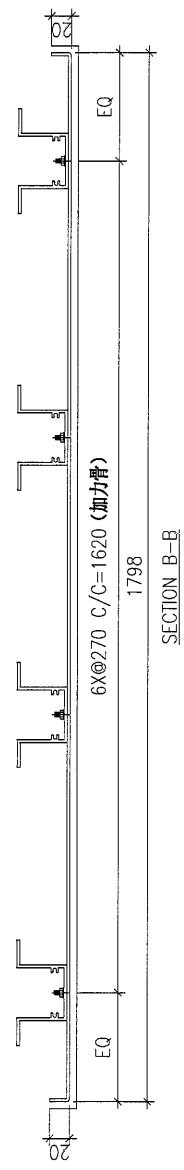
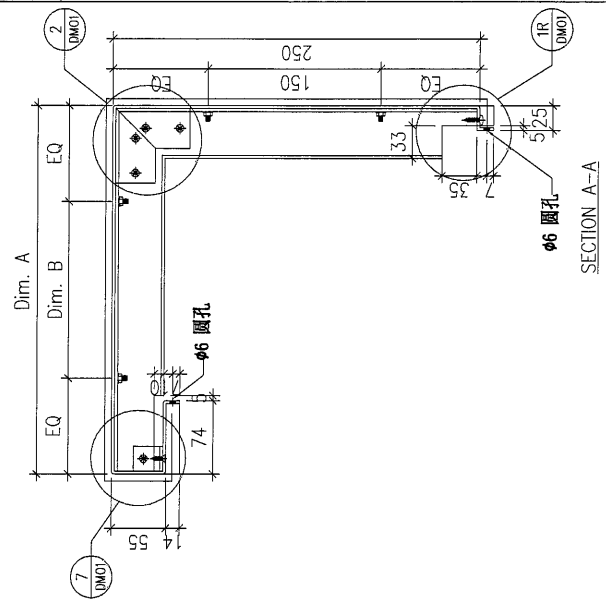
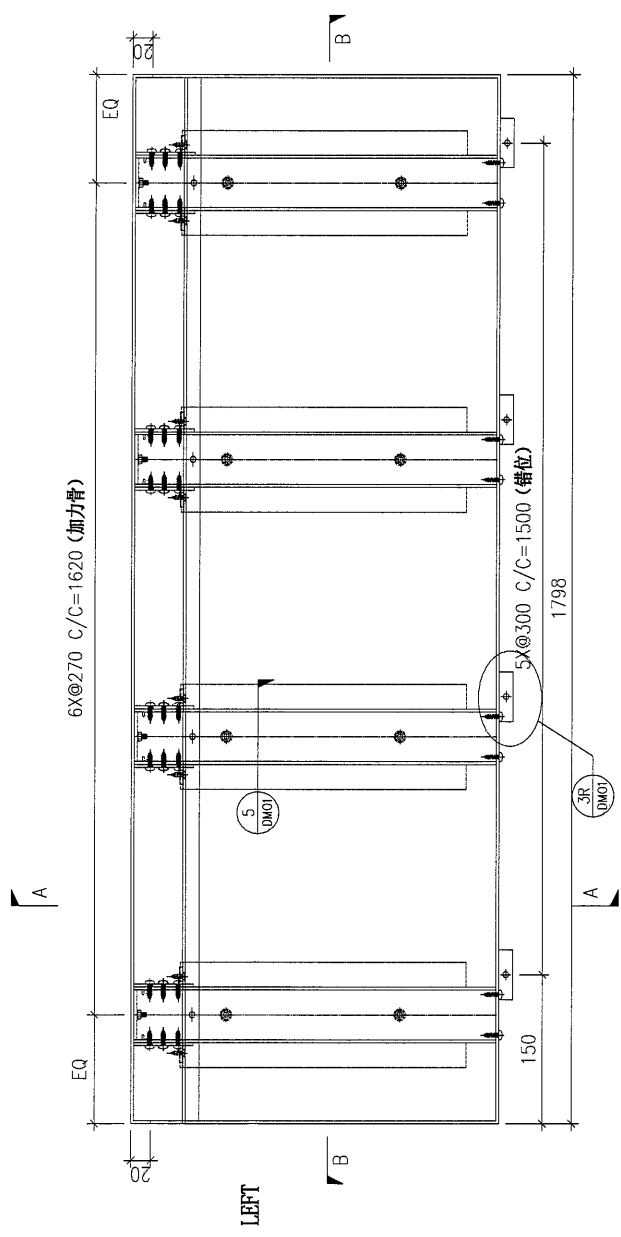


DWG. NO.		AP-X136		REV.		-		SCALE		-		DATE		17-04-2024		DRAWN BY		-		APPROVED BY		-	
----------	--	---------	--	------	--	---	--	-------	--	---	--	------	--	------------	--	----------	--	---	--	-------------	--	---	--

PROJECT		YIN PING ROAD KOWLOON FEATURE WALL (PHASE 2)				MATERIAL				3mm铝板				COATING		PVF2		COLOUR		EC-DG-D334232-ZD1(SS-01)		MARK. NO.		---		QTY.		---	
REV.	CHANGED FOR	PART NUMBER	Dim. A	Dim. B	Dim. C	Dim. D	Dim. E	Dim. F	Dim. G	Dim. H	QTY.	Inv. Code	ASSEMBLE ON PARTS																
-		AP-X137	800	2x@300/c	-						5		注: 用于 X 区域																

注: 工地复尺														注: 地盘用													
---------	--	--	--	--	--	--	--	--	--	--	--	--	--	--------	--	--	--	--	--	--	--	--	--	--	--	--	--

注: 工地复尺



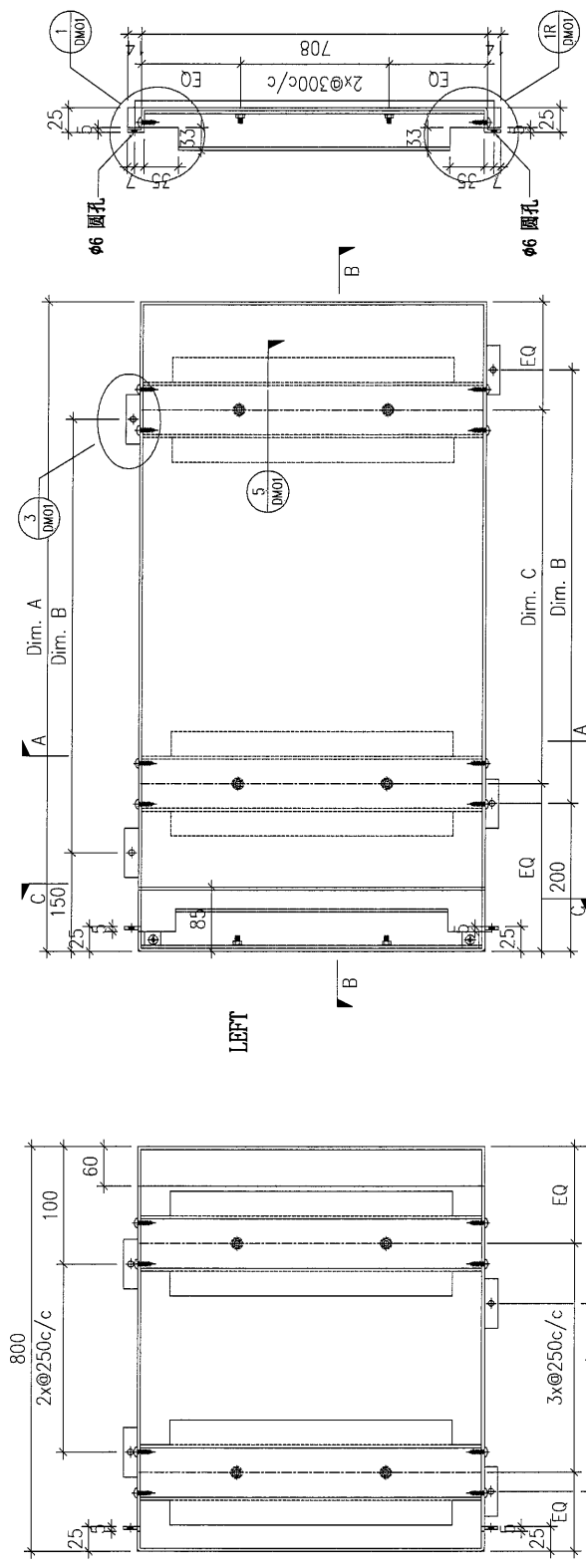
DWG. NO.		AP-X137		REV.		---		SCALE		---		DATE		17-04-2024		DRAWN BY		---		APPROVED BY		---	
----------	--	---------	--	------	--	-----	--	-------	--	-----	--	------	--	------------	--	----------	--	-----	--	-------------	--	-----	--

PROJECT		YIN PING ROAD KOWLOON FEATURE WALL (PHASE 2)		MATERIAL		3mm铝板		COATING		PVF2		COLOUR		EC-DG-D334232-ZD1(SS-01)		MARK. NO.		-		QTY.		-	
---------	--	--	--	----------	--	-------	--	---------	--	------	--	--------	--	--------------------------	--	-----------	--	---	--	------	--	---	--

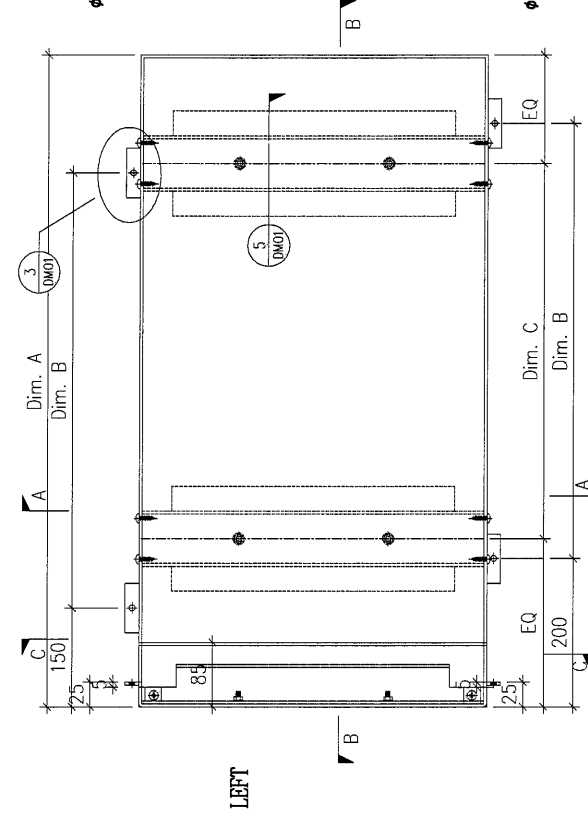
REV.	CHANGED BY	PART NUMBER	Dim. A	Dim. B	Dim. C	Dim. D	Dim. E	Dim. F	Dim. G	Dim. H	QTY.	Inv. Code	ASSEMBLE ON PARTS									
-		AP-X138	1799	5x@300c/c	6x@270c/c	-	-	-	-	-	6		注: 用于 X 区域									

注: 工地复尺

注: 地盘用

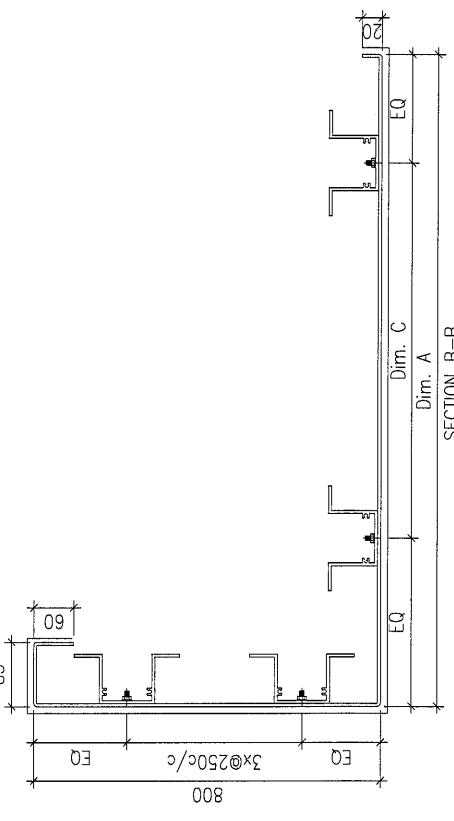
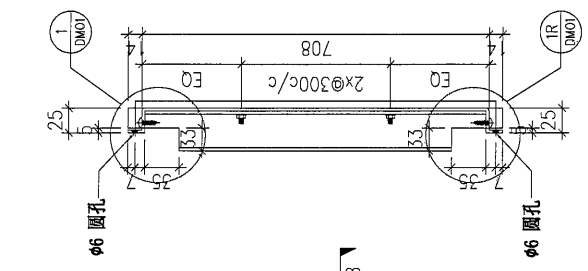


SECTION C-C

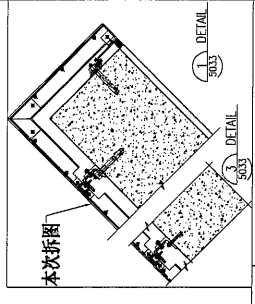


LEFT

SECTION A-A



SECTION B-B

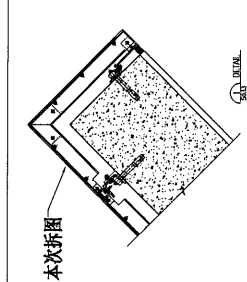
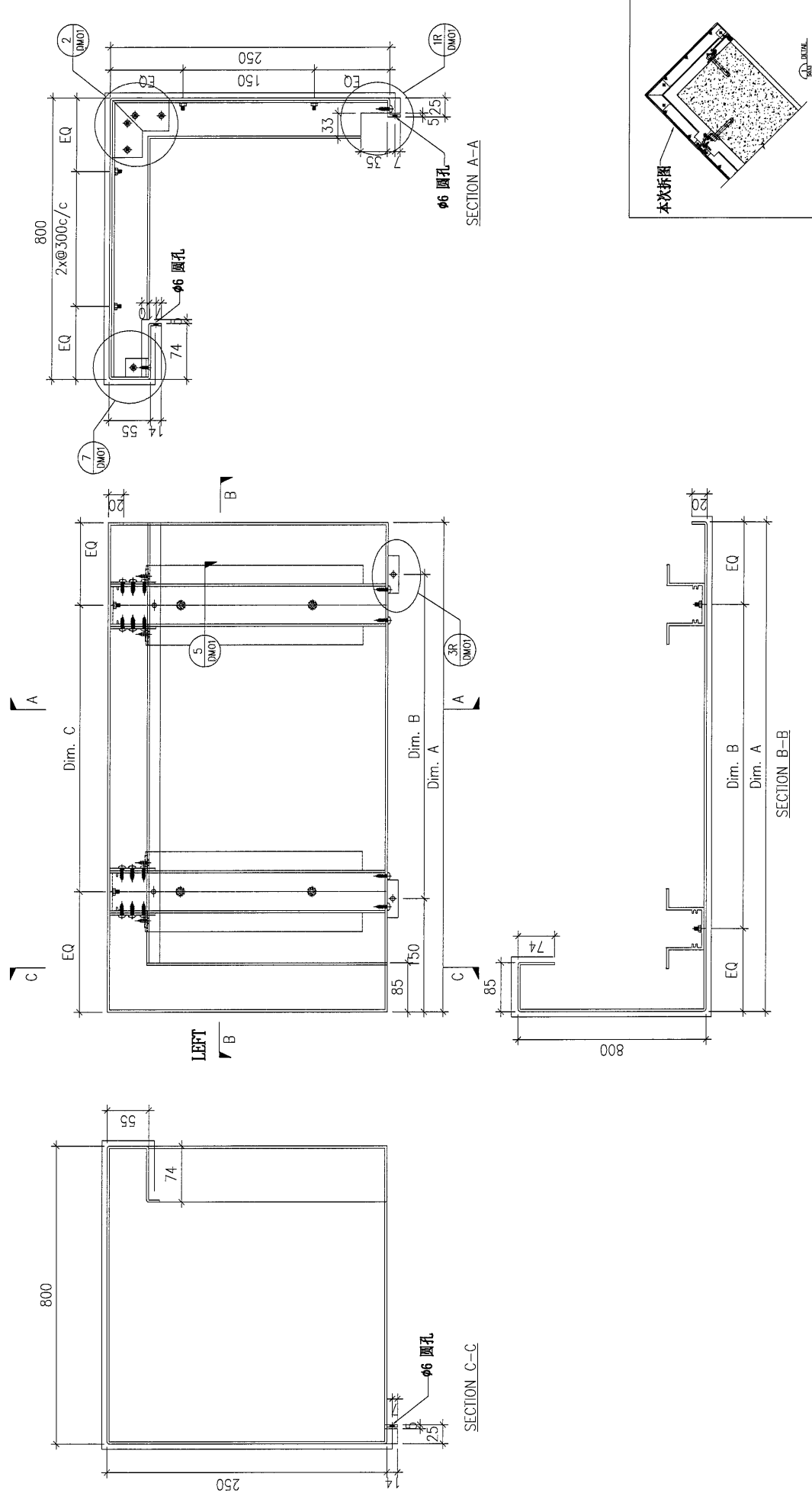


DWG. NO.		AP-X138		REV.		-		SCALE		-		DATE		17-04-2024		DRAWN BY		-		APPROVED BY		-	
----------	--	---------	--	------	--	---	--	-------	--	---	--	------	--	------------	--	----------	--	---	--	-------------	--	---	--

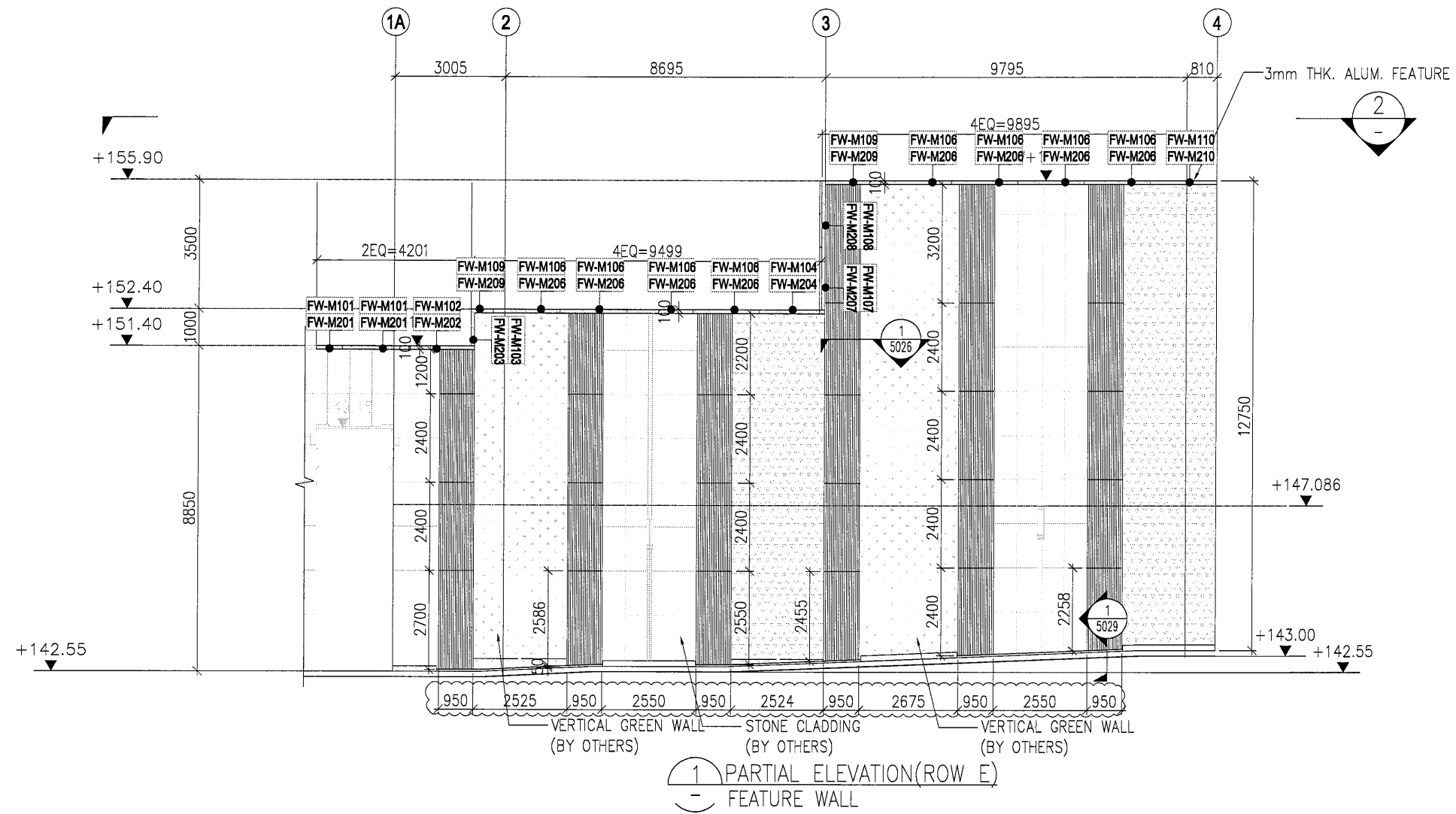
PROJECT		YIN PING ROAD KOWLOON FEATURE WALL (PHASE 2)				MATERIAL				3mm鋁板				COATING		PVF2		COLOUR		EC-DG-D334232-ZD1(SS-01)		MARK. NO.		-		QTY.		-	
REF.	CHECKED DATE	PART NUMBER	Dim. A	Dim. B	Dim. C	Dim. D	Dim. E	Dim. F	Dim. G	Dim. H	QTY.	Inv. Code	ASSEMBLE ON PARTS																
-		AP-X139	1799	5x@300c/c	6x@270c/c	-	-	-	-	-	2		注: 用于 X 区域																

注: 地盘用

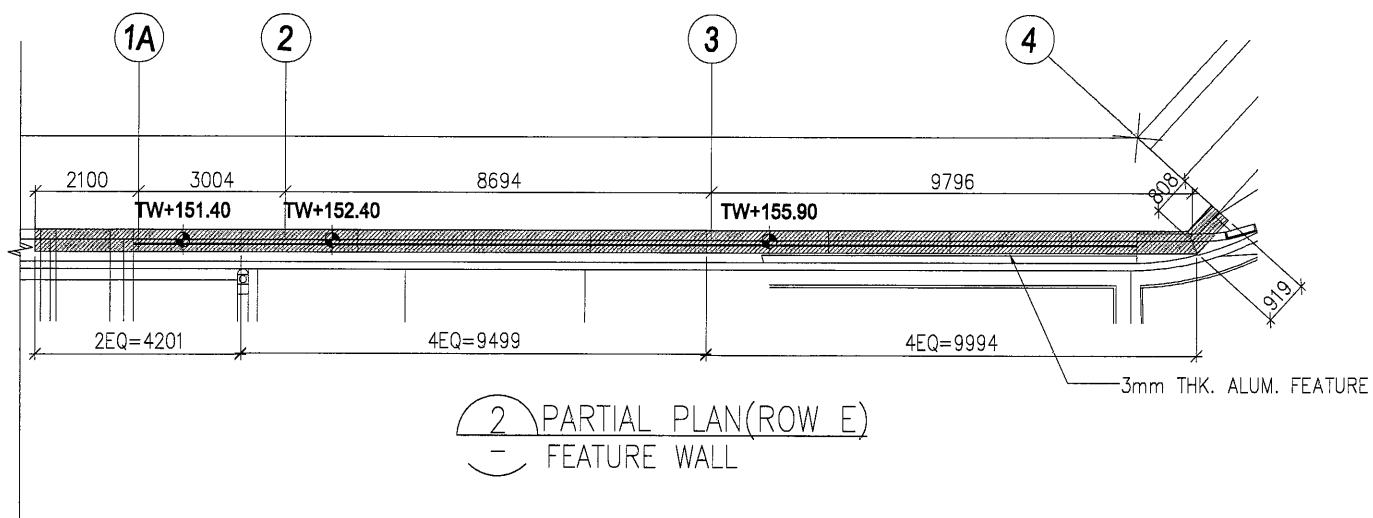
注: 工地复尺



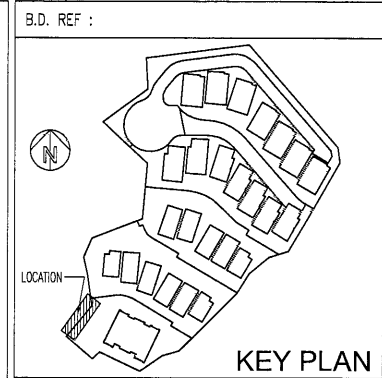
DWG. NO.	AP-X139	REV.	-	SCALE	-	DATE	17-04-2024	DRAWN BY	-	APPROVED BY	-
----------	---------	------	---	-------	---	------	------------	----------	---	-------------	---



1 PARTIAL ELEVATION (ROW E)
- FEATURE WALL



2 PARTIAL PLAN (ROW E)
- FEATURE WALL



CLIENT :
SHIMAO GROUP HOLDINGS LIMITED

ARCHITECT :
WONG TUNG & PARTNERS LIMITED ARCHITECTS & PLANNERS

MAIN CONTRACTOR :
協興建築有限公司 HIP HING CONSTRUCTION CO LTD

STRUCTURAL ENGINEER :
C M WONG & ASSOCIATES LTD 黃志明建築工程師有限公司

FACADE CONSULTANT:
MEINHARDT

NOTE :

1. ALL DIMENSIONS ARE IN mm.
2. ALL ELEVATIONS ARE VIEWED FROM OUTSIDE.
3. ALL DIMENSIONS TO BE VERIFIED ON SITE BEFORE FABRICATION.

LEGEND :

- x1 - DETAIL MARK NO.
- x001 - REFER SHEET NO.

1. F.F.L. -- FINISHED FLOOR LEVEL
2. S.F.L. -- STRUCTURAL FLOOR LEVEL
3. (R) -- REVERSED DETAIL

NO.	DATE	REVISED	BY

JOB NO. : J-853
PROJECT : PROPOSED RESIDENTIAL DEVELOPMENT AT N.K.I.L. 6542 YIN PING ROAD KOWLOON

TITLE : PARTIAL ELEVATION & PLAN OF FEATURE WALL (PHASE 2)

DATE : 30-Apr-24 SCALE : 1:150 (A3)

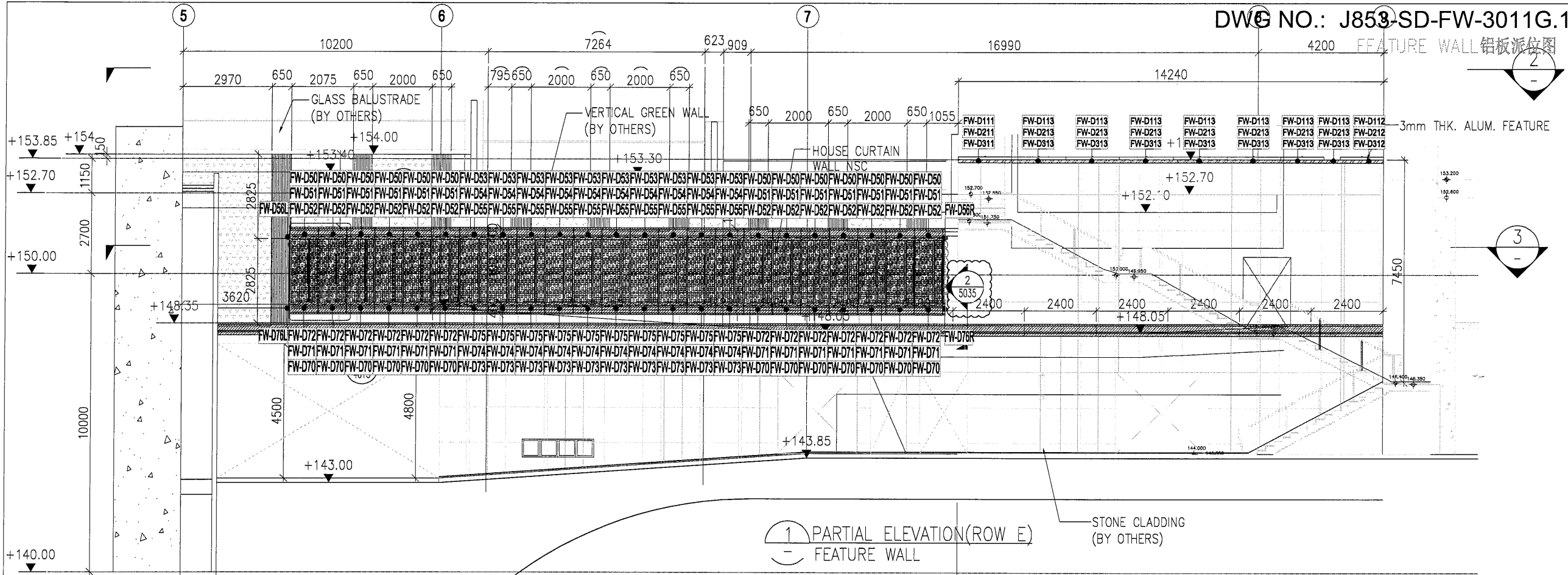
DRAWN BY : LHR CHECKED BY :

美特鋁質有限公司
MIDI ALUMINIUM FABRICATOR LTD.
Units 6-8, Sunray Industrial Centre, 1/F
610 Cha Kwo Ling Road, Kowloon
Tel: 23489211-4 Fax: (852) 2727666

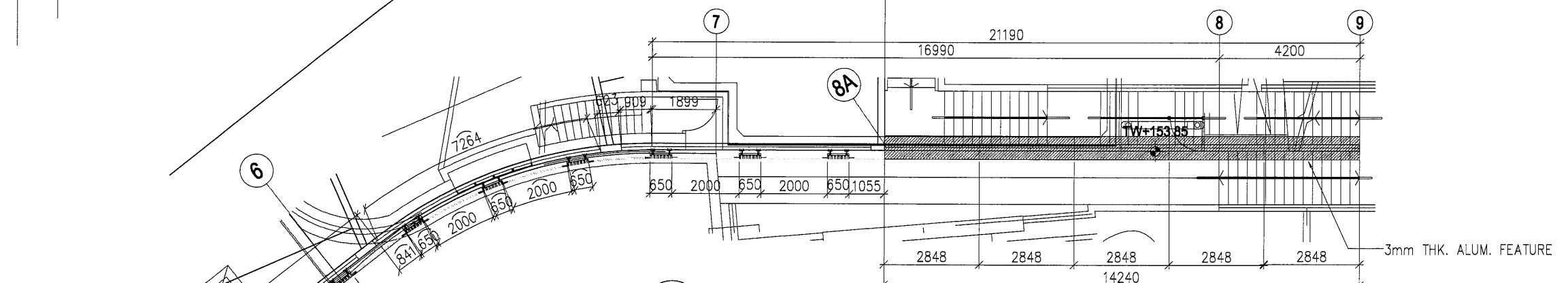
DWG NO. : J853-SD-FW-3010 REV. : B

LEGEND:

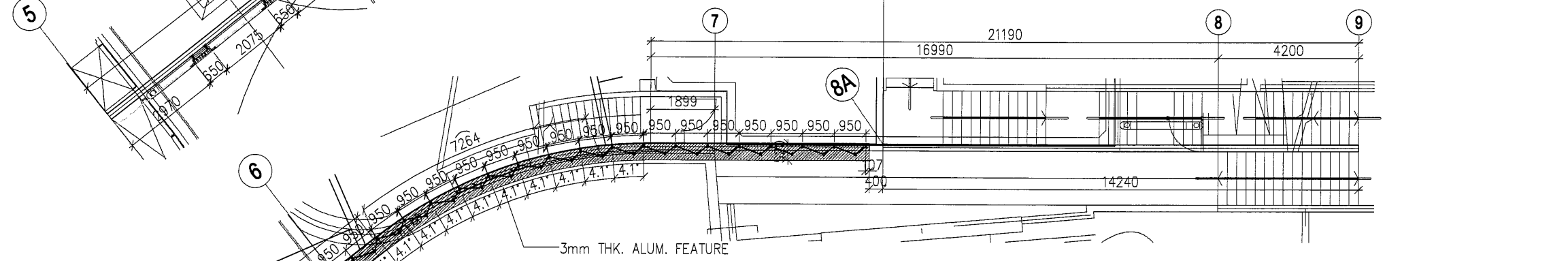
- [Hatched Box] ALUM. GRILLE
- [Hatched Box] 3mm THK. ALUM. CLADDING
- [G] G1: 6mm+1.52PVB+6mm THK. LAMINATED TEMPERED GLASS WITH SILK PAINTING





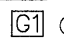
1 PARTIAL ELEVATION (ROW E)
- FEATURE WALL



2 PARTIAL PLAN (ROW E)
- FEATURE WALL



3 PARTIAL PLAN (ROW E)
- FEATURE WALL

- LEGEND:
-  ALUM. GRILLE
 -  3mm THK. ALUM. CLADDING
 -  G1: 6mm+1.52PVB+6mm THK. LAMINATED TEMPERED GLASS WITH SILK PAINTING

B.D. REF :

LOCATION

KEY PLAN

CLIENT : SHIMAO GROUP HOLDINGS LIMITED

ARCHITECT : WONG TUNG & PARTNERS LIMITED ARCHITECTS & PLANNERS

MAIN CONTRACTOR : 協興建築有限公司 HIP HING CONSTRUCTION CO LTD

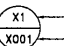
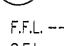
STRUCTURAL ENGINEER : CMA C M WONG & ASSOCIATES LTD 黃志明建築工程師有限公司

FACADE CONSULTANT : MEINHARDT

NOTE :

1. ALL DIMENSIONS ARE IN mm.
2. ALL ELEVATIONS ARE VIEWED FROM OUTSIDE.
3. ALL DIMENSIONS TO BE VERIFIED ON SITE BEFORE FABRICATION.

LEGEND :

-  X1 --- DETAIL MARK NO.
-  X001 --- REFER SHEET NO.
- 1. F.F.L. --- FINISHED FLOOR LEVEL
- 2. S.F.L. --- STRUCTURAL FLOOR LEVEL
- 3. (R) --- REVERSED DETAIL

NO.	DATE	REVISED	BY

JOB NO. : J-853

PROJECT : PROPOSED RESIDENTIAL DEVELOPMENT AT N.K.I.L. 6542 YIN PING ROAD KOWLOON

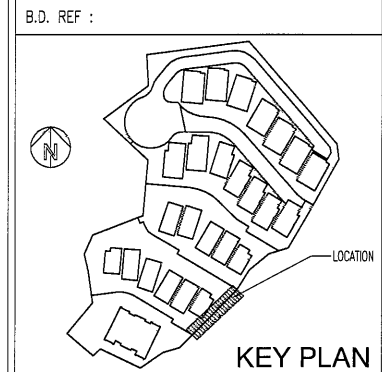
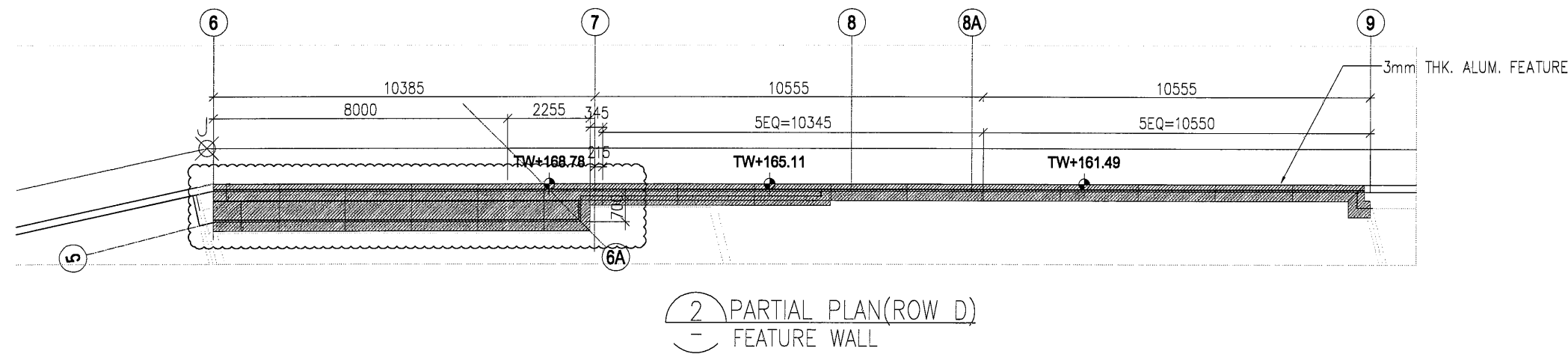
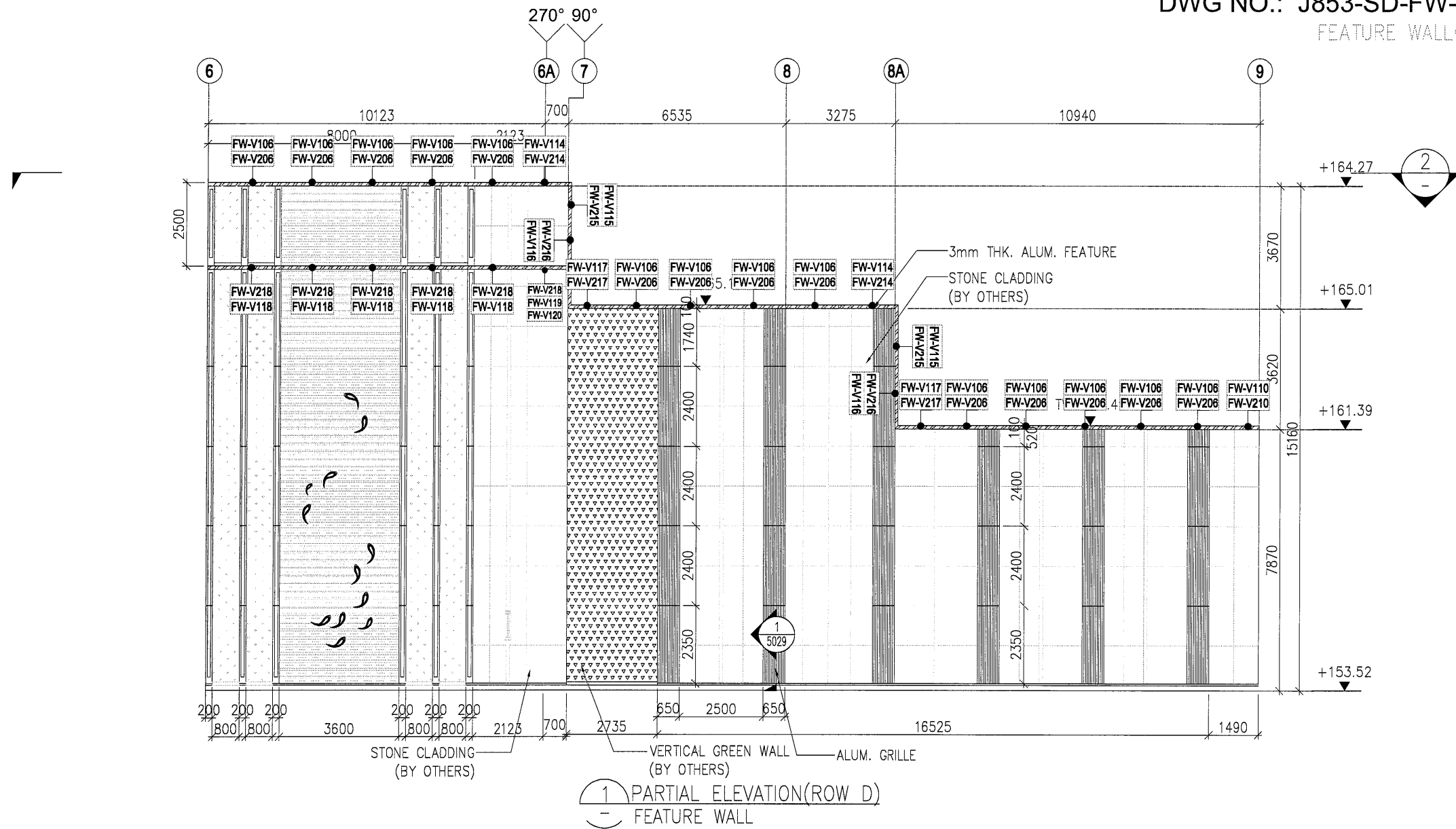
TITLE : PARTIAL ELEVATION & PLAN OF FEATURE WALL (PHASE 2)

DATE : 30-Apr-24 SCALE : 1:150 (A3)

DRAWN BY : LHR CHECKED BY :

美特鋁質有限公司
MIDI ALUMINIUM FABRICATOR LTD.
Units 6-8, Sunray Industrial Centre, 1/F
610 Cha Kwo Ling Road, Kowloon
Tel: 23489211-4 Fax: (852) 2727666

DWG NO. : J853-SD-FW-3011 REV. : C



CLIENT : SHIMAO GROUP HOLDINGS LIMITED

ARCHITECT : WONG TUNG & PARTNERS LIMITED ARCHITECTS & PLANNERS

MAIN CONTRACTOR : 協興建築有限公司 HIP HING CONSTRUCTION CO LTD

STRUCTURAL ENGINEER : C M WONG & ASSOCIATES LTD 黃志明建築工程師有限公司

FACADE CONSULTANT : MEINHARDT

NOTE :

1. ALL DIMENSIONS ARE IN mm.
2. ALL ELEVATIONS ARE VIEWED FROM OUTSIDE.
3. ALL DIMENSIONS TO BE VERIFIED ON SITE BEFORE FABRICATION.

LEGEND :

(X1) -- DETAIL MARK NO.
(X001) -- REFER SHEET NO.

1. F.F.L. -- FINISHED FLOOR LEVEL
2. S.F.L. -- STRUCTURAL FLOOR LEVEL
3. (R) -- REVERSED DETAIL

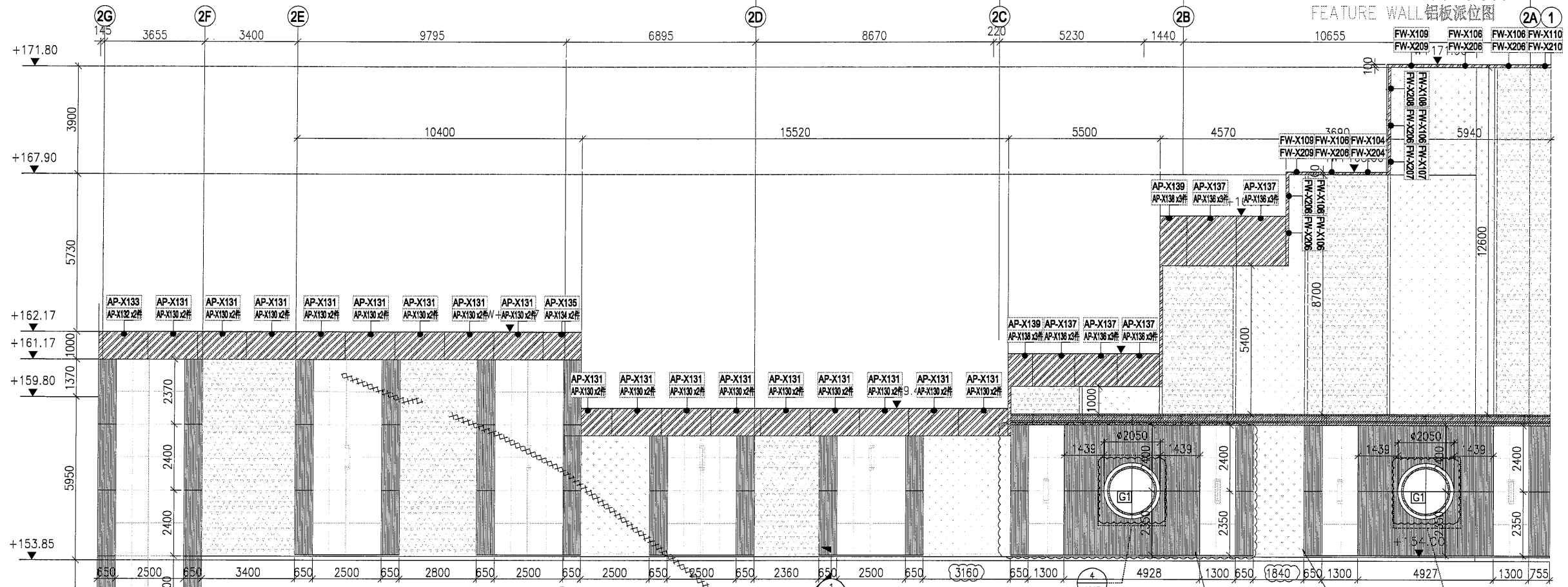
NO.	DATE	REVISED	BY
JOB NO. : J-853			
PROJECT : PROPOSED RESIDENTIAL DEVELOPMENT AT N.K.I.L. 6542 YIN PING ROAD KOWLOON			
TITLE : PARTIAL ELEVATION & PLAN OF FEATURE WALL (PHASE 2)			
DATE : 30-Apr-24		SCALE : 1:150 (A3)	
DRAWN BY : LHR		CHECKED BY :	
MIDI ALUMINIUM FABRICATOR LTD. Units 6-8, Sunray Industrial Centre, 1/F 610 Cha Kwo Ling Road, Kowloon Tel: 23489211-4 Fax: (852) 2727666			
DWG NO. : J853-SD-FW-3017			REV. : B

LEGEND:

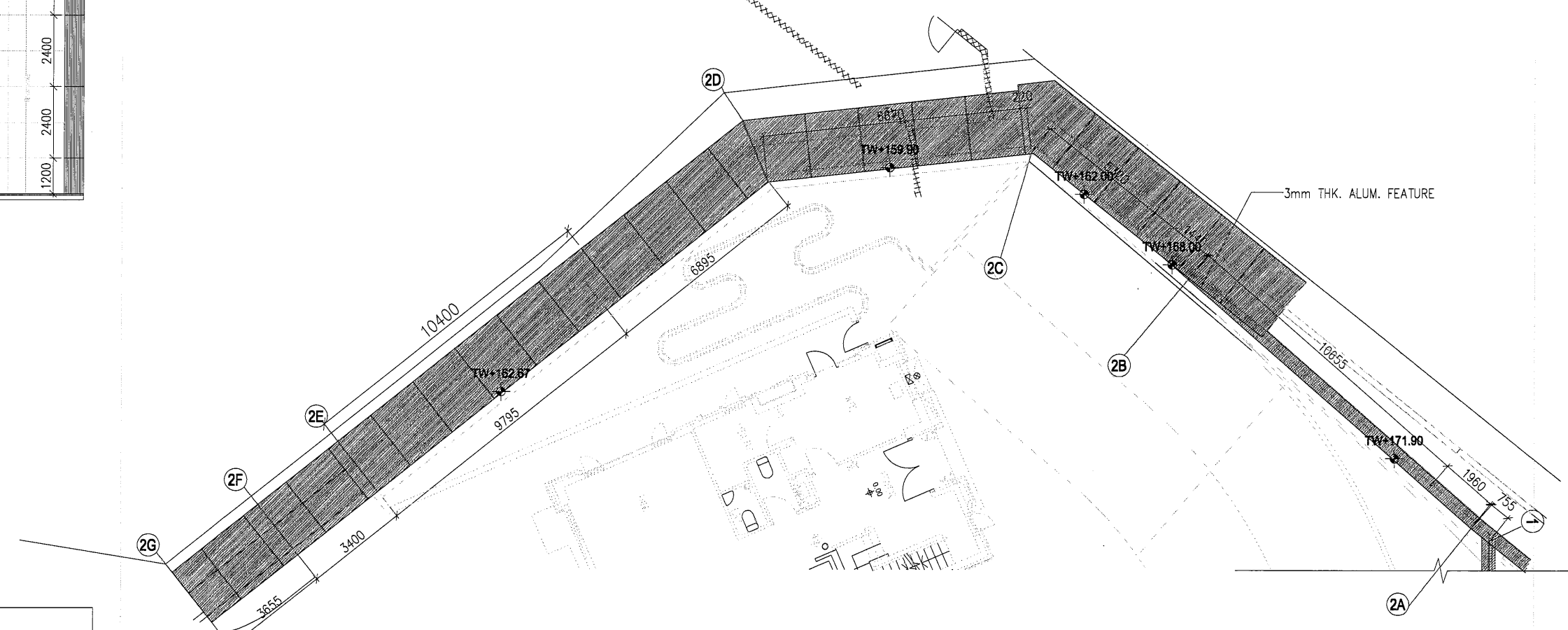
ALUM. GRILLE

3mm THK. ALUM. CLADDING

G1: 6mm+1.52PVB+6mm THK. LAMINATED TEMPERED GLASS WITH SILK PAINTING



1 PARTIAL ELEVATION (ROW D)
- FEATURE WALL



2 PARTIAL PLAN (ROW D)
- FEATURE WALL

LEGEND:

- ALUM. GRILLE
- 3mm THK. ALUM. CLADDING
- G1: 6mm+1.52PV8+6mm THK. LAMINATED TEMPERED GLASS WITH SILK PAINTING

B.D. REF :

KEY PLAN

CLIENT :
SHIMAO GROUP HOLDINGS LIMITED

ARCHITECT :
WONG TUNG & PARTNERS LIMITED
ARCHITECTS & PLANNERS

MAIN CONTRACTOR :
協興建築有限公司
HIP HING CONSTRUCTION CO LTD

STRUCTURAL ENGINEER :
CMA C M WONG & ASSOCIATES LTD
黃志明建築工程師有限公司

FACADE CONSULTANT:
MEINHARDT

NOTE :

1. ALL DIMENSIONS ARE IN mm.
2. ALL ELEVATIONS ARE VIEWED FROM OUTSIDE.
3. ALL DIMENSIONS TO BE VERIFIED ON SITE BEFORE FABRICATION.

LEGEND :

- X1 - DETAIL MARK NO.
- X001 - REFER SHEET NO.

1. F.F.L. -- FINISHED FLOOR LEVEL
2. S.F.L. -- STRUCTURAL FLOOR LEVEL
3. R -- REVERSED DETAIL

NO.	DATE	REVISED	BY
JOB NO. : J-853			
PROJECT : PROPOSED RESIDENTIAL DEVELOPMENT AT N.K.I.L. 6542 YIN PING ROAD KOWLOON			
TITLE : PARTIAL ELEVATION & PLAN OF FEATURE WALL (PHASE 2)			
DATE : 30-Apr-24	SCALE : 1:150 (A3)		
DRAWN BY : LHR	CHECKED BY :		
美特鋁質有限公司 MIDI ALUMINIUM FABRICATOR LTD.			
Units 6-8, Sunray Industrial Centre, 1/F 610 Cha Kwo Ling Road, Kowloon Tel: 23489211-4 Fax: (852) 27727666			
DWG NO. : J853-SD-FW-3018			REV. : C