



工程指示 / 要求簡箋 ENGINEER INSTRUCTIONS(E.I.)

工程指示編號:	EI- 1045	修改版本:	-
	HK- 1297		
工程編號:	J 853	工程名稱:	延坪道 (第2期)
收件人:	生統/	發件人:	Jingo
工程項目:	Feature wall 飾線 鋁料加工圖 part 6	日期:	11/7/2024

<input type="checkbox"/> 原合約工程包	<input type="checkbox"/> 原合約工程加 / 減脹 QT-	<input type="checkbox"/> 新工程報價 QT-
---------------------------------	--	------------------------------------

信件批核號碼/圖紙參考編號:	批核模具圖紙編號:
客戶指示附件:	管理內部批簽署:

<input type="checkbox"/> 初步鋁料 B.M.	<input type="checkbox"/> 加工拆圖, 然後生產	<input type="checkbox"/> 尺寸表
<input type="checkbox"/> 正式鋁料 B.M.	<input type="checkbox"/> 技術上資料/指示	<input type="checkbox"/> 報價
<input type="checkbox"/> 配件 B.M.	<input type="checkbox"/> 樣辦或貨品說明書	<input type="checkbox"/> 分判合約
<input type="checkbox"/> 其他:		

內容:

完成上列要求日期: 25/7/2024

國內

<input type="checkbox"/> 生產技術總監	<input type="checkbox"/> 連附件	<input type="checkbox"/> 技術部	<input type="checkbox"/> 連附件	<input type="checkbox"/> 生產部	<input type="checkbox"/> 連附件
<input type="checkbox"/> 採購部	<input type="checkbox"/> 連附件	<input checked="" type="checkbox"/> 生產統籌部	<input checked="" type="checkbox"/> 連附件	<input type="checkbox"/> 報關組	<input type="checkbox"/> 連附件
<input type="checkbox"/> 質檢部	<input type="checkbox"/> 連附件	<input type="checkbox"/> 會計部	<input type="checkbox"/> 連附件	<input type="checkbox"/> 機械設計部	<input type="checkbox"/> 連附件
<input type="checkbox"/> 香港辦	<input type="checkbox"/> 連附件	<input type="checkbox"/> 其他:			

香港

<input type="checkbox"/> 行政部	<input type="checkbox"/> 連附件	<input type="checkbox"/> 會計部	<input type="checkbox"/> 連附件	<input type="checkbox"/> 統籌部	<input type="checkbox"/> 連附件	<input type="checkbox"/> 工程部	<input type="checkbox"/> 連附件
<input type="checkbox"/> 採購部	<input type="checkbox"/> 連附件	<input type="checkbox"/> QS部	<input type="checkbox"/> 連附件	<input type="checkbox"/> 地盤管理	<input type="checkbox"/> 連附件	<input type="checkbox"/> 維修部	<input type="checkbox"/> 連附件

*發件人簽署:	*組別成員批核簽署:
傳遞編號:	項目經理簽署:

圖則登記表  
DRAWING REGISTER

		接收日期 Receiving Date (適用於客戶圖則)									
工程名稱 Project Title:	J-853香港廷坪路	月	日								
工程編號 Project No:	J-853	年	月	日							
分發予 Distributed To		發出日期 Issued Date									
		年	月	日							
		24	07	10							
圖則編號 Drg. No.	圖則名稱 Drawing Title	編號 Revi									
J853-FW-3014F	位置图	-									
J853-FW-3016F	位置图	-									
J853-FW-3024F	位置图	-									
J853-FW-3025F	位置图	-									
J853-FW-3032F	位置图	-									
J853-FW-3033F	位置图	-									
P2-UN-C01A	铝料组装图	-									
P2-UN-C01B	铝料组装图	-									
P2-UN-C01C	铝料组装图	-									
P2-UN-C01D	铝料组装图	-									
P2-UN-C01E	铝料组装图	-									
P2-UN-Z01F	铝料组装图	-									
P2-UN-Z01G	铝料组装图	-									
P2-UN-L01H	铝料组装图	-									
P2-UN-L01J	铝料组装图	-									
P2-UN-L01K	铝料组装图	-									
P2-UN-K01L	铝料组装图	-									
P2-UN-K01M	铝料组装图	-									
P2-UN-K01N	铝料组装图	-									
P2-UN-K01P	铝料组装图	-									
P2-UN-ZL02	铝料组装图	-									
P2-UN-C03A	铝料组装图	-									
P2-UN-C03B	铝料组装图	-									
P2-UN-C03C	铝料组装图	-									
P2-UN-C03D	铝料组装图	-									
P2-UN-C03E	铝料组装图	-									
P2-UN-L03F	铝料组装图	-									
P2-UN-L03G	铝料组装图	-									
P2-UN-K03H	铝料组装图	-									
P2-UN-K03J	铝料组装图	-									
P2-UN-K03K	铝料组装图	-									
P2-UN-C04A	铝料组装图	-									
P2-UN-C04B	铝料组装图	-									



AW-YB-C21	铝料组装图	-												
AW-YB-C24	铝料组装图	-												
AL-21	铝料加工图	-												
AL-21R	铝料加工图	-												
AL-22	铝料加工图	-												
AL-22R	铝料加工图	-												
AL-C24	铝料加工图	-												
AL-C24R	铝料加工图	-												
ML-C21	铝料加工图	-												
ML-C21a	铝料加工图	-												
P2-AL-C31	铝料加工图	-												
P2-AL-C32	铝料加工图	-												

PROJECT

YIN PING ROAD KOWLOON  
FEATURE WALL (PHASE 2)

MATERIAL

格栅组装图

COATING

COLOUR

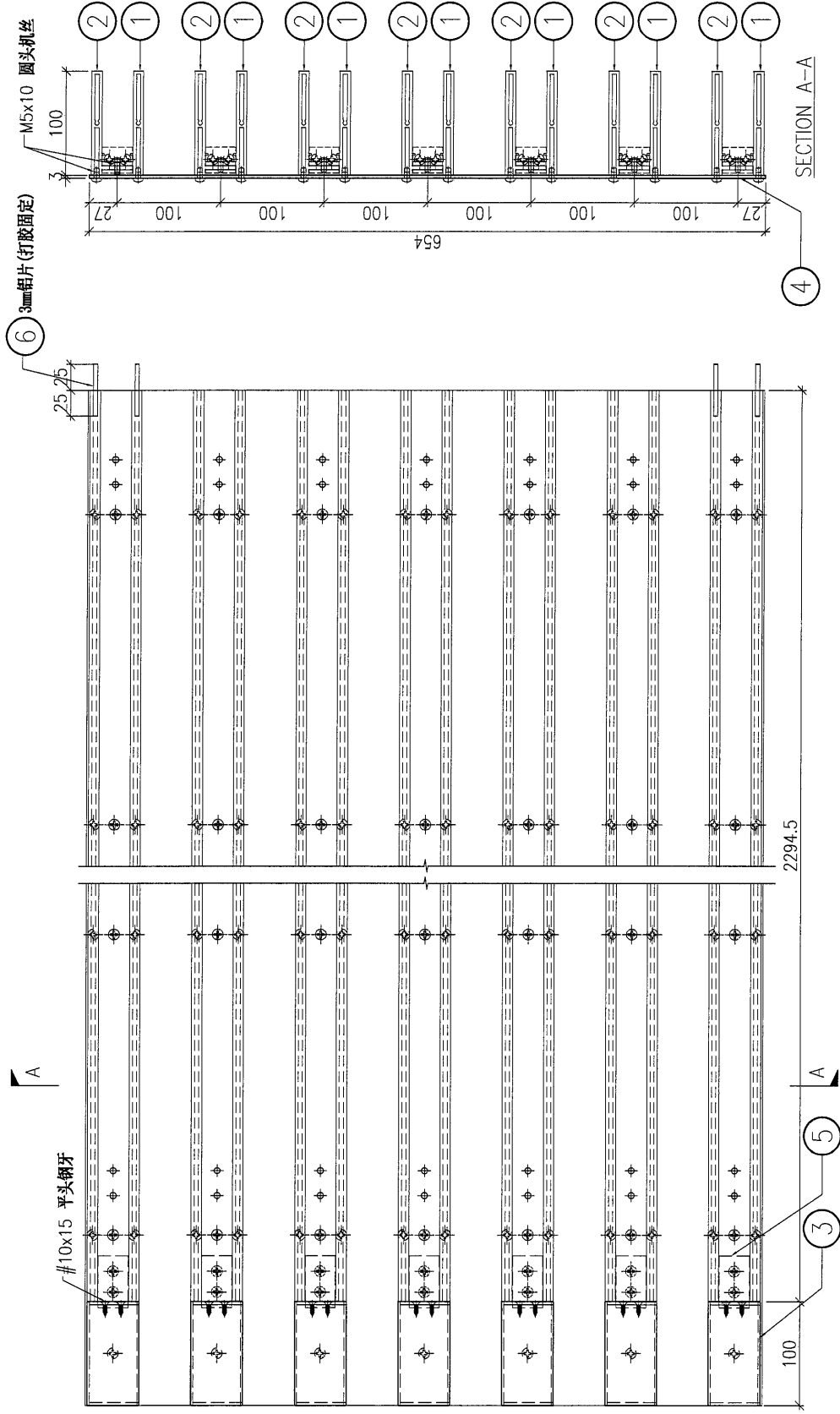
MARK. NO.

QTY.

注: 地盘用

REV.	CHKD BY	PART NUMBER	Dim. A	Dim. B	Dim. C	Dim. D	Dim. E	Dim. F	Dim. G	Dim. H	QTY.	Inv. Code	ASSEMBLE ON PARTS
-		P2-UN-C01A	-	-	-	-	-	-	-	-	6		注: 用于 C 区域

序号	编号	数量
①	P2-AL-C03A	7
②	P2-AL-C04A	7
③	P2-AL-C02	7
④	P2-AP-C02A	1
⑤	P2-AL-C01	7
⑥	P2-AP-C01	4



壁

DWG. NO.

P2-UN-C01A

REV.

SCALE

DATE  
10-07-2024

DRAWN BY

APPROVED BY



PROJECT: YIN PING ROAD KOWLOON FEATURE WALL (PHASE 2)

MATERIAL: 格栅组装图

COATING: -

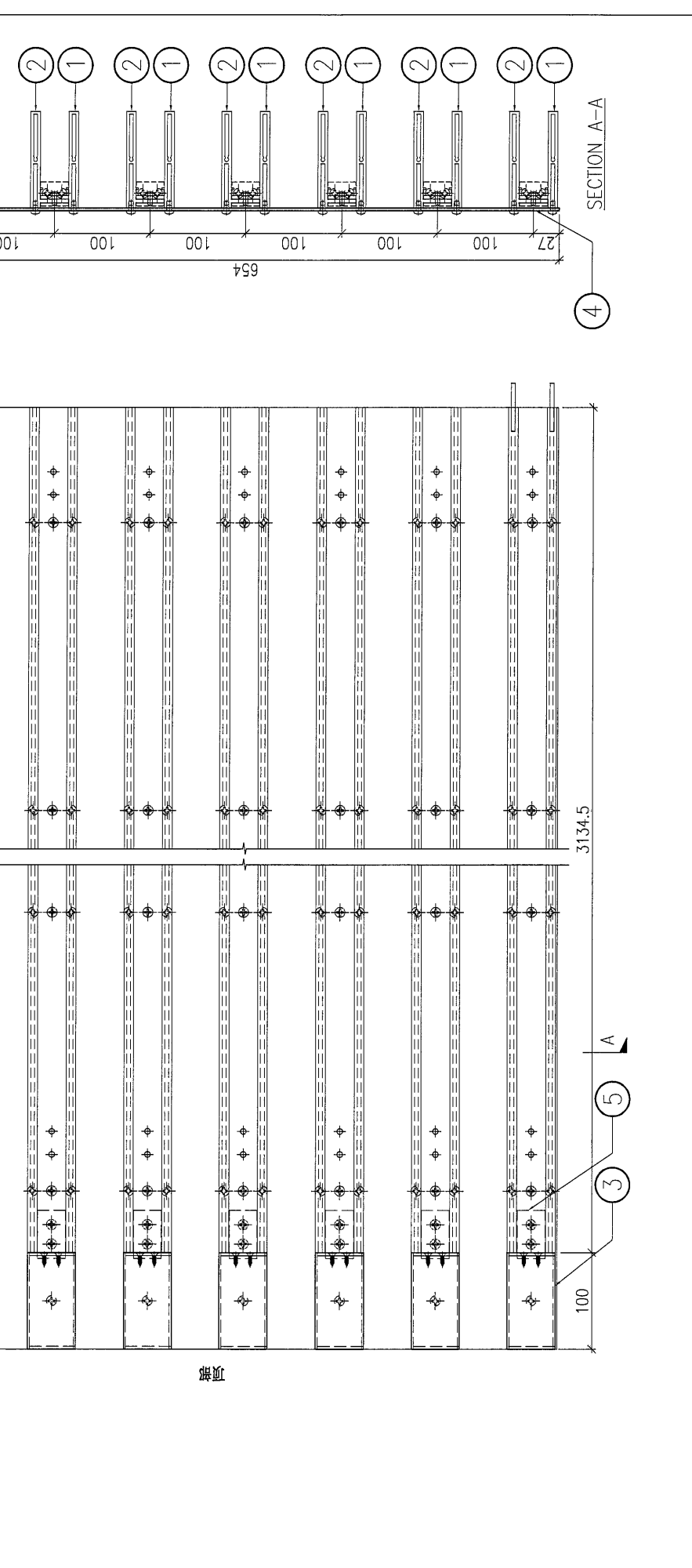
COLOUR: -

MARK. NO.: -

QTY.: -

REV.	CHECKED BY	Dim. A	Dim. B	Dim. C	Dim. D	Dim. E	Dim. F	Dim. G	Dim. H	QTY.	Inv. Code	ASSEMBLE ON PARTS
-	-	-	-	-	-	-	-	-	-	1	-	注: 用于 C 区域

序号	编号	数量
①	P2-AL-C03C	7
②	P2-AL-C04C	7
③	P2-AL-C02	7
④	P2-AP-C02C	1
⑤	P2-AL-C01	7
⑥	P2-AP-C01	4



DWG. NO.	REV.	SCALE	DATE	DRAWN BY	APPROVED BY
P2-UN-C01C	-	-	10-07-2024	-	-







PROJECT: YIN PING ROAD KOWLOON FEATURE WALL (PHASE 2)

MARK. NO. -

COLOUR -

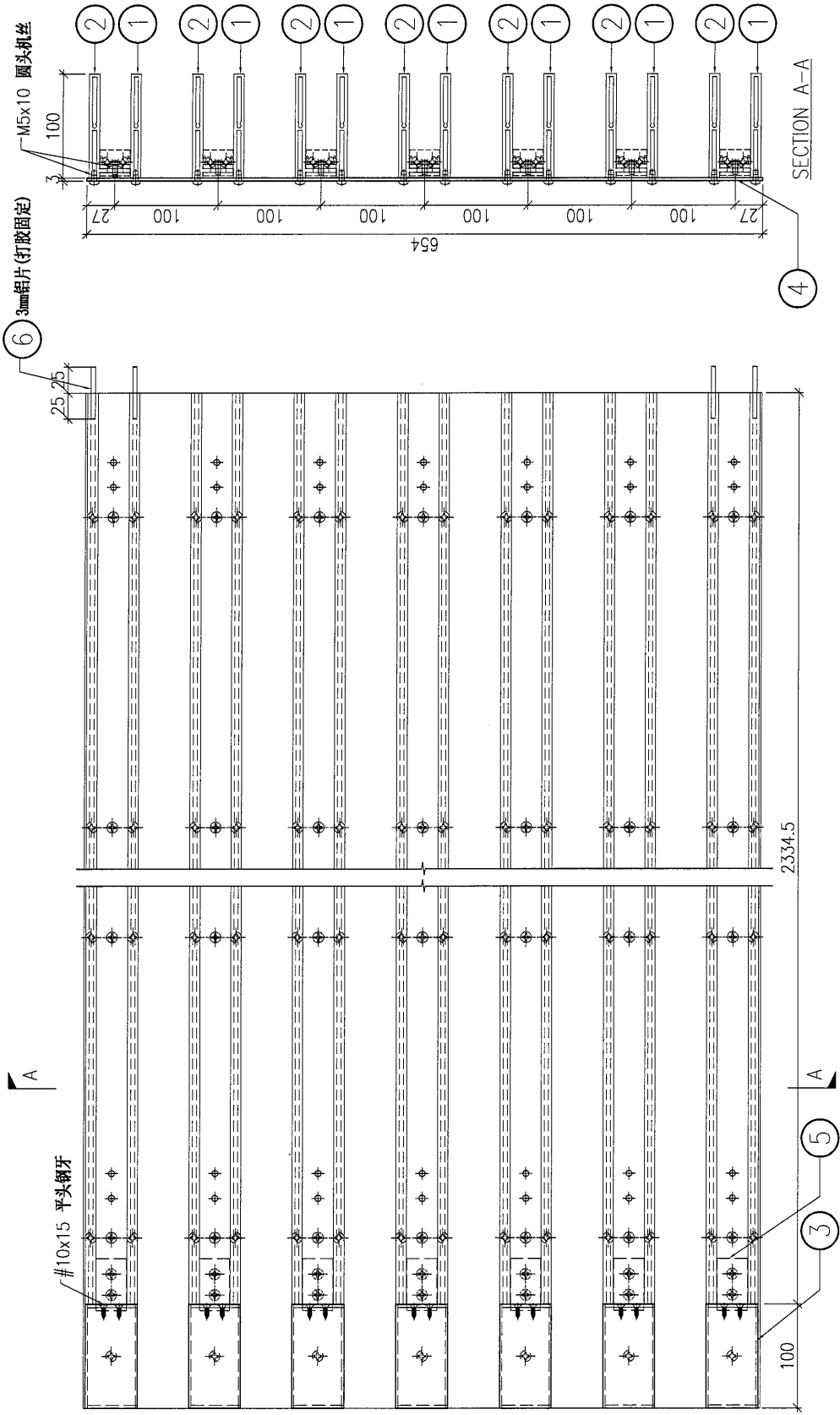
COATING

MATERIAL: 格栅组装箱图

QTY. -

REV.	CHKD BY	PART NUMBER	Dim. A	Dim. B	Dim. C	Dim. D	Dim. E	Dim. F	Dim. G	Dim. H	QTY.	Inv. Code	ASSEMBLE ON PARTS	注: 地盘用
-	-	P2-UN-Z01C	-	-	-	-	-	-	-	-	4	-	-	注: 用于 Z 区域

序号	编号	数量
①	P2-AL-C03G	7
②	P2-AL-C04G	7
③	P2-AL-C02	7
④	P2-AP-C02G	1
⑤	P2-AL-C01	7
⑥	P2-AP-C01	4



DWG. NO. P2-UN-Z01C

REV. -

SCALE -

DATE 10-07-2024

DRAWN BY -

APPROVED BY -

PROJECT: YIN PING ROAD KOWLOON FEATURE WALL (PHASE 2)

MATERIAL: 格栅组装图

COATING: -

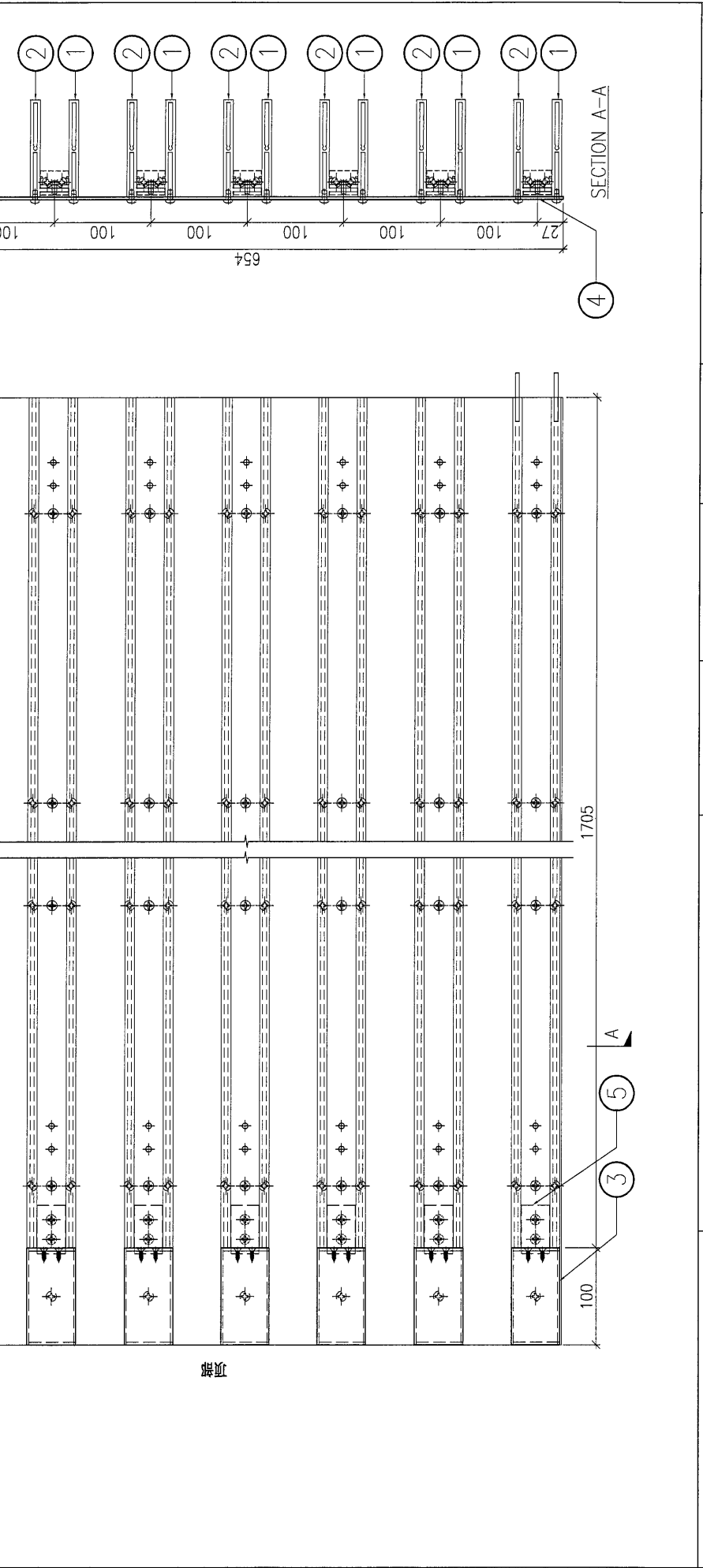
COLOUR: -

MARK. NO.: -

QTY.: -

REV.	CHK'D BY	PART NUMBER	Dim. A	Dim. B	Dim. C	Dim. D	Dim. E	Dim. F	Dim. G	Dim. H	QTY.	Inv. Code
-	-	P2-UN-L01H	-	-	-	-	-	-	-	-	2	-

序号	编号	数量
①	P2-AL-C03H	7
②	P2-AL-C04H	7
③	P2-AL-C02	7
④	P2-AP-C02H	1
⑤	P2-AL-C01	7
⑥	P2-AP-C01	4



DWG. NO.: P2-UN-L01H

REV.: -

SCALE: -

DATE: 10-07-2024

DRAWN BY: -

APPROVED BY: -

PROJECT: YIN PING ROAD KOWLOON FEATURE WALL (PHASE 2)

MATERIAL: 格栅组装图

COATING: -

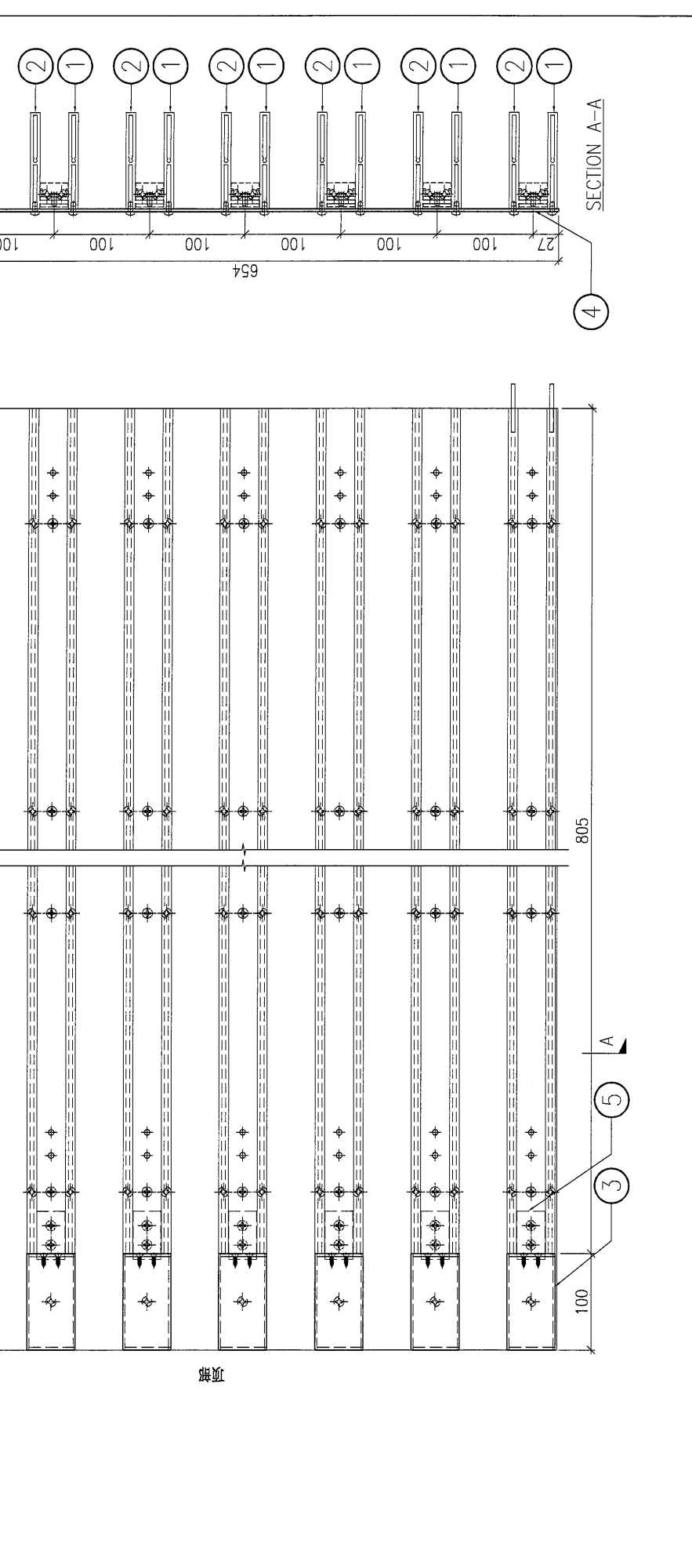
COLOUR: -

MARK. NO.: -

QTY.: -

REV.	CHANGED FOR	PART NUMBER	Dim. A	Dim. B	Dim. C	Dim. D	Dim. E	Dim. F	Dim. G	Dim. H	QTY.	Inv. Code
-	-	P2-UN-L01J	-	-	-	-	-	-	-	-	3	-

序号	编号	数量
①	P2-AL-C03J	7
②	P2-AL-C04J	7
③	P2-AL-C02J	7
④	P2-AP-C02J	1
⑤	P2-AL-C01	7
⑥	P2-AP-C01	4



DWG. NO.	REV.	SCALE	DATE	DRAWN BY	APPROVED BY
P2-UN-L01J	-	-	10-07-2024	-	-

PROJECT: YIN PING ROAD KOWLOON FEATURE WALL (PHASE 2)

MATERIAL: 格栅组裝图

COATING: -

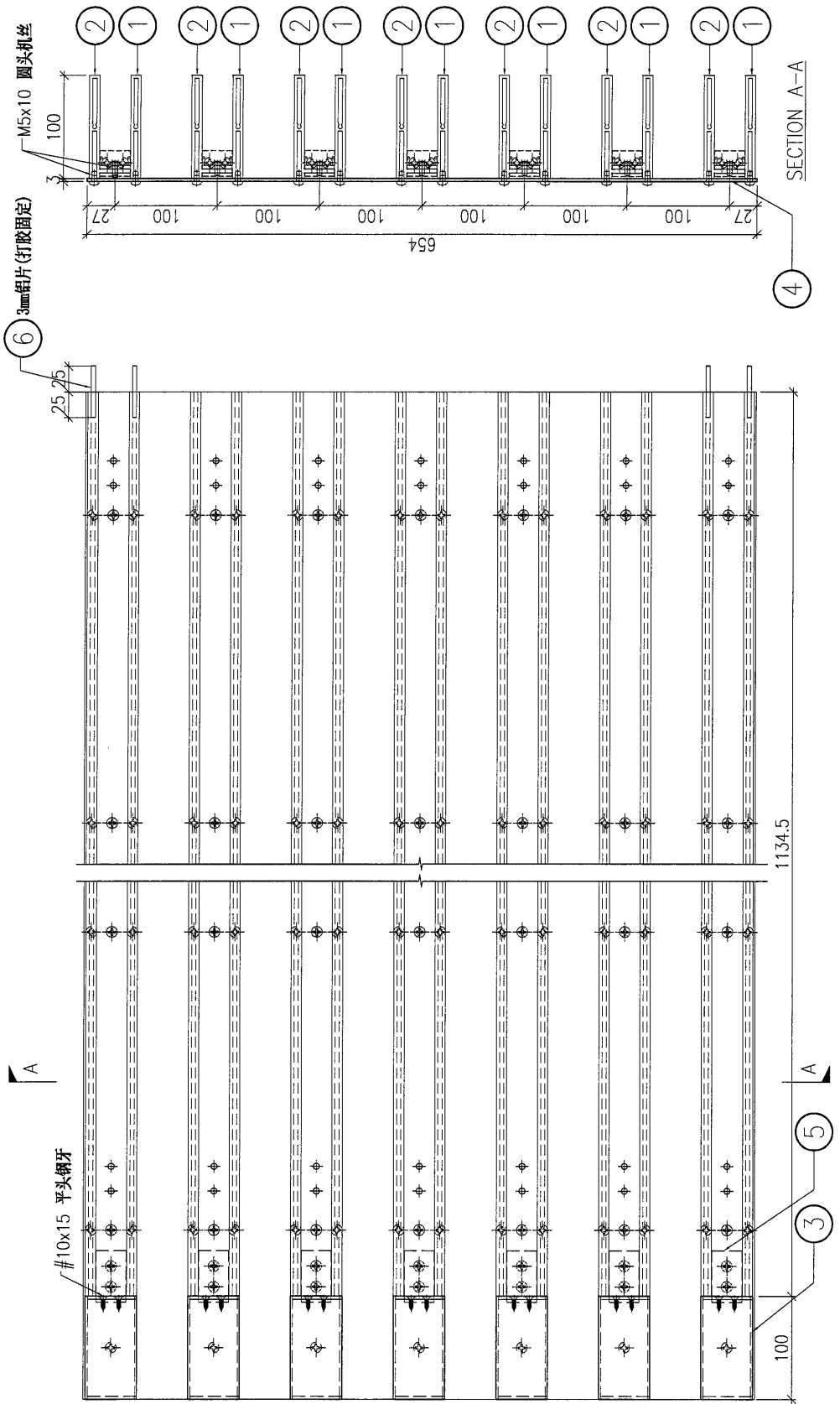
COLOUR: -

MARK. NO.: -

QTY.: -

REV.	ORDERED BY	PART NUMBER	Dim. A	Dim. B	Dim. C	Dim. D	Dim. E	Dim. F	Dim. G	Dim. H	QTY.	Inv. Code	ASSEMBLE ON PARTS	注: 地盘用
-	-	P2-UN-L01K	-	-	-	-	-	-	-	-	4	-	-	-

序号	编号	数量
①	P2-AL-C03K	7
②	P2-AL-C04K	7
③	P2-AL-C02	7
④	P2-AP-C02K	1
⑤	P2-AL-C01	7
⑥	P2-AP-C01	4



除管

DWG. NO.	REV.	SCALE	DATE	DRAWN BY	APPROVED BY
P2-UN-L01K	-	-	10-07-2024	-	-

PROJECT

YIN PING ROAD KOWLOON  
FEATURE WALL (PHASE 2)

MATERIAL

格栅组装图

COATING

COLOUR

MARK. NO.

QTY.

注: 地盘用

ASSEMBLE ON PARTS  
注: 用于 K 区域

Inv. Code

Dim. H

Dim. A

Dim. B

Dim. C

Dim. D

Dim. E

Dim. F

Dim. G

Dim. H

QTY.

2

QTY.

QTY.

QTY.

QTY.

QTY.

QTY.

QTY.

QTY.

QTY.

QTY.

QTY.

QTY.

QTY.

QTY.

QTY.

QTY.

QTY.

QTY.

QTY.

QTY.

QTY.

QTY.

QTY.

QTY.

QTY.

QTY.

QTY.

QTY.

QTY.

QTY.

QTY.

QTY.

QTY.

QTY.

QTY.

QTY.

QTY.

QTY.

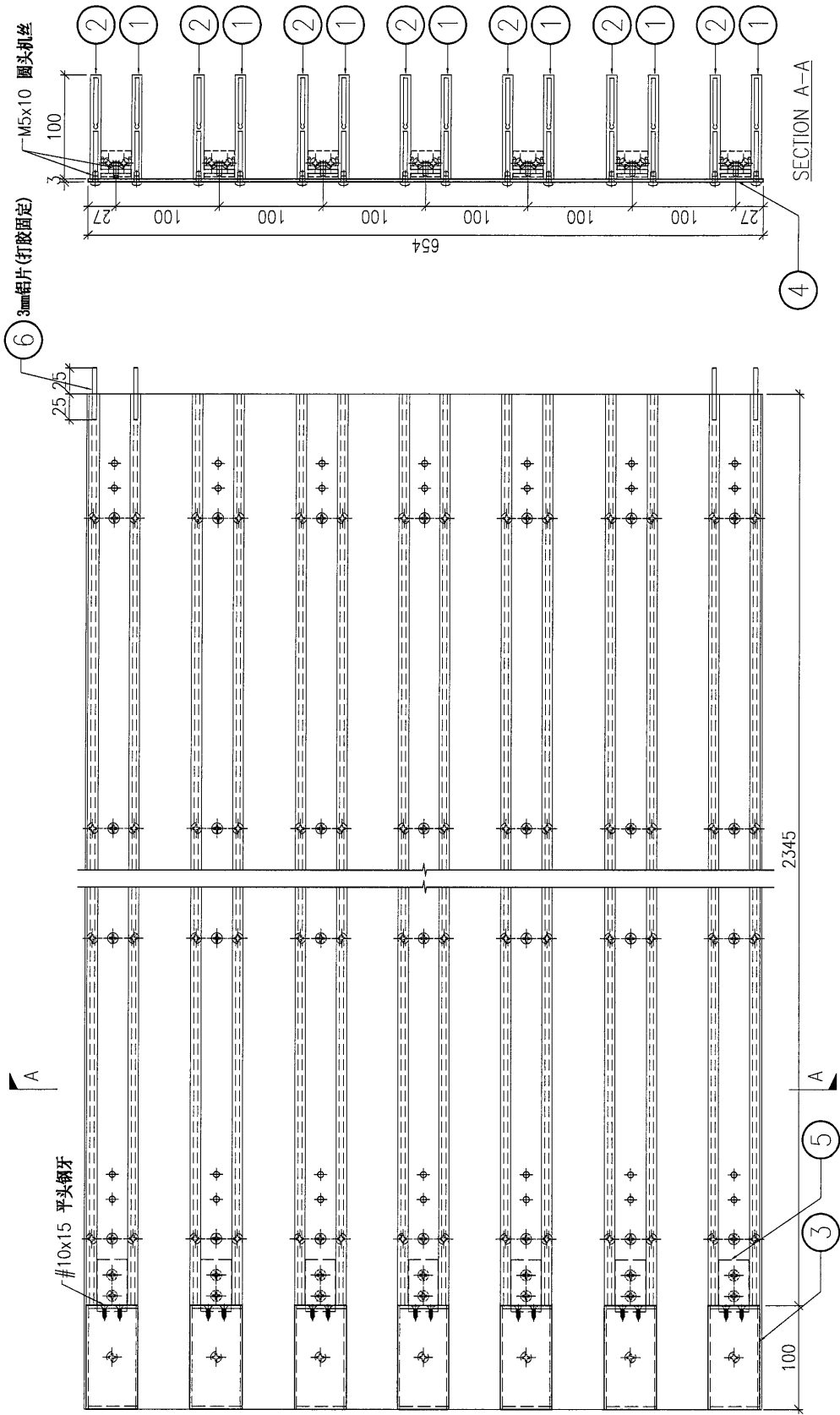
QTY.

QTY.

QTY.

QTY.

序号	编号	数量
①	P2-AL-C03L	7
②	P2-AL-C04L	7
③	P2-AL-C02	7
④	P2-AP-C02L	1
⑤	P2-AL-C01	7
⑥	P2-AP-C01	4



50

DWG. NO.

P2-UN-K01L

REV.

SCALE

DATE

10-07-2024

DRAWN BY

APPROVED BY

PROJECT: YIN PING ROAD KOWLOON FEATURE WALL (PHASE 2)

MATERIAL: 格栅组装箱图

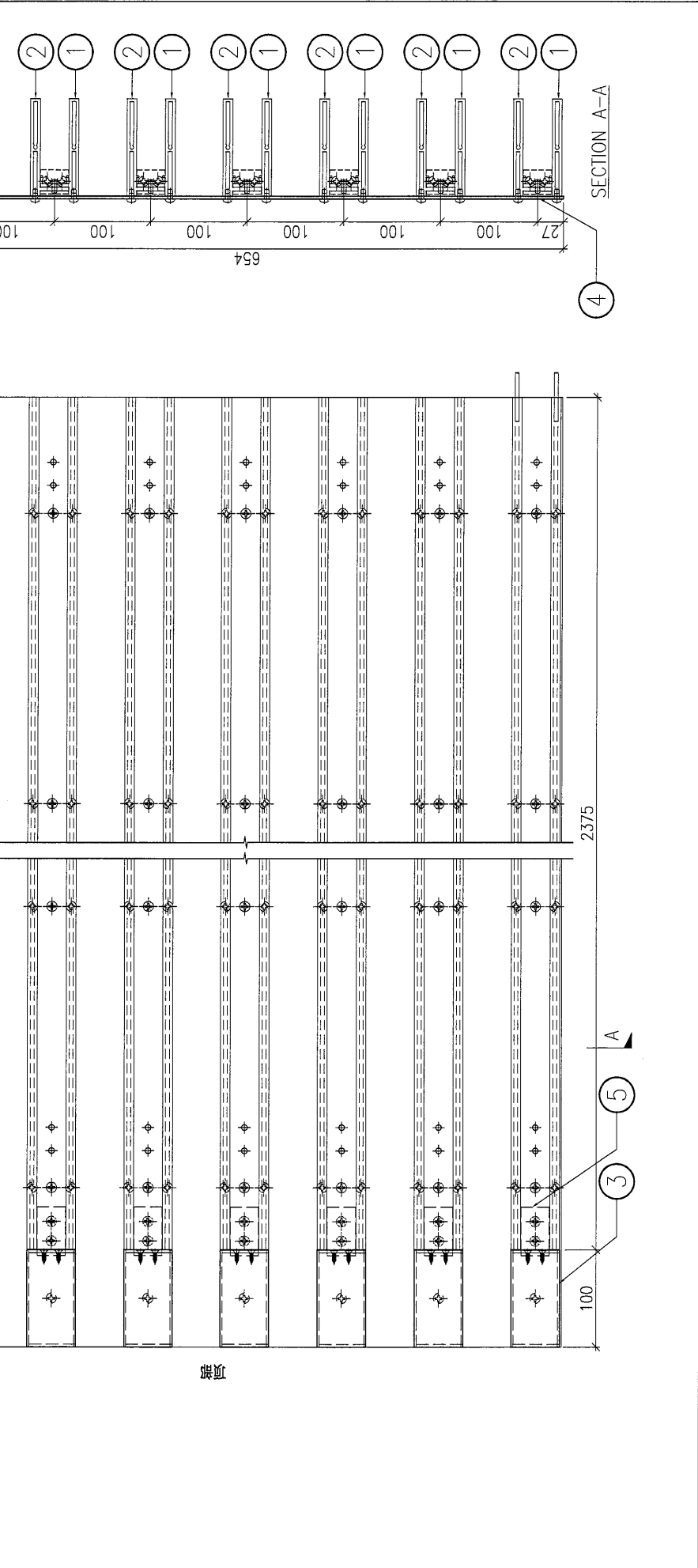
COLOUR: -

MARK. NO.: -

QTY.: -

REV.	DESCRIBED PART OR	Dim. A	Dim. B	Dim. C	Dim. D	Dim. E	Dim. F	Dim. G	Dim. H	QTY.	Inv. Code	ASSEMBLE ON PARTS
-	P2-UN-K01M	-	-	-	-	-	-	-	-	2	-	注: 用于 K 区域

序号	编号	数量
①	P2-AL-C03M	7
②	P2-AL-C04M	7
③	P2-AL-C02	7
④	P2-AP-C02M	1
⑤	P2-AL-C01	7
⑥	P2-AP-C01	4



DWG. NO.	P2-UN-K01M	REV.	-	SCALE	-	DATE	10-07-2024	DRAWN BY	-	APPROVED BY	-
----------	------------	------	---	-------	---	------	------------	----------	---	-------------	---

PROJECT: YIN PING ROAD KOWLOON FEATURE WALL (PHASE 2)

MATERIAL: 格栅组裝图

COATING: -

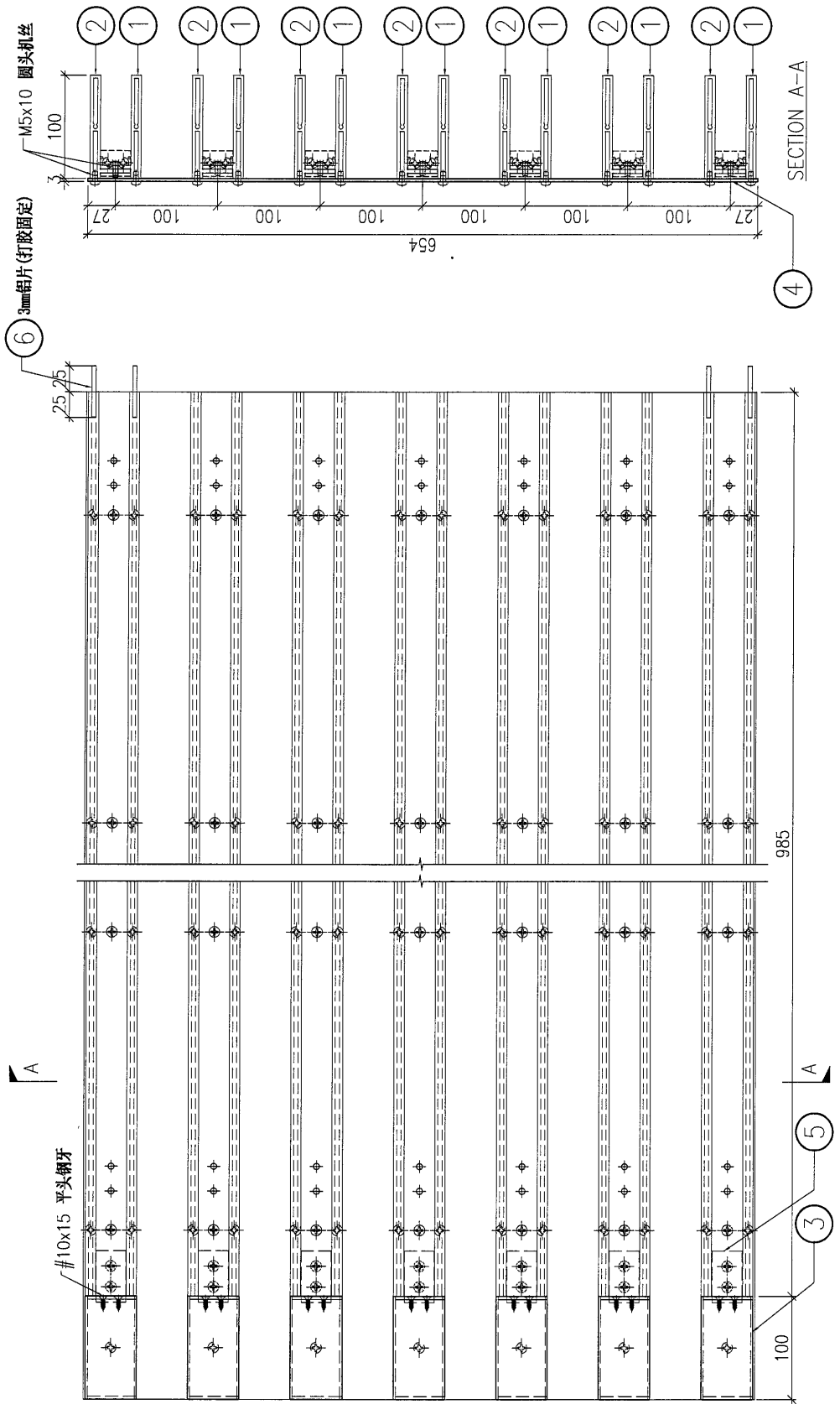
COLOUR: -

MARK. NO.: -

QTY.: -

REV.	CHANGED FOR	PART NUMBER	Dim. A	Dim. B	Dim. C	Dim. D	Dim. E	Dim. F	Dim. G	Dim. H	QTY.	Inv. Code	ASSEMBLE ON PARTS	注: 地盘用
-	-	P2-UN-K01N	-	-	-	-	-	-	-	-	2	-	-	注: 用于 K 区域

序号	编号	数量
①	P2-AL-C03N	7
②	P2-AL-C04N	7
③	P2-AL-C02	7
④	P2-AP-C02N	1
⑤	P2-AL-C01	7
⑥	P2-AP-C01	4



降層

DWG. NO.	REV.	SCALE	DATE	DRAWN BY	APPROVED BY
P2-UN-K01N	-	-	10-07-2024	-	-

PROJECT

YIN PING ROAD KOWLOON  
FEATURE WALL (PHASE 2)

MATERIAL

格栅组装图

COATING

COLOUR

MARK. NO.

QTY.

注: 地盘用

ASSEMBLE ON PARTS  
注: 用于 K 区域

Inv. Code

QTY.

Dim. H

Dim. G

Dim. F

Dim. E

Dim. C

Dim. B

Dim. A

PART NUMBER

P2-UN-K01P

P2-UN-K01P

REV.

OR

序号 数量

① P2-AL-C03P 7

② P2-AL-C04P 7

③ P2-AL-C02 7

④ P2-AP-C02P 1

⑤ P2-AL-C01 7

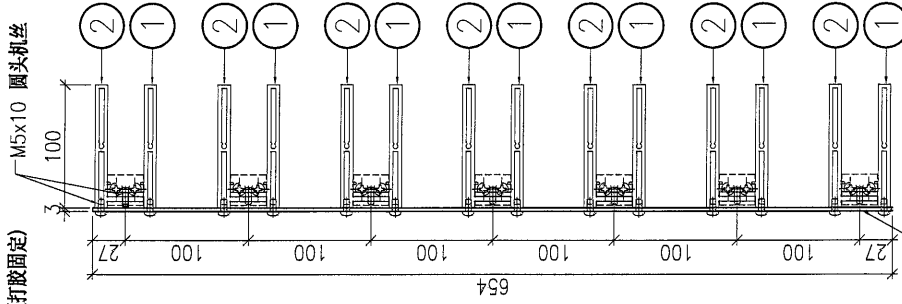
⑥ P2-AP-C01 4

A

#10x15 平头钢牙

25.25

⑥ 3mm 铝片 (打胶固定)



2405

100

A

③

⑤

SECTION A-A

④

竖管

DWG. NO.

P2-UN-K01P

REV.

SCALE

DATE  
10-07-2024

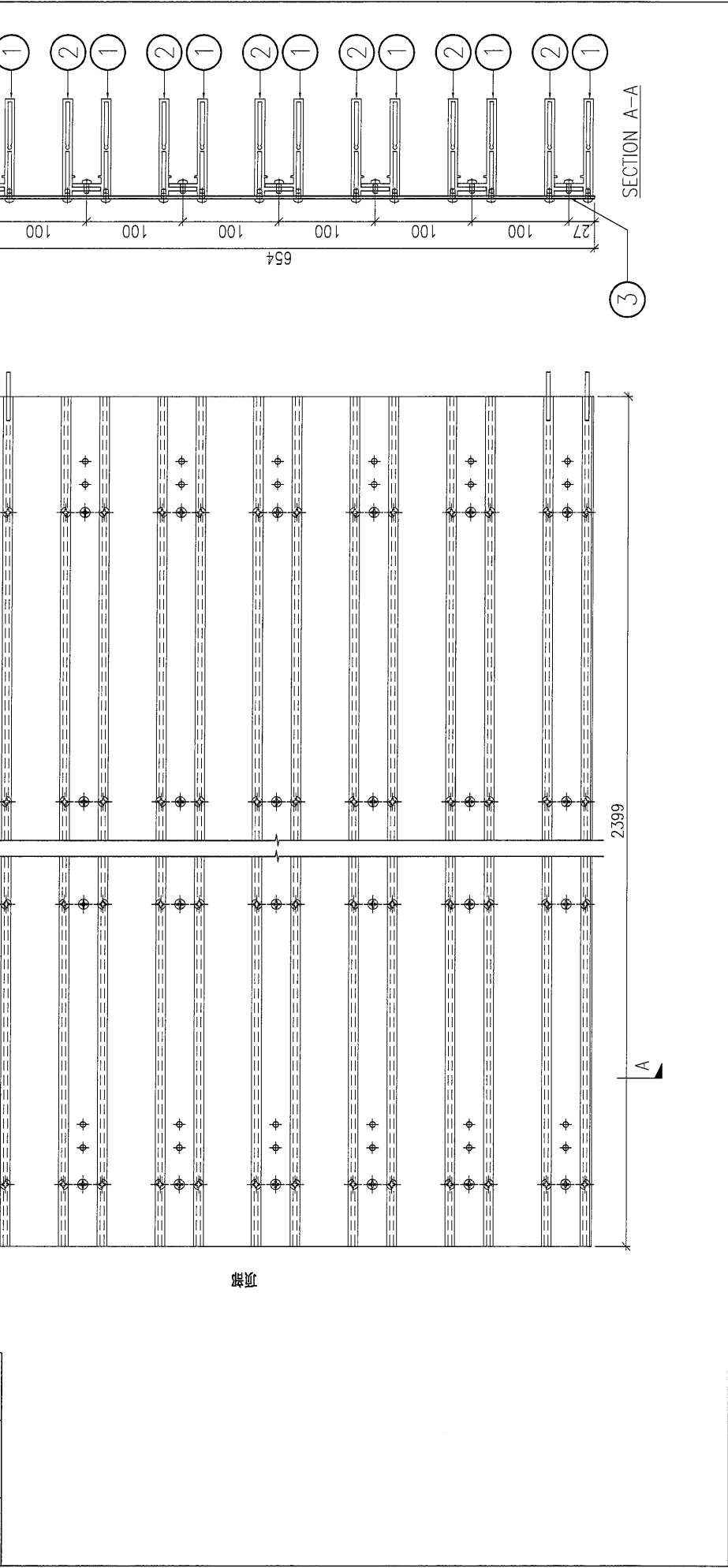
DRAWN BY

APPROVED BY

PROJECT: YIN PING ROAD KOWLOON FEATURE WALL (PHASE 2)

REV.	CHANGED FOR	PART NUMBER	Dim. A	Dim. B	Dim. C	Dim. D	Dim. E	Dim. F	Dim. G	Dim. H	QTY.	Inv. Code	COATING	MATERIAL	ASSEMBLE ON PARTS	COLOUR	MARK. NO.	QTY.
-	-	P2-UN-Z02	-	-	-	-	-	-	-	-	10	-	-	-	注: 用于 Z 区域	-	-	-
-	-	P2-UN-L02	-	-	-	-	-	-	-	-	25	-	-	-	注: 用于 L 区域	-	-	-
-	-	P2-UN-K02	-	-	-	-	-	-	-	-	2	-	-	-	注: 用于 K 区域	-	-	-

序号	编号	数量
①	P2-AL-C05	7
②	P2-AL-C06	7
③	P2-AP-C03	1
④	P2-AP-C01	4



DWG. NO.	P2-UN-ZL02	REV.	-	SCALE	-	DATE	10-07-2024	DRAWN BY	-	APPROVED BY	-
----------	------------	------	---	-------	---	------	------------	----------	---	-------------	---

PROJECT

YIN PING ROAD KOWLOON  
FEATURE WALL (PHASE 2)

MATERIAL

格栅组装图

COATING

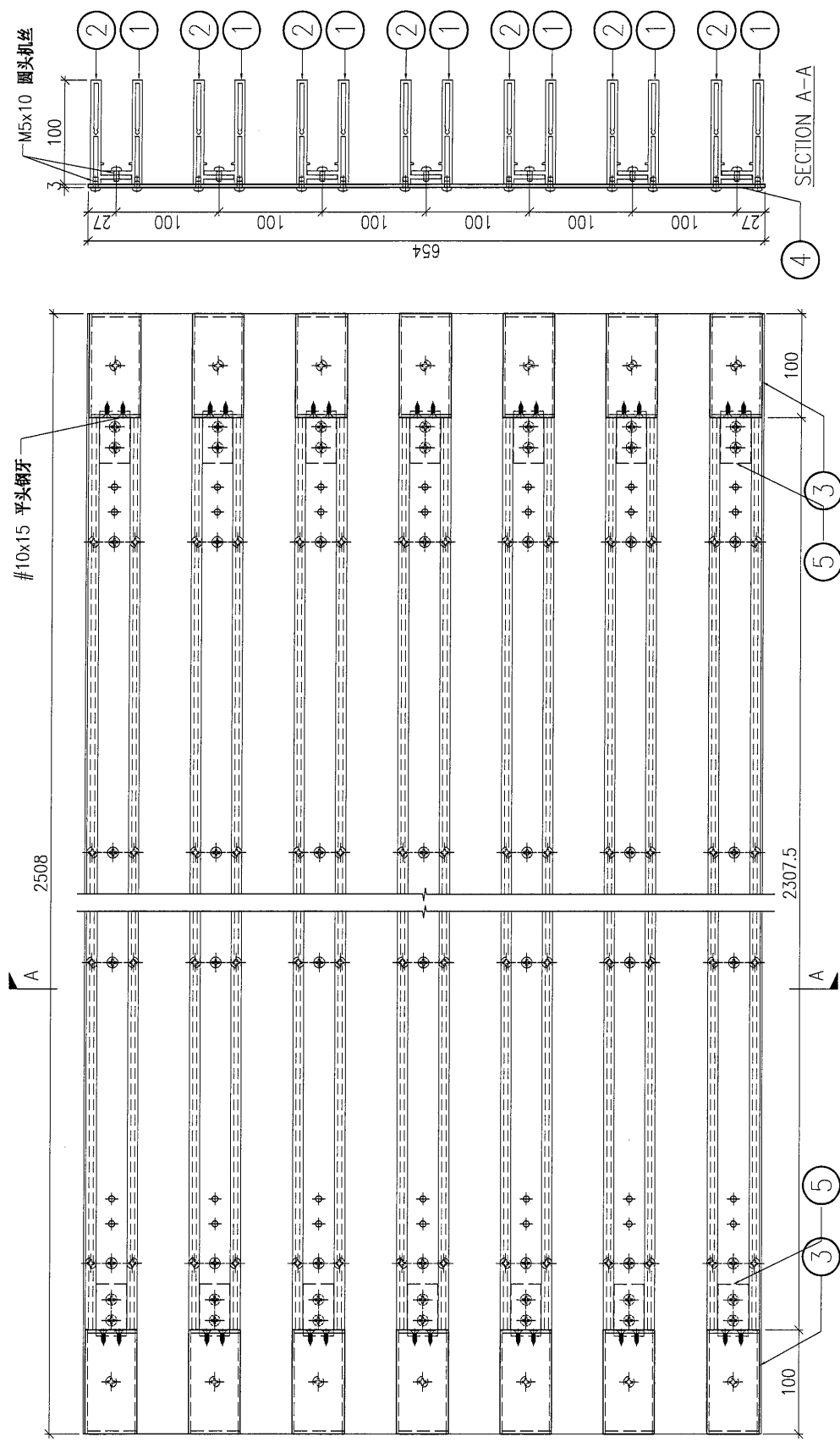
COLOUR

MARK. NO.

QTY.

REV.	CHANGED REQ. BY	PART NUMBER	Dim. A	Dim. B	Dim. C	Dim. D	Dim. E	Dim. F	Dim. G	Dim. H	QTY.	Inv. Code	ASSEMBLE ON PARTS	注: 地盘用
-	-	P2-UN-C03A	-	-	-	-	-	-	-	-	5	-	-	-

序号	编号	数量
①	P2-AL-C07A	7
②	P2-AL-C08A	7
③	P2-AL-C02	14
④	P2-AP-C04A	1
⑤	P2-AL-C01	14



造管

DWG. NO.

P2-UN-C03A

REV.

SCALE

DATE  
10-07-2024

DRAWN BY

APPROVED BY

PROJECT

YIN PING ROAD KOWLOON  
FEATURE WALL (PHASE 2)

MATERIAL

格栅组装图

COATING

COLOUR

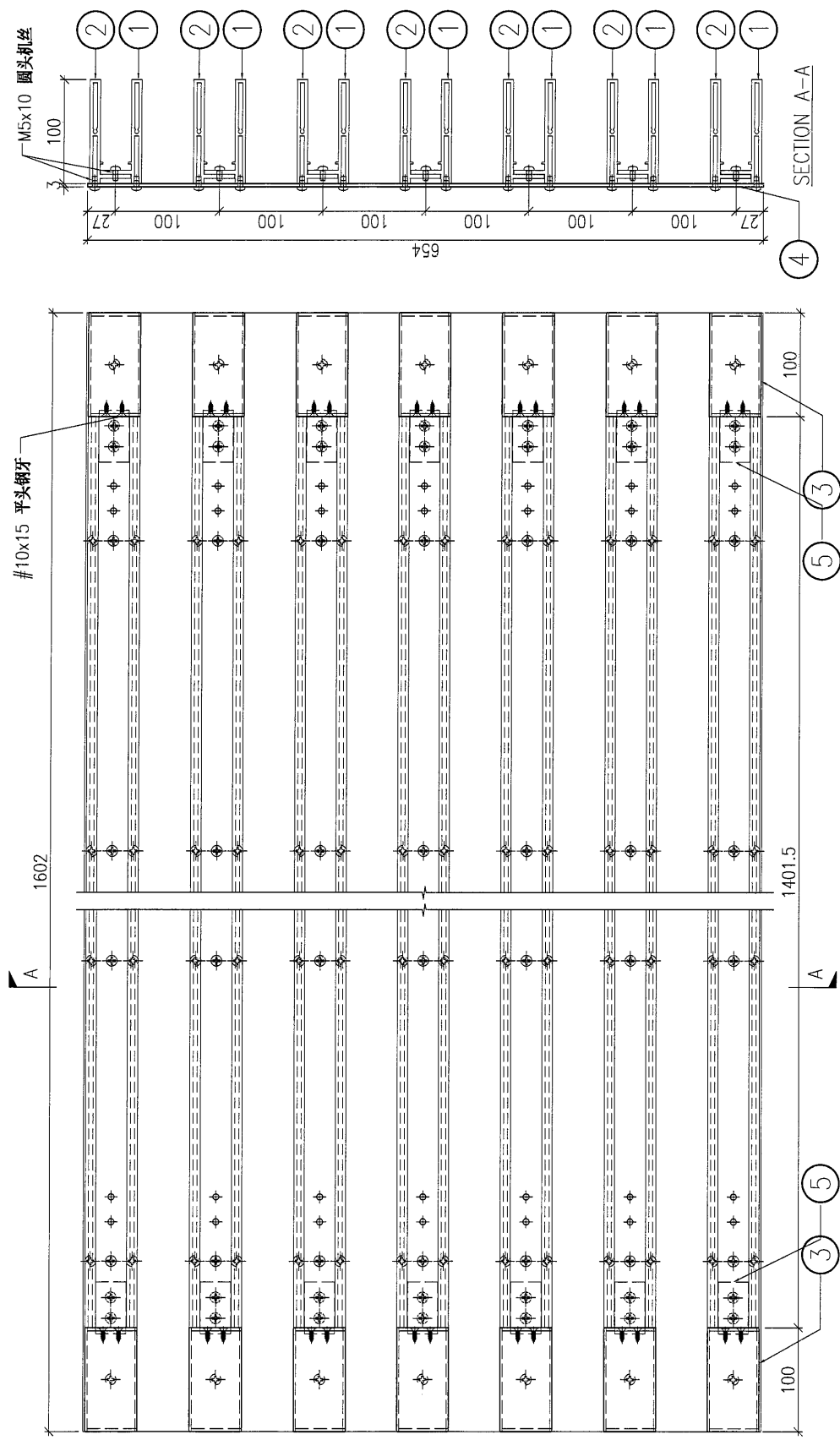
MARK. NO.

QTY.

REV.	CHANGED BY/DATE	Dim. A	Dim. B	Dim. C	Dim. D	Dim. E	Dim. F	Dim. G	Dim. H	QTY.	Inv. Code	ASSEMBLE ON PARTS
-	-	-	-	-	-	-	-	-	-	3	-	注: 用于 C 区域

注: 地盘用

序号	编号	数量
①	P2-AL-C07B	7
②	P2-AL-C08B	7
③	P2-AL-C02	14
④	P2-AP-C04B	1
⑤	P2-AL-C01	14



造管

DWG. NO.

P2-UN-C03B

REV.

SCALE

DATE  
10-07-2024

DRAWN BY

APPROVED BY

PROJECT: YIN PING ROAD KOWLOON FEATURE WALL (PHASE 2)

MATERIAL: 格栅组装图

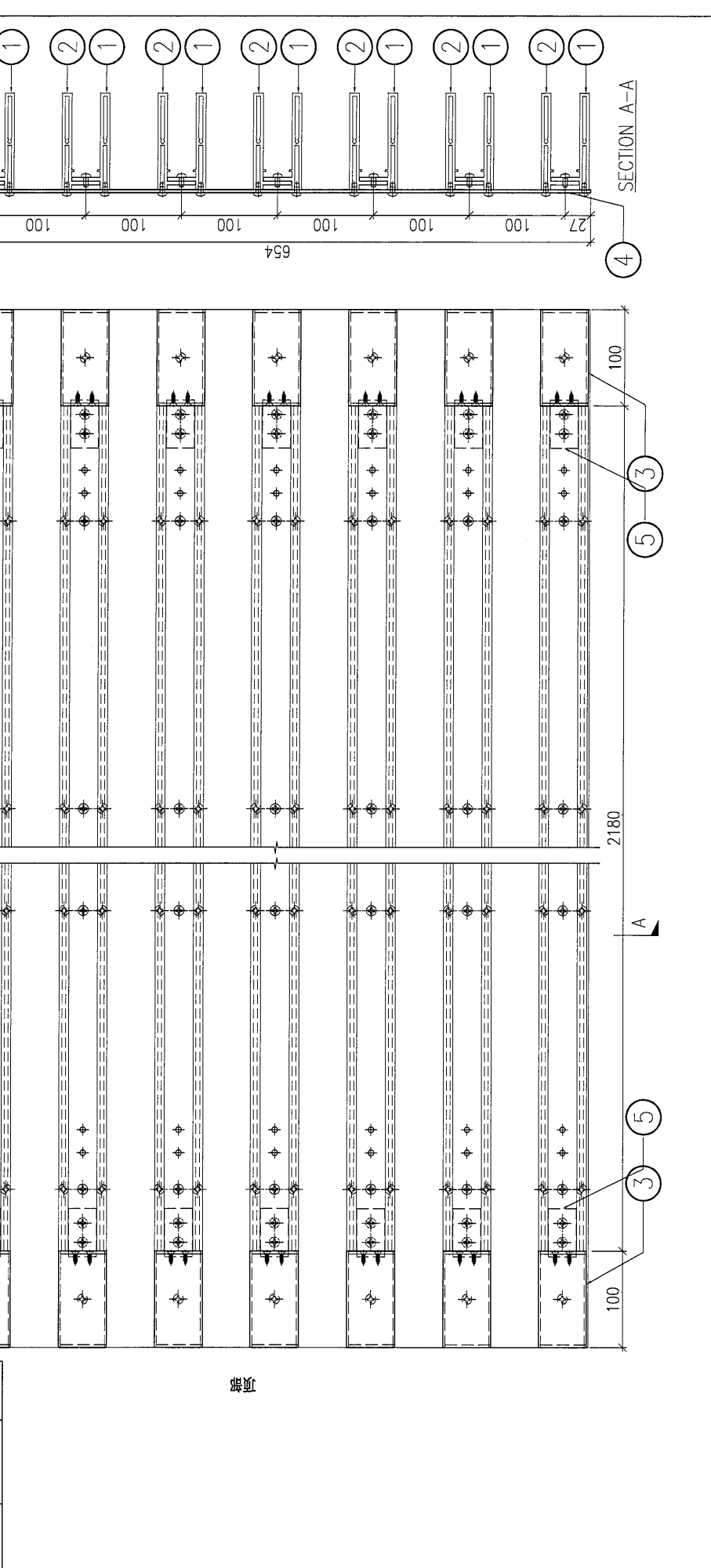
COLOUR: -

MARK. NO.: -

QTY.: -

REV.	CHANGED BY	PART NUMBER	Dim. A	Dim. B	Dim. C	Dim. D	Dim. E	Dim. F	Dim. G	Dim. H	QTY.	Inv. Code
-	-	P2-UN-C03C	-	-	-	-	-	-	-	-	2	-

序号	编号	数量
①	P2-AL-C07C	7
②	P2-AL-C08C	7
③	P2-AL-C02	14
④	P2-NP-C04C	1
⑤	P2-AL-C01	14



DWG. NO.	REV.	SCALE	DATE	DRAWN BY	APPROVED BY
P2-UN-C03C	-	-	10-07-2024	-	-

PROJECT

YIN PING ROAD KOWLOON  
FEATURE WALL (PHASE 2)

MATERIAL

格栅组装图

COATING

COLOUR

MARK. NO.

QTY.

REV.	CHECKED DATE	PART NUMBER	Dim. A	Dim. B	Dim. C	Dim. D	Dim. E	Dim. F	Dim. G	Dim. H	QTY.	Inv. Code
-		P2-UN-C03D	-	-	-	-	-	-	-	-	1	

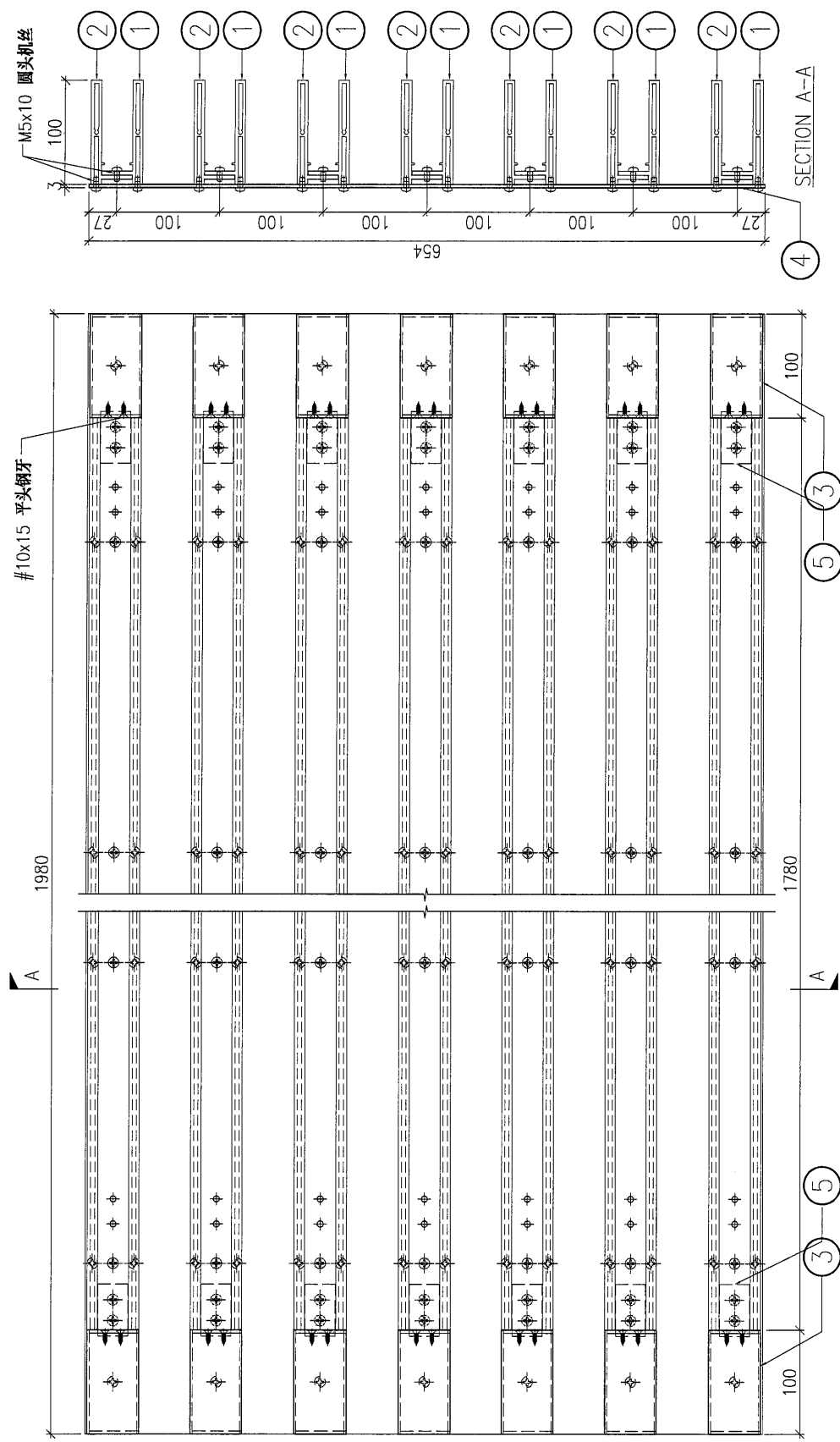
  

序号	编号	数量
①	P2-AL-C07D	7
②	P2-AL-C08D	7
③	P2-AL-C02	14
④	P2-NP-C04D	1
⑤	P2-AL-C01	14

ASSEMBLE ON PARTS

注: 用于 C 区域

注: 地盘用



数量

DWG. NO.

P2-UN-C03D

REV.

SCALE

DATE  
10-07-2024

DRAWN BY

APPROVED BY

PROJECT

YIN PING ROAD KOWLOON  
FEATURE WALL (PHASE 2)

MATERIAL

格栅组装图

COATING

COLOUR

MARK. NO.

QTY.

REV.	CHANGED DATE BY	PART NUMBER	Dim. A	Dim. B	Dim. C	Dim. D	Dim. E	Dim. F	Dim. G	Dim. H	QTY.	Inv. Code
-	-	P2-UN-C03E	-	-	-	-	-	-	-	-	4	-

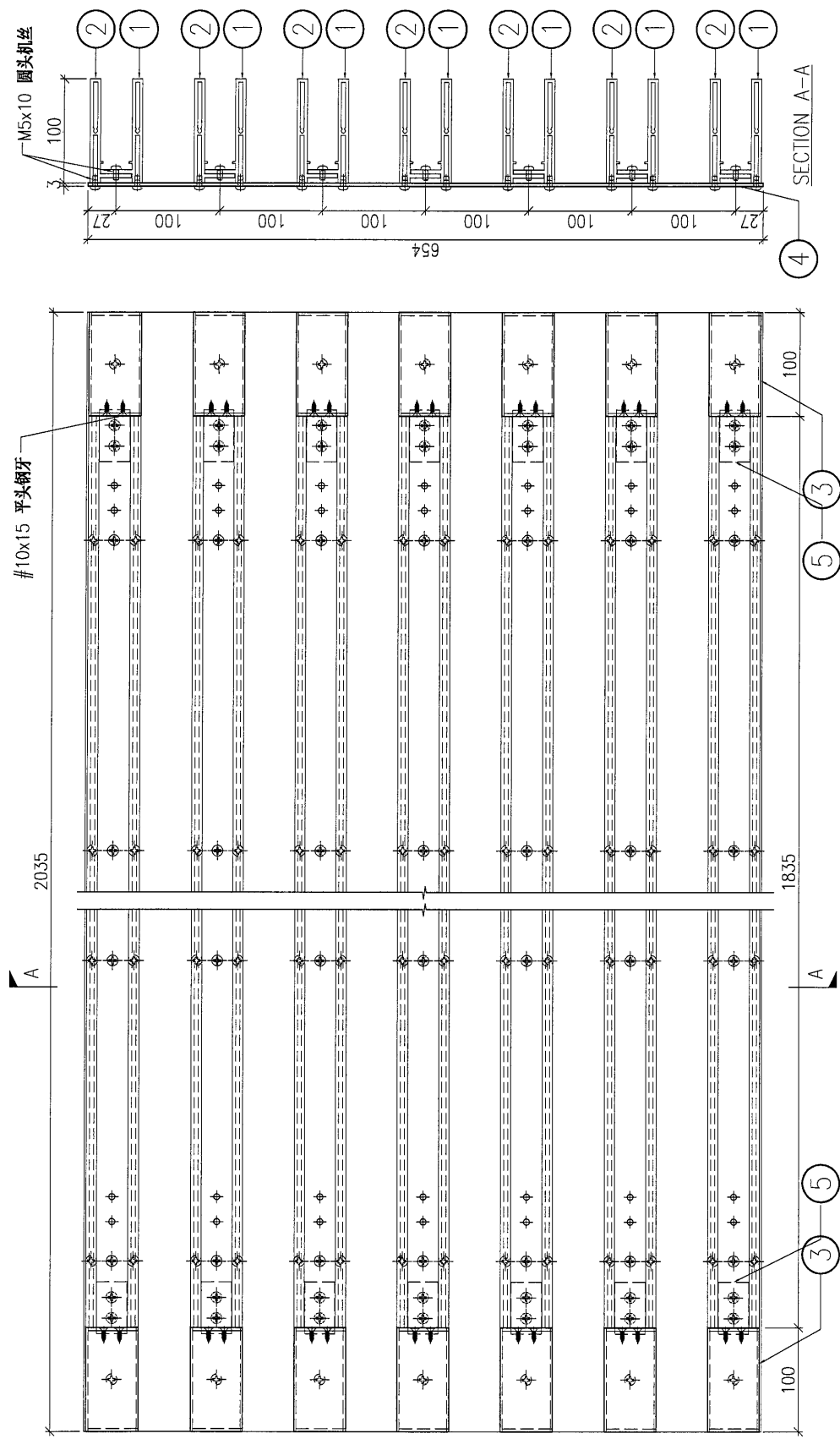
  

序号	编号	数量
①	P2-AL-C07E	7
②	P2-AL-C08E	7
③	P2-AL-C02	14
④	P2-NP-C04E	1
⑤	P2-AL-C01	14

ASSEMBLE ON PARTS

注: 用于 C 区域

注: 地盘用



格栅

DWG. NO.

P2-UN-C03E

REV.

SCALE

DATE

10-07-2024

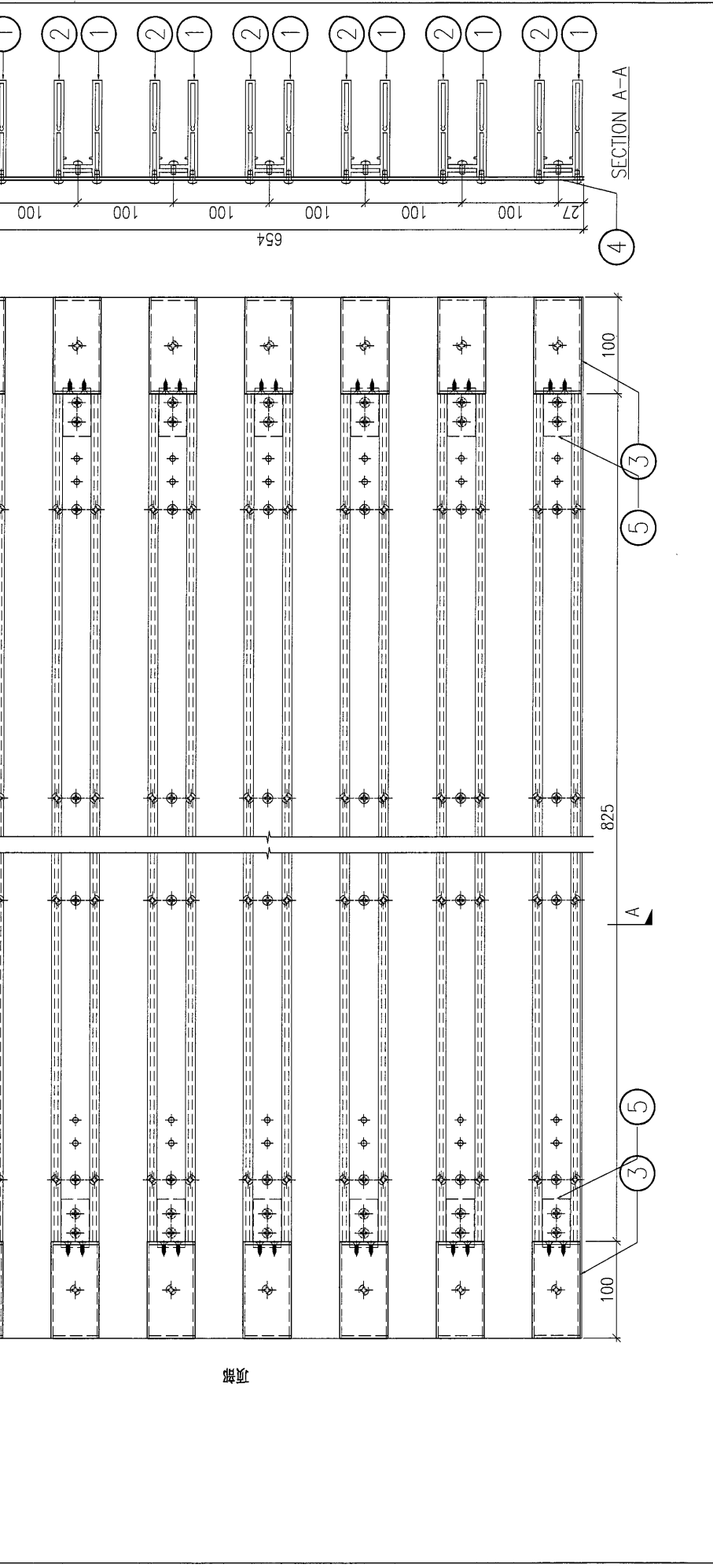
DRAWN BY

APPROVED BY

PROJECT		YIN PING ROAD KOWLOON FEATURE WALL (PHASE 2)				MATERIAL				COATING				COLOUR		MARK. NO.		QTY.			
REV.		Dim. A		Dim. B		Dim. C		Dim. D		Dim. E		Dim. F		Dim. G		Dim. H		Inv. Code		ASSEMBLE ON PARTS	
-		-		-		-		-		-		-		-		2				注: 用于 L 区域	

REV.	QTY.	MARK. NO.	QTY.
-	-	-	-

序号	编号	数量
①	P2-AL-C07F	7
②	P2-AL-C08F	7
③	P2-AL-C02	14
④	P2-AP-C04F	1
⑤	P2-AL-C01	14



DWG. NO.	P2-UN-L03F	REV.	-	SCALE	-	DATE	10-07-2024	DRAWN BY	-	APPROVED BY	-
----------	------------	------	---	-------	---	------	------------	----------	---	-------------	---

PROJECT: YIN PING ROAD KOWLOON FEATURE WALL (PHASE 2)

MATERIAL: 格栅组装图

COATING: -

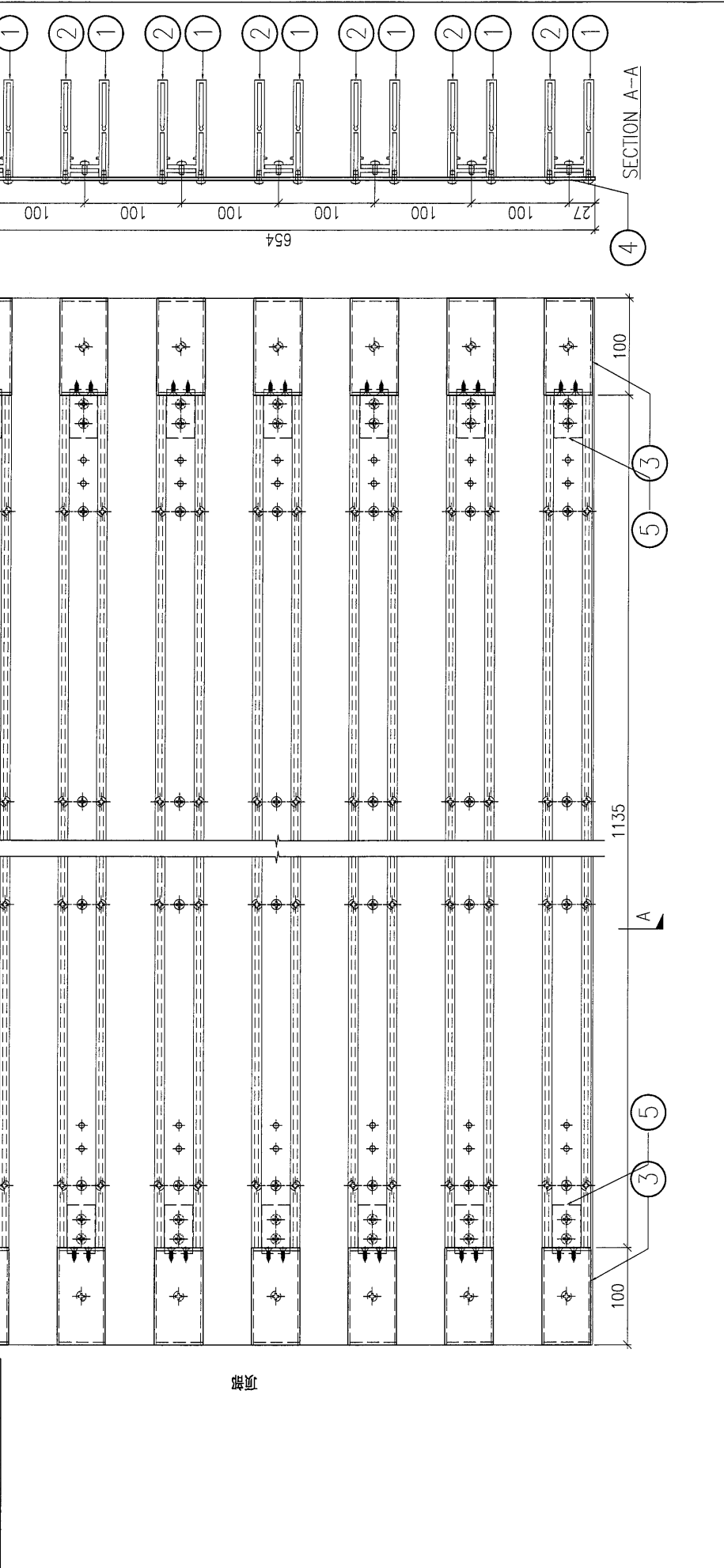
COLOUR: -

MARK. NO.: -

QTY.: -

REV.	CHANGED BY	Dim. A	Dim. B	Dim. C	Dim. D	Dim. E	Dim. F	Dim. G	Dim. H	QTY.	Inv. Code	ASSEMBLE ON PARTS
-	-	-	-	-	-	-	-	-	-	3	-	注: 用于 L 区域

序号	编号	数量
①	P2-AL-C07G	7
②	P2-AL-C08G	7
③	P2-AL-C02	14
④	P2-NP-C04G	1
⑤	P2-AL-C01	14



DWG. NO.	REV.	SCALE	DATE	DRAWN BY	APPROVED BY
P2-UN-L03G	-	-	10-07-2024	-	-

PROJECT

YIN PING ROAD KOWLOON  
FEATURE WALL (PHASE 2)

MATERIAL

格栅组装图

COATING

COLOUR

MARK. NO.

QTY.

REV.

CHECKED  
DATE

PART NUMBER

Dim. A

Dim. B

Dim. C

Dim. D

Dim. E

Dim. F

Dim. G

Dim. H

QTY.

Inv. Code

ASSEMBLE ON PARTS

注: 用于 K 区域

注: 地盘用

序号

编号

数量

①

P2-AL-C07H

7

②

P2-AL-C08H

7

③

P2-AL-C02

14

④

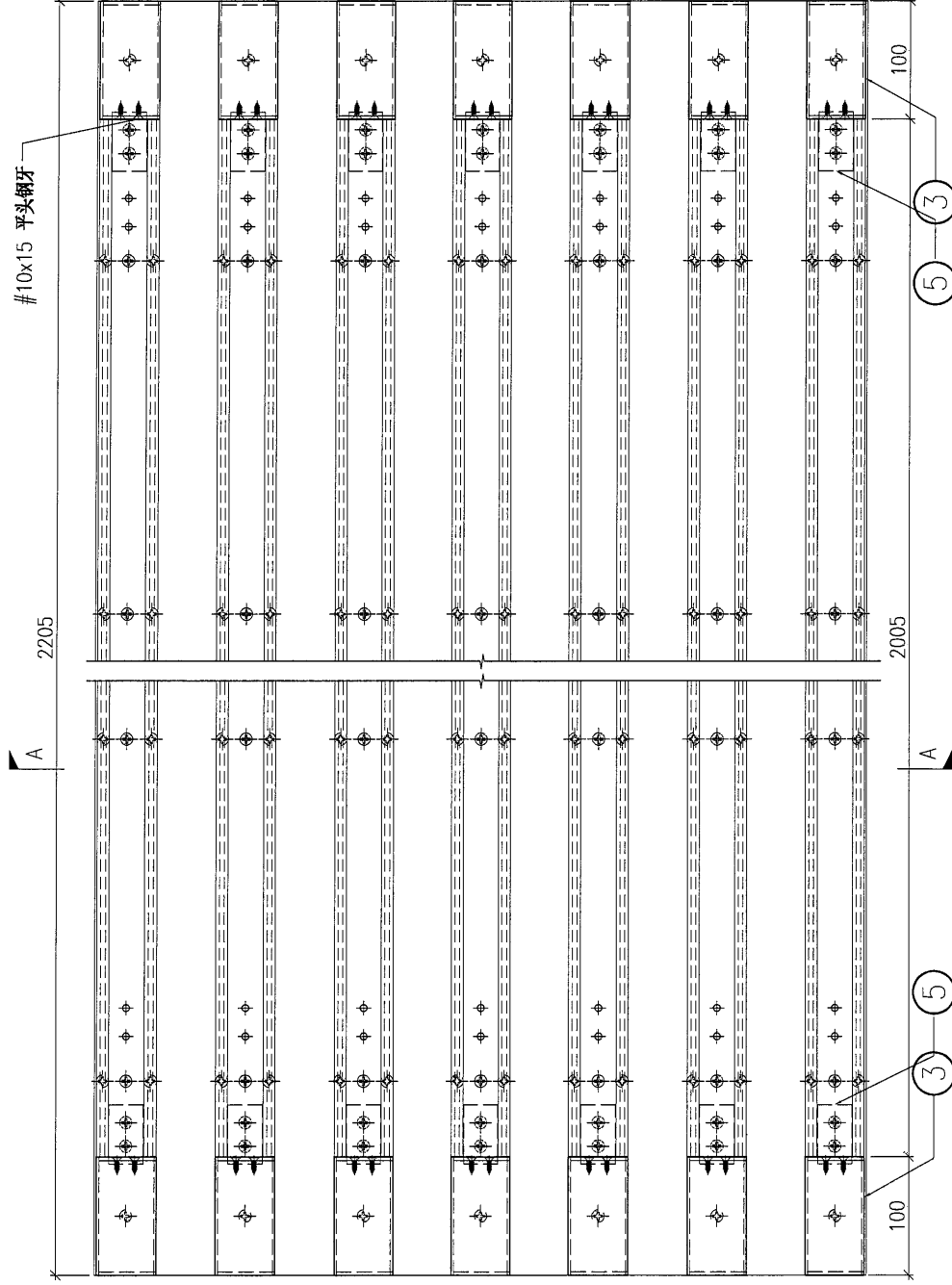
P2-AP-C04H

1

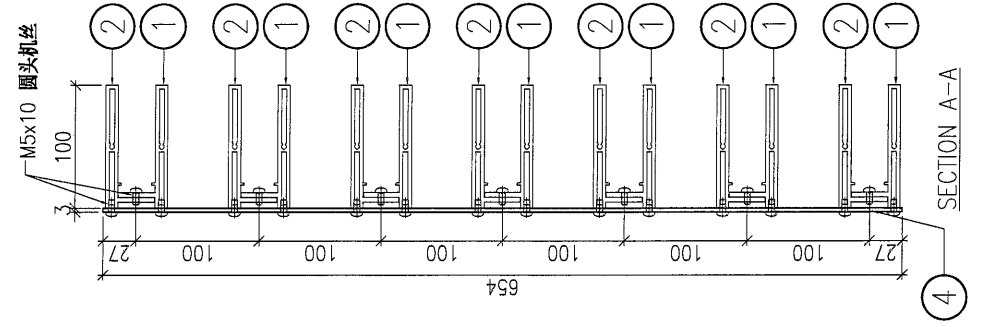
⑤

P2-AL-C01

14



数量



DWG. NO.

P2-UN-K03H

REV.

SCALE

DATE  
10-07-2024

DRAWN BY

APPROVED BY

PROJECT: YIN PING ROAD KOWLOON FEATURE WALL (PHASE 2)

MATERIAL: 格栅组装图

COLOUR: -

MARK. NO.: -

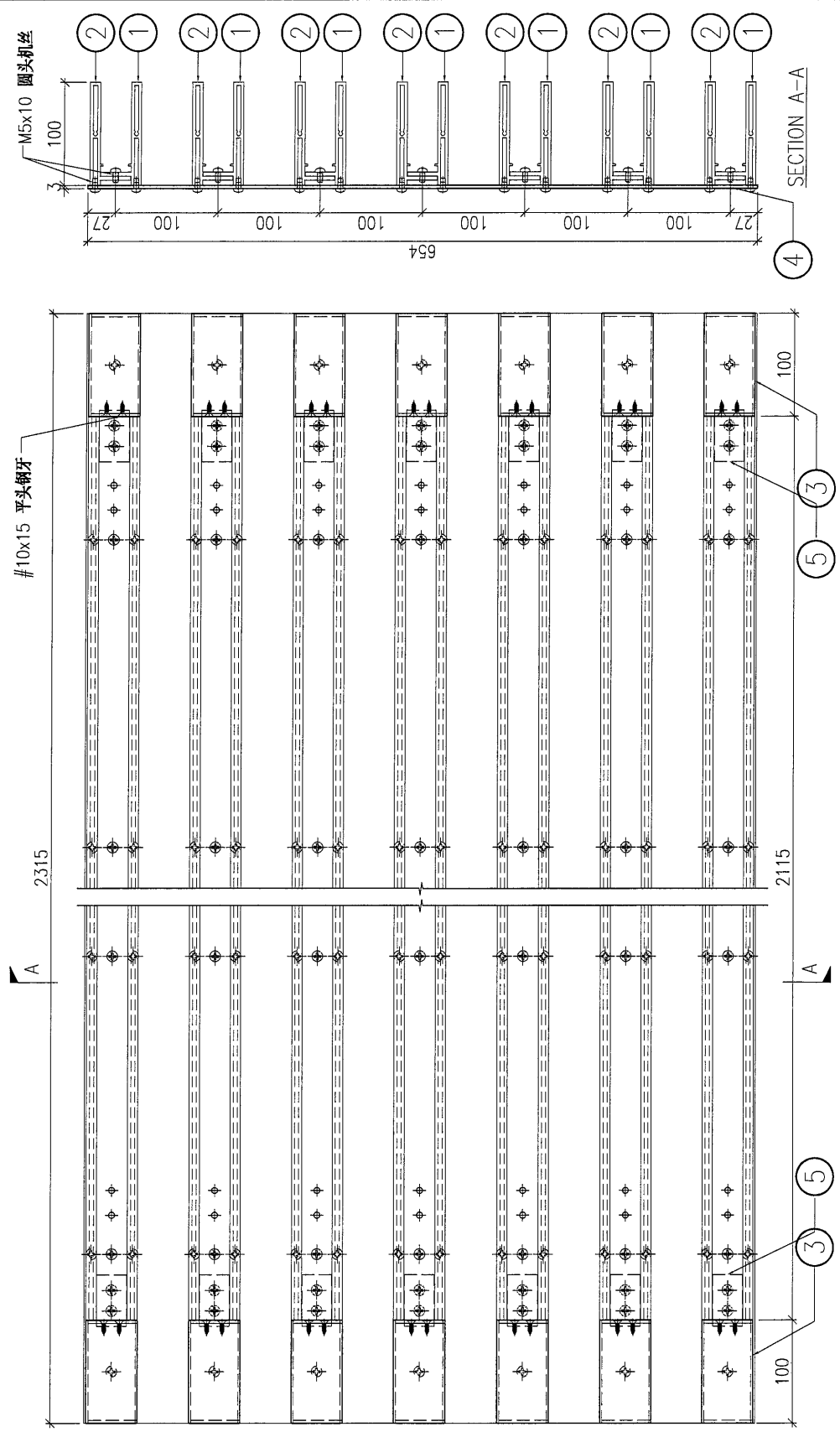
QTY.: -

REV.	CHANGED FOR	PART NUMBER	Dim. A	Dim. B	Dim. C	Dim. D	Dim. E	Dim. F	Dim. G	Dim. H	QTY.	Inv. Code
-		P2-UN-K03J	-	-	-	-	-	-	-	-	2	

序号	编号	数量
①	P2-AL-C07J	7
②	P2-AL-C08J	7
③	P2-AL-C02	14
④	P2-AP-C04J	1
⑤	P2-AL-C01	14

注: 地盘用

注: 用于 X 区域



格栅

DWG. NO.	REV.	SCALE	DATE	DRAWN BY	APPROVED BY
P2-UN-K03J	-	-	10-07-2024	-	-

PROJECT

YIN PING ROAD KOWLOON  
FEATURE WALL (PHASE 2)

MATERIAL

格栅组装图

COATING

COLOUR

MARK. NO.

QTY.

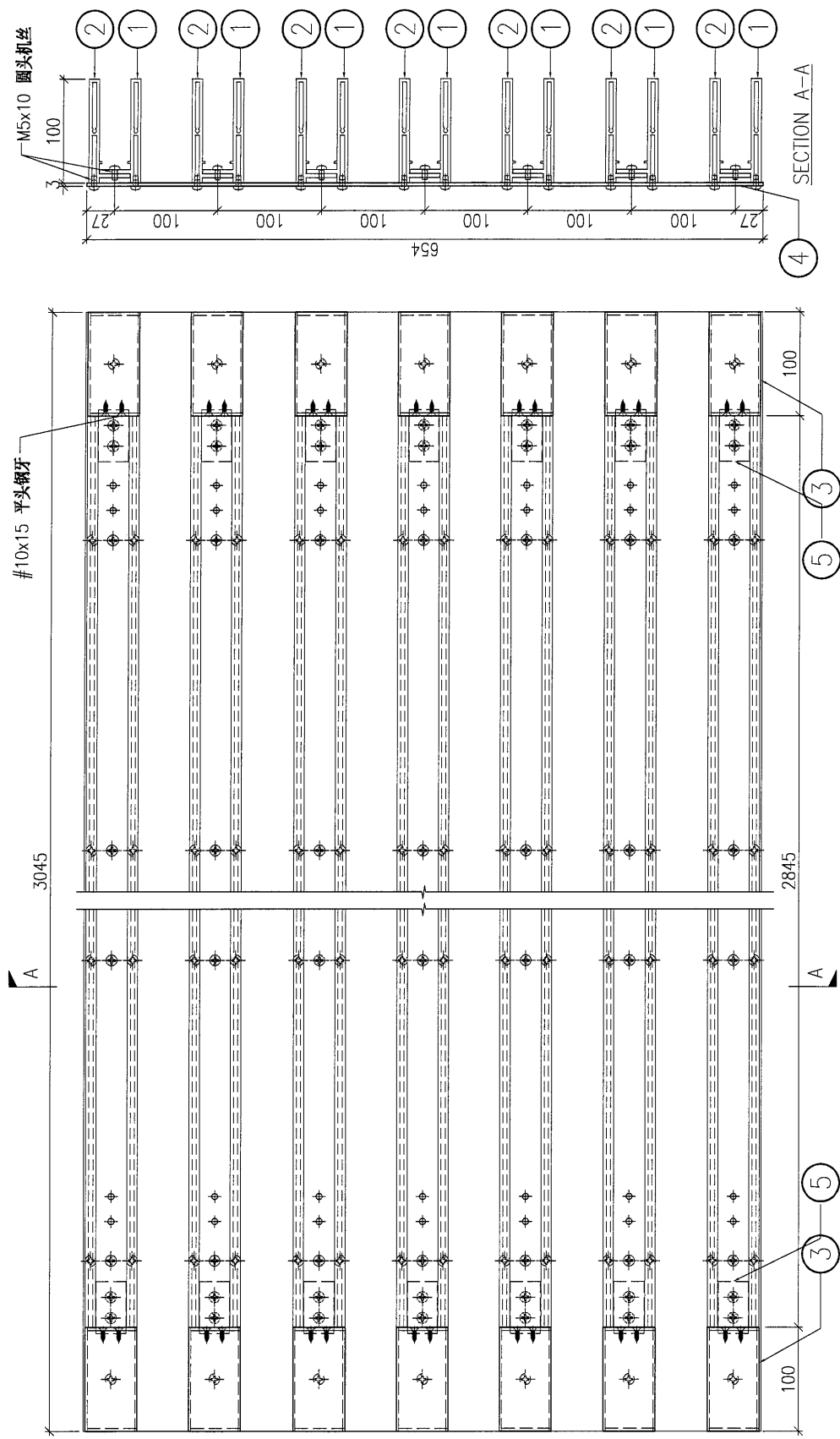
REV.	CHANGED FOR	PART NUMBER	Dim. A	Dim. B	Dim. C	Dim. D	Dim. E	Dim. F	Dim. G	Dim. H	QTY.	Inv. Code
-		P2-UN-K03K	-	-	-	-	-	-	-	-	2	

序号	编号	数量
①	P2-AL-C07K	7
②	P2-AL-C08K	7
③	P2-AL-C02	14
④	P2-AP-C04K	1
⑤	P2-AL-C01	14

注: 地盘用

注: 用于 K 区域



量

DWG. NO.

P2-UN-K03K

REV.

SCALE

DATE  
10-07-2024

DRAWN BY

APPROVED BY

PROJECT: YIN PING ROAD KOWLOON FEATURE WALL (PHASE 2)

MATERIAL: 格栅组裝图

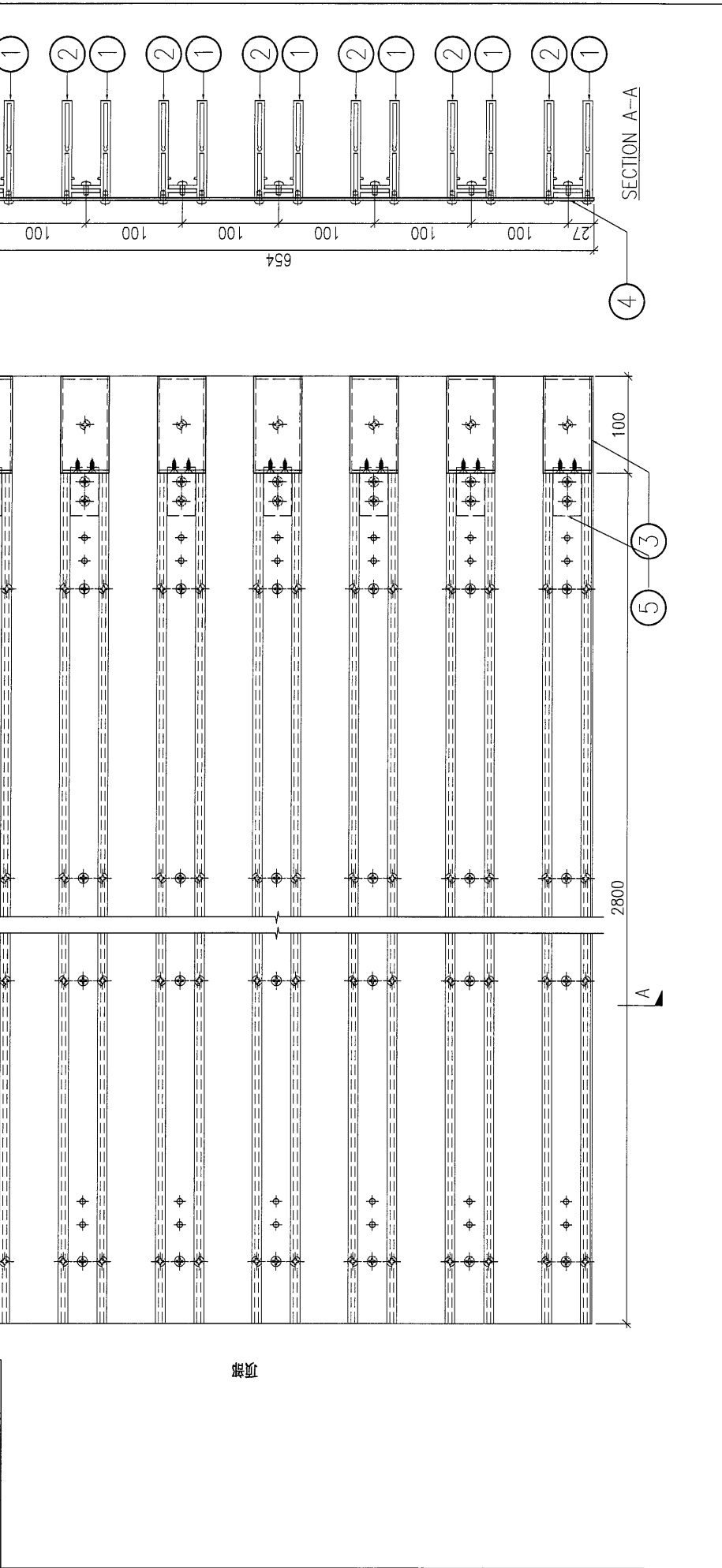
COLOUR: -

MARK. NO.: -

QTY.: -

REV.	CHANGED BY	PART NUMBER	Dim. A	Dim. B	Dim. C	Dim. D	Dim. E	Dim. F	Dim. G	Dim. H	QTY.	Inv. Code	ASSEMBLE ON PARTS
-	-	P2-UN-C04A	-	-	-	-	-	-	-	-	8	-	注: 用于 C 区域

序号	编号	数量
①	P2-AL-C09A	7
②	P2-AL-C10A	7
③	P2-AL-C02	7
④	P2-AP-C05A	1
⑤	P2-AL-C01	7



DWG. NO.	REV.	SCALE	DATE	DRAWN BY	APPROVED BY
P2-UN-C04A	-	-	10-07-2024	-	-

PROJECT: YIN PING ROAD KOWLOON FEATURE WALL (PHASE 2)

MARK. NO. -

COLOUR -

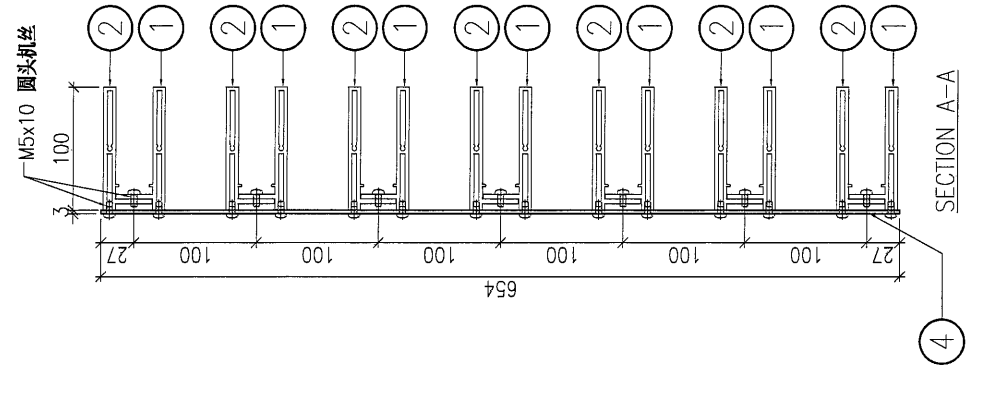
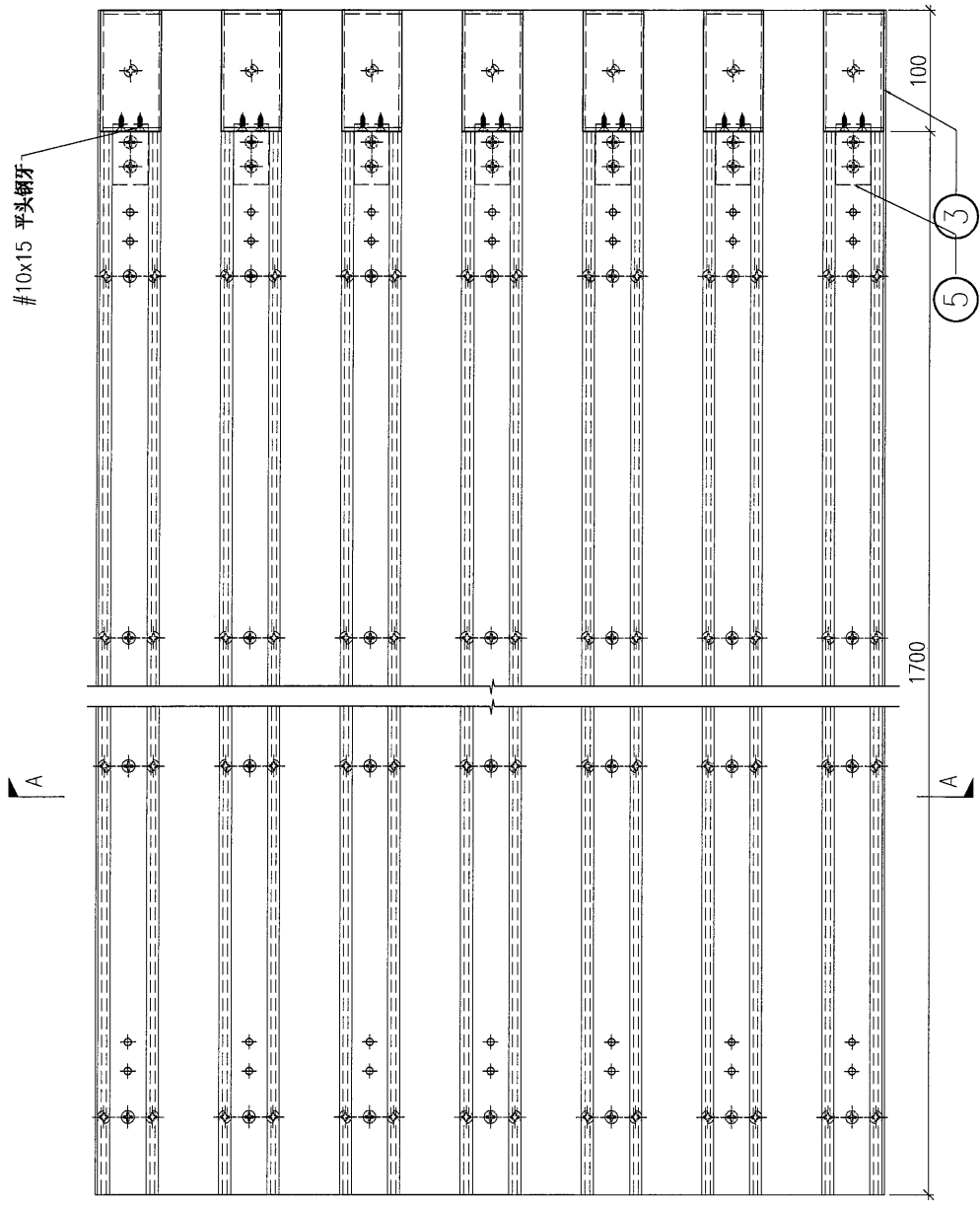
COATING -

QTY. -

REV.	CHANGED BY	Dim. A	Dim. B	Dim. C	Dim. D	Dim. E	Dim. F	Dim. G	Dim. H	QTY.	Inv. Code	ASSEMBLE ON PARTS
-	-	-	-	-	-	-	-	-	-	3	-	注: 用于 C 区域

注: 地盘用

序号	编号	数量
①	P2-AL-C09B	7
②	P2-AL-C10B	7
③	P2-AL-C02	7
④	P2-AP-C09B	1
⑤	P2-AL-C01	7



墙身

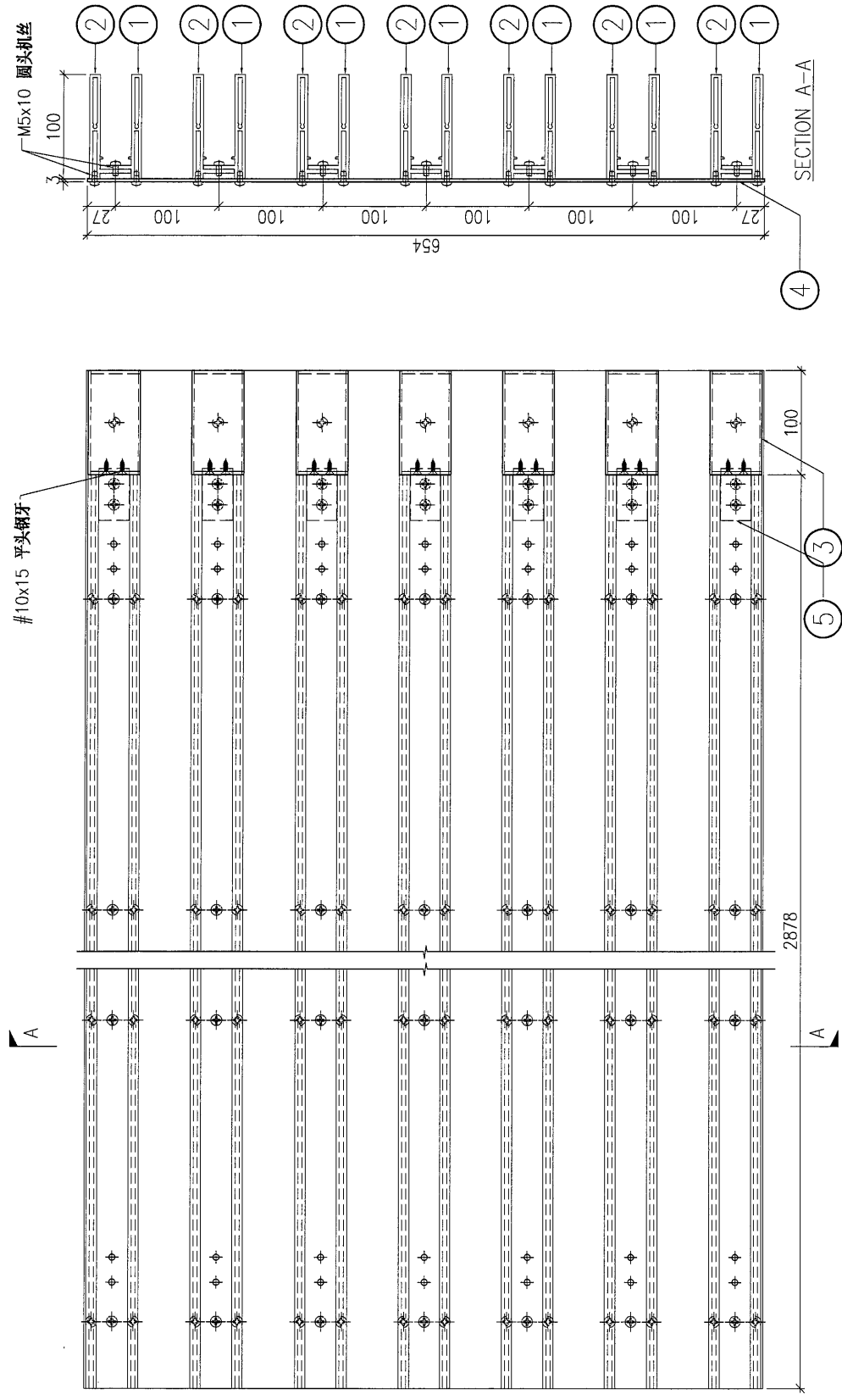
DWG. NO. P2-UN-C04B	REV. -	SCALE -	DATE 10-07-2024	DRAWN BY -	APPROVED BY -
---------------------	--------	---------	-----------------	------------	---------------

PROJECT		YIN PING ROAD KOWLOON FEATURE WALL (PHASE 2)						MATERIAL		COATING		COLOUR		MARK. NO.		QTY.	
REV. / CHECKED / DATE		PART NUMBER		Dim. A	Dim. B	Dim. C	Dim. D	Dim. E	Dim. F	Dim. G	Dim. H	QTY.	Inv. Code	ASSEMBLE ON PARTS			
-		P2-UN-C04C		-	-	-	-	-	-	-	-	1	-	注: 用于 C 区域			

注: 地盘用
--------

注: 本图为基础件, 底部已预长150mm

序号	编号	数量
①	P2-AL-C09C	7
②	P2-AL-C10C	7
③	P2-AL-C02	7
④	P2-AP-C05C	1
⑤	P2-AL-C01	7



竖管

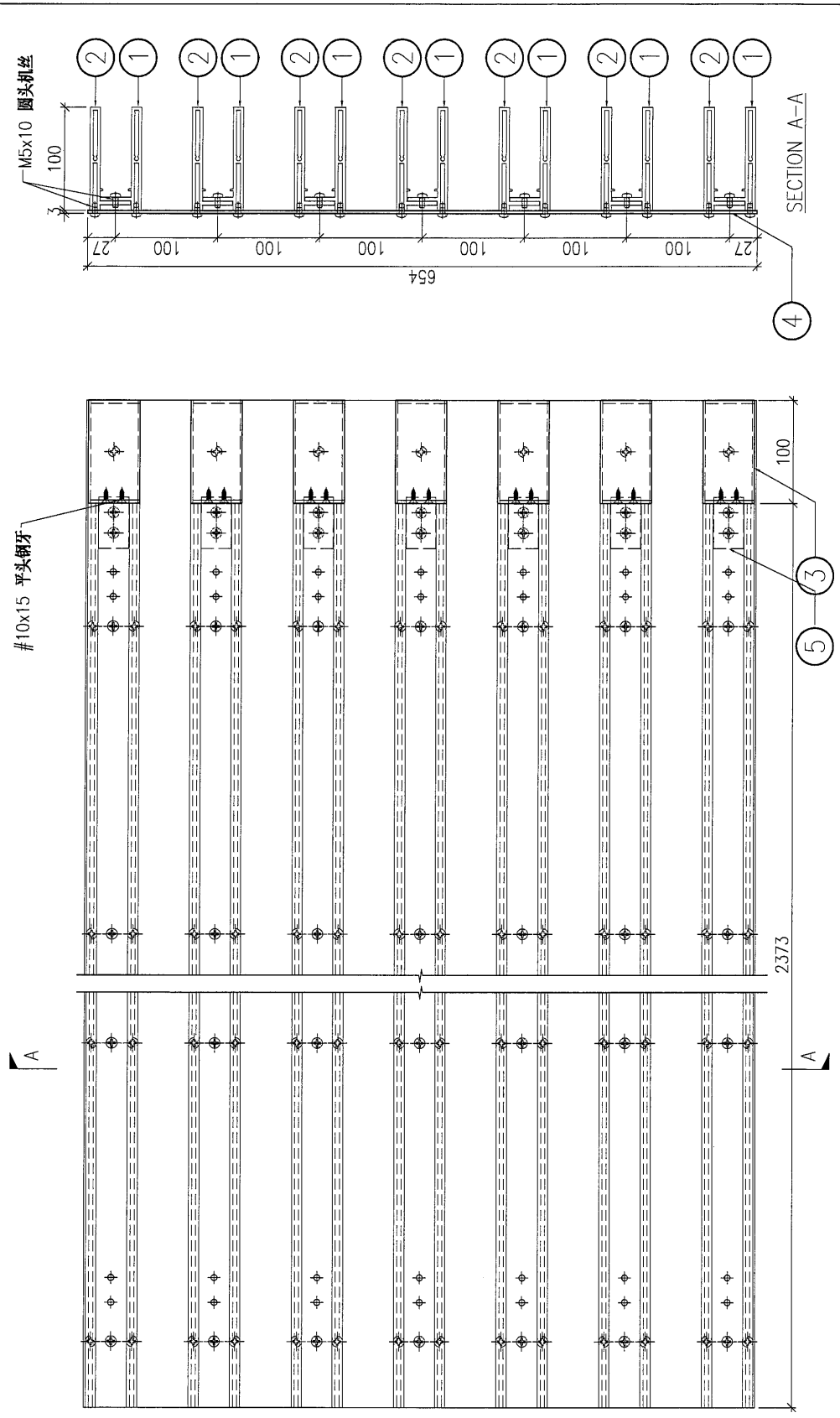
DWG. NO.	P2-UN-C04C	REV.	-	SCALE	-	DATE	10-07-2024	DRAWN BY	-	APPROVED BY	-
----------	------------	------	---	-------	---	------	------------	----------	---	-------------	---

PROJECT: YIN PING ROAD KOWLOON FEATURE WALL (PHASE 2)

REV.	CHANGED FOR	Dim. A	Dim. B	Dim. C	Dim. D	Dim. E	Dim. F	Dim. G	Dim. H	QTY.	Inv. Code	COATING	MATERIAL	COLOUR	MARK. NO.	QTY.
-		-	-	-	-	-	-	-	-	3			格栅组装图	-	-	-
PART NUMBER		ASSEMBLE ON PARTS														
P2-UN-C04D		注: 用于 C 区域														

序号	编号	数量
①	P2-AL-C09D	7
②	P2-AL-C10D	7
③	P2-AL-C02	7
④	P2-AP-C05D	1
⑤	P2-AL-C01	7

注: 本图为底座件, 底座已预长150mm



底座

DWG. NO.	P2-UN-C04D	REV.	-	SCALE	-	DATE	10-07-2024	DRAWN BY	-	APPROVED BY	-
----------	------------	------	---	-------	---	------	------------	----------	---	-------------	---

PROJECT: YIN PING ROAD KOWLOON FEATURE WALL (PHASE 2)

MATERIAL: 格栅组装图

COATING: -

COLOUR: -

MARK. NO.: -

QTY.: -

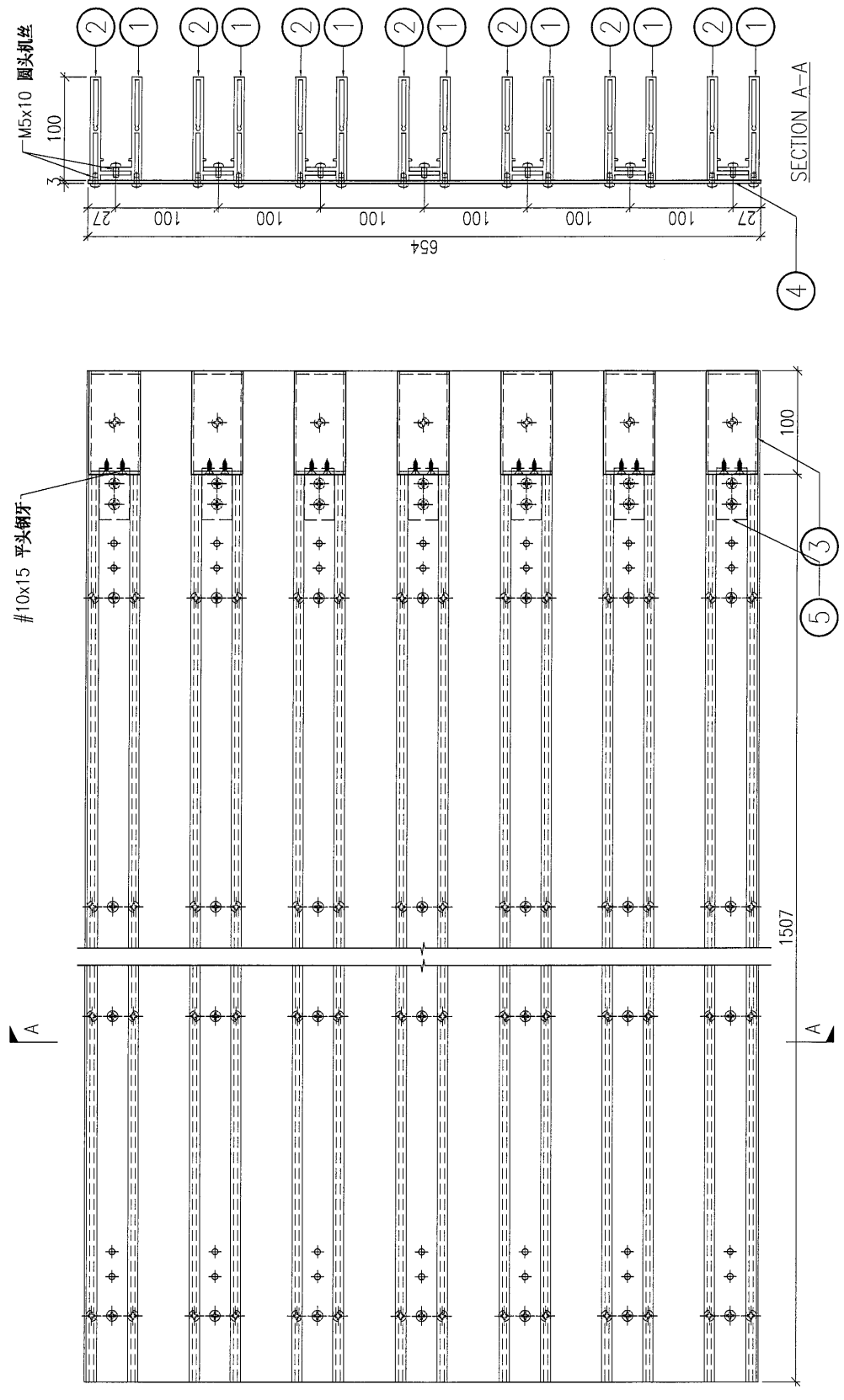
REV.	CHECKED DATE	PART NUMBER	Dim. A	Dim. B	Dim. C	Dim. D	Dim. E	Dim. F	Dim. G	Dim. H	QTY.	Inv. Code
-		P2-UN-C04E	-	-	-	-	-	-	-	-	1	

序号	编号	数量
①	P2-AL-C09E	7
②	P2-AL-C10E	7
③	P2-AL-C02	7
④	P2-AP-C05E	1
⑤	P2-AL-C01	7

注: 地盘用

注: 用于 Z 区域

#10x15 平头钢牙



降层

DWG. NO.	REV.	SCALE	DATE	DRAWN BY	APPROVED BY
P2-UN-C04E	-	-	10-07-2024	-	-

PROJECT: YIN PING ROAD KOWLOON FEATURE WALL (PHASE 2)

MATERIAL: 格栅组装图

COATING: -

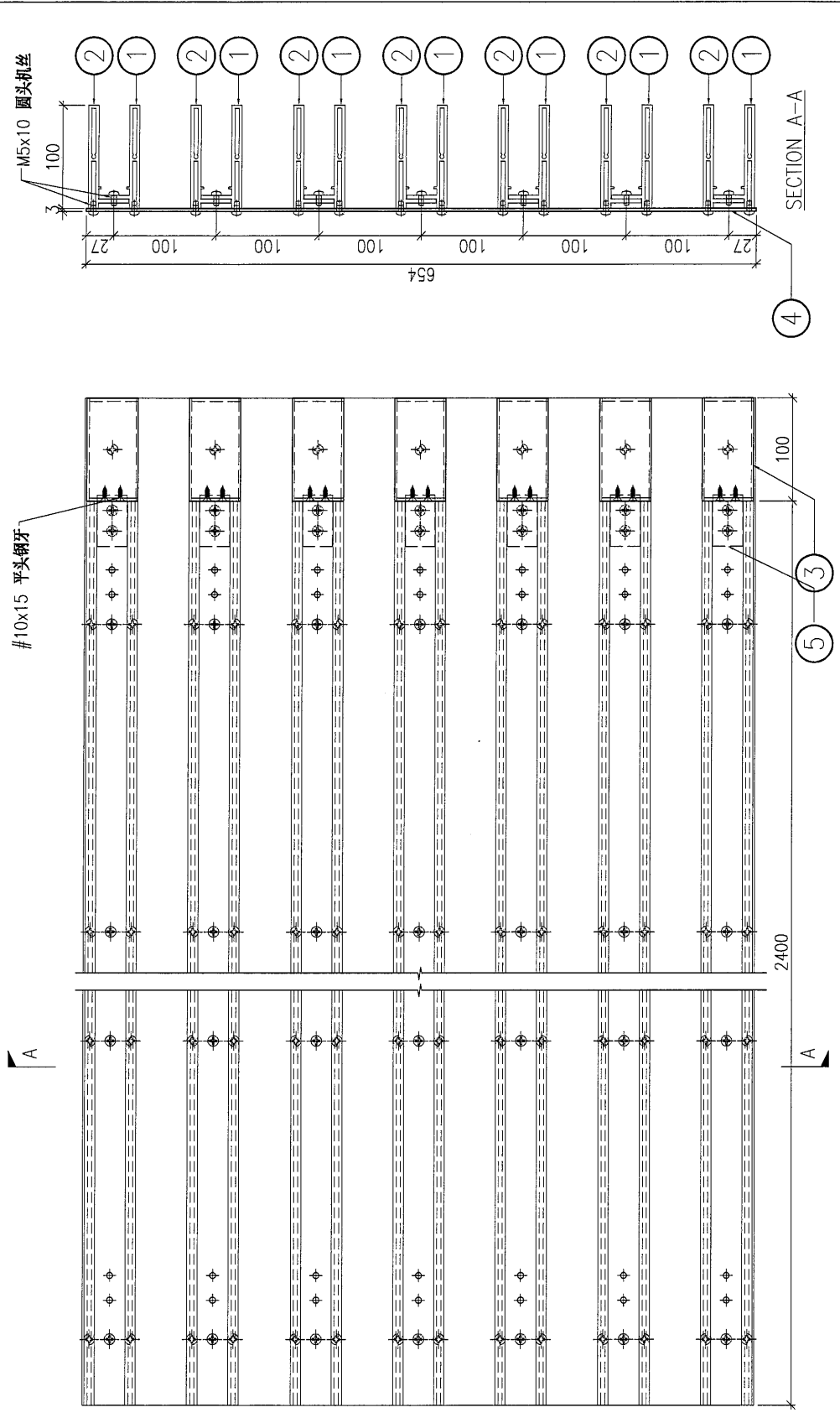
MARK. NO.: -

QTY.: -

REV.	CHANGED PART NO.	PART NUMBER	Dim. A	Dim. B	Dim. C	Dim. D	Dim. E	Dim. F	Dim. G	Dim. H	QTY.	Inv. Code	ASSEMBLE ON PARTS	注: 地盘用
-	-	P2-UN-Z04F	-	-	-	-	-	-	-	-	6	-	-	-

序号	编号	数量
①	P2-AL-C09F	7
②	P2-AL-C10F	7
③	P2-AL-C02	7
④	P2-AP-C05F	1
⑤	P2-AL-C01	7

注: 本图为成墙件, 底部已预长150mm



除

DWG. NO.	REV.	SCALE	DATE	DRAWN BY	APPROVED BY
P2-UN-Z04F	-	-	10-07-2024	-	-

PROJECT: YIN PING ROAD KOWLOON FEATURE WALL (PHASE 2)

MATERIAL: 格栅组装图

COATING: -

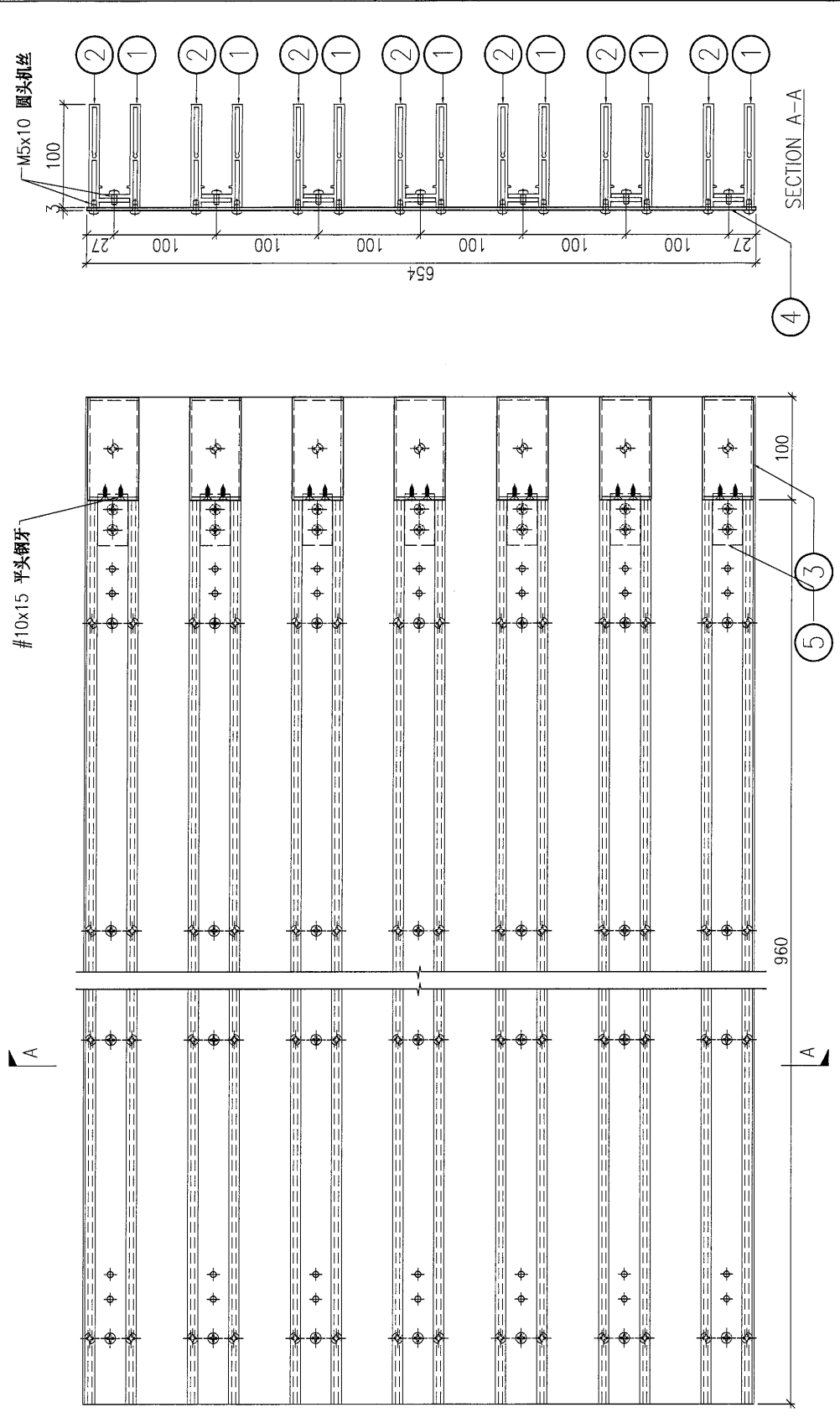
MARK. NO.: -

QTY.: -

REV.	DESCRIPTION	Dim. A	Dim. B	Dim. C	Dim. D	Dim. E	Dim. F	Dim. G	Dim. H	QTY.	Inv. Code	ASSEMBLE ON PARTS
-	-	-	-	-	-	-	-	-	-	9	-	注: 用于 L 区域

序号	编号	数量
①	P2-AL-C09G	7
②	P2-AL-C10G	7
③	P2-AL-C02	7
④	P2-AP-C05G	1
⑤	P2-AL-C01	7

注: 本图为底部件, 底座已预长150mm



DWG. NO.	P2-UN-L04G	REV.	-	SCALE	-	DATE	10-07-2024	DRAWN BY	-	APPROVED BY	-
----------	------------	------	---	-------	---	------	------------	----------	---	-------------	---

PROJECT: YIN PING ROAD KOWLOON FEATURE WALL (PHASE 2)

MATERIAL: 格栅组装图

COATING: -

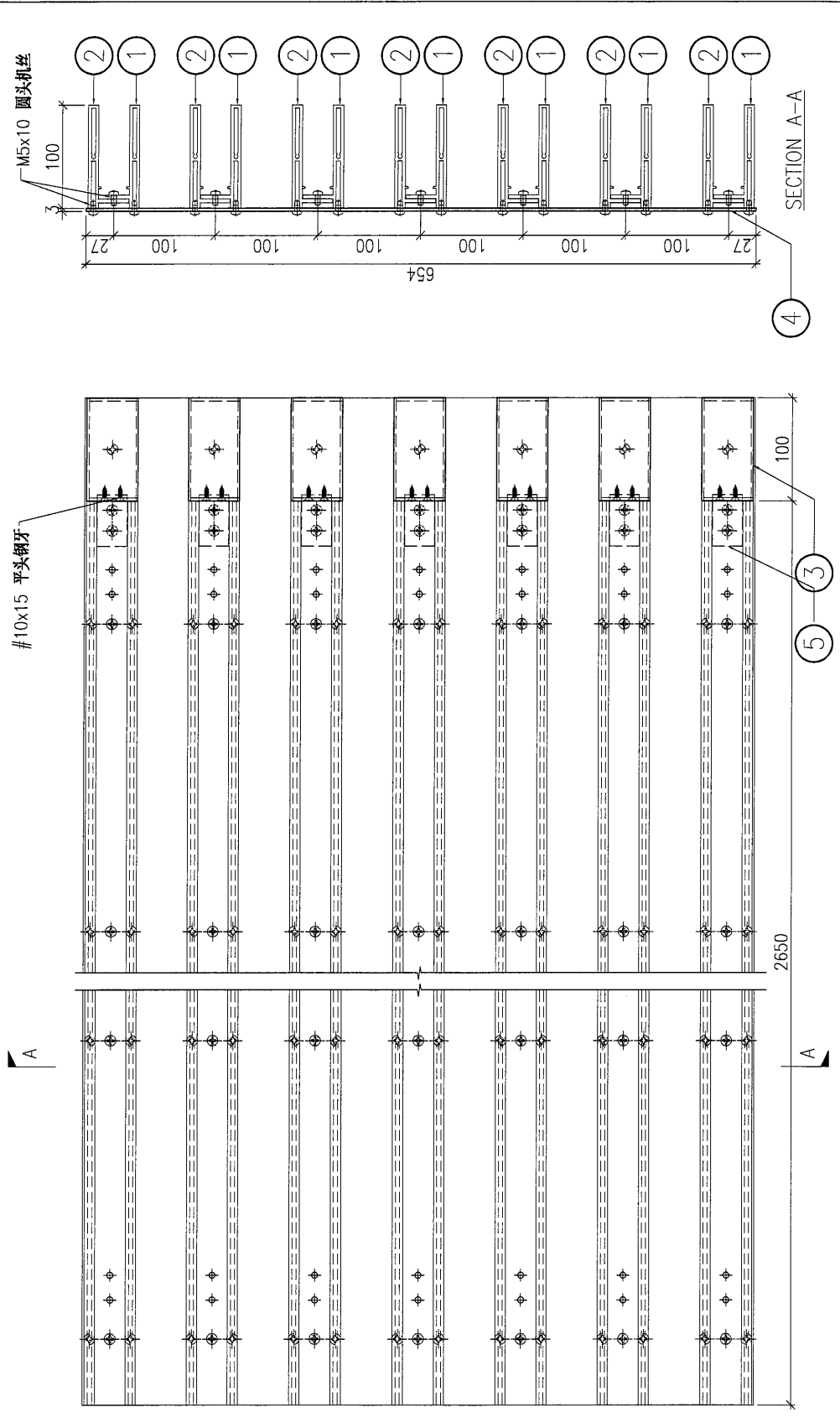
MARK. NO.: -

QTY.: -

REV.	CHECKED DATE	PART NUMBER	Dim. A	Dim. B	Dim. C	Dim. D	Dim. E	Dim. F	Dim. G	Dim. H	QTY.	Inv. Code	ASSEMBLE ON PARTS	注: 地盘用
-	-	P2-UN-K04H	-	-	-	-	-	-	-	-	9	-	-	注: 用于 K 区域

序号	编号	数量
①	P2-AL-C09H	7
②	P2-AL-C10H	7
③	P2-AL-C02	7
④	P2-AP-C05H	1
⑤	P2-AL-C01	7

注: 本图为底零件, 底部已预长150mm



DWG. NO.	P2-UN-K04H	REV.	-	SCALE	-	DATE	10-07-2024	DRAWN BY	-	APPROVED BY	-
----------	------------	------	---	-------	---	------	------------	----------	---	-------------	---

PROJECT

YIN PING ROAD KOWLOON  
FEATURE WALL (PHASE 2)

MATERIAL

格栅组装图

COATING

COLOUR

MARK. NO.

QTY.

注: 地盘用

ASSEMBLE ON PARTS

Inv. Code

QTY.

Dim. H

Dim. G

Dim. F

Dim. E

Dim. D

Dim. C

Dim. B

Dim. A

PART NUMBER

P2-UN-C05

1

-

-

-

-

-

-

-

-

-

-

序号 编号 数量

① P2-AL-C11 7

② P2-AL-C12 7

③ P2-AP-C06 1

④ P2-AP-C01 4

A

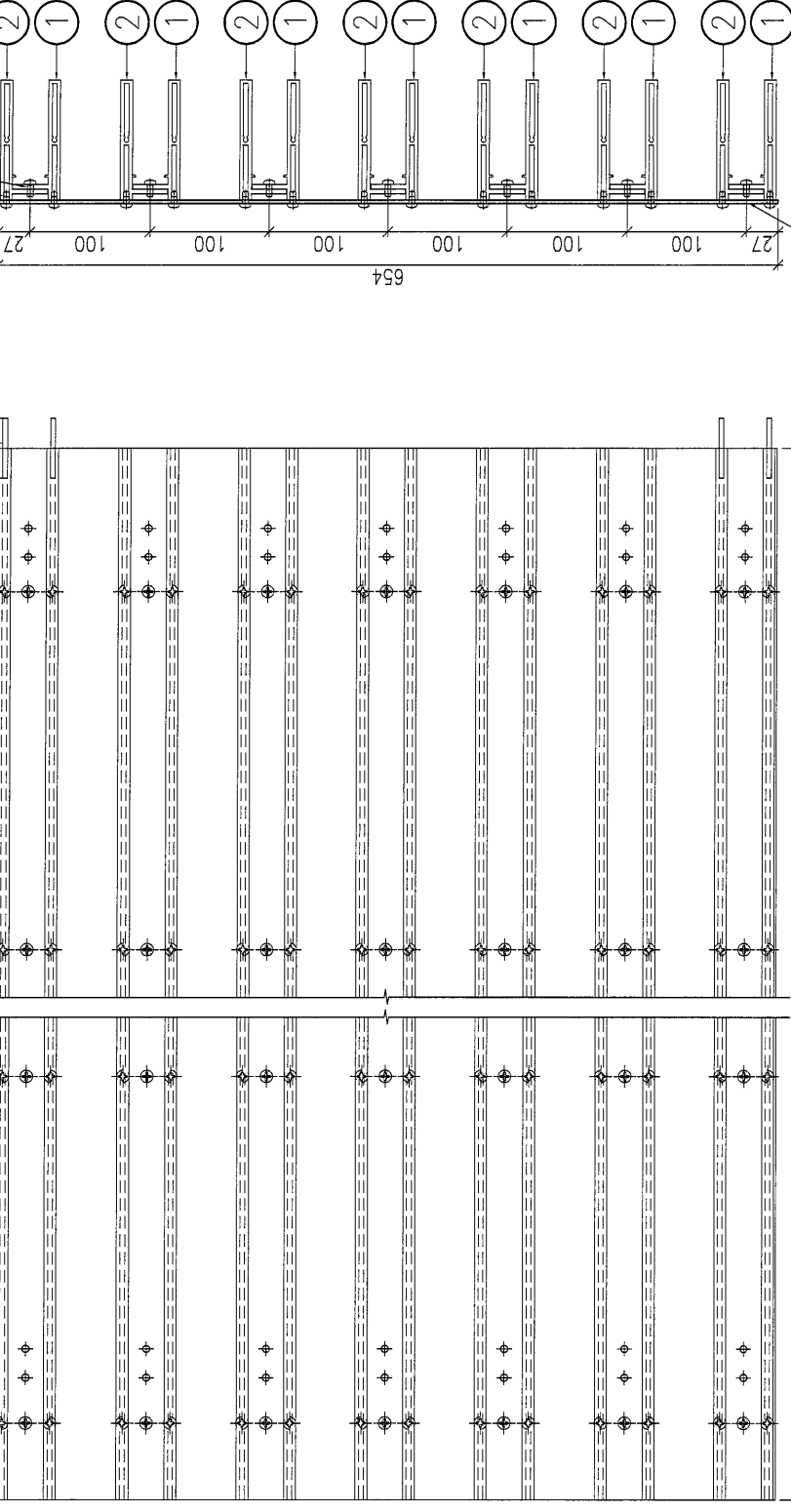
25.25

④ 3mm铝片(打胶固定)

M5x10 圆头机丝

100

27



格栅

2899

SECTION A-A

DWG. NO.

P2-UN-C05

REV.

SCALE

DATE  
10-07-2024

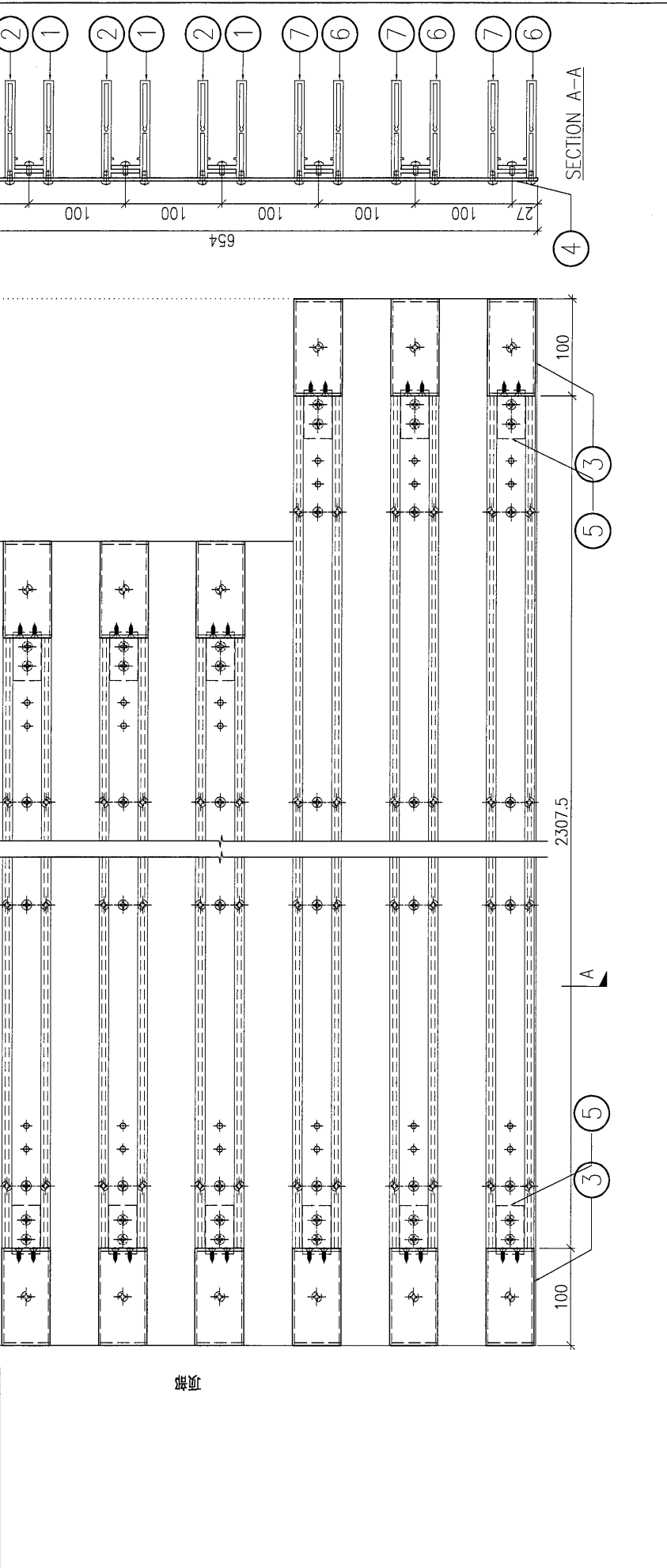
DRAWN BY

APPROVED BY

PROJECT: YIN PING ROAD KOWLOON FEATURE WALL (PHASE 2)

REV.	CHANGED FOR	Dim. A	Dim. B	Dim. C	Dim. D	Dim. E	Dim. F	Dim. G	Dim. H	QTY.	Inv. Code	COLOUR	MARK. NO.	QTY.
-		-	-	-	-	-	-	-	-	1		-	-	-

序号	编号	数量
①	P2-AL-C07M	4
②	P2-AL-C08M	4
③	P2-AL-C02	14
④	P2-AP-C07	1
⑤	P2-AL-C01	14
⑥	P2-AL-C07L	3
⑦	P2-AL-C08L	3



DWG. NO.	P2-UN-C06
REV.	-
SCALE	-
DATE	10-07-2024
DRAWN BY	-
APPROVED BY	-

PROJECT: YIN PING ROAD KOWLOON FEATURE WALL (PHASE 2)

MARK. NO. \_\_\_\_\_

COLOUR: \_\_\_\_\_

COATING: \_\_\_\_\_

MATERIAL: 格栅组装图

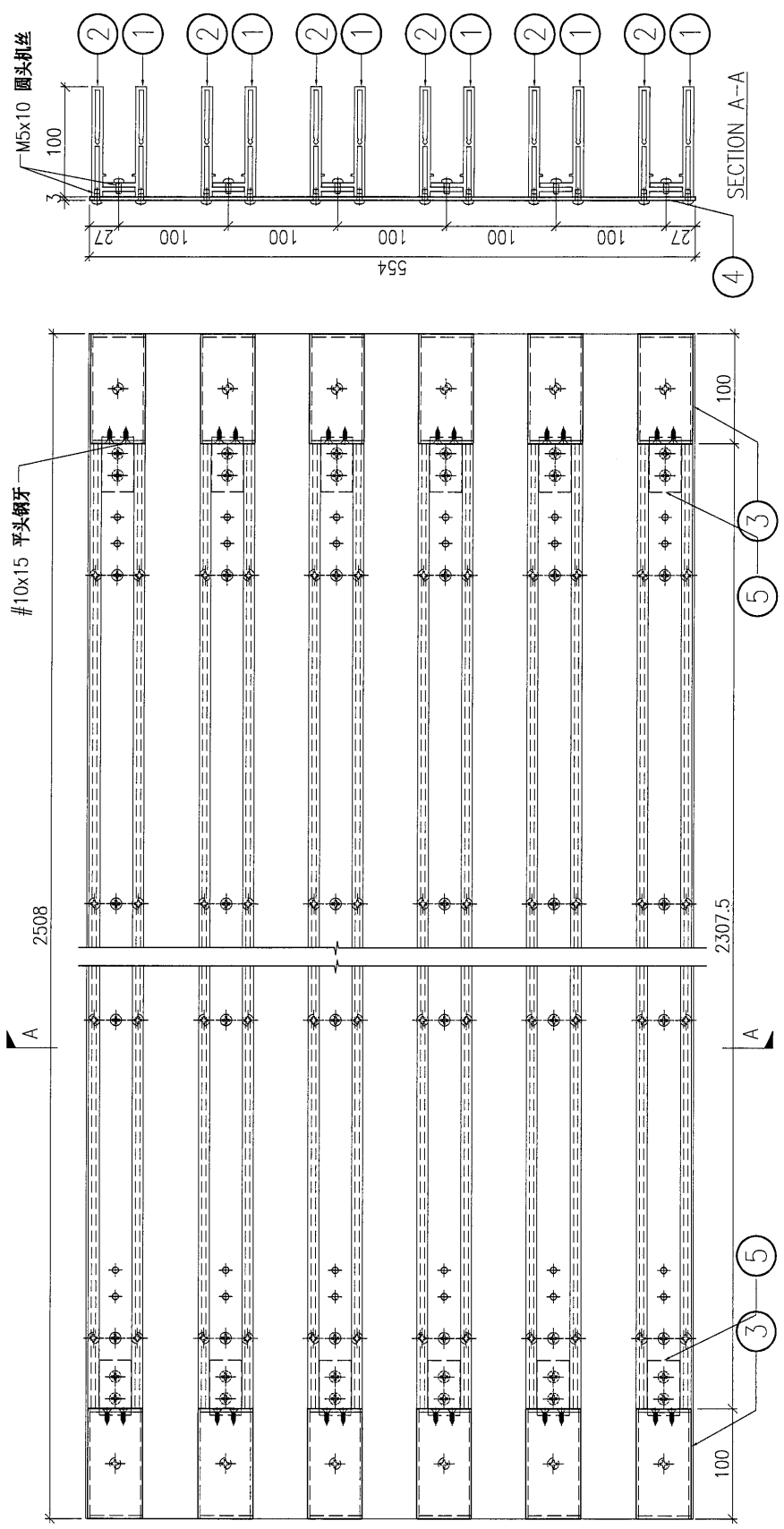
QTY. \_\_\_\_\_

REV.	CHANGED BY	PART NUMBER	Dim. A	Dim. B	Dim. C	Dim. D	Dim. E	Dim. F	Dim. G	Dim. H	QTY.	Inv. Code
-	-	P2-UN-C07	-	-	-	-	-	-	-	-	1	-

序号	编号	数量
①	P2-AL-C07A	6
②	P2-AL-C08A	6
③	P2-AL-C02	12
④	P2-AP-C08	1
⑤	P2-AL-C01	12

注: 地盘用

注: 用于 C 区域



备注

DWG. NO. P2-UN-C07	REV. --	SCALE --	DATE 10-07-2024	DRAWN BY --	APPROVED BY --
--------------------	---------	----------	-----------------	-------------	----------------

PROJECT: YIN PING ROAD KOWLOON FEATURE WALL (PHASE 2)

MATERIAL: 格栅组装图

COATING: -

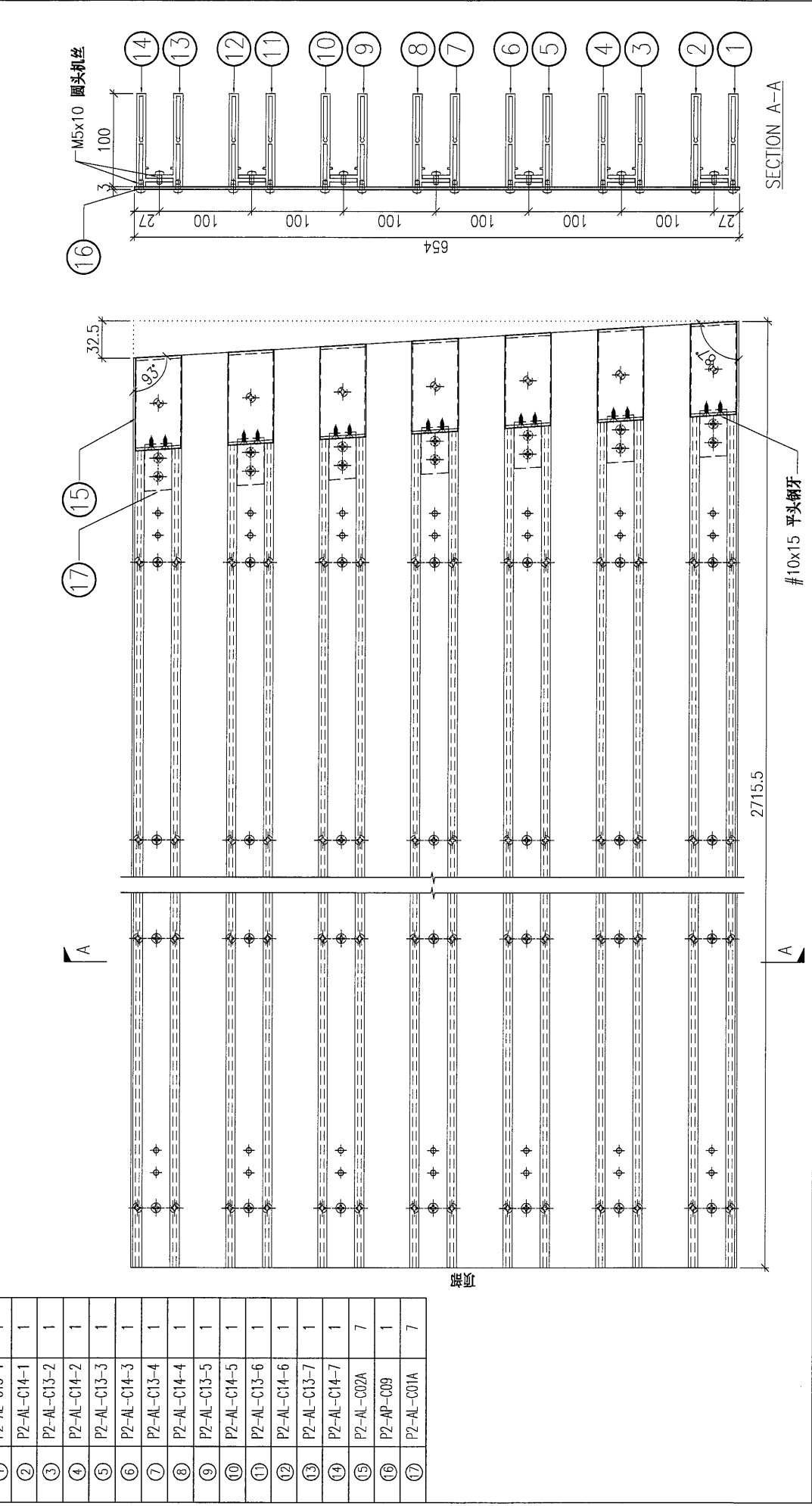
COLOUR: -

MARK. NO.: -

QTY.: -

REV.	CHANGED BY	PART NUMBER	Dim. A	Dim. B	Dim. C	Dim. D	Dim. E	Dim. F	Dim. G	Dim. H	QTY.	Inv. Code	ASSEMBLE ON PARTS
-	-	P2-UN-C08	-	-	-	-	-	-	-	-	1	-	注: 用于 C 区域

注: 本图均为标准件, 截部已预长150mm



DWG. NO.	REV.	SCALE	DATE	DRAWN BY	APPROVED BY
P2-UN-C08	-	-	13-04-2024	-	-

PROJECT: YIN PING ROAD KOWLOON FEATURE WALL (PHASE 2)

MATERIAL: 格栅组装机

COLOUR: -

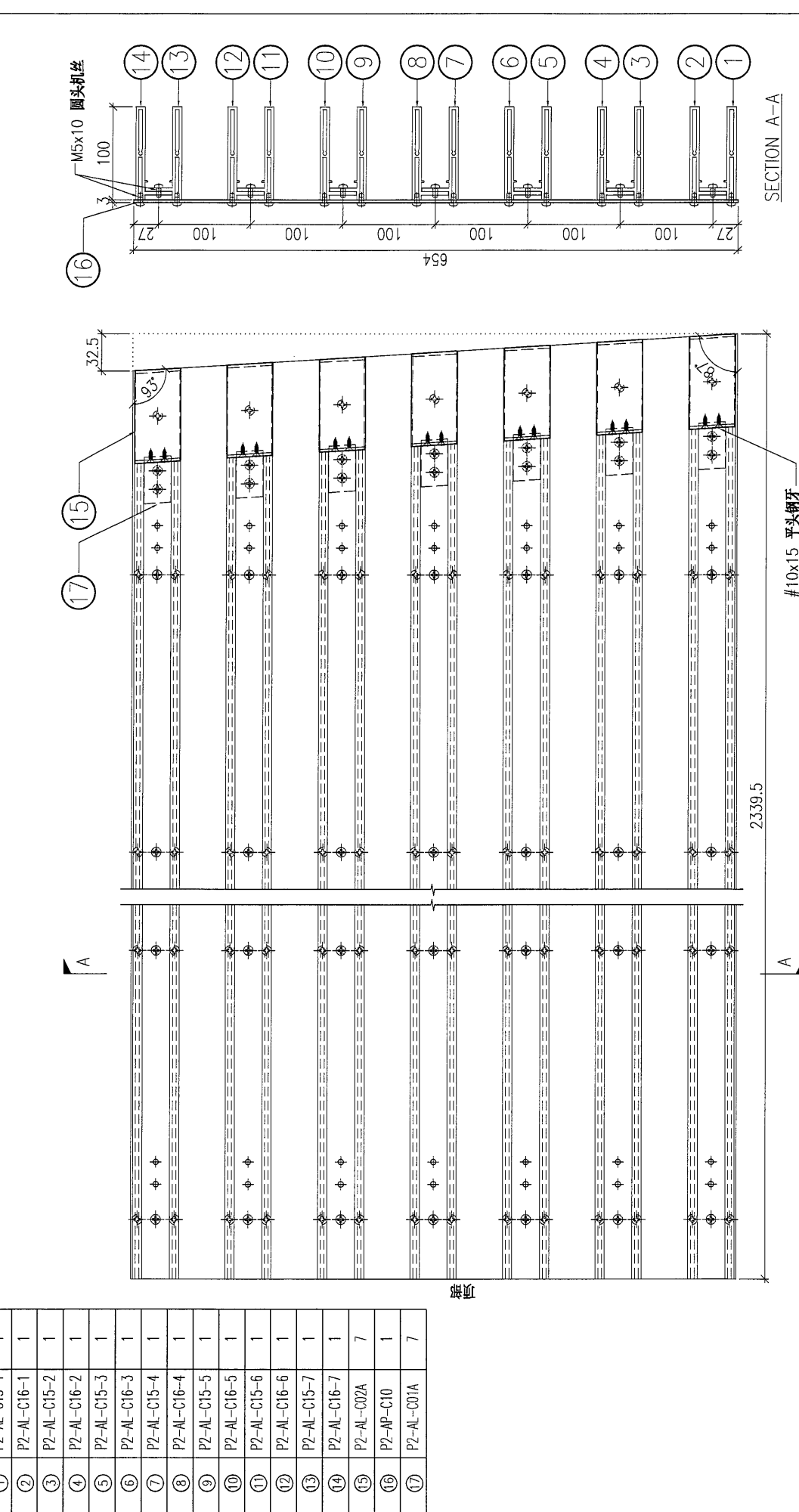
MARK. NO.: -

QTY.: -

REV.	CHECKED BY	Dim. A	Dim. B	Dim. C	Dim. D	Dim. E	Dim. F	Dim. G	Dim. H	QTY.	Inv. Code	ASSEMBLE ON PARTS
-	-	-	-	-	-	-	-	-	-	1	-	注: 用于 C 区域

注: 地盘用

注: 本图为底零件, 底座已预长 15mm

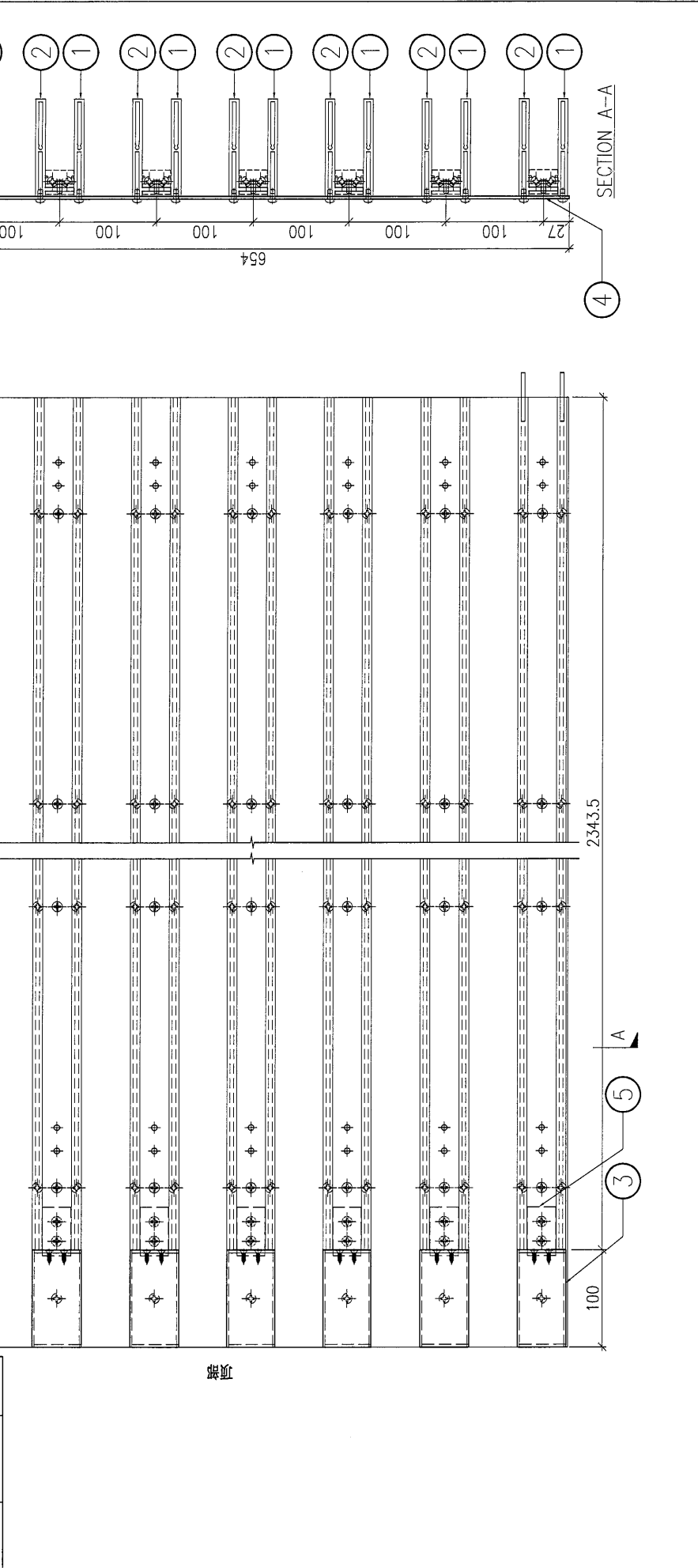


REV.	DWG. NO.	REV.	SCALE	DATE	DRAWN BY	APPROVED BY
-	P2-UN-C09	-	-	13-04-2024	-	-

PROJECT: YIN PING ROAD KOWLOON FEATURE WALL (PHASE 2)

REV.	CHANGED BY	Dim. A	Dim. B	Dim. C	Dim. D	Dim. E	Dim. F	Dim. G	Dim. H	QTY.	Inv. Code	ASSEMBLE ON PARTS	MARK. NO.	COLOUR	QTY.
-	-	-	-	-	-	-	-	-	-	7	-	-	-	-	-

序号	编号	数量
①	P2-AL-H03A	7
②	P2-AL-H04A	7
③	P2-AL-H02	7
④	P2-AP-H02A	1
⑤	P2-AL-H01	7
⑥	P2-AP-H01	4



DWG. NO.	P2-UN-H01	REV.	-	SCALE	-	DATE	08-07-2024	DRAWN BY	-	APPROVED BY	-
----------	-----------	------	---	-------	---	------	------------	----------	---	-------------	---

注: 地盘用

PROJECT: YIN PING ROAD KOWLOON FEATURE WALL (PHASE 2)

MARK. NO. -

COLOUR -

COATING -

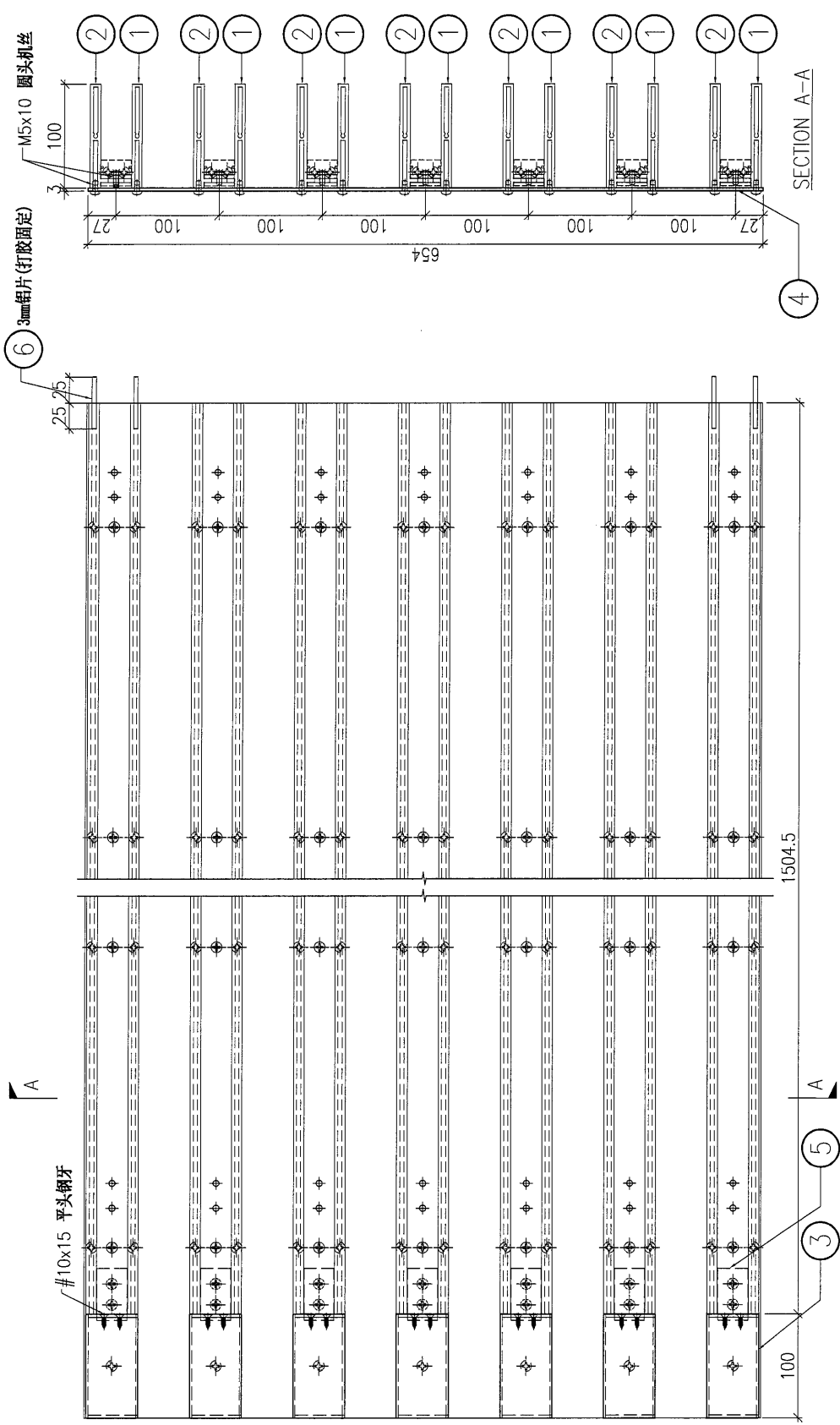
MATERIAL: 格栅组装图

QTY. -

REV.	CHECKED DATE	Dim. A	Dim. B	Dim. C	Dim. D	Dim. E	Dim. F	Dim. G	Dim. H	QTY.	Inv. Code	ASSEMBLE ON PARTS
-	-	-	-	-	-	-	-	-	-	2	-	-

注: 地盘用

序号	编号	数量
①	P2-AL-H03B	7
②	P2-AL-H04B	7
③	P2-AL-H02	7
④	P2-AP-H02B	1
⑤	P2-AL-H01	7
⑥	P2-AP-H01	4



量

DWG. NO. P2-UN-H02	REV. -	SCALE -	DATE 08-07-2024	DRAWN BY -	APPROVED BY -
--------------------	--------	---------	-----------------	------------	---------------

PROJECT: YIN PING ROAD KOWLOON FEATURE WALL (PHASE 2)

MATERIAL: 格栅组装图

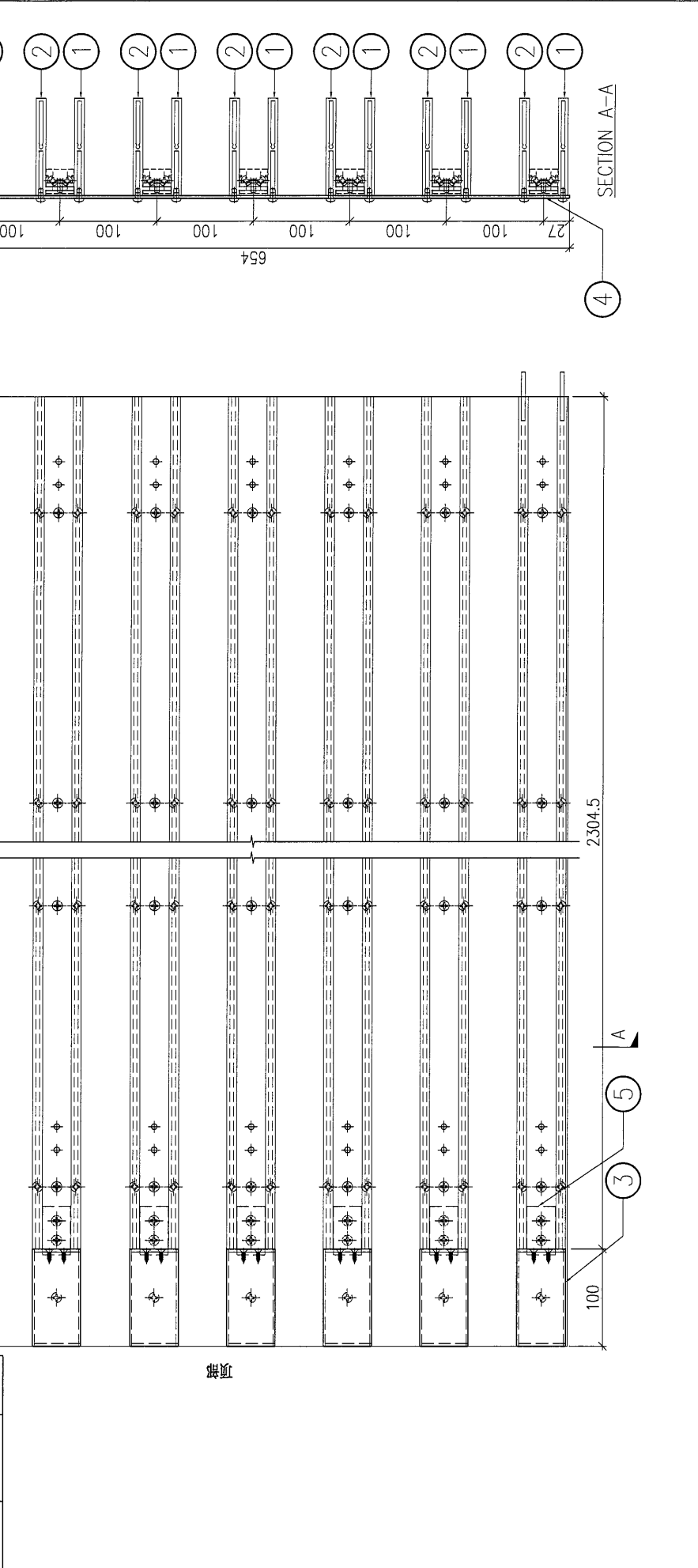
COATING: -

MARK. NO.: -

QTY.: -

REV.	DESCRIPTION	Dim. A	Dim. B	Dim. C	Dim. D	Dim. E	Dim. F	Dim. G	Dim. H	QTY.	Inv. Code	ASSEMBLE ON PARTS
-	P2-UN-H03	-	-	-	-	-	-	-	-	1	-	-

序号	编号	数量
①	P2-AL-H03C	7
②	P2-AL-H04C	7
③	P2-AL-H02	7
④	P2-AP-H02C	1
⑤	P2-AL-H01	7
⑥	P2-AP-H01	4



DWG. NO.	REV.	SCALE	DATE	DRAWN BY	APPROVED BY
P2-UN-H03	-	-	08-07-2024	-	-

注: 地盘用

PROJECT: YIN PING ROAD KOWLOON FEATURE WALL (PHASE 2)

MARK. NO. \_\_\_\_\_

COLOUR \_\_\_\_\_

COATING \_\_\_\_\_

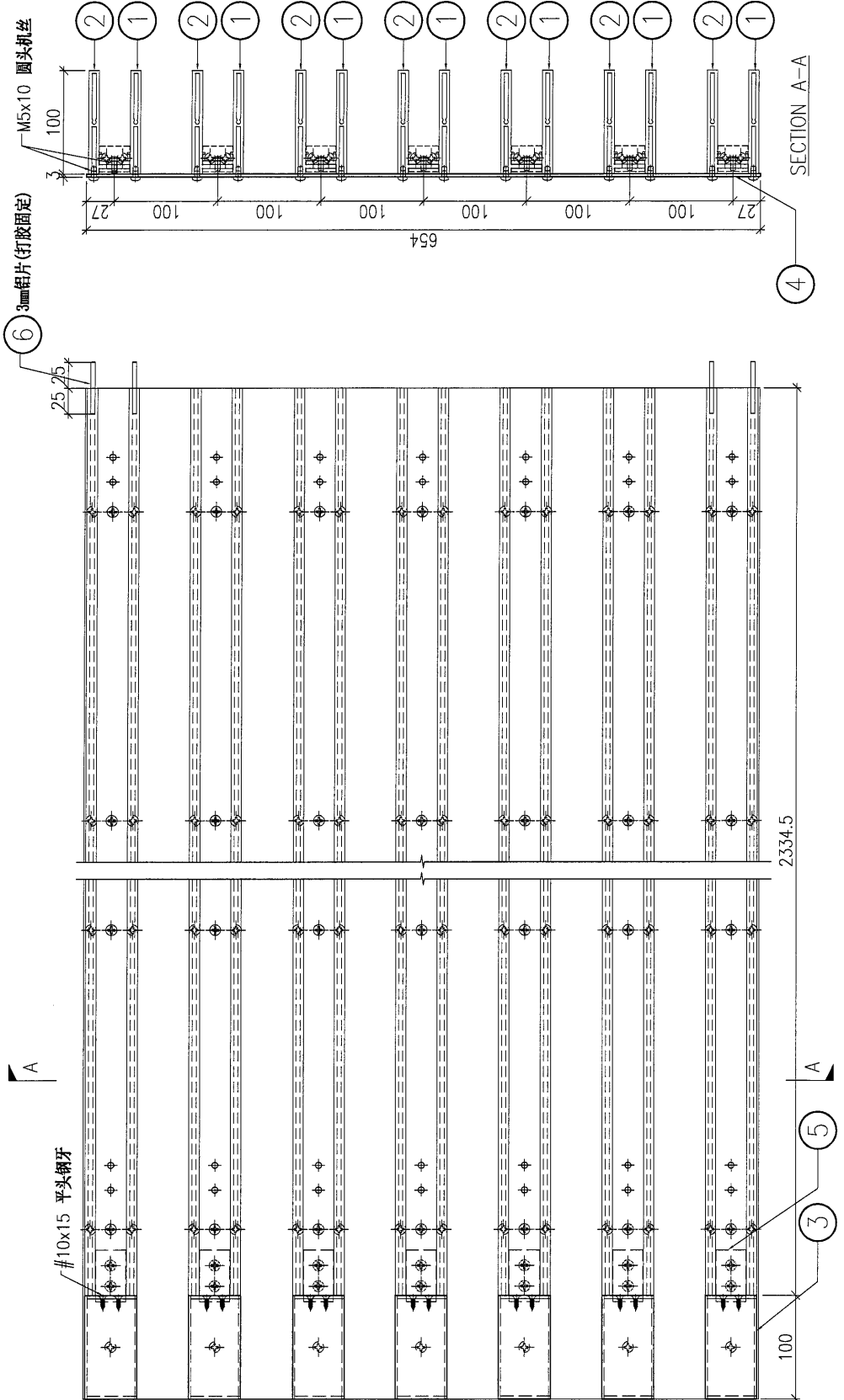
MATERIAL: 格栅组装图

QTY. \_\_\_\_\_

REV.	DESCRIBED WORK BY	Dim. A	Dim. B	Dim. C	Dim. D	Dim. E	Dim. F	Dim. G	Dim. H	QTY.	Inv. Code	ASSEMBLE ON PARTS
-		-	-	-	-	-	-	-	-	6		

注: 地盘用

序号	编号	数量
①	P2-AL-H03D	7
②	P2-AL-H04D	7
③	P2-AL-H02	7
④	P2-AP-H02D	1
⑤	P2-AL-H01	7
⑥	P2-AP-H01	4



DWG. NO. P2-UN-H04

REV. --

SCALE --

DATE 08-07-2024

DRAWN BY --

APPROVED BY --

PROJECT

YIN PING ROAD KOWLOON  
FEATURE WALL (PHASE 2)

MATERIAL

格栅组装图

COATING

COLOUR

MARK. NO.

QTY.

REV.

CHECKED  
DATE

PART NUMBER

Dim. A

Dim. B

Dim. C

Dim. D

Dim. E

Dim. F

Dim. G

Dim. H

QTY.

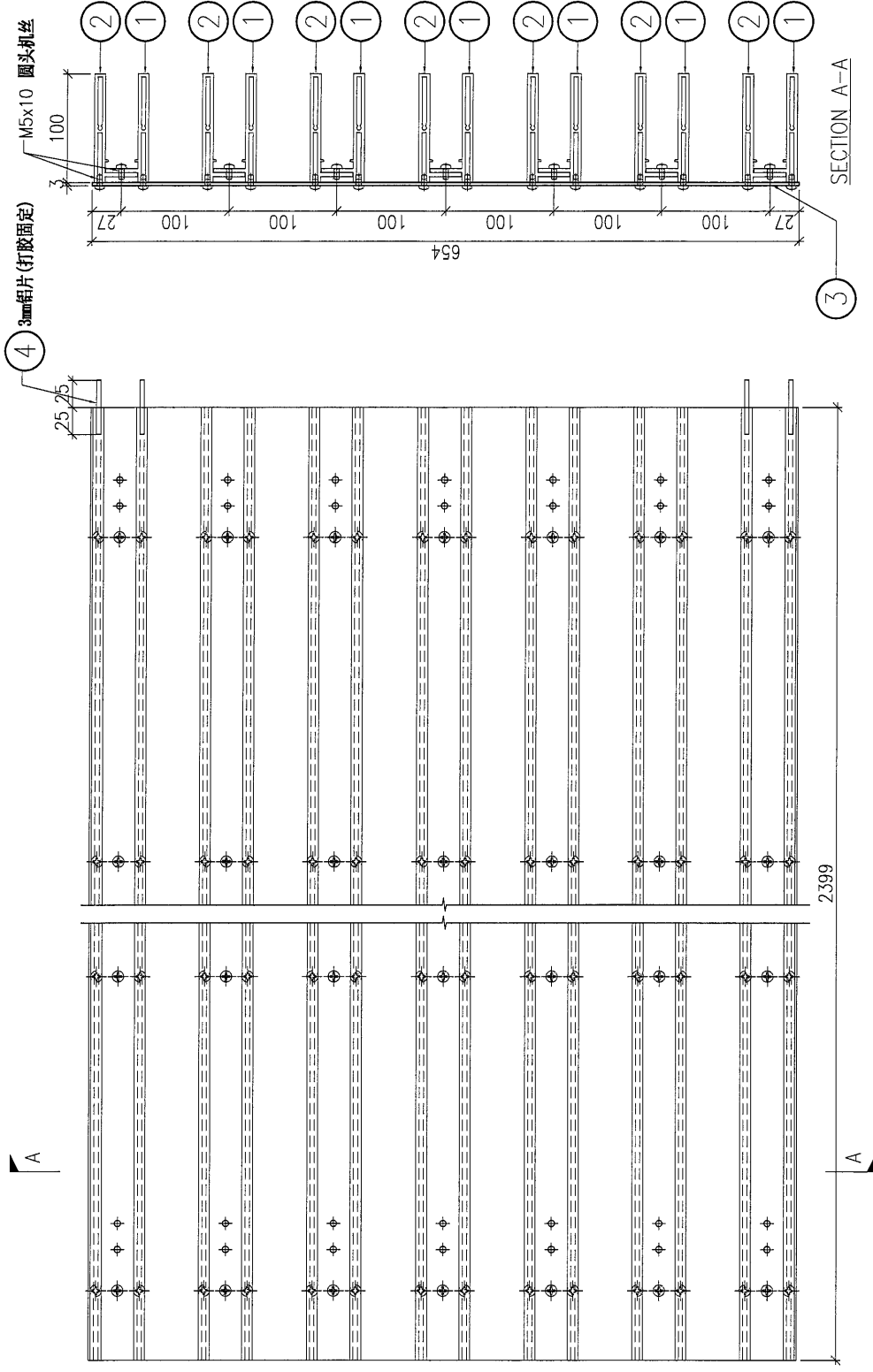
Inv. Code

ASSEMBLE ON PARTS

注: 地盘用

注: 地盘用

序号	编号	数量
①	P2-AL-H05	7
②	P2-AL-H06	7
③	P2-AP-H03	1
④	P2-AP-H01	4



DWG. NO.

P2-UN-H05

REV.

SCALE

DATE  
08-07-2024

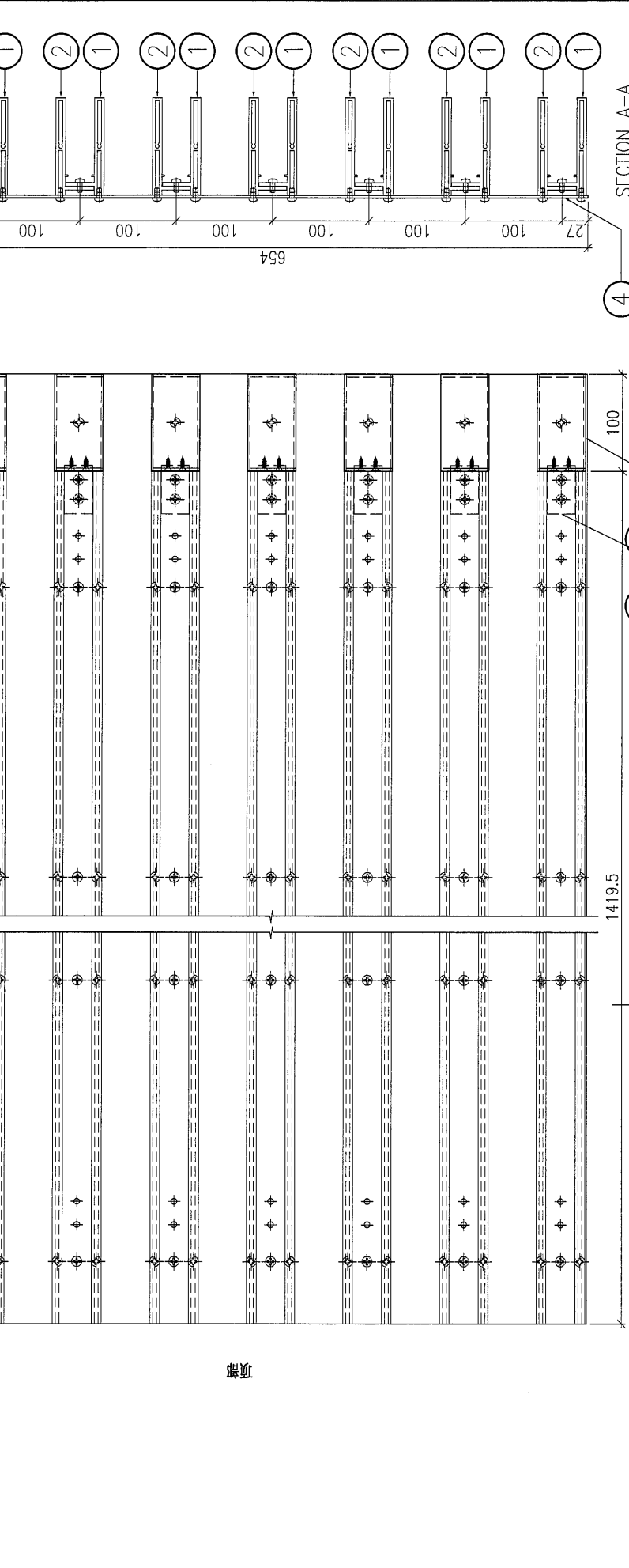
DRAWN BY

APPROVED BY

PROJECT: YIN PING ROAD KOWLOON FEATURE WALL (PHASE 2)

REV.	CHANGED BY	Dim. A	Dim. B	Dim. C	Dim. D	Dim. E	Dim. F	Dim. G	Dim. H	QTY.	Inv. Code	COATING	MATERIAL	COLOUR	MARK. NO.	QTY.
-	-	-	-	-	-	-	-	-	-	4	-	-	格栅组装图	-	-	-
PART NUMBER		ASSEMBLE ON PARTS														
P2-UN-H06																

序号	编号	数量
①	P2-AL-H07	7
②	P2-AL-H08	7
③	P2-AL-H02	7
④	P2-AP-H04	1
⑤	P2-AL-H01	7



DWG. NO.	P2-UN-H06	REV.	-	SCALE	-	DATE	08-07-2024	DRAWN BY	-	APPROVED BY	-
----------	-----------	------	---	-------	---	------	------------	----------	---	-------------	---

注: 地盘用

PROJECT: YIN PING ROAD KOWLOON FEATURE WALL (PHASE 2)

MATERIAL: 格栅组装图

COATING: -

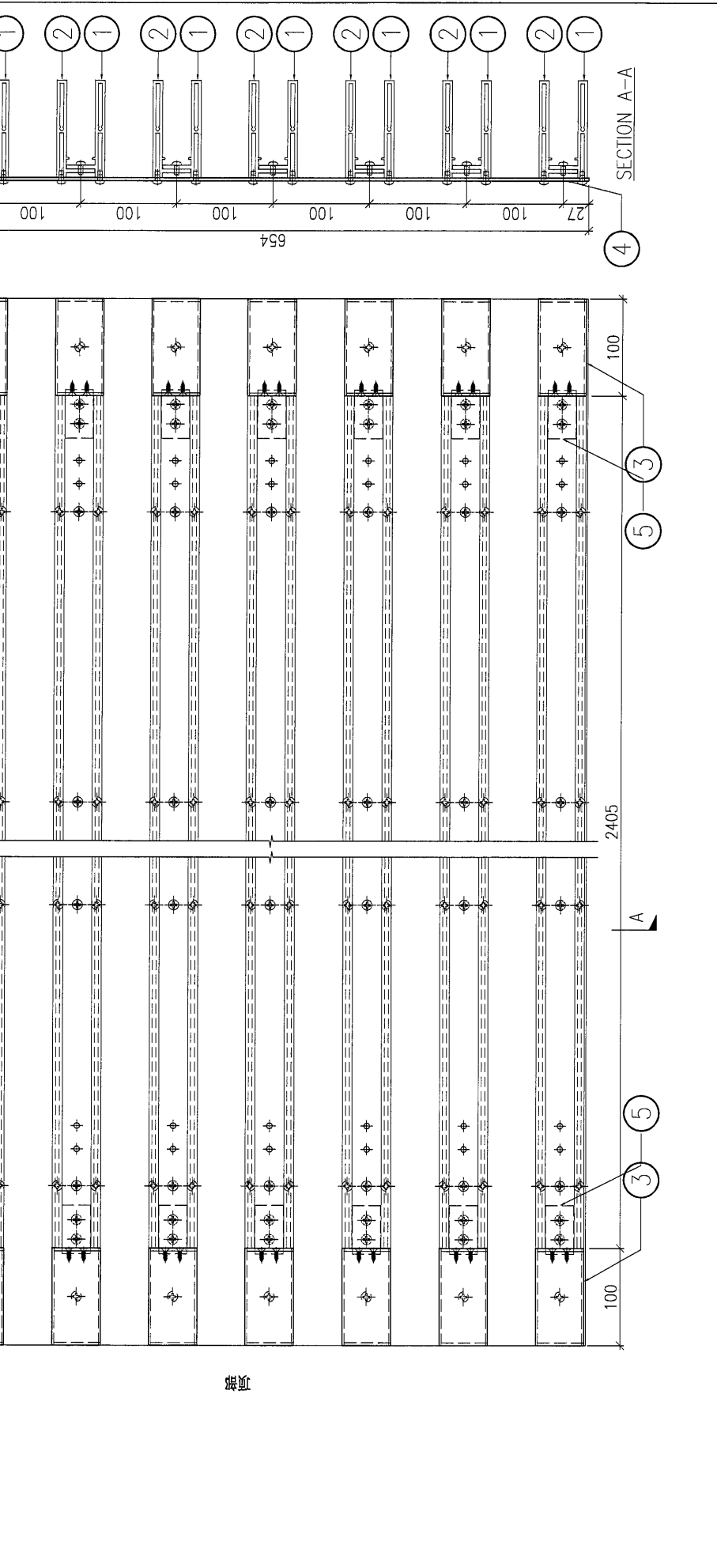
COLOUR: -

MARK. NO.: -

QTY.: -

REV.	CHANGED BY	Dim. A	Dim. B	Dim. C	Dim. D	Dim. E	Dim. F	Dim. G	Dim. H	QTY.	Inv. Code	ASSEMBLE ON PARTS
--		-	-	-	-	-	-	-	-	1		注: 用于 A 区域

序号	编号	数量
①	P2-AL-H09	7
②	P2-AL-H10	7
③	P2-AL-H02	14
④	P2-AP-H05	1
⑤	P2-AL-H01	14



DWG. NO.	P2-UN-H07	REV.	-	SCALE	-	DATE	08-07-2024	DRAWN BY	-	APPROVED BY	-
----------	-----------	------	---	-------	---	------	------------	----------	---	-------------	---

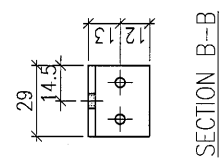
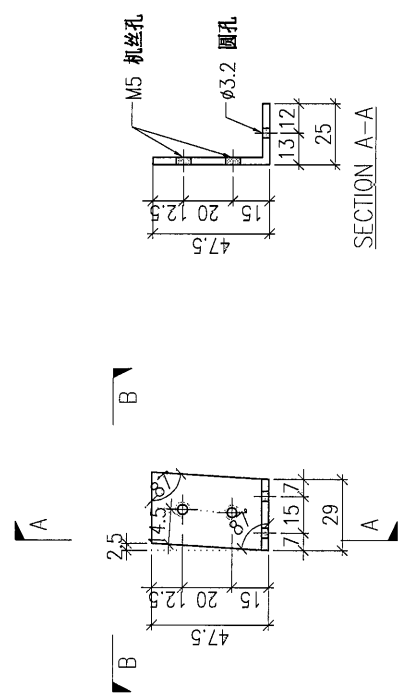
注: 地盘用

格栅

PROJECT: YIN PING ROAD KOWLOON FEATURE WALL (PHASE 2)

REV.	CHANGED BY	Dim. A	Dim. B	Dim. C	Dim. D	Dim. E	Dim. F	Dim. G	Dim. H	QTY.	Inv. Code	COLOUR	MARK. NO.	QTY.
-		-	-	-						15		ASSEMBLE ON PARTS	-	-

MATERIAL: 3mm 铝角(JM1061)										COATING: 铬化		ASSEMBLE ON PARTS		注: 工厂用	
--------------------------	--	--	--	--	--	--	--	--	--	-------------	--	-------------------	--	--------	--



DWG. NO.	REV.	SCALE	DATE	DRAWN BY	APPROVED BY
P2-AL-C01A	-	-	13-04-2024	-	-

PROJECT: YIN PING ROAD KOWLOON FEATURE WALL (PHASE 2)

MATERIAL: 铝型材 (JM3004)

COATING: PVF2

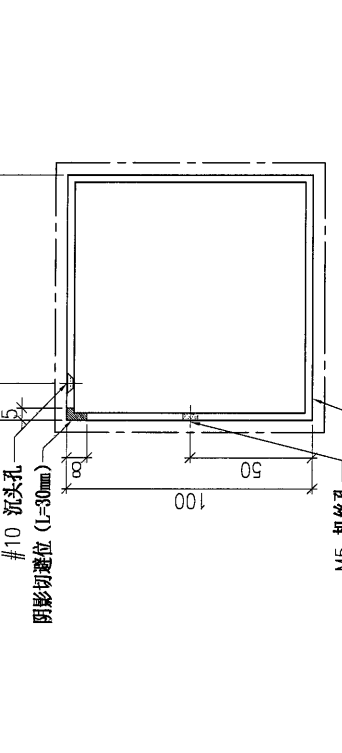
COLOUR: JMQ218640(SS-03)

MARK. NO.:

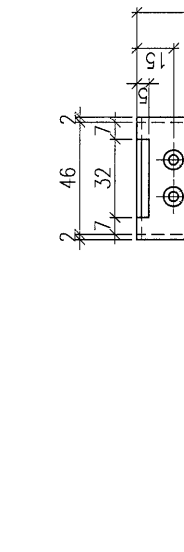
QTY.:

REV.	CHANGED BY	Dim. A	Dim. B	Dim. C	Dim. D	Dim. E	Dim. F	Dim. G	Dim. H	QTY.	Inv. Code	ASSEMBLE ON PARTS
-		-	-	-	-	-	-	-	-	15		

注: 工厂用



SECTION A-A

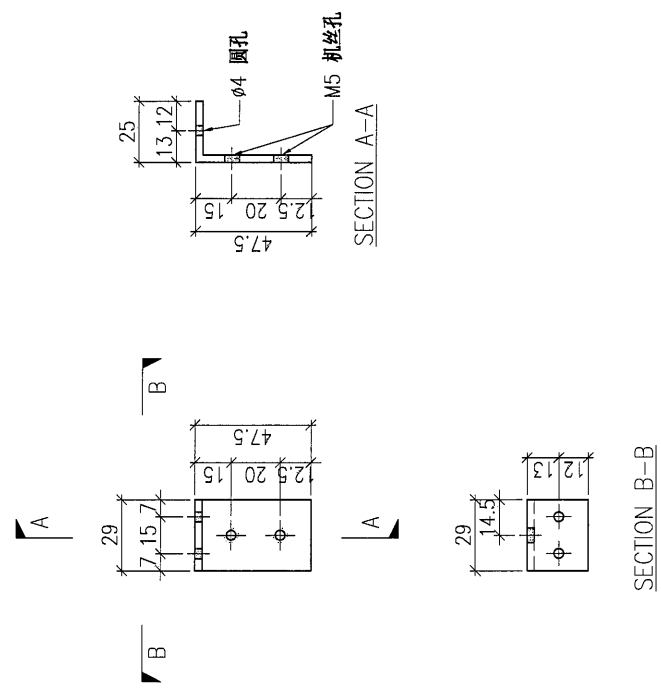


SECTION B-B

DWG. NO.	REV.	SCALE	DATE	DRAWN BY	APPROVED BY
P2-AL-C02A	-	-	13-04-2024	-	-

PROJECT YIN PING ROAD KOWLOON FEATURE WALL (PHASE 2)

REV.	CHECKED BY	PART NUMBER	Dim. A	Dim. B	Dim. C	Dim. D	Dim. E	Dim. F	Dim. G	Dim. H	QTY.	Inv. Code	COATING	COLOUR	MARK. NO.	QTY.
---		P2-AL-C01	---	---	---						965		铬化	---	---	注: 工厂用
													ASSEMBLE ON PARTS			



DWG. NO.	REV.	SCALE	DATE	DRAWN BY	APPROVED BY
P2-AL-C01	---	---	21-06-2024	---	---

PROJECT: YIN PING ROAD KOWLOON FEATURE WALL (PHASE 2)

MATERIAL: 铝型材 (JM3004)

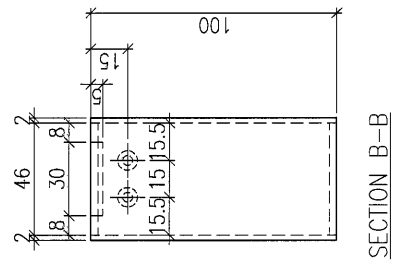
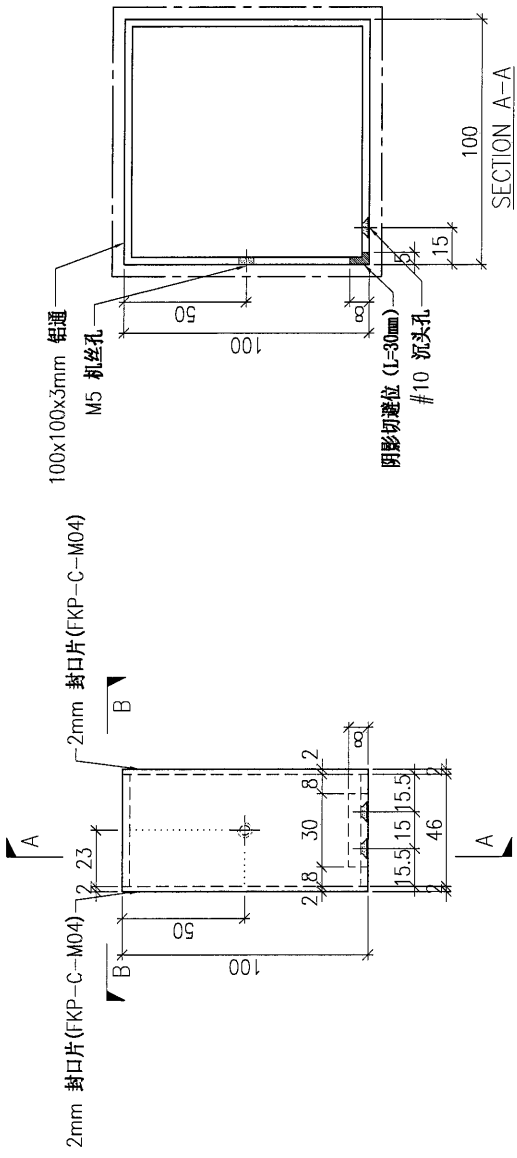
COATING: PVF2

COLOUR: JMQ218640(SS-03)

MARK. NO.:

QTY.:

REV.	CHKD BY	PART NUMBER	Dim. A	Dim. B	Dim. C	Dim. D	Dim. E	Dim. F	Dim. G	Dim. H	QTY.	Inv. Code	ASSEMBLE ON PARTS	工厂用
-	-	P2-AL-C02	-	-	-	-	-	-	-	-	965	-	-	-



DWG. NO.	P2-AL-C02	REV.	-	SCALE	-	DATE	21-06-2024	DRAWN BY	-	APPROVED BY	-
----------	-----------	------	---	-------	---	------	------------	----------	---	-------------	---

PROJECT: YIN PING ROAD KOWLOON FEATURE WALL (PHASE 2)

MATERIAL: 铝型材 (X86424)

COATING: PVF2

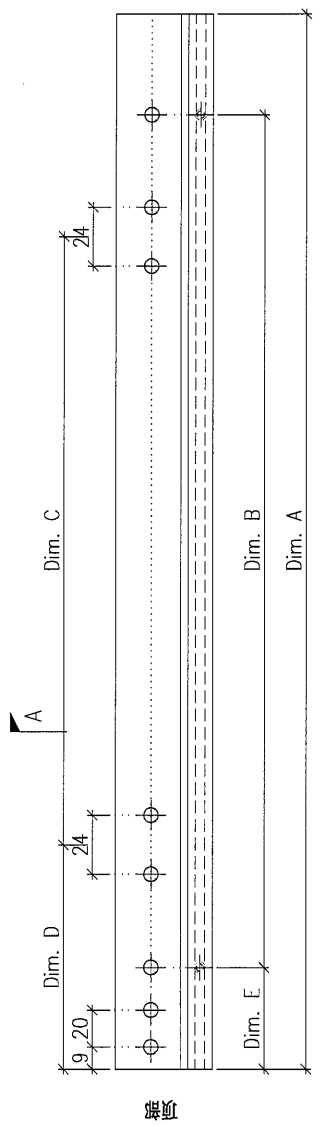
COLOUR: JMQ218640(SS-03)

MARK. NO.:

QTY.:

REV.	CHGK/CHK BY	PART NUMBER	Dim. A	Dim. B	Dim. C	Dim. D	Dim. E	Dim. F	Dim. G	Dim. H	QTY.	Inv. Code
-	-	P2-AL-C03A	2294.5	8X@270c/c	3X@650c/c	145	50				42	
-	-	P2-AL-C03B	1734.5	6X@265c/c	2X@700c/c	180	50				21	
-	-	P2-AL-C03C	3134.5	11X@265c/c	4X@700c/c	180	125				7	
-	-	P2-AL-C03D	1934.5	6X@300c/c	2X@750c/c	130	60				49	
-	-	P2-AL-C03E	2284.5	8X@270c/c	3X@650c/c	130	50				7	
-	-	P2-AL-C03F	2734.5	10X@260c/c	4X@750c/c	180	50				14	
-	-	P2-AL-C03G	2334.5	8X@275c/c	3X@650c/c	180	50				28	
-	-	P2-AL-C03H	1705	5X@300c/c	2X@750c/c	90	50				14	
-	-	P2-AL-C03J	805	2X@300c/c	1X@600c/c	90	50				21	
-	-	P2-AL-C03K	1134.5	4X@250c/c	1X@750c/c	90	50				28	
-	-	P2-AL-C03L	2345	8X@280c/c	3X@700c/c	90	50				14	
-	-	P2-AL-C03M	2375	8X@280c/c	3X@700c/c	90	50				14	
-	-	P2-AL-C03N	985	3X@300c/c	1X@700c/c	90	50				14	
-	-	P2-AL-C03P	2405	8X@280c/c	3X@700c/c	90	50				21	

注: 工厂用

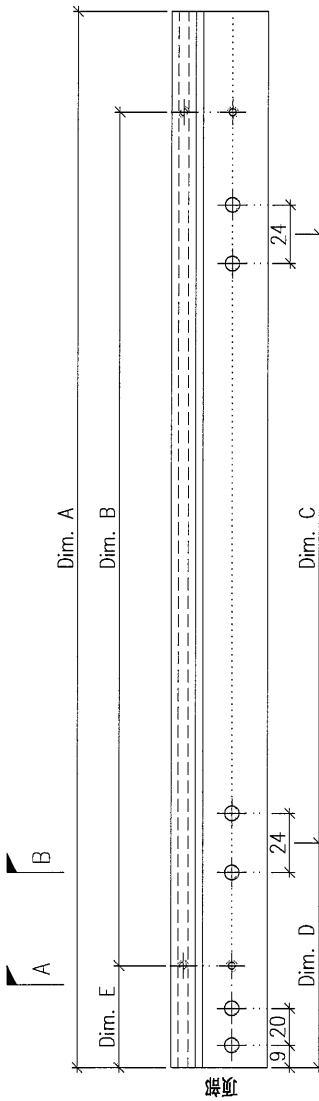


SECTION A-A

DWG. NO. P2-AL-C03	REV. -	SCALE -	DATE 21-06-2024	DRAWN BY -	APPROVED BY -
--------------------	--------	---------	-----------------	------------	---------------

PROJECT: YIN PING ROAD KOWLOON FEATURE WALL (PHASE 2) MATERIAL: 铝型材 (X86425) COATING: PVF2 COLOUR: JMQ218640(SS-03) MARK. NO. - QTY. -

REV.	DESCRIPTION	Dim. A	Dim. B	Dim. C	Dim. D	Dim. E	Dim. F	Dim. G	Dim. H	QTY.	Inv. Code	ASSEMBLE ON PARTS	注: 工厂用
-	P2-AL-C04A	2294.5	8XØ270c/c	3XØ650c/c	145	50				42			
-	P2-AL-C04B	1734.5	6XØ265c/c	2XØ700c/c	180	50				21			
-	P2-AL-C04C	3134.5	11XØ265c/c	4XØ700c/c	180	125				7			
-	P2-AL-C04D	1934.5	6XØ300c/c	2XØ750c/c	130	60				49			
-	P2-AL-C04E	2284.5	8XØ270c/c	3XØ650c/c	130	50				7			
-	P2-AL-C04F	2734.5	10XØ260c/c	3XØ750c/c	180	50				14			
-	P2-AL-C04G	2334.5	8XØ275c/c	3XØ650c/c	180	50				28			
-	P2-AL-C04H	1705	5XØ300c/c	2XØ750c/c	90	50				14			
-	P2-AL-C04J	805	2XØ300c/c	1XØ600c/c	90	50				21			
-	P2-AL-C04K	1134.5	4XØ250c/c	1XØ750c/c	90	50				28			
-	P2-AL-C04L	2345	8XØ280c/c	3XØ700c/c	90	50				14			
-	P2-AL-C04M	2375	8XØ280c/c	3XØ700c/c	90	50				14			
-	P2-AL-C04N	985	3XØ300c/c	1XØ700c/c	90	50				14			
-	P2-AL-C04P	2405	8XØ280c/c	3XØ700c/c	90	50				21			



SECTION A-A

SECTION B-B

DWG. NO. P2-AL-C04 REV. - SCALE - DATE 21-06-2024 DRAWN BY - APPROVED BY -

PROJECT: YIN PING ROAD KOWLOON FEATURE WALL (PHASE 2)

MATERIAL: 铝型材 (X86424)

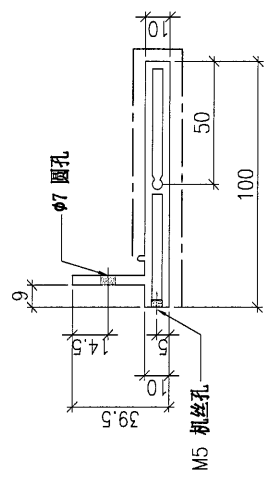
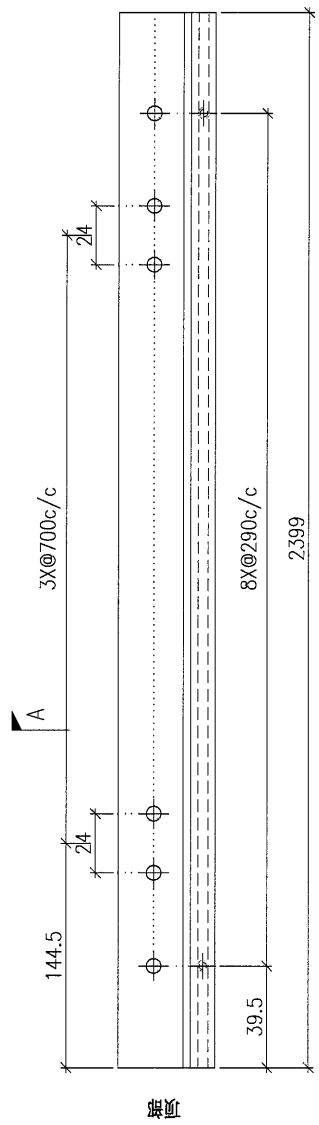
COATING: PVF2

COLOUR: JMQ218640(SS-03)

MARK. NO.:

QTY.:

REV.	CHECKED BY	PART NUMBER	Dim. A	Dim. B	Dim. C	Dim. D	Dim. E	Dim. F	Dim. G	Dim. H	QTY.	Inv. Code
-		P2-AL-C05	-	-	-	-	-	-	-	-	259	
注: 工厂用												



DWG. NO. P2-AL-C05	REV. -	SCALE -	DATE 21-06-2024	DRAWN BY -	APPROVED BY -
--------------------	--------	---------	-----------------	------------	---------------

PROJECT: YIN PING ROAD KOWLOON FEATURE WALL (PHASE 2)

MATERIAL: 铝型材 (X86425)

COATING: PVF2

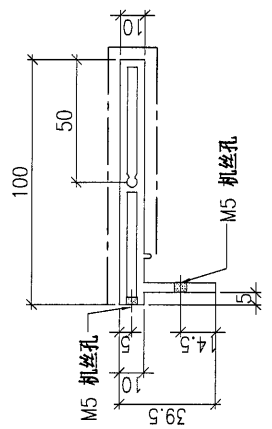
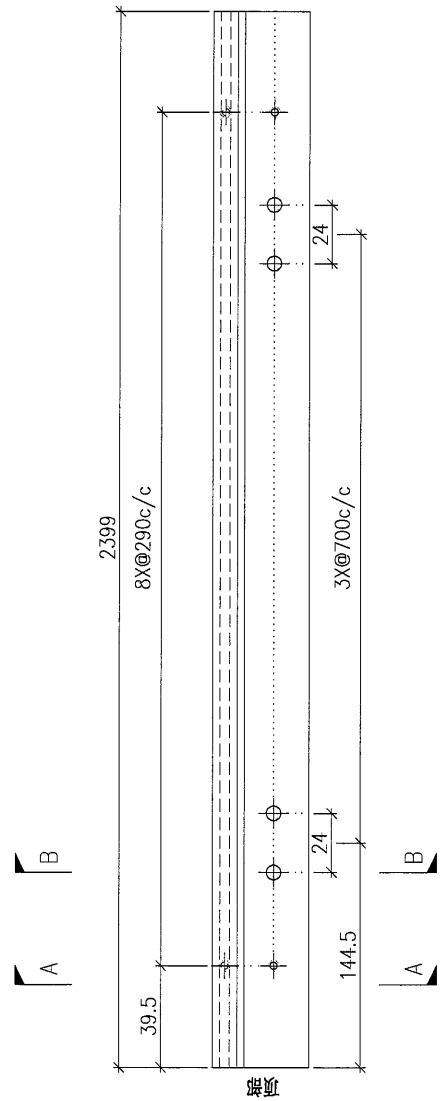
COLOUR: JMQ218640(SS-03)

MARK. NO.: -

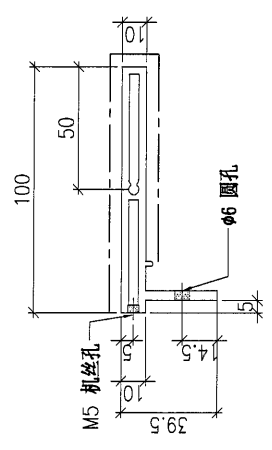
QTY.: -

REV.	CHKD BY	PART NUMBER	Dim. A	Dim. B	Dim. C	Dim. D	Dim. E	Dim. F	Dim. G	Dim. H	QTY.	Inv. Code
-		P2-AL-C06	-	-	-	-	-	-	-	-	259	

注: 工厂用



SECTION A-A



SECTION B-B

DWG. NO.	REV.	SCALE	DATE	DRAWN BY	APPROVED BY
P2-AL-C06	-	-	21-06-2024	-	-

PROJECT: YIN PING ROAD KOWLOON FEATURE WALL (PHASE 2)

MATERIAL: 铝型材 (X86424)

COLOUR: JMQ218640(SS-03)

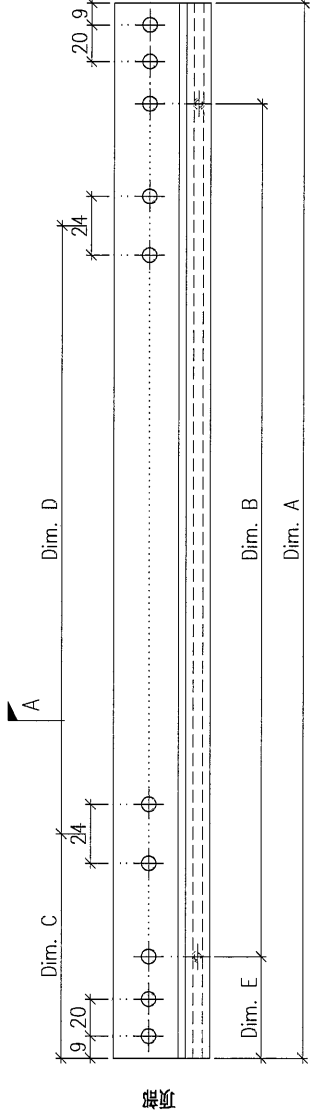
COATING: PVF2

MARK. NO.:

QTY.:

REV.	CHANGED BY/DT	PART NUMBER	Dim. A	Dim. B	Dim. C	Dim. D	Dim. E	Dim. F	Dim. G	Dim. H	QTY.	Inv. Code
-	-	P2-AL-C07A	2307.5	7X@300c/c	190	3X@650c/c	100				41	
-	-	P2-AL-C07B	1401.5	5X@260c/c	144.5	3X@600c/c	50				21	
-	-	P2-AL-C07C	2180	8X@260c/c	130	3X@650c/c	50				14	
-	-	P2-AL-C07D	1780	5X@300c/c	130	2X@750c/c	90				7	
-	-	P2-AL-C07E	1835	6X@285c/c	130	2X@750c/c	60				28	
-	-	P2-AL-C07F	825	2X@300c/c	90	1X@600c/c	50				14	
-	-	P2-AL-C07G	1135	3X@300c/c	90	2X@450c/c	50				21	
-	-	P2-AL-C07H	2005	7X@270c/c	90	3X@600c/c	50				14	
-	-	P2-AL-C07J	2115	7X@280c/c	90	3X@600c/c	50				14	
-	-	P2-AL-C07K	2845	9X@300c/c	90	4X@650c/c	50				14	
-	-	P2-AL-C07L	2307.5	8X@265c/c	190	2X@750c/c	50				3	
-	-	P2-AL-C07M	1842.5	6X@265c/c	190	2X@750c/c	50				4	

注: 工厂用



DWG. NO. P2-AL-C07

REV. -

SCALE -

DATE 21-06-2024

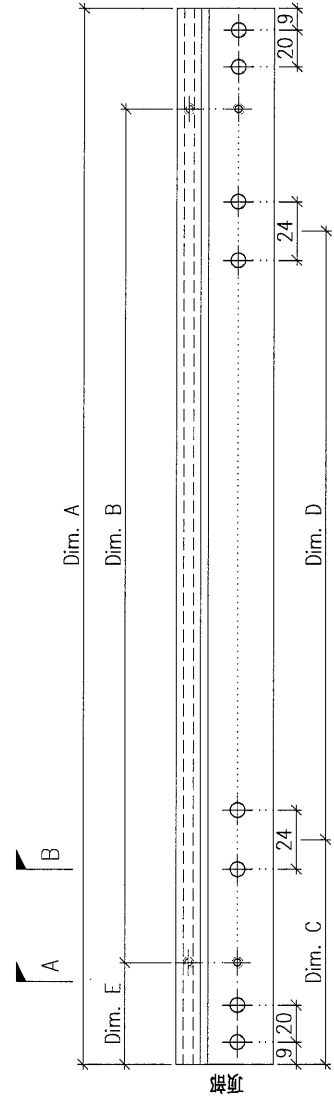
DRAWN BY -

APPROVED BY -

PROJECT: YIN PING ROAD KOWLOON FEATURE WALL (PHASE 2) MATERIAL: 铝型材 (X86425) COATING: PVF2 COLOUR: JM0218640(SS-03) MARK. NO.: - QTY.: -

注: 工厂用

REV.	REWORK PART NO.	Dim. A	Dim. B	Dim. C	Dim. D	Dim. E	Dim. F	Dim. G	Dim. H	QTY.	Inv. Code	ASSEMBLE ON PARTS
-	P2-AL-C08A	2307.5	7X@300c/c	190	3X@50c/c	100				41		
-	P2-AL-C08B	1401.5	5X@260c/c	144.5	3X@600c/c	50				21		
-	P2-AL-C08C	2180	8X@260c/c	130	3X@650c/c	50				14		
-	P2-AL-C08D	1780	5X@300c/c	130	2X@750c/c	90				7		
-	P2-AL-C08E	1835	6X@285c/c	130	2X@750c/c	60				28		
-	P2-AL-C08F	825	2X@300c/c	90	1X@600c/c	50				14		
-	P2-AL-C08G	1135	3X@300c/c	90	2X@450c/c	50				21		
-	P2-AL-C08H	2005	7X@270c/c	90	3X@600c/c	50				14		
-	P2-AL-C08J	2115	7X@280c/c	90	3X@600c/c	50				14		
-	P2-AL-C08K	2845	9X@300c/c	90	4X@650c/c	50				14		
-	P2-AL-C08L	2307.5	8X@265c/c	190	2X@750c/c	50				3		
-	P2-AL-C08M	1842.5	6X@265c/c	190	2X@750c/c	50				4		



SECTION A-A

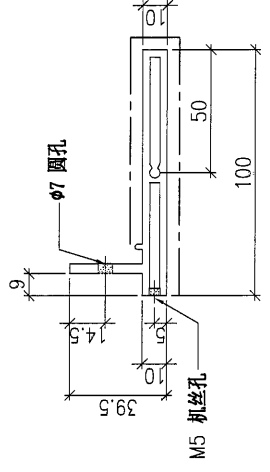
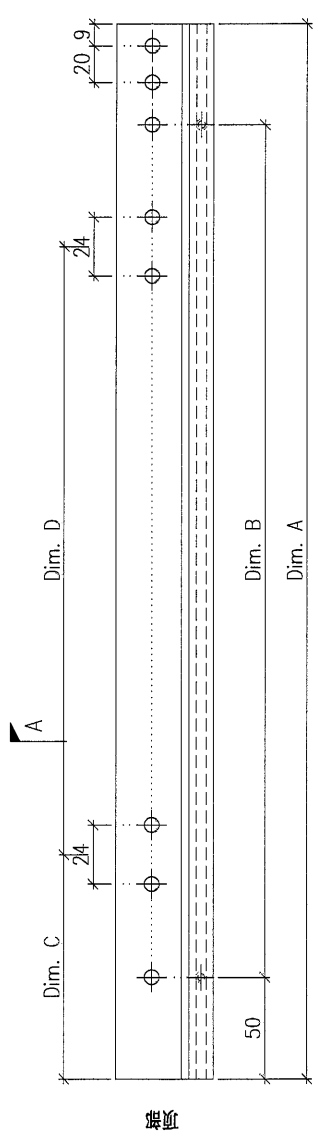
SECTION B-B

DWG. NO.: P2-AL-C08 REV.: - SCALE: - DATE: 21-06-2024 DRAWN BY: - APPROVED BY: -

PROJECT: YIN PING ROAD KOWLOON FEATURE WALL (PHASE 2)

REV.	CHECKED DATE	MATERIAL 铝型材 (X86424)	COATING PVF2	COLOUR JMQ218640(SS-03)	MARK. NO. -	QTY.
-		铝型材 (X86424)	PVF2	JMQ218640(SS-03)	-	-
注: 工厂用						

PART NUMBER	Dim. A	Dim. B	Dim. C	Dim. D	Dim. E	Dim. F	Dim. G	Dim. H	QTY.	Inv. Code
P2-AL-C09A	2800	9x@300c/c	244.5	4x@600c/c					56	
P2-AL-C09B	1700	5x@290c/c	144.5	2x@700c/c					21	
P2-AL-C09C	2878	9x@300c/c	244.5	3x@750c/c					7	
P2-AL-C09D	2373	8x@270c/c	149.5	3x@650c/c					21	
P2-AL-C09E	1507	5x@280c/c	249.5	2x@550c/c					7	
P2-AL-C09F	2400	8x@270c/c	144.5	3x@650c/c					42	
P2-AL-C09G	960	3x@270c/c	144.5	1x@600c/c					63	
P2-AL-C09H	2650	9x@280c/c	194.5	3x@750c/c					63	



DWG. NO.	P2-AL-C09	REV.	-	SCALE	-	DATE	10-07-2024	DRAWN BY	-	APPROVED BY	-
----------	-----------	------	---	-------	---	------	------------	----------	---	-------------	---

PROJECT: YIN PING ROAD KOWLOON FEATURE WALL (PHASE 2)

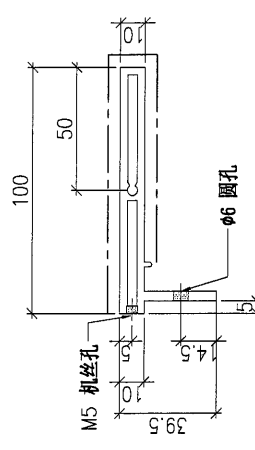
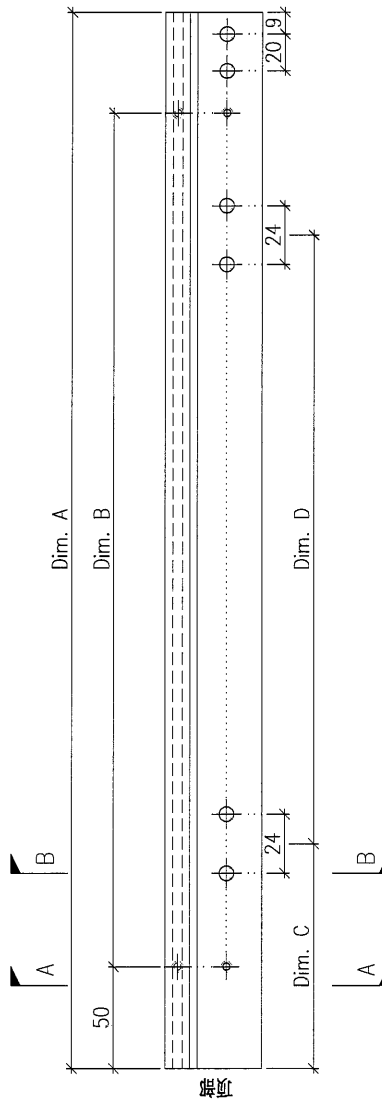
MATERIAL: 铝型材 (X86425)

COLOUR: JMQ218640(SS-03)

MARK. NO.: -

QTY.: -

REV.	CHANGED BY	PART NUMBER	Dim. A	Dim. B	Dim. C	Dim. D	Dim. E	Dim. F	Dim. G	Dim. H	QTY.	Inv. Code	ASSEMBLE ON PARTS	注: 工厂用
-		P2-AL-C10A	2800	9XØ300c/c	244.5	4XØ600c/c					56			
-		P2-AL-C10B	1700	5XØ290c/c	144.5	2XØ700c/c					21			
-		P2-AL-C10C	2878	9XØ300c/c	244.5	3XØ750c/c					7			
-		P2-AL-C10D	2373	8XØ270c/c	149.5	3XØ650c/c					21			
-		P2-AL-C10E	1507	5XØ280c/c	249.5	2XØ550c/c					7			
-		P2-AL-C10F	2400	8XØ270c/c	144.5	3XØ630c/c					42			
-		P2-AL-C10G	960	3XØ270c/c	144.5	1XØ600c/c					63			
-		P2-AL-C10H	2650	9XØ280c/c	194.5	3XØ750c/c					63			



DWG. NO.: P2-AL-C10

REV.: -

SCALE: -

DATE: 10-07-2024

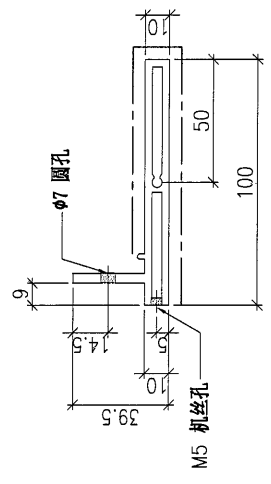
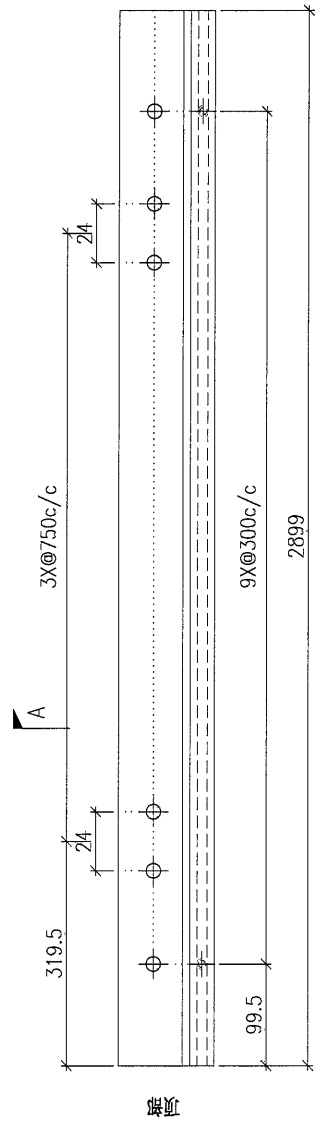
DRAWN BY: -

APPROVED BY: -

PROJECT YIN PING ROAD KOWLOON FEATURE WALL (PHASE 2) MATERIAL 铝型材 (X86424) COATING PVF2 COLOUR JMQ218640(SS-03) MARK. NO. - QTY. -

REV.	DESCRIP PART OR	PART NUMBER	Dim. A	Dim. B	Dim. C	Dim. D	Dim. E	Dim. F	Dim. G	Dim. H	QTY.	Inv. Code
-		P2-AL-C11	-	-	-	-	-	-	-	-	7	

注: 工厂用



DWG. NO.	REV.	SCALE	DATE	DRAWN BY	APPROVED BY
P2-AL-C11	-	-	10-07-2024	-	-

PROJECT YIN PING ROAD KOWLOON FEATURE WALL (PHASE 2)

REV.	DESCRIPTION	Dim. A	Dim. B	Dim. C	Dim. D	Dim. E	Dim. F	Dim. G	Dim. H	QTY.	Inv. Code
-	P2-AL-C12	-	-	-	-	-	-	-	-	7	-

MATERIAL 铝型材 (X86425)

COATING PVF2

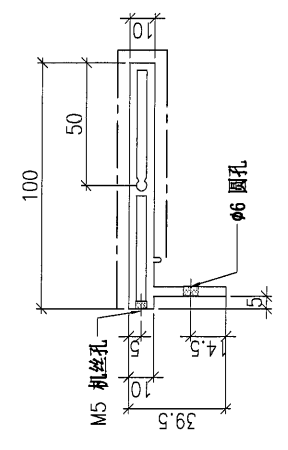
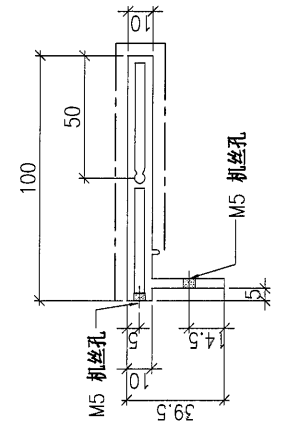
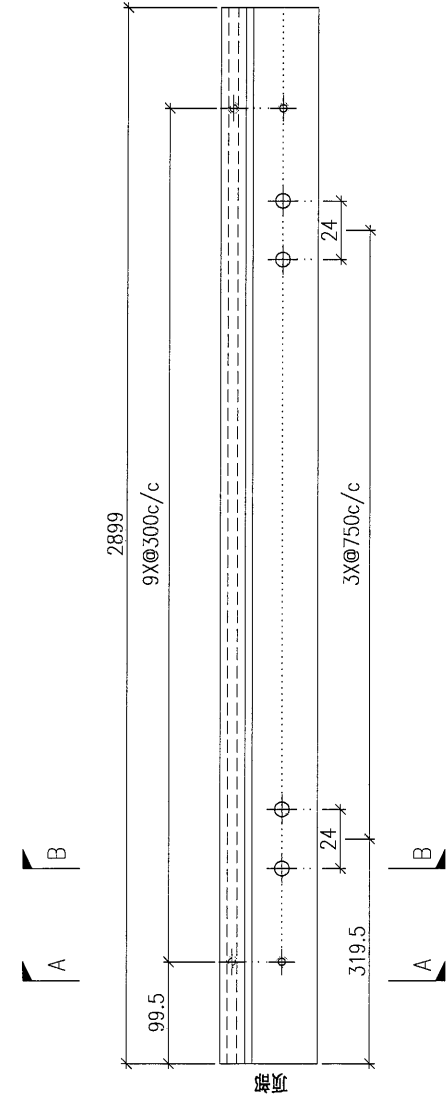
COLOUR JMQ218640(SS-03)

MARK. NO. -

QTY. -

ASSEMBLE ON PARTS

注: 工厂用

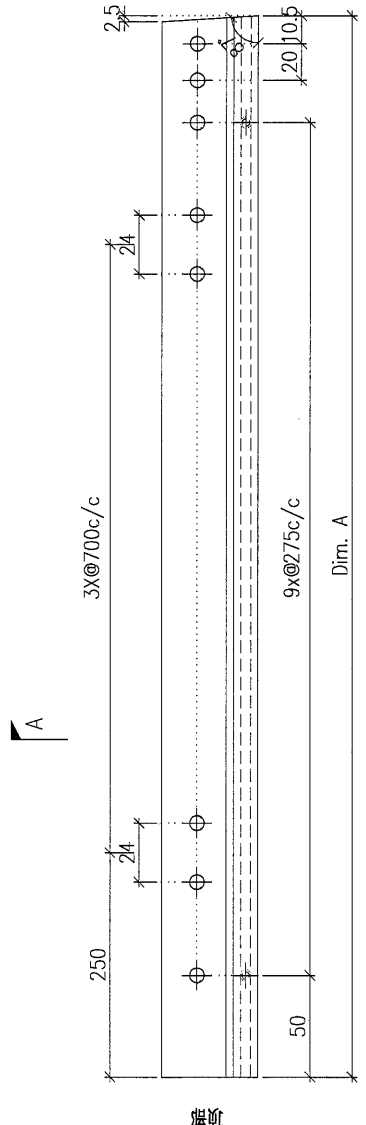


DWG. NO. P2-AL-C12	REV. -	SCALE -	DATE 10-07-2024	DRAWN BY -	APPROVED BY -
--------------------	--------	---------	-----------------	------------	---------------

PROJECT: YIN PING ROAD KOWLOON FEATURE WALL (PHASE 2)

REV.	CHECKED DATE BY	PART NUMBER	Dim. A	Dim. B	Dim. C	Dim. D	Dim. E	Dim. F	Dim. G	Dim. H	QTY.	Inv. Code	COATING	MATERIAL	COLOUR	MARK. NO.	QTY.
-		P2-AL-C13-1	2615	-	-	-	-	-	-	-	1	-	-	铝型材 (X86424)	JMQ218640(SS-03)	-	-
-		P2-AL-C13-2	2610	-	-	-	-	-	-	-	1	-	ASSEMBLE ON PARTS				
-		P2-AL-C13-3	2605	-	-	-	-	-	-	-	1	-					
-		P2-AL-C13-4	2600	-	-	-	-	-	-	-	1	-					
-		P2-AL-C13-5	2595	-	-	-	-	-	-	-	1	-					
-		P2-AL-C13-6	2590	-	-	-	-	-	-	-	1	-					
-		P2-AL-C13-7	2585	-	-	-	-	-	-	-	1	-					

注: 工厂用  
注: 工地复尺



DWG. NO.	P2-AL-C13	REV.	-	SCALE	-	DATE	13-04-2024	DRAWN BY	-	APPROVED BY	-
----------	-----------	------	---	-------	---	------	------------	----------	---	-------------	---

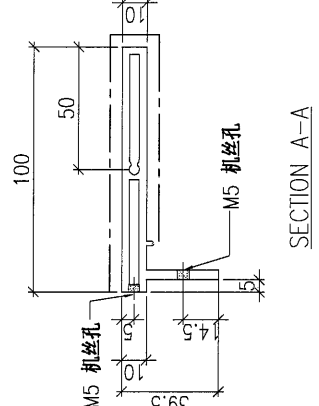
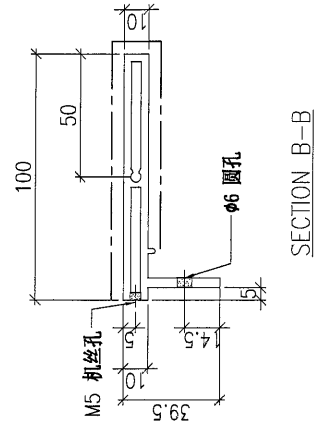
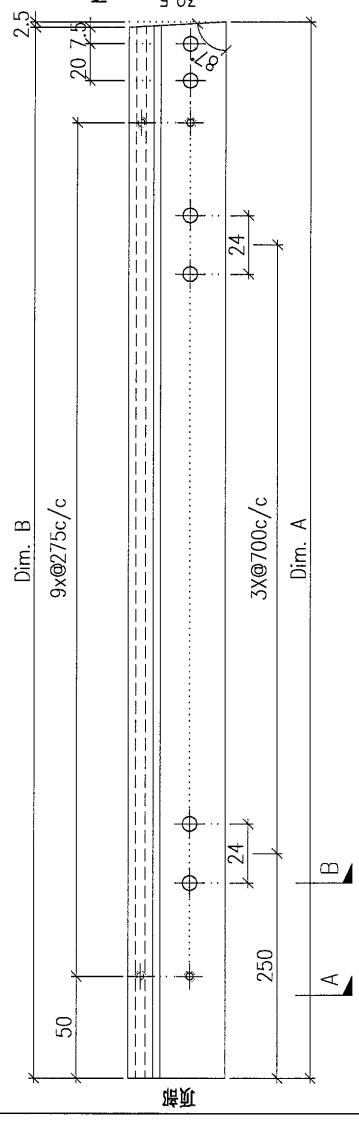
PROJECT: YIN PING ROAD KOWLOON FEATURE WALL (PHASE 2)

REV.	CHANGED BY	PART NUMBER	Dim. A	Dim. B	Dim. C	Dim. D	Dim. E	Dim. F	Dim. G	Dim. H	QTY.	Inv. Code	COATING	MATERIAL	COLOUR	MARK. NO.	QTY.
-		P2-AL-C14-1	2615	2612.5	-						1			铝型材 (X86425)	JMQ218640(SS-03)	-	-
-		P2-AL-C14-2	2610	2607.5	-						1			ASSEMBLE ON PARTS			
-		P2-AL-C14-3	2605	2602.5	-						1						
-		P2-AL-C14-4	2600	2597.5	-						1						
-		P2-AL-C14-5	2595	2592.5	-						1						
-		P2-AL-C14-6	2590	2587.5	-						1						
-		P2-AL-C14-7	2585	2582.5	-						1						

注: 工厂用

注: 工地复尺

A B



DWG. NO. P2-AL-C14      REV. -      SCALE -      DATE 13-04-2024      DRAWN BY -      APPROVED BY -

PROJECT: YIN PING ROAD KOWLOON FEATURE WALL (PHASE 2)

MATERIAL: 铝型材 (X86424)

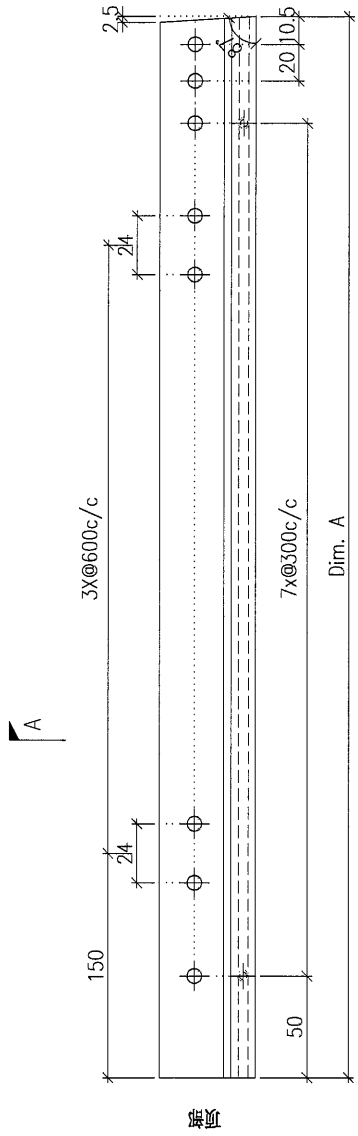
COATING: PVF2

COLOUR: JMQ218640(SS-03)

MARK. NO. -

QTY. -

REV.	CHECKED DATE (Y)	PART NUMBER	Dim. A	Dim. B	Dim. C	Dim. D	Dim. E	Dim. F	Dim. G	Dim. H	QTY.	Inv. Code	ASSEMBLE ON PARTS	工厂用
-		P2-AL-C15-1	2239.5	-	-	-	-	-	-	-	1			注: 工厂用
-		P2-AL-C15-2	2234.5	-	-	-	-	-	-	-	1			注: 工地复尺
-		P2-AL-C15-3	2229.5	-	-	-	-	-	-	-	1			
-		P2-AL-C15-4	2224.5	-	-	-	-	-	-	-	1			
-		P2-AL-C15-5	2219.5	-	-	-	-	-	-	-	1			
-		P2-AL-C15-6	2214.5	-	-	-	-	-	-	-	1			
-		P2-AL-C15-7	2209.5	-	-	-	-	-	-	-	1			



DWG. NO. P2-AL-C15

REV. -

SCALE -

DATE 13-04-2024

DRAWN BY -

APPROVED BY -



PROJECT: YIN PING ROAD KOWLOON FEATURE WALL (PHASE 2)

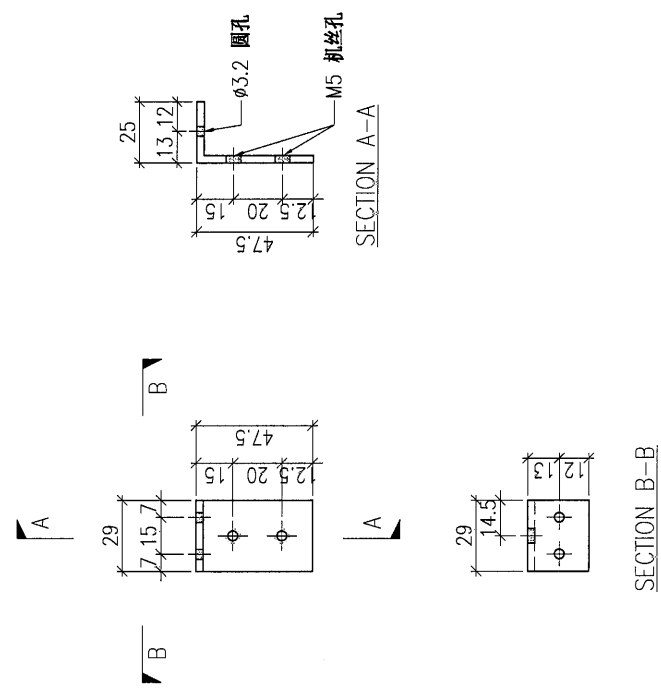
REV.	Dim. A	Dim. B	Dim. C	Dim. D	Dim. E	Dim. F	Dim. G	Dim. H	QTY.	Inv. Code	ASSEMBLE ON PARTS	MARK. NO.	QTY.
-	-	-	-	-	-	-	-	-	155	-	-	-	-

MATERIAL: 3mm 铝角(JM1061)

COATING: 铬化

COLOUR: -

注: 工厂用



DWG. NO.	REV.	SCALE	DATE	DRAWN BY	APPROVED BY
P2-AL-H01	-	-	08-07-2024	-	-

PROJECT: YIN PING ROAD KOWLOON FEATURE WALL (PHASE 2)

MATERIAL: 铝型材 (JM3004)

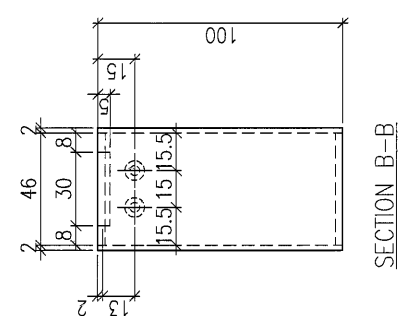
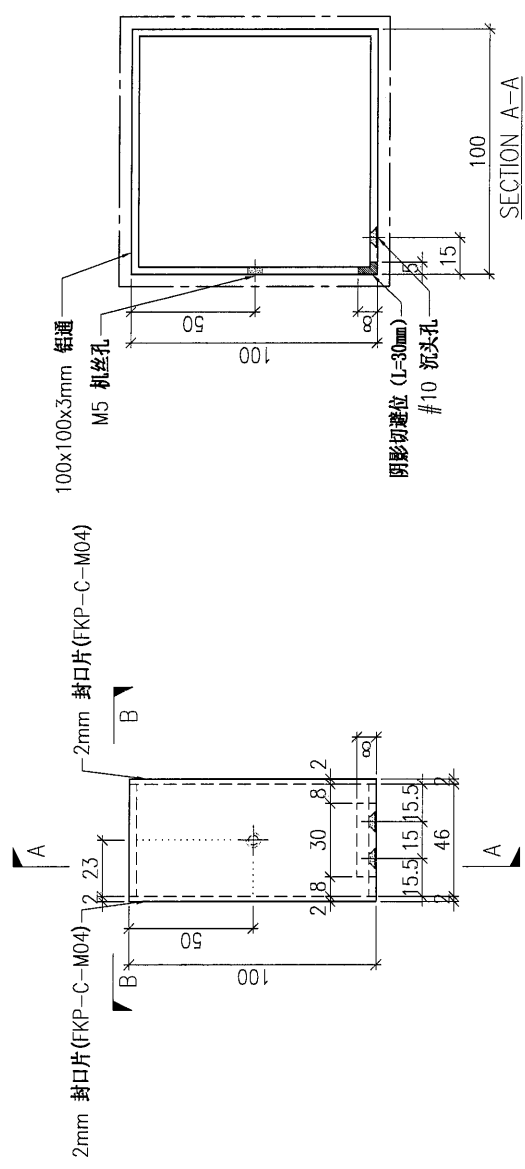
COATING: PVF2

COLOUR: JMQ218640(SS-03)

MARK. NO.: -

QTY.: -

REV.	CHKD BY	REV.	Dim. A	Dim. B	Dim. C	Dim. D	Dim. E	Dim. F	Dim. G	Dim. H	QTY.	Inv. Code	ASSEMBLE ON PARTS	工厂用
-			-	-	-	-	-	-	-	-	155			

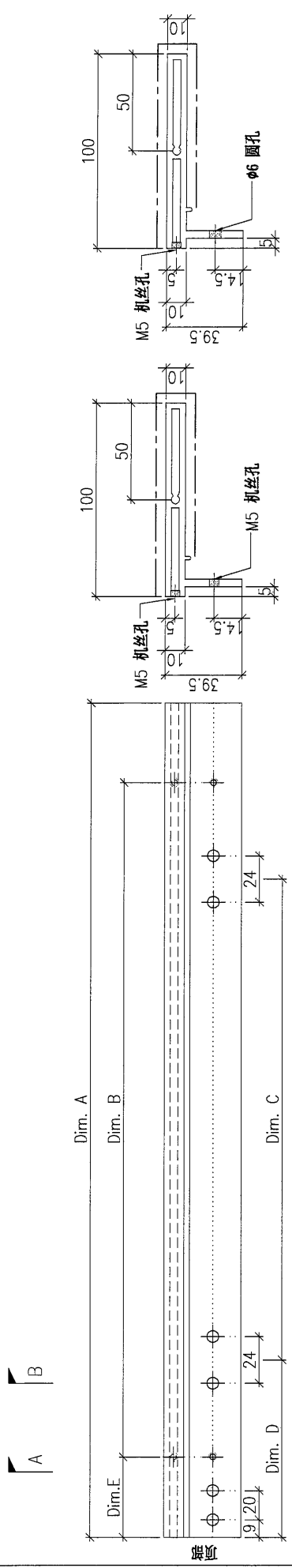


DWG. NO.	P2-AL-H02	REV.	-	SCALE	-	DATE	08-07-2024	DRAWN BY	-	APPROVED BY	-
----------	-----------	------	---	-------	---	------	------------	----------	---	-------------	---



PROJECT		YIN PING ROAD KOWLOON FEATURE WALL (PHASE 2)				MATERIAL				COATING		COLOUR		MARK. NO.		QTY.	
		铝型材 (X86425)				PVF2		ASSEMBLE ON PARTS				JM0218640(SS-03)		-		-	

REV.	CHANGED PART OR	PART NUMBER	Dim. A	Dim. B	Dim. C	Dim. D	Dim. E	Dim. F	Dim. G	Dim. H	QTY.	Inv. Code
-		P2-AL-H04A	2343.5	8X@280c/c	3X@650c/c	189	50				49	
-		P2-AL-H04B	1504.5	5X@280c/c	2X@550c/c	180	55				14	
-		P2-AL-H04C	2304.5	8X@275c/c	3X@650c/c	180	50				7	
-		P2-AL-H04D	2334.5	8X@280c/c	3X@650c/c	180	50				42	



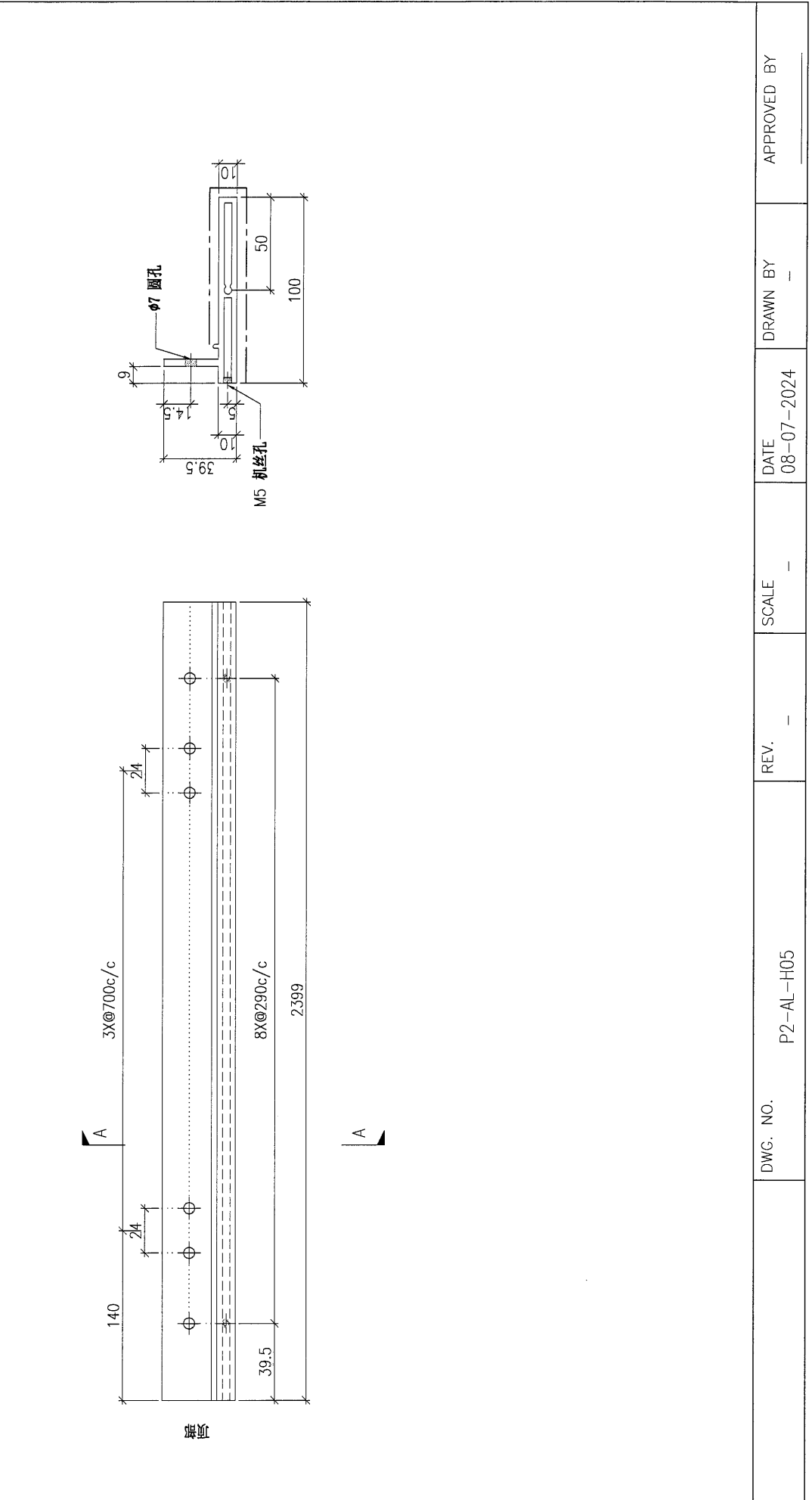
DWG. NO.		P2-AL-H04		REV.		-		SCALE		-		DATE		08-07-2024		DRAWN BY		-		APPROVED BY		-	
----------	--	-----------	--	------	--	---	--	-------	--	---	--	------	--	------------	--	----------	--	---	--	-------------	--	---	--

PROJECT: YIN PING ROAD KOWLOON FEATURE WALL (PHASE 2)

MARK. NO.	COLOUR	MATERIAL	COATING	QTY.	Inv. Code
-	JMQ218640(SS-03)	铝型材 (X86424)	PVF2	63	
ASSEMBLE ON PARTS					

QTY.	MARK. NO.	COLOUR	MATERIAL	COATING
-	-	JMQ218640(SS-03)	铝型材 (X86424)	PVF2

注: 工厂用



DWG. NO.	REV.	SCALE	DATE	DRAWN BY	APPROVED BY
P2-AL-H05	-	-	08-07-2024	-	-

PROJECT: YIN PING ROAD KOWLOON FEATURE WALL (PHASE 2)

MATERIAL: 铝型材 (X86425)

COATING: PVF2

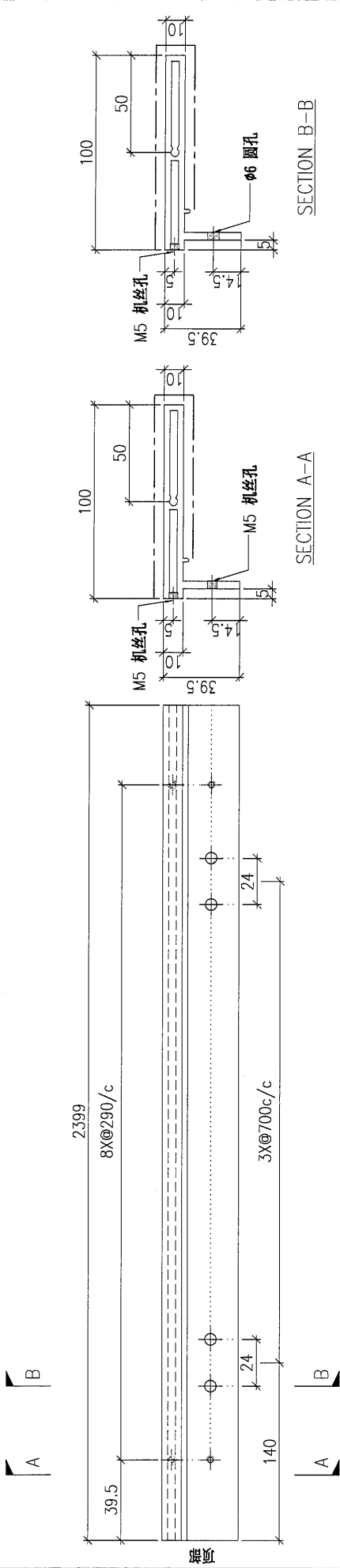
COLOUR: JM0218640(SS-03)

MARK. NO.: --

QTY.: --

REV.	DESCRIPTION	Dim. A	Dim. B	Dim. C	Dim. D	Dim. E	Dim. F	Dim. G	Dim. H	QTY.	Inv. Code
1	P2-AL-H06									63	

注: 工厂用



DWG. NO.	P2-AL-H06	REV.	--	SCALE	--	DATE	08-07-2024	DRAWN BY	--	APPROVED BY	--
----------	-----------	------	----	-------	----	------	------------	----------	----	-------------	----

PROJECT: YIN PING ROAD KOWLOON FEATURE WALL (PHASE 2)

MATERIAL: 铝型材 (X86424)

COATING: PVF2

COLOUR: JM0218640(SS-03)

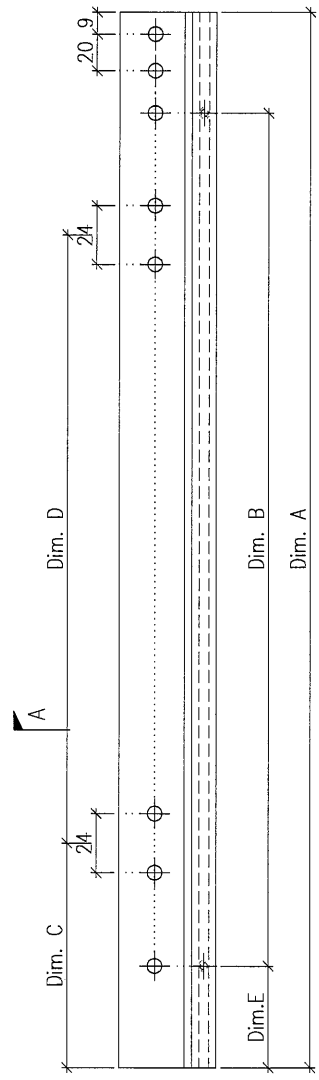
MARK. NO. -

QTY. -

REV.	CHECKED BY	PART NUMBER	Dim. A	Dim. B	Dim. C	Dim. D	Dim. E	Dim. F	Dim. G	Dim. H	QTY.	Inv. Code
-		P2-AL-H07	1519.5	5X@250c/c	244.5	1X@750c/c	59.5				28	

ASSEMBLE ON PARTS

注: 工厂用



铝管

DWG. NO.	P2-AL-H07	REV.	-	SCALE	-	DATE	08-07-2024	DRAWN BY	-	APPROVED BY	-
----------	-----------	------	---	-------	---	------	------------	----------	---	-------------	---

PROJECT: YIN PING ROAD KOWLOON FEATURE WALL (PHASE 2)

MATERIAL: 铝型材 (X86425)

COATING: PVF2

COLOUR: JMQ218640(SS-03)

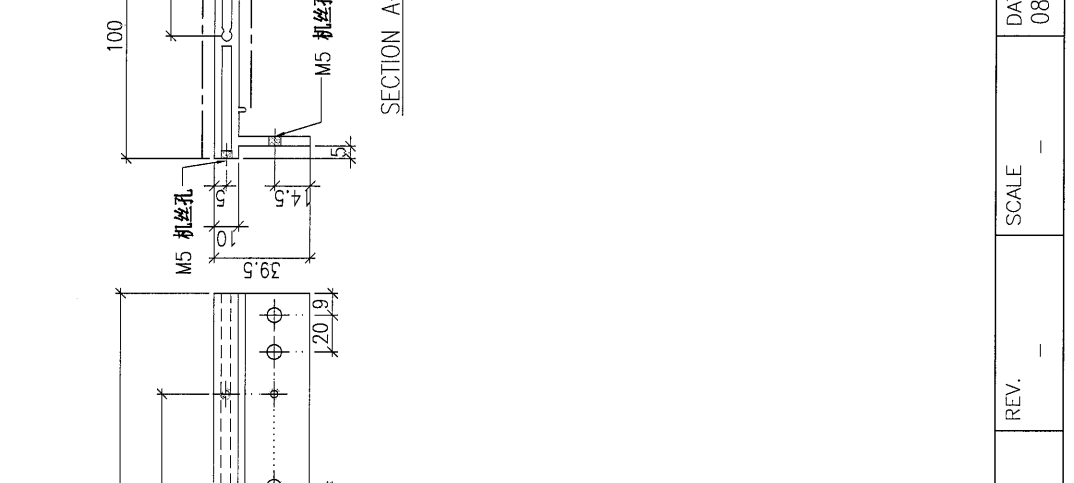
MARK. NO.: -

QTY.: -

REV.	CHECKED BY	PART NUMBER	Dim. A	Dim. B	Dim. C	Dim. D	Dim. E	Dim. F	Dim. G	Dim. H	QTY.	Inv. Code
-		P2-AL-H08	1519.5	5X@280c/c	244.5	1X@750c/c	59.5				28	

ASSEMBLE ON PARTS

注: 工厂用

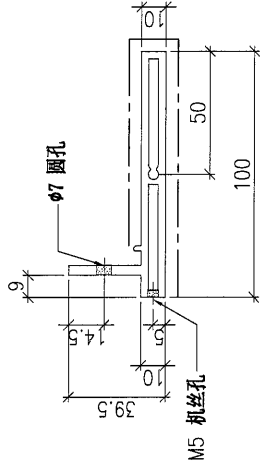
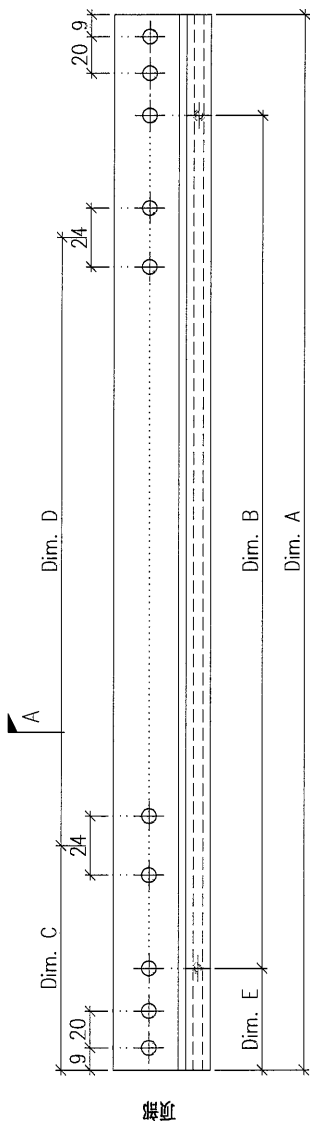


DWG. NO.	P2-AL-H08	REV.	-	SCALE	-	DATE	08-07-2024	DRAWN BY	-	APPROVED BY	-
----------	-----------	------	---	-------	---	------	------------	----------	---	-------------	---

PROJECT: YIN PING ROAD KOWLOON FEATURE WALL (PHASE 2)

REV.	CHANGED BY	Dim. A	Dim. B	Dim. C	Dim. D	Dim. E	Dim. F	Dim. G	Dim. H	QTY.	Inv. Code	COLOUR	MARK. NO.	QTY.
-		2605	8X@275c/c	180	3X@650c/c	70				7		JMQ218640(SS-03)	-	-
												ASSEMBLE ON PARTS		

注: 工厂用



DWG. NO.	REV.	SCALE	DATE	DRAWN BY	APPROVED BY
P2-AL-H09	-	-	08-07-2024	-	-

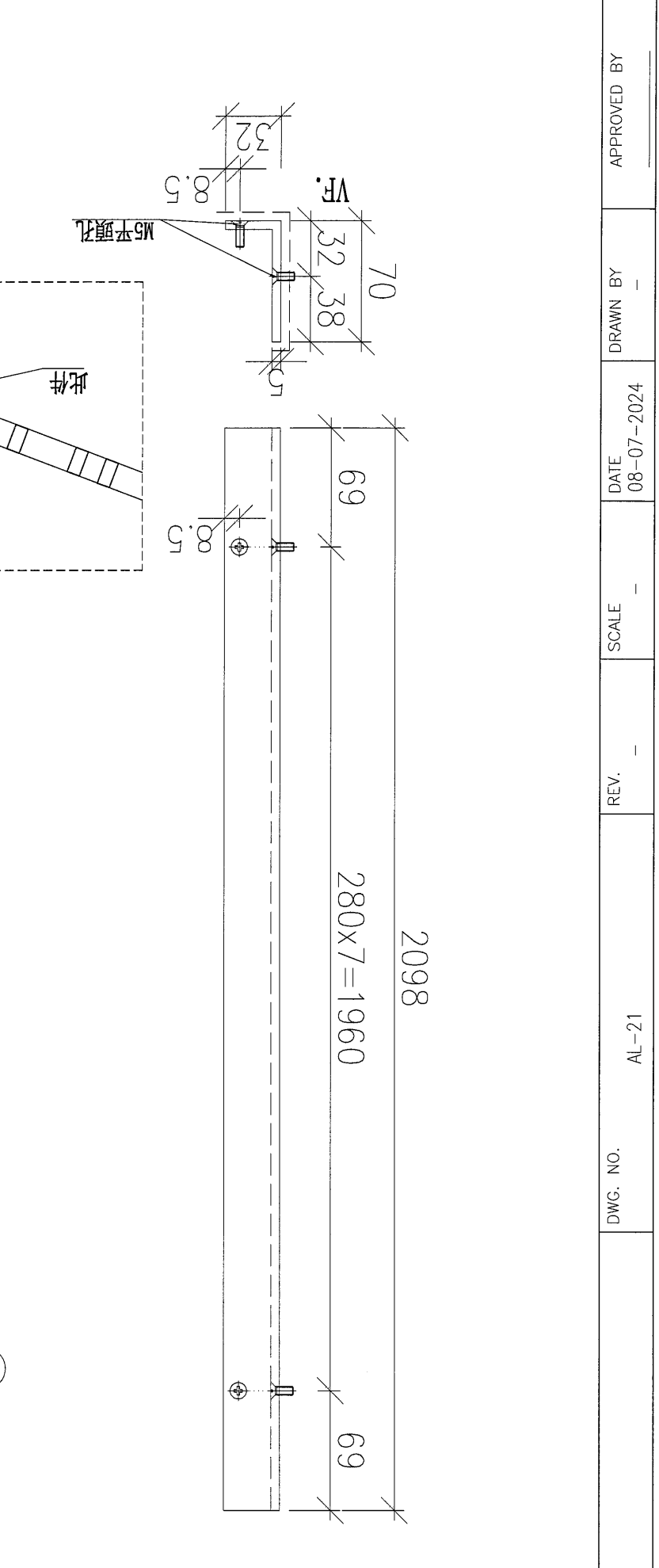






PROJECT: YIN PING ROAD KOWLOON FEATURE WALL (PHASE 2) MATERIAL: 70x32x6mm鋁角(用75x65x6鋁角切)(JM1034) COATING: PVF2 COLOUR: JMQ213457(SS-01) MARK. NO.: - QTY.: -

REV.	CHANGED BY	PART NUMBER	Dim. A	Dim. B	Dim. C	Dim. D	Dim. E	Dim. F	Dim. G	Dim. H	QTY.	Inv. Code	ASSEMBLE ON PARTS



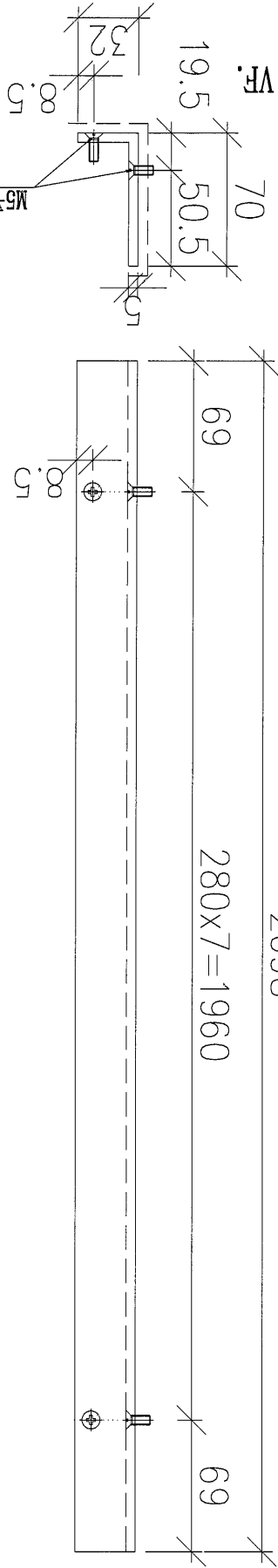
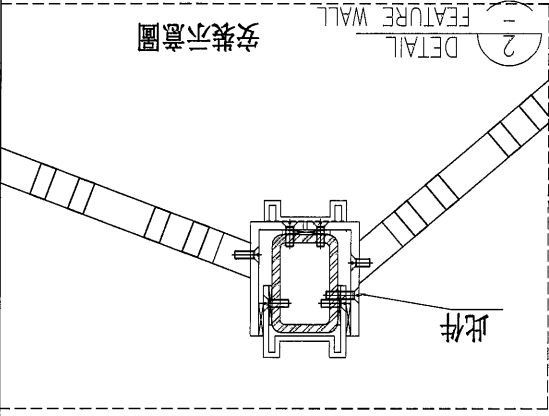
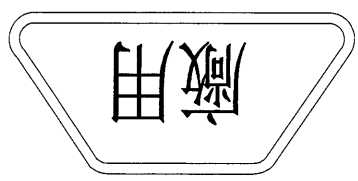
DWG. NO.	AL-21	REV.	-	SCALE	-	DATE	08-07-2024	DRAWN BY	-	APPROVED BY	-
----------	-------	------	---	-------	---	------	------------	----------	---	-------------	---



PROJECT YIN PING ROAD KOWLOON FEATURE WALL (PHASE 2)

REV.	CHECKED DATE BY	PART NUMBER	Dim. A	Dim. B	Dim. C	Dim. D	Dim. E	Dim. F	Dim. G	Dim. H	QTY.	Inv. Code	ASSEMBLE ON PARTS	COLOUR	MARK. NO.	QTY.
														JMQ213457(SS-01)	-	-

物料編號	數量	樓層	區域位置
AL-22	24		用券 C 區
合計:	24		



DWG. NO.	AL-22	REV.	-	SCALE	-	DATE	08-07-2024	DRAWN BY	-	APPROVED BY	-
----------	-------	------	---	-------	---	------	------------	----------	---	-------------	---



PROJECT

YIN PING ROAD KOWLOON  
FEATURE WALL (PHASE 2)

MATERIAL

70x32x6mm鋁角(用75x65x6鋁角切)(JM1034)

COATING

PVF2

COLOUR

JMQ213457(SS-01)

MARK. NO.

-

QTY.

-

REV.

CHANGED  
DATE

PART NUMBER

Dim. A

Dim. B

Dim. C

Dim. D

Dim. E

Dim. F

Dim. G

Dim. H

QTY.

-

AL-24

-

-

-

-

-

-

-

-

-

-

ASSEMBLE ON PARTS

Inv. Code

Inv. Code

Inv. Code

Inv. Code

Inv. Code

Inv. Code

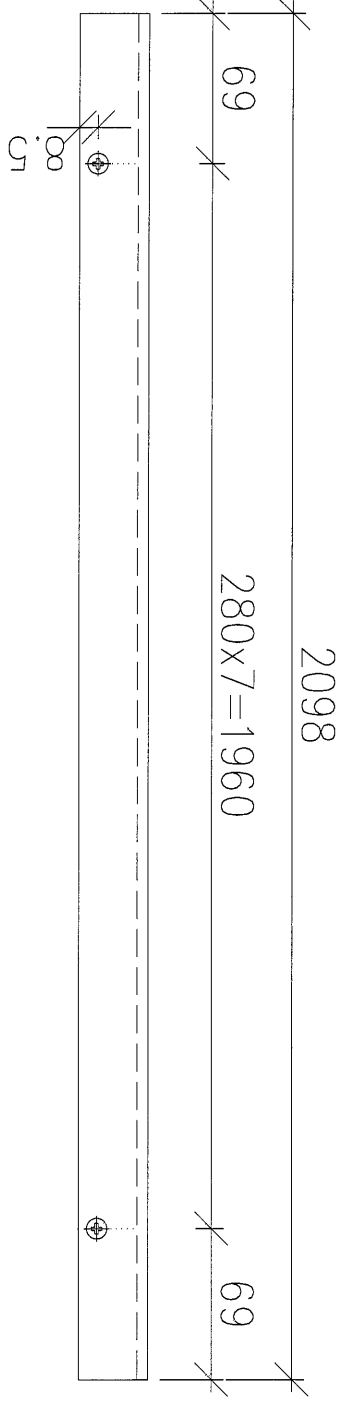
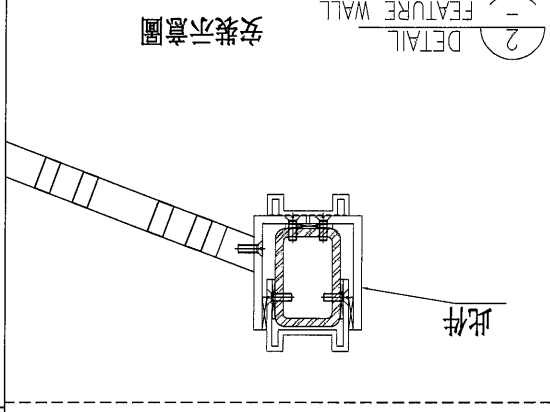
Inv. Code

Inv. Code

Inv. Code

Inv. Code

Inv. Code



物料編號	數量	總層	圖號位置
AL-C24	3		用於C圖
合計:	3		

DWG. NO.

AL-C24

REV.

-

SCALE

-

DATE

08-07-2024

DRAWN BY

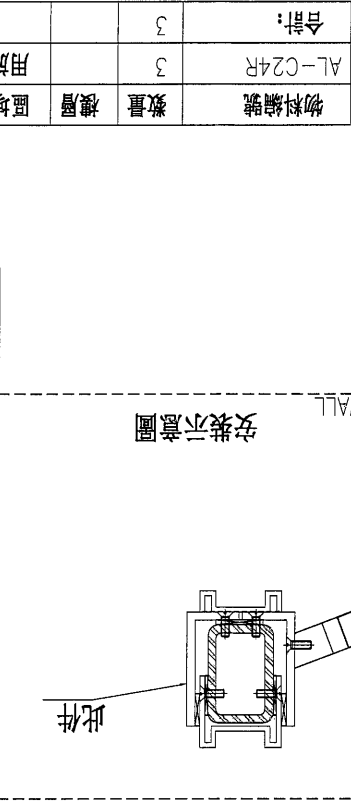
-

APPROVED BY

-

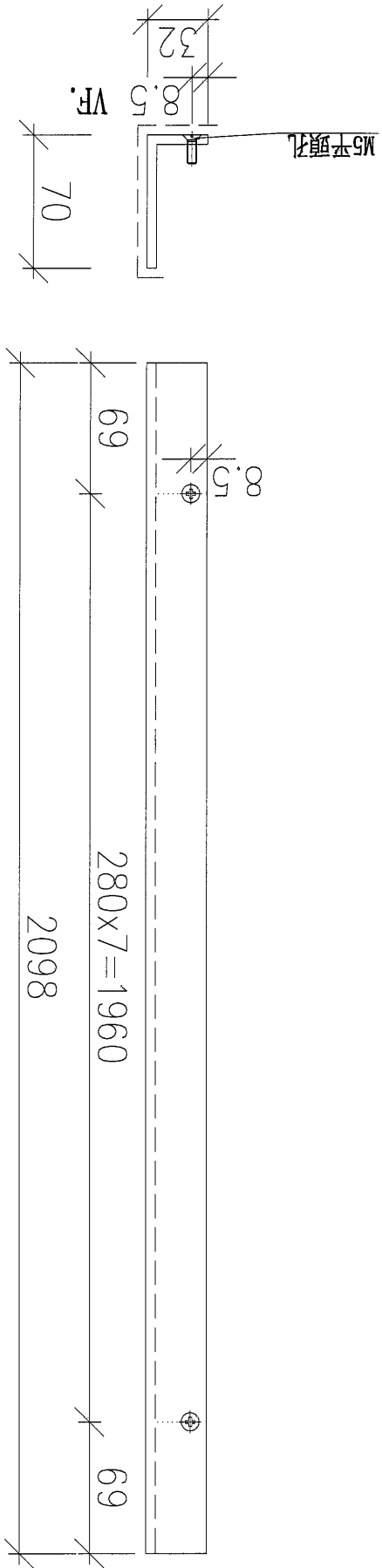
PROJECT YIN PING ROAD KOWLOON FEATURE WALL (PHASE 2) MATERIAL 70x32x6mm鋁角(用75x65x6鋁角切)(JM1034) COATING PVF2 COLOUR JMQ213457(SS-01) MARK. NO. - QTY. -

REV.	CHANGED BY	PART NUMBER	Dim. A	Dim. B	Dim. C	Dim. D	Dim. E	Dim. F	Dim. G	Dim. H	QTY.	Inv. Code	ASSEMBLE ON PARTS
-		AL-24R	-	-	-	-	-	-	-	-	-	-	



物料編號	數量	範圍	區域位置
AL-C24R	3		用於 C 圍
合計:	3		

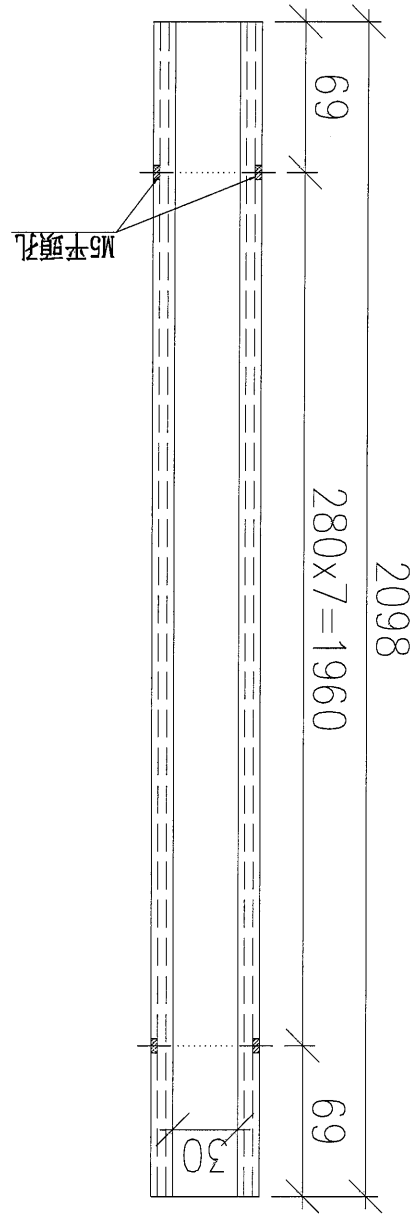
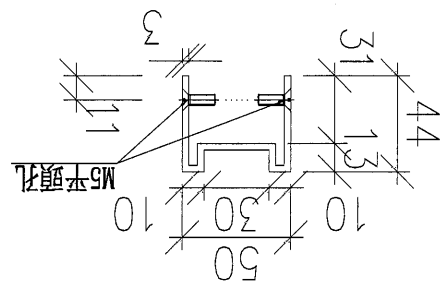
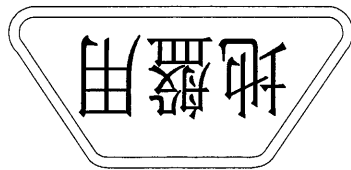
地盤用



DWG. NO.	REV.	SCALE	DATE	DRAWN BY	APPROVED BY
AL-C24R	-	-	08-07-2024	-	-

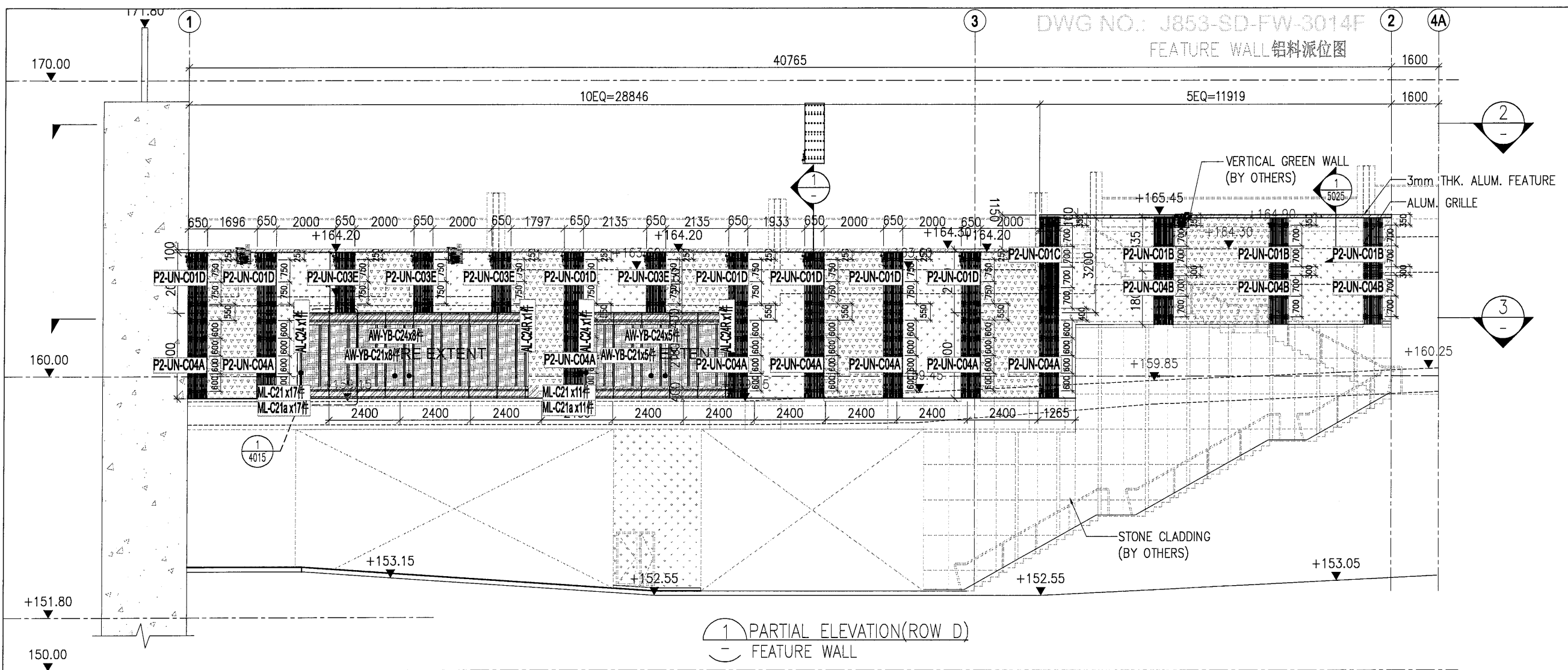
PROJECT: YIN PING ROAD KOWLOON FEATURE WALL (PHASE 2) MATERIAL: 鋁型材(X86549) COATING: PVF2 COLOUR: JMQ213457(SS-01) MARK. NO. - QTY. -

REV.	CHANGED PART OF	PART NUMBER	Dim. A	Dim. B	Dim. C	Dim. D	Dim. E	Dim. F	Dim. G	Dim. H	QTY.	Inv. Code	ASSEMBLE ON PARTS

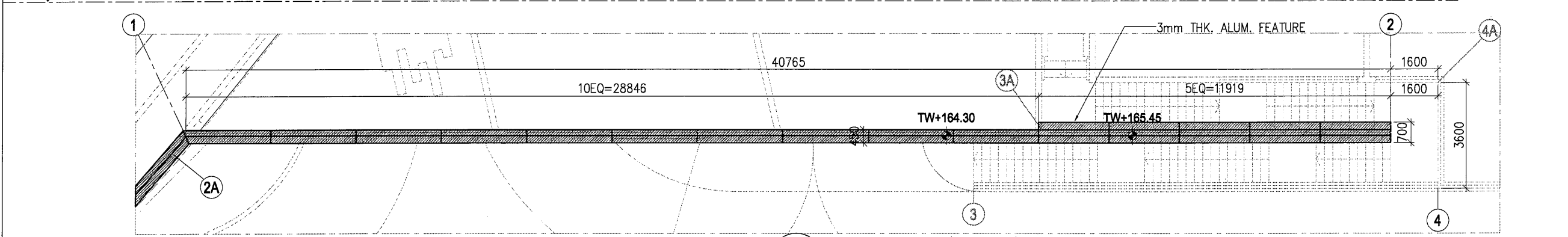


物料編號	ML-C21	合計:
數量	51	
備註	用於C圍	
圖號位置		

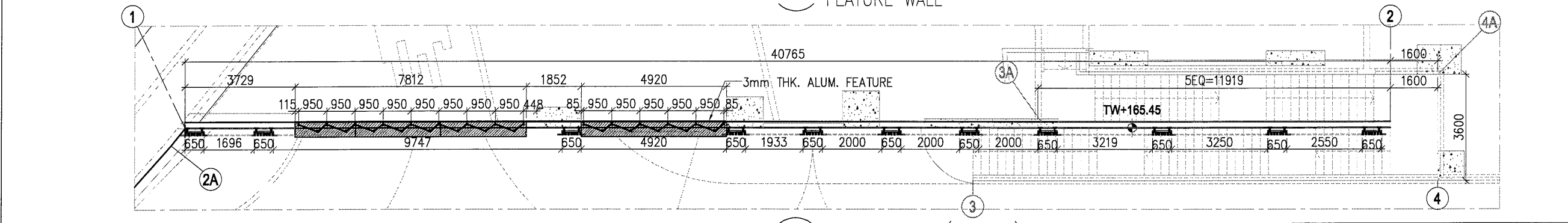
DWG. NO. ML-C21 REV. - SCALE - DATE 08-07-2024 DRAWN BY - APPROVED BY -



1 PARTIAL ELEVATION (ROW D)  
- FEATURE WALL



2 PARTIAL PLAN (ROW D)  
- FEATURE WALL



3 PARTIAL PLAN (ROW D)  
- FEATURE WALL

- LEGEND:
- ALUM. GRILLE
  - 3mm THK. ALUM. CLADDING
  - G1: 6mm+1.52PVB+6mm THK. LAMINATED TEMPERED GLASS WITH SILK PAINTING

B.D. REF :

KEY PLAN

CLIENT :  
**SHIMAO GROUP HOLDINGS LIMITED**

ARCHITECT :  
**WONG TUNG & PARTNERS LIMITED ARCHITECTS & PLANNERS**

MAIN CONTRACTOR :  
**協興建築有限公司 HIP HING CONSTRUCTION CO LTD**

STRUCTURAL ENGINEER :  
**CMA C M WONG & ASSOCIATES LTD 黃志明建築工程師有限公司**

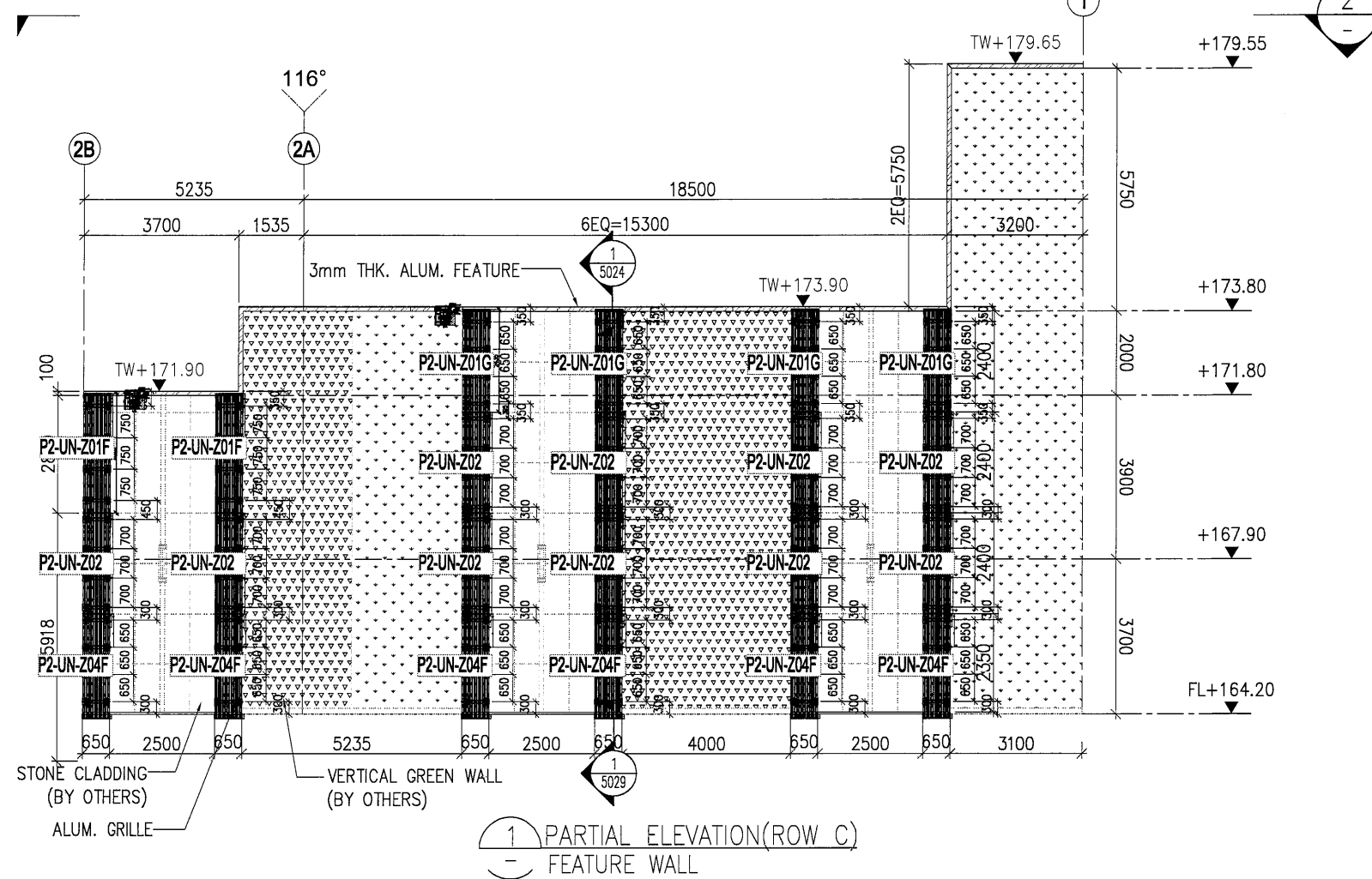
FACADE CONSULTANT:  
**MEINHARDT**

- NOTE :
1. ALL DIMENSIONS ARE IN mm.
  2. ALL ELEVATIONS ARE VIEWED FROM OUTSIDE.
  3. ALL DIMENSIONS TO BE VERIFIED ON SITE BEFORE FABRICATION.
- LEGEND :
- DETAIL MARK NO.
  - REFER SHEET NO.
  - 1. F.F.L. --- FINISHED FLOOR LEVEL
  - 2. S.F.L. --- STRUCTURAL FLOOR LEVEL
  - 3. (R) --- REVERSED DETAIL

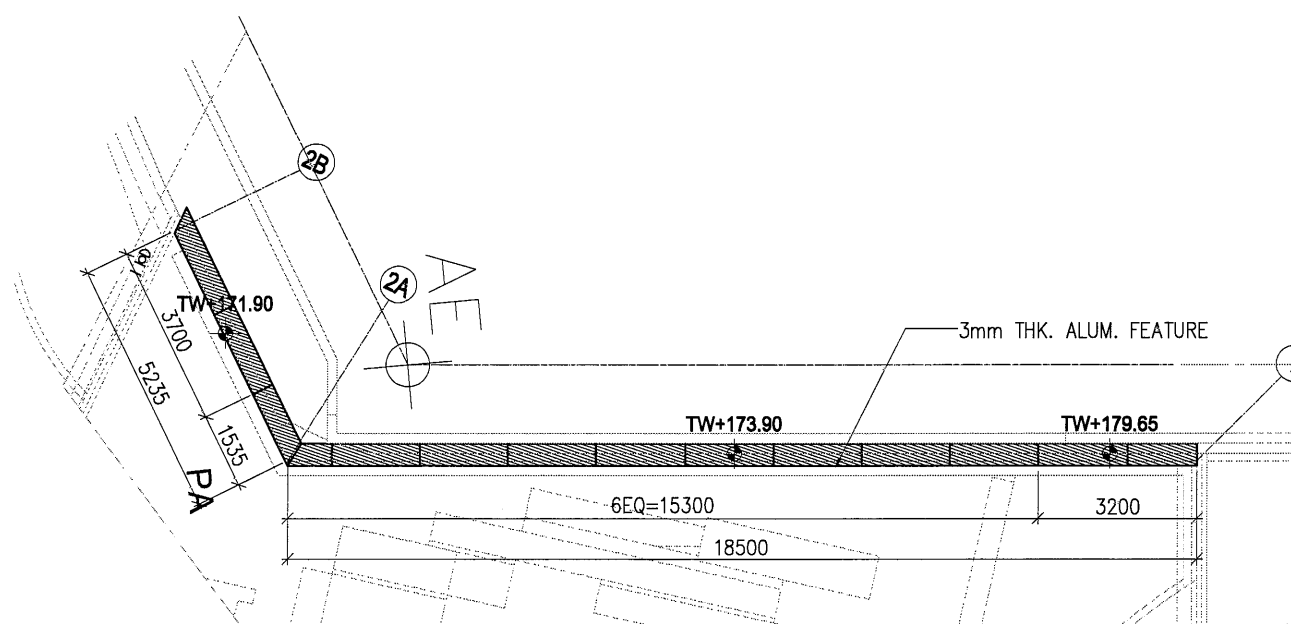
NO.	DATE	REVISED	BY
JOB NO. : J-853			
PROJECT : PROPOSED RESIDENTIAL DEVELOPMENT AT N.K.I.L. 6542 YIN PING ROAD KOWLOON			
TITLE : PARTIAL ELEVATION & PLAN OF FEATURE WALL (PHASE 2)			
DATE : 30-Apr-24		SCALE : 1:150 (A3)	
DRAWN BY : LHR		CHECKED BY :	
<b>美特鋁質有限公司</b> MIDI ALUMINIUM FABRICATOR LTD. Units 6-8, Sunray Industrial Centre, 1/F 610 Cha Kwo Ling Road, Kowloon Tel: 23489211-4 Fax: (852) 2727666			
DWG NO. : J853-SD-FW-3014			REV. : D



FEATURE WALL 铝料派位图



1 PARTIAL ELEVATION(ROW C)  
- FEATURE WALL



2 PARTIAL PLAN(ROW C)  
- FEATURE WALL

- LEGEND:
- ALUM. GRILLE
  - 3mm THK. ALUM. CLADDING
  - G1: 6mm+1.52PVB+6mm THK. LAMINATED TEMPERED GLASS WITH SILK PAINTING

B.D. REF :

KEY PLAN

CLIENT :  
**SHIMAO GROUP HOLDINGS LIMITED**

ARCHITECT :  
**WONG TUNG & PARTNERS LIMITED ARCHITECTS & PLANNERS**

MAIN CONTRACTOR :  
**協興建築有限公司 HIP HING CONSTRUCTION CO LTD**

STRUCTURAL ENGINEER :  
**CMA C M WONG & ASSOCIATES LTD 黃志明建築工程師有限公司**

FACADE CONSULTANT:  
**MEINHARDT**

- NOTE :
1. ALL DIMENSIONS ARE IN mm.
  2. ALL ELEVATIONS ARE VIEWED FROM OUTSIDE.
  3. ALL DIMENSIONS TO BE VERIFIED ON SITE BEFORE FABRICATION.
- LEGEND :
- DETAIL MARK NO.
  - REFER SHEET NO.
1. F.F.L. --- FINISHED FLOOR LEVEL
  2. S.F.L. --- STRUCTURAL FLOOR LEVEL
  3. --- REVERSED DETAIL

NO.	DATE	REVISED	BY

JOB NO. : J-853

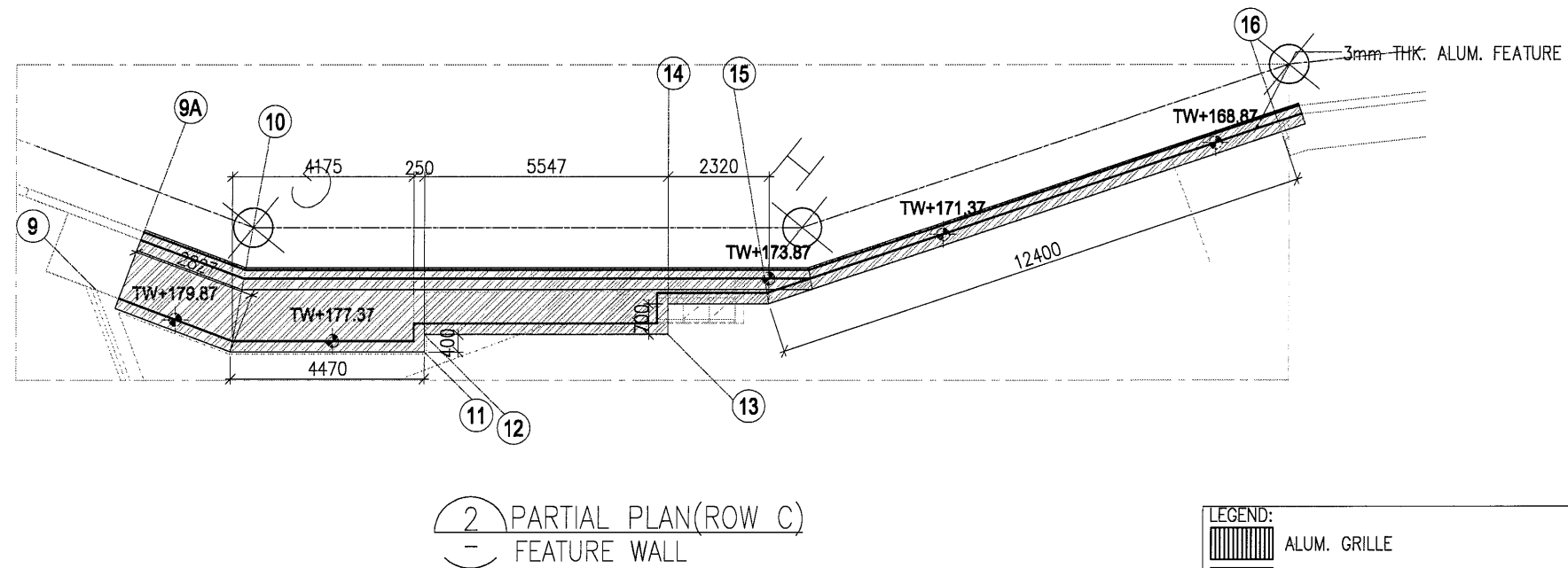
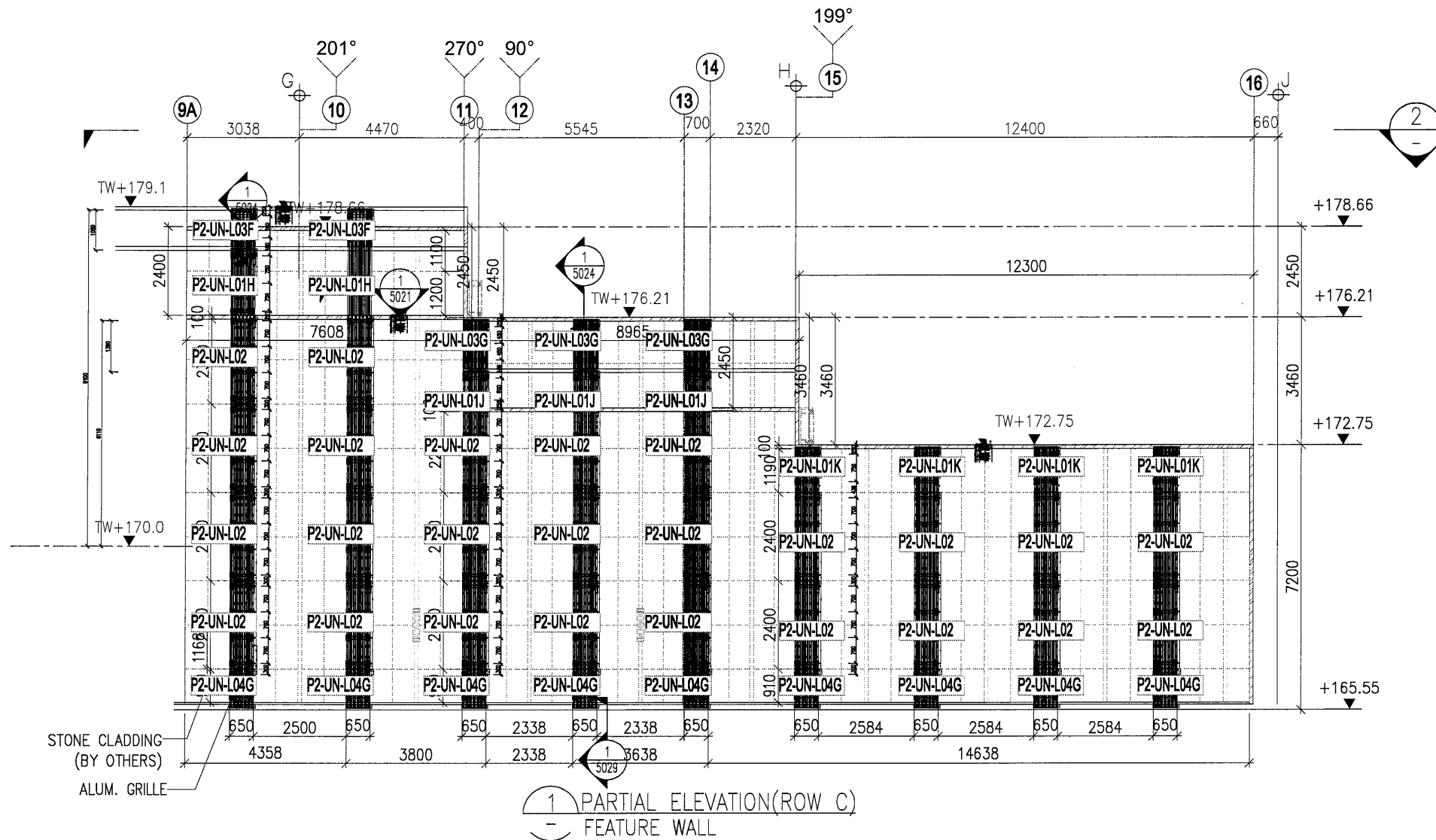
PROJECT : PROPOSED RESIDENTIAL DEVELOPMENT AT N.K.I.L. 6542 YIN PING ROAD KOWLOON

TITLE : PARTIAL ELEVATION & PLAN OF FEATURE WALL (PHASE 2)

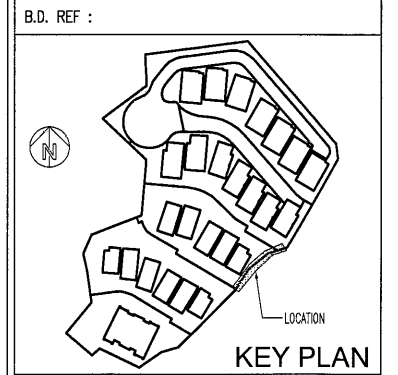
DATE : 30-Apr-24 SCALE : 1:150 (A3)

DRAWN BY : LHR CHECKED BY :

**美特铝质有限公司**  
**MIDI ALUMINUM FABRICATOR LTD.**  
Units 6-8, Sunray Industrial Centre, 1/F  
610 Cha Kwo Ling Road, Kowloon  
Tel:23489211-4 Fax:(852)27727666



- LEGEND:
- ALUM. GRILLE
  - 3mm THK. ALUM. CLADDING
  - G1: 6mm+1.52PVB+6mm THK. LAMINATED TEMPERED GLASS WITH SILK PAINTING



CLIENT : SHIMAO GROUP HOLDINGS LIMITED

ARCHITECT : WONG TUNG & PARTNERS LIMITED ARCHITECTS & PLANNERS

MAIN CONTRACTOR : 協興建築有限公司 HIP HING CONSTRUCTION CO LTD

STRUCTURAL ENGINEER : CMA C M WONG & ASSOCIATES LTD 黃志明建築工程師有限公司

FACADE CONSULTANT: MEINHARDT

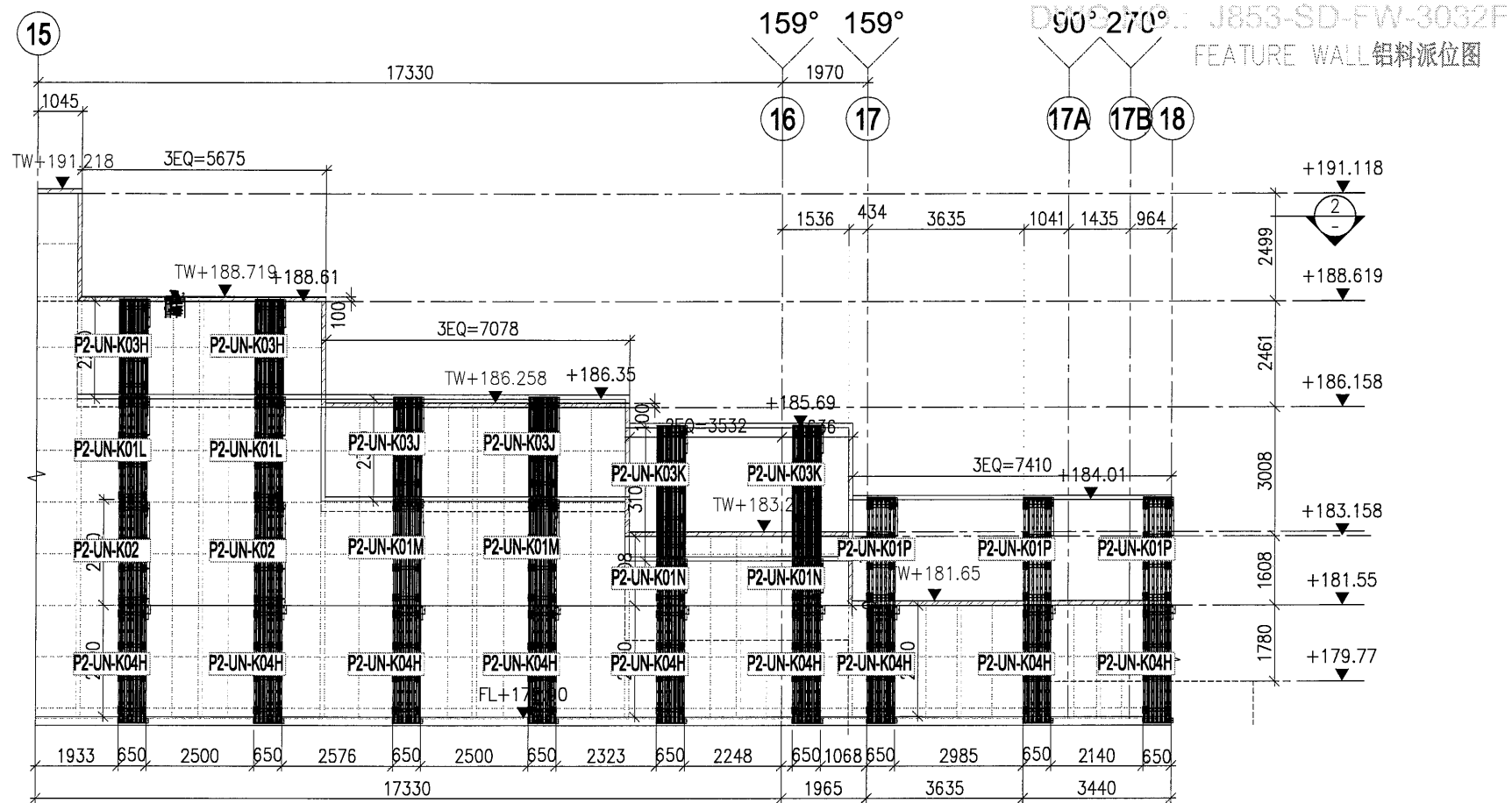
NOTE :

1. ALL DIMENSIONS ARE IN mm.
2. ALL ELEVATIONS ARE VIEWED FROM OUTSIDE.
3. ALL DIMENSIONS TO BE VERIFIED ON SITE BEFORE FABRICATION.

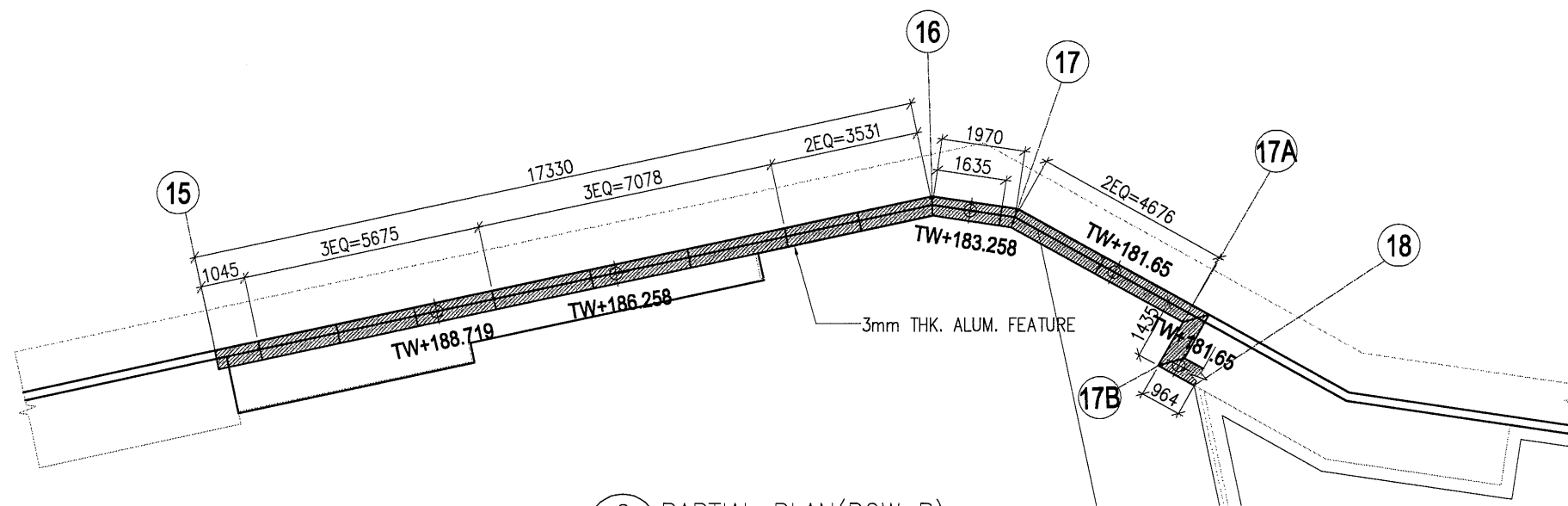
LEGEND :

- DETAIL MARK NO.
- REFER SHEET NO.
- 1. F.F.L. --- FINISHED FLOOR LEVEL
- 2. S.F.L. --- STRUCTURAL FLOOR LEVEL
- 3. --- REVERSED DETAIL

NO.	DATE	REVISED	BY
JOB NO. : J-853			
PROJECT : PROPOSED RESIDENTIAL DEVELOPMENT AT N.K.I.L. 6542 YIN PING ROAD KOWLOON			
TITLE : PARTIAL ELEVATION & PLAN OF FEATURE WALL (PHASE 2)			
DATE : 30-Apr-24		SCALE : 1:150 (A3)	
DRAWN BY : LHR		CHECKED BY :	
英特铝质有限公司 MIDI ALUMINIUM FABRICATOR LTD. Units 6-8, Sunray Industrial Centre, 1/F 610 Cha Kwo Ling Road, Kowloon Tel:23489211-4 Fax:(852)27727666			
DWG NO. : J853-SD-FW-3025			REV. : A

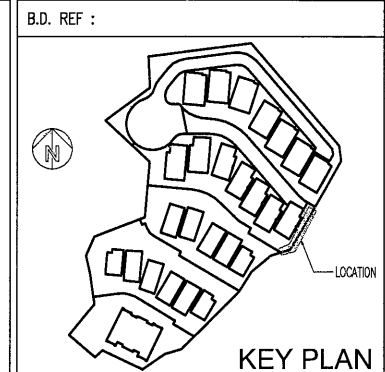


1 PARTIAL ELEVATION (ROW B)  
- FEATURE WALL



2 PARTIAL PLAN (ROW B)  
- FEATURE WALL

- LEGEND:
- ALUM. GRILLE
  - 3mm THK. ALUM. CLADDING
  - G1: 6mm+1.52PVB+6mm THK. LAMINATED TEMPERED GLASS WITH SILK PAINTING



CLIENT : SHIMAO GROUP HOLDINGS LIMITED

ARCHITECT : WONG TUNG & PARTNERS LIMITED ARCHITECTS & PLANNERS

MAIN CONTRACTOR : 協興建築有限公司 HIP HING CONSTRUCTION CO LTD

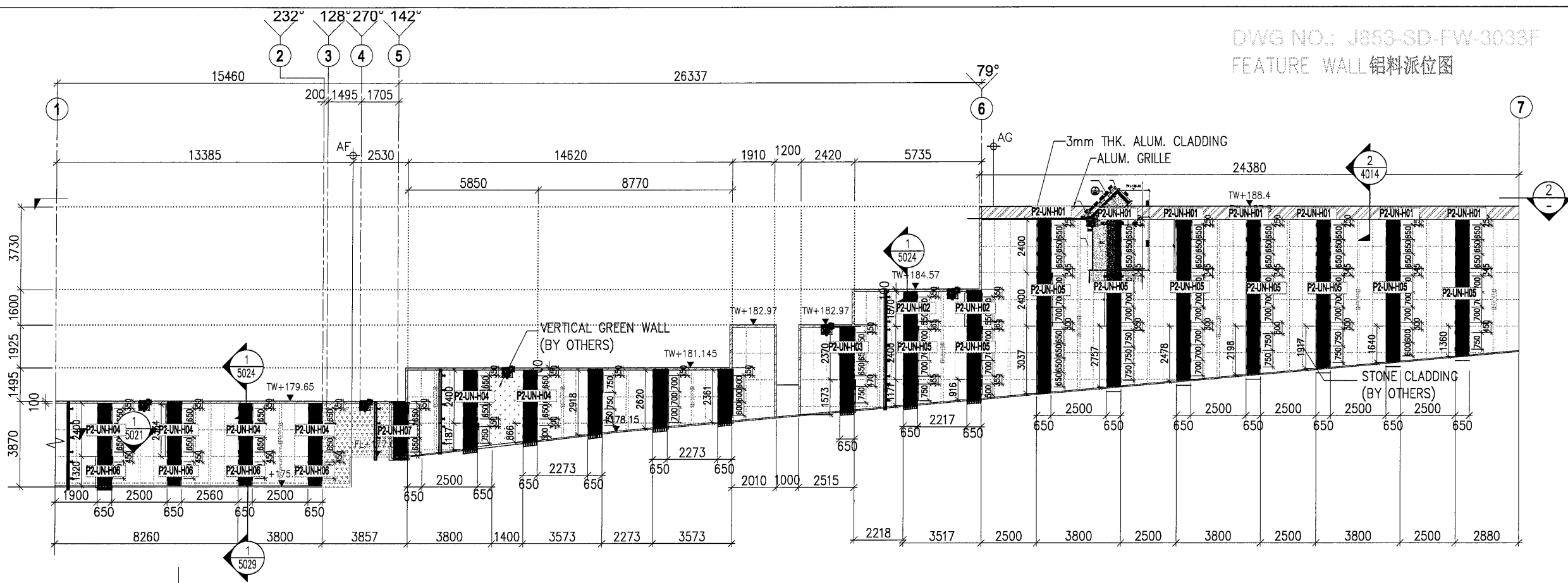
STRUCTURAL ENGINEER : CMA C M WONG & ASSOCIATES LTD 黃志明建築工程師有限公司

FACADE CONSULTANT : MEINHARDT

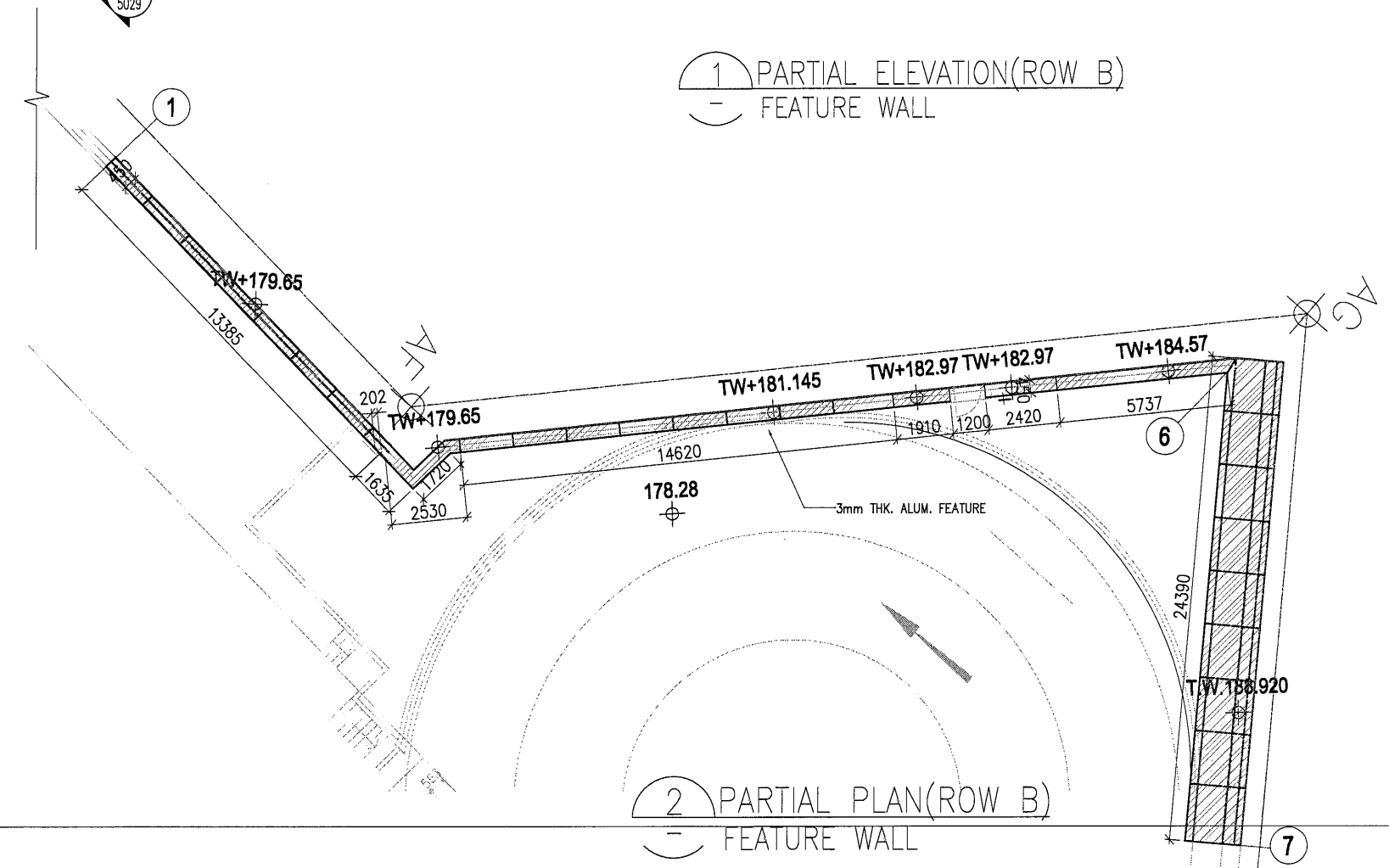
- NOTE :
1. ALL DIMENSIONS ARE IN mm.
  2. ALL ELEVATIONS ARE VIEWED FROM OUTSIDE.
  3. ALL DIMENSIONS TO BE VERIFIED ON SITE BEFORE FABRICATION.
- LEGEND :
- X1 - DETAIL MARK NO.
  - X001 - REFER SHEET NO.
  - 1. F.F.L. --- FINISHED FLOOR LEVEL
  - 2. S.F.L. --- STRUCTURAL FLOOR LEVEL
  - 3. (R) --- REVERSED DETAIL

NO.	DATE	REVISED	BY
JOB NO. : J-853			
PROJECT : PROPOSED RESIDENTIAL DEVELOPMENT AT N.K.I.L. 6542 YIN PING ROAD KOWLOON			
TITLE : PARTIAL ELEVATION & PLAN OF FEATURE WALL (PHASE 2)			
DATE : 30-Apr-24		SCALE : 1:150 (A3)	
DRAWN BY : LHR		CHECKED BY :	
<b>英特鋁質有限公司</b> MIDI ALUMINUM FABRICATOR LTD. Units 6-8, Sunray Industrial Centre, 1/F 610 Cha Kwo Ling Road, Kowloon Tel: 23489211-4 Fax: (852) 2727666			
DWG NO. : J853-SD-FW-3032			REV. : B

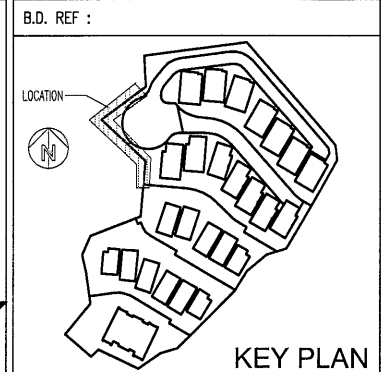
DWG NO.: J853-SD-FW-3033F  
FEATURE WALL 铝料派位图



1 PARTIAL ELEVATION(ROW B)  
- FEATURE WALL



2 PARTIAL PLAN(ROW B)  
- FEATURE WALL



CLIENT :  
**SHIMAO GROUP HOLDINGS LIMITED**

ARCHITECT :  
**WONG TUNG & PARTNERS LIMITED ARCHITECTS & PLANNERS**

MAIN CONTRACTOR :  
**協興建築有限公司 HIP HING CONSTRUCTION CO LTD**

STRUCTURAL ENGINEER :  
**CMA C M WONG & ASSOCIATES LTD 黃志明建築工程師有限公司**

FACADE CONSULTANT:  
**MEINHARDT**

NOTE :

1. ALL DIMENSIONS ARE IN mm.
2. ALL ELEVATIONS ARE VIEWED FROM OUTSIDE.
3. ALL DIMENSIONS TO BE VERIFIED ON SITE BEFORE FABRICATION.

LEGEND :

- X1 - DETAIL MARK NO.
- X001 - REFER SHEET NO.

1. F.F.L. --- FINISHED FLOOR LEVEL
2. S.F.L. --- STRUCTURAL FLOOR LEVEL
3. (R) --- REVERSED DETAIL

NO.	DATE	REVISED	BY

JOB NO. : J-853  
PROJECT : PROPOSED RESIDENTIAL DEVELOPMENT AT N.K.I.L. 6542 YIN PING ROAD KOWLOON

TITLE : PARTIAL ELEVATION & PLAN OF FEATURE WALL (PHASE 2)

DATE : 30-Apr-24 SCALE : 1:150 (A3)

DRAWN BY : LHR CHECKED BY :

**美特铝质有限公司**  
**MIDI ALUMINIUM FABRICATOR LTD.**  
Units 6-8, Sunray Industrial Centre, 1/F  
610 Cha Kwo Ling Road, Kowloon  
Tel:23489211-4 Fax:(852)2727666

DWG NO. : J853-SD-FW-3033 REV. : B

LEGEND:

- [Hatched pattern] ALUM. GRILLE
- [Diagonal lines] 3mm THK. ALUM. CLADDING
- [Box with G1] G1: 6mm+1.52PVB+6mm THK. LAMINATED TEMPERED GLASS WITH SILK PAINTING