



工程指示 / 要求簡箋 ENGINEER INSTRUCTIONS(E.I.)

工程指示編號:	EI- 8045	B	修改版本:	- B
	HK- 1337			
工程編號:	J 853	工程名稱:	延坪道 (第2期)	
收件人:	生統/	發件人:	Jingo	
工程項目:	Feature wall 飾線 鋁料加工圖修改		日期:	17/7/2024

Part 6

<input type="checkbox"/> 原合約工程包	<input type="checkbox"/> 原合約工程加 / 減賬 QT-	<input type="checkbox"/> 新工程報價 QT-
---------------------------------	--	------------------------------------

信件批核號碼/圖紙參考編號:	批核模具圖紙編號:
客戶指示附件:	管理內部批簽署:

<input type="checkbox"/> 初步鋁料 B.M.	<input type="checkbox"/> 加工拆圖, 然後生產	<input type="checkbox"/> 尺寸表
<input type="checkbox"/> 正式鋁料 B.M.	<input type="checkbox"/> 技術上資料/指示	<input type="checkbox"/> 報價
<input type="checkbox"/> 配件 B.M.	<input type="checkbox"/> 樣辦或貨品說明書	<input type="checkbox"/> 分判合約
<input type="checkbox"/> 其他:		

內容:

完成上列要求日期: 24/7/2024

國內

<input type="checkbox"/> 生產技術總監	<input type="checkbox"/> 連附件	<input type="checkbox"/> 技術部	<input type="checkbox"/> 連附件	<input type="checkbox"/> 生產部	<input type="checkbox"/> 連附件
<input type="checkbox"/> 採購部	<input type="checkbox"/> 連附件	<input checked="" type="checkbox"/> 生產統籌部	<input checked="" type="checkbox"/> 連附件	<input type="checkbox"/> 報關組	<input type="checkbox"/> 連附件
<input type="checkbox"/> 質檢部	<input type="checkbox"/> 連附件	<input type="checkbox"/> 會計部	<input type="checkbox"/> 連附件	<input type="checkbox"/> 機械設計部	<input type="checkbox"/> 連附件
<input type="checkbox"/> 香港辦	<input type="checkbox"/> 連附件	<input type="checkbox"/> 其他:			

香港

<input type="checkbox"/> 行政部	<input type="checkbox"/> 連附件	<input type="checkbox"/> 會計部	<input type="checkbox"/> 連附件	<input type="checkbox"/> 統籌部	<input type="checkbox"/> 連附件	<input type="checkbox"/> 工程部	<input type="checkbox"/> 連附件
<input type="checkbox"/> 採購部	<input type="checkbox"/> 連附件	<input type="checkbox"/> QS部	<input type="checkbox"/> 連附件	<input type="checkbox"/> 地盤管理	<input type="checkbox"/> 連附件	<input type="checkbox"/> 維修部	<input type="checkbox"/> 連附件

*發件人簽署:	*組別成員批核簽署:
傳遞編號:	項目經理簽署:

圖則登記表
DRAWING REGISTER

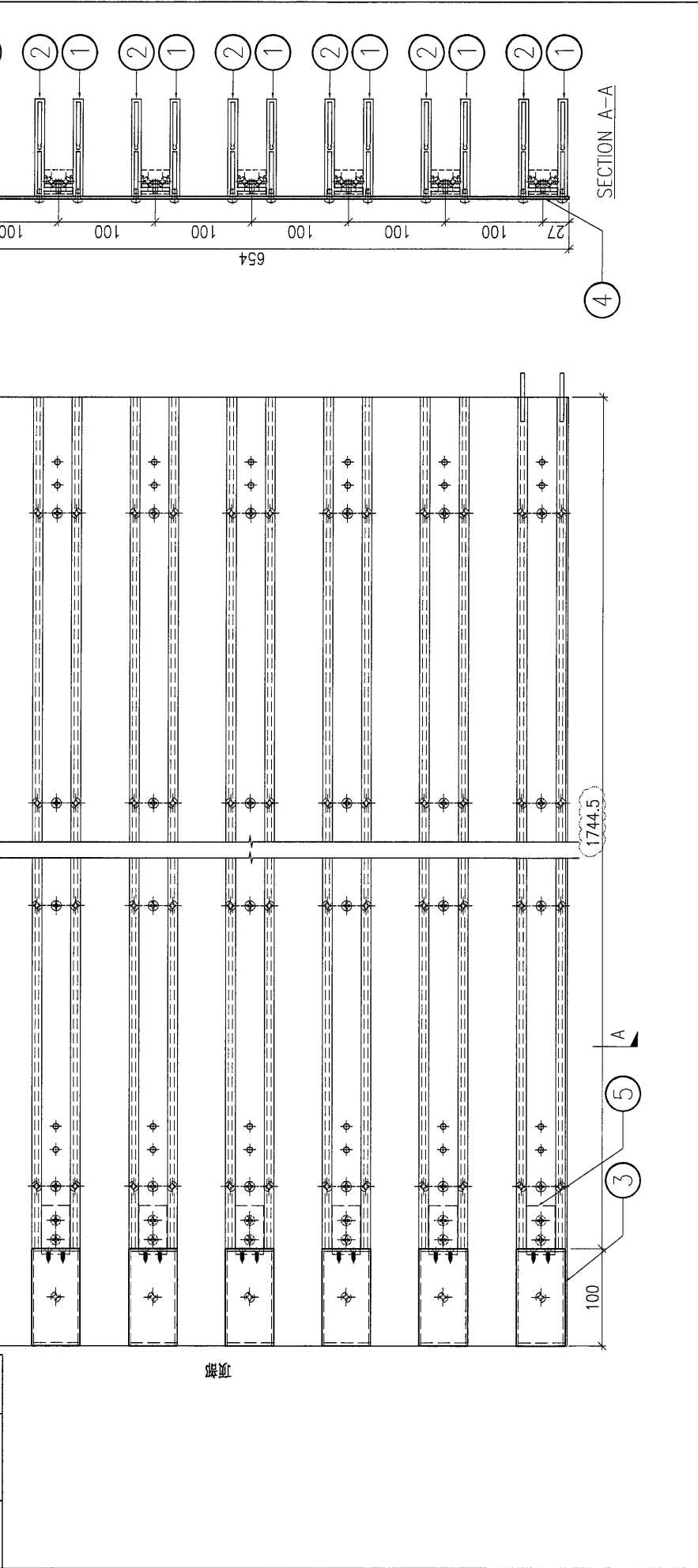
		接收日期 Receiving Date (適用於客戶圖則)						
工程名稱 Project Title:	J-853香港廷坪路							
	FEATURE WALL(Phase 2)拆圖	月						
工程編號 Project No: J-853		日						
分發予 Distributed To		發出日期 Issued Date						
		年	24	24				
		月	07	07				
		日	10	17				
圖則編號 Drg. No.	圖則名稱 Drawing Title	編號 Revi						
J853-FW-3014F	位置圖	-						
J853-FW-3016F	位置圖	-						
J853-FW-3024F	位置圖	-						
J853-FW-3025F	位置圖	-						
J853-FW-3032F	位置圖	-						
J853-FW-3033F	位置圖	-						
P2-UN-C01A	鋁料組裝圖	-						
P2-UN-C01B	鋁料組裝圖	-	A					
P2-UN-C01C	鋁料組裝圖	-	A					
P2-UN-C01D	鋁料組裝圖	-						
P2-UN-C01E	鋁料組裝圖	-						
P2-UN-Z01F	鋁料組裝圖	-	A					
P2-UN-Z01G	鋁料組裝圖	-	A					
P2-UN-L01H	鋁料組裝圖	-						
P2-UN-L01J	鋁料組裝圖	-						
P2-UN-L01K	鋁料組裝圖	-						
P2-UN-K01L	鋁料組裝圖	-						
P2-UN-K01M	鋁料組裝圖	-						
P2-UN-K01N	鋁料組裝圖	-						
P2-UN-K01P	鋁料組裝圖	-						
P2-UN-ZL02	鋁料組裝圖	-						
P2-UN-C03A	鋁料組裝圖	-	A					
P2-UN-C03B	鋁料組裝圖	-						
P2-UN-C03C	鋁料組裝圖	-						
P2-UN-C03D	鋁料組裝圖	-						
P2-UN-C03E	鋁料組裝圖	-						
P2-UN-L03F	鋁料組裝圖	-						
P2-UN-L03G	鋁料組裝圖	-						
P2-UN-K03H	鋁料組裝圖	-						
P2-UN-K03J	鋁料組裝圖	-						
P2-UN-K03K	鋁料組裝圖	-						
P2-UN-C04A	鋁料組裝圖	-						
P2-UN-C04B	鋁料組裝圖	-						

AW-YB-C21	鋁料組裝圖	-																		
AW-YB-C24	鋁料組裝圖	-																		
AL-21	鋁料加工圖	-																		
AL-21R	鋁料加工圖	-																		
AL-22	鋁料加工圖	-																		
AL-22R	鋁料加工圖	-																		
AL-C24	鋁料加工圖	-																		
AL-C24R	鋁料加工圖	-																		
ML-C21	鋁料加工圖	-																		
ML-C21a	鋁料加工圖	-																		
P2-AL-C31	鋁料加工圖	-																		
P2-AL-C32	鋁料加工圖	-																		

PROJECT: YIN PING ROAD KOWLOON FEATURE WALL (PHASE 2)

REV.	DESCRIBED DATE	Dim. A	Dim. B	Dim. C	Dim. D	Dim. E	Dim. F	Dim. G	Dim. H	QTY.	Inv. Code	COATING	MATERIAL 格栅组装图	COLOUR	MARK. NO.	QTY.
-										3			ASSEMBLE ON PARTS			

序号	编号	数量
①	P2-AL-C03B	7
②	P2-AL-C04B	7
③	P2-AL-C02	7
④	P2-AP-C02B	1
⑤	P2-AL-C01	7
⑥	P2-AP-C01	4



DWG. NO. P2-UN-C01B
 REV. A
 SCALE -
 DATE 10-07-2024
 DRAWN BY -
 APPROVED BY -

注: 地盘用

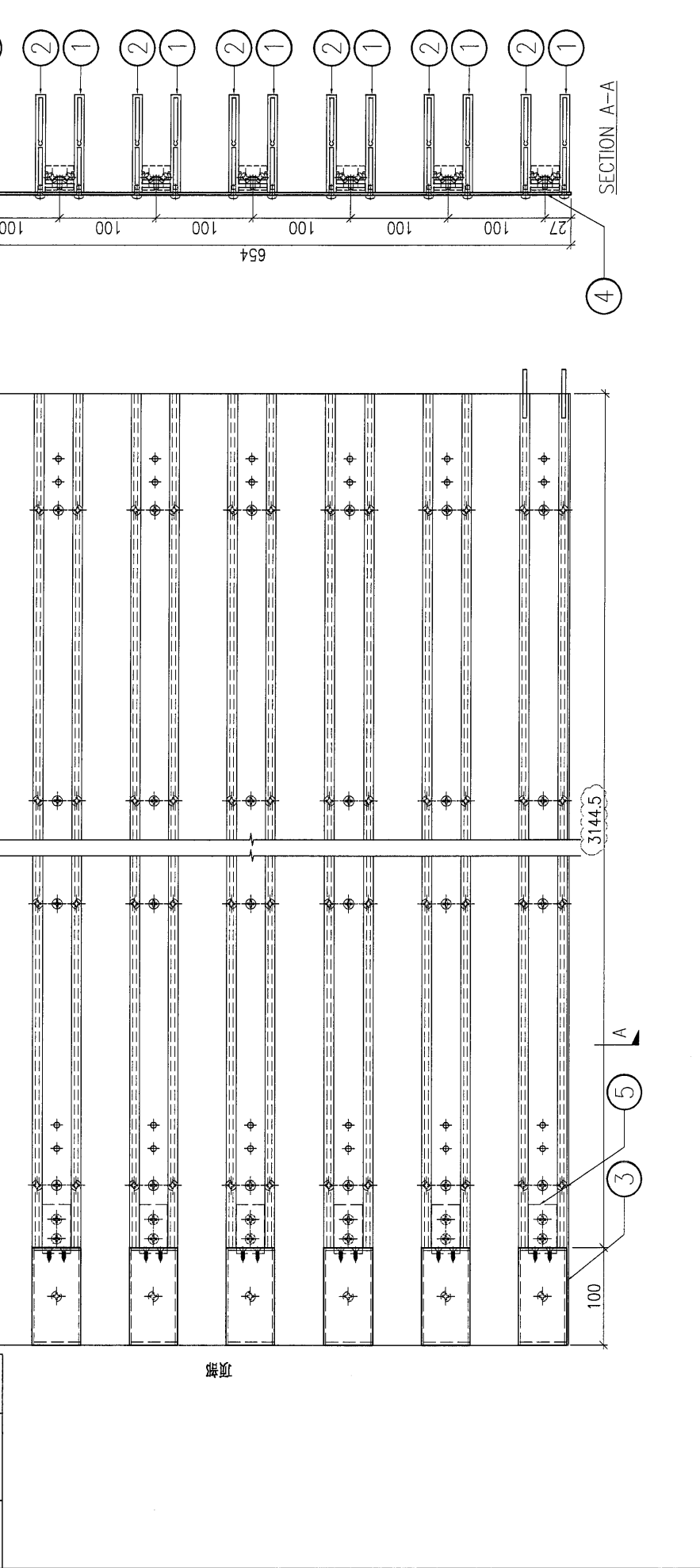
注: 用于C区域

竣工

PROJECT: YIN PING ROAD KOWLOON FEATURE WALL (PHASE 2)

REV.	REVISED DRAW BY	PART NUMBER	Dim. A	Dim. B	Dim. C	Dim. D	Dim. E	Dim. F	Dim. G	Dim. H	QTY.	Inv. Code	COATING	MATERIAL	ASSEMBLE ON PARTS	MARK. NO.	QTY.
-	-	P2-UN-C01C	-	-	-	-	-	-	-	-	1	-	-	格柵組裝圖	-	-	-

序号	编号	数量
①	P2-AL-C03C	7
②	P2-AL-C04C	7
③	P2-AL-C02	7
④	P2-AP-C02C	1
⑤	P2-AL-C01	7
⑥	P2-AP-C01	4



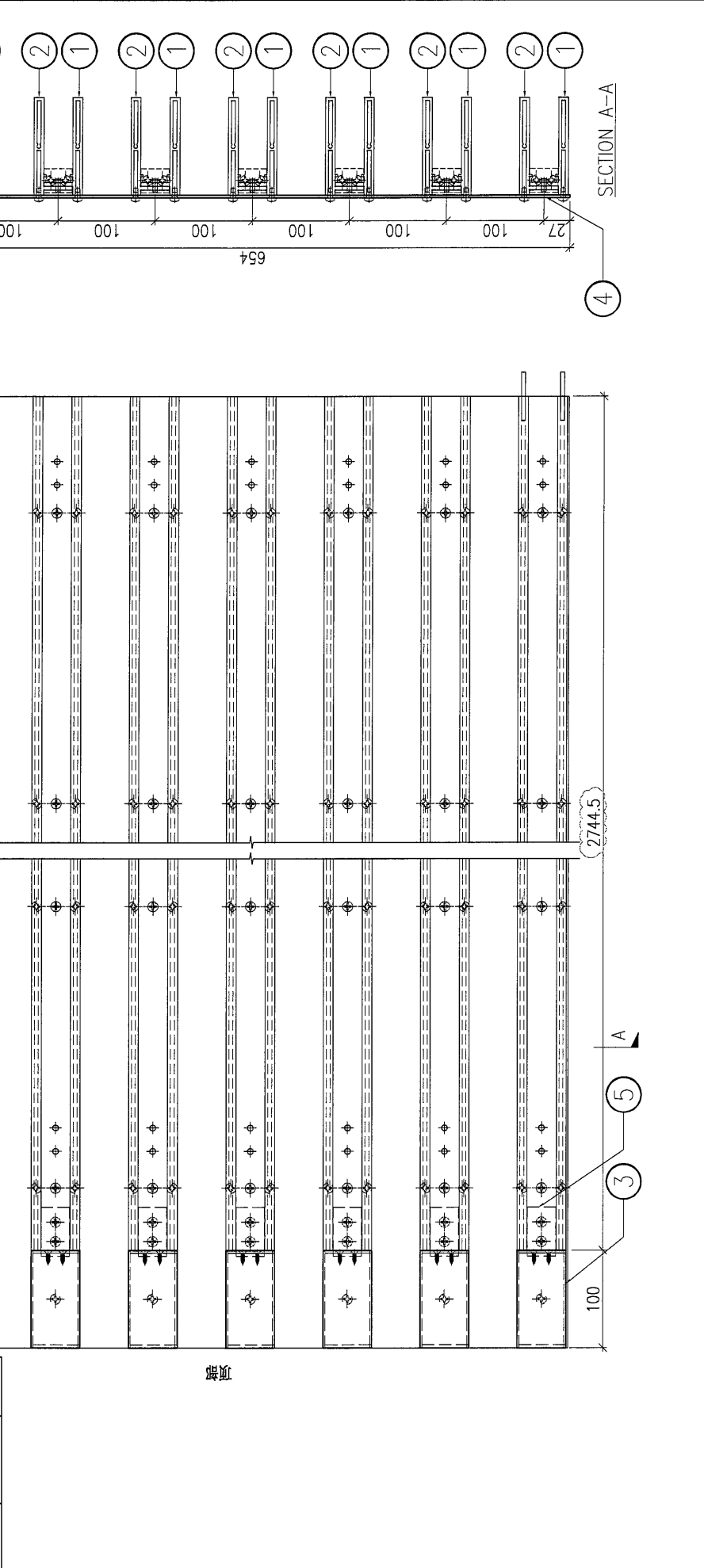
DWG. NO.	P2-UN-C01C	REV.	A	SCALE	-	DATE	10-07-2024	DRAWN BY	-	APPROVED BY	-
----------	------------	------	---	-------	---	------	------------	----------	---	-------------	---

PROJECT: YIN PING ROAD KOWLOON FEATURE WALL (PHASE 2)

MARK. NO.	COLOUR	COATING	MATERIAL	格栅组装图							QTY.
				ASSEMBLE ON PARTS							
				注: 用于 Z 区域							

REV.	CHECKED BY	PART NUMBER	Dim. A	Dim. B	Dim. C	Dim. D	Dim. E	Dim. F	Dim. G	Dim. H	QTY.	Inv. Code
--		P2-UN-Z01F									2	

序号	编号	数量
①	P2-AL-C03F	7
②	P2-AL-C04F	7
③	P2-AL-C02	7
④	P2-AP-C02F	1
⑤	P2-AL-C01	7
⑥	P2-AP-C01	4

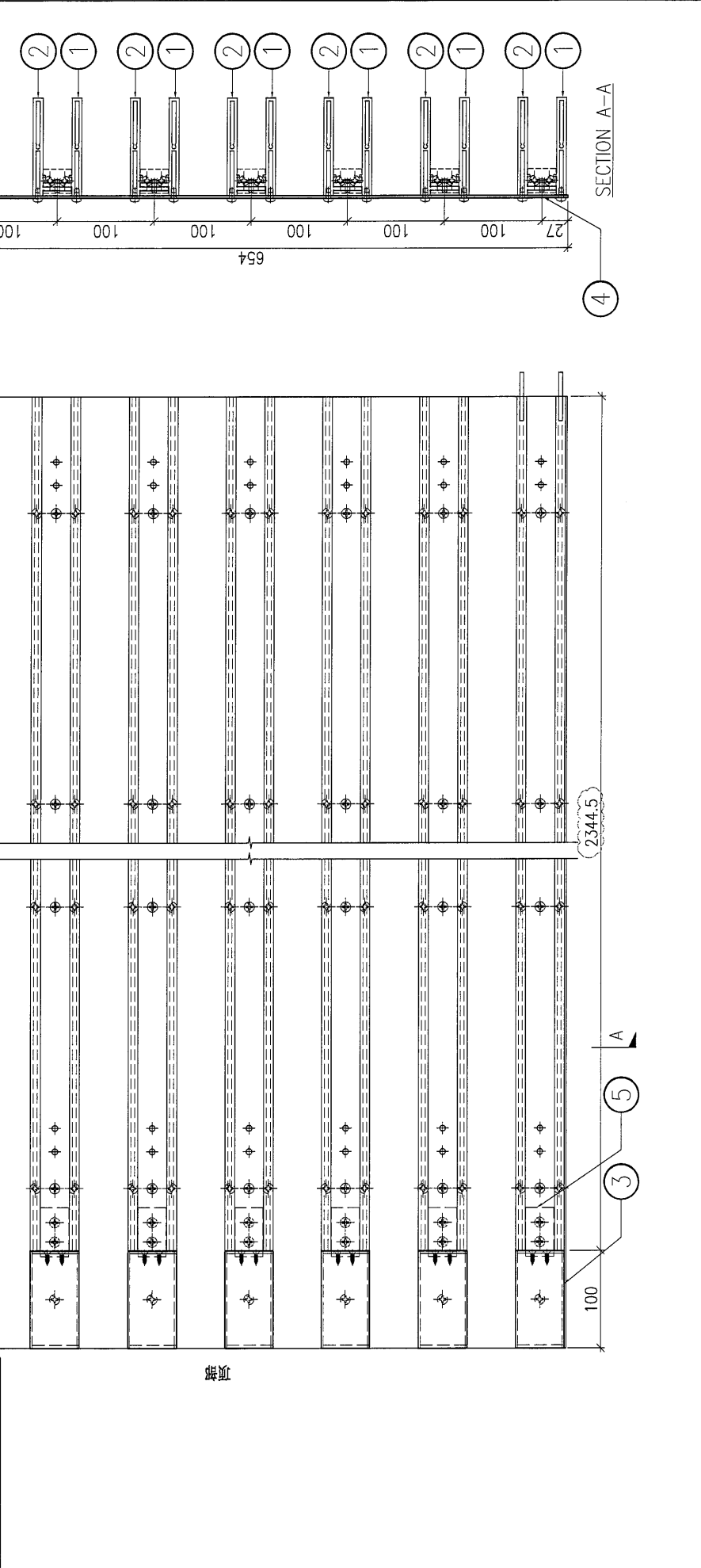


DWG. NO.	REV.	SCALE	DATE	DRAWN BY	APPROVED BY
P2-UN-Z01F	A		10-07-2024		

PROJECT: YIN PING ROAD KOWLOON FEATURE WALL (PHASE 2)

REV.	CHANGED BY	Dim. A	Dim. B	Dim. C	Dim. D	Dim. E	Dim. F	Dim. G	Dim. H	QTY.	Inv. Code	ASSEMBLE ON PARTS	MARK. NO.	COLOUR	QTY.
-	-	-	-	-	-	-	-	-	-	4	-	-	-	-	-

序号	编号	数量
①	P2-AL-003G	7
②	P2-AL-004G	7
③	P2-AL-002	7
④	P2-AP-002G	1
⑤	P2-AL-001	7
⑥	P2-AP-001	4



DWG. NO.	REV.	SCALE	DATE	DRAWN BY	APPROVED BY
P2-UN-Z01G	A	-	10-07-2024	-	-

PROJECT: YIN PING ROAD KOWLOON FEATURE WALL (PHASE 2)

MATERIAL: 格栅组装图

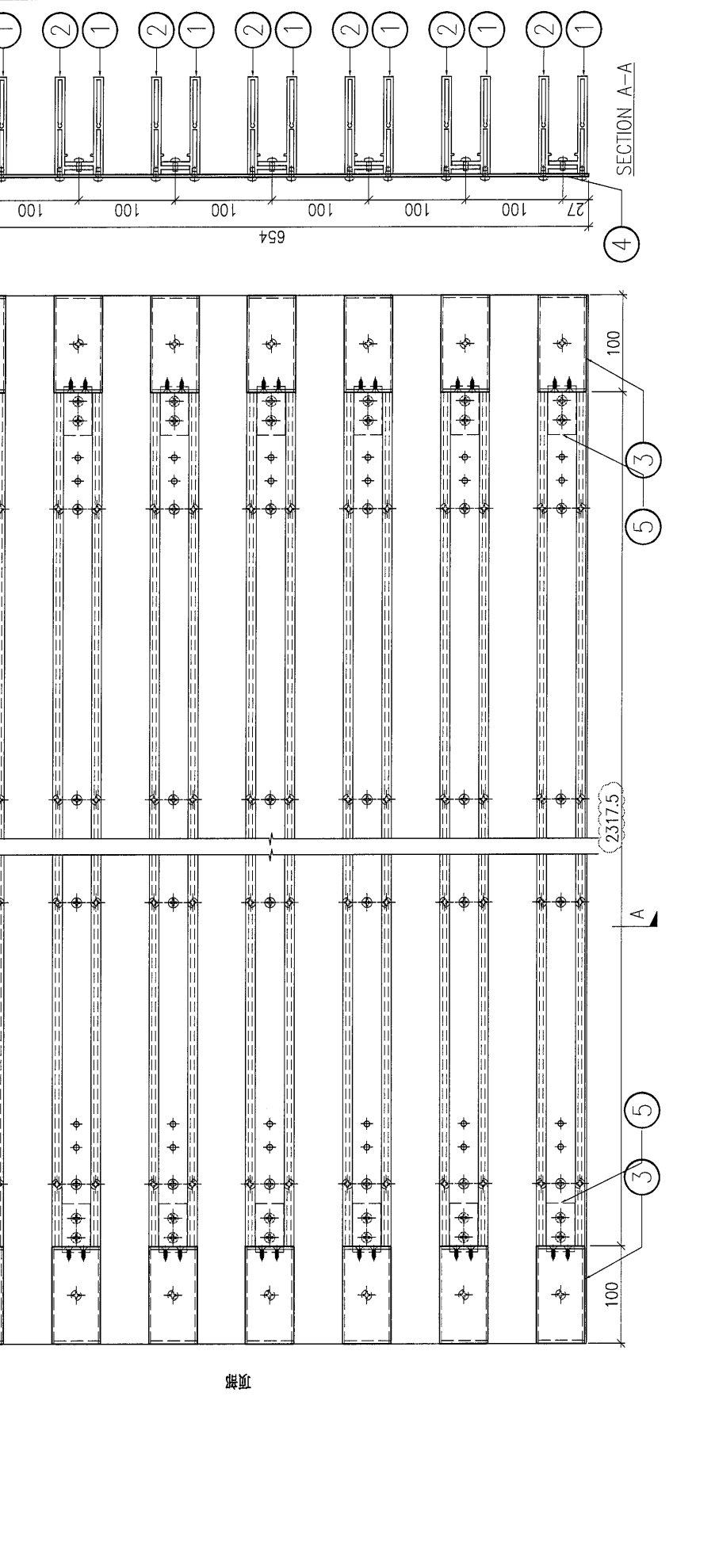
COATING: -

MARK. NO.: -

QTY.: -

REV.	CHANGED BY	Dim. A	Dim. B	Dim. C	Dim. D	Dim. E	Dim. F	Dim. G	Dim. H	QTY.	Inv. Code	ASSEMBLE ON PARTS
-	-	-	-	-	-	-	-	-	-	5	-	注: 用于 C 区域

序号	编号	数量
①	P2-AL-C07A	7
②	P2-AL-C08A	7
③	P2-AL-C02	14
④	P2-AP-C04A	1
⑤	P2-AL-C01	14



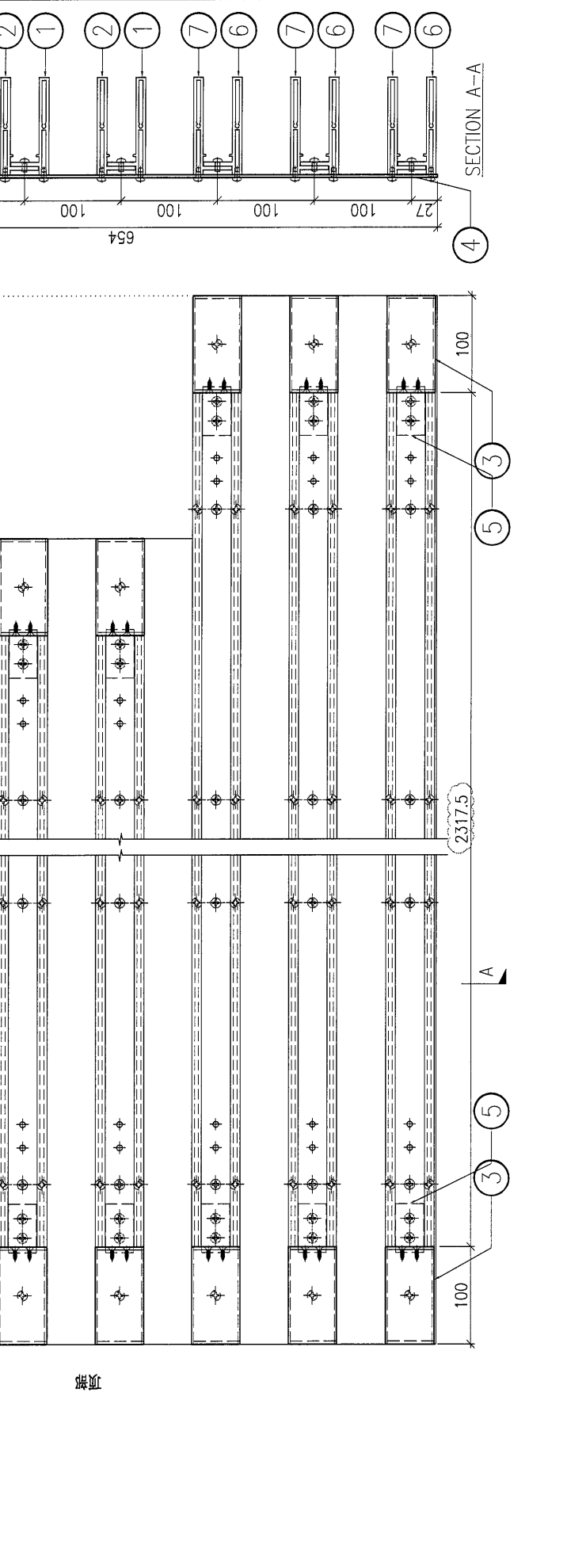
DWG. NO.	REV.	SCALE	DATE	DRAWN BY	APPROVED BY
P2-UN-C03A	A	-	10-07-2024	-	-

PROJECT: YIN PING ROAD KOWLOON FEATURE WALL (PHASE 2)

MARK. NO.	COLOUR	COATING	MATERIAL	格柵組裝圖	QTY.
-	-	-	ASSEMBLE ON PARTS	注: 用于 C 区域	-

Rev.	Checked Date	Part Number	Dim. A	Dim. B	Dim. C	Dim. D	Dim. E	Dim. F	Dim. G	Dim. H	QTY.	Inv. Code
-		P2-UN-C06	-	-	-	-	-	-	-	-	1	

序号	编号	数量
①	P2-AL-C07M	4
②	P2-AL-C08M	4
③	P2-AL-C02	14
④	P2-AP-C07	1
⑤	P2-AL-C01	14
⑥	P2-AL-C07L	3
⑦	P2-AL-C08L	3



DWG. NO.	REV.	SCALE	DATE	DRAWN BY	APPROVED BY
P2-UN-C06	A	-	10-07-2024	-	-

PROJECT

YIN PING ROAD KOWLOON
FEATURE WALL (PHASE 2)

MATERIAL

格栅组装图

COATING

COLOUR

MARK. NO.

QTY.

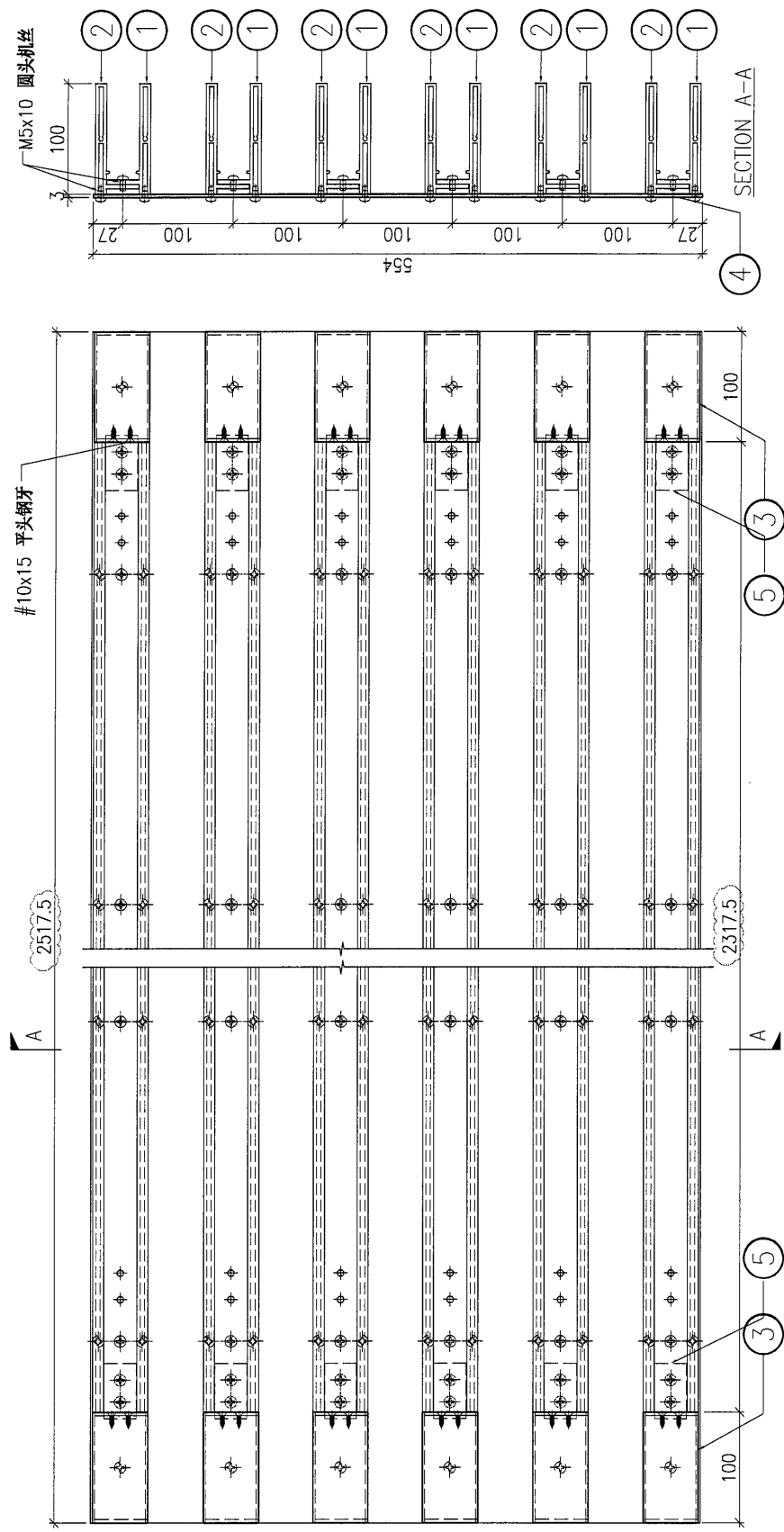
REV.	CHECKED DATE	PART NUMBER	Dim. A	Dim. B	Dim. C	Dim. D	Dim. E	Dim. F	Dim. G	Dim. H	QTY.	Inv. Code
-		P2-UN-C07	-	-	-	-	-	-	-	-	1	

序号	编号	数量
①	P2-AL-C07A	6
②	P2-AL-C08A	6
③	P2-AL-C02	12
④	P2-AP-C08	1
⑤	P2-AL-C01	12

ASSEMBLE ON PARTS

注: 用于 C 区域

注: 地盘用



备注

DWG. NO.

P2-UN-C07

REV.

A

SCALE

DATE
10-07-2024

DRAWN BY

APPROVED BY

PROJECT

YIN PING ROAD KOWLOON
FEATURE WALL (PHASE 2)

MATERIAL

格栅组装图

COATING

COLOUR

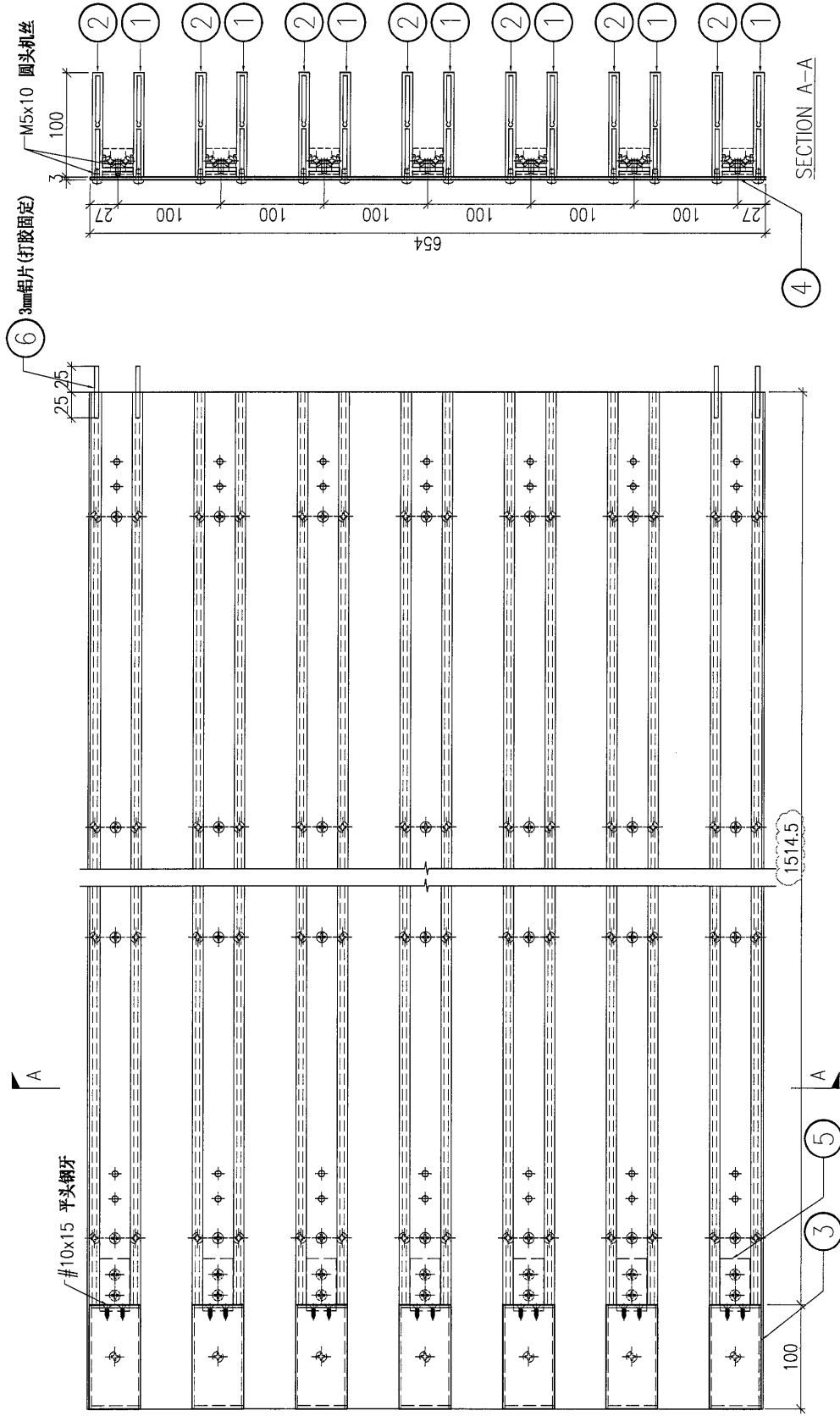
MARK. NO.

QTY.

注: 地盘用

REV.	CHECKED BY	Dim. A	Dim. B	Dim. C	Dim. D	Dim. E	Dim. F	Dim. G	Dim. H	QTY.	Inv. Code	ASSEMBLE ON PARTS
-	-	-	-	-	-	-	-	-	-	2	-	-

序号	编号	数量
①	P2-AL-H03B	7
②	P2-AL-H04B	7
③	P2-AL-H02	7
④	P2-AP-H02B	1
⑤	P2-AL-H01	7
⑥	P2-AP-H01	4



警告

DWG. NO.

P2-UN-H02

REV.

A

SCALE

DATE
08-07-2024

DRAWN BY

APPROVED BY

PROJECT: YIN PING ROAD KOWLOON FEATURE WALL (PHASE 2)

MATERIAL: 格栅组装图

COLOUR: -

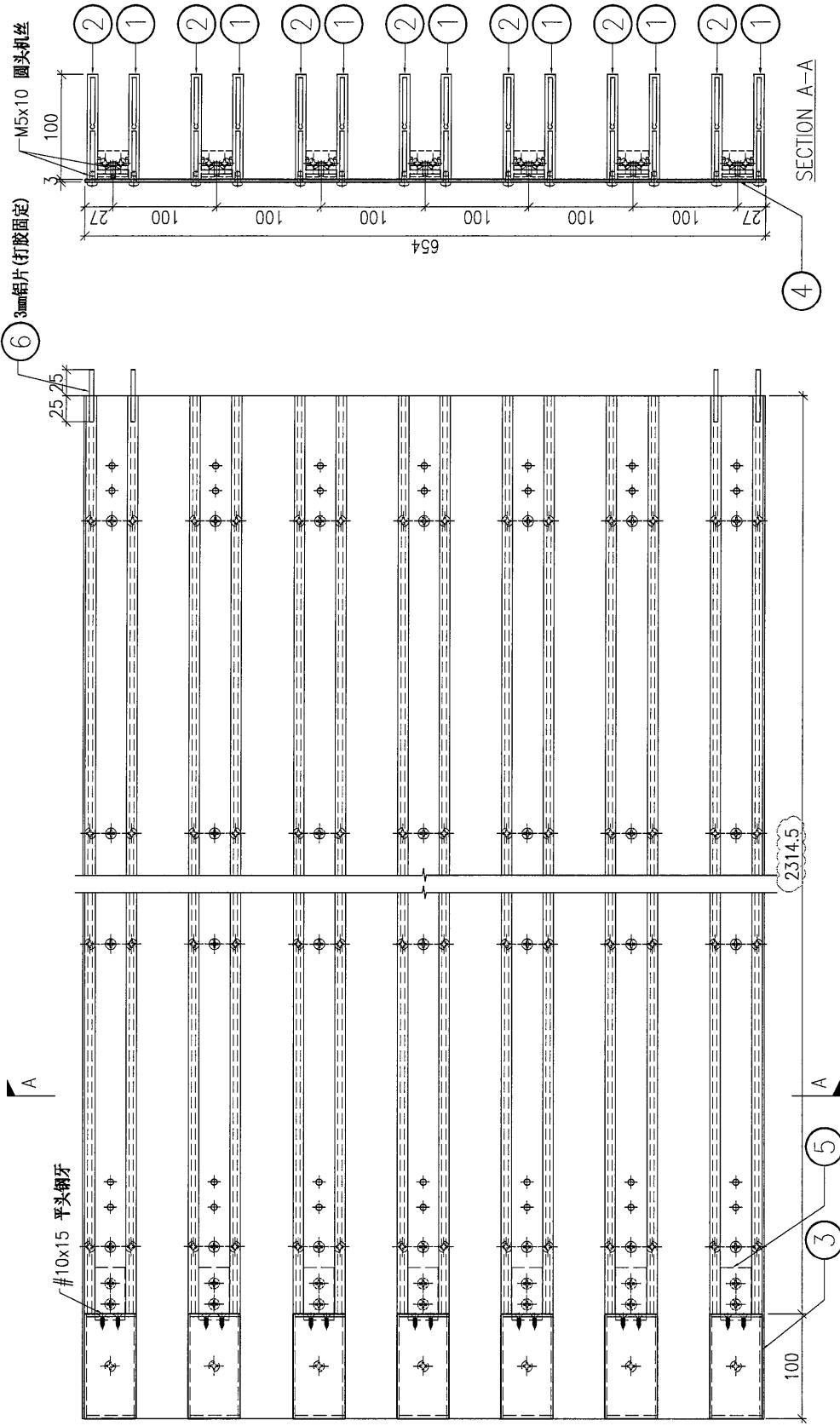
MARK. NO.: -

QTY.: -

REV.	DESCRIPTION	Dim. A	Dim. B	Dim. C	Dim. D	Dim. E	Dim. F	Dim. G	Dim. H	QTY.	Inv. Code	ASSEMBLE ON PARTS
-	-	-	-	-	-	-	-	-	-	1	-	-

注: 地盘用

序号	编号	数量
①	P2-AL-H03C	7
②	P2-AL-H04C	7
③	P2-AL-H02	7
④	P2-AP-H02C	1
⑤	P2-AL-H01	7
⑥	P2-AP-H01	4



DWG. NO.: P2-UN-H03

REV.: A

SCALE: -

DATE: 08-07-2024

DRAWN BY: -

APPROVED BY: -

PROJECT

YIN PING ROAD KOWLOON
FEATURE WALL (PHASE 2)

MATERIAL

格栅组装图

COATING

COLOUR

MARK. NO.

QTY.

REV.

CHECKED
BAR BY

PART NUMBER

Dim. A

Dim. B

Dim. C

Dim. D

Dim. E

Dim. F

Dim. G

Dim. H

QTY.

Inv. Code

ASSEMBLE ON PARTS

注: 地盘用

注: 地盘用

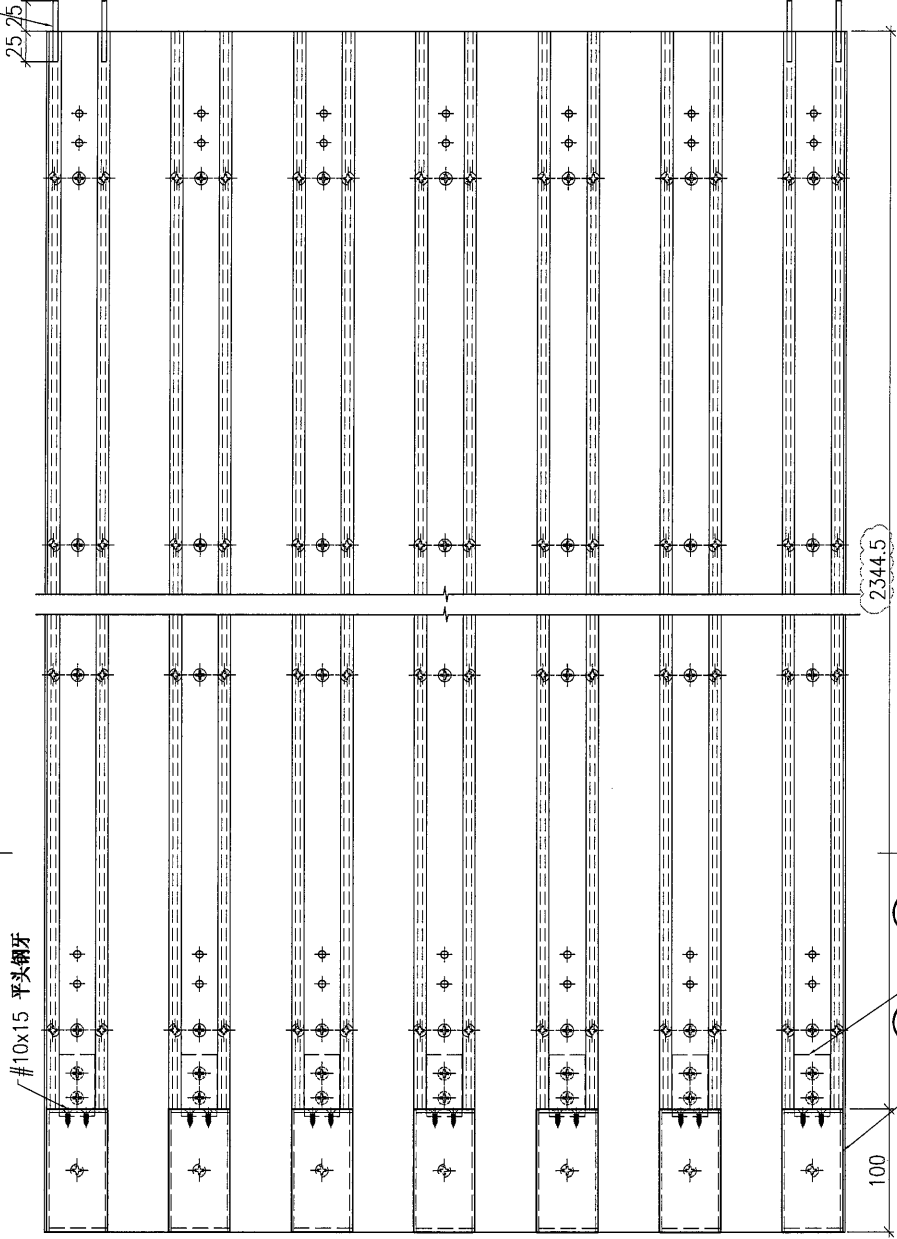
注: 地盘用

注: 地盘用

序号	编号	数量
①	P2-AL-H03D	7
②	P2-AL-H04D	7
③	P2-AL-H02	7
④	P2-AP-H02D	1
⑤	P2-AL-H01	7
⑥	P2-AP-H01	4

A

#10x15 平头钢牙



竖管

⑥ 3mm铝片 (打胶固定)

25.25

M5x10 圆头机丝

7

100

27

100

100

100

100

100

100

100

100

100

100

100

100

100

100

100

100

100

100

100

100

100

100

100

100

100

100

100

100

2344.5

100

100

100

100

100

100

100

100

⑤

③

④

SECTION A-A

DWG. NO.

P2-UN-H04

REV.

A

SCALE

DATE
08-07-2024

DRAWN BY

APPROVED BY

PROJECT

YIN PING ROAD KOWLOON
FEATURE WALL (PHASE 2)

MATERIAL

格栅组装图

COATING

COLOUR

MARK. NO.

QTY.

注: 地盘用

ASSEMBLE ON PARTS
注: 用于 A 区域

Inv. Code

QTY.

1

Dim. H

Dim. G

Dim. F

Dim. E

Dim. D

Dim. C

Dim. B

Dim. A

PART NUMBER

P2-UN-H07

P2-UN-H07

序号 数量

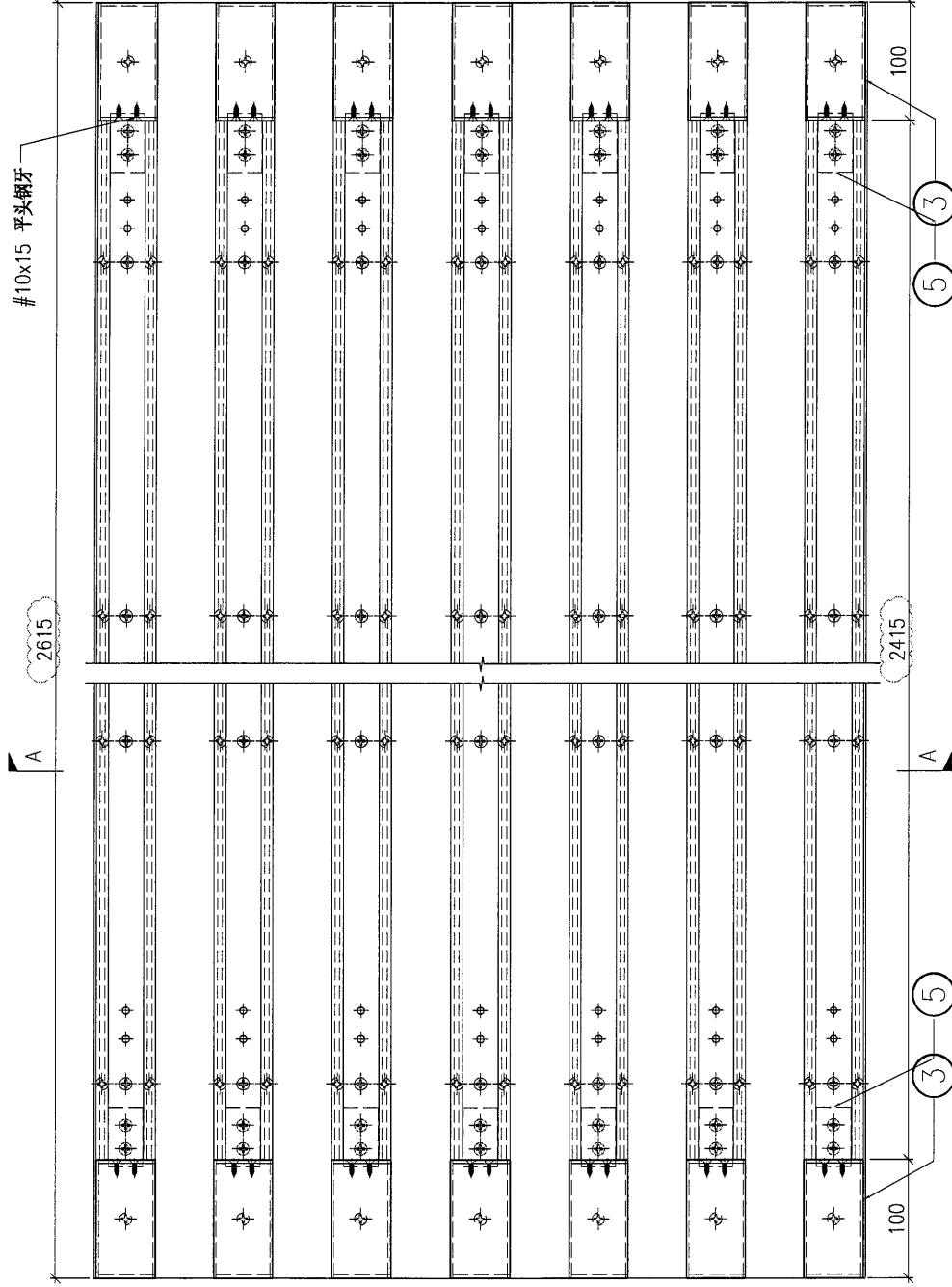
① P2-AL-H09 7

② P2-AL-H10 7

③ P2-AL-H02 14

④ P2-AP-H05 1

⑤ P2-AL-H01 14



数量

DWG. NO.

P2-UN-H07

REV.

A

SCALE

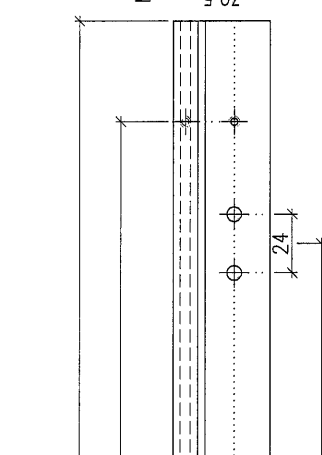
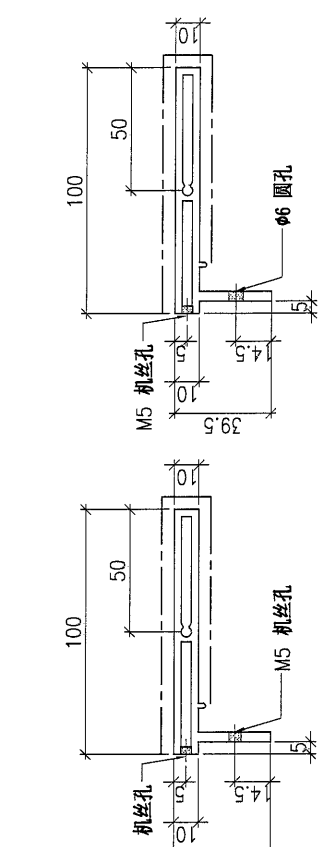
DATE
08-07-2024

DRAWN BY

APPROVED BY

PROJECT: YIN PING ROAD KOWLOON FEATURE WALL (PHASE 2) MATERIAL: 铝型材 (X86425) COATING: PVF2 COLOUR: JMQ218640(SS-03) MARK. NO.: - QTY.: -

REV.	CHECKED DATE	PART NUMBER	Dim. A	Dim. B	Dim. C	Dim. D	Dim. E	Dim. F	Dim. G	Dim. H	QTY.	Inv. Code	ASSEMBLE ON PARTS	工厂用
-		P2-AL-C04A	2294.5	8X@270c/c	3X@650c/c	145	50				42			
-		P2-AL-C04B	1744.5	6X@265c/c	2X@700c/c	190	60				21			
-		P2-AL-C04C	3144.5	1X@265c/c	4X@700c/c	190	135				7			
-		P2-AL-C04D	1934.5	6X@300c/c	2X@750c/c	130	60				49			
-		P2-AL-C04E	2284.5	8X@270c/c	3X@650c/c	130	50				7			
-		P2-AL-C04F	2744.5	0X@260c/c	3X@750c/c	190	60				14			
-		P2-AL-C04G	2344.5	8X@275c/c	3X@650c/c	190	60				28			
-		P2-AL-C04H	1705	5X@300c/c	2X@750c/c	90	50				14			
-		P2-AL-C04J	805	2X@300c/c	1X@600c/c	90	50				21			
-		P2-AL-C04K	1134.5	4X@250c/c	1X@750c/c	90	50				28			
-		P2-AL-C04L	2345	8X@280c/c	3X@700c/c	90	50				14			
-		P2-AL-C04M	2375	8X@280c/c	3X@700c/c	90	50				14			
-		P2-AL-C04N	985	3X@300c/c	1X@700c/c	90	50				14			
-		P2-AL-C04P	2405	8X@280c/c	3X@700c/c	90	50				21			



DWG. NO. P2-AL-C04	REV. A	SCALE -	DATE 21-06-2024	DRAWN BY -	APPROVED BY -
--------------------	--------	---------	-----------------	------------	---------------

PROJECT: YIN PING ROAD KOWLOON FEATURE WALL (PHASE 2)

MATERIAL: 铝型材 (X86424)

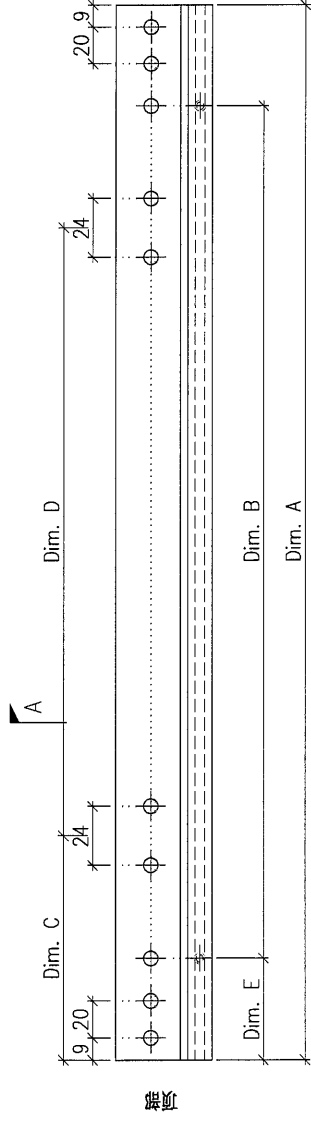
COATING: PVF2

COLOUR: JM0218640(SS-03)

MARK. NO.: -

QTY.: -

REV.	CHECKED DATE (D)	PART NUMBER	Dim. A	Dim. B	Dim. C	Dim. D	Dim. E	Dim. F	Dim. G	Dim. H	QTY.	Inv. Code	ASSEMBLE ON PARTS	注: 工厂用
-		P2-AL-C07A	2317.5	7XØ300c/c	190	3XØ650c/c	100				41			
-		P2-AL-C07B	1401.5	5XØ260c/c	144.5	3XØ600c/c	50				21			
-		P2-AL-C07C	2180	8XØ260c/c	130	3XØ650c/c	50				14			
-		P2-AL-C07D	1780	5XØ300c/c	130	2XØ750c/c	90				7			
-		P2-AL-C07E	1835	6XØ285c/c	130	2XØ750c/c	60				28			
-		P2-AL-C07F	825	2XØ300c/c	90	1XØ600c/c	50				14			
-		P2-AL-C07G	1135	3XØ300c/c	90	2XØ450c/c	50				21			
-		P2-AL-C07H	2005	7XØ270c/c	90	3XØ600c/c	50				14			
-		P2-AL-C07J	2115	7XØ280c/c	90	3XØ600c/c	50				14			
-		P2-AL-C07K	2845	9XØ300c/c	90	4XØ650c/c	50				14			
-		P2-AL-C07L	2317.5	8XØ265c/c	190	2XØ750c/c	50				3			
-		P2-AL-C07M	1852.5	6XØ265c/c	190	2XØ750c/c	50				4			



DWG. NO.: P2-AL-C07

REV.: A

SCALE: -

DATE: 21-06-2024

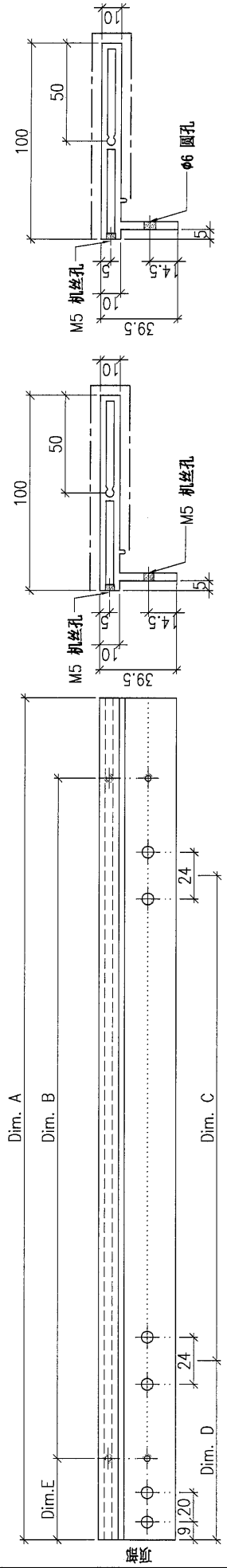
DRAWN BY: -

APPROVED BY: -

PROJECT: YIN PING ROAD KOWLOON FEATURE WALL (PHASE 2) MATERIAL: 铝型材 (X86425) COATING: PVF2 COLOUR: JM0218640(SS-03) MARK. NO.: - QTY.: -

REV.	CHECKED DATE BY	PART NUMBER	Dim. A	Dim. B	Dim. C	Dim. D	Dim. E	Dim. F	Dim. G	Dim. H	QTY.	Inv. Code	ASSEMBLE ON PARTS
-		P2-AL-H04A	2343.5	8X@280c/c	3X@650c/c	189	50				49		
-		P2-AL-H04B	1514.5	5X@280c/c	2X@550c/c	190	65				14		
-		P2-AL-H04C	2314.5	8X@275c/c	3X@650c/c	190	60				7		
-		P2-AL-H04D	2344.5	8X@280c/c	3X@650c/c	190	60				42		

A B



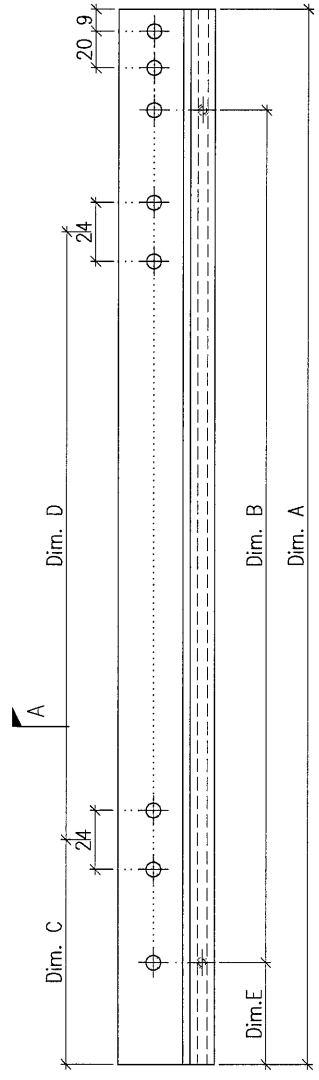
SECTION A-A

SECTION B-B

DWG. NO. P2-AL-H04	REV. A	SCALE -	DATE 08-07-2024	DRAWN BY -	APPROVED BY -
--------------------	--------	---------	-----------------	------------	---------------

PROJECT: YIN PING ROAD KOWLOON FEATURE WALL (PHASE 2) MATERIAL: 铝型材 (X86424) COATING: PVF2 COLOUR: JMQ218640(SS-03) MARK. NO. - QTY. -

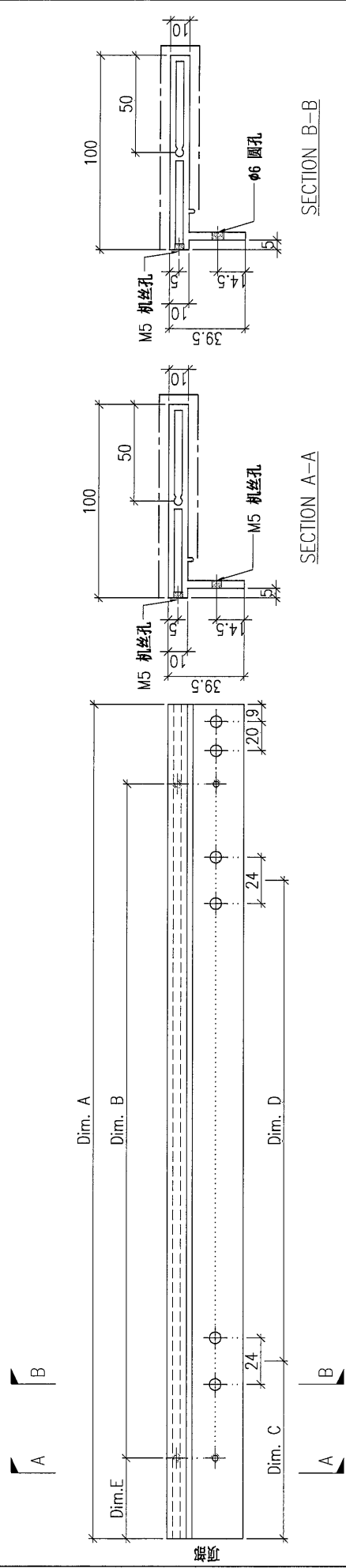
REV.	DESCRIPTION / PART NO.	Dim. A	Dim. B	Dim. C	Dim. D	Dim. E	Dim. F	Dim. G	Dim. H	QTY.	Inv. Code	ASSEMBLE ON PARTS	工厂用
-	P2-AL-H07	1419.5	5X@260c/c	244.5	1X@750c/c	59.5				28			



DWG. NO. P2-AL-H07	REV. -	SCALE -	DATE 08-07-2024	DRAWN BY -	APPROVED BY -
--------------------	--------	---------	-----------------	------------	---------------

PROJECT		YIN PING ROAD KOWLOON FEATURE WALL (PHASE 2)		MATERIAL		铝型材 (X86425)		COATING		PVF2		COLOUR		JM218640(SS-03)		MARK. NO.		-		QTY.		-	
---------	--	--	--	----------	--	--------------	--	---------	--	------	--	--------	--	-----------------	--	-----------	--	---	--	------	--	---	--

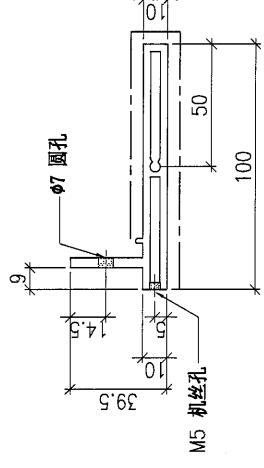
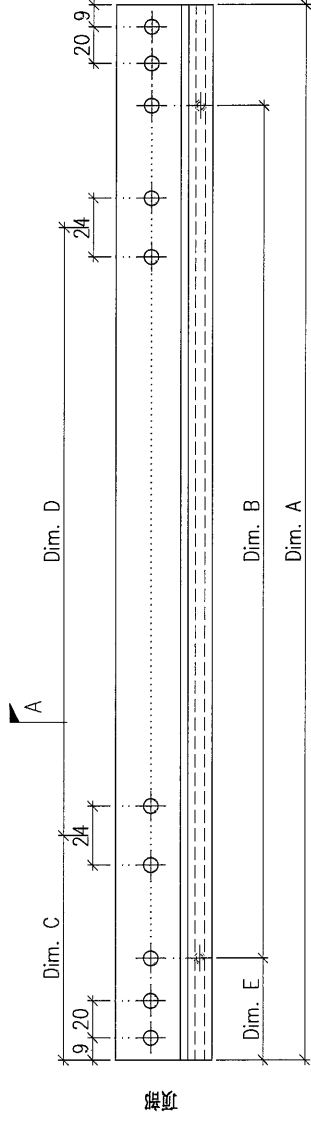
REV.	CHANGED BY	PART NUMBER	Dim. A	Dim. B	Dim. C	Dim. D	Dim. E	Dim. F	Dim. G	Dim. H	QTY.	Inv. Code	ASSEMBLE ON PARTS										
-		P2-AL-H08	1419.5	5X@260c/c	244.5	1X@750c/c	59.5				28			注: 工厂用									



DWG. NO.		P2-AL-H08		REV.		-		SCALE		-		DATE		08-07-2024		DRAWN BY		-		APPROVED BY		-	
----------	--	-----------	--	------	--	---	--	-------	--	---	--	------	--	------------	--	----------	--	---	--	-------------	--	---	--

PROJECT		YIN PING ROAD KOWLOON FEATURE WALL (PHASE 2)		MATERIAL		铝型材 (X86424)		COATING		PVF2		COLOUR		JM0218640(SS-03)		MARK. NO.		-		QTY.		-	
---------	--	--	--	----------	--	--------------	--	---------	--	------	--	--------	--	------------------	--	-----------	--	---	--	------	--	---	--

REV.	CHECKED BY	PART NUMBER	Dim. A	Dim. B	Dim. C	Dim. D	Dim. E	Dim. F	Dim. G	Dim. H	QTY.	Inv. Code	ASSEMBLE ON PARTS									
-		P2-AL-H09	2415	8X@275c/c	190	3X@650c/c	80				7		注: 工厂用									

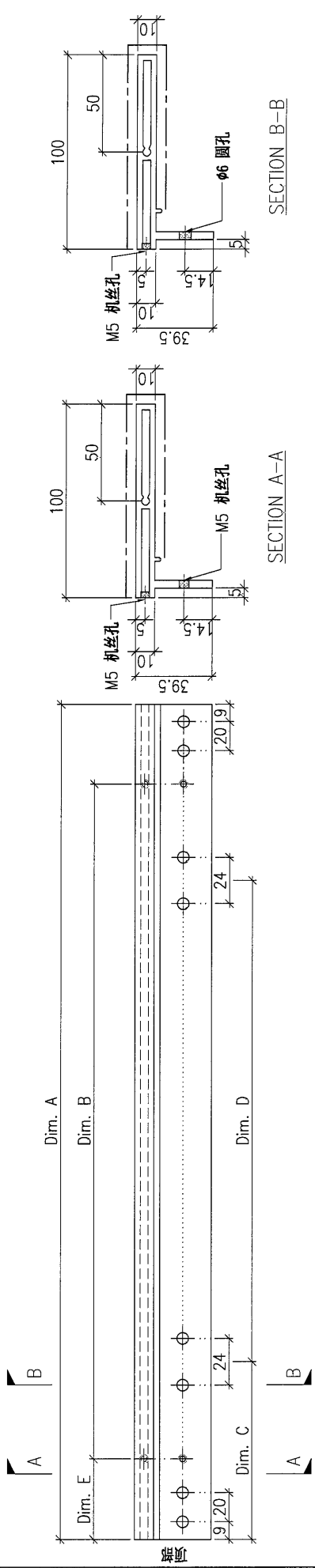


DWG. NO.		P2-AL-H09		REV.		A		SCALE		-		DATE		08-07-2024		DRAWN BY		-		APPROVED BY		-	
----------	--	-----------	--	------	--	---	--	-------	--	---	--	------	--	------------	--	----------	--	---	--	-------------	--	---	--

PROJECT: YIN PING ROAD KOWLOON FEATURE WALL (PHASE 2) MATERIAL: 铝型材 (X86425) COLOUR: JMQ218640(SS-03) MARK. NO. - QTY. -

REV.	CHECKED/DATE	PART NUMBER	Dim. A	Dim. B	Dim. C	Dim. D	Dim. E	Dim. F	Dim. G	Dim. H	QTY.	Inv. Code	COATING	ASSEMBLE ON PARTS
-		P2-AL-H10	2415	8X@275c/c	190	3X@650c/c	80				7		PVF2	ASSEMBLE ON PARTS

注: 工厂用



DWG. NO.	REV.	SCALE	DATE	DRAWN BY	APPROVED BY
P2-AL-H10	A	-	08-07-2024	-	-