



工程指示 / 要求簡箋 ENGINEER INSTRUCTIONS (E.I.)

工程指示編號:	EI- 8026	修改版本:	-
	HK- 1073		
工程編號:	J 853	工程名稱:	延坪道 (第2期)
收件人:	生統	發件人:	Jingo
工程項目:	Feature wall 飾線 鋁料加工圖 地盤 Part 5.	日期:	8/7/2024

<input type="checkbox"/> 原合約工程包	<input type="checkbox"/> 原合約工程加 / 減賬 QT-	<input type="checkbox"/> 新工程報價 QT-
---------------------------------	--	------------------------------------

信件批核號碼/圖紙參考編號:	批核模具圖紙編號:
客戶指示附件:	管理內部批簽署:

<input type="checkbox"/> 初步鋁料 B.M.	<input type="checkbox"/> 加工拆圖, 然後生產	<input type="checkbox"/> 尺寸表
<input type="checkbox"/> 正式鋁料 B.M.	<input type="checkbox"/> 技術上資料 / 指示	<input type="checkbox"/> 報價
<input type="checkbox"/> 配件 B.M.	<input type="checkbox"/> 樣辦或貨品說明書	<input type="checkbox"/> 分判合約
<input type="checkbox"/> 其他:		

內容:

分屋出貨

完成上列要求日期 22/7/2024

國內

<input type="checkbox"/> 生產技術總監	<input type="checkbox"/> 連附件	<input type="checkbox"/> 技術部	<input type="checkbox"/> 連附件	<input type="checkbox"/> 生產部	<input type="checkbox"/> 連附件
<input type="checkbox"/> 採購部	<input type="checkbox"/> 連附件	<input checked="" type="checkbox"/> 生產統籌部	<input checked="" type="checkbox"/> 連附件	<input type="checkbox"/> 報關組	<input type="checkbox"/> 連附件
<input type="checkbox"/> 質檢部	<input type="checkbox"/> 連附件	<input type="checkbox"/> 會計部	<input type="checkbox"/> 連附件	<input type="checkbox"/> 機械設計部	<input type="checkbox"/> 連附件
<input type="checkbox"/> 香港辦	<input type="checkbox"/> 連附件	<input type="checkbox"/> 其他:			

香港

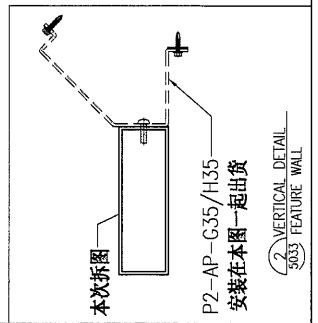
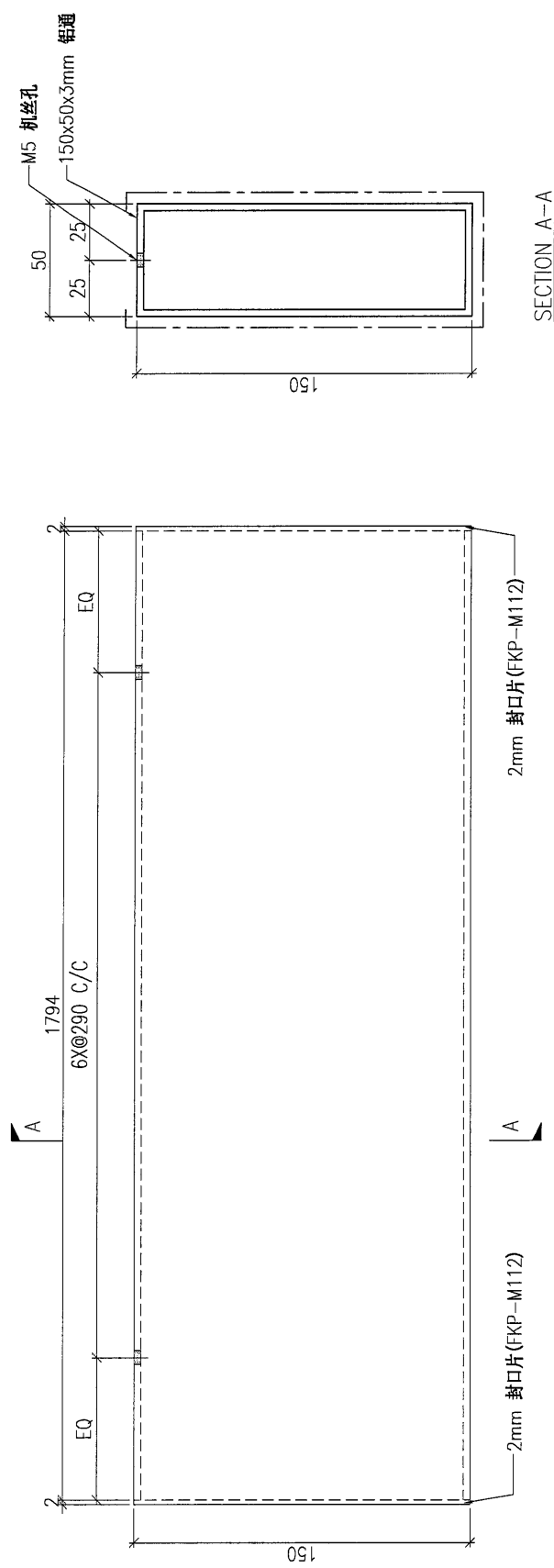
<input type="checkbox"/> 行政部	<input type="checkbox"/> 連附件	<input type="checkbox"/> 會計部	<input type="checkbox"/> 連附件	<input type="checkbox"/> 統籌部	<input type="checkbox"/> 連附件	<input type="checkbox"/> 工程部	<input type="checkbox"/> 連附件
<input type="checkbox"/> 採購部	<input type="checkbox"/> 連附件	<input type="checkbox"/> QS部	<input type="checkbox"/> 連附件	<input checked="" type="checkbox"/> 地盤管理	<input checked="" type="checkbox"/> 連附件	<input type="checkbox"/> 維修部	<input type="checkbox"/> 連附件

*發件人簽署:	*組別成員批核簽署:
傳遞編號:	項目經理簽署:

PROJECT YIN PING ROAD KOWLOON FEATURE WALL (PHASE 2) MATERIAL 铝通加工图(JMFG0078) COATING PVF2 MARK. NO. - QTY. -

REV.	CHANGED DATE BY	PART NUMBER	Dim. A	Dim. B	Dim. C	Dim. D	Dim. E	Dim. F	Dim. G	Dim. H	QTY.	Inv. Code	ASSEMBLE ON PARTS
-		P2-AL-G35	-	-	-	-	-	-	-	-	11		注: 用于 G 区域
-		P2-AL-H35	-	-	-	-	-	-	-	-	13		注: 用于 H 区域

注: 地盘用



DWG. NO. P2-AL-GH35 REV. - SCALE - DATE 13-04-2024 DRAWN BY - APPROVED BY -

PROJECT: YIN PING ROAD KOWLOON FEATURE WALL (PHASE 2)

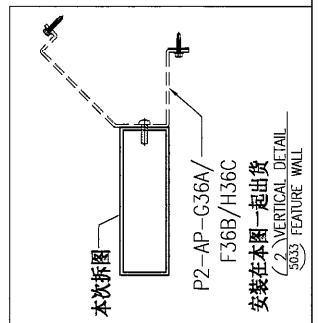
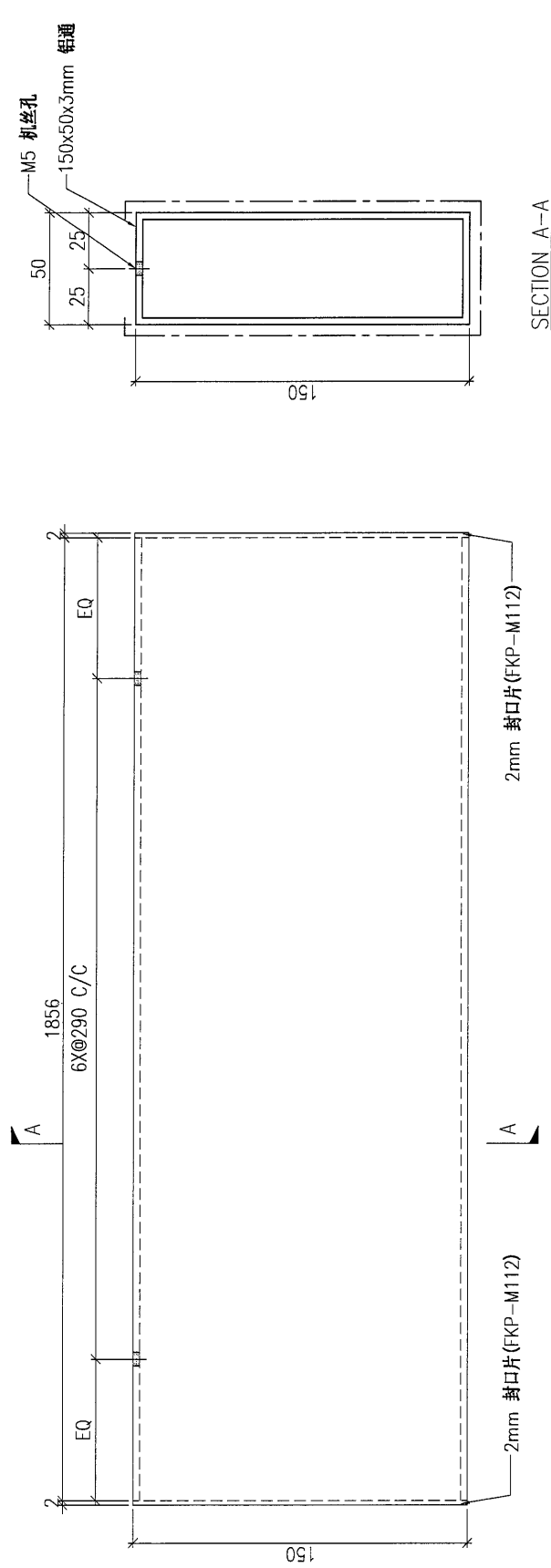
REV.	CHECKED DATE BY	PART NUMBER	Dim. A	Dim. B	Dim. C	Dim. D	Dim. E	Dim. F	Dim. G	Dim. H	QTY.	Inv. Code	COATING	MATERIAL	COLOUR	MARK. NO.	QTY.
-		P2-AL-G36A	-	-	-	-	-	-	-	-	5		PVF2	铝通加工图(JMFG0078)	JMQ213457(SS-01)	-	-
-		P2-AL-F36B	-	-	-	-	-	-	-	-	2			ASSEMBLE ON PARTS			
-		P2-AL-H36C	-	-	-	-	-	-	-	-	1						

注: 地盘用

注: 用于 G 区域

注: 用于 F 区域

注: 用于 H 区域

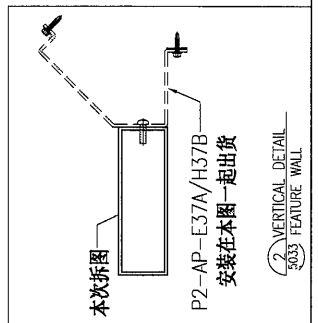
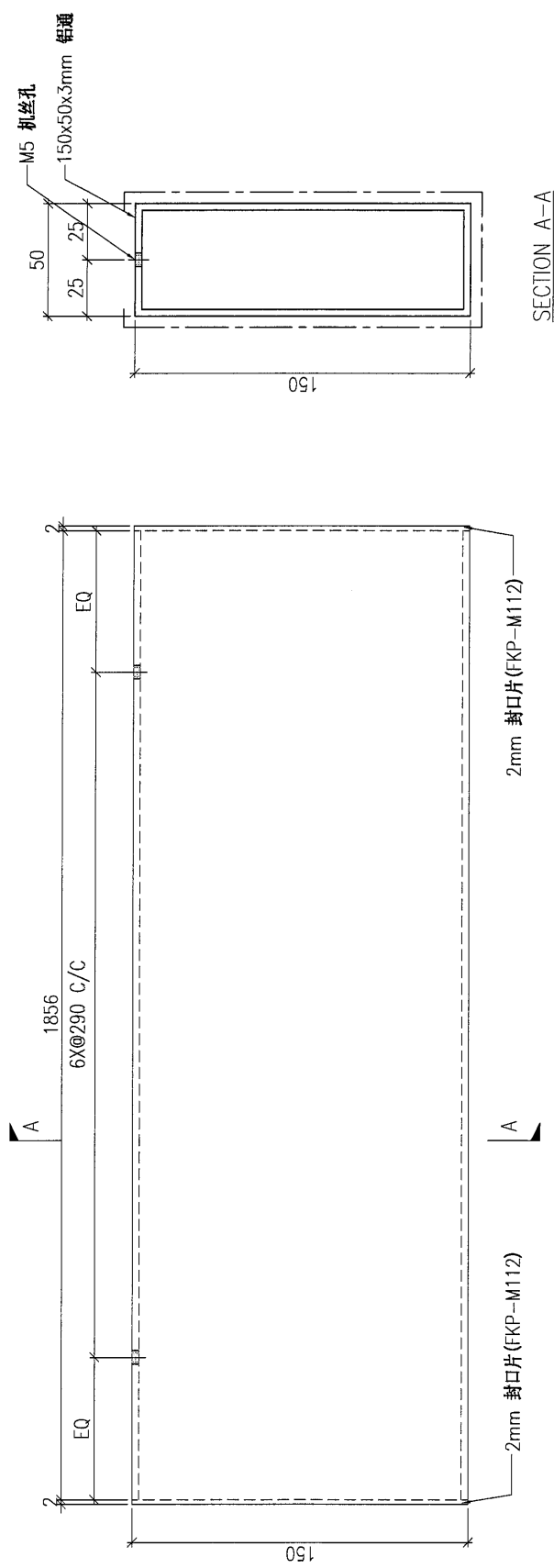


DWG. NO.	REV.	SCALE	DATE	DRAWN BY	APPROVED BY
P2-AL-GH36	-	-	13-04-2024	-	-

PROJECT		YIN PING ROAD KOWLOON FEATURE WALL (PHASE 2)				MATERIAL				铝通加工图(JMFG0078)				COATING		PVF2		COLOUR		JMQ213457(SS-01)		MARK. NO.		-		QTY.		-	
---------	--	--	--	--	--	----------	--	--	--	-----------------	--	--	--	---------	--	------	--	--------	--	------------------	--	-----------	--	---	--	------	--	---	--

REV.	CHANGED DATE BY	PART NUMBER	Dim. A	Dim. B	Dim. C	Dim. D	Dim. E	Dim. F	Dim. G	Dim. H	QTY.	Inv. Code	ASSEMBLE ON PARTS													
-		P2-AL-E37A	-	-	-	-	-	-	-	-	3		注: 用于 E 区域													
-		P2-AL-H37B	-	-	-	-	-	-	-	-	1		注: 用于 H 区域													

注: 地盘用



DWG. NO.	P2-AL-EH37	REV.	-	SCALE	-	DATE	13-04-2024	DRAWN BY	-	APPROVED BY	-
----------	------------	------	---	-------	---	------	------------	----------	---	-------------	---

PROJECT
YIN PING ROAD KOWLOON
FEATURE WALL (PHASE 2)

MATERIAL
网格组装图

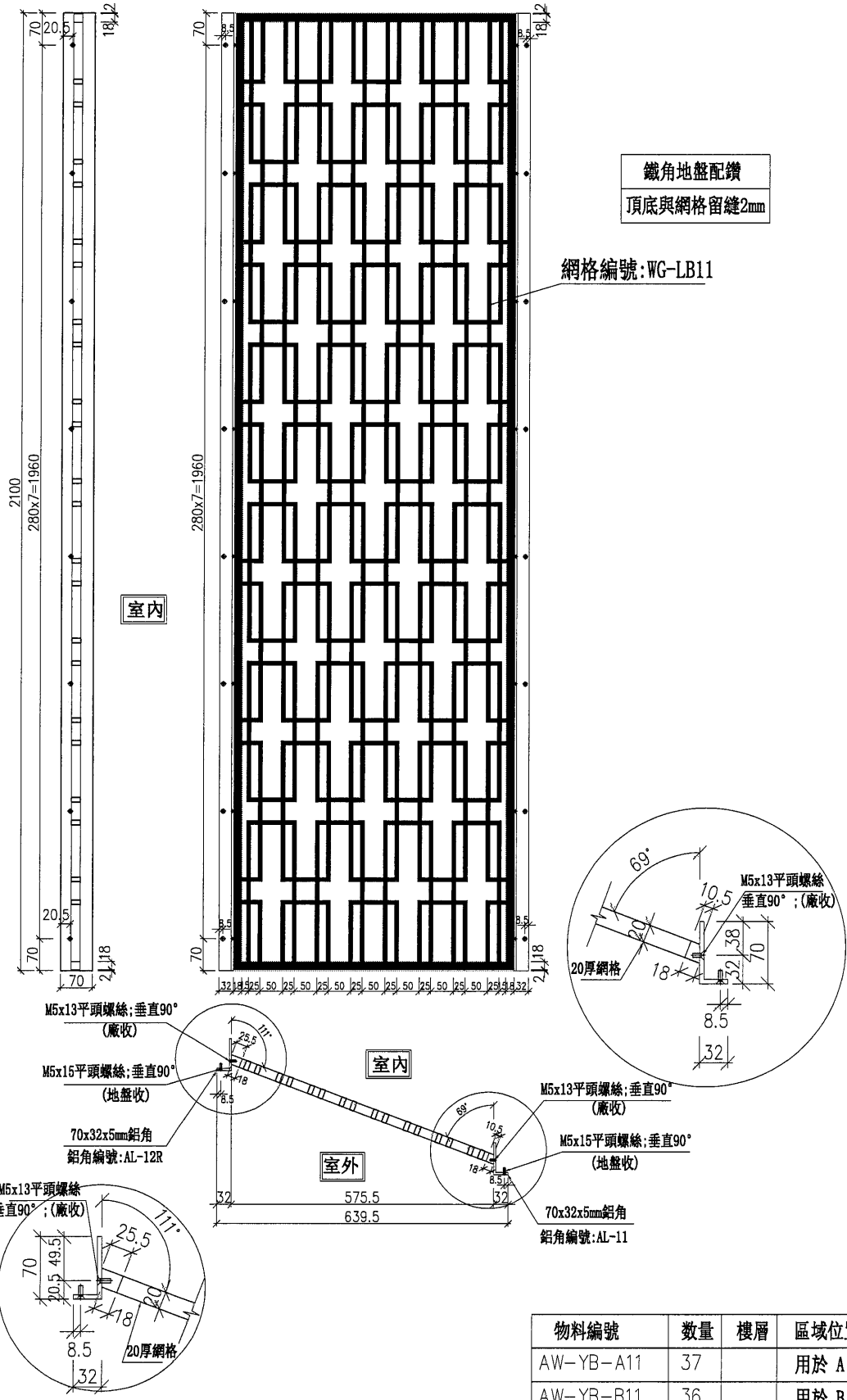
COATING
PF2

COLOUR
(SS-01)

MARK. NO.
-

QTY.
-

REV.	CHECKED DATE BY	PART NUMBER	Dim. A	Dim. B	Dim. C	Dim. D	Dim. E	Dim. F	Dim. G	Dim. H	QTY.	Inv. Code	ASSEMBLE ON PARTS



物料編號	数量	樓層	區域位置
AW-YB-A11	37		用於 A 區
AW-YB-B11	36		用於 B 區
合計:	73		

注: 地盤用

DWG. NO. AW-YB-AB11
REV. -
SCALE -
DATE 13-04-2024
DRAWN BY -
APPROVED BY -

室外

室內

室內

室外

PROJECT
YIN PING ROAD KOWLOON
FEATURE WALL (PHASE 2)

MATERIAL
网格组装图

COATING
PVF2

COLOUR
(SS-01)

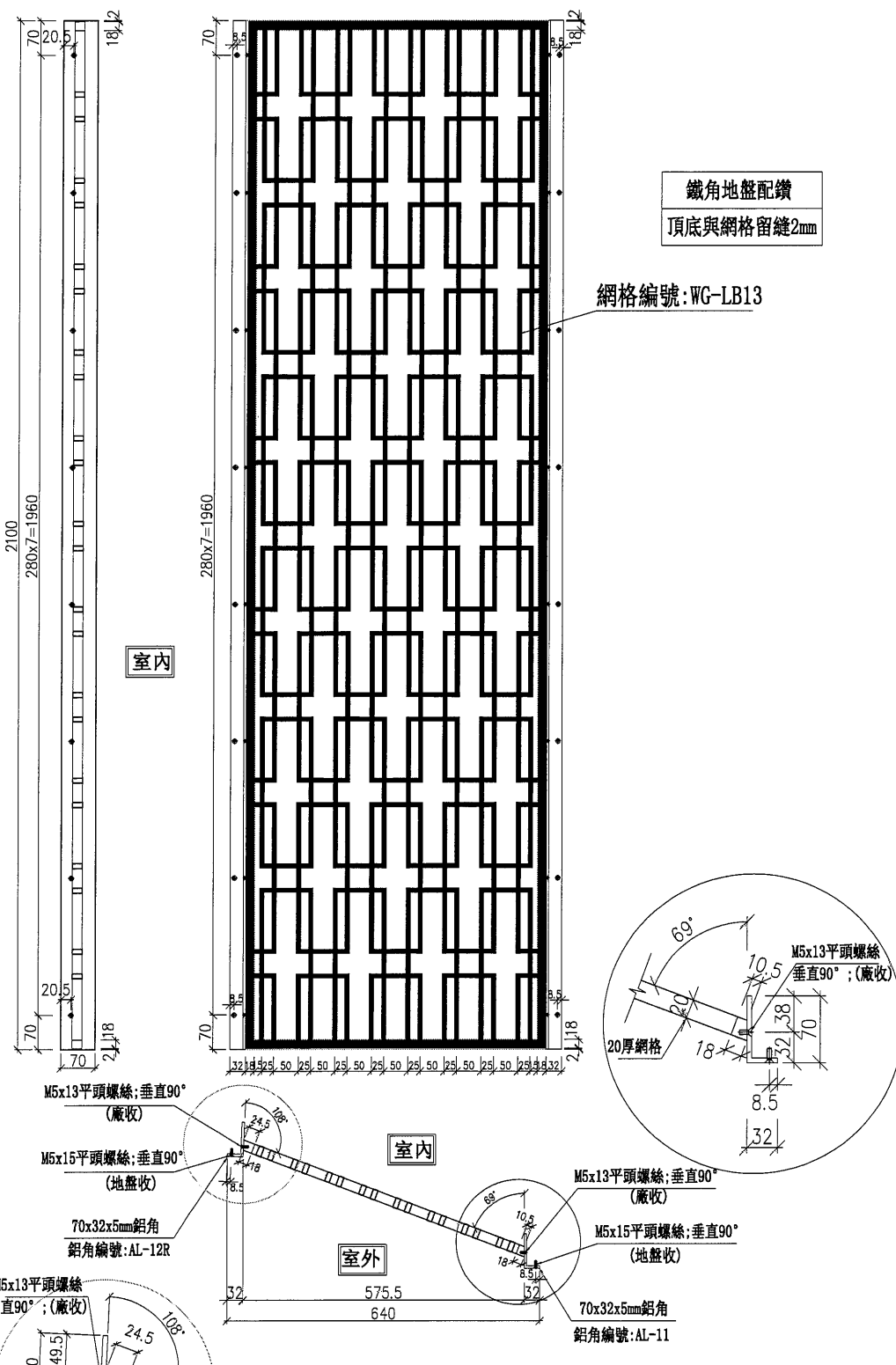
MARK. NO.

QTY.

REV.	CHECKED DWG BY	PART NUMBER	Dim. A	Dim. B	Dim. C	Dim. D	Dim. E	Dim. F	Dim. G	Dim. H	QTY.	Inv. Code	ASSEMBLE ON PARTS

注：地盤用

物料編號	数量	樓層	區域位置
AW-YB-A11a	4		用於 A 區
合計:	4		



DWG. NO.	REV.	SCALE	DATE	DRAWN BY	APPROVED BY
AW-YB-A11a	-	-	13-04-2024	-	-

PROJECT
YIN PING ROAD KOWLOON
FEATURE WALL (PHASE 2)

MATERIAL
网格组装图

COATING
PVF2

COLOUR
(SS-01)

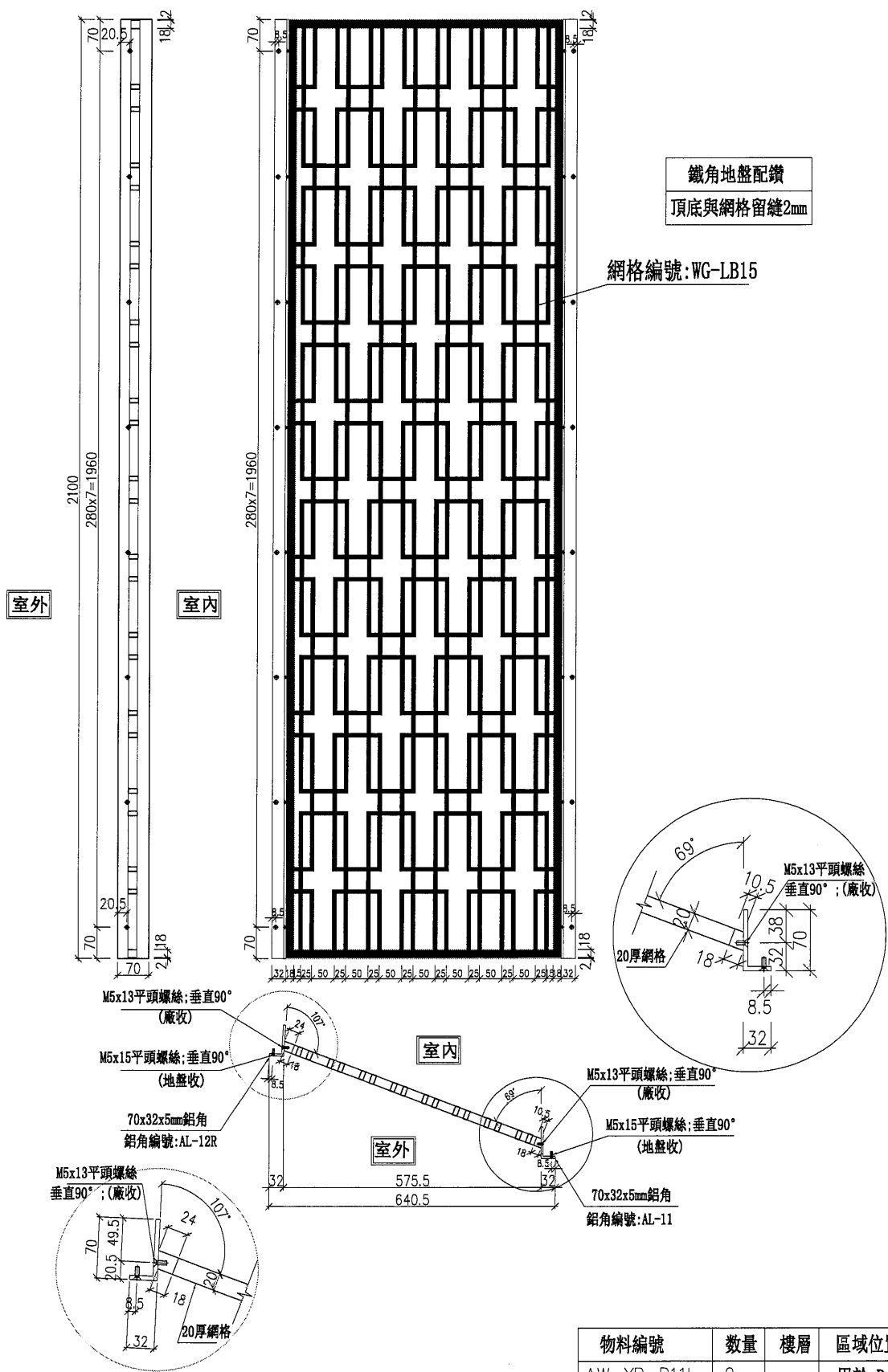
MARK. NO.

QTY.

REV.	CHECKED DATE BY	PART NUMBER	Dim. A	Dim. B	Dim. C	Dim. D	Dim. E	Dim. F	Dim. G	Dim. H	QTY.	Inv. Code	ASSEMBLE ON PARTS

注：地盤用

物料編號	数量	樓層	區域位置
AW-YB-B11b	2		用於 B 區
合計:	2		



DWG. NO.	REV.	SCALE	DATE	DRAWN BY	APPROVED BY
AW-YB-B11b	-	-	13-04-2024	-	-

PROJECT
YIN PING ROAD KOWLOON
FEATURE WALL (PHASE 2)

MATERIAL
网格组装图

COATING
PVF2

COLOUR
(SS-01)

MARK. NO.

QTY.

REV.
DATE

PART NUMBER

Dim. A

Dim. B

Dim. C

Dim. D

Dim. E

Dim. F

Dim. G

Dim. H

QTY.

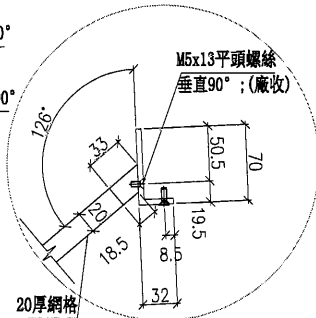
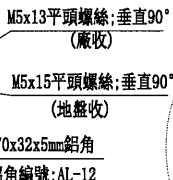
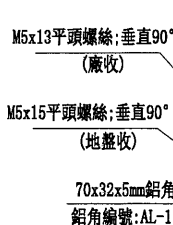
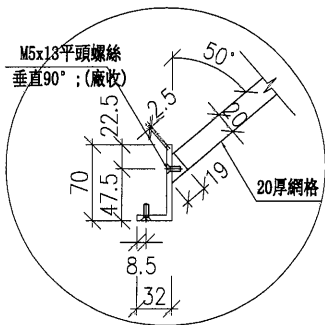
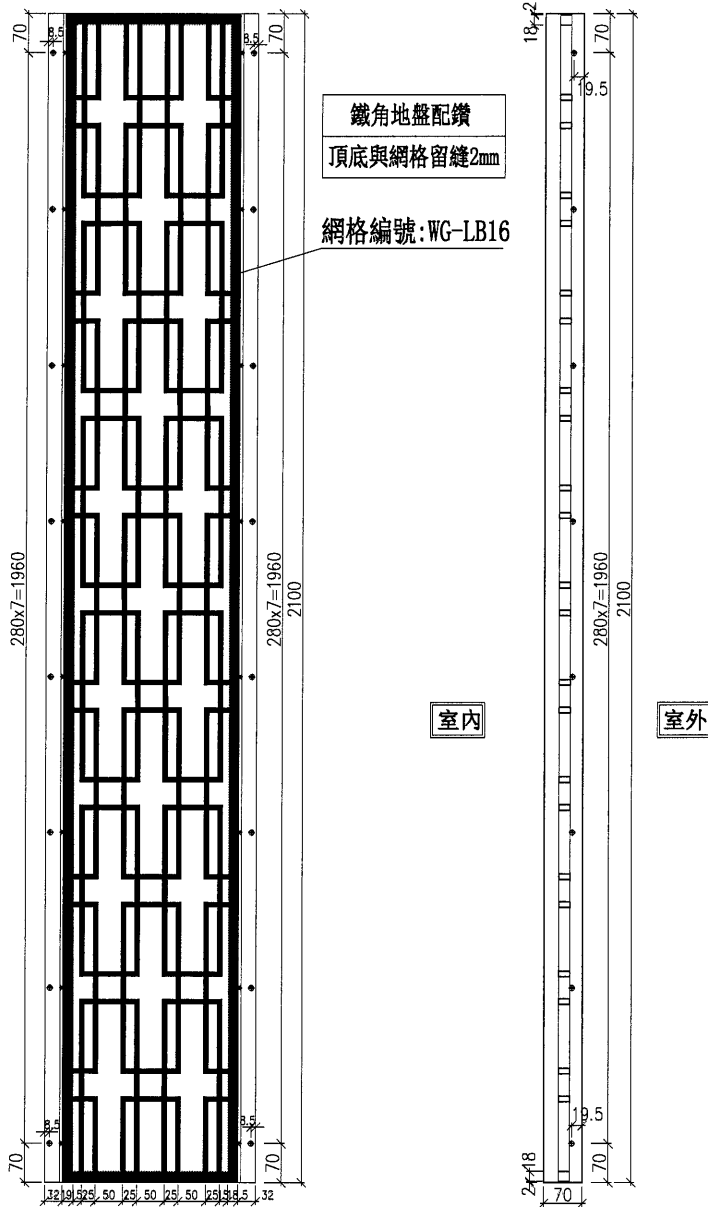
Inv. Code

ASSEMBLE ON PARTS

ASSEMBLE ON PARTS

注: 地盤用

物料編號	數量	樓層	區域位置
AW-YB-B14b	2		用於 B 區
合計:	2		



DWG. NO.

AW-YB-B14b

REV.

SCALE

DATE
13-04-2024

DRAWN BY

APPROVED BY

PROJECT
YIN PING ROAD KOWLOON
FEATURE WALL (PHASE 2)

MATERIAL
70x320mm鋁角(用75x65x6鋁角切)(JM1034)

COATING
PVF2

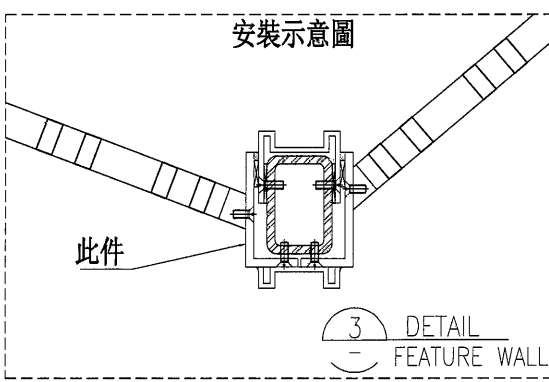
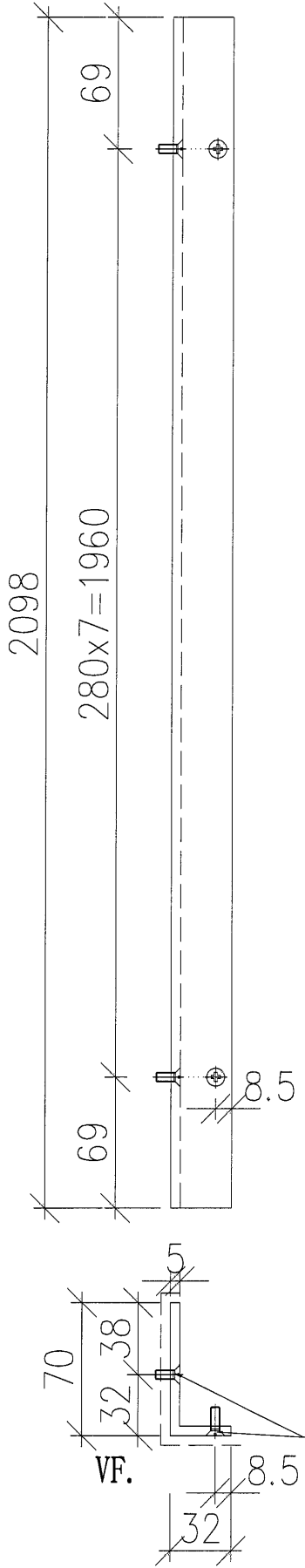
COLOUR
JM0213457(SS-01)

MARK. NO.
-

QTY.
-

REV.	CHANGED BY	PART NUMBER	Dim. A	Dim. B	Dim. C	Dim. D	Dim. E	Dim. F	Dim. G	Dim. H	QTY.	Inv. Code

ASSEMBLE ON PARTS	QTY.



物料編號	數量	樓層	區域位置
AL-11	77		用於 A/B 區
合計:	77		

DWG. NO.	AL-11	REV.	-	SCALE	-	DATE	13-04-2024	DRAWN BY		APPROVED BY	
----------	-------	------	---	-------	---	------	------------	----------	--	-------------	--

PROJECT
YIN PING ROAD KOWLOON
FEATURE WALL (PHASE 2)

MATERIAL
70x226mm 鋁角 (用 75X65X6 鋁角物) (JM1034)

COATING
PVF2

COLOUR
JM0213457(SS-01)

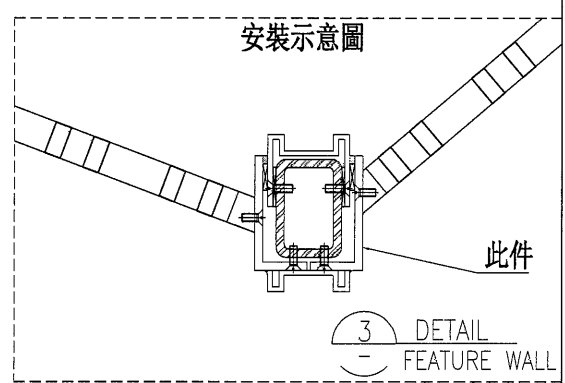
MARK. NO.
-

QTY.
-

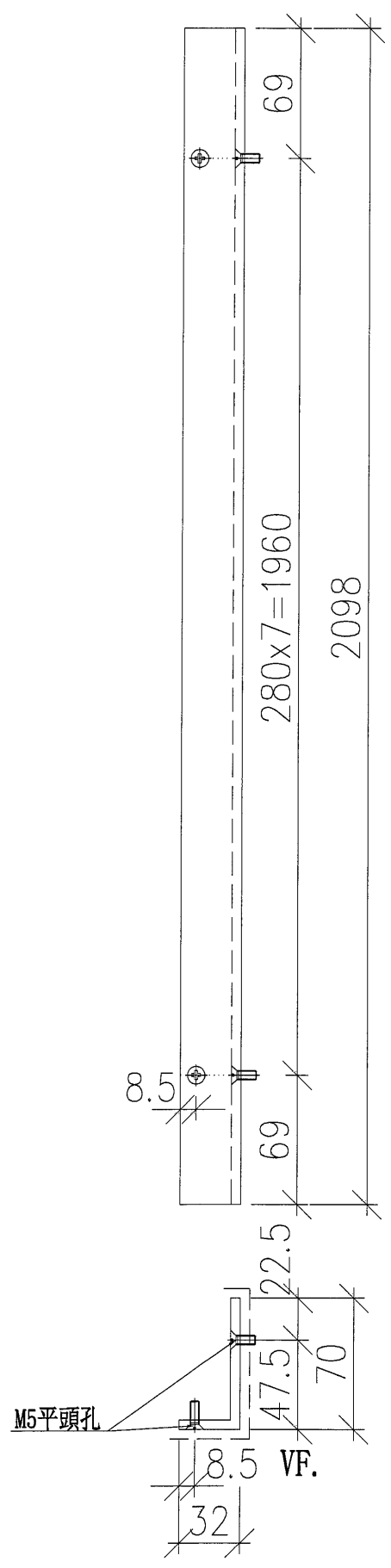
REV.	CHANGED BY	PART NUMBER	Dim. A	Dim. B	Dim. C	Dim. D	Dim. E	Dim. F	Dim. G	Dim. H	QTY.	Inv. Code

ASSEMBLE ON PARTS

廠用



物料編號	數量	樓層	區域位置
AL-11R	77		用於 A/B 區
合計:	77		



DWG. NO.	AL-11R	REV.	-	SCALE	-	DATE	13-04-2024	DRAWN BY	-	APPROVED BY	-
----------	--------	------	---	-------	---	------	------------	----------	---	-------------	---

PROJECT
YIN PING ROAD KOWLOON
FEATURE WALL (PHASE 2)

MATERIAL
70x226mm鋁角(用75x65x6鋁角物)(JM1034)

COATING
PVF2

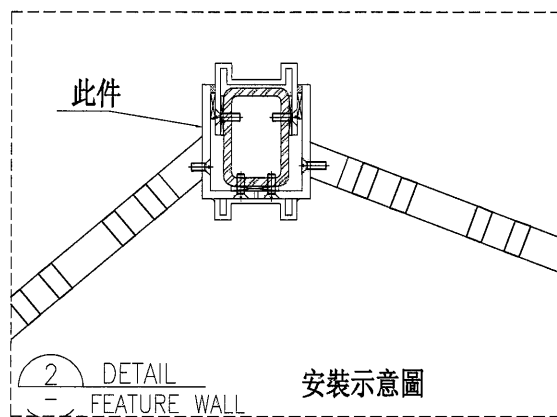
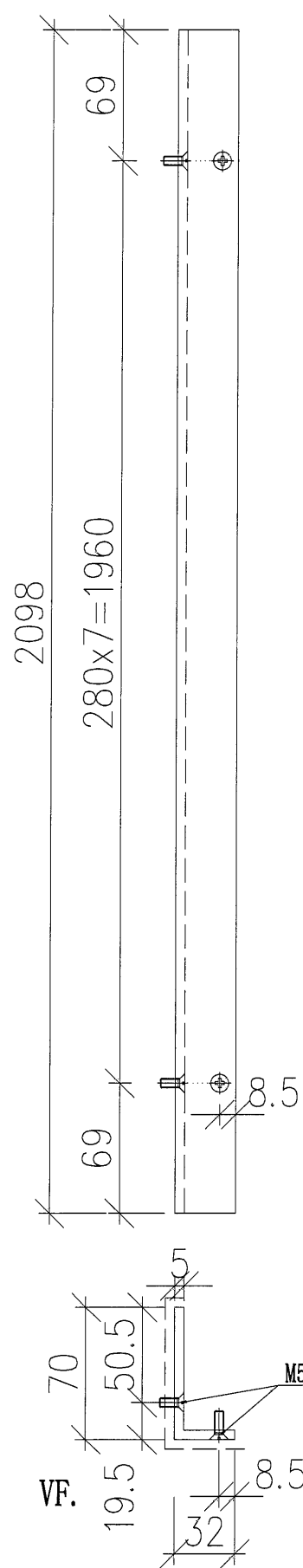
COLOUR
JM0213457(SS-01)

MARK. NO.
-

QTY.
-

REV. / DWG. NO.	PART NUMBER	Dim. A	Dim. B	Dim. C	Dim. D	Dim. E	Dim. F	Dim. G	Dim. H	QTY.	Inv. Code	ASSEMBLE ON PARTS

廠用



物料編號	數量	樓層	區域位置
AL-12	77		用於 A/B 區
合計:	77		

DWG. NO.	AL-12	REV.	-	SCALE	-	DATE	13-04-2024	DRAWN BY	-	APPROVED BY	-
----------	-------	------	---	-------	---	------	------------	----------	---	-------------	---

PROJECT
YIN PING ROAD KOWLOON
FEATURE WALL (PHASE 2)

MATERIAL
70x226mm 鋁角(用75x65x6鋁角切)(JM1034)

COATING
PVF2

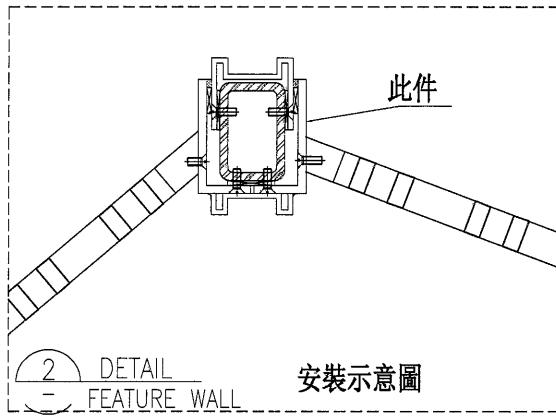
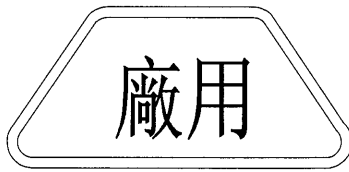
COLOUR
JMQ213457(SS-01)

MARK. NO.
-

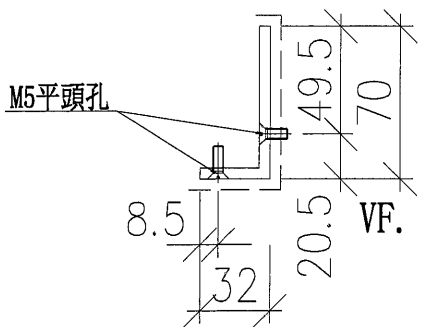
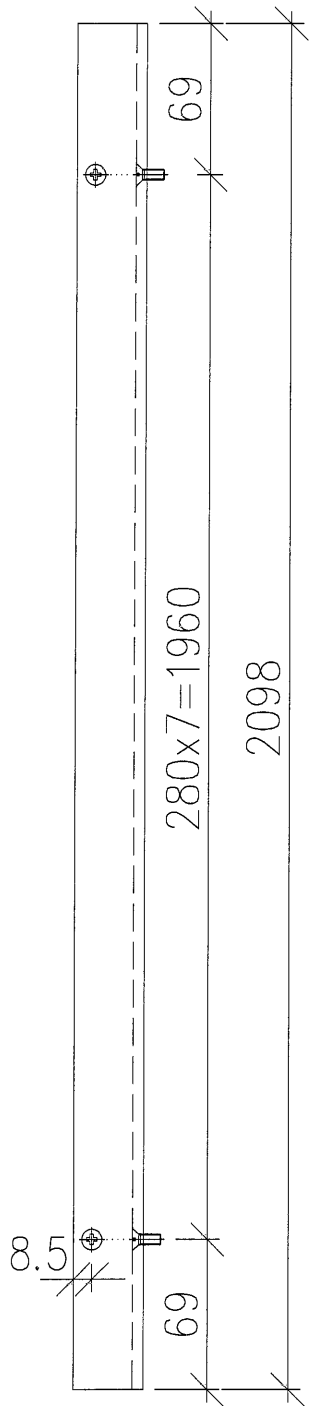
QTY.
-

REV.	CHECKED	PART NUMBER	Dim. A	Dim. B	Dim. C	Dim. D	Dim. E	Dim. F	Dim. G	Dim. H	QTY.	Inv. Code

ASSEMBLE ON PARTS



物料編號	數量	樓層	區域位置
AL-12R	77		用於 A/B 區
合計:	77		



DWG. NO.	REV.	SCALE	DATE	DRAWN BY	APPROVED BY
AL-12R	-	-	13-04-2024	-	-

PROJECT
YIN PING ROAD KOWLOON
FEATURE WALL (PHASE 2)

MATERIAL
70x32x6mm鋸角(用75x65x6鋸角切)(JM1034)

COATING
PVF2

COLOUR
JM0213457(SS-01)

MARK. NO.
-

QTY.
-

REV.

CHECKED
BY

PART NUMBER

Dim. A

Dim. B

Dim. C

Dim. D

Dim. E

Dim. F

Dim. G

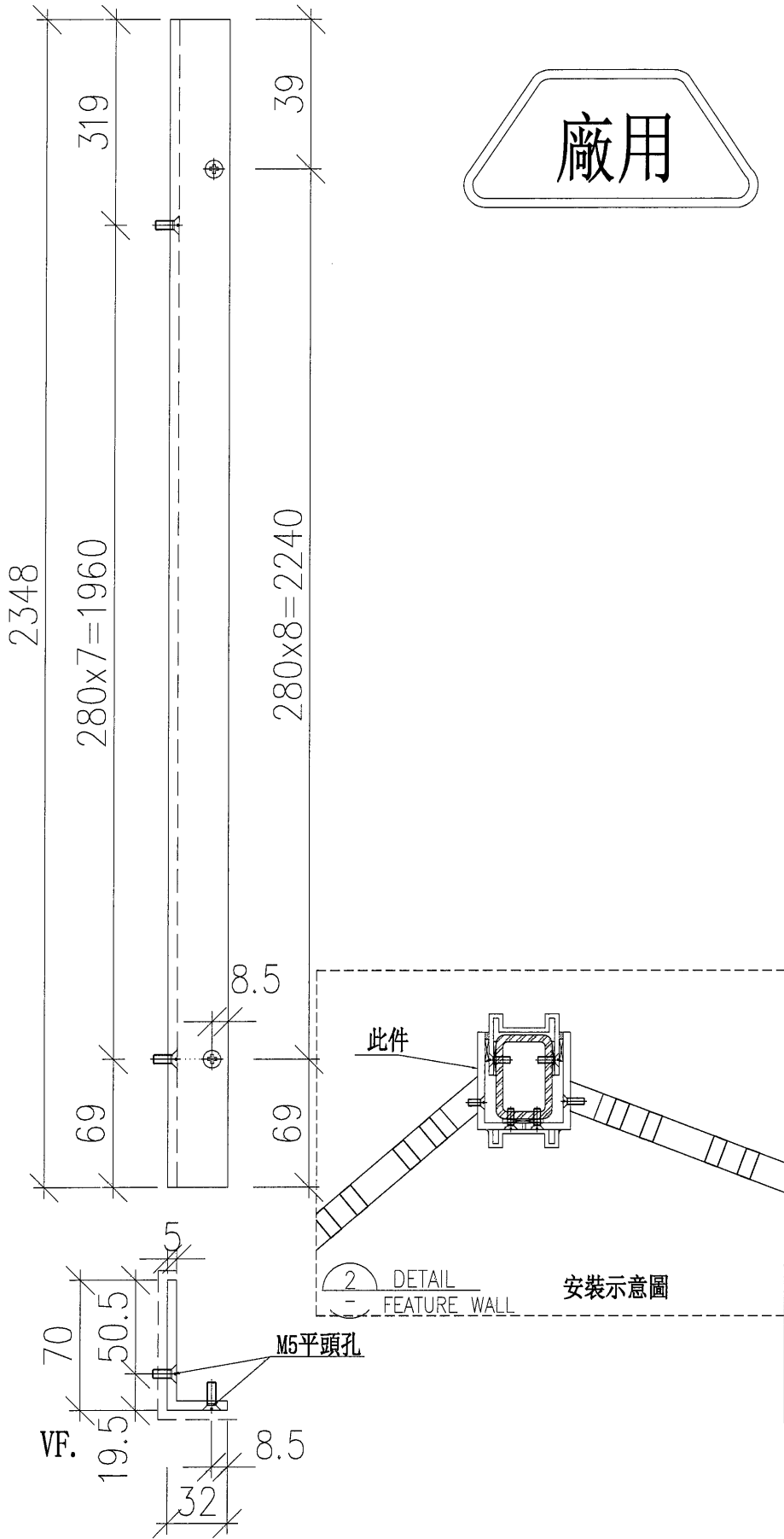
Dim. H

QTY.

Inv. Code

ASSEMBLE ON PARTS

廠用



安裝示意圖

此件

2 DETAIL
- FEATURE WALL

M5平頭孔

VF.

物料編號	數量	樓層	區域位置
AL-13	5		用於 A 區
合計:	5		

DWG. NO.

AL-13

REV.

-

SCALE

-

DATE

13-04-2024

DRAWN BY

-

APPROVED BY

-

PROJECT
YIN PING ROAD KOWLOON
FEATURE WALL (PHASE 2)

MATERIAL
70x32x6mm 鋁角(用75x65x6鋁角切)JM1034

COATING
PF2

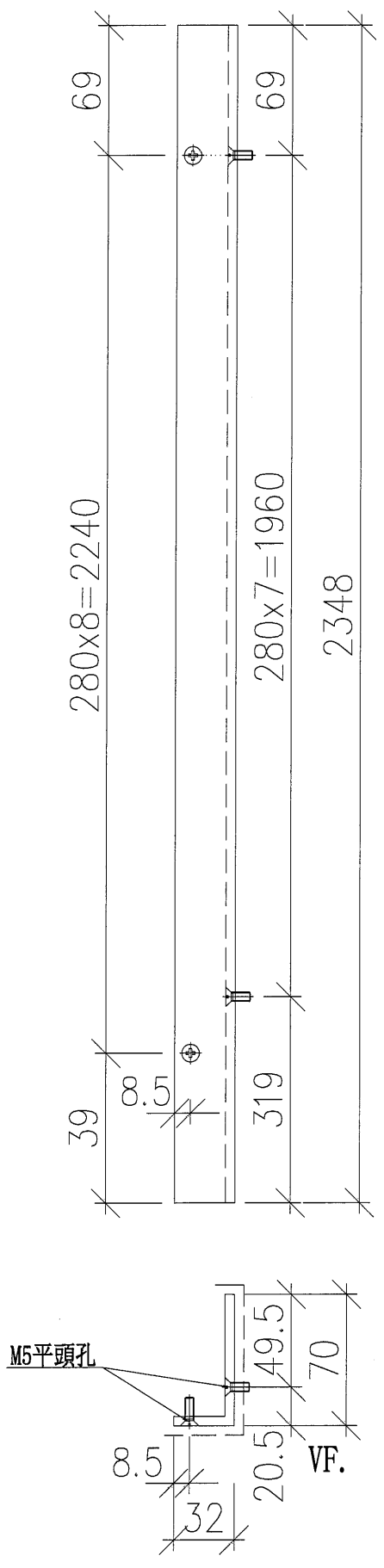
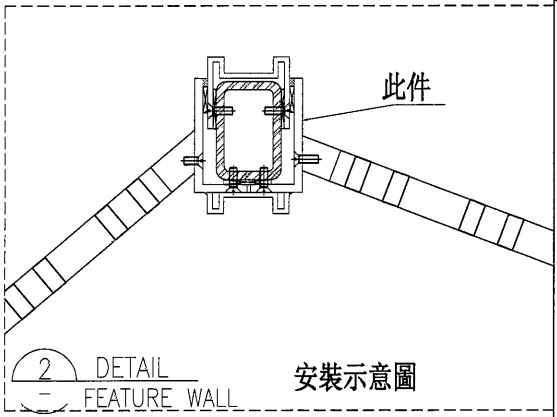
COLOUR
JM021 3457(SS-01)

MARK. NO.
-

QTY.
1

CHKD BY	PART NUMBER	Dim. A	Dim. B	Dim. C	Dim. D	Dim. E	Dim. F	Dim. G	Dim. H	QTY.	Inv. Code

廠用



物料編號	數量	樓層	區域位置
AL-13R	5		用於 A 區
合計:	5		

DWG. NO.	AL-13R	REV.	-	SCALE	-	DATE	13-04-2024	DRAWN BY		APPROVED BY	
----------	--------	------	---	-------	---	------	------------	----------	--	-------------	--

PROJECT
YIN PING ROAD KOWLOON
FEATURE WALL (PHASE 2)

MATERIAL
70x20mm 鋁角 (用 75x65x6 鋁角切) JMQ1034

COATING
PVF2

COLOUR
JMQ213457(SS-01)

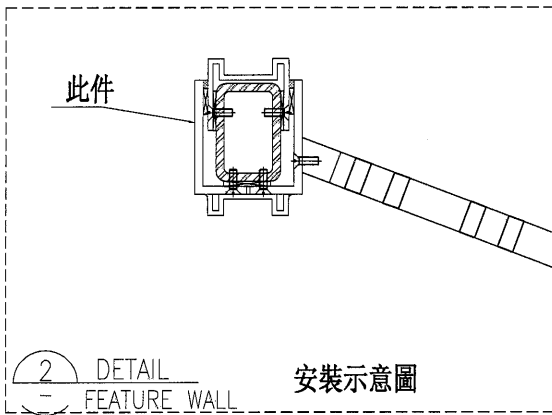
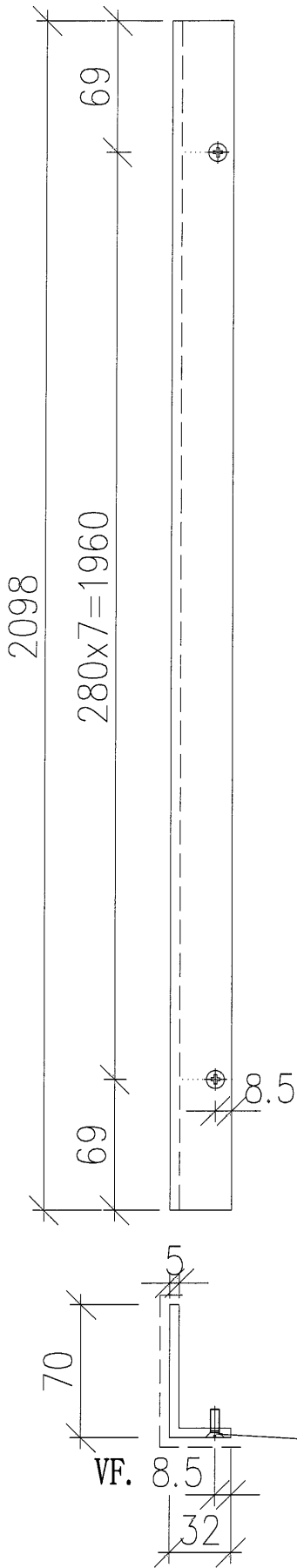
MARK. NO.
-

QTY.
-

REV. DATE BY	PART NUMBER	Dim. A	Dim. B	Dim. C	Dim. D	Dim. E	Dim. F	Dim. G	Dim. H	QTY.	Inv. Code
-	AL-14	-	-	-	-	-	-	-	-	-	-

ASSEMBLE ON PARTS

地盤用



物料編號	數量	樓層	區域位置
AL-A14	3		用於 A 區
AL-B14	3		用於 B 區
合計:	6		

DWG. NO.

AL-AB14

REV.

-

SCALE

-

DATE

13-04-2024

DRAWN BY

-

APPROVED BY

-

PROJECT
YIN PING ROAD KOWLOON
FEATURE WALL (PHASE 2)

MATERIAL
70x32x6mm鋁角(用75x65x6鋁角切)(JM1034)

COATING
PF2

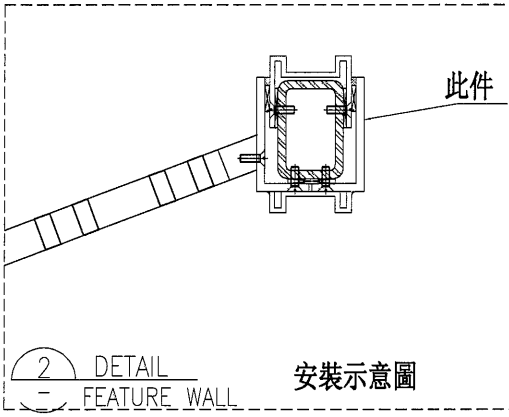
COLOUR
JM0213457(SS-01)

MARK. NO.
-

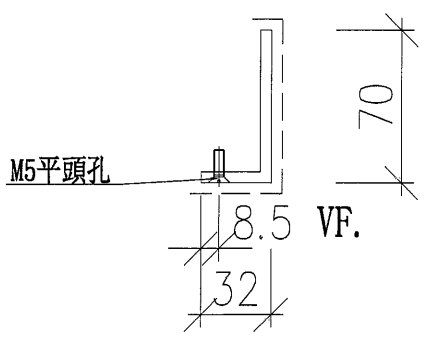
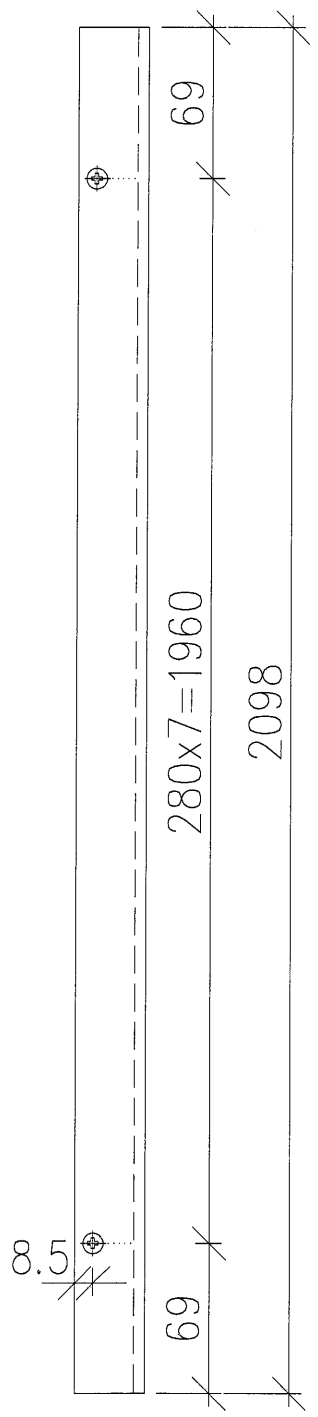
QTY.
-

checked DWG. BY	PART NUMBER	Dim. A	Dim. B	Dim. C	Dim. D	Dim. E	Dim. F	Dim. G	Dim. H	QTY.	Inv. Code	ASSEMBLE ON PARTS
-	AL-14R	-	-	-	-	-	-	-	-	-	-	-

地盤用



物料編號	數量	樓層	區域位置
AL-A14R	3		用於 A 區
AL-B14R	3		用於 B 區
合計:	6		



DWG. NO.	AL-AB14R	REV.	-	SCALE	-	DATE	13-04-2024	DRAWN BY	-	APPROVED BY	-
----------	----------	------	---	-------	---	------	------------	----------	---	-------------	---

PROJECT
YIN PING ROAD KOWLOON
FEATURE WALL (PHASE 2)

MATERIAL

輕型材(X86549)

COATING

PVF2

COLOUR

JMQ213457(SS-01)

MARK. NO.

-

QTY.

-

REV.
DRAW BY

PART NUMBER

Dim. A

Dim. B

Dim. C

Dim. D

Dim. E

Dim. F

Dim. G

Dim. H

QTY.

Inv. Code

ASSEMBLE ON PARTS

ASSEMBLE ON PARTS

ASSEMBLE ON PARTS

ASSEMBLE ON PARTS

ASSEMBLE ON PARTS

ASSEMBLE ON PARTS

ASSEMBLE ON PARTS

ASSEMBLE ON PARTS

ASSEMBLE ON PARTS

ASSEMBLE ON PARTS

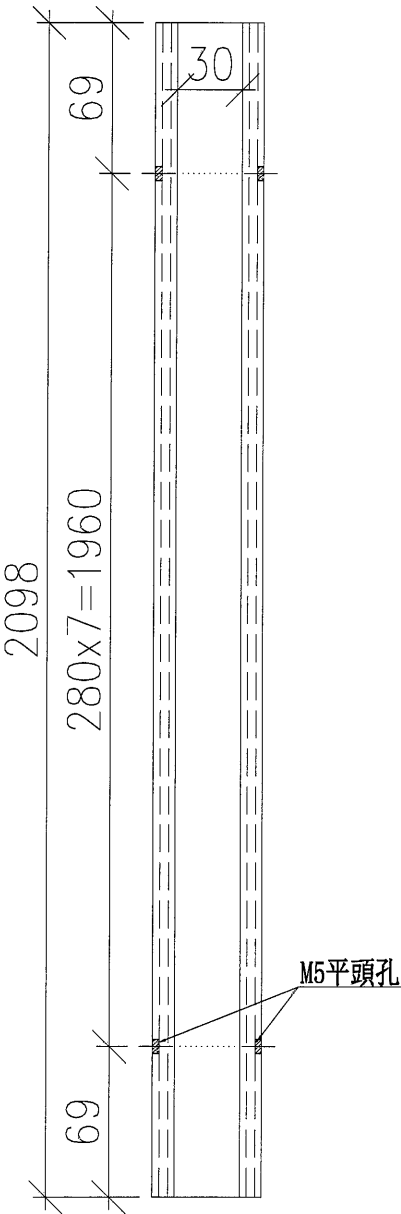
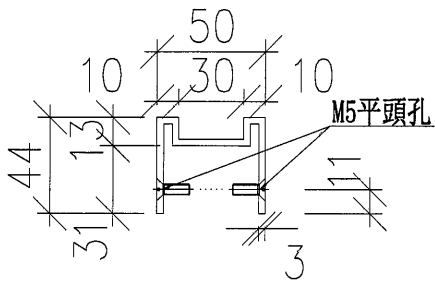
ASSEMBLE ON PARTS

ASSEMBLE ON PARTS

ASSEMBLE ON PARTS

ASSEMBLE ON PARTS

地盤用



物料編號	數量	樓層	區域位置
ML-A11	90		用於 A 區
ML-B11	80		用於 B 區
合計:	170		

DWG. NO.

ML-AB11

REV.

-

SCALE

-

DATE

13-04-2024

DRAWN BY

-

APPROVED BY

-

PROJECT
YIN PING ROAD KOWLOON
FEATURE WALL (PHASE 2)

MATERIAL
鋁型材(X86549)

COATING
PVF2

COLOUR
JM0213457(SS-01)

MARK. NO.
-

QTY.
-

REV.
DWG. BY

PART NUMBER

Dim. A

Dim. B

Dim. C

Dim. D

Dim. E

Dim. F

Dim. G

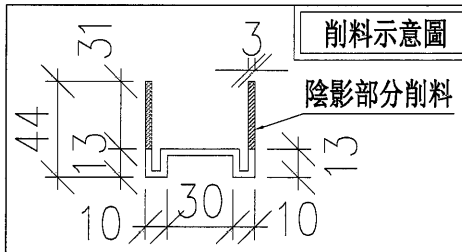
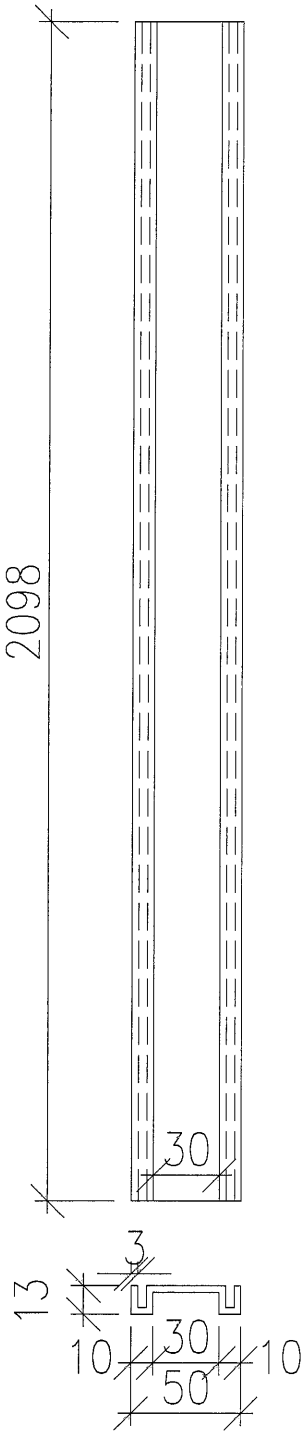
Dim. H

QTY.

Inv. Code

ASSEMBLE ON PARTS

地盤用



物料編號	數量	樓層	區域位置
ML-A11a	90		用於 A 區
ML-B11a	80		用於 B 區
合計:	170		

DWG. NO.

ML-AB11d

REV.

-

SCALE

-

DATE

13-04-2024

DRAWN BY

-

APPROVED BY

-

PROJECT
YIN PING ROAD KOWLOON
FEATURE WALL (PHASE 2)

MATERIAL

輕型材料(86549)

COATING

PVF2

COLOUR

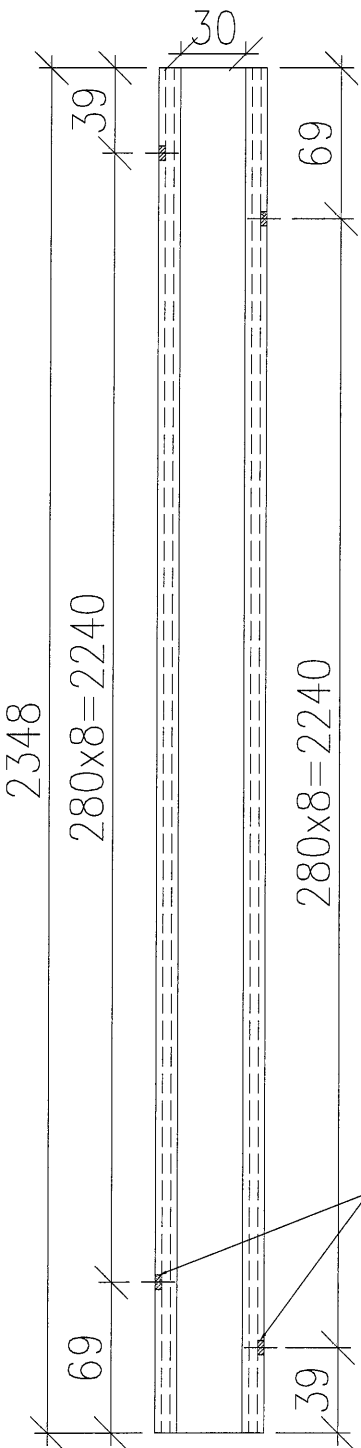
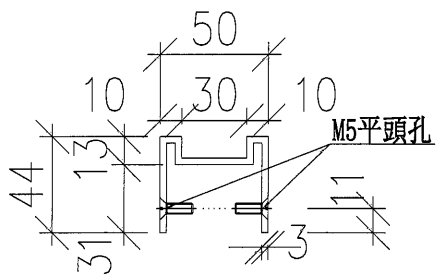
JMQ21 3457(SS-01)

MARK. NO.

QTY.

ASSEMBLE ON PARTS

REV. / DRAWN BY	PART NUMBER	Dim. A	Dim. B	Dim. C	Dim. D	Dim. E	Dim. F	Dim. G	Dim. H	QTY.	Inv. Code



物料編號	數量	樓層	區域位置
ML-A12	5		用於 A 區
合計:	5		

DWG. NO.	REV.	SCALE	DATE	DRAWN BY	APPROVED BY
ML-A12	-	-	13-04-2024	-	-

PROJECT
YIN PING ROAD KOWLOON
FEATURE WALL (PHASE 2)

MATERIAL
鋁型材(X86549)

COATING
PVF2

COLOUR
JM0213457(SS-01)

MARK. NO.
-

QTY.
-

REV.
ORIG
BY

PART NUMBER

Dim. A

Dim. B

Dim. C

Dim. D

Dim. E

Dim. F

Dim. G

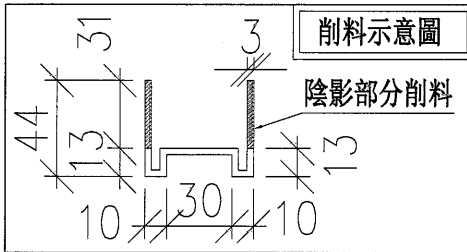
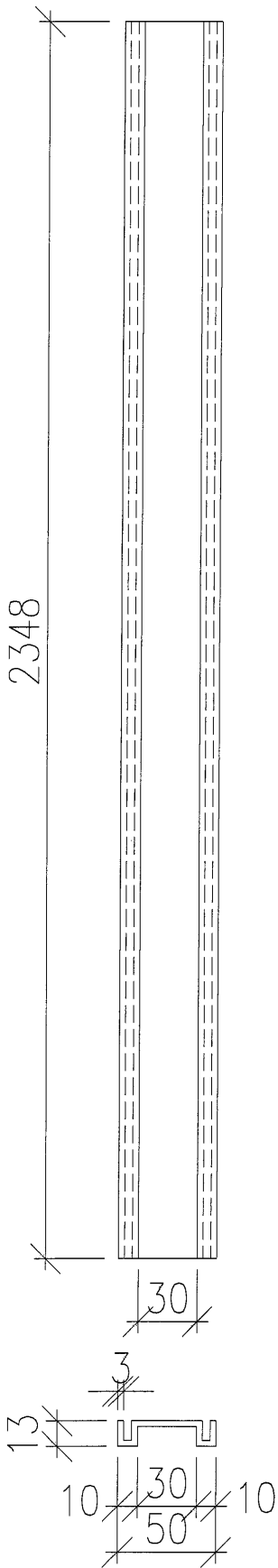
Dim. H

QTY.

Inv. Code

ASSEMBLE ON PARTS

地盤用



物料編號	數量	樓層	區域位置
ML-A12a	5		用於 A 區
合計:	5		

DWG. NO.

ML-A12a

REV.

-

SCALE

-

DATE

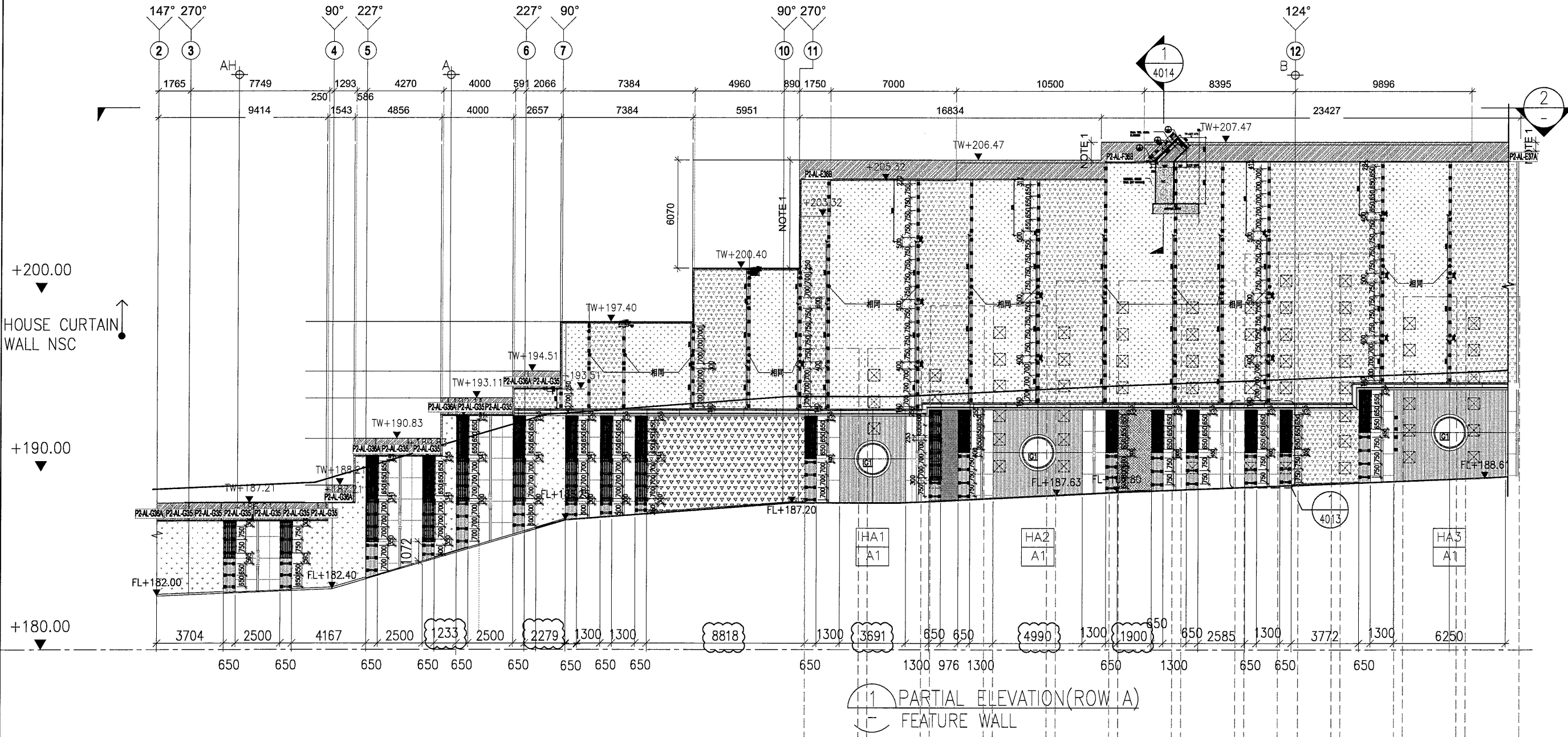
13-04-2024

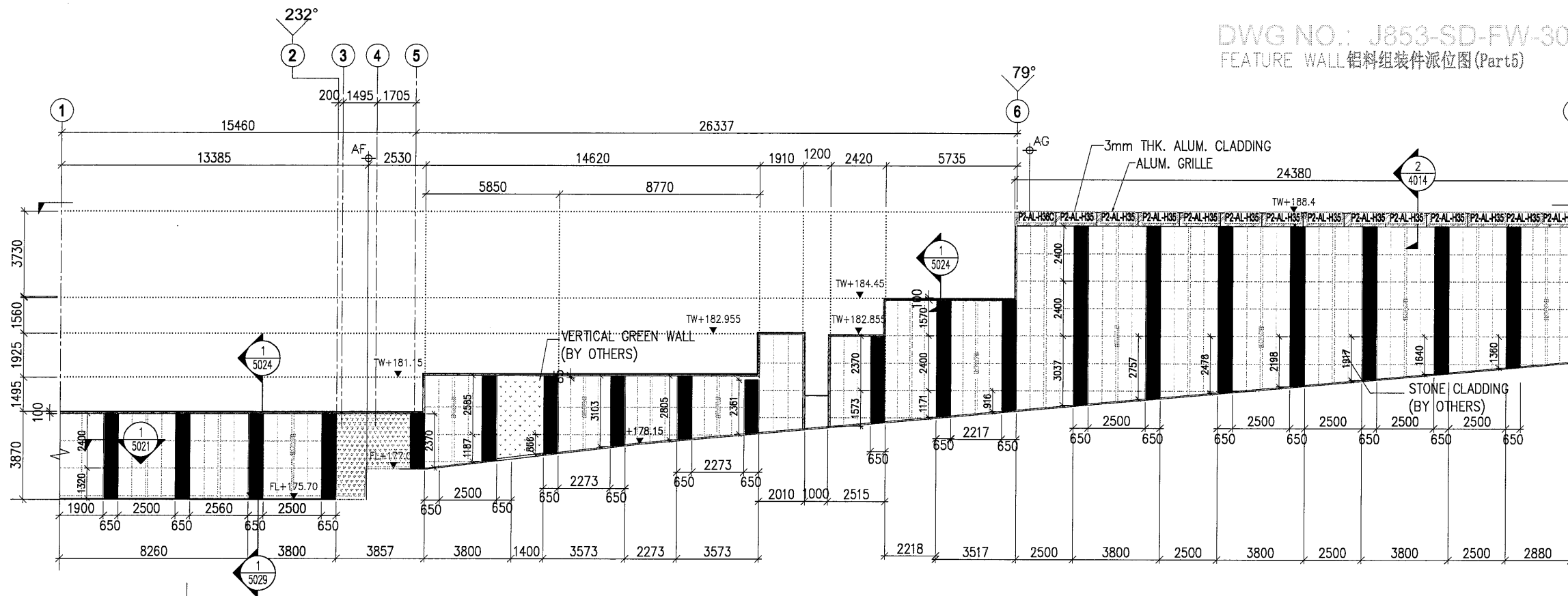
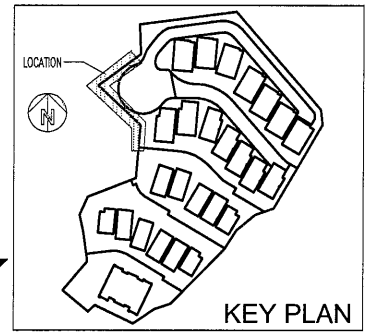
DRAWN BY

-

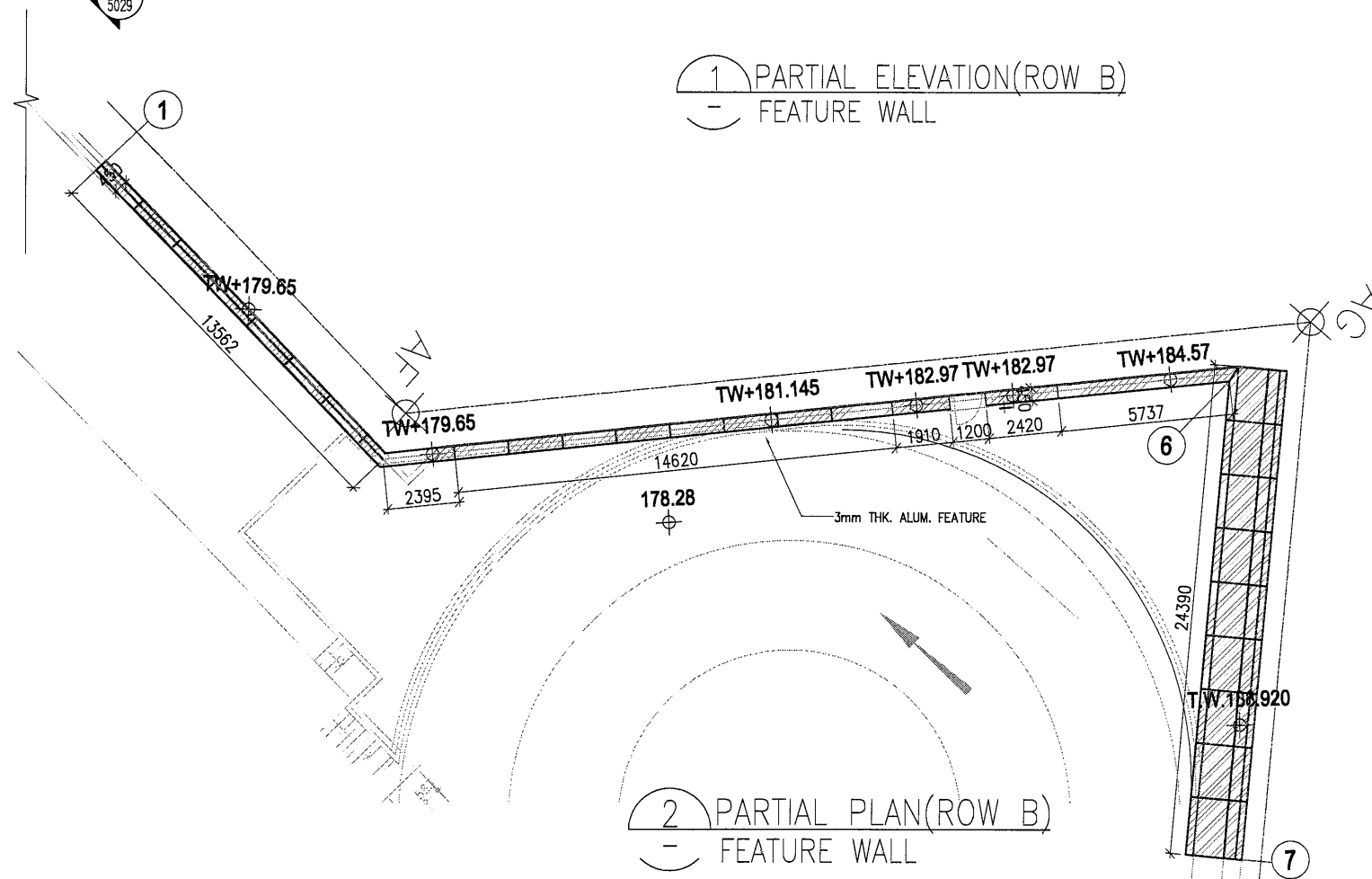
APPROVED BY

-

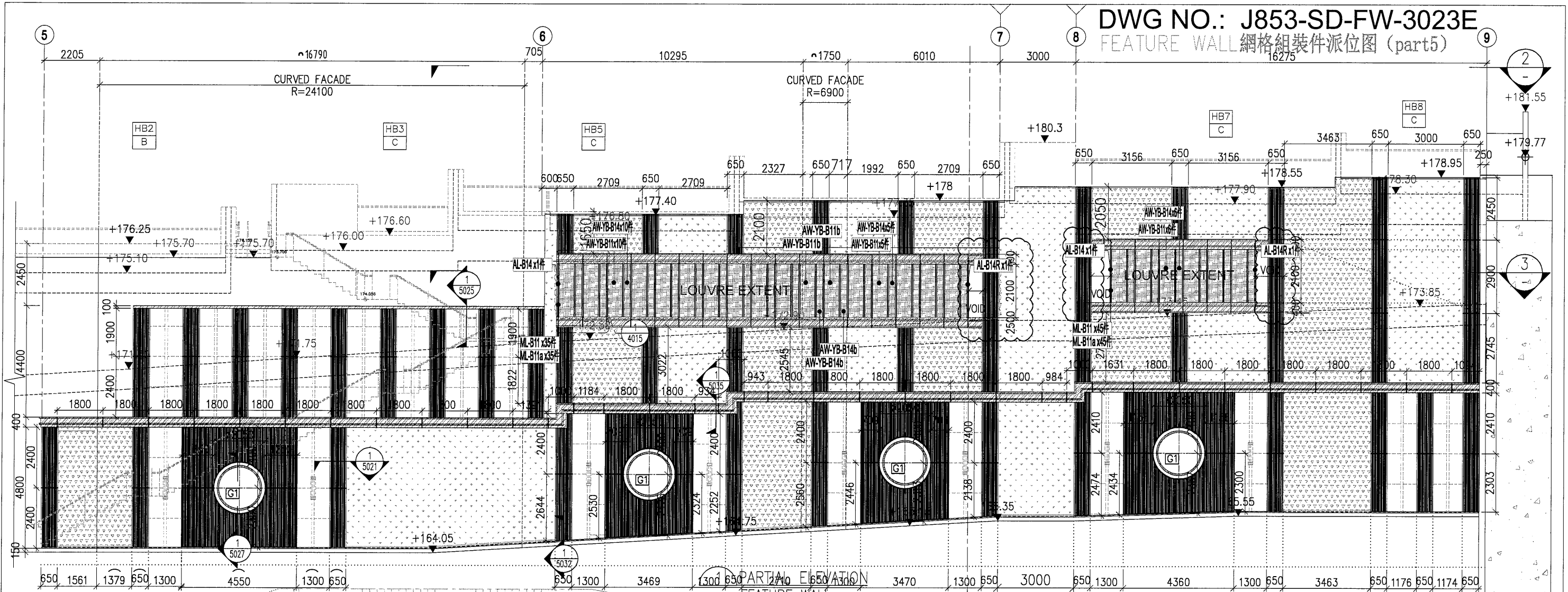




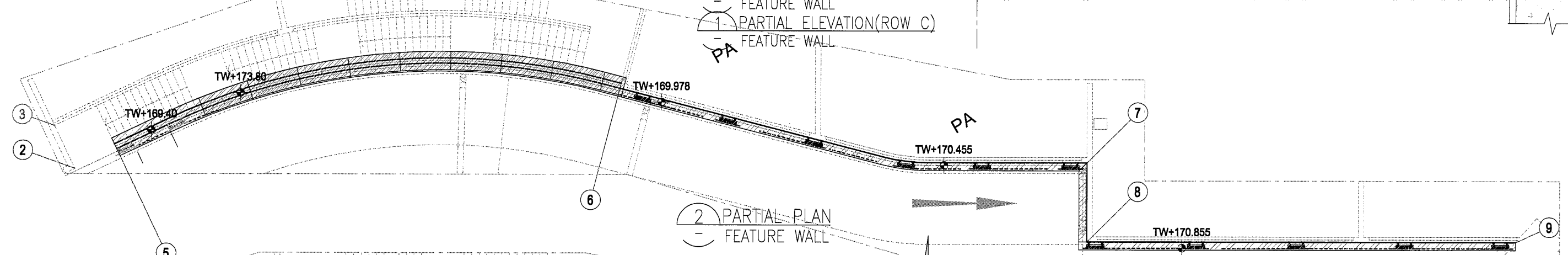
1 PARTIAL ELEVATION (ROW B)
 - FEATURE WALL



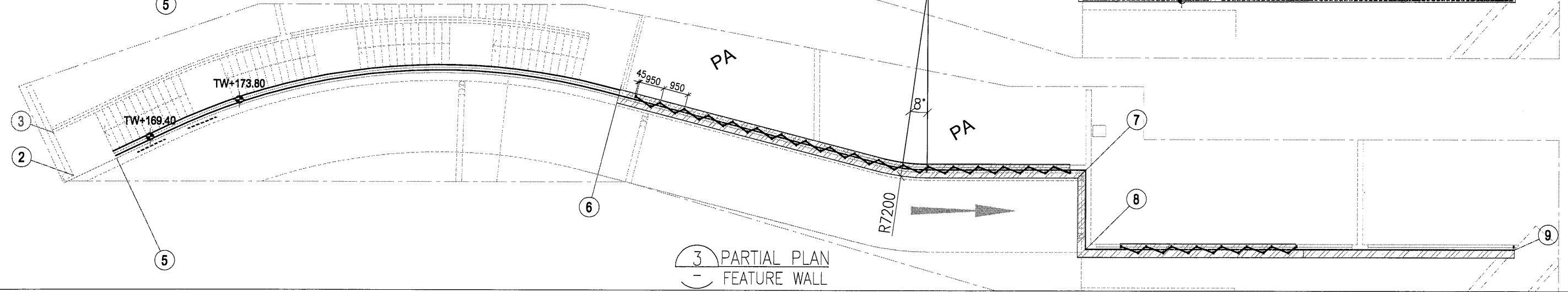
2 PARTIAL PLAN (ROW B)
 - FEATURE WALL



1 PARTIAL ELEVATION
- FEATURE WALL
1 PARTIAL ELEVATION (ROW C)
- FEATURE WALL
PA
- FEATURE WALL



2 PARTIAL PLAN
- FEATURE WALL



3 PARTIAL PLAN
- FEATURE WALL

DWG NO.: J853-SD-FW-3021E

FEATURE WALL 網格組裝件派位图 (part5)

