

工程指示 / 要求簡箋 ENGINEER INSTRUCTIONS(E.I.)

工程指示編號:	EI- 7997	修改版本:	-
	HK-		
工程編號:	J 853	工程名稱:	延坪道 (第2期)
收件人:	Maggie Lov	發件人:	Jingo
工程項目:	Feature wall 飾線 彩釉玻璃報價	日期:	4/7/2024

<input type="checkbox"/> 原合約工程包	<input type="checkbox"/> 原合約工程加 / 減脹 QT-	<input type="checkbox"/> 新工程報價 QT-
---------------------------------	--	------------------------------------

信件批核號碼/圖紙參考編號:	批核模具圖紙編號:
客戶指示附件:	管理內部批簽署:

<input type="checkbox"/> 初步鋁料 B.M.	<input type="checkbox"/> 加工拆圖, 然後生產	<input type="checkbox"/> 尺寸表
<input type="checkbox"/> 正式鋁料 B.M.	<input type="checkbox"/> 技術上資料/指示	<input type="checkbox"/> 報價
<input type="checkbox"/> 配件 B.M.	<input type="checkbox"/> 樣辦或貨品說明書	<input type="checkbox"/> 分判合約
<input type="checkbox"/> 其他:		

內容:

彩釉做在第二面
請提供報價單

完成上列要求日期: 8/7/2024

國內

<input type="checkbox"/> 生產技術總監	<input type="checkbox"/> 連附件	<input type="checkbox"/> 技術部	<input type="checkbox"/> 連附件	<input type="checkbox"/> 生產部	<input type="checkbox"/> 連附件
<input type="checkbox"/> 採購部	<input type="checkbox"/> 連附件	<input checked="" type="checkbox"/> 生產統籌部	<input checked="" type="checkbox"/> 連附件	<input type="checkbox"/> 報關組	<input type="checkbox"/> 連附件
<input type="checkbox"/> 質檢部	<input type="checkbox"/> 連附件	<input type="checkbox"/> 會計部	<input type="checkbox"/> 連附件	<input type="checkbox"/> 機械設計部	<input type="checkbox"/> 連附件
<input type="checkbox"/> 香港辦	<input type="checkbox"/> 連附件	<input type="checkbox"/> 其他:			

香港

<input type="checkbox"/> 行政部	<input type="checkbox"/> 連附件	<input type="checkbox"/> 會計部	<input type="checkbox"/> 連附件	<input type="checkbox"/> 統籌部	<input type="checkbox"/> 連附件	<input type="checkbox"/> 工程部	<input type="checkbox"/> 連附件
<input checked="" type="checkbox"/> 採購部	<input checked="" type="checkbox"/> 連附件	<input type="checkbox"/> QS部	<input type="checkbox"/> 連附件	<input type="checkbox"/> 地盤管理	<input type="checkbox"/> 連附件	<input type="checkbox"/> 維修部	<input type="checkbox"/> 連附件

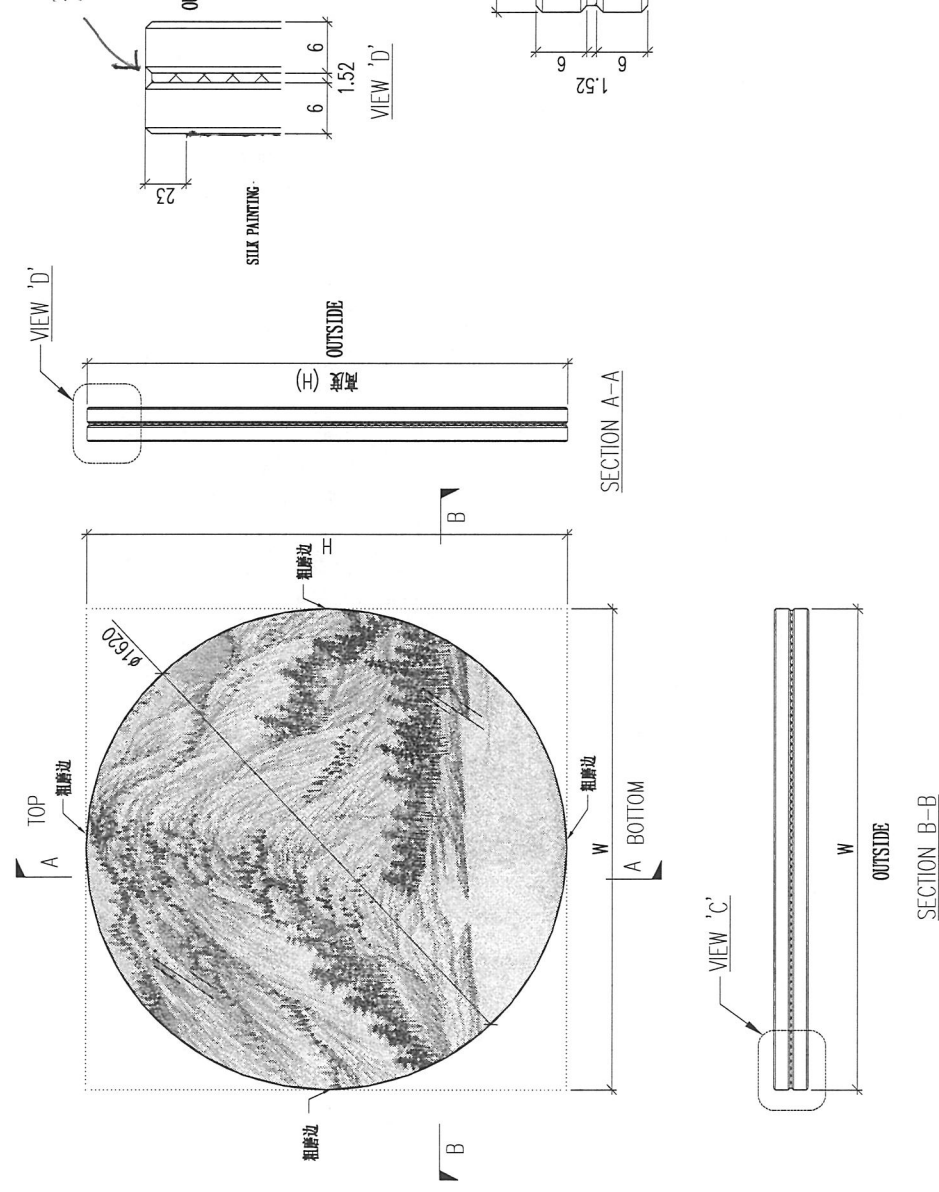
*發件人簽署:	*組別成員批核簽署:
傳遞編號:	項目經理簽署:

		Project No.:	J-853												
		Project Title:	延平道												
		Table:	Alum feature at Phase 2 玻璃BOM												
玻璃规格	G1:6mm + 1.52PVB + 6mm THK. LAMINATED TEMPERED GLASS WITH SILK PAINTING					制表:	XIAO	日期:	2024/7/3			文件编号:	G101		
						审核:		日期:				表单编号:			
						修改:		日期:							
玻璃编号	玻璃尺寸			分仓尺寸		面积 (m ²)	单件 重量 (Kg)	总 数量 (件)	位置			总重量 (Kg)	总面积 (m ²)	送货 地点	备注
	W(mm)	H(mm)	直径	宽度 (mm)	高度 (mm)				4017	4018	4019				
G1-4017-1	1620	1620	1620			2.061	63.3	1	1			63.3	2.061	工厂	参照加工图 G1-4017-1
G1-4017-2	1620	1620	1620			2.061	63.3	1	1			63.3	2.061	工厂	参照加工图 G1-4017-2
G1-4017-3	1620	1620	1620			2.061	63.3	1	1			63.3	2.061	工厂	参照加工图 G1-4017-3
G1-4017-4	1620	1620	1620			2.061	63.3	1	1			63.3	2.061	工厂	参照加工图 G1-4017-4
G1-4017-5	1620	1620	1620			2.061	63.3	1	1			63.3	2.061	工厂	参照加工图 G1-4017-5
G1-4017-6	1620	1620	1620			2.061	63.3	1	1			63.3	2.061	工厂	参照加工图 G1-4017-6
G1-4018-7	1620	1620	1620			2.061	63.3	1		1		63.3	2.061	工厂	参照加工图 G1-4018-7
G1-4018-8	1620	1620	1620			2.061	63.3	1		1		63.3	2.061	工厂	参照加工图 G1-4018-8
G1-4018-9	1620	1620	1620			2.061	63.3	1		1		63.3	2.061	工厂	参照加工图 G1-4018-9
G1-4018-10	1620	1620	1620			2.061	63.3	1		1		63.3	2.061	工厂	参照加工图 G1-4018-10
G1-4018-11	1620	1620	1620			2.061	63.3	1		1		63.3	2.061	工厂	参照加工图 G1-4018-11
G1-4018-12	1620	1620	1620			2.061	63.3	1		1		63.3	2.061	工厂	参照加工图 G1-4018-12
G1-4019-13	1620	1620	1620			2.061	63.3	1			1	63.3	2.061	工厂	参照加工图 G1-4019-13
G1-4019-14	1620	1620	1620			2.061	63.3	1			1	63.3	2.061	工厂	参照加工图 G1-4019-14
G1-4019-15	1620	1620	1620			2.061	63.3	1			1	63.3	2.061	工厂	参照加工图 G1-4019-15
G1-4019-16	1620	1620	1620			2.061	63.3	1			1	63.3	2.061	工厂	参照加工图 G1-4019-16
G1-4019-17	1620	1620	1620			2.061	63.3	1			1	63.3	2.061	工厂	参照加工图 G1-4019-17
G1-4019-18	1620	1620	1620			2.061	63.3	1			1	63.3	2.061	工厂	参照加工图 G1-4019-18
合计:								18				1139.8	37.1		

PROJECT YIN PING ROAD KOWLOON FEATURE WALL (PHASE 2)

REV.	CHECKED DATE	PART NUMBER	Dim. A	Dim. B	Dim. C	Dim. D	Dim. E	Dim. F	Dim. G	Dim. H	QTY.	Inv. Code	COATING	COLOUR	MARK. NO.	QTY.
-		G1-4017-1									1			ASSEMBLE ON PARTS	-	-

彩釉做在
第二面. 餘下
的頁數也都做
在第二面

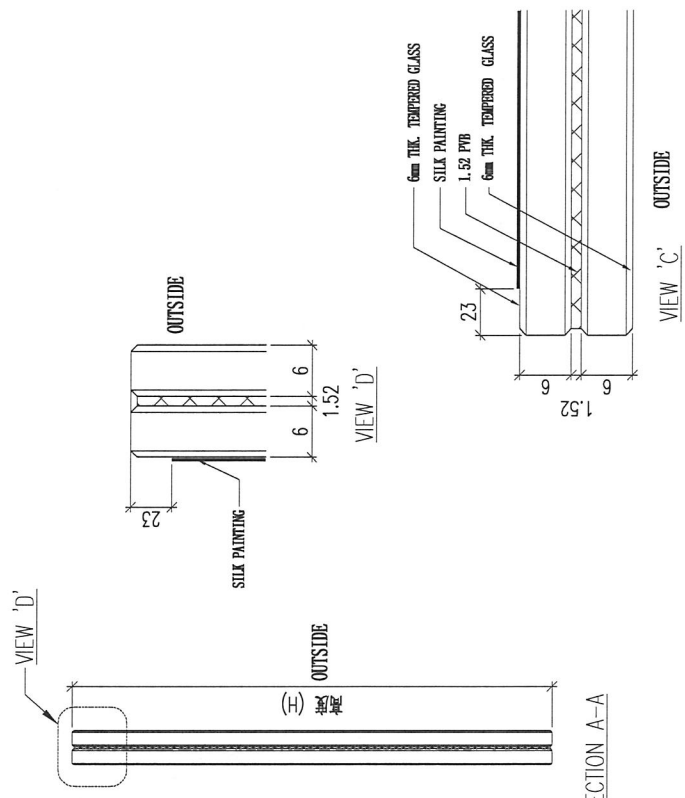
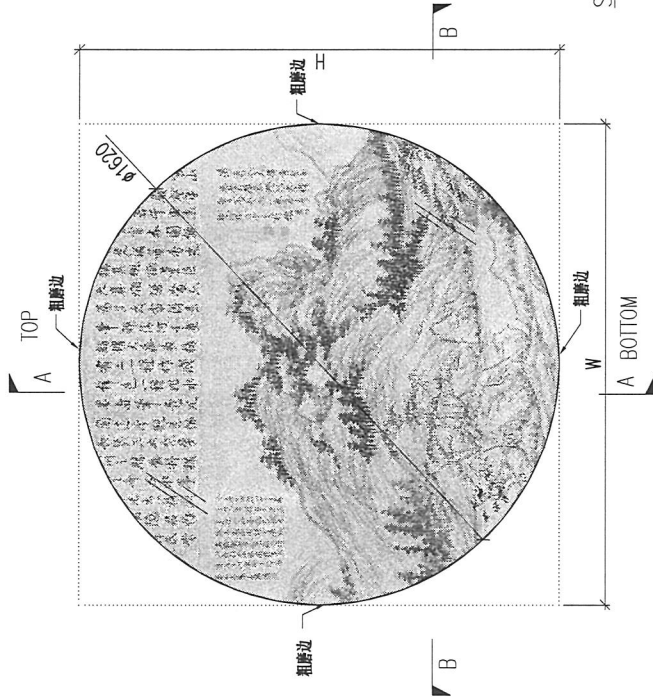


DWG. NO.	G1-4017-1	REV.	-	SCALE	-	DATE	03-07-2024	DRAWN BY	-	APPROVED BY	-
----------	-----------	------	---	-------	---	------	------------	----------	---	-------------	---

注:
1. 在左上角贴上编号

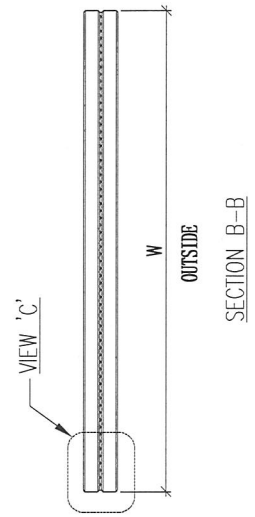
PROJECT YIN PING ROAD KOWLOON FEATURE WALL (PHASE 2)

REV.	CHECKED DATE BY	PART NUMBER	Dim. A	Dim. B	Dim. C	Dim. D	Dim. E	Dim. F	Dim. G	Dim. H	QTY.	Inv. Code	COATING	COLOUR	MARK. NO.	QTY.
-		G1-4017-2									1			ASSEMBLE ON PARTS	-	-



6mm+1.52PVB+6mm THK. LAMINATED TEMPERED GLASS

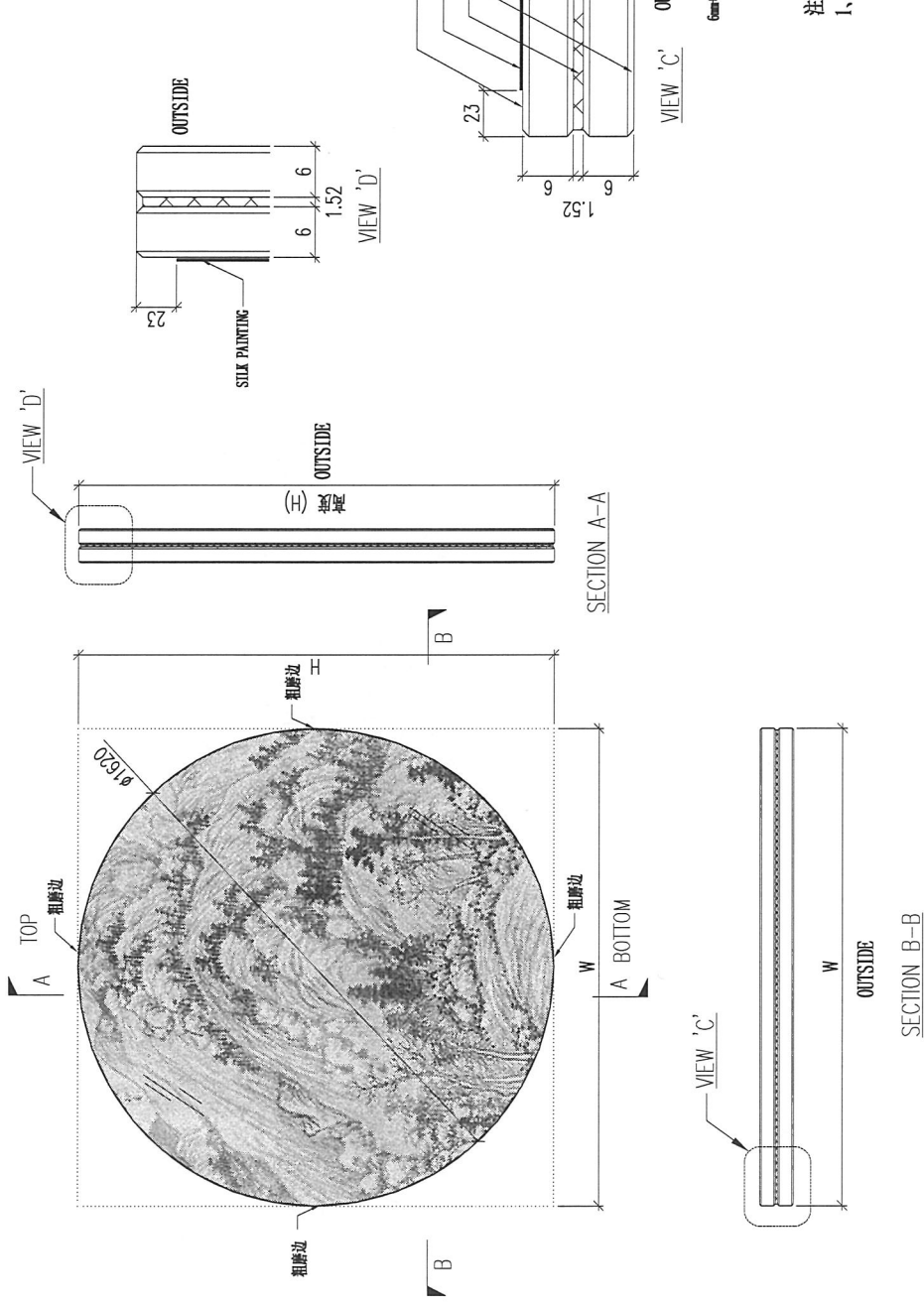
注：
1、在左上角贴上编号



DWG. NO.	G1-4017-2	REV.	-	SCALE	-	DATE	03-07-2024	DRAWN BY	-	APPROVED BY	-
----------	-----------	------	---	-------	---	------	------------	----------	---	-------------	---

PROJECT: YIN PING ROAD KOWLOON FEATURE WALL (PHASE 2)

REV.	CHECKED DATE BY	PART NUMBER	Dim. A	Dim. B	Dim. C	Dim. D	Dim. E	Dim. F	Dim. G	Dim. H	QTY.	Inv. Code	COATING	COLOUR	MARK. NO.	QTY.
-		G1-4017-3									1			ASSEMBLE ON PARTS	-	-

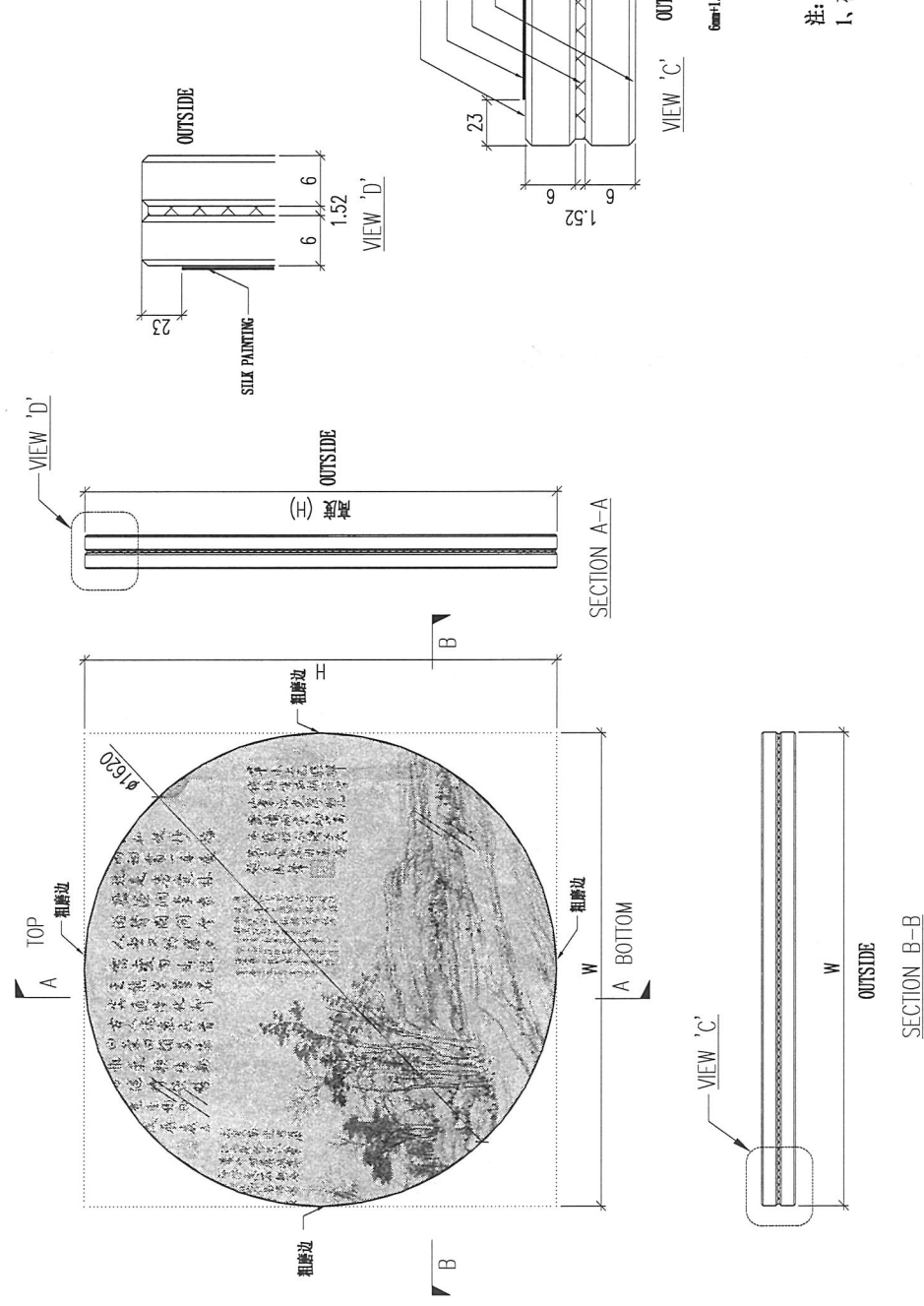


注:
1、在左上角贴上编号

DWG. NO.	G1-4017-3	REV.	-	SCALE	-	DATE	03-07-2024	DRAWN BY	-	APPROVED BY	-
----------	-----------	------	---	-------	---	------	------------	----------	---	-------------	---

PROJECT: YIN PING ROAD KOWLOON FEATURE WALL (PHASE 2)

REV.	CHECKED DATE	PART NUMBER	Dim. A	Dim. B	Dim. C	Dim. D	Dim. E	Dim. F	Dim. G	Dim. H	QTY.	Inv. Code	COATING	COLOUR	MARK. NO.	QTY.
-		G1-4017-4									1			ASSEMBLE ON PARTS	-	-

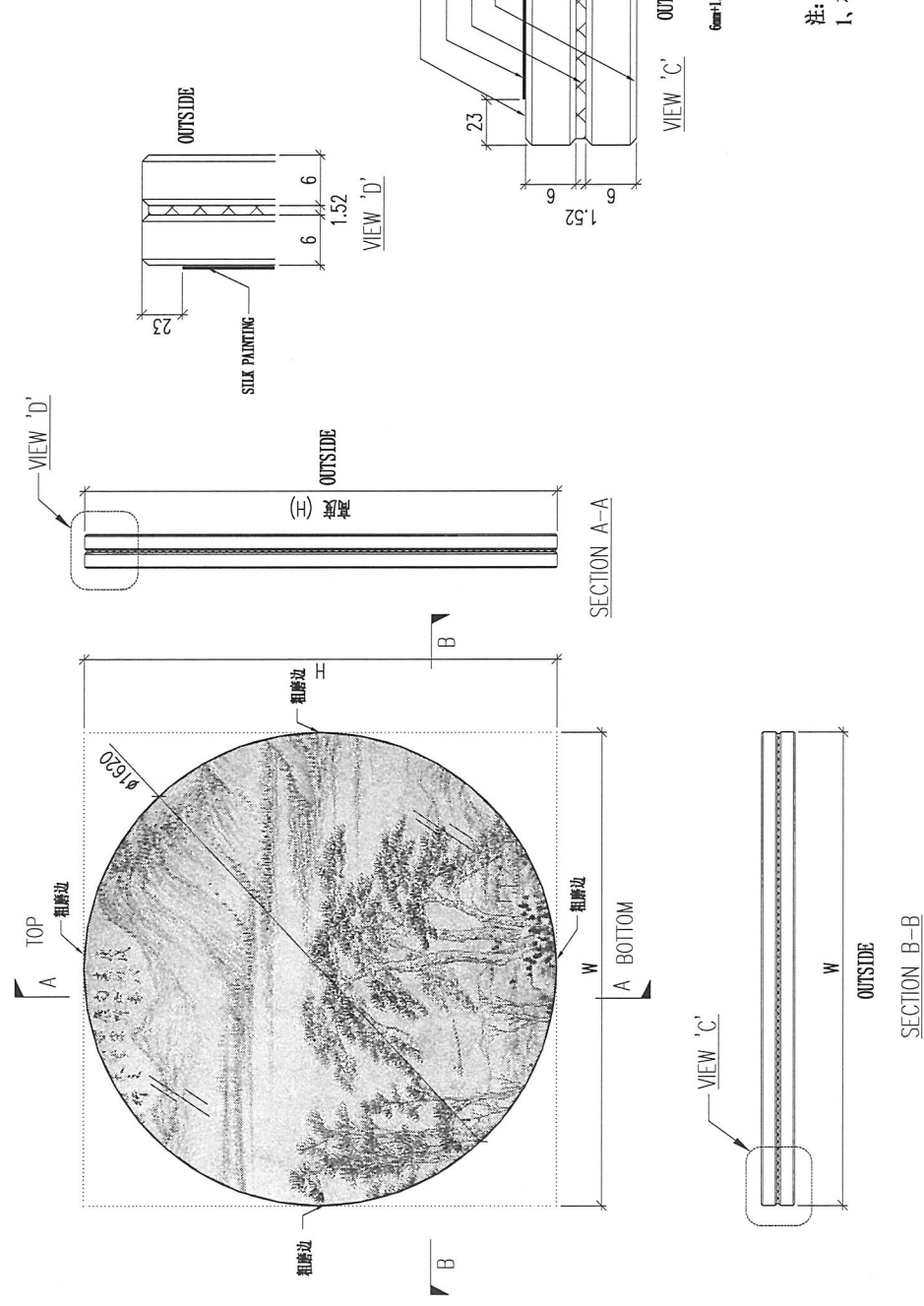


注:
1、在左上角贴上编号

DWG. NO.	G1-4017-4	REV.	-	SCALE	-	DATE	03-07-2024	DRAWN BY	-	APPROVED BY	-
----------	-----------	------	---	-------	---	------	------------	----------	---	-------------	---

PROJECT YIN PING ROAD KOWLOON FEATURE WALL (PHASE 2)

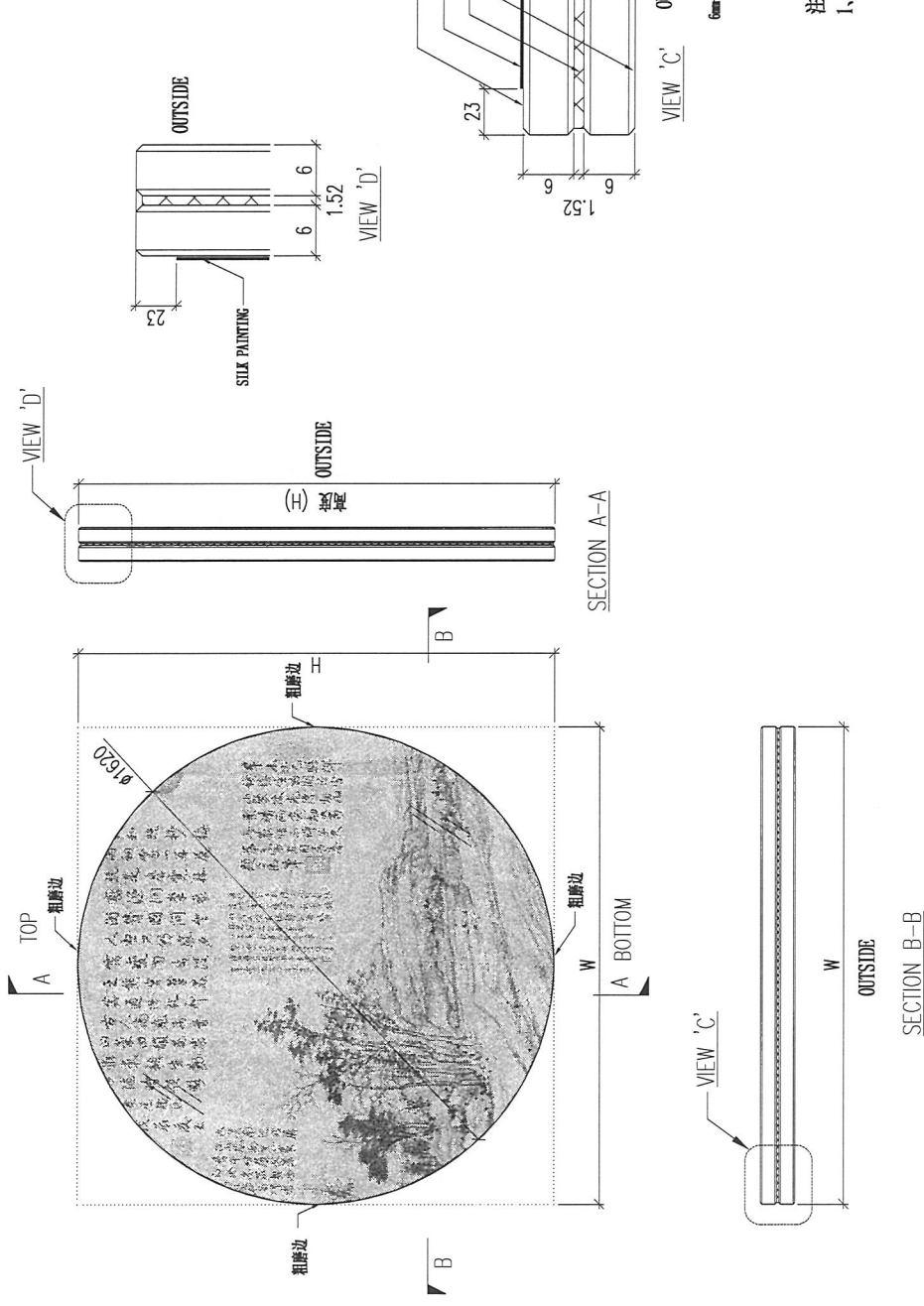
REV.	CHECKED DATE	Dim. A	Dim. B	Dim. C	Dim. D	Dim. E	Dim. F	Dim. G	Dim. H	QTY.	Inv. Code	COLOUR	MARK. NO.	QTY.
-										1		ASSEMBLE ON PARTS	-	-



DWG. NO.	REV.	SCALE	DATE	DRAWN BY	APPROVED BY
G1-4017-5	-	-	03-07-2024	-	-

PROJECT: YIN PING ROAD KOWLOON FEATURE WALL (PHASE 2)

REV.	CHECKED DATE	Dim. A	Dim. B	Dim. C	Dim. D	Dim. E	Dim. F	Dim. G	Dim. H	QTY.	Inv. Code	COATING	COLOUR	MARK. NO.	QTY.
—										1			ASSEMBLE ON PARTS	—	—



SECTION A-A

SECTION B-B

VIEW 'D'

VIEW 'C'

OUTSIDE

6mm THK. TEMPERED GLASS
SILK PAINTING
1.52 PVB
6mm THK. TEMPERED GLASS

6mm THK. TEMPERED GLASS
SILK PAINTING
1.52 PVB
6mm THK. TEMPERED GLASS

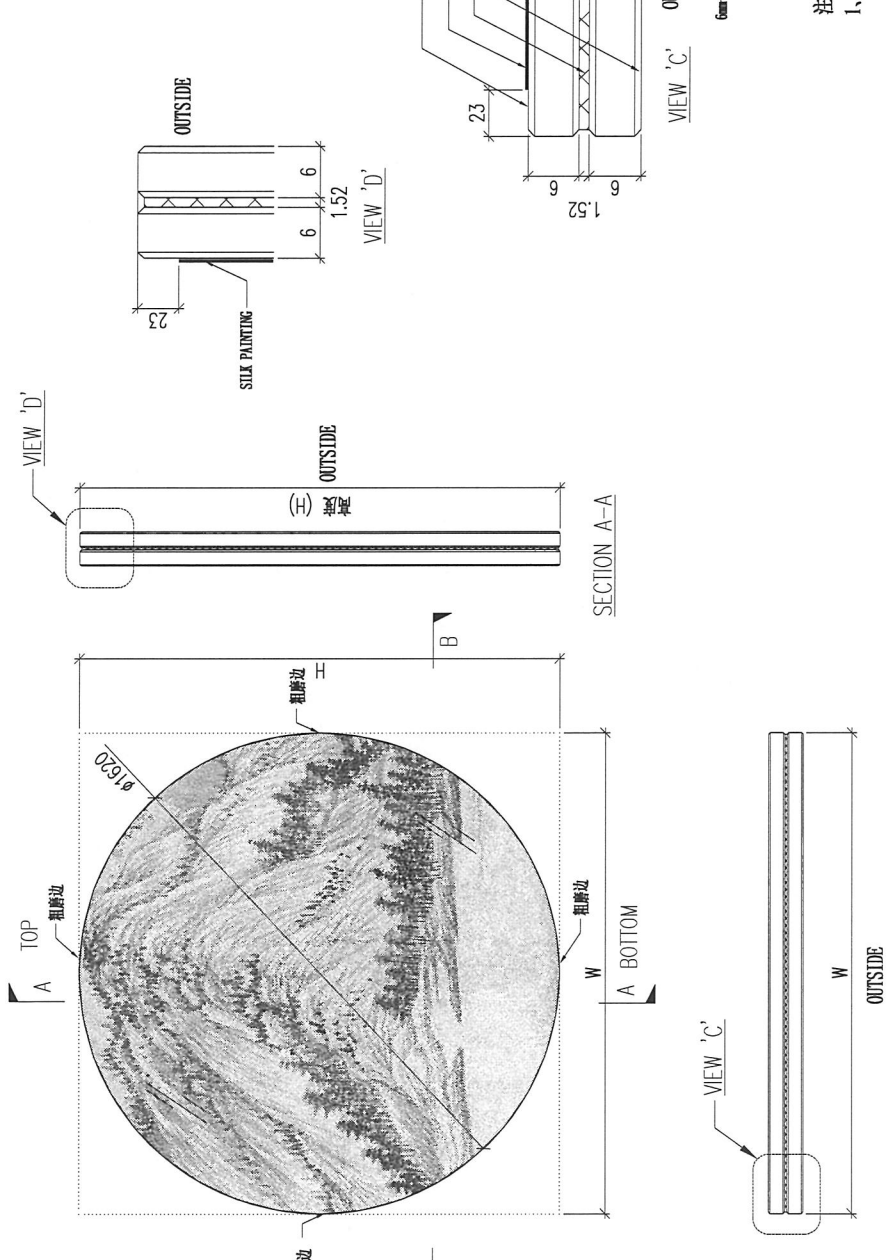
6mm THK. TEMPERED GLASS

注:
1、在左上角贴上编号

DWG. NO.	G1-4017-6	REV.	—	SCALE	—	DATE	03-07-2024	DRAWN BY	—	APPROVED BY	—
----------	-----------	------	---	-------	---	------	------------	----------	---	-------------	---

PROJECT: YIN PING ROAD KOWLOON FEATURE WALL (PHASE 2)

REV.	CHECKED DATE	Dim. A	Dim. B	Dim. C	Dim. D	Dim. E	Dim. F	Dim. G	Dim. H	QTY.	Inv. Code	COLOUR	MARK. NO.	QTY.
-										1		ASSEMBLE ON PARTS	-	-

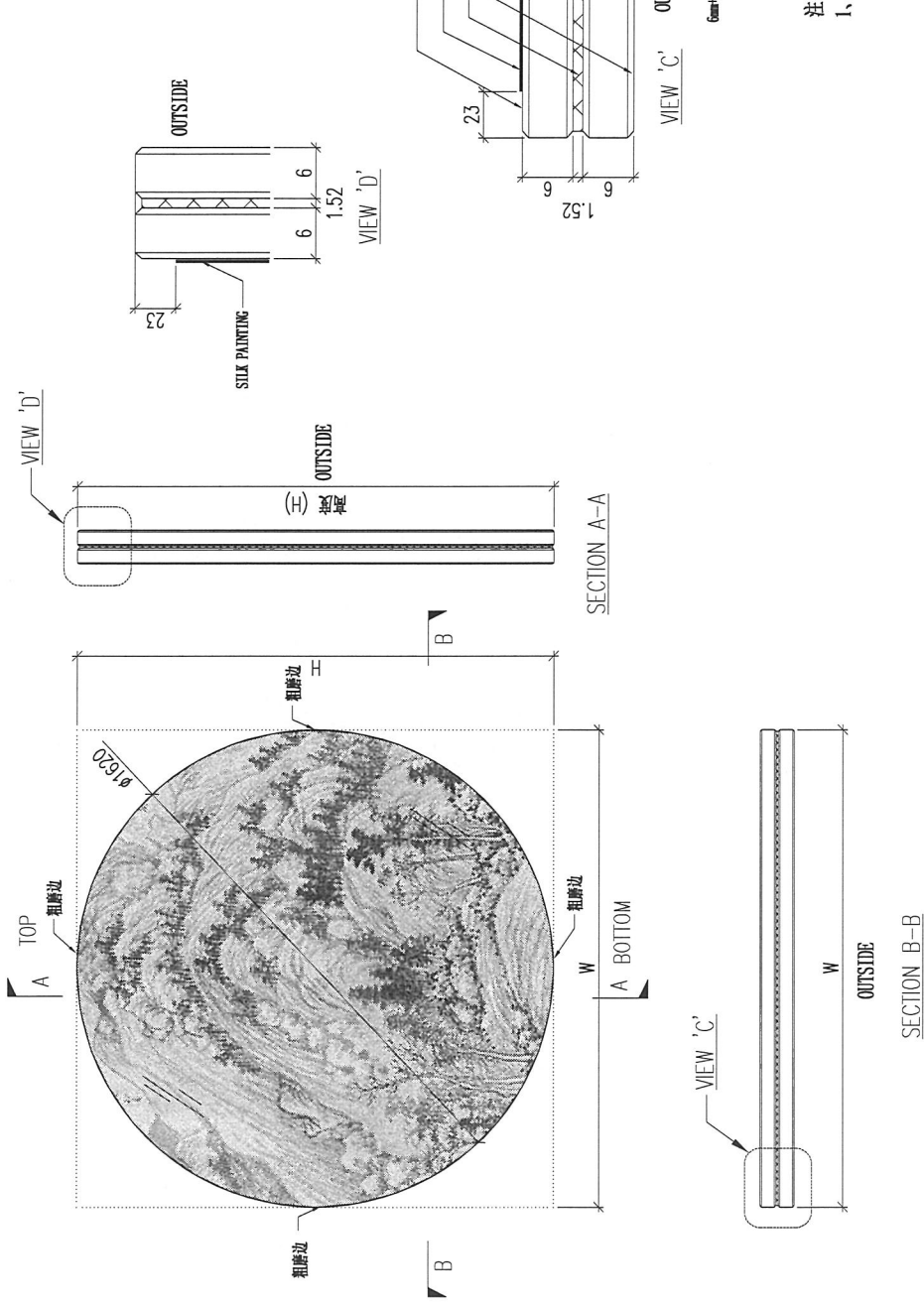


注: 1、在左上角贴上编号

DWG. NO.	REV.	SCALE	DATE	DRAWN BY	APPROVED BY
G1-4018-7	-	-	03-07-2024	-	-

PROJECT: YIN PING ROAD KOWLOON FEATURE WALL (PHASE 2)

REV.	CHECKED DATE BY	PART NUMBER	Dim. A	Dim. B	Dim. C	Dim. D	Dim. E	Dim. F	Dim. G	Dim. H	QTY.	Inv. Code	COATING	MATERIAL	GLASS WITH SILK PAINTING	COLOUR	MARK. NO.	QTY.
-		G1-4018-9									1			GLASS WITH SILK PAINTING	ASSEMBLE ON PARTS	-	-	-



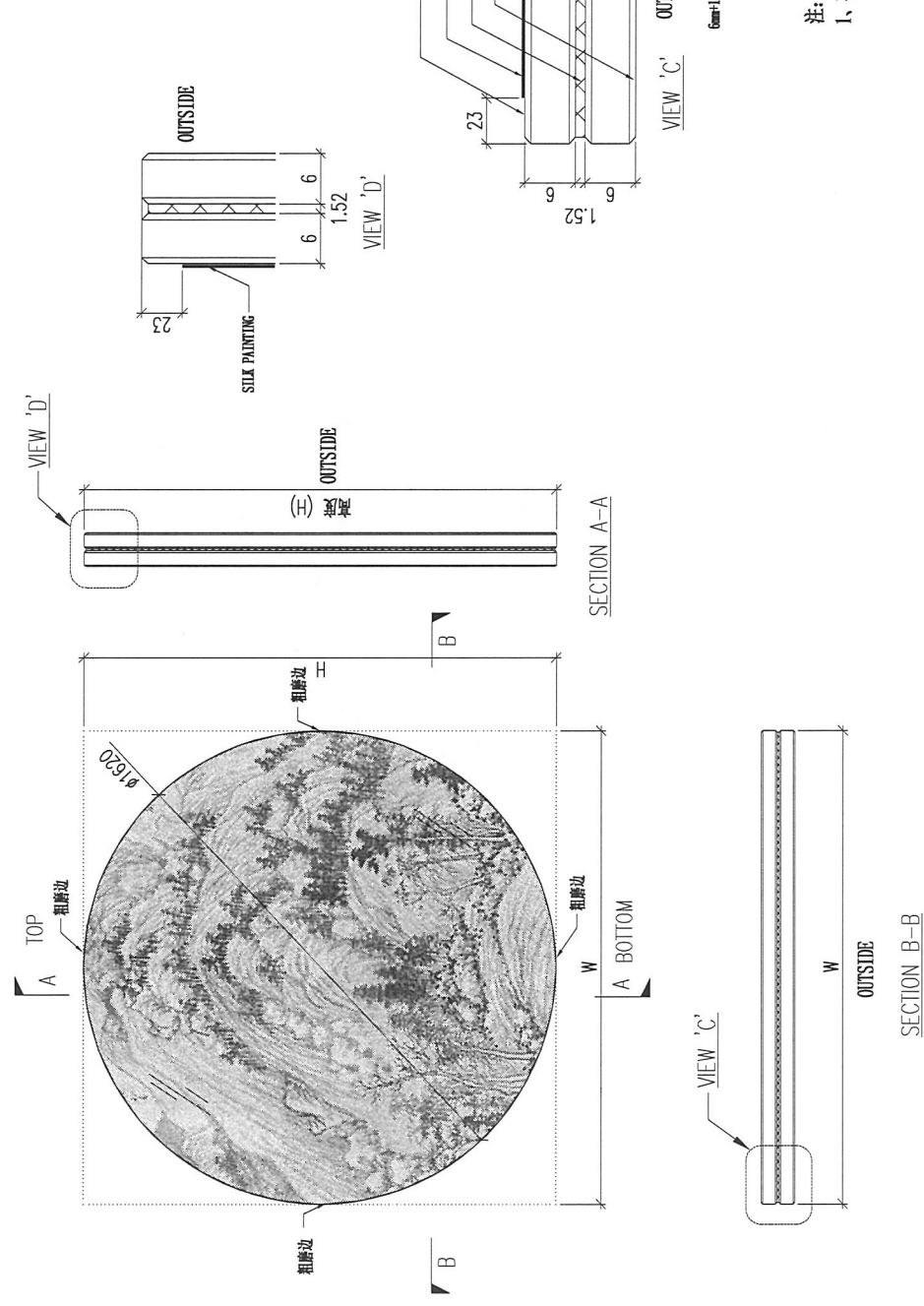
6mm+1.52PVB+6mm THK. LAMINATED TEMPERED GLASS

注：
1、在左上角贴上编号

DWG. NO.	G1-4018-9	REV.	-	SCALE	-	DATE	03-07-2024	DRAWN BY	-	APPROVED BY	-
----------	-----------	------	---	-------	---	------	------------	----------	---	-------------	---

PROJECT YIN PING ROAD KOWLOON FEATURE WALL (PHASE 2)

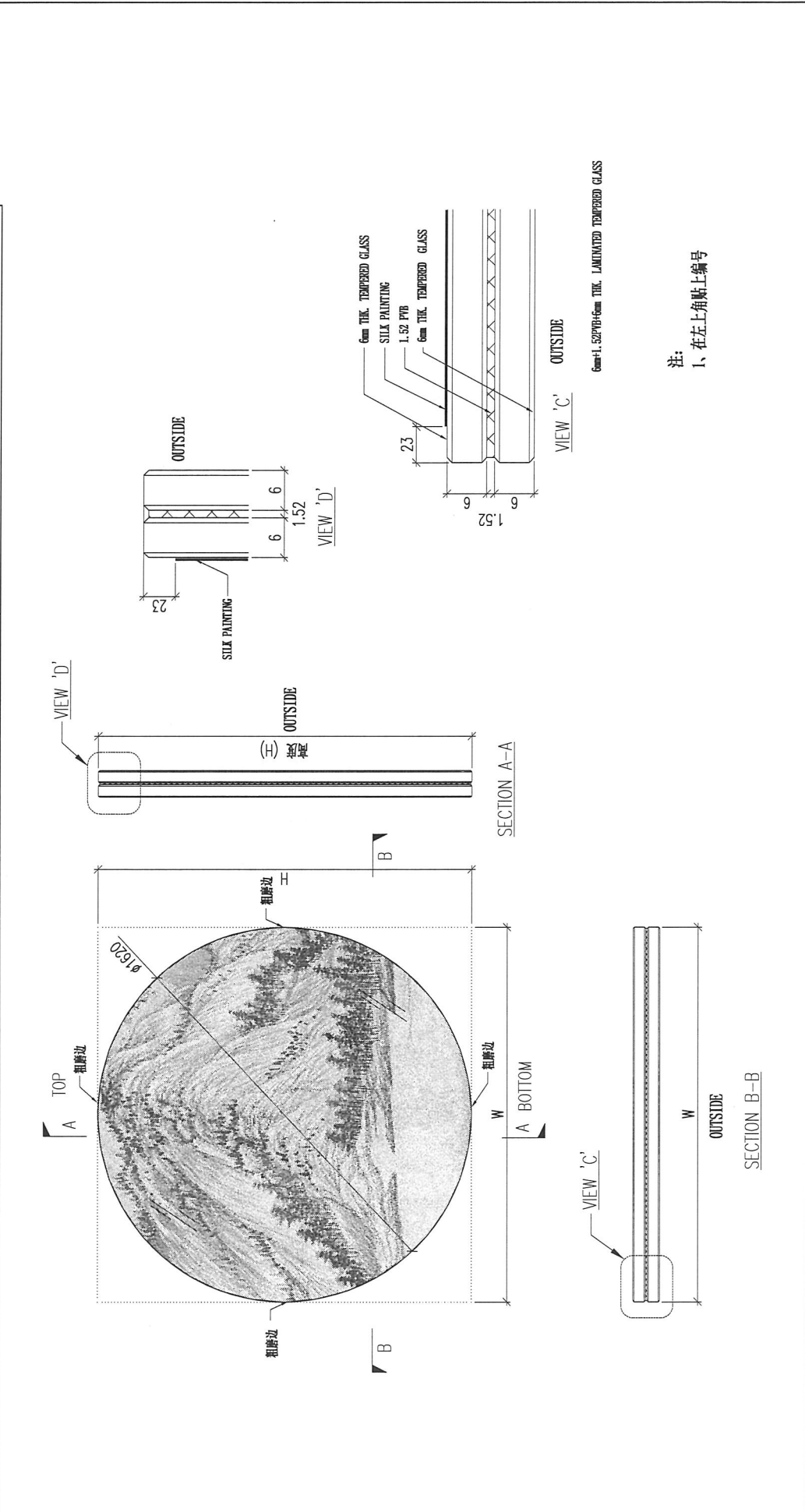
REV.	CHECKED DATE	Dim. A	Dim. B	Dim. C	Dim. D	Dim. E	Dim. F	Dim. G	Dim. H	QTY.	Inv. Code	COLOUR	MARK. NO.	QTY.
-										1		ASSEMBLE ON PARTS	-	-



DWG. NO.	REV.	SCALE	DATE	DRAWN BY	APPROVED BY
G1-4018-10	-	-	03-07-2024	-	-

PROJECT YIN PING ROAD KOWLOON FEATURE WALL (PHASE 2)

REV.	CHECKED DATE BY	PART NUMBER	Dim. A	Dim. B	Dim. C	Dim. D	Dim. E	Dim. F	Dim. G	Dim. H	QTY.	Inv. Code	COATING	COLOUR	MARK. NO.	QTY.
-		G1-4018-11									1				-	-

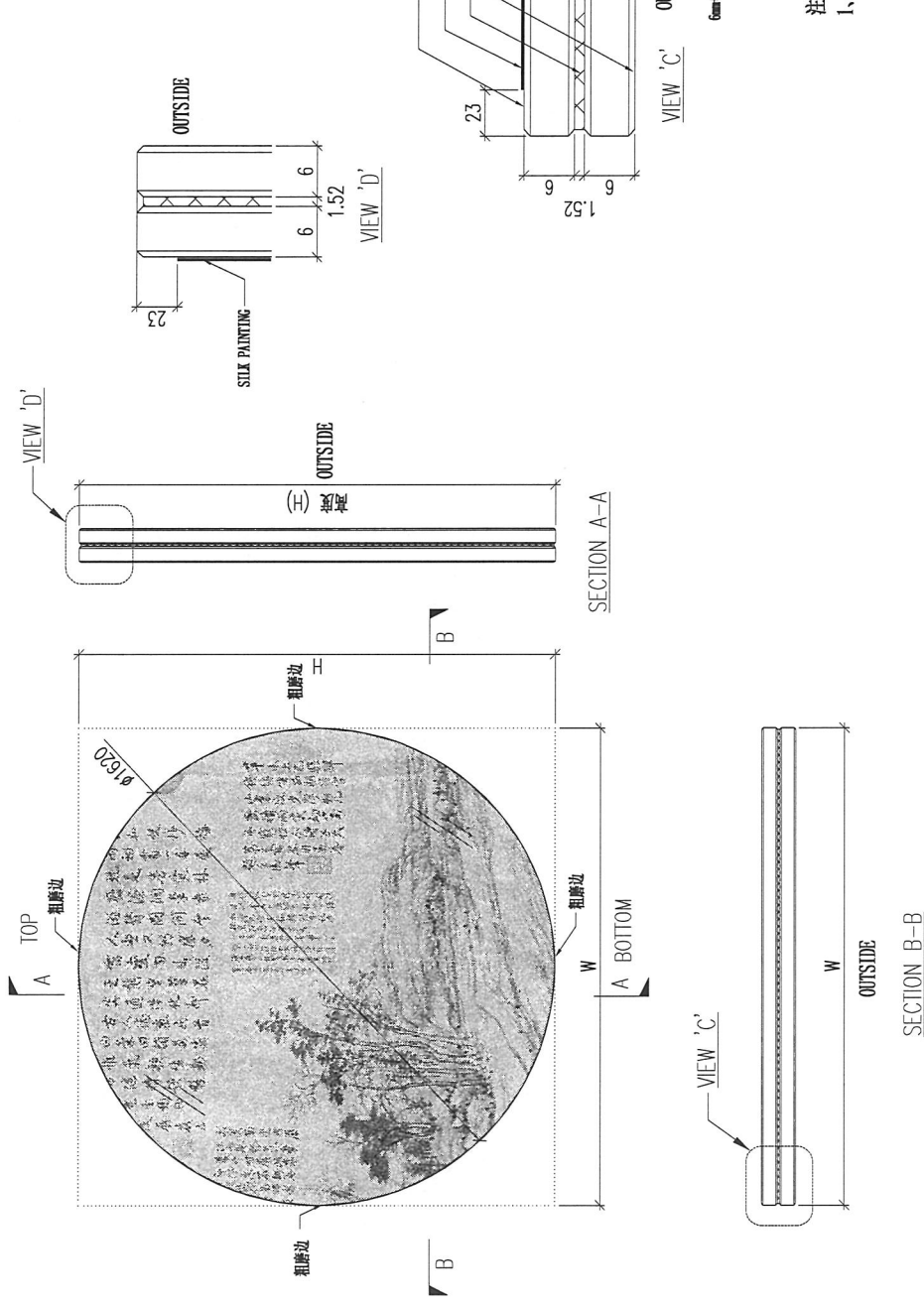


注: 1、在左上角贴上编号

DWG. NO. G1-4018-11 REV. - SCALE - DATE 03-07-2024 DRAWN BY - APPROVED BY -

PROJECT: YIN PING ROAD KOWLOON FEATURE WALL (PHASE 2)

REV.	CHECKED BY	PART NUMBER	Dim. A	Dim. B	Dim. C	Dim. D	Dim. E	Dim. F	Dim. G	Dim. H	QTY.	Inv. Code	COATING	COLOUR	MARK. NO.	QTY.
-		G1-4018-12									1			ASSEMBLE ON PARTS	-	-

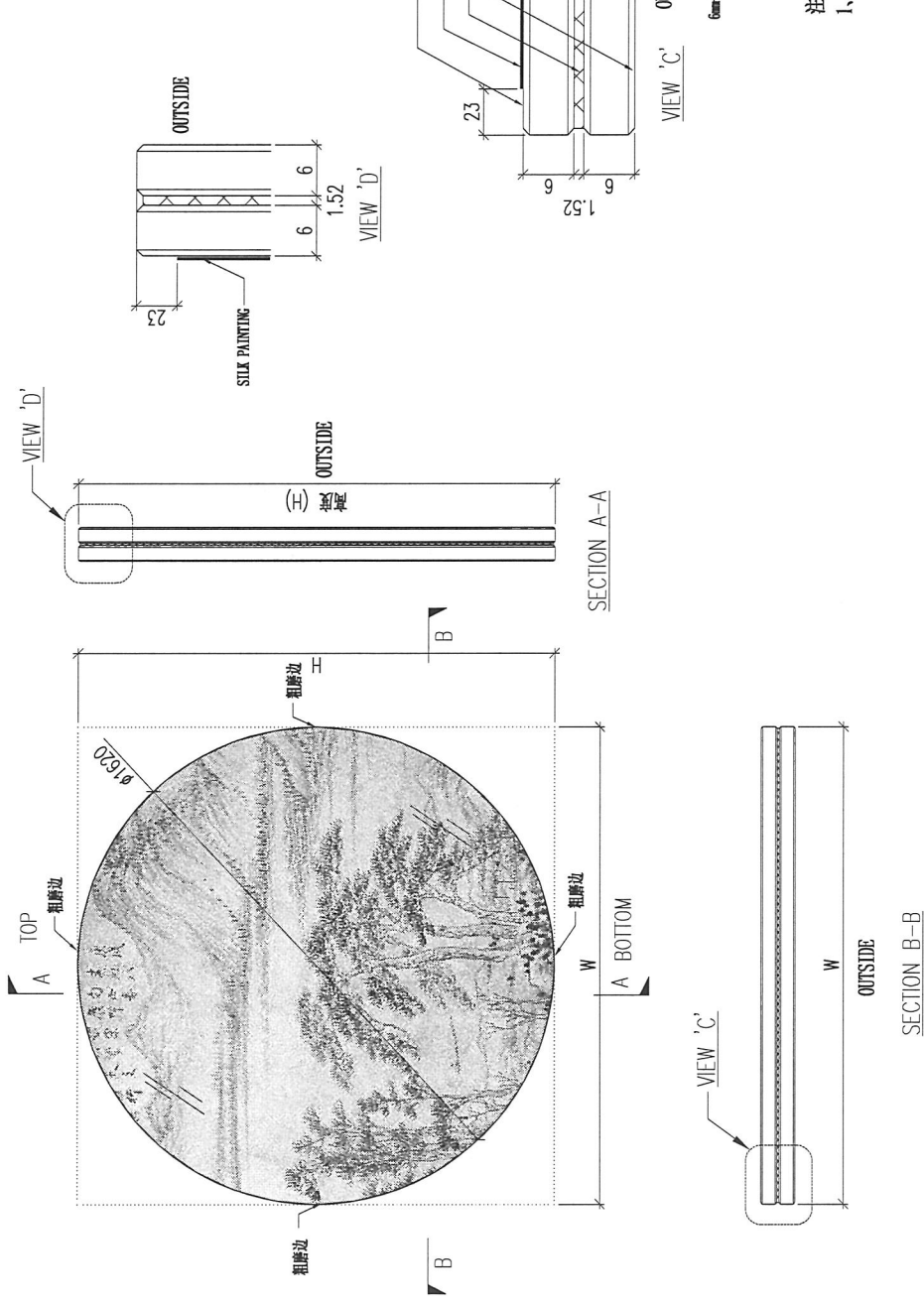


注:
1、在左上角贴上编号

DWG. NO.	G1-4018-12	REV.	-	SCALE	-	DATE	03-07-2024	DRAWN BY	-	APPROVED BY	-
----------	------------	------	---	-------	---	------	------------	----------	---	-------------	---

PROJECT: YIN PING ROAD KOWLOON FEATURE WALL (PHASE 2)

REV.	CHECKED BY	PART NUMBER	Dim. A	Dim. B	Dim. C	Dim. D	Dim. E	Dim. F	Dim. G	Dim. H	QTY.	Inv. Code	COATING	COLOUR	MARK. NO.	QTY.
-		G1-4019-13									1			ASSEMBLE ON PARTS	-	-



SECTION B-B

SECTION A-A

VIEW 'D'

VIEW 'C'

OUTSIDE

OUTSIDE

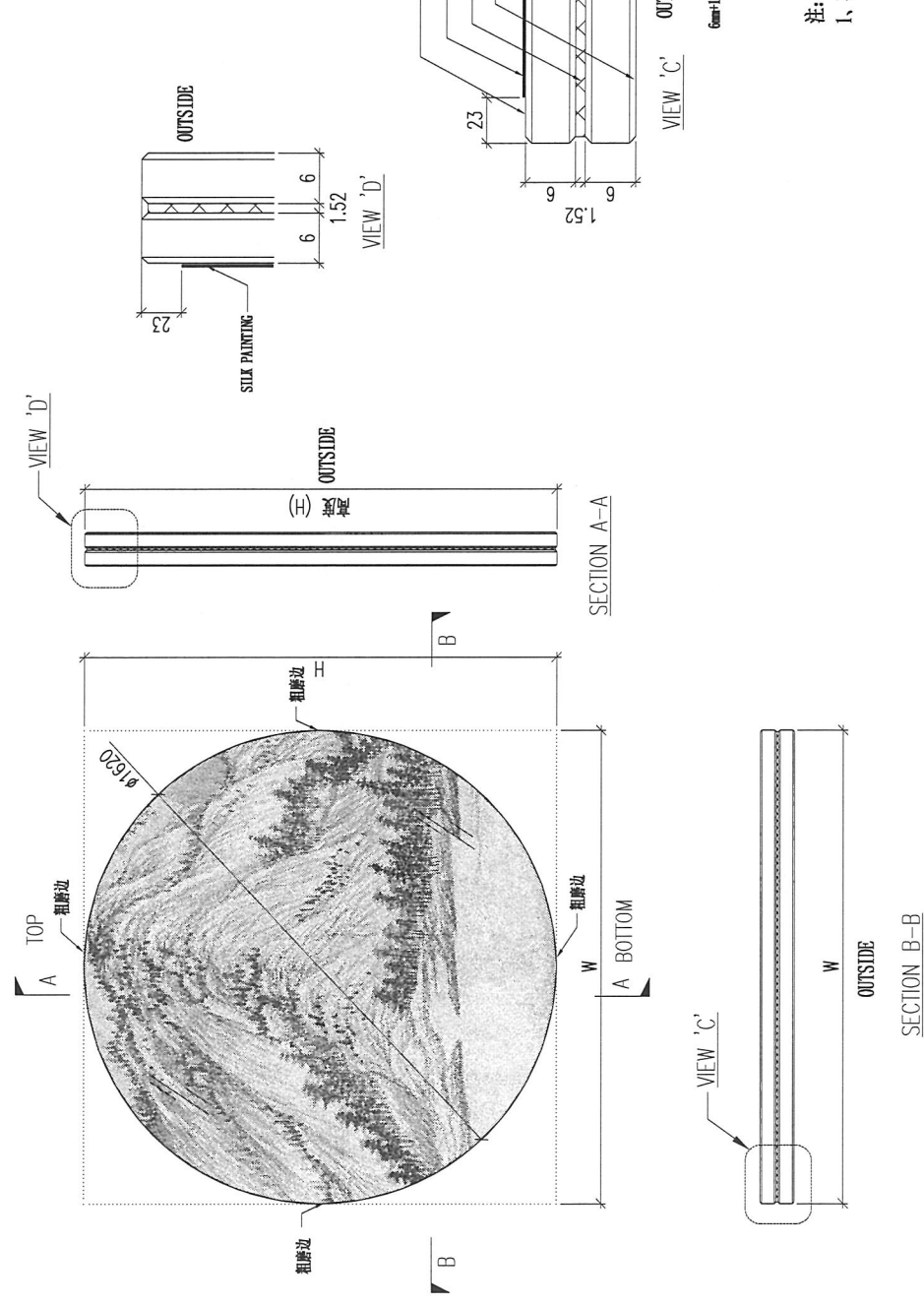
6mm THK. TEMPERED GLASS
SILK PAINTING
1.52 PVB
6mm THK. TEMPERED GLASS

注:
1、在左上角贴上编号

DWG. NO.	G1-4019-13	REV.	-	SCALE	-	DATE	03-07-2024	DRAWN BY	-	APPROVED BY	-
----------	------------	------	---	-------	---	------	------------	----------	---	-------------	---

PROJECT YIN PING ROAD KOWLOON FEATURE WALL (PHASE 2)

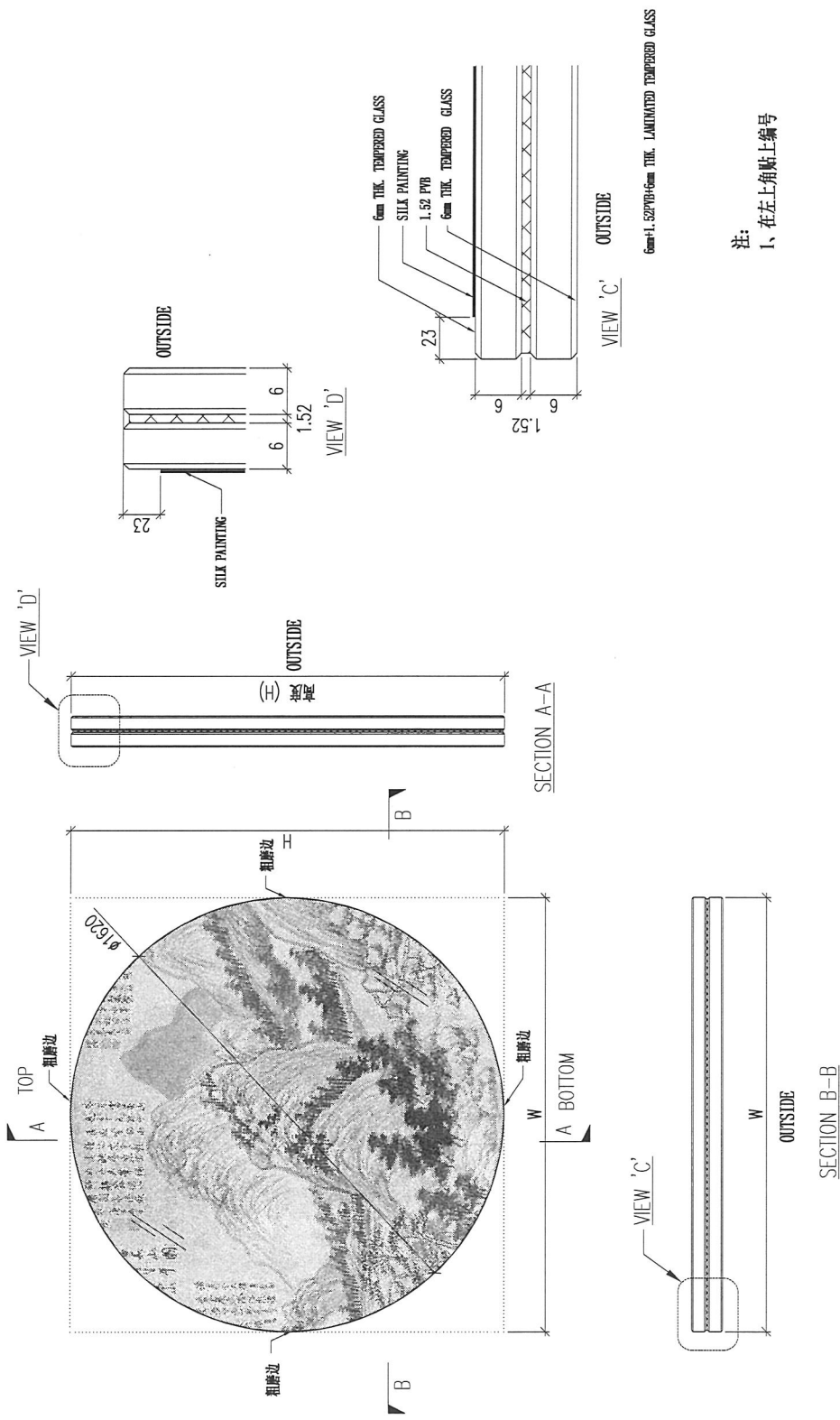
REV.	CHECKED DATE	PART NUMBER	Dim. A	Dim. B	Dim. C	Dim. D	Dim. E	Dim. F	Dim. G	Dim. H	QTY.	Inv. Code	COATING	COLOUR	MARK. NO.	QTY.
-		G1-4019-14									1			ASSEMBLE ON PARTS	-	-



DWG. NO.	REV.	SCALE	DATE	DRAWN BY	APPROVED BY
G1-4019-14	-	-	03-07-2024	-	-

PROJECT YIN PING ROAD KOWLOON FEATURE WALL (PHASE 2)

REV.	CHECKED DATE DT	PART NUMBER	Dim. A	Dim. B	Dim. C	Dim. D	Dim. E	Dim. F	Dim. G	Dim. H	QTY.	Inv. Code	COATING	MATERIAL	GLASS WITH SILK PAINTING	COLOUR	MARK. NO.	QTY.
-		G1-4019-16									1			GLASS WITH SILK PAINTING	ASSEMBLE ON PARTS	-	-	-

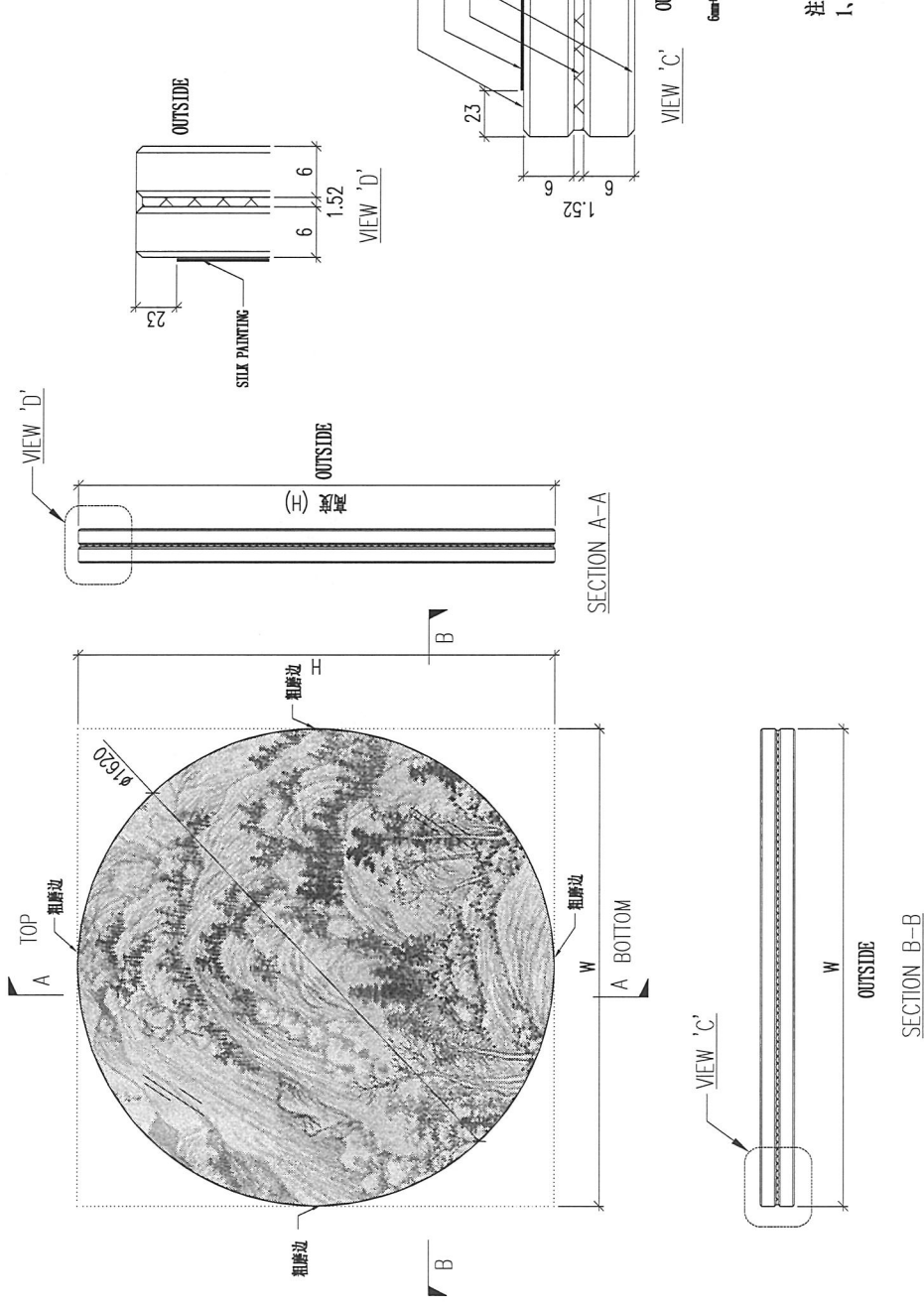


注：
1、在左上角贴上编号

DWG. NO.	C1-4019-16	REV.	-	SCALE	-	DATE	03-07-2024	DRAWN BY	-	APPROVED BY	-
----------	------------	------	---	-------	---	------	------------	----------	---	-------------	---

PROJECT: YIN PING ROAD KOWLOON FEATURE WALL (PHASE 2)

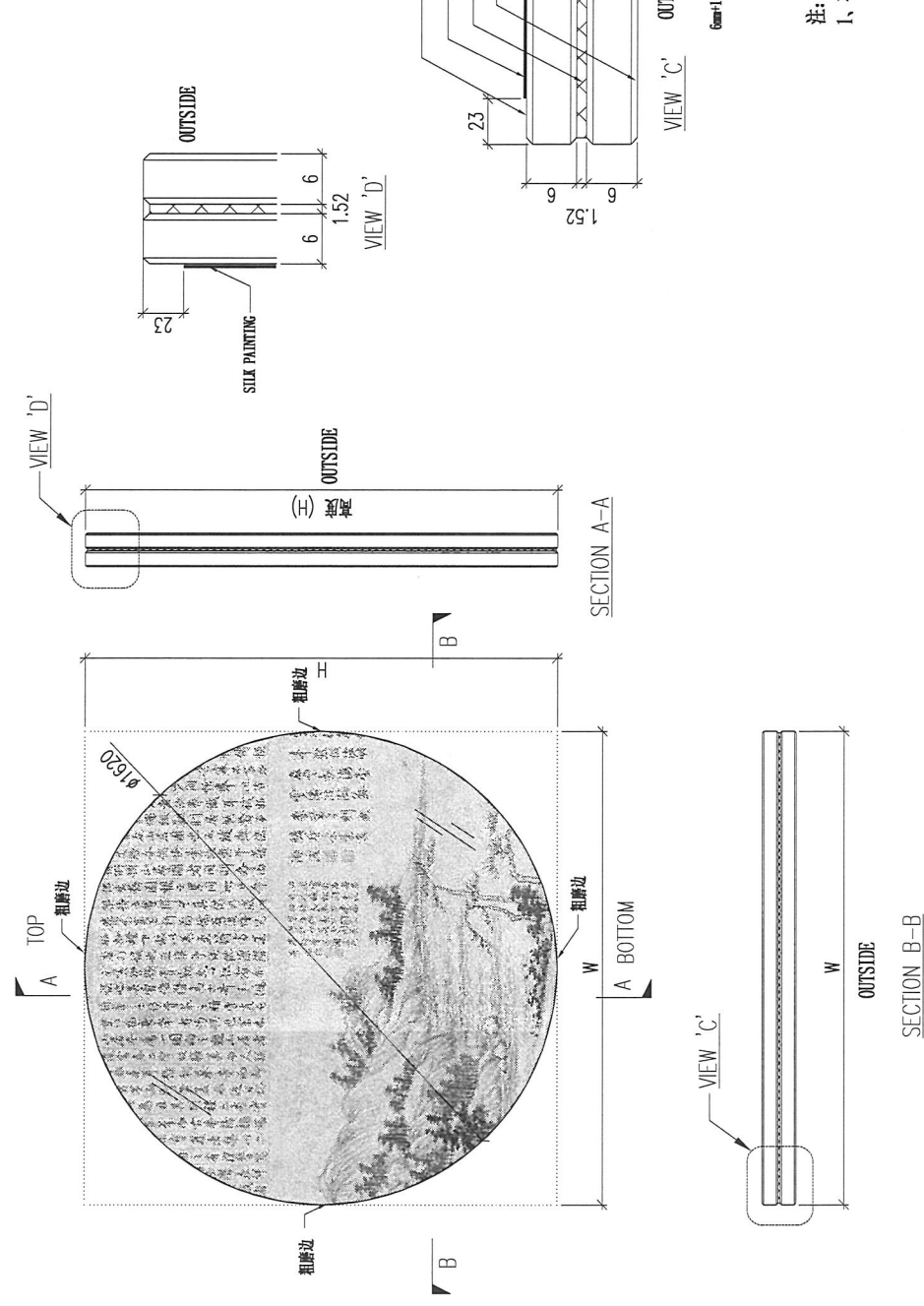
REV.	CHECKED DATE	Dim. A	Dim. B	Dim. C	Dim. D	Dim. E	Dim. F	Dim. G	Dim. H	QTY.	Inv. Code	COLOUR	MARK. NO.	QTY.
-										1		ASSEMBLE ON PARTS	-	-



DWG. NO.	REV.	SCALE	DATE	DRAWN BY	APPROVED BY
G1-4019-17	-	-	03-07-2024	-	-

PROJECT YIN PING ROAD KOWLOON FEATURE WALL (PHASE 2)

REV.	CHECKED DATE	PART NUMBER	Dim. A	Dim. B	Dim. C	Dim. D	Dim. E	Dim. F	Dim. G	Dim. H	QTY.	Inv. Code	COATING	MATERIAL GLASS WITH SILK PAINTING	COLOUR	MARK. NO.	QTY.
-		G1-4019-18									1			ASSEMBLE ON PARTS			-



注：
1、在左上角贴上编号

DWG. NO.	G1-4019-18	REV.	-	SCALE	-	DATE	03-07-2024	DRAWN BY	-	APPROVED BY	-
----------	------------	------	---	-------	---	------	------------	----------	---	-------------	---