

工程指示 / 要求簡箋 ENGINEER INSTRUCTIONS(E.I.)

| | | | |
|---------|--|-------|-----------|
| 工程指示編號: | EI- 7988 | 修改版本: | - |
| | HK- 1236 | | |
| 工程編號: | J 853 | 工程名稱: | 延坪道 (第2期) |
| 收件人: | Maggie Lee | 發件人: | Jingo |
| 工程項目: | House A 組合門窗主企主橫 鐵件加工圖 地盤用 ROWE 紫色 | 日期: | 2/7/2024 |

| | | |
|---------------------------------|--|------------------------------------|
| <input type="checkbox"/> 原合約工程包 | <input type="checkbox"/> 原合約工程加 / 減賬 QT- | <input type="checkbox"/> 新工程報價 QT- |
|---------------------------------|--|------------------------------------|

| | |
|----------------|-----------|
| 信件批核號碼/圖紙參考編號: | 批核模具圖紙編號: |
| 客戶指示附件: | 管理內部批簽署: |

| | | |
|------------------------------------|-------------------------------------|-------------------------------|
| <input type="checkbox"/> 初步鋁料 B.M. | <input type="checkbox"/> 加工拆圖, 然後生產 | <input type="checkbox"/> 尺寸表 |
| <input type="checkbox"/> 正式鋁料 B.M. | <input type="checkbox"/> 技術上資料/指示 | <input type="checkbox"/> 報價 |
| <input type="checkbox"/> 配件 B.M. | <input type="checkbox"/> 樣辦或貨品說明書 | <input type="checkbox"/> 分判合約 |
| <input type="checkbox"/> 其他: | | |

內容: 完成後送地盤

廠驗焊 10% 磁粉, 100% 目測

驗焊報告名稱: Insitu Window for House

完成上列要求日期: 15/7/2024

國內

| | | | | | |
|---------------------------------|------------------------------|---|---|--------------------------------|------------------------------|
| <input type="checkbox"/> 生產技術總監 | <input type="checkbox"/> 連附件 | <input checked="" type="checkbox"/> 技術部 | <input checked="" type="checkbox"/> 連附件 | <input type="checkbox"/> 生產部 | <input type="checkbox"/> 連附件 |
| <input type="checkbox"/> 採購部 | <input type="checkbox"/> 連附件 | <input type="checkbox"/> 生產統籌部 | <input type="checkbox"/> 連附件 | <input type="checkbox"/> 報關組 | <input type="checkbox"/> 連附件 |
| <input type="checkbox"/> 質檢部 | <input type="checkbox"/> 連附件 | <input type="checkbox"/> 會計部 | <input type="checkbox"/> 連附件 | <input type="checkbox"/> 機械設計部 | <input type="checkbox"/> 連附件 |
| <input type="checkbox"/> 香港辦 | <input type="checkbox"/> 連附件 | <input type="checkbox"/> 其他: | | | |

香港

| | | | | | | | |
|------------------------------|------------------------------|------------------------------|------------------------------|--|---|------------------------------|------------------------------|
| <input type="checkbox"/> 行政部 | <input type="checkbox"/> 連附件 | <input type="checkbox"/> 會計部 | <input type="checkbox"/> 連附件 | <input type="checkbox"/> 統籌部 | <input type="checkbox"/> 連附件 | <input type="checkbox"/> 工程部 | <input type="checkbox"/> 連附件 |
| <input type="checkbox"/> 採購部 | <input type="checkbox"/> 連附件 | <input type="checkbox"/> QS部 | <input type="checkbox"/> 連附件 | <input checked="" type="checkbox"/> 地盤管理 | <input checked="" type="checkbox"/> 連附件 | <input type="checkbox"/> 維修部 | <input type="checkbox"/> 連附件 |

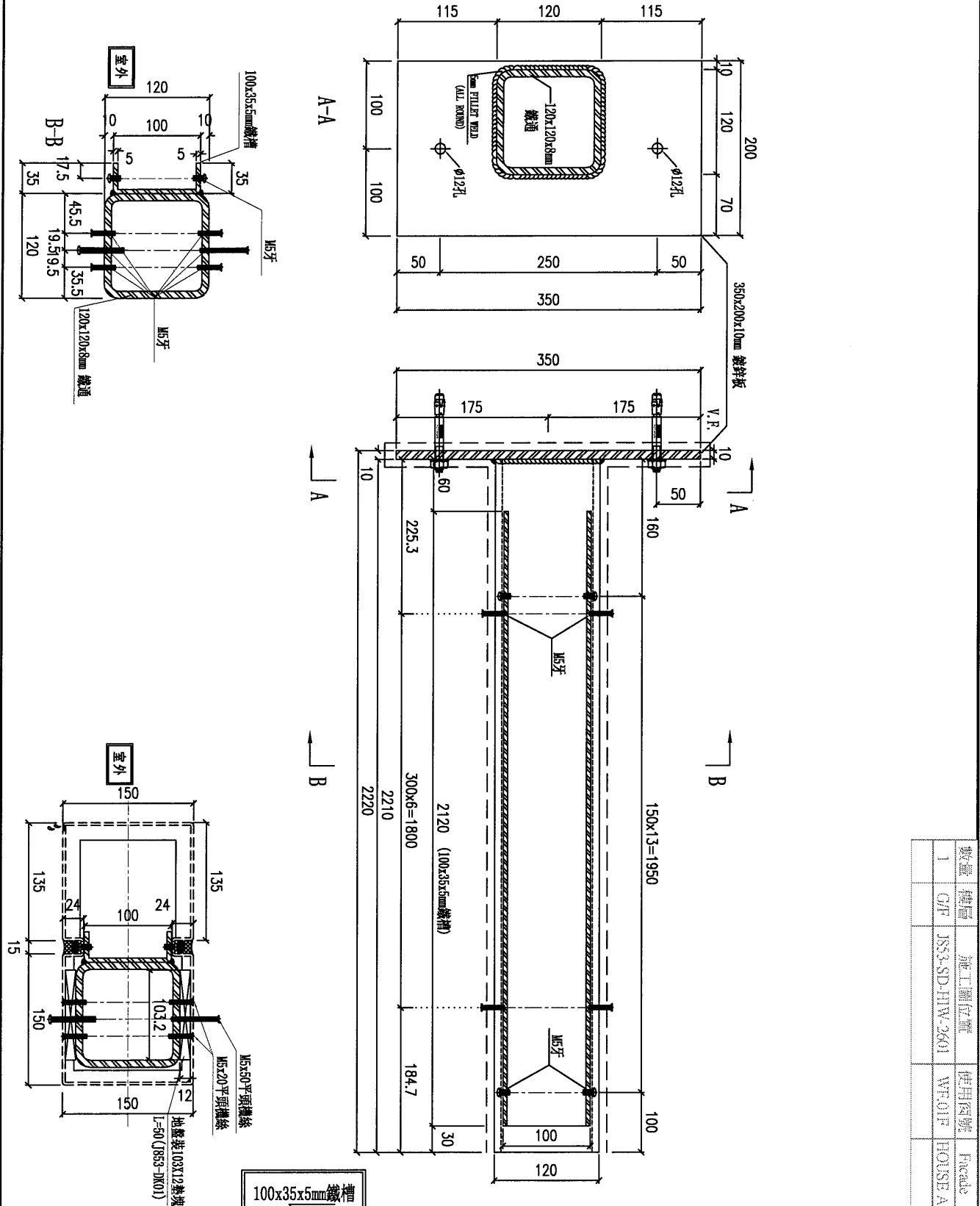
| | |
|---------|------------|
| *發件人簽署: | *組別成員批核簽署: |
| 傳遞編號: | 項目經理簽署: |

| 美特鋁質有限公司 MIDI Aluminium Fabricator Ltd | | 工程號：J-853 | | 計算：劉龍浩 | | 日期：2024.06.13 | | 送呈：胡哥 | | | |
|---|------|----------------------|------|---------|-----|---------------|----|-----------------|--------|---------|-----|
| 地盤名稱：延平道 2期屋仔 | | 項目類別：HOUSE A組合門窗主企主橫 | | 核對：謝永林 | | 日期：2024.06.29 | | 副本： | | | |
| 地盤用鐵件B.M.表 | | A/C Code: | | 批准： | | 日期： | | 總重量： 214.662 KG | | | |
| 此BM依據拆圖資料計算 | | | | | | | | | | | |
| 序號 | 修改標示 | 物料編號 | 配件名稱 | 顏色 | 實用 | 後備 | 總數 | 單位 | 單件重量 | 總重量 | 備注 |
| | | | | | | | | 件 | KG | KG | |
| 1 | | TI-T08 | 鐵件拆圖 | 熱浸鋅涂瀝青油 | 1 | | 1 | 件 | 77.961 | 77.961 | 地盤用 |
| 2 | | TJ-T09 | 鐵件拆圖 | 熱浸鋅涂瀝青油 | 1 | | 1 | 件 | 77.961 | 77.961 | 地盤用 |
| 3 | | TJ-T13 | 鐵件拆圖 | 熱浸鋅涂瀝青油 | 1 | | 1 | 件 | 28.624 | 28.624 | 地盤用 |
| 4 | | TI-T14 | 鐵件拆圖 | 熱浸鋅涂瀝青油 | 1 | | 1 | 件 | 28.624 | 28.624 | 地盤用 |
| 5 | | BK3-2 | 鐵件拆圖 | 熱浸鋅涂瀝青油 | 4 | | 4 | 件 | 0.373 | 1.492 | 地盤用 |
| | | | | | 合計： | 合計： | 8 | 件 | 合計： | 214.662 | |



美特鋁質有限公司
MIDI Aluminium Fabricator Ltd.

工程號 J-853 地盤 延平道二期



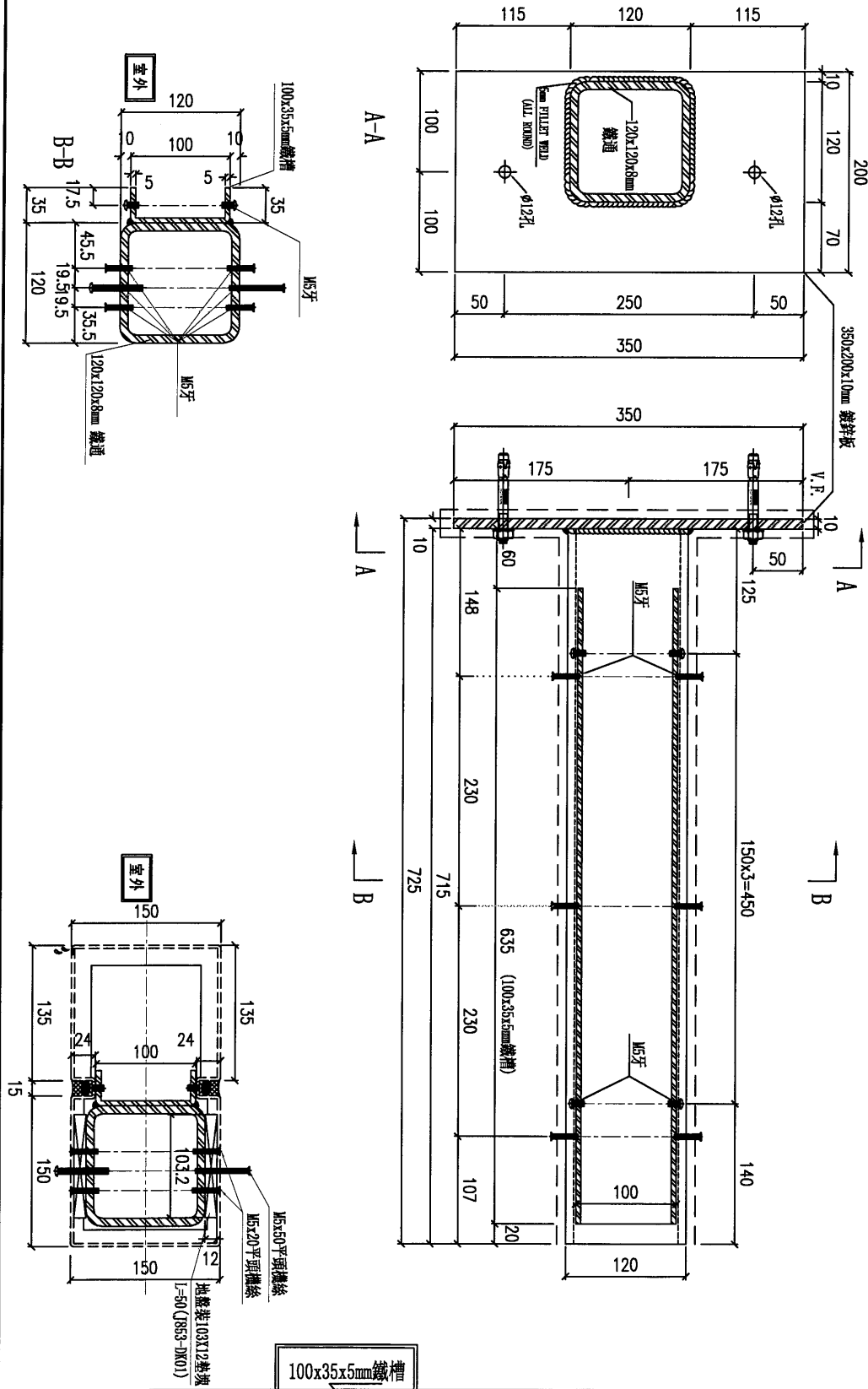
| | | | | |
|----|-----|------------------|-------|---------|
| 數量 | 轉層 | 施工圖位置 | 使用圖號 | Faceade |
| 1 | G/F | J853-SD-FHW-2601 | WF01F | HOUSE A |

| | | | | | | |
|----|------------------------------|----|-----|-----------|----|--------|
| 名稱 | 鐵通拆圖 | 制圖 | 劉龍浩 | 2024.4.02 | 修改 | |
| 材料 | 120x120x8mm鐵通/350x200x10mm鐵板 | 復核 | 謝永林 | 2024.6.28 | 日期 | |
| 顏色 | 熱浸鋅/塗瀝青油 | 批准 | | | 圖號 | TJ-T08 |



美特鋁質有限公司
MIDI Aluminium Fabricator Ltd.

工程號 J-853 地盤 延平道二期



| 數量 | 樓層 | 施工圖位置 | 使用窗號 | Facade |
|----|-----|------------------|--------|---------|
| 1 | G/F | J853-SD-HIW-2620 | WF.18F | HOUSE A |

| | | | | | | |
|----|------------------------------|----|-----|-------------|----|--------|
| 名稱 | 鐵通拆圖 | 制圖 | 劉龍浩 | 2024. 4. 02 | 修改 | |
| 材料 | 120x120x8mm鐵通/350x200x10mm鐵板 | 復核 | 謝永林 | 2024. 6. 28 | 日期 | |
| 顏色 | 熱浸鋅/塗瀝青油 | 批准 | | | 圖號 | TJ-T14 |

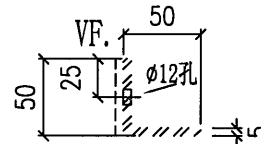
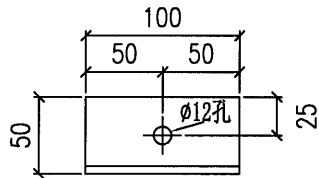
EG-DWG3



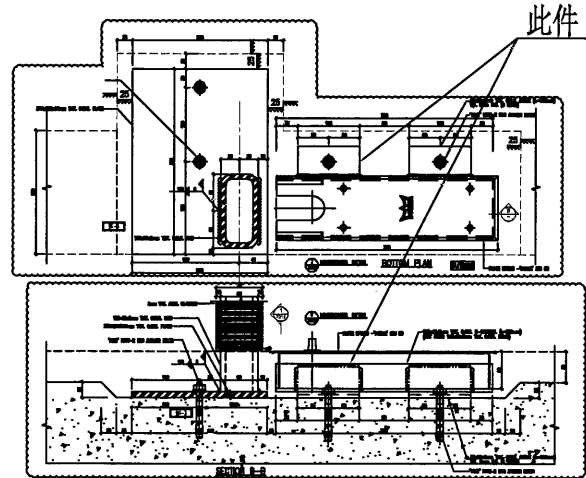
美特鋁質有限公司
MIDI Aluminium Fabricator Ltd.

| 物料編號 | 數量 | 樓層 | 施工圖位置 | 使用窗號 | MIRROR | Facade |
|-------|----|-----|------------------|--------|--------|---------|
| BK3-2 | 4 | G/F | J853-SD-HIW-2607 | WF.16F | | HOUSE A |
| 合計: | 4 | | | | | |

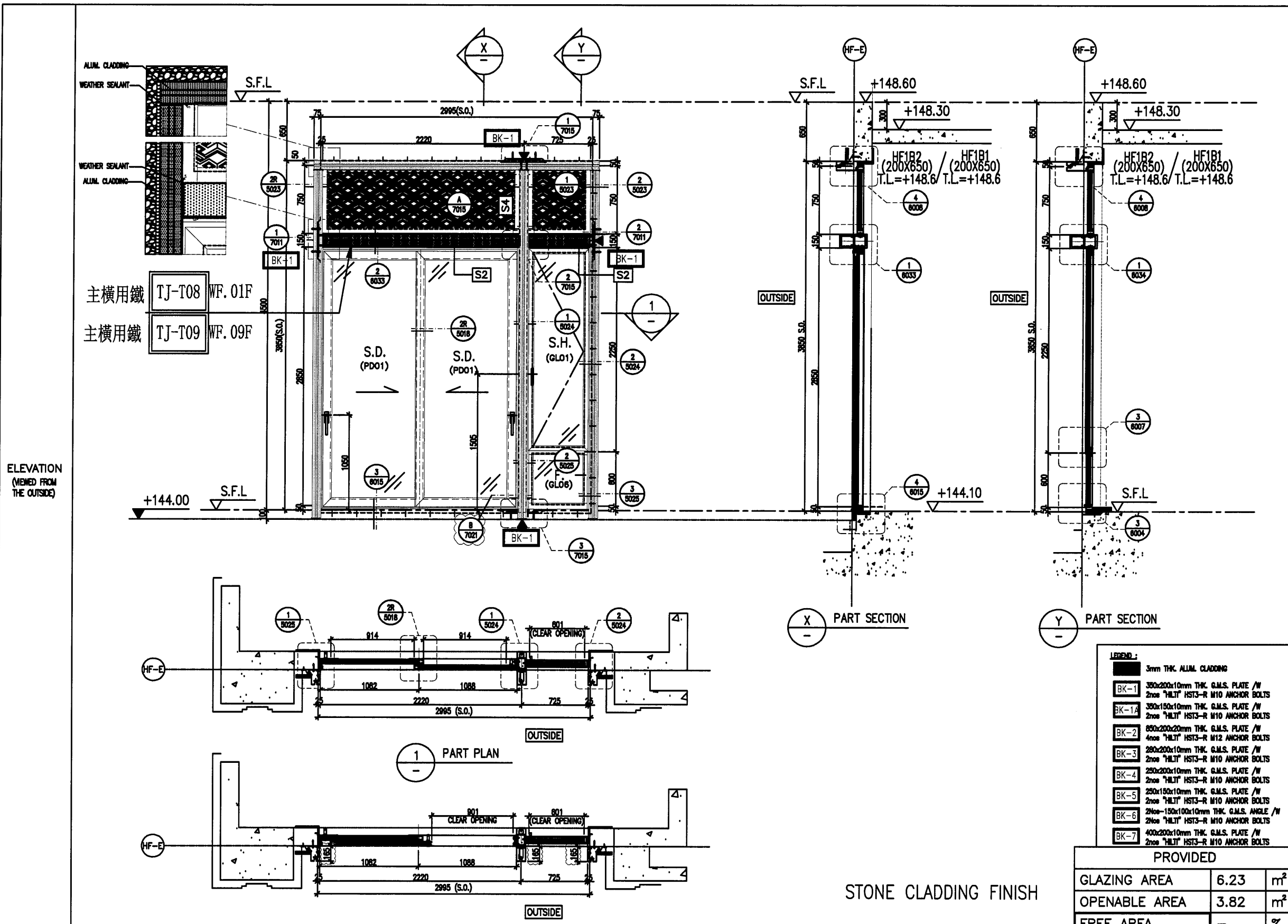
| | | | |
|-----|-------|----|-------|
| 工程號 | J-853 | 地盤 | 延平道二期 |
|-----|-------|----|-------|



安裝示意圖



| | | | | | | | |
|----|-------------|----|-----|-----------|----|-------|--|
| 名稱 | 地彈門底部鐵拆圖 | 制圖 | 劉龍浩 | 2024.4.02 | 修改 | | |
| 材料 | 50x50x5mm鐵角 | 復核 | 謝永林 | 2024.6.28 | 日期 | | |
| 顏色 | 熱浸鋅/塗瀝青油 | 批准 | | | 圖號 | BK3-2 | |



B.D. REF :

CLIENT : SHIMAO GROUP HOLDINGS LIMITED

ARCHITECT : WONG TUNG & PARTNERS LIMITED ARCHITECTS & PLANNERS

MAIN CONTRACTOR : 協興建築有限公司 HIP HING CONSTRUCTION CO LTD

STRUCTURAL ENGINEER : C M WONG & ASSOCIATES LTD 黃志明建築工程師有限公司

FACADE CONSULTANT: MENHARDT

NOTE:
 1. ALL DIMENSIONS ARE IN mm.
 2. ALL ELEVATIONS ARE VIEWED FROM OUTSIDE.
 3. ALL DIMENSIONS TO BE VERIFIED ON SITE BEFORE FABRICATION.

LEGEND:
 (M) DETAIL MARK NO. REFER SHEET NO.
 1. F.F.L. — FINISHED FLOOR LEVEL.
 2. S.F.L. — STRUCTURAL FLOOR LEVEL.
 3. (R) — REVERSED DETAIL.
 4. (A) — FINISH LOCATION.
 5. GLASS LEGEND
 GL01 — 15mm BS-115mm AR GPP+12mm TP BK LAL
 GL04 — 12mm CLEAR TEmPERED GLASS
 GL06 — 15mm BS-115mm AR GPP+12mm TP BK LAL
 PDO1 — 10mm T.P+12mm AR GPP+9mm T.P
 7. (S1) 120x60x6mm THK. G.M.S. R.H.S.
 (S2) 120x120x6mm THK. G.M.S. R.H.S.
 (S3) 200x100x6mm THK. G.M.S. R.H.S.
 (S4) 120x60x6mm THK. G.M.S. R.H.S.
 (S5) 100x60x6mm THK. G.M.S. R.H.S.
 8. (AL) — PWF2 COATED ALUMINUM SPRAY TRIMMER (4 COAT SYSTEM) CODE: ED-06-0334232 COLOR: 00Y 07/083 METALLIC

| | | | |
|------|------------|------------------------------------|----|
| D | 18/05/2024 | REVISION SUBJECT TO ARCH'S COMMENT | Y1 |
| C | 15/03/2024 | REVISION SUBJECT TO ARCH'S COMMENT | Y1 |
| B | 13/11/2023 | GENERAL REVISED | |
| A | 04/09/2023 | GENERAL REVISED | |
| REV. | DATE | REVISION | BY |

JOB NO. : J-853
 PROJECT : PROPOSED RESIDENTIAL DEVELOPMENT AT N.K.I.L. 6542 YIN PING ROAD KOWLOON

TITLE : IN-SITU ALUM. WINDOW SCHEDULE FOR HOUSE TYPE F

DATE : 30-MAR-23 SCALE : 1:40 (A3)
 DRAWN BY : Aing CHECKED BY :

美特鋁質有限公司
 MIDT ALUMINIUM FABRICATOR LTD.
 Units 6-8, Sunny Industrial Centre, 1/F
 610 Cha Kwo Ling Road, Kowloon
 Tel:23468211-4 Fax:(852)2727666
 DWG NO. : JB53-SD-HIW-2601 REV. : D

ELEVATION (VIEWED FROM THE OUTSIDE)

| | | | |
|-------------|---|---|---------|
| WINDOW MARK | WF.01 F | MIRROR | WF.08 F |
| LOCATION | HOUSE TYPE F - G/F ENSUITE 2 | HOUSE TYPE F - G/F DINING (HANDED) | |
| MATERIALS | AL1 | AL1 | |
| GLAZING | PDD1, GL01, GL06 | PDD1, GL01, GL06 | |
| QUANTITY | 1 No. (HOUSE NO. HOUSE A) | 1 No. (HOUSE NO. HOUSE A) | |
| HANDLES | 2 NOS. OF "SCHUCO" HANDLE & 1 NO. HANDLE - MODEL NO. 2017-D2A | 2 NOS. OF "SCHUCO" HANDLE & 1 NO. HANDLE - MODEL NO. 2017-D2A | |

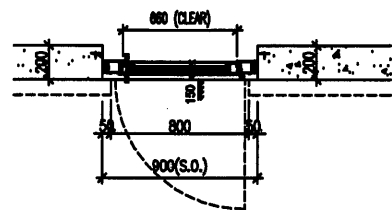
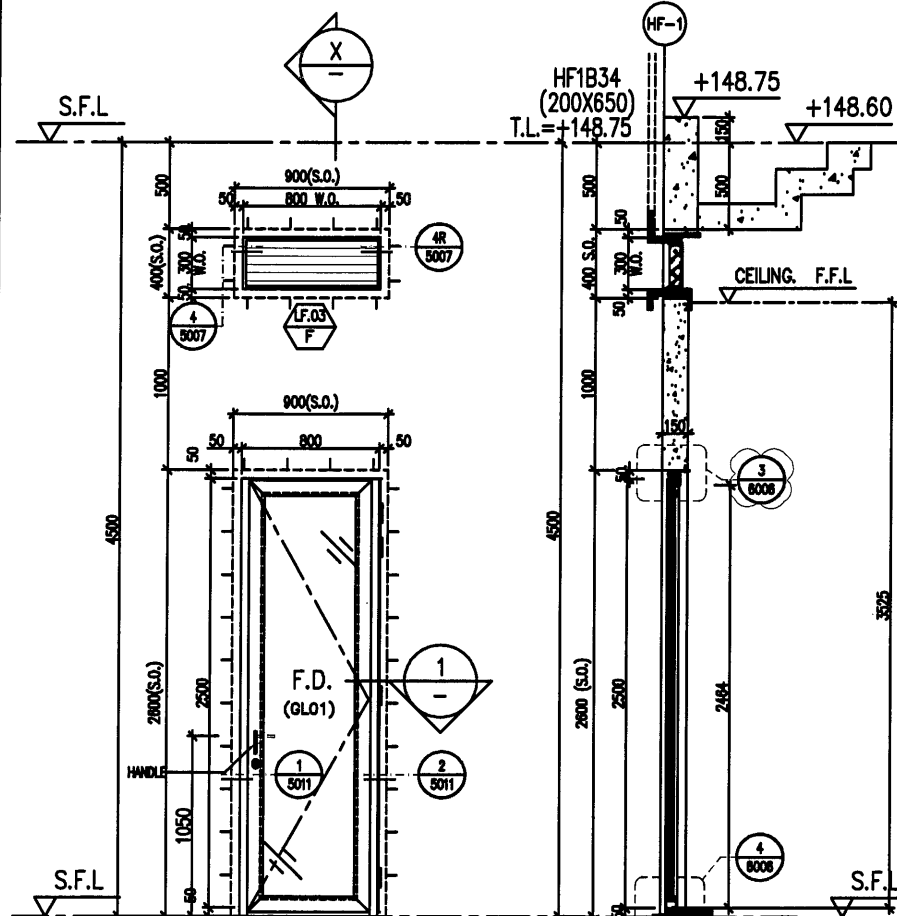
STONE CLADDING FINISH

LEGEND:

- 3mm THK. ALUM. CLADDING
- BK-1 300x200x10mm THK. G.M.S. PLATE /W 2nos "HLIT" HST3-R M10 ANCHOR BOLTS
- BK-1A 300x150x10mm THK. G.M.S. PLATE /W 2nos "HLIT" HST3-R M10 ANCHOR BOLTS
- BK-2 800x200x20mm THK. G.M.S. PLATE /W 4nos "HLIT" HST3-R M12 ANCHOR BOLTS
- BK-3 280x200x10mm THK. G.M.S. PLATE /W 2nos "HLIT" HST3-R M10 ANCHOR BOLTS
- BK-4 280x200x10mm THK. G.M.S. PLATE /W 2nos "HLIT" HST3-R M10 ANCHOR BOLTS
- BK-5 250x150x10mm THK. G.M.S. PLATE /W 2nos "HLIT" HST3-R M10 ANCHOR BOLTS
- BK-6 2nos-150x100x10mm THK. G.M.S. ANGLE /W 2nos "HLIT" HST3-R M10 ANCHOR BOLTS
- BK-7 400x200x10mm THK. G.M.S. PLATE /W 2nos "HLIT" HST3-R M10 ANCHOR BOLTS

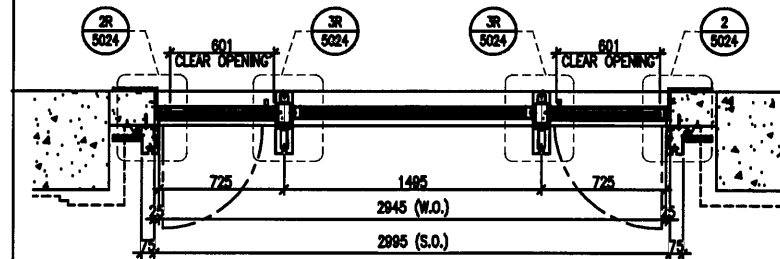
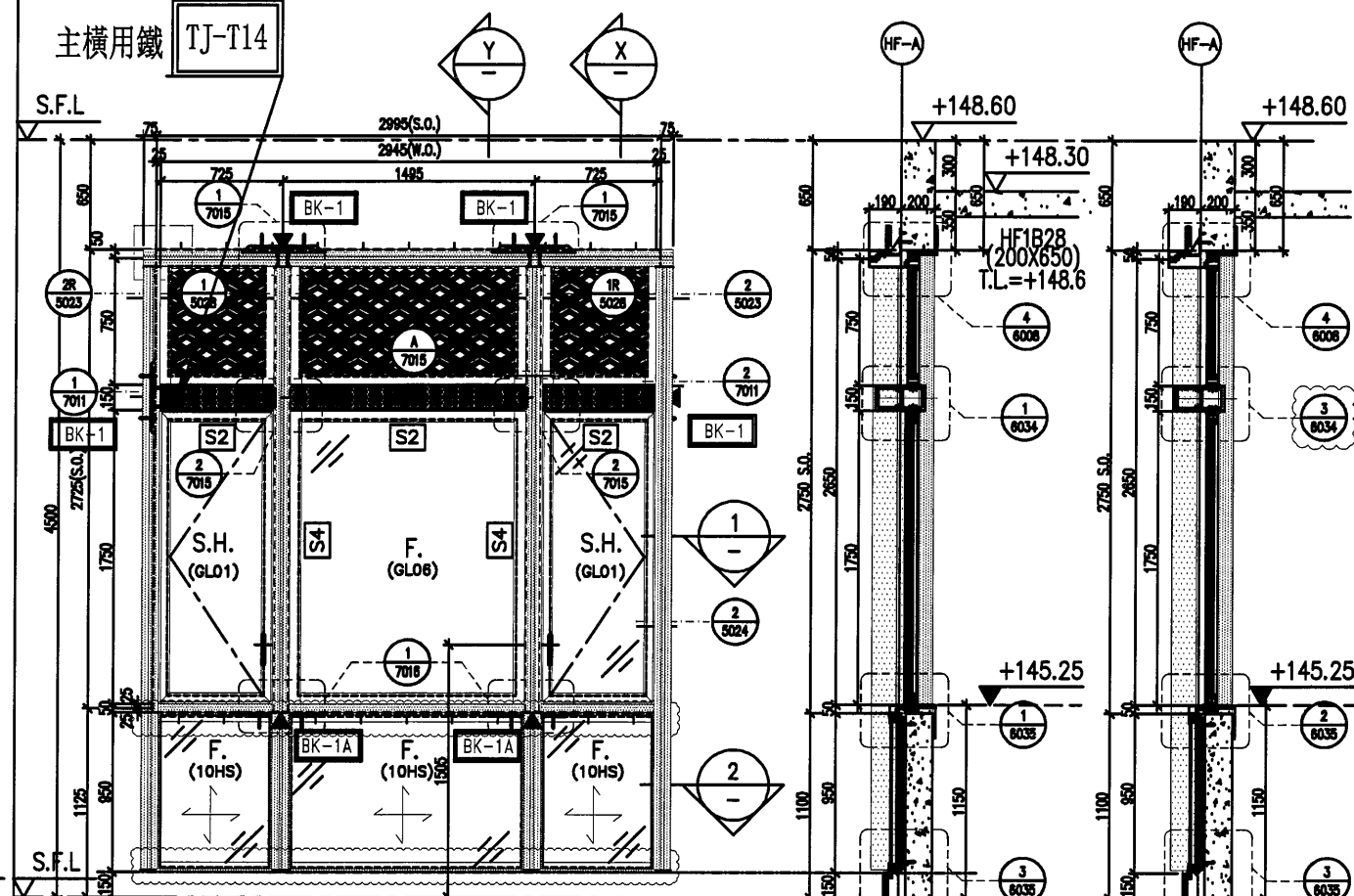
| PROVIDED | | |
|---------------|------|----------------|
| GLAZING AREA | 6.23 | m ² |
| OPENABLE AREA | 3.82 | m ² |
| FREE AREA | - | % |

ELEVATION
(VIEWED FROM THE OUTSIDE)

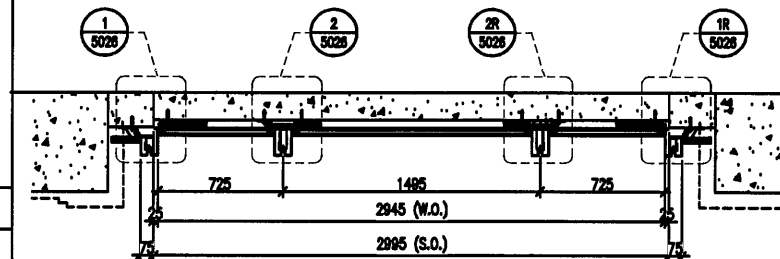


1 PART PLAN

| PROVIDED | | |
|---------------|------|----------------|
| GLAZING AREA | 1.24 | m ² |
| OPENABLE AREA | 1.62 | m ² |
| FREE AREA | 58.5 | % |



1 PART PLAN



2 PART PLAN

LEGEND:

- 3mm THK ALUM. CLADDING
- BK-1 350x200x10mm THK. G.M.S. PLATE /W 2nos "HLIT" HST3-R M10 ANCHOR BOLTS
- BK-1A 350x150x10mm THK. G.M.S. PLATE /W 2nos "HLIT" HST3-R M10 ANCHOR BOLTS
- BK-2 850x200x20mm THK. G.M.S. PLATE /W 4nos "HLIT" HST3-R M12 ANCHOR BOLTS
- BK-3 280x200x10mm THK. G.M.S. PLATE /W 2nos "HLIT" HST3-R M10 ANCHOR BOLTS
- BK-4 250x200x10mm THK. G.M.S. PLATE /W 2nos "HLIT" HST3-R M10 ANCHOR BOLTS
- BK-5 250x150x10mm THK. G.M.S. PLATE /W 2nos "HLIT" HST3-R M10 ANCHOR BOLTS
- BK-6 2nos-150x100x10mm THK. G.M.S. ANGLE /W 2nos "HLIT" HST3-R M10 ANCHOR BOLTS
- BK-7 400x200x10mm THK. G.M.S. PLATE /W 2nos "HLIT" HST3-R M10 ANCHOR BOLTS

| PROVIDED | | |
|---------------|------|----------------|
| GLAZING AREA | 3.78 | m ² |
| OPENABLE AREA | 2.00 | m ² |
| FREE AREA | - | % |

STONE CLADDING FINISH

| | |
|-------------|----------------------------|
| WINDOW MARK | WF.13 F |
| LOCATION | HOUSE TYPE F - G/F KITCHEN |
| MATERIALS | AL1 |
| GLAZING | GL01 |
| QUANTITY | 1 No. (HOUSE NO. HOUSE A) |
| HANDLES | MODEL NO. 2018-CA |

| | |
|-------------|--------------------------------------|
| WINDOW MARK | WF.1A F |
| LOCATION | HOUSE TYPE F - G/F KITCHEN |
| MATERIALS | AL1 |
| GLAZING | GL01, GL06 |
| QUANTITY | 1 No. (HOUSE NO. HOUSE A) |
| HANDLES | 2NOS. OF HANDLE - MODEL NO. 2017-D2A |

| | |
|-------------|--------------------------------------|
| WINDOW MARK | WF.1B F |
| LOCATION | HOUSE TYPE F - G/F STUDY ROOM |
| MATERIALS | AL1 |
| GLAZING | PDO, GLA, GL06 |
| QUANTITY | 1 No. (HOUSE NO. HOUSE A) |
| HANDLES | 2NOS. OF HANDLE - MODEL NO. 2017-D2A |

B.D. REF :

CLIENT : SHIMAO GROUP HOLDINGS LIMITED

ARCHITECT : WONG TUNG & PARTNERS LIMITED ARCHITECTS & PLANNERS

MAIN CONTRACTOR : 協興建築有限公司 HIP HING CONSTRUCTION CO LTD

STRUCTURAL ENGINEER : CMA C M WONG & ASSOCIATES LTD 黃志明建築工程師有限公司

FAÇADE CONSULTANT : MENHARDT

NOTE:

- ALL DIMENSIONS ARE IN mm.
- ALL ELEVATIONS ARE VIEWED FROM OUTSIDE.
- ALL DIMENSIONS TO BE VERIFIED ON SITE BEFORE FABRICATION.

LEGEND:

- 1 F.F.L. — FINISHED FLOOR LEVEL
- 2 S.F.L. — STRUCTURAL FLOOR LEVEL
- 3 — REVERSED DETAIL
- 4 — FINISH LOCATION
- 5 GLASS LEGEND
- 6 GL01 — 12mm BS-112mm AR 0P+12mm TP THK. LAL
- GL04 — 12mm CLEAR TEMPERED GLASS
- GL06 — 12mm BS-112mm AR 0P+12mm TP THK. LAL
- PD01 — 10mm TP+12mm AR 0P+12mm TP
- 7 [ST] 120x200x8mm THK. G.M.S. R.H.S.
- [S2] 120x120x8mm THK. G.M.S. S.H.S.
- [S3] 200x100x8mm THK. G.M.S. R.H.S.
- [S4] 120x60x8mm THK. G.M.S. R.H.S.
- [S5] 100x50x8mm THK. G.M.S. R.H.S.
- 8 [AL1] — PWP COATED ALUMINIUM SPRAY TROWER (4 COAT SYSTEM) CODE: EP-00-034322 COLOR: 00Y 07/083 METALLIC

| | | | |
|------|------------|------------------------------------|----|
| D | 18/05/2024 | REVISION SUBJECT TO ARCH'S COMMENT | Y1 |
| C | 15/03/2024 | REVISION SUBJECT TO ARCH'S COMMENT | Y1 |
| B | 13/11/2023 | GENERAL REVISED | |
| A | 04/09/2023 | GENERAL REVISED | |
| REV. | DATE | REASON | BY |

JOB NO. : J-853

PROJECT : PROPOSED RESIDENTIAL DEVELOPMENT AT N.K.I.L. 8542 YIN PING ROAD KOWLOON

TITLE : IN-SITU ALUM. WINDOW SCHEDULE FOR HOUSE TYPE F

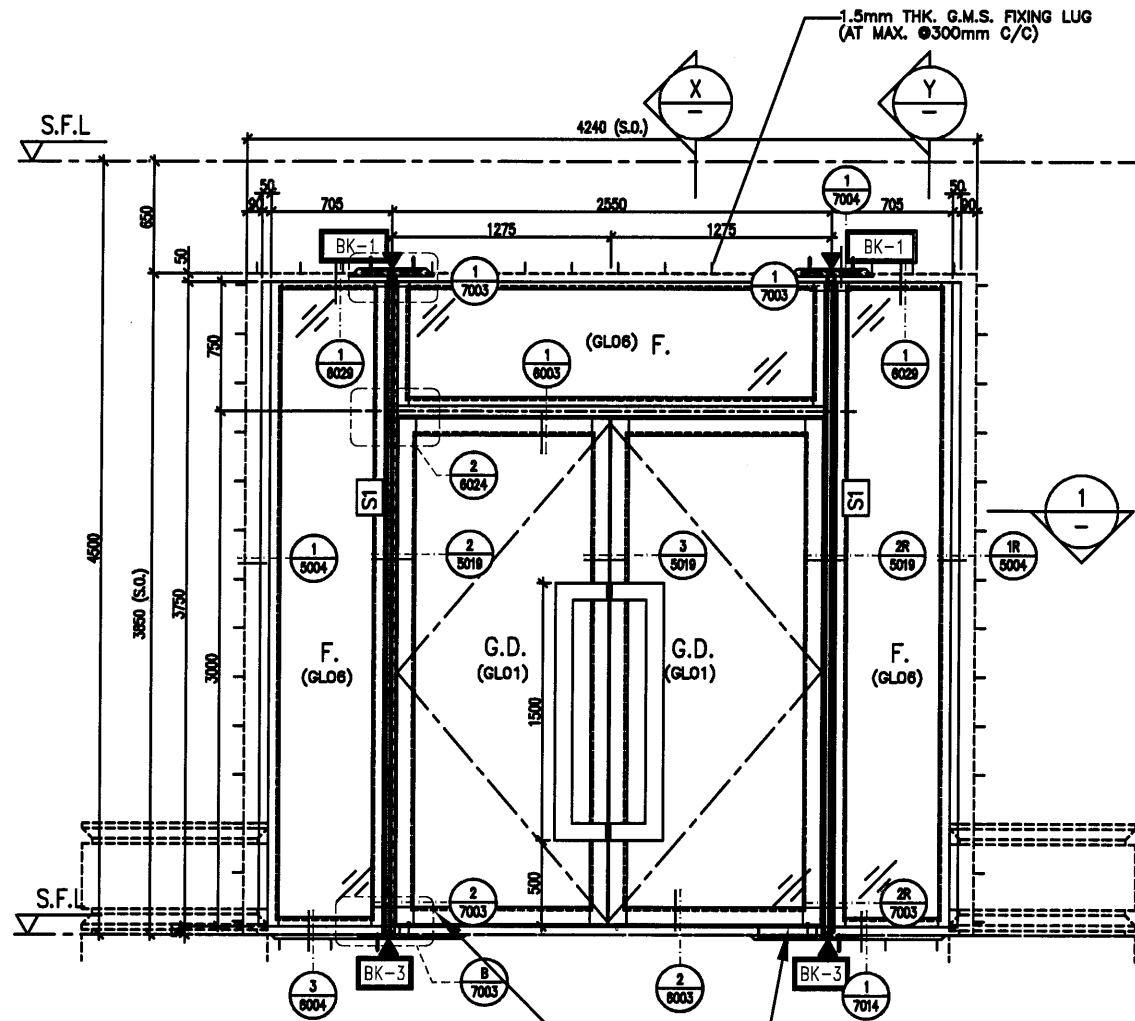
DATE : 30-MAR-23 SCALE : 1:40 (A3)

DRAWN BY : Aing CHECKED BY :

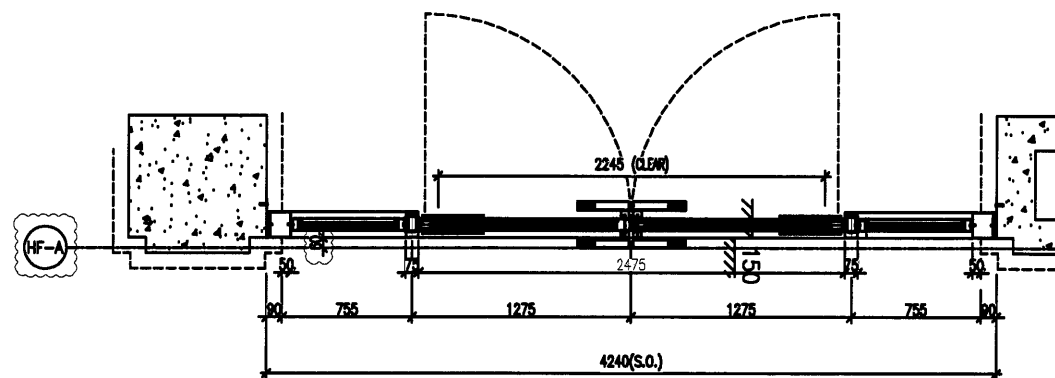
美特鋁質有限公司
MIDI ALUMINIUM FABRICATOR LTD.
Units 8-9, Sunny Industrial Centre, 1/F
610 Cho Kwo Ling Road, Kowloon
Tel:2348211-4 Fax:(852)2772868

DWG NO. : JB53-SD-HIW-2606 REV. : D

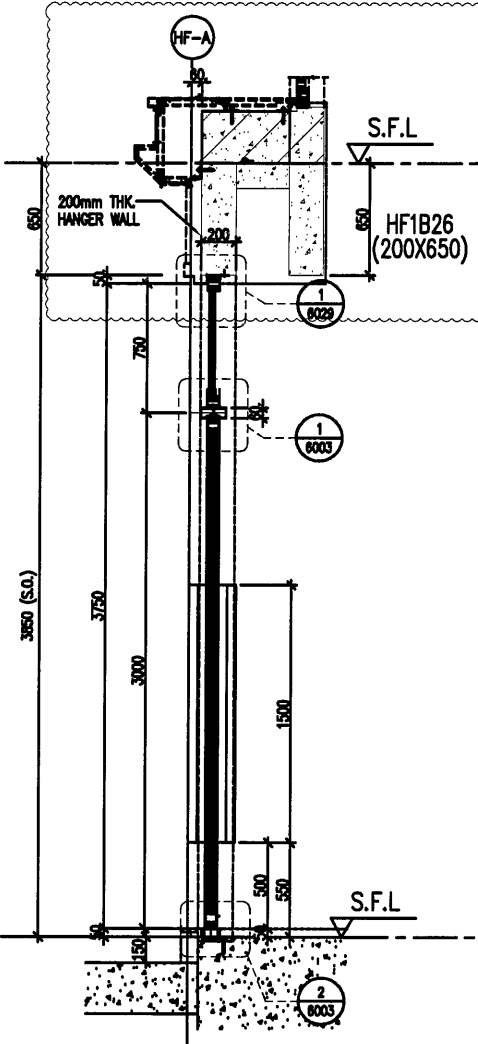
ELEVATION
(VIEWED FROM THE OUTSIDE)



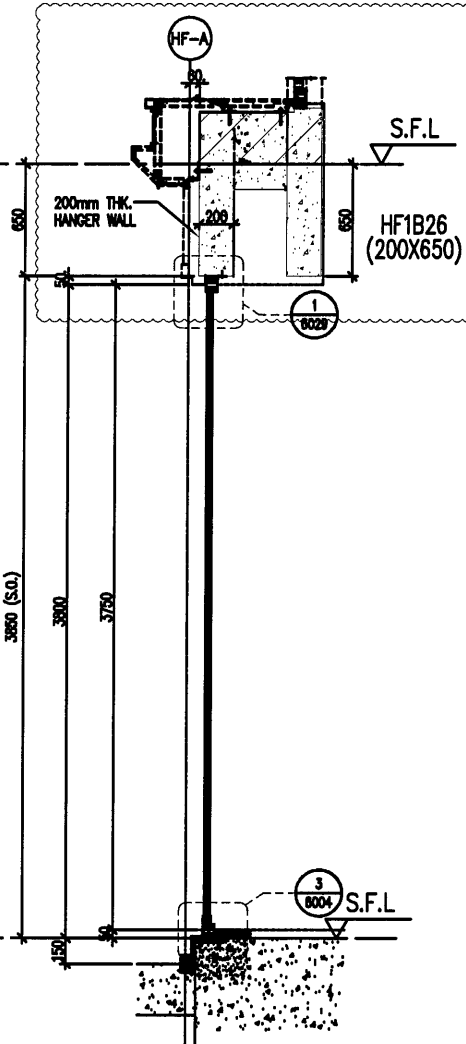
地彈門底部鐵配件 BK3-2 BK3-2



1 PART PLAN



X PART SECTION



Y PART SECTION

LEGEND:

- 3mm THK ALUM. CLADDING
- BK-1 300x200x10mm THK. G.M.S. PLATE / W 2nos "HLIT" HST3-R M10 ANCHOR BOLTS
- BK-1A 350x150x10mm THK. G.M.S. PLATE / W 2nos "HLIT" HST3-R M10 ANCHOR BOLTS
- BK-2 600x200x20mm THK. G.M.S. PLATE / W 4nos "HLIT" HST3-R M12 ANCHOR BOLTS
- BK-3 280x200x10mm THK. G.M.S. PLATE / W 2nos "HLIT" HST3-R M10 ANCHOR BOLTS
- BK-4 250x200x10mm THK. G.M.S. PLATE / W 2nos "HLIT" HST3-R M10 ANCHOR BOLTS
- BK-5 250x150x10mm THK. G.M.S. PLATE / W 2nos "HLIT" HST3-R M10 ANCHOR BOLTS
- BK-6 2nos 150x100x10mm THK. G.M.S. ANGLE / W 2nos "HLIT" HST3-R M10 ANCHOR BOLTS
- BK-7 400x200x10mm THK. G.M.S. PLATE / W 2nos "HLIT" HST3-R M10 ANCHOR BOLTS

| PROVIDED | | |
|---------------|-------|----------------|
| GLAZING AREA | 11.04 | m ² |
| OPENABLE AREA | 6.66 | m ² |
| FREE AREA | - | % |

STONE CLADDING FINISH

| | |
|-------------|---------------------------|
| WINDOW MARK | WF-16 F |
| LOCATION | HOUSE TYPE F - G/F FOYER |
| MATERIALS | AL1 |
| GLAZING | GL06, GL01 |
| QUANTITY | 1 No. (HOUSE NO. HOUSE A) |
| HANDLES | 2 NOS. OF IR3 |

B.D. REF :

CLIENT : SHIMAO GROUP HOLDINGS LIMITED

ARCHITECT : WONG TUNG & PARTNERS LIMITED ARCHITECTS & PLANNERS

MAIN CONTRACTOR : 協興建築有限公司 HIP HING CONSTRUCTION CO LTD

STRUCTURAL ENGINEER : C M WONG & ASSOCIATES LTD 黃志明建築工程師有限公司

FAÇADE CONSULTANT: MENHARDT

NOTE:
1. ALL DIMENSIONS ARE IN mm.
2. ALL ELEVATIONS ARE VIEWED FROM OUTSIDE.
3. ALL DIMENSIONS TO BE VERIFIED ON SITE BEFORE FABRICATION.

LEGEND:

- 31 DETAIL MARK NO.
- 32 REFER SHEET NO.
- 1. F.F.L. --- FINISHED FLOOR LEVEL
- 2. S.F.L. --- STRUCTURAL FLOOR LEVEL
- 3. --- REVERSED DETAIL
- 4. A --- FINISH LOCATION
- 5. GLASS LEGEND
- 6. GL01 --- 16mm BS, +12mm AIR GAP+12mm TP THK. LAL
- GL04 --- 12mm CLEAR TEMPERED GLASS
- GL06 --- 16mm BS, +12mm AIR GAP+12mm TP THK. LAL
- PD01 --- 10mm T.P.+12mm AIR GAP+9mm T.P
- 7. [ST] 120x60x6mm THK. G.M.S. R.H.S.
- [ST2] 120x120x6mm THK. G.M.S. R.H.S.
- [ST3] 200x100x6mm THK. G.M.S. R.H.S.
- [ST4] 120x60x6mm THK. G.M.S. R.H.S.
- [ST5] 100x60x6mm THK. G.M.S. R.H.S.
- 8. [AL] --- PP2 COATED ALUMINIUM SPRAY TRIMMER (4 COAT SYSTEM) CODE: EC-00-0334232 COLOR: 00Y 07/063 METALLIC

| | | | |
|-----|------------|------------------------------------|----|
| D | 18/06/2024 | REVISION SUBJECT TO ARCH'S COMMENT | Y1 |
| C | 15/03/2024 | REVISION SUBJECT TO ARCH'S COMMENT | Y1 |
| B | 13/11/2023 | GENERAL REVISED | |
| A | 04/09/2023 | GENERAL REVISED | |
| NO. | DATE | REVISION | BY |

JOB NO. : J-853
PROJECT : PROPOSED RESIDENTIAL DEVELOPMENT AT N.K.I.L. 6542 YIN PING ROAD KOWLOON

TITLE : IN-SITU ALUM. WINDOW SCHEDULE FOR HOUSE TYPE F

DATE : 30-MAR-23 SCALE : 1:40 (A3)
DRAWN BY : Aqing CHECKED BY :

英特鋁質有限公司
MIDI ALUMINIUM FABRICATOR LTD.
Units 6-8, Sunray Industrial Centre, 1/F
610 Cha Kwo Ling Road, Kowloon
Tel:23489211-4 Fax:(852)2772666
DWG NO. : JB53-SD-HIW-2607 REV. : D

