



工程指示 / 要求簡箋 ENGINEER INSTRUCTIONS(E.I.)

工程指示編號:	EI- 7965	修改版本:	-
	HK- 1209		
工程編號:	J 853	工程名稱:	延坪道 (第2期)
收件人:	生統/	發件人:	Jingo
工程項目:	飾線 Feature Wall 鋁料加工圖 (part 3)	日期:	24/6/2024

<input type="checkbox"/> 原合約工程包	<input type="checkbox"/> 原合約工程加 / 減賬 QT-	<input type="checkbox"/> 新工程報價 QT-
---------------------------------	--	------------------------------------

信件批核號碼/圖紙參考編號:	批核模具圖紙編號:
客戶指示附件:	管理內部批簽署:

<input type="checkbox"/> 初步鋁料 B.M.	<input type="checkbox"/> 加工拆圖, 然後生產	<input type="checkbox"/> 尺寸表
<input type="checkbox"/> 正式鋁料 B.M.	<input type="checkbox"/> 技術上資料/指示	<input type="checkbox"/> 報價
<input type="checkbox"/> 配件 B.M.	<input type="checkbox"/> 樣辦或貨品說明書	<input type="checkbox"/> 分判合約
<input type="checkbox"/> 其他:		

內容: 請按期出貨

完成上列要求日期: 12/7/2024

國內

<input type="checkbox"/> 生產技術總監	<input type="checkbox"/> 連附件	<input type="checkbox"/> 技術部	<input type="checkbox"/> 連附件	<input type="checkbox"/> 生產部	<input type="checkbox"/> 連附件
<input type="checkbox"/> 採購部	<input type="checkbox"/> 連附件	<input checked="" type="checkbox"/> 生產統籌部	<input checked="" type="checkbox"/> 連附件	<input type="checkbox"/> 報關組	<input type="checkbox"/> 連附件
<input type="checkbox"/> 質檢部	<input type="checkbox"/> 連附件	<input type="checkbox"/> 會計部	<input type="checkbox"/> 連附件	<input type="checkbox"/> 機械設計部	<input type="checkbox"/> 連附件
<input type="checkbox"/> 香港辦	<input type="checkbox"/> 連附件	<input type="checkbox"/> 其他:			

香港

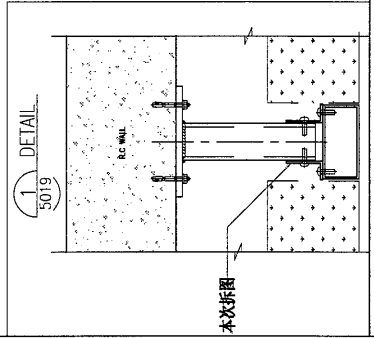
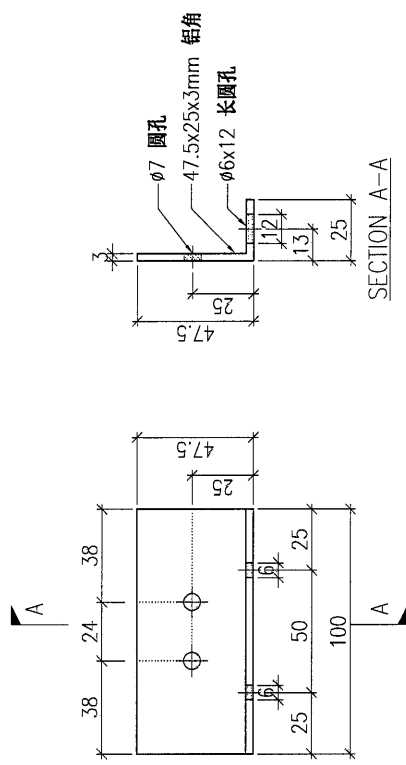
<input type="checkbox"/> 行政部	<input type="checkbox"/> 連附件	<input type="checkbox"/> 會計部	<input type="checkbox"/> 連附件	<input type="checkbox"/> 統籌部	<input type="checkbox"/> 連附件	<input type="checkbox"/> 工程部	<input type="checkbox"/> 連附件
<input type="checkbox"/> 採購部	<input type="checkbox"/> 連附件	<input type="checkbox"/> QS部	<input type="checkbox"/> 連附件	<input checked="" type="checkbox"/> 地盤管理	<input checked="" type="checkbox"/> 連附件	<input type="checkbox"/> 維修部	<input type="checkbox"/> 連附件

*發件人簽署:	*組別成員批核簽署:
傳遞編號:	項目經理簽署:

PROJECT YIN PING ROAD KOWLOON FEATURE WALL (PHASE 2)

REV.	CHECKED DATE	PART NUMBER	Dim. A	Dim. B	Dim. C	Dim. D	Dim. E	Dim. F	Dim. G	Dim. H	QTY.	Inv. Code	COATING	COLOUR	MARK. NO.	QTY.
-		AL-EF-G01	-	-	-	-	-	-	-	-	990		ASSEMBLE ON PARTS	-	-	-

注: 工厂用



DWG. NO.	REV.	SCALE	DATE	DRAWN BY	APPROVED BY
AL-EF-G01	-	-	22-06-2024	-	-

PROJECT: YIN PING ROAD KOWLOON FEATURE WALL (PHASE 2)

MATERIAL: 100x50x2.5mm 铝通 (JMFG0032)

COATING: PVF2

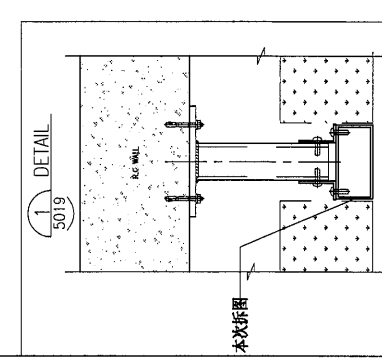
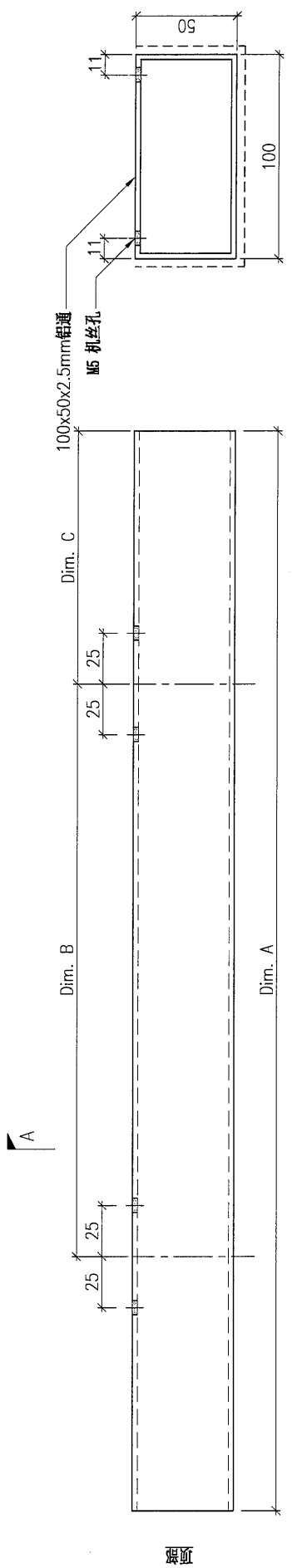
COLOUR: JMQ213457(SS-01)

MARK. NO.:

QTY.:

REV.	CHK'D BY	PART NUMBER	Dim. A	Dim. B	Dim. C	Dim. D	Dim. E	Dim. F	Dim. G	Dim. H	QTY.	Inv. Code
-		AL-EF-G02	1096	1x@700c/c	138						1	

注: 工厂用
注: 地盘复尺



DWG. NO. AL-EF-G02	REV. -	SCALE -	DATE 22-06-2024	DRAWN BY -	APPROVED BY -
--------------------	--------	---------	-----------------	------------	---------------

PROJECT: YIN PING ROAD KOWLOON FEATURE WALL (PHASE 2)

MATERIAL: 100x50x2.5mm 铝通 (JMFG0032)

COATING: PVF2

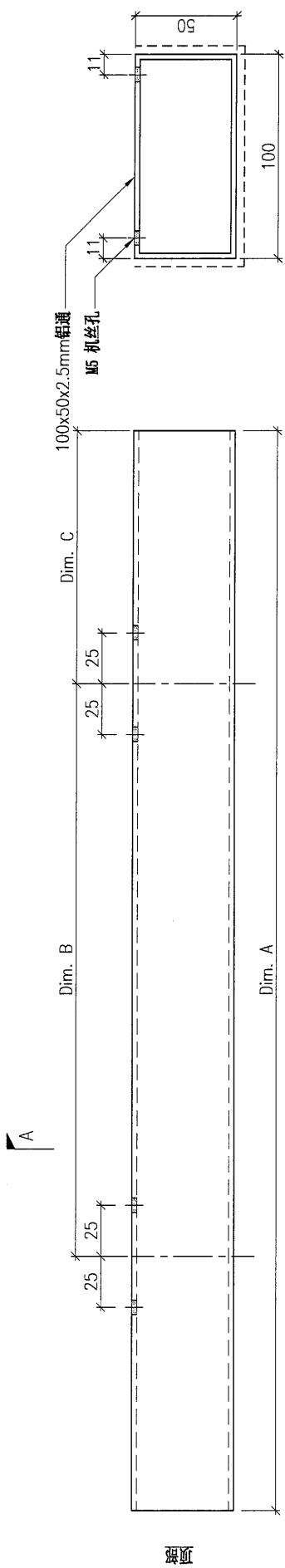
COLOUR: JMQ213457(SS-01)

MARK. NO.:

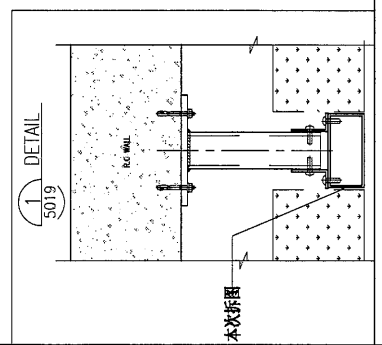
QTY.:

REV.	CHANGED BY	PART NUMBER	Dim. A	Dim. B	Dim. C	Dim. D	Dim. E	Dim. F	Dim. G	Dim. H	QTY.	Inv. Code
-		AL-EF-G03A	2387	3x@700c/c	140						31	

注: 工厂用



SECTION A-A



DWG. NO. AL-EF-G03	REV. -	SCALE -	DATE 22-06-2024	DRAWN BY -	APPROVED BY -
--------------------	--------	---------	-----------------	------------	---------------

PROJECT: YIN PING ROAD KOWLOON FEATURE WALL (PHASE 2)

MATERIAL: 100x50x2.5mm铝通(JMFG0032)

COATING: PVF2

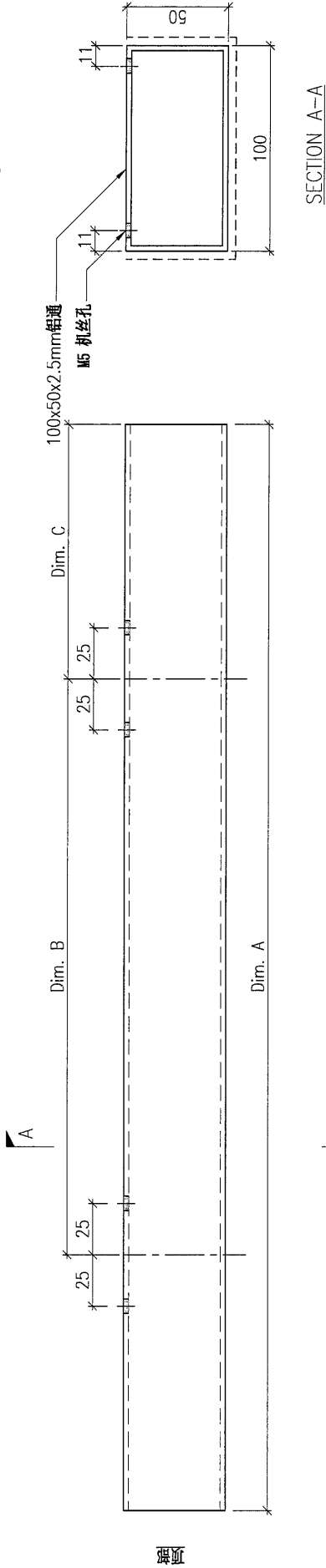
COLOUR: JMQ213457(SS-01)

MARK. NO.:

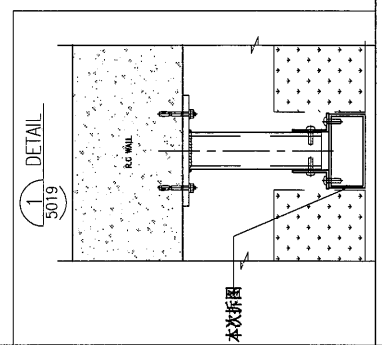
QTY.:

REV.	CHANGED BY	PART NUMBER	Dim. A	Dim. B	Dim. C	Dim. D	Dim. E	Dim. F	Dim. G	Dim. H	QTY.	Inv. Code
-		AL-EF-G04A	2442	3x@700c/c	150						4	
-		AL-EF-G04B	1942	2x@700c/c	349						2	
-		AL-EF-G04C	3467	3x@750c/c	250						2	
-		AL-EF-G04D	3110	4x@650c/c	250						2	
-		AL-EF-G04E	4110	5x@700c/c	250						4	
-		AL-EF-G04F	2982	4x@650c/c	150						3	
-		AL-EF-G04G	2482	3x@700c/c	150						3	
-		AL-EF-G04H	1682	2x@650c/c	150						3	
-		AL-EF-G04J	1114	1x@700c/c	150						3	
-		AL-EF-G04K	2644	3x@700c/c	250						3	
-		AL-EF-G04L	2064	2x@750c/c	250						3	

注: 工厂用
注: 地盘复尺



SECTION A-A



DWG. NO. AL-EF-G04	REV. -	SCALE -	DATE 22-06-2024	DRAWN BY -	APPROVED BY -
--------------------	--------	---------	-----------------	------------	---------------

PROJECT YIN PING ROAD KOWLOON FEATURE WALL (PHASE 2)

MATERIAL 100x50x2.5mm 铝通 (JMFG0032)

COATING PVF2

COLOUR JMQ213457(SS-01)

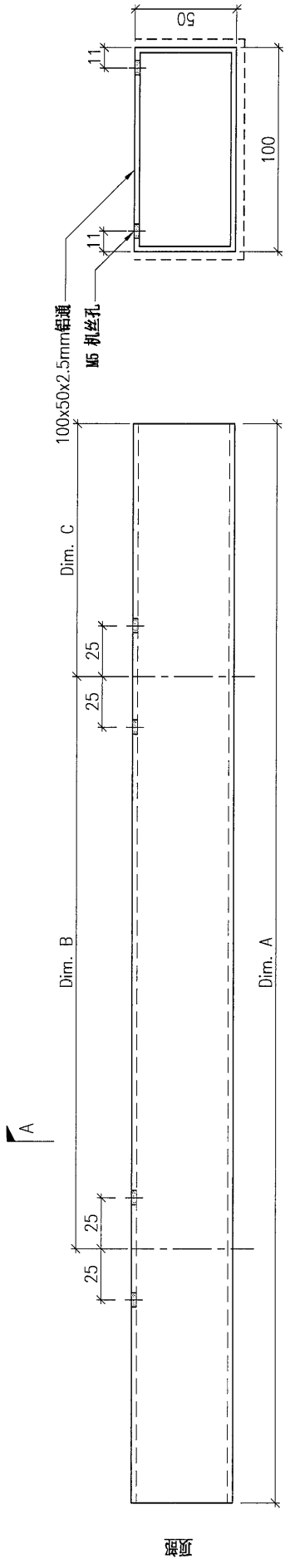
MARK. NO. -

QTY. -

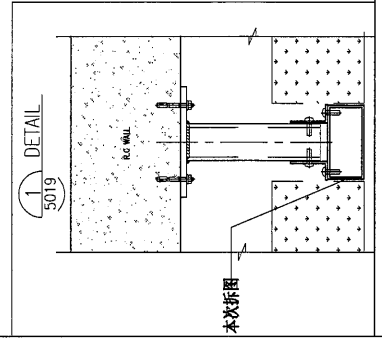
REV.	CHECKED DATE BY	PART NUMBER	Dim. A	Dim. B	Dim. C	Dim. D	Dim. E	Dim. F	Dim. G	Dim. H	QTY.	Inv. Code
-		AL-EF-G05	3498	4x@750c/c	249						48	

ASSEMBLE ON PARTS

注: 工厂用



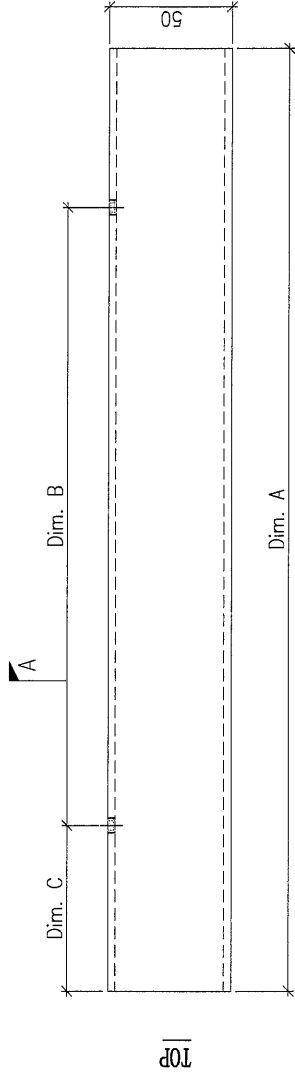
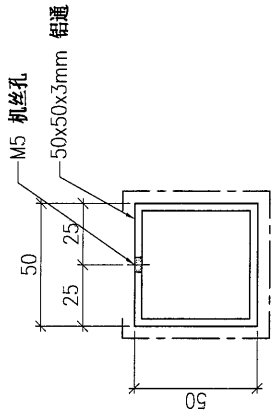
SECTION A-A



DWG. NO.	AL-EF-G05	REV.	-	SCALE	-	DATE	22-06-2024	DRAWN BY	-	APPROVED BY	-
----------	-----------	------	---	-------	---	------	------------	----------	---	-------------	---

PROJECT YIN PING ROAD KOWLOON FEATURE WALL (PHASE 2) MATERIAL 铝通加工图(JM3013) COATING PVF2 COLOUR JMQ213457(SS-01) MARK. NO. - QTY. -

REV.	CHANGED BY/DATE	PART NUMBER	Dim. A	Dim. B	Dim. C	Dim. D	Dim. E	Dim. F	Dim. G	Dim. H	QTY.	Inv. Code	ASSEMBLE ON PARTS	注: 工厂用
-		AL-EF-G06A	1916	6x@300c/c	50						4			
-		AL-EF-G06B	3498	12x@285c/c	39						4			
-		AL-EF-G06C	2388	8x@285c/c	54						8			
-		AL-EF-G06D	2777	9x@300c/c	27						4			



SECTION A-A

DWG. NO. AL-EF-G06	REV. -	SCALE -	DATE 15-06-2023	DRAWN BY -	APPROVED BY -
--------------------	--------	---------	-----------------	------------	---------------

PROJECT YIN PING ROAD KOWLOON FEATURE WALL (PHASE 2)

MATERIAL 铝通加工图(JMFG0078)

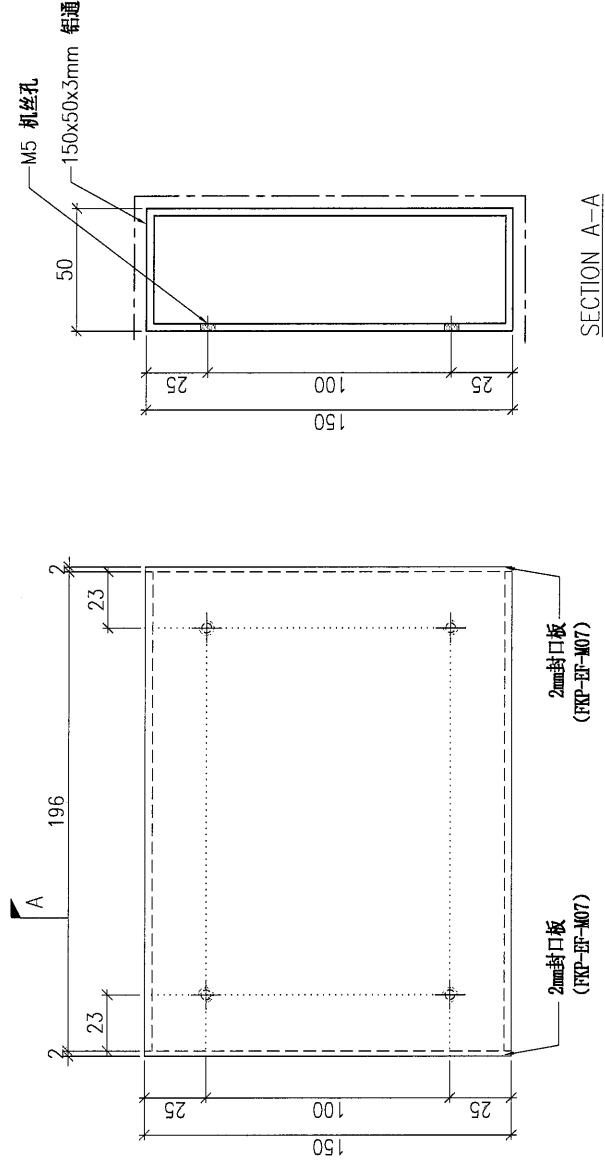
COATING PVF2

COLOUR JMQ213457(SS-01)

MARK. NO. -

QTY. -

REV.	CHECKED DATE BY	PART NUMBER	Dim. A	Dim. B	Dim. C	Dim. D	Dim. E	Dim. F	Dim. G	Dim. H	QTY.	Inv. Code	ASSEMBLE ON PARTS	工厂用
-		AL-EF-G07	-	-	-	-	-	-	-	-	4			

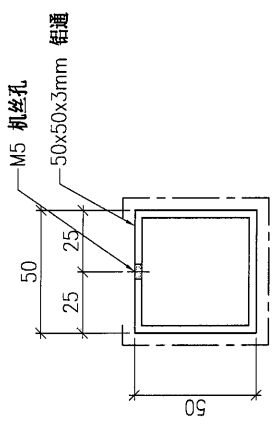
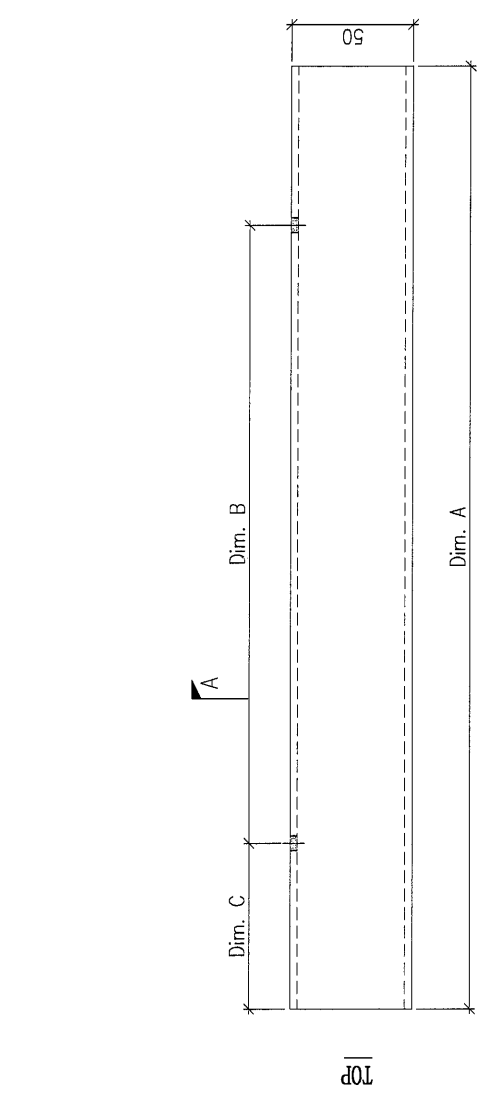


SECTION A-A

DWG. NO. AL-EF-G07	REV. -	SCALE -	DATE 15-06-2023	DRAWN BY -	APPROVED BY -
--------------------	--------	---------	-----------------	------------	---------------

PROJECT: YIN PING ROAD KOWLOON FEATURE WALL (PHASE 2) MATERIAL: 铝通加工图(JM3013) COATING: PVF2 COLOUR: JMQ213457(SS-01) MARK. NO.: -- QTY.:

REV.	DESCRIBED PART NO.	PART NUMBER	Dim. A	Dim. B	Dim. C	Dim. D	Dim. E	Dim. F	Dim. G	Dim. H	QTY.	Inv. Code	ASSEMBLE ON PARTS	工厂用
-		AL-V-G10A	2804	3xØ300c/c	50						6			
-		AL-V-G10B	2398	3xØ285c/c	59						18			
-		AL-V-G10C	2349	3xØ280c/c	59						6			
-		AL-V-G10D	2145	7xØ300c/c	22.5						6			



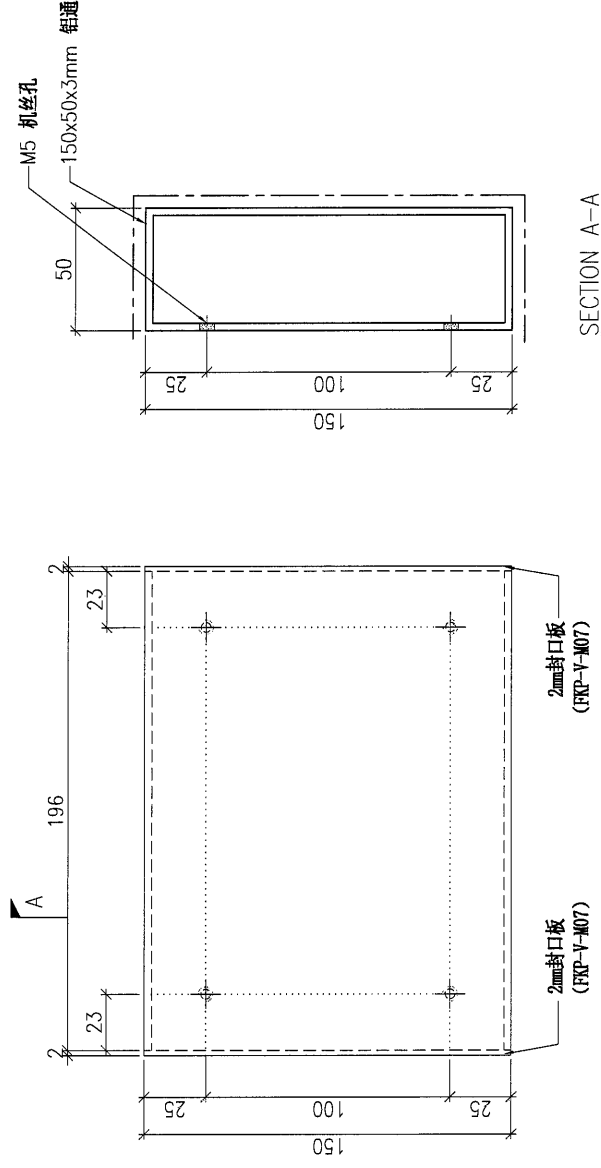
SECTION A-A

DWG. NO. AL-V-G10	REV. -	SCALE -	DATE 15-06-2023	DRAWN BY -	APPROVED BY -
-------------------	--------	---------	-----------------	------------	---------------

PROJECT YIN PING ROAD KOWLOON FEATURE WALL (PHASE 2)

PROJECT	MATERIAL	COATING	COLOUR	MARK. NO.	QTY.
	铝通加工图(JMFG0078)	PVF2	JMQ213457(SS-01)	-	-
CHECKED DATE	Dim. A	Dim. B	Dim. C	Dim. D	Dim. E
-	-	-	-	-	-
	Dim. F	Dim. G	Dim. H	QTY.	Inv. Code
				24	

注: 工厂用



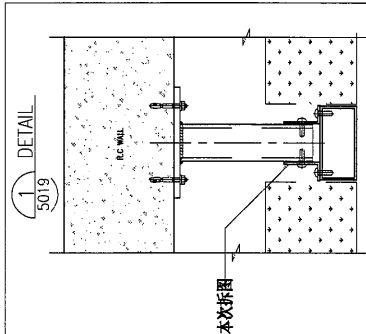
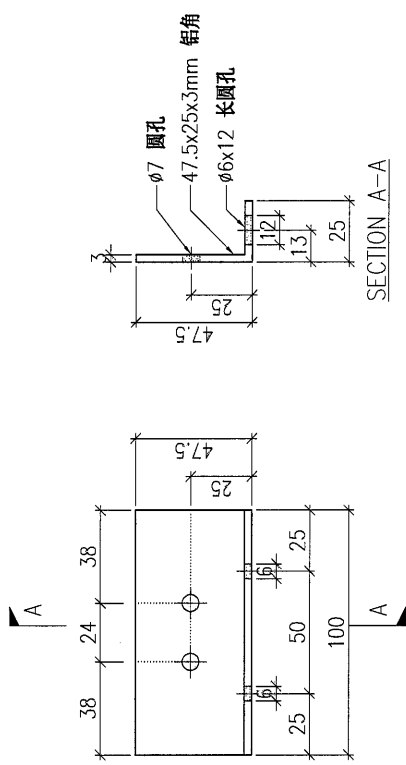
SECTION A-A

DWG. NO.	REV.	SCALE	DATE	DRAWN BY	APPROVED BY
AL-V-G11	-	-	15-06-2023	-	-

PROJECT YIN PING ROAD KOWLOON FEATURE WALL (PHASE 2)

REV.	CHECKED DATE BY	PART NUMBER	Dim. A	Dim. B	Dim. C	Dim. D	Dim. E	Dim. F	Dim. G	Dim. H	QTY.	Inv. Code	COATING	COLOUR	MARK. NO.	QTY.
-		AL-X-G01	-	-	-	-	-	-	-	-	120		ASSEMBLE ON PARTS	-	-	-

注: 工厂用

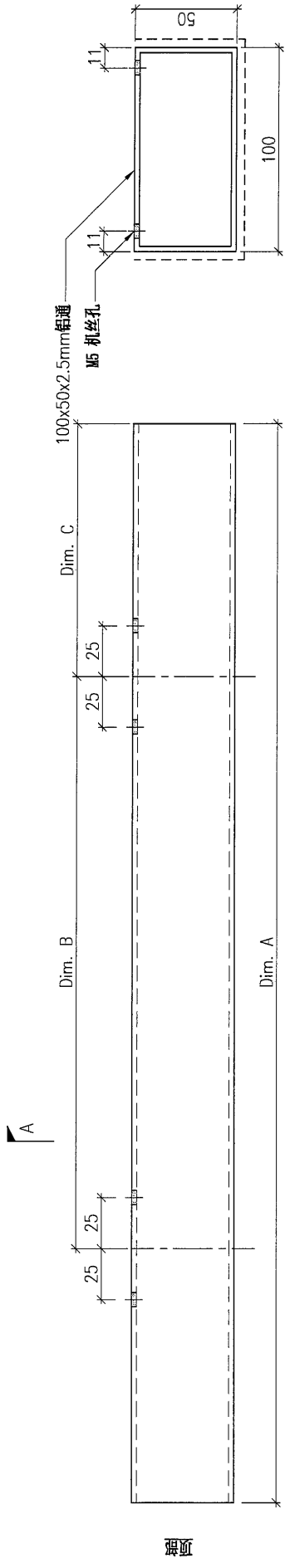


DWG. NO.	REV.	SCALE	DATE	DRAWN BY	APPROVED BY
AL-X-G01	-	-	22-06-2024	-	-

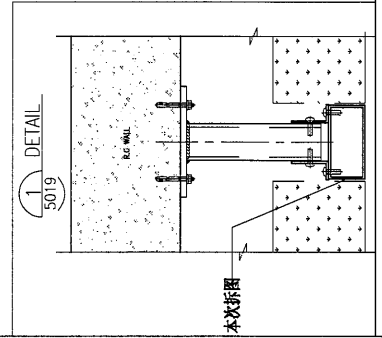
PROJECT: YIN PING ROAD KOWLOON FEATURE WALL (PHASE 2) MATERIAL: 100x50x2.5mm 铝通 (JMFG0032) COATING: PVF2 COLOUR: JMQ213457(SS-01) MARK. NO. - QTY. -

REV.	CHECKED DATE BY	PART NUMBER	Dim. A	Dim. B	Dim. C	Dim. D	Dim. E	Dim. F	Dim. G	Dim. H	QTY.	Inv. Code
-		AL-X-G02	996	1x@700c/c	138						2	ASSEMBLE ON PARTS

注: 工厂用
注: 地盤复尺



SECTION A-A

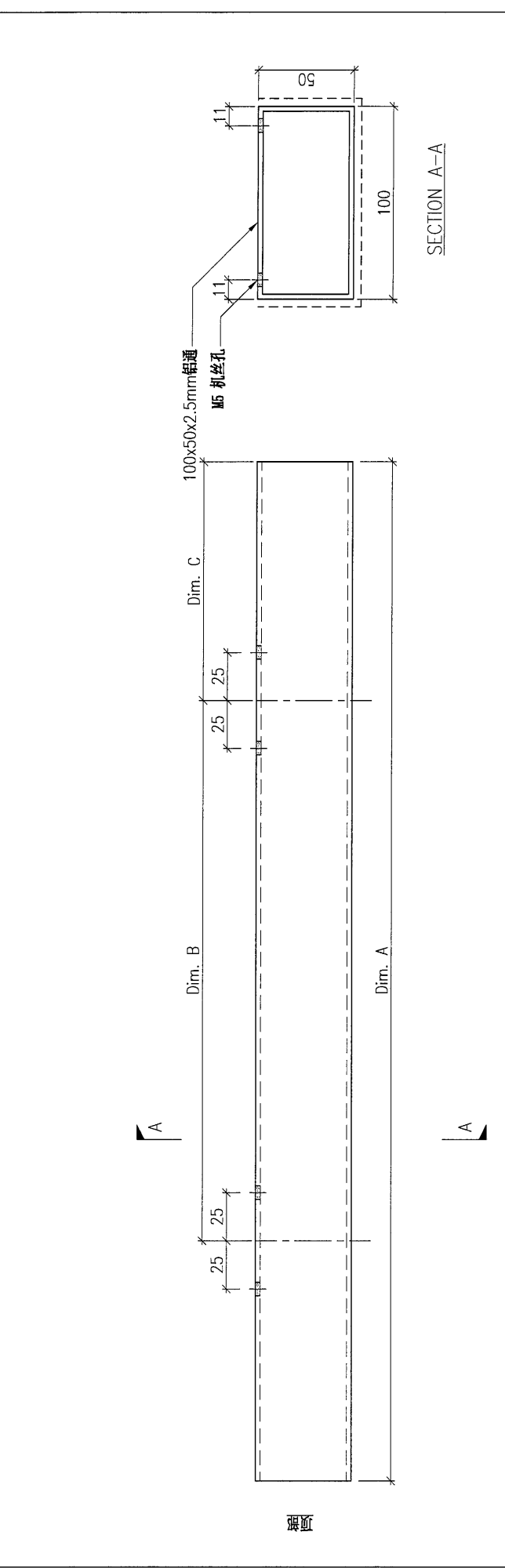


DWG. NO. AL-X-G02	REV. -	SCALE -	DATE 22-06-2024	DRAWN BY -	APPROVED BY -
-------------------	--------	---------	-----------------	------------	---------------

PROJECT YIN PING ROAD KOWLOON FEATURE WALL (PHASE 2)

REV.	CHECKED DATE	PART NUMBER	Dim. A	Dim. B	Dim. C	Dim. D	Dim. E	Dim. F	Dim. G	Dim. H	QTY.	Inv. Code	COATING	MARK. NO.	QTY.
-		AL-X-G03A	2387	3x@700c/c	140						4		PVF2	JMQ213457(SS-01)	-
													ASSEMBLE ON PARTS		

注: 工厂用



1
5019
DETAIL

DWG. NO. AL-X-G03

REV. -

SCALE -

DATE 22-06-2024

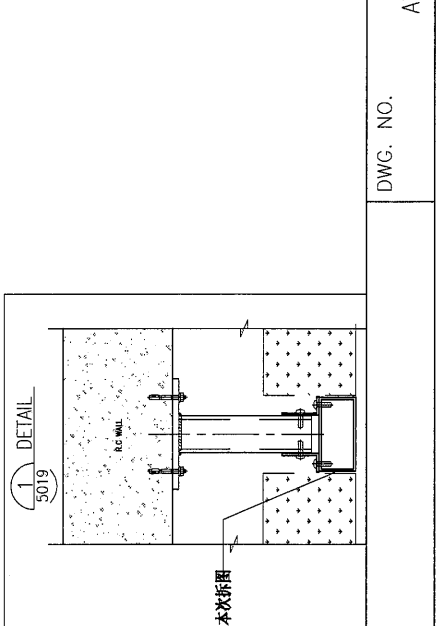
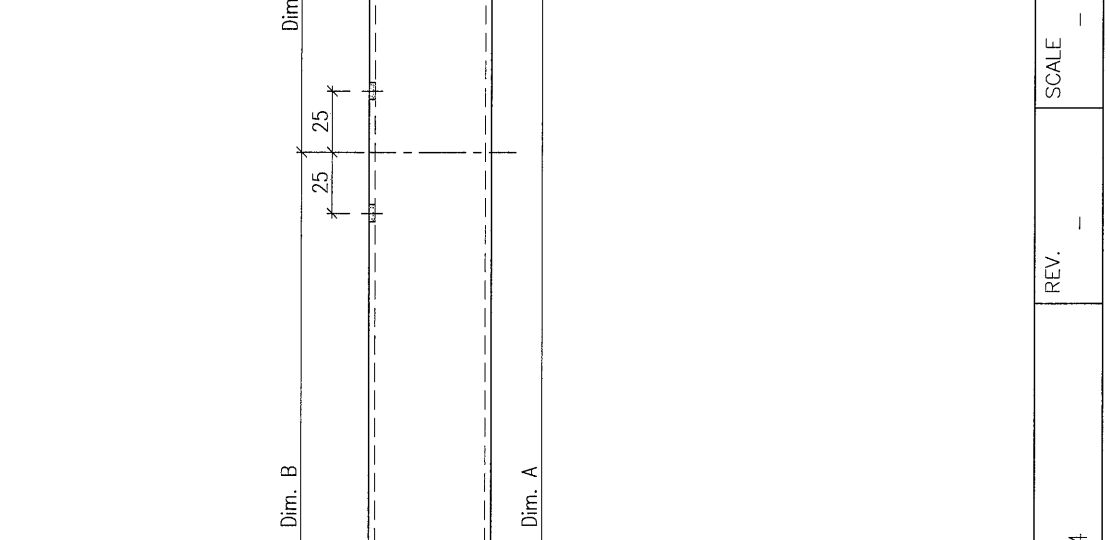
DRAWN BY -

APPROVED BY -

PROJECT YIN PING ROAD KOWLOON FEATURE WALL (PHASE 2)

REV.	CHECKED DATE BY	PART NUMBER	Dim. A	Dim. B	Dim. C	Dim. D	Dim. E	Dim. F	Dim. G	Dim. H	QTY.	Inv. Code	COATING	COLOUR	MARK. NO.	QTY.
-		AL-X-G04A	3007	4x@650c/c	150						1		PVF2	JMQ213457(SS-01)	-	-
-		AL-X-G04B	2852	3x@750c/c	250						2		ASSEMBLE ON PARTS			
-		AL-X-G04C	3252	4x@700c/c	250						1					

注: 工厂用
注: 地盘复尺



DWG. NO.	AL-X-G04	REV.	-	SCALE	-	DATE	22-06-2024	DRAWN BY	-	APPROVED BY	-
----------	----------	------	---	-------	---	------	------------	----------	---	-------------	---

PROJECT: YIN PING ROAD KOWLOON FEATURE WALL (PHASE 2)

MATERIAL: 100x50x2.5mm 铝通 (JMFG0032)

COATING: PVF2

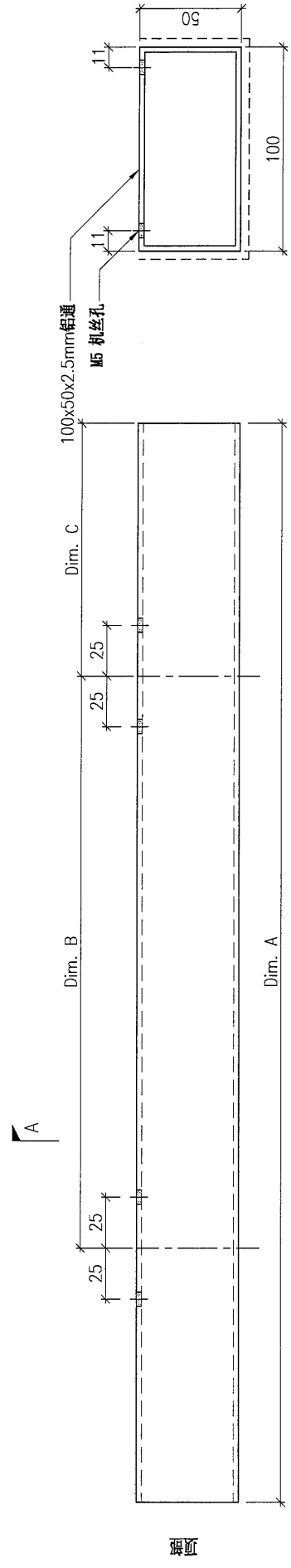
COLOUR: JMQ213457(SS-01)

MARK. NO.: -

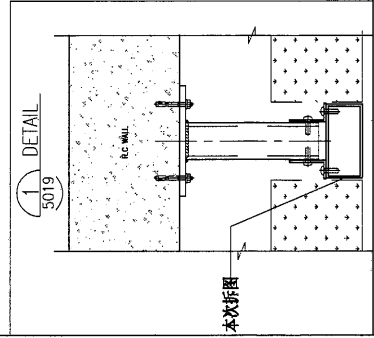
QTY.: -

REV.	DESCRIPTION	Dim. A	Dim. B	Dim. C	Dim. D	Dim. E	Dim. F	Dim. G	Dim. H	QTY.	Inv. Code
-	AL-X-G05	3498	4x@750c/c	249						4	

注: 工厂用



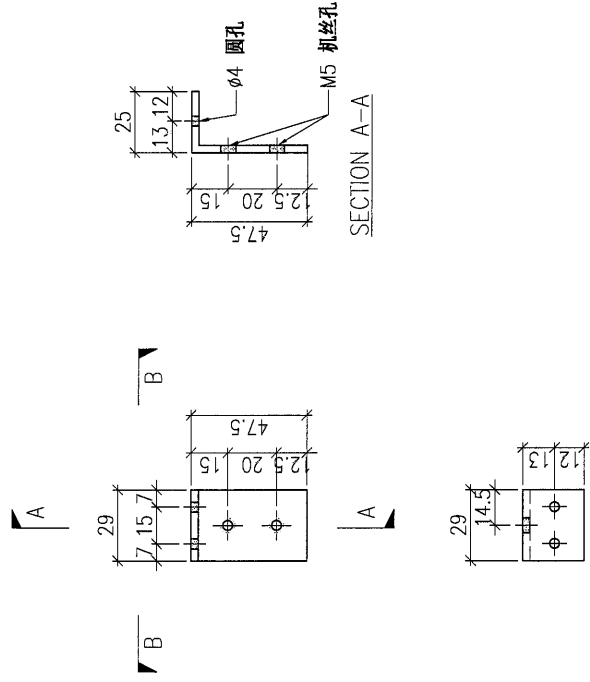
SECTION A-A



DWG. NO.	AL-X-G05	REV.	-	SCALE	-	DATE	22-06-2024	DRAWN BY	-	APPROVED BY	-
----------	----------	------	---	-------	---	------	------------	----------	---	-------------	---

PROJECT YIN PING ROAD KOWLOON FEATURE WALL (PHASE 2)

REV.	PART NUMBER	Dim. A	Dim. B	Dim. C	Dim. D	Dim. E	Dim. F	Dim. G	Dim. H	QTY.	Inv. Code	COATING	COLOUR	MARK. NO.	QTY.
--	P2-AL-EF01	-	-	-	-	-	-	-	-	345		铬化	-	-	-
											注: 工厂用				



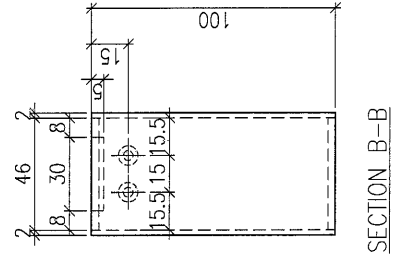
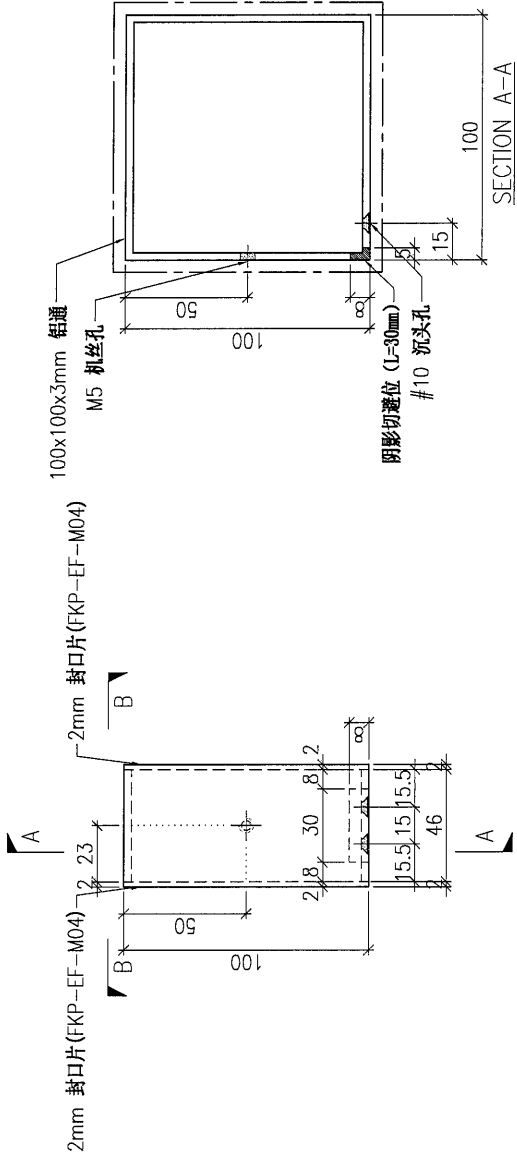
SECTION A-A

SECTION B-B

DWG. NO.	REV.	SCALE	DATE	DRAWN BY	APPROVED BY
P2-AL-EF01	-	-	21-06-2024	-	-

PROJECT		YIN PING ROAD KOWLOON FEATURE WALL (PHASE 2)				MATERIAL 铝型材 (JM3004)				COATING PVF2		COLOUR JMQ218640(SS-03)		MARK. NO. -		QTY. -	
REV.	CHECKED DATE BY	PART NUMBER	Dim. A	Dim. B	Dim. C	Dim. D	Dim. E	Dim. F	Dim. G	Dim. H	QTY.	Inv. Code	ASSEMBLE ON PARTS				
-		P2-AL-EF02	-	-	-						345		注: 工厂用				

100x100x3mm 铝通																	
M5 机丝孔																	
阴影切避位 (L=30mm)																	
#10 沉头孔																	



DWG. NO.	P2-AL-EF02	REV.	-	SCALE	-	DATE	21-06-2024	DRAWN BY	-	APPROVED BY	-
----------	------------	------	---	-------	---	------	------------	----------	---	-------------	---

PROJECT: YIN PING ROAD KOWLOON FEATURE WALL (PHASE 2)

MATERIAL: 铝型材 (X86424)

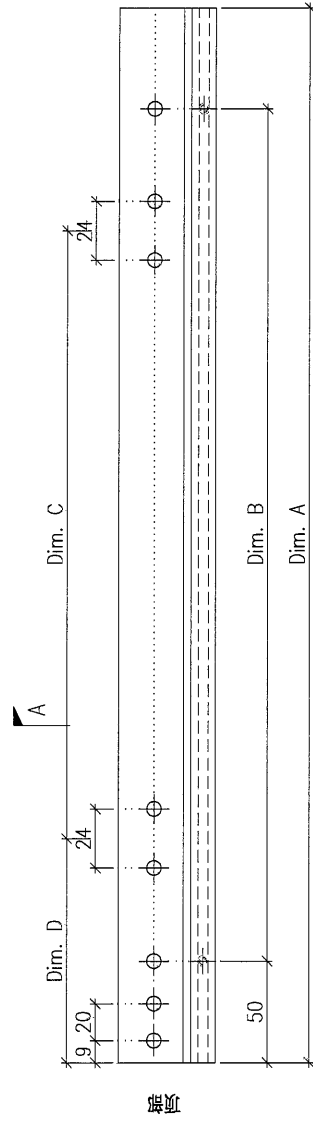
COATING: PVF2

COLOUR: JMQ218640(SS-03)

MARK. NO.:

QTY.:

REV.	CHKD/	PART NUMBER	Dim. A	Dim. B	Dim. C	Dim. D	Dim. E	Dim. F	Dim. G	Dim. H	QTY.	Inv. Code	ASSEMBLE ON PARTS	注: 工厂用
-		P2-AL-EF03A	2294.5	8X@270c/c	3X@650c/c	145					168			
-		P2-AL-EF03B	1985	7X@265c/c	2X@750c/c	190					14			
-		P2-AL-EF03C	1452	5X@270c/c	2X@600c/c	145					7			
-		P2-AL-EF03D	2170	7X@290c/c	3X@650c/c	90					14			
-		P2-AL-EF03E	2310	8X@280c/c	3X@650c/c	90					14			
-		P2-AL-EF03F	2225	7X@300c/c	3X@650c/c	90					7			



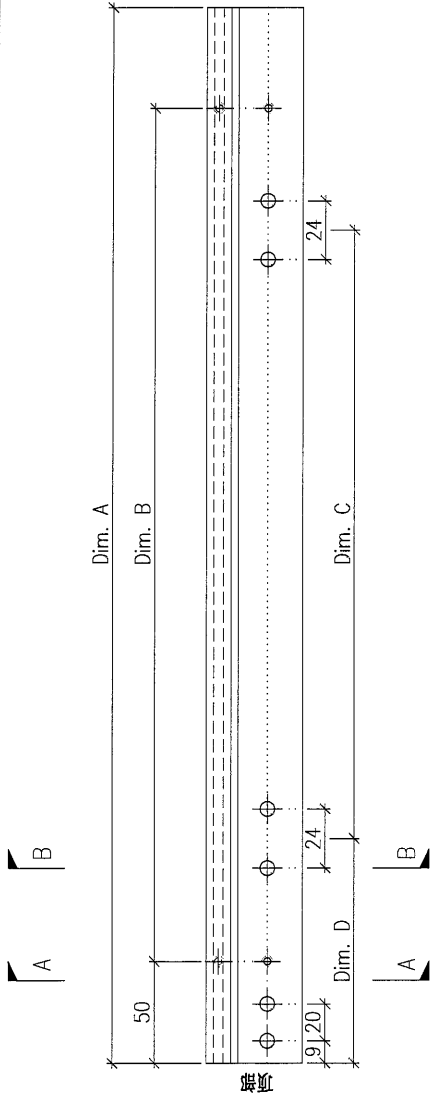
SECTION A-A

DWG. NO. P2-AL-EF03	REV. -	SCALE -	DATE 21-06-2024	DRAWN BY -	APPROVED BY -
---------------------	--------	---------	-----------------	------------	---------------

PROJECT YIN PING ROAD KOWLOON FEATURE WALL (PHASE 2) MATERIAL 铝型材 (X86425) COATING PVF2 COLOUR JMQ218640(SS-03) MARK. NO. - QTY. -

REV.	CHANGED BY	PART NUMBER	Dim. A	Dim. B	Dim. C	Dim. D	Dim. E	Dim. F	Dim. G	Dim. H	QTY.	Inv. Code
-	-	P2-AL-EF04A	2294.5	8XØ270c/c 3XØ650c/c	145						168	
-	-	P2-AL-EF04B	1985	7XØ265c/c 2XØ750c/c	190						14	
-	-	P2-AL-EF04C	1452	5XØ270c/c 2XØ600c/c	145						7	
-	-	P2-AL-EF04D	2170	7XØ290c/c 3XØ650c/c	90						14	
-	-	P2-AL-EF04E	2310	8XØ280c/c 3XØ650c/c	90						14	
-	-	P2-AL-EF04F	2225	7XØ300c/c 3XØ650c/c	90						7	

注: 工厂用



SECTION A-A

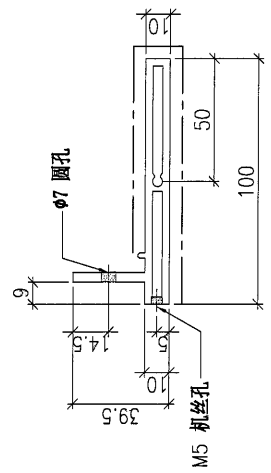
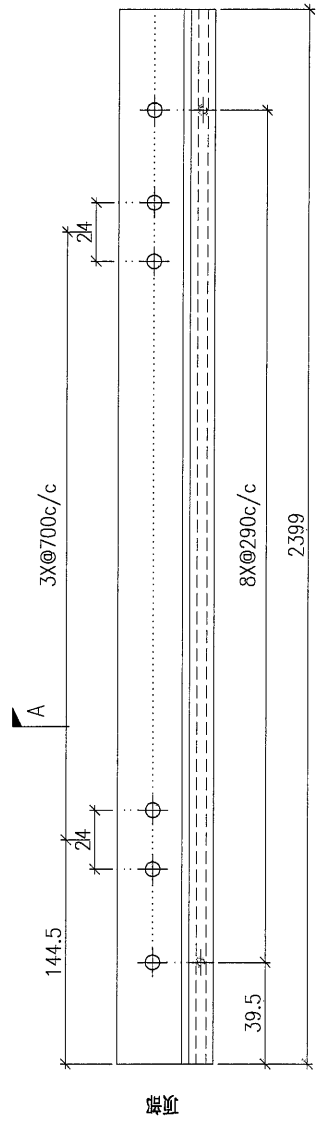
SECTION B-B

DWG. NO. P2-AL-EF04 REV. - SCALE - DATE 21-06-2024 DRAWN BY - APPROVED BY -

PROJECT: YIN PING ROAD KOWLOON FEATURE WALL (PHASE 2)

REV.	PART NUMBER	Dim. A	Dim. B	Dim. C	Dim. D	Dim. E	Dim. F	Dim. G	Dim. H	QTY.	Inv. Code
-	P2-AL-EF05	-	-	-	-	-	-	-	-	119	-

MATERIAL: 铝型材 (X86424)
 COATING: PVF2
 COLOUR: JMQ218640(SS-03)
 MARK. NO.: -
 QTY.: -
 ASSEMBLE ON PARTS
 注: 工厂用



DWG. NO.	REV.	SCALE	DATE	DRAWN BY	APPROVED BY
P2-AL-EF05	-	-	21-06-2024	-	-

PROJECT: YIN PING ROAD KOWLOON FEATURE WALL (PHASE 2)

MATERIAL: 铝型材 (X86425)

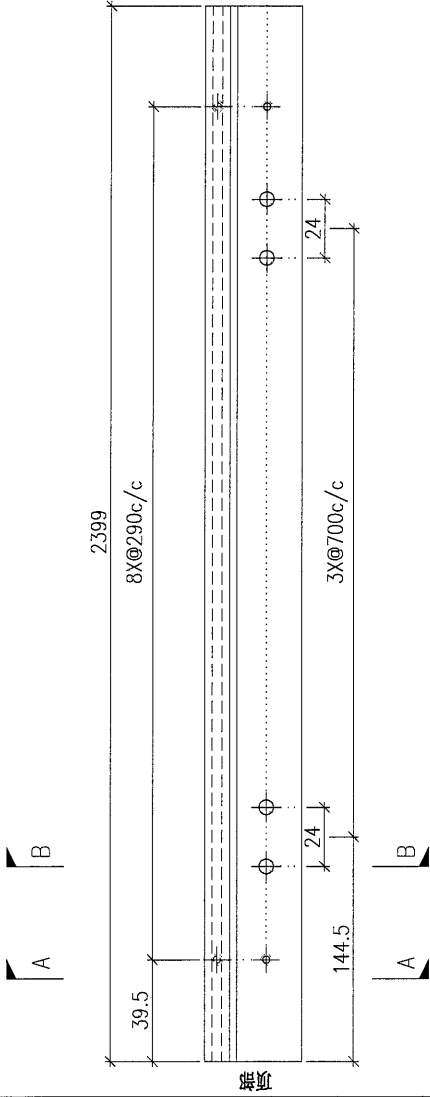
COATING: PVF2

COLOUR: JMQ218640(SS-03)

MARK. NO.: -

QTY.: -

REV.	REVISED DATE	PART NUMBER	Dim. A	Dim. B	Dim. C	Dim. D	Dim. E	Dim. F	Dim. G	Dim. H	QTY.	Inv. Code
-		P2-AL-EF06	-	-	-	-	-	-	-	-	119	
注: 工厂用												



DWG. NO.	REV.	SCALE	DATE	DRAWN BY	APPROVED BY
P2-AL-EF06	-	-	21-06-2024	-	-

PROJECT: YIN PING ROAD KOWLOON FEATURE WALL (PHASE 2)

MATERIAL: 鋁型材 (X86424)

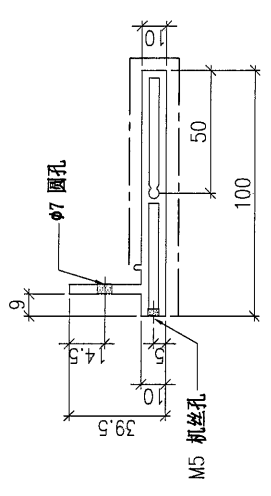
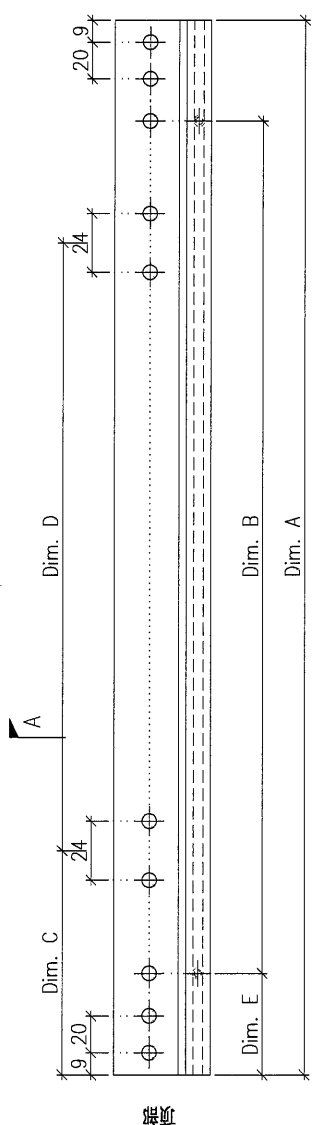
COATING: PVF2

COLOUR: JMQ218640(SS-03)

MARK. NO.: -

QTY.: -

REV.	ORDERED BY	PART NUMBER	Dim. A	Dim. B	Dim. C	Dim. D	Dim. E	Dim. F	Dim. G	Dim. H	QTY.	Inv. Code	ASSEMBLE ON PARTS	工厂用
-		P2-AL-EF07A	2195	7x@295c/c	90	3x@650c/c	50				14			
-		P2-AL-EF07B	2005	6x@300c/c	90	3x@600c/c	50				14			
-		P2-AL-EF07C	2174	7x@295c/c	90	3x@650c/c	50				7			
-		P2-AL-EF07D	2817	9x@300c/c	90	4x@600c/c	50				7			



DWG. NO.: P2-AL-EF07

REV.: -

SCALE: -

DATE: 21-06-2024

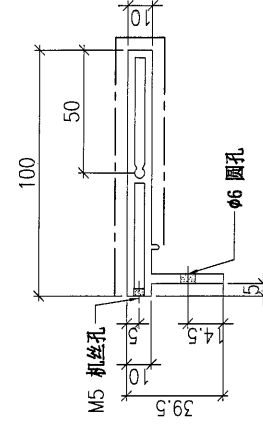
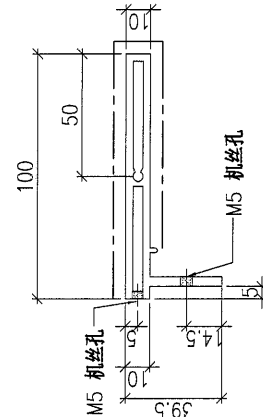
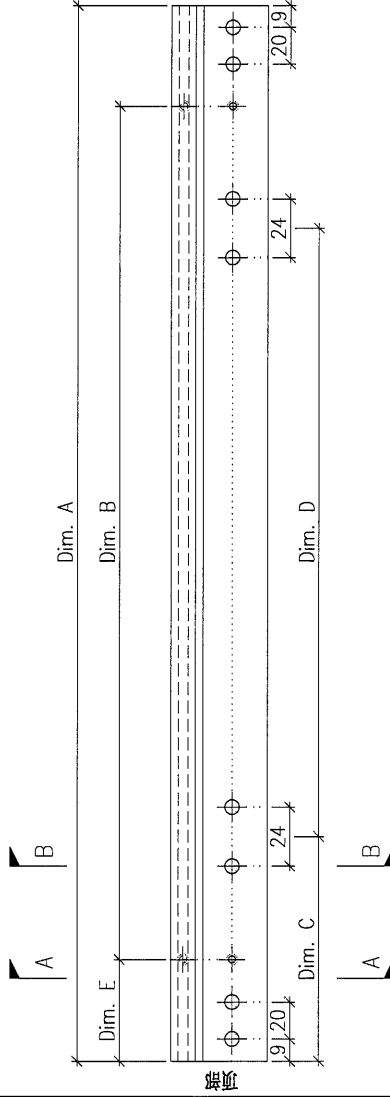
DRAWN BY: -

APPROVED BY: -

PROJECT: YIN PING ROAD KOWLOON FEATURE WALL (PHASE 2)

REV.	CHANGED BY	PART NUMBER	Dim. A	Dim. B	Dim. C	Dim. D	Dim. E	Dim. F	Dim. G	Dim. H	QTY.	Inv. Code	COATING	COLOUR	MARK. NO.	QTY.
-		P2-AL-EF08A	2195	7xØ295c/c	90	3xØ650c/c	50				14		ASSEMBLE ON PARTS	JMQ218640(SS-03)	-	-
-		P2-AL-EF08B	2005	6xØ300c/c	90	3xØ600c/c	50				14					
-		P2-AL-EF08C	2174	7xØ295c/c	90	3xØ650c/c	50				7					
-		P2-AL-EF08D	2817	9xØ300c/c	90	4xØ600c/c	50				7					

注: 工厂用

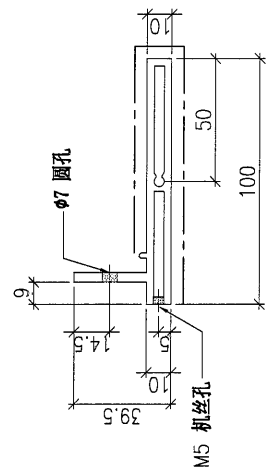
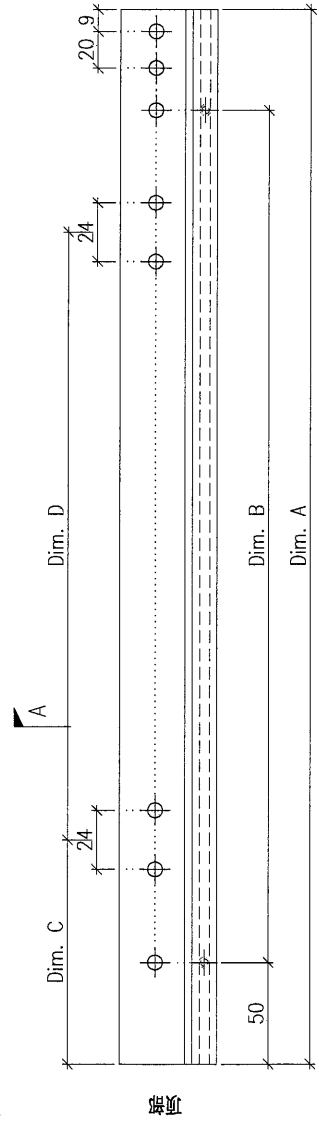


DWG. NO.	P2-AL-EF08	REV.	-	SCALE	-	DATE	21-06-2024	DRAWN BY	-	APPROVED BY	-
----------	------------	------	---	-------	---	------	------------	----------	---	-------------	---

PROJECT: YIN PING ROAD KOWLOON FEATURE WALL (PHASE 2)

REV.	DRAWN BY	PART NUMBER	Dim. A	Dim. B	Dim. C	Dim. D	Dim. E	Dim. F	Dim. G	Dim. H	QTY.	Inv. Code	COATING	PFV2	COLOUR	JMQ218640(SS-03)	MARK. NO.	QTY.
-		P2-AL-EF09	3019	10X@285c/c	144.5	4X@650c/c					35				ASSEMBLE ON PARTS			

注: 工厂用



DWG. NO.	P2-AL-EF09	REV.	-	SCALE	--	DATE	13-04-2024	DRAWN BY	-	APPROVED BY	-
----------	------------	------	---	-------	----	------	------------	----------	---	-------------	---

PROJECT: YIN PING ROAD KOWLOON FEATURE WALL (PHASE 2)

MATERIAL: 铝型材 (X86425)

COATING: PVF2

COLOUR: JMQ218640(SS-03)

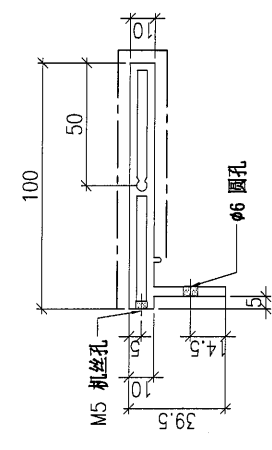
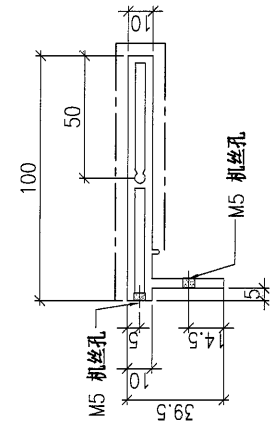
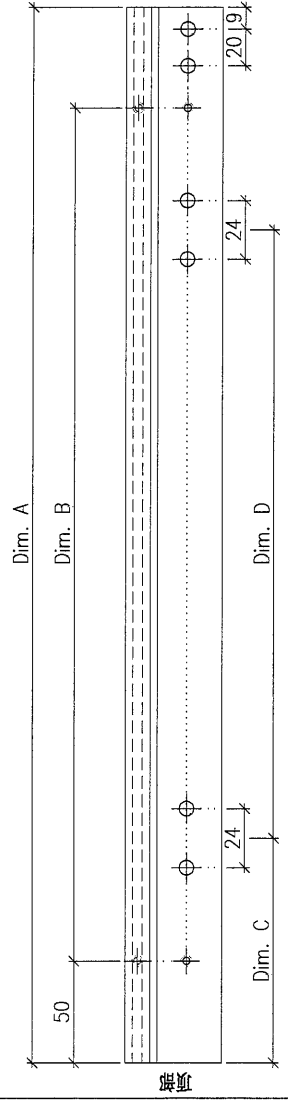
MARK. NO.:

QTY.:

REV.	CHANGED PART BY	PART NUMBER	Dim. A	Dim. B	Dim. C	Dim. D	Dim. E	Dim. F	Dim. G	Dim. H	QTY.	Inv. Code
-		P2-AL-EF10	3019	10X@285c/c	144.5	4X@650c/c					35	

注: 工厂用

A B

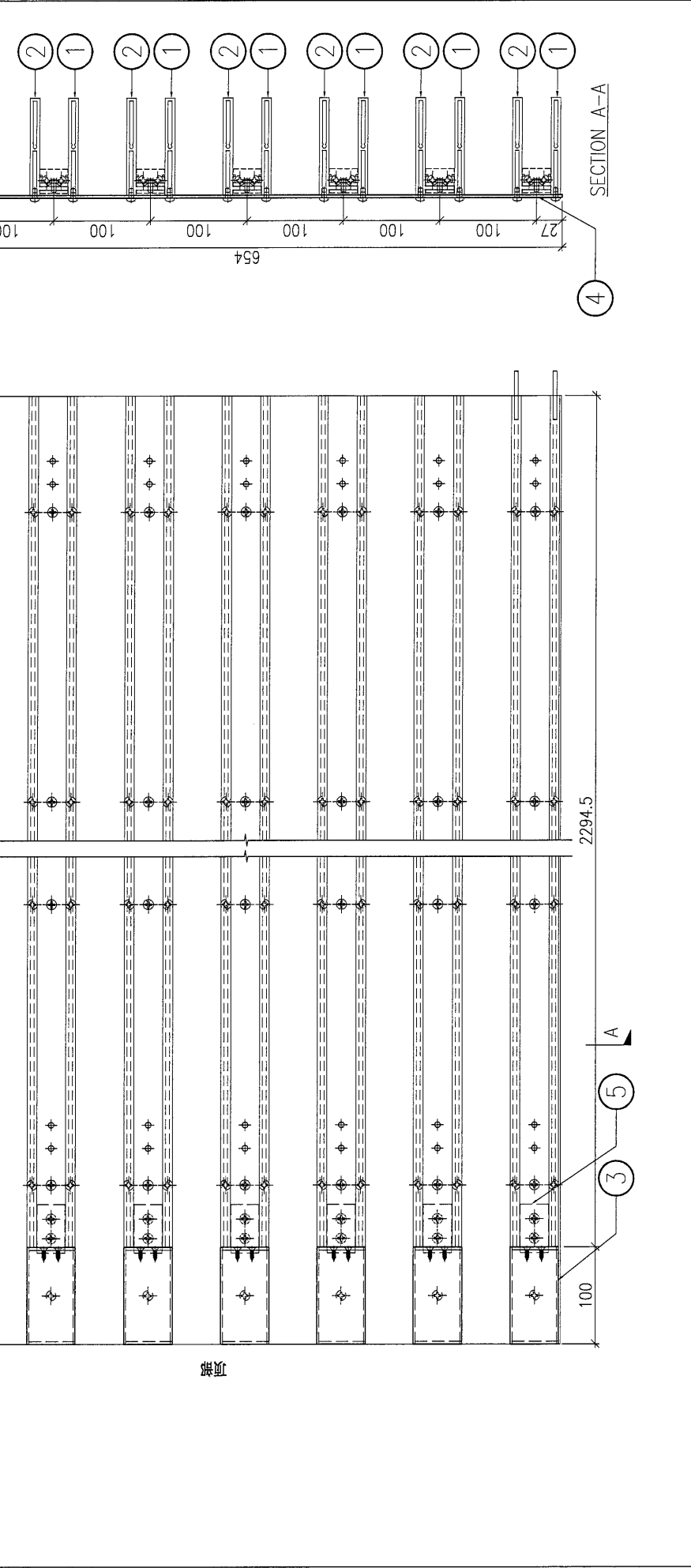


DWG. NO. P2-AL-EF10	REV. -	SCALE -	DATE 13-04-2024	DRAWN BY -	APPROVED BY -
---------------------	--------	---------	-----------------	------------	---------------

PROJECT: YIN PING ROAD KOWLOON FEATURE WALL (PHASE 2)

REV.	DESCRIBED PART OR	Dim. A	Dim. B	Dim. C	Dim. D	Dim. E	Dim. F	Dim. G	Dim. H	QTY.	Inv. Code	COATING	MATERIAL	COLOUR	MARK. NO.	QTY.
-	P2-UN-EF01A	-	-	-	-	-	-	-	-	24	-	-	ASSEMBLE ON PARTS	-	-	-

序号	编号	数量
①	P2-AL-EF03A	7
②	P2-AL-EF04A	7
③	P2-AL-EF02	7
④	P2-AP-EF02A	1
⑤	P2-AL-EF01	7
⑥	P2-AP-EF01	4



DWG. NO.	P2-UN-EF01A	REV.	-	SCALE	-	DATE	13-04-2024	DRAWN BY	-	APPROVED BY	-
----------	-------------	------	---	-------	---	------	------------	----------	---	-------------	---

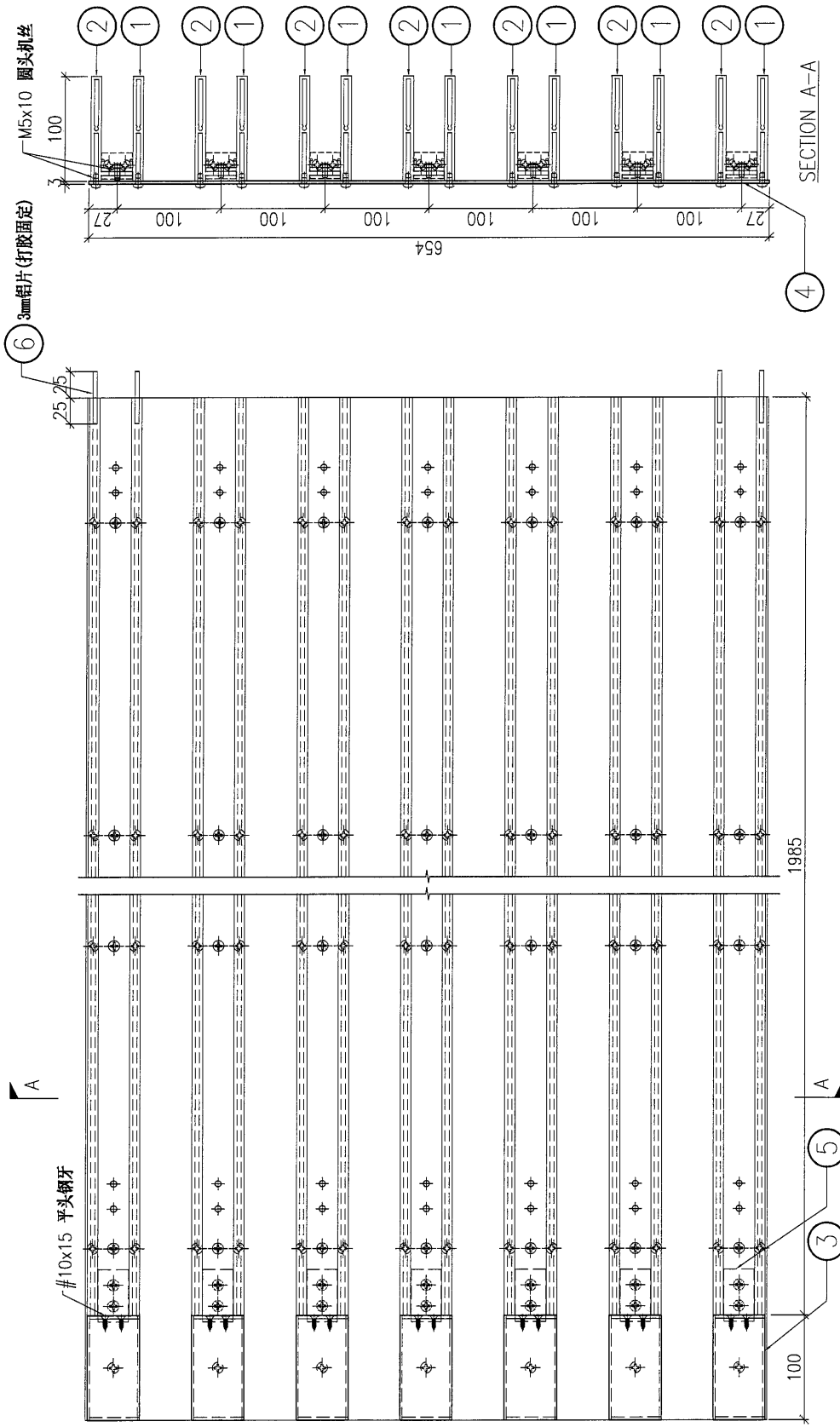
PROJECT		YIN PING ROAD KOWLOON FEATURE WALL (PHASE 2)										MATERIAL		COATING		COLOUR		MARK. NO.		QTY.			
CHECKED DATE		Dim. A		Dim. B		Dim. C		Dim. D		Dim. E		Dim. F		Dim. G		Dim. H		QTY.		Inv. Code		ASSEMBLE ON PARTS	
-		-		-		-		-		-		-		-		-		2		-		-	

REV.		PART NUMBER		Dim. A		Dim. B		Dim. C		Dim. D		Dim. E		Dim. F		Dim. G		Dim. H		QTY.		Inv. Code		ASSEMBLE ON PARTS	
-		P2-UN-EF01B		-		-		-		-		-		-		-		-		2		-		-	

序号	编号	数量
①	P2-AL-EF03B	7
②	P2-AL-EF04B	7
③	P2-AL-EF02	7
④	P2-AP-EF02B	1
⑤	P2-AL-EF01	7
⑥	P2-AP-EF01	4

注: 地盘用

注: 用于EP区域



壁

DWG. NO.		P2-UN-EF01B		REV.		SCALE		DATE		DRAWN BY		APPROVED BY	
-		-		-		-		13-04-2024		-		-	

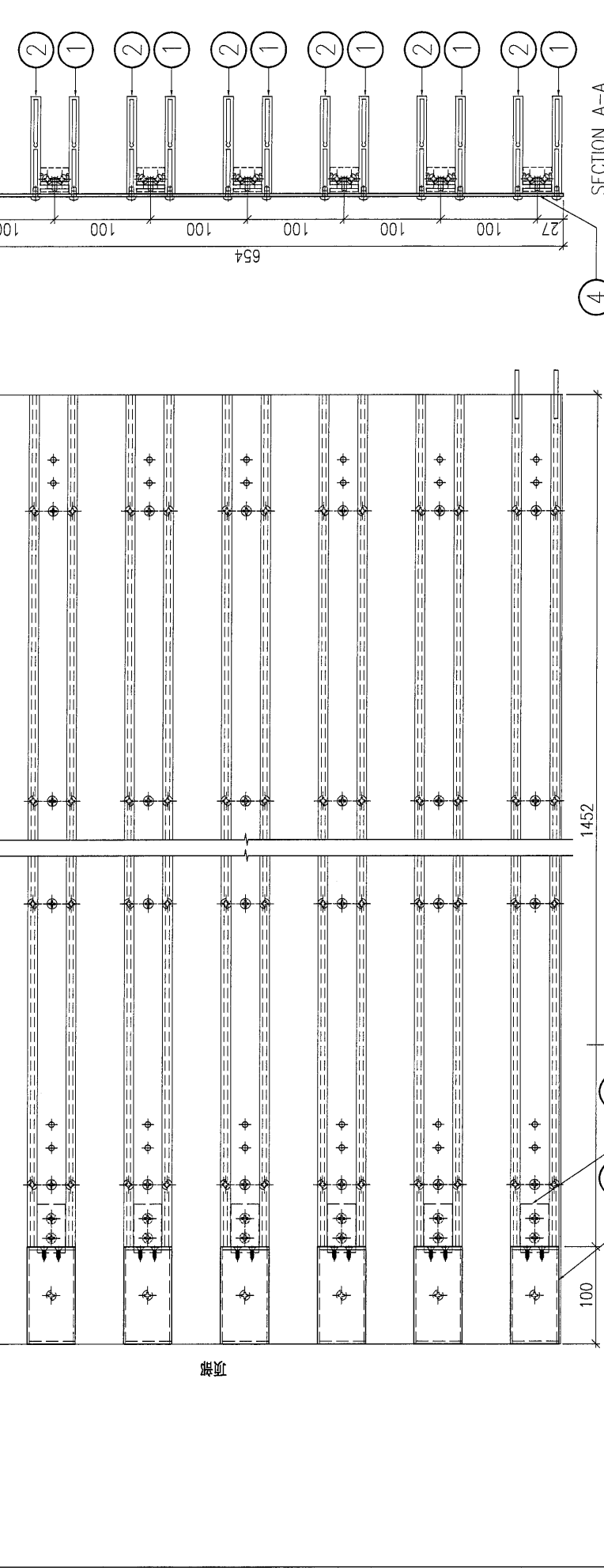
PROJECT: YIN PING ROAD KOWLOON FEATURE WALL (PHASE 2)

REV.	DESCRIBED PART BY	Dim. A	Dim. B	Dim. C	Dim. D	Dim. E	Dim. F	Dim. G	Dim. H	QTY.	Inv. Code	COATING	MATERIAL	COLOUR	MARK. NO.	QTY.
-										1			ASSEMBLE ON PARTS	-	-	-

注: 用于B区域

注: 地盘用

序号	编号	数量
①	P2-AL-EF03C	7
②	P2-AL-EF04C	7
③	P2-AL-EF02	7
④	P2-AP-EF02C	1
⑤	P2-AL-EF01	7
⑥	P2-AP-EF01	4

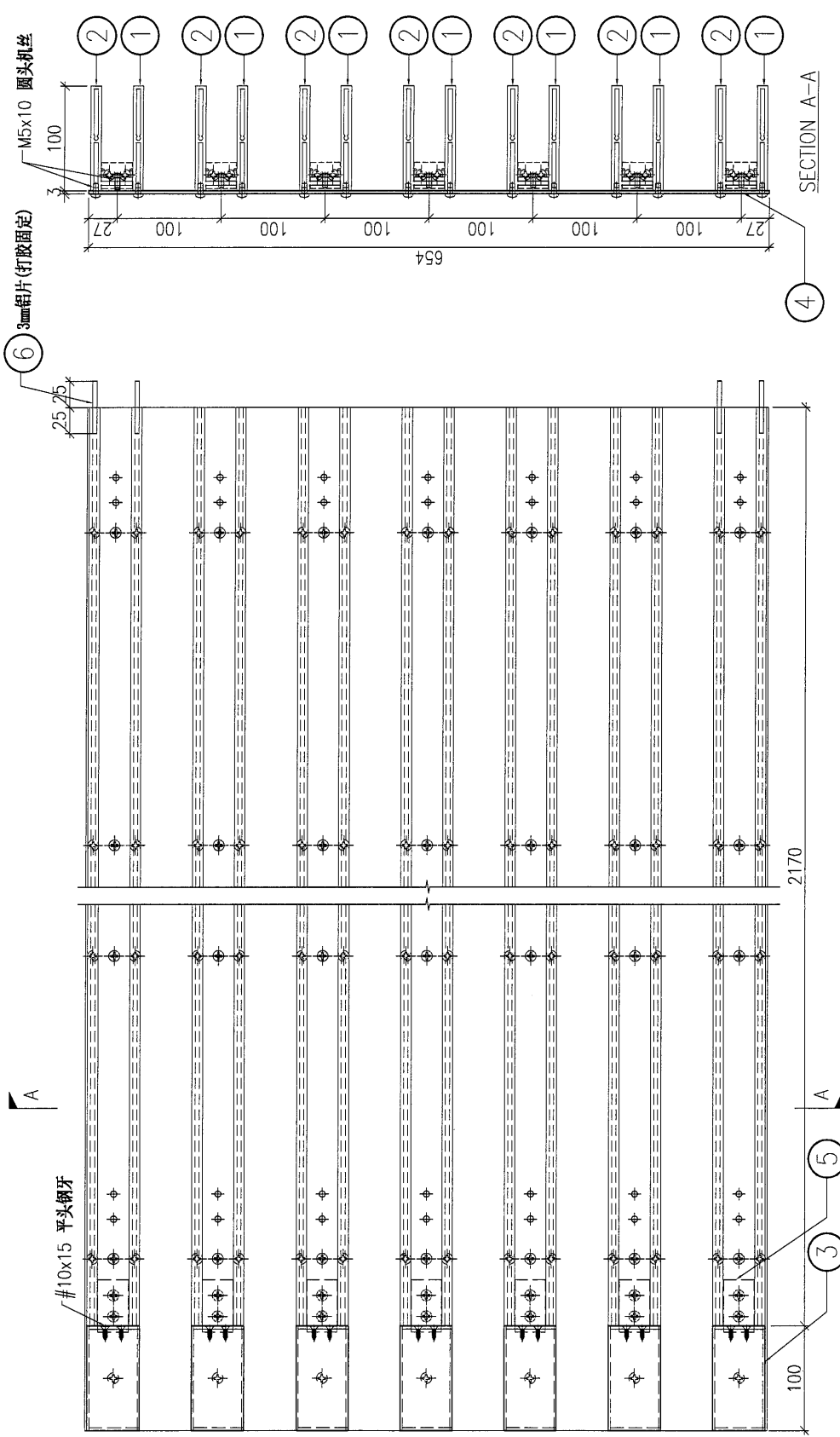


DWG. NO.	P2-UN-EF01C	REV.	-	SCALE	-	DATE	13-04-2024	DRAWN BY	-	APPROVED BY	-
----------	-------------	------	---	-------	---	------	------------	----------	---	-------------	---

PROJECT										MATERIAL										COATING										COLOUR										MARK. NO.										QTY.									
YIN PING ROAD KOWLOON FEATURE WALL (PHASE 2)										格栅组装图																																																	
REV.		CHANGED DATE		PART NUMBER		Dim. A		Dim. B		Dim. C		Dim. D		Dim. E		Dim. F		Dim. G		Dim. H		QTY.		Inv. Code		ASSEMBLE ON PARTS																																	
				P2-UN-J01D																		2																																					

注: 地盘用	
--------	--

序号	编号	数量
①	P2-AL-EF03D	7
②	P2-AL-EF04D	7
③	P2-AL-EF02	7
④	P2-AP-EF02D	1
⑤	P2-AL-EF01	7
⑥	P2-AP-EF01	4



DWG. NO.		REV.		SCALE		DATE		DRAWN BY		APPROVED BY	
P2-UN-J01D						13-04-2024					

PROJECT: YIN PING ROAD KOWLOON FEATURE WALL (PHASE 2)

MATERIAL: 格栅组装图

COATING: -

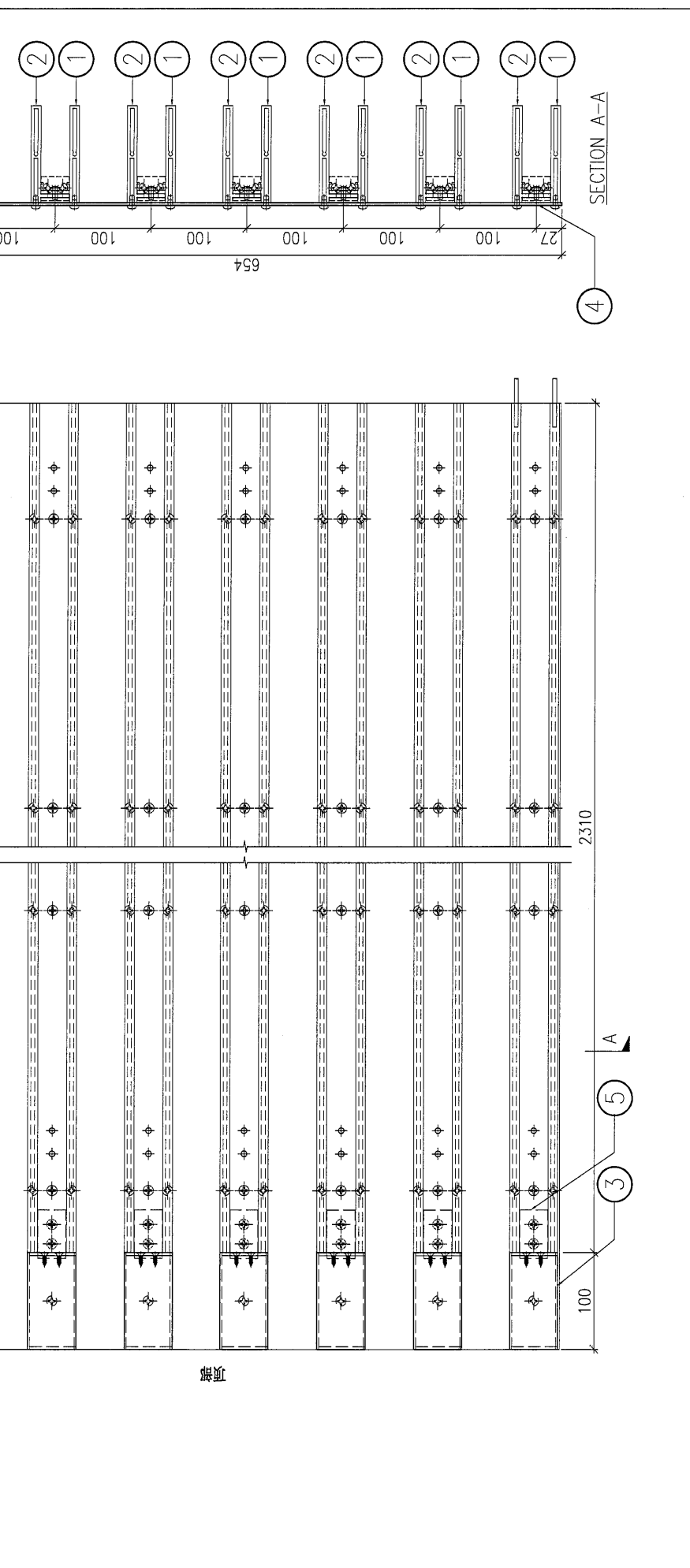
COLOUR: -

MARK. NO.: -

QTY.: -

REV.	CHANGED BY	PART NUMBER	Dim. A	Dim. B	Dim. C	Dim. D	Dim. E	Dim. F	Dim. G	Dim. H	QTY.	Inv. Code
-	-	P2-UN-J01E	-	-	-	-	-	-	-	-	2	-

序号	编号	数量
①	P2-AL-EF03E	7
②	P2-AL-EF04E	7
③	P2-AL-EF02E	7
④	P2-AP-EF02E	1
⑤	P2-AL-EF01E	7
⑥	P2-AP-EF01E	4

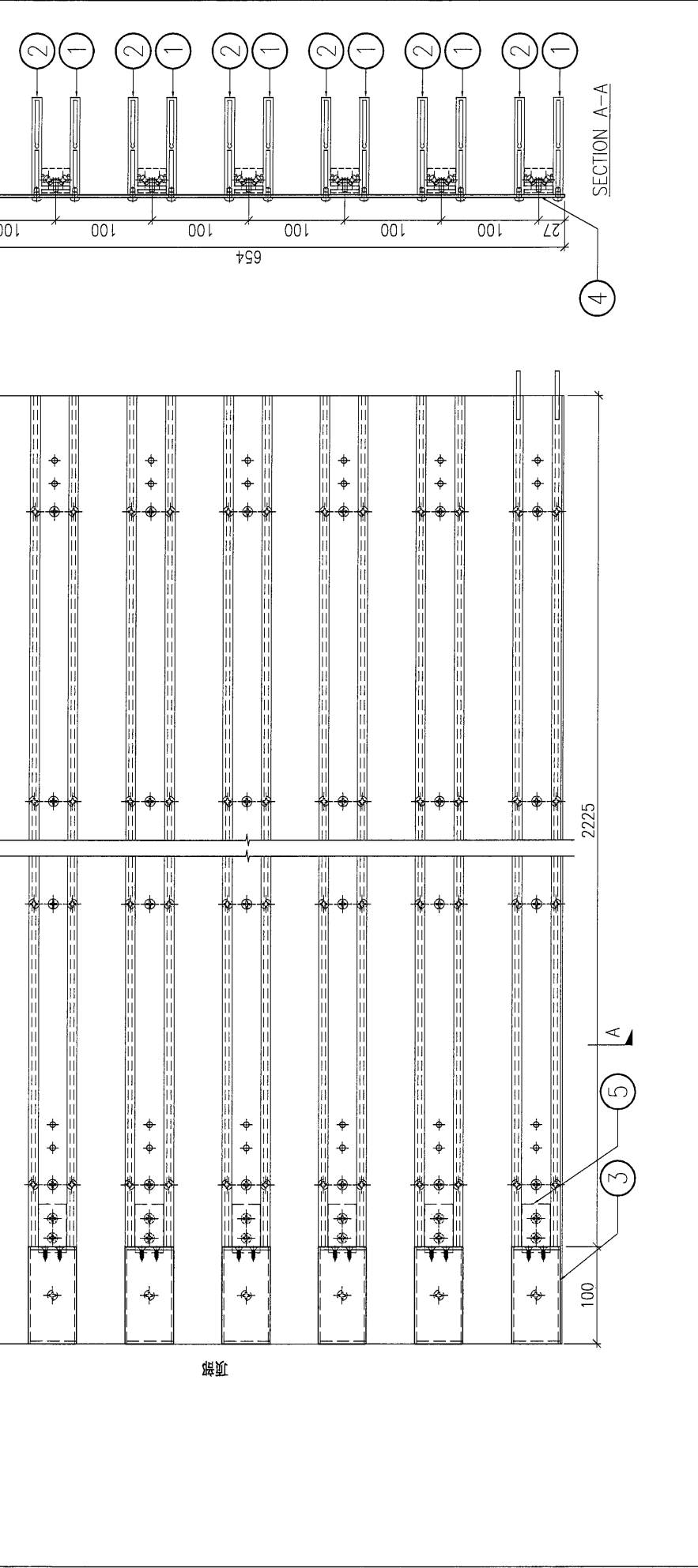


DWG. NO.	REV.	SCALE	DATE	DRAWN BY	APPROVED BY
P2-UN-J01E	-	-	13-04-2024	-	-

PROJECT		YIN PING ROAD KOWLOON FEATURE WALL (PHASE 2)										MATERIAL		COATING		COLOUR		MARK. NO.		QTY.	
REV.	DATE	Dim. A	Dim. B	Dim. C	Dim. D	Dim. E	Dim. F	Dim. G	Dim. H	QTY.	Inv. Code	ASSEMBLE ON PARTS									
-		-	-	-	-	-	-	-	-	1		注: 用于 J 区域									

REV.	DATE	Dim. A	Dim. B	Dim. C	Dim. D	Dim. E	Dim. F	Dim. G	Dim. H	QTY.	Inv. Code	ASSEMBLE ON PARTS									
-		-	-	-	-	-	-	-	-	1		注: 用于 J 区域									

序号	编号	数量
①	P2-AL-EF03F	7
②	P2-AL-EF04F	7
③	P2-AL-EF02	7
④	P2-AP-EF02F	1
⑤	P2-AL-EF01	7
⑥	P2-AP-EF01	4



DWG. NO.	P2-UN-J01F	REV.	-	SCALE	-	DATE	13-04-2024	DRAWN BY	-	APPROVED BY	-
----------	------------	------	---	-------	---	------	------------	----------	---	-------------	---

PROJECT: YIN PING ROAD KOWLOON FEATURE WALL (PHASE 2)

MATERIAL: 格栅组装图

COATING: -

COLOUR: -

MARK. NO.: -

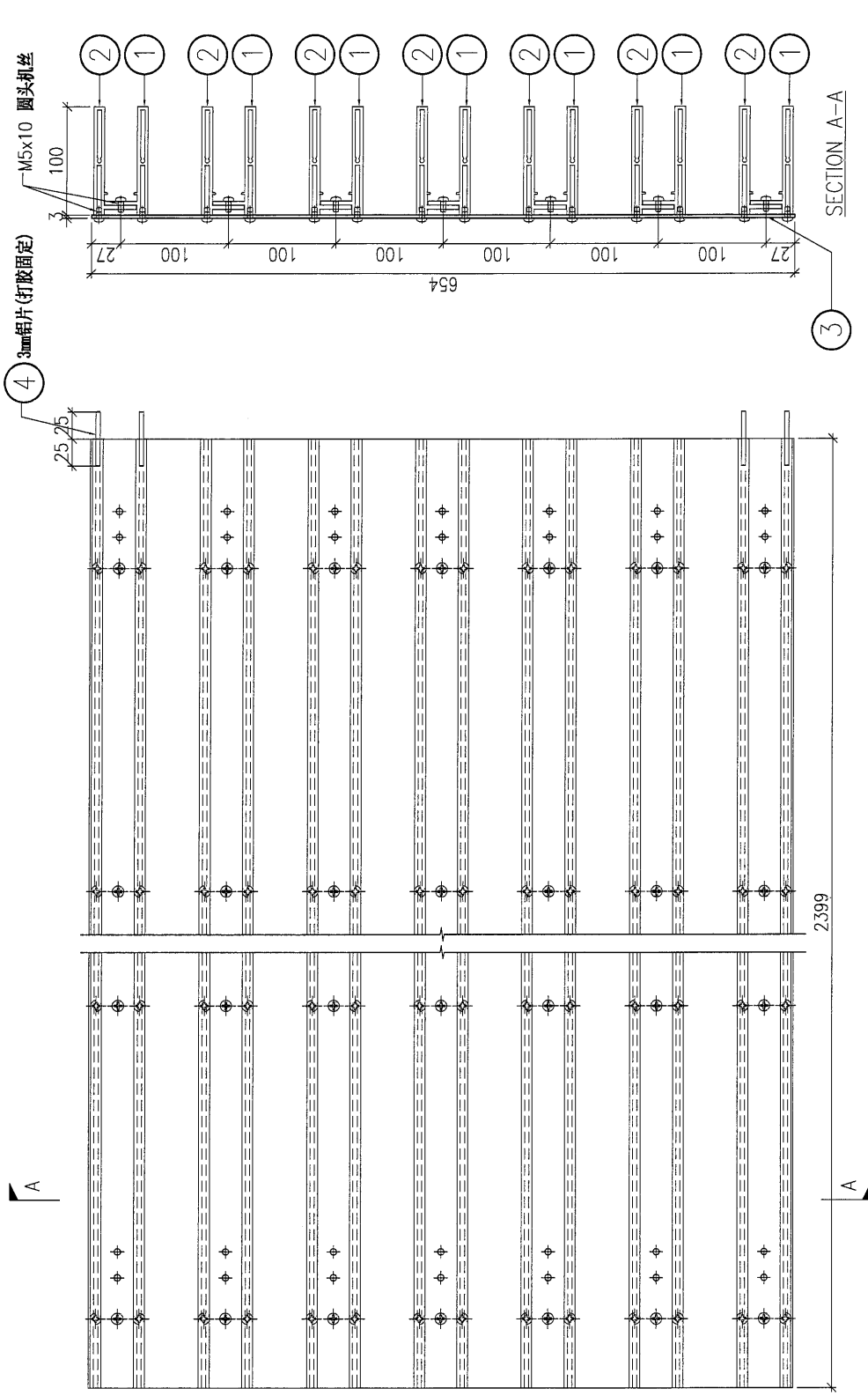
QTY.: -

REV.	CHANGED BY/REV	PART NUMBER	Dim. A	Dim. B	Dim. C	Dim. D	Dim. E	Dim. F	Dim. G	Dim. H	QTY.	Inv. Code
-		P2-UN-EF02	-	-	-	-	-	-	-	-	8	
-		P2-UN-J02	-	-	-	-	-	-	-	-	9	

序号	编号	数量
①	P2-AL-EF05	7
②	P2-AL-EF06	7
③	P2-AP-EF03	1
④	P2-AP-EF01	4

注: 地盘用

注: 用于E区域
注: 用于J区域



DWG. NO.: P2-UN-EFJ02

REV.: -

SCALE: -

DATE: 13-04-2024

DRAWN BY: -

APPROVED BY: -

PROJECT

YIN PING ROAD KOWLOON
FEATURE WALL (PHASE 2)

MATERIAL

格栅组装图

COATING

COLOUR

MARK. NO.

QTY.

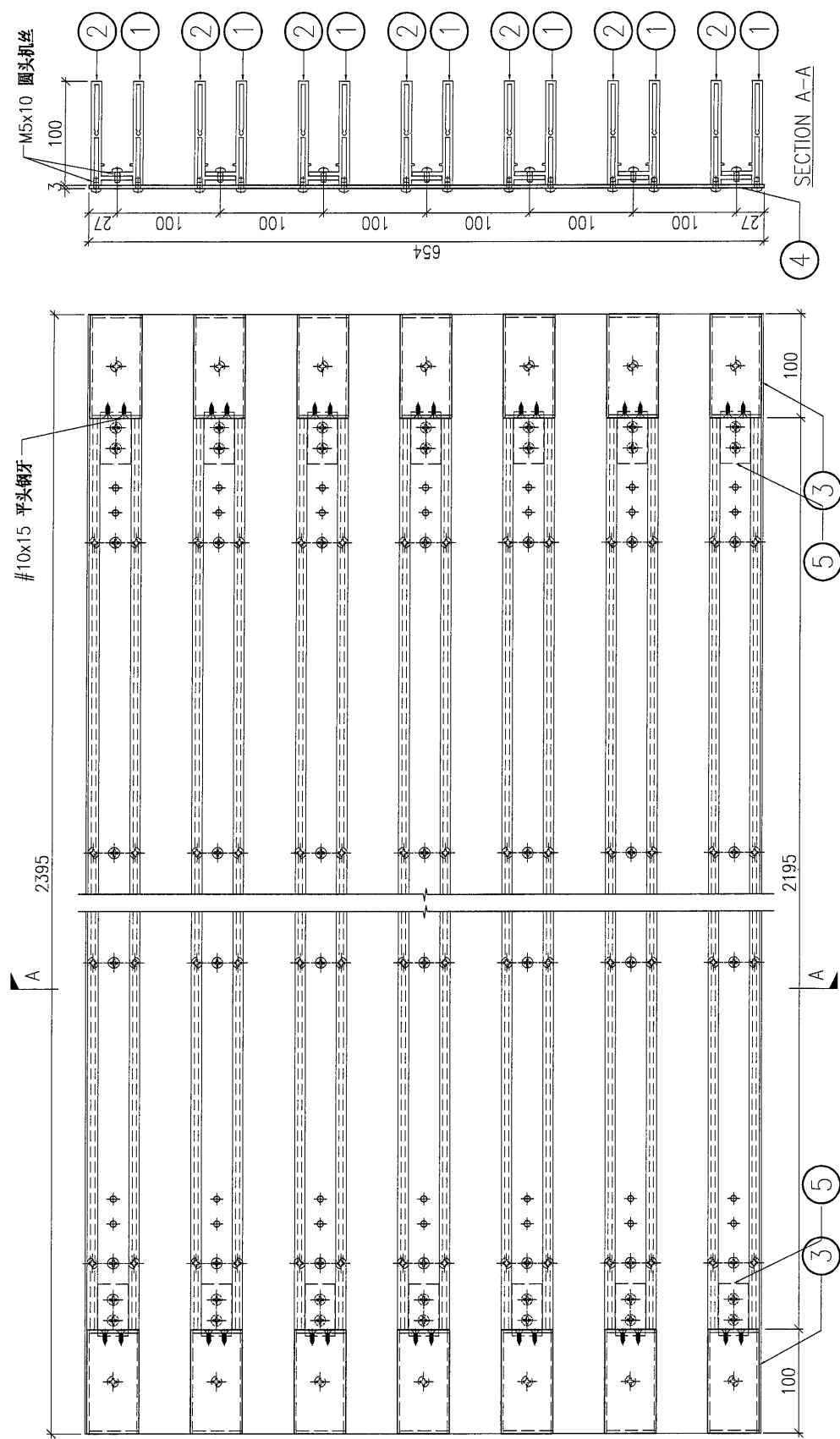
REV.	CHANGED DATE OF	PART NUMBER	Dim. A	Dim. B	Dim. C	Dim. D	Dim. E	Dim. F	Dim. G	Dim. H	QTY.	Inv. Code
-		P2-UN-J03A	-	-	-	-	-	-	-	-	2	

ASSEMBLE ON PARTS

注: 用于 J 区域

注: 地盘用

序号	编号	数量
①	P2-AL-EF07A	7
②	P2-AL-EF08A	7
③	P2-AL-EF02	14
④	P2-AP-EF04A	1
⑤	P2-AL-EF01	14



墙

DWG. NO.

P2-UN-J03A

REV.

SCALE

DATE
13-04-2024

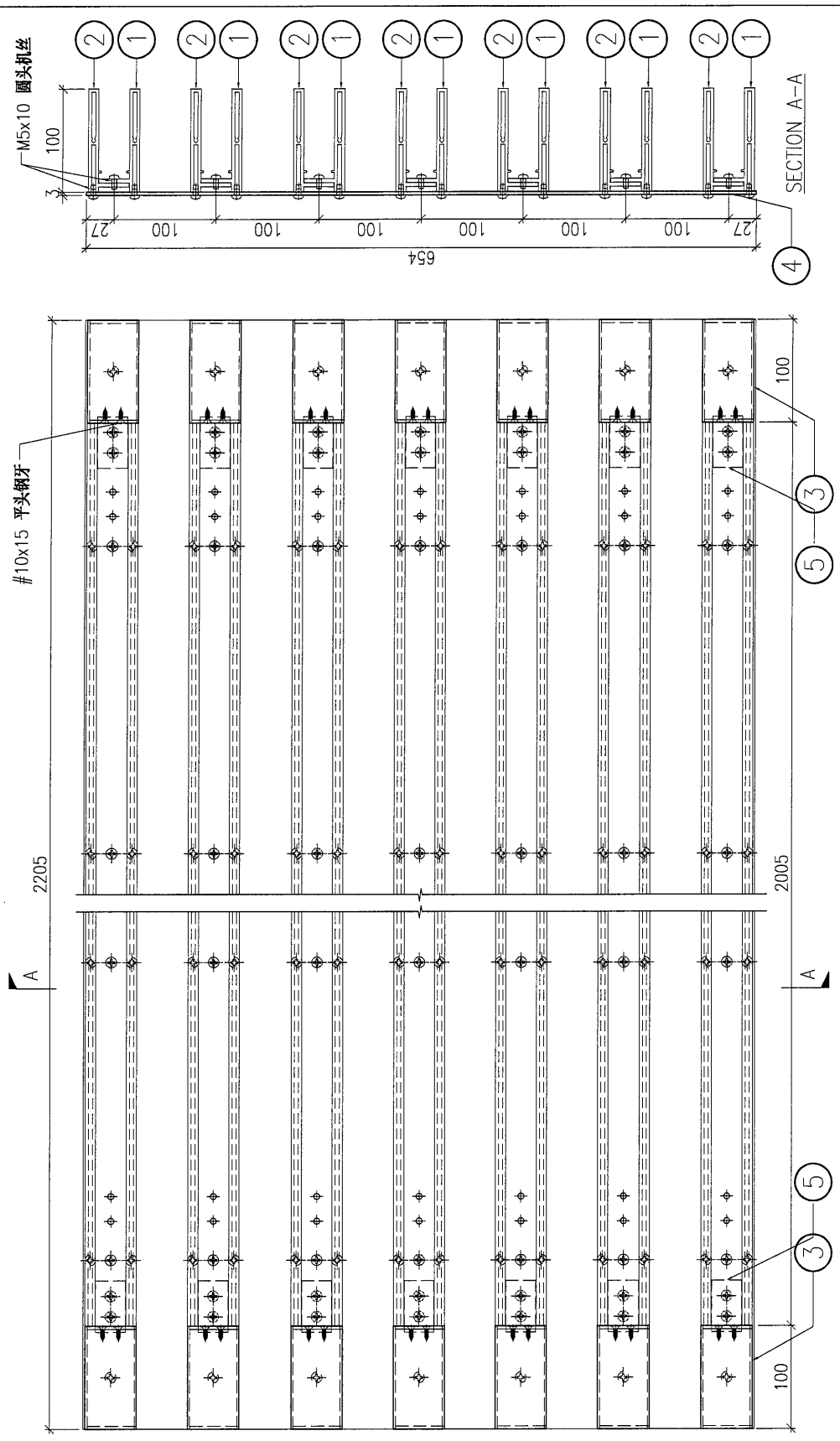
DRAWN BY

APPROVED BY

PROJECT		YIN PING ROAD KOWLOON FEATURE WALL (PHASE 2)				MATERIAL				格棚组装图				COATING		COLOUR		MARK. NO.		QTY.													
REV.		ORDERED		PART NUMBER		Dim. A		Dim. B		Dim. C		Dim. D		Dim. E		Dim. F		Dim. G		Dim. H		QTY.		Inv. Code		ASSEMBLE ON PARTS		COLOUR		MARK. NO.		QTY.	
-		-		P2-UN-U03B		-		-		-		-		-		-		-		-		2		-		ASSEMBLE ON PARTS		-		-			

注: 地盘用	
注: 用于 J 区域	

序号	编号	数量
①	P2-AL-EF07B	7
②	P2-AL-EF08B	7
③	P2-AL-EF02	14
④	P2-AP-EF04B	1
⑤	P2-AL-EF01	14



详图

DWG. NO.	P2-UN-U03B	REV.	-	SCALE	-	DATE	13-04-2024	DRAWN BY	-	APPROVED BY	-
----------	------------	------	---	-------	---	------	------------	----------	---	-------------	---

PROJECT: YIN PING ROAD KOWLOON FEATURE WALL (PHASE 2)

MATERIAL: 格栅组装图

COLOUR: -

MARK. NO.: -

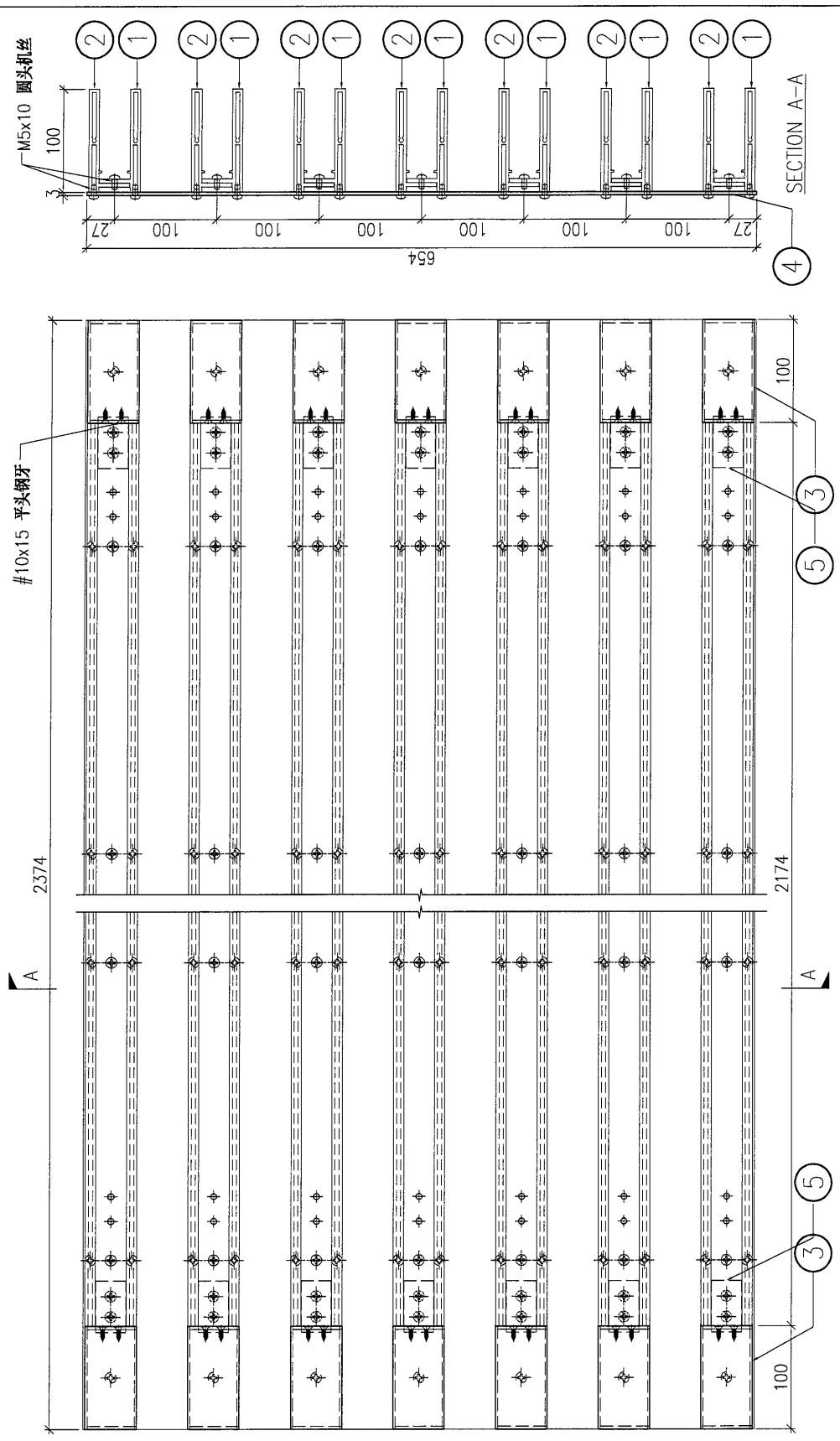
QTY.: -

REV.	CHANGED FOR	PART NUMBER	Dim. A	Dim. B	Dim. C	Dim. D	Dim. E	Dim. F	Dim. G	Dim. H	QTY.	Inv. Code
-	-	P2-UN-J03C	-	-	-	-	-	-	-	-	1	-

序号	编号	数量
①	P2-AL-EF07C	7
②	P2-AL-EF08C	7
③	P2-AL-EF02	14
④	P2-AP-EF04C	1
⑤	P2-AL-EF01	14

注: 地盘用

注: 用于J区域



数量

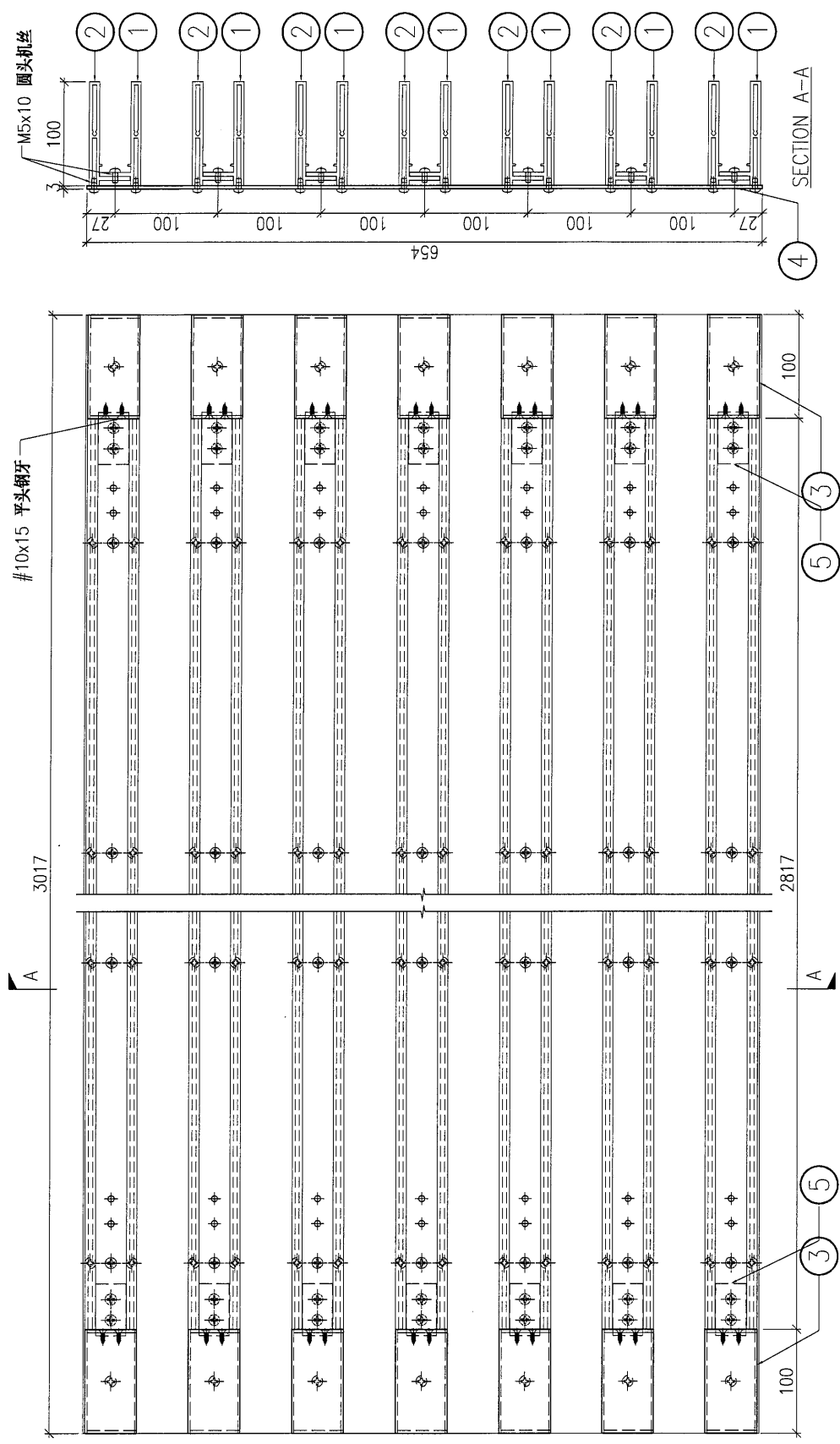
DWG. NO. P2-UN-J03C	REV. -	SCALE -	DATE 13-04-2024	DRAWN BY -	APPROVED BY -
---------------------	--------	---------	-----------------	------------	---------------

PROJECT		YIN PING ROAD KOWLOON FEATURE WALL (PHASE 2)				MATERIAL				格柵組裝圖				COATING		COLOUR		MARK. NO.		QTY.	
REV.	REVISION	Dim. A	Dim. B	Dim. C	Dim. D	Dim. E	Dim. F	Dim. G	Dim. H	QTY.	Inv. Code	ASSEMBLE ON PARTS									
-		-	-	-	-	-	-	-	-	1		注: 用于 J 区域									

REV.	REVISION	Dim. A	Dim. B	Dim. C	Dim. D	Dim. E	Dim. F	Dim. G	Dim. H	QTY.	Inv. Code	ASSEMBLE ON PARTS									
-		-	-	-	-	-	-	-	-	1		注: 用于 J 区域									

序号	编号	数量
①	P2-AL-EF07D	7
②	P2-AL-EF08D	7
③	P2-AL-EF02	14
④	P2-AP-EF04D	1
⑤	P2-AL-EF01	14

注: 本圖為底層構件, 總高已預長 150mm



格柵

DWG. NO.	P2-UN-J03D	REV.	-	SCALE	-	DATE	13-04-2024	DRAWN BY	-	APPROVED BY	-
----------	------------	------	---	-------	---	------	------------	----------	---	-------------	---

PROJECT: YIN PING ROAD KOWLOON FEATURE WALL (PHASE 2)

MATERIAL: 格栅组装图

COATING: -

COLOUR: -

MARK. NO.: -

QTY.: -

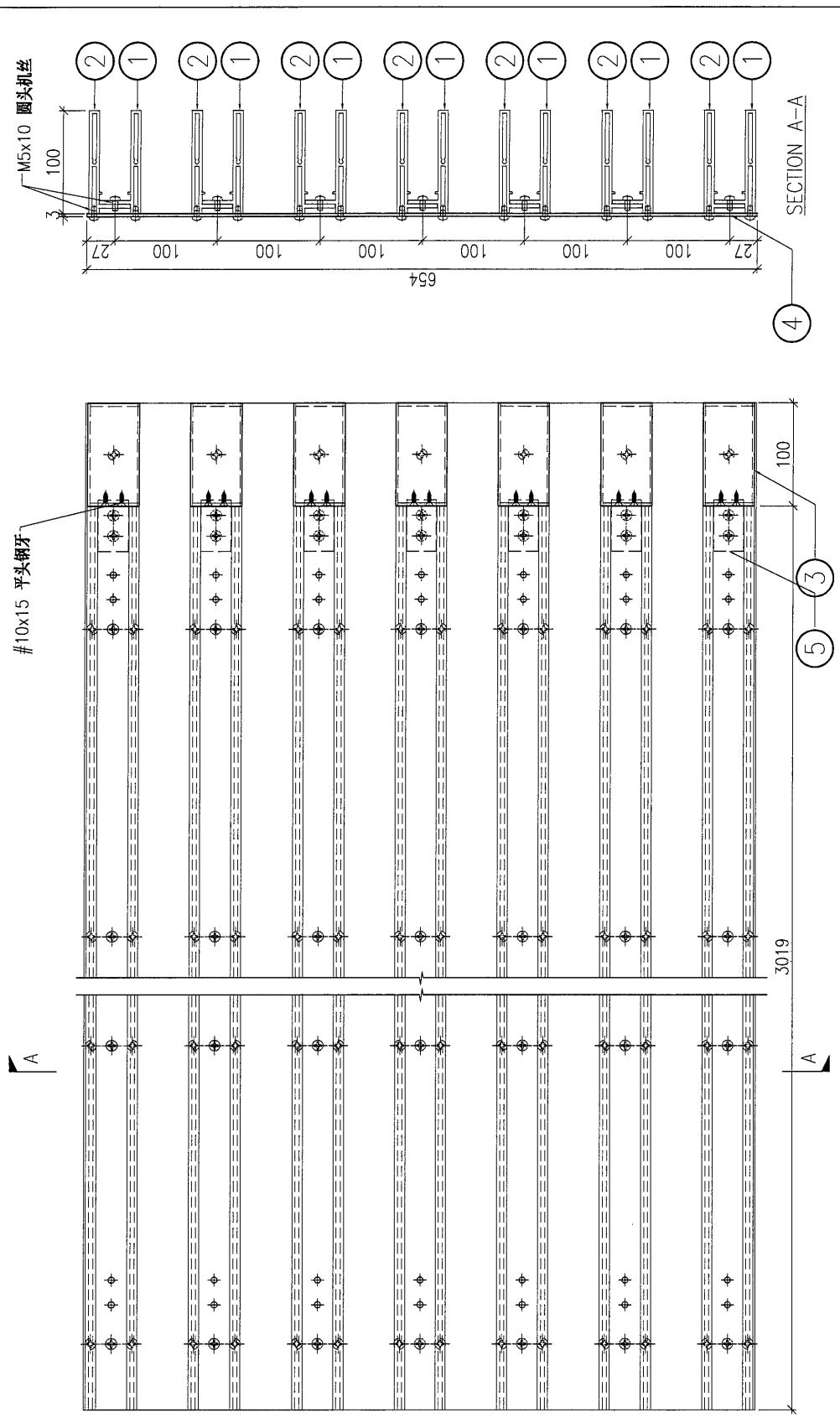
REV.	CHANGED PART OF	PART NUMBER	Dim. A	Dim. B	Dim. C	Dim. D	Dim. E	Dim. F	Dim. G	Dim. H	QTY.	Inv. Code
-	-	P2-UN-J04	-	-	-	-	-	-	-	-	5	-

序号	编号	数量
①	P2-AL-EF09	7
②	P2-AL-EF10	7
③	P2-AL-EF02	7
④	P2-NP-EF05	1
⑤	P2-AL-EF01	7

注: 地盘用

注: 用于J区域

注: 本图为镀锌管, 底部已预长150mm



镀锌

DWG. NO.: P2-UN-J04

REV.: -

SCALE: -

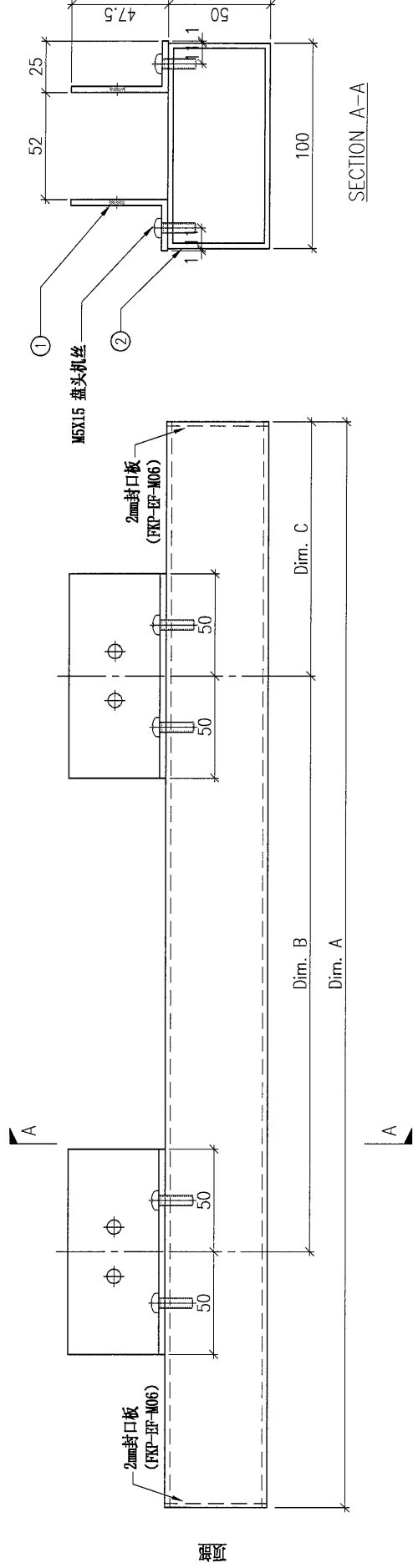
DATE: 13-04-2024

DRAWN BY: -

APPROVED BY: -

PROJECT		YIN PING ROAD KOWLOON FEATURE WALL (PHASE 2)										MATERIAL		COATING		COLOUR		MARK. NO.		QTY.	
REV.		PART NUMBER		Dim. A	Dim. B	Dim. C	Dim. D	Dim. E	Dim. F	Dim. G	Dim. H	QTY.	Inv. Code	ASSEMBLE ON PARTS							
-		UN-EF-G02		1100	1xØ700c/c	140						1		注: 构件编号 ①AL-EP-G01 4件 ②AL-EP-G02A 1件							

注: 地盘用		注: 地盘英尺																			
注: 全部用寸按区域																					



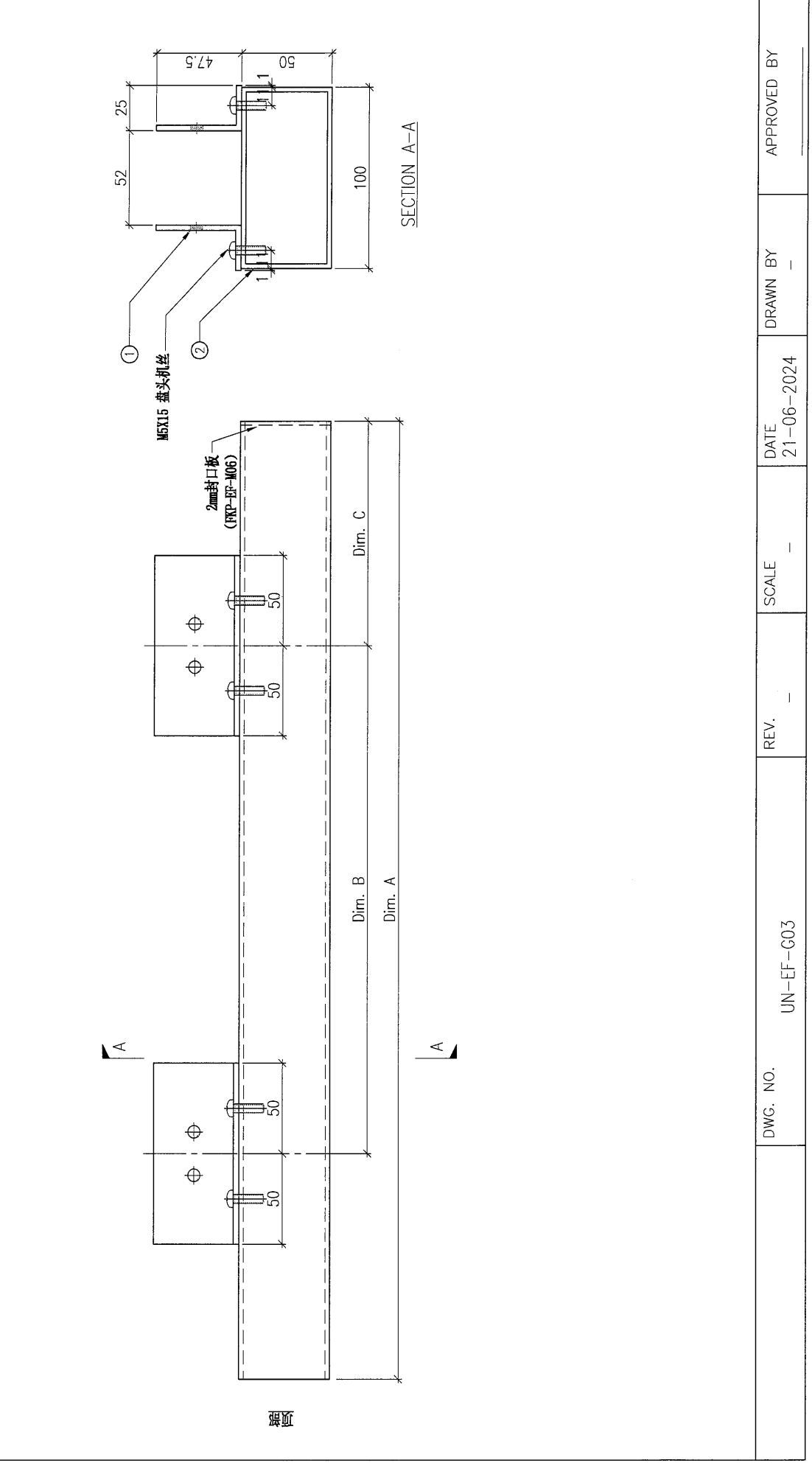
SECTION A-A

DWG. NO.		UN-EF-G02			REV.	-		SCALE	-		DATE	21-06-2024		DRAWN BY	-		APPROVED BY	-	
----------	--	-----------	--	--	------	---	--	-------	---	--	------	------------	--	----------	---	--	-------------	---	--

PROJECT		MATERIAL										COLOUR		MARK. NO.		QTY.	
YIN PING ROAD KOWLOON FEATURE WALL (PHASE 2)		铝通组裝图										-		-		-	

REV.	CHECKED	PART NUMBER	Dim. A	Dim. B	Dim. C	Dim. D	Dim. E	Dim. F	Dim. G	Dim. H	QTY.	Inv. Code
-		UN-EF-G03A	2389	3x@700c/c	140						31	

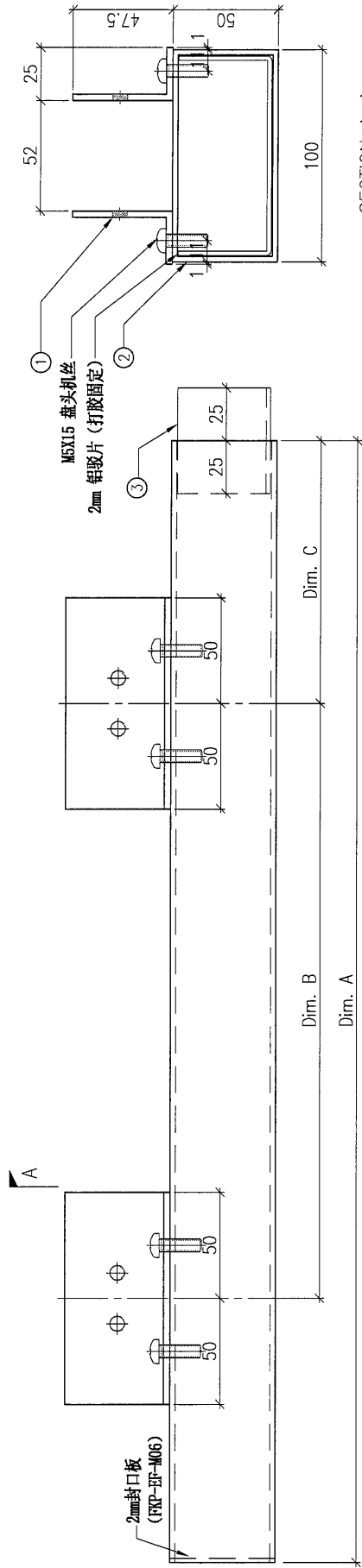
ASSEMBLE ON PARTS
 注: 构件编号 ①AL-EF-G01 8件 ②AL-EF-G03A 1件
 注: 全部用于区域



DWG. NO.	UN-EF-G03	REV.	-	SCALE	-	DATE	21-06-2024	DRAWN BY	-	APPROVED BY	-
----------	-----------	------	---	-------	---	------	------------	----------	---	-------------	---

PROJECT		MATERIAL												COATING		COLOUR		MARK. NO.		QTY.				
YIN PING ROAD KOWLOON FEATURE WALL (PHASE 2)		铝通组裝图																						
REV.	CHECKED DATE	PART NUMBER	Dim. A	Dim. B	Dim. C	Dim. D	Dim. E	Dim. F	Dim. G	Dim. H	QTY.	Inv. Code	ASSEMBLE ON PARTS											
-		UN-EF-G04A	2444	3xØ700c/c	150						4		注: 构件编号 ①AL-EF-G01 8件 ②AL-EF-G04A 1件 ③AP-EF-G01 1件											
-		UN-EF-G04B	1944	2xØ700c/c	349						2		注: 构件编号 ①AL-EF-G01 6件 ②AL-EF-G04B 1件 ③AP-EF-G01 1件											
-		UN-EF-G04C	3469	3xØ750c/c	250						2		注: 构件编号 ①AL-EF-G01 8件 ②AL-EF-G04C 1件 ③AP-EF-G01 1件											
-		UN-EF-G04D	3112	4xØ650c/c	250						2		注: 构件编号 ①AL-EF-G01 10件 ②AL-EF-G04D 1件 ③AP-EF-G01 1件											
-		UN-EF-G04E	4112	5xØ700c/c	250						4		注: 构件编号 ①AL-EF-G01 12件 ②AL-EF-G04E 1件 ③AP-EF-G01 1件											
-		UN-EF-G04F	2984	4xØ650c/c	150						3		注: 构件编号 ①AL-EF-G01 10件 ②AL-EF-G04F 1件 ③AP-EF-G01 1件											
-		UN-EF-G04G	2484	3xØ700c/c	150						3		注: 构件编号 ①AL-EF-G01 8件 ②AL-EF-G04G 1件 ③AP-EF-G01 1件											
-		UN-EF-G04H	1684	2xØ650c/c	150						3		注: 构件编号 ①AL-EF-G01 6件 ②AL-EF-G04H 1件 ③AP-EF-G01 1件											
-		UN-EF-G04J	1116	1xØ700c/c	150						3		注: 构件编号 ①AL-EF-G01 4件 ②AL-EF-G04J 1件 ③AP-EF-G01 1件											
-		UN-EF-G04K	2646	3xØ700c/c	250						3		注: 构件编号 ①AL-EF-G01 8件 ②AL-EF-G04K 1件 ③AP-EF-G01 1件											
-		UN-EF-G04L	2066	2xØ750c/c	250						3		注: 构件编号 ①AL-EF-G01 6件 ②AL-EF-G04L 1件 ③AP-EF-G01 1件											

注: 全部用于B区域

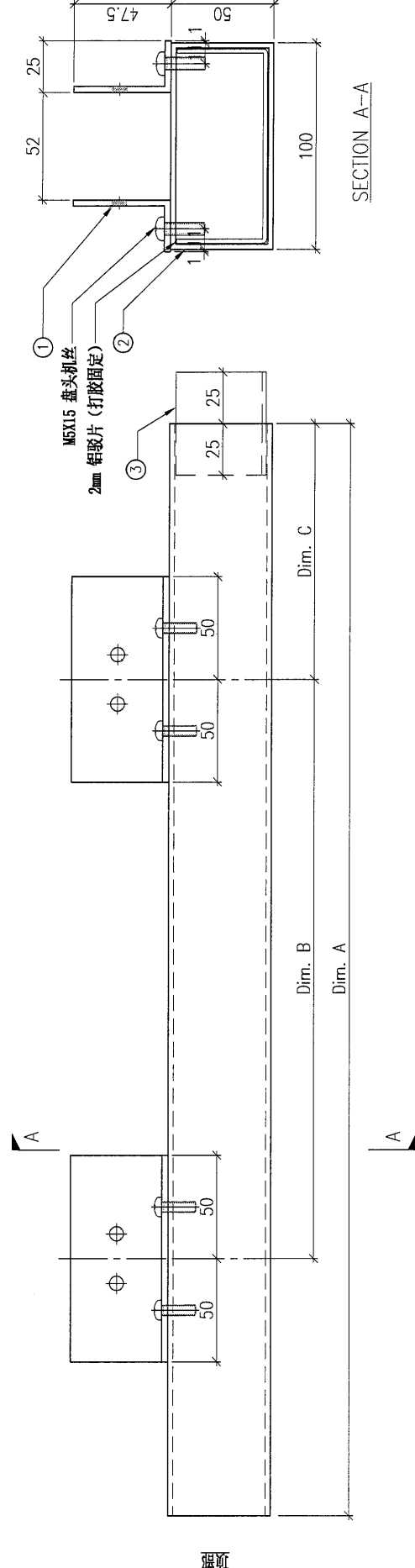


SECTION A-A

DWG. NO.	UN-EF-G04	REV.	-	SCALE	-	DATE	21-06-2024	DRAWN BY	-	APPROVED BY	-
----------	-----------	------	---	-------	---	------	------------	----------	---	-------------	---

PROJECT		YIN PING ROAD KOWLOON FEATURE WALL (PHASE 2)										MATERIAL		COATING		COLOUR		MARK. NO.		QTY.		
REV.	CHECKED	PART NUMBER	Dim. A	Dim. B	Dim. C	Dim. D	Dim. E	Dim. F	Dim. G	Dim. H	QTY.	Inv. Code	ASSEMBLE ON PARTS									
-		UN-EF-G05	3498	4x@750c/c	249						48		注: 构件编号 ①AL-EF-G01 10件 ②AL-EF-G05 1件 ③AP-EF-G01 1件									

注: 全部用字区域												
-----------	--	--	--	--	--	--	--	--	--	--	--	--



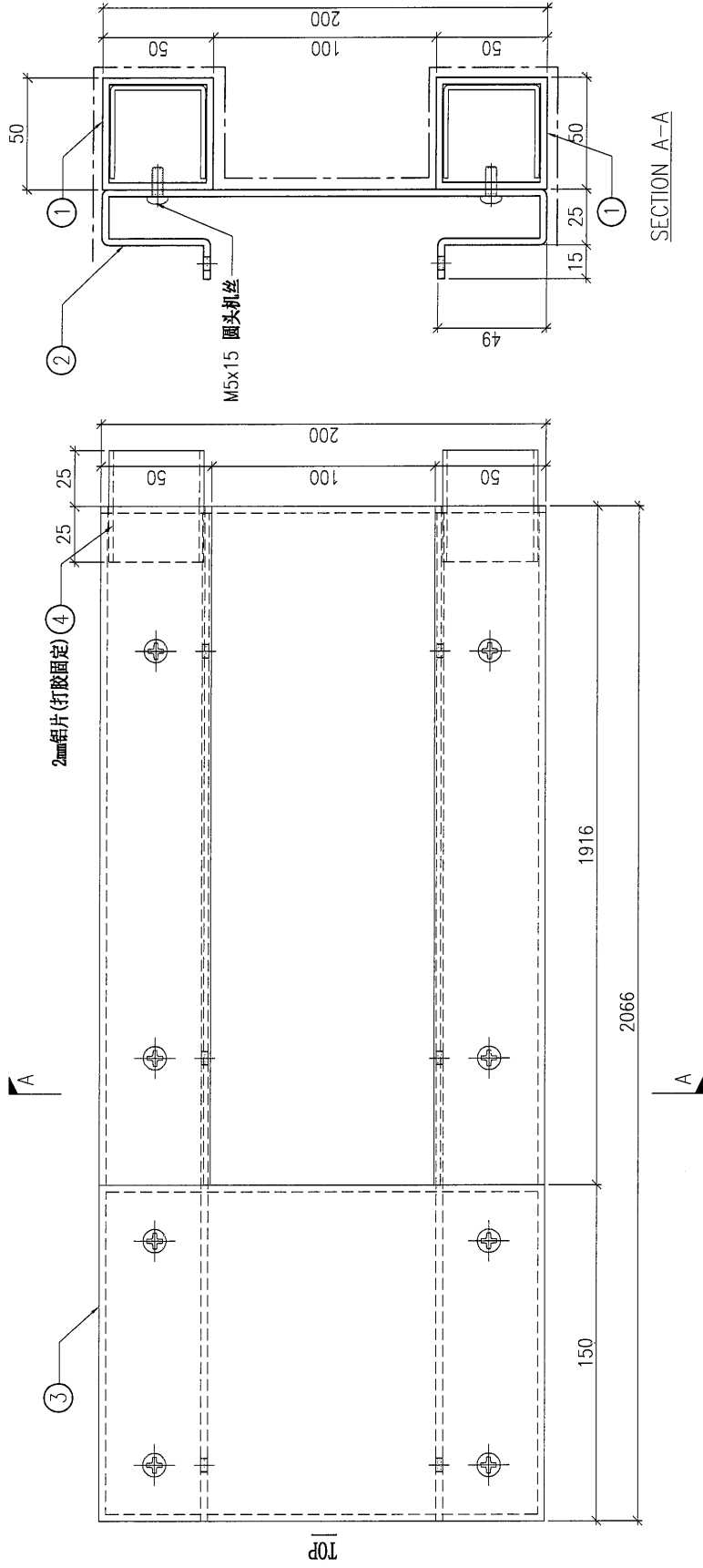
DWG. NO.	UN-EF-G05	REV.	-	SCALE	-	DATE	21-06-2024	DRAWN BY	-	APPROVED BY	-
----------	-----------	------	---	-------	---	------	------------	----------	---	-------------	---

PROJECT		YIN PING ROAD KOWLOON FEATURE WALL (PHASE 2)										MATERIAL		铝通&铝板组装修图		COATING		PVF2		COLOUR		SS-01		MARK. NO.		-		QTY.		-	
---------	--	--	--	--	--	--	--	--	--	--	--	----------	--	-----------	--	---------	--	------	--	--------	--	-------	--	-----------	--	---	--	------	--	---	--

REV.	CHECKED DATE	PART NUMBER	Dim. A	Dim. B	Dim. C	Dim. D	Dim. E	Dim. F	Dim. G	Dim. H	QTY.	Inv. Code
-		UN-EF-G06	-	-	-	-	-	-	-	-	2	

ASSEMBLE ON PARTS												
注: 构件编号 ①AL-EF-G06 2件 ②AP-EF-G06 1件 ③AL-EF-G07 1件												
④AP-EF-G02 2件												

注: 全部用干区区域



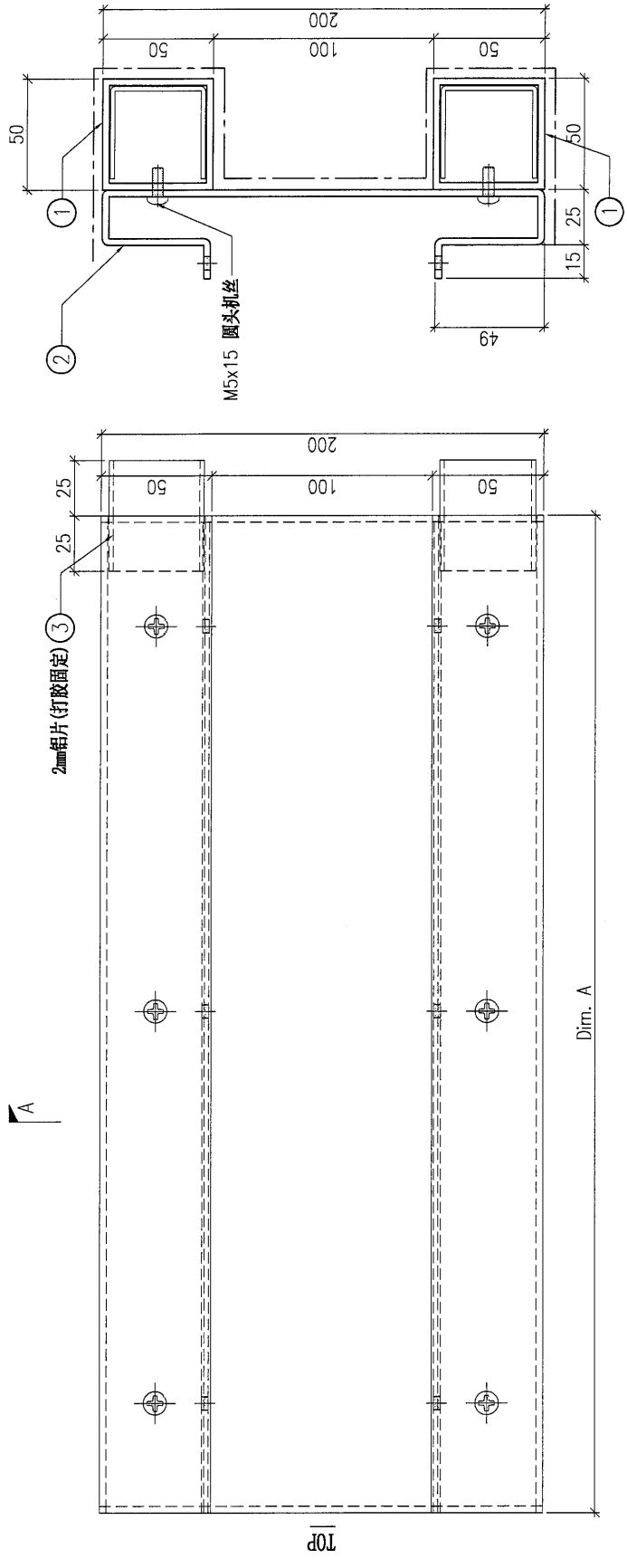
DWG. NO.		UN-EF-G06		REV.		-		SCALE		-		DATE		21-06-2024		DRAWN BY		-		APPROVED BY		-	
----------	--	-----------	--	------	--	---	--	-------	--	---	--	------	--	------------	--	----------	--	---	--	-------------	--	---	--

PROJECT		YIN PING ROAD KOWLOON FEATURE WALL (PHASE 2)										MATERIAL		COATING		COLOUR		MARK. NO.		QTY.	
		铝通&铝板组装机										PVF2		SS-01		-		-		-	

REV.	CHANGED FOR	PART NUMBER	Dim. A	Dim. B	Dim. C	Dim. D	Dim. E	Dim. F	Dim. G	Dim. H	QTY.	Inv. Code	ASSEMBLE ON PARTS	
-		UN-EF-G07A	3498	-	-	-	-	-	-	-	2		注: 构件编号①AL-EF-G07A 2件②AP-EF-G07A 1件③AP-EF-G02 2件	
-		UN-EF-G07B	2388	-	-	-	-	-	-	-	4		注: 构件编号①AL-EF-G07B 2件②AP-EF-G07B 1件③AP-EF-G02 2件	

注: 全部用于壁区域

注: 地盘用



SECTION A-A

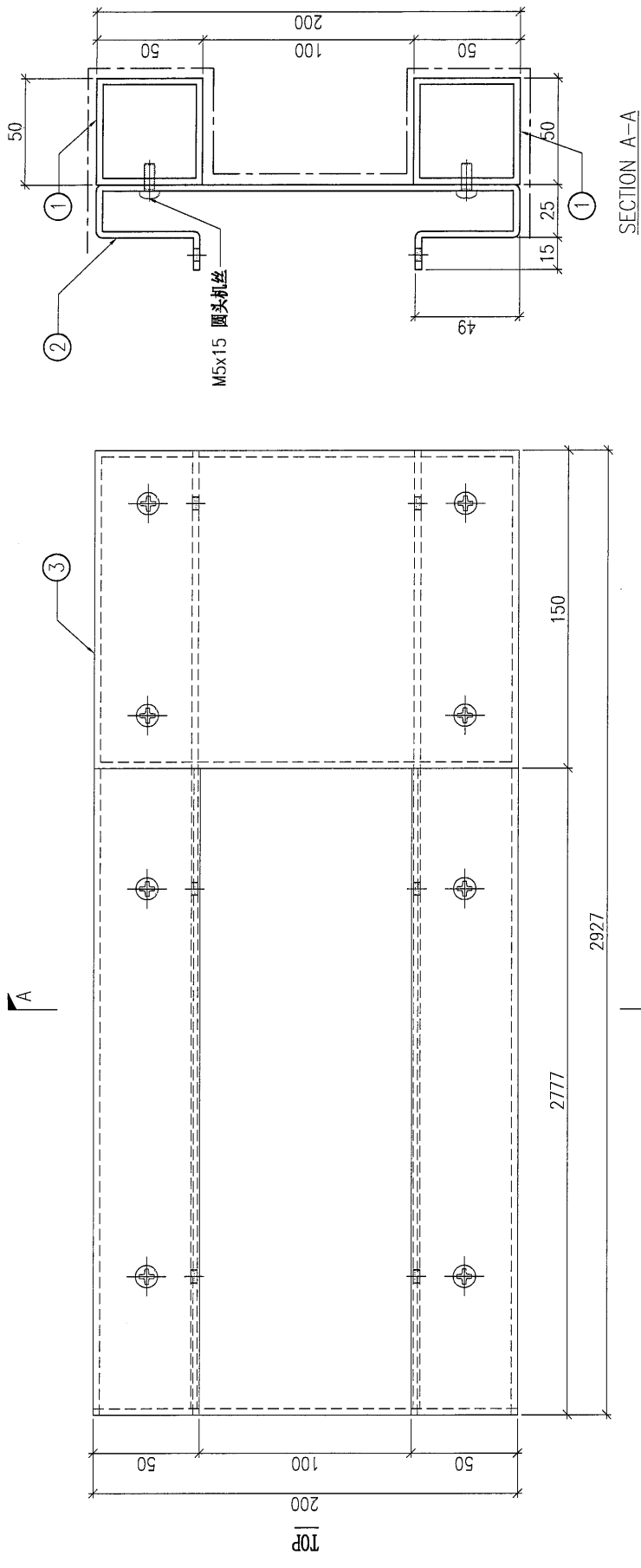
DWG. NO.	UN-EF-G07	REV.	-	SCALE	-	DATE	21-06-2024	DRAWN BY	-	APPROVED BY	-
----------	-----------	------	---	-------	---	------	------------	----------	---	-------------	---

PROJECT		YIN PING ROAD KOWLOON FEATURE WALL (PHASE 2)										MATERIAL		COATING		COLOUR		MARK. NO.		QTY.	
												铝通&铝板组装机		PVF2		SS-01		-		-	

REV.	CHANGED PART NO.	PART NUMBER	Dim. A	Dim. B	Dim. C	Dim. D	Dim. E	Dim. F	Dim. G	Dim. H	QTY.	Inv. Code	ASSEMBLE ON PARTS								
-		UN-EF-G08	-	-	-	-	-	-	-	-	2		注: 构件编号 ①AL-EF-G08 2件 ②AP-EF-G08 1件 ③AL-EF-G07 1件								

注: 全部用于B区域, 底脚件 已覆长150mm

注: 地盘用

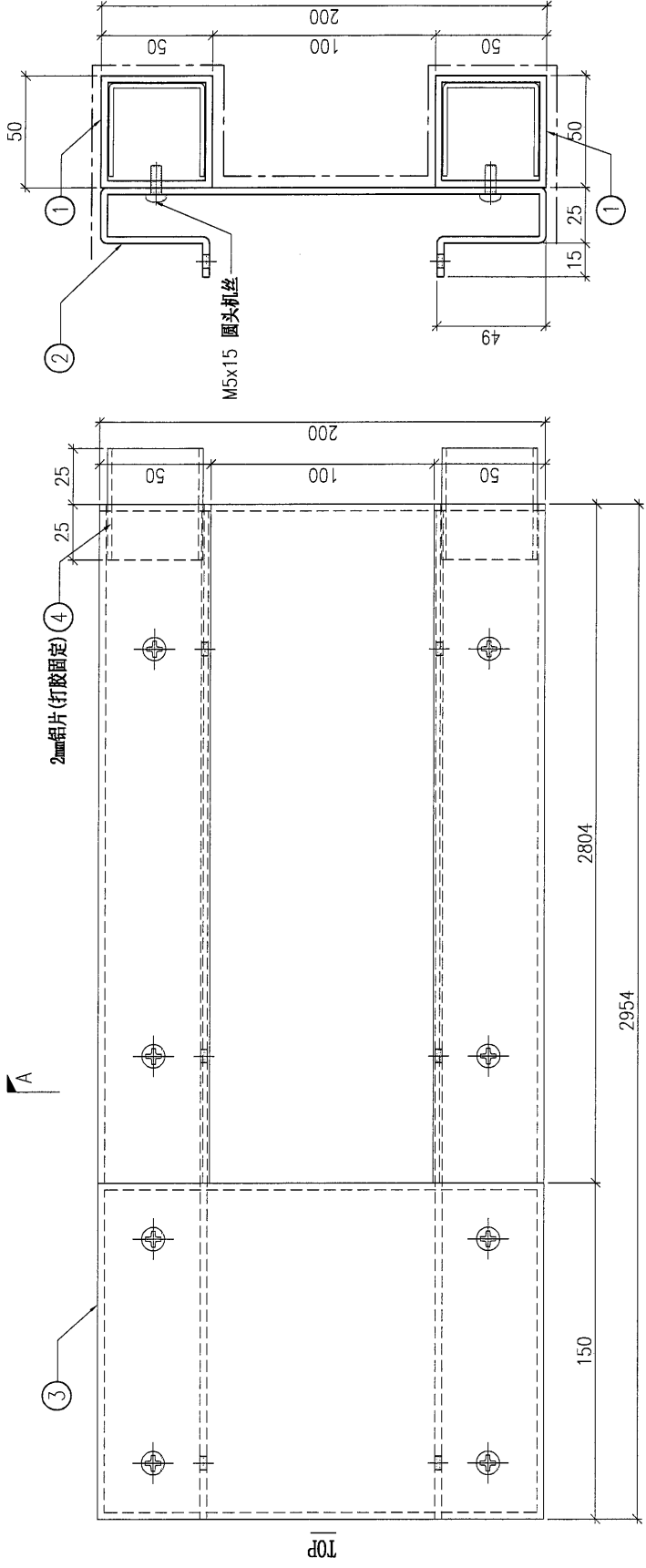


DWG. NO.		UN-EF-G08		REV.		SCALE		DATE		DRAWN BY		APPROVED BY	
				-		-		21-06-2024		-		-	

PROJECT		YIN PING ROAD KOWLOON FEATURE WALL (PHASE 2)		MATERIAL		铝通&铝板组装图		COATING		PVF2		COLOUR		SS-01		MARK. NO.		-		QTY.		-	
---------	--	--	--	----------	--	----------	--	---------	--	------	--	--------	--	-------	--	-----------	--	---	--	------	--	---	--

REV.	CHANGED BY	PART NUMBER	Dim. A	Dim. B	Dim. C	Dim. D	Dim. E	Dim. F	Dim. G	Dim. H	QTY.	Inv. Code	ASSEMBLE ON PARTS									
-		UN-V-G10	-	-	-	-	-	-	-	-	6		注: 构件编号 ①AL-V-G10A 2件 ②AP-V-G10 1件 ③AL-V-G11 1件 ④AP-V-G09 2件									

注: 全部留平区域

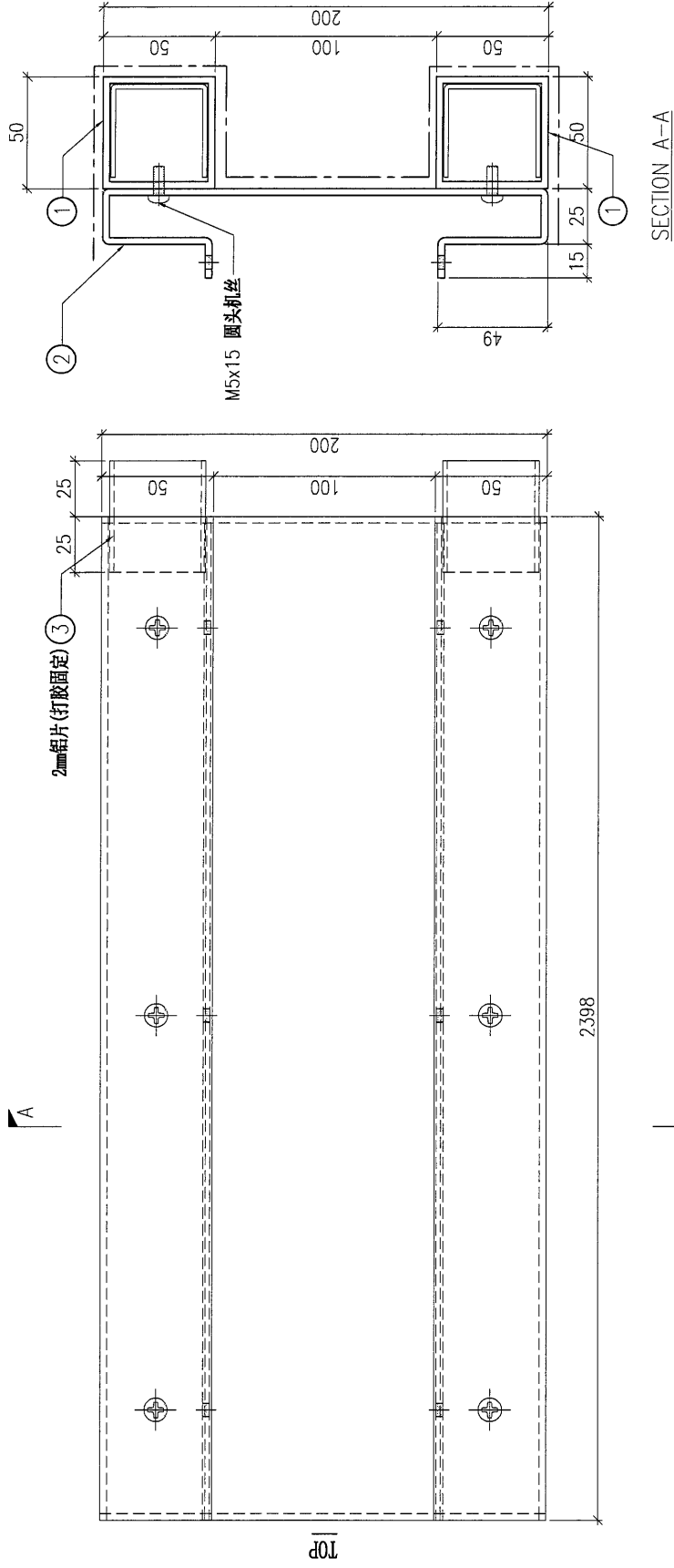


SECTION A-A

DWG. NO.		UN-V-G10		REV.		-		SCALE		-		DATE		21-06-2024		DRAWN BY		-		APPROVED BY		-	
----------	--	----------	--	------	--	---	--	-------	--	---	--	------	--	------------	--	----------	--	---	--	-------------	--	---	--

PROJECT		YIN PING ROAD KOWLOON FEATURE WALL (PHASE 2)										MATERIAL		铝通&铝板组装机		COATING		PVF2		COLOUR		SS-01		MARK. NO.		-		QTY.		-	
REV.	CHANGED DATE	PART NUMBER	Dim. A	Dim. B	Dim. C	Dim. D	Dim. E	Dim. F	Dim. G	Dim. H	QTY.	Inv. Code	ASSEMBLE ON PARTS																		
-		UN-V-G11	-	-	-	-	-	-	-	-	18		注: 构件编号①AL-V-G10B 2件 ②AP-V-G11 1件 ③AP-V-G09 2件																		

注: 全部用平区域	
-----------	--



DWG. NO.	UN-V-G11	REV.	-	SCALE	-	DATE	21-06-2024	DRAWN BY	-	APPROVED BY	-
----------	----------	------	---	-------	---	------	------------	----------	---	-------------	---

PROJECT: YIN PING ROAD KOWLOON FEATURE WALL (PHASE 2)

MATERIAL: 铝通&铝板组装机

COATING: PVF2

COLOUR: SS-01

MARK. NO.: -

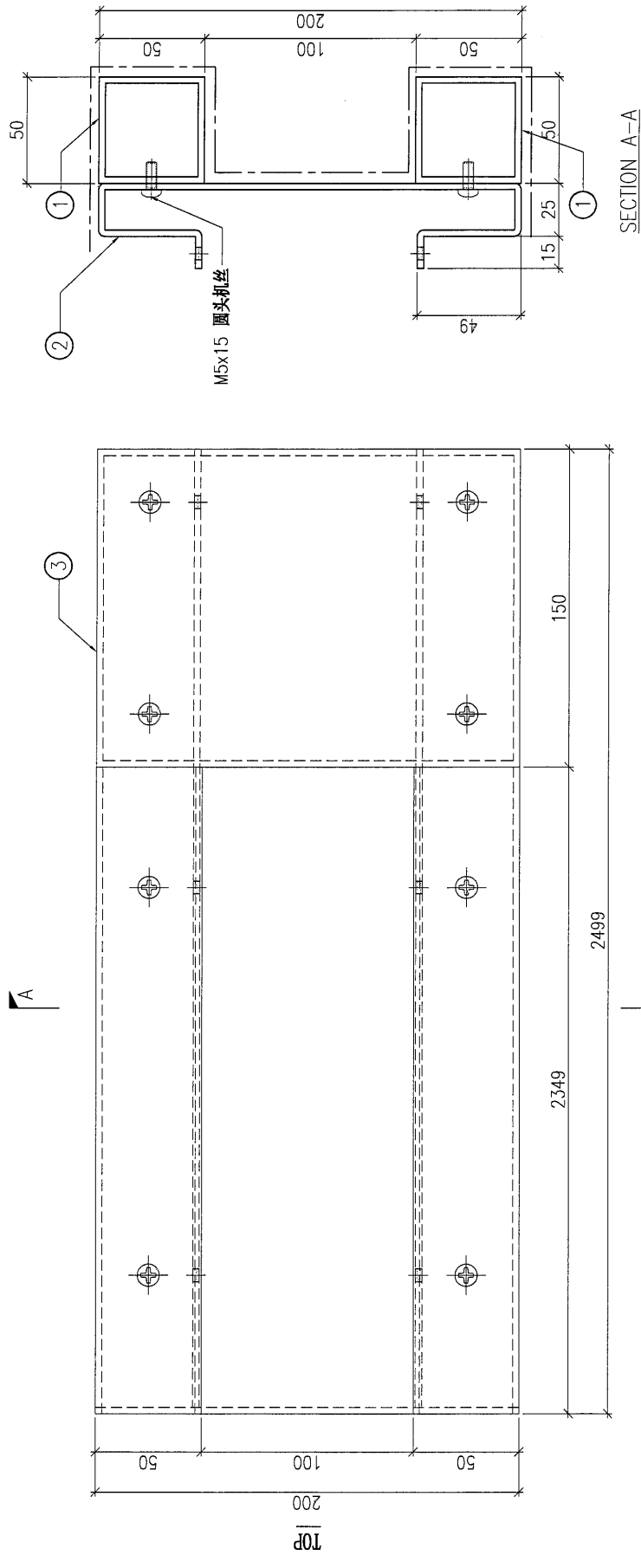
QTY.: -

REV.	CHECKED / DATE	PART NUMBER	Dim. A	Dim. B	Dim. C	Dim. D	Dim. E	Dim. F	Dim. G	Dim. H	QTY.	Inv. Code
-		UN-V-G12	-	-	-	-	-	-	-	-	6	

注: 构件编号 ① AL-V-G10C 2件 ② AP-V-G12 1件 ③ AL-V-G11 1件

注: 地盘用

注: 全部用于V区域, 底部零件已预长150mm

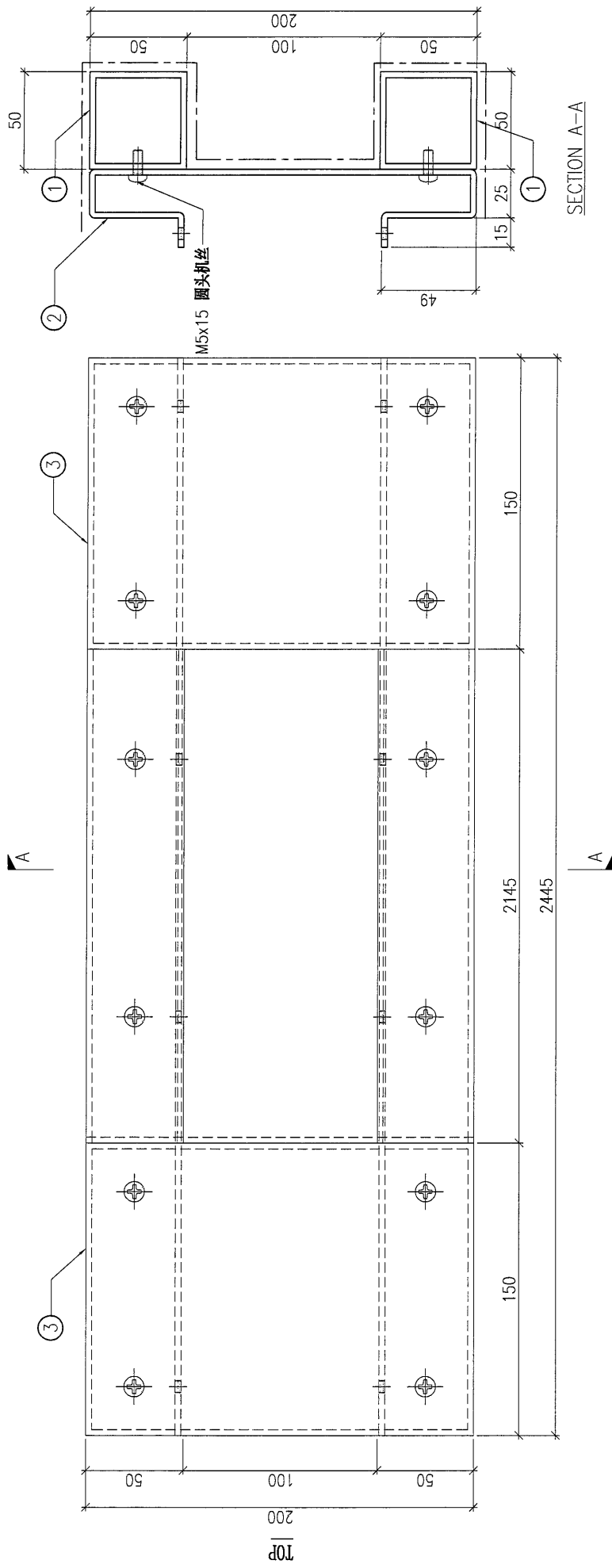


DWG. NO.	UN-V-G12	REV.	-	SCALE	-	DATE	21-06-2024	DRAWN BY	-	APPROVED BY	-
----------	----------	------	---	-------	---	------	------------	----------	---	-------------	---

PROJECT		YIN PING ROAD KOWLOON FEATURE WALL (PHASE 2)				MATERIAL				铝通&铝板组装机				COATING		PVF2		COLOUR		SS-01		MARK. NO.		-		QTY.		-	
---------	--	--	--	--	--	----------	--	--	--	----------	--	--	--	---------	--	------	--	--------	--	-------	--	-----------	--	---	--	------	--	---	--

REV.	ORDERED PART NO.	PART NUMBER	Dim. A	Dim. B	Dim. C	Dim. D	Dim. E	Dim. F	Dim. G	Dim. H	QTY.	Inv. Code	ASSEMBLE ON PARTS													
-		UN-V-G13	-	-	-	-	-	-	-	-	6		注: 构件编号①AL-V-G10D 2件 ②AP-V-G13 1件 ③AL-V-G11 2件													

注: 全部留平区域

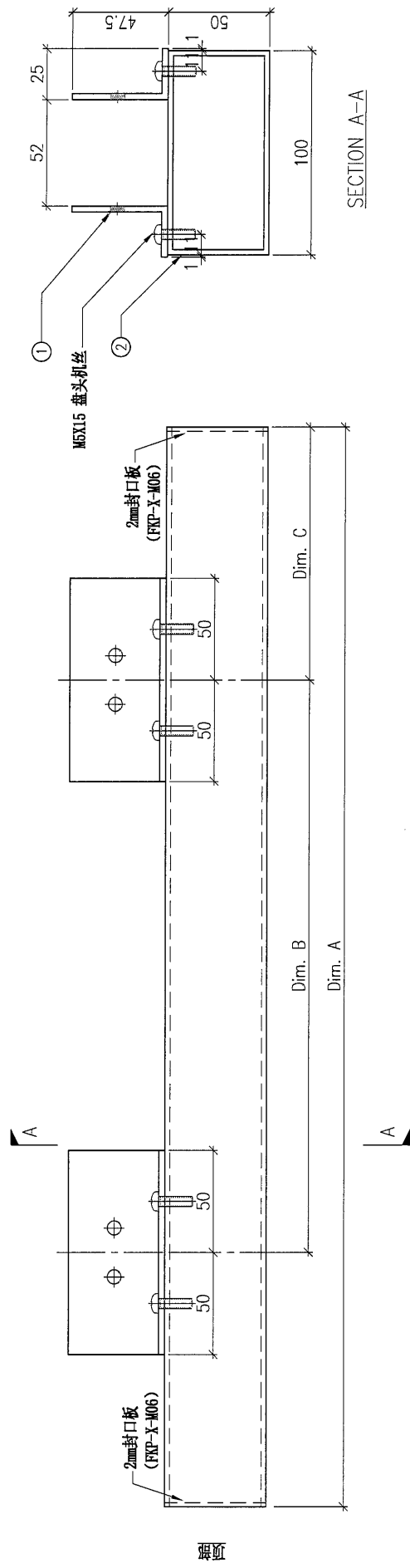


DWG. NO.		UN-V-G13		REV.		-		SCALE		-		DATE		21-06-2024		DRAWN BY		-		APPROVED BY		-	
----------	--	----------	--	------	--	---	--	-------	--	---	--	------	--	------------	--	----------	--	---	--	-------------	--	---	--

PROJECT		YIN PING ROAD KOWLOON FEATURE WALL (PHASE 2)										MATERIAL		COATING		COLOUR		MARK. NO.		QTY.	
ORDERED DATE		PART NUMBER		Dim. A	Dim. B	Dim. C	Dim. D	Dim. E	Dim. F	Dim. G	Dim. H	QTY.	Inv. Code	ASSEMBLE ON PARTS							
-		UN-X-G02		1000	1x@700c/c	140						2		注: 构件编号 ①AL-X-G01 4件 ②AL-X-G02A 1件							

REV.		注: 地盘用																	
-		注: 地盤复尺																	

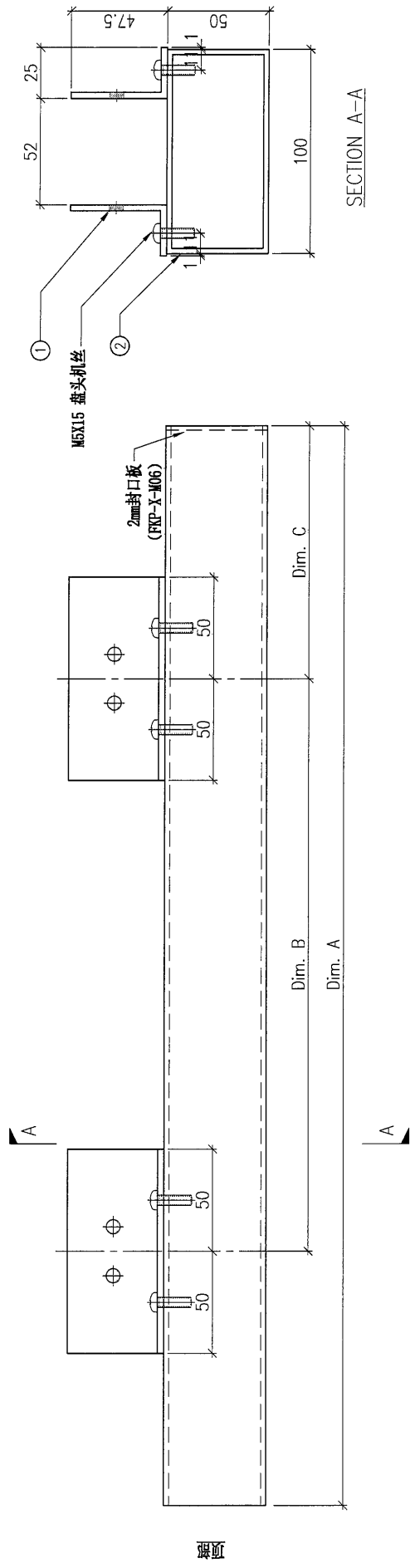
注: 全部留平区域



DWG. NO.		UN-X-G02			REV.	-		SCALE	-		DATE	21-06-2024		DRAWN BY	-		APPROVED BY	-	
----------	--	----------	--	--	------	---	--	-------	---	--	------	------------	--	----------	---	--	-------------	---	--

PROJECT		YIN PING ROAD KOWLOON FEATURE WALL (PHASE 2)										MATERIAL		COATING		COLOUR		MARK. NO.		QTY.	
REV.		ORDERED FOR BY		Dim. A	Dim. B	Dim. C	Dim. D	Dim. E	Dim. F	Dim. G	Dim. H	QTY.	Inv. Code	ASSEMBLE ON PARTS							
-		UN-X-G03A		2389	3x@700c/c	140						4		注: 构件编号 ①AL-X-G01 8件 ②AL-X-G03A 1件							
														注: 地盘用							

注: 全部用于区域													
-----------	--	--	--	--	--	--	--	--	--	--	--	--	--



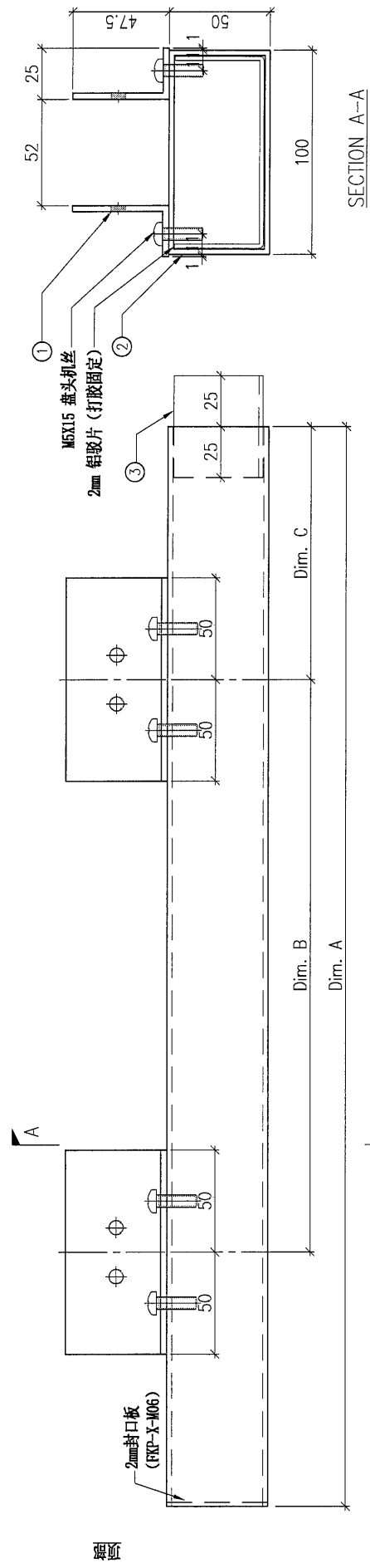
DWG. NO.		UN-X-G03		REV.	-		SCALE	-		DATE	21-06-2024		DRAWN BY	-		APPROVED BY	-	
----------	--	----------	--	------	---	--	-------	---	--	------	------------	--	----------	---	--	-------------	---	--

PROJECT		MATERIAL										COLOUR		MARK. NO.		QTY.	
YIN PING ROAD KOWLOON FEATURE WALL (PHASE 2)		铝通组装图										-		-		-	

REV.	CHANGED PART ID	PART NUMBER	Dim. A	Dim. B	Dim. C	Dim. D	Dim. E	Dim. F	Dim. G	Dim. H	QTY.	Inv. Code	ASSEMBLE ON PARTS				
-		UN-X-G04A	3009	4x@650c/c	150						1		注: 构件编号 ①AL-X-G01 10件 ②AL-X-G04A 1件 ③AP-X-G01 1件				
-		UN-X-G04B	2854	3x@750c/c	250						2		注: 构件编号 ①AL-X-G01 8件 ②AL-X-G04B 1件 ③AP-X-G01 1件				
-		UN-X-G04C	3254	4x@700c/c	250						1		注: 构件编号 ①AL-X-G01 10件 ②AL-X-G04C 1件 ③AP-X-G01 1件				

注: 全部用于区域

注: 地盘用
注: 地盘用

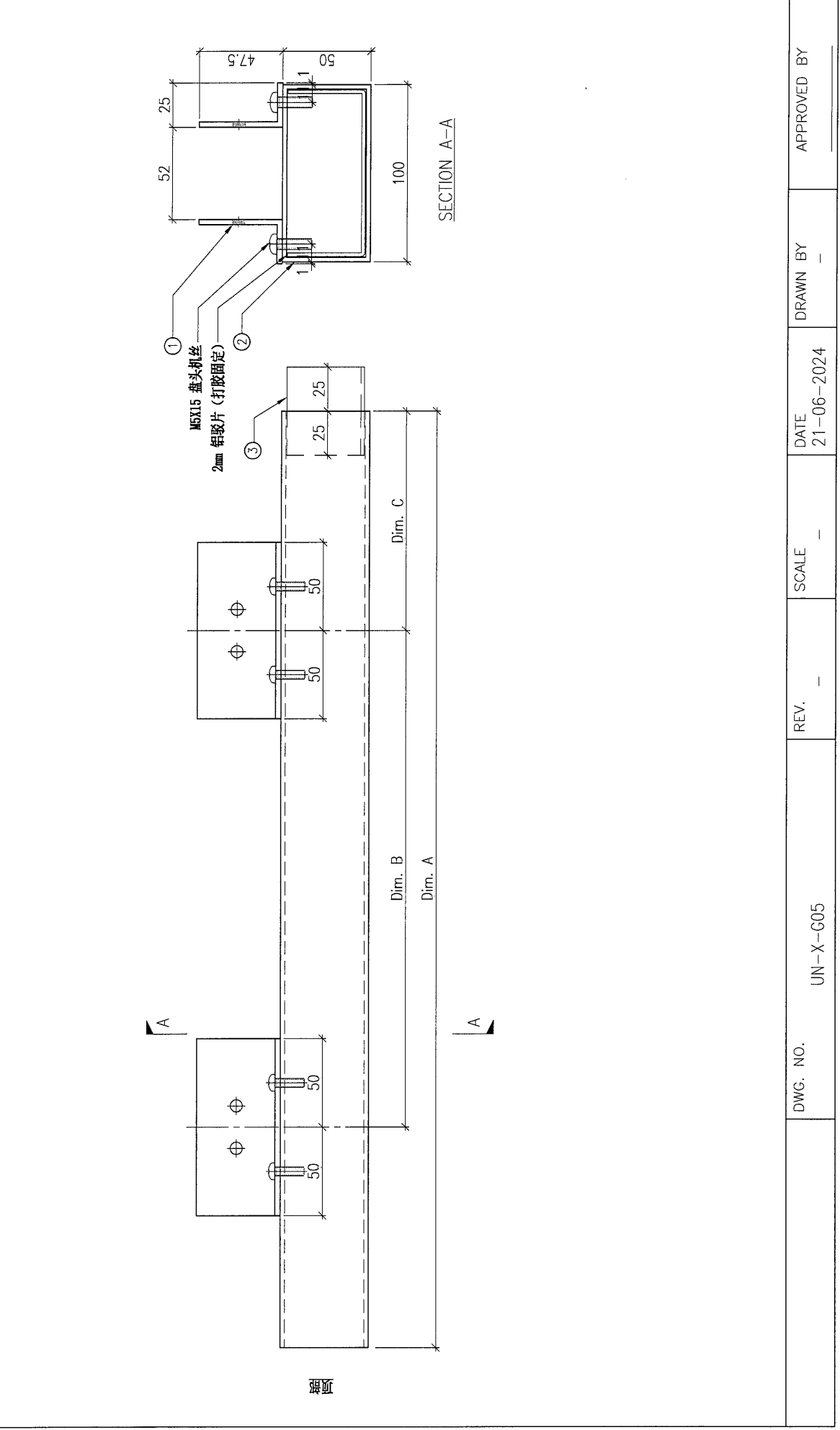


DWG. NO.	UN-X-G04	REV.	-	SCALE	-	DATE	21-06-2024	DRAWN BY	-	APPROVED BY	-
----------	----------	------	---	-------	---	------	------------	----------	---	-------------	---

PROJECT		YIN PING ROAD KOWLOON FEATURE WALL (PHASE 2)										MATERIAL		COATING		COLOUR		MARK. NO.		QTY.	
CHECKED		PART NUMBER		Dim. A	Dim. B	Dim. C	Dim. D	Dim. E	Dim. F	Dim. G	Dim. H	QTY.	Inv. Code	ASSEMBLE ON PARTS							
-		UN-X-G05		3498	4x@750c/c	249						4		注: 构件编号 ①AL-X-G01 10件 ②AL-X-G05 1件 ③AP-X-G01 1件							

REV.		PART NUMBER		Dim. A	Dim. B	Dim. C	Dim. D	Dim. E	Dim. F	Dim. G	Dim. H	QTY.	Inv. Code	注: 全部用于区域							
-		UN-X-G05		3498	4x@750c/c	249						4									

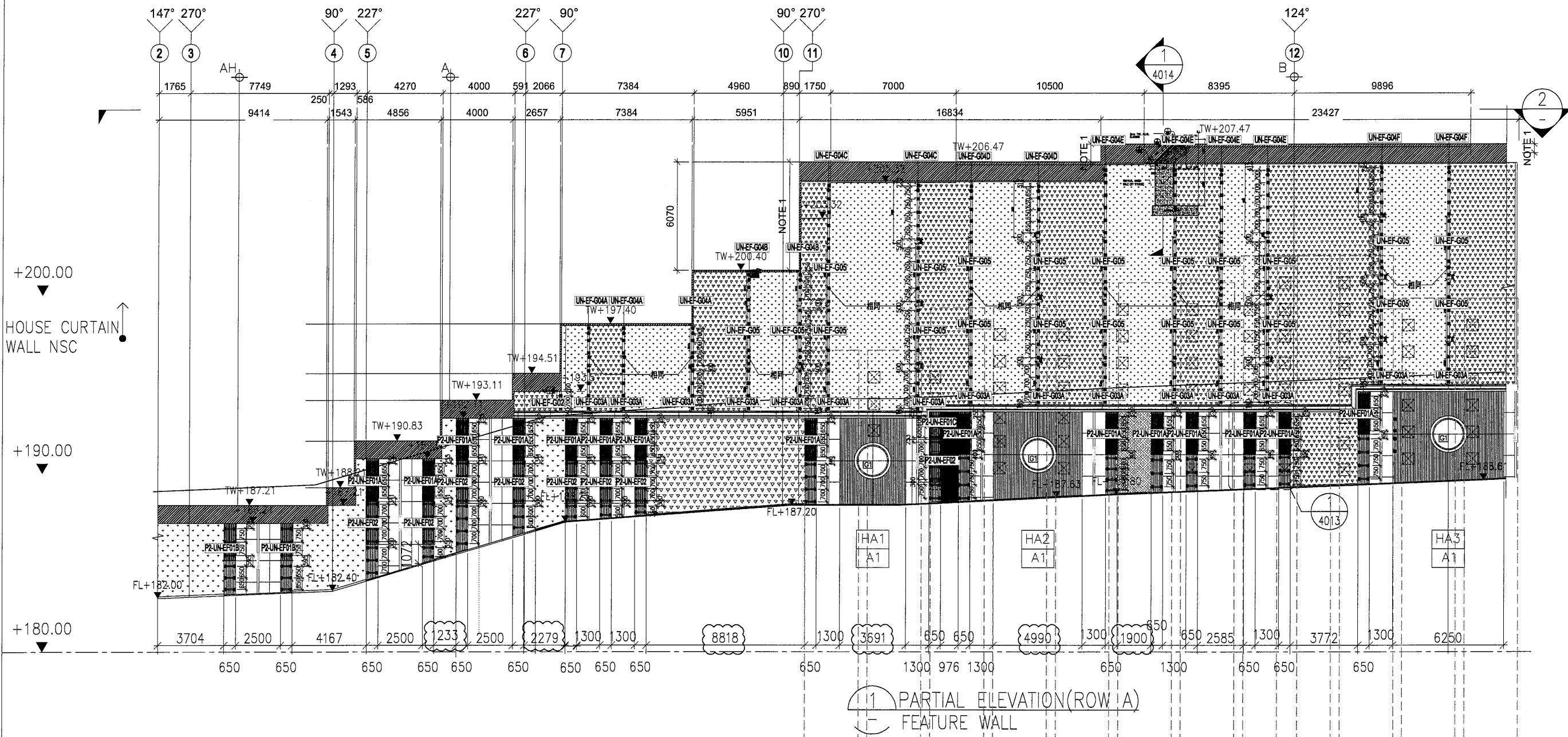
注: 全部用于区域



DWG. NO.		UN-X-G05		REV.		-		SCALE		-		DATE		21-06-2024		DRAWN BY		-		APPROVED BY		-	
----------	--	----------	--	------	--	---	--	-------	--	---	--	------	--	------------	--	----------	--	---	--	-------------	--	---	--

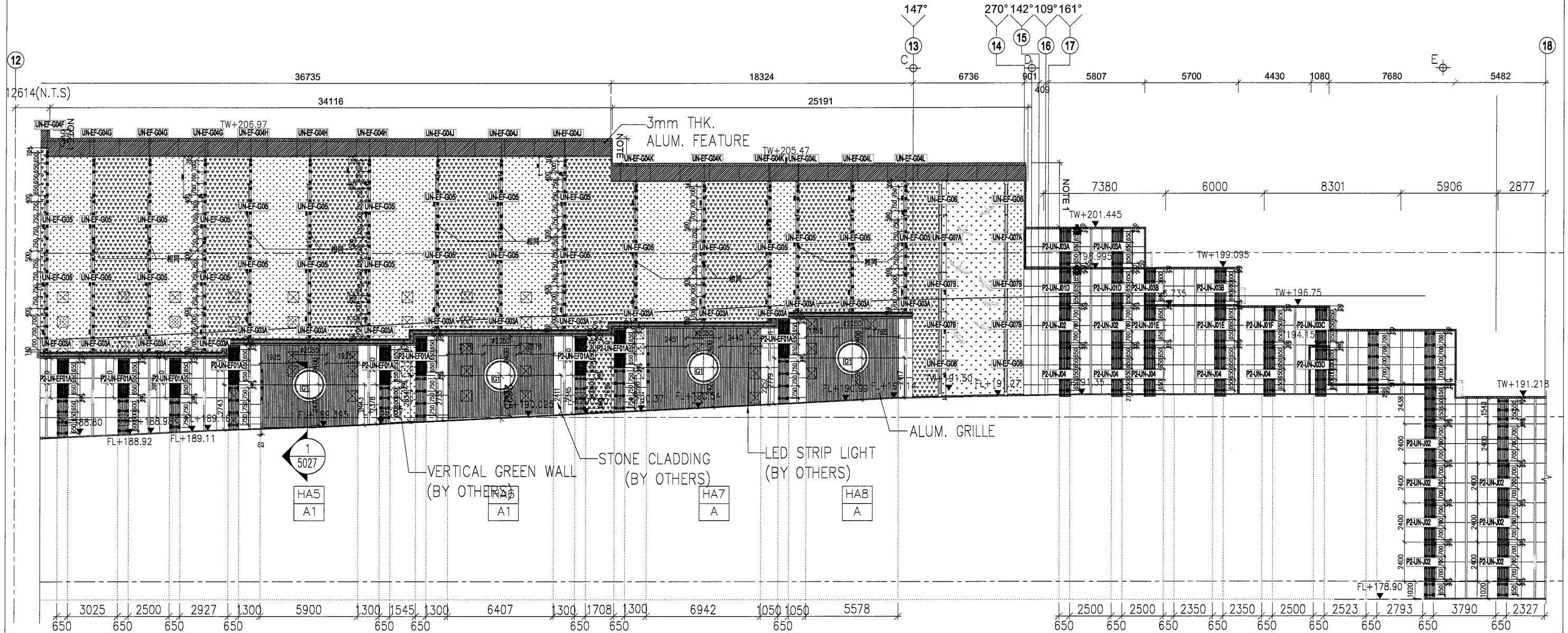
DWG NO.: J853-SD-FW-3035C

FEATURE WALL 铝通派位图

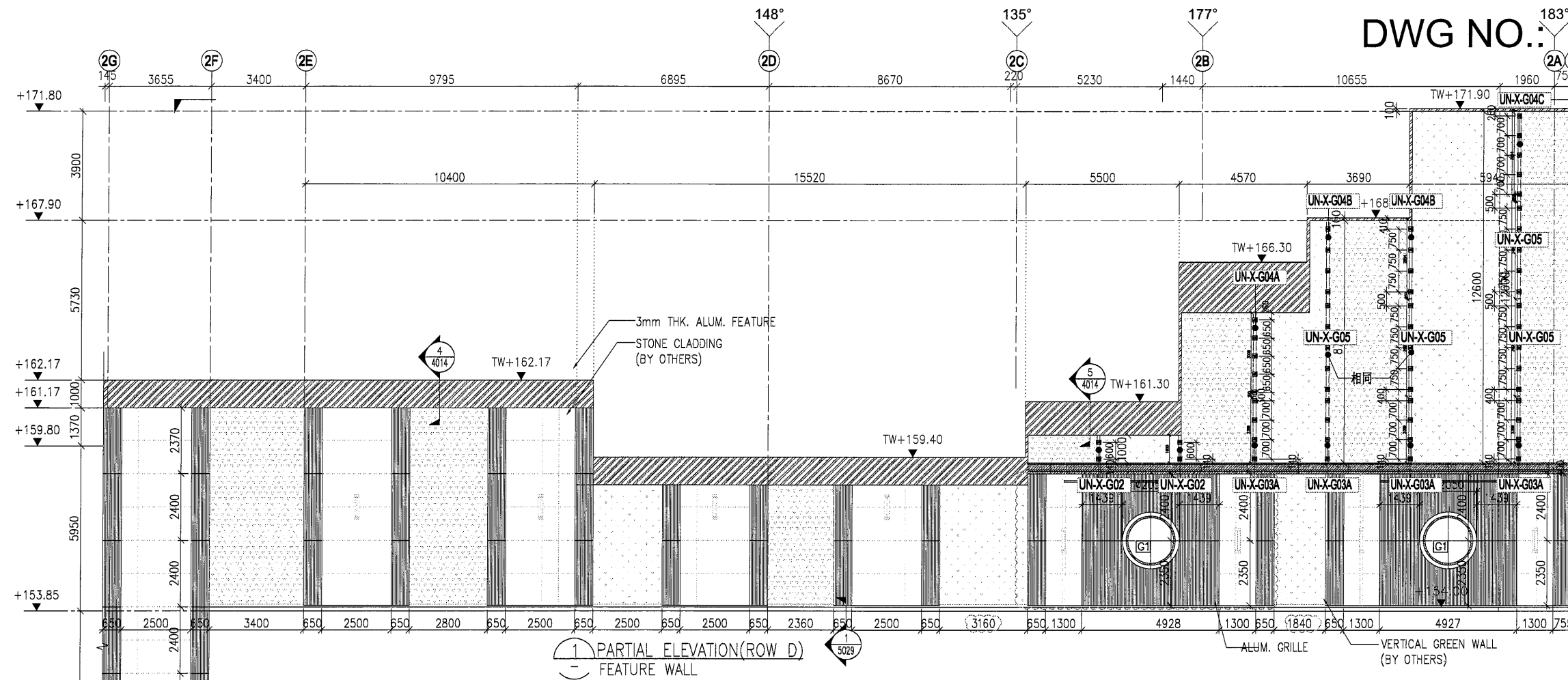


DWG NO.: J853-SD-FW-3036C

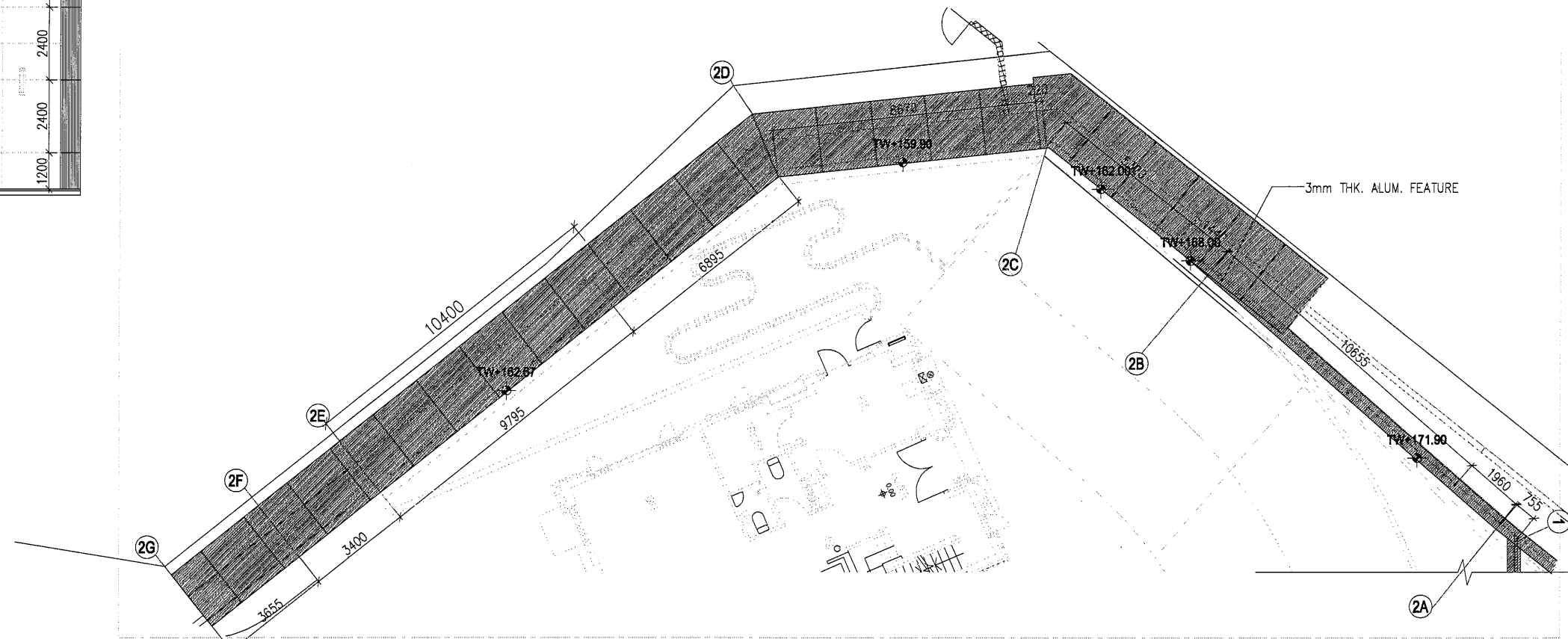
FEATURE WALL 铝通派位图



1 PARTIAL ELEVATION (ROW A)
- FEATURE WALL



1 PARTIAL ELEVATION (ROW D)
- FEATURE WALL



2 PARTIAL PLAN (ROW D)
- FEATURE WALL