



工程指示 / 要求簡箋 ENGINEER INSTRUCTIONS(E.I.)

工程指示編號:	EI- 7964	修改版本:	-
	HK- 1208		
工程編號:	J 853	工程名稱:	延坪道 (第2期)
收件人:	生統/	發件人:	Jingo
工程項目:	飾後 Feature wall 工廠用鋁板 (Part 3)	日期:	24/6/2024

<input type="checkbox"/> 原合約工程包	<input type="checkbox"/> 原合約工程加 / 減賬 QT-	<input type="checkbox"/> 新工程報價 QT-
---------------------------------	--	------------------------------------

信件批核號碼/圖紙參考編號:	批核模具圖紙編號:
客戶指示附件:	管理內部批簽署:

<input type="checkbox"/> 初步鋁料 B.M.	<input type="checkbox"/> 加工拆圖, 然後生產	<input type="checkbox"/> 尺寸表
<input type="checkbox"/> 正式鋁料 B.M.	<input type="checkbox"/> 技術上資料/指示	<input type="checkbox"/> 報價
<input type="checkbox"/> 配件 B.M.	<input type="checkbox"/> 樣辦或貨品說明書	<input type="checkbox"/> 分判合約
<input type="checkbox"/> 其他:		

內容:

完成上列要求日期: 6/7/2024

國內

<input type="checkbox"/> 生產技術總監	<input type="checkbox"/> 連附件	<input type="checkbox"/> 技術部	<input type="checkbox"/> 連附件	<input type="checkbox"/> 生產部	<input type="checkbox"/> 連附件
<input type="checkbox"/> 採購部	<input type="checkbox"/> 連附件	<input checked="" type="checkbox"/> 生產統籌部	<input checked="" type="checkbox"/> 連附件	<input type="checkbox"/> 報關組	<input type="checkbox"/> 連附件
<input type="checkbox"/> 質檢部	<input type="checkbox"/> 連附件	<input type="checkbox"/> 會計部	<input type="checkbox"/> 連附件	<input type="checkbox"/> 機械設計部	<input type="checkbox"/> 連附件
<input type="checkbox"/> 香港辦	<input type="checkbox"/> 連附件	<input type="checkbox"/> 其他:			

香港

<input type="checkbox"/> 行政部	<input type="checkbox"/> 連附件	<input type="checkbox"/> 會計部	<input type="checkbox"/> 連附件	<input type="checkbox"/> 統籌部	<input type="checkbox"/> 連附件	<input type="checkbox"/> 工程部	<input type="checkbox"/> 連附件
<input type="checkbox"/> 採購部	<input type="checkbox"/> 連附件	<input type="checkbox"/> QS部	<input type="checkbox"/> 連附件	<input type="checkbox"/> 地盤管理	<input type="checkbox"/> 連附件	<input type="checkbox"/> 維修部	<input type="checkbox"/> 連附件

*發件人簽署:	*組別成員批核簽署:
傳遞編號:	項目經理簽署:

PROJECT: YIN PING ROAD KOWLOON
 FEATURE WALL (PHASE 2)

MATERIAL: 2mm 铝封口片

COATING: PVF2

COLOUR: TUC106699FXLJBA-3(SS-03)

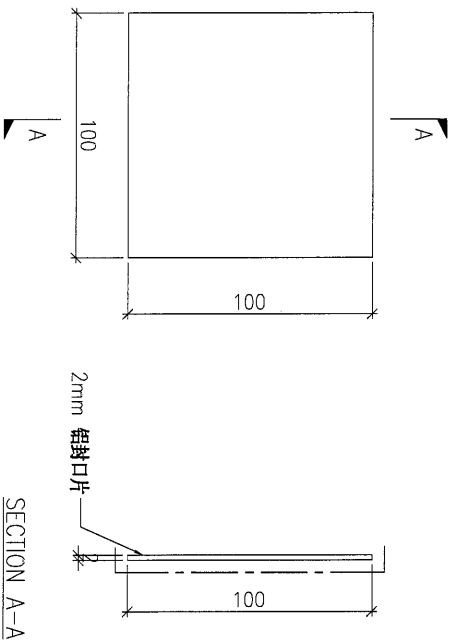
MARK. NO.: -

QTY.: -

ASSEMBLE ON PARTS

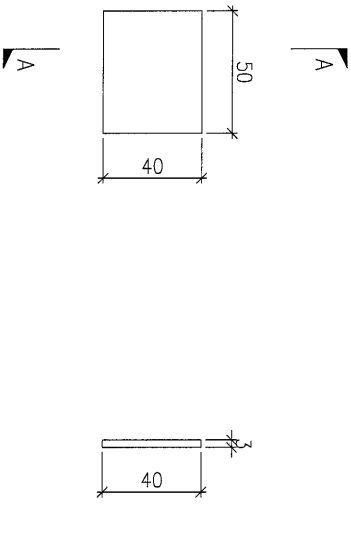
注: 工厂用

REV.	CHECKED DATE BY	PART NUMBER	Dim. A	Dim. B	Dim. C	Dim. D	Dim. E	Dim. F	Dim. G	Dim. H	QTY.	Inv. Code
-		FKP-EF-M04	-	-	-						690	



DWG. NO.	FKP-EF-M04	REV.	-	SCALE	-	DATE	22-03-2023	DRAWN BY	-	APPROVED BY	-
----------	------------	------	---	-------	---	------	------------	----------	---	-------------	---

PROJECT				MATERIAL				COATING		COLOUR	MARK. NO.	QTY.		
YIN PING ROAD KOWLOON FEATURE WALL (PHASE 2)				3mm 铝板				铬化		-	-	-		
REV.	CHECKED DATE BY	PART NUMBER	Dim. A	Dim. B	Dim. C	Dim. D	Dim. E	Dim. F	Dim. G	Dim. H	QTY.	Inv. Code	ASSEMBLE ON PARTS	注: 工厂用
-		P2-AP-EF01	-	-	-						200			

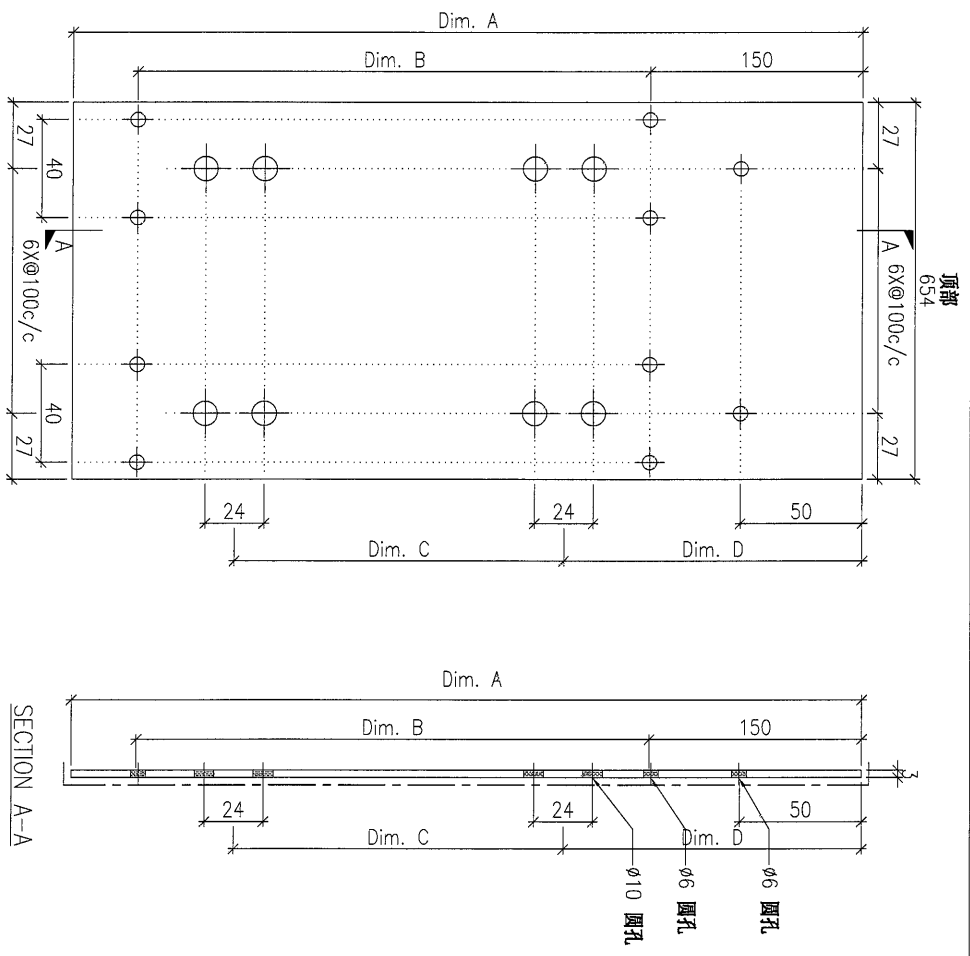


SECTION A-A

DWG. NO.	REV.	SCALE	DATE	DRAWN BY	APPROVED BY
P2-AP-EF01	-	-	13-04-2024	-	

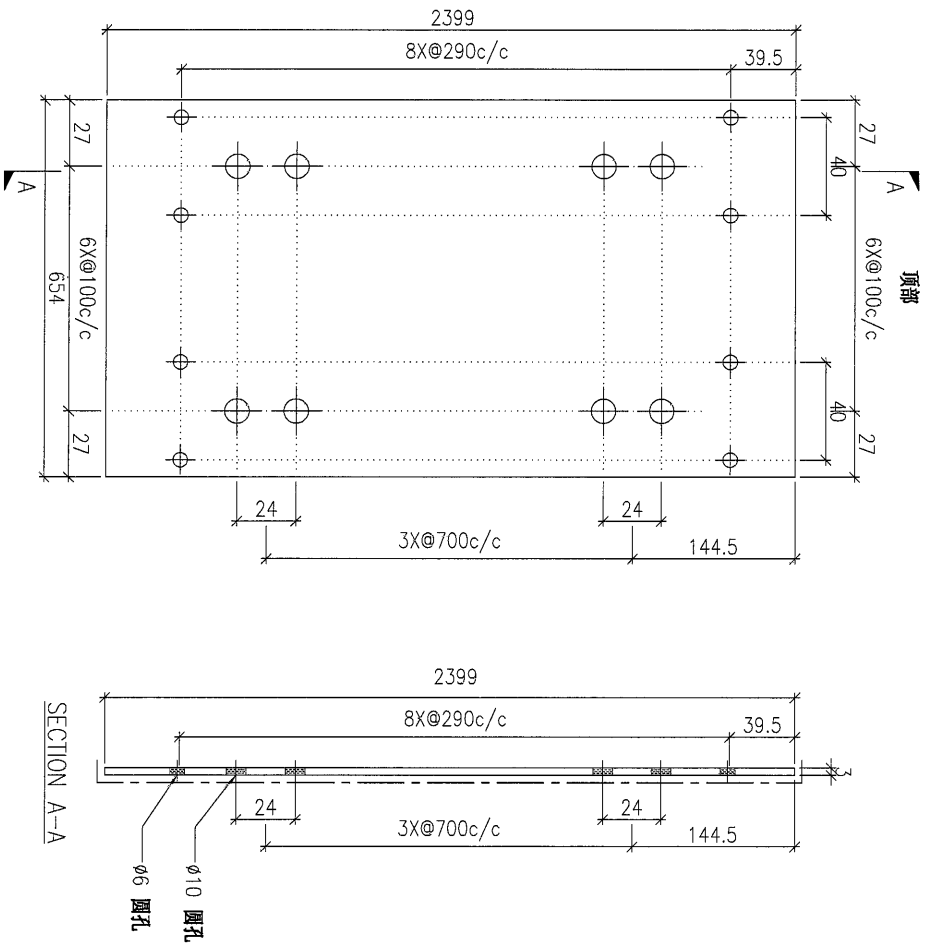
PROJECT				MATERIAL				COATING		COLOUR		MARK. NO.		QTY.	
YIN PING ROAD KOWLOON FEATURE WALL (PHASE 2)				3mm 铝板				PVF2		EC-DG-D334232-ZD1(SS-01)		-		-	
REV.	CHECKED BY	PART NUMBER	Dim. A	Dim. B	Dim. C	Dim. D	Dim. E	Dim. F	Dim. G	Dim. H	QTY.	Inv. Code	ASSEMBLE ON PARTS		
-		P2-AP-EF02A	2394.5	8X@270c/c	3X@550c/c	245					24				
-		P2-AP-EF02B	2085	7X@265c/c	2X@750c/c	290					2				
-		P2-AP-EF02C	1552	5X@270c/c	2X@600c/c	245					1				
-		P2-AP-EF02D	2270	7X@290c/c	3X@550c/c	190					2				
-		P2-AP-EF02E	2410	8X@280c/c	3X@550c/c	190					2				
-		P2-AP-EF02F	2325	7X@300c/c	3X@550c/c	190					1				

注: 工厂用



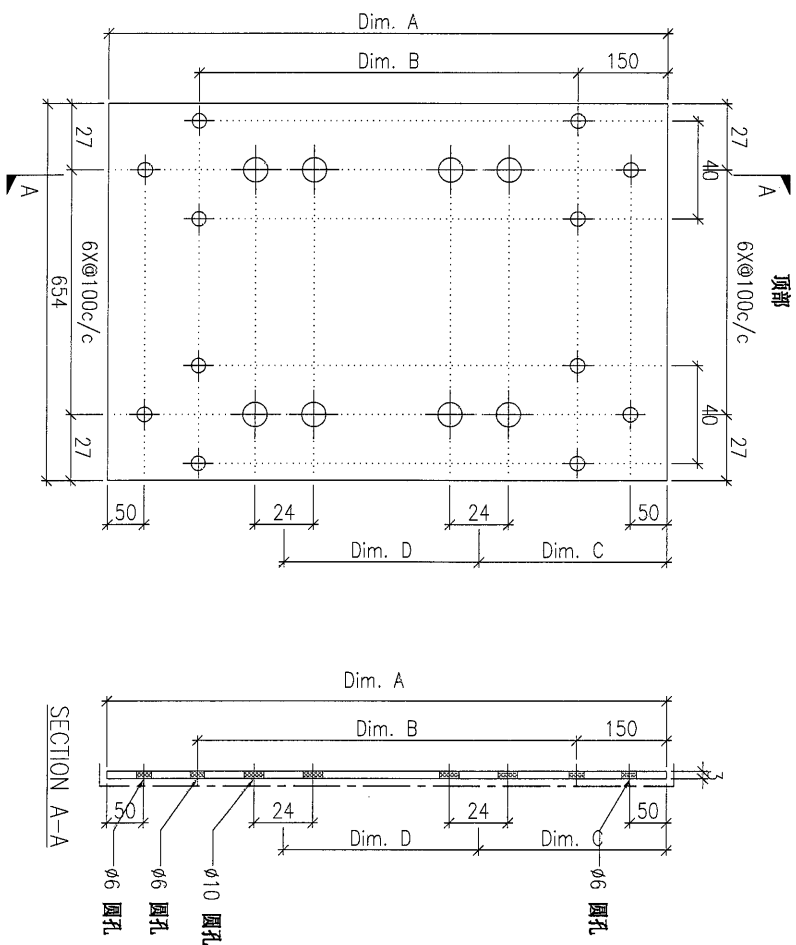
DWG. NO.	REV.	SCALE	DATE	DRAWN BY	APPROVED BY
P2-AP-EF02	-	-	13-04-2024	-	-

PROJECT				MATERIAL				COATING				COLOUR		MARK. NO.		QTY.	
YIN PING ROAD KOWLOON FEATURE WALL (PHASE 2)				3mm 铝板				PVF2				EC-DG-D334232-ZD1(SS-01)		-		-	
REV.	CHECKED BY	PART NUMBER	Dim. A	Dim. B	Dim. C	Dim. D	Dim. E	Dim. F	Dim. G	Dim. H	QTY.	Inv. Code	ASSEMBLE ON PARTS				
-		P2-AP-EF03	-	-	-	-	-	-	-	-	17						
注: 工厂用																	



DWG. NO.		REV.		SCALE		DATE		DRAWN BY		APPROVED BY	
P2-AP-EF03		-		-		13-04-2024		-		-	

PROJECT				MATERIAL				COATING		COLOUR		MARK. NO.	QTY.	
YIN PING ROAD KOWLOON FEATURE WALL (PHASE 2)				3mm 铝板				PVF2		EC-DG-D334232-ZD1(SS-01)		-	-	
REV.	ORDERED BY	PART NUMBER	Dim. A	Dim. B	Dim. C	Dim. D	Dim. E	Dim. F	Dim. G	Dim. H	QTY.	Inv. Code	ASSEMBLE ON PARTS	注: 工厂用
-		P2-AP-EF04A	2395	7X@295/c	190	3X@650/c					2			
-		P2-AP-EF04B	2205	6X@300/c	190	3X@600/c					2			
-		P2-AP-EF04C	2374	7X@295/c	190	3X@650/c					1			
-		P2-AP-EF04D	3017	9X@300/c	190	4X@600/c					1			



DWG. NO.		REV.		SCALE		DATE		DRAWN BY		APPROVED BY	
P2-AP-EF04		-		-		13-04-2024		-		-	

PROJECT
YIN PING ROAD KOWLOON
FEATURE WALL (PHASE 2)

MATERIAL
3mm 铝板

COATING
PVF2

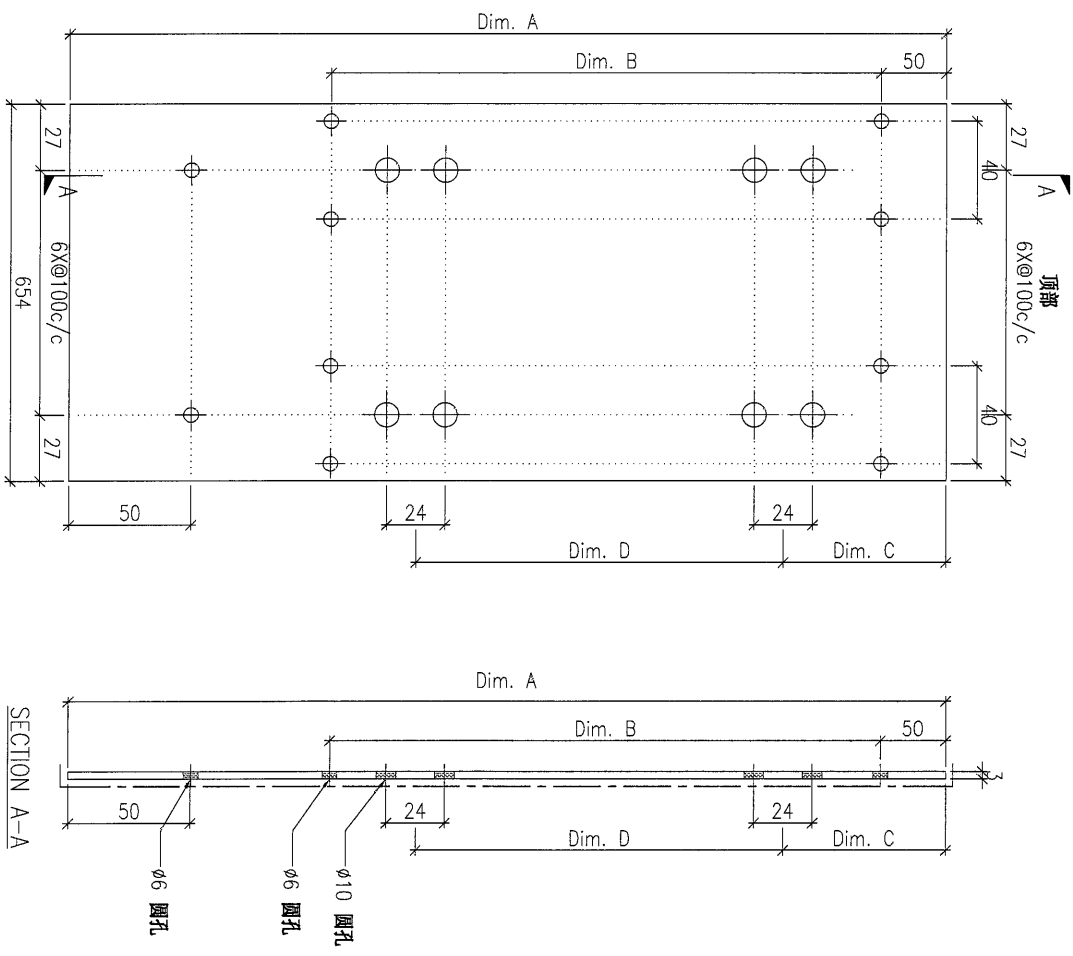
COLOUR
EC-DG-D334232-ZD1(SS-01)

MARK. NO.
-

QTY.
-

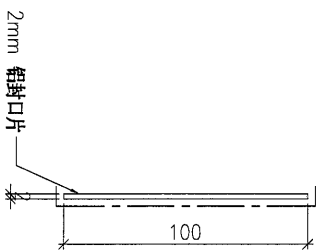
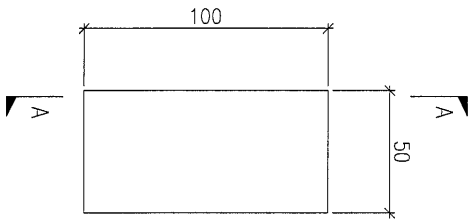
REV.	CHANGED BY	PART NUMBER	Dim. A	Dim. B	Dim. C	Dim. D	Dim. E	Dim. F	Dim. G	Dim. H	QTY.	Inv. Code
-		P2-AP-EF05	3119	10X@285/c	144.5	4X@630/c					5	

注: 工厂用



DWG. NO.	REV.	SCALE	DATE	DRAWN BY	APPROVED BY
P2-AP-EF05	-	-	13-04-2024	-	-

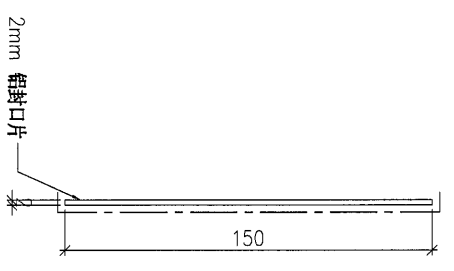
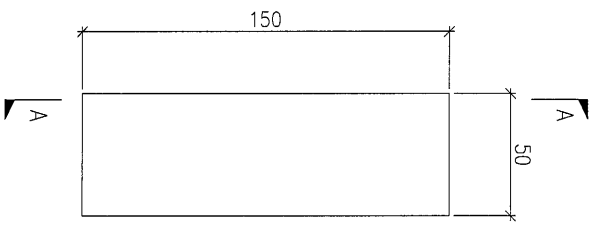
PROJECT				YIN PING ROAD KOWLOON FEATURE WALL (PHASE 2)				MATERIAL				2mm 铝封口片				COATING				PVF2				COLOUR				EC-DG-D334232-ZD1(SS-01)				MARK. NO.				-				QTY.				-			
REV. / CHANGED BY		PART NUMBER		Dim. A		Dim. B		Dim. C		Dim. D		Dim. E		Dim. F		Dim. G		Dim. H		QTY.		Inv. Code		ASSEMBLE ON PARTS				注: 工厂用																			
-		FKP-EF-M06		-		-		-		-		-		-		-		80		-																											



SECTION A-A

DWG. NO.		FKP-EF-M06		REV.		-		SCALE		-		DATE		21-06-2024		DRAWN BY		-		APPROVED BY		-	
----------	--	------------	--	------	--	---	--	-------	--	---	--	------	--	------------	--	----------	--	---	--	-------------	--	---	--

PROJECT				MATERIAL				COATING				COLOUR				MARK. NO.		QTY.	
YIN PING ROAD KOWLOON FEATURE WALL (PHASE 2)				2mm 铅封口片				PVF2				EC-DG-D334232-ZD1(SS-01)				-		-	
REV.	DESIGN BAR IV	PART NUMBER	Dim. A	Dim. B	Dim. C	Dim. D	Dim. E	Dim. F	Dim. G	Dim. H	QTY.	Inv. Code	ASSEMBLE ON PARTS				注: 工厂用		
-		FKP-EF-M07	-	-	-						8								



SECTION A-A

DWG. NO.		REV.		SCALE		DATE		DRAWN BY		APPROVED BY	
FKP-EF-M07		-		-		15-06-2023		-		-	

PROJECT
YIN PING ROAD KOWLOON
FEATURE WALL (PHASE 2)

MATERIAL
2mm 铝板

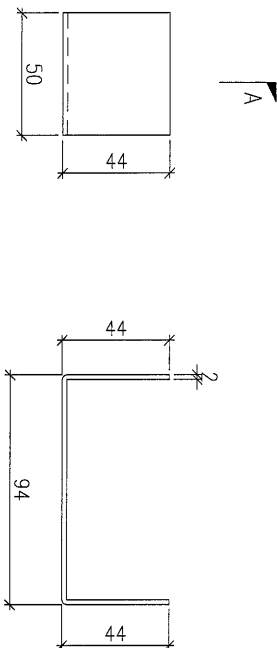
COATING
铬化

COLOUR
-

MARK. NO.
-

QTY.
-

REV.	CHANGED BY	PART NUMBER	Dim. A	Dim. B	Dim. C	Dim. D	Dim. E	Dim. F	Dim. G	Dim. H	QTY.	Inv. Code	ASSEMBLE ON PARTS	QTY.
-		AP-EF-G01	-	-	-						90		注：厂用剩余数可送至地盘备用 调节长短（改接用）	注：工厂用



SECTION A-A

DWG. NO.

AP-EF-G01

REV.

-

SCALE

-

DATE

21-06-2024

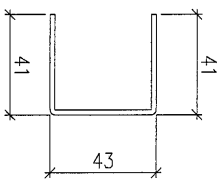
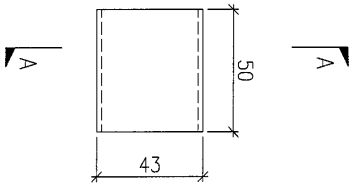
DRAWN BY

-

APPROVED BY

-

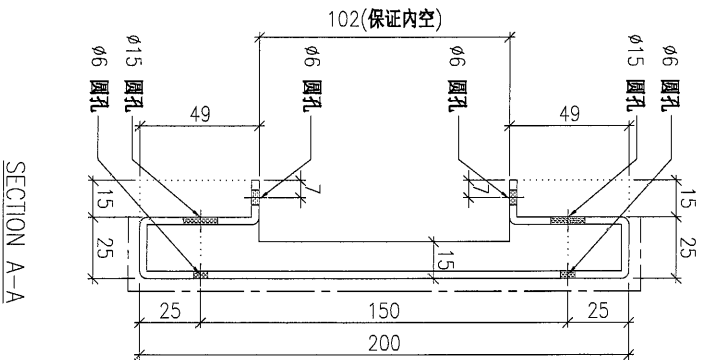
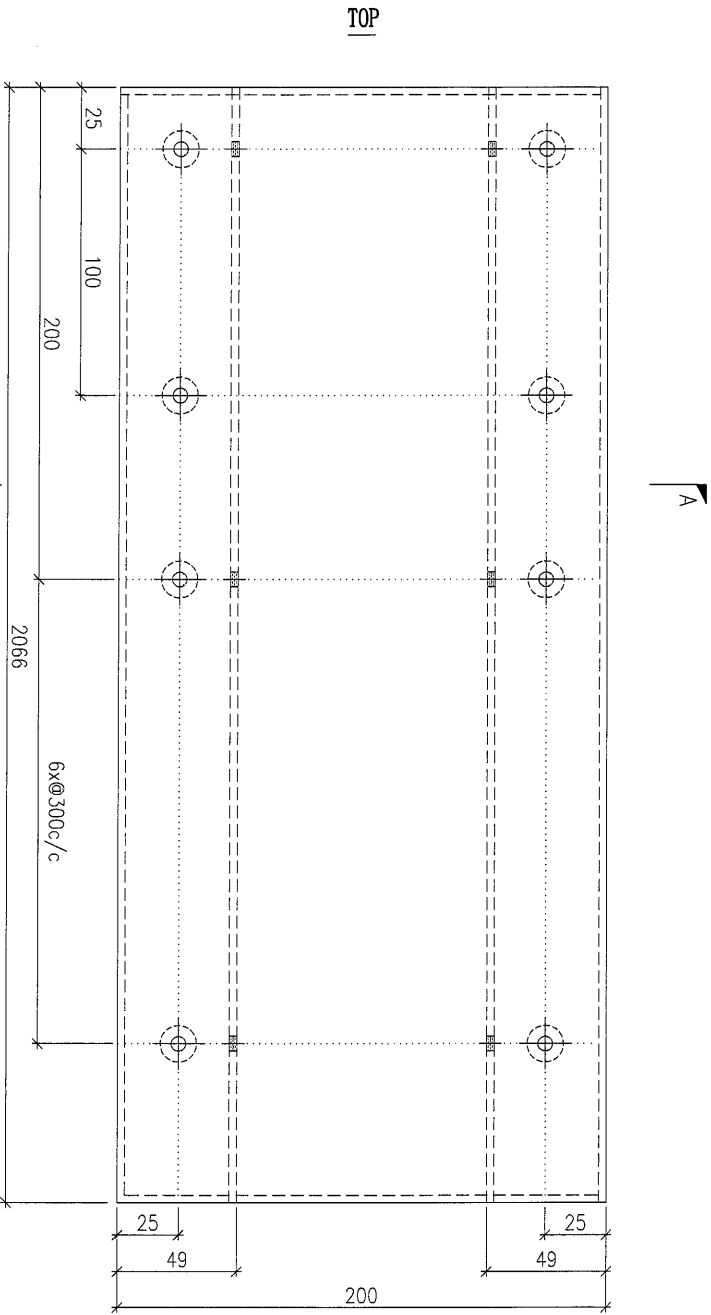
PROJECT				YIN PING ROAD KOWLOON FEATURE WALL (PHASE 2)				MATERIAL				COATING		COLOUR		MARK. NO.		QTY.	
				2mm 铝板				铬化		-		-		-		-		-	
REV.	ORDERED PART NO.	PART NUMBER	Dim. A	Dim. B	Dim. C	Dim. D	Dim. E	Dim. F	Dim. G	Dim. H	QTY.	Inv. Code	ASSEMBLE ON PARTS						
-	AP-EF-G02	-	-	-	-	-	-	-	-	-	24	-	注: 工厂用						



SECTION A-A

DWG. NO.		REV.		SCALE		DATE		DRAWN BY		APPROVED BY	
AP-EF-G02		-		-		15-06-2023		-		-	

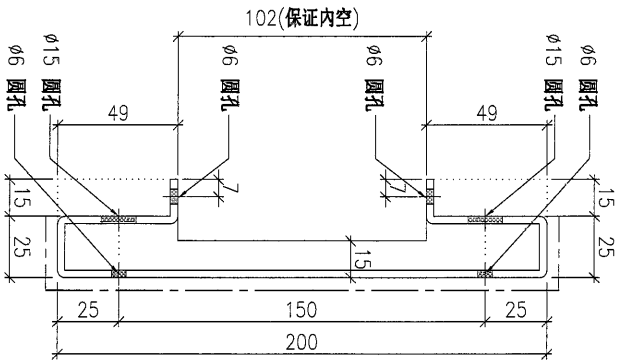
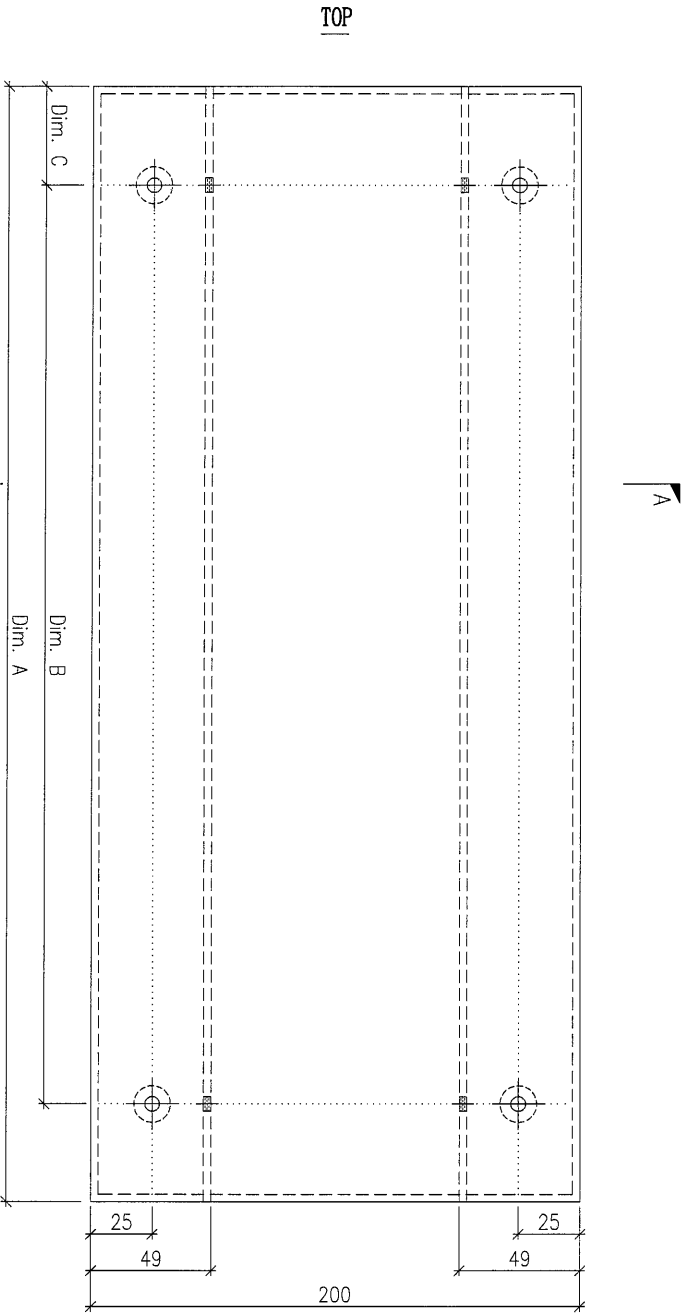
PROJECT				YIN PING ROAD KOWLOON FEATURE WALL (PHASE 2)				MATERIAL				3mm 铝板				COATING				PVF2				COLOUR				EC-DG-D334232-ZD1(SS-01)				MARK. NO.				-				QTY.				-			
REV. ORIGIN		PART NUMBER		Dim. A		Dim. B		Dim. C		Dim. D		Dim. E		Dim. F		Dim. G		Dim. H		QTY.		Inv. Code		ASSEMBLE ON PARTS				注: 工厂用																			
-		AP-EF-G06		-		-		-		-		-		-		-		-		2																											



DWG. NO.		AP-EF-G06		REV.		-		SCALE		-		DATE		21-06-2024		DRAWN BY		-		APPROVED BY		-	
----------	--	-----------	--	------	--	---	--	-------	--	---	--	------	--	------------	--	----------	--	---	--	-------------	--	---	--

PROJECT		YIN PING ROAD KOWLOON FEATURE WALL (PHASE 2)				MATERIAL		3mm 铝板		COATING		PVF2		COLOUR		EC-DG-D334232-ZD1(SS-01)		MARK. NO.		QTY.		
REV.	CHKD BY	PART NUMBER	Dim. A	Dim. B	Dim. C	Dim. D	Dim. E	Dim. F	Dim. G	Dim. H	QTY.	Inv. Code	ASSEMBLE ON PARTS									
-		AP-EF-G07A	3498	12x285c/d	39						2											
-		AP-EF-G07B	2388	8x285c/c	54						4											

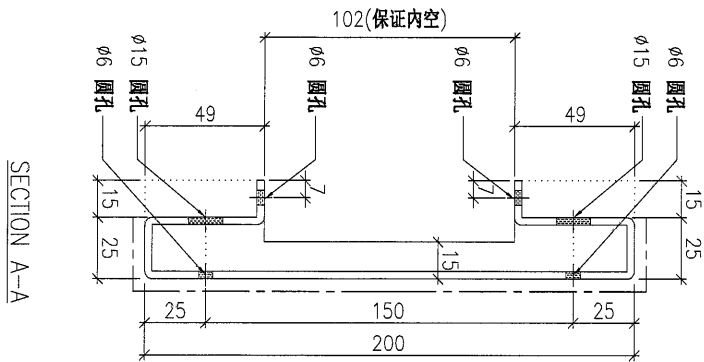
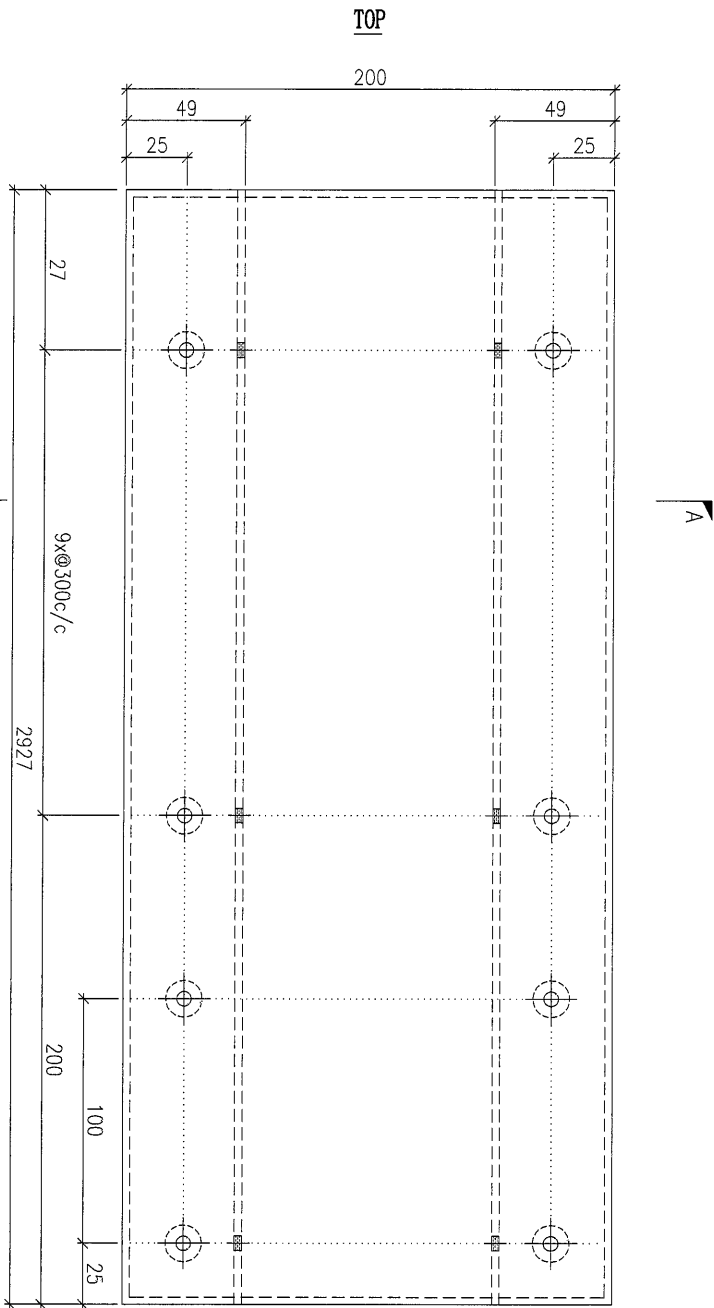
注: 工厂用



SECTION A-A

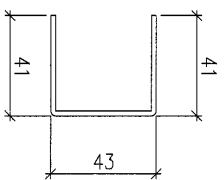
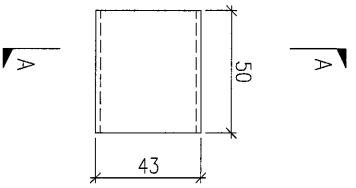
DWG. NO.		AP-EF-G07		REV.		-		SCALE		DATE		21-06-2024		DRAWN BY		APPROVED BY	
----------	--	-----------	--	------	--	---	--	-------	--	------	--	------------	--	----------	--	-------------	--

PROJECT				YIN PING ROAD KOWLOON FEATURE WALL (PHASE 2)				MATERIAL				3mm 铝板				COATING				PVF2				COLOUR				EC-DG-D334232-ZD1 (SS-01)				MARK. NO.				QTY.																			
REV. / ORIGIN / BAR BY				PART NUMBER				Dim. A				Dim. B				Dim. C				Dim. D				Dim. E				Dim. F				Dim. G				Dim. H				QTY.				Inv. Code				ASSEMBLE ON PARTS				注: 工厂用			
-				AP-EF-G08				-				-				-				-				-				-				-				-				2															



DWG. NO.		REV.		SCALE		DATE		DRAWN BY		APPROVED BY	
AP-EF-G08		-		-		21-06-2024		-		-	

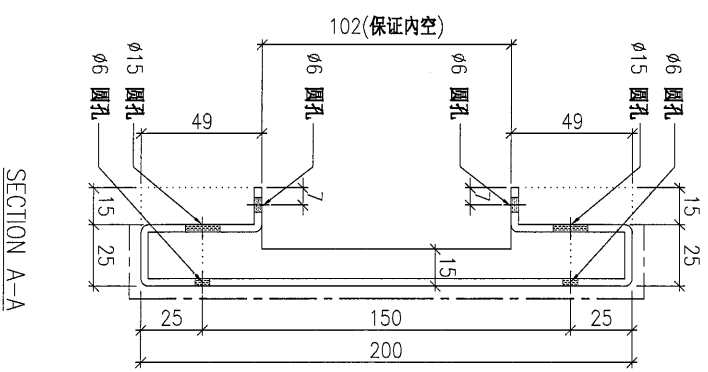
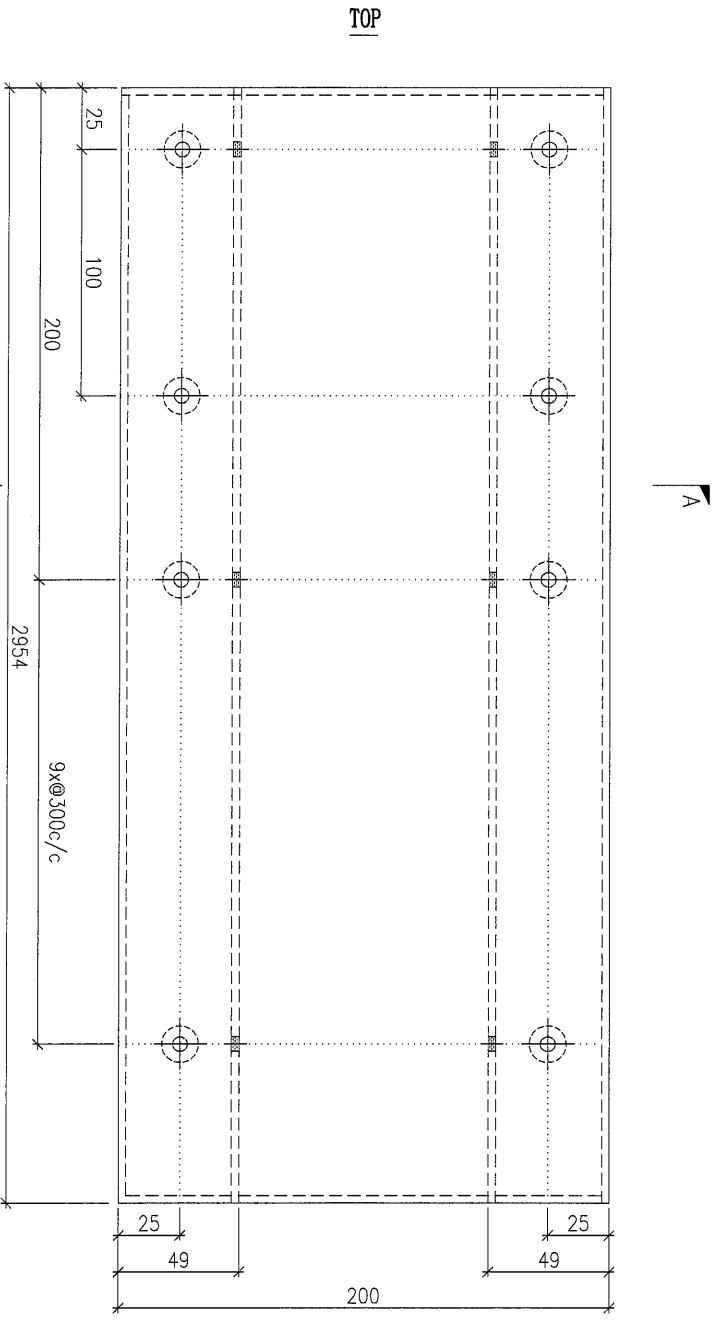
PROJECT				YIN PING ROAD KOWLOON FEATURE WALL (PHASE 2)				MATERIAL				2mm 铝板		COATING		氧化		COLOUR		-		MARK. NO.		-		QTY.		-	
REV.	CHANGED BY	PART NUMBER	Dim. A	Dim. B	Dim. C	Dim. D	Dim. E	Dim. F	Dim. G	Dim. H	QTY.	Inv. Code	ASSEMBLE ON PARTS																
-		AP-V-G09	-	-	-						50																		
注: 工厂用																													



SECTION A-A

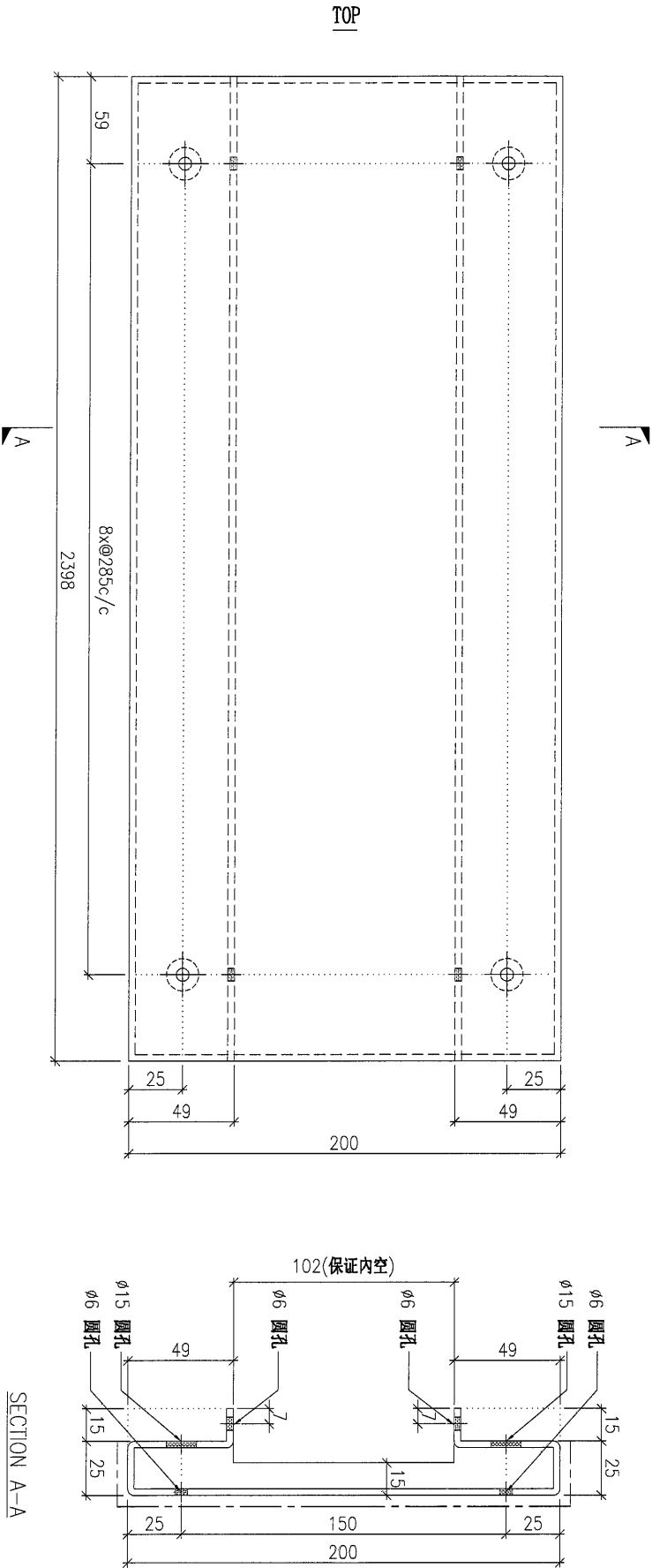
DWG. NO.		AP-V-G09		REV.		-		SCALE		-		DATE		15-06-2023		DRAWN BY		-		APPROVED BY		-	
----------	--	----------	--	------	--	---	--	-------	--	---	--	------	--	------------	--	----------	--	---	--	-------------	--	---	--

PROJECT				YIN PING ROAD KOWLOON FEATURE WALL (PHASE 2)				MATERIAL				3mm 铝板		COATING		PVF2		COLOUR		EC-DG-D334232-ZD1(SS-01)		MARK. NO.		-		QTY.		-	
REV.	CHKD BY	PART NUMBER	Dim. A	Dim. B	Dim. C	Dim. D	Dim. E	Dim. F	Dim. G	Dim. H	QTY.	Inv. Code	ASSEMBLE ON PARTS																
-		AP-V-G10	-	-	-	-	-	-	-	-	6																		
														注: 工厂用															



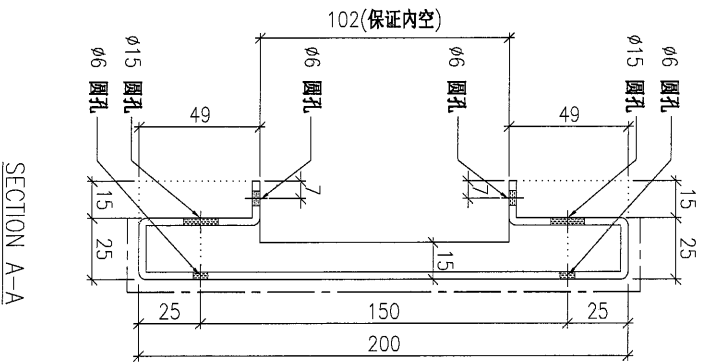
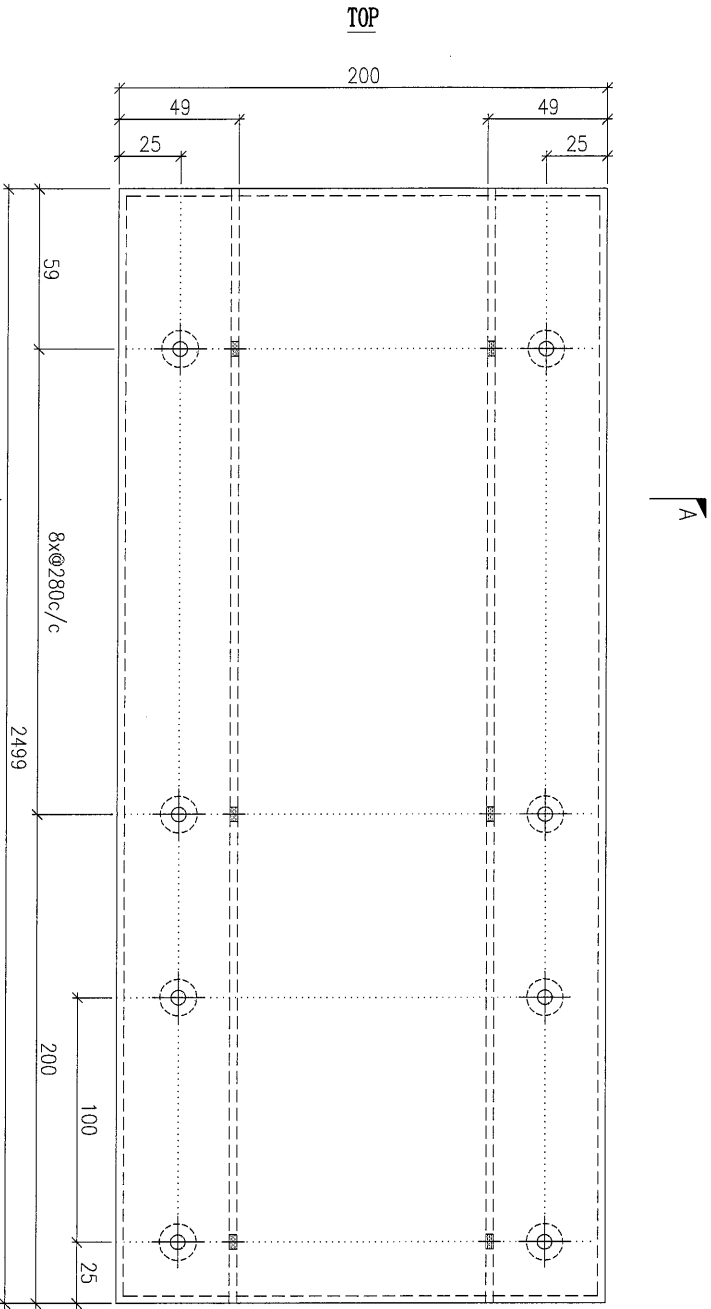
DWG. NO.		AP-V-G10		REV.		-		SCALE		-		DATE		21-06-2024		DRAWN BY		-		APPROVED BY		-	
----------	--	----------	--	------	--	---	--	-------	--	---	--	------	--	------------	--	----------	--	---	--	-------------	--	---	--

PROJECT				YIN PING ROAD KOWLOON FEATURE WALL (PHASE 2)				MATERIAL				3mm 铝板				COATING				PVF2				COLOUR				EC-DG-D334232-ZD1(SS-01)				MARK. NO.				-				QTY.				-			
REV.	CHANGED DATE BY	PART NUMBER	Dim. A	Dim. B	Dim. C	Dim. D	Dim. E	Dim. F	Dim. G	Dim. H	QTY.	Inv. Code	ASSEMBLE ON PARTS												注: 工厂用																						
-		AP-V-G11	-	-	-	-	-	-	-	-	18																																				



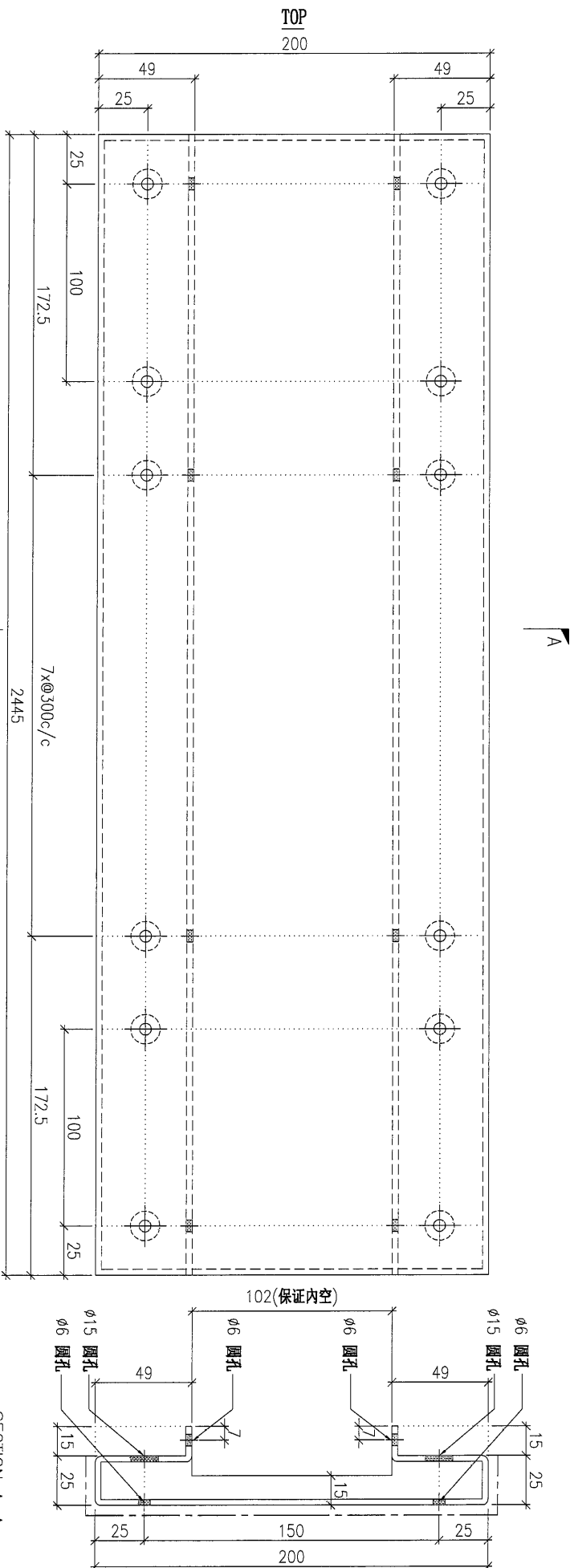
DWG. NO.		AP-V-G11		REV.		-		SCALE		-		DATE		21-06-2024		DRAWN BY		-		APPROVED BY		-	
----------	--	----------	--	------	--	---	--	-------	--	---	--	------	--	------------	--	----------	--	---	--	-------------	--	---	--

PROJECT		YIN PING ROAD KOWLOON FEATURE WALL (PHASE 2)						MATERIAL		3mm 铝板		COATING		PVF2		COLOUR		EC-DG-D334232-ZD1(SS-01)		MARK. NO.		QTY.	
REV.	CHKD BY	PART NUMBER	Dim. A	Dim. B	Dim. C	Dim. D	Dim. E	Dim. F	Dim. G	Dim. H	QTY.	Inv. Code	ASSEMBLE ON PARTS										
-		AP-V-G12	-	-	-	-	-	-	-	-	6												
注: 工厂用																							



DWG. NO.		AP-V-G12		REV.		SCALE		DATE		DRAWN BY		APPROVED BY	
								21-06-2024					

PROJECT				MATERIAL				COATING		COLOUR		MARK. NO.	QTY.
YIN PING ROAD KOWLOON FEATURE WALL (PHASE 2)				3mm 铝板				PVF2		EC-DG-D334232-ZD1(SS-01)		-	-
REV.	QTY.	PART NUMBER	Dim. A	Dim. B	Dim. C	Dim. D	Dim. E	Dim. F	Dim. G	Dim. H	ASSEMBLE ON PARTS		注: 工厂用
-	-	AP-V-G13	-	-	-	-	-	-	-	-	6		



DWG. NO.		REV.		SCALE		DATE		DRAWN BY		APPROVED BY	
AP-V-G13		-		-		21-06-2024		-		-	

PROJECT
YIN PING ROAD KOWLOON
FEATURE WALL (PHASE 2)

MATERIAL
2mm 铝封口片

COATING
PVF2

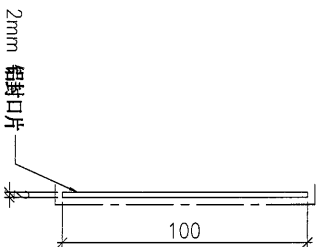
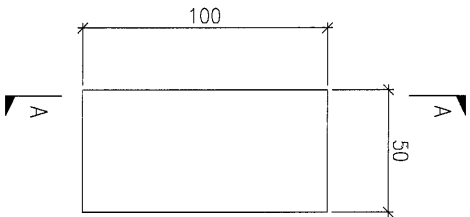
COLOUR
EC-DG-D334232-ZD1(SS-01)

MARK. NO.

QTY.
-

注: 工厂用

REV. CHANGED DATE BY	PART NUMBER	Dim. A	Dim. B	Dim. C	Dim. D	Dim. E	Dim. F	Dim. G	Dim. H	QTY.	Inv. Code	ASSEMBLE ON PARTS
-	FKP-X-M06	-	-	-						14		



DWG. NO.

FKP-X-M06

REV.

-

SCALE

-

DATE

21-06-2024

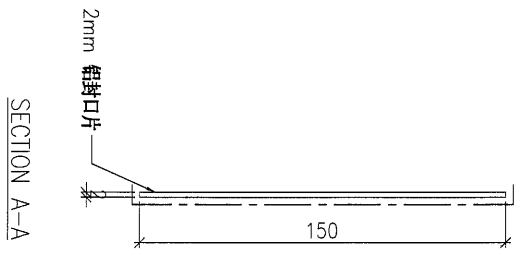
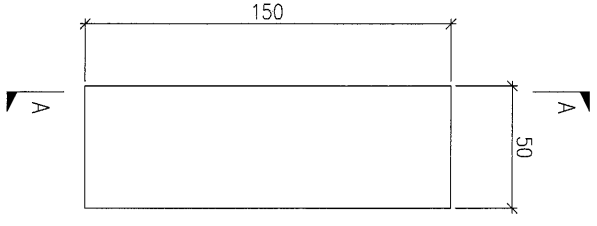
DRAWN BY

-

APPROVED BY

-

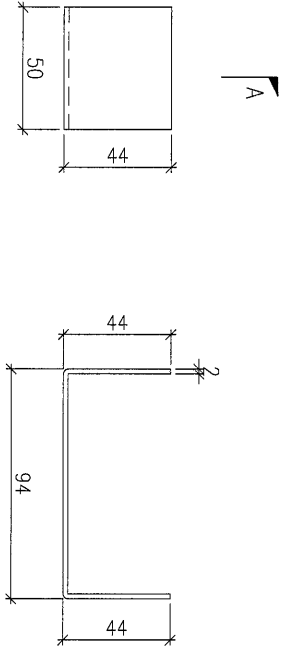
PROJECT				YIN PING ROAD KOWLOON FEATURE WALL (PHASE 2)				MATERIAL				2mm 铝封口片				COATING				PVF2				COLOUR				EC-DG-D334232-ZD1(SS-01)				MARK. NO.				QTY.																			
REV. ORIGIN DATE BY				PART NUMBER				Dim. A				Dim. B				Dim. C				Dim. D				Dim. E				Dim. F				Dim. G				Dim. H				QTY.				Inv. Code				ASSEMBLE ON PARTS				注: 工厂用			
-				FKP-V-M07				-				-				-				-				-				-				-				50																			



SECTION A-A

DWG. NO.		FKP-V-M07		REV.		-		SCALE		-		DATE		15-06-2023		DRAWN BY		-		APPROVED BY		-	
----------	--	-----------	--	------	--	---	--	-------	--	---	--	------	--	------------	--	----------	--	---	--	-------------	--	---	--

PROJECT				YIN PING ROAD KOWLOON FEATURE WALL (PHASE 2)				MATERIAL				COATING		COLOUR		MARK. NO.		QTY.	
				2mm 铝板				阳极氧化		-		-		-		-		-	
REV.	CHANGED DATE BY	PART NUMBER	Dim. A	Dim. B	Dim. C	Dim. D	Dim. E	Dim. F	Dim. G	Dim. H	QTY.	Inv. Code	ASSEMBLE ON PARTS						
-		AP-X-G01	-	-	-						8								
注: 工厂用																			



DWG. NO.		REV.		SCALE		DATE		DRAWN BY		APPROVED BY	
AP-X-G01		-		-		21-06-2024		-		-	