

工程指示 / 要求簡箋 ENGINEER INSTRUCTIONS(E.I.)

工程指示編號:	EI-7684	修改版本:	-
	HK-0746		
工程編號:	J 853	工程名稱:	延坪道 (第2期)
收件人:	生統/	發件人:	Jingo
工程項目:	後裝窗百葉背板-HOUSE A(圖則表+BM表+鋁板拆圖+位置圖)	日期:	24/04/2024

<input type="checkbox"/> 原合約工程包	<input type="checkbox"/> 原合約工程加 / 減賬 QT-	<input type="checkbox"/> 新工程報價 QT-
---------------------------------	--	------------------------------------

信件批核號碼/圖紙參考編號:	批核模具圖紙編號:
客戶指示附件:	管理內部批簽署:

<input type="checkbox"/> 初步鋁料 B.M.	<input type="checkbox"/> 加工拆圖, 然後生產	<input type="checkbox"/> 尺寸表
<input type="checkbox"/> 正式鋁料 B.M.	<input type="checkbox"/> 技術上資料/指示	<input type="checkbox"/> 報價
<input type="checkbox"/> 配件 B.M.	<input type="checkbox"/> 樣辦或貨品說明書	<input type="checkbox"/> 分判合約
<input type="checkbox"/> 其他:		

內容: 請按圖、按期加工
完成上列要求日期: 06/05/2024

國內

<input type="checkbox"/> 生產技術總監	<input type="checkbox"/> 連附件	<input type="checkbox"/> 技術部	<input type="checkbox"/> 連附件	<input type="checkbox"/> 生產部	<input type="checkbox"/> 連附件
<input type="checkbox"/> 採購部	<input type="checkbox"/> 連附件	<input checked="" type="checkbox"/> 生產統籌部	<input checked="" type="checkbox"/> 連附件	<input type="checkbox"/> 報關組	<input type="checkbox"/> 連附件
<input type="checkbox"/> 質檢部	<input type="checkbox"/> 連附件	<input type="checkbox"/> 會計部	<input type="checkbox"/> 連附件	<input type="checkbox"/> 機械設計部	<input type="checkbox"/> 連附件
<input type="checkbox"/> 香港辦	<input type="checkbox"/> 連附件	<input type="checkbox"/> 其他:			

香港

<input type="checkbox"/> 行政部	<input type="checkbox"/> 連附件	<input type="checkbox"/> 會計部	<input type="checkbox"/> 連附件	<input type="checkbox"/> 統籌部	<input type="checkbox"/> 連附件	<input type="checkbox"/> 工程部	<input type="checkbox"/> 連附件
<input type="checkbox"/> 採購部	<input type="checkbox"/> 連附件	<input type="checkbox"/> QS部	<input type="checkbox"/> 連附件	<input type="checkbox"/> 地盤管理	<input type="checkbox"/> 連附件	<input type="checkbox"/> 維修部	<input type="checkbox"/> 連附件

*發件人簽署:	*組別成員批核簽署:
傳遞編號:	項目經理簽署:

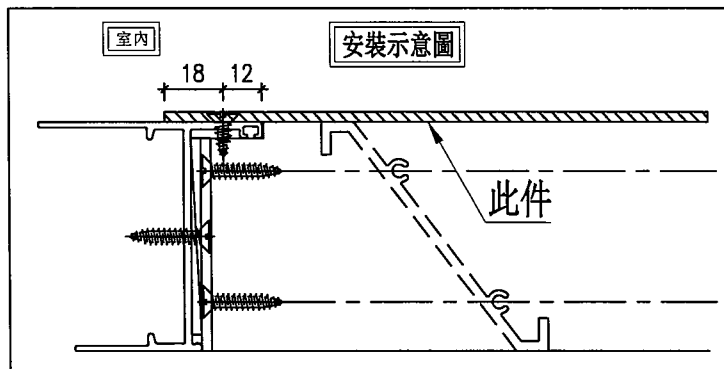
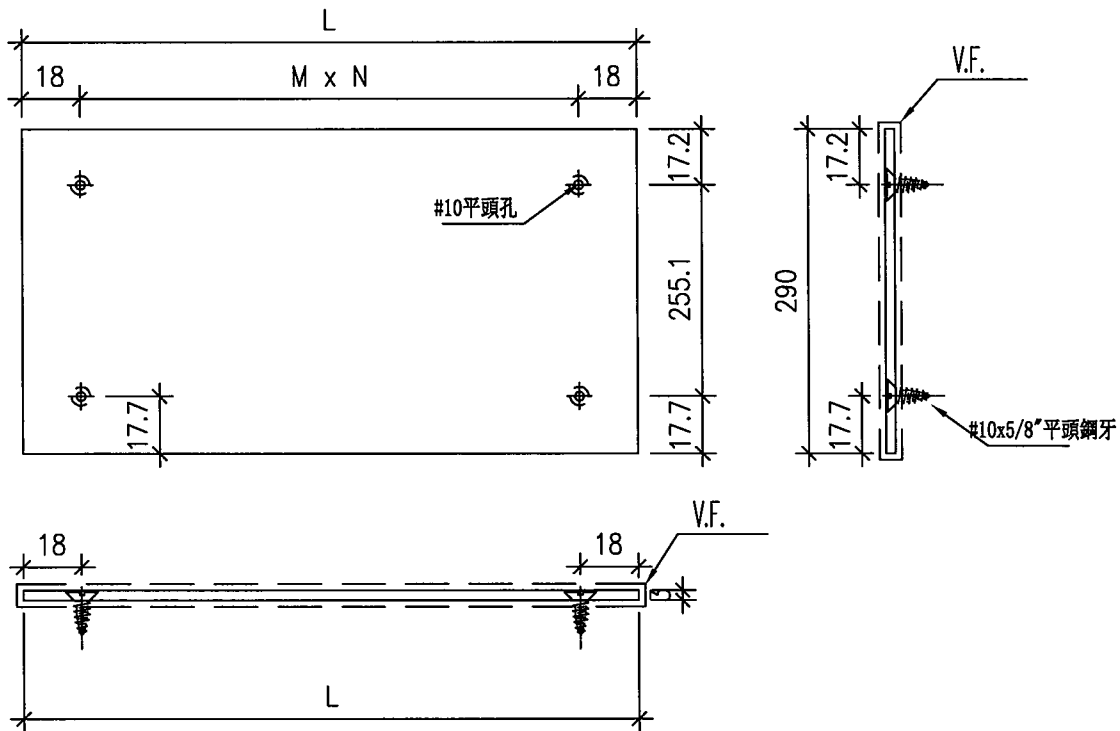
圖則登記表 DRAWING REGISTER										
接收日期 Receiving Date (適用於客戶圖則)										
工程名稱 Project Title:		延坪道二期 HOUSE A後裝窗 (百葉用)背板			年					
工程編號 Project No:		J-853			月					
分發予 Distributed To					日					
發出日期 Issued Date					年	24				
					月	4				
					日	23				
圖則編號 Drg. No.		圖則名稱 Drawing Title			修訂編號 Revision No.					
BP-120		百葉用背板			1	-				
BP-121		百葉用背板			2	-				
BP-122		百葉用背板			3	-				
BP-123		百葉用背板			4	-				
BP-124		百葉用背板			5	-				
BP-125		百葉用背板			6	-				
BP-126		百葉用背板			7	-				
BP-127		百葉用背板			8	-				
J853-SD-HIW-2604		背板位置圖			9	-				
J853-SD-HIW-2605		背板位置圖			10	-				
J853-SD-HIW-2606		背板位置圖			11	-				
J853-SD-HIW-2609		背板位置圖			12	-				
J853-SD-HIW-2614		背板位置圖			13	-				
J853-SD-HIW-2618		背板位置圖			14	-				
J853-SD-HIW-2619		背板位置圖			15	-				

美特鋁質 MTD Aluminium Fabricator Ltd.		工程號: 地盤名稱:		J-853 延平道二期		計算: 核對:		周廣志 謝永林		日期: 日期:		2024.03.27 2024.04.23		送呈: 副本:		胡哥	
廠用鋁背板B. M. 表		項目類別:		HOUSE A後裝窗百葉背板		批准:				日期:		A/C Code:					
修改版次:		修改版次:				總V. F.:		4.61		總重量:		18.76					
序號	修改內容	鋁板編號	鋁板名稱	顏色	實用	後備	總數	總重量	單件展開面積 m <sup>2</sup>	總展開面積 m <sup>2</sup>	單件 V. F.	總V. F. m <sup>2</sup>	房號	窗號	樓層	MIRROR	
1		BP-120	3mm厚鋁板	EC-DG-D334232-ZD1 (閃粉古銅)	1	0	1	3.268	0.402	0.402	0.804	0.804	HOUSE A	LF. 01F	G/F		
2		BP-121	3mm厚鋁板	EC-DG-D334232-ZD1 (閃粉古銅)	2	0	2	6.314	0.388	0.777	0.777	1.553	HOUSE A	LF. 02F	G/F		
3		BP-122	3mm厚鋁板	EC-DG-D334232-ZD1 (閃粉古銅)	1	0	1	1.853	0.228	0.228	0.456	0.456	HOUSE A	LF. 03F	G/F		
4		BP-123	3mm厚鋁板	EC-DG-D334232-ZD1 (閃粉古銅)	1	0	1	1.263	0.155	0.155	0.311	0.311	HOUSE A	LF. 04F	G/F		
5		BP-124	3mm厚鋁板	EC-DG-D334232-ZD1 (閃粉古銅)	1	0	1	1.506	0.185	0.185	0.370	0.370	HOUSE A	WF. 29F	1/F		
6		BP-124	3mm厚鋁板	EC-DG-D334232-ZD1 (閃粉古銅)	1	0	1	1.506	0.185	0.185	0.370	0.370	HOUSE A	WF. 37aF	1/F		
7		BP-125	3mm厚鋁板	EC-DG-D334232-ZD1 (閃粉古銅)	1	0	1	0.287	0.035	0.035	0.071	0.071	HOUSE A	LF. 05F	G/F		
8		BP-126	3mm厚鋁板	EC-DG-D334232-ZD1 (閃粉古銅)	1	0	1	1.133	0.139	0.139	0.279	0.279	HOUSE A	LF. 06F	1/F		
9		BP-127	3mm厚鋁板	EC-DG-D334232-ZD1 (閃粉古銅)	1	0	1	1.629	0.200	0.200	0.401	0.401	HOUSE A	LF. 07F	1/F		
10					統計:		10	18.758		2.307		4.615					



工程號 J853 地盤 延平道二期

序號	物料編號	數量	L	M	x	N	圖號	窗號	MIRROR	Facade
1	BP-120	1	1386	270.0	X	5	J853-SD-HIW-2604	LF.01F		HOUSE A
	合計:	1								

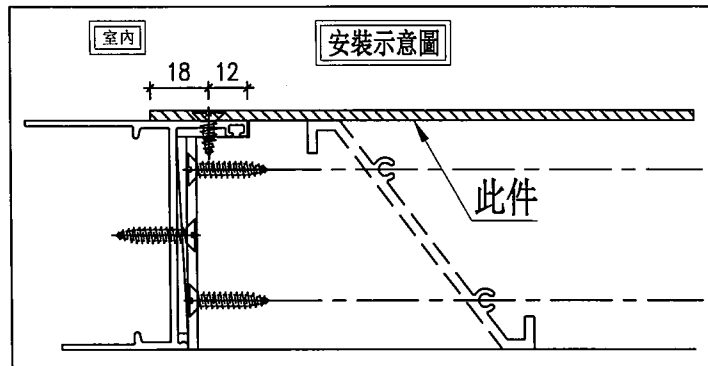
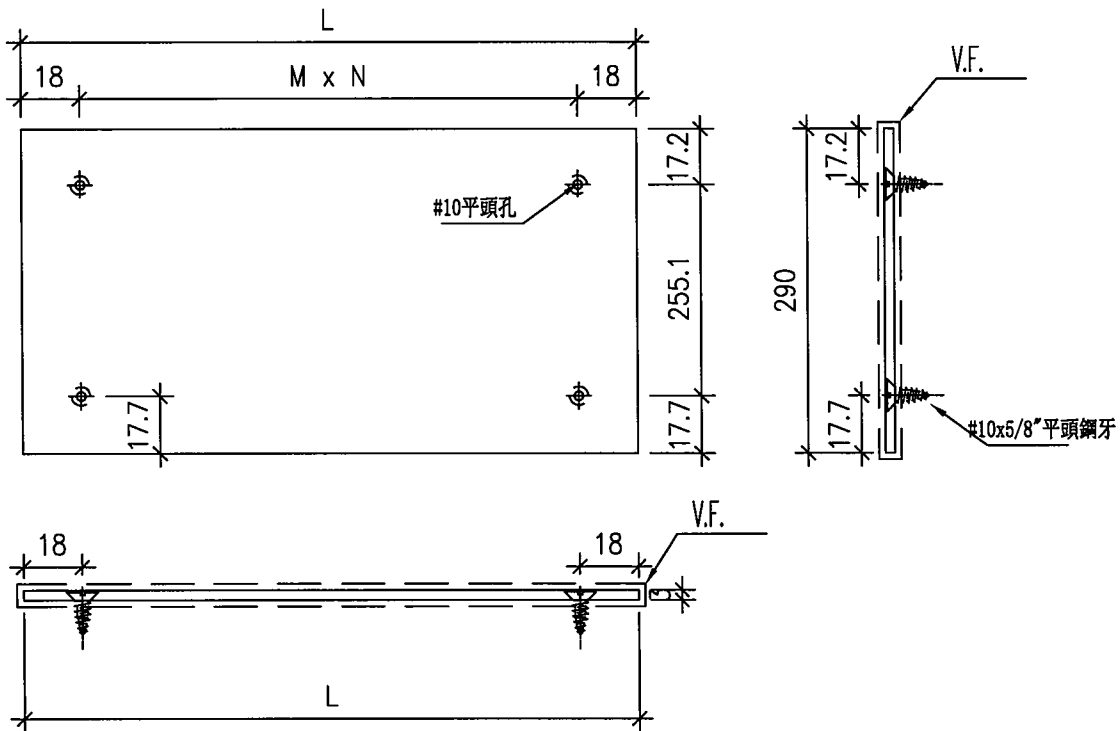


名稱	百頁鋁背板	制圖	周廣志	2024.03.27	修改			
材料	3mm鋁板	復核	謝永林	2024.04.23	日期			
顏色	EC-DG-D334232-ZD1 (閃粉古銅)	批准			圖號	BP-120		


 **美特鋁質** 有限公司  
MIDI Aluminium Fabricator Ltd.

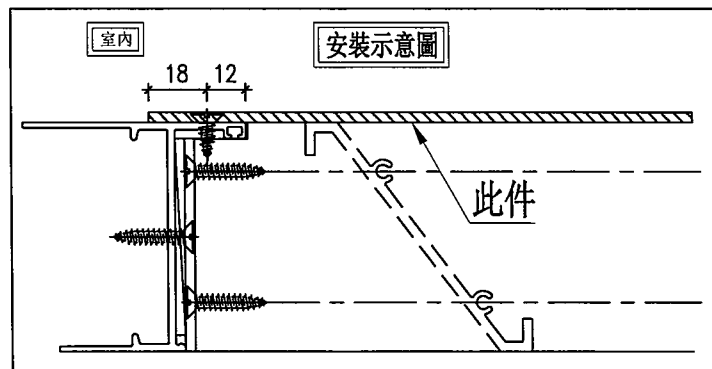
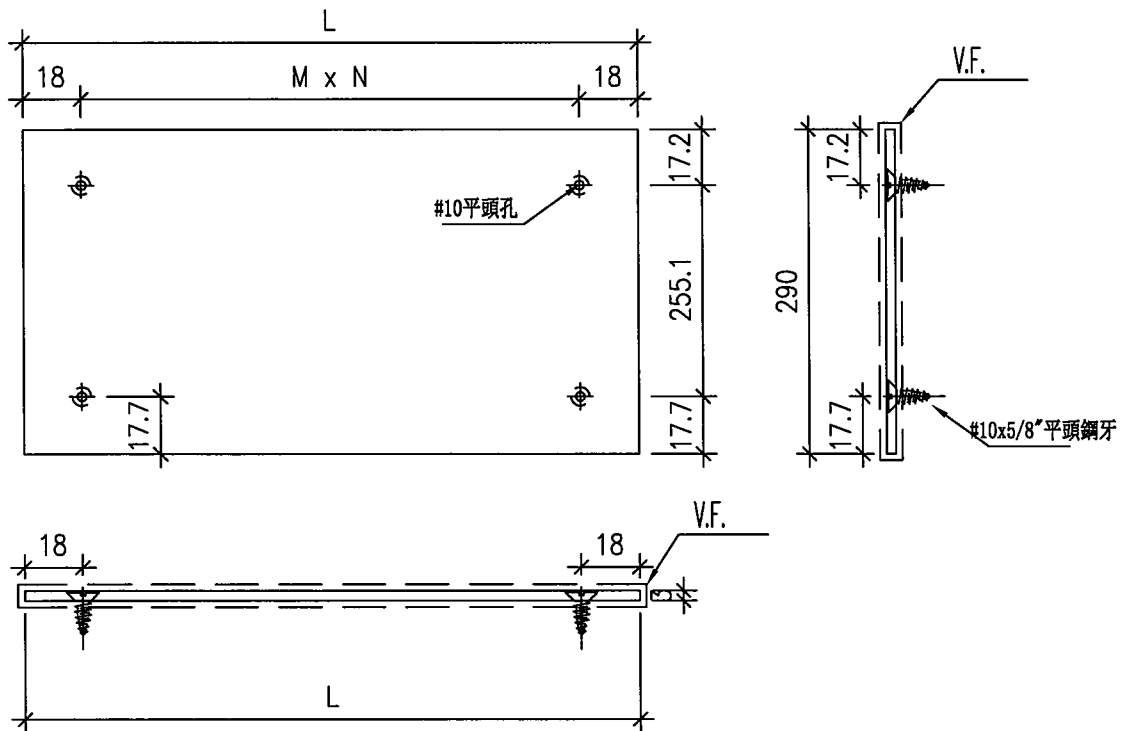
工程號 J853 地盤 延平道二期

序號	物料編號	數量	L	M	x	N	圖號	窗號	MIRROR	Facade
1	BP-121	2	1339	260.6	X	5	J853-SD-HIW-2605	LF.02F		HOUSE A
	合計:	2								



名稱	百頁鋁背板	制圖	周廣志	2024.03.27	修改			
材料	3mm鋁板	復核	謝永林	2024.04.23	日期			
顏色	EC-DG-D334232-ZD1 (閃粉古銅)	批准			圖號	BP-121		

 <b>美特鋁質</b> 有限公司 MIDI Aluminium Fabricator Ltd.											
<b>工程號</b> J853		<b>地盤</b> 延平道二期									
序號	物料編號	數量	L	M	x	N	圖號	窗號	MIRROR	Facade	
1	BP-122	1	786	250.0	X	3	J853-SD-HIW-2606	LF.03F		HOUSE A	
合計:		1									

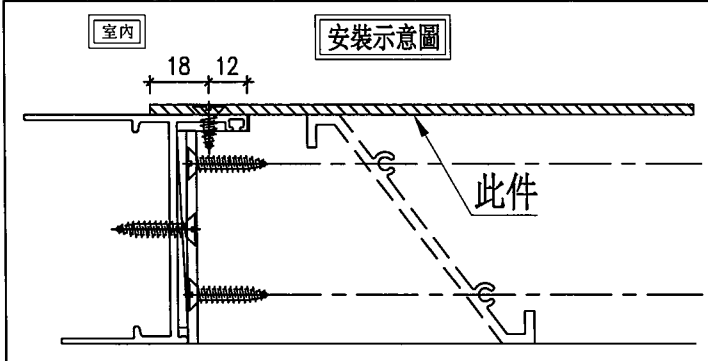
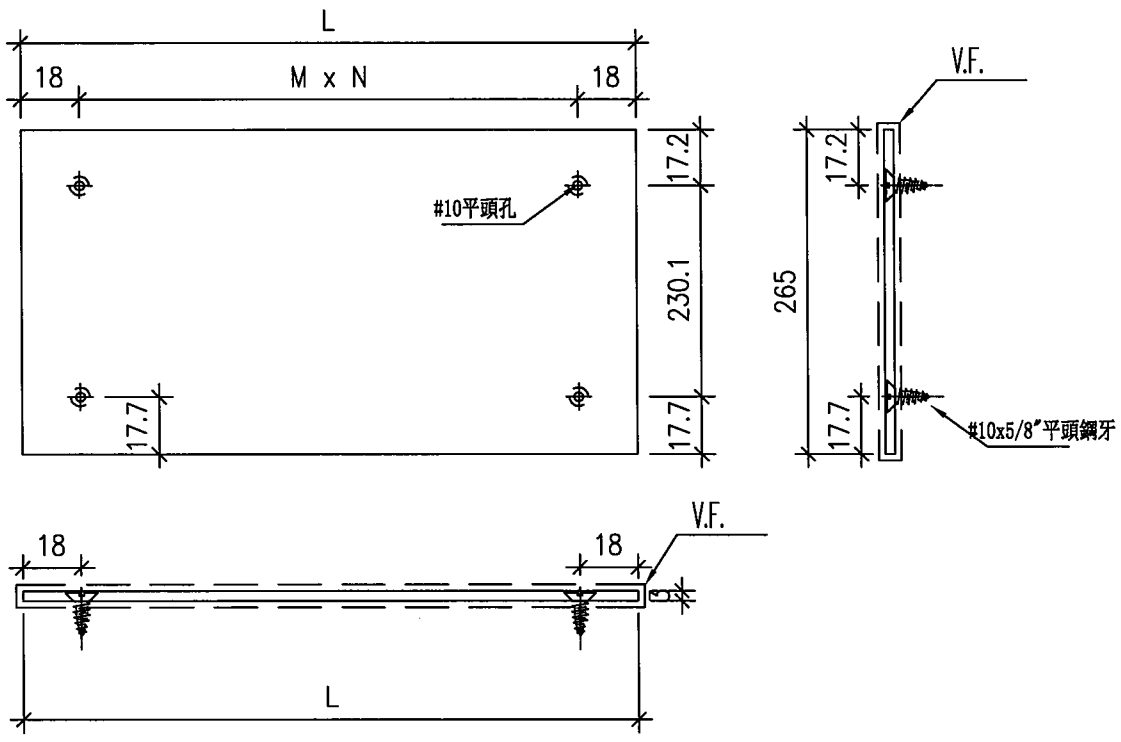


名稱	百頁鋁背板	制圖	周廣志	2024.03.27	修改		
材料	3mm鋁板	復核	謝永林	2024.04.23	日期		
顏色	EC-DG-D334232-ZD1 (閃粉古銅)	批准			圖號	BP-122	



工程號 J853 地盤 延平道二期

序號	物料編號	數量	L	M	x	N	圖號	窗號	MIRROR	Facade
1	BP-123	1	586	275.0	X	2	J853-SD-HIW-2609	LF. 04F		HOUSE A
	合計:	1								



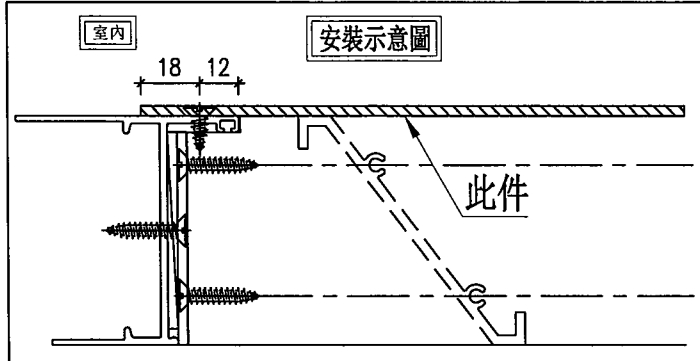
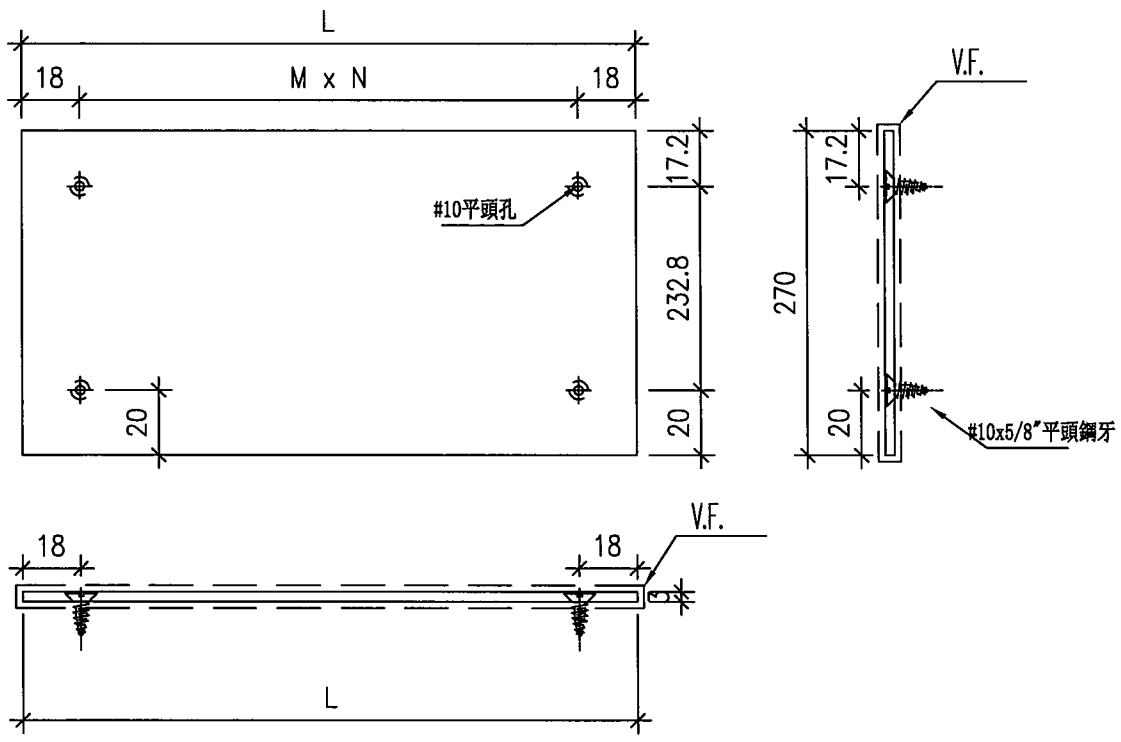
名稱	百頁鋁背板	制圖	周廣志	2024.03.27	修改			
材料	3mm鋁板	復核	謝永林	2024.04.23	日期			
顏色	EC-DG-D334232-ZD1 (閃粉古銅)	批准			圖號	BP-123		



美特鋁質 有限公司  
MIDI Aluminium Fabricator Ltd.

工程號 J853 地盤 延平道二期

序號	物料編號	數量	L	M	x	N	圖號	窗號	MIRROR	Facade
1	BP-124	1	686	216.67	X	3	J853-SD-HIW-2614	WF. 29F		HOUSE A
2	BP-124	1	686	216.67	X	3	J853-SD-HIW-2614	WF. 37aF		HOUSE A
合計:		1								

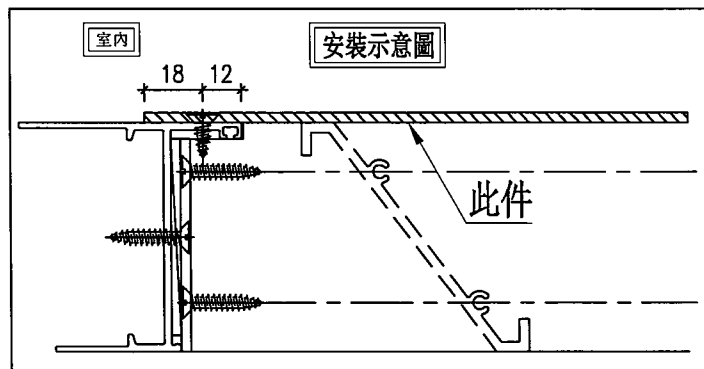
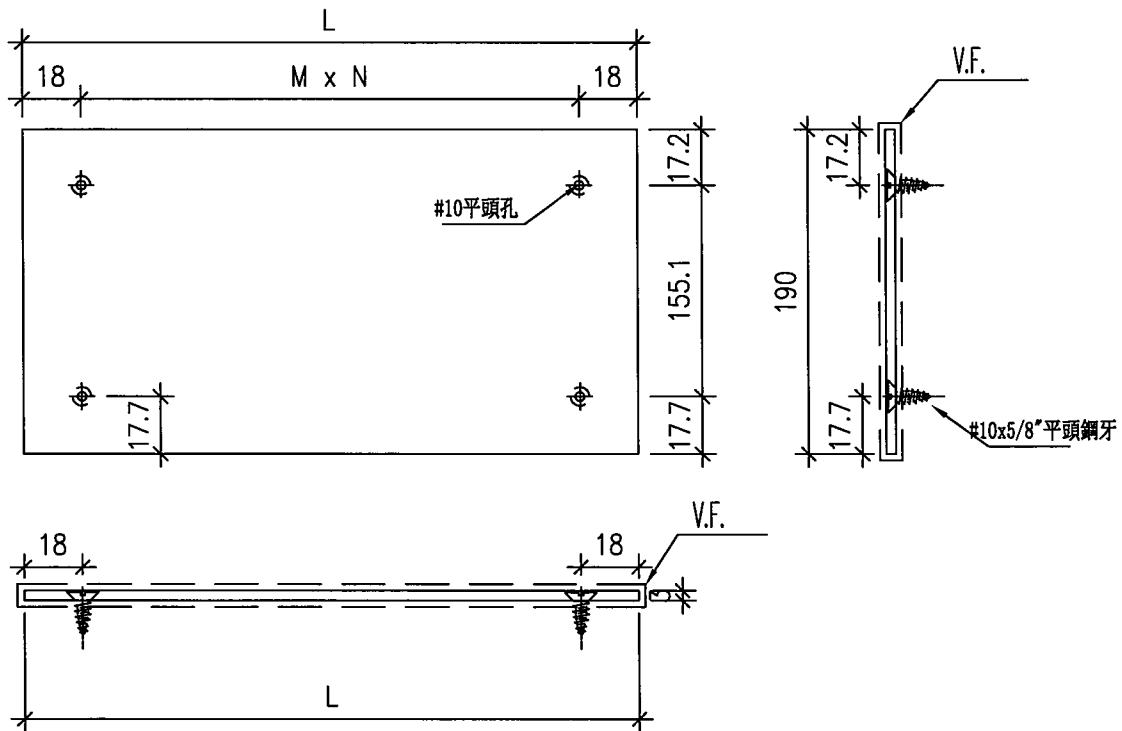


名稱	百頁鋁背板	制圖	周廣志	2024.03.27	修改		
材料	3mm鋁板	復核	謝永林	2024.04.23	日期		
顏色	EC-DG-D334232-ZD1 (閃粉古銅)	批准			圖號	BP-124	



工程號 J853 | 地盤 延平道二期

序號	物料編號	數量	L	M	x	N	圖號	窗號	MIRROR	Facade
1	BP-125	1	186	150.0	X	1	J853-SD-HIW-2618	LF.05F		HOUSE A
	合計:	1								



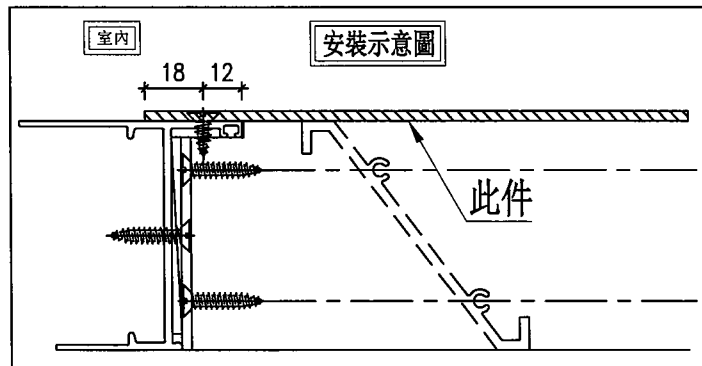
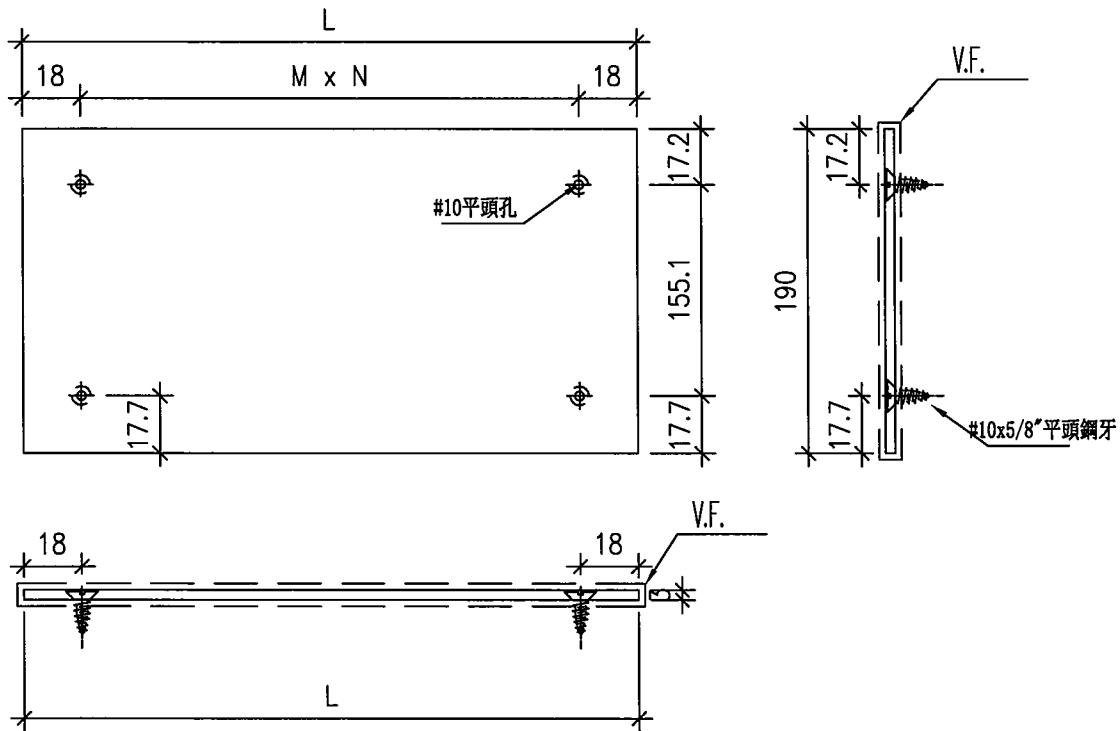
名稱	百頁鋁背板	制圖	周廣志	2024.03.27	修改		
材料	3mm鋁板	復核	謝永林	2024.04.23	日期		
顏色	EC-DG-D334232-ZD1 (閃粉古銅)	批准			圖號	BP-125	



美特鋁質 有限公司  
MIDI Aluminium Fabricator Ltd.

工程號 J853 地盤 延平道二期

序號	物料編號	數量	L	M	x	N	圖號	窗號	MIRROR	Facade
1	BP-126	1	733.5	232.5	X	3	J853-SD-HIW-2618	LF.06F		HOUSE A
	合計:	1								



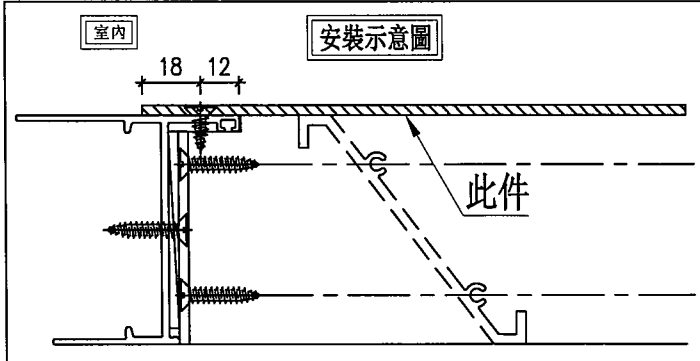
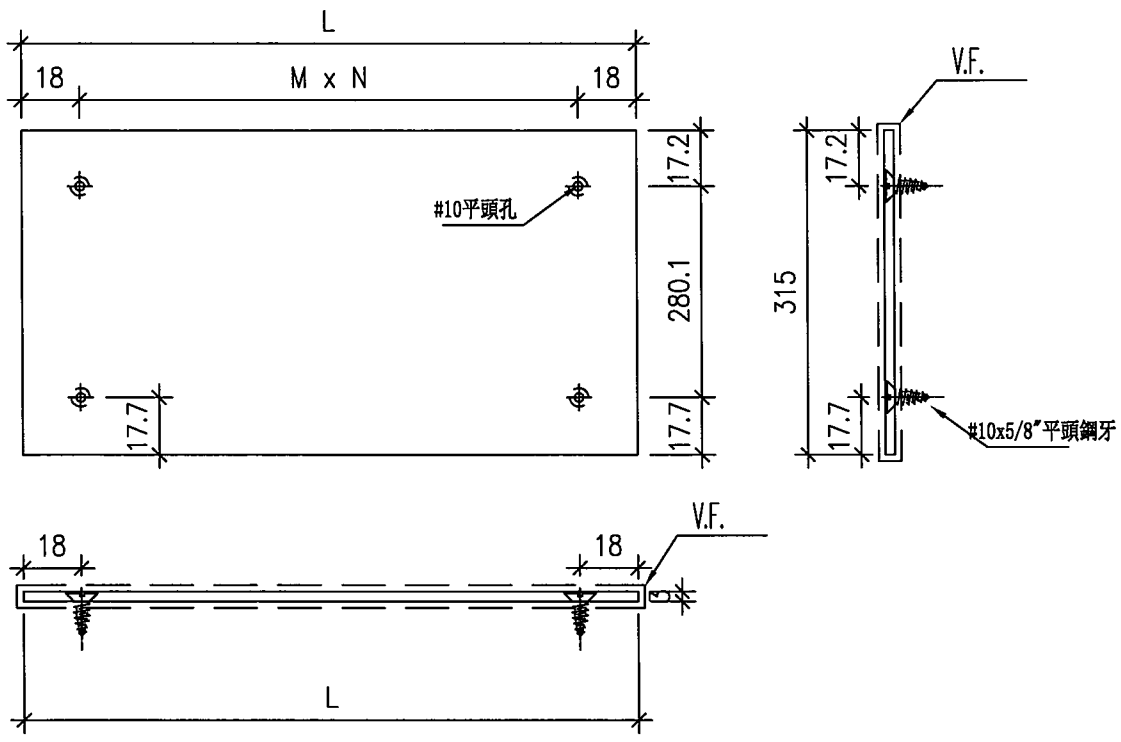
名稱	百頁鋁背板	制圖	周廣志	2024.03.27	修改		
材料	3mm鋁板	復核	謝永林	2024.04.23	日期		
顏色	EC-DG-D334232-ZD1 (閃粉古銅)	批准			圖號	BP-126	



美特鋁質 有限公司  
MIDI Aluminium Fabricator Ltd.

工程號 J853 地盤 延平道二期

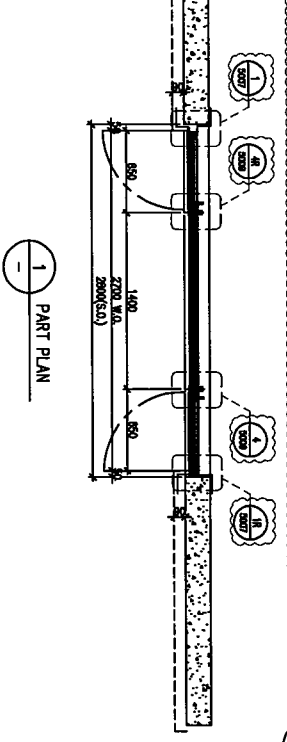
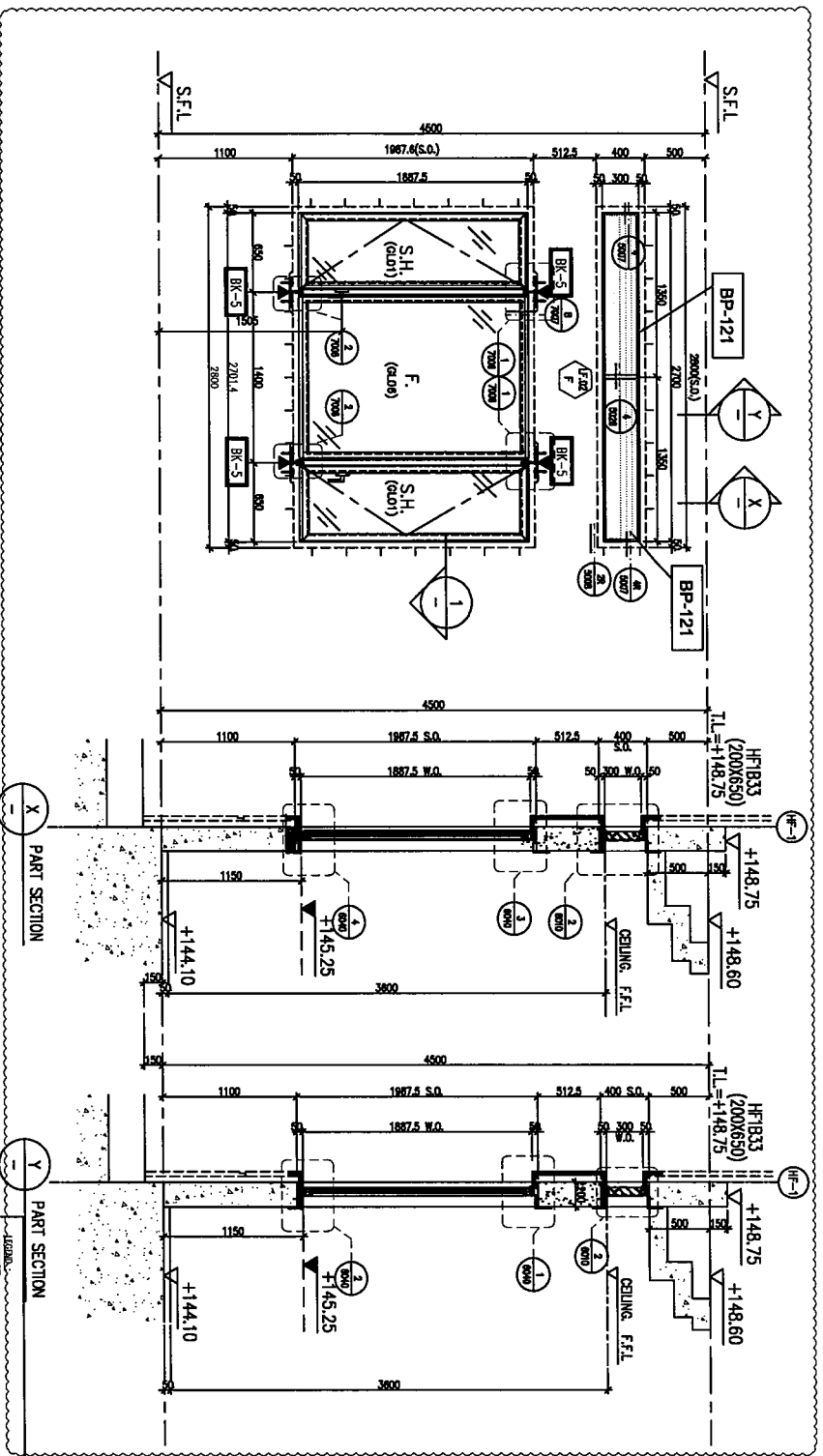
序號	物料編號	數量	L	M	x	N	圖號	窗號	MIRROR	Facade
1	BP-127	1	636	300.0	X	2	J853-SD-HIW-2619	LF.07F		HOUSE A
	合計:	1								



名稱	百頁鋁背板	制圖	周廣志	2024.03.27	修改		
材料	3mm鋁板	復核	謝永林	2024.04.23	日期		
顏色	EC-DG-D334232-ZD1 (閃粉古銅)	批准			圖號	BP-127	



(ARMED FROM THE OUTSIDE)



STONE CLADDING FINISH

GLAZING AREA	4.67	m <sup>2</sup>
OPENABLE AREA	1.84	m <sup>2</sup>
FREE AREA	58.5	%

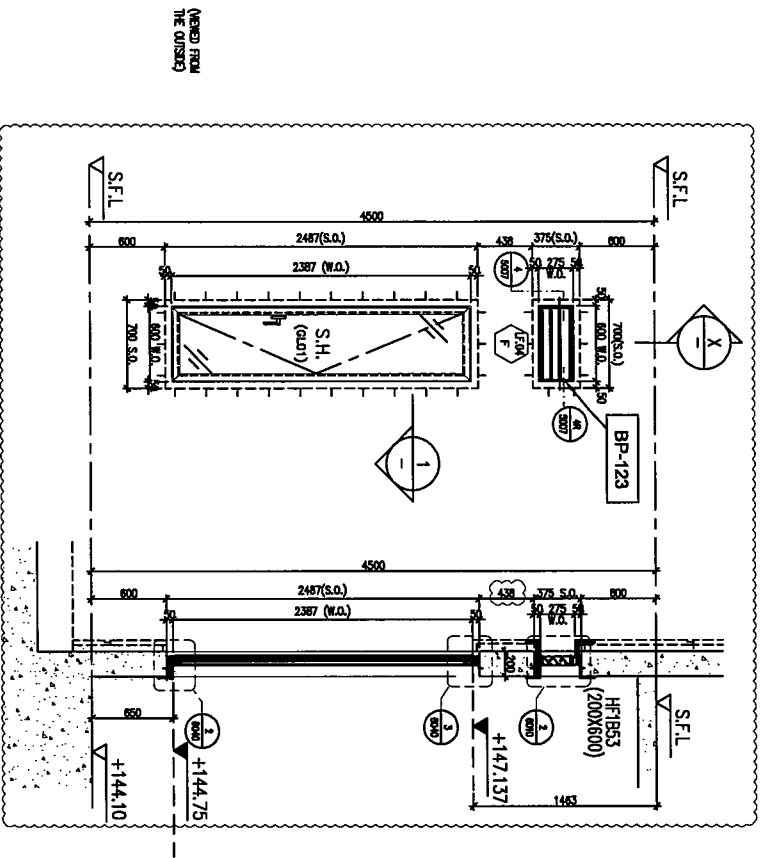
PROVIDED

BK-1	300x1200mm THK. GLASS INFILL / 3mm THERM-BREAK AND ANCHOR BOLTS
BK-2	300x1200mm THK. GLASS INFILL / 3mm THERM-BREAK AND ANCHOR BOLTS
BK-3	300x1200mm THK. GLASS INFILL / 3mm THERM-BREAK AND ANCHOR BOLTS
BK-4	300x1200mm THK. GLASS INFILL / 3mm THERM-BREAK AND ANCHOR BOLTS
BK-5	300x1200mm THK. GLASS INFILL / 3mm THERM-BREAK AND ANCHOR BOLTS
BK-6	300x1200mm THK. GLASS INFILL / 3mm THERM-BREAK AND ANCHOR BOLTS
BK-7	300x1200mm THK. GLASS INFILL / 3mm THERM-BREAK AND ANCHOR BOLTS

HOUSE TYPE	F - G/F KITCHEN
GL01, GL06	
1 No. (HOUSE NO. HOUSE A)	
2 NOS. OF HANDLE - MODEL NO.	2017-02A

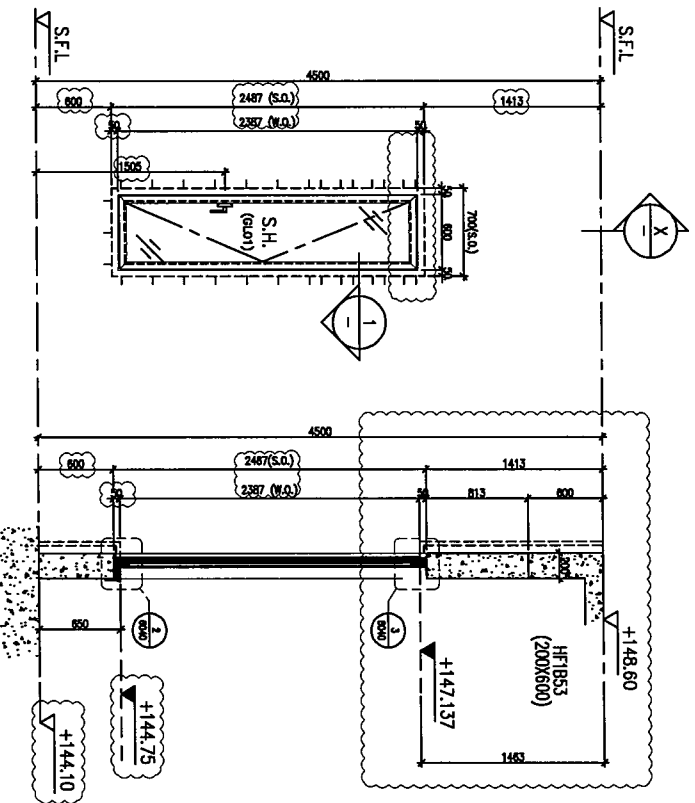
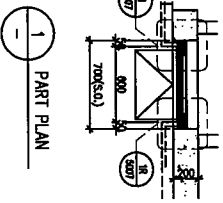
<p><b>CLIENT :</b></p> <p><b>SUN HUNG KAI</b> REAL ESTATE DEVELOPMENT LTD. 4/F, YAN HING ROAD AND CENTRAL, KOWLOON</p> <p><b>ARCHITECT :</b></p> <p><b>lwk&amp;partners</b> INCORPORATED</p> <p><b>MAIN CONTRACTOR :</b></p> <p><b>怡和建築有限公司</b> Yee Ho Building Construction Ltd.</p> <p><b>STRUCTURAL ENGINEER :</b></p> <p><b>ARUP</b></p> <p><b>FAÇADE CONSULTANT :</b></p> <p><b>ALPHA CONSULTING LIMITED</b> Steel Structures &amp; Façade Specialist</p>	<p><b>DATE :</b> 30-MAR-23</p> <p><b>SCALE :</b> 1:40 (A3)</p> <p><b>TITLE :</b> IN-SITU ALUM. WINDOW SCHEDULE FOR HOUSE TYPE F</p> <p><b>PROJECT :</b> PROPOSED RESIDENTIAL DEVELOPMENT AT NAKILL 6542 YAN HING ROAD KOWLOON</p> <p><b>JOB NO. :</b> J-953</p> <p><b>REVISIONS:</b></p> <table border="1"> <tr> <th>NO.</th> <th>DATE</th> <th>REVISION</th> </tr> <tr> <td>1</td> <td>15/03/2024</td> <td>ISSUE SUBJECT TO ARCH'S COMMENT</td> </tr> <tr> <td>2</td> <td>15/07/2023</td> <td>GENERAL REVISION</td> </tr> <tr> <td>3</td> <td>09/09/2023</td> <td>GENERAL REVISION</td> </tr> <tr> <td>4</td> <td>09/09/2023</td> <td>GENERAL REVISION</td> </tr> </table>	NO.	DATE	REVISION	1	15/03/2024	ISSUE SUBJECT TO ARCH'S COMMENT	2	15/07/2023	GENERAL REVISION	3	09/09/2023	GENERAL REVISION	4	09/09/2023	GENERAL REVISION	<p><b>NOTE :</b></p> <ol style="list-style-type: none"> <li>ALL DIMENSIONS ARE IN mm.</li> <li>ALL DIMENSIONS ARE VIEWED FROM OUTSIDE.</li> <li>ALL DIMENSIONS TO BE VERIFIED ON SITE BEFORE FABRICATION.</li> </ol> <p><b>LEGEND :</b></p> <ol style="list-style-type: none"> <li>F.F.L.--FINISHED FLOOR LEVEL.</li> <li>S.F.L.--STRUCTURAL FLOOR LEVEL.</li> </ol>	<p><b>REV. :</b> C</p> <p><b>DATE :</b> 30-MAR-23</p> <p><b>SCALE :</b> 1:40 (A3)</p> <p><b>TITLE :</b> IN-SITU ALUM. WINDOW SCHEDULE FOR HOUSE TYPE F</p> <p><b>PROJECT :</b> PROPOSED RESIDENTIAL DEVELOPMENT AT NAKILL 6542 YAN HING ROAD KOWLOON</p> <p><b>JOB NO. :</b> J-953</p> <p><b>REVISIONS:</b></p> <table border="1"> <tr> <th>NO.</th> <th>DATE</th> <th>REVISION</th> </tr> <tr> <td>1</td> <td>15/03/2024</td> <td>ISSUE SUBJECT TO ARCH'S COMMENT</td> </tr> <tr> <td>2</td> <td>15/07/2023</td> <td>GENERAL REVISION</td> </tr> <tr> <td>3</td> <td>09/09/2023</td> <td>GENERAL REVISION</td> </tr> <tr> <td>4</td> <td>09/09/2023</td> <td>GENERAL REVISION</td> </tr> </table>	NO.	DATE	REVISION	1	15/03/2024	ISSUE SUBJECT TO ARCH'S COMMENT	2	15/07/2023	GENERAL REVISION	3	09/09/2023	GENERAL REVISION	4	09/09/2023	GENERAL REVISION
NO.	DATE	REVISION																															
1	15/03/2024	ISSUE SUBJECT TO ARCH'S COMMENT																															
2	15/07/2023	GENERAL REVISION																															
3	09/09/2023	GENERAL REVISION																															
4	09/09/2023	GENERAL REVISION																															
NO.	DATE	REVISION																															
1	15/03/2024	ISSUE SUBJECT TO ARCH'S COMMENT																															
2	15/07/2023	GENERAL REVISION																															
3	09/09/2023	GENERAL REVISION																															
4	09/09/2023	GENERAL REVISION																															





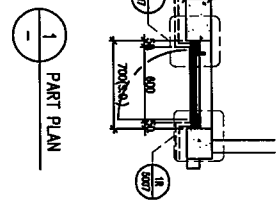
STONE CLADDING FINISH

PROVIDED	
GLAZING AREA	1.05 m <sup>2</sup>
OPENABLE AREA	1.21 m <sup>2</sup>
FREE AREA	58.5 %



STONE CLADDING FINISH

PROVIDED	
GLAZING AREA	1.05 m <sup>2</sup>
OPENABLE AREA	1.21 m <sup>2</sup>
FREE AREA	- %



HOUSE TYPE F - G/F EN. BATH 2	GL01
1 No. (HOUSE NO. HOUSE A)	MODEL NO. 2017-D2A

HOUSE TYPE F - G/F ENSUITE 2	GL01, GL06
1 No. (HOUSE NO. HOUSE A)	MODEL NO. 2017-D2A

HOUSE TYPE F - G/F ENSUITE 2	GL01, GL06
1 No. (HOUSE NO. HOUSE A)	MODEL NO. 2017-D2A

B.O. REF :

CLIENT :

**SUN HUNG KAI**  
REAL ESTATE AGENCY LTD.  
4/F, 7/F, 8/F, 9/F, 10/F, 11/F, 12/F, 13/F, 14/F, 15/F, 16/F, 17/F, 18/F, 19/F, 20/F, 21/F, 22/F, 23/F, 24/F, 25/F, 26/F, 27/F, 28/F, 29/F, 30/F, 31/F, 32/F, 33/F, 34/F, 35/F, 36/F, 37/F, 38/F, 39/F, 40/F, 41/F, 42/F, 43/F, 44/F, 45/F, 46/F, 47/F, 48/F, 49/F, 50/F, 51/F, 52/F, 53/F, 54/F, 55/F, 56/F, 57/F, 58/F, 59/F, 60/F, 61/F, 62/F, 63/F, 64/F, 65/F, 66/F, 67/F, 68/F, 69/F, 70/F, 71/F, 72/F, 73/F, 74/F, 75/F, 76/F, 77/F, 78/F, 79/F, 80/F, 81/F, 82/F, 83/F, 84/F, 85/F, 86/F, 87/F, 88/F, 89/F, 90/F, 91/F, 92/F, 93/F, 94/F, 95/F, 96/F, 97/F, 98/F, 99/F, 100/F

ARCHITECT :

**iwk&partners**

MAIN CONTRACTOR :

**怡和建築有限公司**  
Yee Ho Fook Building Contractors Ltd.

STRUCTURAL ENGINEER :

**ARUP**

FAÇADE CONSULTANT :

**ALPHA CONSULTING LIMITED**  
Steel Structures & Façade Specialist

NOTE :

1. ALL DIMENSIONS ARE IN mm.
2. ALL DIMENSIONS ARE VIEWED FROM OUTSIDE.
3. ALL DIMENSIONS TO BE VIEWED ON SITE BEFORE FABRICATION.

LEGEND :

1. F.F.L.--FINISHED FLOOR LEVEL.
2. S.F.L.--STRUCTURAL FLOOR LEVEL.

JOB NO. : J-853

PROJECT : PROPOSED RESIDENTIAL DEVELOPMENT AT N.K.I.L. 6542 YIN PING ROAD KOWLOON

DATE : 30-MAR-23 SCALE : 1:40 (A3)

DRAWN BY : Aching CHECKED BY :

TITLE : IN-SITU ALUM. WINDOW SCHEDULE FOR HOUSE TYPE F

DATE : 30-MAR-23 SCALE : 1:40 (A3)

DRAWN BY : Aching CHECKED BY :

TITLE : IN-SITU ALUM. WINDOW SCHEDULE FOR HOUSE TYPE F

DATE : 30-MAR-23 SCALE : 1:40 (A3)

DRAWN BY : Aching CHECKED BY :

TITLE : IN-SITU ALUM. WINDOW SCHEDULE FOR HOUSE TYPE F

DATE : 30-MAR-23 SCALE : 1:40 (A3)

DRAWN BY : Aching CHECKED BY :

B.O. REF :

CLIENT : SUN HUNG KAI REAL ESTATE DEVELOPMENT LTD.

ARCHITECT : Iw&partners

MAIN CONTRACTOR : 怡耀建築有限公司  
Yee Fui Building Contractors Ltd.

STRUCTURAL ENGINEER : ARUP

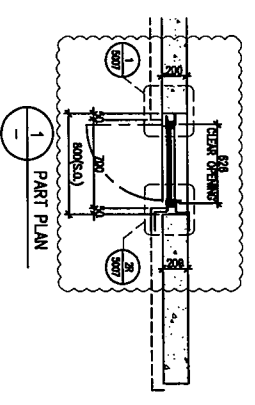
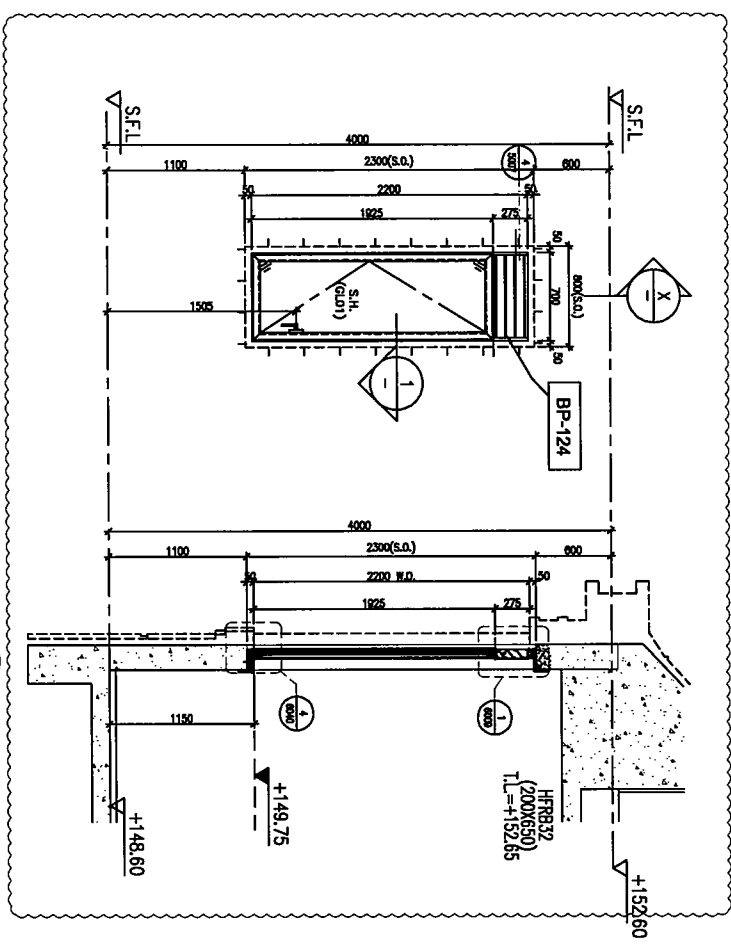
FAÇADE CONSULTANT: ALPHA CONSULTING LIMITED  
Steel Structures & Façade Specialists

NOTE:  
1. ALL DIMENSIONS ARE IN mm.  
2. ALL ELEVATIONS ARE VIEWED FROM COURSE.  
3. ALL DIMENSIONS TO BE CHECKED ON SITE BEFORE FABRICATION.  
LEGEND:  
1. F.F.L.--FINISHED FLOOR LEVEL  
2. S.F.L.--STRUCTURAL FLOOR LEVEL

Q1	15/02/2024	ISSUE START TO AGENT COMMENT
Q2	17/02/2024	GENERAL REVISED
Q3	07/02/2023	GENERAL REVISED
REV	DATE	REASON

JOB NO. : J-9833  
PROJECT : PROPOSED RESIDENTIAL DEVELOPMENT AT N.K.I.L. 6542 YIN PING ROAD KOWLOON  
TITLE : IN-SITU ALUM. WINDOW SCHEDULE FOR HOUSE TYPE F

DATE : 30-MAR-23 SCALE : 1:40 (A3)  
DRAWN BY : Aiming CHECKED BY :  
M&T CONSULTANTS INTERNATIONAL LTD.  
510 Des Voeux Road, London, 1/F  
TEL: (852) 2911-1141 FAX: (852) 27272888  
DWC NO. : 0003-SP-HW-2814 REV. : C



STONE CLADDING FINISH

PROVIDED	
GLAZING AREA	0.98 m <sup>2</sup>
OPENABLE AREA	1.12 m <sup>2</sup>
FREE AREA	58.5 %

HOUSE TYPE F - 1/F EN. BATH	HOUSE TYPE F - 1/F EN. BATH
GL01	GL01
1 No. (HOUSE NO. HOUSE A)	1 No. (HOUSE NO. HOUSE A)
MODEL NO. 2017-02A	MODEL NO. 2017-02A

B.D. REF :

CLIENT :

**SUN HUNG KAI**  
 REAL ESTATE DEVELOPMENT  
 4/F, 7/F, 8/F, 9/F, 10/F, 11/F, 12/F, 13/F, 14/F, 15/F, 16/F, 17/F, 18/F, 19/F, 20/F, 21/F, 22/F, 23/F, 24/F, 25/F, 26/F, 27/F, 28/F, 29/F, 30/F, 31/F, 32/F, 33/F, 34/F, 35/F, 36/F, 37/F, 38/F, 39/F, 40/F, 41/F, 42/F, 43/F, 44/F, 45/F, 46/F, 47/F, 48/F, 49/F, 50/F, 51/F, 52/F, 53/F, 54/F, 55/F, 56/F, 57/F, 58/F, 59/F, 60/F, 61/F, 62/F, 63/F, 64/F, 65/F, 66/F, 67/F, 68/F, 69/F, 70/F, 71/F, 72/F, 73/F, 74/F, 75/F, 76/F, 77/F, 78/F, 79/F, 80/F, 81/F, 82/F, 83/F, 84/F, 85/F, 86/F, 87/F, 88/F, 89/F, 90/F, 91/F, 92/F, 93/F, 94/F, 95/F, 96/F, 97/F, 98/F, 99/F, 100/F

ARCHITECT :  
**lwk&partners**  
 11/F, 12/F, 13/F, 14/F, 15/F, 16/F, 17/F, 18/F, 19/F, 20/F, 21/F, 22/F, 23/F, 24/F, 25/F, 26/F, 27/F, 28/F, 29/F, 30/F, 31/F, 32/F, 33/F, 34/F, 35/F, 36/F, 37/F, 38/F, 39/F, 40/F, 41/F, 42/F, 43/F, 44/F, 45/F, 46/F, 47/F, 48/F, 49/F, 50/F, 51/F, 52/F, 53/F, 54/F, 55/F, 56/F, 57/F, 58/F, 59/F, 60/F, 61/F, 62/F, 63/F, 64/F, 65/F, 66/F, 67/F, 68/F, 69/F, 70/F, 71/F, 72/F, 73/F, 74/F, 75/F, 76/F, 77/F, 78/F, 79/F, 80/F, 81/F, 82/F, 83/F, 84/F, 85/F, 86/F, 87/F, 88/F, 89/F, 90/F, 91/F, 92/F, 93/F, 94/F, 95/F, 96/F, 97/F, 98/F, 99/F, 100/F

MAIN CONTRACTOR :  
**怡和建築有限公司**  
 Yee Fui Building Contractors Ltd.

STRUCTURAL ENGINEER :  
**ARUP**

FAÇADE CONSULTANT :  
**ALPHA CONSULTING LIMITED**  
 Façade Structure & Façade Specialist

NOTE:  
 1. ALL DIMENSIONS ARE IN mm.  
 2. ALL DIMENSIONS ARE VERIFIED FROM OUTSIDE BEFORE FABRICATION.  
 3. ALL DIMENSIONS TO BE VERIFIED ON SITE.

LEGEND:  
 1. F.F.L.--FINISHED FLOOR LEVEL.  
 2. S.F.L.--STRUCTURAL FLOOR LEVEL.

JOB NO. : J-853  
 PROJECT : PROPOSED RESIDENTIAL DEVELOPMENT AT N.K.I.L. 6542 YIN PING ROAD KOWLOON

DATE : 30-MAR-23 SCALE : 1:40 (A3)  
 DRAWN BY : Ashing CHECKED BY :  
 15/03/2024 NEW DRAWING

DATE : 30-MAR-23 SCALE : 1:40 (A3)  
 DRAWN BY : Ashing CHECKED BY :  
 15/03/2024 NEW DRAWING

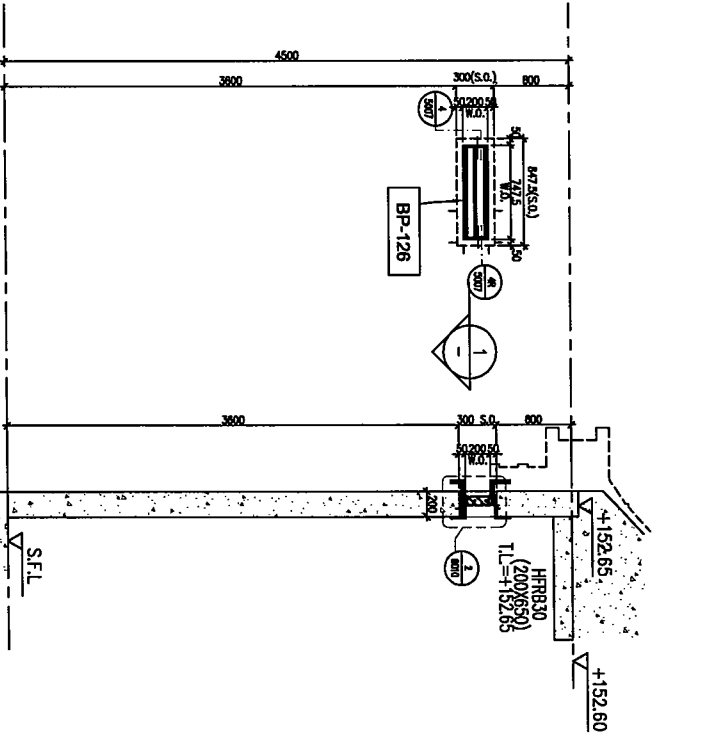
DATE : 30-MAR-23 SCALE : 1:40 (A3)  
 DRAWN BY : Ashing CHECKED BY :  
 15/03/2024 NEW DRAWING

DATE : 30-MAR-23 SCALE : 1:40 (A3)  
 DRAWN BY : Ashing CHECKED BY :  
 15/03/2024 NEW DRAWING

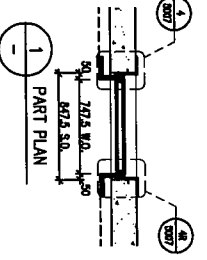
DATE : 30-MAR-23 SCALE : 1:40 (A3)  
 DRAWN BY : Ashing CHECKED BY :  
 15/03/2024 NEW DRAWING

DATE : 30-MAR-23 SCALE : 1:40 (A3)  
 DRAWN BY : Ashing CHECKED BY :  
 15/03/2024 NEW DRAWING

DATE : 30-MAR-23 SCALE : 1:40 (A3)  
 DRAWN BY : Ashing CHECKED BY :  
 15/03/2024 NEW DRAWING



STONE CLADDING FINISH

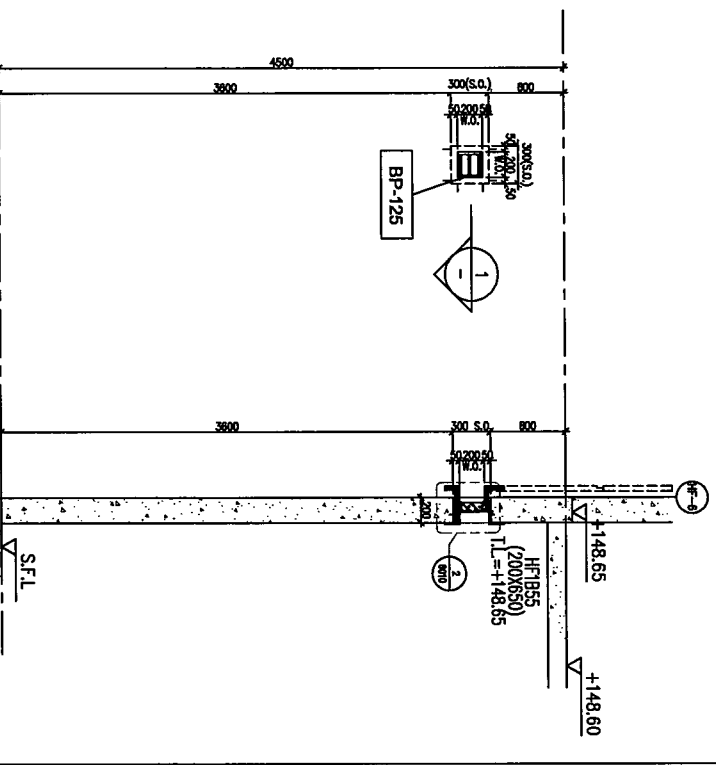


PROVIDED

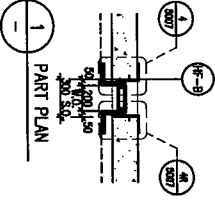
GLAZING AREA	-	m <sup>2</sup>
OPENABLE AREA	-	m <sup>2</sup>
FREE AREA	58.5	%

HOUSE TYPE F - 1/F MASTER ENSUITE

1 No. (HOUSE NO. HOUSE A)



STONE CLADDING FINISH



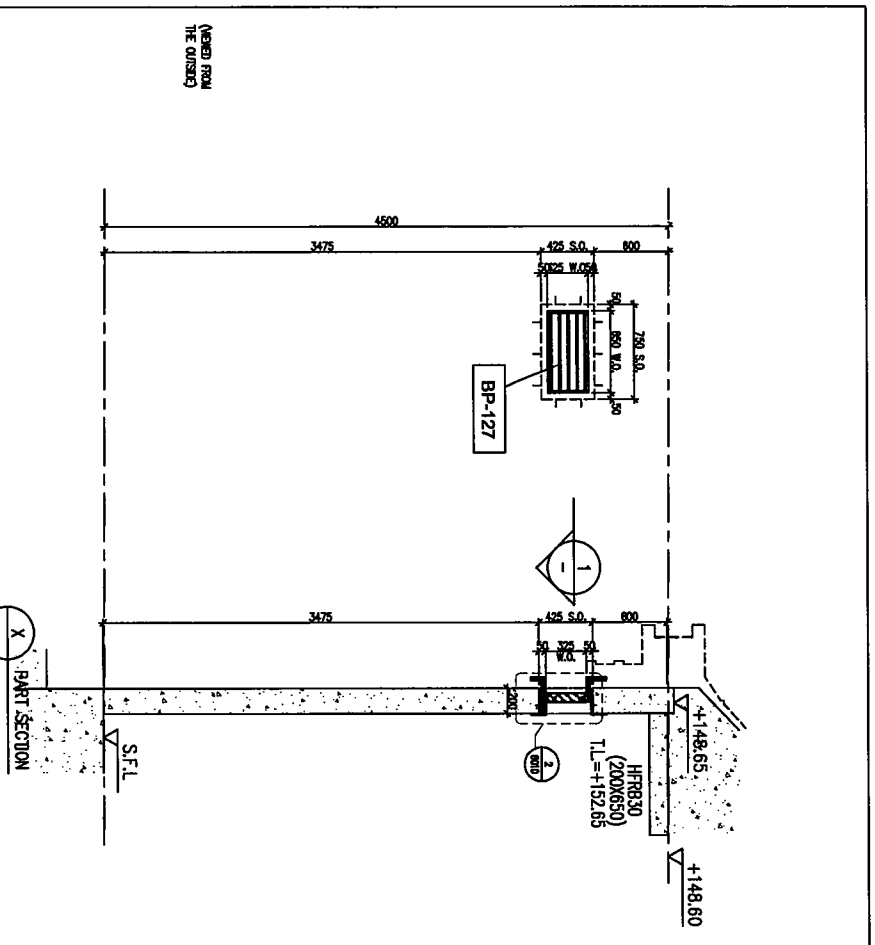
PROVIDED

GLAZING AREA	-	m <sup>2</sup>
OPENABLE AREA	-	m <sup>2</sup>
FREE AREA	58.5	%

HOUSE TYPE F - G/F BATH

1 No. (HOUSE NO. HOUSE A)

(AREA FROM THE OUTSIDE)



(MEASD FROM THE OUTSIDE)

STONE CLADDING FINISH

LEGEND:

■	Stone Tile, Alum. Cladding
■ BK-1	Stone Tile, Alum. Cladding
■ BK-1A	Stone Tile, Alum. Cladding
■ BK-2	Stone Tile, Alum. Cladding
■ BK-3	Stone Tile, Alum. Cladding
■ BK-4	Stone Tile, Alum. Cladding
■ BK-5	Stone Tile, Alum. Cladding
■ BK-6	Stone Tile, Alum. Cladding
■ BK-7	Stone Tile, Alum. Cladding

PROVIDED

GLAZING AREA	-	m <sup>2</sup>
OPENABLE AREA	-	m <sup>2</sup>
FREE AREA	58.5	%

HOUSE TYPE F - 1/F. M. BATH.

1 NO. (HOUSE NO. HOUSE A)

B.O. Ref :

CLIENT :

SUN HUNG KAI  
REAL ESTATE SERVICES LTD.  
4/F, 418, 420, 422, 424, 426, 428, 430, 432, 434, 436, 438, 440, 442, 444, 446, 448, 450, 452, 454, 456, 458, 460, 462, 464, 466, 468, 470, 472, 474, 476, 478, 480, 482, 484, 486, 488, 490, 492, 494, 496, 498, 500, 502, 504, 506, 508, 510, 512, 514, 516, 518, 520, 522, 524, 526, 528, 530, 532, 534, 536, 538, 540, 542, 544, 546, 548, 550, 552, 554, 556, 558, 560, 562, 564, 566, 568, 570, 572, 574, 576, 578, 580, 582, 584, 586, 588, 590, 592, 594, 596, 598, 600, 602, 604, 606, 608, 610, 612, 614, 616, 618, 620, 622, 624, 626, 628, 630, 632, 634, 636, 638, 640, 642, 644, 646, 648, 650, 652, 654, 656, 658, 660, 662, 664, 666, 668, 670, 672, 674, 676, 678, 680, 682, 684, 686, 688, 690, 692, 694, 696, 698, 700, 702, 704, 706, 708, 710, 712, 714, 716, 718, 720, 722, 724, 726, 728, 730, 732, 734, 736, 738, 740, 742, 744, 746, 748, 750, 752, 754, 756, 758, 760, 762, 764, 766, 768, 770, 772, 774, 776, 778, 780, 782, 784, 786, 788, 790, 792, 794, 796, 798, 800, 802, 804, 806, 808, 810, 812, 814, 816, 818, 820, 822, 824, 826, 828, 830, 832, 834, 836, 838, 840, 842, 844, 846, 848, 850, 852, 854, 856, 858, 860, 862, 864, 866, 868, 870, 872, 874, 876, 878, 880, 882, 884, 886, 888, 890, 892, 894, 896, 898, 900, 902, 904, 906, 908, 910, 912, 914, 916, 918, 920, 922, 924, 926, 928, 930, 932, 934, 936, 938, 940, 942, 944, 946, 948, 950, 952, 954, 956, 958, 960, 962, 964, 966, 968, 970, 972, 974, 976, 978, 980, 982, 984, 986, 988, 990, 992, 994, 996, 998, 1000

ARCHITECT :

lwk&partners

LAND CONTRACTOR :

Yee Fui Building Contractors Ltd.

STRUCTURAL ENGINEER :

ARUP

FAÇADE CONSULTANT :

ALPHA CONSULTING LIMITED  
Steel Structure & Façade Specialist

NOTE :

1. ALL DIMENSIONS ARE IN mm.
2. ALL ELEVATIONS ARE VIEWED FROM OUTSIDE.
3. ALL DIMENSIONS TO BE VERIFIED ON SITE BEFORE FABRICATION.

LEGEND :

1. F.F.L.--FINISHED FLOOR LEVEL.
2. S.F.L.--STRUCTURAL FLOOR LEVEL.

JOB NO. : J-653

PROJECT : PROPOSED RESIDENTIAL DEVELOPMENT AT N.K.L.L. 654/2 YIN PING ROAD KOWLOON

TITLE : N-SITU ALUM. WINDOW SCHEDULE FOR HOUSE TYPE F

DATE : 30-MAR-23 SCALE : 1:40 (A3)

DESIGN BY : Aching

DATE : 30-MAR-23

SCALE : 1:40 (A3)

DATE : 30-MAR-23

DATE : 30-MAR-23

DATE : 30-MAR-23

DATE : 30-MAR-23

DATE : 30-MAR-23