

工程指示 / 要求簡箋 ENGINEER INSTRUCTIONS(E.I.)

工程指示編號:	EI- 7671	修改版本:	-
	HK- /		
工程編號:	J 853	工程名稱:	延坪道 (第2期)
收件人:	Maggie Lot	發件人:	Joe Chan
工程項目:	Row D (HD1-HD7) GB欄 河上up欄河地盤用玻璃 (綠色)	日期:	22/04/2024

<input type="checkbox"/> 原合約工程包	<input type="checkbox"/> 原合約工程加 / 減脹 QT-	<input type="checkbox"/> 新工程報價 QT-
---------------------------------	--	------------------------------------

信件批核號碼/圖紙參考編號:	批核模具圖紙編號:
客戶指示附件:	管理內部批簽署:

<input type="checkbox"/> 初步鋁料 B.M.	<input type="checkbox"/> 加工拆圖, 然後生產	<input type="checkbox"/> 尺寸表
<input type="checkbox"/> 正式鋁料 B.M.	<input type="checkbox"/> 技術上資料/指示	<input type="checkbox"/> 報價
<input type="checkbox"/> 配件 B.M.	<input type="checkbox"/> 樣辦或貨品說明書	<input type="checkbox"/> 分判合約
<input type="checkbox"/> 其他:		

內容: 請依附件資料, 生產玻璃, 送地盤.  
- 按 BS EN 14179-1:2016 標準熱浸.  
- 請分層包裝出貨

完成上列要求日期: 30/5/2024

國內

<input type="checkbox"/> 生產技術總監	<input type="checkbox"/> 連附件	<input type="checkbox"/> 技術部	<input type="checkbox"/> 連附件	<input type="checkbox"/> 生產部	<input type="checkbox"/> 連附件
<input type="checkbox"/> 採購部	<input type="checkbox"/> 連附件	<input type="checkbox"/> 生產統籌部	<input type="checkbox"/> 連附件	<input type="checkbox"/> 報關組	<input type="checkbox"/> 連附件
<input type="checkbox"/> 質檢部	<input type="checkbox"/> 連附件	<input type="checkbox"/> 會計部	<input type="checkbox"/> 連附件	<input type="checkbox"/> 機械設計部	<input type="checkbox"/> 連附件
<input type="checkbox"/> 香港辦	<input type="checkbox"/> 連附件	<input type="checkbox"/> 其他:			

香港

<input type="checkbox"/> 行政部	<input type="checkbox"/> 連附件	<input type="checkbox"/> 會計部	<input type="checkbox"/> 連附件	<input type="checkbox"/> 統籌部	<input type="checkbox"/> 連附件	<input type="checkbox"/> 工程部	<input type="checkbox"/> 連附件
<input type="checkbox"/> 採購部	<input type="checkbox"/> 連附件	<input type="checkbox"/> QS部	<input type="checkbox"/> 連附件	<input checked="" type="checkbox"/> 地盤管理	<input checked="" type="checkbox"/> 連附件	<input type="checkbox"/> 維修部	<input type="checkbox"/> 連附件

*發件人簽署:		*組別成員批核簽署:	
傳遞編號:	-	項目經理簽署:	

# J853-香港延坪道(第二期別墅)-ROW D Glass Balustrade-地盘玻璃分栋数量统计表 (GB & UP)

工程: J853-香港延坪道(第二期別墅) ROW D

日期: 16-Apr-24

序号	部件图编号	HD							总数量	备注
		HD1	HD2	HD3	HD5	HD6	HD7			
1	J853-GB-GL3-001-50	2	2	2	2	2	2	12		
2	J853-GB-GL3-001-51	2	2	2	2	2	2	12		
3	J853-GB-GL3-001-52	5	5	5	5	5	5	30		
4	J853-GB-GL3-001-53	3	3	3	3	3	3	18		
5	J853-GB-GL3-001-54		3	3	3	3		12		
6	J853-GB-GL3-001-55		2	2	2	2		8		
7	J853-GB-GL3-001-56	1	1	1	1	1	1	6		
8	J853-GB-GL3-001-57	2	2	2	2	2	2	12		
9	J853-GB-GL3-001-58	3					3	6		
10	J853-GB-GL3-001-59	2					2	4		
11	J853-GB-GL3-003-01	2	2	2	2	2	2	12		
12	J853-GB-GL3-003-02	2	2	2	2	2	2	12		
13	J853-GB-GL3-003-03	2	2	2	2	2	2	12		
14	J853-GB-GL3-003-04	1	1	1	1	1	1	6		
15	J853-GB-GL3-003-05	2	2	2	2	2	2	12		
16	J853-GB-GL3-003-06	1	1	1	1	1	1	6		
		30	30	30	30	30	30	180		

地盘用玻璃B. M.表

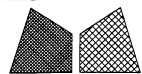
BM編號:

工程號:	J-853	計算:	J. L.	日期:	17/4/2024	送呈:	Joe
地盘名稱:	香港延坪道(第二期別墅)	核對:		日期:		副本:	
項目類別:	HD1~HD7 GB & UP	批准:		日期:		版本:	
A/C Code:		總數量:	180	總面積 (m <sup>2</sup> ):	131.21		

序號	修改標示	加工圖号	玻璃编号	玻璃名稱	厚度 (mm)	玻璃尺寸		數量 (塊)	面積 (m <sup>2</sup> )		備註
						寬度 W (mm)	高度 H (mm)		單件	總面積	
1		J853-GB-GL3-001	J853-GB-GL3-001-50	GL3:15mm THK. CLEAR TEMPERED + 1.52mm THK. (PVB) + 15mm THK. CLEAR TEMPERED LAMINATED GLASS SAMPLE NO.: R20230105032	31.52	1428	640	12	0.91	10.97	玻璃底部塗DC791黑膠
2		J853-GB-GL3-001	J853-GB-GL3-001-51			1061	640	12	0.68	8.15	玻璃底部塗DC791黑膠
3		J853-GB-GL3-001	J853-GB-GL3-001-52			1456	840	30	1.22	36.69	玻璃底部塗DC791黑膠
4		J853-GB-GL3-001	J853-GB-GL3-001-53			801	840	18	0.67	12.11	玻璃底部塗DC791黑膠
5		J853-GB-GL3-001	J853-GB-GL3-001-54			1677	840	12	1.41	16.90	玻璃底部塗DC791黑膠
6		J853-GB-GL3-001	J853-GB-GL3-001-55			958	840	8	0.80	6.44	玻璃底部塗DC791黑膠
7		J853-GB-GL3-001	J853-GB-GL3-001-56			1001	840	6	0.84	5.05	玻璃底部塗DC791黑膠
8		J853-GB-GL3-001	J853-GB-GL3-001-57			1606	840	12	1.35	16.19	玻璃底部塗DC791黑膠
9		J853-GB-GL3-001	J853-GB-GL3-001-58			1694	840	6	1.42	8.54	玻璃底部塗DC791黑膠
10		J853-GB-GL3-001	J853-GB-GL3-001-59			933	840	4	0.78	3.13	玻璃底部塗DC791黑膠
11		J853-GB-GL3-003	J853-GB-GL3-003-01			195	728	12	0.14	1.70	玻璃企向兩端 DC688玻璃膠封邊
12		J853-GB-GL3-003	J853-GB-GL3-003-02			189	728	12	0.14	1.65	玻璃企向兩端 DC688玻璃膠封邊
13		J853-GB-GL3-003	J853-GB-GL3-003-03			161	728	12	0.12	1.41	玻璃企向兩端 DC688玻璃膠封邊
14		J853-GB-GL3-003	J853-GB-GL3-003-04			155	728	6	0.11	0.68	玻璃企向兩端 DC688玻璃膠封邊
15		J853-GB-GL3-003	J853-GB-GL3-003-05			124	728	12	0.09	1.08	玻璃企向兩端 DC688玻璃膠封邊
16		J853-GB-GL3-003	J853-GB-GL3-003-06			119	728	6	0.09	0.52	玻璃企向兩端 DC688玻璃膠封邊
						總合計:	180		131.21		

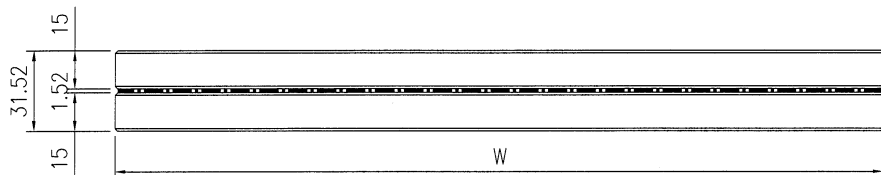
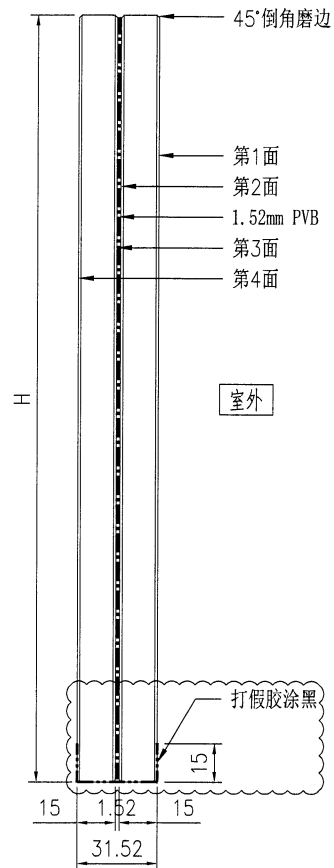
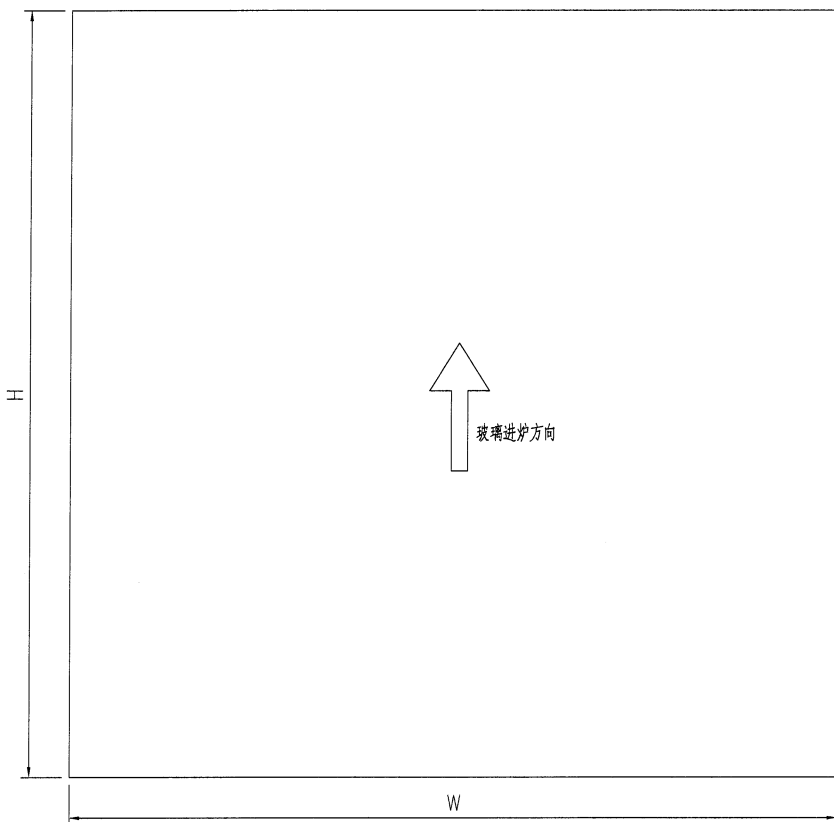
- 本表中所有玻璃對角線尺寸偏差要求不超過正負2mm.
- 本表中所有玻璃要求粗磨邊處理並倒棱角.
- 本表中玻璃要求粗磨邊處理並倒棱角, 攔河玻璃頂底要精磨邊, 而所有玻璃之入爐方向需保持一致.
- 本表中不同種類玻璃參照玻璃加工圖加工.
- 本表中所有強化玻璃均需HEAT SOAK TEST.
- 本表中所有玻璃均需注明室內外面及其玻璃編號, 以便識別.

加工注意事項:



美特铝质有限公司  
MIDI Aluminium Fabricator Ltd.

工程号	J853	制图	J.L.	20/11/23	物料号	详见玻璃BM表	
地盘	香港延坪路	复核	-	-	图号	J853-GB-GL3-001	
版本	A	名称	玻璃加工图	批准	-	数量	-
日期	14/12	材料	GL3:15 T+1.52PBV+15 T	单件面积(m <sup>2</sup> )	-	长度	-



室外

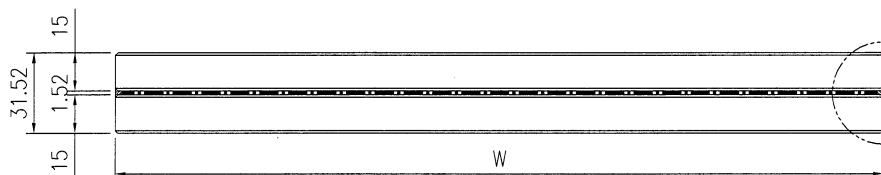
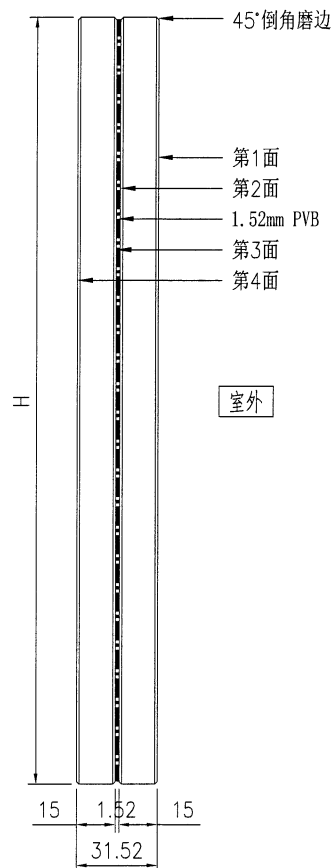
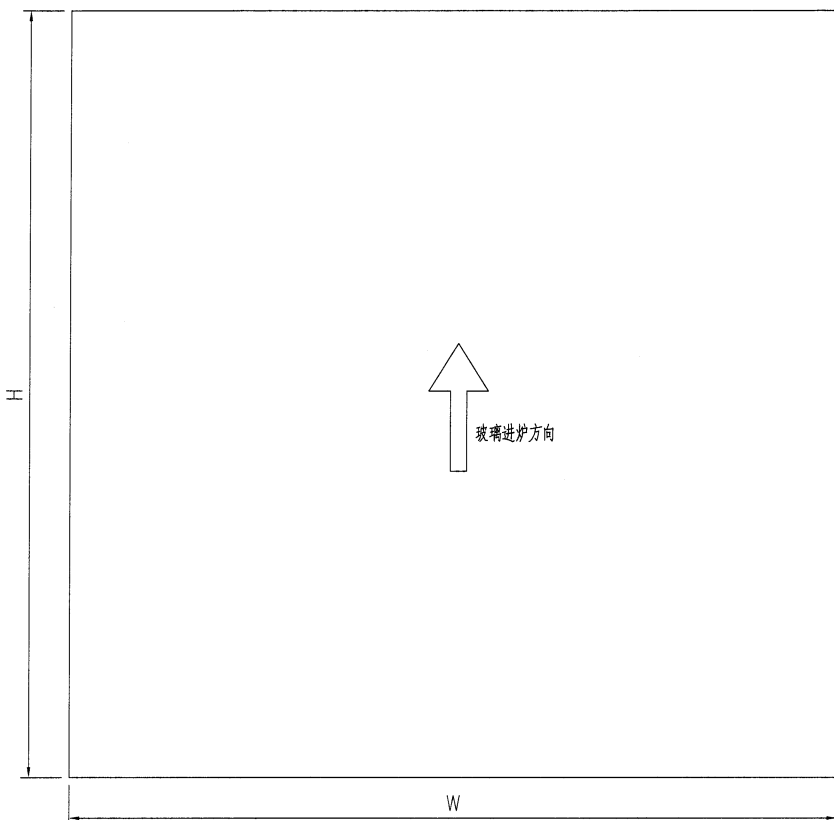
技术说明:

- 1.玻璃为: GL3:15mm THK. CLEAR TEMPERED + 1.52mm THK. (PVB) + 15mm THK. CLEAR TEMPERED LAMINATED GLASS
- 2.色号为: \_\_\_\_\_, Low-e膜在第 \_\_\_\_\_ 面;
- 3.中空铝隔条, 两面涂丁基胶涂抹均匀, 内层为铝框本色, 玻璃四周1x45°机磨边;
- 4.玻璃密封胶采用: \_\_\_\_\_, 胶深符合相应规范要求;
- 5.中空玻璃应符合《中空玻璃》GB1194-2002国家标准, 并按《玻璃幕墙工程质量检验标准》JGJ/T139-2001进行质量检验;
- 6.玻璃出厂前必须粘好相应编号及内外标签, 玻璃单边长度超过2m, 所有全钢化玻璃需要热浸处理;
- 7.玻璃钢化波纹方向平行分布; 图中标注尺寸单位为mm, 进炉方向与滚轮垂直。

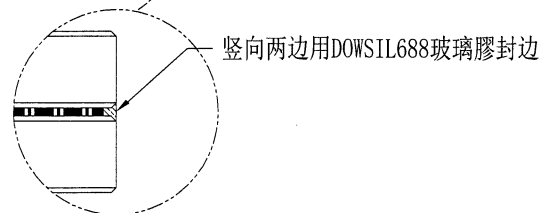


美特铝质有限公司  
MIDI Aluminium Fabricator Ltd.

工程号	J853	制图	J.L.	27/12/23	物料号	详见玻璃BM表	
地盘	香港延坪路	复核	-	-	图号	J853-GB-GL3-003	
版本		名称	玻璃加工图	批准	-	数量	-
日期		材料	GL3:15 T+1.52PBV+15 T	单件面积(m <sup>2</sup> )	-	长度	-

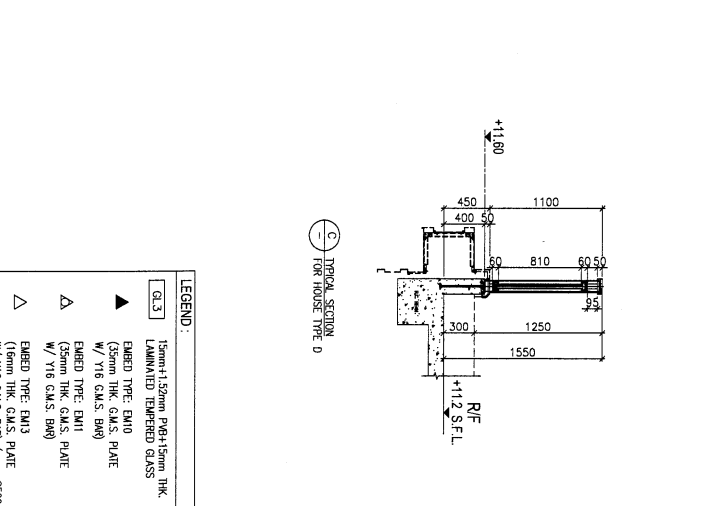
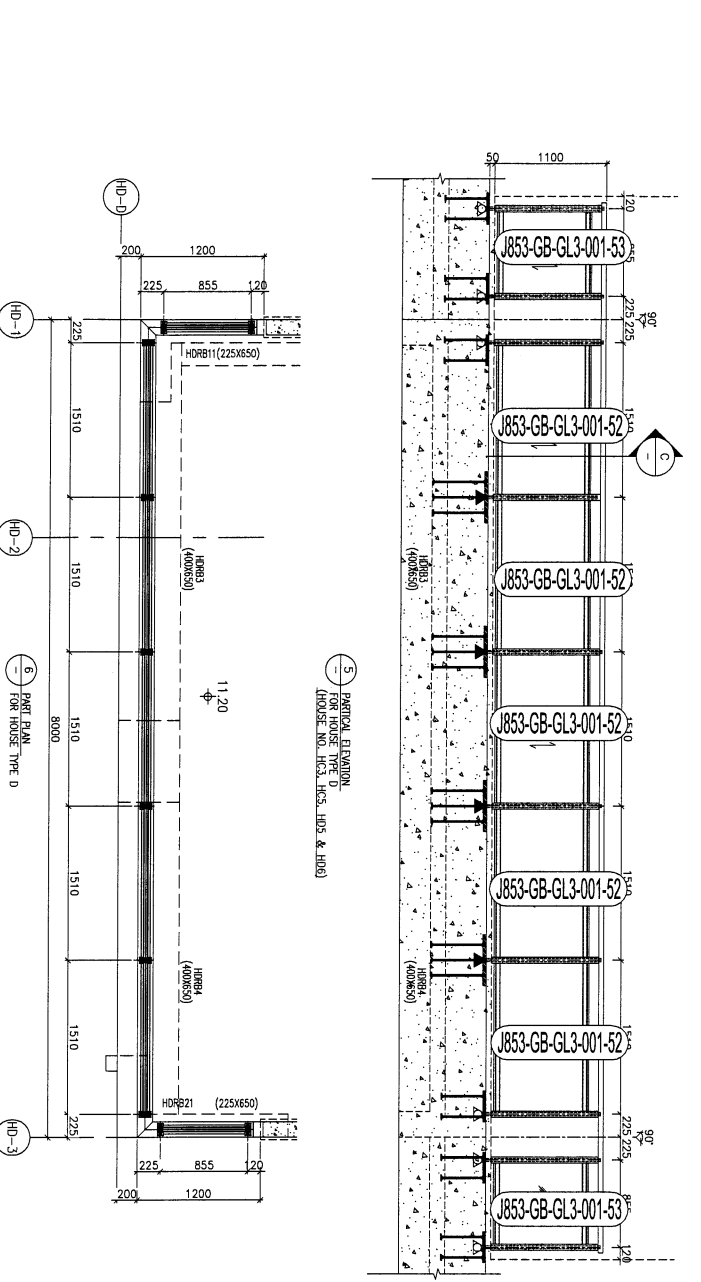
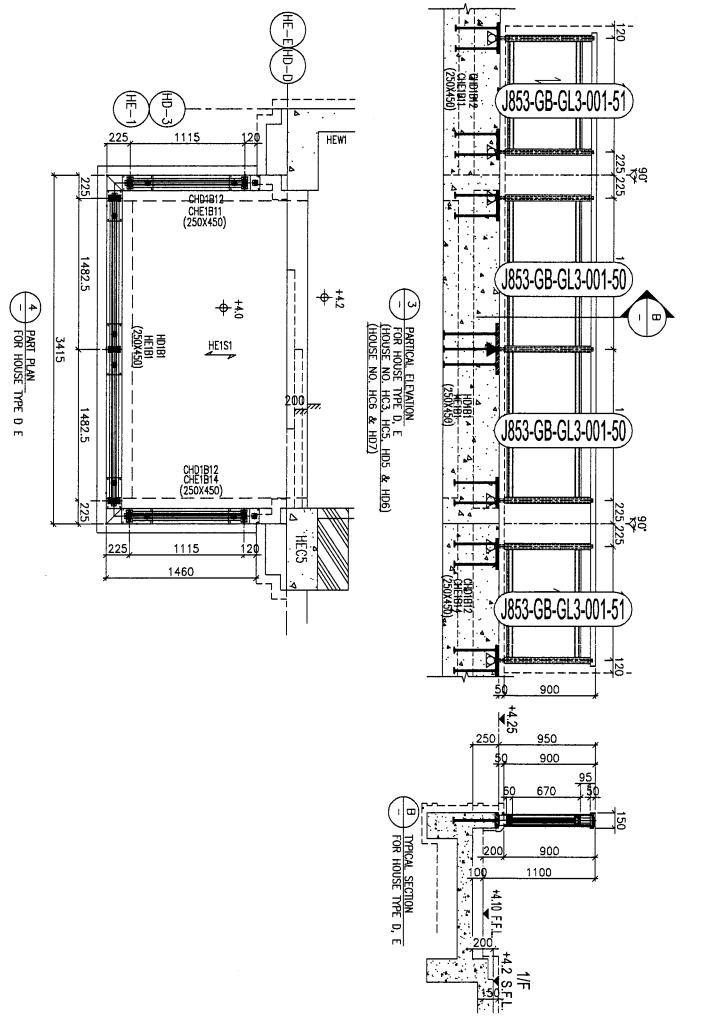
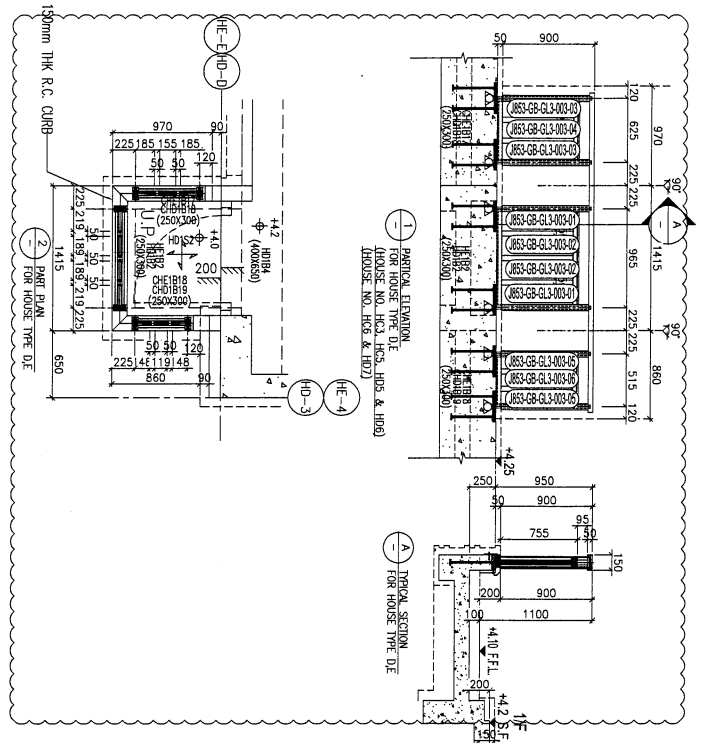


室外



技术说明:

- 1.玻璃为: GL3:15mm THK. CLEAR TEMPERED + 1.52mm THK. (PVB) + 15mm THK. CLEAR TEMPERED LAMINATED GLASS
- 2.色号为: -, Low-e膜在第\_\_\_\_面;
- 3.中空铝隔条, 两面涂了基胶涂抹均匀, 内层为铝框本色, 玻璃四周1x45°机磨边;
- 4.玻璃密封胶采用: \_\_\_\_\_, 胶深符合相应规范要求;
- 5.中空玻璃应符合《中空玻璃》GB1194-2002国家标准, 并按《玻璃幕墙工程质量检验标准》JGJ/T139-2001进行质量检验;
- 6.玻璃出厂前必须粘好相应编号及内外标签, 玻璃单边长度超过2m, 所有全钢化玻璃需要热浸处理;
- 7.玻璃钢化波纹方向平行分布; 图中标注尺寸单位为mm, 进炉方向与滚轮垂直。



**LEGEND:**

GL3	13mm/13.5mm PGG13/13mm THK LAMINATED REINFORCED GLASS
▲	EMBED TYPE: EM10 (35mm THK G.M.S. BAY) W/ Y16 G.M.S. BAY
△	EMBED TYPE: EM11 (35mm THK G.M.S. PLATE W/ Y16 G.M.S. BAY)
▽	EMBED TYPE: EM13 (35mm THK G.M.S. PLATE W/ Y16 G.M.S. BAY) (from 06006/05)

**TITLE:**  
PART ELEVATION/PART PLAN & PART SECTION  
FOR HOUSE GLASS BALUSTRADE

**DATE:** 08-Dec-22  
**SCALE:** 1:25 (A1)

**PROJECT:**  
PROPOSED RESIDENTIAL DEVELOPMENT AT N.K.I.L.L. 6542 YIN FING ROAD KOWLOON

NO.	DATE	REVISION	BY

**NOTE:**

- ALL DIMENSIONS ARE IN mm.
- ALL ELEVATIONS ARE VIEWED FROM OUTSIDE.
- ALL DIMENSIONS TO BE MARKED ON SITE BEFORE FABRICATION.

**LEGEND:**

- (X) DETAIL MARK NO.
- (REF) REFER SHEET NO.
- 1. F.F.L. — FINISHED FLOOR LEVEL.
- 2. S.F.L. — STRUCTURAL FLOOR LEVEL.
- 3. (R) — REINFORCED METAL.

R.C. STRUCTURAL ELEMENT C.O.L. / BEAM / SLAB IS (UNDER SEPARATED SUBMISSION)

**CLIENT:**  
SHIMAO GROUP HOLDINGS LIMITED

**ARCHITECT:**  
YANG TUNG & PARTNERS LIMITED ARCHITECTS & PLANNERS

**MAIN CONTRACTOR:**  
HIP HING CONSTRUCTION CO LTD

**STRUCTURAL ENGINEER:**  
C.M.A. CHAN WING & ASSOCIATES LTD

**FAÇADE CONSULTANT:**  
MEINHARDT

**DATE:** 08-Dec-22  
**SCALE:** 1:25 (A1)

**PROJECT:**  
PROPOSED RESIDENTIAL DEVELOPMENT AT N.K.I.L.L. 6542 YIN FING ROAD KOWLOON

**CLIENT:**  
SHIMAO GROUP HOLDINGS LIMITED

**ARCHITECT:**  
YANG TUNG & PARTNERS LIMITED ARCHITECTS & PLANNERS

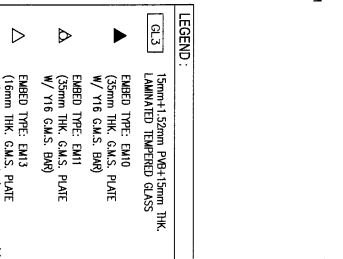
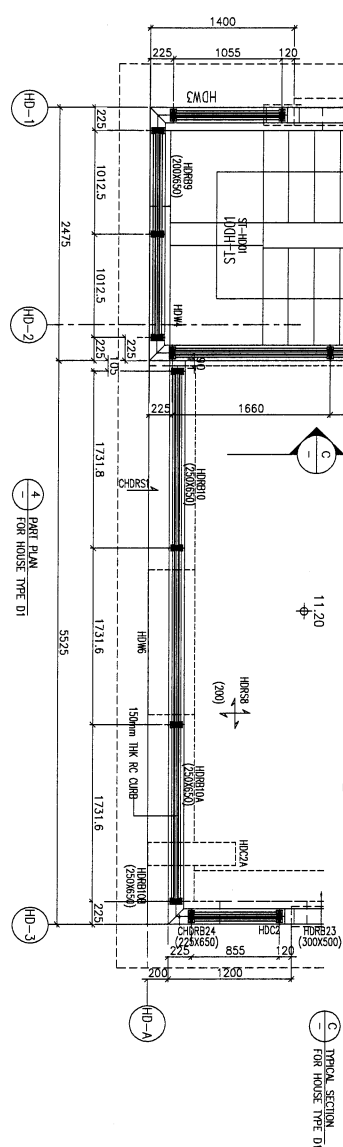
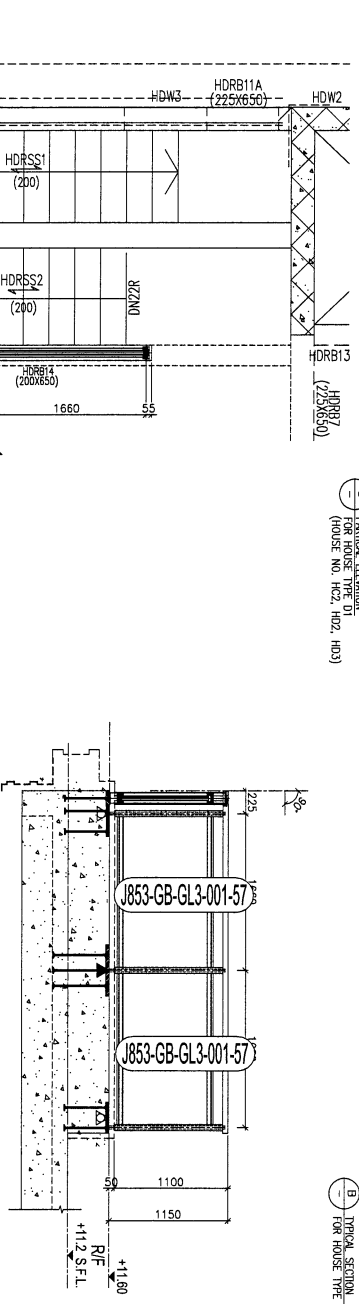
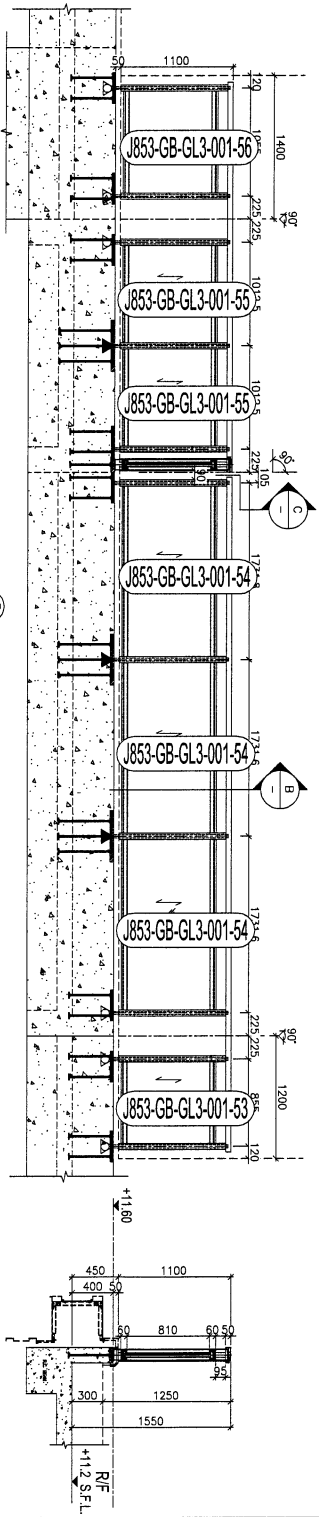
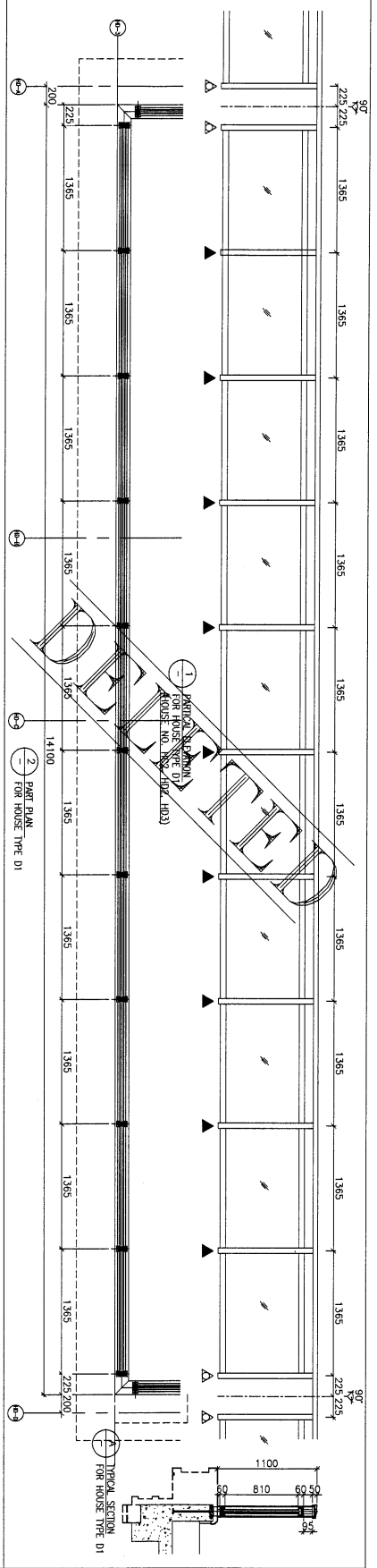
**MAIN CONTRACTOR:**  
HIP HING CONSTRUCTION CO LTD

**STRUCTURAL ENGINEER:**  
C.M.A. CHAN WING & ASSOCIATES LTD

**FAÇADE CONSULTANT:**  
MEINHARDT







NO.	DATE	REVISION	BY
1			

J-8533

PROJECT: PROPOSED RESIDENTIAL DEVELOPMENT AT N.K.I.L. 65442 YIN PING ROAD KOWLOON

TITLE: PART ELEVATION/PART PLAN & PART SECTION FOR HOUSE GLASS BALUSTRADE

GLASS MARKING DWG

DATE: 08-Dec-22 SCALE: 1:25 (A1)

DRAWN BY: Asing CHECKED BY:

MEINHERDT

11th Floor, 85, Des Voeux Road East, Kowloon, Hong Kong

810 Chee Lee Road, Kowloon, Hong Kong

TEL: 23489211-4 Fax: (852) 27271866

DWG NO.: J853-GB-Q-2018 REV.: -

B.O. REF: -

CLIENT: SHIMAO GROUP HOLDINGS LIMITED

ARCHITECT: HOK TUNG & PARTNERS LIMITED

MAIN CONTRACTOR: HYP HING CONSTRUCTION CO LTD

STRUCTURAL ENGINEER: C M WONG & ASSOCIATES LTD

FAÇADE CONSULTANT: MEINHERDT

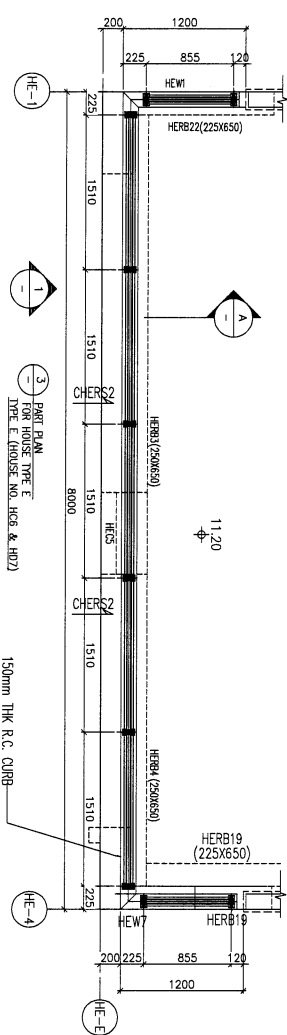
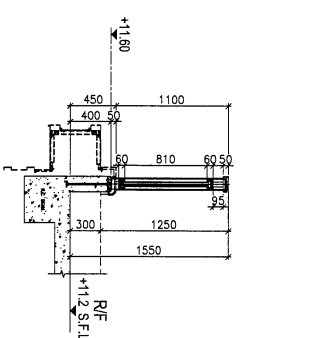
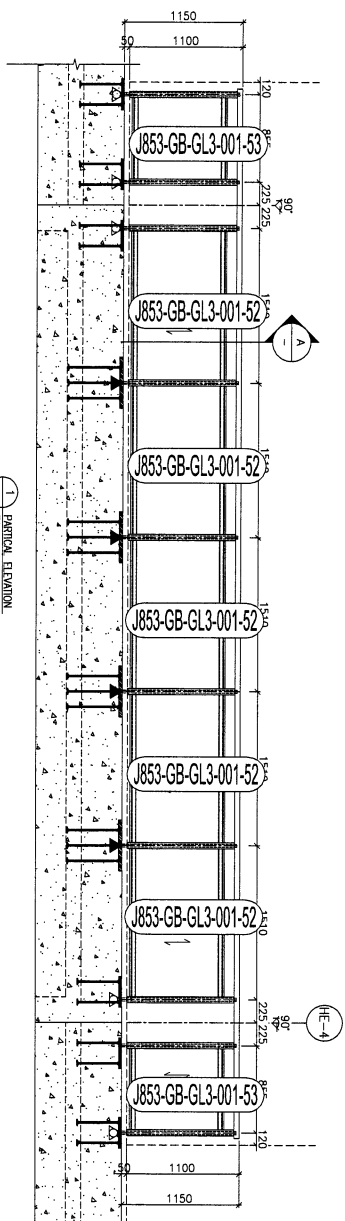
NOTE: 1. ALL DIMENSIONS ARE IN MM. 2. ALL DIMENSIONS ARE TO FACE UNLESS SPECIFIED OTHERWISE. 3. ALL DIMENSIONS TO BE VERIFIED ON SITE BEFORE FABRICATION.

LEGEND: (X1) DETAIL WORK NO. (X2) REFER SHEET NO.

1. F.F.L. -- FINISHED FLOOR LEVEL. 2. S.F.L. -- STRUCTURAL FLOOR LEVEL. 3. (R) -- REVERSED DETAIL.

R.C. STRUCTURAL ELEMENT (D.L. / B.P.M. / S.O.B. IS (UNLESS SPECIFIED) SUBMISSION)

LEGEND: (GL3) 15mmx152mm PVB+15mm THK LAMINATED TEMPERED GLASS (EMBED TYPE: EM10 (35mm THK. G.M.S. PLATE W/ Y16 G.M.S. (B9) EMBED TYPE: EM11 (35mm THK. G.M.S. PLATE W/ Y16 G.M.S. (B9) EMBED TYPE: EM3 PLATE (15mm THK. G.M.S. (B9) (MAX. 4500x600x6))



**LEGEND:**  
 150mm 150mm PIG-B150mm THK  
 GL3 LAMINATED TEMPERED GLASS

- ▶ EMBED TYPE: DM10 (25mm THK, G.M.S. BAY) W/ 716 G.M.S. BAY
- ▶ EMBED TYPE: DM11 (25mm THK, G.M.S. PLATE W/ 716 G.M.S. BAY)
- ▶ EMBED TYPE: DM13 (16mm THK, G.M.S. PLATE W/ 716 G.M.S. BAY) (max. Ø500C/3)

① PARTIAL ELEVATION FOR HOUSE TYPE E (HOUSE NO. HG6 & HD7)

② TYPICAL SECTION FOR HOUSE TYPE E

③ PART PLAN FOR HOUSE TYPE E (HOUSE NO. HG6 & HD7)

**NOTE:**  
 1. ALL DIMENSIONS ARE IN mm.  
 2. ALL EXTENSIONS ARE VIEWED FROM OUTSIDE.  
 3. DIMENSIONS TO BE VIEWED ON SITE BEFORE FABRICATION.

**LEGEND:**  
 (X1) DETAIL MARK NO.  
 (X003) REFER SHEET NO.

1. F.F.L. --- FINISHED FLOOR LEVEL  
 2. S.F.L. --- STRUCTURAL FLOOR LEVEL  
 3. (R) --- REVERSED DETAIL

R.C. STRUCTURAL ELEMENT  
 C.D.L. / BEAM / SLAB / STAY  
 IS (UNDER SEPARATED SUBMISSION)

B.O. REF : \_\_\_\_\_

CLIENT : SHIMAO GROUP HOLDINGS LIMITED

ARCHITECT : PING TUNG & PARTNERS LIMITED

MAIN CONTRACTOR : HIP HING CONSTRUCTION CO LTD

STRUCTURAL ENGINEER : C M WONG & ASSOCIATES LTD

FAÇADE CONSULTANT : MENYHARDT

NO.	DATE	REVISION	BY

JOB NO. : J-8533

PROJECT : PROPOSED RESIDENTIAL DEVELOPMENT AT N.K.I.L. 65442 YIN PING ROAD KOWLOON

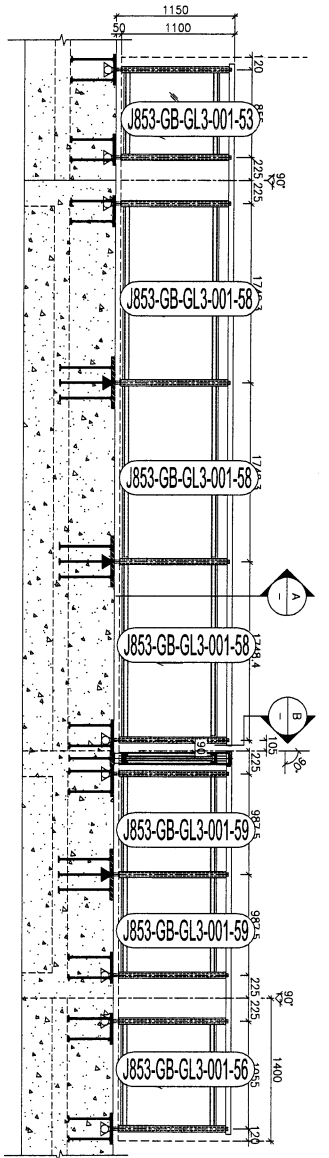
TITLE : PART ELEVATION/PART PLAN & PART SECTION FOR HOUSE GLASS BALUSTRADE

GLASS MARKING DWG

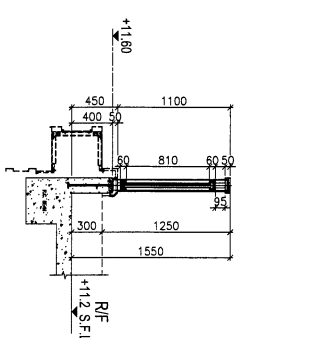
DATE : 08-Dec-22 SCALE : 1:25 (A1)

DRAWN BY : Ashing CHECKED BY : \_\_\_\_\_

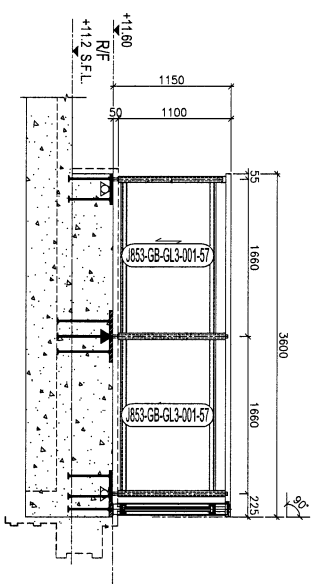
UNIT 6-8, Sunny Industrial Centre, 177 Telok Ayer St, Singapore 080101  
 MIDJ Architectural & Interiors Pte Ltd  
 Tel: 23489211-4 Fax: (65) 27272166  
 DWG NO. : 8533-GB-QA-3019 REV. : -



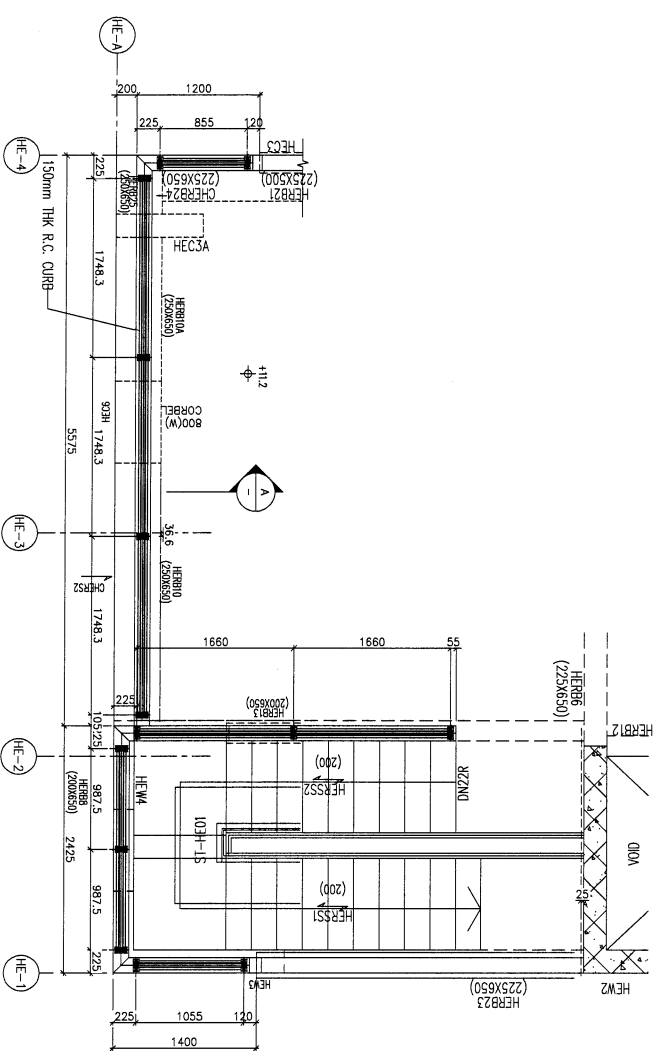
PARTIAL ELEVATION FOR HOUSE TYPE E (HOUSE NO. H06 & H07)



TYPICAL SECTION FOR HOUSE TYPE E



TYPICAL SECTION FOR HOUSE TYPE E

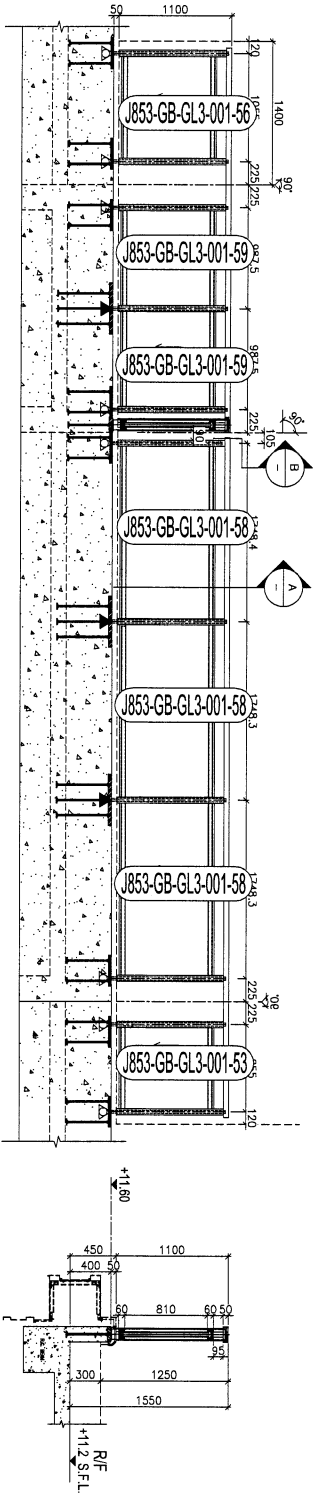


PART PLAN FOR HOUSE TYPE E

**LEGEND:**

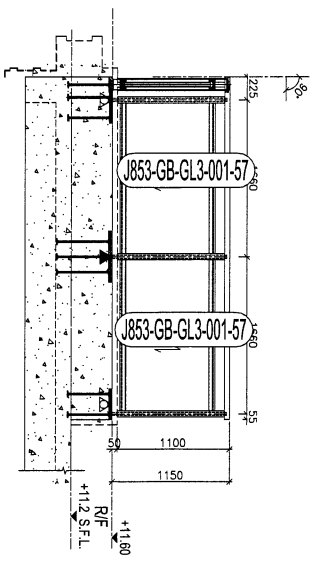
GL3	15mm+15mm PVB+15mm THK LAMINATED TEMPERED GLASS
▲	EMBED TYPE ENIG (35mm THK, G.M.S. PLATE W/ Y16 G.M.S. BAR)
△	EMBED TYPE ENIT (35mm THK, G.M.S. PLATE W/ Y16 G.M.S. BAR)
▽	EMBED TYPE ENIS (35mm THK, G.M.S. PLATE W/ Y16 G.M.S. BAR) (max. 4500x/4)

<p><b>CLIENT :</b> SHIMAO GROUP HOLDINGS LIMITED</p>	
<p><b>ARCHITECT :</b> HONG TING &amp; PARTNERS LIMITED</p>	
<p><b>MAIN CONTRACTOR :</b> HIP HING CONSTRUCTION CO LTD</p>	
<p><b>STRUCTURAL ENGINEER :</b> C M WONG &amp; ASSOCIATES LTD</p>	
<p><b>FAÇADE CONSULTANT :</b> MEINHARDT</p>	
<p><b>NOTE :</b></p> <ol style="list-style-type: none"> <li>1. ALL DIMENSIONS ARE IN mm.</li> <li>2. ALL ELEVATIONS ARE VIEWED FROM OUTSIDE.</li> <li>3. ALL DIMENSIONS TO BE VERIFIED ON SITE BEFORE FABRICATION.</li> </ol>	
<p><b>LEGEND :</b></p> <p>① DETAIL MARK NO.</p> <p>② REFER SHEET NO.</p> <p>③ F.F.L. --- FINISHED FLOOR LEVEL</p> <p>④ S.F.L. --- STRUCTURAL FLOOR LEVEL</p> <p>⑤ --- REVERSED DETAIL</p>	
<p><b>R.C. STRUCTURAL ELEMENT</b></p> <p>COL. / BEAM / SLAB</p> <p>IS (UNDER SEPARATED SUBMISSION)</p>	
<p><b>NO. :</b> J-853</p> <p><b>DATE :</b> 08-Dec-22</p>	<p><b>PROJECT :</b> PROPOSED RESIDENTIAL DEVELOPMENT AT N.K.I.L. 65442 YIN PING ROAD KOWLOON</p>
<p><b>DRAWN BY :</b> Aaiqing</p> <p><b>CHECKED BY :</b></p>	<p><b>TITLE :</b> PART ELEVATION/PART PLAN &amp; PART SECTION FOR HOUSE GLASS BALUSTRADE</p>
<p><b>DATE :</b> 08-Dec-22</p> <p><b>SCALE :</b> 1:25 (A1)</p>	<p><b>GLASS MARKING DWG</b></p>
<p><b>UNITED GLASS HOLDINGS LIMITED</b></p> <p>Units 6-8, Sunny Industrial Estate, 117 Yuen Yee Road, Kowloon</p> <p>14232489211-4 Fax:(852)27277066</p> <p>DWG NO. : 853-GB-Q-3020</p>	

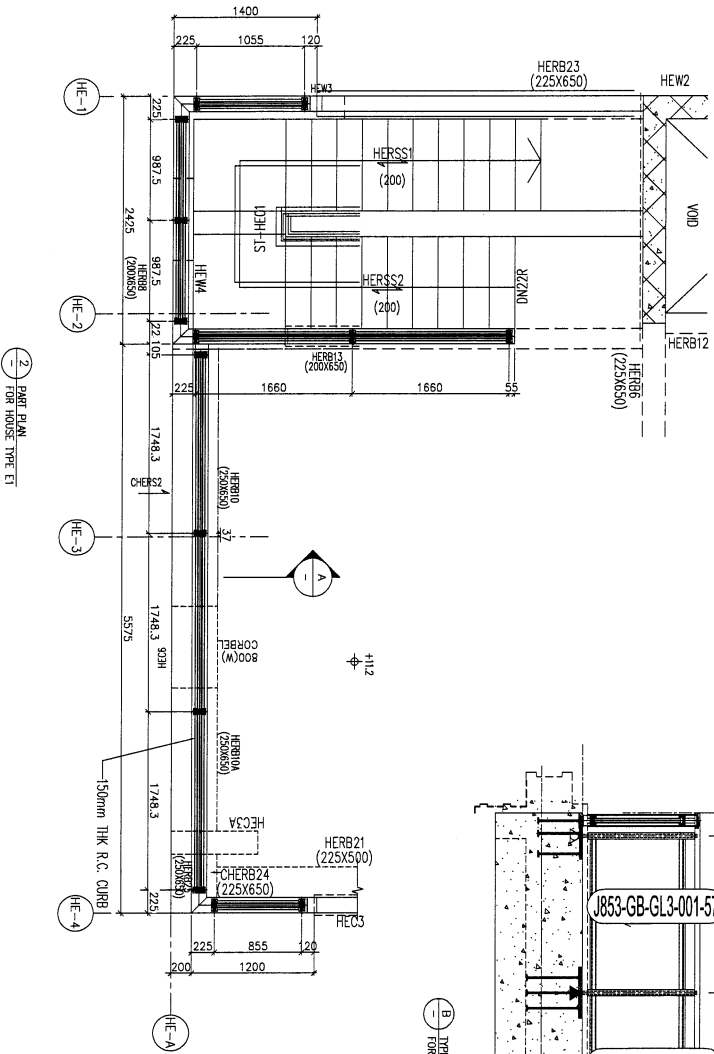


① PARTIAL ELEVATION FOR HOUSE TYPE E1 (HOUSE NO. H01)

② TYPICAL SECTION FOR HOUSE TYPE E



③ TYPICAL SECTION FOR HOUSE TYPE E1



④ PART PLAN FOR HOUSE TYPE E1

B.D. REF. :	
CLIENT :	SHIMAO GROUP HOLDINGS LIMITED
ARCHITECT :	DMC TUNG & PARTNERS LIMITED
MAIN CONTRACTOR :	HIP HING CONSTRUCTION CO LTD
STRUCTURAL ENGINEER :	C.MANONG & ASSOCIATES LTD
FRAME CONSULTANT :	MEINERD
DATE :	2024
NO. :	853
JOB NO. :	J-853
PROJECT :	PROPOSED RESIDENTIAL DEVELOPMENT AT N.K.I.L. 6542 YIN PING ROAD KOWLOON
TITLE :	PART ELEVATION/PART PLAN & PART SECTION FOR HOUSE GLASS BALUSTRADE
GLASS MARKING : DMC	
DRAWN BY :	Asing
CHECKED BY :	
DWG. NO. :	08-Dec-22
SCALE :	1:25 (A1)
UNITS :	MM
COMPANY :	DMC TUNG & PARTNERS LIMITED
ADDRESS :	Units 5-8 Sunny Industrial Centre, 77 610 Chee Yee Ling Road, Kowloon
TEL :	223489211-4 Fax: (852) 27277666
DMC NO. :	853-GB-G1-3000a
REV. :	-

DMC NO. : 853-GB-G1-3000a

REV. : -

SCALE : 1:25 (A1)

CHECKED BY :

ARCHITECT : DMC TUNG & PARTNERS LIMITED

MAIN CONTRACTOR : HIP HING CONSTRUCTION CO LTD

STRUCTURAL ENGINEER : C.MANONG & ASSOCIATES LTD

FRAME CONSULTANT : MEINERD

DATE : 2024

NO. : 853

JOB NO. : J-853

PROJECT : PROPOSED RESIDENTIAL DEVELOPMENT AT N.K.I.L. 6542 YIN PING ROAD KOWLOON

TITLE : PART ELEVATION/PART PLAN & PART SECTION FOR HOUSE GLASS BALUSTRADE

GLASS MARKING : DMC

DRAWN BY : Asing

CHECKED BY :

DWG. NO. : 08-Dec-22

SCALE : 1:25 (A1)

UNITS : MM

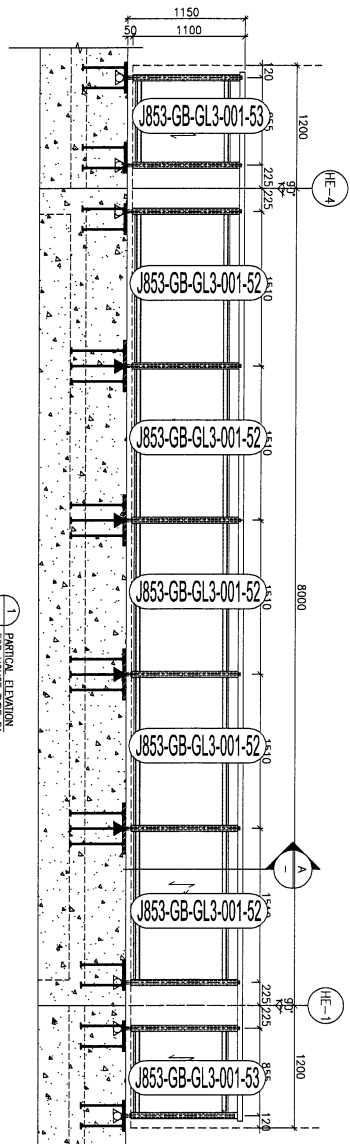
COMPANY : DMC TUNG & PARTNERS LIMITED

ADDRESS : Units 5-8 Sunny Industrial Centre, 77 610 Chee Yee Ling Road, Kowloon

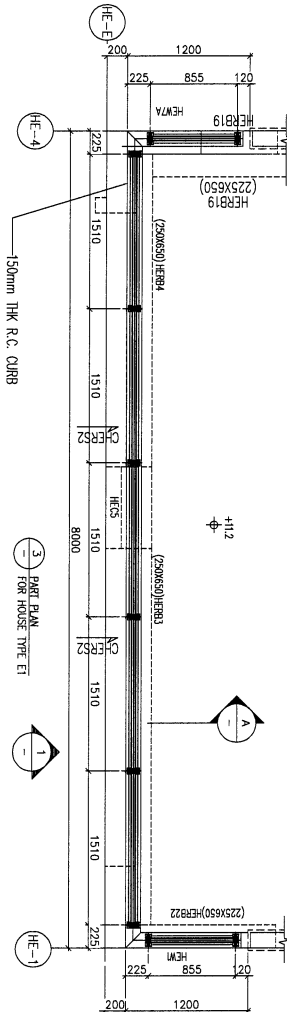
TEL : 223489211-4 Fax: (852) 27277666

DMC NO. : 853-GB-G1-3000a

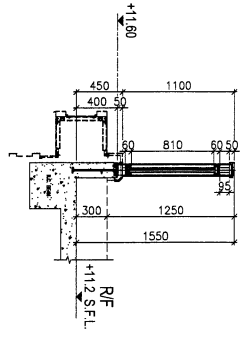
REV. : -



1 PARTIAL ELEVATION FOR HOUSE TYPE E1 (HOUSE NO. J01)



150mm THK R.C. CURB



RF +11.2 S.F.L.

**LEGEND:**

GL-3	15mm+150mm PVB+15mm THK LAMINATED TINTED GLASS
▲	EMBED TYPE: EM10 (35mm THK, G.M.S. PLATE W/ Y16 G.M.S. BR9)
△	EMBED TYPE: EM11 (35mm THK, G.M.S. PLATE W/ Y16 G.M.S. BR9)
▽	EMBED TYPE: EM12 (35mm THK, G.M.S. PLATE W/ Y16 G.M.S. BR9) (max. 8500x6)

B.O. REF.:			
CLIENT:	SHIMAO GROUP HOLDINGS LIMITED		
ARCHITECT:	WONG TUNG & PARTNERS LIMITED ARCHITECTS & PLANNERS		
MAIN CONTRACTOR:	HIP HING CONSTRUCTION CO. LTD		
STRUCTURAL ENGINEER:	C MAMONG & ASSOCIATES LTD		
FACE CONSULTANT:	MEINERD		
NOTE:	1. ALL DIMENSIONS ARE IN mm. 2. ALL DIMENSIONS ARE VIEWED FROM OUTSIDE. 3. BEFORE FABRICATION.		
LEGEND:	1. F.F.L. --- FINISHED FLOOR LEVEL. 2. S.F.L. --- STRUCTURAL FLOOR LEVEL. 3. (A) --- REVERSED DETAIL.		
R.C. STRUCTURAL ELEMENT	COL. / BEAM / SLAB (IS UNDER SEPARATED SUBMISSION)		
NO.	DATE	REVISION	BY
JOB NO.:	J-8533		
PROJECT:	PROPOSED RESIDENTIAL DEVELOPMENT AT N.K.L.L. 65#42 YIN PING ROAD KOWLOON		
TITLE:	PART ELEVATION/PART PLAN & PART SECTION FOR HOUSE GLASS BALUSTRADE		
GLASS MARKING DWG			
DWG BY:	Asing	CHECKED BY:	
DWG NO.:	08-Dwg-22	SCALE:	1:25 (A1)
DATE:	08-Dec-22		
UNIT:	Units B-8 Sunny Island, Admiralty Park, Kowloon 810 Che Yee Ling Road, Kowloon Tel: 23489211-4 Fax: (852) 27277866		
COMPANY:	美特鋁質有限公司 METAL ALUMINUM PRODUCTS LTD.		
DWG NO.:	J853-GB-Q-3021	REV.:	-