

工程指示 / 要求簡箋 ENGINEER INSTRUCTIONS (E.I.)

工程指示編號:	EI- 7437	修改版本:	-
	HK- /		
工程編號:	J 853	工程名稱:	延坪道 (第2期)
收件人:	Maggie Lor	發件人:	Joe Chan
工程項目:	Row C (HC1-HC6) 幕 牆地盤用鐵件. (藍色)	日期:	06/03/2024

<input type="checkbox"/> 原合約工程包	<input type="checkbox"/> 原合約工程加 / 減賬 QT-	<input type="checkbox"/> 新工程報價 QT-
---------------------------------	--	------------------------------------

信件批核號碼/圖紙參考編號:	批核模具圖紙編號:
客戶指示附件:	管理內部批簽署:

<input type="checkbox"/> 初步鋁料 B.M.	<input type="checkbox"/> 加工拆圖, 然後生產	<input type="checkbox"/> 尺寸表
<input type="checkbox"/> 正式鋁料 B.M.	<input type="checkbox"/> 技術上資料/指示	<input type="checkbox"/> 報價
<input type="checkbox"/> 配件 B.M.	<input type="checkbox"/> 樣辦或貨品說明書	<input type="checkbox"/> 分判合約
<input type="checkbox"/> 其他:		

內容: 請依附件資料, 生產 GMS 鐵件, 送地盤.  
 (此單不需驗輝) - 請分屋包裝出貨

完成上列要求日期: 30/3/2024

國內

<input type="checkbox"/> 生產技術總監	<input type="checkbox"/> 連附件	<input type="checkbox"/> 技術部	<input type="checkbox"/> 連附件	<input type="checkbox"/> 生產部	<input type="checkbox"/> 連附件
<input type="checkbox"/> 採購部	<input type="checkbox"/> 連附件	<input type="checkbox"/> 生產統籌部	<input type="checkbox"/> 連附件	<input type="checkbox"/> 報關組	<input type="checkbox"/> 連附件
<input type="checkbox"/> 質檢部	<input type="checkbox"/> 連附件	<input type="checkbox"/> 會計部	<input type="checkbox"/> 連附件	<input type="checkbox"/> 機械設計部	<input type="checkbox"/> 連附件
<input type="checkbox"/> 香港辦	<input type="checkbox"/> 連附件	<input type="checkbox"/> 其他:			

香港

<input type="checkbox"/> 行政部	<input type="checkbox"/> 連附件	<input type="checkbox"/> 會計部	<input type="checkbox"/> 連附件	<input type="checkbox"/> 統籌部	<input type="checkbox"/> 連附件	<input type="checkbox"/> 工程部	<input type="checkbox"/> 連附件
<input type="checkbox"/> 採購部	<input type="checkbox"/> 連附件	<input type="checkbox"/> QS部	<input type="checkbox"/> 連附件	<input checked="" type="checkbox"/> 地盤管理	<input checked="" type="checkbox"/> 連附件	<input type="checkbox"/> 維修部	<input type="checkbox"/> 連附件

*發件人簽署:		*組別成員批核簽署:	
傳遞編號:		項目經理簽署:	

# J853-香港延坪道(第二期別墅)-Curtain Wall(地盤鐵件)-分棟數量統計表

工程: J853-香港延坪道(第二期別墅)

日期: 6-Mar-24

序號	部件圖編號	總數量						備註
		HC1	HC2	HC3	HC5	HC6		
1	J853-CW-ST-501	6	5	5	5	5	26	
2	J853-CW-ST-502	1	1	1	1	1	5	
3	J853-CW-ST-503	3	3	3	3	3	15	
4	J853-CW-ST-552	60	47	47	47	47	248	
5							0	
		70	56	56	56	56	294	

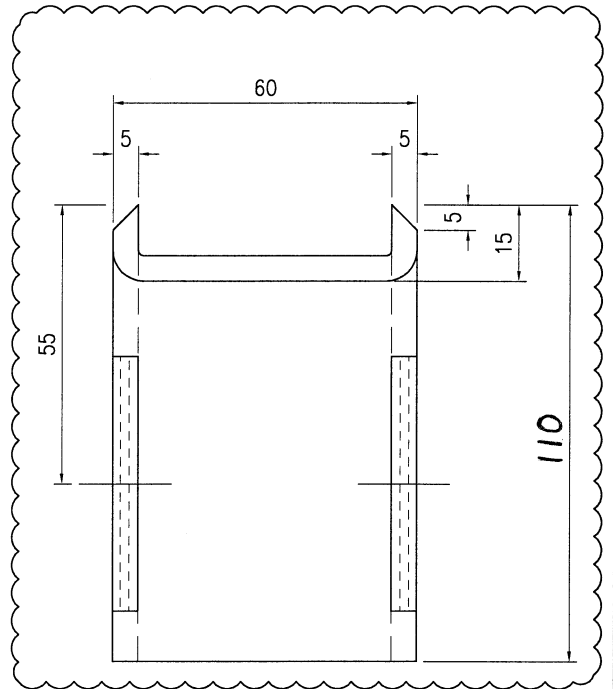
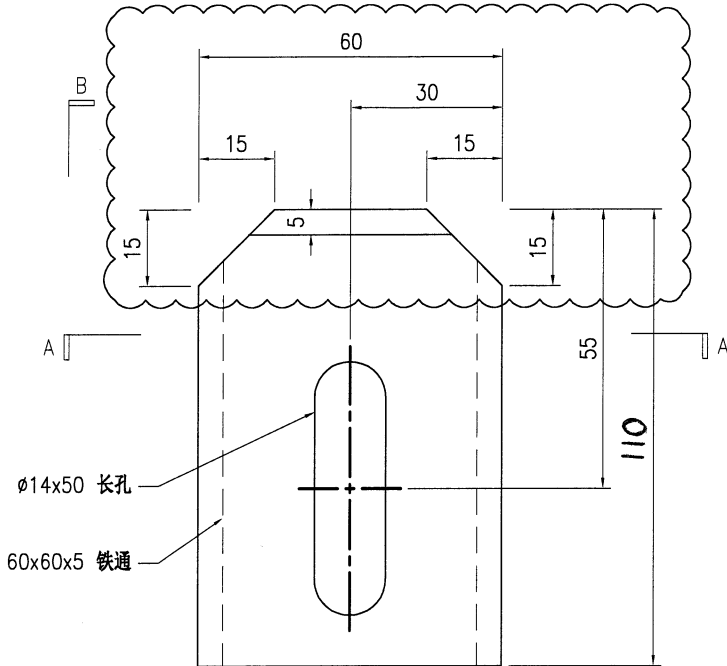




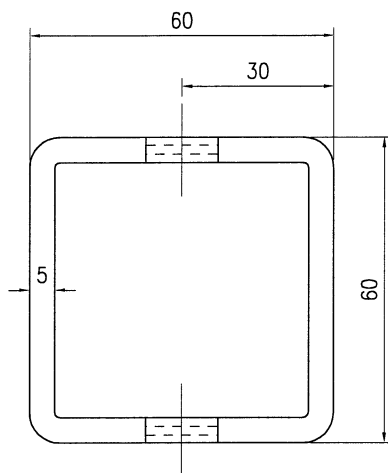
美特鋁質有限公司  
MIDI Aluminium Fabricator Ltd.

工程号	J853	制图	J.L.	25/9/23	物料号	J853-CW-ST-501	
地盘	香港延坪路	复核	-	-	图号	J853-CW-ST-501	
版本	1	名称	钢件加工图	批准	-	数量	-
日期	24/11	材料	60x60x5mm 铁通	单件重量(kg)	0.63	长度	75
采用	工厂	地盘	√	宽度	-		
颜色	-						

底已預長，地盤調節

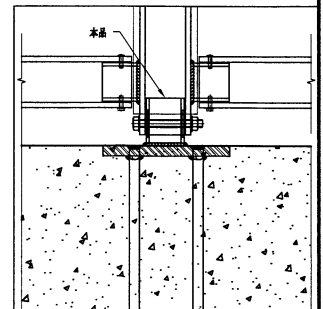


B



SECTION A-A

位置	数量
<del>HA1-HA8屋仔</del>	<del>58</del>
<del>HB1-HB6屋仔</del>	<del>72</del>
HC1-HC6屋仔	26
<del>HD1-HD7屋仔</del>	<del>30</del>



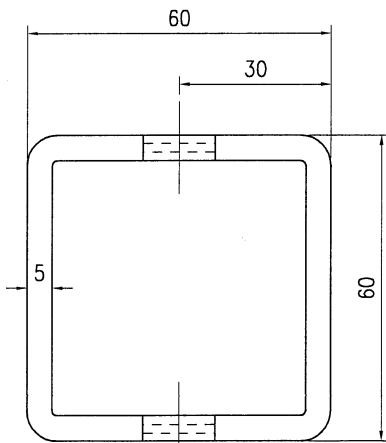
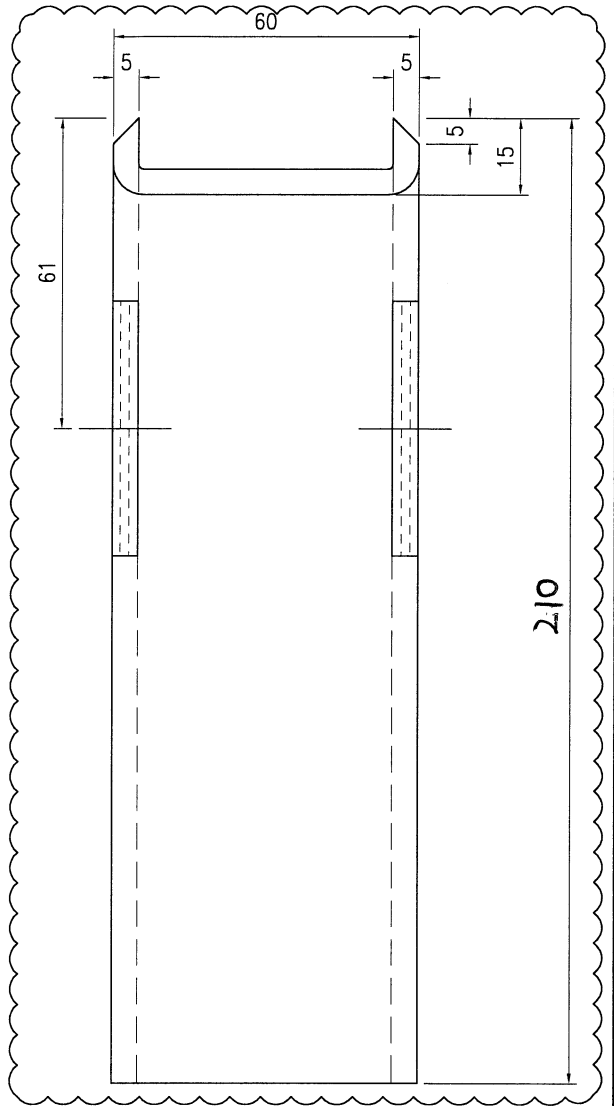
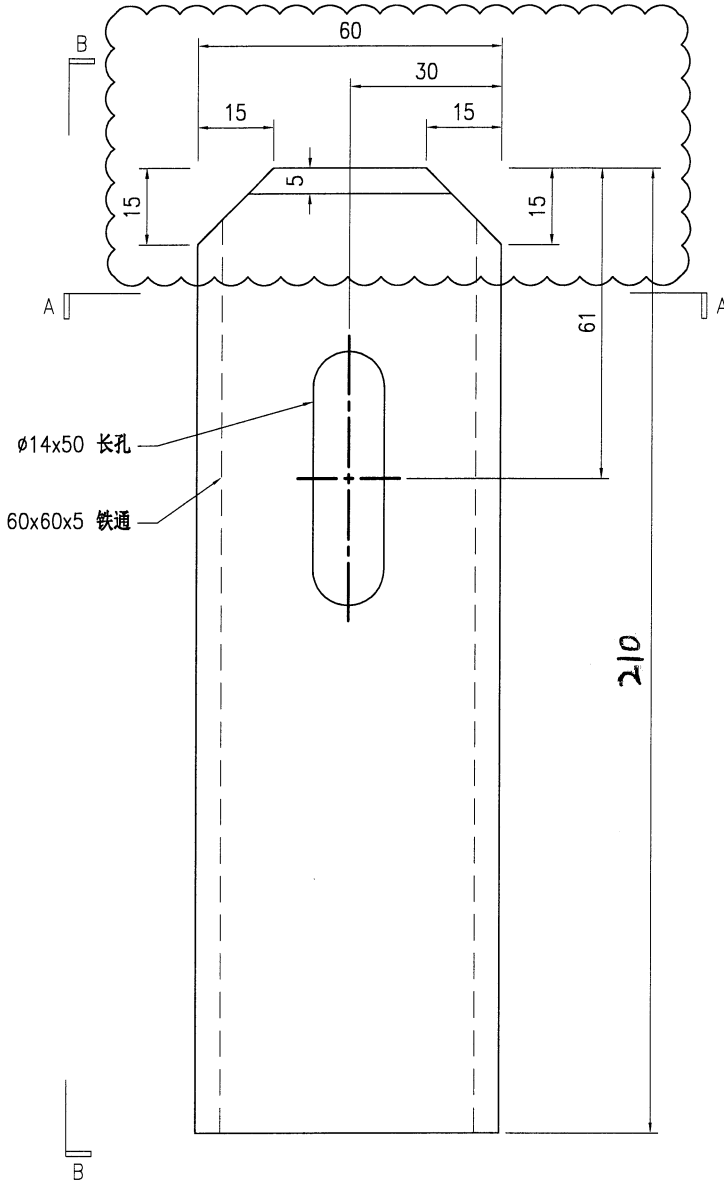
技术说明:

1. 所需材料为: 铁件; 等级为: S275;
2. 外形尺寸允许偏差为±0.5mm, 角度的允许偏差为±0.5°; 孔位的允许偏差为±0.5mm, 孔距的允许偏差为±0.5mm, 累计偏差为±0.5mm;
3. 槽口、豁口的长宽边允许偏差为+0.5mm, 中心线允许偏差都为±0.5mm;
4. " \* "为重要尺寸, 加工过程中要保证此尺寸, 加工完毕须标示代号。



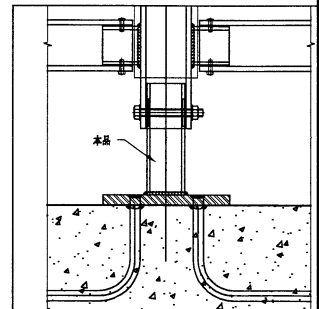
美特铝质有限公司  
MIDI Aluminium Fabricator Ltd.

工程号	J853	制图	J.L.	25/9/23	物料号	J853-CW-ST-502	
地盘	香港延坪路	复核	-	-	图号	J853-CW-ST-502	
版本	1	名称	钢件加工图	批准	-	数量	-
日期	24/11	材料	60x60x5mm 铁通	单件重量(kg)	1.47	长度	175
		颜色	-			宽度	-



底已預長, 地盤調節

位置	数量
HA1-HA8屋仔	<del>7</del>
HC1-HC6屋仔	5
HD1-HD7屋仔	<del>6</del>



技术说明:

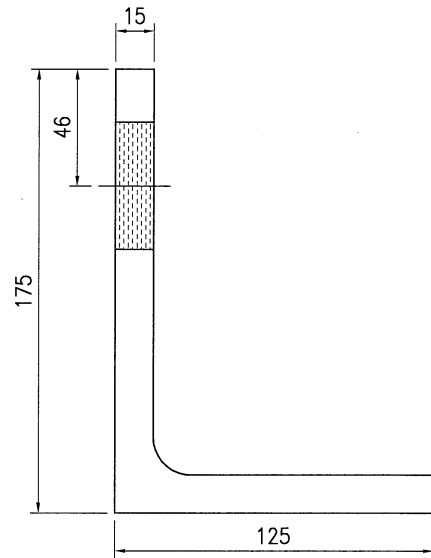
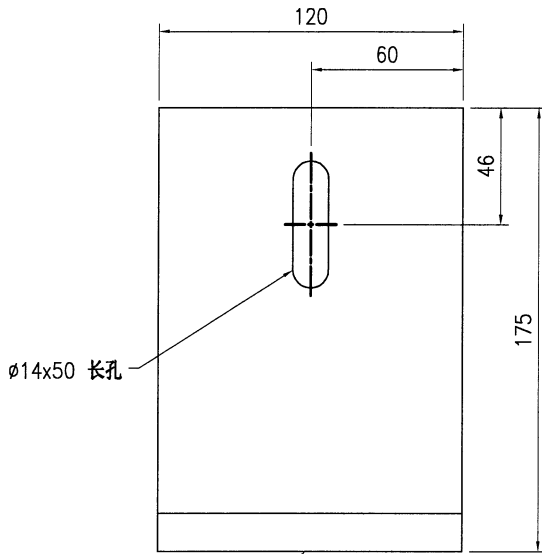
1. 所需材料为: 铁件; 等级为: S275;
2. 外形尺寸允许偏差为 $\pm 0.5$ mm, 角度的允许偏差为 $\pm 0.5^\circ$ ; 孔位的允许偏差为 $\pm 0.5$ mm, 孔距的允许偏差为 $\pm 0.5$ mm, 累计偏差为 $\pm 0.5$ mm;
3. 槽口、豁口的长宽边允许偏差为 $+0.5$ mm, 中心线允许偏差都为 $\pm 0.5$ mm;
4. " \* "为重要尺寸, 加工过程中要保证此尺寸, 加工完毕须标示代号。



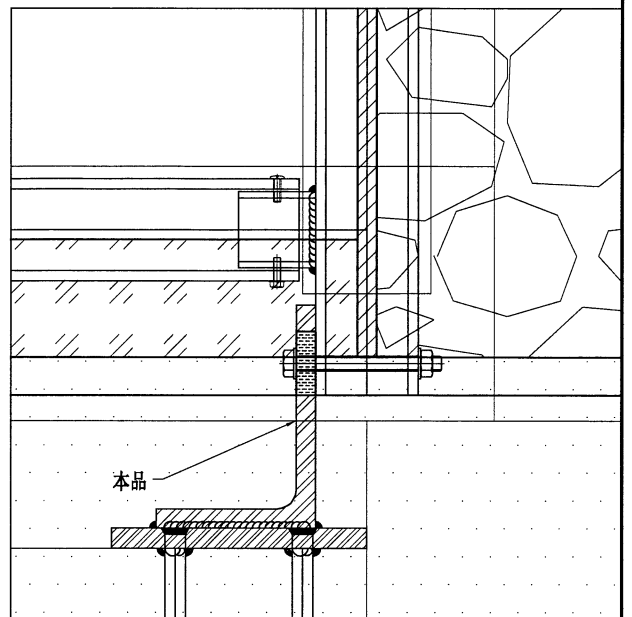
美特铝质有限公司  
MIDI Aluminium Fabricator Ltd.

工程号	J853	制图	J.L.	25/9/23	物料号	J853-CW-ST-503	
地盘	香港延坪路	复核	-	-	图号	J853-CW-ST-503	
版本		名称	钢件加工图	批准	-	数量	-
日期		材料	175x125X15mm 铁角	单件重量(kg)	4.74	长度	120
						宽度	-

位置	数量
<del>HA1-HA8屋仔</del>	<del>14</del>
HC1~HC6屋仔	15
<del>HD1-HD7屋仔</del>	<del>18</del>



175x125X15mm 铁角  
(用200x150X15mm铁角加工)



技术说明:

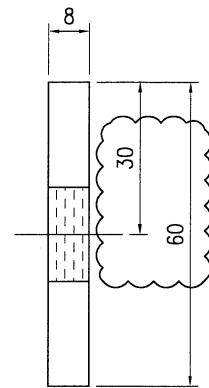
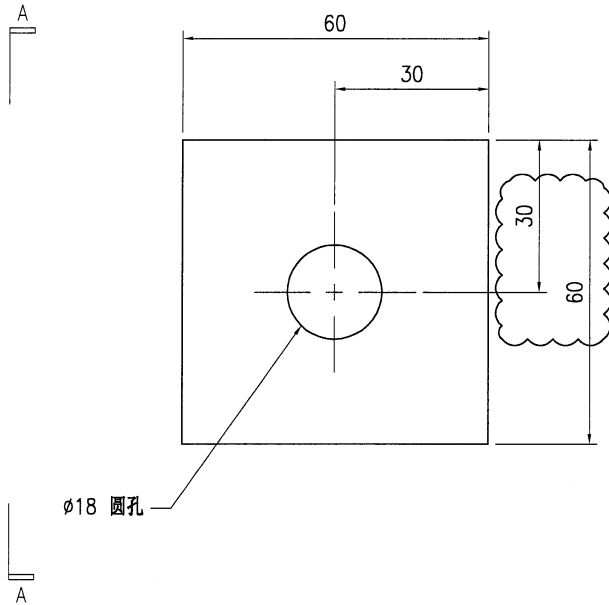
1. 所需材料为: 铁件 ; 等级为: S275 ;
2. 外形尺寸允许偏差为±0.5mm, 角度的允许偏差为±0.5°; 孔位的允许偏差为±0.5mm, 孔距的允许偏差为±0.5mm, 累计偏差为±0.5mm;
3. 槽口、豁口的长宽边允许偏差为+0.5mm, 中心线允许偏差都为±0.5mm;
4. " \* "为重要尺寸, 加工过程中要保证此尺寸, 加工完毕须标示代号。



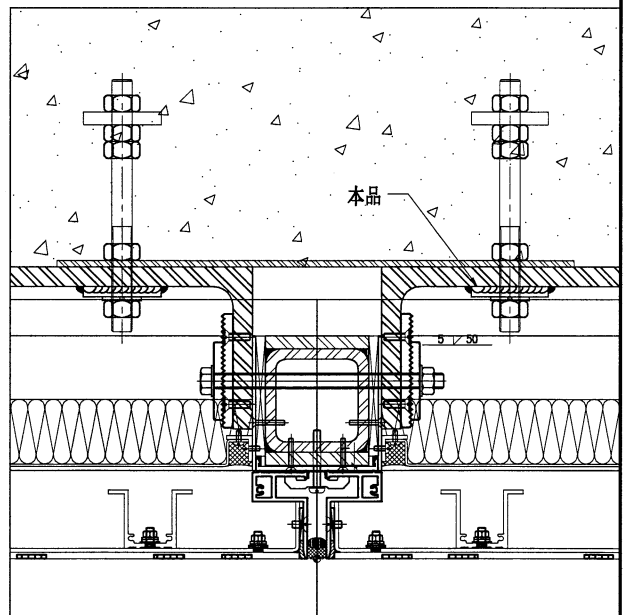
美特铝质有限公司  
MIDI Aluminium Fabricator Ltd.

工程号	J853	制图	J.L.	25/9/23	物料号	J853-CW-ST-552	
地盘	香港延坪路	复核	-	-	图号	J853-CW-ST-552	
版本	1	名称	钢件加工图	批准	-	数量	-
日期	27/11	材料	60x50x8mm 垫片	单件重量(kg)	0.36	长度	60
						宽度	-

位置	数量
<del>HA1-HA8屋仔</del>	<del>434</del>
<del>HB1-HB8屋仔</del>	<del>595</del>
HC1-HC6屋仔	250
<del>HD1-HD7屋仔</del>	<del>295</del>



SECTION A-A



技术说明:

1. 所需材料为: 铁件 ; 等级为: S275 ;
2. 外形尺寸允许偏差为±0.5mm, 角度的允许偏差为±0.5°; 孔位的允许偏差为±0.5mm, 孔距的允许偏差为±0.5mm, 累计偏差为±0.5mm;
3. 槽口、豁口的长宽边允许偏差为+0.5mm, 中心线允许偏差都为±0.5mm;
4. " \* "为重要尺寸, 加工过程中要保证此尺寸, 加工完毕须标示代号。



B.I. REF :

CLIENT :

SHIMAO GROUP  
HOLDINGS LIMITED

ARCHITECT : HONG TUNG & PARTNERS LIMITED  
ARCHITECTS & PLANNERS



MAIN CONTRACTOR :  
協興建築有限公司  
HP HING CONSTRUCTION CO LTD

STRUCTURAL ENGINEER :

CMA  
C M WONG & ASSOCIATES LTD  
黃志鴻建築工程師有限公司

FACE CONSULTANT:



NOTE:

1. ALL DIMENSIONS ARE IN MM.
2. ALL DIMENSIONS ARE VIEWED FROM OUTSIDE.
3. ALL DIMENSIONS TO BE VERIFIED ON SITE.
4. RESUME TRANSDUCION.

LEGEND:

- ① DETAIL MARK NO.
- ② REFER SHEET NO.
- 1. F.F.L. --- FINISHED FLOOR LEVEL
- 2. S.F.L. --- STRUCTURAL FLOOR LEVEL
- 3. R.F.L. --- REFERRED DETAIL
- R.C. STRUCTURAL ELEMENT
- D.W. / B.W.M / S.W.B
- IS (UNDER SEPARATED SUBMISSION)

NO.	DATE	REASON	BY
-	-	-	-
-	-	-	-

JOB NO. : J-853

PROJECT : PROPOSED RESIDENTIAL  
DEVELOPMENT AT N.K.I.L.L. 6542  
YIN PING ROAD  
KOWLOON

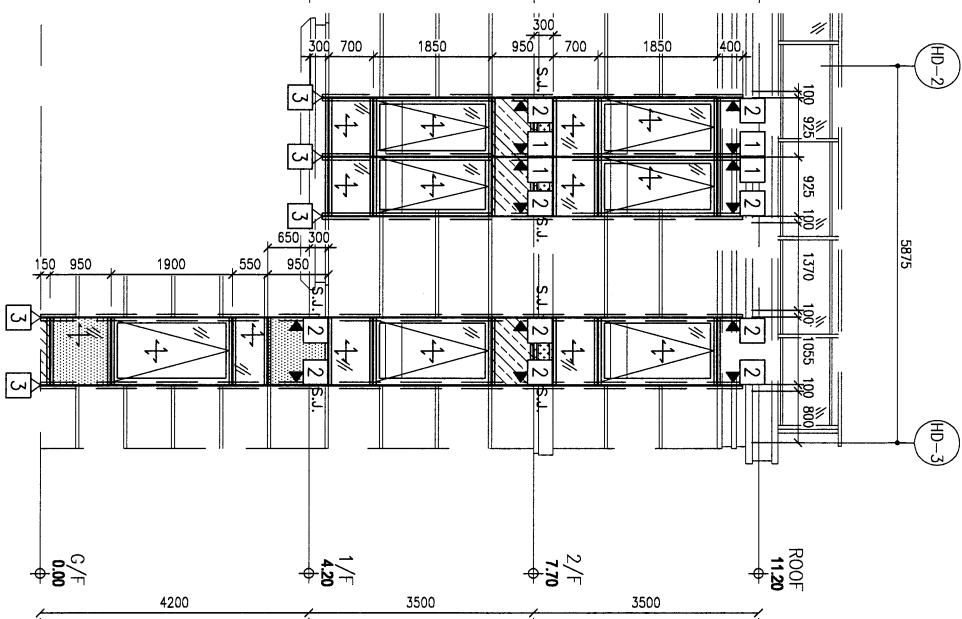
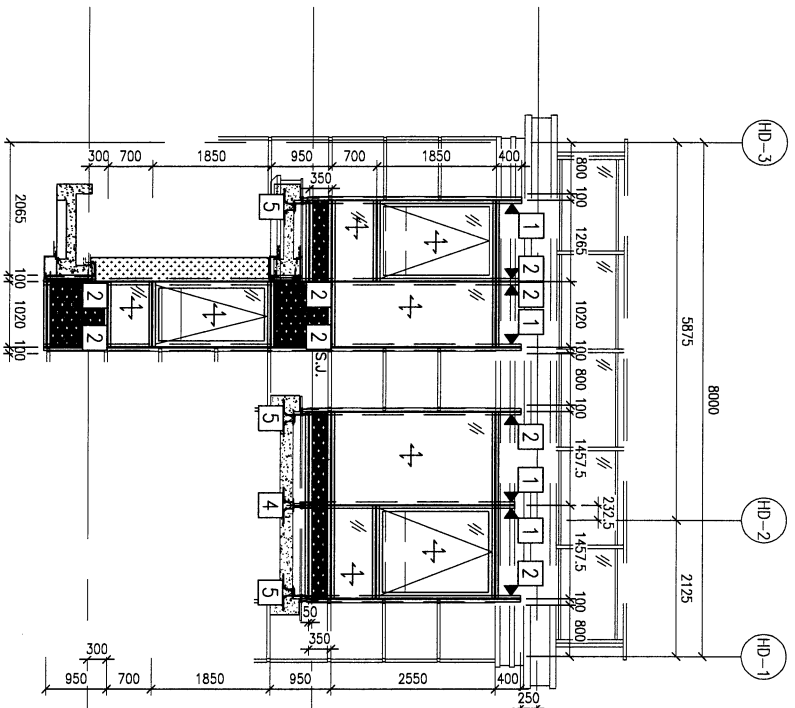
TITLE : SITE STEEL TIE DRAWING  
FOR HOUSE CURTAIN WALL  
AT HOUSE TYPE D1  
(HOUSE NO.1(102/102 & 103))  
SCALE : 1:40 (A1)

DATE : 05-03-24

CHECKED BY :

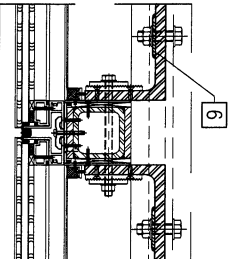
DRAWN BY : B.Z

美特銘實有限公司  
M.T.D. ALUMINIUM EXTRUSION LTD.  
Units 5-8, Sun Yee Industrial Building  
610 Chee Koo Ring Road, Kowloon  
Tel: 2489211-4 Fax: (852) 2777868  
DWG NO. : 055-110W-ST-3006



ITEM	PART NO.	QTY
1	J853-CW-BR-401	8
2	J853-CW-BR-403	18
3	J853-CW-ST-501	5
4	J853-CW-ST-502	1
5	J853-CW-ST-503	3
6	J853-CW-ST-552	44
TOTAL:		79

- LEGEND:
- ① 1 - 10mm HQT STRENGTHENED GLASS (UNITED)
  - ① 2 - 12mm HQT STRENGTHENED GLASS (UNITED)
  - ① 3 - 15mm HQT STRENGTHENED GLASS (UNITED)
  - ① 4 - 18mm HQT STRENGTHENED GLASS (UNITED)
  - ① 5 - 20mm HQT STRENGTHENED GLASS (UNITED)
  - ① 6 - 25mm HQT STRENGTHENED GLASS (UNITED)
  - ② 1 - 10mm HQT STRENGTHENED GLASS (UNITED)
  - ② 2 - 12mm HQT STRENGTHENED GLASS (UNITED)
  - ② 3 - 15mm HQT STRENGTHENED GLASS (UNITED)
  - ② 4 - 18mm HQT STRENGTHENED GLASS (UNITED)
  - ② 5 - 20mm HQT STRENGTHENED GLASS (UNITED)
  - ② 6 - 25mm HQT STRENGTHENED GLASS (UNITED)
  - ③ 1 - 10mm HQT STRENGTHENED GLASS (UNITED)
  - ③ 2 - 12mm HQT STRENGTHENED GLASS (UNITED)
  - ③ 3 - 15mm HQT STRENGTHENED GLASS (UNITED)
  - ③ 4 - 18mm HQT STRENGTHENED GLASS (UNITED)
  - ③ 5 - 20mm HQT STRENGTHENED GLASS (UNITED)
  - ③ 6 - 25mm HQT STRENGTHENED GLASS (UNITED)
  - ④ 1 - 10mm HQT STRENGTHENED GLASS (UNITED)
  - ④ 2 - 12mm HQT STRENGTHENED GLASS (UNITED)
  - ④ 3 - 15mm HQT STRENGTHENED GLASS (UNITED)
  - ④ 4 - 18mm HQT STRENGTHENED GLASS (UNITED)
  - ④ 5 - 20mm HQT STRENGTHENED GLASS (UNITED)
  - ④ 6 - 25mm HQT STRENGTHENED GLASS (UNITED)
  - ⑤ 1 - 10mm HQT STRENGTHENED GLASS (UNITED)
  - ⑤ 2 - 12mm HQT STRENGTHENED GLASS (UNITED)
  - ⑤ 3 - 15mm HQT STRENGTHENED GLASS (UNITED)
  - ⑤ 4 - 18mm HQT STRENGTHENED GLASS (UNITED)
  - ⑤ 5 - 20mm HQT STRENGTHENED GLASS (UNITED)
  - ⑤ 6 - 25mm HQT STRENGTHENED GLASS (UNITED)
  - ⑥ 1 - 10mm HQT STRENGTHENED GLASS (UNITED)
  - ⑥ 2 - 12mm HQT STRENGTHENED GLASS (UNITED)
  - ⑥ 3 - 15mm HQT STRENGTHENED GLASS (UNITED)
  - ⑥ 4 - 18mm HQT STRENGTHENED GLASS (UNITED)
  - ⑥ 5 - 20mm HQT STRENGTHENED GLASS (UNITED)
  - ⑥ 6 - 25mm HQT STRENGTHENED GLASS (UNITED)
  - ⑦ 1 - 10mm HQT STRENGTHENED GLASS (UNITED)
  - ⑦ 2 - 12mm HQT STRENGTHENED GLASS (UNITED)
  - ⑦ 3 - 15mm HQT STRENGTHENED GLASS (UNITED)
  - ⑦ 4 - 18mm HQT STRENGTHENED GLASS (UNITED)
  - ⑦ 5 - 20mm HQT STRENGTHENED GLASS (UNITED)
  - ⑦ 6 - 25mm HQT STRENGTHENED GLASS (UNITED)
  - ⑧ 1 - 10mm HQT STRENGTHENED GLASS (UNITED)
  - ⑧ 2 - 12mm HQT STRENGTHENED GLASS (UNITED)
  - ⑧ 3 - 15mm HQT STRENGTHENED GLASS (UNITED)
  - ⑧ 4 - 18mm HQT STRENGTHENED GLASS (UNITED)
  - ⑧ 5 - 20mm HQT STRENGTHENED GLASS (UNITED)
  - ⑧ 6 - 25mm HQT STRENGTHENED GLASS (UNITED)
  - ⑨ 1 - 10mm HQT STRENGTHENED GLASS (UNITED)
  - ⑨ 2 - 12mm HQT STRENGTHENED GLASS (UNITED)
  - ⑨ 3 - 15mm HQT STRENGTHENED GLASS (UNITED)
  - ⑨ 4 - 18mm HQT STRENGTHENED GLASS (UNITED)
  - ⑨ 5 - 20mm HQT STRENGTHENED GLASS (UNITED)
  - ⑨ 6 - 25mm HQT STRENGTHENED GLASS (UNITED)
  - ⑩ 1 - 10mm HQT STRENGTHENED GLASS (UNITED)
  - ⑩ 2 - 12mm HQT STRENGTHENED GLASS (UNITED)
  - ⑩ 3 - 15mm HQT STRENGTHENED GLASS (UNITED)
  - ⑩ 4 - 18mm HQT STRENGTHENED GLASS (UNITED)
  - ⑩ 5 - 20mm HQT STRENGTHENED GLASS (UNITED)
  - ⑩ 6 - 25mm HQT STRENGTHENED GLASS (UNITED)
  - ⑪ 1 - 10mm HQT STRENGTHENED GLASS (UNITED)
  - ⑪ 2 - 12mm HQT STRENGTHENED GLASS (UNITED)
  - ⑪ 3 - 15mm HQT STRENGTHENED GLASS (UNITED)
  - ⑪ 4 - 18mm HQT STRENGTHENED GLASS (UNITED)
  - ⑪ 5 - 20mm HQT STRENGTHENED GLASS (UNITED)
  - ⑪ 6 - 25mm HQT STRENGTHENED GLASS (UNITED)
  - ⑫ 1 - 10mm HQT STRENGTHENED GLASS (UNITED)
  - ⑫ 2 - 12mm HQT STRENGTHENED GLASS (UNITED)
  - ⑫ 3 - 15mm HQT STRENGTHENED GLASS (UNITED)
  - ⑫ 4 - 18mm HQT STRENGTHENED GLASS (UNITED)
  - ⑫ 5 - 20mm HQT STRENGTHENED GLASS (UNITED)
  - ⑫ 6 - 25mm HQT STRENGTHENED GLASS (UNITED)
  - ⑬ 1 - 10mm HQT STRENGTHENED GLASS (UNITED)
  - ⑬ 2 - 12mm HQT STRENGTHENED GLASS (UNITED)
  - ⑬ 3 - 15mm HQT STRENGTHENED GLASS (UNITED)
  - ⑬ 4 - 18mm HQT STRENGTHENED GLASS (UNITED)
  - ⑬ 5 - 20mm HQT STRENGTHENED GLASS (UNITED)
  - ⑬ 6 - 25mm HQT STRENGTHENED GLASS (UNITED)
  - ⑭ 1 - 10mm HQT STRENGTHENED GLASS (UNITED)
  - ⑭ 2 - 12mm HQT STRENGTHENED GLASS (UNITED)
  - ⑭ 3 - 15mm HQT STRENGTHENED GLASS (UNITED)
  - ⑭ 4 - 18mm HQT STRENGTHENED GLASS (UNITED)
  - ⑭ 5 - 20mm HQT STRENGTHENED GLASS (UNITED)
  - ⑭ 6 - 25mm HQT STRENGTHENED GLASS (UNITED)
  - ⑮ 1 - 10mm HQT STRENGTHENED GLASS (UNITED)
  - ⑮ 2 - 12mm HQT STRENGTHENED GLASS (UNITED)
  - ⑮ 3 - 15mm HQT STRENGTHENED GLASS (UNITED)
  - ⑮ 4 - 18mm HQT STRENGTHENED GLASS (UNITED)
  - ⑮ 5 - 20mm HQT STRENGTHENED GLASS (UNITED)
  - ⑮ 6 - 25mm HQT STRENGTHENED GLASS (UNITED)
  - ⑯ 7 - 10mm HQT STRENGTHENED GLASS (UNITED)
  - ⑯ 8 - 10mm HQT STRENGTHENED GLASS (UNITED)
  - ⑯ 9 - 10mm HQT STRENGTHENED GLASS (UNITED)
  - ⑯ 10 - 10mm HQT STRENGTHENED GLASS (UNITED)
  - ⑯ 11 - 10mm HQT STRENGTHENED GLASS (UNITED)
  - ⑯ 12 - 10mm HQT STRENGTHENED GLASS (UNITED)
  - ⑯ 13 - 10mm HQT STRENGTHENED GLASS (UNITED)
  - ⑯ 14 - 10mm HQT STRENGTHENED GLASS (UNITED)
  - ⑯ 15 - 10mm HQT STRENGTHENED GLASS (UNITED)
  - ⑯ 16 - 10mm HQT STRENGTHENED GLASS (UNITED)
  - ⑯ 17 - 10mm HQT STRENGTHENED GLASS (UNITED)
  - ⑯ 18 - 10mm HQT STRENGTHENED GLASS (UNITED)
  - ⑯ 19 - 10mm HQT STRENGTHENED GLASS (UNITED)
  - ⑯ 20 - 10mm HQT STRENGTHENED GLASS (UNITED)
  - ⑯ 21 - 10mm HQT STRENGTHENED GLASS (UNITED)
  - ⑯ 22 - 10mm HQT STRENGTHENED GLASS (UNITED)
  - ⑯ 23 - 10mm HQT STRENGTHENED GLASS (UNITED)
  - ⑯ 24 - 10mm HQT STRENGTHENED GLASS (UNITED)
  - ⑯ 25 - 10mm HQT STRENGTHENED GLASS (UNITED)
  - ⑯ 26 - 10mm HQT STRENGTHENED GLASS (UNITED)
  - ⑯ 27 - 10mm HQT STRENGTHENED GLASS (UNITED)
  - ⑯ 28 - 10mm HQT STRENGTHENED GLASS (UNITED)
  - ⑯ 29 - 10mm HQT STRENGTHENED GLASS (UNITED)
  - ⑯ 30 - 10mm HQT STRENGTHENED GLASS (UNITED)
  - ⑯ 31 - 10mm HQT STRENGTHENED GLASS (UNITED)
  - ⑯ 32 - 10mm HQT STRENGTHENED GLASS (UNITED)
  - ⑯ 33 - 10mm HQT STRENGTHENED GLASS (UNITED)
  - ⑯ 34 - 10mm HQT STRENGTHENED GLASS (UNITED)
  - ⑯ 35 - 10mm HQT STRENGTHENED GLASS (UNITED)
  - ⑯ 36 - 10mm HQT STRENGTHENED GLASS (UNITED)
  - ⑯ 37 - 10mm HQT STRENGTHENED GLASS (UNITED)
  - ⑯ 38 - 10mm HQT STRENGTHENED GLASS (UNITED)
  - ⑯ 39 - 10mm HQT STRENGTHENED GLASS (UNITED)
  - ⑯ 40 - 10mm HQT STRENGTHENED GLASS (UNITED)
  - ⑯ 41 - 10mm HQT STRENGTHENED GLASS (UNITED)
  - ⑯ 42 - 10mm HQT STRENGTHENED GLASS (UNITED)
  - ⑯ 43 - 10mm HQT STRENGTHENED GLASS (UNITED)
  - ⑯ 44 - 10mm HQT STRENGTHENED GLASS (UNITED)
  - ⑯ 45 - 10mm HQT STRENGTHENED GLASS (UNITED)
  - ⑯ 46 - 10mm HQT STRENGTHENED GLASS (UNITED)
  - ⑯ 47 - 10mm HQT STRENGTHENED GLASS (UNITED)
  - ⑯ 48 - 10mm HQT STRENGTHENED GLASS (UNITED)
  - ⑯ 49 - 10mm HQT STRENGTHENED GLASS (UNITED)
  - ⑯ 50 - 10mm HQT STRENGTHENED GLASS (UNITED)
  - ⑯ 51 - 10mm HQT STRENGTHENED GLASS (UNITED)
  - ⑯ 52 - 10mm HQT STRENGTHENED GLASS (UNITED)
  - ⑯ 53 - 10mm HQT STRENGTHENED GLASS (UNITED)
  - ⑯ 54 - 10mm HQT STRENGTHENED GLASS (UNITED)
  - ⑯ 55 - 10mm HQT STRENGTHENED GLASS (UNITED)
  - ⑯ 56 - 10mm HQT STRENGTHENED GLASS (UNITED)
  - ⑯ 57 - 10mm HQT STRENGTHENED GLASS (UNITED)
  - ⑯ 58 - 10mm HQT STRENGTHENED GLASS (UNITED)
  - ⑯ 59 - 10mm HQT STRENGTHENED GLASS (UNITED)
  - ⑯ 60 - 10mm HQT STRENGTHENED GLASS (UNITED)
  - ⑯ 61 - 10mm HQT STRENGTHENED GLASS (UNITED)
  - ⑯ 62 - 10mm HQT STRENGTHENED GLASS (UNITED)
  - ⑯ 63 - 10mm HQT STRENGTHENED GLASS (UNITED)
  - ⑯ 64 - 10mm HQT STRENGTHENED GLASS (UNITED)
  - ⑯ 65 - 10mm HQT STRENGTHENED GLASS (UNITED)
  - ⑯ 66 - 10mm HQT STRENGTHENED GLASS (UNITED)
  - ⑯ 67 - 10mm HQT STRENGTHENED GLASS (UNITED)
  - ⑯ 68 - 10mm HQT STRENGTHENED GLASS (UNITED)
  - ⑯ 69 - 10mm HQT STRENGTHENED GLASS (UNITED)
  - ⑯ 70 - 10mm HQT STRENGTHENED GLASS (UNITED)
  - ⑯ 71 - 10mm HQT STRENGTHENED GLASS (UNITED)
  - ⑯ 72 - 10mm HQT STRENGTHENED GLASS (UNITED)
  - ⑯ 73 - 10mm HQT STRENGTHENED GLASS (UNITED)
  - ⑯ 74 - 10mm HQT STRENGTHENED GLASS (UNITED)
  - ⑯ 75 - 10mm HQT STRENGTHENED GLASS (UNITED)
  - ⑯ 76 - 10mm HQT STRENGTHENED GLASS (UNITED)
  - ⑯ 77 - 10mm HQT STRENGTHENED GLASS (UNITED)
  - ⑯ 78 - 10mm HQT STRENGTHENED GLASS (UNITED)
  - ⑯ 79 - 10mm HQT STRENGTHENED GLASS (UNITED)
  - ⑯ 80 - 10mm HQT STRENGTHENED GLASS (UNITED)
  - ⑯ 81 - 10mm HQT STRENGTHENED GLASS (UNITED)
  - ⑯ 82 - 10mm HQT STRENGTHENED GLASS (UNITED)
  - ⑯ 83 - 10mm HQT STRENGTHENED GLASS (UNITED)
  - ⑯ 84 - 10mm HQT STRENGTHENED GLASS (UNITED)
  - ⑯ 85 - 10mm HQT STRENGTHENED GLASS (UNITED)
  - ⑯ 86 - 10mm HQT STRENGTHENED GLASS (UNITED)
  - ⑯ 87 - 10mm HQT STRENGTHENED GLASS (UNITED)
  - ⑯ 88 - 10mm HQT STRENGTHENED GLASS (UNITED)
  - ⑯ 89 - 10mm HQT STRENGTHENED GLASS (UNITED)
  - ⑯ 90 - 10mm HQT STRENGTHENED GLASS (UNITED)
  - ⑯ 91 - 10mm HQT STRENGTHENED GLASS (UNITED)
  - ⑯ 92 - 10mm HQT STRENGTHENED GLASS (UNITED)
  - ⑯ 93 - 10mm HQT STRENGTHENED GLASS (UNITED)
  - ⑯ 94 - 10mm HQT STRENGTHENED GLASS (UNITED)
  - ⑯ 95 - 10mm HQT STRENGTHENED GLASS (UNITED)
  - ⑯ 96 - 10mm HQT STRENGTHENED GLASS (UNITED)
  - ⑯ 97 - 10mm HQT STRENGTHENED GLASS (UNITED)
  - ⑯ 98 - 10mm HQT STRENGTHENED GLASS (UNITED)
  - ⑯ 99 - 10mm HQT STRENGTHENED GLASS (UNITED)
  - ⑯ 100 - 10mm HQT STRENGTHENED GLASS (UNITED)





BA. REF. :

CLIENT : SHIMAO GROUP HOLDINGS LIMITED

ARCHITECT : HONG TUNG & PARTNERS LIMITED

STRUCTURAL ENGINEER : C M WONG & ASSOCIATES LTD

FACE CONSULTANT : HYP HING CONSTRUCTION CO LTD

MAIN CONTRACTOR : 協興建築有限公司

NOTE: 1. ALL DIMENSIONS ARE IN mm. 2. ALL DIMENSIONS ARE UNLESS OTHERWISE SPECIFIED. 3. ALL DIMENSIONS TO BE VERIFIED ON SITE BEFORE FABRICATION.

LEGEND: 1. DETAIL WORK NO. 2. REFER SHEET NO. 3. FINISHED FLOOR LEVEL. 4. STRUCTURAL FLOOR LEVEL. 5. REVERSED DETAIL. R.C. STRUCTURAL ELEMENT. C.D.L. / BEAM / SUB. IS (UNDER SEPARATED SUBMISSION)

Table with columns: NO., DATE, REVISION, BR. Includes project details like 'PROPOSED RESIDENTIAL DEVELOPMENT AT N.K.I.L. 6542' and company information for 'YIN PING ROAD KOWLOON'.

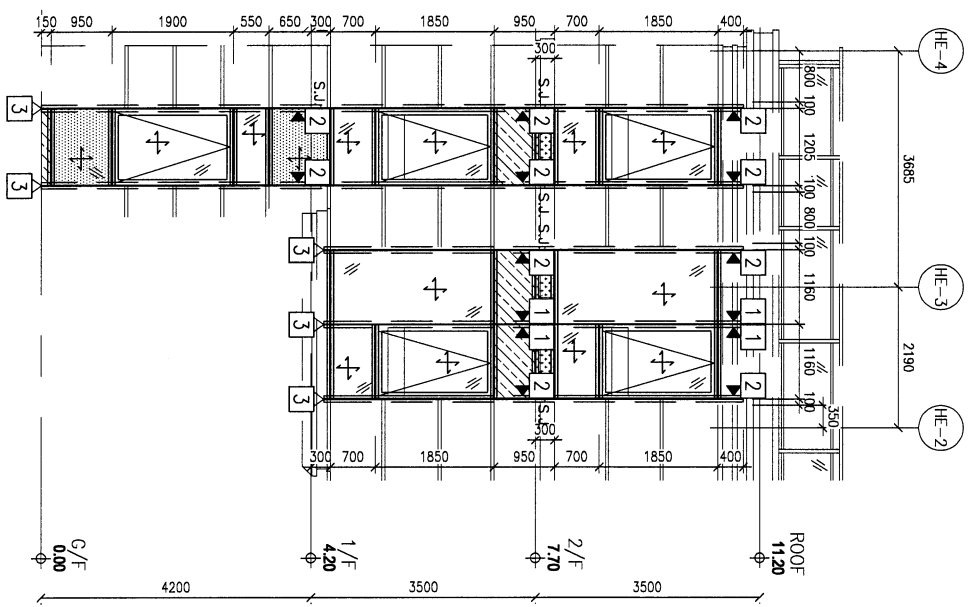
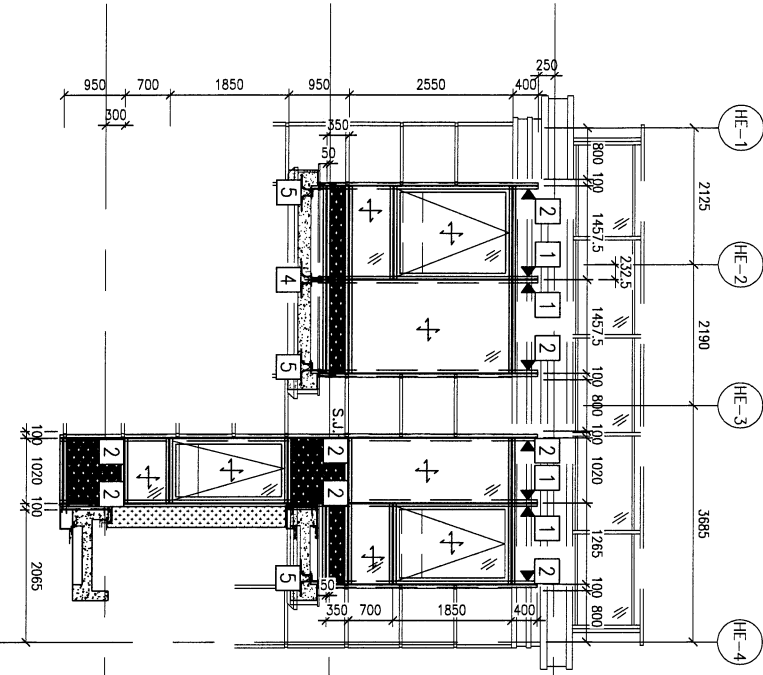


Table titled '一棟樓的用量' (Quantity for one building). Columns: ITEM, PART NO., QTY. Lists items like 'J853-CW-BR-401' and 'J853-CW-ST-501'.



LEGEND: [K1] 10mm LIGHT STRENGTHENED GLASS (OUTER) + 12mm AIR GAP + 10mm THK. TEMPERED GLASS (INNER) ... [S.I.] - STICK AIR

