

工程指示 / 要求簡箋 ENGINEER INSTRUCTIONS(E.I.)

工程指示編號:	EI-7176	修改版本:	-
	HK-2997 / 23		
工程編號:	J 853	工程名稱:	延坪道 (第2期)
收件人:	Maggie Lor	發件人:	Joe Chan
工程項目:	Row A 後裝窗地盤 用鐵件生產 (紅色)	日期:	27/12/2023

<input type="checkbox"/> 原合約工程包	<input type="checkbox"/> 原合約工程加 / 減賬 QT-	<input type="checkbox"/> 新工程報價 QT-
---------------------------------	--	------------------------------------

信件批核號碼/圖紙參考編號:	批核模具圖紙編號:
客戶指示附件:	管理內部批簽署:

<input type="checkbox"/> 初步鋁料 B.M.	<input type="checkbox"/> 加工拆圖, 然後生產	<input type="checkbox"/> 尺寸表
<input type="checkbox"/> 正式鋁料 B.M.	<input type="checkbox"/> 技術上資料/指示	<input type="checkbox"/> 報價
<input type="checkbox"/> 配件 B.M.	<input type="checkbox"/> 樣辦或貨品說明書	<input type="checkbox"/> 分判合約
<input type="checkbox"/> 其他:		

內容: 請依附件資料, 生產 GMS 鐵件, 送地盤.

- HA1, HA3, HA5, HA6, HA7 及 HA8 之鐵件.

- 請分屋包裝出貨.

廠驗焊: 10% 磁粉, 100% 目測

驗焊報告名: In-situ Window for House

完成上列要求日期: 15/1/2024.

國內

<input type="checkbox"/> 生產技術總監	<input type="checkbox"/> 連附件	<input checked="" type="checkbox"/> 技術部	<input checked="" type="checkbox"/> 連附件	<input type="checkbox"/> 生產部	<input type="checkbox"/> 連附件
<input type="checkbox"/> 採購部	<input type="checkbox"/> 連附件	<input type="checkbox"/> 生產統籌部	<input type="checkbox"/> 連附件	<input type="checkbox"/> 報關組	<input type="checkbox"/> 連附件
<input type="checkbox"/> 質檢部	<input type="checkbox"/> 連附件	<input type="checkbox"/> 會計部	<input type="checkbox"/> 連附件	<input type="checkbox"/> 機械設計部	<input type="checkbox"/> 連附件
<input type="checkbox"/> 香港辦	<input type="checkbox"/> 連附件	<input type="checkbox"/> 其他:			

香港

<input type="checkbox"/> 行政部	<input type="checkbox"/> 連附件	<input type="checkbox"/> 會計部	<input type="checkbox"/> 連附件	<input type="checkbox"/> 統籌部	<input type="checkbox"/> 連附件	<input type="checkbox"/> 工程部	<input type="checkbox"/> 連附件
<input type="checkbox"/> 採購部	<input type="checkbox"/> 連附件	<input type="checkbox"/> QS部	<input type="checkbox"/> 連附件	<input checked="" type="checkbox"/> 地盤管理	<input checked="" type="checkbox"/> 連附件	<input type="checkbox"/> 維修部	<input type="checkbox"/> 連附件

*發件人簽署:		*組別成員批核簽署:	
傳遞編號:	HK 2997 / 23	項目經理簽署:	

圖則登記表
DRAWING REGISTER

接收日期 Receiving Date (適用於客戶圖則)			
工程名稱 Project Title: 延平道二期	年		
HA排後裝門窗鐵件 (地盤用)	月		
工程編號 Project No: J-853	日		
分發予 Distributed To			
		年	23
		月	12
		日	25
圖則編號 Drg. No.	圖則名稱 Drawing Title	修訂編號 Revision No.	
BK1	鐵件拆圖	1	-
BK1-2	鐵件拆圖	2	-
BK1A	鐵件拆圖	3	-
BK3-2	鐵件拆圖	4	-
BK6	鐵件拆圖	5	-
J853-SD-HIW-2101	鐵件位置圖	6	-
J853-SD-HIW-2102	鐵件位置圖	7	-
J853-SD-HIW-2103	鐵件位置圖	8	-
J853-SD-HIW-2108	鐵件位置圖	9	-
J853-SD-HIW-2114	鐵件位置圖	10	-

J853-香港延坪道(第二期別墅)-Glass Balustrade-工厂用铁件分栋数量统计表

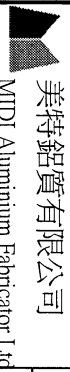
工程：J853-香港延坪道(第二期別墅)

日期：14-Dec-23

Rev: A

序号	部件图编号	HA1	HA2	HA3	HA5	HA6	HA7	HA8	总数量	备注
		1	BK1	3		3	3	3		
2	BK1-2	1		1	1	1	1	1	6	
3	BK1A	2		2	2	2	2	2	12	
4	BK3-2	4		4	4	4	4	4	24	
5	BK6	4		4	4	4	4	4	24	
6	BK6-2	8		8	8	8	8	8	48	鐵介
7										
8										
9										
		22	0	22	22	22	22	22	132	

HA2 之鐵件 EIT132 已生產



美特鋁質有限公司

MIDI Aluminium Fabricator Ltd

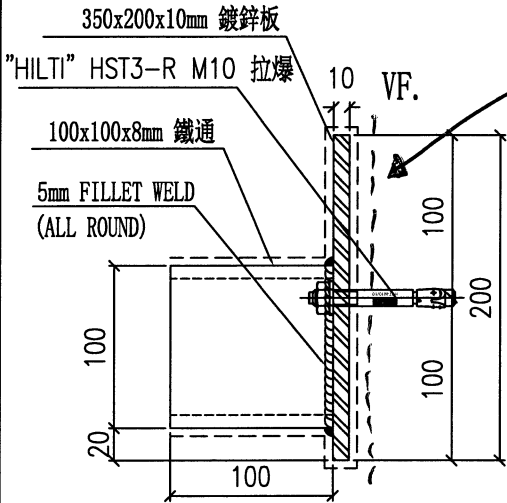
工程號：J-853	計算：劉龍浩	日期：2023. 12. 24	送呈：胡哥
地盤名稱：延平道二期	核對：謝永林	日期：2023. 12. 25	副本：
項目類別：HA非後裝門窗鐵件	批准：	日期：	總重量： 307.08 KG

A/C Code: 此BM依據拆圖資料計算

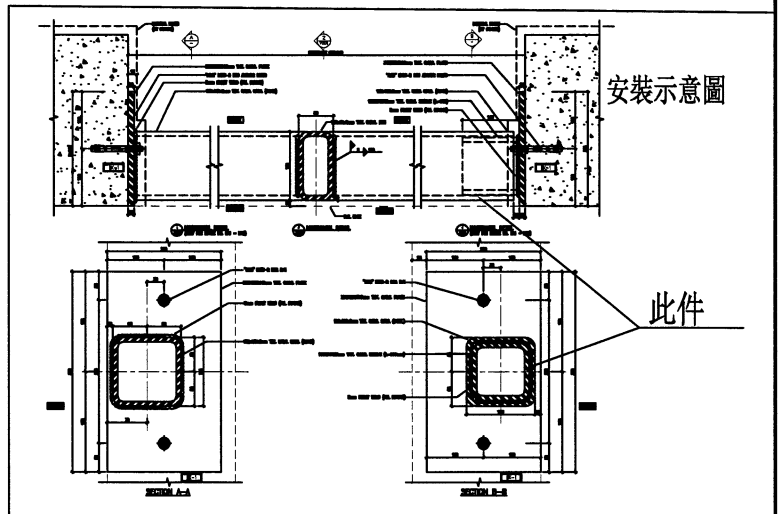
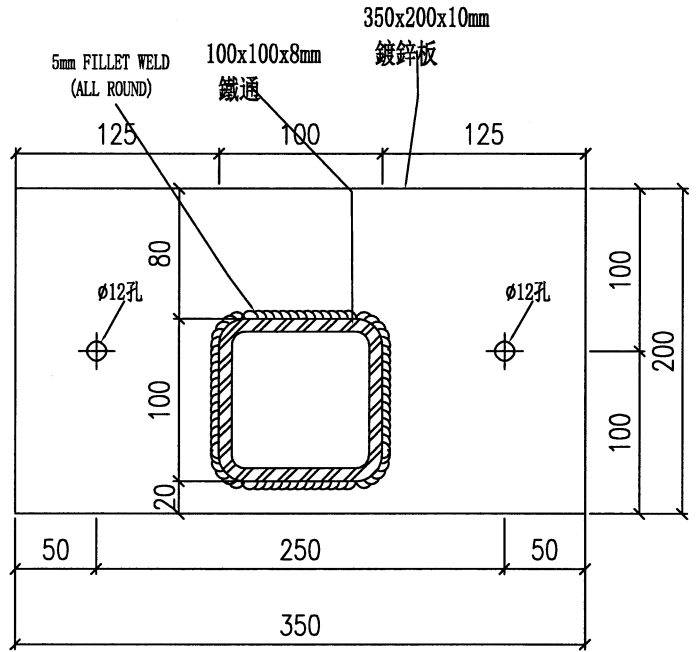
序號	修改 標示	物料編號	配件名稱	顏色	實用	後備	總數	單位	單件重量	總重量	備注
								件	KG		
1		BK1	鐵件拆圖	熱浸鋅/涂瀝青油	18	0	18	件	7.677	138.180	
2		BK1-2	鐵件拆圖	熱浸鋅/涂瀝青油	6	0	6	件	6.625	39.752	
3		BK1A	鐵件拆圖	熱浸鋅/涂瀝青油	12	0	12	件	5.252	63.020	
4		BK3-2	鐵件拆圖	熱浸鋅/涂瀝青油	24	0	24	件	0.746	17.898	
5		BK6	鐵件拆圖	熱浸鋅/涂瀝青油	24	0	24	件	1.884	45.216	
6		BK6-2	鐵件拆圖	熱浸鋅/涂瀝青油	48	0	48	件	0.063	3.014	
						合計：	132	件	合計：	307.08	

物料編號	數量	樓層	施工圖位置	使用窗號	MIRROR	Facade
BK1	2	G/F	J853-SD-HIW-2101	WA.01A		HA7,HA8
BK1	4	G/F	J853-SD-HIW-2101	WA.01A1	MIRROR	HA1,HA3,HA5,HA6
BK1	2	G/F	J853-SD-HIW-2102	WA.02A		HA7,HA8
BK1	2	G/F	J853-SD-HIW-2102	WA.10A		HA7,HA8
BK1	4	G/F	J853-SD-HIW-2102	WA.02A1		HA1,HA3,HA5,HA6
BK1	4	G/F	J853-SD-HIW-2102	WA.10A1		HA1,HA3,HA5,HA6
合計	18					

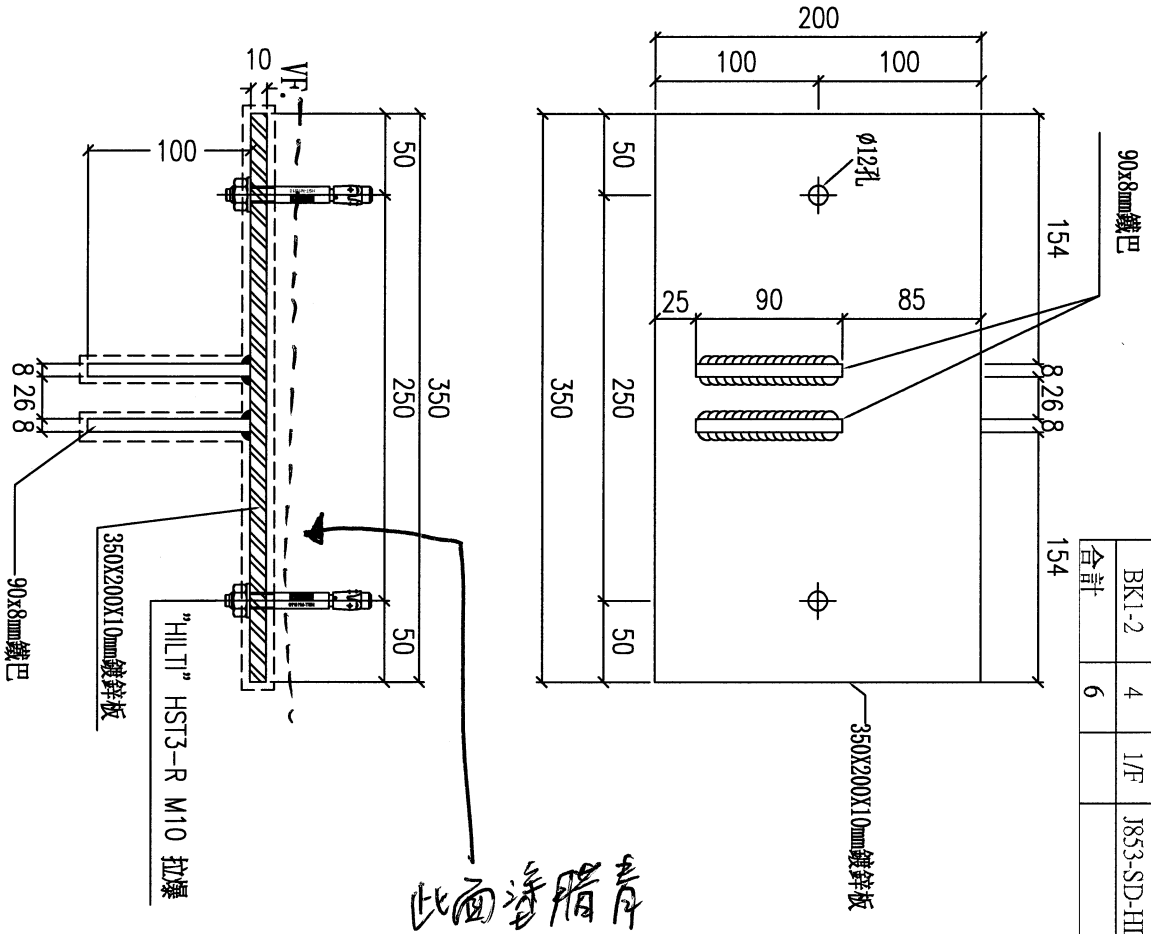
工程號 J-853 地盤 延平道二期



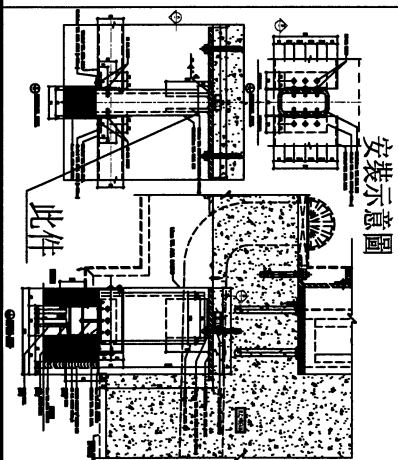
此面
塗瀝青



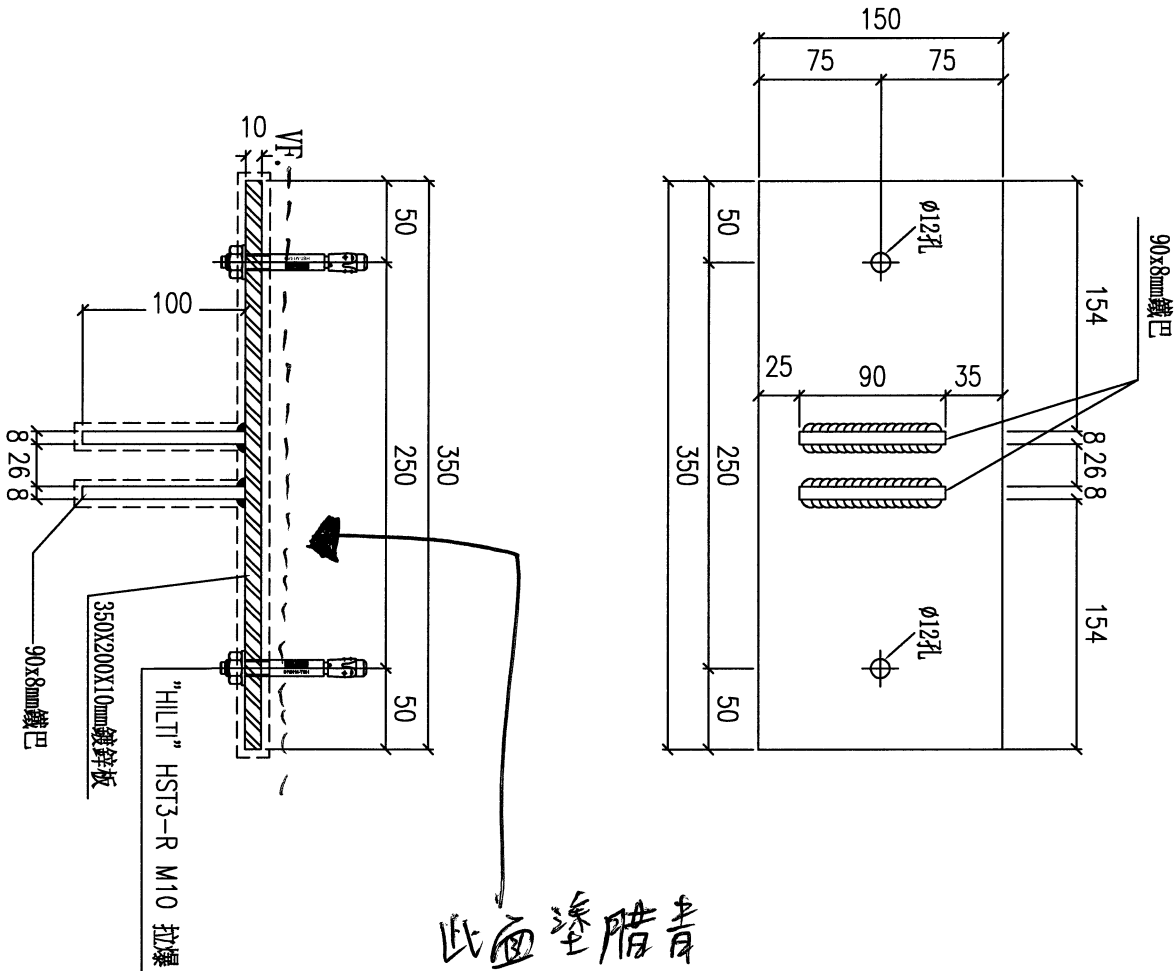
名稱	鐵件拆圖	制圖	劉龍浩	2023.12.24	修改		
材料	100x100x8mm鐵通/350x200x10mm鐵板	復核	謝永林	2023.12.25	日期		
顏色	熱浸鋅/塗瀝青油	批准			圖號	BK1	



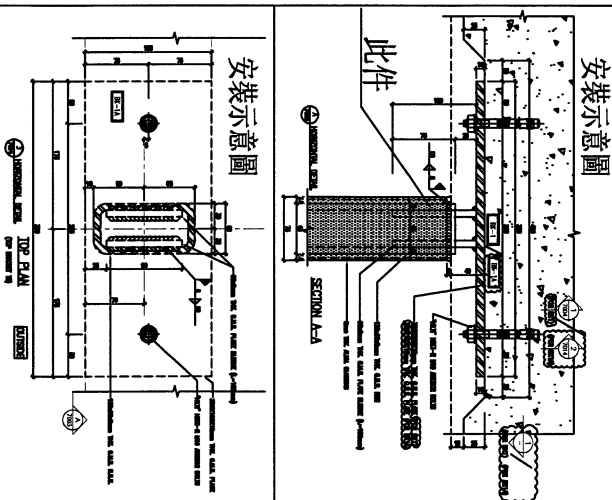
物料編號	數量	樓層	施工圖位置	使用窗號	MIRROR	Facade
BK1-2	2	1/F	J853-SD-HIW-2108	WA.11A		HA7, HA8
BK1-2	4	1/F	J853-SD-HIW-2108	WA.11A1		HA1, HA3, HA5, HA6
合計	6					



名稱	鐵件拆圖	制圖	劉龍浩	2023. 11. 23	修改		
材料	90x8mm鐵巴/350x200x10mm鐵板	復核	謝永林	2023. 12. 11	日期		
顏色	熱浸鋅/塗瀝青油	批准			圖號	BK1-2	



物料編號	數量	樓層	施工圖位置	使用窗號	MIRROR	Facade
BK1A	4	3/F	J853-SD-HIW-2114	WA.36A		HA7,HA8
BK1A	8	3/F	J853-SD-HIW-2114	WA.36A1		HA1,HA3,HA5,HA6
合計	12					



名稱	鐵件拆圖	制圖	劉龍浩	2023.11.23	修改		
材料	90x8mm鐵巴/350x150x10mm鐵板	復核	謝永林	2023.12.11	日期		
顏色	熱浸鋅/塗瀝青油	批准			圖號	BK1A	



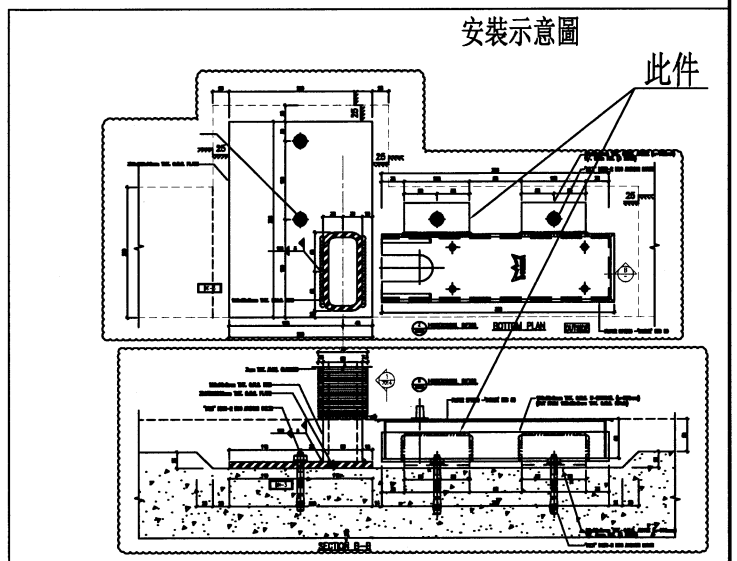
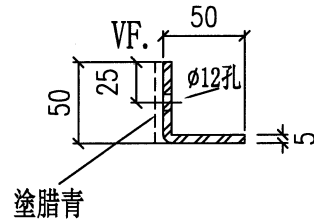
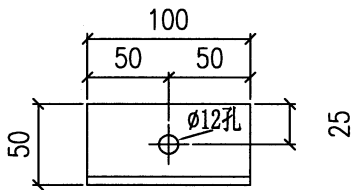
美特鋁質有限公司
MIDI Aluminium Fabricator Ltd.

物料編號	數量	樓層	施工圖位置	使用窗號	MIRROR	Facade
BK3-2	8	G/F	J853-SD-HIW-2103	WA.05A		HA7, HA8
BK3-2	16	G/F	J853-SD-HIW-2103	WA.05A1		HA1, HA3, HA5, HA6
合計	24					

工程號	J-853	地盤	延平道二期
-----	-------	----	-------



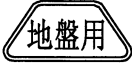
此件編號:	BK3-2
數量:	24件



名稱	鐵件拆圖	制圖	劉龍浩	2023.11.23	修改			
材料	50x50x5mm鐵角/100x45x5mm鐵槽	復核	謝永林	2023.12.11	日期			
顏色	熱浸鋅/塗瀝青油	批准			圖號	BK3-2		

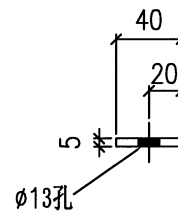
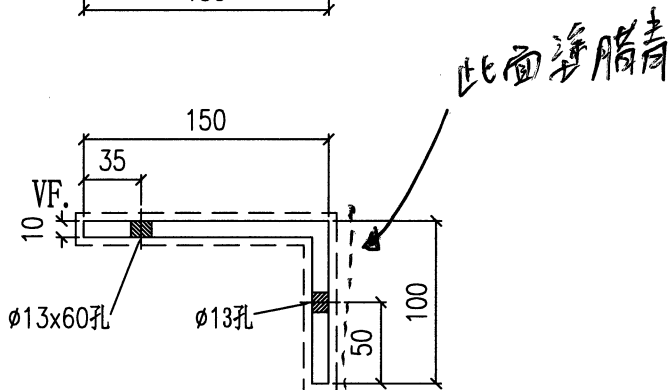
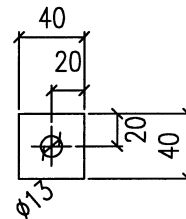
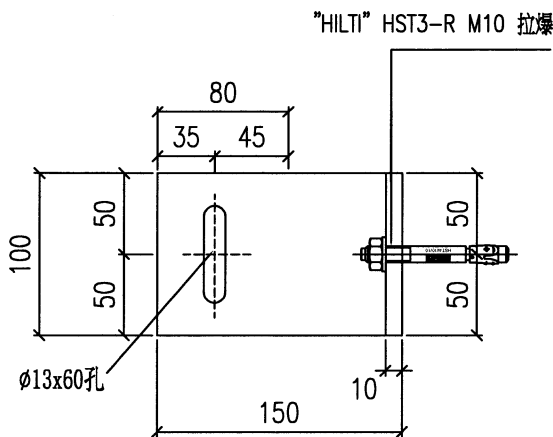
物料編號	數量	樓層	施工圖位置	使用窗號	MIRROR	Facade
BK6	8	G/F	J853-SD-HIW-2103	WA.05A		HA7, HA8
BK6	16	G/F	J853-SD-HIW-2103	WA.05A1		HA1, HA3, HA5, HA6
合計	24					

工程號	J-853	地盤	延平道二期
-----	-------	----	-------

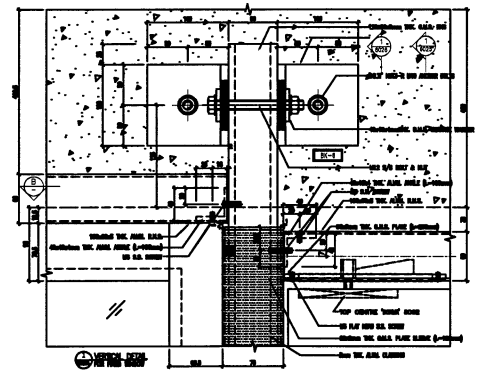


此件編號:	BK6
數量:	24件

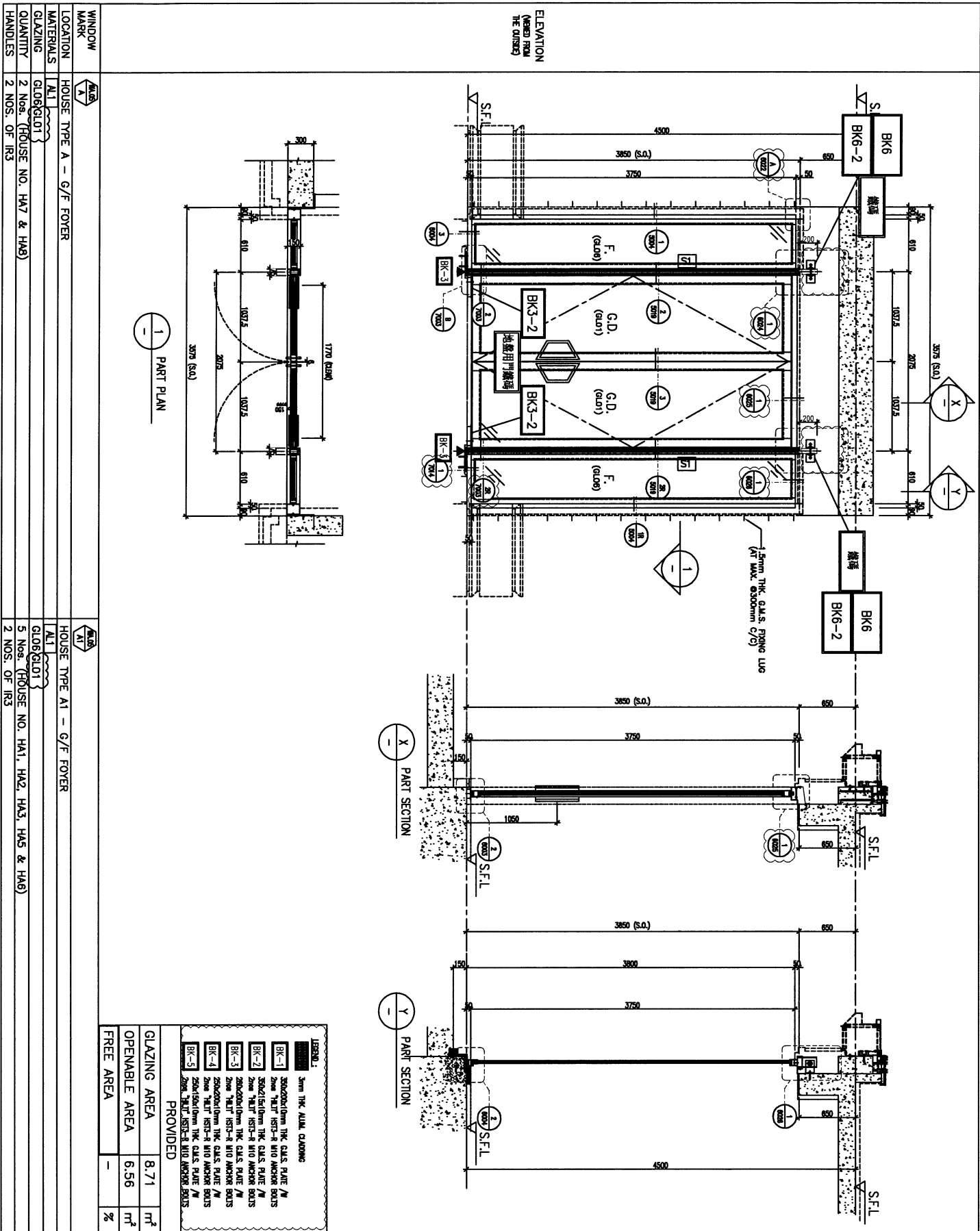
此件編號:	BK6-2
數量:	48件



安裝示意圖



名稱	鐵件拆圖	制圖	劉龍浩	2023.11.23	修改		
材料	40x40x5mm鐵介子/150x100x10鐵角	復核	謝永林	2023.12.11	日期		
顏色	熱浸鋅/塗瀝青油	批准			圖號	BK6	



WINDOW MARK	W10A	HOUSE TYPE A - G/F Foyer
LOCATION	ALT	HOUSE TYPE A1 - G/F Foyer
MATERIALS	GL06, GL01	GL06, GL01
GLAZING	2 Nos. (HOUSE NO. HA7 & HA8)	5 Nos. (HOUSE NO. HA1, HA2, HA3, HA5 & HA6)
QUANTITY	2 NOS. OF IR3	2 NOS. OF IR3
HANDLES		

LEGEND:	3mm THK ALUM. CLADDING
BR-1	300x300mm THK. GLASS PANE / 2mm HALF HGT-8 MID ANCHOR BOLTS
BR-2	300x300mm THK. GLASS PANE / 2mm HALF HGT-8 MID ANCHOR BOLTS
BR-3	200x200mm THK. GLASS PANE / 2mm HALF HGT-8 MID ANCHOR BOLTS
BR-4	200x200mm THK. GLASS PANE / 2mm HALF HGT-8 MID ANCHOR BOLTS
BR-5	200x200mm THK. GLASS PANE / 2mm HALF HGT-8 MID ANCHOR BOLTS
PROVIDED	
GLAZING AREA	8.71 m ²
OPENABLE AREA	6.56 m ²
FREE AREA	- %

CLIENT: SHIMAO GROUP HOLDINGS LIMITED

ARCHITECT: WPT

STRUCTURAL ENGINEER: CMA CM WONG & ASSOCIATES LTD

CLIENT: 協興建築有限公司
HIP HING CONSTRUCTION CO LTD
香港房屋工程有限公司

STRUCTURAL ENGINEER: 協興建築有限公司
CM WONG & ASSOCIATES LTD
香港房屋工程有限公司

FRAME CONSULTANT: MENYARD

DATE: 30-MAR-23 **SCALE:** 1:40 (A3)

DRAWN BY: Ashing **CHECKED BY:**

PROJECT: PROPOSED RESIDENTIAL DEVELOPMENT AT N.K.L.L. 6542 YIN PING ROAD KOWLOON

TITLE: IN-SITU ALUM. WINDOW SCHEDULE FOR HOUSE TYPE A1 & A

DATE: 13/01/2023 **GENERAL REVISION**

DATE: 04/09/2023 **GENERAL REVISION**

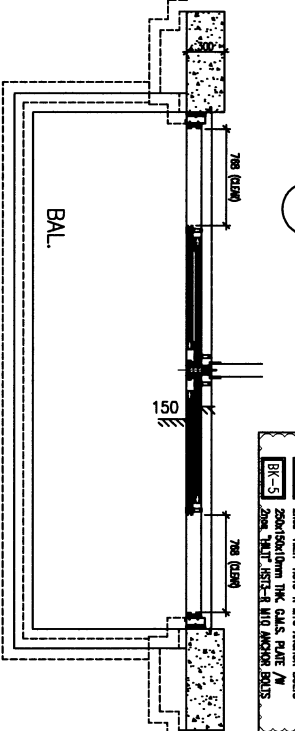
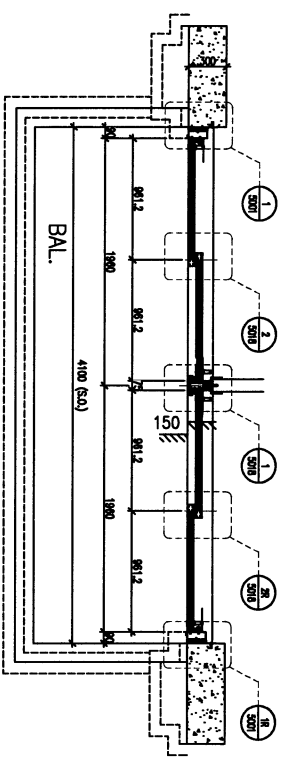
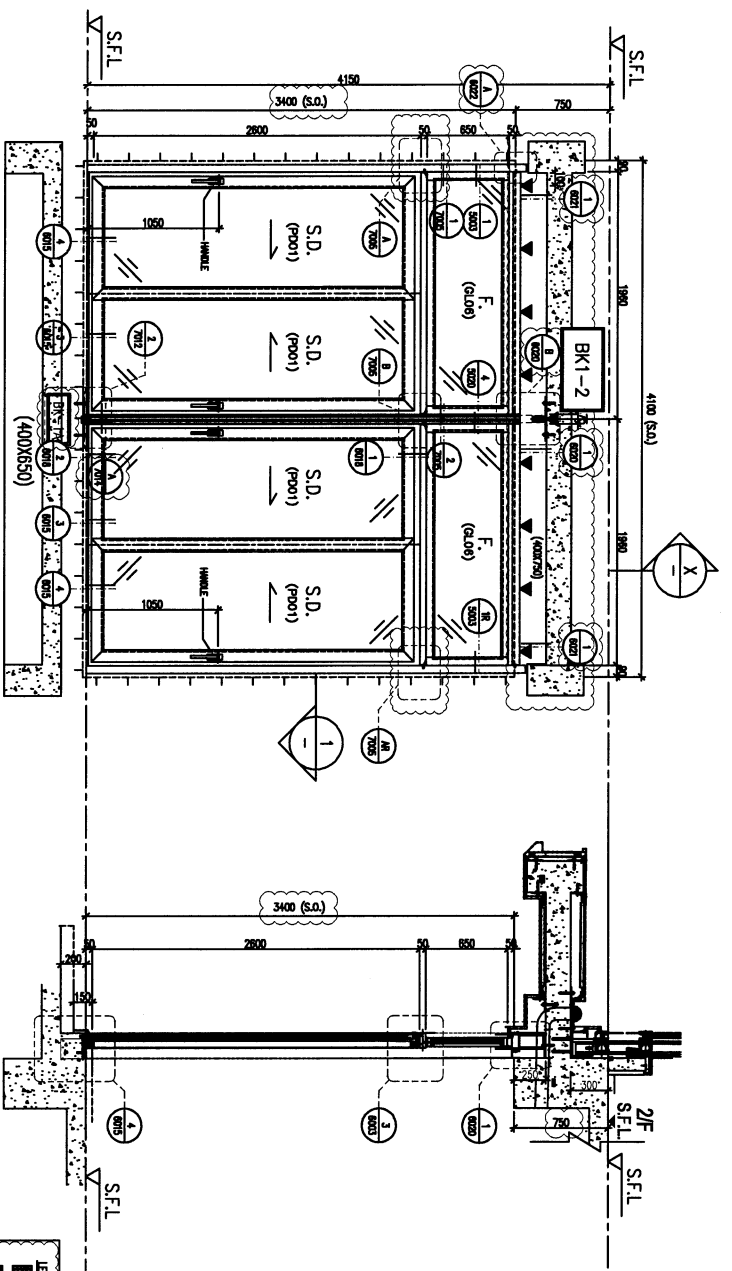
DATE: 07/03/2023 **GENERAL REVISION**

LEGEND:

- ALL DIMENSIONS ARE IN MM.
- ALL DIMENSIONS ARE VIEWED FROM OUTSIDE.
- ALL DIMENSIONS TO BE VIEWED ON SITE BEFORE CONSTRUCTION.

LEGEND:

- FEEL-FINISHED FLOOR LEVEL
- S.F.L.-STRUCTURAL FLOOR LEVEL
- REVERSED DENAL
- FRAME LOCATION
- GLASS LEGEND
- GL01-12mm IG, 412mm ANCHORING TO THE WALL
- GL02-12mm CLEAR TEMPERED GLASS
- GL03-12mm IG, 412mm ANCHORING TO THE WALL
- GL04-12mm IG, 412mm ANCHORING TO THE WALL
- GL05-12mm IG, 412mm ANCHORING TO THE WALL
- GL06-12mm IG, 412mm ANCHORING TO THE WALL
- GL07-12mm IG, 412mm ANCHORING TO THE WALL
- GL08-12mm IG, 412mm ANCHORING TO THE WALL
- GL09-12mm IG, 412mm ANCHORING TO THE WALL
- GL10-12mm IG, 412mm ANCHORING TO THE WALL
- GL11-12mm IG, 412mm ANCHORING TO THE WALL
- GL12-12mm IG, 412mm ANCHORING TO THE WALL
- GL13-12mm IG, 412mm ANCHORING TO THE WALL
- GL14-12mm IG, 412mm ANCHORING TO THE WALL
- GL15-12mm IG, 412mm ANCHORING TO THE WALL
- GL16-12mm IG, 412mm ANCHORING TO THE WALL
- GL17-12mm IG, 412mm ANCHORING TO THE WALL
- GL18-12mm IG, 412mm ANCHORING TO THE WALL
- GL19-12mm IG, 412mm ANCHORING TO THE WALL
- GL20-12mm IG, 412mm ANCHORING TO THE WALL
- GL21-12mm IG, 412mm ANCHORING TO THE WALL
- GL22-12mm IG, 412mm ANCHORING TO THE WALL
- GL23-12mm IG, 412mm ANCHORING TO THE WALL
- GL24-12mm IG, 412mm ANCHORING TO THE WALL
- GL25-12mm IG, 412mm ANCHORING TO THE WALL
- GL26-12mm IG, 412mm ANCHORING TO THE WALL
- GL27-12mm IG, 412mm ANCHORING TO THE WALL
- GL28-12mm IG, 412mm ANCHORING TO THE WALL
- GL29-12mm IG, 412mm ANCHORING TO THE WALL
- GL30-12mm IG, 412mm ANCHORING TO THE WALL
- GL31-12mm IG, 412mm ANCHORING TO THE WALL
- GL32-12mm IG, 412mm ANCHORING TO THE WALL
- GL33-12mm IG, 412mm ANCHORING TO THE WALL
- GL34-12mm IG, 412mm ANCHORING TO THE WALL
- GL35-12mm IG, 412mm ANCHORING TO THE WALL
- GL36-12mm IG, 412mm ANCHORING TO THE WALL
- GL37-12mm IG, 412mm ANCHORING TO THE WALL
- GL38-12mm IG, 412mm ANCHORING TO THE WALL
- GL39-12mm IG, 412mm ANCHORING TO THE WALL
- GL40-12mm IG, 412mm ANCHORING TO THE WALL
- GL41-12mm IG, 412mm ANCHORING TO THE WALL
- GL42-12mm IG, 412mm ANCHORING TO THE WALL
- GL43-12mm IG, 412mm ANCHORING TO THE WALL
- GL44-12mm IG, 412mm ANCHORING TO THE WALL
- GL45-12mm IG, 412mm ANCHORING TO THE WALL
- GL46-12mm IG, 412mm ANCHORING TO THE WALL
- GL47-12mm IG, 412mm ANCHORING TO THE WALL
- GL48-12mm IG, 412mm ANCHORING TO THE WALL
- GL49-12mm IG, 412mm ANCHORING TO THE WALL
- GL50-12mm IG, 412mm ANCHORING TO THE WALL
- GL51-12mm IG, 412mm ANCHORING TO THE WALL
- GL52-12mm IG, 412mm ANCHORING TO THE WALL
- GL53-12mm IG, 412mm ANCHORING TO THE WALL
- GL54-12mm IG, 412mm ANCHORING TO THE WALL
- GL55-12mm IG, 412mm ANCHORING TO THE WALL
- GL56-12mm IG, 412mm ANCHORING TO THE WALL
- GL57-12mm IG, 412mm ANCHORING TO THE WALL
- GL58-12mm IG, 412mm ANCHORING TO THE WALL
- GL59-12mm IG, 412mm ANCHORING TO THE WALL
- GL60-12mm IG, 412mm ANCHORING TO THE WALL
- GL61-12mm IG, 412mm ANCHORING TO THE WALL
- GL62-12mm IG, 412mm ANCHORING TO THE WALL
- GL63-12mm IG, 412mm ANCHORING TO THE WALL
- GL64-12mm IG, 412mm ANCHORING TO THE WALL
- GL65-12mm IG, 412mm ANCHORING TO THE WALL
- GL66-12mm IG, 412mm ANCHORING TO THE WALL
- GL67-12mm IG, 412mm ANCHORING TO THE WALL
- GL68-12mm IG, 412mm ANCHORING TO THE WALL
- GL69-12mm IG, 412mm ANCHORING TO THE WALL
- GL70-12mm IG, 412mm ANCHORING TO THE WALL
- GL71-12mm IG, 412mm ANCHORING TO THE WALL
- GL72-12mm IG, 412mm ANCHORING TO THE WALL
- GL73-12mm IG, 412mm ANCHORING TO THE WALL
- GL74-12mm IG, 412mm ANCHORING TO THE WALL
- GL75-12mm IG, 412mm ANCHORING TO THE WALL
- GL76-12mm IG, 412mm ANCHORING TO THE WALL
- GL77-12mm IG, 412mm ANCHORING TO THE WALL
- GL78-12mm IG, 412mm ANCHORING TO THE WALL
- GL79-12mm IG, 412mm ANCHORING TO THE WALL
- GL80-12mm IG, 412mm ANCHORING TO THE WALL
- GL81-12mm IG, 412mm ANCHORING TO THE WALL
- GL82-12mm IG, 412mm ANCHORING TO THE WALL
- GL83-12mm IG, 412mm ANCHORING TO THE WALL
- GL84-12mm IG, 412mm ANCHORING TO THE WALL
- GL85-12mm IG, 412mm ANCHORING TO THE WALL
- GL86-12mm IG, 412mm ANCHORING TO THE WALL
- GL87-12mm IG, 412mm ANCHORING TO THE WALL
- GL88-12mm IG, 412mm ANCHORING TO THE WALL
- GL89-12mm IG, 412mm ANCHORING TO THE WALL
- GL90-12mm IG, 412mm ANCHORING TO THE WALL
- GL91-12mm IG, 412mm ANCHORING TO THE WALL
- GL92-12mm IG, 412mm ANCHORING TO THE WALL
- GL93-12mm IG, 412mm ANCHORING TO THE WALL
- GL94-12mm IG, 412mm ANCHORING TO THE WALL
- GL95-12mm IG, 412mm ANCHORING TO THE WALL
- GL96-12mm IG, 412mm ANCHORING TO THE WALL
- GL97-12mm IG, 412mm ANCHORING TO THE WALL
- GL98-12mm IG, 412mm ANCHORING TO THE WALL
- GL99-12mm IG, 412mm ANCHORING TO THE WALL
- GL100-12mm IG, 412mm ANCHORING TO THE WALL



LEGEND:

- 300x300x10mm THK. GLASS PLATE / W. 20mm THAT REST-4 INTO ANCHOR BOLTS
- 300x300x10mm THK. GLASS PLATE / W. 20mm THAT REST-4 INTO ANCHOR BOLTS
- 200x200x10mm THK. GLASS PLATE / W. 20mm THAT REST-4 INTO ANCHOR BOLTS
- 200x200x10mm THK. GLASS PLATE / W. 20mm THAT REST-4 INTO ANCHOR BOLTS
- 200x200x10mm THK. GLASS PLATE / W. 20mm THAT REST-4 INTO ANCHOR BOLTS

PROVIDED

GLAZING AREA	7.41	m ²
OPENABLE AREA	3.92	m ²
FREE AREA	-	%

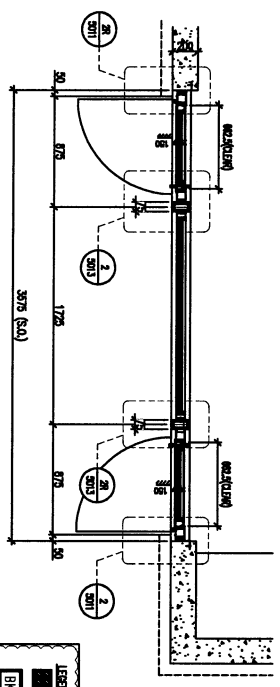
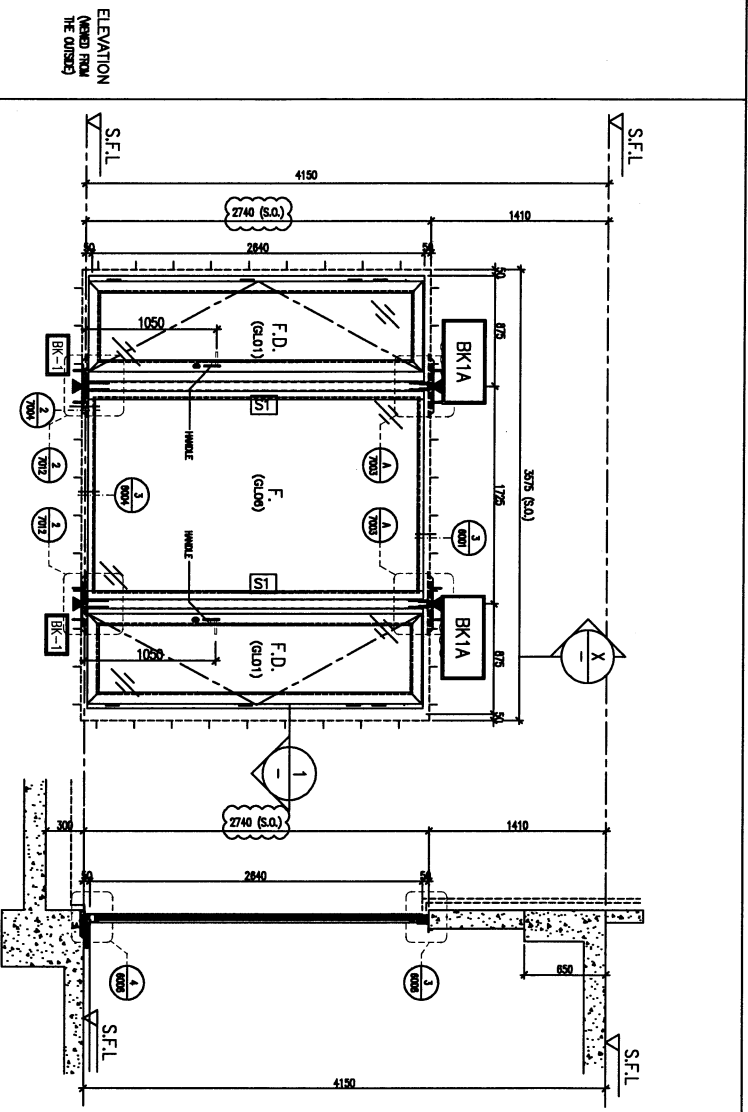
WINDOW MARK		HOUSE TYPE A - 1/F BALCONY
LOCATION	AL1	HOUSE TYPE A1 - 1/F BALCONY
MATERIALS	AL1	AL1
GLAZING	PD01, G106	PD01, G106
QUANTITY	2 NOS. (HOUSE NO. HA7 & HA8)	5 Nos. (HOUSE NO. HA1, HA2, HA3, HA5 & HA6)
HANDLES	4 NOS. OF "SCHUCO" HANDLE - MODEL NO. 247224)	4 NOS. OF "SCHUCO" HANDLE - MODEL NO. 247224)

PART PLAN

PART SECTION

ELEVATION
(VIEWED FROM
THE OUTSIDE)

<p>DATE : 30-MAR-23 SCALE : 1:40 (A3)</p> <p>DRAWN BY : Ashing CHECKED BY :</p> <p> M&D ARCHITECTURE & INTERIORS LIMITED 1101-1102, Sunny Point Building, 11/F 110, Des Voeux Road East, Hong Kong Tel: 34234821-4 Fax: 34237778</p> <p>WHS NO. : JCS3-S0-11H-2108 REV. : B</p>	<p>CLIENT :</p> <p>SHIMAO GROUP HOLDINGS LIMITED</p> <p>ARCHITECT :</p> <p> W&F ARCHITECTURE & INTERIORS LIMITED</p> <p>MAIN CONTRACTOR :</p> <p> HPH HING CONSTRUCTION CO LTD</p> <p>STRUCTURAL ENGINEER :</p> <p> CMA CHONG & ASSOCIATES LTD 香港房屋工程師有限公司</p> <p>PROJECT CONSULTANT :</p> <p> MENYHART</p>	<p>BLB. REF. :</p>
---	--	--------------------



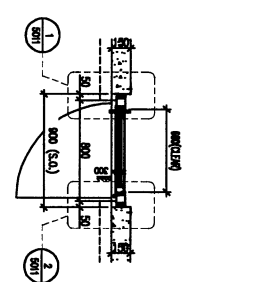
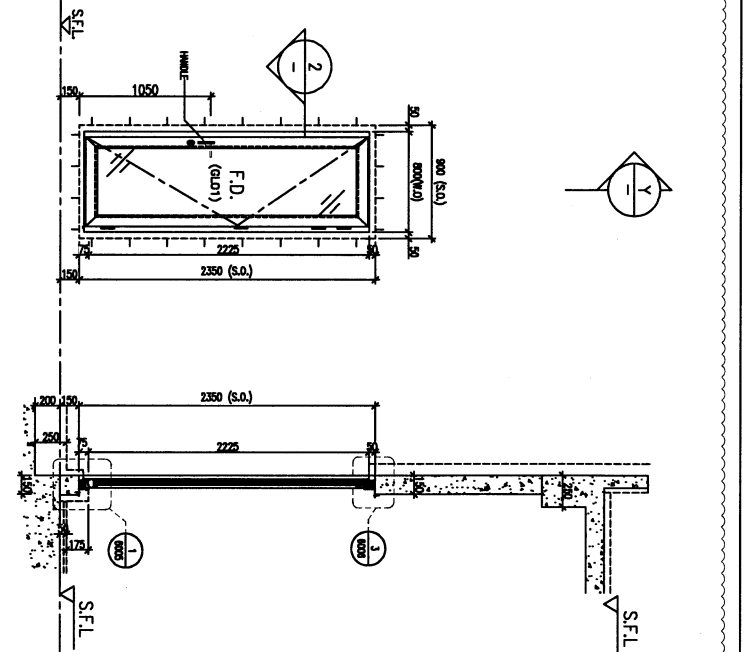
1 PART PLAN

LEGEND:

- BK-1 300x200x10mm THK. GLASS PANE / M 20mm 'W'HT' IS13-8 H10 ANCHOR BOLTS
- BK-2 300x200x10mm THK. GLASS PANE / M 20mm 'W'HT' IS13-8 H10 ANCHOR BOLTS
- BK-3 200x200x10mm THK. GLASS PANE / M 20mm 'W'HT' IS13-8 H10 ANCHOR BOLTS
- BK-4 250x200x10mm THK. GLASS PANE / M 20mm 'W'HT' IS13-8 H10 ANCHOR BOLTS
- BK-5 250x150x10mm THK. GLASS PANE / M 20mm 'W'HT' IS13-8 H10 ANCHOR BOLTS

PROVIDED

GLAZING AREA	6.53	m ²
OPENABLE AREA	3.44	m ²
FREE AREA	-	%



2 PART PLAN

STONE CLADDING FINISH

PROVIDED

GLAZING AREA	1.10	m ²
OPENABLE AREA	1.44	m ²
FREE AREA	-	%

WINDOW MARK	HA/3 A	HA/3 A1
LOCATION	HOUSE TYPE A - 3/F MASTER BATH	HOUSE TYPE A1 - 3/F MASTER BATH
MATERIALS	AL1	AL1
GLAZING	GL01, GL06	GL01, GL06
QUANTITY	2 Nos. (HOUSE NO. HA7 & HA8)	5 Nos. (HOUSE NO. HA1, HA2, HA3, HA5 & HA6)
HANDLES	2 NOS. OF (MODEL NO. 2018-CA)	2 NOS. OF (MODEL NO. 2018-CA)

WINDOW MARK	HA/3 A	HA/3 A1
LOCATION	HOUSE TYPE A - R/F LIFT LOBBY	HOUSE TYPE A1 - R/F LIFT LOBBY
MATERIALS	AL1	AL1
GLAZING	GL01	GL01
QUANTITY	2 Nos. (HOUSE NO. HA7, HA8)	5 Nos. (HOUSE NO. HA1, HA2, HA3, HA5 & HA6)
HANDLES	MODEL NO. 2018-CA	MODEL NO. 2018-CA

BL. REF. :

CLIENT : SHIMAO GROUP HOLDINGS LIMITED

ARCHITECT : W.T. (WONG TUNG & PARTNERS LIMITED)

MAIN CONTRACTOR : 協興建築有限公司 HIP HING CONSTRUCTION CO LTD

STRUCTURAL ENGINEER : C.M. WONG & ASSOCIATES LTD 黃志明建築工程師有限公司

FRAME CONSULTANT : MENYARD

DATE : 30/10/2023 GENERAL REVISION

PROJECT : PROPOSED RESIDENTIAL DEVELOPMENT AT MKILL 6542 THE PING ROAD KOWLOON

TITLE : IN-SITU ALUM. WINDOW SCHEDULE FOR HOUSE TYPE A1 & A

DATE : 30-04-23 SCALE : 1:40 (A3)

DRAWN BY : Aching CHECKED BY :

REVISIONS:

1. ALL DIMENSIONS ARE IN MM.
2. ALL DIMENSIONS ARE VERIFIED FROM QUOTE BEFORE PROVISION.
1. F.F.L. - FINISHED FLOOR LEVEL.
2. S.F.L. - STRUCTURAL FLOOR LEVEL.
3. @ - RECESSED KEYS.
4. ▲ - TRAP LOCATION.
5. GLASS LEGEND
6. GL01 - 12mm IS, 412mm HIG OPENING 17 THE LALL GL04 - 12mm CLEAR TINTED GLASS GL06 - 12mm IS, 412mm HIG OPENING 17 THE LALL F001 - 12mm IS, 412mm HIG OPENING 17
7. [S] 200x200x10mm THK. GLASS SLAS [SI] 200x200x10mm THK. GLASS SLAS [LAI] 100x100x10mm ALUMINUM SPRAY TREATED (4 CAN SYSTEM) CODE BS-56-035522 COLOR : 001/07/030 METALIC

LEGEND:

- HA - DETAIL MARK NO.
- HA/3 - REFER SHEET NO.