

工程指示 / 要求簡箋 ENGINEER INSTRUCTIONS(E.I.)

工程指示編號:	EI- 7170	修改版本:	-
	HK- /		
工程編號:	J 853	工程名稱:	延坪道 (第2期)
收件人:	Maggie Lor	發件人:	Sam Lo
工程項目:	幕牆 (Row B) 地盤用鐵件	日期:	21/12/2023

<input type="checkbox"/> 原合約工程包	<input type="checkbox"/> 原合約工程加 / 減賬 QT-	<input type="checkbox"/> 新工程報價 QT-
---------------------------------	--	------------------------------------

信件批核號碼/圖紙參考編號:	批核模具圖紙編號:
客戶指示附件:	管理內部批簽署:

<input type="checkbox"/> 初步鋁料 B.M.	<input type="checkbox"/> 加工拆圖, 然後生產	<input type="checkbox"/> 尺寸表
<input type="checkbox"/> 正式鋁料 B.M.	<input type="checkbox"/> 技術上資料/指示	<input type="checkbox"/> 報價
<input type="checkbox"/> 配件 B.M.	<input type="checkbox"/> 樣辦或貨品說明書	<input type="checkbox"/> 分判合約
<input type="checkbox"/> 其他:		

內容: 請依附件資料, 生產GMS鐵件, 送地盤. (鐵介以起底鐵件) <div style="border: 1px solid black; border-radius: 50%; padding: 10px; display: inline-block; margin: 10px auto;"> 新年前需送到地盤 </div>
完成上列要求日期: 20/1/2024

國內

<input type="checkbox"/> 生產技術總監	<input type="checkbox"/> 連附件	<input type="checkbox"/> 技術部	<input type="checkbox"/> 連附件	<input type="checkbox"/> 生產部	<input type="checkbox"/> 連附件
<input type="checkbox"/> 採購部	<input type="checkbox"/> 連附件	<input type="checkbox"/> 生產統籌部	<input type="checkbox"/> 連附件	<input type="checkbox"/> 報關組	<input type="checkbox"/> 連附件
<input type="checkbox"/> 質檢部	<input type="checkbox"/> 連附件	<input type="checkbox"/> 會計部	<input type="checkbox"/> 連附件	<input type="checkbox"/> 機械設計部	<input type="checkbox"/> 連附件
<input type="checkbox"/> 香港辦	<input type="checkbox"/> 連附件	<input type="checkbox"/> 其他:			

香港

<input type="checkbox"/> 行政部	<input type="checkbox"/> 連附件	<input type="checkbox"/> 會計部	<input type="checkbox"/> 連附件	<input type="checkbox"/> 統籌部	<input type="checkbox"/> 連附件	<input type="checkbox"/> 工程部	<input type="checkbox"/> 連附件
<input type="checkbox"/> 採購部	<input type="checkbox"/> 連附件	<input type="checkbox"/> QS部	<input type="checkbox"/> 連附件	<input checked="" type="checkbox"/> 地盤管理	<input checked="" type="checkbox"/> 連附件	<input type="checkbox"/> 維修部	<input type="checkbox"/> 連附件

*發件人簽署:		*組別成員批核簽署:	
傳遞編號:	/	項目經理簽署:	

J853-香港延坪道(第二期別墅)-Curtain Wall(地盤鐵件)-分棟數量統計表

工程：J853-香港延坪道(第二期別墅)

日期：15-Nov-23

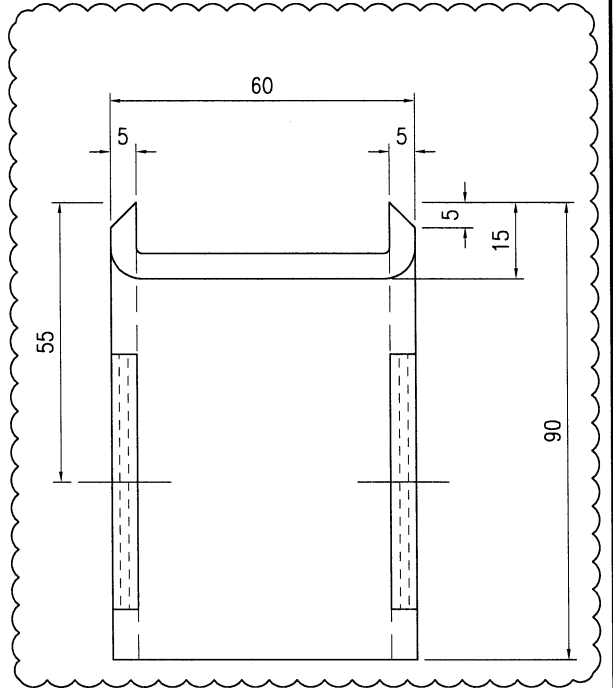
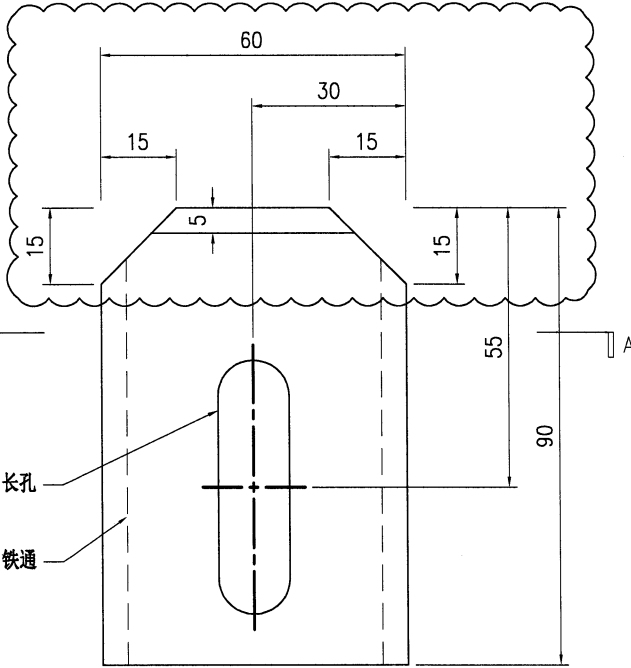
序號	部件圖編號	總數量								備註
		HB1	HB2	HB3	HB5	HB6	HB7	HB8		
1	J853-CW-ST-501	11	11	10	10	10	10	10	72	
2	J853-CW-ST-502								0	
3	J853-CW-ST-503								0	
4	J853-CW-ST-551	40	40	40	40	40	40	40	280	
5	J853-CW-ST-552	85	85	85	85	85	85	85	595	
6									0	
		136	136	135	135	135	135	135	947	



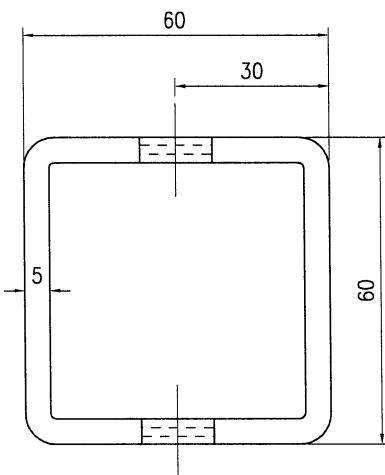
美特铝质有限公司
MIDI Aluminium Fabricator Ltd.

工程号	J853	制图	J.L.	25/9/23	物料号	J853-CW-ST-501	
地盘	香港延坪路	复核	-	-	图号	J853-CW-ST-501	
名称	钢件加工图	批准	-	-	数量	-	
材料	60x60x5mm 铁通	单件重量(kg)	0.63	长度	75	宽度	-

版本	1	采用	工厂	地盘	√
日期	24/11	颜色	-		

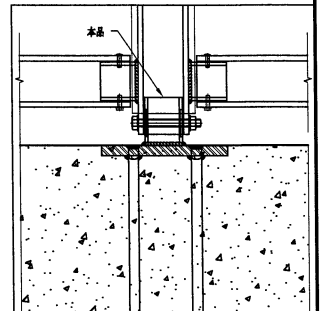


ø14x50 长孔
60x60x5 铁通



SECTION A-A

位置	数量
HA1~HA8屋仔	56
HB1~HB8屋仔	72



技术说明:

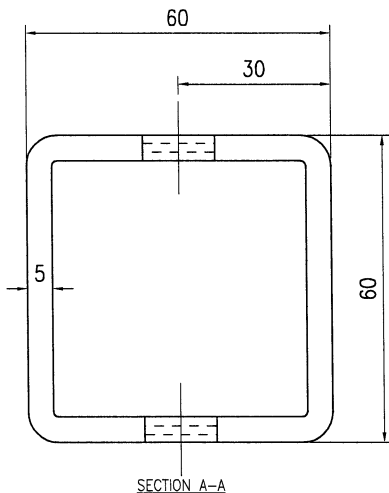
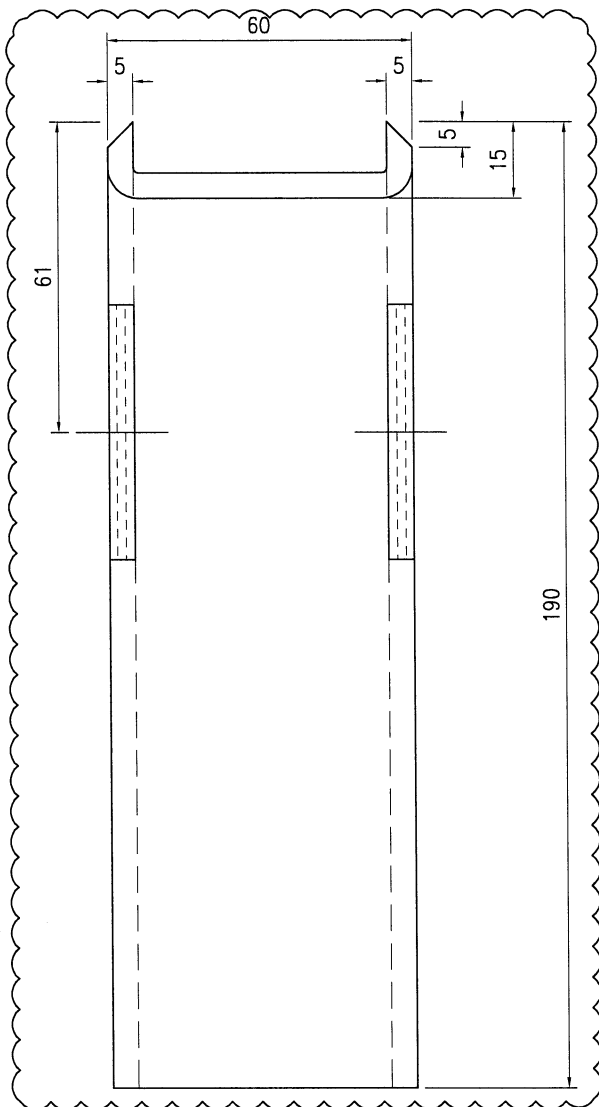
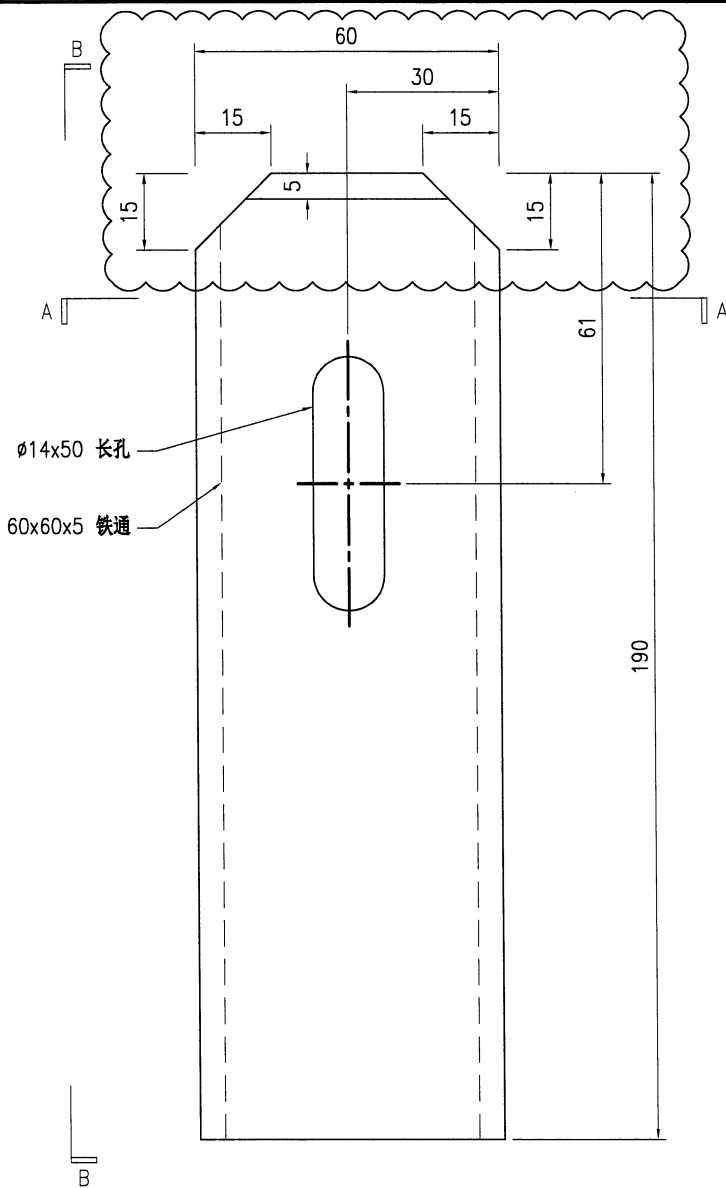
1. 所需材料为: 铁件; 等级为: S275;
2. 外形尺寸允许偏差为±0.5mm, 角度的允许偏差为±0.5°; 孔位的允许偏差为±0.5mm, 孔距的允许偏差为±0.5mm, 累计偏差为±0.5mm;
3. 槽口、豁口的长宽边允许偏差为+0.5mm, 中心线允许偏差都为±0.5mm;
4. * "为重要尺寸, 加工过程中要保证此尺寸, 加工完毕须标示代号。



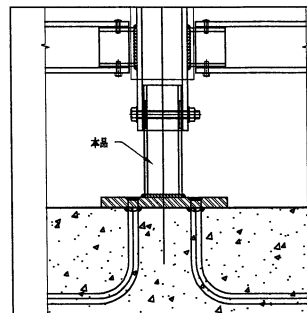
美特铝质有限公司
MIDI Aluminium Fabricator Ltd.

工程号	J853	制图	J.L.	25/9/23	物料号	J853-CW-ST-502	
地盘	香港延坪路	复核	-	-	图号	J853-CW-ST-502	
名称	钢件加工图	批准	-	-	数量	-	
材料	60x60x5mm 铁通	单件重量(kg)	1.47	长度	175	宽度	-

版本	1	采用	工厂	地盘	√
日期	24/11	颜色	-		



位置	数量
HA1~HA8屋仔	7



技术说明:

1. 所需材料为: 铁件; 等级为: S275;
2. 外形尺寸允许偏差为 ± 0.5 mm, 角度的允许偏差为 $\pm 0.5^\circ$; 孔位的允许偏差为 ± 0.5 mm, 孔距的允许偏差为 ± 0.5 mm, 累计偏差为 ± 0.5 mm;
3. 槽口、豁口的长宽边允许偏差为 $+0.5$ mm, 中心线允许偏差都为 ± 0.5 mm;
4. * "为重要尺寸, 加工过程中要保证此尺寸, 加工完毕须标示代号。

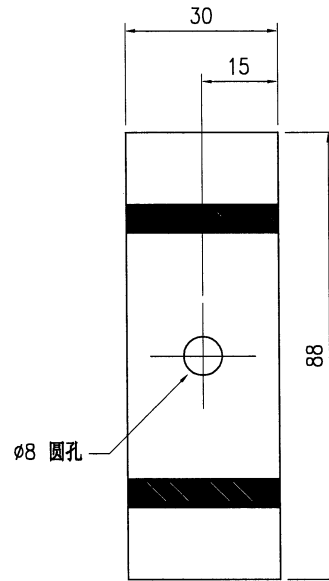
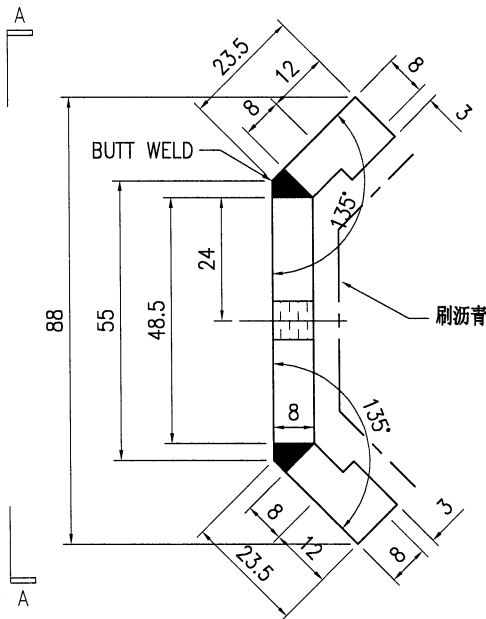


美特铝质有限公司
MIDI Aluminium Fabricator Ltd.

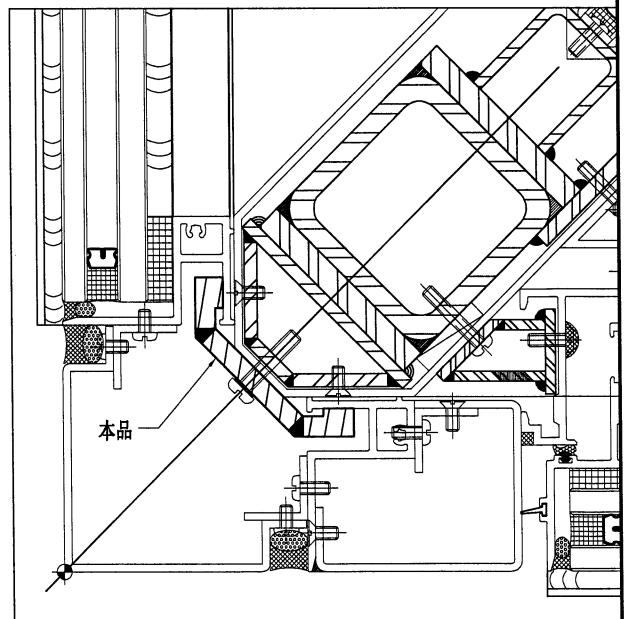
工程号	J853	制图	J.L.	25/9/23	物料号	J853-CW-ST-551	
地盘	香港延坪路	复核	-	-	图号	J853-CW-ST-551	
名称	钢件加工图	批准	-	-	数量	-	
材料	8mm 焊接飞机码	单件重量(kg)	0.18	长度	30	宽度	-

版本		采用	工厂		地盘	√
日期		颜色	-			

位置	数量
HB1~HB8屋仔	280



SECTION A-A



技术说明:

1. 所需材料为: 铁件; 等级为: S275;
2. 外形尺寸允许偏差为±0.5mm, 角度的允许偏差为±0.5°; 孔位的允许偏差为±0.5mm, 孔距的允许偏差为±0.5mm, 累计偏差为±0.5mm;
3. 槽口、豁口的长宽边允许偏差为+0.5mm, 中心线允许偏差都为±0.5mm;
4. * "为重要尺寸, 加工过程中要保证此尺寸, 加工完毕须标示代号。

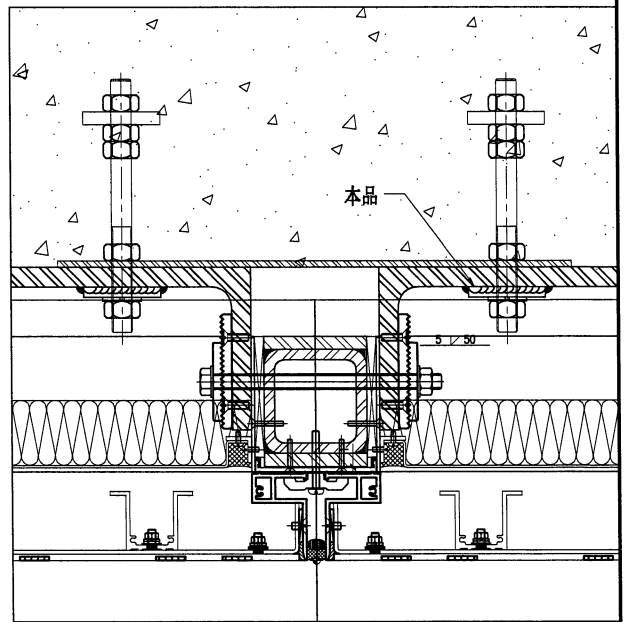
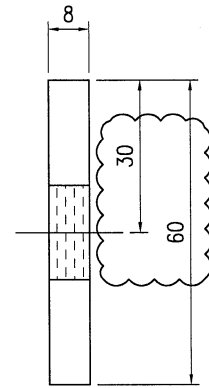
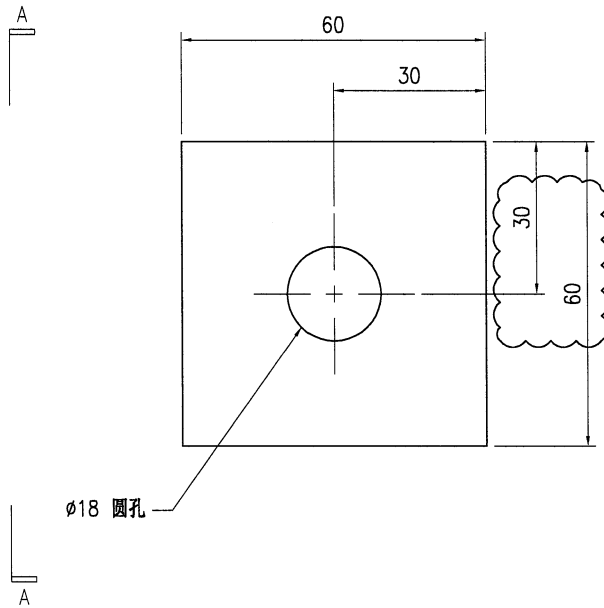


美特鋁質有限公司
MIDI Aluminium Fabricator Ltd.

工程号	J853	制图	J.L.	25/9/23	物料号	J853-CW-ST-552				
地盘	香港延坪路	复核	-	-	图号	J853-CW-ST-552				
版本	1	名称	钢件加工图		批准	-	-	数量	-	
日期	27/11	材料	60x50x8mm 垫片		单件重量(kg)	0.36	长度	60	宽度	-

采用	工厂	地盘	√
颜色	-		

位置	数量
HA1~HA8屋仔	434
HB1~HB8屋仔	595



技术说明:

1. 所需材料为: 铁件; 等级为: S275;
2. 外形尺寸允许偏差为±0.5mm, 角度的允许偏差为±0.5°; 孔位的允许偏差为±0.5mm, 孔距的允许偏差为±0.5mm, 累计偏差为±0.5mm;
3. 槽口、豁口的长宽边允许偏差为+0.5mm, 中心线允许偏差都为±0.5mm;
4. " * "为重要尺寸, 加工过程中要保证此尺寸, 加工完毕须标示代号。

B.A. REF :

CLIENT :

SHIMAO GROUP HOLDINGS LIMITED

ARCHITECT :

WORK TIME & PARTNERS LIMITED

MAIN CONTRACTOR :

協興建築有限公司
HIP HING CONSTRUCTION CO. LTD.

STRUCTURAL ENGINEER :

CMA C M WONG & ASSOCIATES LTD
黃志明建築工程師有限公司

PROJECT CONSULTANT :

NEUNHARDT

NOTE :

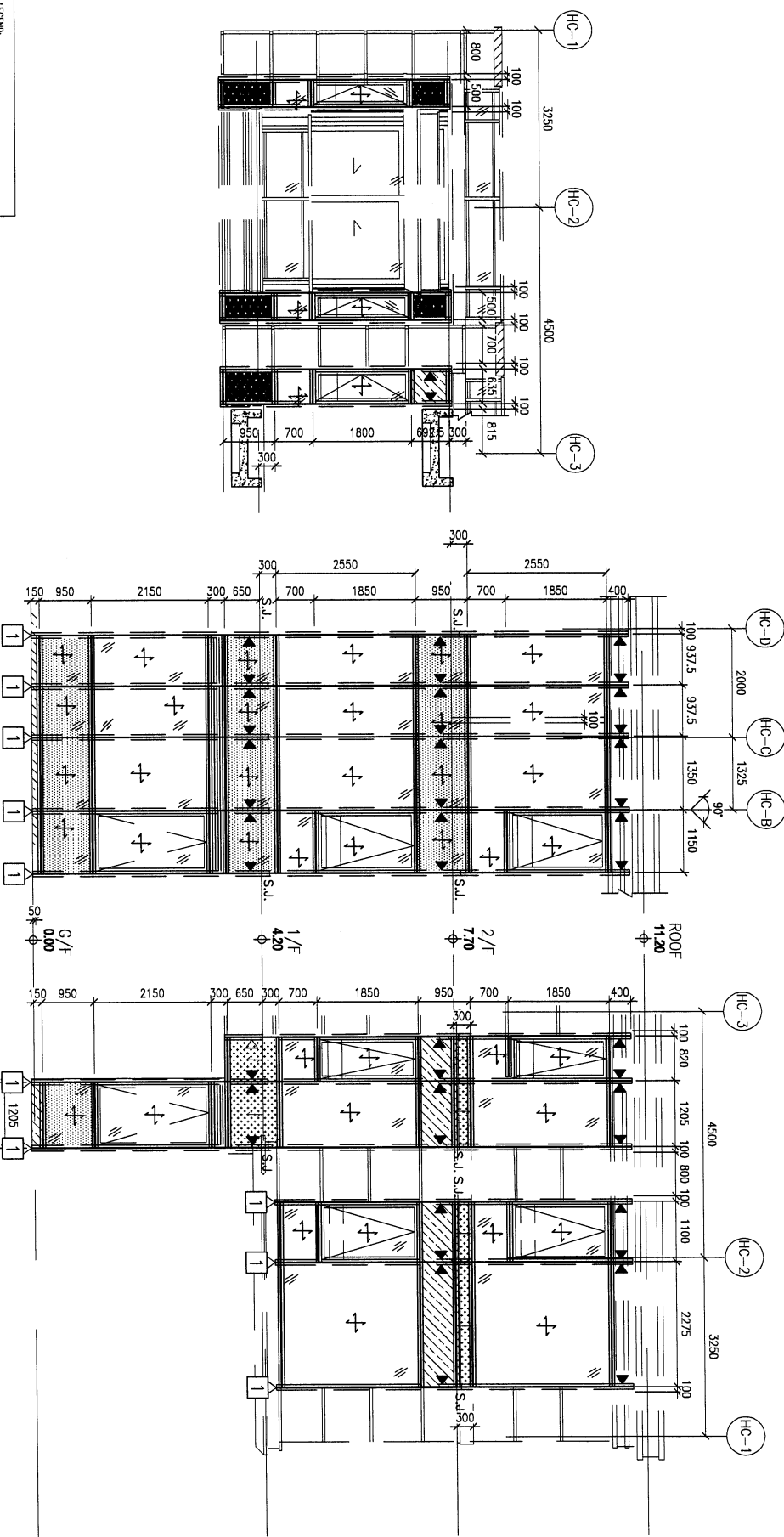
1. ALL DIMENSIONS ARE IN mm.
2. ALL ELEVATIONS ARE VIEWED FROM OUTSIDE.
3. ALL DIMENSIONS TO BE VERIFIED ON SITE BEFORE FABRICATION.

LEGEND :

- (A1) DETAIL MARK NO.
- (A2) DETAIL SHEET NO.

1. F.F.L. -- FINISHED FLOOR LEVEL
2. S.F.L. -- STRUCTURAL FLOOR LEVEL
3. --- REVERSED DETAIL

R.C. STRUCTURAL ELEMENT
COL. / BEAM / SLAB
IS (UNDER SEPARATED SUBMISSION)

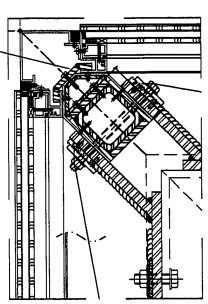
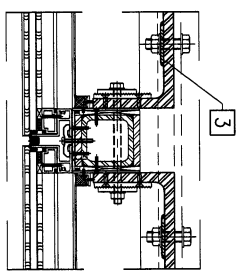


—樣板的用量

ITEM	PART NO.	QTY
1	J853-CW-ST-501	10
2	J853-CW-ST-551	40
3	J853-CW-ST-552	85
TOTAL:		135

LEGEND:

- (A1) - From THE SEPARATED GLASS PANEL
- (A2) - From THE 1/2" SEPARATED GLASS
- (A3) - From THE ALUM. SECTION (SEPARATED GLASS)
- (A4) - From THE CLEAR TAMPERS GLASS
- (A5) - From HIGH STRENGTHED GLASS (HUNG)
- (A6) - From HIGH STRENGTHED GLASS (HUNG) + From AIR PER +15mm THE TAMPERS GLASS (HUNG)
- (A7) - From HIGH STRENGTHED GLASS (HUNG) + From AIR PER +15mm THE TAMPERS GLASS (HUNG) + From THE ALUMINA GLASSING CONTROL CHANGE METHOD
- (A8) - From THE ALUMINA GLASSING CONTROL CHANGE METHOD
- (A9) - From THE ALUM. SECTION
- (A10) - From THE CLEAR TAMPERS GLASS
- (A11) - From THE 1/2" SEPARATED GLASS
- (A12) - From THE ALUM. SECTION (SEPARATED GLASS)
- (A13) - From THE CLEAR TAMPERS GLASS
- (A14) - From THE 1/2" SEPARATED GLASS
- (A15) - From THE ALUM. SECTION (SEPARATED GLASS)
- (A16) - From THE CLEAR TAMPERS GLASS
- (A17) - From THE 1/2" SEPARATED GLASS
- (A18) - From THE ALUM. SECTION (SEPARATED GLASS)
- (A19) - From THE CLEAR TAMPERS GLASS
- (A20) - From THE 1/2" SEPARATED GLASS
- (A21) - From THE ALUM. SECTION (SEPARATED GLASS)
- (A22) - From THE CLEAR TAMPERS GLASS
- (A23) - From THE 1/2" SEPARATED GLASS
- (A24) - From THE ALUM. SECTION (SEPARATED GLASS)
- (A25) - From THE CLEAR TAMPERS GLASS
- (A26) - From THE 1/2" SEPARATED GLASS
- (A27) - From THE ALUM. SECTION (SEPARATED GLASS)
- (A28) - From THE CLEAR TAMPERS GLASS
- (A29) - From THE 1/2" SEPARATED GLASS
- (A30) - From THE ALUM. SECTION (SEPARATED GLASS)
- (A31) - From THE CLEAR TAMPERS GLASS
- (A32) - From THE 1/2" SEPARATED GLASS
- (A33) - From THE ALUM. SECTION (SEPARATED GLASS)
- (A34) - From THE CLEAR TAMPERS GLASS
- (A35) - From THE 1/2" SEPARATED GLASS
- (A36) - From THE ALUM. SECTION (SEPARATED GLASS)
- (A37) - From THE CLEAR TAMPERS GLASS
- (A38) - From THE 1/2" SEPARATED GLASS
- (A39) - From THE ALUM. SECTION (SEPARATED GLASS)
- (A40) - From THE CLEAR TAMPERS GLASS
- (A41) - From THE 1/2" SEPARATED GLASS
- (A42) - From THE ALUM. SECTION (SEPARATED GLASS)
- (A43) - From THE CLEAR TAMPERS GLASS
- (A44) - From THE 1/2" SEPARATED GLASS
- (A45) - From THE ALUM. SECTION (SEPARATED GLASS)
- (A46) - From THE CLEAR TAMPERS GLASS
- (A47) - From THE 1/2" SEPARATED GLASS
- (A48) - From THE ALUM. SECTION (SEPARATED GLASS)
- (A49) - From THE CLEAR TAMPERS GLASS
- (A50) - From THE 1/2" SEPARATED GLASS
- (A51) - From THE ALUM. SECTION (SEPARATED GLASS)
- (A52) - From THE CLEAR TAMPERS GLASS
- (A53) - From THE 1/2" SEPARATED GLASS
- (A54) - From THE ALUM. SECTION (SEPARATED GLASS)
- (A55) - From THE CLEAR TAMPERS GLASS
- (A56) - From THE 1/2" SEPARATED GLASS
- (A57) - From THE ALUM. SECTION (SEPARATED GLASS)
- (A58) - From THE CLEAR TAMPERS GLASS
- (A59) - From THE 1/2" SEPARATED GLASS
- (A60) - From THE ALUM. SECTION (SEPARATED GLASS)
- (A61) - From THE CLEAR TAMPERS GLASS
- (A62) - From THE 1/2" SEPARATED GLASS
- (A63) - From THE ALUM. SECTION (SEPARATED GLASS)
- (A64) - From THE CLEAR TAMPERS GLASS
- (A65) - From THE 1/2" SEPARATED GLASS
- (A66) - From THE ALUM. SECTION (SEPARATED GLASS)
- (A67) - From THE CLEAR TAMPERS GLASS
- (A68) - From THE 1/2" SEPARATED GLASS
- (A69) - From THE ALUM. SECTION (SEPARATED GLASS)
- (A70) - From THE CLEAR TAMPERS GLASS
- (A71) - From THE 1/2" SEPARATED GLASS
- (A72) - From THE ALUM. SECTION (SEPARATED GLASS)
- (A73) - From THE CLEAR TAMPERS GLASS
- (A74) - From THE 1/2" SEPARATED GLASS
- (A75) - From THE ALUM. SECTION (SEPARATED GLASS)
- (A76) - From THE CLEAR TAMPERS GLASS
- (A77) - From THE 1/2" SEPARATED GLASS
- (A78) - From THE ALUM. SECTION (SEPARATED GLASS)
- (A79) - From THE CLEAR TAMPERS GLASS
- (A80) - From THE 1/2" SEPARATED GLASS
- (A81) - From THE ALUM. SECTION (SEPARATED GLASS)
- (A82) - From THE CLEAR TAMPERS GLASS
- (A83) - From THE 1/2" SEPARATED GLASS
- (A84) - From THE ALUM. SECTION (SEPARATED GLASS)
- (A85) - From THE CLEAR TAMPERS GLASS
- (A86) - From THE 1/2" SEPARATED GLASS
- (A87) - From THE ALUM. SECTION (SEPARATED GLASS)
- (A88) - From THE CLEAR TAMPERS GLASS
- (A89) - From THE 1/2" SEPARATED GLASS
- (A90) - From THE ALUM. SECTION (SEPARATED GLASS)
- (A91) - From THE CLEAR TAMPERS GLASS
- (A92) - From THE 1/2" SEPARATED GLASS
- (A93) - From THE ALUM. SECTION (SEPARATED GLASS)
- (A94) - From THE CLEAR TAMPERS GLASS
- (A95) - From THE 1/2" SEPARATED GLASS
- (A96) - From THE ALUM. SECTION (SEPARATED GLASS)
- (A97) - From THE CLEAR TAMPERS GLASS
- (A98) - From THE 1/2" SEPARATED GLASS
- (A99) - From THE ALUM. SECTION (SEPARATED GLASS)
- (A100) - From THE CLEAR TAMPERS GLASS



2

3

DATE : 18-12-23 SCALE : 1:40 (A1)

CHECKED BY :

ISSUED BY : 6/2

UNITED STATES OF AMERICA
MIDI ASSOCIATION MANUFACTURERS LTD.
610 Cho Kwoi Ling Road, Kowloon
Tel: (852) 27272088

PROJECT : PROPOSED RESIDENTIAL DEVELOPMENT AT HOUSE TYPE C, TIN KOW LOON

PROJECT NO. : J-853

REV. : -