



工程指示 / 要求簡箋 ENGINEER INSTRUCTIONS (E.I.)

工程指示編號:	EI- 5031	修改版本:	-
	HK-		
工程編號:	J 852	工程名稱:	亞皆老街中電
收件人:	Maggie	發件人:	Renee Lo
工程項目:	後加 平台門用不鏽鋼拉手 (LG1-LG4/F, G/F) 生產	日期:	31 /08/2022

<input type="checkbox"/> 原合約工程包	<input type="checkbox"/> 原合約工程加 / 減賬 QT-	<input type="checkbox"/> 新工程報價 QT-
---------------------------------	--	------------------------------------

信件批核號碼/圖紙參考編號:	批核模具圖紙編號:
客戶指示附件:	管理內部批簽署:

<input type="checkbox"/> 初步鋁料 B.M.	<input type="checkbox"/> 加工拆圖, 然後生產	<input type="checkbox"/> 尺寸表
<input type="checkbox"/> 正式鋁料 B.M.	<input type="checkbox"/> 技術上資料 / 指示	<input type="checkbox"/> 報價
<input type="checkbox"/> 配件 B.M.	<input type="checkbox"/> 樣辦或貨品說明書	<input type="checkbox"/> 分判合約
<input type="checkbox"/> 其他:		

內容: 平台門拉手 材質: 不鏽鋼, 表面處理: 黑古銅電渡  
已批圖及收到SI, 已有批會信,  
生產合共56對 送地盤

AB, c 款各做一件樣板, 拍照 不用噴色  
給阿源

分 A, B, C 款包裝  
見 PCB-5001 圖紙, 不鏽鋼 5mm plate

完成上列要求日期: 19/09/2022

國內

<input type="checkbox"/> 生產技術總監	<input type="checkbox"/> 連附件	<input type="checkbox"/> 技術部	<input type="checkbox"/> 連附件	<input type="checkbox"/> 生產部	<input type="checkbox"/> 連附件
<input type="checkbox"/> 採購部	<input type="checkbox"/> 連附件	<input type="checkbox"/> 生產統籌部	<input type="checkbox"/> 連附件	<input type="checkbox"/> 報關組	<input type="checkbox"/> 連附件
<input type="checkbox"/> 質檢部	<input type="checkbox"/> 連附件	<input type="checkbox"/> 會計部	<input type="checkbox"/> 連附件	<input type="checkbox"/> 機械設計部	<input type="checkbox"/> 連附件
<input type="checkbox"/> 其他:					

香港

<input type="checkbox"/> 行政部	<input type="checkbox"/> 連附件	<input type="checkbox"/> 會計部	<input type="checkbox"/> 連附件	<input type="checkbox"/> 統籌部	<input type="checkbox"/> 連附件	<input type="checkbox"/> 工程部	<input type="checkbox"/> 連附件
<input checked="" type="checkbox"/> 採購部	<input checked="" type="checkbox"/> 連附件	<input type="checkbox"/> QS部	<input type="checkbox"/> 連附件	<input checked="" type="checkbox"/> 地盤管理	<input checked="" type="checkbox"/> 連附件	<input type="checkbox"/> 維修部	<input type="checkbox"/> 連附件

*發件人簽署:	*組別成員批核簽署:
傳遞編號:	項目經理簽署:

# Pacific Shine Limited

Your Ref :  
Our Ref : DEV-PSL-2022/1625/LCF  
Our Tel No. : 2132 8227

30 AUG 2022

AGC Design Limited  
16/F, Olympia Plaza,  
255 King's Road,  
North Point,  
Hong Kong

Attn: Mr. Raymond Ho

*Handwritten signature in blue ink*

Dear Sirs,

Re: KIL6038RP, KIL6037RP, KIL6036RP, KIL6035RP & KIL6005,  
Nos. 139 - 147 Argyle Street, Kowloon  
Design, Supply and Installation of Aluminium Window and Claddings, Cur  
Louvres and Glass Balustrade Nominated Sub-Contract  
- Midi Aluminium Fabricator Limited  
Variation Order No. 6

We refer to Midi's Quotation No. QTN/10852/852/41 (Rev.1) dated 20 July 2022 negotiations regarding the variation ordered for the following works.

We have noted the assessed amount for the variation at the following figure: -

<u>VO No.</u>	<u>Description</u>
6.	Revision of door handles for entrance glass doors at podium lift lobbies - Supply and install stainless steel door handles (dark copper) instead

Project: CIP Development Project (KELCOB)

Site Instructions

S.I. No.: P.H.1 P.S. / J.C. 122221 8 / 8 / 1460  
( Parties / Company / Issued Person / Year / Month / Date / Time )

To (Contractor): GECCL, Midt

Location : Podium

Instructions:  
Supply and install glass door handle  
as per attached shop drawing  
approval from Moty's dated  
28 July 2022.  
Remark: Assessment subject to contract  
provision.  
For your immediate action on site l- Moty's shop drawing  
Drawing No. / Sketches No. reply dated 28 July 2022

Reasons for this Instruction:  
Design development of podium glass  
door.

Issued By:  
*Jimmy Cheung*  
Name, Title & Signature

Acknowledge Receipt:  
*[Signature]*  
Name, Title & Signature

Total Pages: 1+13

Contractor's Copy

**SHOP DRAWING SUBMISSION FORM**

**To: Mr Terence Tse / Mr Ben Lau**  
**MOTY's Design Limited**  
 16/F, Chung Nam Building,  
 1 Lockhart Road, Wan Chai,  
 Hong Kong

**No. : SD/A/227 (Rev.0)**  
**Ref : J3860/304.8/D16431**  
**Date : 27 July 2022**

On behalf of Subcontractor **Midi Aluminum Fabricator Ltd.**, we would submit the shop drawing(s) on the attached list for your approval / endorsement / record

Expected Reply Date: 10 August 2022

Regarding: 1<sup>st</sup> Shop Drawing Submission of Glass Door Handle at LG1/F - LG4/F & G/F  
 (Midi ref: SD228)

Remarks: With Drawing List Attached (11 Nos. Drawings); Hard copy is received from Midi on 26 July 2022.

*Dick Yuen*  
**Dick Yuen**  
 Construction Manager  
 Gammon Engineering &  
 Construction Company Limited

DY/11/17/wym

Encl

Comment:

- (A) Approved  
 (B) Approved with comment  
 (C) Approved with comment & resubmit  
 (D) Rejected

Other Remarks:

Signed By:

*Ben (Moty's Design)*

Date:

*28/7/2022*

Distribution:

- |    |   |  |
|----|---|--|
| cc | <input checked="" type="checkbox"/> Pacific Shine | - Mr Billy Tang / Mr Kocher Wong / Mr Edwin Chow / Mr Tony Lai / Mr Stephen Chow / Mr Simon Chung / Mr Ross Pau / Mr Ken Ng / Mr Wyman Fong / Mr Jimmy Cheung / Mr C F Lee / Mr Calvin Chin / Mr Peter Chong |
|    | <input checked="" type="checkbox"/> AGC           | - Ms Grace Cheng / Mr Raymond Ho   |
|    | <input type="checkbox"/> ARUP (Stru)              | - Mr Johnson Po / Mr Wayne Ke  |
|    | <input type="checkbox"/> W&O                      | - Mr Nier Chan / Mr Ivan Tong  |
|    | <input checked="" type="checkbox"/> Arcadis       | - Ms Brenda Mok / Ms Emily Chu   |
|    | <input type="checkbox"/> AXXA                     | - Mr Bernard Chung / Mr Jason Teo  |
|    | <input type="checkbox"/> ARUP (Traffic)           | - Ms Carmen Chu / Mr Eddy Cheung   |
|    | <input checked="" type="checkbox"/> MFT           | - Mr Brian Leung / Ms Eunice Yan   |
|    | <input checked="" type="checkbox"/> MFT (RE)      | - Ms Cosimo Wong   |
|    | <input type="checkbox"/> WSP                      | - Ms Anthea Ng / Mr Dennis Tse   |
|    | <input type="checkbox"/> RE                       | - Mr Jayden Wong   |
|    | <input checked="" type="checkbox"/> OSR           | - Mr H T Tseung / Mr Poon Tsz Kit / Mr Jim Chung / Mr Lee Wai Shing / Mr Alan Chan   |
|    | <input type="checkbox"/> BSI (Sino)               | - Mr Kelvin Tam  |
|    | <input type="checkbox"/> RBSE (W&O)               | - Mr Kevin Lee   |
|    | <input checked="" type="checkbox"/> GECCL         | - QS   |
|    | <input checked="" type="checkbox"/> S/C           | - Midi / Yearfull (By E-mail)  |

\*\*Remarks :  w/encl  w/o encl

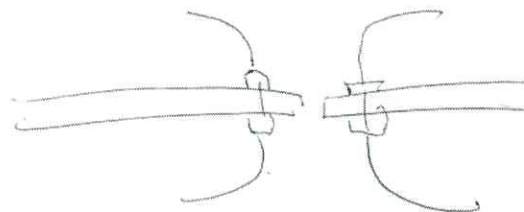
	平台門扶手	長度	有無石	幾多幅門	抽手數量
A	LG1	1600mm	有石	1幅門	2對
A	G/F	1600mm	有石	7幅門	14對
B	G/F	1600mm	無石	8幅門	16對
C	LG2,3,4/F	800mm	無石	12幅門	24對
				1幅門有2對抽手	

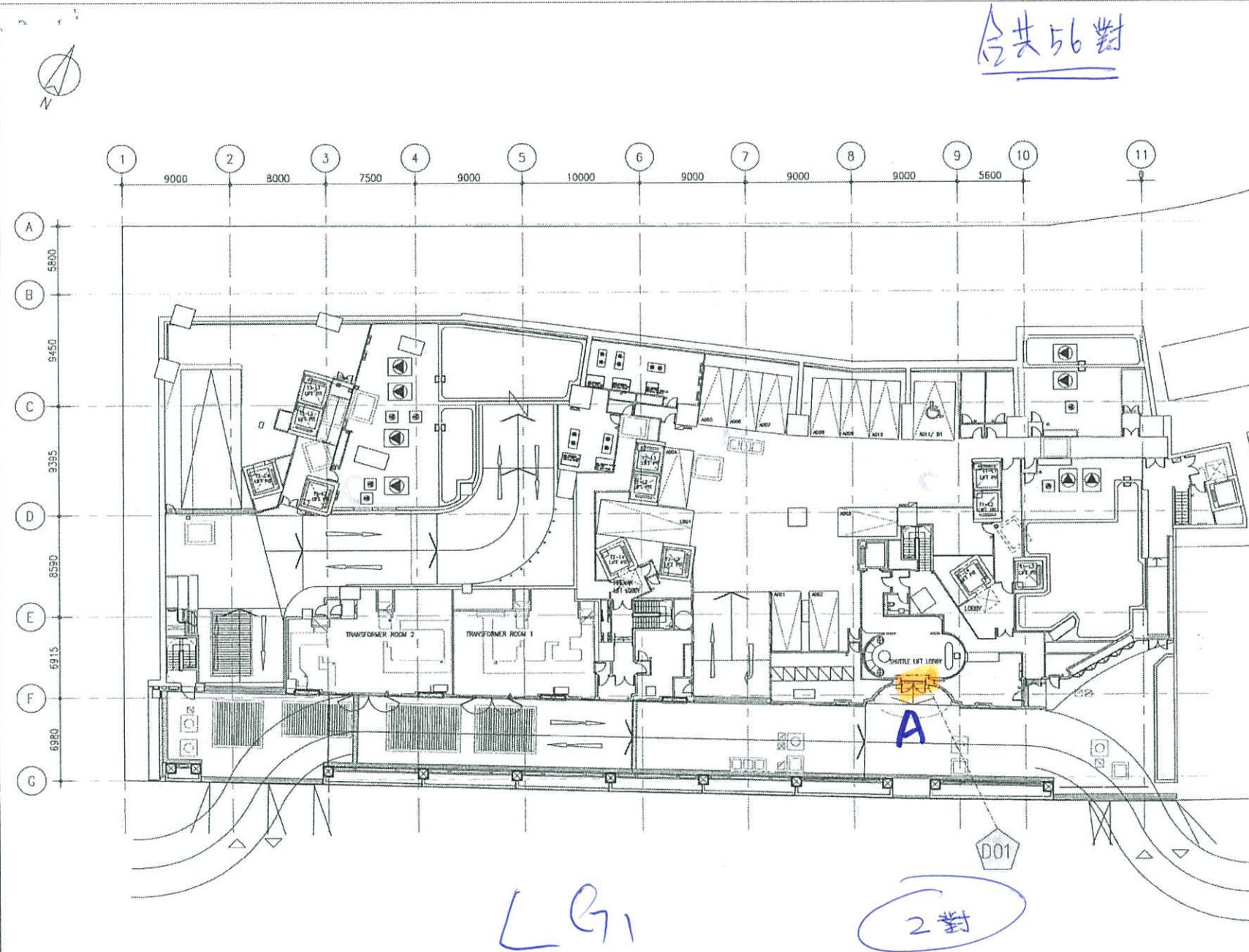
10 份包裝

黑銅色

幅門 = 22寸抽手

共 24 對





合共56對

B.D. REF :

CLIENT :

ARCHITECT :  
**AGC DESIGN LTD**

MAIN CONTRACTOR :  
**Gammon**

STRUCTURAL ENGINEER :  
**ARUP**

FACADE CONSULTANT :  
**MEINHARDT**

NOTE :  
 1. ALL DIMENSIONS ARE IN mm.  
 2. ALL ELEVATIONS ARE VIEWED FROM OUTSIDE.  
 3. ALL DIMENSIONS TO BE VERIFIED ON SITE BEFORE FABRICATION.

LEGEND :  
 XI --- DETAIL MARK NO.  
 REF --- REFER SHEET NO.  
 1. F.F.L. --- FINISHED FLOOR LEVEL  
 2. S.F.L. --- STRUCTURAL FLOOR LEVEL  
 3. (⊖) --- REVERSED DETAIL

NO.	DATE	REVISION	BY

JOB NO. : J-852  
 PROJECT : PROPOSED DEVELOPMENT AT KOWLOON INLAND, LOT Nos., 6035R.P., 6036R.P., 6037R.P., 6038R.P., AND LOT No. 6005

TITLE : LOCATION PLAN @ (LG1/F)

DATE : 15-JULY-22 SCALE : 1:300  
 DRAWN BY : CJM CHECKED BY : DW

**美特鋁質有限公司**  
**MIDI ALUMINIUM FABRICATOR LTD.**  
 Units 6-8, Sunny Industrial Centre, 1/F  
 810 Che Kwo Ling Road, Kowloon  
 Tel: 23489211-4 Fax: (852) 27272666

DWG NO. : J852-PGWH-3001 REV. : -

LOCATION PLAN (LG1/F)

LOCATION	REFER DRAWING No.
SHUTTLE LIFT LOBBY	J852-PGWH-4001(1)

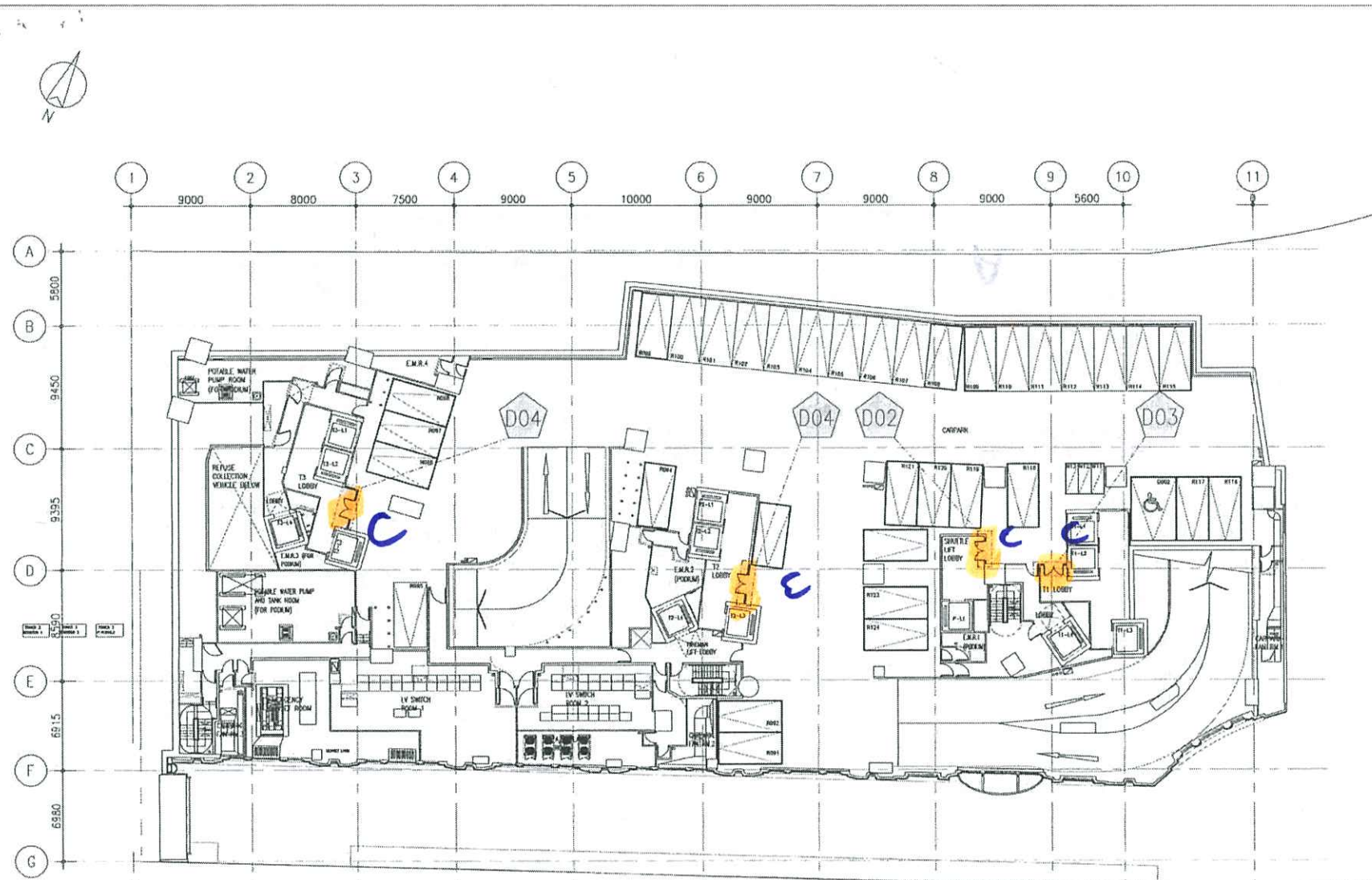
R.I.D. REF :  
 CLIENT :

ARCHITECT :  
**AGC DESIGN LTD**  
 MAIN CONTRACTOR :  
**Gammon**  
 STRUCTURAL ENGINEER :  
**ARUP**  
 FACADE CONSULTANT :  
**MEINHARDT**

NOTE :  
 1. ALL DIMENSIONS ARE IN mm.  
 2. ALL ELEVATIONS ARE VIEWED FROM OUTSIDE.  
 3. ALL DIMENSIONS TO BE VERIFIED ON SITE BEFORE FABRICATION.  
 LEGEND :  
 ① - DETAIL MARK NO.  
 ② - REFER SHEET NO.  
 1. F.F.L. - FINISHED FLOOR LEVEL  
 2. S.F.L. - STRUCTURAL FLOOR LEVEL  
 3. ⊕ - REVERSED DETAIL

JOB NO. : J-852  
 PROJECT :  
 PROPOSED DEVELOPMENT  
 AT KOWLOON ISLAND,  
 LOT Nos., 6035R.P., 6036R.P., 6037R.P.,  
 6038R.P., AND LOT No. 6005  
 TITLE :  
 LOCATION PLAN @  
 (LG2/F)

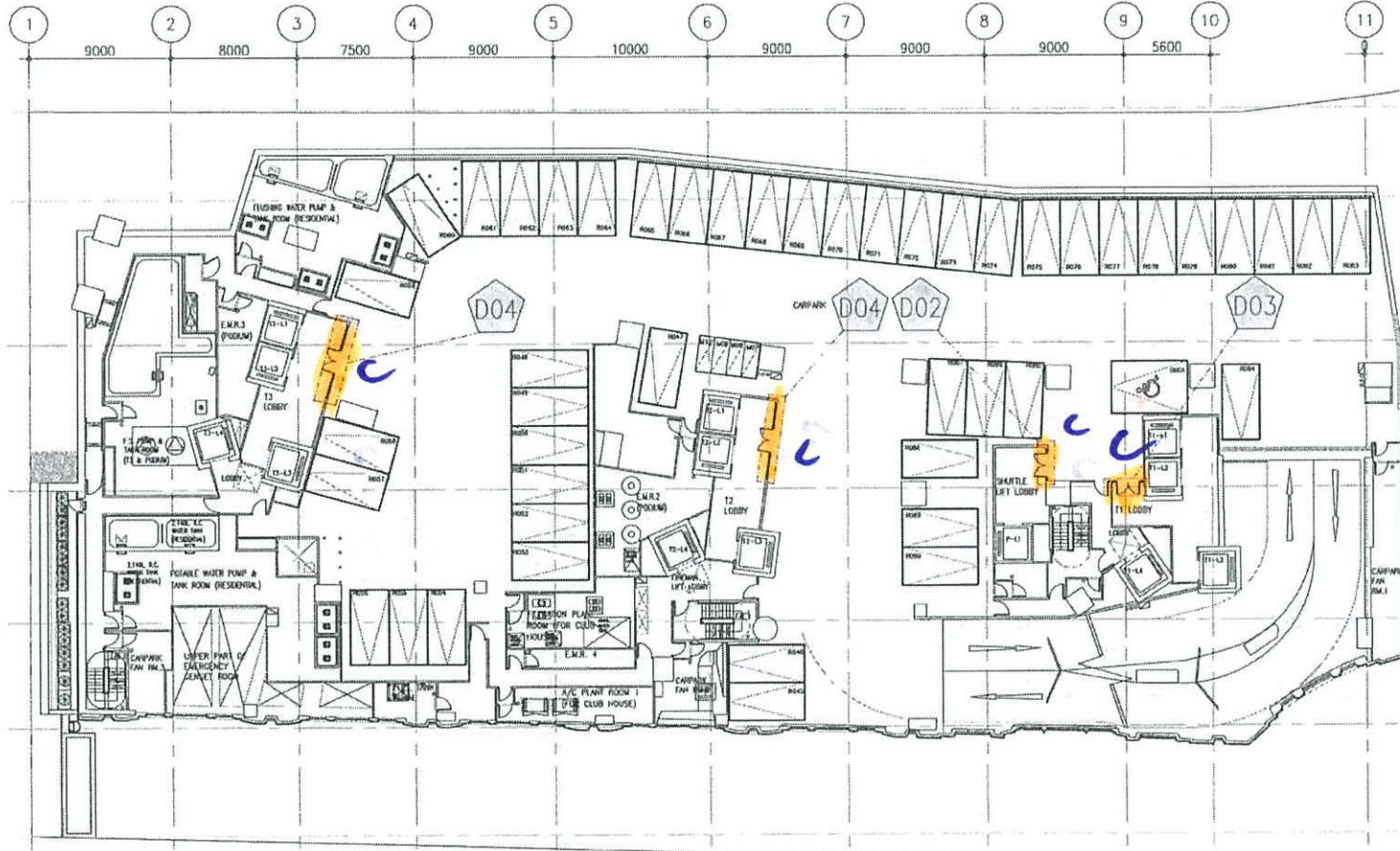
DATE : 15-JULY-22 SCALE : 1:300  
 DRAWN BY : CF CHECKED BY : DW  
**美特鋁質有限公司**  
 MIDI ALUMINIUM FABRICATION LTD.  
 Units 6-8, Sunray Industrial Centre, 1/F  
 616 Che Kwa Ling Road, Kowloon  
 Tel: 23489211-4 Fax: (852) 2727666  
 DWG NO. : J852-PGWH-3002 REV. : -



LOCATION PLAN (LG2/F)

LG2/F

對 8



LG3

8對

LOCATION PLAN (LG3/F)

R.I.L. REF. :

CLIENT :

ARCHITECT :  
**AGC DESIGN LTD**

MAIN CONTRACTOR :  
**Gammon**

STRUCTURAL ENGINEER :  
**ARUP**

FACADE CONSULTANT :  
**MEINHARDT**

NOTE :  
 1. ALL DIMENSIONS ARE IN mm.  
 2. ALL ELEVATIONS ARE VIEWED FROM OUTSIDE.  
 3. ALL DIMENSIONS TO BE VERIFIED ON SITE BEFORE FABRICATION.

LEGEND :  
 (xx) --- DETAIL MARK NO.  
 (xxxx) --- REFER SHEET NO.  
 1. F.F.L. --- FINISHED FLOOR LEVEL  
 2. S.F.L. --- STRUCTURAL FLOOR LEVEL  
 3. (⊙) --- REVERSED DETAIL.

NO.	DATE	REVISION	BY
JOB NO. :	J-852		
PROJECT :	PROPOSED DEVELOPMENT AT KOWLOON INLAND, LOT Nos. 6035B.P., 6036E.P., 6037R.P., 6038A.P., AND LOT No. 6005		
TITLE :	LOCATION PLAN (LG3/F)		
DATE :	15-JULY-22	SCALE :	1:300
DRAWN BY :	CF	CHECKED BY :	DW
<b>美特銘實有限公司</b> <b>MIDI ALUMINIUM FABRICATOR LTD.</b> Units 6-8, Surety Industrial Centre, 1/F 810 Che Kwo Ling Road, Kowloon Tel: 23492111-4 Fax: (852) 27272666			
DWG NO. :	J852-PGWH-3003	REV. :	-

LOCATION	REFER DRAWING No.
TOWER 3 LIFT LOBBY	J852-PGWH-4002(7)
TOWER 2 LIFT LOBBY	J852-PGWH-4002(7)
TOWER 1 LIFT LOBBY	J852-PGWH-4002(4)
SHUTTLE LIFT LOBBY	J852-PGWH-4002(1)

B.D. REF :

CLIENT :

ARCHITECT :  
**AGC DESIGN LTD**  
AGC DESIGN LTD  
 2/F, 6035R.P., 6036R.P., 6037R.P.,  
 6038R.P., AND LOT NO. 6005

MAIN CONTRACTOR :  
**Gammon**

STRUCTURAL ENGINEER :  
**ARUP**

FACADE CONSULTANT:  
**MEINHARDT**

NOTE:  
 1. ALL DIMENSIONS ARE IN mm.  
 2. ALL ELEVATIONS ARE VIEWED FROM OUTSIDE.  
 3. ALL DIMENSIONS TO BE VERIFIED ON SITE BEFORE FABRICATION.

LEGEND:  
 (X) --- DETAIL MARK NO.  
 (REF) --- REFER SHEET NO.  
 1. F.F.L. --- FINISHED FLOOR LEVEL  
 2. S.F.L. --- STRUCTURAL FLOOR LEVEL  
 3. (↔) --- REVERSED DETAIL

NO.	DATE	REVISED	BY

JOB NO. : J-852

PROJECT :  
 PROPOSED DEVELOPMENT  
 AT KOWLOON INLAND,  
 LOT Nos., 6035R.P., 6036R.P., 6037R.P.,  
 6038R.P., AND LOT No. 6005

TITLE :  
 LOCATION PLAN @  
 (LG4/F)

DATE : 15-JULY-22 SCALE : 1:300

DRAWN BY : CF CHECKED BY : DW

**美特鋁質有限公司**  
**MIDI ALUMINIUM FABRICATOR LTD.**  
 Units 6-8, Sunny Industrial Centre, 1/F  
 610 Cheung Kow Ling Road, Kowloon  
 Tel: 23489211-4 Fax: (852) 2727666

DWG NO. : J852-PGWH-3004 REV. : -



LOCATION PLAN (LG4/F)

LG4.

8對

LOCATION	REFER DRAWING No.
TOWER 3 LIFT LOBBY	J852-PGWH-4002(7)
TOWER 2 LIFT LOBBY	J852-PGWH-4002(7)
TOWER 1 LIFT LOBBY	J852-PGWH-4002(4)
SHUTTLE LIFT LOBBY	J852-PGWH-4002(1)





**PROJECT : PROPOSED DEVELOPMENT AT KOWLOON INLAND,  
 LOT Nos., 6035R.P., 6036R.P., 6037R.P., 6038R.P., AND LOT No. 6005**

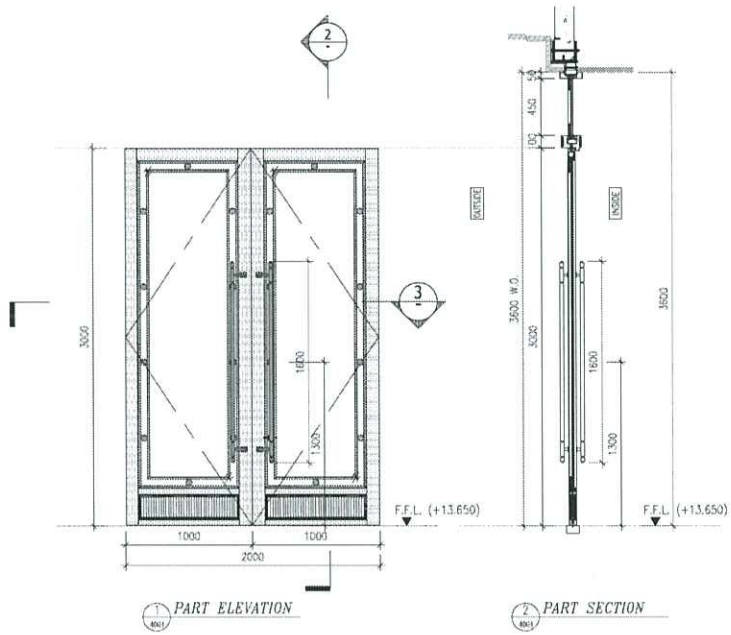
1

**TITLE : GLASS DOOR HANDLE AT LG1/2/3/4&G/F  
 SHOPDRAWING SUBMISSION**

**MC/41376/852**

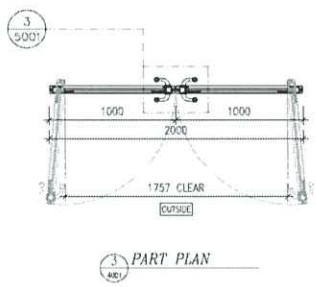
**DATE: 15 JULY 2022**





1 PART ELEVATION

2 PART SECTION



3 PART PLAN

FLOOR	LOCATION	DOOR MARK	QTY
LG1	SHUTTLE LIFT LOBBY	DD1	1 PAIRS
REMARK: MARBLE STONE HANDLE			

*A*

R.D. REF :  
 CLIENT :

ARCHITECT :



MAIN CONTRACTOR :



STRUCTURAL ENGINEER :



FACADE CONSULTANT:



NOTE:  
 1. ALL DIMENSIONS ARE IN mm.  
 2. ALL ELEVATIONS ARE VIEWED FROM OUTSIDE.  
 3. ALL DIMENSIONS TO BE VERIFIED ON SITE BEFORE FABRICATION.

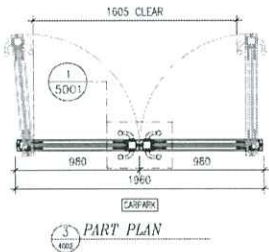
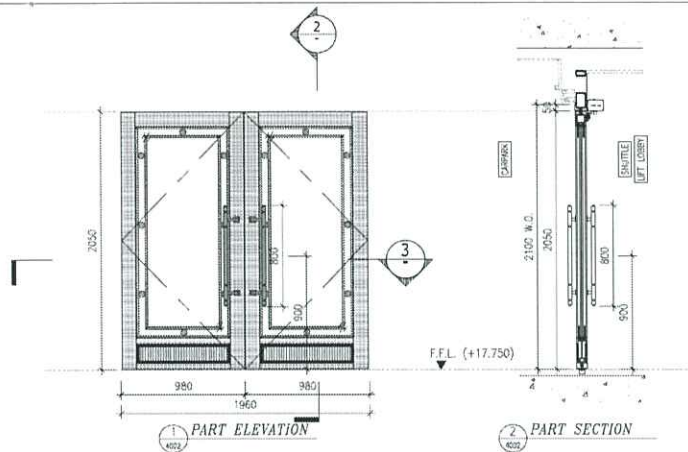
LEGEND:  
 (X1) — DETAIL MARK NO.  
 (X001) — REFER SHEET NO.  
 1. F.F.L. — FINISHED FLOOR LEVEL  
 2. S.F.L. — STRUCTURAL FLOOR LEVEL  
 3. (R) — REVERSED DETAIL

NO.	DATE	REVISION	BY

JOB NO : J-852  
 PROJECT : PROPOSED DEVELOPMENT AT KOWLOON INLAND, LOT Nos., 6035R.P., 6036R.P., 6037R.P., 6038R.P., AND LOT No. 8005  
 TITLE : ELEVATION & PART PLAN

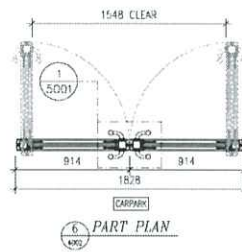
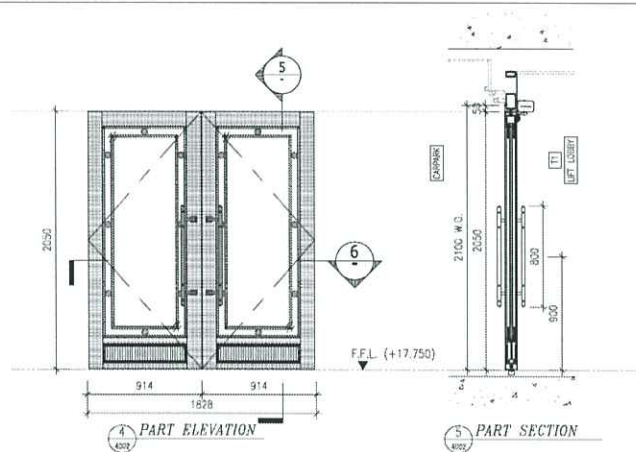
DATE : 15-JULY-22 SCALE : 1:40  
 DRAWN BY : CF CHECKED BY : DW

**英特鋁質有限公司**  
 MIDI ALUMINIUM FABRICATOR LTD.  
 Units 6-8, Sunny Industrial Centre, 1/F  
 610 Chee Kwo Ling Road, Kowloon  
 Tel: 23488211-4 Fax: (852) 2727666  
 DWG NO. : J852-PGWH-4001 REV. : -



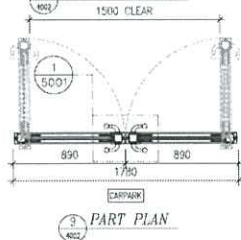
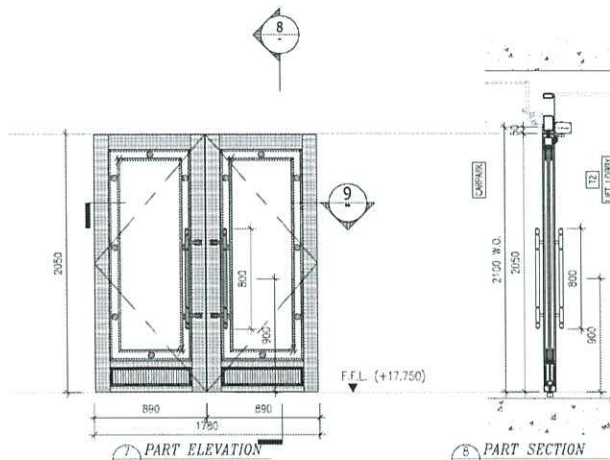
FLOOR	LOCATION	DOOR MARK	QTY
LG2	SHUTTLE LIFT LOBBY	D02	3 PAIRS
LG3			
LG4			

REMARK: STAINLESS STEEL HANDLE



FLOOR	LOCATION	DOOR MARK	QTY
LG2	T1 LIFT LOBBY	D03	3 PAIRS
LG3			
LG4			

REMARK: STAINLESS STEEL HANDLE



FLOOR	LOCATION	DOOR MARK	QTY
LG2	T2 LIFT LOBBY	D04	6 PAIRS
	T3 LIFT LOBBY		
LG3	T2 LIFT LOBBY		
	T3 LIFT LOBBY		
LG4	T2 LIFT LOBBY		
	T3 LIFT LOBBY		

REMARK: STAINLESS STEEL HANDLE

R.D. REF :

CLIENT :

ARCHITECT :  
**AGC DESIGN LTD**

MAIN CONTRACTOR :  
**Gammon**

STRUCTURAL ENGINEER :  
**ARUP**

FACADE CONSULTANT :  
**MEIN-HARDT**

NOTE :  
1. ALL DIMENSIONS ARE IN mm.  
2. ALL ELEVATIONS ARE VIEWED FROM OUTSIDE.  
3. ALL DIMENSIONS TO BE VERIFIED ON SITE BEFORE FABRICATION.

LEGEND:  
 (X1) — DETAIL MARK NO.  
 (X001) — REFER SHEET NO.  
 1. F.F.L. — FINISHED FLOOR LEVEL  
 2. S.F.L. — STRUCTURAL FLOOR LEVEL  
 3. (Z) — REVERSED DETAIL

NO.	DATE	REVISION	BY

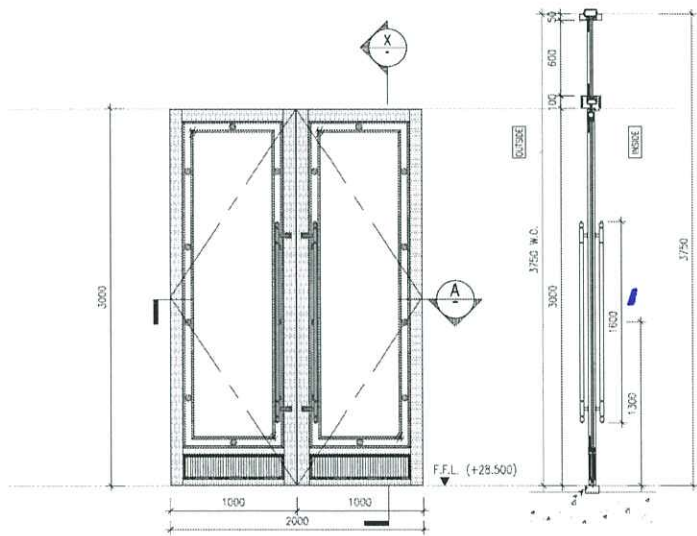
JOB NO : J-852  
 PROJECT : PROPOSED DEVELOPMENT AT KOWLOON INLAND, LOT Nos., 6036R.P., 6037R.P., 6038R.P., AND LOT No. B005

TITLE : ELEVATION & PART PLAN

DATE : 15-JULY-22 SCALE : 1:40  
 DRAWN BY : CF CHECKED BY : DW

**美特鋁質有限公司**  
**MIDI ALUMINIUM FABRICATOR LTD.**  
 Units 6-8, Sunray Industrial Centre, 1/F  
 610 Cho Kwong Ling Road, Kowloon  
 Tel: 23480211-4 Fax: (852) 2727666

DWG NO. : J852-PGWH-4002 REV. : -



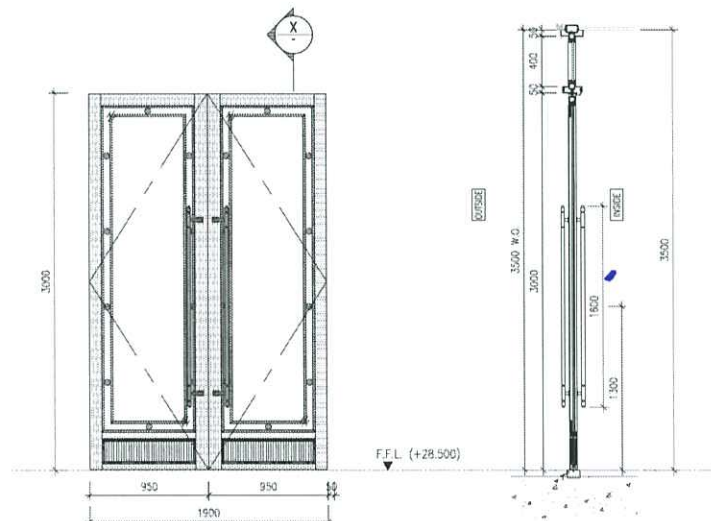
1 PART ELEVATION

2 PART SECTION

3 PART PLAN

FLOOR	LOCATION	DOOR MARK	QTY
G/F	SHUTTLE LIFT LOBBY (1 PAIR)	D05	7 PAIRS
	T1 LIFT LOBBY (1 PAIR)		
	T2 LIFT LOBBY (2 PAIRS)		
	T3 LIFT LOBBY (1 PAIR)		
	CLUBHOUSE LOBBY (1 PAIR)		
	CLUBHOUSE SITTING AREA (1 PAIR)		

REMARK: MARBLE STONE HANDLE



4 PART ELEVATION

5 PART SECTION

6 PART PLAN

FLOOR	LOCATION	DOOR MARK	QTY
G/F	CLUBHOUSE LOUNGE (3 PAIRS)	D06	8 PAIRS
	CLUBHOUSE M.F. RM.1 (2 PAIRS)		
	CLUBHOUSE M.F. RM.2 (3 PAIRS)		

REMARK: STAINLESS STEEL HANDLE

R.D. REF :

CLIENT :

ARCHITECT :  
**AGC DESIGN LTD**

MAIN CONTRACTOR :  
**Gammon**

STRUCTURAL ENGINEER :  
**ARUP**

FAÇADE CONSULTANT :  
**MEIN-HARDT**

NOTE :  
1. ALL DIMENSIONS ARE IN mm.  
2. ALL ELEVATIONS ARE VIEWED FROM OUTSIDE.  
3. ALL DIMENSIONS TO BE VERIFIED ON SITE BEFORE FABRICATION.

LEGEND :  
 (X1) DETAIL MARK NO.  
 (X00) REFER SHEET NO.  
 1. F.F.L. -- FINISHED FLOOR LEVEL  
 2. S.F.L. -- STRUCTURAL FLOOR LEVEL  
 3. (P) -- REVERSED DETAIL

NO	DATE	REVISED	BY

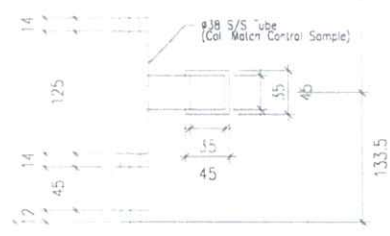
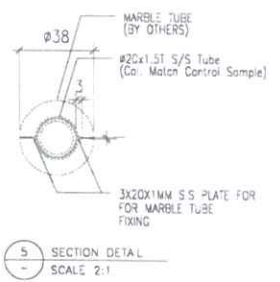
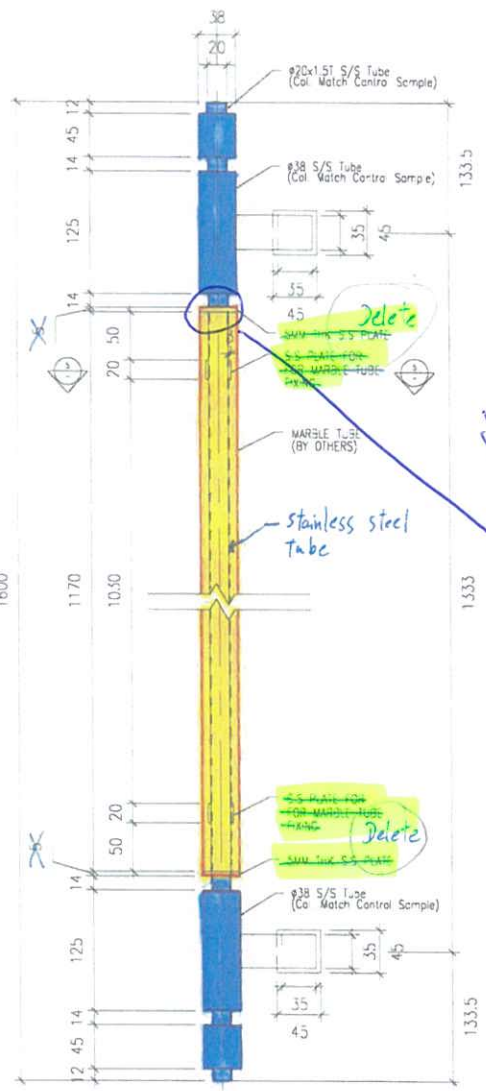
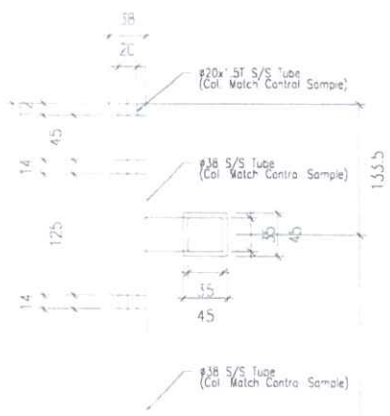
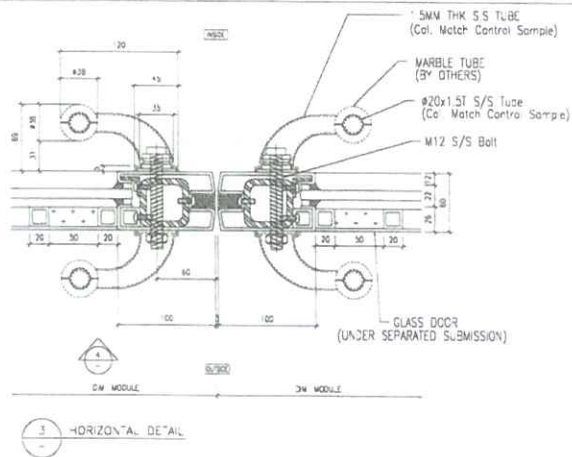
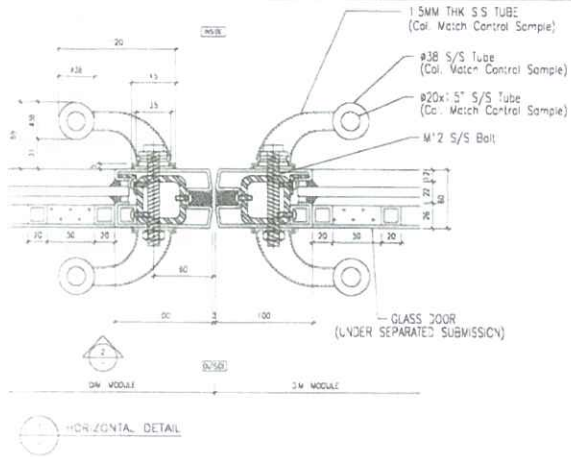
JOB NO : J-B52  
 PROJECT : PROPOSED DEVELOPMENT AT KOWLOON INLAND, LOT Nos., 60.35R.P., 60.37R.P., 60.58R.P., AND LOT No. 6005

TITLE : ELEVATION & PART PLAN

DATE : 15-JULY-22 SCALE : 1:40  
 DRAWN BY : CF CHECKED BY : DW

**英特鋁質有限公司**  
**MIDI ALUMINIUM FABRICATOR LTD.**  
 Units 6-8, Sunny Industrial Centre, 1/F  
 610 Cho Kwo Ling Road, Kowloon  
 Tel: 23488211-4 Fax: (852) 2727666  
 DWG NO. : J-B52-PGWH-4003 REV. : -





2 VERTICAL DETAIL

3 VERTICAL DETAIL

28/7/2022  
 [Signature]

DATE: 15-JUL-22 SCALE: 1:4  
 DRAWN BY: CH  
 CHECKED BY: DW  
 MIDT  
 510 Cheong Chee Boon, Manager  
 0274282711-4 Fax: (65) 27271655  
 0274282711-4  
 PCH  
 500

NO.	REV.	DESCRIPTION	DATE
1			
2			
3			
4			
5			

PROJECT: PROPOSED DEVELOPMENT AT KOWLOON ISLAND, 6033RP, 6033RP, 6033RP, AND LOT NO. 6033  
 TITLE: TYPICAL DETAIL FOR GLASS DOOR HANDLE  
 SHEET NO: J-852  
 DWG NO: J852-FLOW-3001

ARCHITECT: AGC  
 STRUCTURAL ENGINEER: Gammorn  
 MAIN CONTRACTOR: ARUP  
 PROJECT CONSULTANT: MENYARD

NOTE:  
 1 ALL DIMENSIONS ARE IN MM  
 2 ALL DIMENSIONS ARE VERIFIED FROM OUTSIDE  
 3 ALL DIMENSIONS TO BE VERIFIED ON SITE  
 4 SEE REVISIONS  
 (LEGEND)  
 11 DETAIL MARK NO.  
 12 RETIR SHEET NO.  
 1 FFL -- FINISHED FLOOR LEVEL  
 2 SFL -- STRUCTURAL FLOOR LEVEL  
 3 -- FINISHED CEILING  
 4 -- FINISHED CEILING