

工程指示 / 要求簡箋 ENGINEER INSTRUCTIONS(E.I.)

工程指示編號:	EI- 4597	修改版本:	-
	HK- 650		
工程編號:	J 852	工程名稱:	亞皆老街中電
收件人:	生統	發件人:	Karina Lee
工程項目:	平台Glass Wall LG2- LG4/F 地盤用U槽 (20*25*3mm)	日期:	19/04/2022

<input checked="" type="checkbox"/> 原合約工程包	<input type="checkbox"/> 原合約工程加 / 減賬 QT-	<input type="checkbox"/> 新工程報價 QT-
--	--	------------------------------------

信件批核號碼/圖紙參考編號:	批核模具圖紙編號:
客戶指示附件:	管理內部批簽署:

<input type="checkbox"/> 初步鋁料 B.M.	<input checked="" type="checkbox"/> 加工拆圖, 然後生產	<input type="checkbox"/> 尺寸表
<input type="checkbox"/> 正式鋁料 B.M.	<input type="checkbox"/> 技術上資料/指示	<input type="checkbox"/> 報價
<input type="checkbox"/> 配件 B.M.	<input type="checkbox"/> 樣辦或貨品說明書	<input type="checkbox"/> 分判合約
<input type="checkbox"/> 其他:		

內容: 請生產平台LG2/F- LG4/F 向停車場Glass Door 企身收口用U槽 (20*25*3mm) 送地盤用, 共26件. 謝謝.

完成上列要求日期: 26/04/2022

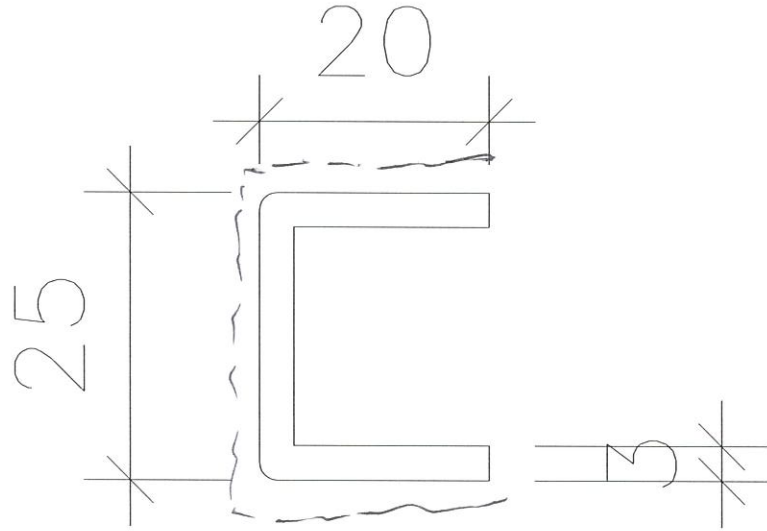
國內

<input type="checkbox"/> 生產技術總監	<input type="checkbox"/> 連附件	<input type="checkbox"/> 技術部	<input type="checkbox"/> 連附件	<input type="checkbox"/> 生產部	<input type="checkbox"/> 連附件
<input type="checkbox"/> 採購部	<input type="checkbox"/> 連附件	<input checked="" type="checkbox"/> 生產統籌部	<input checked="" type="checkbox"/> 連附件	<input type="checkbox"/> 報關組	<input type="checkbox"/> 連附件
<input type="checkbox"/> 質檢部	<input type="checkbox"/> 連附件	<input type="checkbox"/> 會計部	<input type="checkbox"/> 連附件	<input type="checkbox"/> 機械設計部	<input type="checkbox"/> 連附件
<input type="checkbox"/> 其他:					

香港

<input type="checkbox"/> 行政部	<input type="checkbox"/> 連附件	<input type="checkbox"/> 會計部	<input type="checkbox"/> 連附件	<input type="checkbox"/> 統籌部	<input type="checkbox"/> 連附件	<input type="checkbox"/> 工程部	<input type="checkbox"/> 連附件
<input type="checkbox"/> 採購部	<input type="checkbox"/> 連附件	<input type="checkbox"/> QS部	<input type="checkbox"/> 連附件	<input checked="" type="checkbox"/> 地盤管理	<input checked="" type="checkbox"/> 連附件	<input type="checkbox"/> 維修部	<input type="checkbox"/> 連附件

*發件人簽署:		*組別成員批核簽署:	
傳遞編號:		項目經理簽署:	



L = 2100

材料: 20x25x3 U槽 / 3mm厚铝板

24+2後備

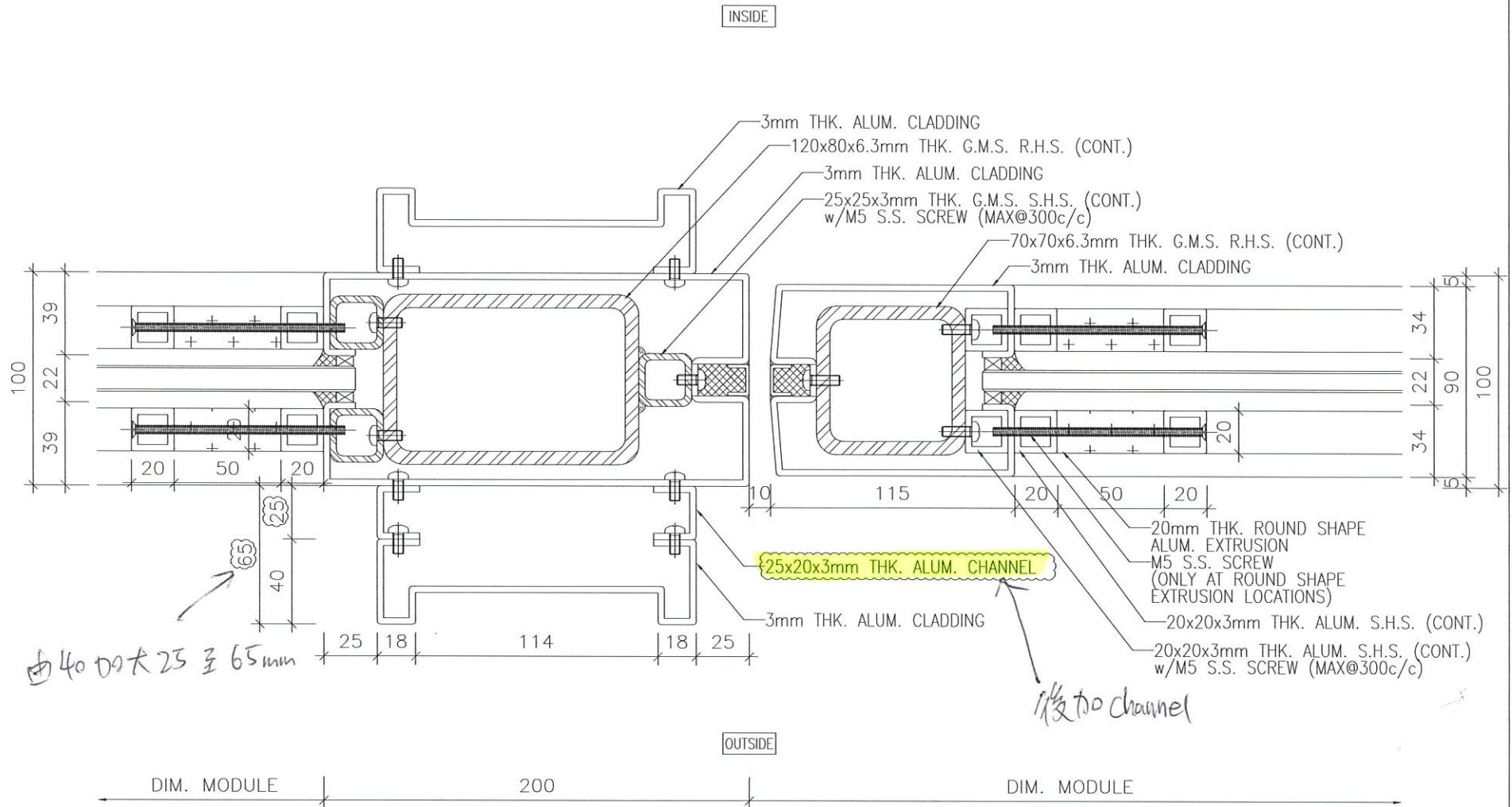
26件

編號: UCT 201498XL (A)-3

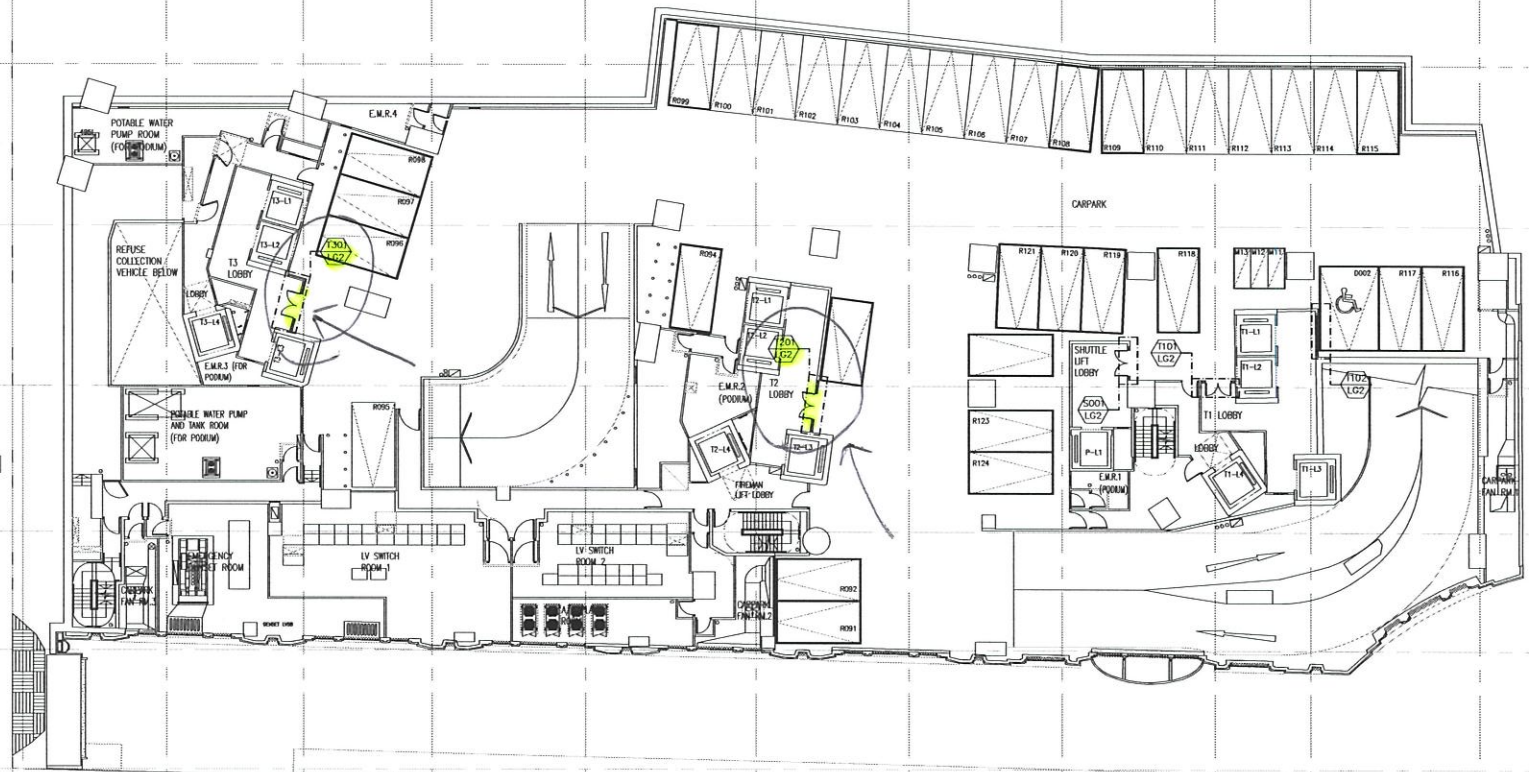
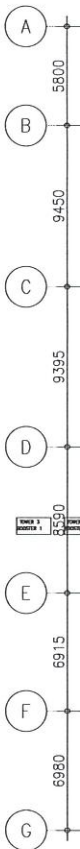
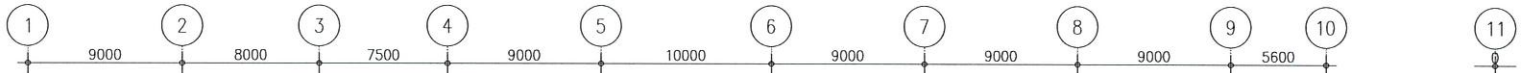
平台 LG2-4, 向停車場 Glass Door

倉身收口用

New Drawing



2 HORIZONTAL DETAIL



LOCATION PLAN FOR GLASS WALL (LG2/F)

B.D. REF :

CLIENT :

ARCHITECT :
AGC DESIGN LTD

MAIN CONTRACTOR :
Gammon

STRUCTURAL ENGINEER :
ARUP

FACADE CONSULTANT:
MEINHARDT

NOTE :
1. ALL DIMENSIONS ARE IN mm.
2. ALL ELEVATIONS ARE VIEWED FROM OUTSIDE.
3. ALL DIMENSIONS TO BE VERIFIED ON SITE BEFORE FABRICATION.

LEGEND :
 DETAIL MARK NO.
 REFER SHEET NO.
 1. F.F.L. --- FINISHED FLOOR LEVEL
 2. S.F.L. --- STRUCTURAL FLOOR LEVEL
 3. --- REVERSED DETAIL

A	25/09/2021	REVISION SUBJECT TO ARCH COMMENT	DWG
NO.	DATE	REVISION	BY

JOB NO. : J-852
 PROJECT : PROPOSED DEVELOPMENT AT KOWLOON INLAND, LOT Nos., 6035R.P., 6036R.P., 6037R.P., 6038R.P., AND LOT No. 6005
 TITLE : LOCATION PLAN FOR GLASS WALL (LG2/F)

LOCATION	GLASS WALL MARK	DRAWING No.
TOWER 3 LIFT LOBBY	T301/LG2	J852-PGW-4204
TOWER 2 LIFT LOBBY	T201/LG2	J852-PGW-4203
TOWER 1 LIFT LOBBY	T102/LG2	J852-PGW-4202
TOWER 1 LIFT LOBBY	T101/LG2	J852-PGW-4201
SHUTTLE LIFT LOBBY	S001/LG2	J852-PGW-4200

DATE : 25-Mar-20 SCALE : 1:300
 DRAWN BY : CJM CHECKED BY : DW

MIDI ALUMINIUM FABRICATOR LTD.
 Units 6-8, Sunray Industrial Centre, 1/F,
 610 Cho Kwo Ling Road, Kowloon
 Tel:23489211-4 Fax:(852)2772666
 DWG NO. : J852-PGW-3002 REV. : A



LOCATION PLAN FOR GLASS WALL (LG3/F)

B.D. REF :

CLIENT :

ARCHITECT :
AGC DESIGN LTD

MAIN CONTRACTOR :
Gammon

STRUCTURAL ENGINEER :
ARUP

FACADE CONSULTANT:
MEINHARDT

NOTE:
1. ALL DIMENSIONS ARE IN mm.
2. ALL ELEVATIONS ARE VIEWED FROM OUTSIDE.
3. ALL DIMENSIONS TO BE VERIFIED ON SITE BEFORE FABRICATION.

LEGEND:
 X1 --- DETAIL MARK NO.
 X001 --- REFER SHEET NO.
 1. F.F.L. --- FINISHED FLOOR LEVEL
 2. S.F.L. --- STRUCTURAL FLOOR LEVEL
 3. (↔) --- REVERSED DETAIL

B	25/09/2021	REVISION SUBJECT TO ARCH COMMENT	LWC
A	27/04/2021	REVISION SUBJECT TO ARCH COMMENT	LWC
N/L	DATE	REVISION	BY

JOB NO. : J-852
 PROJECT : PROPOSED DEVELOPMENT AT KOWLOON INLAND, LOT Nos., 6035R.P., 6036R.P., 6037R.P., 6038R.P., AND LOT No. 6005
 TITLE : LOCATION PLAN FOR GLASS WALL (LG3/F)

LOCATION	GLASS WALL MARK	DRAWING No.
TOWER 3 LIFT LOBBY	T301/LG3	J852-PGW-4304
TOWER 2 LIFT LOBBY	T201/LG3	J852-PGW-4303
TOWER 1 LIFT LOBBY	T102/LG3	J852-PGW-4302
TOWER 1 LIFT LOBBY	T101/LG3	J852-PGW-4301
SHUTTLE LIFT LOBBY	S001/LG3	J852-PGW-4300

DATE : 25-Mar-20 SCALE : 1:300
 DRAWN BY : CJM CHECKED BY : DW

美特鋁質有限公司
 MIDI ALUMINIUM FABRICATOR LTD.
 Units 6-8, Sunray Industrial Centre, 1/F,
 610 Cho Kwo Ling Road, Kowloon
 Tel:23489211-4 Fax:(852)2772666
 DWG No. : J852-PGW-3003 REV. : B



LOCATION PLAN FOR GLASS WALL (LG4/F)

B.D. REF :
 CLIENT :
 ARCHITECT :
AGC DESIGN LTD

MAIN CONTRACTOR :
Gammon

STRUCTURAL ENGINEER :
ARUP

FACADE CONSULTANT:
MEINHARDT

NOTE :
 1. ALL DIMENSIONS ARE IN mm.
 2. ALL ELEVATIONS ARE VIEWED FROM OUTSIDE.
 3. ALL DIMENSIONS TO BE VERIFIED ON SITE BEFORE FABRICATION.

LEGEND :
 (X1) --- DETAIL MARK NO.
 (X001) --- REFER SHEET NO.
 1. F.F.L. --- FINISHED FLOOR LEVEL
 3. S.F.L. --- STRUCTURAL FLOOR LEVEL
 3. (Z) --- REVERSED DETAIL

A	25/09/2011	REVISION SUBJECT TO ARCH COMMENT	UVC
NO.	DATE	REVISION	BY

JOB NO. : J-852
 PROJECT : PROPOSED DEVELOPMENT AT KOWLOON INLAND, LOT Nos., 6035R.P., 6036R.P., 6037R.P., 6038R.P., AND LOT No. 6005
 TITLE : LOCATION PLAN FOR GLASS WALL (LG4/F)

LOCATION	GLASS WALL MARK	DRAWING No.
TOWER 3 LIFT LOBBY	T301/LG4	J852-PGW-4404
TOWER 2 LIFT LOBBY	T201/LG4	J852-PGW-4403
TOWER 1 LIFT LOBBY	T102/LG4	J852-PGW-4402
TOWER 1 LIFT LOBBY	T101/LG4	J852-PGW-4401
SHUTTLE LIFT LOBBY	S001/LG4	J852-PGW-4400

DATE : 25-Mar-20 SCALE : 1:300
 DRAWN BY : CJM CHECKED BY : DW
MIDI ALUMINIUM FABRICATOR LTD.
 Units 6-8, Sunray Industrial Centre, 1/F
 610 Cha Kwo Ling Road, Kowloon
 Tel:23489211-4 Fax:(852)27727666
 DWG NO. : J852-PGW-3004 REV. : A