

工程指示 / 要求簡箋(E.I.)

工程指示編號：EI / 4010 / 21

修改版次：B

工程編號：J - 852

工程名稱：亞皆老街中電

工程項目：平台 Glass Wall 廠用鐵件 外判鐵廠直送 門玉鐵件

收件人：生統/王良

發件人：Ant Yeung

日期：17/12/2021

要求提供 / 確認 事項：

- | | | |
|------------------------------------|-------------------------------------|-------------------------------|
| <input type="checkbox"/> 初步鋁料 B.M. | <input type="checkbox"/> 加工拆圖，然後生產 | <input type="checkbox"/> 尺寸表 |
| <input type="checkbox"/> 正式鋁料 B.M. | <input type="checkbox"/> 技術上資料 / 指示 | <input type="checkbox"/> 報價 |
| <input type="checkbox"/> 配件 B.M. | <input type="checkbox"/> 樣辦或貨品說明書 | <input type="checkbox"/> 分判合約 |

內容：

B 版: 加地鎖的避位

A 加鐵孔。

此 EI 鐵件，由外判鐵廠直送。

請注意收貨，謝謝。

附：2 頁加工圖+ 3 頁地鎖型號+位置圖

以上項目為：

- 原合約工程包 原合約工程加 / 減賬 新工程報價

原因：-

分發東莞各部門：

- | | | | |
|--|--|--|---|
| <input type="checkbox"/> 生產技術總監 <input type="checkbox"/> 連附件 | <input type="checkbox"/> 技術部 <input type="checkbox"/> 連附件 | <input type="checkbox"/> 生產部 <input type="checkbox"/> 連附件 | <input type="checkbox"/> 機械設計部 <input type="checkbox"/> 連附件 |
| <input type="checkbox"/> 採購部 <input type="checkbox"/> 連附件 | <input checked="" type="checkbox"/> 生產統籌部 <input type="checkbox"/> 連附件 | <input type="checkbox"/> 小羅&清 <input type="checkbox"/> 連附件 | |
| <input checked="" type="checkbox"/> 質檢部 <input type="checkbox"/> 連附件 | <input type="checkbox"/> 會計部 <input type="checkbox"/> 連附件 | <input type="checkbox"/> 報關組 <input type="checkbox"/> 連附件 | <input type="checkbox"/> 其他 <u>楊榮輝</u> <input type="checkbox"/> 連附件 |

分發其他分判：

- 水洪 連附件 (v) 秋 連附件

分發香港各部門：

- 行政部 連附件 會計部 連附件 統籌部 連附件 林哥 工程部地盤科文 連附件 有哥, 祥哥
 採購部 連附件 QS 部 連附件 維修部 連附件 其他 _____ 連附件

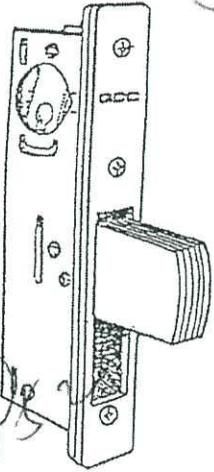
傳遞編號：

HK 2313 / 21

發件人簽署：

項目經理簽署：

55128L DEADLOCK "LONG THROW" ★

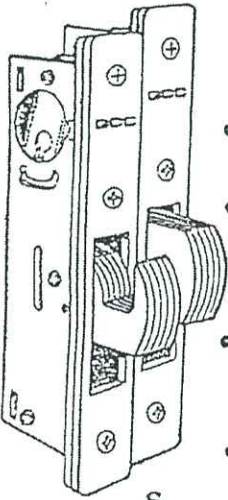


- Cylinder backset available: 31/32", 7/8", 1-1/8", and 1-1/2".
- Bolt 1-3/8" throw, made of 5 ply laminated steel with hardened roller pin in center to resist hacksaw attacks.
- Lock accepts standard 1-5/32" mortise key or thumbturn cylinders.
- 1" x 6-7/8" faceplates.

Faceplate Type	
55128L/1	
55128L/2	
55128L/3	
55128L/4	
55128L/5	

Faceplate finishes;
 AL - Anodized Satin Aluminum
 DU - Anodized Bronze
 BK - Anodized Black

55128S DEADLOCK "SHORT THROW" 55128H DEADLOCK "HOOK BOLT"

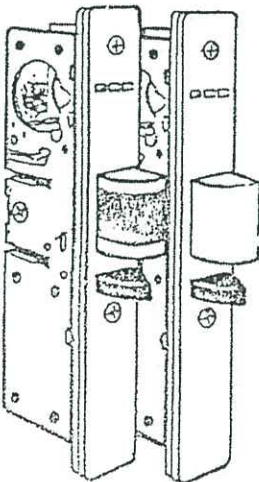


- Cylinder backset available: 31/32", 1-1/8", 7/8" and 1-1/2".
- Bolt 13/16" throw, made of 5 ply laminated steel with hardened roller pin in center to resist hacksaw attacks.
- Lock accepts standard 1-5/32" mortise key or thumbturn cylinders.
- 1" X 6-7/8" faceplates.

Faceplate Type	
55128(S or H)/1	
55128(S or H)/2	
55128(S or H)/3	
55128(S or H)/4	
55128(S or H)/5	

Faceplate finishes;
 AL - Anodized Satin Aluminum
 DU - Anodized Bronze
 BK - Anodized Black

55129 DEADLATCH LOCK



- Cylinder backset 1-1/8".
- Field reversible for opposite hand.
- Key controlled dogging.
- Latchbolt 1/2" throw with Delrin insert for smooth, quiet latching(A) or w/o Delrin insert(B).
- Lock accepts standard 1-5/32" mortise key or thumbturn cylinders.
- Strike included, US 26D.
- 1" X 6-7/8" faceplates.

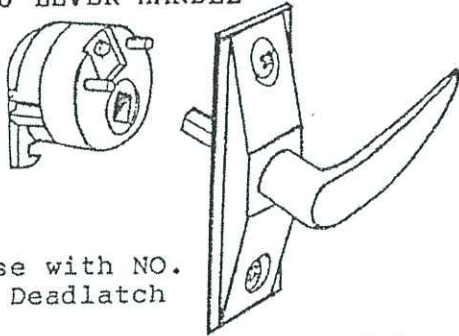
Faceplate Type	
55129/1	
55129/2	
55129/3	
55129/4	
55129/5	

Faceplate finishes;
 AL - Anodized Satin Aluminum
 DU - Anodized Bronze
 BK - Anodized Black

(A) (B)

GCC[®] Door Hardware

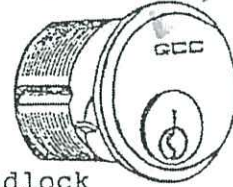
LH-560 LEVER HANDLE



- *For use with NO. 55129 Deadlatch Lock.
- *Cam plug non-handed reversible in the field.
- *Finishes available:
 - AL - Baked Satin Aluminum Paint
 - DU - Baked Storefront Bronze Paint
 - BK - Baked Black Paint

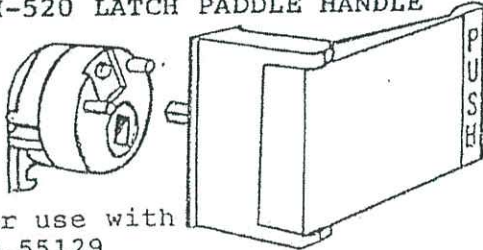
MORTISE KEY CYLINDER

ZC-101 (ZINC)
BS-102 (SOLID BRASS)



- *1-5/32" 5 pin cylinder.
- *For use with Deadlock or Deadlatch Lock.
- *Core face and Key US 26D.
- *Cylinder ring 3/16" standard, 5/32" and 7/32" optional.
- *Keyway available: Schlage "C", Yale "8".
- *Finishes available:
 - AL - Anodized Satin Aluminum
 - DU - Anodized Bronze
 - BK - Anodized Black
 - PC - Polish Chrome (for BS-102 only)

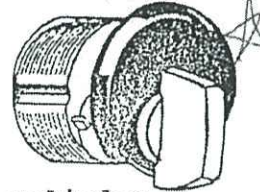
PH-520 LATCH PADDLE HANDLE



- *For use with NO. 55129 Deadlatch Lock.
- *Cam on cam plug is handed and can be reversed.
- *Operation:
 - PSL - Push To Left
 - PSR - Push To Right
 - PLL - Pull To Left
 - PLR - Pull To Right
- *Finish available:
 - AL - Anodized Satin Aluminum
 - DU - Anodized Bronze
 - BK - Anodized Black

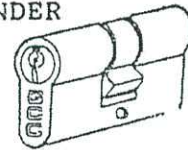
MORTISE THUMBTURN CYLINDER

ZC-101T (ZINC)
BS-102T (SOLID BRASS)

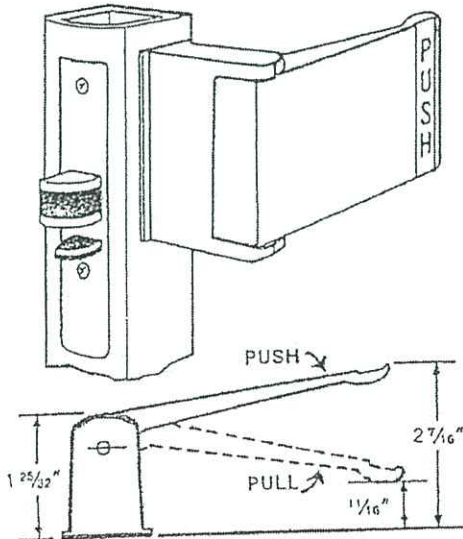


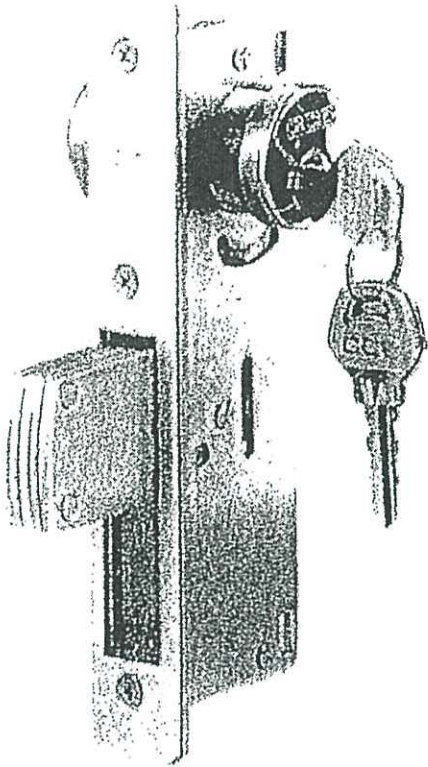
- *1-5/32" mortise cylinder.
- *For use with Deadlock or Deadlatch Lock.
- *Thumbturn US 26D.
- *Cylinder ring 3/16" standard, 5/32" and 7/32" optional.
- *Finishes available:
 - AL - Anodized Satin Aluminum
 - DU - Anodized Bronze
 - BK - Anodized Black
 - PC - Polish Chrome (for BS-102T only)

9125 DOUBLE ENDED EUROPROFILE MORTICE CYLINDER (CD-88)

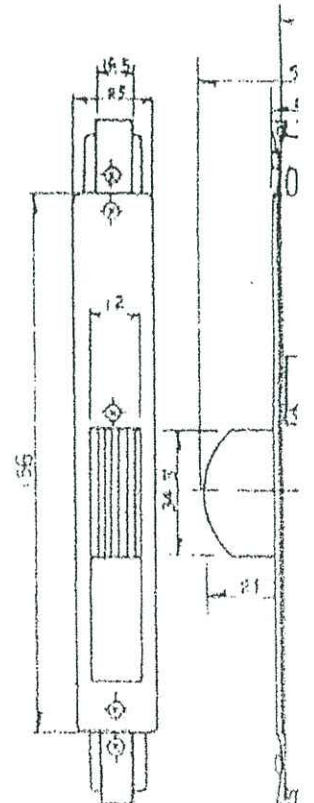
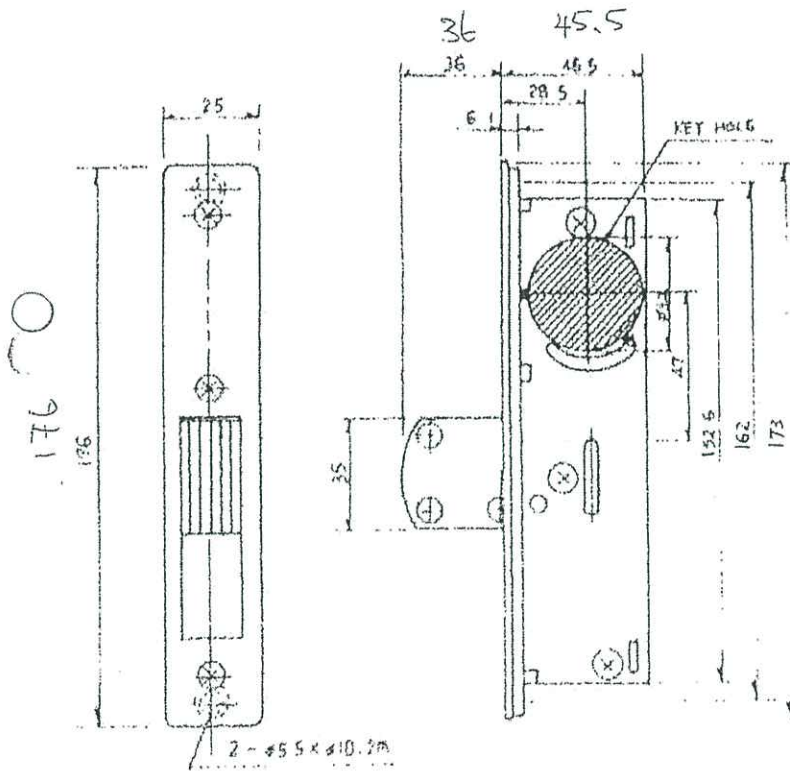


- *Length 2-15/32" (62mm) standard.
- *For use with Patch Lock NO. GL-50, GL-34 or use with Deadlock NO. 55128L, 55128S, 55128H backset 1" (25mm) or 1-3/16" (30mm).
- *Keyway available: Schlage "C" or Yale "8".
- *Finish available:
 - PC - Polish Chrome
 - PB - Polish Brass
 - SC - Satin Chrome





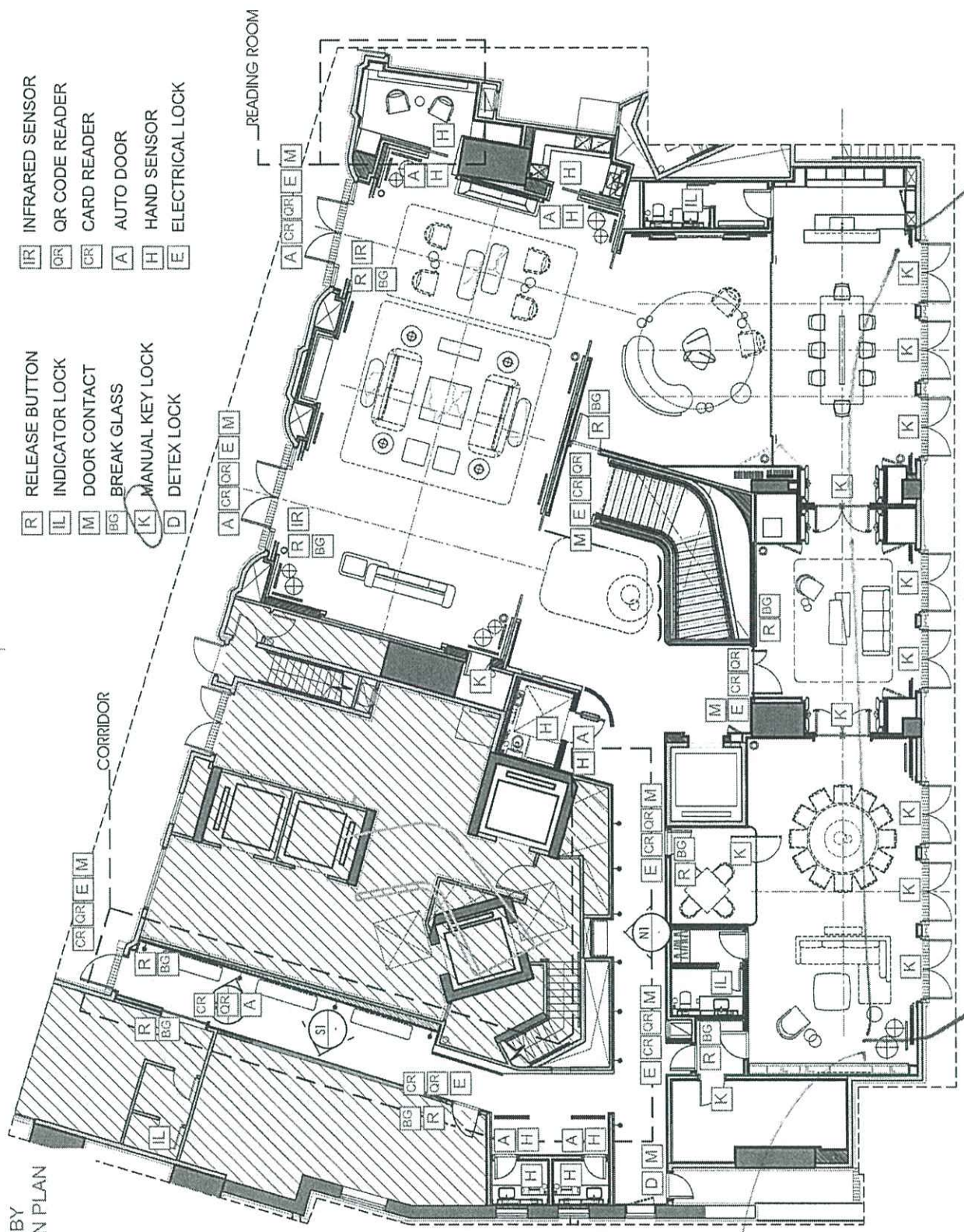
55128



CLUBHOUSE AND LOBBY
 AUTO DOOR LOCATION PLAN
 REV. 3
 DATE: 17 AUG 2021

Handwritten signature/initials

- [R] RELEASE BUTTON
- [IL] INDICATOR LOCK
- [M] DOOR CONTACT
- [BG] BREAK GLASS
- [K] MANUAL KEY LOCK
- [D] DETEX LOCK
- [IR] INFRARED SENSOR
- [QR] QR CODE READER
- [CR] CARD READER
- [A] AUTO DOOR
- [H] HAND SENSOR
- [E] ELECTRICAL LOCK



Project: PROPOSED RESIDENTIAL DEVELOPMENT AT 24A KADOOORIE AVENUE
 Drawing Title: KEY PLAN OF CLUBHOUSE G/F
 Job No: MDJC147
 Scale: 1:125
 Date: 07 APR, 2020

Revision	Date
A. 05 MAY, 2020 GENERAL REVISION	
B. 27 MAY, 2020 GENERAL REVISION	
C. 30 OCT, 2020 GENERAL REVISION	
D. 24 JUN, 2021 GENERAL REVISION	

General Notes
 This drawing and design are copyright of the authorized person. No further permission, hand written dimensions, measurements to existing works to be used in conjunction with specification and condition of contract.

MOTY'S DESIGN
 1 (852) 2402 0824
 motysdesign.com.hk
 17/F The Phoenix, 23 Luard Road, Wan Chai, Hong Kong.

DWG. NO.: SK01