

工程指示 / 要求簡箋(E.I.)

工程指示編號：EI / 3985 / 21

修改版次: C

工程編號：J - 852

工程名稱：亞皆老街中電

工程項目：平台 Glass Wall 地盆用鋁板 LG1,2,3,4,G/F

收件人：生統

發件人：Ant Yeung

日期：02/12/2021

要求提供 / 確認 事項：

- | | | |
|------------------------------------|-------------------------------------|-------------------------------|
| <input type="checkbox"/> 初步鋁料 B.M. | <input type="checkbox"/> 加工拆圖，然後生產 | <input type="checkbox"/> 尺寸表 |
| <input type="checkbox"/> 正式鋁料 B.M. | <input type="checkbox"/> 技術上資料 / 指示 | <input type="checkbox"/> 報價 |
| <input type="checkbox"/> 配件 B.M. | <input type="checkbox"/> 樣辦或貨品說明書 | <input type="checkbox"/> 分判合約 |

內容：

C 版：修正加工圖。增加去水孔

B 版：修正加工圖。提供孔邊

A 版：修正加工圖。

請按加工圖生產鋁板 送平台。恆豐使用
請按門號，打扎包裝。
區權收貨

附：3 頁 BM+ 3 頁加工圖
2021/11/20 完成

以上項目為：

- 原合約工程包 原合約工程加 / 減賬 新工程報價

原因：-

分發東莞各部門：

- () 生產技術總監 連附件 () 技術部 連附件 () 生產部 連附件 () 機械設計部 連附件
() 採購部 連附件 () 生產統籌部 連附件 () 小羅&清 連附件
() 質檢部 連附件 () 會計部 連附件 () 報關組 連附件 () 其他 楊榮輝 連附件

分發其他分判：

- () 水洪 連附件 (v) 秋 連附件

分發香港各部門：

- () 行政部 連附件 () 會計部 連附件 () 統籌部 連附件 林哥 () 工程部地盤科文 連附件 有哥, 祥哥
() 採購部 連附件 () QS 部 連附件 () 維修部 連附件 () 其他 _____ 連附件

傳遞編號：

HK 2205 / 21

發件人簽署：

項目經理簽署：

Handwritten signature/initials

圖則登記表
DRAWING REGISTER

| | |
|---|-------------------------------|
| 工程名稱 Project Title: 亞皆老街 GLASS DOOR 地盤用鋁板加工圖 | 接收日期 Receiving Date (適用於客戶圖則) |
| 工程編號 Project No: J-852 | 年 月 日 |

| | |
|--------------------|------------------|
| 分發予 Distributed To | 發出日期 Issued Date |
| 年 月 日 | 年 月 日 |
| | 21 21 21 21 |
| | 10 11 11 12 |
| | 30 11 16 1 |

| 圖則編號 Drg. No. | 圖則名稱 Drawing Title |
|------------------|-----------------------|
| J852-GDLB01 | 鋁板加工圖 |
| J852-GDLB02 | 鋁板加工圖 |
| J852-GDLB03 | 鋁板加工圖 |
| J852-GDLB04 | 鋁板加工圖 |
| J852-GDLB05 | 鋁板加工圖 |
| J852-GDLB06 | 鋁板加工圖 |
| J852-GDLB07 | 鋁板加工圖 |
| J852-GDLB08 | 鋁板加工圖 |
| J852-GDLB09 | 鋁板加工圖 |
| J852-GDLB10 | 鋁板加工圖 |
| J852-GDLB11 | 鋁板加工圖 |
| J852-GDLB12 | 鋁板加工圖 |
| J852-GDLB12a | 鋁板加工圖 |
| J852-GDLB13 | 鋁板加工圖 |
| J852-GDLB14 | 鋁板加工圖 |
| J852-GDLB14a | 鋁板加工圖 |
| J852-GDLB15 | 鋁板加工圖 |
| J852-GDLB16 | 鋁板加工圖 |
| J852-GDLB17 | 鋁板加工圖 |
| J852-GDLB18 | 鋁板加工圖 |
| J852-GDLB19 | 鋁板加工圖 |
| J852-GDLB20 | 鋁板加工圖 |
| J852-GDLB21 | 鋁板加工圖 |
| J852-GDLB22 | 鋁板加工圖 |
| J852-GDLB22a | 鋁板加工圖 |
| J852-GDLB23 | 鋁板加工圖 |
| J852-GDLB24 | 鋁板加工圖 |
| J852-GDLB25 | 鋁板加工圖 |

| | 修訂編號 Revision No. | | | |
|----|----------------------|---|---|---|
| 1 | - | A | - | - |
| 2 | - | A | - | - |
| 3 | - | - | - | A |
| 4 | - | - | - | - |
| 5 | - | - | - | A |
| 6 | - | - | - | A |
| 7 | - | A | - | - |
| 8 | - | A | - | - |
| 9 | - | A | - | - |
| 10 | - | A | B | - |
| 11 | - | A | B | - |
| 12 | - | - | - | - |
| 13 | - | - | - | - |
| 14 | - | - | - | - |
| 15 | - | - | - | - |
| 16 | - | - | - | - |
| 17 | - | - | - | - |
| 18 | - | - | - | - |
| 19 | - | - | - | - |
| 20 | - | - | - | - |
| 21 | - | - | - | - |
| 22 | - | A | - | - |
| 23 | - | A | - | - |
| 24 | - | A | - | - |
| 25 | - | A | - | - |
| 26 | - | A | - | - |
| 27 | - | A | - | - |
| 28 | - | A | - | - |

圖則登記表
DRAWING REGISTER

| | | | | | | | | | | | | | | | | | | | | | | | | | | | | | | | | | | |
|--|---|----|----------------------|--|----|----|----|----|--|--|--|--|--|--|----|----|----|----|--|--|--|--|--|--|----|----|----|---|--|--|--|--|--|--|
| 接收日期 Receiving Date (適用於客戶圖則) | | | | | | | | | | | | | | | | | | | | | | | | | | | | | | | | | | |
| 工程名稱 Project Title: 亞皆老街 GLASS DOOR 地盤用鋁板加工圖 工程編號 Project No: J-852 | 年 月 日 <table border="1" style="width: 100%; height: 30px;"> <tr><td> </td><td> </td><td> </td><td> </td><td> </td><td> </td><td> </td><td> </td><td> </td><td> </td></tr> </table> | | | | | | | | | | | | | | | | | | | | | | | | | | | | | | | | | |
| | | | | | | | | | | | | | | | | | | | | | | | | | | | | | | | | | | |
| 發出日期 Issued Date | | | | | | | | | | | | | | | | | | | | | | | | | | | | | | | | | | |
| 分發予 Distributed To <table border="1" style="width: 100%; height: 60px;"> <tr><td> </td></tr> <tr><td> </td></tr> <tr><td> </td></tr> </table> | | | | 年 月 日 <table border="1" style="width: 100%; height: 60px;"> <tr><td>21</td><td>21</td><td>21</td><td>21</td><td> </td><td> </td><td> </td><td> </td><td> </td><td> </td></tr> <tr><td>10</td><td>11</td><td>11</td><td>12</td><td> </td><td> </td><td> </td><td> </td><td> </td><td> </td></tr> <tr><td>30</td><td>11</td><td>16</td><td>1</td><td> </td><td> </td><td> </td><td> </td><td> </td><td> </td></tr> </table> | 21 | 21 | 21 | 21 | | | | | | | 10 | 11 | 11 | 12 | | | | | | | 30 | 11 | 16 | 1 | | | | | | |
| | | | | | | | | | | | | | | | | | | | | | | | | | | | | | | | | | | |
| | | | | | | | | | | | | | | | | | | | | | | | | | | | | | | | | | | |
| | | | | | | | | | | | | | | | | | | | | | | | | | | | | | | | | | | |
| 21 | 21 | 21 | 21 | | | | | | | | | | | | | | | | | | | | | | | | | | | | | | | |
| 10 | 11 | 11 | 12 | | | | | | | | | | | | | | | | | | | | | | | | | | | | | | | |
| 30 | 11 | 16 | 1 | | | | | | | | | | | | | | | | | | | | | | | | | | | | | | | |
| 圖則編號 Drg. No. | 圖則名稱 Drawing Title | | 修訂編號 Revision No. | | | | | | | | | | | | | | | | | | | | | | | | | | | | | | | |
| J852-GDLB26 | 鋁板加工圖 | 29 | - | A | - | - | | | | | | | | | | | | | | | | | | | | | | | | | | | | |
| J852-GDLB27 | 鋁板加工圖 | 30 | - | - | - | - | | | | | | | | | | | | | | | | | | | | | | | | | | | | |
| J852-GDLB28 | 鋁板加工圖 | 31 | - | - | - | - | | | | | | | | | | | | | | | | | | | | | | | | | | | | |
| J852-GDLB29 | 鋁板加工圖 | 32 | - | - | - | - | | | | | | | | | | | | | | | | | | | | | | | | | | | | |
| J852-GDLB30 | 鋁板加工圖 | 33 | - | A | - | - | | | | | | | | | | | | | | | | | | | | | | | | | | | | |
| J852-GDLB31 | 鋁板加工圖 | 34 | - | A | - | - | | | | | | | | | | | | | | | | | | | | | | | | | | | | |
| J852-GDLB32 | 鋁板加工圖 | 35 | - | - | - | - | | | | | | | | | | | | | | | | | | | | | | | | | | | | |
| J852-GDLB33 | 鋁板加工圖 | 36 | - | - | - | - | | | | | | | | | | | | | | | | | | | | | | | | | | | | |
| J852-GDLB34 | 鋁板加工圖 | 37 | - | A | - | - | | | | | | | | | | | | | | | | | | | | | | | | | | | | |
| J852-GDLB35 | 鋁板加工圖 | 38 | - | A | - | - | | | | | | | | | | | | | | | | | | | | | | | | | | | | |
| J852-GDLB36 | 鋁板加工圖 | 39 | - | A | - | - | | | | | | | | | | | | | | | | | | | | | | | | | | | | |
| J852-GDLB37 | 鋁板加工圖 | 40 | - | A | - | - | | | | | | | | | | | | | | | | | | | | | | | | | | | | |
| J852-GDLB38 | 鋁板加工圖 | 41 | - | A | - | - | | | | | | | | | | | | | | | | | | | | | | | | | | | | |
| J852-GDLB39 | 鋁板加工圖 | 42 | - | A | - | - | | | | | | | | | | | | | | | | | | | | | | | | | | | | |
| J852-GDLB40 | 鋁板加工圖 | 43 | - | A | - | - | | | | | | | | | | | | | | | | | | | | | | | | | | | | |
| J852-GDLB41 | 鋁板加工圖 | 44 | - | A | - | - | | | | | | | | | | | | | | | | | | | | | | | | | | | | |
| J852-GDLB42 | 鋁板加工圖 | 45 | - | - | - | - | | | | | | | | | | | | | | | | | | | | | | | | | | | | |
| J852-GDLB43 | 鋁板加工圖 | 46 | - | - | - | - | | | | | | | | | | | | | | | | | | | | | | | | | | | | |
| J852-GDLB44 | 鋁板加工圖 | 47 | - | - | - | - | | | | | | | | | | | | | | | | | | | | | | | | | | | | |
| J852-GDLB45 | 鋁板加工圖 | 48 | - | - | - | - | | | | | | | | | | | | | | | | | | | | | | | | | | | | |
| J852-GDLB46 | 鋁板加工圖 | 49 | - | - | - | - | | | | | | | | | | | | | | | | | | | | | | | | | | | | |
| J852-GDLB47 | 鋁板加工圖 | 50 | - | - | - | - | | | | | | | | | | | | | | | | | | | | | | | | | | | | |
| J852-GDLB48 | 鋁板加工圖 | 51 | - | - | - | - | | | | | | | | | | | | | | | | | | | | | | | | | | | | |
| J852-GDLB49 | 鋁板加工圖 | 52 | - | - | - | - | | | | | | | | | | | | | | | | | | | | | | | | | | | | |
| J852-GDLB50 | 鋁板加工圖 | 53 | - | - | - | - | | | | | | | | | | | | | | | | | | | | | | | | | | | | |
| J852-GDLB51 | 鋁板加工圖 | 54 | - | - | - | - | | | | | | | | | | | | | | | | | | | | | | | | | | | | |
| J852-GDLB52 | 鋁板加工圖 | 55 | - | - | - | - | | | | | | | | | | | | | | | | | | | | | | | | | | | | |
| J852-GDLB53 | 鋁板加工圖 | 56 | - | - | - | - | | | | | | | | | | | | | | | | | | | | | | | | | | | | |

圖則登記表
DRAWING REGISTER

| 工程名稱 Project Title: 亞皆老街 GLASS DOOR 地盤用鋁板加工圖 | | 接收日期 Receiving Date (適用於客戶圖則) | | | | | | | |
|---|-----------------------|-------------------------------|----|----|----|---|--|--|--|
| 工程編號 Project No: J-852 | | 年 | 月 | 日 | | | | | |
| 分發予 Distributed To | | 發出日期 Issued Date | | | | | | | |
| | | 年 | 月 | 日 | | | | | |
| | | 21 | 21 | 21 | 21 | | | | |
| | | 10 | 11 | 11 | 12 | | | | |
| | | 30 | 11 | 16 | 1 | | | | |
| 圖則編號 Drg. No. | 圖則名稱 Drawing Title | 修訂編號 Revision No. | | | | | | | |
| J852-GDLB54 | 鋁板加工圖 | 57 | - | - | - | - | | | |
| J852-GDLB55 | 鋁板加工圖 | 58 | - | - | - | - | | | |
| J852-GDAA01 | 鋁角加工圖 | 59 | - | - | - | - | | | |
| J852-PGW-4500 | 鋁板位置圖 | 60 | - | - | - | - | | | |
| J852-PGW-4501 | 鋁板位置圖 | 61 | - | - | - | - | | | |
| J852-PGW-4502 | 鋁板位置圖 | 62 | - | - | - | - | | | |
| J852-PGW-4503 | 鋁板位置圖 | 63 | - | - | - | - | | | |
| J852-PGW-4504 | 鋁板位置圖 | 64 | - | - | - | - | | | |
| J852-PGW-4505 | 鋁板位置圖 | 65 | - | - | - | - | | | |
| J852-PGW-4506 | 鋁板位置圖 | 66 | - | - | - | - | | | |
| J852-PGW-4507 | 鋁板位置圖 | 67 | - | - | - | - | | | |
| J852-PGW-4508 | 鋁板位置圖 | 68 | - | - | - | - | | | |
| J852-PGW-4509 | 鋁板位置圖 | 69 | - | - | - | - | | | |
| J852-PGW-4510 | 鋁板位置圖 | 70 | - | - | - | - | | | |
| J852-PGW-4511 | 鋁板位置圖 | 71 | - | - | - | - | | | |
| J852-PGW-4512 | 鋁板位置圖 | 72 | - | - | - | - | | | |
| J852-PGW-4400 | 鋁板位置圖 | 73 | - | - | - | - | | | |
| J852-PGW-4401 | 鋁板位置圖 | 74 | - | - | - | - | | | |
| J852-PGW-4402 | 鋁板位置圖 | 75 | - | - | - | - | | | |
| J852-PGW-4403 | 鋁板位置圖 | 76 | - | - | - | - | | | |
| J852-PGW-4404 | 鋁板位置圖 | 77 | - | - | - | - | | | |
| J852-PGW-4300 | 鋁板位置圖 | 78 | - | - | - | - | | | |
| J852-PGW-4301 | 鋁板位置圖 | 79 | - | - | - | - | | | |
| J852-PGW-4302 | 鋁板位置圖 | 80 | - | - | - | - | | | |
| J852-PGW-4303 | 鋁板位置圖 | 81 | - | - | - | - | | | |
| J852-PGW-4304 | 鋁板位置圖 | 82 | - | - | - | - | | | |
| J852-PGW-4200 | 鋁板位置圖 | 83 | - | - | - | - | | | |
| J852-PGW-4201 | 鋁板位置圖 | 84 | - | - | - | - | | | |

圖則登記表
DRAWING REGISTER

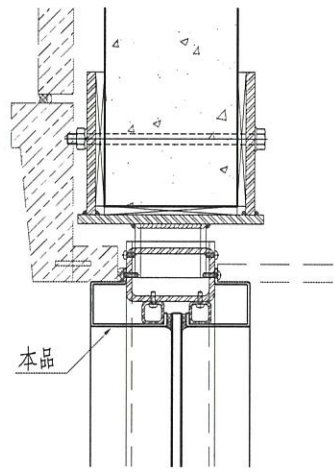
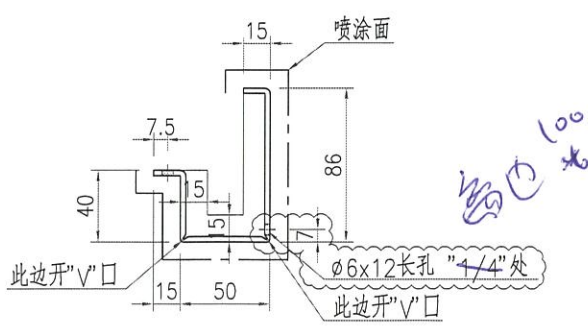
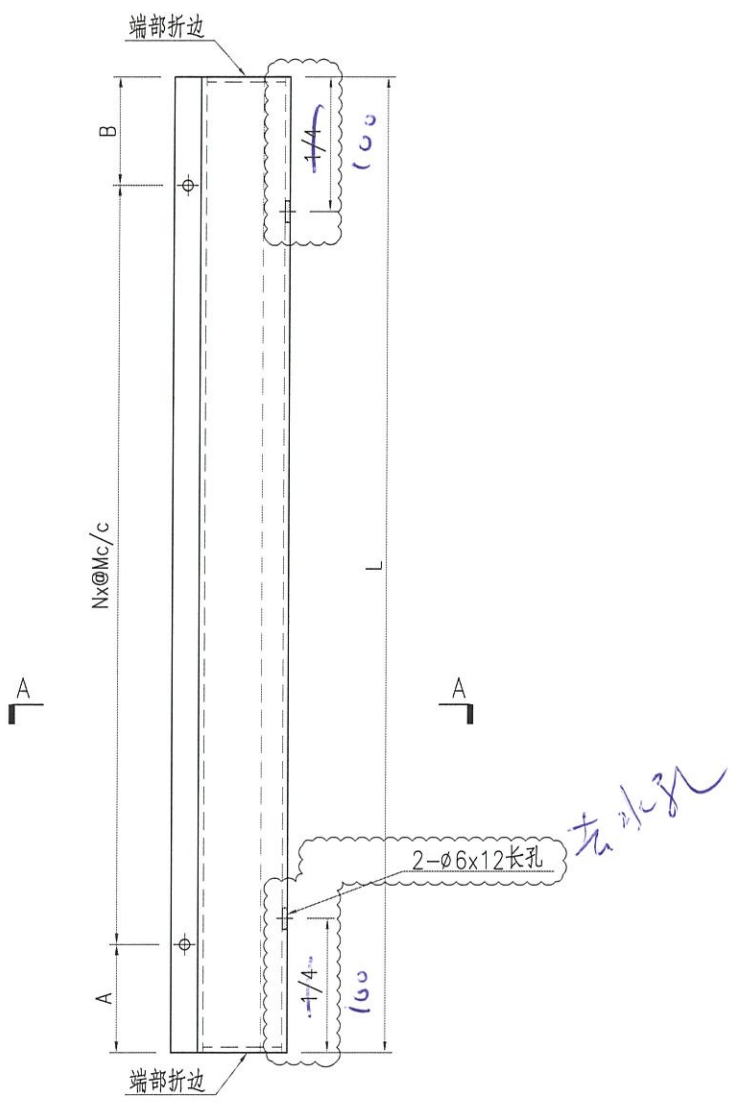
| | | | | | | | | | | | | | | | | | | | | | |
|--|--|--|--|--|--|--|--|--|--|--|--|--|--|--|--|--|--|--|--|--|--|
| 接收日期 Receiving Date (適用於客戶圖則) | | | | | | | | | | | | | | | | | | | | | |
| 工程名稱 Project Title: 亞皆老街 GLASS DOOR 地盤用鋁板加工圖 | 年 月 日 | | | | | | | | | | | | | | | | | | | | |
| 工程編號 Project No: J-852 | <table border="1" style="width: 100%; height: 20px;"> <tr><td> </td><td> </td><td> </td><td> </td><td> </td><td> </td><td> </td><td> </td><td> </td><td> </td></tr> </table> | | | | | | | | | | | | | | | | | | | | |
| | | | | | | | | | | | | | | | | | | | | | |
| 發出日期 Issued Date | | | | | | | | | | | | | | | | | | | | | |
| 分發予 Distributed To | 年 月 日 | | | | | | | | | | | | | | | | | | | | |
| <table border="1" style="width: 100%; height: 20px;"> <tr><td> </td><td> </td><td> </td><td> </td><td> </td><td> </td><td> </td><td> </td><td> </td><td> </td></tr> </table> | | | | | | | | | | | <table border="1" style="width: 100%; height: 20px;"> <tr><td> </td><td> </td><td> </td><td> </td><td> </td><td> </td><td> </td><td> </td><td> </td><td> </td></tr> </table> | | | | | | | | | | |
| | | | | | | | | | | | | | | | | | | | | | |
| | | | | | | | | | | | | | | | | | | | | | |
| <table border="1" style="width: 100%; height: 20px;"> <tr><td> </td><td> </td><td> </td><td> </td><td> </td><td> </td><td> </td><td> </td><td> </td><td> </td></tr> </table> | | | | | | | | | | | <table border="1" style="width: 100%; height: 20px;"> <tr><td> </td><td> </td><td> </td><td> </td><td> </td><td> </td><td> </td><td> </td><td> </td><td> </td></tr> </table> | | | | | | | | | | |
| | | | | | | | | | | | | | | | | | | | | | |
| | | | | | | | | | | | | | | | | | | | | | |
| <table border="1" style="width: 100%; height: 20px;"> <tr><td> </td><td> </td><td> </td><td> </td><td> </td><td> </td><td> </td><td> </td><td> </td><td> </td></tr> </table> | | | | | | | | | | | <table border="1" style="width: 100%; height: 20px;"> <tr><td> </td><td> </td><td> </td><td> </td><td> </td><td> </td><td> </td><td> </td><td> </td><td> </td></tr> </table> | | | | | | | | | | |
| | | | | | | | | | | | | | | | | | | | | | |
| | | | | | | | | | | | | | | | | | | | | | |
| <table border="1" style="width: 100%; height: 20px;"> <tr><td> </td><td> </td><td> </td><td> </td><td> </td><td> </td><td> </td><td> </td><td> </td><td> </td></tr> </table> | | | | | | | | | | | <table border="1" style="width: 100%; height: 20px;"> <tr><td> </td><td> </td><td> </td><td> </td><td> </td><td> </td><td> </td><td> </td><td> </td><td> </td></tr> </table> | | | | | | | | | | |
| | | | | | | | | | | | | | | | | | | | | | |
| | | | | | | | | | | | | | | | | | | | | | |
| <table border="1" style="width: 100%; height: 20px;"> <tr><td> </td><td> </td><td> </td><td> </td><td> </td><td> </td><td> </td><td> </td><td> </td><td> </td></tr> </table> | | | | | | | | | | | <table border="1" style="width: 100%; height: 20px;"> <tr><td> </td><td> </td><td> </td><td> </td><td> </td><td> </td><td> </td><td> </td><td> </td><td> </td></tr> </table> | | | | | | | | | | |
| | | | | | | | | | | | | | | | | | | | | | |
| | | | | | | | | | | | | | | | | | | | | | |
| <table border="1" style="width: 100%; height: 20px;"> <tr><td> </td><td> </td><td> </td><td> </td><td> </td><td> </td><td> </td><td> </td><td> </td><td> </td></tr> </table> | | | | | | | | | | | <table border="1" style="width: 100%; height: 20px;"> <tr><td> </td><td> </td><td> </td><td> </td><td> </td><td> </td><td> </td><td> </td><td> </td><td> </td></tr> </table> | | | | | | | | | | |
| | | | | | | | | | | | | | | | | | | | | | |
| | | | | | | | | | | | | | | | | | | | | | |
| <table border="1" style="width: 100%; height: 20px;"> <tr><td> </td><td> </td><td> </td><td> </td><td> </td><td> </td><td> </td><td> </td><td> </td><td> </td></tr> </table> | | | | | | | | | | | <table border="1" style="width: 100%; height: 20px;"> <tr><td> </td><td> </td><td> </td><td> </td><td> </td><td> </td><td> </td><td> </td><td> </td><td> </td></tr> </table> | | | | | | | | | | |
| | | | | | | | | | | | | | | | | | | | | | |
| | | | | | | | | | | | | | | | | | | | | | |
| <table border="1" style="width: 100%; height: 20px;"> <tr><td> </td><td> </td><td> </td><td> </td><td> </td><td> </td><td> </td><td> </td><td> </td><td> </td></tr> </table> | | | | | | | | | | | <table border="1" style="width: 100%; height: 20px;"> <tr><td> </td><td> </td><td> </td><td> </td><td> </td><td> </td><td> </td><td> </td><td> </td><td> </td></tr> </table> | | | | | | | | | | |
| | | | | | | | | | | | | | | | | | | | | | |
| | | | | | | | | | | | | | | | | | | | | | |
| <table border="1" style="width: 100%; height: 20px;"> <tr><td> </td><td> </td><td> </td><td> </td><td> </td><td> </td><td> </td><td> </td><td> </td><td> </td></tr> </table> | | | | | | | | | | | <table border="1" style="width: 100%; height: 20px;"> <tr><td> </td><td> </td><td> </td><td> </td><td> </td><td> </td><td> </td><td> </td><td> </td><td> </td></tr> </table> | | | | | | | | | | |
| | | | | | | | | | | | | | | | | | | | | | |
| | | | | | | | | | | | | | | | | | | | | | |
| <table border="1" style="width: 100%; height: 20px;"> <tr><td> </td><td> </td><td> </td><td> </td><td> </td><td> </td><td> </td><td> </td><td> </td><td> </td></tr> </table> | | | | | | | | | | | <table border="1" style="width: 100%; height: 20px;"> <tr><td> </td><td> </td><td> </td><td> </td><td> </td><td> </td><td> </td><td> </td><td> </td><td> </td></tr> </table> | | | | | | | | | | |
| | | | | | | | | | | | | | | | | | | | | | |
| | | | | | | | | | | | | | | | | | | | | | |
| <table border="1" style="width: 100%; height: 20px;"> <tr><td> </td><td> </td><td> </td><td> </td><td> </td><td> </td><td> </td><td> </td><td> </td><td> </td></tr> </table> | | | | | | | | | | | <table border="1" style="width: 100%; height: 20px;"> <tr><td> </td><td> </td><td> </td><td> </td><td> </td><td> </td><td> </td><td> </td><td> </td><td> </td></tr> </table> | | | | | | | | | | |
| | | | | | | | | | | | | | | | | | | | | | |
| | | | | | | | | | | | | | | | | | | | | | |
| <table border="1" style="width: 100%; height: 20px;"> <tr><td> </td><td> </td><td> </td><td> </td><td> </td><td> </td><td> </td><td> </td><td> </td><td> </td></tr> </table> | | | | | | | | | | | <table border="1" style="width: 100%; height: 20px;"> <tr><td> </td><td> </td><td> </td><td> </td><td> </td><td> </td><td> </td><td> </td><td> </td><td> </td></tr> </table> | | | | | | | | | | |
| | | | | | | | | | | | | | | | | | | | | | |
| | | | | | | | | | | | | | | | | | | | | | |
| <table border="1" style="width: 100%; height: 20px;"> <tr><td> </td><td> </td><td> </td><td> </td><td> </td><td> </td><td> </td><td> </td><td> </td><td> </td></tr> </table> | | | | | | | | | | | <table border="1" style="width: 100%; height: 20px;"> <tr><td> </td><td> </td><td> </td><td> </td><td> </td><td> </td><td> </td><td> </td><td> </td><td> </td></tr> </table> | | | | | | | | | | |
| | | | | | | | | | | | | | | | | | | | | | |
| | | | | | | | | | | | | | | | | | | | | | |
| <table border="1" style="width: 100%; height: 20px;"> <tr><td> </td><td> </td><td> </td><td> </td><td> </td><td> </td><td> </td><td> </td><td> </td><td> </td></tr> </table> | | | | | | | | | | | <table border="1" style="width: 100%; height: 20px;"> <tr><td> </td><td> </td><td> </td><td> </td><td> </td><td> </td><td> </td><td> </td><td> </td><td> </td></tr> </table> | | | | | | | | | | |
| | | | | | | | | | | | | | | | | | | | | | |
| | | | | | | | | | | | | | | | | | | | | | |
| <table border="1" style="width: 100%; height: 20px;"> <tr><td> </td><td> </td><td> </td><td> </td><td> </td><td> </td><td> </td><td> </td><td> </td><td> </td></tr> </table> | | | | | | | | | | | <table border="1" style="width: 100%; height: 20px;"> <tr><td> </td><td> </td><td> </td><td> </td><td> </td><td> </td><td> </td><td> </td><td> </td><td> </td></tr> </table> | | | | | | | | | | |
| | | | | | | | | | | | | | | | | | | | | | |
| | | | | | | | | | | | | | | | | | | | | | |
| <table border="1" style="width: 100%; height: 20px;"> <tr><td> </td><td> </td><td> </td><td> </td><td> </td><td> </td><td> </td><td> </td><td> </td><td> </td></tr> </table> | | | | | | | | | | | <table border="1" style="width: 100%; height: 20px;"> <tr><td> </td><td> </td><td> </td><td> </td><td> </td><td> </td><td> </td><td> </td><td> </td><td> </td></tr> </table> | | | | | | | | | | |
| | | | | | | | | | | | | | | | | | | | | | |
| | | | | | | | | | | | | | | | | | | | | | |
| <table border="1" style="width: 100%; height: 20px;"> <tr><td> </td><td> </td><td> </td><td> </td><td> </td><td> </td><td> </td><td> </td><td> </td><td> </td></tr> </table> | | | | | | | | | | | <table border="1" style="width: 100%; height: 20px;"> <tr><td> </td><td> </td><td> </td><td> </td><td> </td><td> </td><td> </td><td> </td><td> </td><td> </td></tr> </table> | | | | | | | | | | |
| | | | | | | | | | | | | | | | | | | | | | |
| | | | | | | | | | | | | | | | | | | | | | |
| <table border="1" style="width: 100%; height: 20px;"> <tr><td> </td><td> </td><td> </td><td> </td><td> </td><td> </td><td> </td><td> </td><td> </td><td> </td></tr> </table> | | | | | | | | | | | <table border="1" style="width: 100%; height: 20px;"> <tr><td> </td><td> </td><td> </td><td> </td><td> </td><td> </td><td> </td><td> </td><td> </td><td> </td></tr> </table> | | | | | | | | | | |
| | | | | | | | | | | | | | | | | | | | | | |
| | | | | | | | | | | | | | | | | | | | | | |
| <table border="1" style="width: 100%; height: 20px;"> <tr><td> </td><td> </td><td> </td><td> </td><td> </td><td> </td><td> </td><td> </td><td> </td><td> </td></tr> </table> | | | | | | | | | | | <table border="1" style="width: 100%; height: 20px;"> <tr><td> </td><td> </td><td> </td><td> </td><td> </td><td> </td><td> </td><td> </td><td> </td><td> </td></tr> </table> | | | | | | | | | | |
| | | | | | | | | | | | | | | | | | | | | | |
| | | | | | | | | | | | | | | | | | | | | | |
| <table border="1" style="width: 100%; height: 20px;"> <tr><td> </td><td> </td><td> </td><td> </td><td> </td><td> </td><td> </td><td> </td><td> </td><td> </td></tr> </table> | | | | | | | | | | | <table border="1" style="width: 100%; height: 20px;"> <tr><td> </td><td> </td><td> </td><td> </td><td> </td><td> </td><td> </td><td> </td><td> </td><td> </td></tr> </table> | | | | | | | | | | |
| | | | | | | | | | | | | | | | | | | | | | |
| | | | | | | | | | | | | | | | | | | | | | |
| <table border="1" style="width: 100%; height: 20px;"> <tr><td> </td><td> </td><td> </td><td> </td><td> </td><td> </td><td> </td><td> </td><td> </td><td> </td></tr> </table> | | | | | | | | | | | <table border="1" style="width: 100%; height: 20px;"> <tr><td> </td><td> </td><td> </td><td> </td><td> </td><td> </td><td> </td><td> </td><td> </td><td> </td></tr> </table> | | | | | | | | | | |
| | | | | | | | | | | | | | | | | | | | | | |
| | | | | | | | | | | | | | | | | | | | | | |
| <table border="1" style="width: 100%; height: 20px;"> <tr><td> </td><td> </td><td> </td><td> </td><td> </td><td> </td><td> </td><td> </td><td> </td><td> </td></tr> </table> | | | | | | | | | | | <table border="1" style="width: 100%; height: 20px;"> <tr><td> </td><td> </td><td> </td><td> </td><td> </td><td> </td><td> </td><td> </td><td> </td><td> </td></tr> </table> | | | | | | | | | | |
| | | | | | | | | | | | | | | | | | | | | | |
| | | | | | | | | | | | | | | | | | | | | | |
| <table border="1" style="width: 100%; height: 20px;"> <tr><td> </td><td> </td><td> </td><td> </td><td> </td><td> </td><td> </td><td> </td><td> </td><td> </td></tr> </table> | | | | | | | | | | | <table border="1" style="width: 100%; height: 20px;"> <tr><td> </td><td> </td><td> </td><td> </td><td> </td><td> </td><td> </td><td> </td><td> </td><td> </td></tr> </table> | | | | | | | | | | |
| | | | | | | | | | | | | | | | | | | | | | |
| | | | | | | | | | | | | | | | | | | | | | |
| <table border="1" style="width: 100%; height: 20px;"> <tr><td> </td><td> </td><td> </td><td> </td><td> </td><td> </td><td> </td><td> </td><td> </td><td> </td></tr> </table> | | | | | | | | | | | <table border="1" style="width: 100%; height: 20px;"> <tr><td> </td><td> </td><td> </td><td> </td><td> </td><td> </td><td> </td><td> </td><td> </td><td> </td></tr> </table> | | | | | | | | | | |
| | | | | | | | | | | | | | | | | | | | | | |
| | | | | | | | | | | | | | | | | | | | | | |
| <table border="1" style="width: 100%; height: 20px;"> <tr><td> </td><td> </td><td> </td><td> </td><td> </td><td> </td><td> </td><td> </td><td> </td><td> </td></tr> </table> | | | | | | | | | | | <table border="1" style="width: 100%; height: 20px;"> <tr><td> </td><td> </td><td> </td><td> </td><td> </td><td> </td><td> </td><td> </td><td> </td><td> </td></tr> </table> | | | | | | | | | | |
| | | | | | | | | | | | | | | | | | | | | | |
| | | | | | | | | | | | | | | | | | | | | | |
| <table border="1" style="width: 100%; height: 20px;"> <tr><td> </td><td> </td><td> </td><td> </td><td> </td><td> </td><td> </td><td> </td><td> </td><td> </td></tr> </table> | | | | | | | | | | | <table border="1" style="width: 100%; height: 20px;"> <tr><td> </td><td> </td><td> </td><td> </td><td> </td><td> </td><td> </td><td> </td><td> </td><td> </td></tr> </table> | | | | | | | | | | |
| | | | | | | | | | | | | | | | | | | | | | |
| | | | | | | | | | | | | | | | | | | | | | |
| <table border="1" style="width: 100%; height: 20px;"> <tr><td> </td><td> </td><td> </td><td> </td><td> </td><td> </td><td> </td><td> </td><td> </td><td> </td></tr> </table> | | | | | | | | | | | <table border="1" style="width: 100%; height: 20px;"> <tr><td> </td><td> </td><td> </td><td> </td><td> </td><td> </td><td> </td><td> </td><td> </td><td> </td></tr> </table> | | | | | | | | | | |
| | | | | | | | | | | | | | | | | | | | | | |
| | | | | | | | | | | | | | | | | | | | | | |
| <table border="1" style="width: 100%; height: 20px;"> <tr><td> </td><td> </td><td> </td><td> </td><td> </td><td> </td><td> </td><td> </td><td> </td><td> </td></tr> </table> | | | | | | | | | | | <table border="1" style="width: 100%; height: 20px;"> <tr><td> </td><td> </td><td> </td><td> </td><td> </td><td> </td><td> </td><td> </td><td> </td><td> </td></tr> </table> | | | | | | | | | | |
| | | | | | | | | | | | | | | | | | | | | | |
| | | | | | | | | | | | | | | | | | | | | | |
| <table border="1" style="width: 100%; height: 20px;"> <tr><td> </td><td> </td><td> </td><td> </td><td> </td><td> </td><td> </td><td> </td><td> </td><td> </td></tr> </table> | | | | | | | | | | | <table border="1" style="width: 100%; height: 20px;"> <tr><td> </td><td> </td><td> </td><td> </td><td> </td><td> </td><td> </td><td> </td><td> </td><td> </td></tr> </table> | | | | | | | | | | |
| | | | | | | | | | | | | | | | | | | | | | |
| | | | | | | | | | | | | | | | | | | | | | |
| <table border="1" style="width: 100%; height: 20px;"> <tr><td> </td><td> </td><td> </td><td> </td><td> </td><td> </td><td> </td><td> </td><td> </td><td> </td></tr> </table> | | | | | | | | | | | <table border="1" style="width: 100%; height: 20px;"> <tr><td> </td><td> </td><td> </td><td> </td><td> </td><td> </td><td> </td><td> </td><td> </td><td> </td></tr> </table> | | | | | | | | | | |
| | | | | | | | | | | | | | | | | | | | | | |
| | | | | | | | | | | | | | | | | | | | | | |
| <table border="1" style="width: 100%; height: 20px;"> <tr><td> </td><td> </td><td> </td><td> </td><td> </td><td> </td><td> </td><td> </td><td> </td><td> </td></tr> </table> | | | | | | | | | | | <table border="1" style="width: 100%; height: 20px;"> <tr><td> </td><td> </td><td> </td><td> </td><td> </td><td> </td><td> </td><td> </td><td> </td><td> </td></tr> </table> | | | | | | | | | | |
| | | | | | | | | | | | | | | | | | | | | | |
| | | | | | | | | | | | | | | | | | | | | | |
| <table border="1" style="width: 100%; height: 20px;"> <tr><td> </td><td> </td><td> </td><td> </td><td> </td><td> </td><td> </td><td> </td><td> </td><td> </td></tr> </table> | | | | | | | | | | | <table border="1" style="width: 100%; height: 20px;"> <tr><td> </td><td> </td><td> </td><td> </td><td> </td><td> </td><td> </td><td> </td><td> </td><td> </td></tr> </table> | | | | | | | | | | |
| | | | | | | | | | | | | | | | | | | | | | |
| | | | | | | | | | | | | | | | | | | | | | |
| <table border="1" style="width: 100%; height: 20px;"> <tr><td> </td><td> </td><td> </td><td> </td><td> </td><td> </td><td> </td><td> </td><td> </td><td> </td></tr> </table> | | | | | | | | | | | <table border="1" style="width: 100%; height: 20px;"> <tr><td> </td><td> </td><td> </td><td> </td><td> </td><td> </td><td> </td><td> </td><td> </td><td> </td></tr> </table> | | | | | | | | | | |
| | | | | | | | | | | | | | | | | | | | | | |
| | | | | | | | | | | | | | | | | | | | | | |
| <table border="1" style="width: 100%; height: 20px;"> <tr><td> </td><td> </td><td> </td><td> </td><td> </td><td> </td><td> </td><td> </td><td> </td><td> </td></tr> </table> | | | | | | | | | | | <table border="1" style="width: 100%; height: 20px;"> <tr><td> </td><td> </td><td> </td><td> </td><td> </td><td> </td><td> </td><td> </td><td> </td><td> </td></tr> </table> | | | | | | | | | | |
| | | | | | | | | | | | | | | | | | | | | | |
| | | | | | | | | | | | | | | | | | | | | | |
| <table border="1" style="width: 100%; height: 20px;"> <tr><td> </td><td> </td><td> </td><td> </td><td> </td><td> </td><td> </td><td> </td><td> </td><td> </td></tr> </table> | | | | | | | | | | | <table border="1" style="width: 100%; height: 20px;"> <tr><td> </td><td> </td><td> </td><td> </td><td> </td><td> </td><td> </td><td> </td><td> </td><td> </td></tr> </table> | | | | | | | | | | |
| | | | | | | | | | | | | | | | | | | | | | |
| | | | | | | | | | | | | | | | | | | | | | |
| <table border="1" style="width: 100%; height: 20px;"> <tr><td> </td><td> </td><td> </td><td> </td><td> </td><td> </td><td> </td><td> </td><td> </td><td> </td></tr> </table> | | | | | | | | | | | <table border="1" style="width: 100%; height: 20px;"> <tr><td> </td><td> </td><td> </td><td> </td><td> </td><td> </td><td> </td><td> </td><td> </td><td> </td></tr> </table> | | | | | | | | | | |
| | | | | | | | | | | | | | | | | | | | | | |
| | | | | | | | | | | | | | | | | | | | | | |
| <table border="1" style="width: 100%; height: 20px;"> <tr><td> </td><td> </td><td> </td><td> </td><td> </td><td> </td><td> </td><td> </td><td> </td><td> </td></tr> </table> | | | | | | | | | | | <table border="1" style="width: 100%; height: 20px;"> <tr><td> </td><td> </td><td> </td><td> </td><td> </td><td> </td><td> </td><td> </td><td> </td><td> </td></tr> </table> | | | | | | | | | | |
| | | | | | | | | | | | | | | | | | | | | | |
| | | | | | | | | | | | | | | | | | | | | | |
| <table border="1" style="width: 100%; height: 20px;"> <tr><td> </td><td> </td><td> </td><td> </td><td> </td><td> </td><td> </td><td> </td><td> </td><td> </td></tr> </table> | | | | | | | | | | | <table border="1" style="width: 100%; height: 20px;"> <tr><td> </td><td> </td><td> </td><td> </td><td> </td><td> </td><td> </td><td> </td><td> </td><td> </td></tr> </table> | | | | | | | | | | |
| | | | | | | | | | | | | | | | | | | | | | |
| | | | | | | | | | | | | | | | | | | | | | |
| <table border="1" style="width: 100%; height: 20px;"> <tr><td> </td><td> </td><td> </td><td> </td><td> </td><td> </td><td> </td><td> </td><td> </td><td> </td></tr> </table> | | | | | | | | | | | <table border="1" style="width: 100%; height: 20px;"> <tr><td> </td><td> </td><td> </td><td> </td><td> </td><td> </td><td> </td><td> </td><td> </td><td> </td></tr> </table> | | | | | | | | | | |
| | | | | | | | | | | | | | | | | | | | | | |
| | | | | | | | | | | | | | | | | | | | | | |
| <table border="1" style="width: 100%; height: 20px;"> <tr><td> </td><td> </td><td> </td><td> </td><td> </td><td> </td><td> </td><td> </td><td> </td><td> </td></tr> </table> | | | | | | | | | | | <table border="1" style="width: 100%; height: 20px;"> <tr><td> </td><td> </td><td> </td><td> </td><td> </td><td> </td><td> </td><td> </td><td> </td><td> </td></tr> </table> | | | | | | | | | | |
| | | | | | | | | | | | | | | | | | | | | | |
| | | | | | | | | | | | | | | | | | | | | | |
| <table border="1" style="width: 100%; height: 20px;"> <tr><td> </td><td> </td><td> </td><td> </td><td> </td><td> </td><td> </td><td> </td><td> </td><td> </td></tr> </table> | | | | | | | | | | | <table border="1" style="width: 100%; height: 20px;"> <tr><td> </td><td> </td><td> </td><td> </td><td> </td><td> </td><td> </td><td> </td><td> </td><td> </td></tr> </table> | | | | | | | | | | |
| | | | | | | | | | | | | | | | | | | | | | |
| | | | | | | | | | | | | | | | | | | | | | |
| <table border="1" style="width: 100%; height: 20px;"> <tr><td> </td><td> </td><td> </td><td> </td><td> </td><td> </td><td> </td><td> </td><td> </td><td> </td></tr> </table> | | | | | | | | | | | <table border="1" style="width: 100%; height: 20px;"> <tr><td> </td><td> </td><td> </td><td> </td><td> </td><td> </td><td> </td><td> </td><td> </td><td> </td></tr> </table> | | | | | | | | | | |
| | | | | | | | | | | | | | | | | | | | | | |
| | | | | | | | | | | | | | | | | | | | | | |
| <table border="1" style="width: 100%; height: 20px;"> <tr><td> </td><td> </td><td> </td><td> </td><td> </td><td> </td><td> </td><td> </td><td> </td><td> </td></tr> </table> | | | | | | | | | | | <table border="1" style="width: 100%; height: 20px;"> <tr><td> </td><td> </td><td> </td><td> </td><td> </td><td> </td><td> </td><td> </td><td> </td><td> </td></tr> </table> | | | | | | | | | | |
| | | | | | | | | | | | | | | | | | | | | | |
| | | | | | | | | | | | | | | | | | | | | | |
| <table border="1" style="width: 100%; height: 20px;"> <tr><td> </td><td> </td><td> </td><td> </td><td> </td><td> </td><td> </td><td> </td><td> </td><td> </td></tr> </table> | | | | | | | | | | | <table border="1" style="width: 100%; height: 20px;"> <tr><td> </td><td> </td><td> </td><td> </td><td> </td><td> </td><td> </td><td> </td><td> </td><td> </td></tr> </table> | | | | | | | | | | |
| | | | | | | | | | | | | | | | | | | | | | |
| | | | | | | | | | | | | | | | | | | | | | |
| <table border="1" style="width: 100%; height: 20px;"> <tr><td> </td><td> </td><td> </td><td> </td><td> </td><td> </td><td> </td><td> </td><td> </td><td> </td></tr> </table> | | | | | | | | | | | <table border="1" style="width: 100%; height: 20px;"> <tr><td> </td><td> </td><td> </td><td> </td><td> </td><td> </td><td> </td><td> </td><td> </td><td> </td></tr> </table> | | | | | | | | | | |
| | | | | | | | | | | | | | | | | | | | | | |
| | | | | | | | | | | | | | | | | | | | | | |
| <table border="1" style="width: 100%; height: 20px;"> <tr><td> </td><td> </td><td> </td><td> </td><td> </td><td> </td><td> </td><td> </td><td> </td><td> </td></tr> </table> | | | | | | | | | | | <table border="1" style="width: 100%; height: 20px;"> <tr><td> </td><td> </td><td> </td><td> </td><td> </td><td> </td><td> </td><td> </td><td> </td><td> </td></tr> </table> | | | | | | | | | | |
| | | | | | | | | | | | | | | | | | | | | | |
| | | | | | | | | | | | | | | | | | | | | | |
| <table border="1" style="width: 100%; height: 20px;"> <tr><td> </td><td> </td><td> </td><td> </td><td> </td><td> </td><td> </td><td> </td><td> </td><td> </td></tr> </table> | | | | | | | | | | | <table border="1" style="width: 100%; height: 20px;"> <tr><td> </td><td> </td><td> </td><td> </td><td> </td><td> </td><td> </td><td> </td><td> </td><td> </td></tr> </table> | | | | | | | | | | |
| | | | | | | | | | | | | | | | | | | | | | |
| | | | | | | | | | | | | | | | | | | | | | |
| <table border="1" style="width: 100%; height: 20px;"> <tr><td> </td><td> </td><td> </td><td> </td><td> </td><td> </td><td> </td><td> </td><td> </td><td> </td></tr> </table> | | | | | | | | | | | <table border="1" style="width: 100%; height: 20px;"> <tr><td> </td><td> </td><td> </td><td> </td><td> </td><td> </td><td> </td><td> </td><td> </td><td> </td></tr> </table> | | | | | | | | | | |
| | | | | | | | | | | | | | | | | | | | | | |
| | | | | | | | | | | | | | | | | | | | | | |
| <table border="1" style="width: 100%; height: 20px;"> <tr><td> </td><td> </td><td> </td><td> </td><td> </td><td> </td><td> </td><td> </td><td> </td><td> </td></tr> </table> | | | | | | | | | | | <table border="1" style="width: 100%; height: 20px;"> <tr><td> </td><td> </td><td> </td><td> </td><td> </td><td> </td><td> </td><td> </td><td> </td><td> </td></tr> </table> | | | | | | | | | | |
| | | | | | | | | | | | | | | | | | | | | | |
| | | | | | | | | | | | | | | | | | | | | | |
| <table border="1" style="width: 100%; height: 20px;"> <tr><td> </td><td> </td><td> </td><td> </td><td> </td><td> </td><td> </td><td> </td><td> </td><td> </td></tr> </table> | | | | | | | | | | | <table border="1" style="width: 100%; height: 20px;"> <tr><td> </td><td> </td><td> </td><td> </td><td> </td><td> </td><td> </td><td> </td><td> </td><td> </td></tr> </table> | | | | | | | | | | |
| | | | | | | | | | | | | | | | | | | | | | |
| | | | | | | | | | | | | | | | | | | | | | |
| <table border="1" style="width: 100%; height: 20px;"> <tr><td> </td><td> </td><td> </td><td> </td><td> </td><td> </td><td> </td><td> </td><td> </td><td> </td></tr> </table> | | | | | | | | | | | <table border="1" style="width: 100%; height: 20px;"> <tr><td> </td><td> </td><td> </td><td> </td><td> </td><td> </td><td> </td><td> </td><td> </td><td> </td></tr> </table> | | | | | | | | | | |
| | | | | | | | | | | | | | | | | | | | | | |
| | | | | | | | | | | | | | | | | | | | | | |
| <table border="1" style="width: 100%; height: 20px;"> <tr><td> </td><td> </td><td> </td><td> </td><td> </td><td> </td><td> </td><td> </td><td> </td><td> </td></tr> </table> | | | | | | | | | | | <table border="1" style="width: 100%; height: 20px;"> <tr><td> </td><td> </td><td> </td><td> </td><td> </td><td> </td><td> </td><td> </td><td> </td><td> </td></tr> </table> | | | | | | | | | | |
| | | | | | | | | | | | | | | | | | | | | | |
| | | | | | | | | | | | | | | | | | | | | | |
| <table border="1" style="width: 100%; height: 20px;"> <tr><td> </td><td> </td><td> </td><td> </td><td> </td><td> </td><td> </td><td> </td><td> </td><td> </td></tr> </table> | | | | | | | | | | | <table border="1" style="width: 100%; height: 20px;"> <tr><td> </td><td> </td><td> </td><td> </td><td> </td><td> </td><td> </td><td> </td><td> </td><td> </td></tr> </table> | | | | | | | | | | |
| | | | | | | | | | | | | | | | | | | | | | |
| | | | | | | | | | | | | | | | | | | | | | |
| <table border="1" style="width: 100%; height: 20px;"> <tr><td> </td><td> </td><td> </td><td> </td><td> </td><td> </td><td> </td><td> </td><td> </td><td> </td></tr> </table> | | | | | | | | | | | <table border="1" style="width: 100%; height: 20px;"> <tr><td> </td><td> </td><td> </td><td> </td><td> </td><td> </td><td> </td><td> </td><td> </td><td> </td></tr> </table> | | | | | | | | | | |
| | | | | | | | | | | | | | | | | | | | | | |
| | | | | | | | | | | | | | | | | | | | | | |
| <table border="1" style="width: 100%; height: 20px;"> <tr><td> </td><td> </td><td> </td><td> </td><td> </td><td> </td><td> </td><td> </td><td> </td><td> </td></tr> </table> | | | | | | | | | | | <table border="1" style="width: 100%; height: 20px;"> <tr><td> </td><td> </td><td> </td><td> </td><td> </td><td> </td><td> </td><td> </td><td> </td><td> </td></tr> </table> | | | | | | | | | | |
| | | | | | | | | | | | | | | | | | | | | | |
| | | | | | | | | | | | | | | | | | | | | | |
| | | | | | | | | | | | | | | | | | | | | | |



美特鋁質 有限公司
MIDI Aluminium Fabricator Ltd.

| 产品编号 | L(mm) | 数量 | N | M | A | B | N1 | M1 | 备注 |
|----------------|-------|----|---|-----|------|------|----|----|----|
| J852-GDLB03-01 | 624 | 2 | 2 | 250 | 62 | 62 | | | |
| J852-GDLB03-02 | 598 | 2 | 2 | 250 | 49 | 49 | | | |
| J852-GDLB03-03 | 601 | 2 | 2 | 250 | 50.5 | 50.5 | | | |

| | | | |
|-----|------|----|------|
| 工程號 | J852 | 地盤 | 亞皆老街 |
|-----|------|----|------|



SECTION A-A

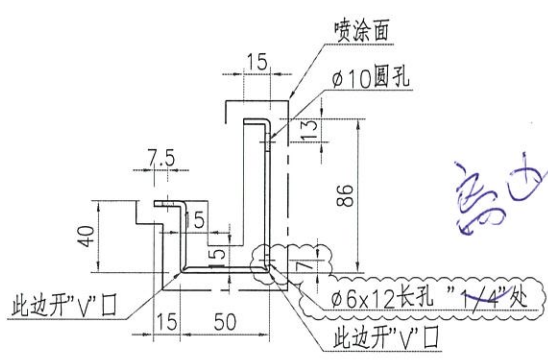
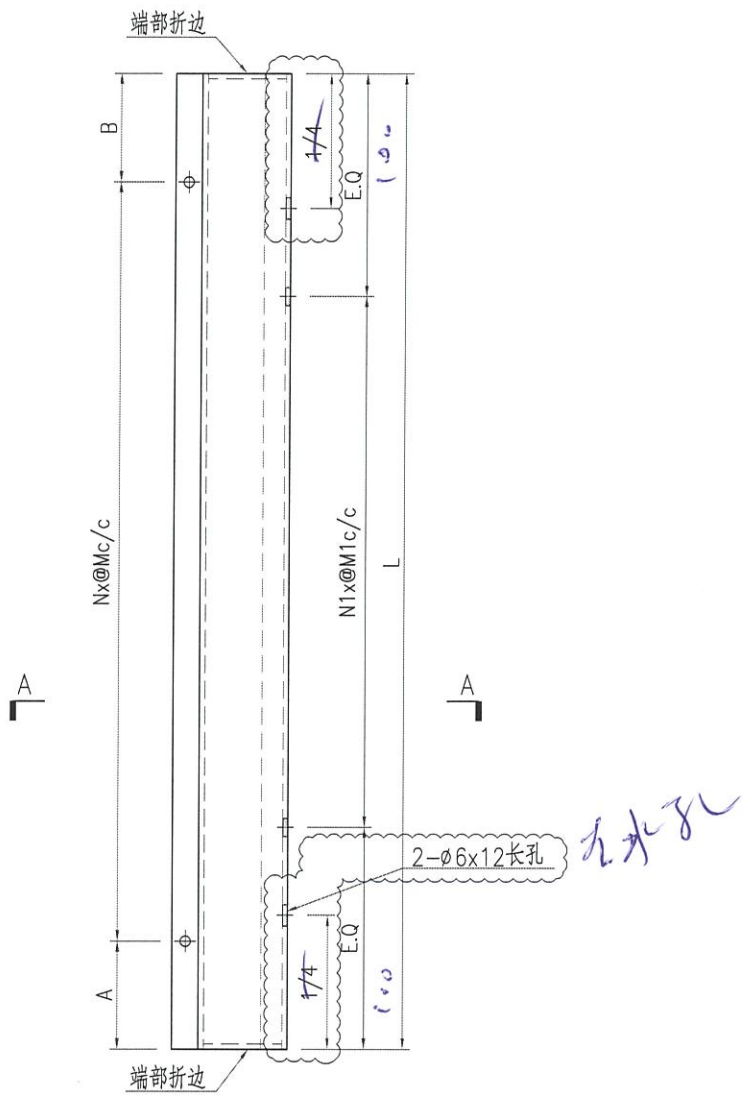
| | | | | | | | | |
|----|------------------|----|-----|------------|----|-------------|--|--|
| 名稱 | 鋁板加工圖 | 制圖 | ZJP | 2021-09-08 | 修改 | A | | |
| 材料 | 3mm厚鋁板 | 復核 | | | 日期 | 2021-12-01 | | |
| 顏色 | UCT201498XL(A)-3 | 批准 | | | 圖號 | J852-GDLB03 | | |



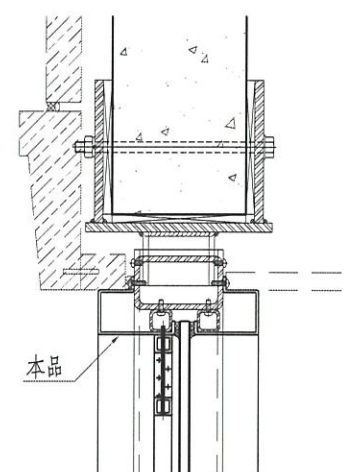
美特鋁質 有限公司
MIDI Aluminium Fabricator Ltd.

| 产品编号 | L(mm) | 数量 | N | M | A | B | N1 | M1 | 备注 |
|----------------|-------|----|---|-----|------|------|----|-------|----|
| J852-GDLB05-01 | 1999 | 3 | 6 | 300 | 99.5 | 99.5 | 2 | 501 | |
| J852-GDLB05-02 | 1999 | 6 | 6 | 300 | 99.5 | 99.5 | 2 | 498 | |
| J852-GDLB05-03 | 1999 | 1 | 6 | 300 | 99.5 | 99.5 | 2 | 762.5 | |

| | | | |
|-----|------|----|------|
| 工程號 | J852 | 地盤 | 亞皆老街 |
|-----|------|----|------|



SECTION A-A



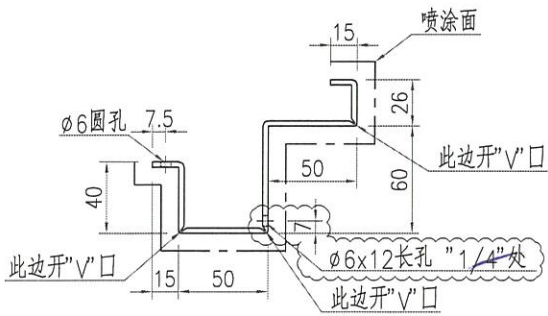
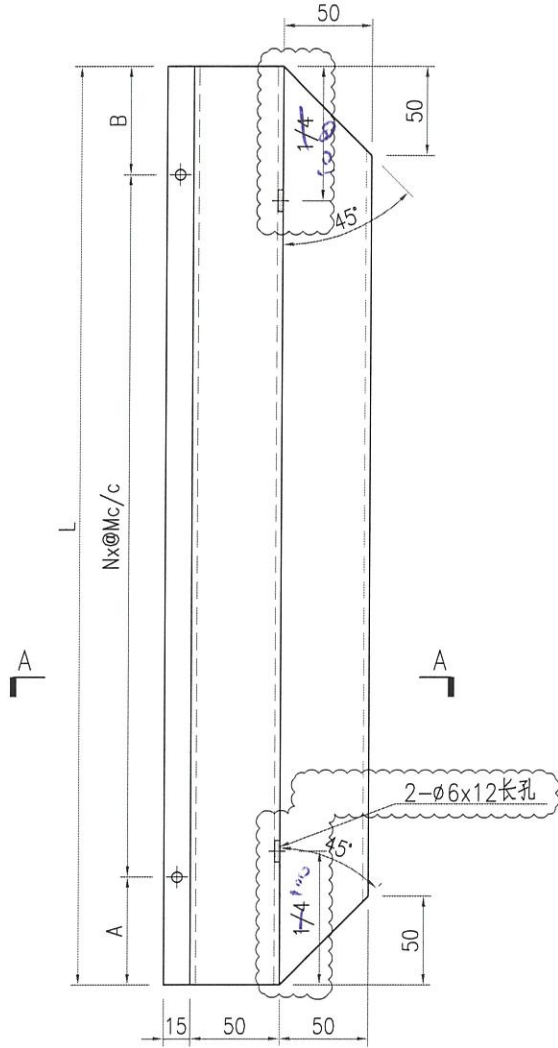
| | | | | | | | | |
|----|------------------|----|-----|------------|----|-------------|--|--|
| 名稱 | 鋁板加工圖 | 制圖 | ZJP | 2021-09-08 | 修改 | A | | |
| 材料 | 3mm厚鋁板 | 復核 | | | 日期 | 2021-12-01 | | |
| 顏色 | UCT201498XL(A)-3 | 批准 | | | 圖號 | J852-GDLB05 | | |



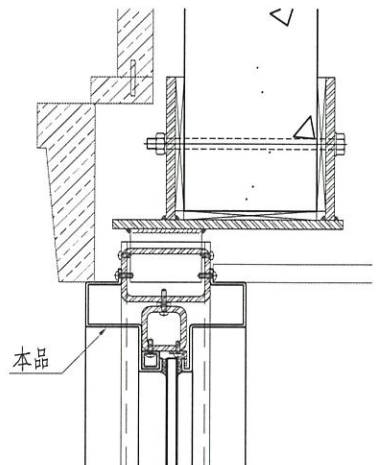
美特鋁質 有限公司
MIDI Aluminium Fabricator Ltd.

| 产品编号 | L(mm) | 数量 | N | M | A | B | N1 | M1 | 备注 |
|----------------|-------|----|---|-----|-------|-------|----|----|----|
| J852-GDLB06-01 | 1899 | 8 | 6 | 300 | 199.5 | 199.5 | | | |

| | | | |
|-----|------|----|------|
| 工程號 | J852 | 地盤 | 亞皆老街 |
|-----|------|----|------|



SECTION A-A



| | | | | | | | | |
|----|------------------|----|-----|------------|----|-------------|--|--|
| 名稱 | 鋁板加工圖 | 制圖 | ZJP | 2021-09-08 | 修改 | A | | |
| 材料 | 3mm厚鋁板 | 復核 | | | 日期 | 2021-12-01 | | |
| 顏色 | UCT201498XL(A)-3 | 批准 | | | 圖號 | J852-GDLB06 | | |