

工程指示 / 要求簡箋(E.I.)

工程指示編號：EI / 3946 / 21

修改版次：-

工程編號：J - 852

工程名稱：亞皆老街中電

工程項目：平台(LG1-LG4/F, G/F) Glass Wall& Door 鋁料

收件人：生統

發件人：Ant Yeung

日期：26/10/2021

要求提供 / 確認 事項：

- | | | |
|------------------------------------|-------------------------------------|-------------------------------|
| <input type="checkbox"/> 初步鋁料 B.M. | <input type="checkbox"/> 加工拆圖，然後生產 | <input type="checkbox"/> 尺寸表 |
| <input type="checkbox"/> 正式鋁料 B.M. | <input type="checkbox"/> 技術上資料 / 指示 | <input type="checkbox"/> 報價 |
| <input type="checkbox"/> 配件 B.M. | <input type="checkbox"/> 樣辦或貨品說明書 | <input type="checkbox"/> 分判合約 |

內容：_

請按加工圖生產平台 Glass Wall& Door 鋁料

生產：請留意平頭機絲要在廠點油；圓通切割後請補回噴塗面

請在 2021.11.02 前完成上列要求。

附：3 頁加工圖 + 28 頁位置圖

請整回鋁料，組裝好後，
送噴塗(雙面)

以上項目為：

- 原合約工程包 原合約工程加 / 減賬 新工程報價

原因：-

分發東莞各部門：

- | | | | |
|--|---|--|--|
| <input type="checkbox"/> 生產技術總監 <input type="checkbox"/> 連附件 | <input type="checkbox"/> 技術部 <input type="checkbox"/> 連附件 | <input type="checkbox"/> 生產部 <input type="checkbox"/> 連附件 | <input type="checkbox"/> 機械設計部 <input type="checkbox"/> 連附件 |
| <input type="checkbox"/> 採購部 <input type="checkbox"/> 連附件 | <input checked="" type="checkbox"/> 生產統籌部 <input checked="" type="checkbox"/> 連附件 | <input type="checkbox"/> 小羅&清 <input type="checkbox"/> 連附件 | |
| <input type="checkbox"/> 質檢部 <input type="checkbox"/> 連附件 | <input type="checkbox"/> 會計部 <input type="checkbox"/> 連附件 | <input type="checkbox"/> 報關組 <input type="checkbox"/> 連附件 | <input type="checkbox"/> 其他 _____ <input type="checkbox"/> 連附件 |

分發其他分判：

- 水洪 連附件

材料開料

分發香港各部門：

- | | | | |
|---|--|---|---|
| <input type="checkbox"/> 行政部 <input type="checkbox"/> 連附件 | <input type="checkbox"/> 會計部 <input type="checkbox"/> 連附件 | <input type="checkbox"/> 統籌部 <input type="checkbox"/> 連附件 | <input checked="" type="checkbox"/> 工程部地盤科文 <input type="checkbox"/> 連附件 祥哥 |
| <input type="checkbox"/> 採購部 <input type="checkbox"/> 連附件 | <input type="checkbox"/> QS 部 <input type="checkbox"/> 連附件 | <input type="checkbox"/> 維修部 <input type="checkbox"/> 連附件 | <input type="checkbox"/> 其他 _____ <input type="checkbox"/> 連附件 |

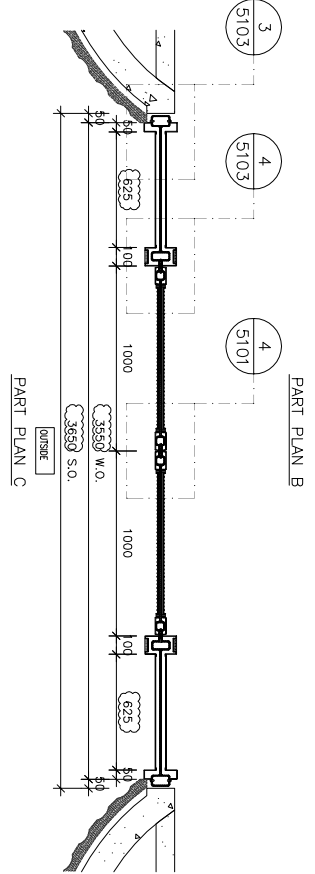
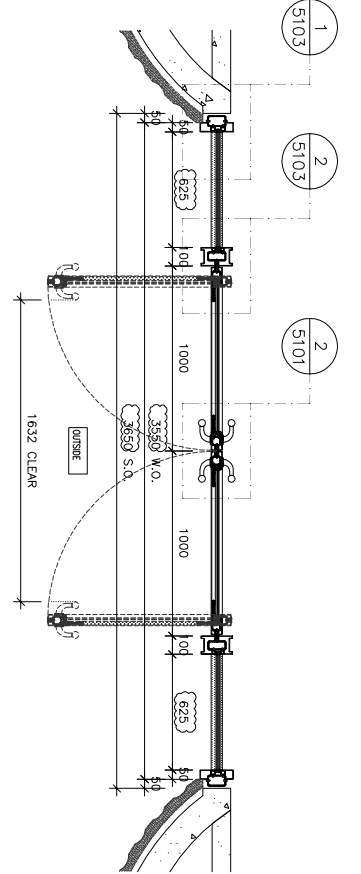
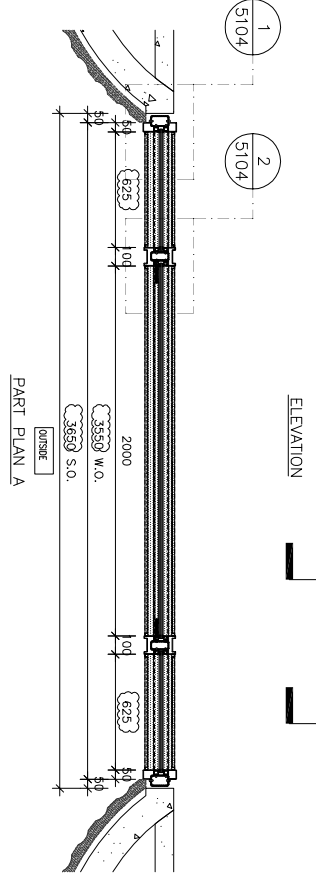
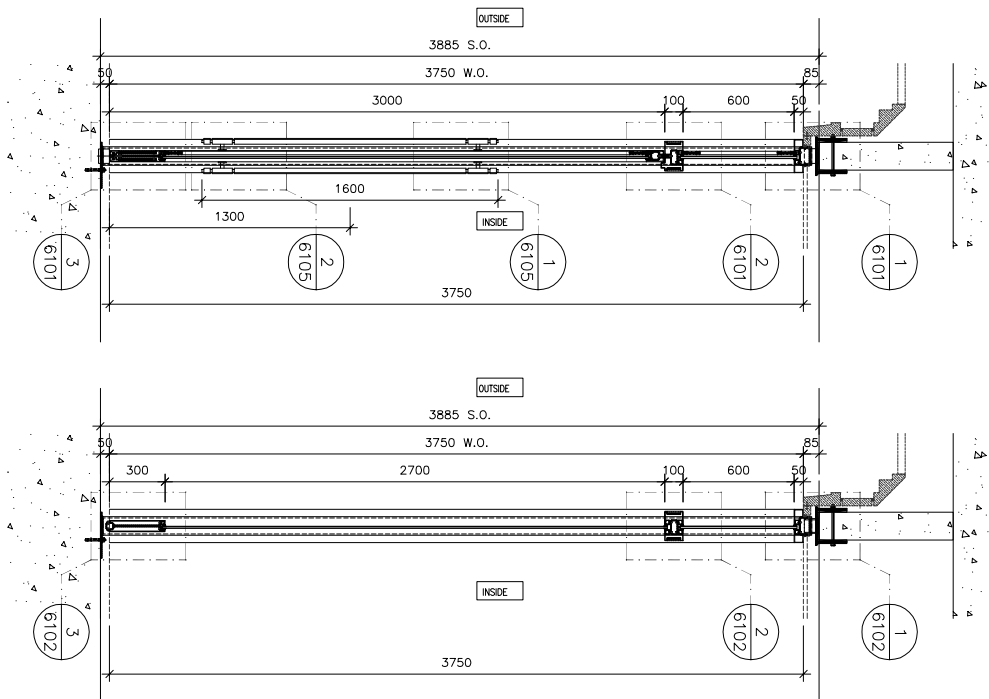
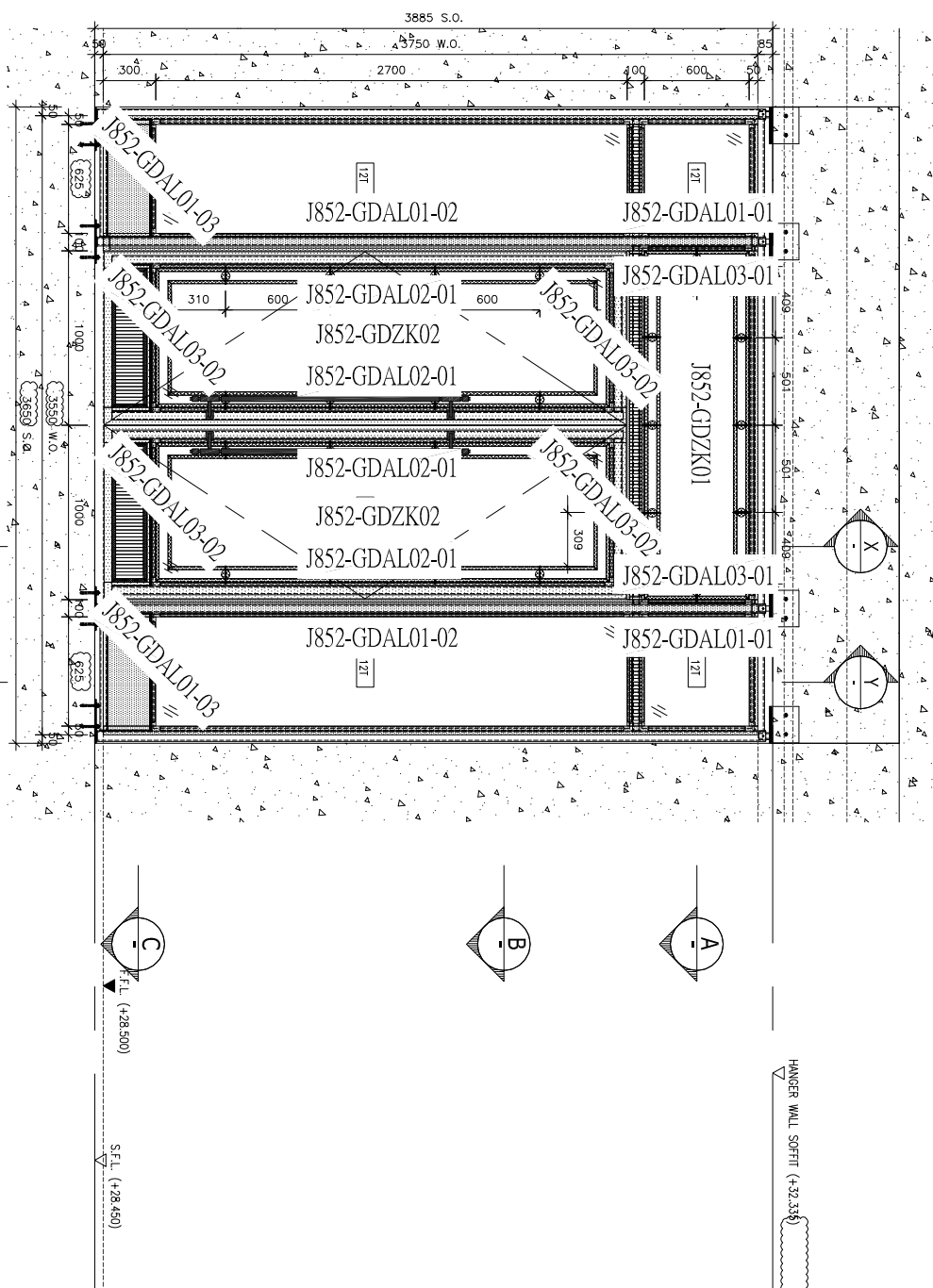
傳遞編號：

HK 1953 / 21

發件人簽署：

項目經理簽署：

Y.
J.P.



BO. REF. :

CLIENT :

ARCHITECT : **AGC DESIGN LTD**

MAIN CONTRACTOR : **Gammon**

STRUCTURAL ENGINEER : **ARUP**

FAÇADE CONSULTANT : **MEINHARDT**

NOTE :

1. ALL DIMENSIONS ARE IN mm.
2. ALL ELEVATIONS ARE VIEWED FROM OUTSIDE.
3. ALL DIMENSIONS TO BE VERIFIED ON SITE BEFORE FABRICATION.

LEGEND :

X1 --- DETAIL MARK NO.
X001 --- REFER SHEET NO.

1. F.F.L. --- FINISHED FLOOR LEVEL
2. S.F.L. --- STRUCTURAL FLOOR LEVEL
3. 12T --- REVERSED DETAIL
4. 12T --- 12mm THK. TEMPERED GLASS
5. 10T --- 10mm THK. REVERSED GLASS

| NO. | DATE | REVISION |
|-----|------------|---------------------------------|
| 1 | 16/10/2011 | REGION SUBJECT TO ARCH. COMMENT |
| 2 | 23/09/2011 | REGION SUBJECT TO ARCH. COMMENT |
| 3 | 23/09/2011 | REGION SUBJECT TO ARCH. COMMENT |
| 4 | 10/11/2011 | REGION SUBJECT TO ARCH. COMMENT |

JOB NO. : J-852

PROJECT : PROPOSED DEVELOPMENT AT KOWLOON INLAND, LOT Nos. 6035R.P., 6036R.P., 6037R.P., 6038R.P., AND LOT No. 6005

TITLE : ELEVATION & PART PLAN FOR GLASS WALL(G/F)

DATE : 25-Mar-21 SCALE : 1:40

DRAWN BY : CJM CHECKED BY : DW

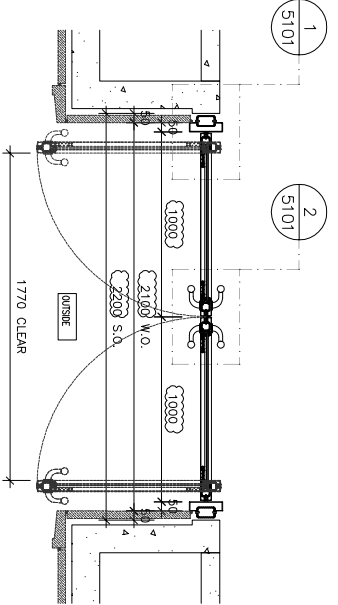
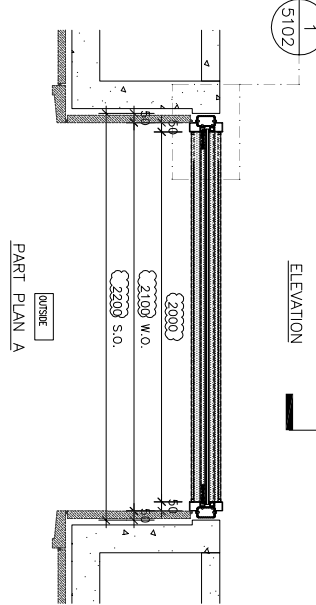
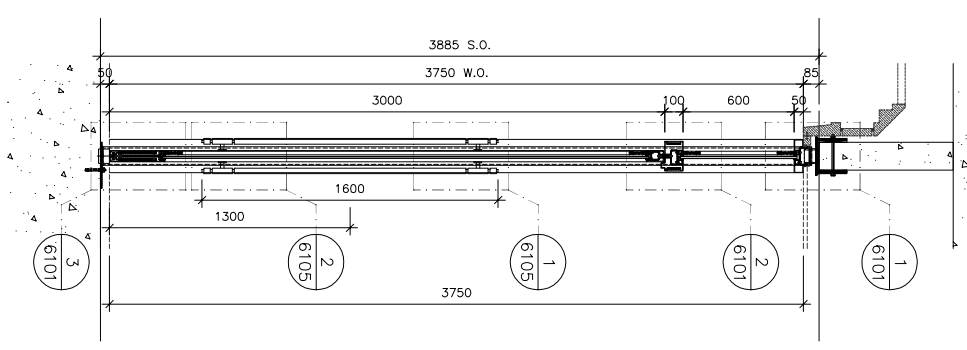
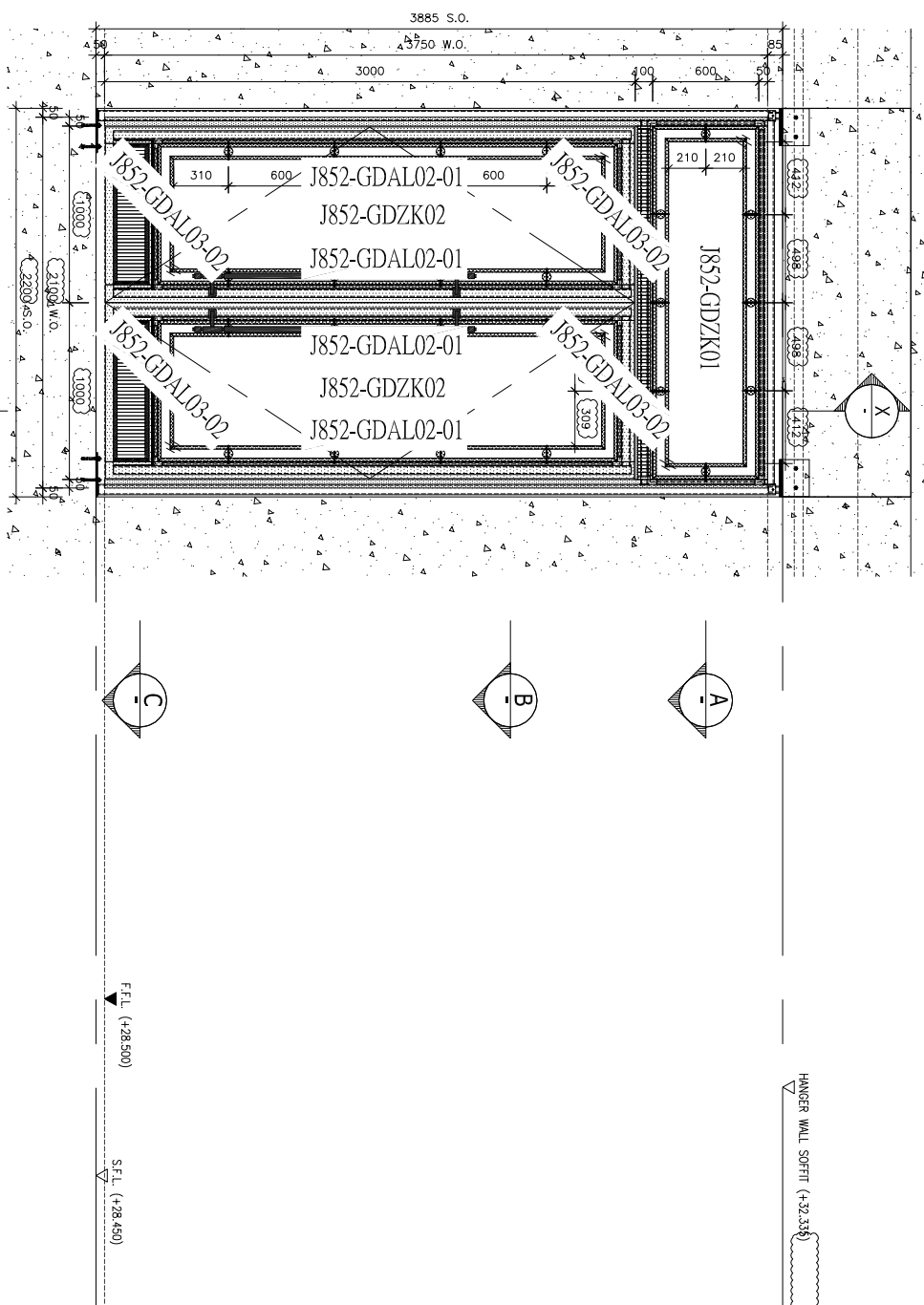
| FLOOR | LOCATION | GLASS WALL MARK | QTY |
|-------|--------------------|-----------------|-----|
| G | SHUTTLE LIFT LOBBY | S001/G | 1 |

Unit 6-8, Sunny Industrial Centre, 1/F
610 Chee Kwo Ling Road, Kowloon
Tel: 2498211-4 Fax: 8527272166

美特铝业有限公司
MIDI ALUMINIUM FABRICATOR LTD.

Unit 6-8, Sunny Industrial Centre, 1/F
610 Chee Kwo Ling Road, Kowloon
Tel: 2498211-4 Fax: 8527272166

DWG NO. : J852-PCW-4500 REV. : E



BO. REF. :

CLIENT :

ARCHITECT : **AGC DESIGN LTD**

MAIN CONTRACTOR : **Gammon**

STRUCTURAL ENGINEER : **ARUP**

FAÇADE CONSULTANT : **MEINHARDT**

NOTE :

1. ALL DIMENSIONS ARE IN MM.
2. ALL ELEVATIONS ARE VIEWED FROM OUTSIDE.
3. ALL DIMENSIONS TO BE VERIFIED ON SITE BEFORE FABRICATION.

LEGEND :

X1 --- DETAIL MARK NO.
X001 --- REFER SHEET NO.

1. F.F.L. --- FINISHED FLOOR LEVEL
2. S.F.L. --- STRUCTURAL FLOOR LEVEL
3. --- REVERSED DETAIL
4. --- 12mm THK. TEMPERED GLASS
5. --- 10mm THK. TEMPERED GLASS

| NO. | DATE | REVISION |
|-----|------------|-----------------------------------|
| 1 | 16/10/2011 | REVISION SUBJECT TO ARCH. COMMENT |
| 2 | 23/09/2011 | REVISION SUBJECT TO ARCH. COMMENT |
| 3 | 23/09/2011 | REVISION SUBJECT TO ARCH. COMMENT |
| 4 | 10/11/2011 | REVISION SUBJECT TO ARCH. COMMENT |

JOB NO. : J-852

PROJECT : PROPOSED DEVELOPMENT AT KOWLOON INLAND, LOT Nos. 6035R.P., 6036R.P., 6037R.P., 6038R.P., AND LOT No. 6005

TITLE : ELEVATION & PART PLAN FOR GLASS WALL(G/F)

DATE : 25-Mar-21 SCALE : 1:40

DRAWN BY : CJM CHECKED BY : DW

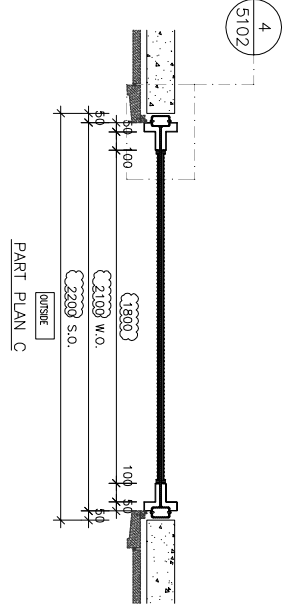
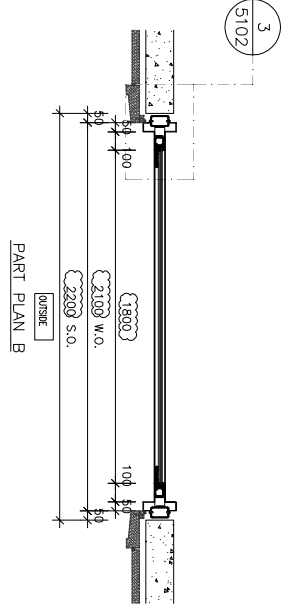
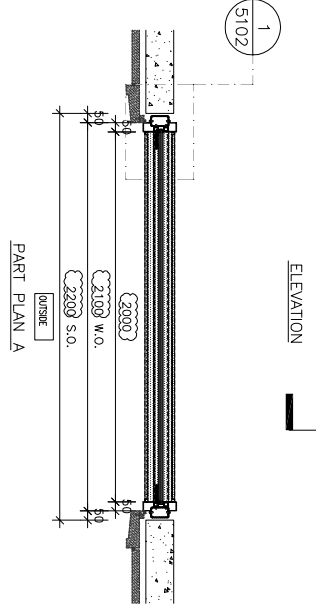
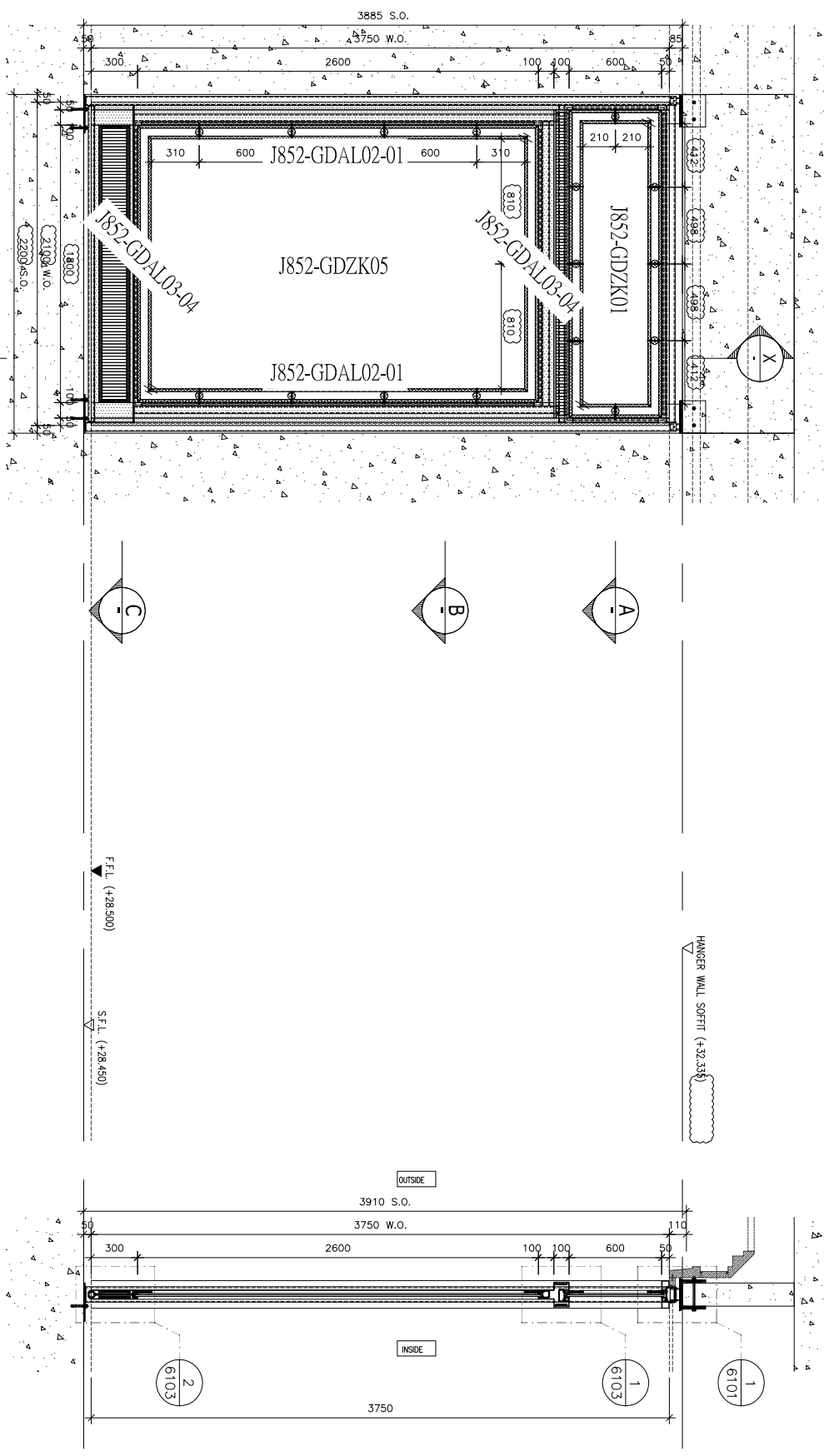
| FLOOR | LOCATION | GLASS WALL MARK | QTY |
|-------|--------------------|-----------------|-----|
| G | TOWER 1 LIFT LOBBY | T101/G | 1 |

Unit 6-8, Sunny Industrial Centre, 1/F
610 Chee Kwo Ling Road, Kowloon
Tel: 2498211-4 Fax: 8527272766

MIDI ALUMINIUM FABRICATOR LTD.

Unit 6-8, Sunny Industrial Centre, 1/F
610 Chee Kwo Ling Road, Kowloon
Tel: 2498211-4 Fax: 8527272766

DWG NO. : J852-PCW-4501 REV. : E



F.F.L. (+28.500)
S.F.L. (+28.450)

SECTION X

| FLOOR | LOCATION | GLASS WALL MARK | QTY |
|-------|--------------------|-----------------|-----|
| G | TOWER 1 LIFT LOBBY | T102/G | 1 |

BO. REF :
CLIENT :

ARCHITECT :
AGC DESIGN LTD
20/F, THE HONG KONG BANK BUILDING, 100 QUEEN'S ROAD CENTRAL, HONG KONG

MAIN CONTRACTOR :
Gammon

STRUCTURAL ENGINEER :
ARUP

FAÇADE CONSULTANT:
MEINHARDT

NOTE:

- ALL DIMENSIONS ARE IN MM.
- ALL ELEVATIONS ARE VIEWED FROM OUTSIDE.
- ALL DIMENSIONS TO BE VERIFIED ON SITE BEFORE FABRICATION.

LEGEND:

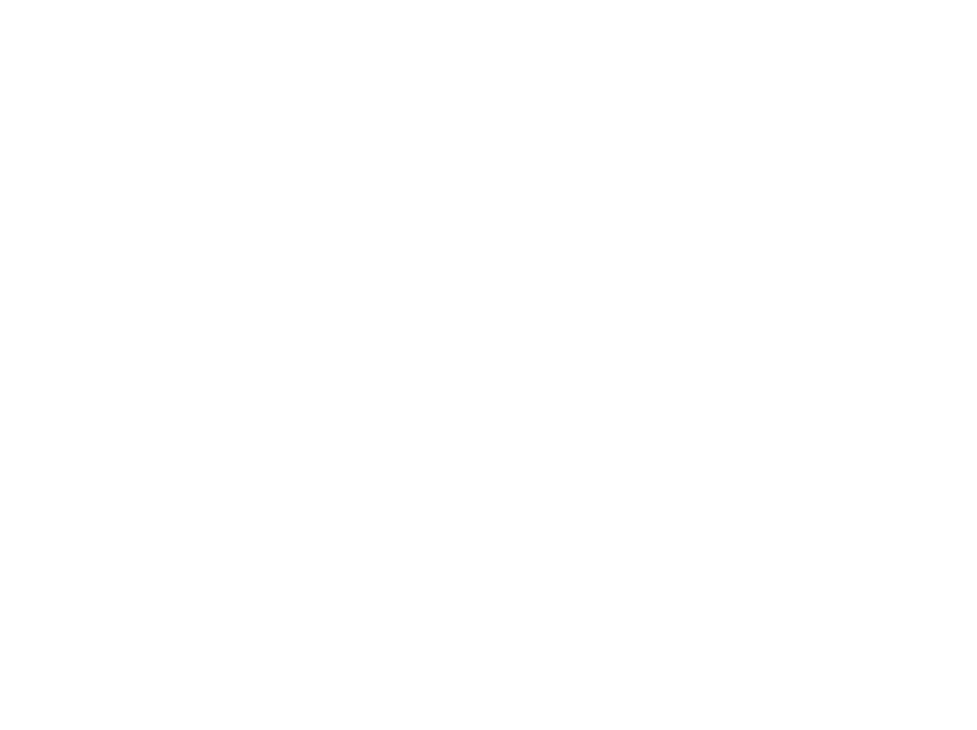
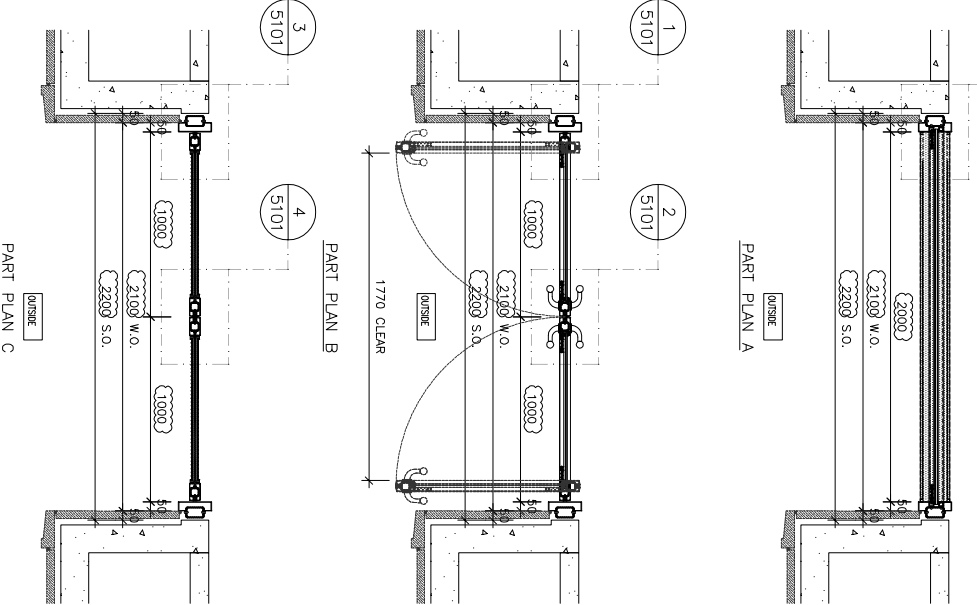
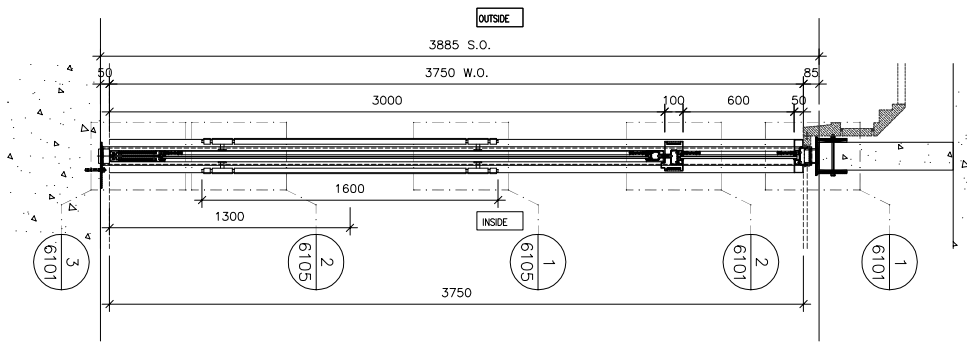
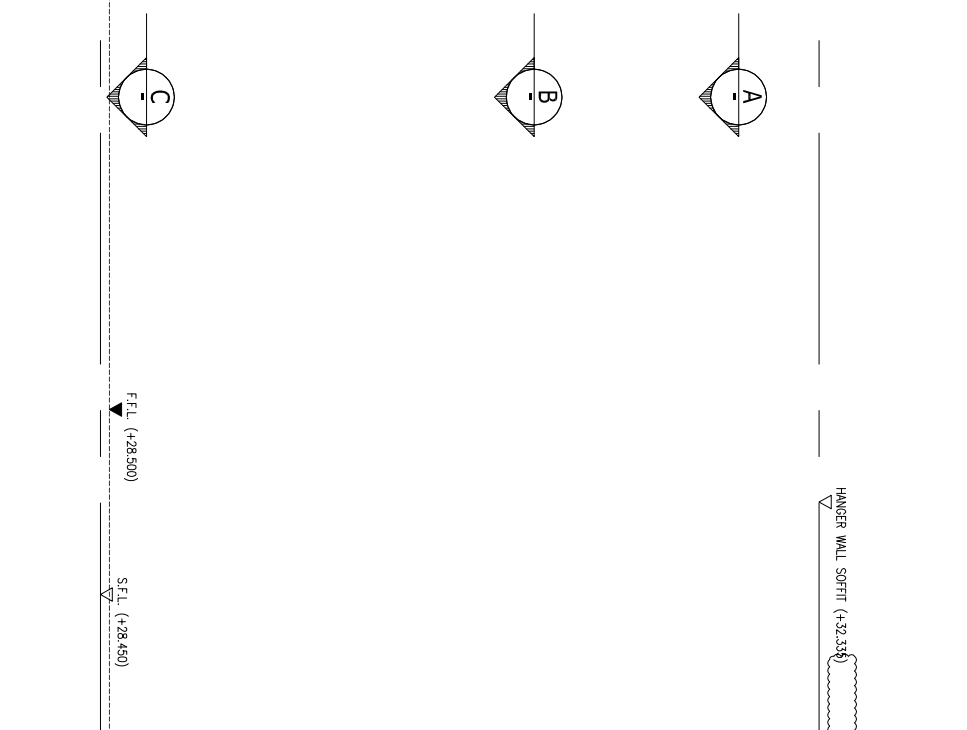
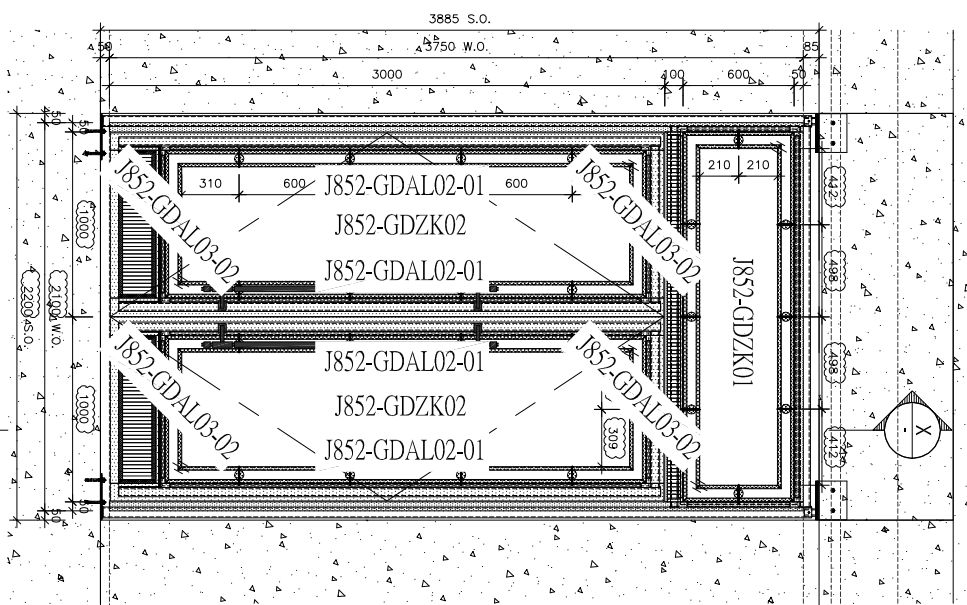
- X1 --- DETAIL MARK NO.
- X001 --- REFER SHEET NO.
- 1. F.F.L. --- FINISHED FLOOR LEVEL
- 2. S.F.L. --- STRUCTURAL FLOOR LEVEL
- 3. (R) --- REVERSED DETAIL
- 4. (T) --- 12mm THK. TEMPERED GLASS
- 5. (I) --- 10mm THK. REVERSED GLASS

| NO. | DATE | REVISION |
|-----|------------|-----------------------------------|
| 1 | 16/10/2011 | REVISION SUBJECT TO ARCH. COMMENT |
| 2 | 23/09/2011 | REVISION SUBJECT TO ARCH. COMMENT |
| 3 | 21/07/2011 | REVISION SUBJECT TO ARCH. COMMENT |
| 4 | 17/11/2011 | REVISION SUBJECT TO ARCH. COMMENT |

JOB NO. : J-852
PROJECT : PROPOSED DEVELOPMENT AT KOWLOON INLAND, LOT Nos. 60356P., 60366P., 60376P., 60386P., AND LOT No. 6005

TITLE : ELEVATION & PART PLAN FOR GLASS WALL(G/F)

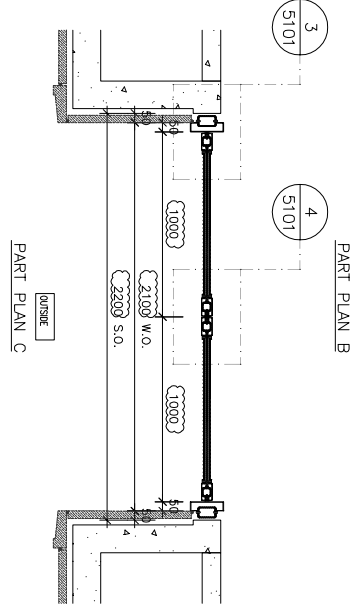
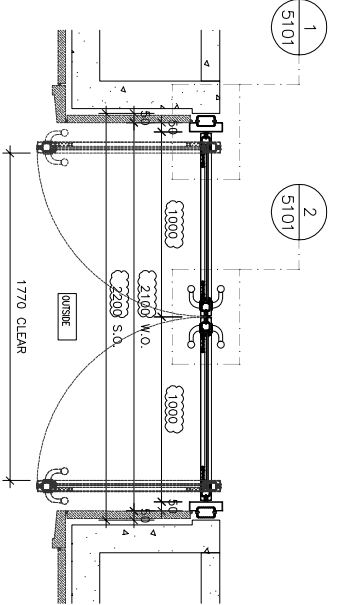
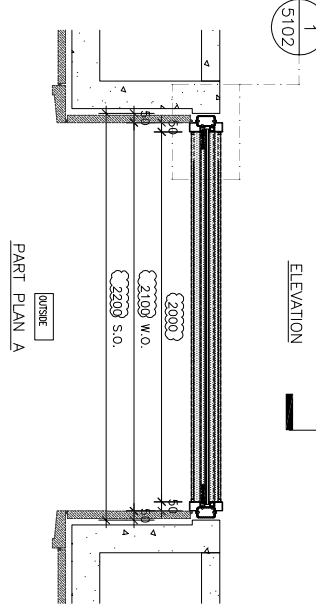
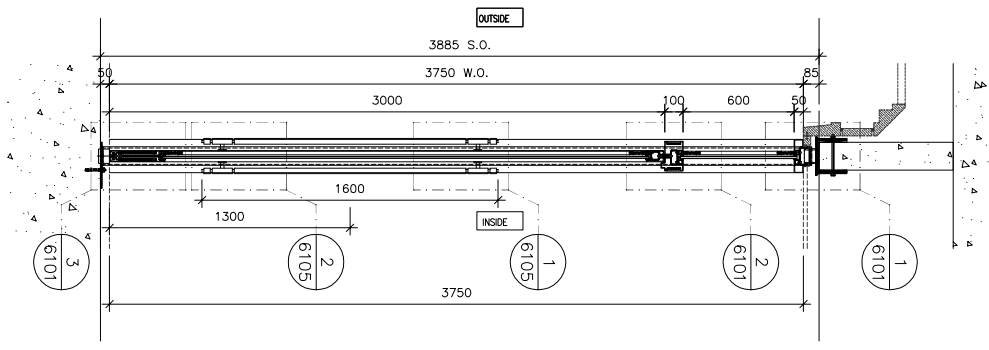
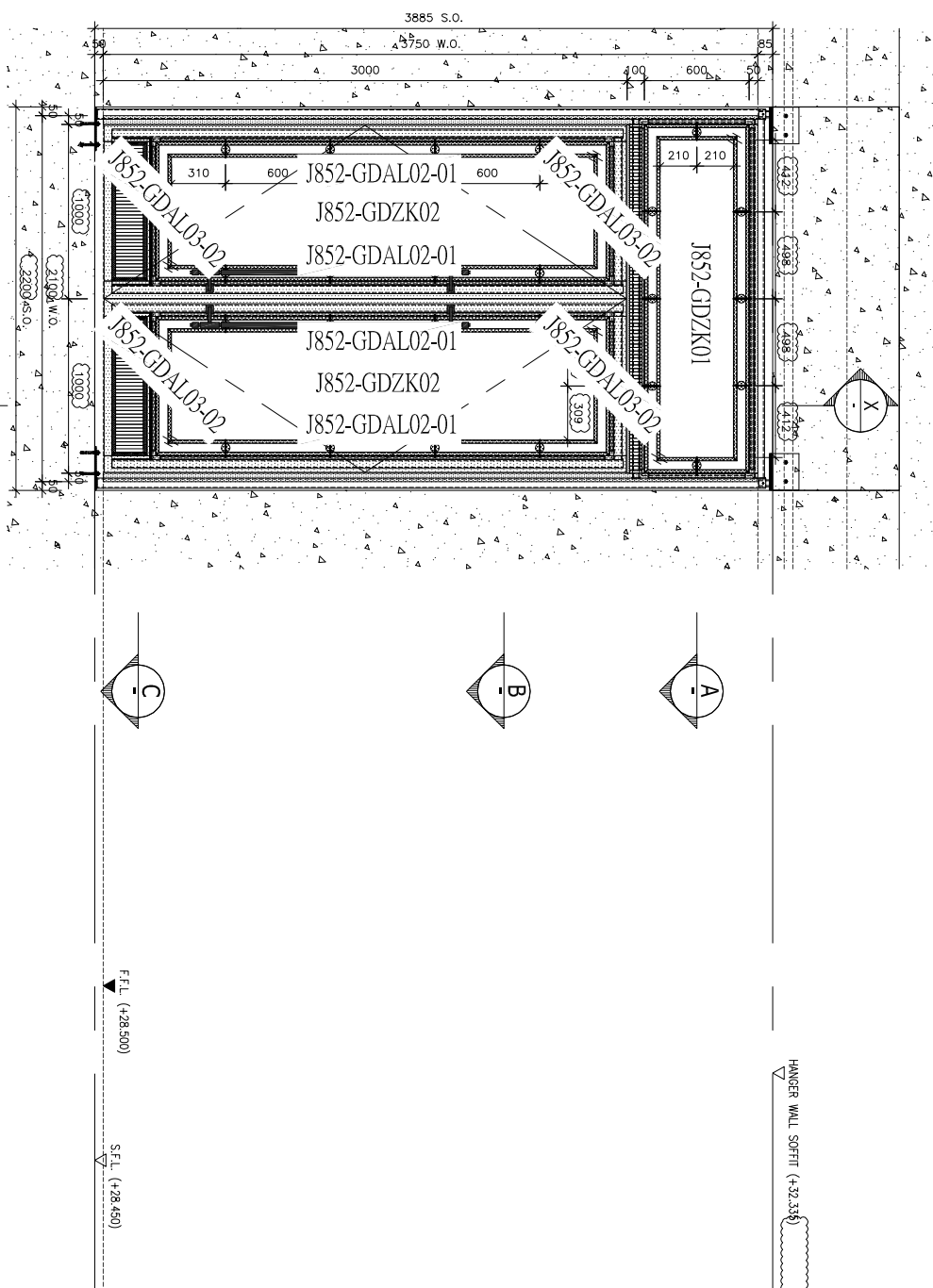
DATE : 25-Mar-21
SCALE : 1:40
DRAWN BY : CJM
CHECKED BY : DW
美特铝业有限公司
MIDI ALUMINIUM FABRICATOR LTD.
Units 6-8, Sunny Industrial Centre, 1/F
610 Chee Kwo Ling Road, Kowloon
Tel: 2498211-4 Fax: 85272721966
DWG NO. : J852-PCW-4502
REV : E



| | | | |
|-----------------------|---|-----------------------------------|----|
| BO. REF. : | | | |
| CLIENT : | | | |
| ARCHITECT : | AGC DESIGN LTD | | |
| MAIN CONTRACTOR : | GAMMON | | |
| STRUCTURAL ENGINEER : | ARUP | | |
| FAÇADE CONSULTANT : | MEINHARDT | | |
| NOTE : | <ol style="list-style-type: none"> ALL DIMENSIONS ARE IN MM. ALL ELEVATIONS ARE VIEWED FROM OUTSIDE. ALL DIMENSIONS TO BE VERIFIED ON SITE BEFORE FABRICATION. | | |
| LEGEND : | <p>X1 --- DETAIL MARK NO.</p> <p>X001 --- REFER SHEET NO.</p> <ol style="list-style-type: none"> F.F.L. --- FINISHED FLOOR LEVEL S.F.L. --- STRUCTURAL FLOOR LEVEL ⊗ --- REVERSED DETAIL 12T --- 12mm THK. TEMPERED GLASS 10T --- 10mm THK. REVERSED GLASS | | |
| JOB NO. : | J-852 | | |
| PROJECT : | PROPOSED DEVELOPMENT AT KOWLOON INLAND, LOT Nos. 6035R.P., 6036R.P., 6037R.P., 6038R.P., AND LOT No. 6005 | | |
| TITLE : | ELEVATION & PART PLAN FOR GLASS WALL(G/F) | | |
| DATE : | 25-Mar-21 | | |
| SCALE : | 1:40 | | |
| DRAWN BY : | CJM | | |
| CHECKED BY : | DW | | |
| NO. : | | | |
| DATE : | | | |
| REVISION : | | | |
| 1. | 18/09/2021 | REVISION SUBJECT TO ARCH. COMMENT | MC |
| 2. | 23/09/2021 | REVISION SUBJECT TO ARCH. COMMENT | MC |
| 3. | 28/09/2021 | REVISION SUBJECT TO ARCH. COMMENT | MC |
| 4. | 27/11/2021 | REVISION SUBJECT TO ARCH. COMMENT | MC |
| 5. | 10/12/2021 | REVISION SUBJECT TO ARCH. COMMENT | MC |

| FLOOR | LOCATION | GLASS WALL MARK | QTY |
|-------|--------------------|-----------------|-----|
| G | TOWER 2 LIFT LOBBY | T201/G | 1 |

美特铝业有限公司
MIDI ALUMINIUM FABRICATOR LTD.
 Units 6-8, Sunny Industrial Centre, 1/F
 610 Chee Kwo Ling Road, Kowloon
 Tel: 2498211-4 Fax: 8522727266
 DMC NO. : J852-PCW-4503 REV. : E



NOTE:
 1. ALL DIMENSIONS ARE IN mm.
 2. ALL ELEVATIONS ARE VIEWED FROM OUTSIDE.
 3. ALL DIMENSIONS TO BE VERIFIED ON SITE BEFORE FABRICATION.

LEGEND:
 X1 --- DETAIL MARK NO.
 X001 --- REFER SHEET NO.
 1. F.F.L. --- FINISHED FLOOR LEVEL
 2. S.F.L. --- STRUCTURAL FLOOR LEVEL
 3. --- REVERSED DETAIL
 4. --- 12mm THK. TEMPERED GLASS
 5. --- 10mm THK. TEMPERED GLASS

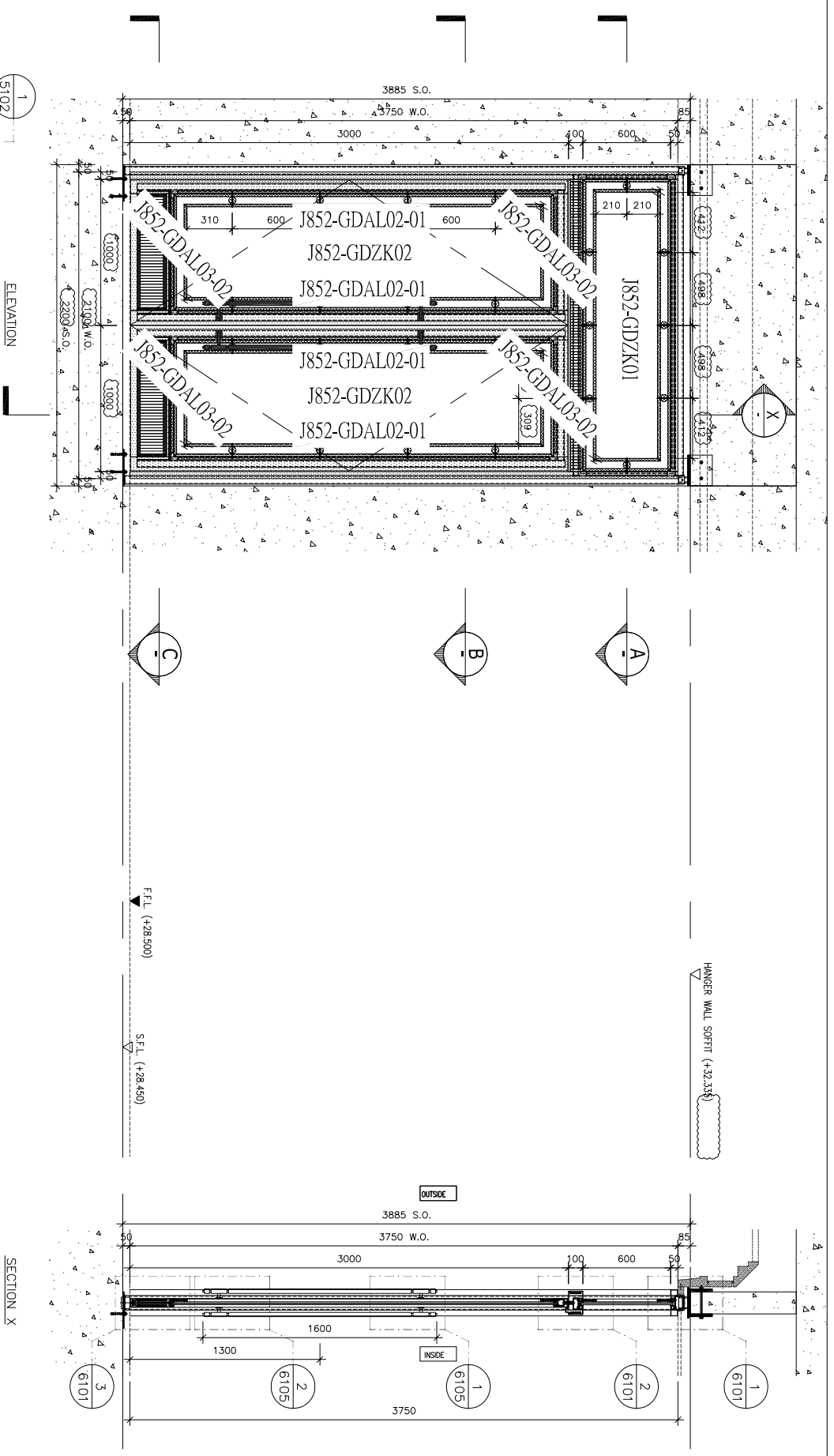
| NO. | DATE | REVISION |
|-----|------------|-----------------------------------|
| 1 | 18/10/2021 | REVISION SUBJECT TO ARCH. COMMENT |
| 2 | 23/09/2021 | REVISION SUBJECT TO ARCH. COMMENT |
| 3 | 23/09/2021 | REVISION SUBJECT TO ARCH. COMMENT |
| 4 | 10/11/2021 | REVISION SUBJECT TO ARCH. COMMENT |

JOB NO. : J-852
 PROJECT : PROPOSED DEVELOPMENT AT KOWLOON INLAND, LOT Nos. 6035R.P., 6036R.P., 6037R.P., 6038R.P., AND LOT No. 6005
 TITLE : ELEVATION & PART PLAN FOR GLASS WALL(G/F)

DATE : 25-Mar-21 SCALE : 1:40
 DRAWN BY : CJM CHECKED BY : DW
 Unit 6-8, Sunny Industrial Centre, 1/F
 610 Chee Kwo Ling Road, Kowloon
 Tel: 2498211-4 Fax: 8522727266
 MIDDI ALUMINIUM FABRICATOR LTD.
 美特鋁質有限公司
 DWG NO. : J852-PCW-4504 REV. : E

| FLOOR | LOCATION | GLASS WALL MARK | QTY |
|-------|--------------------|-----------------|-----|
| G | TOWER 2 LIFT LOBBY | T202/G | 1 |

BO. REF. :
 CLIENT :
 ARCHITECT : AGC DESIGN LTD.
 MAIN CONTRACTOR :
 STRUCTURAL ENGINEER : Gammon
 FACADE CONSULTANT : ARUP
 MEINHARDT



| FLOOR | LOCATION | GLASS WALL MARK | QTY |
|-------|--------------------|-----------------|-----|
| G | TOWER 3 LIFT LOBBY | T301/G | 1 |

BO. REF. :

CLIENT :

ARCHITECT : **AGC DESIGN LTD**

MAIN CONTRACTOR :

STRUCTURAL ENGINEER : **Gammou**

FAÇADE CONSULTANT : **ARUP**

MEIN-HARDT

NOTE :

1. ALL DIMENSIONS ARE IN mm.
2. ALL ELEVATIONS ARE VIEWED FROM OUTSIDE.
3. ALL DIMENSIONS TO BE VERIFIED ON SITE BEFORE FABRICATION.

LEGEND :

X1 --- DETAIL MARK NO.
X001 --- REFER SHEET NO.

1. F.F.L. --- FINISHED FLOOR LEVEL
2. S.F.L. --- STRUCTURAL FLOOR LEVEL
3. (R) --- REVERSED DETAIL
4. (12T) --- 12mm THK. TEMPERED GLASS
5. (10T) --- 10mm THK. TEMPERED GLASS

JOB NO. : J-852

PROJECT : PROPOSED DEVELOPMENT AT KOWLOON INLAND, LOT Nos. 60356P., 60358P., 60378P., 60388P., AND LOT No. 6005

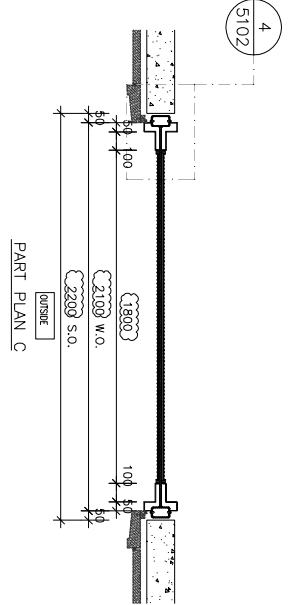
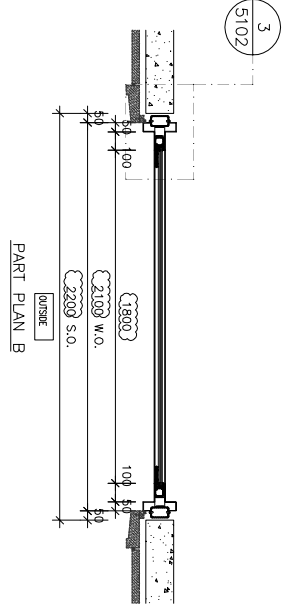
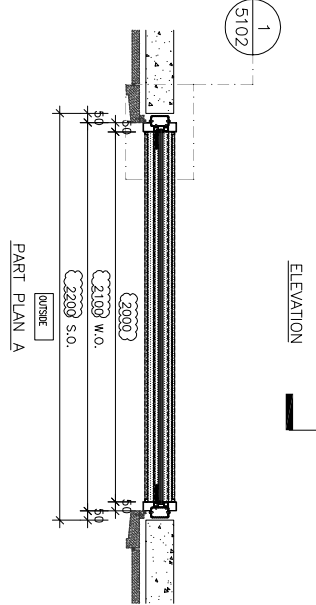
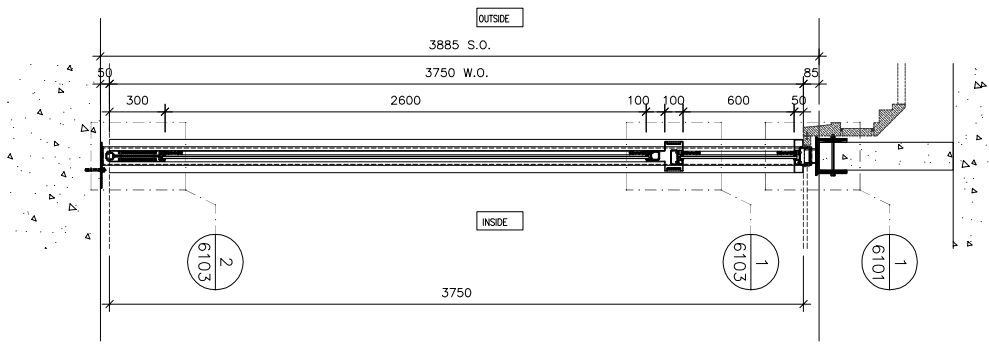
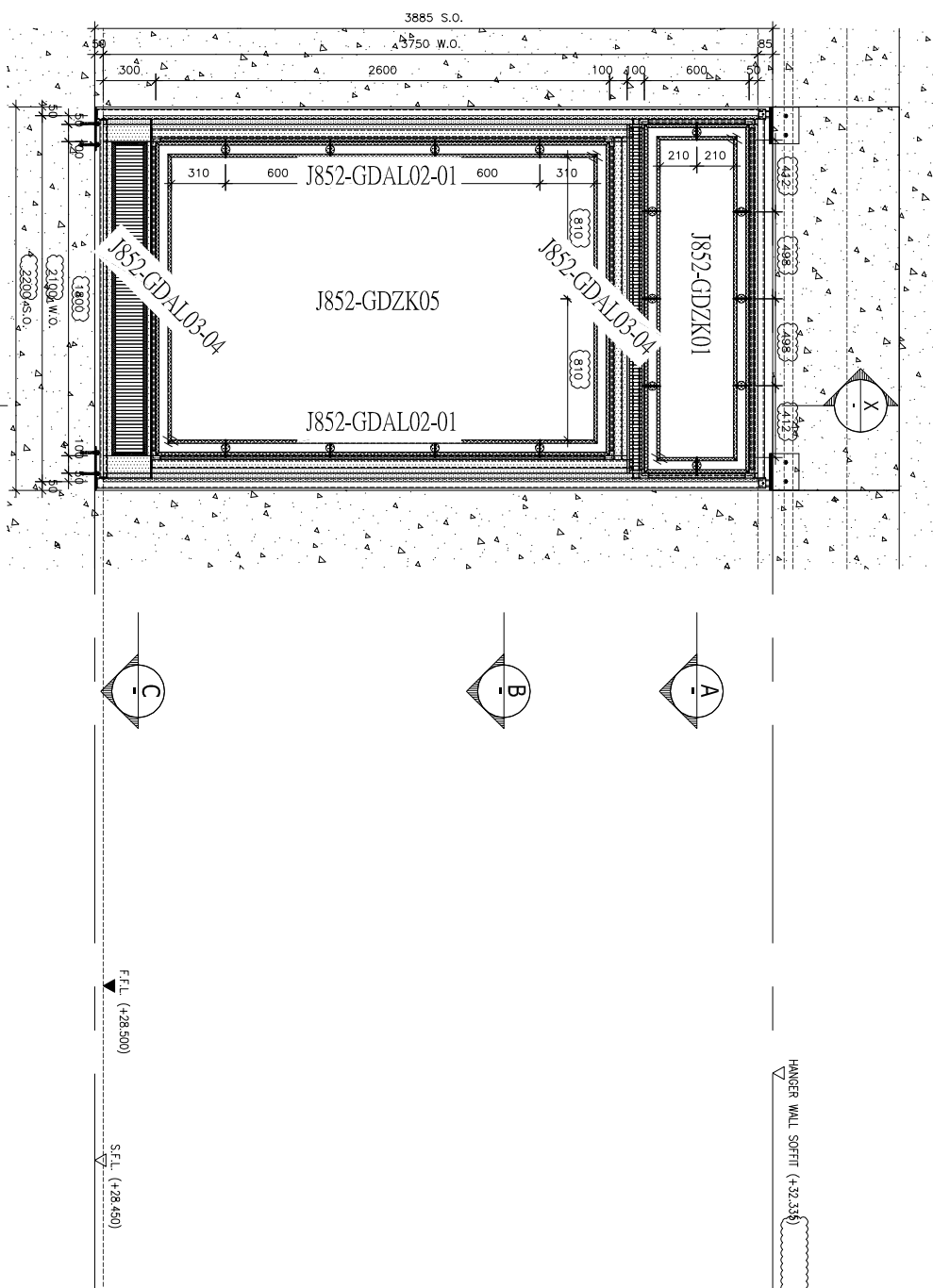
TITLE : ELEVATION & PART PLAN FOR GLASS WALL(G/F)

DATE : 25-Mar-20 SCALE : 1:40

DRAWN BY : CJM CHECKED BY : DW

Unit: 6-8, Sunny Industrial Centre, 1/F
610 Chee Kwo Ling Road, Kowloon
Tel: 2498211-4 Fax: 8527272166
DWC NO. : J852-PCW-4505 REV. : B

美特铝业有限公司
MIDI ALUMINIUM FABRICATOR LTD.



BO. REF. :
 CLIENT :
 ARCHITECT :
AGC DESIGN LTD
 2/F, 100, Des Voeux Road East, Hong Kong
 MAIN CONTRACTOR :
Gammon
 STRUCTURAL ENGINEER :
ARUP
 FACADE CONSULTANT :
MEINHARDT

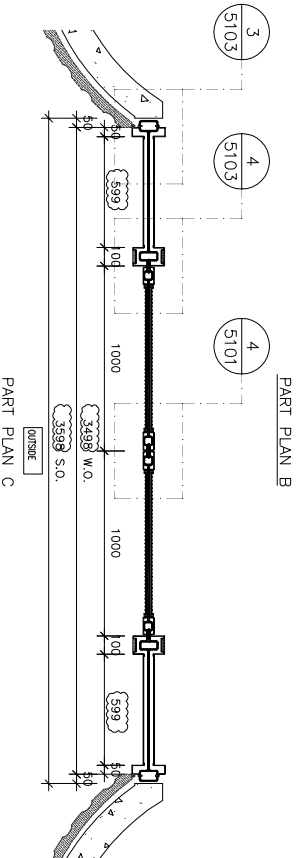
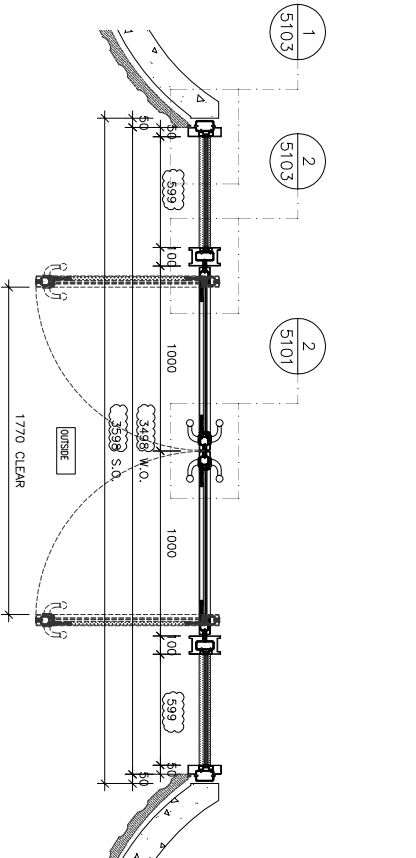
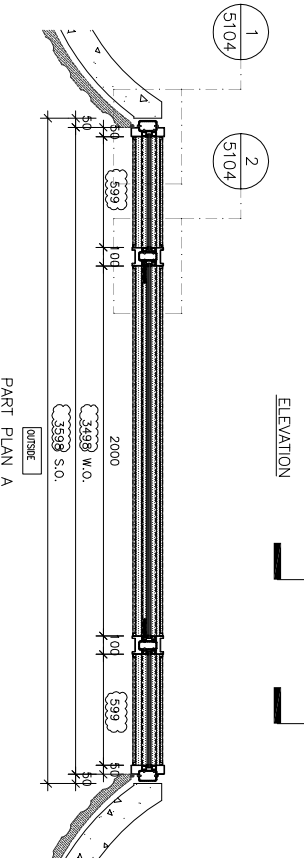
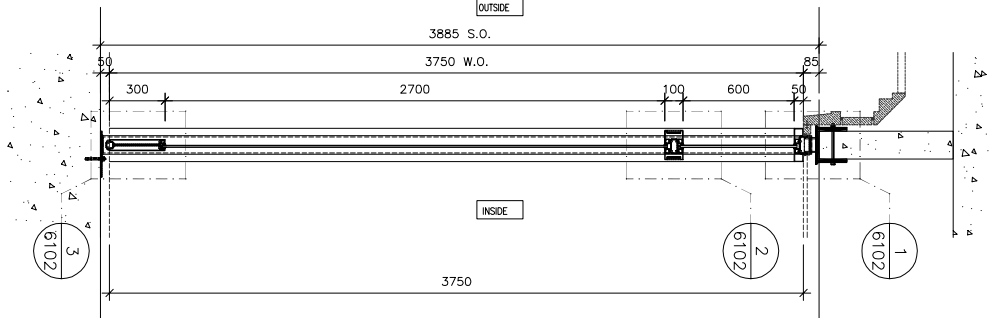
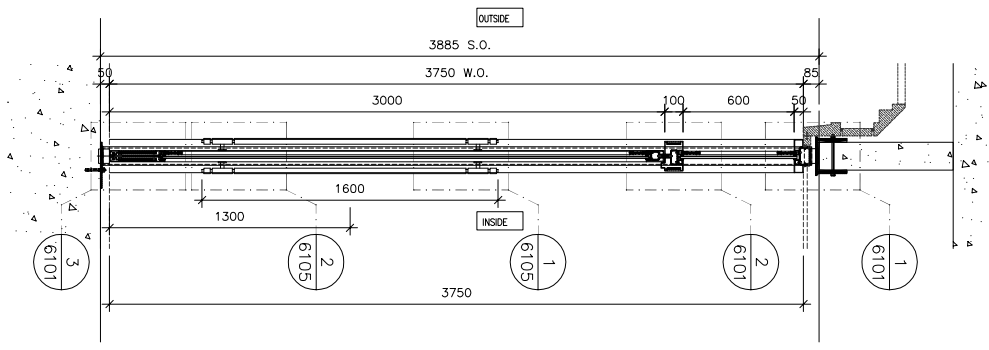
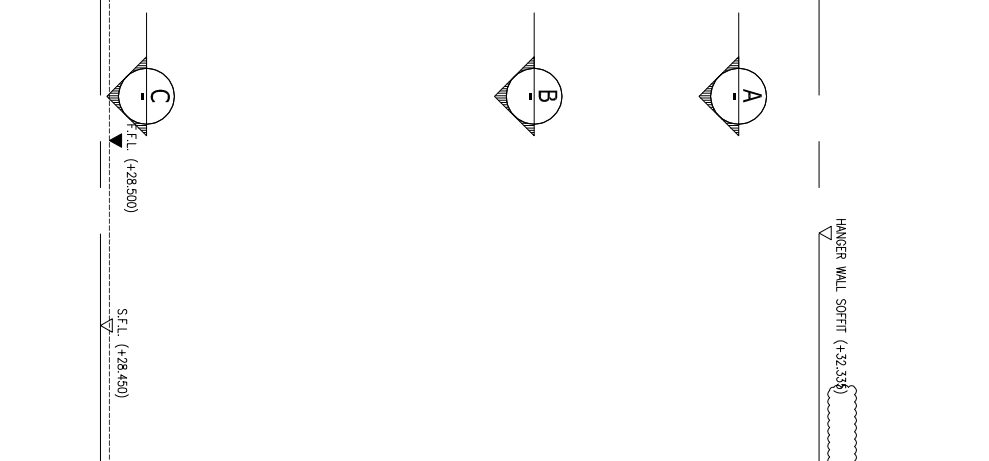
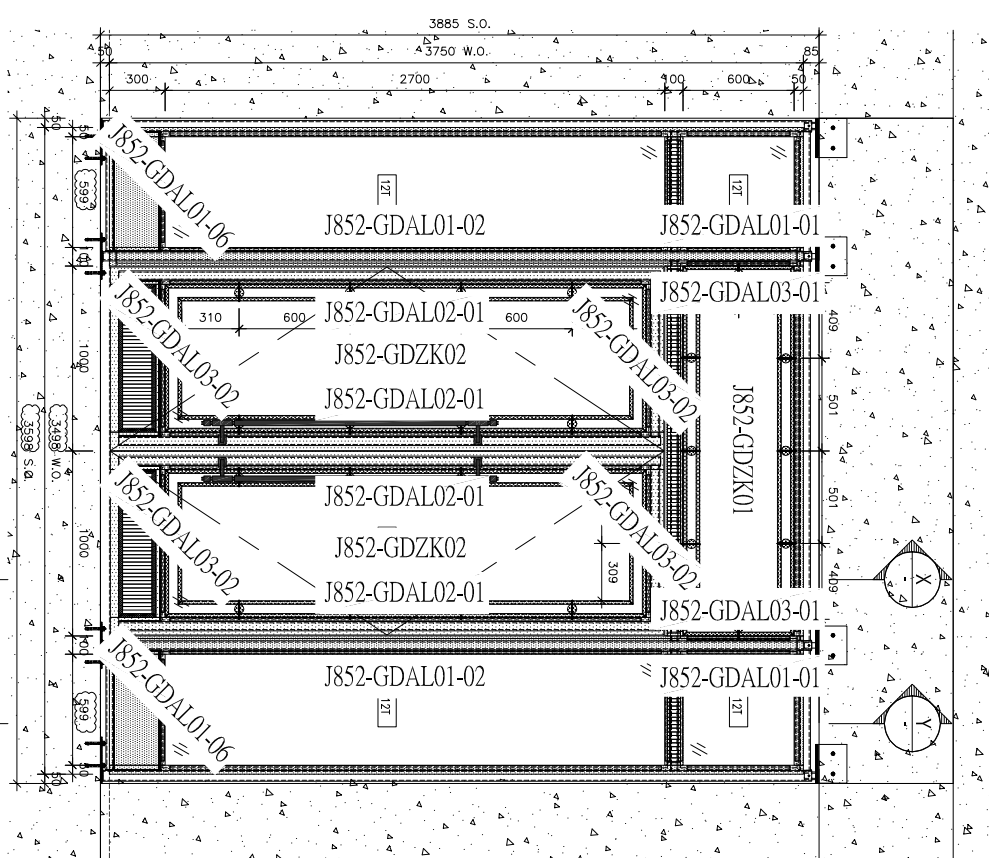
NOTE :
 1. ALL DIMENSIONS ARE IN MM.
 2. ALL ELEVATIONS ARE VIEWED FROM OUTSIDE.
 3. ALL DIMENSIONS TO BE VERIFIED ON SITE BEFORE FABRICATION.
 LEGEND :
 X1 --- DETAIL MARK NO.
 X001 --- REFER SHEET NO.
 1. F.F.L. --- FINISHED FLOOR LEVEL
 2. S.F.L. --- STRUCTURAL FLOOR LEVEL
 3. (R) --- REVERSED DETAIL
 4. (T) --- 12mm THK. TEMPERED GLASS
 5. (I) --- 10mm THK. REVERSED GLASS

| NO. | DATE | REVISION |
|-----|------------|-----------------------------------|
| 1 | 16/10/2011 | REVISION SUBJECT TO ARCH. COMMENT |
| 2 | 23/09/2011 | REVISION SUBJECT TO ARCH. COMMENT |
| 3 | 21/07/2011 | REVISION SUBJECT TO ARCH. COMMENT |
| 4 | 17/11/2011 | REVISION SUBJECT TO ARCH. COMMENT |
| 5 | | REVISION |

JOB NO. : J-852
 PROJECT : PROPOSED DEVELOPMENT AT KOWLOON INLAND, LOT Nos., 60356P., 60366P., 60376P., 60386P., AND LOT No., 6005
 TITLE : ELEVATION & PART PLAN FOR GLASS WALL(G/F)

DATE : 25-Mar-21 SCALE : 1:40
 DRAWN BY : CJM CHECKED BY : DW
美特铝业有限公司
MIDI ALUMINIUM FABRICATOR LTD.
 Units 6-8, Sunny Industrial Centre, 1/F
 610 Chee Kwo Ling Road, Kowloon
 Tel: 2498211-4 Fax: 8522727566
 DMC NO. : J852-PCW-4506 REV : E

| FLOOR | LOCATION | GLASS WALL MARK | QTY |
|-------|--------------------|-----------------|-----|
| G | TOWER 3 LIFT LOBBY | T302/G | 1 |



| FLOOR | LOCATION | GLASS WALL MARK | QTY |
|-------|-----------------|-----------------|-----|
| G | CLUBHOUSE LOBBY | CH01/G | 1 |

BO. REF. :

CLIENT :

ARCHITECT : **AGC DESIGN LTD**

MAIN CONTRACTOR : **Gammou**

STRUCTURAL ENGINEER : **ARUP**

FAÇADE CONSULTANT : **MEINHARDT**

NOTE :

- ALL DIMENSIONS ARE IN mm.
- ALL ELEVATIONS ARE VIEWED FROM OUTSIDE.
- ALL DIMENSIONS TO BE VERIFIED ON SITE BEFORE FABRICATION.

LEGEND :

X1 --- DETAIL MARK NO.
X001 --- REFER SHEET NO.

- F.F.L. --- FINISHED FLOOR LEVEL
- S.F.L. --- STRUCTURAL FLOOR LEVEL
- R --- REVERSED DETAIL
- 12T --- 12mm THK. TEMPERED GLASS
- 10T --- 10mm THK. TEMPERED GLASS

| NO. | DATE | REVISION |
|-----|------------|-----------------------------------|
| 1 | 16/10/2011 | REVISION SUBJECT TO ARCH. COMMENT |
| 2 | 23/09/2011 | REVISION SUBJECT TO ARCH. COMMENT |
| 3 | 23/09/2011 | REVISION SUBJECT TO ARCH. COMMENT |
| 4 | 27/11/2011 | REVISION SUBJECT TO ARCH. COMMENT |
| 5 | 10/11/2011 | REVISION SUBJECT TO ARCH. COMMENT |

JOB NO. : J-852

PROJECT : PROPOSED DEVELOPMENT AT KOWLOON INLAND, LOT Nos. 6035R.P., 6036R.P., 6037R.P., 6038R.P., AND LOT No. 6005

TITLE : ELEVATION & PART PLAN FOR GLASS WALL(G/F)

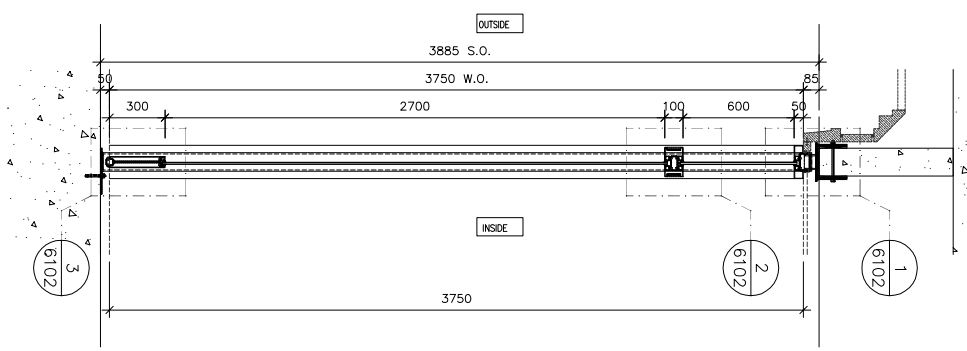
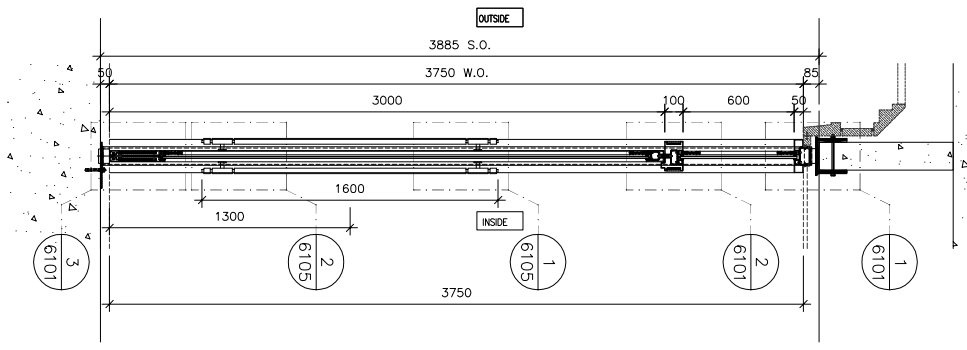
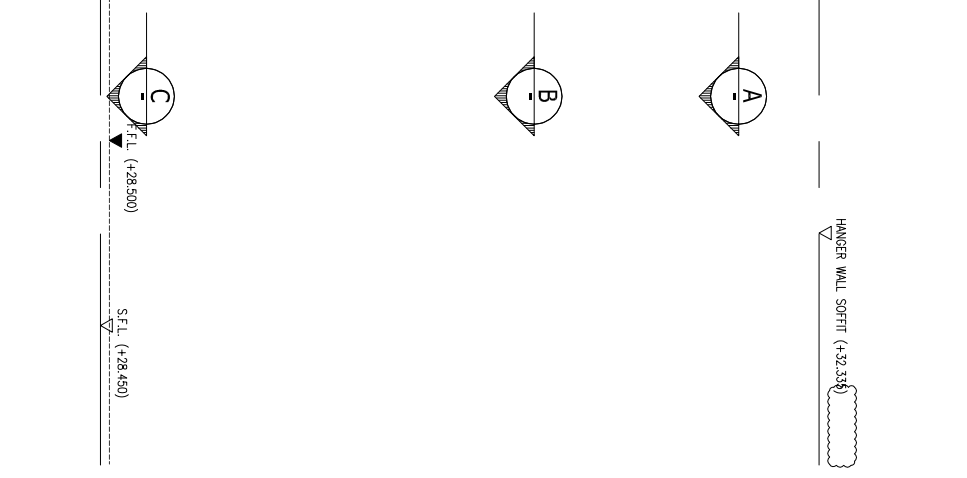
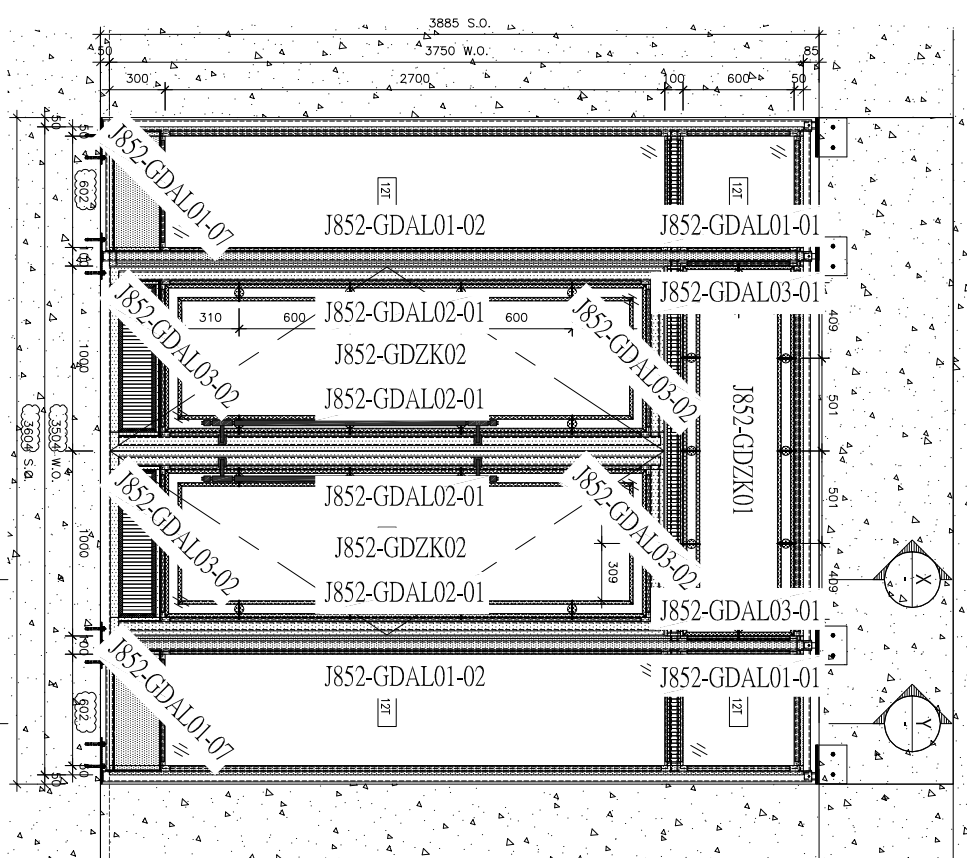
DATE : 25-Mar-21 SCALE : 1:40

DRAWN BY : CJM CHECKED BY : DW

Unit 6-8, Sunny Industrial Centre, 1/F
610 Chee Kwo Ling Road, Kowloon
Tel: 2498211-4 Fax: 8527272166

美特铝业有限公司
MIDI ALUMINIUM FABRICATOR LTD.

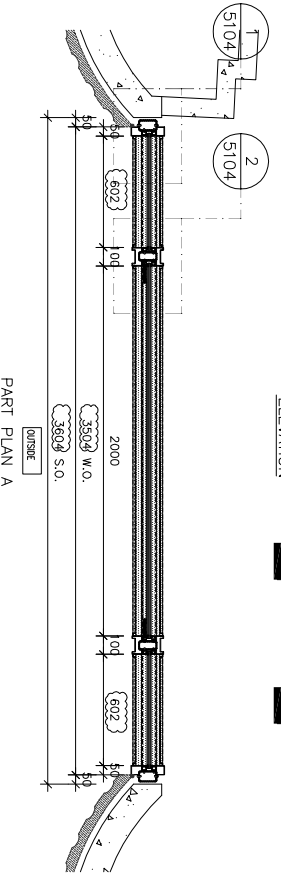
DWG NO. : J852-PCW-4507 REV. : E



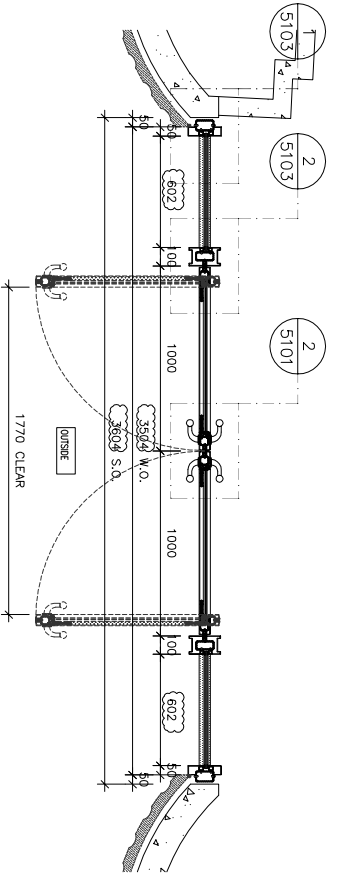
ELEVATION

SECTION X

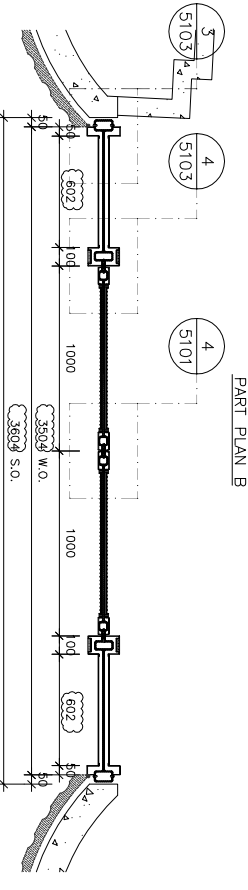
SECTION Y



PART PLAN A



PART PLAN B



PART PLAN C

BO. REF :

CLIENT :

ARCHITECT :

AGC
DESIGN LTD

MAIN CONTRACTOR :

Gammon

STRUCTURAL ENGINEER :

ARUP

FAÇADE CONSULTANT :

MEINHARDT

- NOTE :
1. ALL DIMENSIONS ARE IN MM.
 2. ALL ELEVATIONS ARE VIEWED FROM OUTSIDE.
 3. ALL DIMENSIONS TO BE VERIFIED ON SITE BEFORE FABRICATION.

LEGEND :

- X1 --- DETAIL MARK NO.
- X001 --- REFER SHEET NO.
- 1. F.F.L. --- FINISHED FLOOR LEVEL
- 2. S.F.L. --- STRUCTURAL FLOOR LEVEL
- 3. --- REVERSED DETAIL
- 4. --- 12mm THK. TEMPERED GLASS
- 5. --- 10mm THK. TEMPERED GLASS

| NO. | DATE | REVISION |
|-----|------------|-----------------------------------|
| 1 | 16/10/2011 | REVISION SUBJECT TO ARCH. COMMENT |
| 2 | 23/09/2011 | REVISION SUBJECT TO ARCH. COMMENT |
| 3 | 23/09/2011 | REVISION SUBJECT TO ARCH. COMMENT |
| 4 | 27/11/2011 | REVISION SUBJECT TO ARCH. COMMENT |
| 5 | 10/11/2011 | REVISION SUBJECT TO ARCH. COMMENT |

JOB NO. : J-852

PROJECT : PROPOSED DEVELOPMENT AT KOWLOON INLAND, LOT Nos. 6035R.P., 6036R.P., 6037R.P., 6038R.P., AND LOT No. 6005

TITLE : ELEVATION & PART PLAN FOR GLASS WALL(G/F)

DATE : 25-Mar-21 SCALE : 1:40

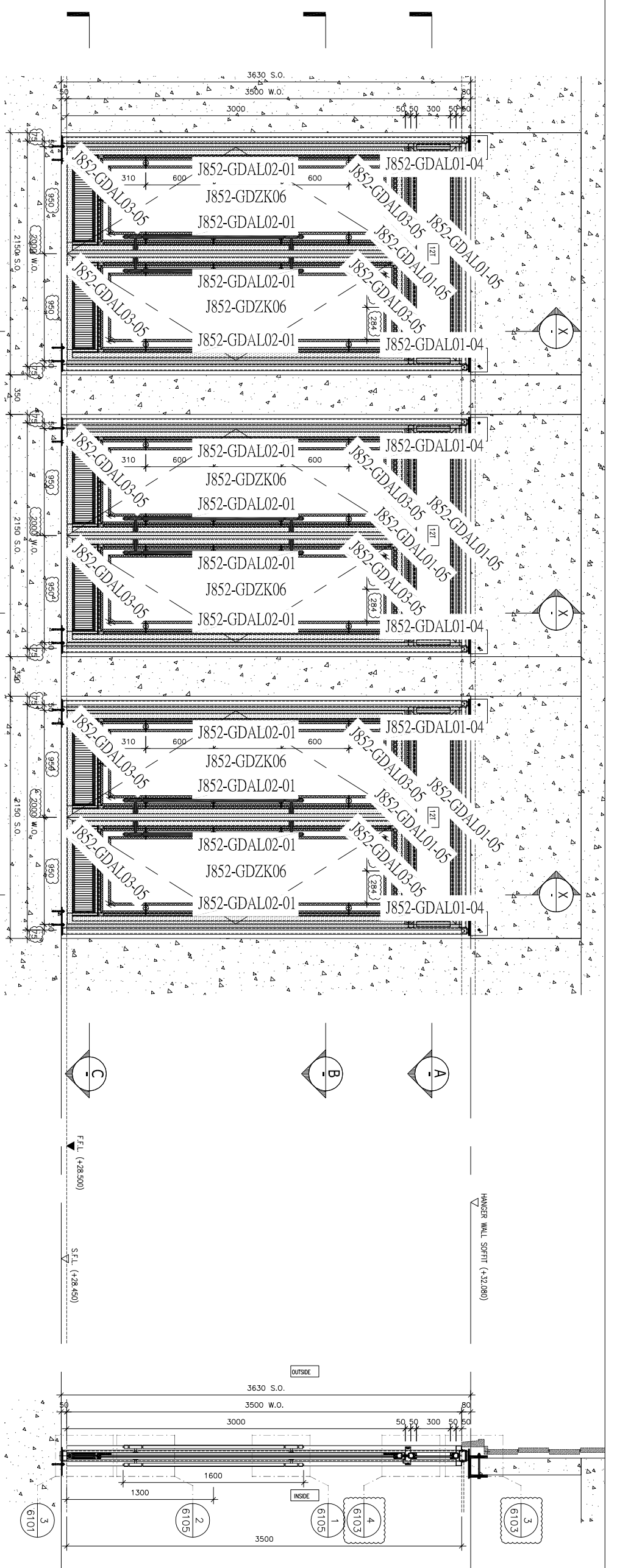
DRAWN BY : CJM CHECKED BY : DW

美特铝业有限公司
MIDI ALUMINIUM FABRICATOR LTD.

Units 6-8, Sunny Industrial Centre, 1/F
610 Chee Kwo Ling Road, Kowloon
Tel: 2498211-4 Fax: 8527272166

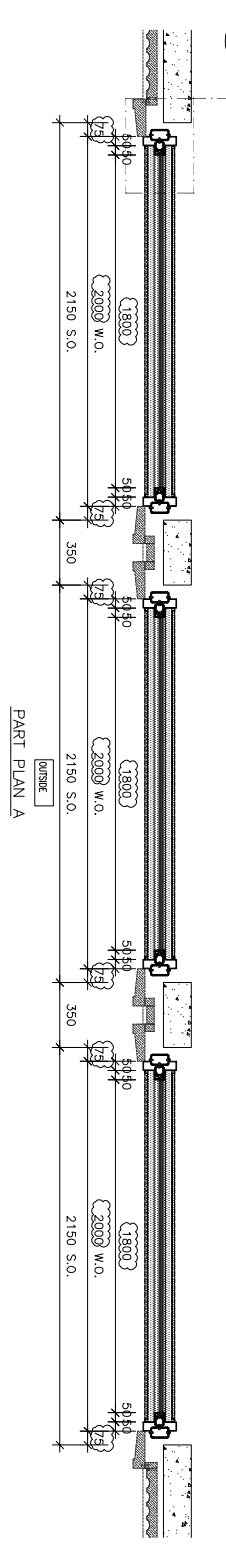
| FLOOR | LOCATION | GLASS WALL MARK | QTY |
|-------|------------------------|-----------------|-----|
| G | CLUBHOUSE SITTING AREA | CH02/G | 1 |

DWG NO. : J852-PCW-4508 REV : E

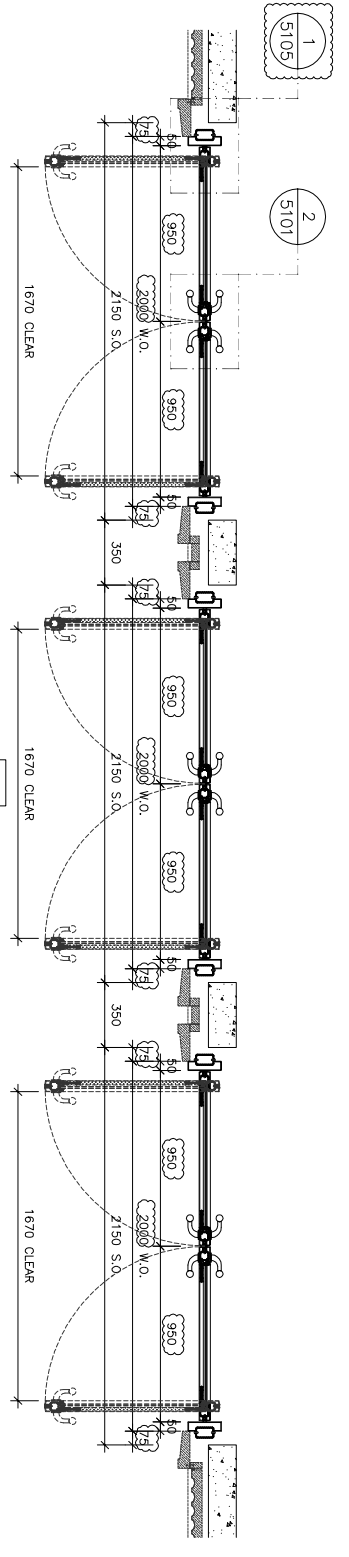


ELEVATION

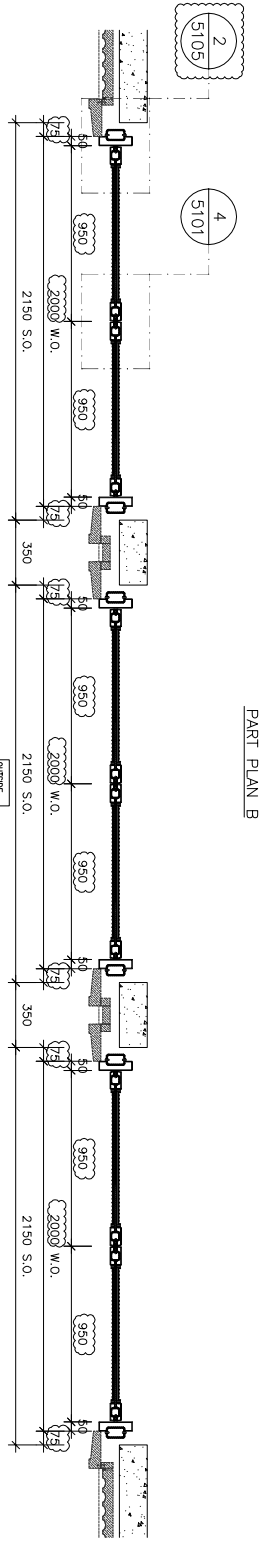
SECTION X



PART PLAN A



PART PLAN B



PART PLAN C

| FLOOR | LOCATION | GLASS WALL MARK | QTY |
|-------|------------------|-----------------|-----|
| G | CLUBHOUSE LOUNGE | CH03/G | 1 |

BO. REF. :

CLIENT :

ARCHITECT :

AGC DESIGN LTD
 610 Chee Ling Road, #05-01, Singapore 460061
 Tel: 65-6342-1111 Fax: 65-6342-1112

MAIN CONTRACTOR :

Gammron

STRUCTURAL ENGINEER :

ARUP

FAÇADE CONSULTANT :

MEINHARDT

- NOTE :
1. ALL DIMENSIONS ARE IN mm.
 2. ALL ELEVATIONS ARE VIEWED FROM OUTSIDE.
 3. ALL DIMENSIONS TO BE VERIFIED ON SITE BEFORE FABRICATION.

LEGEND :

- X1 --- DETAIL MARK NO.
- X001 --- REFER SHEET NO.
- 1. F.F.L. --- FINISHED FLOOR LEVEL
- 2. S.F.L. --- STRUCTURAL FLOOR LEVEL
- 3. (R) --- REVERSED DETAIL
- 4. (ZT) --- 12mm THK. TEMPERED GLASS
- 5. (T) --- 16mm THK. REVERSED GLASS

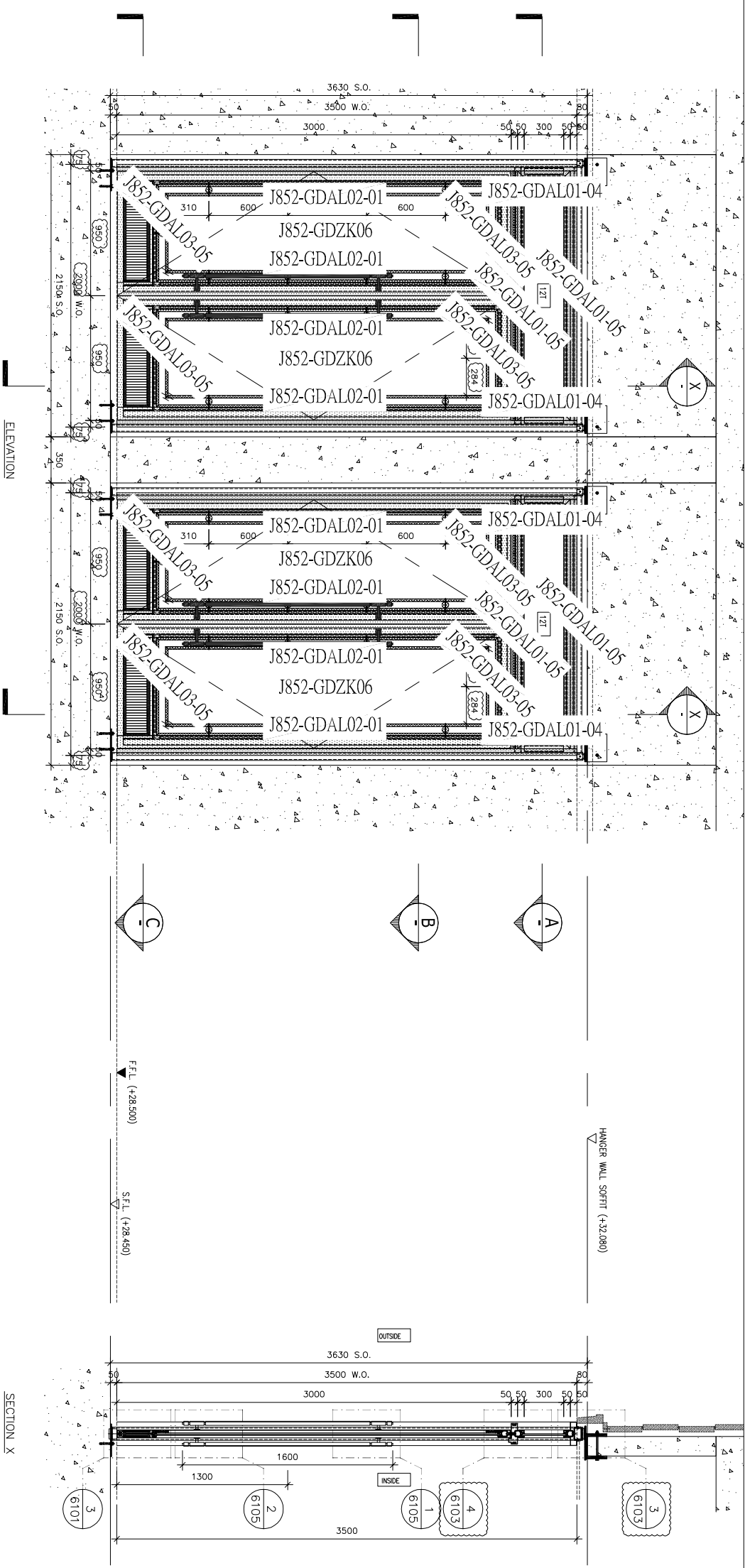
| NO. | DATE | REVISION |
|-----|------------|-----------------------------------|
| 1 | 18/10/2021 | REVISION SUBJECT TO ARCH. COMMENT |
| 2 | 23/09/2021 | REVISION SUBJECT TO ARCH. COMMENT |
| 3 | 21/07/2021 | REVISION SUBJECT TO ARCH. COMMENT |
| 4 | 27/11/2021 | REVISION SUBJECT TO ARCH. COMMENT |
| 5 | 10/11/2021 | REVISION SUBJECT TO ARCH. COMMENT |

JOB NO. : J-852
 PROJECT : PROPOSED DEVELOPMENT AT KOWLOON INLAND, LOT Nos. 60356P, 60356R.P., 60376P., 60356R.P., AND LOT No. 60005
 TITLE : ELEVATION & PART PLAN FOR GLASS WALL(G/F)

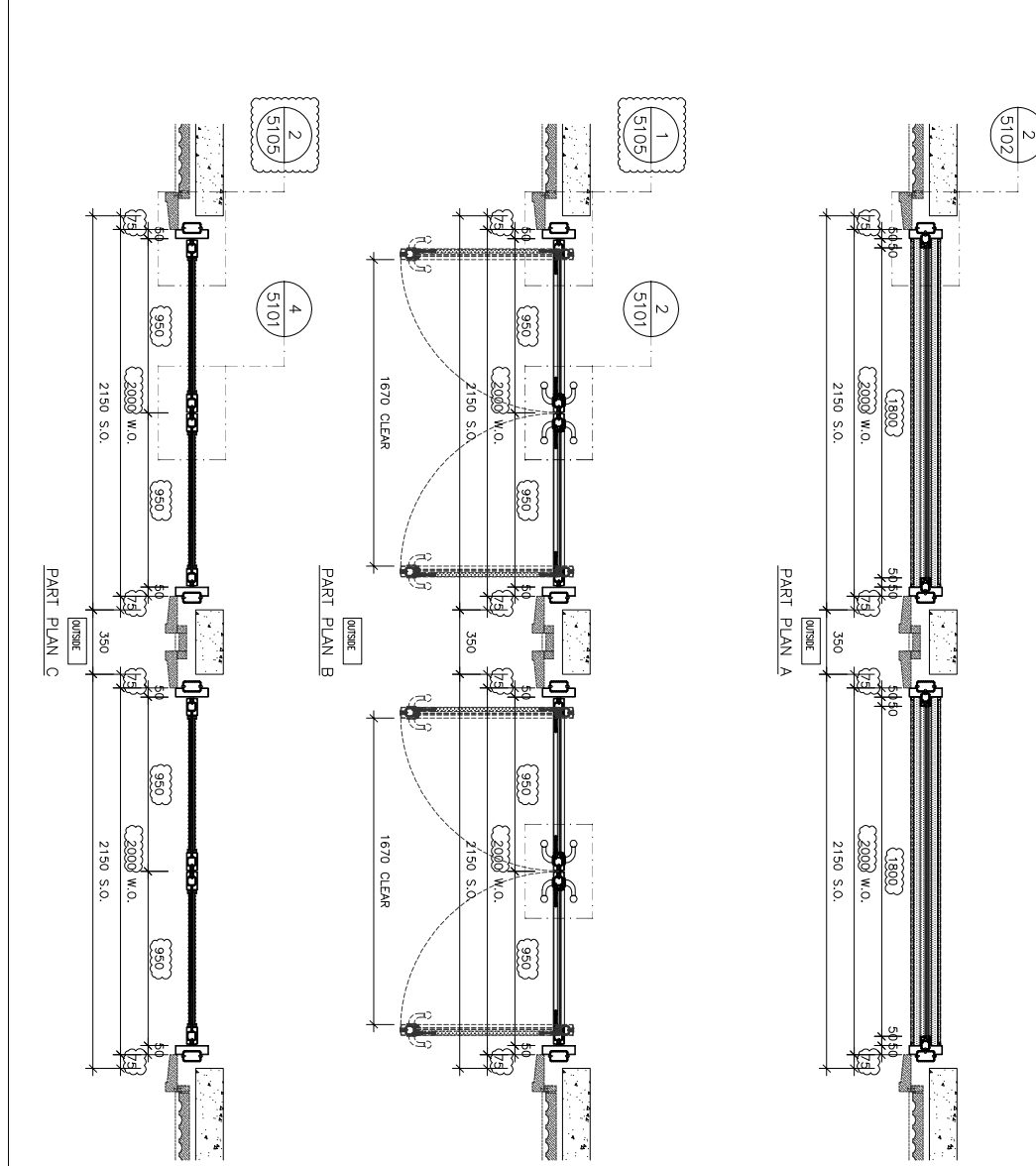
DATE : 25-Mar-21 SCALE : 1:40
 DRAWN BY : CJM CHECKED BY : DW

MIDI 美特铝业有限公司
 ALUMINIUM FABRICATOR LTD.
 Units 6-8, Sunny Industrial Centre, 1/F
 610 Chee Ling Road, Kowloon
 Tel: 24248211-4 Fax: 8522727266

DWG NO. : J852-PCW-4509 REV. : E



| | |
|-----------------------|--|
| BO. REF. : | |
| CLIENT : | |
| ARCHITECT : | AGC DESIGN LTD |
| MAIN CONTRACTOR : | GAMMON |
| STRUCTURAL ENGINEER : | ARUP |
| FAÇADE CONSULTANT : | MEINHARDT |
| NOTE : | <ol style="list-style-type: none"> ALL DIMENSIONS ARE IN MM. ALL ELEVATIONS ARE VIEWED FROM OUTSIDE. ALL DIMENSIONS TO BE VERIFIED ON SITE BEFORE FABRICATION. |
| LEGEND : | <p>X1 --- DETAIL MARK NO.</p> <p>X001 --- REFER SHEET NO.</p> <p>1. F.F.L. --- FINISHED FLOOR LEVEL</p> <p>2. S.F.L. --- STRUCTURAL FLOOR LEVEL</p> <p>3. (R) --- REVERSED DETAIL</p> <p>4. (ZT) --- 12mm THK. TEMPERED GLASS</p> <p>5. (T) --- 16mm THK. REVERSED GLASS</p> |
| JOB NO. : | J-852 |
| PROJECT : | PROPOSED DEVELOPMENT AT KOWLOON INLAND. |
| LOT Nos. : | 60356P, 60366P, 60376P, 60386P, AND LOT No. 6005 |
| TITLE : | ELEVATION & PART PLAN FOR GLASS WALL(G/F) |
| DATE : | 25-Mar-21 |
| SCALE : | 1:40 |
| DRAWN BY : | CJM |
| CHECKED BY : | DW |
| DATE : | 18/9/2021 |
| REVISION : | REVISION SUBJECT TO ARCH. COMMENT |
| DATE : | 23/9/2021 |
| REVISION : | REVISION SUBJECT TO ARCH. COMMENT |
| DATE : | 21/10/2021 |
| REVISION : | REVISION SUBJECT TO ARCH. COMMENT |
| DATE : | 10/11/2021 |
| REVISION : | REVISION SUBJECT TO ARCH. COMMENT |



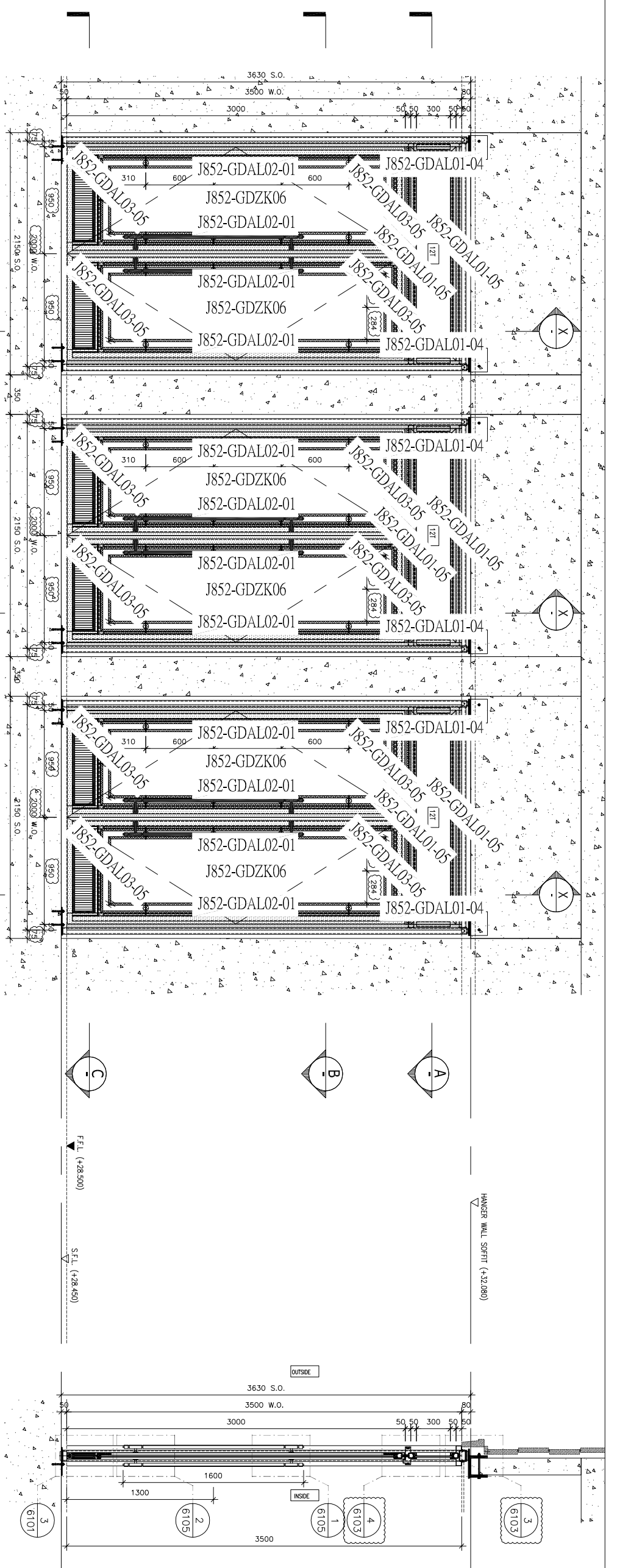
| | | | |
|-------|---------------------|-----------------|-----|
| FLOOR | LOCATION | GLASS WALL MARK | QTY |
| G | CLUBHOUSE W.F. RM.1 | CH04/G | 1 |

Unit 6-8, Sunny Industrial Centre, 1/F
610 Chee Kwo Ling Road, Kowloon
Tel: 24248211-4 Fax: 8522727266

美特铝业有限公司
MIDI ALUMINIUM FABRICATOR LTD.

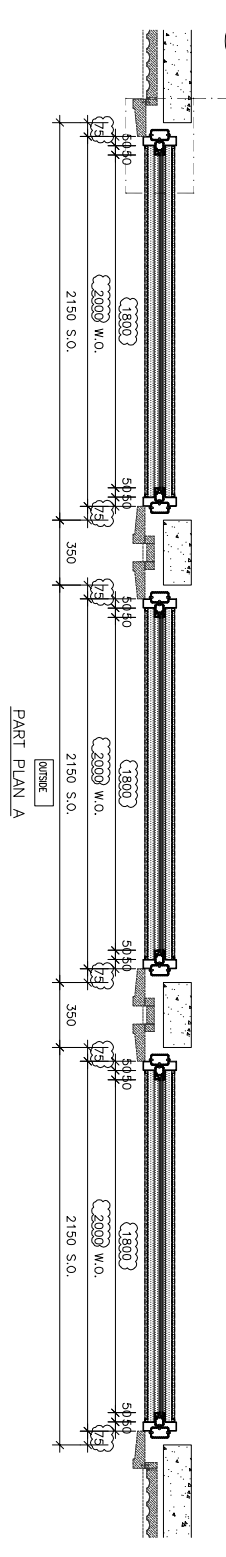
Unit 6-8, Sunny Industrial Centre, 1/F
610 Chee Kwo Ling Road, Kowloon
Tel: 24248211-4 Fax: 8522727266

DWG NO. : J852-PCW-4510 REV. : E

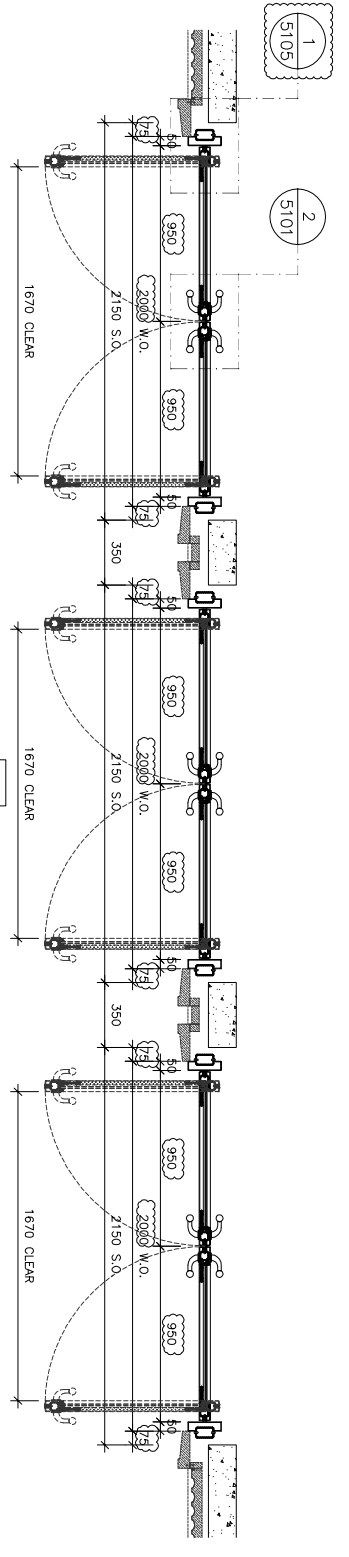


ELEVATION

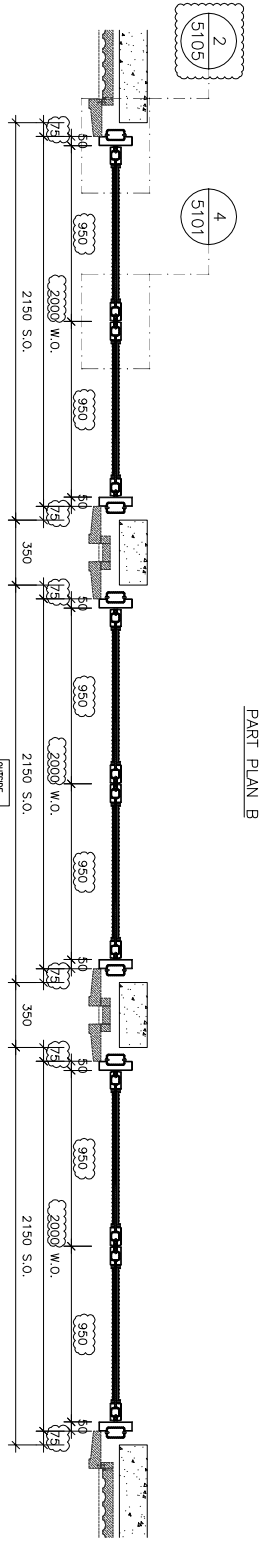
SECTION X



PART PLAN A



PART PLAN B



PART PLAN C

| FLOOR | LOCATION | GLASS WALL MARK | QTY |
|-------|---------------------|-----------------|-----|
| G | CLUBHOUSE W.F. RM.2 | CH05/G | 1 |

| | |
|-----------------------|----------------|
| BO. REF. : | |
| CLIENT : | |
| ARCHITECT : | AGC DESIGN LTD |
| MAIN CONTRACTOR : | GAMMON |
| STRUCTURAL ENGINEER : | ARUP |
| FAÇADE CONSULTANT : | MEINHARDT |

NOTE:

- ALL DIMENSIONS ARE IN mm.
- ALL ELEVATIONS ARE VIEWED FROM OUTSIDE.
- ALL DIMENSIONS TO BE VERIFIED ON SITE BEFORE FABRICATION.

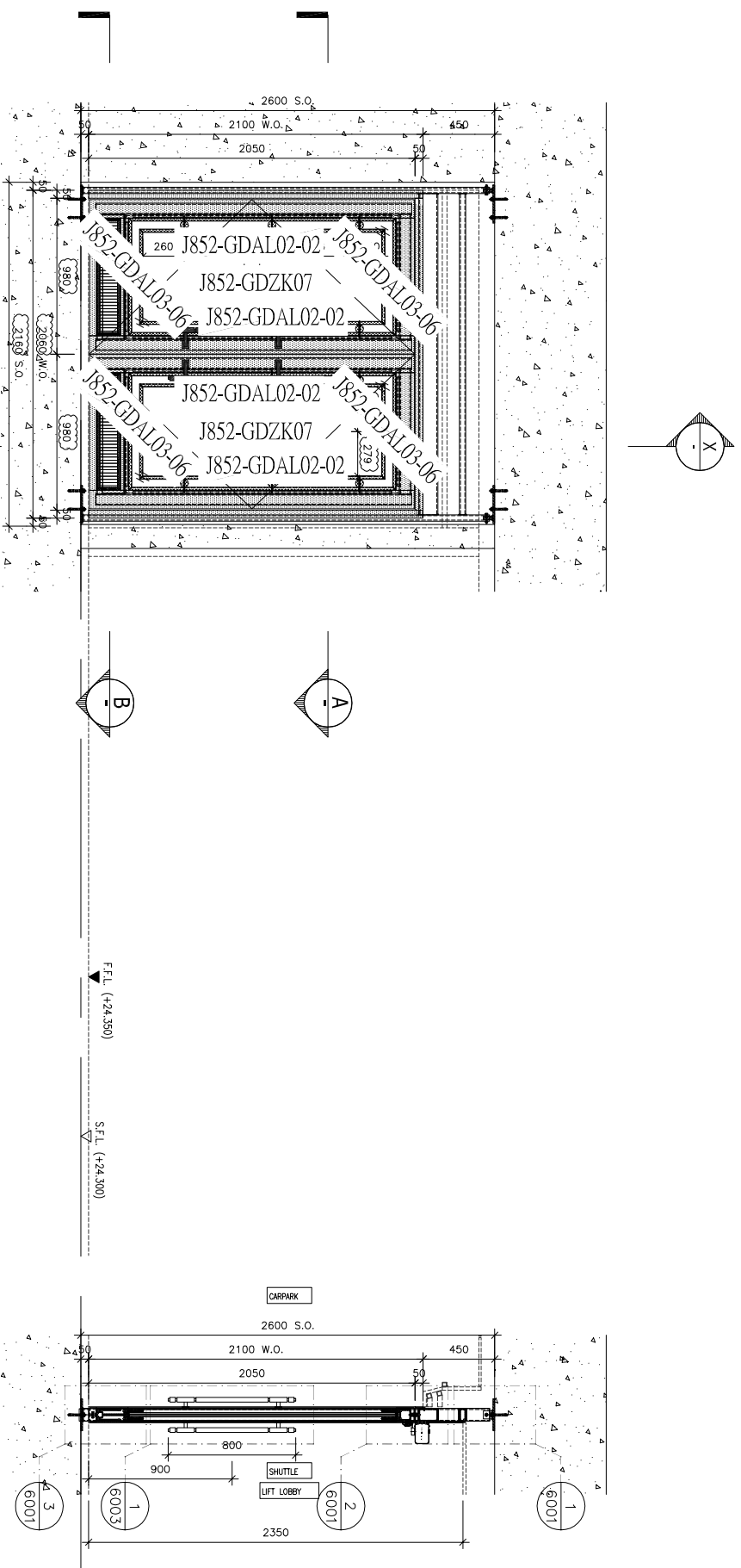
LEGEND:

- X1 --- DETAIL MARK NO.
- X001 --- REFERS SHEET NO.
- 1. F.F.L. --- FINISHED FLOOR LEVEL.
- 2. S.F.L. --- STRUCTURAL FLOOR LEVEL.
- 3. (R) --- REVERSED DETAIL.
- (ZT) 12mm THK TEMPERED GLASS
- (UT) 10mm THK TEMPERED GLASS

| | |
|--------------|---|
| JOB NO. : | J-852 |
| PROJECT : | PROPOSED DEVELOPMENT AT KOWLOON INLAND, LOT Nos. 60356P, 60366P, 60376P, 60386P, AND LOT No. 6005 |
| TITLE : | ELEVATION & PART PLAN FOR GLASS WALL(G/F) |
| DATE : | 25-Mar-21 |
| SCALE : | 1:40 |
| DRAWN BY : | CJM |
| CHECKED BY : | DW |
| DATE : | 16/9/2021 |
| REVISION : | REVISION SUBJECT TO ARCH COMMENT |
| DATE : | 21/9/2021 |
| REVISION : | REVISION SUBJECT TO ARCH COMMENT |
| DATE : | 27/7/2021 |
| REVISION : | REVISION SUBJECT TO ARCH COMMENT |
| DATE : | 12/7/2021 |
| REVISION : | REVISION SUBJECT TO ARCH COMMENT |

Unit: 6-8, Sunny Industrial Centre, 1/F
610 Chee Kwo Ling Road, Kowloon
Tel: 2498211-4 Fax: 8527272766
MIDI 美特铝业有限公司
ALUMINIUM FABRICATOR LTD.

DWG NO. : J852-PCW-4511 REV. : E

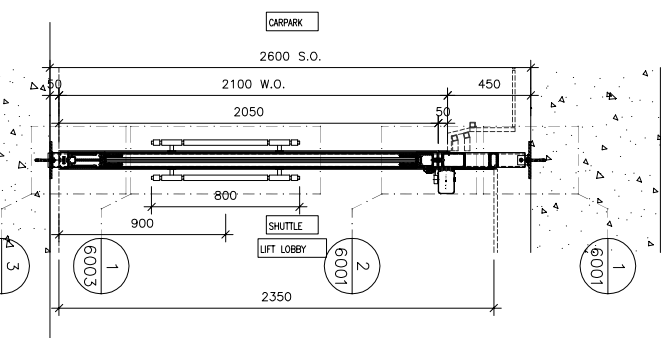


SECTION X

ELEVATION

PART PLAN A

PART PLAN B



NOTE:

1. ALL DIMENSIONS ARE IN mm.
2. ALL ELEVATIONS ARE VIEWED FROM OUTSIDE.
3. ALL DIMENSIONS TO BE VERIFIED ON SITE BEFORE FABRICATION.

LEGEND:

- X1 --- DETAIL MARK NO.
- X001 --- REFER SHEET NO.
- 1. F.F.L. --- FINISHED FLOOR LEVEL
- 2. S.F.L. --- STRUCTURAL FLOOR LEVEL
- 3. (R) --- REVERSED DETAIL
- 4. (T) --- 12mm THK. TEMPERED GLASS
- 5. (T) --- 10mm THK. REVERSED GLASS

| NO. | DATE | REVISION |
|-----|------------|-----------------------------------|
| 1 | 18/10/2011 | REVISION SUBJECT TO ARCH. COMMENT |
| 2 | 23/09/2011 | REVISION SUBJECT TO ARCH. COMMENT |
| 3 | 23/07/2011 | REVISION SUBJECT TO ARCH. COMMENT |
| 4 | 10/11/2011 | REVISION SUBJECT TO ARCH. COMMENT |
| 5 | 10/11/2011 | REVISION SUBJECT TO ARCH. COMMENT |

JOB NO. : J-852
 PROJECT : PROPOSED DEVELOPMENT AT KOWLOON INLAND, LOT Nos. 6035R.P., 6036R.P., 6037R.P., 6038R.P., AND LOT No. 6005

TITLE : ELEVATION & PART PLAN FOR GLASS WALL(G-4)

DATE : 25-Mar-20 SCALE : 1:40

DRAWN BY : CJM CHECKED BY : DW

Unit 6-8, Sunny Industrial Centre, 1/F
 610 Chee Kwo Ling Road, Kowloon
 Tel: 2498211-4 Fax: 8527272166

美特铝业有限公司
MIDI ALUMINIUM FABRICATOR LTD.

DWG NO. : J852-PCW-4400 REV. : E

| FLOOR | LOCATION | GLASS WALL MARK | QTY |
|-------|--------------------|-----------------|-----|
| LG4 | SHUTTLE LIFT LOBBY | S001/LG4 | 1 |

BO. REF. :

CLIENT :

ARCHITECT :

AGC DESIGN LTD

MAIN CONTRACTOR :

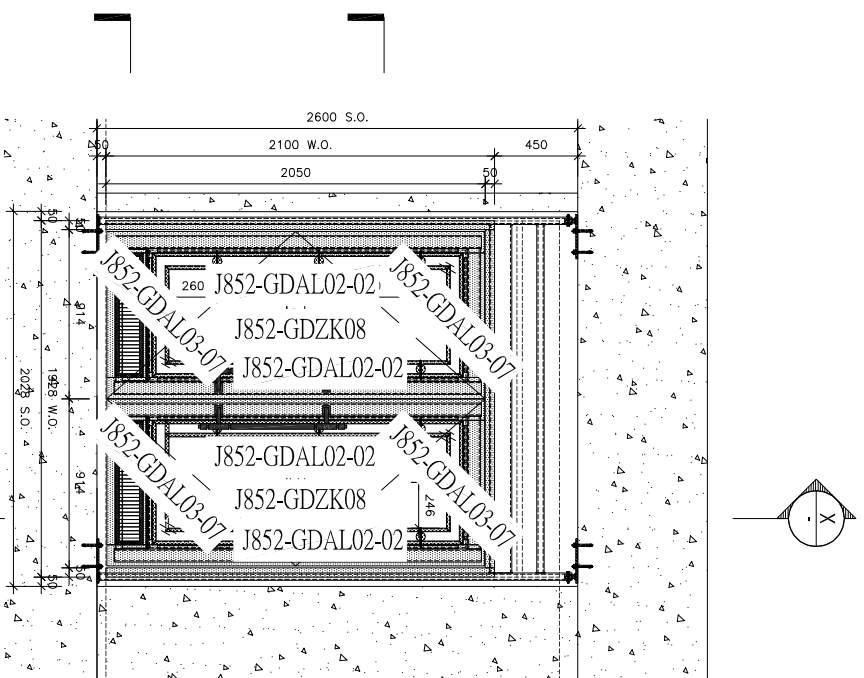
Gammon

STRUCTURAL ENGINEER :

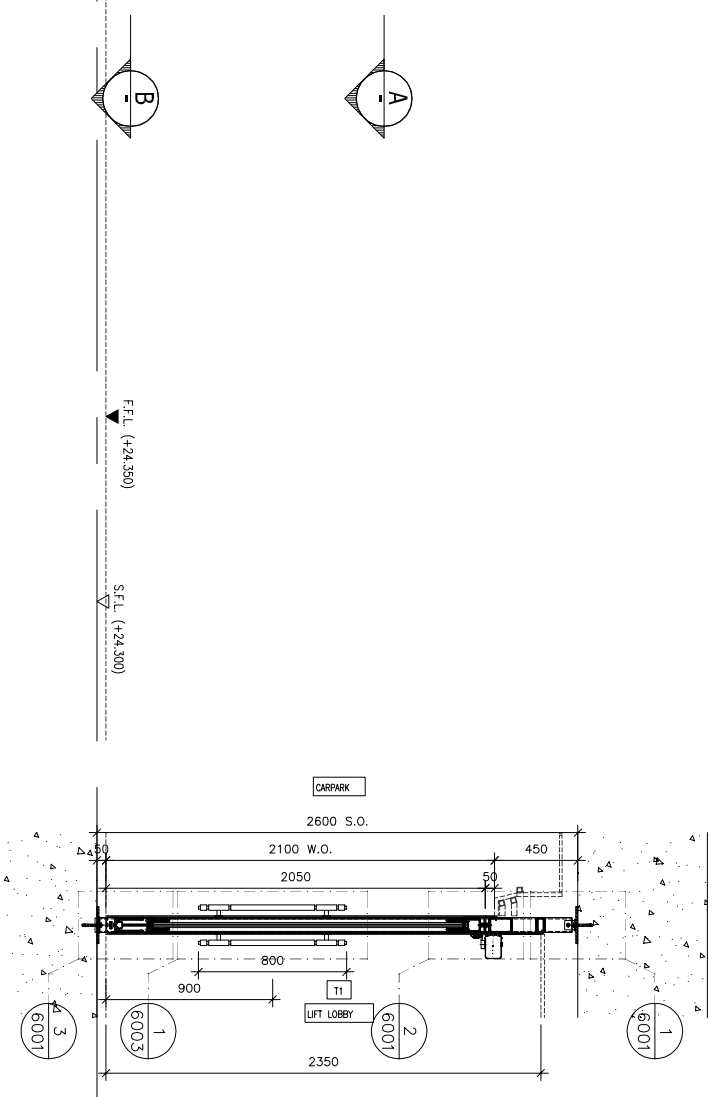
ARUP

FAÇADE CONSULTANT :

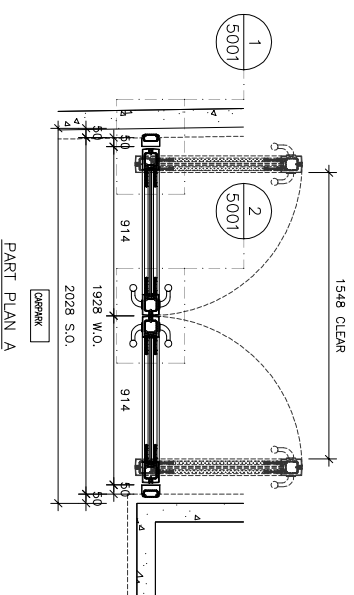
MEINHARDT



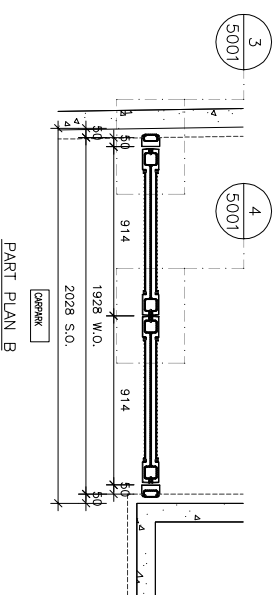
ELEVATION



SECTION X



PART PLAN A



PART PLAN B

BO. REF. :
 CLIENT :
 ARCHITECT :
AGC DESIGN LTD
 11/F, THE HONG KONG AIRPORT AUTHORITY HEADQUARTERS BUILDING, 1 AIRPORT AVENUE, HONG KONG
 MAIN CONTRACTOR :
Gammon
 STRUCTURAL ENGINEER :
ARUP
 FIGURE CONSULTANT :
MEINHARDT

NOTE :
 1. ALL DIMENSIONS ARE IN mm.
 2. ALL ELEVATIONS ARE VIEWED FROM OUTSIDE.
 3. ALL DIMENSIONS TO BE VERIFIED ON SITE BEFORE FABRICATION.

LEGEND :
 X1 --- DETAIL MARK NO.
 X001 --- REFER SHEET NO.
 1. F.F.L. --- FINISHED FLOOR LEVEL
 2. S.F.L. --- STRUCTURAL FLOOR LEVEL
 3. \overline{R} --- REVERSED DETAIL
 4. $\overline{12T}$ --- 12mm THK. TEMPERED GLASS
 5. $\overline{10T}$ --- 10mm THK. TEMPERED GLASS

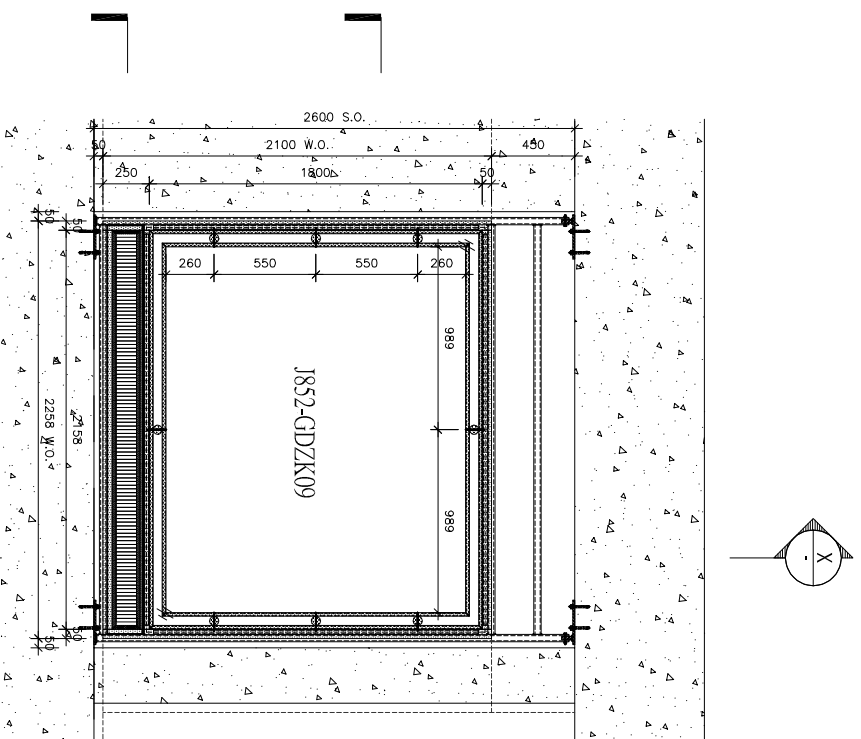
| NO. | DATE | REVISION |
|-----|------------|----------------------------------|
| 1 | 23/09/2021 | REVISION SUBJECT TO ARCH COMMENT |
| 2 | 23/09/2021 | REVISION SUBJECT TO ARCH COMMENT |
| 3 | 10/11/2021 | REVISION SUBJECT TO ARCH COMMENT |
| 4 | 10/11/2021 | REVISION SUBJECT TO ARCH COMMENT |
| 5 | 10/11/2021 | REVISION SUBJECT TO ARCH COMMENT |

JOB NO. : J-852
 PROJECT : PROPOSED DEVELOPMENT AT KOWLOON INLAND, LOT Nos., 60356P., 60358P., 60377P., 60388P.P., AND LOT No. 6005
 TITLE : ELEVATION & PART PLAN FOR GLASS WALL(LG4)

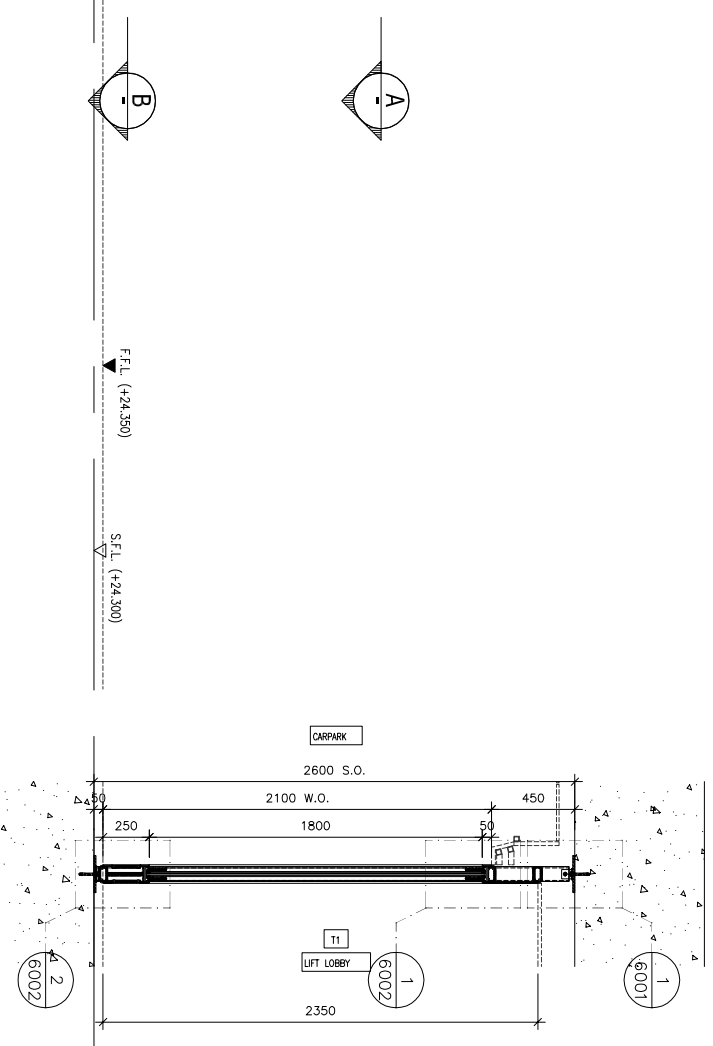
DATE : 25-Mar-20 SCALE : 1:40
 DRAWN BY : CJM CHECKED BY : DW

MIDI 美特鋁質有限公司
 ALUMINIUM FABRICATOR LTD.
 Units 6-8, Sunny Industrial Centre, 1/F
 610 Chee Kwo Ling Road, Kowloon
 Tel: 2498211-4 Fax: 8522727266
 DMC NO. : J852-PCW-4401 REV : D

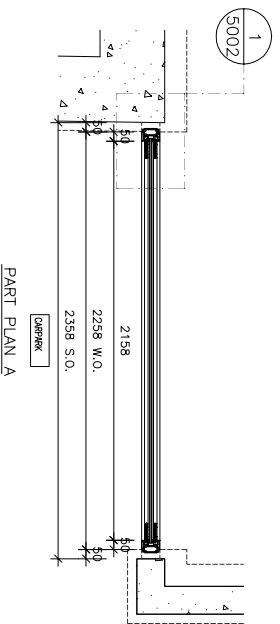
| FLOOR | LOCATION | GLASS WALL MARK | QTY |
|-------|--------------------|-----------------|-----|
| LG4 | TOWER 1 LIFT LOBBY | T101/LG4 | 1 |



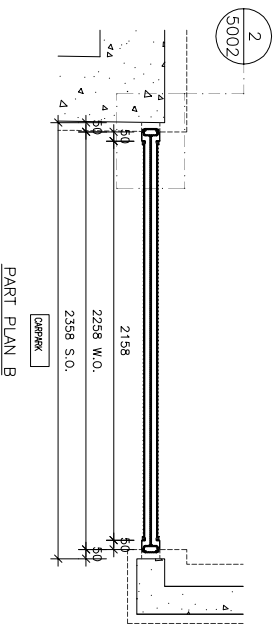
ELEVATION



SECTION X



PART PLAN A



PART PLAN B

| FLOOR | LOCATION | GLASS WALL MARK | QTY |
|-------|--------------------|-----------------|-----|
| LG4 | TOWER 1 LIFT LOBBY | T102/LG4 | 1 |

BO. REF. :

CLIENT :

ARCHITECT :

AGC
DESIGN LTD

MAIN CONTRACTOR :

Gammon

STRUCTURAL ENGINEER :

ARUP

FIGURE CONSULTANT :

MEIN-HARDT

NOTE :

1. ALL DIMENSIONS ARE IN mm.
2. ALL ELEVATIONS ARE VIEWED FROM OUTSIDE.
3. ALL DIMENSIONS TO BE VERIFIED ON SITE BEFORE FABRICATION.

LEGEND :

- X1 --- DETAIL MARK NO.
- X001 --- REFER SHEET NO.
- 1. F.F.L. --- FINISHED FLOOR LEVEL
- 2. S.F.L. --- STRUCTURAL FLOOR LEVEL
- 3. $\text{\textcircled{R}}$ --- REVERSED DETAIL
- 4. $\text{\textcircled{12T}}$ --- 12mm THK. TEMPERED GLASS
- 5. $\text{\textcircled{10T}}$ --- 10mm THK. REVERSED GLASS

| NO. | DATE | REVISION |
|-----|------------|----------------------------------|
| 1 | 23/09/2021 | REVISION SUBJECT TO MARK COMMENT |
| 2 | 23/09/2021 | REVISION SUBJECT TO MARK COMMENT |
| 3 | 10/11/2021 | REVISION SUBJECT TO MARK COMMENT |
| 4 | 10/11/2021 | REVISION SUBJECT TO MARK COMMENT |

JOB NO. : J-852

PROJECT : PROPOSED DEVELOPMENT AT KOWLOON INLAND.

LOT Nos. 6035R.P., 6036R.P., 6037R.P., 6038R.P., AND LOT No. 6005

TITLE : ELEVATION & PART PLAN FOR GLASS WALL(LG4)

DATE : 25-Mar-20 SCALE : 1:40

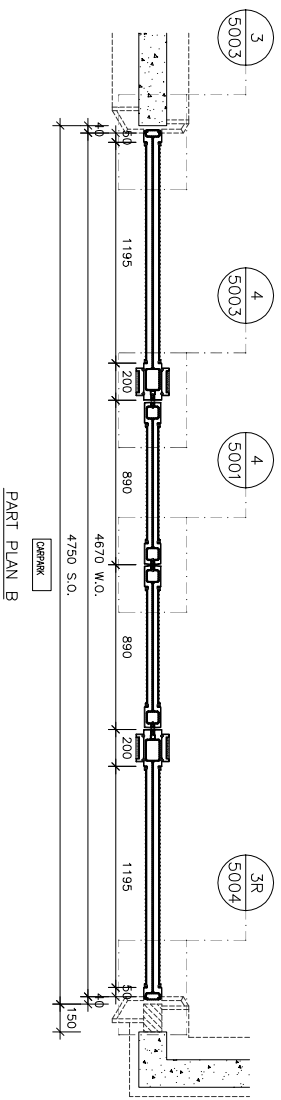
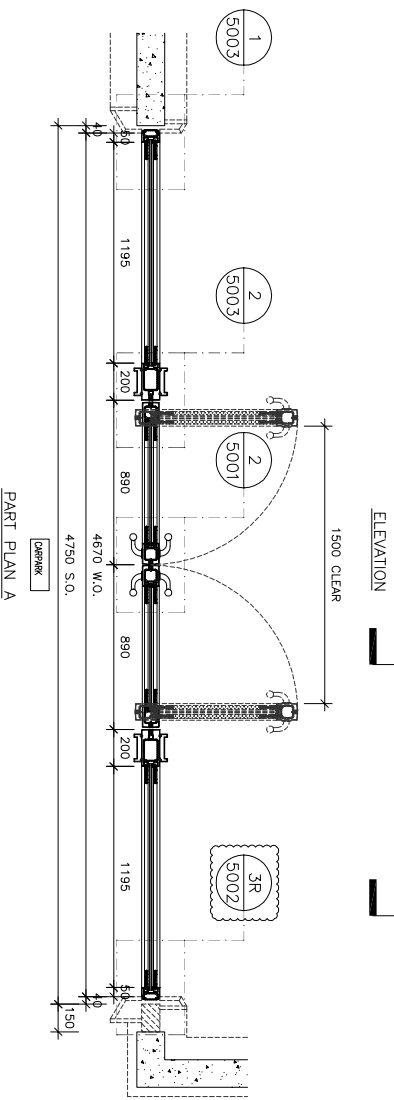
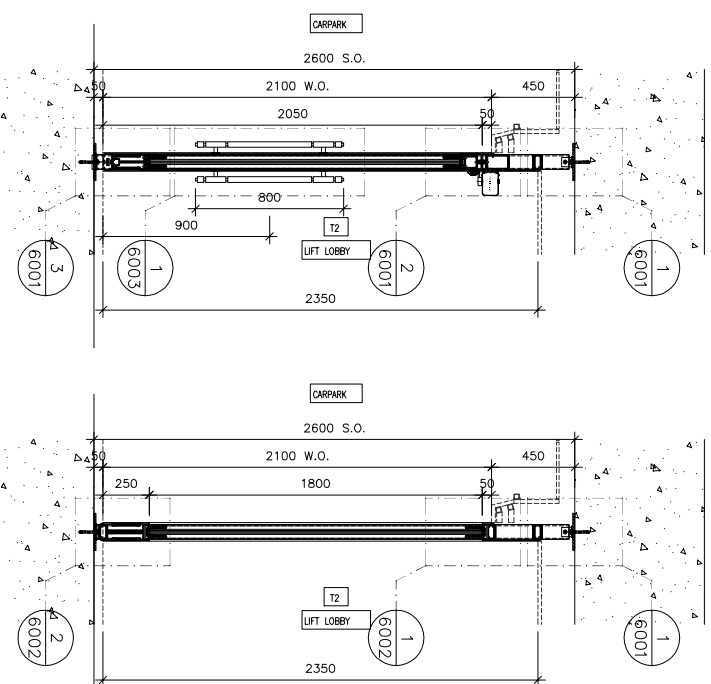
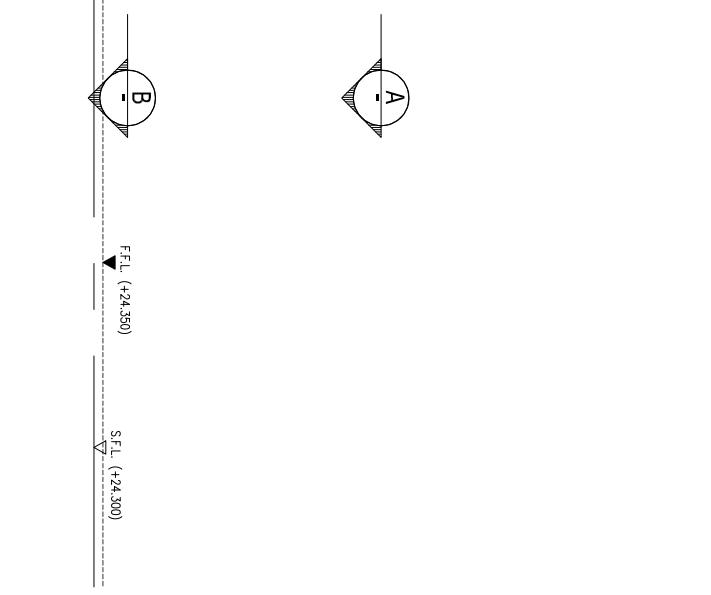
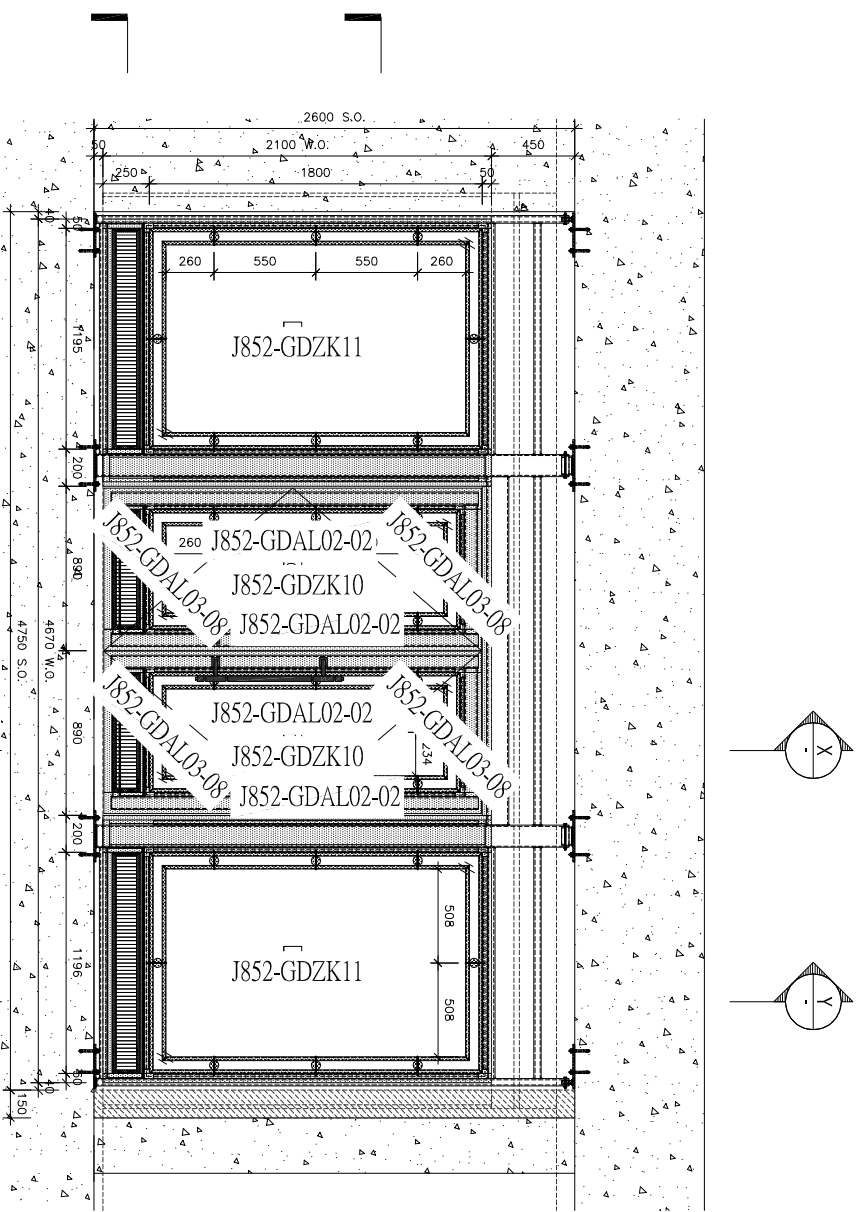
DRAWN BY : CJM CHECKED BY : DW

MIDI ALUMINIUM FABRICATOR LTD.

Units 6-8, Sunny Industrial Centre, 1/F
610 Chee Kwo Ling Road, Kowloon
Tel: 2498211-4 Fax: 8527272166

DWG NO. : J852-PCW-4402

REV. : D



SECTION X

SECTION Y

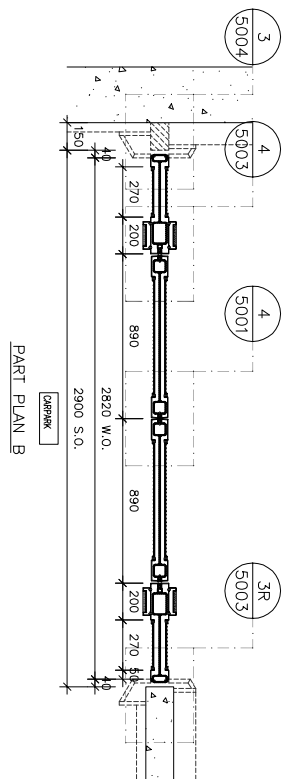
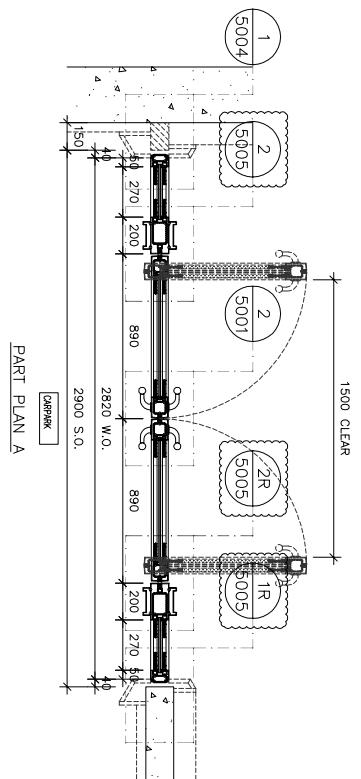
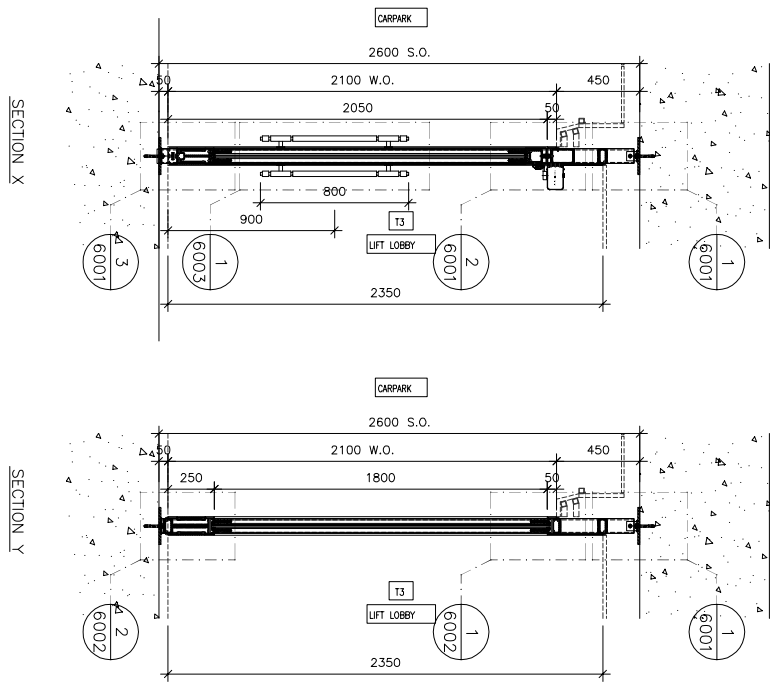
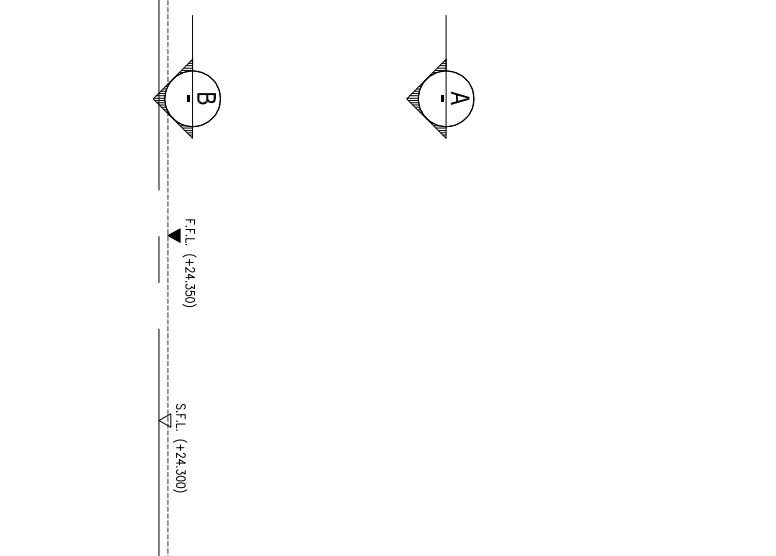
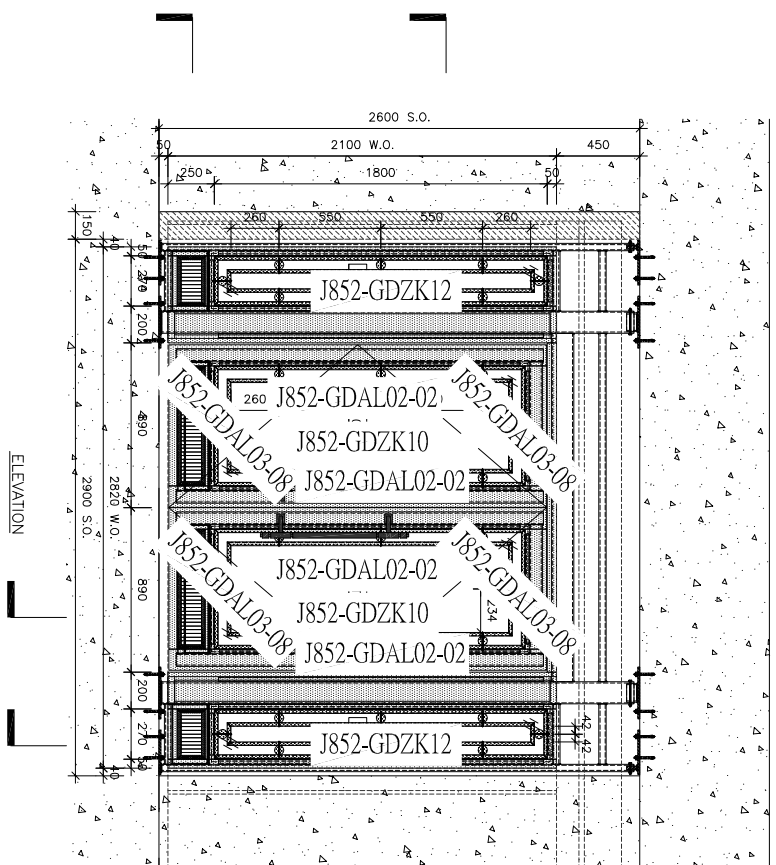
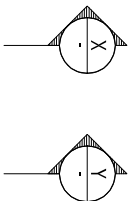
NOTE:
1. ALL DIMENSIONS ARE IN mm.
2. ALL ELEVATIONS ARE VIEWED FROM OUTSIDE.
3. ALL DIMENSIONS TO BE VERIFIED ON SITE BEFORE FABRICATION.

LEGEND:
X1 --- DETAIL MARK NO.
X001 --- REFER SHEET NO.

1. F.F.L. --- FINISHED FLOOR LEVEL
2. S.F.L. --- STRUCTURAL FLOOR LEVEL
3. (R) --- REVERSED DETAIL
4. (T) --- 12mm THK. TEMPERED GLASS
5. (T) --- 10mm THK. REVERSED GLASS

| FLOOR | LOCATION | GLASS WALL MARK | QTY |
|-------|--------------------|-----------------|-----|
| LG4 | TOWER 2 LIFT LOBBY | T201/LG4 | 1 |

| CLIENT : PROPOSED DEVELOPMENT AT KOWLOON INLAND, LOT Nos. 6035R.P., 6036R.P., 6037R.P., 6038R.P., AND LOT No. 6005 | | ARCHITECT : AGC DESIGN LTD 603-608, Sunny Industrial Centre, 1/F 610 Chee Kwo Ling Road, Kowloon Tel: 2498211-4 Fax: 8527272166 | | | | | | | | | | | | | | | | | | | |
|---|------------|---|--|-----|------|----------|---|------------|-----------------------------------|---|------------|-----------------------------------|---|------------|-----------------------------------|---|------------|-----------------------------------|---|------------|-----------------------------------|
| STRUCTURAL ENGINEER : ARUP Gammou | | MAIN CONTRACTOR : MEINHARDT | | | | | | | | | | | | | | | | | | | |
| DATE : 25-Mar-20 SCALE : 1:40 DRAWN BY : CJM CHECKED BY : DW | | PROJECT : PROPOSED DEVELOPMENT AT KOWLOON INLAND, LOT Nos. 6035R.P., 6036R.P., 6037R.P., 6038R.P., AND LOT No. 6005 | | | | | | | | | | | | | | | | | | | |
| TITLE : ELEVATION & PART PLAN FOR GLASS WALL(LG4) | | JOB NO. : J-852 REVISIONS : <table border="1"> <thead> <tr> <th>NO.</th> <th>DATE</th> <th>REVISION</th> </tr> </thead> <tbody> <tr> <td>1</td> <td>16/09/2011</td> <td>REVISION SUBJECT TO ARCH. COMMENT</td> </tr> <tr> <td>2</td> <td>23/09/2011</td> <td>REVISION SUBJECT TO ARCH. COMMENT</td> </tr> <tr> <td>3</td> <td>21/01/2011</td> <td>REVISION SUBJECT TO ARCH. COMMENT</td> </tr> <tr> <td>4</td> <td>12/07/2011</td> <td>REVISION SUBJECT TO ARCH. COMMENT</td> </tr> <tr> <td>5</td> <td>19/04/2011</td> <td>REVISION SUBJECT TO ARCH. COMMENT</td> </tr> </tbody> </table> | | NO. | DATE | REVISION | 1 | 16/09/2011 | REVISION SUBJECT TO ARCH. COMMENT | 2 | 23/09/2011 | REVISION SUBJECT TO ARCH. COMMENT | 3 | 21/01/2011 | REVISION SUBJECT TO ARCH. COMMENT | 4 | 12/07/2011 | REVISION SUBJECT TO ARCH. COMMENT | 5 | 19/04/2011 | REVISION SUBJECT TO ARCH. COMMENT |
| NO. | DATE | REVISION | | | | | | | | | | | | | | | | | | | |
| 1 | 16/09/2011 | REVISION SUBJECT TO ARCH. COMMENT | | | | | | | | | | | | | | | | | | | |
| 2 | 23/09/2011 | REVISION SUBJECT TO ARCH. COMMENT | | | | | | | | | | | | | | | | | | | |
| 3 | 21/01/2011 | REVISION SUBJECT TO ARCH. COMMENT | | | | | | | | | | | | | | | | | | | |
| 4 | 12/07/2011 | REVISION SUBJECT TO ARCH. COMMENT | | | | | | | | | | | | | | | | | | | |
| 5 | 19/04/2011 | REVISION SUBJECT TO ARCH. COMMENT | | | | | | | | | | | | | | | | | | | |
| COMPANY : MIDI ALUMINIUM FABRICATOR LTD. Units 6-8, Sunny Industrial Centre, 1/F 610 Chee Kwo Ling Road, Kowloon Tel: 2498211-4 Fax: 8527272166 | | DATE : 25-Mar-20 SCALE : 1:40 DRAWN BY : CJM CHECKED BY : DW | | | | | | | | | | | | | | | | | | | |
| JOB NO. : J-852 | | REV. : E | | | | | | | | | | | | | | | | | | | |



| | |
|-----------------------|-----------------------|
| BO. REF. : | |
| CLIENT : | |
| ARCHITECT : | AGC DESIGN LTD |
| MAIN CONTRACTOR : | Gammou |
| STRUCTURAL ENGINEER : | ARUP |
| FIGURE CONSULTANT : | MEINHARDT |

- NOTE :
- ALL DIMENSIONS ARE IN mm.
 - ALL ELEVATIONS ARE VIEWED FROM OUTSIDE.
 - ALL DIMENSIONS TO BE VERIFIED ON SITE BEFORE FABRICATION.
- LEGEND :
- X1 --- DETAIL MARK NO.
 - X001 --- REFER SHEET NO.
- F.F.L. --- FINISHED FLOOR LEVEL
 - S.F.L. --- STRUCTURAL FLOOR LEVEL
 - R --- REVERSED DETAIL
 - 12T --- 12mm THK. TEMPERED GLASS
 - 10T --- 10mm THK. TEMPERED GLASS

| NO. | DATE | REVISION |
|-----|------------|-----------------------------------|
| 1 | 18/10/2011 | REVISION SUBJECT TO ARCH. COMMENT |
| 2 | 23/09/2011 | REVISION SUBJECT TO ARCH. COMMENT |
| 3 | 23/09/2011 | REVISION SUBJECT TO ARCH. COMMENT |
| 4 | 10/7/2011 | REVISION SUBJECT TO ARCH. COMMENT |
| 5 | 10/4/2011 | REVISION SUBJECT TO ARCH. COMMENT |

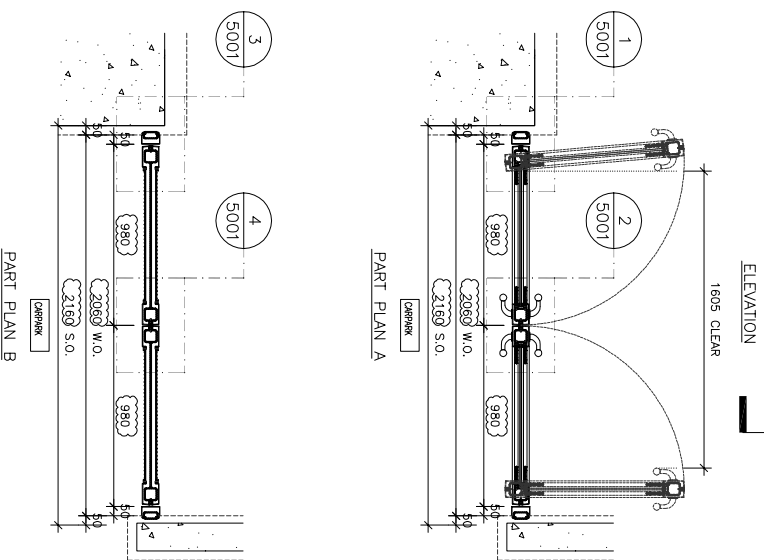
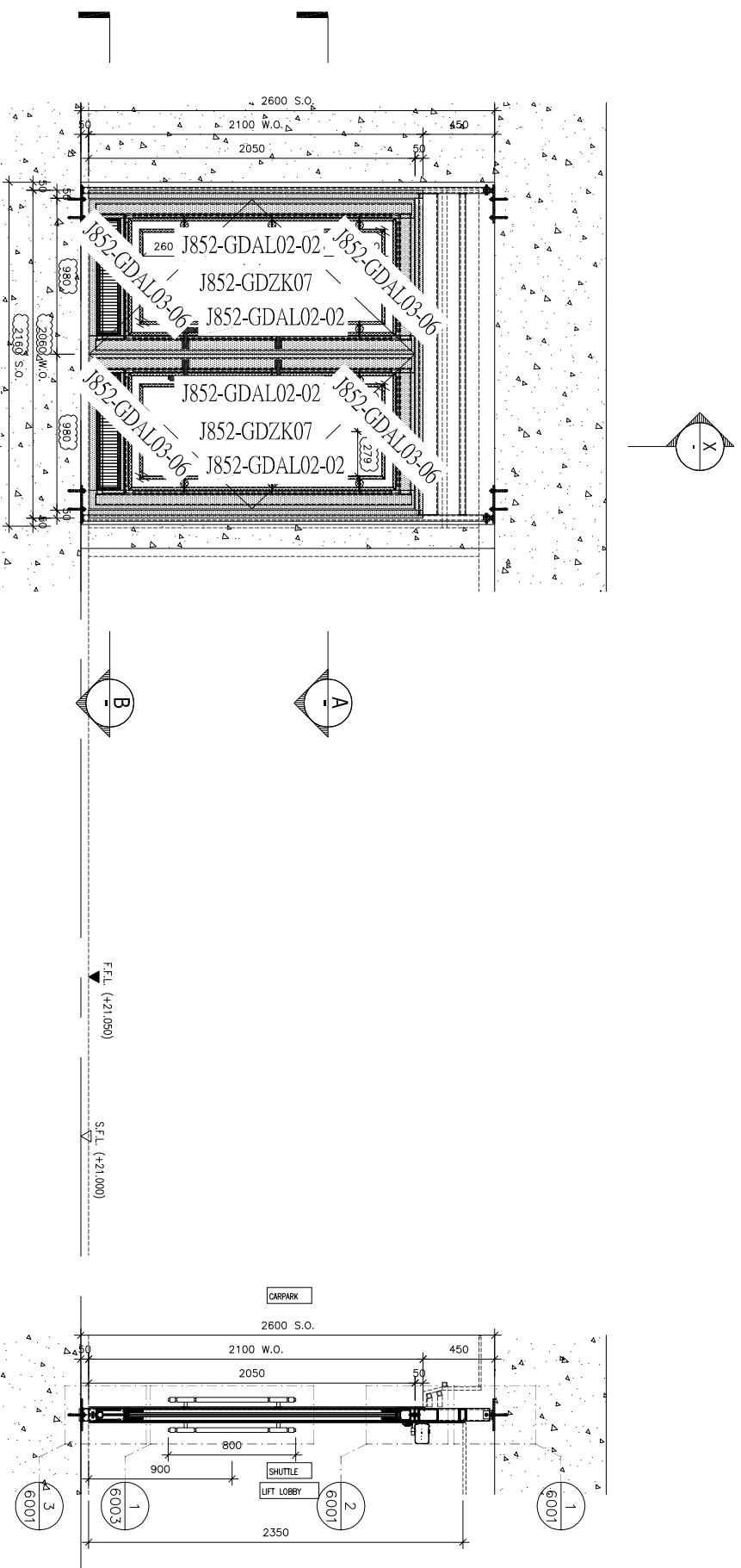
JOB NO. : J-852

PROJECT : PROPOSED DEVELOPMENT AT KOWLOON INLAND, LOT Nos., 60356P., 60358P., 60378P., 60388P.P., AND LOT No. 6005

TITLE : ELEVATION & PART PLAN FOR GLASS WALL(LG4)

| | |
|--|-----------------|
| DATE : 25-Mar-20 | SCALE : 1:40 |
| DRAWN BY : CJM | CHECKED BY : DW |
| | |
| Units 6-8, Sunny Industrial Centre, 1/F 610 Chee Kwo Ling Road, Kowloon Tel: 2498211-4 Fax: 650272727266 | |
| DWG NO. : J852-PCW-4A04 | REV. : E |

| FLOOR | LOCATION | GLASS WALL MARK | QTY |
|-------|--------------------|-----------------|-----|
| LG4 | TOWER 3 LIFT LOBBY | T301/LG4 | 1 |



SECTION X

ELEVATION

PART PLAN B

PART PLAN A

BO. REF. :

CLIENT :

ARCHITECT : **AGC DESIGN LTD**

MAIN CONTRACTOR : **Gammon**

STRUCTURAL ENGINEER : **ARUP**

FIGURE CONSULTANT: **MEINHARDT**

NOTE:

1. ALL DIMENSIONS ARE IN MM.
2. ALL ELEVATIONS ARE VIEWED FROM OUTSIDE.
3. ALL DIMENSIONS TO BE VERIFIED ON SITE BEFORE FABRICATION.

LEGEND:

X1 --- DETAIL MARK NO.
X001 --- REFER SHEET NO.

1. F.F.L. --- FINISHED FLOOR LEVEL
2. S.F.L. --- STRUCTURAL FLOOR LEVEL
3. --- REVERSED DETAIL
4. --- 12mm THK. TEMPERED GLASS
5. --- 10mm THK. TEMPERED GLASS

| NO. | DATE | REVISION |
|-----|------------|-----------------------------------|
| 1 | 18/10/2011 | REVISION SUBJECT TO ARCH. COMMENT |
| 2 | 23/09/2011 | REVISION SUBJECT TO ARCH. COMMENT |
| 3 | 23/09/2011 | REVISION SUBJECT TO ARCH. COMMENT |
| 4 | 10/11/2011 | REVISION SUBJECT TO ARCH. COMMENT |
| 5 | 10/11/2011 | REVISION SUBJECT TO ARCH. COMMENT |

JOB NO. : J-852

PROJECT : PROPOSED DEVELOPMENT AT KOWLOON INLAND, LOT Nos. 6035R.P., 6036R.P., 6037R.P., 6038R.P., AND LOT No. 6005

TITLE : ELEVATION & PART PLAN FOR GLASS WALL(LG3)

DATE : 25-Mar-20 SCALE : 1:40

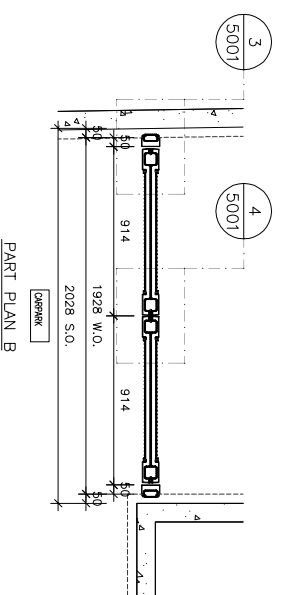
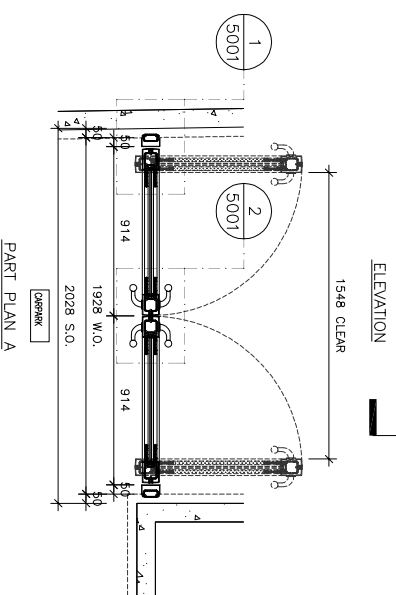
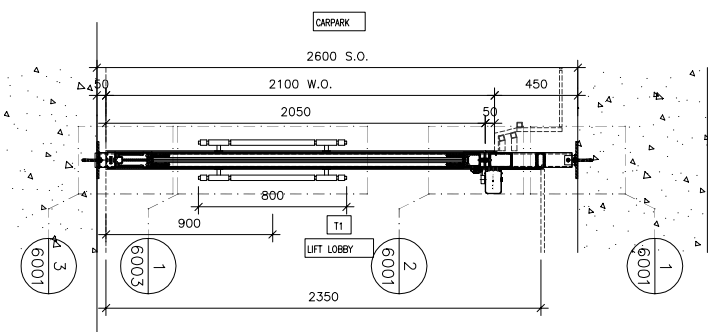
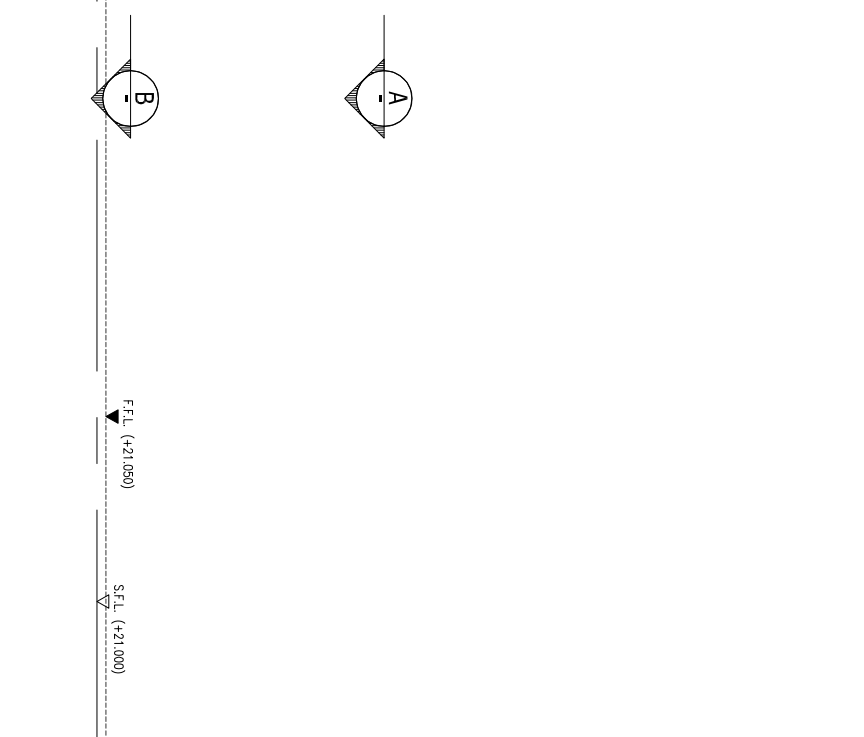
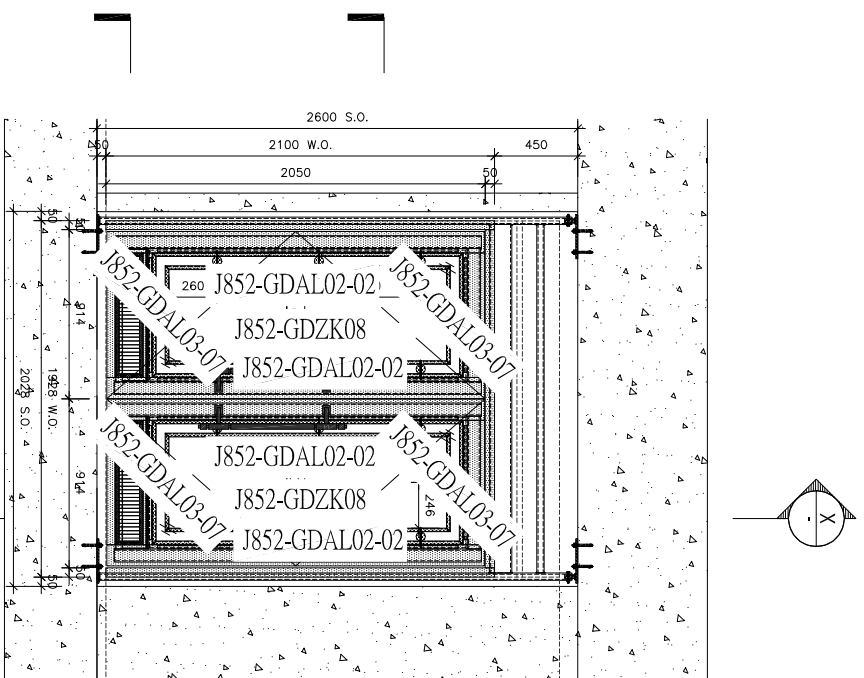
DRAWN BY : CJM CHECKED BY : DW

| FLOOR | LOCATION | GLASS WALL MARK | QTY |
|-------|--------------------|-----------------|-----|
| LG3 | SHUTTLE LIFT LOBBY | S001/LG3 | 1 |

Units 6-8, Sunny Industrial Centre, 1/F
610 Chee Kwo Ling Road, Kowloon
Tel: 2498211-4 Fax: 8527272166

美特铝业有限公司
MIDI ALUMINIUM FABRICATOR LTD.

DWG NO. : J852-PCW-4300 REV. : E



SECTION X

BO. REF. :
 CLIENT :
 ARCHITECT :
AGC DESIGN LTD
 11/F, 110 Des Voeux Road West, The Hongkong Hotel Building, Hong Kong
 MAIN CONTRACTOR :
Gammon
 STRUCTURAL ENGINEER :
ARUP
 FIGURE CONSULTANT:
MEINHARDT

NOTE:
 1. ALL DIMENSIONS ARE IN mm.
 2. ALL ELEVATIONS ARE VIEWED FROM OUTSIDE.
 3. ALL DIMENSIONS TO BE VERIFIED ON SITE BEFORE FABRICATION.

LEGEND:
 X1 --- DETAIL MARK NO.
 X001 --- REFER SHEET NO.
 1. F.F.L. --- FINISHED FLOOR LEVEL
 2. S.F.L. --- STRUCTURAL FLOOR LEVEL
 3. \overline{R} --- REVERSED DETAIL
 4. $\overline{12T}$ --- 12mm THK. TEMPERED GLASS
 5. $\overline{10T}$ --- 10mm THK. TEMPERED GLASS

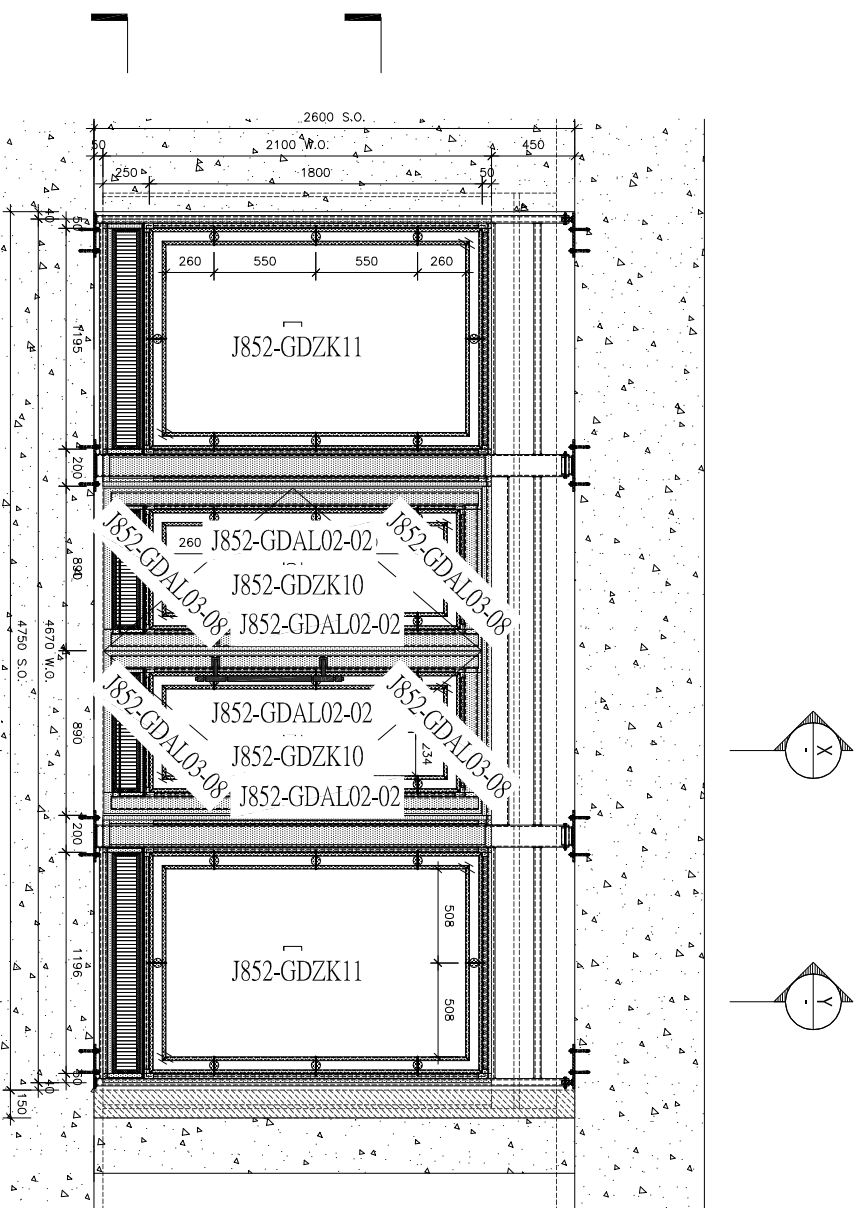
| NO. | DATE | REVISION |
|-----|------------|----------------------------------|
| 1 | 23/09/2021 | REVISION SUBJECT TO ARCH COMMENT |
| 2 | 23/09/2021 | REVISION SUBJECT TO ARCH COMMENT |
| 3 | 10/11/2021 | REVISION SUBJECT TO ARCH COMMENT |
| 4 | 19/12/2021 | REVISION SUBJECT TO ARCH COMMENT |
| 5 | | REVISION |

JOB NO. : J-852
 PROJECT : PROPOSED DEVELOPMENT AT KOWLOON INLAND, LOT Nos., 60356P., 60358P., 60378P., 60388P.P., AND LOT No. 6005
 TITLE : ELEVATION & PART PLAN FOR GLASS WALL(LG3)

DATE : 25-Mar-20 SCALE : 1:40
 DRAWN BY : CJM CHECKED BY : DW

美特铝业有限公司
MIDI ALUMINIUM FABRICATOR LTD.
 Units 6-8, Sunny Industrial Centre, 1/F
 610 Chee Kwo Ling Road, Kowloon
 Tel: 2498211-4 Fax: 8522727266
 DMC NO. : J852-PCW-4301 REV. : D

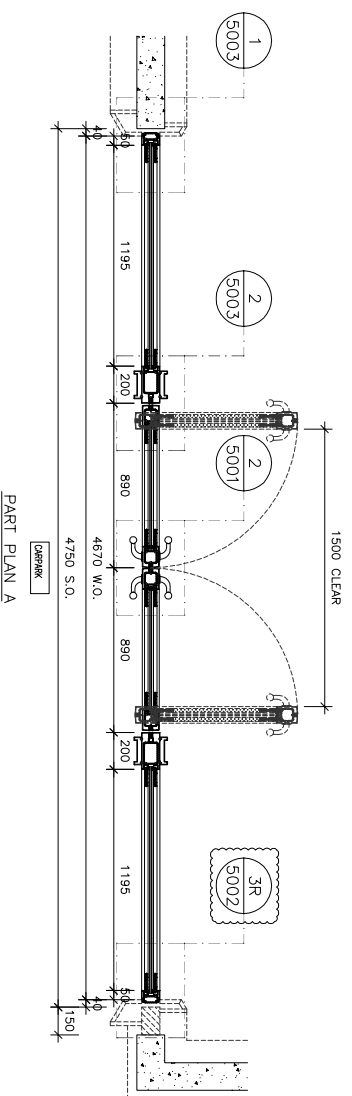
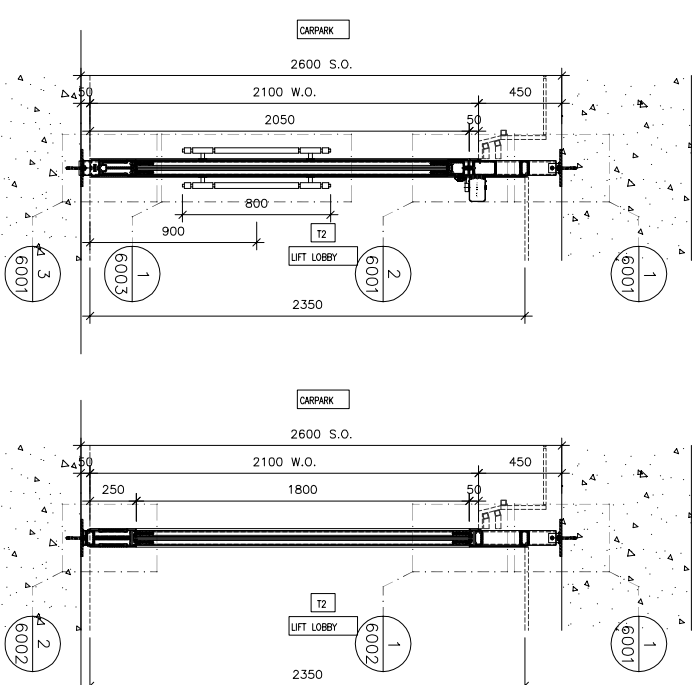
| FLOOR | LOCATION | GLASS WALL MARK | QTY |
|-------|--------------------|-----------------|-----|
| LG3 | TOWER 1 LIFT LOBBY | T101/LG3 | 1 |



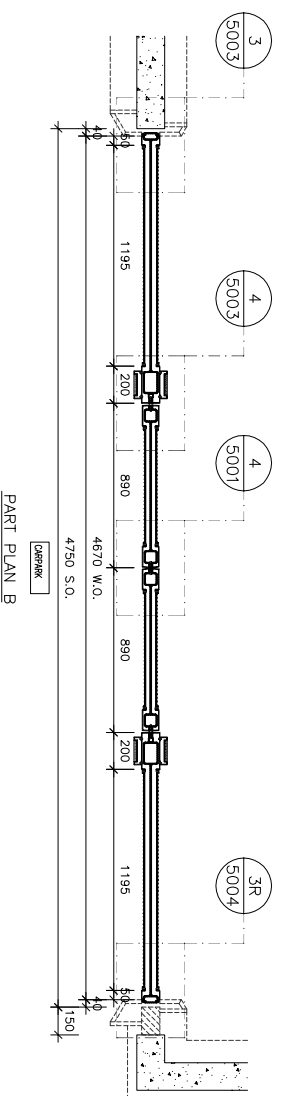
ELEVATION

SECTION X

SECTION Y



PART PLAN A



PART PLAN B

NOTE:

1. ALL DIMENSIONS ARE IN mm.
2. ALL ELEVATIONS ARE VIEWED FROM OUTSIDE.
3. ALL DIMENSIONS TO BE VERIFIED ON SITE BEFORE FABRICATION.

LEGEND:

- X1 --- DETAIL MARK NO.
- X001 --- REFER SHEET NO.
- 1. F.F.L. --- FINISHED FLOOR LEVEL.
- 2. S.F.L. --- STRUCTURAL FLOOR LEVEL.
- 3. (R) --- REVERSED DETAIL.
- 4. (T) --- 12mm THK. TEMPERED GLASS.
- 5. (T) --- 10mm THK. REVERSED GLASS.

| NO. | DATE | REVISION |
|-----|------------|-----------------------------------|
| 1 | 18/10/2021 | REVISION SUBJECT TO ARCH. COMMENT |
| 2 | 23/09/2021 | REVISION SUBJECT TO ARCH. COMMENT |
| 3 | 21/07/2021 | REVISION SUBJECT TO ARCH. COMMENT |
| 4 | 12/11/2021 | REVISION SUBJECT TO ARCH. COMMENT |
| 5 | 19/12/2021 | REVISION SUBJECT TO ARCH. COMMENT |

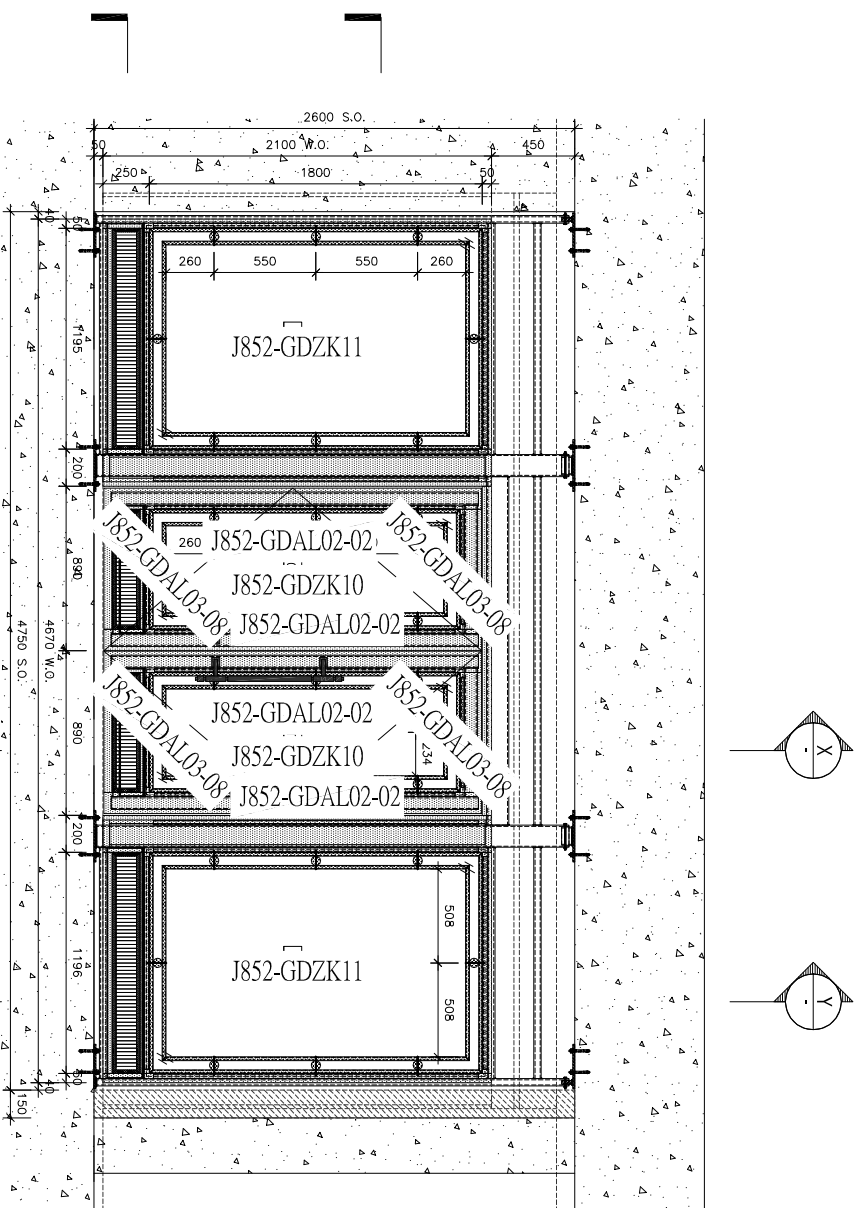
JOB NO. : J-852
 PROJECT : PROPOSED DEVELOPMENT AT KOWLOON INLAND, LOT Nos. 6035R.P., 6036R.P., 6037R.P., 6038R.P., AND LOT No. 6005
 TITLE : ELEVATION & PART PLAN FOR GLASS WALL(LG3)

DATE : 25-Mar-20 SCALE : 1:40
 DRAWN BY : CJM CHECKED BY : DW

美特铝业有限公司
 MIDU ALUMINIUM FABRICATOR LTD.
 Units 6-8, Sunny Industrial Centre, 1/F
 610 Chee Kwee Road, Kowloon
 Tel: 2498211-4 Fax: 8522727266
 DWG NO. : J852-PCW-4303 REV : E

| FLOOR | LOCATION | GLASS WALL MARK | QTY |
|-------|--------------------|-----------------|-----|
| LG3 | TOWER 2 LIFT LOBBY | T201/LG3 | 1 |

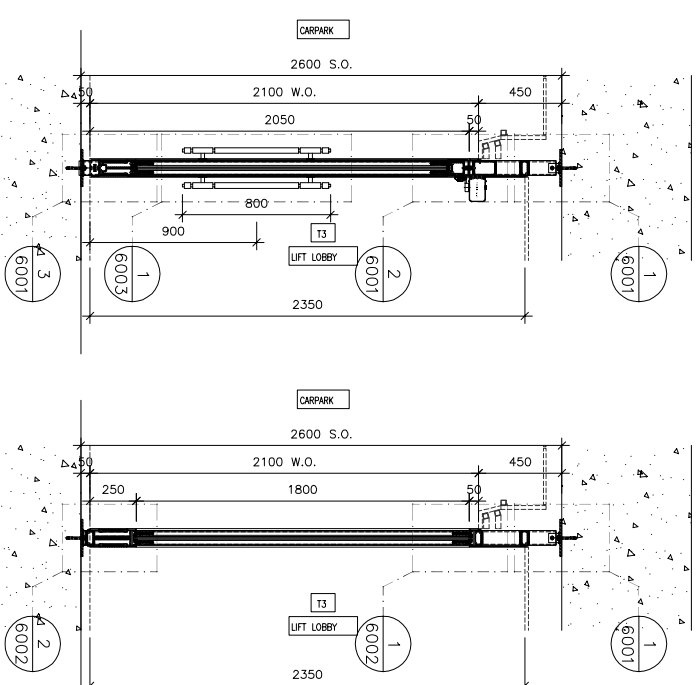
BD REF :
 CLIENT :
 ARCHITECT : **AGC DESIGN LTD**
 MAIN CONTRACTOR : **Gammon**
 STRUCTURAL ENGINEER : **ARUP**
 FIGURE CONSULTANT : **MEINHARDT**



ELEVATION

SECTION X

SECTION Y

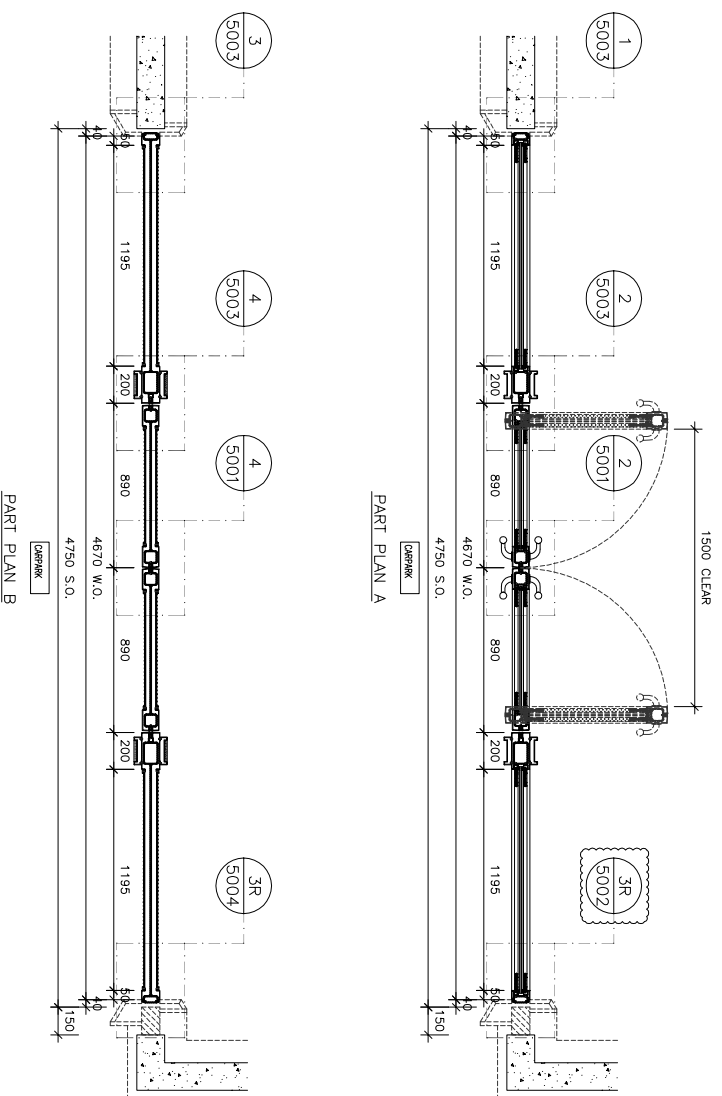


NOTE:

1. ALL DIMENSIONS ARE IN mm.
2. ALL ELEVATIONS ARE VIEWED FROM OUTSIDE.
3. ALL DIMENSIONS TO BE VERIFIED ON SITE BEFORE FABRICATION.

LEGEND:

- X1 --- DETAIL MARK NO.
- X001 --- REFER SHEET NO.
- 1. F.F.L. --- FINISHED FLOOR LEVEL.
- 2. S.F.L. --- STRUCTURAL FLOOR LEVEL.
- 3. (R) --- REVERSED DETAIL.
- 4. (T) --- 12mm THK. TEMPERED GLASS.
- 5. (T) --- 10mm THK. REVERSED GLASS.



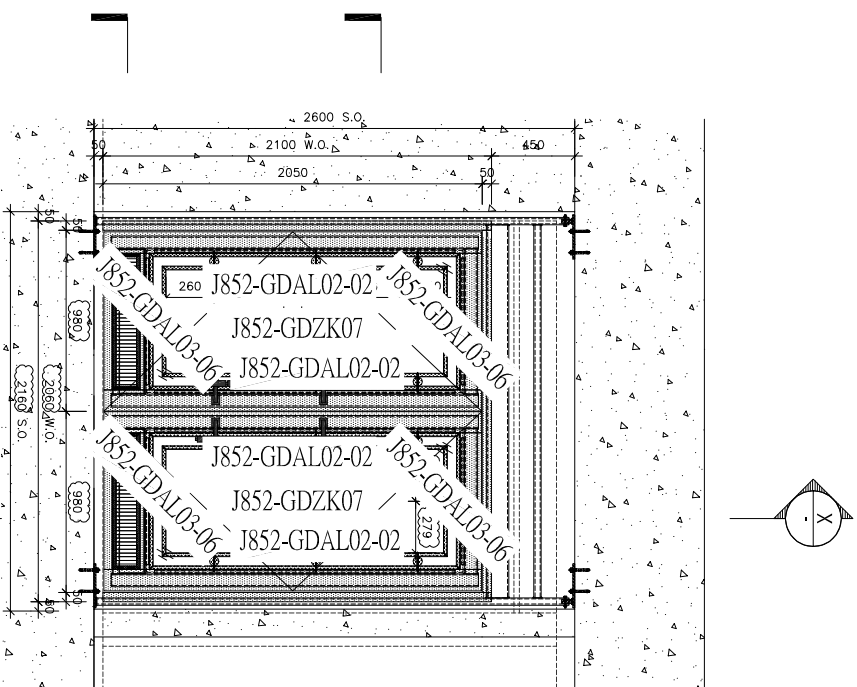
PART PLAN A

PART PLAN B

| FLOOR | LOCATION | GLASS WALL MARK | QTY |
|-------|--------------------|-----------------|-----|
| LG3 | TOWER 3 LIFT LOBBY | T301/LG3 | 1 |

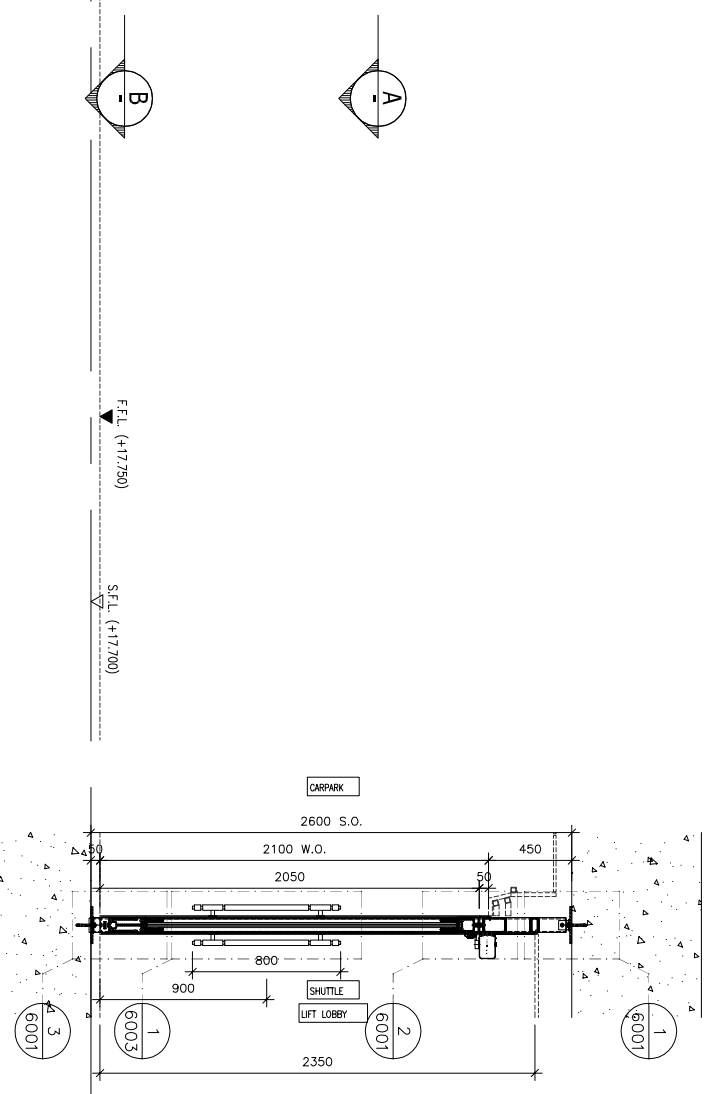
| | |
|---|--|
| <p>BO. REF. :</p> | |
| <p>CLIENT :</p> | |
| <p>ARCHITECT :</p> <p>AGC DESIGN LTD</p> <p>610 Chee Hong Road, Komoon</p> <p>Tel: 2498211-4 Fax: 65027272</p> | |
| <p>MAIN CONTRACTOR :</p> <p>Gammon</p> <p>STRUCTURAL ENGINEER :</p> <p>ARUP</p> <p>FAHRE CONSULTANT :</p> <p>MEINHARDT</p> | |
| <p>PROJECT :</p> <p>PROPOSED DEVELOPMENT AT KOWLOON INLAND, LOT Nos. 6035R.P., 6036R.P., 6037R.P., 6038R.P., AND LOT No. 6005</p> <p>TITLE :</p> <p>ELEVATION & PART PLAN FOR GLASS WALL(LG3)</p> | |
| <p>JOB NO. : J-852</p> | <p>DATE : 25-Mar-20</p> |
| <p>SCALE : 1:40</p> | <p>DRAWN BY : CJM</p> |
| <p>CHECKED BY : DW</p> | <p>DATE : 18/02/2011</p> |
| <p>REVISION SUBJECT TO ARCH. COMMENT</p> | <p>DATE : 23/09/2011</p> |
| <p>REVISION SUBJECT TO ARCH. COMMENT</p> | <p>DATE : 21/07/2011</p> |
| <p>REVISION SUBJECT TO ARCH. COMMENT</p> | <p>DATE : 10/04/2011</p> |
| <p>NO. DATE REVISION</p> | <p>DWG NO. : J852-PCW-4304</p> |
| <p>REV. : E</p> | <p>Unit: 6-8, Sunny Industrial Centre, 1/F 610 Chee Hong Road, Komoon Tel: 2498211-4 Fax: 65027272</p> |

美特铝业有限公司
MIDI ALUMINIUM FABRICATOR LTD.

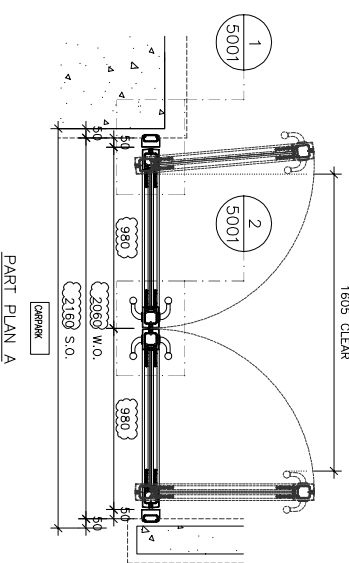


ELEVATION

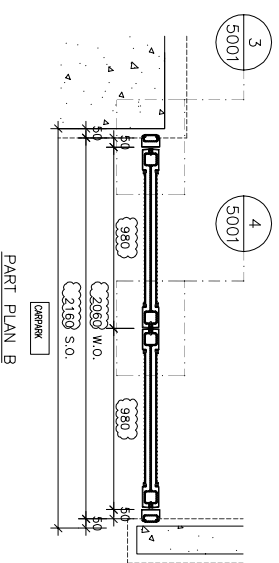
1605 CLEAR



SECTION X



PART PLAN A



PART PLAN B

NOTE:

1. ALL DIMENSIONS ARE IN mm.
2. ALL ELEVATIONS ARE VIEWED FROM OUTSIDE.
3. ALL DIMENSIONS TO BE VERIFIED ON SITE BEFORE FABRICATION.

LEGEND:

- X1 --- DETAIL MARK NO.
- X001 --- REFER SHEET NO.
- 1. F.F.L. --- FINISHED FLOOR LEVEL
- 2. S.F.L. --- STRUCTURAL FLOOR LEVEL
- 3. (R) --- REVERSED DETAIL
- 4. (T) --- 12mm THK. TEMPERED GLASS
- 5. (T) --- 10mm THK. REVERSED GLASS

| NO. | DATE | REVISION |
|-----|------------|-----------------------------------|
| 1 | 18/10/2021 | REVISION SUBJECT TO ARCH. COMMENT |
| 2 | 23/09/2021 | REVISION SUBJECT TO ARCH. COMMENT |
| 3 | 23/09/2021 | REVISION SUBJECT TO ARCH. COMMENT |
| 4 | 10/11/2021 | REVISION SUBJECT TO ARCH. COMMENT |
| 5 | 10/11/2021 | REVISION SUBJECT TO ARCH. COMMENT |

JOB NO. : J-852

PROJECT : PROPOSED DEVELOPMENT AT KOWLOON INLAND, LOT Nos. 6035R.P., 6036R.P., 6037R.P., 6038R.P., AND LOT No. 6005

TITLE : ELEVATION & PART PLAN FOR GLASS WALL(LG2)

DATE : 25-Mar-20 SCALE : 1:40

DRAWN BY : CJM CHECKED BY : DW

美特铝业有限公司
MIDI ALUMINIUM FABRICATOR LTD.
Units 6-8, Sunny Industrial Centre, 1/F
610 Chee Kwo Ling Road, Kowloon
Tel: 2498211-4 Fax: 8522727266

| FLOOR | LOCATION | GLASS WALL MARK | QTY |
|-------|--------------------|-----------------|-----|
| LG2 | SHUTTLE LIFT LOBBY | S001/LG2 | 1 |

BO. REF. :

CLIENT :

ARCHITECT :

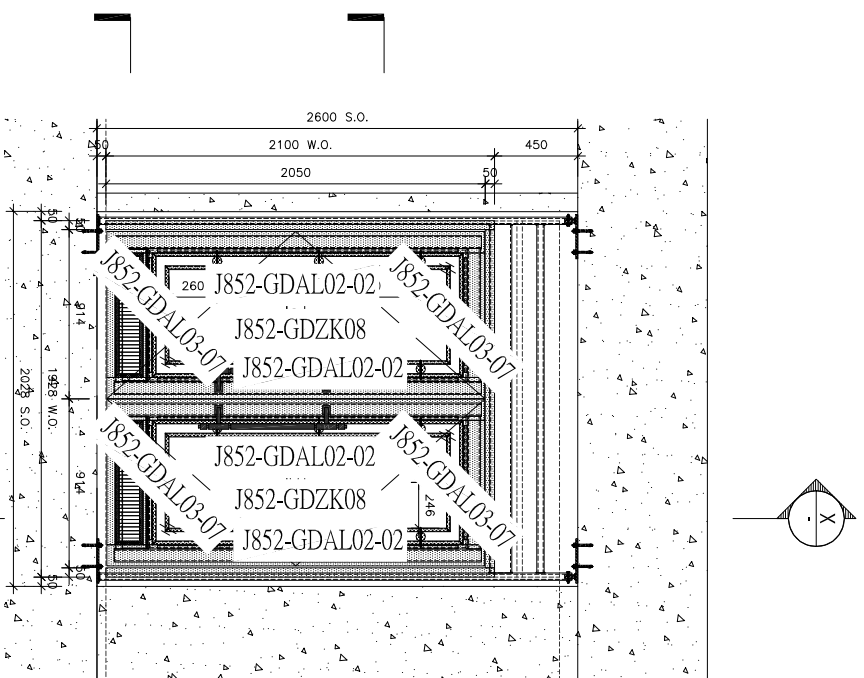
AGC DESIGN LTD
AGC DESIGN LTD
100, The Arcade, The Arcade, The Arcade

MAIN CONTRACTOR :

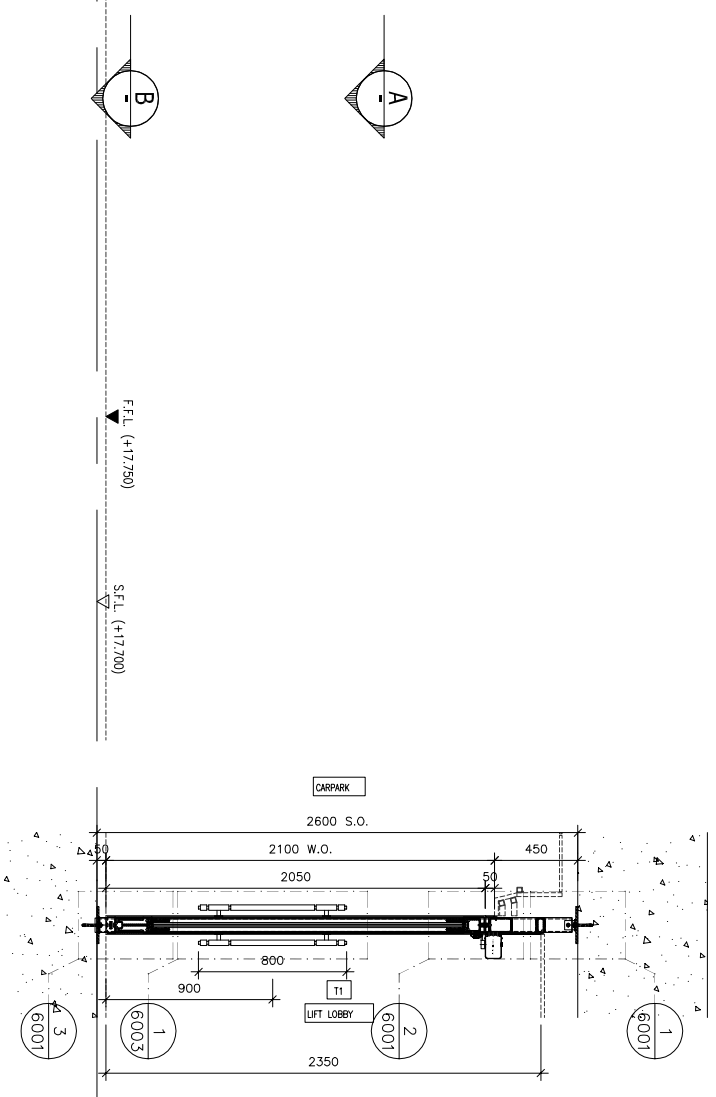
Gammon
STRUCTURAL ENGINEER :

ARUP
STRUCTURAL ENGINEER :

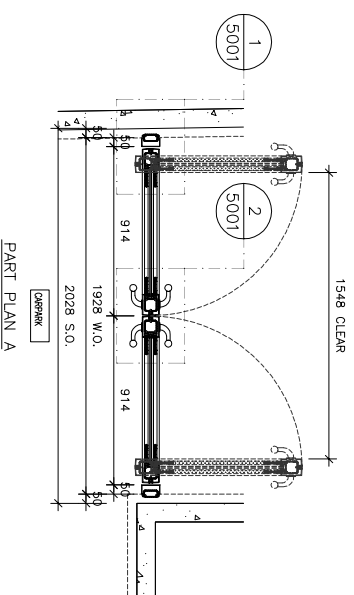
MEINHARDT
FAÇADE CONSULTANT :



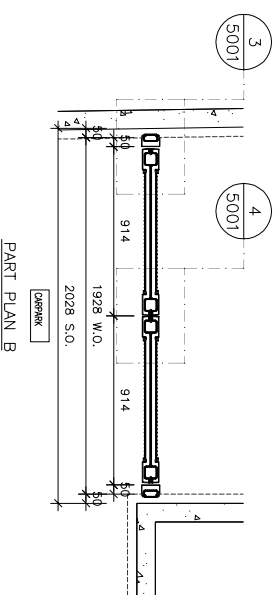
ELEVATION



SECTION X



PART PLAN A



PART PLAN B

NOTE:

1. ALL DIMENSIONS ARE IN mm.
2. ALL ELEVATIONS ARE VIEWED FROM OUTSIDE.
3. ALL DIMENSIONS TO BE VERIFIED ON SITE BEFORE FABRICATION.

LEGEND:

- X1 --- DETAIL MARK NO.
- X001 --- REFER SHEET NO.
- 1. F.F.L. --- FINISHED FLOOR LEVEL
- 2. S.F.L. --- STRUCTURAL FLOOR LEVEL
- 3. $\text{\textcircled{R}}$ --- REVERSED DETAIL
- 4. $\text{\textcircled{T}}$ --- 12mm THK. TEMPERED GLASS
- 5. $\text{\textcircled{I}}$ --- 10mm THK. REVERSED GLASS

| NO. | DATE | REVISION |
|-----|------------|----------------------------------|
| 1 | 23/09/2021 | REVISION SUBJECT TO ARCH COMMENT |
| 2 | 23/09/2021 | REVISION SUBJECT TO ARCH COMMENT |
| 3 | 10/11/2021 | REVISION SUBJECT TO ARCH COMMENT |
| 4 | 10/11/2021 | REVISION SUBJECT TO ARCH COMMENT |
| 5 | 10/11/2021 | REVISION SUBJECT TO ARCH COMMENT |

JOB NO. : J-852
 PROJECT : PROPOSED DEVELOPMENT AT KOWLOON INLAND, LOT Nos., 60356P., 60358P., 60377P., 60388P.P., AND LOT No. 6005

TITLE : ELEVATION & PART PLAN FOR GLASS WALL(G2)

DATE : 25-Mar-20 SCALE : 1:40

DRAWN BY : CJM CHECKED BY : DW

MIDI 美特铝质有限公司
 ALUMINIUM FABRICATOR LTD.
 Units 6-8, Sunny Industrial Centre, 1/F
 610 Chee Kwo Ling Road, Kowloon
 Tel: 2498211-4 Fax: 65027272/272666
 DMC NO. : J852-PCW-4201 REV : D

| FLOOR | LOCATION | GLASS WALL MARK | QTY |
|-------|--------------------|-----------------|-----|
| LG2 | TOWER 1 LIFT LOBBY | T101/LG2 | 1 |

BO. REF. :

CLIENT :

ARCHITECT :

AGC
 DESIGN LTD

MAIN CONTRACTOR :

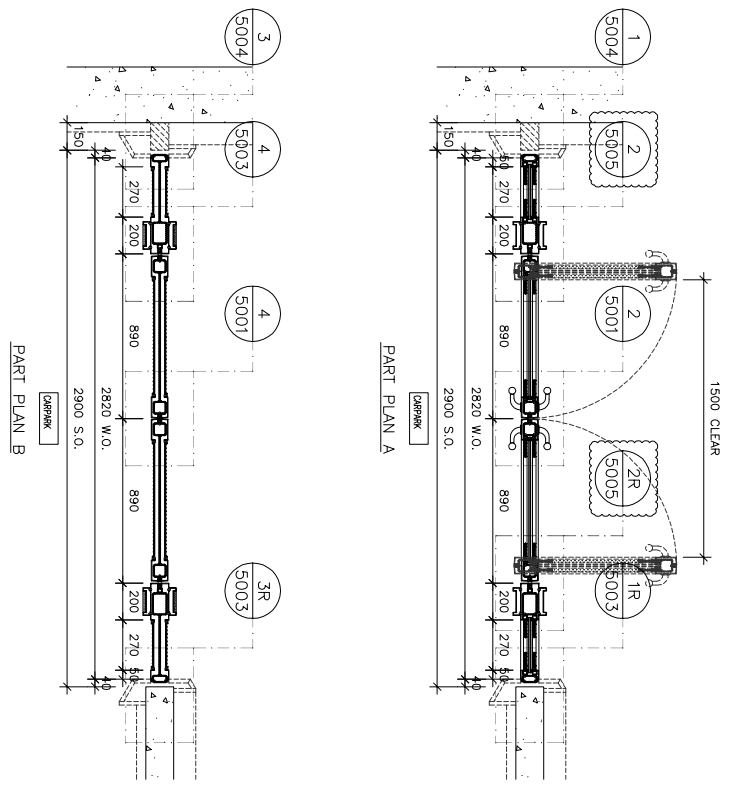
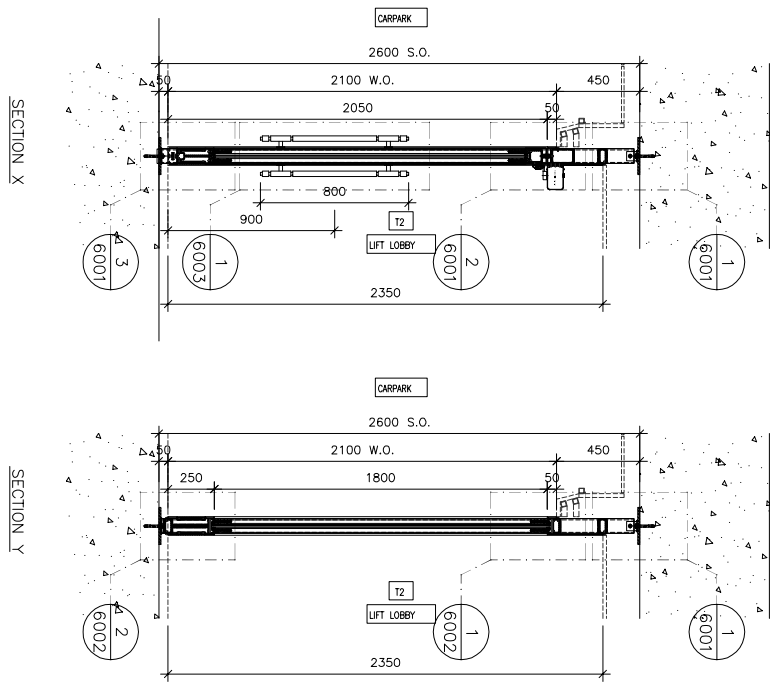
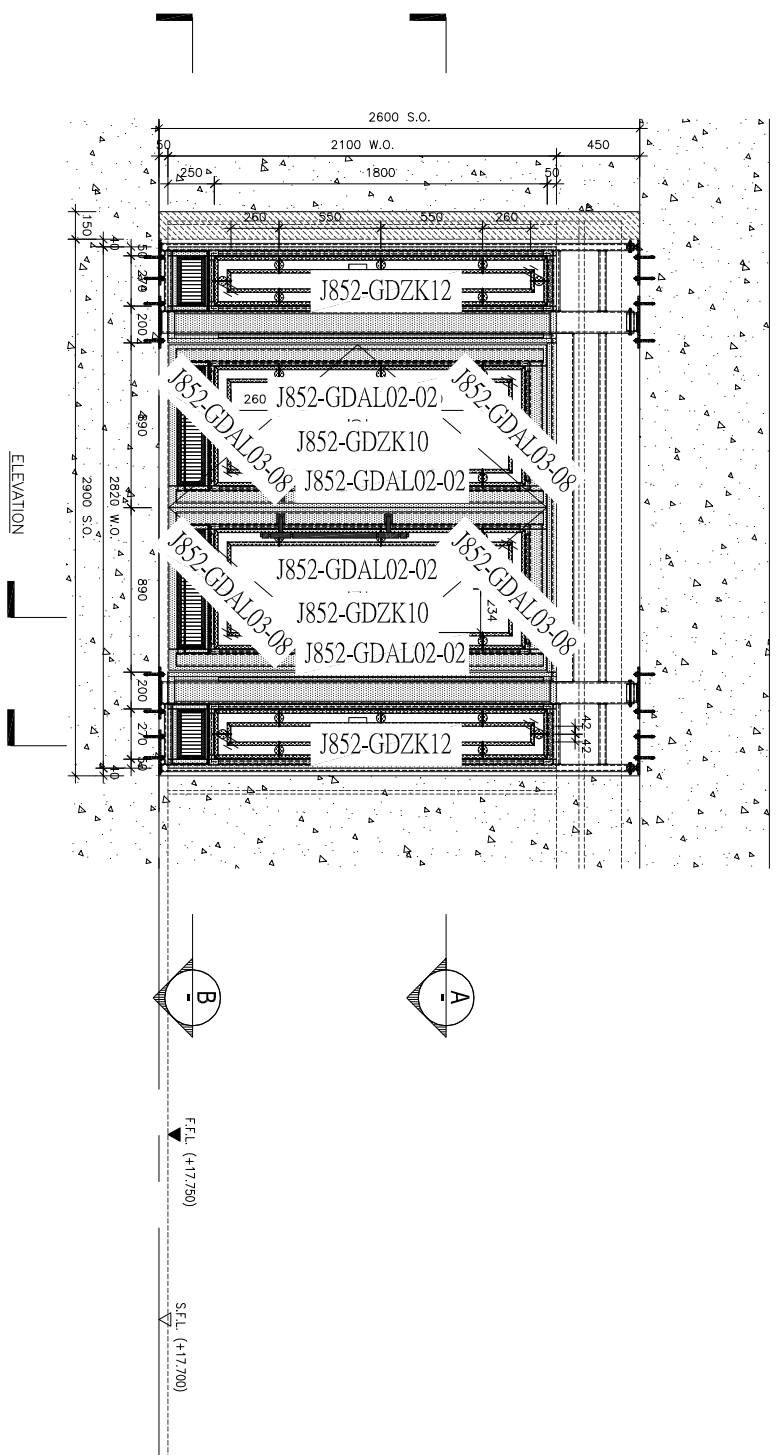
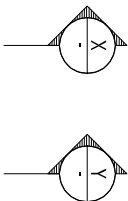
Gammon

STRUCTURAL ENGINEER :

ARUP

FAÇADE CONSULTANT :

MEINHARDT



| | |
|-----------------------|-----------------------|
| BO. REF. : | |
| CLIENT : | |
| ARCHITECT : | AGC DESIGN LTD |
| MAIN CONTRACTOR : | Gammou |
| STRUCTURAL ENGINEER : | ARUP |
| FIGURE CONSULTANT : | MEINHARDT |

NOTE:
 1. ALL DIMENSIONS ARE IN mm.
 2. ALL ELEVATIONS ARE VIEWED FROM OUTSIDE.
 3. ALL DIMENSIONS TO BE VERIFIED ON SITE BEFORE FABRICATION.

LEGEND:
 XI --- DETAIL MARK NO.
 X001 --- REFER SHEET NO.

- F.F.L. --- FINISHED FLOOR LEVEL
- S.F.L. --- STRUCTURAL FLOOR LEVEL
- R --- REVERSED DETAIL
- 12T --- 12mm THK. TEMPERED GLASS
- 10T --- 10mm THK. REVERSED GLASS

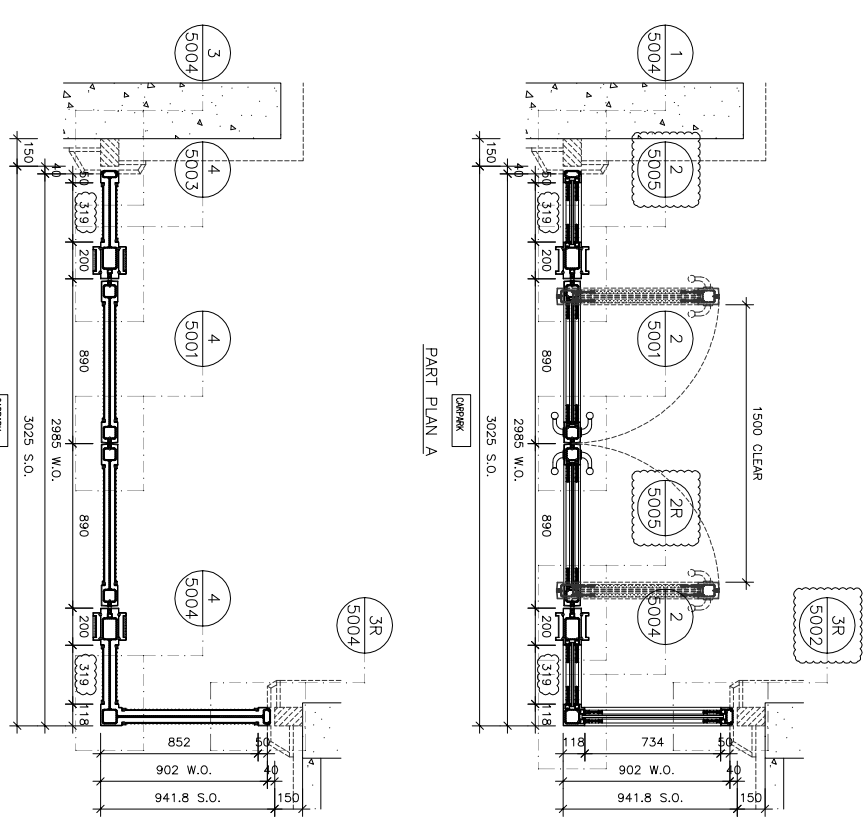
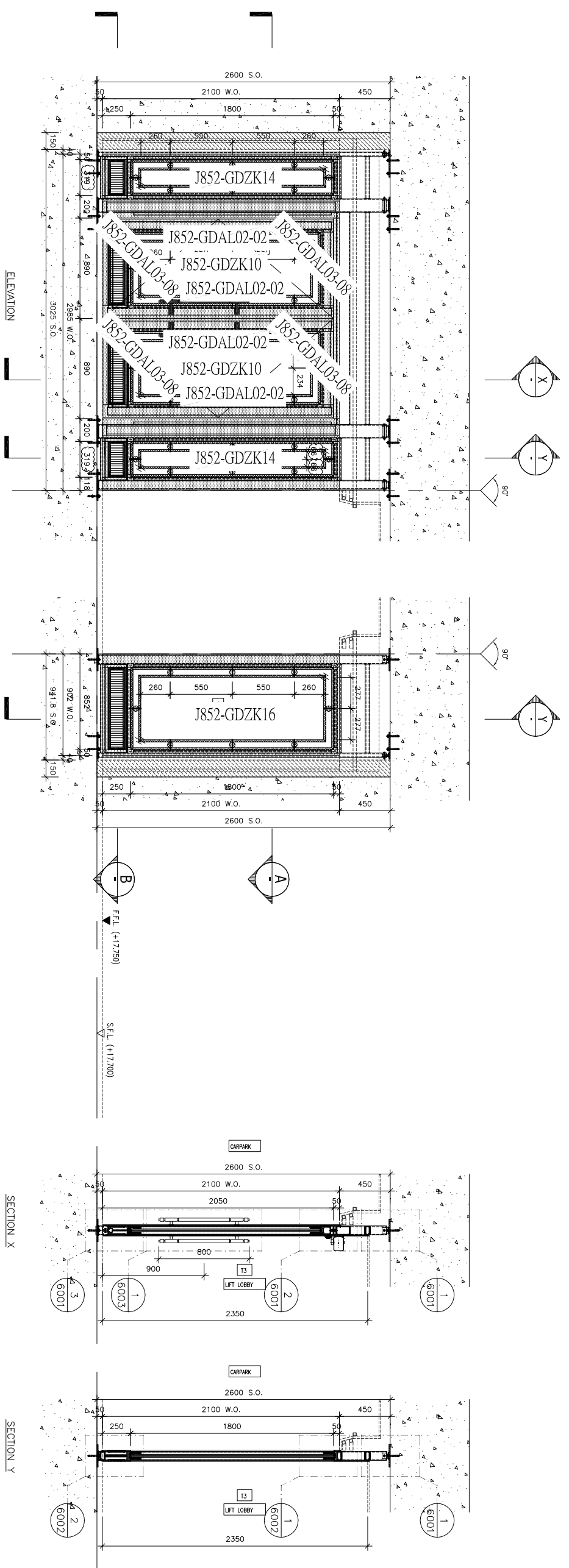
| NO. | DATE | REVISION |
|-----|------------|-----------------------------------|
| 1 | 18/10/2011 | REVISION SUBJECT TO ARCH. COMMENT |
| 2 | 23/09/2011 | REVISION SUBJECT TO ARCH. COMMENT |
| 3 | 23/09/2011 | REVISION SUBJECT TO ARCH. COMMENT |
| 4 | 10/7/2011 | REVISION SUBJECT TO ARCH. COMMENT |
| 5 | 10/4/2011 | REVISION SUBJECT TO ARCH. COMMENT |

JOB NO. : J-852
 PROJECT : PROPOSED DEVELOPMENT AT KOWLOON INLAND, LOT Nos., 6035R.P., 6036R.P., 6037R.P., 6038R.P., AND LOT No. 6005
 TITLE : ELEVATION & PART PLAN FOR GLASS WALL(G2)

DATE : 25-Mar-20 SCALE : 1:40
 DRAWN BY : CJM CHECKED BY : DW

美特铝业有限公司
MIDI ALUMINIUM FABRICATOR LTD.
 Units 6-8, Sunny Industrial Centre, 1/F
 610 Chee Kwo Ling Road, Kowloon
 Tel: 2498211-4 Fax: 65027272/27266
 DMC NO. : J852-PCW-4203 REV. : E

| FLOOR | LOCATION | GLASS WALL MARK | QTY |
|-------|--------------------|-----------------|-----|
| LG2 | TOWER 2 LIFT LOBBY | T201/LG2 | 1 |



| FLOOR | LOCATION | GLASS WALL MARK | QTY |
|-------|--------------------|-----------------|-----|
| LG2 | TOWER 3 LIFT LOBBY | T301/LG2 | 1 |

BO. REF :

CLIENT :

ARCHITECT : **AGC DESIGN LTD**

MAIN CONTRACTOR : **Gammou**

STRUCTURAL ENGINEER : **ARUP**

FIGURE CONSULTANT : **MEINHARDT**

NOTE :

- ALL DIMENSIONS ARE IN mm.
- ALL ELEVATIONS ARE VIEWED FROM OUTSIDE.
- ALL DIMENSIONS TO BE VERIFIED ON SITE BEFORE FABRICATION.

LEGEND :

- X1 --- DETAIL MARK NO.
- X001 --- REFER SHEET NO.
- 1. F.F.L. --- FINISHED FLOOR LEVEL
- 2. S.F.L. --- STRUCTURAL FLOOR LEVEL
- 3. (R) --- REVERSED DETAIL
- 4. (2T) --- 12mm THK. TEMPERED GLASS
- 5. (10T) --- 10mm THK. REVERSED GLASS

JOB NO. : J-852

PROJECT : PROPOSED DEVELOPMENT AT KOWLOON INLAND, LOT Nos. 60356P, 60368P, 60378P, 60388P, AND LOT No. 6005

TITLE : ELEVATION & PART PLAN FOR GLASS WALL(LG2)

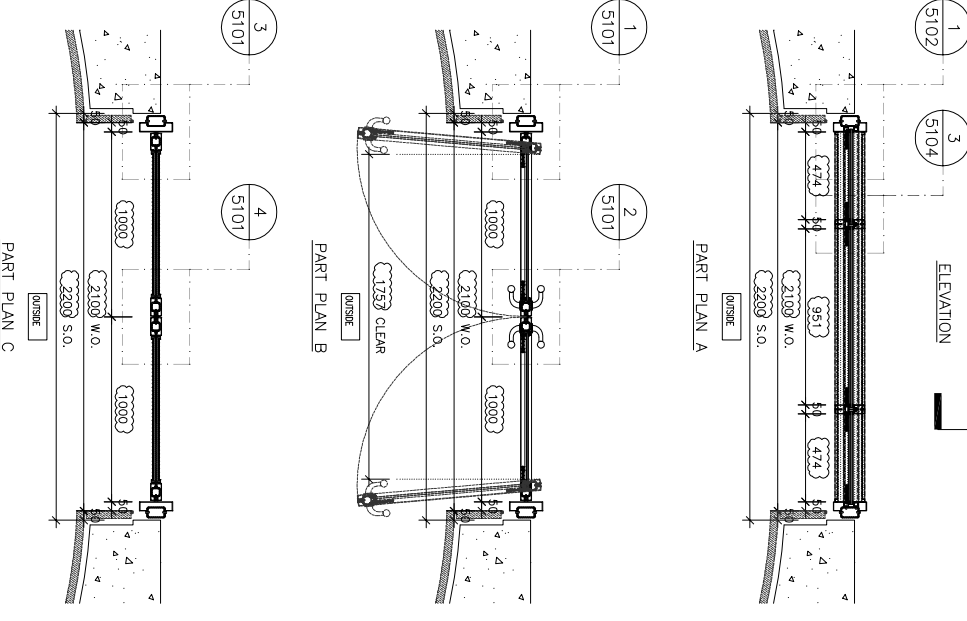
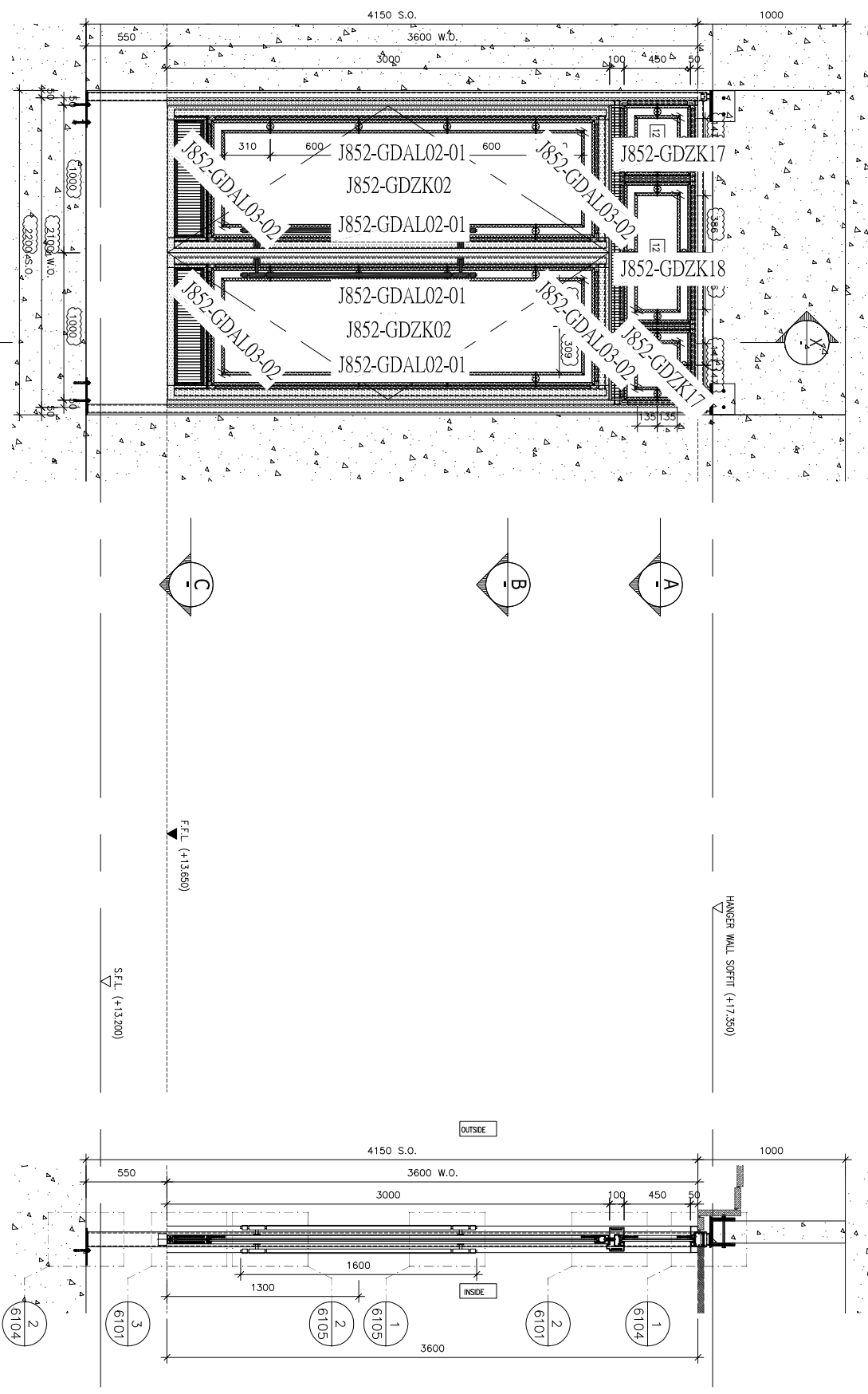
DATE : 25-Mar-20 SCALE : 1:40

DRAWN BY : CJM CHECKED BY : DW

Unit 6-8, Sunny Industrial Centre, 1/F
610 Chee Kwo Ling Road, Kowloon
Tel: 2498211-4 Fax: 8527272166

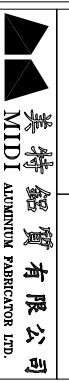
美特铝业有限公司
MIDI ALUMINIUM FABRICATOR LTD.

DWG NO. : J852-PCW-4204 REV : E

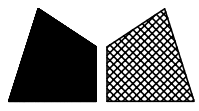


| FLOOR | LOCATION | GLASS WALL MARK | QTY |
|-------|--------------------|-----------------|-----|
| LG1 | SHUTTLE LIFT LOBBY | S001/LG1 | 1 |

| | |
|---|------------------------|
| BO. REF. : | |
| CLIENT : | |
| ARCHITECT : AGC DESIGN LTD <small>AGC DESIGN LTD 11/F, 110 HONG KONG ROAD, HONG KONG</small> | |
| MAIN CONTRACTOR : Gammon <small>GAMMON CONSTRUCTION LTD 11/F, 110 HONG KONG ROAD, HONG KONG</small> | |
| STRUCTURAL ENGINEER : ARUP <small>ARUP CONSULTANTS (HONG KONG) LTD 11/F, 110 HONG KONG ROAD, HONG KONG</small> | |
| FAÇADE CONSULTANT : MEINHARDT <small>MEINHARDT CONSULTANTS (HONG KONG) LTD 11/F, 110 HONG KONG ROAD, HONG KONG</small> | |
| NOTE : 1. ALL DIMENSIONS ARE IN MM. 2. ALL ELEVATIONS ARE VIEWED FROM OUTSIDE. 3. ALL DIMENSIONS TO BE VERIFIED ON SITE BEFORE FABRICATION. | |
| LEGEND : X1 --- DETAIL MARK NO. X001 --- REFER SHEET NO. | |
| 1. F.F.L. --- FINISHED FLOOR LEVEL 2. S.F.L. --- STRUCTURAL FLOOR LEVEL 3. --- REVERSED DETAIL 4. --- 12mm THK. TEMPERED GLASS 5. --- 10mm THK. REVERSED GLASS | |
| JOB NO. : J-852 | |
| PROJECT : PROPOSED DEVELOPMENT AT KOWLOON INLAND, LOT Nos. 6035R.P., 6036R.P., 6037R.P., 6038R.P., AND LOT No. 6005 | |
| TITLE : ELEVATION & PART PLAN FOR GLASS WALL(G1) | |
| DATE : 25-Mar-20 | SCALE : 1:40 |
| DRAWN BY : CJM | CHECKED BY : DW |
| UNITED TECHNOLOGIES (HONG KONG) LTD 610 Chee Kwo Ling Road, Kowloon Tel: 2498211-4 Fax: 8527272766 DMC NO. : J852-PCW-4100 | |



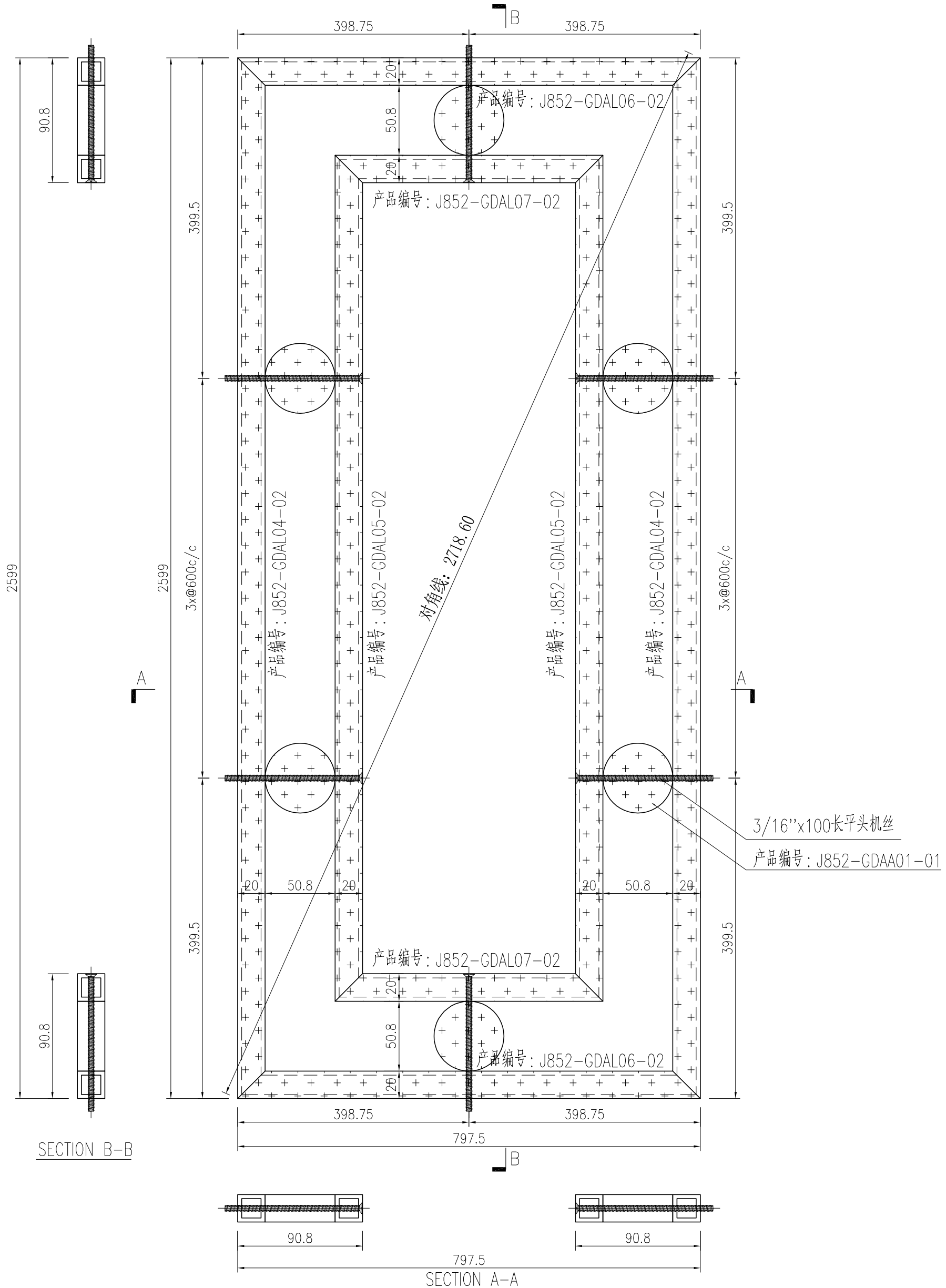
美特铝业有限公司
 MIDU ALUMINUM FABRICATOR LTD.



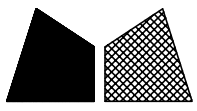
美特鋁質 有限公司
MIDI Aluminium Fabricator Ltd.

| 产品编号 | L(MM) | 数量 | N | M | A | B | C | D | 备注 |
|------|-------|----|---|---|---|---|---|---|----|
| | | 16 | | | | | | | |

| | | | |
|-----|------|----|------|
| 工程號 | J852 | 地盤 | 亞皆老街 |
|-----|------|----|------|



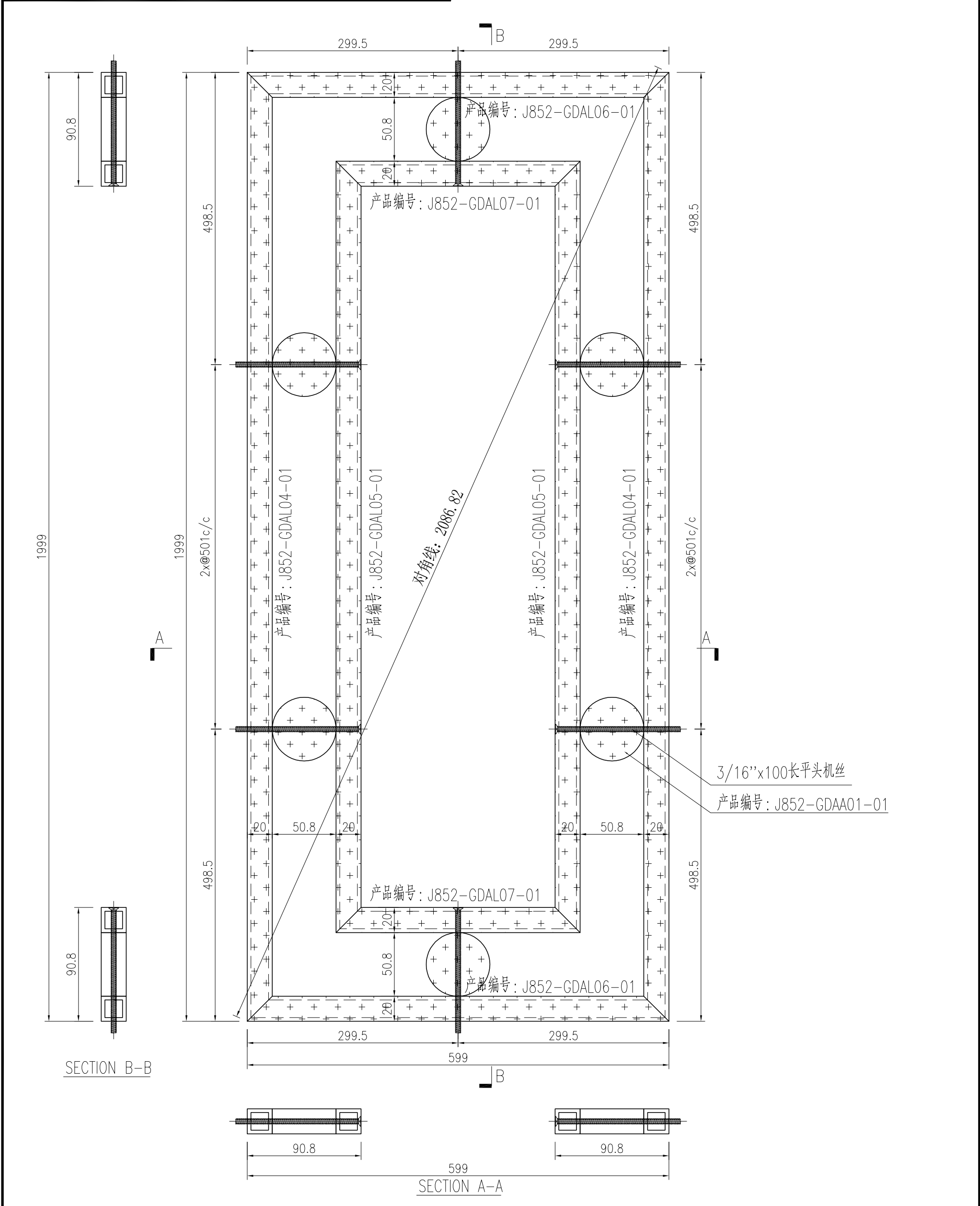
| | | | | | | | |
|----|-------------------------|----|-----|------------|----|-------------|--|
| 名稱 | 型材組框圖 | 制圖 | 曾建平 | 2021-05-26 | 修改 | | |
| 材料 | 20x20x3mm厚鋁通+ø50.8實心鋁圓通 | 復核 | | | 日期 | | |
| 顏色 | UCT201498XL(A)-3 灰色 | 批准 | | | 圖號 | J852-GDZK02 | |



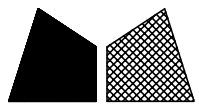
美特鋁質 有限公司
MIDI Aluminium Fabricator Ltd.

| 产品编号 | L(MM) | 数量 | N | M | A | B | C | D | 备注 |
|------|-------|----|---|---|---|---|---|---|----|
| | | 9 | | | | | | | |

| | | | |
|-----|------|----|------|
| 工程號 | J852 | 地盤 | 亞皆老街 |
|-----|------|----|------|



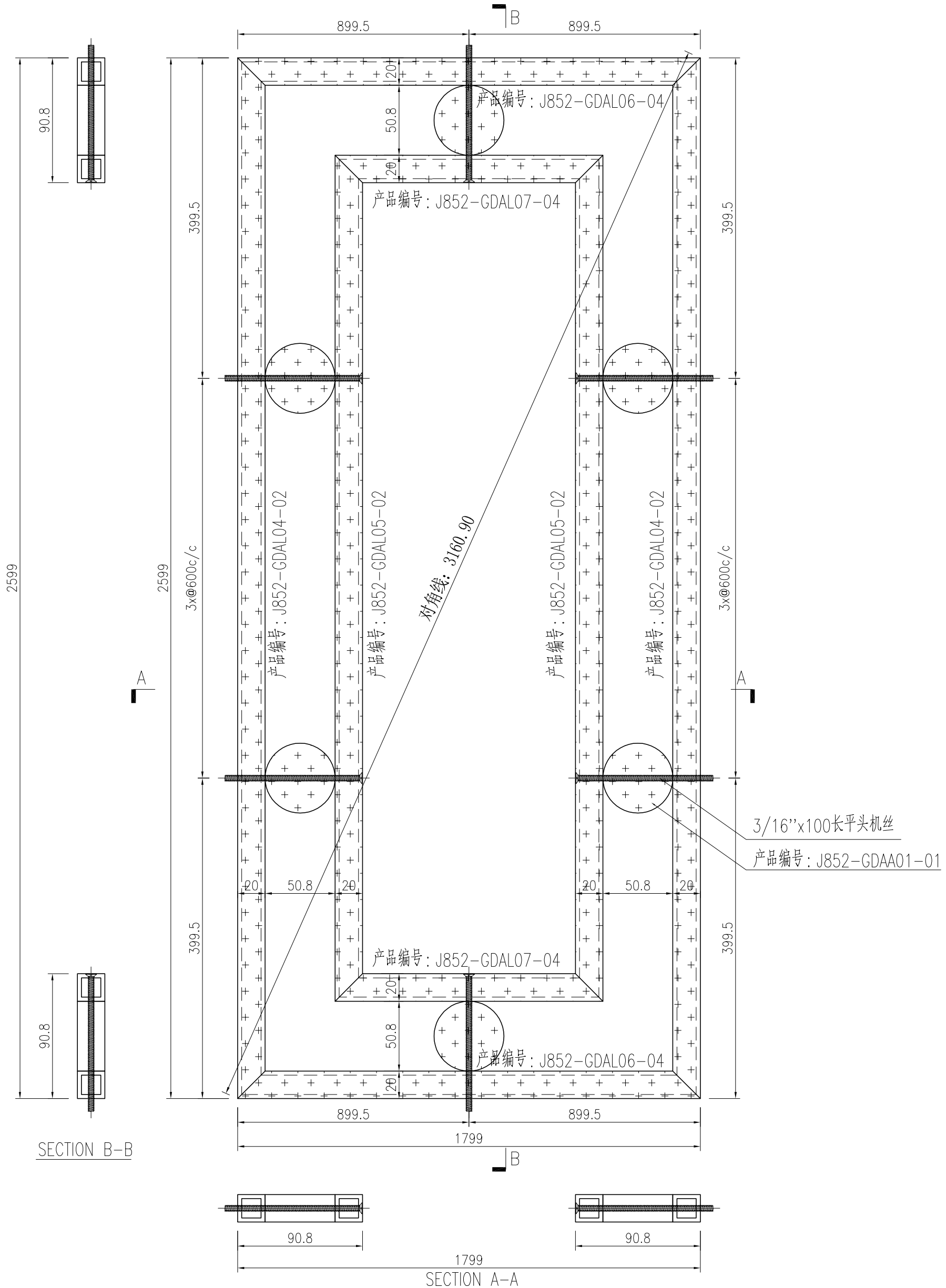
| | | | | | | | |
|----|-------------------------|----|-----|------------|----|-------------|--|
| 名稱 | 型材組框圖 | 制圖 | 曾建平 | 2021-05-26 | 修改 | | |
| 材料 | 20x20x3mm厚鋁通+ø50.8實心鋁圓通 | 復核 | | | 日期 | | |
| 顏色 | UCT201498XL(A)-3 灰色 | 批准 | | | 圖號 | J852-GDZK01 | |



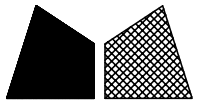
美特鋁質 有限公司
MIDI Aluminium Fabricator Ltd.

| 产品编号 | L(MM) | 数量 | N | M | A | B | C | D | 备注 |
|------|-------|----|---|---|---|---|---|---|----|
| | | 2 | | | | | | | |

| | | | |
|-----|------|----|------|
| 工程號 | J852 | 地盤 | 亞皆老街 |
|-----|------|----|------|



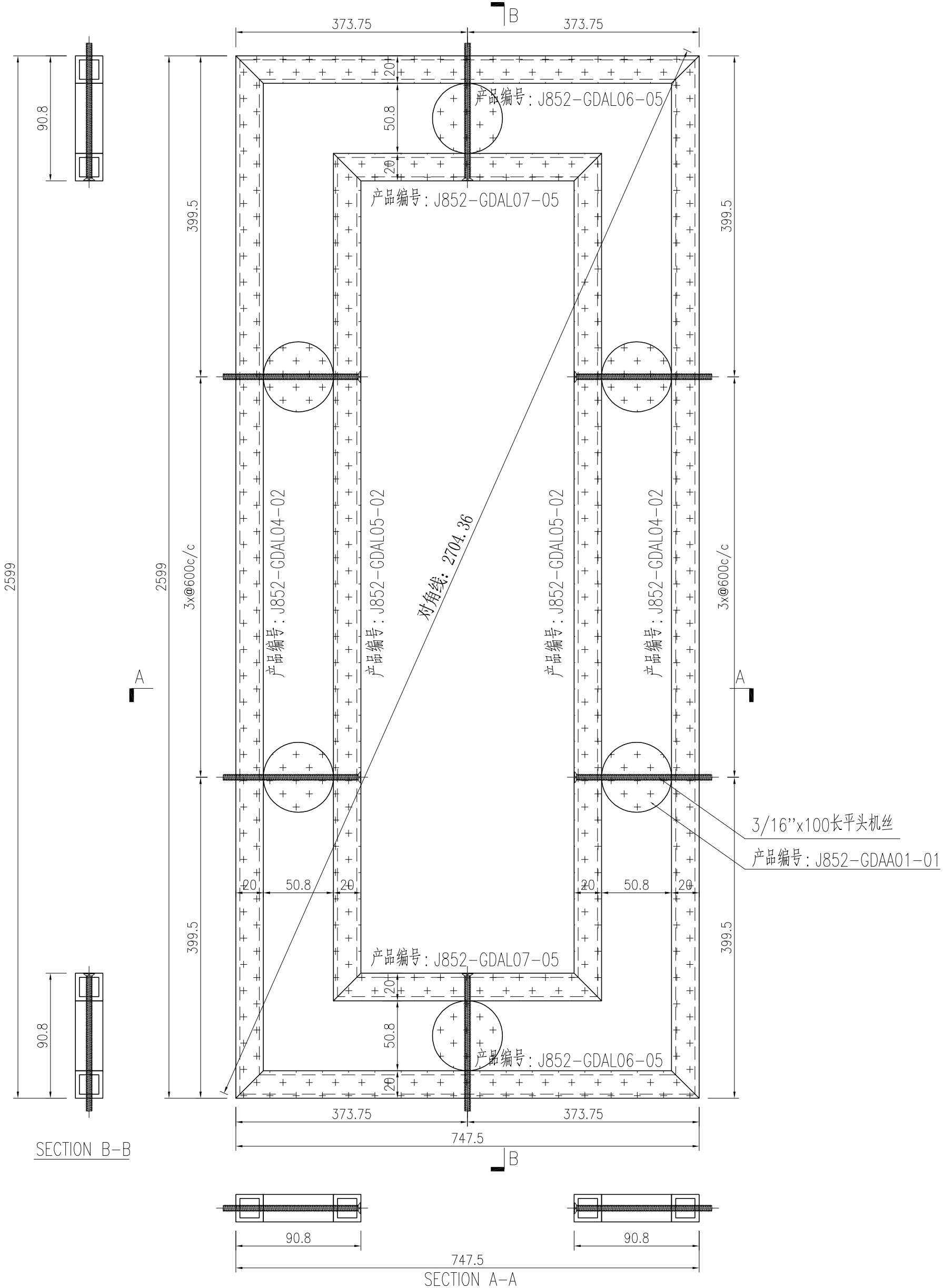
| | | | | | | | |
|----|-------------------------|----|-----|------------|----|-------------|--|
| 名稱 | 型材組框圖 | 制圖 | 曾建平 | 2021-05-26 | 修改 | | |
| 材料 | 20x20x3mm厚鋁通+ø50.8實心鋁圓通 | 復核 | | | 日期 | | |
| 顏色 | UCT201498XL(A)-3 灰色 | 批准 | | | 圖號 | J852-GDZK05 | |



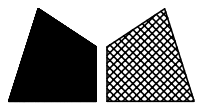
美特鋁質 有限公司
MIDI Aluminium Fabricator Ltd.

| 产品编号 | L(MM) | 数量 | N | M | A | B | C | D | 备注 |
|------|-------|----|---|---|---|---|---|---|----|
| | | 16 | | | | | | | |

| | | | |
|-----|------|----|------|
| 工程號 | J852 | 地盤 | 亞皆老街 |
|-----|------|----|------|



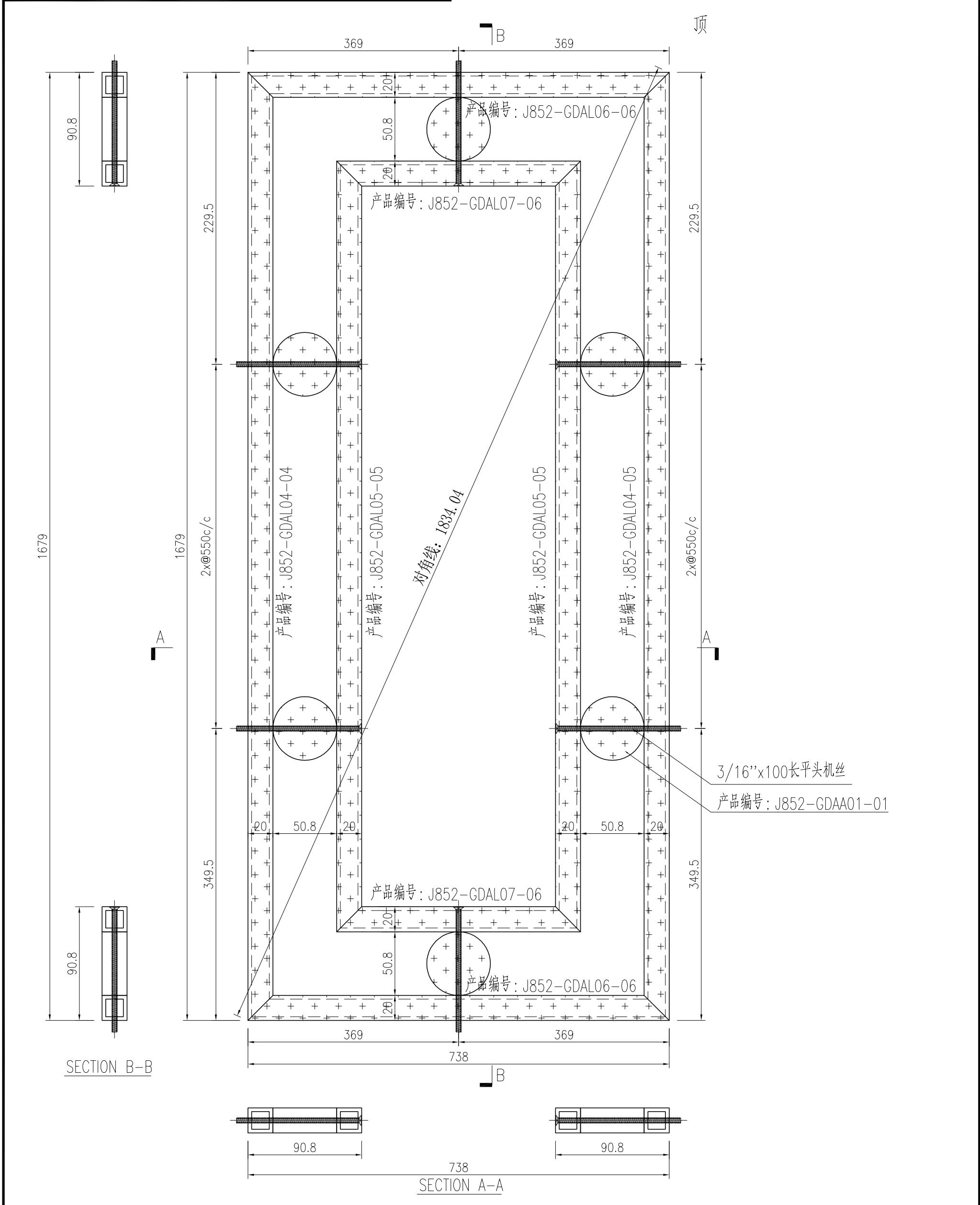
| | | | | | | | |
|----|-------------------------|----|-----|------------|----|-------------|--|
| 名稱 | 型材組框圖 | 制圖 | 曾建平 | 2021-05-26 | 修改 | | |
| 材料 | 20x20x3mm厚鋁通+ø50.8實心鋁圓通 | 復核 | | | 日期 | | |
| 顏色 | UCT201498XL(A)-3 灰色 | 批准 | | | 圖號 | J852-GDZK06 | |



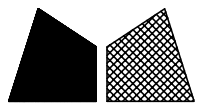
美特鋁質 有限公司
MIDI Aluminium Fabricator Ltd.

| 产品编号 | L(MM) | 数量 | N | M | A | B | C | D | 备注 |
|------|-------|----|---|---|---|---|---|---|----|
| | | 12 | | | | | | | |

| | | | |
|-----|------|----|------|
| 工程號 | J852 | 地盤 | 亞皆老街 |
|-----|------|----|------|



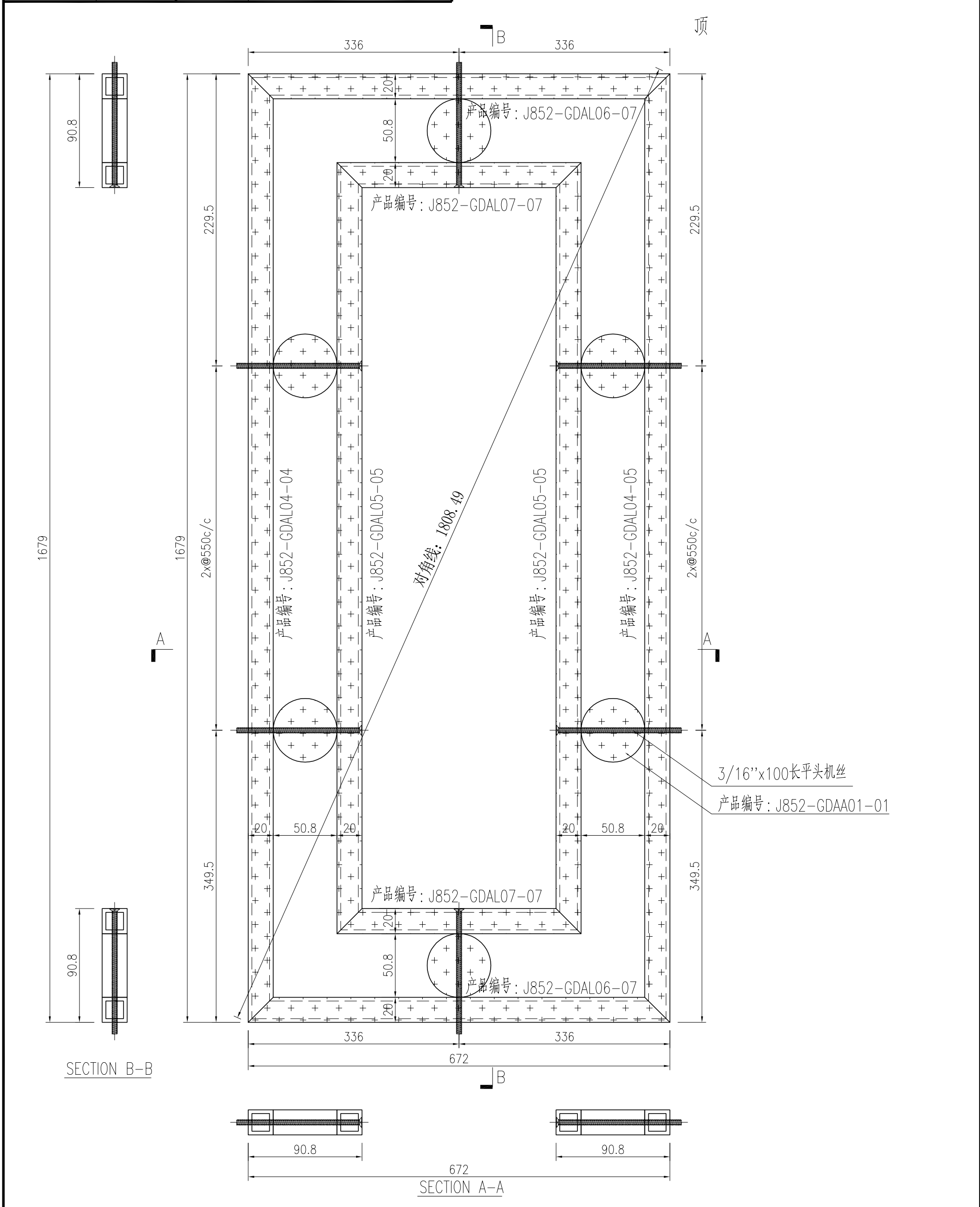
| | | | | | | | |
|----|-------------------------|----|-----|------------|----|-------------|--|
| 名稱 | 型材組框圖 | 制圖 | 曾建平 | 2021-05-26 | 修改 | | |
| 材料 | 20x20x3mm厚鋁通+ø50.8實心鋁圓通 | 復核 | | | 日期 | | |
| 顏色 | UCT201498XL(A)-3 灰色 | 批准 | | | 圖號 | J852-GDZK07 | |



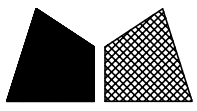
美特鋁質 有限公司
MIDI Aluminium Fabricator Ltd.

| 产品编号 | L(MM) | 数量 | N | M | A | B | C | D | 备注 |
|------|-------|----|---|---|---|---|---|---|----|
| | | 12 | | | | | | | |

| | | | |
|-----|------|----|------|
| 工程號 | J852 | 地盤 | 亞皆老街 |
|-----|------|----|------|



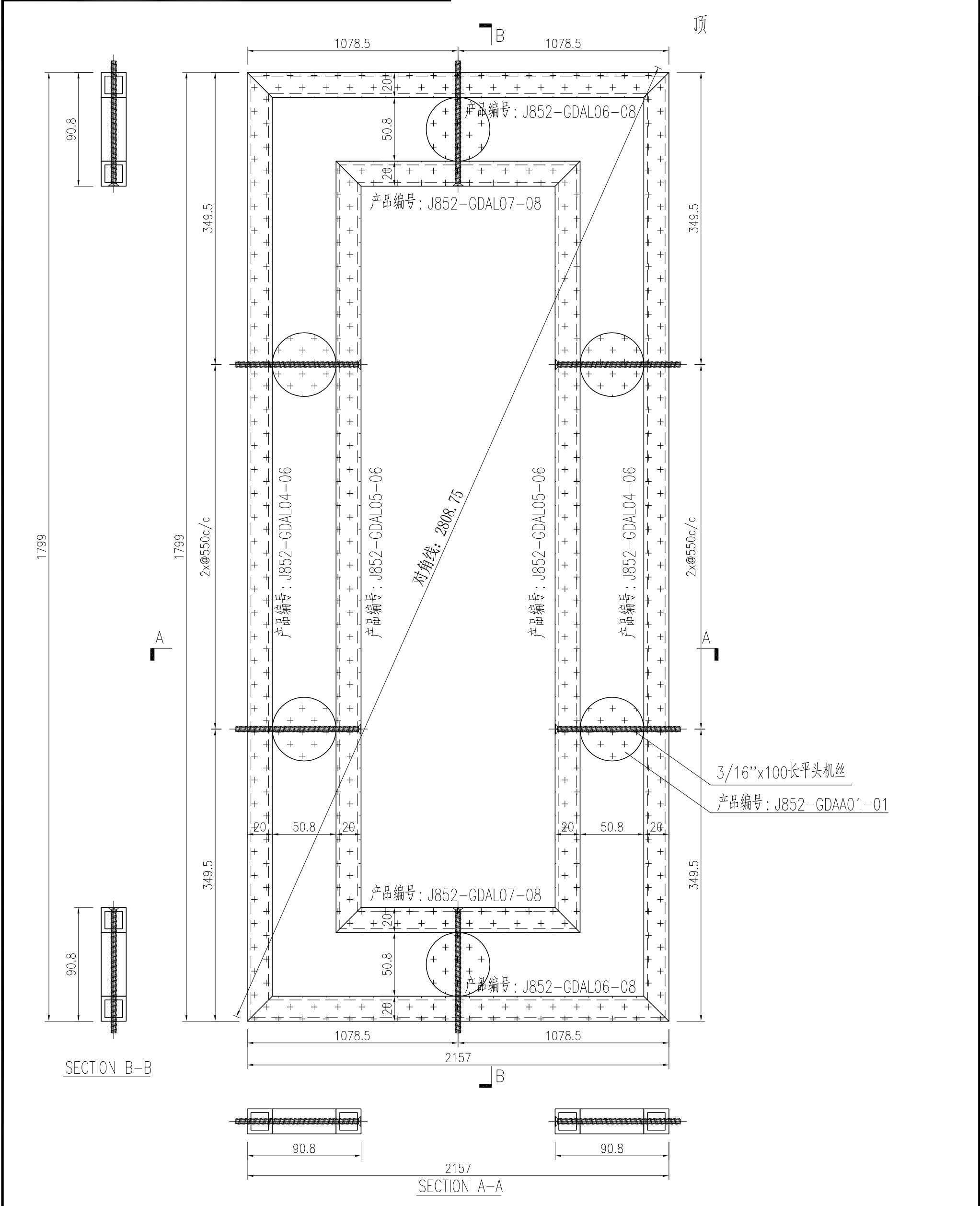
| | | | | | | | |
|----|-------------------------|----|-----|------------|----|-------------|--|
| 名稱 | 型材組框圖 | 制圖 | 曾建平 | 2021-05-26 | 修改 | | |
| 材料 | 20x20x3mm厚鋁通+ø50.8實心鋁圓通 | 復核 | | | 日期 | | |
| 顏色 | UCT201498XL(A)-3 灰色 | 批准 | | | 圖號 | J852-GDZK08 | |



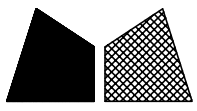
美特鋁質 有限公司
MIDI Aluminium Fabricator Ltd.

| 产品编号 | L(MM) | 数量 | N | M | A | B | C | D | 备注 |
|------|-------|----|---|---|---|---|---|---|----|
| | | 4 | | | | | | | |

| | | | |
|-----|------|----|------|
| 工程號 | J852 | 地盤 | 亞皆老街 |
|-----|------|----|------|



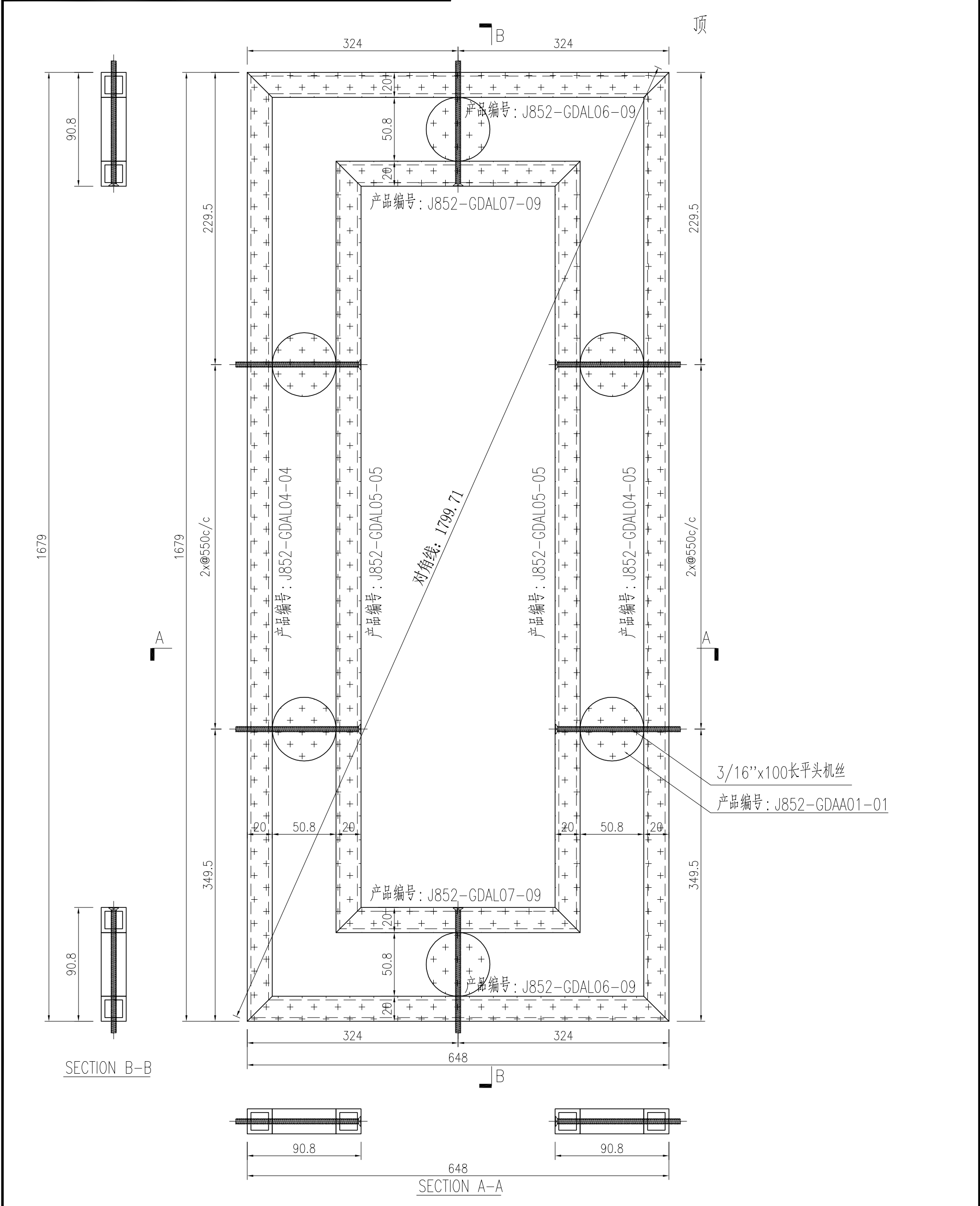
| | | | | | | | |
|----|-------------------------|----|-----|------------|----|-------------|--|
| 名稱 | 型材組框圖 | 制圖 | 曾建平 | 2021-05-26 | 修改 | | |
| 材料 | 20x20x3mm厚鋁通+ø50.8實心鋁圓通 | 復核 | | | 日期 | | |
| 顏色 | UCT201498XL(A)-3 灰色 | 批准 | | | 圖號 | J852-GDZK09 | |



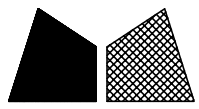
美特鋁質 有限公司
MIDI Aluminium Fabricator Ltd.

| 产品编号 | L(MM) | 数量 | N | M | A | B | C | D | 备注 |
|------|-------|----|---|---|---|---|---|---|----|
| | | 24 | | | | | | | |

| | | | |
|-----|------|----|------|
| 工程號 | J852 | 地盤 | 亞皆老街 |
|-----|------|----|------|



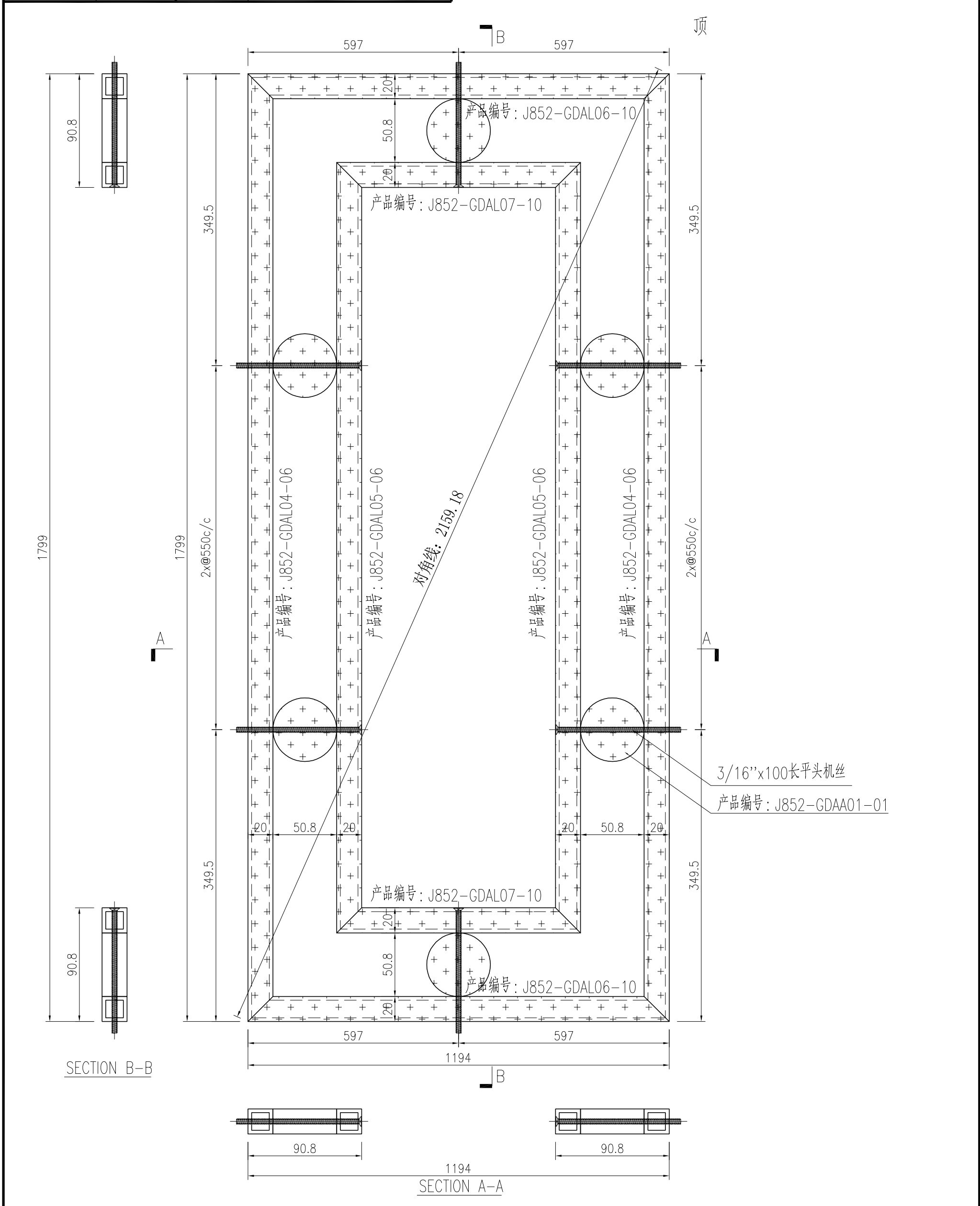
| | | | | | | | |
|----|-------------------------|----|-----|------------|----|-------------|--|
| 名稱 | 型材組框圖 | 制圖 | 曾建平 | 2021-05-26 | 修改 | | |
| 材料 | 20x20x3mm厚鋁通+ø50.8實心鋁圓通 | 復核 | | | 日期 | | |
| 顏色 | UCT201498XL(A)-3 灰色 | 批准 | | | 圖號 | J852-GDZK10 | |



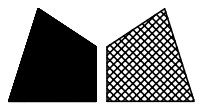
美特鋁質 有限公司
MIDI Aluminium Fabricator Ltd.

| 产品编号 | L(MM) | 数量 | N | M | A | B | C | D | 备注 |
|------|-------|----|---|---|---|---|---|---|----|
| | | 12 | | | | | | | |

| | | | |
|-----|------|----|------|
| 工程號 | J852 | 地盤 | 亞皆老街 |
|-----|------|----|------|



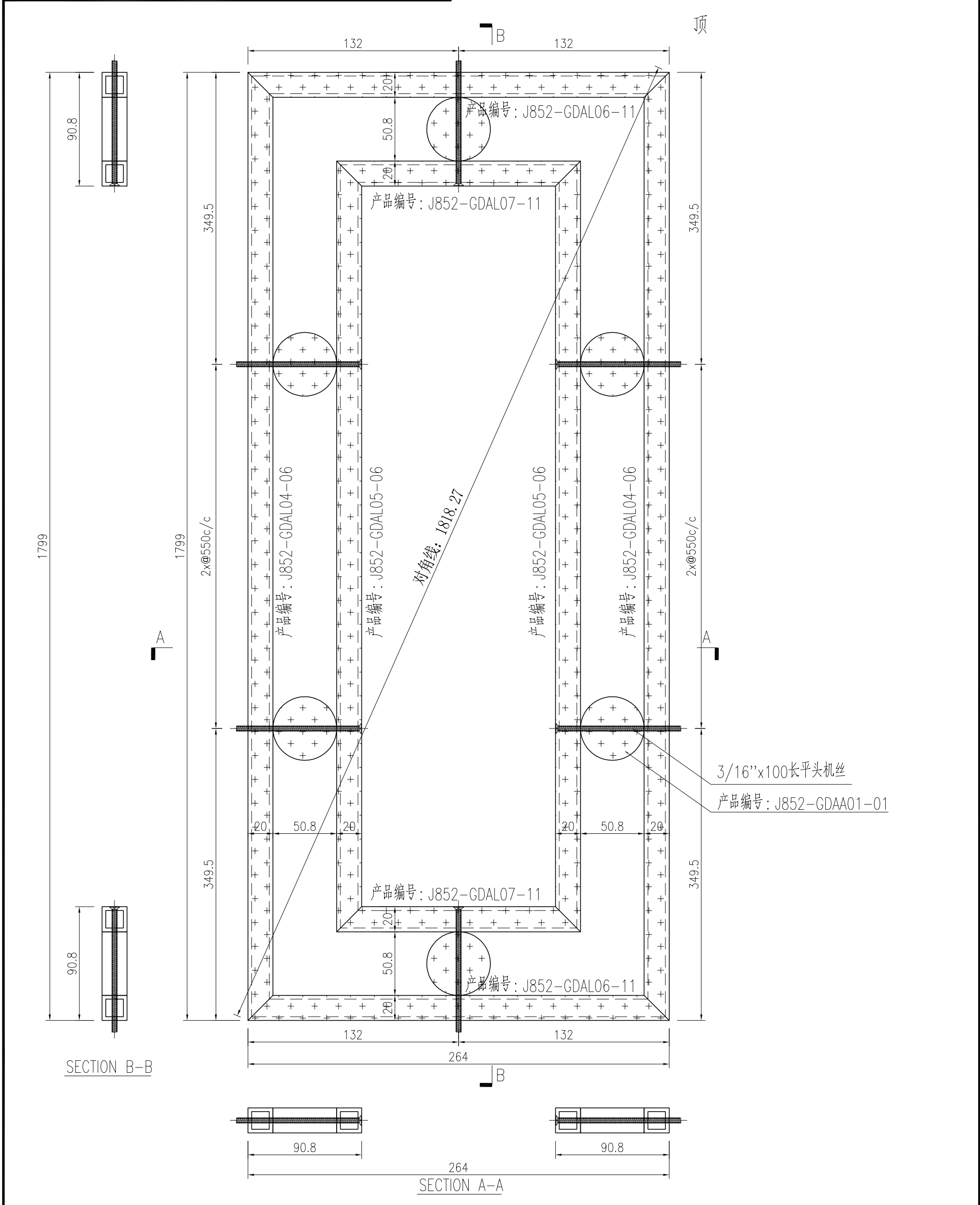
| | | | | | | | | |
|----|-------------------------|----|-----|------------|----|-------------|--|--|
| 名稱 | 型材組框圖 | 制圖 | 曾建平 | 2021-05-26 | 修改 | | | |
| 材料 | 20x20x3mm厚鋁通+ø50.8實心鋁圓通 | 復核 | | | 日期 | | | |
| 顏色 | UCT201498XL(A)-3 灰色 | 批准 | | | 圖號 | J852-GDZK11 | | |



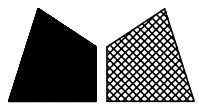
美特鋁質 有限公司
MIDI Aluminium Fabricator Ltd.

| 产品编号 | L(MM) | 数量 | N | M | A | B | C | D | 备注 |
|------|-------|----|---|---|---|---|---|---|----|
| | | 8 | | | | | | | |

| | | | |
|-----|------|----|------|
| 工程號 | J852 | 地盤 | 亞皆老街 |
|-----|------|----|------|



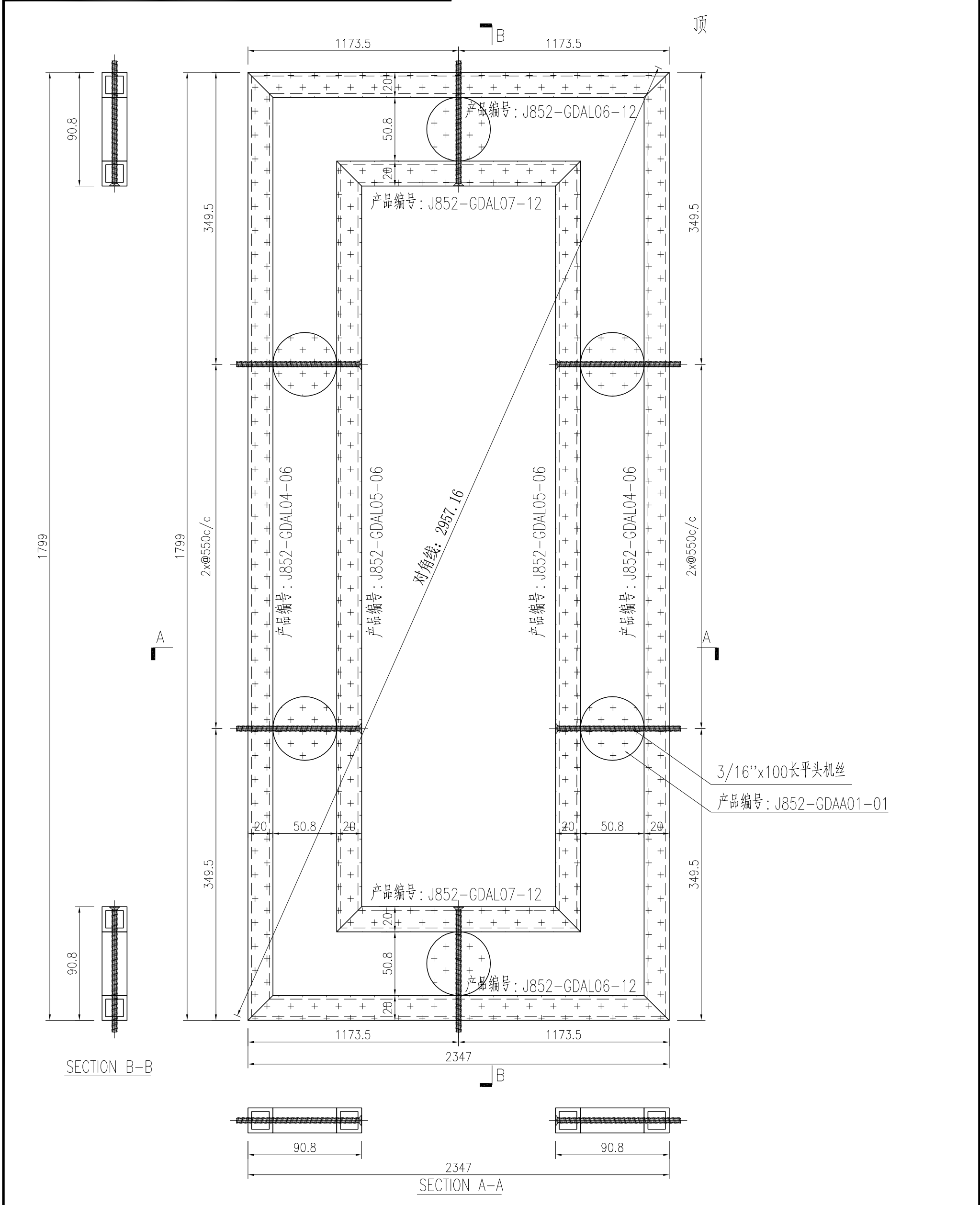
| | | | | | | | |
|----|-------------------------|----|-----|------------|----|-------------|--|
| 名稱 | 型材組框圖 | 制圖 | 曾建平 | 2021-05-26 | 修改 | | |
| 材料 | 20x20x3mm厚鋁通+ø50.8實心鋁圓通 | 復核 | | | 日期 | | |
| 顏色 | UCT201498XL(A)-3 灰色 | 批准 | | | 圖號 | J852-GDZK12 | |



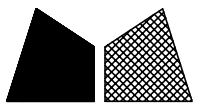
美特鋁質 有限公司
MIDI Aluminium Fabricator Ltd.

| 产品编号 | L(MM) | 数量 | N | M | A | B | C | D | 备注 |
|------|-------|----|---|---|---|---|---|---|----|
| | | 2 | | | | | | | |

| | | | |
|-----|------|----|------|
| 工程號 | J852 | 地盤 | 亞皆老街 |
|-----|------|----|------|



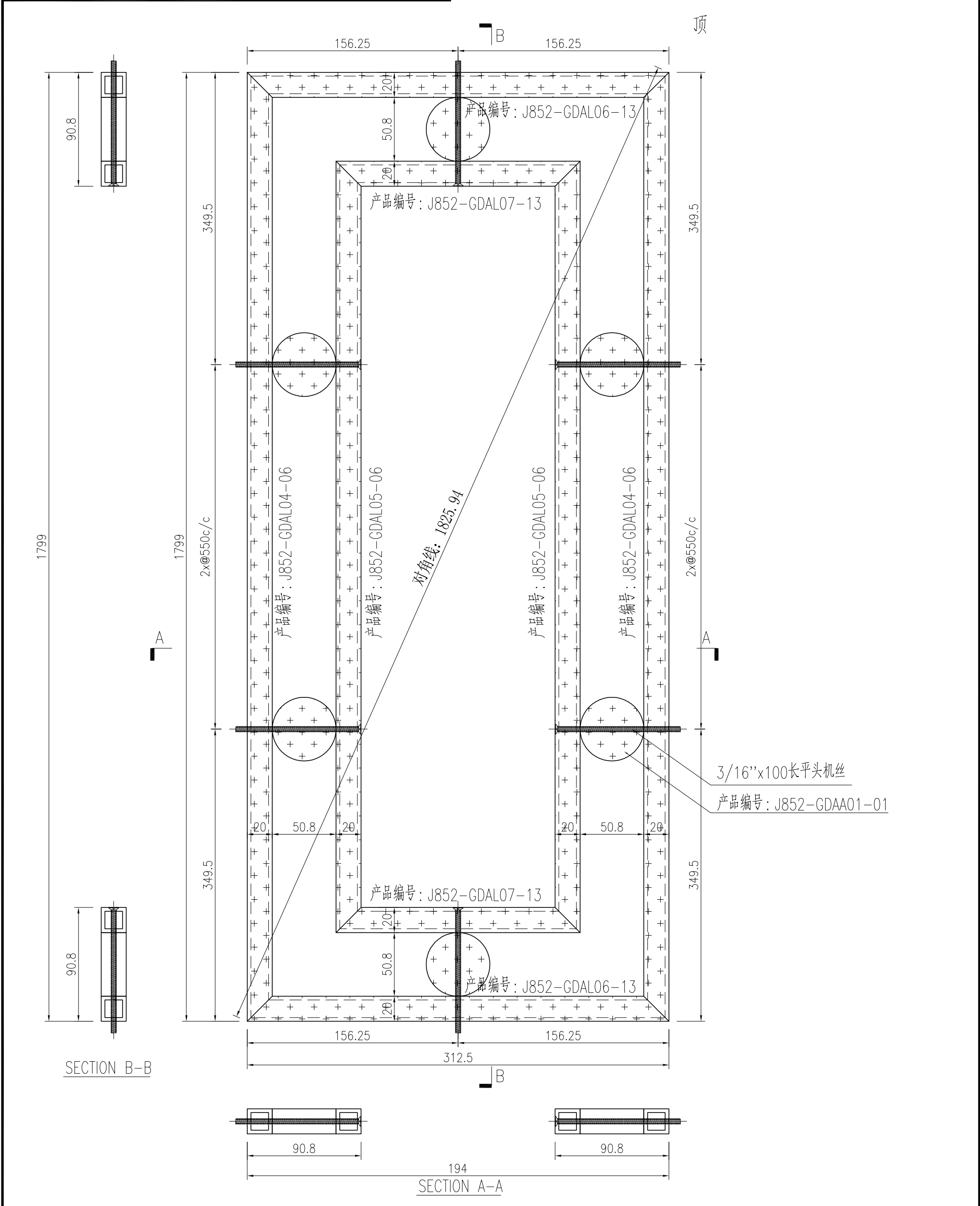
| | | | | | | | |
|----|-------------------------|----|-----|------------|----|-------------|--|
| 名稱 | 型材組框圖 | 制圖 | 曾建平 | 2021-05-26 | 修改 | | |
| 材料 | 20x20x3mm厚鋁通+φ50.8實心鋁圓通 | 復核 | | | 日期 | | |
| 顏色 | UCT201498XL(A)-3 灰色 | 批准 | | | 圖號 | J852-GDZK13 | |



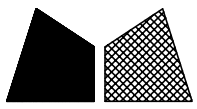
美特鋁質 有限公司
MIDI Aluminium Fabricator Ltd.

| 产品编号 | L(MM) | 数量 | N | M | A | B | C | D | 备注 |
|------|-------|----|---|---|---|---|---|---|----|
| | | 4 | | | | | | | |

| | | | |
|-----|------|----|------|
| 工程號 | J852 | 地盤 | 亞皆老街 |
|-----|------|----|------|



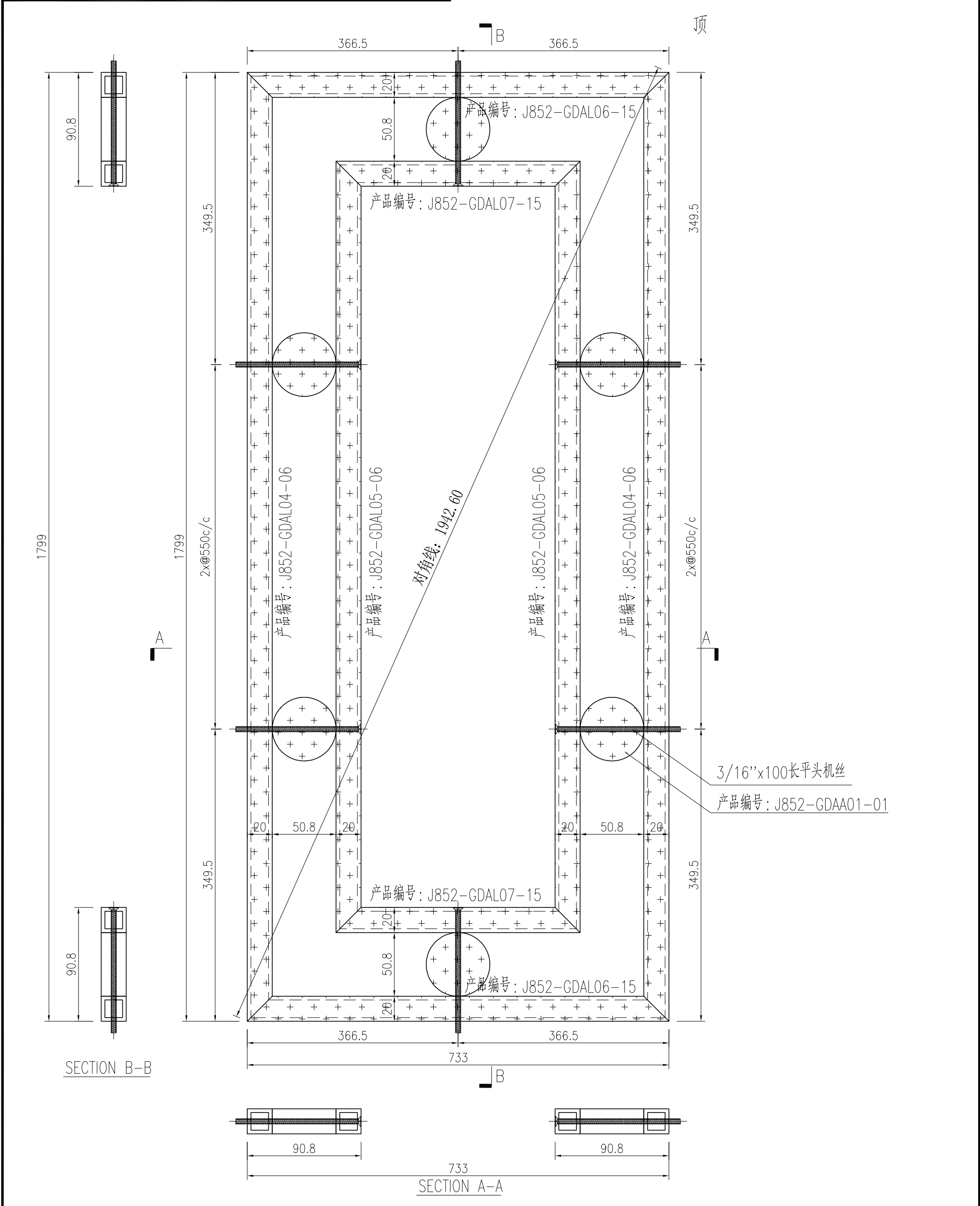
| | | | | | | | |
|----|-------------------------|----|-----|------------|----|-------------|--|
| 名稱 | 型材組框圖 | 制圖 | 曾建平 | 2021-05-26 | 修改 | | |
| 材料 | 20x20x3mm厚鋁通+ø50.8實心鋁圓通 | 復核 | | | 日期 | | |
| 顏色 | UCT201498XL(A)-3 灰色 | 批准 | | | 圖號 | J852-GDZK14 | |



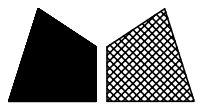
美特鋁質 有限公司
MIDI Aluminium Fabricator Ltd.

| 产品编号 | L(MM) | 数量 | N | M | A | B | C | D | 备注 |
|------|-------|----|---|---|---|---|---|---|----|
| | | 2 | | | | | | | |

| | | | |
|-----|------|----|------|
| 工程號 | J852 | 地盤 | 亞皆老街 |
|-----|------|----|------|



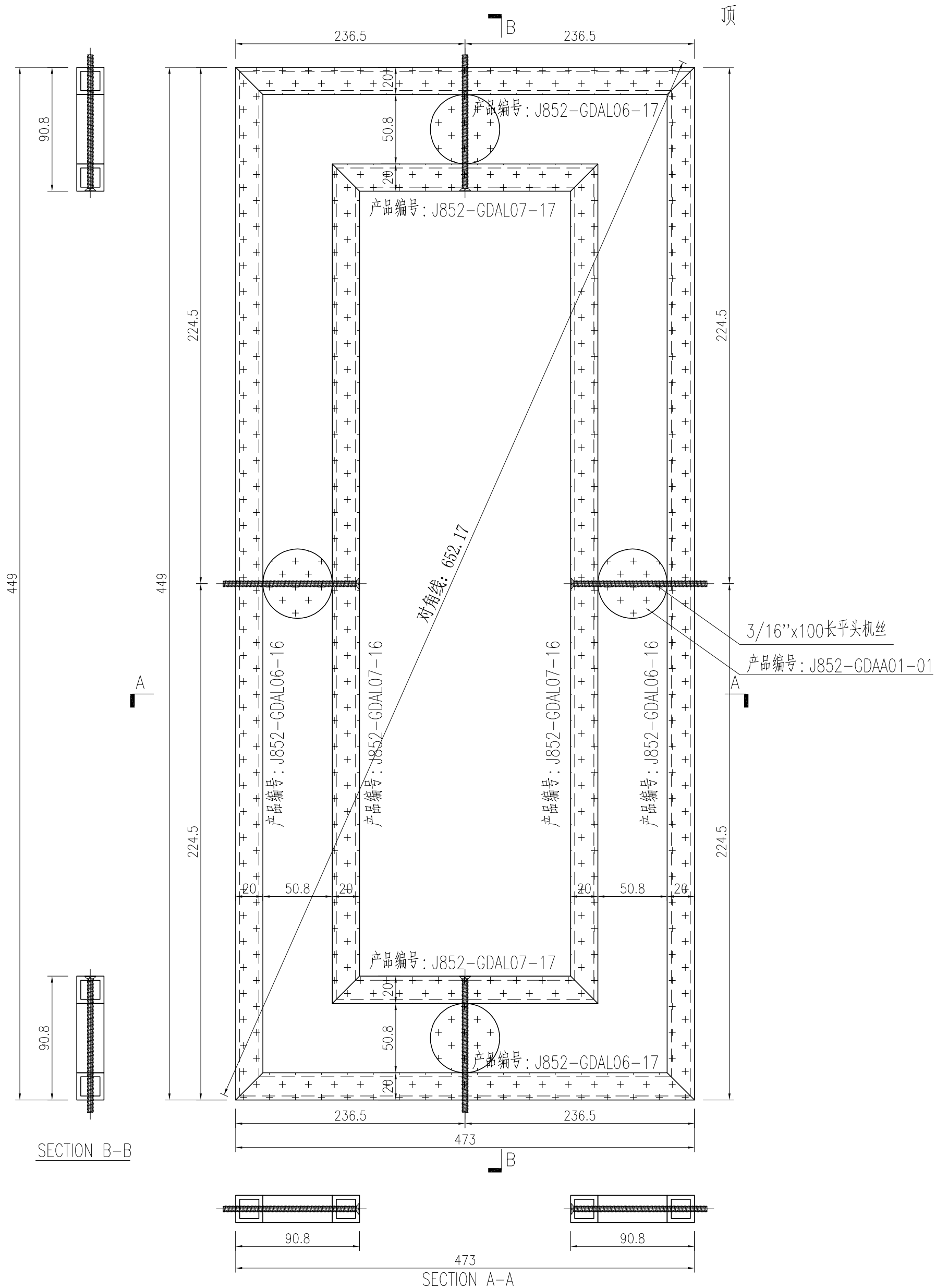
| | | | | | | | |
|----|-------------------------|----|-----|------------|----|-------------|--|
| 名稱 | 型材組框圖 | 制圖 | 曾建平 | 2021-05-26 | 修改 | | |
| 材料 | 20x20x3mm厚鋁通+ø50.8實心鋁圓通 | 復核 | | | 日期 | | |
| 顏色 | UCT201498XL(A)-3 灰色 | 批准 | | | 圖號 | J852-GDZK16 | |



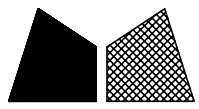
美特鋁質 有限公司
MIDI Aluminium Fabricator Ltd.

| 产品编号 | L(MM) | 数量 | N | M | A | B | C | D | 备注 |
|------|-------|----|---|---|---|---|---|---|----|
| | | 2 | | | | | | | |

| | | | |
|-----|------|----|------|
| 工程號 | J852 | 地盤 | 亞皆老街 |
|-----|------|----|------|



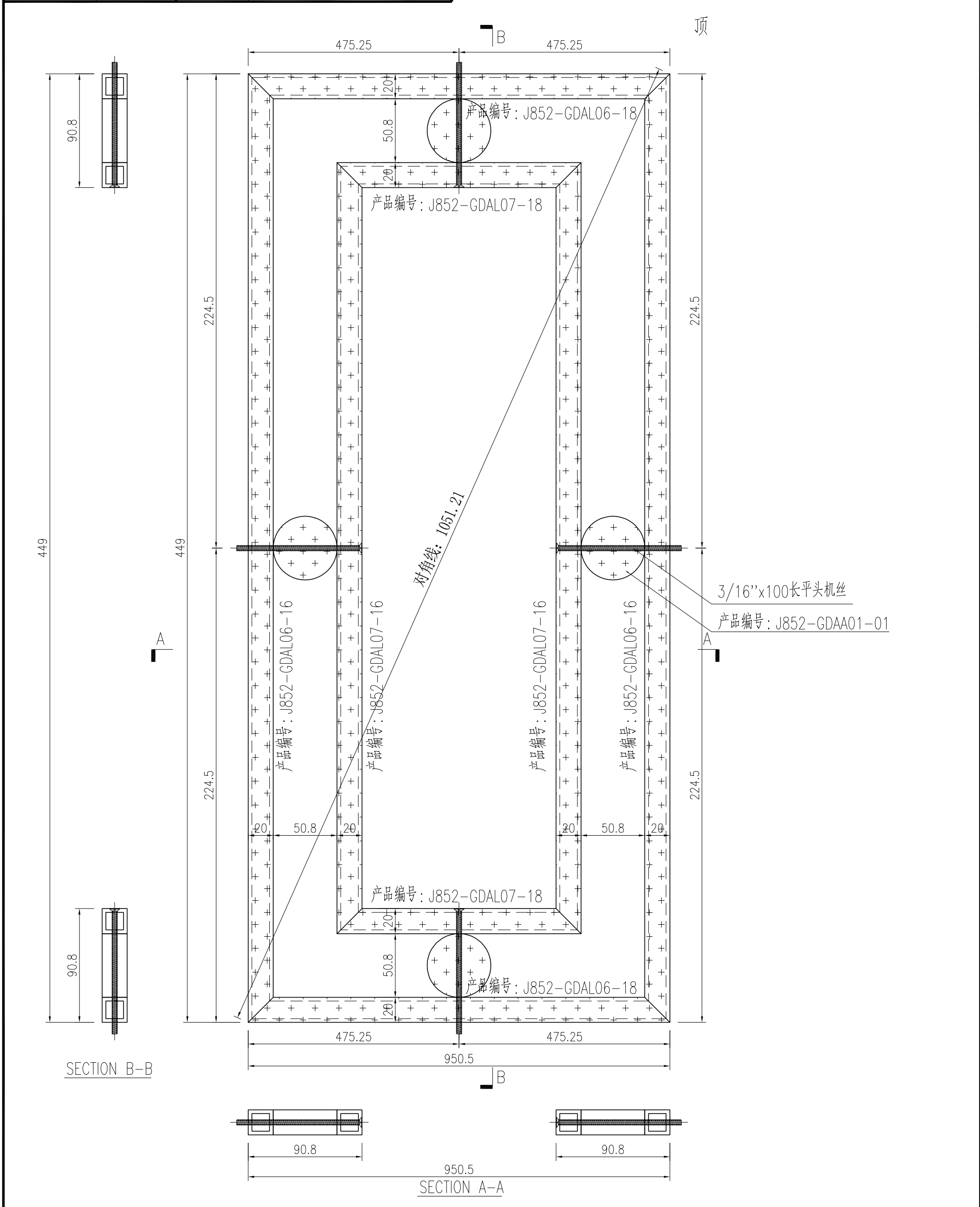
| | | | | | | | |
|----|-------------------------|----|-----|------------|----|-------------|--|
| 名稱 | 型材組框圖 | 制圖 | 曾建平 | 2021-05-26 | 修改 | | |
| 材料 | 20x20x3mm厚鋁通+ø50.8實心鋁圓通 | 復核 | | | 日期 | | |
| 顏色 | UCT201498XL(A)-3 灰色 | 批准 | | | 圖號 | J852-GDZK17 | |



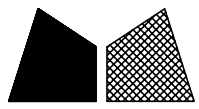
美特鋁質 有限公司
MIDI Aluminium Fabricator Ltd.

| 产品编号 | L(MM) | 数量 | N | M | A | B | C | D | 备注 |
|------|-------|----|---|---|---|---|---|---|----|
| | | 1 | | | | | | | |

| | | | |
|-----|------|----|------|
| 工程號 | J852 | 地盤 | 亞皆老街 |
|-----|------|----|------|



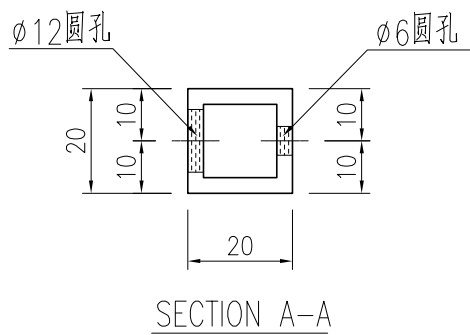
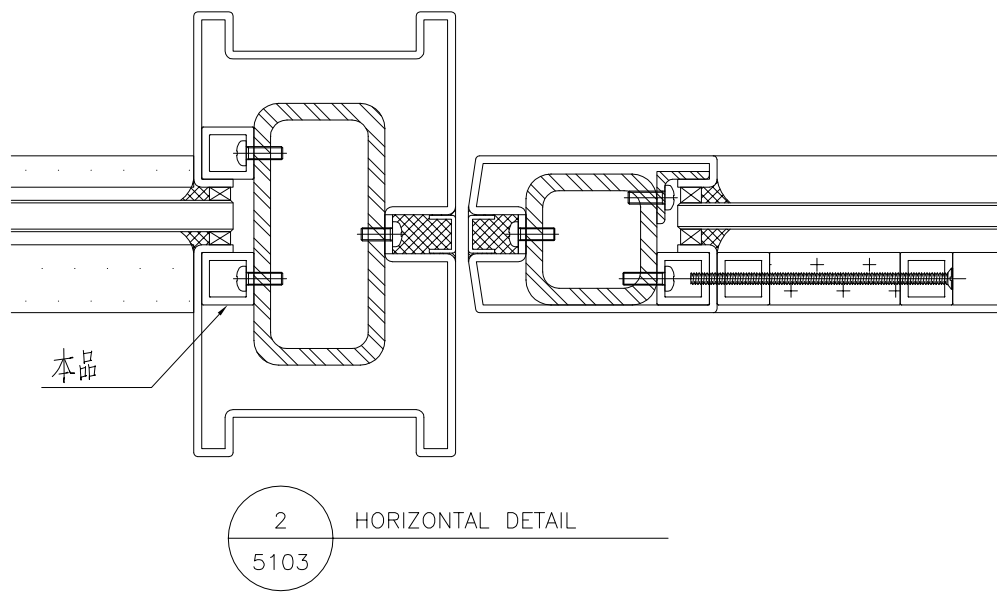
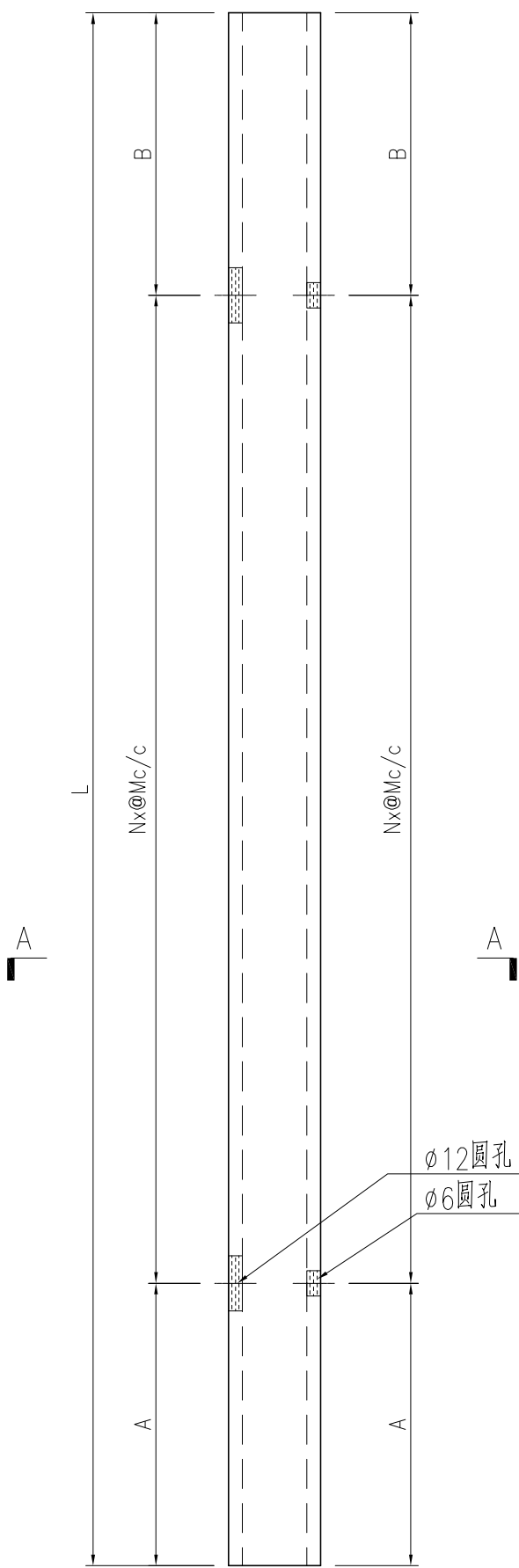
| | | | | | | | |
|----|-------------------------|----|-----|------------|----|-------------|--|
| 名稱 | 型材組框圖 | 制圖 | 曾建平 | 2021-05-26 | 修改 | | |
| 材料 | 20x20x3mm厚鋁通+ø50.8實心鋁圓通 | 復核 | | | 日期 | | |
| 顏色 | UCT201498XL(A)-3 灰色 | 批准 | | | 圖號 | J852-GDZK18 | |



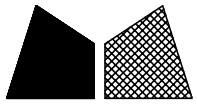
美特鋁質 有限公司
MIDI Aluminium Fabricator Ltd.

| 产品编号 | L(MM) | 数量 | N | M | A | B | C | D | 备注 |
|----------------|-------|----|---|-----|-------|-------|---|---|----|
| J852-GDAL01-01 | 556 | 12 | 1 | 300 | 128 | 128 | | | |
| J852-GDAL01-02 | 2655 | 12 | 7 | 300 | 277.5 | 277.5 | | | |
| J852-GDAL01-03 | 576 | 2 | 1 | 300 | 138 | 138 | | | |
| J852-GDAL01-04 | 246 | 16 | 1 | 300 | 113 | 113 | | | |
| J852-GDAL01-05 | 1756 | 16 | 5 | 300 | 128 | 128 | | | |
| J852-GDAL01-06 | 550 | 2 | 1 | 300 | 125 | 125 | | | |
| J852-GDAL01-07 | 553 | 2 | 1 | 300 | 126.5 | 126.5 | | | |

| | | | |
|-----|------|----|------|
| 工程號 | J852 | 地盤 | 亞皆老街 |
|-----|------|----|------|



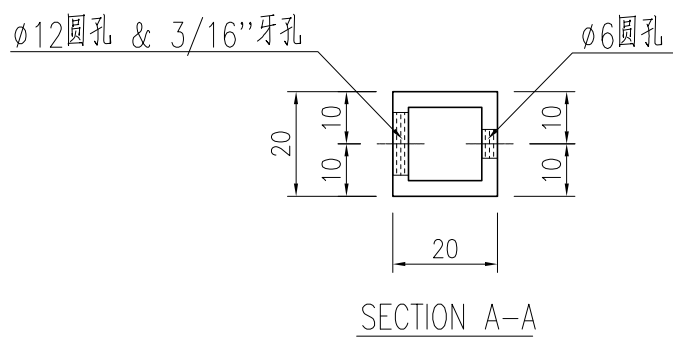
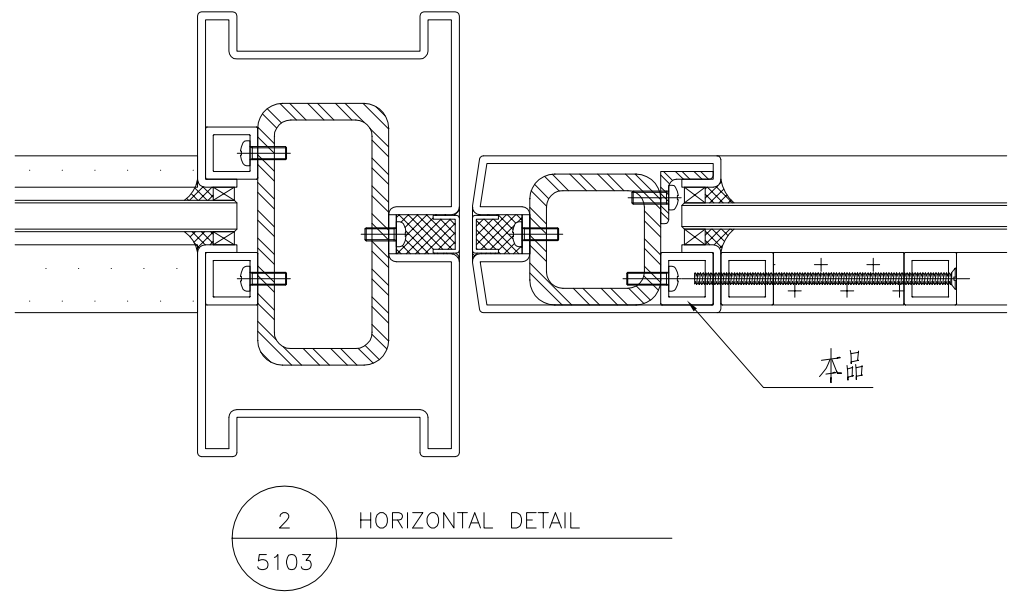
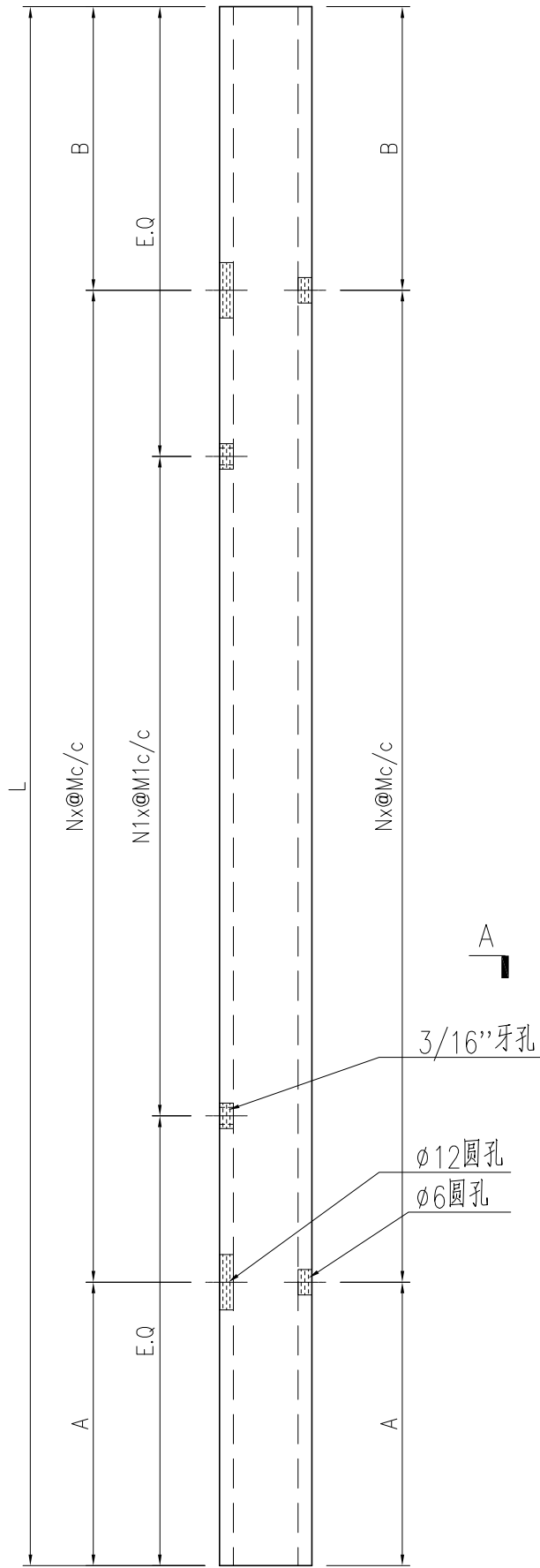
| | | | | | | | |
|----|---------------------|----|-----|------------|----|-------------|--|
| 名稱 | 型材加工圖 | 制圖 | 曾建平 | 2021-05-26 | 修改 | | |
| 材料 | 20x20x3mm厚鋁通 | 復核 | | | 日期 | | |
| 顏色 | UCT201498XL(A)-3 灰色 | 批准 | | | 圖號 | J852-GDAL01 | |



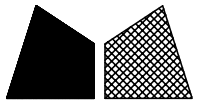
美特鋁質 有限公司
MIDI Aluminium Fabricator Ltd.

| 产品编号 | L(MM) | 数量 | N | M | A | B | N1 | M1 | 备注 |
|----------------|-------|----|---|-----|-----|-----|----|-----|----|
| J852-GDAL02-01 | 2546 | 68 | 7 | 300 | 223 | 223 | 3 | 600 | |
| J852-GDAL02-02 | 1626 | 96 | 5 | 300 | 63 | 63 | 2 | 550 | |

| | | | |
|-----|------|----|------|
| 工程號 | J852 | 地盤 | 亞皆老街 |
|-----|------|----|------|



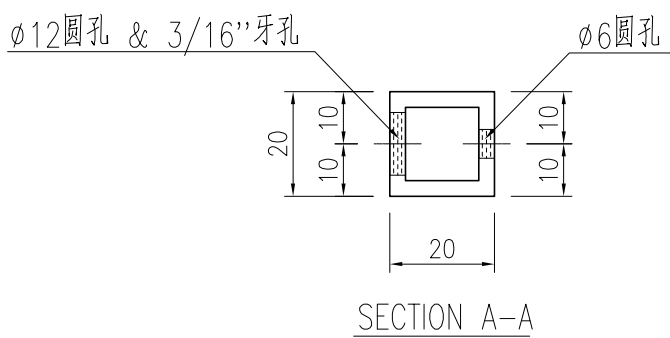
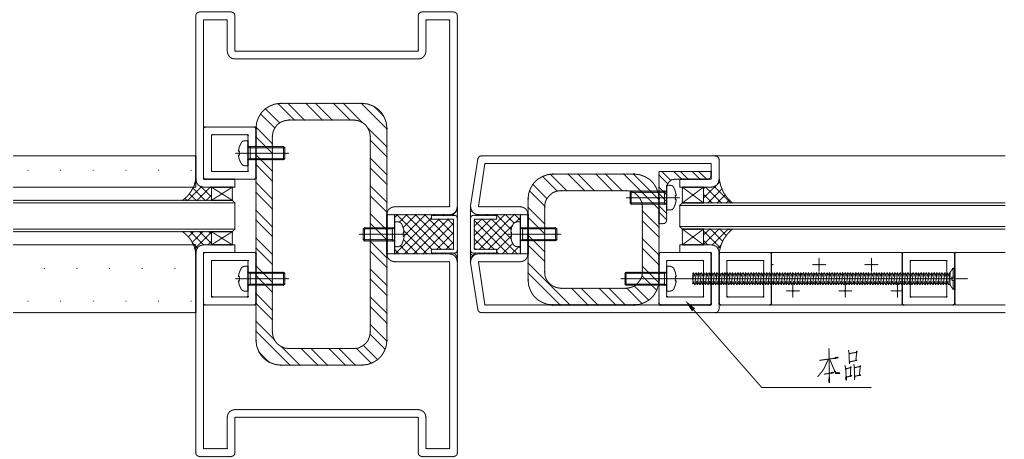
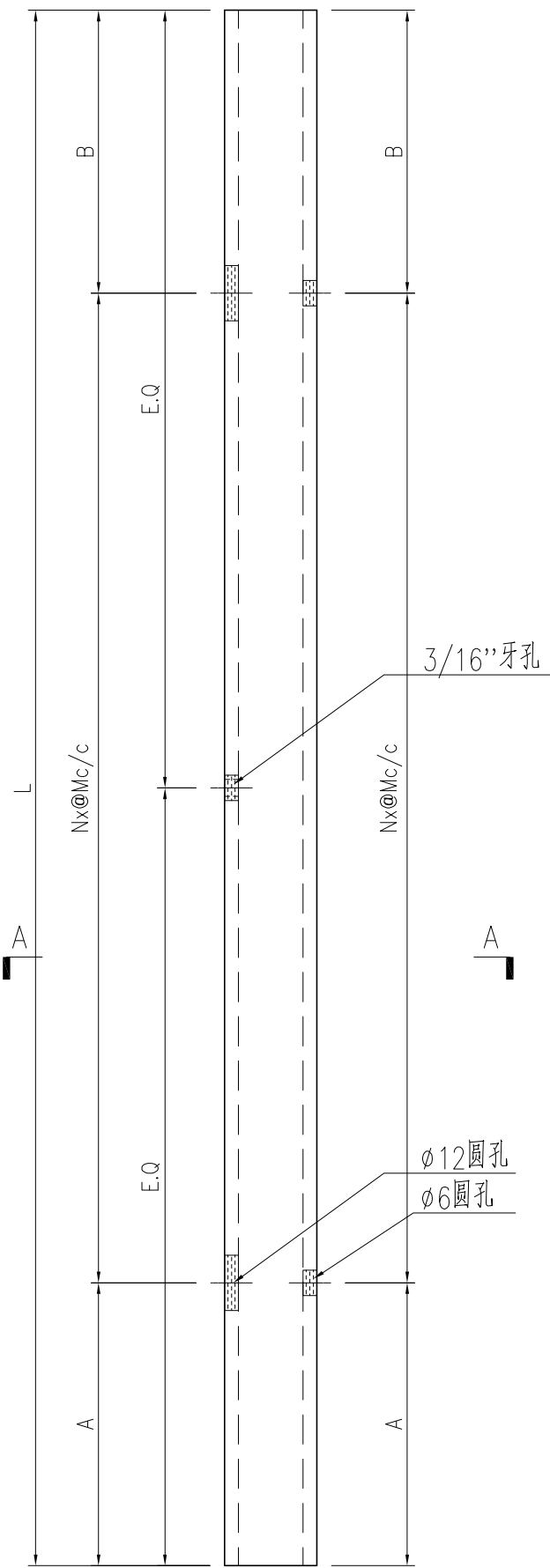
| | | | | | | | | |
|----|---------------------|----|-----|------------|----|-------------|--|--|
| 名稱 | 型材加工圖 | 制圖 | 曾建平 | 2021-05-26 | 修改 | | | |
| 材料 | 20x20x3mm厚鋁通 | 復核 | | | 日期 | | | |
| 顏色 | UCT201498XL(A)-3 灰色 | 批准 | | | 圖號 | J852-GDAL02 | | |



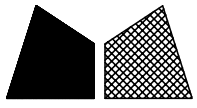
美特鋁質 有限公司
MIDI Aluminium Fabricator Ltd.

| 产品编号 | L(MM) | 数量 | N | M | A | B | C | D | 备注 |
|----------------|-------|----|---|-----|-------|-------|---|---|----|
| J852-GDAL03-01 | 556 | 12 | 1 | 300 | 128 | 128 | | | |
| J852-GDAL03-02 | 744.5 | 32 | 1 | 500 | 122.5 | 122 | | | |
| J852-GDAL03-04 | 1746 | 4 | 5 | 300 | 123 | 123 | | | |
| J852-GDAL03-05 | 694.5 | 32 | 2 | 300 | 47.5 | 47 | | | |
| J852-GDAL03-06 | 685 | 24 | 1 | 400 | 142.5 | 142.5 | | | |
| J852-GDAL03-07 | 619 | 24 | 1 | 400 | 109.5 | 109.5 | | | |
| J852-GDAL03-08 | 595 | 48 | 1 | 300 | 147.5 | 147.5 | | | |

| | | | |
|-----|------|----|------|
| 工程號 | J852 | 地盤 | 亞皆老街 |
|-----|------|----|------|



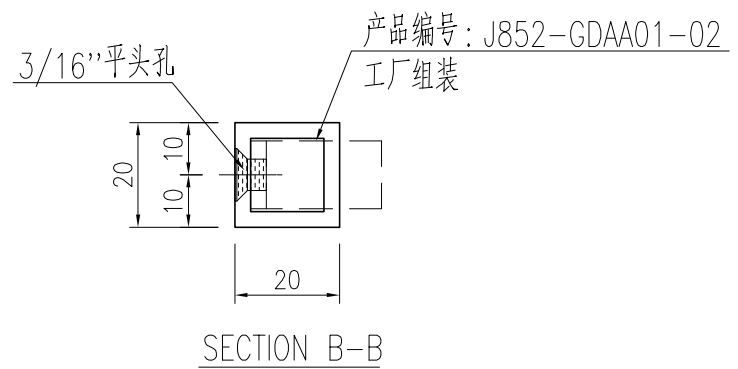
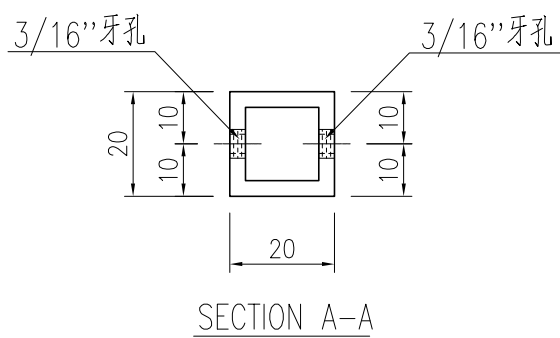
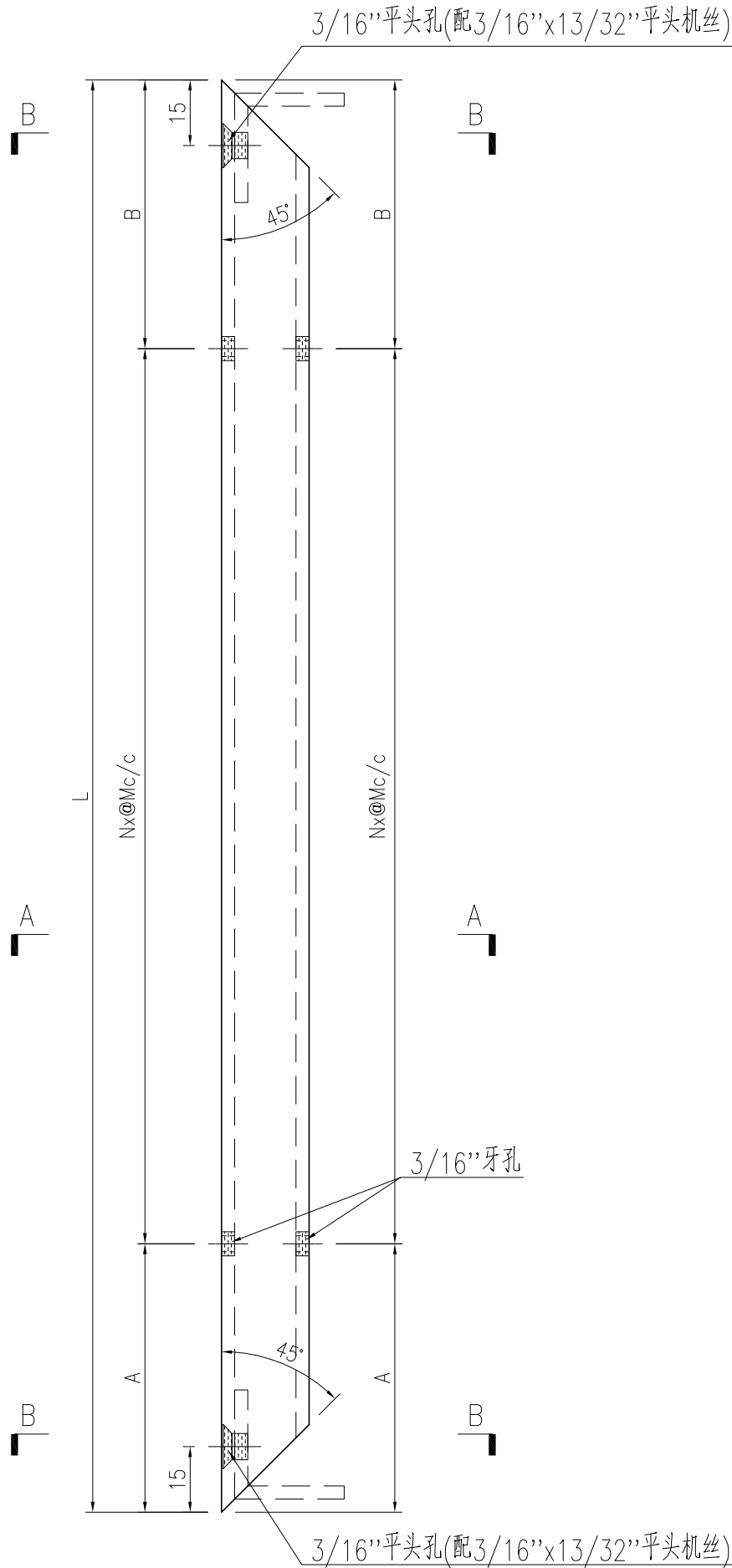
| | | | | | | | | |
|----|---------------------|----|-----|------------|----|-------------|--|--|
| 名稱 | 型材加工圖 | 制圖 | 曾建平 | 2021-05-26 | 修改 | | | |
| 材料 | 20x20x3mm厚鋁通 | 復核 | | | 日期 | | | |
| 顏色 | UCT201498XL(A)-3 灰色 | 批准 | | | 圖號 | J852-GDAL03 | | |



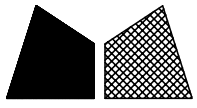
美特鋁質 有限公司
MIDI Aluminium Fabricator Ltd.

| 产品编号 | L(MM) | 数量 | N | M | A | B | C | D | 备注 |
|----------------|-------|----|---|-----|-------|-------|---|---|----|
| J852-GDAL04-01 | 1999 | 6 | 2 | 501 | 498.5 | 498.5 | | | |
| J852-GDAL04-02 | 2599 | 68 | 3 | 600 | 399.5 | 399.5 | | | |
| J852-GDAL04-03 | 1899 | 12 | 2 | 473 | 476.5 | 476.5 | | | |
| J852-GDAL04-04 | 1679 | 48 | 2 | 550 | 349.5 | 229.5 | | | |
| J852-GDAL04-05 | 1679 | 48 | 2 | 550 | 229.5 | 349.5 | | | |
| J852-GDAL04-06 | 1799 | 64 | 2 | 550 | 349.5 | 349.5 | | | |

工程號 J852 地盤 亞皆老街



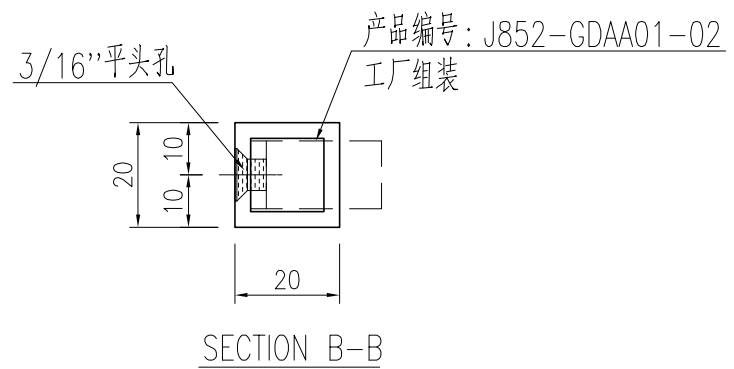
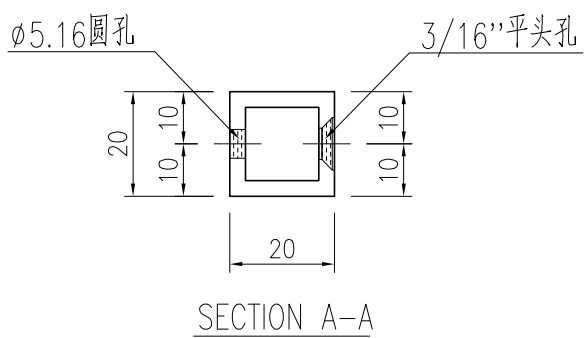
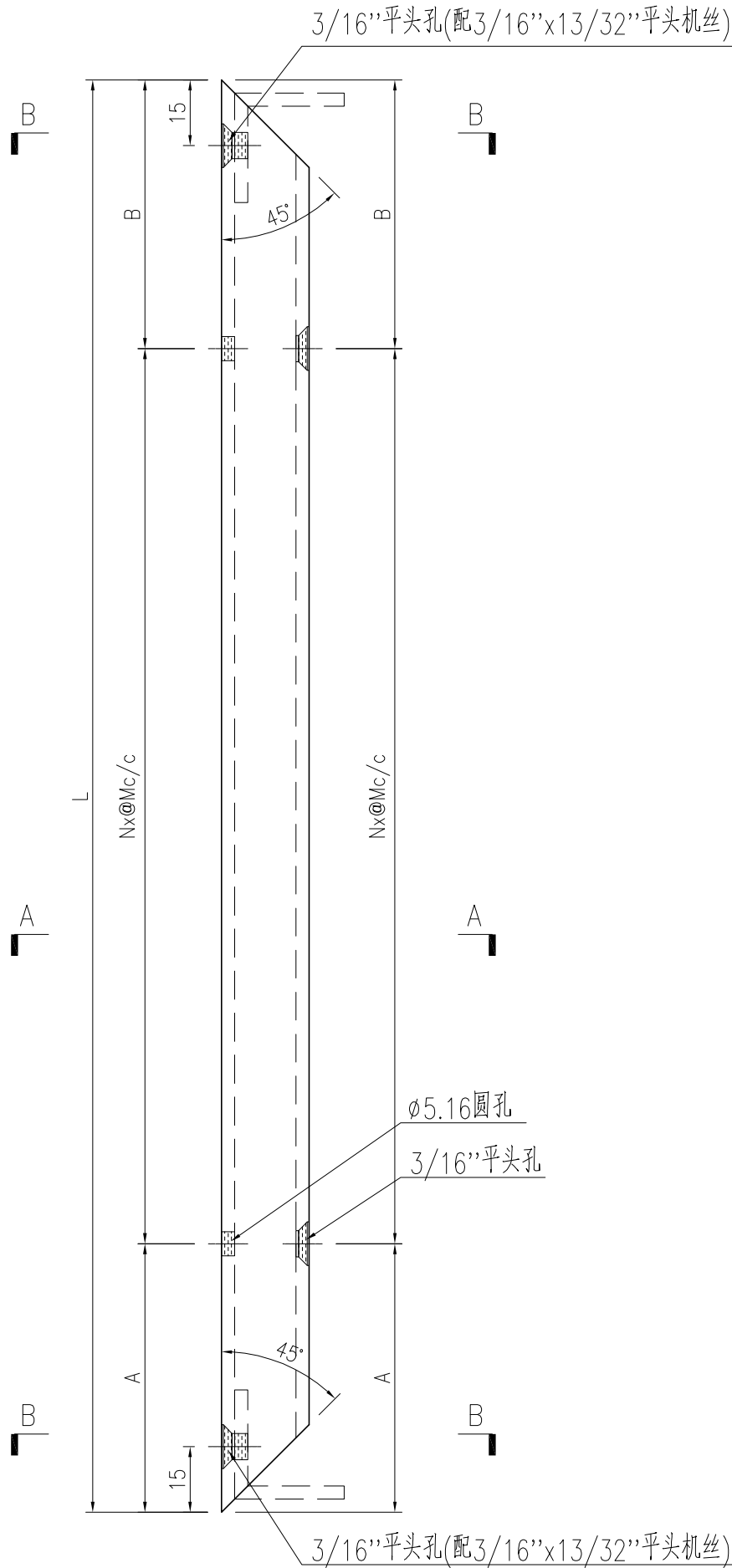
| | | | | | | | | |
|----|---------------------|----|-----|------------|----|-------------|--|--|
| 名稱 | 型材加工圖 | 制圖 | 曾建平 | 2021-05-26 | 修改 | | | |
| 材料 | 20x20x3mm厚鋁通 | 復核 | | | 日期 | | | |
| 顏色 | UCT201498XL(A)-3 灰色 | 批准 | | | 圖號 | J852-GDAL04 | | |



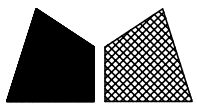
美特鋁質 有限公司
MIDI Aluminium Fabricator Ltd.

| 产品编号 | L(MM) | 数量 | N | M | A | B | C | D | 备注 |
|----------------|--------|----|---|-----|-------|-------|---|---|----|
| J852-GDAL05-01 | 1857.4 | 6 | 2 | 501 | 427.7 | 427.7 | | | |
| J852-GDAL05-02 | 2457.4 | 68 | 3 | 600 | 328.7 | 328.7 | | | |
| J852-GDAL05-03 | 1757.4 | 12 | 2 | 473 | 405.7 | 405.7 | | | |
| J852-GDAL05-04 | 1537.4 | 48 | 2 | 550 | 278.7 | 158.7 | | | |
| J852-GDAL05-05 | 1537.4 | 48 | 2 | 550 | 158.7 | 278.7 | | | |
| J852-GDAL05-06 | 1657.4 | 64 | 2 | 550 | 278.7 | 278.7 | | | |

| | | | |
|-----|------|----|------|
| 工程號 | J852 | 地盤 | 亞皆老街 |
|-----|------|----|------|



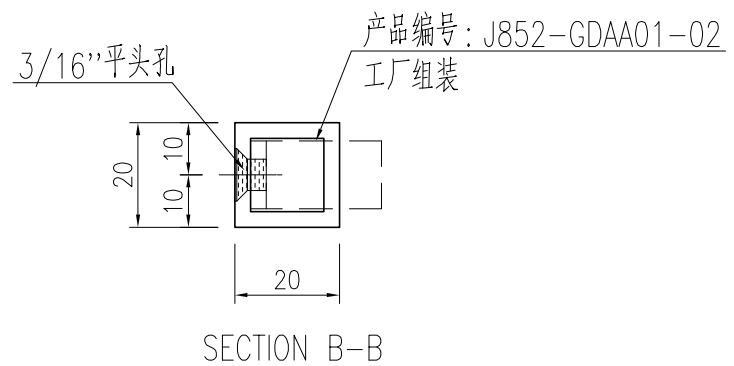
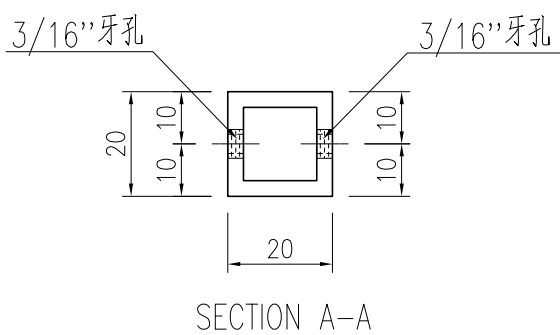
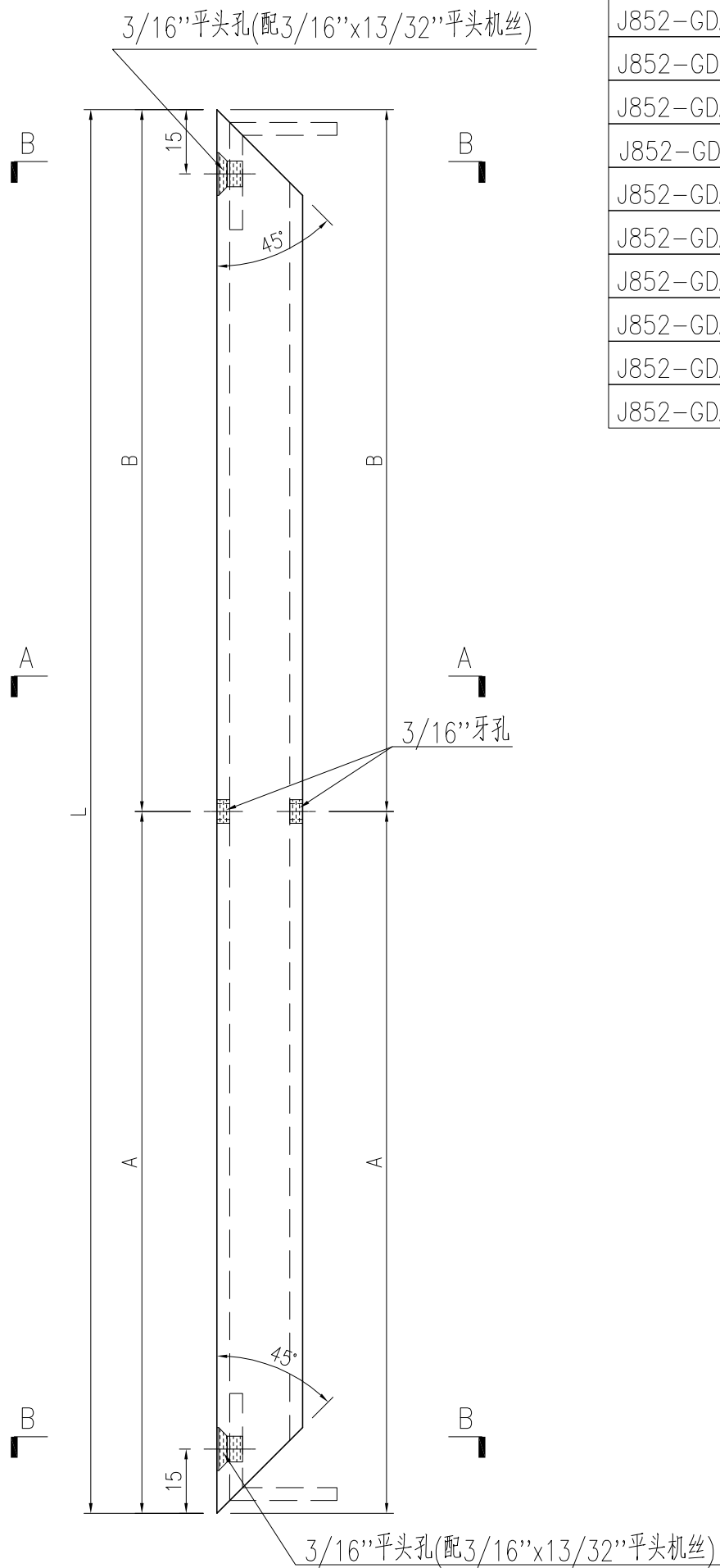
| | | | | | | | | |
|----|---------------------|----|-----|------------|----|-------------|--|--|
| 名稱 | 型材加工圖 | 制圖 | 曾建平 | 2021-05-26 | 修改 | | | |
| 材料 | 20x20x3mm厚鋁通 | 復核 | | | 日期 | | | |
| 顏色 | UCT201498XL(A)-3 灰色 | 批准 | | | 圖號 | J852-GDAL05 | | |



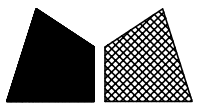
美特鋁質 有限公司
MIDI Aluminium Fabricator Ltd.

| 产品编号 | L(MM) | 数量 | N | M | A | B | C | D | 备注 |
|----------------|-------|----|---|---|--------|--------|---|---|----|
| J852-GDAL06-01 | 599 | 18 | | | 299.5 | 299.5 | | | |
| J852-GDAL06-02 | 797.5 | 32 | | | 398.75 | 398.75 | | | |
| J852-GDAL06-04 | 1799 | 4 | | | 899.5 | 899.5 | | | |
| J852-GDAL06-05 | 747.5 | 32 | | | 373.75 | 373.75 | | | |
| J852-GDAL06-06 | 739 | 24 | | | 369 | 369 | | | |
| J852-GDAL06-07 | 672 | 24 | | | 336 | 336 | | | |
| J852-GDAL06-08 | 2157 | 8 | | | 1078.5 | 1078.5 | | | |
| J852-GDAL06-09 | 648 | 48 | | | 324 | 324 | | | |
| J852-GDAL06-10 | 1194 | 24 | | | 597 | 597 | | | |
| J852-GDAL06-11 | 264 | 16 | | | 132 | 132 | | | |
| J852-GDAL06-12 | 2347 | 4 | | | 1173.5 | 1173.5 | | | |
| J852-GDAL06-13 | 312.5 | 8 | | | 156.25 | 156.25 | | | |
| J852-GDAL06-15 | 733 | 4 | | | 366.5 | 366.5 | | | |
| J852-GDAL06-16 | 449 | 6 | | | 224.5 | 224.5 | | | |
| J852-GDAL06-17 | 473 | 4 | | | 236.5 | 236.5 | | | |
| J852-GDAL06-18 | 950.5 | 2 | | | 475.25 | 475.25 | | | |

工程號 J852 地盤 亞皆老街



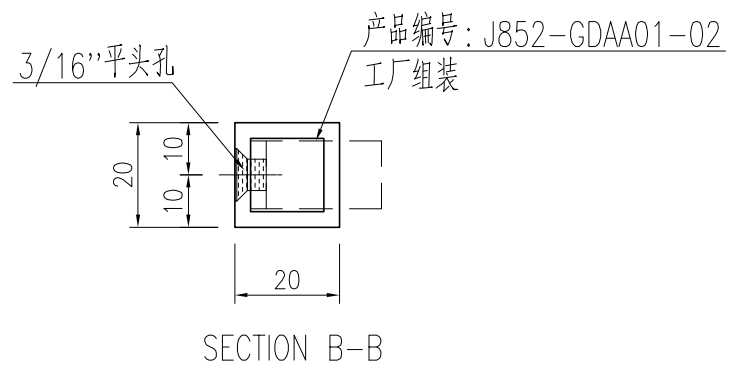
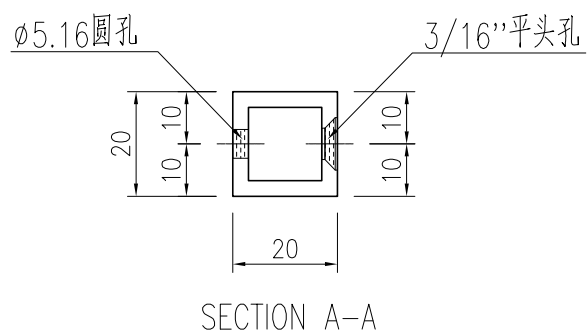
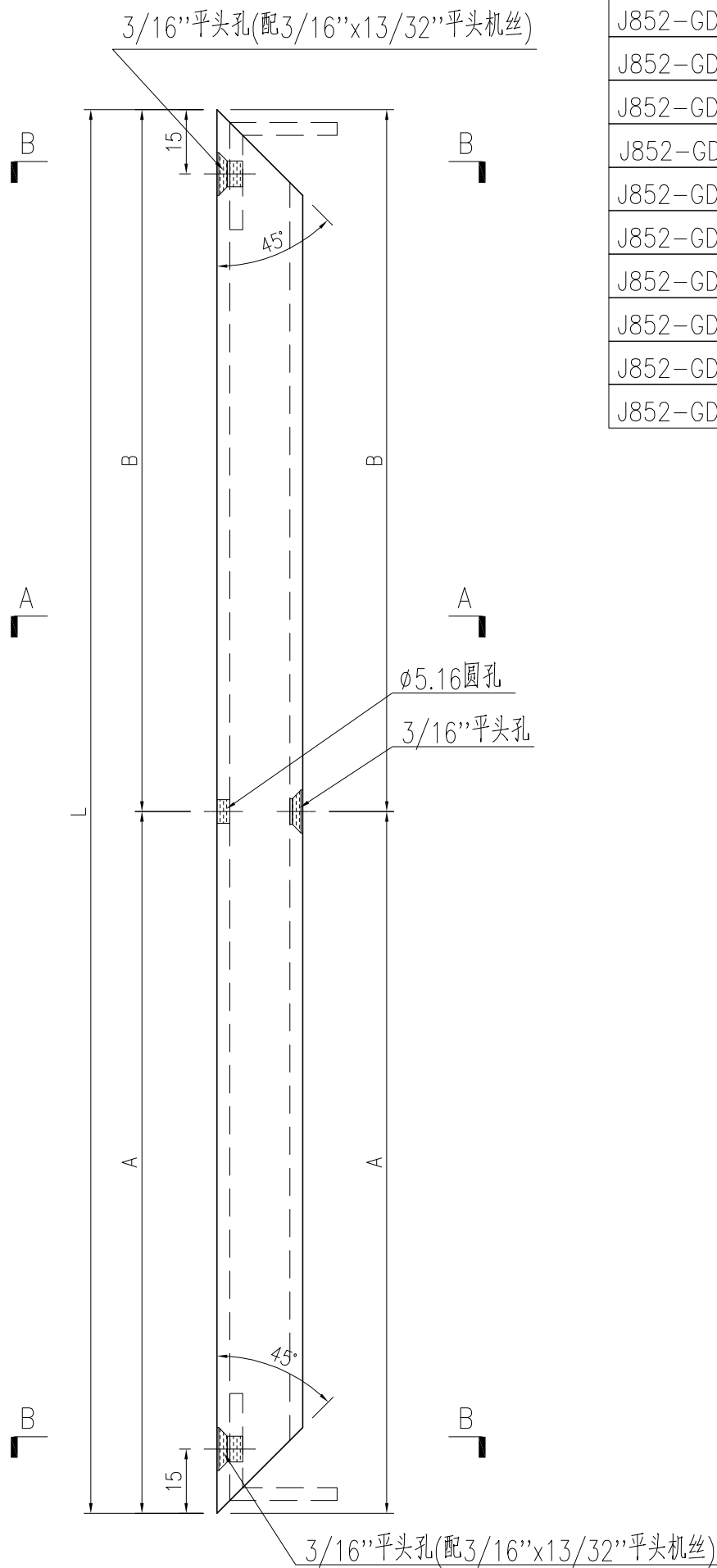
| | | | | | | | |
|----|---------------------|----|-----|------------|----|-------------|--|
| 名稱 | 型材加工圖 | 制圖 | 曾建平 | 2021-05-26 | 修改 | | |
| 材料 | 20x20x3mm厚鋁通 | 復核 | | | 日期 | | |
| 顏色 | UCT201498XL(A)-3 灰色 | 批准 | | | 圖號 | J852-GDAL06 | |



美特鋁質 有限公司
MIDI Aluminium Fabricator Ltd.

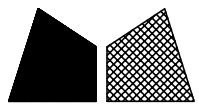
| 产品编号 | L(MM) | 数量 | N | M | A | B | C | D | 备注 |
|----------------|--------|----|---|---|--------|--------|---|---|----|
| J852-GDAL07-01 | 457.4 | 18 | | | 228.7 | 228.7 | | | |
| J852-GDAL07-02 | 655.9 | 32 | | | 327.95 | 327.95 | | | |
| J852-GDAL07-04 | 1657.4 | 4 | | | 828.7 | 828.7 | | | |
| J852-GDAL07-05 | 605.9 | 32 | | | 302.95 | 302.95 | | | |
| J852-GDAL07-06 | 596.4 | 24 | | | 298.2 | 298.2 | | | |
| J852-GDAL07-07 | 530.4 | 24 | | | 265.2 | 265.2 | | | |
| J852-GDAL07-08 | 2015.4 | 8 | | | 1007.7 | 1007.7 | | | |
| J852-GDAL07-09 | 506.4 | 48 | | | 253.2 | 253.2 | | | |
| J852-GDAL07-10 | 1052.4 | 24 | | | 526.2 | 526.2 | | | |
| J852-GDAL07-11 | 122.4 | 16 | | | 61.2 | 61.2 | | | |
| J852-GDAL07-12 | 2205.4 | 4 | | | 1102.7 | 1102.7 | | | |
| J852-GDAL07-13 | 170.9 | 8 | | | 85.45 | 85.45 | | | |
| J852-GDAL07-15 | 591.4 | 4 | | | 295.7 | 295.7 | | | |
| J852-GDAL07-16 | 307.4 | 6 | | | 153.7 | 153.7 | | | |
| J852-GDAL07-17 | 331.4 | 4 | | | 165.7 | 165.7 | | | |
| J852-GDAL07-18 | 808.9 | 2 | | | 404.45 | 404.45 | | | |

工程號 J852 地盤 亞皆老街



产品编号: J852-GDAA01-02
工厂组装

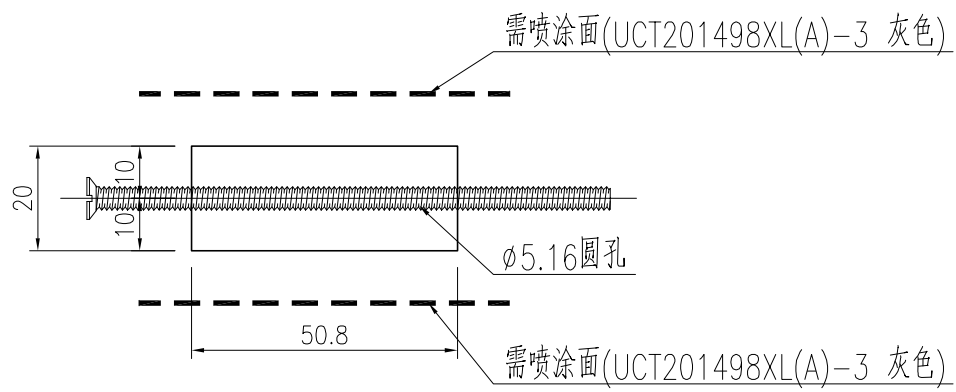
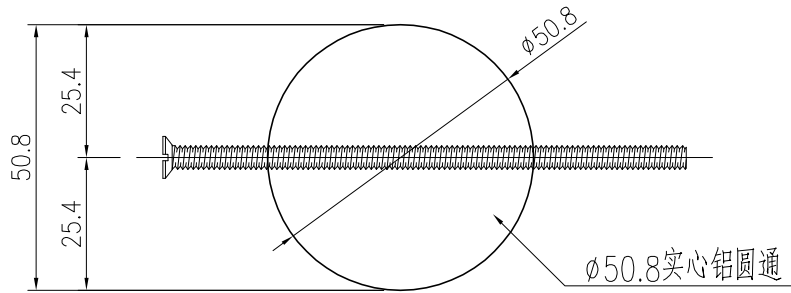
| | | | | | | | |
|----|---------------------|----|-----|------------|----|-------------|--|
| 名稱 | 型材加工圖 | 制圖 | 曾建平 | 2021-05-26 | 修改 | | |
| 材料 | 20x20x3mm厚鋁通 | 復核 | | | 日期 | | |
| 顏色 | UCT201498XL(A)-3 灰色 | 批准 | | | 圖號 | J852-GDAL07 | |



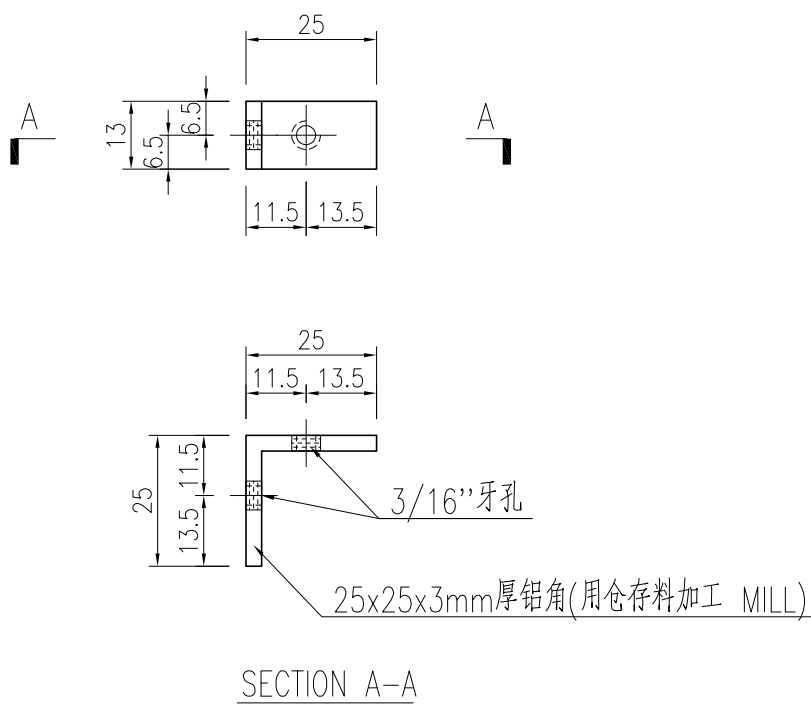
美特鋁質 有限公司
MIDI Aluminium Fabricator Ltd.

| 产品编号 | L(MM) | 数量 | N | M | A | B | C | D | 备注 |
|----------------|-------|------|---|---|---|---|---|---|----|
| J852-GDAA01-01 | | 1150 | | | | | | | |

| | | | |
|-----|------|----|------|
| 工程號 | J852 | 地盤 | 亞皆老街 |
|-----|------|----|------|



| 产品编号 | L(MM) | 数量 | N | M | A | B | C | D | 备注 |
|----------------|-------|------|---|---|---|---|---|---|----|
| J852-GDAA01-02 | | 1060 | | | | | | | |



| | | | | | | | | |
|----|-------------------------|----|-----|------------|----|-------------|--|--|
| 名稱 | 型材加工圖 | 制圖 | 曾建平 | 2021-05-26 | 修改 | | | |
| 材料 | 20x20x3mm厚铝通+Ø50.8实心铝圆通 | 復核 | | | 日期 | | | |
| 顏色 | 詳見加工圖 | 批准 | | | 圖號 | J852-GDAA01 | | |