



工程指示 / 要求簡箋(E.I.)

工程指示編號：EI / 3750 / 21

修改版次：-

工程編號：J - 852

工程名稱：亞皆老街中電

工程項目：平台 Glass Wall 地盆用配件

收件人：生統 / Maggie / 林哥

發件人：Ant Yeung

日期：23/08/2021

要求提供 / 確認 事項：

- () 初步鋁料 B.M. () 加工拆圖，然後生產 () 尺寸表
- () 正式鋁料 B.M. () 技術上資料 / 指示 () 報價
- () 配件 B.M. () 樣辦或貨品說明書 () 分判合約
- () 其他：_____

內容：

請按配件 BM 訂購送地盆等等

請在 2021. 9/17 前完成上列要求。

附：1 頁 BM+ 2 頁

- 原合約工程包 原合約工程加 / 減賬 新工程報價

原因：-

分發東莞各部門：

- () 生產技術總監 連附件 () 技術部 連附件 () 生產部 連附件 () 機械設計部 連附件
- () 採購部 連附件 (✓) 生產統籌部 連附件 () 小羅&清 連附件
- () 質檢部 連附件 () 會計部 連附件 () 報關組 連附件 () 其他 楊榮輝 連附件

分發其他分判：

- (v) 水洪 連附件

分發香港各部門：

- () 行政部 連附件 () 會計部 連附件 (✓) 林哥 統籌部 連附件 (✓) 工程部地盤科文 連附件 祥哥
- (✓) 採購部 連附件 () QS 部 連附件 () 維修部 連附件 () 其他 _____ 連附件

傳遞編號：

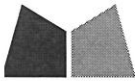
1658
HK 1658 / 21

發件人簽署：

項目經理簽署：

 美特鋁質有限公司 MIDI Aluminium Fabricator Ltd.	工程號:	J-852	計算:	黃漢卿	日期:	2021/08/09	送呈:	胡哥
	地盤名稱:	亞皆老街	核對:		日期:		副本:	
	項目類別:	平台GLASS WALL	批准:		日期:			
地盘用配件B.M.表 BM編號:		A/C Code: 213750			此BM依據 2021-7-31 收Wong009拆图资料 計算			

序號	修改標示	配件圖號	物料編號	配件名稱	顏色	實用	後備	總數	單位	備注
3				D.C.791 防水膠 300ml/支	灰色	300	50	350	支	
4		多玛 8560 GE (见附件)		地铰		5850	4	6254	套	
4		多玛 7461 8064 (见附件)		老鼠夹和盖巴		5850	4	6254	套	
2	船修	款式香港确定		门拉手		58	4	62	双	每双为室内和室外各一个拉手
5				6 (厚) x8 (宽) 海棉条	白色	1100	100	1200	米	
6				皺紋膠紙	灰黃色	2200	200	2400	卷	20m/卷
7			Silicone 硬度85±5	10x13mm墊塊(L=150mm)	黑色	180	20	200	塊	玻璃墊塊
8				靜電膠紙	透明	2		2	卷	1.25m x 200m/卷
9		BTS-80		地铰		8	2	10	套	
10										
11										
12										
13										
14										
15										
16										
17										
18										

 美特鋁質有限公司 MIDI Aluminium Fabricator Ltd.	工程號:	J-852	計算:	黃漢卿	日期:	2021/08/09	送呈:	胡哥	
	地盤名稱:	亞皆老街	核對:		日期:		副本:		
地盤用配件B.M.表	項目類別:	平台GLASS WALL	批准:		日期:				
BM編號:	A/C Code: 3750						此BM依據 2021-7-31 收Wong009拆图资料 計算		

序號	修改標示	配件圖號	物料編號	配件名稱	顏色	實用	後備	總數	單位	備注
3				D.C.791 防水膠 300ml/支	灰色	300	50	350	支	
4		多玛 8560 GE (见附件)		地铰		50	4	54	套	
4		多玛 7461 8064 (见附件)		老鼠夹和盖巴		58	4	62	套	
2	暫停	款式香港确定	另附加工圖	门拉手		58	4	62	双	每双为室内和室外各一个拉手
5				6 (厚) x8 (宽) 海棉条	白色	1100	100	1200	米	
6				皺紋膠紙	灰黃色	2200	200	2400	卷	20m/卷
7			Silicone 硬度85±5	10x13mm墊塊(L=150mm)	黑色	180	20	200	塊	玻璃墊塊
8				靜電膠紙	透明	2		2	卷	1.25m x 200m/卷
9		BTS-80 Dorma		地铰		8	2	10	套	
10										
11										
12										
13										
14										
15										
16										
17										
18										

May 2000



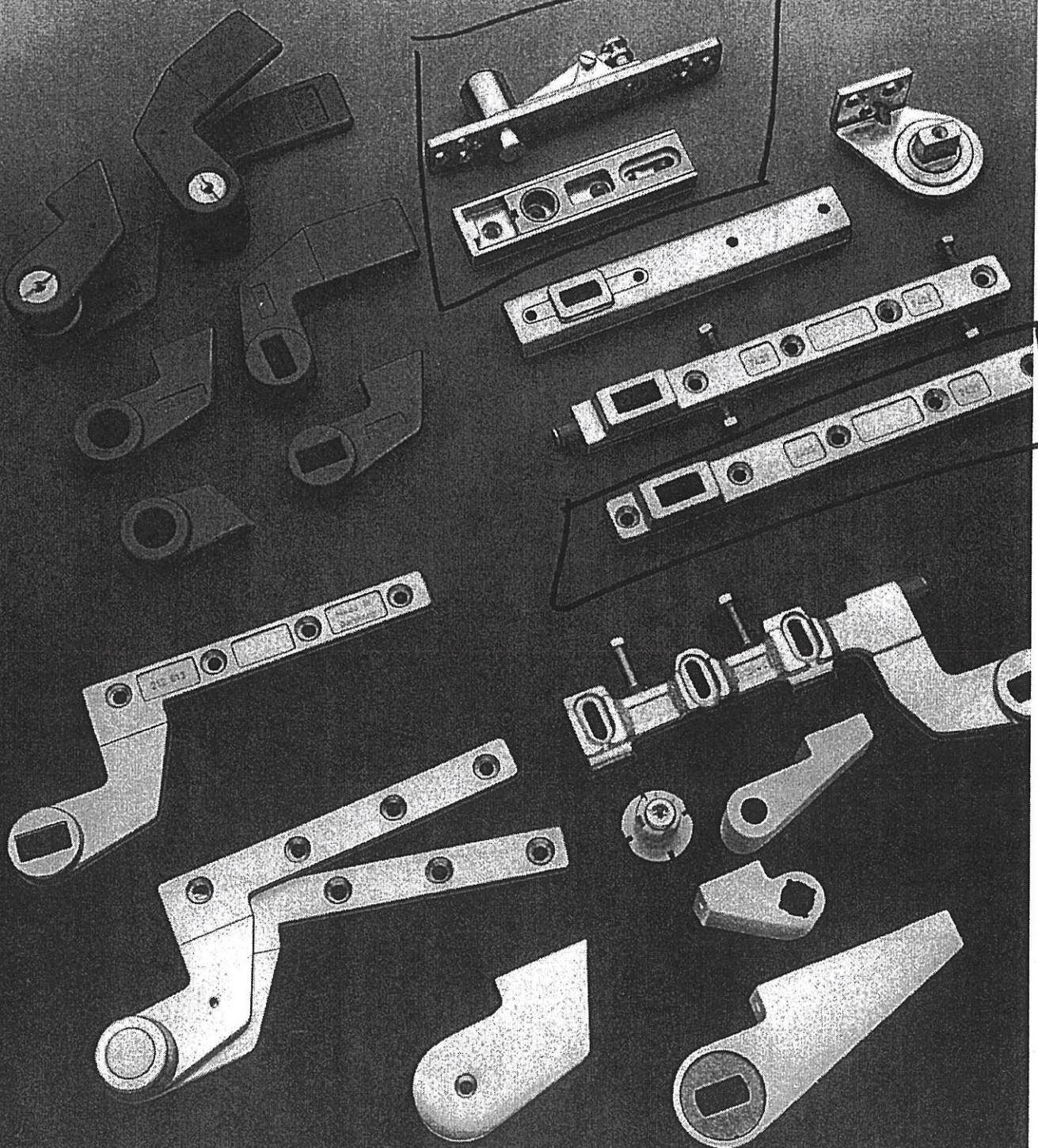
Wong 016

Glass Wall

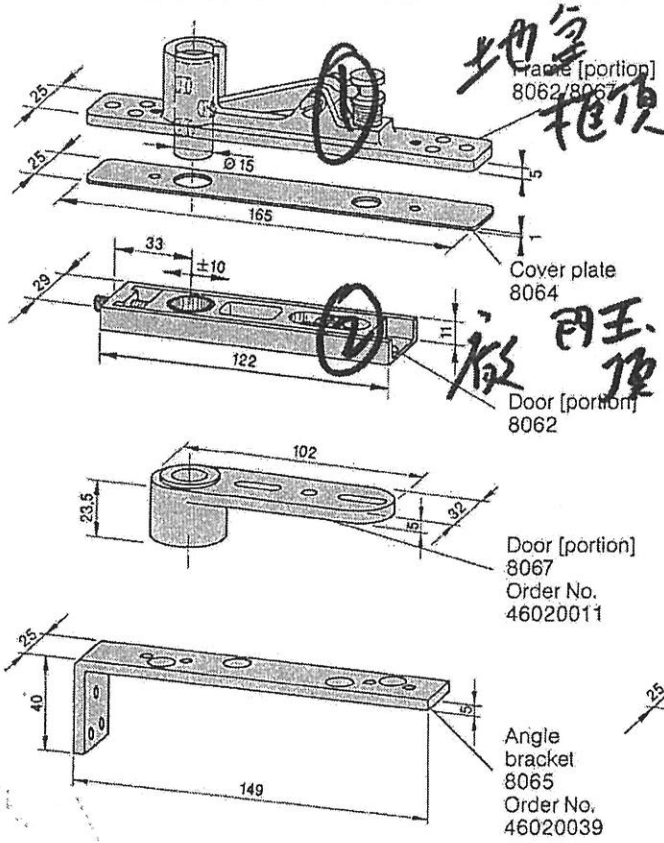
地盤 玻璃 玻璃 玻璃

Dorma

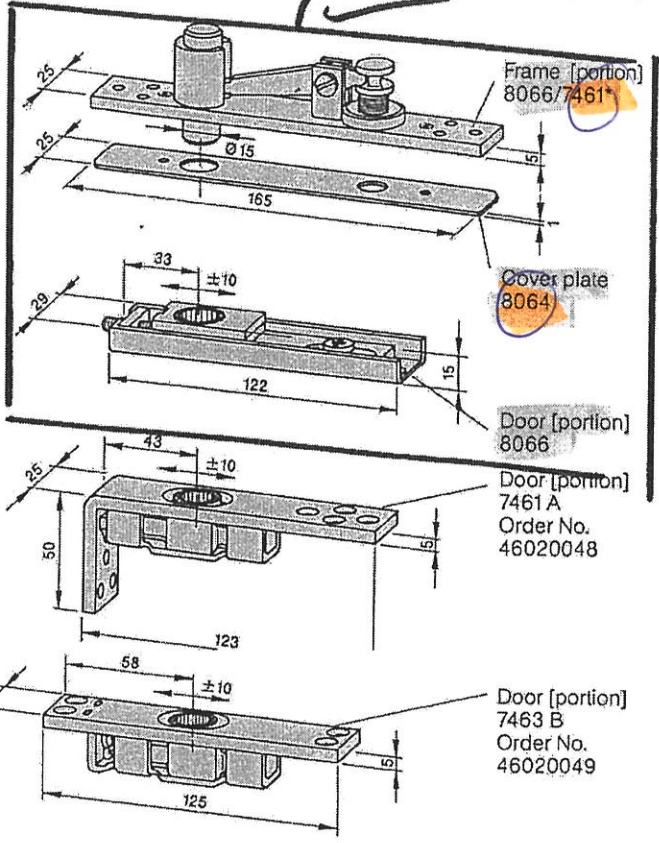
Floor Spring Accessories



Double action accessories for steel, aluminium and timber doors *pivot*



地拿
柜顶
廠
門王
頂

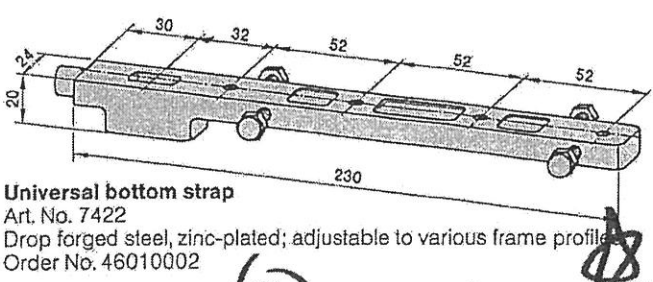


Adjustable top centres (complete.)
 Art. No. 8062, die cast aluminium Order No. 46300003
 Art. No. 8066, steel Order No. 46300006
 comprising an frame portion with adjustable pin for deep profiles up to max. 20 mm, and door portion with needle bearing; the platform design means there is no routing of the base profile. For deeper profiles, the top centre assembly can be supplied with pins extended by 10 mm or 20 mm.

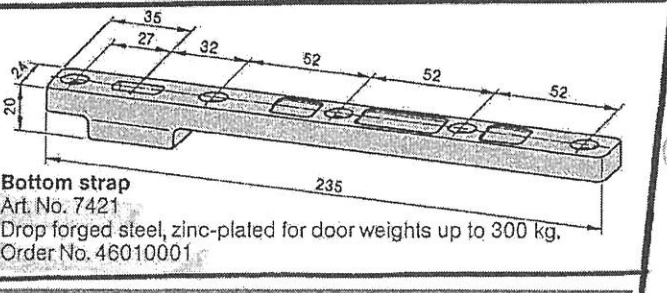
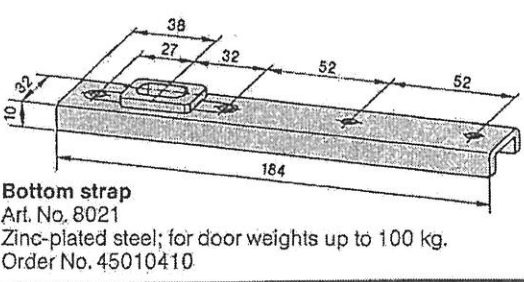
Adjustable top centres (complete.)
 comprising a frame portion with adjustable pin for deep profiles up to max. 20 mm, and door portion (A or B) for special door designs. For deeper profiles, the top centre assembly can be supplied with pins extended by 10 mm or 20 mm.

Cover plate
 Art. No. 8064 Order No. 46020044
 Order No. 46300530
 in stainless steel, bright aluminium and EV 1 (Euras C-0)

* For Door portions 7461 A and 7461 B, use frame portion 7461 with 13 mm dia. pin, Order No. 46020050.

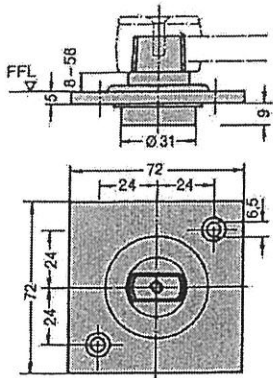


③ 廠
門王
底吧



Pivot bearings and accessories

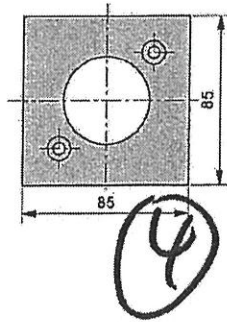
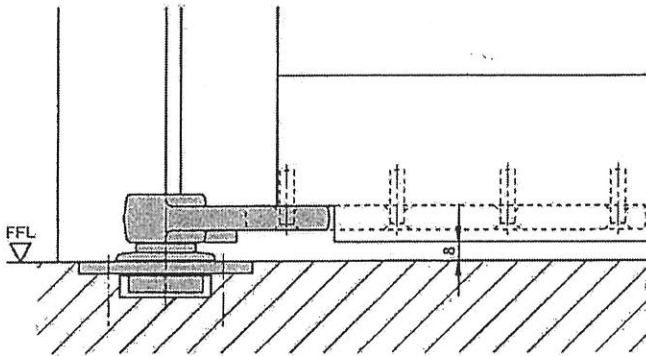
Beating 地盤



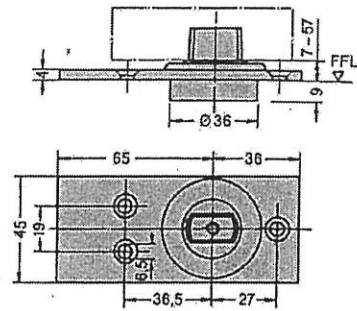
Floor pivot bearing Art. No. 7471 Ki)
With thrust roller bearing, load capacity
max. 200 kg.
Order No. 45070001

Art. No. 7471 AX
with angular contact roller bearing,
load capacity max. 300 kg.
Order No. 45070002

Typical installation

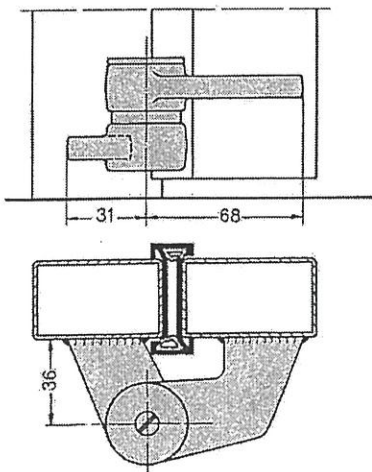
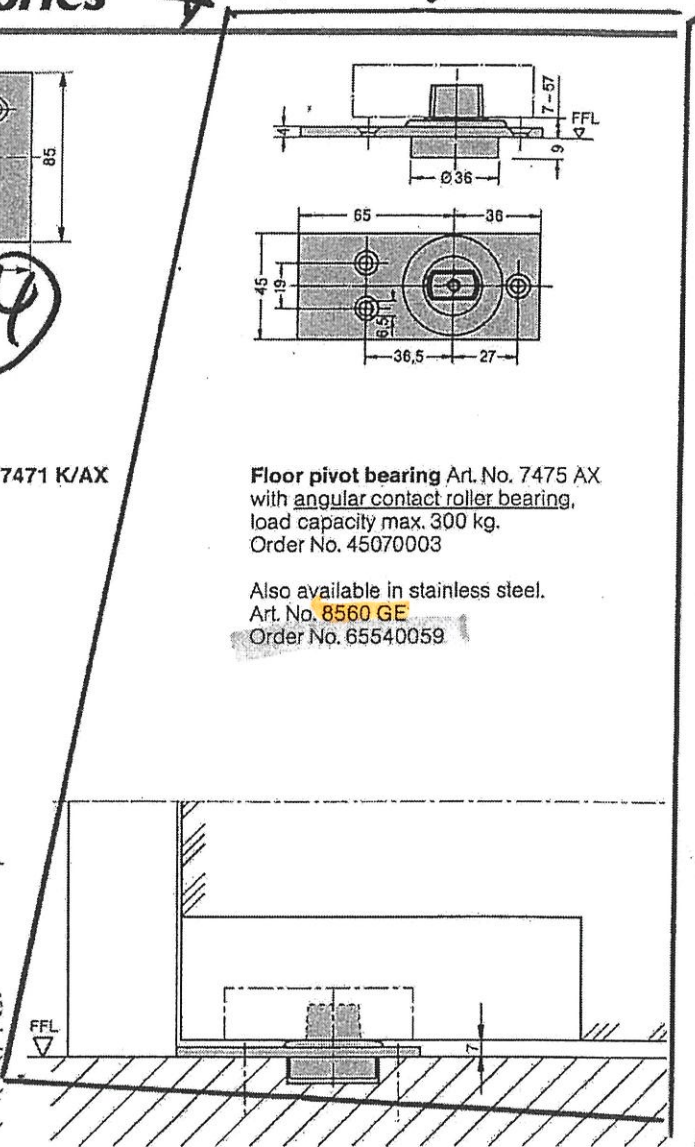


Cover plate 7471 K/AX

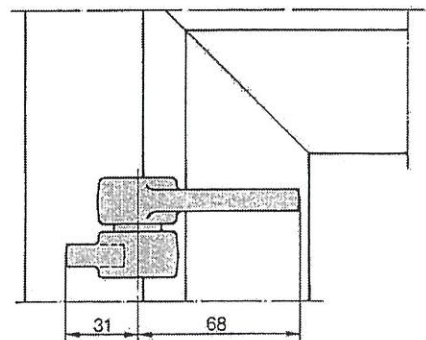


Floor pivot bearing Art. No. 7475 AX
with angular contact roller bearing,
load capacity max. 300 kg.
Order No. 45070003

Also available in stainless steel.
Art. No. **8560 GE**
Order No. 65540059



Weld-on hinge Art. No. 7472 K
With thrust roller bearing, load capacity
max. 200 kg, and door strap 7431
(see Page 6) non-handed, bearing
can be inserted from either side.
Order No. 45070011



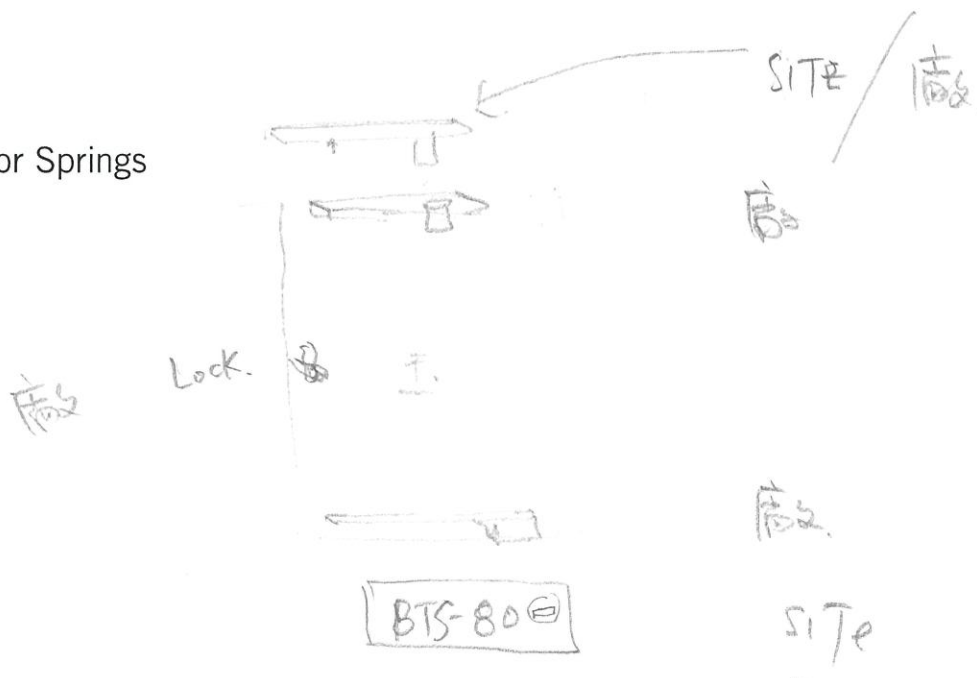
Weld-on hinge Art. No. 7472 M
Used as intermediate pivot and upper hinge;
with eccentric pin and bush for adjustment
after hanging the door; non-handed bearing
can be inserted from either side.
Order No. 45900008



TENDER -Specification

BTS 80
BTS 75 V
—

Floor Springs



UNIVERSAL APPLICATION, INDIVIDUAL FUNCTIONS AND ASSURED QUALITY

Whether standard, narrow or wide, whether LH, RH, or single or double action – BTS 80 and BTS 75 V door springs are designed for all types of door. A comprehensive program of accessories ensures that they can be used successfully with a wide variety of door constructions and floor coverings.

Thanks to a wide range of functions, which can be individually selected to suit different requirements, BTS 80 and BTS 75 V floor springs offer maximum reliability and quality.

Certified to ISO 9001.

Plus points

For the trade

- Reduced stock requirements because of separate, interchangeable spindles.
- Slim product range offering all key functions.

For the installer

- Suitable for installation with LH or RH single and double action doors.
- Interchangeable spindles enable easy adaptation to structural conditions – even when retrofitted.

For the architect/specifier

- Concealed installation for maximum visual elegance
- All essential functions provided
- Proven, robust design capable of withstanding leaf weights of up to 300 kg (BTS 80).

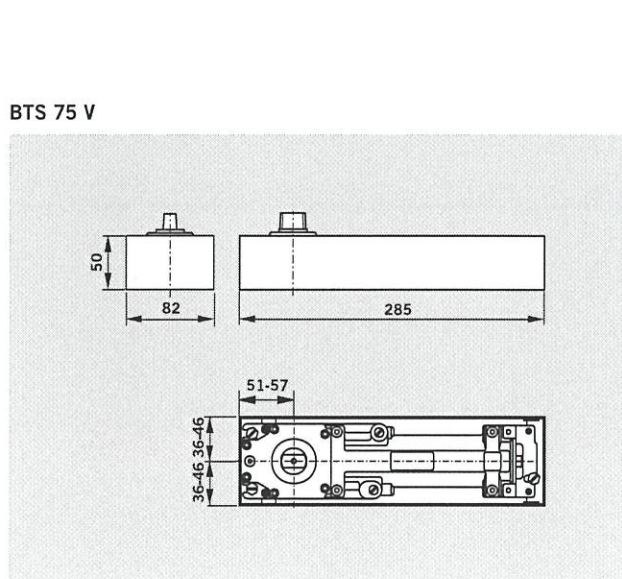
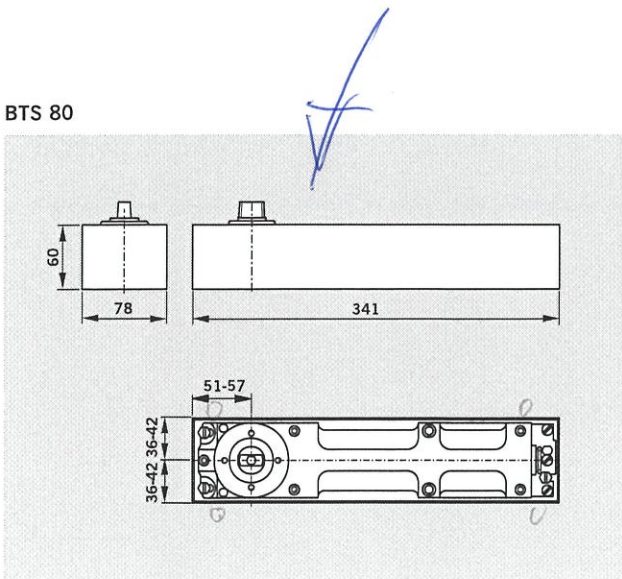
For the user

- Constant, temperature-independent closing cycle.
- Highly efficient mechanism gives maximum user convenience.

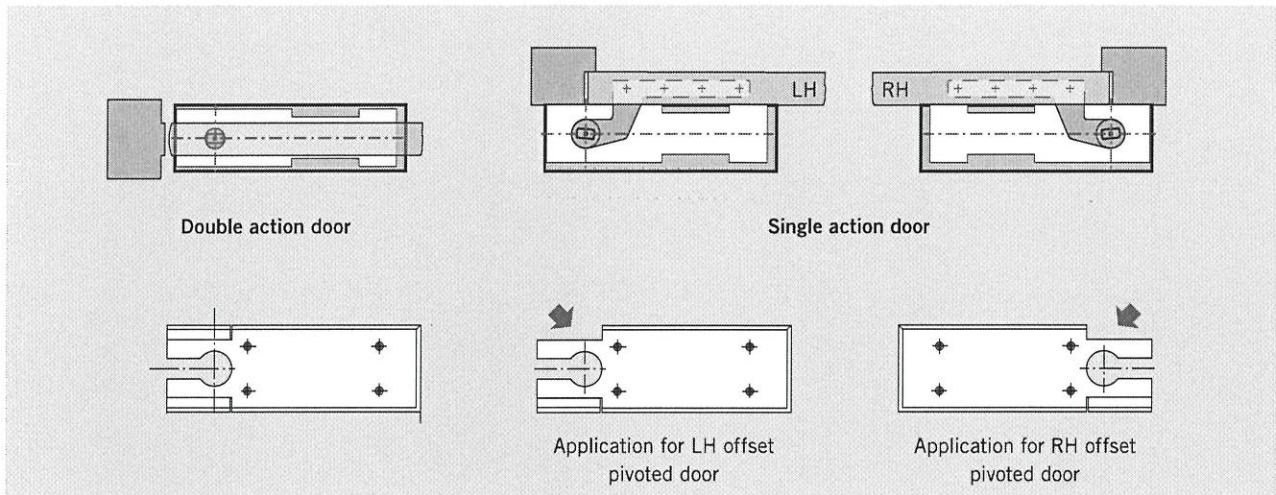
Data and features		BTS 80		BTS 75 V	
Spring strength (EN)		3	4	6	1-4
Spring strength adjustment		-	-	-	●
Standard and external doors ¹⁾	≤ 950 mm	●	-	-	-
	≤ 1100 mm	-	●	-	●
	≤ 1400 mm	-	-	●	-
For fire and smoke check doors		-	-	-	●
Max. leaf weight (kg)		300		120	
Non-handed, suitable for single and double action doors		●		●	
Closing force variable by means of adjustment screw		-		-	
Closing speed adjustable by valve	175° – 0°	●		-	
	175° – 15°	-		●	
	15° – 0°	-		●	
Backcheck, mechanical		●		●	
Delayed action adjustable by valve (selectable alternative to the hold-open feature)		●		-	
Hold-open	Adjustable	●		-	
	Fixed 90°	-		●	
	Fixed 105°	-		●	
Coverplate secured to	cement box	-		-	
	floor spring	●		●	
Weight in kg		7.1		3.0	
Dimensions in mm	Length	341		285	
	Overall depth	78		82	
	Height	60		50	
Floor spring tested to EN 1154		●		●	
CE mark for building products (products with factory-fitted hold-open do not carry a CE mark)		-		●	

● yes – no

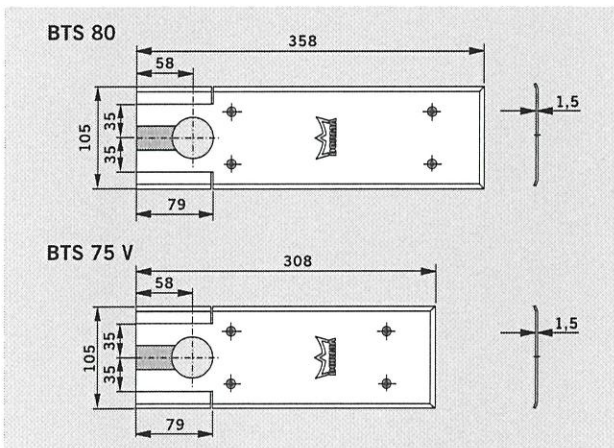
¹⁾ For particularly heavy doors and doors which have to close against wind resistance, we recommend the DORMA BTS 80.



APPLICATION AND INSTALLATION



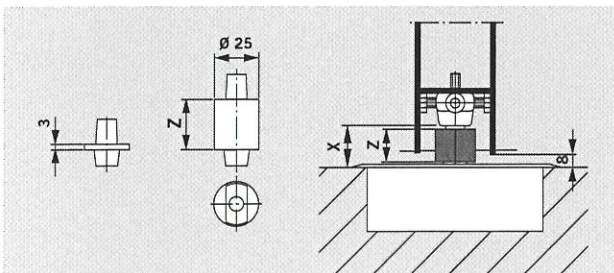
ACCESSORIES



Universal cover plate

Adaptable to right or left hand single action applications by simply snapping off the appropriate pre-blanked corner sections. For double action doors, the corner sections remain in place.

The universal cover plate is available in stainless steel or satin brass (material thickness 1.5 mm).



Calculating the necessary length of spindle extension:

Extension = X – Floor clearance (normally 8 mm)

Collar height Z of the extended spindle inserts = Spindle extension length + 3 mm (collar height of the standard spindle insert)

Spindles

A range of interchangeable spindles is available to provide greater floor clearance if required (e.g. doors with thresholds, carpeted floors etc).













Special spindles available on application: e.g. with flat face profile and 3° offset or square section; spindles for non-DORMA-specific accessories are also available.

DORMA 2300 sealing compound

For filling cavities between the floor spring body and the cement box to protect against moisture penetration.

Information about other accessories such as **door straps and top centres** can be found in the "Accessories for DORMA BTS Floor Springs" leaflet

STANDARD EQUIPMENT AND ACCESSORIES

BTS 80 Floor spring	BTS 75 V Floor spring	Spindles													Sealing compound, 2300 0.5 kg	
		normal	5	7,5	10	12,5	15	20	25	28	30	35	40	45		50
																
45200401	45200402	45200403	45200404	45200419	45200405	45200406	45200407	45200414	45200408	45200409	45200410	45200411	45200412	45090086		


Including cement box and standard spindle

EN 3	EN 1-4	●	△	△	△	△	△	△	△	△	△	△	△	△	△	△
80120000	61701000	●	△	△	△	△	△	△	△	△	△	△	△	△	△	△
80110000	EN 1-4 with hold-open at 90° 61701200	●	△	△	△	△	△	△	△	△	△	△	△	△	△	△
80130000	EN 1-4 with hold-open at 105° 61701300	●	△	△	△	△	△	△	△	△	△	△	△	△	△	△

Including cement box without spindle

EN 3	EN 1-4	△	△	△	△	△	△	△	△	△	△	△	△	△	△	△
80120001	61701001	△	△	△	△	△	△	△	△	△	△	△	△	△	△	△
80110001	EN 1-4 with hold-open at 90° 61701201	△	△	△	△	△	△	△	△	△	△	△	△	△	△	△
80130001	EN 1-4 with hold-open at 105° 61701301	△	△	△	△	△	△	△	△	△	△	△	△	△	△	△

Universal cover plate

46700000	46700059	Stainless steel		△
46700100	46700159	Satin brass		

● Floor spring with spindle △ Accessories

SPECIFICATION TEXT

BTS 80

Universal non-handed floor spring conforming to DIN EN 1154 for single and double action doors up to max. 300 kg leaf weight. With adjustable closing speed and closing action from approx. 175°, with hydraulically fully controlled closing cycle and backcheck. With integral pressure compensation feature for temperature-independent hold-open between 75° and 175° (removable). With adjustable hold-open start point and delayed action (end of delayed action range adjustable between 75° and 105°). Including cement box.

Size

- EN 3
- EN 4
- EN 6

Accessories

- Spindle
 - standard
 - ... mm extension
 - special model ...
- Universal cover plate (1.5 mm thick)
 - stainless steel
 - satin brass
- Sealing compound

Make DORMA BTS 80

BTS 75 V

Universal floor spring conforming to DIN EN 1154, non-handed unit suitable for LH and RH single and double action doors up to 120 kg leaf weight, with adjustable spring strength (size EN 1 – 4) and closing speed, with closing action operational from approx. 175°. Featuring hydraulically fully controlled closing cycle and backcheck. Including cement box.

Models

- With spindle
- Without spindle
- Fixed hold-open at 90°
- Fixed hold-open at 105°

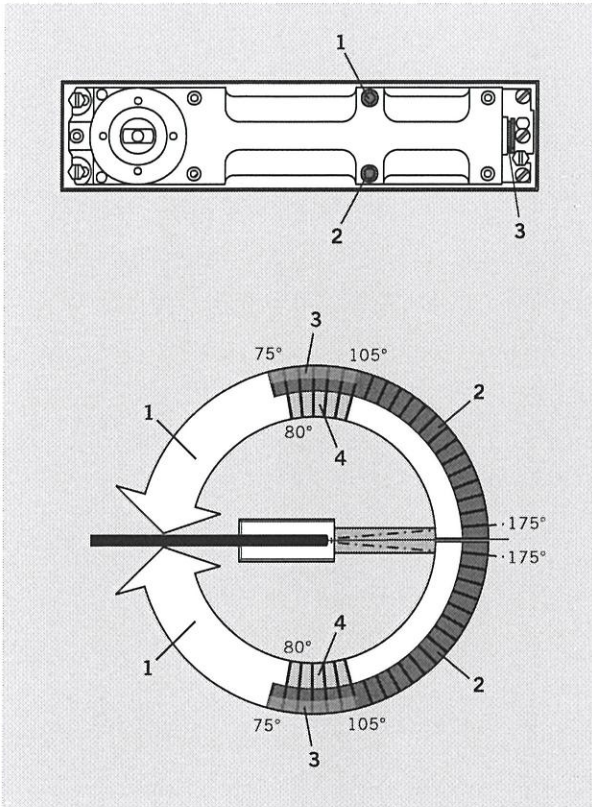
Accessories

- Spindle
 - standard
 - ... mm extension
 - special model ...
- Universal cover plate (1.5 mm thick)
 - stainless steel
 - satin brass
- Sealing compound

Make DORMA BTS 75 V

STANDARD AND OPTIONAL FUNCTIONS

BTS 80



- 1 Adjustable closing speed
- 2 Hold-open range or delayed action range

- 3 Adjustment range – point at which hold-open begins, or end of delayed action range (approx. 75° to 105°).
- 4 Mechanical backcheck (from approx. 80°)

Hydraulic hold-open

The integrated hold-open function allows the door to be held open at any angle between 75° and 175°. The angle at which the hold-open function begins can be adjusted in the range of 75° to 105°.

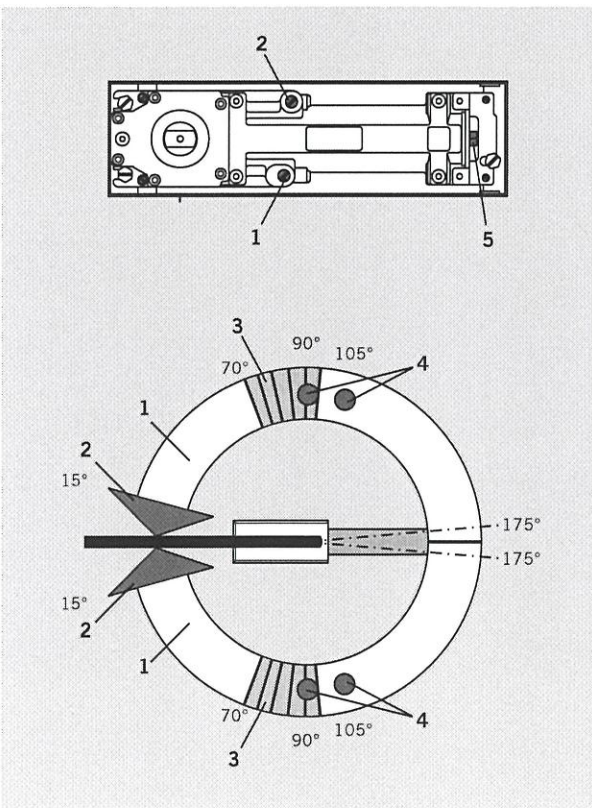
Delayed action

The delayed action function slows the door closing speed, thereby allowing disabled persons, mothers with pushchairs, staff with trolleys or hospital gurneys etc. to pass through the door without problem.

Backcheck

The integrated mechanical backcheck function protects the wall and door from damage caused by excessively vigorous opening.

BTS 75 V



- 1 Adjustable closing speed in the range 175° – 15°.
- 2 Adjustable closing speed in the range 15° – 0°.

- 3 Mechanical backcheck (from approx. 70°).
- 4 Fixed hold-open at 90° or 105° (option).
- 5 Adjustable spring strength (EN 1–4).

Closing speed

With two independently adjustable closing ranges (175° – 15° and 15° – 0°) the DORMA BTS 75 V is ideally adaptable to different structural conditions.

Fixed hold-open (option)

With the fixed hold-open function the door can be held open at an angle of 90° or 105°, depending on model.

Backcheck

The integrated mechanical backcheck function protects the wall and door from damage caused by excessively vigorous opening.

Not suitable for use on Fire doors.



The DORMA BTS 75 V is CERTIFIRE approved (Certificate No. 127) for door types ITT 60 and IMM, IMN 240.



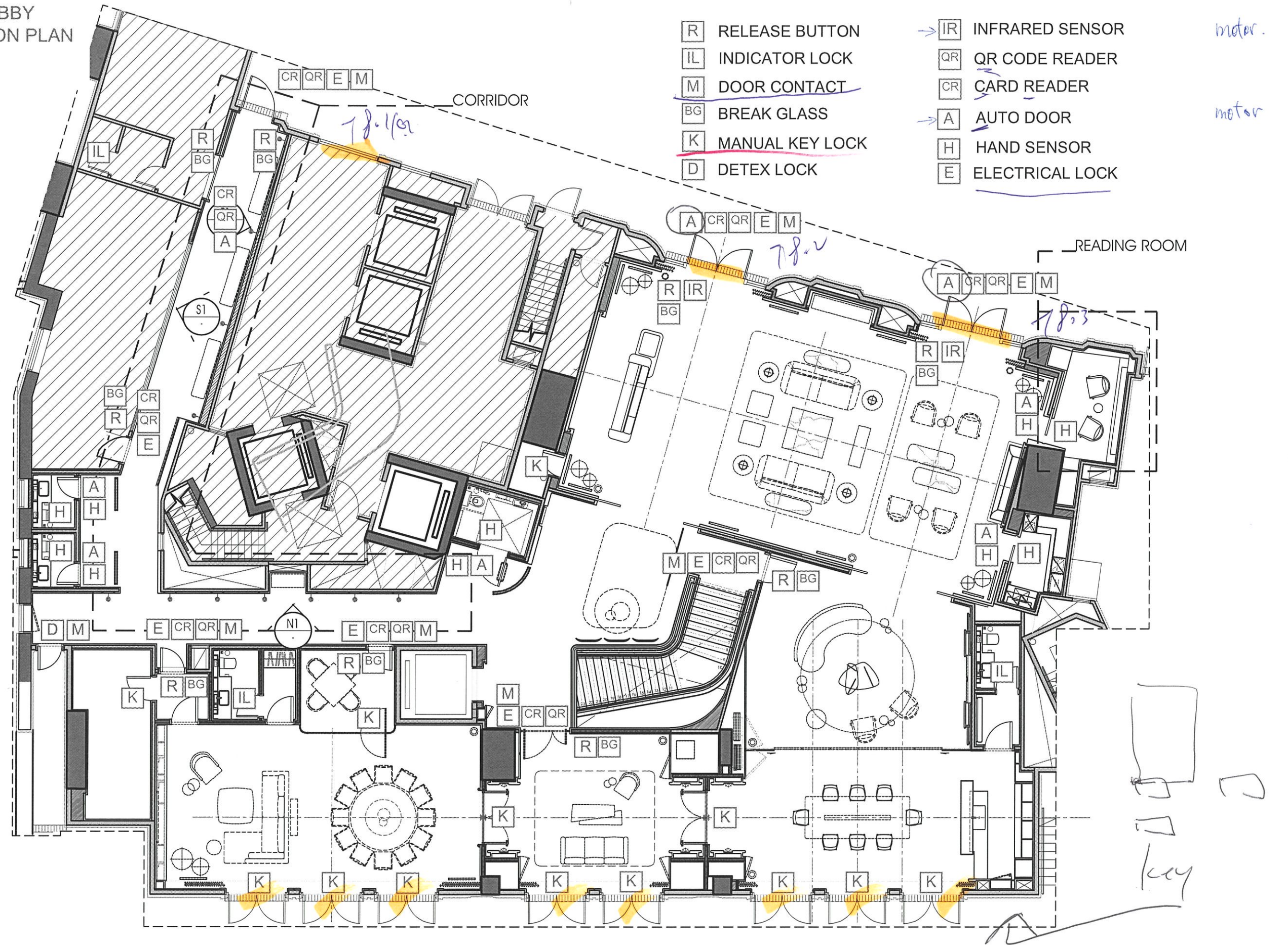
DORMA GmbH+Co. KG
DORMA Platz 1
58256 ENNEPetal
GERMANY
Phone +49 2333 793-0
Fax +49 2333 793-4950
www.dorma.com

WN 052 420 51532, 03/13, BTS 80/75 V, GB, x, DMS, xx/13
Subject to change without notice

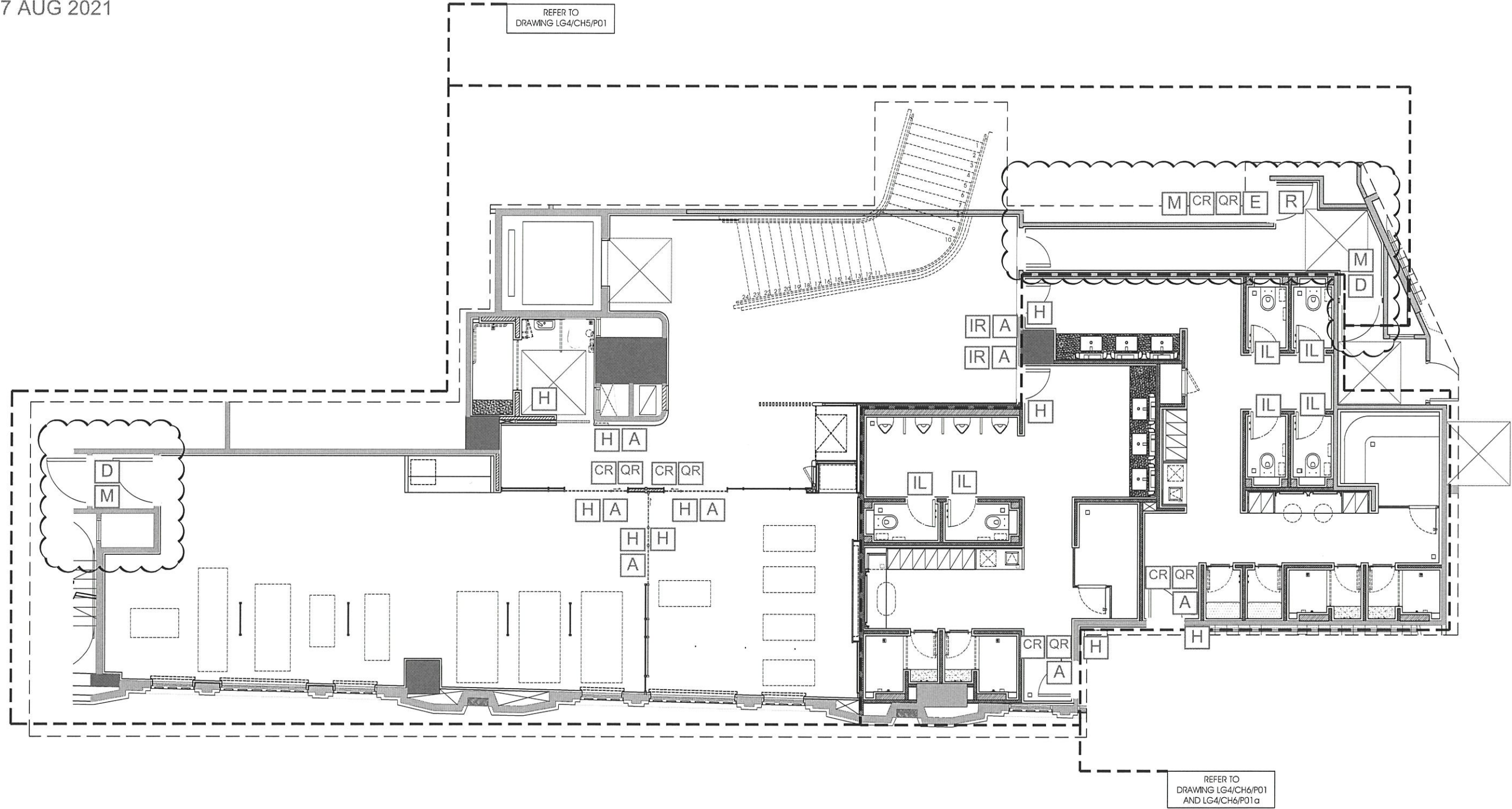
CLUBHOUSE AND LOBBY
 AUTO DOOR LOCATION PLAN
 REV. 3
 DATE: 17 AUG 2021

- [R] RELEASE BUTTON
- [IL] INDICATOR LOCK
- [M] DOOR CONTACT
- [BG] BREAK GLASS
- [K] MANUAL KEY LOCK
- [D] DETEX LOCK
- [IR] INFRARED SENSOR
- [QR] QR CODE READER
- [CR] CARD READER
- [A] AUTO DOOR
- [H] HAND SENSOR
- [E] ELECTRICAL LOCK

A = Bearing
 A = BTS - 8.
 地鐵
 200



CLUBHOUSE AND LOBBY
 AUTO DOOR LOCATION PLAN
 REV. 3
 DATE: 17 AUG 2021



MOTY'S  DESIGN

17/F The Phoenix, 23 Luard Road
 Wan Chai, Hong Kong.

T (852) 2802 0806
 motysdesign.com.hk

General Notes

This drawing and design are copyright of the authorized person. No portion may be reproduced without his written permission. Used written dimensions. Measurements to existing works to be verified on site. This drawing shall be read in conjunction with specification and condition of contract.

Project

PROPOSED
 RESIDENTIAL DEVELOPMENT
 AT 24A KADOORIE AVENUE

Drawing Title

KEY PLAN
 OF CLUBHOUSE
 LG4

Revision

A. 05 MAY, 2020 GENERAL REVISION
 B. 27 MAY, 2020 GENERAL REVISION
 C. 27 SEP, 2020 COORDINATION
 D. 30 OCT, 2020 COORDINATION
 E. 18 DEC, 2020 COORDINATION

Job No.

MDJC 147

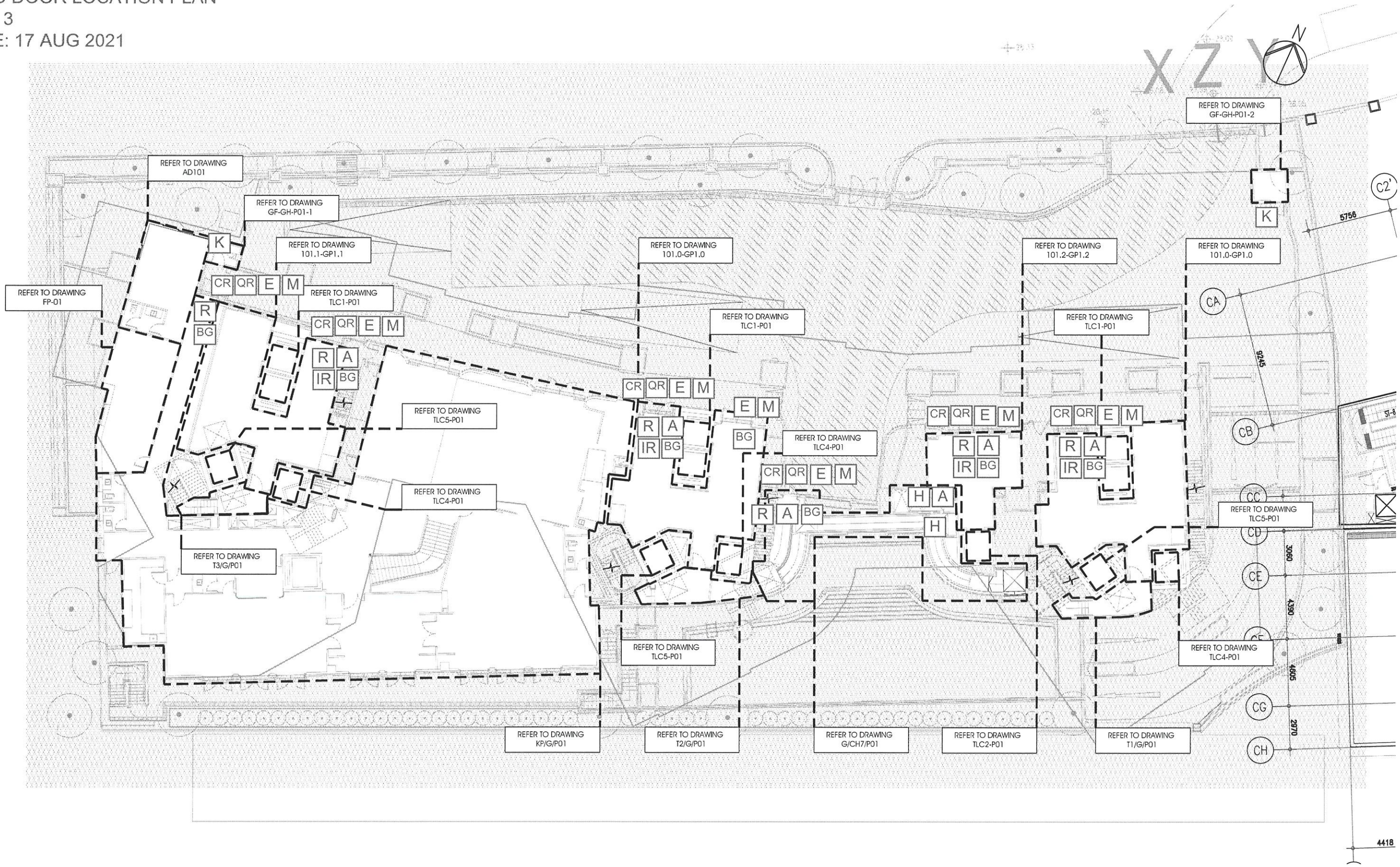
Scale
 1:100

Date 09 APR, 2020

TENDER ADDENDUM NO.1

DWG. NO.: SK02

CLUBHOUSE AND LOBBY
 AUTO DOOR LOCATION PLAN
 REV. 3
 DATE: 17 AUG 2021



17/F The Phoenix, 23 Luard Road
 Wan Chai, Hong Kong. T (852) 2802 0806
 motydesign.com.hk

General Notes
 This drawing and design are copyright of the authorized person. No portion may be reproduced without his written permission. Used written dimensions. Measurements to existing works to be verified on site. This drawing shall be read in conjunction with specification and condition of contract.

Project
 PROPOSED RESIDENTIAL DEVELOPMENT AT 24A KADOORIE AVENUE

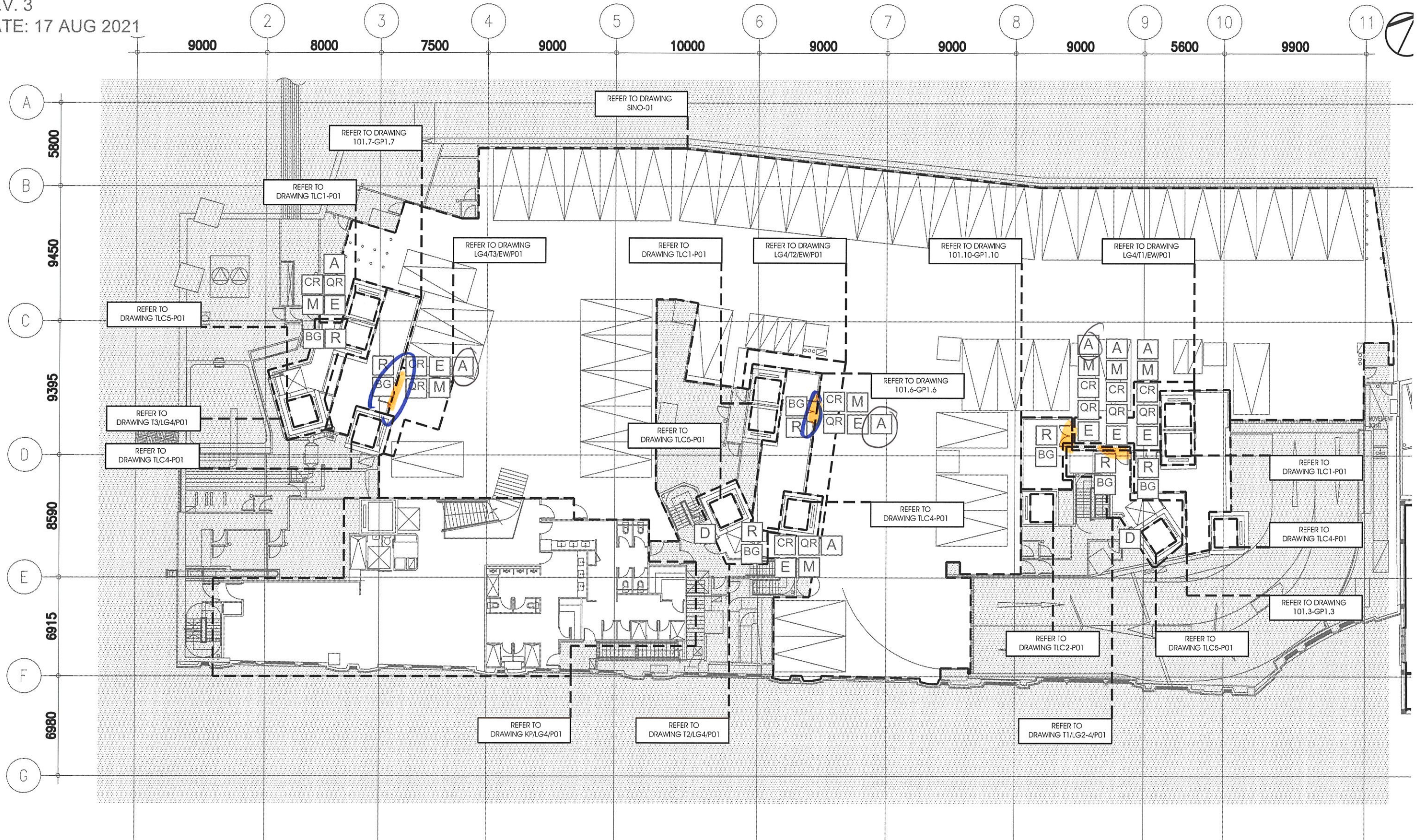
Drawing Title
 KEY PLAN OF G/F

Revision
 A. 20 NOV, 2020 GENERAL REVISION
 B. 27 NOV, 2020 GENERAL REVISION
 C. 11 DEC, 2020 GENERAL REVISION

Job No.
 MDJC 147
Scale
 1:250
Date
 30 OCT, 2020

DWG. NO.: SK03

CLUBHOUSE AND LOBBY
 AUTO DOOR LOCATION PLAN
 REV. 3
 DATE: 17 AUG 2021



17/F The Phoenix, 23 Luard Road
 Wan Chai, Hong Kong.

T (852) 2802 0806
 motysdesign.com.hk

General Notes

This drawing and design are copyright of the authorized person. No portion may be reproduced without his written permission. Used written dimensions. Measurements to existing works to be verified on site. This drawing shall be read in conjunction with specification and condition of contract.

Project

PROPOSED
 RESIDENTIAL DEVELOPMENT
 AT 24A KADOORIE AVENUE

Drawing Title

KEY PLAN
 OF LG/4

Revision

A. 27 NOV, 2020 GENERAL REVISION
 B. 11 DEC, 2020 GENERAL REVISION

Job No.

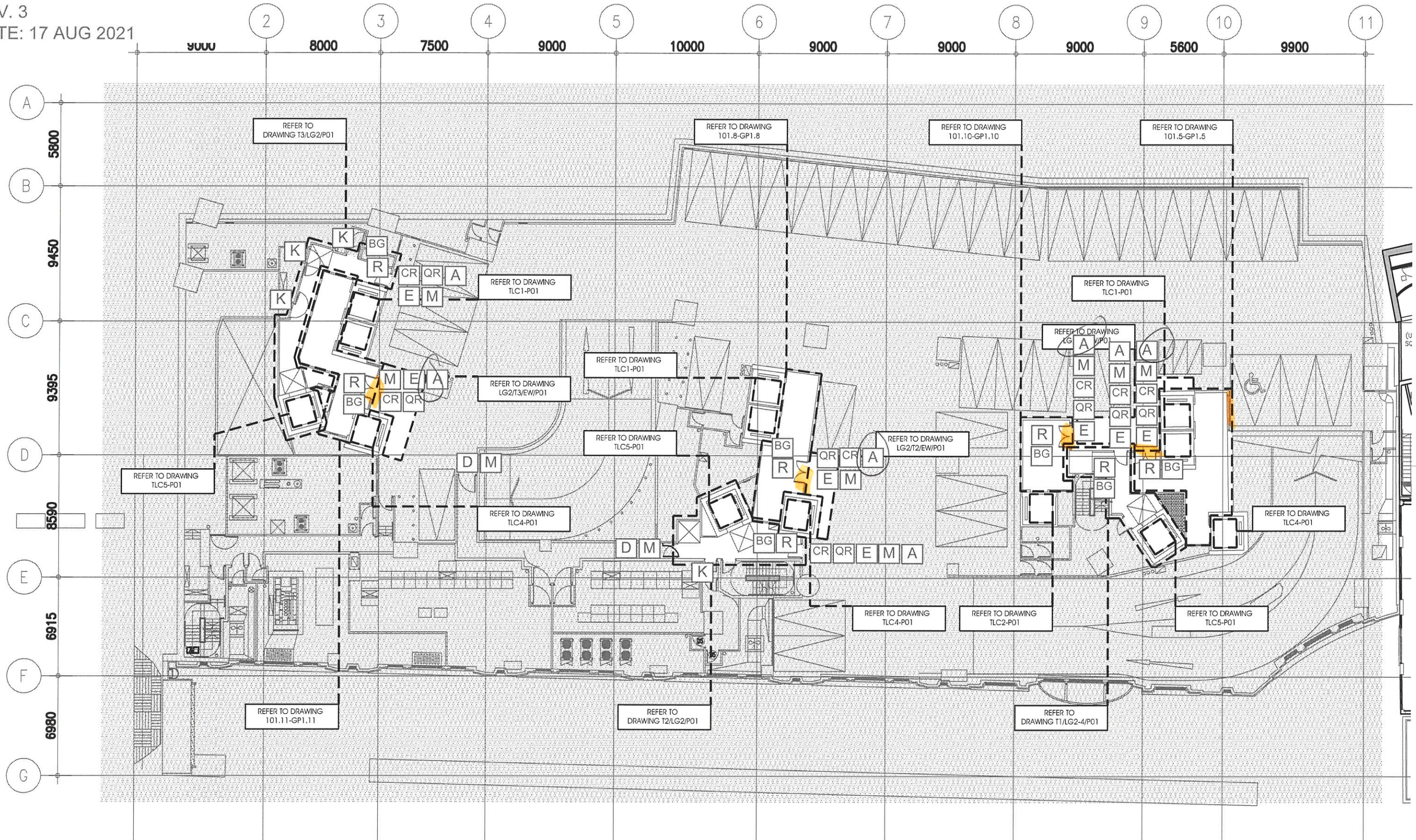
MDJC 147

Scale
 1:250

Date 30 OCT, 2020

DWG. NO.: SK04

CLUBHOUSE AND LOBBY
 AUTO DOOR LOCATION PLAN
 REV. 3
 DATE: 17 AUG 2021



17/F The Phoenix, 23 Luard Road
 Wan Chai, Hong Kong.

T (852) 2802 0806
 motysdesign.com.hk

General Notes

This drawing and design are copyright of the authorized person. No portion may be reproduced without his written permission. Used written dimensions. Measurements to existing works to be verified on site. This drawing shall be read in conjunction with specification and condition of contract.

Project

PROPOSED
 RESIDENTIAL DEVELOPMENT
 AT 24A KADOORIE AVENUE

Drawing Title

KEY PLAN
 OF LG/2

Revision

A. 27 NOV, 2020 GENERAL REVISION

Job No.

MDJC 147

DWG. NO.: SK06

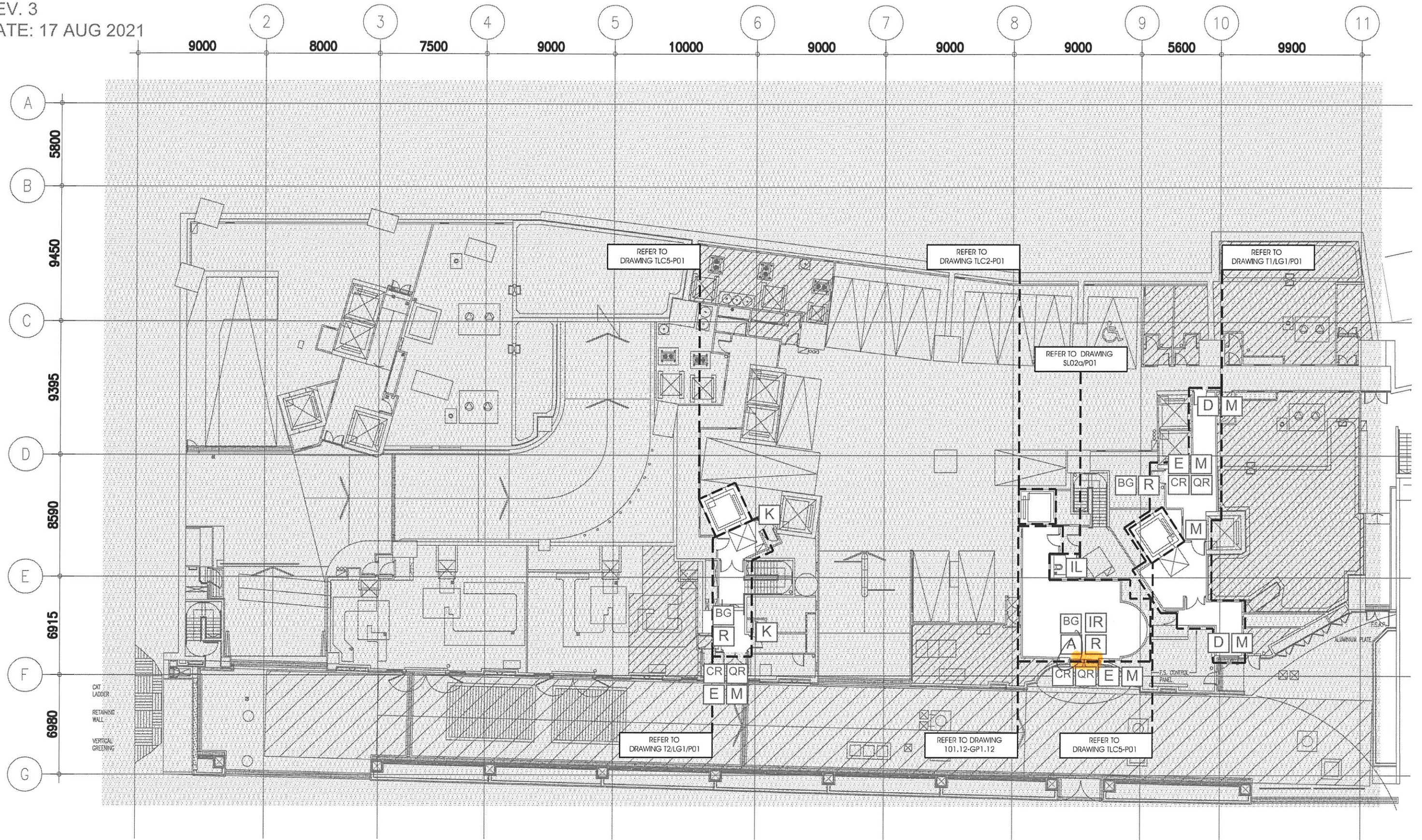
Scale

1:250

Date

30 OCT, 2020

CLUBHOUSE AND LOBBY
 AUTO DOOR LOCATION PLAN
 REV. 3
 DATE: 17 AUG 2021



General Notes

This drawing and design are copyright of the authorized person. No portion may be reproduced without his written permission. Used written dimensions. Measurements to existing works to be verified on site. This drawing shall be read in conjunction with specification and condition of contract.

Project

PROPOSED
 RESIDENTIAL DEVELOPMENT
 AT 24A KADOORIE AVENUE

Drawing Title

KEY PLAN
 OF LG/1

Revision

A. 27 NOV, 2020 GENERAL REVISION

Job No.

MDJC 147

DWG. NO.: SK07

Scale

1:250

Date 30 OCT, 2020