

工程指示 / 要求簡箋(E.I.)

工程指示編號：EI / 3750 / 21

修改版次：B

工程編號：J - 852

工程名稱：亞皆老街中電

工程項目：平台 Glass Wall 地盆用配件 地較

收件人：生統 / Maggie / 梓哥

發件人：Ant Yeung

日期：26/11/2021

要求提供 / 確認 事項：

- () 初步鋁料 B.M. () 加工拆圖，然後生產 () 尺寸表
- () 正式鋁料 B.M. () 技術上資料 / 指示 () 報價
- () 配件 B.M. () 樣辦或貨品說明書 () 分判合約
- () 其他：_____

內容：

B: 所有門雙開，地較 1 左 1 右為 1 對；BTS 80(不 HOLD) 增加；無電動用 LG1,G/F

B: 8560GE 減少 電動用 LG2,3,4 /F

請按配件 BM 訂購送地盆等等

請在 2021.12.03 前完成上列要求。

附：1 頁 BM+ 2 頁

- 原合約工程包 原合約工程加 / 減賬 新工程報價

原因：-

分發東莞各部門：

- () 生產技術總監 連附件 () 技術部 連附件 () 生產部 連附件 () 機械設計部 連附件
- () 採購部 連附件 () 生產統籌部 連附件 梓哥 () 小羅&清 連附件
- () 質檢部 連附件 () 會計部 連附件 () 報關組 連附件 () 其他 楊榮輝 連附件

分發其他分判：

- (v) 水洪 連附件

分發香港各部門：

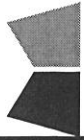
- () 行政部 連附件 () 會計部 連附件 () 統籌部 連附件 梓哥 () 工程部地盤科文 連附件 祥哥
- () 採購部 連附件 () QS 部 連附件 () 維修部 連附件 () 其他 _____ 連附件

傳遞編號：

HK 2173 / 21

發件人簽署：

項目經理簽署：



美特鋁質有限公司
MIDI Aluminium Fabricator Ltd.

工程號: J-852
地盤名稱: 亞皆老街

計算: 黃漢卿
核對: 日期: 2021/08/09

項目類別: 平台GLASS WALL
批准: 日期: 2021/08/09

送呈: 胡哥
副本: 日期: 2021/08/09

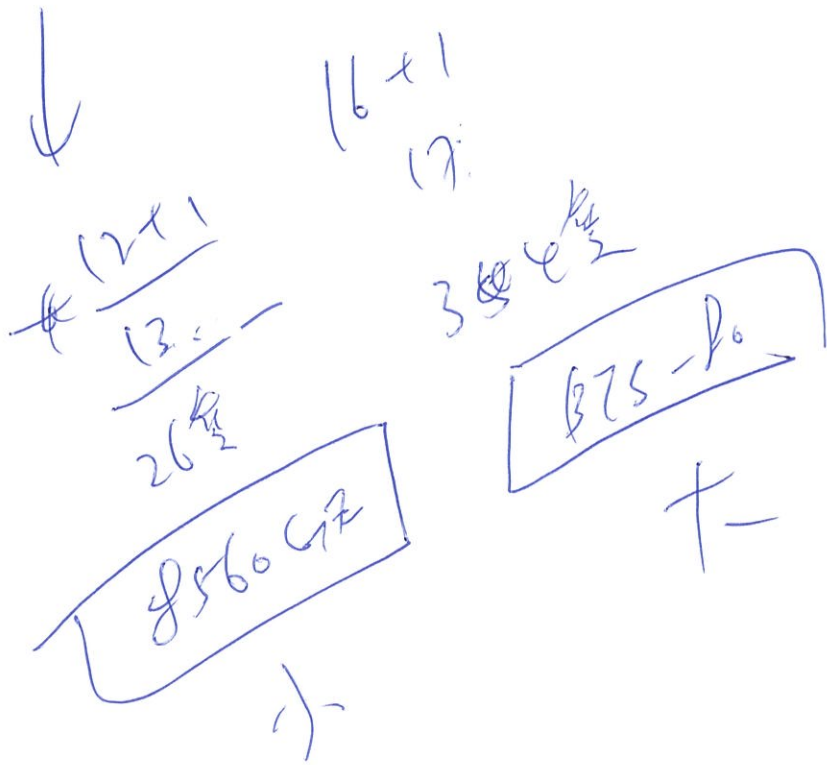
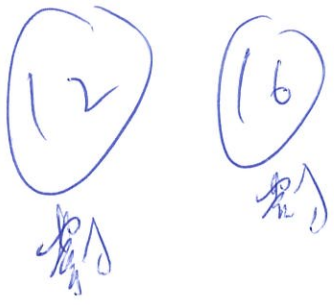
地盤用配件B.M.表

BM編號: A/C Code: 此BM依據 2021-7-31 收Wong009拆图资料 計算

序號	修改標示	配件圖號	物料編號	配件名稱	顏色	實用	後備	總數	單位	備注
3				D.C.791 防水膠 300ml/支	古銅色	300	50	350	支	
4	B 減少	多瑪 8560 GE (見附件)	減少 22套	地較		26	0	26	套	13左, 13右
4	B 增加	多瑪 7461 8064 (見附件)	增加 10套	老鼠夾和盖巴		56	2	58	套	29左, 29右
2		款式香港确定		门拉手		58	4	62	双	每双为室内和室外各一个拉手
5				6 (厚) x8 (宽) 海棉条	白色	1100	100	1200	米	
6				皺紋膠紙	灰黃色	2200	200	2400	卷	20m/卷
7			Silicone 硬度85±5	10x13mm墊塊(L=150mm)	黑色	180	20	200	塊	玻璃墊塊
8				靜電膠紙	透明	2		2	卷	1.25m x 200m/卷
9	B 增加	不 hold	增加 14套	BTS -80		32	2	34	套	17左, 17右
10										
11										
12										
13										
14										
15										
16										
17										
18										

樣板
 G/F
 LG4
 LG3
 LG2
 LG1

Dorma	BTS	計
1	0	
8	8	15
4	0	
4	0	
4	0	
10	0	15 1
22	8	
12	12	
22	110	



✓



Handwritten Chinese characters: 玻璃地盤

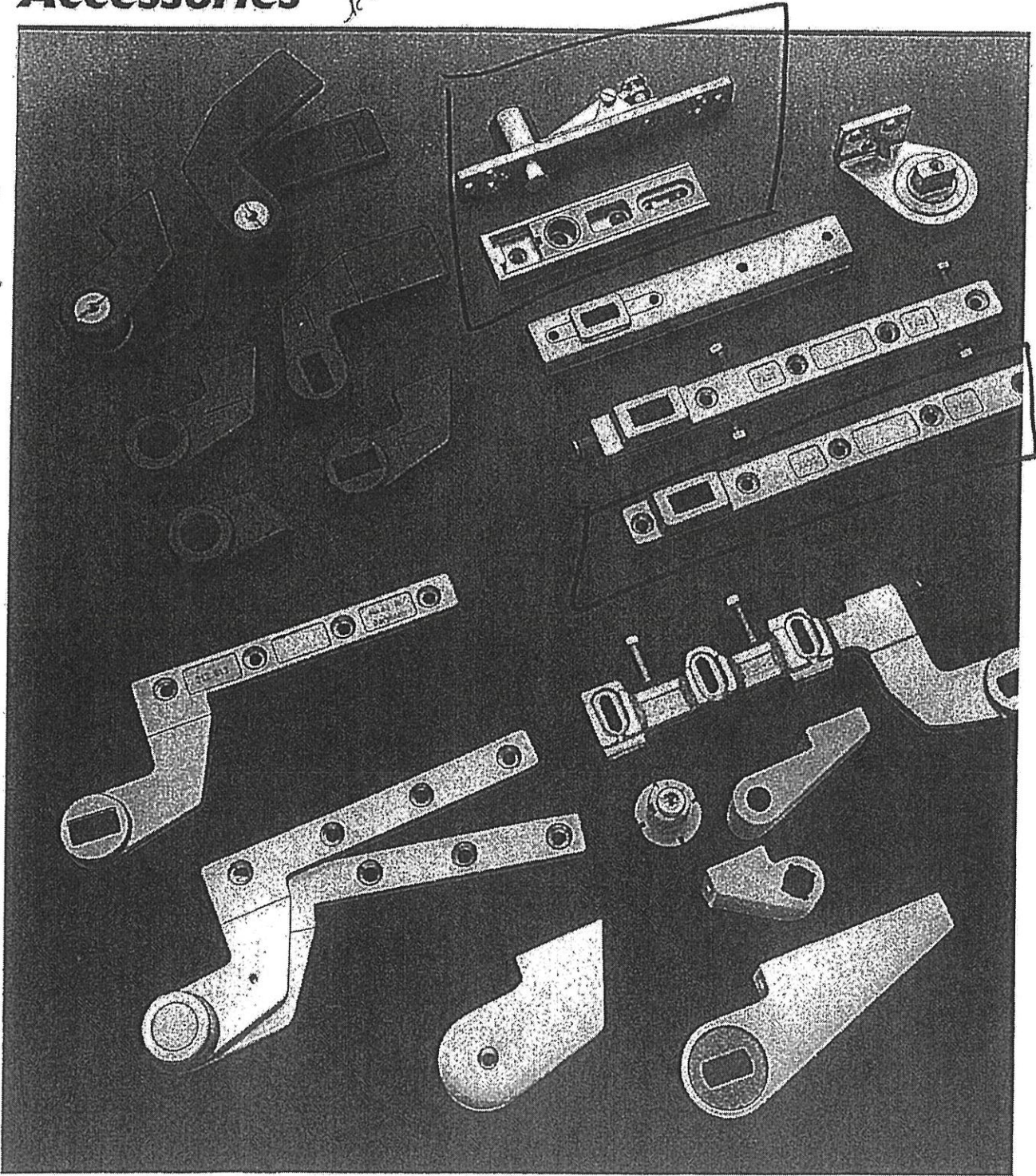
Handwritten text: Wong 016

Handwritten text: Glass Wall

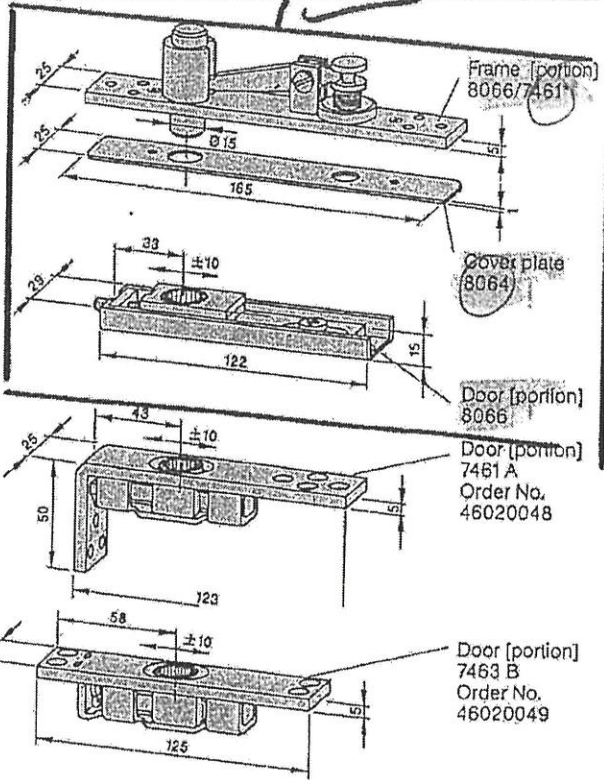
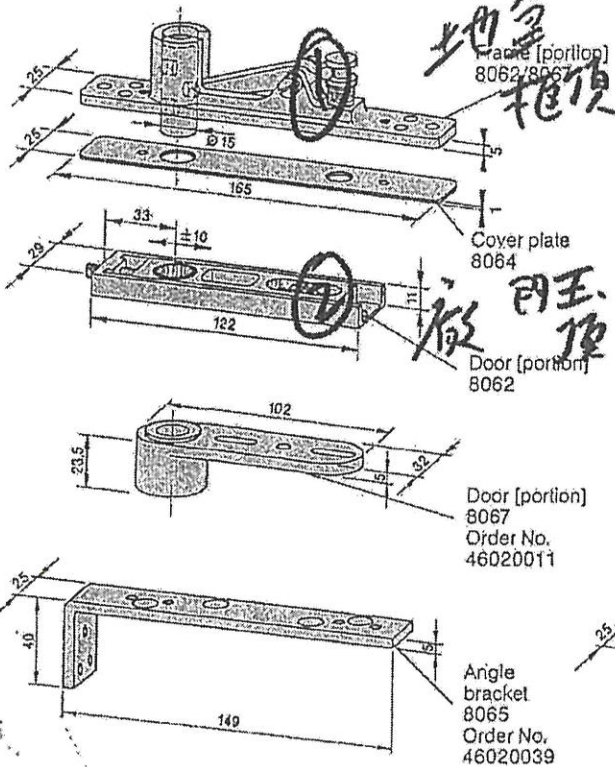
Handwritten Chinese characters: 地盤 玻璃地盤

Floor Spring Accessories

Handwritten text: DORMA



Double action accessories for steel, aluminium and timber doors *pivot*



Adjustable top centres (complete.)

Art. No. 8062, die cast aluminium Order No. 46300003
Art. No. 8066, steel Order No. 46300006
comprising an frame portion with adjustable pin for deep profiles up to max. 20 mm, and door portion with needle bearing; the flatform design means there is no routing of the base profile. For deeper profiles, the top centre assembly can be supplied with pins extended by 10 mm or 20 mm.

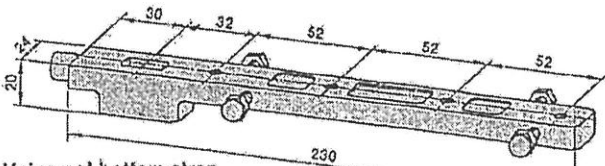
Adjustable top centres (complete.)

comprising an frame portion with adjustable pin for deep profiles up to max. 20 mm, and door portion (A or B) for special door designs. For deeper profiles, the top centre assembly can be supplied with pins extended by 10 mm or 20 mm.

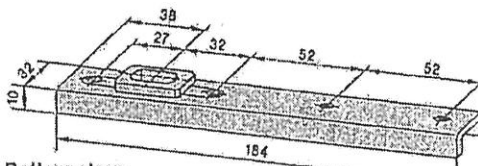
Cover plate

Art. No. 8064 Order No. 46020044
Order No. 46300530
in stainless steel, bright aluminium and EV 1 (Euras C-0)

* For Door portions 7461 A and 7461 B, use frame portion 7461 with 13 mm dia. pin, Order No. 46020050.

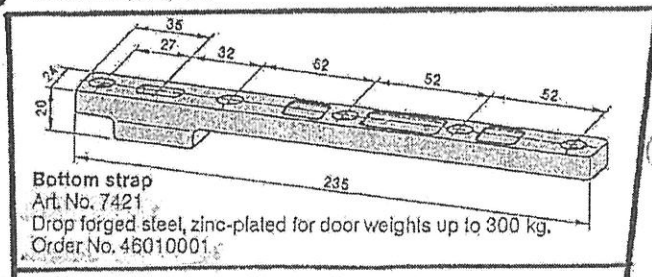


Universal bottom strap
Art. No. 7422
Drop forged steel, zinc-plated; adjustable to various frame profiles
Order No. 46010002



Bottom strap
Art. No. 8021
Zinc-plated steel; for door weights up to 100 kg.
Order No. 45010410

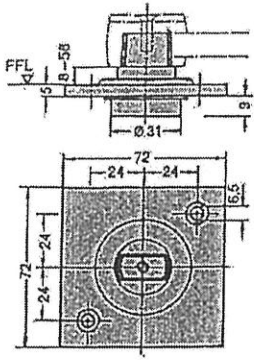
③ 廠 門 王 底 吧



Bottom strap
Art. No. 7421
Drop forged steel, zinc-plated for door weights up to 300 kg.
Order No. 46010001

Pivot bearings and accessories

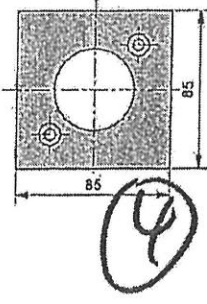
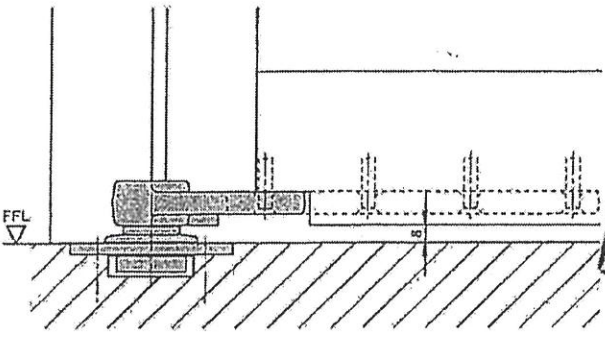
Beating 地盤



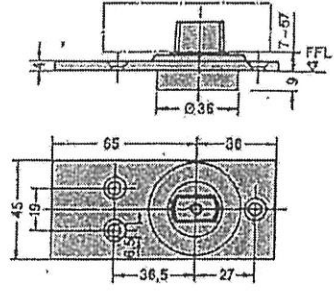
Floor pivot bearing Art. No. 7471 K)
With thrust roller bearing, load capacity
max. 200 kg.
Order No. 45070001

Art. No. 7471 AX
with angular contact roller bearing,
load capacity max. 300 kg.
Order No. 45070002

Typical installation

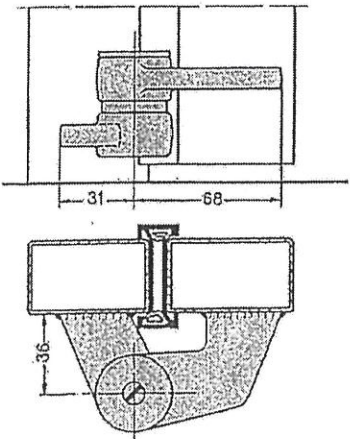
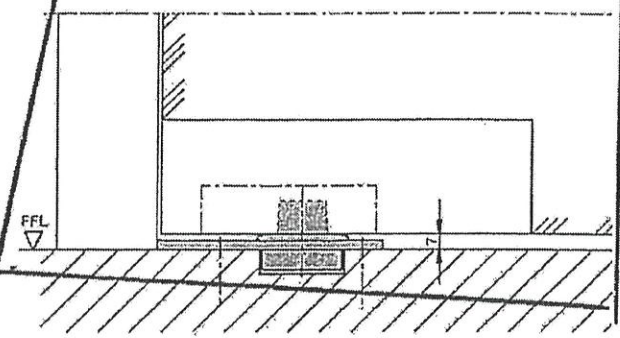


Cover plate 7471 K/AX

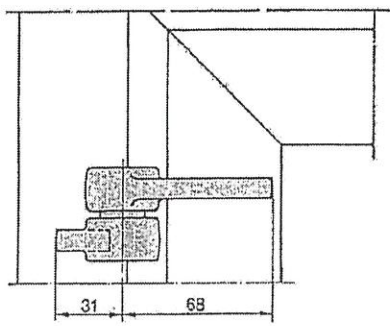


Floor pivot bearing Art. No. 7475 AX
with angular contact roller bearing,
load capacity max. 300 kg.
Order No. 45070003

Also available in stainless steel.
Art. No. 8560 GE
Order No. 65540059



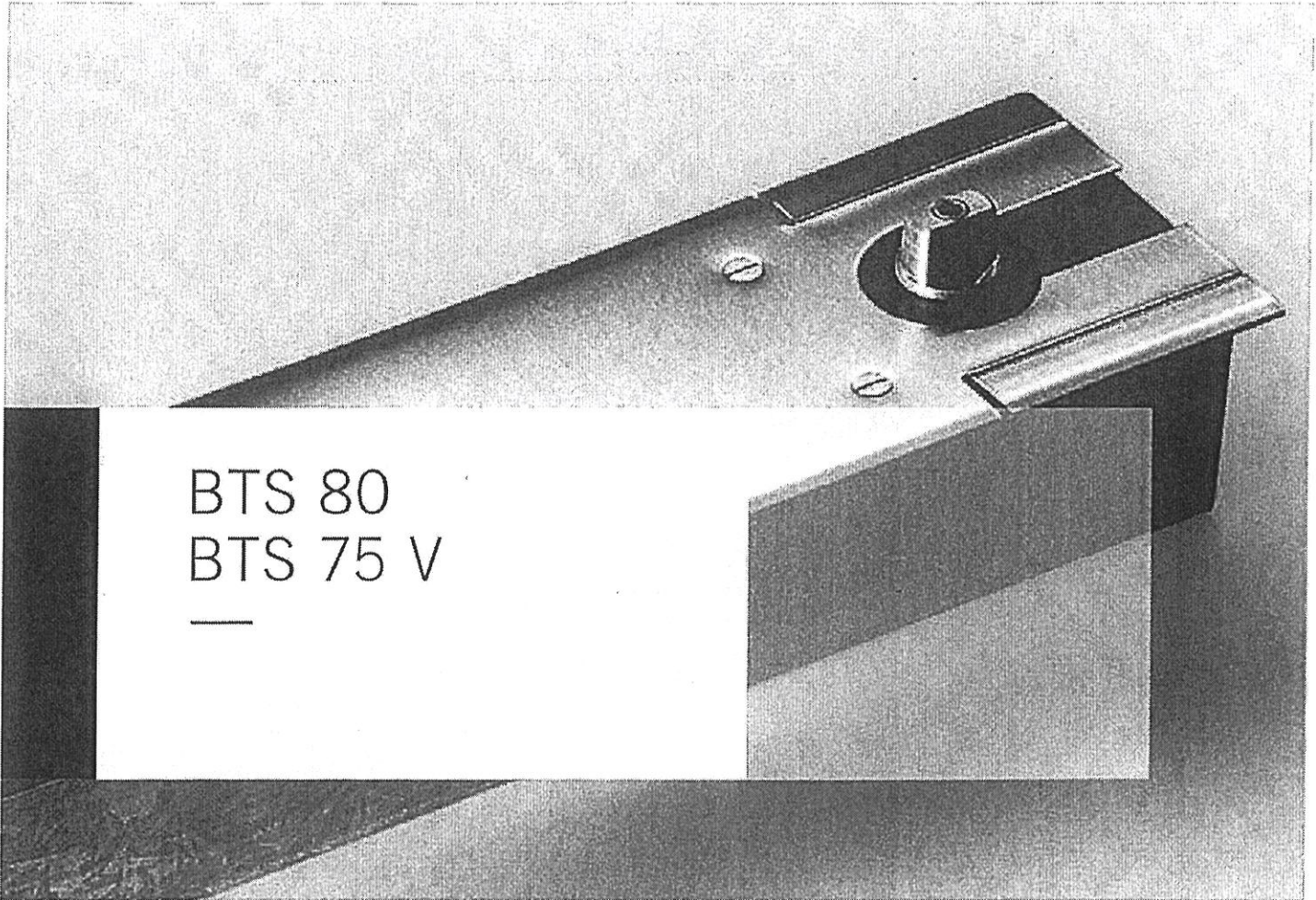
Weld-on hinge Art. No. 7472 K
With thrust roller bearing, load capacity
max. 200 kg, and door strap 7431
(see Page 6) non-handed, bearing
can be inserted from either side.
Order No. 45070011



Weld-on hinge Art. No. 7472 M
Used as intermediate pivot and upper hinge;
with eccentric pin and bush for adjustment
after hanging the door; non-handed bearing
can be inserted from either side.
Order No. 45900008

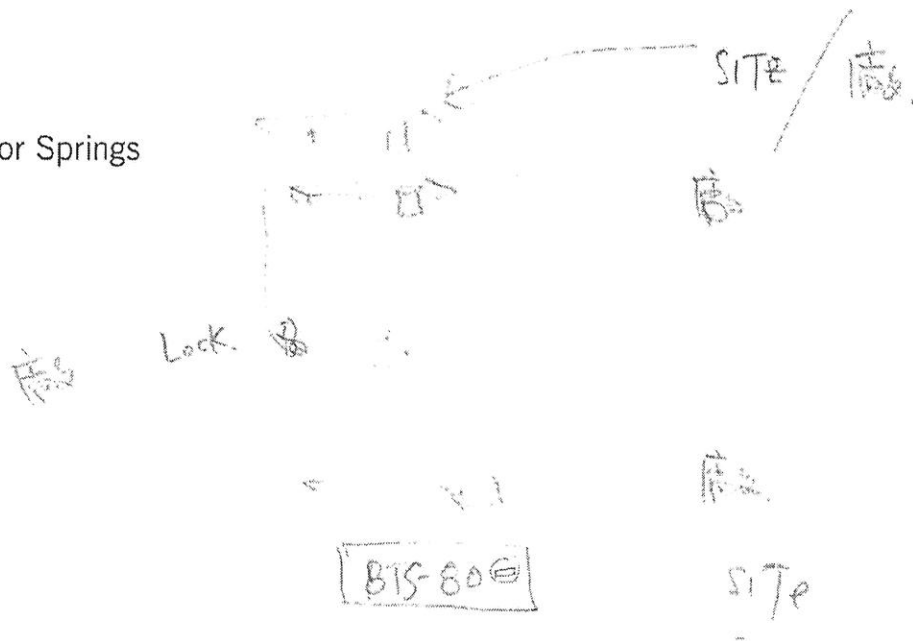


TENDER -Specification



BTS 80
BTS 75 V
—

Floor Springs



UNIVERSAL APPLICATION, INDIVIDUAL FUNCTIONS AND ASSURED QUALITY

Whether standard, narrow or wide, whether LH, RH, or single or double action – BTS 80 and BTS 75 V door springs are designed for all types of door. A comprehensive program of accessories ensures that they can be used successfully with a wide variety of door constructions and floor coverings.

Thanks to a wide range of functions, which can be individually selected to suit different requirements, BTS 80 and BTS 75 V floor springs offer maximum reliability and quality.

Certified to ISO 9001.

Plus points

For the trade

- Reduced stock requirements because of separate, interchangeable spindles.
- Slim product range offering all key functions.

For the installer

- Suitable for installation with LH or RH single and double action doors.
- Interchangeable spindles enable easy adaptation to structural conditions – even when retrofitted.

For the architect/specifier

- Concealed installation for maximum visual elegance
- All essential functions provided
- Proven, robust design capable of withstanding leaf weights of up to 300 kg (BTS 80).

For the user

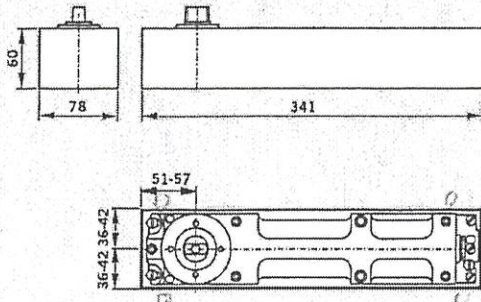
- Constant, temperature-independent closing cycle.
- Highly efficient mechanism gives maximum user convenience.

Data and features		BTS 80		BTS 75 V	
Spring strength (EN)		3	4	6	1-4
Spring strength adjustment		-	-	-	●
Standard and external doors ¹⁾	≤ 950 mm	●	-	-	-
	≤ 1100 mm	-	●	-	●
	≤ 1400 mm	-	-	●	-
For fire and smoke check doors		-	-	-	●
Max. leaf weight (kg)		300		120	
Non-handed, suitable for single and double action doors		●		●	
Closing force variable by means of adjustment screw		-		-	
Closing speed adjustable by valve	175° – 0°	●		-	
	175° – 15°	-		●	
	15° – 0°	-		●	
Backcheck, mechanical		●		●	
Delayed action adjustable by valve (selectable alternative to the hold-open feature)		●		-	
Hold-open	Adjustable	●		-	
	Fixed 90°	-		●	
	Fixed 105°	-		●	
Coverplate secured to	cement box	-		-	
	floor spring	●		●	
Weight in kg		7.1		3.0	
Dimensions in mm	Length	341		285	
	Overall depth	78		82	
	Height	60		50	
Floor spring tested to EN 1154		●		●	
CE mark for building products (products with factory-fitted hold-open do not carry a CE mark)		-		●	

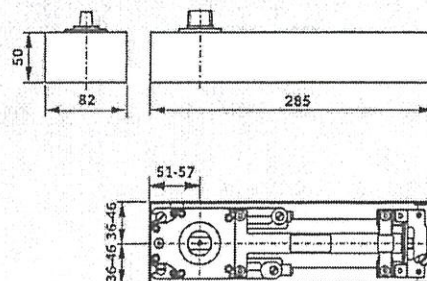
● yes – no

¹⁾ For particularly heavy doors and doors which have to close against wind resistance, we recommend the DORMA BTS 80.

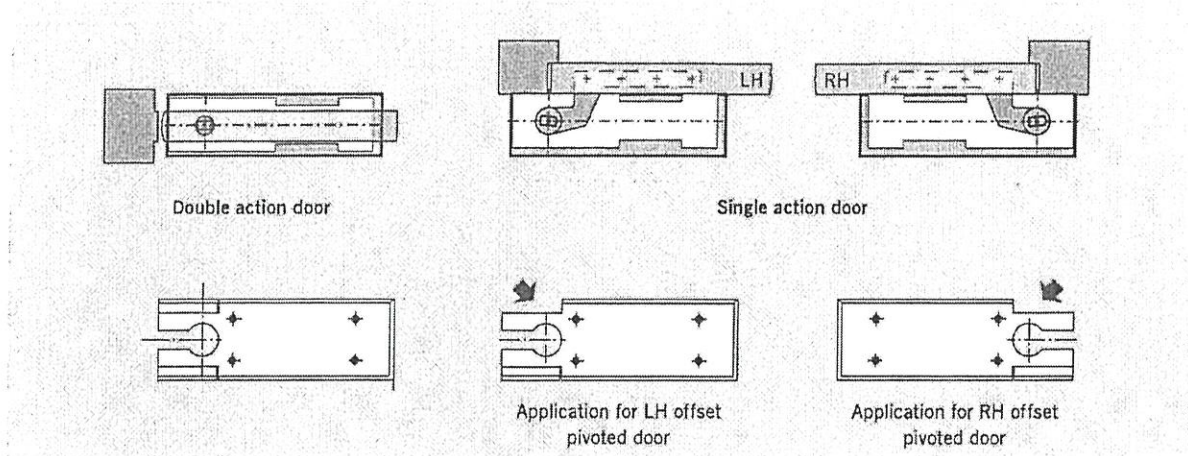
BTS 80



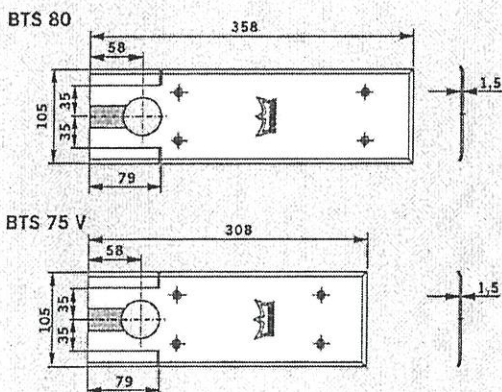
BTS 75 V



APPLICATION AND INSTALLATION



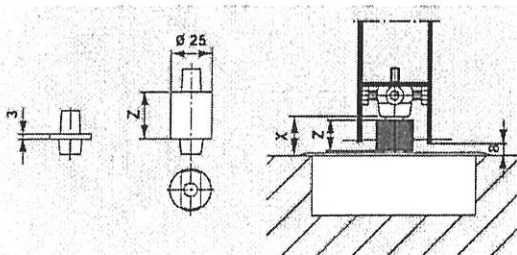
ACCESSORIES



Universal cover plate

Adaptable to right or left hand single action applications by simply snapping off the appropriate pre-blanked corner sections. For double action doors, the corner sections remain in place.

The universal cover plate is available in stainless steel or satin brass (material thickness 1.5 mm).



Spindles

A range of interchangeable spindles is available to provide greater floor clearance if required (e.g. doors with thresholds, carpeted floors etc).

Special spindles available on application: e.g. with flat face profile and 3° offset or square section; spindles for non-DORMA-specific accessories are also available.










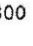






Calculating the necessary length of spindle extension:
 Extension = X – Floor clearance (normally 8 mm)
 Collar height Z of the extended spindle inserts = Spindle extension length + 3 mm (collar height of the standard spindle insert)

DORMA 2300 sealing compound

For filling cavities between the floor spring body and the cement box to protect against moisture penetration.

Information about other accessories such as door straps and top centres can be found in the "Accessories for DORMA BTS Floor Springs" leaflet

STANDARD EQUIPMENT AND ACCESSORIES

BTS 80 Floor spring		BTS 75 V Floor spring		Spindles												Sealing compound, 2300		
																		
				normal	Extended spindle inserts (extension in mm)												0.5 kg	
				45200401	5	7,5	10	12,5	15	20	25	28	30	35	40	45	50	45090086
Including cement box and standard spindle																		
EN 3	EN 1-4	●	△	△	△	△	△	△	△	△	△	△	△	△	△	△	△	△
80120000	61701000																	
EN 4	EN 1-4 with hold-open at 90°	●	△	△	△	△	△	△	△	△	△	△	△	△	△	△	△	△
80110000	61701200																	
EN 6	EN 1-4 with hold-open at 105°	●	△	△	△	△	△	△	△	△	△	△	△	△	△	△	△	△
80130000	61701300																	
Including cement box without spindle																		
EN 3	EN 1-4	△	△	△	△	△	△	△	△	△	△	△	△	△	△	△	△	△
80120001	61701001																	
EN 4	EN 1-4 with hold-open at 90°	△	△	△	△	△	△	△	△	△	△	△	△	△	△	△	△	△
80110001	61701201																	
EN 6	EN 1-4 with hold-open at 105°	△	△	△	△	△	△	△	△	△	△	△	△	△	△	△	△	△
80130001	61701301																	
Universal cover plate																		
46700000	46700059	Stainless steel																
46700100	46700159	Satin brass																△

● Floor spring with spindle △ Accessories

SPECIFICATION TEXT

BTS 80

Universal non-handed floor spring conforming to DIN EN 1154 for single and double action doors up to max. 300 kg leaf weight. With adjustable closing speed and closing action from approx. 175°, with hydraulically fully controlled closing cycle and backcheck. With integral pressure compensation feature for temperature-independent hold-open between 75° and 175° (removable). With adjustable hold-open start point and delayed action (end of delayed action range adjustable between 75° and 105°). Including cement box.

Size

- EN 3
- EN 4
- EN 6

Accessories

- Spindle
 - standard
 - ... mm extension
 - special model ...
- Universal cover plate (1.5 mm thick)
 - stainless steel
 - satin brass
- Sealing compound

Make DORMA BTS 80

BTS 75 V

Universal floor spring conforming to DIN EN 1154, non-handed unit suitable for LH and RH single and double action doors up to 120 kg leaf weight, with adjustable spring strength (size EN 1 – 4) and closing speed, with closing action operational from approx. 175°. Featuring hydraulically fully controlled closing cycle and backcheck. Including cement box.

Models

- With spindle
- Without spindle
- Fixed hold-open at 90°
- Fixed hold-open at 105°

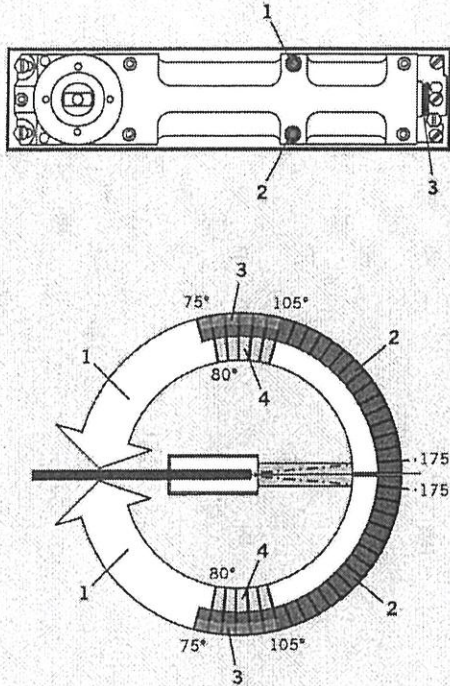
Accessories

- Spindle
 - standard
 - ... mm extension
 - special model ...
- Universal cover plate (1.5 mm thick)
 - stainless steel
 - satin brass
- Sealing compound

Make DORMA BTS 75 V

STANDARD AND OPTIONAL FUNCTIONS

BTS 80



- 1 Adjustable closing speed
- 2 Hold-open range or delayed action range

- 3 Adjustment range – point at which hold-open begins, or end of delayed action range (approx. 75° to 105°).
- 4 Mechanical backcheck (from approx. 80°)

Hydraulic hold-open

The integrated hold-open function allows the door to be held open at any angle between 75° and 175°. The angle at which the hold-open function begins can be adjusted in the range of 75° to 105°.

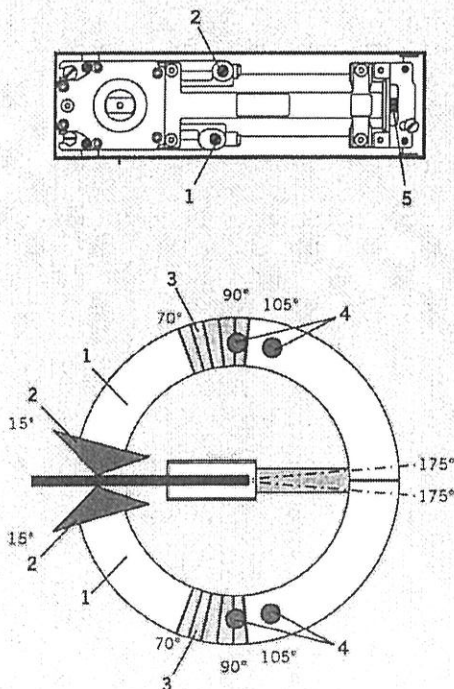
Delayed action

The delayed action function slows the door closing speed, thereby allowing disabled persons, mothers with pushchairs, staff with trolleys or hospital gurneys etc. to pass through the door without problem.

Backcheck

The integrated mechanical backcheck function protects the wall and door from damage caused by excessively vigorous opening.

BTS 75 V



- 1 Adjustable closing speed in the range 175° – 15°.
- 2 Adjustable closing speed in the range 15° – 0°.

- 3 Mechanical backcheck (from approx. 70°).
- 4 Fixed hold-open at 90° or 105° (option).
- 5 Adjustable spring strength (EN 1-4).

Closing speed

With two independently adjustable closing ranges (175° – 15° and 15° – 0°) the DORMA BTS 75 V is ideally adaptable to different structural conditions.

Fixed hold-open (option)

With the fixed hold-open function the door can be held open at an angle of 90° or 105°, depending on model.

Not suitable for use on Fire doors.

Backcheck

The integrated mechanical backcheck function protects the wall and door from damage caused by excessively vigorous opening.



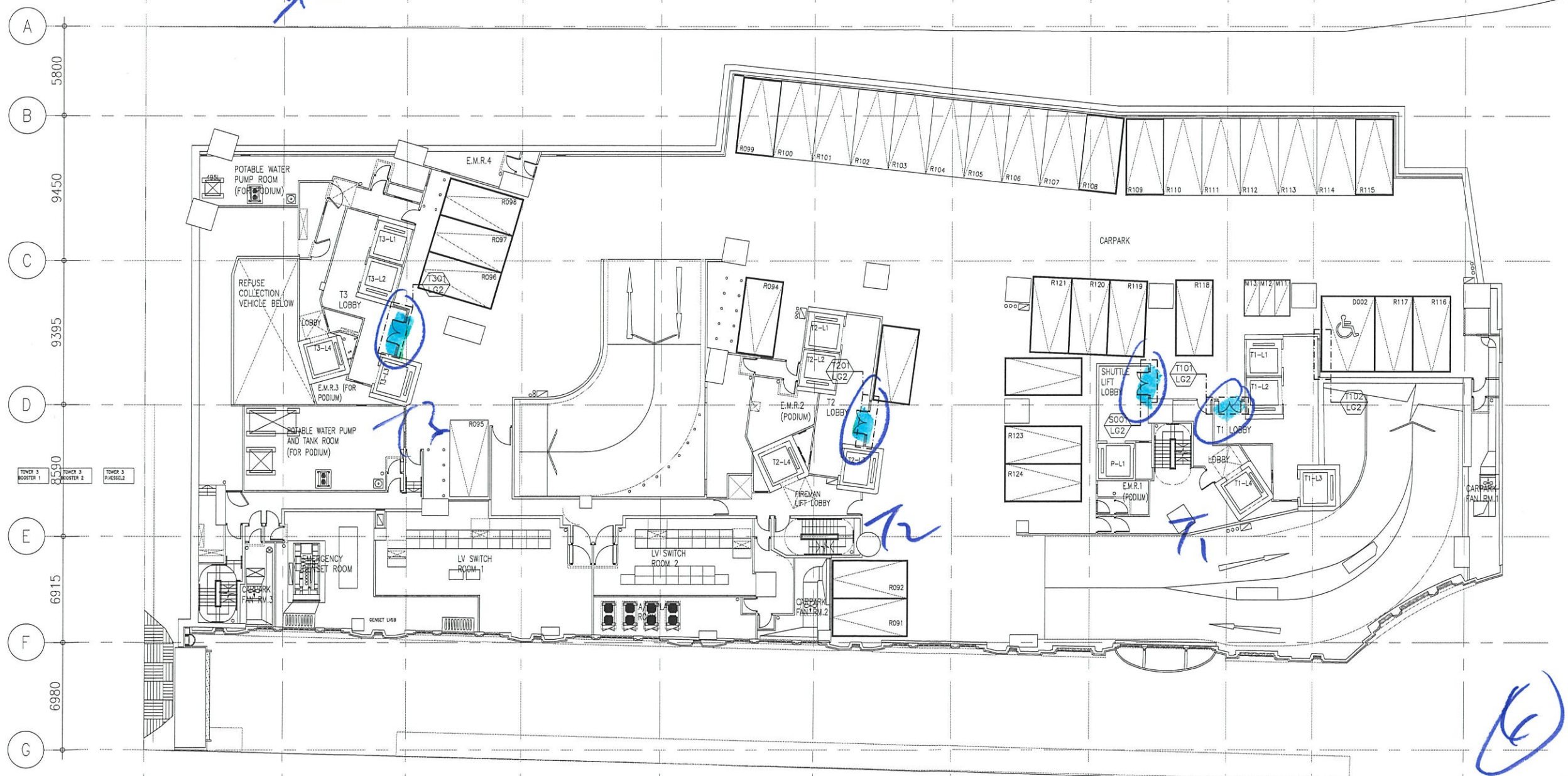
The DORMA BTS 75 V is CERTIFIRE approved (Certificate No. 127) for door types ITT 60 and IMM, IMN 240.



如小 = 電力

地盤 雜項
分布

1 9000 3 7500 4 9000 5 10000 6 9000 7 9000 8 9000 9 5600 10 11



B.D. REF :

CLIENT :

ARCHITECT :
AGC DESIGN LTD

MAIN CONTRACTOR :
Gammon

STRUCTURAL ENGINEER :
ARUP

FAÇADE CONSULTANT:
MEIN-HARDT

NOTE :
1. ALL DIMENSIONS ARE IN mm.
2. ALL ELEVATIONS ARE VIEWED FROM OUTSIDE.
3. ALL DIMENSIONS TO BE VERIFIED ON SITE BEFORE FABRICATION.

LEGEND :
X1 --- DETAIL MARK NO.
X001 --- REFER SHEET NO.
1. F.F.L. --- FINISHED FLOOR LEVEL
2. S.F.L. --- STRUCTURAL FLOOR LEVEL
3. (R) --- REVERSED DETAIL

A	28/09/2021	REVISION SUBJECT TO ARCH. COMMENT	LWC
NO.	DATE	REVISED	BY

JOB NO. : J-852
PROJECT : PROPOSED DEVELOPMENT AT KOWLOON INLAND, LOT Nos., 6035R.P., 6036R.P., 6037R.P., 6038R.P., AND LOT No. 6005

TITLE : LOCATION PLAN FOR GLASS WALL (LG2/F)

LOCATION	GLASS WALL MARK	DRAWING No.
TOWER 3 LIFT LOBBY	T301/LG2	J852-PGW-4204
TOWER 2 LIFT LOBBY	T201/LG2	J852-PGW-4203
TOWER 1 LIFT LOBBY	T102/LG2	J852-PGW-4202
TOWER 1 LIFT LOBBY	T101/LG2	J852-PGW-4201
SHUTTLE LIFT LOBBY	S001/LG2	J852-PGW-4200

DATE : 25-Mar-20 SCALE : 1:300
DRAWN BY : CJM CHECKED BY : DW
MIDI ALUMINIUM FABRICATOR LTD.
Units 6-8, Sunny Industrial Centre, 1/F
610 Cha Kwo Ling Road, Kowloon
Tel: 23489211-4 Fax: (852) 2772666
DWG NO. : J852-PGW-3002 REV. : A

LOCATION PLAN FOR GLASS WALL (LG2/F)

LG2



小电柜
柜



B.D. REF :

CLIENT :

ARCHITECT :

AGC
DESIGN LTD

MAIN CONTRACTOR :

Gammon

STRUCTURAL ENGINEER :

ARUP

FACADE CONSULTANT :

MEINHARDT

NOTE :

1. ALL DIMENSIONS ARE IN mm.
2. ALL ELEVATIONS ARE VIEWED FROM OUTSIDE.
3. ALL DIMENSIONS TO BE VERIFIED ON SITE BEFORE FABRICATION.

LEGEND :

- X1 --- DETAIL MARK NO.
- X001 --- REFER SHEET NO.

1. F.F.L. --- FINISHED FLOOR LEVEL
2. S.F.L. --- STRUCTURAL FLOOR LEVEL
3. (R) --- REVERSED DETAIL

B	28/09/2021	REVISION SUBJECT TO ARCH. COMMENT	LWC
A	27/04/2021	REVISION SUBJECT TO ARCH. COMMENT	LWC
NO.	DATE	REVISED	BY

JOB NO. : J-852

PROJECT : PROPOSED DEVELOPMENT
AT KOWLOON ISLAND,
LOT Nos., 6035R.P., 6036R.P., 6037R.P.,
6038R.P., AND LOT No. 6005

TITLE : LOCATION PLAN FOR
GLASS WALL
(LG3/F)

DATE : 25-Mar-20 SCALE : 1:300

DRAWN BY : CJM CHECKED BY : DW

美特铝质有限公司
MIDI ALUMINIUM FABRICATOR LTD.
Units 6-8, Sunray Industrial Centre, 1/F
610 Cha Kwo Ling Road, Kowloon
Tel: 23489211-4 Fax: (852) 2727666

DWG NO. : J852-PGW-3003 REV. : B

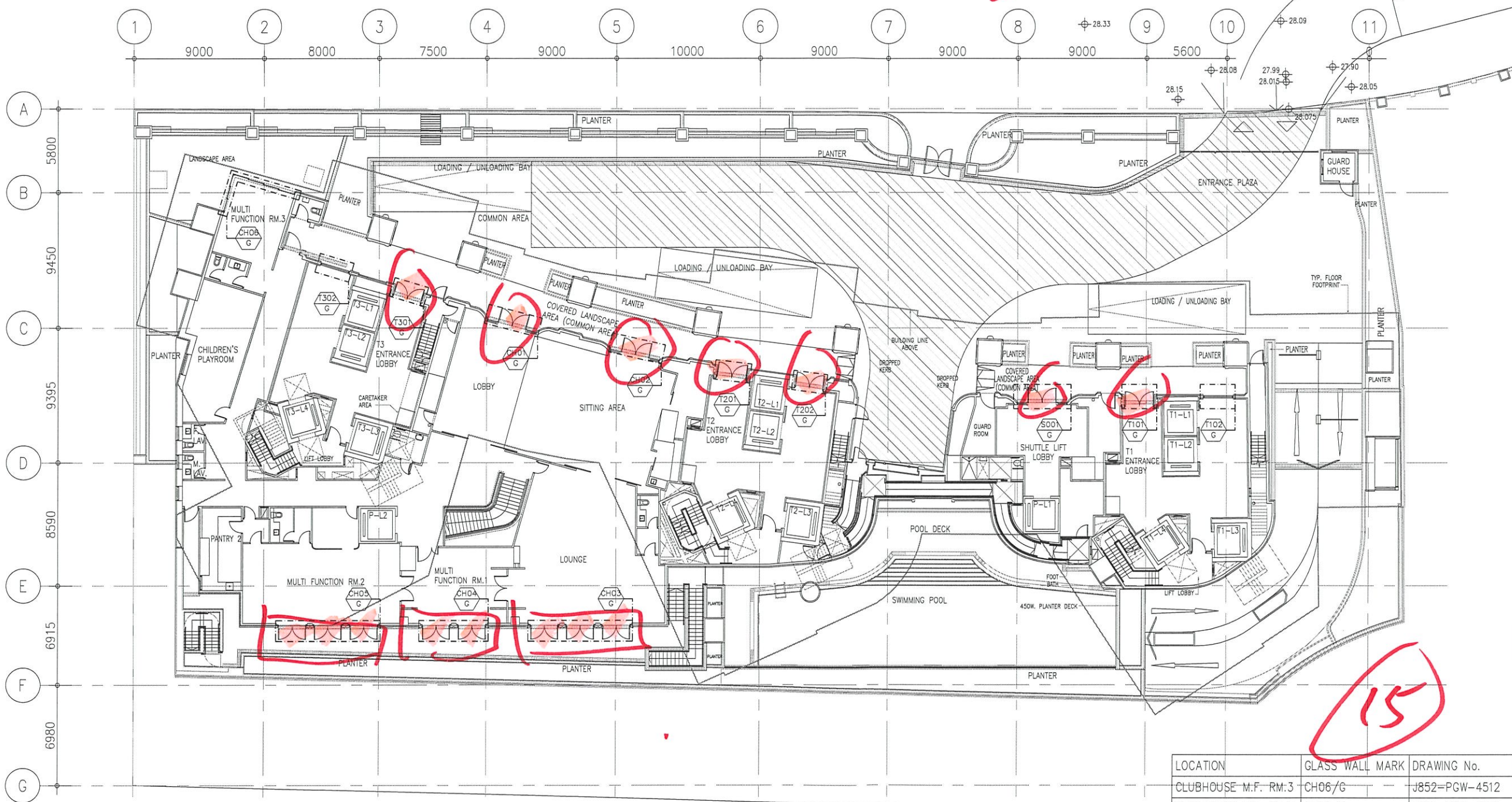
LOCATION	GLASS WALL MARK	DRAWING No.
TOWER 3 LIFT LOBBY	T301/LG3	J852-PGW-4304
TOWER 2 LIFT LOBBY	T201/LG3	J852-PGW-4303
TOWER 1 LIFT LOBBY	T102/LG3	J852-PGW-4302
TOWER 1 LIFT LOBBY	T101/LG3	J852-PGW-4301
SHUTTLE LIFT LOBBY	S001/LG3	J852-PGW-4300

LOCATION PLAN FOR GLASS WALL (LG3/F)

LG3



大地點 = BTS 租電行



15

LOCATION PLAN FOR GLASS WALL (G/F)

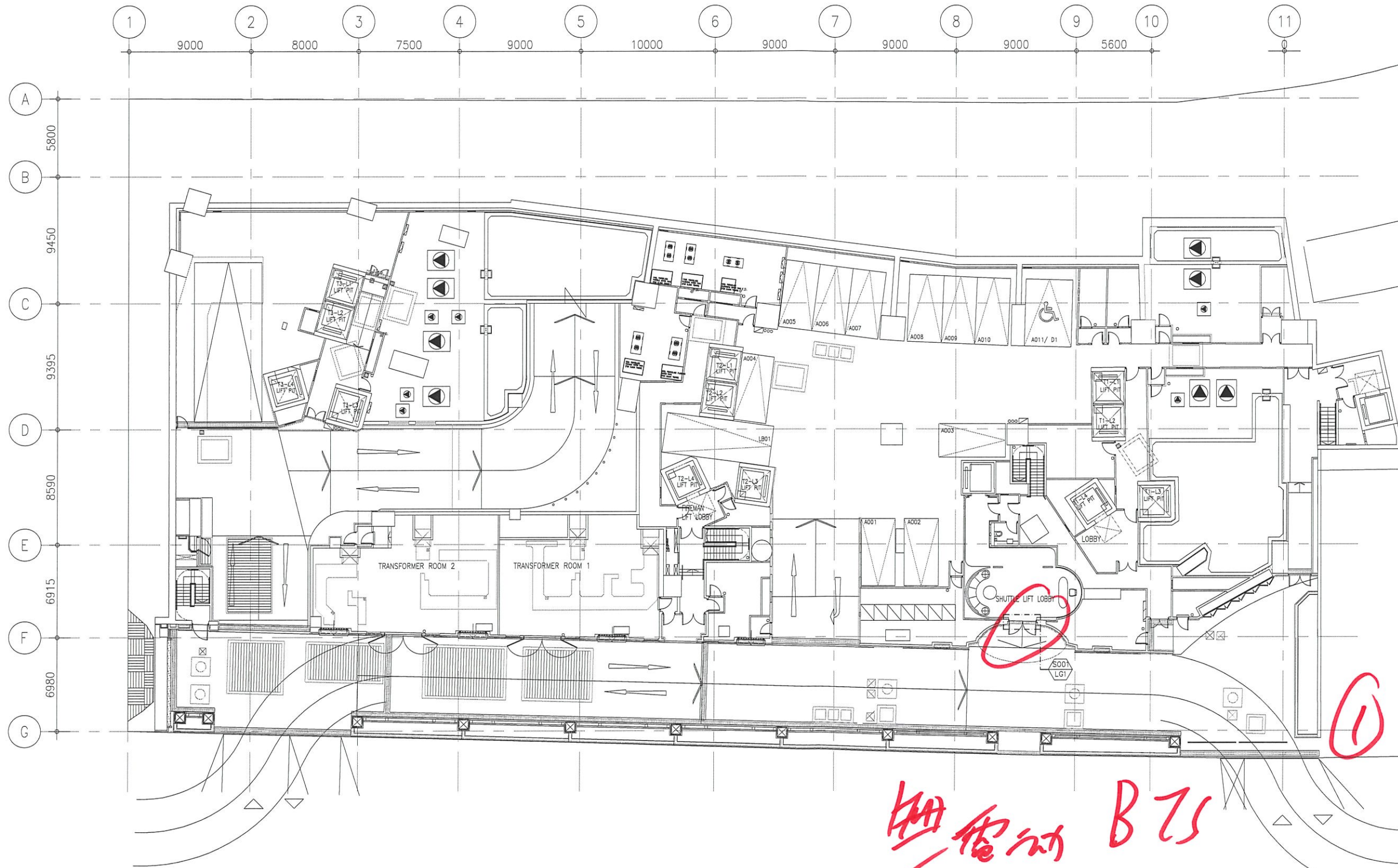
G/F

B.D. REF :
 CLIENT :
 ARCHITECT :
AGC DESIGN LTD
 107, 107A, 107B, 107C, 107D, 107E, 107F, 107G, 107H, 107I, 107J, 107K, 107L, 107M, 107N, 107O, 107P, 107Q, 107R, 107S, 107T, 107U, 107V, 107W, 107X, 107Y, 107Z, 108, 109, 110, 111, 112, 113, 114, 115, 116, 117, 118, 119, 120, 121, 122, 123, 124, 125, 126, 127, 128, 129, 130, 131, 132, 133, 134, 135, 136, 137, 138, 139, 140, 141, 142, 143, 144, 145, 146, 147, 148, 149, 150, 151, 152, 153, 154, 155, 156, 157, 158, 159, 160, 161, 162, 163, 164, 165, 166, 167, 168, 169, 170, 171, 172, 173, 174, 175, 176, 177, 178, 179, 180, 181, 182, 183, 184, 185, 186, 187, 188, 189, 190, 191, 192, 193, 194, 195, 196, 197, 198, 199, 200, 201, 202, 203, 204, 205, 206, 207, 208, 209, 210, 211, 212, 213, 214, 215, 216, 217, 218, 219, 220, 221, 222, 223, 224, 225, 226, 227, 228, 229, 230, 231, 232, 233, 234, 235, 236, 237, 238, 239, 240, 241, 242, 243, 244, 245, 246, 247, 248, 249, 250, 251, 252, 253, 254, 255, 256, 257, 258, 259, 260, 261, 262, 263, 264, 265, 266, 267, 268, 269, 270, 271, 272, 273, 274, 275, 276, 277, 278, 279, 280, 281, 282, 283, 284, 285, 286, 287, 288, 289, 290, 291, 292, 293, 294, 295, 296, 297, 298, 299, 300, 301, 302, 303, 304, 305, 306, 307, 308, 309, 310, 311, 312, 313, 314, 315, 316, 317, 318, 319, 320, 321, 322, 323, 324, 325, 326, 327, 328, 329, 330, 331, 332, 333, 334, 335, 336, 337, 338, 339, 340, 341, 342, 343, 344, 345, 346, 347, 348, 349, 350, 351, 352, 353, 354, 355, 356, 357, 358, 359, 360, 361, 362, 363, 364, 365, 366, 367, 368, 369, 370, 371, 372, 373, 374, 375, 376, 377, 378, 379, 380, 381, 382, 383, 384, 385, 386, 387, 388, 389, 390, 391, 392, 393, 394, 395, 396, 397, 398, 399, 400, 401, 402, 403, 404, 405, 406, 407, 408, 409, 410, 411, 412, 413, 414, 415, 416, 417, 418, 419, 420, 421, 422, 423, 424, 425, 426, 427, 428, 429, 430, 431, 432, 433, 434, 435, 436, 437, 438, 439, 440, 441, 442, 443, 444, 445, 446, 447, 448, 449, 450, 451, 452, 453, 454, 455, 456, 457, 458, 459, 460, 461, 462, 463, 464, 465, 466, 467, 468, 469, 470, 471, 472, 473, 474, 475, 476, 477, 478, 479, 480, 481, 482, 483, 484, 485, 486, 487, 488, 489, 490, 491, 492, 493, 494, 495, 496, 497, 498, 499, 500, 501, 502, 503, 504, 505, 506, 507, 508, 509, 510, 511, 512, 513, 514, 515, 516, 517, 518, 519, 520, 521, 522, 523, 524, 525, 526, 527, 528, 529, 530, 531, 532, 533, 534, 535, 536, 537, 538, 539, 540, 541, 542, 543, 544, 545, 546, 547, 548, 549, 550, 551, 552, 553, 554, 555, 556, 557, 558, 559, 560, 561, 562, 563, 564, 565, 566, 567, 568, 569, 570, 571, 572, 573, 574, 575, 576, 577, 578, 579, 580, 581, 582, 583, 584, 585, 586, 587, 588, 589, 590, 591, 592, 593, 594, 595, 596, 597, 598, 599, 600, 601, 602, 603, 604, 605, 606, 607, 608, 609, 610, 611, 612, 613, 614, 615, 616, 617, 618, 619, 620, 621, 622, 623, 624, 625, 626, 627, 628, 629, 630, 631, 632, 633, 634, 635, 636, 637, 638, 639, 640, 641, 642, 643, 644, 645, 646, 647, 648, 649, 650, 651, 652, 653, 654, 655, 656, 657, 658, 659, 660, 661, 662, 663, 664, 665, 666, 667, 668, 669, 670, 671, 672, 673, 674, 675, 676, 677, 678, 679, 680, 681, 682, 683, 684, 685, 686, 687, 688, 689, 690, 691, 692, 693, 694, 695, 696, 697, 698, 699, 700, 701, 702, 703, 704, 705, 706, 707, 708, 709, 710, 711, 712, 713, 714, 715, 716, 717, 718, 719, 720, 721, 722, 723, 724, 725, 726, 727, 728, 729, 730, 731, 732, 733, 734, 735, 736, 737, 738, 739, 740, 741, 742, 743, 744, 745, 746, 747, 748, 749, 750, 751, 752, 753, 754, 755, 756, 757, 758, 759, 760, 761, 762, 763, 764, 765, 766, 767, 768, 769, 770, 771, 772, 773, 774, 775, 776, 777, 778, 779, 780, 781, 782, 783, 784, 785, 786, 787, 788, 789, 790, 791, 792, 793, 794, 795, 796, 797, 798, 799, 800, 801, 802, 803, 804, 805, 806, 807, 808, 809, 810, 811, 812, 813, 814, 815, 816, 817, 818, 819, 820, 821, 822, 823, 824, 825, 826, 827, 828, 829, 830, 831, 832, 833, 834, 835, 836, 837, 838, 839, 840, 841, 842, 843, 844, 845, 846, 847, 848, 849, 850, 851, 852, 853, 854, 855, 856, 857, 858, 859, 860, 861, 862, 863, 864, 865, 866, 867, 868, 869, 870, 871, 872, 873, 874, 875, 876, 877, 878, 879, 880, 881, 882, 883, 884, 885, 886, 887, 888, 889, 890, 891, 892, 893, 894, 895, 896, 897, 898, 899, 900, 901, 902, 903, 904, 905, 906, 907, 908, 909, 910, 911, 912, 913, 914, 915, 916, 917, 918, 919, 920, 921, 922, 923, 924, 925, 926, 927, 928, 929, 930, 931, 932, 933, 934, 935, 936, 937, 938, 939, 940, 941, 942, 943, 944, 945, 946, 947, 948, 949, 950, 951, 952, 953, 954, 955, 956, 957, 958, 959, 960, 961, 962, 963, 964, 965, 966, 967, 968, 969, 970, 971, 972, 973, 974, 975, 976, 977, 978, 979, 980, 981, 982, 983, 984, 985, 986, 987, 988, 989, 990, 991, 992, 993, 994, 995, 996, 997, 998, 999, 1000

NOTE :
 1. ALL DIMENSIONS ARE IN mm.
 2. ALL ELEVATIONS ARE VIEWED FROM OUTSIDE.
 3. ALL DIMENSIONS TO BE VERIFIED ON SITE BEFORE FABRICATION.
 LEGEND :
 X1 --- DETAIL MARK NO.
 X001 --- REFER SHEET NO.
 1. F.F.L. --- FINISHED FLOOR LEVEL
 2. S.F.L. --- STRUCTURAL FLOOR LEVEL
 3. /R --- REVERSED DETAIL

LOCATION	GLASS WALL MARK	DRAWING No.
CLUBHOUSE M.F. RM.3	CH06/G	J852-PGW-4512
CLUBHOUSE M.F. RM.2	CH05/G	J852-PGW-4511
CLUBHOUSE M.F. RM.1	CH04/G	J852-PGW-4510
CLUBHOUSE LOUNGE	CH03/G	J852-PGW-4509
CLUBHOUSE SITTING AREA	CH02/G	J852-PGW-4508
CLUBHOUSE LOBBY	CH01/G	J852-PGW-4507
TOWER 3 LIFT LOBBY	T302/G	J852-PGW-4506
TOWER 3 LIFT LOBBY	T301/G	J852-PGW-4505
TOWER 2 LIFT LOBBY	T202/G	J852-PGW-4504
TOWER 2 LIFT LOBBY	T201/G	J852-PGW-4503
TOWER 1 LIFT LOBBY	T102/G	J852-PGW-4502
TOWER 1 LIFT LOBBY	T101/G	J852-PGW-4501
SHUTTLE LIFT LOBBY	S001/G	J852-PGW-4500

B	28/09/2021	REVISION SUBJECT TO ARCH. COMMENT	LWC
A	02/08/2021	REVISION SUBJECT TO ARCH. COMMENT	LWC
NO.	DATE	REVISED	BY
JOB NO. : J-852		PROJECT : PROPOSED DEVELOPMENT AT KOWLOON INLAND, LOT Nos., 6035R.P., 6036R.P., 6037R.P., 6038R.P., AND LOT No. 6005	
TITLE : LOCATION PLAN FOR GLASS WALL (G/F)			
DATE : 25-Mar-20		SCALE : 1:300	
DRAWN BY : CJM		CHECKED BY : DW	
美特鋁質有限公司 MIDI ALUMINIUM FABRICATOR LTD. Units 6-8, Sunray Industrial Centre, 1/F 610 Cha Kwo Ling Road, Kowloon Tel:23489211-4 Fax:(852)2727666			
DWG NO. : J852-PGW-3005		REV. : B	



LOCATION PLAN FOR GLASS WALL (LG1/F)

美特鋁質 B75
LG1

B.D. REF :
CLIENT :

ARCHITECT :
AGC DESIGN LTD
AGC DESIGN LTD
187, 187, Chung Ping, 228, King's Road, West Point, Hong Kong
Tel: (852) 2772 7666 Fax: (852) 2772 7666

MAIN CONTRACTOR :
Gammon

STRUCTURAL ENGINEER :
ARUP

FACADE CONSULTANT :
MEIN-HARDT

NOTE :
1. ALL DIMENSIONS ARE IN mm.
2. ALL ELEVATIONS ARE VIEWED FROM OUTSIDE.
3. ALL DIMENSIONS TO BE VERIFIED ON SITE BEFORE FABRICATION.

LEGEND :
X1 --- DETAIL MARK NO.
X001 --- REFER SHEET NO.
1. F.F.L. --- FINISHED FLOOR LEVEL
2. S.F.L. --- STRUCTURAL FLOOR LEVEL
3. (R) --- REVERSED DETAIL

A	28/09/2021	REVISION SUBJECT TO ARCH. COMMENT	LWC
NO.	DATE	REVISED	BY

JOB NO. : J-852
PROJECT : PROPOSED DEVELOPMENT AT KOWLOON INLAND, LOT Nos., 6035R.P., 6036R.P., 6037R.P., 6038R.P., AND LOT No. 6005

TITLE : LOCATION PLAN FOR GLASS WALL (LG1/F)

DATE : 25-Mar-20 SCALE : 1:300
DRAWN BY : CJM CHECKED BY : DW

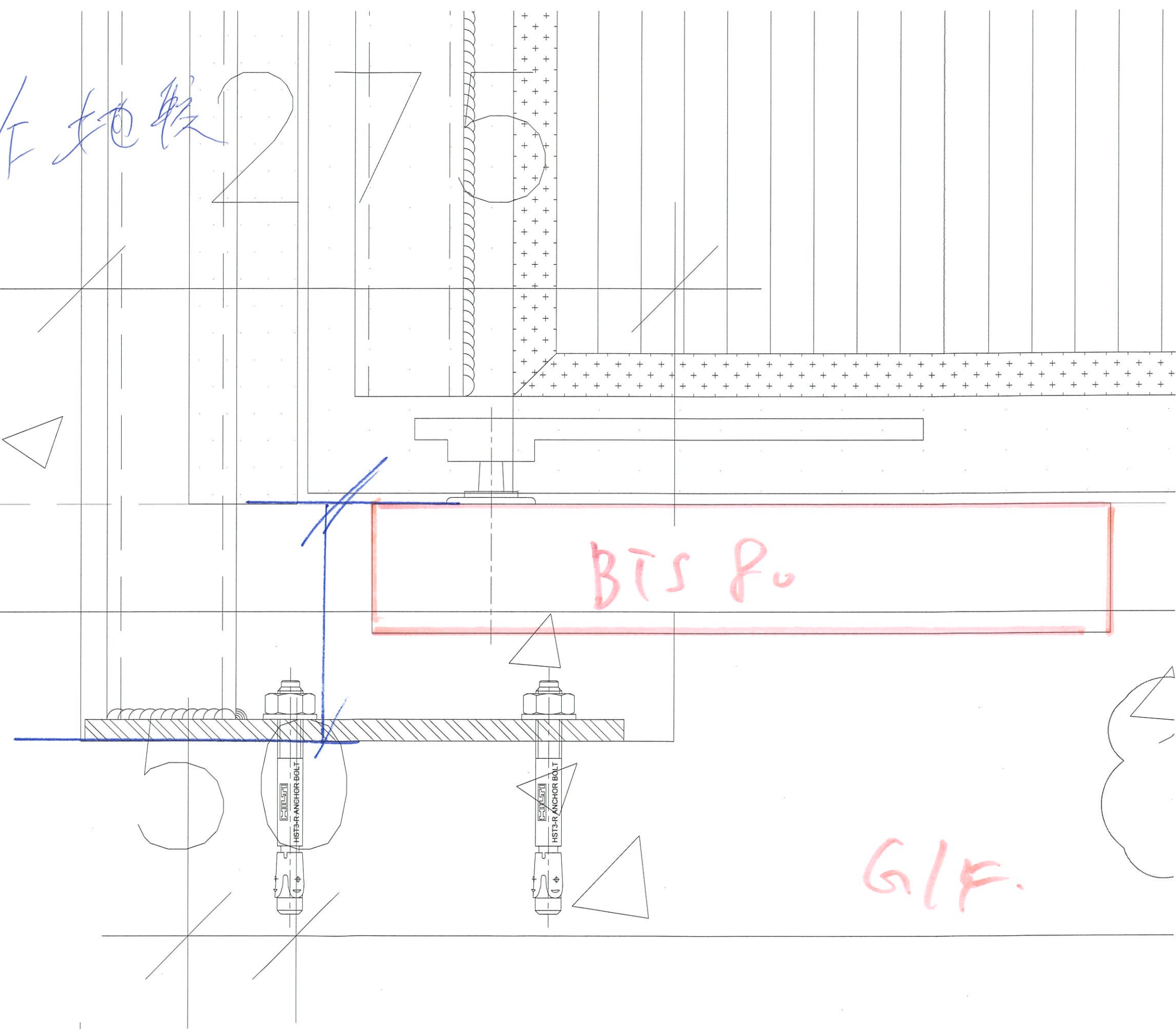
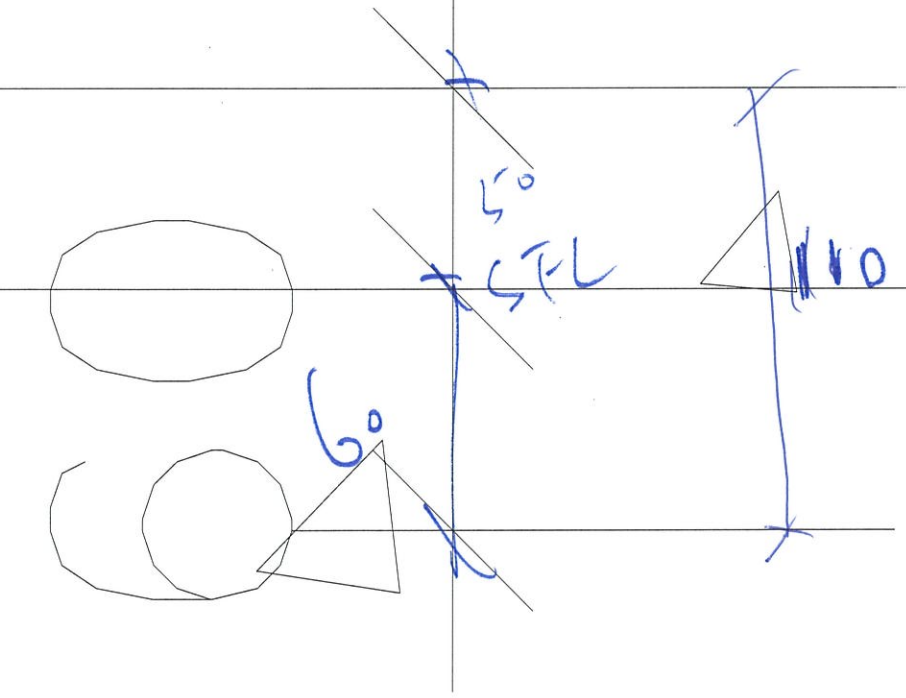
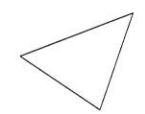
美特鋁質有限公司
MIDI ALUMINIUM FABRICATOR LTD.
Units 6-8, Sunray Industrial Centre, 1/F
610 Cha Kwo Ling Road, Kowloon
Tel: 23489211-4 Fax: (852) 27727666

LOCATION	GLASS WALL MARK	DRAWING No.	DWG NO. : J852-PGW-3001	REV. : A
SHUTTLE LIFT LOBBY	S001/LG1	J852-PGW-4100		

地盤和柱面相撞

加長鉚

G/F 地盤



G/F.