

工程指示 / 要求簡箋(E.I.)

工程指示編號：EI / 3750 / 21

修改版次：A

工程編號：J - 852

工程名稱：亞皆老街中電

工程項目：平台 Glass Wall 地盆用配件

收件人：生統 *(Handwritten signature)*

發件人：Ant Yeung

日期：28/08/2021

要求提供 /  確認 事項：

- ( ) 初步鋁料 B.M.                      ( ) 加工拆圖，然後生產                      ( ) 尺寸表
- ( ) 正式鋁料 B.M.                      ( ) 技術上資料 / 指示                      ( ) 報價
- ( ) 配件 B.M.                              ( ) 樣辦或貨品說明書                      ( ) 分判合約
- ( ) 其他：\_\_\_\_\_

內容：

A: 修正數量，所有 門雙開，地餃 1 左 1 右為 1 對； BTS 80(不 HOLD) 10 對(20 隻)；無電動用  
地餃 1 左 1 右為 1 對； Dorma 24 對 (48 隻)；有電動用  
請按配件 BM 訂購送地盆等等

請在 2021.10.07 前完成上列要求。

附：1 頁 BM+ 2 頁

- 原合約工程包                       原合約工程加 / 減賬                       新工程報價

原因：-\_\_\_\_\_

分發東莞各部門：

- ( ) 生產技術總監  連附件    ( ) 技術部     連附件    ( ) 生產部     連附件    ( ) 機械設計部  連附件
- ( ) 採購部     連附件    ( ) 生產統籌部  連附件    ( ) 小羅 & 清     連附件
- ( ) 質檢部     連附件    ( ) 會計部     連附件    ( ) 報關組     連附件    ( ) 其他 楊榮輝  連附件

分發其他分判：

- (v) 水洪     連附件

分發香港各部門：

- ( ) 行政部  連附件    ( ) 會計部  連附件    ( ) 統籌部  連附件    ( ) 工程部地盤科文  連附件 祥哥
- (v) 採購部  連附件    ( ) QS 部  連附件    ( ) 維修部  連附件    ( ) 其他 \_\_\_\_\_  連附件

傳遞編號：

HK 1699 / 21

發件人簽署：

項目經理簽署：

*(Handwritten signature)*



美特鋁質有限公司  
MTDI Aluminium Fabricator Ltd.

工程號: J-852

計算: 黃漢卿

日期: 2021/08/09

送呈: 胡哥

地盤名稱: 亞皆老街

核對:

日期:

副本:

項目類別: 平台GLASS WALL

批准:

日期:

日期:

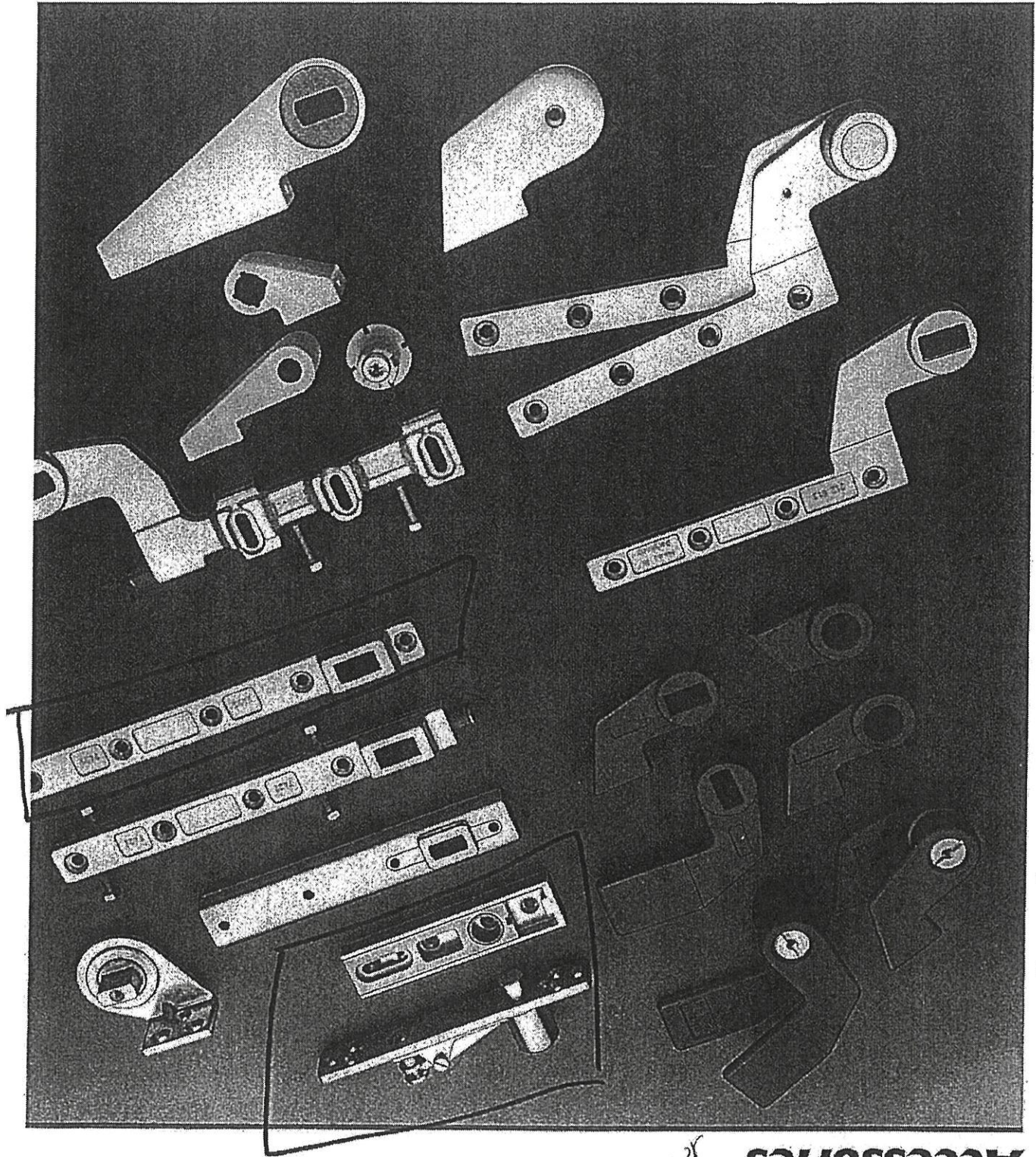
地盤用配件B.M.表

A/C Code:

此BM依據 2021-7-31 收Wong009拆图资料 計算

序號	修改標示	配件圖號	物料編號	配件名稱	顏色	實用	後備	總數	單位	備注
3	A 修正			D.C.791 防水膠 300ml/支	古銅色	300	50	350	支	
4	A 修正	多玛 8560 GE (見附件)		地較		44	4	48	套	(24左, 24右) / -
4	A 修正	多玛 7461 8064 (見附件)		老鼠夾和盖巴		44	4	48	套	(24左, 24右) / -
2		款式香港确定		门拉手		58	4	62	双	每双为室内和室外各一个拉手
5				6 (厚) x8 (宽) 海棉条	白色	1100	100	1200	米	
6				皺紋膠紙	灰黃色	2200	200	2400	卷	20m/卷
7			Silicone 硬度85±5	10x13mm墊塊(L=150mm)	黑色	180	20	200	塊	玻璃墊塊
8				靜電膠紙	透明	2		2	卷	1.25m x 200m/卷
9	A 修正		(不 hold)	BTS -80		16	4	20	套	(10左, 10右) / -
10										
11										
12										
13										
14										
15										
16										
17										
18										

	Dorma	BTS
樣板	1	0
G/F	8	8
LG4	4	0
LG3	4	0
LG2	4	0
LG1	1	0
	22	8
	12	12
	24	110



**Floor Spring  
Accessories**



May 2000

C/S/B	(32)	Xt 7
-------	------	------

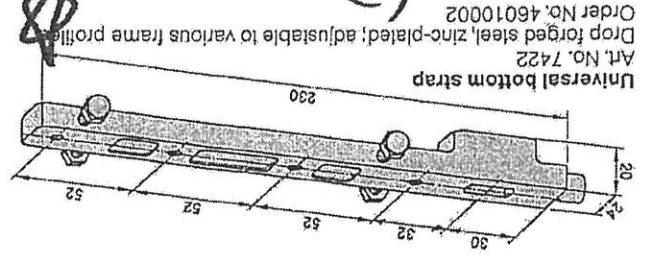
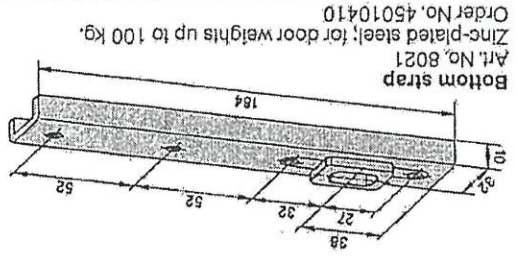
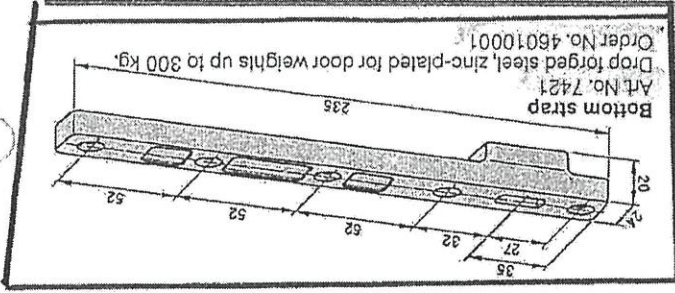
*Handwritten notes:* 1/2" x 1/2" x 1/2" 1/2" x 1/2" x 1/2"

*Handwritten notes:* 1/2" x 1/2" x 1/2" 1/2" x 1/2" x 1/2"

*Handwritten note:* 1/2" x 1/2" x 1/2"

*Handwritten notes:* 1/2" x 1/2" x 1/2" 1/2" x 1/2" x 1/2"

3  
附  
底  
板

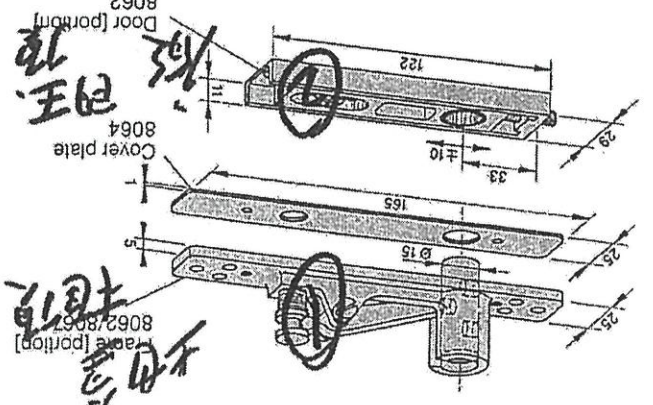
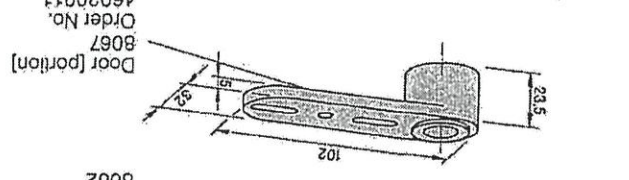
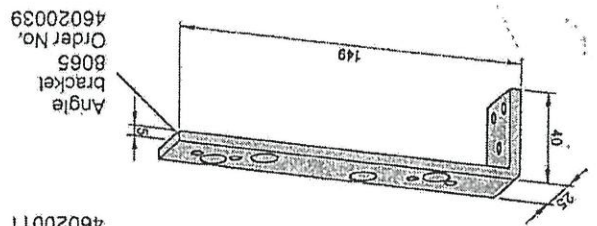
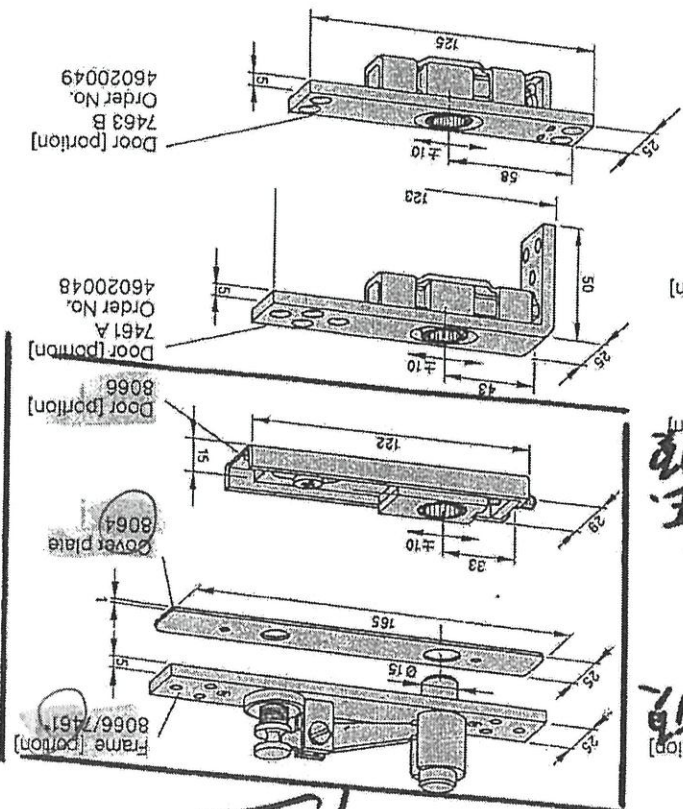


\* For Door portions 7461 A and 7461 B, use frame portion 7461 with 13 mm dia. pin, Order No. 46020050.

Art. No. 8064  
Cover plate  
Order No. 46020044  
Order No. 46300530  
In stainless steel, bright aluminium and EV 1 (Euras C-0)

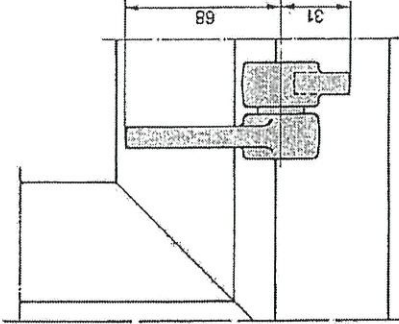
Adjustable top centres (complete),  
Order No. 46300003  
Art. No. 8062, die cast aluminium  
Order No. 46300006  
Art. No. 8066, steel  
comprising an frame portion with adjustable pin for deep profiles up to max. 20 mm, and door portion (A or B) for special door designs. For deeper profiles, the top centre assembly can be supplied with pins extended by 10 mm or 20 mm.

Adjustable top centres (complete),  
Order No. 46300003  
Art. No. 8062, die cast aluminium  
Order No. 46300006  
Art. No. 8066, steel  
comprising an frame portion with adjustable pin for deep profiles up to max. 20 mm, and door portion with needle bearing; the flamm design means there is no routing of the base profile. For deeper profiles, the top centre assembly can be supplied with pins extended by 10 mm or 20 mm.

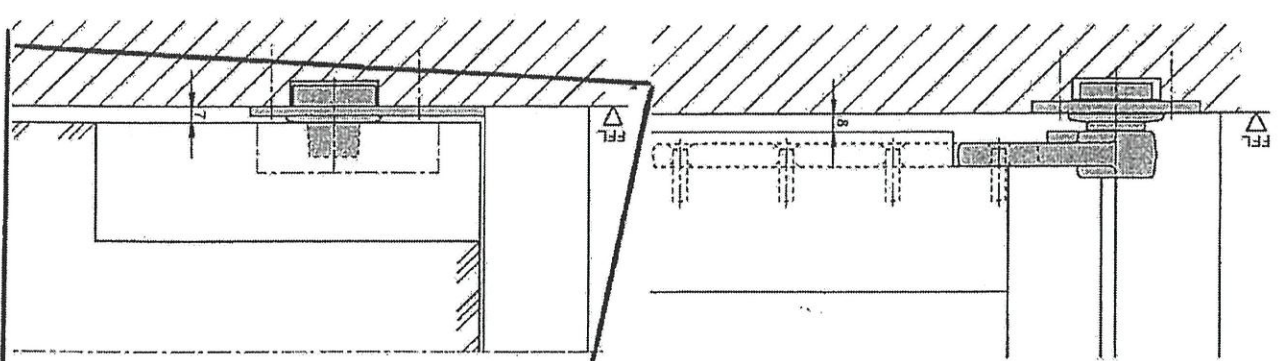
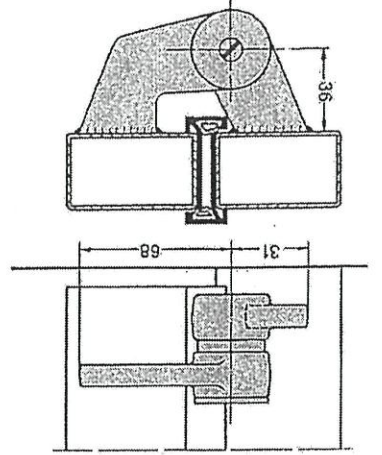


Double action accessories for steel, aluminium and timber doors Pivot

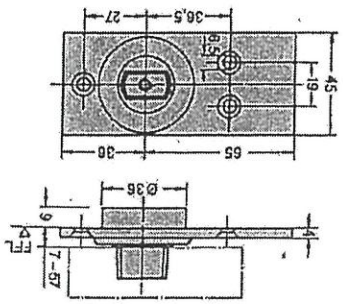
Weld-on hinge Art. No. 7472 M  
 Used as intermediate pivot and upper hinge!  
 With eccentric pin and bush for adjustment  
 after hanging the door; non-handed bearing  
 can be inserted from either side.  
 Order No. 45900008



Weld-on hinge Art. No. 7472 K  
 With thrust roller bearing, load capacity  
 max. 200 kg, and door strap 7431  
 (see Page 6) non-handed, bearing  
 can be inserted from either side.  
 Order No. 45070011

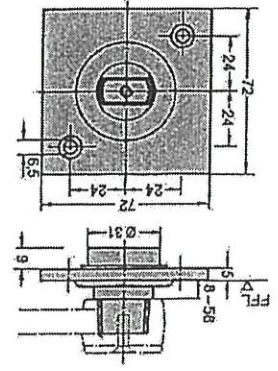
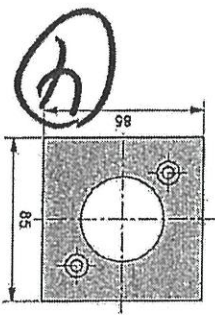


Floor pivot bearing Art. No. 7475 AX  
 with angular contact roller bearing,  
 load capacity max. 300 kg.  
 Order No. 45070003  
 Also available in stainless steel.  
 Art. No. 8560 GE  
 Order No. 65540059



Floor pivot bearing Art. No. 7471 (K)  
 With thrust roller bearing, load capacity  
 max. 200 kg.  
 Order No. 45070001  
 Art. No. 7471 AX  
 with angular contact roller bearing,  
 load capacity max. 300 kg.  
 Order No. 45070002  
 Typical installation

Cover plate 7471 K/AX

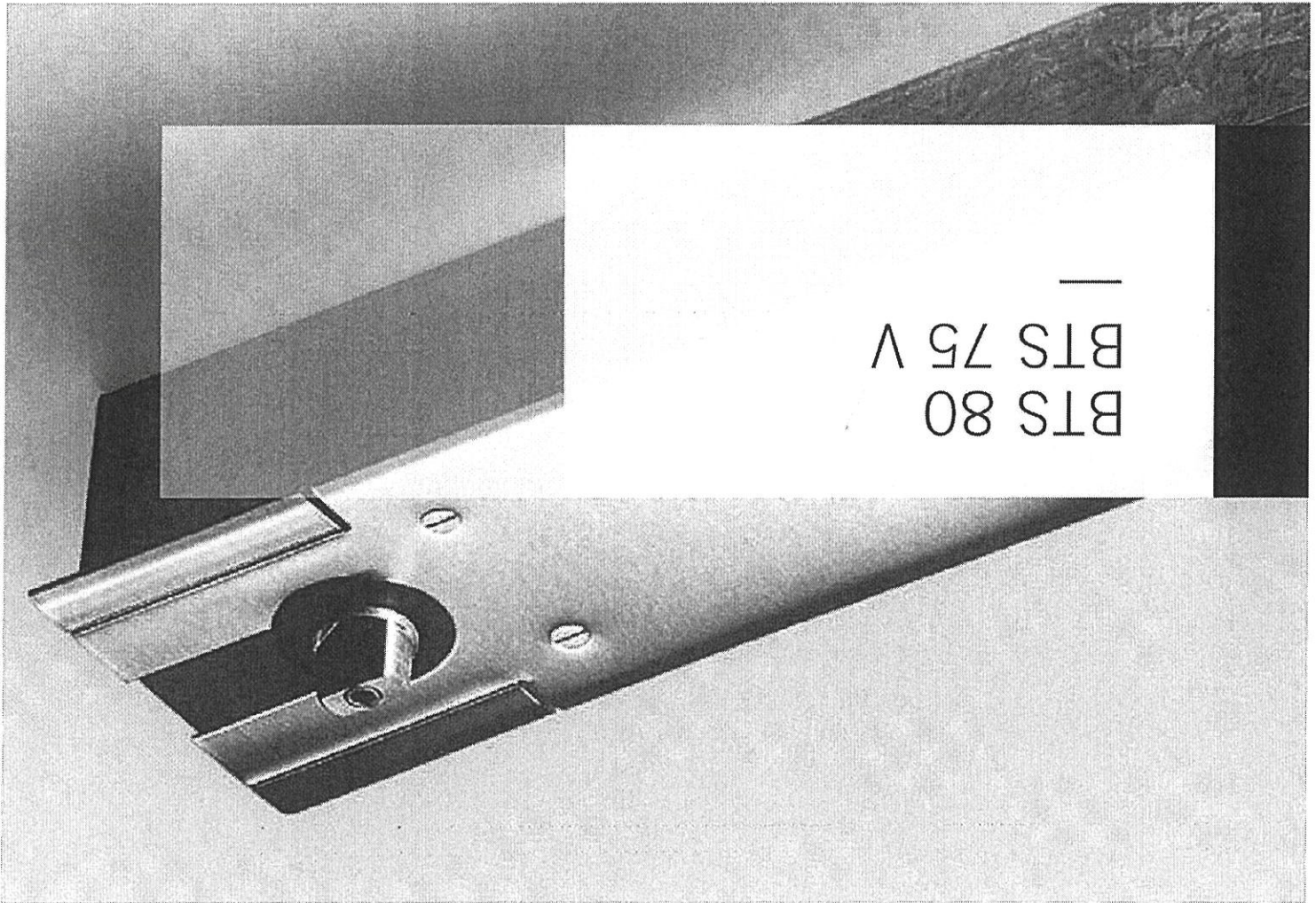


**Pivot bearings and accessories**

*Handwritten:* Bearings  
 1st 2nd

Site

BTS-80



TENDER-Specification



# UNIVERSAL APPLICATION, INDIVIDUAL FUNCTIONS AND ASSURED QUALITY

Whether standard, narrow or wide, whether LH, RH, or single or double action – BTS 80 and BTS 75 V door springs are designed for all types of door. A comprehensive program of accessories ensures that they can be used successfully with a wide variety of door constructions and floor coverings.

Thanks to a wide range of functions, which can be individually selected to suit different requirements, BTS 80 and BTS 75 V floor springs offer maximum reliability and quality. Certified to ISO 9001.

### Plus points

- For the trade
  - Reduced stock requirements because of separate, interchangeable spindles.
  - Slim product range offering all key functions.
- For the installer
  - Suitable for installation with LH or RH single and double action doors.
  - Interchangeable spindles enable easy adaptation to structural conditions – even when retrofitted.

### For the user

- Constant, temperature-independent closing cycle.
- Highly efficient mechanism gives maximum user convenience.

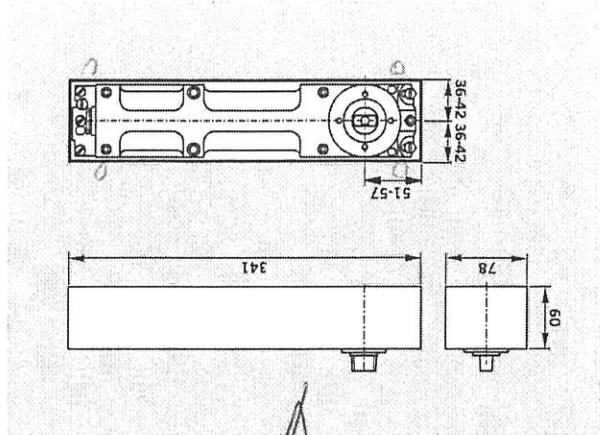
### For the architect/specifier

- Concealed installation for maximum visual elegance
- All essential functions provided
- Proven, robust design capable of withstanding leaf weights of up to 300 kg (BTS 80).

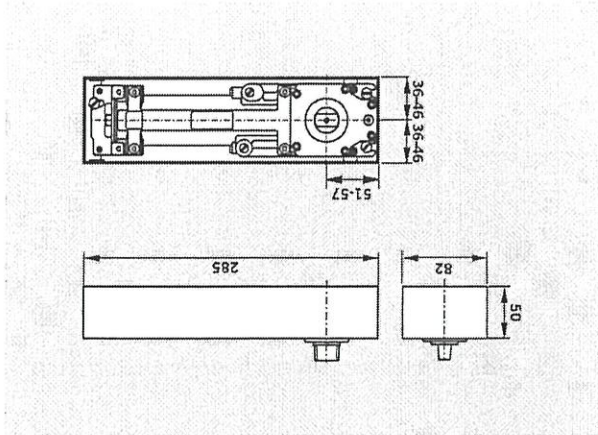
Data and features		BTS 80	BTS 75 V
Spring strength (EN)		3	4 6 1-4
Spring strength adjustment		-	-
Standard and external doors <sup>1)</sup>	≤ 950 mm ≤ 1100 mm ≤ 1400 mm	●	●
For fire and smoke check doors		-	-
Max. leaf weight (kg)		300	120
Non-handed, suitable for single and double action doors		●	●
Closing force variable by means of adjustment screw		-	-
Closing speed	175° – 0°	●	-
adjustable by valve	175° – 15°	-	●
	15° – 0°	-	●
Backcheck, mechanical		●	●
Delayed action adjustable by valve (selectable alternative to the hold-open feature)		●	-
Hold-open	Adjustable	●	-
	Fixed 90°	●	-
	Fixed 105°	●	-
Coverplate secured to cement box		-	-
Weight in kg		7.1	3.0
Dimensions in mm			
Length		341	285
Overall depth		78	82
Height		60	50
Floor spring tested to EN 1154		●	●
CC mark for building products (products with factory-fitted hold-open do not carry a CC mark)		-	●

● yes – no

<sup>1)</sup> For particularly heavy doors and doors which have to close against wind resistance, we recommend the DORMA BTS 80.



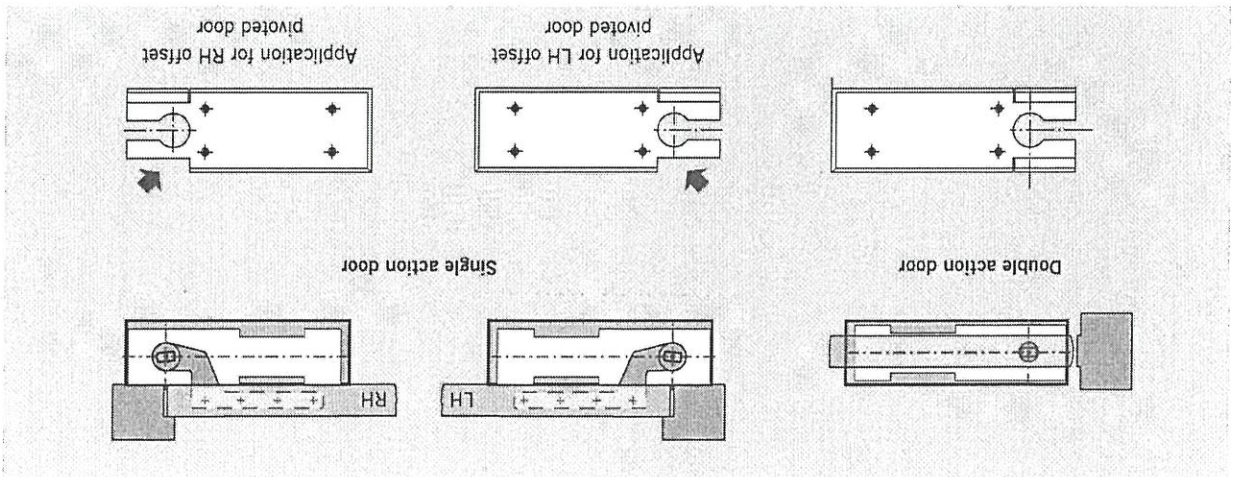
BTS 80



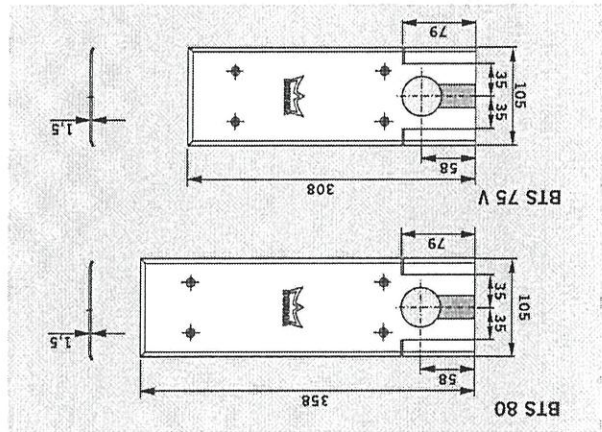
BTS 75 V

# APPLICATION AND INSTALLATION

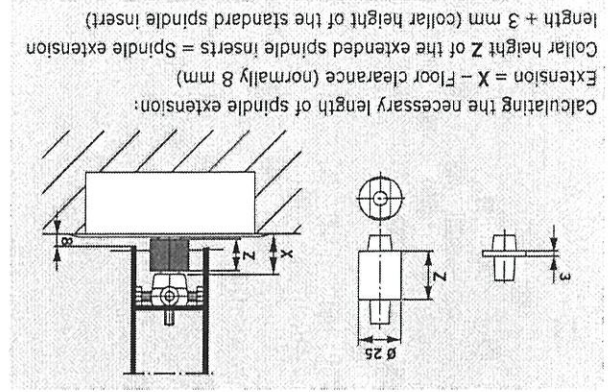
BTS 80 / BTS 75 V FLOOR SPRINGS



# ACCESSORIES





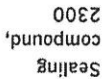

**Universal cover plate**  
 Adaptable to right or left hand single action applications by simply snapping off the appropriate pre-banked corner sections. For double action doors, the corner sections remain in place.  
 The universal cover plate is available in stainless steel or satin brass (material thickness 1.5 mm).



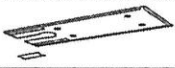
**DORMA 2300 sealing compound**  
 For filling cavities between the floor spring body and the cement box to protect against moisture penetration.

Information about other accessories such as **door straps** and **top centres** can be found in the "Accessories for DORMA BTS Floor Springs" leaflet

# STANDARD EQUIPMENT AND ACCESSORIES

		Spindles			
BTS 80	BTS 75 V	normal	Extended spindle inserts (extension in mm)	45200410	45200412
				45200409	45200411
				45200408	45200410
				45200407	45200411
				45200406	45200412
				45200405	
				45200419	
				45200404	
				45200403	
				45200402	
				45200401	

Including cement box and standard spindle												
EN 3	EN 1-4	61701000	●	△	△	△	△	△	△	△	△	△
EN 4	EN 1-4 with	61701200	●	△	△	△	△	△	△	△	△	△
EN 6	EN 1-4 with	61701300	●	△	△	△	△	△	△	△	△	△
Including cement box without spindle												
EN 3	EN 1-4	61701001	△	△	△	△	△	△	△	△	△	△
EN 4	EN 1-4 with	61701201	△	△	△	△	△	△	△	△	△	△
EN 6	EN 1-4 with	61701301	△	△	△	△	△	△	△	△	△	△

46700000	46700059	Stainless steel		△
46700100	46700159	Satin brass		△

## SPECIFICATION TEXT

**BTS 80**  
 Universal non-handed floor spring conforming to DIN EN 1154 for single and double action doors up to max. 300 kg leaf weight. With adjustable closing speed and closing action from approx. 175°, with hydraulically fully controlled closing cycle and backcheck. With integral pressure compensation feature for temperature-independent hold-open between 75° and 175° (removable). With adjustable hold-open start point and delayed action (end of delayed action range adjustable between 75° and 105°). Including cement box.

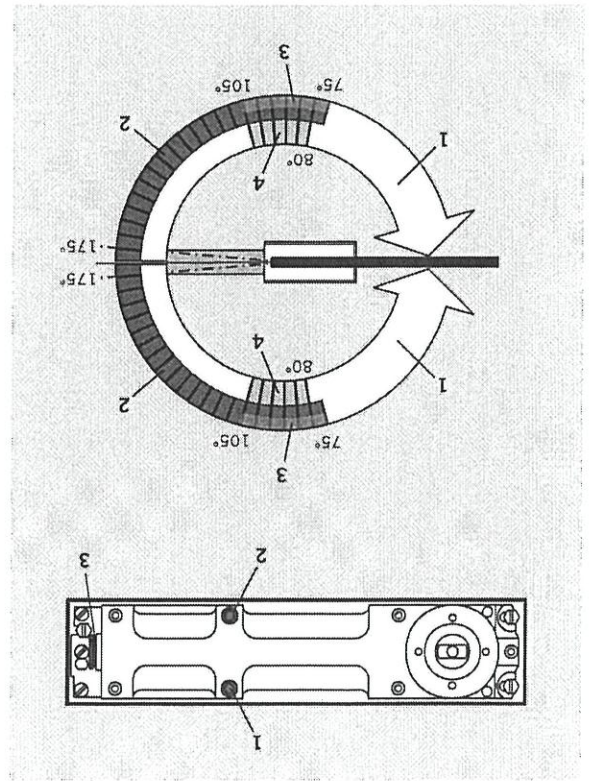
- Make DORMA BTS 80**
- Size
    - EN 3
    - EN 4
    - EN 6
  - Accessories
    - Spindle
    - standard
    - ... mm extension
    - special model ...
    - Universal cover plate (1.5 mm thick)
    - stainless steel
    - satin brass
    - Sealing compound

**BTS 75 V**  
 Universal floor spring conforming to DIN EN 1154, LH and RH single and double action doors up to 120 kg leaf weight, with adjustable spring strength (size EN 1 - 4) and closing speed, with closing action optional from approx. 175°. Featuring hydraulically fully controlled closing cycle and backcheck. Including cement box.

- Make DORMA BTS 75 V**
- Models
    - With spindle
    - Without spindle
    - Fixed hold-open at 90°
    - Fixed hold-open at 105°
  - Accessories
    - Spindle
    - standard
    - ... mm extension
    - special model ...
    - Universal cover plate (1.5 mm thick)
    - stainless steel
    - satin brass
    - Sealing compound

# STANDARD AND OPTIONAL FUNCTIONS

BTS 80



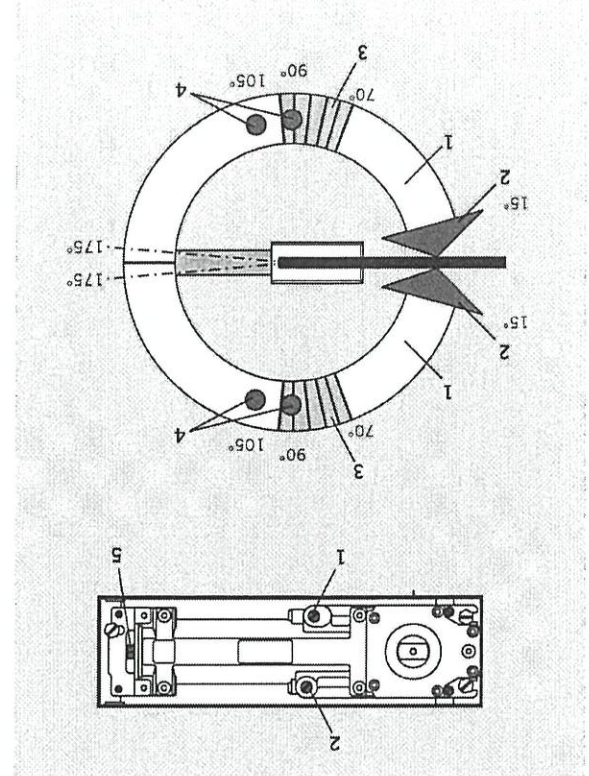
- 1 Adjustable closing speed
- 2 Hold-open range or delayed action range
- 3 Adjustment range – point at which hold-open begins, or end of delayed action range (approx. 75° to 105°).
- 4 Mechanical backcheck (from approx. 80°)

**Delayed action**  
The delayed action function slows the door closing speed, thereby allowing disabled persons, mothers with pushchairs, staff with trolleys or hospital gurneys etc. to pass through the door without problem.

**Hydraulic hold-open**  
The integrated hold-open function allows the door to be held open at any angle between 75° and 175°. The angle at which the hold-open function begins can be adjusted in the range of 75° to 105°.

**Backcheck**  
The integrated mechanical backcheck function protects the wall and door from damage caused by excessively vigorous opening.

BTS 75 V



- 1 Adjustable closing speed in the range 15° – 15°.
- 2 Adjustable closing speed in the range 15° – 0°.

- 3 Mechanical backcheck (from approx. 70°).
- 4 Fixed hold-open at 90° or 105° (option).
- 5 Adjustable spring strength (EN 1-4).

**Fixed hold-open (option)**  
With the fixed hold-open function the door can be held open at an angle of 90° or 105°, depending on model.  
**Not suitable for use on Fire doors.**

**Closing speed**  
With two independently adjustable closing ranges (175° – 15° and 15° – 0°) the DORMA BTS 75 V is ideally adaptable to different structural conditions.

**Backcheck**  
The integrated mechanical backcheck function protects the wall and door from damage caused by excessively vigorous opening.

The DORMA BTS 75 V is CERTIFIRE approved (Certificate No. 127) for door types ITT 60 and IMM, IMN 240.

