



工程指示 / 要求簡箋(E.I.)

工程指示編號：EI / 3505 / 21

修改版次：-

工程編號：J - 852

工程名稱：亞皆老街中電

工程項目：趟門 三邊收口(兩趟, 三趟室內頂橫收口)

收件人：生統

發件人：Ant Yeung

日期：08/06/2021

要求提供 / 確認 事項：

- |                                    |                                     |                               |
|------------------------------------|-------------------------------------|-------------------------------|
| <input type="checkbox"/> 初步鋁料 B.M. | <input type="checkbox"/> 加工拆圖，然後生產  | <input type="checkbox"/> 尺寸表  |
| <input type="checkbox"/> 正式鋁料 B.M. | <input type="checkbox"/> 技術上資料 / 指示 | <input type="checkbox"/> 報價   |
| <input type="checkbox"/> 配件 B.M.   | <input type="checkbox"/> 樣辦或貨品說明書   | <input type="checkbox"/> 分判合約 |

內容：

請按加工圖生產收口鋁板送地盤安裝 (兩趟/三趟)

室內頂橫收口一件過，現時樣板試裝

謝謝

請在 2021.06.15 前完成上列要求。

附：頁加工圖

以上項目為：

- 原合約工程包                       原合約工程加 / 減賬                       新工程報價

原因：-

分發東莞各部門：

- ( ) 生產技術總監  連附件    ( ) 技術部  連附件    ( ) 生產部  連附件    ( ) 機械設計部  連附件  
 ( ) 採購部  連附件    ( ) 生產統籌部  連附件    ( ) 小羅 & 清  連附件  
 ( ) 質檢部  連附件    ( ) 會計部  連附件    ( ) 報關組  連附件    ( ) 其他 楊榮輝  連附件

分發其他分判：

- (v) 水洪  連附件

分發香港各部門：

- ( ) 行政部  連附件    ( ) 會計部  連附件    ( ) 統籌部  連附件 林哥    ( ) 工程部地盤科文  連附件 有哥, 祥哥  
 ( ) 採購部  連附件    ( ) QS 部  連附件    ( ) 維修部  連附件    ( ) 其他 \_\_\_\_\_  連附件

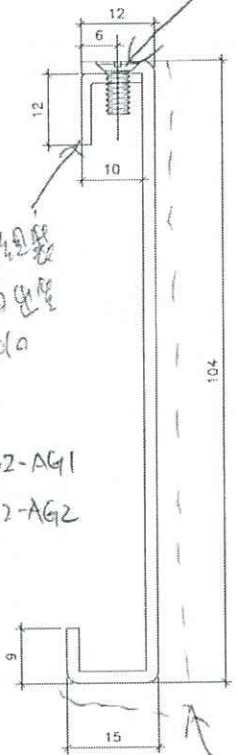
傳遞編號：

HK 1257 / 21

發件人簽署：

項目經理簽署：

M6 平頭孔  
300 c/c



在板組裝  
時自出型  
(2x10)

圖號:

1275長 = 852-AG1

1377長 = 852-AG2

兩指空內位

丁字接

2mm厚紙板

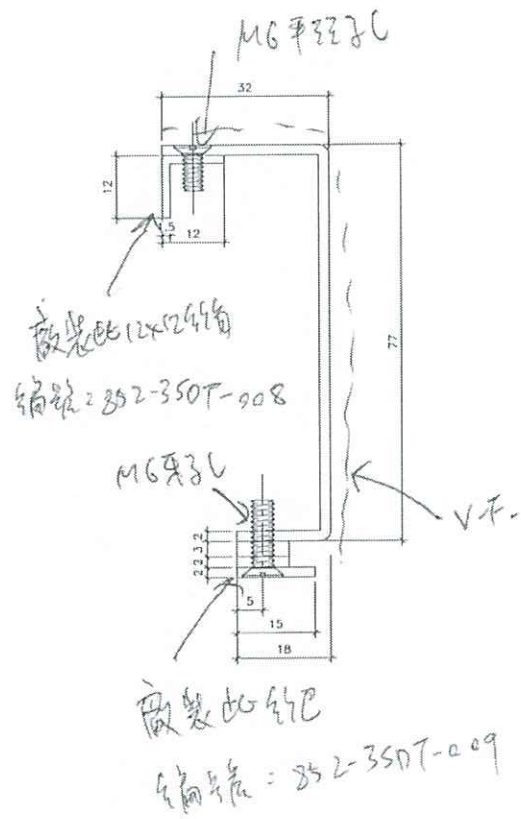
C單在露台用

編號 = UCT-201 498XC-3

圖號	數量	位置	圖號
1275	18	T1C	852-25DT-01
1377	18	T1C	852-25DT-02
1275	18	T2C	852-25DT-03
1377	18	T2C	852-25DT-04
1275	18	T3C	852-25DT-05
1377	18	T3C	852-25DT-06

L = 2652 mm

3件 (T3, 3層數量)



图号	L	数量	楼层
<del>852-350T-01</del>	<del>962.5</del>	<del>108</del>	<del>1-21/2</del>
<del>852-350T-02</del>	<del>925.5</del>	<del>108</del>	<del>1-21/2</del>
<del>852-350T-03</del>	<del>713.2</del>	<del>108</del>	<del>1-21/2</del>

L = 2601mm

6件

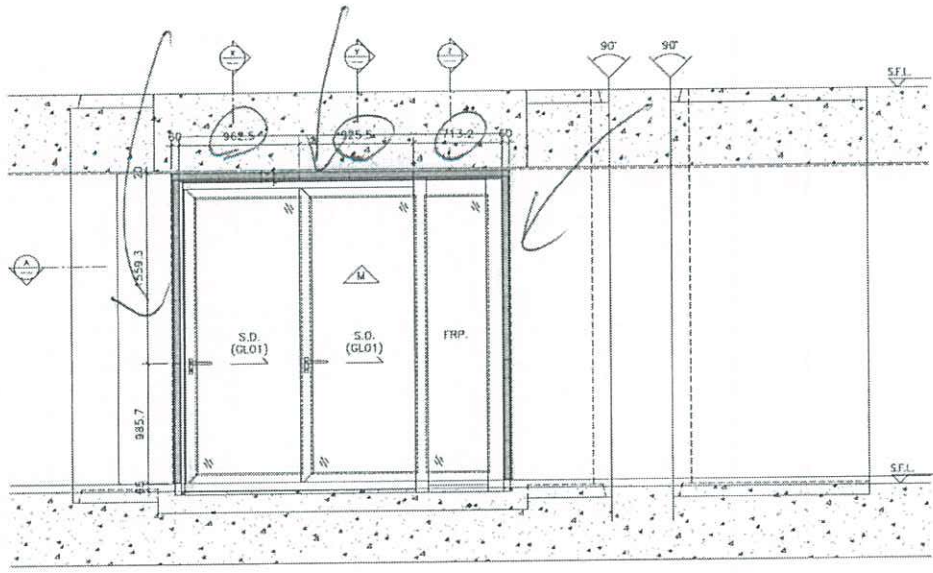
(73, 3层数量)

~~各座每层~~  
~~每款 2件~~

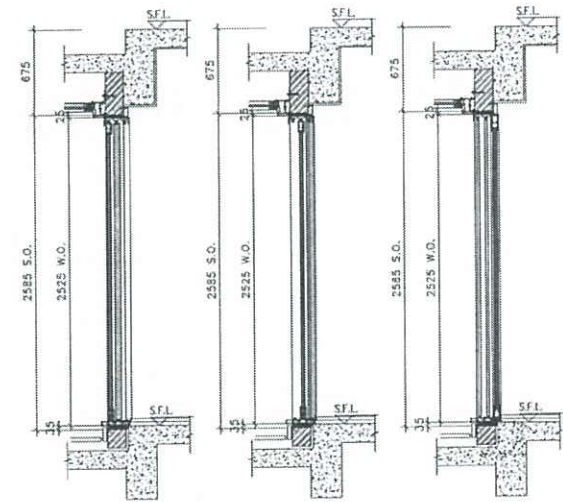
规格: UCT-201498xL-3

材料: 2mm厚铝板

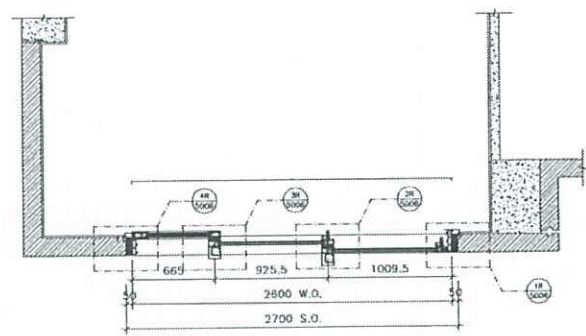
三楼卫生间内收口



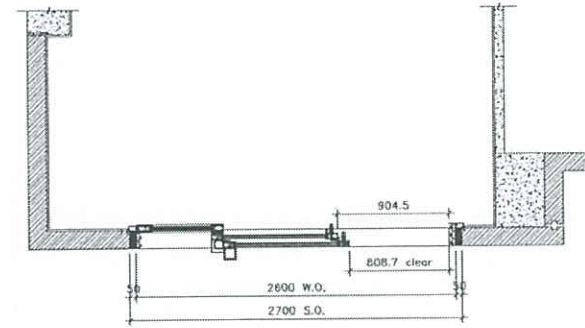
ELEVATION  
(VIEW FROM INSIDE)



SECTION "X-X" SECTION "Y-Y" SECTION "Z-Z"



PART PLAN A



PART PLAN B

ITEM	DESCRIPTION	UNIT	QUANTITY
1	WINDOW FRAME ALUMINUM	SQ.M	1.958
2	GLASS (GL01)	SQ.M	2.958
3	GLASS (GL02)	SQ.M	1.096
4	GLASS (GL03)	SQ.M	1.096
5	GLASS (GL04)	SQ.M	1.096
6	GLASS (GL05)	SQ.M	1.096
7	GLASS (GL06)	SQ.M	1.096
8	GLASS (GL07)	SQ.M	1.096
9	GLASS (GL08)	SQ.M	1.096
10	GLASS (GL09)	SQ.M	1.096
11	GLASS (GL10)	SQ.M	1.096
12	GLASS (GL11)	SQ.M	1.096
13	GLASS (GL12)	SQ.M	1.096
14	GLASS (GL13)	SQ.M	1.096
15	GLASS (GL14)	SQ.M	1.096
16	GLASS (GL15)	SQ.M	1.096
17	GLASS (GL16)	SQ.M	1.096
18	GLASS (GL17)	SQ.M	1.096
19	GLASS (GL18)	SQ.M	1.096
20	GLASS (GL19)	SQ.M	1.096
21	GLASS (GL20)	SQ.M	1.096
22	GLASS (GL21)	SQ.M	1.096
23	GLASS (GL22)	SQ.M	1.096
24	GLASS (GL23)	SQ.M	1.096
25	GLASS (GL24)	SQ.M	1.096
26	GLASS (GL25)	SQ.M	1.096
27	GLASS (GL26)	SQ.M	1.096
28	GLASS (GL27)	SQ.M	1.096
29	GLASS (GL28)	SQ.M	1.096
30	GLASS (GL29)	SQ.M	1.096
31	GLASS (GL30)	SQ.M	1.096
32	GLASS (GL31)	SQ.M	1.096
33	GLASS (GL32)	SQ.M	1.096
34	GLASS (GL33)	SQ.M	1.096
35	GLASS (GL34)	SQ.M	1.096
36	GLASS (GL35)	SQ.M	1.096
37	GLASS (GL36)	SQ.M	1.096
38	GLASS (GL37)	SQ.M	1.096
39	GLASS (GL38)	SQ.M	1.096
40	GLASS (GL39)	SQ.M	1.096
41	GLASS (GL40)	SQ.M	1.096
42	GLASS (GL41)	SQ.M	1.096
43	GLASS (GL42)	SQ.M	1.096
44	GLASS (GL43)	SQ.M	1.096
45	GLASS (GL44)	SQ.M	1.096
46	GLASS (GL45)	SQ.M	1.096
47	GLASS (GL46)	SQ.M	1.096
48	GLASS (GL47)	SQ.M	1.096
49	GLASS (GL48)	SQ.M	1.096
50	GLASS (GL49)	SQ.M	1.096
51	GLASS (GL50)	SQ.M	1.096
52	GLASS (GL51)	SQ.M	1.096
53	GLASS (GL52)	SQ.M	1.096
54	GLASS (GL53)	SQ.M	1.096
55	GLASS (GL54)	SQ.M	1.096
56	GLASS (GL55)	SQ.M	1.096
57	GLASS (GL56)	SQ.M	1.096
58	GLASS (GL57)	SQ.M	1.096
59	GLASS (GL58)	SQ.M	1.096
60	GLASS (GL59)	SQ.M	1.096
61	GLASS (GL60)	SQ.M	1.096
62	GLASS (GL61)	SQ.M	1.096
63	GLASS (GL62)	SQ.M	1.096
64	GLASS (GL63)	SQ.M	1.096
65	GLASS (GL64)	SQ.M	1.096
66	GLASS (GL65)	SQ.M	1.096
67	GLASS (GL66)	SQ.M	1.096
68	GLASS (GL67)	SQ.M	1.096
69	GLASS (GL68)	SQ.M	1.096
70	GLASS (GL69)	SQ.M	1.096
71	GLASS (GL70)	SQ.M	1.096
72	GLASS (GL71)	SQ.M	1.096
73	GLASS (GL72)	SQ.M	1.096
74	GLASS (GL73)	SQ.M	1.096
75	GLASS (GL74)	SQ.M	1.096
76	GLASS (GL75)	SQ.M	1.096
77	GLASS (GL76)	SQ.M	1.096
78	GLASS (GL77)	SQ.M	1.096
79	GLASS (GL78)	SQ.M	1.096
80	GLASS (GL79)	SQ.M	1.096
81	GLASS (GL80)	SQ.M	1.096
82	GLASS (GL81)	SQ.M	1.096
83	GLASS (GL82)	SQ.M	1.096
84	GLASS (GL83)	SQ.M	1.096
85	GLASS (GL84)	SQ.M	1.096
86	GLASS (GL85)	SQ.M	1.096
87	GLASS (GL86)	SQ.M	1.096
88	GLASS (GL87)	SQ.M	1.096
89	GLASS (GL88)	SQ.M	1.096
90	GLASS (GL89)	SQ.M	1.096
91	GLASS (GL90)	SQ.M	1.096
92	GLASS (GL91)	SQ.M	1.096
93	GLASS (GL92)	SQ.M	1.096
94	GLASS (GL93)	SQ.M	1.096
95	GLASS (GL94)	SQ.M	1.096
96	GLASS (GL95)	SQ.M	1.096
97	GLASS (GL96)	SQ.M	1.096
98	GLASS (GL97)	SQ.M	1.096
99	GLASS (GL98)	SQ.M	1.096
100	GLASS (GL99)	SQ.M	1.096
101	GLASS (GL100)	SQ.M	1.096

PROVIDED	
GLAZING AREA	2.958 m <sup>2</sup>
OPENABLE AREA	1.096 m <sup>2</sup>

WINDOW MARK	W7 T3A
LOCATION	1/F~21/F ENSUITE AT TOWER 3 FLAT A
SECTION	50mm ALUM. SECTION
GLAZING	GL01
QUANTITY	18
REMARKS	FACADE (PF-17)

B.D. REF :

CLIENT :

ARCHITECT :  
**AGC DESIGN LTD**

MAIN CONTRACTOR :  
**Gammon**

STRUCTURAL ENGINEER :  
**ARUP**

FACADE CONSULTANT :  
**MEINHARDT**

NOTE :  
1. ALL DIMENSIONS ARE IN MM.  
2. ALL ELEVATIONS ARE VIEWED FROM OUTSIDE.  
3. ALL DIMENSIONS TO BE VERIFIED ON SITE BEFORE FABRICATION.

LEGEND :  
 (X) DETAIL MARK NO.  
 (REF) REFER SHEET NO.  
 1. F.F.L. — FINISHED FLOOR LEVEL.  
 2. S.F.L. — STRUCTURAL FLOOR LEVEL.  
 3. (X) — REVERSED DETAIL.  
 4. ▲ — FIXING LOCATION.  
 5. Z, Z — FIXING LUG LOCATION.  
 6. GLASS LEGEND  
 GL01 — 6mm+12mm AIR GAP+10mm THK. EGG.  
 GL02 — 10mm THK. TEMPERED GLASS (SPINDEL GLASS)  
 GL03 — 6mm+12mm AIR GAP+6mm THK. I.G.U.  
 GL04 — 10mm THK. TEMPERED GLASS (PROTECUM WINDOW)  
 GL05 — 6mm+12mm AIR GAP+10mm THK. I.G.U.

8	16/01/2020	REVISION SUBJECT TO APPROVAL	REV
A	21/04/2020	REVISION SUBJECT TO APPROVAL	REV
NO.	DATE	REVISION	BY

JOB NO. : J-852

PROJECT :  
PROPOSED RESIDENTIAL DEVELOPMENT  
AT 139 - 147 ARGYLE STREET,  
NKIL 6005, 6035 R.P., 6036 R.P.,  
6037 R.P. & 6038 R.P.

TITLE :  
WINDOW SCHEDULE FOR  
IN-SITU ALUM. WINDOW

DATE : 05-FEB-20 SCALE : 1:100

DRAWN BY : MN CHECKED BY : DW

**美特銘有限公司**  
MIDI INTERNATIONAL PAPERWORK LTD.  
Units 6-8, Sunray Industrial Centre, 1/F  
610 Cha Kwo Ling Road, Kowloon  
Tel: 23489211-4 Fax: (852) 27276666

DWG NO. : JB52-SD-IW-4302 REV : 8

