

工程指示 / 要求簡箋(E.I.)

工程指示編號：EI/3408/21 修改版次：-  
 工程編號：J-852 工程名稱：亞皆老街中電  
 工程項目：幕牆 地盤用鋁板 (T1-T3: R/F)  
 收件人：生統 發件人：Ant Yeung 日期：14/05/2021

要求提供 / 確認 事項：

- |                                    |                                     |                               |
|------------------------------------|-------------------------------------|-------------------------------|
| <input type="checkbox"/> 初步鋁料 B.M. | <input type="checkbox"/> 加工拆圖，然後生產  | <input type="checkbox"/> 尺寸表  |
| <input type="checkbox"/> 正式鋁料 B.M. | <input type="checkbox"/> 技術上資料 / 指示 | <input type="checkbox"/> 報價   |
| <input type="checkbox"/> 配件 B.M.   | <input type="checkbox"/> 樣辦或貨品說明書   | <input type="checkbox"/> 分判合約 |
| <input type="checkbox"/> 其他：_____  |                                     |                               |

內容：

因則師要求更改幕牆 R/F 顏色及設計 (見附頁)，請按加工圖生產 T1-T3: R/F 幕牆鋁板送地盤用。  
 請在 2021.05.28 前完成上列要求。

附：1 頁派位圖+ 1 頁 BM+ 5 頁加工圖+ 7 頁 AGC comment

以上項目為：

- 原合約工程包                       原合約工程加 / 減賬                       新工程報價

原因：-

分發東莞各部門：

- ( ) 生產技術總監  連附件    ( ) 技術部     連附件    ( ) 生產部     連附件    ( ) 機械設計部  連附件  
 ( ) 採購部     連附件    (✓) 生產統籌部  連附件    (✓) 小羅&清     連附件  
 ( ) 質檢部     連附件    ( ) 會計部     連附件    ( ) 報關組     連附件    ( ) 其他 楊榮輝  連附件

分發其他分判：

- (v) 水洪  連附件

分發香港各部門：

- ( ) 行政部  連附件    ( ) 會計部  連附件    ( ) 統籌部  連附件    (✓) 工程部地盤科文  連附件 祥哥  
 ( ) 採購部  連附件    ( ) QS 部  連附件    ( ) 維修部  連附件    ( ) 其他 \_\_\_\_\_  連附件

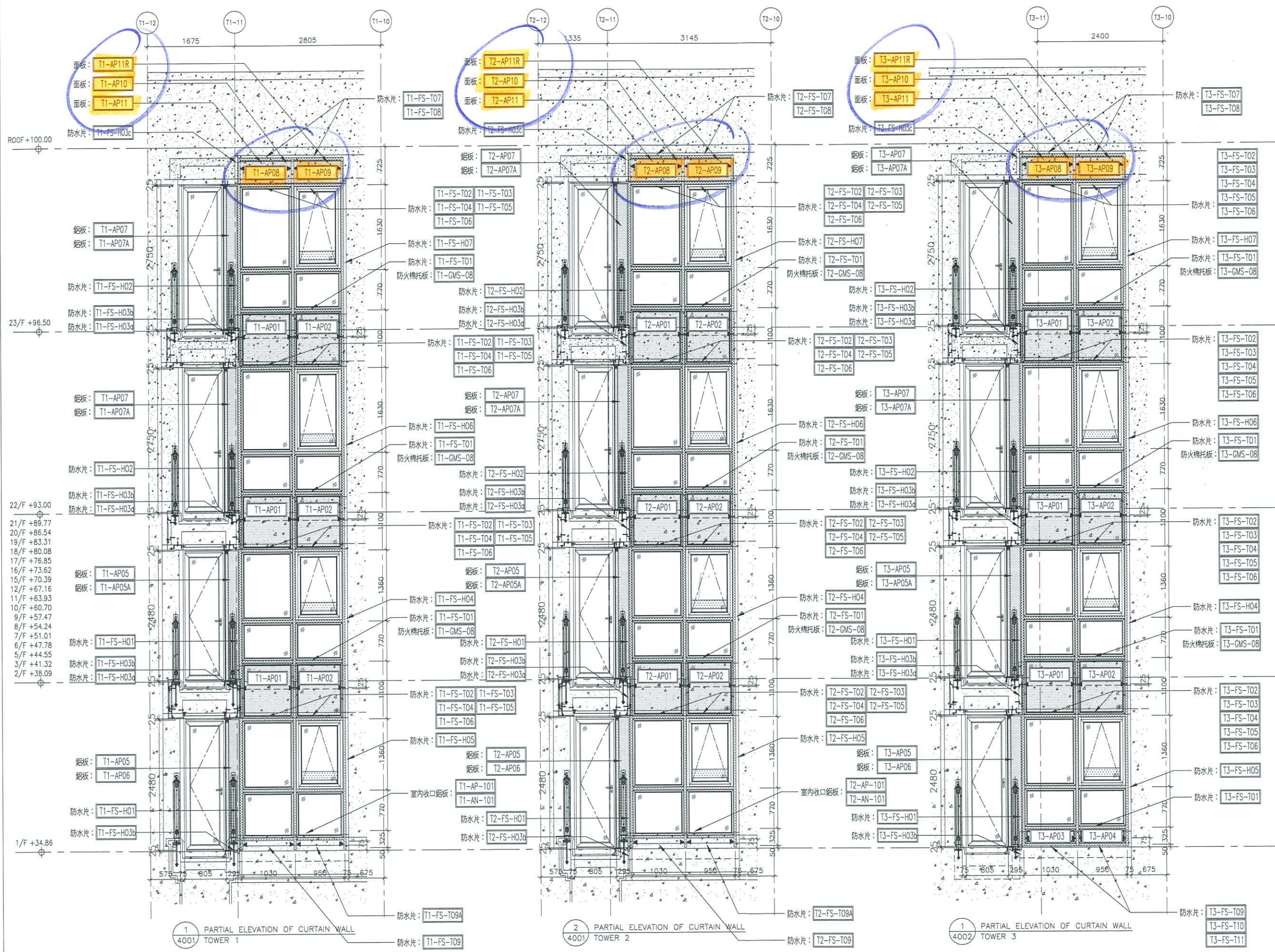
傳遞編號：

HK 1085 / 21

發件人簽署：

項目經理簽署：





1 PARTIAL ELEVATION OF CURTAIN WALL TOWER 1

2 PARTIAL ELEVATION OF CURTAIN WALL TOWER 2

1 PARTIAL ELEVATION OF CURTAIN WALL TOWER 3

T1, T2, T3鋁板及防水片派位圖

B.D. REF :

CLIENT :

ARCHITECT : **AGC DESIGN LTD**

MAIN CONTRACTOR : **Gammon**

STRUCTURAL ENGINEER : **ARUP**

FAÇADE CONSULTANT : **MEINHARDT**

NOTE :


- ALL DIMENSIONS ARE IN mm.
- ALL ELEVATIONS ARE VIEWED FROM OUTSIDE.
- ALL DIMENSIONS TO BE VERIFIED ON SITE BEFORE FABRICATION.

LEGEND :

(X1) -- DETAIL MARK NO.  
(X001) -- REFER SHEET NO.

- F.F.L. -- FINISHED FLOOR LEVEL
- S.F.L. -- STRUCTURAL FLOOR LEVEL
- (R) -- REVERSED DETAIL

NO.	DATE	REVISED	BY
JOB NO. :	J-852		
PROJECT :	PROPOSED RESIDENTIAL DEVELOPMENT AT 139 - 147 ARGYLE STREET, NKIL 6005, 6035 R.P., 6036 R.P., 6037 R.P. & 6038 R.P.		
TITLE :	PART ELEVATION, PLAN & SECTION FOR CURTAIN WALL TOWER 1 AND TOWER 2		
DATE :	22-NOV-19	SCALE :	1:100
DRAWN BY :	MN	CHECKED BY :	DW
<p><b>美特鋁質有限公司</b> MIDI ALUMINIUM FABRICATOR LTD. Units 6-8, Sunray Industrial Centre, 1/F 610 Cha Kwo Ling Road, Kowloon Tel: 23489211-4 Fax: (852) 2727666</p>			
DWG NO. :	J852-SD-CW-4001	REV. :	C

 <b>美特鋁質</b> 有限公司 MIDI Aluminium Fabricator Ltd.		工程號:	J852		計算:	LHR		日期:	26/09/2020		送呈:			
		地盤名稱:	亞皆老街		核對:			日期:			副本:			
廠用鋁板B.M.表		項目類別:	幕牆項目地盤用鋁背板及防水片					日期:						
BM編號:		修改版次:	(2021.05.11)	A/C Code:		總V.F.:	5.82	總重量:	63.02	此BM依據**拆圖資料計算				
序號	修改內容	鋁板圖號	鋁板名稱	顏色	實用	後備	總數	總重量	單件展開面積	總展開面積	單件V.F.	總V.F.	備註	位置
									平方米		平方米			
13		T1-AP08	2mm厚鋁板	MILL	1		1	2.561	0.472	0.472	0.000	0.000		見派位圖
14		T2-AP08	2mm厚鋁板	MILL	1		1	2.561	0.472	0.472	0.000	0.000		見派位圖
15		T3-AP08	2mm厚鋁板	MILL	1		1	2.561	0.472	0.472	0.000	0.000		見派位圖
16		T1-AP09	2mm厚鋁板	MILL	1		1	2.356	0.435	0.435	0.000	0.000		見派位圖
17		T2-AP09	2mm厚鋁板	MILL	1		1	2.356	0.435	0.435	0.000	0.000		見派位圖
18		T3-AP09	2mm厚鋁板	MILL	1		1	2.356	0.435	0.435	0.000	0.000		見派位圖
19		T1-AP10	3mm厚鋁板	FN090M	1		1	4.913	0.604	0.604	0.566	0.566		見派位圖
20		T2-AP10	3mm厚鋁板	FN090M	1		1	4.913	0.604	0.604	0.566	0.566		見派位圖
21		T3-AP10	3mm厚鋁板	FN090M	1		1	4.913	0.604	0.604	0.566	0.566		見派位圖
22		T1-AP11	3mm厚鋁板	FN090M	1		1	5.587	0.687	0.687	0.687	0.687		見派位圖
23		T2-AP11	3mm厚鋁板	FN090M	1		1	5.587	0.687	0.687	0.687	0.687		見派位圖
24		T3-AP11	3mm厚鋁板	FN090M	1		1	5.587	0.687	0.687	0.687	0.687		見派位圖
112		T1-AP11R	3mm厚鋁板	FN090M	1		1	5.587	0.687	0.687	0.687	0.687		見派位圖
113		T2-AP11R	3mm厚鋁板	FN090M	1		1	5.587	0.687	0.687	0.687	0.687		見派位圖
114		T3-AP11R	3mm厚鋁板	FN090M	1		1	5.587	0.687	0.687	0.687	0.687		見派位圖

總計： 15 63.02 8.66 5.82

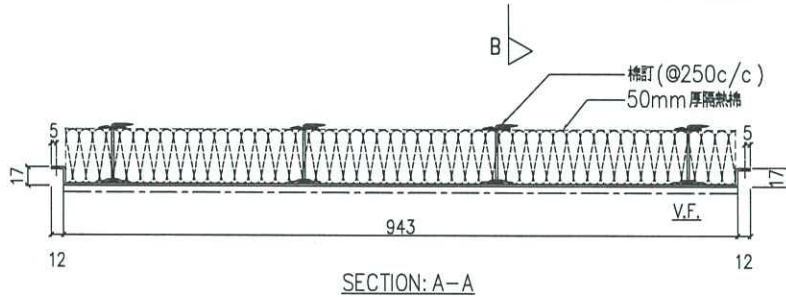
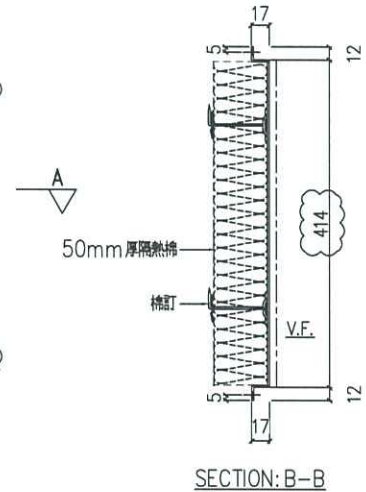
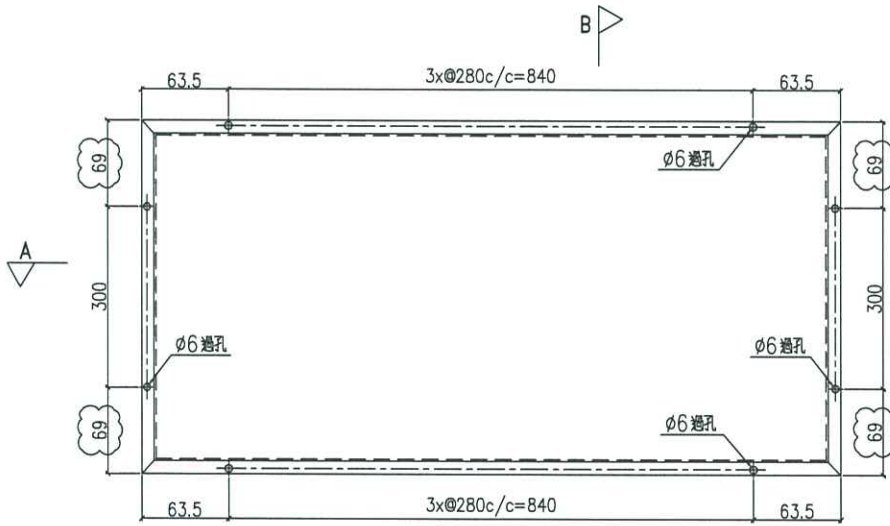


美特鋁質 有限公司  
MIDI Aluminium Fabricator Ltd.

序號	物料編號	數量	使用位置	樓層
01	T1-AP08	1	見採位圖	T1座 ROOF
02	T2-AP08	1	見採位圖	T2座 ROOF
03	T3-AP08	1	見採位圖	T3座 ROOF

工程號	J852	地盤	亞皆老街
-----	------	----	------

地盤用



名稱	鋁背板加工圖	制圖	LHR	2020.10.13	修改	A		
材料	2mm厚鋁板 (3003H14)	復核	-	-	日期	2021,05,10		
顏色	MILL	批准			圖號	J852-CW-AP1-03A		

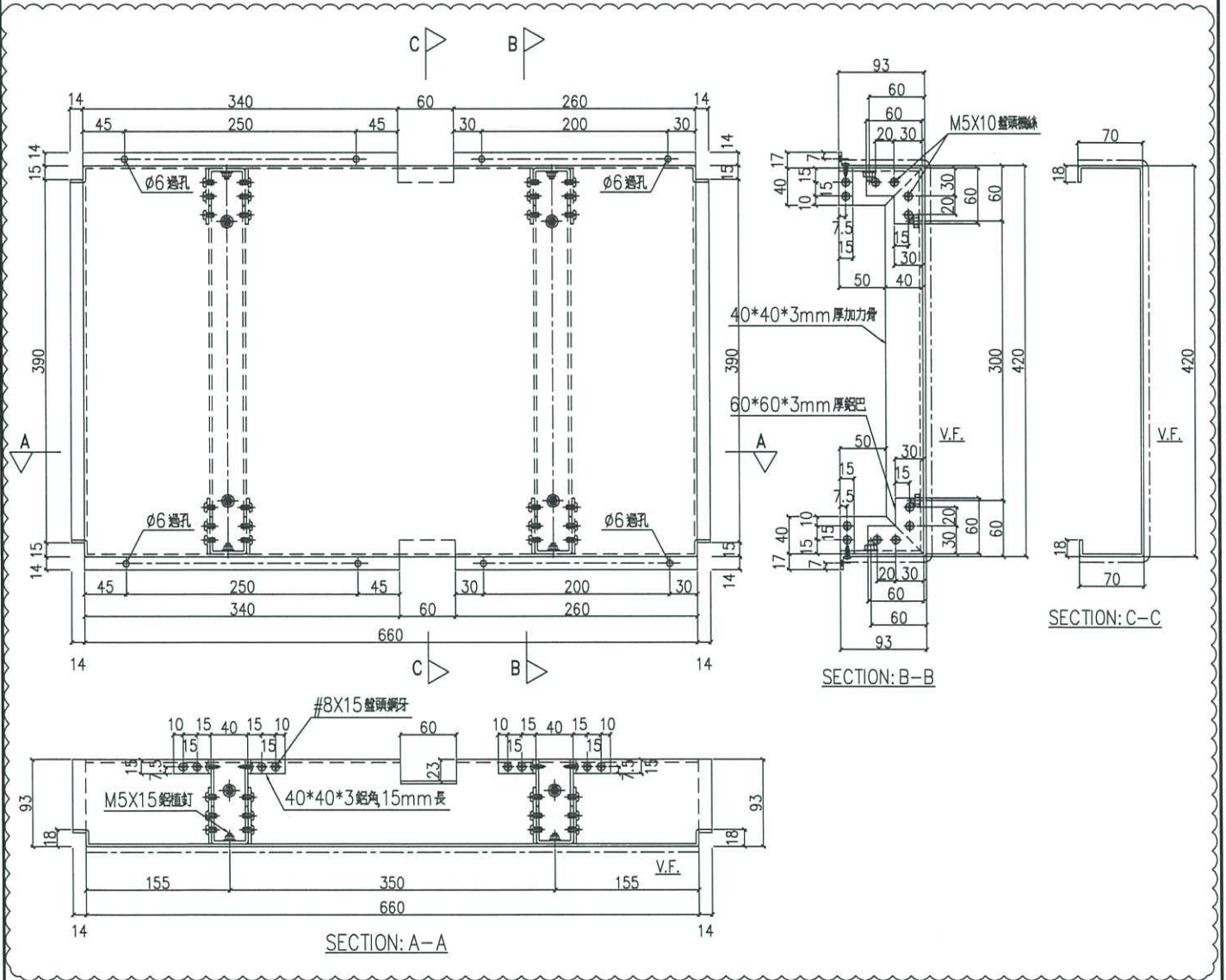


美特鋁質 有限公司  
MIDI Aluminium Fabricator Ltd.

序號	物料編號	數量	使用位置	樓層
01	T1-AP10	1	見標位置	T1座 ROOF
02	T2-AP10	1	見標位置	T2座 ROOF
03	T3-AP10	1	見標位置	T3座 ROOF

工程號	J852	地盤	亞皆老街
-----	------	----	------

地盤用



名稱	鋁板加工圖	制圖	LHR	2020.10.13	修改	A	
材料	3mm厚鋁板 (3003H14)	復核	-	-	日期	2021,5,12	
顏色	UCT806812XL-3 FN090M	批準			圖號	J852-CW-AP1-03B	



美特鋁質 有限公司  
MIDI Aluminium Fabricator Ltd.

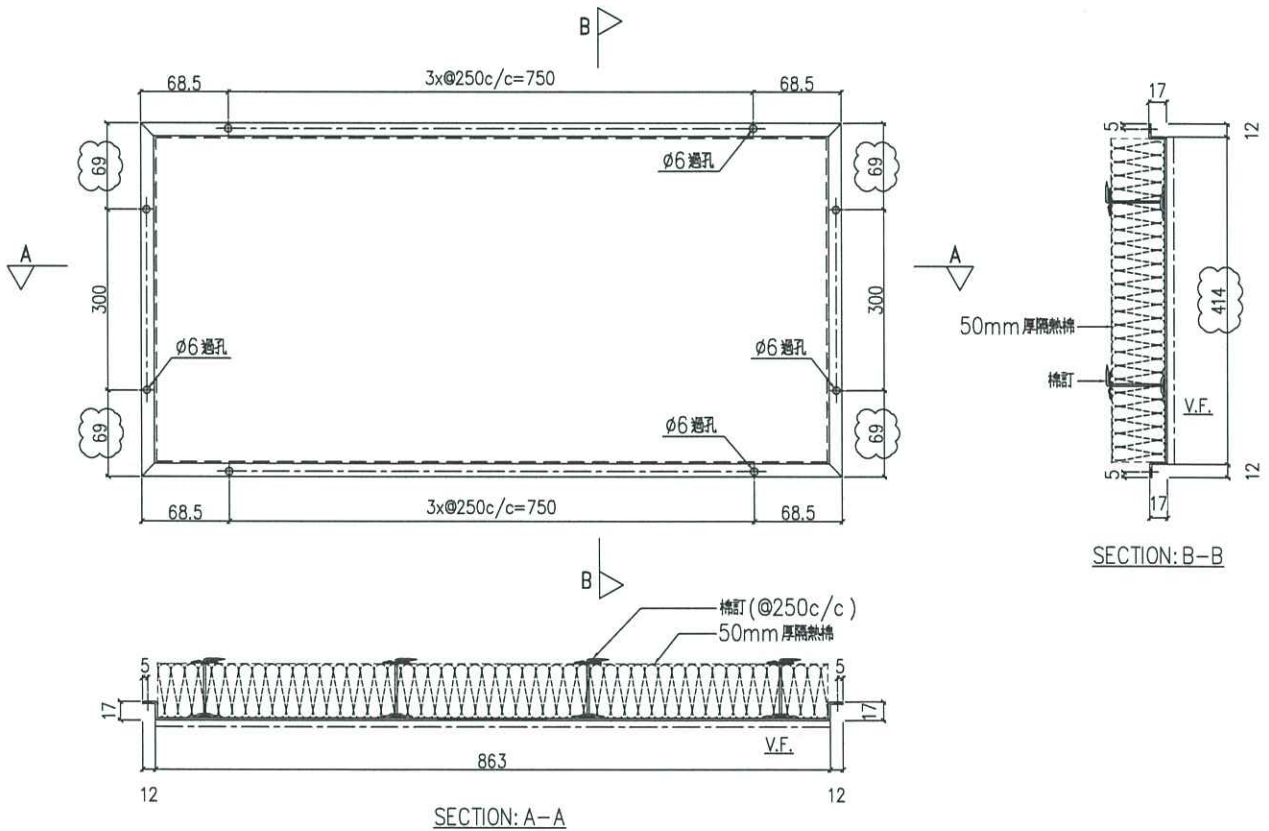
工程號

J852

地盤

亞皆老街

序號	物料編號	數量	使用位置	樓層
01	T1-AP09	1	見派位圖	T1座 ROOF
02	T2-AP09	1	見派位圖	T2座 ROOF
03	T3-AP09	1	見派位圖	T3座 ROOF



名稱	鋁背板加工圖	制圖	LHR	2020.10.13	修改	A		
材料	2mm 厚鋁板 (3003H14)	復核	-	-	日期	2021,05,10		
顏色	MILL	批準			圖號	J852-CW-AP1-04A		

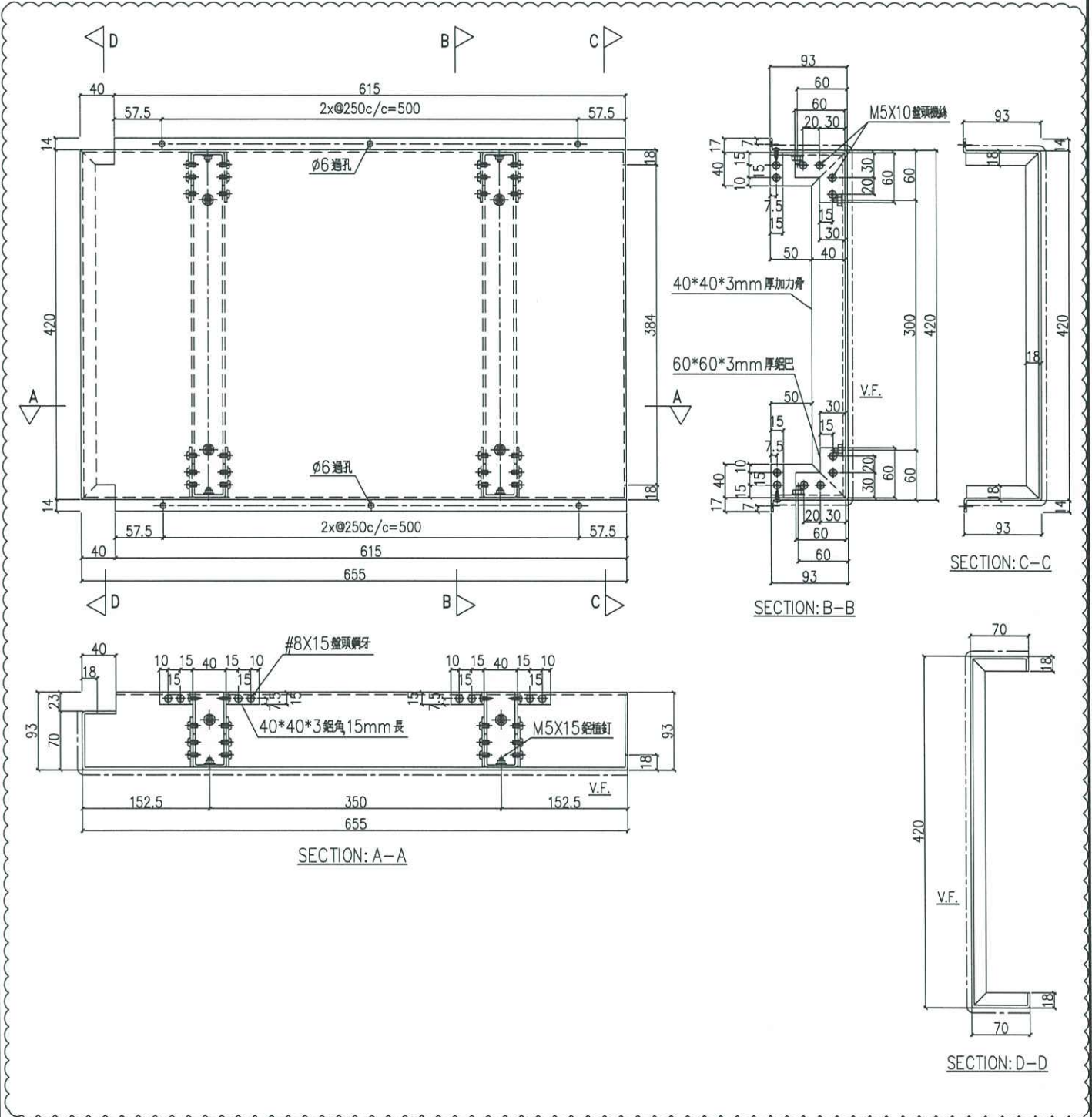


美特鋁質 有限公司  
MIDI Aluminium Fabricator Ltd.

序號	物料編號	數量	使用位置	樓層
01	T1-AP11	1	見圖位置	T1座 ROOF
02	T2-AP11	1	見圖位置	T2座 ROOF
03	T3-AP11	1	見圖位置	T3座 ROOF

工程號	J852	地盤	亞皆老街
-----	------	----	------

地盤用



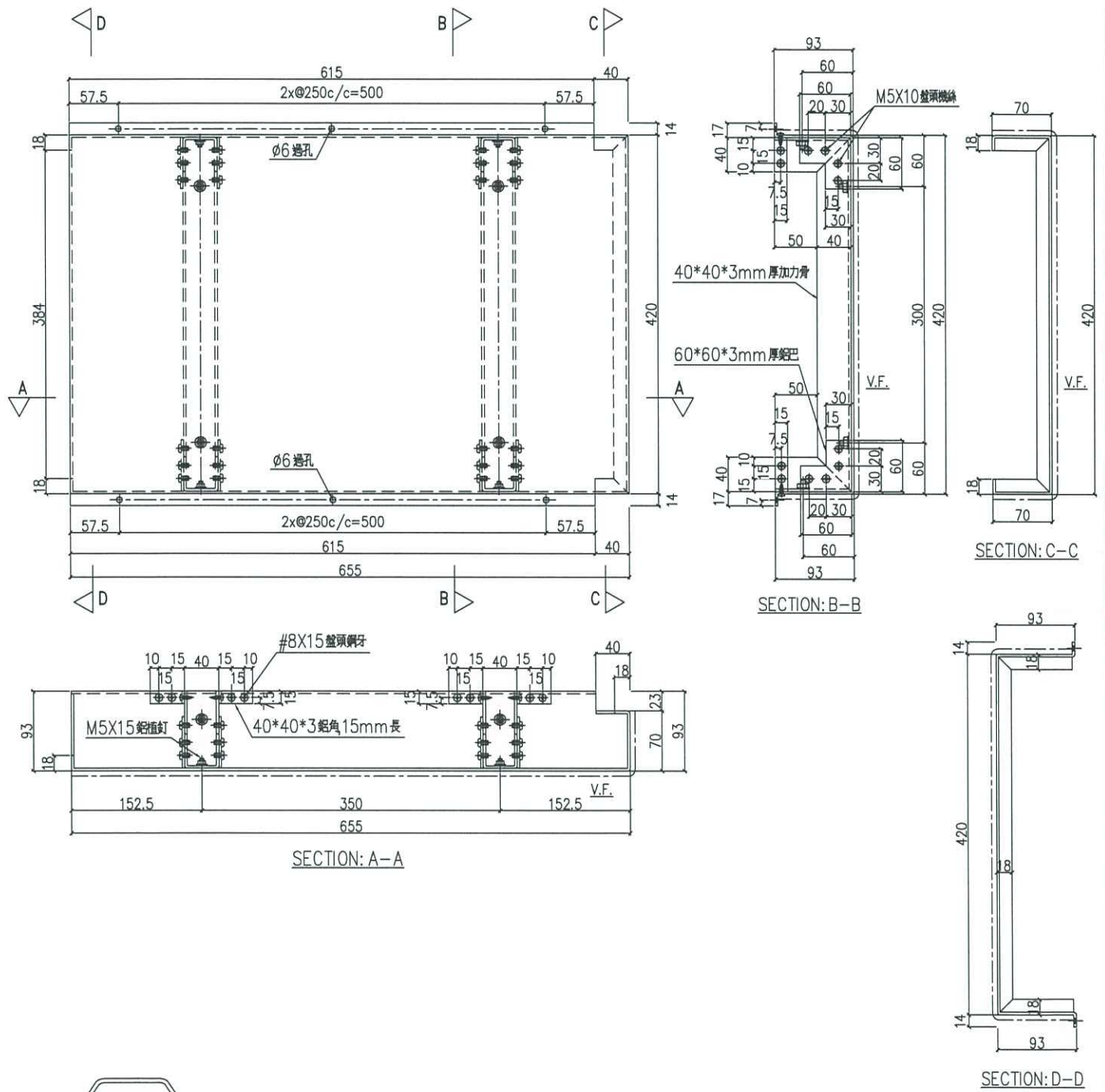
名稱	鋁板加工圖	制圖	LHR	2020.10.13	修改		
材料	3mm 厚鋁板 (3003H14)	復核	-	-	日期		
顏色	UCF806812XL-3 FN090M	批準			圖號	J852-CW-AP1-04B	



美特鋁質 有限公司  
MIDI Aluminium Fabricator Ltd.

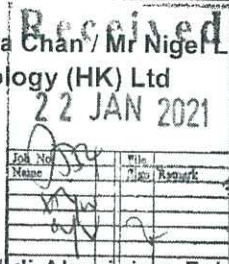
工程號 J852 地盤 亞皆老街

序號	物料編號	數量	使用位置	樓層
01	T1-AP11R	1	見採位圖	T1座 ROOF
02	T2-AP11R	1	見採位圖	T2座 ROOF
03	T3-AP11R	1	見採位圖	T3座 ROOF



新增圖


名稱	鋁板加工圖	制圖	LHR	2020.10.13	修改			
材料	3mm厚鋁板 (3003H14)	復核	-	-	日期			
顏色	UCF806812XL-3-FN090M	批準			圖號	J852-CW-AP1-04C		

**SHOP DRAWING SUBMISSION FORM**
**To: Mr Brian Leung / Ms Yoanna Chan / Mr Nigel Lo**  
**Meinhardt Façade Technology (HK) Ltd**  
 22/F Great Smart Tower,  
 230 Wanchai Road,  
 Wan Chai, Hong Kong

**No. : SD/A/007 (Rev. 6)**
**Ref : J3860/304.8/D08236**
**Date : 20 January 2021**

 On behalf of Subcontractor **Midi Aluminium Fabrication Ltd**, we would submit the shop drawing(s) on the attached list for your approval / endorsement / record.

 Expected Reply Date: 03 February 2021

 Regarding: Shop Drawing Submission for Stick Curtain Wall (6<sup>th</sup> Submission)  
 (Midi Ref: SD095)

 Remarks: With Drawing List Attached (36 Nos. Drawings); SD/A/007 (Rev.5) commented by AGC on 17 November 2020; by MFT on 19 November 2020; soft copies received by GECCL by email on 18 January 2021; hard copies received by GECCL on 20 January 2021
  
**Dick Yuen**  
 Senior Project Manager  
 Gammon Engineering &  
 Construction Company Limited

DY/TMCK/PC/wym

Encl

**Comment:**

- (A) Approved  
 (B) Approved with comment  
 (C) Approved with comment & resubmit  
 (D) Rejected

**Other Remarks:**

① THE CLADDING AT 23/F BELOW THE R.O. PROTECTION SHOULD MATCH THE STONE DIVISION ABOVE AND SHOULD NOT EXPOSE THE MULLION

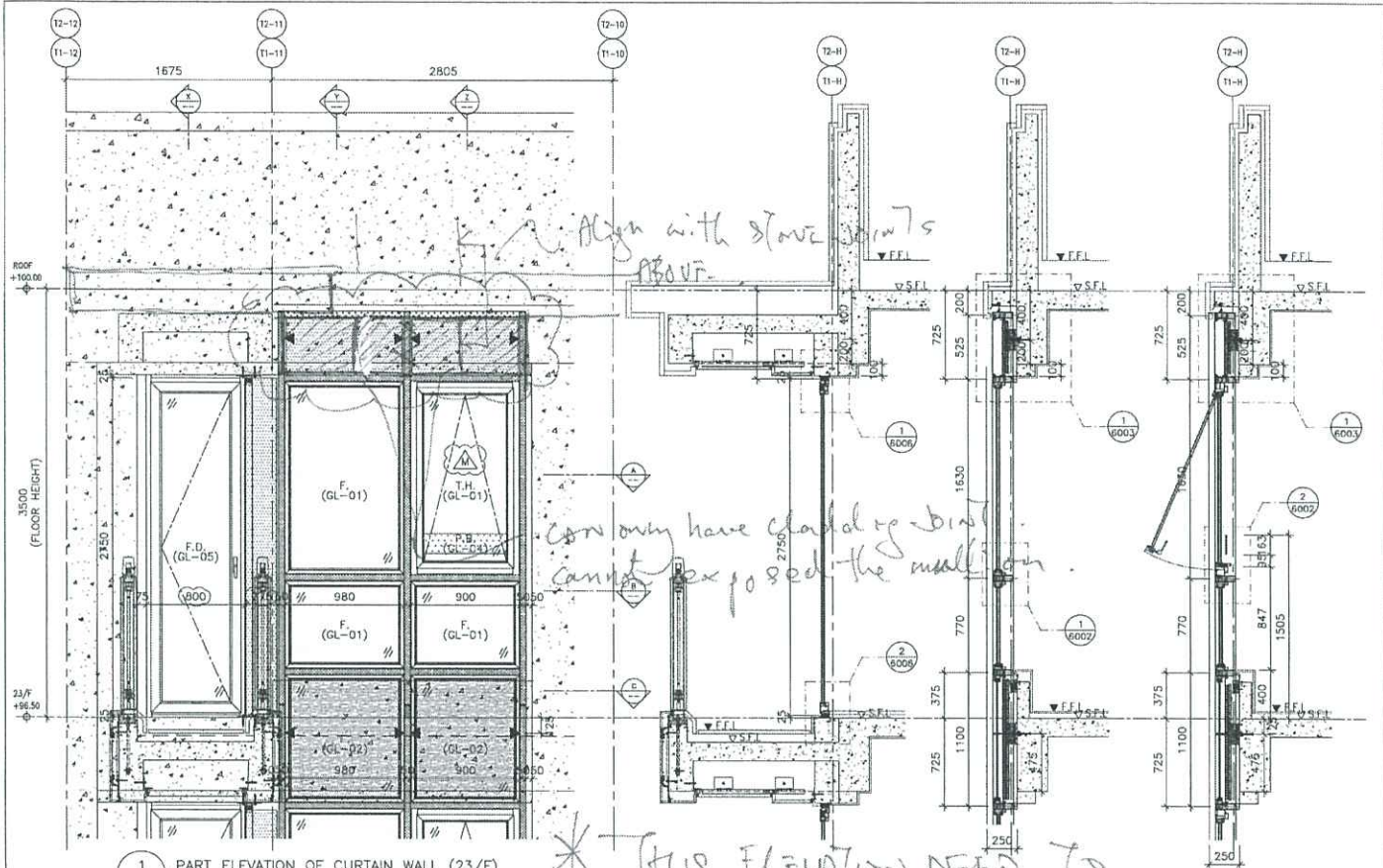
② DRAWINGS APPROVED PREVIOUSLY SHALL REFER TO SD/A/007 (REV.5)

 Signed By: Raymond Ho

 Date: 2.2.2021
**Distribution:**

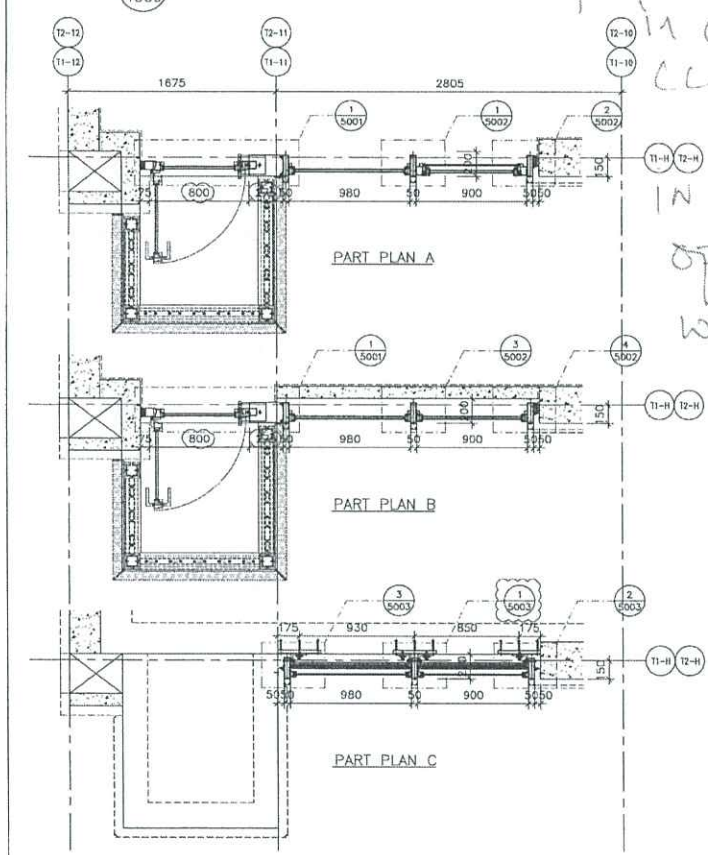
- |    |                                     |                |  |
|----|-------------------------------------|----------------|--|
| cc | <input checked="" type="checkbox"/> | Pacific Shine  | - Mr Billy Tang / Mr Kocher Wong / Mr Edwin Chow / Mr Simon Chung / Mr Terry Wan / Mr Ross Pau / Mr Ken Ng / Mr Wyman Fong / Mr Jimmy Cheung / Mr C F Lee / Mr Peter Chong |
|    | <input checked="" type="checkbox"/> | AGC            | - Ms Grace Cheng / Mr Raymond Ho   |
|    | <input type="checkbox"/>            | ARUP (Stru)    | - Mr Johnson Po / Mr Don Ho / Ms Jessie Zhang / Mr Andrew Tai  |
|    | <input checked="" type="checkbox"/> | W&O            | - Mr Nier Chan / Mr Anson Lau  |
|    | <input type="checkbox"/>            | Arcadis        | - Ms Brenda Mok / Ms Emily Chu   |
|    | <input type="checkbox"/>            | AXXA           | - Ms Siuman Hung / Ms Sammy Tang / Mr Oscar Leung / Ms Yvonne Yau  |
|    | <input type="checkbox"/>            | ARUP (Traffic) | - Ms Carmen Chu / Mr Eddy Cheung   |
|    | <input type="checkbox"/>            | WSP            | - Ms Anthea Ng / Mr Dennis Tse   |
|    | <input type="checkbox"/>            | RE             | - Mr Edwin Lui / Mr Yang Li / Mr Raymond Hui   |
|    | <input checked="" type="checkbox"/> | MFT RE         | - Ms Cosimo Wong / Mr Neo Wong   |
|    | <input checked="" type="checkbox"/> | OSR            | - Mr K M Pang / Mr H T Tseung / Mr Poon Tsz Kit / Mr S T Chan / Mr Ben Li  |
|    | <input checked="" type="checkbox"/> | BSI (Sino)     | - Mr Kelvin Tam  |
|    | <input checked="" type="checkbox"/> | RBSE (W&O)     | - Mr Kevin Lee   |
|    | <input checked="" type="checkbox"/> | GECCL          | - QS / Setting Out   |
|    | <input checked="" type="checkbox"/> | S/C            | - Midi / Temmex / Zui Loong / Chit Tat / Pyfyoe / Kammon / Keio / Alpha Idea / Wing Hong Shun (By Email)   |
|    | <input checked="" type="checkbox"/> | S/C            | - Wah Cheong   |

 \*\*Remarks :  w/encl  w/o encl.



1 PART ELEVATION OF CURTAIN WALL (23/F)  
4006

\* THIS ELEVATION NEED TO IN CORRELATE THE STONE CLADDING LAYOUT AND DETAIL IN ORDER TO SHOW THE RELATION OF THESE CLADDING CAN MATCH WITH STONE CLADDING.



PART PLAN A

PART PLAN B

PART PLAN C

NO.	REVISION	DATE	BY	CHECKED
1	ISSUED FOR PERMIT	12/20/2022	Y. Y. Y.	Y. Y. Y.
2	ISSUED FOR PERMIT	12/20/2022	Y. Y. Y.	Y. Y. Y.
3	ISSUED FOR PERMIT	12/20/2022	Y. Y. Y.	Y. Y. Y.
4	ISSUED FOR PERMIT	12/20/2022	Y. Y. Y.	Y. Y. Y.
5	ISSUED FOR PERMIT	12/20/2022	Y. Y. Y.	Y. Y. Y.

**AGC DESIGN LTD**

APPROVED: No. Comment.  
 APPROVED AS NOTED - Proposed stage 9 completed and all resolved.  
 B REFERRED WITH COMMENTS - Proposed stage 9 completed and all resolved.  
 C REFERRED WITH COMMENTS - Proposed stage 9 completed and all resolved.

Job No: 9.2.2022  
 Signature: Y. Y. Y.

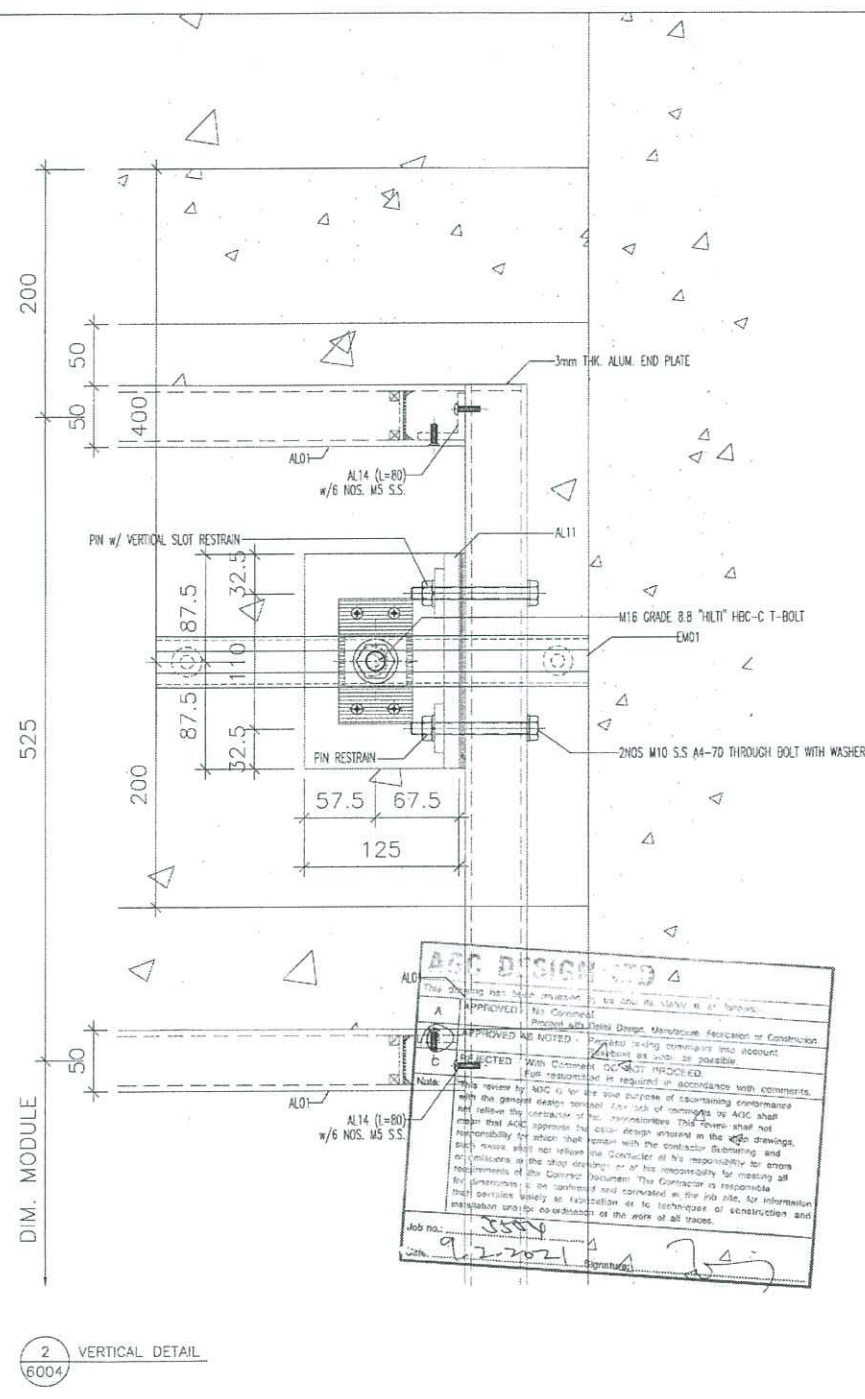
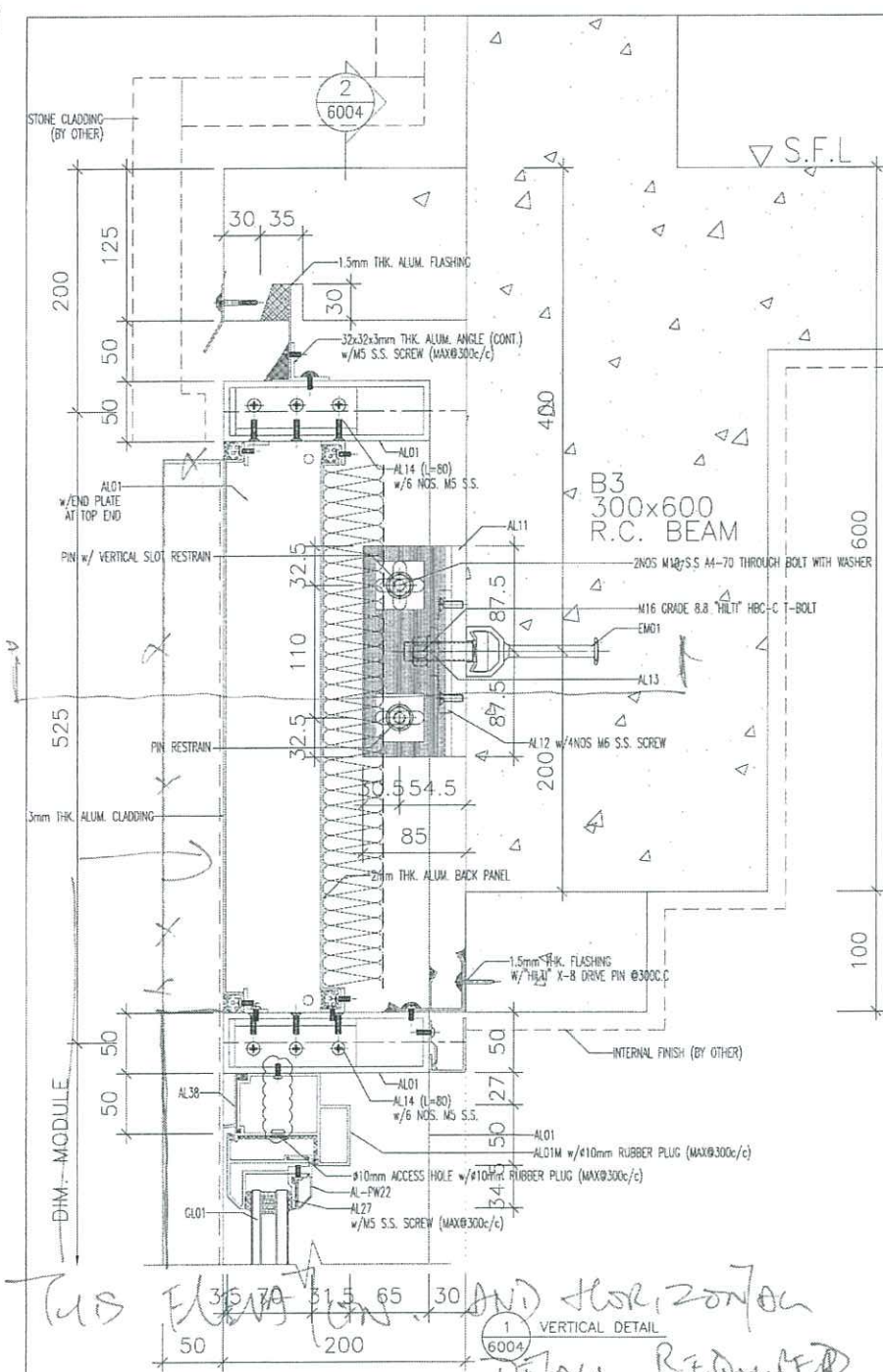
**AGC DESIGN LTD**

ARCHITECT: AGC DESIGN LTD  
 CONSULTANT: ARUP, Gammion, MEINHARDT

DATE: 06-MAY-20 SCALE: 1:40  
 DRAWN BY: JAY CHECKED BY: JAY  
 PROJECT: PROPOSED RESIDENTIAL DEVELOPMENT AT 139 - 147 ARCADE STREET, NKL 6005, 6035 R.P., 6036 R.P., 6037 R.P. & 6038 R.P.  
 TITLE: PART ELEVATION, PLAN & SECTION FOR CURTAIN WALL AT 23/F  
 JOB NO.: J-552  
 DWG NO.: 382-50-CW-4006

AGC DESIGN LTD  
 ARUP  
 Gammion  
 MEINHARDT





THIS FLASHING AND HORIZONTAL DETAIL REQUIRED

1 VERTICAL DETAIL  
6004

2 VERTICAL DETAIL  
6004

**AGC DESIGN LTD**

The drawing is for the use of the contractor only and is not to be used for any other purpose.

**A** APPROVED - No Comments

**B** APPROVED WITH NOTES - Proposed design, materials, fabrication or construction. Proposed design comments and account of them as well as possible.

**C** REJECTED - With Comments. DESIGN NOT PROCEED.

Note: This review by AGC is for the sole purpose of ascertaining performance and will not constitute an endorsement of the contractor. The contractor shall not claim that AGC approves the design or construction. The contractor shall not rely on AGC approval for any design or construction. The contractor shall be responsible for any errors or omissions in the drawings, specifications or any other documents. The contractor is responsible for ensuring that all dimensions are as specified and for providing all information necessary for the contractor to execute the work of all trades.

Job no: 3596  
Date: 9-2-2021  
Signature: [Signature]

B.D. REF :

CLIENT :

ARCHITECT :  
**AGC DESIGN LTD**

MAIN CONTRACTOR :  
**Gammon**

STRUCTURAL ENGINEER :  
**ARUP**

FAÇADE CONSULTANT :  
**MEINHARDT**

NOTE :  
1. ALL DIMENSIONS ARE IN MM.  
2. ALL ELEVATIONS ARE VIEWED FROM OUTSIDE.  
3. ALL DIMENSIONS TO BE VERIFIED ON SITE BEFORE FABRICATION.

LEGEND :

(M) DETAIL MARK NO.  
(X) REFER SHEET NO.

1. F.F.L. — FINISHED FLOOR LEVEL  
2. S.F.L. — STRUCTURAL FLOOR LEVEL  
3. (R) — REVERSED DETAIL  
4. GLASS LEGEND

(AL01) ALUM EXTRUSION MARK:  
REFER TO DRAWING: 1101&1102

(GL01) GL01 (VISION GLASS):  
8mm HEAT STRENGTHENED+12mm AIR GAP  
+10mm THK. CLEAR TEMPERED I.G.U.

(GL02) GL02 (SPANDREL GLASS):  
10mm THK. HEAT STRENGTHENED GLASS

(GL03) GL03 (PROTECTIVE BARRIER):  
10mm THK. TEMPERED GLASS

NO.	DATE	REVISION	BY
L	13-11-2021	REVISION SUBJECT TO COMMENTS	MN
D	9-10-2020	REVISION SUBJECT TO COMMENTS	MN
C	21-07-2020	REVISION SUBJECT TO COMMENTS	MN
B	08-05-2020	REVISION SUBJECT TO COMMENTS	MN
A	24-02-2020	REVISION SUBJECT TO COMMENTS	MN

JOB NO. : J-852

PROJECT :  
PROPOSED RESIDENTIAL DEVELOPMENT  
AT 139 - 147 ARGYLE STREET,  
NKIL 8005, 6035 R.P., 6036 R.P.,  
6037 R.P. & 6038 R.P.

TITLE :  
TYPICAL DETAILS FOR  
CURTAIN WALL

DATE : 17-DEC-19 SCALE : 1:4

DRAWN BY : MN CHECKED BY : DW

**英特福寶有限公司**  
MIDI ALUMINIUM FABRICATOR LTD.  
Unit E-8, Sunway Indus. Centre, 1/F  
510 Chee Koo Ling Road, Kowloon  
Tel: 23489211-4 Fax: (852) 27727666

DWG NO. : J852-SD-CW-6004 REV. : E

Wing 155 CW 修改

2021.5.6

抄MN修改

修改最高位置插图

高水片

看板

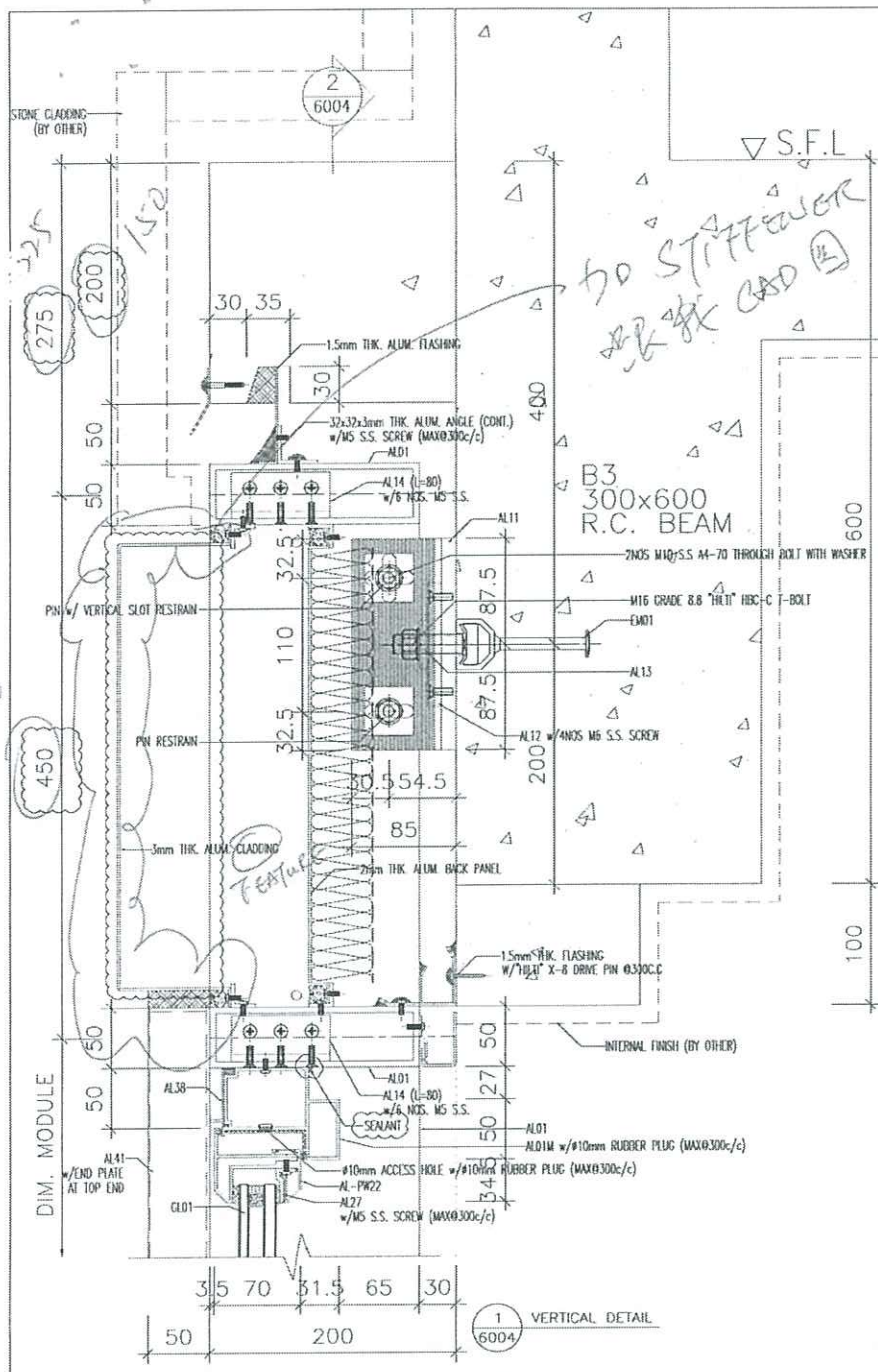
出新配

(最顶层看板修改)

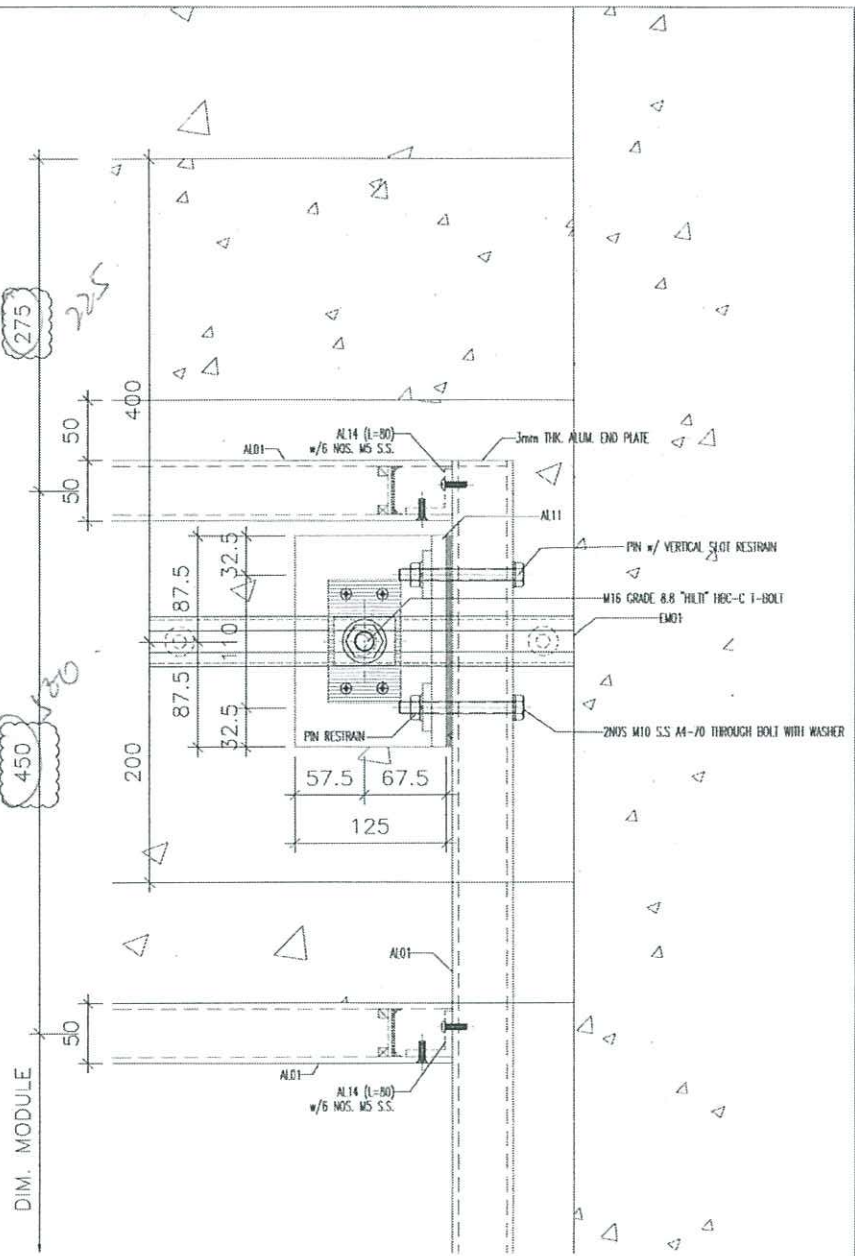
FN090M

3/2





1  
6004  
VERTICAL DETAIL



2  
6004  
VERTICAL DETAIL

R.D. REF :

CLIENT :

ARCHITECT :  
AGC DESIGN LTD

MAIN CONTRACTOR :  
Gammon

STRUCTURAL ENGINEER :  
ARUP

FAÇADE CONSULTANT :  
MENHARDT

NOTE:  
1. ALL DIMENSIONS ARE IN mm.  
2. ALL ELEVATIONS ARE VIEWED FROM OUTSIDE.  
3. ALL DIMENSIONS TO BE VERIFIED ON SITE BEFORE FABRICATION.

LEGEND:  
 (A1) DETAIL MARK NO.  
 (REF) REFER SHEET NO.  
 1. F.F.L. — FINISHED FLOOR LEVEL.  
 2. S.F.L. — STRUCTURAL FLOOR LEVEL.  
 3. (R) — REVERSED DETAIL.  
 4. CLASS LEGEND  
 (A01) ALUM EXTRUSION MARK: REFER TO DRAWING: 1101&1102  
 (G01) GL01 (VISION GLASS): 6mm HEAT STRENGTHENED 12mm AIR GAP 140mm THK. CLEAR TEMPERED LG.L.  
 (G02) GL02 (SPANDREL GLASS): 10mm THK. HEAT STRENGTHENED GLASS  
 (G04) GL04 (PROTECTIVE BARRIER): 10mm THK. TEMPERED GLASS

NO.	DATE	REVISION	SUBJECT TO COMMENTS	BY
F	08-04-2012		REVISION SUBJECT TO COMMENTS	MAN
L	12-11-2012		REVISION SUBJECT TO COMMENTS	MAN
H	6-10-2010		REVISION SUBJECT TO COMMENTS	MAN
C	22-07-2010		REVISION SUBJECT TO COMMENTS	MAN
B	06-02-2010		REVISION SUBJECT TO COMMENTS	MAN
A	24-07-2010		REVISION SUBJECT TO COMMENTS	MAN
REV	DATE	REVISION		BY

JOB NO. : J-852

PROJECT : PROPOSED RESIDENTIAL DEVELOPMENT AT 139 - 147 ARGYLE STREET, NKIL 6005, 6035 R.P., 6036 R.P., 6037 R.P. & 6038 R.P.

TITLE : TYPICAL DETAILS FOR CURTAIN WALL

DATE : 17-DEC-19 SCALE : 1:4

DRAWN BY : MAN CHECKED BY : OW

MIDI ALUMINIUM FABRICATORS LTD.  
Units F & G, Sanyat Industrial Centre, 1/F  
618 Cheung Kwai Road, Kowloon  
Tel: 27260211-4 Fax: (852) 27272658

DWG NO. : J852-SD-CW-6004 REV. : F