

工程指示 / 要求簡箋(E.I.)

工程指示編號：EI / 3264 / 21

修改版次：-

工程編號：J - 852

工程名稱：亞皆老街中電

工程項目：幕牆 FD 門防水片(T1-T3)(1-23/F) (屋頂門框)

收件人：生統

發件人：Ant Yeung

日期：12/04/2021

要求提供 / 確認 事項：

- | | | |
|------------------------------------|-------------------------------------|-------------------------------|
| <input type="checkbox"/> 初步鋁料 B.M. | <input type="checkbox"/> 加工拆圖，然後生產 | <input type="checkbox"/> 尺寸表 |
| <input type="checkbox"/> 正式鋁料 B.M. | <input type="checkbox"/> 技術上資料 / 指示 | <input type="checkbox"/> 報價 |
| <input type="checkbox"/> 配件 B.M. | <input type="checkbox"/> 樣辦或貨品說明書 | <input type="checkbox"/> 分判合約 |
| <input type="checkbox"/> 其他：_____ | | |

內容：

請按加工圖生產防水片送地盤安裝用
大貨按顧問 COMMENT 款式生產
謝謝。

請在 2021/04/17 前完成上列事項

附：1 頁加工圖，1 頁

以上項目為：

- 原合約工程包 原合約工程加 / 減賬 新工程報價

原因：-

分發東莞各部門：

- | | | | | | | | |
|---------------------------------|------------------------------|---|---|-------------------------------|------------------------------|--------------------------------|---|
| <input type="checkbox"/> 生產技術總監 | <input type="checkbox"/> 連附件 | <input type="checkbox"/> 技術部 | <input type="checkbox"/> 連附件 | <input type="checkbox"/> 生產部 | <input type="checkbox"/> 連附件 | <input type="checkbox"/> 機械設計部 | <input type="checkbox"/> 連附件 |
| <input type="checkbox"/> 採購部 | <input type="checkbox"/> 連附件 | <input checked="" type="checkbox"/> 生產統籌部 | <input checked="" type="checkbox"/> 連附件 | <input type="checkbox"/> 小羅&清 | <input type="checkbox"/> 連附件 | | |
| <input type="checkbox"/> 質檢部 | <input type="checkbox"/> 連附件 | <input type="checkbox"/> 會計部 | <input type="checkbox"/> 連附件 | <input type="checkbox"/> 報關組 | <input type="checkbox"/> 連附件 | <input type="checkbox"/> 其他 | <u>楊榮輝</u> <input type="checkbox"/> 連附件 |

分發其他分判：

- (v) 水洪 連附件

分發香港各部門：

- | | | | | | | | | |
|------------------------------|------------------------------|-------------------------------|------------------------------|------------------------------|------------------------------|---|---|------------------------------|
| <input type="checkbox"/> 行政部 | <input type="checkbox"/> 連附件 | <input type="checkbox"/> 會計部 | <input type="checkbox"/> 連附件 | <input type="checkbox"/> 統籌部 | <input type="checkbox"/> 連附件 | <input checked="" type="checkbox"/> 工程部地盤科文 | <input checked="" type="checkbox"/> 連附件 | 祥哥 |
| <input type="checkbox"/> 採購部 | <input type="checkbox"/> 連附件 | <input type="checkbox"/> QS 部 | <input type="checkbox"/> 連附件 | <input type="checkbox"/> 維修部 | <input type="checkbox"/> 連附件 | <input type="checkbox"/> 其他 | _____ | <input type="checkbox"/> 連附件 |

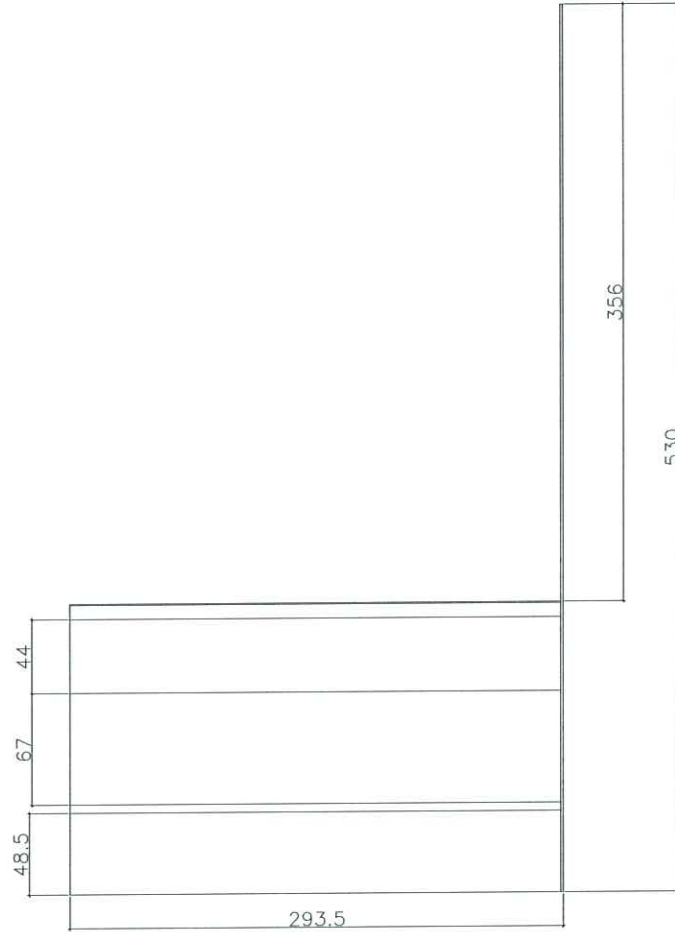
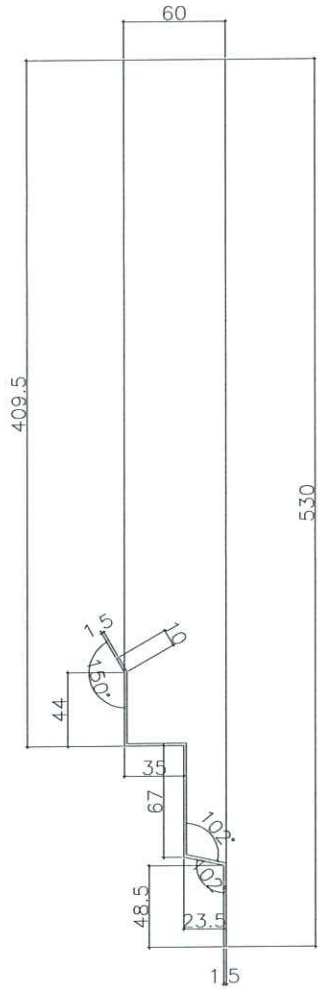
傳遞編號：

HK 350 / 21

發件人簽署：

項目經理簽署：

門頂款



材料 = 1.5mm 鋁板

顏色 = 銀色

數量 = 6×5 件後備
= 65件

圖號 = 852-FDFS-02

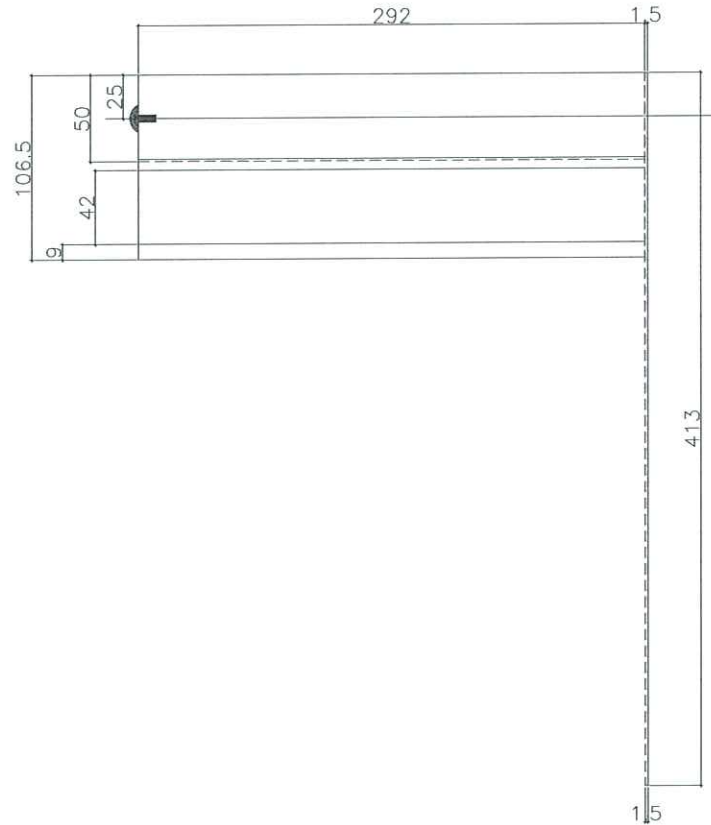
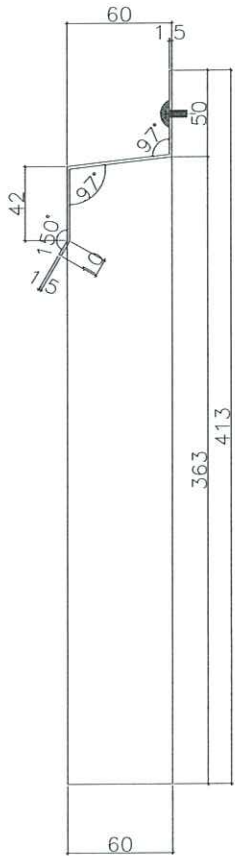
門底款

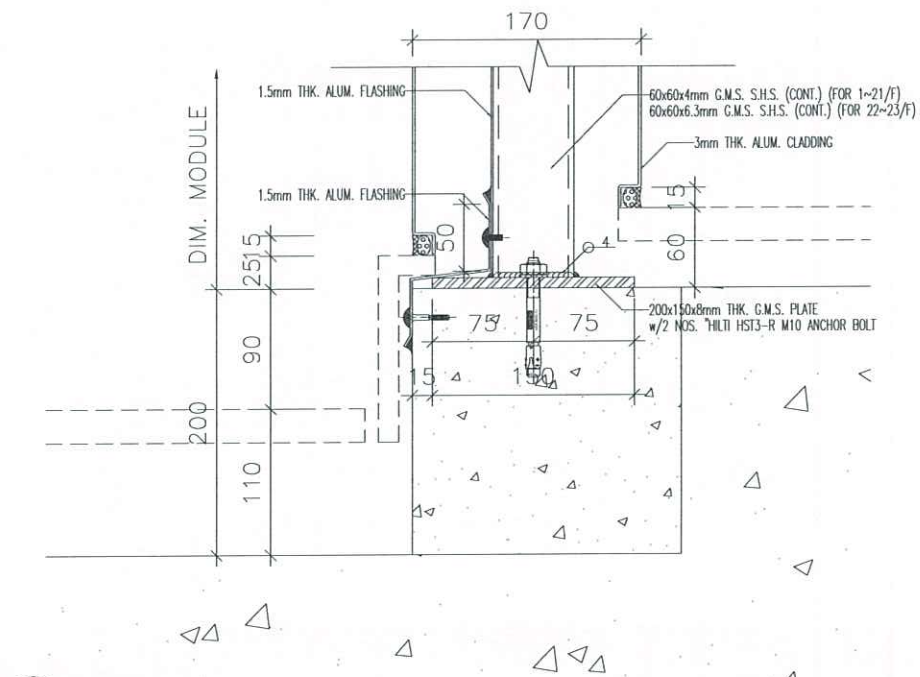
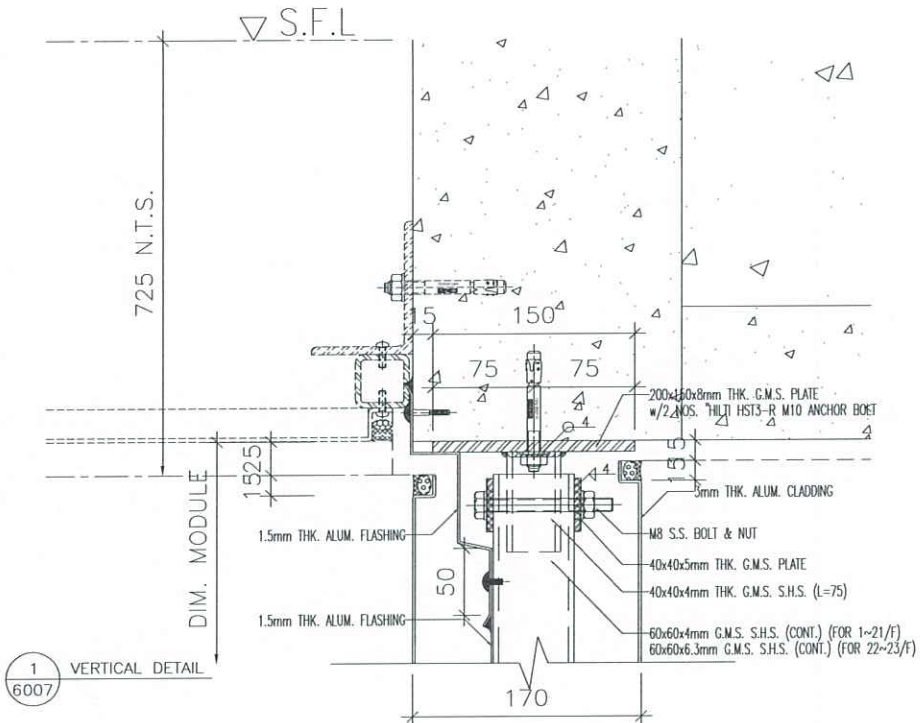
材料 = 1.5mm 铝板

颜色 = 银白

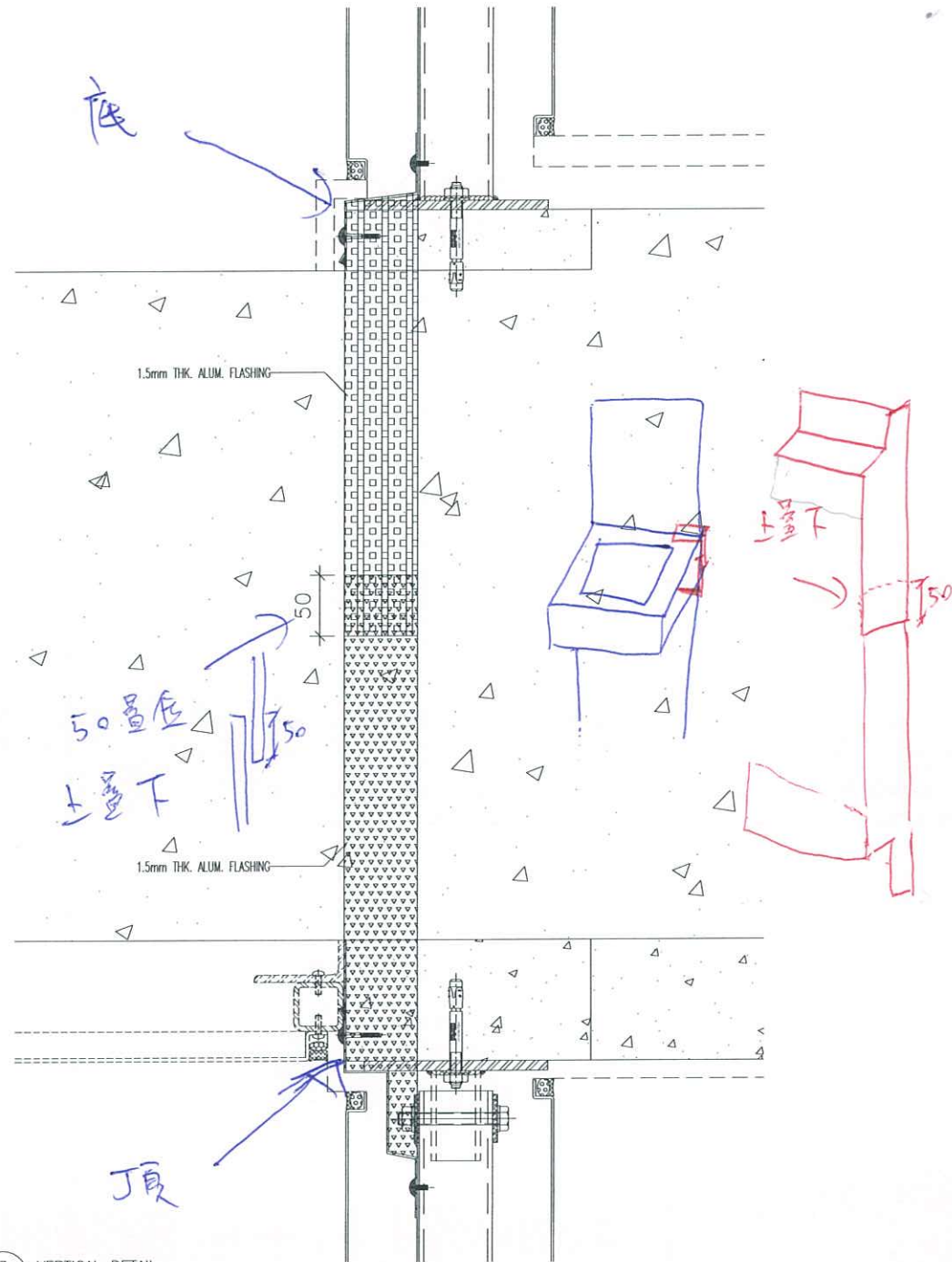
数量 = 60 + 5件後備
= 65件

圖號 = 852-FDFS-01





2 VERTICAL DETAIL
6007



3 VERTICAL DETAIL
6007 SIDE VIEW OF U.P. TO SHOW EXTEND OF FLASHING

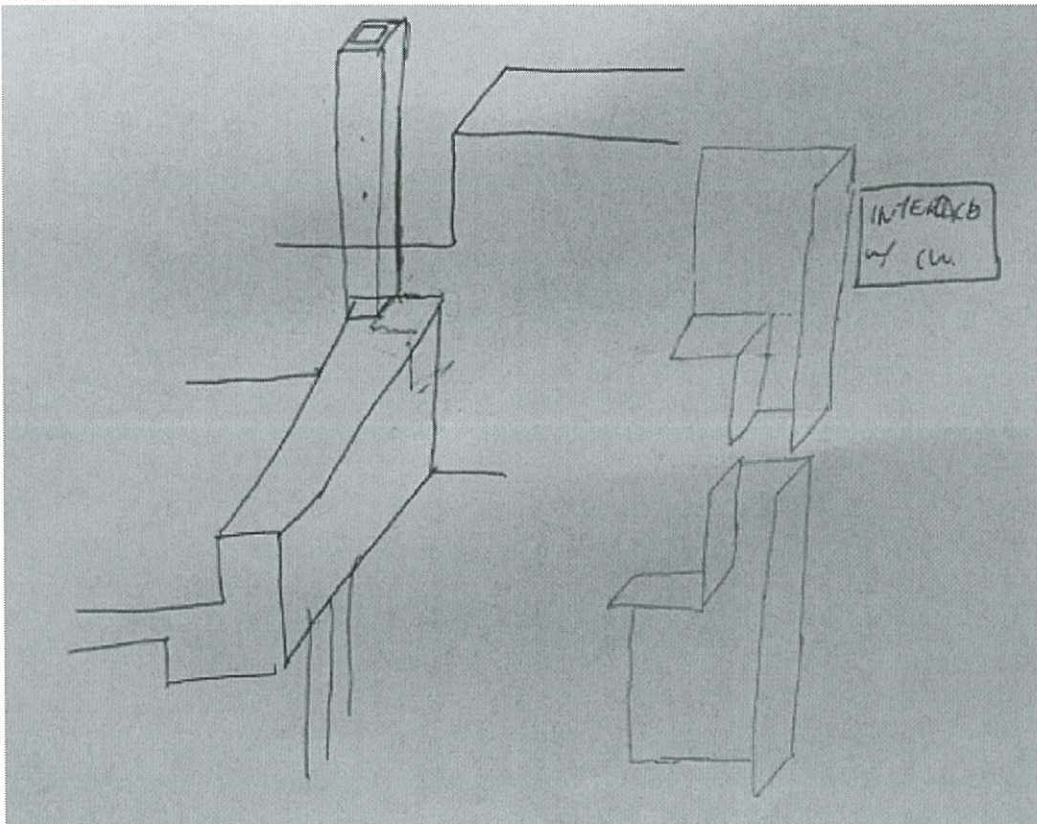
From: Yoanna Chan <yoanna.chan@mfacade.com>
To: "midi@midiltd.com.hk" <midi@midiltd.com.hk>
Subject:
Date sent: Wed, 31 Mar 2021 10:18:55 +0000
Copies to: "ant.ysy.midi@"
<gmail.com.ant.ysy.midi@gmail.com>, "bessie.lps.midi@gmail.com"
<bessie.lps.midi@gmail.com>, "eric.lkw.midi@gmail.com"
<eric.lkw.midi@gmail.com>, "eliotchan@agcdesign.com.hk"
<eliotchan@agcdesign.com.hk>, Brian Leung <brian.leung@mfacade.com>,
Cosimo Wong <cosimo.wong@mfacade.com>, Neo Wong
<neo.wong@mfacade.com>

幕牆門邊企收口

Dear Midi,

Your revised detail is not accepted. Please revise flashing detail based on the below sketch and provide formal submission for our approval.

Thanks & regards,
Yoanna



From: midi@midiltd.com.hk <midi@midiltd.com.hk>
Sent: Monday, 8 March 2021 7:52 pm
To: Yoanna Chan <yoanna.chan@mfacade.com>
Cc: ant.ysy.midi@ <gmail.com.ant.ysy.midi@gmail.com>; bessie.lps.midi@gmail.com;
eric.lkw.midi@gmail.com; eliotchan@agcdesign.com.hk; Brian Leung <brian.leung@mfacade.com>; Cosimo
Wong <cosimo.wong@mfacade.com>; Neo Wong <neo.wong@mfacade.com>
Subject: Re: CLP - MIDI - J3860 139 -147 Argyle Street - 幕牆FD門邊企收口鋁板事宜

Dear Yoanna,

Please find attached is the revised detail for FD Cladding and flashing for your review.

Thank You.

Regards,
Eric

From: Yoanna Chan <yoanna.chan@mfacade.com>
To: "midi@midiltd.com.hk" <midi@midiltd.com.hk>
Copies to: "ant.ysy.midi@" <gmail.com.ant.ysy.midi@gmail.com>,
 "bessie.lps.midi@gmail.com" <bessie.lps.midi@gmail.com>,
 "eric.lkw.midi@gmail.com" <eric.lkw.midi@gmail.com>,
 "eliotchan@agcdesign.com.hk" <eliotchan@agcdesign.com.hk>,
 Brian Leung
 <brian.leung@mfacade.com>,
 Cosimo Wong <cosimo.wong@mfacade.com>,
 Neo Wong
 <neo.wong@mfacade.com>
Subject: RE: CLP - MIDI - J3860 139 -147 Argyle Street -
 幕牆FD門邊企收口鋁板事宜
Date sent: Wed, 3 Mar 2021 10:28:28 +0000

Dear Midi,
 Please be reminded that the detail must strictly comply with show flat on appearance.
 Flashing detail is recommended to be as follow. Please revise and submit formal shop drawing for
 our review and approval.

Thanks & Regards,
 Yoanna

From: midi@midiltd.com.hk <midi@midiltd.com.hk>
Sent: Friday, February 26, 2021 7:17 PM
To: Yoanna Chan <yoanna.chan@mfacade.com>; Cosimo Wong <cosimo.wong@mfacade.com>;
 eliotchan@ <agcdesign.com.hk eliotchan@agcdesign.com.hk>
Cc: ant.ysy.midi@ <gmail.com ant.ysy.midi@gmail.com>; bessie.lps.midi@gmail.com;
 eric.lkw.midi@gmail.com
Subject: CLP - MIDI - J3860 139 -147 Argyle Street -幕牆FD門邊企收口鋁板事宜

Dear Yoanna,
 有關幕牆FD門邊企收口鋁板事宜
 邊企收口鋁板須由現時一件過，改為分成兩件，室內增加唧膠以作防水用途，
 此修改作為日後維修用途以及供顧問現場視察試水用。
 請查收附件圖紙，
 因應地盤進度，請盡快確認做法，謝謝。

Regards,
 Eric

MIDI Aluminium Fabricator Ltd., Tel:(852)2348 9211, Fax:(852) 2772 7666

 The information contained in this e-mail is confidential and is
 intendedsolely for the addressee. If you are not the intended
 recipient, please notify the sender immediately and delete this e-mail
 from your system. Any unauthorised use, disclosure, copying, printing,
 forwarding or dissemination of any part of this information is
 prohibited. MIDI does not accept responsibility for the content of any
 e-mail transmitted by its staff for any reason other than bona fide
 business purposes. Any information that is not transmitted via secure
 tamper-proof technology should not be relied upon, unless advised or
 agreed otherwise in writing by an authorised representative of MIDI

MIDI Aluminium Fabricator Ltd., Tel:(852) 2348 9211, Fax:(852) 2772 7666

 The information contained in this e-mail is confidential and is
 intendedsolely for the addressee. If you are not the intended
 recipient, please notify the sender immediately and delete this e-mail
 from your system. Any unauthorised use, disclosure, copying, printing,
 forwarding or dissemination of any part of this information is
 prohibited. MIDI does not accept responsibility for the content of any
