



## 工程指示 / 要求簡箋(E.I.)

工程指示編號：EI / 2002 / 21

修改版次：-

工程編號：J - 852

工程名稱：亞皆老街中電

工程項目：露台鋁板 C 單位 地盤用鋁板 (T3) (5/F)

收件人：生統

發件人：Ant Yeung

日期：26/01/2021

要求提供 / 確認 事項：

- |                                    |                                     |                               |
|------------------------------------|-------------------------------------|-------------------------------|
| <input type="checkbox"/> 初步鋁料 B.M. | <input type="checkbox"/> 加工拆圖，然後生產  | <input type="checkbox"/> 尺寸表  |
| <input type="checkbox"/> 正式鋁料 B.M. | <input type="checkbox"/> 技術上資料 / 指示 | <input type="checkbox"/> 報價   |
| <input type="checkbox"/> 配件 B.M.   | <input type="checkbox"/> 樣辦或貨品說明書   | <input type="checkbox"/> 分判合約 |

內容：

請按加工圖生產 T3 (5/F) 露台鋁板 C 單位送地盤用。

軒仔收

請在 2021.02.03 前完成上列要求。

附：3 頁 BM+ 6 頁位置圖+ 33 頁

以上項目為：

- |                                 |                                      |                                |
|---------------------------------|--------------------------------------|--------------------------------|
| <input type="checkbox"/> 原合約工程包 | <input type="checkbox"/> 原合約工程加 / 減賬 | <input type="checkbox"/> 新工程報價 |
|---------------------------------|--------------------------------------|--------------------------------|

原因：-

分發東莞各部門：

- |  |  |   |   |
|--|--|---|---|
| <input type="checkbox"/> 生產技術總監 <input type="checkbox"/> 連附件 | <input type="checkbox"/> 技術部 <input type="checkbox"/> 連附件              | <input type="checkbox"/> 生產部 <input type="checkbox"/> 連附件               | <input type="checkbox"/> 機械設計部 <input type="checkbox"/> 連附件         |
| <input type="checkbox"/> 採購部 <input type="checkbox"/> 連附件    | <input checked="" type="checkbox"/> 生產統籌部 <input type="checkbox"/> 連附件 | <input checked="" type="checkbox"/> 小羅 & 清 <input type="checkbox"/> 連附件 |   |
| <input type="checkbox"/> 質檢部 <input type="checkbox"/> 連附件    | <input type="checkbox"/> 會計部 <input type="checkbox"/> 連附件              | <input type="checkbox"/> 報關組 <input type="checkbox"/> 連附件               | <input type="checkbox"/> 其他 <u>楊榮輝</u> <input type="checkbox"/> 連附件 |

分發其他分判：

- |  |
|--|
| <input checked="" type="checkbox"/> (v) 水洪 <input checked="" type="checkbox"/> 連附件 |
|--|

分發香港各部門：

- |   |  |   |                             |   |    |
|---|--|---|-----------------------------|---|----|
| <input type="checkbox"/> 行政部 <input type="checkbox"/> 連附件 | <input type="checkbox"/> 會計部 <input type="checkbox"/> 連附件  | <input type="checkbox"/> 統籌部 <input type="checkbox"/> 連附件 | 林哥                          | <input type="checkbox"/> 工程部地盤科文 <input type="checkbox"/> 連附件 | 祥哥 |
| <input type="checkbox"/> 採購部 <input type="checkbox"/> 連附件 | <input type="checkbox"/> QS 部 <input type="checkbox"/> 連附件 | <input type="checkbox"/> 維修部 <input type="checkbox"/> 連附件 | <input type="checkbox"/> 其他 | <input type="checkbox"/> 連附件                                  |    |

傳遞編號：

HK 206 / 21

發件人簽署：

項目經理簽署：



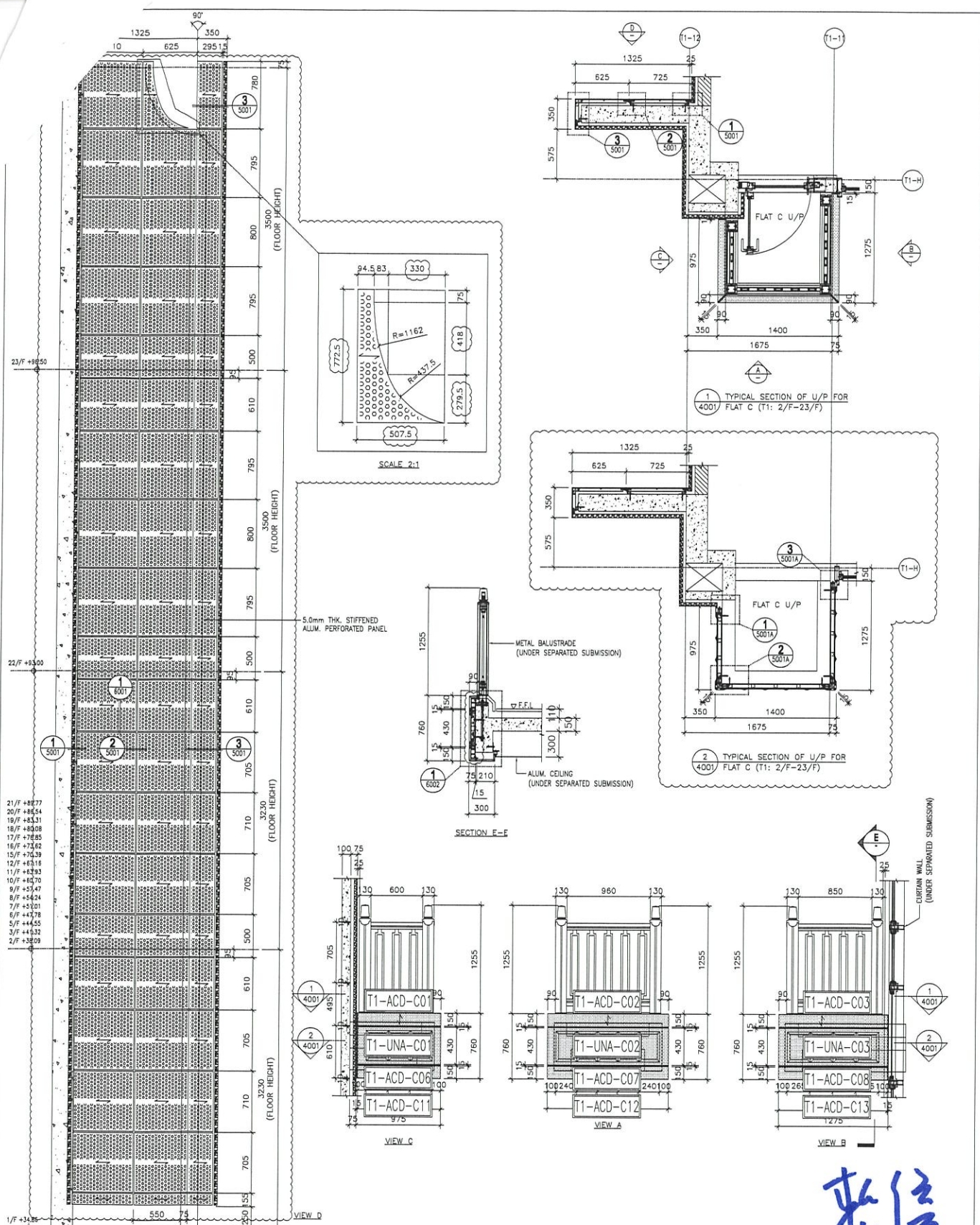


 <b>美特鋁質</b> 有限公司 MIDI Aluminium Fabricator Ltd.		工程號:	J852	計算:	sde	日期:	20/01/2021	送呈:						
		地盤名稱:	亞皆老街	核對:	wsh	日期:		副本:						
地盤用鋁板B.M.表		項目類別:	T1~T3(3F~6F) C單位樣辦層露臺鋁板			日期:								
BM編號:		修改版次:		A/C Code:		總V.F.:	8.82	總重量:	96.14	此BM依據**拆圖資料計算				
序號	修改內容	鋁板圖號	鋁板名稱	顏色	實用	後備	總數	總重量	單件展開面積	總展開面積	單件V.F.	總V.F.	備註	位置
									平方米		平方米			
1		T1-ACD-C01	3.0mm厚鋁板	UCT201498XL(A)-3	0	0	0	0.000	0.308	0.000	0.223	0.000		見位置圖
2		T2-ACD-C01	3.0mm厚鋁板	UCT201498XL(A)-3	0	0	0	0.000	0.308	0.000	0.223	0.000		見位置圖
3		T3-ACD-C01	3.0mm厚鋁板	UCT201498XL(A)-3	1	0	1	2.506	0.308	0.308	0.223	0.223		見位置圖
4		T1-ACD-C02	3.0mm厚鋁板	UCT201498XL(A)-3	0	0	0	0.000	0.442	0.000	0.324	0.000		見位置圖
5		T2-ACD-C02	3.0mm厚鋁板	UCT201498XL(A)-3	0	0	0	0.000	0.442	0.000	0.324	0.000		見位置圖
6		T3-ACD-C02	3.0mm厚鋁板	UCT201498XL(A)-3	1	0	1	3.591	0.442	0.442	0.324	0.324		見位置圖
7		T1-ACD-C03	3.0mm厚鋁板	UCT201498XL(A)-3	0	0	0	0.000	0.401	0.000	0.293	0.000		見位置圖
8		T2-ACD-C03	3.0mm厚鋁板	UCT201498XL(A)-3	0	0	0	0.000	0.401	0.000	0.293	0.000		見位置圖
9		T3-ACD-C03	3.0mm厚鋁板	UCT201498XL(A)-3	1	0	1	3.264	0.401	0.401	0.293	0.293		見位置圖
10		T1-ACD-C04	3.0mm厚鋁板	UCT201498XL(A)-3	0	0	0	0.000	0.922	0.000	0.687	0.000		見位置圖
11		T2-ACD-C04	3.0mm厚鋁板	UCT201498XL(A)-3	0	0	0	0.000	0.922	0.000	0.687	0.000		見位置圖
12		T3-ACD-C04	3.0mm厚鋁板	UCT201498XL(A)-3	1	0	1	7.496	0.922	0.922	0.687	0.687		見位置圖
13		T1-ACD-C05	3.0mm厚鋁板	UCT201498XL(A)-3	0	0	0	0.000	0.293	0.000	0.211	0.000		見位置圖
14		T2-ACD-C05	3.0mm厚鋁板	UCT201498XL(A)-3	0	0	0	0.000	0.293	0.000	0.211	0.000		見位置圖
15		T3-ACD-C05	3.0mm厚鋁板	UCT201498XL(A)-3	1	0	1	2.379	0.293	0.293	0.211	0.211		見位置圖
16		T1-UCA-C01	3.0mm厚鋁板+鋁料組裝件	UCT201498XL(A)-3	0	0	0	0.000	0.468	0.000	0.449	0.000		見位置圖
17		T2-UCA-C01	3.0mm厚鋁板+鋁料組裝件	UCT201498XL(A)-3	0	0	0	0.000	0.468	0.000	0.449	0.000		見位置圖
18		T3-UCA-C01	3.0mm厚鋁板+鋁料組裝件	UCT201498XL(A)-3	1	0	1	3.804	0.468	0.468	0.449	0.449		見位置圖
19		T1-UCA-C02	3.0mm厚鋁板+鋁料組裝件	UCT201498XL(A)-3	0	0	0	0.000	0.665	0.000	0.645	0.000		見位置圖
20		T2-UCA-C02	3.0mm厚鋁板+鋁料組裝件	UCT201498XL(A)-3	0	0	0	0.000	0.665	0.000	0.645	0.000		見位置圖
21		T3-UCA-C02	3.0mm厚鋁板+鋁料組裝件	UCT201498XL(A)-3	1	0	1	5.404	0.665	0.665	0.645	0.645		見位置圖
22		T1-UCA-C03	3.0mm厚鋁板+鋁料組裝件	UCT201498XL(A)-3	0	0	0	0.000	0.605	0.000	0.586	0.000		見位置圖
23		T2-UCA-C03	3.0mm厚鋁板+鋁料組裝件	UCT201498XL(A)-3	0	0	0	0.000	0.605	0.000	0.586	0.000		見位置圖
24		T3-UCA-C03	3.0mm厚鋁板+鋁料組裝件	UCT201498XL(A)-3	1	0	1	4.921	0.605	0.605	0.586	0.586		見位置圖

 <b>美特鋁質</b> 有限公司 MIDI Aluminium Fabricator Ltd.		工程號:	J852	計算:	sde	日期:	20/01/2021	送呈:						
		地盤名稱:	亞皆老街	核對:	wsh	日期:		副本:						
地盤用鋁板B.M.表		項目類別:	T1~T3(3F~6F) C單位樣辦層露臺鋁板			日期:								
BM編號:		修改版次:		A/C Code:		總V.F.:	8.82	總重量:	96.14	此BM依據**拆圖資料計算				
序號	修改內容	鋁板圖號	鋁板名稱	顏色	實用	後備	總數	總重量	單件展開面積	總展開面積	單件V.F.	總V.F.	備註	位置
									平方米					
25		T1-UCA-C04	3.0mm厚鋁板+鋁料組裝件	UCT201498XL(A)-3	0	0	0	0.000	1.372	0.000	1.353	0.000		見位置圖
26		T2-UCA-C04	3.0mm厚鋁板+鋁料組裝件	UCT201498XL(A)-3	0	0	0	0.000	1.372	0.000	1.353	0.000		見位置圖
27		T3-UCA-C04	3.0mm厚鋁板+鋁料組裝件	UCT201498XL(A)-3	1	0	1	11.158	1.372	1.372	1.353	1.353		見位置圖
28		T1-UCA-C05	3.0mm厚鋁板+鋁料組裝件	UCT201498XL(A)-3	0	0	0	0.000	0.445	0.000	0.426	0.000		見位置圖
29		T2-UCA-C05	3.0mm厚鋁板+鋁料組裝件	UCT201498XL(A)-3	0	0	0	0.000	0.445	0.000	0.426	0.000		見位置圖
30		T3-UCA-C05	3.0mm厚鋁板+鋁料組裝件	UCT201498XL(A)-3	1	0	1	3.618	0.445	0.445	0.426	0.426		見位置圖
31		T1-ACD-C06	3.0mm厚鋁板	UCT201498XL(A)-3	0	0	0	0.000	0.299	0.000	0.214	0.000		見位置圖
32		T2-ACD-C06	3.0mm厚鋁板	UCT201498XL(A)-3	0	0	0	0.000	0.299	0.000	0.214	0.000		見位置圖
33		T3-ACD-C06	3.0mm厚鋁板	UCT201498XL(A)-3	1	0	1	2.427	0.299	0.299	0.214	0.214		見位置圖
34		T1-ACD-C07	3.0mm厚鋁板	UCT201498XL(A)-3	0	0	0	0.000	0.428	0.000	0.310	0.000		見位置圖
35		T2-ACD-C07	3.0mm厚鋁板	UCT201498XL(A)-3	0	0	0	0.000	0.428	0.000	0.310	0.000		見位置圖
36		T3-ACD-C07	3.0mm厚鋁板	UCT201498XL(A)-3	1	0	1	3.478	0.428	0.428	0.310	0.310		見位置圖
37		T1-ACD-C08	3.0mm厚鋁板	UCT201498XL(A)-3	0	0	0	0.000	0.389	0.000	0.281	0.000		見位置圖
38		T2-ACD-C08	3.0mm厚鋁板	UCT201498XL(A)-3	0	0	0	0.000	0.389	0.000	0.281	0.000		見位置圖
39		T3-ACD-C08	3.0mm厚鋁板	UCT201498XL(A)-3	1	0	1	3.161	0.389	0.389	0.281	0.281		見位置圖
40		T1-ACD-C09	3.0mm厚鋁板	UCT201498XL(A)-3	0	0	0	0.000	0.893	0.000	0.658	0.000		見位置圖
41		T2-ACD-C09	3.0mm厚鋁板	UCT201498XL(A)-3	0	0	0	0.000	0.893	0.000	0.658	0.000		見位置圖
42		T3-ACD-C09	3.0mm厚鋁板	UCT201498XL(A)-3	1	0	1	7.260	0.893	0.893	0.658	0.658		見位置圖
43		T1-ACD-C10	3.0mm厚鋁板	UCT201498XL(A)-3	0	0	0	0.000	0.283	0.000	0.202	0.000		見位置圖
44		T2-ACD-C10	3.0mm厚鋁板	UCT201498XL(A)-3	0	0	0	0.000	0.283	0.000	0.202	0.000		見位置圖
45		T3-ACD-C10	3.0mm厚鋁板	UCT201498XL(A)-3	1	0	1	2.304	0.283	0.283	0.202	0.202		見位置圖
46		T1-ACD-C11	3.0mm厚鋁板	UCT201498XL(A)-3	0	0	0	0.000	0.309	0.000	0.245	0.000		見位置圖
47		T2-ACD-C11	3.0mm厚鋁板	UCT201498XL(A)-3	0	0	0	0.000	0.309	0.000	0.245	0.000		見位置圖
48		T3-ACD-C11	3.0mm厚鋁板	UCT201498XL(A)-3	1	0	1	2.514	0.309	0.309	0.245	0.245		見位置圖

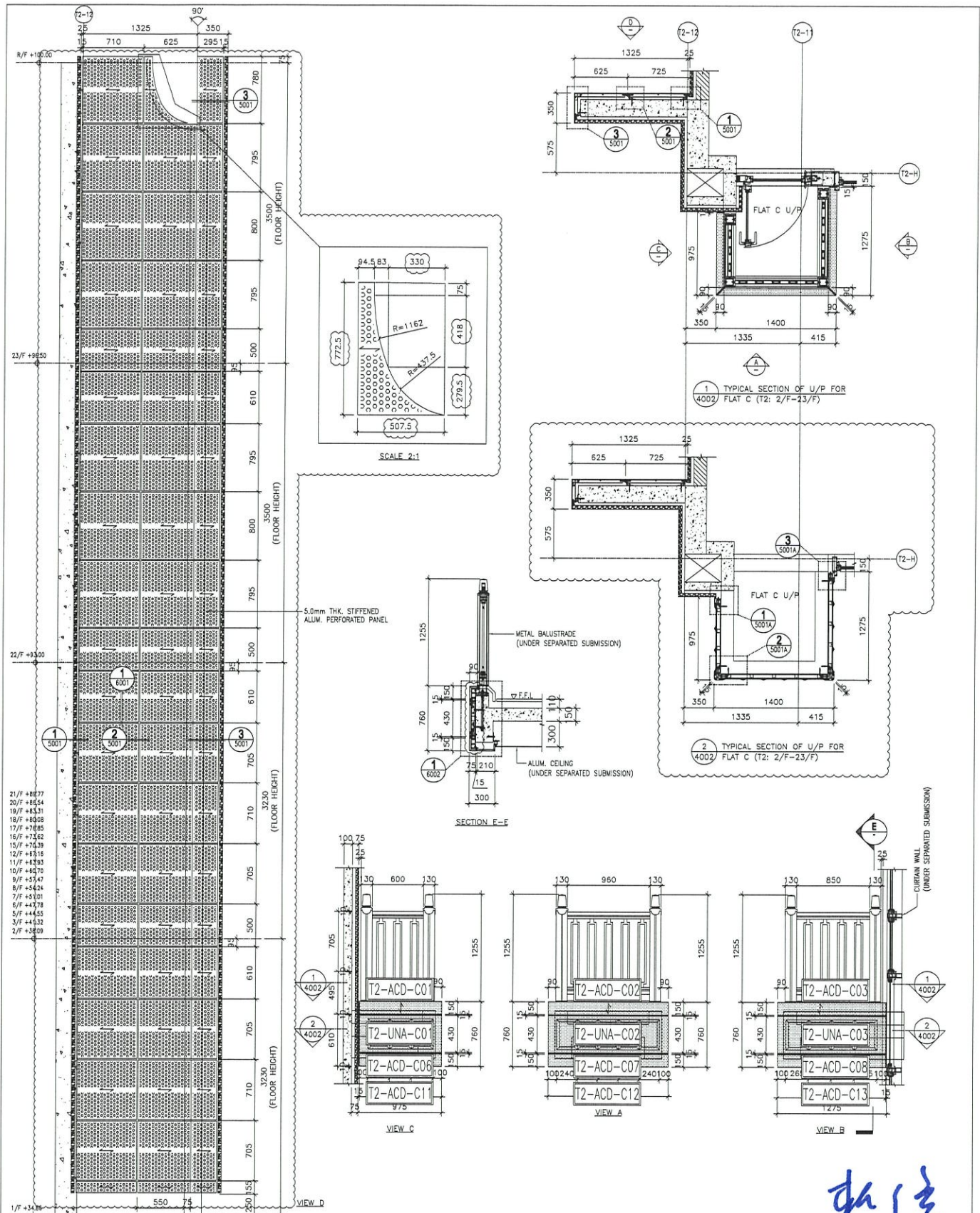
 <b>美特鋁質</b> 有限公司 MIDI Aluminium Fabricator Ltd.		工程號:	J852	計算:	sde	日期:	20/01/2021	送呈:						
		地盤名稱:	亞皆老街	核對:	wsh	日期:		副本:						
<b>地盤用鋁板B.M.表</b>		項目類別:	T1~T3(3F~6F) C單位樣辦層露臺鋁板			日期:								
BM編號:		修改版次:		A/C Code:		總V.F.:	8.82	總重量:	96.14	此BM依據**拆圖資料計算				
序號	修改內容	鋁板圖號	鋁板名稱	顏色	實用	後備	總數	總重量	單件展開面積	總展開面積	單件V.F.	總V.F.	備註	位置
									平方米					
49		T1-ACD-C12	3.0mm厚鋁板	UCT201498XL(A)-3	0	0	0	0.000	0.426	0.000	0.342	0.000		見位置圖
50		T2-ACD-C12	3.0mm厚鋁板	UCT201498XL(A)-3	0	0	0	0.000	0.426	0.000	0.342	0.000		見位置圖
51		T3-ACD-C12	3.0mm厚鋁板	UCT201498XL(A)-3	1	0	1	3.461	0.426	0.426	0.342	0.342		見位置圖
52		T1-ACD-C13	3.0mm厚鋁板	UCT201498XL(A)-3	0	0	0	0.000	0.412	0.000	0.330	0.000		見位置圖
53		T2-ACD-C13	3.0mm厚鋁板	UCT201498XL(A)-3	0	0	0	0.000	0.412	0.000	0.330	0.000		見位置圖
54		T3-ACD-C13	3.0mm厚鋁板	UCT201498XL(A)-3	1	0	1	3.351	0.412	0.412	0.330	0.330		見位置圖
55		T1-ACD-C14	3.0mm厚鋁板	UCT201498XL(A)-3	0	0	0	0.000	0.987	0.000	0.808	0.000		見位置圖
56		T2-ACD-C14	3.0mm厚鋁板	UCT201498XL(A)-3	0	0	0	0.000	0.987	0.000	0.808	0.000		見位置圖
57		T3-ACD-C14	3.0mm厚鋁板	UCT201498XL(A)-3	1	0	1	8.022	0.987	0.987	0.808	0.808		見位置圖
58		T1-ACD-C15	3.0mm厚鋁板	UCT201498XL(A)-3	0	0	0	0.000	0.292	0.000	0.231	0.000		見位置圖
59		T2-ACD-C15	3.0mm厚鋁板	UCT201498XL(A)-3	0	0	0	0.000	0.292	0.000	0.231	0.000		見位置圖
60		T3-ACD-C15	3.0mm厚鋁板	UCT201498XL(A)-3	1	0	1	2.375	0.292	0.292	0.231	0.231		見位置圖
61		AC-C01	3.0mm厚鋁板/加力骨	MILL	26	0	26	9.639	0.046	1.186	0.000	0.000		見位置圖
62														

總計： 46 96.14 11.82 8.82



新修

<p>DATE: 12-MAY-20 DRAWN BY: LHM CHECKED BY: LW</p> <p>SCALE: 1:40</p>	<p>JOB NO.: J-852</p> <p>PROJECT: PROPOSED RESIDENTIAL DEVELOPMENT AT 139 - 147 ANGLE STREET, NINGBO, 6005, 6035 R.P., 6036 R.P., 6037 R.P. &amp; 6038 R.P.</p> <p>TITLE: FLOOR ELEVATION PLAN &amp; SECTION OF ALUM. &amp; ACOUSTIC CASING FOR TOWER 1 FLAT C U/P</p>	<p>REVISIONS:</p> <table border="1"> <tr> <th>NO.</th> <th>DATE</th> <th>REVISION</th> </tr> <tr> <td>1</td> <td>20-05-2020</td> <td>ISSUE FOR TENDER</td> </tr> <tr> <td>2</td> <td>20-05-2020</td> <td>REVISION SUBJECT TO ARCH. COMMENT</td> </tr> <tr> <td>3</td> <td>20-05-2020</td> <td>REVISION SUBJECT TO ARCH. COMMENT</td> </tr> </table>	NO.	DATE	REVISION	1	20-05-2020	ISSUE FOR TENDER	2	20-05-2020	REVISION SUBJECT TO ARCH. COMMENT	3	20-05-2020	REVISION SUBJECT TO ARCH. COMMENT	<p>NOTE:</p> <ol style="list-style-type: none"> <li>ALL DIMENSIONS ARE IN MM.</li> <li>ALL ELEVATIONS ARE VIEWED FROM OUTSIDE UNLESS SPECIFIED OTHERWISE.</li> <li>ALL DIMENSIONS TO BE VERIFIED ON SITE BEFORE FABRICATION.</li> </ol> <p>LEGEND:</p> <ul style="list-style-type: none"> <li>(X1) - METAL WORK NO. REFER SHEET NO.</li> </ul> <ol style="list-style-type: none"> <li>F.T.L. - FINISHED FLOOR LEVEL</li> <li>S.F.L. - STRUCTURE FLOOR LEVEL</li> <li>C.O.L. - CASING TOP LEVEL</li> <li>30mm THK. ALUM. CASING</li> <li>5.0mm THK. STIFFENED ALUM. PERFORATED PANEL</li> </ol>	<p>ARCHITECT: AGC DESIGN LTD.</p> <p>STRUCTURAL ENGINEER: Gammion</p> <p>MECHANICAL CONSULTANT: ARUP</p> <p>ELECTRICAL CONSULTANT: MEINHARDT</p>	<p>CLIENT: [Redacted]</p> <p>PROJECT: [Redacted]</p> <p>ARCHITECT: [Redacted]</p> <p>STRUCTURAL ENGINEER: [Redacted]</p> <p>MECHANICAL CONSULTANT: [Redacted]</p> <p>ELECTRICAL CONSULTANT: [Redacted]</p>	<p>BD. REF.: [Redacted]</p>
NO.	DATE	REVISION																
1	20-05-2020	ISSUE FOR TENDER																
2	20-05-2020	REVISION SUBJECT TO ARCH. COMMENT																
3	20-05-2020	REVISION SUBJECT TO ARCH. COMMENT																



暫停

DATE: 12-MAY-20	SCALE: 1:40
DRAWN BY: JHR	CHECKED BY: TDW
<b>PROJECT:</b> PHOSPHO RESIDENTIAL DEVELOPMENT AT 139 - 147 ARBON STREET, NKK 6005, 6035 R.P., 6036 R.P., 6037 R.P. & 6038 R.P.	
<b>TITLE:</b> ELEVATION, PLAN & SECTION OF PART EXTERIOR FINISH COORDING FOR TOWER 2 FLAT C U/P	
<b>JOB NO.:</b> J-852	
DRAWN BY: JHR	
CHECKED BY: TDW	
DATE: 12-MAY-20	
SCALE: 1:40	
PROJECT: PHOSPHO RESIDENTIAL DEVELOPMENT AT 139 - 147 ARBON STREET, NKK 6005, 6035 R.P., 6036 R.P., 6037 R.P. & 6038 R.P.	
TITLE: ELEVATION, PLAN & SECTION OF PART EXTERIOR FINISH COORDING FOR TOWER 2 FLAT C U/P	
JOB NO.: J-852	
DRAWN BY: JHR	
CHECKED BY: TDW	
DATE: 12-MAY-20	
SCALE: 1:40	

<b>NOTES:</b> 1. DIMENSIONS ARE IN mm. 2. ALL DIMENSIONS ARE TAKEN FROM OUTSIDE BEFORE FINISHWORK. 3. ALL DIMENSIONS ARE TAKEN FROM OUTSIDE BEFORE FINISHWORK.	<b>LEGEND:</b> (1) - F.F.L. - FINISHED FLOOR LEVEL (2) - S.F.L. - STRUCTURAL FLOOR LEVEL (3) - R.F.L. - RECESSED FLOOR LEVEL (4) - S.A.M. - STAIN THE ALUM. CLADDING (5) - S.S. - STAIN THE STIFFENED ALUM. FINISHED PANEL
---	---

ARCHITECT: **AGC**  
 ARCHITECT: **ARUP**  
 ARCHITECT: **Gammon**  
 ARCHITECT: **MEINHARDT**

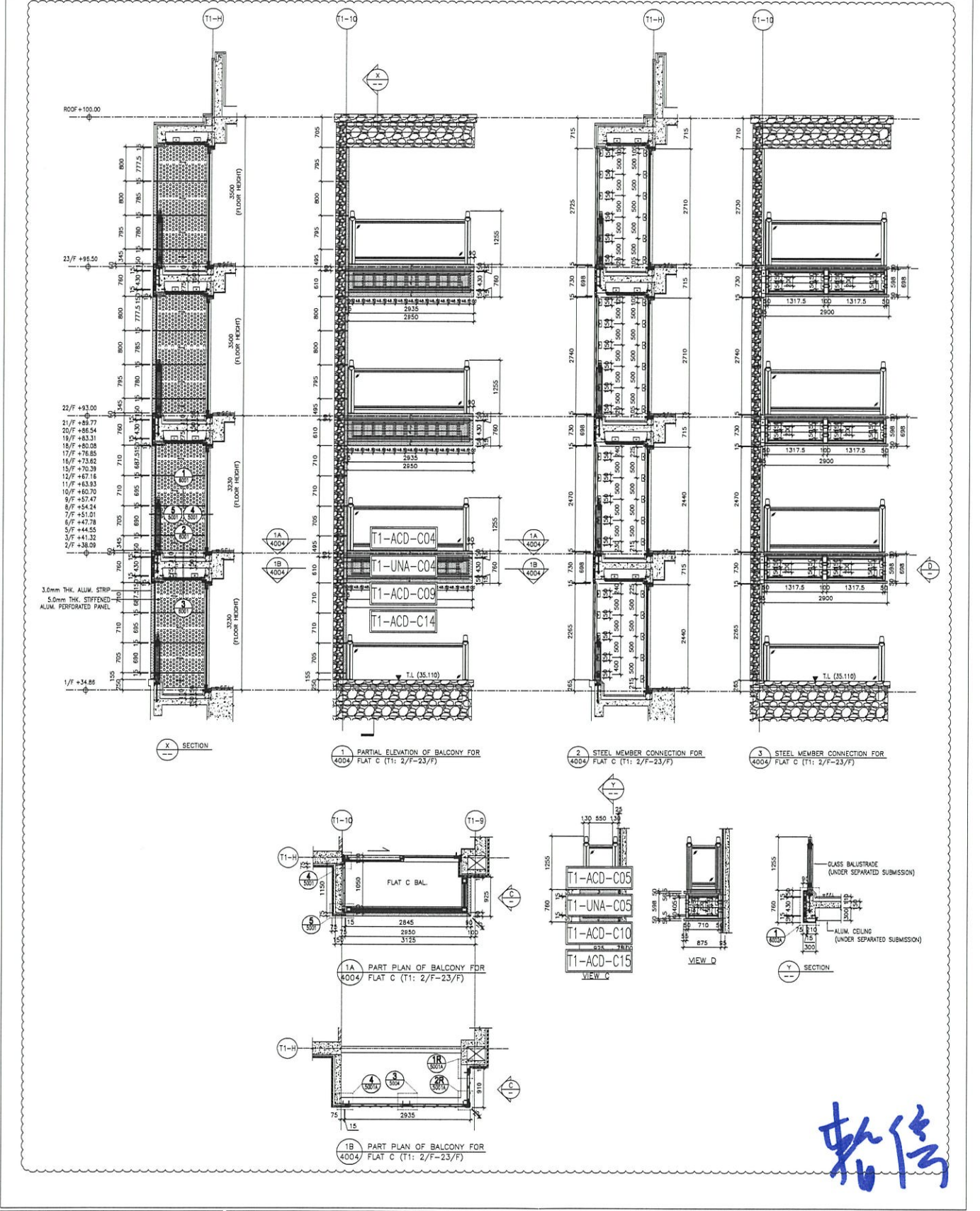
STRUCTURAL ENGINEER: **Gammon**  
 STRUCTURAL ENGINEER: **ARUP**  
 STRUCTURAL ENGINEER: **MEINHARDT**

FACADE CONSULTANT: **MEINHARDT**

MAIN CONTRACTOR: **AGC**  
 MAIN CONTRACTOR: **ARUP**  
 MAIN CONTRACTOR: **Gammon**  
 MAIN CONTRACTOR: **MEINHARDT**

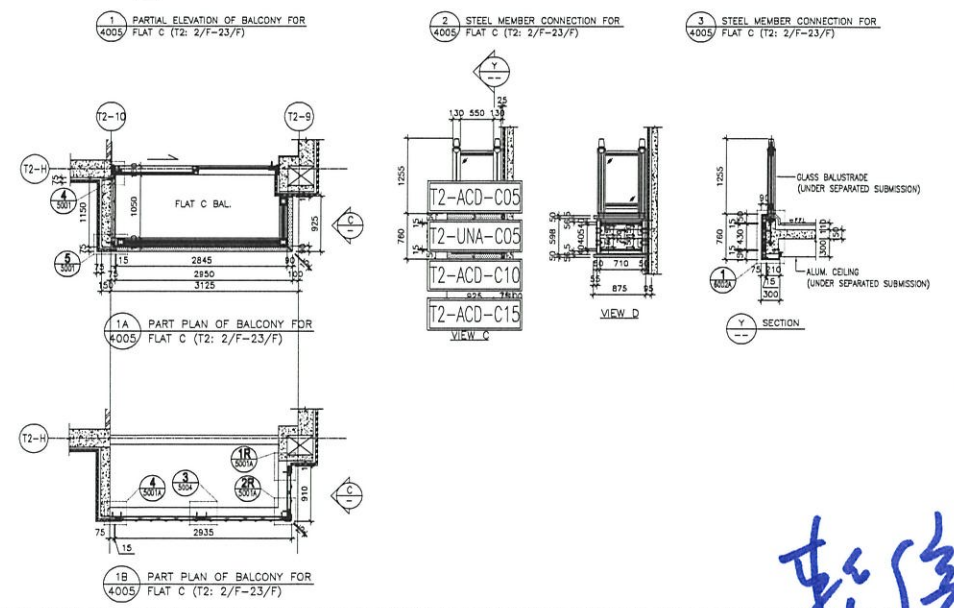
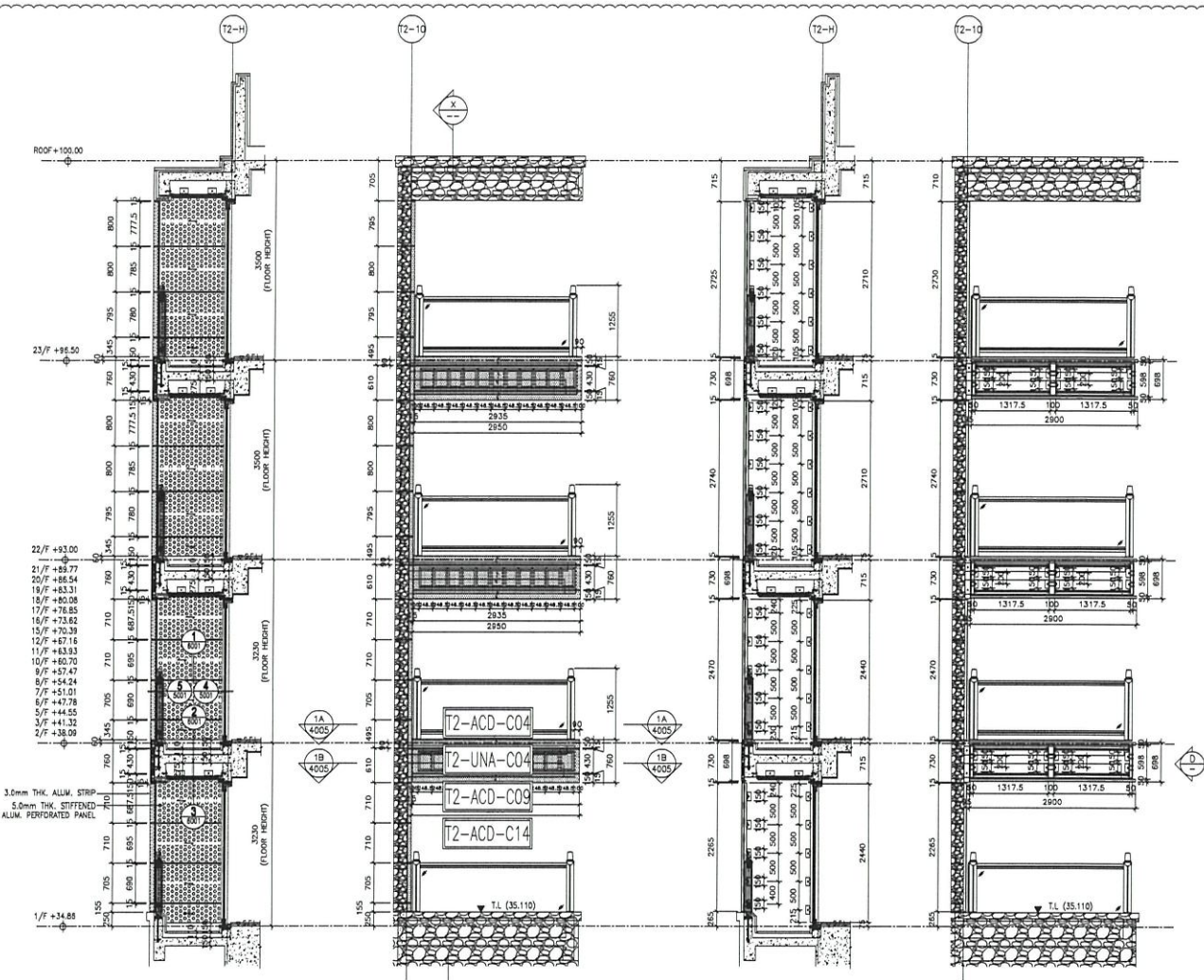
E.D. REF.:





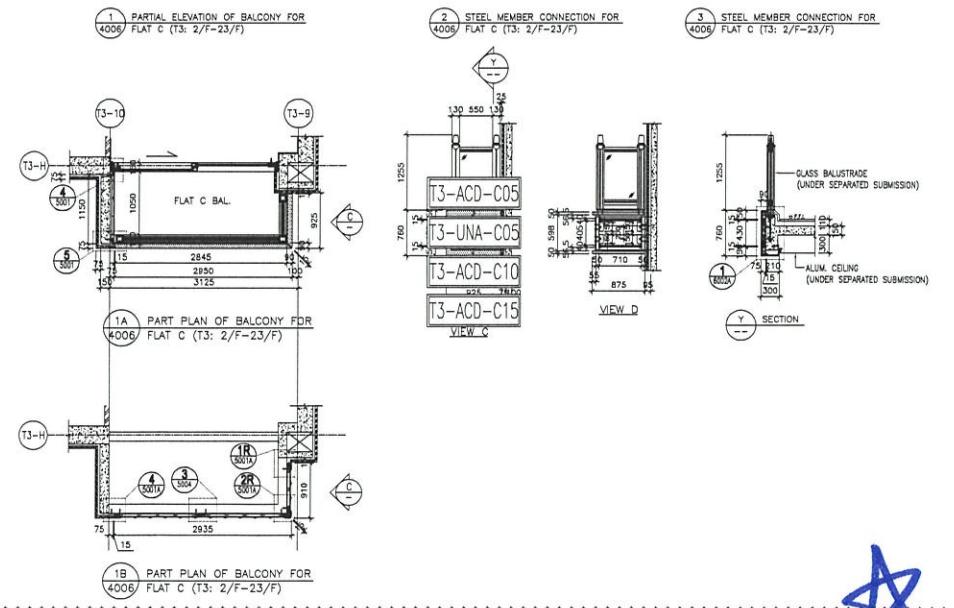
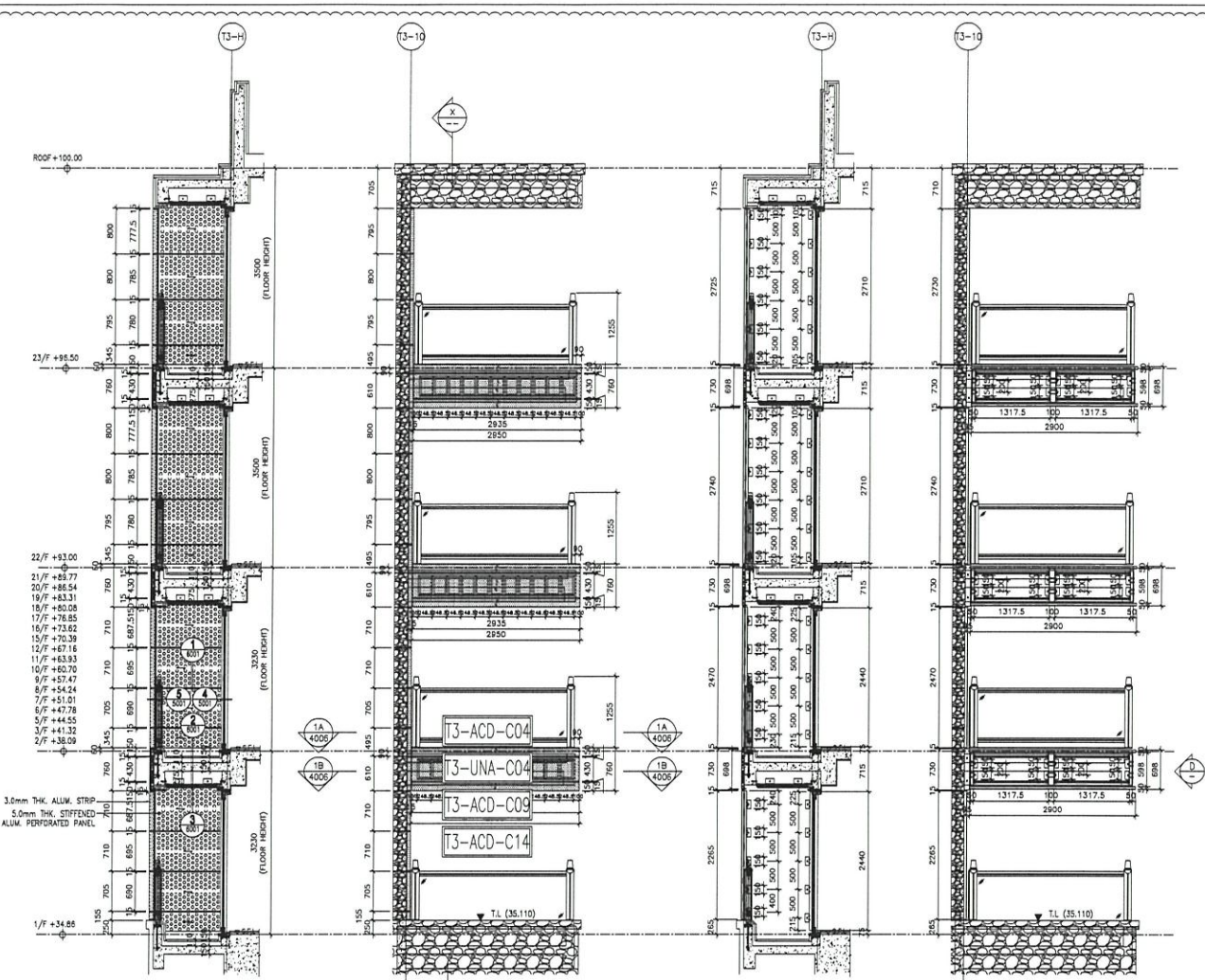
新修

<p>DATE: 12-MAY-20 SCALE: 1:80          DRAWN BY: T.L.H.R. CHECKED BY: D.W.  <b>美特堅有限公司</b>          MIDT Architecture &amp; Interiors Ltd.          610 Des Voeux Street West, 17/F          HONG KONG          TOWER 1 FLAT C BAL.</p>		<p>PROJECT:          PROPOSED RESIDENTIAL DEVELOPMENT          AT 139 - 147 ARGYLE STREET,          HKL 6005, 6035 R.P., 6036 R.P.,          6037 R.P. &amp; 6038 R.P.</p>		<p>JOB NO.: J-852</p>	
<p>DATE: 20-11-2020 REVISION SUBJECT TO ARCH. CHANGE</p>		<p>DATE: 24-06-2020 REVISION SUBJECT TO ARCH. CHANGE</p>		<p>DATE: 08-08-2020 REVISION SUBJECT TO ARCH. CHANGE</p>	
<p>1. DIMENSIONS ARE IN MM.          2. ALL DIMENSIONS ARE MEASURED FROM OUTSIDE BEFORE FINISHWORK.          3. ALL DIMENSIONS TO BE VERIFIED ON SITE.          BEFORE FINISHWORK.</p>		<p>LEGEND:          (A) - INTERNAL MARK NO.          (B) - REFER SHEET NO.</p>		<p>1. F.F.L. - FINISHED FLOOR LEVEL          2. S.F.L. - STRUCTURED FLOOR LEVEL          3. R.F.L. - REINFORCED FLOOR LEVEL          4. A.C. - 3.0mm THK. ALUM. CEILING          5. S.P. - 5.0mm THK. STIFFENED ALUM. PERFORATED PANEL</p>	
<p>CLIENT:</p>		<p>ARCHITECT:</p>		<p>STRUCTURAL ENGINEER:</p>	
<p>MAIN CONTRACTOR:</p>		<p>MECHANICAL CONSULTANT:</p>		<p>MECHANICAL CONSULTANT:</p>	
<p>DATE: 12-MAY-20 SCALE: 1:80</p>		<p>DATE: 20-11-2020 REVISION SUBJECT TO ARCH. CHANGE</p>		<p>DATE: 24-06-2020 REVISION SUBJECT TO ARCH. CHANGE</p>	
<p>DATE: 08-08-2020 REVISION SUBJECT TO ARCH. CHANGE</p>		<p>DATE: 08-08-2020 REVISION SUBJECT TO ARCH. CHANGE</p>		<p>DATE: 08-08-2020 REVISION SUBJECT TO ARCH. CHANGE</p>	



Handwritten Chinese characters: 裝修 (Renovation)

<b>PROJECT :</b> PROPOSED RESIDENTIAL DEVELOPMENT AT 139 - 147 ARGYLE STREET, NND. 6005, 6035 R.F., 6036 R.F., 6037 R.F. & 6038 R.F.		<b>DATE :</b> 12-MAY-20 <b>SCALE :</b> 1:80													
<b>TITLE :</b> PART ELEVATION, PLAN & SECTION OF ALUM. & ACOUSTIC CLADDING FOR TOWER 2 FLAT C BAL.		<b>DATE :</b> 12-MAY-20 <b>SCALE :</b> 1:80													
<b>CLIENT :</b> MIDT ALUMINUM FABRICATOR LTD. 610 Che Kwo Ling Road, Kowloon (T2)K9271-4 Tel:(852)27277656		<b>ARCHITECT :</b> AEC 10/F, 100 Nathan Road, Kowloon (T2)K9271-4 Tel:(852)27277656													
<b>DESIGNER :</b> MIDT ALUMINUM FABRICATOR LTD. 610 Che Kwo Ling Road, Kowloon (T2)K9271-4 Tel:(852)27277656		<b>STRUCTURAL ENGINEER :</b> Gammorn 10/F, 100 Nathan Road, Kowloon (T2)K9271-4 Tel:(852)27277656													
<b>REVISIONS :</b> <table border="1"> <tr> <th>NO.</th> <th>DATE</th> <th>REVISION</th> </tr> <tr> <td>1</td> <td>26-11-2020</td> <td>ISSUED FOR PERMIT</td> </tr> <tr> <td>2</td> <td>27-04-2021</td> <td>REVISION MADE TO MEET COMMENTS</td> </tr> <tr> <td>3</td> <td>15-05-2021</td> <td>REVISION MADE TO MEET COMMENTS</td> </tr> </table>		NO.	DATE	REVISION	1	26-11-2020	ISSUED FOR PERMIT	2	27-04-2021	REVISION MADE TO MEET COMMENTS	3	15-05-2021	REVISION MADE TO MEET COMMENTS	<b>HOME CONSULTANT :</b> WENYARDT	
NO.	DATE	REVISION													
1	26-11-2020	ISSUED FOR PERMIT													
2	27-04-2021	REVISION MADE TO MEET COMMENTS													
3	15-05-2021	REVISION MADE TO MEET COMMENTS													
<b>LEGEND :</b> (A) DETAIL MARK NO. (A005) REFER SHEET NO.		<b>NOTE :</b> 1. ALL DIMENSIONS ARE IN MM. 2. ALL DIMENSIONS ARE TAKEN FROM OUTSIDE 3. ALL DIMENSIONS TO BE VERIFIED ON SITE BEFORE FABRICATION.													
<b>LEGEND :</b> 1. F.F.L. --- FINISHED FLOOR LEVEL 2. S.F.L. --- STRUCTURAL FLOOR LEVEL 3. --- FINISHED CEILING 4. --- 30mm THK. ALUM. CLADDING 5. --- 30mm THK. STIFFENED ALUM. PERFORATED PANEL		<b>ARCHITECT :</b> AEC 10/F, 100 Nathan Road, Kowloon (T2)K9271-4 Tel:(852)27277656													
<b>DATE :</b> 12-MAY-20 <b>SCALE :</b> 1:80 <b>DRAWN BY :</b> UHR <b>CHECKED BY :</b> DW		<b>STRUCTURAL ENGINEER :</b> Gammorn 10/F, 100 Nathan Road, Kowloon (T2)K9271-4 Tel:(852)27277656													
<b>PROJECT :</b> PROPOSED RESIDENTIAL DEVELOPMENT AT 139 - 147 ARGYLE STREET, NND. 6005, 6035 R.F., 6036 R.F., 6037 R.F. & 6038 R.F.		<b>HOME CONSULTANT :</b> WENYARDT													
<b>TITLE :</b> PART ELEVATION, PLAN & SECTION OF ALUM. & ACOUSTIC CLADDING FOR TOWER 2 FLAT C BAL.		<b>ARCHITECT :</b> AEC 10/F, 100 Nathan Road, Kowloon (T2)K9271-4 Tel:(852)27277656													
<b>DESIGNER :</b> MIDT ALUMINUM FABRICATOR LTD. 610 Che Kwo Ling Road, Kowloon (T2)K9271-4 Tel:(852)27277656		<b>STRUCTURAL ENGINEER :</b> Gammorn 10/F, 100 Nathan Road, Kowloon (T2)K9271-4 Tel:(852)27277656													
<b>REVISIONS :</b> <table border="1"> <tr> <th>NO.</th> <th>DATE</th> <th>REVISION</th> </tr> <tr> <td>1</td> <td>26-11-2020</td> <td>ISSUED FOR PERMIT</td> </tr> <tr> <td>2</td> <td>27-04-2021</td> <td>REVISION MADE TO MEET COMMENTS</td> </tr> <tr> <td>3</td> <td>15-05-2021</td> <td>REVISION MADE TO MEET COMMENTS</td> </tr> </table>		NO.	DATE	REVISION	1	26-11-2020	ISSUED FOR PERMIT	2	27-04-2021	REVISION MADE TO MEET COMMENTS	3	15-05-2021	REVISION MADE TO MEET COMMENTS	<b>HOME CONSULTANT :</b> WENYARDT	
NO.	DATE	REVISION													
1	26-11-2020	ISSUED FOR PERMIT													
2	27-04-2021	REVISION MADE TO MEET COMMENTS													
3	15-05-2021	REVISION MADE TO MEET COMMENTS													
<b>LEGEND :</b> (A) DETAIL MARK NO. (A005) REFER SHEET NO.		<b>NOTE :</b> 1. ALL DIMENSIONS ARE IN MM. 2. ALL DIMENSIONS ARE TAKEN FROM OUTSIDE 3. ALL DIMENSIONS TO BE VERIFIED ON SITE BEFORE FABRICATION.													
<b>LEGEND :</b> 1. F.F.L. --- FINISHED FLOOR LEVEL 2. S.F.L. --- STRUCTURAL FLOOR LEVEL 3. --- FINISHED CEILING 4. --- 30mm THK. ALUM. CLADDING 5. --- 30mm THK. STIFFENED ALUM. PERFORATED PANEL		<b>ARCHITECT :</b> AEC 10/F, 100 Nathan Road, Kowloon (T2)K9271-4 Tel:(852)27277656													
<b>DATE :</b> 12-MAY-20 <b>SCALE :</b> 1:80 <b>DRAWN BY :</b> UHR <b>CHECKED BY :</b> DW		<b>STRUCTURAL ENGINEER :</b> Gammorn 10/F, 100 Nathan Road, Kowloon (T2)K9271-4 Tel:(852)27277656													



1. ALL DIMENSIONS ARE IN mm. 2. ALL DIMENSIONS ARE VIEWED FROM OUTSIDE BEFORE FINISHWORK. 3. ALL DIMENSIONS TO BE VERIFIED ON SITE.		1. H.F.L. -- FINISHED FLOOR LEVEL 2. S.F.L. -- STRUCTURED FLOOR LEVEL 3. R.F.L. -- REFINISHED FLOOR LEVEL 4. 3.0mm THK. ALUM. CLADDING 5. 5.0mm THK. STIFFENED ALUM. PERFORATED PANEL.	
<b>NOTE:</b> 1. ALL DIMENSIONS ARE IN mm. 2. ALL DIMENSIONS ARE VIEWED FROM OUTSIDE BEFORE FINISHWORK. 3. ALL DIMENSIONS TO BE VERIFIED ON SITE.		<b>LEGEND:</b> (A) -- DETAIL MARK NO. (B) -- REFER SHEET NO.	
<b>PROJECT:</b> PROPOSED RESIDENTIAL DEVELOPMENT AT 138 - 147 ARGYLE STREET, NGUL 6005, 6035 R.P., 6036 R.P., 6037 R.P. & 6038 R.P.		<b>CLIENT:</b> MIDL MIDLAND AUTOMOTIVE MANUFACTURE LTD. 610 Cheong Koo Joo Road, Bishan, SINGAPORE 579711-1. Fax: (65) 27271866	
<b>DATE:</b> 12-MAY-20 <b>SCALE:</b> 1:80 <b>DRAWN BY:</b> LHR <b>CHECKED BY:</b> DW		<b>ARCHITECT:</b> AGC ARCHITECTS 1101 North Bridge Road, Singapore 079902	
<b>JOB NO.:</b> J-652 <b>PROJECT NO.:</b> 138-147-ARGYLE-RES-20		<b>STRUCTURAL ENGINEER:</b> Gammion 1101 North Bridge Road, Singapore 079902	
<b>DATE:</b> 12-MAY-20 <b>SCALE:</b> 1:80 <b>DRAWN BY:</b> LHR <b>CHECKED BY:</b> DW		<b>MAIN CONTRACTOR:</b> ARUP 55 Market Street, Singapore 048963	
<b>DATE:</b> 12-MAY-20 <b>SCALE:</b> 1:80 <b>DRAWN BY:</b> LHR <b>CHECKED BY:</b> DW		<b>MECHANICAL CONSULTANT:</b> MENHARDT 1101 North Bridge Road, Singapore 079902	
<b>DATE:</b> 12-MAY-20 <b>SCALE:</b> 1:80 <b>DRAWN BY:</b> LHR <b>CHECKED BY:</b> DW		<b>CLIENT:</b> MIDL MIDLAND AUTOMOTIVE MANUFACTURE LTD. 610 Cheong Koo Joo Road, Bishan, SINGAPORE 579711-1. Fax: (65) 27271866	
<b>DATE:</b> 12-MAY-20 <b>SCALE:</b> 1:80 <b>DRAWN BY:</b> LHR <b>CHECKED BY:</b> DW		<b>DATE:</b> 12-MAY-20 <b>SCALE:</b> 1:80 <b>DRAWN BY:</b> LHR <b>CHECKED BY:</b> DW	



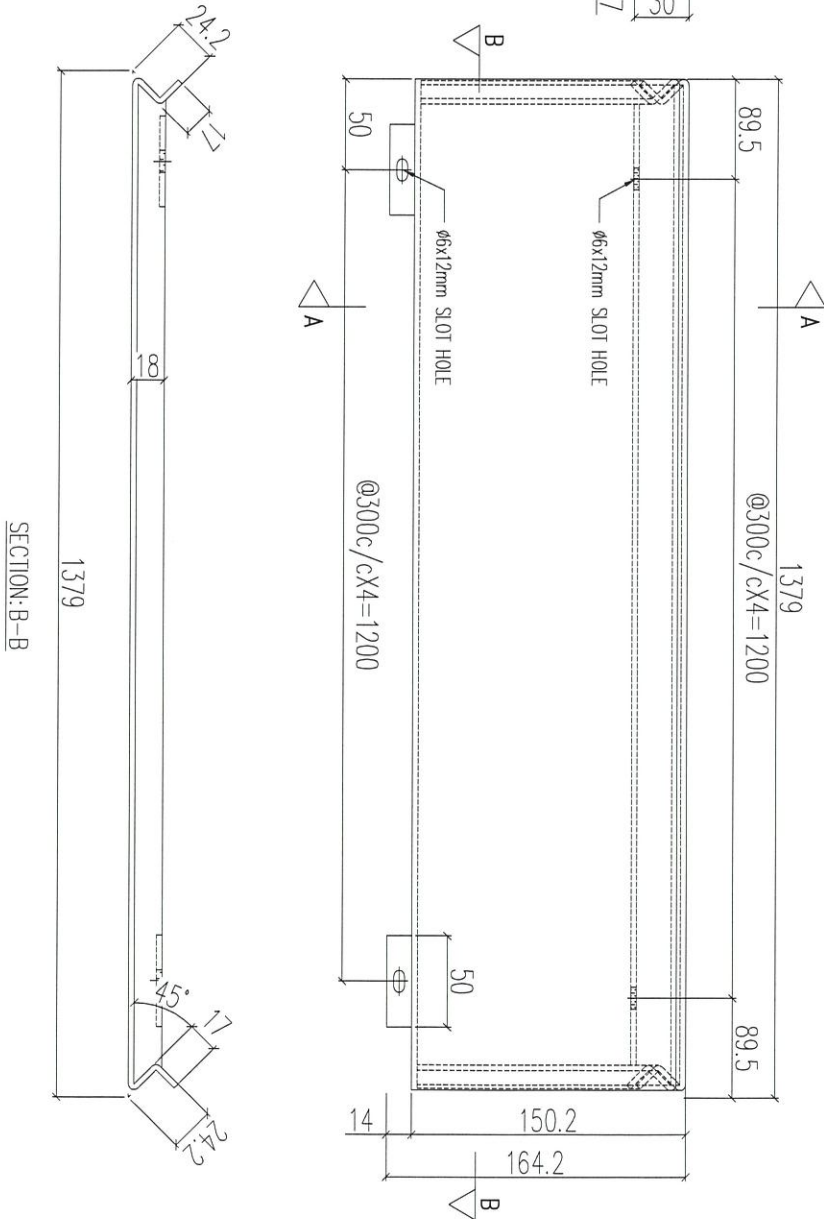
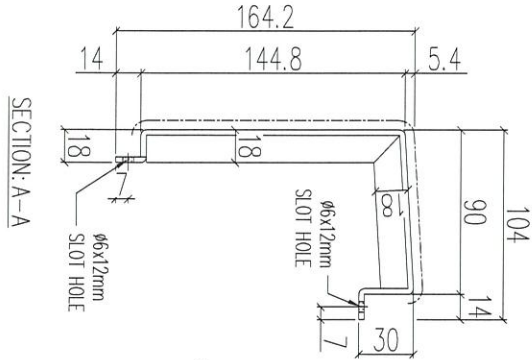


美特鋁質 有限公司  
MIDI Aluminium Fabricator Ltd.

工程號 J852 地盤 亞皆老街

送地盤

說明：———— 為噴塗面



序號	物料編號	數量	使用位置	樓層
01	T1-ACD-C02	<del>3</del>	見派位圖	3F~6F
02	T2-ACD-C02	<del>3</del>	見派位圖	3F~6F
03	T3-ACD-C02	<del>3</del> 1	見派位圖	3F~6F 5/F

名稱	鋁板加工圖	制圖	LHR	2020.12.27	修改	
材料	3mm THK. ALUM. CLADDING	復核	-	-	日期	
顏色	UCT201498XL(A)-3	批准			圖號	J852-ACA-ACD-C02



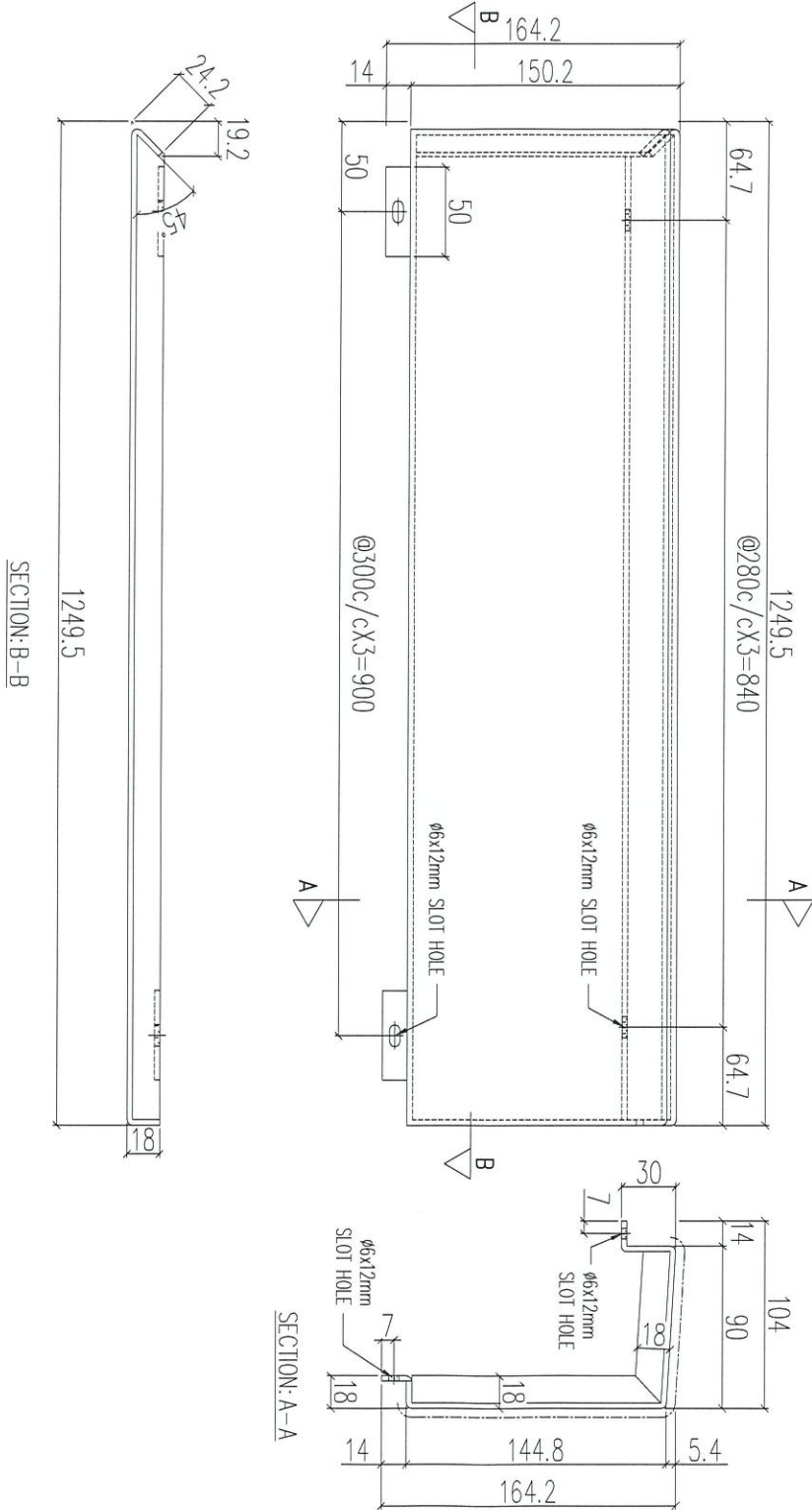


美特鋁質 有限公司  
MIDI Aluminium Fabricator Ltd.

工程號 J852 地盤 亞皆老街

送地盤

說明：———— 為噴塗面



序號	物料編號	數量	使用位置	樓層
01	T1-ACD-C03	2	見派位圖	3F~6F
02	T2-ACD-C03	2	見派位圖	3F~6F
03	T3-ACD-C03	2	見派位圖	3F~6F

5/F

名稱	鋁板加工圖	制圖	LHR	2020.12.27	修改	
材料	3mm THK. ALUM. CLADDING	復核	-	-	日期	
顏色	UCT201498XL(A)-3	批准			圖號	J852-ACA-ACD-C03



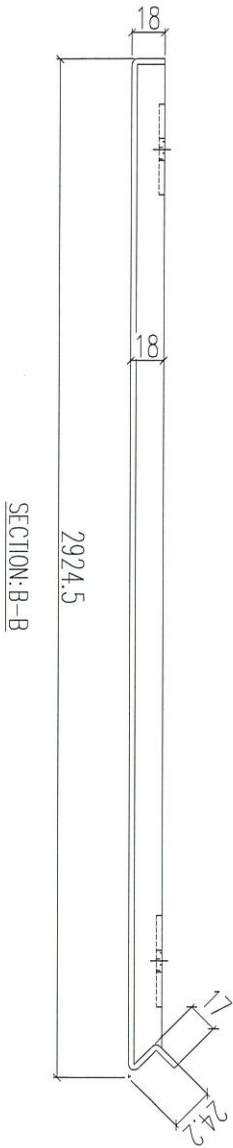
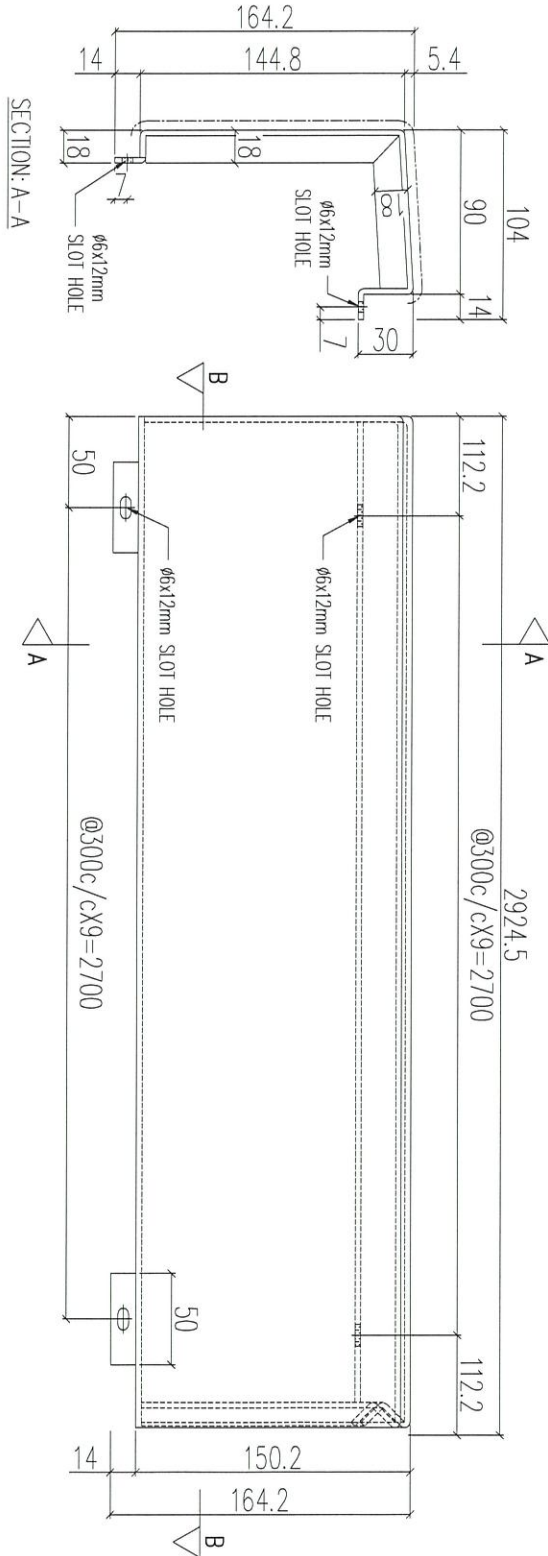


美特鋁質 有限公司  
MIDI Aluminium Fabricator Ltd.

工程號 J852 地盤 亞皆老街



說明：----- 為噴塗面



序號	物料編號	數量	使用位置	樓層
01	T1-ACD-C04	<del>3</del>	見派位圖	3F~6F
02	T2-ACD-C04	<del>3</del>	見派位圖	3F~6F
03	T3-ACD-C04	<del>3</del> 1	見派位圖	3F~6F 5/F

名稱	鋁板加工圖	制圖	LHR	2020.12.27	修改	
材料	3mm THK. ALUM. CLADDING	復核	-	-	日期	
顏色	UCT201498XL(A)-3	批准			圖號	J852-ACA-ACD-C04



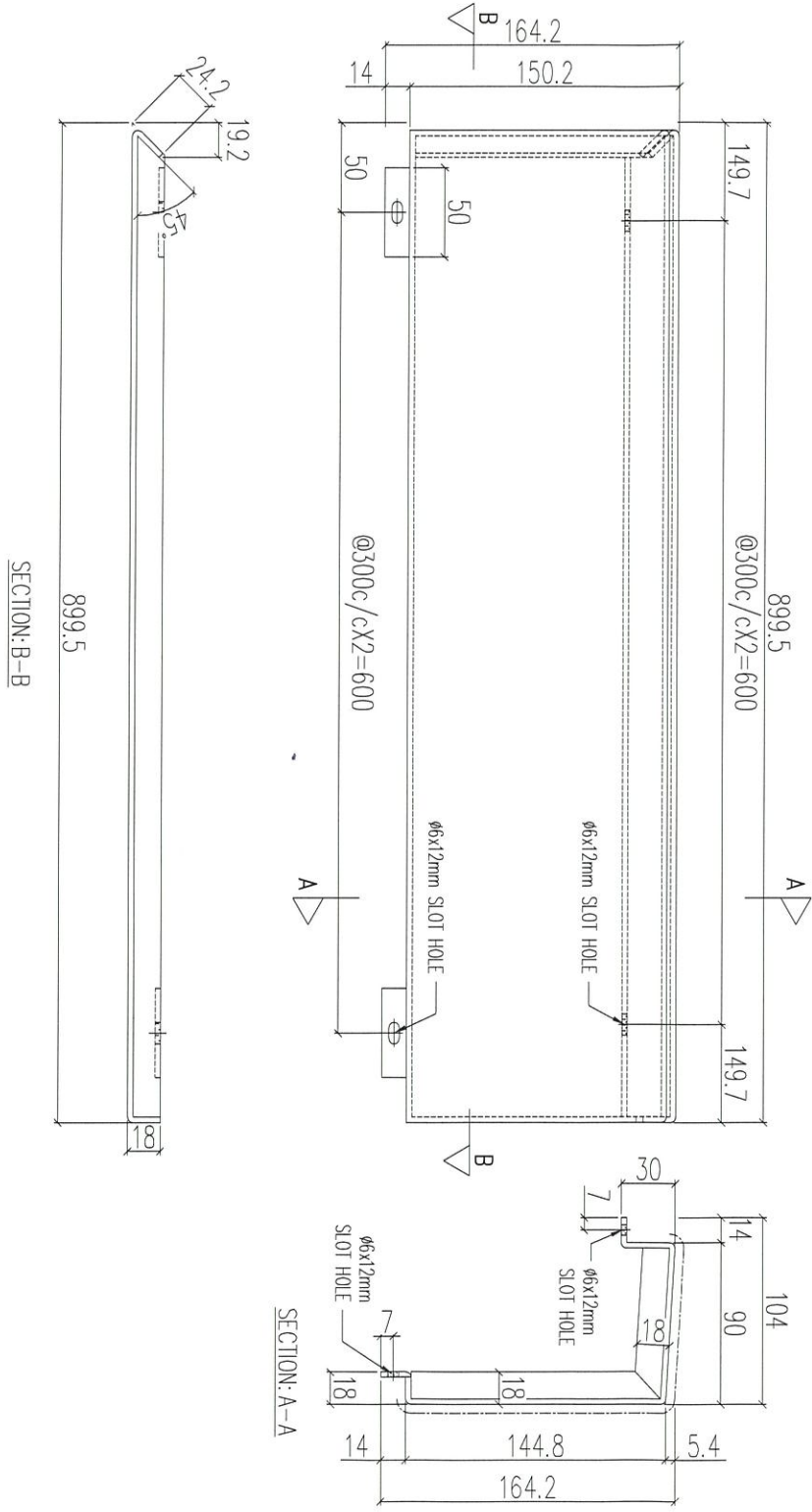


美特鋁質 有限公司  
MIDI Aluminium Fabricator Ltd.

工程號 J852 地盤 亞皆老街



說明：————— 為噴塗面



序號	物料編號	數量	使用位置	樓層
01	T1-ACD-C05	3	見派位圖	3F~6F
02	T2-ACD-C05	3	見派位圖	3F~6F
03	T3-ACD-C05	1	見派位圖	5F~6F

名稱	鋁板加工圖	制圖	LHR	2020.12.27	修改		
材料	3mm THK. ALUM. CLADDING	復核	-	-	日期		
顏色	UCT201498XL(A)-3	批准			圖號	J852-ACA-ACD-C05	





美特鋁質 有限公司  
MIDI Aluminium Fabricator Ltd.

工程號

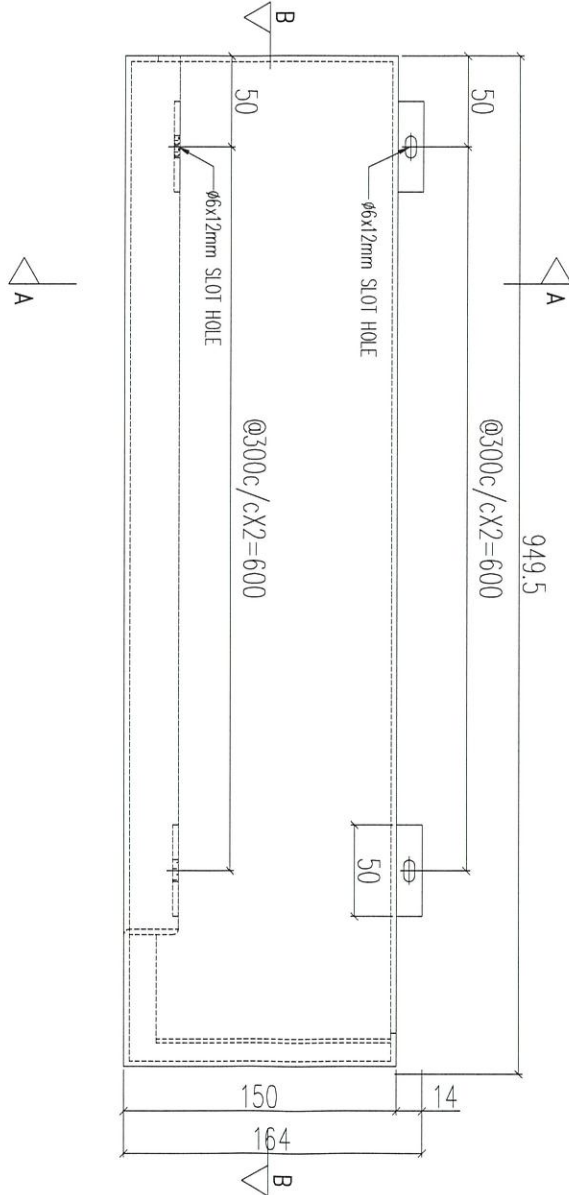
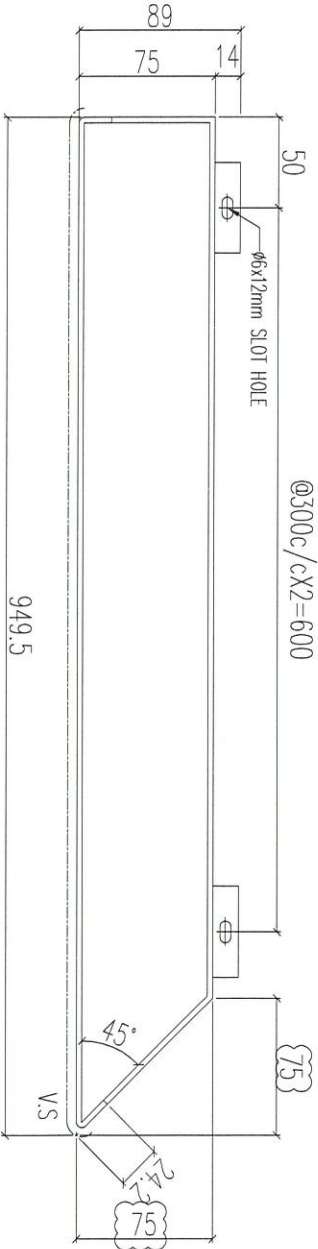
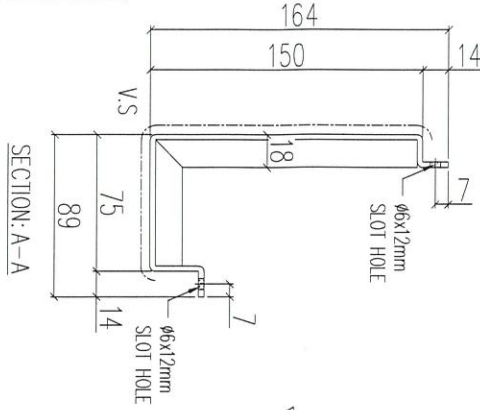
J852

地盤

亞答老街



說明：————— 為噴塗面



序號	物料編號	數量	使用位置	樓層
01	T1-ACD-C06	✕	見派位圖	3F~6F
02	T2-ACD-C06	✕	見派位圖	3F~6F
03	T3-ACD-C06	✕ 1	見派位圖	3F~6F 5F

名稱	鋁板加工圖	制圖	LHR	2020.12.27	修改	A	✕
材料	3mm THK. ALUM. CLADDING	復核	-	-	日期	2021.01.21	
顏色	UCT201498XL(A)-3	批准			圖號	J852-ACA-ACD-C06	

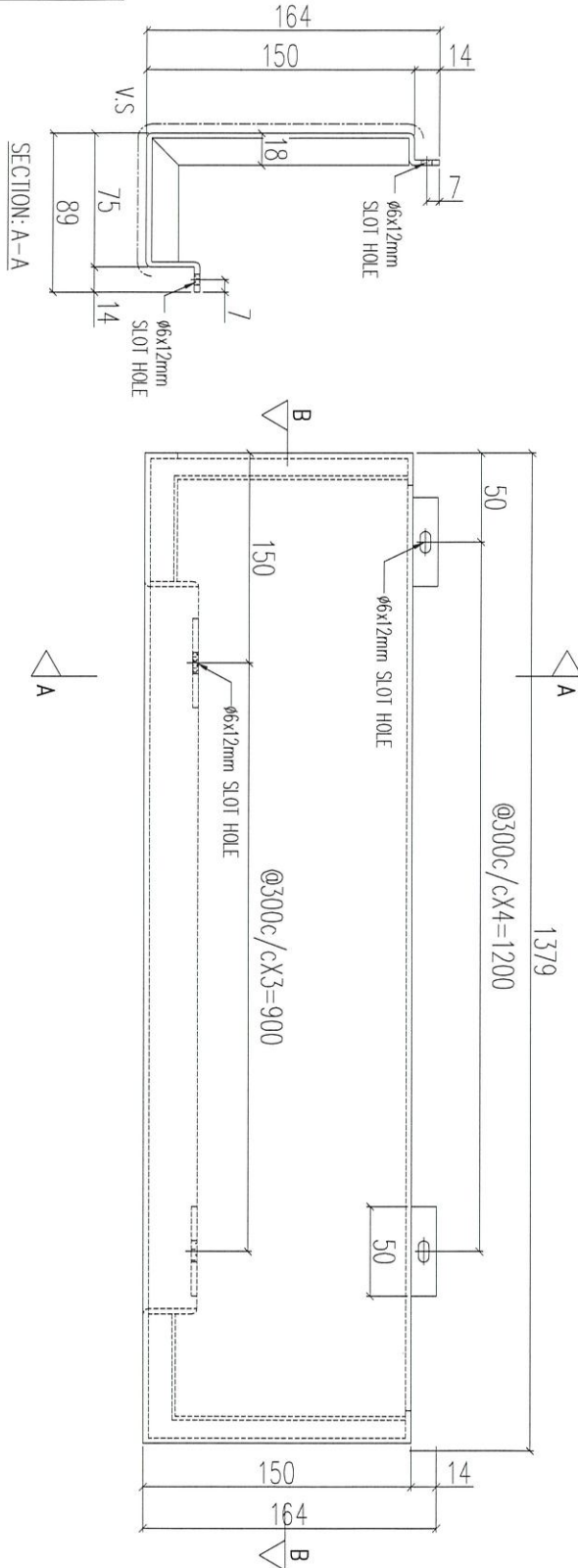


美特鋁質 有限公司  
MIDI Aluminium Fabricator Ltd.

工程號 J852 地盤 亞答老街



說明：—— 為噴塗面



序號	物料編號	數量	使用位置	樓層
01	T1-ACD-C07	<del>3</del>	見派位圖	3F~6F
02	T2-ACD-C07	<del>3</del>	見派位圖	3F~6F
03	T3-ACD-C07	<del>1</del>	見派位圖	3F~6F 5F

名稱	鋁板加工圖	制圖	LHR	2020.12.27	修改	A
材料	3mm THK. ALUM. CLADDING	復核	-	-	日期	2021.01.21
顏色	UCT201498XL(A)-3	批准			圖號	J852-ACA-ACD-C07



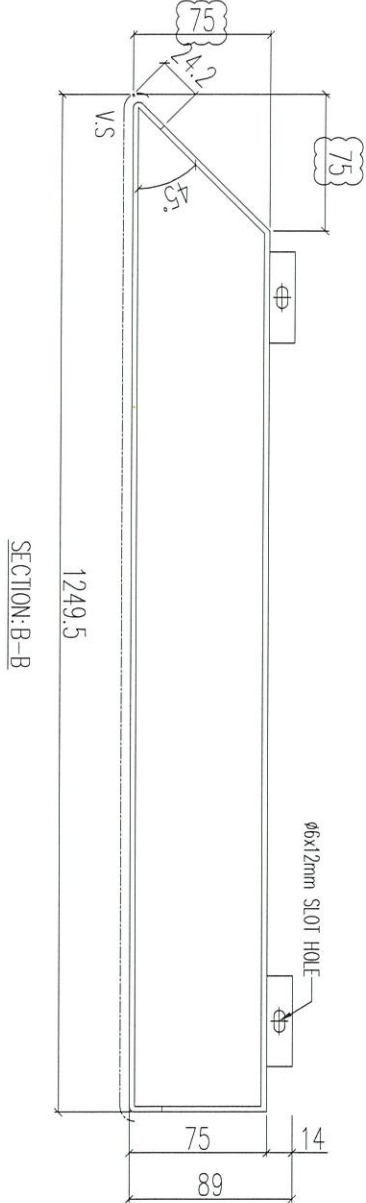


美特鋁質 有限公司  
MIDI Aluminium Fabricator Ltd.

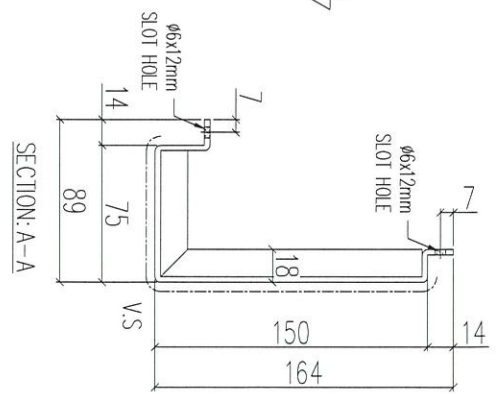
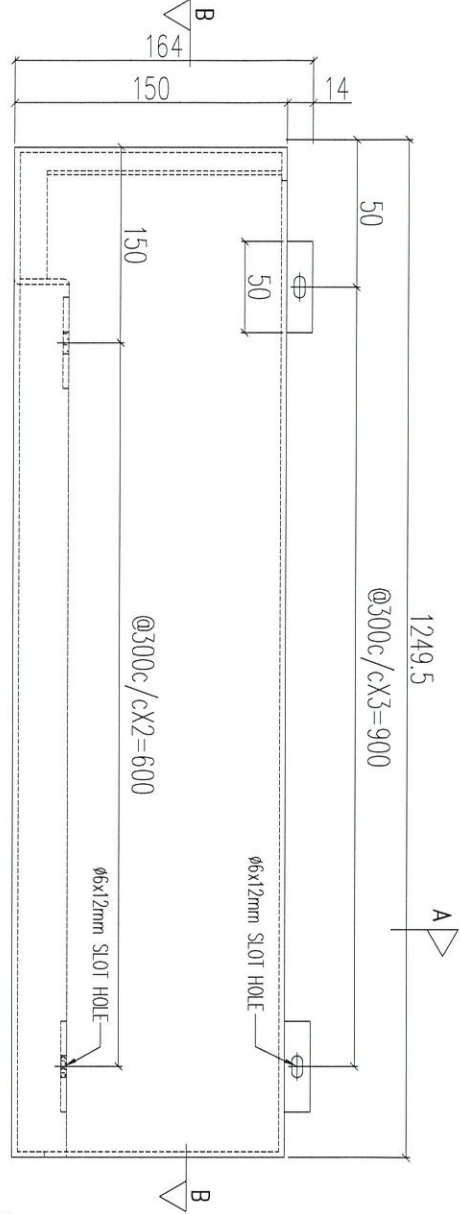
工程號 J852 地盤 亞答老街



說明：—— 為噴塗面



SECTION: B-B



SECTION: A-A

序號	物料編號	數量	使用位置	樓層
01	T1-ACD-C08	<del>3</del>	見派位圖	3F~6F
02	T2-ACD-C08	<del>3</del>	見派位圖	3F~6F
03	T3-ACD-C08	<del>1</del>	見派位圖	3F~6F 5F

名稱	鋁板加工圖	制圖	LHR	2020.12.27	修改	A	
材料	3mm THK. ALUM. CLADDING	復核	-	-	日期	2021.01.21	
顏色	UCT201498XL(A)-3	批准			圖號	J852-ACA-ACD-C08	

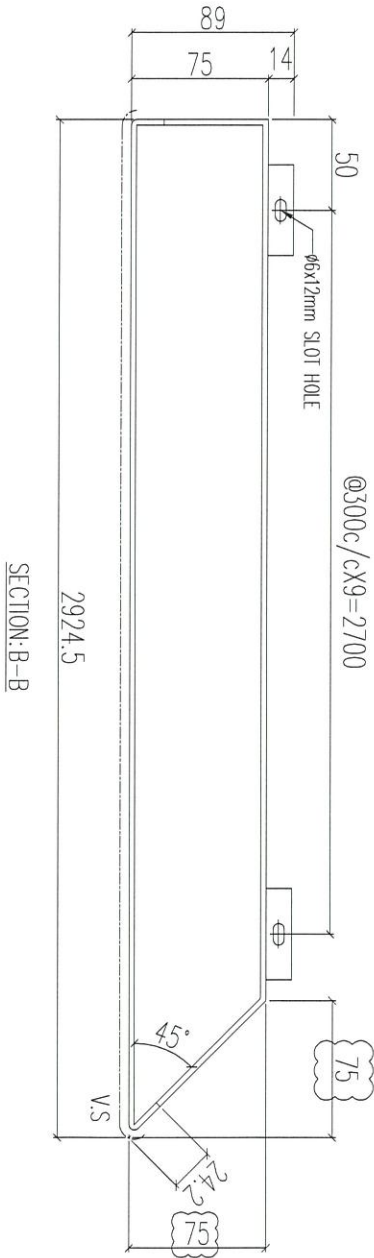
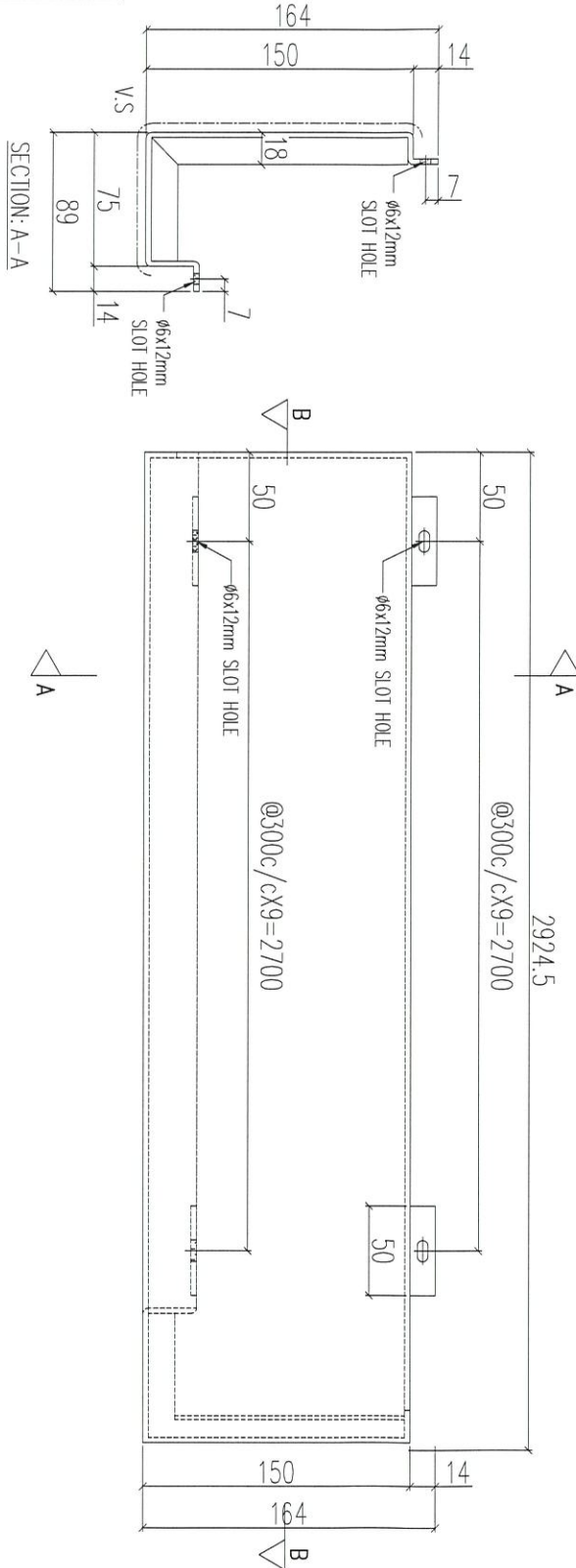


美特鋁質 有限公司  
MIDI Aluminium Fabricator Ltd.

工程號 J852 地盤 亞答老街



說明：—— 為噴塗面



序號	物料編號	數量	使用位置	樓層
01	T1-ACD-C09	<del>1</del>	見派位圖	3F~6F
02	T2-ACD-C09	<del>1</del>	見派位圖	3F~6F
03	T3-ACD-C09	<del>1</del>	見派位圖	3F~6F 5F

名稱	鋁板加工圖	制圖	LHR	2020.12.27	修改	A	
材料	3mm THK. ALUM. CLADDING	復核	-	-	日期	2021.01.21	
顏色	UCT201498XL(A)-3	批准			圖號	J852-ACA-ACD-C09	

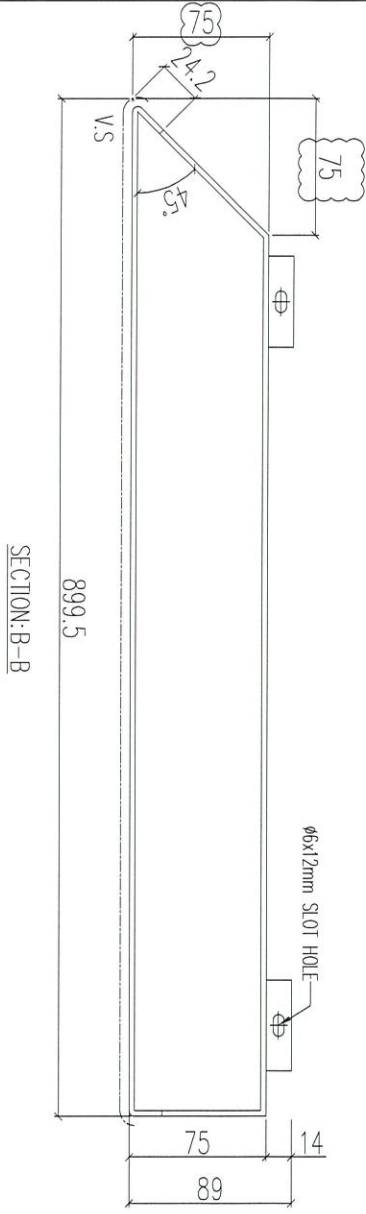


美特鋁質 有限公司  
MIDI Aluminium Fabricator Ltd.

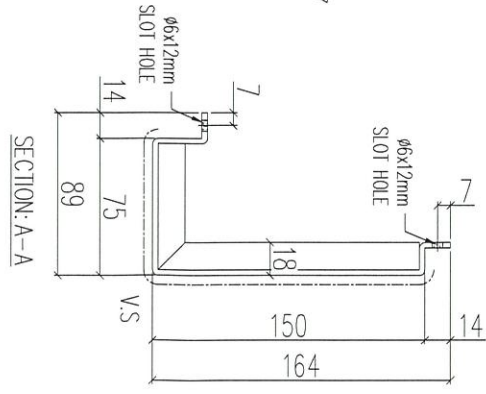
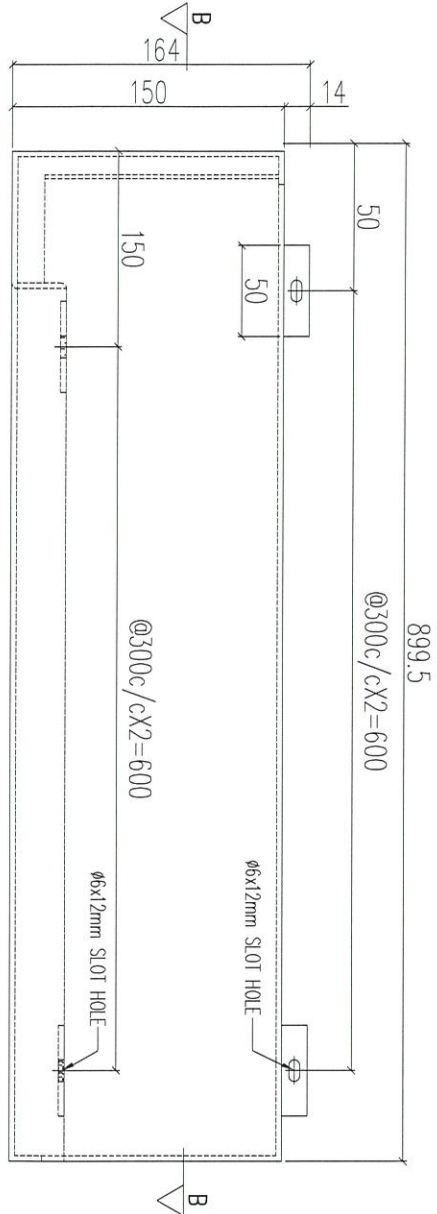
工程號 J852 地盤 亞答老街



說明：—— 為噴塗面



SECTION: B-B



SECTION: A-A

序號	物料編號	數量	使用位置	樓層
01	T1-ACD-C10	3	見派位圖	3F~6F
02	T2-ACD-C10	3	見派位圖	3F~6F
03	T3-ACD-C10	1	見派位圖	3F~6F 5F

名稱	鋁板加工圖	制圖	LHR	2020.12.27	修改	A
材料	3mm THK. ALUM. CLADDING	復核	-	-	日期	2021.01.21
顏色	UCT201498XL(A)-3	批准			圖號	J852-ACA-ACD-C10



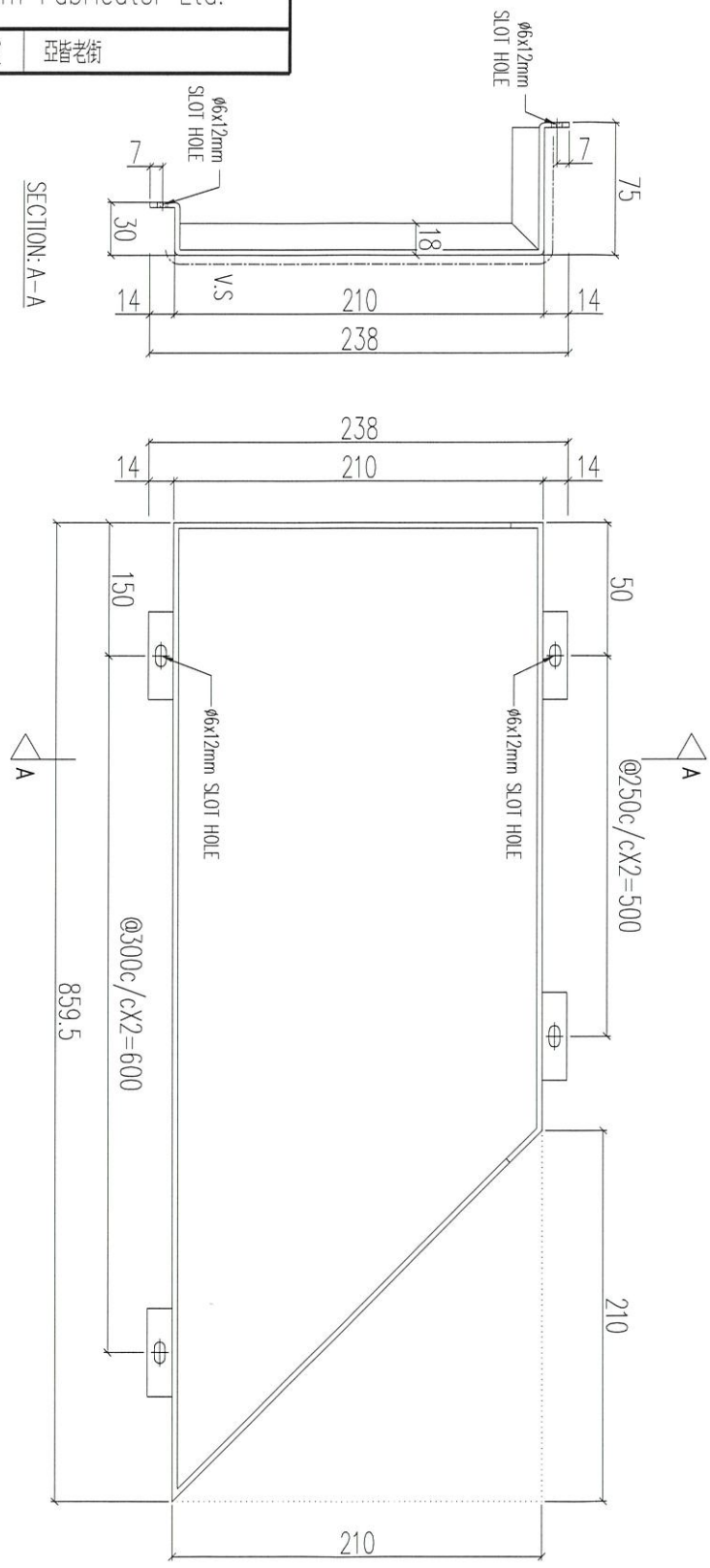


美特鋁質 有限公司  
MIDI Aluminium Fabricator Ltd.

工程號 J852 地盤 亞答老街

送地盤

說明：----- 為噴塗面



序號	物料編號	數量	使用位置	樓層
01	T1-ACD-C11	<del>3</del>	見派位圖	3F~6F
02	T2-ACD-C11	<del>3</del>	見派位圖	3F~6F
03	T3-ACD-C11	3	見派位圖	3F~6F 5F

名稱	鋁板加工圖	制圖	LHR	2020.12.27	修改	A	★
材料	3mm THK. ALUM. CLADDING	復核	-	-	日期	2021.01.21	
顏色	UCT201498XL(A)-3	批准			圖號	J852-ACA-ACD-C11	

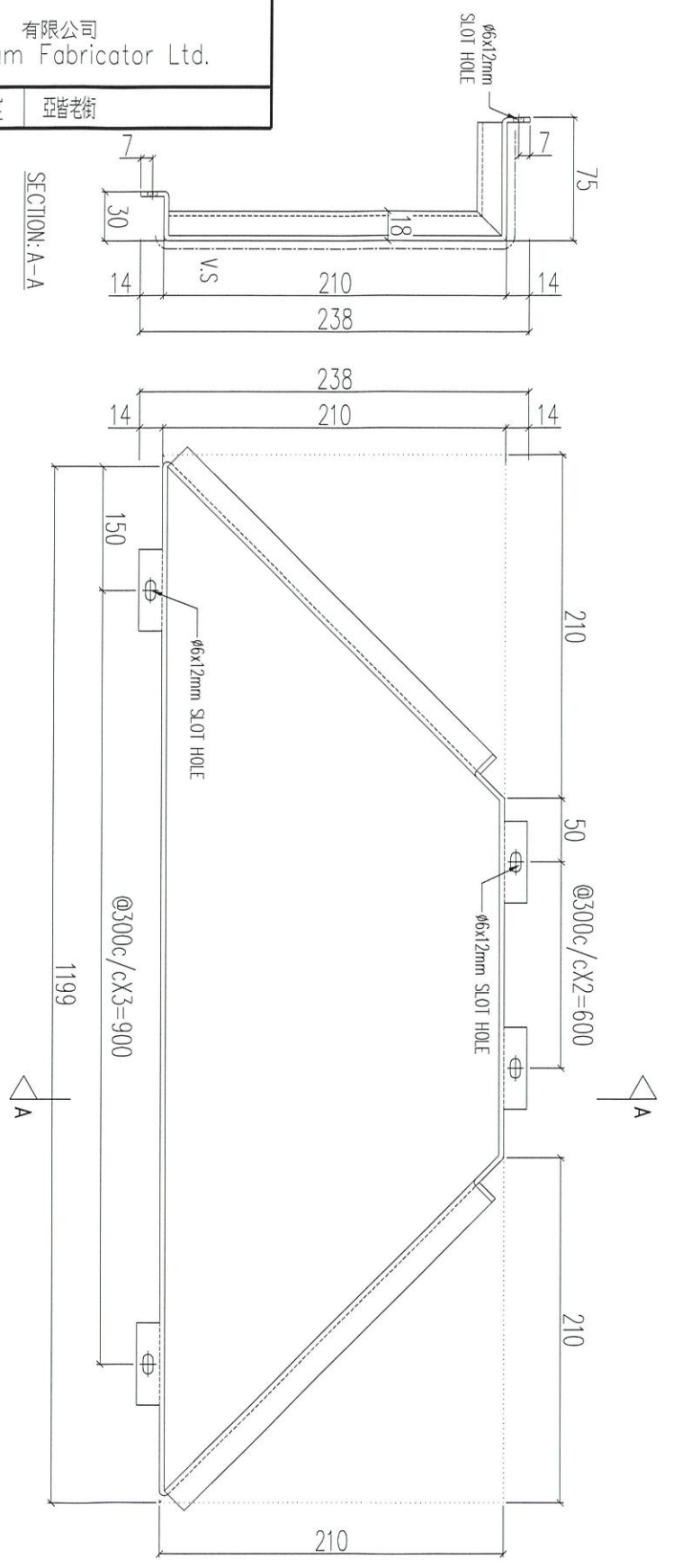


美特鋁質 有限公司  
MIDI Aluminium Fabricator Ltd.

工程號	J852	地盤	亞答老街
-----	------	----	------



說明：—————  
為噴塗面



序號	物料編號	數量	使用位置	樓層
01	T1-ACD-C12	3	見派位圖	3F~6F
02	T2-ACD-C12	3	見派位圖	3F~6F
03	T3-ACD-C12	1	見派位圖	3F~6F 5F

名稱	鋁板加工圖	制圖	LHR	2020.12.27	修改	
材料	3mm THK. ALUM. CLADDING	復核	-	-	日期	
顏色	UCT201498XL(A)-3	批准			圖號	J852-ACA-ACD-C12



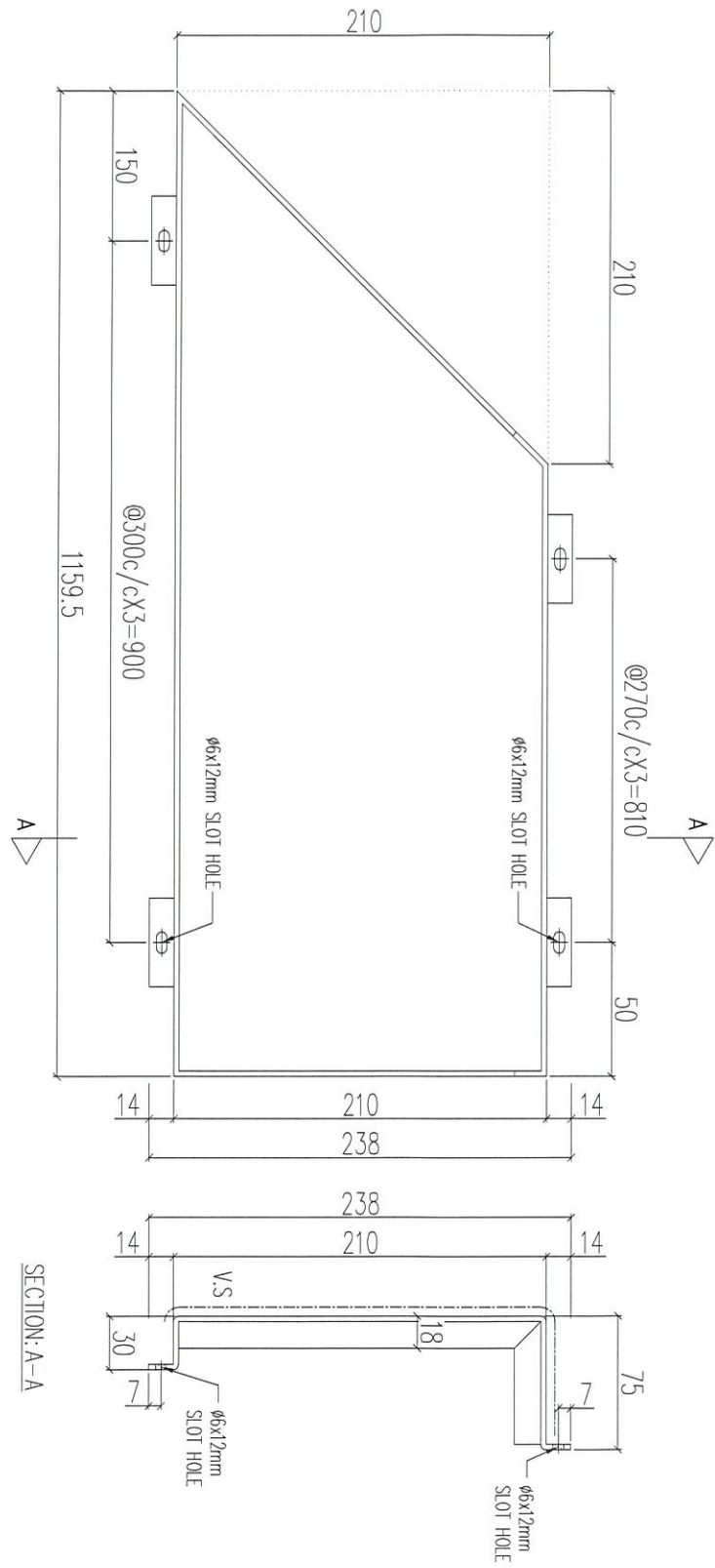


美特鋁質 有限公司  
MIDI Aluminium Fabricator Ltd.

工程號	J852	地盤	亞答老街
-----	------	----	------



說明：—————  
為噴塗面



序號	物料編號	數量	使用位置	樓層
01	T1-ACD-C13	<del>3</del>	見派位圖	3F~6F
02	T2-ACD-C13	<del>3</del>	見派位圖	3F~6F
03	T3-ACD-C13	3	見派位圖	3F~6F 5F

名稱	鋁板加工圖	制圖	LHR	2020.12.27	修改		
材料	3mm THK. ALUM. CLADDING	復核	-	-	日期		
顏色	UCT201498XL(A)-3	批准			圖號	J852-ACA-ACD-C13	



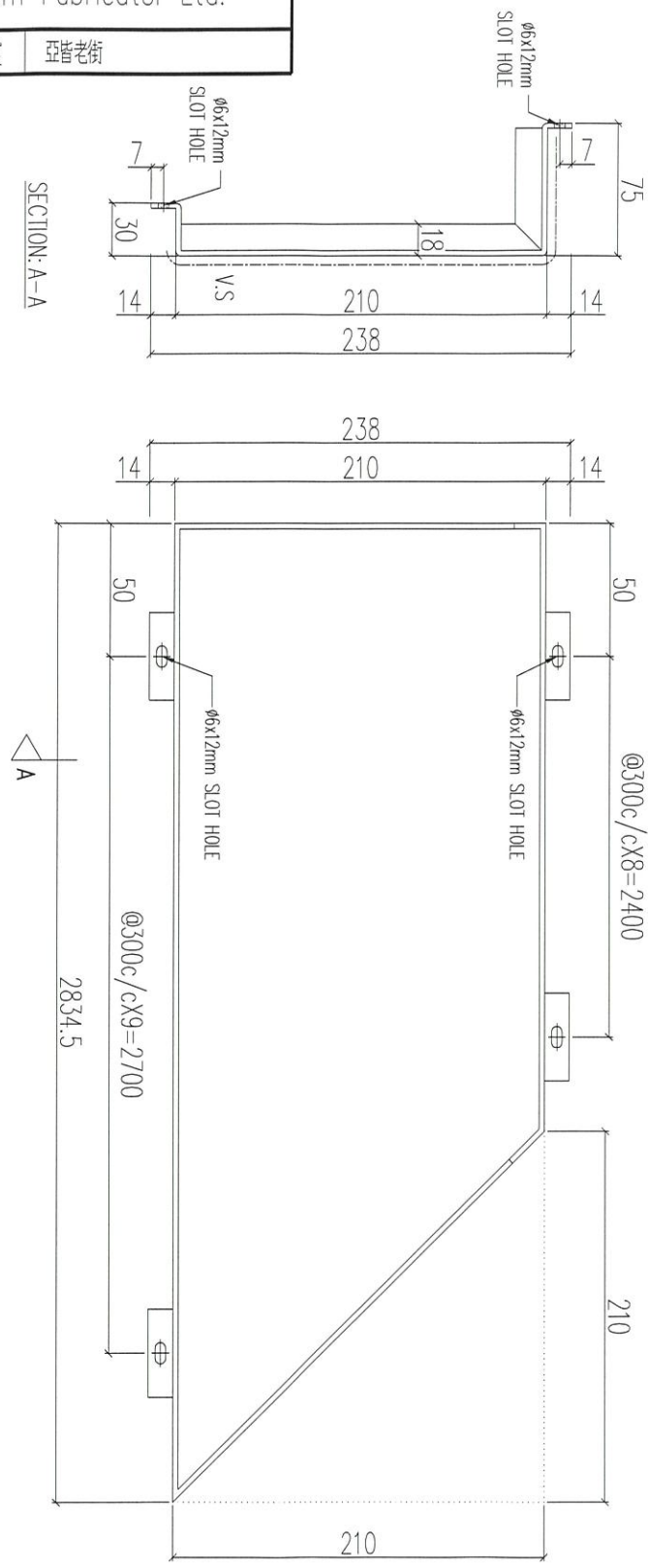


美特鋁質 有限公司  
MIDI Aluminium Fabricator Ltd.

工程號	J852	地盤	亞答老街
-----	------	----	------



說明：———— 為噴塗面



序號	物料編號	數量	使用位置	樓層
01	T1-ACD-C14	<del>3</del>	見派位圖	3F~6F
02	T2-ACD-C14	<del>3</del>	見派位圖	3F~6F
03	T3-ACD-C14	<del>3</del> 1	見派位圖	3F~6F 5F

名稱	鋁板加工圖	制圖	LHR	2020.12.27	修改	
材料	3mm THK. ALUM. CLADDING	復核	-	-	日期	
顏色	UCT201498XL(A)-3	批准			圖號	J852-ACA-ACD-C14

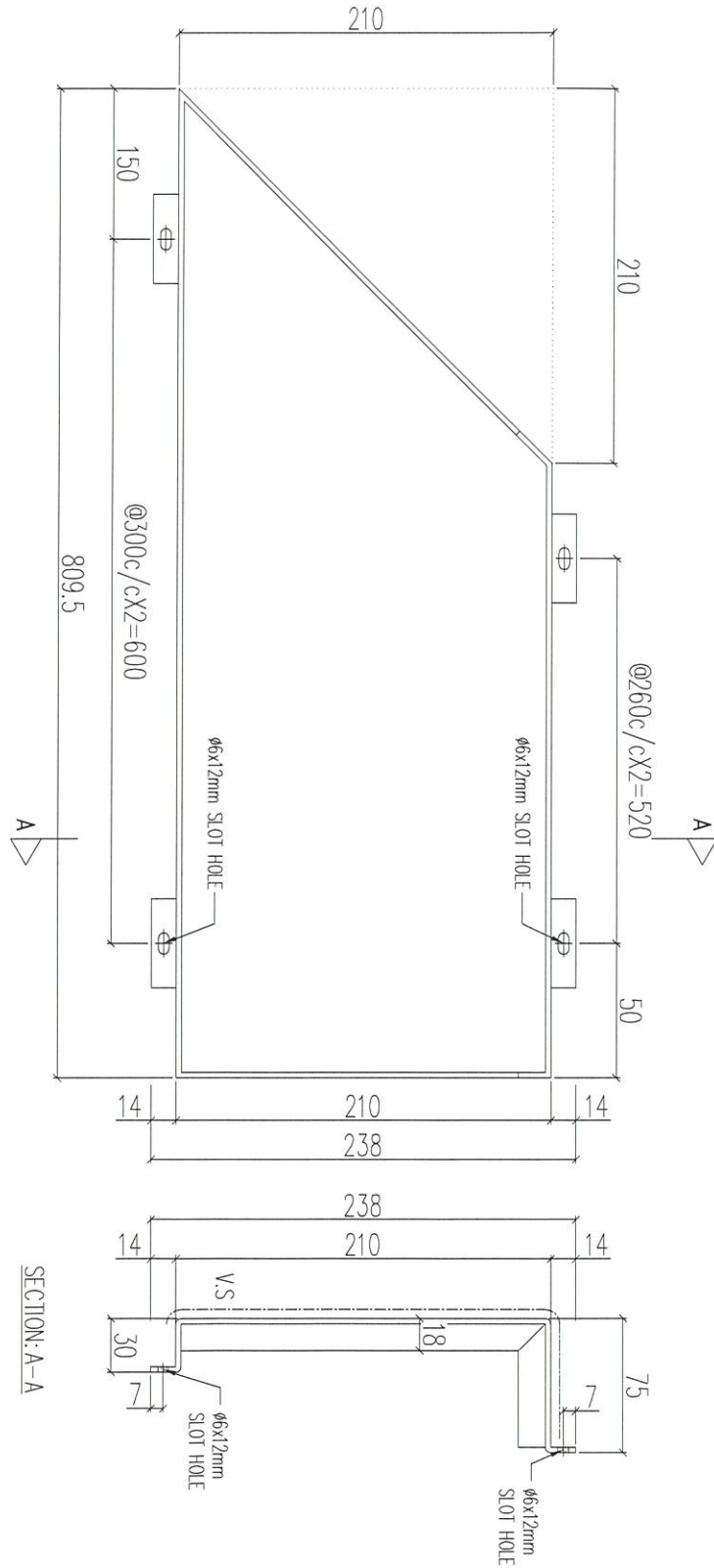




工程號 J852 地盤 亞答老街

送地盤

說明：———— 為噴塗面



序號	物料編號	數量	使用位置	樓層
01	T1-ACD-C15	<del>3</del>	見派位圖	3F~6F
02	T2-ACD-C15	<del>3</del>	見派位圖	3F~6F
03	T3-ACD-C15	<del>3</del> 1	見派位圖	<del>3F~6F</del> 5F

名稱	鋁板加工圖	制圖	LHR	2020.12.27	修改	
材料	3mm THK. ALUM. CLADDING	復核	-	-	日期	
顏色	UCT201498XL(A)-3	批准			圖號	J852-ACA-ACD-C15



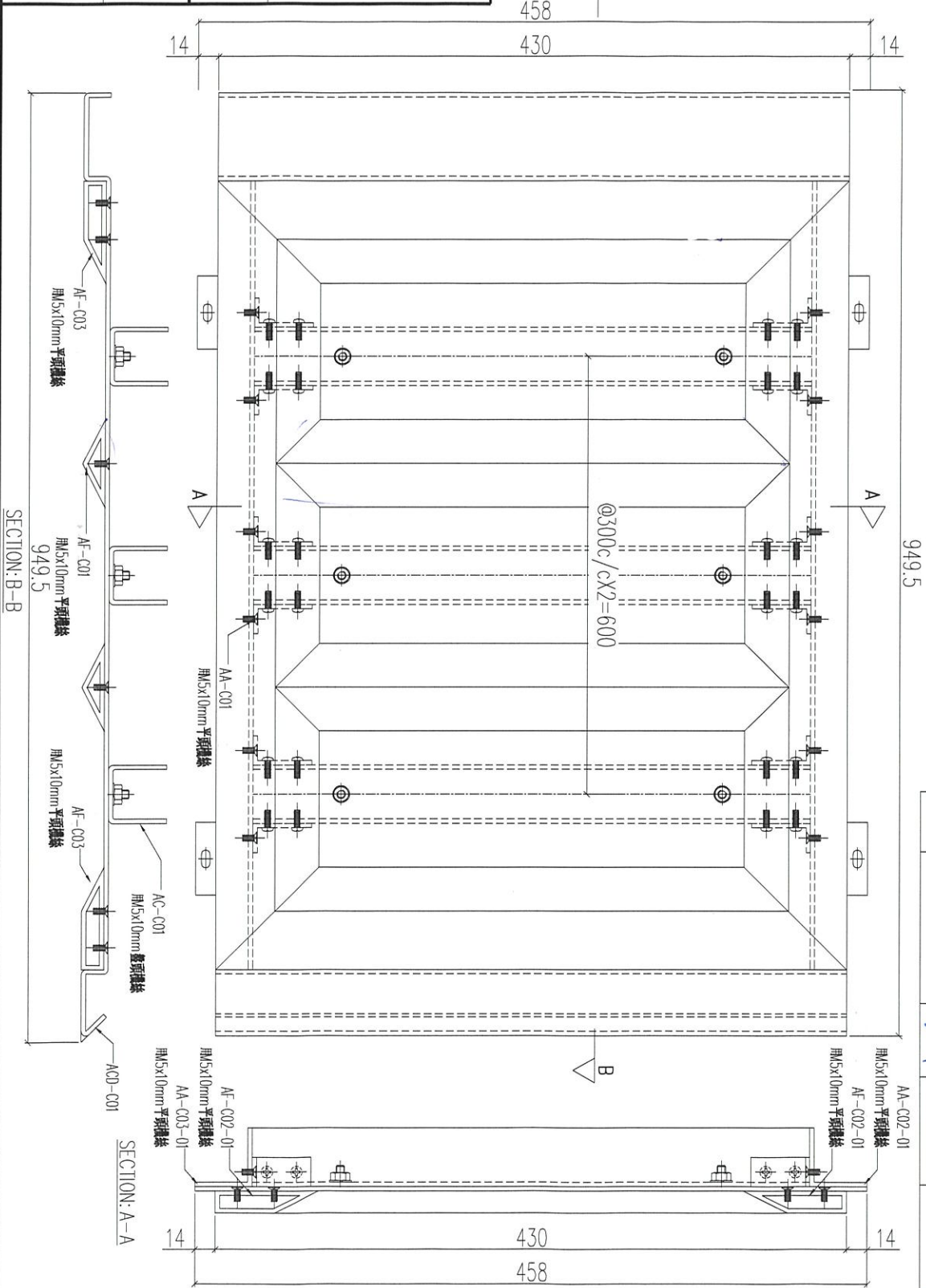


美特鋁質 有限公司  
MIDI Aluminium Fabricator Ltd.

工程號 J852 地盤 亞答街

組裝圖

送地盤



序號	物料編號	數量	使用位置	樓層
01	T1-UNA-C01	<del>1</del>	見派位圖	3F~6F
02	T2-UNA-C01	<del>1</del>	見派位圖	3F~6F
03	T3-UNA-C01	<del>1</del>	見派位圖	3F~6F 5F

名稱	鋁板加工圖	制圖	LHR	2020.12.27	修改	
材料	3mm THK. ALUM. CLADDING	復核	-	-	日期	
顏色	UCT201498XL(A)-3	批准			圖號	J852-ACA-UNA-C01



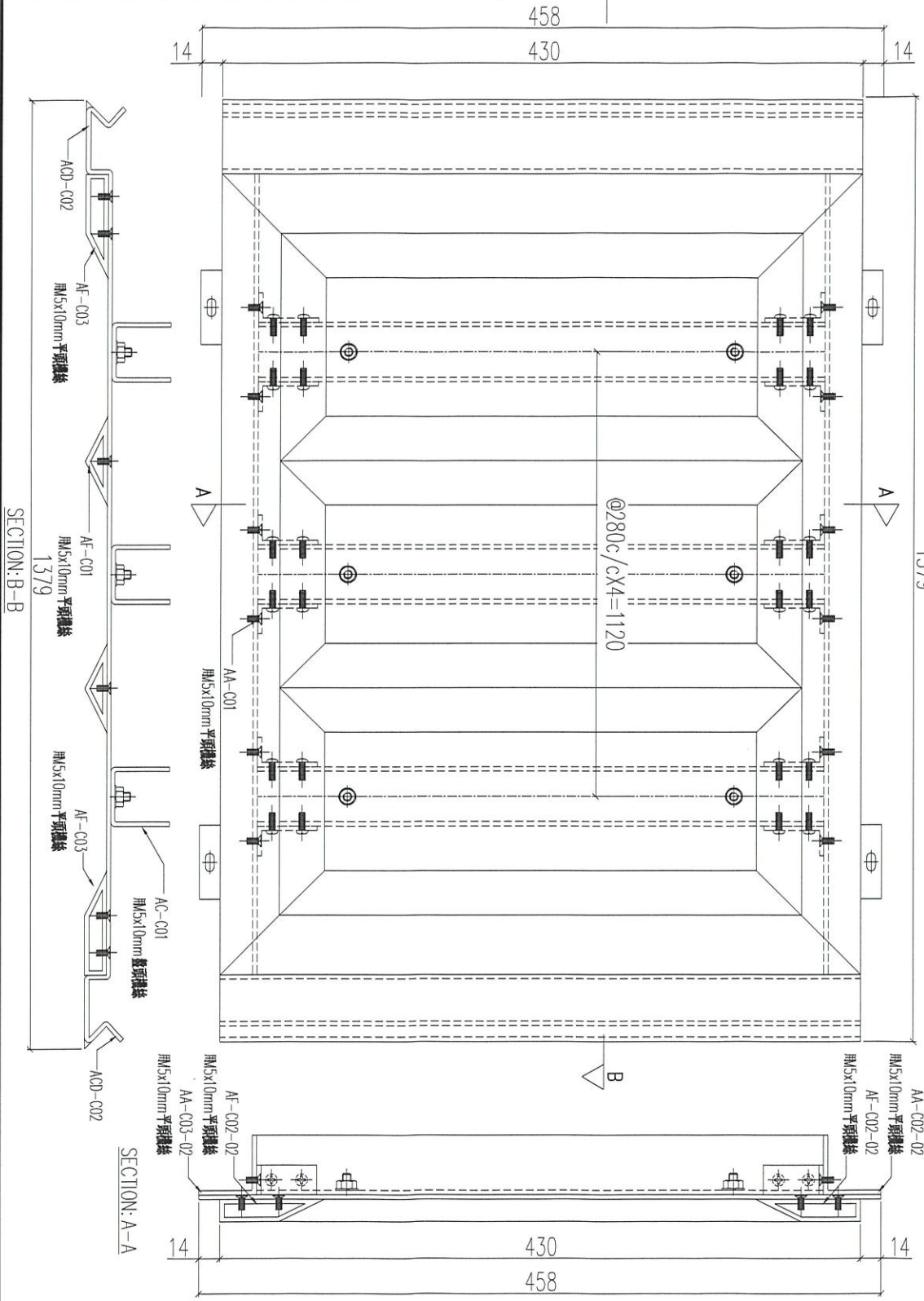


美特鋁質 有限公司  
MIDI Aluminium Fabricator Ltd.

工程號 J852 地盤 亞皆老街

組裝圖

送地盤



序號	物料編號	數量	使用位置	樓層
01	T1-UNA-C02	<del>3</del>	見派位圖	3F~6F
02	T2-UNA-C02	<del>3</del>	見派位圖	3F~6F
03	T3-UNA-C02	<del>3</del> 1	見派位圖	3F~6F 5/F

名稱	鋁板加工圖	制圖	LHR	2020.12.27	修改	
材料	3mm THK. ALUM. CLADDING	復核	-	-	日期	
顏色	UCT201498XL(A)-3	批准			圖號	J852-ACA-UNA-C02



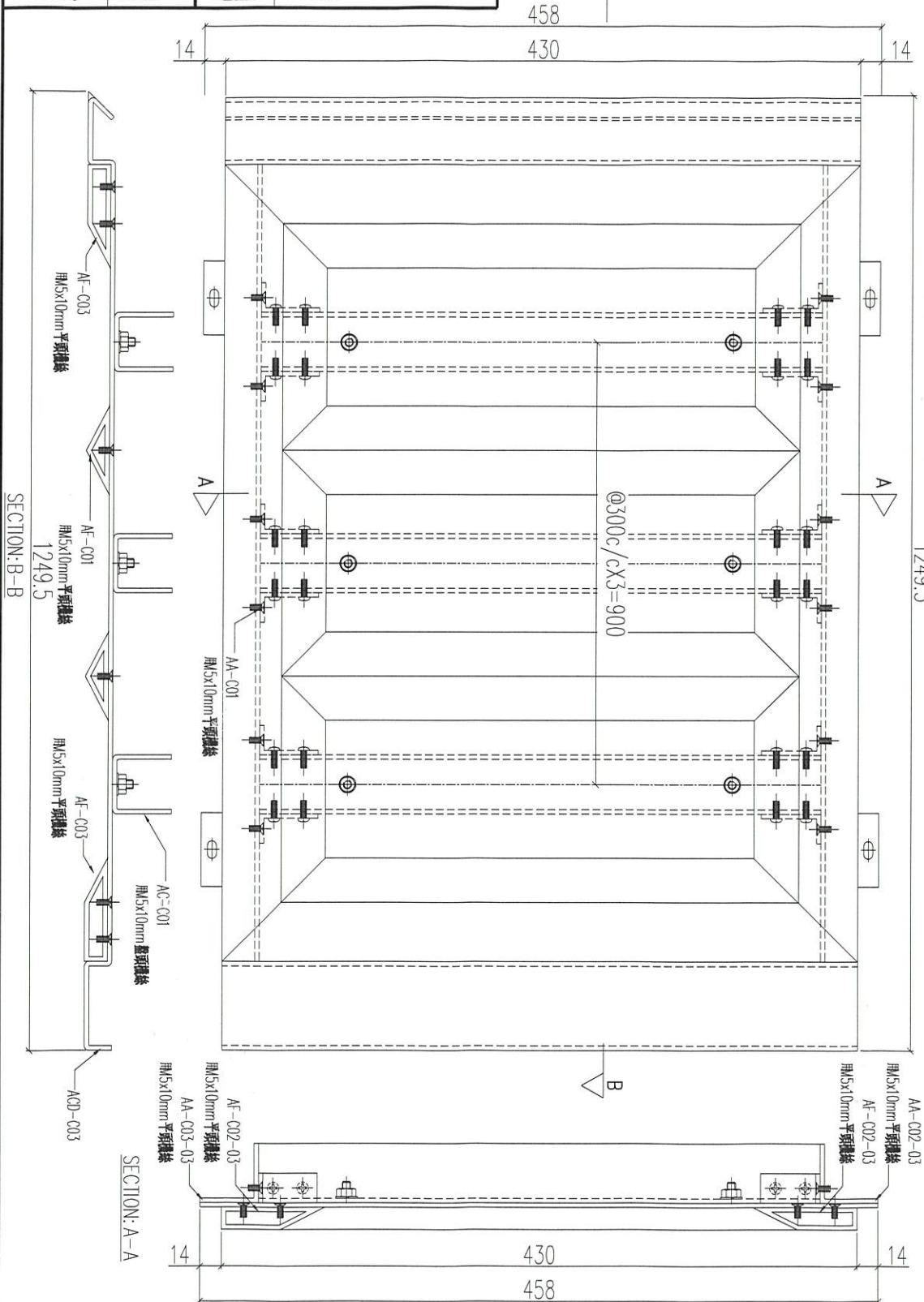


美特鋁質 有限公司  
MIDI Aluminium Fabricator Ltd.

工程號 J852 地盤 亞答街

組裝圖

送地盤



序號	物料編號	數量	使用位置	樓層
01	T1-UNA-C03	<del>1</del>	見派位圖	3F~6F
02	T2-UNA-C03	<del>1</del>	見派位圖	3F~6F
03	T3-UNA-C03	<del>1</del>	見派位圖	3F~6F 5/F

名稱	鋁板加工圖	制圖	LHR	2020.12.27	修改		
材料	3mm THK. ALUM. CLADDING	復核	-	-	日期		
顏色	UCT201498XL(A)-3	批准			圖號	J852-ACA-UNA-C03	



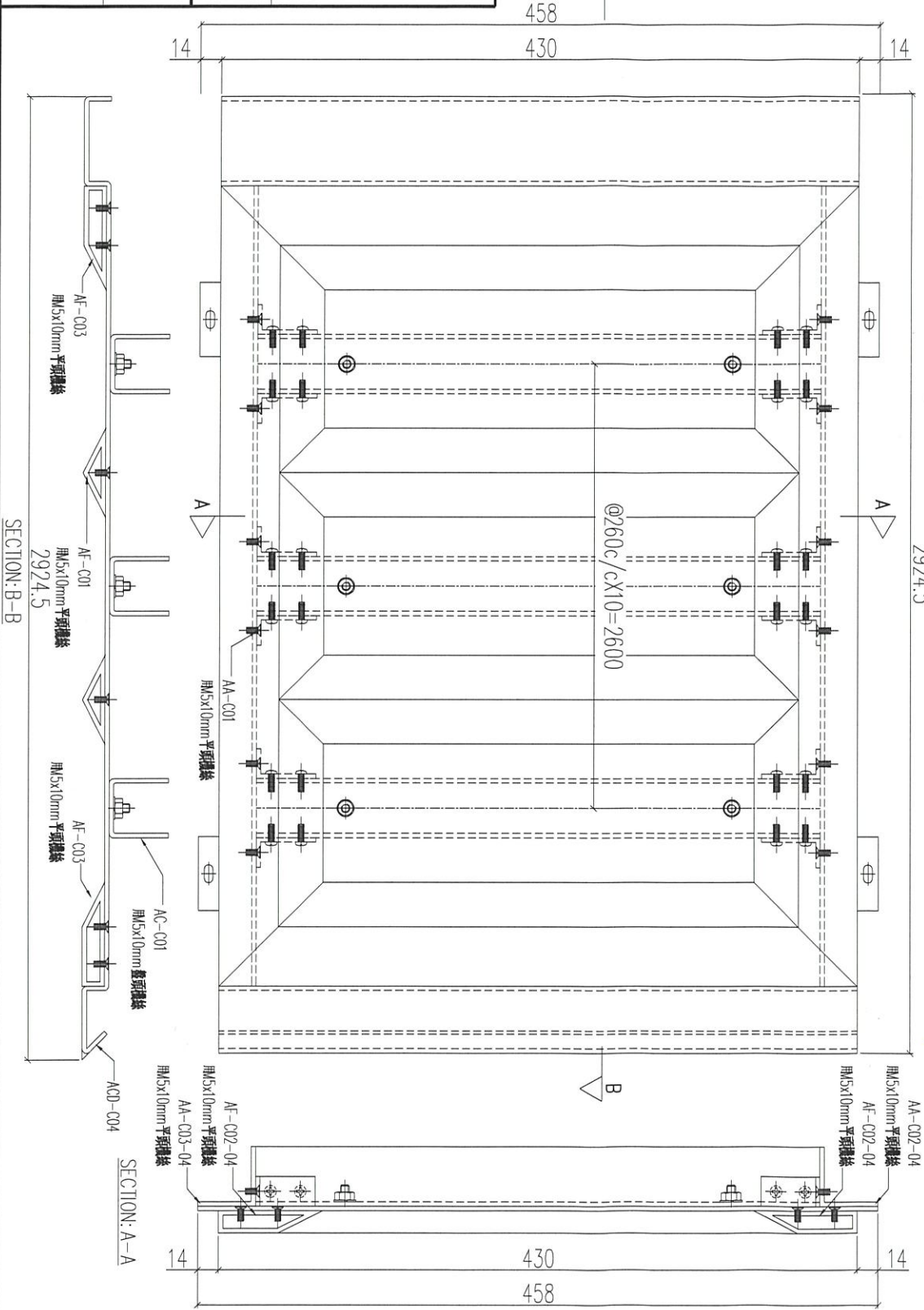


美特鋁質 有限公司  
MIDI Aluminium Fabricator Ltd.

工程號 J852 地盤 亞答老街

組裝圖

送地盤



序號	物料編號	數量	使用位置	樓層
01	T1-UNA-C04	3	見派位圖	3F~6F
02	T2-UNA-C04	3	見派位圖	3F~6F
03	T3-UNA-C04	3	見派位圖	3F~6F

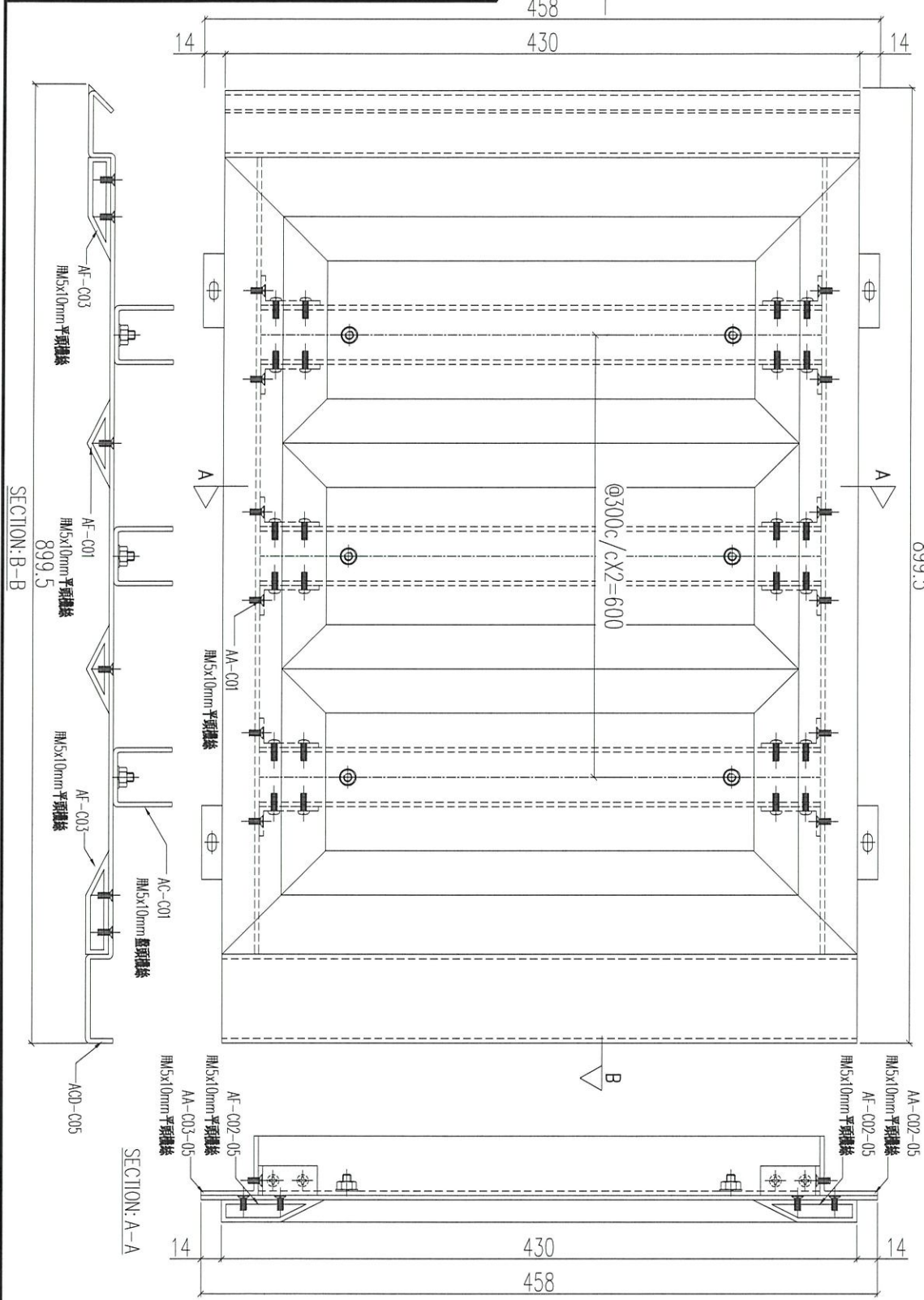
名稱	鋁板加工圖	制圖	LHR	2020.12.27	修改	
材料	3mm THK. ALUM. CLADDING	復核	-	-	日期	
顏色	UCT201498XL(A)-3	批准			圖號	J852-ACA-UNA-C04





美特鋁質 有限公司  
MIDI Aluminium Fabricator Ltd.

工程號 J852 地盤 亞答老街



組裝圖  
送地盤

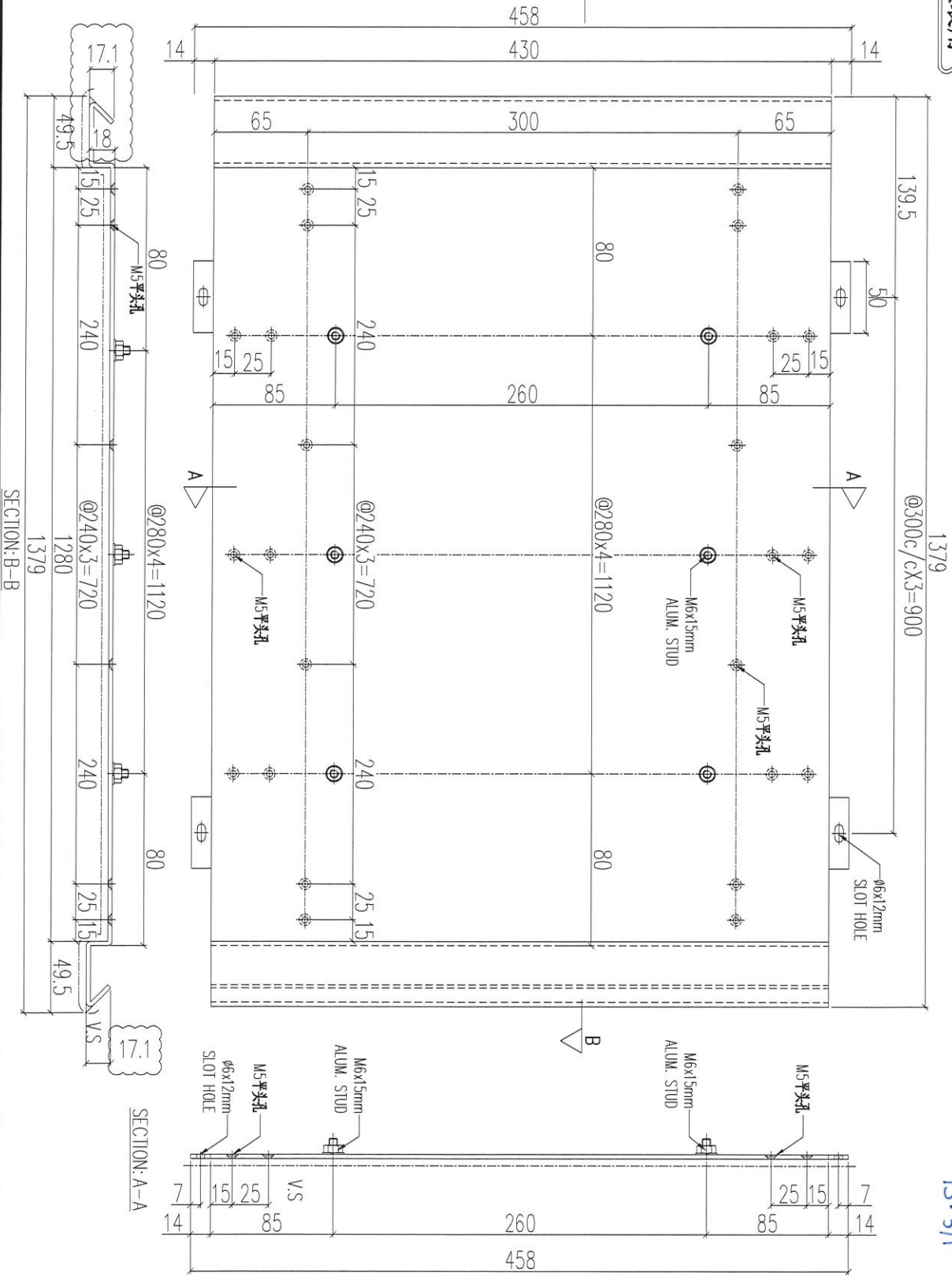
序號	物料編號	數量	使用位置	樓層
01	T1-UNA-C05	3	見派位圖	3F~6F
02	T2-UNA-C05	3	見派位圖	3F~6F
03	T3-UNA-C05	3	見派位圖	3F~6F

名稱	鋁板加工圖	制圖	LHR	2020.12.27	修改		★
材料	3mm THK. ALUM. CLADDING	復核	-	-	日期		
顏色	UCT201498XL(A)-3	批准			圖號	J852-ACA-UNA-C05	



組裝用

說明：----- 為噴塗面



序號	物料編號	數量	使用位置	樓層
01	ACD-C02	1	UNA-C02	3/F-6/F

T3: 5/F

名稱	鋁板加工圖	制圖	LHR	2020.12.27	修改	A
材料	3mm THK. ALUM. CLADDING	復核	-	-	日期	2021.01.21
顏色	UCT201498XL(A)-3	批准			圖號	J852-ACA-ACB-C02

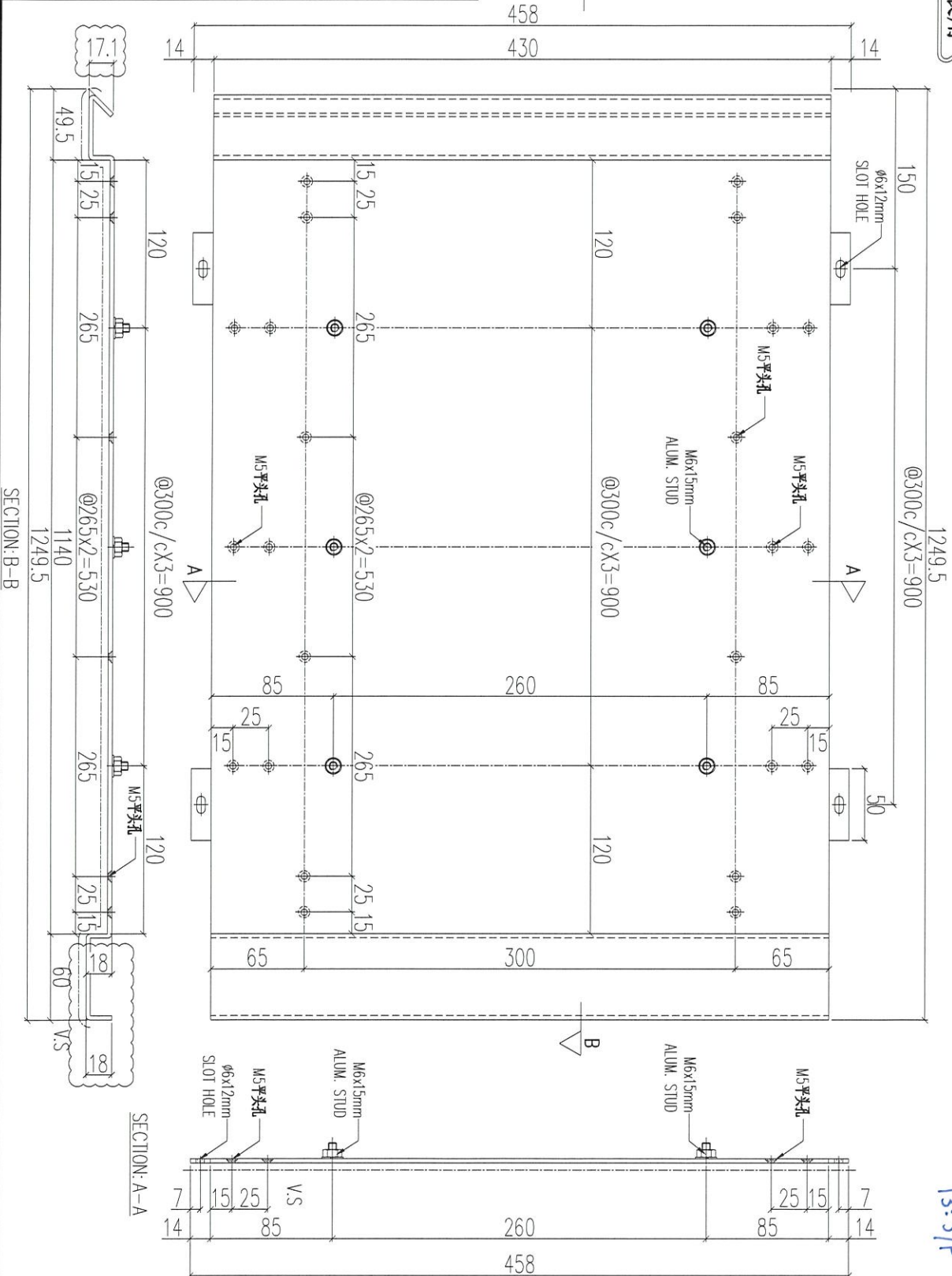


美特鋁質 有限公司  
MIDI Aluminium Fabricator Ltd.

工程號 J852 地盤 亞答老街

組裝用

說明：----- 為噴塗面



序號	物料編號	數量	使用位置	樓層
01	ACD-C03	1	UNA-C03	5/F~6/F

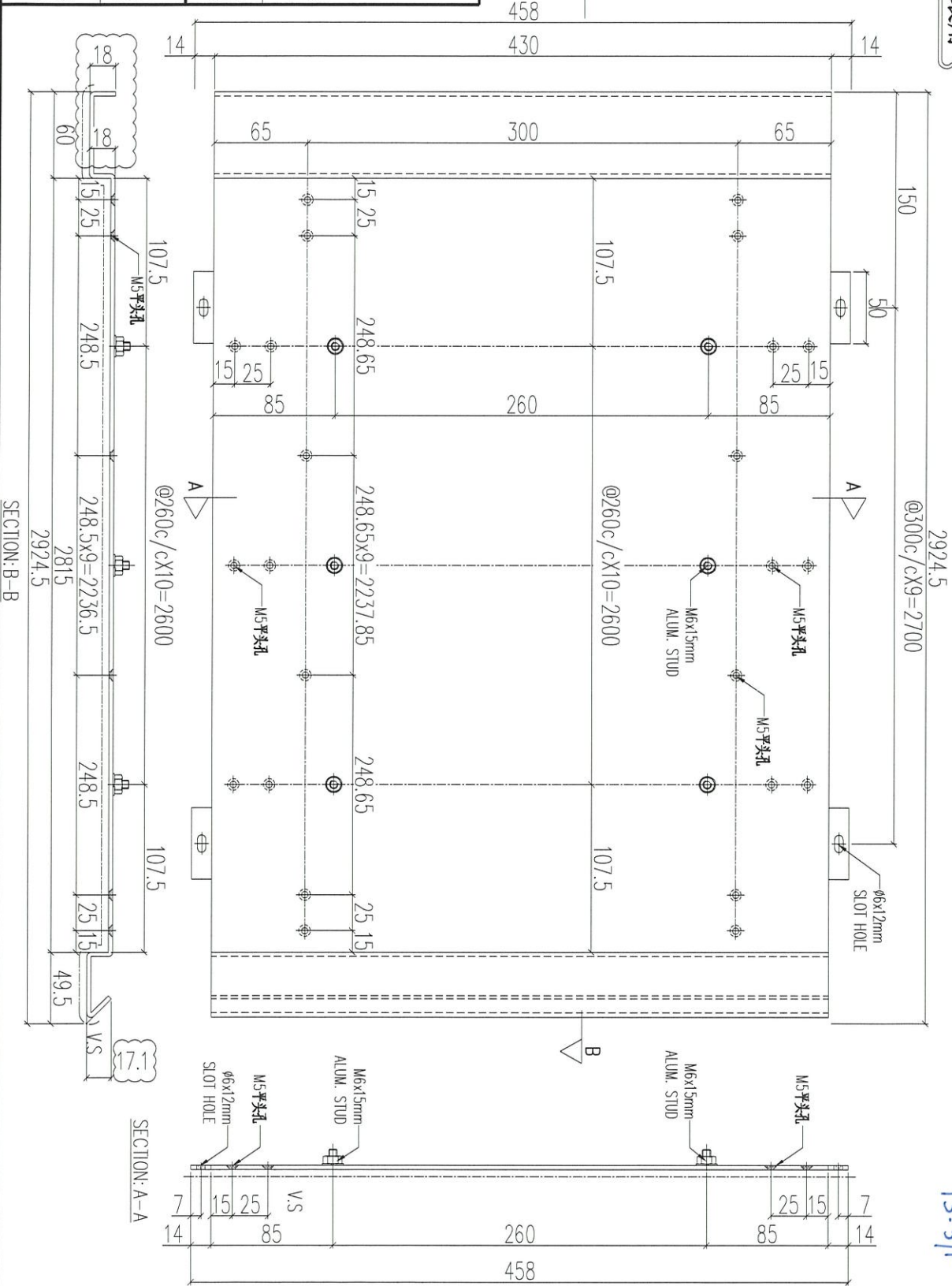
T3:5/F

名稱	鋁板加工圖	制圖	LHR	2020.12.27	修改	A
材料	3mm THK. ALUM. CLADDING	復核	-	-	日期	2021.01.21
顏色	UCT201498XL(A)-3	批准			圖號	J852-ACA-ACB-C03



組裝用

說明：-----為噴塗面



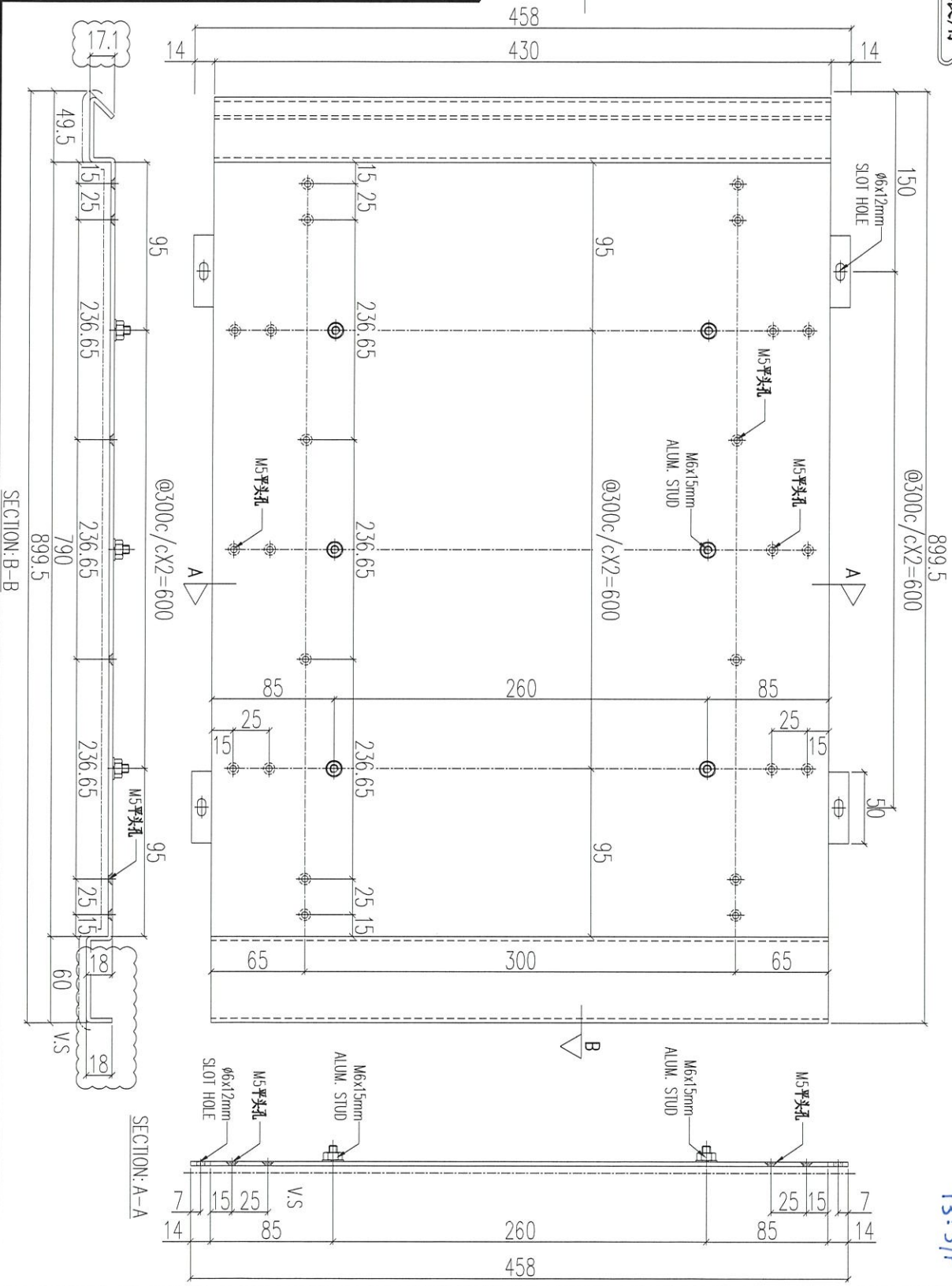
序號	物料編號	數量	使用位置	樓層
01	ACD-C04	1	UNA-C04	3/F

T3: 5/F

名稱	鋁板加工圖	制圖	LHR	2020.12.27	修改	A
材料	3mm THK. ALUM. CLADDING	復核	-	-	日期	2021.01.21
顏色	UCT201498XL(A)-3	批准			圖號	J852-ACA-ACB-C04

組裝用

說明：—— 為噴塗面



序號	物料編號	數量	使用位置	樓層
01	ACD-C05	1	UNA-C05	3/F~6/F

T3:5/F

名稱	鋁板加工圖	制圖	LHR	2020.12.27	修改	A
材料	3mm THK. ALUM. CLADDING	復核	-	-	日期	2021.01.21
顏色	UCT201498XL(A)-3	批准			圖號	J852-ACA-ACB-C05





工程號

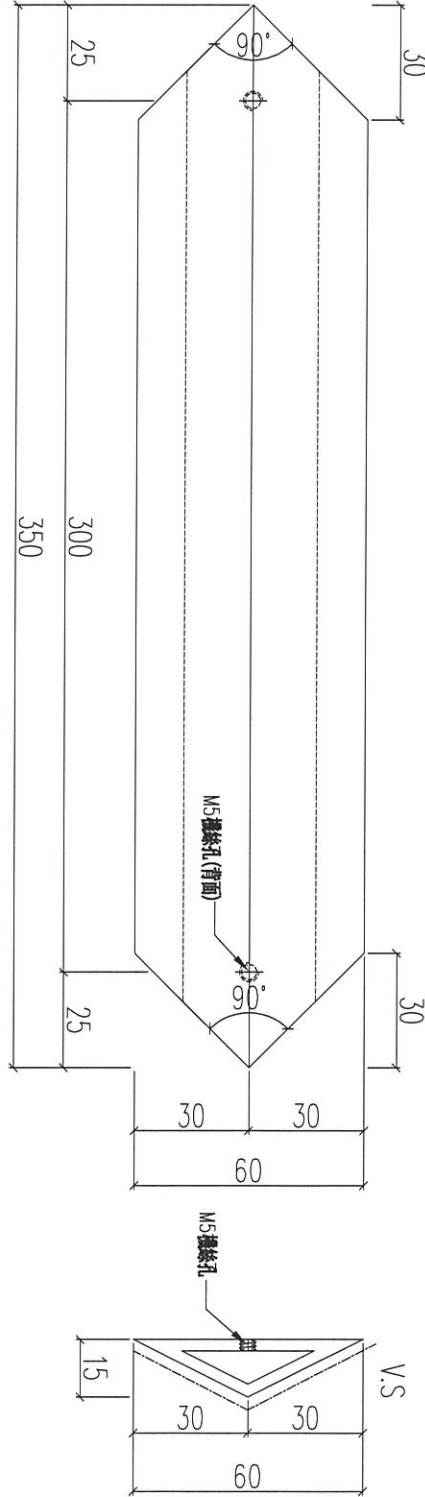
J852

地盤

亞皆老街

組裝用

說明：————— 為噴塗面



序號	物料編號	數量	使用位置
01	AF-C01	189	見組裝圖

樣辦層數量：21支

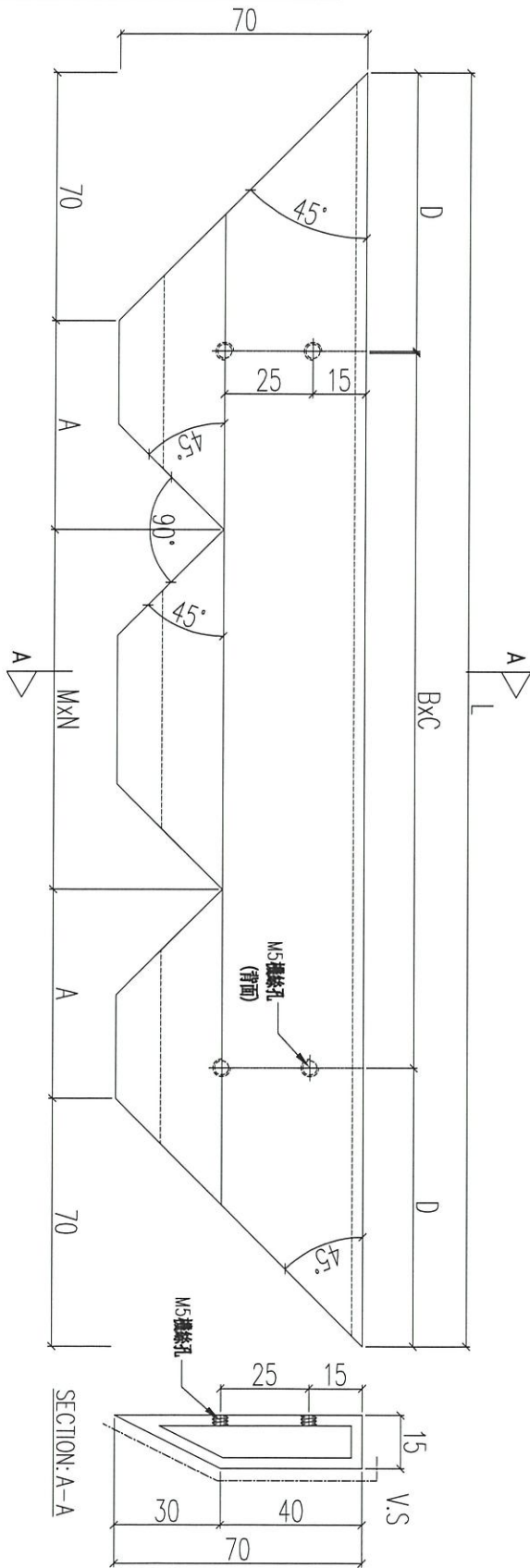
名稱	鋁板加工圖	制圖	LHR	2020.12.27	修改	A	★
材料	3mm 厚鋁板 (用X85920生產)	復核	-	-	日期	2021.01.26	
顏色	-	批准			圖號	J852-ACA-AF-C01	



工程號 J852 地盤 亞皆老街

組裝用

說明：————為噴塗面



樣辦層數量：2支/每款

序號	物料編號	L(mm)	A(mm)	MxN	D(mm)	BxC	數量	使用位置
01	AF-C02-01	840	223.3	@253.3x1	120	@300x1	182	見組裝圖
02	AF-C02-02	1280	210	@240x3	80	@280x2	182	見組裝圖
03	AF-C02-03	1140	235	@265x2	120	@300x2	182	見組裝圖
04	AF-C02-04	2815	218.5	@248.5x9	107.5	@260x10	182	見組裝圖
05	AF-C02-05	790	206.65	@236.65x1	95	@300x2	182	見組裝圖

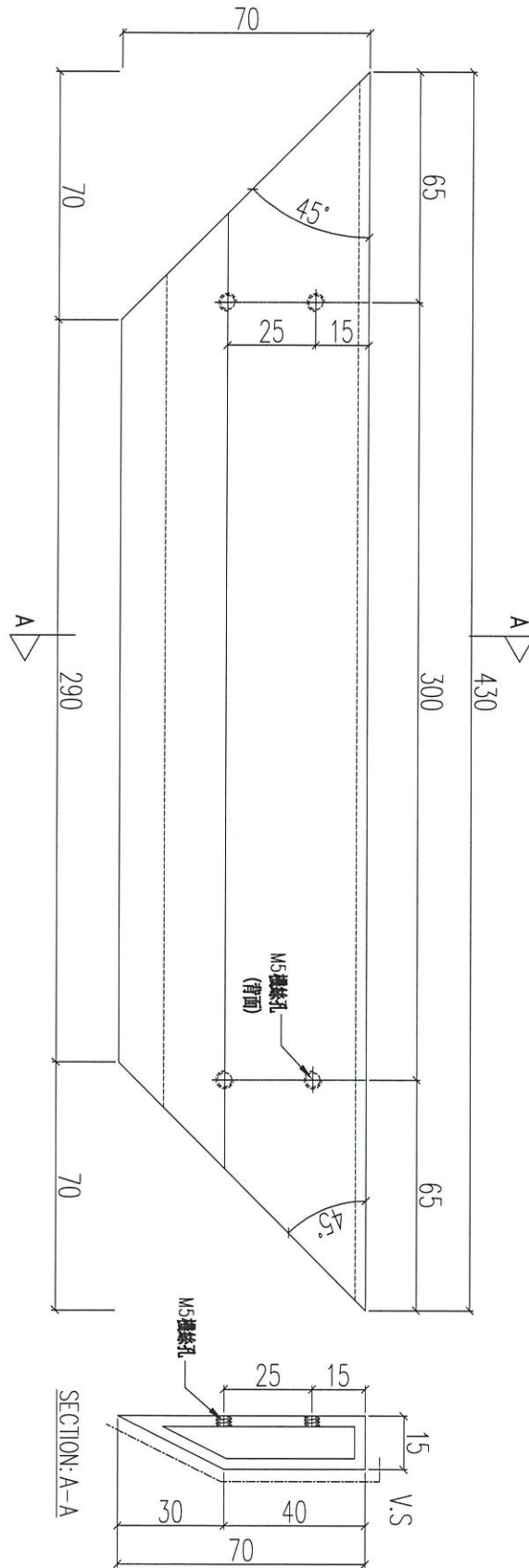
名稱	鋁板加工圖	制圖	LHR	2020.12.27	修改	A
材料	3mm 厚鋁板 (用X85923生產)	復核	-	-	日期	2021.01.26
顏色	-	批准			圖號	J852-ACA-AF-C02



工程號	J852	地盤	亞皆老街
-----	------	----	------

組裝用

說明：—— 為噴塗面



樣辦層數量：10支

序號	物料編號	數量	使用位置
01	AF-C03	90	見組裝圖

名稱	鋁板加工圖	制圖	LHR	2020.12.27	修改	A	★
材料	3mm 厚鋁板 (用X85923生產)	復核	-	-	日期	2021.01.26	
顏色	-	批准			圖號	J852-ACA-AF-C03	



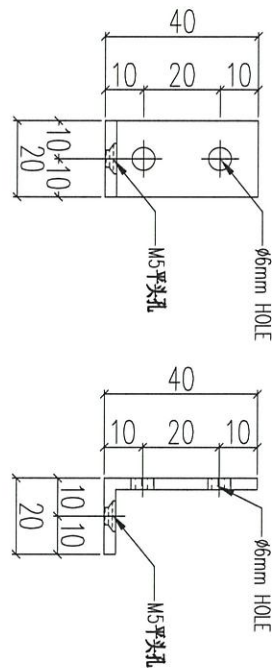
工程號

J852

地盤

亞皆老街

組裝用



序號	物料編號	數量	使用位置
01	AA-C01	956	見組裝圖

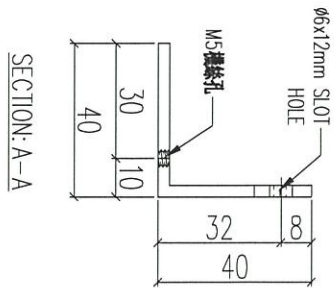
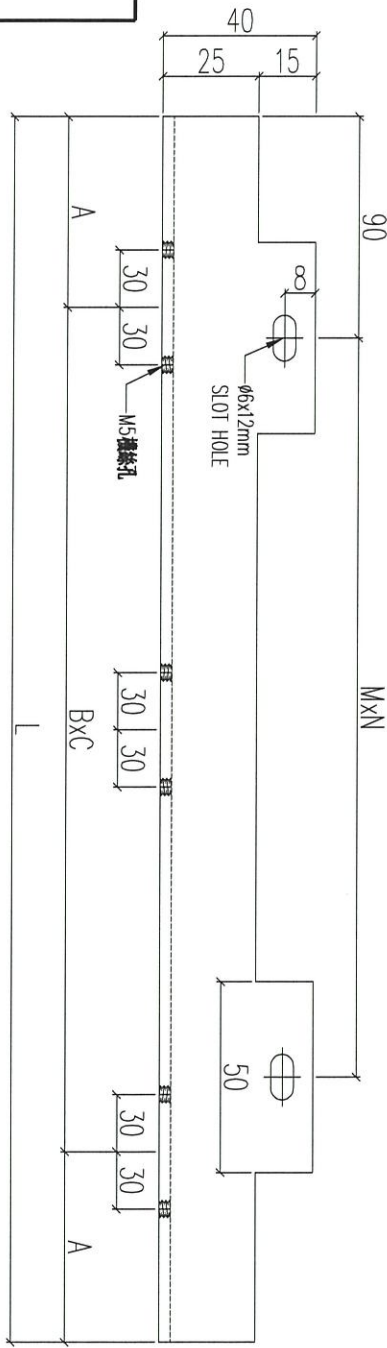
樣辦層數量：104支

名稱	鋁角加工圖	制圖	LHR	2020.12.27	修改	A	
材料	40x20x3mm 厚鋁角	復核	-	-	日期	2021.01.26	
顏色	-	批准			圖號	J852-ACA-AA-C01	



工程號 J852 地盤 亞皆老街

組裝用



序號	物料編號	L(mm)	A(mm)	BxC	MxN	數量	使用位置
01	AA-C02-01	840	120	@300x1	@300x2	1	見組裝圖
02	AA-C02-02	1280	80	@280x2	@300x3	1	見組裝圖
03	AA-C02-03	1140	120	@300x2	@300x3	1	見組裝圖
04	AA-C02-04	2815	107.5	@260x10	@300x9	1	見組裝圖
05	AA-C02-05	790	95	@300x2	@300x2	1	見組裝圖

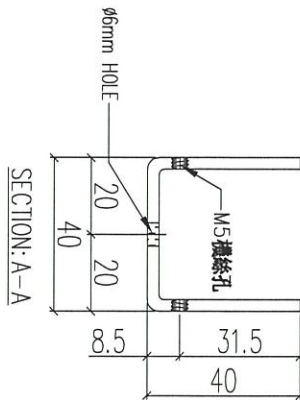
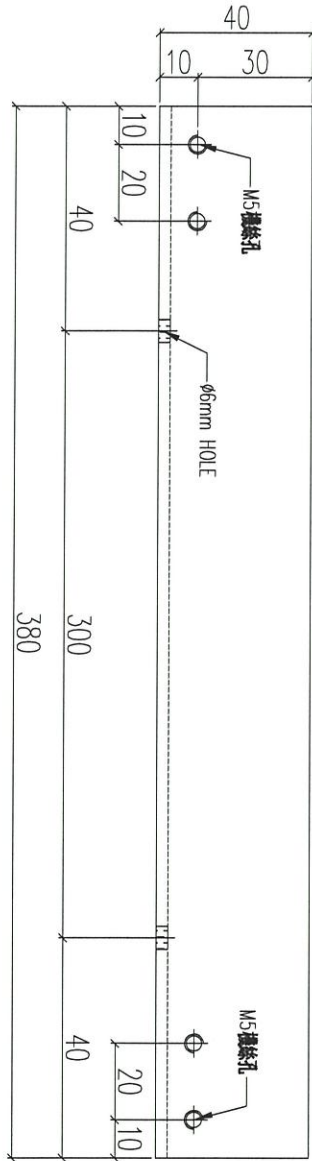
樣辦層數量：1支/每款

名稱	鋁角加工圖	制圖	LHR	2020.12.27	修改	A
材料	40x40x3mm 厚鋁角	復核	-	-	日期	2021.01.26
顏色	-	批准	-	-	圖號	J852-ACA-AA-C02




工程號	J852	地盤	亞皆老街
-----	------	----	------

組裝用



序號	物料編號	數量	使用位置
01	AC-C01	234	見組裝圖

樣辦層數量: 26支

名稱	鋁板加工圖	制圖	LHR	2020.12.27	修改	A	
材料	3mm 厚鋁板	復核	-	-	日期	2021.01.26	
顏色	-	批准			圖號	J852-ACA-AC-C01	