

工程指示 / 要求簡箋(E.I.)

工程指示編號：EI / 2942 / 21

修改版次：

工程編號：J - 852

工程名稱：亞皆老街中電

工程項目：佛沙窗額外保護之報價

收件人：楠哥

發件人：Bessie Lau

日期：14/01/2021

要求提供 / 確認 事項：

- | | | |
|------------------------------------|-------------------------------------|-------------------------------|
| <input type="checkbox"/> 初步鋁料 B.M. | <input type="checkbox"/> 加工拆圖，然後生產 | <input type="checkbox"/> 尺寸表 |
| <input type="checkbox"/> 正式鋁料 B.M. | <input type="checkbox"/> 技術上資料 / 指示 | <input type="checkbox"/> 報價 |
| <input type="checkbox"/> 配件 B.M. | <input type="checkbox"/> 樣辦或貨品說明書 | <input type="checkbox"/> 分判合約 |
| <input type="checkbox"/> 其他：_____ | | |

內容：

現附上以下資料：

1. 第一次提交的保護方案 (附 MEINHARDT APPROVE 的 COMMENT)

2. 按 11 月 4 日行地盤時顧問的口頭 COMMENT 提交第二次保護方案

3. MEINHARDT REJECT 第二次提交的保護方案的 COMMENT)

4. 第三次提交的保護方案，現按此方案包保護

5. 關於後加保護，廠提供之報價單

6. 祥哥表示地盤做後加保護的工數為每層 8 工 (適用於 T-1 ~ T3 - 1F ~ 2-3F)

7. 原合約的保護示意圖

請在 _____ 前完成上列要求。

附有關圖紙 / 文件：

以上項目為：

原合約工程包 原合約工程加 / 減賬 新工程報價

原因：-

分發東莞各部門：

- () 生產技術總監 連附件 () 技術部 連附件 () 生產部 連附件 () 機械設計部 連附件
 () 採購部 連附件 () 生產統籌部 連附件
 () 質檢部 連附件 () 會計部 連附件 () 報關組 連附件 () 其他 _____ 連附件

分發其他分判：

() 水洪 連附件

分發香港各部門：

- () 行政部 連附件 () 會計部 連附件 () 統籌部 連附件 () 工程部地盤科文 連附件
 () 採購部 連附件 () QS 部 連附件 () 維修部 連附件 () 其他 _____ 連附件

傳遞編號：

發件人簽署：

項目經理簽署：



ISE Submission

J3860 - Proposed Residential Development,
At 139 - 147 Argyle Street, Kowloon

TECHNICAL SUBMISSION FORM

To : Mr Brian Leung / Ms Yoanna Chan / Mr Nigel Lo
Meinhardt Façade Technology (HK) Ltd
22/F Great Smart Tower,
230 Wanchai Road,
Wan Chai, Hong Kong

No. TS/A/056 (Rev. 0)

Date: 29 July 2020

REQUIRED APPROVAL DATE: 12 August 2020

Ref. J3860/304.7/D05227

We submit the following information/ documents for your comment / approval by the date indicated above.

Sub-Contractor / Trade: Midi Aluminium Fabrication Ltd./ Curtain Wall, Aluminium Windows and Louvres, Aluminium Cladding and Glass Balustrade

Description: Submission of Aluminium Frame Protection for Precast Window (Midi's Ref: MST001)

Location for use: Aluminum window in precast facade

- Enclosures:
- | | | |
|--|---|---|
| <input type="checkbox"/> Catalogue | <input type="checkbox"/> Data / Specification | <input type="checkbox"/> Certificate / Approval |
| <input type="checkbox"/> Test Report | <input type="checkbox"/> Calculation | <input type="checkbox"/> Shop / Installation Drawing |
| <input type="checkbox"/> Job Reference | <input type="checkbox"/> Schedule | <input checked="" type="checkbox"/> Other (specify): Drawing for Protection |

Remarks: _____

- cc
- | | |
|---|---|
| <input checked="" type="checkbox"/> Pacific Shine | - Mr Billy Tang / Mr Kocher Wong / Mr Edwin Chow / Mr Simon Chung / Mr Ross Pau / Mr Ken Ng / Mr Wyman Fong / Mr Jimmy Cheung / Mr C F Lee / Mr Peter Chong |
| <input checked="" type="checkbox"/> AGC | - Ms Grace Cheng / Mr Raymond Ho |
| <input type="checkbox"/> ARUP (Stru) | - Mr Johnson Po / Mr Don Ho / Ms Jessie Zhang |
| <input type="checkbox"/> W&O | - Mr Nier Chan / Mr Anson Lau |
| <input checked="" type="checkbox"/> Arcadis | - Ms Brenda Mok / Ms Emily Chu |
| <input type="checkbox"/> AXXA | - Ms Siuman Hung / Ms Sammy Tang / Mr Oscar Leung |
| <input type="checkbox"/> ARUP (Traffic) | - Ms Carmen Chu / Mr Eddy Cheung |
| <input type="checkbox"/> RE | - Mr Andrew Tai / Mr Yang Li / Mr Oscar Tam |
| <input checked="" type="checkbox"/> OSR | - Mr K M Pang / Mr H T Tseung / Mr Poon Tsz Kit / Mr S T Chung / Mr Ben Li |
| <input type="checkbox"/> BSI (Sino) | - Mr Kelvin Tam |
| <input type="checkbox"/> RBSE (W&O) | - Mr Kevin Lee |
| <input type="checkbox"/> GECC | - QS / Setting Out |
| <input checked="" type="checkbox"/> S/C | - Midi (By Email) |


Dick Yuen
 Senior Project Manager
 Gammon Engineering & Construction Company Limited
 DY/AM/IM/PC/wsc

Encl

Architect's / Consultant's Reply

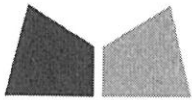
- Approved (A) Approved with comment (B) Approved with comment & resubmit (C) Rejected (D)

Comments : The profile of aluminium extrusion shall be project specific.

Signed : PP: ch Designation : MFT (facade consultant) Date : 3 Aug 2020

Remarks : w/encl. w/o encl

Meinhardt 已批 此份 Protection, 之後要求做額外保護



美特鋁質有限公司
MIDI ALUMINIUM FABRICATOR LTD.

Our ref. MC/39619/852

24th July 2020

Gammon Engineering & Construction Company Limited
139 - 147 Argyle Street,
Kowloon, Hong Kong

By Email & Hand

Attn.: Mr. Dick Yuen / Ms. Penny Chau

Dear Sir,

Re : Design, Supply & Installation of Aluminium Window & Cladding, Curtain Wall, Glass Wall, Louvers and Glass Balustrade Nominated Sub-Contract at K.I.L. 6038RP, K.I.L.6037RP, K.I.L. 6036RP, K.I.L. 6035RP & K.I.L. 6005, Nos. 139-147 Argyle Street, Kowloon.
Submission of Method Statement for Alum. Frame Protection for Precast Window (MST001)


Regarding the captioned project, we would like to submit the method statement for alum. protection for Precast Window for your review and comment.

For details, please refer to the attachment as follows:

1. Method statement for Precast Window Protection


Thank you for your kind attention.

Yours faithfully,
MIDI ALUMINIUM FABRICATOR LTD.

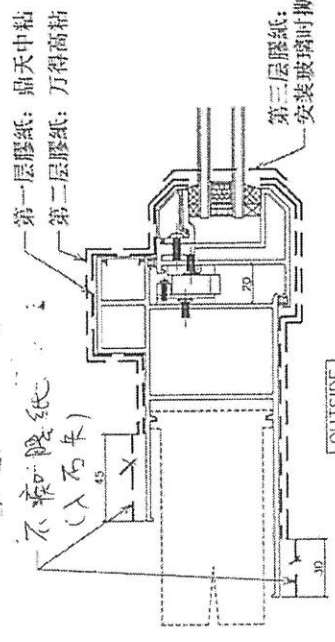

Marco Tam
Director

Encl

cc. Gammon	- Mr. Chris Kwok / Mr. Yau Yan Fong / - Ms. Esther Chung / Ms. Angel Man / - Mr. Jackson Mok	(w/e)
Sino	- Mr. Billy Tang / Mr. Jimmy Cheung / - Mr. Terry Wan	(w/e) (Email Only)
AGC	- Mr. Raymond Ho / Mr. Eliot Chan	(w/e) (Email Only)
MFT	- Mr. Brian Leung / Mr. Nigel Lo - Ms. Yoanna Chan	(w/e)

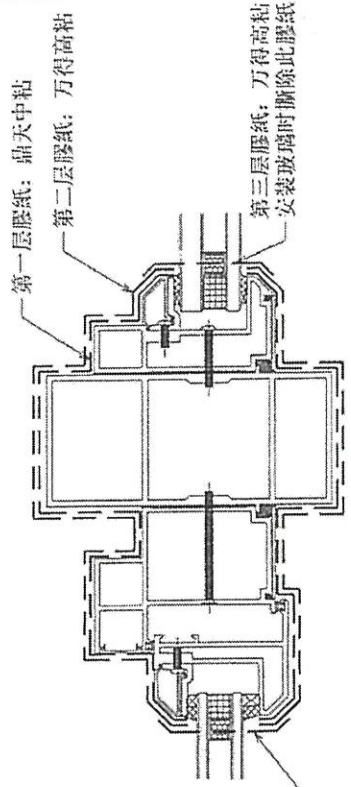
FM/MT/DW/AY/BL/wk


留位



OUTSIDE

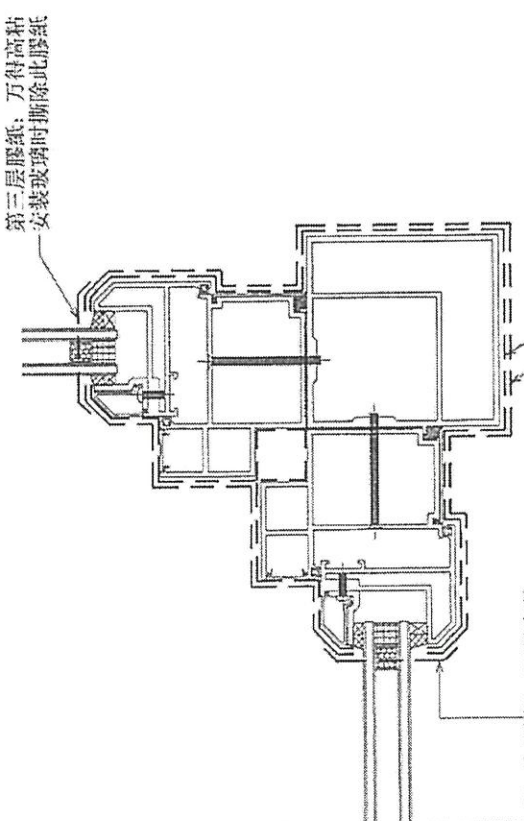
1/7001



OUTSIDE

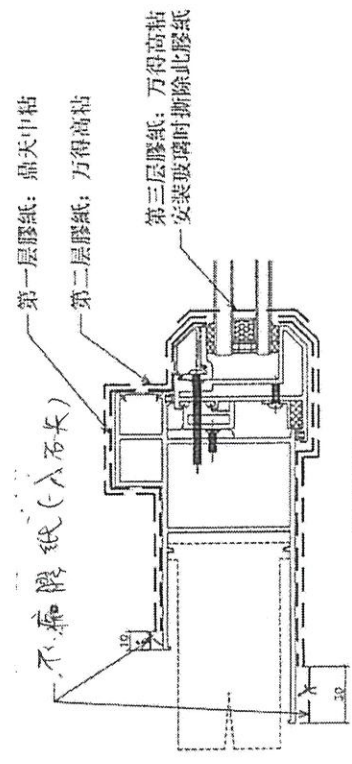
2/7001

留位



OUTSIDE

3/7001



OUTSIDE

4/7001



S.D. REF.:

CLIENT:

ARCHITECT:

MAIN CONTRACTOR:

STRUCTURAL ENGINEER: **Gammon**

ARUP

FRAME CONSULTANT: **MEINHARDT**

NOTE: ALL DIMENSIONS ARE IN MM.
 2. ALL DIMENSIONS ARE NOTED FROM BUTTICE.
 3. ALL DIMENSIONS TO BE VERIFIED ON SITE BEFORE FABRICATION.

- LEGEND:
- ① --- DETAIL WORK NO.
 - ② --- REFER SHEET NO.
 - 1. F.F.L. --- FINISHED FLOOR LEVEL
 - 2. S.F.L. --- STRUCTURAL FLOOR LEVEL
 - 3. A --- REVERSE BEAM
 - 4. A --- BEAM LOCATION
 - 5. --- FINISH LINE (OPTION)
 - 6. G.O.S. --- GROUND

NO.	REV.	DESCRIPTION
1		ISSUED FOR PERMIT TO WORK
2		ISSUED FOR PERMIT TO WORK
3		ISSUED FOR PERMIT TO WORK
4		ISSUED FOR PERMIT TO WORK
5		ISSUED FOR PERMIT TO WORK
6		ISSUED FOR PERMIT TO WORK

JOB NO.: J-652

PROJECT: REGIONAL DEVELOPMENT AT L29 - 147 ARCADE STREET, N.S.K. 6025 R.P. & 6026 R.P., 6027 R.P. & 6028 R.P.

DRAWN BY: AN

CHECKED BY: DN

DATE: 02-Dec-19

SCALE: 1:2

DETAIL FOR ALUM. WINDOW

美特銘有限公司

MEI TING LIMITED

1101 Cheong Cheong Road, #04-01, Singapore 670801

TEL: (65) 67727655

FAX: (65) 67727656

INC. NO.: J852-S0-PW-7001

REV.: -

P.R. REF:

CLIENT:

AGC
 ADVANCED GLASS COMPANY
 10000 W. CENTRAL EXPRESSWAY
 SUITE 100
 DALLAS, TEXAS 75243

MAIN CONTRACTOR:

Gammon
 STRUCTURAL ENGINEER
ARUP
 FAHSE CONSULTING
MEYERHARDT

NOTE:
 1. ALL DIMENSIONS ARE IN MM.
 2. ALL ELEVATIONS ARE VIEWED FROM OUTSIDE.
 3. ALL DIMENSIONS TO BE REFERRED ON THE
 BEFORE FABRICATOR.

LEGEND:
 (1) - RETAIL MARK NO.
 (2) - REEF SHEET NO.

1. F.F.L. -- FINISHED FLOOR LEVEL
 2. S.F.L. -- STRUCTURAL FLOOR LEVEL
 3. G.L. -- GRADE LEVEL
 4. F.F.S. -- FINISHED 100 LEVEL
 5. G.L.S. (G.L.S.P.)
 6. G.L.S. (G.L.S.P.)
- G.01 -- Special Glass at 1000mm R.K. L.C.U.
 (G.01) -- Special Glass at 1000mm R.K. L.C.U.
 G.02 -- Special Glass at 1000mm R.K. L.C.U.
 (G.02) -- Special Glass at 1000mm R.K. L.C.U.
 G.03 -- Special Glass at 1000mm R.K. L.C.U.
 (G.03) -- Special Glass at 1000mm R.K. L.C.U.
 G.04 -- Special Glass at 1000mm R.K. L.C.U.
 (G.04) -- Special Glass at 1000mm R.K. L.C.U.
 G.05 -- Special Glass at 1000mm R.K. L.C.U.
 (G.05) -- Special Glass at 1000mm R.K. L.C.U.

NO.	DESCRIPTION	REVISION
1	REVISION	REVISION
2	REVISION	REVISION
3	REVISION	REVISION
4	REVISION	REVISION
5	REVISION	REVISION
6	REVISION	REVISION
7	REVISION	REVISION
8	REVISION	REVISION
9	REVISION	REVISION
10	REVISION	REVISION

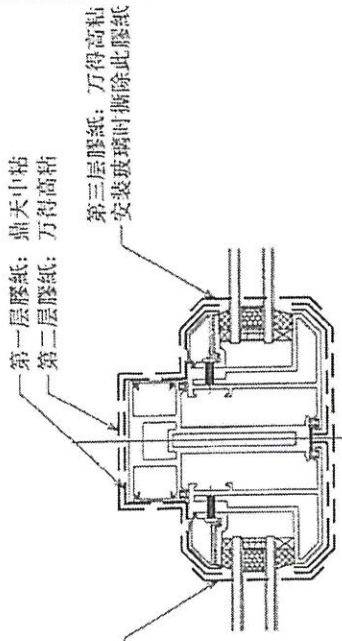
PROPOSED RESIDENTIAL DEVELOPMENT
 AT 139 - 147 ARCADE STREET,
 HILL 6006, 6015 R.P., 6035 R.P.,
 6037 R.P. & 6038 R.P.

DATE: 05/10/19
 SCALE: 1:12

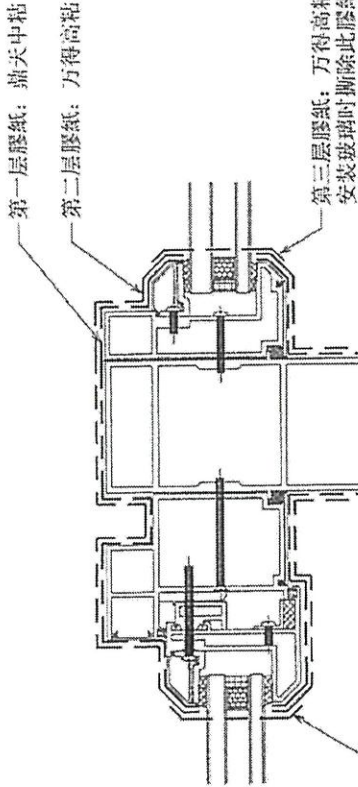
OWNER: JHI
 DESIGNER: DW
 ALLIANCE WINDOW

UNIT 4-B, Sanyo Industrial Centre, 1/F
 510 On Tin Street, Kowloon
 HONG KONG
 TEL: (852) 27272727

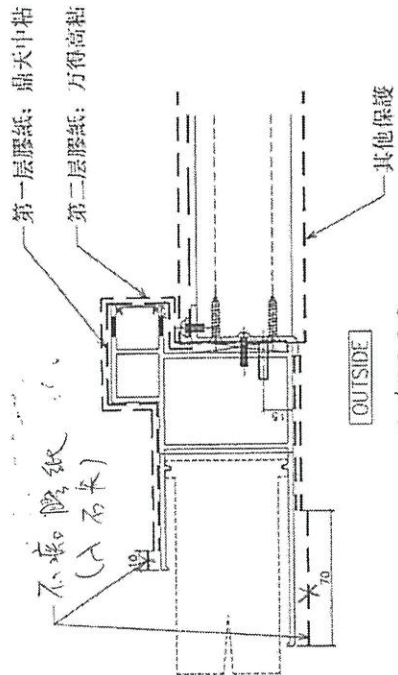
DWG NO.: 857-20-FW-7002 REV: -



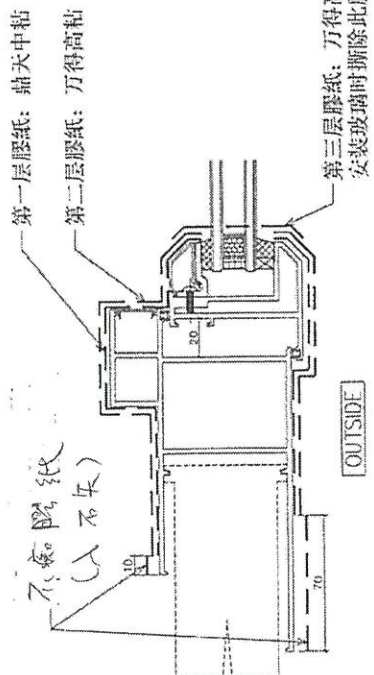
OUTSIDE
 2/7002



OUTSIDE
 4/7002



OUTSIDE
 1/7002



OUTSIDE
 3/7002

2

REV. NO. :

CLIENT :

ARCHITECT :
ABC
ARCHITECTURE

MAIN CONTRACTOR :

Gammon
STRUCTURAL ENGINEER :

ARUP

FOOTING CONSULTANT :

MEINHARDT

- NOTE:
1. ALL DIMENSIONS ARE IN mm.
 2. ALL DIMENSIONS ARE VERIFIED FROM REFERENCE.
 3. ALL DIMENSIONS ARE VERIFIED ON SITE.
 4. ALL DIMENSIONS ARE VERIFIED ON SITE.

LEGEND:

- 1. TFL -- FINISHED FLOOR LEVEL
- 2. TFL -- FINISHED FLOOR LEVEL
- 3. TFL -- FINISHED FLOOR LEVEL
- 4. TFL -- FINISHED FLOOR LEVEL
- 5. TFL -- FINISHED FLOOR LEVEL
- 6. TFL -- FINISHED FLOOR LEVEL
- 7. TFL -- FINISHED FLOOR LEVEL
- 8. TFL -- FINISHED FLOOR LEVEL
- 9. TFL -- FINISHED FLOOR LEVEL
- 10. TFL -- FINISHED FLOOR LEVEL

SCALE: 1:100

1	NO. OF WORKS	NO. OF WORKS
2	NO. OF WORKS	NO. OF WORKS
3	NO. OF WORKS	NO. OF WORKS
4	NO. OF WORKS	NO. OF WORKS
5	NO. OF WORKS	NO. OF WORKS
6	NO. OF WORKS	NO. OF WORKS
7	NO. OF WORKS	NO. OF WORKS
8	NO. OF WORKS	NO. OF WORKS
9	NO. OF WORKS	NO. OF WORKS
10	NO. OF WORKS	NO. OF WORKS

JOB NO. : J-852

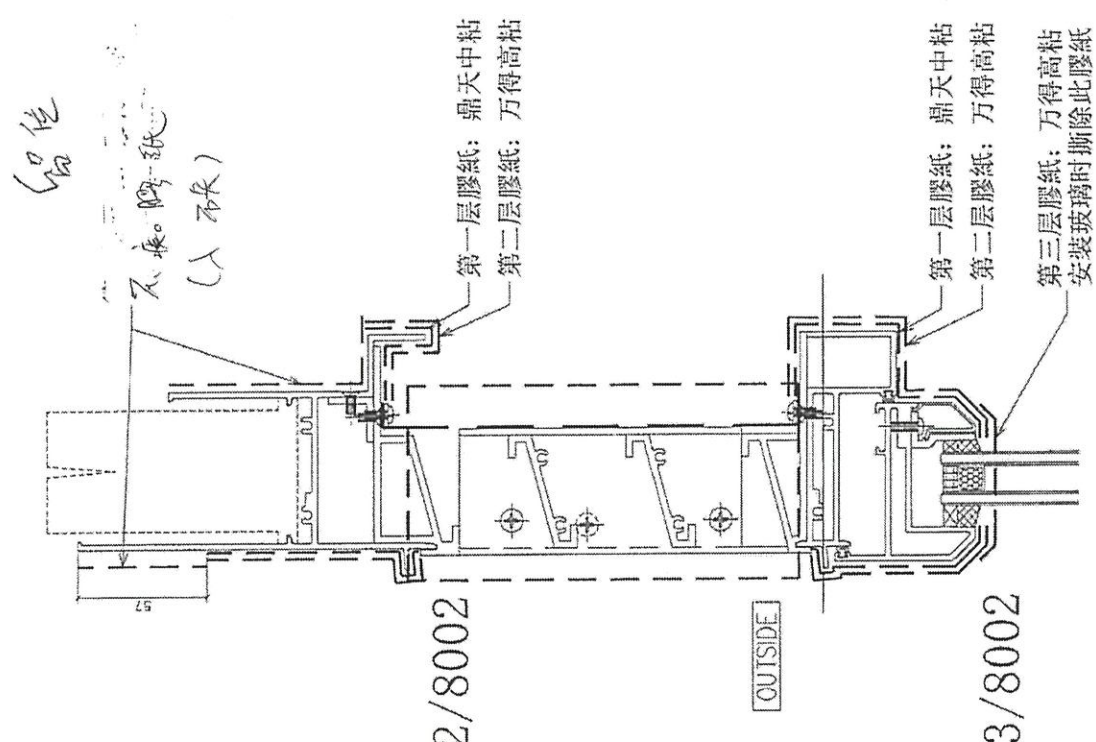
PROPOSED RESIDENTIAL DEVELOPMENT
AT 139 - 147 ANGLE STREET,
HRL 6002, 6003 REP., 6008 REP.,
6017 REP., A. 6018 REP.

TITLE :
DETAIL FOR
ALUM. WINDOW

DATE : 05-DEC-19 SCALE : 1:2

DRAWN BY : MH CHECKED BY : TW

美特耐有限公司
MIDI INTERIOR MANUFACTURE LTD.
Unit 4-1, Sunny Industrial Centre, 1/F
No. 25, Sunning Street, Tai Po, N.T.
Tel: (852) 27278164
Fax: (852) 27278164



第三层膠紙: 万得高粘
安装玻璃时撕除此膠紙

第一层膠紙: 鼎天中粘
第二层膠紙: 万得高粘

不粘膠紙 (A 不粘)

留位

1/8002

5

NO. 211

DATE:

ARCHITECT: AGG ARCHITECTS



STRUCTURAL ENGINEER: ARUP

TRACER CONSULTANT: MENHARDT

NOTE: 1. ALL DIMENSIONS ARE IN MM. 2. ALL DIMENSIONS ARE MARKED FROM OUTSIDE. 3. ALL DIMENSIONS TO BE MARKED ON SITE BEING DIMENSIONED.

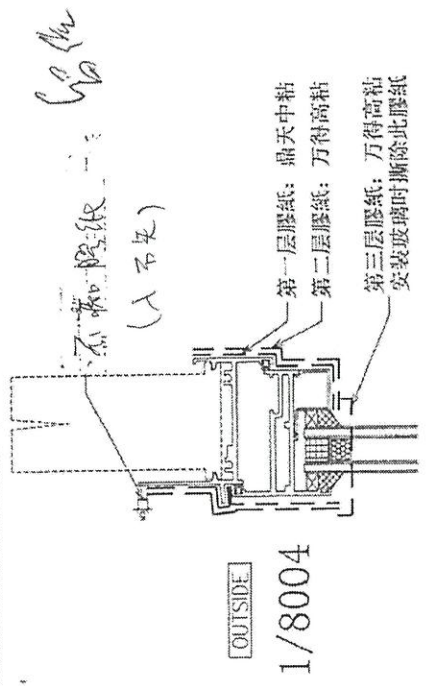
LEGEND: 1. FILL -- FINISHED FLOOR LEVEL. 2. SILL -- STRUCTURAL FLOOR LEVEL. 3. A -- FINISHED GRADE. 4. -- FINISH GRADE. 5. -- FINISH GRADE. 6. -- FINISH GRADE. 7. -- FINISH GRADE. 8. -- FINISH GRADE. 9. -- FINISH GRADE. 10. -- FINISH GRADE.

Table with 2 columns: Item, Description. Includes items like WINDOW SILL TO FINISHMENT, WINDOW SILL TO FINISHMENT, WINDOW SILL TO FINISHMENT.

PROPOSED RESIDENTIAL DEVELOPMENT AT 138 - 147 ARCADE STREET, HAIL EDDY, 6026 R.P., 6036 R.P., 6037 R.P. & 6038 R.P.

SCALE: 1:2 CHECKED BY: DR

OWNER: 美特铝业有限公司 (METAL INDUSTRIES LTD.)

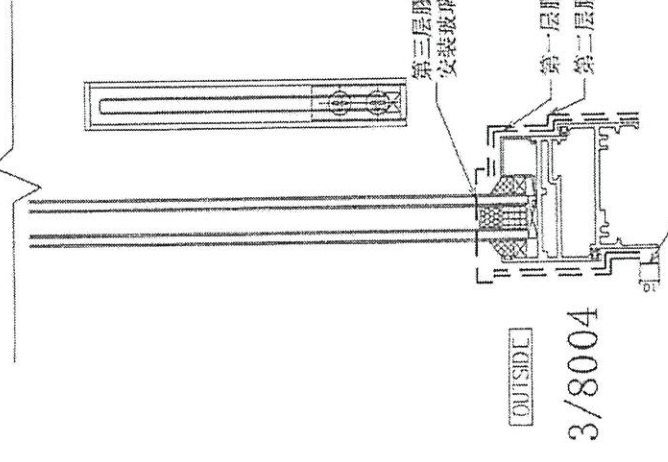


OUTSIDE

1/8004

石渣 (入石尖)

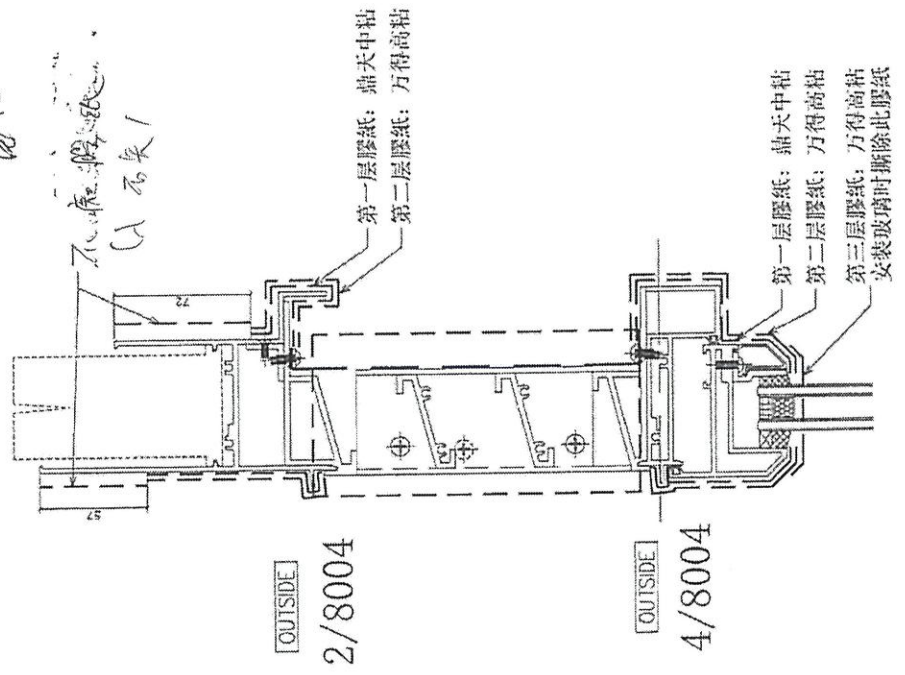
第一层胶纸: 鼎天中粘
第二层胶纸: 万得高粘
第三层胶纸: 万得高粘
安装玻璃时撕除此胶纸



OUTSIDE

3/8004

第三层胶纸: 万得高粘
安装玻璃时撕除此胶纸
第一层胶纸: 鼎天中粘
第二层胶纸: 万得高粘
第三层胶纸: 万得高粘
入佛沙玻璃时撕除此胶纸



OUTSIDE

2/8004

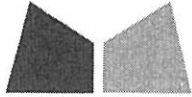
OUTSIDE

4/8004

第一层胶纸: 鼎天中粘
第二层胶纸: 万得高粘
第三层胶纸: 万得高粘
安装玻璃时撕除此胶纸

石渣 (入石尖)





美特鋁質有限公司
MIDI ALUMINIUM FABRICATOR LTD.

Our ref. MC/39814/852

18th November 2020

Gammon Engineering & Construction Company Limited
139 - 147 Argyle Street,
Kowloon, Hong Kong

By Email & Hand

Attn.: Mr. Dick Yuen / Ms. Penny Chau

Dear Sir,

2nd Submission

Re : Design, Supply & Installation of Aluminium Window & Cladding, Curtain Wall, Glass Wall, Louvers and Glass Balustrade Nominated Sub-Contract at K.I.L. 6038RP, K.I.L.6037RP, K.I.L. 6036RP, K.I.L. 6035RP & K.I.L. 6005, Nos. 139-147 Argyle Street, Kowloon.
2nd Submission of Method Statement for Additional Aluminium Frame Protection of Precast Window (MST004)

Regarding the captioned project, 1st submission of Method Statement for Aluminium Frame Protection of Precast Window was approved according to the enclosed comment from Meinhardt. Further to site visit on 4 Nov 2020, we are requested to provide additional protection on precast windows and we would like to re-submit Method Statement for Additional Protection of Precast Window for your review and comment.

Thank you for your kind attention.

Yours faithfully,
MIDI ALUMINIUM FABRICATOR LTD.

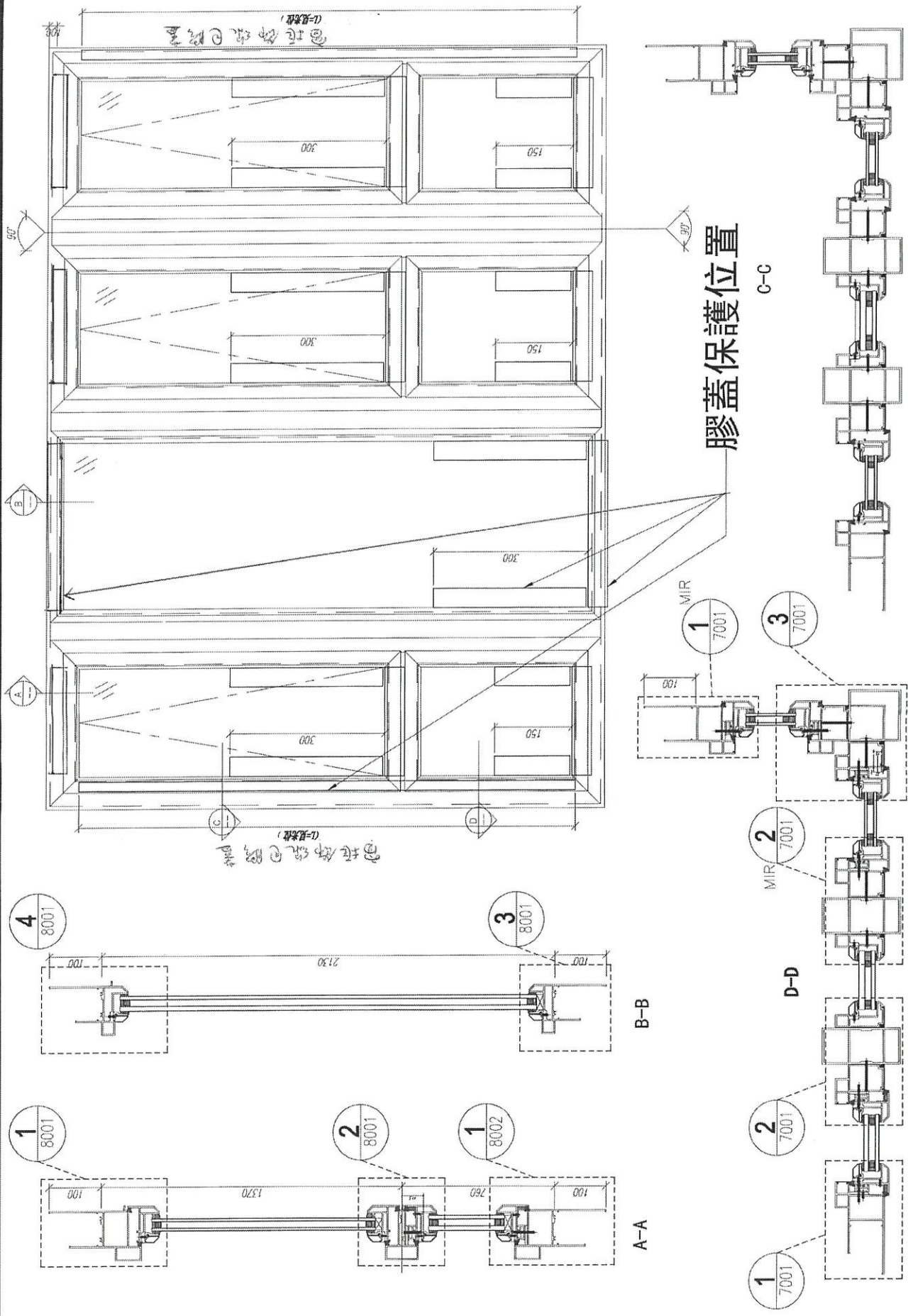
Marco Tam
Director

Encl

cc. Gammon	- Mr. Chris Kwok / Ms. Myra Li / - Ms. Esther Chung / Ms. Angel Man / - Mr. Jackson Mok	(w/e)
Sino	- Mr. Billy Tang / Mr. Jimmy Cheung / - Mr. Terry Wan	(w/e) (Email Only)
AGC	- Mr. Raymond Ho / Mr. Eliot Chan	(w/e) (Email Only)
MFT	- Mr. Brian Leung / Mr. Nigel Lo - Ms. Yoanna Chan	(w/e)

FM/MT/DW/AY/BL/wk

Aluminium Frame Protection for Breast Window



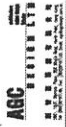
包裝保護示意图

数量:	材料:	表面处理:	UCT806812AL-3
制图: 郭上覃	日期: 2020.07.06	审核: WSH	Rev:A
工程名称: 亞皆老街 / 佛沙窗		MIDI Aluminium Fabricator Ltd.	
图名: W3/T3A組裝圖		图号: W3/T3A(1F~3F)	

AL REF :

CLIENT :

ARCHITECT :



MAIN CONTRACTOR :



STRUCTURAL ENGINEER :



FAÇADE CONSULTANT :



SCALE :

1. ALL DIMENSIONS ARE IN MM.
2. ALL ELEVATIONS ARE VIEWED FROM OUTSIDE.
3. ALL DIMENSIONS TO BE VIEWED ON SITE SHOULD BE VERIFIED.

LOGO :

DETAIL MARK NO.

REFER SHEET NO.

1. FFL -- FINISHED FLOOR LEVEL

2. SFL -- STRUCTURAL FLOOR LEVEL

3. @ -- REVERSED DETAIL

4. * -- FINING LOCATION

5. Δ -- FINING LUG LOCATION

6. CLASS LEGEND

- G.01 -- 8mm THK. AIR GAP + 12mm THK. IGU
- G.02 -- 8mm THK. AIR GAP + 12mm THK. IGU
- G.03 -- 12mm THK. EMERGENCY GLASS (SPARK-RESISTANT GLASS)
- G.04 -- 10mm THK. TEMPERED GLASS (PROJECTIVE BARRIER)
- G.05 -- 6mm + 12mm AIR GAP + 6mm THK. IGU

NO.	REVISION	REVISION SUBJECT TO APPROVEMENT
1	20/12/2019	REVISION SUBJECT TO APPROVEMENT
2	20/12/2019	REVISION SUBJECT TO APPROVEMENT
3	19/12/2019	REVISION SUBJECT TO APPROVEMENT
4	04/12/2019	REVISION SUBJECT TO APPROVEMENT
5	24/07/2019	REVISION SUBJECT TO APPROVEMENT
6	19/07/2019	REVISION SUBJECT TO APPROVEMENT
7	19/07/2019	REVISION SUBJECT TO APPROVEMENT
8	04/07/2019	REVISION SUBJECT TO APPROVEMENT
9	24/07/2019	REVISION SUBJECT TO APPROVEMENT
10	19/07/2019	REVISION SUBJECT TO APPROVEMENT
11	19/07/2019	REVISION SUBJECT TO APPROVEMENT
12	19/07/2019	REVISION SUBJECT TO APPROVEMENT
13	19/07/2019	REVISION SUBJECT TO APPROVEMENT
14	19/07/2019	REVISION SUBJECT TO APPROVEMENT
15	19/07/2019	REVISION SUBJECT TO APPROVEMENT
16	19/07/2019	REVISION SUBJECT TO APPROVEMENT
17	19/07/2019	REVISION SUBJECT TO APPROVEMENT
18	19/07/2019	REVISION SUBJECT TO APPROVEMENT
19	19/07/2019	REVISION SUBJECT TO APPROVEMENT
20	19/07/2019	REVISION SUBJECT TO APPROVEMENT
21	19/07/2019	REVISION SUBJECT TO APPROVEMENT
22	19/07/2019	REVISION SUBJECT TO APPROVEMENT
23	19/07/2019	REVISION SUBJECT TO APPROVEMENT
24	19/07/2019	REVISION SUBJECT TO APPROVEMENT
25	19/07/2019	REVISION SUBJECT TO APPROVEMENT
26	19/07/2019	REVISION SUBJECT TO APPROVEMENT
27	19/07/2019	REVISION SUBJECT TO APPROVEMENT
28	19/07/2019	REVISION SUBJECT TO APPROVEMENT
29	19/07/2019	REVISION SUBJECT TO APPROVEMENT
30	19/07/2019	REVISION SUBJECT TO APPROVEMENT
31	19/07/2019	REVISION SUBJECT TO APPROVEMENT
32	19/07/2019	REVISION SUBJECT TO APPROVEMENT
33	19/07/2019	REVISION SUBJECT TO APPROVEMENT
34	19/07/2019	REVISION SUBJECT TO APPROVEMENT
35	19/07/2019	REVISION SUBJECT TO APPROVEMENT
36	19/07/2019	REVISION SUBJECT TO APPROVEMENT
37	19/07/2019	REVISION SUBJECT TO APPROVEMENT
38	19/07/2019	REVISION SUBJECT TO APPROVEMENT
39	19/07/2019	REVISION SUBJECT TO APPROVEMENT
40	19/07/2019	REVISION SUBJECT TO APPROVEMENT
41	19/07/2019	REVISION SUBJECT TO APPROVEMENT
42	19/07/2019	REVISION SUBJECT TO APPROVEMENT
43	19/07/2019	REVISION SUBJECT TO APPROVEMENT
44	19/07/2019	REVISION SUBJECT TO APPROVEMENT
45	19/07/2019	REVISION SUBJECT TO APPROVEMENT
46	19/07/2019	REVISION SUBJECT TO APPROVEMENT
47	19/07/2019	REVISION SUBJECT TO APPROVEMENT
48	19/07/2019	REVISION SUBJECT TO APPROVEMENT
49	19/07/2019	REVISION SUBJECT TO APPROVEMENT
50	19/07/2019	REVISION SUBJECT TO APPROVEMENT
51	19/07/2019	REVISION SUBJECT TO APPROVEMENT
52	19/07/2019	REVISION SUBJECT TO APPROVEMENT
53	19/07/2019	REVISION SUBJECT TO APPROVEMENT
54	19/07/2019	REVISION SUBJECT TO APPROVEMENT
55	19/07/2019	REVISION SUBJECT TO APPROVEMENT
56	19/07/2019	REVISION SUBJECT TO APPROVEMENT
57	19/07/2019	REVISION SUBJECT TO APPROVEMENT
58	19/07/2019	REVISION SUBJECT TO APPROVEMENT
59	19/07/2019	REVISION SUBJECT TO APPROVEMENT
60	19/07/2019	REVISION SUBJECT TO APPROVEMENT
61	19/07/2019	REVISION SUBJECT TO APPROVEMENT
62	19/07/2019	REVISION SUBJECT TO APPROVEMENT
63	19/07/2019	REVISION SUBJECT TO APPROVEMENT
64	19/07/2019	REVISION SUBJECT TO APPROVEMENT
65	19/07/2019	REVISION SUBJECT TO APPROVEMENT
66	19/07/2019	REVISION SUBJECT TO APPROVEMENT
67	19/07/2019	REVISION SUBJECT TO APPROVEMENT
68	19/07/2019	REVISION SUBJECT TO APPROVEMENT
69	19/07/2019	REVISION SUBJECT TO APPROVEMENT
70	19/07/2019	REVISION SUBJECT TO APPROVEMENT
71	19/07/2019	REVISION SUBJECT TO APPROVEMENT
72	19/07/2019	REVISION SUBJECT TO APPROVEMENT
73	19/07/2019	REVISION SUBJECT TO APPROVEMENT
74	19/07/2019	REVISION SUBJECT TO APPROVEMENT
75	19/07/2019	REVISION SUBJECT TO APPROVEMENT
76	19/07/2019	REVISION SUBJECT TO APPROVEMENT
77	19/07/2019	REVISION SUBJECT TO APPROVEMENT
78	19/07/2019	REVISION SUBJECT TO APPROVEMENT
79	19/07/2019	REVISION SUBJECT TO APPROVEMENT
80	19/07/2019	REVISION SUBJECT TO APPROVEMENT
81	19/07/2019	REVISION SUBJECT TO APPROVEMENT
82	19/07/2019	REVISION SUBJECT TO APPROVEMENT
83	19/07/2019	REVISION SUBJECT TO APPROVEMENT
84	19/07/2019	REVISION SUBJECT TO APPROVEMENT
85	19/07/2019	REVISION SUBJECT TO APPROVEMENT
86	19/07/2019	REVISION SUBJECT TO APPROVEMENT
87	19/07/2019	REVISION SUBJECT TO APPROVEMENT
88	19/07/2019	REVISION SUBJECT TO APPROVEMENT
89	19/07/2019	REVISION SUBJECT TO APPROVEMENT
90	19/07/2019	REVISION SUBJECT TO APPROVEMENT
91	19/07/2019	REVISION SUBJECT TO APPROVEMENT
92	19/07/2019	REVISION SUBJECT TO APPROVEMENT
93	19/07/2019	REVISION SUBJECT TO APPROVEMENT
94	19/07/2019	REVISION SUBJECT TO APPROVEMENT
95	19/07/2019	REVISION SUBJECT TO APPROVEMENT
96	19/07/2019	REVISION SUBJECT TO APPROVEMENT
97	19/07/2019	REVISION SUBJECT TO APPROVEMENT
98	19/07/2019	REVISION SUBJECT TO APPROVEMENT
99	19/07/2019	REVISION SUBJECT TO APPROVEMENT
100	19/07/2019	REVISION SUBJECT TO APPROVEMENT

JOB NO. : J-852

PROJECT : PROPOSED RESIDENTIAL DEVELOPMENT
 UNIT 6-4, SENEY INQUIRY CENTRE,
 MILLER ROAD, #03-05 R.F.P.,
 #03-07 R.F.P. & #03-08 R.F.P.

TITLE :

DETAIL FOR ALUMINUM WINDOW

DATE : 05-Dec-19

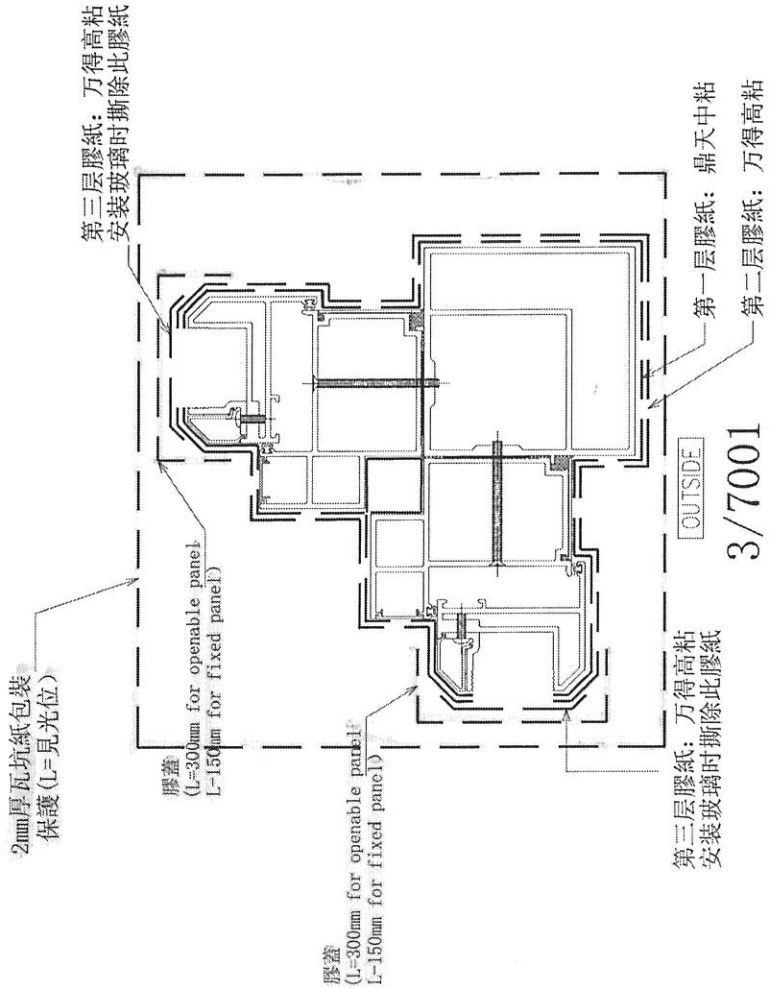
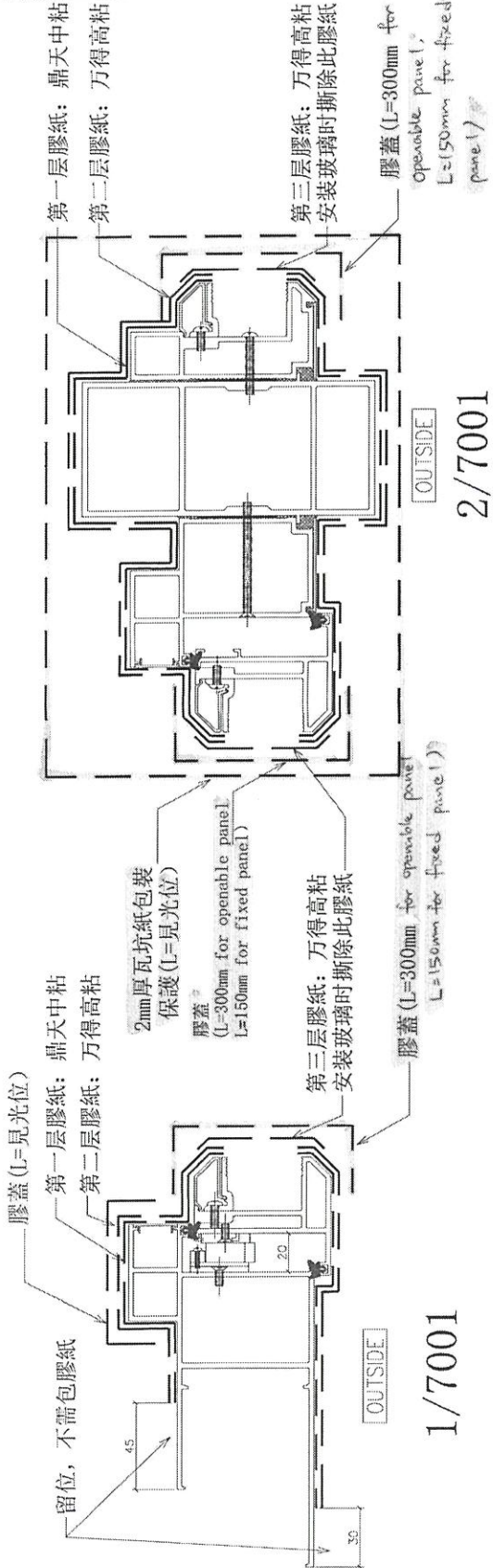
SCALE : 1:2

DRAWN BY : AN

CHECKED BY : DW

美特铝窗有限公司
MIDI ALUMINUM FABRICATOR LTD.
 Unit 6-4, Seney Inquiry Centre, 1/F,
 Millier Road, Singapore.
 Tel: 65-63211144, Fax: 65-63212285

DWG NO. : 052-SD-PW-7001 REV. : --



BA REF :

CLIENT :

ARCHITECT :



MAIN CONTRACTOR :



STRUCTURAL ENGINEER :



FAÇADE CONSULTANT :



NOTE :

1. ALL DIMENSIONS ARE IN MM.
2. ALL ELEVATIONS ARE VIEWED FROM OUTSIDE.
3. ALL DIMENSIONS TO BE VERIFIED ON SITE BEFORE FABRICATION.

LEGEND :

DETAIL MARK NO.

REFER SHEET NO.

1. F.F.L. --- FINISHED FLOOR LEVEL

2. S.F.L. --- STRUCTURAL FLOOR LEVEL

3. --- REVERSED DETAIL

4. --- FIXING LOCATION

5. --- FIXING LUG LOCATION

6. --- GLASS LEGEND

GL01 --- 6mm+12mm AIR GAP+6mm THK. IGU

GL02 --- 6mm+6mm AIR GAP+12mm THK. IGU

GL03 --- 16mm THK. TEMPERED GLASS (SPANISH GLASS)

GL04 --- 16mm THK. TEMPERED GLASS (PROTECTIVE BARRIER)

GL05 --- 6mm+12mm AIR GAP+6mm THK. IGU

GL06 --- 6mm+12mm AIR GAP+6mm THK. IGU

GL07 --- 6mm+12mm AIR GAP+6mm THK. IGU

GL08 --- 6mm+12mm AIR GAP+6mm THK. IGU

GL09 --- 6mm+12mm AIR GAP+6mm THK. IGU

GL10 --- 6mm+12mm AIR GAP+6mm THK. IGU

GL11 --- 6mm+12mm AIR GAP+6mm THK. IGU

GL12 --- 6mm+12mm AIR GAP+6mm THK. IGU

GL13 --- 6mm+12mm AIR GAP+6mm THK. IGU

GL14 --- 6mm+12mm AIR GAP+6mm THK. IGU

GL15 --- 6mm+12mm AIR GAP+6mm THK. IGU

GL16 --- 6mm+12mm AIR GAP+6mm THK. IGU

GL17 --- 6mm+12mm AIR GAP+6mm THK. IGU

GL18 --- 6mm+12mm AIR GAP+6mm THK. IGU

GL19 --- 6mm+12mm AIR GAP+6mm THK. IGU

GL20 --- 6mm+12mm AIR GAP+6mm THK. IGU

GL21 --- 6mm+12mm AIR GAP+6mm THK. IGU

GL22 --- 6mm+12mm AIR GAP+6mm THK. IGU

GL23 --- 6mm+12mm AIR GAP+6mm THK. IGU

GL24 --- 6mm+12mm AIR GAP+6mm THK. IGU

GL25 --- 6mm+12mm AIR GAP+6mm THK. IGU

GL26 --- 6mm+12mm AIR GAP+6mm THK. IGU

GL27 --- 6mm+12mm AIR GAP+6mm THK. IGU

GL28 --- 6mm+12mm AIR GAP+6mm THK. IGU

GL29 --- 6mm+12mm AIR GAP+6mm THK. IGU

GL30 --- 6mm+12mm AIR GAP+6mm THK. IGU

GL31 --- 6mm+12mm AIR GAP+6mm THK. IGU

GL32 --- 6mm+12mm AIR GAP+6mm THK. IGU

GL33 --- 6mm+12mm AIR GAP+6mm THK. IGU

GL34 --- 6mm+12mm AIR GAP+6mm THK. IGU

GL35 --- 6mm+12mm AIR GAP+6mm THK. IGU

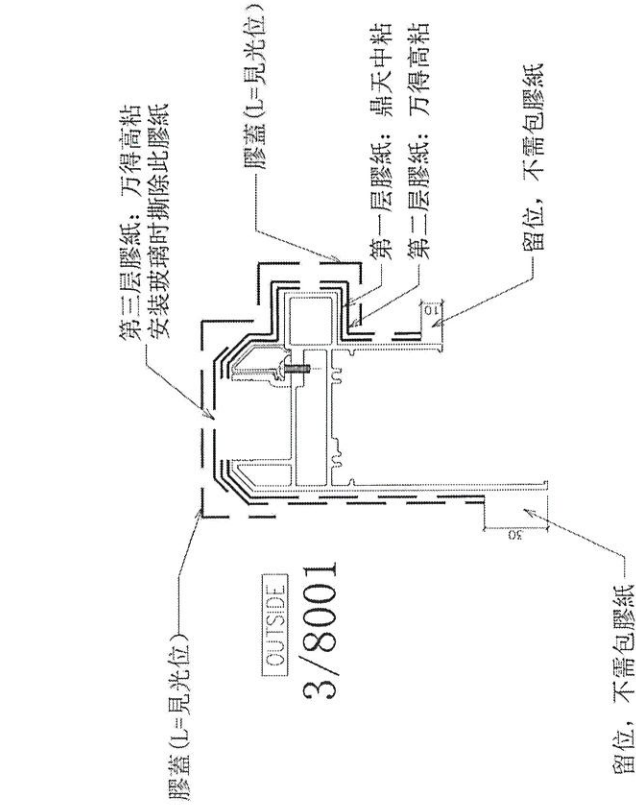
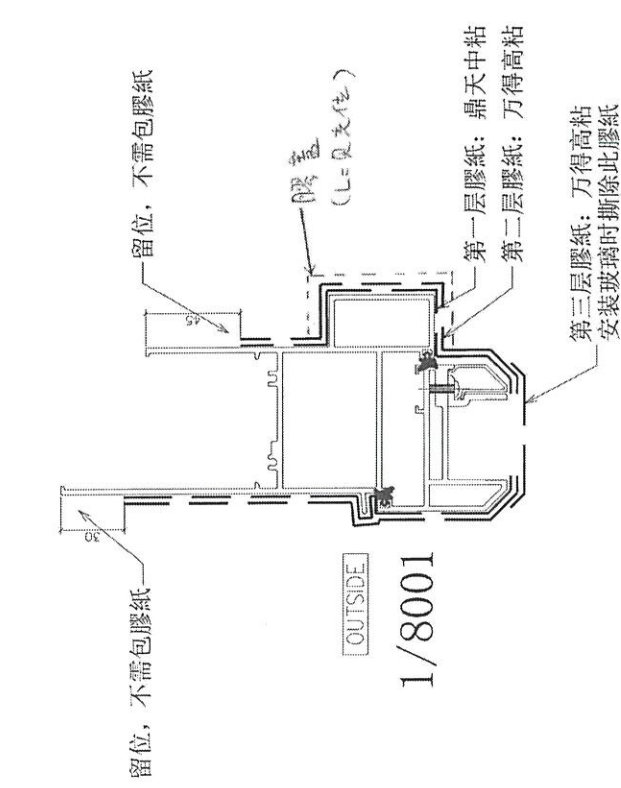
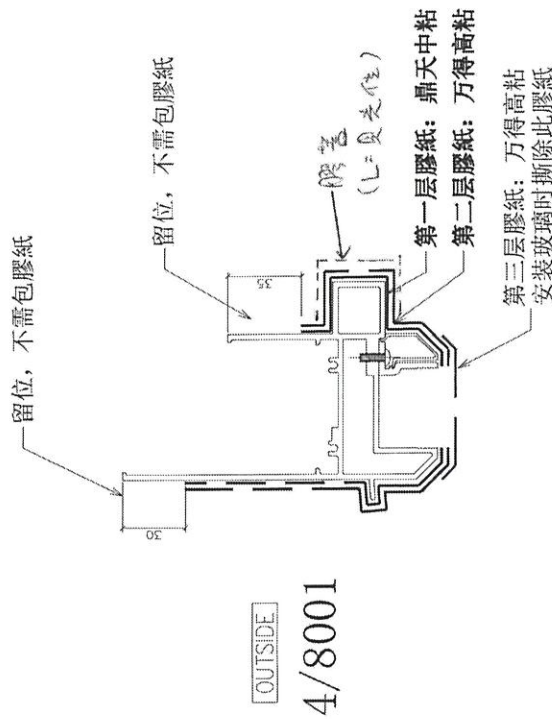
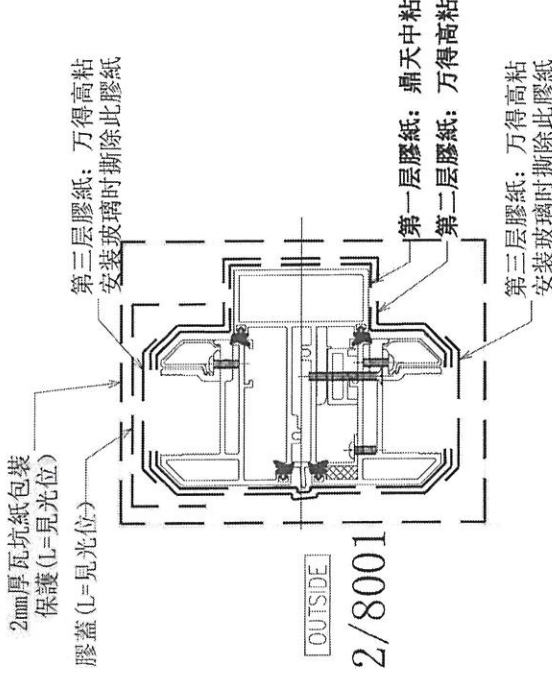
GL36 --- 6mm+12mm AIR GAP+6mm THK. IGU

GL37 --- 6mm+12mm AIR GAP+6mm THK. IGU

GL38 --- 6mm+12mm AIR GAP+6mm THK. IGU

GL39 --- 6mm+12mm AIR GAP+6mm THK. IGU

GL40 --- 6mm+12mm AIR GAP+6mm THK. IGU



PROJECT : PROPOSED RESIDENTIAL DEVELOPMENT AT THE PRELIMINARY STAGE
 MKL 6005, 6035, 6038, 6039 R.P.P., 6037, R.P.P. & 6038 R.P.P.
 TITLE : DETAIL FOR ALUM. WINDOW

DATE : 05-Dec-19 SCALE : 1:2
 DRAWN BY : HAN CHECKED BY : DW
義特銘實有限公司
MIDI ARCHITECTURE FABRICATOR LTD.
 Units 6-8, Sunny Industrial Centre, 1/F
 819 She Koo Ling Road, Kowloon
 HONG KONG TEL: (852) 27272888
 FAX: (852) 27278888
 PRC NO. : J452-SD-PW-8501 REV. : -

B.O. REF.

CLIENT :

ARCHITECT :



MAIN CONTRACTOR :



STRUCTURAL ENGINEER :



FAÇADE CONSULTANT :



NOTE :

- 1. ALL DIMENSIONS ARE IN mm.
- 2. ALL ELEVATIONS ARE VIEWED FROM OUTSIDE.
- 3. ALL DIMENSIONS MUST BE VERIFIED ON SITE BEFORE FABRICATION.

LEGEND :

AT --- DETAIL MARK NO.
REF --- REFER SHEET NO.

- 1. F.F.L. --- FINISHED FLOOR LEVEL
- 2. S.F.L. --- STRUCTURAL FLOOR LEVEL
- 3. --- REVERSED DETAIL
- 4. --- FINING LOCATION
- 5. --- FINING LUT LOCATION
- 6. CLASS LEGEND

E	14/03/2020	REVISION SUBJECT TO ACCORDANCE
D	07/02/2020	REVISION SUBJECT TO ACCORDANCE
C	09/02/2020	REVISION SUBJECT TO ACCORDANCE
B	03/02/2020	REVISION SUBJECT TO ACCORDANCE
A	24/02/2020	REVISION SUBJECT TO ACCORDANCE
NO.	DATE	REVISION

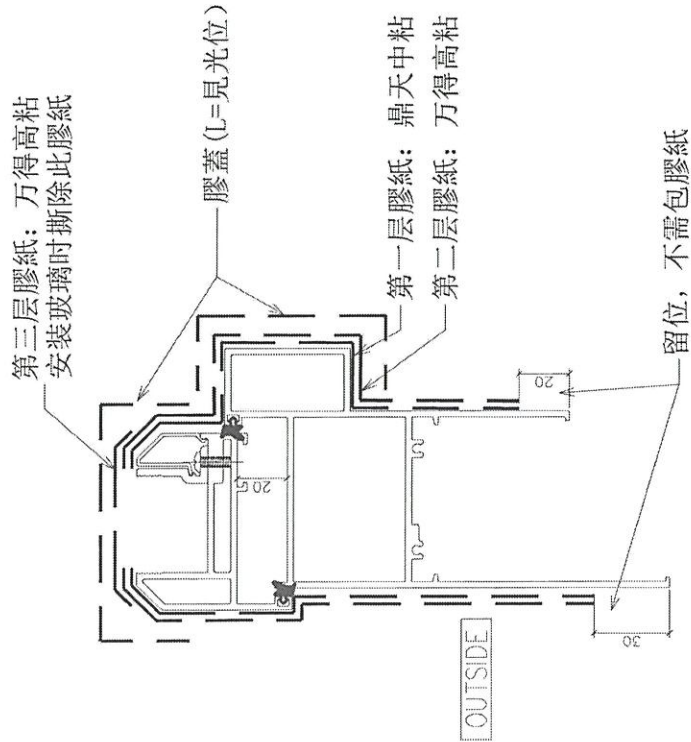
JOB NO. : J-852
 PROPOSED RESIDENTIAL DEVELOPMENT
 AT 139 - 147 ARCADE STREET
 NKIL 6035, 6035 R.P., 6038 R.P.,
 6037 R.P. & 6038 R.P.

TITLE :
 DETAIL FOR
 ALUM. WINDOW

DATE : 05-Dec-19 SCALE : 1:2
 DRAWN BY : HAN CHECKED BY : DW

美特铝质有限公司
MIDI ALUMINIUM FABRICATOR LTD.
 Unit B-2, Sunny Industrial Centre, 1/F
 60, Sunning Street, Sunny Industrial Estate,
 Tai Po, New Territories, Hong Kong
 Tel: 24245201 - 4 Fax: 242427668

DWG NO. : J852-S0-PW-802 REV. : -



1/8002



3

from 2nd Submission Comment
Meinhardt

J3860 - Proposed Residential Development,
At 139 - 147 Argyle Street, Kowloon

TECHNICAL SUBMISSION FORM

To : Mr Brian Leung / Ms Yoanna Chan / Mr Nigel Lo
Meinhardt Façade Technology (HK) Ltd
22/F Great Smart Tower,
230 Wanchai Road,
Wan Chai, Hong Kong

No. TS/A/056 (Rev. 1)

Date: 20 November 2020

REQUIRED APPROVAL DATE: 4 December 2020

Ref. J3860/304.7/D07186

We submit the following information/ documents for your comment / approval by the date indicated above.

Sub-Contractor / Trade: Midi Aluminium Fabrication Ltd./ Curtain Wall, Aluminium Windows and Louvres, Aluminium Cladding and Glass Balustrade

Description: 2nd Submission of Method Statement for Aluminium Frame Protection for Precast Window (MST004)

Location for use: Precast Window

- Enclosures:
- Catalogue
 - Data / Specification
 - Certificate / Approval
 - Test Report
 - Calculation
 - Shop / Installation Drawing
 - Job Reference
 - Schedule
 - Other (specify): Method Statement

Remarks:

- cc
- Pacific Shine - Mr Billy Tang / Mr Kocher Wong / Mr Edwin Chow / Mr Simon Chung / Mr Ross Pau / Mr Ken Ng / Mr Wyman Fong / Mr Jimmy Cheung / Mr C F Lee / Mr Peter Chong
 - AGC - Ms Grace Cheng / Mr Raymond Ho
 - ARUP (Stru) - Mr Johnson Po / Mr Don Ho / Ms Jessy Zhang
 - W&O - Mr Nier Chan / Mr Anson Lau
 - Arcadis - Ms Brenda Mok / Ms Emily Chu
 - AXXA - Ms Siunan Hung / Ms Sammy Tang / Mr Oscar Leung
 - ARUP (Traffic) - Ms Carmen Chu / Mr Eddy Cheung
 - RE - Mr Andrew Tai / Mr Yang Li / Mr Oscar Tam
 - MFT RE - Ms Cosimo Wong / Mr Neo Wong
 - OSR - Mr K M Pang / Mr H T Tseung / Mr Poon Tsz Kit / Mr S T Chan / Mr Ben Li
 - BSI (Sino) - Mr Kelvin Tam
 - RBSE (W&O) - Mr Kevin Lee
 - GECCL - DY / QS / Setting Out
 - S/C - Midi (By Email)

Dick Yuen
 Senior Project Manager
 Gammon Engineering &
 Construction Company Limited
 DY/AM/JM/CK/PC/wym
 Encl

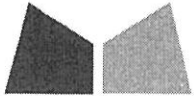
Architect's / Consultant's Reply

- Approved (A) Approved with comment (B) Approved with comment & resubmit (C) Rejected (D)

Comments : No additional cost will be incurred as protection method of aluminium window frame should be complied with contract specification "Facade Technical Specification Appendix J".
 Midi should revise this submission by following the practice protection method which demonstrated in on site mock-up.

Signed : Designation : MFT Date : 27 Nov 2020

Remarks : w/encl. w/o encl



美特鋁質有限公司
MIDI ALUMINIUM FABRICATOR LTD.

Our ref. MC/39814/852

18th November 2020

Gammon Engineering & Construction Company Limited
139 - 147 Argyle Street,
Kowloon, Hong Kong

By Email & Hand

Attn.: Mr. Dick Yuen / Ms. Penny Chau

Dear Sir,

**Re : Design, Supply & Installation of Aluminium Window & Cladding, Curtain Wall, Glass Wall, Lourves and Glass Balustrade Nominated Sub-Contract at K.I.L. 6038RP, K.I.L.6037RP, K.I.L. 6036RP, K.I.L. 6035RP & K.I.L. 6005, Nos. 139-147 Argyle Street, Kowloon.
2nd Submission of Method Statement for Additional Aluminium Frame Protection of Precast Window (MST004)**

Regarding the captioned project, 1st submission of Method Statement for Aluminium Frame Protection of Precast Window was approved according to the enclosed comment from Meinhardt. Further to site visit on 4 Nov 2020, we are requested to provide additional protection on precast windows and we would like to re-submit Method Statement for Additional Protection of Precast Window for your review and comment.

Thank you for your kind attention.

Yours faithfully,
MIDI ALUMINIUM FABRICATOR LTD.

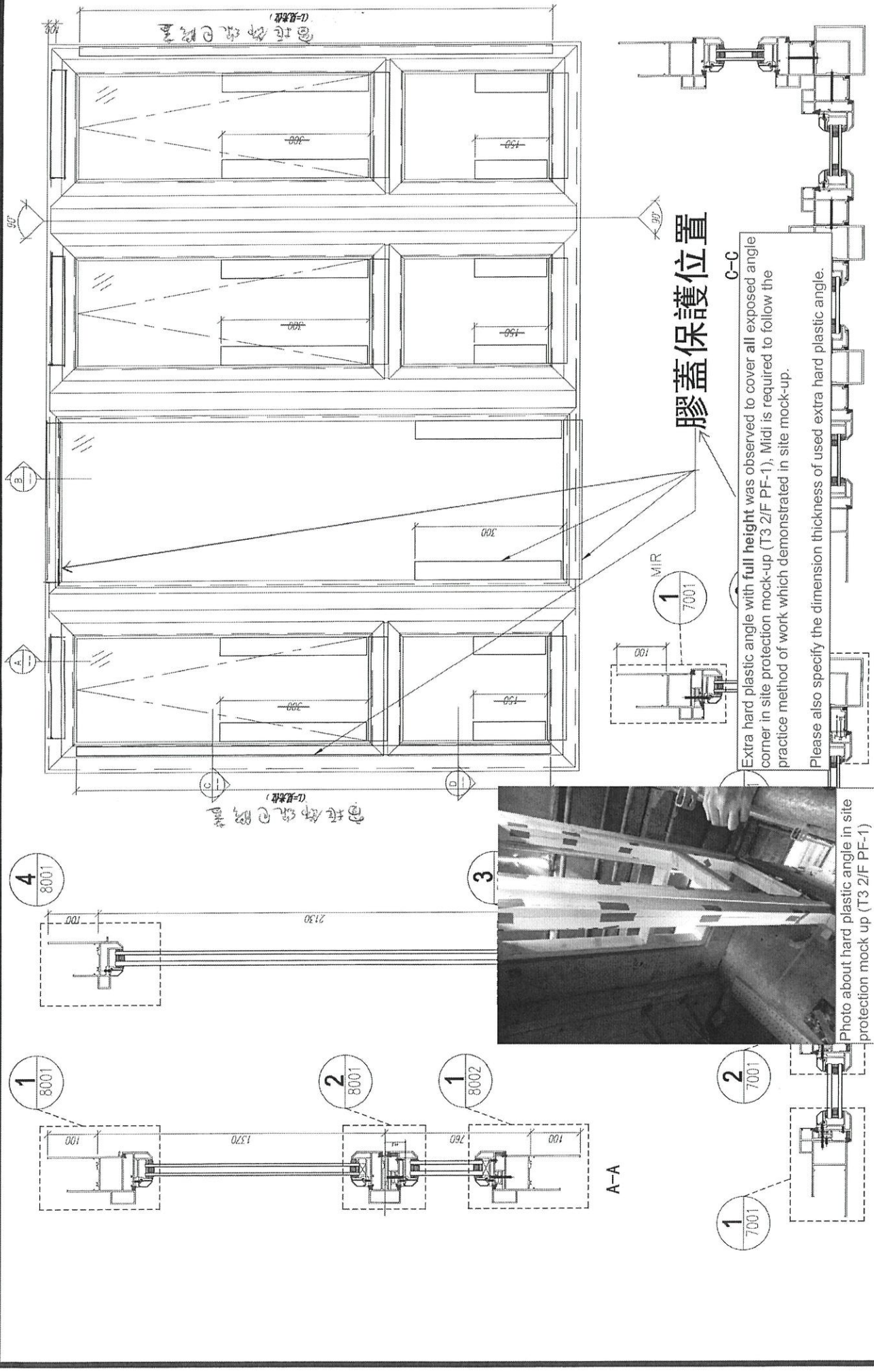
Marco Tam
Director

Encl

cc. Gammon	- Mr. Chris Kwok / Ms. Myra Li /	(w/e)
	- Ms. Esther Chung / Ms. Angel Man /	
	- Mr. Jackson Mok	
Sino	- Mr. Billy Tang / Mr. Jimmy Cheung /	(w/e) (Email Only)
	- Mr. Terry Wan	
AGC	- Mr. Raymond Ho / Mr. Eliot Chan	(w/e) (Email Only)
MFT	- Mr. Brian Leung / Mr. Nigel Lo	(w/e)
	- Ms. Yoanna Chan	

FM/MT/DW/AY/BL/wk

Aluminium Frame Protection for Precast Window



包裝保護示意图

数量:	材料:	表面处理:	工程名称:
制图:	日期:	审核:	图号:
郭上军	2020.07.06	WSH	WS/T3A(1F~3F)
校核:	日期:	审核:	图号:
WSH	2020.07.06	WSH	WS/T3A(1F~3F)
数量:	材料:	表面处理:	工程名称:
	详见本图附表	UC1806812AL-3	亞皆老街 / 佛沙窗
			图名: WS/T3A(1F~3F)
			图号: WS/T3A(1F~3F)



R.O. REF :

CLIENT :

ARCHITECT :



MAIN CONTRACTOR :



STRUCTURAL ENGINEER :



FAÇADE CONSULTANT :



NOTE :

1. ALL DIMENSIONS ARE IN mm.
2. ALL REVISIONS ARE DERIVED FROM GUSSE.
3. DIMENSIONS TO BE VERIFIED ON SITE BEFORE FABRICATION.

LEGEND :

- DETAIL MARK NO. REFER SHEET NO.
1. F.F.L. --- FINISHED FLOOR LEVEL
 2. S.F.L. --- STRUCTURAL FLOOR LEVEL
 3. --- REVERSED DETAIL
 4. --- FINING LOCATION
 5. --- FINING LOG LOCATION
 6. GLASS LEGEND
- S.U.1 --- 8mm+12mm AR, 6mm+10mm THK, 16.0
 S.U.2 --- 8mm+12mm AR, 6mm+10mm THK, 16.0
 S.U.3 --- 8mm+12mm AR, 6mm+10mm THK, 16.0
 G.U.1 --- 6mm+12mm AR, 6mm+10mm THK, 16.0
 G.U.2 --- 6mm+12mm AR, 6mm+10mm THK, 16.0
 G.U.3 --- 6mm+12mm AR, 6mm+10mm THK, 16.0
 G.U.4 --- 10mm THK, TEMPERED GLASS (PROTECTIVE SHEET)
 G.U.5 --- 6mm+12mm AR, 6mm+10mm THK, 16.0

NO.	DATE	REVISION SUBJECT TO USER COMMENT
1	20/12/2020	REVISION SUBJECT TO USER COMMENT
2	20/12/2020	REVISION SUBJECT TO USER COMMENT
3	19/02/2021	REVISION SUBJECT TO USER COMMENT
4	19/02/2021	REVISION SUBJECT TO USER COMMENT
5	19/02/2021	REVISION SUBJECT TO USER COMMENT
6	19/02/2021	REVISION SUBJECT TO USER COMMENT
7	19/02/2021	REVISION SUBJECT TO USER COMMENT
8	19/02/2021	REVISION SUBJECT TO USER COMMENT
9	19/02/2021	REVISION SUBJECT TO USER COMMENT
10	19/02/2021	REVISION SUBJECT TO USER COMMENT
11	19/02/2021	REVISION SUBJECT TO USER COMMENT
12	19/02/2021	REVISION SUBJECT TO USER COMMENT
13	19/02/2021	REVISION SUBJECT TO USER COMMENT
14	19/02/2021	REVISION SUBJECT TO USER COMMENT
15	19/02/2021	REVISION SUBJECT TO USER COMMENT
16	19/02/2021	REVISION SUBJECT TO USER COMMENT
17	19/02/2021	REVISION SUBJECT TO USER COMMENT
18	19/02/2021	REVISION SUBJECT TO USER COMMENT
19	19/02/2021	REVISION SUBJECT TO USER COMMENT
20	19/02/2021	REVISION SUBJECT TO USER COMMENT
21	19/02/2021	REVISION SUBJECT TO USER COMMENT
22	19/02/2021	REVISION SUBJECT TO USER COMMENT
23	19/02/2021	REVISION SUBJECT TO USER COMMENT
24	19/02/2021	REVISION SUBJECT TO USER COMMENT
25	19/02/2021	REVISION SUBJECT TO USER COMMENT
26	19/02/2021	REVISION SUBJECT TO USER COMMENT
27	19/02/2021	REVISION SUBJECT TO USER COMMENT
28	19/02/2021	REVISION SUBJECT TO USER COMMENT
29	19/02/2021	REVISION SUBJECT TO USER COMMENT
30	19/02/2021	REVISION SUBJECT TO USER COMMENT
31	19/02/2021	REVISION SUBJECT TO USER COMMENT
32	19/02/2021	REVISION SUBJECT TO USER COMMENT
33	19/02/2021	REVISION SUBJECT TO USER COMMENT
34	19/02/2021	REVISION SUBJECT TO USER COMMENT
35	19/02/2021	REVISION SUBJECT TO USER COMMENT
36	19/02/2021	REVISION SUBJECT TO USER COMMENT
37	19/02/2021	REVISION SUBJECT TO USER COMMENT
38	19/02/2021	REVISION SUBJECT TO USER COMMENT
39	19/02/2021	REVISION SUBJECT TO USER COMMENT
40	19/02/2021	REVISION SUBJECT TO USER COMMENT
41	19/02/2021	REVISION SUBJECT TO USER COMMENT
42	19/02/2021	REVISION SUBJECT TO USER COMMENT
43	19/02/2021	REVISION SUBJECT TO USER COMMENT
44	19/02/2021	REVISION SUBJECT TO USER COMMENT
45	19/02/2021	REVISION SUBJECT TO USER COMMENT
46	19/02/2021	REVISION SUBJECT TO USER COMMENT
47	19/02/2021	REVISION SUBJECT TO USER COMMENT
48	19/02/2021	REVISION SUBJECT TO USER COMMENT
49	19/02/2021	REVISION SUBJECT TO USER COMMENT
50	19/02/2021	REVISION SUBJECT TO USER COMMENT
51	19/02/2021	REVISION SUBJECT TO USER COMMENT
52	19/02/2021	REVISION SUBJECT TO USER COMMENT
53	19/02/2021	REVISION SUBJECT TO USER COMMENT
54	19/02/2021	REVISION SUBJECT TO USER COMMENT
55	19/02/2021	REVISION SUBJECT TO USER COMMENT
56	19/02/2021	REVISION SUBJECT TO USER COMMENT
57	19/02/2021	REVISION SUBJECT TO USER COMMENT
58	19/02/2021	REVISION SUBJECT TO USER COMMENT
59	19/02/2021	REVISION SUBJECT TO USER COMMENT
60	19/02/2021	REVISION SUBJECT TO USER COMMENT
61	19/02/2021	REVISION SUBJECT TO USER COMMENT
62	19/02/2021	REVISION SUBJECT TO USER COMMENT
63	19/02/2021	REVISION SUBJECT TO USER COMMENT
64	19/02/2021	REVISION SUBJECT TO USER COMMENT
65	19/02/2021	REVISION SUBJECT TO USER COMMENT
66	19/02/2021	REVISION SUBJECT TO USER COMMENT
67	19/02/2021	REVISION SUBJECT TO USER COMMENT
68	19/02/2021	REVISION SUBJECT TO USER COMMENT
69	19/02/2021	REVISION SUBJECT TO USER COMMENT
70	19/02/2021	REVISION SUBJECT TO USER COMMENT
71	19/02/2021	REVISION SUBJECT TO USER COMMENT
72	19/02/2021	REVISION SUBJECT TO USER COMMENT
73	19/02/2021	REVISION SUBJECT TO USER COMMENT
74	19/02/2021	REVISION SUBJECT TO USER COMMENT
75	19/02/2021	REVISION SUBJECT TO USER COMMENT
76	19/02/2021	REVISION SUBJECT TO USER COMMENT
77	19/02/2021	REVISION SUBJECT TO USER COMMENT
78	19/02/2021	REVISION SUBJECT TO USER COMMENT
79	19/02/2021	REVISION SUBJECT TO USER COMMENT
80	19/02/2021	REVISION SUBJECT TO USER COMMENT
81	19/02/2021	REVISION SUBJECT TO USER COMMENT
82	19/02/2021	REVISION SUBJECT TO USER COMMENT
83	19/02/2021	REVISION SUBJECT TO USER COMMENT
84	19/02/2021	REVISION SUBJECT TO USER COMMENT
85	19/02/2021	REVISION SUBJECT TO USER COMMENT
86	19/02/2021	REVISION SUBJECT TO USER COMMENT
87	19/02/2021	REVISION SUBJECT TO USER COMMENT
88	19/02/2021	REVISION SUBJECT TO USER COMMENT
89	19/02/2021	REVISION SUBJECT TO USER COMMENT
90	19/02/2021	REVISION SUBJECT TO USER COMMENT
91	19/02/2021	REVISION SUBJECT TO USER COMMENT
92	19/02/2021	REVISION SUBJECT TO USER COMMENT
93	19/02/2021	REVISION SUBJECT TO USER COMMENT
94	19/02/2021	REVISION SUBJECT TO USER COMMENT
95	19/02/2021	REVISION SUBJECT TO USER COMMENT
96	19/02/2021	REVISION SUBJECT TO USER COMMENT
97	19/02/2021	REVISION SUBJECT TO USER COMMENT
98	19/02/2021	REVISION SUBJECT TO USER COMMENT
99	19/02/2021	REVISION SUBJECT TO USER COMMENT
100	19/02/2021	REVISION SUBJECT TO USER COMMENT

PROJECT :

PROPOSED RESIDENTIAL DEVELOPMENT
AT WING LEE STREET,
WHL 6006, 6016, 6018, 6019 R.F.P.,
6037 R.F.P. & 6038 R.F.P.

TITLE :

DETAIL FOR
ALUMINA WINDOW

DATE : 05-Dec-19

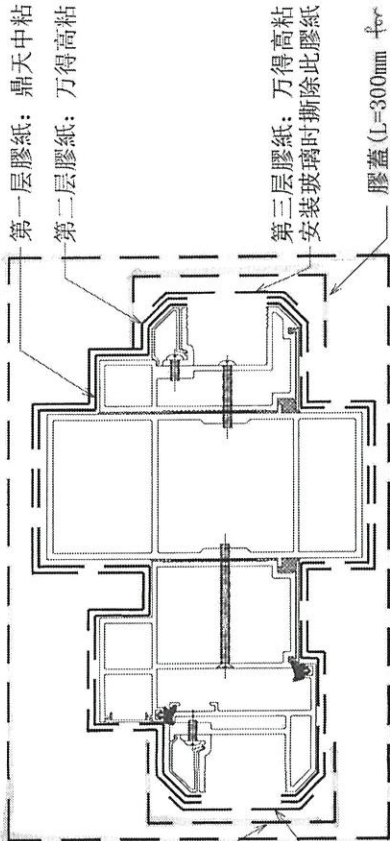
SCALE : 1:2

DRAWN BY : ANN

CHECKED BY : DW

REV. : --

美特經貿有限公司
 MIDY MANUFACTURERS LTD.
 Units 6-8, Sunny Industrial Centre, 1/F
 610 One Ave Long Road, Kowloon
 Tel: 24061144 Fax: 24227285



2/7001

Extra hard plastic angle with full height was observed in site protection mock-up (T3 2/F PF-1). Midi should strictly follow the practice method of work which demonstrated in site mock-up.

Please also specify the dimension thickness of used extra hard plastic angle.

第三层膠紙: 万得高粘
安裝玻璃时撕除此膠紙

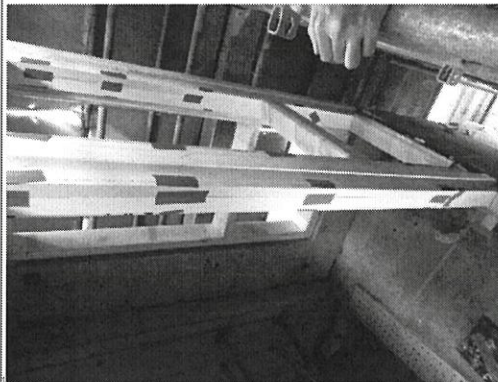
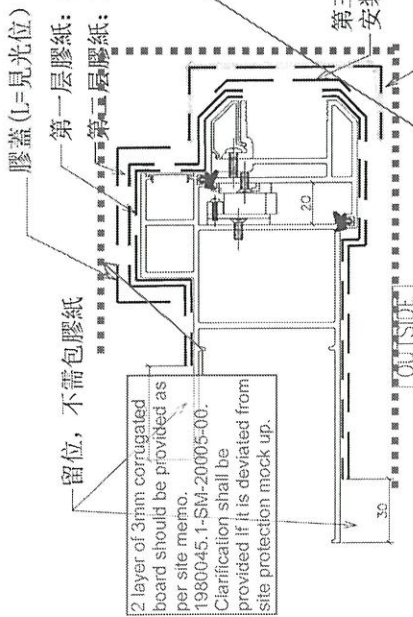
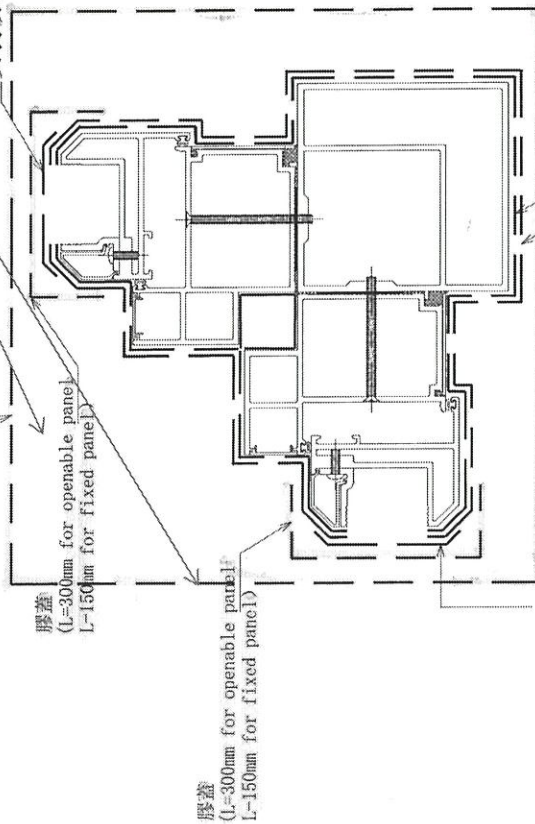


Photo about hard plastic angle in site protection mock up (T3 2/F PF-1)



2 layer of 3mm corrugated board should be used instead of 2mm board, which was agreed by both party during joint inspection on 4-Nov-2020 (refer to site memo. 1980045.1-SM-20005-00). Clarification shall be provided if it is deviated from site protection mock up.

2mm厚瓦坑紙紙包裝保護 (L=見光位)



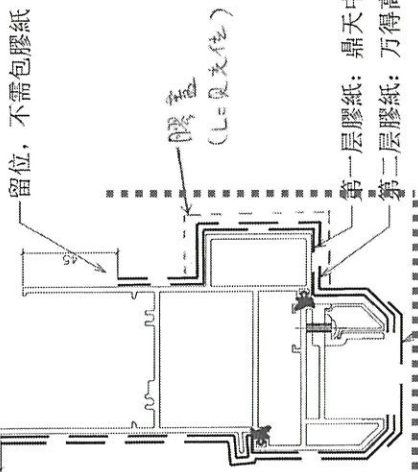
第三层膠紙: 万得高粘
安裝玻璃时撕除此膠紙

第一层膠紙: 鼎天中粘
第二层膠紙: 万得高粘

3/7001

2 layer of 3mm corrugated board should be used instead of 2mm board, which was agreed by both party during joint inspection on 4-Nov-2020 (refer to site memo. 1980045.1-SM-20005-00). Clarification shall be provided if it is deviated from site protection mock up.

留位, 不需包膠紙



1/8001

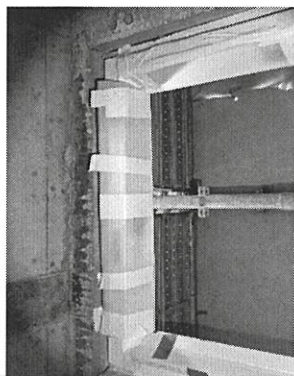
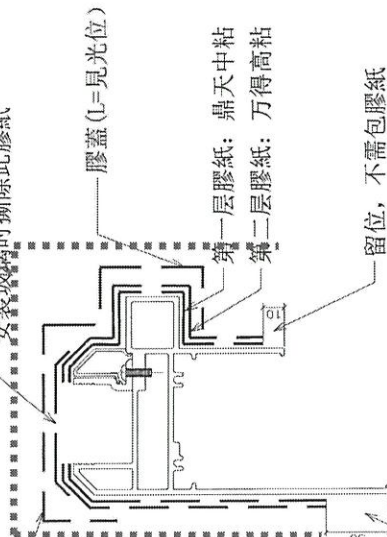


Photo of site protection mock up (T3 2/F PF-1)

2 layer of 3mm corrugated board should be provided as per site memo. 1980045.1-SM-20005-00. Clarification shall be provided if it is deviated from site protection mock up. Corrugated board was observed in site protection mock-up (T3 2/F PF-1). Mfdi should strictly follow the practice method of work which demonstrated in site mock-up.

留位, 不需包膠紙

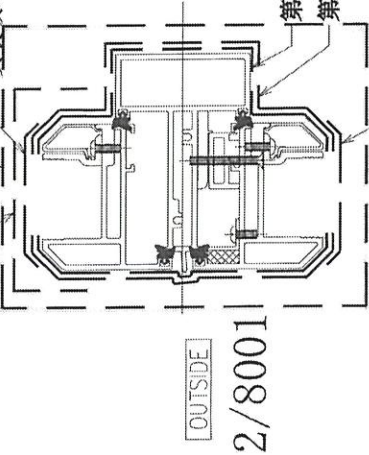
留位, 不需包膠紙



3/8001

留位, 不需包膠紙

2mm厚瓦坑紙包裝保護 (L=見光位) 膠蓋 (L=見光位)

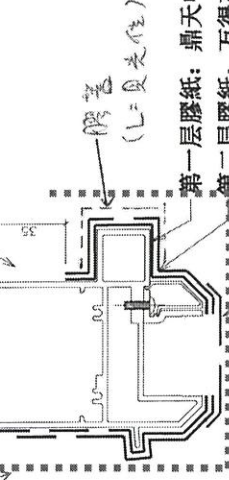


2/8001

第一层膠紙: 鼎天中粘
第二层膠紙: 万得高粘

留位, 不需包膠紙

留位, 不需包膠紙



4/8001

第一层膠紙: 鼎天中粘
第二层膠紙: 万得高粘

留位, 不需包膠紙

B.A. REF :

CLIENT :

ARCHITECT :



TASK CONTRACTOR :



ARUP



FIGURE CONSULTANT:

NOTE:

1. ALL DIMENSIONS ARE IN MM.
2. ALL ELEVATIONS ARE VIEWED FROM OUTSIDE.
3. ALL DIMENSIONS TO BE VERIFIED ON SITE BEFORE PROCEEDING.

LEGEND:

- (X) -- DETAIL WORK NO.
 - (REF) -- REFER SHEET NO.
 - 1. EFF. -- FINISHED FLOOR LEVEL.
 - 2. S.F. -- STRUCTURAL FLOOR LEVEL.
 - 3. S.F. -- REVERSED DETAIL.
 - 4. (A) -- FRANK LOCATION.
 - 5. (A) -- FRANK LUG LOCATION.
 - 6. CLASS LEGEND
- GL01 -- 6mm x 12mm ASP G4E-10mm THK. (G.L.B.)
 GL02 -- 6mm x 12mm ASP G4E-12mm THK. (G.L.B.)
 GL03 -- 10mm THK. TEMPERED GLASS (PRACTICE BARBER)
 GL04 -- 10mm THK. TEMPERED GLASS (PRACTICE BARBER)
 GL05 -- 6mm x 12mm ASP G4E-8mm THK. (G.L.B.)

NO.	DATE	REVISION	REVISION SUBJECT TO REVISION
1	15/04/2020	REVISION SUBJECT TO REVISION	REV
2	01/04/2020	REVISION SUBJECT TO REVISION	REV
3	02/04/2020	REVISION SUBJECT TO REVISION	REV
4	04/04/2020	REVISION SUBJECT TO REVISION	REV
5	04/04/2020	REVISION SUBJECT TO REVISION	REV

JOB NO. : J-852

PROJECT : PROPOSED RESIDENTIAL DEVELOPMENT AT 139 - 144 BROCKLE STREET, NML CO27 P.P. & B03B R.P.,

TITLE :

DETAIL FOR ALUM. WINDOW

DATE : 05-Dec-19

SCALE : 1:2

DRAWN BY : MN

CHECKED BY : DW



Units E-8, Sunny Industrial Centre, 1/F
 810, Quek Ave. Eng. Road, Kerobok
 16224688114, Tel: 05216771866

FIG. NO. : 052-SO-PW-8001 REV. : -

B.O. REF :

CLIENT :

ARCHITECT :



MAIN CONTRACTOR :



STRUCTURAL ENGINEER :



FAÇADE CONSULTANT :



NOTE : DIMENSIONS ARE IN METRE.
1. ALL DIMENSIONS ARE REFERRED FROM OUTSIDE.
2. ALL DIMENSIONS TO BE VERIFIED ON SITE.
BEFORE FABRICATION.

LEGEND :

① --- DETAIL MARK NO.
② --- REFER SHEET NO.

- 1. FFL --- FINISHED FLOOR LEVEL
- 2. S.F.L --- STRUCTURAL FLOOR LEVEL
- 3. Ⓞ --- REVERSED DETAIL
- 4. ▲ --- FIXING LOCATION
- 5. △ --- FIXING LUG LOCATION
- 6. CLASS LEGEND

① --- 3mm x 3mm x 3mm ALU ANGLE
② --- 3mm x 3mm x 3mm ALU ANGLE
③ --- 3mm x 3mm x 3mm ALU ANGLE
④ --- 3mm x 3mm x 3mm ALU ANGLE
⑤ --- 3mm x 3mm x 3mm ALU ANGLE
⑥ --- 3mm x 3mm x 3mm ALU ANGLE

E	14/01/2020	REVISION SUBJECT TO APPROVEMENT	1/1
D	01/09/2020	REVISION SUBJECT TO APPROVEMENT	1/2
C	09/02/2020	REVISION SUBJECT TO APPROVEMENT	1/3
B	02/01/2020	REVISION SUBJECT TO APPROVEMENT	1/4
A	14/01/2019	REVISION SUBJECT TO APPROVEMENT	1/5
REV			
NO.			
BY			

JOB NO. : V-852
PROJECT : PROPOSED RESIDENTIAL DEVELOPMENT
AT 139 - 147 ARGYLE STREET
MKL 6005, 6035 R.P., 6038 R.P.,
6037 R.P. & 6038 R.P.

TITLE : DETAIL FOR ALUM. WINDOW

DATE : 05-Dec-19 SCALE : 1:2
DRAWN BY : MN CHECKED BY : DW

英特鋁質有限公司
MIDI ALUMINIUM FABRICATOR LTD.
110, Cheong Chee Street, #06/1/F,
Singapore 469002.
Tel: (65) 63521144 Fax: (65) 27775566
DWG No. : MS2-SO-PW-8002

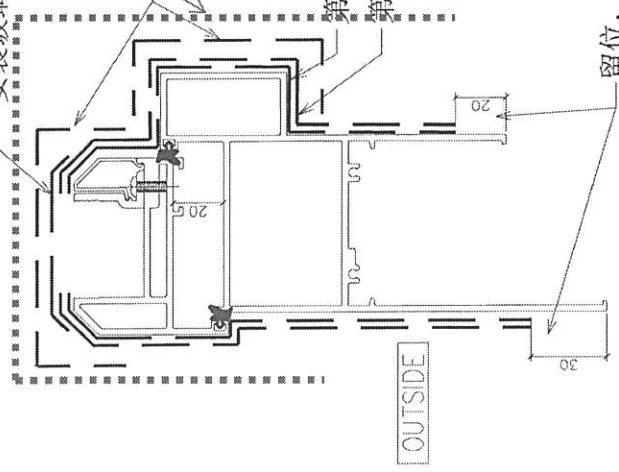
第三层胶纸：万得高粘
安装玻璃时撕除此胶纸

2 layer of 3mm corrugated board should be provided as per site memo. 1980045.1-SM-20005-00. Clarification shall be provided if it is deviated from site protection mock up.

膠蓋 (L=見光位)

第一层胶纸：鼎天中粘
第二层胶纸：万得高粘

留位，不需包胶纸



1/8002



美特鋁質有限公司
MIDI ALUMINIUM FABRICATOR LTD.

Our ref. MC/39905/852

12th January 2021

Gammon Engineering & Construction Company Limited
139 - 147 Argyle Street,
Kowloon, Hong Kong

By Email & Hand

Attn.: Mr. Dick Yuen / Ms. Penny Chau

(按此做保護)

Dear Sir,

④

3rd Submission

Re : Design, Supply & Installation of Aluminium Window & Cladding, Curtain Wall, Glass Wall, Louvers and Glass Balustrade Nominated Sub-Contract at K.I.L. 6038RP, K.I.L.6037RP, K.I.L. 6036RP, K.I.L. 6035RP & K.I.L. 6005, Nos. 139-147 Argyle Street, Kowloon.
3rd Submission of Method Statement for Additional Aluminium Frame Protection of Precast Window (MST012)

Regarding the captioned project, 1st and 2nd submission of Method Statement for Aluminium Frame Protection of Precast Window was approved according to the enclosed comment from Meinhardt. Further to site inspection report#17 on 25 Nov 2020, we are requested to specify the thickness of hard angle protector which is 1.2 mm thickness and also required to use the 3mm thickness of plastic corrugated board, however, as discussed with MFT, the 3mm thickness of plastic corrugated board cannot applied in this case since the plastic corrugated board needed to be bended to cover the window frame and 3mm thickness plastic corrugated board will be broken if bended, we decided to use 2 layers of 2mm thickness of plastic corrugated board instead of 3mm thickness. Now, we would like to re-submit Method Statement for Additional Protection of Precast Window for your review and comment.

Thank you for your kind attention.

Yours faithfully,
MIDI ALUMINIUM FABRICATOR LTD.

Francis Mau
Managing Director

Encl

- | | | |
|------------|---------------------------------------|--------------------|
| cc. Gammon | - Mr. Chris Kwok / Ms. Myra Li / | (w/e) |
| | - Ms. Esther Chung / Ms. Angel Man / | |
| | - Mr. Jackson Mok | |
| Sino | - Mr. Billy Tang / Mr. Jimmy Cheung / | (w/e) (Email Only) |
| | - Mr. Terry Wan / Mr. Jaja Wong | |
| AGC | - Mr. Raymond Ho / Mr. Eliot Chan | (w/e) (Email Only) |
| MFT | - Mr. Brian Leung / Mr. Nigel Lo | (w/e) |
| | - Ms. Yoanna Chan / Ms. Cosimo Wong | |
| | - Mr. Neo Wong | |

PM/MT/DW/YAY/BL/KL/wk

九龍茶果嶺道610號生利工業中心1樓6-8號
Units 6-8, 1st Floor, Sunray Industrial Centre, 610 Cha Kwo Ling Road, Kln.
TEL. (電話): 2348 9211 FAX. (傳真): 2772 7666 E-mail Address (電郵): midi@midiltd.com.hk.

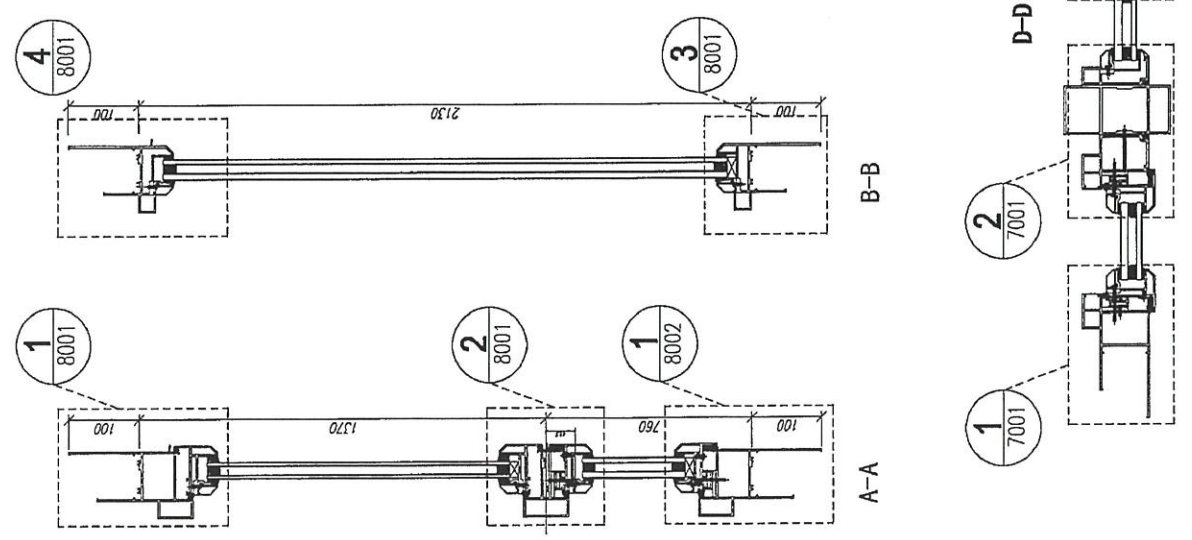


ISO 9001 : 2015
Certificate No: CC 1785

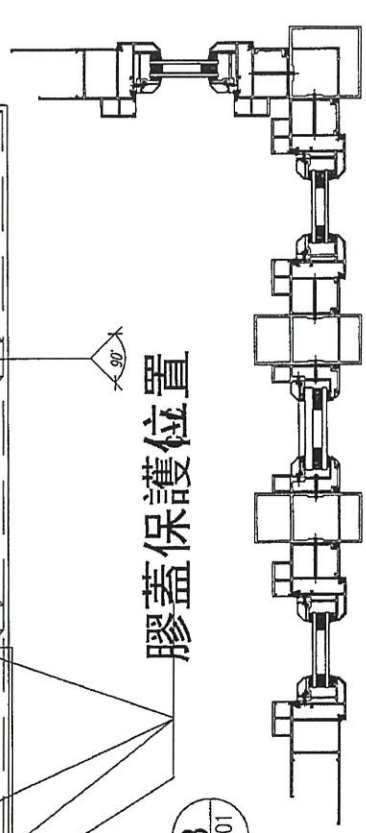
膠蓋保護位置

窗框飾線包膠蓋通長 (見光位)

窗框飾線包膠蓋通長 (見光位)



膠蓋保護位置



包裝保護示意图

工程名称: 亞皆老街 / 佛沙窗
 图名: W3/T3A組裝圖 图号: W3/T3A (1F~3F)

美特鋁質有限公司
 MIDI Aluminium Fabricator Ltd.

表面处理: UCTB06812XL-3
 审核: Rev: A

数量: 材料: 详见本图附表
 制图: 郭上军 日期: 2020.07.06 校核: WSH

B.D. REF :

CLIENT :

ARCHITECT :



AWK CONTRACTOR :



STRUCTURAL ENGINEER :



FAÇADE CONSULTANT :



NOTE :

1. ALL DIMENSIONS ARE IN MM.
2. ALL ELEVATIONS ARE VIEWED FROM OUTSIDE.
3. ALL DIMENSIONS TO BE VERIFIED ON SITE BEFORE FABRICATION.

LEGEND :

- ① - DETAIL MARK NO.
- ② - REFER SHEET NO.
- 1. 651 - FINISHED FLOOR LEVEL
- 2. 652 - STRUCTURE FLOOR LEVEL
- 3. 653 - REVERSED DETAIL
- 4. ▲ - FRINGE LOCATION
- 5. △ - FRINGE LOG LOCATION
- 6. CLASS LEGEND

GLU1 - 6mm Thick Tempered Glass (PANORAMA GLASS)
 GLU2 - 6mm Thick Tempered Glass (PANORAMA GLASS)
 GLU3 - 6mm Thick Tempered Glass (PANORAMA GLASS)
 GLU4 - 6mm Thick Tempered Glass (PANORAMA GLASS)
 GLU5 - 6mm Thick Tempered Glass (PANORAMA GLASS)

NO	DATE	REVISION
E	30/05/2020	REVISION SUBJECT TO APPROVAL
D	30/05/2020	REVISION SUBJECT TO APPROVAL
C	09/05/2020	REVISION SUBJECT TO APPROVAL
B	05/05/2020	REVISION SUBJECT TO APPROVAL
A	24/05/2020	REVISION SUBJECT TO APPROVAL
1		ISSUED

JOB NO. : J-852

PROJECT :

PROPOSED RESIDENTIAL DEVELOPMENT
 AT 139 - 147 ARCADE STREET,
 NKIL 6005, 6035 R.P., 6036 R.P.,
 6037 R.P. & 6038 R.P.

TITLE :

DETAIL FOR
 ALUM. WINDOW

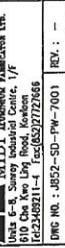
DWG NO. : 8852-SD-PW-7001

SCALE : 1:2

DATE : 05-Dec-19

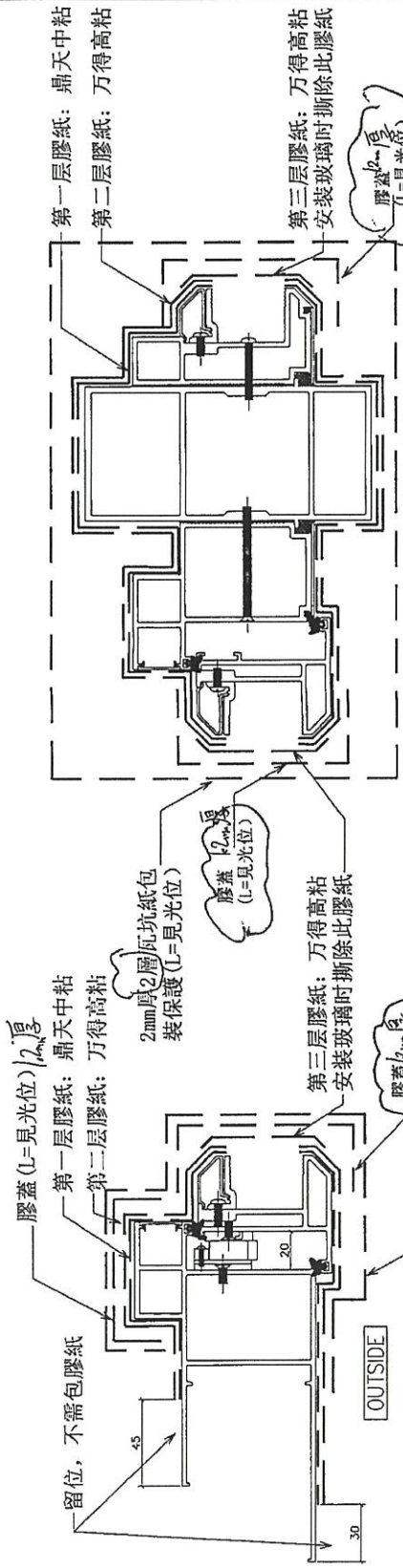
DRAWN BY : JIN

CHECKED BY : JOW



100, Telok Ayer St., Singapore, Residential, Office, 1/F
 100, Telok Ayer St., Singapore, Residential, Office, 1/F
 100, Telok Ayer St., Singapore, Residential, Office, 1/F

REV. : -



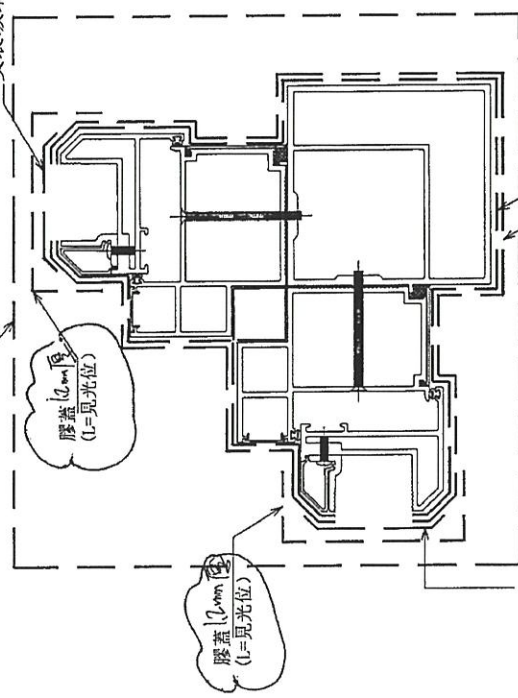
OUTSIDE

1/7001

2mm厚2層瓦坑紙包裝保護 (L=見光位)
 A 2mm厚2層瓦坑紙包裝保護 (L=見光位)

2mm厚2層瓦坑紙包裝保護 (L=見光位)

第三层膠紙: 万得高粘
 安裝玻璃時撕除此膠紙



OUTSIDE

3/7001

第三层膠紙: 万得高粘
 安裝玻璃時撕除此膠紙

第一层膠紙: 鼎天中粘

第二层膠紙: 万得高粘

BD. REF :

CLIENT :

ARCHITECT :

MAIN CONTRACTOR :



NOTE :

1. ALL DIMENSIONS ARE IN MM.
2. ALL ELEVATIONS ARE VIEWED FROM OUTSIDE.
3. ALL DIMENSIONS TO BE VIEWED ON SITE.
4. REFER TO DRAWING.

LEGEND :

- ① - DETAIL MARK NO.
- ② - REFER SHEET NO.
- 1. FFL - FINISHED FLOOR LEVEL.
- 2. SFL - STRUCTURAL FLOOR LEVEL.
- 3. ② - REVERSED DETAIL.
- 4. ▲ - THINK LOCUMIN
- 5. ▲ - THINK LOG LOCUMIN
- 6. CLASS LECTIN

- GL1 - Single Layer AR CAP 10mm THK. LCU
- GL2 - Double Layer AR CAP 10mm THK. LCU
- GL3 - Double Layer TINTED GLASS (TINTED GLASS)
- GL4 - 6mm THK TINTED AR CAP 10mm THK. LCU
- GL5 - 6mm THK TINTED GLASS (TINTED GLASS)
- GL6 - 6mm THK TINTED AR CAP 10mm THK. LCU

E	10/10/2020	REVISION SUBJECT TO APPROVEMENT
D	07/10/2020	REVISION SUBJECT TO APPROVEMENT
C	03/10/2020	REVISION SUBJECT TO APPROVEMENT
B	02/10/2020	REVISION SUBJECT TO APPROVEMENT
A	14/07/2020	REVISION SUBJECT TO APPROVEMENT
REV	DATE	REVISION

JOB NO. : J-852
 PROJECT : RESIDENTIAL DEVELOPMENT
 AT 139 - 147 BRODIE STREET,
 MKL 6005, 6035 R.P., 6036 R.P.,
 6037 R.P. & 6038 R.P.

TITLE :
 DETAIL FOR
 ALUM. WINDOW

DATE : 05-Dec-19

SCALE : 1:2

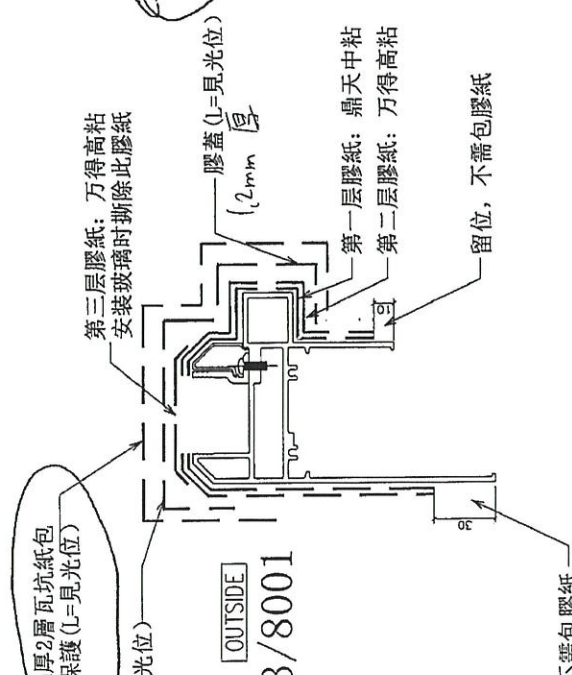
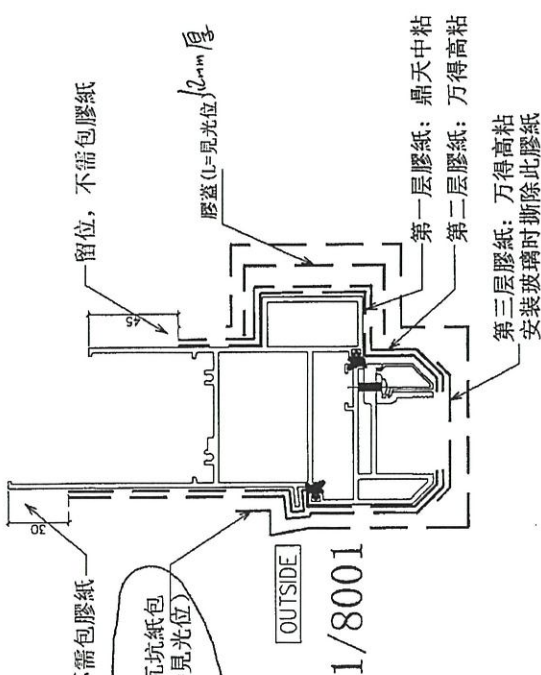
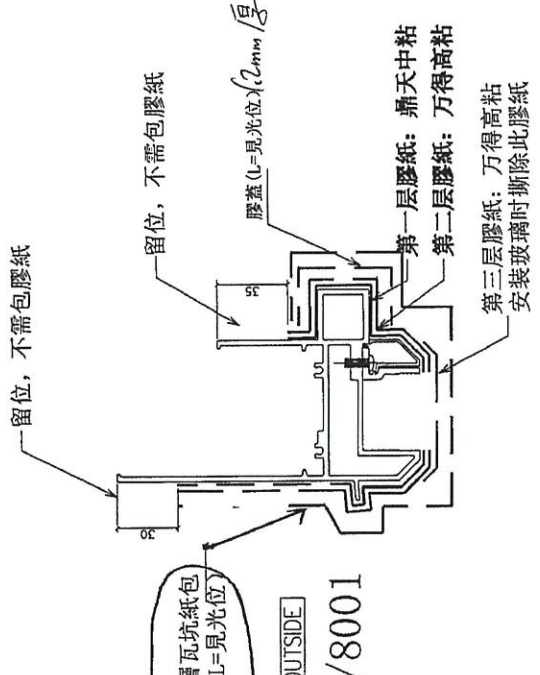
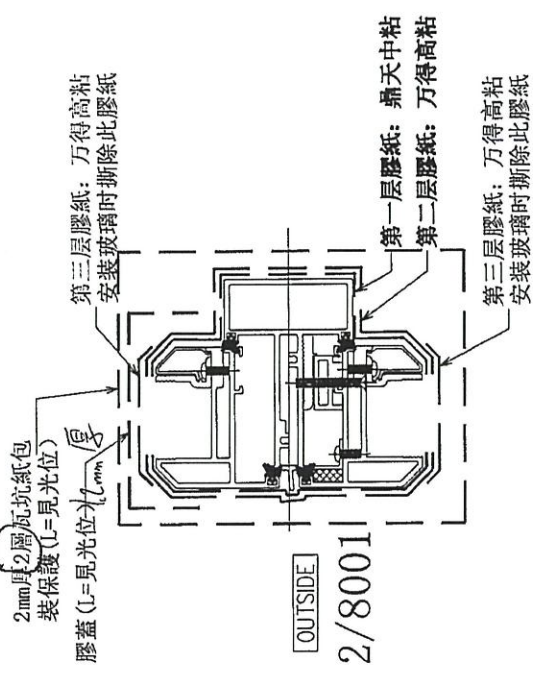
DRAWN BY : JHW

CHECKED BY : JHW



DWG NO. : JB52-S0-FW-8001

REV. : -



B.O. REF. :

CLIENT :

ARCHITECT :



MAIN CONTRACTOR :



STRUCTURAL ENGINEER :



FACTORY CONSULTANT :



NOTE :

1. ALL DIMENSIONS ARE IN mm.
2. ALL ELEVATIONS ARE VIEWED FROM OUTSIDE.
3. ALL DIMENSIONS TO BE VERIFIED ON SITE BEFORE FABRICATION.

LEGEND :

① — DETAIL MARK NO.
② — REFER SHEET NO.

1. EFF. — FINISHED FLOOR LEVEL
2. SFL — STRUCTURAL FLOOR LEVEL
3. Ⓟ — REVERSED DETAIL
4. ▲ — FINING LOCATION
5. △ — FINING LING LOCATION
6. ○ — GLASS LOGGIO

- GL01 — 6mm Thick Glass (6mm Thick LGU)
- GL02 — 6mm Thick Glass (6mm Thick LGU)
- GL03 — 6mm Thick Glass (6mm Thick LGU)
- GL04 — 6mm Thick Glass (6mm Thick LGU)
- GL05 — 6mm Thick Glass (6mm Thick LGU)

REV	DATE	DESCRIPTION
E	14/01/2020	REVISION SUBJECT TO APPROVALMENT
D	07/01/2020	REVISION SUBJECT TO APPROVALMENT
C	07/01/2020	REVISION SUBJECT TO APPROVALMENT
B	03/01/2020	REVISION SUBJECT TO APPROVALMENT
A	21/01/2020	REVISION SUBJECT TO APPROVALMENT
REV		

JOB NO. : J-852

PROJECT :
PROPOSED RESIDENTIAL DEVELOPMENT
AT 139 - 147, ARGYLE STREET,
HONG KONG R.P.P.,
INCL. 6037 R.P. & 6038 R.P.

TITLE :

DETAIL FOR
ALUM. WINDOW

DATE : 05-Dec-19

SCALE : 1:2

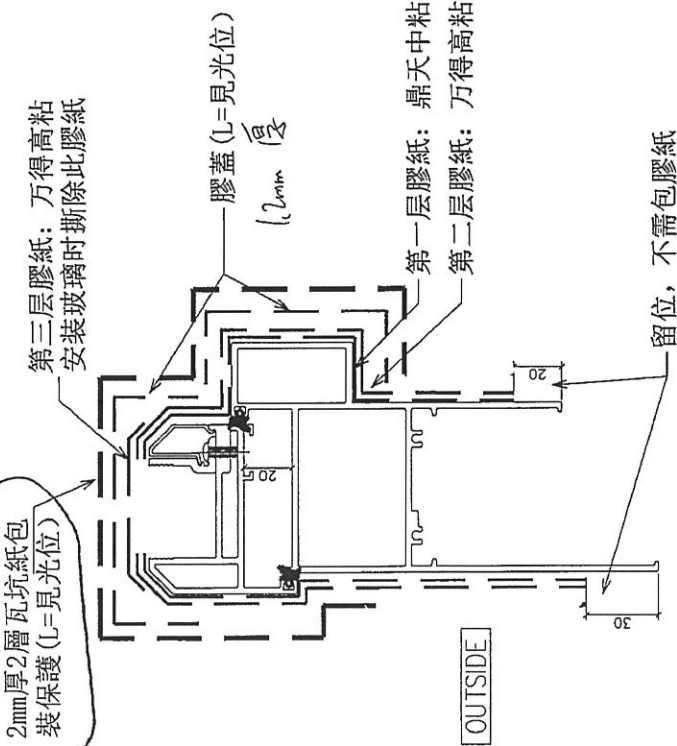
DRAWN BY : MN

CHECKED BY : DW



MEI TIN TIN CO., LTD.
610 Chee Koo Ling Road, Kowloon
Tel: 23469211-4 Fax: (852) 2722866

DWG NO. : JES2-50-FW-0002 REV. : -



1/8002



美特鋁質有限公司
MIDI ALUMINIUM FABRICATOR LTD.

(廠提供的報價單)

額外工程及代工申請表

13/1/2021

代工編號：(判頭入櫃時需要展示此代工單編號) _____

日期：25/5/2020

工程名稱：亞皆老街 工程號：J-852 要求開工期：_____ 要求完工期：_____

A 部份：

1) 工程項目

項目	<input type="checkbox"/> 天窗/簷蓬	<input checked="" type="checkbox"/> 鋁窗	<input type="checkbox"/> 窗幕	<input type="checkbox"/> 幕牆	<input type="checkbox"/> 百葉	<input type="checkbox"/> 鋁飾板	<input type="checkbox"/> 柵格	<input type="checkbox"/> 趟門	<input type="checkbox"/> 欄河
----	--------------------------------	--	-----------------------------	-----------------------------	-----------------------------	------------------------------	-----------------------------	-----------------------------	-----------------------------

2) 代工內容

序	內容 / 數量	建議人選	預計工數
	現附上佛沙窗額外保護之報價單合共兩份		
1.	報價單編號: J852-2020017, 金額: HK\$172,284.62 - 四邊窗框飾線見光位包膠蓋, 另中企及中橫包 2mm 厚瓦坑紙 (適用於 T3 座 19F~23F, T2 及 T1 座 11F~23F 未出貨的佛沙窗)	美而特	
2.	報價單編號: J852-2020019, 金額: HK\$60,016.5 - 企身膠角改為 L=見光位 (適用於 T3 座 19F~23F, T2 及 T1 座 5F~23F 未出貨的佛沙窗)		

合共費用

每工金額：_____

總金額：HK\$232,301.12

3) 代工原因

序	原因	相關文件	
		文件編號	日期
	顧問要求額外保護, 會另行出報價單給業主		

備註

4) 責任屬誰 (此項請填寫背面 B 部份)

申請人：[Signature]

項目經理簽署：[Signature]

項目經理意見：

批核人簽署：_____

此文件是雙面影印

From: 黃瑛梅 <anlinmeiyiyu@163.com>
To: 香港美特總郵箱 <midi@midiltd.com.hk>,
Subject: 有關J852工程佛沙窗額外包裝保護費用報價
Date sent: Wed, 9 Dec 2020 11:42:57 +0800 (CST)
Copies to: 美而特--叶老板 <yeqing0769@163.com>,

各位領導：

您們好！

根據EI/1954/20E佛沙窗包裝保護要求，附件為額外費用，請查收及審批，謝謝！

注：余下T3座19F~23F，T2及T1座11F~23F 未出貨的額外費用；

送 呈： 香港美特鋁質有限公司

編 號： J852-2020017

收 件 人： Marco/Maggie/胡哥/Bessie/楠哥

發 出 日 期： 2020/12/08

副本送呈： 繆老板

有關：J852 工程佛沙窗額外包裝保護報價

您好！

根據 EI/1954/20E 佛沙窗包裝保護要求，余下 T3 座 19F~23F，T2 及 T1 座 11F~23F 未出貨，現作如下報價：

一、材料費：

1-1、包裝保護膠蓋 99*27*3 線槽鏜成 45*25*3 膠角蓋，L=3000mm，共 4086 支，單價 18.5 元/支，合共 4086*18.5=75591 元；

1-2、3000*1500*3mm 瓦坑紙，405 塊，單價 25.62 元/塊，合共 405*25.62=10376.1 元；

二、保護膠蓋加工費：

2-1、包裝保護膠蓋 99*27*3 線槽鏜成 45*25*3 膠角蓋，L=3000mm，開成相應尺寸，單價 4.5 元/支，共 4086 支，合共 4086*4.5=18387 元；

三、額外包裝費：

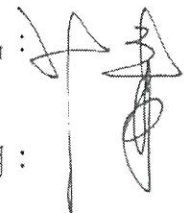
2-1、額外包裝人工，工廠包裝，余下 1431.02M²，單價 47.47 元/M²，合共 1431.02*47.47=67930.52 元；


共計：172284.62 元；

以上報價均為港幣！

确认签名：

日 期：



 MIDI Aluminum Products Ltd		工程號: J-852	計算: 付吉寧	日期: 2020.12.02	送呈: 施司					
廠用&佛沙廠配件B.M.表		地盤名稱: 亞皆老街中電	核對: 謝永林	日期: 2020.12.07	副本:					
BM編號: J-852-WJ-M01-F-HP002		項目類別: 佛沙窗-保護方案	批准:	日期:						
A/C Code: (T.A.19F-23F, T.A.KT2.11F-23F(下層))		此BM依據E1/1954/20 E版圖紙計算								
序號	修改標示	配件圖號	物料編號	配件名稱	顏色	實用	後備	總數	單位	備注
1	佛沙廠用			3000*1500*3mm 瓦坑紙	白色	280	15	295	張	用於橫, 企料外包裝保護 (佛沙廠用)
2	佛沙廠用		99*27*3膠帶 (L=3000mm)	45x25x2mm 膠蓋	白色	225	13	238	支	用於窗框飾線保護
3	佛沙廠用		萬得高粘	1寸膠紙	白色	30	5	35	卷	固定膠蓋 (佛沙廠用) (50米/卷)
4	佛沙廠用		萬得高粘	1寸膠紙	白色	290	15	305	卷	固定瓦坑紙 (佛沙廠用) (50米/卷)
5	廠用			3000*1500*3mm 瓦坑紙	白色	100	10	110	張	用於橫, 企料外包裝保護 (廠用)
6	廠用		99*27*3膠帶 (L=3000mm)	45x25x2mm 膠蓋	白色	3688	160	3848	支	用於窗框飾線保護
7	廠用		鼎天中粘	1寸膠紙	白色	245	15	260	卷	第1層保護膠紙 (50米/卷)
8	廠用		鼎天中粘	2寸膠紙	白色	400	20	420	卷	第1層保護膠紙 (50米/卷)
9	廠用		鼎天中粘	3寸膠紙	白色	250	15	265	卷	第1層保護膠紙 (50米/卷)
10	廠用		鼎天中粘	4寸膠紙	白色	180	10	190	卷	第1層保護膠紙 (50米/卷)
11	廠用		萬得高粘	1寸膠紙	白色	110	10	120	卷	固定瓦坑紙 (廠用) (50米/卷)
12	廠用		萬得高粘	1寸膠紙	白色	230	10	240	卷	固定膠蓋 (廠用) (50米/卷)
13	廠用		萬得高粘	1寸膠紙	白色	245	10	255	卷	第2層保護膠紙 (50米/卷)
14	廠用		萬得高粘	2寸膠紙	白色	410	20	430	卷	第2層保護膠紙 (50米/卷)
15	廠用		萬得高粘	3寸膠紙	白色	350	20	370	卷	第2層保護膠紙 (50米/卷)
16	廠用		萬得高粘	4寸膠紙	白色	180	10	190	卷	第2層保護膠紙 (50米/卷)



美 特 鋁 質 有 限 公 司
MIDI ALUMINIUM FABRICATOR LTD.

T3 19F

T1 } 11F
T2 }

工程指示 / 要求簡箋(E.I.)

工程指示編號：EI / 1954 / 20

修改版次：E

工程編號：J - 852

工程名稱：亞皆老街中電

工程項目：佛沙窗 - 保護方案 (額外保護)

收件人：生統 / 王良

發件人：Bessie Lau

日期：26/11/2020

要求提供 / 確認 事項：

- | | | |
|------------------------------------|-------------------------------------|-------------------------------|
| <input type="checkbox"/> 初步鋁料 B.M. | <input type="checkbox"/> 加工拆圖，然後生產 | <input type="checkbox"/> 尺寸表 |
| <input type="checkbox"/> 正式鋁料 B.M. | <input type="checkbox"/> 技術上資料 / 指示 | <input type="checkbox"/> 報價 |
| <input type="checkbox"/> 配件 B.M. | <input type="checkbox"/> 樣辦或貨品說明書 | <input type="checkbox"/> 分判合約 |
| <input type="checkbox"/> 其他：_____ | | |

內容：

現修改保護方案，煩請按此包裝

(四邊窗框飾線見光位包膠蓋，另中企及中橫包 2mm 厚瓦坑紙)

煩請報價

請在 2020.12.04 前完成上列要求。

附有關圖紙 / 文件：

以上項目為：

- 原合約工程包 原合約工程加 / 減賬 新工程報價

原因：-

分發東莞各部門：

- () 生產技術總監 連附件 () 技術部 連附件 () 生產部 連附件 () 機械設計部 連附件
 () 採購部 連附件 () 生產統籌部 連附件
 () 質檢部 連附件 () 會計部 連附件 () 報關組 連附件 () 其他 _____ 連附件

分發其他分判：

- (v) 水洪 連附件

分發香港各部門：

- () 行政部 連附件 () 會計部 連附件 () 統籌部 連附件 () 工程部地盤科文 連附件
 () 採購部 連附件 () QS 部 連附件 () 維修部 連附件 () 其他 _____ 連附件

傳遞編號：

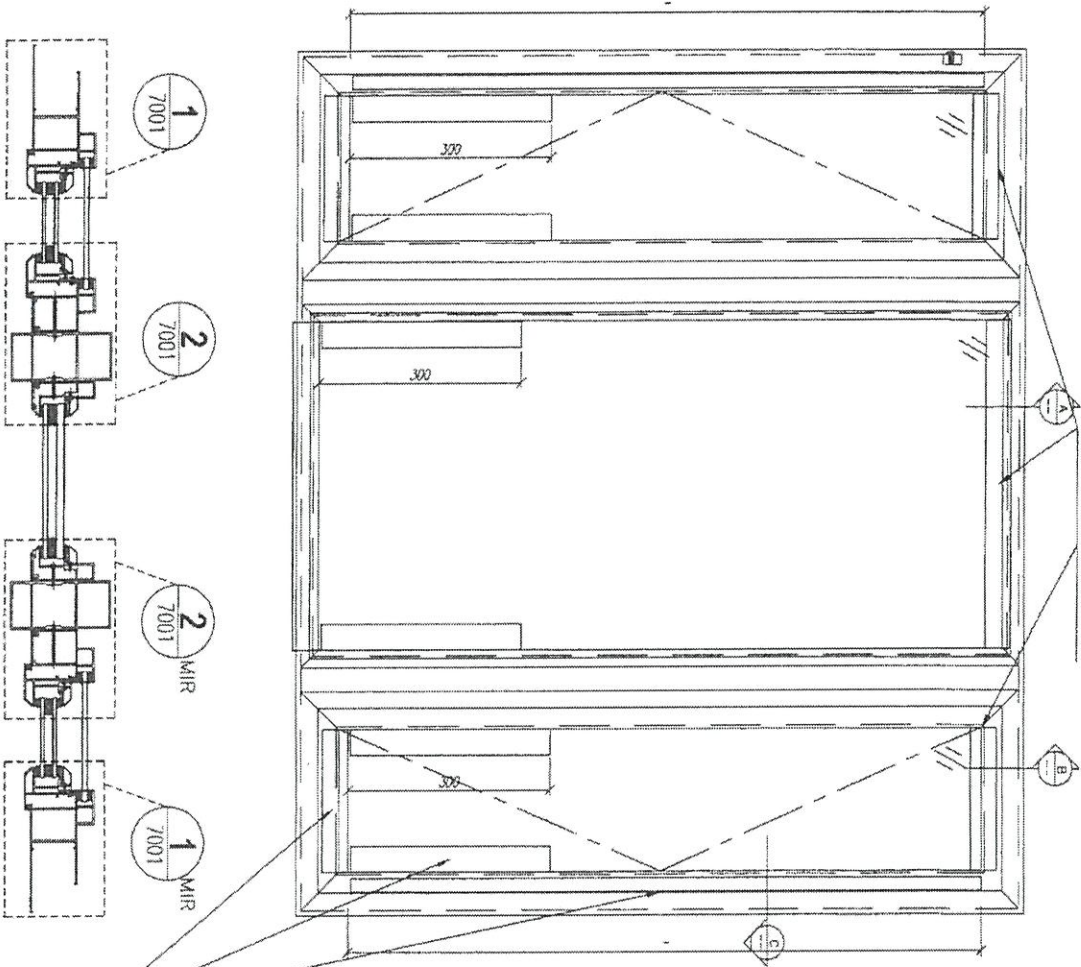
HK 2718 / 20

發件人簽署：

項目經理簽署：

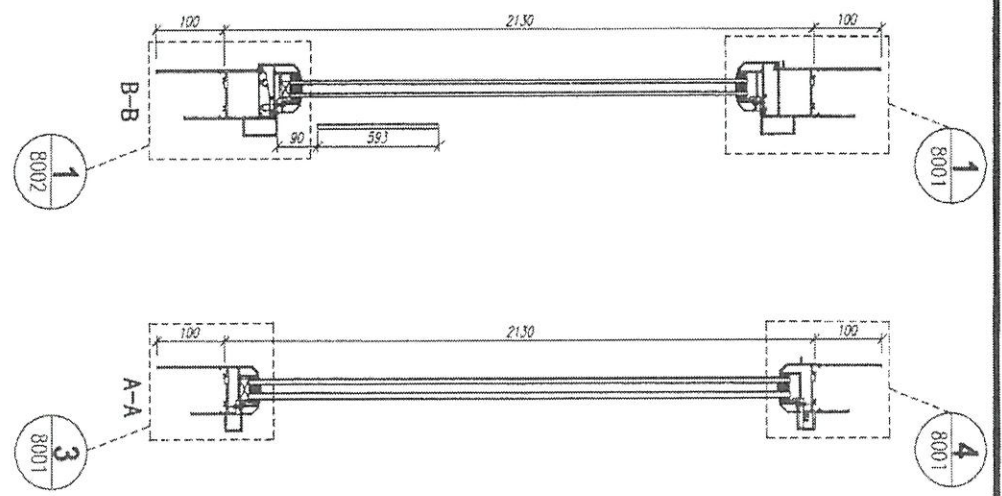
膠蓋保護位置

窗框飾線包膠蓋 (L=見光位)



窗框飾線包膠蓋 (L=見光位)

膠蓋保護位置



数量: 1	材料:	表面处理: UCT806812XL-3	工程名称: 亞答老街 / 佛沙窗
制图: IVAN	日期: 2020.07.06	校核: NSH	图号:
		审核:	
		Rev: A	

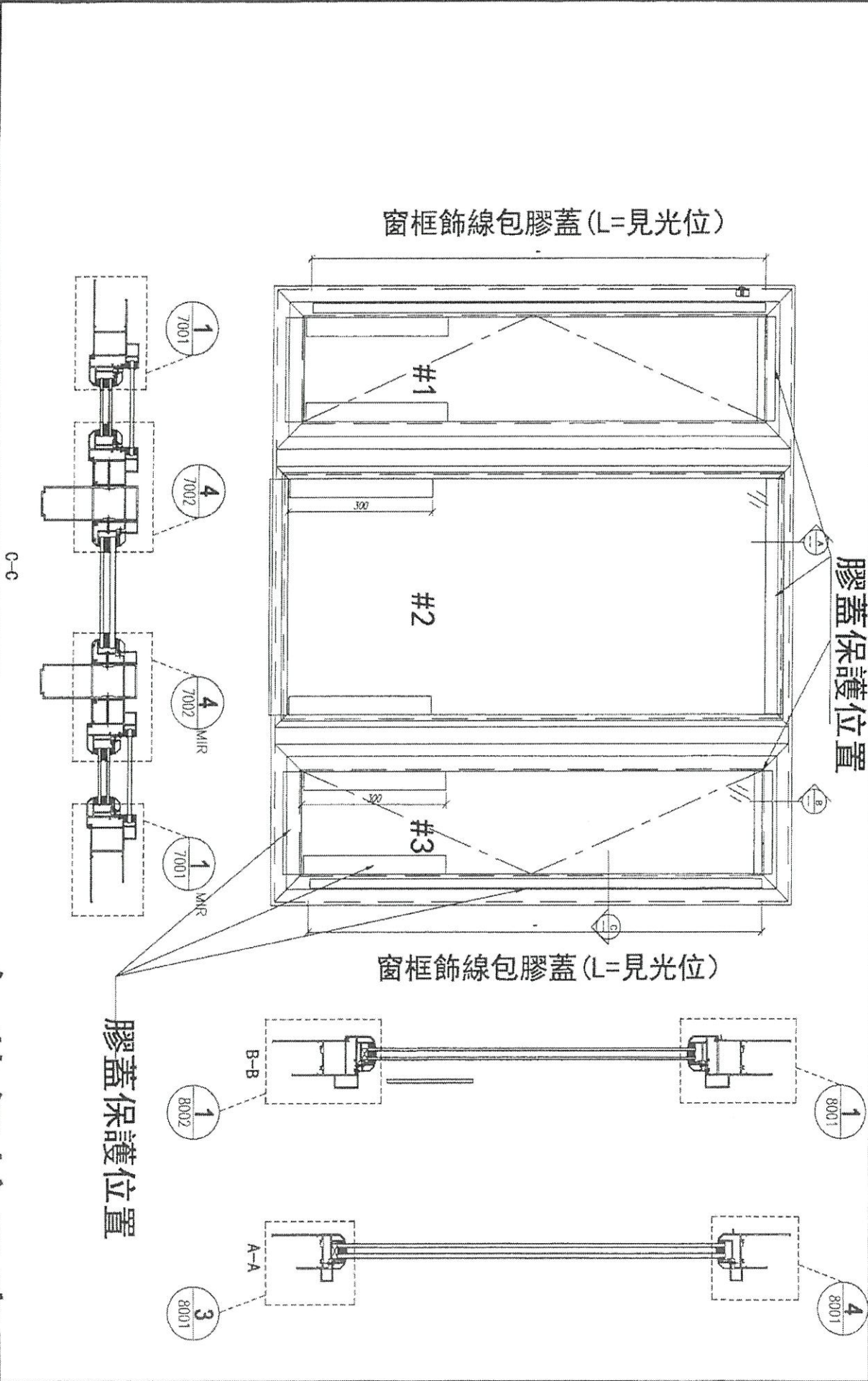
包装保护示意图

C-C

数量: -	材料:	表面处理: UCT1806812AL-3	工程名称: 亞皆老街 / 佛沙窗
制圖: IVAN	日期: 2020.07.06	審核: Rev. A	圖名:
	校核: WSH		圖號:

美特鋁業有限公司
MIDI Aluminium Fabricator Ltd

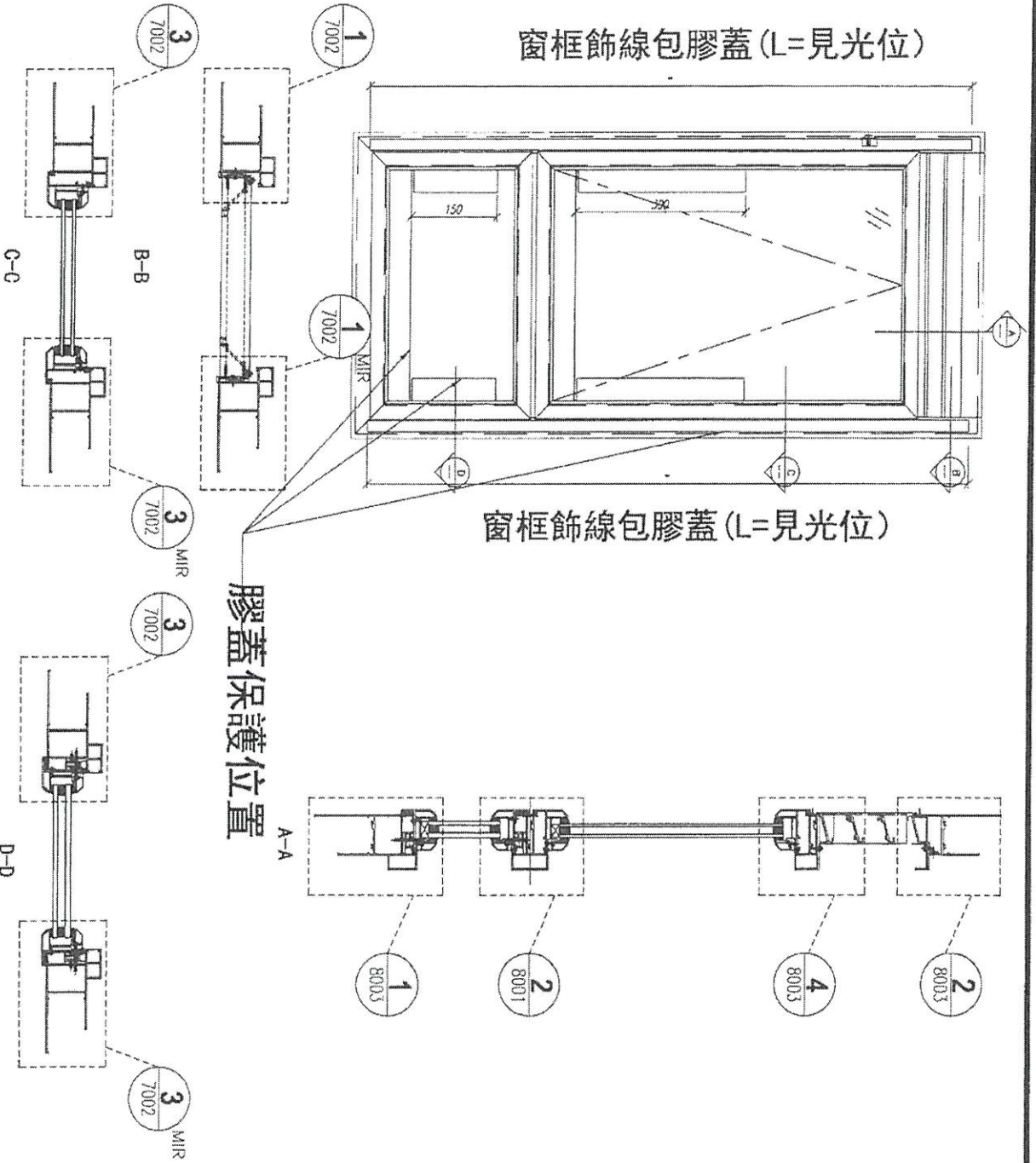
包裝保護示意圖



窗框飾線包膠蓋 (L=見光位)


窗框飾線包膠蓋 (L=見光位)

膠蓋保護位置

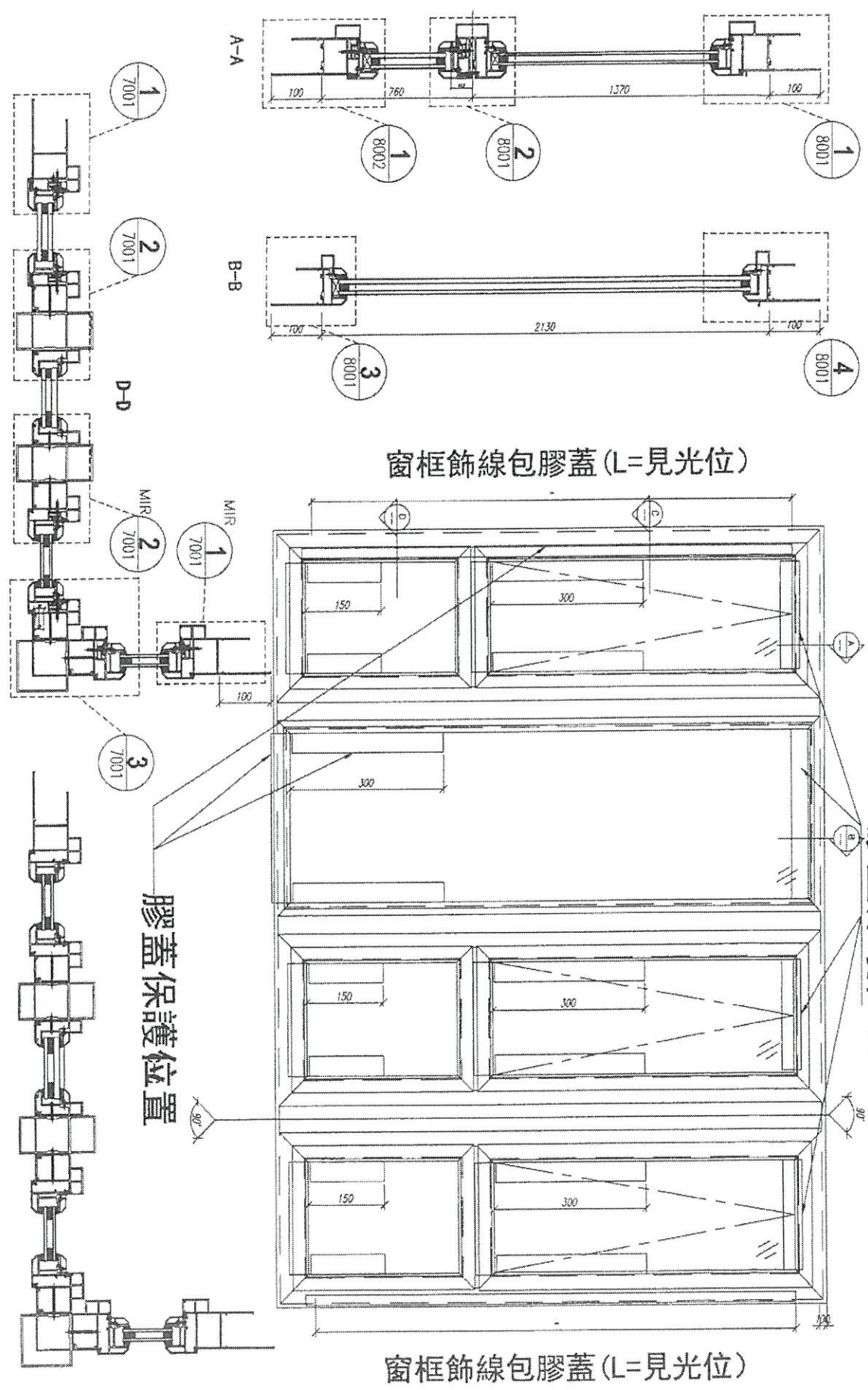


数量: -	材料:	表面处理: UCT800812XL-3
制图: IVAN	日期: 2020.07.06	校核: WSH
	审核:	Rev: A
 美特铝质有限公司 MIDI Aluminum Fabricator Ltd.		
工程名称: 空架老街 / 佛沙街	图名:	
	图号:	

包装保护示意图

数量:	材料:	表面处理:	UC1800812XL-3
制图: 郭上豪	日期: 2020.07.06	校核: WSH	审核:
Rev: A	 美特铝质有限公司 MIDI Aluminium Fabricator Ltd.		
工程名称: 亞皆老街 / 佛沙街	图名: N3/T3A組裝圖	图号: N3/T3A(GF-3F)	

包装保护示意图

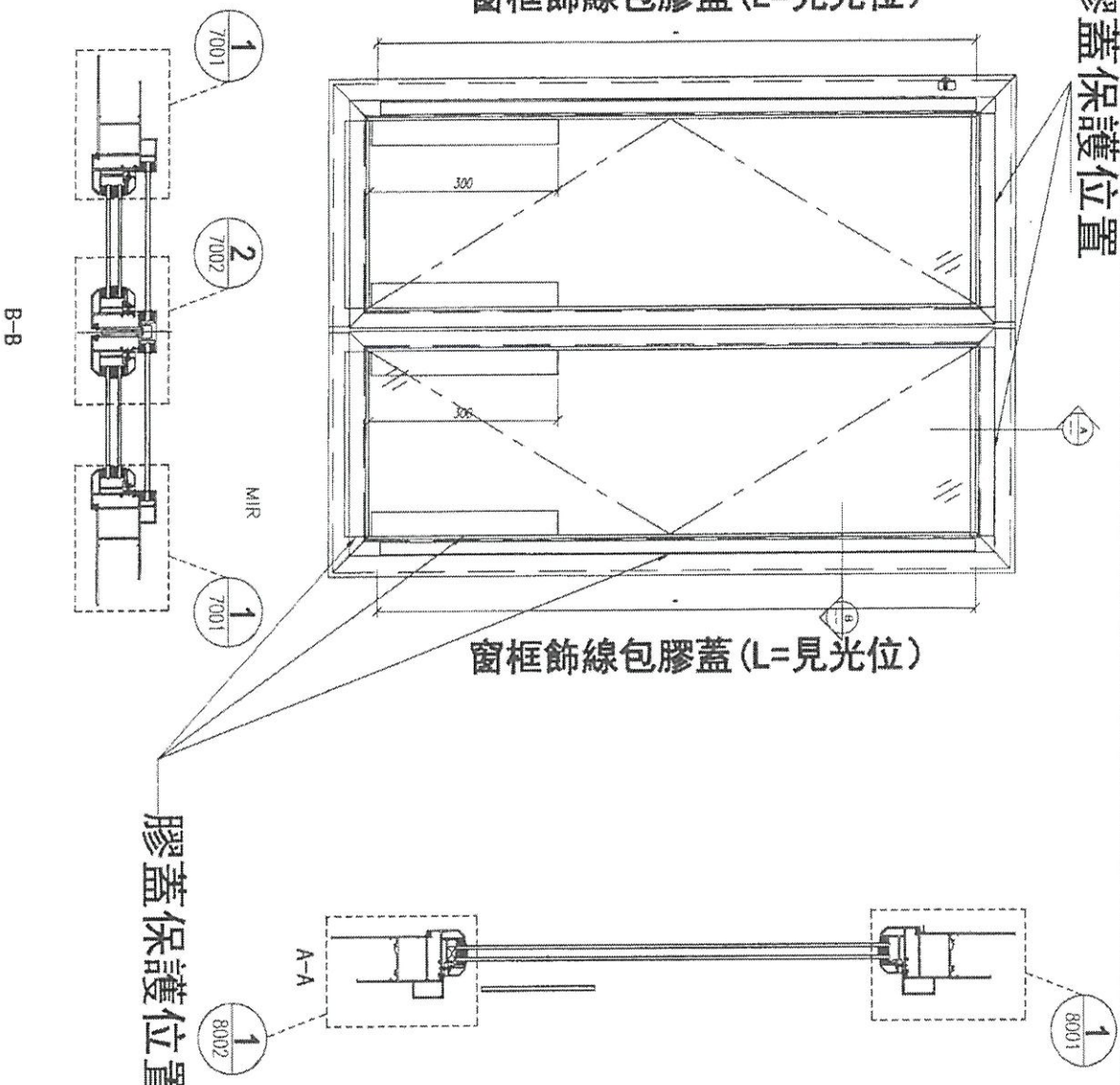


膠蓋保護位置

窗框飾線包膠蓋 (L=見光位)

窗框飾線包膠蓋 (L=見光位)

膠蓋保護位置

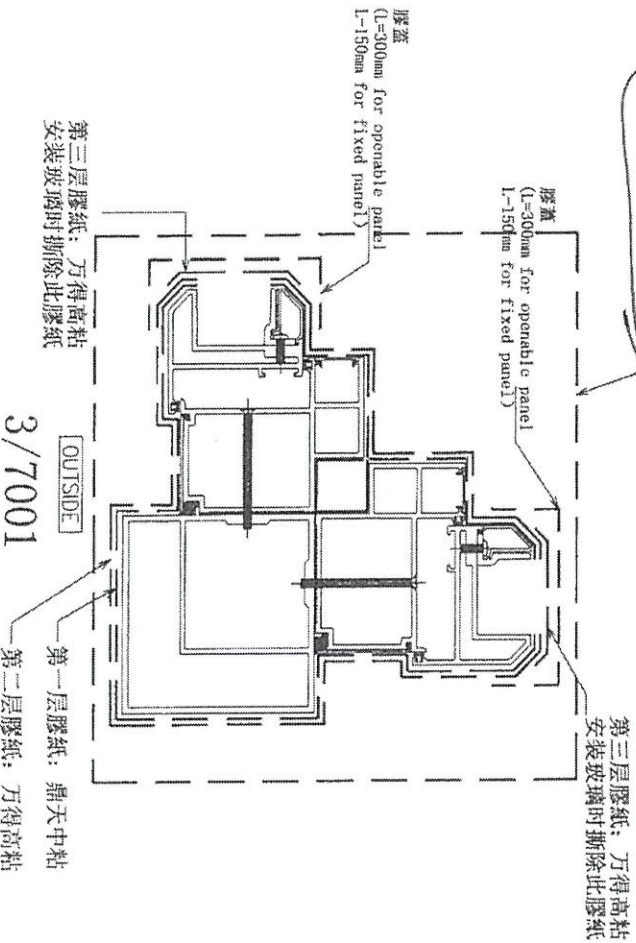
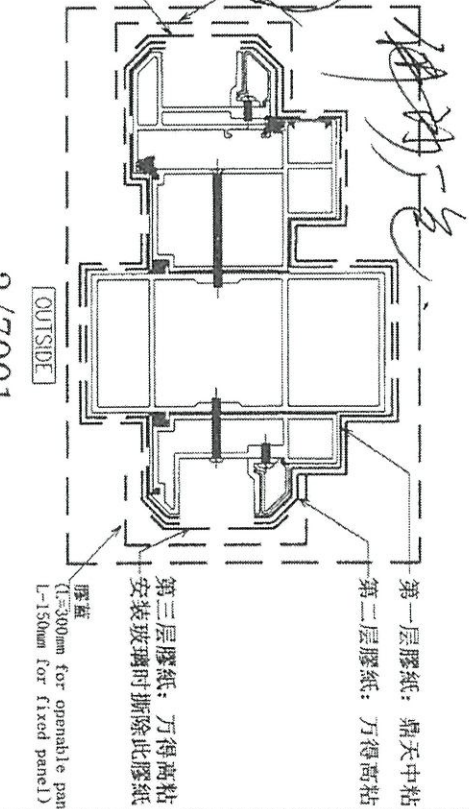
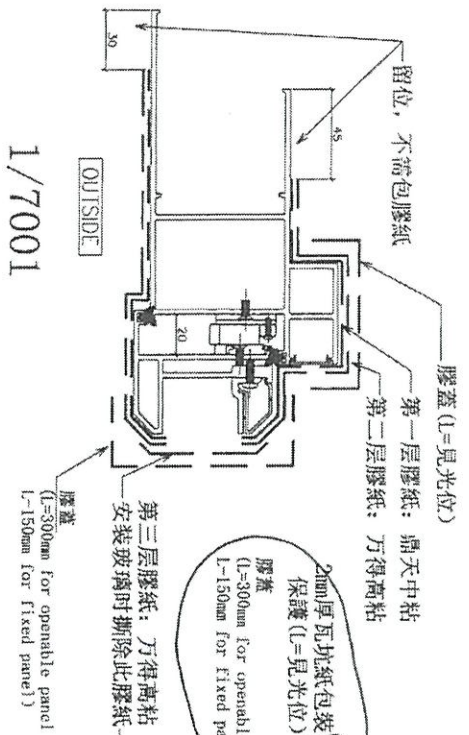


数量:	材料:
规格: IVAN	日期: 2020.07.06
校核: WSH	表面处理: UCT808812XL-3
审核:	查找:
Rev: A	

美特铝质有限公司
MIDI Aluminium Fabricator Ltd.

工程名称: 亞皆老街 / 佛沙窗	图名:
	图号:

包装保护示意图



30 KEY

SCALE: 1:2

DATE: 09-06-18
DRAWN BY: JIN
CHECKED BY: DW

PROJECT:
PROPOSED RESIDENTIAL DEVELOPMENT
AT 139 - 147 ARCHIE STREET,
NRE, 6005, 6035 R.P., 6045 R.P.,
6037 R.P. & 6038 R.P.

TITLE:
DETAIL FOR
ALUM. WINDOW

JOB NO.: J-452

REVISIONS:

NO.	DATE	DESCRIPTION
1		ISSUED SUBJECT TO APPROVAL
2		ISSUED SUBJECT TO APPROVAL
3		ISSUED SUBJECT TO APPROVAL
4		ISSUED SUBJECT TO APPROVAL

REVISIONS:

NO.	DATE	DESCRIPTION
1		ISSUED SUBJECT TO APPROVAL
2		ISSUED SUBJECT TO APPROVAL
3		ISSUED SUBJECT TO APPROVAL
4		ISSUED SUBJECT TO APPROVAL

REVISIONS:

NO.	DATE	DESCRIPTION
1		ISSUED SUBJECT TO APPROVAL
2		ISSUED SUBJECT TO APPROVAL
3		ISSUED SUBJECT TO APPROVAL
4		ISSUED SUBJECT TO APPROVAL

REVISIONS:

NO.	DATE	DESCRIPTION
1		ISSUED SUBJECT TO APPROVAL
2		ISSUED SUBJECT TO APPROVAL
3		ISSUED SUBJECT TO APPROVAL
4		ISSUED SUBJECT TO APPROVAL

REVISIONS:

NO.	DATE	DESCRIPTION
1		ISSUED SUBJECT TO APPROVAL
2		ISSUED SUBJECT TO APPROVAL
3		ISSUED SUBJECT TO APPROVAL
4		ISSUED SUBJECT TO APPROVAL

ARUP
Gammion

WENHARDT

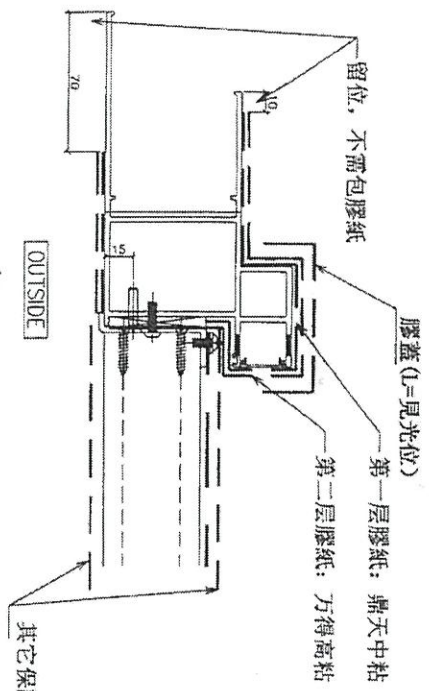
DETAIL FOR ALUM. WINDOW

PROJECT: PROPOSED RESIDENTIAL DEVELOPMENT AT 139 - 147 ARCHIE STREET, NRE, 6005, 6035 R.P., 6045 R.P., 6037 R.P. & 6038 R.P.

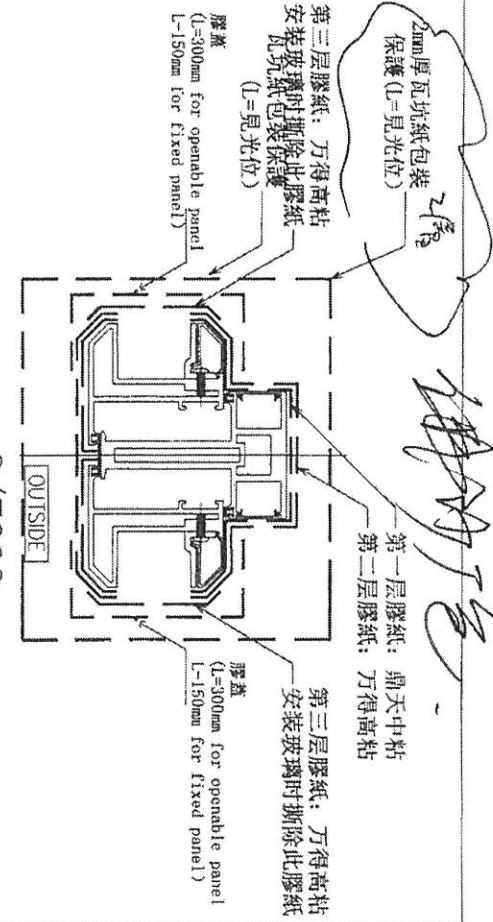
DATE: 09-06-18
DRAWN BY: JIN
CHECKED BY: DW

SCALE: 1:2

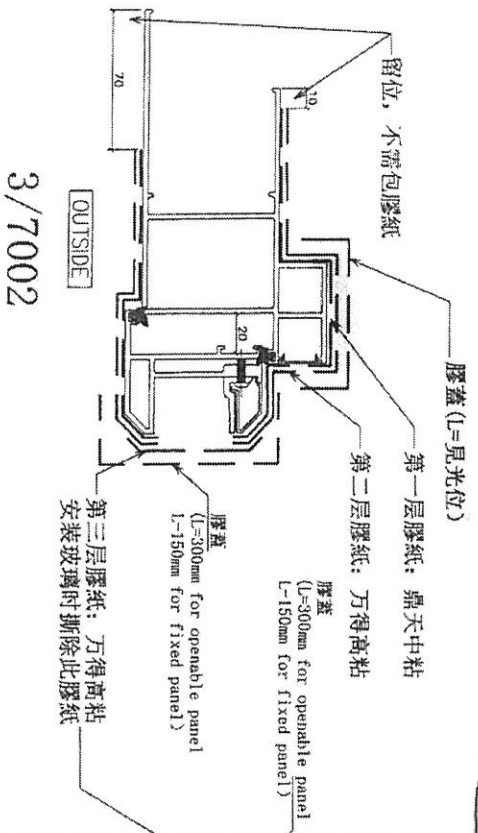
30 KEY



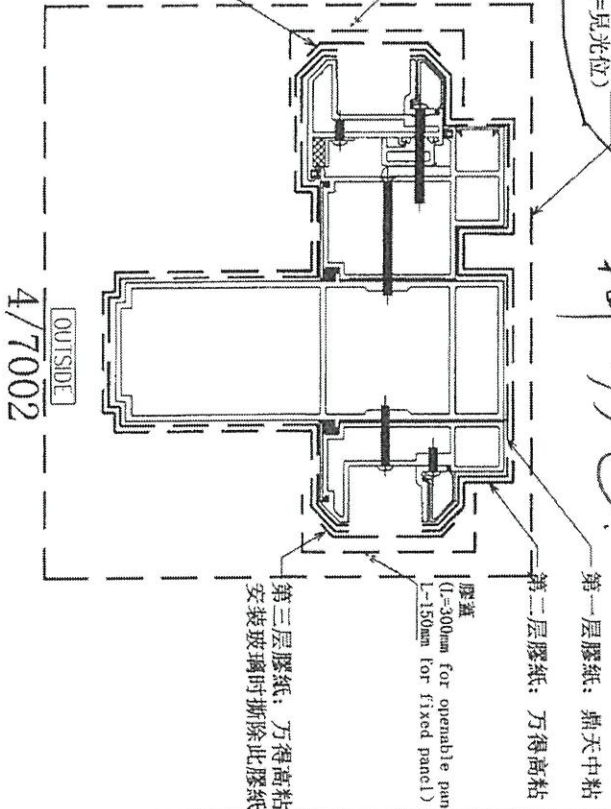
1/7002



2/7002



3/7002



4/7002

2mm厚瓦坑紙包裝保護 (L=見光位)

2mm厚

第一層膠紙: 鼎天中粘
第二層膠紙: 万得高粘

第三層膠紙: 万得高粘
安装玻璃时撕除此膠紙

膠蓋 (L=300mm for openable panel L=150mm for fixed panel)

膠蓋 (L=300mm for openable panel L=150mm for fixed panel)

第一層膠紙: 鼎天中粘
第二層膠紙: 万得高粘

第三層膠紙: 万得高粘
安装玻璃时撕除此膠紙

NO. 011

AGREED BY: **MR. GERRITZ**
FOR CONSTRUCTION: **MR. GERRITZ**

STRUCTURAL ENGINEER: **Garmon**

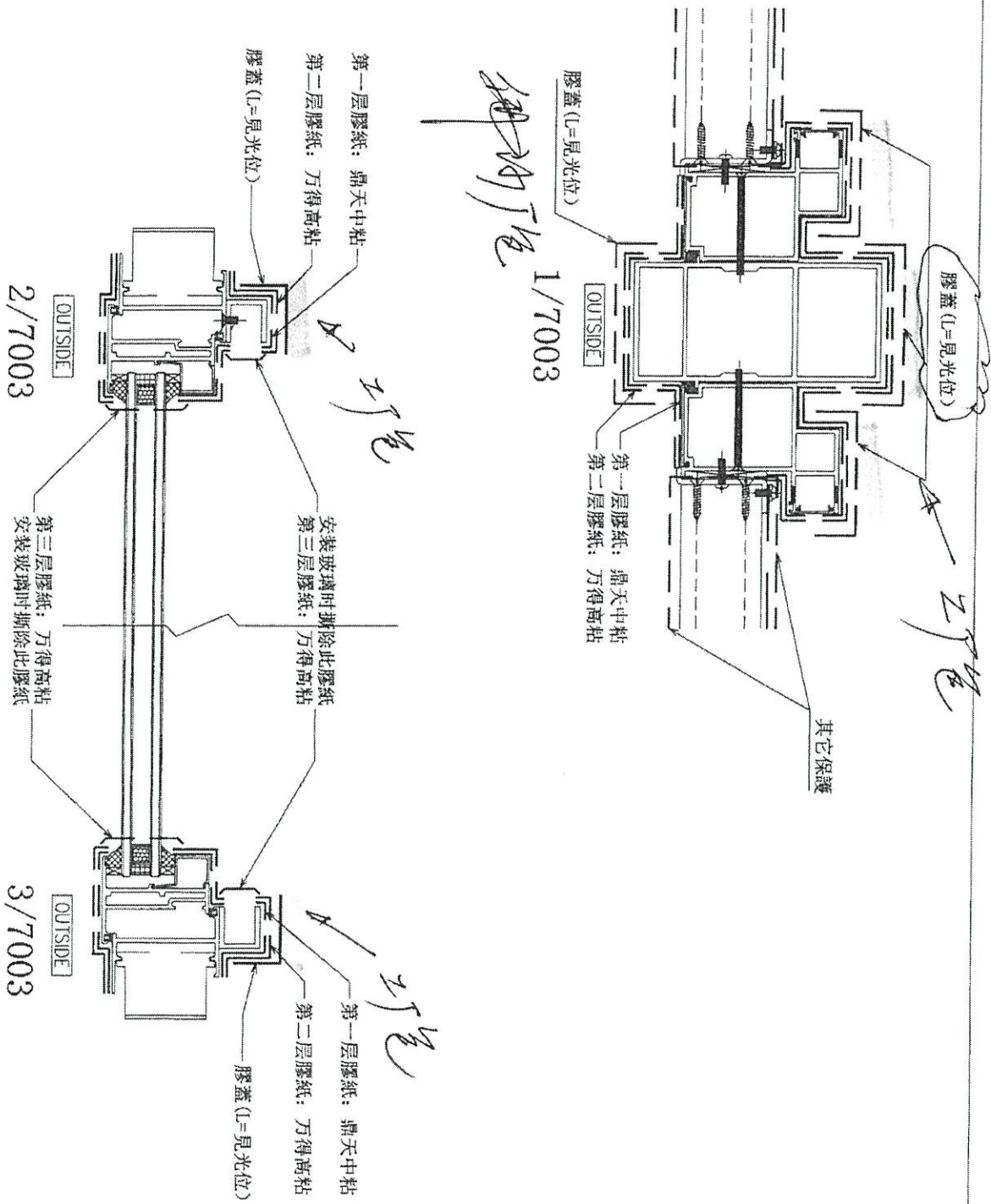
ARCHITECT: **ARUP**
MEINHARDT

SCALE: 1:2
DATE: 05-Dec-19

PROJECT: **PHOENIX RESIDENTIAL DEVELOPMENT**
AT 139 - 147 ARBOL STREET,
HONG KONG, 6035 R.P., 6036 R.P.,
6037 R.P. & 6038 R.P.

DESIGNER: **英特經貿有限公司**
110 Cheong Cheong Street, Kowloon
Tel: 27222222 Fax: 27222222

DATE: 05-Dec-19
SCALE: 1:2
DRAWN BY: JLN
CHECKED BY: JLN



101.03

DATE:

ARCHITECT:
ARC
 ARCHITECTS
 2/F, 280, Nathan Road,
 Kowloon, HONG KONG

MAIN CONTRACTOR:
Garrimon
 GENERAL CONTRACTOR

STRUCTURAL ENGINEER:
ARUP
MENHARDT

SCALE: 1:2

DESIGNED BY: JAW
 CHECKED BY: JAW

DATE: 05-09-10

PROJECT:
 PROPOSED RESIDENTIAL DEVELOPMENT
 AT 139 - 147 ARCADE STREET,
 NKK 6005, 6035 R.P., 6036 R.P.,
 6037 R.P. & 6038 R.P.

TITLE:
 DETAIL FOR
 ALUM. WINDOW

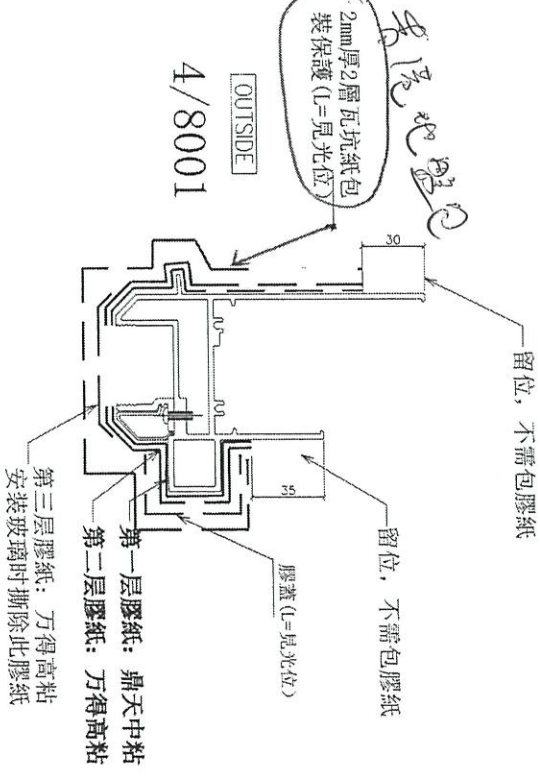
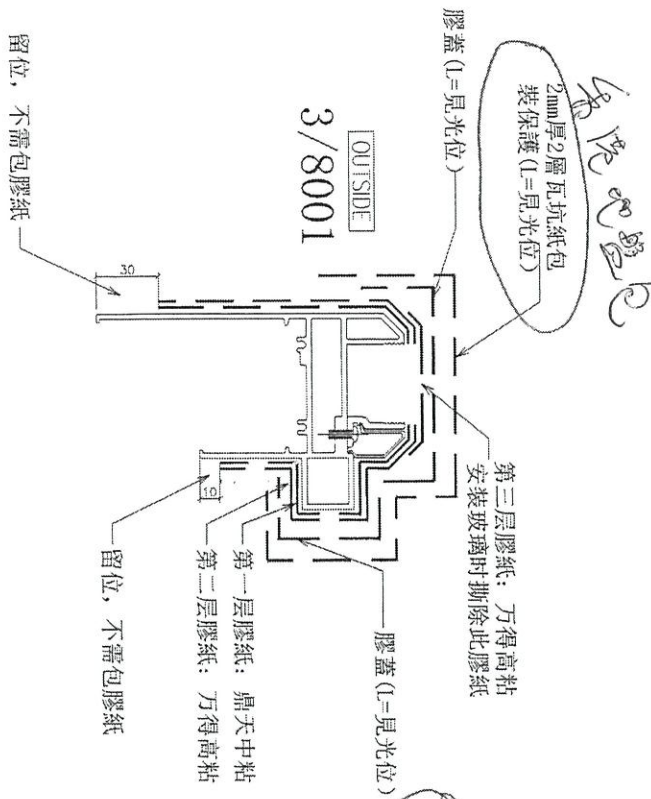
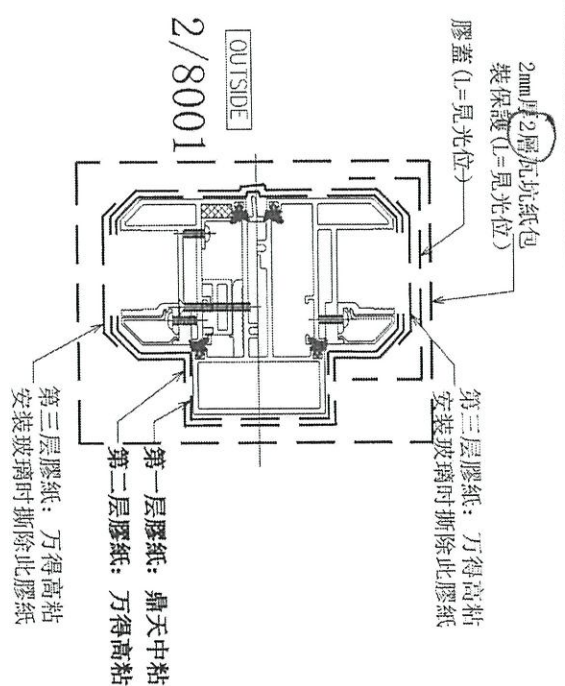
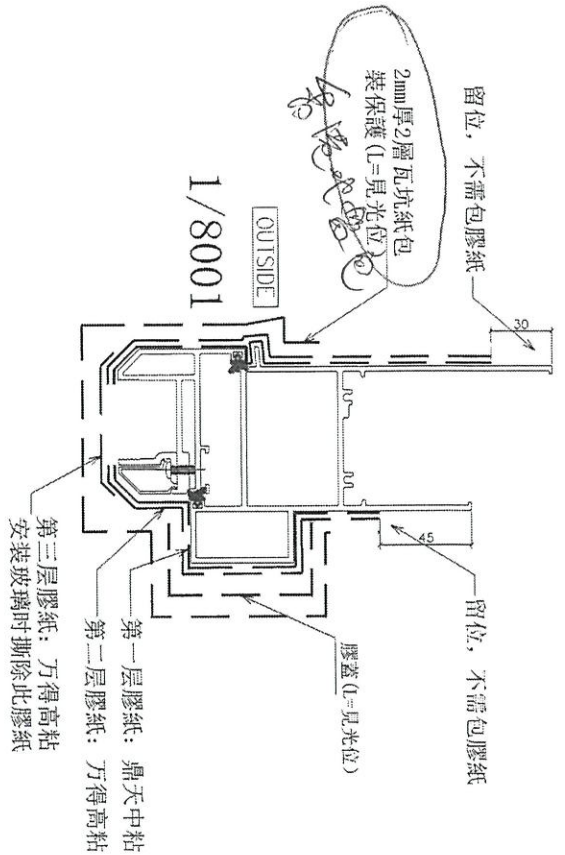
DWG. NO.: JHS7-S0-19-7003

REV: -

鍾沛丁有限公司
 香港中環皇后大道中
 810 號 4-6 樓
 電話: 2538 1114 傳真: 2538 1144

1. ALL DIMENSIONS ARE IN mm
 2. ALL DIMENSIONS ARE TO FACE UNLESS
 OTHERWISE SPECIFIED
 3. ALL DIMENSIONS TO BE CHECKED ON SITE
 BEFORE FABRICATION

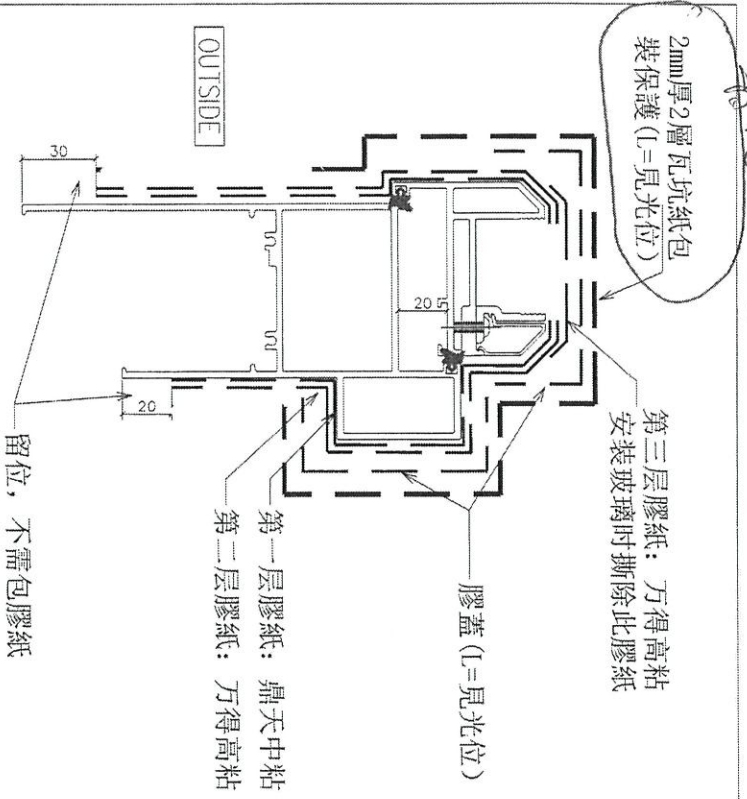
1. 膠蓋
 2. 第一層膠紙
 3. 第二層膠紙
 4. 第三層膠紙
 5. 玻璃
 6. 窗框



<p>DATE: 05-Dec-19</p> <p>SCALE: 1:2</p> <p>DRAWN BY: TAN</p> <p>CHECKED BY: DW</p> <p>PROJECT: PROPOSED RESIDENTIAL DEVELOPMENT AT 139 - 147 ARGYLE STREET, NKL 6005, 6035 R.P., 6038 R.P., 6037 R.P. & 6038 R.P.</p> <p>TITLE: DETAIL FOR ALUM. WINDOW</p>	<p>FIG. NO.:</p> <p>CLIENT:</p> <p>ARCHITECT: AEC INTERTECH</p> <p>MAIN CONTRACTOR: Gammion</p> <p>STRUCTURAL ENGINEER: ARUP</p> <p>ENGINE CONSULTANT: MEINHARDT</p>	<p>NOTE:</p> <ol style="list-style-type: none"> ALL DIMENSIONS ARE IN mm. ALL DIMENSIONS ARE VIEWED FROM QUOTE. ALL DIMENSIONS ARE TO BE VIEWED ON SITE. SEE THE FOUNDATION. <p>LEGEND:</p> <p>① REFER WORK NO.</p> <p>② REFER SHEET NO.</p> <ol style="list-style-type: none"> F.F.L. - FINISHED FLOOR LEVEL S.F.L. - STRUCTURAL FLOOR LEVEL ▽ - FINISHED LEVEL ▲ - FINISH LOCUS △ - FINISH LOCUS GLASS LEGEND <p>Q101 - 8mm Clear Glass (8mm Clear Glass)</p> <p>Q102 - 8mm IR Filtered Glass (8mm IR Filtered Glass)</p> <p>Q103 - 8mm IR Filtered Glass (8mm IR Filtered Glass)</p> <p>Q104 - 8mm IR Filtered Glass (8mm IR Filtered Glass)</p> <p>Q105 - 8mm IR Filtered Glass (8mm IR Filtered Glass)</p>	<p>REVISIONS:</p> <table border="1"> <thead> <tr> <th>NO.</th> <th>DATE</th> <th>REVISION</th> </tr> </thead> <tbody> <tr> <td>1</td> <td></td> <td>ISSUED FOR PERMIT</td> </tr> <tr> <td>2</td> <td></td> <td>ISSUED FOR PERMIT</td> </tr> <tr> <td>3</td> <td></td> <td>ISSUED FOR PERMIT</td> </tr> <tr> <td>4</td> <td></td> <td>ISSUED FOR PERMIT</td> </tr> <tr> <td>5</td> <td></td> <td>ISSUED FOR PERMIT</td> </tr> <tr> <td>6</td> <td></td> <td>ISSUED FOR PERMIT</td> </tr> <tr> <td>7</td> <td></td> <td>ISSUED FOR PERMIT</td> </tr> <tr> <td>8</td> <td></td> <td>ISSUED FOR PERMIT</td> </tr> <tr> <td>9</td> <td></td> <td>ISSUED FOR PERMIT</td> </tr> <tr> <td>10</td> <td></td> <td>ISSUED FOR PERMIT</td> </tr> </tbody> </table>	NO.	DATE	REVISION	1		ISSUED FOR PERMIT	2		ISSUED FOR PERMIT	3		ISSUED FOR PERMIT	4		ISSUED FOR PERMIT	5		ISSUED FOR PERMIT	6		ISSUED FOR PERMIT	7		ISSUED FOR PERMIT	8		ISSUED FOR PERMIT	9		ISSUED FOR PERMIT	10		ISSUED FOR PERMIT
NO.	DATE	REVISION																																		
1		ISSUED FOR PERMIT																																		
2		ISSUED FOR PERMIT																																		
3		ISSUED FOR PERMIT																																		
4		ISSUED FOR PERMIT																																		
5		ISSUED FOR PERMIT																																		
6		ISSUED FOR PERMIT																																		
7		ISSUED FOR PERMIT																																		
8		ISSUED FOR PERMIT																																		
9		ISSUED FOR PERMIT																																		
10		ISSUED FOR PERMIT																																		

美特經貿有限公司
 MIDI ASSURANCE ASSURANCE LTD.
 Unit 5-7, Sanyo Industrial Centre, V/F
 610 Sanyo Road, Singapore 650305
 Tel: 65432222 Fax: 65432222
 DMS NO.: 0892-SI-PN-68001

李曉地 監製



1/8002

DATE: 05-Dec-19		SCALE: 1:2	
DRAWN BY: YKH		CHECKED BY: JOW	
MHI 美特銀寶有限公司 11/F, 111-115 Wing Lok Street, Mong Kok, Kowloon 610 Chee Koo Ling Road, Kowloon Tel: (852) 27217885 Fax: (852) 27217885			
TITLE: DETAIL FOR ALUM. WINDOW			
PROJECT: PROPOSED RESIDENTIAL DEVELOPMENT AT 139 - 147 ABBOT STREET, NOL 6005, 6035 R.P., 6036 R.P., 6037 R.P. & 6038 R.P.			
JOB NO.: J-952			
1	16/06/2018	REVISION SUBJECT TO APPROVAL	100%
2	01/07/2018	REVISION SUBJECT TO APPROVAL	100%
3	08/09/2018	REVISION SUBJECT TO APPROVAL	100%
4	02/10/2018	REVISION SUBJECT TO APPROVAL	100%
5	24/07/2019	REVISION SUBJECT TO APPROVAL	100%
6		REVISION SUBJECT TO APPROVAL	100%

1. ALL DIMENSIONS ARE IN mm.
 2. ALL ELEVATIONS ARE VIEWED FROM OUTSIDE.
 3. ALL DIMENSIONS TO BE VERIFIED ON SITE BEFORE PROSECUTION.

LEGEND:
 (A) - VENTIL. MARK NO.
 (X) - REFER SHEET NO.

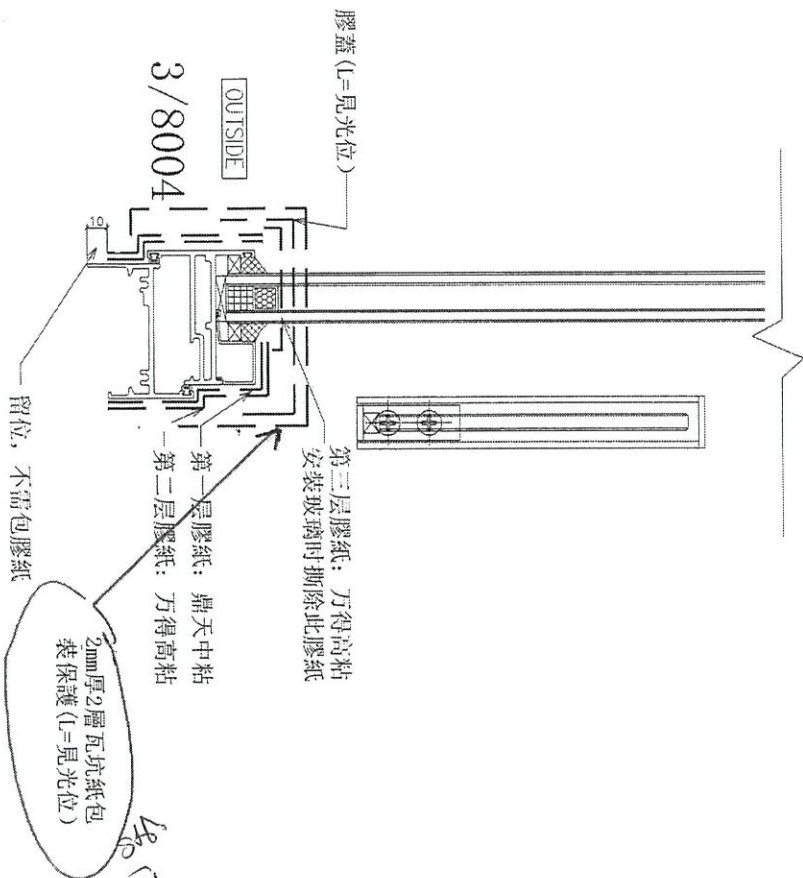
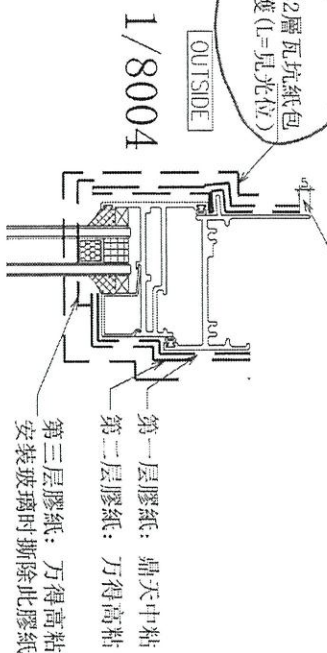
1. FTFL - FINISHED FLOOR LEVEL
 2. SFL - FINISHED SLOOF LEVEL
 3. RL - REDUCED LEVEL
 4. TL - TYPING LOCATION
 5. AL - ALUMINUM LOCATION
 6. GLASS LOCATION

Q101 - 6mm x 12mm AIR CAP+12mm JHK ALU
 Q102 - 6mm x 12mm AIR CAP+12mm JHK ALU
 Q103 - 6mm x 12mm AIR CAP+12mm JHK ALU
 Q104 - 6mm x 12mm AIR CAP+12mm JHK ALU
 Q105 - 6mm x 12mm AIR CAP+12mm JHK ALU

ARCHITECT: AEC
 STRUCTURAL ENGINEER: Gammion
 MAIN CONTRACTOR: ARUP
 PROJECT CONSULTANT: MEINHARDT

JOB NO.: J-952
 DATE: 05-Dec-19
 SCALE: 1:2
 DRAWN BY: YKH
 CHECKED BY: JOW
 PROJECT: PROPOSED RESIDENTIAL DEVELOPMENT AT 139 - 147 ABBOT STREET, NOL 6005, 6035 R.P., 6036 R.P., 6037 R.P. & 6038 R.P.
 TITLE: DETAIL FOR ALUM. WINDOW
 JOB NO.: J-952
 PROJECT: PROPOSED RESIDENTIAL DEVELOPMENT AT 139 - 147 ABBOT STREET, NOL 6005, 6035 R.P., 6036 R.P., 6037 R.P. & 6038 R.P.
 TITLE: DETAIL FOR ALUM. WINDOW
 DATE: 05-Dec-19
 SCALE: 1:2
 DRAWN BY: YKH
 CHECKED BY: JOW
 ARCHITECT: AEC
 STRUCTURAL ENGINEER: Gammion
 MAIN CONTRACTOR: ARUP
 PROJECT CONSULTANT: MEINHARDT

2mm厚2層瓦坑紙包裝保護 (=見光位)



BD REF:

CLIENT:

ARCHITECT: **AGC**

MAIN CONTRACTOR:

SPECIALIST ENGINEER: **Gammion**

FACTORY CONSULTANT: **ARUP**

MEINHARDT

NOTE:

1. ALL DIMENSIONS ARE IN mm.
2. ALL DIMENSIONS ARE VARIOUS FROM OUTSIDE.
3. ALL DIMENSIONS TO BE VERIFIED ON SITE BEFORE FABRICATION.

LEGEND:

① --- INITIAL WORK NO.

② --- OTHER SHEET NO.

1. FTL --- FINISHED PUPPER LEVEL
2. SFL --- FINISHED LOWER LEVEL
3. SFL --- FINISHED DRIVE
4. A --- FINISH LOCATIONS
5. A --- FINISH LINE LOCATIONS

E. GLASS LEADING

Q101 --- 6mm+12mm AIR GAP+10mm TRK LGU (3.010---6mm+12mm AIR GAP+12mm TRK LGU)

Q102 --- 6mm+12mm AIR GAP+12mm TRK LGU (3.010---6mm+12mm AIR GAP+12mm TRK LGU)

Q103 --- 6mm+12mm AIR GAP+12mm TRK LGU (3.010---6mm+12mm AIR GAP+12mm TRK LGU)

Q104 --- 6mm+12mm AIR GAP+12mm TRK LGU (3.010---6mm+12mm AIR GAP+12mm TRK LGU)

Q105 --- 6mm+12mm AIR GAP+12mm TRK LGU (3.010---6mm+12mm AIR GAP+12mm TRK LGU)

NO.	DATE	BY	DESCRIPTION
1	10/03/2008	REVISION SHEET TO AMEND COMMENT	
2	04/04/2008	REVISION SHEET TO AMEND COMMENT	

JOB NO.: 4-452

PROJECT: PROPOSED RESIDENTIAL DEVELOPMENT AT 136 - 147 ARCADE STREET, NGH 6005, 6035 R.P., 6036 R.P., 6037 R.P. & 6038 R.P.

TITLE: DETAIL FOR ALUM. WINDOW

DATE: 05-Dec-19 SCALE: 1:2

DESIGN BY: JIAN CHECKED BY: DW

美特鋁業有限公司

11/11 11/11 11/11 11/11 11/11 11/11 11/11 11/11 11/11 11/11

Unit 1-8, Sheng Hing Industrial Estate, 1/F, 610 Che Kwo Ling Road, Kowloon, HONG KONG

1423489211-4 Fax: (852) 27272658

DWG NO.: 3852-SP-PW-9004 REV: -

PROJECT : PROPOSED RESIDENTIAL DEVELOPMENT AT 139-147 ARDYLE STREET
NKL 6006, 6035 R.P. - 6038 R.P.

有關: J-852 佛沙窗保護資料 T1

提供: 甄永珏

保護進度

樓層	FLAT A							FLAT B					FLAT C			樓層
	W2 T1A	W3 T1A	W4 T1A	W5 T1A	W6 T1A	W8 T1A	W9 T1A	W2 T1B	W3 T1B	W4 T1B	W5 T1B	W7 T1B	W3 T1C	W4 T1C	W5 T1C	
21/F																21/F
20/F																20/F
19/F																19/F
18/F																18/F
17/F																17/F
16/F																16/F
15/F																15/F
12/F																12/F
11/F																11/F
10/F																10/F
9/F																9/F
8/F																8/F
7/F																7/F
6/F																6/F
5/F																5/F
3/F																3/F
2/F																2/F
1/F	✓	✓	✓	✓	✓	✓	✓	✓	✓	✓	✓	✓	✓	✓	✓	1/F

樓層	FLAT A						FLAT C			
	22W1 T1A	22W2 T1A	22W4 T1A	22W4 T1A	22W13 T1A	22W14 T1A	22W3 T1C	22W4 T1C	22W5 T1C	22W8 T1C
22/F										

樓層	FLAT A						FLAT C			
	23W1 T1A	23W2 T1A	23W4 T1A	23W5 T1A	23W13 T1A	23W14 T1A	23W3 T1C	23W4 T1C	23W5 T1C	23W8 T1C
23/F										

15:10

保護進度。👉👉

15:12

Midi 祥哥

您

@Midi 祥哥 祥哥 請問現時佛沙窗保護幾多工一層?

佛沙窗額外再包保護：
每層兩個人定工包需要
4日×2=8工人

15:19

Midi 祥哥

您

祥哥 請問之前無mark到"作石矢"的石矢廊測量報告
修改了嗎?

已Mark回那些要打石矢，三個位置，已Email返公司。

7

AF-DT01	Acoustic Fin. Details	0	Page 16 of this Appendix
AF-P01	-	23 SEP 2019	Page 17 of this Appendix
AF-SK01	-	23 SEP 2019	Page 18 of this Appendix
AMR-SK01	-	25 SEP 2019	Page 19 of this Appendix

(B) Contractor's Proposed Deviations:-

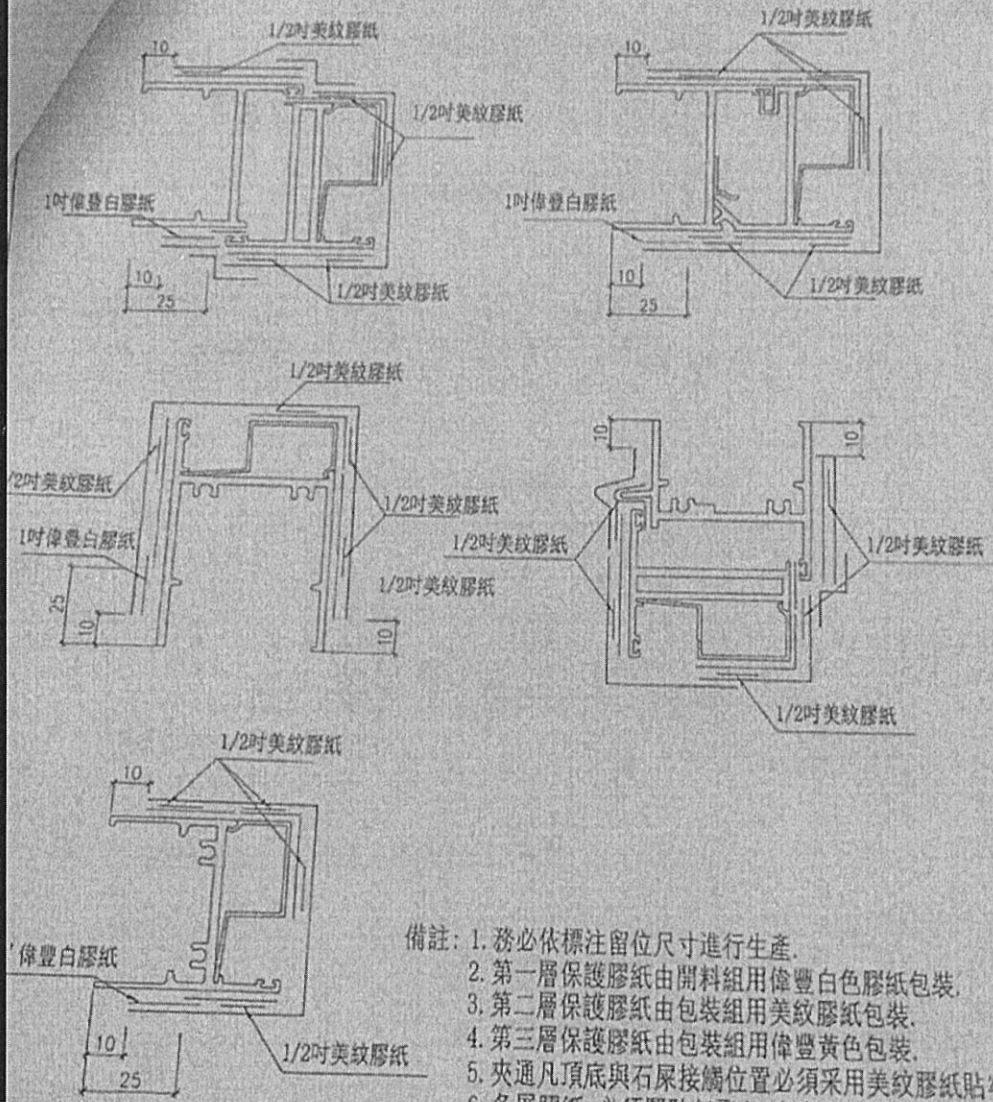
1. Stick System for curtain wall shall be used.
2. It is confirmed that the protection system to windows in precast façade concrete panel is detailed in pages 20 to 23 of this Appendix.

—END—

查看原圖 (681K)



預製窗包裝保護示意圖



- 備註:
1. 務必依標注留位尺寸進行生產。
 2. 第一層保護膠紙由開料組用偉豐白色膠紙包裝。
 3. 第二層保護膠紙由包裝組用美紋膠紙包裝。
 4. 第三層保護膠紙由包裝組用偉豐黃色包裝。
 5. 夾通凡頂底與石屎接觸位置必須採用美紋膠紙貼半。
 6. 各層膠紙 必須緊貼無飛角, 各角位還須刮0.5mm膠層以防止 飛角。
 7. 所有靠邊包裝膠紙需留1mm, 以防飛邊。
 8. 與石屎接觸位須油防腐瀝青油。

