



工程指示 / 要求簡箋(E.I.)

工程指示編號：EI / 2923 / 20

修改版次：-

工程編號：J - 852

工程名稱：亞皆老街中電

工程項目：偏林箱 T3 5/F 8件 地盆用

收件人：生統 / 鋁金

發件人：Ant Yeung

日期：11/01/2021

要求提供 / 確認 事項：

- () 初步鋁料 B.M. () 加工拆圖，然後生產 () 尺寸表
- () 正式鋁料 B.M. () 技術上資料 / 指示 () 報價
- () 配件 B.M. () 樣辦或貨品說明書 () 分判合約
- () 其他：_____

內容：

請按加工圖生產 T3 5/F 偏林箱 送地盆。

需要配合 螺絲和絲桿安裝。MP

畫圖，請加固定鋁角

請在 2021.01.22 前完成上列要求。

附：9 頁位置圖+14 頁加工圖

- 原合約工程包 原合約工程加 / 減賬 新工程報價

原因：-

分發東莞各部門：

- () 生產技術總監 連附件 () 技術部 連附件 () 生產部 連附件 () 機械設計部 連附件
- () 採購部 連附件 () 生產統籌部 連附件 () 小羅&清 連附件
- () 質檢部 連附件 () 會計部 連附件 () 報關組 連附件 () 其他 楊榮輝 連附件

分發其他分判：

- (v) 水洪 連附件

分發香港各部門：

- () 行政部 連附件 () 會計部 連附件 () 統籌部 連附件 () 工程部地盤科文 連附件 祥哥
- () 採購部 連附件 () QS 部 連附件 () 維修部 連附件 () 其他 _____ 連附件

傳遞編號：

HK 0070 / 21

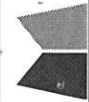
發件人簽署：

項目經理簽署：

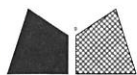
62 2923 4K 0070

J852-EI2809偏林箱派窗表

序號	型號	M01															M02							合計
		1F	2F	3F	5F	6F	7F	8F	9F	10F	11F	12F	15F	16F	17F	18F	19F	20F	21F	22F	23F			
1	T1A W4	1	1	1	1	1	1	1	1	1	1	1	1	1	1	1	1	1	1	1	1	1	1	18
2	T1A W5	1	1	1	1	1	1	1	1	1	1	1	1	1	1	1	1	1	1	1	1	1	1	18
3	T1C W6	1	1	1	1	1	1	1	1	1	1	1	1	1	1	1	1	1	1	1	1	1	1	18
4	T1B W5	1	1	1	1	1	1	1	1	1	1	1	1	1	1	1	1	1	1	1	1	1	1	18
5	T1B W4	1	1	1	1	1	1	1	1	1	1	1	1	1	1	1	1	1	1	1	1	1	1	18
6	T1B W8	1	1	1	1	1	1	1	1	1	1	1	1	1	1	1	1	1	1	1	1	1	1	18
7	T1C W9	1	1	1	1	1	1	1	1	1	1	1	1	1	1	1	1	1	1	1	1	1	1	18
8	T1A 22W14																			1				1
9	T1C 22W6																			1				1
10	T1A 22W6																			1				1
11	T1A 22W8																			1				1
12	T1A 22W9b																			1				1
13	T1A 23W14																					1		1
14	T1C 23W6																					1		1
15	T1A 23W6																					1		1
16	T1A 23W8																					1		1
17	T1A 23W7a																					1		1
18	T2C W6	1	1	1	1	1	1	1	1	1	1	1	1	1	1	1	1	1	1	1	1	1	1	18
19	T2A W4	1	1	1	1	1	1	1	1	1	1	1	1	1	1	1	1	1	1	1	1	1	1	18
20	T2A W5	1	1	1	1	1	1	1	1	1	1	1	1	1	1	1	1	1	1	1	1	1	1	18
21	T2B W5	1	1	1	1	1	1	1	1	1	1	1	1	1	1	1	1	1	1	1	1	1	1	18
22	T2B W4	1	1	1	1	1	1	1	1	1	1	1	1	1	1	1	1	1	1	1	1	1	1	18
23	T2A W8	1	1	1	1	1	1	1	1	1	1	1	1	1	1	1	1	1	1	1	1	1	1	18
24	T2B W8	1	1	1	1	1	1	1	1	1	1	1	1	1	1	1	1	1	1	1	1	1	1	18
25	T2C 22W6																				1			1
26	T2A 22W4																				1			1
27	T2A 22W5																				1			1
28	T2B 22W5																				1			1
29	T2B 22W4																				1			1
30	T2A 22W7																				1			1

	工程號: J852	計算: 胡冬雲	日期: 2020-12-23	送呈:		
	地盤: 亞皆老街中電	核對:	日期:	副本:		
	地盤用鋁板B.M.表	項目類別: 偏林箱鋁板	批准:			
BM編號:	版次:	總展開面積:	8.00	總V.F.:	0.00	此BM依據

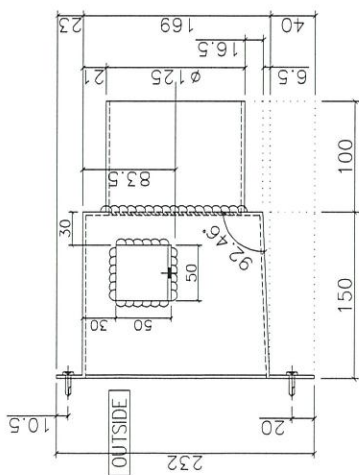
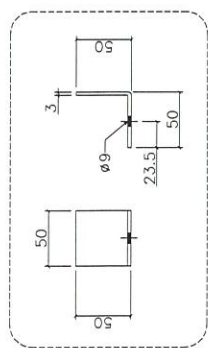
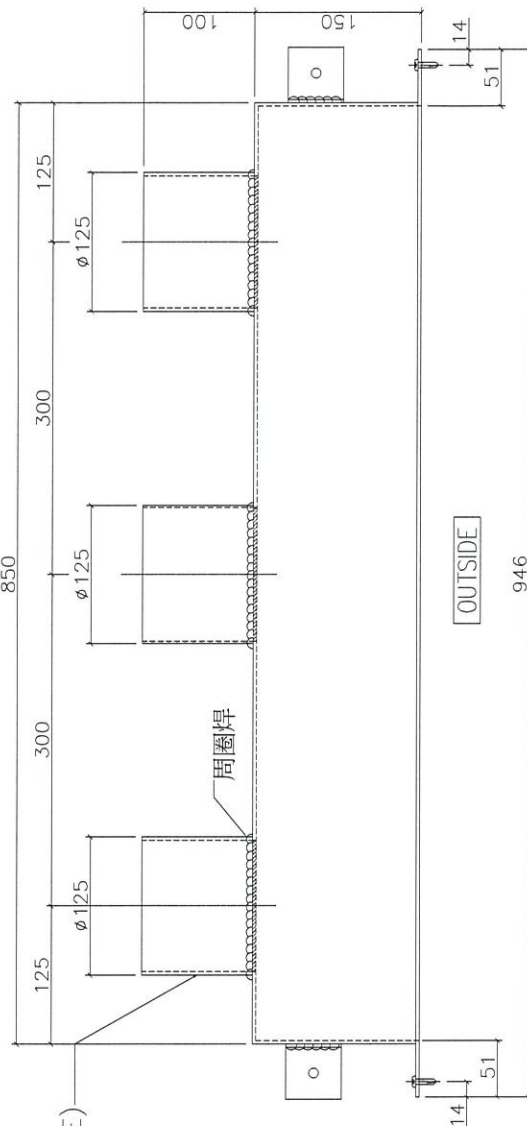
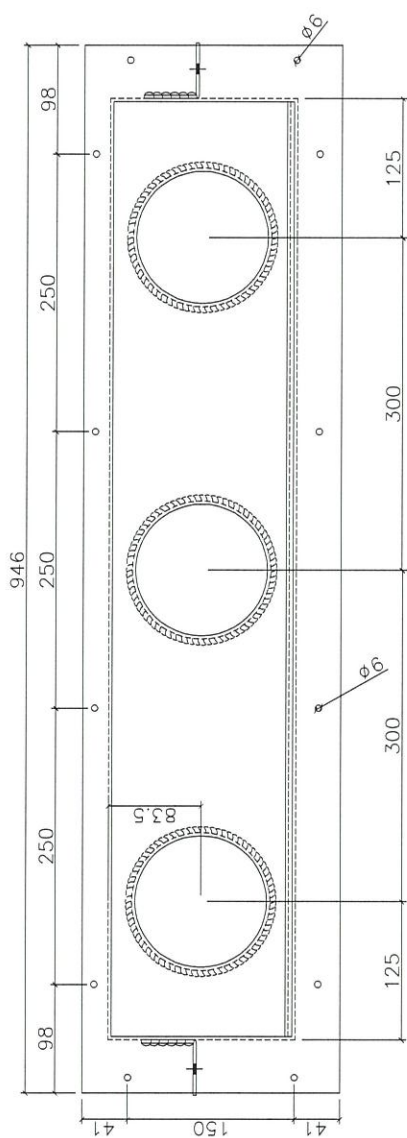
序號	修改版次	鋁板編號	鋁板名稱	噴塗顏色	實用	後備	總數	單位	單件V.F. (M2)	總V.F. (M2)	單件展開面積(M2)	總展開面積 (M2)
1		T3A W4	3.0mm厚鋁板	光身	1	0	1	件	0.00	0.00	0.781	0.78
2		T3A W5	3.0mm厚鋁板	光身	1	0	1	件	0.00	0.00	0.781	0.78
3		T3A W10	3.0mm厚鋁板	光身	1	0	1	件	0.00	0.00	0.966	0.97
4		T3A W9	3.0mm厚鋁板	光身	1	0	1	件	0.00	0.00	0.631	0.63
5		T3B W4	3.0mm厚鋁板	光身	1	0	1	件	0.00	0.00	1.308	1.31
6		T3B W5	3.0mm厚鋁板	光身	1	0	1	件	0.00	0.00	0.486	0.49
7		T3B W8	3.0mm厚鋁板	光身	1	0	1	件	0.00	0.00	1.608	1.61
8		T3C W6	3.0mm厚鋁板	光身	1	0	1	件	0.00	0.00	1.443	1.44
							8	件		0.00		8.00



美特鋁質 有限公司
MIDI Aluminium Fabricator Ltd.

工程號 J-852 地盤 亞皆老街中電

物料號	座數	樓層	數量
T3A/W4	T3	5F	1
T3A/W5	T3	5F	1



plenum box (3mm THK. ALUM. PLATE)

4301 4302

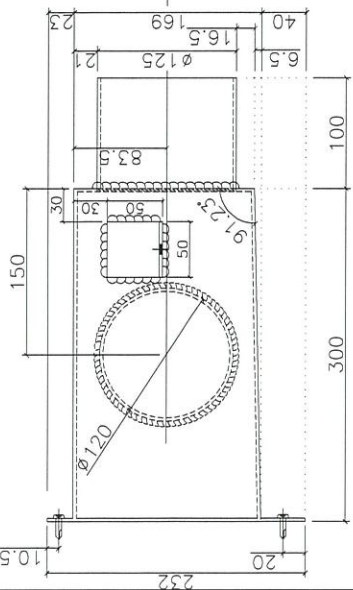
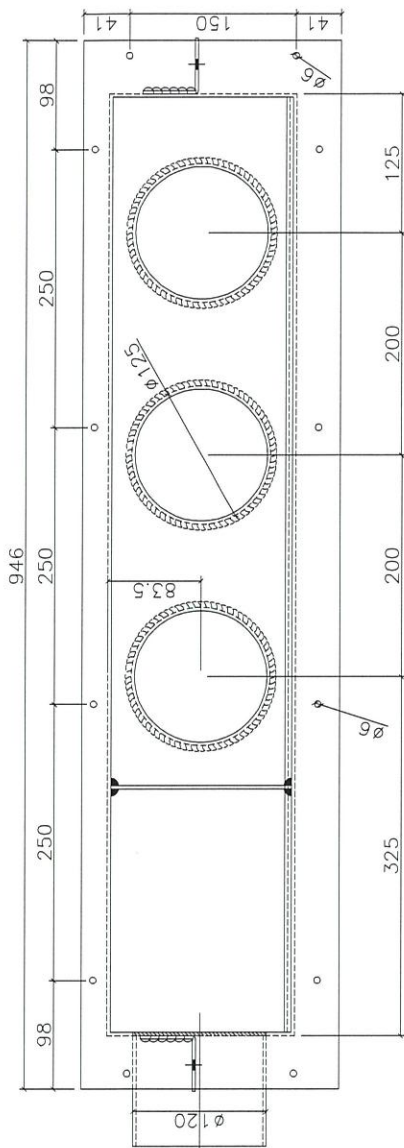
名稱	偏林箱	制圖	胡冬雲	2020. 12. 23	修改		
材料	3.0MM鋁板	復核			日期		
顏色	MILL	批准			圖號	T3A/W4, W5	



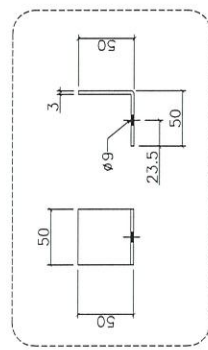
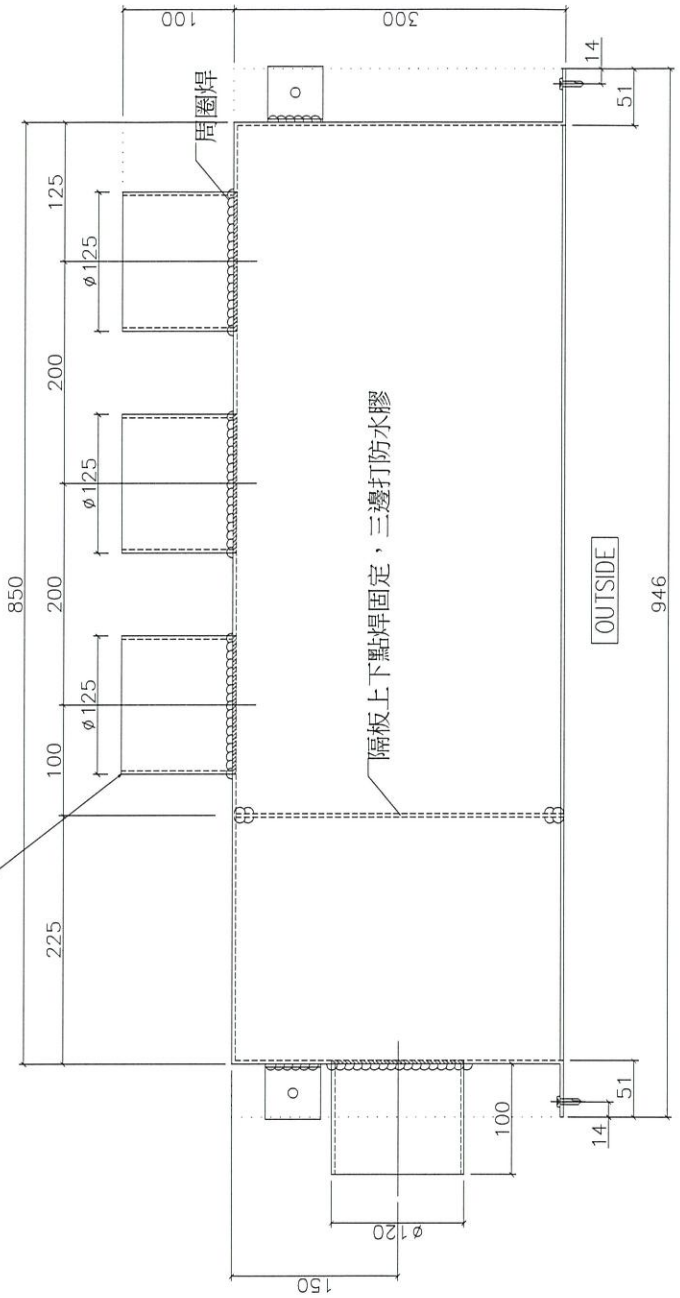
美特鋁質 有限公司
MIDI Aluminium Fabricator Ltd.

工程號 J-852 | 地盤 亞皆老街中電

物料號	座數	樓層	數量
T3C/W6	T3	5F	1



plenum box (3mm THK. ALUM. PLATE)



4303

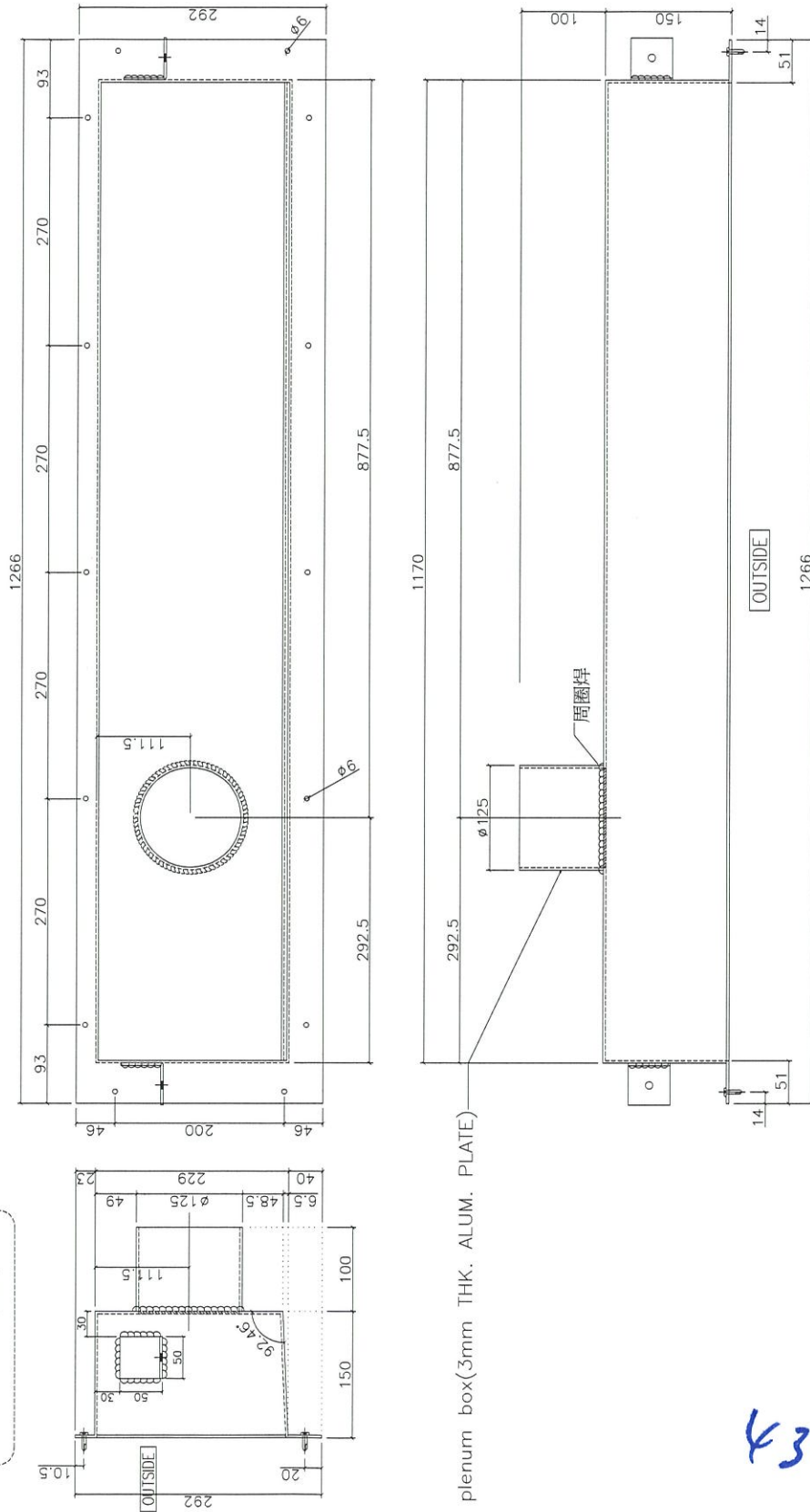
名稱	偏林箱	制圖	胡冬雲	2020. 12. 23	修改		
材料	3.0MM鋁板	復核			日期		
顏色	MILL	批准			圖號	T3C/W6	



美特鋁質 有限公司
MIDI Aluminium Fabricator Ltd.

物料號	座數	樓層	數量
T3A/W10	T3	5F	1

工程號 J-852 | 地盤 亞皆老街中電



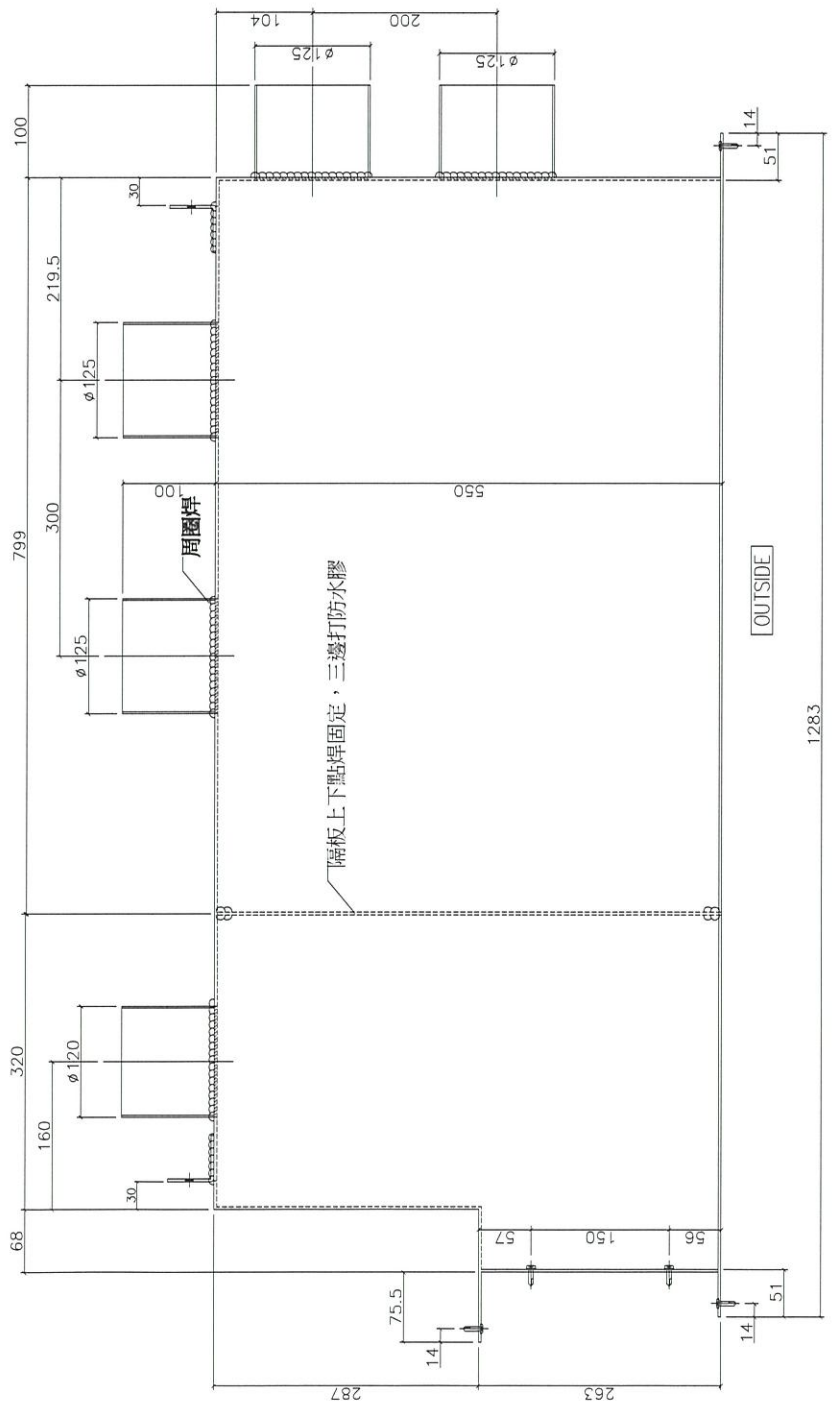
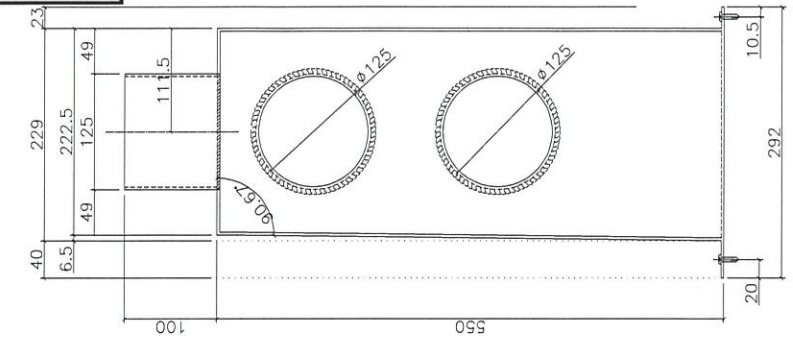
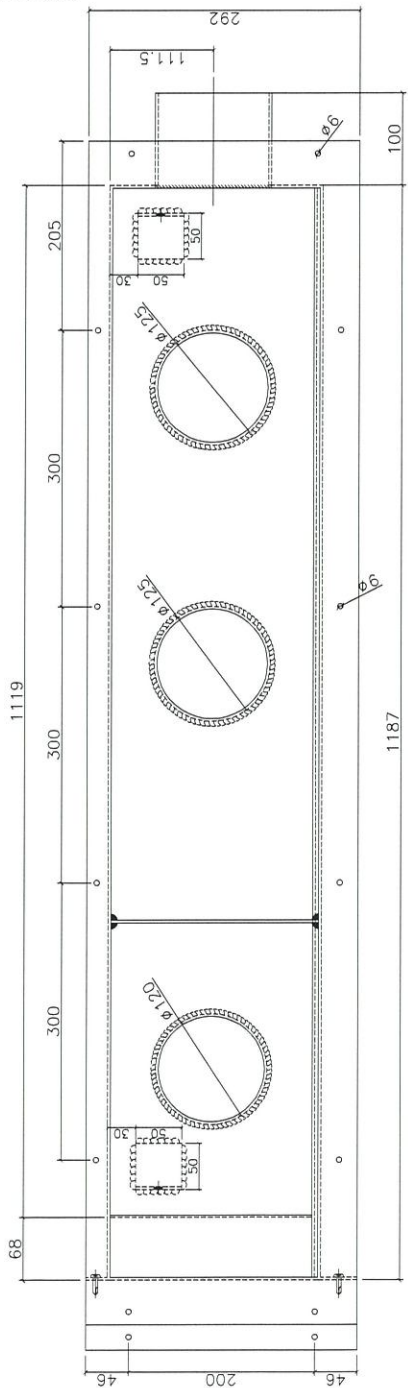
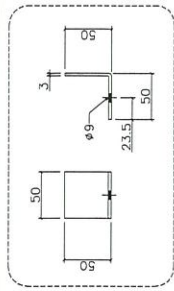
名稱	偏林箱	制圖	胡冬雲	2020.12.23	修改		
材料	3.0MM鋁板	復核			日期		
顏色	MILL	批准			圖號	T3A/W10	



美特鋁質 有限公司
MIDI Aluminium Fabricator Ltd.

物料號	座數	樓層	數量
T3B/W8	T3	5F	1

工程號 J-852 | 地盤 亞皆老街中電



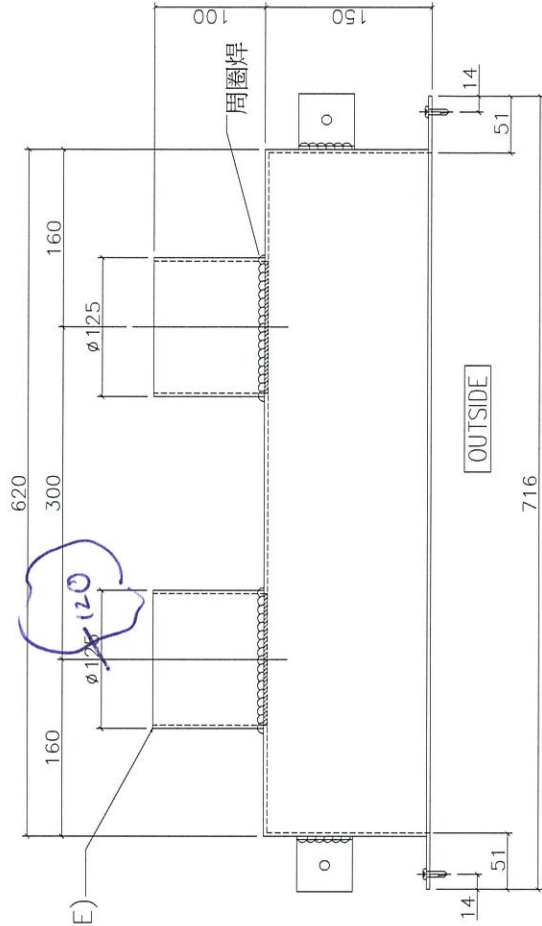
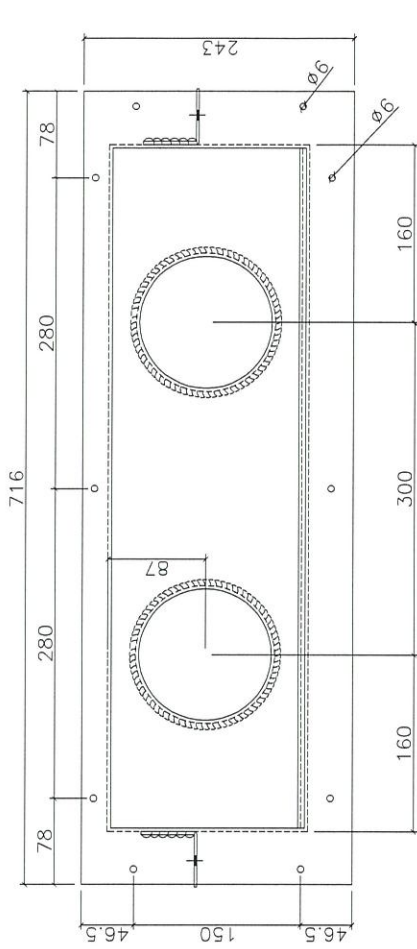
名稱	偏林箱	制圖	胡冬雲	2020. 12. 23	修改	4306
材料	3.0MM鋁板	復核			日期	
顏色	MILL	批准			圖號	



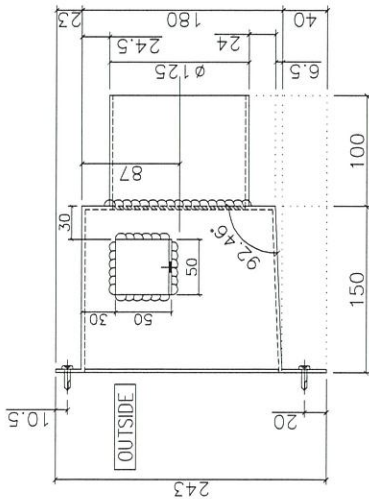
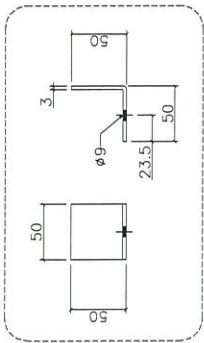
美特鋁質 有限公司
MIDI Aluminium Fabricator Ltd.

物料號	座數	樓層	數量
T3A/W9	T3	5F	1

工程號 J-852 地盤 亞皆老街中電



plenum box (3mm THK. ALUM. PLATE)



4307

名稱	偏林箱	制圖	胡冬雲	2020.12.23	修改		
材料	3.0MM鋁板	復核			日期		
顏色	MILL	批准			圖號	T3A/W9	

B.D. REF :

CLIENT :

ARCHITECT :
ABC
BUILDING LTD
110, WING LOK STREET, HONG KONG

MAIN CONTRACTOR :



STRUCTURAL ENGINEER :



FACADE CONSULTANT :



NOTE :

1. ALL DIMENSIONS ARE IN mm.
2. ALL ELEVATIONS ARE VIEWED FROM OUTSIDE.
3. ALL DIMENSIONS TO BE VERIFIED ON SITE BEFORE FABRICATION.

LEGEND :

- ① DETAIL MARK NO.
- ② REFER SHEET NO.
- 1. EFF. -- FINISHED FLOOR LEVEL
- 2. S.F.L. -- STRUCTURAL FLOOR LEVEL
- 3. Ⓜ -- REVERSED DETAIL

NO.	DATE	REVISION SUBJECT TO INCORPORATION
A	07/11/2020	REVISION SUBJECT TO INCORPORATION

J-852

PROJECT : RESIDENCIAL DEVELOPMENT
 PROJECT NO. : 147 ARCS/LE ST/19
 AT 130 - 147 ARCS/LE ST/19
 NKIL 6005, 6036 R.P., 6036 R.P.,
 NKIL 6037 R.P. & 6038 R.P.

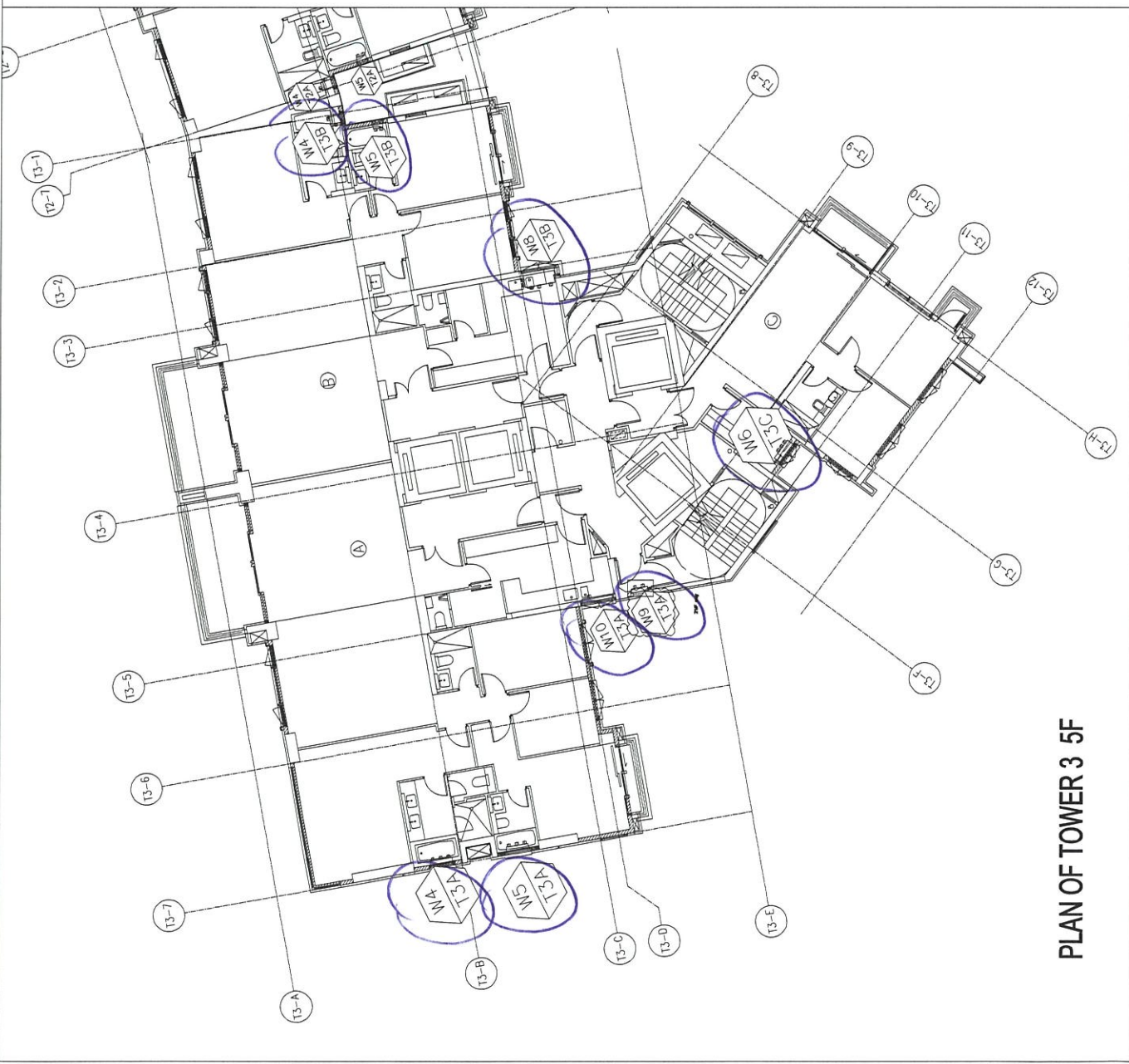
TITLE :
PART PLAN OF
TOWER 3 (2-21/F)

DATE : 12-Dec-2019 SCALE : 1:150

DRAWN BY : MN CHECKED BY : DW

美特經貿有限公司
MIDI
 11/F
 Units 6-8, Sunny Industrial Centre,
 810 Chee Kwo Ling Road, Kowloon
 Tel: 24692144 Fax: (852) 27271866

BWG NO. : J852-SD-PB-3010 REV. : A



PLAN OF TOWER 3 5F

B.D. REF :

CLIENT :

ARCHITECT :



MAN CONTRACTOR :



STRUCTURAL ENGINEER :



FAÇADE CONSULTANT :



NOTE :

1. ALL DIMENSIONS ARE IN mm.
2. ALL ELEVATIONS ARE VIEWED FROM OUTSIDE.
3. ALL DIMENSIONS TO BE VERIFIED ON SITE BEFORE FABRICATION.

LEGEND :

- ① --- DETAIL MARK NO.
- ② --- REFER SHEET NO.
- 1. P.F.L. --- FINISHED FLOOR LEVEL
- 2. S.F.L. --- STRUCTURAL FLOOR LEVEL
- 3. Ⓞ --- REVERSED DETAIL
- 4. ▲ --- PILING LOCATION
- 5. △ --- PILING LOG LOCATION
- 6. GRASS LEGEND
 - GL-01 --- 6mm+12mm AIR GAP+10mm THK. G.C.U.
 - GL-02 --- 6mm+12mm AIR GAP+12mm THK. G.C.U.
 - GL-03 --- 6mm+12mm AIR GAP+15mm THK. G.C.U.
 - GL-04 --- 10mm THK. IMPREG. G.C.S. (PARKET GRASS)
 - GL-05 --- 10mm THK. IMPREG. G.C.S. (PROTECTIVE BARBER)
 - GL-06 --- 6mm+12mm AIR GAP+6mm THK. G.C.U.

NO.	DATE	REVISION	PERSON SUBJECT TO ACKNOWLEDGMENT
A	07/01/2020		

JOB NO. : J-852

PROJECT : PROPOSED RESIDENTIAL DEVELOPMENT AT 139 - 147 ARCYCLE STREET, NKIL 6005, 6035 R.P., 6036 R.P., 6037 R.P. & 6038 R.P.

TITLE : SCHEDULE FOR Plenum Box AT TOWER 3 (1-21F)

DATE : 05-Dec-19 SCALE : 1:40

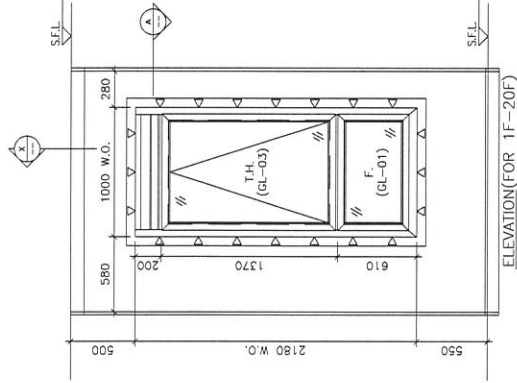
DRAWN BY : MN CHECKED BY : DW



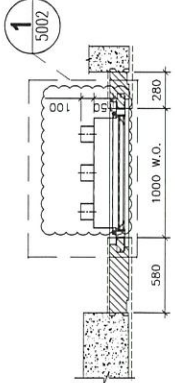
Units 5-8, Sunny Industrial Centre, 1/F
810 Chee Nee Ling Road, Kowloon
Tel: 24692114 Fax: (852) 2727866

DWG NO. : J852-SD-PB-4301 REV. : A

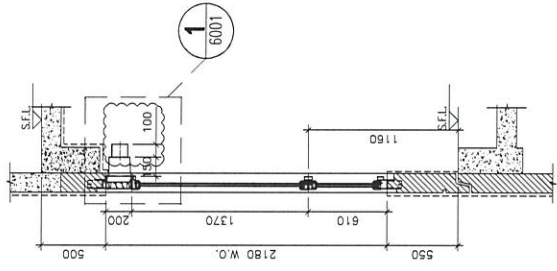
Handwritten signature/initials



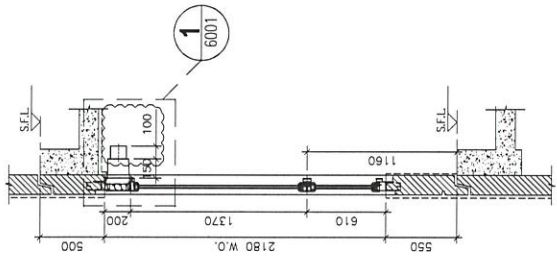
ELEVATION (FOR 1F-20F)



PART PLAN A



SECTION "X-X" (FOR 21F)



SECTION "X-X" (FOR 1F-20F)

ELEVATION



WINDOW MARK : 13A
 LOCATION : 1/F-21/F M.B. AT TOWER 3 FLAT A
 SECTION : 70mm ALUM. SECTION
 GLAZING : GL-01, GL-03
 QUANTITY : 18
 REMARKS : FAÇADE (PF-13)

B.D. REF :

CLIENT :

ARCHITECT :



MAIN CONTRACTOR :



STRUCTURAL ENGINEER :



FAÇADE CONSULTANT:



NOTE:

- 1. ALL DIMENSIONS ARE IN mm.
- 2. ALL ELEVATIONS ARE VIEWED FROM OUTSIDE.
- 3. ALL DIMENSIONS TO BE VERIFIED ON SITE BEFORE FABRICATION.

LEGEND:

DETAIL MARK NO.

REFER SHEET NO.

1. F.F.L. -- FINISHED FLOOR LEVEL.

2. S.F.L. -- STRUCTURAL FLOOR LEVEL.

3. (P) -- REVERSED DETAIL.

4. ▲ -- TILING LOCATION.

5. △ -- TILING LUG LOCATION.

6. GLASS LEGEND

- GL01 -- 6mm+12mm AIR GAP+10mm THK. I.G.U.
- GL02 -- 6mm+12mm AIR GAP+12mm THK. I.G.U.
- GL03 -- 10mm THK. TINTED GLASS (SPARKLE GLASS)
- GL04 -- 6mm+12mm AIR GAP+10mm THK. I.G.U.
- GL05 -- 6mm THK. TINTED GLASS (SPARKLE GLASS)
- GL06 -- 6mm+12mm AIR GAP+10mm THK. I.G.U.

A	10/11/2020	REVISION SUBJECT TO APPROVEMENT	DATE	BY
1				

JOB NO. : J-852

PROPOSED RESIDENTIAL DEVELOPMENT
 AT 139 - 147 ARCYLÉ STREET,
 NKIL 6005, 6035 R.P. 6036 R.P.,
 6037 R.P. & 6038 R.P.

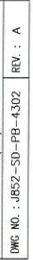
TITLE : SCHEDULE FOR Pleium Box
 AT TOWER 3 (1-21F)

DATE : 05-Dec-19

SCALE : 1:40

DRAWN BY : MN

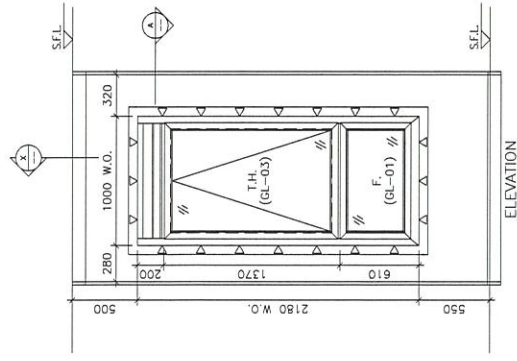
CHECKED BY : DW



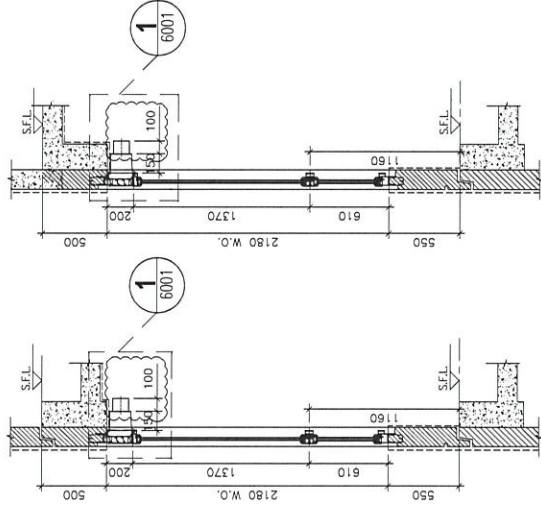
Units 6-8, Sunway Industrial Centre, 1/F
 610 Che Kwo Ling Road, Kowloon
 Tel: 25288211-4 Fax: (852) 2727658

DWG NO. : J852-SD-PB-4302

REV. : A

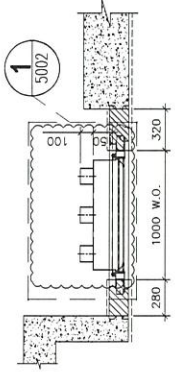


ELEVATION



SECTION "X-X" (FOR 1F-20F)

SECTION "X-X" (FOR 21F)



PART PLAN A

WINDOW MARK: W5 T3A

LOCATION: 1/F-21/F EN.B. AT TOWER 3 FLAT A

SECTION: 70mm ALUM. SECTION

GLAZING: GL-01, GL-03

QUANTITY: 18

REMARKS: FAÇADE (PF-14)

BD. REF :

CLIENT :

ARCHITECT :

AGC
DESIGN LTD
1101, 1102, 1103, 1104, 1105, 1106, 1107, 1108, 1109, 1110, 1111, 1112, 1113, 1114, 1115, 1116, 1117, 1118, 1119, 1120, 1121, 1122, 1123, 1124, 1125, 1126, 1127, 1128, 1129, 1130, 1131, 1132, 1133, 1134, 1135, 1136, 1137, 1138, 1139, 1140, 1141, 1142, 1143, 1144, 1145, 1146, 1147, 1148, 1149, 1150, 1151, 1152, 1153, 1154, 1155, 1156, 1157, 1158, 1159, 1160, 1161, 1162, 1163, 1164, 1165, 1166, 1167, 1168, 1169, 1170, 1171, 1172, 1173, 1174, 1175, 1176, 1177, 1178, 1179, 1180, 1181, 1182, 1183, 1184, 1185, 1186, 1187, 1188, 1189, 1190, 1191, 1192, 1193, 1194, 1195, 1196, 1197, 1198, 1199, 1200

MAIN CONTRACTOR :

Gammon

STRUCTURAL ENGINEER :

ARUP

FAÇADE CONSULTANT :

MEINHARDT

NOTE:

1. ALL DIMENSIONS ARE IN MM.
2. ALL ELEVATIONS ARE VIEWED FROM OUTSIDE.
3. ALL DIMENSIONS TO BE VERIFIED ON SITE BEFORE FABRICATION.

LEGEND:

① — DETAIL MARK NO.
 X1 — REFER SHEET NO.

1. F.F.L — FINISHED FLOOR LEVEL
 2. S.F.L — STRUCTURAL FLOOR LEVEL
 3. S.F.L — FINISHED FLOOR LEVEL
 4. — FINISH LOCATION
 5. — FINISH LOC LOCATION
 6. GLASS LEGEND
- GL01 — 8mm+12mm AIR GAP+10mm THK. L.G.U
 GL02 — 10mm THK. TEMPERED GLASS (SPANDREL GLASS)
 GL03 — 6mm+12mm AIR GAP+6mm THK. L.G.U
 GL04 — 10mm THK. TEMPERED GLASS (PROTECTIVE BARBER)
 GL05 — 6mm+12mm AIR GAP+6mm THK. L.G.U

NO.	DATE	REVISION	BY	CHK
A	09/12/2020	REVISION SUBJECT TO APPROVALMENT		
A	07/11/2020	REVISION SUBJECT TO APPROVALMENT		

JOB NO. : J-852

PROJECT :
 PROPOSED RESIDENTIAL DEVELOPMENT
 AT 139 - 147 ARGYLE STREET,
 NKIL 6005, 6035 R.P., 6036 R.P.,
 6037 R.P. & 6038 R.P.

TITLE :
 SCHEDULE FOR Plenum Box
 AT TOWER 3 (1-21F)

DATE : 05-Dec-19

SCALE : 1:40

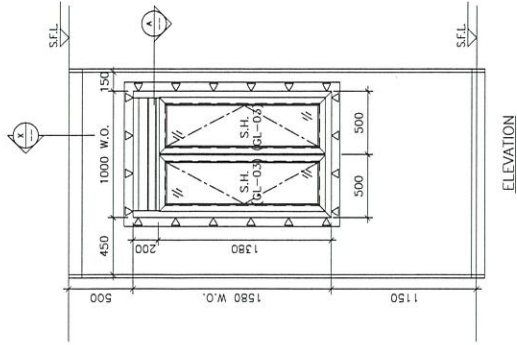
DRAWN BY : MN

CHECKED BY : DW

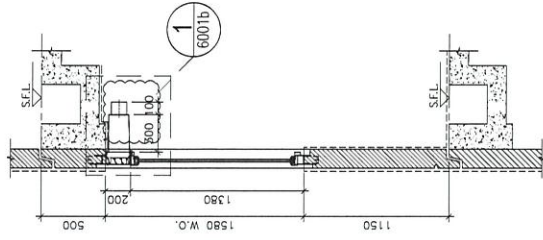
美特铝业有限公司
MIDI ALUMINIUM
 810 Chee Neo Ling Road, Kombon
 Tel: 2489211-4 Fax: (65) 2727866

DWG NO. : J852-S0-PB-4303

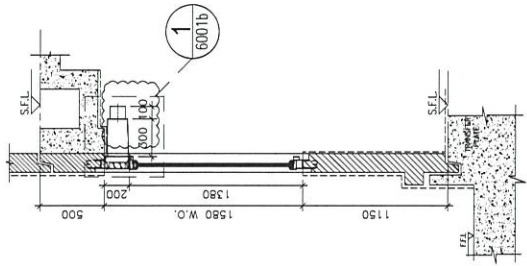
REV. : A



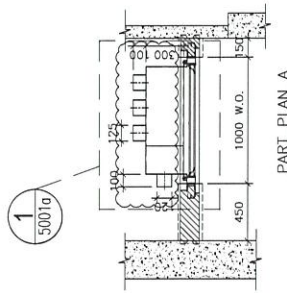
ELEVATION



SECTION "X-X" (FOR 2F-21F)



SECTION "X-X" (FOR 1F)



PART PLAN A

WINDOW MARK WE 13C

LOCATION 1/F-21/F KIT. AT TOWER 3 FLAT C

SECTION 70mm ALUM. SECTION

GLAZING GL-03

QUANTITY 18

REMARKS FAÇADE (PF-25)

B.O. REF :

CLIENT :

ARCHITECT : **AGC**
AGC
 ARCHITECTURE & INTERIOR DESIGN
 110, 112, 114, 116, 118, 120, 122, 124, 126, 128, 130, 132, 134, 136, 138, 140, 142, 144, 146, 148, 150, 152, 154, 156, 158, 160, 162, 164, 166, 168, 170, 172, 174, 176, 178, 180, 182, 184, 186, 188, 190, 192, 194, 196, 198, 200, 202, 204, 206, 208, 210, 212, 214, 216, 218, 220, 222, 224, 226, 228, 230, 232, 234, 236, 238, 240, 242, 244, 246, 248, 250, 252, 254, 256, 258, 260, 262, 264, 266, 268, 270, 272, 274, 276, 278, 280, 282, 284, 286, 288, 290, 292, 294, 296, 298, 300, 302, 304, 306, 308, 310, 312, 314, 316, 318, 320, 322, 324, 326, 328, 330, 332, 334, 336, 338, 340, 342, 344, 346, 348, 350, 352, 354, 356, 358, 360, 362, 364, 366, 368, 370, 372, 374, 376, 378, 380, 382, 384, 386, 388, 390, 392, 394, 396, 398, 400, 402, 404, 406, 408, 410, 412, 414, 416, 418, 420, 422, 424, 426, 428, 430, 432, 434, 436, 438, 440, 442, 444, 446, 448, 450, 452, 454, 456, 458, 460, 462, 464, 466, 468, 470, 472, 474, 476, 478, 480, 482, 484, 486, 488, 490, 492, 494, 496, 498, 500, 502, 504, 506, 508, 510, 512, 514, 516, 518, 520, 522, 524, 526, 528, 530, 532, 534, 536, 538, 540, 542, 544, 546, 548, 550, 552, 554, 556, 558, 560, 562, 564, 566, 568, 570, 572, 574, 576, 578, 580, 582, 584, 586, 588, 590, 592, 594, 596, 598, 600, 602, 604, 606, 608, 610, 612, 614, 616, 618, 620, 622, 624, 626, 628, 630, 632, 634, 636, 638, 640, 642, 644, 646, 648, 650, 652, 654, 656, 658, 660, 662, 664, 666, 668, 670, 672, 674, 676, 678, 680, 682, 684, 686, 688, 690, 692, 694, 696, 698, 700, 702, 704, 706, 708, 710, 712, 714, 716, 718, 720, 722, 724, 726, 728, 730, 732, 734, 736, 738, 740, 742, 744, 746, 748, 750, 752, 754, 756, 758, 760, 762, 764, 766, 768, 770, 772, 774, 776, 778, 780, 782, 784, 786, 788, 790, 792, 794, 796, 798, 800, 802, 804, 806, 808, 810, 812, 814, 816, 818, 820, 822, 824, 826, 828, 830, 832, 834, 836, 838, 840, 842, 844, 846, 848, 850, 852, 854, 856, 858, 860, 862, 864, 866, 868, 870, 872, 874, 876, 878, 880, 882, 884, 886, 888, 890, 892, 894, 896, 898, 900, 902, 904, 906, 908, 910, 912, 914, 916, 918, 920, 922, 924, 926, 928, 930, 932, 934, 936, 938, 940, 942, 944, 946, 948, 950, 952, 954, 956, 958, 960, 962, 964, 966, 968, 970, 972, 974, 976, 978, 980, 982, 984, 986, 988, 990, 992, 994, 996, 998, 1000

MAIN CONTRACTOR : **Gammon**

STRUCTURAL ENGINEER : **ARUP**

FAÇADE CONSULTANT : **MEINHARDT**

NOTE:

1. ALL DIMENSIONS ARE IN mm.
2. ALL ELEVATIONS ARE VIEWED FROM OUTSIDE.
3. ALL DIMENSIONS TO BE VERIFIED ON SITE BEFORE FABRICATION.

LEGEND:

① --- DETAIL MARK NO.

1. F.F.L. --- FINISHED FLOOR LEVEL
2. S.F.L. --- STRUCTURAL FLOOR LEVEL
3. Ⓞ --- REVERSED DETAIL
4. ▲ --- FIXING LOCATION
5. △ --- FIXING LUG LOCATION
6. GLASS LEGEND

GL01 --- 6mm+12mm AIR GAP+10mm THK. LG.U.
 GL02 --- 6mm+12mm AIR GAP+12mm THK. LG.U.
 GL03 --- 6mm THK. THERMO GLASS (SPANREL GLASS)
 GL04 --- 6mm+12mm AIR GAP+6mm THK. LG.U.
 GL05 --- 6mm THK. THERMO GLASS (PRACTICUM GLASS)
 GL06 --- 6mm+12mm AIR GAP+6mm THK. LG.U.

NO.	DATE	DESCRIPTION	BY	CHKD.
A	07/11/2020	REVISION SUBJECT TO ADD/DELETION		
B		REVISION		

DRW NO : J-852

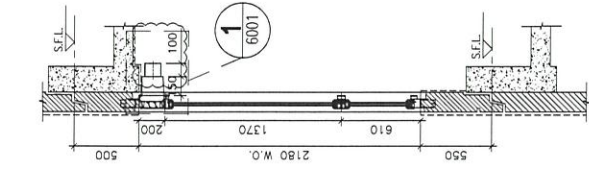
PROJECT : PROPOSED RESIDENTIAL DEVELOPMENT AT 139 - 147 ARCYCLE STREET, NKHL 6005, 6035 R.P., 6036 R.P., NKHL 6037 R.P. & 6038 R.P.

TITLE : SCHEDULE FOR Plenum Box AT TOWER 3 (1-21F)

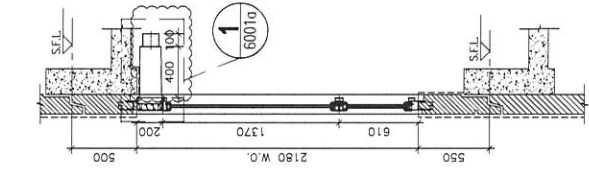
DATE : 05-Dec-19 SCALE : 1:40
 DRAWN BY : MN CHECKED BY : DW

MIDI ARCHITECTURE & INTERIOR DESIGN
 Unit 6-8, Sunway Industrial Centre, 1/F
 610 Cheong Cheong Road, Kowloon
 TEL: 246211-4 FAX: (852) 2727866

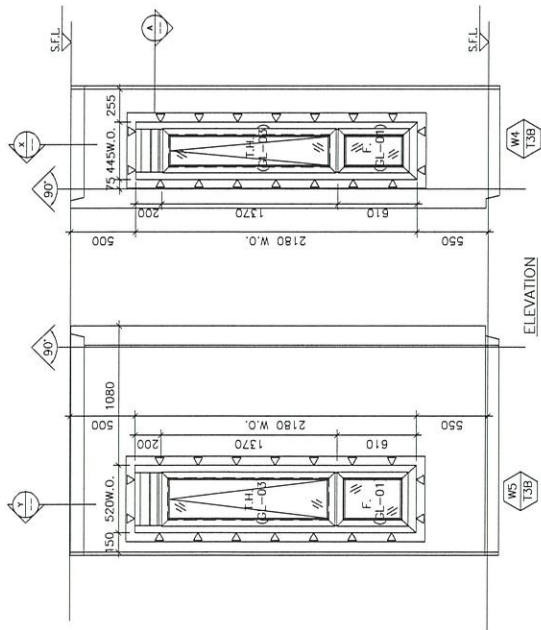
DWG NO. : J852-S0-PB-4304 REV. : A



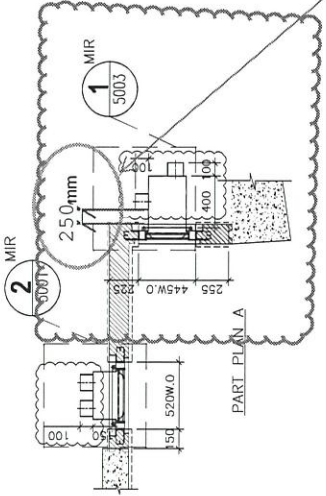
SECTION "X-X"



SECTION "Y-Y"



ELEVATION



PART PLAN A

No needed

WINDOW MARK	W5 / 13B	W4 / 13B
LOCATION	1/F-21/F M.B. & EN.B. AT TOWER 3 FLAT B	
SECTION	70mm ALUM. SECTION	
GLAZING	GL-01, GL-03	
QUANTITY	18 / 18	
REMARKS	FAÇADE (PF-34)	

B.D. REF :

CLIENT :

ARCHITECT : **AGC REGISTERED ARCHITECTS**
 110, ROBINSON ROAD, #04-01, SINGAPORE 068902

MAIN CONTRACTOR :



STRUCTURAL ENGINEER :



FAÇADE CONSULTANT:



NOTE:

1. ALL DIMENSIONS ARE IN mm.
2. ALL ELEVATIONS ARE VIEWED FROM OUTSIDE.
3. ALL DIMENSIONS TO BE VERIFIED ON SITE BEFORE FABRICATION.

LEGEND:

(X) RETAIL MARK NO.

(REF) REFER SHEET NO.

1. F.F.L. --- FINISHED FLOOR LEVEL

2. S.F.L. --- STRUCTURAL FLOOR LEVEL

3. (P) --- PROPOSED PAVEMENT

4. (F) --- FINISH LOCATION

5. (A) --- FINISH LOC. LOCATION

6. CLASS LEGEND

- GLO1 --- 8mm+12mm AIR CAP+10mm THK. IGUL
- GLO1a --- 8mm+12mm AIR CAP+12mm THK. IGUL
- GLO2 --- 10mm THK. TUMPERED GLASS (SPARKLE GLASS)
- GLO3 --- 6mm+12mm AIR CAP+6mm THK. IGUL
- GLO4 --- 10mm THK. TUMPERED GLASS (PROTECTIVE BARBER)
- GLO5 --- 6mm+12mm AIR CAP+8mm THK. IGUL

NO.	DATE	REVISION SUBJECT TO ENCLOSURE	BY
A	09/12/2020	REVISION SUBJECT TO ENCLOSURE	RF

JOB NO. : J-852

PROJECT :
 PROPOSED RESIDENTIAL DEVELOPMENT
 AT 139 - 147 ARGYLE STREET,
 NKIL 6005, 6035 R.P., 6036 R.P.,
 6037 R.P. & 6038 R.P.

TITLE : SCHEDULE FOR Plenum Box
 AT IN-SITU ALUM. WINDOW(13. 1-21F)

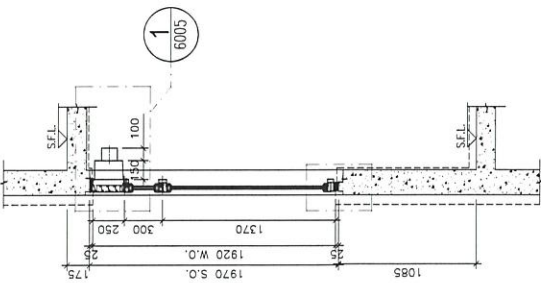
DATE : 05-FEB-20 SCALE : 1:100

DRAWN BY : MAN CHECKED BY : DW

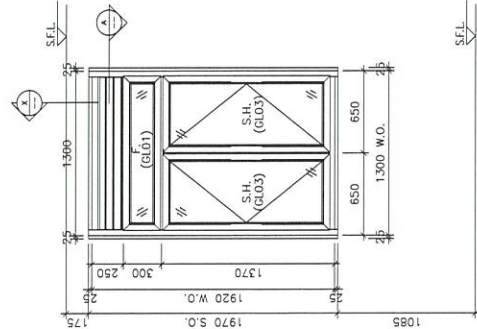


Units 6-8, Sunway Industrial Centre, 1/F
 810 Cheong Chee Road, Kewkon
 Tel: (65) 62727266

DWG NO. : JB52-SD-PP-4305 REV. : A

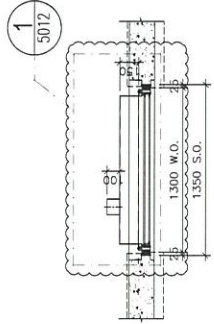


SECTION "X-X"



ELEVATION

ELEVATION



PART PLAN A

WINDOW MARK	REMARKS
(WTO) 1/F-20/F KIT. AT TOWER 3 FLAT A	
(LAW) 70mm ALUM. SECTION	
	GL01, GL03
	18

B.D. REF :

CLIENT :

ARCHITECT :



MAIN CONTRACTOR :



STRUCTURAL ENGINEER :



FACADE CONSULTANT :



NOTE :

1. ALL DIMENSIONS ARE IN mm.
2. ALL ELEVATIONS ARE VIEWED FROM OUTSIDE.
3. ALL DIMENSIONS TO BE VERIFIED ON SITE BEFORE FABRICATION.

LEGEND :

- (X) RETAIL MARK NO.
 (REF) REFER SHEET NO.
1. FFL --- FINISHED FLOOR LEVEL
 2. SFL --- STRUCTURAL FLOOR LEVEL
 3. (R) --- REVERSED DETAIL
 4. --- FINISH LOCATION
 5. --- FINISH LOCATION
 6. GLASS LEGEND
- GL01 --- 6mm+12mm AIR GAP 10mm THK. I.C.U.
 GL02 --- 6mm+12mm AIR GAP 11.5mm THK. I.C.U.
 GL03 --- 10mm THK. THERMO GLASS (SUNGAR GLASS)
 GL04 --- 6mm+12mm AIR GAP 6mm THK. I.C.U.
 GL05 --- 10mm THK. THERMO GLASS (PROTECTOR SHIELD)
 GL06 --- 6mm+12mm AIR GAP 6mm THK. I.C.U.

NO.	DATE	REVISION SUBJECT TO ADJUSTMENT	BY
1	07/11/2020		

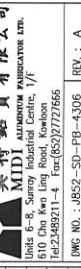
JOB NO. : J-852

PROJECT :
 PROPOSED RESIDENTIAL DEVELOPMENT
 AT 139 - 147 ARCYLE STREET
 NKIL 6005, 6035 R.P., 6036 R.P.,
 6037 R.P. & 6038 R.P.

TITLE :
 SCHEDULE FOR Plenum Box
 AT IN-SITU ALUM. WINDOW (13: 1-21F)

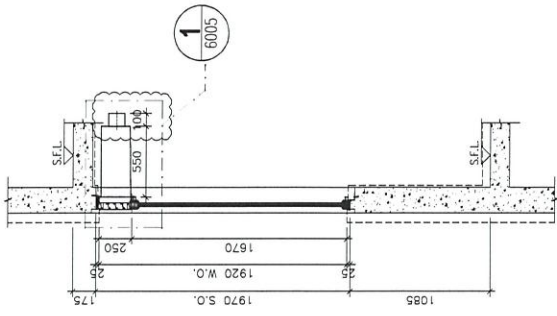
DATE : 05-FEB-20 SCALE : 1:100

DRAWN BY : MN CHECKED BY : DW

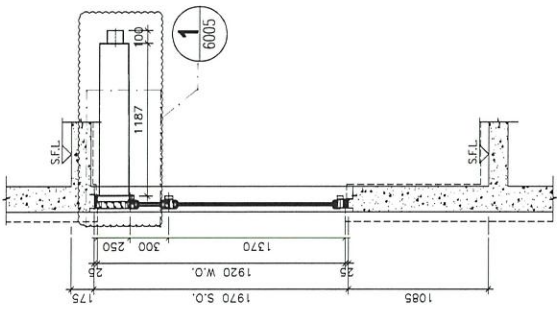


Units 6-8, Sunway Industrial Centre, 1/F
 102, Sunway Avenue, Singapore
 Tel: (65) 67727656

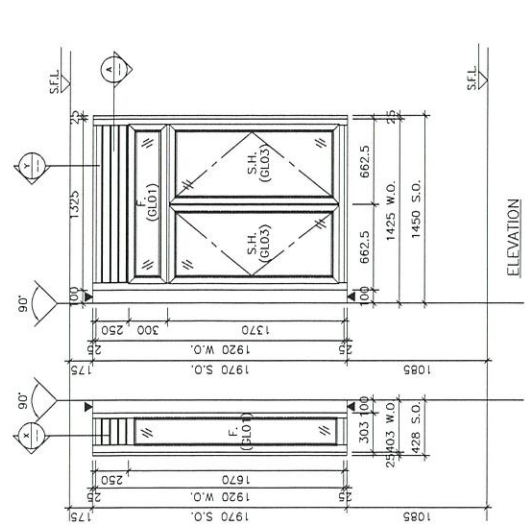
DWG NO. : JB52-SD-PB-4306 REV. : A



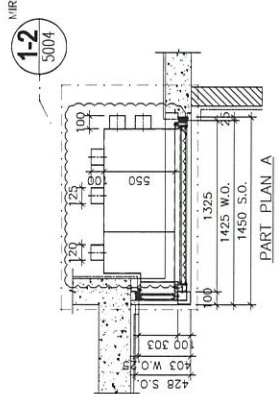
SECTION "Y-Y"



SECTION "X-X"



ELEVATION



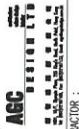
PART PLAN A

WINDOW MARK	LOCATION
13B	1/F~21/F KIT. AT TOWER 3 FLAT B
SECTION	50mm ALUM. SECTION
GLAZING	GL01, GL03
QUANTITY	18
REMARKS	

B.D. REF. :

CLIENT :

ARCHITECT :



MAIN CONTRACTOR :



STRUCTURAL ENGINEER :



FAÇADE CONSULTANT :



NOTE:

1. ALL DIMENSIONS ARE IN mm.
 2. ALL ELEVATIONS ARE VIEWED FROM OUTSIDE.
 3. ALL DIMENSIONS TO BE VERIFIED ON SITE BEFORE FABRICATION.
- LEGEND:
- ① --- DETAIL MARK NO.
 - ② --- REFER SHEET NO.
 - 1. F.F.L. --- FINISHED FLOOR LEVEL
 - 2. S.F.L. --- STRUCTURAL FLOOR LEVEL
 - 3. (⊖) --- REVERSED DETAIL
 - 4. ▲ --- FIXING LOCATION
 - 5. △ --- FIXING LOC. LOCATION
 - 6. GLASS LEGEND
- GLO1 --- 6mm+12mm AIR GAP+10mm THK. I.G.U.
 - GLO2 --- 6mm+12mm AIR GAP+12mm THK. I.G.U.
 - GLO3 --- 10mm THK. TEMPERED GLASS (SPANDREL GLASS)
 - GLO4 --- 6mm+12mm AIR GAP+6mm THK. I.G.U.
 - GLO5 --- 6mm THK. LAMINATED GLASS (PRACTICUM BRIDGE)
 - GLO6 --- 6mm+12mm AIR GAP+6mm THK. I.G.U.

DATE :

DWG NO. :

J-852

PROJECT :

PROPOSED RESIDENTIAL DEVELOPMENT AT 139, 147 MARLE STREET, NKL 6005, 6035 R.P., 6036 R.P., 6037 R.P. & 6038 R.P.

TITLE :

AI IN-SITU ALUM. WINDOW (TS: 1-20F)

DATE :

05-FEB-20

SCALE :

1:100

DRAWN BY :

MN

CHECKED BY :

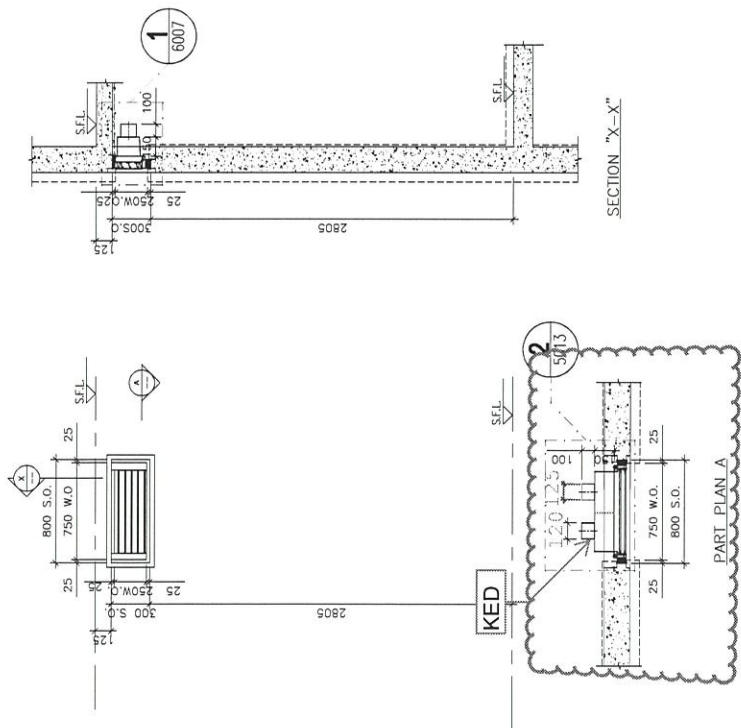
DW



MIDI Aluminium Manufacturing Ltd
Units 6-8, Sunny Industrial Centre, 1/F
810 Chee Nee Ling Road, Kowloon
Tel: 2489211-4 Fax: (852) 7727886

DWG NO. : J852-SD-FB-4307

REV. : -



ELEVATION



WINDOW MARK

LOCATION

SECTION

QUANTITY

REMARKS

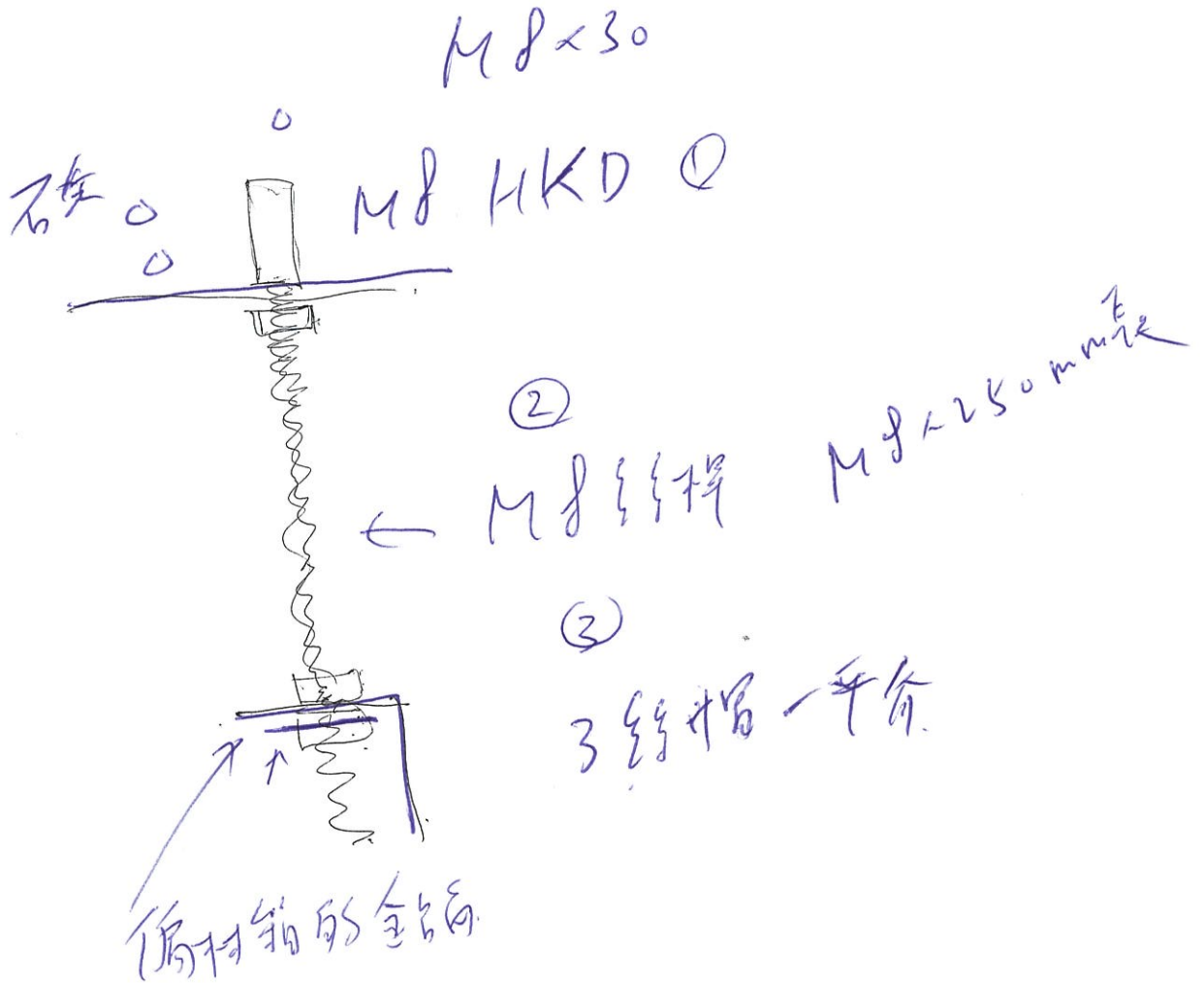
1/F~20/F Corridor AT TOWER 3 FLAT C

50mm ALUM. SECTION

17

固定示意图

番建訂



番建. 另出图

地用配件

Recommended load

Anchor size	M6x25 (1,4" x 2,5)	M8x30 (5/16" x 3,0)	M10x40 (3/8" x 4,0)	M12x50 (1/2" x 5,0)	M16x65 (5/8" x 6,5)	M20x80
Tensile N_{rec}^a						
HKD [kN]	2,1	2,8	4,3	5,9	8,8	12,0
HKD-SR, HKD-ER [kN]	2,1	2,8	4,3	5,9	8,8	12,0
Shear V_{rec}^a						
HKD [kN]	1,7	2,9	3,7	6,1	11,3	16,3
HKD-SR, HKD-ER [kN]	2,1	2,8	3,5	6,2	10,7	17,0

a) With overall global safety factor $\gamma = 3$. The recommended loads vary according to the safety factor requirement from national regulations.

Materials

Mechanical properties of HKD, HKD-SR and HKD-ER

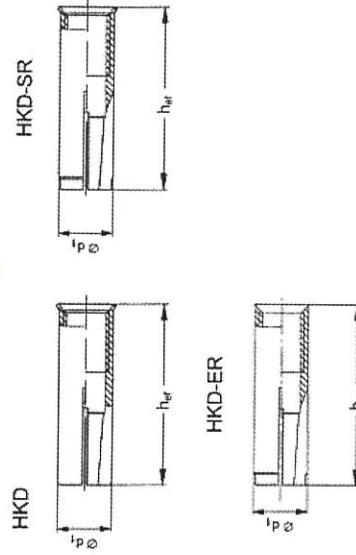
Anchor size	M6	M8	M10	M12	M16	M20
Nominal tensile strength f_{tk}	570	570	570	570	640	590
HKD-SR, HKD-ER	540	540	540	540	-	540
Yield strength f_{yk}	460	460	460	480	510	470
HKD-SR, HKD-ER	355	355	355	355	-	355
Stressed cross-section A_s	20,7	26,7	32,7	60,1	105	167
HKD-S (R), HKD-E (R)	20,9	26,1	28,8	58,7	-	163
Moment of resistance W	32,3	54,6	82,9	184	431	850
HKD-S (R), HKD-E (R)	50	79	110	264	602	1191
Char. bending resistance for rod or bolt $M_{Rk,s}^b$ A4-70	7,6	18,7	37,4	65,5	167	325
HKD-SR, HKD-ER with A4-70	11	26	52	92	187	454

Material quality

Part	Material
Anchor Body	Steel Fe/Zn5 galvanised to min. 5 μ m
Tapered expansion plug	Stainless steel, 1.4401, 1.4404, 1.4571
	Steel material
Anchor size	Stainless steel, 1.4401, 1.4404, 1.4571
	Steel material

Anchor version	M6x25 (1,4" x 2,5)	M8x30 (5/16" x 3,0)	M10x40 (3/8" x 4,0)	M12x50 (1/2" x 5,0)	M16x65 (5/8" x 6,5)	M20x80
Effective anchorage depth h_{ef} [mm]	25	30	40	50	60	80
Anchor diameter d_1 [mm]	7,9	9,95	11,95	14,9	19,75	24,75
Plug diameter d_2 [mm]	5,1	6,5	8,2	10,3	13,8	16,4
Plug length l_1 [mm]	10	12	16	20	29	30

Anchor body



Expansions plugs

