

工程指示 / 要求簡箋(E.I.)

工程指示編號：EI / 2860 / 20

修改版次：-

工程編號：J - 852

工程名稱：亞皆老街中電

工程項目：佛沙窗 大圖 (7 號圖)

收件人：生統 / 王良

發件人：Ant Yeung

日期：21/12/2020

要求提供 / 確認 事項：

- | | | |
|------------------------------------|-------------------------------------|-------------------------------|
| <input type="checkbox"/> 初步鋁料 B.M. | <input type="checkbox"/> 加工拆圖，然後生產 | <input type="checkbox"/> 尺寸表 |
| <input type="checkbox"/> 正式鋁料 B.M. | <input type="checkbox"/> 技術上資料 / 指示 | <input type="checkbox"/> 報價 |
| <input type="checkbox"/> 配件 B.M. | <input type="checkbox"/> 樣辦或貨品說明書 | <input type="checkbox"/> 分判合約 |
| <input type="checkbox"/> 其他：_____ | | |

內容：

B 版：按廠要求，提供最新佛沙窗大圖

A 版：現附上最新的佛沙窗大圖以供參考。圖紙已於 2020.06.30 傳於大判和香港榮康順。

請在 2020.12.21 前完成上列要求。

附：159 頁

以上項目為：

- 原合約工程包 原合約工程加 / 減賬 新工程報價

原因：-

分發東莞各部門：

- | | | | |
|--|--|--|---|
| <input type="checkbox"/> 生產技術總監 <input type="checkbox"/> 連附件 | <input type="checkbox"/> 技術部 <input type="checkbox"/> 連附件 | <input type="checkbox"/> 生產部 <input type="checkbox"/> 連附件 | <input type="checkbox"/> 機械設計部 <input type="checkbox"/> 連附件 |
| <input type="checkbox"/> 採購部 <input type="checkbox"/> 連附件 | <input checked="" type="checkbox"/> 生產統籌部 <input type="checkbox"/> 連附件 | <input type="checkbox"/> 小羅&清 <input type="checkbox"/> 連附件 | |
| <input checked="" type="checkbox"/> 質檢部 <input type="checkbox"/> 連附件 | <input type="checkbox"/> 會計部 <input type="checkbox"/> 連附件 | <input type="checkbox"/> 報關組 <input type="checkbox"/> 連附件 | <input type="checkbox"/> 其他 <u>楊榮輝</u> <input type="checkbox"/> 連附件 |

分發其他分判：

- 水洪 連附件

分發香港各部門：

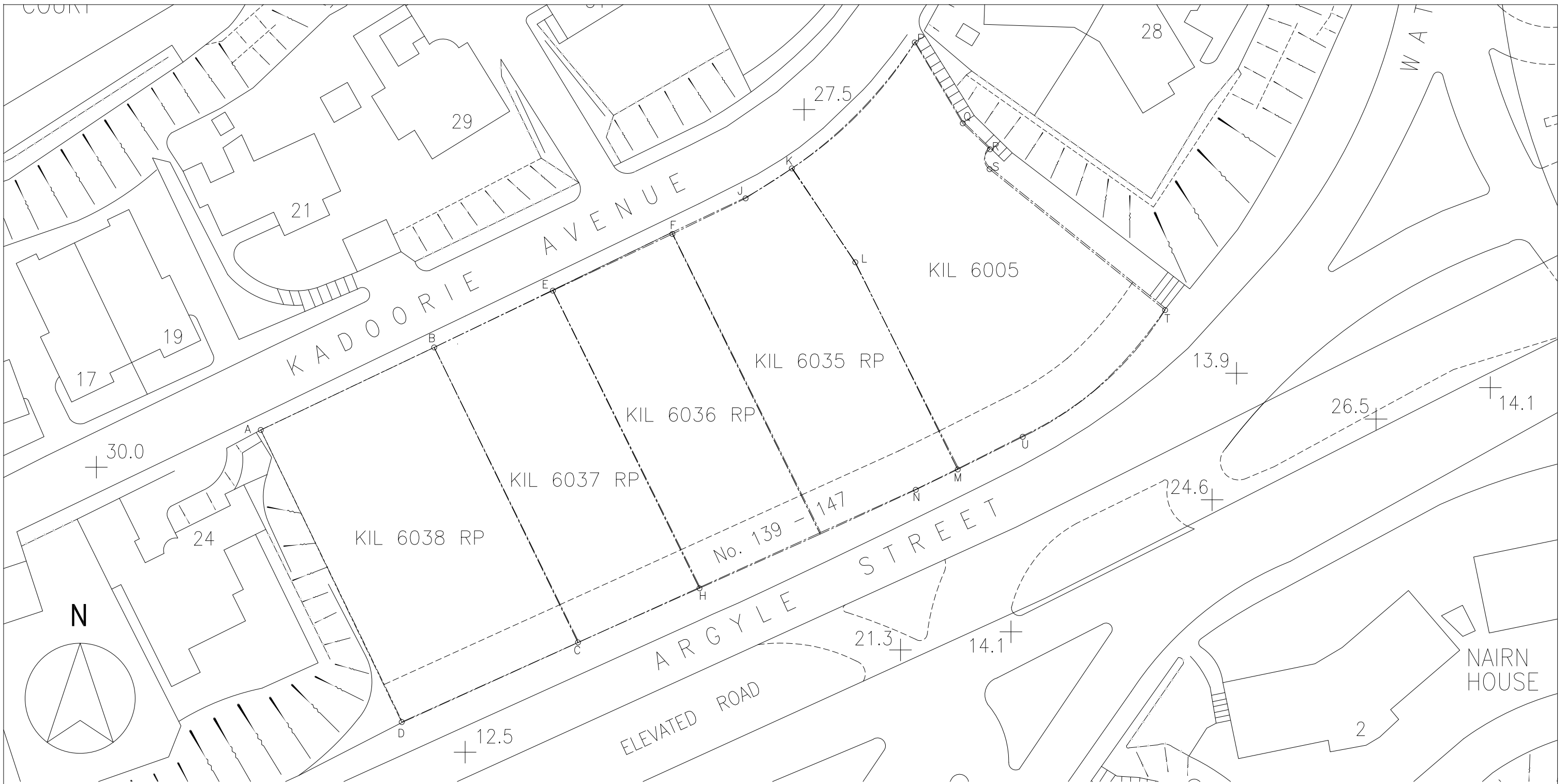
- | | | | | |
|---|--|---|--|----|
| <input type="checkbox"/> 行政部 <input type="checkbox"/> 連附件 | <input type="checkbox"/> 會計部 <input type="checkbox"/> 連附件 | <input type="checkbox"/> 統籌部 <input type="checkbox"/> 連附件 | <input type="checkbox"/> 工程部地盤科文 <input type="checkbox"/> 連附件 | 祥哥 |
| <input type="checkbox"/> 採購部 <input type="checkbox"/> 連附件 | <input type="checkbox"/> QS 部 <input type="checkbox"/> 連附件 | <input type="checkbox"/> 維修部 <input type="checkbox"/> 連附件 | <input type="checkbox"/> 其他 _____ <input type="checkbox"/> 連附件 | |

傳遞編號：

HK 2917 / 20

發件人簽署：

項目經理簽署：



**PROJECT : PROPOSED RESIDENTIAL DEVELOPMENT AT 139 - 147 ARGYLE STREET,
NKIL 6005, 6035 R.P., 6036 R.P., 6037 R.P. & 6038 R.P.**

7

**TITLE : ALUMINUM WINDOWS AT PERCAST FACADE
SHOPDRAWING SUBMISSION**

DATE: 29 - September- 2020

DRAWING SUBMISSION REGISTER

PROJECT: PROPOSED RESIDENTIAL DEVELOPMENT AT 139-147 ARGYLE STREET, NKIL 6006, 6035 R.P., 6036 R.P., TITLE: ALUMINIUM WINDOWS AT PRECAST FACADE SHOPDRAWING SUBMISSION											SUBMISSION STATE (FOR B.D / A.S.D)			SUBMISSION STATE (FOR CLIENT / CONSULTANT)			SUBMISSION STATE (FOR ARCHITECT)			FABRICATION / CONSTRUCTION STATE						
	ISSUE	1	2	3	4	5	6	7	8			AP - APPROVED			AP - APPROVED			AP - APPROVED			ISSUE TO CHINA OFFICE		ISSUE TO SITE		ISSUE TO SUB-CONTRACTOR	
	DAY	19	24	1	13	5	16	24	29			AC - APPROVED SUB. TO CONDITION			AC - APPROVED SUB. TO CONDITION			AC - APPROVED SUB. TO CONDITION								
	MONTH	2	2	4	5	6	6	8	9			NA - NOT APPROVED			NA - NOT APPROVED			NA - NOT APPROVED								
	YEAR	20	20	20	20	20	20	20	20																	
DRAWING TITLE	DWG. NO.	REVISIONS										COMMENT DATE	REV.	STATE	COMMENT DATE	REV.	STATE	COMMENT DATE	REV.	STATE	REV.	DATE	REV.	DATE	REV.	DATE
COVER PAGE	J852-SD-PW-0000	-	-	A	B	C	D	E	F																	
DRAWING REGISTER	J852-SD-PW-0001	-	-	-	-	-	-	-	-																	
DRAWING REGISTER	J852-SD-PW-0002	-	-	-	-	-	-	-	-																	
DRAWING REGISTER	J852-SD-PW-0003	-	-	-	-	-	-	-	-																	
DRAWING REGISTER	J852-SD-PW-0004	-	-	-	-	-	-	-	-																	
GENERAL NOTES FOR PRECAST ALUM. WINDOW	J852-SD-PW-1001	-	A	B	C	C	C	D	D																	
SECTION PROPERTIES OF PRECAST WINDOW ALUM. EXTRUSION	J852-SD-PW-1101	-	A	B	B	B	B	C	C																	
SECTION PROPERTIES OF PRECAST WINDOW ALUM. EXTRUSION	J852-SD-PW-1102	-	A	B	B	B	B	C	C																	
SECTION PROPERTIES OF PRECAST WINDOW ALUM. EXTRUSION	J852-SD-PW-1103				-	A	A	B	B																	
BUILDING ELEVATION FOR TOWER 1 · 2&3	J852-SD-PW-2001	-	-	-	-	-	-	-	-																	
BUILDING ELEVATION FOR TOWER 1 · 2&3	J852-SD-PW-2002	-	-	-	-	-	-	-	-																	
BUILDING ELEVATION FOR TOWER 1 · 2&3	J852-SD-PW-2003	-	-	-	-	-	-	-	-																	
PART PLAN OF TOWER 1 (1/F)	J852-SD-PW-3001	-	-	A	A	A	A	A	A																	
PART PLAN OF TOWER 1 (2-21/F)	J852-SD-PW-3002	-	-	A	A	A	A	A	A																	
PART PLAN OF TOWER 1 (22/F)	J852-SD-PW-3003	-	-	A	A	A	A	A	A																	
PART PLAN OF TOWER 1 (23/F)	J852-SD-PW-3004	-	-	A	A	A	A	A	A																	
PART PLAN OF TOWER 2 (1/F)	J852-SD-PW-3005	-	-	A	A	A	A	A	A																	
PART PLAN OF TOWER 2 (2-21/F)	J852-SD-PW-3006	-	-	A	A	A	A	A	A																	
PART PLAN OF TOWER 2 (22/F)	J852-SD-PW-3007	-	-	A	A	A	A	A	A																	
PART PLAN OF TOWER 2 (23/F)	J852-SD-PW-3008	-	-	A	A	A	A	A	A																	
PART PLAN OF TOWER 3 (1/F)	J852-SD-PW-3009	-	-	A	A	A	A	A	A																	
PART PLAN OF TOWER 3 (2-21/F)	J852-SD-PW-3010	-	-	A	A	A	A	A	A																	
PART PLAN OF TOWER 3 (23/F)	J852-SD-PW-3011	-	-	A	A	A	A	A	A																	
PART PLAN OF TOWER 3 (23/F)	J852-SD-PW-3012	-	-	A	A	A	A	A	A																	
WINDOW SCHEDULE FOR ALUM. WINDOW	J852-SD-PW-4101	-	A	B	C	C	C	D	D																	
WINDOW SCHEDULE FOR ALUM. WINDOW	J852-SD-PW-4101A			-	A	A	A	B	B																	
WINDOW SCHEDULE FOR ALUM. WINDOW	J852-SD-PW-4102	-	A	B	C	D	D	E	E																	
WINDOW SCHEDULE FOR ALUM. WINDOW	J852-SD-PW-4102A			-	A	B	B	C	C																	
WINDOW SCHEDULE FOR ALUM. WINDOW	J852-SD-PW-4103	-	A	B	C	D	D	E	E																	
WINDOW SCHEDULE FOR ALUM. WINDOW	J852-SD-PW-4103A	-	A	A	A	B	B	C	C																	
WINDOW SCHEDULE FOR ALUM. WINDOW	J852-SD-PW-4104	-	A	B	C	D	D	E	F																	
WINDOW SCHEDULE FOR ALUM. WINDOW	J852-SD-PW-4104A	-	A	A	A	A	A	B	C																	
WINDOW SCHEDULE FOR ALUM. WINDOW	J852-SD-PW-4104B				-	A	A	B	C																	
WINDOW SCHEDULE FOR ALUM. WINDOW	J852-SD-PW-4105	-	A	B	C	D	D	E	E																	
WINDOW SCHEDULE FOR ALUM. WINDOW	J852-SD-PW-4105A				-	A	A	B	B																	
WINDOW SCHEDULE FOR ALUM. WINDOW	J852-SD-PW-4106	-	A	B	C	D	D	E	E																	
WINDOW SCHEDULE FOR ALUM. WINDOW	J852-SD-PW-4106A				-	A	A	B	B																	
WINDOW SCHEDULE FOR ALUM. WINDOW	J852-SD-PW-4107	-	A	B	C	D	D	E	E																	
WINDOW SCHEDULE FOR ALUM. WINDOW	J852-SD-PW-4108	-	A	B	C	D	D	E	E																	
WINDOW SCHEDULE FOR ALUM. WINDOW	J852-SD-PW-4108A				-	A	A	B	B																	
WINDOW SCHEDULE FOR ALUM. WINDOW	J852-SD-PW-4109A				-	A	A	B	B																	
WINDOW SCHEDULE FOR ALUM. WINDOW	J852-SD-PW-4109	-	A	B	C	D	D	E	E																	

IN-HOUSE DESIGN CHECKER <div style="border: 1px solid black; height: 100px; width: 100%;"></div>
美特鋁質有限公司 MIDI ALUMINIUM FABRICATOR LTD. Units 6-8, Sunray Industrial Centre, 1/F 610 Cha Kwo Ling Road, Kowloon Tel:23489211-4 Fax:(852)27727666
DWG NO. : J852-SD-PW-0001 REV. : -

DRAWING SUBMISSION REGISTER

PROJECT: PROPOSED RESIDENTIAL DEVELOPMENT AT 139-147 ARGYLE STREET, NKIL 6006, 6035 R.P., 6036 R.P., TITLE: ALUMINIUM WINDOWS AT PRECAST FACADE SHOPDRAWING SUBMISSION	DATE OF ISSUE										SUBMISSION STATE (FOR B.D / A.S.D)			SUBMISSION STATE (FOR CLIENT / CONSULTANT)			SUBMISSION STATE (FOR ARCHITECT)			FABRICATION / CONSTRUCTION STATE						
	ISSUE	1	2	3	4	5	6	7	8			AP - APPROVED			AP - APPROVED			AP - APPROVED			ISSUE TO CHINA OFFICE		ISSUE TO SITE		ISSUE TO SUB-CONTRACTOR	
	DAY	19	24	1	13	5	16	24	29		AC - APPROVED SUB. TO CONDITION			AC - APPROVED SUB. TO CONDITION			AC - APPROVED SUB. TO CONDITION									
	MONTH	2	2	4	5	6	6	8	9		NA - NOT APPROVED			NA - NOT APPROVED			NA - NOT APPROVED									
	YEAR	20	20	20	20	20	20	20	20																	
DRAWING TITLE	DWG. NO.	REVISIONS										COMMENT DATE	REV.	STATE	COMMENT DATE	REV.	STATE	COMMENT DATE	REV.	STATE	REV.	DATE	REV.	DATE	REV.	DATE
WINDOW SCHEDULE FOR ALUM. WINDOW	J852-SD-PW-4110	-	A	B	C	D	D	E	E																	
WINDOW SCHEDULE FOR ALUM. WINDOW	J852-SD-PW-4111A				-	A	A	B	B																	
WINDOW SCHEDULE FOR ALUM. WINDOW	J852-SD-PW-4111	-	A	B	C	D	D	E	E																	
WINDOW SCHEDULE FOR ALUM. WINDOW	J852-SD-PW-4112A				-	A	A	B	C																	
WINDOW SCHEDULE FOR ALUM. WINDOW	J852-SD-PW-4112	-	A	B	C	D	D	E	F																	
WINDOW SCHEDULE FOR ALUM. WINDOW	J852-SD-PW-4113A				-	A	A	B	B																	
WINDOW SCHEDULE FOR ALUM. WINDOW	J852-SD-PW-4113	-	A	B	C	D	D	E	E																	
WINDOW SCHEDULE FOR ALUM. WINDOW	J852-SD-PW-4113B				-	A	A	B	B																	
WINDOW SCHEDULE FOR ALUM. WINDOW	J852-SD-PW-4114	-	A	B	C	D	D	E	F																	
WINDOW SCHEDULE FOR ALUM. WINDOW	J852-SD-PW-4115	-	A	B	C	C	C	D	D																	
WINDOW SCHEDULE FOR ALUM. WINDOW	J852-SD-PW-4116	-	A	B	C	D	D	E	E																	
WINDOW SCHEDULE FOR ALUM. WINDOW	J852-SD-PW-4117	-	A	B	C	D	D	E	E																	
WINDOW SCHEDULE FOR ALUM. WINDOW	J852-SD-PW-4118	-	A	B	C	D	D	E	E																	
WINDOW SCHEDULE FOR ALUM. WINDOW	J852-SD-PW-4119	-	A	B	C	D	D	E	E																	
WINDOW SCHEDULE FOR ALUM. WINDOW	J852-SD-PW-4120	-	A	B	C	D	D	E	E																	
WINDOW SCHEDULE FOR ALUM. WINDOW	J852-SD-PW-4121	-	A	B	C	D	D	E	E																	
WINDOW SCHEDULE FOR ALUM. WINDOW	J852-SD-PW-4122	-	A	B	C	D	D	E	F																	
WINDOW SCHEDULE FOR ALUM. WINDOW	J852-SD-PW-4123	-	A	B	C	C	C	D	D																	
WINDOW SCHEDULE FOR ALUM. WINDOW	J852-SD-PW-4124	-	A	B	C	C	C	D	D																	
WINDOW SCHEDULE FOR ALUM. WINDOW	J852-SD-PW-4125	-	A	B	C	D	D	E	E																	
WINDOW SCHEDULE FOR ALUM. WINDOW	J852-SD-PW-4126	-	A	B	C	D	D	E	E																	
WINDOW SCHEDULE FOR ALUM. WINDOW	J852-SD-PW-4127	-	A	B	C	D	D	E	E																	
WINDOW SCHEDULE FOR ALUM. WINDOW	J852-SD-PW-4128	-	A	B	C	D	D	E	E																	
WINDOW SCHEDULE FOR ALUM. WINDOW	J852-SD-PW-4129	-	A	B	C	D	D	E	E																	
WINDOW SCHEDULE FOR ALUM. WINDOW	J852-SD-PW-4130	-	A	B	C	D	D	E	F																	
WINDOW SCHEDULE FOR ALUM. WINDOW	J852-SD-PW-4201	-	A	B	C	C	C	D	D																	
WINDOW SCHEDULE FOR ALUM. WINDOW	J852-SD-PW-4201A			-	A	B	B	C	C																	
WINDOW SCHEDULE FOR ALUM. WINDOW	J852-SD-PW-4202	-	A	B	C	C	C	D	D																	
WINDOW SCHEDULE FOR ALUM. WINDOW	J852-SD-PW-4202A			-	A	B	B	C	C																	
WINDOW SCHEDULE FOR ALUM. WINDOW	J852-SD-PW-4203	-	A	B	C	C	C	D	D																	
WINDOW SCHEDULE FOR ALUM. WINDOW	J852-SD-PW-4203A			-	A	B	B	C	C																	
WINDOW SCHEDULE FOR ALUM. WINDOW	J852-SD-PW-4204	-	A	B	C	C	C	D	D																	
WINDOW SCHEDULE FOR ALUM. WINDOW	J852-SD-PW-4204A			-	A	B	B	C	C																	
WINDOW SCHEDULE FOR ALUM. WINDOW	J852-SD-PW-4205	-	A	B	C	D	D	E	E																	
WINDOW SCHEDULE FOR ALUM. WINDOW	J852-SD-PW-4205A			-	A	A	B	B																		
WINDOW SCHEDULE FOR ALUM. WINDOW	J852-SD-PW-4206	-	A	B	C	D	D	E	E																	
WINDOW SCHEDULE FOR ALUM. WINDOW	J852-SD-PW-4207	-	A	B	C	D	D	E	E																	
WINDOW SCHEDULE FOR ALUM. WINDOW	J852-SD-PW-4207A			-	A	A	B	B																		
WINDOW SCHEDULE FOR ALUM. WINDOW	J852-SD-PW-4208	-	A	B	C	D	D	E	F																	
WINDOW SCHEDULE FOR ALUM. WINDOW	J852-SD-PW-4208A			-	A	A	B	C																		
WINDOW SCHEDULE FOR ALUM. WINDOW	J852-SD-PW-4209	-	A	B	C	D	D	E	F																	
WINDOW SCHEDULE FOR ALUM. WINDOW	J852-SD-PW-4209A			-	A	A	B	C																		

IN-HOUSE DESIGN CHECKER



MIDI ALUMINIUM FABRICATOR LTD.
 Units 6-8, Sunray Industrial Centre, 1/F
 610 Cha Kwo Ling Road, Kowloon
 Tel:23489211-4 Fax:(852)27727666

DWG NO. : J852-SD-PW-0002 REV. : -

DRAWING SUBMISSION REGISTER

PROJECT: PROPOSED RESIDENTIAL DEVELOPMENT AT 139-147 ARGYLE STREET, NKIL 6006, 6035 R.P., 6036 R.P., TITLE: ALUMINIUM WINDOWS AT PRECAST FACADE SHOPDRAWING SUBMISSION	DATE OF ISSUE										SUBMISSION STATE (FOR B.D / A.S.D)			SUBMISSION STATE (FOR CLIENT / CONSULTANT)			SUBMISSION STATE (FOR ARCHITECT)			FABRICATION / CONSTRUCTION STATE						
	ISSUE	1	2	3	4	5	6	7	8			AP - APPROVED			AP - APPROVED			AP - APPROVED			ISSUE TO CHINA OFFICE		ISSUE TO SITE		ISSUE TO SUB-CONTRACTOR	
	DAY	19	24	1	13	5	16	24	29			AC - APPROVED SUB. TO CONDITION			AC - APPROVED SUB. TO CONDITION			AC - APPROVED SUB. TO CONDITION								
	MONTH	2	2	4	5	6	6	8	9			NA - NOT APPROVED			NA - NOT APPROVED			NA - NOT APPROVED								
	YEAR	20	20	20	20	20	20	20	20																	
DRAWING TITLE	DWG. NO.	REVISIONS										COMMENT DATE	REV.	STATE	COMMENT DATE	REV.	STATE	COMMENT DATE	REV.	STATE	REV.	DATE	REV.	DATE	REV.	DATE
WINDOW SCHEDULE FOR ALUM. WINDOW	J852-SD-PW-4210	-	A	B	C	D	D	E	F																	
WINDOW SCHEDULE FOR ALUM. WINDOW	J852-SD-PW-4211	-	A	B	C	D	D	E	F																	
WINDOW SCHEDULE FOR ALUM. WINDOW	J852-SD-PW-4212	-	A	B	C	D	D	E	E																	
WINDOW SCHEDULE FOR ALUM. WINDOW	J852-SD-PW-4213	-	A	B	C	C	C	D	D																	
WINDOW SCHEDULE FOR ALUM. WINDOW	J852-SD-PW-4214	-	A	B	C	C	C	D	D																	
WINDOW SCHEDULE FOR ALUM. WINDOW	J852-SD-PW-4215	-	A	B	C	D	D	E	E																	
WINDOW SCHEDULE FOR ALUM. WINDOW	J852-SD-PW-4216	-	A	B	C	D	D	E	E																	
WINDOW SCHEDULE FOR ALUM. WINDOW	J852-SD-PW-4217	-	A	B	C	D	D	E	E																	
WINDOW SCHEDULE FOR ALUM. WINDOW	J852-SD-PW-4218	-	A	B	C	D	D	E	E																	
WINDOW SCHEDULE FOR ALUM. WINDOW	J852-SD-PW-4219	-	A	B	C	D	D	E	F																	
WINDOW SCHEDULE FOR ALUM. WINDOW	J852-SD-PW-4220	-	A	B	C	D	D	E	F																	
WINDOW SCHEDULE FOR ALUM. WINDOW	J852-SD-PW-4221	-	A	B	C	D	D	E	E																	
WINDOW SCHEDULE FOR ALUM. WINDOW	J852-SD-PW-4221A					-	A	A	B	B																
WINDOW SCHEDULE FOR ALUM. WINDOW	J852-SD-PW-4222	-	A	B	C	C	C	D	D																	
WINDOW SCHEDULE FOR ALUM. WINDOW	J852-SD-PW-4223	-	A	B	C	C	C	D	D																	
WINDOW SCHEDULE FOR ALUM. WINDOW	J852-SD-PW-4224	-	A	B	C	C	C	D	D																	
WINDOW SCHEDULE FOR ALUM. WINDOW	J852-SD-PW-4225	-	A	B	C	C	C	D	D																	
WINDOW SCHEDULE FOR ALUM. WINDOW	J852-SD-PW-4226	-	A	B	C	D	D	E	E																	
WINDOW SCHEDULE FOR ALUM. WINDOW	J852-SD-PW-4227	-	A	B	C	D	D	E	E																	
WINDOW SCHEDULE FOR ALUM. WINDOW	J852-SD-PW-4228	-	A	B	C	D	D	E	E																	
WINDOW SCHEDULE FOR ALUM. WINDOW	J852-SD-PW-4229	-	A	B	C	D	D	E	E																	
WINDOW SCHEDULE FOR ALUM. WINDOW	J852-SD-PW-4230	-	A	B	C	D	D	E	E																	
WINDOW SCHEDULE FOR ALUM. WINDOW	J852-SD-PW-4231	-	A	B	C	D	D	E	F																	
WINDOW SCHEDULE FOR ALUM. WINDOW	J852-SD-PW-4232	-	A	B	C	D	D	E	F																	
WINDOW SCHEDULE FOR ALUM. WINDOW	J852-SD-PW-4301	-	A	B	C	C	C	D	E																	
WINDOW SCHEDULE FOR ALUM. WINDOW	J852-SD-PW-4301A					A	B	B	C	D																
WINDOW SCHEDULE FOR ALUM. WINDOW	J852-SD-PW-4301B					-	-	-	A	B																
WINDOW SCHEDULE FOR ALUM. WINDOW	J852-SD-PW-4302	-	A	B	C	C	C	D	D																	
WINDOW SCHEDULE FOR ALUM. WINDOW	J852-SD-PW-4302A					-	A	B	B	C	C															
WINDOW SCHEDULE FOR ALUM. WINDOW	J852-SD-PW-4303	-	A	B	C	C	C	D	D																	
WINDOW SCHEDULE FOR ALUM. WINDOW	J852-SD-PW-4303A					A	B	B	C	C																
WINDOW SCHEDULE FOR ALUM. WINDOW	J852-SD-PW-4304	-	A	B	C	C	C	D	D																	
WINDOW SCHEDULE FOR ALUM. WINDOW	J852-SD-PW-4304A					-	A	B	B	C	C															
WINDOW SCHEDULE FOR ALUM. WINDOW	J852-SD-PW-4305	-	A	B	C	D	D	E	E																	
WINDOW SCHEDULE FOR ALUM. WINDOW	J852-SD-PW-4306	-	A	B	C	D	D	E	E																	
WINDOW SCHEDULE FOR ALUM. WINDOW	J852-SD-PW-4307	-	A	B	C	D	D	E	E																	
WINDOW SCHEDULE FOR ALUM. WINDOW	J852-SD-PW-4308	-	A	B	C	C	C	D	E																	
WINDOW SCHEDULE FOR ALUM. WINDOW	J852-SD-PW-4309	-	A	B	C	D	D	E	E																	
WINDOW SCHEDULE FOR ALUM. WINDOW	J852-SD-PW-4310	-	A	B	C	D	D	E	E																	
WINDOW SCHEDULE FOR ALUM. WINDOW	J852-SD-PW-4311	-	A	B	C	D	D	E	E																	
WINDOW SCHEDULE FOR ALUM. WINDOW	J852-SD-PW-4312	-	A	B	C	D	D	E	F																	
WINDOW SCHEDULE FOR ALUM. WINDOW	J852-SD-PW-4313	-	A	B	C	D	D	E	E																	

IN-HOUSE DESIGN CHECKER



MIDI ALUMINIUM FABRICATOR LTD.
 Units 6-8, Sunray Industrial Centre, 1/F
 610 Cha Kwo Ling Road, Kowloon
 Tel:23489211-4 Fax:(852)27727666

DWG NO. : J852-SD-PW-0003 REV. : -

DRAWING SUBMISSION REGISTER

PROJECT: PROPOSED RESIDENTIAL DEVELOPMENT AT 139-147 ARGYLE STREET, NKIL 6006, 6035 R.P., 6036 R.P., TITLE: ALUMINIUM WINDOWS AT PRECAST FACADE SHOPDRAWING SUBMISSION	DATE OF ISSUE										SUBMISSION STATE (FOR B.D / A.S.D)			SUBMISSION STATE (FOR CLIENT / CONSULTANT)			SUBMISSION STATE (FOR ARCHITECT)			FABRICATION / CONSTRUCTION STATE						
	ISSUE	1	2	3	4	5	6	7	8			AP - APPROVED			AP - APPROVED			AP - APPROVED			ISSUE TO CHINA OFFICE		ISSUE TO SITE		ISSUE TO SUB-CONTRACTOR	
	DAY	19	24	1	13	5	22	24	29		AC - APPROVED SUB. TO CONDITION			AC - APPROVED SUB. TO CONDITION			AC - APPROVED SUB. TO CONDITION									
	MONTH	2	2	4	5	6	6	8	9		NA - NOT APPROVED			NA - NOT APPROVED			NA - NOT APPROVED									
	YEAR	20	20	20	20	20	20	20	20																	
DRAWING TITLE	DWG. NO.	REVISIONS										COMMENT DATE	REV.	STATE	COMMENT DATE	REV.	STATE	COMMENT DATE	REV.	STATE	REV.	DATE	REV.	DATE	REV.	DATE
WINDOW SCHEDULE FOR ALUM. WINDOW	J852-SD-PW-4314	-	A	B	C	C	C	D	D																	
WINDOW SCHEDULE FOR ALUM. WINDOW	J852-SD-PW-4315	-	A	B	C	C	C	D	D																	
WINDOW SCHEDULE FOR ALUM. WINDOW	J852-SD-PW-4316	-	A	B	C	C	C	D	D																	
WINDOW SCHEDULE FOR ALUM. WINDOW	J852-SD-PW-4317	-	A	B	C	D	D	E	E																	
WINDOW SCHEDULE FOR ALUM. WINDOW	J852-SD-PW-4318	-	A	B	C	D	D	E	E																	
WINDOW SCHEDULE FOR ALUM. WINDOW	J852-SD-PW-4319	-	A	B	C	D	D	E	E																	
WINDOW SCHEDULE FOR ALUM. WINDOW	J852-SD-PW-4320	-	A	B	C	D	D	E	E																	
WINDOW SCHEDULE FOR ALUM. WINDOW	J852-SD-PW-4321	-	A	B	C	D	D	E	F																	
WINDOW SCHEDULE FOR ALUM. WINDOW	J852-SD-PW-4322	-	A	B	C	C	C	D	D																	
WINDOW SCHEDULE FOR ALUM. WINDOW	J852-SD-PW-4323	-	A	B	C	C	C	D	D																	
WINDOW SCHEDULE FOR ALUM. WINDOW	J852-SD-PW-4324	-	A	B	C	C	C	D	D																	
WINDOW SCHEDULE FOR ALUM. WINDOW	J852-SD-PW-4325	-	A	B	C	D	D	E	E																	
WINDOW SCHEDULE FOR ALUM. WINDOW	J852-SD-PW-4326	-	A	B	C	D	D	E	E																	
WINDOW SCHEDULE FOR ALUM. WINDOW	J852-SD-PW-4327	-	A	B	C	D	D	E	E																	
WINDOW SCHEDULE FOR ALUM. WINDOW	J852-SD-PW-4328	-	A	B	C	D	D	E	E																	
WINDOW SCHEDULE FOR ALUM. WINDOW	J852-SD-PW-4329	-	A	B	C	D	D	E	F																	
WINDOW SCHEDULE FOR ALUM. WINDOW	J852-SD-PW-5001	-	A	B	C	D	E	F	F																	
WINDOW SCHEDULE FOR ALUM. WINDOW	J852-SD-PW-5002	-	A	B	C	C	D	E	E																	
WINDOW SCHEDULE FOR ALUM. WINDOW	J852-SD-PW-5003	-	A	B	C	D	E	F	F																	
WINDOW SCHEDULE FOR ALUM. WINDOW	J852-SD-PW-5004	-	-	-	-	-	-	A	A																	
WINDOW SCHEDULE FOR ALUM. WINDOW	J852-SD-PW-5005					-	A	B	C	C																
WINDOW SCHEDULE FOR ALUM. WINDOW	J852-SD-PW-5006					-	A	B	C	C																
WINDOW SCHEDULE FOR ALUM. WINDOW	J852-SD-PW-5007					-	A	A	B	B																
WINDOW SCHEDULE FOR ALUM. WINDOW	J852-SD-PW-5008									-																
WINDOW SCHEDULE FOR ALUM. WINDOW	J852-SD-PW-6001	-	A	B	C	D	E	F	F																	
WINDOW SCHEDULE FOR ALUM. WINDOW	J852-SD-PW-6002	-	A	B	C	D	E	F	F																	
WINDOW SCHEDULE FOR ALUM. WINDOW	J852-SD-PW-6003	-	-	-	A	B	C	D	D																	
WINDOW SCHEDULE FOR ALUM. WINDOW	J852-SD-PW-6004	-	-	-	-	-	A	B	B																	
WINDOW SCHEDULE FOR ALUM. WINDOW	J852-SD-PW-6005				A	B	C	D	D																	
WINDOW SCHEDULE FOR ALUM. WINDOW	J852-SD-PW-6006				A	B	C	D	D																	
WINDOW SCHEDULE FOR ALUM. WINDOW	J852-SD-PW-6007				-	A	A	B	B																	
WINDOW SCHEDULE FOR ALUM. WINDOW	J852-SD-PW-6008							-	-	-																
WINDOW SCHEDULE FOR ALUM. WINDOW	J852-SD-PW-6009									-																
WINDOW SCHEDULE FOR ALUM. WINDOW	J852-SD-PW-6010									-																

IN-HOUSE DESIGN CHECKER
 MIDI ALUMINIUM FABRICATOR LTD. Units 6-8, Sunray Industrial Centre, 1/F 610 Cha Kwo Ling Road, Kowloon Tel:23489211-4 Fax:(852)27727666
DWG NO. : J852-SD-PW-0004 REV. : -

GENERAL NOTES FOR PRECAST ALUM. WINDOW

CODES AND STANDARDS

1. CODE OF PRACTICE ON WIND EFFECTS IN HONG KONG 2004.
2. CODE OF PRACTICE FOR DEAD AND IMPOSED LOADS 2011.
3. CODE OF PRACTICE FOR STRUCTURAL USE OF CONCRETE 2013.
4. CODE OF PRACTICE FOR THE STRUCTURAL USE OF STEEL 2011.
5. CODE OF PRACTICE FOR STRUCTURAL USE OF GLASS 2018.
6. STRUCTURAL USE OF ALUMINIUM, BS 8118-1:1991. (WIND LOAD FACTOR OF 1.4 FOR ALUMINIUM DESIGN TO PNAP APP53)
7. BUILDING (CONSTRUCTION) REGULATIONS CAP 123.
8. APP37 CURTAIN WALL, WINDOW AND WINDOW WALL SYSTEM.
9. APP110 PROTECTIVE BARRIERS.
10. APP116 ALUMINIUM WINDOW.

DESIGN WIND LOAD

CODE OF PRACTICE ON WIND EFFECTS IN HONG KONG 2004.

HEIGHT ABOVE GROUND LEVEL	92.70m
BASIC WIND PRESSURE	2.82kPa
TOPOGRAPHY FACTOR (S _a)	1.00
PRESSURE COEFFICIENT (C _p)	+1.0/-1.4
DESIGN WIND PRESSURE	+2.79/-3.91kPa

IMPOSED LOAD ON PROTECTIVE BARRIERS (FOR DOMESTIC USE)

LINE LOADS TO BE APPLIED	UNIFORMLY APPLIED AT A HEIGHT OF 1.1m ABOVE THE FLOOR LEVEL	CONCENTRATED LOAD DISTRIBUTED LOAD TO BE APPLIED ON THE INFILL BETWEEN FLOOR AND TOP RAIL	TO BE APPLIED ON ANY PART OF THE INFILL BETWEEN FLOOR AND TOP RAIL
(kN/m)	(kPa)	(kPa)	(kN)
AREAS WHERE CONGREGATION OF PEOPLE IS NOT EXPECTED	0.75	1.0	0.5

STEEL

ALL STRUCTURAL STEEL SECTIONS SHALL BE OF GRADE S275 JO CLASS 1 WELDABLE STRUCTURAL STEEL AND COMPLYING WITH BS EN 10210-1 FOR HOLLOW SECTIONS AND BS EN 10025 FOR OTHER SECTIONS.

ALL STRUCTURAL STEEL TO BE HOT-DIP GALVANIZED TO BS EN ISO 1461 WITH MIN 85 μm COATING THICKNESS.

ALL CUT/WELDED AREAS IN GALVANIZED STEEL TO BE MAKE GOOD BY AT LEAST TWO COATS OF ZINC RICH PRIMER TO BS 4652.

DENSITY	77kN/m ³
YOUNG'S MODULUS	205,000MPa
YIELD STRENGTH	275MPa
MINIMUM TENSILE STRENGTH	430MPa
DESIGN STRENGTH (t≤16mm)	275MPa
DESIGN STRENGTH (t≤40mm)	265MPa

ALUMINIUM EXTRUSION

ALL ALUMINIUM EXTRUSIONS TO BE GRADE 6063-T6/6061-T6 TO BS EN 755-2 AND BS EN 573-3.

DENSITY	27.2kN/m ³	
YOUNG'S MODULUS	70,000MPa	
6063-T6	6061-T6	
0.2% PROOF STRESS	170MPa	240MPa
MINIMUM TENSILE STRENGTH	215MPa	260MPa
LIMITING BENDING STRENGTH	160MPa	240MPa
LIMITING TENSILE STRENGTH	175MPa	260MPa
LIMITING SHEAR STRENGTH	95MPa	145MPa

ALL EXTRUSIONS TO BE GRADE 6063-T6 UNLESS OTHERWISE STATED.

FASTENERS

ALL STAINLESS STEEL SCREW AND BOLT TO BE GRADE A4-70 TO BS EN ISO 3506.

0.2% PROOF STRESS	450MPa
MINIMUM TENSILE STRENGTH	700MPa
DESIGN TENSILE STRENGTH	450MPa
DESIGN SHEAR STRENGTH	280MPa

ALL STEEL BOLT TO BE GRADE 8.8 TO BS 3962.

0.2% PROOF STRESS	640MPa
MINIMUM TENSILE STRENGTH	800MPa
DESIGN TENSILE STRENGTH	560MPa
DESIGN SHEAR STRENGTH	375MPa

ALL SCREW TO M5 @300c/c UNLESS OTHERWISE STATED.

FLAT WASHER AND SPRING WASHER TO BE PROVIDED FOR ALL BOLT AND NUT APPLICATIONS.

GLASS

ALL GLASS PANELS SHALL BE COMPLIED WITH BS 952AND DESIGN TO CODE OF PRACTICE FOR STRUCTURAL USE OF GLASS 2018.

IMPACT TEST TO BE COMPLIED WITH BS 6206.

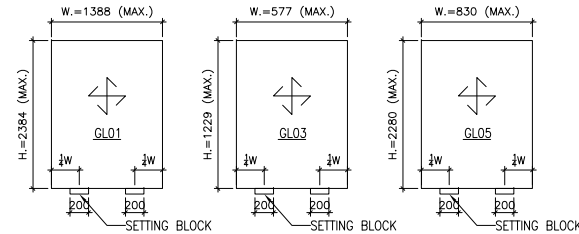
DENSITY	26kN/m ³
YOUNG'S MODULUS	70,000MPa

ULTIMATE DESIGN STRENGTH OF GLASS

LOAD DURATION	
SHORT	
HEAT STRENGTHENED GLASS	40MPa
TEMPERED GLASS	80MPa

ALL TEMPERED GLASS TO BE HEAT-SOAK TESTED TO CODE OF PRACTICE FOR STRUCTURAL USE OF GLASS 2018 AND EN 14179-1:2016.

GL01 -- 8mm THK. HEAT STRENGTHENED GLASS+12mm AIR GAP+10mm THK. TEMPERED GLASS
 GL01a -- 8mm THK. HEAT STRENGTHENED GLASS+9mm AIR GAP+12mm THK. TEMPERED GLASS
 GL03 -- 6mm THK. HEAT STRENGTHENED GLASS+12mm AIR GAP+6mm THK. TEMPERED GLASS
 GL05 -- 6mm THK. HEAT STRENGTHENED GLASS+12mm AIR GAP+8mm THK. TEMPERED GLASS



SEALANT, GASKET AND SETTING BLOCK

ALL STRUCTURAL SEALANT TO BE 'DOW CORNING 983' (BD-SS001), ALLOWABLE STRESS = 138kPa.

ALL WEATHER SEALANT TO BE 'DOW CORNING 791'.

ALL SETTING BLOCK SHALL BE SILICONE RUBBER WITH HARDNESS OF 85±5 SHORE A, MINIMUM 200mm IN LENGTH AT 1/8 SPAN UNLESS OTHERWISE STATED

ALL GASKET SHALL BE NEOPRENE OR SILICONE RUBBER WHEN IN CONTACT WITH SEALANT, WITH HARDNESS OF 65±5 SHORE A.

ISOLATOR

PVC TAPE TO BE APPLIED BETWEEN DISSIMILAR METAL TO PREVENT BIMETALLIC CORROSION TO PD6484.

CONCRETE

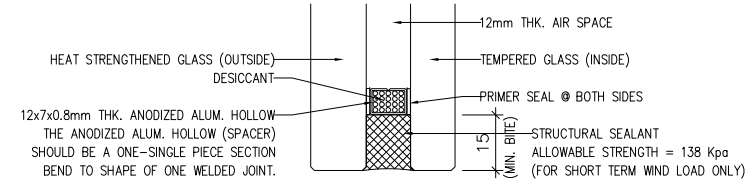
ALL CONCRETE STRUCTURES SHOWN IN THIS SUBMISSION ARE FOR INFORMATION ONLY.

CONCRETE ELEMENTS TO BE MINIMUM GRADE C30.

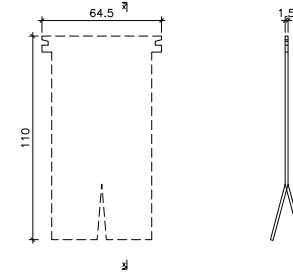
TYPICAL DETAIL APPENDIX

1. FOR DOUBLE GLAZING GLASS UNIT (I.G.U.)

QUALITY ASSURANCE DOCUMENT SUCH AS TEST REPORT / CERTIFICATES INDICATING COMPIES WITH ASTM E2190 OR EQUIVALENT WITH RESPECT TO THE SEAL PERFORMANCE.
 FOR INSTALLING GLASS UNIT SHALL BE SUBMITTED TO BD TO COMMENCE OF WORKS.



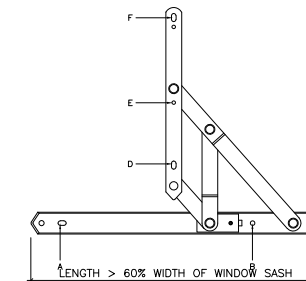
2. FOR G.M.S. FIXING LUG



TYPICAL DETAIL FOR G.M.S. FIXING LUG (2/1)

3. FOR S.S. FOUR BAR HINGE

SCREW LOCATION
 A,B,C,E,F -- LOCATION FOR SCREW TO WINDOW FRAME/SASH (LOCAL THICKENING BY S.S. PLATE/BAR)
 D -- LOCATION FOR SCREW TO WINDOW SASH (LOCAL THICKENING BY ANGLE)



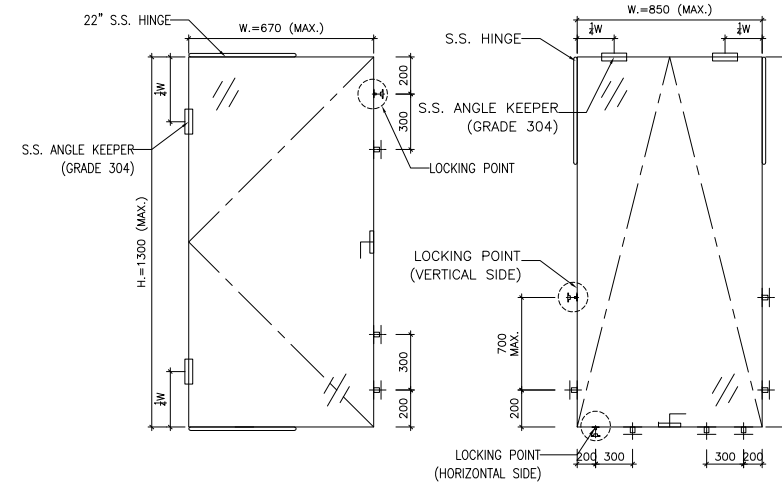
4. FOR MULTIPOINT LOCK SYSTEM CONFIGURATION

LEGEND :

- S.S. KEEPER & S.S. LOCKING PIN (GRADE 304)
- S.S. ANGLE KEEPER (GRADE 304)

SIDE HUNG WINDOW

TOP HUNG WINDOW



B.D. REF :

CLIENT :

ARCHITECT :

AGC DESIGN LTD

MAIN CONTRACTOR :

Gammon

STRUCTURAL ENGINEER :

ARUP

FAÇADE CONSULTANT:

MEINHARDT

NOTE :

1. ALL DIMENSIONS ARE IN mm.
2. ALL ELEVATIONS ARE VIEWED FROM OUTSIDE.
3. ALL DIMENSIONS TO BE VERIFIED ON SITE BEFORE FABRICATION.

LEGEND :

- X1 -- DETAIL MARK NO.
- X001 -- REFER SHEET NO.

1. F.F.L. -- FINISHED FLOOR LEVEL
2. S.F.L. -- STRUCTURAL FLOOR LEVEL
3. (R) -- REVERSED DETAIL
4. ▲ -- FIXING LOCATION
5. △ -- FIXING LUG LOCATION
6. GLASS LEGEND

GL01 -- 8mm+12mm AIR GAP+10mm THK. I.G.U.
 GL01a -- 8mm+9mm AIR GAP+12mm THK. I.G.U.
 GL02 -- 10mm THK. TEMPERED GLASS (SPANDREL GLASS)
 GL03 -- 6mm+12mm AIR GAP+6mm THK. I.G.U.
 GL04 -- 10mm THK. TEMPERED GLASS (PROTECTIVE BARRIER)
 GL05 -- 6mm+12mm AIR GAP+8mm THK. I.G.U.

NO.	DATE	REVISION	BY
D	24/08/2020	REVISION SUBJECT TO ARCH.COMMENT	Ivan
C	16/05/2020	REVISION SUBJECT TO ARCH.COMMENT	Ivan
B	19/03/2020	REVISION SUBJECT TO ARCH.COMMENT	Ivan
A	24/02/2020	REVISION SUBJECT TO ARCH.COMMENT	MN

JOB NO. : J-852

PROJECT :
 PROPOSED RESIDENTIAL DEVELOPMENT
 AT 139 - 147 ARGYLE STREET,
 NKIL 6005, 6035 R.P., 6036 R.P.,
 6037 R.P. & 6038 R.P.

TITLE :
 GENERAL NOTES FOR
 PERCAST ALUM. WINDOW

DATE : 05-FEB-20 SCALE : 1:4

DRAWN BY : MN CHECKED BY : DW

美特鋁質有限公司
MIDI ALUMINIUM FABRICATOR LTD.
 Units 6-8, Sunray Industrial Centre, 1/F
 610 Cha Kwo Ling Road, Kowloon
 Tel:23489211-4 Fax:(852)2727666

DWG NO. : J852-SD-PW-1001 REV. : D

PROPERTIES

MEMBER: AL-PW01
 GRADE: 6063-T6
 FINISH: PVF2 3-COATING

MASS PROPERTIES (UNIT) VALUES

Area (mm²)	1320.54
Perimeter (mm)	1070.00
Bounding Box - X (mm)	-111.04 to 65.96
Bounding Box - Y (mm)	-43.58 to 51.42
Centroid - X (mm)	0.000
Centroid - Y (mm)	0.000
Moments of inertia - X (mm⁴)	150874.67
Moments of inertia - Y (mm⁴)	245319.29
Product of inertia - XY (mm⁴)	-886271.95
Radius of gyration - X (mm)	34.37
Radius of gyration - Y (mm)	43.09
Principal moments along X-Y (mm⁴)	1013741.13 along (0.85 0.52)
Principal moments along Y-X (mm⁴)	298401.83 along (-0.52 0.85)
Elastic Modulus - Zx (mm³)	I / y-max= 3034.16
Elastic Modulus - Zy (mm³)	I / x-max= 2204.34

PROPERTIES

MEMBER: AL-PW21
 GRADE: 6063-T6
 FINISH: PVF2 3-COATING

MASS PROPERTIES (UNIT) VALUES

Area (mm²)	655.715
Perimeter (mm)	655.491
Bounding Box - X (mm)	-30.550 to 30.950
Bounding Box - Y (mm)	-30.529 to 39.871
Centroid - X (mm)	0.000
Centroid - Y (mm)	0.000
Moments of inertia - X (mm⁴)	383741.525
Moments of inertia - Y (mm⁴)	925214.608
Product of inertia - XY (mm⁴)	34251.162
Radius of gyration - X (mm)	24.191
Radius of gyration - Y (mm)	12.662
Principal moments along X-Y (mm⁴)	387752.233 along (0.993 0.116)
Principal moments along Y-X (mm⁴)	91236.689 along (-0.116 0.993)
Elastic Modulus - Zx (mm³)	I / y-max= 8672.987
Elastic Modulus - Zy (mm³)	I / x-max= 3077.518

PROPERTIES

MEMBER: AL-PW05
 GRADE: 6063-T5
 FINISH: PVF2 3-COATING

MASS PROPERTIES (UNIT) VALUES

Area (mm²)	29.25
Perimeter (mm)	44.81
Bounding Box - X (mm)	-11.15 to 11.15
Bounding Box - Y (mm)	-3.76 to 0.96
Centroid - X (mm)	0.000
Centroid - Y (mm)	0.000
Moments of inertia - X (mm⁴)	29.39
Moments of inertia - Y (mm⁴)	1484.83
Product of inertia - XY (mm⁴)	0.02
Radius of gyration - X (mm)	1.01
Radius of gyration - Y (mm)	12.662
Principal moments along X-Y (mm⁴)	29.39 along (1.00 0.00)
Principal moments along Y-X (mm⁴)	1484.93 along (0.00 1.00)
Elastic Modulus - Zx (mm³)	I / y-max= 7.62
Elastic Modulus - Zy (mm³)	I / x-max= 133.17

PROPERTIES

MEMBER: PW22
 GRADE: 6063-T5
 FINISH: PVF2 3-COATING

MASS PROPERTIES (UNIT) VALUES

Area (mm²)	69.774
Perimeter (mm)	118.233
Bounding Box - X (mm)	-7.990 to 8.352
Bounding Box - Y (mm)	-15.111 to 12.412
Centroid - X (mm)	0.000
Centroid - Y (mm)	0.000
Moments of inertia - X (mm⁴)	4068.520
Moments of inertia - Y (mm⁴)	2058.970
Product of inertia - XY (mm⁴)	-832.139
Radius of gyration - X (mm)	7.636
Radius of gyration - Y (mm)	5.396
Principal moments along X-Y (mm⁴)	4362.703 along (0.943 -0.333)
Principal moments along Y-X (mm⁴)	1714.892 along (0.333 0.943)
Elastic Modulus - Zx (mm³)	I / y-max= 309.946
Elastic Modulus - Zy (mm³)	I / x-max= 214.796

B.D. REF :
 CLIENT :
 ARCHITECT : **AGC DESIGN LTD**
 MAIN CONTRACTOR : **Gammon**
 STRUCTURAL ENGINEER : **ARUP**
 FACADE CONSULTANT : **MEINHARDT**

PROPERTIES

MEMBER: AL27
 GRADE: 6063-T6
 FINISH: PVF2 3-COATING

MASS PROPERTIES (UNIT) VALUES

Area (mm²)	128.072
Perimeter (mm)	94.686
Bounding Box - X (mm)	-10.643 to 5.357
Bounding Box - Y (mm)	-9.653 to 18.337
Centroid - X (mm)	0.000
Centroid - Y (mm)	0.000
Moments of inertia - X (mm⁴)	9244.324
Moments of inertia - Y (mm⁴)	1740.094
Product of inertia - XY (mm⁴)	-1119.935
Radius of gyration - X (mm)	8.498
Radius of gyration - Y (mm)	3.686
Principal moments along X-Y (mm⁴)	9407.703 along (0.990 -0.145)
Principal moments along Y-X (mm⁴)	13762.918 along (0.145 0.990)
Elastic Modulus - Zx (mm³)	I / y-max= 504.120
Elastic Modulus - Zy (mm³)	I / x-max= 163.469

PROPERTIES

MEMBER: ALUM. WINDOW SASH CAPPING BAR
 GRADE: 6063-T5
 FINISH: PVF2 3-COATING

Area(mm²): 32.809659
Perimeter(mm): 67.512700
Bounding Box X (mm): X: -15.4424353 -- 15.420128
Bounding Box Y (mm): Y: -0.804103 -- 1.798997
Centroid:
 X: 0.000000
 Y: 0.000000
Moments of inertia:
 X: 0.000000
 Y: 2967.982824
 XY: -0.882402
 X: 0.666400
 Y: 9.303144
Radius of gyration:
 X: 0.000000
 Y: 32.197
Principal moments and X-Y directions about centroid:
 Ix: 15.0069950 along (1.000000 0.000000)
 Iy: 2967.982824 along (0.000000 1.000000)
 Ixy: 0.000000 along (0.000000 0.000000)
 Ixx: 15.0069950 along (1.000000 0.000000)
 Iyy: 2967.982824 along (0.000000 1.000000)
Elastic Modulus:
 Zx: 2567.982824 along (1.000000 0.000000)
 Zy: 9.303144 along (0.000000 1.000000)

PROPERTIES

MEMBER: AL-PW04
 GRADE: 6063-T6
 FINISH: PVF2 3-COATING

MASS PROPERTIES (UNIT) VALUES

Area (mm²)	1244.838
Perimeter (mm)	933.564
Bounding Box - X (mm)	-57.764 to 37.236
Bounding Box - Y (mm)	-88.530 to 51.970
Centroid - X (mm)	0.000
Centroid - Y (mm)	0.000
Moments of inertia - X (mm⁴)	131589.813
Moments of inertia - Y (mm⁴)	139040.688
Product of inertia - XY (mm⁴)	-337100.814
Radius of gyration - X (mm)	32.513
Radius of gyration - Y (mm)	32.197
Principal moments along X-Y (mm⁴)	164051.047 along (0.700 0.694)
Principal moments along Y-X (mm⁴)	96939.435 along (0.694 0.700)
Elastic Modulus - Zx (mm³)	I / y-max= 1343.660
Elastic Modulus - Zy (mm³)	I / x-max= 2240.399

PROPERTIES

MEMBER: AL-PW01M
 GRADE: 6063-T6
 FINISH: PVF2 3-COATING

MASS PROPERTIES (UNIT) VALUES

Area (mm²)	899.872
Perimeter (mm)	748.270
Bounding Box - X (mm)	-43.588 to 51.402
Bounding Box - Y (mm)	-35.747 to 41.253
Centroid - X (mm)	0.000
Centroid - Y (mm)	0.000
Moments of inertia - X (mm⁴)	43681.526
Moments of inertia - Y (mm⁴)	92624.000
Product of inertia - XY (mm⁴)	-208819.818
Radius of gyration - X (mm)	22.102
Radius of gyration - Y (mm)	32.078
Principal moments along X-Y (mm⁴)	38744.885 along (0.941 -0.338)
Principal moments along Y-X (mm⁴)	98866.812 along (0.338 0.941)
Elastic Modulus - Zx (mm³)	I / y-max= 1065.704
Elastic Modulus - Zy (mm³)	I / x-max= 1016.266

NOTE:
 1. ALL DIMENSIONS ARE IN mm.
 2. ALL ELEVATIONS ARE VIEWED FROM OUTSIDE.
 3. ALL DIMENSIONS TO BE VERIFIED ON SITE BEFORE FABRICATION.

LEGEND:
 X1 - DETAIL MARK NO.
 X001 - REFER SHEET NO.

1. F.F.L. -- FINISHED FLOOR LEVEL
 2. S.F.L. -- STRUCTURAL FLOOR LEVEL
 3. (R) -- REVERSED DETAIL

PROPERTIES

MEMBER: AL-PW02
 GRADE: 6063-T6
 FINISH: PVF2 3-COATING

MASS PROPERTIES (UNIT) VALUES

Area (mm²)	1387.73
Perimeter (mm)	1111.07
Bounding Box - X (mm)	-43.78 to 52.75
Bounding Box - Y (mm)	-65.20 to 113.80
Centroid - X (mm)	0.000
Centroid - Y (mm)	0.000
Moments of inertia - X (mm⁴)	2593824.16
Moments of inertia - Y (mm⁴)	1621372.36
Product of inertia - XY (mm⁴)	-60128.36
Radius of gyration - X (mm)	43.23
Radius of gyration - Y (mm)	34.18
Principal moments along X-Y (mm⁴)	1129733.41 along (0.96 0.51)
Principal moments along Y-X (mm⁴)	1084233.11 along (-0.51 0.96)
Elastic Modulus - Zx (mm³)	I / y-max= 2300.90
Elastic Modulus - Zy (mm³)	I / x-max= 3039.24

PROPERTIES

MEMBER: AL-PW03
 GRADE: 6063-T6
 FINISH: PVF2 3-COATING

MASS PROPERTIES (UNIT) VALUES

Area (mm²)	1368.04
Perimeter (mm)	1092.12
Bounding Box - X (mm)	-42.87 to 52.07
Bounding Box - Y (mm)	-113.34 to 65.66
Centroid - X (mm)	0.000
Centroid - Y (mm)	0.000
Moments of inertia - X (mm⁴)	2573000.49
Moments of inertia - Y (mm⁴)	157857.45
Product of inertia - XY (mm⁴)	-920385.69
Radius of gyration - X (mm)	43.362
Radius of gyration - Y (mm)	33.96
Principal moments along X-Y (mm⁴)	1129205.86 along (0.96 -0.51)
Principal moments along Y-X (mm⁴)	102632.09 along (0.51 0.96)
Elastic Modulus - Zx (mm³)	I / y-max= 2310.21
Elastic Modulus - Zy (mm³)	I / x-max= 3039.24

PROPERTIES

MEMBER: AL-PW12
 GRADE: 6063-T6
 FINISH: PVF2 3-COATING

MASS PROPERTIES (UNIT) VALUES

Area (mm²)	1264.524
Perimeter (mm)	952.201
Bounding Box - X (mm)	-46.584 to 58.416
Bounding Box - Y (mm)	-51.645 to 88.355
Centroid - X (mm)	0.000
Centroid - Y (mm)	0.000
Moments of inertia - X (mm⁴)	132471.909
Moments of inertia - Y (mm⁴)	1320500.039
Product of inertia - XY (mm⁴)	-320208.689
Radius of gyration - X (mm)	32.362
Radius of gyration - Y (mm)	32.379
Principal moments along X-Y (mm⁴)	1024651.438 along (0.707 -0.707)
Principal moments along Y-X (mm⁴)	1644715.511 along (0.707 0.707)
Elastic Modulus - Zx (mm³)	I / y-max= 1465.193
Elastic Modulus - Zy (mm³)	I / x-max= 2280.337

PROPERTIES

MEMBER: AL02
 GRADE: 6063-T6
 FINISH: PVF2 3-COATING

MASS PROPERTIES (UNIT) VALUES

Area (mm²)	834.038
Perimeter (mm)	604.281
Bounding Box - X (mm)	-17.320 to 32.690
Bounding Box - Y (mm)	-43.689 to 51.990
Centroid - X (mm)	0.000
Centroid - Y (mm)	0.000
Moments of inertia - X (mm⁴)	74983.529
Moments of inertia - Y (mm⁴)	139282.688
Product of inertia - XY (mm⁴)	-126803.441
Radius of gyration - X (mm)	30.840
Radius of gyration - Y (mm)	33.162
Principal moments along X-Y (mm⁴)	790487.488 along (0.981 0.194)
Principal moments along Y-X (mm⁴)	113784.729 along (-0.194 0.981)
Elastic Modulus - Zx (mm³)	I / y-max= 14944.058
Elastic Modulus - Zy (mm³)	I / x-max= 1065.353

C	24/08/2020	REVISION SUBJECT TO ARCH.COMMENT	Ivar
B	19/03/2020	REVISION SUBJECT TO ARCH.COMMENT	LXH
A	24/02/2020	REVISION SUBJECT TO ARCH.COMMENT	SH
NO.	DATE	REVISED	BY

PROPERTIES

MEMBER: AL24
 GRADE: 6063-T6
 FINISH:

MASS PROPERTIES (UNIT) VALUES

Area (mm²)	1387.73
Perimeter (mm)	1111.07
Bounding Box - X (mm)	-43.78 to 52.75
Bounding Box - Y (mm)	-65.20 to 113.80
Centroid - X (mm)	0.000
Centroid - Y (mm)	0.000
Moments of inertia - X (mm⁴)	2593824.16
Moments of inertia - Y (mm⁴)	1621372.36
Product of inertia - XY (mm⁴)	-60128.36
Radius of gyration - X (mm)	43.23
Radius of gyration - Y (mm)	34.18
Principal moments along X-Y (mm⁴)	1129733.41 along (0.96 0.51)
Principal moments along Y-X (mm⁴)	1084233.11 along (-0.51 0.96)
Elastic Modulus - Zx (mm³)	I / y-max= 2300.90
Elastic Modulus - Zy (mm³)	I / x-max= 3039.24

PROPERTIES

MEMBER: AL-PW03
 GRADE: 6063-T6
 FINISH: PVF2 3-COATING

MASS PROPERTIES (UNIT) VALUES

Area (mm²)	1368.04
Perimeter (mm)	1092.12
Bounding Box - X (mm)	-42.87 to 52.07
Bounding Box - Y (mm)	-113.34 to 65.66
Centroid - X (mm)	0.000
Centroid - Y (mm)	0.000
Moments of inertia - X (mm⁴)	2573000.49
Moments of inertia - Y (mm⁴)	157857.45
Product of inertia - XY (mm⁴)	-920385.69
Radius of gyration - X (mm)	43.362
Radius of gyration - Y (mm)	33.96
Principal moments along X-Y (mm⁴)	1129205.86 along (0.96 -0.51)
Principal moments along Y-X (mm⁴)	102632.09 along (0.51 0.96)
Elastic Modulus - Zx (mm³)	I / y-max= 2310.21
Elastic Modulus - Zy (mm³)	I / x-max= 3039.24

PROPERTIES

MEMBER: AL-PW12
 GRADE: 6063-T6
 FINISH: PVF2 3-COATING

MASS PROPERTIES (UNIT) VALUES

Area (mm²)	1264.524
Perimeter (mm)	952.201
Bounding Box - X (mm)	-46.584 to 58.416
Bounding Box - Y (mm)	-51.645 to 88.355
Centroid - X (mm)	0.000
Centroid - Y (mm)	0.000
Moments of inertia - X (mm⁴)	132471.909
Moments of inertia - Y (mm⁴)	1320500.039
Product of inertia - XY (mm⁴)	-320208.689
Radius of gyration - X (mm)	32.362
Radius of gyration - Y (mm)	32.379
Principal moments along X-Y (mm⁴)	1024651.438 along (0.707 -0.707)
Principal moments along Y-X (mm⁴)	1644715.511 along (0.707 0.707)
Elastic Modulus - Zx (mm³)	I / y-max= 1465.193
Elastic Modulus - Zy (mm³)	I / x-max= 2280.337

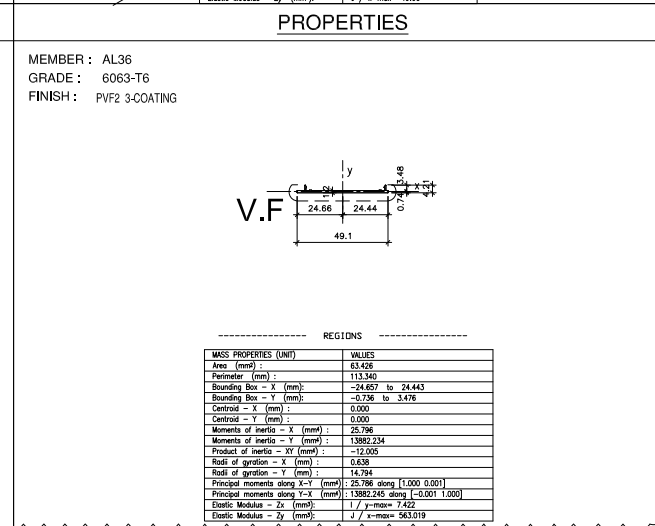
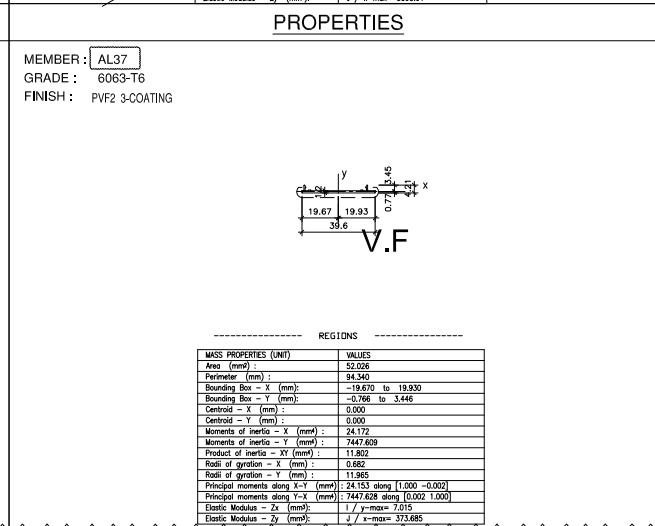
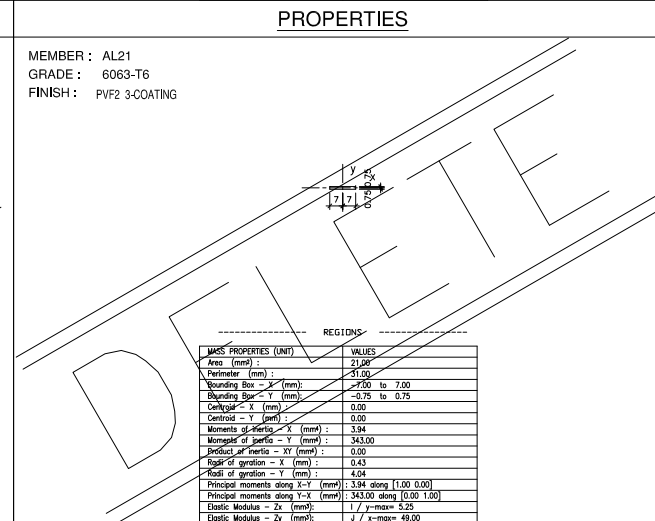
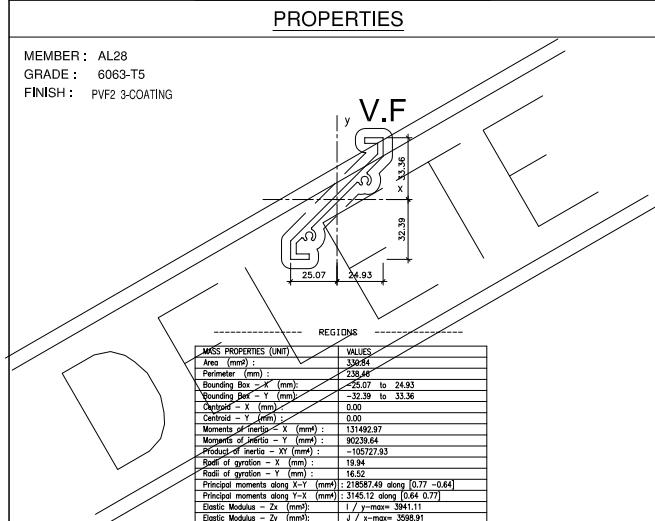
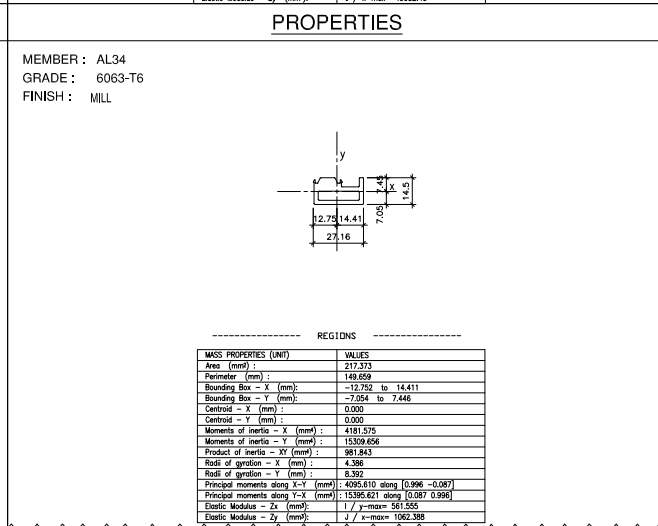
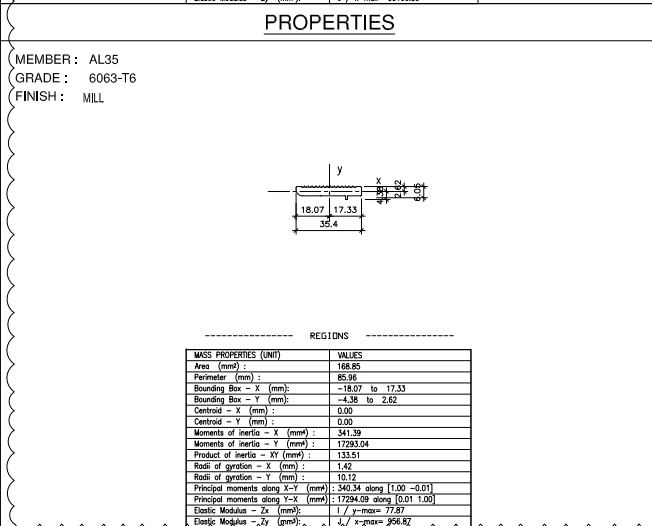
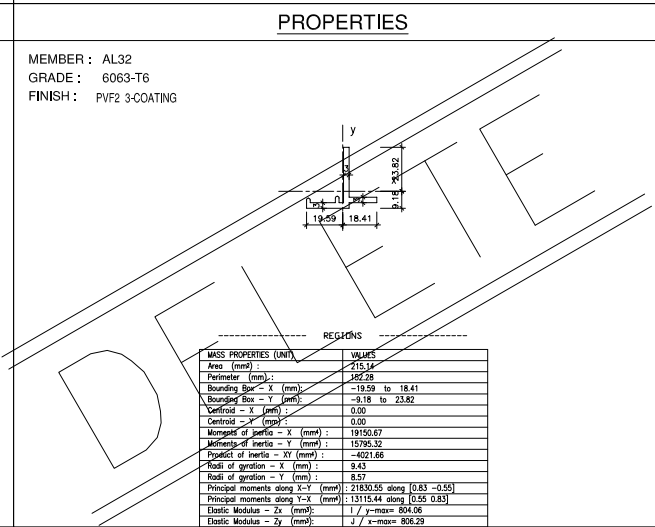
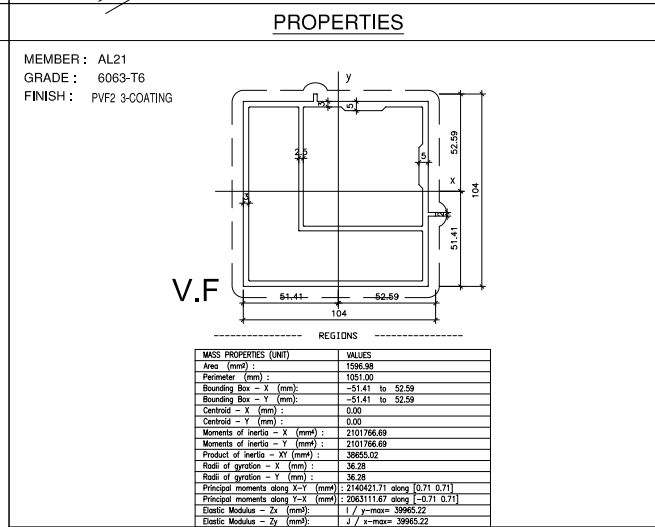
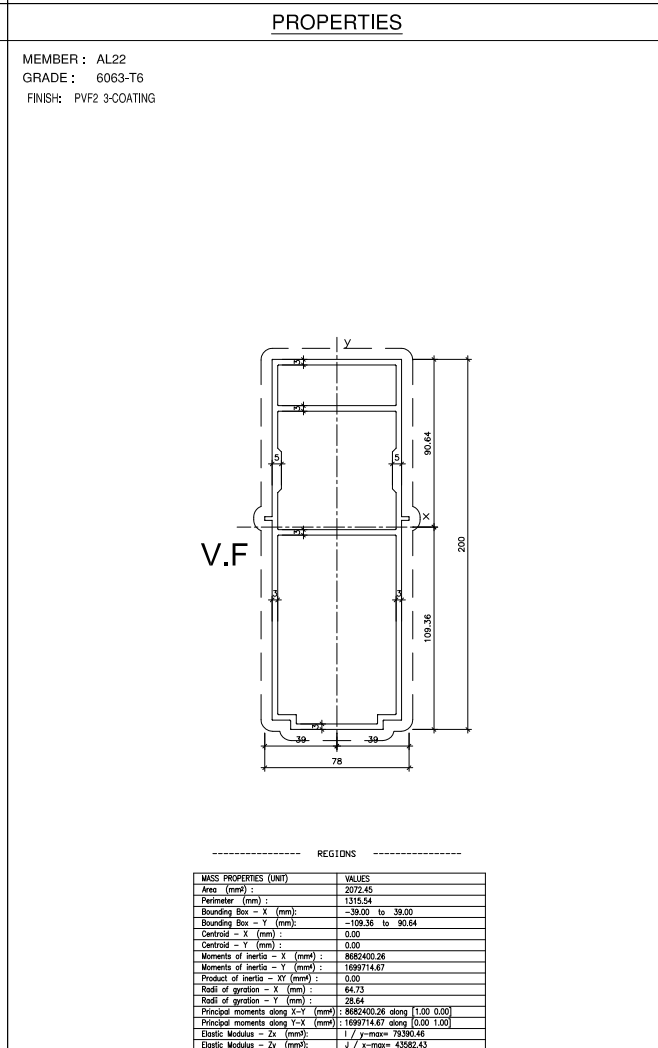
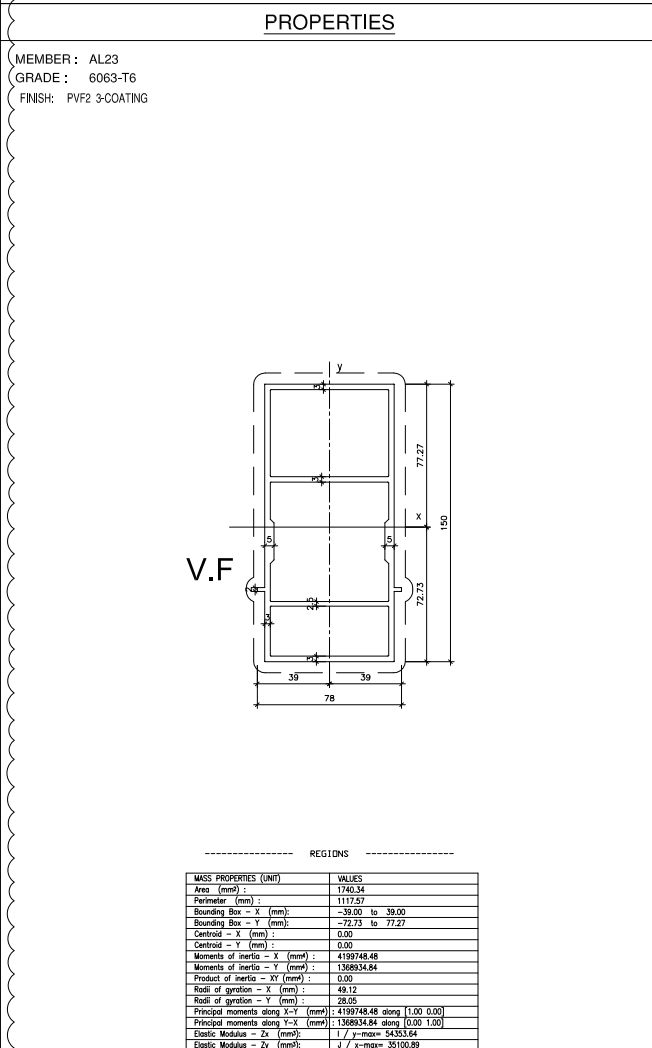
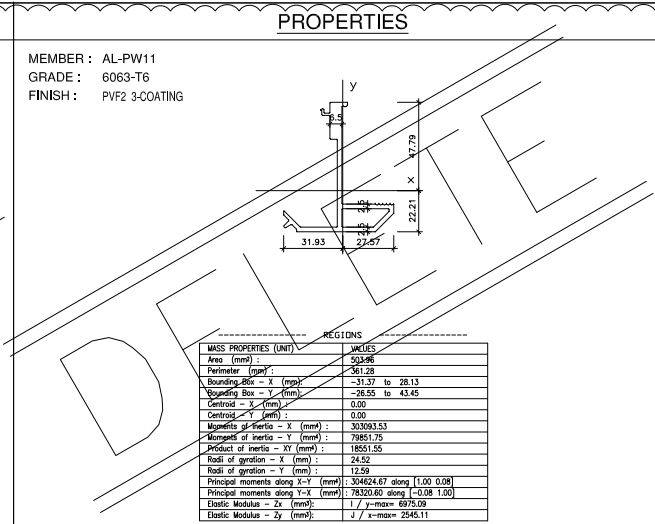
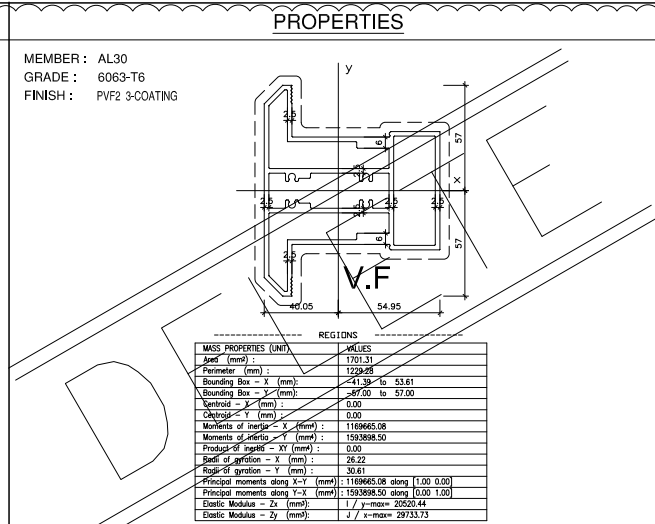
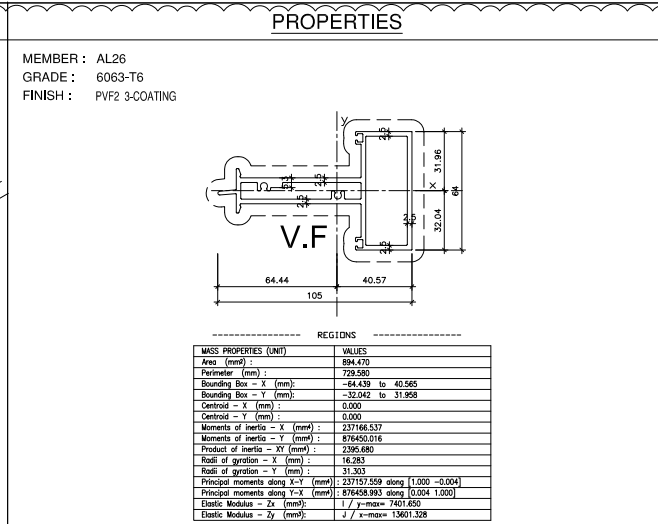
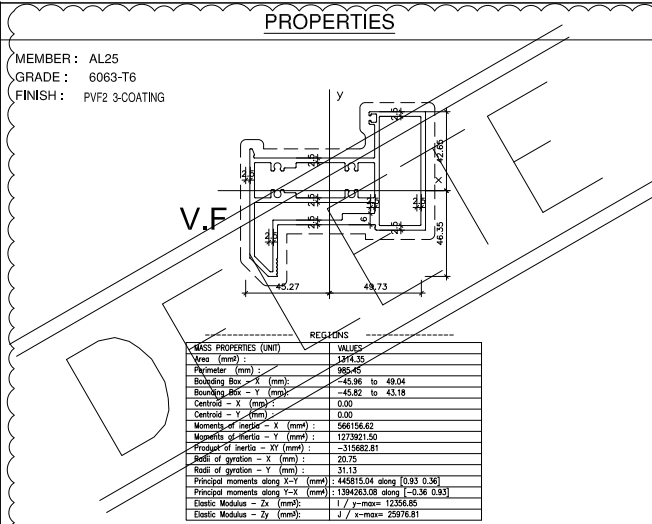
PROPERTIES

MEMBER: AL24
 GRADE: 6063-T6
 FINISH:

MASS PROPERTIES (UNIT) VALUES

Area (mm²)	1387.73
Perimeter (mm)	1111.07
Bounding Box - X (mm)	-43.78 to 52.75
Bounding Box - Y (mm)	-65.20 to 113.80
Centroid - X (mm)	0.000
Centroid - Y (mm)	0.000
Moments of inertia - X (mm⁴)	2593824.16
Moments of inertia - Y (mm⁴)	1621372.36
Product of inertia - XY (mm⁴)	-60128.36
Radius of gyration - X (mm)	43.23
Radius of gyration - Y (mm)	34.18
Principal moments along X-Y (mm⁴)	1129733.41 along (0.96 0.51)
Principal moments along Y-X (mm⁴)	1084233.11 along (-0.51 0.96)
Elastic Modulus - Zx (mm³)	I / y-max= 2300.90
Elastic Modulus - Zy (mm³)	I / x-max= 3039.24

JOB NO.: J-852
 PROJECT: PROPOSED RESIDENTIAL DEVELOPMENT
 AT 139 - 147 ARGYLE STREET,
 NKIL 6005, 6035 R.P., 6036 R.P.,
 6037 R.P. & 6038 R.P.
 TITLE: SECTION PROPERTIES OF (PERCAST) WINDOWS (ALUM. EXTRUSIONS)
 DATE: 22-NOV-19 SCALE: 1:4
 DRAWN BY: MN CHECKED BY: DW
美特铝业有限公司
MIDI ALUMINIUM FABRICATOR LTD.
 Units 6-8, Sunray Industrial Centre, 1/F
 610 Cha Kwo Ling Road, Kowloon
 Tel:23489211-4 Fax:(852)27727666
 DWG NO.: J852-SD-PW-1101 REV.: C



B.D. REF :
CLIENT :
ARCHITECT :
AGC DESIGN LTD
1601, 1602, Upper Floor, 255, Ring Road, North Point, Hong Kong
Tel: (852) 2517 7818, Fax: (852) 2517 7123, Email: agcdesign@agc.com.hk

MAIN CONTRACTOR :
Gammon
STRUCTURAL ENGINEER :
ARUP
FAÇADE CONSULTANT:
MEINHARDT

NOTE :
1. ALL DIMENSIONS ARE IN mm.
2. ALL ELEVATIONS ARE VIEWED FROM OUTSIDE.
3. ALL DIMENSIONS TO BE VERIFIED ON SITE BEFORE FABRICATION.

LEGEND :
X1 — DETAIL MARK NO.
X001 — REFER SHEET NO.
F.F.L. — FINISHED FLOOR LEVEL
S.F.L. — STRUCTURAL FLOOR LEVEL
Ⓡ — REVERSED DETAIL

NO.	DATE	REVISION	REVISD	BY
C	24/08/2020	REVISION SUBJECT TO ARCH.COMMENT		lvon
B	12/03/2020	REVISION SUBJECT TO ARCH.COMMENT		SH
A	24/02/2020	REVISION SUBJECT TO ARCH.COMMENT		SH

JOB NO. : J-852
PROJECT : PROPOSED RESIDENTIAL DEVELOPMENT AT 139 - 147 ARGYLE STREET, NKIL 6005, 6035 R.P., 6036 R.P., 6037 R.P. & 6038 R.P.
TITLE : SECTION PROPERTIES OF PERCAST WINDOWS (ALUM. EXTRUSIONS)
DATE : 22-NOV-19 SCALE : 1:4
DRAWN BY : MN CHECKED BY : DW
美特鋁質有限公司
MIDI ALUMINIUM FABRICATOR LTD.
Units 6-8, Sunray Industrial Centre, 1/F
610 Cha Kwo Ling Road, Kowloon
Tel: 23489211-4 Fax: (852) 27727666
DWG NO. : J852-SD-PW-1102 REV. : C

MEMBER: AL101
GRADE: 6063-T6
FINISH: PVF2 3-COATING

PROPERTIES

MASS PROPERTIES (UNIT)	VALUES
Area (mm ²)	321.72
Perimeter (mm)	300.68
Bounding Box - X (mm)	-23.96 to 23.02
Bounding Box - Y (mm)	-24.95 to 32.05
Centroid - X (mm)	0.00
Centroid - Y (mm)	0.00
Moments of inertia - X (mm ⁴)	210818.81
Moments of inertia - Y (mm ⁴)	28753.05
Product of inertia - XY (mm ⁴)	-2810.58
Radius of gyration - X (mm)	25.59
Radius of gyration - Y (mm)	9.45
Principal moments along X-Y (mm ⁴)	214863.62 along (0.99 -0.15)
Principal moments along Y-X (mm ⁴)	24507.24 along (0.15 0.99)
Elastic Modulus - Zx (mm ²)	I / y-max= 6026.71
Elastic Modulus - Zy (mm ²)	I / x-max= 922.02

MEMBER: AL102
GRADE: 6063-T6
FINISH: PVF2 3-COATING

PROPERTIES

MASS PROPERTIES (UNIT)	VALUES
Area (mm ²)	476.00
Perimeter (mm)	425.88
Bounding Box - X (mm)	-27.10 to 24.50
Bounding Box - Y (mm)	-26.80 to 38.20
Centroid - X (mm)	0.00
Centroid - Y (mm)	0.00
Moments of inertia - X (mm ⁴)	237809.38
Moments of inertia - Y (mm ⁴)	3628.83
Product of inertia - XY (mm ⁴)	-7043.67
Radius of gyration - X (mm)	22.30
Radius of gyration - Y (mm)	8.70
Principal moments along X-Y (mm ⁴)	237905.50 along (1.00 -0.03)
Principal moments along Y-X (mm ⁴)	35862.71 along (0.03 1.00)
Elastic Modulus - Zx (mm ²)	I / y-max= 6221.37
Elastic Modulus - Zy (mm ²)	I / x-max= 1136.28

MEMBER: AL103
GRADE: 6063-T6
FINISH: PVF2 3-COATING

PROPERTIES

MASS PROPERTIES (UNIT)	VALUES
Area (mm ²)	79.17
Perimeter (mm)	141.90
Bounding Box - X (mm)	-8.40 to 10.60
Bounding Box - Y (mm)	-21.06 to 13.14
Centroid - X (mm)	0.00
Centroid - Y (mm)	0.00
Moments of inertia - X (mm ⁴)	8604.36
Moments of inertia - Y (mm ⁴)	3802.77
Product of inertia - XY (mm ⁴)	-2251.22
Radius of gyration - X (mm)	10.43
Radius of gyration - Y (mm)	6.93
Principal moments along X-Y (mm ⁴)	8484.74 along (0.53 0.37)
Principal moments along Y-X (mm ⁴)	2912.39 along (-0.37 0.53)
Elastic Modulus - Zx (mm ²)	I / y-max= 383.87
Elastic Modulus - Zy (mm ²)	I / x-max= 348.96

MEMBER: AL104
GRADE: 6063-T6
FINISH: PVF2 3-COATING

PROPERTIES

MASS PROPERTIES (UNIT)	VALUES
Area (mm ²)	423.98
Perimeter (mm)	390.69
Bounding Box - X (mm)	-39.71 to 35.30
Bounding Box - Y (mm)	-26.00 to 48.00
Centroid - X (mm)	0.00
Centroid - Y (mm)	0.00
Moments of inertia - X (mm ⁴)	21875.97
Moments of inertia - Y (mm ⁴)	28872.85
Product of inertia - XY (mm ⁴)	4428.42
Radius of gyration - X (mm)	13.02
Radius of gyration - Y (mm)	16.12
Principal moments along X-Y (mm ⁴)	24138.08 along (0.96 -0.28)
Principal moments along Y-X (mm ⁴)	30710.74 along (0.28 0.96)
Elastic Modulus - Zx (mm ²)	I / y-max= 1942.59
Elastic Modulus - Zy (mm ²)	I / x-max= 728.98

MEMBER: AL105
GRADE: 6063-T6
FINISH: PVF2 3-COATING

PROPERTIES

MASS PROPERTIES (UNIT)	VALUES
Area (mm ²)	374.30
Perimeter (mm)	331.75
Bounding Box - X (mm)	-33.84 to 31.16
Bounding Box - Y (mm)	-28.94 to 23.06
Centroid - X (mm)	0.00
Centroid - Y (mm)	0.00
Moments of inertia - X (mm ⁴)	28837.74
Moments of inertia - Y (mm ⁴)	23409.22
Product of inertia - XY (mm ⁴)	-23096.26
Radius of gyration - X (mm)	8.78
Radius of gyration - Y (mm)	25.01
Principal moments along X-Y (mm ⁴)	25063.83 along (0.99 0.13)
Principal moments along Y-X (mm ⁴)	23787.83 along (-0.13 0.99)
Elastic Modulus - Zx (mm ²)	I / y-max= 298.81
Elastic Modulus - Zy (mm ²)	I / x-max= 6917.46

MEMBER: AL28A
GRADE: 6063-T5
FINISH: PVF2 3-COATING

PROPERTIES

MASS PROPERTIES (UNIT)	VALUES
Area (mm ²)	273.383164
Perimeter (mm)	800.352752
Bounding box (mm)	X: -25.034463 -- 24.965537 Y: -14.699051 -- 15.998100
Centroid (mm)	X: 0.000000 Y: 0.000000
Moments of inertia (mm ⁴)	X: 17271.971871 Y: 78522.576449
Product of inertia (mm ⁴)	XY: 33024.760959
Radius of gyration (mm)	X: 7.948489 Y: 16.947724
Principal moments and X-Y directions about centroid (mm ⁴)	I: 2827.913853 along (0.916506 0.400201) J: 29296.634465 along (-0.400201 0.916506)
Elastic Modulus (mm ³)	Zx: I / y-max= 1108 Zy: I / x-max= 3137

MEMBER: AL28T
GRADE: 6063-T6
FINISH: PVF2 3-COATING

PROPERTIES

MASS PROPERTIES (UNIT)	VALUES
Area (mm ²)	613.744743
Perimeter (mm)	396.264634
Bounding box (mm)	X: -32.458651 -- 60.541349 Y: -24.269389 -- 13.230611
Centroid (mm)	X: 0.000000 Y: 0.000000
Moments of inertia (mm ⁴)	X: 90031.283459 Y: 409357.116183
Product of inertia (mm ⁴)	XY: 120294.562067
Radius of gyration (mm)	X: 12.116336 Y: 25.826208
Principal moments and X-Y directions about centroid (mm ⁴)	I: 49925.725186 along (0.948462 0.316891) J: 449482.664456 along (-0.316891 0.948462)
Elastic Modulus (mm ³)	Zx: I / y-max= 3710 Zy: I / x-max= 6762

MEMBER: AL28B
GRADE: 6063-T6
FINISH: PVF2 3-COATING

PROPERTIES

MASS PROPERTIES (UNIT)	VALUES
Area (mm ²)	559.485745
Perimeter (mm)	374.059466
Bounding box (mm)	X: -41.597630 -- 56.402370 Y: -9.161985 -- 21.038015
Centroid (mm)	X: 0.000000 Y: 0.000000
Moments of inertia (mm ⁴)	X: 35426.033915 Y: 255238.317901
Product of inertia (mm ⁴)	XY: -8025.573276
Radius of gyration (mm)	X: 7.953319 Y: 25.105365
Principal moments and X-Y directions about centroid (mm ⁴)	I: 32521.591207 along (0.999678 -0.025371) J: 352836.761459 along (0.025371 0.999678)
Elastic Modulus (mm ³)	Zx: I / y-max= 1488 Zy: I / x-max= 6252

B.D. REF :
.....

CLIENT :
.....

ARCHITECT :
AGC DESIGN LTD

MAIN CONTRACTOR :
Gammon

STRUCTURAL ENGINEER :
ARUP

FACADE CONSULTANT:
MEINHARDT

NOTE :
1. ALL DIMENSIONS ARE IN mm.
2. ALL ELEVATIONS ARE VIEWED FROM OUTSIDE.
3. ALL DIMENSIONS TO BE VERIFIED ON SITE BEFORE FABRICATION.

LEGEND :
X1 --- DETAIL MARK NO.
X001 --- REFER SHEET NO.

1. F.F.L. --- FINISHED FLOOR LEVEL
2. S.F.L. --- STRUCTURAL FLOOR LEVEL
3. (R) --- REVERSED DETAIL

B	24/08/2020	REVISION SUBJECT TO ARCH.COMMENT	Ivan
A	30/05/2020	REVISION SUBJECT TO ARCH.COMMENT	Ivan
NO.	DATE	REVISED	BY

JOB NO. : J-852
PROJECT : PROPOSED RESIDENTIAL DEVELOPMENT AT 139 - 147 ARGYLE STREET, NKIL 6005, 6035 R.P., 6036 R.P., 6037 R.P. & 6038 R.P.

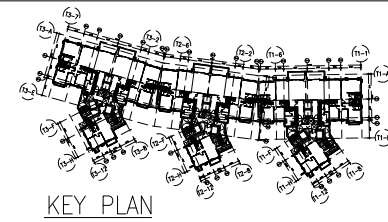
TITLE : SECTION PROPERTIES OF PERCAST WINDOWS (ALUM. EXTRUSIONS)

DATE : 22-NOV-19 SCALE : 1:4

DRAWN BY : MN CHECKED BY : DW

美特鋁質有限公司
MIDI ALUMINIUM FABRICATOR LTD.
Units 6-8, Sunray Industrial Centre, 1/F
610 Cha Kwo Ling Road, Kowloon
Tel:23489211-4 Fax:(852)2727666

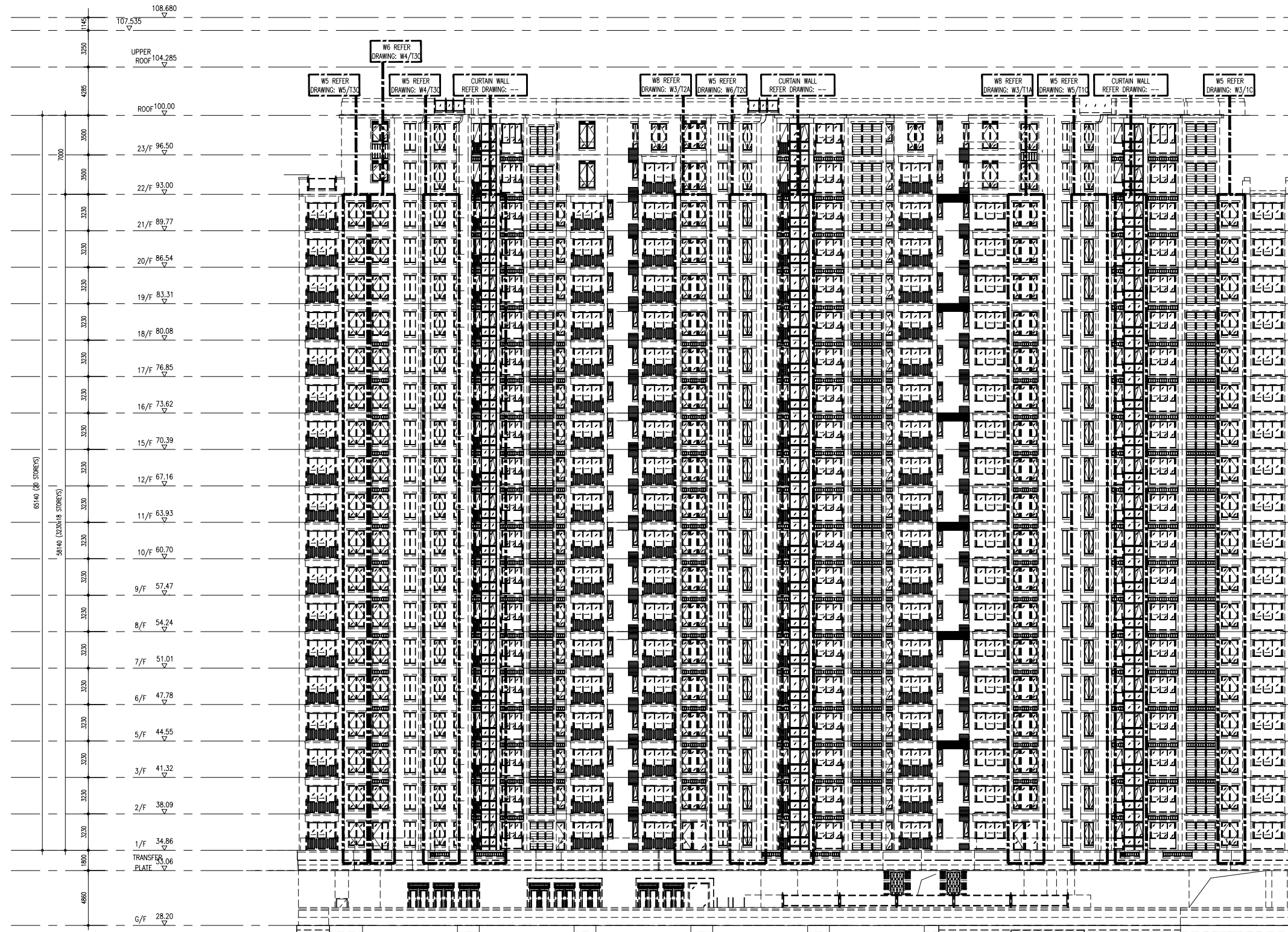
DWG NO. : J852-SD-PW-1103 REV. : B



TOWER 3

TOWER 2

TOWER 1



1 ELEVATION
SCALE: 1:200

B.D. REF :

CLIENT :

ARCHITECT :
AGC
DESIGN LTD

MAIN CONTRACTOR :
Gammon

STRUCTURAL ENGINEER :
ARUP

FAÇADE CONSULTANT:
MEINHARDT

NOTE :
1. ALL DIMENSIONS ARE IN mm.
2. ALL ELEVATIONS ARE VIEWED FROM OUTSIDE.
3. ALL DIMENSIONS TO BE VERIFIED ON SITE BEFORE FABRICATION.

LEGEND :
X1 --- DETAIL MARK NO.
X001 --- REFER SHEET NO.
1. F.F.L. --- FINISHED FLOOR LEVEL
2. S.F.L. --- STRUCTURAL FLOOR LEVEL
3. (R) --- REVERSED DETAIL

NO.	DATE	REVISED	BY

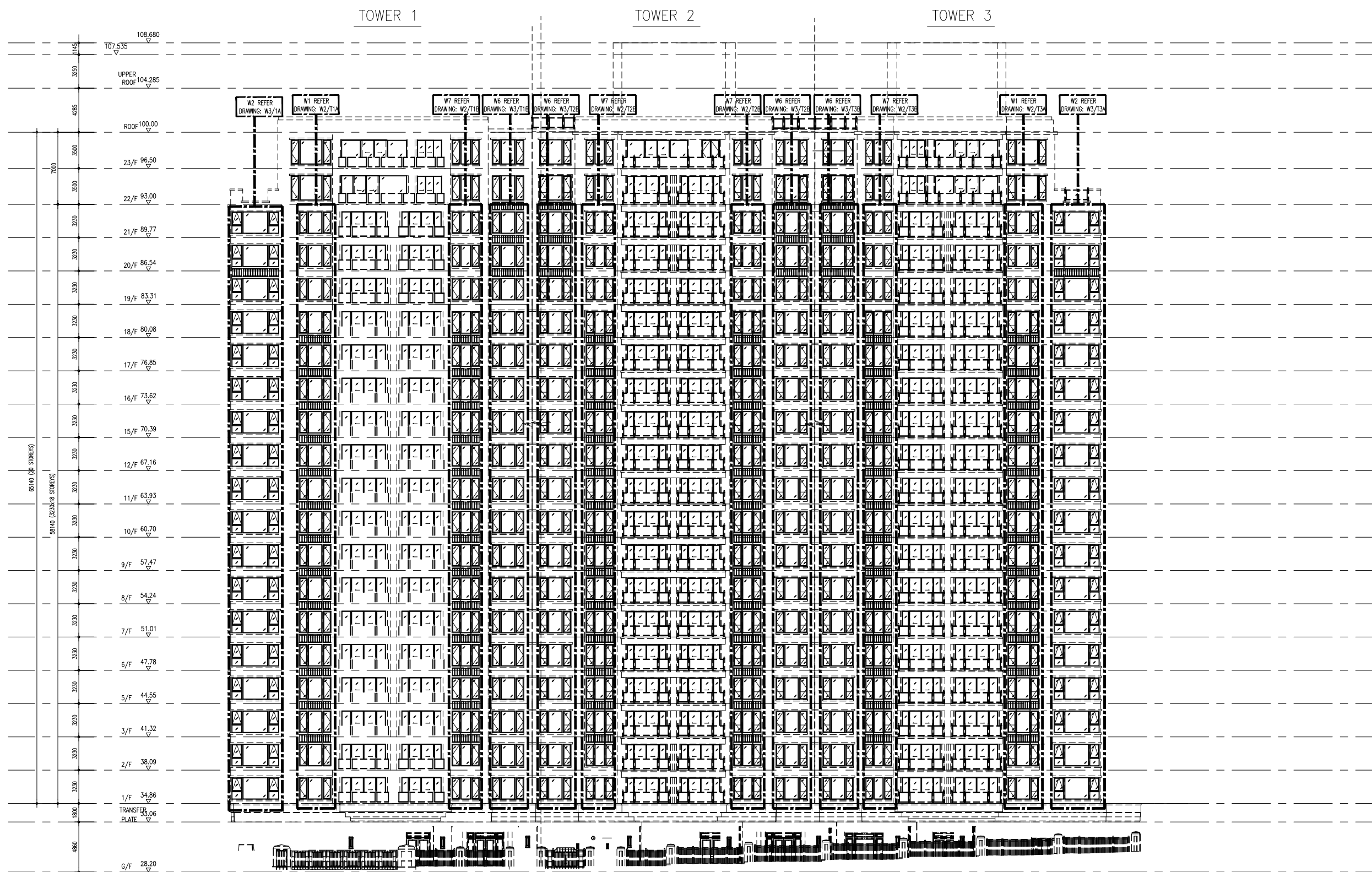
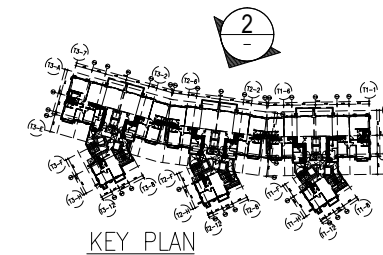
JOB NO. : J-852
PROJECT : PROPOSED RESIDENTIAL DEVELOPMENT AT 139 - 147 ARGYLE STREET, NKIL 6005, 6035 R.P., 6036 R.P., 6037 R.P. & 6038 R.P.

TITLE : BUILDING ELEVATION FOR TOWER 1, 2 & 3

DATE : 12-Dec-2019 SCALE : 1:200
DRAWN BY : MN CHECKED BY : DW

美特鋁質有限公司
MIDI ALUMINIUM FABRICATOR LTD.
Units 6-8, Sunray Industrial Centre, 1/F
610 Cha Kwo Ling Road, Kowloon
Tel:23489211-4 Fax:(852)2727666

DWG NO. : J852-SD-PB-2001 REV. : -



2 ELEVATION
SCALE 1:200
(4/F, 13/F & 14/F EXCLUDED)

B.D. REF :

CLIENT :

ARCHITECT :
AGC DESIGN LTD
architectural urban design
interior design
10/F, 10/F, 10/F, 10/F, 10/F, 10/F, 10/F, 10/F, 10/F, 10/F
Tel: (852)2777777, Fax: (852)2777777, Email: agc@agc.com.hk

MAIN CONTRACTOR :
Gammon

STRUCTURAL ENGINEER :
ARUP

FAÇADE CONSULTANT:
MEINHARDT

NOTE :
1. ALL DIMENSIONS ARE IN mm.
2. ALL ELEVATIONS ARE VIEWED FROM OUTSIDE.
3. ALL DIMENSIONS TO BE VERIFIED ON SITE BEFORE FABRICATION.

LEGEND :
X1 --- DETAIL MARK NO.
X001 --- REFER SHEET NO.
1. F.F.L. --- FINISHED FLOOR LEVEL
2. S.F.L. --- STRUCTURAL FLOOR LEVEL
3. (R) --- REVERSED DETAIL

NO.	DATE	REVISED	BY

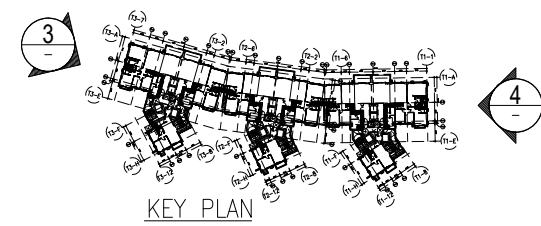
JOB NO. : J-852
PROJECT : PROPOSED RESIDENTIAL DEVELOPMENT AT 139 - 147 ARGYLE STREET, NKIL 6005, 6035 R.P., 6036 R.P., 6037 R.P. & 6038 R.P.

TITLE : BUILDING ELEVATION FOR TOWER 1, 2 & 3

DATE : 12-Dec-2019 SCALE : 1:200
DRAWN BY : MN CHECKED BY : DW

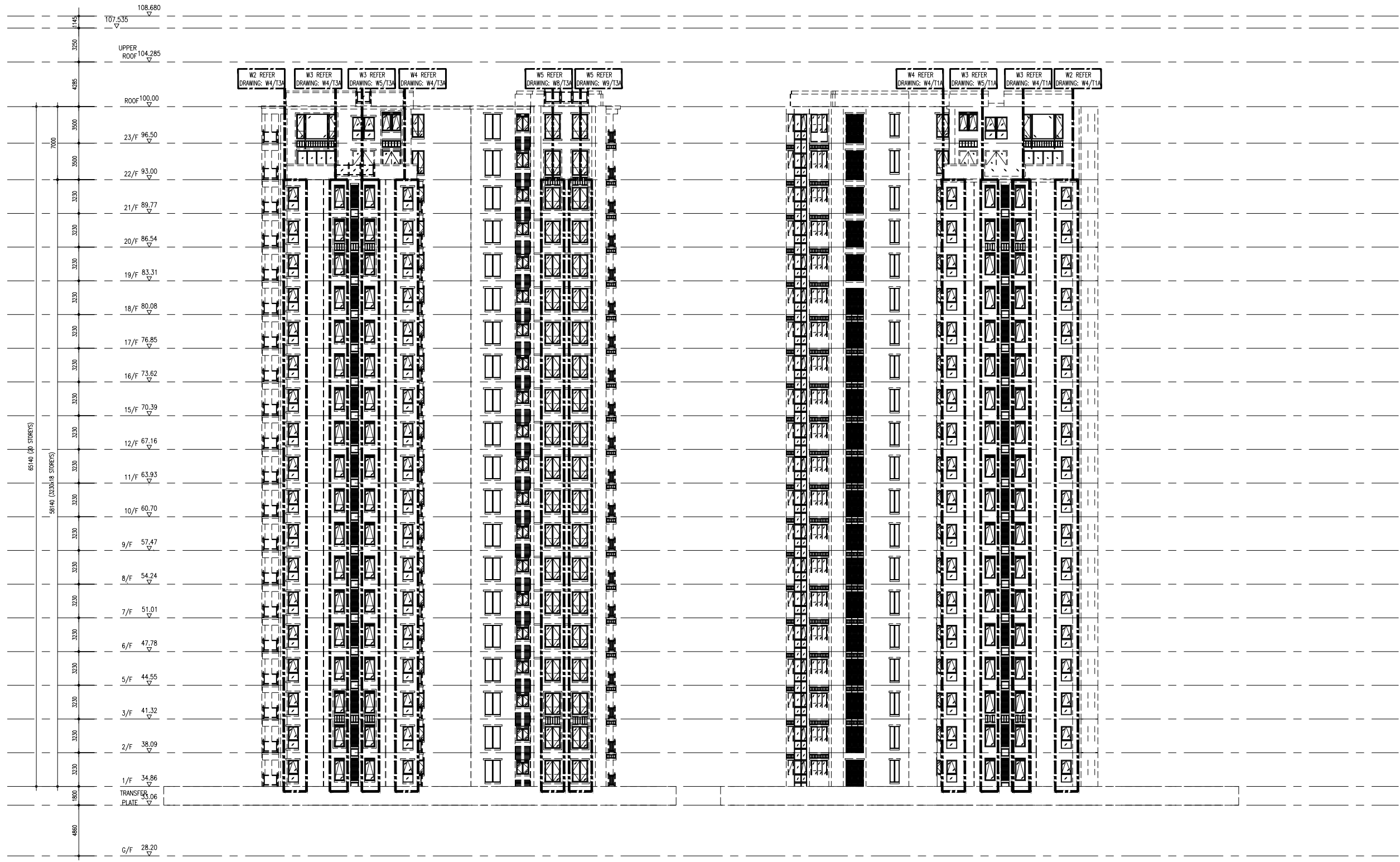
美特鋁質有限公司
MIDI ALUMINIUM FABRICATOR LTD.
Units 6-8, Sunray Industrial Centre, 1/F
610 Cha Kwo Ling Road, Kowloon
Tel: 23489211-4 Fax: (852)27727666

DWG NO. : J852-SD-PB-2002 REV. : -



TOWER 3

TOWER 1



3 ELEVATION
SCALE 1:200
(4/F, 13/F & 14/F EXCLUDED)

4 ELEVATION
SCALE 1:200
(4/F, 13/F & 14/F EXCLUDED)

B.D. REF :

CLIENT :

ARCHITECT :
AGC DESIGN LTD
architectural urban design interior design
AGC DESIGN LTD
210, 212, 214, 216, 218, 220, 222, 224, 226, 228, 230, 232, 234, 236, 238, 240, 242, 244, 246, 248, 250, 252, 254, 256, 258, 260, 262, 264, 266, 268, 270, 272, 274, 276, 278, 280, 282, 284, 286, 288, 290, 292, 294, 296, 298, 300, 302, 304, 306, 308, 310, 312, 314, 316, 318, 320, 322, 324, 326, 328, 330, 332, 334, 336, 338, 340, 342, 344, 346, 348, 350, 352, 354, 356, 358, 360, 362, 364, 366, 368, 370, 372, 374, 376, 378, 380, 382, 384, 386, 388, 390, 392, 394, 396, 398, 400, 402, 404, 406, 408, 410, 412, 414, 416, 418, 420, 422, 424, 426, 428, 430, 432, 434, 436, 438, 440, 442, 444, 446, 448, 450, 452, 454, 456, 458, 460, 462, 464, 466, 468, 470, 472, 474, 476, 478, 480, 482, 484, 486, 488, 490, 492, 494, 496, 498, 500, 502, 504, 506, 508, 510, 512, 514, 516, 518, 520, 522, 524, 526, 528, 530, 532, 534, 536, 538, 540, 542, 544, 546, 548, 550, 552, 554, 556, 558, 560, 562, 564, 566, 568, 570, 572, 574, 576, 578, 580, 582, 584, 586, 588, 590, 592, 594, 596, 598, 600, 602, 604, 606, 608, 610, 612, 614, 616, 618, 620, 622, 624, 626, 628, 630, 632, 634, 636, 638, 640, 642, 644, 646, 648, 650, 652, 654, 656, 658, 660, 662, 664, 666, 668, 670, 672, 674, 676, 678, 680, 682, 684, 686, 688, 690, 692, 694, 696, 698, 700, 702, 704, 706, 708, 710, 712, 714, 716, 718, 720, 722, 724, 726, 728, 730, 732, 734, 736, 738, 740, 742, 744, 746, 748, 750, 752, 754, 756, 758, 760, 762, 764, 766, 768, 770, 772, 774, 776, 778, 780, 782, 784, 786, 788, 790, 792, 794, 796, 798, 800, 802, 804, 806, 808, 810, 812, 814, 816, 818, 820, 822, 824, 826, 828, 830, 832, 834, 836, 838, 840, 842, 844, 846, 848, 850, 852, 854, 856, 858, 860, 862, 864, 866, 868, 870, 872, 874, 876, 878, 880, 882, 884, 886, 888, 890, 892, 894, 896, 898, 900, 902, 904, 906, 908, 910, 912, 914, 916, 918, 920, 922, 924, 926, 928, 930, 932, 934, 936, 938, 940, 942, 944, 946, 948, 950, 952, 954, 956, 958, 960, 962, 964, 966, 968, 970, 972, 974, 976, 978, 980, 982, 984, 986, 988, 990, 992, 994, 996, 998, 1000

MAIN CONTRACTOR :
Gammon

STRUCTURAL ENGINEER :
ARUP

FAÇADE CONSULTANT:
MEINHARDT

NOTE :
1. ALL DIMENSIONS ARE IN mm.
2. ALL ELEVATIONS ARE VIEWED FROM OUTSIDE.
3. ALL DIMENSIONS TO BE VERIFIED ON SITE BEFORE FABRICATION.

LEGEND :
X1 --- DETAIL MARK NO.
X001 --- REFER SHEET NO.
1. F.F.L. --- FINISHED FLOOR LEVEL
2. S.F.L. --- STRUCTURAL FLOOR LEVEL
3. (R) --- REVERSED DETAIL

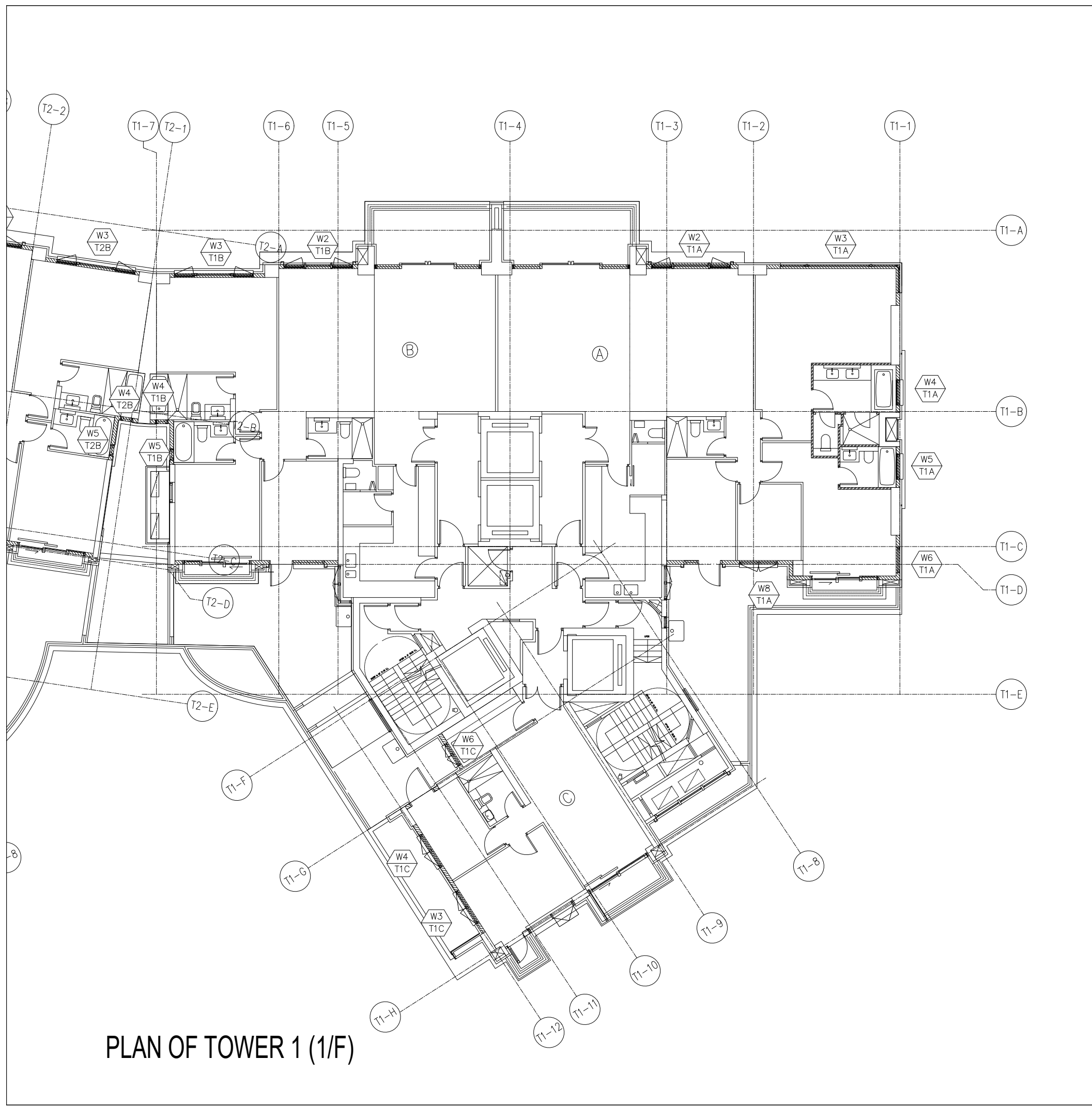
NO.	DATE	REVISED	BY

JOB NO. : J-852
PROJECT : PROPOSED RESIDENTIAL DEVELOPMENT AT 139 - 147 ARGYLE STREET, NKIL 6005, 6035 R.P., 6036 R.P., 6037 R.P. & 6038 R.P.

TITLE : BUILDING ELEVATION FOR TOWER 1, 2 & 3

DATE : 12-Dec-2019 SCALE : 1:200
DRAWN BY : MN CHECKED BY : DW

美特鋁質有限公司
MIDI ALUMINIUM FABRICATOR LTD.
Units 6-8, Sunray Industrial Centre, 1/F
610 Cha Kwo Ling Road, Kowloon
Tel: 23489211-4 Fax: (852) 27727666
DWG NO. : J852-SD-PB-2003 REV. : -



WINDOW MARK	FLAT	FLOOR	Q.T.	TOTAL
W3/T1B	FLAT B	1F	1	1x1=1
W2/T1B	FLAT B	1F	1	1x1=1
W2/T1A	FLAT A	1F	1	1x1=1
W3/T1A	FLAT A	1F	1	1x1=1
W4/T1A	FLAT A	1F	1	1x1=1
W5/T1A	FLAT A	1F	1	1x1=1
W8/T1A	FLAT A	1F	1	1x1=1
W4/T1C,W3/T1C	FLAT C	1F	1	1x1=1
W6/T1C	FLAT C	1F	1	1x1=1
W5/T1B,W4/T1B	FLAT B	1F	1	1x1=1
				TOTAL
				10
				10

B.D. REF :
 CLIENT :
 ARCHITECT :
 MAIN CONTRACTOR :

ARCHITECT :
AGC DESIGN LTD
 香港建築師學會會員
 4/F, 182, Des Voeux Street West, Hong Kong
 Tel: (852)2777178, Fax: (852)2771133, Email: agc@agc.com.hk

MAIN CONTRACTOR :
Gammon

STRUCTURAL ENGINEER :
ARUP

FACADE CONSULTANT:
MEINHARDT

- NOTE :
- ALL DIMENSIONS ARE IN mm.
 - ALL ELEVATIONS ARE VIEWED FROM OUTSIDE.
 - ALL DIMENSIONS TO BE VERIFIED ON SITE BEFORE FABRICATION.
- LEGEND :
- (X1) --- DETAIL MARK NO.
 - (X001) --- REFER SHEET NO.
 - 1. F.F.L. --- FINISHED FLOOR LEVEL
 - 2. S.F.L. --- STRUCTURAL FLOOR LEVEL
 - 3. (R) --- REVERSED DETAIL

A NO.	DATE	REVISION SUBJECT TO ARCH.COMMENT	BY
A	19/03/2020	REVISION SUBJECT TO ARCH.COMMENT	ivan
		REVISED	

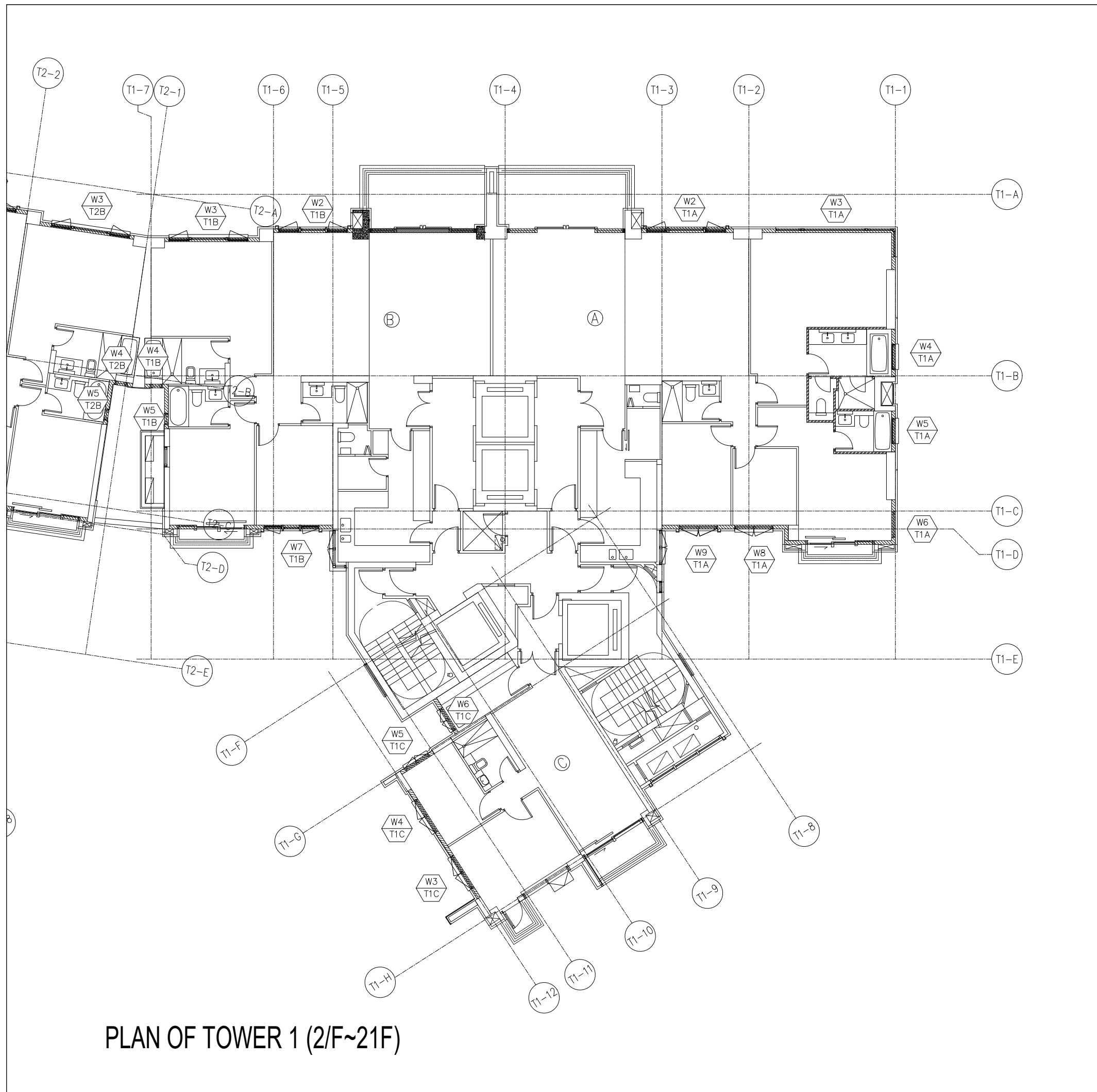
JOB NO. : J-852
 PROJECT : PROPOSED RESIDENTIAL DEVELOPMENT AT 139 - 147 ARGYLE STREET, NKIL 6005, 6035 R.P., 6036 R.P., 6037 R.P. & 6038 R.P.

TITLE : PART PLAN OF TOWER 1 (1/F)

DATE : 12-Dec-2019 SCALE : 1:150
 DRAWN BY : MN CHECKED BY : DW

美特鋁質有限公司
MIDI ALUMINIUM FABRICATOR LTD.
 Units 6-8, Sunray Industrial Centre, 1/F
 610 Cha Kwo Ling Road, Kowloon
 Tel: 23489211-4 Fax: (852)2727666
 DWG NO. : J852-SD-PW-3001 REV. : A

PLAN OF TOWER 1 (1/F)



PLAN OF TOWER 1 (2/F~21F)

WINDOW MARK	FLAT	FLOOR	Q.T.	TOTAL
W3/T1B	FLAT B	2F-21F	1	1x17=17
W2/T1B	FLAT B	2F-21F	1	1x17=17
W2/T1A	FLAT A	2F-21F	1	1x17=17
W3/T1A	FLAT A	2F-21F	1	1x17=17
W4/T1A	FLAT A	2F-21F	1	1x17=17
W5/T1A	FLAT A	2F-21F	1	1x17=17
W8/T1A,W9/T1A	FLAT A	2F-21F	1	1x17=17
W4/T1C,W3/T1C	FLAT C	2F-21F	1	1x17=17
W5/T1C	FLAT C	2F-21F	1	1x17=17
W6/T1C	FLAT C	2F-21F	1	1x17=17
W5/T1B,W4/T1B	FLAT B	2F-21F	1	1x17=17
TOTAL				11 187

B.D. REF :

CLIENT :

ARCHITECT :
AGC DESIGN LTD
 101, 102, Queen's Park, 222, Queen's Road, Hong Kong
 Tel: (852)2117110, Fax: (852)2117111, Email: agc@agc.com.hk

MAIN CONTRACTOR :
Gammon

STRUCTURAL ENGINEER :
ARUP

FACADE CONSULTANT:
MEINHARDT

NOTE :
 1. ALL DIMENSIONS ARE IN mm.
 2. ALL ELEVATIONS ARE VIEWED FROM OUTSIDE.
 3. ALL DIMENSIONS TO BE VERIFIED ON SITE BEFORE FABRICATION.

LEGEND :
 X1 ———— DETAIL MARK NO.
 X001 ——— REFER SHEET NO.
 1. F.F.L. -- FINISHED FLOOR LEVEL
 2. S.F.L. -- STRUCTURAL FLOOR LEVEL
 3. (R) -- REVERSED DETAIL

NO.	DATE	REVISION SUBJECT TO ARCH.COMMENT	BY
A	19/03/2020	REVISION SUBJECT TO ARCH.COMMENT	lvon

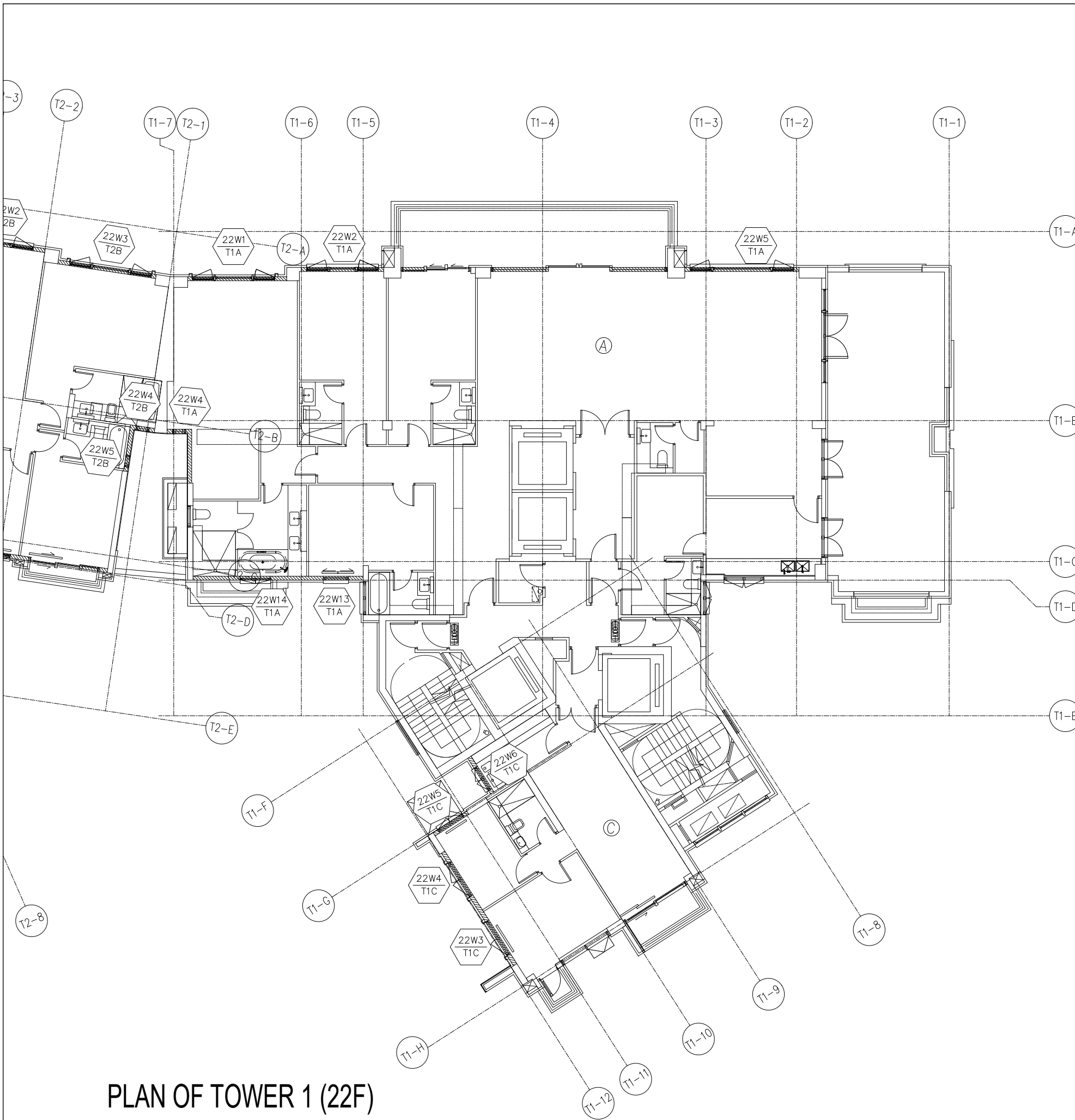
JOB NO. : J-852
 PROJECT : PROPOSED RESIDENTIAL DEVELOPMENT AT 139 - 147 ARGYLE STREET, NKIL 6005, 6035 R.P., 6036 R.P., 6037 R.P. & 6038 R.P.

TITLE : PART PLAN OF TOWER 1 (2-21/F)

DATE : 12-Dec-2019 SCALE : 1:150
 DRAWN BY : MN CHECKED BY : DW

美特鋁質有限公司
MIDI ALUMINIUM FABRICATOR LTD.
 Units 6-8, Sunray Industrial Centre, 1/F
 610 Cha Kwo Ling Road, Kowloon
 Tel: 23489211-4 Fax: (852)27727666

DWG NO. : J852-SD-PW-3002 REV. : A



PLAN OF TOWER 1 (22F)

WINDOW MARK	FLAT	FLOOR	Q.T.	TOTAL
22W1/T1A	FLAT A	22F	1	1x1=1
22W2/T1A	FLAT A	22F	1	1x1=1
22W5/T1A	FLAT A	22F	1	1x1=1
22W4/T1A	FLAT A	22F	1	1x1=1
22W13/T1A	FLAT A	22F	1	1x1=1
22W14/T1A	FLAT A	22F	1	1x1=1
22W4/T1C, 22W3/T1C	FLAT C	22F	1	1x1=1
22W5/T1C	FLAT C	22F	1	1x1=1
22W6/T1C	FLAT C	22F	1	1x1=1
TOTAL			9	9

B.D. REF :			
CLIENT :			
ARCHITECT :			
AGC DESIGN LTD AGC DESIGN LTD 1001, 1002, Orange Park, 220, Tsim Sha Tsui, Kowloon, Hong Kong Tel: (852)27797000, Fax: (852)27797153, Email: agc@agcgroup.com.hk			
MAIN CONTRACTOR :			
Gammon			
STRUCTURAL ENGINEER :			
ARUP			
FACADE CONSULTANT:			
MEINHARDT			

- NOTE :
 1. ALL DIMENSIONS ARE IN mm.
 2. ALL ELEVATIONS ARE VIEWED FROM OUTSIDE.
 3. ALL DIMENSIONS TO BE VERIFIED ON SITE BEFORE FABRICATION.

- LEGEND :
 X1 ———— DETAIL MARK NO.
 X001 ——— REFER SHEET NO.

A	19/03/2020	REVISION SUBJECT TO ARCH.COMMENT	lvon
NO.	DATE	REVISOR	BY

JOB NO. : J-852

PROJECT :
 PROPOSED RESIDENTIAL DEVELOPMENT
 AT 139 - 147 ARGYLE STREET,
 NKIL 6005, 6035 R.P., 6036 R.P.,
 6037 R.P. & 6038 R.P.

TITLE :
 PART PLAN OF
 TOWER 1 (22/F)

DATE : 12-Dec-2019 SCALE : 1:150

DRAWN BY : MN CHECKED BY : DW

MIDI ALUMINIUM FABRICATOR LTD.
 Units 6-8, Sunray Industrial Centre, 1/F
 610 Cha Kwo Ling Road, Kowloon
 Tel: 23489211-4 Fax: (852)27727666

DWG NO. : J852-SD-PW-3003 REV. : A



PLAN OF TOWER 2 (2/F~21F)

WINDOW MARK	FLAT	FLOOR	Q.T.	TOTAL
W3/T2A	FLAT A	2F-21F	1	1x17=17
W2/T2A	FLAT A	2F-21F	1	1x17=17
W2/T2B	FLAT B	2F-21F	1	1x17=17
W3/T2B	FLAT B	2F-21F	1	1x17=17
W5/T2B,W4/T2B	FLAT B	2F-21F	1	1x17=17
W4/T2C,W3/T2C	FLAT C	2F-21F	1	1x17=17
W6/T2C	FLAT C	2F-21F	1	1x17=17
W5/T2C	FLAT C	2F-21F	1	1x17=17
W5/T2A,W4/T2A	FLAT A	2F-21F	1	1x17=17
TOTAL			9	153

B.D. REF :

NO.	DATE	REVISED	BY

CLIENT :

ARCHITECT :
AGC DESIGN LTD
建築設計有限公司

MAIN CONTRACTOR :
Gammon
甘蒙建築有限公司

STRUCTURAL ENGINEER :
ARUP
阿魯普建築師有限公司

FACADE CONSULTANT:
MEINHARDT

NOTE :
 1. ALL DIMENSIONS ARE IN mm.
 2. ALL ELEVATIONS ARE VIEWED FROM OUTSIDE.
 3. ALL DIMENSIONS TO BE VERIFIED ON SITE BEFORE FABRICATION.

LEGEND :
 X1 --- DETAIL MARK NO.
 X001 --- REFER SHEET NO.
 1. F.F.L. --- FINISHED FLOOR LEVEL
 2. S.F.L. --- STRUCTURAL FLOOR LEVEL
 3. (R) --- REVERSED DETAIL

A	19/03/2020	REVISION SUBJECT TO ARCH.COMMENT	ivan
NO.	DATE	REVISION	BY

JOB NO. : J-852
 PROJECT :
 PROPOSED RESIDENTIAL DEVELOPMENT
 AT 139 - 147 ARGYLE STREET,
 NKIL 6005, 6035 R.P., 6036 R.P.,
 6037 R.P. & 6038 R.P.

TITLE :
 PART PLAN OF
 TOWER 2 (2-21/F)

DATE : 12-Dec-2019 SCALE : 1:150
 DRAWN BY : MN CHECKED BY : DW

美特鋁質有限公司
MIDI ALUMINIUM FABRICATOR LTD.
 Units 6-8, Sunray Industrial Centre, 1/F
 610 Cha Kwo Ling Road, Kowloon
 Tel: 23489211-4 Fax: (852)2727666

DWG NO. : J852-SD-PW-3006 REV. : A



PLAN OF TOWER 2 (22F)

WINDOW MARK	FLAT	FLOOR	O.T.	TOTAL
22W3/T2A	FLAT A	22F	1	1x1=1
22W2/T2A	FLAT A	22F	1	1x1=1
22W2/T2B	FLAT B	22F	1	1x1=1
22W3/T2B	FLAT B	22F	1	1x1=1
22W5/T2B,22W4/T2B	FLAT B	22F	1	1x1=1
22W7/T2B	FLAT B	22F	1	1x1=1
22W4/T2C,22W3/T2C	FLAT C	22F	1	1x1=1
22W6/T2C	FLAT C	22F	1	1x1=1
22W5/T2C	FLAT C	22F	1	1x1=1
22W7/T2A	FLAT A	22F	1	1x1=1
W5/T2A,W4/T2A	FLAT A	22F	1	1x1=1
TOTAL			11	11

B.D. REF : _____

CLIENT : _____

ARCHITECT :

AGC DESIGN LTD

MAIN CONTRACTOR :

Gammon

STRUCTURAL ENGINEER :

ARUP

FACADE CONSULTANT:

MEINHARDT

NOTE :
 1. ALL DIMENSIONS ARE IN mm.
 2. ALL ELEVATIONS ARE VIEWED FROM OUTSIDE.
 3. ALL DIMENSIONS TO BE VERIFIED ON SITE BEFORE FABRICATION.

LEGEND :

X1 ————DETAIL MARK NO.
 X001 ————REFER SHEET NO.

1. F.F.L. --- FINISHED FLOOR LEVEL
 2. S.F.L. --- STRUCTURAL FLOOR LEVEL
 3. (R) --- REVERSED DETAIL

NO.	DATE	REVISION SUBJECT TO ARCH.COMMENT	REVISOR	BY
A	19/03/2020	REVISION SUBJECT TO ARCH.COMMENT	ivan	

JOB NO. : J-852

PROJECT :
 PROPOSED RESIDENTIAL DEVELOPMENT
 AT 139 - 147 ARGYLE STREET,
 NKIL 6005, 6035 R.P., 6036 R.P.,
 6037 R.P. & 6038 R.P.

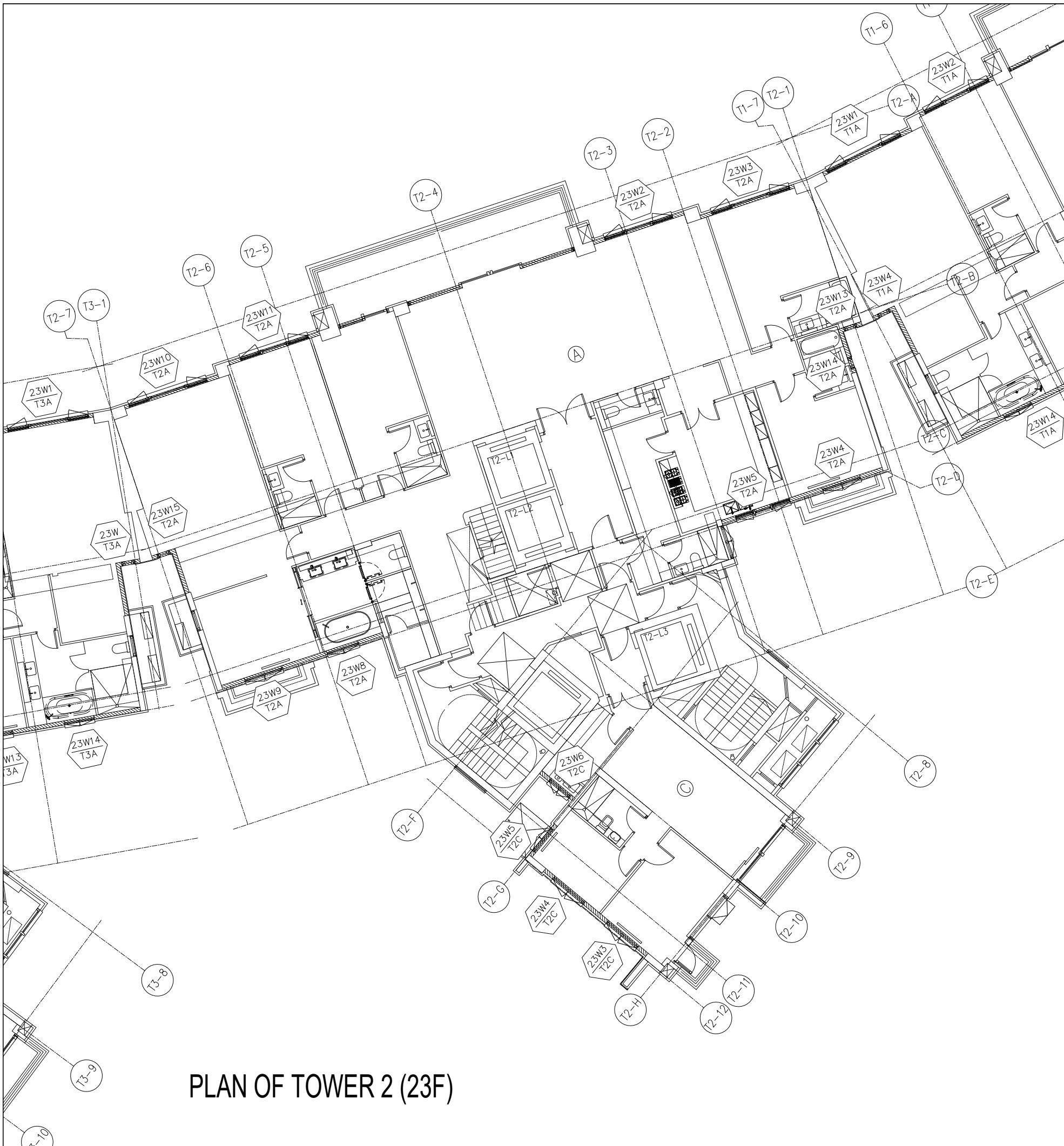
TITLE :
 PART PLAN OF
 TOWER 2 (22/F)

DATE : 12-Dec-2019 SCALE : 1:150

DRAWN BY : MN CHECKED BY : DW

美特鋁質有限公司
 MIDI ALUMINIUM FABRICATOR LTD.
 Units 6-8, Sunray Industrial Centre, 1/F
 610 Cha Kwo Ling Road, Kowloon
 Tel: 23489211-4 Fax: (852)27727666

DWG NO. : J852-SD-PW-3007 REV. : A



PLAN OF TOWER 2 (23F)

WINDOW MARK	FLAT	FLOOR	Q.T.	TOTAL
23W10/T2A	FLAT A	23F	1	1x1=1
23W11/T2A	FLAT A	23F	1	1x1=1
23W12/T2A	FLAT A	23F	1	1x1=1
23W13/T2A	FLAT A	23F	1	1x1=1
23W13/T2A,23W14/T2A	FLAT A	23F	1	1x1=1
23W5/T2A,23W6/T2A	FLAT A	23F	1	1x1=1
23W4/T2C,23W3/T2C	FLAT C	23F	1	1x1=1
23W6/T2C	FLAT C	23F	1	1x1=1
23W5/T2C	FLAT C	23F	1	1x1=1
23W9/T2A,23W8/T2A	FLAT A	23F	1	1x1=1
23W5/T2A	FLAT A	23F	1	1x1=1
TOTAL			11	11

B.D. REF :
 CLIENT :
 ARCHITECT :
AGC DESIGN LTD
 2011, 152, Queen's Road, 23/F, Queen's Park, Hong Kong
 Tel: (852) 2521 1111, Fax: (852) 2521 1111, Email: agc@agc.com.hk

MAIN CONTRACTOR :
Gammon

STRUCTURAL ENGINEER :
ARUP

FACADE CONSULTANT:
MEINHARDT

NOTE :
 1. ALL DIMENSIONS ARE IN mm.
 2. ALL ELEVATIONS ARE VIEWED FROM OUTSIDE.
 3. ALL DIMENSIONS TO BE VERIFIED ON SITE BEFORE FABRICATION.

LEGEND :
 X1 ———— DETAIL MARK NO.
 X001 ——— REFER SHEET NO.
 1. F.F.L. -- FINISHED FLOOR LEVEL
 2. S.F.L. -- STRUCTURAL FLOOR LEVEL
 3. (R) --- REVERSED DETAIL

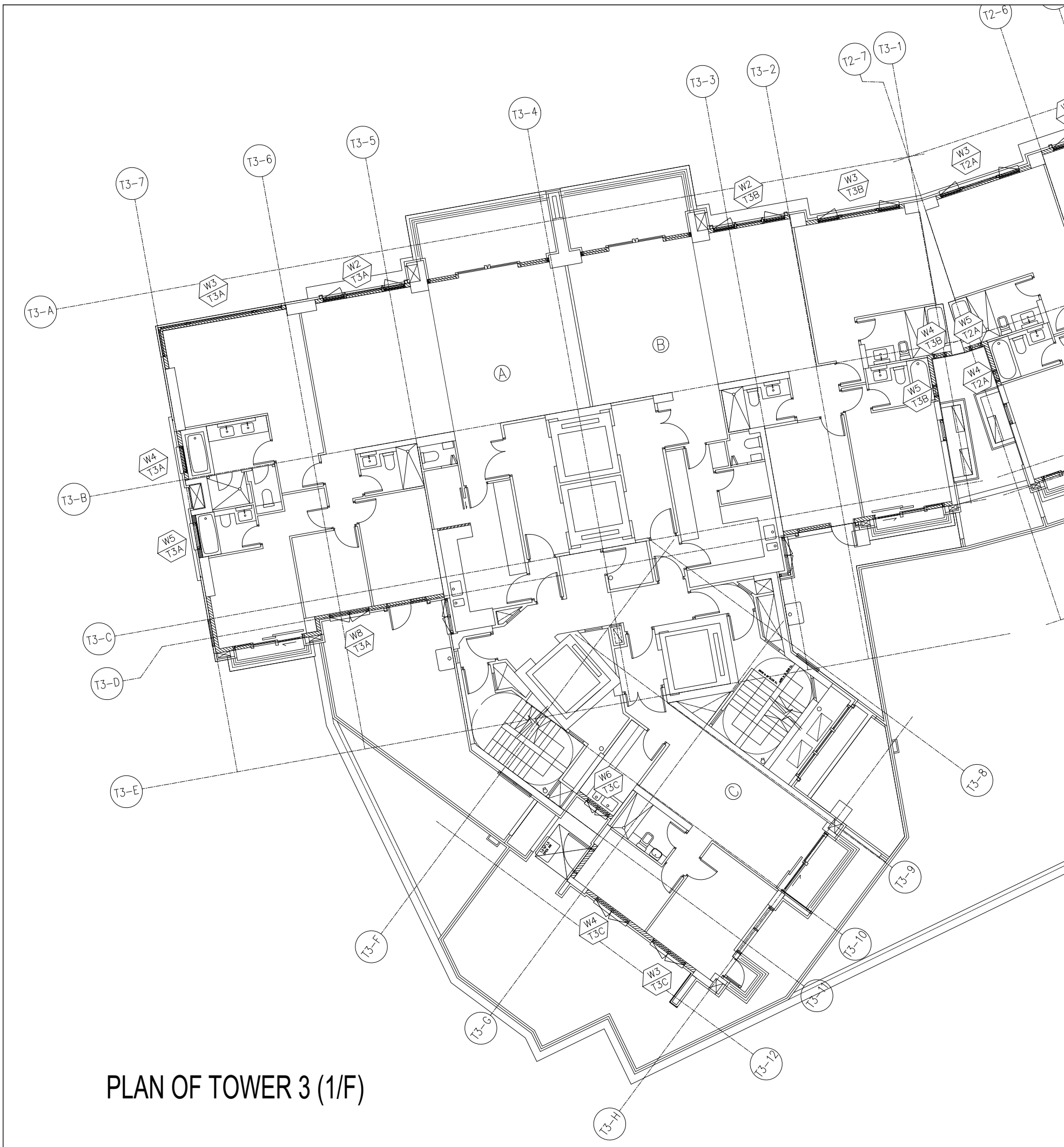
NO.	DATE	REVISION SUBJECT TO ARCH.COMMENT	REVISOR	BY
A	19/03/2020	REVISION SUBJECT TO ARCH.COMMENT	lvon	

JOB NO. : J-852
 PROJECT : PROPOSED RESIDENTIAL DEVELOPMENT AT 139 - 147 ARGYLE STREET, NKIL 6005, 6035 R.P., 6036 R.P., 6037 R.P. & 6038 R.P.

TITLE : PART PLAN OF TOWER 2 (23/F)

DATE : 12-Dec-2019 SCALE : 1:150
 DRAWN BY : MN CHECKED BY : DW

美特鋁質有限公司
MIDI ALUMINIUM FABRICATOR LTD.
 Units 6-8, Sunray Industrial Centre, 1/F
 610 Cha Kwo Ling Road, Kowloon
 Tel: 23489211-4 Fax: (852) 27727666
 DWG NO. : J852-SD-PW-3008 REV. : A



PLAN OF TOWER 3 (1/F)

WINDOW MARK	FLAT	FLOOR	Q.T.	TOTAL
W3/T3A	FLAT A	1F	1	1x1=1
W2/T3A	FLAT A	1F	1	1x1=1
W2/T3B	FLAT B	1F	1	1x1=1
W3/T3B	FLAT B	1F	1	1x1=1
W4/T3A	FLAT A	1F	1	1x1=1
W5/T3A	FLAT A	1F	1	1x1=1
W8/T3A	FLAT A	1F	1	1x1=1
W6/T3C	FLAT C	1F	1	1x1=1
W3/T3C,W4/T3C	FLAT C	1F	1	1x1=1
W4/T3B,W5/T3B	FLAT B	1F	1	1x1=1
			TOTAL	10 10

B.D. REF :

CLIENT :

ARCHITECT :

AGC DESIGN LTD
 建築師事務所
 115, 116, 117, 118, 119, 120, 121, 122, 123, 124, 125, 126, 127, 128, 129, 130, 131, 132, 133, 134, 135, 136, 137, 138, 139, 140, 141, 142, 143, 144, 145, 146, 147, 148, 149, 150, 151, 152, 153, 154, 155, 156, 157, 158, 159, 160, 161, 162, 163, 164, 165, 166, 167, 168, 169, 170, 171, 172, 173, 174, 175, 176, 177, 178, 179, 180, 181, 182, 183, 184, 185, 186, 187, 188, 189, 190, 191, 192, 193, 194, 195, 196, 197, 198, 199, 200, 201, 202, 203, 204, 205, 206, 207, 208, 209, 210, 211, 212, 213, 214, 215, 216, 217, 218, 219, 220, 221, 222, 223, 224, 225, 226, 227, 228, 229, 230, 231, 232, 233, 234, 235, 236, 237, 238, 239, 240, 241, 242, 243, 244, 245, 246, 247, 248, 249, 250, 251, 252, 253, 254, 255, 256, 257, 258, 259, 260, 261, 262, 263, 264, 265, 266, 267, 268, 269, 270, 271, 272, 273, 274, 275, 276, 277, 278, 279, 280, 281, 282, 283, 284, 285, 286, 287, 288, 289, 290, 291, 292, 293, 294, 295, 296, 297, 298, 299, 300, 301, 302, 303, 304, 305, 306, 307, 308, 309, 310, 311, 312, 313, 314, 315, 316, 317, 318, 319, 320, 321, 322, 323, 324, 325, 326, 327, 328, 329, 330, 331, 332, 333, 334, 335, 336, 337, 338, 339, 340, 341, 342, 343, 344, 345, 346, 347, 348, 349, 350, 351, 352, 353, 354, 355, 356, 357, 358, 359, 360, 361, 362, 363, 364, 365, 366, 367, 368, 369, 370, 371, 372, 373, 374, 375, 376, 377, 378, 379, 380, 381, 382, 383, 384, 385, 386, 387, 388, 389, 390, 391, 392, 393, 394, 395, 396, 397, 398, 399, 400, 401, 402, 403, 404, 405, 406, 407, 408, 409, 410, 411, 412, 413, 414, 415, 416, 417, 418, 419, 420, 421, 422, 423, 424, 425, 426, 427, 428, 429, 430, 431, 432, 433, 434, 435, 436, 437, 438, 439, 440, 441, 442, 443, 444, 445, 446, 447, 448, 449, 450, 451, 452, 453, 454, 455, 456, 457, 458, 459, 460, 461, 462, 463, 464, 465, 466, 467, 468, 469, 470, 471, 472, 473, 474, 475, 476, 477, 478, 479, 480, 481, 482, 483, 484, 485, 486, 487, 488, 489, 490, 491, 492, 493, 494, 495, 496, 497, 498, 499, 500, 501, 502, 503, 504, 505, 506, 507, 508, 509, 510, 511, 512, 513, 514, 515, 516, 517, 518, 519, 520, 521, 522, 523, 524, 525, 526, 527, 528, 529, 530, 531, 532, 533, 534, 535, 536, 537, 538, 539, 540, 541, 542, 543, 544, 545, 546, 547, 548, 549, 550, 551, 552, 553, 554, 555, 556, 557, 558, 559, 560, 561, 562, 563, 564, 565, 566, 567, 568, 569, 570, 571, 572, 573, 574, 575, 576, 577, 578, 579, 580, 581, 582, 583, 584, 585, 586, 587, 588, 589, 590, 591, 592, 593, 594, 595, 596, 597, 598, 599, 600, 601, 602, 603, 604, 605, 606, 607, 608, 609, 610, 611, 612, 613, 614, 615, 616, 617, 618, 619, 620, 621, 622, 623, 624, 625, 626, 627, 628, 629, 630, 631, 632, 633, 634, 635, 636, 637, 638, 639, 640, 641, 642, 643, 644, 645, 646, 647, 648, 649, 650, 651, 652, 653, 654, 655, 656, 657, 658, 659, 660, 661, 662, 663, 664, 665, 666, 667, 668, 669, 670, 671, 672, 673, 674, 675, 676, 677, 678, 679, 680, 681, 682, 683, 684, 685, 686, 687, 688, 689, 690, 691, 692, 693, 694, 695, 696, 697, 698, 699, 700, 701, 702, 703, 704, 705, 706, 707, 708, 709, 710, 711, 712, 713, 714, 715, 716, 717, 718, 719, 720, 721, 722, 723, 724, 725, 726, 727, 728, 729, 730, 731, 732, 733, 734, 735, 736, 737, 738, 739, 740, 741, 742, 743, 744, 745, 746, 747, 748, 749, 750, 751, 752, 753, 754, 755, 756, 757, 758, 759, 760, 761, 762, 763, 764, 765, 766, 767, 768, 769, 770, 771, 772, 773, 774, 775, 776, 777, 778, 779, 780, 781, 782, 783, 784, 785, 786, 787, 788, 789, 790, 791, 792, 793, 794, 795, 796, 797, 798, 799, 800, 801, 802, 803, 804, 805, 806, 807, 808, 809, 810, 811, 812, 813, 814, 815, 816, 817, 818, 819, 820, 821, 822, 823, 824, 825, 826, 827, 828, 829, 830, 831, 832, 833, 834, 835, 836, 837, 838, 839, 840, 841, 842, 843, 844, 845, 846, 847, 848, 849, 850, 851, 852, 853, 854, 855, 856, 857, 858, 859, 860, 861, 862, 863, 864, 865, 866, 867, 868, 869, 870, 871, 872, 873, 874, 875, 876, 877, 878, 879, 880, 881, 882, 883, 884, 885, 886, 887, 888, 889, 890, 891, 892, 893, 894, 895, 896, 897, 898, 899, 900, 901, 902, 903, 904, 905, 906, 907, 908, 909, 910, 911, 912, 913, 914, 915, 916, 917, 918, 919, 920, 921, 922, 923, 924, 925, 926, 927, 928, 929, 930, 931, 932, 933, 934, 935, 936, 937, 938, 939, 940, 941, 942, 943, 944, 945, 946, 947, 948, 949, 950, 951, 952, 953, 954, 955, 956, 957, 958, 959, 960, 961, 962, 963, 964, 965, 966, 967, 968, 969, 970, 971, 972, 973, 974, 975, 976, 977, 978, 979, 980, 981, 982, 983, 984, 985, 986, 987, 988, 989, 990, 991, 992, 993, 994, 995, 996, 997, 998, 999, 1000

MAIN CONTRACTOR :

Gammon

STRUCTURAL ENGINEER :

ARUP

FACADE CONSULTANT:

MEINHARDT

NOTE :

- ALL DIMENSIONS ARE IN mm.
- ALL ELEVATIONS ARE VIEWED FROM OUTSIDE.
- ALL DIMENSIONS TO BE VERIFIED ON SITE BEFORE FABRICATION.

LEGEND :

X1 ———— DETAIL MARK NO.
 X001 ———— REFER SHEET NO.

- F.F.L. --- FINISHED FLOOR LEVEL
- S.F.L. --- STRUCTURAL FLOOR LEVEL
- (R) --- REVERSED DETAIL

A	19/03/2020	REVISION SUBJECT TO ARCH.COMMENT	lvn
NO.	DATE	REVISED	BY
JOB NO. : J-852			
PROJECT : PROPOSED RESIDENTIAL DEVELOPMENT AT 139 - 147 ARGYLE STREET, NKIL 6005, 6035 R.P., 6036 R.P., 6037 R.P. & 6038 R.P.			
TITLE : PART PLAN OF TOWER 3 (1/F)			
DATE : 12-Dec-2019		SCALE : 1:150	
DRAWN BY : MN		CHECKED BY : DW	
<p>Units 6-8, Sunray Industrial Centre, 1/F 610 Cha Kwo Ling Road, Kowloon Tel: 23489211-4 Fax: (852)27727666</p>			
DWG NO. : J852-SD-PW-3009			REV. : A



PLAN OF TOWER 3 (2/F~21F)

WINDOW MARK	FLAT	FLOOR	Q.T.	TOTAL
W3/T3A	FLAT A	1F	1	1x17=17
W2/T3A	FLAT A	1F	1	1x17=17
W2/T3B	FLAT B	1F	1	1x17=17
W3/T3B	FLAT B	1F	1	1x17=17
W4/T3A	FLAT A	1F	1	1x17=17
W5/T3A	FLAT A	1F	1	1x17=17
W8/T3A,W9/T3A	FLAT A	1F	1	1x17=17
W6/T3C	FLAT C	1F	1	1x17=17
W5/T3C	FLAT C	1F	1	1x17=17
W3/T3C,W4/T3C	FLAT C	1F	1	1x17=17
W4/T3B,W5/T3B	FLAT B	1F	1	1x17=17
			TOTAL	11 187

B.D. REF :

CLIENT :

ARCHITECT :

AGC DESIGN LTD
 香港建築師學會註冊
 101, 102, Queen's Park, 222, Queen's Road, Hong Kong
 Tel: (852)25181818, Fax: (852)25181813, Email: agc@agc.com.hk

MAIN CONTRACTOR :

Gammon

STRUCTURAL ENGINEER :

ARUP

FACADE CONSULTANT:

MEINHARDT

- NOTE :
- ALL DIMENSIONS ARE IN mm.
 - ALL ELEVATIONS ARE VIEWED FROM OUTSIDE.
 - ALL DIMENSIONS TO BE VERIFIED ON SITE BEFORE FABRICATION.

- LEGEND :
- X1 --- DETAIL MARK NO.
 - X001 --- REFER SHEET NO.
 - 1. F.F.L. --- FINISHED FLOOR LEVEL
 - 2. S.F.L. --- STRUCTURAL FLOOR LEVEL
 - 3. (R) --- REVERSED DETAIL

NO.	DATE	REVISION	SUBJECT TO ARCH.COMMENT	BY
A	19/03/2020		REVISION SUBJECT TO ARCH.COMMENT	lvon

JOB NO. : J-852

PROJECT : PROPOSED RESIDENTIAL DEVELOPMENT AT 139 - 147 ARGYLE STREET, NKIL 6005, 6035 R.P., 6036 R.P., 6037 R.P. & 6038 R.P.

TITLE : PART PLAN OF TOWER 3 (2-21/F)

DATE : 12-Dec-2019 SCALE : 1:150

DRAWN BY : MN CHECKED BY : DW

美特鋁質有限公司
MIDI ALUMINIUM FABRICATOR LTD.
 Units 6-8, Sunray Industrial Centre, 1/F
 610 Cha Kwo Ling Road, Kowloon
 Tel: 23489211-4 Fax: (852)27727666

DWG NO. : J852-SD-PW-3010 REV. : A

B.D. REF :

CLIENT :

ARCHITECT :
AGC DESIGN LTD
 610, 612, 614, 616, 618, 620, 622, 624, 626, 628, 630, 632, 634, 636, 638, 640, 642, 644, 646, 648, 650, 652, 654, 656, 658, 660, 662, 664, 666, 668, 670, 672, 674, 676, 678, 680, 682, 684, 686, 688, 690, 692, 694, 696, 698, 700, 702, 704, 706, 708, 710, 712, 714, 716, 718, 720, 722, 724, 726, 728, 730, 732, 734, 736, 738, 740, 742, 744, 746, 748, 750, 752, 754, 756, 758, 760, 762, 764, 766, 768, 770, 772, 774, 776, 778, 780, 782, 784, 786, 788, 790, 792, 794, 796, 798, 800, 802, 804, 806, 808, 810, 812, 814, 816, 818, 820, 822, 824, 826, 828, 830, 832, 834, 836, 838, 840, 842, 844, 846, 848, 850, 852, 854, 856, 858, 860, 862, 864, 866, 868, 870, 872, 874, 876, 878, 880, 882, 884, 886, 888, 890, 892, 894, 896, 898, 900, 902, 904, 906, 908, 910, 912, 914, 916, 918, 920, 922, 924, 926, 928, 930, 932, 934, 936, 938, 940, 942, 944, 946, 948, 950, 952, 954, 956, 958, 960, 962, 964, 966, 968, 970, 972, 974, 976, 978, 980, 982, 984, 986, 988, 990, 992, 994, 996, 998, 1000

MAIN CONTRACTOR :
Gammon

STRUCTURAL ENGINEER :
ARUP

FAÇADE CONSULTANT:
MEINHARDT

NOTE :
 1. ALL DIMENSIONS ARE IN mm.
 2. ALL ELEVATIONS ARE VIEWED FROM OUTSIDE.
 3. ALL DIMENSIONS TO BE VERIFIED ON SITE BEFORE FABRICATION.

LEGEND :
 X1 -- DETAIL MARK NO.
 X001 -- REFER SHEET NO.

1. F.F.L. -- FINISHED FLOOR LEVEL
 2. S.F.L. -- STRUCTURAL FLOOR LEVEL
 3. (R) -- REVERSED DETAIL
 4. ▲ -- FIXING LOCATION
 5. △ -- FIXING LUG LOCATION
 6. GLASS LEGEND
 GL01 -- 8mm+12mm AIR GAP+10mm THK. I.G.U.
 GL01a -- 8mm+9mm AIR GAP+12mm THK. I.G.U.
 GL03 -- 6mm+12mm AIR GAP+6mm THK. I.G.U.
 GL04 -- 10mm THK. TEMPERED GLASS (PROTECTIVE BARRIER)
 GL05 -- 6mm+12mm AIR GAP+8mm THK. I.G.U.

NO.	DATE	REVISION	BY
D	24/08/2020	REVISION SUBJECT TO ARCH.COMMENT	ivan
C	22/04/2020	REVISION SUBJECT TO ARCH.COMMENT	ivan
B	05/03/2020	REVISION SUBJECT TO ARCH.COMMENT	ivan
A	24/02/2020	REVISION SUBJECT TO ARCH.COMMENT	SH

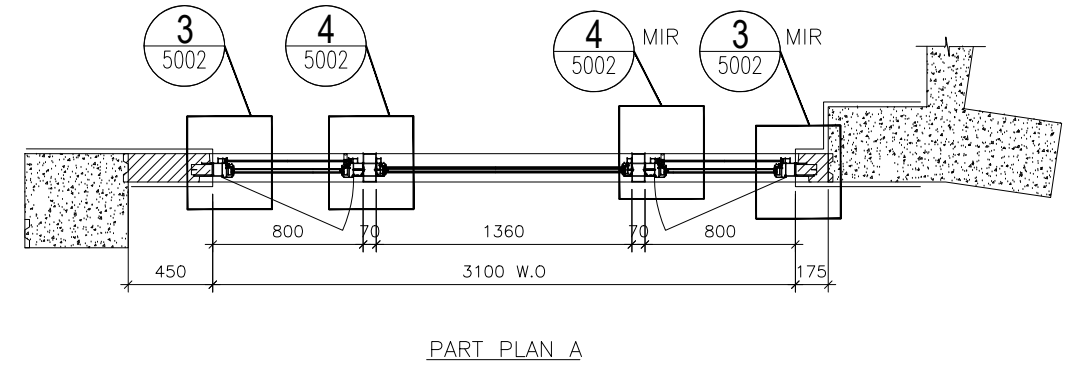
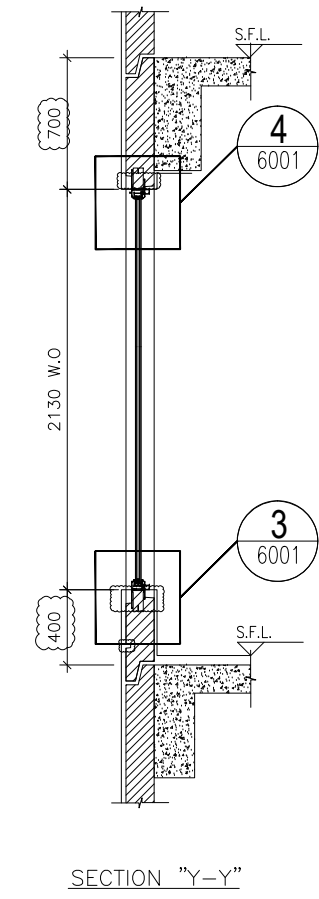
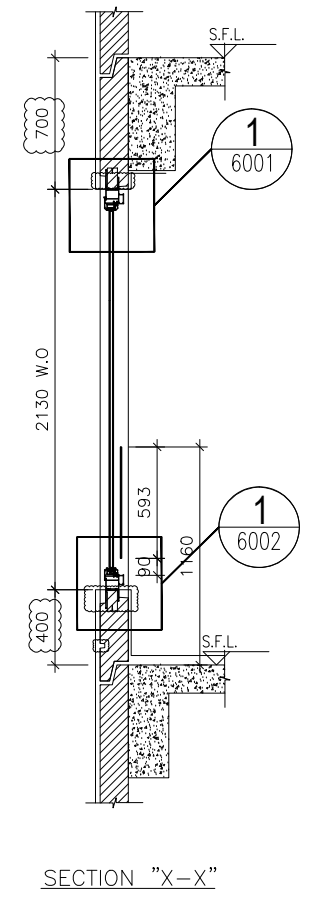
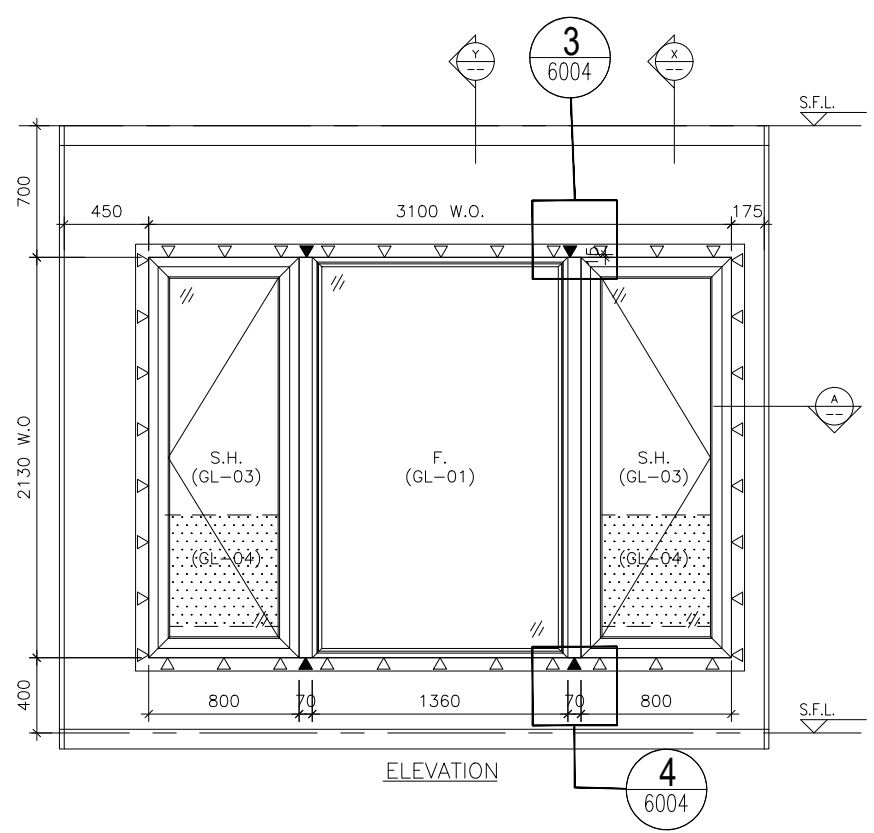
JOB NO. : J-852
 PROJECT : PROPOSED RESIDENTIAL DEVELOPMENT AT 139 - 147 ARGYLE STREET, NKIL 6005, 6035 R.P., 6036 R.P., 6037 R.P. & 6038 R.P.

TITLE : WINDOW SCHEDULE FOR ALUM. WINDOW

DATE : 05-Dec-19 SCALE : 1:40
 DRAWN BY : MN CHECKED BY : DW

美特鋁質有限公司
MIDI ALUMINIUM FABRICATOR LTD.
 Units 6-8, Sunray Industrial Centre, 1/F
 610 Cha Kwo Ling Road, Kowloon
 Tel:23489211-4 Fax:(852)2727666

DWG NO. : J852-SD-PW-4101 REV. : D



TYPE A			
OPENABLE WINDOW DIMENSION	(WIDTH)	=	800
	(HEIGHT)	=	2130
FIXED WINDOW DIMENSION	(WIDTH)	=	1360
	(HEIGHT)	=	2130
NUMBER OF OPENABLE AREA WINDOW		=	2
GLAZING AREA			
OPENABLE			
WIDTH	=	800-111.5-111.5	= 577 mm
HEIGHT	=	2130-111.5-111.5	= 1907 mm
FIXED			
WIDTH	=	1360-50-50	= 1260 mm
HEIGHT	=	2130-50-50	= 2030 mm
TOTAL	=	((577x1907)x2+(1260x2030))1000000	= 4.758478 m ²
OPENABLE AREA			
WIDTH	=	800-77-77	= 646 mm
HEIGHT	=	2130-77-(1160-385-15)	= 1293 mm
TOTAL	=	((646x1293)x2)1000000	= 1.670556 m ²

PROVIDED		
GLAZING AREA	4.758	m ²
OPENABLE AREA	1.671	m ²

ELEVATION

WINDOW MARK	W3 T1B
LOCATION	1/F-18/F MASTER ENSUITE AT TOWER 1 FLAT B
SECTION	70mm ALUM. SECTION
GLAZING	GL-01, GL-03
QUANTITY	15
REMARKS	FAÇADE (PF-9)

B.D. REF :

CLIENT :

ARCHITECT :
AGC DESIGN LTD
 2/F, 227, Queen's Road, 228 (Opp.) New, Sun Industrial Centre, Kowloon
 Tel: (852)2777118, Fax: (852)2777133, Email: agc@agcdesign.com.hk

MAIN CONTRACTOR :
Gammon

STRUCTURAL ENGINEER :
ARUP

FACADE CONSULTANT:
MEINHARDT

NOTE :
 1. ALL DIMENSIONS ARE IN mm.
 2. ALL ELEVATIONS ARE VIEWED FROM OUTSIDE.
 3. ALL DIMENSIONS TO BE VERIFIED ON SITE BEFORE FABRICATION.

LEGEND :
 (X1) --- DETAIL MARK NO.
 (X001) --- REFER SHEET NO.
 1. F.F.L. --- FINISHED FLOOR LEVEL
 2. S.F.L. --- STRUCTURAL FLOOR LEVEL
 3. (R) --- REVERSED DETAIL
 4. ▲ --- FIXING LOCATION
 5. △ --- FIXING LUG LOCATION
 6. GLASS LEGEND
 GL01 --- 8mm+12mm AIR GAP+10mm THK. I.G.U.
 GL01a --- 8mm+9mm AIR GAP+12mm THK. I.G.U.
 GL03 --- 6mm+12mm AIR GAP+6mm THK. I.G.U.
 GL04 --- 10mm THK. TEMPERED GLASS (PROTECTIVE BARRIER)
 GL05 --- 6mm+12mm AIR GAP+8mm THK. I.G.U.

B	24/08/2020	REVISION SUBJECT TO ARCH.COMMENT	Ivan
A	22/04/2020	REVISION SUBJECT TO ARCH.COMMENT	Ivan
NO.	DATE	REVISED	BY

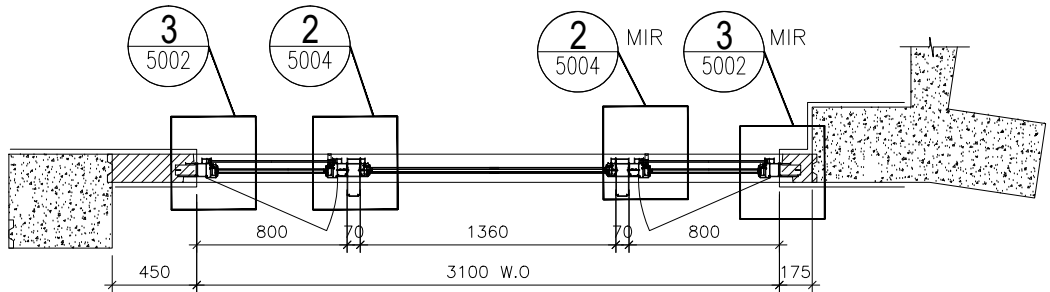
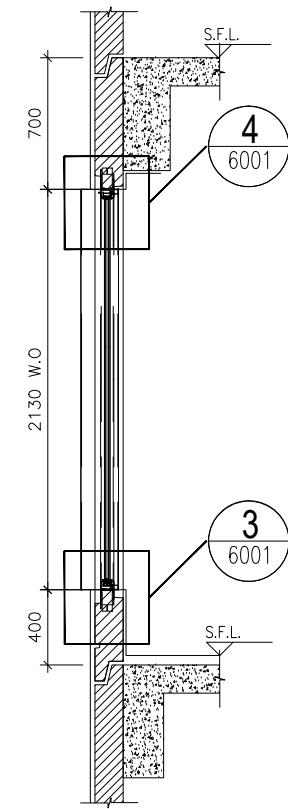
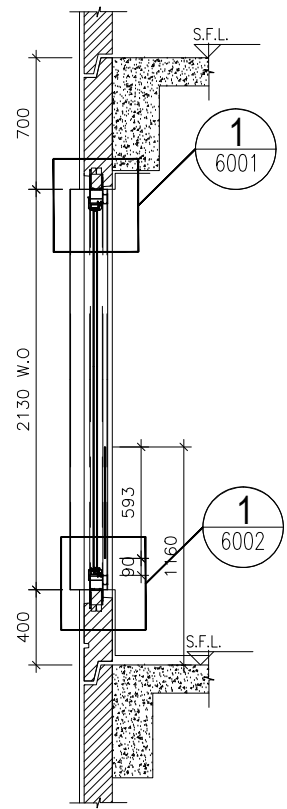
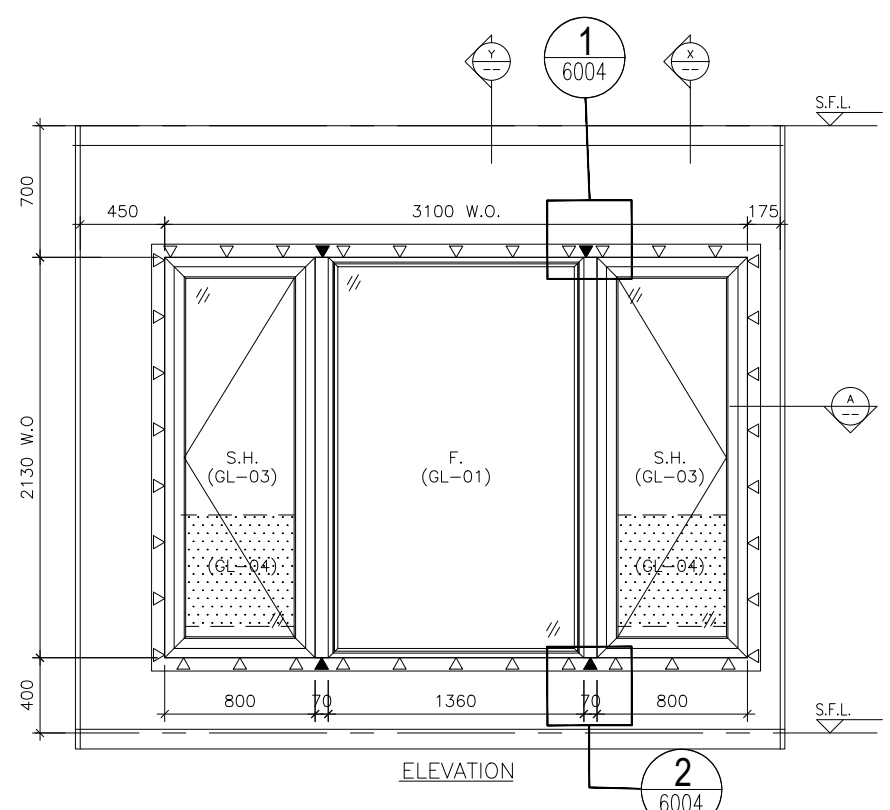
JOB NO. : J-852
 PROJECT : PROPOSED RESIDENTIAL DEVELOPMENT AT 139 - 147 ARGYLE STREET, NKIL 6005, 6035 R.P., 6036 R.P., 6037 R.P. & 6038 R.P.

TITLE : WINDOW SCHEDULE FOR ALUM. WINDOW

DATE : 05-Dec-19 SCALE : 1:40
 DRAWN BY : MN CHECKED BY : DW

美特鋁質有限公司
MIDI ALUMINIUM FABRICATOR LTD.
 Units 6-8, Sunray Industrial Centre, 1/F
 610 Cha Kwo Ling Road, Kowloon
 Tel:23489211-4 Fax:(852)27727666

DWG NO. : J852-SD-PW-4101A REV. : B



TYPE A			
OPENABLE WINDOW DIMENSION	(WIDTH) =	800	
	(HEIGHT) =	2130	
FIXED WINDOW DIMENSION	(WIDTH) =	1360	
	(HEIGHT) =	2130	
NUMBER OF OPENABLE AREA WINDOW	=	2	
GLAZING AREA			
OPENABLE			
WIDTH	= 800-111.5-111.5	=	577 mm
HIGHT	= 2130-111.5-111.5	=	1907 mm
FIXED			
WIDTH	= 1360-50-50	=	1260 mm
HIGHT	= 2130-50-50	=	2030 mm
TOTAL	= ((577x1907)x2+(1260x2030))1000000	=	4.758478 m ²
OPENABLE AREA			
WIDTH	= 800-77-77	=	646 mm
HIGHT	= 2130-77-(1160-385-15)	=	1293 mm
TOTAL	= ((646x1293)x2)1000000	=	1.670556 m ²

PROVIDED		
GLAZING AREA	4.758	m ²
OPENABLE AREA	1.671	m ²

ELEVATION

WINDOW MARK



LOCATION

19/F-21/F MASTER ENSUITE AT TOWER 1 FLAT B

SECTION

70mm ALUM. SECTION

GLAZING

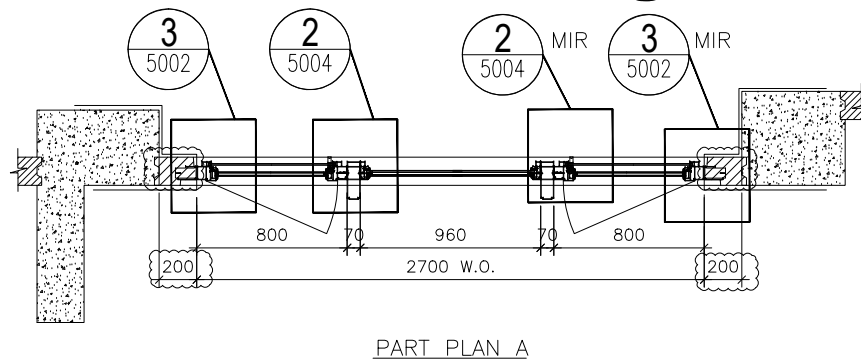
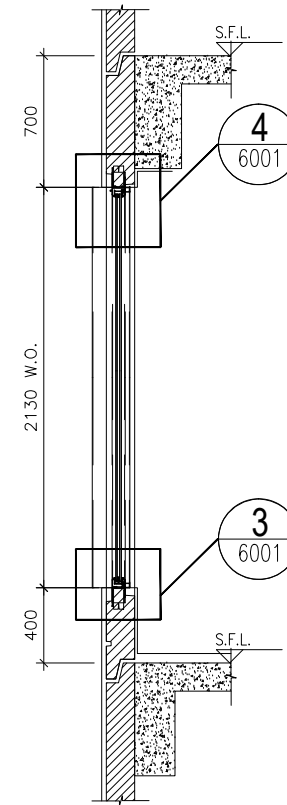
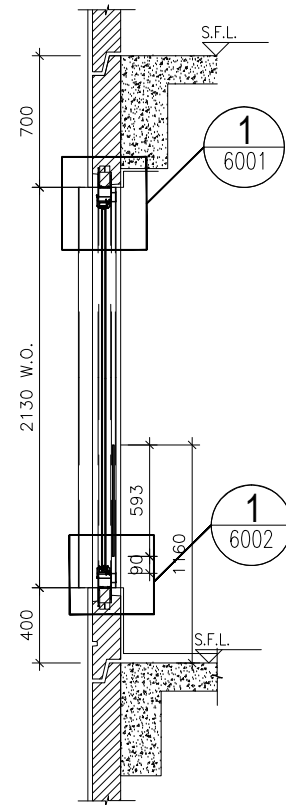
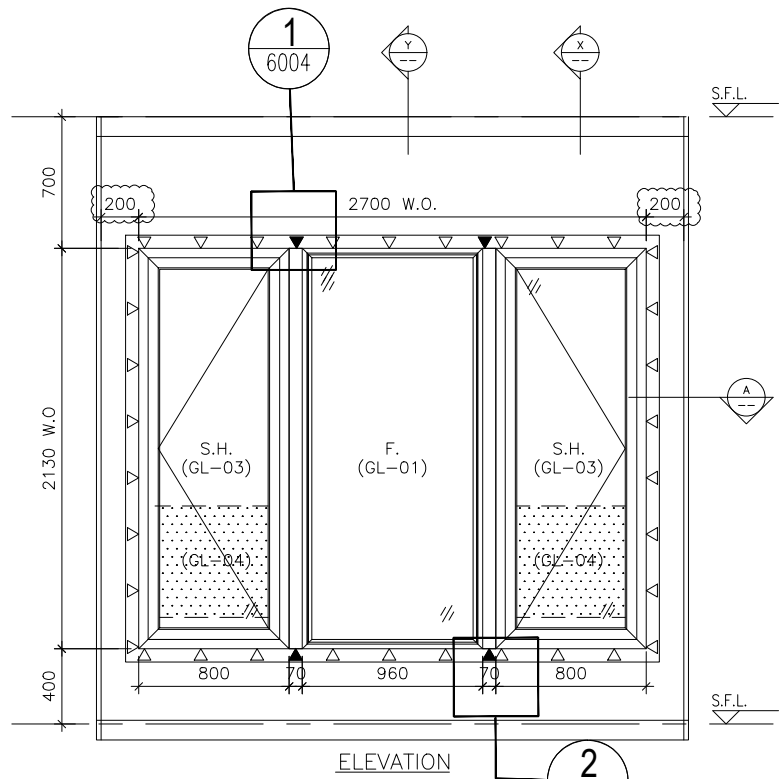
GL-01, GL-03

QUANTITY

3

REMARKS

FACADE (PF-9)



SECTION "X-X"

SECTION "Y-Y"

ELEVATION

PART PLAN A

TYPE A			
OPENABLE WINDOW DIMENSION	(WIDTH) =	800	
	(HEIGHT) =	2130	
FIXED WINDOW DIMENSION	(WIDTH) =	960	
	(HEIGHT) =	2130	
NUMBER OF OPENABLE AREA WINDOW	=	2	
GLAZING AREA			
OPENABLE			
WIDTH	= 800-111.5-111.5	=	577 mm
HIGHT	= 2130-111.5-111.5	=	1907 mm
FIXED			
WIDTH	= 960-50-50	=	860 mm
HIGHT	= 2130-50-50	=	2030 mm
TOTAL	= ((577x1907)x2+(860x2030))/1000000	=	3.946478 m ²
OPENABLE AREA			
WIDTH	= 800-77-77	=	646 mm
HIGHT	= 2130-77-(1160-385-15)	=	1293 mm
TOTAL	= ((646x1293)x2)/1000000	=	1.670556 m ²
		PROVIDED	
	GLAZING AREA	3.946	m ²
	OPENABLE AREA	1.671	m ²

B.D. REF :

CLIENT :

ARCHITECT :
AGC DESIGN LTD
 architects urban design interior
 610, 612, 614, 616, 618, 620, 622, 624, 626, 628, 630, 632, 634, 636, 638, 640, 642, 644, 646, 648, 650, 652, 654, 656, 658, 660, 662, 664, 666, 668, 670, 672, 674, 676, 678, 680, 682, 684, 686, 688, 690, 692, 694, 696, 698, 700, 702, 704, 706, 708, 710, 712, 714, 716, 718, 720, 722, 724, 726, 728, 730, 732, 734, 736, 738, 740, 742, 744, 746, 748, 750, 752, 754, 756, 758, 760, 762, 764, 766, 768, 770, 772, 774, 776, 778, 780, 782, 784, 786, 788, 790, 792, 794, 796, 798, 800, 802, 804, 806, 808, 810, 812, 814, 816, 818, 820, 822, 824, 826, 828, 830, 832, 834, 836, 838, 840, 842, 844, 846, 848, 850, 852, 854, 856, 858, 860, 862, 864, 866, 868, 870, 872, 874, 876, 878, 880, 882, 884, 886, 888, 890, 892, 894, 896, 898, 900, 902, 904, 906, 908, 910, 912, 914, 916, 918, 920, 922, 924, 926, 928, 930, 932, 934, 936, 938, 940, 942, 944, 946, 948, 950, 952, 954, 956, 958, 960, 962, 964, 966, 968, 970, 972, 974, 976, 978, 980, 982, 984, 986, 988, 990, 992, 994, 996, 998, 1000

MAIN CONTRACTOR :
Gammon

STRUCTURAL ENGINEER :
ARUP

FAÇADE CONSULTANT:
MEINHARDT

NOTE :
 1. ALL DIMENSIONS ARE IN mm.
 2. ALL ELEVATIONS ARE VIEWED FROM OUTSIDE.
 3. ALL DIMENSIONS TO BE VERIFIED ON SITE BEFORE FABRICATION.

LEGEND :
 X1 --- DETAIL MARK NO.
 X001 --- REFER SHEET NO.

1. F.F.L. -- FINISHED FLOOR LEVEL
 2. S.F.L. -- STRUCTURAL FLOOR LEVEL
 3. (R) -- REVERSED DETAIL
 4. ▲ -- FIXING LOCATION
 5. △ -- FIXING LUG LOCATION
 6. GLASS LEGEND
 GL01 -- 8mm+12mm AIR GAP+10mm THK. I.G.U.
 GL01a -- 8mm+9mm AIR GAP+12mm THK. I.G.U.
 GL03 -- 6mm+12mm AIR GAP+6mm THK. I.G.U.
 GL04 -- 10mm THK. TEMPERED GLASS (PROTECTIVE BARRIER)
 GL05 -- 6mm+12mm AIR GAP+8mm THK. I.G.U.

E	24/08/2020	REVISION SUBJECT TO ARCH.COMMENT	ivan
D	01/06/2020	REVISION SUBJECT TO ARCH.COMMENT	ivan
C	22/04/2020	REVISION SUBJECT TO ARCH.COMMENT	ivan
B	05/03/2020	REVISION SUBJECT TO ARCH.COMMENT	ivan
A	24/02/2020	REVISION SUBJECT TO ARCH.COMMENT	SH
NO.	DATE	REVISED	BY

JOB NO. : J-852
 PROJECT : PROPOSED RESIDENTIAL DEVELOPMENT AT 139 - 147 ARGYLE STREET, NKIL 6005, 6035 R.P., 6036 R.P., 6037 R.P. & 6038 R.P.

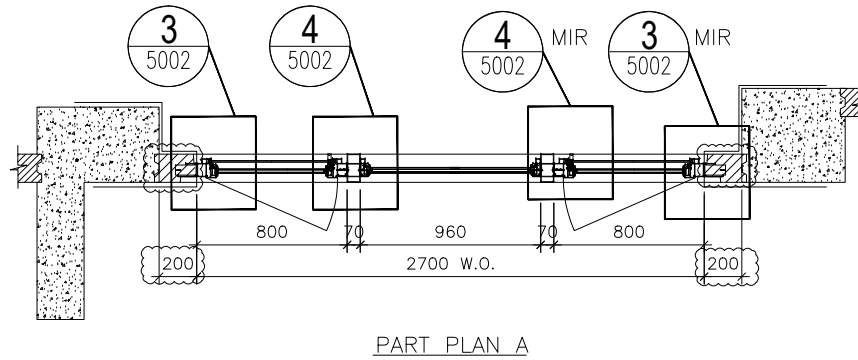
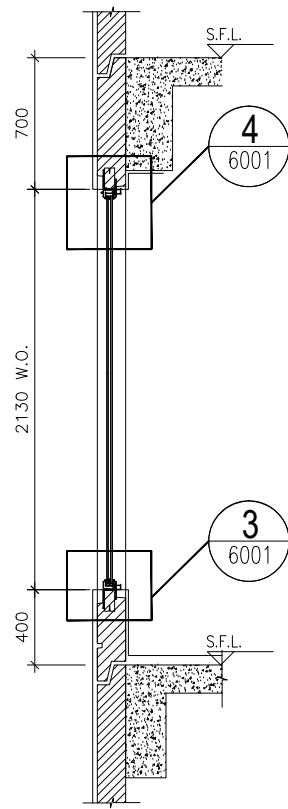
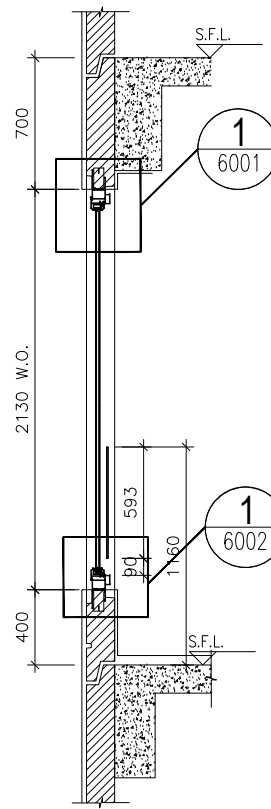
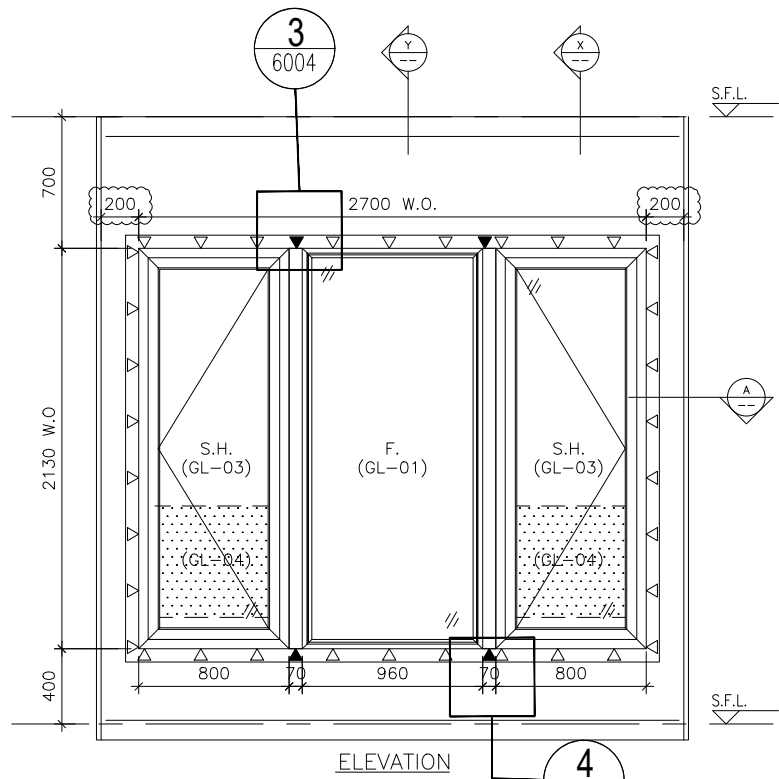
TITLE : WINDOW SCHEDULE FOR ALUM. WINDOW

DATE : 05-Dec-19 SCALE : 1:40
 DRAWN BY : MN CHECKED BY : DW

美特鋁質有限公司
MIDI ALUMINIUM FABRICATOR LTD.
 Units 6-8, Sunray Industrial Centre, 1/F
 610 Cha Kwo Ling Road, Kowloon
 Tel:23489211-4 Fax:(852)27727666

DWG NO. : J852-SD-PW-4102 REV. : E

WINDOW MARK	W2 T1B
LOCATION	2/F-18/F LIV./DIN. AT TOWER 1 FLAT B
SECTION	70mm ALUM. SECTION
GLAZING	GL-01, GL-03
QUANTITY	14
REMARKS	FAÇADE (PF-10)



SECTION "X-X"

SECTION "Y-Y"

PART PLAN A

TYPE A			
OPENABLE WINDOW DIMENSION	(WIDTH) =	800	
	(HEIGHT) =	2130	
FIXED WINDOW DIMENSION	(WIDTH) =	960	
	(HEIGHT) =	2130	
NUMBER OF OPENABLE AREA WINDOW	=	2	
GLAZING AREA			
OPENABLE			
WIDTH	= 800-111.5-111.5	=	577 mm
HIGHT	= 2130-111.5-111.5	=	1907 mm
FIXED			
WIDTH	= 960-50-50	=	860 mm
HIGHT	= 2130-50-50	=	2030 mm
TOTAL	= ((577x1907)x2+(860x2030))/1000000	=	3.946478 m ²
OPENABLE AREA			
WIDTH	= 800-77-77	=	646 mm
HIGHT	= 2130-77-(1160-385-15)	=	1293 mm
TOTAL	= ((646x1293)x2)/1000000	=	1.670556 m ²
		PROVIDED	
	GLAZING AREA	3.95	m ²
	OPENABLE AREA	1.67	m ²

B.D. REF :

CLIENT :

ARCHITECT :

AGC DESIGN LTD
architectural design
 香港新界沙田區沙田圍沙田圍街222號2樓202室
 Tel: (852)27771111, Fax: (852)27771111, Email: agc@agcdesign.com.hk

MAIN CONTRACTOR :

Gammon

STRUCTURAL ENGINEER :

ARUP

FAÇADE CONSULTANT:

MEINHARDT

- NOTE :
- ALL DIMENSIONS ARE IN mm.
 - ALL ELEVATIONS ARE VIEWED FROM OUTSIDE.
 - ALL DIMENSIONS TO BE VERIFIED ON SITE BEFORE FABRICATION.
- LEGEND :
- (X1) --- DETAIL MARK NO.
 - (X001) --- REFER SHEET NO.
- F.F.L. --- FINISHED FLOOR LEVEL
 - S.F.L. --- STRUCTURAL FLOOR LEVEL
 - (R) --- REVERSED DETAIL
 - ▲ --- FIXING LOCATION
 - △ --- FIXING LUG LOCATION
 - GLASS LEGEND
 GL01 --- 8mm+12mm AIR GAP+10mm THK. I.G.U.
 GL01a --- 8mm+9mm AIR GAP+12mm THK. I.G.U.
 GL03 --- 6mm+12mm AIR GAP+6mm THK. I.G.U.
 GL04 --- 10mm THK. TEMPERED GLASS (PROTECTIVE BARRIER)
 GL05 --- 6mm+12mm AIR GAP+8mm THK. I.G.U.

C	24/08/2020	REVISION SUBJECT TO ARCH.COMMENT	lvn
B	01/06/2020	REVISION SUBJECT TO ARCH.COMMENT	lvn
A	22/04/2020	REVISION SUBJECT TO ARCH.COMMENT	lvn
NO.	DATE	REVISED	BY

JOB NO. : J-852

PROJECT : PROPOSED RESIDENTIAL DEVELOPMENT AT 139 - 147 ARGYLE STREET, NKIL 6005, 6035 R.P., 6036 R.P., 6037 R.P. & 6038 R.P.

TITLE : WINDOW SCHEDULE FOR ALUM. WINDOW

DATE : 05-Dec-19 SCALE : 1:40

DRAWN BY : MN CHECKED BY : DW

美特鋁質有限公司
MIDI ALUMINIUM FABRICATOR LTD.
 Units 6-8, Sunray Industrial Centre, 1/F
 610 Cha Kwo Ling Road, Kowloon
 Tel:23489211-4 Fax:(852)27727666

DWG NO. : J852-SD-PW-4102A REV. : C

ELEVATION

WINDOW MARK



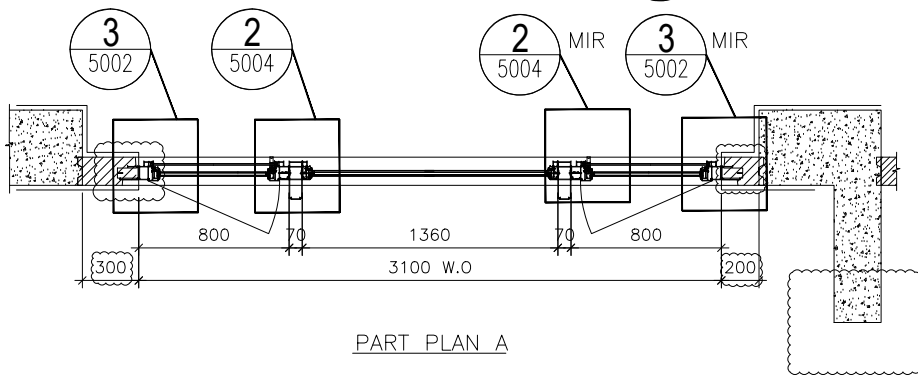
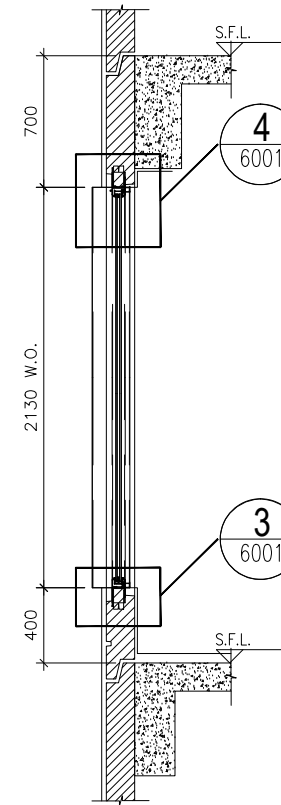
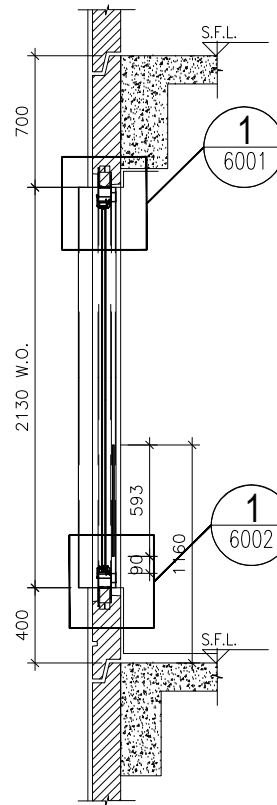
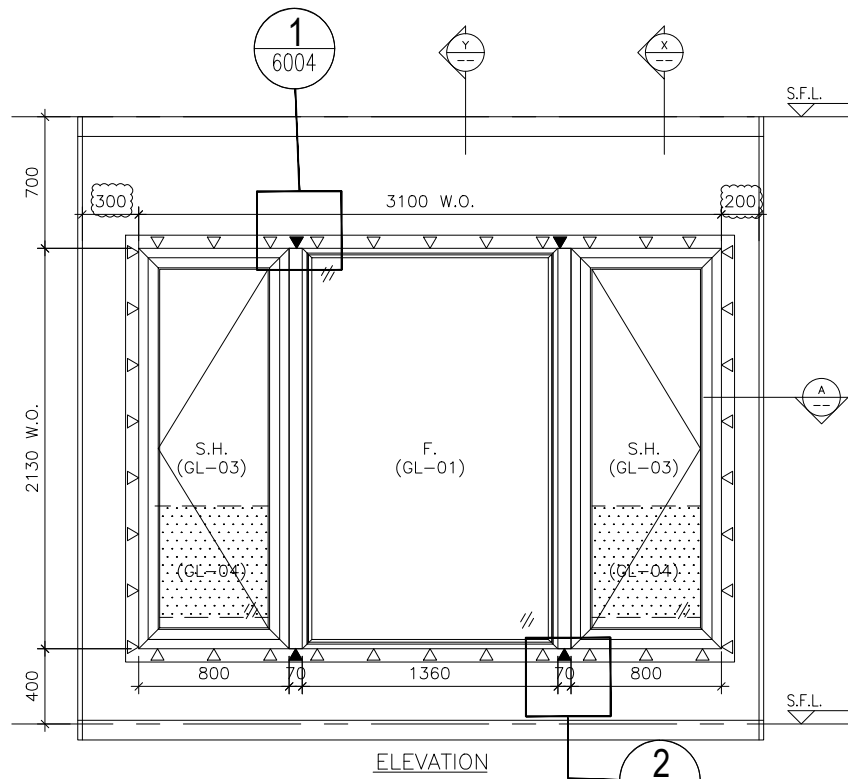
LOCATION 1/F&19/F-21/F LIV./DIN. AT TOWER 1 FLAT B

SECTION 70mm ALUM. SECTION

GLAZING GL-01, GL-03

QUANTITY 4

REMARKS FAÇADE (PF-10)



SECTION "X-X"

SECTION "Y-Y"

ELEVATION

PART PLAN A

TYPE A			
OPENABLE WINDOW DIMENSION	(WIDTH) =	800	
	(HEIGHT) =	2130	
FIXED WINDOW DIMENSION	(WIDTH) =	1360	
	(HEIGHT) =	2130	
NUMBER OF OPENABLE AREA WINDOW	=	2	
GLAZING AREA			
OPENABLE			
WIDTH	= 800-111.5-111.5	=	577 mm
HIGHT	= 2130-111.5-111.5	=	1907 mm
FIXED			
WIDTH	= 1360-50-50	=	1260 mm
HIGHT	= 2130-50-50	=	2030 mm
TOTAL	= ((577x1907)x2+(1260x2030))1000000	=	4.758478 m ²
OPENABLE AREA			
WIDTH	= 800-77-77	=	646 mm
HIGHT	= 2130-77-(1160-385-15)	=	1293 mm
TOTAL	= ((646x1293)x2)1000000	=	1.670556 m ²
		PROVIDED	
	GLAZING AREA	4.758	m ²
	OPENABLE AREA	1.61	m ²

B.D. REF :

CLIENT :

ARCHITECT :
AGC DESIGN LTD
 architects urban design interior design
 6/F, 603-606, Prince's Building, 55, Prince's Street, Hong Kong
 Tel: (852)2111111, Fax: (852)2111111, Email: agc@agcdesign.com.hk

MAIN CONTRACTOR :
Gammon

STRUCTURAL ENGINEER :
ARUP

FAÇADE CONSULTANT:
MEINHARDT

NOTE :
 1. ALL DIMENSIONS ARE IN mm.
 2. ALL ELEVATIONS ARE VIEWED FROM OUTSIDE.
 3. ALL DIMENSIONS TO BE VERIFIED ON SITE BEFORE FABRICATION.

LEGEND :
 (X1) --- DETAIL MARK NO.
 (X001) --- REFER SHEET NO.

1. F.F.L. --- FINISHED FLOOR LEVEL
 2. S.F.L. --- STRUCTURAL FLOOR LEVEL
 3. (R) --- REVERSED DETAIL
 4. ▲ --- FIXING LOCATION
 5. △ --- FIXING LUG LOCATION
 6. GLASS LEGEND
 GL01 --- 8mm+12mm AIR GAP+10mm THK. I.G.U.
 GL01a --- 8mm+9mm AIR GAP+12mm THK. I.G.U.
 GL03 --- 6mm+12mm AIR GAP+6mm THK. I.G.U.
 GL04 --- 10mm THK. TEMPERED GLASS (PROTECTIVE BARRIER)
 GL05 --- 6mm+12mm AIR GAP+8mm THK. I.G.U.

E	24/08/2020	REVISION SUBJECT TO ARCH.COMMENT	ivan
D	01/06/2020	REVISION SUBJECT TO ARCH.COMMENT	ivan
C	22/04/2020	REVISION SUBJECT TO ARCH.COMMENT	ivan
B	05/03/2020	REVISION SUBJECT TO ARCH.COMMENT	ivan
A	24/02/2020	REVISION SUBJECT TO ARCH.COMMENT	SH
NO.	DATE	REVISED	BY

JOB NO. : J-852
 PROJECT : PROPOSED RESIDENTIAL DEVELOPMENT AT 139 - 147 ARGYLE STREET, NKIL 6005, 6035 R.P., 6036 R.P., 6037 R.P. & 6038 R.P.

TITLE : WINDOW SCHEDULE FOR ALUM. WINDOW

DATE : 05-Dec-19 SCALE : 1:40
 DRAWN BY : MN CHECKED BY : DW

美特鋁質有限公司
MIDI ALUMINIUM FABRICATOR LTD.
 Units 6-8, Sunray Industrial Centre, 1/F
 610 Cha Kwo Ling Road, Kowloon
 Tel:23489211-4 Fax:(852)2727666

DWG NO. : J852-SD-PW-4103 REV. : E

WINDOW MARK



LOCATION

2/F-18/F LIV./DIN. AT TOWER 1 FLAT A

SECTION

70mm ALUM. SECTION

GLAZING

GL-01, GL-03

QUANTITY

14

REMARKS

FAÇADE (PF-11)

B.D. REF :

CLIENT :

ARCHITECT :
AGC DESIGN LTD
 6/F, 237, Queen's Road, 237 Queen's Road, Hong Kong
 Tel: (852)27771111, Fax: (852)27771111, Email: agc@agc.com.hk

MAIN CONTRACTOR :
Gammon

STRUCTURAL ENGINEER :
ARUP

FAÇADE CONSULTANT:
MEINHARDT

NOTE :
 1. ALL DIMENSIONS ARE IN mm.
 2. ALL ELEVATIONS ARE VIEWED FROM OUTSIDE.
 3. ALL DIMENSIONS TO BE VERIFIED ON SITE BEFORE FABRICATION.

LEGEND :
 (X1) --- DETAIL MARK NO.
 (X001) --- REFER SHEET NO.

1. F.F.L. --- FINISHED FLOOR LEVEL
 2. S.F.L. --- STRUCTURAL FLOOR LEVEL
 3. (R) --- REVERSED DETAIL
 4. ▲ --- FIXING LOCATION
 5. △ --- FIXING LUG LOCATION
 6. GLASS LEGEND
 GL01 --- 8mm+12mm AIR GAP+10mm THK. I.G.U.
 GL01a --- 8mm+9mm AIR GAP+12mm THK. I.G.U.
 GL03 --- 6mm+12mm AIR GAP+6mm THK. I.G.U.
 GL04 --- 10mm THK. TEMPERED GLASS (PROTECTIVE BARRIER)
 GL05 --- 6mm+12mm AIR GAP+8mm THK. I.G.U.

C	24/08/2020	REVISION SUBJECT TO ARCH.COMMENT	lvn
B	01/06/2020	REVISION SUBJECT TO ARCH.COMMENT	lvn
A	22/04/2020	REVISION SUBJECT TO ARCH.COMMENT	lvn
NO.	DATE	REVISED	BY

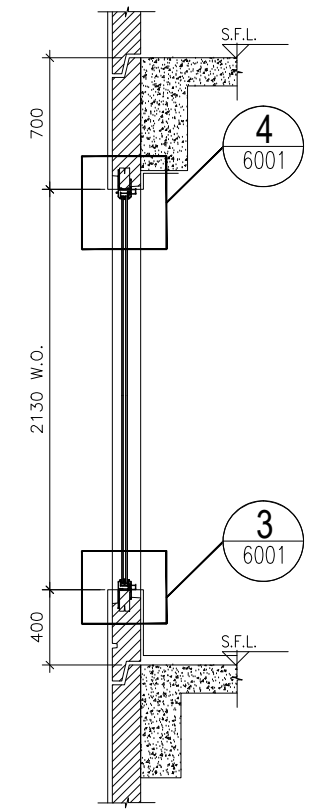
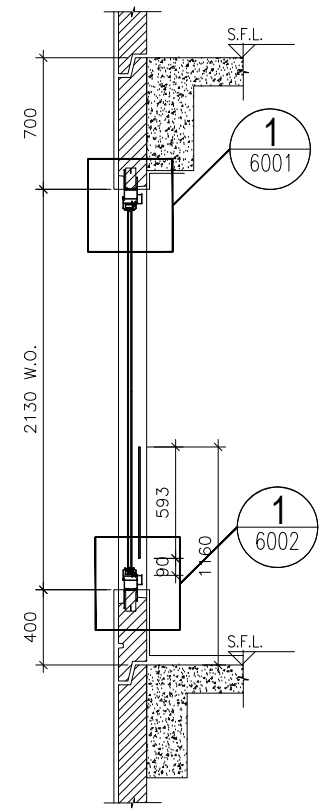
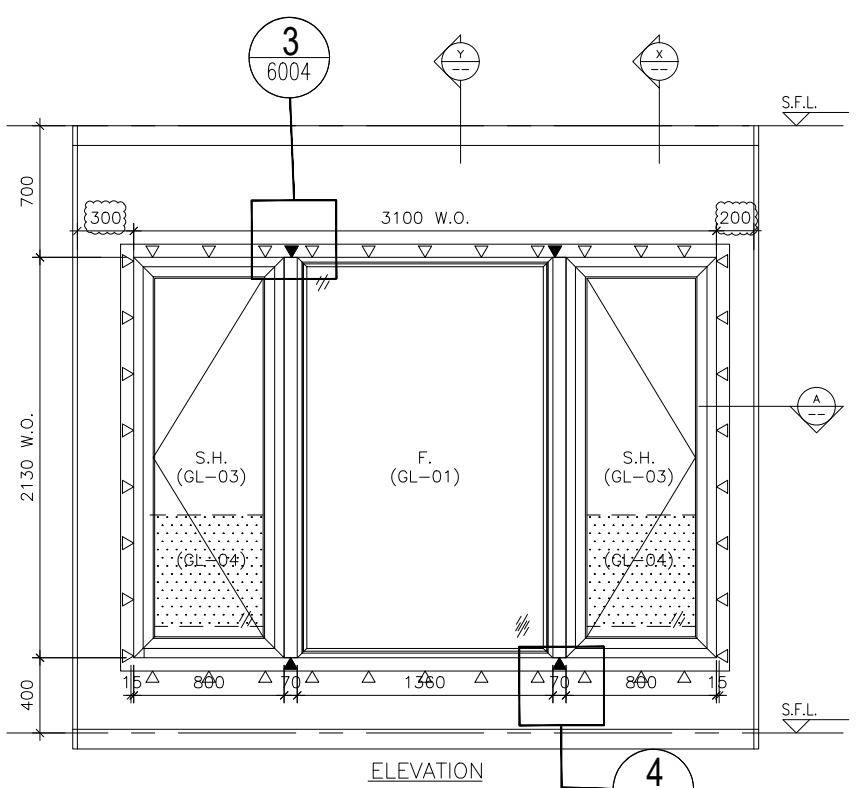
JOB NO. : J-852
 PROJECT : PROPOSED RESIDENTIAL DEVELOPMENT AT 139 - 147 ARGYLE STREET, NKIL 6005, 6035 R.P., 6036 R.P., 6037 R.P. & 6038 R.P.

TITLE : WINDOW SCHEDULE FOR ALUM. WINDOW

DATE : 05-Dec-19 SCALE : 1:40
 DRAWN BY : MN CHECKED BY : DW

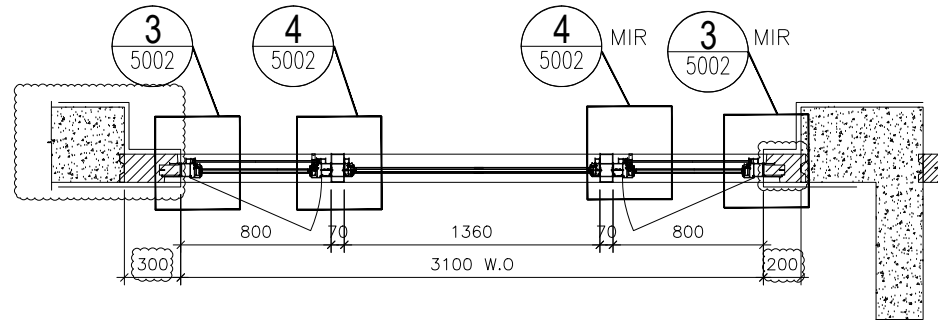
美特鋁質有限公司
MIDI ALUMINIUM FABRICATOR LTD.
 Units 6-8, Sunray Industrial Centre, 1/F
 610 Cha Kwo Ling Road, Kowloon
 Tel:23489211-4 Fax:(852)27727666

DWG NO. : J852-SD-PW-4103A REV. : C



SECTION "X-X"

SECTION "Y-Y"



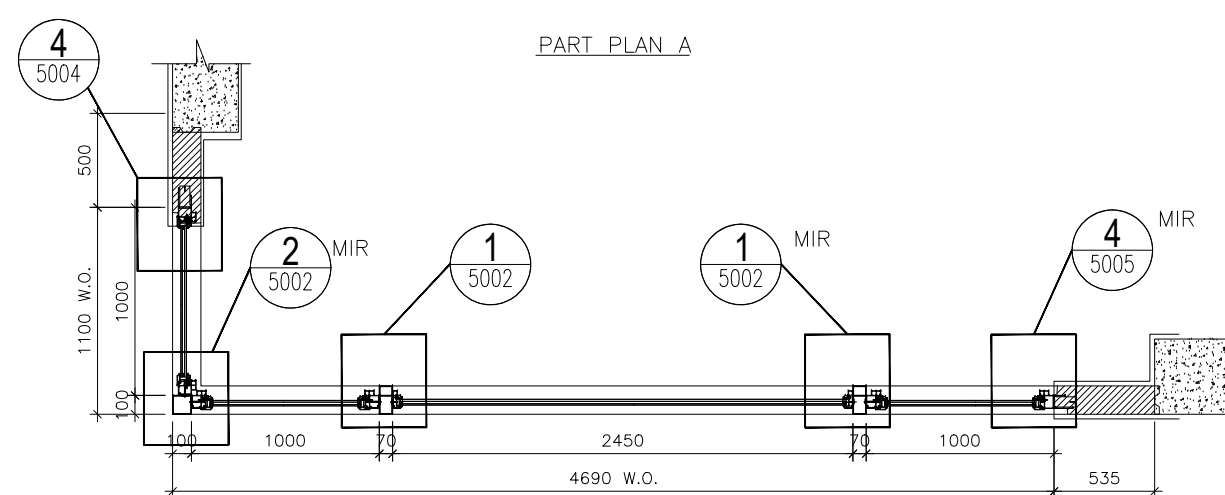
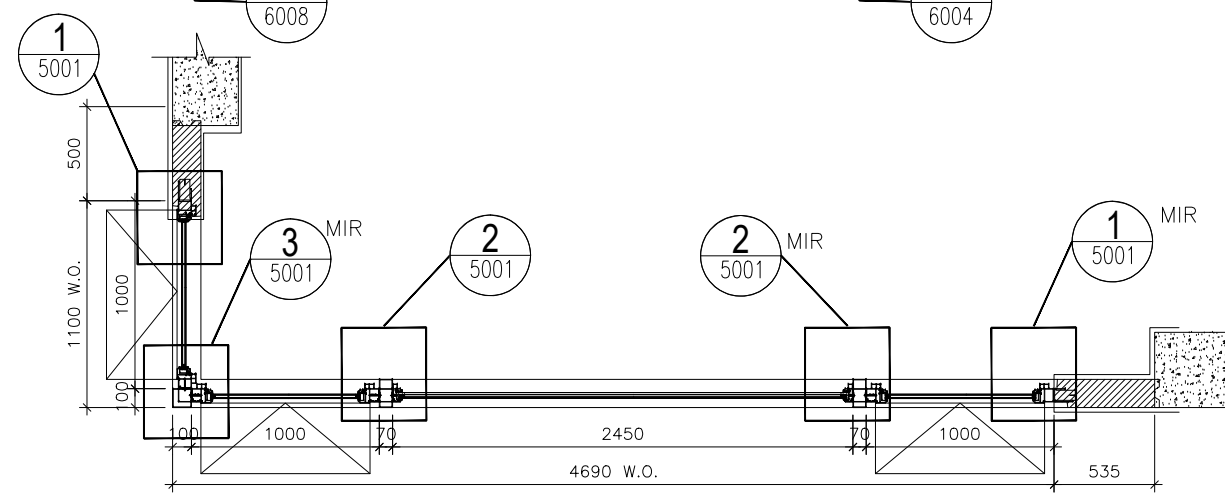
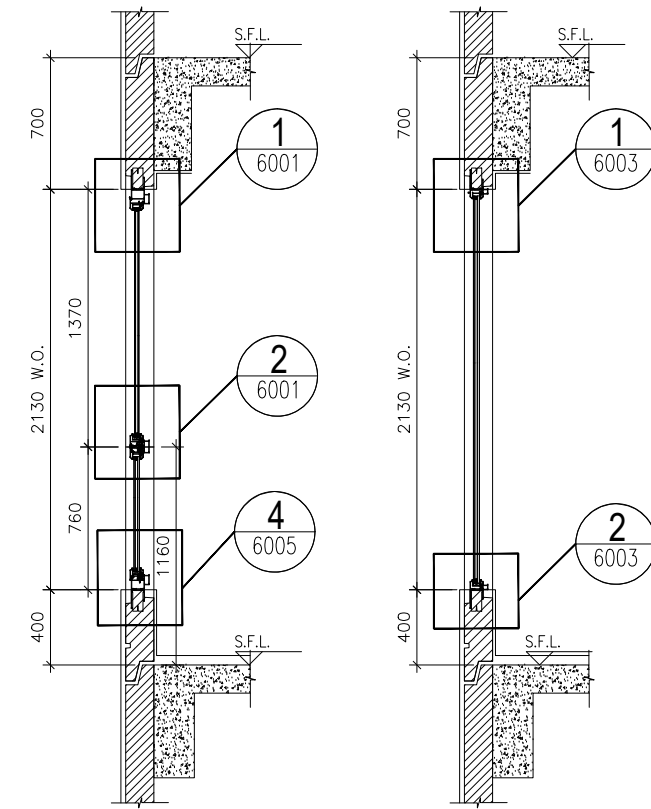
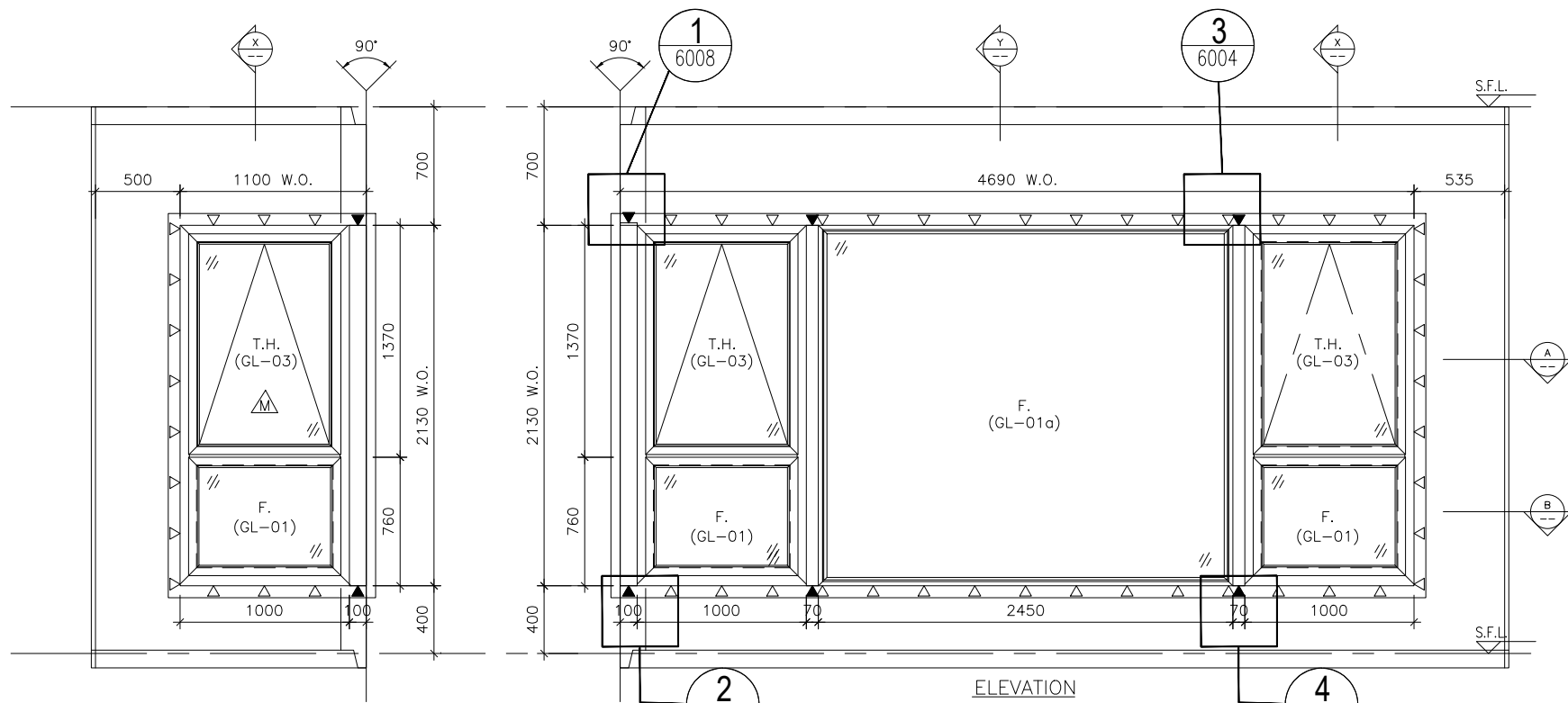
PART PLAN A

TYPE A			
OPENABLE WINDOW DIMENSION	(WIDTH)	=	800
	(HEIGHT)	=	2130
FIXED WINDOW DIMENSION	(WIDTH)	=	1360
	(HEIGHT)	=	2130
NUMBER OF OPENABLE AREA WINDOW		=	2
GLAZING AREA			
OPENABLE			
WIDTH	=	800-111.5-111.5	= 577 mm
HIGHT	=	2130-111.5-111.5	= 1907 mm
FIXED			
WIDTH	=	1360-50-50	= 1260 mm
HIGHT	=	2130-50-50	= 2030 mm
TOTAL	=	((577x1907)x2+(1260x2030))1000000	= 4.758478 m ²
OPENABLE AREA			
WIDTH	=	800-77-77	= 646 mm
HIGHT	=	2130-77-(1160-385-15)	= 1293 mm
TOTAL	=	((646x1293)x2)1000000	= 1.670556 m ²

PROVIDED		
GLAZING AREA	4.76	m ²
OPENABLE AREA	1.67	m ²

ELEVATION

WINDOW MARK	W2 T1A
LOCATION	1/F&19/F-21/F LIV./DIN. AT TOWER 1 FLAT A
SECTION	70mm ALUM. SECTION
GLAZING	GL-01, GL-03
QUANTITY	4
REMARKS	FAÇADE (PF-11)



TYPE G				
OPENABLE WINDOW DIMENSION	(WIDTH)	=	1000	
	(HEIGHT)	=	1370	
FIXED WINDOW (A) DIMENSION	(WIDTH)	=	1000	
	(HEIGHT)	=	760	
FIXED WINDOW (A1) DIMENSION	(WIDTH)	=	1000	
	(HEIGHT)	=	760	
FIXED WINDOW (B) DIMENSION	(WIDTH)	=	2450	
	(HEIGHT)	=	2130	
NUMBER OF OPENABLE AREA WINDOW		=	2	
GLAZING AREA				
OPENABLE				
WIDTH	=	1000-111.5-111.5	=	777 mm
HEIGHT	=	1370-111.5-66.5	=	1192 mm
FIXED A				
WIDTH	=	1000-111.5-111.5	=	777 mm
HEIGHT	=	760-66.5-111.5	=	582 mm
FIXED A1				
WIDTH	=	1000-111.5-111.5	=	777 mm
HEIGHT	=	(760+400)-66.5-1000	=	93.5 mm
FIXED B				
WIDTH	=	2450-50-50	=	2350 mm
HEIGHT	=	2130-50-50	=	2030 mm
TOTAL	=	$((777 \times 1192) \times 3) + ((777 \times 582) \times 2) + (777 \times 93.5) + (2350 \times 2030) / 1000000$	=	8.5261295 m ²
OPENABLE AREA				
WIDTH	=	1000-77-77	=	846 mm
HEIGHT	=	1370-77-32	=	1261 mm
TOTAL	=	$((846 \times 1261) \times 2) / 1000000$	=	2.133612 m ²

PROVIDED	
GLAZING AREA	8.526 m ²
OPENABLE AREA	2.134 m ²

B.D. REF :

CLIENT :

ARCHITECT :

AGC DESIGN LTD

MAIN CONTRACTOR :

Gammon

STRUCTURAL ENGINEER :

ARUP

FACADE CONSULTANT:

MEINHARDT

NOTE :

- ALL DIMENSIONS ARE IN mm.
- ALL ELEVATIONS ARE VIEWED FROM OUTSIDE.
- ALL DIMENSIONS TO BE VERIFIED ON SITE BEFORE FABRICATION.

- LEGEND :
- X1 -- DETAIL MARK NO.
 - X001 -- REFER SHEET NO.
 - 1. F.F.L. -- FINISHED FLOOR LEVEL
 - 2. S.F.L. -- STRUCTURAL FLOOR LEVEL
 - 3. (R) -- REVERSED DETAIL
 - 4. ▲ -- FIXING LOCATION
 - 5. △ -- FIXING LUG LOCATION
 - 6. GLASS LEGEND
 - GL01 -- 8mm+12mm AIR GAP+10mm THK. I.G.U.
 - GL01a -- 8mm+9mm AIR GAP+12mm THK. I.G.U.
 - GL03 -- 6mm+12mm AIR GAP+6mm THK. I.G.U.
 - GL04 -- 10mm THK. TEMPERED GLASS (PROTECTIVE BARRIER)
 - GL05 -- 6mm+12mm AIR GAP+8mm THK. I.G.U.

NO.	DATE	REVISION	BY
F	17/09/2020	REVISION SUBJECT TO ARCH.COMMENT	lvn
E	24/08/2020	REVISION SUBJECT TO ARCH.COMMENT	lvn
D	01/06/2020	REVISION SUBJECT TO ARCH.COMMENT	lvn
C	22/04/2020	REVISION SUBJECT TO ARCH.COMMENT	lvn
B	05/03/2020	REVISION SUBJECT TO ARCH.COMMENT	lvn
A	24/02/2020	REVISION SUBJECT TO ARCH.COMMENT	SH

JOB NO. : J-852

PROJECT : PROPOSED RESIDENTIAL DEVELOPMENT AT 139 - 147 ARGYLE STREET, NKIL 6005, 6035 R.P., 6036 R.P., 6037 R.P. & 6038 R.P.

TITLE : WINDOW SCHEDULE FOR ALUM. WINDOW

DATE : 05-Dec-19 SCALE : 1:40

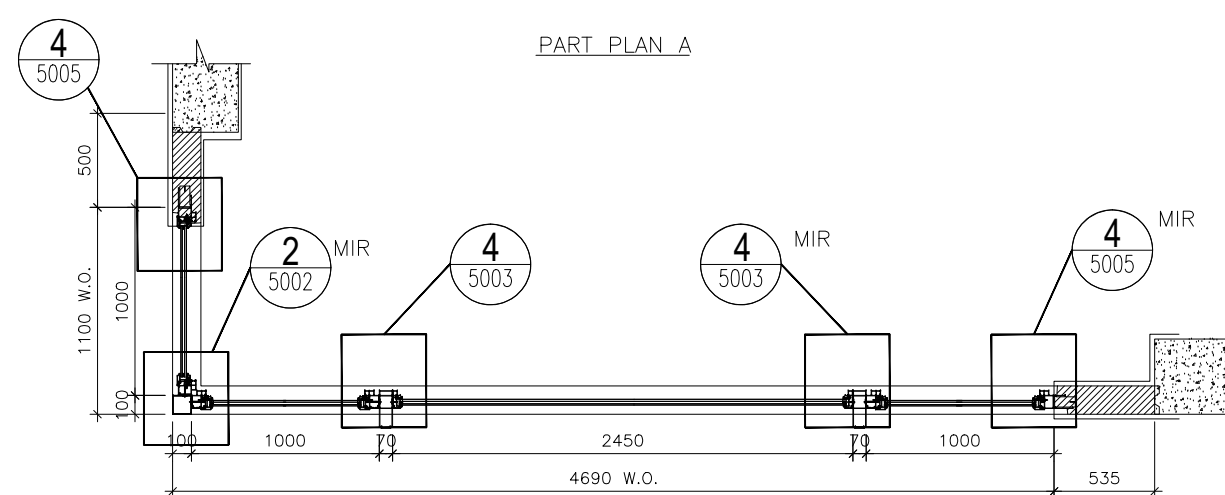
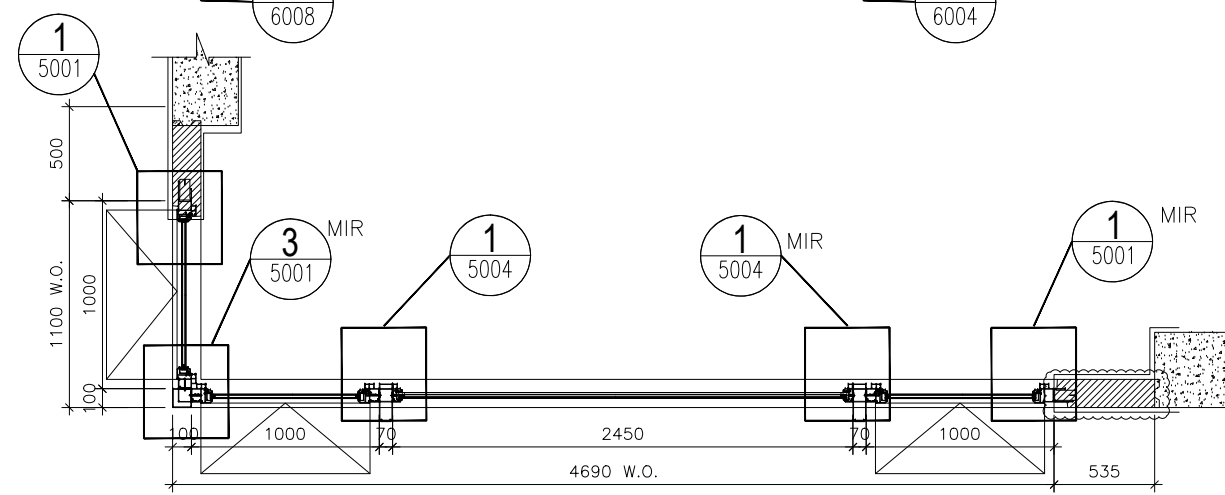
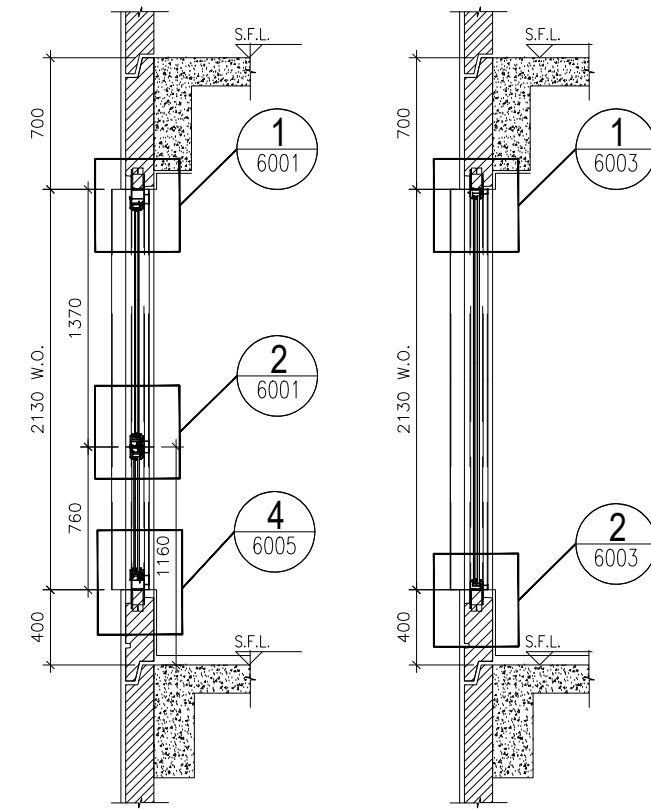
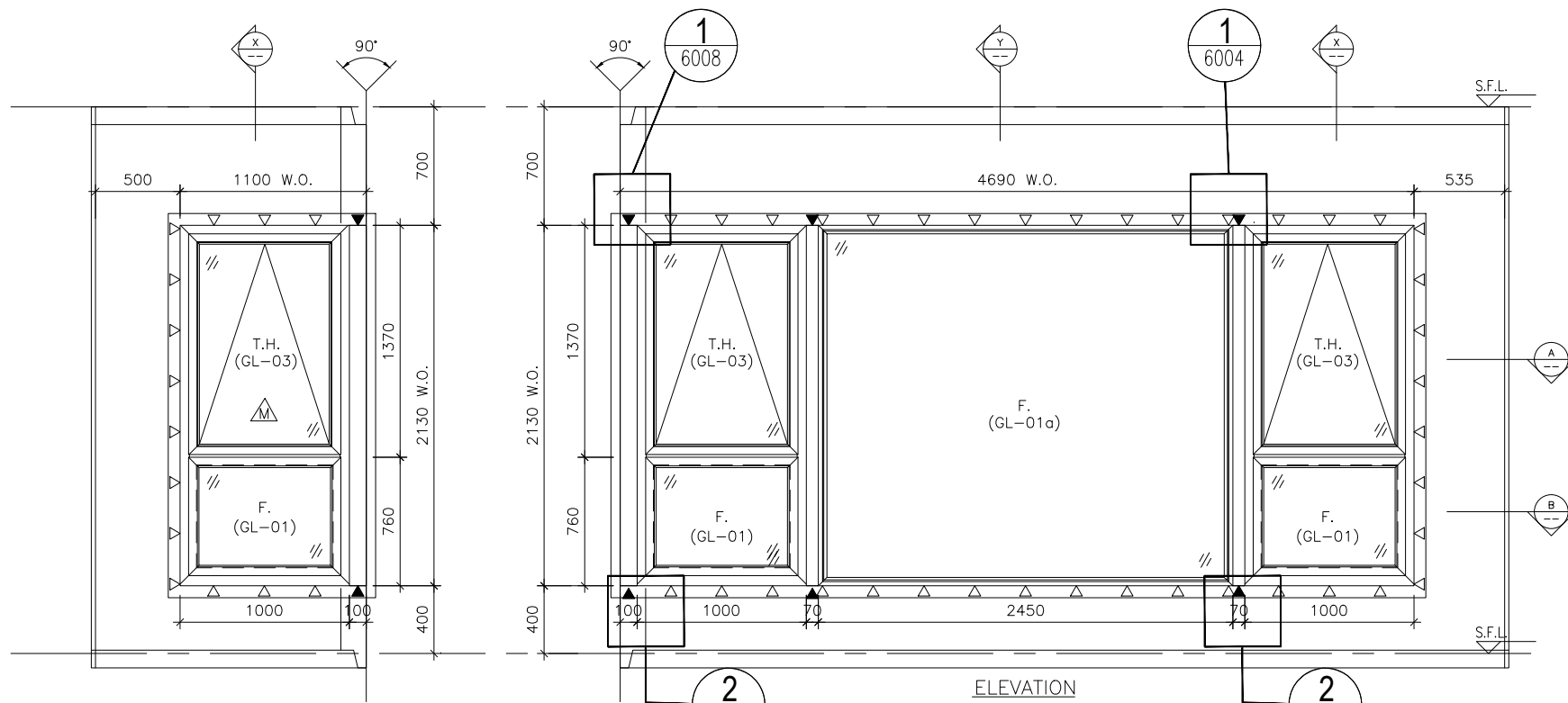
DRAWN BY : MN CHECKED BY : DW

美特鋁質有限公司
MIDI ALUMINIUM FABRICATOR LTD.
 Units 6-8, Sunray Industrial Centre, 1/F
 610 Cha Kwo Ling Road, Kowloon
 Tel:23489211-4 Fax:(852)2727666

ELEVATION

WINDOW MARK	W3 T1A
LOCATION	1/F-18/F MASTER ENSUITE AT TOWER 1 FLAT A
SECTION	70mm ALUM. SECTION
GLAZING	GL-01a, GL-03
QUANTITY	15
REMARKS	FACADE (PF-12)

DWG NO. : J852-SD-PW-4104 REV. : F



TYPE G	(WIDTH)	(HEIGHT)
OPENABLE WINDOW DIMENSION	1000	1370
FIXED WINDOW (A) DIMENSION	1000	760
FIXED WINDOW (A1) DIMENSION	1000	760
FIXED WINDOW (B) DIMENSION	2450	2130
NUMBER OF OPENABLE AREA WINDOW	= 2	
GLAZING AREA		
OPENABLE		
WIDTH = 1000-111.5-111.5	= 777 mm	
HIGHT = 1370-111.5-66.5	= 1192 mm	
FIXED A		
WIDTH = 1000-111.5-111.5	= 777 mm	
HIGHT = 760-66.5-111.5	= 582 mm	
FIXED A1		
WIDTH = 1000-111.5-111.5	= 777 mm	
HIGHT = (760+400)-66.5-1000	= 93.5 mm	
FIXED B		
WIDTH = 2450-50-50	= 2350 mm	
HIGHT = 2130-50-50	= 2030 mm	
TOTAL = (((777x1192)x3)+((777x582)x2)+(777x93.5)+(2350x2030)/1000000	= 8.5261295 mm ²	
OPENABLE AREA		
WIDTH = 1000-77-77	= 846 mm	
HIGHT = 1370-77-32	= 1261 mm	
TOTAL = ((846x1261)x2)/1000000	= 2.133612 mm ²	

PROVIDED	
GLAZING AREA	8.526 m ²
OPENABLE AREA	2.134 m ²

B.D. REF :

CLIENT :

ARCHITECT :
AGC DESIGN LTD
 10/F, 187, Queen's Road, 225 Hong Kong, Tel: (852)27771111, Fax: (852)27771111, Email: agc@agcdesign.com.hk

MAIN CONTRACTOR :
Gammon

STRUCTURAL ENGINEER :
ARUP

FACADE CONSULTANT:
MEINHARDT

- NOTE :
- ALL DIMENSIONS ARE IN mm.
 - ALL ELEVATIONS ARE VIEWED FROM OUTSIDE.
 - ALL DIMENSIONS TO BE VERIFIED ON SITE BEFORE FABRICATION.
- LEGEND :
- X1 -- DETAIL MARK NO.
 - X001 -- REFER SHEET NO.
 - 1. F.F.L. -- FINISHED FLOOR LEVEL
 - 2. S.F.L. -- STRUCTURAL FLOOR LEVEL
 - 3. (R) -- REVERSED DETAIL
 - 4. ▲ -- FIXING LOCATION
 - 5. △ -- FIXING LUG LOCATION
 - 6. GLASS LEGEND
- GL01 -- 8mm+12mm AIR GAP+10mm THK. I.G.U.
 - GL01a -- 8mm+9mm AIR GAP+12mm THK. I.G.U.
 - GL03 -- 6mm+12mm AIR GAP+6mm THK. I.G.U.
 - GL04 -- 10mm THK. TEMPERED GLASS (PROTECTIVE BARRIER)
 - GL05 -- 6mm+12mm AIR GAP+8mm THK. I.G.U.

NO.	DATE	REVISION	BY
C	18/09/2020	REVISION SUBJECT TO ARCH.COMMENT	lvn
B	24/08/2020	REVISION SUBJECT TO ARCH.COMMENT	lvn
A	03/06/2020	REVISION SUBJECT TO ARCH.COMMENT	lvn

JOB NO. : J-852

PROJECT :
 PROPOSED RESIDENTIAL DEVELOPMENT
 AT 139 - 147 ARGYLE STREET,
 NKIL 6005, 6035 R.P., 6036 R.P.,
 6037 R.P. & 6038 R.P.

TITLE :
 WINDOW SCHEDULE FOR
 ALUM. WINDOW

DATE : 05-Dec-19 SCALE : 1:40

DRAWN BY : MN CHECKED BY : DW

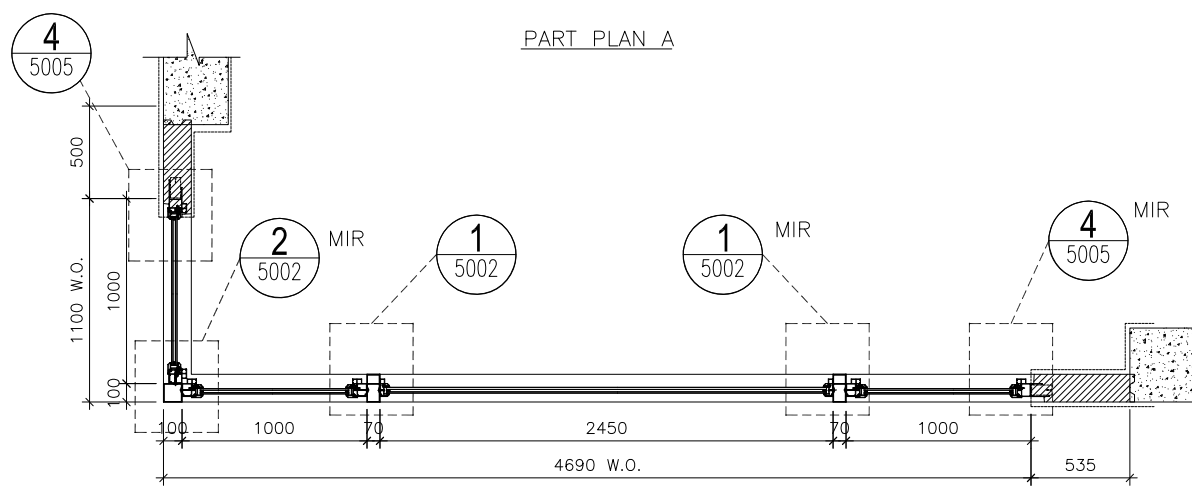
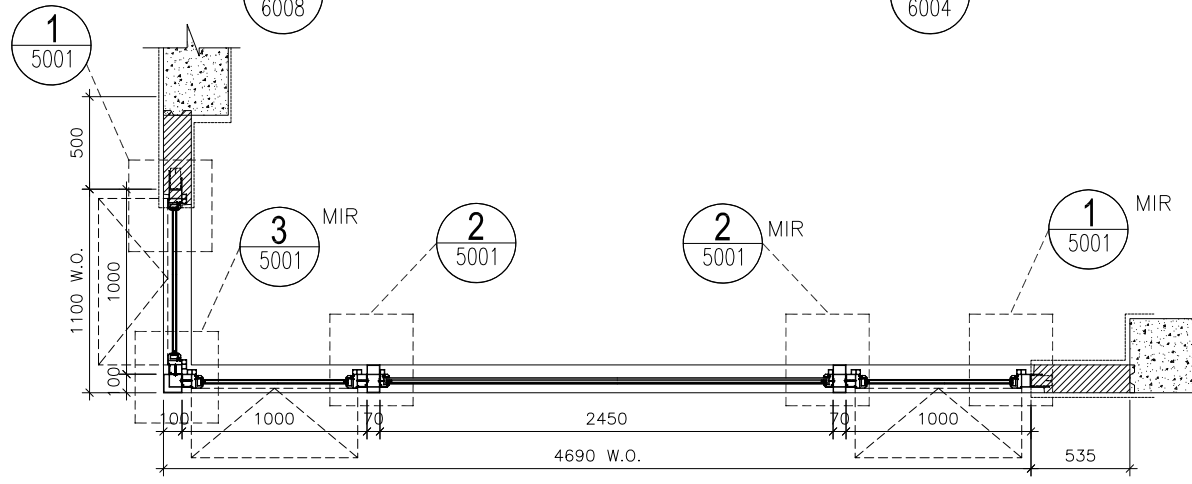
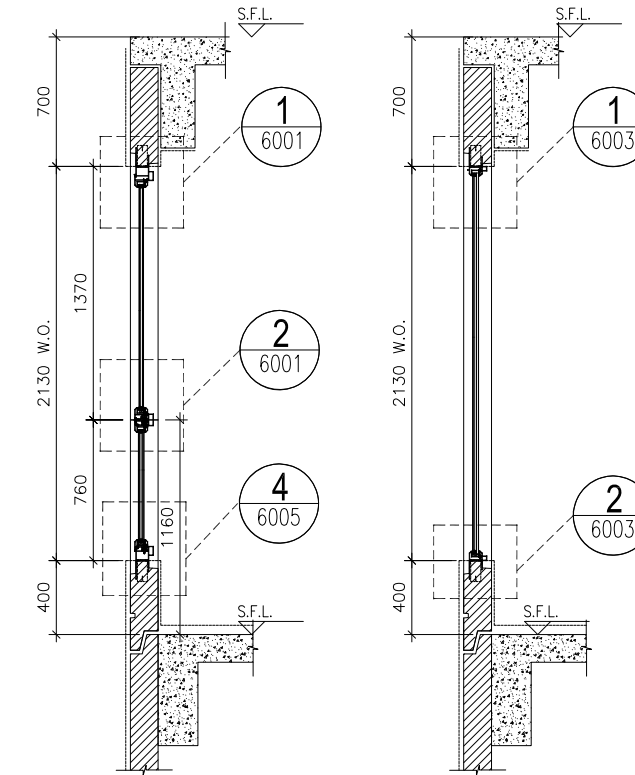
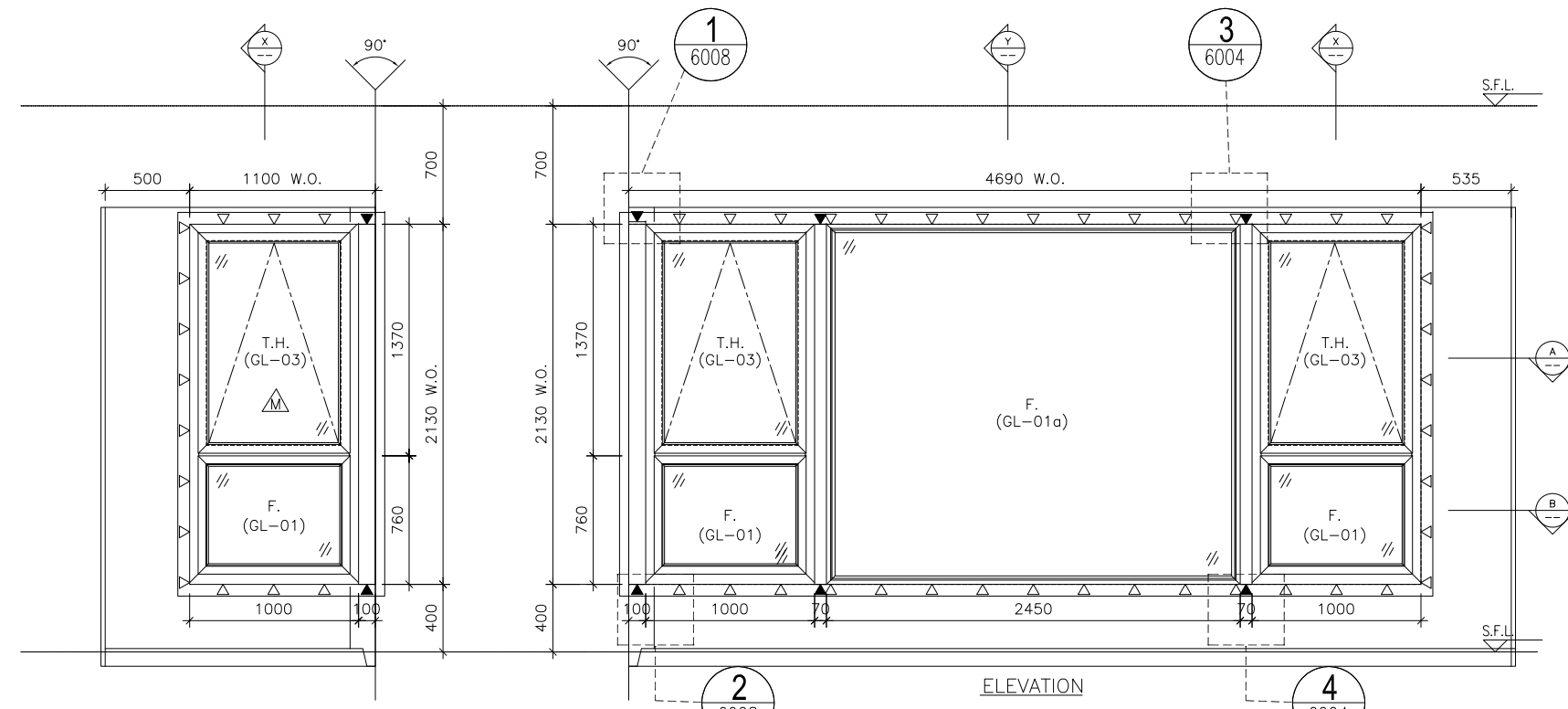
美特鋁質有限公司
MIDI ALUMINIUM FABRICATOR LTD.
 Units 6-8, Sunray Industrial Centre, 1/F
 610 Cha Kwo Ling Road, Kowloon
 Tel:23489211-4 Fax:(852)27727666

DWG NO. : J852-SD-PW-4104A REV. : C

ELEVATION

WINDOW MARK	W3 T1A
LOCATION	19/F-20/F MASTER ENSUITE AT TOWER 1 FLAT A
SECTION	70mm ALUM. SECTION
GLAZING	GL-01a, GL-03
QUANTITY	2
REMARKS	FACADE (PF-12)

ELEVATION



TYPE G	
OPENABLE WINDOW DIMENSION	(WIDTH) = 1000 (HEIGHT) = 1370
FIXED WINDOW (A) DIMENSION	(WIDTH) = 1000 (HEIGHT) = 760
FIXED WINDOW (A1) DIMENSION	(WIDTH) = 1000 (HEIGHT) = 760
FIXED WINDOW (B) DIMENSION	(WIDTH) = 2450 (HEIGHT) = 2130
NUMBER OF OPENABLE AREA WINDOW	2
GLAZING AREA	
OPENABLE	
WIDTH = 1000-111.5-111.5	= 777 mm
HEIGHT = 1370-111.5-66.5	= 1192 mm
FIXED A	
WIDTH = 1000-111.5-111.5	= 777 mm
HEIGHT = 760-66.5-111.5	= 582 mm
FIXED A1	
WIDTH = 1000-111.5-111.5	= 777 mm
HEIGHT = (760+400)-66.5-1000	= 93.5 mm
FIXED B	
WIDTH = 2450-50-50	= 2350 mm
HEIGHT = 2130-50-50	= 2030 mm
TOTAL = (((777x1192)x3)+((777x582)x2)+(777x93.5)+(2350x2030))/1000000	8.5261295 mm ²
OPENABLE AREA	
WIDTH = 1000-77-77	= 846 mm
HEIGHT = 1370-77-32	= 1261 mm
TOTAL = ((846x1261)x2)/1000000	2.133612 mm ²

PROVIDED	
GLAZING AREA	8.526 m ²
OPENABLE AREA	2.134 m ²

B.D. REF :

CLIENT :

ARCHITECT :
AGC DESIGN LTD

MAIN CONTRACTOR :
Gammon

STRUCTURAL ENGINEER :
ARUP

FACADE CONSULTANT:
MEINHARDT

NOTE :

- ALL DIMENSIONS ARE IN mm.
- ALL ELEVATIONS ARE VIEWED FROM OUTSIDE.
- ALL DIMENSIONS TO BE VERIFIED ON SITE BEFORE FABRICATION.

LEGEND :

x1 --- DETAIL MARK NO.
x001 --- REFER SHEET NO.

- F.F.L. --- FINISHED FLOOR LEVEL
- S.F.L. --- STRUCTURAL FLOOR LEVEL
- (R) --- REVERSED DETAIL
- ▲ --- FIXING LOCATION
- △ --- FIXING LUG LOCATION
- GLASS LEGEND
GL01 --- 8mm+12mm AIR GAP+10mm THK. I.G.U.
GL01a --- 8mm+9mm AIR GAP+12mm THK. I.G.U.
GL03 --- 6mm+12mm AIR GAP+6mm THK. I.G.U.
GL04 --- 10mm THK. TEMPERED GLASS (PROTECTIVE BARRIER)
GL05 --- 6mm+12mm AIR GAP+8mm THK. I.G.U.

NO.	DATE	REVISION	BY
C	17/09/2020	REVISION SUBJECT TO ARCH.COMMENT	Ivan
B	24/08/2020	REVISION SUBJECT TO ARCH.COMMENT	Ivan
A	03/06/2020	REVISION SUBJECT TO ARCH.COMMENT	Ivan

JOB NO. : J-852

PROJECT :
PROPOSED RESIDENTIAL DEVELOPMENT
AT 139 - 147 ARGYLE STREET,
NKIL 6005, 6035 R.P., 6036 R.P.,
6037 R.P. & 6038 R.P.

TITLE : WINDOW SCHEDULE FOR ALUM. WINDOW

DATE : 22-Apr-20 SCALE : 1:40

DRAWN BY : MN CHECKED BY : DW

美特鋁質有限公司
MIDI ALUMINIUM FABRICATOR LTD.
Units 6-8, Sunray Industrial Centre, 1/F
610 Cha Kwo Ling Road, Kowloon
Tel:23489211-4 Fax:(852)2727666

WINDOW MARK	W3 T1A
LOCATION	21/F MASTER ENSUITE AT TOWER 1 FLAT A
SECTION	70mm ALUM. SECTION
GLAZING	GL-01a, GL-03
QUANTITY	1
REMARKS	FACADE (PF-12)

DWG NO. : J852-SD-PW-4104B REV. : C

B.D. REF :

CLIENT :

ARCHITECT :
AGC DESIGN LTD
 architects urban design interior
 6/F, 237, Chung King Road, 23rd Floor, Kowloon, Hong Kong
 Tel: (852)27771111, Fax: (852)27771111, Email: agc@agcdesign.com.hk

MAIN CONTRACTOR :
Gammon

STRUCTURAL ENGINEER :
ARUP

FAÇADE CONSULTANT:
MEINHARDT

NOTE :
 1. ALL DIMENSIONS ARE IN mm.
 2. ALL ELEVATIONS ARE VIEWED FROM OUTSIDE.
 3. ALL DIMENSIONS TO BE VERIFIED ON SITE BEFORE FABRICATION.

LEGEND :
 (X1) --- DETAIL MARK NO.
 (X001) --- REFER SHEET NO.

1. F.F.L. --- FINISHED FLOOR LEVEL
 2. S.F.L. --- STRUCTURAL FLOOR LEVEL
 3. (R) --- REVERSED DETAIL
 4. ▲ --- FIXING LOCATION
 5. △ --- FIXING LUG LOCATION
 6. GLASS LEGEND
 GL01 -- 8mm+12mm AIR GAP+10mm THK. I.G.U.
 GL01a -- 8mm+9mm AIR GAP+12mm THK. I.G.U.
 GL03 -- 6mm+12mm AIR GAP+6mm THK. I.G.U.
 GL04 -- 10mm THK. TEMPERED GLASS (PROTECTIVE BARRIER)
 GL05 -- 6mm+12mm AIR GAP+8mm THK. I.G.U.

NO.	DATE	REVISION	BY
E	24/08/2020	REVISION SUBJECT TO ARCH.COMMENT	lvn
D	29/05/2020	REVISION SUBJECT TO ARCH.COMMENT	lvn
C	22/04/2020	REVISION SUBJECT TO ARCH.COMMENT	lvn
B	05/03/2020	REVISION SUBJECT TO ARCH.COMMENT	lvn
A	24/02/2020	REVISION SUBJECT TO ARCH.COMMENT	SH

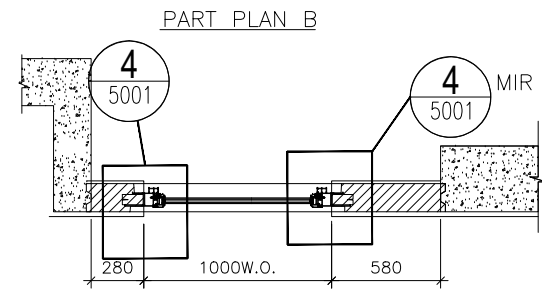
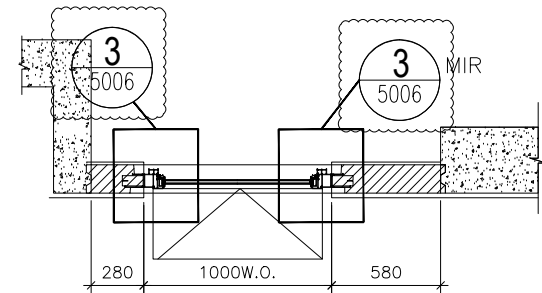
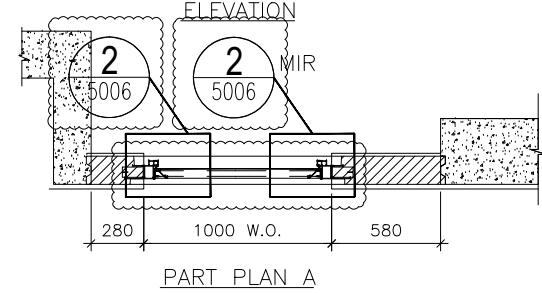
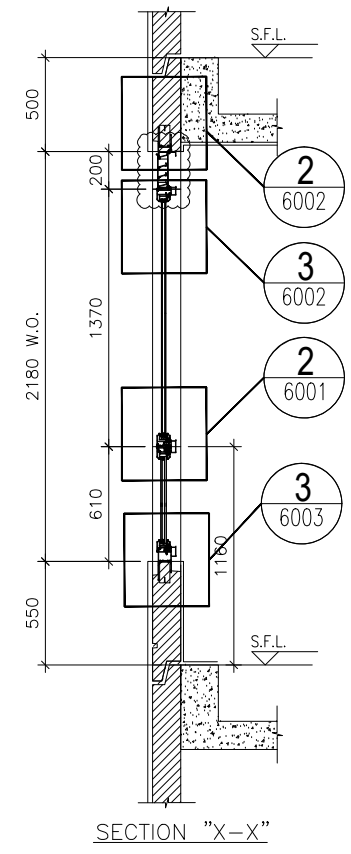
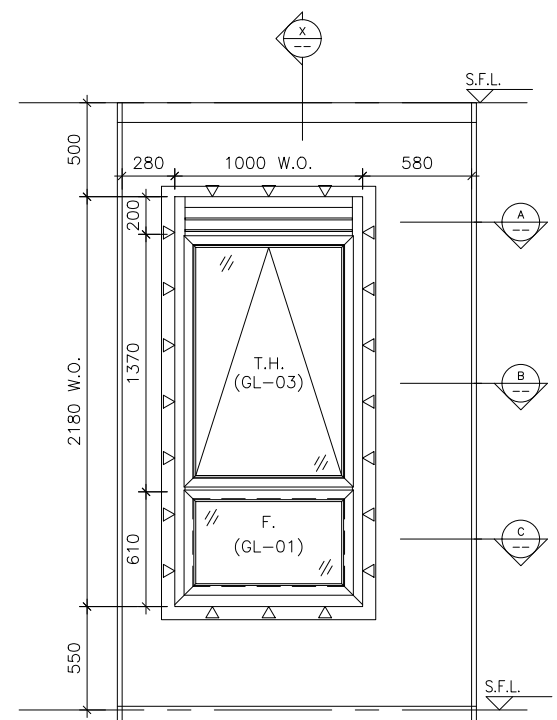
JOB NO. : J-852
 PROJECT : PROPOSED RESIDENTIAL DEVELOPMENT AT 139 - 147 ARGYLE STREET, NKIL 6005, 6035 R.P., 6036 R.P., 6037 R.P. & 6038 R.P.

TITLE : WINDOW SCHEDULE FOR ALUM. WINDOW

DATE : 05-Dec-19 SCALE : 1:40
 DRAWN BY : MN CHECKED BY : DW

美特鋁質有限公司
MIDI ALUMINIUM FABRICATOR LTD.
 Units 6-8, Sunray Industrial Centre, 1/F
 610 Cha Kwo Ling Road, Kowloon
 Tel:23489211-4 Fax:(852)27727666

DWG NO. : J852-SD-PW-4105 REV. : E



TYPE B			
OPENABLE WINDOW DIMENSION	(WIDTH)	=	1000
	(HEIGHT)	=	1370
FIXED WINDOW DIMENSION	(WIDTH)	=	1000
	(HEIGHT)	=	610
NUMBER OF OPENABLE AREA WINDOW		=	1
GLAZING AREA			
OPENABLE			
WIDTH	=	1000-111.5-111.5	= 777 mm
HIGHT	=	1370-69.5-66.5	= 1234 mm
FIXED			
WIDTH	=	1000-111.5-111.5	= 777 mm
HIGHT	=	610-66.5-111.5	= 432 mm
TOTAL	=	((777x1234)+(777x432))x1000000	= 1.294482 m ²
OPENABLE AREA			
WIDTH	=	1000-77-77	= 846 mm
HIGHT	=	1370-32-32	= 1306 mm
TOTAL	=	(846x1306)x1/1000000	= 1.104876 m ²

PROVIDED	
GLAZING AREA	1.294 m ²
OPENABLE AREA	1.105 m ²

ELEVATION

WINDOW MARK	W4 T1A
LOCATION	1/F-20/F M.B. AT TOWER 1 FLAT A
SECTION	70mm ALUM. SECTION
GLAZING	GL-01, GL-03
QUANTITY	17
REMARKS	FAÇADE (PF-15)

B.D. REF :

CLIENT :

ARCHITECT :
AGC DESIGN LTD
 architects urban design interior
 6/F, 237, Queen's Road, 237 (Opp.) Hotel, Hong Kong
 Tel: (852)27771111, Fax: (852)27771111, Email: agc@agcdesign.com.hk

MAIN CONTRACTOR :
Gammon

STRUCTURAL ENGINEER :
ARUP

FACADE CONSULTANT:
MEINHARDT

NOTE :
 1. ALL DIMENSIONS ARE IN mm.
 2. ALL ELEVATIONS ARE VIEWED FROM OUTSIDE.
 3. ALL DIMENSIONS TO BE VERIFIED ON SITE BEFORE FABRICATION.

LEGEND :
 (X1) --- DETAIL MARK NO.
 (X001) --- REFER SHEET NO.
 1. F.F.L. --- FINISHED FLOOR LEVEL
 2. S.F.L. --- STRUCTURAL FLOOR LEVEL
 3. (R) --- REVERSED DETAIL
 4. ▲ --- FIXING LOCATION
 5. △ --- FIXING LUG LOCATION
 6. GLASS LEGEND
 GL01 -- 8mm+12mm AIR GAP+10mm THK. I.G.U.
 GL01a -- 8mm+9mm AIR GAP+12mm THK. I.G.U.
 GL03 -- 6mm+12mm AIR GAP+6mm THK. I.G.U.
 GL04 -- 10mm THK. TEMPERED GLASS (PROTECTIVE BARRIER)
 GL05 -- 6mm+12mm AIR GAP+8mm THK. I.G.U.

B	24/08/2020	REVISION SUBJECT TO ARCH.COMMENT	lvn
A	29/05/2020	REVISION SUBJECT TO ARCH.COMMENT	lvn
NO.	DATE	REVISED	BY

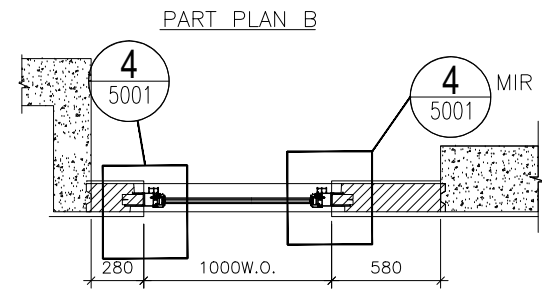
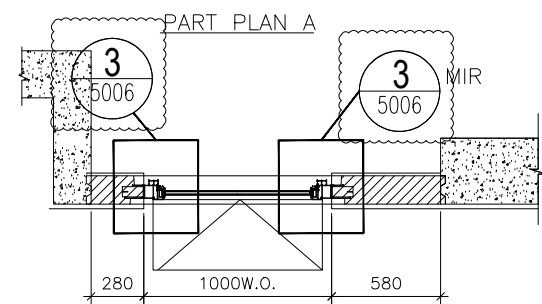
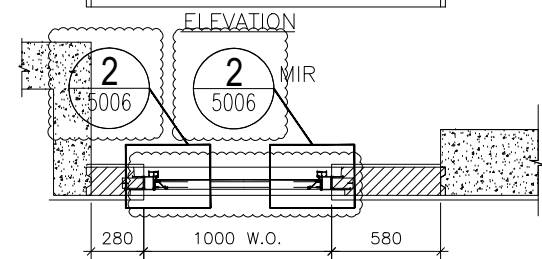
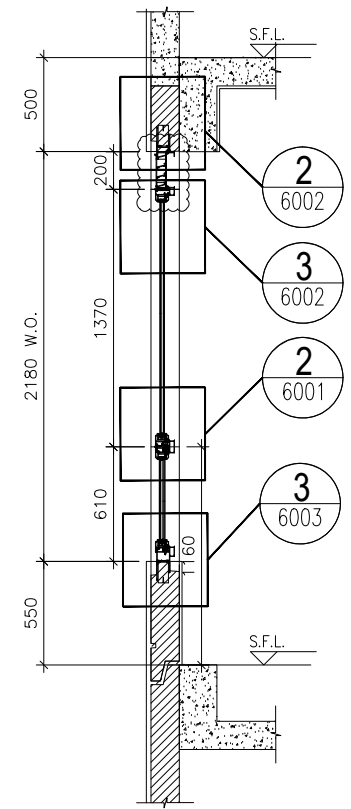
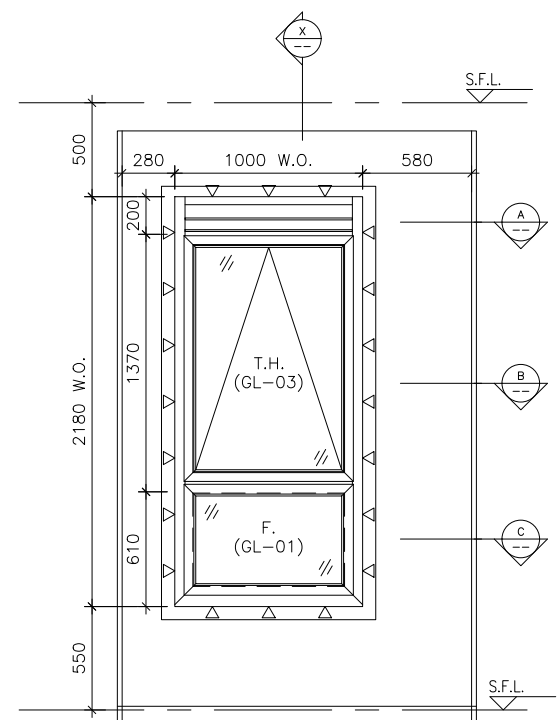
JOB NO. : J-852
 PROJECT : PROPOSED RESIDENTIAL DEVELOPMENT AT 139 - 147 ARGYLE STREET, NKIL 6005, 6035 R.P., 6036 R.P., 6037 R.P. & 6038 R.P.

TITLE : WINDOW SCHEDULE FOR ALUM. WINDOW

DATE : 22-Apr-20 SCALE : 1:40
 DRAWN BY : MN CHECKED BY : DW

美特鋁質有限公司
MIDI ALUMINIUM FABRICATOR LTD.
 Units 6-8, Sunray Industrial Centre, 1/F
 610 Cha Kwo Ling Road, Kowloon
 Tel:23489211-4 Fax:(852)27727666

DWG NO. : J852-SD-PW-4105A REV. : B



PART PLAN C

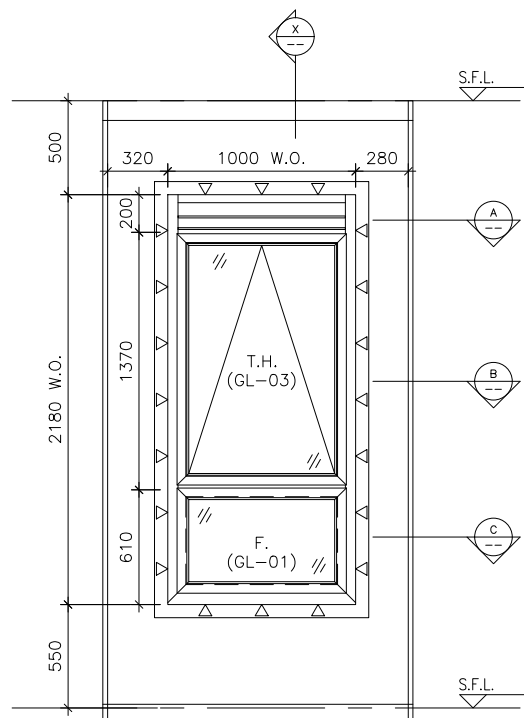
SECTION "X-X"

TYPE B			
OPENABLE WINDOW DIMENSION	(WIDTH)	=	1000
	(HEIGHT)	=	1370
FIXED WINDOW DIMENSION	(WIDTH)	=	1000
	(HEIGHT)	=	610
NUMBER OF OPENABLE AREA WINDOW		=	1
GLAZING AREA			
OPENABLE			
WIDTH	=	1000-111.5-111.5	= 777 mm
HIGHT	=	1370-69.5-66.5	= 1234 mm
FIXED			
WIDTH	=	1000-111.5-111.5	= 777 mm
HIGHT	=	610-66.5-111.5	= 432 mm
TOTAL	=	((777x1234)+(777x432))x1000000	= 1.294482 m ²
OPENABLE AREA			
WIDTH	=	1000-77-77	= 846 mm
HIGHT	=	1370-32-32	= 1306 mm
TOTAL	=	(846x1306)x1/1000000	= 1.104876 m ²

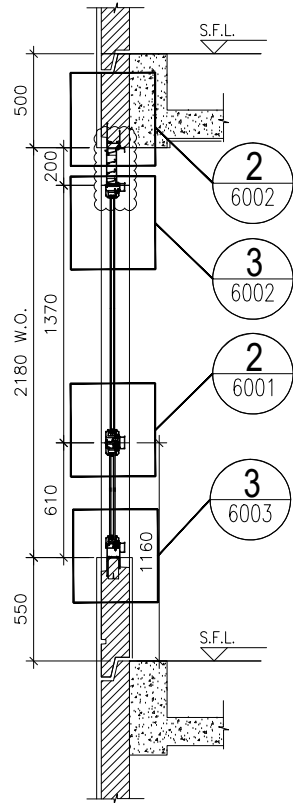
PROVIDED	
GLAZING AREA	1.294 m ²
OPENABLE AREA	1.105 m ²

ELEVATION

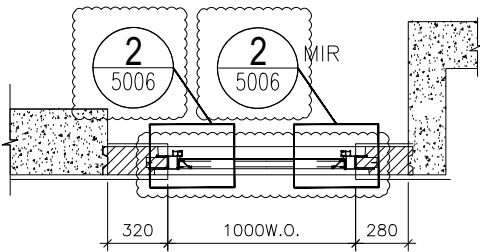
WINDOW MARK	W4 T1A
LOCATION	21/F M.B. AT TOWER 1 FLAT A
SECTION	70mm ALUM. SECTION
GLAZING	GL-01, GL-03
QUANTITY	1
REMARKS	FACADE (PF-15)



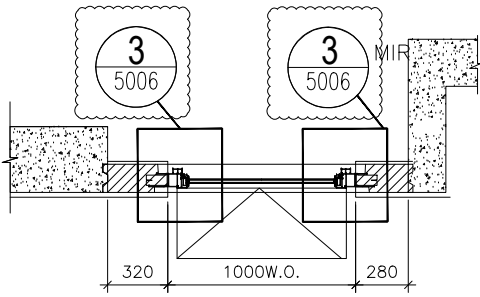
ELEVATION



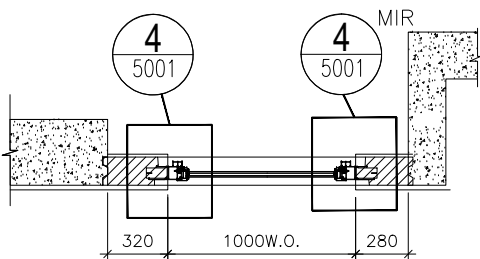
SECTION "X-X"



PART PLAN A



PART PLAN B



PART PLAN C

ELEVATION

TYPE B			
OPENABLE WINDOW DIMENSION	(WIDTH) =	1000	
	(HEIGHT) =	1370	
FIXED WINDOW DIMENSION	(WIDTH) =	1000	
	(HEIGHT) =	610	
NUMBER OF OPENABLE AREA WINDOW	=	1	
GLAZING AREA			
OPENABLE			
WIDTH	= 1000-111.5-111.5	=	777 mm
HIGHT	= 1370-69.5-66.5	=	1234 mm
FIXED			
WIDTH	= 1000-111.5-111.5	=	777 mm
HIGHT	= 610-66.5-111.5	=	432 mm
TOTAL	= ((777x1234)+(777x432))/1000000	=	1.294482 m ²
OPENABLE AREA			
WIDTH	= 1000-77-77	=	846 mm
HIGHT	= 1370-32-32	=	1306 mm
TOTAL	= (846x1306)x1/1000000	=	1.104876 m ²

PROVIDED	
GLAZING AREA	1.294 m ²
OPENABLE AREA	1.105 m ²

B.D. REF :

CLIENT :

ARCHITECT :
AGC DESIGN LTD
 architects urban design interior design
 6/F, 367, Canton Road, 220 Hong Kong, Tel: 852 2111 1111, Fax: 852 2111 1111, Email: agc@agcdesign.com.hk

MAIN CONTRACTOR :
Gammon

STRUCTURAL ENGINEER :
ARUP

FACADE CONSULTANT:
MEINHARDT

NOTE :
 1. ALL DIMENSIONS ARE IN mm.
 2. ALL ELEVATIONS ARE VIEWED FROM OUTSIDE.
 3. ALL DIMENSIONS TO BE VERIFIED ON SITE BEFORE FABRICATION.

LEGEND :
 X1 --- DETAIL MARK NO.
 X001 --- REFER SHEET NO.

1. F.F.L. --- FINISHED FLOOR LEVEL
 2. S.F.L. --- STRUCTURAL FLOOR LEVEL
 3. (R) --- REVERSED DETAIL
 4. ▲ --- FIXING LOCATION
 5. △ --- FIXING LUG LOCATION
 6. GLASS LEGEND
 GL01 --- 8mm+12mm AIR GAP+10mm THK. I.G.U.
 GL01a --- 8mm+9mm AIR GAP+12mm THK. I.G.U.
 GL03 --- 6mm+12mm AIR GAP+6mm THK. I.G.U.
 GL04 --- 10mm THK. TEMPERED GLASS (PROTECTIVE BARRIER)
 GL05 --- 6mm+12mm AIR GAP+8mm THK. I.G.U.

E	24/08/2020	REVISION SUBJECT TO ARCH.COMMENT	lvn
D	29/05/2020	REVISION SUBJECT TO ARCH.COMMENT	lvn
C	22/04/2020	REVISION SUBJECT TO ARCH.COMMENT	lvn
B	05/03/2020	REVISION SUBJECT TO ARCH.COMMENT	lvn
A	24/02/2020	REVISION SUBJECT TO ARCH.COMMENT	SH
NO.	DATE	REVISED	BY

JOB NO. : J-852
 PROJECT : PROPOSED RESIDENTIAL DEVELOPMENT AT 139 - 147 ARGYLE STREET, NKIL 6005, 6035 R.P., 6036 R.P., 6037 R.P. & 6038 R.P.

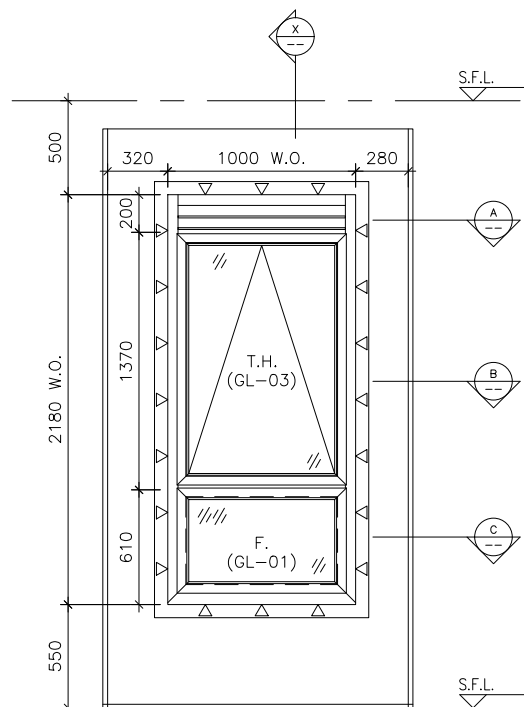
TITLE : WINDOW SCHEDULE FOR ALUM. WINDOW

DATE : 05-Dec-19 SCALE : 1:40
 DRAWN BY : MN CHECKED BY : DW

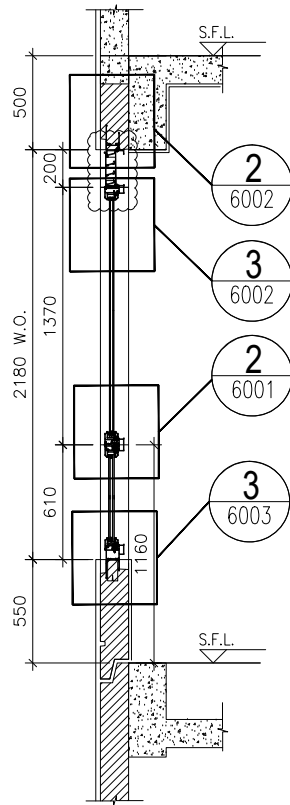
美特鋁質有限公司
MIDI ALUMINIUM FABRICATOR LTD.
 Units 6-8, Sunray Industrial Centre, 1/F
 610 Cha Kwo Ling Road, Kowloon
 Tel:23489211-4 Fax:(852)27727666

DWG NO. : J852-SD-PW-4106 REV. : E

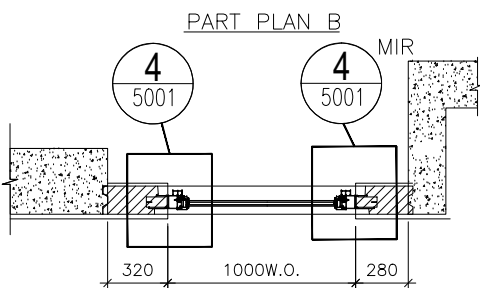
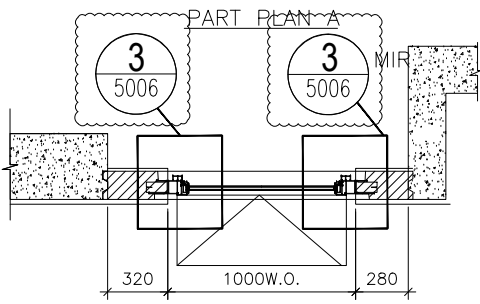
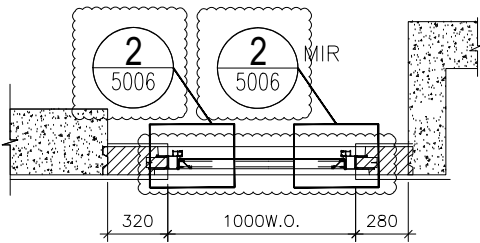
WINDOW MARK	W5 T1A
LOCATION	1/F-20/F EN.B. AT TOWER 1 FLAT A
SECTION	70mm ALUM. SECTION
GLAZING	GL-01, GL-03
QUANTITY	17
REMARKS	FACADE (PF-16)



ELEVATION



SECTION "X-X"



PART PLAN C

ELEVATION

TYPE B			
OPENABLE WINDOW DIMENSION	(WIDTH)	=	1000
	(HEIGHT)	=	1370
FIXED WINDOW DIMENSION	(WIDTH)	=	1000
	(HEIGHT)	=	610
NUMBER OF OPENABLE AREA WINDOW		=	1
GLAZING AREA			
OPENABLE			
WIDTH	=	1000-111.5-111.5	= 777 mm
HEIGHT	=	1370-69.5-66.5	= 1234 mm
FIXED			
WIDTH	=	1000-111.5-111.5	= 777 mm
HEIGHT	=	610-66.5-111.5	= 432 mm
TOTAL	=	((777x1234)+(777x432))/1000000	= 1.294482 m ²
OPENABLE AREA			
WIDTH	=	1000-77-77	= 846 mm
HEIGHT	=	1370-32-32	= 1306 mm
TOTAL	=	(846x1306)x1/1000000	= 1.104876 m ²
		PROVIDED	
		GLAZING AREA	1.294 m ²
		OPENABLE AREA	1.105 m ²

B.D. REF :

CLIENT :

ARCHITECT :
AGC DESIGN LTD
 architects urban design interior design
 1/F, 234-236, Chung King Road, Kowloon, Hong Kong
 Tel: (852)27771111, Fax: (852)27771111, Email: agc@agcdesign.com.hk

MAIN CONTRACTOR :
Gammon

STRUCTURAL ENGINEER :
ARUP

FACADE CONSULTANT:
MEINHARDT

NOTE :
 1. ALL DIMENSIONS ARE IN mm.
 2. ALL ELEVATIONS ARE VIEWED FROM OUTSIDE.
 3. ALL DIMENSIONS TO BE VERIFIED ON SITE BEFORE FABRICATION.

LEGEND :
 X1 --- DETAIL MARK NO.
 X001 --- REFER SHEET NO.
 1. F.F.L. --- FINISHED FLOOR LEVEL
 2. S.F.L. --- STRUCTURAL FLOOR LEVEL
 3. (R) --- REVERSED DETAIL
 4. ▲ --- FIXING LOCATION
 5. △ --- FIXING LUG LOCATION
 6. GLASS LEGEND
 GL01 --- 8mm+12mm AIR GAP+10mm THK. I.G.U.
 GL01a --- 8mm+9mm AIR GAP+12mm THK. I.G.U.
 GL03 --- 6mm+12mm AIR GAP+6mm THK. I.G.U.
 GL04 --- 10mm THK. TEMPERED GLASS (PROTECTIVE BARRIER)
 GL05 --- 6mm+12mm AIR GAP+8mm THK. I.G.U.

B	24/08/2020	REVISION SUBJECT TO ARCH.COMMENT	lvn
A	29/05/2020	REVISION SUBJECT TO ARCH.COMMENT	lvn
NO.	DATE	REVISED	BY

JOB NO. : J-852
 PROJECT : PROPOSED RESIDENTIAL DEVELOPMENT AT 139 - 147 ARGYLE STREET, NKIL 6005, 6035 R.P., 6036 R.P., 6037 R.P. & 6038 R.P.

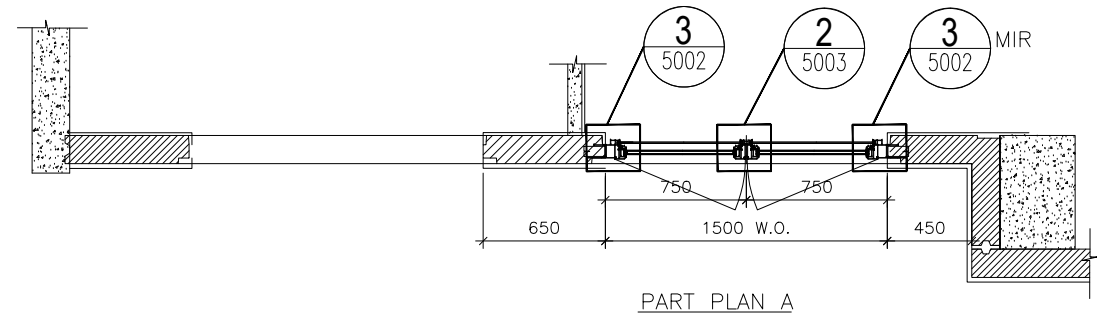
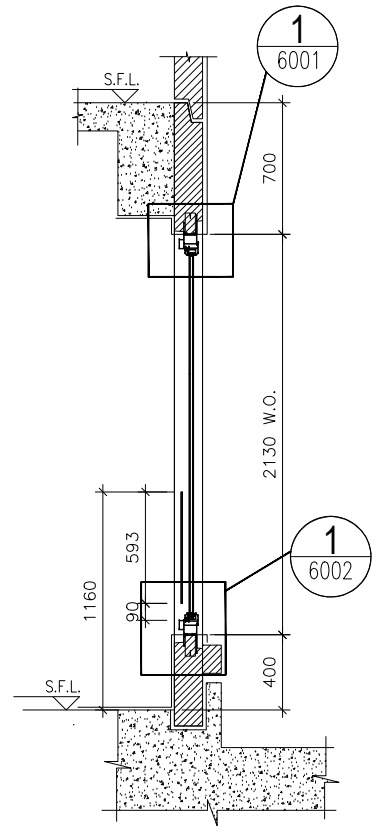
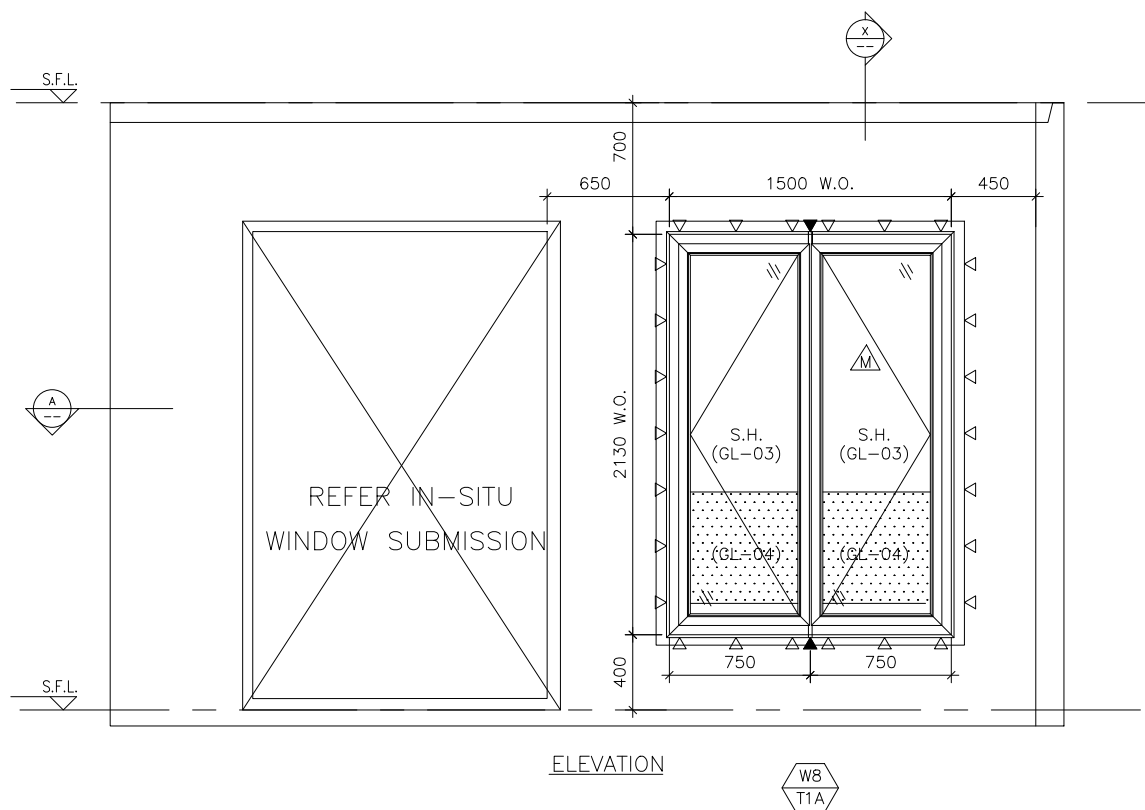
TITLE : WINDOW SCHEDULE FOR ALUM. WINDOW

DATE : 22-Apr-20 SCALE : 1:40
 DRAWN BY : MN CHECKED BY : DW

美特鋁質有限公司
MIDI ALUMINIUM FABRICATOR LTD.
 Units 6-8, Sunray Industrial Centre, 1/F
 610 Cha Kwo Ling Road, Kowloon
 Tel:23489211-4 Fax:(852)27727666

DWG NO. : J852-SD-PW-4106A REV. : B

WINDOW MARK	W5 T1A
LOCATION	21/F EN.B. AT TOWER 1 FLAT A
SECTION	70mm ALUM. SECTION
GLAZING	GL-01, GL-03
QUANTITY	1
REMARKS	FACADE (PF-16)



TYPE F			
OPENABLE WINDOW DIMENSION	(WIDTH)	=	750
	(HEIGHT)	=	2130
NUMBER OF OPENABLE AREA WINDOW		=	1
GLAZING AREA			
OPENABLE			
WIDTH	=	750-111.5-66.5	= 572 mm
HEIGHT	=	(2130+400)-111.5-1000	= 1418.5 mm
TOTAL	=	((572x1418.5)x2)/1000000	= 1.622764 m ²
OPENABLE AREA			
WIDTH	=	750-77-32	= 641 mm
HEIGHT	=	2130-77-(1160-385-15)	= 1293 mm
TOTAL	=	((641x1293)x1)/1000000	= 0.828813 m ²

	PROVIDED	
W8 T1A	GLAZING AREA	1.623 m ²
	OPENABLE AREA	0.829 m ²

B.D. REF :

CLIENT :

ARCHITECT :

AGC DESIGN LTD

MAIN CONTRACTOR :

Gammon

STRUCTURAL ENGINEER :

ARUP

FACADE CONSULTANT :

MEINHARDT

- NOTE :
1. ALL DIMENSIONS ARE IN mm.
 2. ALL ELEVATIONS ARE VIEWED FROM OUTSIDE.
 3. ALL DIMENSIONS TO BE VERIFIED ON SITE BEFORE FABRICATION.
- LEGEND :
- (X1) --- DETAIL MARK NO.
 - (X001) --- REFER SHEET NO.
1. F.F.L. --- FINISHED FLOOR LEVEL
 2. S.F.L. --- STRUCTURAL FLOOR LEVEL
 3. (R) --- REVERSED DETAIL
 4. (B) --- REVERSED DETAIL
 4. ▲ --- FIXING LOCATION
 5. △ --- FIXING LUG LOCATION
 6. GLASS LEGEND
- GL01 -- 8mm+12mm AIR GAP+10mm THK. I.G.U.
 GL01a -- 8mm+9mm AIR GAP+12mm THK. I.G.U.
 GL03 -- 6mm+12mm AIR GAP+6mm THK. I.G.U.
 GL04 -- 10mm THK. TEMPERED GLASS (PROTECTIVE BARRIER)
 GL05 -- 6mm+12mm AIR GAP+8mm THK. I.G.U.

E	24/08/2020	REVISION SUBJECT TO ARCH.COMMENT	lvn
D	03/06/2020	REVISION SUBJECT TO ARCH.COMMENT	lvn
C	22/04/2020	REVISION SUBJECT TO ARCH.COMMENT	lvn
B	05/03/2020	REVISION SUBJECT TO ARCH.COMMENT	lvn
A	24/02/2020	REVISION SUBJECT TO ARCH.COMMENT	SH
NO.	DATE	REVISED	BY

JOB NO. : J-852

PROJECT : PROPOSED RESIDENTIAL DEVELOPMENT AT 139 - 147 ARGYLE STREET, NKIL 6005, 6035 R.P., 6036 R.P., 6037 R.P. & 6038 R.P.

TITLE : WINDOW SCHEDULE FOR ALUM. WINDOW

DATE : 05-Dec-19 SCALE : 1:40

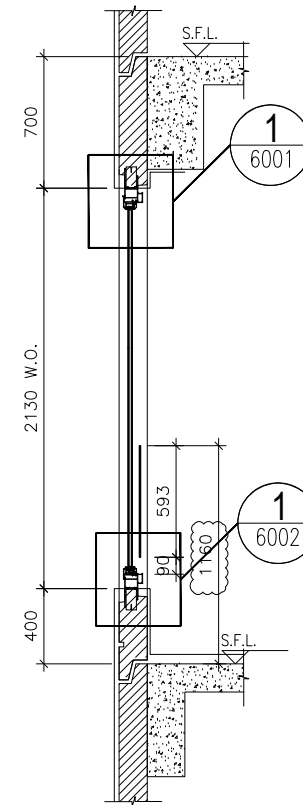
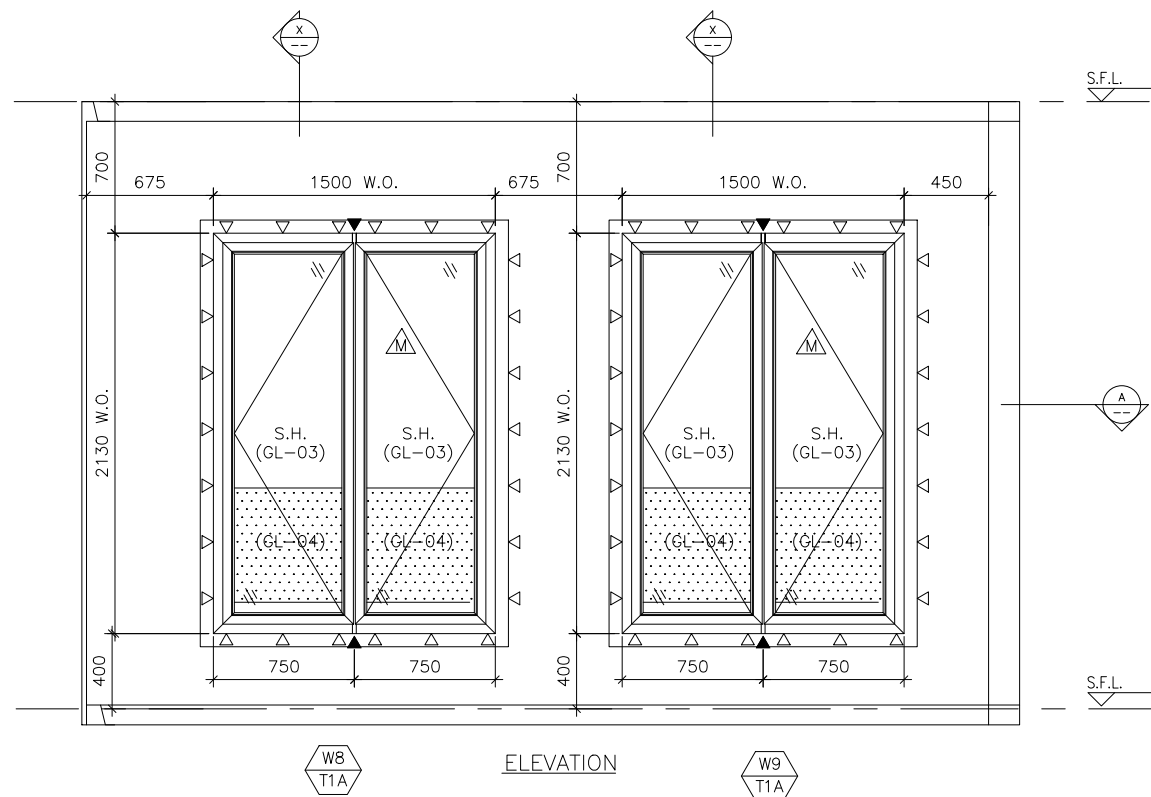
DRAWN BY : MN CHECKED BY : DW

美特鋁質有限公司
MIDI ALUMINIUM FABRICATOR LTD.
 Units 6-8, Sunray Industrial Centre, 1/F
 610 Cha Kwo Ling Road, Kowloon
 Tel:23489211-4 Fax:(852)2727666

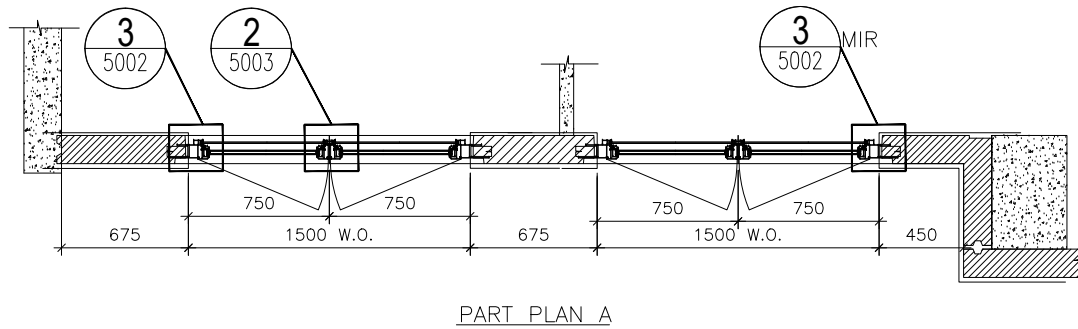
DWG NO. : J852-SD-PW-4107 REV. : E

ELEVATION

WINDOW MARK	W8 T1A
LOCATION	1/F B.R.1 & B.R.2 AT TOWER 1 FLAT A
SECTION	70mm ALUM. SECTION
GLAZING	GL-03
QUANTITY	1 / 1
REMARKS	FACADE PF-23



SECTION "X-X"



PART PLAN A

TYPE F	
OPENABLE WINDOW DIMENSION	(WIDTH) = 750 (HEIGHT) = 2130
NUMBER OF OPENABLE AREA WINDOW	= 1
GLAZING AREA	
OPENABLE	
WIDTH = 750-111.5-66.5	= 572 mm
HEIGHT = (2130+400)-111.5-1000	= 1418.5 mm
TOTAL = ((572x1418.5)x2)/1000000	= 1.622764 m ²
OPENABLE AREA	
WIDTH = 750-77-32	= 641 mm
HEIGHT = 2130-77-(1160-385-15)	= 1293 mm
TOTAL = ((641x1293)x1)/1000000	= 0.828813 m ²

PROVIDED	
GLAZING AREA	1.623 m ²
OPENABLE AREA	0.829 m ²

TYPE F	
OPENABLE WINDOW DIMENSION	(WIDTH) = 750 (HEIGHT) = 2130
NUMBER OF OPENABLE AREA WINDOW	= 1
GLAZING AREA	
OPENABLE	
WIDTH = 750-111.5-66.5	= 572 mm
HEIGHT = (2130+400)-111.5-1000	= 1418.5 mm
TOTAL = ((572x1418.5)x2)/1000000	= 1.622764 m ²
OPENABLE AREA	
WIDTH = 750-77-32	= 641 mm
HEIGHT = 2130-77-(1160-385-15)	= 1293 mm
TOTAL = ((641x1293)x1)/1000000	= 0.828813 m ²

PROVIDED	
GLAZING AREA	1.623 m ²
OPENABLE AREA	0.829 m ²

B.D. REF :

CLIENT :

ARCHITECT :
AGC DESIGN LTD
architectural design
INC. 302, Chung Hing, 220 (2nd) Fl., Sun Chai Bldg., Hong Kong
Tel: (852)2717111, Fax: (852)2717111, Email: agc@agcdesign.com.hk

MAIN CONTRACTOR :
Gammon

STRUCTURAL ENGINEER :
ARUP

FAÇADE CONSULTANT:
MEINHARDT

NOTE:
1. ALL DIMENSIONS ARE IN mm.
2. ALL ELEVATIONS ARE VIEWED FROM OUTSIDE.
3. ALL DIMENSIONS TO BE VERIFIED ON SITE BEFORE FABRICATION.

LEGEND:
X1 --- DETAIL MARK NO.
X001 --- REFER SHEET NO.

1. F.F.L. --- FINISHED FLOOR LEVEL
2. S.F.L. --- STRUCTURAL FLOOR LEVEL
3. (R) --- REVERSED DETAIL
4. ▲ --- FIXING LOCATION
5. △ --- FIXING LUG LOCATION
6. GLASS LEGEND
GL01 --- 8mm+12mm AIR GAP+10mm THK. I.G.U.
GL01a --- 8mm+9mm AIR GAP+12mm THK. I.G.U.
GL03 --- 6mm+12mm AIR GAP+6mm THK. I.G.U.
GL04 --- 10mm THK. TEMPERED GLASS (PROTECTIVE BARRIER)
GL05 --- 6mm+12mm AIR GAP+8mm THK. I.G.U.

E	24/08/2020	REVISION SUBJECT TO ARCH.COMMENT	lvn
D	03/06/2020	REVISION SUBJECT TO ARCH.COMMENT	lvn
C	22/04/2020	REVISION SUBJECT TO ARCH.COMMENT	lvn
B	05/03/2020	REVISION SUBJECT TO ARCH.COMMENT	lvn
A	24/02/2020	REVISION SUBJECT TO ARCH.COMMENT	SH
NO.	DATE	REVISED	BY

JOB NO. : J-852
PROJECT : PROPOSED RESIDENTIAL DEVELOPMENT AT 139 - 147 ARGYLE STREET, NKIL 6005, 6035 R.P., 6036 R.P., 6037 R.P. & 6038 R.P.

TITLE : WINDOW SCHEDULE FOR ALUM. WINDOW

DATE : 05-Dec-19 SCALE : 1:40
DRAWN BY : MN CHECKED BY : DW

美特鋁質有限公司
MIDI ALUMINIUM FABRICATOR LTD.
Units 6-8, Sunray Industrial Centre, 1/F
610 Cha Kwo Ling Road, Kowloon
Tel:23489211-4 Fax:(852)2727666

DWG NO. : J852-SD-PW-4108 REV. : E

ELEVATION

WINDOW MARK W9
T1A / W8
T1A

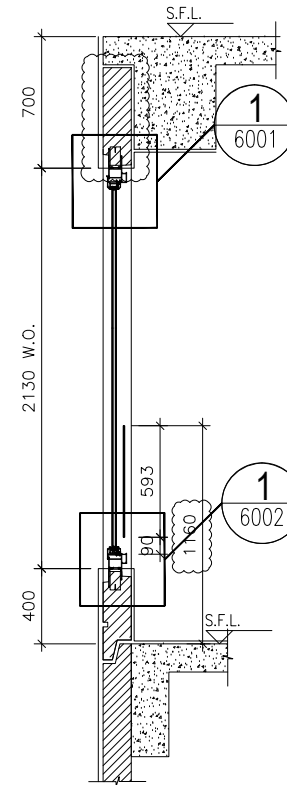
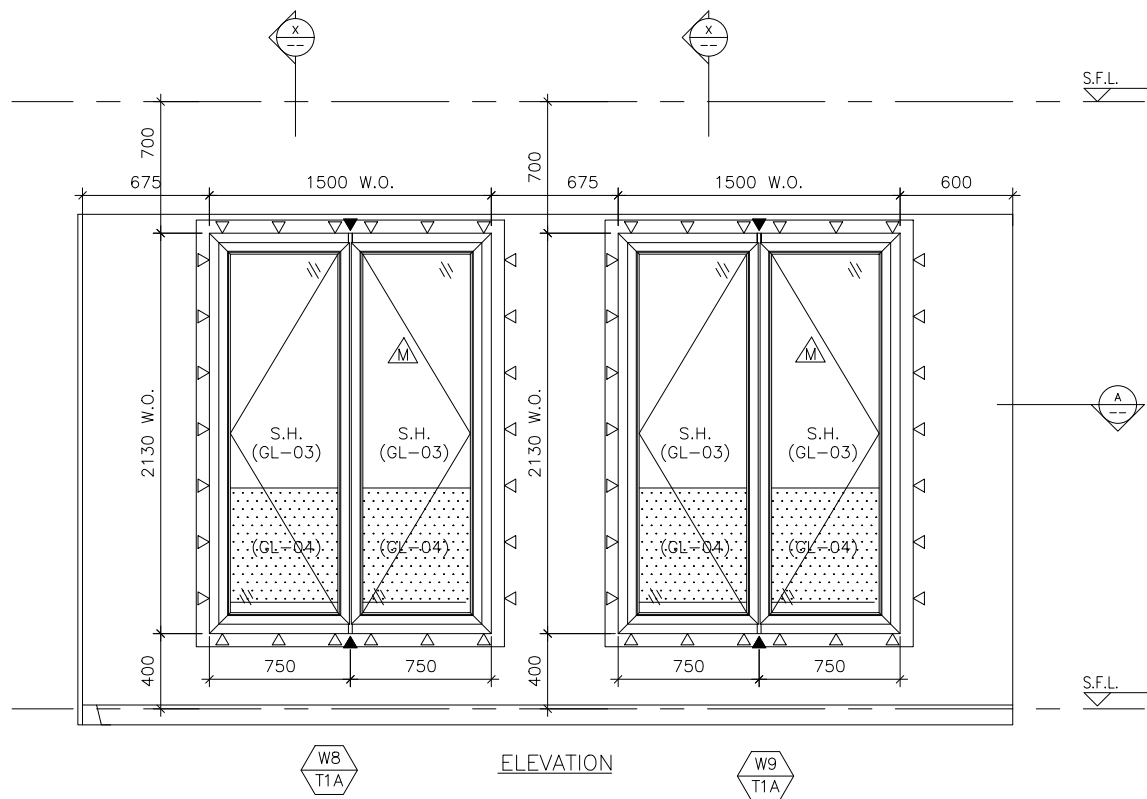
LOCATION 2/F-20/F B.R.1 & B.R.2 AT TOWER 1 FLAT A

SECTION 70mm ALUM. SECTION

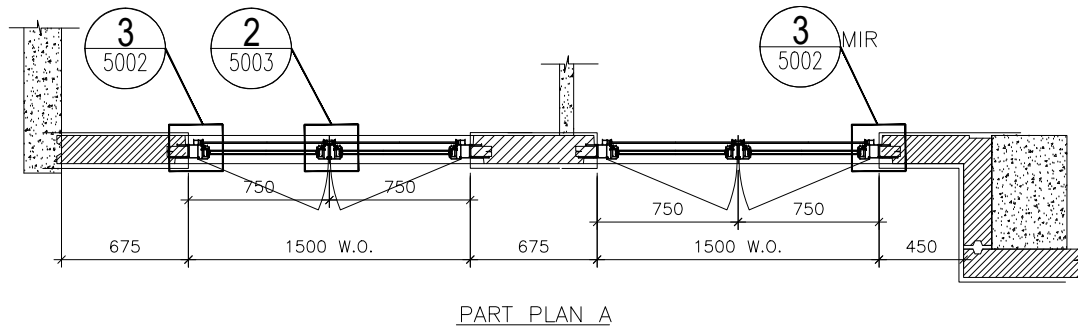
GLAZING GL-03

QUANTITY 16 / 16

REMARKS FAÇADE (PF-23)



SECTION "X-X"



PART PLAN A

TYPE F	
OPENABLE WINDOW DIMENSION	(WIDTH) = 750 (HEIGHT) = 2130
NUMBER OF OPENABLE AREA WINDOW	= 1
GLAZING AREA	
OPENABLE	
WIDTH = 750-111.5-66.5	= 572 mm
HEIGHT = (2130+400)-111.5-1000	= 1418.5 mm
TOTAL = ((572x1418.5)x2)/1000000	= 1.622764 m ²
OPENABLE AREA	
WIDTH = 750-77-32	= 641 mm
HEIGHT = 2130-77-(1160-385-15)	= 1293 mm
TOTAL = ((641x1293)x1)/1000000	= 0.828813 m ²

PROVIDED	
GLAZING AREA	1.623 m ²
OPENABLE AREA	0.829 m ²

TYPE F	
OPENABLE WINDOW DIMENSION	(WIDTH) = 750 (HEIGHT) = 2130
NUMBER OF OPENABLE AREA WINDOW	= 1
GLAZING AREA	
OPENABLE	
WIDTH = 750-111.5-66.5	= 572 mm
HEIGHT = (2130+400)-111.5-1000	= 1418.5 mm
TOTAL = ((572x1418.5)x2)/1000000	= 1.622764 m ²
OPENABLE AREA	
WIDTH = 750-77-32	= 641 mm
HEIGHT = 2130-77-(1160-385-15)	= 1293 mm
TOTAL = ((641x1293)x1)/1000000	= 0.828813 m ²

PROVIDED	
GLAZING AREA	1.623 m ²
OPENABLE AREA	0.829 m ²

B.D. REF :

CLIENT :

ARCHITECT :
AGC DESIGN LTD

MAIN CONTRACTOR :
Gammon

STRUCTURAL ENGINEER :
ARUP

FAÇADE CONSULTANT :
MEINHARDT

NOTE :
1. ALL DIMENSIONS ARE IN mm.
2. ALL ELEVATIONS ARE VIEWED FROM OUTSIDE.
3. ALL DIMENSIONS TO BE VERIFIED ON SITE BEFORE FABRICATION.

LEGEND :
X1 -- DETAIL MARK NO.
X001 -- REFER SHEET NO.
1. F.F.L. -- FINISHED FLOOR LEVEL
2. S.F.L. -- STRUCTURAL FLOOR LEVEL
3. (R) -- REVERSED DETAIL
4. ▲ -- FIXING LOCATION
5. △ -- FIXING LUG LOCATION
6. GLASS LEGEND
GL01 -- 8mm+12mm AIR GAP+10mm THK. I.G.U.
GL01a -- 8mm+9mm AIR GAP+12mm THK. I.G.U.
GL03 -- 6mm+12mm AIR GAP+6mm THK. I.G.U.
GL04 -- 10mm THK. TEMPERED GLASS (PROTECTIVE BARRIER)
GL05 -- 6mm+12mm AIR GAP+8mm THK. I.G.U.

A	03/06/2020	REVISION SUBJECT TO ARCH.COMMENT	lvn
NO.	DATE	REVISED	BY

JOB NO. : J-852
PROJECT : PROPOSED RESIDENTIAL DEVELOPMENT AT 139 - 147 ARGYLE STREET, NKIL 6005, 6035 R.P., 6036 R.P., 6037 R.P. & 6038 R.P.

TITLE : WINDOW SCHEDULE FOR ALUM. WINDOW

DATE : 22-Apr-20 SCALE : 1:40
DRAWN BY : MN CHECKED BY : DW

美特鋁質有限公司
MIDI ALUMINIUM FABRICATOR LTD.
Units 6-8, Sunray Industrial Centre, 1/F
610 Cha Kwo Ling Road, Kowloon
Tel:23489211-4 Fax:(852)2727666

DWG NO. : J852-SD-PW-4108A REV. : B

ELEVATION

WINDOW MARK W9
T1A / W8
T1A

LOCATION 21/F B.R.1 & B.R.2 AT TOWER 1 FLAT A

SECTION 70mm ALUM. SECTION

GLAZING GL-03

QUANTITY 1 / 1

REMARKS FAÇADE (PF-23)

B.D. REF :

CLIENT :

ARCHITECT :
AGC DESIGN LTD
 2/F, 247, Chung Hing, 220 (Hwy) 1, New Territories, Hong Kong
 Tel: (852)2717118, Fax: (852)2717113, Email: agc@agcdesign.com.hk

MAIN CONTRACTOR :
Gammon

STRUCTURAL ENGINEER :
ARUP

FAÇADE CONSULTANT:
MEINHARDT

NOTE :
 1. ALL DIMENSIONS ARE IN mm.
 2. ALL ELEVATIONS ARE VIEWED FROM OUTSIDE.
 3. ALL DIMENSIONS TO BE VERIFIED ON SITE BEFORE FABRICATION.

LEGEND :
 (X1) --- DETAIL MARK NO.
 (X001) --- REFER SHEET NO.
 1. F.F.L. --- FINISHED FLOOR LEVEL
 2. S.F.L. --- STRUCTURAL FLOOR LEVEL
 3. (R) --- REVERSED DETAIL
 4. ▲ --- FIXING LOCATION
 5. △ --- FIXING LUG LOCATION
 6. GLASS LEGEND
 GL01 --- 8mm+12mm AIR GAP+10mm THK. I.G.U.
 GL01a --- 8mm+9mm AIR GAP+12mm THK. I.G.U.
 GL03 --- 6mm+12mm AIR GAP+6mm THK. I.G.U.
 GL04 --- 10mm THK. TEMPERED GLASS (PROTECTIVE BARRIER)
 GL05 --- 6mm+12mm AIR GAP+8mm THK. I.G.U.

B	24/08/2020	REVISION SUBJECT TO ARCH.COMMENT	lvn
A	29/05/2020	REVISION SUBJECT TO ARCH.COMMENT	lvn
NO.	DATE	REVISED	BY

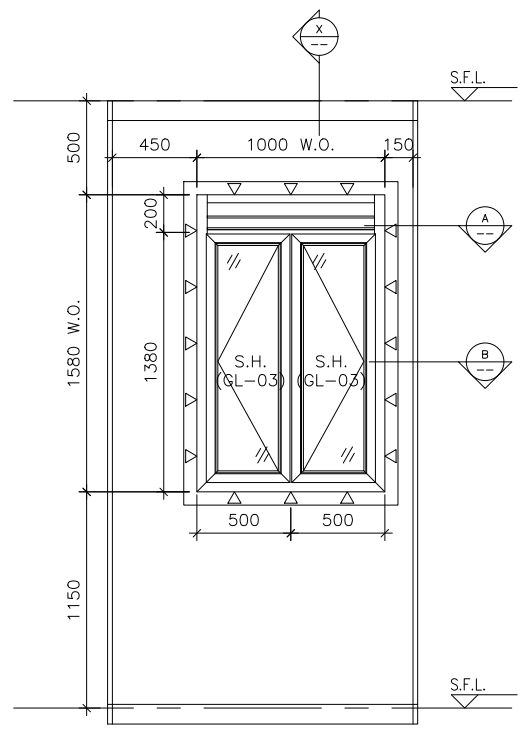
JOB NO. : J-852
 PROJECT : PROPOSED RESIDENTIAL DEVELOPMENT AT 139 - 147 ARGYLE STREET, NKIL 6005, 6035 R.P., 6036 R.P., 6037 R.P. & 6038 R.P.

TITLE : WINDOW SCHEDULE FOR ALUM. WINDOW

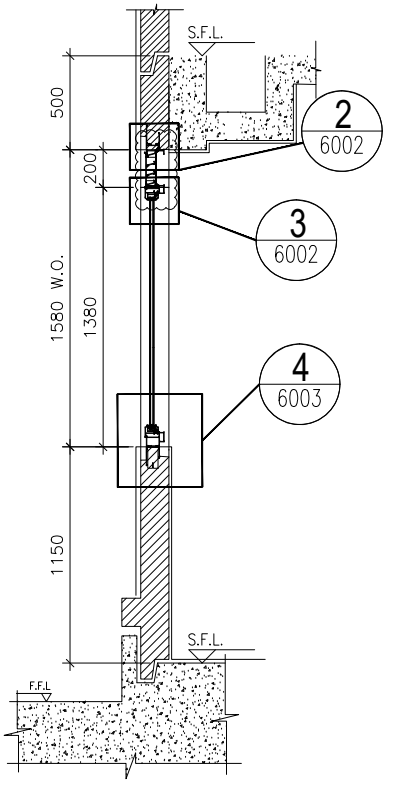
DATE : 22-Apr-20 SCALE : 1:40
 DRAWN BY : MN CHECKED BY : DW

美特鋁質有限公司
MIDI ALUMINIUM FABRICATOR LTD.
 Units 6-8, Sunray Industrial Centre, 1/F
 610 Cha Kwo Ling Road, Kowloon
 Tel:23489211-4 Fax:(852)2772666

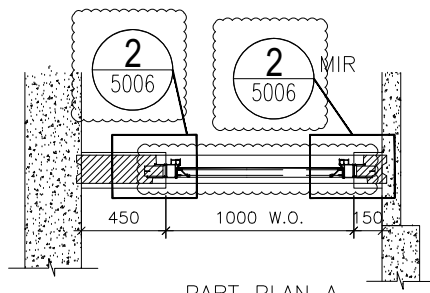
DWG NO. : J852-SD-PW-4109A REV. : B



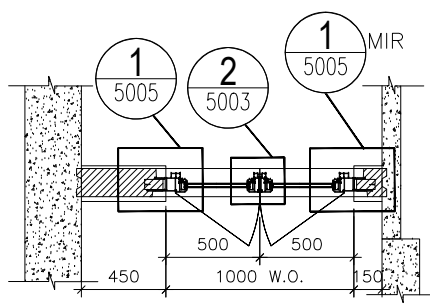
ELEVATION



SECTION "X-X"



PART PLAN A



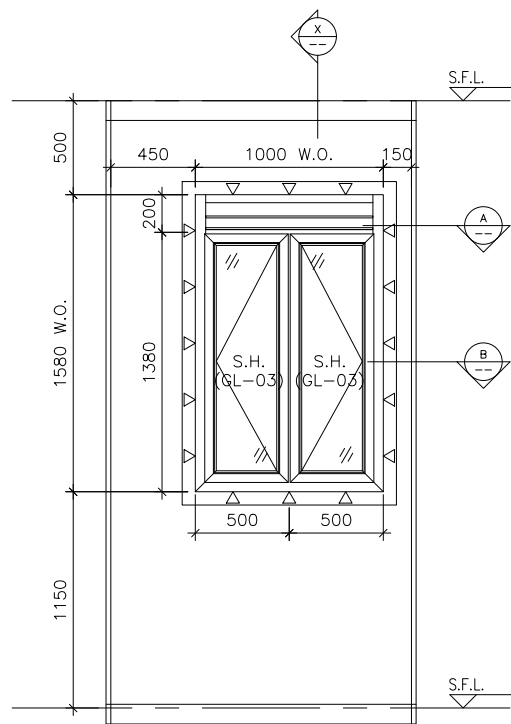
PART PLAN B

TYPE C			
OPENABLE WINDOW DIMENSION	(WIDTH) =	500	
	(HIGHT) =	1380	
NUMBER OF OPENABLE AREA WINDOW	=	2	
GLAZING AREA			
WIDTH =	500-111.5-66.5	=	322 mm
HIGHT =	1380-69.5-111.5	=	1199 mm
TOTAL =	((322x1199)x2)/1000000	=	0.772156 m ²
OPENABLE AREA			
WIDTH =	500-77-32	=	391 mm
HIGHT =	1380-32-77	=	1271 mm
TOTAL =	((391x1271)x2)/1000000	=	0.993922 m ²
		PROVIDED	
	GLAZING AREA	0.774	m ²
	OPENABLE AREA	0.994	m ²

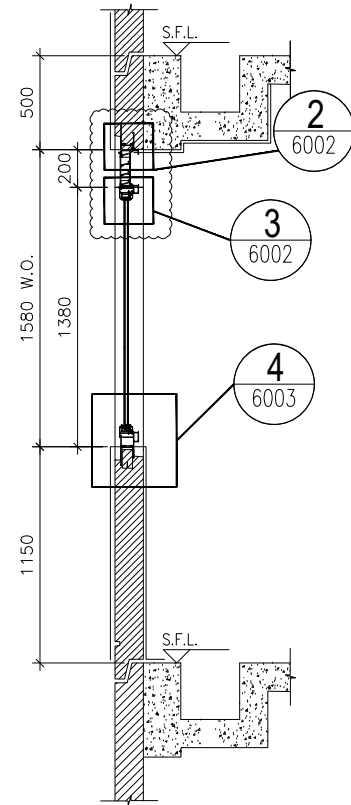
ELEVATION

WINDOW MARK

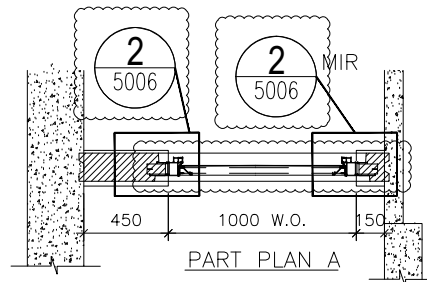
LOCATION : 1/F KIT. AT TOWER 1 FLAT C
 SECTION : 70mm ALUM. SECTION
 GLAZING : GL-03
 QUANTITY : 1
 REMARKS : FAÇADE (PF-31)



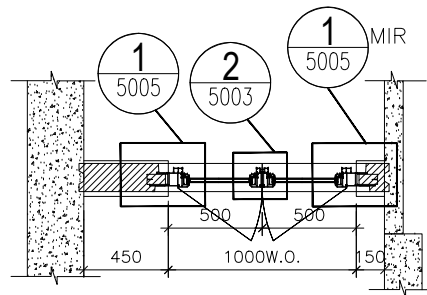
ELEVATION



SECTION "X-X"



PART PLAN A



PART PLAN B

TYPE C			
OPENABLE WINDOW DIMENSION	(WIDTH)	=	500
	(HEIGHT)	=	1380
NUMBER OF OPENABLE AREA WINDOW		=	2
GLAZING AREA			
WIDTH	=	500-111.5-66.5	= 322 mm
HEIGHT	=	1380-69.5-111.5	= 1199 mm
TOTAL	=	((322x1199)x2)/1000000	= 0.772156 m ²
OPENABLE AREA			
WIDTH	=	500-77-32	= 391 mm
HEIGHT	=	1380-32-77	= 1271 mm
TOTAL	=	((391x1271)x2)/1000000	= 0.993922 m ²
		PROVIDED	
		GLAZING AREA	0.774 m ²
		OPENABLE AREA	0.994 m ²

B.D. REF :

CLIENT :

ARCHITECT :
AGC DESIGN LTD
 architects urban design interior design
 6/F, 687, Chung Hing Road, 220 Hong Kong, Kowloon, Hong Kong
 Tel: (852)27771718, Fax: (852)27771717, Email: agc@agcdesign.com.hk

MAIN CONTRACTOR :
Gammon

STRUCTURAL ENGINEER :
ARUP

FAÇADE CONSULTANT:
MEINHARDT

- NOTE :
- ALL DIMENSIONS ARE IN mm.
 - ALL ELEVATIONS ARE VIEWED FROM OUTSIDE.
 - ALL DIMENSIONS TO BE VERIFIED ON SITE BEFORE FABRICATION.
- LEGEND :
- X1 --- DETAIL MARK NO.
 - X001 --- REFER SHEET NO.
 - F.F.L. --- FINISHED FLOOR LEVEL
 - S.F.L. --- STRUCTURAL FLOOR LEVEL
 - (R) --- REVERSED DETAIL
 - ▲ --- FIXING LOCATION
 - △ --- FIXING LUG LOCATION
6. GLASS LEGEND
- GL01 -- 8mm+12mm AIR GAP+10mm THK. I.G.U.
 - GL01a -- 8mm+9mm AIR GAP+12mm THK. I.G.U.
 - GL03 -- 6mm+12mm AIR GAP+6mm THK. I.G.U.
 - GL04 -- 10mm THK. TEMPERED GLASS (PROTECTIVE BARRIER)
 - GL05 -- 6mm+12mm AIR GAP+8mm THK. I.G.U.

E	24/08/2020	REVISION SUBJECT TO ARCH.COMMENT	lvn
D	29/05/2020	REVISION SUBJECT TO ARCH.COMMENT	lvn
C	22/04/2020	REVISION SUBJECT TO ARCH.COMMENT	lvn
B	05/03/2020	REVISION SUBJECT TO ARCH.COMMENT	lvn
A	24/02/2020	REVISION SUBJECT TO ARCH.COMMENT	SH
NO.	DATE	REVISED	BY

JOB NO. : J-852

PROJECT : PROPOSED RESIDENTIAL DEVELOPMENT AT 139 - 147 ARGYLE STREET, NKIL 6005, 6035 R.P., 6036 R.P., 6037 R.P. & 6038 R.P.

TITLE : WINDOW SCHEDULE FOR ALUM. WINDOW

DATE : 05-Dec-19 SCALE : 1:40

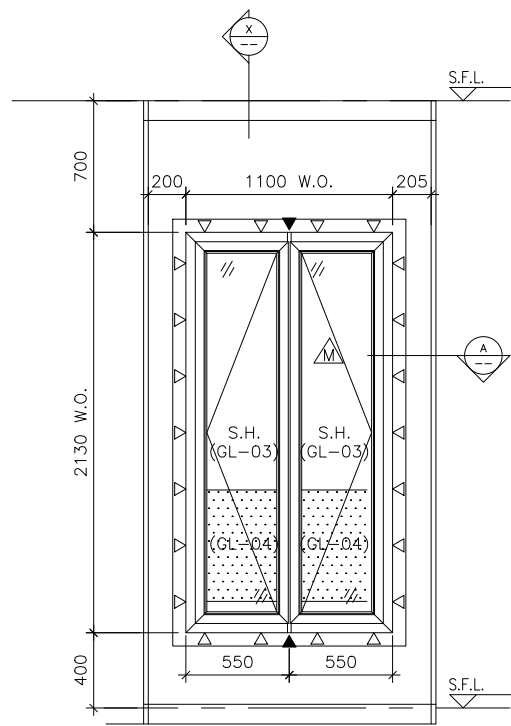
DRAWN BY : MN CHECKED BY : DW

美特鋁質有限公司
MIDI ALUMINIUM FABRICATOR LTD.
 Units 6-8, Sunray Industrial Centre, 1/F
 610 Cha Kwo Ling Road, Kowloon
 Tel:23489211-4 Fax:(852)27727666

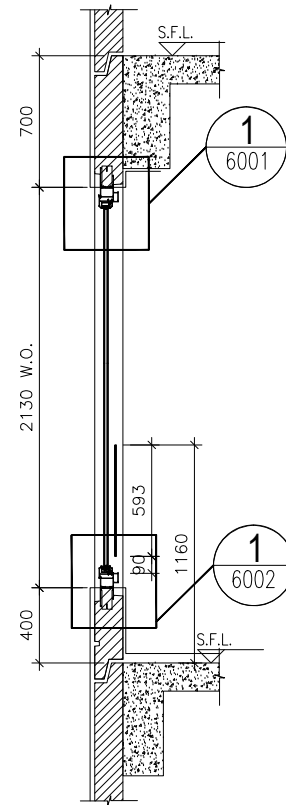
DWG NO. : J852-SD-PW-4109 REV. : E

ELEVATION

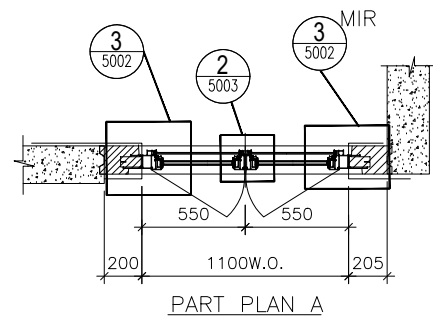
WINDOW MARK	W6 T1C
LOCATION	2/F-21/F KIT. AT TOWER 1 FLAT C
SECTION	70mm ALUM. SECTION
GLAZING	GL-03
QUANTITY	17
REMARKS	FAÇADE (PF-31)



ELEVATION



SECTION "X-X"



PART PLAN A

ELEVATION

TYPE F			
OPENABLE WINDOW DIMENSION	(WIDTH)	=	550
	(HEIGHT)	=	2130
NUMBER OF OPENABLE AREA WINDOW		=	1
GLAZING AREA			
OPENABLE			
WIDTH	=	550-111.5-66.5	= 372 mm
HEIGHT	=	(2130+400)-111.5-1000	= 1418.5 mm
TOTAL	=	((372x1418.5)x2)/1000000	= 1.055364 m ²
OPENABLE AREA			
WIDTH	=	550-77-32	= 441 mm
HEIGHT	=	2130-77-(1160-385-15)	= 1293 mm
TOTAL	=	((441x1293)x1)/1000000	= 0.570213 m ²
		PROVIDED	
	GLAZING AREA	1.055	m ²
	OPENABLE AREA	0.570	m ²

B.D. REF :

CLIENT :

ARCHITECT :
AGC DESIGN LTD
 architects urban design interior design
 6/F, 257, Canton Road, 255 Hong Kong, Tel: 3422 1111, Fax: 3422 1111, Email: agc@agc.com.hk

MAIN CONTRACTOR :
Gammon

STRUCTURAL ENGINEER :
ARUP

FACADE CONSULTANT:
MEINHARDT

NOTE :
 1. ALL DIMENSIONS ARE IN mm.
 2. ALL ELEVATIONS ARE VIEWED FROM OUTSIDE.
 3. ALL DIMENSIONS TO BE VERIFIED ON SITE BEFORE FABRICATION.

LEGEND :
 (X1) --- DETAIL MARK NO.
 (X001) --- REFER SHEET NO.

1. F.F.L. --- FINISHED FLOOR LEVEL
 2. S.F.L. --- STRUCTURAL FLOOR LEVEL
 3. (R) --- REVERSED DETAIL
 4. ▲ --- FIXING LOCATION
 5. △ --- FIXING LUG LOCATION
 6. GLASS LEGEND
 GL01 --- 8mm+12mm AIR GAP+10mm THK. I.G.U.
 GL01a --- 8mm+9mm AIR GAP+12mm THK. I.G.U.
 GL03 --- 6mm+12mm AIR GAP+6mm THK. I.G.U.
 GL04 --- 10mm THK. TEMPERED GLASS (PROTECTIVE BARRIER)
 GL05 --- 6mm+12mm AIR GAP+8mm THK. I.G.U.

E	24/08/2020	REVISION SUBJECT TO ARCH.COMMENT	lvn
D	03/06/2020	REVISION SUBJECT TO ARCH.COMMENT	lvn
C	22/04/2020	REVISION SUBJECT TO ARCH.COMMENT	lvn
B	05/03/2020	REVISION SUBJECT TO ARCH.COMMENT	lvn
A	24/02/2020	REVISION SUBJECT TO ARCH.COMMENT	SH
NO.	DATE	REVISED	BY

JOB NO. : J-852
 PROJECT : PROPOSED RESIDENTIAL DEVELOPMENT AT 139 - 147 ARGYLE STREET, NKIL 6005, 6035 R.P., 6036 R.P., 6037 R.P. & 6038 R.P.

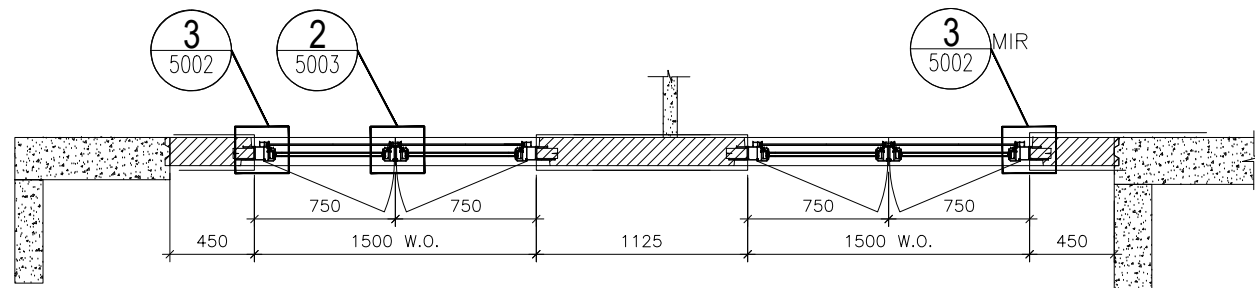
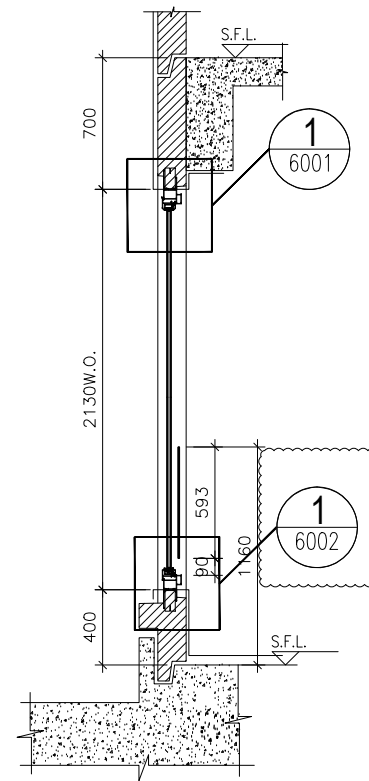
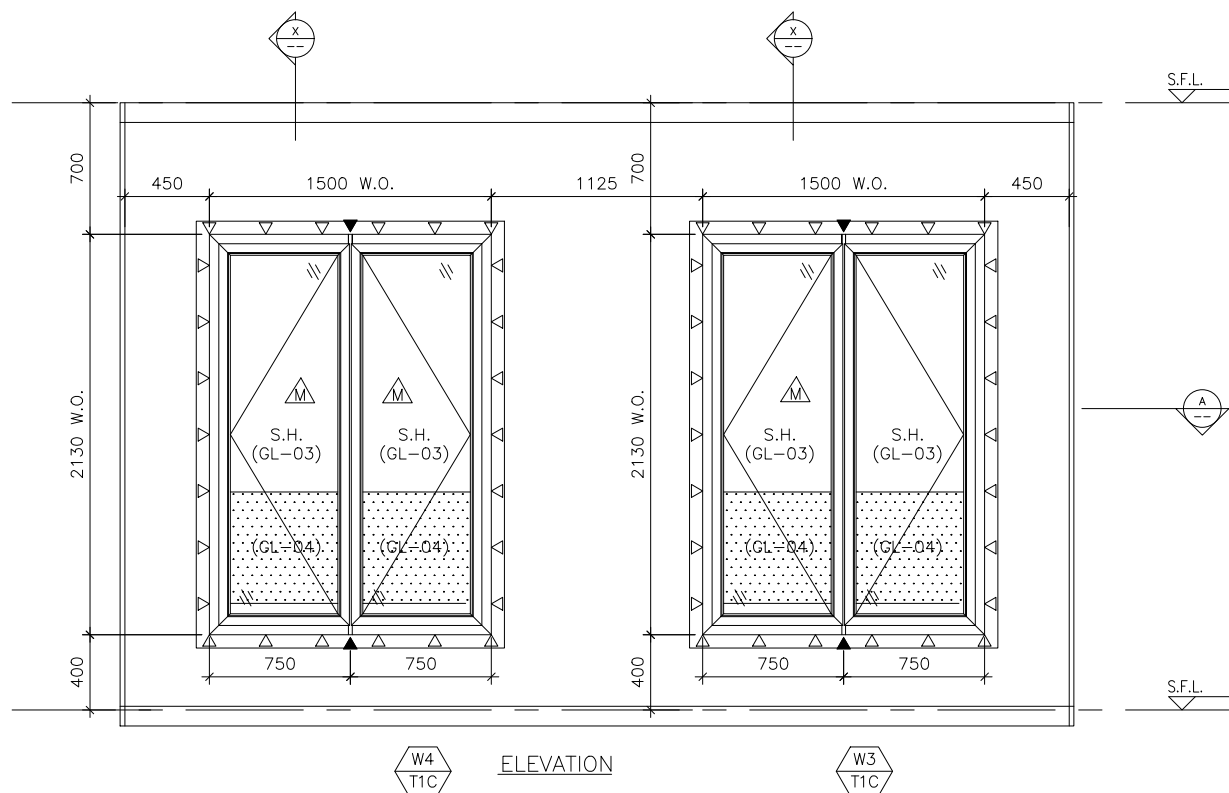
TITLE : WINDOW SCHEDULE FOR ALUM. WINDOW

DATE : 05-Dec-19 SCALE : 1:40
 DRAWN BY : MN CHECKED BY : DW

美特鋁質有限公司
MIDI ALUMINIUM FABRICATOR LTD.
 Units 6-8, Sunray Industrial Centre, 1/F
 610 Cha Kwo Ling Road, Kowloon
 Tel:23489211-4 Fax:(852)2727666

DWG NO. : J852-SD-PW-4110 REV. : E

WINDOW MARK	W5 T1C
LOCATION	2/F-21/F B.R.2 AT TOWER 1 FLAT C
SECTION	70mm ALUM. SECTION
GLAZING	GL-03
QUANTITY	17
REMARKS	FACADE (PF-32)



TYPE F			
OPENABLE WINDOW DIMENSION	(WIDTH) =	750	
	(HEIGHT) =	2130	
NUMBER OF OPENABLE AREA WINDOW	=	0	
GLAZING AREA			
OPENABLE			
WIDTH =	750-111.5-66.5	=	572 mm
HIGHT =	(2130+400)-111.5-1000	=	1418.5 mm
TOTAL =	((572x1418.5)x2)/1000000	=	1.622764 m ²
OPENABLE AREA			
WIDTH =	750-77-32	=	641 mm
HIGHT =	2130-77-(1160-385-15)	=	1293 mm
TOTAL =	((641x1293)x0)/1000000	=	0 m ²
		PROVIDED	
W4 T1C	GLAZING AREA	1.623	m ²
	OPENABLE AREA	0	m ²

TYPE F			
OPENABLE WINDOW DIMENSION	(WIDTH) =	750	
	(HEIGHT) =	2130	
NUMBER OF OPENABLE AREA WINDOW	=	1	
GLAZING AREA			
OPENABLE			
WIDTH =	750-111.5-66.5	=	572 mm
HIGHT =	(2130+400)-111.5-1000	=	1418.5 mm
TOTAL =	((572x1418.5)x2)/1000000	=	1.622764 m ²
OPENABLE AREA			
WIDTH =	750-77-32	=	641 mm
HIGHT =	2130-77-(1160-385-15)	=	1293 mm
TOTAL =	((641x1293)x1)/1000000	=	0.828813 m ²
		PROVIDED	
W3 T1C	GLAZING AREA	1.623	m ²
	OPENABLE AREA	0.829	m ²

B.D. REF :

CLIENT :

ARCHITECT :
AGC DESIGN LTD

MAIN CONTRACTOR :
Gammon

STRUCTURAL ENGINEER :
ARUP

FAÇADE CONSULTANT:
MEINHARDT

- NOTE :
- ALL DIMENSIONS ARE IN mm.
 - ALL ELEVATIONS ARE VIEWED FROM OUTSIDE.
 - ALL DIMENSIONS TO BE VERIFIED ON SITE BEFORE FABRICATION.
- LEGEND :
- X1 - DETAIL MARK NO.
 - X001 - REFER SHEET NO.
 - F.F.L. -- FINISHED FLOOR LEVEL
 - S.F.L. -- STRUCTURAL FLOOR LEVEL
 - (R) -- REVERSED DETAIL
 - ▲ -- FIXING LOCATION
 - △ -- FIXING LUG LOCATION
6. GLASS LEGEND
- GL01 -- 8mm+12mm AIR GAP+10mm THK. I.G.U.
 - GL01a -- 8mm+9mm AIR GAP+12mm THK. I.G.U.
 - GL03 -- 6mm+12mm AIR GAP+6mm THK. I.G.U.
 - GL04 -- 10mm THK. TEMPERED GLASS (PROTECTIVE BARRIER)
 - GL05 -- 6mm+12mm AIR GAP+8mm THK. I.G.U.

B	24/08/2020	REVISION SUBJECT TO ARCH.COMMENT	Ivan
A	03/06/2020	REVISION SUBJECT TO ARCH.COMMENT	Ivan
NO.	DATE	REVISED	BY

JOB NO. : J-852

PROJECT : PROPOSED RESIDENTIAL DEVELOPMENT AT 139 - 147 ARGYLE STREET, NKIL 6005, 6035 R.P., 6036 R.P., 6037 R.P. & 6038 R.P.

TITLE : WINDOW SCHEDULE FOR ALUM. WINDOW

DATE : 22-Apr-20 SCALE : 1:40

DRAWN BY : MN CHECKED BY : DW

美特鋁質有限公司
MIDI ALUMINIUM FABRICATOR LTD.
Units 6-8, Sunray Industrial Centre, 1/F
610 Cha Kwo Ling Road, Kowloon
Tel:23489211-4 Fax:(852)2727666

DWG NO. : J852-SD-PW-4111A REV. : B

ELEVATION

WINDOW MARK W4 / W3 T1C / T1C

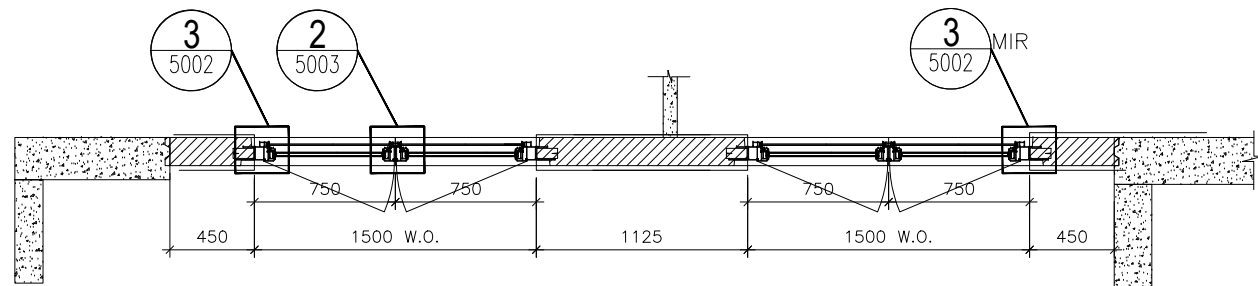
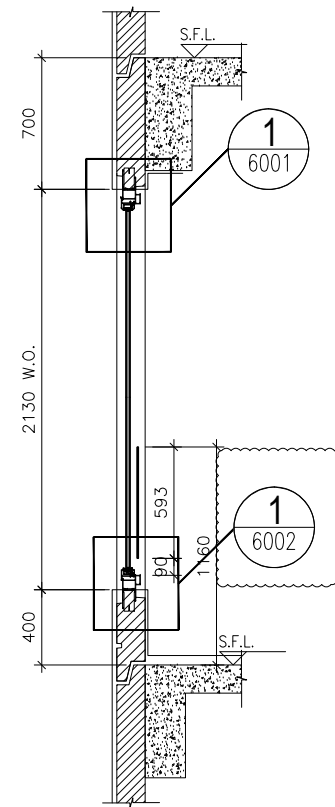
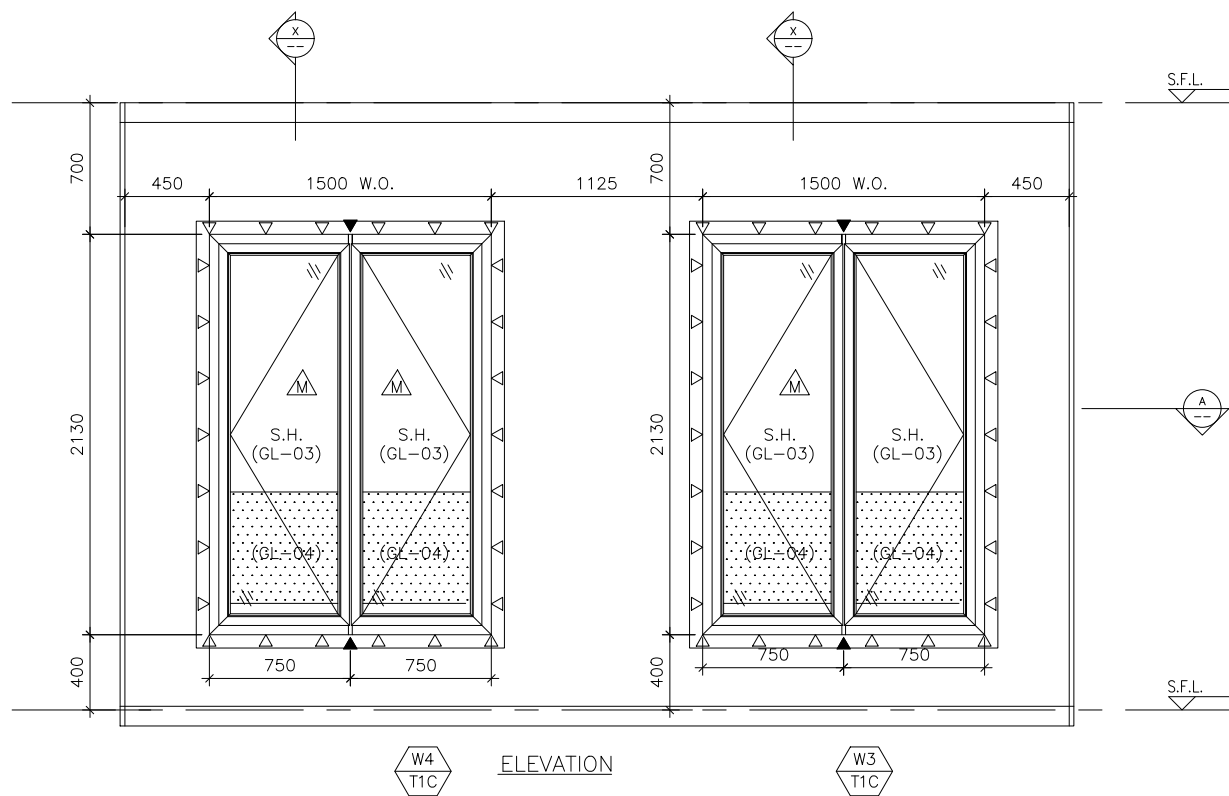
LOCATION 1/F M.B.R.1 & B.R.2 AT TOWER 1 FLAT C

SECTION 70mm ALUM. SECTION

GLAZING GL-03

QUANTITY 1 / 1

REMARKS FAÇADE (PF-33)



PART PLAN A

TYPE F			
OPENABLE WINDOW DIMENSION	(WIDTH) =	750	
	(HEIGHT) =	2130	
NUMBER OF OPENABLE AREA WINDOW	=	0	
GLAZING AREA			
OPENABLE			
WIDTH =	750-111.5-66.5	=	572 mm
HIGHT =	(2130+400)-111.5-1000	=	1418.5 mm
TOTAL =	((572x1418.5)x2)/1000000	=	1.622764 m ²
OPENABLE AREA			
WIDTH =	750-77-32	=	641 mm
HIGHT =	2130-77-(1160-385-15)	=	1293 mm
TOTAL =	((641x1293)x0)/1000000	=	0 m ²
		PROVIDED	
W4 T1C	GLAZING AREA	1.623	m ²
	OPENABLE AREA	0	m ²

TYPE F			
OPENABLE WINDOW DIMENSION	(WIDTH) =	750	
	(HEIGHT) =	2130	
NUMBER OF OPENABLE AREA WINDOW	=	1	
GLAZING AREA			
OPENABLE			
WIDTH =	750-111.5-66.5	=	572 mm
HIGHT =	(2130+400)-111.5-1000	=	1418.5 mm
TOTAL =	((572x1418.5)x2)/1000000	=	1.622764 m ²
OPENABLE AREA			
WIDTH =	750-77-32	=	641 mm
HIGHT =	2130-77-(1160-385-15)	=	1293 mm
TOTAL =	((641x1293)x1)/1000000	=	0.828813 m ²
		PROVIDED	
W3 T1C	GLAZING AREA	1.623	m ²
	OPENABLE AREA	0.829	m ²

B.D. REF :

CLIENT :

ARCHITECT :
AGC DESIGN LTD

MAIN CONTRACTOR :
Gammon

STRUCTURAL ENGINEER :
ARUP

FAÇADE CONSULTANT :
MEINHARDT

- NOTE :
- ALL DIMENSIONS ARE IN mm.
 - ALL ELEVATIONS ARE VIEWED FROM OUTSIDE.
 - ALL DIMENSIONS TO BE VERIFIED ON SITE BEFORE FABRICATION.
- LEGEND :
- X1 -- DETAIL MARK NO.
 - X001 -- REFER SHEET NO.
 - F.F.L. -- FINISHED FLOOR LEVEL
 - S.F.L. -- STRUCTURAL FLOOR LEVEL
 - (R) -- REVERSED DETAIL
 - ▲ -- FIXING LOCATION
 - △ -- FIXING LUG LOCATION
6. GLASS LEGEND
- GL01 -- 8mm+12mm AIR GAP+10mm THK. I.G.U.
 - GL01a -- 8mm+9mm AIR GAP+12mm THK. I.G.U.
 - GL03 -- 6mm+12mm AIR GAP+6mm THK. I.G.U.
 - GL04 -- 10mm THK. TEMPERED GLASS (PROTECTIVE BARRIER)
 - GL05 -- 6mm+12mm AIR GAP+8mm THK. I.G.U.

E	24/08/2020	REVISION SUBJECT TO ARCH.COMMENT	lvn
D	03/06/2020	REVISION SUBJECT TO ARCH.COMMENT	lvn
C	22/04/2020	REVISION SUBJECT TO ARCH.COMMENT	lvn
B	05/03/2020	REVISION SUBJECT TO ARCH.COMMENT	lvn
A	24/02/2020	REVISION SUBJECT TO ARCH.COMMENT	SH
NO.	DATE	REVISED	BY

JOB NO. : J-852

PROJECT : PROPOSED RESIDENTIAL DEVELOPMENT AT 139 - 147 ARGYLE STREET, NKIL 6005, 6035 R.P., 6036 R.P., 6037 R.P. & 6038 R.P.

TITLE : WINDOW SCHEDULE FOR ALUM. WINDOW

DATE : 05-Dec-19 SCALE : 1:40

DRAWN BY : MN CHECKED BY : DW

美特鋁質有限公司
MIDI ALUMINIUM FABRICATOR LTD.
Units 6-8, Sunray Industrial Centre, 1/F
610 Cha Kwo Ling Road, Kowloon
Tel:23489211-4 Fax:(852)2727666

DWG NO. : J852-SD-PW-4111 REV. : E

ELEVATION

WINDOW MARK	W4 / W3 T1C / T1C
LOCATION	2/F-21/F M.B.R.1 & B.R.2 AT TOWER 1 FLAT C
SECTION	70mm ALUM. SECTION
GLAZING	GL-03
QUANTITY	17 / 17
REMARKS	FACADE (PF-33)

B.D. REF :

CLIENT :

ARCHITECT :
AGC DESIGN LTD
 610, 612, 614, 616, 618, 620, 622, 624, 626, 628, 630, 632, 634, 636, 638, 640, 642, 644, 646, 648, 650, 652, 654, 656, 658, 660, 662, 664, 666, 668, 670, 672, 674, 676, 678, 680, 682, 684, 686, 688, 690, 692, 694, 696, 698, 700, 702, 704, 706, 708, 710, 712, 714, 716, 718, 720, 722, 724, 726, 728, 730, 732, 734, 736, 738, 740, 742, 744, 746, 748, 750, 752, 754, 756, 758, 760, 762, 764, 766, 768, 770, 772, 774, 776, 778, 780, 782, 784, 786, 788, 790, 792, 794, 796, 798, 800, 802, 804, 806, 808, 810, 812, 814, 816, 818, 820, 822, 824, 826, 828, 830, 832, 834, 836, 838, 840, 842, 844, 846, 848, 850, 852, 854, 856, 858, 860, 862, 864, 866, 868, 870, 872, 874, 876, 878, 880, 882, 884, 886, 888, 890, 892, 894, 896, 898, 900, 902, 904, 906, 908, 910, 912, 914, 916, 918, 920, 922, 924, 926, 928, 930, 932, 934, 936, 938, 940, 942, 944, 946, 948, 950, 952, 954, 956, 958, 960, 962, 964, 966, 968, 970, 972, 974, 976, 978, 980, 982, 984, 986, 988, 990, 992, 994, 996, 998, 1000

MAIN CONTRACTOR :
Gammon

STRUCTURAL ENGINEER :
ARUP

FACADE CONSULTANT:
MEINHARDT

NOTE :
 1. ALL DIMENSIONS ARE IN mm.
 2. ALL ELEVATIONS ARE VIEWED FROM OUTSIDE.
 3. ALL DIMENSIONS TO BE VERIFIED ON SITE BEFORE FABRICATION.

LEGEND :
 X1 --- DETAIL MARK NO.
 X001 --- REFER SHEET NO.
 1. F.F.L. --- FINISHED FLOOR LEVEL
 2. S.F.L. --- STRUCTURAL FLOOR LEVEL
 3. (R) --- REVERSED DETAIL
 4. ▲ --- FIXING LOCATION
 5. △ --- FIXING LUG LOCATION
 6. GLASS LEGEND

GL01 -- 8mm+12mm AIR GAP+10mm THK. I.G.U.
 GL01a -- 8mm+9mm AIR GAP+12mm THK. I.G.U.
 GL03 -- 6mm+12mm AIR GAP+6mm THK. I.G.U.
 GL04 -- 10mm THK. TEMPERED GLASS (PROTECTIVE BARRIER)
 GL05 -- 6mm+12mm AIR GAP+8mm THK. I.G.U.

NO.	DATE	REVISION	BY
C	17/09/2020	REVISION SUBJECT TO ARCH.COMMENT	ivan
B	24/08/2020	REVISION SUBJECT TO ARCH.COMMENT	ivan
A	29/05/2020	REVISION SUBJECT TO ARCH.COMMENT	ivan

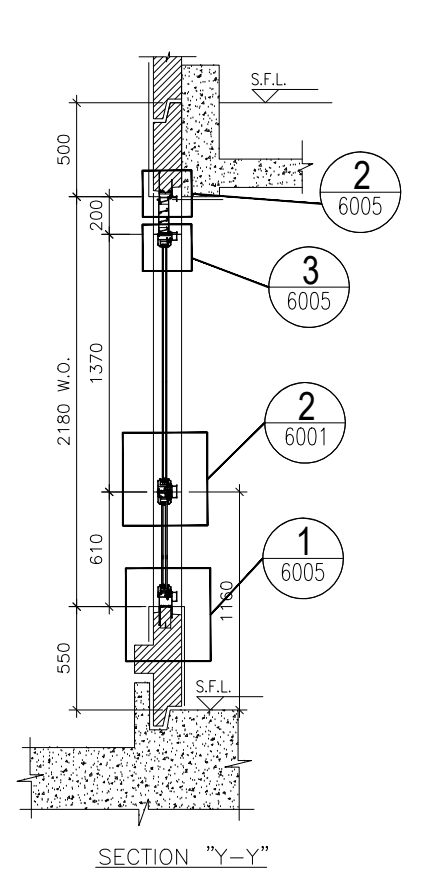
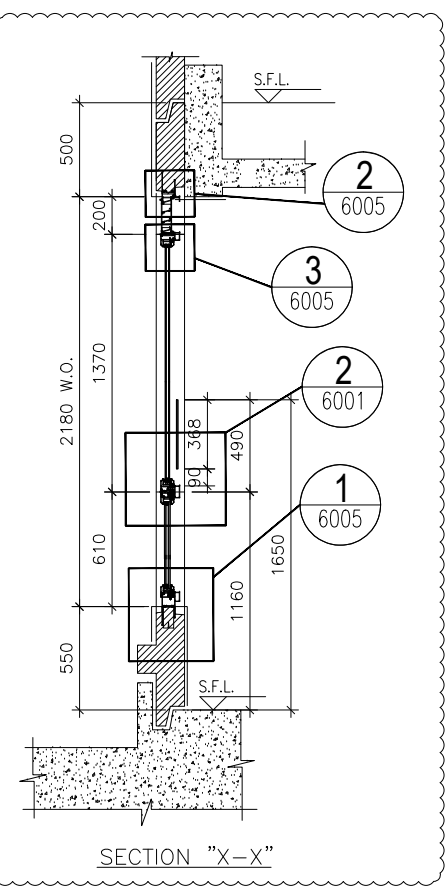
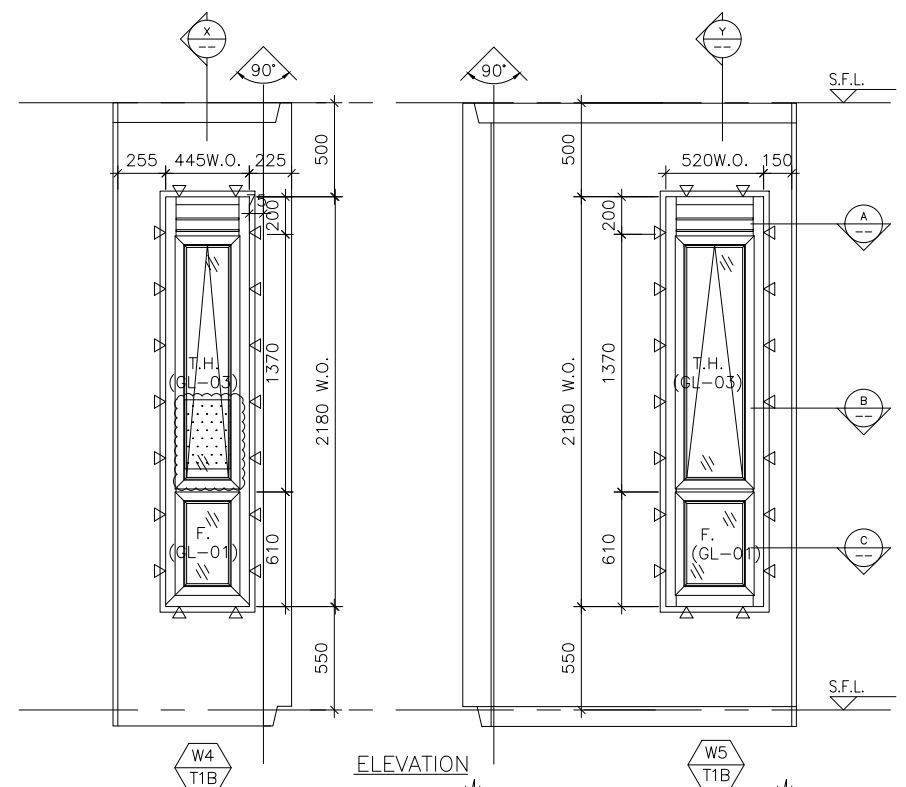
JOB NO. : J-852
 PROJECT : PROPOSED RESIDENTIAL DEVELOPMENT AT 139 - 147 ARGYLE STREET, NKIL 6005, 6035 R.P., 6036 R.P., 6037 R.P. & 6038 R.P.

TITLE : WINDOW SCHEDULE FOR ALUM. WINDOW

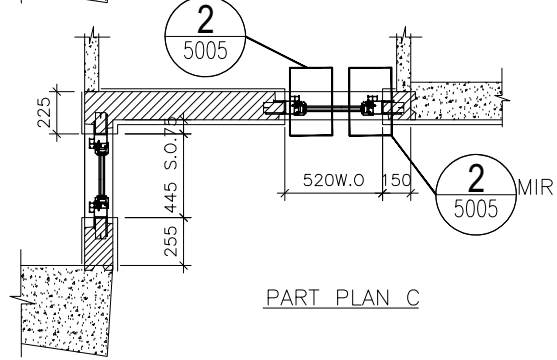
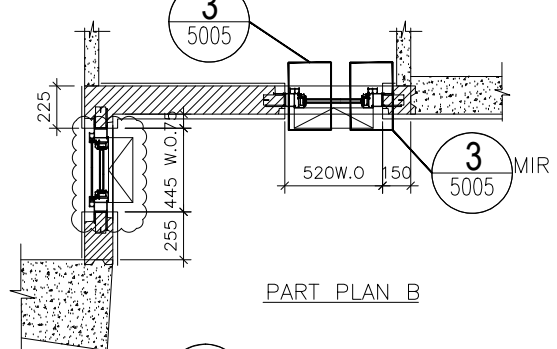
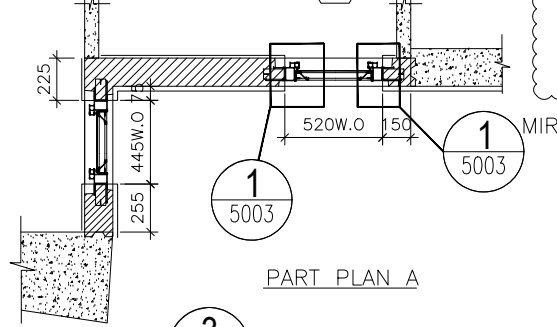
DATE : 22-Apr-20 SCALE : 1:40
 DRAWN BY : MN CHECKED BY : DW

美特鋁質有限公司
MIDI ALUMINIUM FABRICATOR LTD.
 Units 6-8, Sunray Industrial Centre, 1/F
 610 Cha Kwo Ling Road, Kowloon
 Tel:23489211-4 Fax:(852)2727666

DWG NO. : J852-SD-PW-4112A REV. : C



ELEVATION



TYPE B	
OPENABLE WINDOW DIMENSION	(WIDTH) = 520 (HEIGHT) = 1370
FIXED WINDOW DIMENSION	(WIDTH) = 520 (HEIGHT) = 610
NUMBER OF OPENABLE AREA WINDOW	= 1
GLAZING AREA	
OPENABLE	WIDTH = 520-111.5-111.5 = 297 mm HEIGHT = 1370-69.5-66.5 = 1234 mm
FIXED	WIDTH = 520-111.5-111.5 = 297 mm HEIGHT = 610-66.5-111.5 = 432 mm
TOTAL	= ((297x1234)+(297x432))/1000000 = 0.494802 m ²
OPENABLE AREA	
WIDTH	= 520-77-77 = 366 mm
HEIGHT	= 1370-32-32 = 1306 mm
TOTAL	= (366x1306)x1/1000000 = 0.477996 m ²

PROVIDED	
GLAZING AREA	0.495 m ²
OPENABLE AREA	0.478 m ²

TYPE B	
OPENABLE WINDOW DIMENSION	(WIDTH) = 445 (HEIGHT) = 1370
FIXED WINDOW DIMENSION	(WIDTH) = 445 (HEIGHT) = 610
NUMBER OF OPENABLE AREA WINDOW	= 1
GLAZING AREA	
OPENABLE	WIDTH = 445-111.5-111.5 = 222 mm HEIGHT = 1370-69.5-66.5 = 1234 mm
FIXED	WIDTH = 445-111.5-111.5 = 222 mm HEIGHT = 610-66.5-111.5 = 432 mm
TOTAL	= ((222x1234)+(222x432))/1000000 = 0.369852 m ²
OPENABLE AREA	
WIDTH	= 445-77-77 = 291 mm
HEIGHT	= 1370-32-32 = 1306 mm
TOTAL	= (291x1306)x1/1000000 = 0.380046 m ²

PROVIDED	
GLAZING AREA	0.370 m ²
OPENABLE AREA	0.380 m ²

WINDOW MARK	W5 / W4 T1B
LOCATION	1/F M.B. & EN.B. AT TOWER 1 FLAT B
SECTION	70mm ALUM. SECTION
GLAZING	GL-01, GL-03
QUANTITY	1 / 1
REMARKS	FACADE (PF-37)

B.D. REF :

CLIENT :

ARCHITECT :
AGC DESIGN LTD
 香港建築師學會會員
 10/F, 222, Queen's Road, 222 (HQ), New Territories, Hong Kong
 Tel: (852)2111111, Fax: (852)2111111, Email: agc@agcpl.com.hk

MAIN CONTRACTOR :
Gammon

STRUCTURAL ENGINEER :
ARUP

FACADE CONSULTANT:
MEINHARDT

NOTE :
 1. ALL DIMENSIONS ARE IN mm.
 2. ALL ELEVATIONS ARE VIEWED FROM OUTSIDE.
 3. ALL DIMENSIONS TO BE VERIFIED ON SITE BEFORE FABRICATION.

LEGEND :
 X1 --- DETAIL MARK NO.
 X001 --- REFER SHEET NO.
 1. F.F.L. --- FINISHED FLOOR LEVEL
 2. S.F.L. --- STRUCTURAL FLOOR LEVEL
 3. (R) --- REVERSED DETAIL
 4. ▲ --- FIXING LOCATION
 5. △ --- FIXING LUG LOCATION
 6. GLASS LEGEND
 GL01 -- 8mm+12mm AIR GAP+10mm THK. I.G.U.
 GL01a -- 8mm+9mm AIR GAP+12mm THK. I.G.U.
 GL03 -- 6mm+12mm AIR GAP+6mm THK. I.G.U.
 GL04 -- 10mm THK. TEMPERED GLASS (PROTECTIVE BARRIER)
 GL05 -- 6mm+12mm AIR GAP+8mm THK. I.G.U.

NO.	DATE	REVISION	BY
F	17/09/2020	REVISION SUBJECT TO ARCH.COMMENT	ivan
E	24/08/2020	REVISION SUBJECT TO ARCH.COMMENT	ivan
D	29/05/2020	REVISION SUBJECT TO ARCH.COMMENT	ivan
C	22/04/2020	REVISION SUBJECT TO ARCH.COMMENT	ivan
B	05/03/2020	REVISION SUBJECT TO ARCH.COMMENT	ivan
A	24/02/2020	REVISION SUBJECT TO ARCH.COMMENT	SH

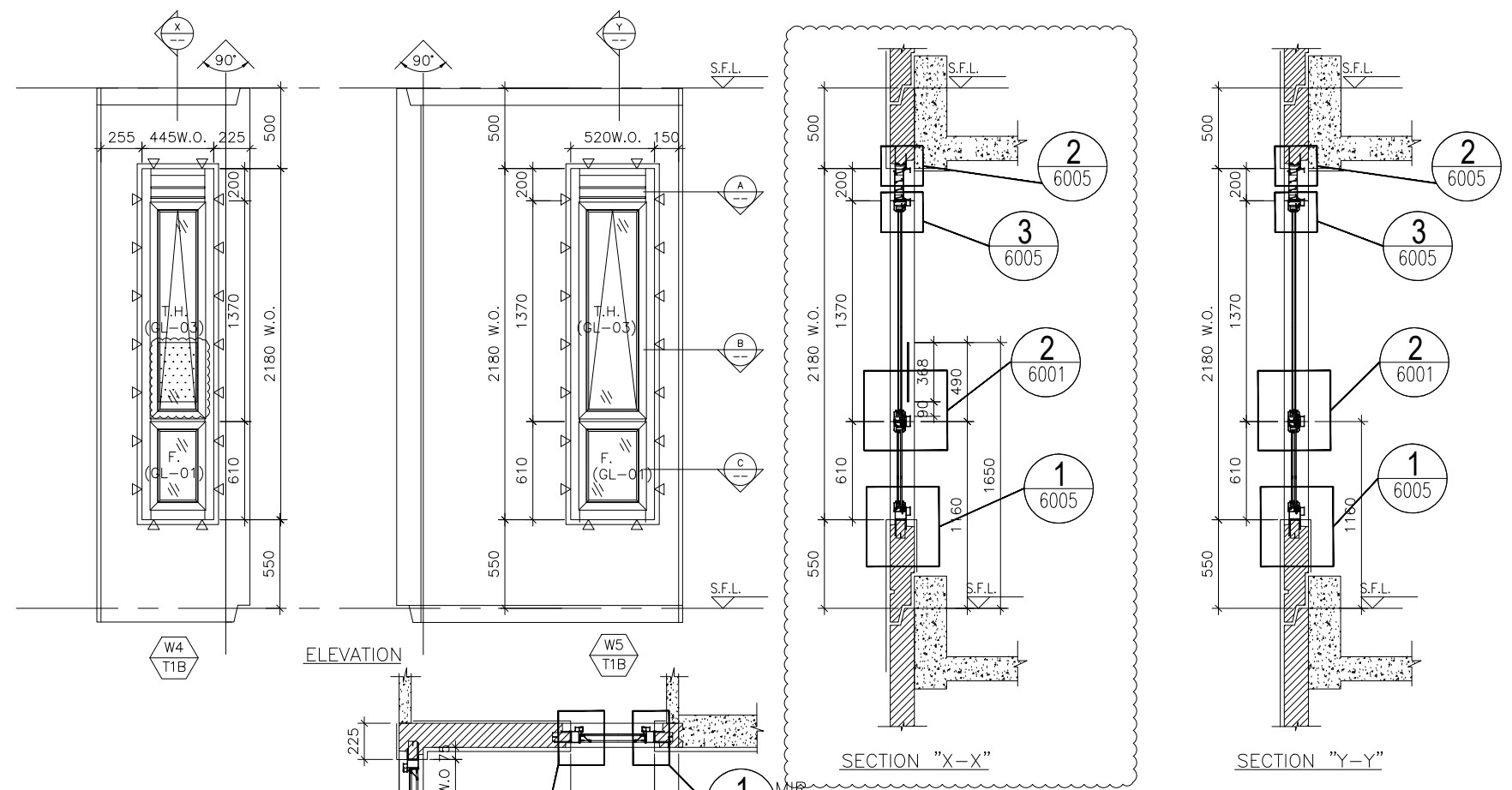
JOB NO. : J-852
 PROJECT : PROPOSED RESIDENTIAL DEVELOPMENT AT 139 - 147 ARGYLE STREET, NKIL 6005, 6035 R.P., 6036 R.P., 6037 R.P. & 6038 R.P.

TITLE : WINDOW SCHEDULE FOR ALUM. WINDOW

DATE : 22-Apr-20 SCALE : 1:40
 DRAWN BY : MN CHECKED BY : DW

美特鋁質有限公司
MIDI ALUMINIUM FABRICATOR LTD.
 Units 6-8, Sunray Industrial Centre, 1/F
 610 Cha Kwo Ling Road, Kowloon
 Tel: 23489211-4 Fax: (852) 2727666

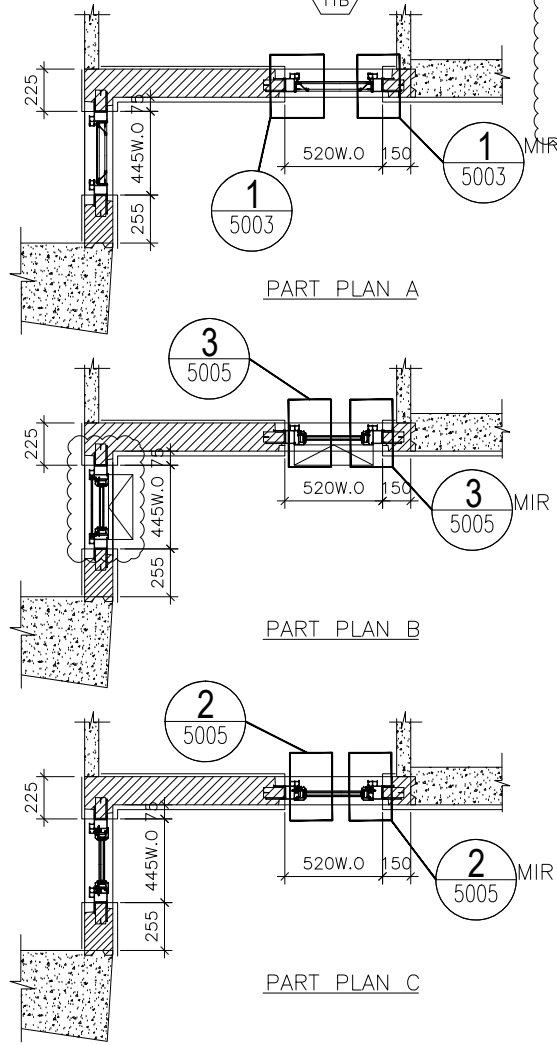
DWG NO. : J852-SD-PW-4112 REV. : F



ELEVATION

WINDOW MARK W5 T1B / W4 T1B

LOCATION 2/F~21/F M.B. & EN.B. AT TOWER 1 FLAT B
 SECTION 70mm ALUM. SECTION
 GLAZING GL-01, GL-03
 QUANTITY 17 / 17
 REMARKS FACADE (PF-37)

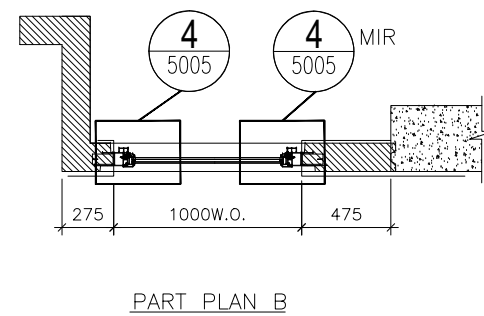
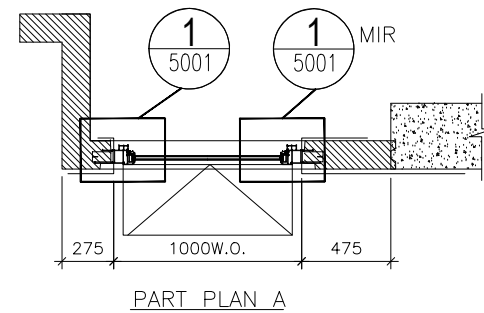
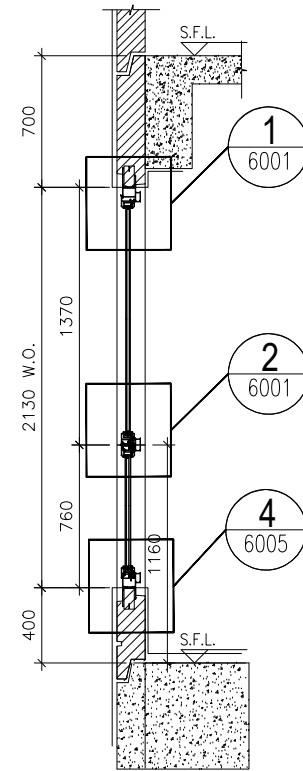
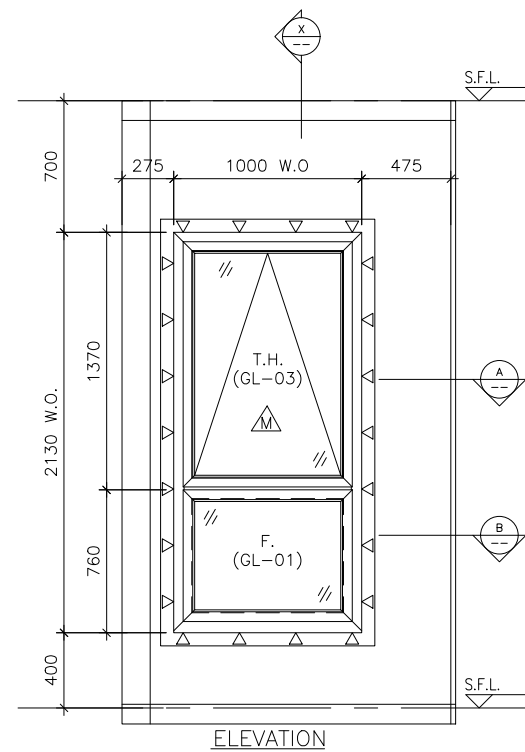


TYPE B			
OPENABLE WINDOW DIMENSION	(WIDTH)	=	520
	(HEIGHT)	=	1370
FIXED WINDOW DIMENSION	(WIDTH)	=	520
	(HEIGHT)	=	610
NUMBER OF OPENABLE AREA WINDOW		=	1
GLAZING AREA			
OPENABLE	WIDTH	=	297 mm
	HEIGHT	=	1234 mm
FIXED	WIDTH	=	297 mm
	HEIGHT	=	432 mm
TOTAL		=	0.494802 m ²
OPENABLE AREA			
	WIDTH	=	366 mm
	HEIGHT	=	1306 mm
TOTAL		=	0.477956 m ²

PROVIDED			
GLAZING AREA		0.495	m ²
OPENABLE AREA		0.478	m ²

TYPE B			
OPENABLE WINDOW DIMENSION	(WIDTH)	=	445
	(HEIGHT)	=	1370
FIXED WINDOW DIMENSION	(WIDTH)	=	445
	(HEIGHT)	=	610
NUMBER OF OPENABLE AREA WINDOW		=	1
GLAZING AREA			
OPENABLE	WIDTH	=	222 mm
	HEIGHT	=	1234 mm
FIXED	WIDTH	=	222 mm
	HEIGHT	=	432 mm
TOTAL		=	0.369852 m ²
OPENABLE AREA			
	WIDTH	=	291 mm
	HEIGHT	=	1306 mm
TOTAL		=	0.380046 m ²

PROVIDED			
GLAZING AREA		0.370	m ²
OPENABLE AREA		0.380	m ²



SECTION "X-X"

ELEVATION

WINDOW MARK	W6 T1A
LOCATION	1/F EN. AT TOWER 1 FLAT A
SECTION	70mm ALUM. SECTION
GLAZING	GL-01, GL-03
QUANTITY	1
REMARKS	FACADE (PF-24)

TYPE E			
OPENABLE WINDOW DIMENSION	(WIDTH)	=	1000
	(HEIGHT)	=	1370
FIXED WINDOW DIMENSION	(WIDTH)	=	1000
	(HEIGHT)	=	760
NUMBER OF OPENABLE AREA WINDOW		=	0
GLAZING AREA			
OPENABLE			
WIDTH	= 1000-111.5-111.5	=	777 mm
HEIGHT	= 1370-111.5-66.5	=	1192 mm
FIXED			
WIDTH	= 1000-111.5-111.5	=	777 mm
HEIGHT	= 760-66.5-111.5	=	582 mm
TOTAL	= ((777x1192)+(777x582))/1000000	=	1.378398 m ²
OPENABLE AREA			
WIDTH	= 1000-77-77	=	846 mm
HEIGHT	= 1370-77-32	=	1261 mm
TOTAL	= ((846x1261)x0)/1000000	=	0 m ²
		PROVIDED	
GLAZING AREA	1.378	m ²	
OPENABLE AREA	0	m ²	

B.D. REF :

CLIENT :

ARCHITECT :

AGC DESIGN LTD

MAIN CONTRACTOR :

Gammon

STRUCTURAL ENGINEER :

ARUP

FACADE CONSULTANT:

MEINHARDT

- NOTE :
- ALL DIMENSIONS ARE IN mm.
 - ALL ELEVATIONS ARE VIEWED FROM OUTSIDE.
 - ALL DIMENSIONS TO BE VERIFIED ON SITE BEFORE FABRICATION.
- LEGEND :
- X1 --- DETAIL MARK NO.
X001 --- REFER SHEET NO.

- F.F.L. --- FINISHED FLOOR LEVEL
- S.F.L. --- STRUCTURAL FLOOR LEVEL
- (R) --- REVERSED DETAIL
- ▲ --- FIXING LOCATION
- △ --- FIXING LUG LOCATION
- GLASS LEGEND
 - GL01 --- 8mm+12mm AIR GAP+10mm THK. I.G.U.
 - GL01a --- 8mm+9mm AIR GAP+12mm THK. I.G.U.
 - GL03 --- 6mm+12mm AIR GAP+6mm THK. I.G.U.
 - GL04 --- 10mm THK. TEMPERED GLASS (PROTECTIVE BARRIER)
 - GL05 --- 6mm+12mm AIR GAP+8mm THK. I.G.U.

B	24/08/2020	REVISION SUBJECT TO ARCH.COMMENT	lvn
A	03/06/2020	REVISION SUBJECT TO ARCH.COMMENT	lvn
NO.	DATE	REVISED	BY

JOB NO. : J-852

PROJECT : PROPOSED RESIDENTIAL DEVELOPMENT AT 139 - 147 ARGYLE STREET, NKIL 6005, 6035 R.P., 6036 R.P., 6037 R.P. & 6038 R.P.

TITLE : WINDOW SCHEDULE FOR ALUM. WINDOW

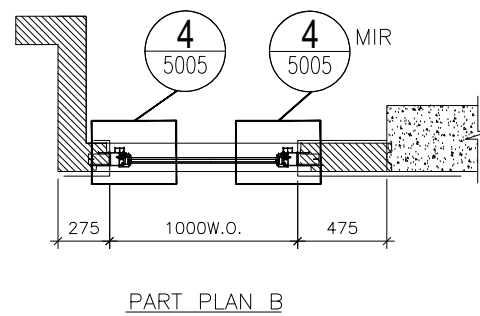
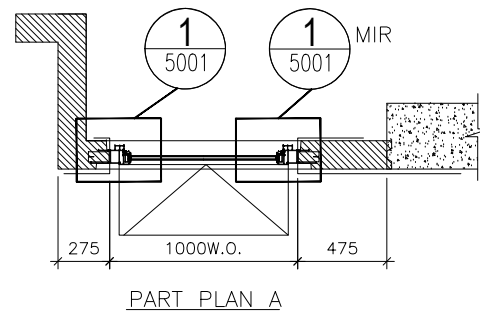
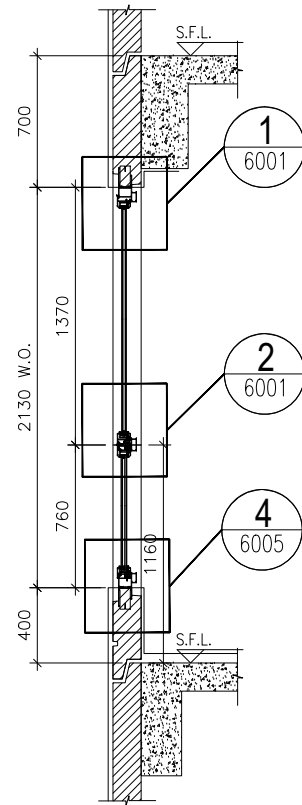
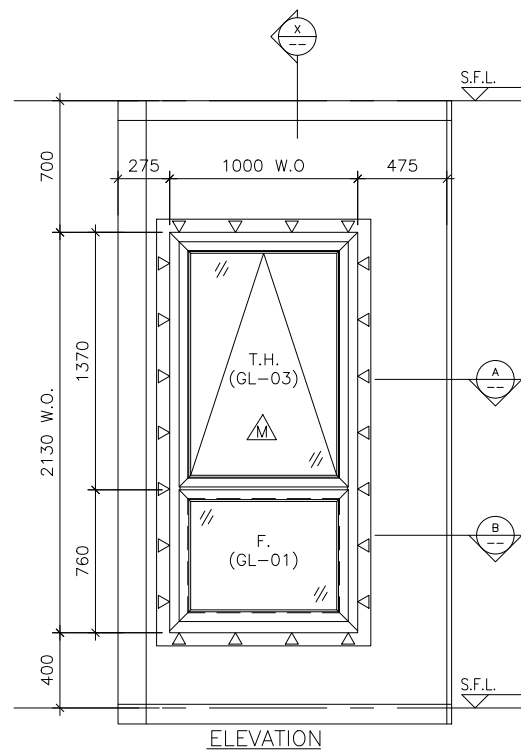
DATE : 22-Apr-20 SCALE : 1:40

DRAWN BY : MN CHECKED BY : DW

美特鋁質有限公司
MIDI ALUMINIUM FABRICATOR LTD.

Units 6-8, Sunray Industrial Centre, 1/F
610 Cha Kwo Ling Road, Kowloon
Tel:23489211-4 Fax:(852)2727666

DWG NO. : J852-SD-PW-4113A REV. : B



SECTION "X-X"

PART PLAN A

PART PLAN B

ELEVATION

TYPE E			
OPENABLE WINDOW DIMENSION	(WIDTH)	=	1000
	(HEIGHT)	=	1370
FIXED WINDOW DIMENSION	(WIDTH)	=	1000
	(HEIGHT)	=	760
NUMBER OF OPENABLE AREA WINDOW		=	0
GLAZING AREA			
OPENABLE			
WIDTH	=	1000-111.5-111.5	= 777 mm
HEIGHT	=	1370-111.5-66.5	= 1192 mm
FIXED			
WIDTH	=	1000-111.5-111.5	= 777 mm
HEIGHT	=	760-66.5-111.5	= 582 mm
TOTAL	=	((777x1192)+(777x582))/1000000	= 1.378398 m ²
OPENABLE AREA			
WIDTH	=	1000-77-77	= 846 mm
HEIGHT	=	1370-77-32	= 1261 mm
TOTAL	=	((846x1261)x0)/1000000	= 0 m ²
		PROVIDED	
	GLAZING AREA	1.378	m ²
	OPENABLE AREA	0	m ²

B.D. REF :

CLIENT :

ARCHITECT :
AGC DESIGN LTD
 architects urban design interior design
 1/F, 2/F, 3/F, 4/F, 5/F, 6/F, 7/F, 8/F, 9/F, 10/F, 11/F, 12/F, 13/F, 14/F, 15/F, 16/F, 17/F, 18/F, 19/F, 20/F, 21/F, 22/F, 23/F, 24/F, 25/F, 26/F, 27/F, 28/F, 29/F, 30/F, 31/F, 32/F, 33/F, 34/F, 35/F, 36/F, 37/F, 38/F, 39/F, 40/F, 41/F, 42/F, 43/F, 44/F, 45/F, 46/F, 47/F, 48/F, 49/F, 50/F, 51/F, 52/F, 53/F, 54/F, 55/F, 56/F, 57/F, 58/F, 59/F, 60/F, 61/F, 62/F, 63/F, 64/F, 65/F, 66/F, 67/F, 68/F, 69/F, 70/F, 71/F, 72/F, 73/F, 74/F, 75/F, 76/F, 77/F, 78/F, 79/F, 80/F, 81/F, 82/F, 83/F, 84/F, 85/F, 86/F, 87/F, 88/F, 89/F, 90/F, 91/F, 92/F, 93/F, 94/F, 95/F, 96/F, 97/F, 98/F, 99/F, 100/F

MAIN CONTRACTOR :
Gammon

STRUCTURAL ENGINEER :
ARUP

FAÇADE CONSULTANT:
MEINHARDT

NOTE :
 1. ALL DIMENSIONS ARE IN mm.
 2. ALL ELEVATIONS ARE VIEWED FROM OUTSIDE.
 3. ALL DIMENSIONS TO BE VERIFIED ON SITE BEFORE FABRICATION.

LEGEND :
 (X1) --- DETAIL MARK NO.
 (X001) --- REFER SHEET NO.

1. F.F.L. --- FINISHED FLOOR LEVEL
 2. S.F.L. --- STRUCTURAL FLOOR LEVEL
 3. (R) --- REVERSED DETAIL
 4. ▲ --- FIXING LOCATION
 5. △ --- FIXING LUG LOCATION
 6. GLASS LEGEND
 GL01 --- 8mm+12mm AIR GAP+10mm THK. I.G.U.
 GL01a --- 8mm+9mm AIR GAP+12mm THK. I.G.U.
 GL03 --- 6mm+12mm AIR GAP+6mm THK. I.G.U.
 GL04 --- 10mm THK. TEMPERED GLASS (PROTECTIVE BARRIER)
 GL05 --- 6mm+12mm AIR GAP+8mm THK. I.G.U.

NO.	DATE	REVISION	BY
E	24/08/2020	REVISION SUBJECT TO ARCH.COMMENT	lvn
D	03/06/2020	REVISION SUBJECT TO ARCH.COMMENT	lvn
C	22/04/2020	REVISION SUBJECT TO ARCH.COMMENT	lvn
B	05/03/2020	REVISION SUBJECT TO ARCH.COMMENT	lvn
A	24/02/2020	REVISION SUBJECT TO ARCH.COMMENT	SH

JOB NO. : J-852
 PROJECT : PROPOSED RESIDENTIAL DEVELOPMENT AT 139 - 147 ARGYLE STREET, NKIL 6005, 6035 R.P., 6036 R.P., 6037 R.P. & 6038 R.P.

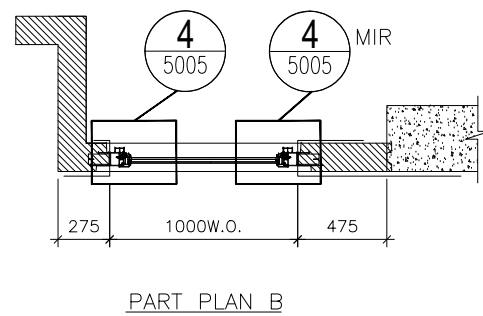
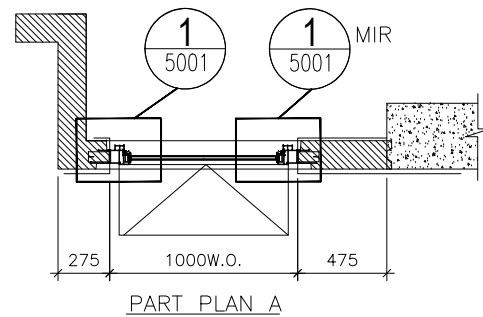
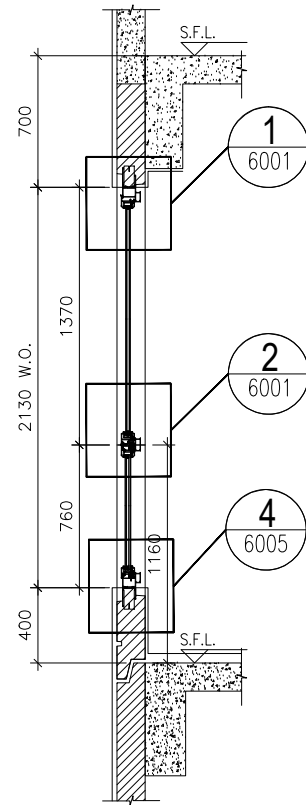
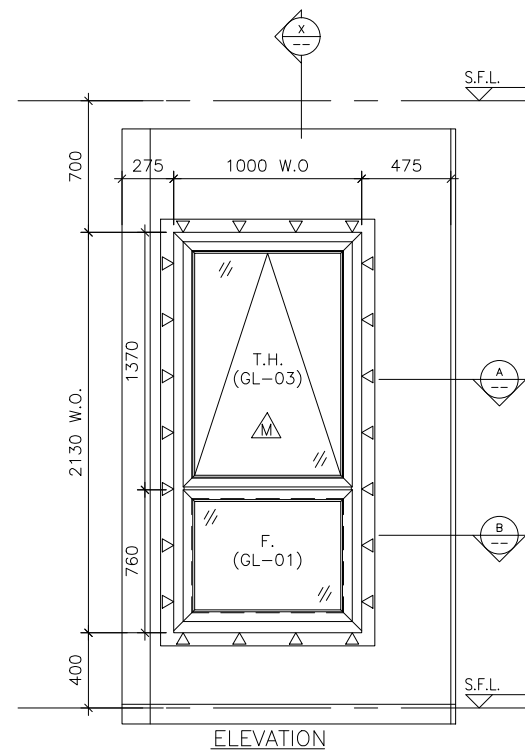
TITLE : WINDOW SCHEDULE FOR ALUM. WINDOW

DATE : 05-Dec-19 SCALE : 1:40
 DRAWN BY : MN CHECKED BY : DW

美特鋁質有限公司
MIDI ALUMINIUM FABRICATOR LTD.
 Units 6-8, Sunray Industrial Centre, 1/F
 610 Cha Kwo Ling Road, Kowloon
 Tel:23489211-4 Fax:(852)27727666

DWG NO. : J852-SD-PW-4113 REV. : E

WINDOW MARK	W6 T1A
LOCATION	2/F-20/F EN. AT TOWER 1 FLAT A
SECTION	70mm ALUM. SECTION
GLAZING	GL-01, GL-03
QUANTITY	16
REMARKS	FAÇADE (PF-24)



SECTION "X-X"

ELEVATION

WINDOW MARK	W6 T1A
LOCATION	21/F EN. AT TOWER 1 FLAT A
SECTION	70mm ALUM. SECTION
GLAZING	GL-01, GL-03
QUANTITY	1
REMARKS	FACADE (PF-24)

TYPE E			
OPENABLE WINDOW DIMENSION	(WIDTH)	=	1000
	(HEIGHT)	=	1370
FIXED WINDOW DIMENSION	(WIDTH)	=	1000
	(HEIGHT)	=	760
NUMBER OF OPENABLE AREA WINDOW		=	0
GLAZING AREA			
OPENABLE			
WIDTH	=	1000-111.5-111.5	= 777 mm
HEIGHT	=	1370-111.5-66.5	= 1192 mm
FIXED			
WIDTH	=	1000-111.5-111.5	= 777 mm
HEIGHT	=	760-66.5-111.5	= 582 mm
TOTAL	=	((777x1192)+(777x582))/1000000	= 1.378398 m ²
OPENABLE AREA			
WIDTH	=	1000-77-77	= 846 mm
HEIGHT	=	1370-77-32	= 1261 mm
TOTAL	=	((846x1261)x0)/1000000	= 0 m ²
	PROVIDED		
	GLAZING AREA	1.378	m ²
	OPENABLE AREA	0	m ²

B.D. REF :

CLIENT :

ARCHITECT :

AGC DESIGN LTD
architectural design
 2/F, 287, Chong Fook, 228 (Opp.) Road, North Point, Hong Kong
 Tel: (852)2191118, Fax: (852)2191111, Email: agc@agcdesign.com.hk

MAIN CONTRACTOR :

Gammon

STRUCTURAL ENGINEER :

ARUP

FACADE CONSULTANT:

MEINHARDT

- NOTE :
1. ALL DIMENSIONS ARE IN mm.
 2. ALL ELEVATIONS ARE VIEWED FROM OUTSIDE.
 3. ALL DIMENSIONS TO BE VERIFIED ON SITE BEFORE FABRICATION.
- LEGEND :
- X1 --- DETAIL MARK NO.
 X001 --- REFER SHEET NO.

1. F.F.L. -- FINISHED FLOOR LEVEL
2. S.F.L. -- STRUCTURAL FLOOR LEVEL
3. (R) -- REVERSED DETAIL
4. ▲ -- FIXING LOCATION
5. △ -- FIXING LUG LOCATION
6. GLASS LEGEND
 GL01 -- 8mm+12mm AIR GAP+10mm THK. I.G.U.
 GL01a -- 8mm+9mm AIR GAP+12mm THK. I.G.U.
 GL03 -- 6mm+12mm AIR GAP+6mm THK. I.G.U.
 GL04 -- 10mm THK. TEMPERED GLASS (PROTECTIVE BARRIER)
 GL05 -- 6mm+12mm AIR GAP+8mm THK. I.G.U.

B	24/08/2020	REVISION SUBJECT TO ARCH.COMMENT	lvn
A	03/06/2020	REVISION SUBJECT TO ARCH.COMMENT	lvn
NO.	DATE	REVISED	BY

JOB NO. : J-852

PROJECT : PROPOSED RESIDENTIAL DEVELOPMENT AT 139 - 147 ARGYLE STREET, NKIL 6005, 6035 R.P., 6036 R.P., 6037 R.P. & 6038 R.P.

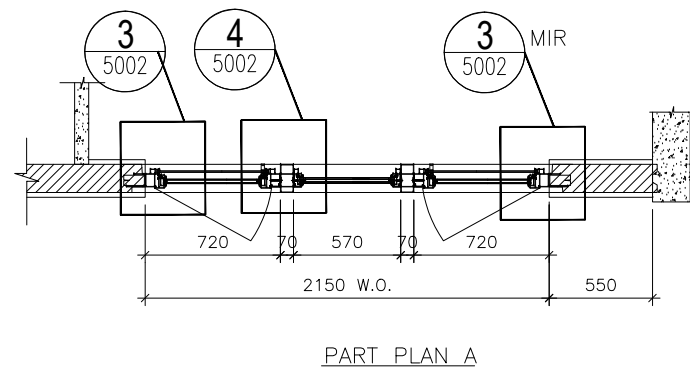
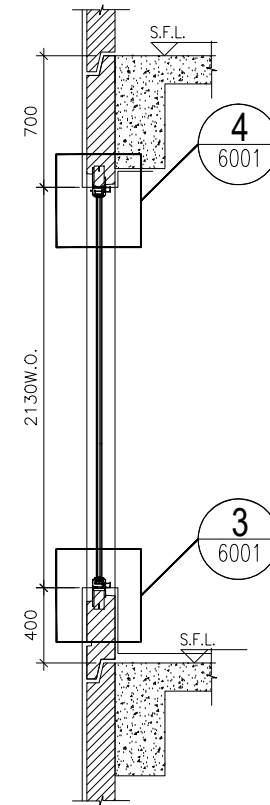
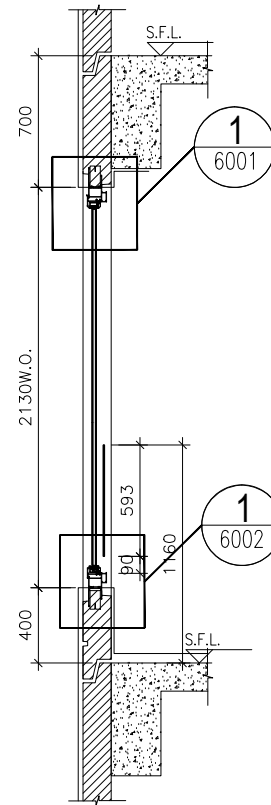
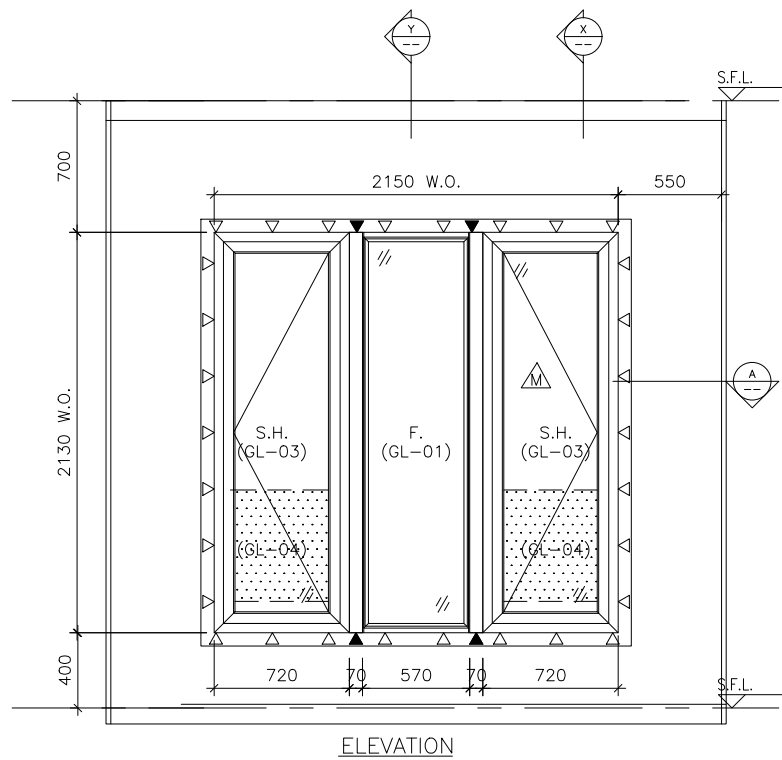
TITLE : WINDOW SCHEDULE FOR ALUM. WINDOW

DATE : 22-Apr-20 SCALE : 1:40

DRAWN BY : MN CHECKED BY : DW

美特鋁質有限公司
MIDI ALUMINIUM FABRICATOR LTD.
 Units 6-8, Sunray Industrial Centre, 1/F
 610 Cha Kwo Ling Road, Kowloon
 Tel:23489211-4 Fax:(852)2727666

DWG NO. : J852-SD-PW-4113B REV. : B



TYPE A	
OPENABLE WINDOW DIMENSION	(WIDTH) = 720 (HEIGHT) = 2130
FIXED WINDOW DIMENSION	(WIDTH) = 570 (HEIGHT) = 2130
NUMBER OF OPENABLE AREA WINDOW	= 1
GLAZING AREA	
OPENABLE	
WIDTH = 720-111.5-111.5	= 497 mm
HEIGHT = 2130-111.5-111.5	= 1907 mm
FIXED	
WIDTH = 570-50-50	= 470 mm
HEIGHT = 2130-50-50	= 2030 mm
TOTAL = ((497x1907)+(470x2030))/1000000	= 2.849658 m ²
OPENABLE AREA	
WIDTH = 720-77-77	= 566 mm
HEIGHT = 2130-77-(1160-385-15)	= 1293 mm
TOTAL = ((566x1293)x1)/1000000	= 0.731838 m ²

PROVIDED	
GLAZING AREA	2.850 m ²
OPENABLE AREA	0.732 m ²

B.D. REF :

CLIENT :

ARCHITECT :
AGC DESIGN LTD
architectural design
201, 202, 203, 204, 205, 206, 207, 208, 209, 210, 211, 212, 213, 214, 215, 216, 217, 218, 219, 220, 221, 222, 223, 224, 225, 226, 227, 228, 229, 230, 231, 232, 233, 234, 235, 236, 237, 238, 239, 240, 241, 242, 243, 244, 245, 246, 247, 248, 249, 250, 251, 252, 253, 254, 255, 256, 257, 258, 259, 260, 261, 262, 263, 264, 265, 266, 267, 268, 269, 270, 271, 272, 273, 274, 275, 276, 277, 278, 279, 280, 281, 282, 283, 284, 285, 286, 287, 288, 289, 290, 291, 292, 293, 294, 295, 296, 297, 298, 299, 300, 301, 302, 303, 304, 305, 306, 307, 308, 309, 310, 311, 312, 313, 314, 315, 316, 317, 318, 319, 320, 321, 322, 323, 324, 325, 326, 327, 328, 329, 330, 331, 332, 333, 334, 335, 336, 337, 338, 339, 340, 341, 342, 343, 344, 345, 346, 347, 348, 349, 350, 351, 352, 353, 354, 355, 356, 357, 358, 359, 360, 361, 362, 363, 364, 365, 366, 367, 368, 369, 370, 371, 372, 373, 374, 375, 376, 377, 378, 379, 380, 381, 382, 383, 384, 385, 386, 387, 388, 389, 390, 391, 392, 393, 394, 395, 396, 397, 398, 399, 400, 401, 402, 403, 404, 405, 406, 407, 408, 409, 410, 411, 412, 413, 414, 415, 416, 417, 418, 419, 420, 421, 422, 423, 424, 425, 426, 427, 428, 429, 430, 431, 432, 433, 434, 435, 436, 437, 438, 439, 440, 441, 442, 443, 444, 445, 446, 447, 448, 449, 450, 451, 452, 453, 454, 455, 456, 457, 458, 459, 460, 461, 462, 463, 464, 465, 466, 467, 468, 469, 470, 471, 472, 473, 474, 475, 476, 477, 478, 479, 480, 481, 482, 483, 484, 485, 486, 487, 488, 489, 490, 491, 492, 493, 494, 495, 496, 497, 498, 499, 500, 501, 502, 503, 504, 505, 506, 507, 508, 509, 510, 511, 512, 513, 514, 515, 516, 517, 518, 519, 520, 521, 522, 523, 524, 525, 526, 527, 528, 529, 530, 531, 532, 533, 534, 535, 536, 537, 538, 539, 540, 541, 542, 543, 544, 545, 546, 547, 548, 549, 550, 551, 552, 553, 554, 555, 556, 557, 558, 559, 560, 561, 562, 563, 564, 565, 566, 567, 568, 569, 570, 571, 572, 573, 574, 575, 576, 577, 578, 579, 580, 581, 582, 583, 584, 585, 586, 587, 588, 589, 590, 591, 592, 593, 594, 595, 596, 597, 598, 599, 600, 601, 602, 603, 604, 605, 606, 607, 608, 609, 610, 611, 612, 613, 614, 615, 616, 617, 618, 619, 620, 621, 622, 623, 624, 625, 626, 627, 628, 629, 630, 631, 632, 633, 634, 635, 636, 637, 638, 639, 640, 641, 642, 643, 644, 645, 646, 647, 648, 649, 650, 651, 652, 653, 654, 655, 656, 657, 658, 659, 660, 661, 662, 663, 664, 665, 666, 667, 668, 669, 670, 671, 672, 673, 674, 675, 676, 677, 678, 679, 680, 681, 682, 683, 684, 685, 686, 687, 688, 689, 690, 691, 692, 693, 694, 695, 696, 697, 698, 699, 700, 701, 702, 703, 704, 705, 706, 707, 708, 709, 710, 711, 712, 713, 714, 715, 716, 717, 718, 719, 720, 721, 722, 723, 724, 725, 726, 727, 728, 729, 730, 731, 732, 733, 734, 735, 736, 737, 738, 739, 740, 741, 742, 743, 744, 745, 746, 747, 748, 749, 750, 751, 752, 753, 754, 755, 756, 757, 758, 759, 760, 761, 762, 763, 764, 765, 766, 767, 768, 769, 770, 771, 772, 773, 774, 775, 776, 777, 778, 779, 780, 781, 782, 783, 784, 785, 786, 787, 788, 789, 790, 791, 792, 793, 794, 795, 796, 797, 798, 799, 800, 801, 802, 803, 804, 805, 806, 807, 808, 809, 810, 811, 812, 813, 814, 815, 816, 817, 818, 819, 820, 821, 822, 823, 824, 825, 826, 827, 828, 829, 830, 831, 832, 833, 834, 835, 836, 837, 838, 839, 840, 841, 842, 843, 844, 845, 846, 847, 848, 849, 850, 851, 852, 853, 854, 855, 856, 857, 858, 859, 860, 861, 862, 863, 864, 865, 866, 867, 868, 869, 870, 871, 872, 873, 874, 875, 876, 877, 878, 879, 880, 881, 882, 883, 884, 885, 886, 887, 888, 889, 890, 891, 892, 893, 894, 895, 896, 897, 898, 899, 900, 901, 902, 903, 904, 905, 906, 907, 908, 909, 910, 911, 912, 913, 914, 915, 916, 917, 918, 919, 920, 921, 922, 923, 924, 925, 926, 927, 928, 929, 930, 931, 932, 933, 934, 935, 936, 937, 938, 939, 940, 941, 942, 943, 944, 945, 946, 947, 948, 949, 950, 951, 952, 953, 954, 955, 956, 957, 958, 959, 960, 961, 962, 963, 964, 965, 966, 967, 968, 969, 970, 971, 972, 973, 974, 975, 976, 977, 978, 979, 980, 981, 982, 983, 984, 985, 986, 987, 988, 989, 990, 991, 992, 993, 994, 995, 996, 997, 998, 999, 1000

MAIN CONTRACTOR :
Gammon

STRUCTURAL ENGINEER :
ARUP

FACADE CONSULTANT:
MEINHARDT

NOTE :
1. ALL DIMENSIONS ARE IN mm.
2. ALL ELEVATIONS ARE VIEWED FROM OUTSIDE.
3. ALL DIMENSIONS TO BE VERIFIED ON SITE BEFORE FABRICATION.

LEGEND :
X1 --- DETAIL MARK NO.
X001 --- REFER SHEET NO.

1. F.F.L. --- FINISHED FLOOR LEVEL
2. S.F.L. --- STRUCTURAL FLOOR LEVEL
3. (R) --- REVERSED DETAIL
4. ▲ --- FIXING LOCATION
5. △ --- FIXING LUG LOCATION
6. GLASS LEGEND
GL01 --- 8mm+12mm AIR GAP+10mm THK. I.G.U.
GL01a --- 8mm+9mm AIR GAP+12mm THK. I.G.U.
GL03 --- 6mm+12mm AIR GAP+6mm THK. I.G.U.
GL04 --- 10mm THK. TEMPERED GLASS (PROTECTIVE BARRIER)
GL05 --- 6mm+12mm AIR GAP+8mm THK. I.G.U.

NO.	DATE	REVISION	BY
F	17/09/2020	REVISION SUBJECT TO ARCH.COMMENT	ivan
E	24/08/2020	REVISION SUBJECT TO ARCH.COMMENT	ivan
D	03/06/2020	REVISION SUBJECT TO ARCH.COMMENT	ivan
C	22/04/2020	REVISION SUBJECT TO ARCH.COMMENT	ivan
B	05/03/2020	REVISION SUBJECT TO ARCH.COMMENT	ivan
A	24/02/2020	REVISION SUBJECT TO ARCH.COMMENT	SH

JOB NO. : J-852
PROJECT : PROPOSED RESIDENTIAL DEVELOPMENT AT 139 - 147 ARGYLE STREET, NKIL 6005, 6035 R.P., 6036 R.P., 6037 R.P. & 6038 R.P.

TITLE : WINDOW SCHEDULE FOR ALUM. WINDOW

DATE : 05-Dec-19 SCALE : 1:40
DRAWN BY : MN CHECKED BY : DW

美特鋁質有限公司
MIDI ALUMINIUM FABRICATOR LTD.
Units 6-8, Sunray Industrial Centre, 1/F
610 Cha Kwo Ling Road, Kowloon
Tel:23489211-4 Fax:(852)2727666

DWG NO. : J852-SD-PW-4114 REV. : F

ELEVATION

WINDOW MARK
W7
T1B

LOCATION 2/F-21/F B.R.1. AT TOWER 1 FLAT B
SECTION 70mm ALUM. SECTION
GLAZING GL-01, GL-03
QUANTITY 17
REMARKS FACADE (PF-22)

B.D. REF :

CLIENT :

ARCHITECT :
AGC DESIGN LTD
 architects urban design
 610, 612, 614, 616, 618, 620, 622, 624, 626, 628, 630, 632, 634, 636, 638, 640, 642, 644, 646, 648, 650, 652, 654, 656, 658, 660, 662, 664, 666, 668, 670, 672, 674, 676, 678, 680, 682, 684, 686, 688, 690, 692, 694, 696, 698, 700, 702, 704, 706, 708, 710, 712, 714, 716, 718, 720, 722, 724, 726, 728, 730, 732, 734, 736, 738, 740, 742, 744, 746, 748, 750, 752, 754, 756, 758, 760, 762, 764, 766, 768, 770, 772, 774, 776, 778, 780, 782, 784, 786, 788, 790, 792, 794, 796, 798, 800, 802, 804, 806, 808, 810, 812, 814, 816, 818, 820, 822, 824, 826, 828, 830, 832, 834, 836, 838, 840, 842, 844, 846, 848, 850, 852, 854, 856, 858, 860, 862, 864, 866, 868, 870, 872, 874, 876, 878, 880, 882, 884, 886, 888, 890, 892, 894, 896, 898, 900, 902, 904, 906, 908, 910, 912, 914, 916, 918, 920, 922, 924, 926, 928, 930, 932, 934, 936, 938, 940, 942, 944, 946, 948, 950, 952, 954, 956, 958, 960, 962, 964, 966, 968, 970, 972, 974, 976, 978, 980, 982, 984, 986, 988, 990, 992, 994, 996, 998, 1000

MAIN CONTRACTOR :
Gammon

STRUCTURAL ENGINEER :
ARUP

FAÇADE CONSULTANT:
MEINHARDT

NOTE :
 1. ALL DIMENSIONS ARE IN mm.
 2. ALL ELEVATIONS ARE VIEWED FROM OUTSIDE.
 3. ALL DIMENSIONS TO BE VERIFIED ON SITE BEFORE FABRICATION.

LEGEND :
 X1 --- DETAIL MARK NO.
 X001 --- REFER SHEET NO.
 1. F.F.L. --- FINISHED FLOOR LEVEL
 2. S.F.L. --- STRUCTURAL FLOOR LEVEL
 3. (R) --- REVERSED DETAIL
 4. ▲ --- FIXING LOCATION
 5. △ --- FIXING LUG LOCATION
 6. GLASS LEGEND
 GL01 --- 8mm+12mm AIR GAP+10mm THK. I.G.U.
 GL01a --- 8mm+9mm AIR GAP+12mm THK. I.G.U.
 GL03 --- 6mm+12mm AIR GAP+6mm THK. I.G.U.
 GL04 --- 10mm THK. TEMPERED GLASS (PROTECTIVE BARRIER)
 GL05 --- 6mm+12mm AIR GAP+8mm THK. I.G.U.

NO.	DATE	REVISION	BY
D	24/08/2020	REVISION SUBJECT TO ARCH.COMMENT	lvon
C	22/04/2020	REVISION SUBJECT TO ARCH.COMMENT	lvon
B	05/03/2020	REVISION SUBJECT TO ARCH.COMMENT	lvon
A	24/02/2020	REVISION SUBJECT TO ARCH.COMMENT	SH

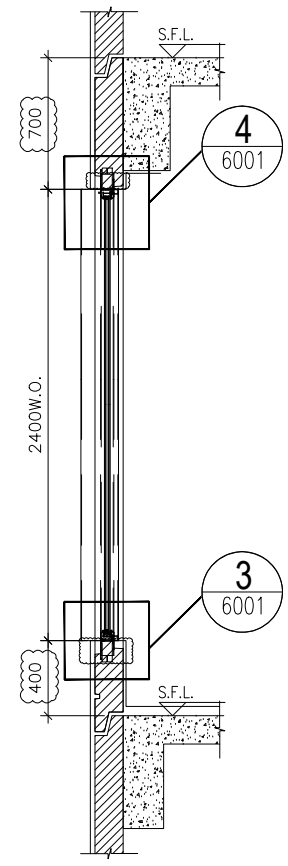
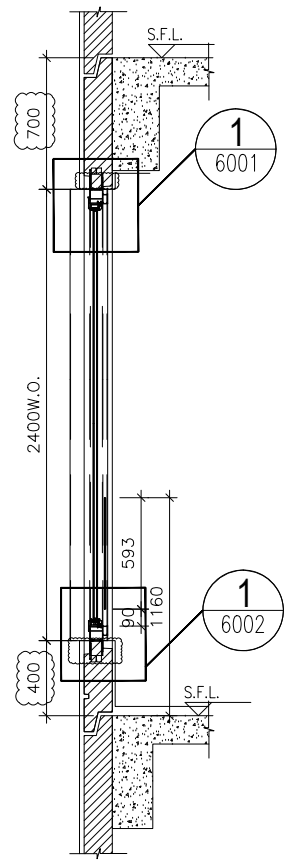
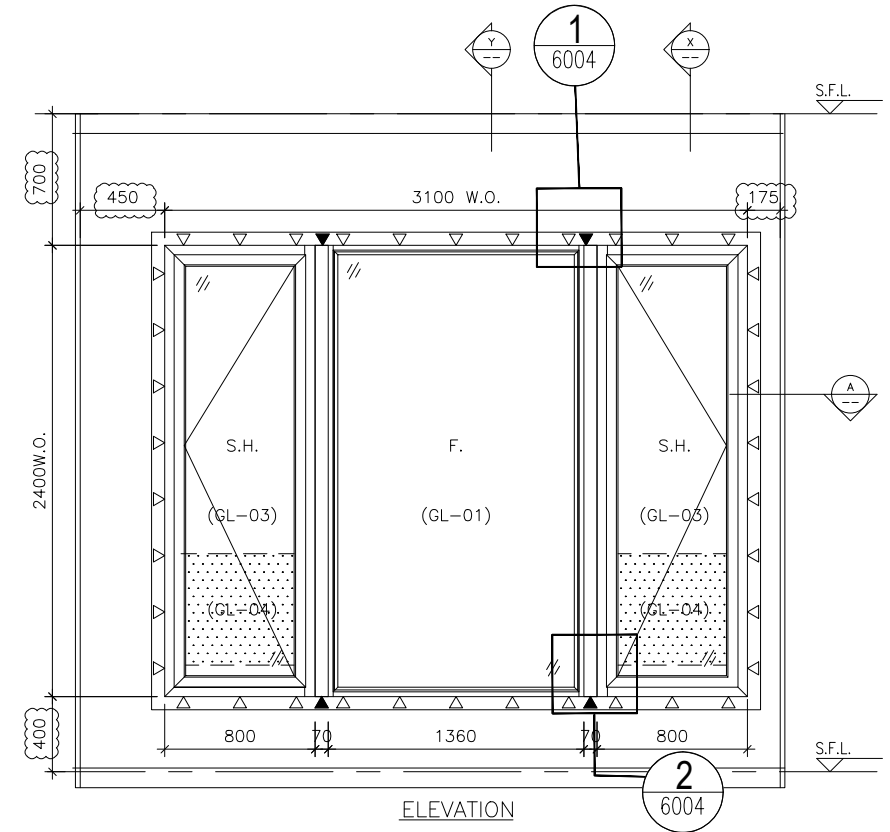
JOB NO. : J-852
 PROJECT : PROPOSED RESIDENTIAL DEVELOPMENT AT 139 - 147 ARGYLE STREET, NKIL 6005, 6035 R.P., 6036 R.P., 6037 R.P. & 6038 R.P.

TITLE : WINDOW SCHEDULE FOR ALUM. WINDOW

DATE : 05-Dec-19 SCALE : 1:40
 DRAWN BY : MN CHECKED BY : DW

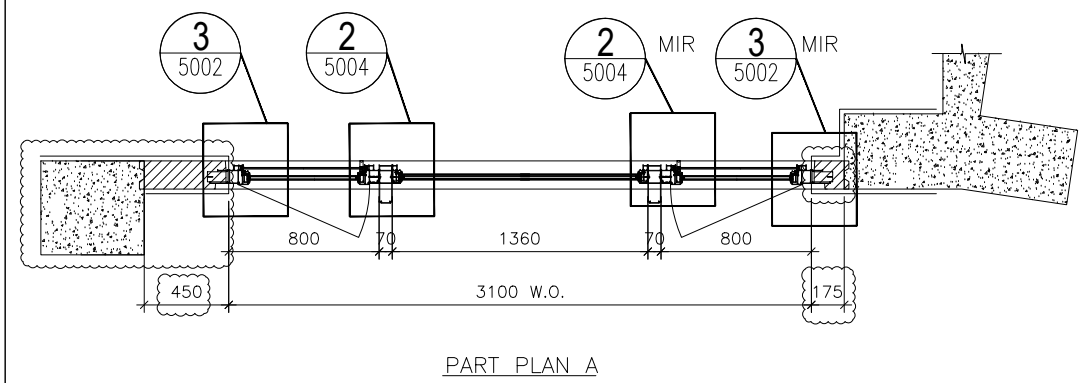
美特鋁質有限公司
MIDI ALUMINIUM FABRICATOR LTD.
 Units 6-8, Sunray Industrial Centre, 1/F
 610 Cha Kwo Ling Road, Kowloon
 Tel:23489211-4 Fax:(852)2727666

DWG NO. : J852-SD-PW-4115 REV. : D



SECTION "X-X"

SECTION "Y-Y"



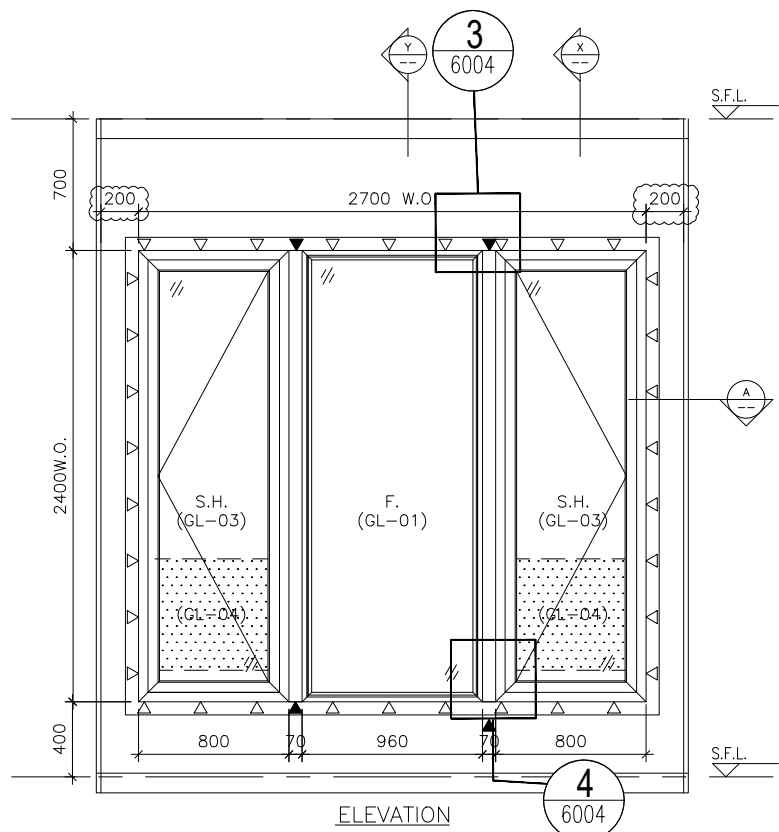
PART PLAN A

TYPE A			
OPENABLE WINDOW DIMENSION	(WIDTH)	=	800
	(HEIGHT)	=	2400
FIXED WINDOW DIMENSION	(WIDTH)	=	1360
	(HEIGHT)	=	2400
NUMBER OF OPENABLE AREA WINDOW		=	2
GLAZING AREA			
OPENABLE			
WIDTH	=	800-111.5-111.5	= 577 mm
HIGHT	=	2400-111.5-111.5	= 2177 mm
FIXED			
WIDTH	=	1360-50-50	= 1260 mm
HIGHT	=	2400-50-50	= 2300 mm
TOTAL	=	((577x2177)x2+(1260x2300))/1000000	= 5.410258 m ²
OPENABLE AREA			
WIDTH	=	800-77-77	= 646 mm
HIGHT	=	2400-77-(1160-385-15)	= 1563 mm
TOTAL	=	((646x1563)x2)/1000000	= 2.019396 m ²

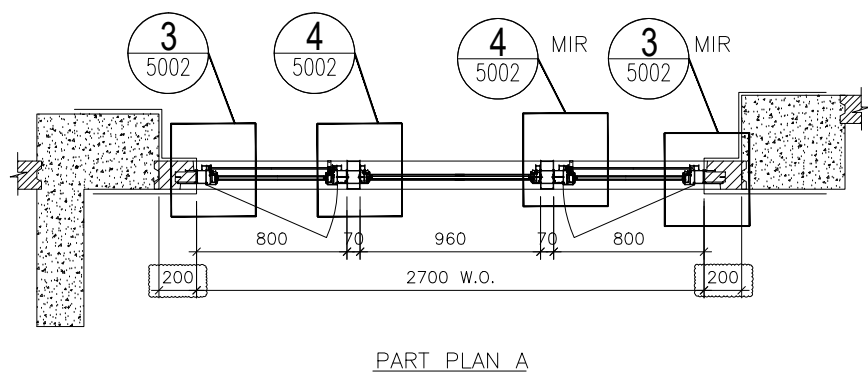
PROVIDED	
GLAZING AREA	5.410 m ²
OPENABLE AREA	2.019 m ²

ELEVATION

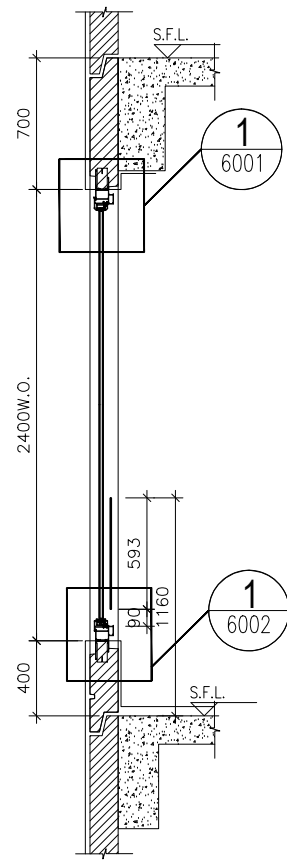
WINDOW MARK	22W1 T1A
LOCATION	22/F MASTER ENSUITE AT TOWER 1 FLAT A
SECTION	70mm ALUM. SECTION
GLAZING	GL-01, GL-03
QUANTITY	1
REMARKS	FAÇADE (PF-9)



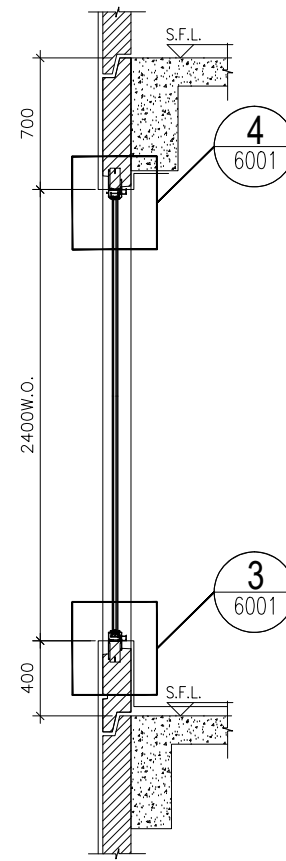
ELEVATION



PART PLAN A



SECTION "X-X"



SECTION "Y-Y"

TYPE A			
OPENABLE WINDOW DIMENSION	(WIDTH)	=	800
	(HEIGHT)	=	2400
FIXED WINDOW DIMENSION	(WIDTH)	=	960
	(HEIGHT)	=	2400
NUMBER OF OPENABLE AREA WINDOW		=	2
GLAZING AREA			
OPENABLE			
WIDTH	=	800-111.5-111.5	= 577 mm
HEIGHT	=	2400-111.5-111.5	= 2177 mm
FIXED			
WIDTH	=	960-50-50	= 860 mm
HEIGHT	=	2400-50-50	= 2300 mm
TOTAL	=	((577x2177)x2+(860x2300))/1000000	= 4.490258 m ²
OPENABLE AREA			
WIDTH	=	800-77-77	= 646 mm
HEIGHT	=	2400-77-(1160-385-15)	= 1563 mm
TOTAL	=	((646x1563)x2)/1000000	= 2.019396 m ²

PROVIDED	
GLAZING AREA	4.490 m ²
OPENABLE AREA	2.019 m ²

B.D. REF :

CLIENT :

ARCHITECT :
AGC DESIGN LTD
 10/F, 187, Queen Mary Street, Hong Kong
 Tel: (852) 27717100 Fax: (852) 27717111 Email: agc@agcdesign.com.hk

MAIN CONTRACTOR :
Gammon

STRUCTURAL ENGINEER :
ARUP

FAÇADE CONSULTANT:
MEINHARDT

NOTE :
 1. ALL DIMENSIONS ARE IN mm.
 2. ALL ELEVATIONS ARE VIEWED FROM OUTSIDE.
 3. ALL DIMENSIONS TO BE VERIFIED ON SITE BEFORE FABRICATION.

LEGEND :
 X1 --- DETAIL MARK NO.
 X001 --- REFER SHEET NO.

1. F.F.L. --- FINISHED FLOOR LEVEL
 2. S.F.L. --- STRUCTURAL FLOOR LEVEL
 3. (R) --- REVERSED DETAIL
 4. ▲ --- FIXING LOCATION
 5. △ --- FIXING LUG LOCATION
 6. GLASS LEGEND
 GL01 -- 8mm+12mm AIR GAP+10mm THK. I.G.U.
 GL01a -- 8mm+9mm AIR GAP+12mm THK. I.G.U.
 GL03 -- 6mm+12mm AIR GAP+6mm THK. I.G.U.
 GL04 -- 10mm THK. TEMPERED GLASS (PROTECTIVE BARRIER)
 GL05 -- 6mm+12mm AIR GAP+8mm THK. I.G.U.

NO.	DATE	REVISED	BY
E	24/08/2020	REVISION SUBJECT TO ARCH.COMMENT	lvon
D	03/06/2020	REVISION SUBJECT TO ARCH.COMMENT	lvon
C	22/04/2020	REVISION SUBJECT TO ARCH.COMMENT	lvon
B	05/03/2020	REVISION SUBJECT TO ARCH.COMMENT	lvon
A	24/02/2020	REVISION SUBJECT TO ARCH.COMMENT	SH

JOB NO. : J-852
 PROJECT : PROPOSED RESIDENTIAL DEVELOPMENT AT 139 - 147 ARGYLE STREET, NKIL 6005, 6035 R.P., 6036 R.P., 6037 R.P. & 6038 R.P.

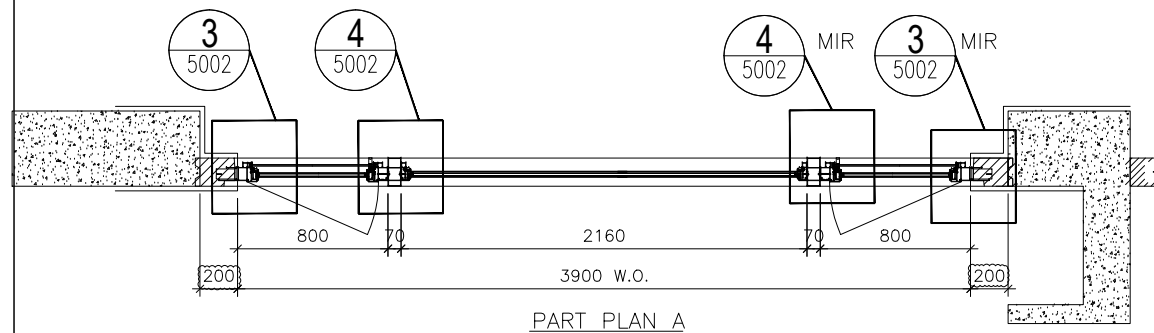
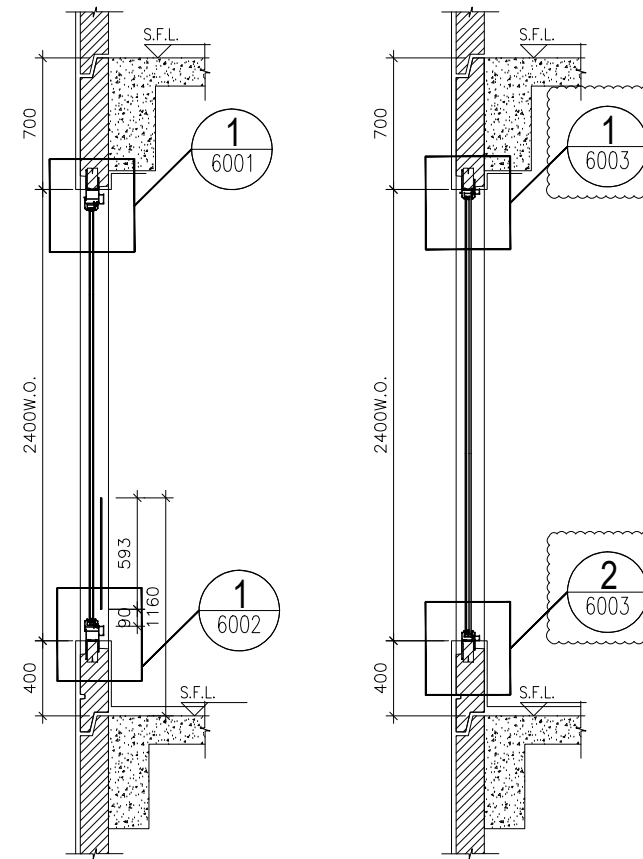
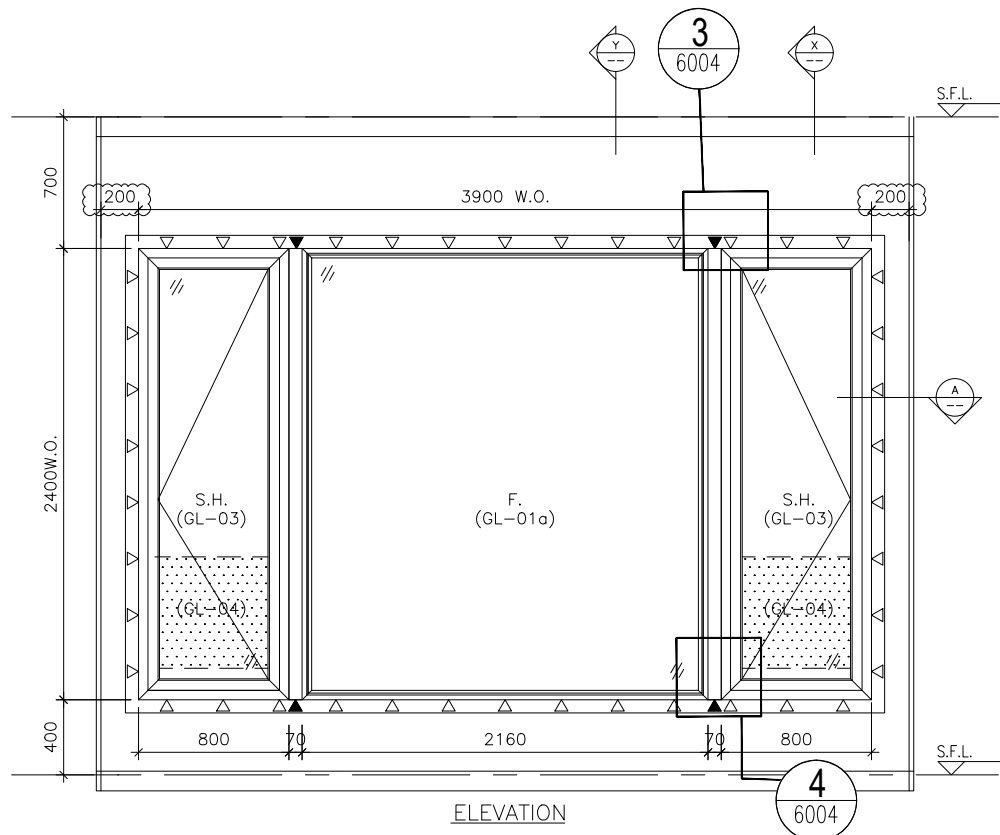
TITLE : WINDOW SCHEDULE FOR ALUM. WINDOW

DATE : 05-Dec-19 SCALE : 1:40
 DRAWN BY : MN CHECKED BY : DW

美特鋁質有限公司
MIDI ALUMINIUM FABRICATOR LTD.
 Units 6-8, Sunray Industrial Centre, 1/F
 610 Cha Kwo Ling Road, Kowloon
 Tel:23489211-4 Fax:(852)2727666

DWG NO. : J852-SD-PW-4116 REV. : E

WINDOW MARK	Z2W2 T1A
LOCATION	22/F LIV./DIN. AT TOWER 1 FLAT A
SECTION	70mm ALUM. SECTION
GLAZING	GL-01, GL-03
QUANTITY	1
REMARKS	FAÇADE (PF-10)



TYPE A			
OPENABLE WINDOW DIMENSION	(WIDTH)	=	800
	(HEIGHT)	=	2400
FIXED WINDOW DIMENSION	(WIDTH)	=	2160
	(HEIGHT)	=	2400
NUMBER OF OPENABLE AREA WINDOW		=	2
GLAZING AREA			
OPENABLE			
WIDTH	= 800-111.5-111.5	=	577 mm
HEIGHT	= 2400-111.5-111.5	=	2177 mm
FIXED			
WIDTH	= 2160-50-50	=	2060 mm
HEIGHT	= 2400-50-50	=	2300 mm
TOTAL	= ((577x2177)x2+(2060x2300))/1000000	=	7.250258 m ²
OPENABLE AREA			
WIDTH	= 800-77-77	=	646 mm
HEIGHT	= 2400-77-(1160-385-15)	=	1563 mm
TOTAL	= ((646x1563)x2)/1000000	=	2.019396 m ²
		PROVIDED	
GLAZING AREA		7.250	m ²
OPENABLE AREA		2.019	m ²

B.D. REF :

CLIENT :

ARCHITECT :
AGC DESIGN LTD
 10/F, 100, Queen's Road, Hong Kong

MAIN CONTRACTOR :
Gammon

STRUCTURAL ENGINEER :
ARUP

FAÇADE CONSULTANT:
MEINHARDT

- NOTE :
- ALL DIMENSIONS ARE IN mm.
 - ALL ELEVATIONS ARE VIEWED FROM OUTSIDE.
 - ALL DIMENSIONS TO BE VERIFIED ON SITE BEFORE FABRICATION.
- LEGEND :
- X1 --- DETAIL MARK NO.
 - X001 --- REFER SHEET NO.
- F.F.L. --- FINISHED FLOOR LEVEL
 - S.F.L. --- STRUCTURAL FLOOR LEVEL
 - (R) --- REVERSED DETAIL
 - ▲ --- FIXING LOCATION
 - △ --- FIXING LUG LOCATION
- GLASS LEGEND
- GL01 -- 8mm+12mm AIR GAP+10mm THK. I.G.U.
 - GL01a -- 8mm+9mm AIR GAP+12mm THK. I.G.U.
 - GL03 -- 6mm+12mm AIR GAP+6mm THK. I.G.U.
 - GL04 -- 10mm THK. TEMPERED GLASS (PROTECTIVE BARRIER)
 - GL05 -- 6mm+12mm AIR GAP+8mm THK. I.G.U.

NO.	DATE	REVISED	BY
E	24/08/2020	REVISION SUBJECT TO ARCH.COMMENT	lvon
D	01/06/2020	REVISION SUBJECT TO ARCH.COMMENT	lvon
C	22/04/2020	REVISION SUBJECT TO ARCH.COMMENT	lvon
B	05/03/2020	REVISION SUBJECT TO ARCH.COMMENT	lvon
A	24/02/2020	REVISION SUBJECT TO ARCH.COMMENT	SH

JOB NO. : J-852

PROJECT : PROPOSED RESIDENTIAL DEVELOPMENT AT 139 - 147 ARGYLE STREET, NKIL 6005, 6035 R.P., 6036 R.P., 6037 R.P. & 6038 R.P.

TITLE : WINDOW SCHEDULE FOR ALUM. WINDOW

DATE : 05-Dec-19 SCALE : 1:40

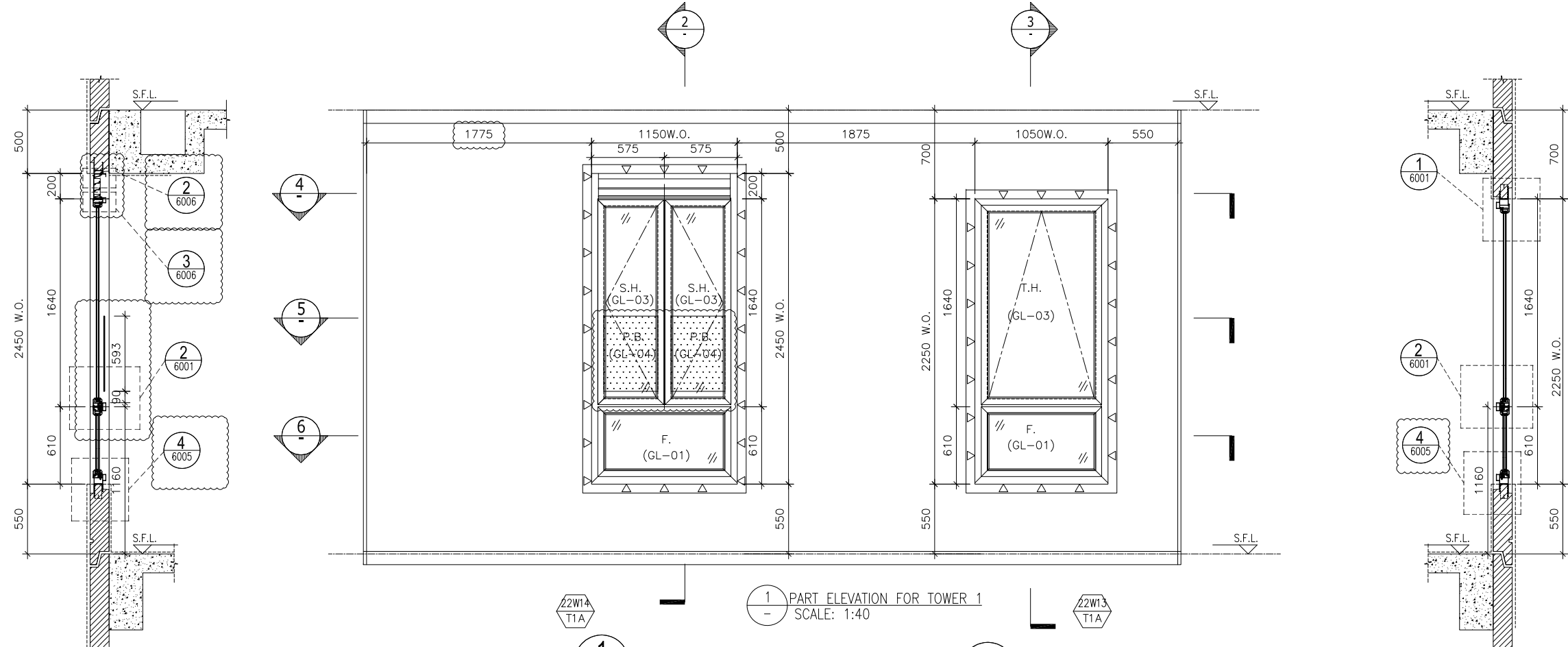
DRAWN BY : MN CHECKED BY : DW

美特鋁質有限公司
MIDI ALUMINIUM FABRICATOR LTD.
 Units 6-8, Sunray Industrial Centre, 1/F
 610 Cha Kwo Ling Road, Kowloon
 Tel:23489211-4 Fax:(852)27727666

WINDOW MARK	Z2W3 T1A
LOCATION	22/F LIV./DIN. AT TOWER 1 FLAT A
SECTION	70mm ALUM. SECTION
GLAZING	GL-01a ,GL-03
QUANTITY	1
REMARKS	FAÇADE (PF-11)

DWG NO. : J852-SD-PW-4117 REV. : E

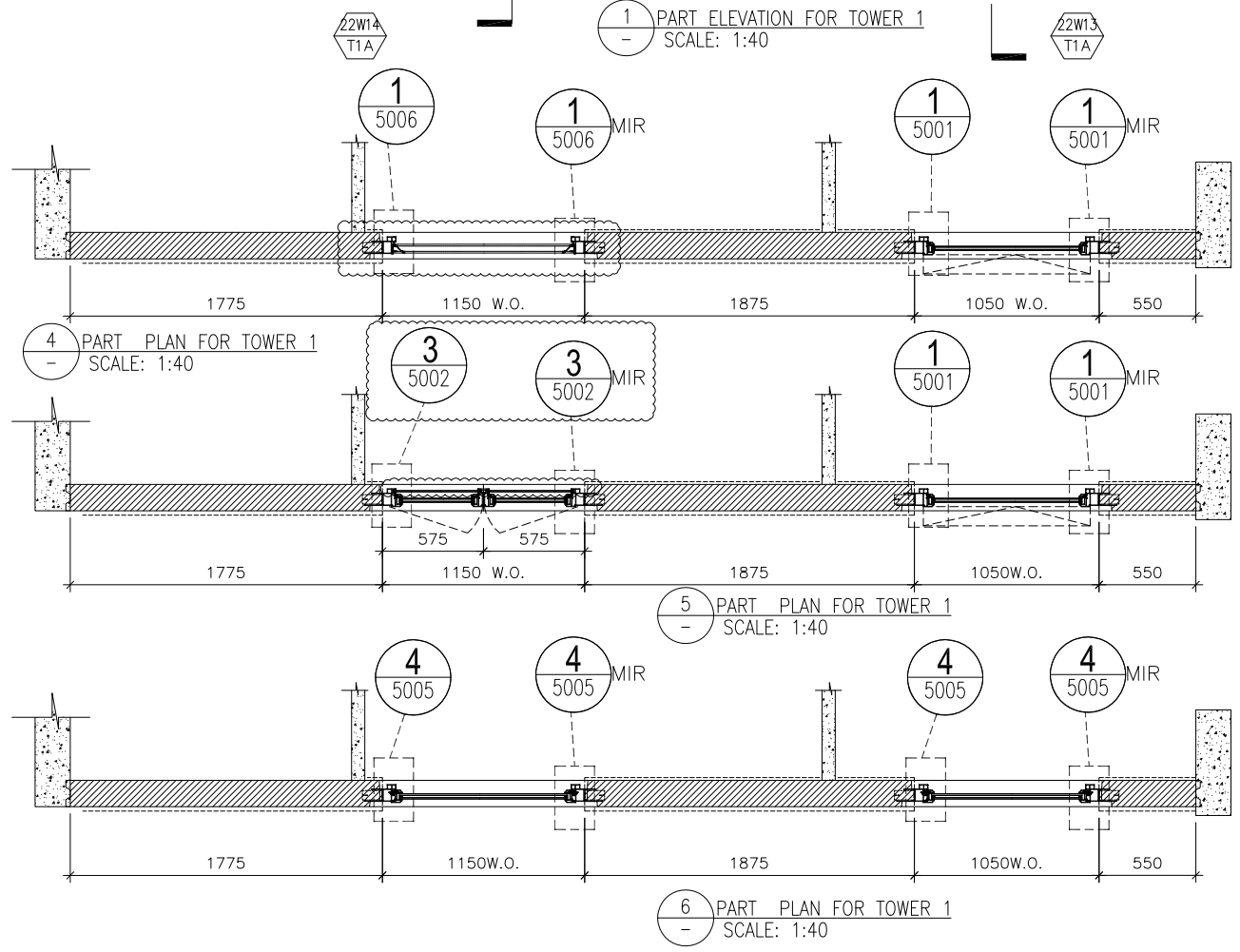
ELEVATION



2 PART SECTION OF TOWER 1
Scale:1:40

1 PART ELEVATION FOR TOWER 1
SCALE: 1:40

3 PART SECTION OF TOWER 1
Scale:1:40



4 PART PLAN FOR TOWER 1
SCALE: 1:40

5 PART PLAN FOR TOWER 1
SCALE: 1:40

6 PART PLAN FOR TOWER 1
SCALE: 1:40

TYPE D1	
OPENABLE WINDOW DIMENSION	(WIDTH) = 575 (HEIGHT) = 1640
FIXED WINDOW DIMENSION	(WIDTH) = 1150 (HEIGHT) = 610
NUMBER OF OPENABLE AREA WINDOW	= 2
GLAZING AREA	
OPENABLE	WIDTH = 575-101.5-66.5 = 407 mm HEIGHT = 1640-66.5-66.5 = 1507 mm
FIXED	WIDTH = 1150-101.5-101.5 = 947 mm HEIGHT = 610-66.5-101.5 = 442 mm
TOTAL	= ((407x1507)x2)+((947x442)x2)/1000000 = 1.64572 m ²
OPENABLE AREA	
WIDTH	= 575-67-32 = 466 mm
HEIGHT	= 1640-32-32 = 1576 mm
TOTAL	= ((466x1576)x2)/1000000 = 1.46832 m ²
PROVIDED	
GLAZING AREA	1.645 m ²
OPENABLE AREA	1.469 m ²

TYPE E	
OPENABLE WINDOW DIMENSION	(WIDTH) = 1050 (HEIGHT) = 1640
FIXED WINDOW DIMENSION	(WIDTH) = 1050 (HEIGHT) = 610
NUMBER OF OPENABLE AREA WINDOW	= 1
GLAZING AREA	
OPENABLE	WIDTH = 1050-111.5-111.5 = 827 mm HEIGHT = 1640-111.5-66.5 = 1462 mm
FIXED	WIDTH = 1050-111.5-111.5 = 827 mm HEIGHT = 610-66.5-111.5 = 432 mm
TOTAL	= ((827x1462)+(827x432))/1000000 = 1.566338 m ²
OPENABLE AREA	
WIDTH	= 1050-77-77 = 896 mm
HEIGHT	= 1640-77-32 = 1531 mm
TOTAL	= ((896x1531)x1)/1000000 = 1.371726 m ²
PROVIDED	
GLAZING AREA	1.566 m ²
OPENABLE AREA	1.372 m ²

B.D. REF :

CLIENT :

ARCHITECT :
AGC DESIGN LTD

MAIN CONTRACTOR :
Gammon

STRUCTURAL ENGINEER :
ARUP

FAÇADE CONSULTANT:
MEINHARDT

NOTE :

- ALL DIMENSIONS ARE IN mm.
- ALL ELEVATIONS ARE VIEWED FROM OUTSIDE.
- ALL DIMENSIONS TO BE VERIFIED ON SITE BEFORE FABRICATION.

LEGEND :

x1 - DETAIL MARK NO.
x001 - REFER SHEET NO.

- F.F.L. -- FINISHED FLOOR LEVEL
- S.F.L. -- STRUCTURAL FLOOR LEVEL
- ⊖ -- REVERSED DETAIL
- ▲ -- FIXING LOCATION
- △ -- FIXING LUG LOCATION
- GLASS LEGEND

GL01 -- 8mm+12mm AIR GAP+10mm THK. I.G.U.
GL01a -- 8mm+9mm AIR GAP+12mm THK. I.G.U.
GL03 -- 6mm+12mm AIR GAP+6mm THK. I.G.U.
GL04 -- 10mm THK. TEMPERED GLASS (PROTECTIVE BARRIER)
GL05 -- 6mm+12mm AIR GAP+8mm THK. I.G.U.

E	24/08/2020	REVISION SUBJECT TO ARCH.COMMENT	Ivan
D	29/05/2020	REVISION SUBJECT TO ARCH.COMMENT	Ivan
C	22/04/2020	REVISION SUBJECT TO ARCH.COMMENT	Ivan
B	05/03/2020	REVISION SUBJECT TO ARCH.COMMENT	Ivan
A	24/02/2020	REVISION SUBJECT TO ARCH.COMMENT	SH

NO. DATE REVISED BY

JOB NO. : J-852

PROJECT :
PROPOSED RESIDENTIAL DEVELOPMENT
AT 139 - 147 ARGYLE STREET,
NKIL 6005, 6035 R.P., 6036 R.P.,
6037 R.P. & 6038 R.P.

TITLE :
WINDOW SCHEDULE FOR
ALUM. WINDOW

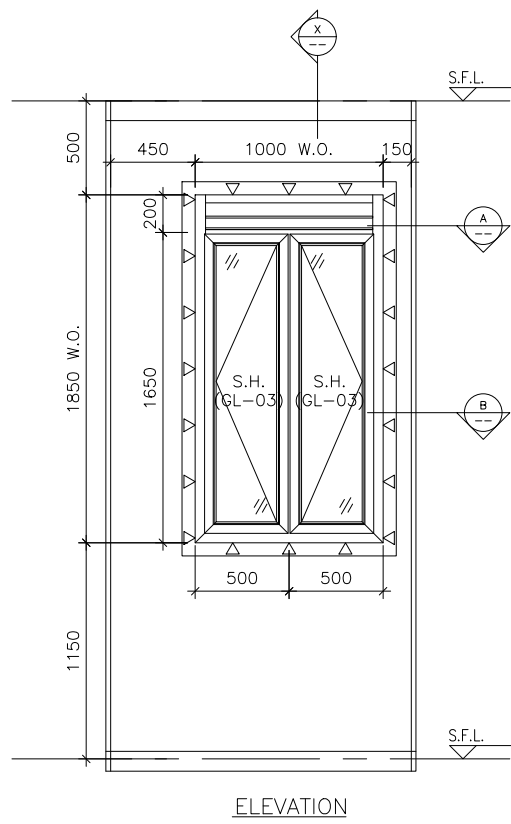
DATE : 05-Dec-19 SCALE : 1:40

DRAWN BY : MN CHECKED BY : DW

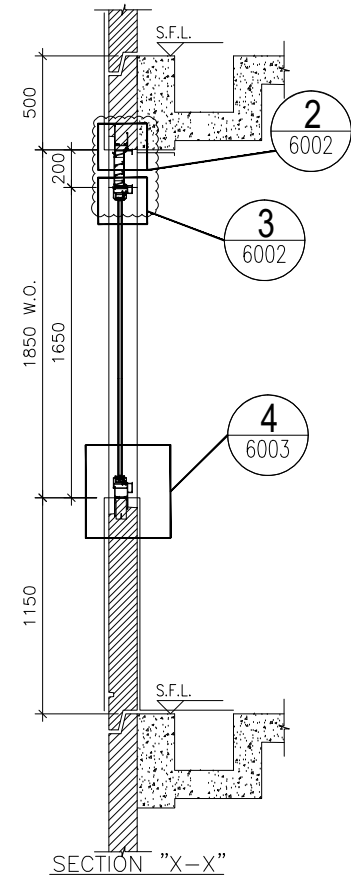
美特鋁質有限公司
MIDI ALUMINIUM FABRICATOR LTD.
Units 6-8, Sunray Industrial Centre, 1/F
610 Cha Kwo Ling Road, Kowloon
Tel:23489211-4 Fax:(852)2727666

DWG NO. : J852-SD-PW-4118 REV. : F

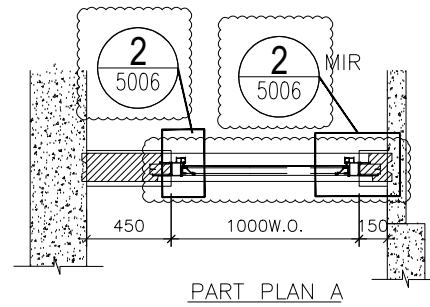
WINDOW MARK	22W14 / 22W13 T1A / T1A
LOCATION	22/F M.BATH & EN.3 AT TOWER 1 FLAT A
SECTION	70mm ALUM. SECTION
GLAZING	GL-01, GL-03
QUANTITY	1
REMARKS	FACADE (PF-22)



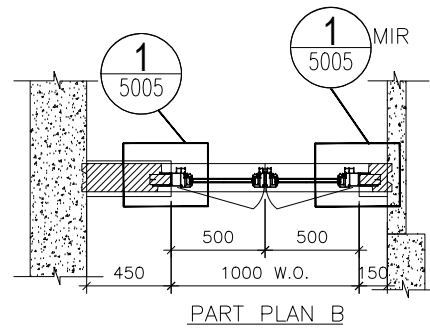
ELEVATION



SECTION "X-X"



PART PLAN A



PART PLAN B

ELEVATION

TYPE C			
OPENABLE WINDOW DIMENSION	(WIDTH)	=	500
	(HEIGHT)	=	1650
NUMBER OF OPENABLE AREA WINDOW		=	2
GLAZING AREA			
WIDTH	=	500-111.5-66.5	= 322 mm
HIGHT	=	1650-69.5-111.5	= 1469 mm
TOTAL	=	((322x1469)x2)/1000000	= 0.946036 m ²
OPENABLE AREA			
WIDTH	=	500-77-32	= 391 mm
HIGHT	=	1650-32-77	= 1541 mm
TOTAL	=	((391x1541)x2)/1000000	= 1.205062 m ²
		PROVIDED	
		GLAZING AREA	0.946 m ²
		OPENABLE AREA	1.205 m ²

B.D. REF :

CLIENT :

ARCHITECT :
AGC DESIGN LTD
 2/F, 287, Chung King Road, Kowloon, Hong Kong
 Tel: (852)27771111, Fax: (852)27771111, Email: agc@agcdesign.com.hk

MAIN CONTRACTOR :
Gammon

STRUCTURAL ENGINEER :
ARUP

FAÇADE CONSULTANT:
MEINHARDT

NOTE :
 1. ALL DIMENSIONS ARE IN mm.
 2. ALL ELEVATIONS ARE VIEWED FROM OUTSIDE.
 3. ALL DIMENSIONS TO BE VERIFIED ON SITE BEFORE FABRICATION.

LEGEND :
 (X1) --- DETAIL MARK NO.
 (X001) --- REFER SHEET NO.
 1. F.F.L. --- FINISHED FLOOR LEVEL
 2. S.F.L. --- STRUCTURAL FLOOR LEVEL
 3. (R) --- REVERSED DETAIL
 4. (B) --- REVERSED DETAIL
 4. ▲ --- FIXING LOCATION
 5. △ --- FIXING LUG LOCATION
 6. GLASS LEGEND

GL01 -- 8mm+12mm AIR GAP+10mm THK. I.G.U.
 GL01a -- 8mm+9mm AIR GAP+12mm THK. I.G.U.
 GL03 -- 6mm+12mm AIR GAP+6mm THK. I.G.U.
 GL04 -- 10mm THK. TEMPERED GLASS (PROTECTIVE BARRIER)
 GL05 -- 6mm+12mm AIR GAP+8mm THK. I.G.U.

E	24/08/2020	REVISION SUBJECT TO ARCH.COMMENT	lvn
D	29/05/2020	REVISION SUBJECT TO ARCH.COMMENT	lvn
C	22/04/2020	REVISION SUBJECT TO ARCH.COMMENT	lvn
B	05/03/2020	REVISION SUBJECT TO ARCH.COMMENT	lvn
A	24/02/2020	REVISION SUBJECT TO ARCH.COMMENT	SH
NO.	DATE	REVISED	BY

JOB NO. : J-852
 PROJECT : PROPOSED RESIDENTIAL DEVELOPMENT AT 139 - 147 ARGYLE STREET, NKIL 6005, 6035 R.P., 6036 R.P., 6037 R.P. & 6038 R.P.

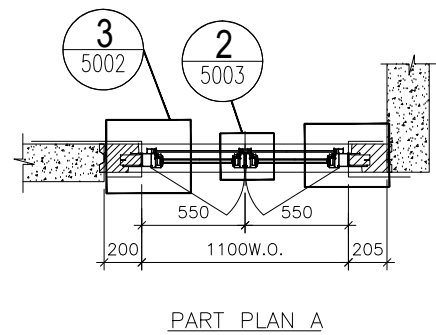
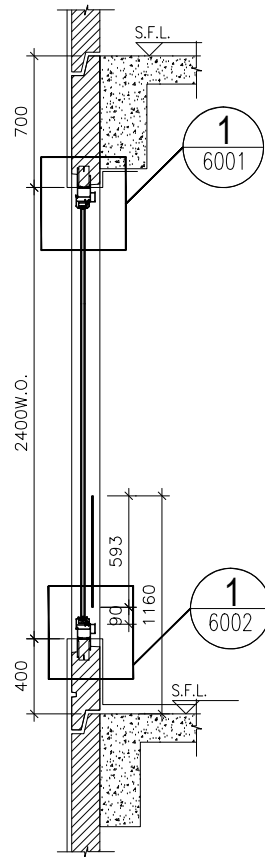
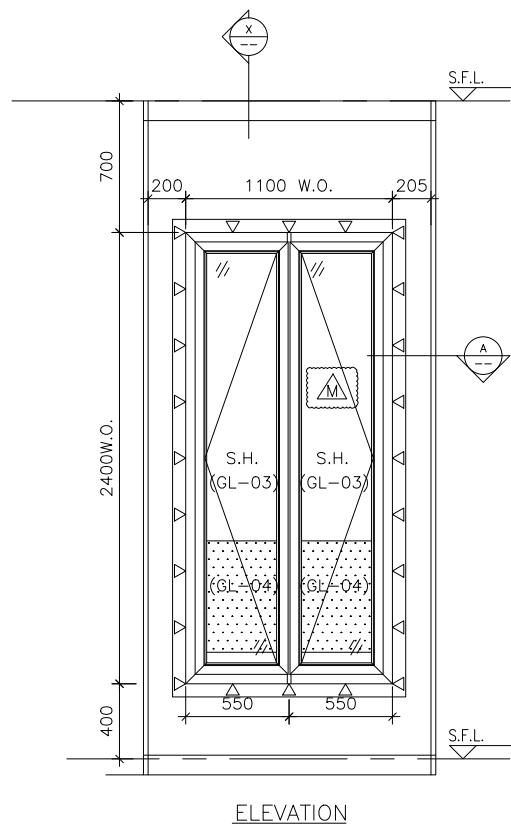
TITLE : WINDOW SCHEDULE FOR ALUM. WINDOW

DATE : 05-Dec-19 SCALE : 1:40
 DRAWN BY : MN CHECKED BY : DW

美特鋁質有限公司
MIDI ALUMINIUM FABRICATOR LTD.
 Units 6-8, Sunray Industrial Centre, 1/F
 610 Cha Kwo Ling Road, Kowloon
 Tel:23489211-4 Fax:(852)27727666

DWG NO. : J852-SD-PW-4119 REV. : E

WINDOW MARK	22W6 T1C
LOCATION	22/F KIT. AT TOWER 1 FLAT C
SECTION	70mm ALUM. SECTION
GLAZING	GL-03
QUANTITY	1
REMARKS	FAÇADE (PF-31)



SECTION "X-X"

PART PLAN A

TYPE F			
OPENABLE WINDOW DIMENSION	(WIDTH)	=	550
	(HEIGHT)	=	2400
NUMBER OF OPENABLE AREA WINDOW		=	1
GLAZING AREA			
OPENABLE			
WIDTH	=	550-111.5-66.5	= 372 mm
HIGHT	=	(2400+400)-111.5-1000	= 1688.5 mm
TOTAL	=	((372x1688.5)x2)/1000000	= 1.256244 m ²
OPENABLE AREA			
WIDTH	=	550-77-32	= 441 mm
HIGHT	=	2400-77-(1160-385-15)	= 1563 mm
TOTAL	=	((441x1563)x1)/1000000	= 0.689283 m ²
		PROVIDED	
		GLAZING AREA	1.256 m ²
		OPENABLE AREA	0.689 m ²

B.D. REF :

CLIENT :

ARCHITECT :
AGC DESIGN LTD
 architectural design
 1/F, 187, Chung King, 220 Hong Kong, Hong Kong
 Tel: (852)27771111, Fax: (852)27771111, Email: agc@agcdesign.com.hk

MAIN CONTRACTOR :
Gammon

STRUCTURAL ENGINEER :
ARUP

FAÇADE CONSULTANT:
MEINHARDT

NOTE :
 1. ALL DIMENSIONS ARE IN mm.
 2. ALL ELEVATIONS ARE VIEWED FROM OUTSIDE.
 3. ALL DIMENSIONS TO BE VERIFIED ON SITE BEFORE FABRICATION.

LEGEND :
 (X1) --- DETAIL MARK NO.
 (X001) --- REFER SHEET NO.

1. F.F.L. --- FINISHED FLOOR LEVEL
 2. S.F.L. --- STRUCTURAL FLOOR LEVEL
 3. (R) --- REVERSED DETAIL
 4. ▲ --- FIXING LOCATION
 5. △ --- FIXING LUG LOCATION
 6. GLASS LEGEND
 GL01 --- 8mm+12mm AIR GAP+10mm THK. I.G.U.
 GL01a --- 8mm+9mm AIR GAP+12mm THK. I.G.U.
 GL03 --- 6mm+12mm AIR GAP+6mm THK. I.G.U.
 GL04 --- 10mm THK. TEMPERED GLASS (PROTECTIVE BARRIER)
 GL05 --- 6mm+12mm AIR GAP+8mm THK. I.G.U.

NO.	DATE	REVISION	BY
E	24/08/2020	REVISION SUBJECT TO ARCH.COMMENT	lvon
D	04/06/2020	REVISION SUBJECT TO ARCH.COMMENT	lvon
C	22/04/2020	REVISION SUBJECT TO ARCH.COMMENT	lvon
B	05/03/2020	REVISION SUBJECT TO ARCH.COMMENT	lvon
A	24/02/2020	REVISION SUBJECT TO ARCH.COMMENT	SH

JOB NO. : J-852
 PROJECT : PROPOSED RESIDENTIAL DEVELOPMENT AT 139 - 147 ARGYLE STREET, NKIL 6005, 6035 R.P., 6036 R.P., 6037 R.P. & 6038 R.P.

TITLE : WINDOW SCHEDULE FOR ALUM. WINDOW

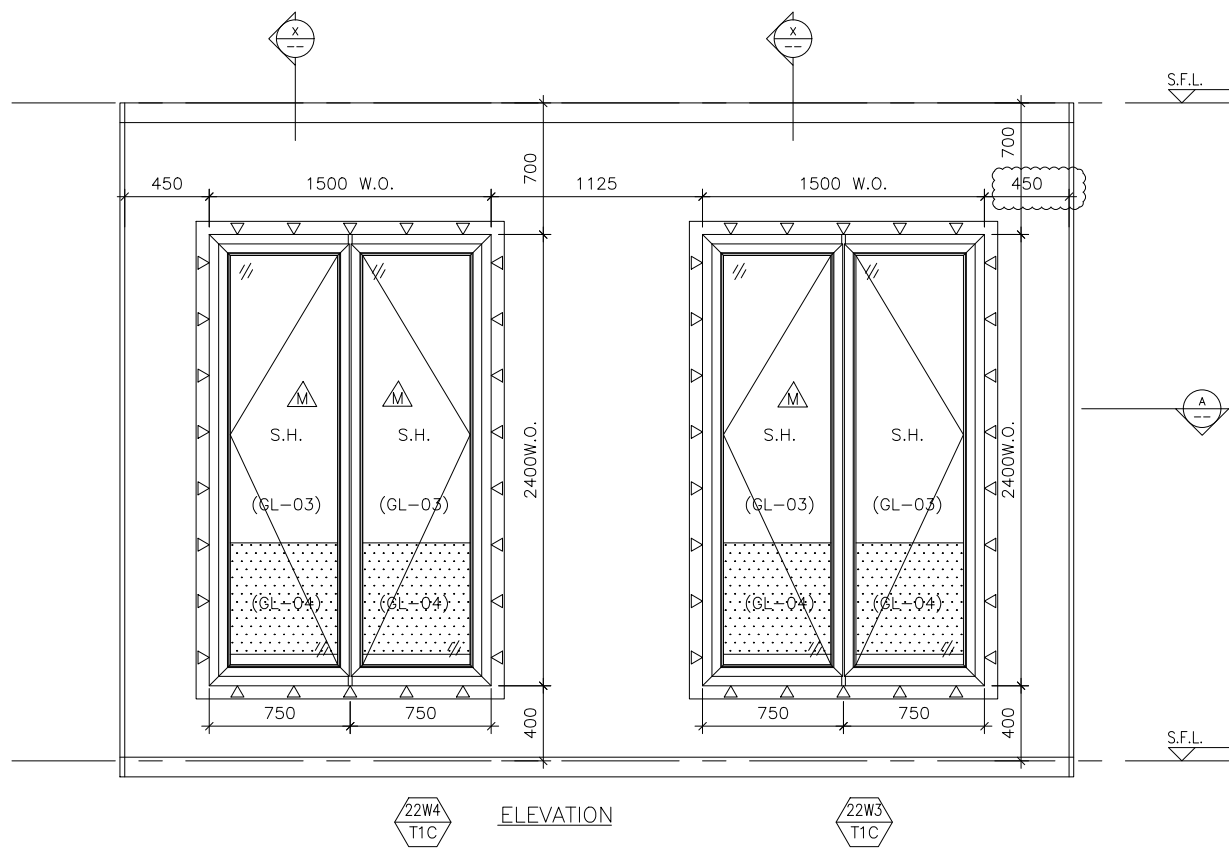
DATE : 05-Dec-19 SCALE : 1:40
 DRAWN BY : MN CHECKED BY : DW

美特鋁質有限公司
MIDI ALUMINIUM FABRICATOR LTD.
 Units 6-8, Sunray Industrial Centre, 1/F
 610 Cha Kwo Ling Road, Kowloon
 Tel:23489211-4 Fax:(852)27727666

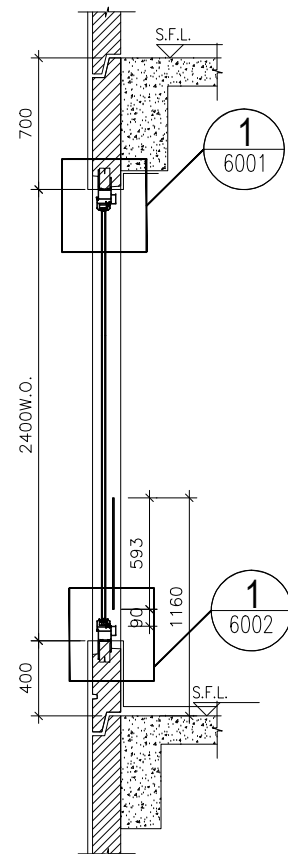
DWG NO. : J852-SD-PW-4120 REV. : E

ELEVATION

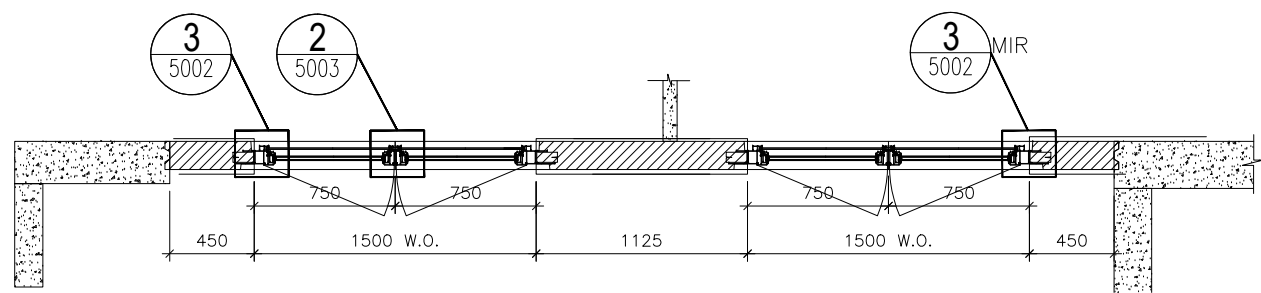
WINDOW MARK	22W5 T1C
LOCATION	22/F B.R.2 AT TOWER 1 FLAT C
SECTION	70mm ALUM. SECTION
GLAZING	GL-03
QUANTITY	1
REMARKS	FAÇADE (PF-32)



ELEVATION



SECTION "X-X"



PART PLAN A

TYPE F			
OPENABLE WINDOW DIMENSION	(WIDTH) =	750	
	(HEIGHT) =	2400	
NUMBER OF OPENABLE AREA WINDOW	=	0	
GLAZING AREA			
OPENABLE			
WIDTH =	750-111.5-66.5	=	572 mm
HIGHT =	(2400+400)-111.5-1000	=	1688.5 mm
TOTAL =	((572x1688.5)x2)/1000000	=	1.931644 m ²
OPENABLE AREA			
WIDTH =	750-77-32	=	641 mm
HIGHT =	2400-77-(1160-385-15)	=	1563 mm
TOTAL =	((641x1563)x0)/1000000	=	0 m ²
	PROVIDED		
22W4 TIC	GLAZING AREA	1.932	m ²
	OPENABLE AREA	0	m ²

TYPE F			
OPENABLE WINDOW DIMENSION	(WIDTH) =	750	
	(HEIGHT) =	2400	
NUMBER OF OPENABLE AREA WINDOW	=	1	
GLAZING AREA			
OPENABLE			
WIDTH =	750-111.5-66.5	=	572 mm
HIGHT =	(2400+400)-111.5-1000	=	1688.5 mm
TOTAL =	((572x1688.5)x2)/1000000	=	1.931644 m ²
OPENABLE AREA			
WIDTH =	750-77-32	=	641 mm
HIGHT =	2400-77-(1160-385-15)	=	1563 mm
TOTAL =	((641x1563)x1)/1000000	=	1.001883 m ²
	PROVIDED		
22W3 TIC	GLAZING AREA	1.932	m ²
	OPENABLE AREA	1.002	m ²

B.D. REF :

CLIENT :

ARCHITECT :
AGC DESIGN LTD
 10/F, 18/F, Chung King, 220 Hong Kong, New Territories, Kowloon
 Tel: (852)27777777, Fax: (852)27777777, Email: agc@agc.com.hk

MAIN CONTRACTOR :
Gammon

STRUCTURAL ENGINEER :
ARUP

FACADE CONSULTANT:
MEINHARDT

NOTE :

1. ALL DIMENSIONS ARE IN mm.
2. ALL ELEVATIONS ARE VIEWED FROM OUTSIDE.
3. ALL DIMENSIONS TO BE VERIFIED ON SITE BEFORE FABRICATION.

LEGEND :

X1 --- DETAIL MARK NO.
 X001 --- REFER SHEET NO.

1. F.F.L. --- FINISHED FLOOR LEVEL
2. S.F.L. --- STRUCTURAL FLOOR LEVEL
3. (R) --- REVERSED DETAIL
4. ▲ --- FIXING LOCATION
5. △ --- FIXING LUG LOCATION
6. GLASS LEGEND
 GL01 --- 8mm+12mm AIR GAP+10mm THK. I.G.U.
 GL01a --- 8mm+9mm AIR GAP+12mm THK. I.G.U.
 GL03 --- 6mm+12mm AIR GAP+6mm THK. I.G.U.
 GL04 --- 10mm THK. TEMPERED GLASS (PROTECTIVE BARRIER)
 GL05 --- 6mm+12mm AIR GAP+8mm THK. I.G.U.

E	24/08/2020	REVISION SUBJECT TO ARCH.COMMENT	lvon
D	04/06/2020	REVISION SUBJECT TO ARCH.COMMENT	lvon
C	22/04/2020	REVISION SUBJECT TO ARCH.COMMENT	lvon
B	05/03/2020	REVISION SUBJECT TO ARCH.COMMENT	lvon
A	24/02/2020	REVISION SUBJECT TO ARCH.COMMENT	SH
NO.	DATE	REVISED	BY

JOB NO. : J-852

PROJECT :
 PROPOSED RESIDENTIAL DEVELOPMENT
 AT 139 - 147 ARGYLE STREET,
 NKIL 6005, 6035 R.P., 6036 R.P.,
 6037 R.P. & 6038 R.P.

TITLE :
 WINDOW SCHEDULE FOR
 ALUM. WINDOW

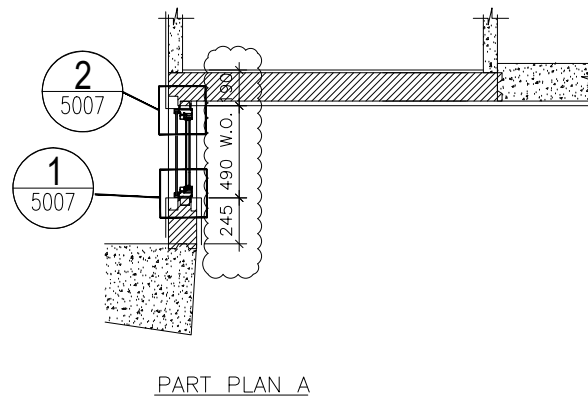
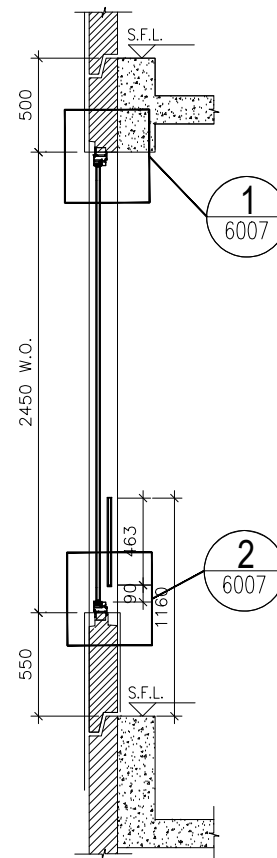
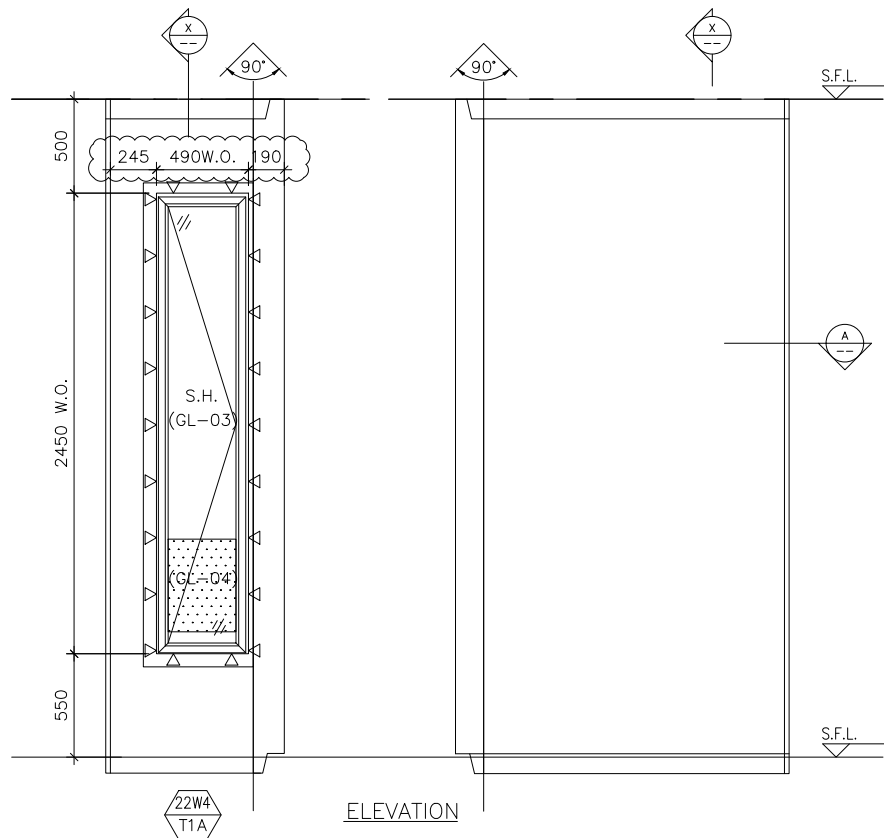
DATE : 05-Dec-19 SCALE : 1:40

DRAWN BY : MN CHECKED BY : DW

美特鋁質有限公司
MIDI ALUMINIUM FABRICATOR LTD.
 Units 6-8, Sunray Industrial Centre, 1/F
 610 Cha Kwo Ling Road, Kowloon
 Tel: 23489211-4 Fax: (852) 2727666

DWG NO. : J852-SD-PW-4121 REV. : E

WINDOW MARK	22W4 TIC / 22W3 TIC
LOCATION	22/F M.B.R.1 & B.R.2 AT TOWER 1 FLAT C
SECTION	70mm ALUM. SECTION
GLAZING	GL-03
QUANTITY	1
REMARKS	FACADE (PF-33)



TYPE T			
OPENABLE WINDOW DIMENSION	(WIDTH)	=	490
	(HEIGHT)	=	2450
NUMBER OF OPENABLE AREA WINDOW		=	1
GLAZING AREA			
OPENABLE			
WIDTH	=	490-72-72	= 346 mm
HIGHT	=	(2450+550)-72-1000	= 1928 mm
TOTAL	=	(346x1928)/1000000	= 0.667088 m ²
OPENABLE AREA			
WIDTH	=	490-42-42	= 406 mm
HIGHT	=	2450-42-(1160-550)	= 1798 mm
TOTAL	=	((406x1798)x1)/1000000	= 0.729988 m ²

	PROVIDED	
22W4 T1A	GLAZING AREA	0.667 m ²
	OPENABLE AREA	0.730 m ²

B.D. REF :

CLIENT :

ARCHITECT :
AGC DESIGN LTD
 10/F, 187, Queen Mary Road, Hong Kong
 Tel: (852)27771111 Fax: (852)27771111 Email: agc@agcdesign.com.hk

MAIN CONTRACTOR :
Gammon

STRUCTURAL ENGINEER :
ARUP

FAÇADE CONSULTANT:
MEINHARDT

NOTE :
 1. ALL DIMENSIONS ARE IN mm.
 2. ALL ELEVATIONS ARE VIEWED FROM OUTSIDE.
 3. ALL DIMENSIONS TO BE VERIFIED ON SITE BEFORE FABRICATION.

LEGEND :
 (X1) --- DETAIL MARK NO.
 (X001) --- REFER SHEET NO.

1. F.F.L. --- FINISHED FLOOR LEVEL
 2. S.F.L. --- STRUCTURAL FLOOR LEVEL
 3. (R) --- REVERSED DETAIL
 4. ▲ --- FIXING LOCATION
 5. △ --- FIXING LUG LOCATION
 6. GLASS LEGEND
 GL01 --- 8mm+12mm AIR GAP+10mm THK. I.G.U.
 GL01a --- 8mm+9mm AIR GAP+12mm THK. I.G.U.
 GL03 --- 6mm+12mm AIR GAP+6mm THK. I.G.U.
 GL04 --- 10mm THK. TEMPERED GLASS (PROTECTIVE BARRIER)
 GL05 --- 6mm+12mm AIR GAP+8mm THK. I.G.U.

NO.	DATE	REVISION	BY
F	17/09/2020	REVISION SUBJECT TO ARCH.COMMENT	lvon
E	24/08/2020	REVISION SUBJECT TO ARCH.COMMENT	lvon
D	04/06/2020	REVISION SUBJECT TO ARCH.COMMENT	lvon
C	22/04/2020	REVISION SUBJECT TO ARCH.COMMENT	lvon
B	05/03/2020	REVISION SUBJECT TO ARCH.COMMENT	lvon
A	24/02/2020	REVISION SUBJECT TO ARCH.COMMENT	SH

JOB NO. : J-852
 PROJECT : PROPOSED RESIDENTIAL DEVELOPMENT AT 139 - 147 ARGYLE STREET, NKIL 6005, 6035 R.P., 6036 R.P., 6037 R.P. & 6038 R.P.

TITLE : WINDOW SCHEDULE FOR ALUM. WINDOW

DATE : 05-Dec-19 SCALE : 1:40
 DRAWN BY : MN CHECKED BY : DW

美特鋁質有限公司
MIDI ALUMINIUM FABRICATOR LTD.
 Units 6-8, Sunray Industrial Centre, 1/F
 610 Cha Kwo Ling Road, Kowloon
 Tel:23489211-4 Fax:(852)27727666

DWG NO. : J852-SD-PW-4122 REV. : F

ELEVATION

WINDOW MARK	22W4 T1A
LOCATION	22/F M.B. & EN.B. AT TOWER 1 FLAT A
SECTION	70mm ALUM. SECTION
GLAZING	GL-01, GL-03
QUANTITY	1
REMARKS	FAÇADE (PF-37)

B.D. REF :

CLIENT :

ARCHITECT :
AGC DESIGN LTD
 10/F, 187, Queen's Road, 220 Hong Kong, Tel: 3422 1111, Fax: 3422 1111, Email: agc@agc.com.hk

MAIN CONTRACTOR :
Gammon

STRUCTURAL ENGINEER :
ARUP

FAÇADE CONSULTANT :
MEINHARDT

NOTE :
 1. ALL DIMENSIONS ARE IN mm.
 2. ALL ELEVATIONS ARE VIEWED FROM OUTSIDE.
 3. ALL DIMENSIONS TO BE VERIFIED ON SITE BEFORE FABRICATION.

LEGEND :
 X1 -- DETAIL MARK NO.
 X001 -- REFER SHEET NO.
 1. F.F.L. -- FINISHED FLOOR LEVEL
 2. S.F.L. -- STRUCTURAL FLOOR LEVEL
 3. (R) -- REVERSED DETAIL
 4. ▲ -- FIXING LOCATION
 5. △ -- FIXING LUG LOCATION
 6. GLASS LEGEND
 GL01 -- 8mm+12mm AIR GAP+10mm THK. I.G.U.
 GL01a -- 8mm+9mm AIR GAP+12mm THK. I.G.U.
 GL03 -- 6mm+12mm AIR GAP+6mm THK. I.G.U.
 GL04 -- 10mm THK. TEMPERED GLASS (PROTECTIVE BARRIER)
 GL05 -- 6mm+12mm AIR GAP+8mm THK. I.G.U.

NO.	DATE	REVISION	BY
D	24/08/2020	REVISION SUBJECT TO ARCH.COMMENT	lvn
C	22/04/2020	REVISION SUBJECT TO ARCH.COMMENT	lvn
B	05/03/2020	REVISION SUBJECT TO ARCH.COMMENT	lvn
A	24/02/2020	REVISION SUBJECT TO ARCH.COMMENT	SH

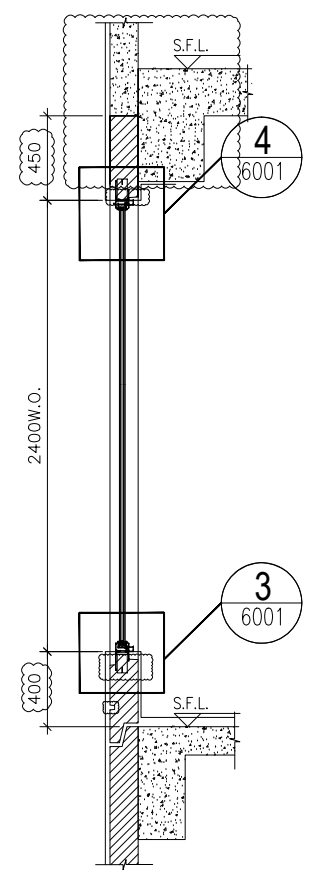
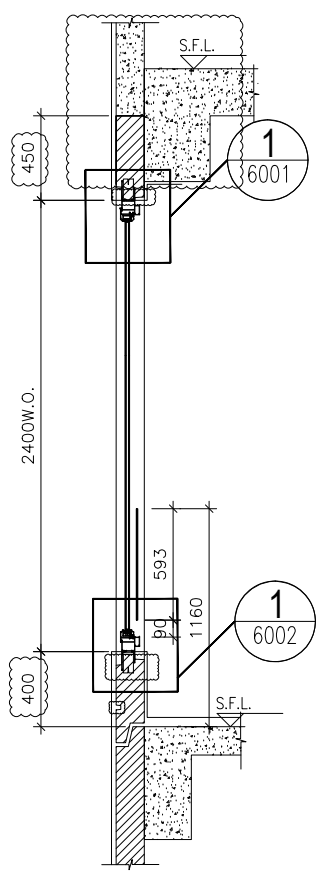
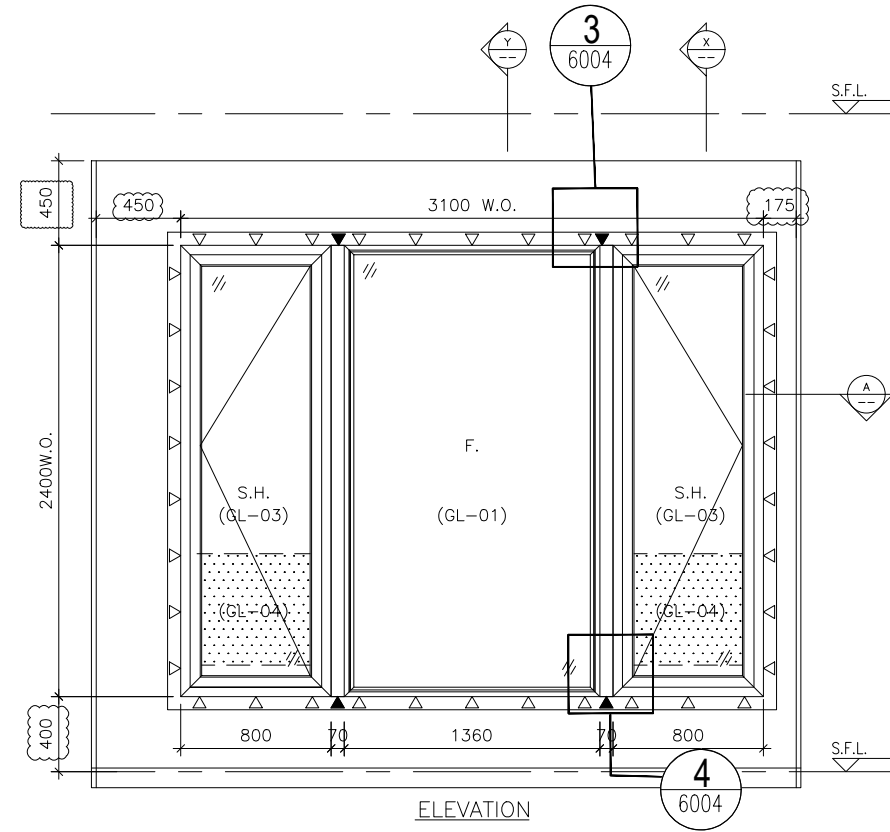
JOB NO. : J-852
 PROJECT : PROPOSED RESIDENTIAL DEVELOPMENT AT 139 - 147 ARGYLE STREET, NKIL 6005, 6035 R.P., 6036 R.P., 6037 R.P. & 6038 R.P.

TITLE : WINDOW SCHEDULE FOR ALUM. WINDOW

DATE : 05-Dec-19 SCALE : 1:40
 DRAWN BY : MN CHECKED BY : DW

美特鋁質有限公司
MIDI ALUMINIUM FABRICATOR LTD.
 Units 6-8, Sunray Industrial Centre, 1/F
 610 Cha Kwo Ling Road, Kowloon
 Tel: 23489211-4 Fax: (852) 27727666

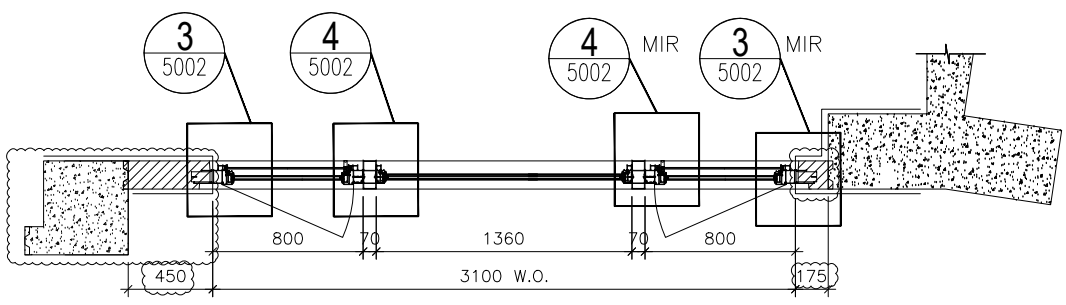
DWG NO. : J852-SD-PW-4123 REV. : D



SECTION "X-X"

SECTION "Y-Y"

ELEVATION

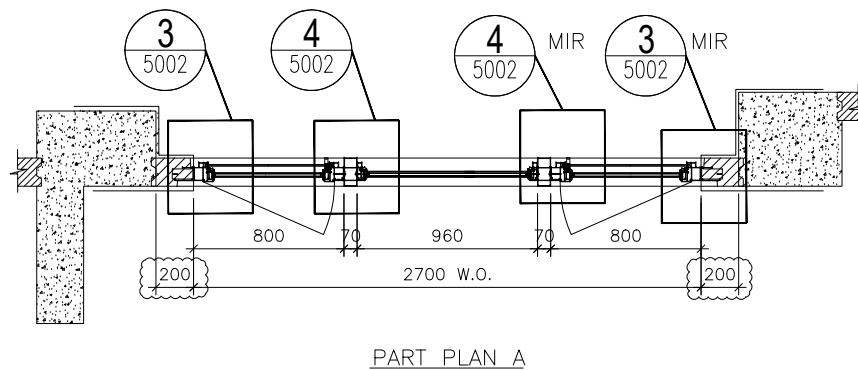
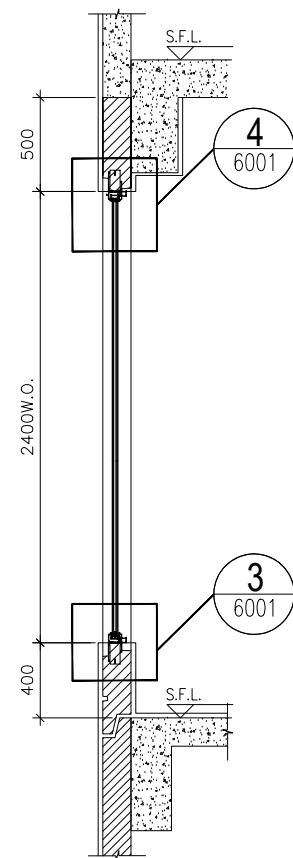
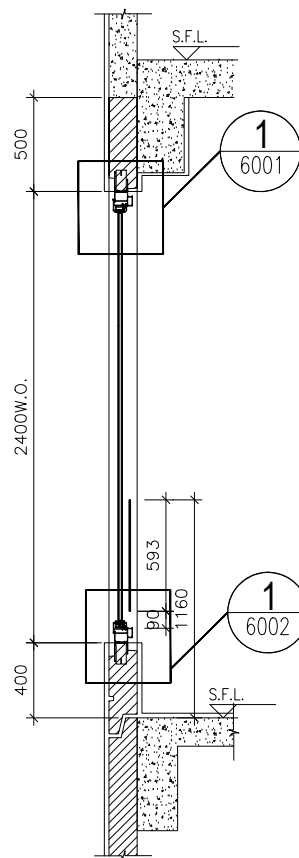
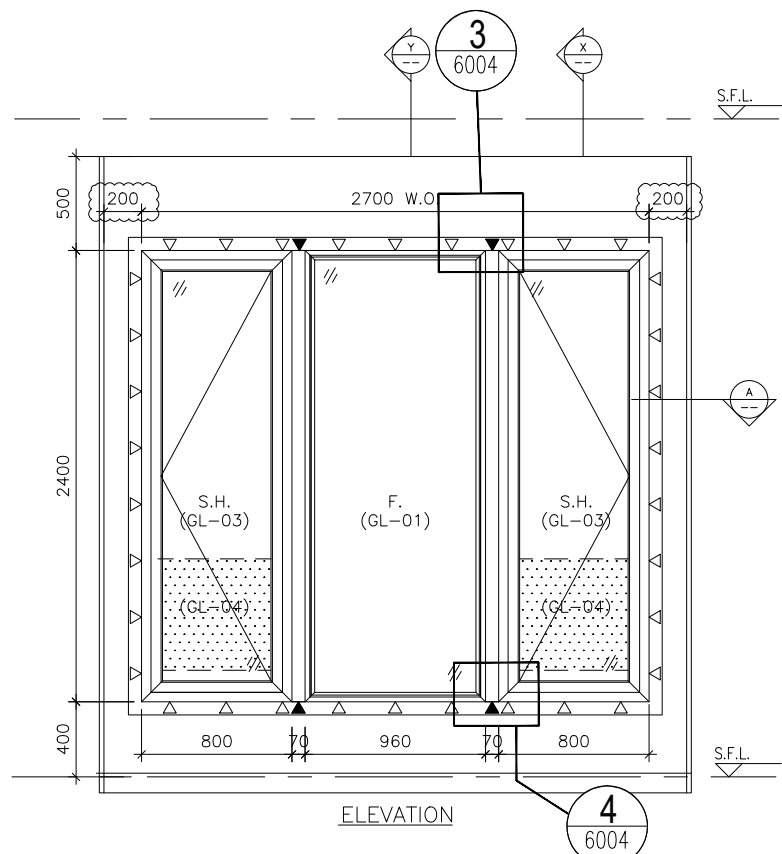


PART PLAN A

TYPE A			
OPENABLE WINDOW DIMENSION	(WIDTH)	=	800
	(HEIGHT)	=	2400
FIXED WINDOW DIMENSION	(WIDTH)	=	1360
	(HEIGHT)	=	2400
NUMBER OF OPENABLE AREA WINDOW		=	2
GLAZING AREA			
OPENABLE			
WIDTH	= 800-111.5-111.5	=	577 mm
HEIGHT	= 2400-111.5-111.5	=	2177 mm
FIXED			
WIDTH	= 1360-50-50	=	1260 mm
HEIGHT	= 2400-50-50	=	2300 mm
TOTAL	= ((577x2177)x2+(1260x2300))/1000000	=	5.410258 m ²
OPENABLE AREA			
WIDTH	= 800-77-77	=	646 mm
HEIGHT	= 2400-77-(1160-385-15)	=	1563 mm
TOTAL	= ((646x1563)x2)/1000000	=	2.019396 m ²

PROVIDED	
GLAZING AREA	5.410 m ²
OPENABLE AREA	2.019 m ²

WINDOW MARK	23W1 T1A
LOCATION	23/F MASTER ENSUITE AT TOWER 1 FLAT A
SECTION	70mm ALUM. SECTION
GLAZING	GL-01, GL-03
QUANTITY	1
REMARKS	FAÇADE (PF-9)



TYPE A			
OPENABLE WINDOW DIMENSION	(WIDTH)	=	800
	(HEIGHT)	=	2400
FIXED WINDOW DIMENSION	(WIDTH)	=	960
	(HEIGHT)	=	2400
NUMBER OF OPENABLE AREA WINDOW		=	2
GLAZING AREA			
OPENABLE			
WIDTH	=	800-111.5-111.5	= 577 mm
HEIGHT	=	2400-111.5-111.5	= 2177 mm
FIXED			
WIDTH	=	960-50-50	= 860 mm
HEIGHT	=	2400-50-50	= 2300 mm
TOTAL	=	((577x2177)x2+(860x2300))/1000000	= 4.490258 m ²
OPENABLE AREA			
WIDTH	=	800-77-77	= 646 mm
HEIGHT	=	2400-77-(1160-385-15)	= 1563 mm
TOTAL	=	((646x1563)x2)/1000000	= 2.019396 m ²

PROVIDED	
GLAZING AREA	4.490 m ²
OPENABLE AREA	2.019 m ²

B.D. REF :

CLIENT :

ARCHITECT :
AGC DESIGN LTD
 10/F, 187, Queen Mary, 228 Hong Kong, New Territories, Kowloon
 Tel: (852)27771111, Fax: (852)27771111, Email: agc@agc.com.hk

MAIN CONTRACTOR :
Gammon

STRUCTURAL ENGINEER :
ARUP

FAÇADE CONSULTANT:
MEINHARDT

NOTE :
 1. ALL DIMENSIONS ARE IN mm.
 2. ALL ELEVATIONS ARE VIEWED FROM OUTSIDE.
 3. ALL DIMENSIONS TO BE VERIFIED ON SITE BEFORE FABRICATION.

LEGEND :
 X1 --- DETAIL MARK NO.
 X001 --- REFER SHEET NO.
 1. F.F.L. --- FINISHED FLOOR LEVEL
 2. S.F.L. --- STRUCTURAL FLOOR LEVEL
 3. (R) --- REVERSED DETAIL
 4. ▲ --- FIXING LOCATION
 5. △ --- FIXING LUG LOCATION
 6. GLASS LEGEND
 GL01 -- 8mm+12mm AIR GAP+10mm THK. I.G.U.
 GL01a -- 8mm+9mm AIR GAP+12mm THK. I.G.U.
 GL03 -- 6mm+12mm AIR GAP+6mm THK. I.G.U.
 GL04 -- 10mm THK. TEMPERED GLASS (PROTECTIVE BARRIER)
 GL05 -- 6mm+12mm AIR GAP+8mm THK. I.G.U.

NO.	DATE	REVISED	BY
D	24/08/2020	REVISION SUBJECT TO ARCH.COMMENT	lvn
C	22/04/2020	REVISION SUBJECT TO ARCH.COMMENT	lvn
B	05/03/2020	REVISION SUBJECT TO ARCH.COMMENT	lvn
A	24/02/2020	REVISION SUBJECT TO ARCH.COMMENT	SH

JOB NO. : J-852
 PROJECT : PROPOSED RESIDENTIAL DEVELOPMENT AT 139 - 147 ARGYLE STREET, NKIL 6005, 6035 R.P., 6036 R.P., 6037 R.P. & 6038 R.P.

TITLE : WINDOW SCHEDULE FOR ALUM. WINDOW

DATE : 05-Dec-19 SCALE : 1:40
 DRAWN BY : MN CHECKED BY : DW

美特鋁質有限公司
MIDI ALUMINIUM FABRICATOR LTD.
 Units 6-8, Sunray Industrial Centre, 1/F
 610 Cha Kwo Ling Road, Kowloon
 Tel:23489211-4 Fax:(852)27727666

DWG NO. : J852-SD-PW-4124 REV. : D

ELEVATION

WINDOW MARK	23W2 T1A
LOCATION	23/F ENSUITE 1 AT TOWER 1 FLAT A
SECTION	70mm ALUM. SECTION
GLAZING	GL-01, GL-03
QUANTITY	1
REMARKS	FAÇADE (PF-10)

B.D. REF :

CLIENT :

ARCHITECT :
AGC DESIGN LTD
 10/F, 187, Queen Mary Road, Hong Kong
 Tel: (852)27771111, Fax: (852)27771111, Email: agc@agc.com.hk

MAIN CONTRACTOR :
Gammon

STRUCTURAL ENGINEER :
ARUP

FACADE CONSULTANT:
MEINHARDT

NOTE :
 1. ALL DIMENSIONS ARE IN mm.
 2. ALL ELEVATIONS ARE VIEWED FROM OUTSIDE.
 3. ALL DIMENSIONS TO BE VERIFIED ON SITE BEFORE FABRICATION.

LEGEND :
 X1 --- DETAIL MARK NO.
 X001 --- REFER SHEET NO.

1. F.F.L. --- FINISHED FLOOR LEVEL
 2. S.F.L. --- STRUCTURAL FLOOR LEVEL
 3. (R) --- REVERSED DETAIL
 4. ▲ --- FIXING LOCATION
 5. △ --- FIXING LUG LOCATION
 6. GLASS LEGEND
 GL01 -- 8mm+12mm AIR GAP+10mm THK. I.G.U.
 GL01a -- 8mm+9mm AIR GAP+12mm THK. I.G.U.
 GL03 -- 6mm+12mm AIR GAP+6mm THK. I.G.U.
 GL04 -- 10mm THK. TEMPERED GLASS (PROTECTIVE BARRIER)
 GL05 -- 6mm+12mm AIR GAP+8mm THK. I.G.U.

NO.	DATE	REVISION	BY
E	24/08/2020	REVISION SUBJECT TO ARCH.COMMENT	lvn
D	04/06/2020	REVISION SUBJECT TO ARCH.COMMENT	lvn
C	22/04/2020	REVISION SUBJECT TO ARCH.COMMENT	lvn
B	05/03/2020	REVISION SUBJECT TO ARCH.COMMENT	lvn
A	24/02/2020	REVISION SUBJECT TO ARCH.COMMENT	SH

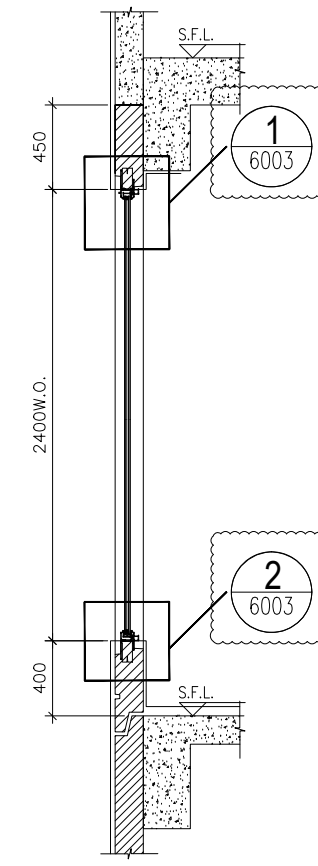
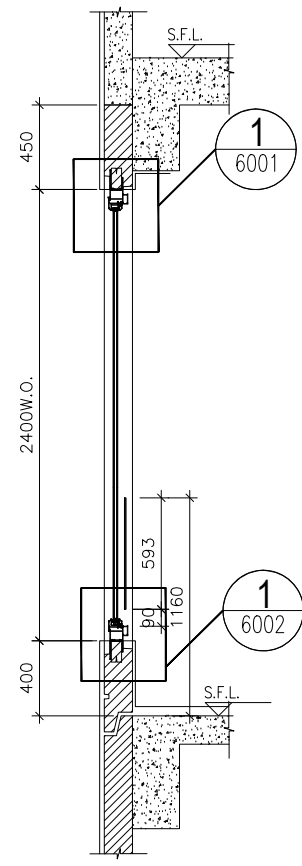
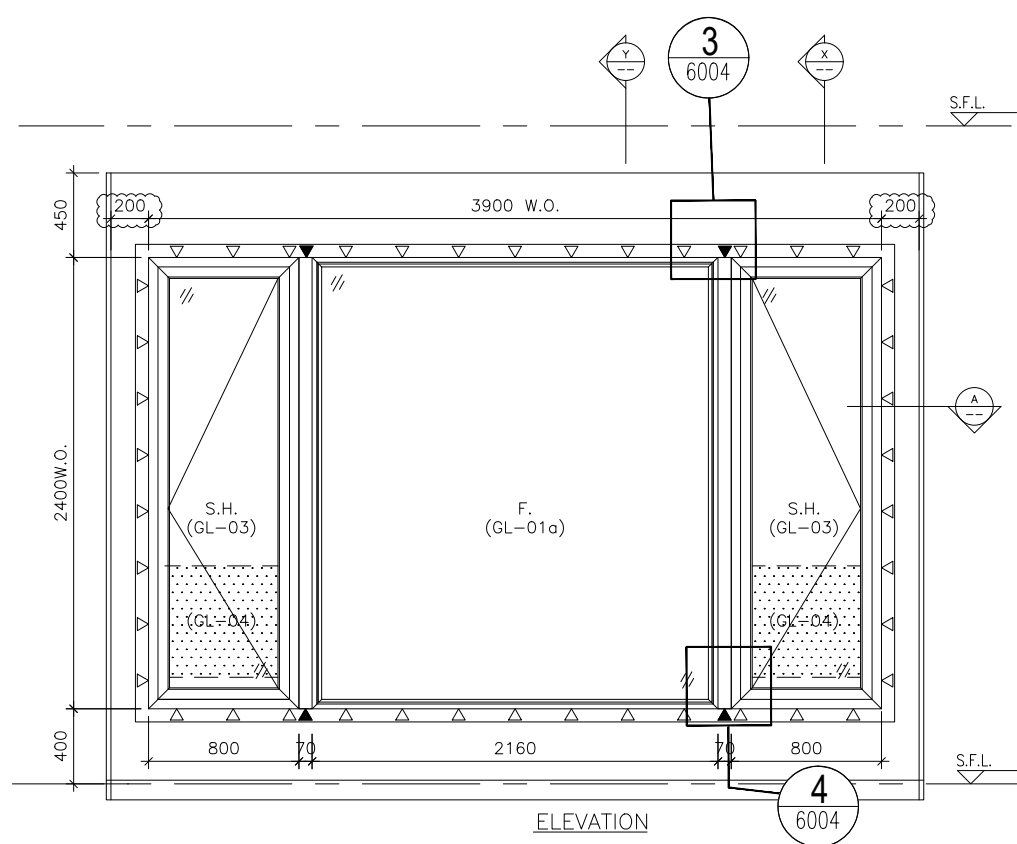
JOB NO. : J-852
 PROJECT : PROPOSED RESIDENTIAL DEVELOPMENT AT 139 - 147 ARGYLE STREET, NKIL 6005, 6035 R.P., 6036 R.P., 6037 R.P. & 6038 R.P.

TITLE : WINDOW SCHEDULE FOR ALUM. WINDOW

DATE : 05-Dec-19 SCALE : 1:40
 DRAWN BY : MN CHECKED BY : DW

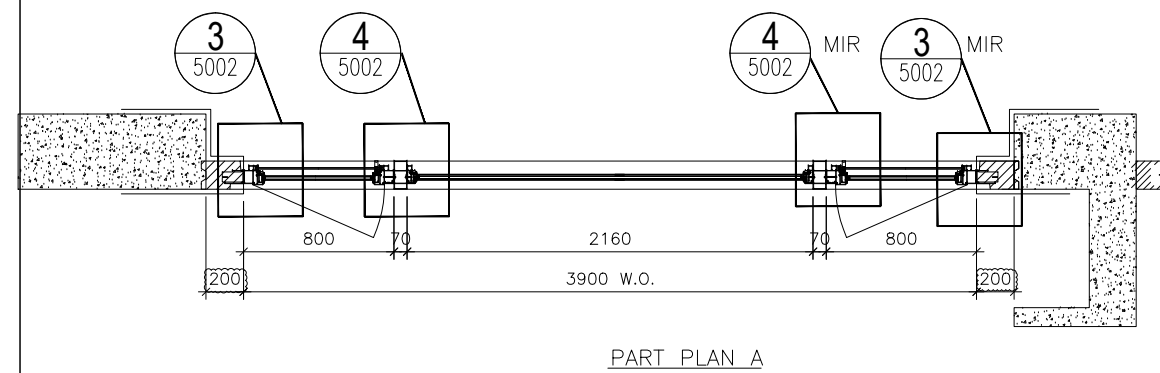
美特鋁質有限公司
MIDI ALUMINIUM FABRICATOR LTD.
 Units 6-8, Sunray Industrial Centre, 1/F
 610 Cha Kwo Ling Road, Kowloon
 Tel:23489211-4 Fax:(852)27727666

DWG NO. : J852-SD-PW-4125 REV. : E



SECTION "X-X"

SECTION "Y-Y"



PART PLAN A

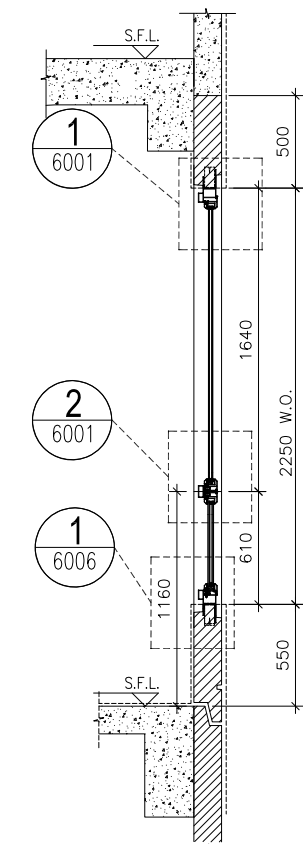
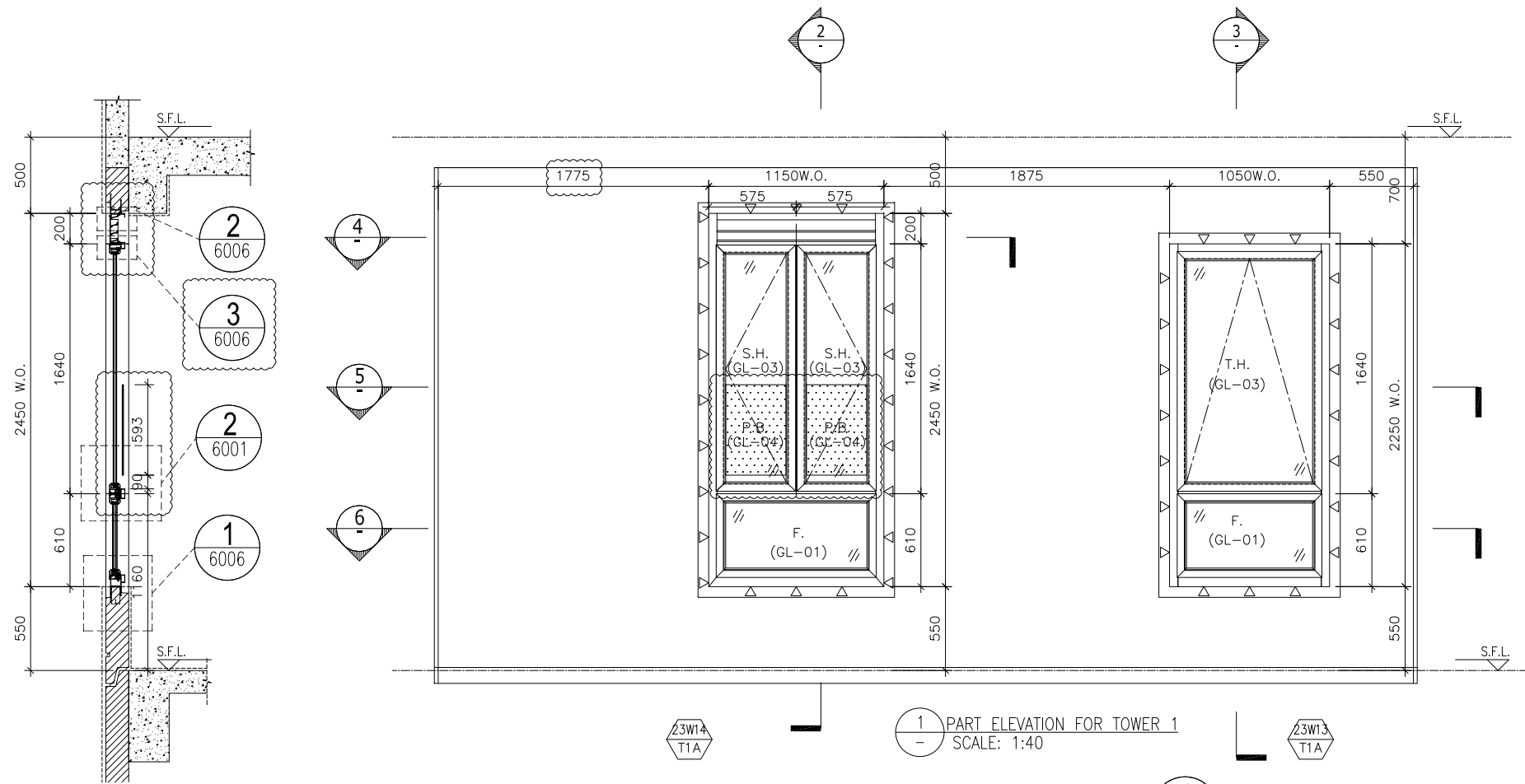
TYPE A			
OPENABLE WINDOW DIMENSION	(WIDTH)	=	800
	(HEIGHT)	=	2400
FIXED WINDOW DIMENSION	(WIDTH)	=	2160
	(HEIGHT)	=	2400
NUMBER OF OPENABLE AREA WINDOW		=	2
GLAZING AREA			
OPENABLE			
WIDTH	=	800-111.5-111.5	= 577 mm
HEIGHT	=	2400-111.5-111.5	= 2177 mm
FIXED			
WIDTH	=	2160-50-50	= 2060 mm
HEIGHT	=	2400-50-50	= 2300 mm
TOTAL	=	((577x2177)x2+(2060x2300))/1000000	= 7.250258 m ²
OPENABLE AREA			
WIDTH	=	800-77-77	= 646 mm
HEIGHT	=	2400-77-(1160-385-15)	= 1563 mm
TOTAL	=	((646x1563)x2)/1000000	= 2.019396 m ²

PROVIDED	
GLAZING AREA	7.250 m ²
OPENABLE AREA	2.019 m ²

ELEVATION

WINDOW MARK	23WS T1A
LOCATION	23/F LIV./DIN. AT TOWER 1 FLAT A
SECTION	70mm ALUM. SECTION
GLAZING	GL-01a, GL-03
QUANTITY	1
REMARKS	FACADE (PF-11)

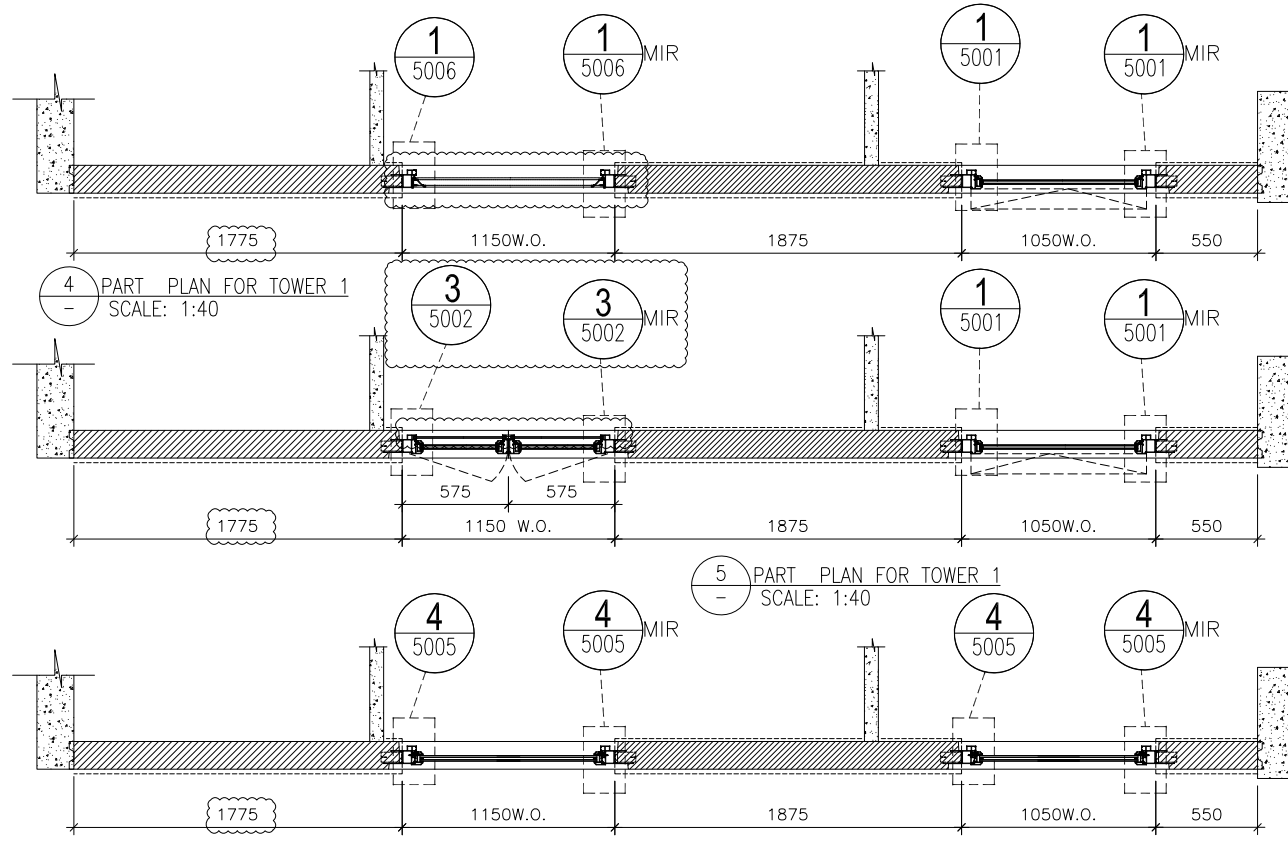
ELEVATION



2 PART SECTION OF TOWER 1
Scale: 1:40

1 PART ELEVATION FOR TOWER 1
SCALE: 1:40

3 PART SECTION OF TOWER 1
Scale: 1:40



4 PART PLAN FOR TOWER 1
SCALE: 1:40

5 PART PLAN FOR TOWER 1
SCALE: 1:40

6 PART PLAN FOR TOWER 1
SCALE: 1:40

TYPE D1	
OPENABLE WINDOW DIMENSION	(WIDTH) = 575 (HEIGHT) = 1640
FIXED WINDOW DIMENSION	(WIDTH) = 1150 (HEIGHT) = 610
NUMBER OF OPENABLE AREA WINDOW	= 2
GLAZING AREA	
OPENABLE	
WIDTH = 575-101.5-66.5	= 407 mm
HEIGHT = 1640-66.5-66.5	= 1507 mm
FIXED	
WIDTH = 1150-101.5-101.5	= 947 mm
HEIGHT = 610-66.5-101.5	= 442 mm
TOTAL = ((407x1507)x2)+(947x442)x1000000	= 1.645272 m ²
OPENABLE AREA	
WIDTH = 575-67-32	= 466 mm
HEIGHT = 1640-32-32	= 1576 mm
TOTAL = ((466x1576)x2)x1000000	= 1.468832 m ²
PROVIDED	
GLAZING AREA	1.645 m ²
OPENABLE AREA	1.469 m ²

TYPE E	
OPENABLE WINDOW DIMENSION	(WIDTH) = 1050 (HEIGHT) = 1640
FIXED WINDOW DIMENSION	(WIDTH) = 1050 (HEIGHT) = 610
NUMBER OF OPENABLE AREA WINDOW	= 1
GLAZING AREA	
OPENABLE	
WIDTH = 1050-111.5-111.5	= 827 mm
HEIGHT = 1640-111.5-66.5	= 1462 mm
FIXED	
WIDTH = 1050-111.5-111.5	= 827 mm
HEIGHT = 610-66.5-111.5	= 432 mm
TOTAL = ((827x1462)+(827x432)x1000000	= 1.566338 m ²
OPENABLE AREA	
WIDTH = 1050-77-77	= 896 mm
HEIGHT = 1640-77-32	= 1531 mm
TOTAL = ((896x1531)x1)x1000000	= 1.371776 m ²
PROVIDED	
GLAZING AREA	1.566 m ²
OPENABLE AREA	1.372 m ²

B.D. REF :

CLIENT :

ARCHITECT :
AGC DESIGN LTD

MAIN CONTRACTOR :
Gammon

STRUCTURAL ENGINEER :
ARUP

FAÇADE CONSULTANT :
MEINHARDT

NOTE :

- ALL DIMENSIONS ARE IN mm.
- ALL ELEVATIONS ARE VIEWED FROM OUTSIDE.
- ALL DIMENSIONS TO BE VERIFIED ON SITE BEFORE FABRICATION.

LEGEND :

x1 - DETAIL MARK NO.
x001 - REFER SHEET NO.

- F.F.L. -- FINISHED FLOOR LEVEL
- S.F.L. -- STRUCTURAL FLOOR LEVEL
- ⊗ -- REVERSED DETAIL
- ▲ -- FIXING LOCATION
- △ -- FIXING LUG LOCATION

GLASS LEGEND

GL01 -- 8mm+12mm AIR GAP+10mm THK. I.G.U.
GL01a -- 8mm+9mm AIR GAP+12mm THK. I.G.U.
GL03 -- 6mm+12mm AIR GAP+6mm THK. I.G.U.
GL04 -- 10mm THK. TEMPERED GLASS (PROTECTIVE BARRIER)
GL05 -- 6mm+12mm AIR GAP+8mm THK. I.G.U.

E	24/08/2020	REVISION SUBJECT TO ARCH.COMMENT	Ivan
D	29/05/2020	REVISION SUBJECT TO ARCH.COMMENT	Ivan
C	22/04/2020	REVISION SUBJECT TO ARCH.COMMENT	Ivan
B	05/03/2020	REVISION SUBJECT TO ARCH.COMMENT	Ivan
A	24/02/2020	REVISION SUBJECT TO ARCH.COMMENT	SH
NO.	DATE	REVISED	BY

JOB NO. : J-852

PROJECT :
PROPOSED RESIDENTIAL DEVELOPMENT
AT 139 - 147 ARGYLE STREET,
NKIL 6005, 6035 R.P., 6036 R.P.,
6037 R.P. & 6038 R.P.

TITLE : WINDOW SCHEDULE FOR ALUM. WINDOW

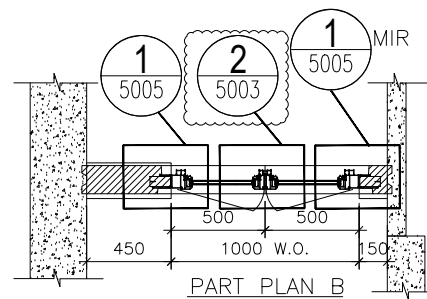
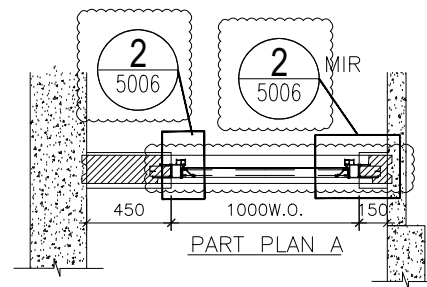
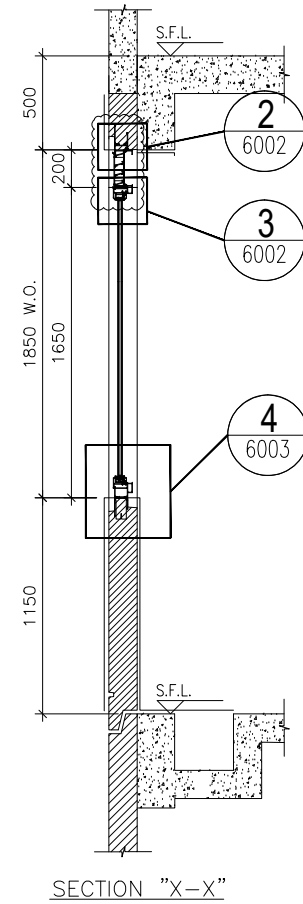
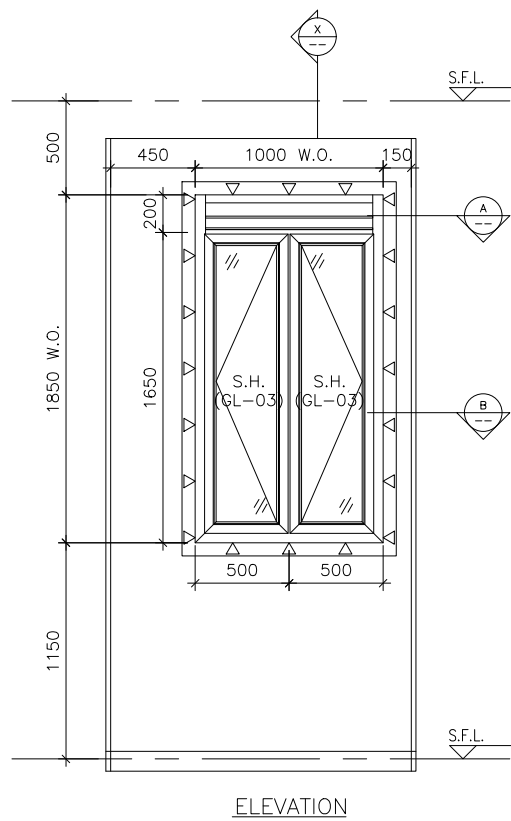
DATE : 05-Dec-19 SCALE : 1:40

DRAWN BY : MN CHECKED BY : DW

美特鋁質有限公司
MIDI ALUMINIUM FABRICATOR LTD.
Units 6-8, Sunray Industrial Centre, 1/F
610 Cha Kwo Ling Road, Kowloon
Tel:23489211-4 Fax:(852)2727666

WINDOW MARK	23W14 / 23W13 T1A
LOCATION	23/F M.B. & ENSUITE 3 AT TOWER 1 FLAT A
SECTION	70mm ALUM. SECTION
GLAZING	GL-01, GL-03
QUANTITY	1
REMARKS	FACADE (PF-22)

DWG NO. : J852-SD-PW-4126 REV. : E



ELEVATION

WINDOW MARK



LOCATION 23/F KIT. AT TOWER 1 FLAT C
 SECTION 70mm ALUM. SECTION
 GLAZING GL-03
 QUANTITY 1
 REMARKS FACADE (PF-31)

TYPE C	
OPENABLE WINDOW DIMENSION (WIDTH)	= 500
(HEIGHT)	= 1650
NUMBER OF OPENABLE AREA WINDOW	= 2
GLAZING AREA	
WIDTH = 500-111.5-66.5	= 322 mm
HEIGHT = 1650-69.5-111.5	= 1469 mm
TOTAL = ((322x1469)x2)/1000000	= 0.946036 m ²
OPENABLE AREA	
WIDTH = 500-77-32	= 391 mm
HEIGHT = 1650-32-77	= 1541 mm
TOTAL = ((391x1541)x2)/1000000	= 1.205062 m ²
	PROVIDED
GLAZING AREA	0.946 m ²
OPENABLE AREA	1.205 m ²

B.D. REF :

CLIENT :

ARCHITECT :
AGC DESIGN LTD
 10/F, 187, Queen Mary Road, Hong Kong
 Tel: (852)27771111 Fax: (852)27771111 Email: agc@agc.com.hk

MAIN CONTRACTOR :
Gammon

STRUCTURAL ENGINEER :
ARUP

FACADE CONSULTANT:
MEINHARDT

NOTE :
 1. ALL DIMENSIONS ARE IN mm.
 2. ALL ELEVATIONS ARE VIEWED FROM OUTSIDE.
 3. ALL DIMENSIONS TO BE VERIFIED ON SITE BEFORE FABRICATION.

LEGEND :
 X1 --- DETAIL MARK NO.
 X001 --- REFER SHEET NO.
 1. F.F.L. --- FINISHED FLOOR LEVEL
 2. S.F.L. --- STRUCTURAL FLOOR LEVEL
 3. (R) --- REVERSED DETAIL
 4. ▲ --- FIXING LOCATION
 5. △ --- FIXING LUG LOCATION
 6. GLASS LEGEND
 GL01 -- 8mm+12mm AIR GAP+10mm THK. I.G.U.
 GL01a -- 8mm+9mm AIR GAP+12mm THK. I.G.U.
 GL03 -- 6mm+12mm AIR GAP+6mm THK. I.G.U.
 GL04 -- 10mm THK. TEMPERED GLASS (PROTECTIVE BARRIER)
 GL05 -- 6mm+12mm AIR GAP+8mm THK. I.G.U.

E	24/08/2020	REVISION SUBJECT TO ARCH.COMMENT	lvn
D	29/05/2020	REVISION SUBJECT TO ARCH.COMMENT	lvn
C	22/04/2020	REVISION SUBJECT TO ARCH.COMMENT	lvn
B	05/03/2020	REVISION SUBJECT TO ARCH.COMMENT	lvn
A	24/02/2020	REVISION SUBJECT TO ARCH.COMMENT	SH
NO.	DATE	REVISED	BY

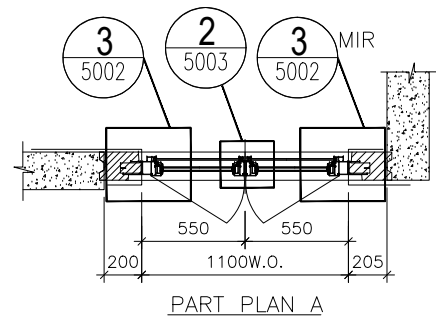
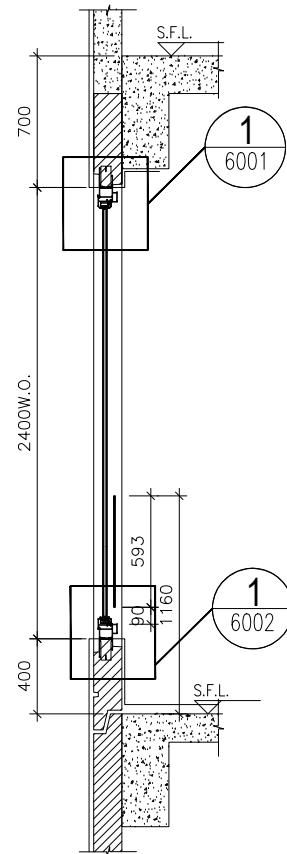
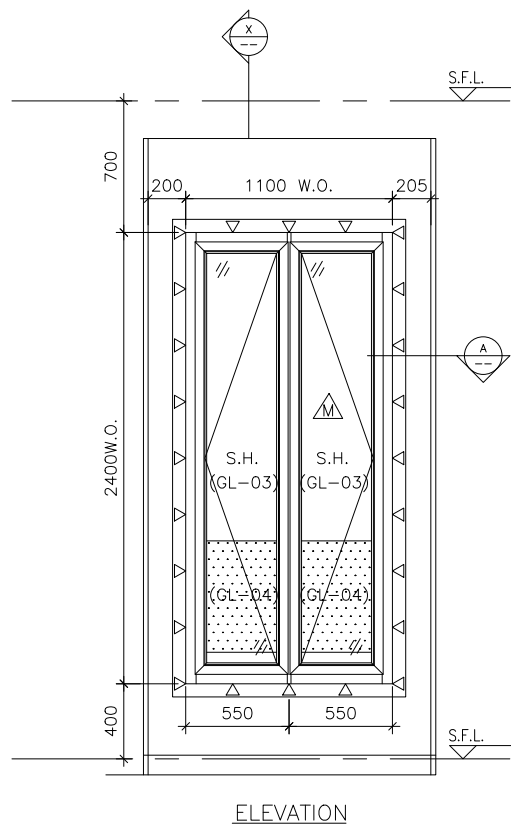
JOB NO. : J-852
 PROJECT : PROPOSED RESIDENTIAL DEVELOPMENT AT 139 - 147 ARGYLE STREET, NKIL 6005, 6035 R.P., 6036 R.P., 6037 R.P. & 6038 R.P.

TITLE : WINDOW SCHEDULE FOR ALUM. WINDOW

DATE : 05-Dec-19 SCALE : 1:40
 DRAWN BY : MN CHECKED BY : DW

美特鋁質有限公司
MIDI ALUMINIUM FABRICATOR LTD.
 Units 6-8, Sunray Industrial Centre, 1/F
 610 Cha Kwo Ling Road, Kowloon
 Tel:23489211-4 Fax:(852)27727666

DWG NO. : J852-SD-PW-4127 REV. : E



SECTION "X-X"

ELEVATION

WINDOW MARK	23WS T1C
LOCATION	23/F B.R.2 AT TOWER 1 FLAT C
SECTION	70mm ALUM. SECTION
GLAZING	GL-03
QUANTITY	1
REMARKS	FACADE (PF-32)

TYPE F			
OPENABLE WINDOW DIMENSION	(WIDTH)	=	550
	(HIGHT)	=	2400
NUMBER OF OPENABLE AREA WINDOW		=	1
GLAZING AREA			
OPENABLE			
WIDTH	= 550-111.5-66.5	=	372 mm
HIGHT	= (2400+400)-111.5-1000	=	1688.5 mm
TOTAL	= ((372x1688.5)x2)/1000000	=	1.256244 m ²
OPENABLE AREA			
WIDTH	= 550-77-32	=	441 mm
HIGHT	= 2400-77-(1160-385-15)	=	1563 mm
TOTAL	= ((441x1563)x1)/1000000	=	0.689283 m ²
	PROVIDED		
	GLAZING AREA	1.256	m ²
	OPENABLE AREA	0.689	m ²

B.D. REF :

CLIENT :

ARCHITECT :

AGC DESIGN LTD
architecture
interior design
landscape
 香港特別行政區
 新界沙田區沙田圍沙田圍街23號2樓202室
 Tel: (852)27771111 Fax: (852)27771111 Email: agc@agcdesign.com.hk

MAIN CONTRACTOR :

Gammon

STRUCTURAL ENGINEER :

ARUP

FACADE CONSULTANT:

MEINHARDT

- NOTE :
- ALL DIMENSIONS ARE IN mm.
 - ALL ELEVATIONS ARE VIEWED FROM OUTSIDE.
 - ALL DIMENSIONS TO BE VERIFIED ON SITE BEFORE FABRICATION.
- LEGEND :
- X1 --- DETAIL MARK NO.
 - X001 --- REFER SHEET NO.
 - 1. F.F.L. --- FINISHED FLOOR LEVEL
 - 2. S.F.L. --- STRUCTURAL FLOOR LEVEL
 - 3. (R) --- REVERSED DETAIL
 - 4. ▲ --- FIXING LOCATION
 - 5. △ --- FIXING LUG LOCATION
 - 6. GLASS LEGEND
 GL01 -- 8mm+12mm AIR GAP+10mm THK. I.G.U.
 GL01a -- 8mm+9mm AIR GAP+12mm THK. I.G.U.
 GL03 -- 6mm+12mm AIR GAP+6mm THK. I.G.U.
 GL04 -- 10mm THK. TEMPERED GLASS (PROTECTIVE BARRIER)
 GL05 -- 6mm+12mm AIR GAP+8mm THK. I.G.U.

NO.	DATE	REVISION	BY
E	24/08/2020	REVISION SUBJECT TO ARCH.COMMENT	lvn
D	04/06/2020	REVISION SUBJECT TO ARCH.COMMENT	lvn
C	22/04/2020	REVISION SUBJECT TO ARCH.COMMENT	lvn
B	05/03/2020	REVISION SUBJECT TO ARCH.COMMENT	lvn
A	24/02/2020	REVISION SUBJECT TO ARCH.COMMENT	SH

JOB NO. : J-852

PROJECT : PROPOSED RESIDENTIAL DEVELOPMENT AT 139 - 147 ARGYLE STREET, NKIL 6005, 6035 R.P., 6036 R.P., 6037 R.P. & 6038 R.P.

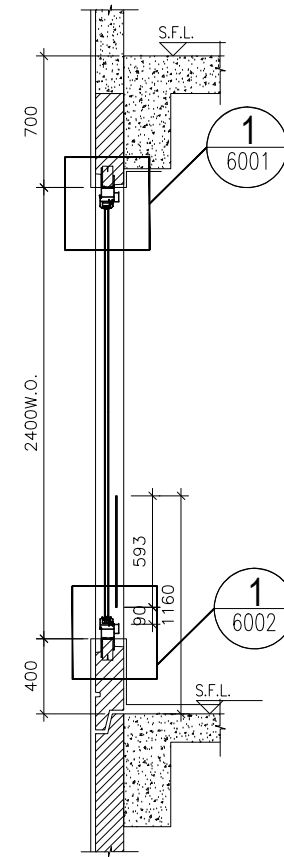
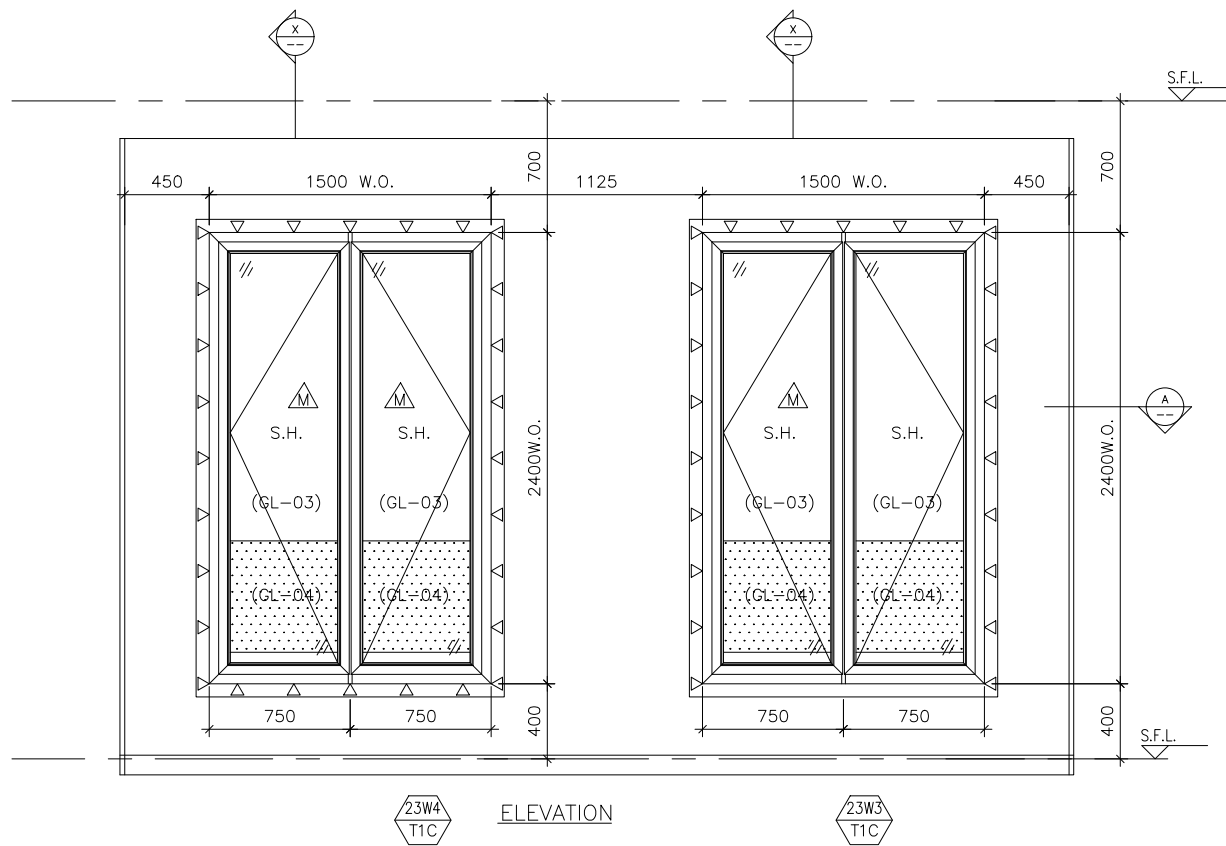
TITLE : WINDOW SCHEDULE FOR ALUM. WINDOW

DATE : 05-Dec-19 SCALE : 1:40

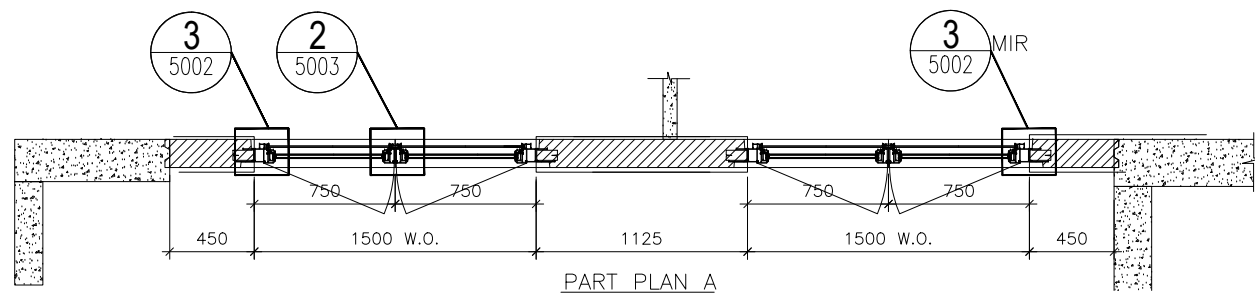
DRAWN BY : MN CHECKED BY : DW

美特鋁質有限公司
MIDI ALUMINIUM FABRICATOR LTD.
 Units 6-8, Sunray Industrial Centre, 1/F
 610 Cha Kwo Ling Road, Kowloon
 Tel:23489211-4 Fax:(852)27727666

DWG NO. : J852-SD-PW-4128 REV. : E



SECTION "X-X"



PART PLAN A

TYPE F			
OPENABLE WINDOW DIMENSION	(WIDTH) =	750	
	(HEIGHT) =	2400	
NUMBER OF OPENABLE AREA WINDOW	=	0	
GLAZING AREA			
OPENABLE			
WIDTH =	750-111.5-66.5	=	572 mm
HIGHT =	(2400+400)-111.5-1000	=	1688.5 mm
TOTAL =	((572x1688.5)x2)1000000	=	1.931644 m ²
OPENABLE AREA			
WIDTH =	750-77-32	=	641 mm
HIGHT =	2400-77-(1160-385-15)	=	1563 mm
TOTAL =	((641x1563)x0)1000000	=	0 m ²
		PROVIDED	
$\frac{23W4}{T1C}$	GLAZING AREA	1.932	m ²
$\frac{23W3}{T1C}$	OPENABLE AREA	0	m ²

TYPE F			
OPENABLE WINDOW DIMENSION	(WIDTH) =	750	
	(HEIGHT) =	2400	
NUMBER OF OPENABLE AREA WINDOW	=	1	
GLAZING AREA			
OPENABLE			
WIDTH =	750-111.5-66.5	=	572 mm
HIGHT =	(2400+400)-111.5-1000	=	1688.5 mm
TOTAL =	((572x1688.5)x2)1000000	=	1.931644 m ²
OPENABLE AREA			
WIDTH =	750-77-32	=	641 mm
HIGHT =	2400-77-(1160-385-15)	=	1563 mm
TOTAL =	((641x1563)x1)1000000	=	1.001883 m ²
		PROVIDED	
$\frac{23W3}{T1C}$	GLAZING AREA	1.932	m ²
$\frac{23W3}{T1C}$	OPENABLE AREA	1.002	m ²

B.D. REF :

CLIENT :

ARCHITECT :
AGC DESIGN LTD

MAIN CONTRACTOR :
Gammon

STRUCTURAL ENGINEER :
ARUP

FACADE CONSULTANT:
MEINHARDT

NOTE :
1. ALL DIMENSIONS ARE IN mm.
2. ALL ELEVATIONS ARE VIEWED FROM OUTSIDE.
3. ALL DIMENSIONS TO BE VERIFIED ON SITE BEFORE FABRICATION.

LEGEND :
X1 --- DETAIL MARK NO.
X001 --- REFER SHEET NO.
1. F.F.L. --- FINISHED FLOOR LEVEL
2. S.F.L. --- STRUCTURAL FLOOR LEVEL
3. (R) --- REVERSED DETAIL
4. ▲ --- FIXING LOCATION
5. △ --- FIXING LUG LOCATION
6. GLASS LEGEND

GL01 -- 8mm+12mm AIR GAP+10mm THK. I.G.U.
GL01a -- 8mm+9mm AIR GAP+12mm THK. I.G.U.
GL03 -- 6mm+12mm AIR GAP+6mm THK. I.G.U.
GL04 -- 10mm THK. TEMPERED GLASS (PROTECTIVE BARRIER)
GL05 -- 6mm+12mm AIR GAP+8mm THK. I.G.U.

NO.	DATE	REVISION	BY
E	24/08/2020	REVISION SUBJECT TO ARCH.COMMENT	lvn
D	05/06/2020	REVISION SUBJECT TO ARCH.COMMENT	lvn
C	22/04/2020	REVISION SUBJECT TO ARCH.COMMENT	lvn
B	05/03/2020	REVISION SUBJECT TO ARCH.COMMENT	lvn
A	24/02/2020	REVISION SUBJECT TO ARCH.COMMENT	SH

JOB NO. : J-852
PROJECT : PROPOSED RESIDENTIAL DEVELOPMENT AT 139 - 147 ARGYLE STREET, NKIL 6005, 6035 R.P., 6036 R.P., 6037 R.P. & 6038 R.P.

TITLE : WINDOW SCHEDULE FOR ALUM. WINDOW

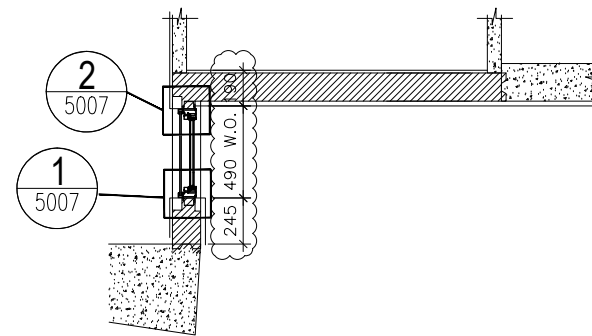
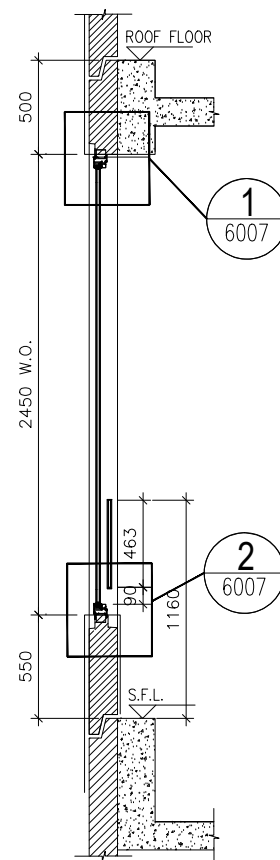
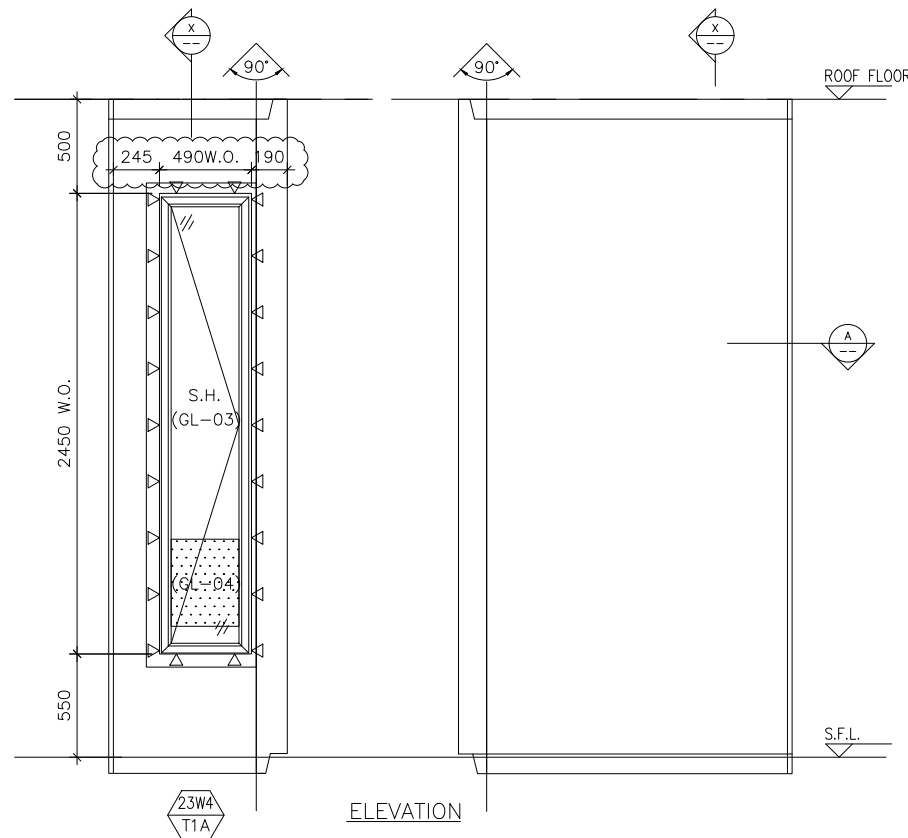
DATE : 05-Dec-19 SCALE : 1:40
DRAWN BY : MN CHECKED BY : DW

美特鋁質有限公司
MIDI ALUMINIUM FABRICATOR LTD.
Units 6-8, Sunray Industrial Centre, 1/F
610 Cha Kwo Ling Road, Kowloon
Tel:23489211-4 Fax:(852)2727666

DWG NO. : J852-SD-PW-4129 REV. : E

ELEVATION

WINDOW MARK	$\frac{23W4}{T1C}$ / $\frac{23W3}{T1C}$
LOCATION	23/F M.B.R.1 & B.R.2 AT TOWER 1 FLAT C
SECTION	70mm ALUM. SECTION
GLAZING	GL-03
QUANTITY	1
REMARKS	FACADE (PF-33)



PART PLAN A

TYPE T			
OPENABLE WINDOW DIMENSION	(WIDTH)	=	490
	(HEIGHT)	=	2450
NUMBER OF OPENABLE AREA WINDOW		=	1
GLAZING AREA			
OPENABLE			
WIDTH	= 490-72-72	=	346 mm
HIGHT	= (2450+550)-72-1000	=	1928 mm
TOTAL	= (346x1928)/1000000	=	0.667088 m ²
OPENABLE AREA			
WIDTH	= 490-42-42	=	406 mm
HIGHT	= 2450-42-(1160-550)	=	1798 mm
TOTAL	= ((406x1798)/1000000)	=	0.729988 m ²

	PROVIDED	
23W4 T1A	GLAZING AREA	0.667 m ²
	OPENABLE AREA	0.730 m ²

B.D. REF :

CLIENT :

ARCHITECT :
AGC DESIGN LTD

MAIN CONTRACTOR :
Gammon

STRUCTURAL ENGINEER :
ARUP

FAÇADE CONSULTANT:
MEINHARDT

NOTE :
1. ALL DIMENSIONS ARE IN mm.
2. ALL ELEVATIONS ARE VIEWED FROM OUTSIDE.
3. ALL DIMENSIONS TO BE VERIFIED ON SITE BEFORE FABRICATION.

LEGEND :
X1 --- DETAIL MARK NO.
X001 --- REFER SHEET NO.

1. F.F.L. --- FINISHED FLOOR LEVEL
2. S.F.L. --- STRUCTURAL FLOOR LEVEL
3. (R) --- REVERSED DETAIL
4. ▲ --- FIXING LOCATION
5. △ --- FIXING LUG LOCATION
6. GLASS LEGEND
GL01 -- 8mm+12mm AIR GAP+10mm THK. I.G.U.
GL01a -- 8mm+9mm AIR GAP+12mm THK. I.G.U.
GL03 -- 6mm+12mm AIR GAP+6mm THK. I.G.U.
GL04 -- 10mm THK. TEMPERED GLASS (PROTECTIVE BARRIER)
GL05 -- 6mm+12mm AIR GAP+8mm THK. I.G.U.

F	18/09/2020	REVISION SUBJECT TO ARCH.COMMENT	lvn
E	24/08/2020	REVISION SUBJECT TO ARCH.COMMENT	lvn
D	05/06/2020	REVISION SUBJECT TO ARCH.COMMENT	lvn
C	22/04/2020	REVISION SUBJECT TO ARCH.COMMENT	lvn
B	05/03/2020	REVISION SUBJECT TO ARCH.COMMENT	lvn
A	24/02/2020	REVISION SUBJECT TO ARCH.COMMENT	SH
NO.	DATE	REVISED	BY

JOB NO. : J-852
PROJECT : PROPOSED RESIDENTIAL DEVELOPMENT AT 139 - 147 ARGYLE STREET, NKIL 6005, 6035 R.P., 6036 R.P., 6037 R.P. & 6038 R.P.

TITLE : WINDOW SCHEDULE FOR ALUM. WINDOW

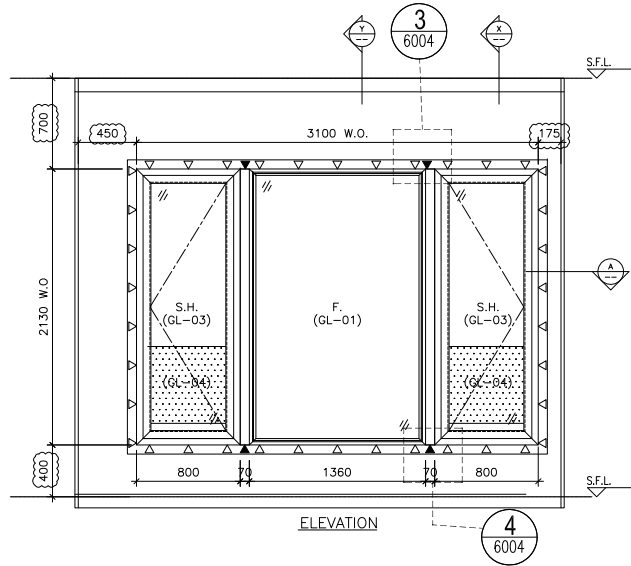
DATE : 05-Dec-19 SCALE : 1:40
DRAWN BY : MN CHECKED BY : DW

美特鋁質有限公司
MIDI ALUMINIUM FABRICATOR LTD.
Units 6-8, Sunray Industrial Centre, 1/F
610 Cha Kwo Ling Road, Kowloon
Tel:23489211-4 Fax:(852)2727666

DWG NO. : J852-SD-PW-4130 REV. : F

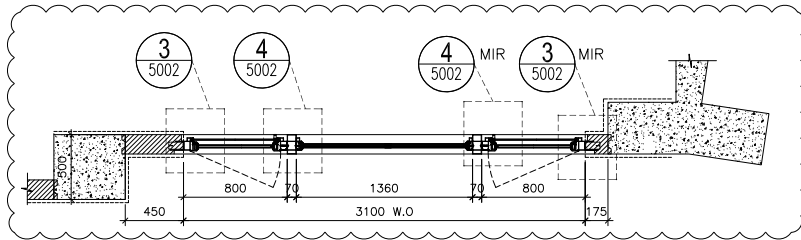
ELEVATION

WINDOW MARK	23W4 T1A
LOCATION	23/F M.B. & EN.B. AT TOWER 1 FLAT A
SECTION	70mm ALUM. SECTION
GLAZING	GL-01, GL-03
QUANTITY	1
REMARKS	FAÇADE (PF-37)

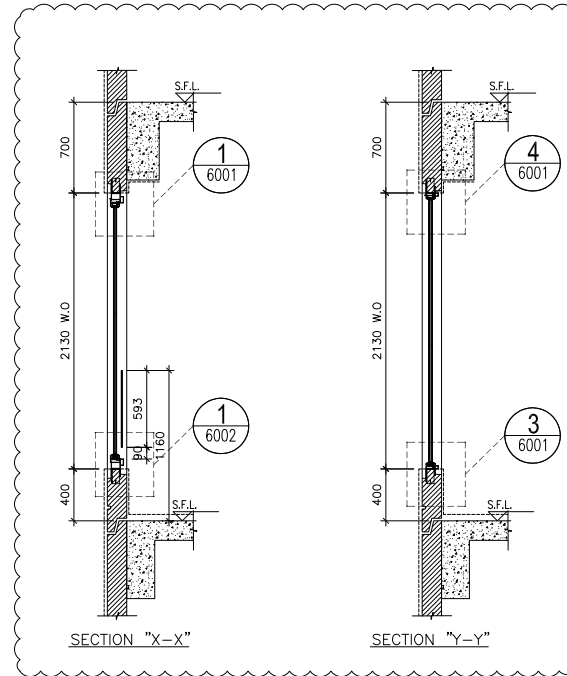


ELEVATION

4
6004



PART PLAN A



SECTION "X-X"

SECTION "Y-Y"

TYPE A			
OPENABLE WINDOW DIMENSION	(WIDTH) =	800	
	(HEIGHT) =	2130	
FIXED WINDOW DIMENSION	(WIDTH) =	1360	
	(HEIGHT) =	2130	
NUMBER OF OPENABLE AREA WINDOW		2	
GLAZING AREA			
OPENABLE			
WIDTH = 800-111.5-111.5	=	577 mm	
HIGHT = 2130-111.5-111.5	=	1907 mm	
FIXED			
WIDTH = 1360-50-50	=	1260 mm	
HIGHT = 2130-50-50	=	2030 mm	
TOTAL = ((577x1907)x2+(1260x2030))/1000000	=	4.758478 m ²	
OPENABLE AREA			
WIDTH = 800-77-77	=	646 mm	
HIGHT = 2130-77-(1160-385-15)	=	1293 mm	
TOTAL = ((646x1293)x2)/1000000	=	1.670556 m ²	

PROVIDED

GLAZING AREA	4.758	m ²
OPENABLE AREA	1.671	m ²

B.D. REF :

CLIENT :

ARCHITECT :
AGC DESIGN LTD

MAIN CONTRACTOR :
Gammon

STRUCTURAL ENGINEER :
ARUP

FACADE CONSULTANT:
MEINHARDT

NOTE:
1. ALL DIMENSIONS ARE IN mm.
2. ALL ELEVATIONS ARE VIEWED FROM OUTSIDE.
3. ALL DIMENSIONS TO BE VERIFIED ON SITE BEFORE FABRICATION.

LEGEND:
 (X1) --- DETAIL MARK NO.
 (X001) --- REFER SHEET NO.
 1. F.F.L --- FINISHED FLOOR LEVEL
 2. S.F.L --- STRUCTURAL FLOOR LEVEL
 3. (P) --- REVERSED DETAIL
 4. ▲ --- FIXING LOCATION
 5. △ --- FIXING LUG LOCATION
 6. GLASS LEGEND
 GL01 --- 8mm+12mm AIR GAP+10mm THK. I.G.U.
 GL01a --- 8mm+9mm AIR GAP+10mm THK. I.G.U.
 GL03 --- 6mm+12mm AIR GAP+6mm THK. I.G.U.
 GL04 --- 10mm THK. TEMPERED GLASS (PROTECTIVE BARRIER)
 GL05 --- 6mm+12mm AIR GAP+8mm THK. I.G.U.

D	24/08/2020	REVISION SUBJECT TO ARCH.COMMENT	YAN
C	27/04/2020	REVISION SUBJECT TO ARCH.COMMENT	YAN
B	03/04/2020	REVISION SUBJECT TO ARCH.COMMENT	YAN
A	24/02/2020	REVISION SUBJECT TO ARCH.COMMENT	SH
NO.	DATE	REVISED	BY

JOB NO. : J-852
 PROJECT : PROPOSED RESIDENTIAL DEVELOPMENT AT 139 - 147 ARGYLE STREET, NKIL 6005, 6035 R.P., 6036 R.P., 6037 R.P. & 6038 R.P.

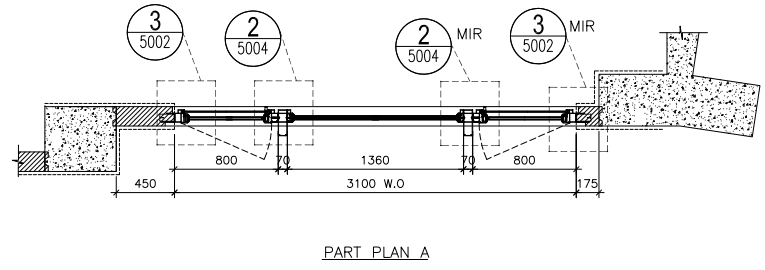
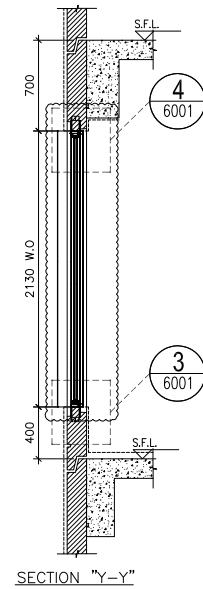
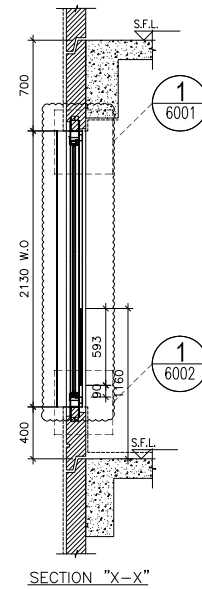
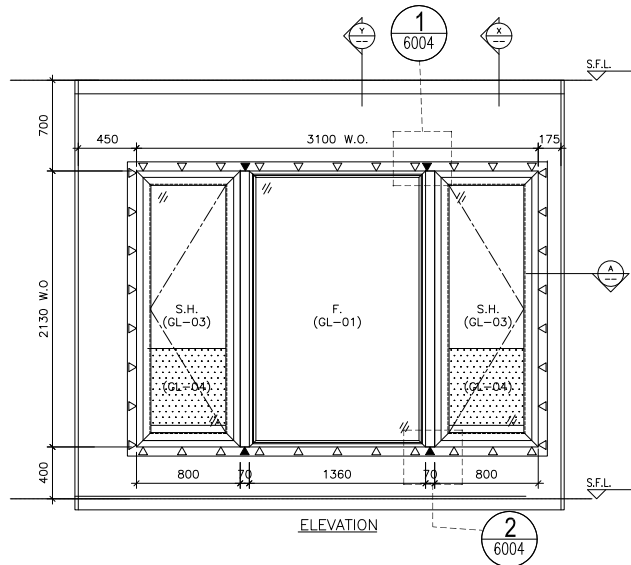
TITLE : WINDOW SCHEDULE FOR ALUM. WINDOW

DATE : 05-Dec-19 SCALE : 1:40
 DRAWN BY : MN CHECKED BY : DW

美特鋁質有限公司
 MIDI ALUMINIUM FABRICATOR LTD.
 Units 6-8, Sunray Industrial Centre, 1/F
 810 Cha Kwo Ling Road, Kowloon
 Tel:23489211-4 Fax:(852)2727666
 DWG NO. : J852-SD-PW-4201 REV. : D

ELEVATION

WINDOW MARK	W3 T2A
LOCATION	{1/F-18/F} MASTER ENSUITE AT TOWER 2 FLAT A
SECTION	70mm ALUM. SECTION
GLAZING	GL-01, GL-03
QUANTITY	15
REMARKS	FACADE (PF-5)



PART PLAN A

ELEVATION

TYPE A			
OPENABLE WINDOW DIMENSION	(WIDTH) =	800	
	(HEIGHT) =	2130	
FIXED WINDOW DIMENSION	(WIDTH) =	1360	
	(HEIGHT) =	2130	
NUMBER OF OPENABLE AREA WINDOW		2	
GLAZING AREA			
OPENABLE			
WIDTH =	800-111.5-111.5	=	577 mm
HIGHT =	2130-111.5-111.5	=	1907 mm
FIXED			
WIDTH =	1360-50-50	=	1260 mm
HIGHT =	2130-50-50	=	2030 mm
TOTAL	$((577 \times 1907) \times 2 + (1260 \times 2030)) / 1000000$	=	4.758478 m ²
OPENABLE AREA			
WIDTH =	800-77-77	=	646 mm
HIGHT =	2130-77-(1160-385-15)	=	1293 mm
TOTAL	$((646 \times 1293) \times 2) / 1000000$	=	1.670556 m ²

PROVIDED		
GLAZING AREA	4.758	m ²
OPENABLE AREA	1.671	m ²

B.D. REF :

CLIENT :

ARCHITECT :
AGC DESIGN LTD

MAIN CONTRACTOR :
Gammon

STRUCTURAL ENGINEER :
ARUP

FACADE CONSULTANT:
MEINHARDT

NOTE:
1. ALL DIMENSIONS ARE IN mm.
2. ALL ELEVATIONS ARE VIEWED FROM OUTSIDE.
3. ALL DIMENSIONS TO BE VERIFIED ON SITE BEFORE FABRICATION.

LEGEND:
 (X1) DETAIL MARK NO.
 (X001) REFER SHEET NO.
 1. F.F.L. --- FINISHED FLOOR LEVEL
 2. S.F.L. --- STRUCTURAL FLOOR LEVEL
 3. (R) --- REVERSED DETAIL
 4. ▲ --- FIXING LOCATION
 5. ▲ --- FIXING LUG LOCATION
 6. GLASS LEGEND
 GL01 --- 8mm+12mm AIR GAP+10mm THK. I.G.U.
 GL01a --- 8mm+9mm AIR GAP+10mm THK. I.G.U.
 GL03 --- 6mm+12mm AIR GAP+6mm THK. I.G.U.
 GL04 --- 10mm THK. TEMPERED GLASS (PROTECTIVE BARRIER)
 GL05 --- 6mm+12mm AIR GAP+8mm THK. I.G.U.

C	24/08/2020	REVISION SUBJECT TO ARCH.COMMENT	MAN
B	03/06/2020	REVISION SUBJECT TO ARCH.COMMENT	MAN
A	27/04/2020	REVISION SUBJECT TO ARCH.COMMENT	MAN
NO.	DATE	REVISED	BY

JOB NO. : J-852
 PROJECT : PROPOSED RESIDENTIAL DEVELOPMENT AT 139 - 147 ARGYLE STREET, NKIL 6005, 6035 R.P., 6036 R.P., 6037 R.P. & 6038 R.P.

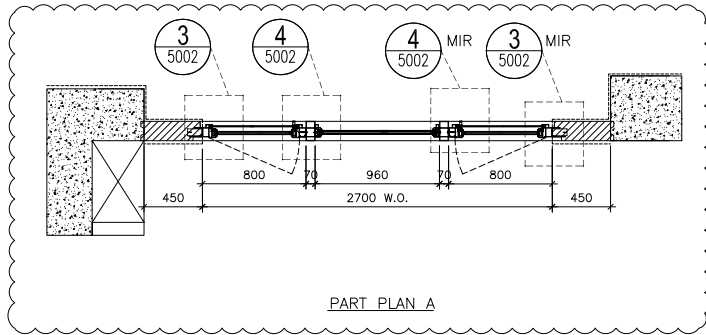
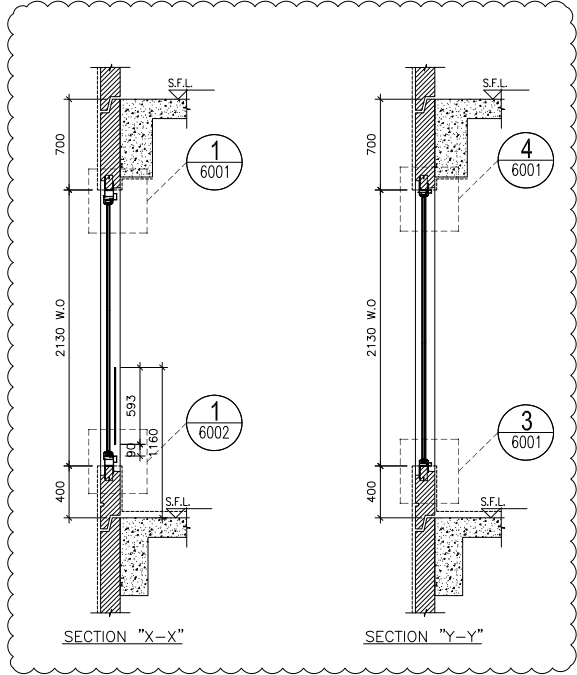
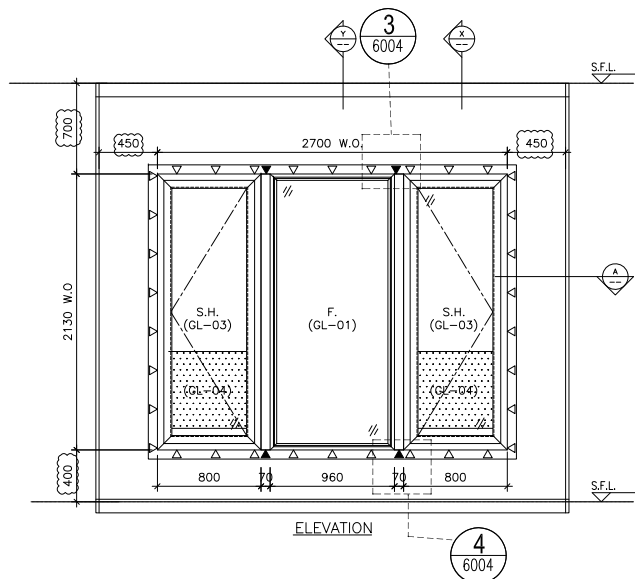
TITLE : WINDOW SCHEDULE FOR ALUM. WINDOW

DATE : 05-Dec-19 SCALE : 1:40
 DRAWN BY : MN CHECKED BY : DW

美特鋁質有限公司
 MIDI ALUMINIUM FABRICATOR LTD.
 Units 6-8, Sunray Industrial Centre, 1/F
 810 Cha Kwo Ling Road, Kowloon
 Tel:23489211-4 Fax:(852)2727666

DWG NO. : J852-SD-PW-4201A REV. : C

WINDOW MARK	W3 T2A
LOCATION	19/F-21/F MASTER ENSUITE AT TOWER 2 FLAT A
SECTION	70mm ALUM. SECTION
GLAZING	GL-01, GL-03
QUANTITY	3
REMARKS	FACADE (PF-5)



TYPE A			
OPENABLE WINDOW DIMENSION	(WIDTH) =	800	
	(HEIGHT) =	2130	
FIXED WINDOW DIMENSION	(WIDTH) =	960	
	(HEIGHT) =	2130	
NUMBER OF OPENABLE AREA WINDOW		2	
GLAZING AREA			
OPENABLE			
WIDTH = 800-111.5-111.5	=	577 mm	
HIGHT = 2130-111.5-111.5	=	1907 mm	
FIXED			
WIDTH = 960-50-50	=	860 mm	
HIGHT = 2130-50-50	=	2030 mm	
TOTAL = ((577x1907)x2+(860x2030))/1000000	=	3.946478 m ²	
OPENABLE AREA			
WIDTH = 800-77-77	=	646 mm	
HIGHT = 2130-77-(1160-385-15)	=	1293 mm	
TOTAL = ((646x1293)x2)/1000000	=	1.670556 m ²	

PROVIDED		
GLAZING AREA	3.946	m ²
OPENABLE AREA	1.671	m ²

B.D. REF :

CLIENT :

ARCHITECT :
AGC DESIGN LTD

MAIN CONTRACTOR :
Gammon

STRUCTURAL ENGINEER :
ARUP

FACADE CONSULTANT :
MEINHARDT

NOTE:
1. ALL DIMENSIONS ARE IN mm.
2. ALL ELEVATIONS ARE VIEWED FROM OUTSIDE.
3. ALL DIMENSIONS TO BE VERIFIED ON SITE BEFORE FABRICATION.

- LEGEND :
- (X1) DETAIL MARK NO.
 - (X001) REFER SHEET NO.
 - 1. F.F.L. --- FINISHED FLOOR LEVEL
 - 2. S.F.L. --- STRUCTURAL FLOOR LEVEL
 - 3. (D) --- REVERSED DETAIL
 - 4. (A) --- FIXING LOCATION
 - 5. (▲) --- FIXING LUG LOCATION
 - 6. GLASS LEGEND
 - GL01 --- 8mm+12mm AIR GAP+10mm THK. I.G.U.
 - GL01a --- 8mm+9mm AIR GAP+10mm THK. I.G.U.
 - GL03 --- 6mm+12mm AIR GAP+6mm THK. I.G.U.
 - GL04 --- 10mm THK. TEMPERED GLASS (PROTECTIVE BARRIER)
 - GL05 --- 6mm+12mm AIR GAP+8mm THK. I.G.U.

D	24/08/2020	REVISION SUBJECT TO ARCH.COMMENT	MAN
C	27/04/2020	REVISION SUBJECT TO ARCH.COMMENT	MAN
B	03/04/2020	REVISION SUBJECT TO ARCH.COMMENT	MAN
A	24/02/2020	REVISION SUBJECT TO ARCH.COMMENT	SH
NO.	DATE	REVISED	BY

JOB NO. : J-852

PROJECT : PROPOSED RESIDENTIAL DEVELOPMENT AT 139 - 147 ARGYLE STREET, NKIL 6005, 6035 R.P., 6036 R.P., 6037 R.P. & 6038 R.P.

TITLE : WINDOW SCHEDULE FOR ALUM. WINDOW

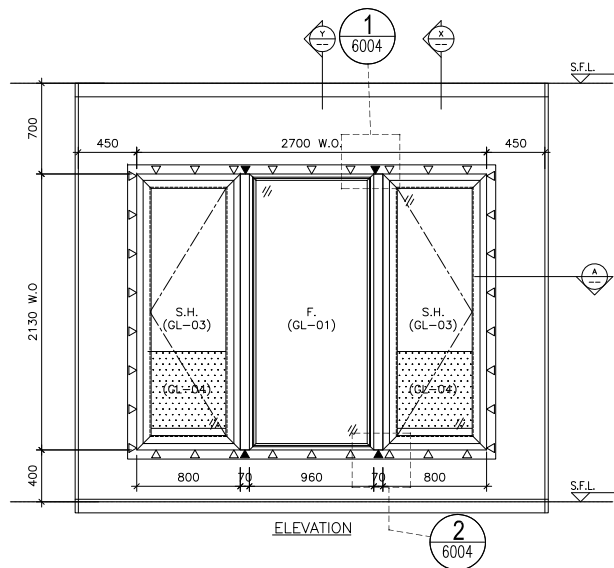
DATE : 05-Dec-19 SCALE : 1:40
DRAWN BY : MN CHECKED BY : DW

美特鋁質有限公司
MIDI ALUMINIUM FABRICATOR LTD.
Units 6-8, Sunray Industrial Centre, 1/F
810 Cha Kwo Ling Road, Kowloon
Tel:23489211-4 Fax:(852)27727666

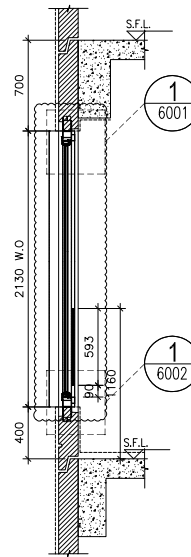
DWG NO. : J852-SD-PW-4202 REV. : D

ELEVATION

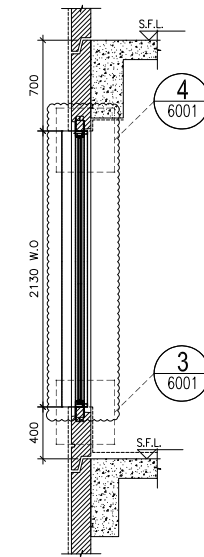
WINDOW MARK	W2 T2A
LOCATION	1/F&19-21/F LIV./DIN. AT TOWER 2 FLAT A
SECTION	70mm ALUM. SECTION
GLAZING	GL-01, GL-03
QUANTITY	4
REMARKS	FACADE (PF-6)



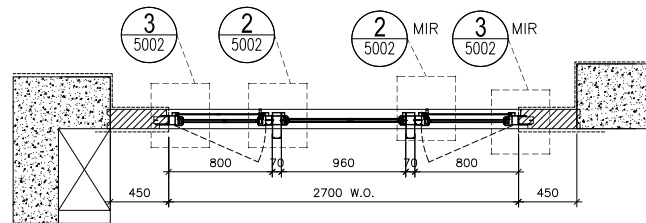
ELEVATION 6004



SECTION "X-X"



SECTION "Y-Y"



PART PLAN A

TYPE A		
OPENABLE WINDOW DIMENSION	(WIDTH) =	800
	(HEIGHT) =	2130
FIXED WINDOW DIMENSION	(WIDTH) =	960
	(HEIGHT) =	2130
NUMBER OF OPENABLE AREA WINDOW		2
GLAZING AREA		
OPENABLE		
WIDTH = 800-111.5-111.5	=	577 mm
HIGHT = 2130-111.5-111.5	=	1907 mm
FIXED		
WIDTH = 960-50-50	=	860 mm
HIGHT = 2130-50-50	=	2030 mm
TOTAL = ((577x1907)x2+(860x2030))/1000000	=	3.946478 m ²
OPENABLE AREA		
WIDTH = 800-77-77	=	646 mm
HIGHT = 2130-77-(1160-385-15)	=	1293 mm
TOTAL = ((646x1293)x2)/1000000	=	1.670556 m ²

PROVIDED		
GLAZING AREA	3.946	m ²
OPENABLE AREA	1.671	m ²

B.D. REF :

CLIENT :

ARCHITECT :
AGC DESIGN LTD

MAIN CONTRACTOR :
Gammon

STRUCTURAL ENGINEER :
ARUP

FACADE CONSULTANT :
MEINHARDT

NOTE:
1. ALL DIMENSIONS ARE IN mm.
2. ALL ELEVATIONS ARE VIEWED FROM OUTSIDE.
3. ALL DIMENSIONS TO BE VERIFIED ON SITE BEFORE FABRICATION.

LEGEND:
 (X1) DETAIL MARK NO.
 (X001) REFER SHEET NO.

1. F.F.L. --- FINISHED FLOOR LEVEL
 2. S.F.L. --- STRUCTURAL FLOOR LEVEL
 3. (D) --- REVERSED DETAIL
 4. ▲ --- FIXING LOCATION
 5. ▲ --- FIXING LUG LOCATION
 6. GLASS LEGEND
 GL01 --- 8mm+12mm AIR GAP+10mm THK. I.G.U.
 GL01a --- 8mm+9mm AIR GAP+10mm THK. I.G.U.
 GL03 --- 6mm+12mm AIR GAP+6mm THK. I.G.U.
 GL04 --- 10mm THK. TEMPERED GLASS (PROTECTIVE BARRIER)
 GL05 --- 6mm+12mm AIR GAP+8mm THK. I.G.U.

C	24/08/2020	REVISION SUBJECT TO ARCH.COMMENT	MAN
B	03/06/2020	REVISION SUBJECT TO ARCH.COMMENT	MAN
A	27/04/2020	REVISION SUBJECT TO ARCH.COMMENT	MAN
NO.	DATE	REVISED	BY

JOB NO. : J-852

PROJECT :
PROPOSED RESIDENTIAL DEVELOPMENT
AT 139 - 147 ARGYLE STREET,
NKIL 6005, 6035 R.P., 6036 R.P.,
6037 R.P. & 6038 R.P.

TITLE : WINDOW SCHEDULE FOR ALUM. WINDOW

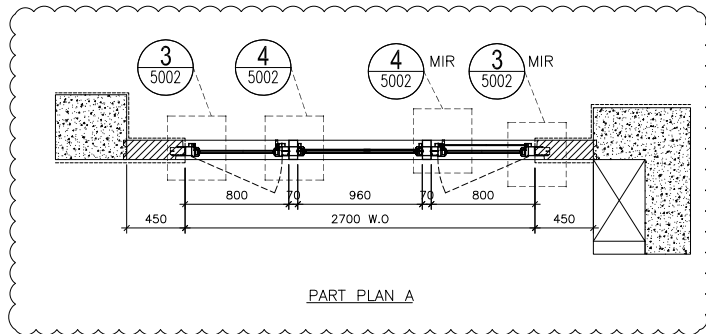
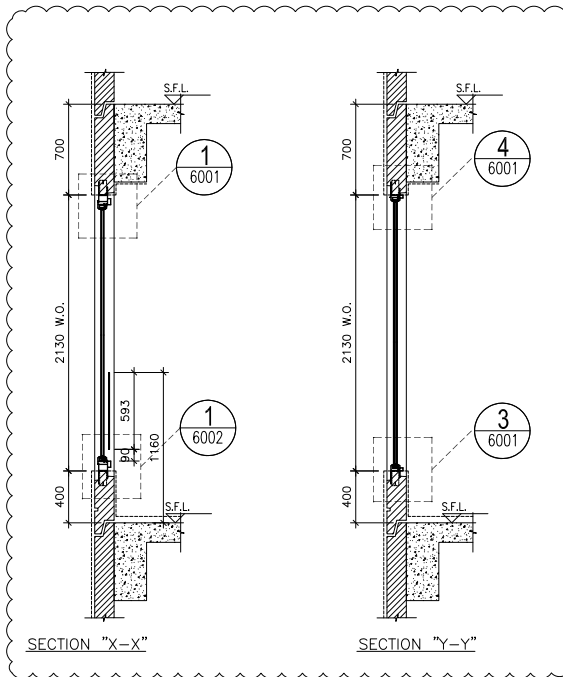
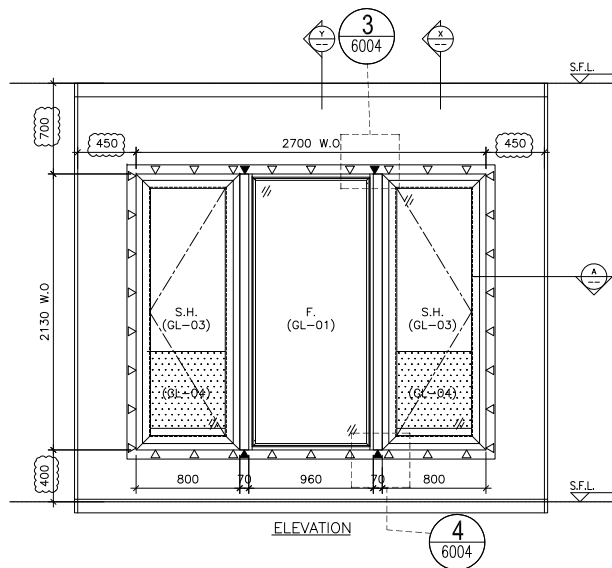
DATE : 05-Dec-19 SCALE : 1:40
 DRAWN BY : MN CHECKED BY : DW

美特鋁質有限公司
MIDI ALUMINIUM FABRICATOR LTD.
Units 6-8, Sunray Industrial Centre, 1/F
810 Cha Kwo Ling Road, Kowloon
Tel:23489211-4 Fax:(852)2727666

DWG NO. : J852-SD-PW-4202A REV. : C

ELEVATION

WINDOW MARK	W2 T2A
LOCATION	2/F-18/F LIV./DIN. AT TOWER 2 FLAT A
SECTION	70mm ALUM. SECTION
GLAZING	GL-01, GL-03
QUANTITY	14
REMARKS	FACADE (PF-6)



TYPE A			
OPENABLE WINDOW DIMENSION	(WIDTH) =	800	
	(HEIGHT) =	2130	
FIXED WINDOW DIMENSION	(WIDTH) =	960	
	(HEIGHT) =	2130	
NUMBER OF OPENABLE AREA WINDOW		2	
GLAZING AREA			
OPENABLE			
WIDTH	= 800-111.5-111.5	=	577 mm
HIGHT	= 2130-111.5-111.5	=	1907 mm
FIXED			
WIDTH	= 960-50-50	=	860 mm
HIGHT	= 2130-50-50	=	2030 mm
TOTAL	= ((577x1907)x2+(860x2030))/1000000	=	3.946478 m ²
OPENABLE AREA			
WIDTH	= 800-77-77	=	646 mm
HIGHT	= 2130-77-(1160-385-15)	=	1293 mm
TOTAL	= ((646x1293)x2)/1000000	=	1.670556 m ²

PROVIDED		
GLAZING AREA	3.946	m ²
OPENABLE AREA	1.671	m ²

B.D. REF :

CLIENT :

ARCHITECT :
AGC DESIGN LTD

MAIN CONTRACTOR :
Gammon

STRUCTURAL ENGINEER :
ARUP

FACADE CONSULTANT :
MEINHARDT

NOTE:
1. ALL DIMENSIONS ARE IN mm.
2. ALL ELEVATIONS ARE VIEWED FROM OUTSIDE.
3. ALL DIMENSIONS TO BE VERIFIED ON SITE BEFORE FABRICATION.

LEGEND :

- X1 - DETAIL MARK NO.
- X001 - REFER SHEET NO.
- F.F.L. --- FINISHED FLOOR LEVEL
- S.F.L. --- STRUCTURAL FLOOR LEVEL
- 3/ --- REVERSED DETAIL
- 4/ --- FIXING LOCATION
- 5/ --- FIXING LUG LOCATION
- 6. GLASS LEGEND
- GL01 --- 8mm+12mm AIR GAP+10mm THK. I.G.U.
- GL01a --- 8mm+9mm AIR GAP+10mm THK. I.G.U.
- GL03 --- 6mm+12mm AIR GAP+6mm THK. I.G.U.
- GL04 --- 10mm THK. TEMPERED GLASS (PROTECTIVE BARRIER)
- GL05 --- 6mm+12mm AIR GAP+8mm THK. I.G.U.

D	24/08/2020	REVISION SUBJECT TO ARCH.COMMENT	IPW
C	27/04/2020	REVISION SUBJECT TO ARCH.COMMENT	IPW
B	03/04/2020	REVISION SUBJECT TO ARCH.COMMENT	IPW
A	24/02/2020	REVISION SUBJECT TO ARCH.COMMENT	SH
NO.	DATE	REVISED	BY

JOB NO. : J-852
PROJECT : PROPOSED RESIDENTIAL DEVELOPMENT AT 139 - 147 ARGYLE STREET, NKIL 6005, 6035 R.P., 6036 R.P., 6037 R.P. & 6038 R.P.

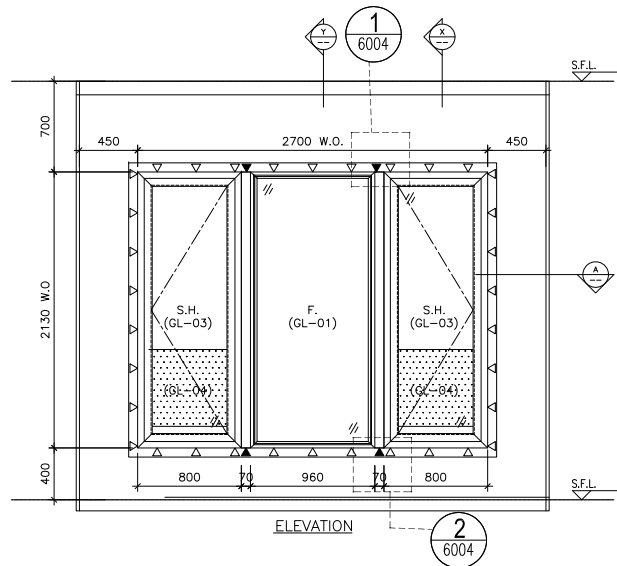
TITLE : WINDOW SCHEDULE FOR ALUM. WINDOW

DATE : 05-Dec-19 SCALE : 1:40
DRAWN BY : MN CHECKED BY : DW

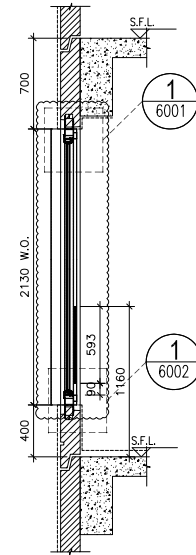
美特鋁質有限公司
MIDI ALUMINIUM FABRICATOR LTD.
Units 6-8, Sunray Industrial Centre, 1/F
810 Cha Kwo Ling Road, Kowloon
Tel:23489211-4 Fax:(852)2727666
DWG NO. : J852-SD-PW-4203 REV. : D

ELEVATION

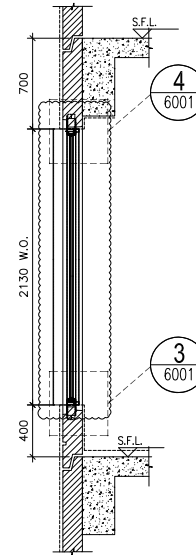
WINDOW MARK	W2 T2B
LOCATION	1/F&19/F-21/F LIV./DIN. AT TOWER 2 FLAT B
SECTION	70mm ALUM. SECTION
GLAZING	GL-01, GL-03
QUANTITY	4
REMARKS	FACADE (PF-7)



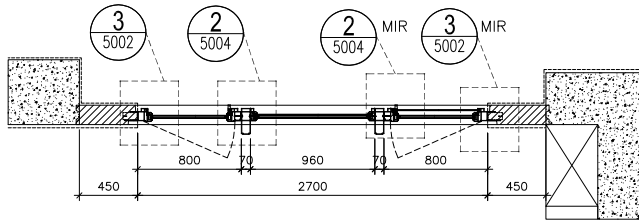
ELEVATION
1
6004
2
6004



SECTION "X-X"



SECTION "Y-Y"



PART PLAN A

TYPE A	
OPENABLE WINDOW DIMENSION	(WIDTH) = 800 (HEIGHT) = 2130
FIXED WINDOW DIMENSION	(WIDTH) = 960 (HEIGHT) = 2130
NUMBER OF OPENABLE AREA WINDOW	2
GLAZING AREA	
OPENABLE	
WIDTH = 800-111.5-111.5	= 577 mm
HIGHT = 2130-111.5-111.5	= 1907 mm
FIXED	
WIDTH = 960-50-50	= 860 mm
HIGHT = 2130-50-50	= 2030 mm
TOTAL = ((577x1907)x2+(860x2030))/1000000	= 3.946478 m ²
OPENABLE AREA	
WIDTH = 800-77-77	= 646 mm
HIGHT = 2130-77-(1160-385-15)	= 1293 mm
TOTAL = ((646x1293)x2)/1000000	= 1.670556 m ²

PROVIDED		
GLAZING AREA	3.946	m ²
OPENABLE AREA	1.671	m ²

B.D. REF :

CLIENT :

ARCHITECT :
AGC DESIGN LTD

MAIN CONTRACTOR :
Gammon

STRUCTURAL ENGINEER :
ARUP

FACADE CONSULTANT :
MEINHARDT

NOTE:
1. ALL DIMENSIONS ARE IN mm.
2. ALL ELEVATIONS ARE VIEWED FROM OUTSIDE.
3. ALL DIMENSIONS TO BE VERIFIED ON SITE BEFORE FABRICATION.

LEGEND :

- X1 - DETAIL MARK NO.
- X001 - REFER SHEET NO.
- 1. F.F.L. --- FINISHED FLOOR LEVEL
- 2. S.F.L. --- STRUCTURAL FLOOR LEVEL
- 3. (P) --- REVERSED DETAIL
- 4. ▲ --- FIXING LOCATION
- 5. ▲ --- FIXING LUG LOCATION
- 6. GLASS LEGEND
GL01 --- 8mm+12mm AIR GAP+10mm THK. I.G.U.
GL01a --- 8mm+9mm AIR GAP+10mm THK. I.G.U.
GL03 --- 6mm+12mm AIR GAP+6mm THK. I.G.U.
GL04 --- 10mm THK. TEMPERED GLASS (PROTECTIVE BARRIER)
GL05 --- 6mm+12mm AIR GAP+8mm THK. I.G.U.

NO.	DATE	REVISION	BY
C	24/08/2020	REVISION SUBJECT TO ARCH.COMMENT	MAN
B	03/06/2020	REVISION SUBJECT TO ARCH.COMMENT	MAN
A	27/04/2020	REVISION SUBJECT TO ARCH.COMMENT	MAN

JOB NO. : J-852
PROJECT : PROPOSED RESIDENTIAL DEVELOPMENT AT 139 - 147 ARGYLE STREET, NKIL 6005, 6035 R.P., 6036 R.P., 6037 R.P. & 6038 R.P.

TITLE : WINDOW SCHEDULE FOR ALUM. WINDOW

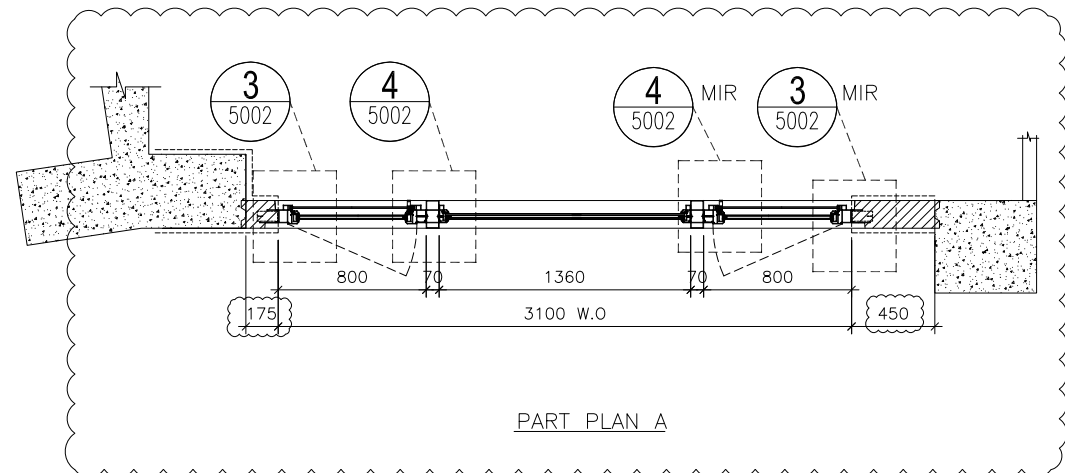
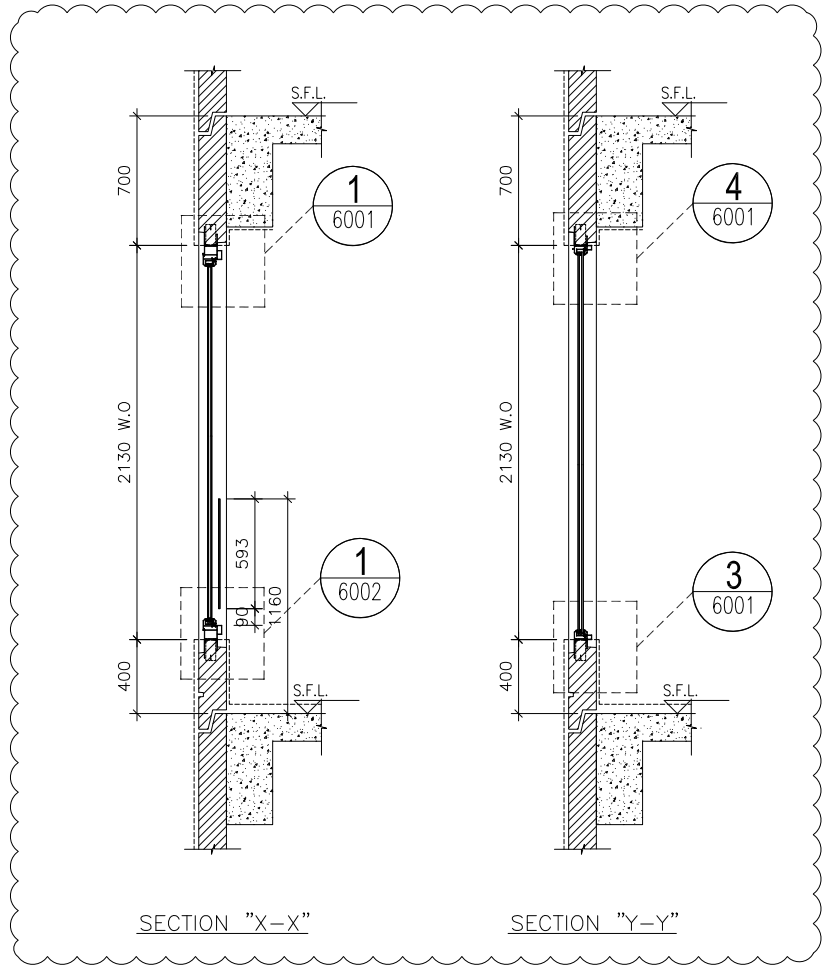
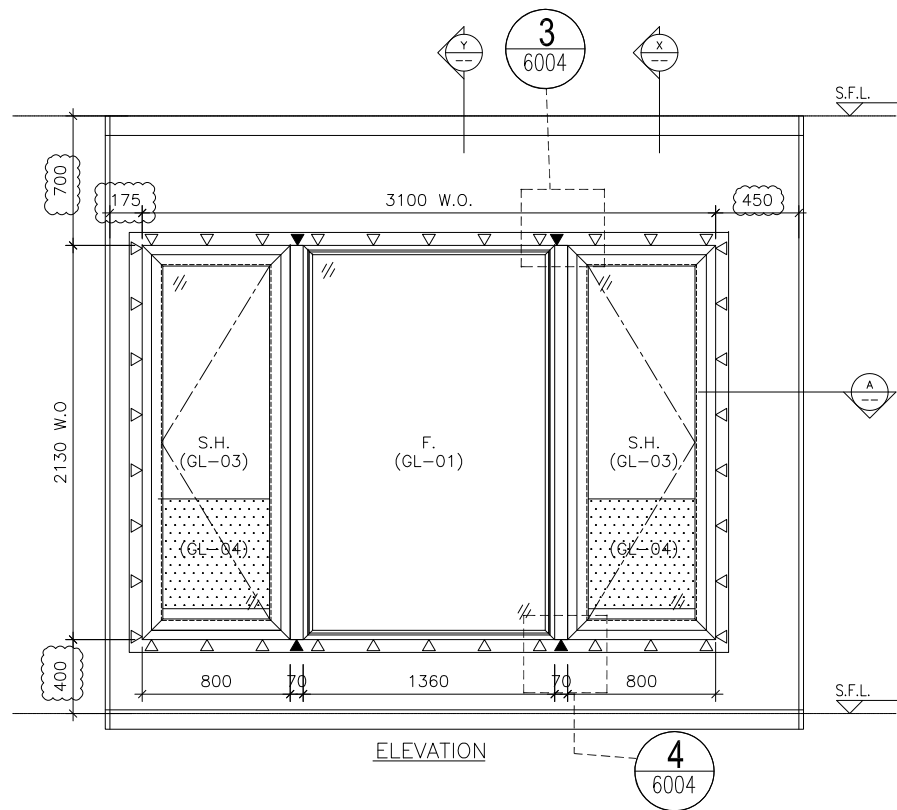
DATE : 05-Dec-19 SCALE : 1:40
DRAWN BY : MN CHECKED BY : DW

美特鋁質有限公司
MIDI ALUMINIUM FABRICATOR LTD.
Units 6-8, Sunray Industrial Centre, 1/F
810 Cha Kwo Ling Road, Kowloon
Tel:23489211-4 Fax:(852)2727666

DWG NO. : J852-SD-PW-4203A REV. : C

ELEVATION

WINDOW MARK	W2 T2B
LOCATION	2/F-18/F LIV./DIN. AT TOWER 2 FLAT B
SECTION	70mm ALUM. SECTION
GLAZING	GL-01, GL-03
QUANTITY	14
REMARKS	FACADE (PF-7)



TYPE A			
OPENABLE WINDOW DIMENSION	(WIDTH)	=	800
	(HEIGHT)	=	2130
FIXED WINDOW DIMENSION	(WIDTH)	=	1360
	(HEIGHT)	=	2130
NUMBER OF OPENABLE AREA WINDOW		=	2
GLAZING AREA			
OPENABLE			
WIDTH	= 800-111.5-111.5	=	577 mm
HEIGHT	= 2130-111.5-111.5	=	1907 mm
FIXED			
WIDTH	= 1360-50-50	=	1260 mm
HEIGHT	= 2130-50-50	=	2030 mm
TOTAL	= ((577x1907)x2+(1260x2030))/1000000	=	4.758478 m²
OPENABLE AREA			
WIDTH	= 800-77-77	=	646 mm
HEIGHT	= 2130-77-(1160-385-15)	=	1293 mm
TOTAL	= ((646x1293)x2)/1000000	=	1.670556 m²

PROVIDED		
GLAZING AREA	4.758	m ²
OPENABLE AREA	1.671	m ²

B.D. REF :

CLIENT :

ARCHITECT :
AGC DESIGN LTD
 101, 102, 103, 104, 105, 106, 107, 108, 109, 110, 111, 112, 113, 114, 115, 116, 117, 118, 119, 120, 121, 122, 123, 124, 125, 126, 127, 128, 129, 130, 131, 132, 133, 134, 135, 136, 137, 138, 139, 140, 141, 142, 143, 144, 145, 146, 147, 148, 149, 150, 151, 152, 153, 154, 155, 156, 157, 158, 159, 160, 161, 162, 163, 164, 165, 166, 167, 168, 169, 170, 171, 172, 173, 174, 175, 176, 177, 178, 179, 180, 181, 182, 183, 184, 185, 186, 187, 188, 189, 190, 191, 192, 193, 194, 195, 196, 197, 198, 199, 200, 201, 202, 203, 204, 205, 206, 207, 208, 209, 210, 211, 212, 213, 214, 215, 216, 217, 218, 219, 220, 221, 222, 223, 224, 225, 226, 227, 228, 229, 230, 231, 232, 233, 234, 235, 236, 237, 238, 239, 240, 241, 242, 243, 244, 245, 246, 247, 248, 249, 250, 251, 252, 253, 254, 255, 256, 257, 258, 259, 260, 261, 262, 263, 264, 265, 266, 267, 268, 269, 270, 271, 272, 273, 274, 275, 276, 277, 278, 279, 280, 281, 282, 283, 284, 285, 286, 287, 288, 289, 290, 291, 292, 293, 294, 295, 296, 297, 298, 299, 300, 301, 302, 303, 304, 305, 306, 307, 308, 309, 310, 311, 312, 313, 314, 315, 316, 317, 318, 319, 320, 321, 322, 323, 324, 325, 326, 327, 328, 329, 330, 331, 332, 333, 334, 335, 336, 337, 338, 339, 340, 341, 342, 343, 344, 345, 346, 347, 348, 349, 350, 351, 352, 353, 354, 355, 356, 357, 358, 359, 360, 361, 362, 363, 364, 365, 366, 367, 368, 369, 370, 371, 372, 373, 374, 375, 376, 377, 378, 379, 380, 381, 382, 383, 384, 385, 386, 387, 388, 389, 390, 391, 392, 393, 394, 395, 396, 397, 398, 399, 400, 401, 402, 403, 404, 405, 406, 407, 408, 409, 410, 411, 412, 413, 414, 415, 416, 417, 418, 419, 420, 421, 422, 423, 424, 425, 426, 427, 428, 429, 430, 431, 432, 433, 434, 435, 436, 437, 438, 439, 440, 441, 442, 443, 444, 445, 446, 447, 448, 449, 450, 451, 452, 453, 454, 455, 456, 457, 458, 459, 460, 461, 462, 463, 464, 465, 466, 467, 468, 469, 470, 471, 472, 473, 474, 475, 476, 477, 478, 479, 480, 481, 482, 483, 484, 485, 486, 487, 488, 489, 490, 491, 492, 493, 494, 495, 496, 497, 498, 499, 500, 501, 502, 503, 504, 505, 506, 507, 508, 509, 510, 511, 512, 513, 514, 515, 516, 517, 518, 519, 520, 521, 522, 523, 524, 525, 526, 527, 528, 529, 530, 531, 532, 533, 534, 535, 536, 537, 538, 539, 540, 541, 542, 543, 544, 545, 546, 547, 548, 549, 550, 551, 552, 553, 554, 555, 556, 557, 558, 559, 560, 561, 562, 563, 564, 565, 566, 567, 568, 569, 570, 571, 572, 573, 574, 575, 576, 577, 578, 579, 580, 581, 582, 583, 584, 585, 586, 587, 588, 589, 590, 591, 592, 593, 594, 595, 596, 597, 598, 599, 600, 601, 602, 603, 604, 605, 606, 607, 608, 609, 610, 611, 612, 613, 614, 615, 616, 617, 618, 619, 620, 621, 622, 623, 624, 625, 626, 627, 628, 629, 630, 631, 632, 633, 634, 635, 636, 637, 638, 639, 640, 641, 642, 643, 644, 645, 646, 647, 648, 649, 650, 651, 652, 653, 654, 655, 656, 657, 658, 659, 660, 661, 662, 663, 664, 665, 666, 667, 668, 669, 670, 671, 672, 673, 674, 675, 676, 677, 678, 679, 680, 681, 682, 683, 684, 685, 686, 687, 688, 689, 690, 691, 692, 693, 694, 695, 696, 697, 698, 699, 700, 701, 702, 703, 704, 705, 706, 707, 708, 709, 710, 711, 712, 713, 714, 715, 716, 717, 718, 719, 720, 721, 722, 723, 724, 725, 726, 727, 728, 729, 730, 731, 732, 733, 734, 735, 736, 737, 738, 739, 740, 741, 742, 743, 744, 745, 746, 747, 748, 749, 750, 751, 752, 753, 754, 755, 756, 757, 758, 759, 760, 761, 762, 763, 764, 765, 766, 767, 768, 769, 770, 771, 772, 773, 774, 775, 776, 777, 778, 779, 780, 781, 782, 783, 784, 785, 786, 787, 788, 789, 790, 791, 792, 793, 794, 795, 796, 797, 798, 799, 800, 801, 802, 803, 804, 805, 806, 807, 808, 809, 810, 811, 812, 813, 814, 815, 816, 817, 818, 819, 820, 821, 822, 823, 824, 825, 826, 827, 828, 829, 830, 831, 832, 833, 834, 835, 836, 837, 838, 839, 840, 841, 842, 843, 844, 845, 846, 847, 848, 849, 850, 851, 852, 853, 854, 855, 856, 857, 858, 859, 860, 861, 862, 863, 864, 865, 866, 867, 868, 869, 870, 871, 872, 873, 874, 875, 876, 877, 878, 879, 880, 881, 882, 883, 884, 885, 886, 887, 888, 889, 890, 891, 892, 893, 894, 895, 896, 897, 898, 899, 900, 901, 902, 903, 904, 905, 906, 907, 908, 909, 910, 911, 912, 913, 914, 915, 916, 917, 918, 919, 920, 921, 922, 923, 924, 925, 926, 927, 928, 929, 930, 931, 932, 933, 934, 935, 936, 937, 938, 939, 940, 941, 942, 943, 944, 945, 946, 947, 948, 949, 950, 951, 952, 953, 954, 955, 956, 957, 958, 959, 960, 961, 962, 963, 964, 965, 966, 967, 968, 969, 970, 971, 972, 973, 974, 975, 976, 977, 978, 979, 980, 981, 982, 983, 984, 985, 986, 987, 988, 989, 990, 991, 992, 993, 994, 995, 996, 997, 998, 999, 1000

- NOTE :
1. ALL DIMENSIONS ARE IN mm.
 2. ALL ELEVATIONS ARE VIEWED FROM OUTSIDE.
 3. ALL DIMENSIONS TO BE VERIFIED ON SITE BEFORE FABRICATION.
- LEGEND :
- x1 -- DETAIL MARK NO.
 - x001 -- REFER SHEET NO.
 - 1. F.F.L. -- FINISHED FLOOR LEVEL
 - 2. S.F.L. -- STRUCTURAL FLOOR LEVEL
 - 3. (R) -- REVERSED DETAIL
 - 4. ▲ -- FIXING LOCATION
 - 5. △ -- FIXING LUG LOCATION
 - 6. GLASS LEGEND
 - GL01 -- 8mm+12mm AIR GAP+10mm THK. I.G.U.
 - GL01a -- 8mm+9mm AIR GAP+10mm THK. I.G.U.
 - GL03 -- 6mm+12mm AIR GAP+6mm THK. I.G.U.
 - GL04 -- 10mm THK. TEMPERED GLASS (PROTECTIVE BARRIER)
 - GL05 -- 6mm+12mm AIR GAP+8mm THK. I.G.U.

NO.	DATE	REVISION	BY
D	24/08/2020	REVISION SUBJECT TO ARCH.COMMENT	Ivan
C	27/04/2020	REVISION SUBJECT TO ARCH.COMMENT	Ivan
B	03/04/2020	REVISION SUBJECT TO ARCH.COMMENT	Ivan
A	24/02/2020	REVISION SUBJECT TO ARCH.COMMENT	SH

JOB NO. : J-852

PROJECT : PROPOSED RESIDENTIAL DEVELOPMENT AT 139 - 147 ARGYLE STREET, NKIL 6005, 6035 R.P., 6036 R.P., 6037 R.P. & 6038 R.P.

TITLE : WINDOW SCHEDULE FOR ALUM. WINDOW

DATE : 05-Dec-19 SCALE : 1:40

DRAWN BY : MN CHECKED BY : DW

美特鋁質有限公司
MIDI ALUMINIUM FABRICATOR LTD.
 Units 6-8, Sunray Industrial Centre, 1/F
 610 Cha Kwo Ling Road, Kowloon
 Tel:23489211-4 Fax:(852)2727666

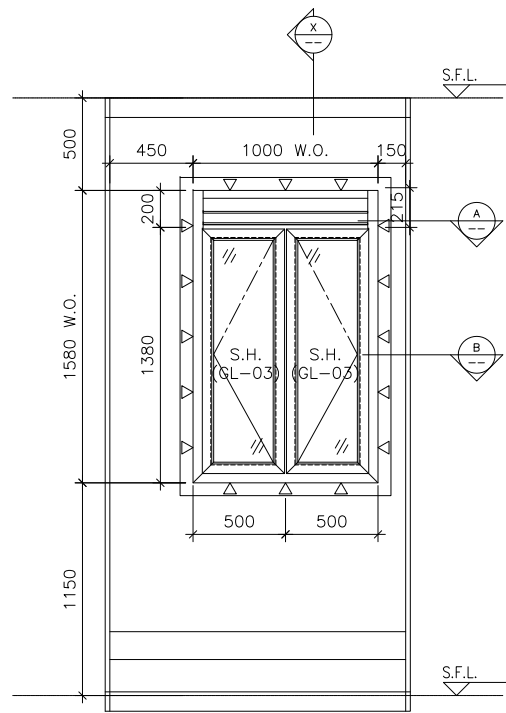
ELEVATION

WINDOW MARK

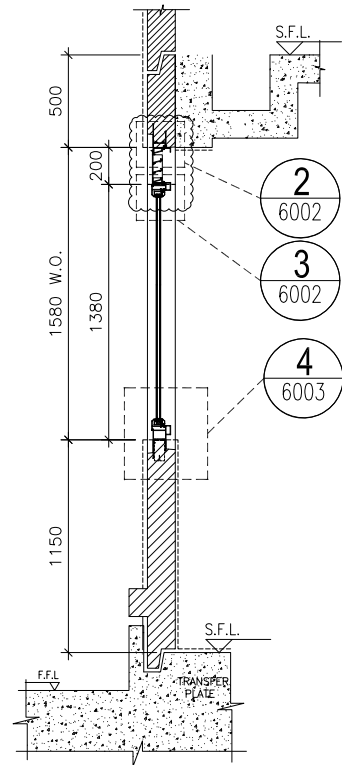
LOCATION	1/F-18/F MASTER ENSUITE AT TOWER 2 FLAT B
SECTION	70mm ALUM. SECTION
GLAZING	GL-01, GL-03
QUANTITY	15
REMARKS	FACADE (PF-8)

DWG NO. : J852-SD-PW-4204 REV. : D

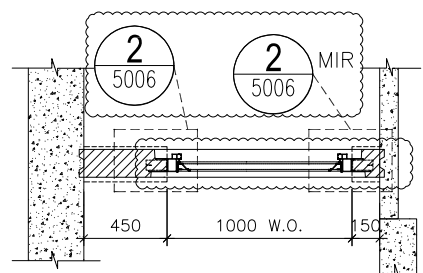
ELEVATION



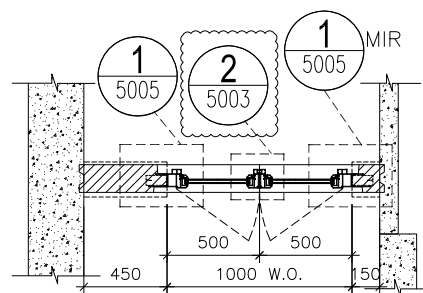
ELEVATION



SECTION "X-X"



PART PLAN A



PART PLAN B

TYPE C			
OPENABLE WINDOW DIMENSION	(WIDTH)	=	500
	(HEIGHT)	=	1380
NUMBER OF OPENABLE AREA WINDOW		=	2
GLAZING AREA			
WIDTH	=	500-111.5-66.5	= 322 mm
HEIGHT	=	1380-69.5-111.5	= 1199 mm
TOTAL	=	((322x1199)x2)/1000000	= 0.772156 m ²
OPENABLE AREA			
WIDTH	=	500-77-32	= 391 mm
HEIGHT	=	1380-32-77	= 1271 mm
TOTAL	=	((391x1271)x2)/1000000	= 0.993922 m ²
		PROVIDED	
		GLAZING AREA	0.772 m ²
		OPENABLE AREA	0.994 m ²

B.D. REF :

CLIENT :

ARCHITECT :
AGC DESIGN LTD
 100, 101, 102, 103, 104, 105, 106, 107, 108, 109, 110, 111, 112, 113, 114, 115, 116, 117, 118, 119, 120, 121, 122, 123, 124, 125, 126, 127, 128, 129, 130, 131, 132, 133, 134, 135, 136, 137, 138, 139, 140, 141, 142, 143, 144, 145, 146, 147, 148, 149, 150, 151, 152, 153, 154, 155, 156, 157, 158, 159, 160, 161, 162, 163, 164, 165, 166, 167, 168, 169, 170, 171, 172, 173, 174, 175, 176, 177, 178, 179, 180, 181, 182, 183, 184, 185, 186, 187, 188, 189, 190, 191, 192, 193, 194, 195, 196, 197, 198, 199, 200, 201, 202, 203, 204, 205, 206, 207, 208, 209, 210, 211, 212, 213, 214, 215, 216, 217, 218, 219, 220, 221, 222, 223, 224, 225, 226, 227, 228, 229, 230, 231, 232, 233, 234, 235, 236, 237, 238, 239, 240, 241, 242, 243, 244, 245, 246, 247, 248, 249, 250, 251, 252, 253, 254, 255, 256, 257, 258, 259, 260, 261, 262, 263, 264, 265, 266, 267, 268, 269, 270, 271, 272, 273, 274, 275, 276, 277, 278, 279, 280, 281, 282, 283, 284, 285, 286, 287, 288, 289, 290, 291, 292, 293, 294, 295, 296, 297, 298, 299, 300, 301, 302, 303, 304, 305, 306, 307, 308, 309, 310, 311, 312, 313, 314, 315, 316, 317, 318, 319, 320, 321, 322, 323, 324, 325, 326, 327, 328, 329, 330, 331, 332, 333, 334, 335, 336, 337, 338, 339, 340, 341, 342, 343, 344, 345, 346, 347, 348, 349, 350, 351, 352, 353, 354, 355, 356, 357, 358, 359, 360, 361, 362, 363, 364, 365, 366, 367, 368, 369, 370, 371, 372, 373, 374, 375, 376, 377, 378, 379, 380, 381, 382, 383, 384, 385, 386, 387, 388, 389, 390, 391, 392, 393, 394, 395, 396, 397, 398, 399, 400, 401, 402, 403, 404, 405, 406, 407, 408, 409, 410, 411, 412, 413, 414, 415, 416, 417, 418, 419, 420, 421, 422, 423, 424, 425, 426, 427, 428, 429, 430, 431, 432, 433, 434, 435, 436, 437, 438, 439, 440, 441, 442, 443, 444, 445, 446, 447, 448, 449, 450, 451, 452, 453, 454, 455, 456, 457, 458, 459, 460, 461, 462, 463, 464, 465, 466, 467, 468, 469, 470, 471, 472, 473, 474, 475, 476, 477, 478, 479, 480, 481, 482, 483, 484, 485, 486, 487, 488, 489, 490, 491, 492, 493, 494, 495, 496, 497, 498, 499, 500, 501, 502, 503, 504, 505, 506, 507, 508, 509, 510, 511, 512, 513, 514, 515, 516, 517, 518, 519, 520, 521, 522, 523, 524, 525, 526, 527, 528, 529, 530, 531, 532, 533, 534, 535, 536, 537, 538, 539, 540, 541, 542, 543, 544, 545, 546, 547, 548, 549, 550, 551, 552, 553, 554, 555, 556, 557, 558, 559, 560, 561, 562, 563, 564, 565, 566, 567, 568, 569, 570, 571, 572, 573, 574, 575, 576, 577, 578, 579, 580, 581, 582, 583, 584, 585, 586, 587, 588, 589, 590, 591, 592, 593, 594, 595, 596, 597, 598, 599, 600, 601, 602, 603, 604, 605, 606, 607, 608, 609, 610, 611, 612, 613, 614, 615, 616, 617, 618, 619, 620, 621, 622, 623, 624, 625, 626, 627, 628, 629, 630, 631, 632, 633, 634, 635, 636, 637, 638, 639, 640, 641, 642, 643, 644, 645, 646, 647, 648, 649, 650, 651, 652, 653, 654, 655, 656, 657, 658, 659, 660, 661, 662, 663, 664, 665, 666, 667, 668, 669, 670, 671, 672, 673, 674, 675, 676, 677, 678, 679, 680, 681, 682, 683, 684, 685, 686, 687, 688, 689, 690, 691, 692, 693, 694, 695, 696, 697, 698, 699, 700, 701, 702, 703, 704, 705, 706, 707, 708, 709, 710, 711, 712, 713, 714, 715, 716, 717, 718, 719, 720, 721, 722, 723, 724, 725, 726, 727, 728, 729, 730, 731, 732, 733, 734, 735, 736, 737, 738, 739, 740, 741, 742, 743, 744, 745, 746, 747, 748, 749, 750, 751, 752, 753, 754, 755, 756, 757, 758, 759, 760, 761, 762, 763, 764, 765, 766, 767, 768, 769, 770, 771, 772, 773, 774, 775, 776, 777, 778, 779, 780, 781, 782, 783, 784, 785, 786, 787, 788, 789, 790, 791, 792, 793, 794, 795, 796, 797, 798, 799, 800, 801, 802, 803, 804, 805, 806, 807, 808, 809, 810, 811, 812, 813, 814, 815, 816, 817, 818, 819, 820, 821, 822, 823, 824, 825, 826, 827, 828, 829, 830, 831, 832, 833, 834, 835, 836, 837, 838, 839, 840, 841, 842, 843, 844, 845, 846, 847, 848, 849, 850, 851, 852, 853, 854, 855, 856, 857, 858, 859, 860, 861, 862, 863, 864, 865, 866, 867, 868, 869, 870, 871, 872, 873, 874, 875, 876, 877, 878, 879, 880, 881, 882, 883, 884, 885, 886, 887, 888, 889, 890, 891, 892, 893, 894, 895, 896, 897, 898, 899, 900, 901, 902, 903, 904, 905, 906, 907, 908, 909, 910, 911, 912, 913, 914, 915, 916, 917, 918, 919, 920, 921, 922, 923, 924, 925, 926, 927, 928, 929, 930, 931, 932, 933, 934, 935, 936, 937, 938, 939, 940, 941, 942, 943, 944, 945, 946, 947, 948, 949, 950, 951, 952, 953, 954, 955, 956, 957, 958, 959, 960, 961, 962, 963, 964, 965, 966, 967, 968, 969, 970, 971, 972, 973, 974, 975, 976, 977, 978, 979, 980, 981, 982, 983, 984, 985, 986, 987, 988, 989, 990, 991, 992, 993, 994, 995, 996, 997, 998, 999, 1000

MAIN CONTRACTOR :
Gammon

STRUCTURAL ENGINEER :
ARUP

FACADE CONSULTANT:
MEINHARDT

NOTE :
 1. ALL DIMENSIONS ARE IN mm.
 2. ALL ELEVATIONS ARE VIEWED FROM OUTSIDE.
 3. ALL DIMENSIONS TO BE VERIFIED ON SITE BEFORE FABRICATION.

LEGEND :
 (x1) — DETAIL MARK NO.
 (x001) — REFER SHEET NO.
 1. F.F.L. — FINISHED FLOOR LEVEL
 2. S.F.L. — STRUCTURAL FLOOR LEVEL
 3. (R) — REVERSED DETAIL
 4. ▲ — FIXING LOCATION
 5. △ — FIXING LUG LOCATION
 6. GLASS LEGEND
 GL01 — 8mm+12mm AIR GAP+10mm THK. I.G.U.
 GL01a — 8mm+9mm AIR GAP+10mm THK. I.G.U.
 GL03 — 6mm+12mm AIR GAP+6mm THK. I.G.U.
 GL04 — 10mm THK. TEMPERED GLASS (PROTECTIVE BARRIER)
 GL05 — 6mm+12mm AIR GAP+8mm THK. I.G.U.

E	24/08/2020	REVISION SUBJECT TO ARCH.COMMENT	Ivar
D	29/05/2020	REVISION SUBJECT TO ARCH.COMMENT	Ivar
C	27/04/2020	REVISION SUBJECT TO ARCH.COMMENT	Ivar
B	03/04/2020	REVISION SUBJECT TO ARCH.COMMENT	Ivar
A	24/02/2020	REVISION SUBJECT TO ARCH.COMMENT	SH
NO.	DATE	REVISED	BY

JOB NO. : J-852
 PROJECT : PROPOSED RESIDENTIAL DEVELOPMENT AT 139 - 147 ARGYLE STREET, NKIL 6005, 6035 R.P., 6036 R.P., 6037 R.P. & 6038 R.P.

TITLE : WINDOW SCHEDULE FOR ALUM. WINDOW

DATE : 05-Dec-19 SCALE : 1:40
 DRAWN BY : MN CHECKED BY : DW

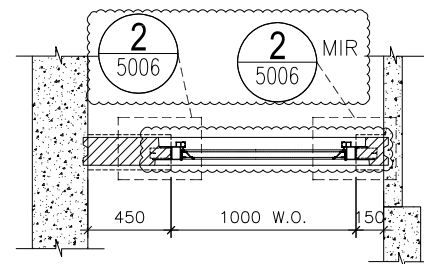
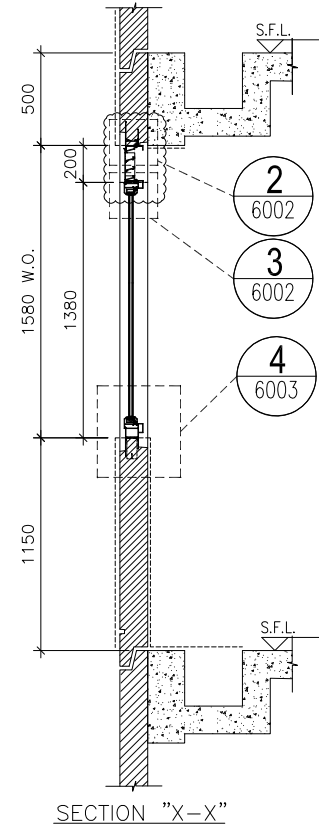
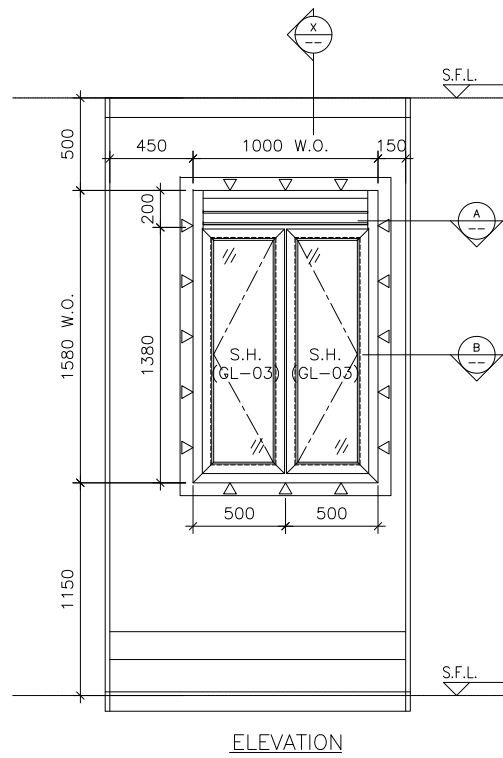
美特鋁質有限公司
MIDI ALUMINIUM FABRICATOR LTD.
 Units 6-8, Sunray Industrial Centre, 1/F
 610 Cha Kwo Ling Road, Kowloon
 Tel:23489211-4 Fax:(852)2727666

DWG NO. : J852-SD-PW-4205 REV. : E

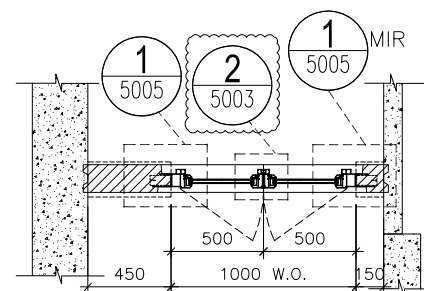
WINDOW MARK

LOCATION : 1/F KIT. AT TOWER 2 FLAT C
 SECTION : 70mm ALUM. SECTION
 GLAZING : GL-03
 QUANTITY : 1
 REMARKS : FACADE (PF-28)

ELEVATION



PART PLAN A



PART PLAN B

TYPE C			
OPENABLE WINDOW DIMENSION	(WIDTH)	=	500
	(HEIGHT)	=	1380
NUMBER OF OPENABLE AREA WINDOW		=	2
GLAZING AREA			
WIDTH	=	500-111.5-66.5	= 322 mm
HEIGHT	=	1380-69.5-111.5	= 1199 mm
TOTAL	=	((322x1199)x2)/1000000	= 0.772156 m ²
OPENABLE AREA			
WIDTH	=	500-77-32	= 391 mm
HEIGHT	=	1380-32-77	= 1271 mm
TOTAL	=	((391x1271)x2)/1000000	= 0.993922 m ²
		PROVIDED	
		GLAZING AREA	0.774 m ²
		OPENABLE AREA	0.994 m ²

B.D. REF :

CLIENT :

ARCHITECT :
AGC DESIGN LTD
 610 Cha Kwo Ling Road, Kowloon
 Tel: (852) 2727666 Fax: (852) 2727666

MAIN CONTRACTOR :
Gammon

STRUCTURAL ENGINEER :
ARUP

FACADE CONSULTANT:
MEINHARDT

NOTE :
 1. ALL DIMENSIONS ARE IN mm.
 2. ALL ELEVATIONS ARE VIEWED FROM OUTSIDE.
 3. ALL DIMENSIONS TO BE VERIFIED ON SITE BEFORE FABRICATION.

LEGEND :
 (x1) — DETAIL MARK NO.
 (x001) — REFER SHEET NO.
 1. F.F.L. — FINISHED FLOOR LEVEL
 2. S.F.L. — STRUCTURAL FLOOR LEVEL
 3. (R) — REVERSED DETAIL
 4. ▲ — FIXING LOCATION
 5. △ — FIXING LUG LOCATION
 6. GLASS LEGEND
 GL01 — 8mm+12mm AIR GAP+10mm THK. I.G.U.
 GL01a — 8mm+9mm AIR GAP+10mm THK. I.G.U.
 GL03 — 6mm+12mm AIR GAP+6mm THK. I.G.U.
 GL04 — 10mm THK. TEMPERED GLASS (PROTECTIVE BARRIER)
 GL05 — 6mm+12mm AIR GAP+8mm THK. I.G.U.

B	24/08/2020	REVISION SUBJECT TO ARCH.COMMENT	Ivan
A	29/05/2020	REVISION SUBJECT TO ARCH.COMMENT	Ivan

JOB NO. : J-852
 PROJECT : PROPOSED RESIDENTIAL DEVELOPMENT AT 139 - 147 ARGYLE STREET, NKIL 6005, 6035 R.P., 6036 R.P., 6037 R.P. & 6038 R.P.

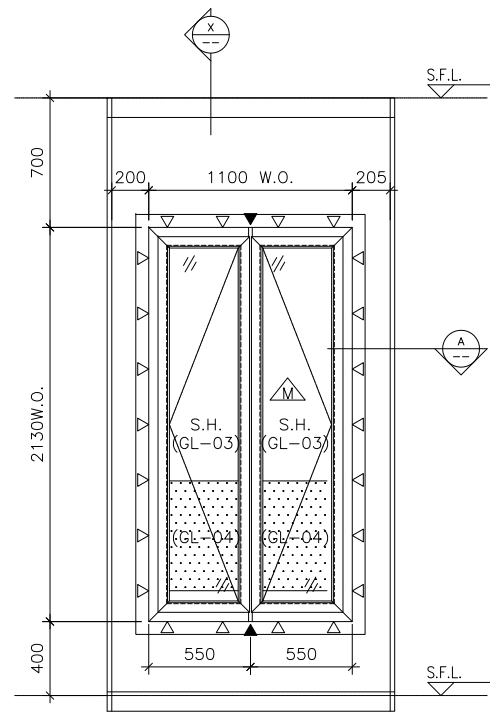
TITLE : WINDOW SCHEDULE FOR ALUM. WINDOW

DATE : 05-Dec-19 SCALE : 1:40
 DRAWN BY : MN CHECKED BY : DW

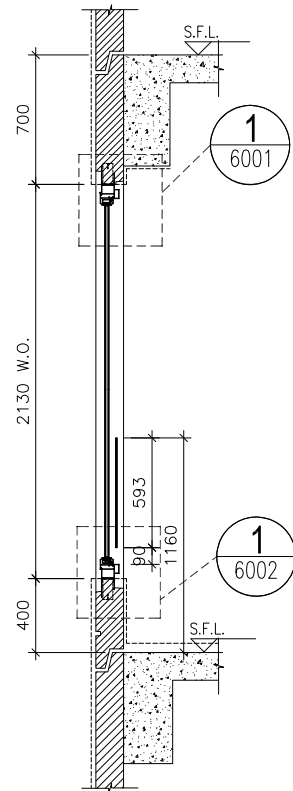
美特鋁質有限公司
MIDI ALUMINIUM FABRICATOR LTD.
 Units 6-8, Sunray Industrial Centre, 1/F
 610 Cha Kwo Ling Road, Kowloon
 Tel:23489211-4 Fax:(852)2727666

DWG NO. : J852-SD-PW-4205A REV. : B

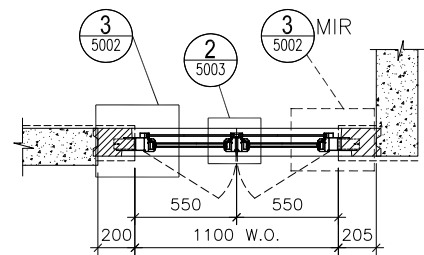
WINDOW MARK	W6 T2C
LOCATION	2/F-21/F KIT. AT TOWER 2 FLAT C
SECTION	70mm ALUM. SECTION
GLAZING	GL-03
QUANTITY	17
REMARKS	FACADE (PF-28)



ELEVATION



SECTION "X-X"



PART PLAN A

ELEVATION

TYPE F			
OPENABLE WINDOW DIMENSION	(WIDTH)	=	550
	(HIGHT)	=	2130
NUMBER OF OPENABLE AREA WINDOW		=	1
GLAZING AREA			
OPENABLE			
WIDTH	=	550-111.5-66.5	= 372 mm
HIGHT	=	(2130+400)-111.5-1000	= 1418.5 mm
TOTAL	=	((372x1418.5)x2)/1000000	= 1.05364 m ²
OPENABLE AREA			
WIDTH	=	550-77-32	= 441 mm
HIGHT	=	2130-77-(1160-385-15)	= 1293 mm
TOTAL	=	((441x1293)x1)/1000000	= 0.570213 m ²
		PROVIDED	
GLAZING AREA		1.055	m ²
OPENABLE AREA		0.570	m ²

B.D. REF :

CLIENT :

ARCHITECT :
AGC DESIGN LTD
 101, 102, 103, 104, 105, 106, 107, 108, 109, 110, 111, 112, 113, 114, 115, 116, 117, 118, 119, 120, 121, 122, 123, 124, 125, 126, 127, 128, 129, 130, 131, 132, 133, 134, 135, 136, 137, 138, 139, 140, 141, 142, 143, 144, 145, 146, 147, 148, 149, 150, 151, 152, 153, 154, 155, 156, 157, 158, 159, 160, 161, 162, 163, 164, 165, 166, 167, 168, 169, 170, 171, 172, 173, 174, 175, 176, 177, 178, 179, 180, 181, 182, 183, 184, 185, 186, 187, 188, 189, 190, 191, 192, 193, 194, 195, 196, 197, 198, 199, 200, 201, 202, 203, 204, 205, 206, 207, 208, 209, 210, 211, 212, 213, 214, 215, 216, 217, 218, 219, 220, 221, 222, 223, 224, 225, 226, 227, 228, 229, 230, 231, 232, 233, 234, 235, 236, 237, 238, 239, 240, 241, 242, 243, 244, 245, 246, 247, 248, 249, 250, 251, 252, 253, 254, 255, 256, 257, 258, 259, 260, 261, 262, 263, 264, 265, 266, 267, 268, 269, 270, 271, 272, 273, 274, 275, 276, 277, 278, 279, 280, 281, 282, 283, 284, 285, 286, 287, 288, 289, 290, 291, 292, 293, 294, 295, 296, 297, 298, 299, 300, 301, 302, 303, 304, 305, 306, 307, 308, 309, 310, 311, 312, 313, 314, 315, 316, 317, 318, 319, 320, 321, 322, 323, 324, 325, 326, 327, 328, 329, 330, 331, 332, 333, 334, 335, 336, 337, 338, 339, 340, 341, 342, 343, 344, 345, 346, 347, 348, 349, 350, 351, 352, 353, 354, 355, 356, 357, 358, 359, 360, 361, 362, 363, 364, 365, 366, 367, 368, 369, 370, 371, 372, 373, 374, 375, 376, 377, 378, 379, 380, 381, 382, 383, 384, 385, 386, 387, 388, 389, 390, 391, 392, 393, 394, 395, 396, 397, 398, 399, 400, 401, 402, 403, 404, 405, 406, 407, 408, 409, 410, 411, 412, 413, 414, 415, 416, 417, 418, 419, 420, 421, 422, 423, 424, 425, 426, 427, 428, 429, 430, 431, 432, 433, 434, 435, 436, 437, 438, 439, 440, 441, 442, 443, 444, 445, 446, 447, 448, 449, 450, 451, 452, 453, 454, 455, 456, 457, 458, 459, 460, 461, 462, 463, 464, 465, 466, 467, 468, 469, 470, 471, 472, 473, 474, 475, 476, 477, 478, 479, 480, 481, 482, 483, 484, 485, 486, 487, 488, 489, 490, 491, 492, 493, 494, 495, 496, 497, 498, 499, 500, 501, 502, 503, 504, 505, 506, 507, 508, 509, 510, 511, 512, 513, 514, 515, 516, 517, 518, 519, 520, 521, 522, 523, 524, 525, 526, 527, 528, 529, 530, 531, 532, 533, 534, 535, 536, 537, 538, 539, 540, 541, 542, 543, 544, 545, 546, 547, 548, 549, 550, 551, 552, 553, 554, 555, 556, 557, 558, 559, 560, 561, 562, 563, 564, 565, 566, 567, 568, 569, 570, 571, 572, 573, 574, 575, 576, 577, 578, 579, 580, 581, 582, 583, 584, 585, 586, 587, 588, 589, 590, 591, 592, 593, 594, 595, 596, 597, 598, 599, 600, 601, 602, 603, 604, 605, 606, 607, 608, 609, 610, 611, 612, 613, 614, 615, 616, 617, 618, 619, 620, 621, 622, 623, 624, 625, 626, 627, 628, 629, 630, 631, 632, 633, 634, 635, 636, 637, 638, 639, 640, 641, 642, 643, 644, 645, 646, 647, 648, 649, 650, 651, 652, 653, 654, 655, 656, 657, 658, 659, 660, 661, 662, 663, 664, 665, 666, 667, 668, 669, 670, 671, 672, 673, 674, 675, 676, 677, 678, 679, 680, 681, 682, 683, 684, 685, 686, 687, 688, 689, 690, 691, 692, 693, 694, 695, 696, 697, 698, 699, 700, 701, 702, 703, 704, 705, 706, 707, 708, 709, 710, 711, 712, 713, 714, 715, 716, 717, 718, 719, 720, 721, 722, 723, 724, 725, 726, 727, 728, 729, 730, 731, 732, 733, 734, 735, 736, 737, 738, 739, 740, 741, 742, 743, 744, 745, 746, 747, 748, 749, 750, 751, 752, 753, 754, 755, 756, 757, 758, 759, 760, 761, 762, 763, 764, 765, 766, 767, 768, 769, 770, 771, 772, 773, 774, 775, 776, 777, 778, 779, 780, 781, 782, 783, 784, 785, 786, 787, 788, 789, 790, 791, 792, 793, 794, 795, 796, 797, 798, 799, 800, 801, 802, 803, 804, 805, 806, 807, 808, 809, 810, 811, 812, 813, 814, 815, 816, 817, 818, 819, 820, 821, 822, 823, 824, 825, 826, 827, 828, 829, 830, 831, 832, 833, 834, 835, 836, 837, 838, 839, 840, 841, 842, 843, 844, 845, 846, 847, 848, 849, 850, 851, 852, 853, 854, 855, 856, 857, 858, 859, 860, 861, 862, 863, 864, 865, 866, 867, 868, 869, 870, 871, 872, 873, 874, 875, 876, 877, 878, 879, 880, 881, 882, 883, 884, 885, 886, 887, 888, 889, 890, 891, 892, 893, 894, 895, 896, 897, 898, 899, 900, 901, 902, 903, 904, 905, 906, 907, 908, 909, 910, 911, 912, 913, 914, 915, 916, 917, 918, 919, 920, 921, 922, 923, 924, 925, 926, 927, 928, 929, 930, 931, 932, 933, 934, 935, 936, 937, 938, 939, 940, 941, 942, 943, 944, 945, 946, 947, 948, 949, 950, 951, 952, 953, 954, 955, 956, 957, 958, 959, 960, 961, 962, 963, 964, 965, 966, 967, 968, 969, 970, 971, 972, 973, 974, 975, 976, 977, 978, 979, 980, 981, 982, 983, 984, 985, 986, 987, 988, 989, 990, 991, 992, 993, 994, 995, 996, 997, 998, 999, 1000

MAIN CONTRACTOR :
Gammon

STRUCTURAL ENGINEER :
ARUP

FACADE CONSULTANT:
MEINHARDT

NOTE :
 1. ALL DIMENSIONS ARE IN mm.
 2. ALL ELEVATIONS ARE VIEWED FROM OUTSIDE.
 3. ALL DIMENSIONS TO BE VERIFIED ON SITE BEFORE FABRICATION.

LEGEND :
 (x1) --- DETAIL MARK NO.
 (x001) --- REFER SHEET NO.
 1. F.F.L. --- FINISHED FLOOR LEVEL
 2. S.F.L. --- STRUCTURAL FLOOR LEVEL
 3. (R) --- REVERSED DETAIL
 4. ▲ --- FIXING LOCATION
 5. △ --- FIXING LUG LOCATION
 6. GLASS LEGEND

GL01 -- 8mm+12mm AIR GAP+10mm THK. I.G.U.
 GL01a -- 8mm+9mm AIR GAP+10mm THK. I.G.U.
 GL03 -- 6mm+12mm AIR GAP+6mm THK. I.G.U.
 GL04 -- 10mm THK. TEMPERED GLASS (PROTECTIVE BARRIER)
 GL05 -- 6mm+12mm AIR GAP+8mm THK. I.G.U.

E	24/08/2020	REVISION SUBJECT TO ARCH.COMMENT	Ivar
D	03/06/2020	REVISION SUBJECT TO ARCH.COMMENT	Ivar
C	27/04/2020	REVISION SUBJECT TO ARCH.COMMENT	Ivar
B	03/04/2020	REVISION SUBJECT TO ARCH.COMMENT	Ivar
A	24/02/2020	REVISION SUBJECT TO ARCH.COMMENT	SH
NO.	DATE	REVISED	BY

JOB NO. : J-852
 PROJECT : PROPOSED RESIDENTIAL DEVELOPMENT AT 139 - 147 ARGYLE STREET, NKIL 6005, 6035 R.P., 6036 R.P., 6037 R.P. & 6038 R.P.

TITLE : WINDOW SCHEDULE FOR ALUM. WINDOW

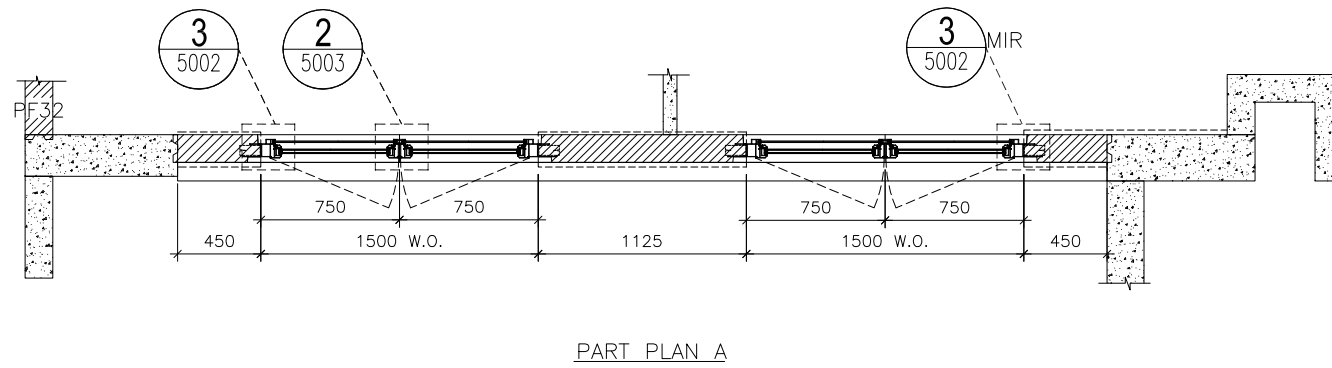
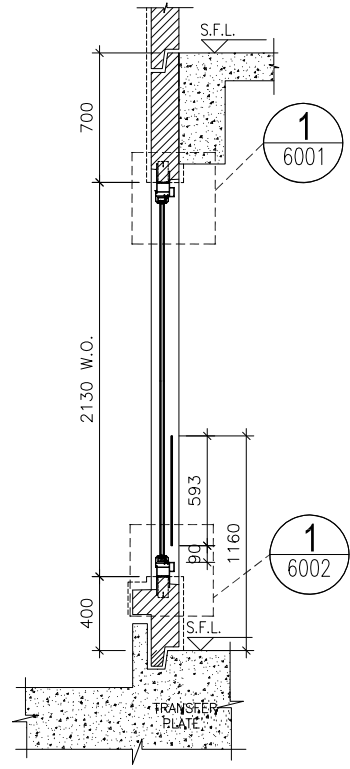
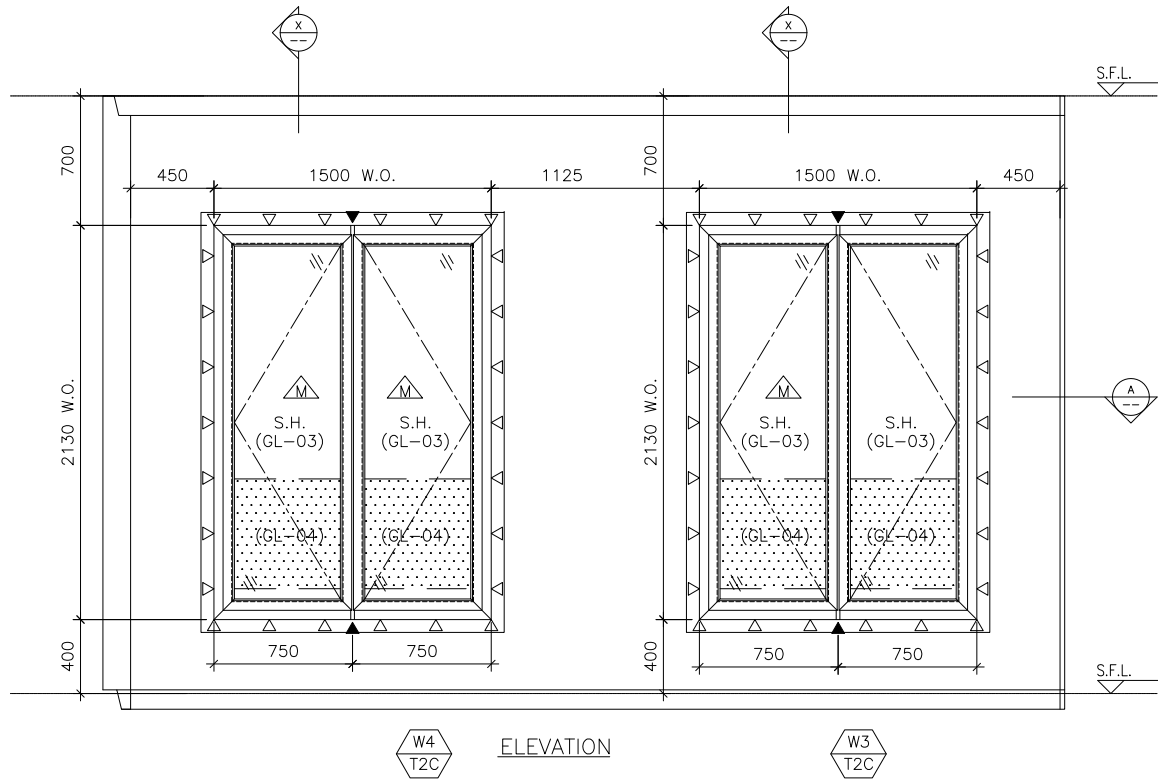
DATE : 05-Dec-19 SCALE : 1:40
 DRAWN BY : MN CHECKED BY : DW

美特鋁質有限公司
MIDI ALUMINIUM FABRICATOR LTD.
 Units 6-8, Sunray Industrial Centre, 1/F
 610 Cha Kwo Ling Road, Kowloon
 Tel:23489211-4 Fax:(852)2727666

DWG NO. : J852-SD-PW-4206 REV. : E

WINDOW MARK	W5 T2C
LOCATION	2/F-21/F B.R.2 AT TOWER 2 FLAT C
SECTION	70mm ALUM. SECTION
GLAZING	GL-03
QUANTITY	17
REMARKS	FACADE (PF-29)

ELEVATION



WINDOW MARK	W4 T2C / W3 T2C
LOCATION	1/F M.B.R.1 & B.R.2 AT TOWER 2 FLAT C
SECTION	70mm ALUM. SECTION
GLAZING	GL-03
QUANTITY	1 / 1
REMARKS	FACADE (PF-30)

OPENABLE WINDOW DIMENSION	(WIDTH) = 750	(HEIGHT) = 2130
NUMBER OF OPENABLE AREA WINDOW	= 1	
GLAZING AREA		
OPENABLE	WIDTH = 750-111.5-66.5 = 572 mm	
	HEIGHT = 2130+400-111.5-1000 = 1418.5 mm	
TOTAL	= ((572x1418.5)x2)/1000000 = 1.622764 m ²	
OPENABLE AREA		
WIDTH	= 750-77-32 = 641 mm	
HEIGHT	= 2130-77-(1160-400) = 1293 mm	
TOTAL	= ((641x1293)x1)/1000000 = 0.828813 m ²	

TYPE F	
OPENABLE WINDOW DIMENSION	(WIDTH) = 750
	(HEIGHT) = 2130
NUMBER OF OPENABLE AREA WINDOW	= 0
GLAZING AREA	
OPENABLE	WIDTH = 750-111.5-66.5 = 572 mm
	HEIGHT = (2130+400)-111.5-1000 = 1418.5 mm
TOTAL	= ((572x1418.5)x2)/1000000 = 1.622764 m ²
OPENABLE AREA	
WIDTH	= 750-77-32 = 641 mm
HEIGHT	= 2130-77-(1160-385-15) = 1293 mm
TOTAL	= ((641x1293)x0)/1000000 = 0 m ²

PROVIDED	
GLAZING AREA	1.623 m ²
OPENABLE AREA	0 m ²

TYPE F	
OPENABLE WINDOW DIMENSION	(WIDTH) = 750
	(HEIGHT) = 2130
NUMBER OF OPENABLE AREA WINDOW	= 1
GLAZING AREA	
OPENABLE	WIDTH = 750-111.5-66.5 = 572 mm
	HEIGHT = (2130+400)-111.5-1000 = 1418.5 mm
TOTAL	= ((572x1418.5)x2)/1000000 = 1.622764 m ²
OPENABLE AREA	
WIDTH	= 750-77-32 = 641 mm
HEIGHT	= 2130-77-(1160-385-15) = 1293 mm
TOTAL	= ((641x1293)x1)/1000000 = 0.828813 m ²

PROVIDED	
GLAZING AREA	1.623 m ²
OPENABLE AREA	0.829 m ²

B.D. REF :

CLIENT :

ARCHITECT :
AGC DESIGN LTD
 101, 102, 103, 104, 105, 106, 107, 108, 109, 110, 111, 112, 113, 114, 115, 116, 117, 118, 119, 120, 121, 122, 123, 124, 125, 126, 127, 128, 129, 130, 131, 132, 133, 134, 135, 136, 137, 138, 139, 140, 141, 142, 143, 144, 145, 146, 147, 148, 149, 150, 151, 152, 153, 154, 155, 156, 157, 158, 159, 160, 161, 162, 163, 164, 165, 166, 167, 168, 169, 170, 171, 172, 173, 174, 175, 176, 177, 178, 179, 180, 181, 182, 183, 184, 185, 186, 187, 188, 189, 190, 191, 192, 193, 194, 195, 196, 197, 198, 199, 200, 201, 202, 203, 204, 205, 206, 207, 208, 209, 210, 211, 212, 213, 214, 215, 216, 217, 218, 219, 220, 221, 222, 223, 224, 225, 226, 227, 228, 229, 230, 231, 232, 233, 234, 235, 236, 237, 238, 239, 240, 241, 242, 243, 244, 245, 246, 247, 248, 249, 250, 251, 252, 253, 254, 255, 256, 257, 258, 259, 260, 261, 262, 263, 264, 265, 266, 267, 268, 269, 270, 271, 272, 273, 274, 275, 276, 277, 278, 279, 280, 281, 282, 283, 284, 285, 286, 287, 288, 289, 290, 291, 292, 293, 294, 295, 296, 297, 298, 299, 300, 301, 302, 303, 304, 305, 306, 307, 308, 309, 310, 311, 312, 313, 314, 315, 316, 317, 318, 319, 320, 321, 322, 323, 324, 325, 326, 327, 328, 329, 330, 331, 332, 333, 334, 335, 336, 337, 338, 339, 340, 341, 342, 343, 344, 345, 346, 347, 348, 349, 350, 351, 352, 353, 354, 355, 356, 357, 358, 359, 360, 361, 362, 363, 364, 365, 366, 367, 368, 369, 370, 371, 372, 373, 374, 375, 376, 377, 378, 379, 380, 381, 382, 383, 384, 385, 386, 387, 388, 389, 390, 391, 392, 393, 394, 395, 396, 397, 398, 399, 400, 401, 402, 403, 404, 405, 406, 407, 408, 409, 410, 411, 412, 413, 414, 415, 416, 417, 418, 419, 420, 421, 422, 423, 424, 425, 426, 427, 428, 429, 430, 431, 432, 433, 434, 435, 436, 437, 438, 439, 440, 441, 442, 443, 444, 445, 446, 447, 448, 449, 450, 451, 452, 453, 454, 455, 456, 457, 458, 459, 460, 461, 462, 463, 464, 465, 466, 467, 468, 469, 470, 471, 472, 473, 474, 475, 476, 477, 478, 479, 480, 481, 482, 483, 484, 485, 486, 487, 488, 489, 490, 491, 492, 493, 494, 495, 496, 497, 498, 499, 500, 501, 502, 503, 504, 505, 506, 507, 508, 509, 510, 511, 512, 513, 514, 515, 516, 517, 518, 519, 520, 521, 522, 523, 524, 525, 526, 527, 528, 529, 530, 531, 532, 533, 534, 535, 536, 537, 538, 539, 540, 541, 542, 543, 544, 545, 546, 547, 548, 549, 550, 551, 552, 553, 554, 555, 556, 557, 558, 559, 560, 561, 562, 563, 564, 565, 566, 567, 568, 569, 570, 571, 572, 573, 574, 575, 576, 577, 578, 579, 580, 581, 582, 583, 584, 585, 586, 587, 588, 589, 590, 591, 592, 593, 594, 595, 596, 597, 598, 599, 600, 601, 602, 603, 604, 605, 606, 607, 608, 609, 610, 611, 612, 613, 614, 615, 616, 617, 618, 619, 620, 621, 622, 623, 624, 625, 626, 627, 628, 629, 630, 631, 632, 633, 634, 635, 636, 637, 638, 639, 640, 641, 642, 643, 644, 645, 646, 647, 648, 649, 650, 651, 652, 653, 654, 655, 656, 657, 658, 659, 660, 661, 662, 663, 664, 665, 666, 667, 668, 669, 670, 671, 672, 673, 674, 675, 676, 677, 678, 679, 680, 681, 682, 683, 684, 685, 686, 687, 688, 689, 690, 691, 692, 693, 694, 695, 696, 697, 698, 699, 700, 701, 702, 703, 704, 705, 706, 707, 708, 709, 710, 711, 712, 713, 714, 715, 716, 717, 718, 719, 720, 721, 722, 723, 724, 725, 726, 727, 728, 729, 730, 731, 732, 733, 734, 735, 736, 737, 738, 739, 740, 741, 742, 743, 744, 745, 746, 747, 748, 749, 750, 751, 752, 753, 754, 755, 756, 757, 758, 759, 760, 761, 762, 763, 764, 765, 766, 767, 768, 769, 770, 771, 772, 773, 774, 775, 776, 777, 778, 779, 780, 781, 782, 783, 784, 785, 786, 787, 788, 789, 790, 791, 792, 793, 794, 795, 796, 797, 798, 799, 800, 801, 802, 803, 804, 805, 806, 807, 808, 809, 810, 811, 812, 813, 814, 815, 816, 817, 818, 819, 820, 821, 822, 823, 824, 825, 826, 827, 828, 829, 830, 831, 832, 833, 834, 835, 836, 837, 838, 839, 840, 841, 842, 843, 844, 845, 846, 847, 848, 849, 850, 851, 852, 853, 854, 855, 856, 857, 858, 859, 860, 861, 862, 863, 864, 865, 866, 867, 868, 869, 870, 871, 872, 873, 874, 875, 876, 877, 878, 879, 880, 881, 882, 883, 884, 885, 886, 887, 888, 889, 890, 891, 892, 893, 894, 895, 896, 897, 898, 899, 900, 901, 902, 903, 904, 905, 906, 907, 908, 909, 910, 911, 912, 913, 914, 915, 916, 917, 918, 919, 920, 921, 922, 923, 924, 925, 926, 927, 928, 929, 930, 931, 932, 933, 934, 935, 936, 937, 938, 939, 940, 941, 942, 943, 944, 945, 946, 947, 948, 949, 950, 951, 952, 953, 954, 955, 956, 957, 958, 959, 960, 961, 962, 963, 964, 965, 966, 967, 968, 969, 970, 971, 972, 973, 974, 975, 976, 977, 978, 979, 980, 981, 982, 983, 984, 985, 986, 987, 988, 989, 990, 991, 992, 993, 994, 995, 996, 997, 998, 999, 1000

MAIN CONTRACTOR :
Gammon

STRUCTURAL ENGINEER :
ARUP

FACADE CONSULTANT:
MEINHARDT

NOTE :

1. ALL DIMENSIONS ARE IN mm.
2. ALL ELEVATIONS ARE VIEWED FROM OUTSIDE.
3. ALL DIMENSIONS TO BE VERIFIED ON SITE BEFORE FABRICATION.

LEGEND :

- x1 -- DETAIL MARK NO.
- x001 -- REFER SHEET NO.
- F.F.L -- FINISHED FLOOR LEVEL
- S.F.L -- STRUCTURAL FLOOR LEVEL
- ⊗ -- REVERSED DETAIL
- ▲ -- FIXING LOCATION
- △ -- FIXING LUG LOCATION

GLASS LEGEND

- GL01 -- 8mm+12mm AIR GAP+10mm THK. I.G.U.
- GL01a -- 8mm+9mm AIR GAP+10mm THK. I.G.U.
- GL03 -- 6mm+12mm AIR GAP+6mm THK. I.G.U.
- GL04 -- 10mm THK. TEMPERED GLASS (PROTECTIVE BARRIER)
- GL05 -- 6mm+12mm AIR GAP+8mm THK. I.G.U.

E	24/08/2020	REVISION SUBJECT TO ARCH.COMMENT	Ivar
D	03/06/2020	REVISION SUBJECT TO ARCH.COMMENT	Ivar
C	27/04/2020	REVISION SUBJECT TO ARCH.COMMENT	Ivar
B	03/04/2020	REVISION SUBJECT TO ARCH.COMMENT	Ivar
A	24/02/2020	REVISION SUBJECT TO ARCH.COMMENT	SH

NO. DATE REVISION BY

JOB NO. : J-852

PROJECT : PROPOSED RESIDENTIAL DEVELOPMENT AT 139 - 147 ARGYLE STREET, NKIL 6005, 6035 R.P., 6036 R.P., 6037 R.P. & 6038 R.P.

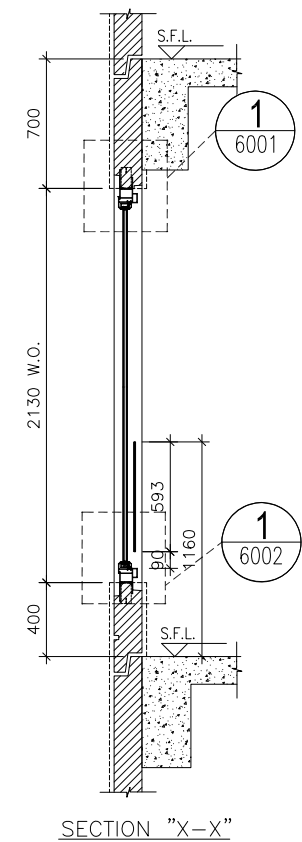
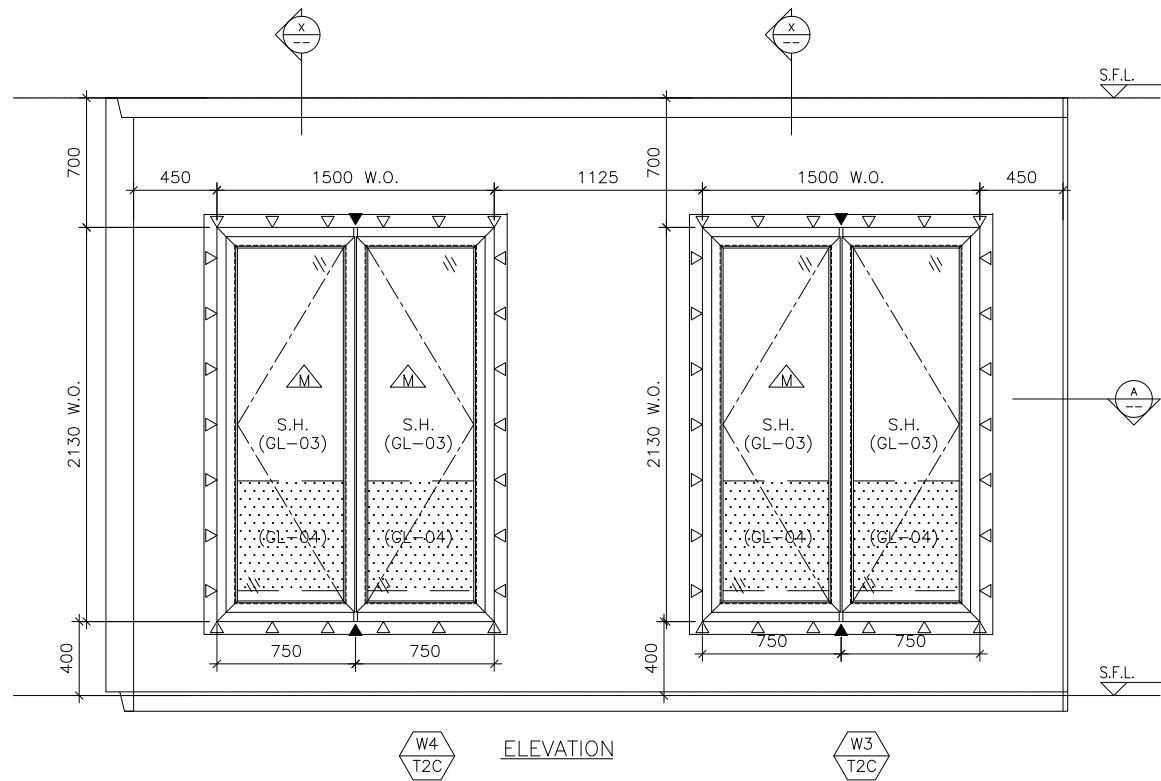
TITLE : WINDOW SCHEDULE FOR ALUM. WINDOW

DATE : 05-Dec-19 SCALE : 1:40

DRAWN BY : MN CHECKED BY : DW

美特鋁質有限公司
MIDI ALUMINIUM FABRICATOR LTD.
 Units 6-8, Sunray Industrial Centre, 1/F
 610 Cha Kwo Ling Road, Kowloon
 Tel:23489211-4 Fax:(852)2727666

DWG NO. : J852-SD-PW-4207 REV. : E



OPENABLE WINDOW DIMENSION	(WIDTH) =	750
	(HEIGHT) =	2130
NUMBER OF OPENABLE AREA WINDOW	=	0

GLAZING AREA		
OPENABLE		
WIDTH =	750-111.5-66.5	= 572 mm
HIGHT =	2130+400-111.5-1000	= 1418.5 mm
TOTAL =	((572x1418.5)x2)/1000000	= 1.622764 m ²
OPENABLE AREA		
WIDTH =	750-77-32	= 641 mm
HIGHT =	2130-77-(1160-400)	= 1293 mm
TOTAL =	((641x1293)x0)/1000000	= 0 m ²

PROVIDED		
W4/T2C	GLAZING AREA	1.623 m ²
	OPENABLE AREA	0 m ²

OPENABLE WINDOW DIMENSION	(WIDTH) =	750
	(HEIGHT) =	2130
NUMBER OF OPENABLE AREA WINDOW	=	1

GLAZING AREA		
OPENABLE		
WIDTH =	750-111.5-66.5	= 572 mm
HIGHT =	2130+400-111.5-1000	= 1418.5 mm
TOTAL =	((572x1418.5)x2)/1000000	= 1.622764 m ²
OPENABLE AREA		
WIDTH =	750-77-32	= 641 mm
HIGHT =	2130-77-(1160-400)	= 1293 mm
TOTAL =	((641x1293)x1)/1000000	= 0.828813 m ²

PROVIDED		
W3/T2C	GLAZING AREA	1.623 m ²
	OPENABLE AREA	0.829 m ²

B.D. REF :

CLIENT :

ARCHITECT :
AGC DESIGN LTD
 101, 102, 103, 104, 105, 106, 107, 108, 109, 110, 111, 112, 113, 114, 115, 116, 117, 118, 119, 120, 121, 122, 123, 124, 125, 126, 127, 128, 129, 130, 131, 132, 133, 134, 135, 136, 137, 138, 139, 140, 141, 142, 143, 144, 145, 146, 147, 148, 149, 150, 151, 152, 153, 154, 155, 156, 157, 158, 159, 160, 161, 162, 163, 164, 165, 166, 167, 168, 169, 170, 171, 172, 173, 174, 175, 176, 177, 178, 179, 180, 181, 182, 183, 184, 185, 186, 187, 188, 189, 190, 191, 192, 193, 194, 195, 196, 197, 198, 199, 200, 201, 202, 203, 204, 205, 206, 207, 208, 209, 210, 211, 212, 213, 214, 215, 216, 217, 218, 219, 220, 221, 222, 223, 224, 225, 226, 227, 228, 229, 230, 231, 232, 233, 234, 235, 236, 237, 238, 239, 240, 241, 242, 243, 244, 245, 246, 247, 248, 249, 250, 251, 252, 253, 254, 255, 256, 257, 258, 259, 260, 261, 262, 263, 264, 265, 266, 267, 268, 269, 270, 271, 272, 273, 274, 275, 276, 277, 278, 279, 280, 281, 282, 283, 284, 285, 286, 287, 288, 289, 290, 291, 292, 293, 294, 295, 296, 297, 298, 299, 300, 301, 302, 303, 304, 305, 306, 307, 308, 309, 310, 311, 312, 313, 314, 315, 316, 317, 318, 319, 320, 321, 322, 323, 324, 325, 326, 327, 328, 329, 330, 331, 332, 333, 334, 335, 336, 337, 338, 339, 340, 341, 342, 343, 344, 345, 346, 347, 348, 349, 350, 351, 352, 353, 354, 355, 356, 357, 358, 359, 360, 361, 362, 363, 364, 365, 366, 367, 368, 369, 370, 371, 372, 373, 374, 375, 376, 377, 378, 379, 380, 381, 382, 383, 384, 385, 386, 387, 388, 389, 390, 391, 392, 393, 394, 395, 396, 397, 398, 399, 400, 401, 402, 403, 404, 405, 406, 407, 408, 409, 410, 411, 412, 413, 414, 415, 416, 417, 418, 419, 420, 421, 422, 423, 424, 425, 426, 427, 428, 429, 430, 431, 432, 433, 434, 435, 436, 437, 438, 439, 440, 441, 442, 443, 444, 445, 446, 447, 448, 449, 450, 451, 452, 453, 454, 455, 456, 457, 458, 459, 460, 461, 462, 463, 464, 465, 466, 467, 468, 469, 470, 471, 472, 473, 474, 475, 476, 477, 478, 479, 480, 481, 482, 483, 484, 485, 486, 487, 488, 489, 490, 491, 492, 493, 494, 495, 496, 497, 498, 499, 500, 501, 502, 503, 504, 505, 506, 507, 508, 509, 510, 511, 512, 513, 514, 515, 516, 517, 518, 519, 520, 521, 522, 523, 524, 525, 526, 527, 528, 529, 530, 531, 532, 533, 534, 535, 536, 537, 538, 539, 540, 541, 542, 543, 544, 545, 546, 547, 548, 549, 550, 551, 552, 553, 554, 555, 556, 557, 558, 559, 560, 561, 562, 563, 564, 565, 566, 567, 568, 569, 570, 571, 572, 573, 574, 575, 576, 577, 578, 579, 580, 581, 582, 583, 584, 585, 586, 587, 588, 589, 590, 591, 592, 593, 594, 595, 596, 597, 598, 599, 600, 601, 602, 603, 604, 605, 606, 607, 608, 609, 610, 611, 612, 613, 614, 615, 616, 617, 618, 619, 620, 621, 622, 623, 624, 625, 626, 627, 628, 629, 630, 631, 632, 633, 634, 635, 636, 637, 638, 639, 640, 641, 642, 643, 644, 645, 646, 647, 648, 649, 650, 651, 652, 653, 654, 655, 656, 657, 658, 659, 660, 661, 662, 663, 664, 665, 666, 667, 668, 669, 670, 671, 672, 673, 674, 675, 676, 677, 678, 679, 680, 681, 682, 683, 684, 685, 686, 687, 688, 689, 690, 691, 692, 693, 694, 695, 696, 697, 698, 699, 700, 701, 702, 703, 704, 705, 706, 707, 708, 709, 710, 711, 712, 713, 714, 715, 716, 717, 718, 719, 720, 721, 722, 723, 724, 725, 726, 727, 728, 729, 730, 731, 732, 733, 734, 735, 736, 737, 738, 739, 740, 741, 742, 743, 744, 745, 746, 747, 748, 749, 750, 751, 752, 753, 754, 755, 756, 757, 758, 759, 760, 761, 762, 763, 764, 765, 766, 767, 768, 769, 770, 771, 772, 773, 774, 775, 776, 777, 778, 779, 780, 781, 782, 783, 784, 785, 786, 787, 788, 789, 790, 791, 792, 793, 794, 795, 796, 797, 798, 799, 800, 801, 802, 803, 804, 805, 806, 807, 808, 809, 810, 811, 812, 813, 814, 815, 816, 817, 818, 819, 820, 821, 822, 823, 824, 825, 826, 827, 828, 829, 830, 831, 832, 833, 834, 835, 836, 837, 838, 839, 840, 841, 842, 843, 844, 845, 846, 847, 848, 849, 850, 851, 852, 853, 854, 855, 856, 857, 858, 859, 860, 861, 862, 863, 864, 865, 866, 867, 868, 869, 870, 871, 872, 873, 874, 875, 876, 877, 878, 879, 880, 881, 882, 883, 884, 885, 886, 887, 888, 889, 890, 891, 892, 893, 894, 895, 896, 897, 898, 899, 900, 901, 902, 903, 904, 905, 906, 907, 908, 909, 910, 911, 912, 913, 914, 915, 916, 917, 918, 919, 920, 921, 922, 923, 924, 925, 926, 927, 928, 929, 930, 931, 932, 933, 934, 935, 936, 937, 938, 939, 940, 941, 942, 943, 944, 945, 946, 947, 948, 949, 950, 951, 952, 953, 954, 955, 956, 957, 958, 959, 960, 961, 962, 963, 964, 965, 966, 967, 968, 969, 970, 971, 972, 973, 974, 975, 976, 977, 978, 979, 980, 981, 982, 983, 984, 985, 986, 987, 988, 989, 990, 991, 992, 993, 994, 995, 996, 997, 998, 999, 1000

NOTE :

1. ALL DIMENSIONS ARE IN mm.
2. ALL ELEVATIONS ARE VIEWED FROM OUTSIDE.
3. ALL DIMENSIONS TO BE VERIFIED ON SITE BEFORE FABRICATION.

LEGEND :

- x1 -- DETAIL MARK NO.
- x001 -- REFER SHEET NO.
- F.F.L. -- FINISHED FLOOR LEVEL
- S.F.L. -- STRUCTURAL FLOOR LEVEL
- (R) -- REVERSED DETAIL
- ▲ -- FIXING LOCATION
- △ -- FIXING LUG LOCATION

GLASS LEGEND

- GL01 -- 8mm+12mm AIR GAP+10mm THK. I.G.U.
- GL01a -- 8mm+9mm AIR GAP+10mm THK. I.G.U.
- GL03 -- 6mm+12mm AIR GAP+6mm THK. I.G.U.
- GL04 -- 10mm THK. TEMPERED GLASS (PROTECTIVE BARRIER)
- GL05 -- 6mm+12mm AIR GAP+8mm THK. I.G.U.

B	03/06/2020	REVISION SUBJECT TO ARCH.COMMENT	Ivan
A	03/06/2020	REVISION SUBJECT TO ARCH.COMMENT	Ivan
NO.	DATE	REVISED	BY

JOB NO. : J-852

PROJECT :
 PROPOSED RESIDENTIAL DEVELOPMENT
 AT 139 - 147 ARGYLE STREET,
 NKIL 6005, 6035 R.P., 6036 R.P.,
 6037 R.P. & 6038 R.P.

TITLE :
 WINDOW SCHEDULE FOR
 ALUM. WINDOW

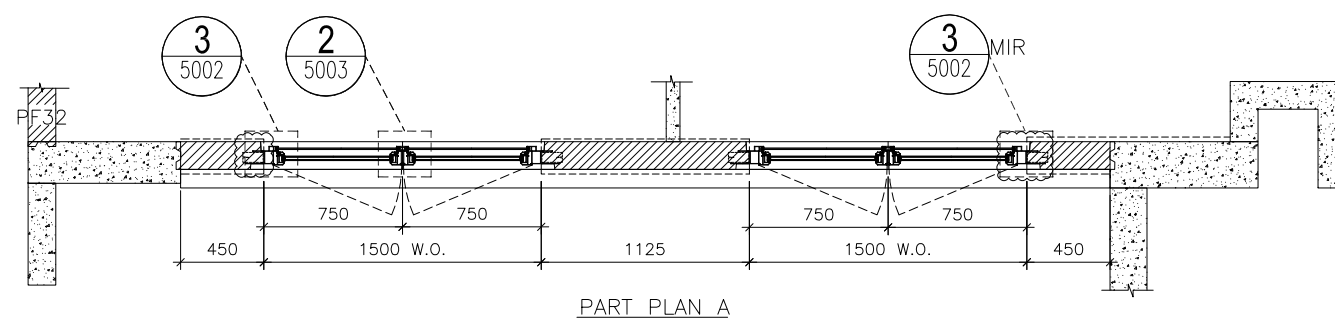
DATE : 05-Dec-19 SCALE : 1:40

DRAWN BY : MN CHECKED BY : DW

美特鋁質有限公司
MIDI ALUMINIUM FABRICATOR LTD.
 Units 6-8, Sunray Industrial Centre, 1/F
 610 Cha Kwo Ling Road, Kowloon
 Tel:23489211-4 Fax:(852)2727666

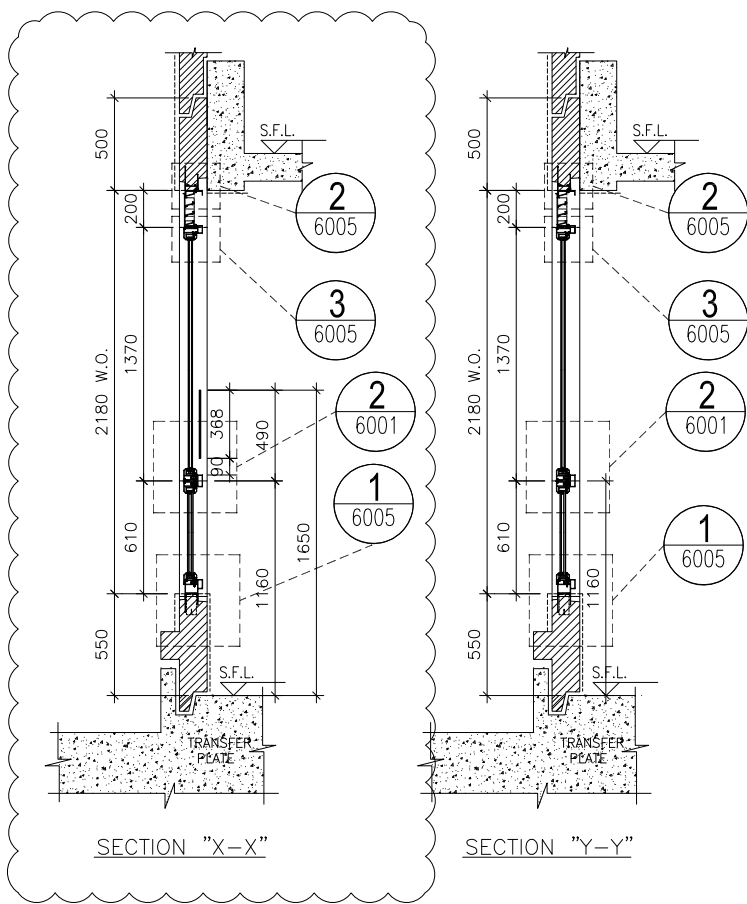
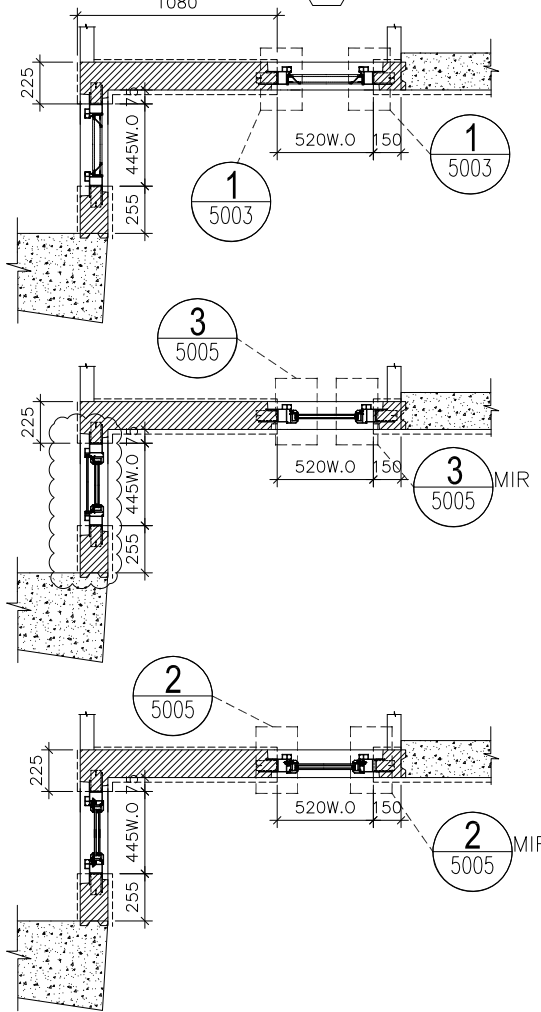
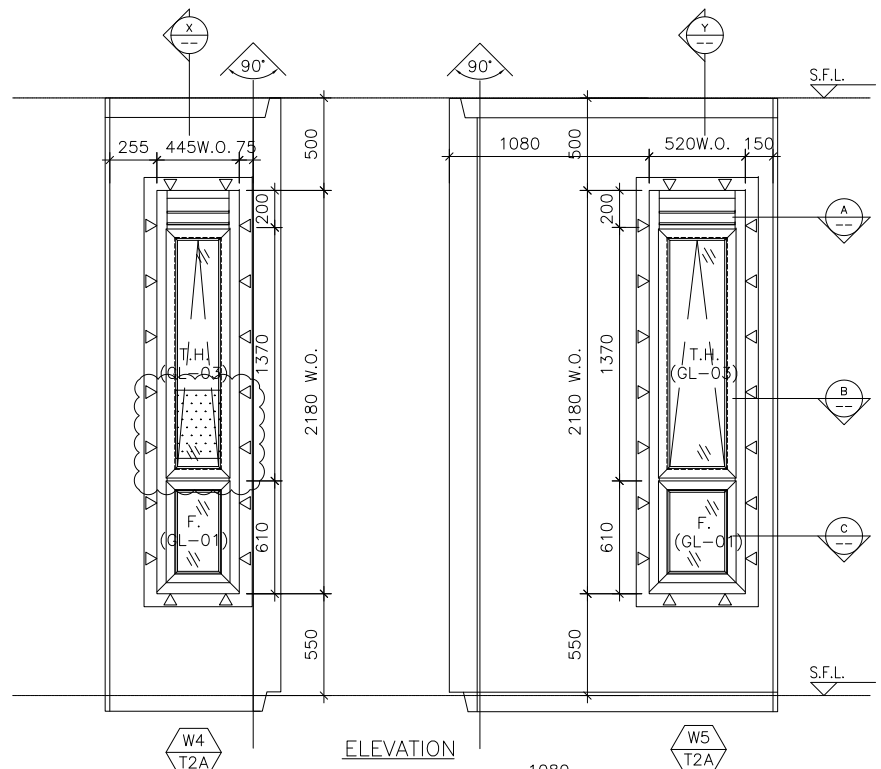
DWG NO. : J852-SD-PW-4207A REV. : B

ELEVATION



WINDOW MARK	W4/T2C / W3/T2C
LOCATION	2/F-21/F M.B.R.1 & B.R.2 AT TOWER 2 FLAT C
SECTION	70mm ALUM. SECTION
GLAZING	GL-03
QUANTITY	17 / 17
REMARKS	FACADE (PF-30)

ELEVATION



TYPE B			
OPENABLE WINDOW DIMENSION	(WIDTH)	=	520
	(HEIGHT)	=	1370
FIXED WINDOW DIMENSION	(WIDTH)	=	520
	(HEIGHT)	=	610
NUMBER OF OPENABLE AREA WINDOW		=	1
GLAZING AREA			
OPENABLE	WIDTH	=	297 mm
	HEIGHT	=	1234 mm
FIXED	WIDTH	=	297 mm
	HEIGHT	=	432 mm
TOTAL		=	0.494802 m ²
OPENABLE AREA			
	WIDTH	=	366 mm
	HEIGHT	=	1306 mm
TOTAL		=	0.477996 m ²

PROVIDED		
W5	GLAZING AREA	0.495 m ²
W4	OPENABLE AREA	0.478 m ²

TYPE B			
OPENABLE WINDOW DIMENSION	(WIDTH)	=	445
	(HEIGHT)	=	1370
FIXED WINDOW DIMENSION	(WIDTH)	=	445
	(HEIGHT)	=	610
NUMBER OF OPENABLE AREA WINDOW		=	1
GLAZING AREA			
OPENABLE	WIDTH	=	222 mm
	HEIGHT	=	1234 mm
FIXED	WIDTH	=	222 mm
	HEIGHT	=	432 mm
TOTAL		=	0.369852 m ²
OPENABLE AREA			
	WIDTH	=	291 mm
	HEIGHT	=	1306 mm
TOTAL		=	0.380046 m ²

PROVIDED		
W4	GLAZING AREA	0.370 m ²
T2A	OPENABLE AREA	0.380 m ²

B.D. REF :

CLIENT :

ARCHITECT :
AGC DESIGN LTD
 181, 182, 183, 184, 185, 186, 187, 188, 189, 190, 191, 192, 193, 194, 195, 196, 197, 198, 199, 200, 201, 202, 203, 204, 205, 206, 207, 208, 209, 210, 211, 212, 213, 214, 215, 216, 217, 218, 219, 220, 221, 222, 223, 224, 225, 226, 227, 228, 229, 230, 231, 232, 233, 234, 235, 236, 237, 238, 239, 240, 241, 242, 243, 244, 245, 246, 247, 248, 249, 250, 251, 252, 253, 254, 255, 256, 257, 258, 259, 260, 261, 262, 263, 264, 265, 266, 267, 268, 269, 270, 271, 272, 273, 274, 275, 276, 277, 278, 279, 280, 281, 282, 283, 284, 285, 286, 287, 288, 289, 290, 291, 292, 293, 294, 295, 296, 297, 298, 299, 300, 301, 302, 303, 304, 305, 306, 307, 308, 309, 310, 311, 312, 313, 314, 315, 316, 317, 318, 319, 320, 321, 322, 323, 324, 325, 326, 327, 328, 329, 330, 331, 332, 333, 334, 335, 336, 337, 338, 339, 340, 341, 342, 343, 344, 345, 346, 347, 348, 349, 350, 351, 352, 353, 354, 355, 356, 357, 358, 359, 360, 361, 362, 363, 364, 365, 366, 367, 368, 369, 370, 371, 372, 373, 374, 375, 376, 377, 378, 379, 380, 381, 382, 383, 384, 385, 386, 387, 388, 389, 390, 391, 392, 393, 394, 395, 396, 397, 398, 399, 400, 401, 402, 403, 404, 405, 406, 407, 408, 409, 410, 411, 412, 413, 414, 415, 416, 417, 418, 419, 420, 421, 422, 423, 424, 425, 426, 427, 428, 429, 430, 431, 432, 433, 434, 435, 436, 437, 438, 439, 440, 441, 442, 443, 444, 445, 446, 447, 448, 449, 450, 451, 452, 453, 454, 455, 456, 457, 458, 459, 460, 461, 462, 463, 464, 465, 466, 467, 468, 469, 470, 471, 472, 473, 474, 475, 476, 477, 478, 479, 480, 481, 482, 483, 484, 485, 486, 487, 488, 489, 490, 491, 492, 493, 494, 495, 496, 497, 498, 499, 500, 501, 502, 503, 504, 505, 506, 507, 508, 509, 510, 511, 512, 513, 514, 515, 516, 517, 518, 519, 520, 521, 522, 523, 524, 525, 526, 527, 528, 529, 530, 531, 532, 533, 534, 535, 536, 537, 538, 539, 540, 541, 542, 543, 544, 545, 546, 547, 548, 549, 550, 551, 552, 553, 554, 555, 556, 557, 558, 559, 560, 561, 562, 563, 564, 565, 566, 567, 568, 569, 570, 571, 572, 573, 574, 575, 576, 577, 578, 579, 580, 581, 582, 583, 584, 585, 586, 587, 588, 589, 590, 591, 592, 593, 594, 595, 596, 597, 598, 599, 600, 601, 602, 603, 604, 605, 606, 607, 608, 609, 610, 611, 612, 613, 614, 615, 616, 617, 618, 619, 620, 621, 622, 623, 624, 625, 626, 627, 628, 629, 630, 631, 632, 633, 634, 635, 636, 637, 638, 639, 640, 641, 642, 643, 644, 645, 646, 647, 648, 649, 650, 651, 652, 653, 654, 655, 656, 657, 658, 659, 660, 661, 662, 663, 664, 665, 666, 667, 668, 669, 670, 671, 672, 673, 674, 675, 676, 677, 678, 679, 680, 681, 682, 683, 684, 685, 686, 687, 688, 689, 690, 691, 692, 693, 694, 695, 696, 697, 698, 699, 700, 701, 702, 703, 704, 705, 706, 707, 708, 709, 710, 711, 712, 713, 714, 715, 716, 717, 718, 719, 720, 721, 722, 723, 724, 725, 726, 727, 728, 729, 730, 731, 732, 733, 734, 735, 736, 737, 738, 739, 740, 741, 742, 743, 744, 745, 746, 747, 748, 749, 750, 751, 752, 753, 754, 755, 756, 757, 758, 759, 760, 761, 762, 763, 764, 765, 766, 767, 768, 769, 770, 771, 772, 773, 774, 775, 776, 777, 778, 779, 780, 781, 782, 783, 784, 785, 786, 787, 788, 789, 790, 791, 792, 793, 794, 795, 796, 797, 798, 799, 800, 801, 802, 803, 804, 805, 806, 807, 808, 809, 810, 811, 812, 813, 814, 815, 816, 817, 818, 819, 820, 821, 822, 823, 824, 825, 826, 827, 828, 829, 830, 831, 832, 833, 834, 835, 836, 837, 838, 839, 840, 841, 842, 843, 844, 845, 846, 847, 848, 849, 850, 851, 852, 853, 854, 855, 856, 857, 858, 859, 860, 861, 862, 863, 864, 865, 866, 867, 868, 869, 870, 871, 872, 873, 874, 875, 876, 877, 878, 879, 880, 881, 882, 883, 884, 885, 886, 887, 888, 889, 890, 891, 892, 893, 894, 895, 896, 897, 898, 899, 900, 901, 902, 903, 904, 905, 906, 907, 908, 909, 910, 911, 912, 913, 914, 915, 916, 917, 918, 919, 920, 921, 922, 923, 924, 925, 926, 927, 928, 929, 930, 931, 932, 933, 934, 935, 936, 937, 938, 939, 940, 941, 942, 943, 944, 945, 946, 947, 948, 949, 950, 951, 952, 953, 954, 955, 956, 957, 958, 959, 960, 961, 962, 963, 964, 965, 966, 967, 968, 969, 970, 971, 972, 973, 974, 975, 976, 977, 978, 979, 980, 981, 982, 983, 984, 985, 986, 987, 988, 989, 990, 991, 992, 993, 994, 995, 996, 997, 998, 999, 1000

STRUCTURAL ENGINEER :
ARUP

FAÇADE CONSULTANT:
MEINHARDT

NOTE :
 1. ALL DIMENSIONS ARE IN mm.
 2. ALL ELEVATIONS ARE VIEWED FROM OUTSIDE.
 3. ALL DIMENSIONS TO BE VERIFIED ON SITE BEFORE FABRICATION.

LEGEND :
 (X1) --- DETAIL MARK NO.
 (X001) --- REFER SHEET NO.

1. F.F.L. --- FINISHED FLOOR LEVEL
 2. S.F.L. --- STRUCTURAL FLOOR LEVEL
 3. (R) --- REVERSED DETAIL
 4. ▲ --- FIXING LOCATION
 5. △ --- FIXING LUG LOCATION
 6. GLASS LEGEND
 GL01 --- 8mm+12mm AIR GAP+10mm THK. I.G.U.
 GL01a --- 8mm+9mm AIR GAP+10mm THK. I.G.U.
 GL03 --- 6mm+12mm AIR GAP+6mm THK. I.G.U.
 GL04 --- 10mm THK. TEMPERED GLASS (PROTECTIVE BARRIER)
 GL05 --- 6mm+12mm AIR GAP+8mm THK. I.G.U.

NO.	DATE	REVISION	BY
F	18/09/2020	REVISION SUBJECT TO ARCH.COMMENT	Ivan
E	24/08/2020	REVISION SUBJECT TO ARCH.COMMENT	Ivan
D	29/05/2020	REVISION SUBJECT TO ARCH.COMMENT	Ivan
C	27/04/2020	REVISION SUBJECT TO ARCH.COMMENT	Ivan
B	03/04/2020	REVISION SUBJECT TO ARCH.COMMENT	Ivan
A	24/02/2020	REVISION SUBJECT TO ARCH.COMMENT	SH

JOB NO. : J-852

PROJECT :
 PROPOSED RESIDENTIAL DEVELOPMENT
 AT 139 - 147 ARGYLE STREET,
 NKIL 6005, 6035 R.P., 6036 R.P.,
 6037 R.P. & 6038 R.P.

TITLE :
 WINDOW SCHEDULE FOR
 ALUM. WINDOW

DATE : 05-Dec-19 SCALE : 1:40

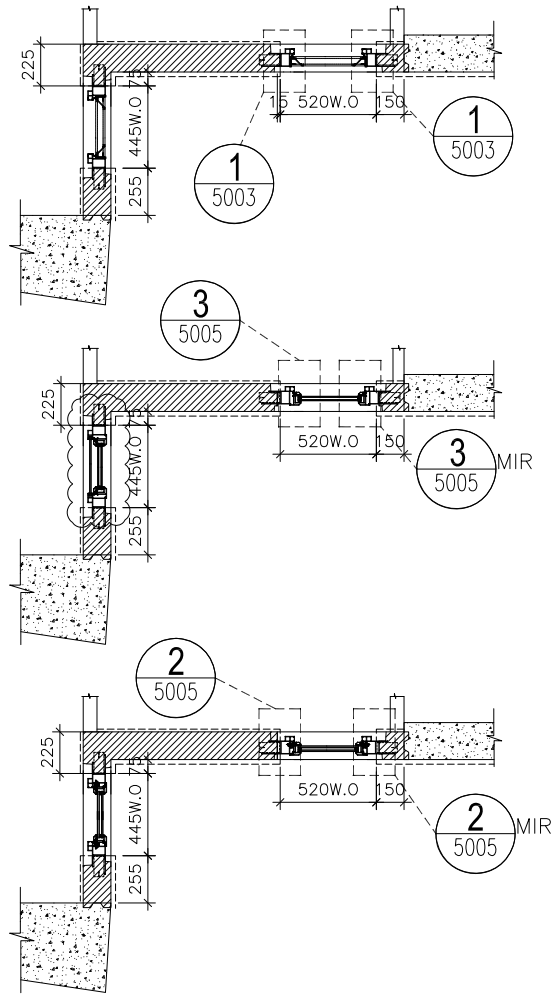
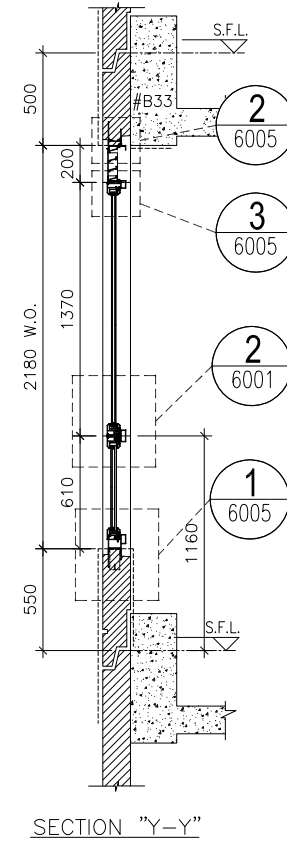
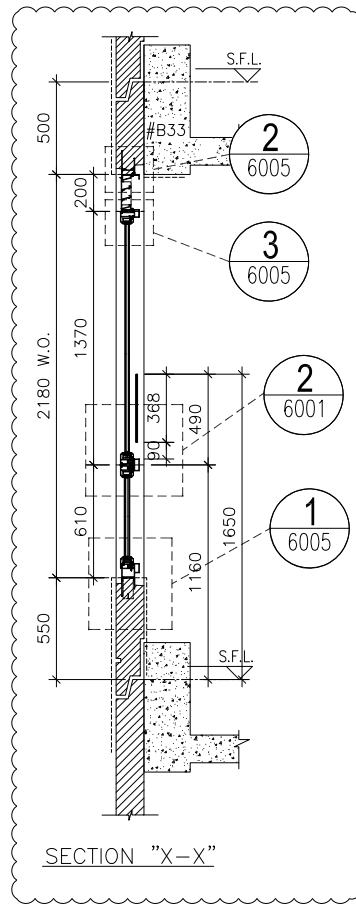
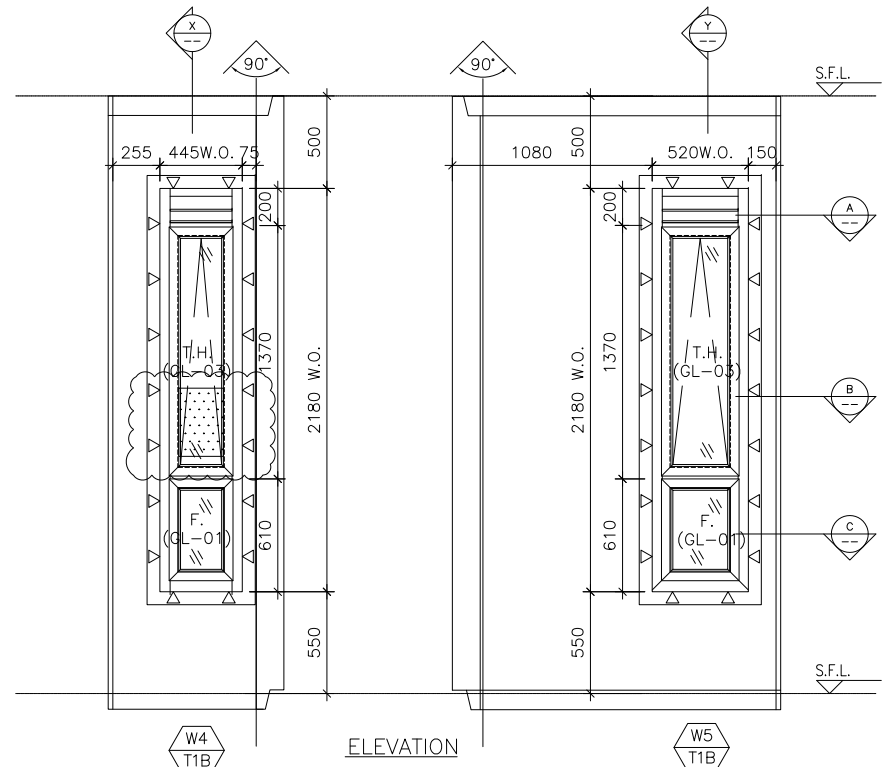
DRAWN BY : MN CHECKED BY : DW

美特鋁質有限公司
MIDI ALUMINIUM FABRICATOR LTD.
 Units 6-8, Sunray Industrial Centre, 1/F
 610 Cha Kwo Ling Road, Kowloon
 Tel:23489211-4 Fax:(852)2727666

WINDOW MARK	W4 / W5 T2A / T2A
LOCATION	1/F M.B. & EN.B. AT TOWER 2 FLAT A
SECTION	70mm ALUM. SECTION
GLAZING	GL-01, GL-03
QUANTITY	1 / 1
REMARKS	FAÇADE (PF-35)

DWG NO. : J852-SD-PW-4208 REV. : F

ELEVATION



TYPE B	
OPENABLE WINDOW DIMENSION	(WIDTH) = 520 (HEIGHT) = 1370
FIXED WINDOW DIMENSION	(WIDTH) = 520 (HEIGHT) = 610
NUMBER OF OPENABLE AREA WINDOW	1
GLAZING AREA	
OPENABLE	WIDTH = 520-111.5-111.5 = 297 mm HEIGHT = 1370-69.5-66.5 = 1234 mm
FIXED	WIDTH = 520-111.5-111.5 = 297 mm HEIGHT = 610-66.5-111.5 = 432 mm
TOTAL	0.494802 m ²
OPENABLE AREA	
WIDTH	366 mm
HEIGHT	1306 mm
TOTAL	0.477996 m ²

PROVIDED	
GLAZING AREA	0.495 m ²
OPENABLE AREA	0.478 m ²

TYPE B	
OPENABLE WINDOW DIMENSION	(WIDTH) = 445 (HEIGHT) = 1370
FIXED WINDOW DIMENSION	(WIDTH) = 445 (HEIGHT) = 610
NUMBER OF OPENABLE AREA WINDOW	1
GLAZING AREA	
OPENABLE	WIDTH = 445-111.5-111.5 = 222 mm HEIGHT = 1370-69.5-66.5 = 1234 mm
FIXED	WIDTH = 445-111.5-111.5 = 222 mm HEIGHT = 610-66.5-111.5 = 432 mm
TOTAL	0.369852 m ²
OPENABLE AREA	
WIDTH	291 mm
HEIGHT	1306 mm
TOTAL	0.380046 m ²

PROVIDED	
GLAZING AREA	0.370 m ²
OPENABLE AREA	0.380 m ²

B.D. REF :

CLIENT :

ARCHITECT :
AGC DESIGN LTD

MAIN CONTRACTOR :
Gammon

STRUCTURAL ENGINEER :
ARUP

FAÇADE CONSULTANT:
MEINHARDT

NOTE :

- ALL DIMENSIONS ARE IN mm.
- ALL ELEVATIONS ARE VIEWED FROM OUTSIDE.
- ALL DIMENSIONS TO BE VERIFIED ON SITE BEFORE FABRICATION.

- LEGEND :
- x1 - DETAIL MARK NO.
 - x001 - REFER SHEET NO.
 - 1. F.F.L. -- FINISHED FLOOR LEVEL
 - 2. S.F.L. -- STRUCTURAL FLOOR LEVEL
 - 3. (R) -- REVERSED DETAIL
 - 4. ▲ -- FIXING LOCATION
 - 5. △ -- FIXING LUG LOCATION
 - 6. GLASS LEGEND
 - GL01 -- 8mm+12mm AIR GAP+10mm THK. I.G.U.
 - GL01a -- 8mm+9mm AIR GAP+10mm THK. I.G.U.
 - GL03 -- 6mm+12mm AIR GAP+6mm THK. I.G.U.
 - GL04 -- 10mm THK. TEMPERED GLASS (PROTECTIVE BARRIER)
 - GL05 -- 6mm+12mm AIR GAP+8mm THK. I.G.U.

NO.	DATE	REVISION	BY
C	18/09/2020	REVISION SUBJECT TO ARCH.COMMENT	Ivan
B	24/08/2020	REVISION SUBJECT TO ARCH.COMMENT	Ivan
A	29/05/2020	REVISION SUBJECT TO ARCH.COMMENT	Ivan

JOB NO. : J-852

PROJECT : PROPOSED RESIDENTIAL DEVELOPMENT AT 139 - 147 ARGYLE STREET, NKIL 6005, 6035 R.P., 6036 R.P., 6037 R.P. & 6038 R.P.

TITLE : WINDOW SCHEDULE FOR ALUM. WINDOW

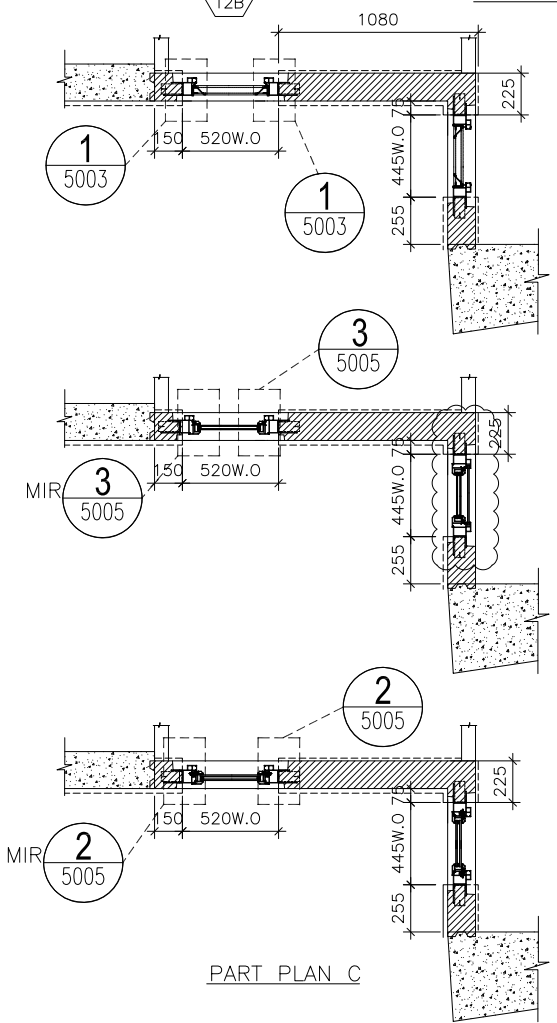
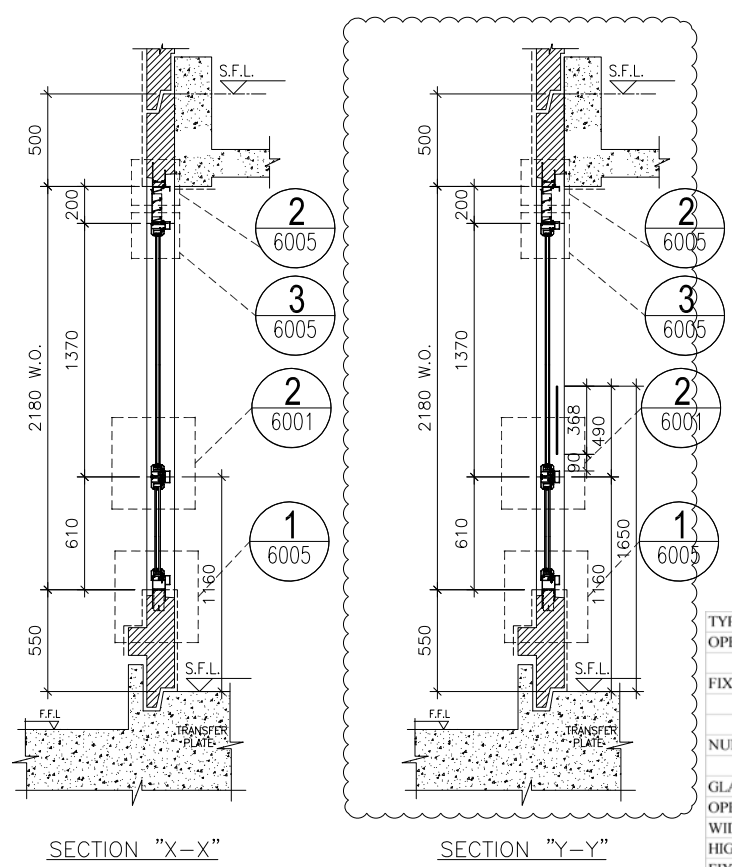
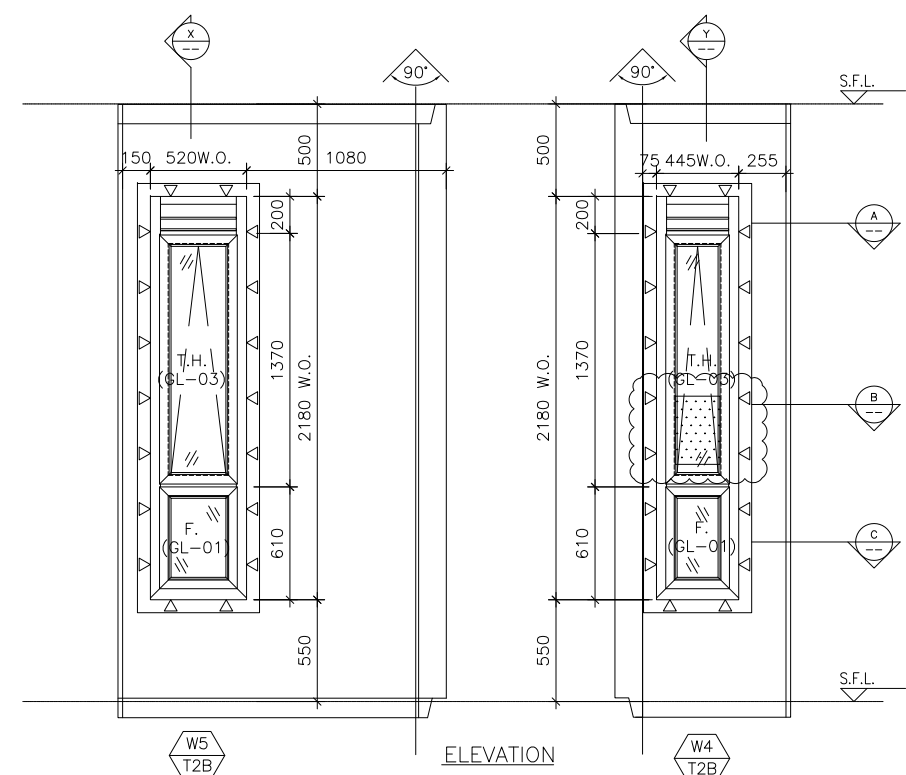
DATE : 05-Dec-19 SCALE : 1:40

DRAWN BY : MN CHECKED BY : DW

美特鋁質有限公司
MIDI ALUMINIUM FABRICATOR LTD.
Units 6-8, Sunray Industrial Centre, 1/F
610 Cha Kwo Ling Road, Kowloon
Tel:23489211-4 Fax:(852)2727666

DWG NO. : J852-SD-PW-4208A REV. : C

WINDOW MARK	W4 / W5 T2A / T2A
LOCATION	2/F-21/F M.B. & EN.B. AT TOWER 2 FLAT A
SECTION	70mm ALUM. SECTION
GLAZING	GL-01, GL-03
QUANTITY	17 / 17
REMARKS	FAÇADE (PF-35)



TYPE B				
OPENABLE WINDOW DIMENSION	(WIDTH)	=	520	
	(HEIGHT)	=	1370	
FIXED WINDOW DIMENSION	(WIDTH)	=	520	
	(HEIGHT)	=	610	
NUMBER OF OPENABLE AREA WINDOW		=	1	
GLAZING AREA				
OPENABLE				
WIDTH	=	520-111.5-111.5	=	297 mm
HEIGHT	=	1370-69.5-66.5	=	1234 mm
FIXED				
WIDTH	=	520-111.5-111.5	=	297 mm
HEIGHT	=	610-66.5-111.5	=	432 mm
TOTAL	=	((297x1234)+(297x432))/1000000	=	0.494802 m ²
OPENABLE AREA				
WIDTH	=	520-77-77	=	366 mm
HEIGHT	=	1370-32-32	=	1306 mm
TOTAL	=	(366x1306)x1/1000000	=	0.477996 m ²

		PROVIDED	
W5	GLAZING AREA	0.495	m ²
T2B	OPENABLE AREA	0.478	m ²

TYPE B				
OPENABLE WINDOW DIMENSION	(WIDTH)	=	445	
	(HEIGHT)	=	1370	
FIXED WINDOW DIMENSION	(WIDTH)	=	445	
	(HEIGHT)	=	610	
NUMBER OF OPENABLE AREA WINDOW		=	1	
GLAZING AREA				
OPENABLE				
WIDTH	=	445-111.5-111.5	=	222 mm
HEIGHT	=	1370-69.5-66.5	=	1234 mm
FIXED				
WIDTH	=	445-111.5-111.5	=	222 mm
HEIGHT	=	610-66.5-111.5	=	432 mm
TOTAL	=	((222x1234)+(222x432))/1000000	=	0.369852 m ²
OPENABLE AREA				
WIDTH	=	445-77-77	=	291 mm
HEIGHT	=	1370-32-32	=	1306 mm
TOTAL	=	(291x1306)x1/1000000	=	0.380046 m ²

		PROVIDED	
W4	GLAZING AREA	0.370	m ²
T2B	OPENABLE AREA	0.380	m ²

B.D. REF :

CLIENT :

ARCHITECT :
AGC DESIGN LTD
 180, 182, 184, 186, 188, 190, 192, 194, 196, 198, 200, 202, 204, 206, 208, 210, 212, 214, 216, 218, 220, 222, 224, 226, 228, 230, 232, 234, 236, 238, 240, 242, 244, 246, 248, 250, 252, 254, 256, 258, 260, 262, 264, 266, 268, 270, 272, 274, 276, 278, 280, 282, 284, 286, 288, 290, 292, 294, 296, 298, 300, 302, 304, 306, 308, 310, 312, 314, 316, 318, 320, 322, 324, 326, 328, 330, 332, 334, 336, 338, 340, 342, 344, 346, 348, 350, 352, 354, 356, 358, 360, 362, 364, 366, 368, 370, 372, 374, 376, 378, 380, 382, 384, 386, 388, 390, 392, 394, 396, 398, 400, 402, 404, 406, 408, 410, 412, 414, 416, 418, 420, 422, 424, 426, 428, 430, 432, 434, 436, 438, 440, 442, 444, 446, 448, 450, 452, 454, 456, 458, 460, 462, 464, 466, 468, 470, 472, 474, 476, 478, 480, 482, 484, 486, 488, 490, 492, 494, 496, 498, 500, 502, 504, 506, 508, 510, 512, 514, 516, 518, 520, 522, 524, 526, 528, 530, 532, 534, 536, 538, 540, 542, 544, 546, 548, 550, 552, 554, 556, 558, 560, 562, 564, 566, 568, 570, 572, 574, 576, 578, 580, 582, 584, 586, 588, 590, 592, 594, 596, 598, 600, 602, 604, 606, 608, 610, 612, 614, 616, 618, 620, 622, 624, 626, 628, 630, 632, 634, 636, 638, 640, 642, 644, 646, 648, 650, 652, 654, 656, 658, 660, 662, 664, 666, 668, 670, 672, 674, 676, 678, 680, 682, 684, 686, 688, 690, 692, 694, 696, 698, 700, 702, 704, 706, 708, 710, 712, 714, 716, 718, 720, 722, 724, 726, 728, 730, 732, 734, 736, 738, 740, 742, 744, 746, 748, 750, 752, 754, 756, 758, 760, 762, 764, 766, 768, 770, 772, 774, 776, 778, 780, 782, 784, 786, 788, 790, 792, 794, 796, 798, 800, 802, 804, 806, 808, 810, 812, 814, 816, 818, 820, 822, 824, 826, 828, 830, 832, 834, 836, 838, 840, 842, 844, 846, 848, 850, 852, 854, 856, 858, 860, 862, 864, 866, 868, 870, 872, 874, 876, 878, 880, 882, 884, 886, 888, 890, 892, 894, 896, 898, 900, 902, 904, 906, 908, 910, 912, 914, 916, 918, 920, 922, 924, 926, 928, 930, 932, 934, 936, 938, 940, 942, 944, 946, 948, 950, 952, 954, 956, 958, 960, 962, 964, 966, 968, 970, 972, 974, 976, 978, 980, 982, 984, 986, 988, 990, 992, 994, 996, 998, 1000

MAIN CONTRACTOR :
Gammon

STRUCTURAL ENGINEER :
ARUP

FAÇADE CONSULTANT:
MEINHARDT

NOTE :

- ALL DIMENSIONS ARE IN mm.
- ALL ELEVATIONS ARE VIEWED FROM OUTSIDE.
- ALL DIMENSIONS TO BE VERIFIED ON SITE BEFORE FABRICATION.

LEGEND :

x1 --- DETAIL MARK NO.
 x001 --- REFER SHEET NO.

- F.F.L. --- FINISHED FLOOR LEVEL
- S.F.L. --- STRUCTURAL FLOOR LEVEL
- (R) --- REVERSED DETAIL

NO.	DATE	REVISION	BY
F	18/09/2020	REVISION SUBJECT TO ARCH.COMMENT	Ivan
E	24/08/2020	REVISION SUBJECT TO ARCH.COMMENT	Ivan
D	29/05/2020	REVISION SUBJECT TO ARCH.COMMENT	Ivan
C	27/04/2020	REVISION SUBJECT TO ARCH.COMMENT	Ivan
B	03/04/2020	REVISION SUBJECT TO ARCH.COMMENT	Ivan
A	24/02/2020	REVISION SUBJECT TO ARCH.COMMENT	SH

JOB NO. : J-852

PROJECT :
 PROPOSED RESIDENTIAL DEVELOPMENT
 AT 139 - 147 ARGYLE STREET,
 NKIL 6005, 6035 R.P., 6036 R.P.,
 6037 R.P. & 6038 R.P.

TITLE :
 WINDOW SCHEDULE FOR
 ALUM. WINDOW

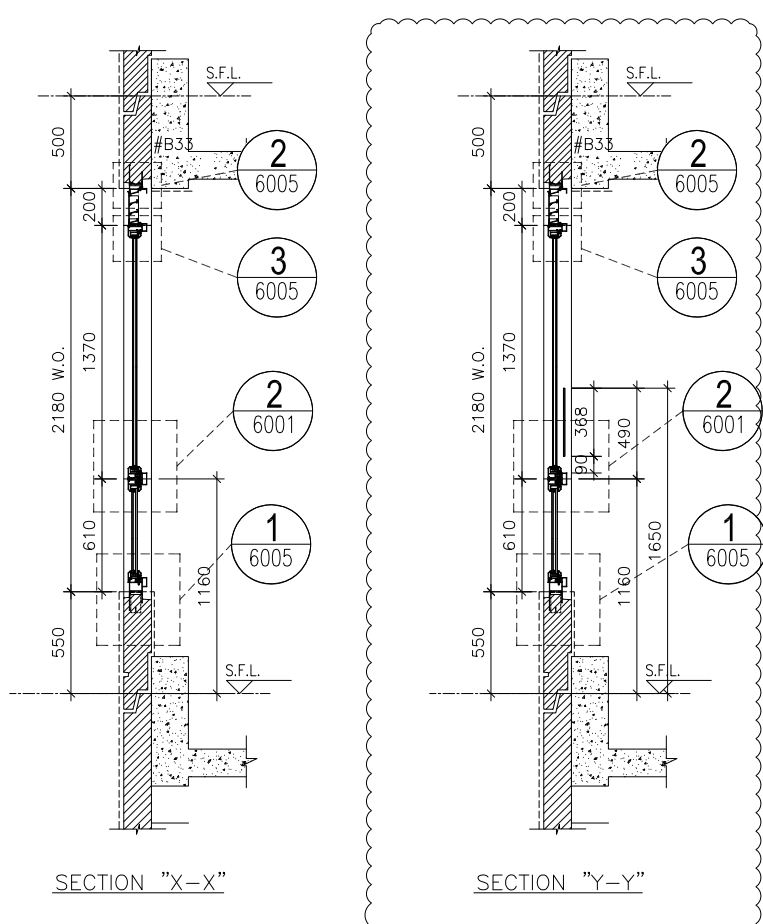
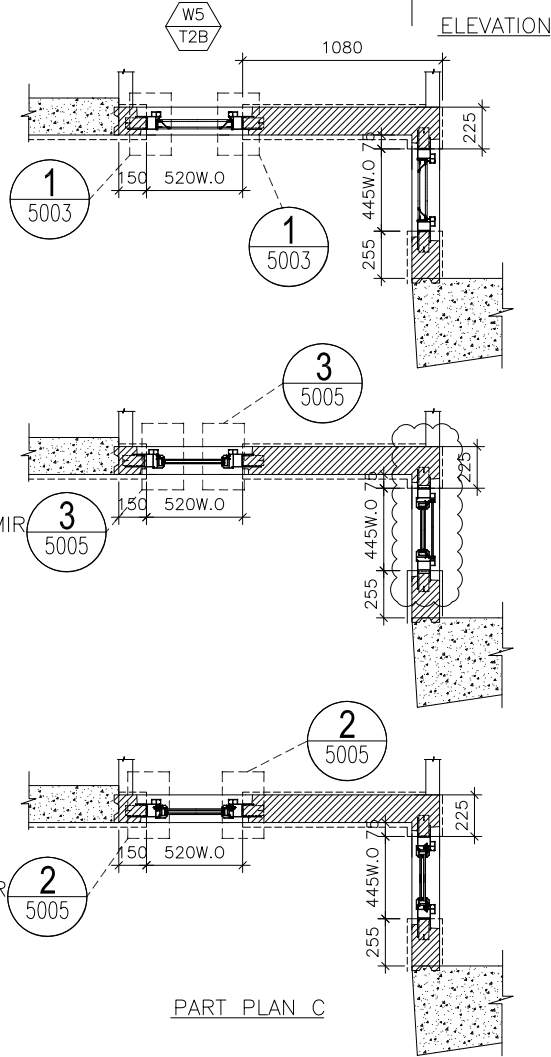
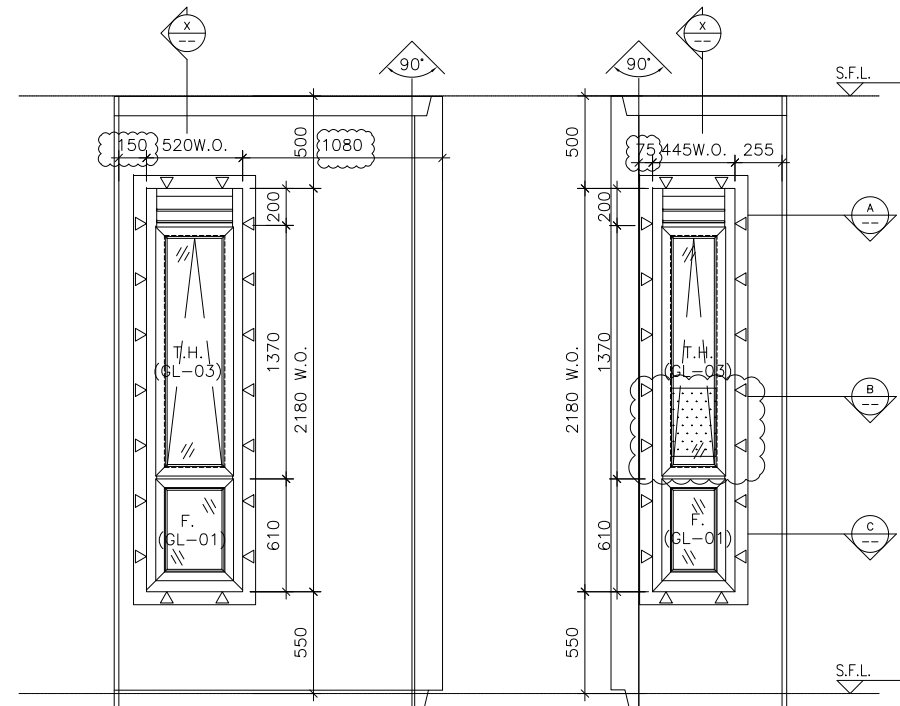
DATE : 05-Dec-19 SCALE : 1:40

DRAWN BY : MN CHECKED BY : DW

美特鋁質有限公司
MIDI ALUMINIUM FABRICATOR LTD.
 Units 6-8, Sunray Industrial Centre, 1/F
 610 Cha Kwo Ling Road, Kowloon
 Tel:23489211-4 Fax:(852)2727666

DWG NO. : J852-SD-PW-4209 REV. : F

WINDOW MARK	W5 / W4 T2B / T2B
LOCATION	1/F M.B. & EN.B. AT TOWER 2 FLAT B
SECTION	70mm ALUM. SECTION
GLAZING	GL-01, GL-03
QUANTITY	1 / 1
REMARKS	FAÇADE (PF-36)



TYPE B				
OPENABLE WINDOW DIMENSION	(WIDTH)	=	520	
	(HEIGHT)	=	1370	
FIXED WINDOW DIMENSION	(WIDTH)	=	520	
	(HEIGHT)	=	610	
NUMBER OF OPENABLE AREA WINDOW		=	1	
GLAZING AREA				
OPENABLE				
WIDTH	=	520-111.5-111.5	=	297 mm
HEIGHT	=	1370-69.5-66.5	=	1234 mm
FIXED				
WIDTH	=	520-111.5-111.5	=	297 mm
HEIGHT	=	610-66.5-111.5	=	432 mm
TOTAL	=	((297x1234)+(297x432))/1000000	=	0.494802 m ²
OPENABLE AREA				
WIDTH	=	520-77-77	=	366 mm
HEIGHT	=	1370-32-32	=	1306 mm
TOTAL	=	(366x1306)x1/1000000	=	0.477996 m ²

		PROVIDED	
W5	GLAZING AREA	0.495	m ²
T2B	OPENABLE AREA	0.478	m ²

TYPE B				
OPENABLE WINDOW DIMENSION	(WIDTH)	=	445	
	(HEIGHT)	=	1370	
FIXED WINDOW DIMENSION	(WIDTH)	=	445	
	(HEIGHT)	=	610	
NUMBER OF OPENABLE AREA WINDOW		=	1	
GLAZING AREA				
OPENABLE				
WIDTH	=	445-111.5-111.5	=	222 mm
HEIGHT	=	1370-69.5-66.5	=	1234 mm
FIXED				
WIDTH	=	445-111.5-111.5	=	222 mm
HEIGHT	=	610-66.5-111.5	=	432 mm
TOTAL	=	((222x1234)+(222x432))/1000000	=	0.369852 m ²
OPENABLE AREA				
WIDTH	=	445-77-77	=	291 mm
HEIGHT	=	1370-32-32	=	1306 mm
TOTAL	=	(291x1306)x1/1000000	=	0.380046 m ²

		PROVIDED	
W4	GLAZING AREA	0.370	m ²
T2B	OPENABLE AREA	0.380	m ²

B.D. REF :

CLIENT :

ARCHITECT :
AGC DESIGN LTD
 180, 182, 184, 186, 188, 190, 192, 194, 196, 198, 200, 202, 204, 206, 208, 210, 212, 214, 216, 218, 220, 222, 224, 226, 228, 230, 232, 234, 236, 238, 240, 242, 244, 246, 248, 250, 252, 254, 256, 258, 260, 262, 264, 266, 268, 270, 272, 274, 276, 278, 280, 282, 284, 286, 288, 290, 292, 294, 296, 298, 300, 302, 304, 306, 308, 310, 312, 314, 316, 318, 320, 322, 324, 326, 328, 330, 332, 334, 336, 338, 340, 342, 344, 346, 348, 350, 352, 354, 356, 358, 360, 362, 364, 366, 368, 370, 372, 374, 376, 378, 380, 382, 384, 386, 388, 390, 392, 394, 396, 398, 400, 402, 404, 406, 408, 410, 412, 414, 416, 418, 420, 422, 424, 426, 428, 430, 432, 434, 436, 438, 440, 442, 444, 446, 448, 450, 452, 454, 456, 458, 460, 462, 464, 466, 468, 470, 472, 474, 476, 478, 480, 482, 484, 486, 488, 490, 492, 494, 496, 498, 500, 502, 504, 506, 508, 510, 512, 514, 516, 518, 520, 522, 524, 526, 528, 530, 532, 534, 536, 538, 540, 542, 544, 546, 548, 550, 552, 554, 556, 558, 560, 562, 564, 566, 568, 570, 572, 574, 576, 578, 580, 582, 584, 586, 588, 590, 592, 594, 596, 598, 600, 602, 604, 606, 608, 610, 612, 614, 616, 618, 620, 622, 624, 626, 628, 630, 632, 634, 636, 638, 640, 642, 644, 646, 648, 650, 652, 654, 656, 658, 660, 662, 664, 666, 668, 670, 672, 674, 676, 678, 680, 682, 684, 686, 688, 690, 692, 694, 696, 698, 700, 702, 704, 706, 708, 710, 712, 714, 716, 718, 720, 722, 724, 726, 728, 730, 732, 734, 736, 738, 740, 742, 744, 746, 748, 750, 752, 754, 756, 758, 760, 762, 764, 766, 768, 770, 772, 774, 776, 778, 780, 782, 784, 786, 788, 790, 792, 794, 796, 798, 800, 802, 804, 806, 808, 810, 812, 814, 816, 818, 820, 822, 824, 826, 828, 830, 832, 834, 836, 838, 840, 842, 844, 846, 848, 850, 852, 854, 856, 858, 860, 862, 864, 866, 868, 870, 872, 874, 876, 878, 880, 882, 884, 886, 888, 890, 892, 894, 896, 898, 900, 902, 904, 906, 908, 910, 912, 914, 916, 918, 920, 922, 924, 926, 928, 930, 932, 934, 936, 938, 940, 942, 944, 946, 948, 950, 952, 954, 956, 958, 960, 962, 964, 966, 968, 970, 972, 974, 976, 978, 980, 982, 984, 986, 988, 990, 992, 994, 996, 998, 1000

MAIN CONTRACTOR :
Gammon

STRUCTURAL ENGINEER :
ARUP

FAÇADE CONSULTANT:
MEINHARDT

NOTE :

- ALL DIMENSIONS ARE IN mm.
- ALL ELEVATIONS ARE VIEWED FROM OUTSIDE.
- ALL DIMENSIONS TO BE VERIFIED ON SITE BEFORE FABRICATION.

LEGEND :

x1 --- DETAIL MARK NO.
 x001 --- REFER SHEET NO.

- F.F.L. --- FINISHED FLOOR LEVEL
- S.F.L. --- STRUCTURAL FLOOR LEVEL
- (R) --- REVERSED DETAIL

NO.	DATE	REVISION	BY
C	18/09/2020	REVISION SUBJECT TO ARCH.COMMENT	Ivan
B	29/05/2020	REVISION SUBJECT TO ARCH.COMMENT	Ivan
A	29/05/2020	REVISION SUBJECT TO ARCH.COMMENT	Ivan

JOB NO. : J-852

PROJECT :
 PROPOSED RESIDENTIAL DEVELOPMENT
 AT 139 - 147 ARGYLE STREET,
 NKIL 6005, 6035 R.P., 6036 R.P.,
 6037 R.P. & 6038 R.P.

TITLE :
 WINDOW SCHEDULE FOR
 ALUM. WINDOW

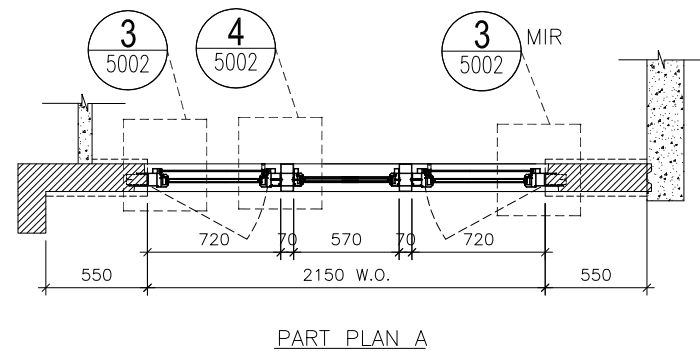
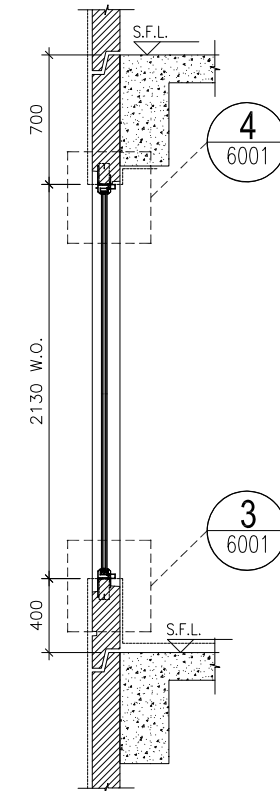
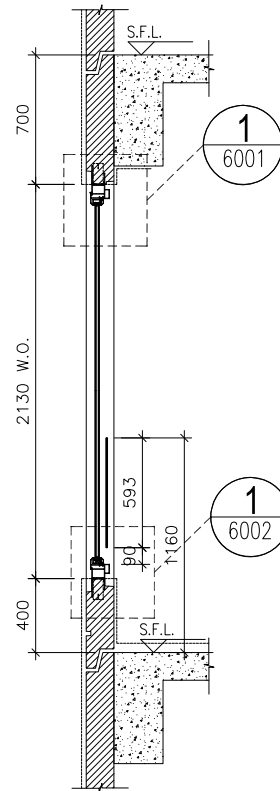
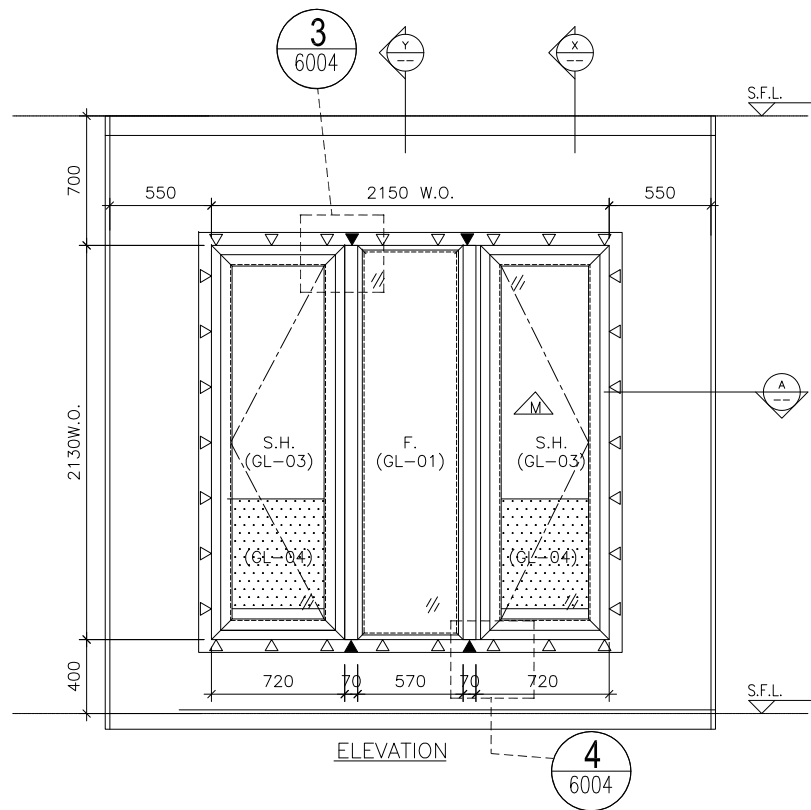
DATE : 05-Dec-19 SCALE : 1:40

DRAWN BY : MN CHECKED BY : DW

美特鋁質有限公司
MIDI ALUMINIUM FABRICATOR LTD.
 Units 6-8, Sunray Industrial Centre, 1/F
 610 Cha Kwo Ling Road, Kowloon
 Tel:23489211-4 Fax:(852)2727666

WINDOW MARK	W5 / W4 T2B / T2B
LOCATION	2/F-21/F M.B. & EN.B. AT TOWER 2 FLAT B
SECTION	70mm ALUM. SECTION
GLAZING	GL-01, GL-03
QUANTITY	17 / 17
REMARKS	FACADE (PF-36)

DWG NO. : J852-SD-PW-4209A REV. : C



TYPE A			
OPENABLE WINDOW DIMENSION	(WIDTH)	=	720
	(HEIGHT)	=	2130
FIXED WINDOW DIMENSION	(WIDTH)	=	570
	(HEIGHT)	=	2130
NUMBER OF OPENABLE AREA WINDOW		=	1
GLAZING AREA			
OPENABLE			
WIDTH	=	720-111.5-111.5	= 497 mm
HEIGHT	=	2130-111.5-111.5	= 1907 mm
FIXED			
WIDTH	=	570-50-50	= 470 mm
HEIGHT	=	2130-50-50	= 2030 mm
TOTAL	=	((497x1907)x2+(470x2030))/1000000	= 2.849658 m ²
OPENABLE AREA			
WIDTH	=	720-77-77	= 566 mm
HEIGHT	=	2130-77-(1160-385-15)	= 1293 mm
TOTAL	=	((566x1293)x1)/1000000	= 0.731838 m ²

PROVIDED	
GLAZING AREA	2.850 m ²
OPENABLE AREA	0.732 m ²

B.D. REF :

CLIENT :

ARCHITECT :
AGC DESIGN LTD
 110, 112, 114, 116, 118, 120, 122, 124, 126, 128, 130, 132, 134, 136, 138, 140, 142, 144, 146, 148, 150, 152, 154, 156, 158, 160, 162, 164, 166, 168, 170, 172, 174, 176, 178, 180, 182, 184, 186, 188, 190, 192, 194, 196, 198, 200, 202, 204, 206, 208, 210, 212, 214, 216, 218, 220, 222, 224, 226, 228, 230, 232, 234, 236, 238, 240, 242, 244, 246, 248, 250, 252, 254, 256, 258, 260, 262, 264, 266, 268, 270, 272, 274, 276, 278, 280, 282, 284, 286, 288, 290, 292, 294, 296, 298, 300, 302, 304, 306, 308, 310, 312, 314, 316, 318, 320, 322, 324, 326, 328, 330, 332, 334, 336, 338, 340, 342, 344, 346, 348, 350, 352, 354, 356, 358, 360, 362, 364, 366, 368, 370, 372, 374, 376, 378, 380, 382, 384, 386, 388, 390, 392, 394, 396, 398, 400, 402, 404, 406, 408, 410, 412, 414, 416, 418, 420, 422, 424, 426, 428, 430, 432, 434, 436, 438, 440, 442, 444, 446, 448, 450, 452, 454, 456, 458, 460, 462, 464, 466, 468, 470, 472, 474, 476, 478, 480, 482, 484, 486, 488, 490, 492, 494, 496, 498, 500, 502, 504, 506, 508, 510, 512, 514, 516, 518, 520, 522, 524, 526, 528, 530, 532, 534, 536, 538, 540, 542, 544, 546, 548, 550, 552, 554, 556, 558, 560, 562, 564, 566, 568, 570, 572, 574, 576, 578, 580, 582, 584, 586, 588, 590, 592, 594, 596, 598, 600, 602, 604, 606, 608, 610, 612, 614, 616, 618, 620, 622, 624, 626, 628, 630, 632, 634, 636, 638, 640, 642, 644, 646, 648, 650, 652, 654, 656, 658, 660, 662, 664, 666, 668, 670, 672, 674, 676, 678, 680, 682, 684, 686, 688, 690, 692, 694, 696, 698, 700, 702, 704, 706, 708, 710, 712, 714, 716, 718, 720, 722, 724, 726, 728, 730, 732, 734, 736, 738, 740, 742, 744, 746, 748, 750, 752, 754, 756, 758, 760, 762, 764, 766, 768, 770, 772, 774, 776, 778, 780, 782, 784, 786, 788, 790, 792, 794, 796, 798, 800, 802, 804, 806, 808, 810, 812, 814, 816, 818, 820, 822, 824, 826, 828, 830, 832, 834, 836, 838, 840, 842, 844, 846, 848, 850, 852, 854, 856, 858, 860, 862, 864, 866, 868, 870, 872, 874, 876, 878, 880, 882, 884, 886, 888, 890, 892, 894, 896, 898, 900, 902, 904, 906, 908, 910, 912, 914, 916, 918, 920, 922, 924, 926, 928, 930, 932, 934, 936, 938, 940, 942, 944, 946, 948, 950, 952, 954, 956, 958, 960, 962, 964, 966, 968, 970, 972, 974, 976, 978, 980, 982, 984, 986, 988, 990, 992, 994, 996, 998, 1000

MAIN CONTRACTOR :
Gammon

STRUCTURAL ENGINEER :
ARUP

FACADE CONSULTANT:
MEINHARDT

NOTE :

- ALL DIMENSIONS ARE IN mm.
- ALL ELEVATIONS ARE VIEWED FROM OUTSIDE.
- ALL DIMENSIONS TO BE VERIFIED ON SITE BEFORE FABRICATION.

LEGEND :

x1 --- DETAIL MARK NO.
 x001 --- REFER SHEET NO.

- F.F.L. --- FINISHED FLOOR LEVEL
- S.F.L. --- STRUCTURAL FLOOR LEVEL
- (R) --- REVERSED DETAIL
- ▲ --- FIXING LOCATION
- △ --- FIXING LUG LOCATION
- GLASS LEGEND
 GL01 --- 8mm+12mm AIR GAP+10mm THK. I.G.U.
 GL01a --- 8mm+9mm AIR GAP+10mm THK. I.G.U.
 GL03 --- 6mm+12mm AIR GAP+6mm THK. I.G.U.
 GL04 --- 10mm THK. TEMPERED GLASS (PROTECTIVE BARRIER)
 GL05 --- 6mm+12mm AIR GAP+8mm THK. I.G.U.

NO.	DATE	REVISION	BY
F	18/09/2020	REVISION SUBJECT TO ARCH.COMMENT	Ivan
E	24/08/2020	REVISION SUBJECT TO ARCH.COMMENT	Ivan
D	03/06/2020	REVISION SUBJECT TO ARCH.COMMENT	Ivan
C	27/04/2020	REVISION SUBJECT TO ARCH.COMMENT	Ivan
B	03/04/2020	REVISION SUBJECT TO ARCH.COMMENT	Ivan
A	24/02/2020	REVISION SUBJECT TO ARCH.COMMENT	SH

JOB NO. : J-852

PROJECT :
 PROPOSED RESIDENTIAL DEVELOPMENT
 AT 139 - 147 ARGYLE STREET,
 NKIL 6005, 6035 R.P., 6036 R.P.,
 6037 R.P. & 6038 R.P.

TITLE :
 WINDOW SCHEDULE FOR
 ALUM. WINDOW

DATE : 05-Dec-19 SCALE : 1:40

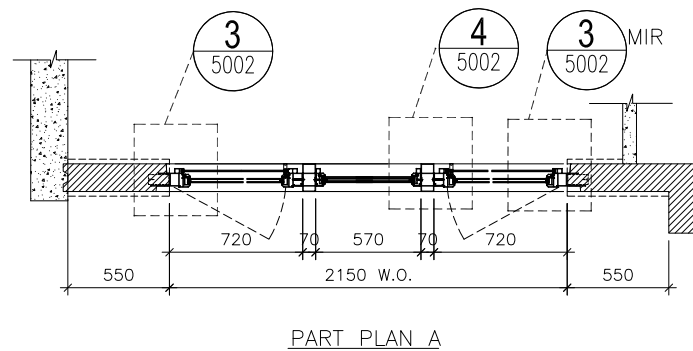
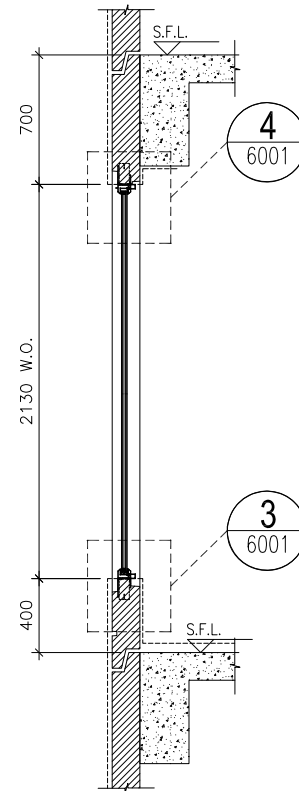
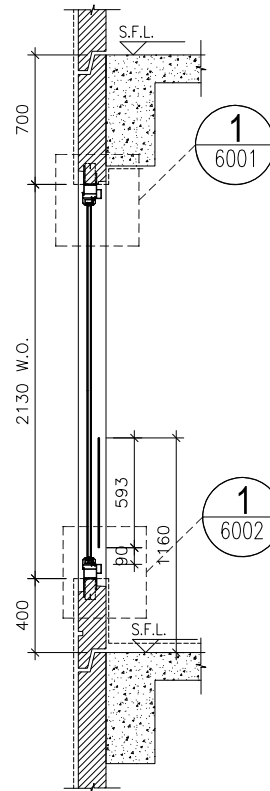
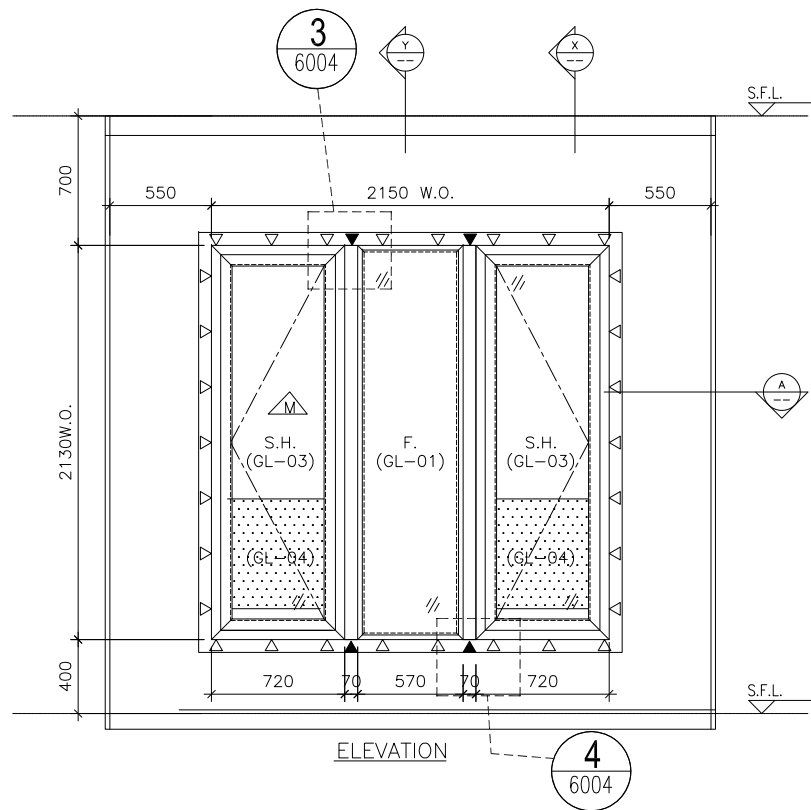
DRAWN BY : MN CHECKED BY : DW

美特鋁質有限公司
MIDI ALUMINIUM FABRICATOR LTD.
 Units 6-8, Sunray Industrial Centre, 1/F
 610 Cha Kwo Ling Road, Kowloon
 Tel:23489211-4 Fax:(852)2727666

DWG NO. : J852-SD-PW-4210 REV. : F

ELEVATION

WINDOW MARK	W7 T2A
LOCATION	2F-21/F B.R.1. AT TOWER 2 FLAT A
SECTION	70mm ALUM. SECTION
GLAZING	GL-01, GL-03
QUANTITY	17
REMARKS	FACADE (PF-20)



SECTION "X-X"

SECTION "Y-Y"

ELEVATION

PART PLAN A

TYPE A			
OPENABLE WINDOW DIMENSION	(WIDTH)	=	720
	(HEIGHT)	=	2130
FIXED WINDOW DIMENSION	(WIDTH)	=	570
	(HEIGHT)	=	2130
NUMBER OF OPENABLE AREA WINDOW		=	1
GLAZING AREA			
OPENABLE			
WIDTH	=	720-111.5-111.5	= 497 mm
HEIGHT	=	2130-111.5-111.5	= 1907 mm
FIXED			
WIDTH	=	570-50-50	= 470 mm
HEIGHT	=	2130-50-50	= 2030 mm
TOTAL	=	((497x1907)x2+(470x2030))/1000000	= 2.849658 m ²
OPENABLE AREA			
WIDTH	=	720-77-77	= 566 mm
HEIGHT	=	2130-77-(1160-385-15)	= 1293 mm
TOTAL	=	((566x1293)x1)/1000000	= 0.731838 m ²

PROVIDED	
GLAZING AREA	2.850 m ²
OPENABLE AREA	0.732 m ²

B.D. REF :

CLIENT :

ARCHITECT :

AGC
DESIGN LTD

MAIN CONTRACTOR :

Gammon

STRUCTURAL ENGINEER :

ARUP

FACADE CONSULTANT:

MEINHARDT

NOTE :

1. ALL DIMENSIONS ARE IN mm.
2. ALL ELEVATIONS ARE VIEWED FROM OUTSIDE.
3. ALL DIMENSIONS TO BE VERIFIED ON SITE BEFORE FABRICATION.

LEGEND :

- x1 --- DETAIL MARK NO.
- x001 --- REFER SHEET NO.

1. F.F.L. --- FINISHED FLOOR LEVEL
2. S.F.L. --- STRUCTURAL FLOOR LEVEL
3. (R) --- REVERSED DETAIL
4. ▲ --- FIXING LOCATION
5. △ --- FIXING LUG LOCATION
6. GLASS LEGEND
GL01 --- 8mm+12mm AIR GAP+10mm THK. I.G.U.
GL01a --- 8mm+9mm AIR GAP+10mm THK. I.G.U.
GL03 --- 6mm+12mm AIR GAP+6mm THK. I.G.U.
GL04 --- 10mm THK. TEMPERED GLASS (PROTECTIVE BARRIER)
GL05 --- 6mm+12mm AIR GAP+8mm THK. I.G.U.

NO.	DATE	REVISION	BY
F	18/09/2020	REVISION SUBJECT TO ARCH.COMMENT	Ivan
E	24/08/2020	REVISION SUBJECT TO ARCH.COMMENT	Ivan
D	03/06/2020	REVISION SUBJECT TO ARCH.COMMENT	Ivan
C	27/04/2020	REVISION SUBJECT TO ARCH.COMMENT	Ivan
B	03/04/2020	REVISION SUBJECT TO ARCH.COMMENT	Ivan
A	24/02/2020	REVISION SUBJECT TO ARCH.COMMENT	SH

JOB NO. : J-852
PROJECT : PROPOSED RESIDENTIAL DEVELOPMENT
AT 139 - 147 ARGYLE STREET,
NKIL 6005, 6035 R.P., 6036 R.P.,
6037 R.P. & 6038 R.P.

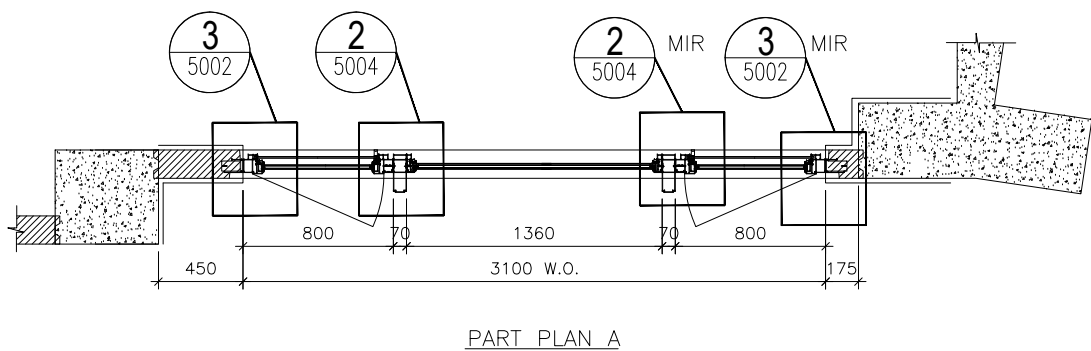
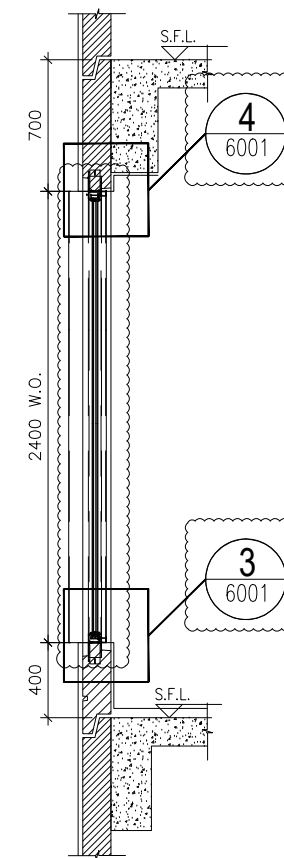
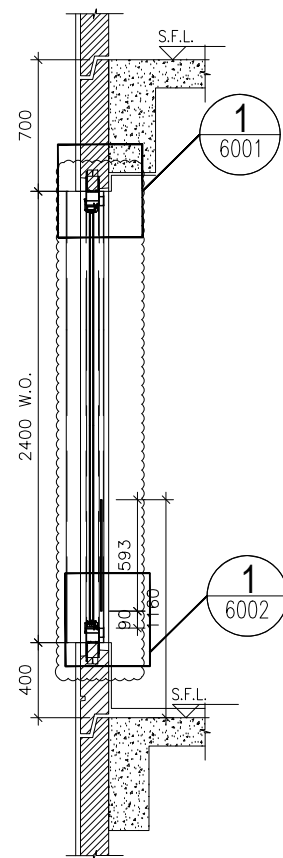
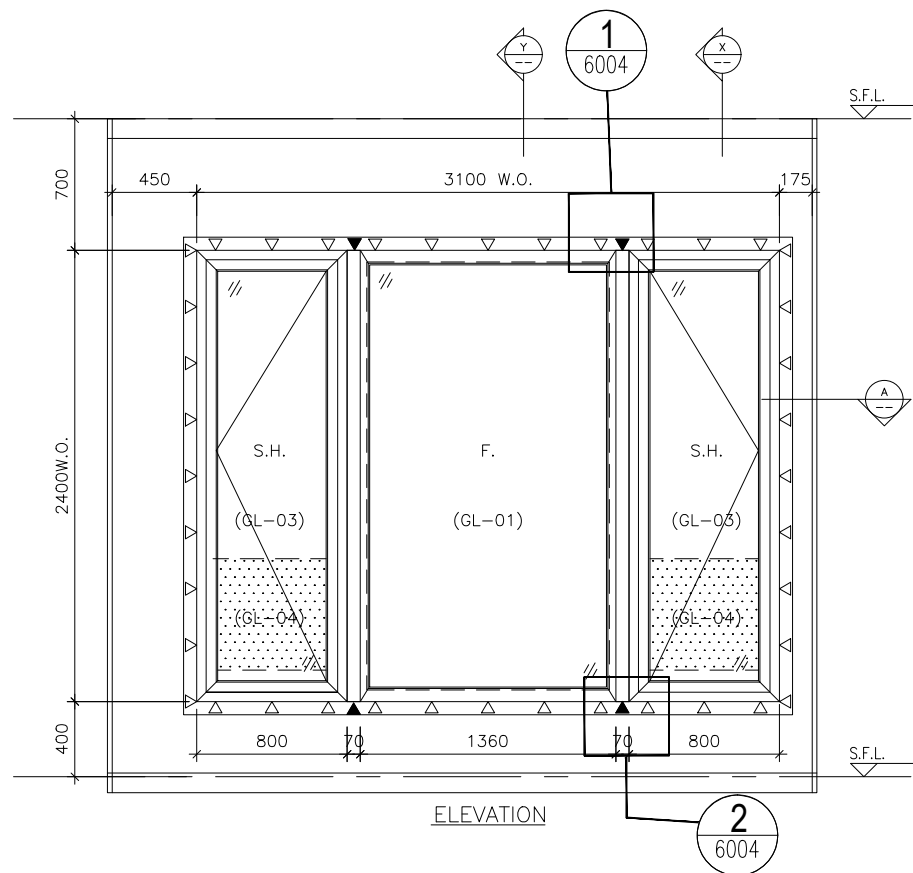
TITLE : WINDOW SCHEDULE FOR ALUM. WINDOW

DATE : 05-Dec-19 SCALE : 1:40
DRAWN BY : MN CHECKED BY : DW

美特鋁質有限公司
MIDI ALUMINIUM FABRICATOR LTD.
Units 6-8, Sunray Industrial Centre, 1/F
610 Cha Kwo Ling Road, Kowloon
Tel:23489211-4 Fax:(852)2727666

DWG NO. : J852-SD-PW-4211 REV. : F

WINDOW MARK	
LOCATION	2F-21/F B.R.1. AT TOWER 2 FLAT B
SECTION	70mm ALUM. SECTION
GLAZING	GL-01, GL-03
QUANTITY	17
REMARKS	FACADE (PF-21)



OPENABLE WINDOW DIMENSION	(WIDTH)	=	800
	(HEIGHT)	=	2400
FIXED WINDOW DIMENSION	(WIDTH)	=	1360
	(HEIGHT)	=	2400
NUMBER OF OPENABLE AREA WINDOW		=	2
GLAZING AREA			
OPENABLE			
WIDTH	= 800-111.5-111.5	=	577 mm
HEIGHT	= 2400-111.5-111.5	=	2177 mm
FIXED			
WIDTH	= 1360-50-50	=	1260 mm
HEIGHT	= 2400-50-50	=	2300 mm
TOTAL	= ((577x2177)x2+(1260x2300))/1000000	=	5.410258 m ²
OPENABLE AREA			
WIDTH	= 800-77-77	=	646 mm
HEIGHT	= 2400-77-(1160-400)	=	1563 mm
TOTAL	= ((646x1563)x2)/1000000	=	2.019396 m ²
PROVIDED			
GLAZING AREA			5.410 m ²
OPENABLE AREA			2.019 m ²

B.D. REF :

CLIENT :

ARCHITECT :
AGC DESIGN LTD
 603, 607, 609, 611, 613, 615, 617, 619, 621, 623, 625, 627, 629, 631, 633, 635, 637, 639, 641, 643, 645, 647, 649, 651, 653, 655, 657, 659, 661, 663, 665, 667, 669, 671, 673, 675, 677, 679, 681, 683, 685, 687, 689, 691, 693, 695, 697, 699, 701, 703, 705, 707, 709, 711, 713, 715, 717, 719, 721, 723, 725, 727, 729, 731, 733, 735, 737, 739, 741, 743, 745, 747, 749, 751, 753, 755, 757, 759, 761, 763, 765, 767, 769, 771, 773, 775, 777, 779, 781, 783, 785, 787, 789, 791, 793, 795, 797, 799, 801, 803, 805, 807, 809, 811, 813, 815, 817, 819, 821, 823, 825, 827, 829, 831, 833, 835, 837, 839, 841, 843, 845, 847, 849, 851, 853, 855, 857, 859, 861, 863, 865, 867, 869, 871, 873, 875, 877, 879, 881, 883, 885, 887, 889, 891, 893, 895, 897, 899, 901, 903, 905, 907, 909, 911, 913, 915, 917, 919, 921, 923, 925, 927, 929, 931, 933, 935, 937, 939, 941, 943, 945, 947, 949, 951, 953, 955, 957, 959, 961, 963, 965, 967, 969, 971, 973, 975, 977, 979, 981, 983, 985, 987, 989, 991, 993, 995, 997, 999

MAIN CONTRACTOR :
Gammon

STRUCTURAL ENGINEER :
ARUP

FAÇADE CONSULTANT:
MEINHARDT

NOTE :
 1. ALL DIMENSIONS ARE IN mm.
 2. ALL ELEVATIONS ARE VIEWED FROM OUTSIDE.
 3. ALL DIMENSIONS TO BE VERIFIED ON SITE BEFORE FABRICATION.

LEGEND :
 (X1) --- DETAIL MARK NO.
 (X001) --- REFER SHEET NO.

1. F.F.L. --- FINISHED FLOOR LEVEL
 2. S.F.L. --- STRUCTURAL FLOOR LEVEL
 3. (R) --- REVERSED DETAIL
 4. ▲ --- FIXING LOCATION
 5. △ --- FIXING LUG LOCATION
 6. GLASS LEGEND
 GL01 --- 8mm+12mm AIR GAP+10mm THK. I.G.U.
 GL01a --- 8mm+9mm AIR GAP+10mm THK. I.G.U.
 GL03 --- 6mm+12mm AIR GAP+6mm THK. I.G.U.
 GL04 --- 10mm THK. TEMPERED GLASS (PROTECTIVE BARRIER)
 GL05 --- 6mm+12mm AIR GAP+8mm THK. I.G.U.

E	24/08/2020	REVISION SUBJECT TO ARCH.COMMENT	lvon
D	03/06/2020	REVISION SUBJECT TO ARCH.COMMENT	lvon
C	27/04/2020	REVISION SUBJECT TO ARCH.COMMENT	lvon
B	05/03/2020	REVISION SUBJECT TO ARCH.COMMENT	LKH
A	24/02/2020	REVISION SUBJECT TO ARCH.COMMENT	SH
NO.	DATE	REVISED	BY

JOB NO. : J-852
 PROJECT : PROPOSED RESIDENTIAL DEVELOPMENT AT 139 - 147 ARGYLE STREET, NKIL 6005, 6035 R.P., 6036 R.P., 6037 R.P. & 6038 R.P.

TITLE : WINDOW SCHEDULE FOR ALUM. WINDOW

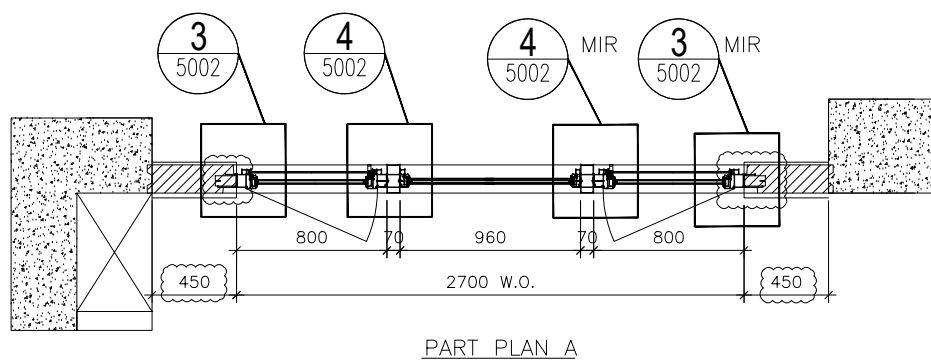
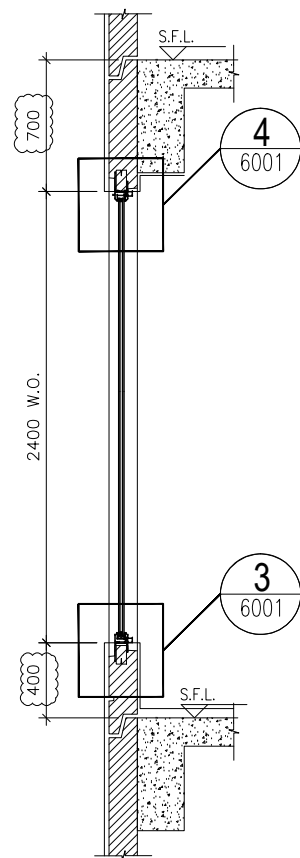
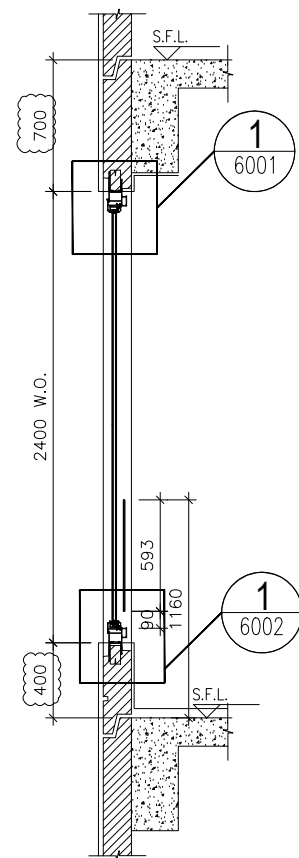
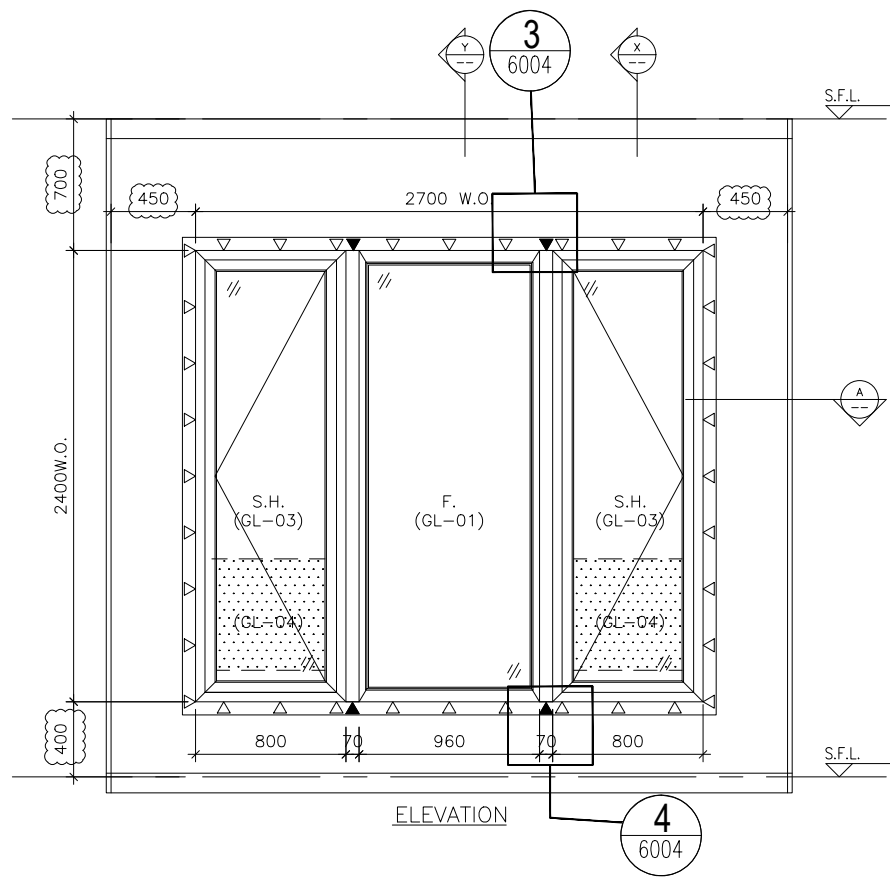
DATE : 05-Dec-19 SCALE : 1:40
 DRAWN BY : MN CHECKED BY : DW

美特鋁質有限公司
MIDI ALUMINIUM FABRICATOR LTD.
 Units 6-8, Sunray Industrial Centre, 1/F
 610 Cha Kwo Ling Road, Kowloon
 Tel:23489211-4 Fax:(852)2772666

DWG NO. : J852-SD-PW-4212 REV. : E

ELEVATION

WINDOW MARK	Z2W3 T2A
LOCATION	22/F MASTER ENSUITE AT TOWER 2 FLAT A
SECTION	70mm ALUM. SECTION
GLAZING	GL-01, GL-03
QUANTITY	1
REMARKS	FAÇADE (PF-5)



OPENABLE WINDOW DIMENSION	(WIDTH)	=	800
	(HEIGHT)	=	2400
FIXED WINDOW DIMENSION	(WIDTH)	=	960
	(HEIGHT)	=	2400
NUMBER OF OPENABLE AREA WINDOW		=	2
GLAZING AREA			
OPENABLE			
WIDTH	= 800-111.5-111.5	=	577 mm
HEIGHT	= 2400-111.5-111.5	=	2177 mm
FIXED			
WIDTH	= 960-50-50	=	860 mm
HEIGHT	= 2400-50-50	=	2300 mm
TOTAL	= ((577x2177)x2+(860x2300))/1000000	=	4.490258 m ²
OPENABLE AREA			
WIDTH	= 800-77-77	=	646 mm
HEIGHT	= 2400-77-(1160-400)	=	1563 mm
TOTAL	= ((646x1563)x2)/1000000	=	2.019396 m ²

PROVIDED	
GLAZING AREA	4.490 m ²
OPENABLE AREA	2.019 m ²

B.D. REF :

CLIENT :

ARCHITECT :

AGC DESIGN LTD

MAIN CONTRACTOR :

Gammon

STRUCTURAL ENGINEER :

ARUP

FAÇADE CONSULTANT:

MEINHARDT

- NOTE :
1. ALL DIMENSIONS ARE IN mm.
 2. ALL ELEVATIONS ARE VIEWED FROM OUTSIDE.
 3. ALL DIMENSIONS TO BE VERIFIED ON SITE BEFORE FABRICATION.
- LEGEND :
- (X1) --- DETAIL MARK NO.
(X001) --- REFER SHEET NO.
1. F.F.L. --- FINISHED FLOOR LEVEL
 2. S.F.L. --- STRUCTURAL FLOOR LEVEL
 3. (R) --- REVERSED DETAIL
 4. ▲ --- FIXING LOCATION
 5. △ --- FIXING LUG LOCATION
 6. GLASS LEGEND
 - GL01 --- 8mm+12mm AIR GAP+10mm THK. I.G.U.
 - GL01a --- 8mm+9mm AIR GAP+10mm THK. I.G.U.
 - GL03 --- 6mm+12mm AIR GAP+6mm THK. I.G.U.
 - GL04 --- 10mm THK. TEMPERED GLASS (PROTECTIVE BARRIER)
 - GL05 --- 6mm+12mm AIR GAP+8mm THK. I.G.U.

D	24/08/2020	REVISION SUBJECT TO ARCH.COMMENT	lvn
C	27/04/2020	REVISION SUBJECT TO ARCH.COMMENT	lvn
B	05/03/2020	REVISION SUBJECT TO ARCH.COMMENT	LXH
A	24/02/2020	REVISION SUBJECT TO ARCH.COMMENT	SH
NO.	DATE	REVISED	BY

JOB NO. : J-852

PROJECT : PROPOSED RESIDENTIAL DEVELOPMENT AT 139 - 147 ARGYLE STREET, NKIL 6005, 6035 R.P., 6036 R.P., 6037 R.P. & 6038 R.P.

TITLE : WINDOW SCHEDULE FOR ALUM. WINDOW

DATE : 05-Dec-19 SCALE : 1:40

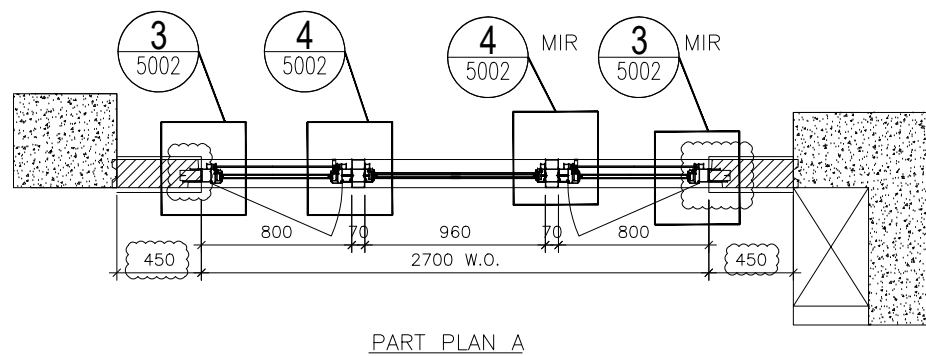
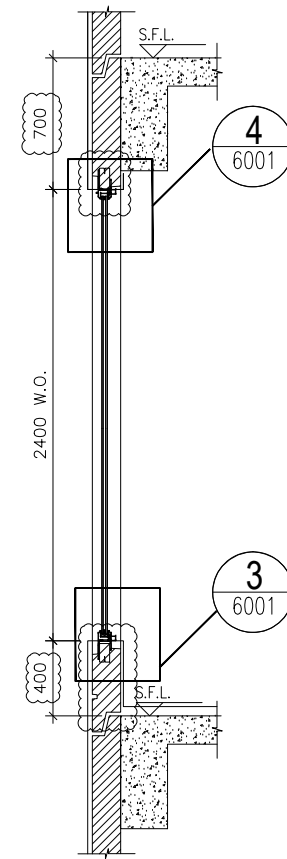
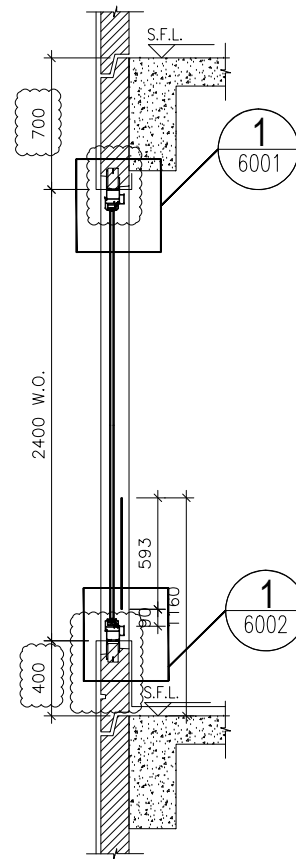
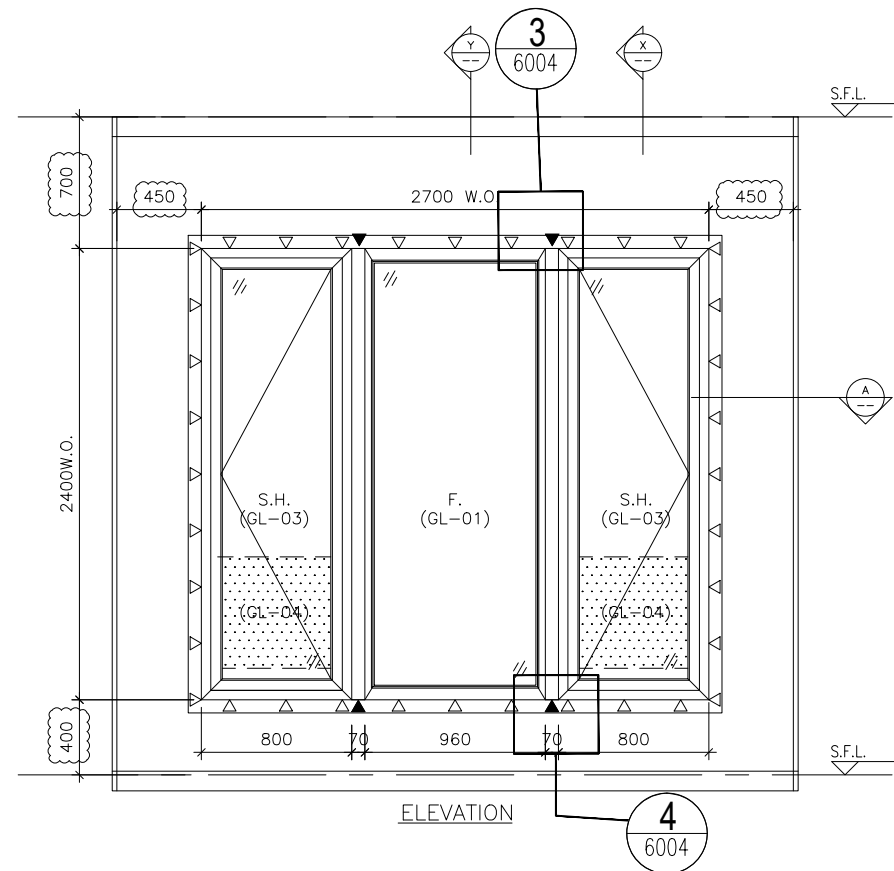
DRAWN BY : MN CHECKED BY : DW

美特鋁質有限公司
MIDI ALUMINIUM FABRICATOR LTD.
Units 6-8, Sunray Industrial Centre, 1/F
610 Cha Kwo Ling Road, Kowloon
Tel:23489211-4 Fax:(852)2727666

DWG NO. : J852-SD-PW-4213 REV. : D

ELEVATION

WINDOW MARK	Z2W2 T2A
LOCATION	22/F LIV./DIN. AT TOWER 2 FLAT A
SECTION	70mm ALUM. SECTION
GLAZING	GL-01, GL-03
QUANTITY	1
REMARKS	FAÇADE (PF-6)



OPENABLE WINDOW DIMENSION	(WIDTH)	=	800
	(HEIGHT)	=	2400
FIXED WINDOW DIMENSION	(WIDTH)	=	960
	(HEIGHT)	=	2400
NUMBER OF OPENABLE AREA WINDOW		=	2
GLAZING AREA			
OPENABLE			
WIDTH	= 800-111.5-111.5	=	577 mm
HEIGHT	= 2400-111.5-111.5	=	2177 mm
FIXED			
WIDTH	= 960-50-50	=	860 mm
HEIGHT	= 2400-50-50	=	2300 mm
TOTAL	= ((577x2177)x2+(860x2300))/1000000	=	4.490258 m ²
OPENABLE AREA			
WIDTH	= 800-77-77	=	646 mm
HEIGHT	= 2400-77-(1160-400)	=	1563 mm
TOTAL	= ((646x1563)x2)/1000000	=	2.019396 m ²

	PROVIDED	
GLAZING AREA	4.490	m ²
OPENABLE AREA	2.019	m ²

B.D. REF :

CLIENT :

ARCHITECT :
AGC DESIGN LTD
 10/F, 100, Queen's Road, 22/F, 220, King's Road, Hong Kong
 Tel: (852)27771111, Fax: (852)27771111, Email: agc@agc.com.hk

MAIN CONTRACTOR :
Gammon

STRUCTURAL ENGINEER :
ARUP

FAÇADE CONSULTANT:
MEINHARDT

NOTE :
 1. ALL DIMENSIONS ARE IN mm.
 2. ALL ELEVATIONS ARE VIEWED FROM OUTSIDE.
 3. ALL DIMENSIONS TO BE VERIFIED ON SITE BEFORE FABRICATION.

LEGEND :
 (X1) --- DETAIL MARK NO.
 (X001) --- REFER SHEET NO.

1. F.F.L. --- FINISHED FLOOR LEVEL
 2. S.F.L. --- STRUCTURAL FLOOR LEVEL
 3. (R) --- REVERSED DETAIL
 4. ▲ --- FIXING LOCATION
 5. △ --- FIXING LUG LOCATION
 6. GLASS LEGEND
 GL01 --- 8mm+12mm AIR GAP+10mm THK. I.G.U.
 GL01a --- 8mm+9mm AIR GAP+10mm THK. I.G.U.
 GL03 --- 6mm+12mm AIR GAP+6mm THK. I.G.U.
 GL04 --- 10mm THK. TEMPERED GLASS (PROTECTIVE BARRIER)
 GL05 --- 6mm+12mm AIR GAP+8mm THK. I.G.U.

D	24/08/2020	REVISION SUBJECT TO ARCH.COMMENT	lvn
C	27/04/2020	REVISION SUBJECT TO ARCH.COMMENT	lvn
B	05/03/2020	REVISION SUBJECT TO ARCH.COMMENT	LKH
A	24/02/2020	REVISION SUBJECT TO ARCH.COMMENT	SH
NO.	DATE	REVISED	BY

JOB NO. : J-852
 PROJECT : PROPOSED RESIDENTIAL DEVELOPMENT AT 139 - 147 ARGYLE STREET, NKIL 6005, 6035 R.P., 6036 R.P., 6037 R.P. & 6038 R.P.

TITLE : WINDOW SCHEDULE FOR ALUM. WINDOW

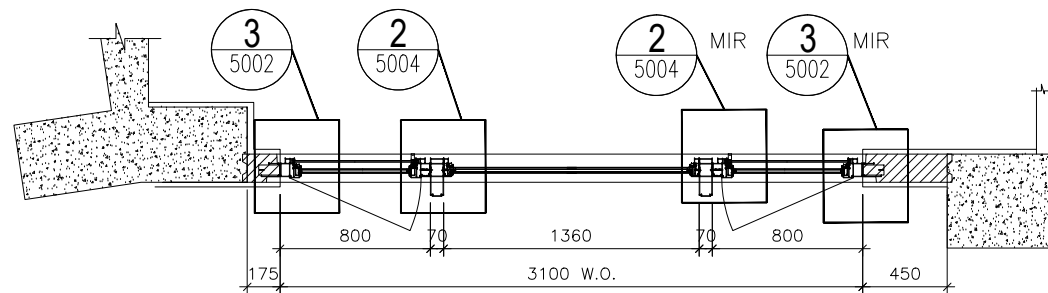
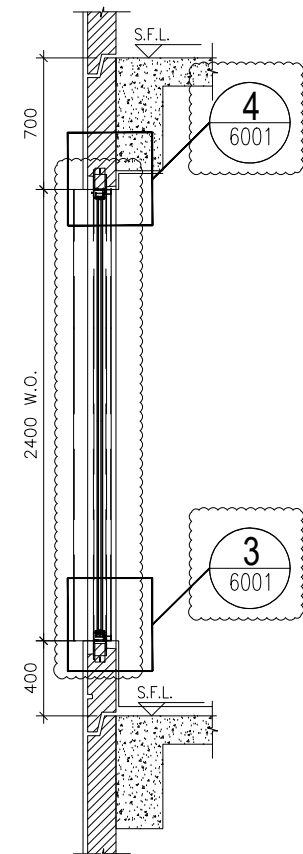
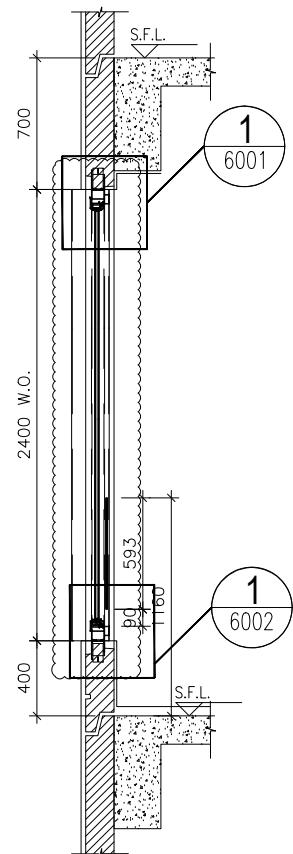
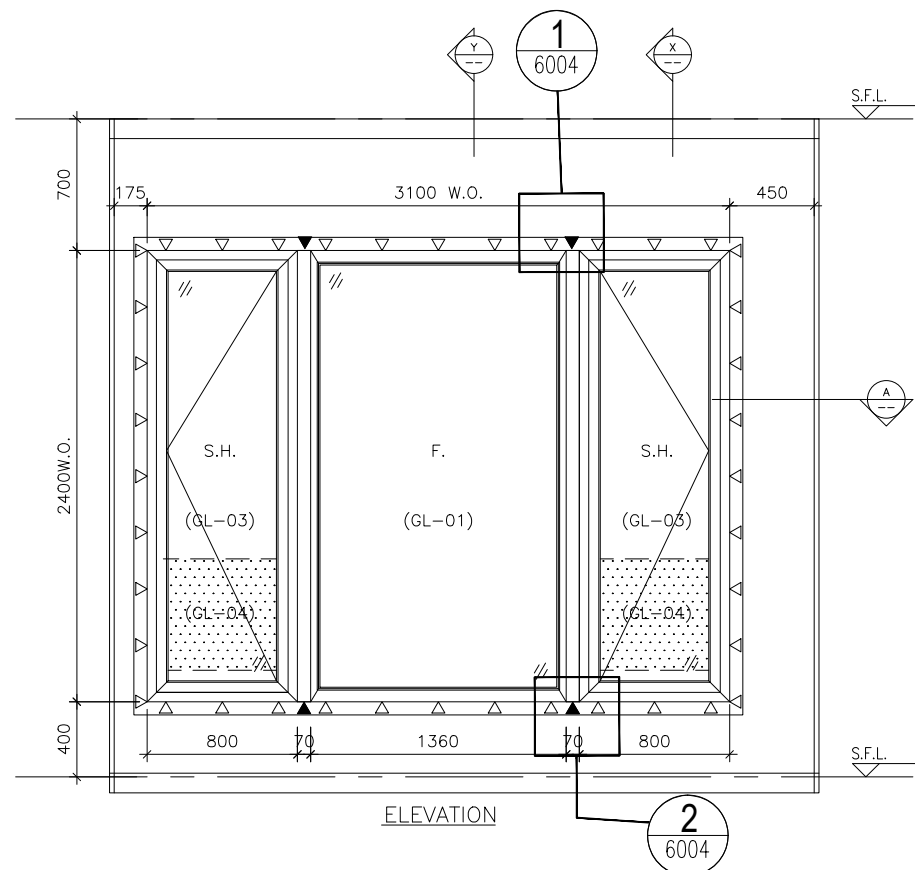
DATE : 05-Dec-19 SCALE : 1:40
 DRAWN BY : MN CHECKED BY : DW

美特鋁質有限公司
MIDI ALUMINIUM FABRICATOR LTD.
 Units 6-8, Sunray Industrial Centre, 1/F
 610 Cha Kwo Ling Road, Kowloon
 Tel:23489211-4 Fax:(852)2727666

DWG NO. : J852-SD-PW-4214 REV. : D

ELEVATION

WINDOW MARK	22W2 T2B
LOCATION	22/F LIV.DIN. AT TOWER 2 FLAT B
SECTION	70mm ALUM. SECTION
GLAZING	GL-01, GL-03
QUANTITY	1
REMARKS	FAÇADE (PF-7)



OPENABLE WINDOW DIMENSION	(WIDTH) =	800
	(HEIGHT) =	2400
FIXED WINDOW DIMENSION	(WIDTH) =	1360
	(HEIGHT) =	2400
NUMBER OF OPENABLE AREA WINDOW	=	2
GLAZING AREA		
OPENABLE		
WIDTH = 800-111.5-111.5	=	577 mm
HEIGHT = 2400-111.5-111.5	=	2177 mm
FIXED		
WIDTH = 1360-50-50	=	1260 mm
HEIGHT = 2400-50-50	=	2300 mm
TOTAL = ((577x2177)x2+(1260x2300))1000000	=	5.410258 m ²
OPENABLE AREA		
WIDTH = 800-77-77	=	646 mm
HEIGHT = 2400-77-(1160-400)	=	1563 mm
TOTAL = ((646x1563)x2)1000000	=	2.019396 m ²

PROVIDED	
GLAZING AREA	5.410 m ²
OPENABLE AREA	2.019 m ²

B.D. REF :

CLIENT :

ARCHITECT :
AGC DESIGN LTD
 10/F, 187, Queen Mary Road, 200 Hong Kong
 Tel: (852)27771111, Fax: (852)27771111, Email: agc@agc.com.hk

MAIN CONTRACTOR :
Gammon

STRUCTURAL ENGINEER :
ARUP

FAÇADE CONSULTANT:
MEINHARDT

NOTE :

- ALL DIMENSIONS ARE IN mm.
- ALL ELEVATIONS ARE VIEWED FROM OUTSIDE.
- ALL DIMENSIONS TO BE VERIFIED ON SITE BEFORE FABRICATION.

LEGEND :

(X1) --- DETAIL MARK NO.
 (X001) --- REFER SHEET NO.

- F.F.L. --- FINISHED FLOOR LEVEL
- S.F.L. --- STRUCTURAL FLOOR LEVEL
- (R) --- REVERSED DETAIL
- ▲ --- FIXING LOCATION
- △ --- FIXING LUG LOCATION
- GLASS LEGEND
 GL01 --- 8mm+12mm AIR GAP+10mm THK. I.G.U.
 GL01a --- 8mm+9mm AIR GAP+10mm THK. I.G.U.
 GL03 --- 6mm+12mm AIR GAP+6mm THK. I.G.U.
 GL04 --- 10mm THK. TEMPERED GLASS (PROTECTIVE BARRIER)
 GL05 --- 6mm+12mm AIR GAP+8mm THK. I.G.U.

NO.	DATE	REVISION	BY
E	24/08/2020	REVISION SUBJECT TO ARCH.COMMENT	lvn
D	03/06/2020	REVISION SUBJECT TO ARCH.COMMENT	lvn
C	27/04/2020	REVISION SUBJECT TO ARCH.COMMENT	lvn
B	05/03/2020	REVISION SUBJECT TO ARCH.COMMENT	LKH
A	24/02/2020	REVISION SUBJECT TO ARCH.COMMENT	SH

JOB NO. : J-852

PROJECT :
 PROPOSED RESIDENTIAL DEVELOPMENT
 AT 139 - 147 ARGYLE STREET,
 NKIL 6005, 6035 R.P., 6036 R.P.,
 6037 R.P. & 6038 R.P.

TITLE :
 WINDOW SCHEDULE FOR
 ALUM. WINDOW

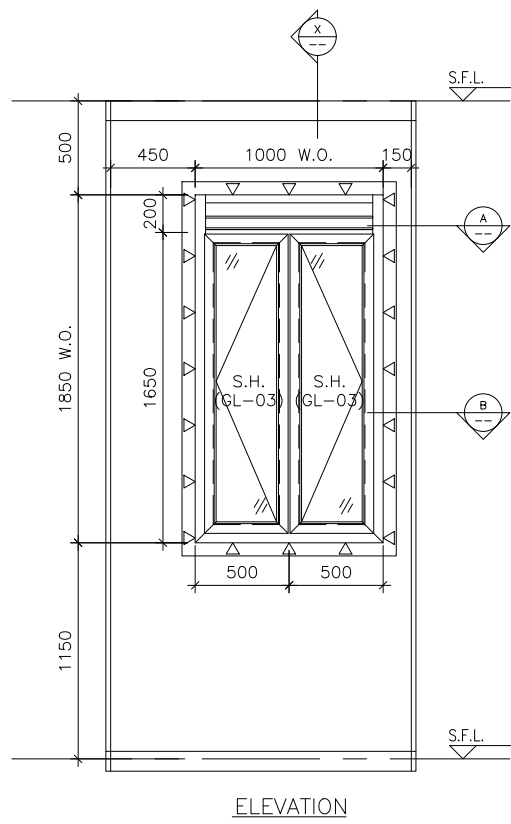
DATE : 05-Dec-19 SCALE : 1:40
 DRAWN BY : MN CHECKED BY : DW

美特鋁質有限公司
MIDI ALUMINIUM FABRICATOR LTD.
 Units 6-8, Sunray Industrial Centre, 1/F
 610 Cha Kwo Ling Road, Kowloon
 Tel:23489211-4 Fax:(852)27727666

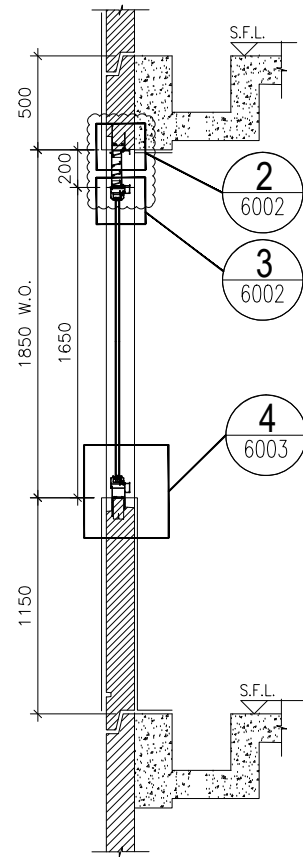
DWG NO. : J852-SD-PW-4215 REV. : E

ELEVATION

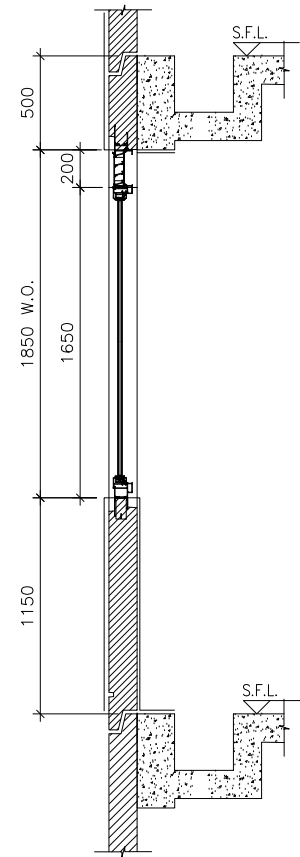
WINDOW MARK	22W3 T2B
LOCATION	22/F MASTER ENSUITE AT TOWER 2 FLAT B
SECTION	70mm ALUM. SECTION
GLAZING	GL-01, GL-03
QUANTITY	1
REMARKS	FAÇADE (PF-8)



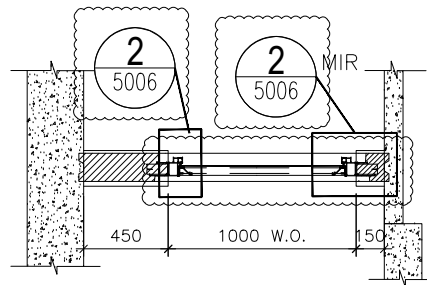
ELEVATION



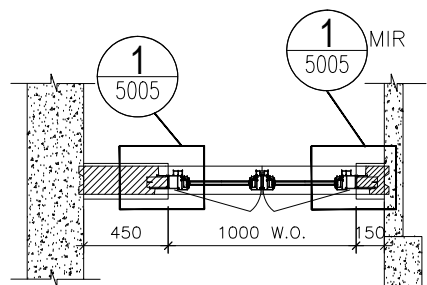
SECTION "X-X"



SECTION "X-X"



PART PLAN A



PART PLAN B

OPENABLE WINDOW DIMENSION	(WIDTH)	=	500
	(HEIGHT)	=	1650

NUMBER OF OPENABLE AREA WINDOW	=	2
--------------------------------	---	---

GLAZING AREA			
OPENABLE			
WIDTH	= 500-111.5-66.5	=	322 mm
HIGHT	= 1650-66.5-111.5	=	1472 mm
TOTAL	= ((322x1472)x2)/1000000	=	0.947968 m ²

OPENABLE AREA			
WIDTH	= 500-77-32	=	391 mm
HIGHT	= 1650-32-77	=	1541 mm
TOTAL	= ((391x1541)x2)/1000000	=	1.205062 m ²

PROVIDED	
GLAZING AREA	0.948 m ²
OPENABLE AREA	1.205 m ²

B.D. REF :

CLIENT :

ARCHITECT :
AGC DESIGN LTD
 1/F, 187, Chung King Road, 22/F, 187, King's Road, Hong Kong
 Tel: (852)27771111, Fax: (852)27771111, Email: agc@agcdesign.com.hk

MAIN CONTRACTOR :
Gammon

STRUCTURAL ENGINEER :
ARUP

FAÇADE CONSULTANT:
MEINHARDT

NOTE :
 1. ALL DIMENSIONS ARE IN mm.
 2. ALL ELEVATIONS ARE VIEWED FROM OUTSIDE.
 3. ALL DIMENSIONS TO BE VERIFIED ON SITE BEFORE FABRICATION.

LEGEND :
 (X1) -- DETAIL MARK NO.
 (X001) -- REFER SHEET NO.

1. F.F.L. -- FINISHED FLOOR LEVEL
 2. S.F.L. -- STRUCTURAL FLOOR LEVEL
 3. (R) -- REVERSED DETAIL
 4. ▲ -- FIXING LOCATION
 5. △ -- FIXING LUG LOCATION
 6. GLASS LEGEND
 GL01 -- 8mm+12mm AIR GAP+10mm THK. I.G.U.
 GL01a -- 8mm+9mm AIR GAP+10mm THK. I.G.U.
 GL03 -- 6mm+12mm AIR GAP+6mm THK. I.G.U.
 GL04 -- 10mm THK. TEMPERED GLASS (PROTECTIVE BARRIER)
 GL05 -- 6mm+12mm AIR GAP+8mm THK. I.G.U.

NO.	DATE	REVISION	BY
E	24/08/2020	REVISION SUBJECT TO ARCH.COMMENT	lvon
D	29/05/2020	REVISION SUBJECT TO ARCH.COMMENT	lvon
C	27/04/2020	REVISION SUBJECT TO ARCH.COMMENT	lvon
B	05/03/2020	REVISION SUBJECT TO ARCH.COMMENT	LKH
A	24/02/2020	REVISION SUBJECT TO ARCH.COMMENT	SH

JOB NO. : J-852
 PROJECT : PROPOSED RESIDENTIAL DEVELOPMENT AT 139 - 147 ARGYLE STREET, NKIL 6005, 6035 R.P., 6036 R.P., 6037 R.P. & 6038 R.P.

TITLE : WINDOW SCHEDULE FOR ALUM. WINDOW

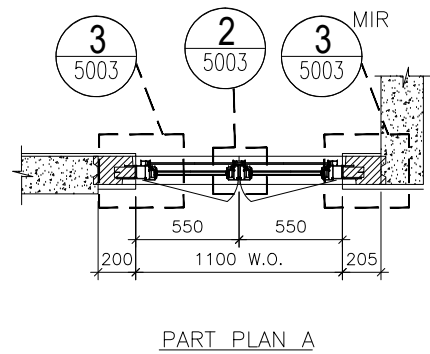
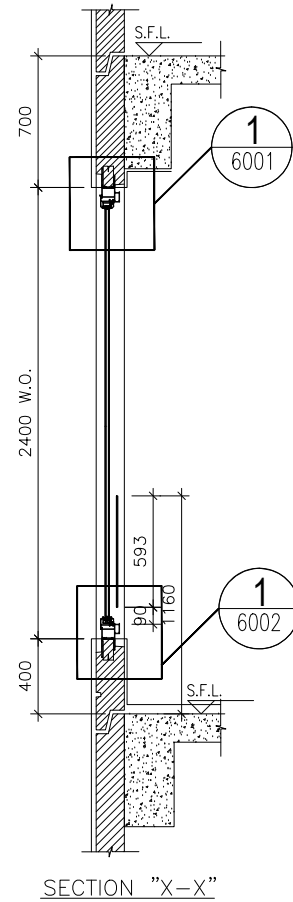
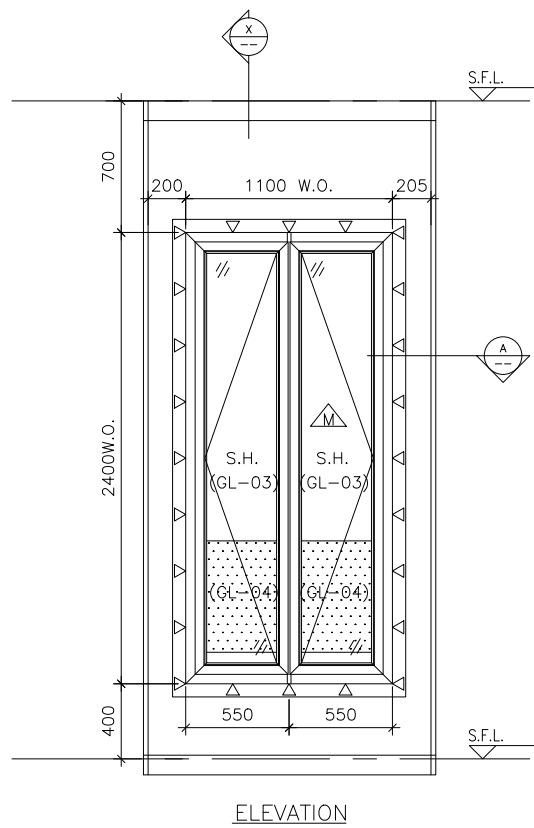
DATE : 05-Dec-19 SCALE : 1:40
 DRAWN BY : MN CHECKED BY : DW

美特鋁質有限公司
MIDI ALUMINIUM FABRICATOR LTD.
 Units 6-8, Sunray Industrial Centre, 1/F
 610 Cha Kwo Ling Road, Kowloon
 Tel:23489211-4 Fax:(852)27727666

DWG NO. : J852-SD-PW-4216 REV. : E

ELEVATION

WINDOW MARK	Z2W6 T2C
LOCATION	22/F KIT. AT TOWER 2 FLAT C
SECTION	70mm ALUM. SECTION
GLAZING	GL-03
QUANTITY	1
REMARKS	FAÇADE (PF-28)



OPENABLE WINDOW DIMENSION	(WIDTH) =	550
	(HEIGHT) =	2400
NUMBER OF OPENABLE AREA WINDOW	=	1
GLAZING AREA		
OPENABLE		
WIDTH =	550-111.5-66.5	= 372 mm
HEIGHT =	2400+400-111.5-1000	= 1688.5 mm
TOTAL =	((372x1688.5)x2)/1000000	= 1.256244 m ²
OPENABLE AREA		
WIDTH =	550-77-32	= 441 mm
HEIGHT =	2400-77-(1160-400)	= 1563 mm
TOTAL =	((441x1563)x1)/1000000	= 0.689283 m ²
	PROVIDED	
	GLAZING AREA	1.256 m ²
	OPENABLE AREA	0.689 m ²

B.D. REF :

CLIENT :

ARCHITECT :
AGC DESIGN LTD
 10/F, 187, Queen Mary Road, 22/F, 187, King's Road, Hong Kong
 Tel: (852)27771111, Fax: (852)27771111, Email: agc@agcdesign.com.hk

MAIN CONTRACTOR :
Gammon

STRUCTURAL ENGINEER :
ARUP

FACADE CONSULTANT:
MEINHARDT

- NOTE :
1. ALL DIMENSIONS ARE IN mm.
 2. ALL ELEVATIONS ARE VIEWED FROM OUTSIDE.
 3. ALL DIMENSIONS TO BE VERIFIED ON SITE BEFORE FABRICATION.
- LEGEND :
- (X1) --- DETAIL MARK NO.
 - (X001) --- REFER SHEET NO.
 - 1. F.F.L. --- FINISHED FLOOR LEVEL
 - 2. S.F.L. --- STRUCTURAL FLOOR LEVEL
 - 3. (R) --- REVERSED DETAIL
 - 4. ▲ --- FIXING LOCATION
 - 5. △ --- FIXING LUG LOCATION
 - 6. GLASS LEGEND
- GL01 -- 8mm+12mm AIR GAP+10mm THK. I.G.U.
 GL01a -- 8mm+9mm AIR GAP+10mm THK. I.G.U.
 GL03 -- 6mm+12mm AIR GAP+6mm THK. I.G.U.
 GL04 -- 10mm THK. TEMPERED GLASS (PROTECTIVE BARRIER)
 GL05 -- 6mm+12mm AIR GAP+8mm THK. I.G.U.

NO.	DATE	REVISION	BY
E	24/08/2020	REVISION SUBJECT TO ARCH.COMMENT	lvon
D	05/06/2020	REVISION SUBJECT TO ARCH.COMMENT	lvon
C	27/04/2020	REVISION SUBJECT TO ARCH.COMMENT	lvon
B	05/03/2020	REVISION SUBJECT TO ARCH.COMMENT	LKH
A	24/02/2020	REVISION SUBJECT TO ARCH.COMMENT	SH

JOB NO. : J-852

PROJECT :
 PROPOSED RESIDENTIAL DEVELOPMENT
 AT 139 - 147 ARGYLE STREET,
 NKIL 6005, 6035 R.P., 6036 R.P.,
 6037 R.P. & 6038 R.P.

TITLE :
 WINDOW SCHEDULE FOR
 ALUM. WINDOW

DATE : 05-Dec-19 SCALE : 1:40

DRAWN BY : MN CHECKED BY : DW

美特鋁質有限公司
MIDI ALUMINIUM FABRICATOR LTD.
 Units 6-8, Sunray Industrial Centre, 1/F
 610 Cha Kwo Ling Road, Kowloon
 Tel:23489211-4 Fax:(852)27727666

DWG NO. : J852-SD-PW-4217 REV. : E

ELEVATION

WINDOW MARK	Z2W3 T2C
LOCATION	22/F B.R.2 AT TOWER 2 FLAT C
SECTION	70mm ALUM. SECTION
GLAZING	GL-03
QUANTITY	1
REMARKS	FACADE (PF-29)

B.D. REF :

CLIENT :

ARCHITECT :
AGC DESIGN LTD
 10/F, 182, Queen Mary Road, Hong Kong
 Tel: (852)27771111 Fax: (852)27771111 Email: agc@agc.com.hk

MAIN CONTRACTOR :
Gammon

STRUCTURAL ENGINEER :
ARUP

FAÇADE CONSULTANT :
MEINHARDT

NOTE :
 1. ALL DIMENSIONS ARE IN mm.
 2. ALL ELEVATIONS ARE VIEWED FROM OUTSIDE.
 3. ALL DIMENSIONS TO BE VERIFIED ON SITE BEFORE FABRICATION.

LEGEND :
 (X1) --- DETAIL MARK NO.
 (X001) --- REFER SHEET NO.
 1. F.F.L. --- FINISHED FLOOR LEVEL
 2. S.F.L. --- STRUCTURAL FLOOR LEVEL
 3. (R) --- REVERSED DETAIL
 4. ▲ --- FIXING LOCATION
 5. △ --- FIXING LUG LOCATION
 6. GLASS LEGEND
 GL01 -- 8mm+12mm AIR GAP+10mm THK. I.G.U.
 GL01a -- 8mm+9mm AIR GAP+10mm THK. I.G.U.
 GL03 -- 6mm+12mm AIR GAP+6mm THK. I.G.U.
 GL04 -- 10mm THK. TEMPERED GLASS (PROTECTIVE BARRIER)
 GL05 -- 6mm+12mm AIR GAP+8mm THK. I.G.U.

NO.	DATE	REVISION	BY
E	24/08/2020	REVISION SUBJECT TO ARCH.COMMENT	lvn
D	05/06/2020	REVISION SUBJECT TO ARCH.COMMENT	lvn
C	27/04/2020	REVISION SUBJECT TO ARCH.COMMENT	lvn
B	05/03/2020	REVISION SUBJECT TO ARCH.COMMENT	LKH
A	24/02/2020	REVISION SUBJECT TO ARCH.COMMENT	SH

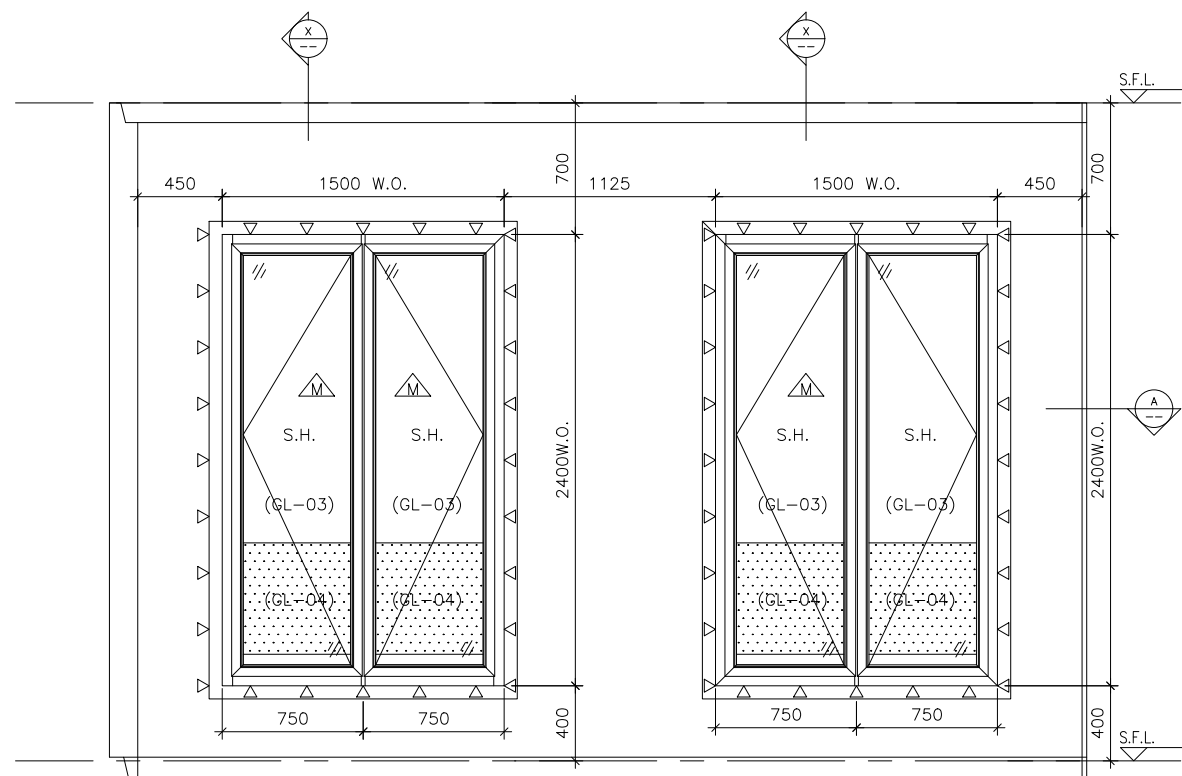
JOB NO. : J-852
 PROJECT : PROPOSED RESIDENTIAL DEVELOPMENT AT 139 - 147 ARGYLE STREET, NKIL 6005, 6035 R.P., 6036 R.P., 6037 R.P. & 6038 R.P.

TITLE : WINDOW SCHEDULE FOR ALUM. WINDOW

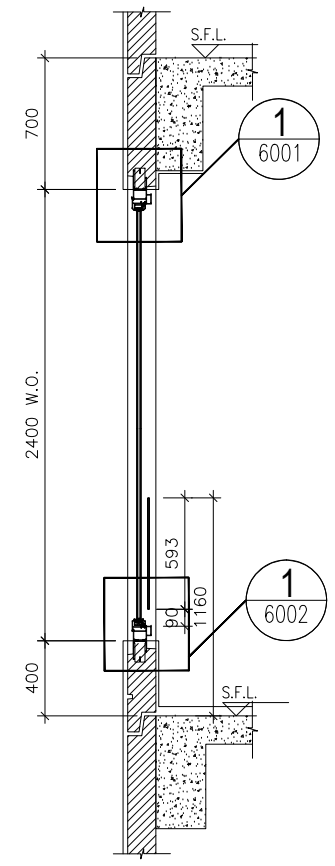
DATE : 05-Dec-19 SCALE : 1:40
 DRAWN BY : MN CHECKED BY : DW

美特鋁質有限公司
MIDI ALUMINIUM FABRICATOR LTD.
 Units 6-8, Sunray Industrial Centre, 1/F
 610 Cha Kwo Ling Road, Kowloon
 Tel:23489211-4 Fax:(852)27727666

DWG NO. : J852-SD-PW-4218 REV. : E



22W4 T2C ELEVATION 22W3 T2C



SECTION "X-X"

OPENABLE WINDOW DIMENSION (WIDTH)	=	750
(HEIGHT)	=	2400
NUMBER OF OPENABLE AREA WINDOW	=	0

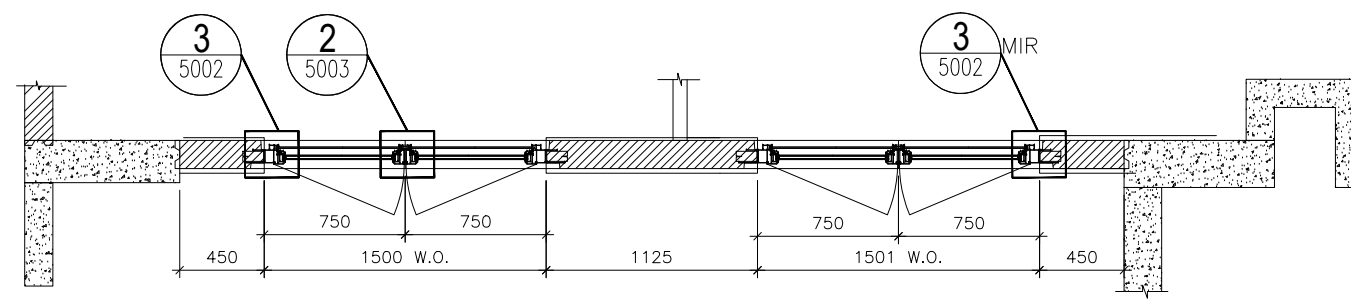
GLAZING AREA		
OPENABLE		
WIDTH	= 750-111.5-66.5	= 572 mm
HEIGHT	= 2400+400-111.5-1000	= 1688.5 mm
TOTAL	= ((572x1688.5)x2)/1000000	= 1.931644 m ²
OPENABLE AREA		
WIDTH	= 750-77-32	= 641 mm
HEIGHT	= 2400-77-(1160-400)	= 1563 mm
TOTAL	= ((641x1563)x0)/1000000	= 0 m ²

PROVIDED		
22W4 T2C GLAZING AREA		1.932 m ²
22W4 T2C OPENABLE AREA		0 m ²

OPENABLE WINDOW DIMENSION (WIDTH)	=	750
(HEIGHT)	=	2400
NUMBER OF OPENABLE AREA WINDOW	=	1

GLAZING AREA		
OPENABLE		
WIDTH	= 750-111.5-66.5	= 572 mm
HEIGHT	= 2400+400-111.5-1000	= 1688.5 mm
TOTAL	= ((572x1688.5)x2)/1000000	= 1.931644 m ²
OPENABLE AREA		
WIDTH	= 750-77-32	= 641 mm
HEIGHT	= 2400-77-(1160-400)	= 1563 mm
TOTAL	= ((641x1563)x1)/1000000	= 1.001883 m ²

PROVIDED		
22W3 T2C GLAZING AREA		1.932 m ²
22W3 T2C OPENABLE AREA		1.00 m ²



PART PLAN A

ELEVATION

WINDOW MARK	22W4 T2C / 22W3 T2C
LOCATION	22/F M.B.R.1 & B.R.2 AT TOWER 2 FLAT C
SECTION	70mm ALUM. SECTION
GLAZING	GL-03
QUANTITY	1
REMARKS	FAÇADE (PF-30)

B.D. REF :

CLIENT :

ARCHITECT :
AGC DESIGN LTD
 10/F, 100, Queen Mary Road, Hong Kong
 Tel: (852)27771111 Fax: (852)27771111 Email: agc@agcdesign.com.hk

MAIN CONTRACTOR :
Gammon

STRUCTURAL ENGINEER :
ARUP

FAÇADE CONSULTANT:
MEINHARDT

NOTE :
 1. ALL DIMENSIONS ARE IN mm.
 2. ALL ELEVATIONS ARE VIEWED FROM OUTSIDE.
 3. ALL DIMENSIONS TO BE VERIFIED ON SITE BEFORE FABRICATION.

LEGEND :
 (X1) --- DETAIL MARK NO.
 (X001) --- REFER SHEET NO.

1. F.F.L. --- FINISHED FLOOR LEVEL
 2. S.F.L. --- STRUCTURAL FLOOR LEVEL
 3. (R) --- REVERSED DETAIL
 4. ▲ --- FIXING LOCATION
 5. △ --- FIXING LUG LOCATION
 6. GLASS LEGEND

GL01 --- 8mm+12mm AIR GAP+10mm THK. I.G.U.
 GL01a --- 8mm+9mm AIR GAP+10mm THK. I.G.U.
 GL03 --- 6mm+12mm AIR GAP+6mm THK. I.G.U.
 GL04 --- 10mm THK. TEMPERED GLASS (PROTECTIVE BARRIER)
 GL05 --- 6mm+12mm AIR GAP+8mm THK. I.G.U.

NO.	DATE	REVISION	REVISOR
F	18/09/2020	REVISION SUBJECT TO ARCH.COMMENT	lvn
E	24/08/2020	REVISION SUBJECT TO ARCH.COMMENT	lvn
D	29/05/2020	REVISION SUBJECT TO ARCH.COMMENT	lvn
C	27/04/2020	REVISION SUBJECT TO ARCH.COMMENT	lvn
B	05/03/2020	REVISION SUBJECT TO ARCH.COMMENT	LKH
A	24/02/2020	REVISION SUBJECT TO ARCH.COMMENT	SH

JOB NO. : J-852
 PROJECT : PROPOSED RESIDENTIAL DEVELOPMENT AT 139 - 147 ARGYLE STREET, NKIL 6005, 6035 R.P., 6036 R.P., 6037 R.P. & 6038 R.P.

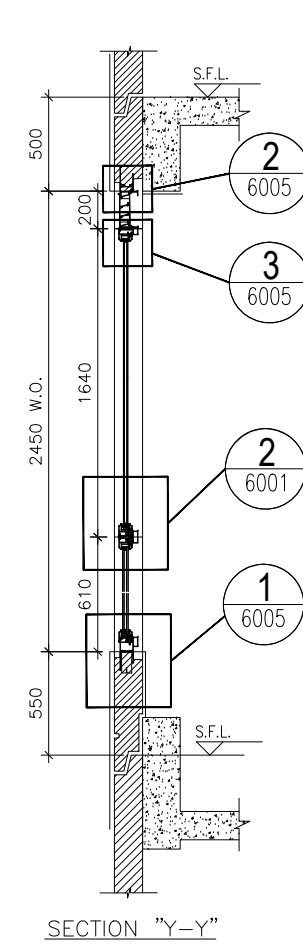
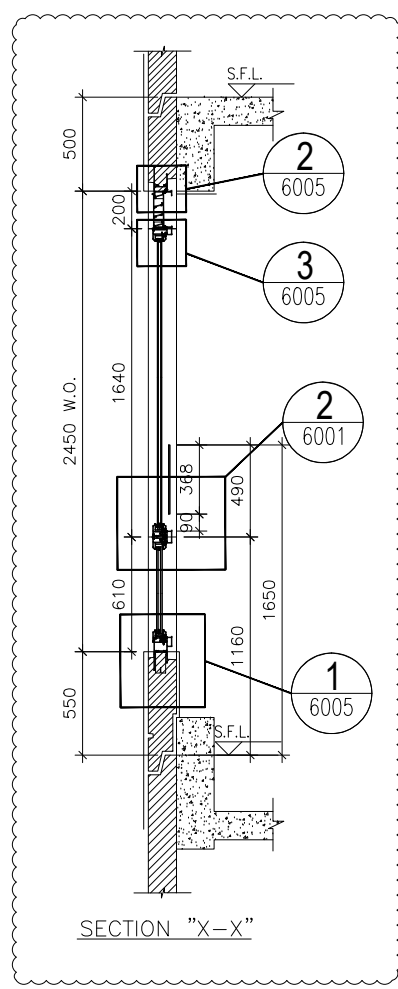
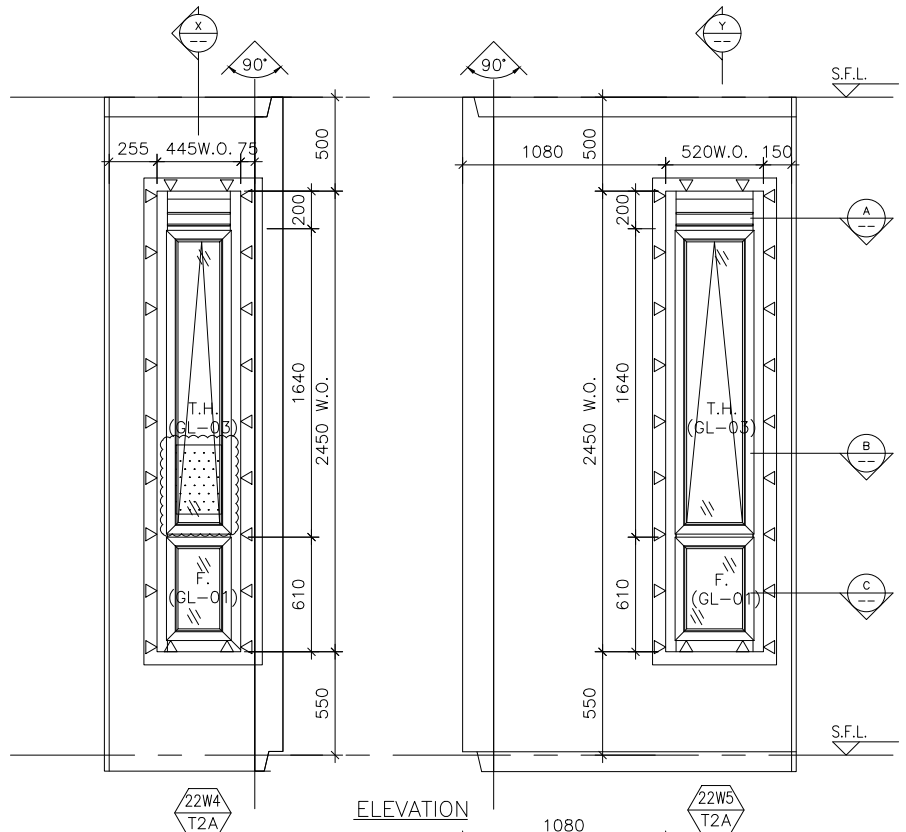
TITLE : WINDOW SCHEDULE FOR ALUM. WINDOW

DATE : 05-Dec-19 SCALE : 1:40
 DRAWN BY : MN CHECKED BY : DW

美特鋁質有限公司
MIDI ALUMINIUM FABRICATOR LTD.
 Units 6-8, Sunray Industrial Centre, 1/F
 610 Cha Kwo Ling Road, Kowloon
 Tel:23489211-4 Fax:(852)2772666

DWG NO. : J852-SD-PW-4219 REV. : F

ELEVATION



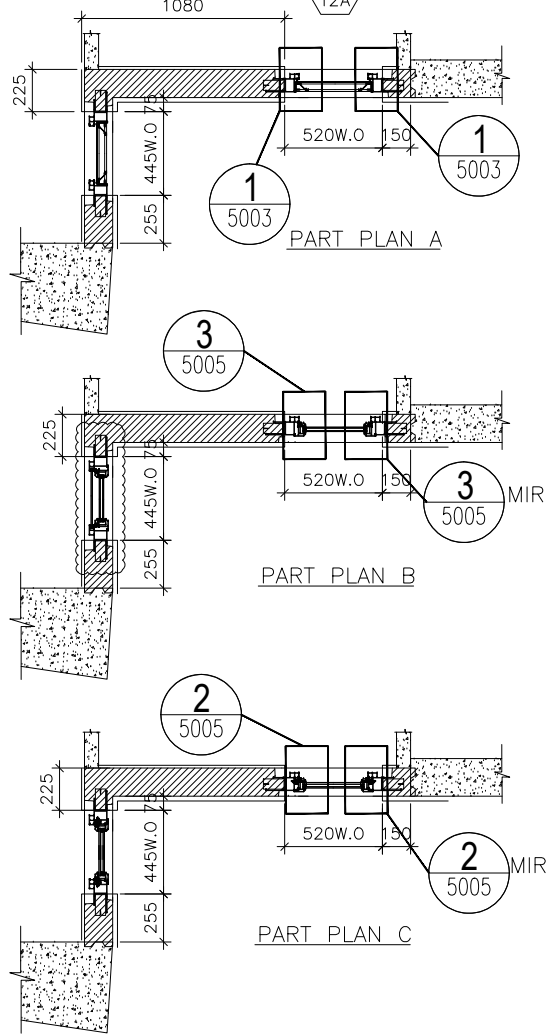
TYPE B			
OPENABLE WINDOW DIMENSION	(WIDTH) =	445	
	(HEIGHT) =	1640	
FIXED WINDOW DIMENSION	(WIDTH) =	445	
	(HEIGHT) =	610	
NUMBER OF OPENABLE AREA WINDOW	=	1	
GLAZING AREA			
OPENABLE	WIDTH =	445-111.5-111.5	= 222 mm
	HEIGHT =	1640-69.5-66.5	= 1504 mm
FIXED	WIDTH =	445-111.5-111.5	= 222 mm
	HEIGHT =	610-66.5-111.5	= 432 mm
TOTAL	= ((222x1504)+(222x432))/1000000		= 0.429792 m ²
OPENABLE AREA			
WIDTH =	445-77-77		= 291 mm
HEIGHT =	1640-32-32		= 1576 mm
TOTAL	= (291x1576)x1/1000000		= 0.458616 m ²

PROVIDED			
GLAZING AREA		0.430	m ²
OPENABLE AREA		0.459	m ²

TYPE B			
OPENABLE WINDOW DIMENSION	(WIDTH) =	520	
	(HEIGHT) =	1640	
FIXED WINDOW DIMENSION	(WIDTH) =	520	
	(HEIGHT) =	610	
NUMBER OF OPENABLE AREA WINDOW	=	1	
GLAZING AREA			
OPENABLE	WIDTH =	520-111.5-111.5	= 297 mm
	HEIGHT =	1640-69.5-66.5	= 1504 mm
FIXED	WIDTH =	520-111.5-111.5	= 297 mm
	HEIGHT =	610-66.5-111.5	= 432 mm
TOTAL	= ((297x1504)+(297x432))/1000000		= 0.574992 m ²
OPENABLE AREA			
WIDTH =	520-77-77		= 366 mm
HEIGHT =	1640-32-32		= 1576 mm
TOTAL	= (366x1576)x1/1000000		= 0.576816 m ²

PROVIDED			
GLAZING AREA		0.575	m ²
OPENABLE AREA		0.577	m ²

WINDOW MARK	22W4 / 22W5 T2A
LOCATION	22/F M.B. & EN.B. AT TOWER 2 FLAT A
SECTION	70mm ALUM. SECTION
GLAZING	GL-01, {GL-03}
QUANTITY	1
REMARKS	FAÇADE (PF-35)



B.D. REF :

CLIENT :

ARCHITECT :
AGC DESIGN LTD
 210, 212, 214, 216, 218, 220, 222, 224, 226, 228, 230, 232, 234, 236, 238, 240, 242, 244, 246, 248, 250, 252, 254, 256, 258, 260, 262, 264, 266, 268, 270, 272, 274, 276, 278, 280, 282, 284, 286, 288, 290, 292, 294, 296, 298, 300, 302, 304, 306, 308, 310, 312, 314, 316, 318, 320, 322, 324, 326, 328, 330, 332, 334, 336, 338, 340, 342, 344, 346, 348, 350, 352, 354, 356, 358, 360, 362, 364, 366, 368, 370, 372, 374, 376, 378, 380, 382, 384, 386, 388, 390, 392, 394, 396, 398, 400, 402, 404, 406, 408, 410, 412, 414, 416, 418, 420, 422, 424, 426, 428, 430, 432, 434, 436, 438, 440, 442, 444, 446, 448, 450, 452, 454, 456, 458, 460, 462, 464, 466, 468, 470, 472, 474, 476, 478, 480, 482, 484, 486, 488, 490, 492, 494, 496, 498, 500, 502, 504, 506, 508, 510, 512, 514, 516, 518, 520, 522, 524, 526, 528, 530, 532, 534, 536, 538, 540, 542, 544, 546, 548, 550, 552, 554, 556, 558, 560, 562, 564, 566, 568, 570, 572, 574, 576, 578, 580, 582, 584, 586, 588, 590, 592, 594, 596, 598, 600, 602, 604, 606, 608, 610, 612, 614, 616, 618, 620, 622, 624, 626, 628, 630, 632, 634, 636, 638, 640, 642, 644, 646, 648, 650, 652, 654, 656, 658, 660, 662, 664, 666, 668, 670, 672, 674, 676, 678, 680, 682, 684, 686, 688, 690, 692, 694, 696, 698, 700, 702, 704, 706, 708, 710, 712, 714, 716, 718, 720, 722, 724, 726, 728, 730, 732, 734, 736, 738, 740, 742, 744, 746, 748, 750, 752, 754, 756, 758, 760, 762, 764, 766, 768, 770, 772, 774, 776, 778, 780, 782, 784, 786, 788, 790, 792, 794, 796, 798, 800, 802, 804, 806, 808, 810, 812, 814, 816, 818, 820, 822, 824, 826, 828, 830, 832, 834, 836, 838, 840, 842, 844, 846, 848, 850, 852, 854, 856, 858, 860, 862, 864, 866, 868, 870, 872, 874, 876, 878, 880, 882, 884, 886, 888, 890, 892, 894, 896, 898, 900, 902, 904, 906, 908, 910, 912, 914, 916, 918, 920, 922, 924, 926, 928, 930, 932, 934, 936, 938, 940, 942, 944, 946, 948, 950, 952, 954, 956, 958, 960, 962, 964, 966, 968, 970, 972, 974, 976, 978, 980, 982, 984, 986, 988, 990, 992, 994, 996, 998, 1000

MAIN CONTRACTOR :
Gammon

STRUCTURAL ENGINEER :
ARUP

FAÇADE CONSULTANT :
MEINHARDT

NOTE :
 1. ALL DIMENSIONS ARE IN mm.
 2. ALL ELEVATIONS ARE VIEWED FROM OUTSIDE.
 3. ALL DIMENSIONS TO BE VERIFIED ON SITE BEFORE FABRICATION.

LEGEND :
 X1 --- DETAIL MARK NO.
 X001 --- REFER SHEET NO.

1. F.F.L. --- FINISHED FLOOR LEVEL
 2. S.F.L. --- STRUCTURAL FLOOR LEVEL
 3. (R) --- REVERSED DETAIL
 4. ▲ --- FIXING LOCATION
 5. △ --- FIXING LUG LOCATION
 6. GLASS LEGEND

GL01 --- 8mm+12mm AIR GAP+10mm THK. I.G.U.
 GL01a --- 8mm+9mm AIR GAP+10mm THK. I.G.U.
 GL03 --- 6mm+12mm AIR GAP+6mm THK. I.G.U.
 GL04 --- 10mm THK. TEMPERED GLASS (PROTECTIVE BARRIER)
 GL05 --- 6mm+12mm AIR GAP+8mm THK. I.G.U.

NO.	DATE	REVISION	REVISION SUBJECT TO ARCH.COMMENT	BY
F	18/09/2020		REVISION SUBJECT TO ARCH.COMMENT	lvon
E	24/08/2020		REVISION SUBJECT TO ARCH.COMMENT	lvon
D	29/05/2020		REVISION SUBJECT TO ARCH.COMMENT	lvon
C	27/04/2020		REVISION SUBJECT TO ARCH.COMMENT	lvon
B	05/03/2020		REVISION SUBJECT TO ARCH.COMMENT	LXH
A	24/02/2020		REVISION SUBJECT TO ARCH.COMMENT	SH

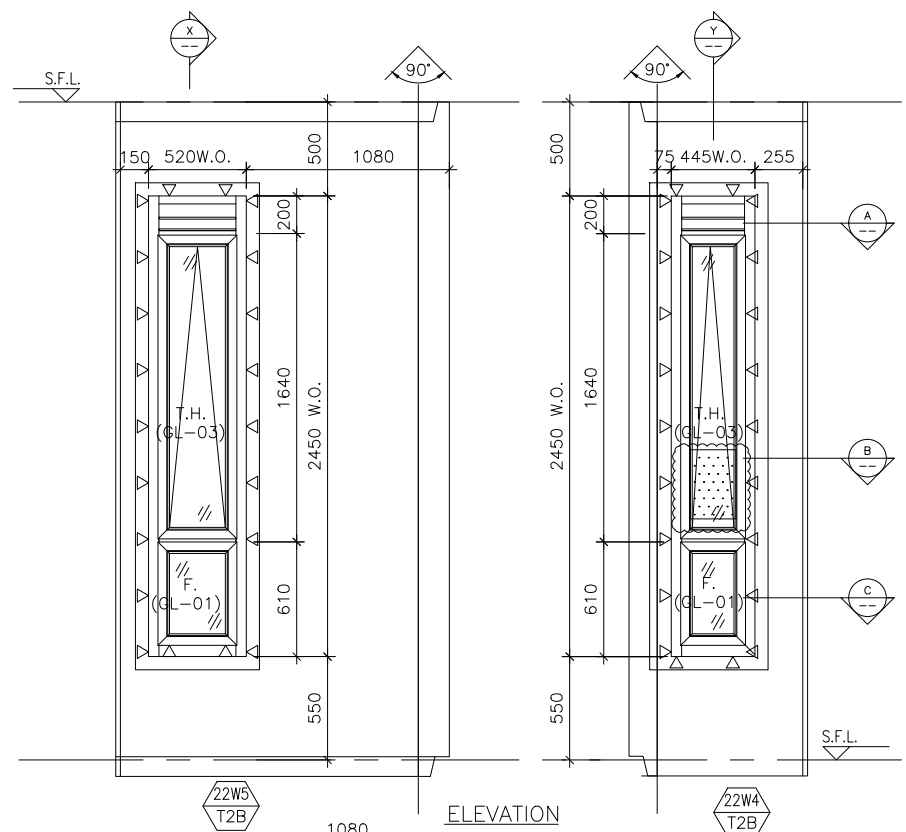
JOB NO. : J-852
 PROJECT : PROPOSED RESIDENTIAL DEVELOPMENT AT 139 - 147 ARGYLE STREET, NKIL 6005, 6035 R.P., 6036 R.P., 6037 R.P. & 6038 R.P.

TITLE : WINDOW SCHEDULE FOR ALUM. WINDOW

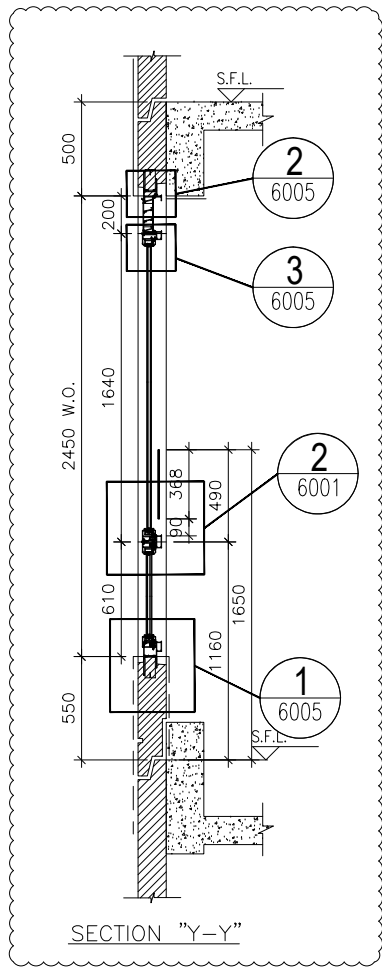
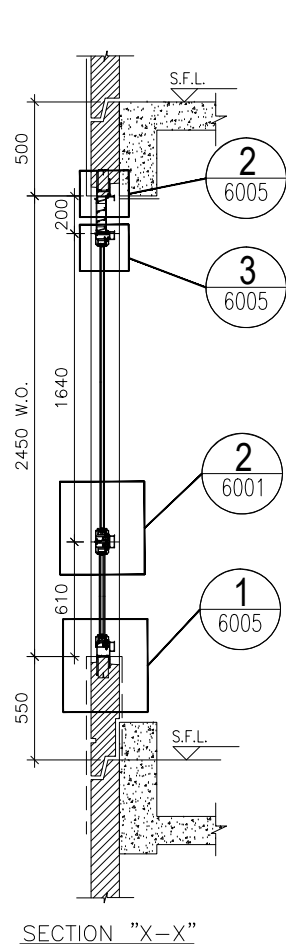
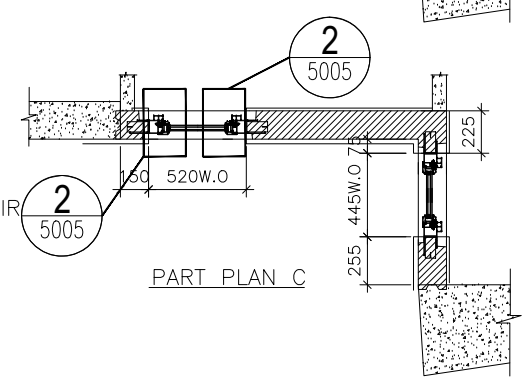
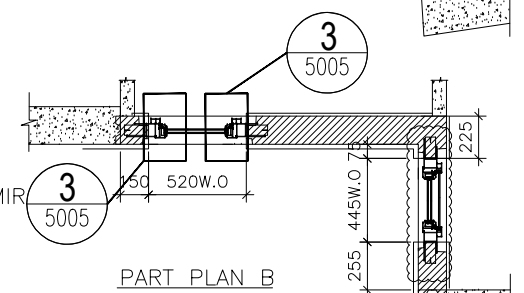
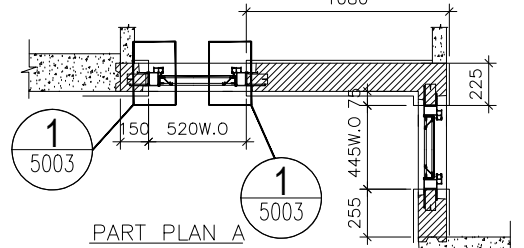
DATE : 05-Dec-19 SCALE : 1:40
 DRAWN BY : MN CHECKED BY : DW

美特鋁質有限公司
MIDI ALUMINIUM FABRICATOR LTD.
 Units 6-8, Sunray Industrial Centre, 1/F
 610 Cha Kwo Ling Road, Kowloon
 Tel:23489211-4 Fax:(852)2772666

DWG NO. : J852-SD-PW-4220 REV. : F



ELEVATION



SECTION "X-X"

SECTION "Y-Y"

TYPE B		
OPENABLE WINDOW DIMENSION	(WIDTH) = 445	(HEIGHT) = 1640
FIXED WINDOW DIMENSION	(WIDTH) = 445	(HEIGHT) = 610
NUMBER OF OPENABLE AREA WINDOW	= 1	

GLAZING AREA	
OPENABLE	WIDTH = 445-111.5-111.5 = 222 mm
	HEIGHT = 1640-69.5-66.5 = 1504 mm
FIXED	WIDTH = 445-111.5-111.5 = 222 mm
	HEIGHT = 610-66.5-111.5 = 432 mm
TOTAL	= ((222x1504)+(222x432))/1000000 = 0.429792 m ²

OPENABLE AREA	
WIDTH	= 445-77-77 = 291 mm
HEIGHT	= 1640-32-32 = 1576 mm
TOTAL	= (291x1576)x1/1000000 = 0.458616 m ²

	PROVIDED
GLAZING AREA	0.430 m ²
OPENABLE AREA	0.459 m ²

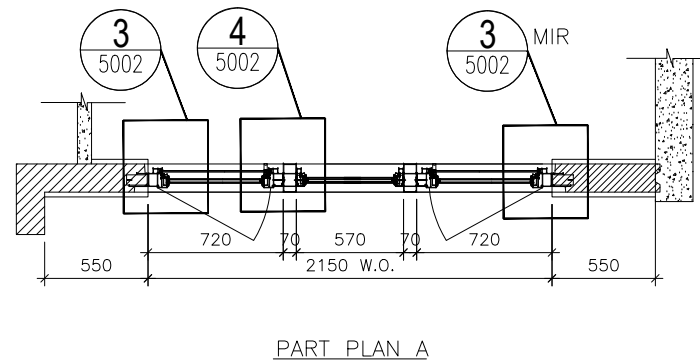
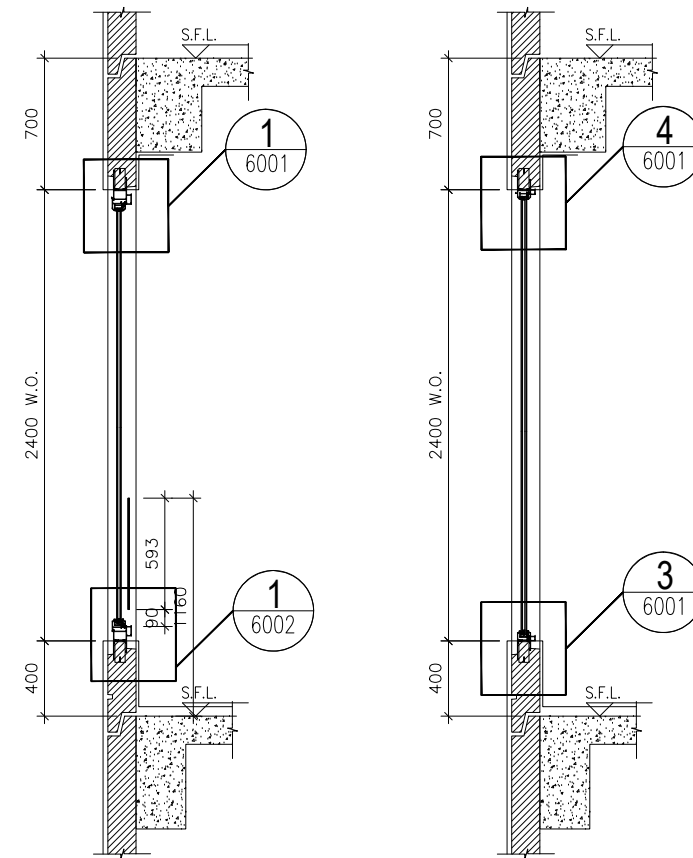
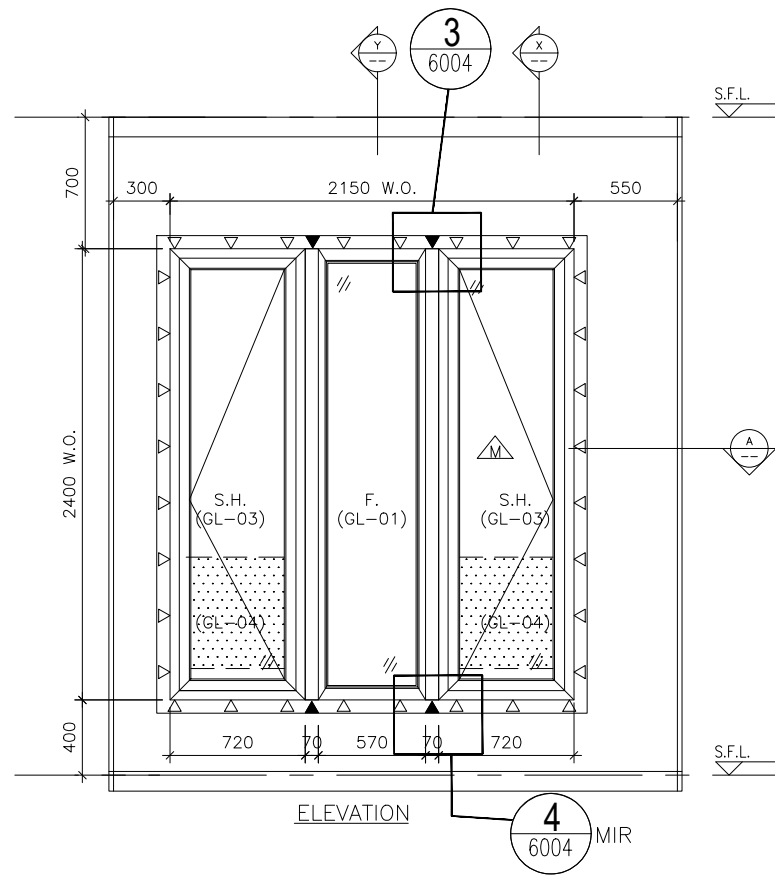
TYPE B		
OPENABLE WINDOW DIMENSION	(WIDTH) = 520	(HEIGHT) = 1640
FIXED WINDOW DIMENSION	(WIDTH) = 520	(HEIGHT) = 610
NUMBER OF OPENABLE AREA WINDOW	= 1	

GLAZING AREA	
OPENABLE	WIDTH = 520-111.5-111.5 = 297 mm
	HEIGHT = 1640-69.5-66.5 = 1504 mm
FIXED	WIDTH = 520-111.5-111.5 = 297 mm
	HEIGHT = 610-66.5-111.5 = 432 mm
TOTAL	= ((297x1504)+(297x432))/1000000 = 0.574992 m ²

OPENABLE AREA	
WIDTH	= 520-77-77 = 366 mm
HEIGHT	= 1640-32-32 = 1576 mm
TOTAL	= (366x1576)x1/1000000 = 0.576816 m ²

	PROVIDED
GLAZING AREA	0.575 m ²
OPENABLE AREA	0.577 m ²

WINDOW MARK	22W5 T2B / 22W4 T2B
LOCATION	22/F M.B. & EN.B. AT TOWER 2 FLAT B
SECTION	70mm ALUM. SECTION
GLAZING	GL-01, GL-03
QUANTITY	1
REMARKS	FAÇADE (PF-36)



SECTION "X-X"

SECTION "Y-Y"

TYPE A			
OPENABLE WINDOW DIMENSION		(WIDTH) =	720
		(HEIGHT) =	2400
FIXED WINDOW DIMENSION		(WIDTH) =	570
		(HEIGHT) =	2400
NUMBER OF OPENABLE AREA WINDOW		=	1
GLAZING AREA			
OPENABLE			
WIDTH	= 720-111.5-111.5	=	497 mm
HEIGHT	= 2400-111.5-111.5	=	2177 mm
FIXED			
WIDTH	= 570-50-50	=	470 mm
HEIGHT	= 2400-50-50	=	2300 mm
TOTAL	= ((497x2177)x2+(470x2300))/1000000	=	3.244938 m ²
OPENABLE AREA			
WIDTH	= 720-77-77	=	566 mm
HEIGHT	= 2400-77-(1160-385-15)	=	1563 mm
TOTAL	= ((566x1563)x1)/1000000	=	0.884658 m ²

PROVIDED	
GLAZING AREA	3.245 m ²
OPENABLE AREA	0.885 m ²

B.D. REF :

CLIENT :

ARCHITECT :
AGC DESIGN LTD
 10/F, 187, Queen's Road, 22/F, 188, King's Road, Hong Kong
 Tel: (852)27771111, Fax: (852)27771111, Email: agc@agc.com.hk

MAIN CONTRACTOR :
Gammon

STRUCTURAL ENGINEER :
ARUP

FAÇADE CONSULTANT:
MEINHARDT

NOTE :
 1. ALL DIMENSIONS ARE IN mm.
 2. ALL ELEVATIONS ARE VIEWED FROM OUTSIDE.
 3. ALL DIMENSIONS TO BE VERIFIED ON SITE BEFORE FABRICATION.

LEGEND :
 X1 --- DETAIL MARK NO.
 X001 --- REFER SHEET NO.
 1. F.F.L. --- FINISHED FLOOR LEVEL
 2. S.F.L. --- STRUCTURAL FLOOR LEVEL
 3. (R) --- REVERSED DETAIL
 4. ▲ --- FIXING LOCATION
 5. △ --- FIXING LUG LOCATION
 6. GLASS LEGEND
 GL01 --- 8mm+12mm AIR GAP+10mm THK. I.G.U.
 GL01a --- 8mm+9mm AIR GAP+10mm THK. I.G.U.
 GL03 --- 6mm+12mm AIR GAP+6mm THK. I.G.U.
 GL04 --- 10mm THK. TEMPERED GLASS (PROTECTIVE BARRIER)
 GL05 --- 6mm+12mm AIR GAP+8mm THK. I.G.U.

NO.	DATE	REVISION	BY
F	18/09/2020	REVISION SUBJECT TO ARCH.COMMENT	lvon
E	24/08/2020	REVISION SUBJECT TO ARCH.COMMENT	lvon
D	05/06/2020	REVISION SUBJECT TO ARCH.COMMENT	lvon
C	27/04/2020	REVISION SUBJECT TO ARCH.COMMENT	lvon
B	05/03/2020	REVISION SUBJECT TO ARCH.COMMENT	LXH
A	24/02/2020	REVISION SUBJECT TO ARCH.COMMENT	SH

JOB NO. : J-852
 PROJECT :
 PROPOSED RESIDENTIAL DEVELOPMENT
 AT 139 - 147 ARGYLE STREET,
 NKIL 6005, 6035 R.P., 6036 R.P.,
 6037 R.P. & 6038 R.P.

TITLE :
 WINDOW SCHEDULE FOR
 ALUM. WINDOW

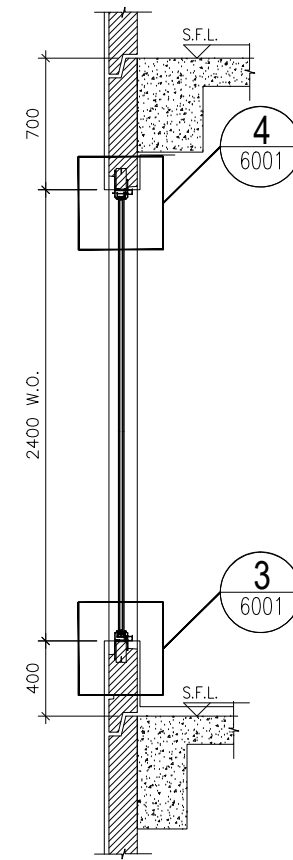
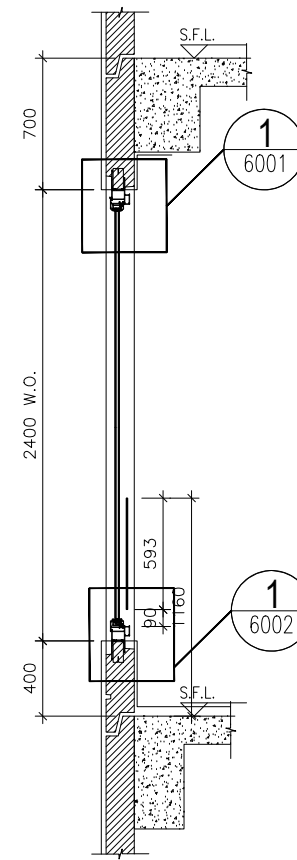
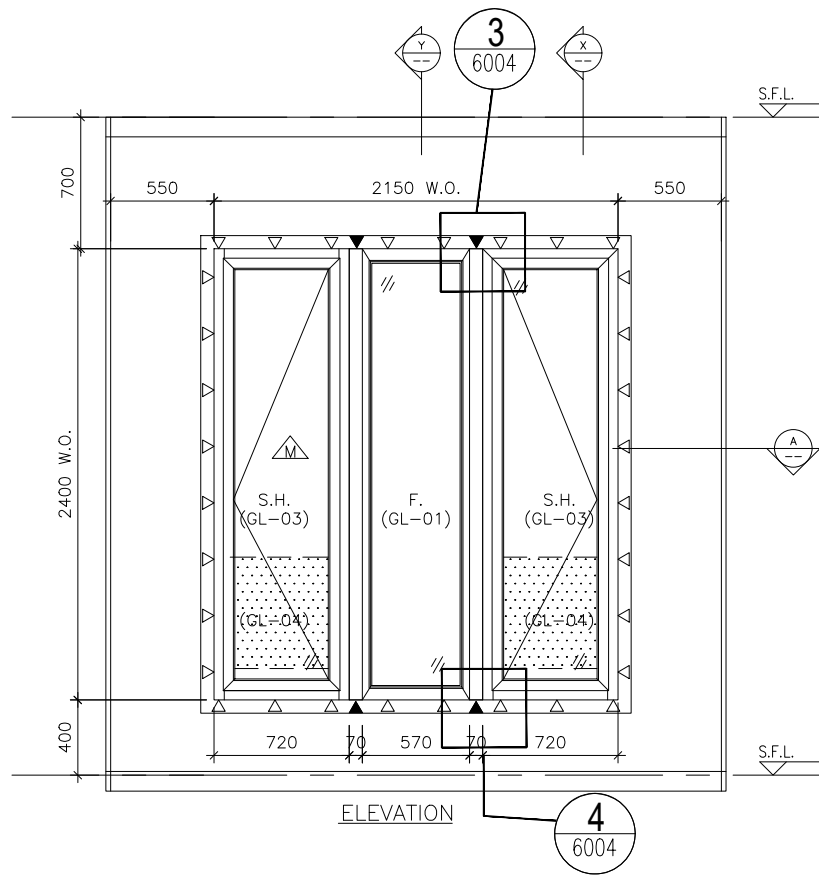
DATE : 05-Dec-19 SCALE : 1:40
 DRAWN BY : MN CHECKED BY : DW

美特鋁質有限公司
MIDI ALUMINIUM FABRICATOR LTD.
 Units 6-8, Sunray Industrial Centre, 1/F
 610 Cha Kwo Ling Road, Kowloon
 Tel:23489211-4 Fax:(852)27727666

DWG NO. : J852-SD-PW-4221 REV. : F

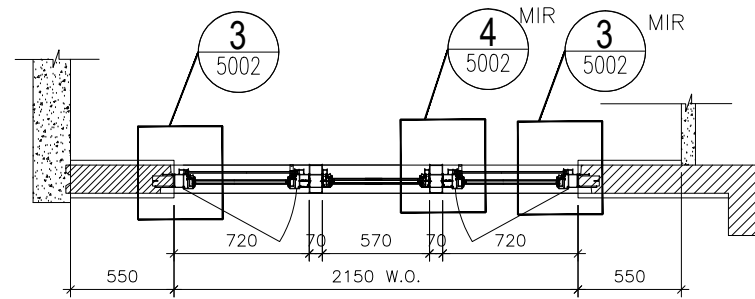
ELEVATION

WINDOW MARK	
LOCATION	22/F B.R.1. AT TOWER 2 FLAT A
SECTION	70mm ALUM. SECTION
GLAZING	GL-01, GL-03
QUANTITY	1
REMARKS	FAÇADE (PF-20)



SECTION "X-X"

SECTION "Y-Y"



PART PLAN A

TYPE A			
OPENABLE WINDOW DIMENSION	(WIDTH)	=	720
	(HEIGHT)	=	2400
FIXED WINDOW DIMENSION	(WIDTH)	=	570
	(HEIGHT)	=	2400
NUMBER OF OPENABLE AREA WINDOW		=	1
GLAZING AREA			
OPENABLE			
WIDTH	= 720-111.5-111.5	=	497 mm
HIGHT	= 2400-111.5-111.5	=	2177 mm
FIXED			
WIDTH	= 570-50-50	=	470 mm
HIGHT	= 2400-50-50	=	2300 mm
TOTAL	= ((497x2177)x2+(470x2300))/1000000	=	3.244938 m ²
OPENABLE AREA			
WIDTH	= 720-77-77	=	566 mm
HIGHT	= 2400-77-(1160-385-15)	=	1563 mm
TOTAL	= ((566x1563)x1)/1000000	=	0.884658 m ²

PROVIDED	
GLAZING AREA	3.245 m ²
OPENABLE AREA	0.885 m ²

B.D. REF :

CLIENT :

ARCHITECT :
AGC DESIGN LTD
 10/F, 187, Queen Mary Road, Hong Kong
 Tel: (852)27771111, Fax: (852)27771111, Email: agc@agc.com.hk

MAIN CONTRACTOR :
Gammon

STRUCTURAL ENGINEER :
ARUP

FACADE CONSULTANT:
MEINHARDT

NOTE :

- ALL DIMENSIONS ARE IN mm.
- ALL ELEVATIONS ARE VIEWED FROM OUTSIDE.
- ALL DIMENSIONS TO BE VERIFIED ON SITE BEFORE FABRICATION.

- LEGEND :
- X1 --- DETAIL MARK NO.
 - X001 --- REFER SHEET NO.
 - F.F.L. --- FINISHED FLOOR LEVEL
 - S.F.L. --- STRUCTURAL FLOOR LEVEL
 - (R) --- REVERSED DETAIL
 - ▲ --- FIXING LOCATION
 - △ --- FIXING LUG LOCATION
 - GLASS LEGEND
 - GL01 --- 8mm+12mm AIR GAP+10mm THK. I.G.U.
 - GL01a --- 8mm+9mm AIR GAP+10mm THK. I.G.U.
 - GL03 --- 6mm+12mm AIR GAP+6mm THK. I.G.U.
 - GL04 --- 10mm THK. TEMPERED GLASS (PROTECTIVE BARRIER)
 - GL05 --- 6mm+12mm AIR GAP+8mm THK. I.G.U.

C	18/09/2020	REVISION SUBJECT TO ARCH.COMMENT	lvon
B	24/08/2020	REVISION SUBJECT TO ARCH.COMMENT	lvon
A	05/06/2020	REVISION SUBJECT TO ARCH.COMMENT	lvon
NO.	DATE	REVISED	BY

JOB NO. : J-852

PROJECT :
 PROPOSED RESIDENTIAL DEVELOPMENT
 AT 139 - 147 ARGYLE STREET,
 NKIL 6005, 6035 R.P., 6036 R.P.,
 6037 R.P. & 6038 R.P.

TITLE :
 WINDOW SCHEDULE FOR
 ALUM. WINDOW

DATE : 05-Dec-19 SCALE : 1:40

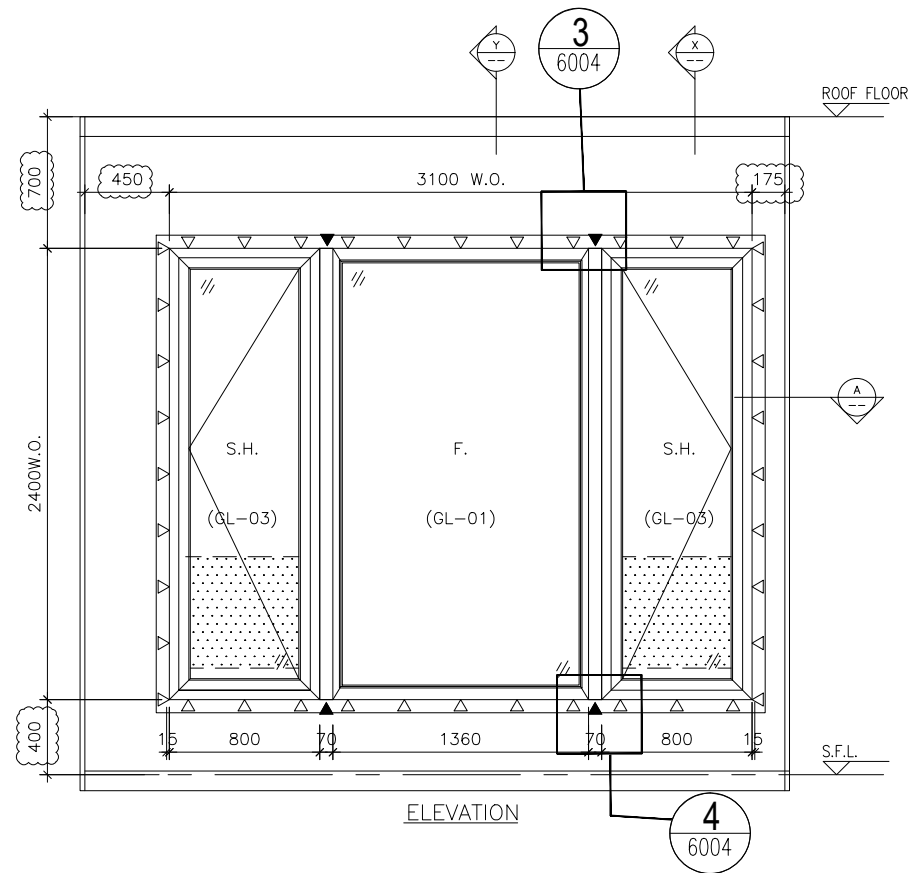
DRAWN BY : MN CHECKED BY : DW

美特鋁質有限公司
MIDI ALUMINIUM FABRICATOR LTD.
 Units 6-8, Sunray Industrial Centre, 1/F
 610 Cha Kwo Ling Road, Kowloon
 Tel:23489211-4 Fax:(852)27727666

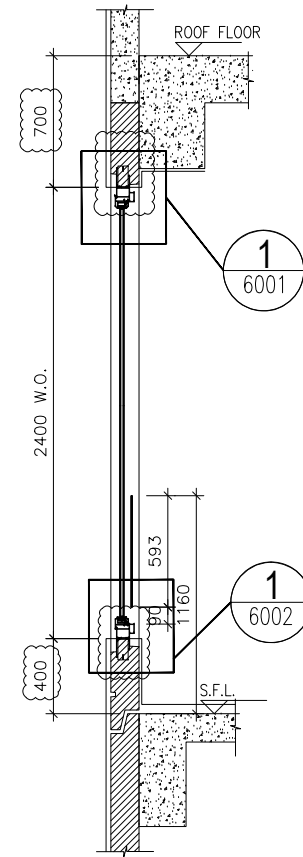
DWG NO. : J852-SD-PW-4221A REV. : C

ELEVATION

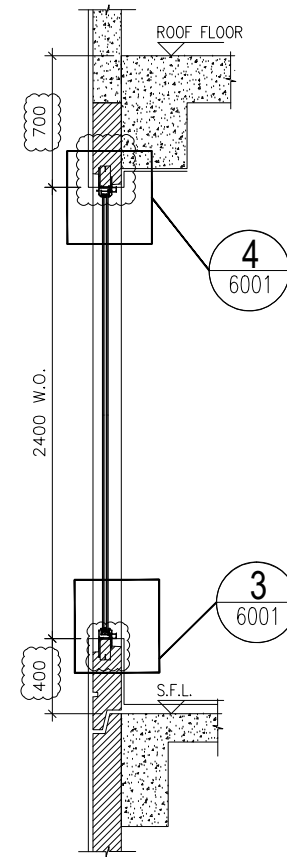
WINDOW MARK	
LOCATION	22/F B.R.1. AT TOWER 2 FLAT B
SECTION	70mm ALUM. SECTION
GLAZING	GL-01, GL-03
QUANTITY	1
REMARKS	FACADE (PF-21)



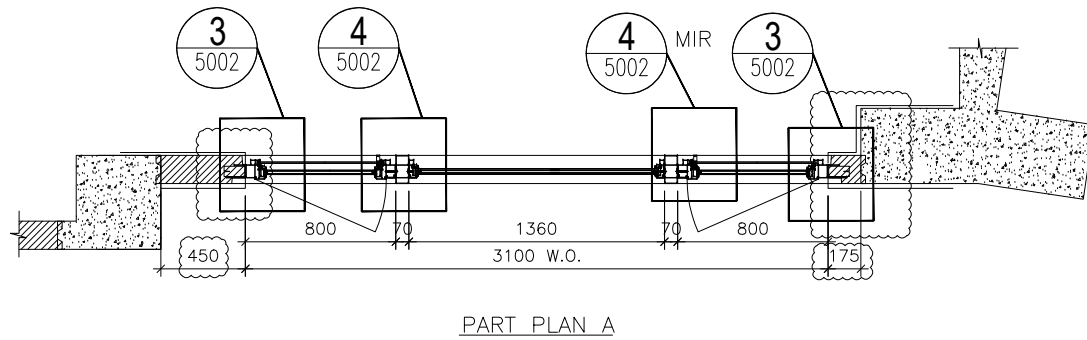
ELEVATION



SECTION "X-X"



SECTION "Y-Y"



PART PLAN A

TYPE A			
OPENABLE WINDOW DIMENSION	(WIDTH)	=	800
	(HEIGHT)	=	2400
FIXED WINDOW DIMENSION	(WIDTH)	=	1360
	(HEIGHT)	=	2400
NUMBER OF OPENABLE AREA WINDOW		=	2
GLAZING AREA			
OPENABLE			
WIDTH	=	800-111.5-111.5	= 577 mm
HIGHT	=	2400-111.5-111.5	= 2177 mm
FIXED			
WIDTH	=	1360-50-50	= 1260 mm
HIGHT	=	2400-50-50	= 2300 mm
TOTAL	=	((577x2177)x2+(1260x2300))	1000000 = 5.410258 m ²
OPENABLE AREA			
WIDTH	=	800-77-77	= 646 mm
HIGHT	=	2400-77-(1160-385-15)	= 1563 mm
TOTAL	=	((646x1563)x2)	1000000 = 2.019396 m ²
		PROVIDED	
GLAZING AREA		5.410	m ²
OPENABLE AREA		2.019	m ²

B.D. REF :

CLIENT :

ARCHITECT :
AGC DESIGN LTD
 architects urban design interior
 610, 612, 614, 616, 618, 620, 622, 624, 626, 628, 630, 632, 634, 636, 638, 640, 642, 644, 646, 648, 650, 652, 654, 656, 658, 660, 662, 664, 666, 668, 670, 672, 674, 676, 678, 680, 682, 684, 686, 688, 690, 692, 694, 696, 698, 700, 702, 704, 706, 708, 710, 712, 714, 716, 718, 720, 722, 724, 726, 728, 730, 732, 734, 736, 738, 740, 742, 744, 746, 748, 750, 752, 754, 756, 758, 760, 762, 764, 766, 768, 770, 772, 774, 776, 778, 780, 782, 784, 786, 788, 790, 792, 794, 796, 798, 800, 802, 804, 806, 808, 810, 812, 814, 816, 818, 820, 822, 824, 826, 828, 830, 832, 834, 836, 838, 840, 842, 844, 846, 848, 850, 852, 854, 856, 858, 860, 862, 864, 866, 868, 870, 872, 874, 876, 878, 880, 882, 884, 886, 888, 890, 892, 894, 896, 898, 900, 902, 904, 906, 908, 910, 912, 914, 916, 918, 920, 922, 924, 926, 928, 930, 932, 934, 936, 938, 940, 942, 944, 946, 948, 950, 952, 954, 956, 958, 960, 962, 964, 966, 968, 970, 972, 974, 976, 978, 980, 982, 984, 986, 988, 990, 992, 994, 996, 998, 1000

MAIN CONTRACTOR :
Gammon

STRUCTURAL ENGINEER :
ARUP

FAÇADE CONSULTANT:
MEINHARDT

NOTE :
 1. ALL DIMENSIONS ARE IN mm.
 2. ALL ELEVATIONS ARE VIEWED FROM OUTSIDE.
 3. ALL DIMENSIONS TO BE VERIFIED ON SITE BEFORE FABRICATION.

LEGEND :
 (X1) --- DETAIL MARK NO.
 (X001) --- REFER SHEET NO.

1. F.F.L. --- FINISHED FLOOR LEVEL
 2. S.F.L. --- STRUCTURAL FLOOR LEVEL
 3. (R) --- REVERSED DETAIL
 4. ▲ --- FIXING LOCATION
 5. △ --- FIXING LUG LOCATION
 6. GLASS LEGEND
 GL01 --- 8mm+12mm AIR GAP+10mm THK. I.G.U.
 GL01a --- 8mm+12mm AIR GAP+10mm THK. I.G.U.
 GL03 --- 6mm+12mm AIR GAP+6mm THK. I.G.U.
 GL04 --- 10mm THK. TEMPERED GLASS (PROTECTIVE BARRIER)
 GL05 --- 6mm+12mm AIR GAP+8mm THK. I.G.U.

NO.	DATE	REVISION	BY
D	24/08/2020	REVISION SUBJECT TO ARCH.COMMENT	lvon
C	27/04/2020	REVISION SUBJECT TO ARCH.COMMENT	lvon
B	05/03/2020	REVISION SUBJECT TO ARCH.COMMENT	lvon
A	24/02/2020	REVISION SUBJECT TO ARCH.COMMENT	SH

JOB NO. : J-852
 PROJECT : PROPOSED RESIDENTIAL DEVELOPMENT AT 139 - 147 ARGYLE STREET, NKIL 6005, 6035 R.P., 6036 R.P., 6037 R.P. & 6038 R.P.

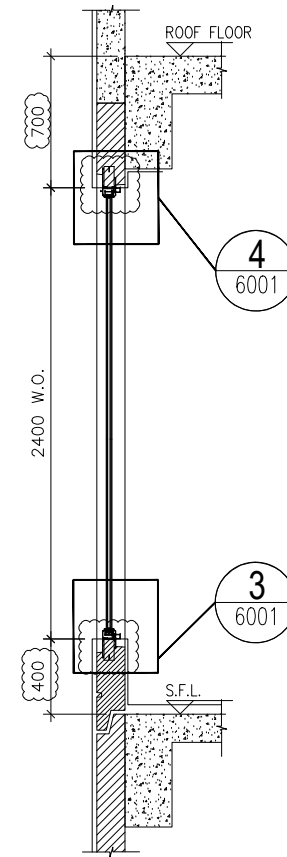
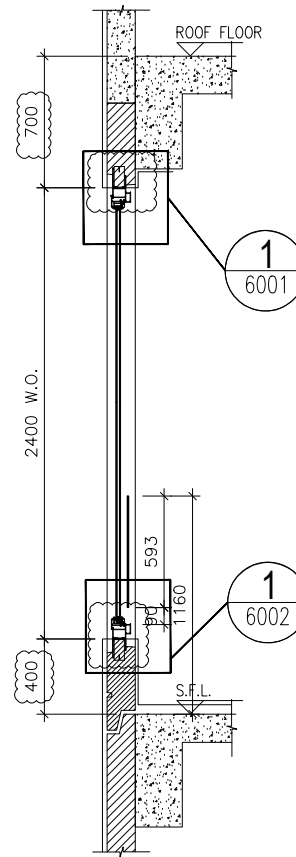
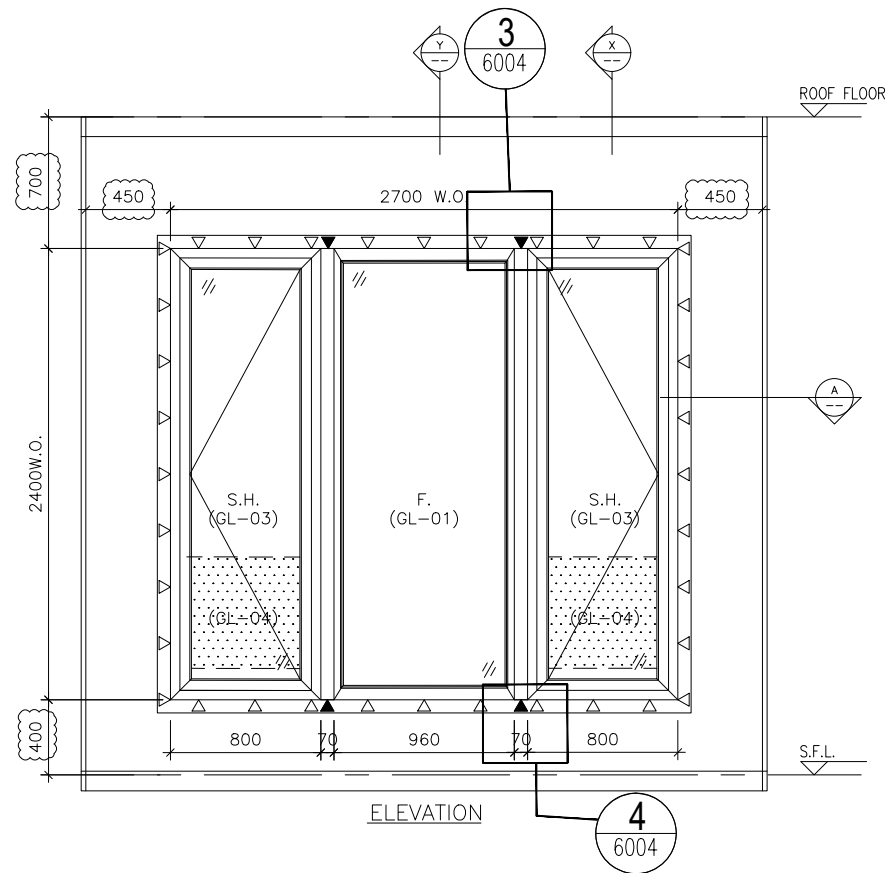
TITLE : WINDOW SCHEDULE FOR ALUM. WINDOW

DATE : 05-Dec-19 SCALE : 1:40
 DRAWN BY : MN CHECKED BY : DW

美特鋁質有限公司
MIDI ALUMINIUM FABRICATOR LTD.
 Units 6-8, Sunray Industrial Centre, 1/F
 610 Cha Kwo Ling Road, Kowloon
 Tel:23489211-4 Fax:(852)2727666

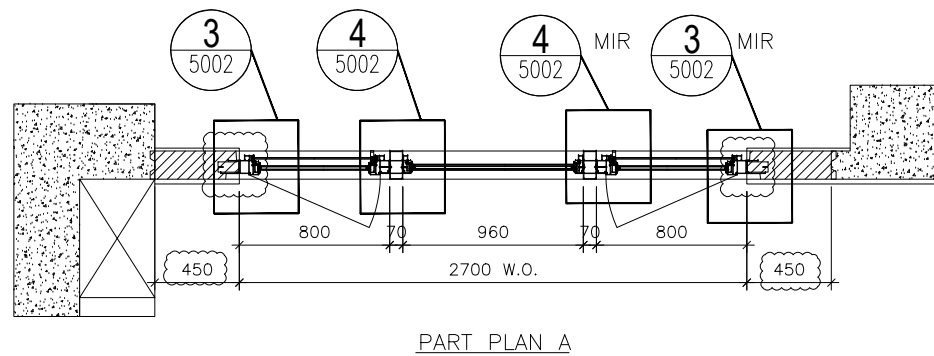
DWG NO. : J852-SD-PW-4222 REV. : D

WINDOW MARK	
LOCATION	23/F MASTER ENSUITE AT TOWER 2 FLAT A
SECTION	70mm ALUM. SECTION
GLAZING	GL-01, GL-03
QUANTITY	1
REMARKS	FAÇADE (PF-5)



SECTION "X-X"

SECTION "Y-Y"



PART PLAN A

ELEVATION

TYPE A	
OPENABLE WINDOW DIMENSION	(WIDTH) = 800 (HEIGHT) = 2400
FIXED WINDOW DIMENSION	(WIDTH) = 960 (HEIGHT) = 2400
NUMBER OF OPENABLE AREA WINDOW	= 2
GLAZING AREA	
OPENABLE	WIDTH = 800-111.5-111.5 = 577 mm HEIGHT = 2400-111.5-111.5 = 2177 mm
FIXED	WIDTH = 960-50-50 = 860 mm HEIGHT = 2400-50-50 = 2300 mm
TOTAL	= ((577x2177)x2+(860x2300))1000000 = 4.490258 m ²
OPENABLE AREA	
WIDTH	= 800-77-77 = 646 mm
HEIGHT	= 2400-77-(1160-385-15) = 1563 mm
TOTAL	= ((646x1563)x2)1000000 = 2.019396 m ²

PROVIDED	
GLAZING AREA	4.490 m ²
OPENABLE AREA	2.019 m ²

B.D. REF :

CLIENT :

ARCHITECT :
AGC DESIGN LTD
AGC DESIGN LTD
201, 202, 203, 204, 205, 206, 207, 208, 209, 210, 211, 212, 213, 214, 215, 216, 217, 218, 219, 220, 221, 222, 223, 224, 225, 226, 227, 228, 229, 230, 231, 232, 233, 234, 235, 236, 237, 238, 239, 240, 241, 242, 243, 244, 245, 246, 247, 248, 249, 250, 251, 252, 253, 254, 255, 256, 257, 258, 259, 260, 261, 262, 263, 264, 265, 266, 267, 268, 269, 270, 271, 272, 273, 274, 275, 276, 277, 278, 279, 280, 281, 282, 283, 284, 285, 286, 287, 288, 289, 290, 291, 292, 293, 294, 295, 296, 297, 298, 299, 300, 301, 302, 303, 304, 305, 306, 307, 308, 309, 310, 311, 312, 313, 314, 315, 316, 317, 318, 319, 320, 321, 322, 323, 324, 325, 326, 327, 328, 329, 330, 331, 332, 333, 334, 335, 336, 337, 338, 339, 340, 341, 342, 343, 344, 345, 346, 347, 348, 349, 350, 351, 352, 353, 354, 355, 356, 357, 358, 359, 360, 361, 362, 363, 364, 365, 366, 367, 368, 369, 370, 371, 372, 373, 374, 375, 376, 377, 378, 379, 380, 381, 382, 383, 384, 385, 386, 387, 388, 389, 390, 391, 392, 393, 394, 395, 396, 397, 398, 399, 400, 401, 402, 403, 404, 405, 406, 407, 408, 409, 410, 411, 412, 413, 414, 415, 416, 417, 418, 419, 420, 421, 422, 423, 424, 425, 426, 427, 428, 429, 430, 431, 432, 433, 434, 435, 436, 437, 438, 439, 440, 441, 442, 443, 444, 445, 446, 447, 448, 449, 450, 451, 452, 453, 454, 455, 456, 457, 458, 459, 460, 461, 462, 463, 464, 465, 466, 467, 468, 469, 470, 471, 472, 473, 474, 475, 476, 477, 478, 479, 480, 481, 482, 483, 484, 485, 486, 487, 488, 489, 490, 491, 492, 493, 494, 495, 496, 497, 498, 499, 500, 501, 502, 503, 504, 505, 506, 507, 508, 509, 510, 511, 512, 513, 514, 515, 516, 517, 518, 519, 520, 521, 522, 523, 524, 525, 526, 527, 528, 529, 530, 531, 532, 533, 534, 535, 536, 537, 538, 539, 540, 541, 542, 543, 544, 545, 546, 547, 548, 549, 550, 551, 552, 553, 554, 555, 556, 557, 558, 559, 560, 561, 562, 563, 564, 565, 566, 567, 568, 569, 570, 571, 572, 573, 574, 575, 576, 577, 578, 579, 580, 581, 582, 583, 584, 585, 586, 587, 588, 589, 590, 591, 592, 593, 594, 595, 596, 597, 598, 599, 600, 601, 602, 603, 604, 605, 606, 607, 608, 609, 610, 611, 612, 613, 614, 615, 616, 617, 618, 619, 620, 621, 622, 623, 624, 625, 626, 627, 628, 629, 630, 631, 632, 633, 634, 635, 636, 637, 638, 639, 640, 641, 642, 643, 644, 645, 646, 647, 648, 649, 650, 651, 652, 653, 654, 655, 656, 657, 658, 659, 660, 661, 662, 663, 664, 665, 666, 667, 668, 669, 670, 671, 672, 673, 674, 675, 676, 677, 678, 679, 680, 681, 682, 683, 684, 685, 686, 687, 688, 689, 690, 691, 692, 693, 694, 695, 696, 697, 698, 699, 700, 701, 702, 703, 704, 705, 706, 707, 708, 709, 710, 711, 712, 713, 714, 715, 716, 717, 718, 719, 720, 721, 722, 723, 724, 725, 726, 727, 728, 729, 730, 731, 732, 733, 734, 735, 736, 737, 738, 739, 740, 741, 742, 743, 744, 745, 746, 747, 748, 749, 750, 751, 752, 753, 754, 755, 756, 757, 758, 759, 760, 761, 762, 763, 764, 765, 766, 767, 768, 769, 770, 771, 772, 773, 774, 775, 776, 777, 778, 779, 780, 781, 782, 783, 784, 785, 786, 787, 788, 789, 790, 791, 792, 793, 794, 795, 796, 797, 798, 799, 800, 801, 802, 803, 804, 805, 806, 807, 808, 809, 810, 811, 812, 813, 814, 815, 816, 817, 818, 819, 820, 821, 822, 823, 824, 825, 826, 827, 828, 829, 830, 831, 832, 833, 834, 835, 836, 837, 838, 839, 840, 841, 842, 843, 844, 845, 846, 847, 848, 849, 850, 851, 852, 853, 854, 855, 856, 857, 858, 859, 860, 861, 862, 863, 864, 865, 866, 867, 868, 869, 870, 871, 872, 873, 874, 875, 876, 877, 878, 879, 880, 881, 882, 883, 884, 885, 886, 887, 888, 889, 890, 891, 892, 893, 894, 895, 896, 897, 898, 899, 900, 901, 902, 903, 904, 905, 906, 907, 908, 909, 910, 911, 912, 913, 914, 915, 916, 917, 918, 919, 920, 921, 922, 923, 924, 925, 926, 927, 928, 929, 930, 931, 932, 933, 934, 935, 936, 937, 938, 939, 940, 941, 942, 943, 944, 945, 946, 947, 948, 949, 950, 951, 952, 953, 954, 955, 956, 957, 958, 959, 960, 961, 962, 963, 964, 965, 966, 967, 968, 969, 970, 971, 972, 973, 974, 975, 976, 977, 978, 979, 980, 981, 982, 983, 984, 985, 986, 987, 988, 989, 990, 991, 992, 993, 994, 995, 996, 997, 998, 999, 1000

MAIN CONTRACTOR :
Gammon

STRUCTURAL ENGINEER :
ARUP

FAÇADE CONSULTANT:
MEINHARDT

NOTE :
1. ALL DIMENSIONS ARE IN mm.
2. ALL ELEVATIONS ARE VIEWED FROM OUTSIDE.
3. ALL DIMENSIONS TO BE VERIFIED ON SITE BEFORE FABRICATION.

LEGEND :
X1 --- DETAIL MARK NO.
X001 --- REFER SHEET NO.

1. F.F.L. --- FINISHED FLOOR LEVEL
2. S.F.L. --- STRUCTURAL FLOOR LEVEL
3. (R) --- REVERSED DETAIL
4. ▲ --- FIXING LOCATION
5. △ --- FIXING LUG LOCATION
6. GLASS LEGEND
GL01 --- 8mm+12mm AIR GAP+10mm THK. I.G.U.
GL01a --- 8mm+12mm AIR GAP+10mm THK. I.G.U.
GL03 --- 6mm+12mm AIR GAP+6mm THK. I.G.U.
GL04 --- 10mm THK. TEMPERED GLASS (PROTECTIVE BARRIER)
GL05 --- 6mm+12mm AIR GAP+8mm THK. I.G.U.

NO.	DATE	REVISION	BY
D	24/08/2020	REVISION SUBJECT TO ARCH.COMMENT	lvn
C	27/04/2020	REVISION SUBJECT TO ARCH.COMMENT	lvn
B	05/03/2020	REVISION SUBJECT TO ARCH.COMMENT	lvn
A	24/02/2020	REVISION SUBJECT TO ARCH.COMMENT	SH

JOB NO. : J-852
PROJECT : PROPOSED RESIDENTIAL DEVELOPMENT AT 139 - 147 ARGYLE STREET, NKIL 6005, 6035 R.P., 6036 R.P., 6037 R.P. & 6038 R.P.

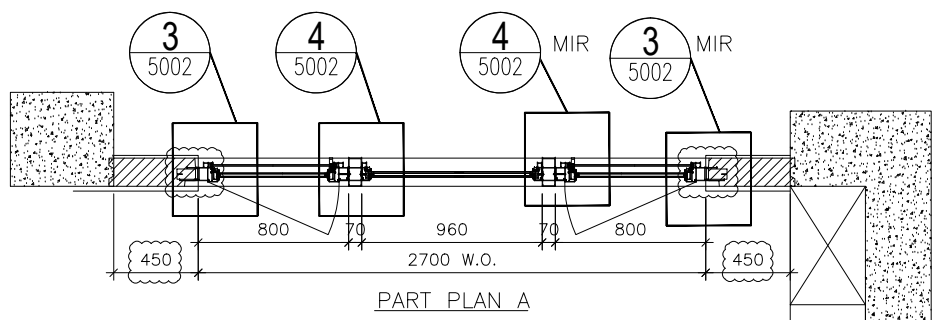
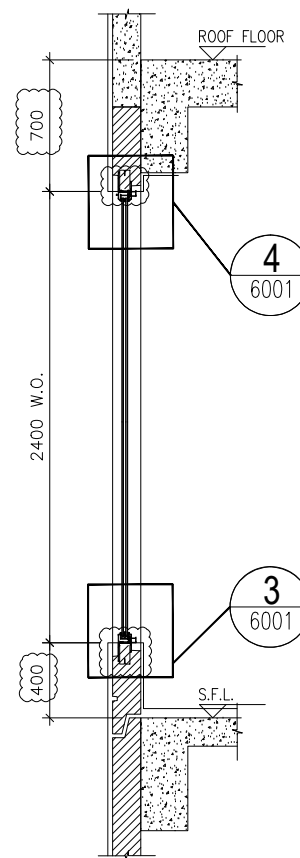
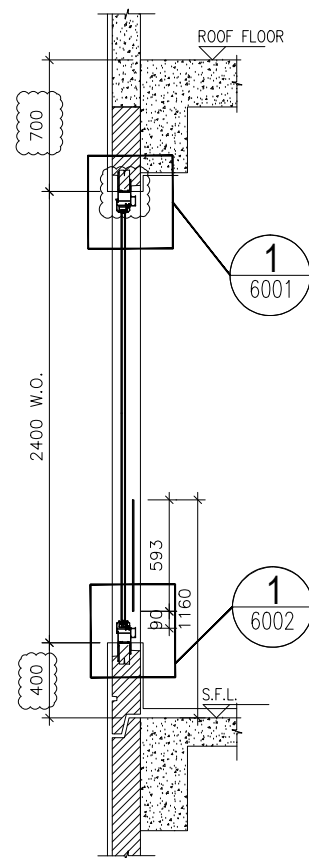
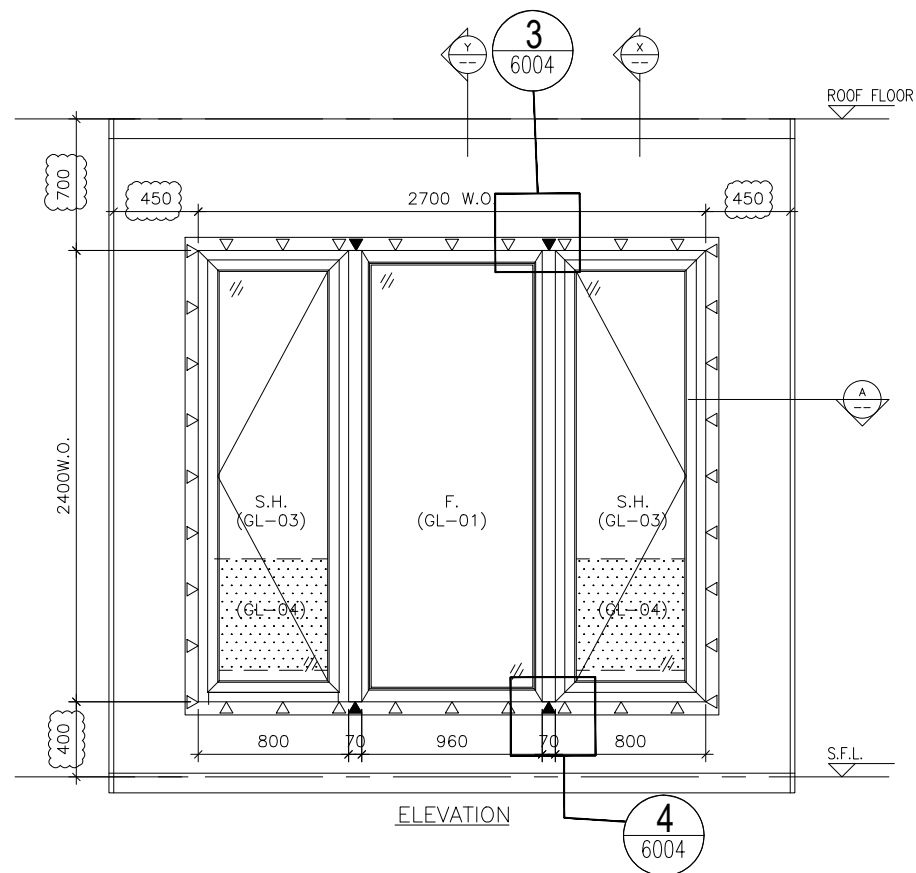
TITLE : WINDOW SCHEDULE FOR ALUM. WINDOW

DATE : 05-Dec-19 SCALE : 1:40
DRAWN BY : MN CHECKED BY : DW

美特鋁質有限公司
MIDI ALUMINIUM FABRICATOR LTD.
Units 6-8, Sunray Industrial Centre, 1/F
610 Cha Kwo Ling Road, Kowloon
Tel:23489211-4 Fax:(852)2727666

DWG NO. : J852-SD-PW-4223 REV. : D

WINDOW MARK	23W1 T2A
LOCATION	23/F ENSUITE 1 AT TOWER 2 FLAT A
SECTION	70mm ALUM. SECTION
GLAZING	GL-01, GL-03
QUANTITY	1
REMARKS	FAÇADE (PF-6)



SECTION "X-X"

SECTION "Y-Y"

ELEVATION

WINDOW MARK



LOCATION 23/F LIV.DIN. AT TOWER 2 FLAT A
SECTION 70mm ALUM. SECTION
GLAZING GL-01, GL-03
QUANTITY 1
REMARKS FACADE (PF-7)

TYPE A			
OPENABLE WINDOW DIMENSION	(WIDTH) =	800	
	(HEIGHT) =	2400	
FIXED WINDOW DIMENSION	(WIDTH) =	960	
	(HEIGHT) =	2400	
NUMBER OF OPENABLE AREA WINDOW	=	2	
GLAZING AREA			
OPENABLE			
WIDTH =	800-111.5-111.5	=	577 mm
HEIGHT =	2400-111.5-111.5	=	2177 mm
FIXED			
WIDTH =	960-50-50	=	860 mm
HEIGHT =	2400-50-50	=	2300 mm
TOTAL =	$((577 \times 2177) \times 2 + (860 \times 2300)) \div 1000000$	=	4.490258 m ²
OPENABLE AREA			
WIDTH =	800-77-77	=	646 mm
HEIGHT =	2400-77-(1160-385-15)	=	1563 mm
TOTAL =	$((646 \times 1563) \times 2) \div 1000000$	=	2.019396 m ²
		PROVIDED	
		GLAZING AREA	4.490 m ²
		OPENABLE AREA	2.019 m ²

B.D. REF :

CLIENT :

ARCHITECT :

AGC
DESIGN LTD

MAIN CONTRACTOR :

Gammon

STRUCTURAL ENGINEER :

ARUP

FACADE CONSULTANT:

MEINHARDT

NOTE :

1. ALL DIMENSIONS ARE IN mm.
2. ALL ELEVATIONS ARE VIEWED FROM OUTSIDE.
3. ALL DIMENSIONS TO BE VERIFIED ON SITE BEFORE FABRICATION.

LEGEND :

- X1 --- DETAIL MARK NO.
- X001 --- REFER SHEET NO.

1. F.F.L. --- FINISHED FLOOR LEVEL
2. S.F.L. --- STRUCTURAL FLOOR LEVEL
3. (R) --- REVERSED DETAIL
4. ▲ --- FIXING LOCATION
5. △ --- FIXING LUG LOCATION
6. GLASS LEGEND
GL01 -- 8mm+12mm AIR GAP+10mm THK. I.G.U.
GL01a -- 8mm+12mm AIR GAP+10mm THK. I.G.U.
GL03 -- 6mm+12mm AIR GAP+6mm THK. I.G.U.
GL04 -- 10mm THK. TEMPERED GLASS (PROTECTIVE BARRIER)
GL05 -- 6mm+12mm AIR GAP+8mm THK. I.G.U.

NO.	DATE	REVISION	BY
D	24/08/2020	REVISION SUBJECT TO ARCH.COMMENT	lvn
C	27/04/2020	REVISION SUBJECT TO ARCH.COMMENT	lvn
B	05/03/2020	REVISION SUBJECT TO ARCH.COMMENT	lvn
A	24/02/2020	REVISION SUBJECT TO ARCH.COMMENT	SH

JOB NO. : J-852

PROJECT :
PROPOSED RESIDENTIAL DEVELOPMENT
AT 139 - 147 ARGYLE STREET,
NKIL 6005, 6035 R.P., 6036 R.P.,
6037 R.P. & 6038 R.P.

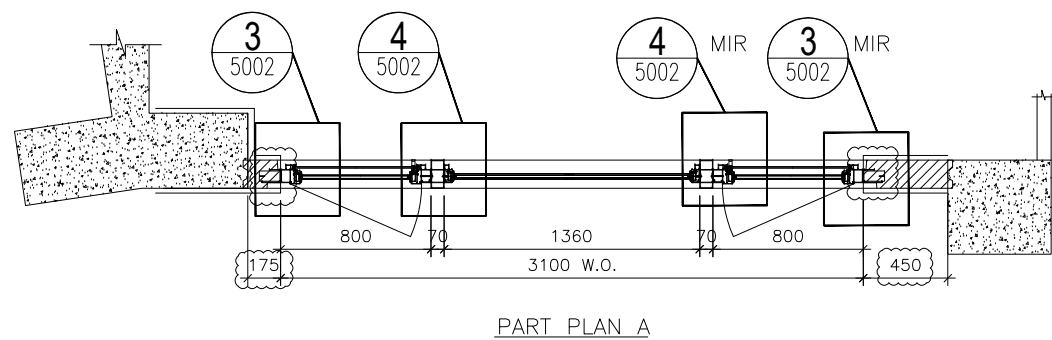
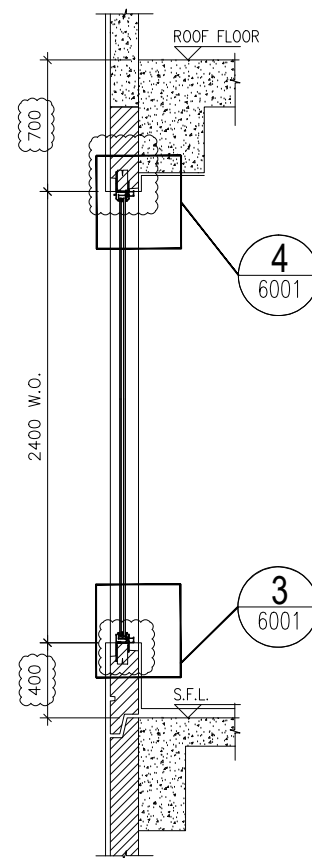
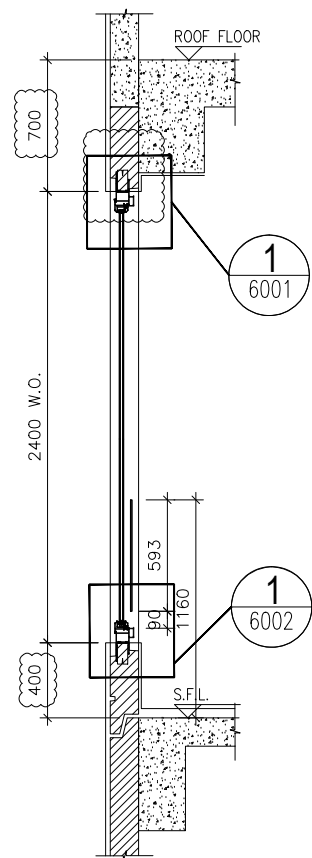
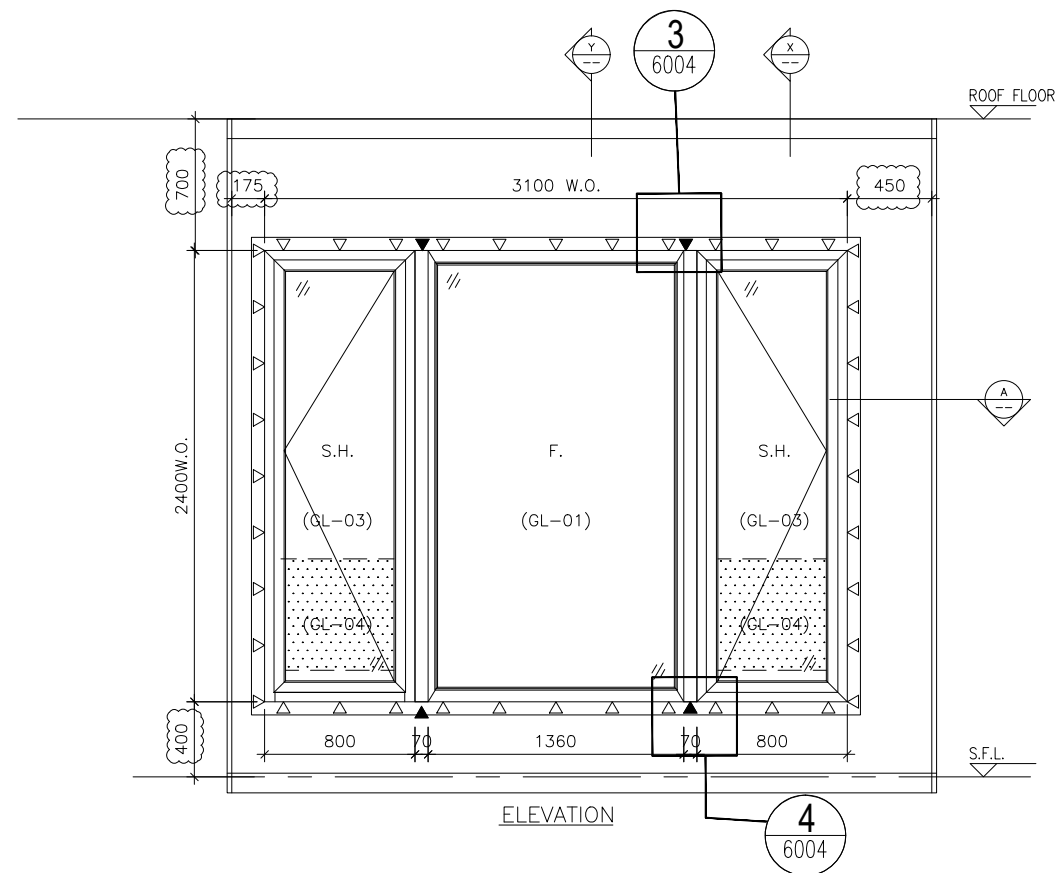
TITLE :
WINDOW SCHEDULE FOR
ALUM. WINDOW

DATE : 05-Dec-19 SCALE : 1:40

DRAWN BY : MN CHECKED BY : DW

美特鋁質有限公司
MIDI ALUMINIUM FABRICATOR LTD.
Units 6-8, Sunray Industrial Centre, 1/F
610 Cha Kwo Ling Road, Kowloon
Tel: 23489211-4 Fax: (852) 27727666

DWG NO. : J852-SD-PW-4224 REV. : D



TYPE A			
OPENABLE WINDOW DIMENSION	(WIDTH) =	800	
	(HEIGHT) =	2400	
FIXED WINDOW DIMENSION	(WIDTH) =	1360	
	(HEIGHT) =	2400	
NUMBER OF OPENABLE AREA WINDOW	=	2	
GLAZING AREA			
OPENABLE			
WIDTH = 800-111.5-111.5	=	577 mm	
HIGHT = 2400-111.5-111.5	=	2177 mm	
FIXED			
WIDTH = 1360-50-50	=	1260 mm	
HIGHT = 2400-50-50	=	2300 mm	
TOTAL = ((577x2177)x2+(1260x2300))\1000000	=	5.410258 m ²	
OPENABLE AREA			
WIDTH = 800-77-77	=	646 mm	
HIGHT = 2400-77-(1160-385-15)	=	1563 mm	
TOTAL = ((646x1563)x2)\1000000	=	2.019396 m ²	

PROVIDED	
GLAZING AREA	5.410 m ²
OPENABLE AREA	2.019 m ²

B.D. REF :

CLIENT :

ARCHITECT :
AGC DESIGN LTD
 10/F, 237, Queen's Road, 237 Queen's Road, Hong Kong
 Tel: (852)27771111, Fax: (852)27771111, Email: agc@agc.com.hk

MAIN CONTRACTOR :
Gammon

STRUCTURAL ENGINEER :
ARUP

FAÇADE CONSULTANT:
MEINHARDT

NOTE :
 1. ALL DIMENSIONS ARE IN mm.
 2. ALL ELEVATIONS ARE VIEWED FROM OUTSIDE.
 3. ALL DIMENSIONS TO BE VERIFIED ON SITE BEFORE FABRICATION.

LEGEND :
 X1 --- DETAIL MARK NO.
 X001 --- REFER SHEET NO.

1. F.F.L. --- FINISHED FLOOR LEVEL
 2. S.F.L. --- STRUCTURAL FLOOR LEVEL
 3. (R) --- REVERSED DETAIL
 4. ▲ --- FIXING LOCATION
 5. △ --- FIXING LUG LOCATION
 6. GLASS LEGEND
 GL01 -- 8mm+12mm AIR GAP+10mm THK. I.G.U.
 GL01a -- 8mm+12mm AIR GAP+10mm THK. I.G.U.
 GL03 -- 6mm+12mm AIR GAP+6mm THK. I.G.U.
 GL04 -- 10mm THK. TEMPERED GLASS (PROTECTIVE BARRIER)
 GL05 -- 6mm+12mm AIR GAP+8mm THK. I.G.U.

NO.	DATE	REVISION	BY
D	24/08/2020	REVISION SUBJECT TO ARCH.COMMENT	lvon
C	27/04/2020	REVISION SUBJECT TO ARCH.COMMENT	lvon
B	05/03/2020	REVISION SUBJECT TO ARCH.COMMENT	lvon
A	24/02/2020	REVISION SUBJECT TO ARCH.COMMENT	SH

JOB NO. : J-852
 PROJECT : PROPOSED RESIDENTIAL DEVELOPMENT AT 139 - 147 ARGYLE STREET, NKIL 6005, 6035 R.P., 6036 R.P., 6037 R.P. & 6038 R.P.

TITLE : WINDOW SCHEDULE FOR ALUM. WINDOW

DATE : 05-Dec-19 SCALE : 1:40
 DRAWN BY : MN CHECKED BY : DW

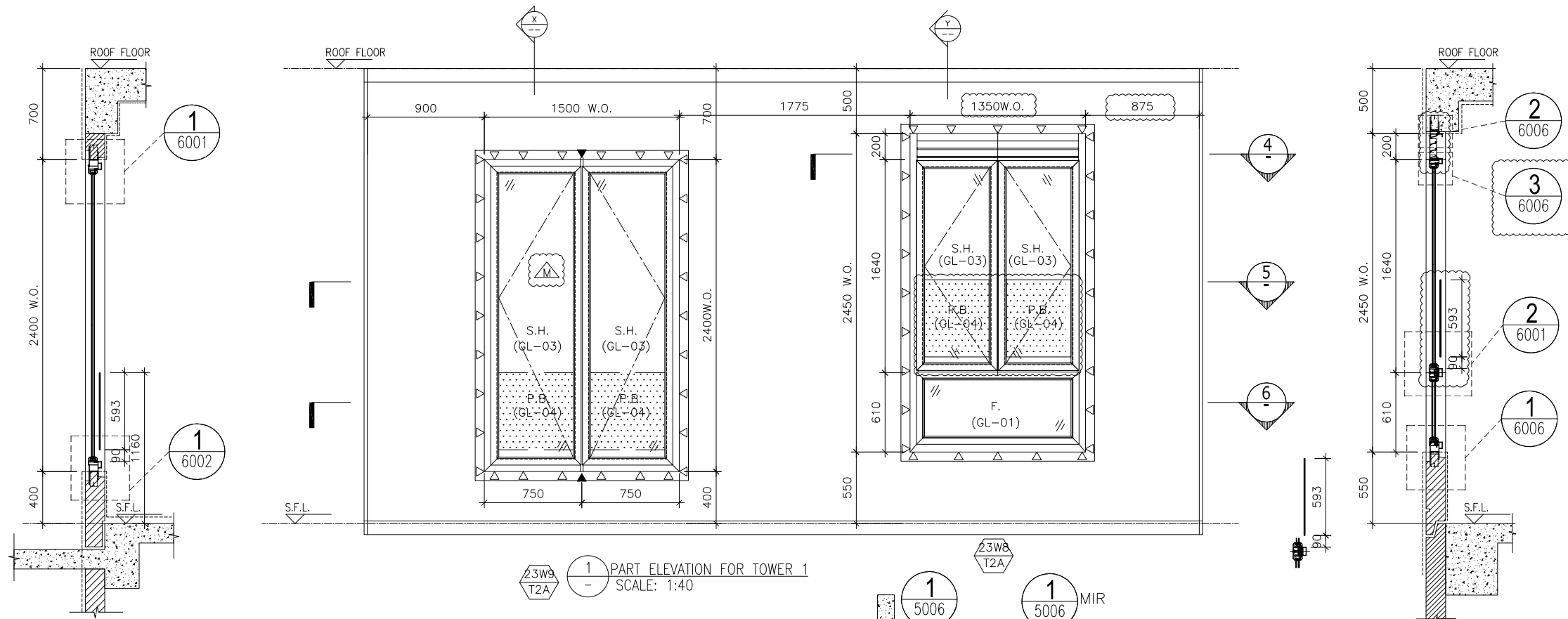
美特鋁質有限公司
MIDI ALUMINIUM FABRICATOR LTD.
 Units 6-8, Sunray Industrial Centre, 1/F
 610 Cha Kwo Ling Road, Kowloon
 Tel:23489211-4 Fax:(852)27727666

DWG NO. : J852-SD-PW-4225 REV. : D

ELEVATION

WINDOW MARK	23W3 T2A
LOCATION	23/F ENSUITE 3 AT TOWER 2 FLAT A
SECTION	70mm ALUM. SECTION
GLAZING	GL-01, GL-03
QUANTITY	1
REMARKS	FAÇADE (PF-8)

ELEVATION



SECTION "X-X"

SECTION "Y-Y"

1 PART ELEVATION FOR TOWER 1 SCALE: 1:40

4 PART PLAN FOR TOWER 1 SCALE: 1:40

5 PART PLAN FOR TOWER 1 SCALE: 1:40

6 PART PLAN FOR TOWER 1 SCALE: 1:40

TYPE C	
OPENABLE WINDOW DIMENSION (WIDTH)	750
(HEIGHT)	2400
NUMBER OF OPENABLE AREA WINDOW	2
GLAZING AREA	
WIDTH = 750-111.5-66.5	= 572 mm
HIGHT = 2400-69.5-111.5	= 2219 mm
TOTAL = ((572x2219)x2)/1000000	= 2.538536 m ²
OPENABLE AREA	
WIDTH = 750-77-32	= 641 mm
HIGHT = 2400-32-77	= 2291 mm
TOTAL = ((641x2291)x2)/1000000	= 2.937062 m ²

PROVIDED	
GLAZING AREA	2.540 m ²
OPENABLE AREA	2.937 m ²

TYPE D	
OPENABLE WINDOW DIMENSION (WIDTH)	625
(HEIGHT)	1640
FIXED WINDOW DIMENSION (WIDTH)	1250
(HEIGHT)	610
NUMBER OF OPENABLE AREA WINDOW	2
GLAZING AREA	
OPENABLE	
WIDTH = 625-111.5-66.5	= 447 mm
HIGHT = 1640-66.5-66.5	= 1507 mm
FIXED	
WIDTH = 1250-111.5-111.5	= 1027 mm
HIGHT = 610-66.5-111.5	= 432 mm
TOTAL = ((447x1507)x2+(1027x432))/1000000	= 1.790922 m ²
OPENABLE AREA	
WIDTH = 625-77-32	= 516 mm
HIGHT = 1640-32-32	= 1576 mm
TOTAL = ((516x1576)x2)/1000000	= 1.626432 m ²

PROVIDED	
GLAZING AREA	1.791 m ²
OPENABLE AREA	1.626 m ²

WINDOW MARK	23W9 / 23W8 T2A
LOCATION	23/F M.BATH & M.EN AT TOWER 2 FLAT A
SECTION	70mm ALUM. SECTION
GLAZING	GL-01, GL-03
QUANTITY	1
REMARKS	FACADE (PF-20)

B.D. REF :

CLIENT :

ARCHITECT :
AGC DESIGN LTD

MAIN CONTRACTOR :
Gammon

STRUCTURAL ENGINEER :
ARUP

FACADE CONSULTANT:
MEINHARDT

NOTE :
1. ALL DIMENSIONS ARE IN mm.
2. ALL ELEVATIONS ARE VIEWED FROM OUTSIDE.
3. ALL DIMENSIONS TO BE VERIFIED ON SITE BEFORE FABRICATION.

LEGEND :
x1 - DETAIL MARK NO.
x001 - REFER SHEET NO.
1. F.F.L. -- FINISHED FLOOR LEVEL
2. S.F.L. -- STRUCTURAL FLOOR LEVEL
3. (R) -- REVERSED DETAIL
4. ▲ -- FIXING LOCATION
5. △ -- FIXING LUG LOCATION
6. GLASS LEGEND
GL01 -- 8mm+12mm AIR GAP+10mm THK. I.G.U.
GL01a -- 8mm+12mm AIR GAP+10mm THK. I.G.U.
GL03 -- 6mm+12mm AIR GAP+6mm THK. I.G.U.
GL04 -- 10mm THK. TEMPERED GLASS (PROTECTIVE BARRIER)
GL05 -- 6mm+12mm AIR GAP+8mm THK. I.G.U.

E	24/08/2020	REVISION SUBJECT TO ARCH.COMMENT	Ivan
D	29/05/2020	REVISION SUBJECT TO ARCH.COMMENT	Ivan
C	27/04/2020	REVISION SUBJECT TO ARCH.COMMENT	Ivan
B	05/03/2020	REVISION SUBJECT TO ARCH.COMMENT	Ivan
A	24/02/2020	REVISION SUBJECT TO ARCH.COMMENT	SH
NO.	DATE	REVISED	BY

JOB NO. : J-852
PROJECT :
PROPOSED RESIDENTIAL DEVELOPMENT
AT 139 - 147 ARGYLE STREET,
NKIL 6005, 6035 R.P., 6036 R.P.,
6037 R.P. & 6038 R.P.

TITLE : WINDOW SCHEDULE FOR ALUM. WINDOW

DATE : 05-Dec-19 SCALE : 1:40
DRAWN BY : MN CHECKED BY : DW

美特鋁質有限公司
MIDI ALUMINIUM FABRICATOR LTD.
Units 6-8, Sunray Industrial Centre, 1/F
610 Cha Kwo Ling Road, Kowloon
Tel:23489211-4 Fax:(852)2727666

DWG NO. : J852-SD-PW-4226 REV. : E

B.D. REF :

CLIENT :

ARCHITECT :
AGC DESIGN LTD
 10/F, 187, Queen Mary Road, Hong Kong
 Tel: (852)27771111 Fax: (852)27771111 Email: agc@agc.com.hk

MAIN CONTRACTOR :
Gammon

STRUCTURAL ENGINEER :
ARUP

FAÇADE CONSULTANT :
MEINHARDT

NOTE :
 1. ALL DIMENSIONS ARE IN mm.
 2. ALL ELEVATIONS ARE VIEWED FROM OUTSIDE.
 3. ALL DIMENSIONS TO BE VERIFIED ON SITE BEFORE FABRICATION.

LEGEND :
 (X1) --- DETAIL MARK NO.
 (X001) --- REFER SHEET NO.
 1. F.F.L. --- FINISHED FLOOR LEVEL
 2. S.F.L. --- STRUCTURAL FLOOR LEVEL
 3. (R) --- REVERSED DETAIL
 4. ▲ --- FIXING LOCATION
 5. △ --- FIXING LUG LOCATION
 6. GLASS LEGEND
 GL01 -- 8mm+12mm AIR GAP+10mm THK. I.G.U.
 GL01a -- 8mm+12mm AIR GAP+10mm THK. I.G.U.
 GL03 -- 6mm+12mm AIR GAP+6mm THK. I.G.U.
 GL04 -- 10mm THK. TEMPERED GLASS (PROTECTIVE BARRIER)
 GL05 -- 6mm+12mm AIR GAP+8mm THK. I.G.U.

NO.	DATE	REVISION	REVISOR
E	24/08/2020	REVISION SUBJECT TO ARCH.COMMENT	lvn
D	29/05/2020	REVISION SUBJECT TO ARCH.COMMENT	lvn
C	27/04/2020	REVISION SUBJECT TO ARCH.COMMENT	lvn
B	05/03/2020	REVISION SUBJECT TO ARCH.COMMENT	lvn
A	24/02/2020	REVISION SUBJECT TO ARCH.COMMENT	SH

JOB NO. : J-852
 PROJECT : PROPOSED RESIDENTIAL DEVELOPMENT AT 139 - 147 ARGYLE STREET, NKIL 6005, 6035 R.P., 6036 R.P., 6037 R.P. & 6038 R.P.

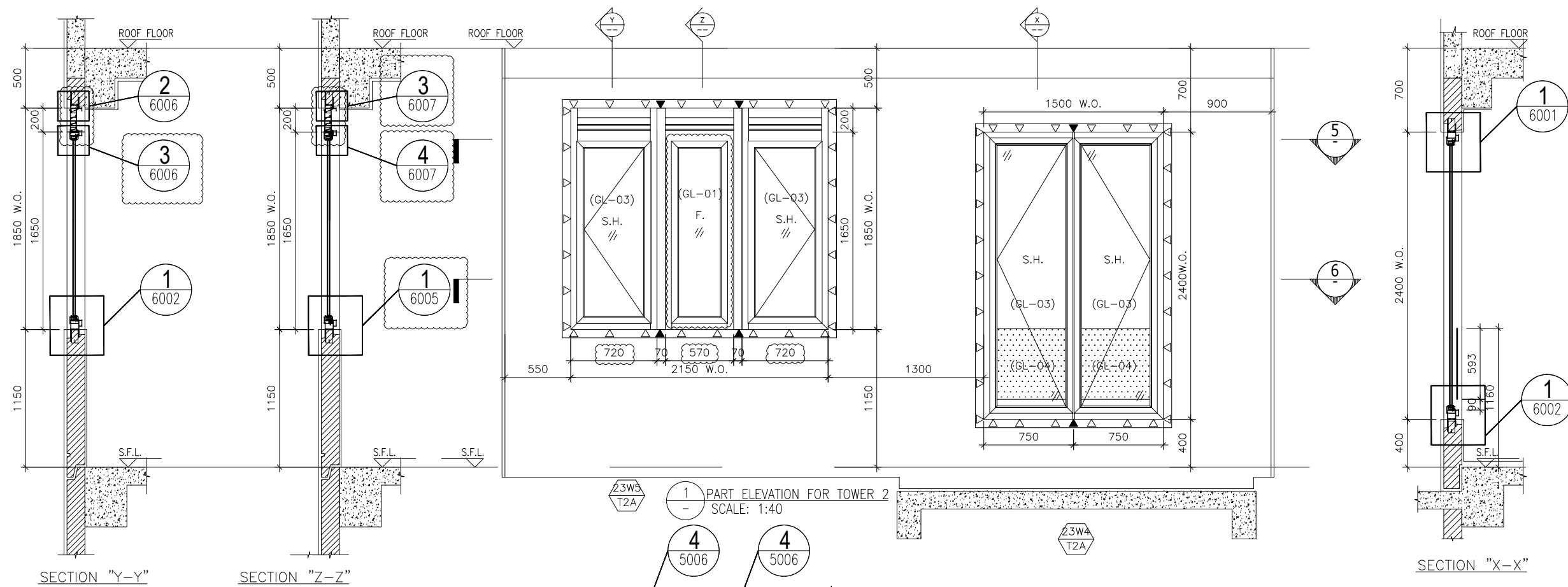
TITLE : WINDOW SCHEDULE FOR ALUM. WINDOW

DATE : 05-Dec-19 SCALE : 1:40
 DRAWN BY : MN CHECKED BY : DW

美特鋁質有限公司
MIDI ALUMINIUM FABRICATOR LTD.
 Units 6-8, Sunray Industrial Centre, 1/F
 610 Cha Kwo Ling Road, Kowloon
 Tel:23489211-4 Fax:(852)27727666

DWG NO. : J852-SD-PW-4227 REV. : E

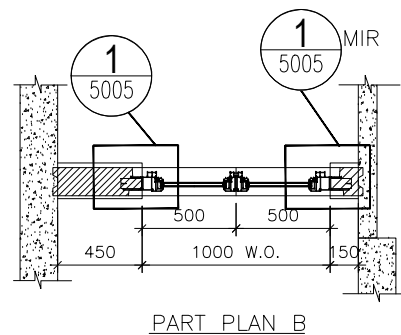
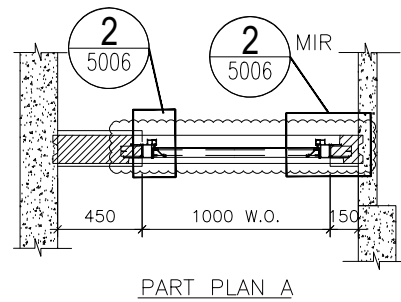
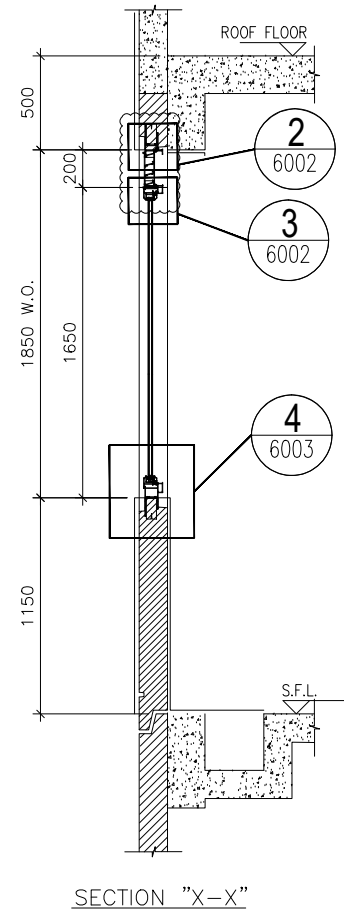
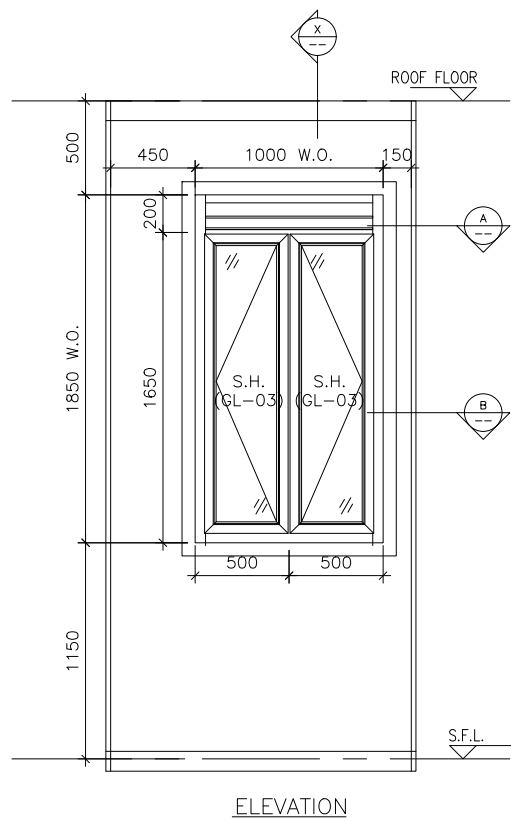
ELEVATION



TYPE H		
OPENABLE WINDOW DIMENSION	(WIDTH) =	720
	(HEIGHT) =	1653
FIXED WINDOW DIMENSION	(WIDTH) =	570
	(HEIGHT) =	1653
NUMBER OF OPENABLE AREA WINDOW	=	2
GLAZING AREA		
OPENABLE		
WIDTH =	720-111.5-111.5	= 597 mm
HIGHT =	1650-69.5-111.5	= 1469 mm
FIXED		
WIDTH =	570-111.5-111.5	= 347 mm
HIGHT =	1650-57-111.5	= 1481.5 mm
TOTAL =	$((597 \times 1469) \times 2) + (347 \times 1481.5) \times 1000000$	= 2.2680665 m ²
OPENABLE AREA		
WIDTH =	720-77-77	= 566 mm
HIGHT =	1650-37.5-77	= 1535.5 mm
TOTAL =	$((566 \times 1535.5) \times 2) \times 1000000$	= 1.738186 m ²
PROVIDED		
GLAZING AREA	2.268 m ²	23W3 T2A
OPENABLE AREA	1.738 m ²	23W4 T2A

TYPE C		
OPENABLE WINDOW DIMENSION	(WIDTH) =	750
	(HEIGHT) =	2400
NUMBER OF OPENABLE AREA WINDOW	=	1
GLAZING AREA		
OPENABLE		
WIDTH =	750-111.5-66.5	= 572 mm
HIGHT =	2400-69.5-111.5	= 2219 mm
TOTAL =	$((572 \times 2219) \times 2) \times 1000000$	= 2.538536 m ²
OPENABLE AREA		
WIDTH =	750-77-32	= 641 mm
HIGHT =	2400-32-77	= 2291 mm
TOTAL =	$((641 \times 2291) \times 2) \times 1000000$	= 1.468531 m ²
PROVIDED		
GLAZING AREA	2.539 m ²	23W4 T2A
OPENABLE AREA	1.469 m ²	23W4 T2A

WINDOW MARK	23W3 T2A / 23W4 T2A
LOCATION	23/F KIT. & EN.4 AT TOWER 2 FLAT A
SECTION	70mm ALUM. SECTION
GLAZING	GL-01, GL-03
QUANTITY	1
REMARKS	FAÇADE (PF-21)



TYPE C			
OPENABLE WINDOW DIMENSION	(WIDTH)	=	500
	(HEIGHT)	=	1650
NUMBER OF OPENABLE AREA WINDOW		=	2
GLAZING AREA			
WIDTH	=	500-111.5-66.5	= 322 mm
HIGHT	=	1650-69.5-111.5	= 1469 mm
TOTAL	=	((322x1469)x2)/1000000	= 0.946036 m ²
OPENABLE AREA			
WIDTH	=	500-77-32	= 391 mm
HIGHT	=	1650-32-77	= 1541 mm
TOTAL	=	((391x1541)x2)/1000000	= 1.205062 m ²

PROVIDED	
GLAZING AREA	0.948 m ²
OPENABLE AREA	1.205 m ²

B.D. REF :

CLIENT :

ARCHITECT :
AGC DESIGN LTD
 201, 202, 203, 204, 205, 206, 207, 208, 209, 210, 211, 212, 213, 214, 215, 216, 217, 218, 219, 220, 221, 222, 223, 224, 225, 226, 227, 228, 229, 230, 231, 232, 233, 234, 235, 236, 237, 238, 239, 240, 241, 242, 243, 244, 245, 246, 247, 248, 249, 250, 251, 252, 253, 254, 255, 256, 257, 258, 259, 260, 261, 262, 263, 264, 265, 266, 267, 268, 269, 270, 271, 272, 273, 274, 275, 276, 277, 278, 279, 280, 281, 282, 283, 284, 285, 286, 287, 288, 289, 290, 291, 292, 293, 294, 295, 296, 297, 298, 299, 300, 301, 302, 303, 304, 305, 306, 307, 308, 309, 310, 311, 312, 313, 314, 315, 316, 317, 318, 319, 320, 321, 322, 323, 324, 325, 326, 327, 328, 329, 330, 331, 332, 333, 334, 335, 336, 337, 338, 339, 340, 341, 342, 343, 344, 345, 346, 347, 348, 349, 350, 351, 352, 353, 354, 355, 356, 357, 358, 359, 360, 361, 362, 363, 364, 365, 366, 367, 368, 369, 370, 371, 372, 373, 374, 375, 376, 377, 378, 379, 380, 381, 382, 383, 384, 385, 386, 387, 388, 389, 390, 391, 392, 393, 394, 395, 396, 397, 398, 399, 400, 401, 402, 403, 404, 405, 406, 407, 408, 409, 410, 411, 412, 413, 414, 415, 416, 417, 418, 419, 420, 421, 422, 423, 424, 425, 426, 427, 428, 429, 430, 431, 432, 433, 434, 435, 436, 437, 438, 439, 440, 441, 442, 443, 444, 445, 446, 447, 448, 449, 450, 451, 452, 453, 454, 455, 456, 457, 458, 459, 460, 461, 462, 463, 464, 465, 466, 467, 468, 469, 470, 471, 472, 473, 474, 475, 476, 477, 478, 479, 480, 481, 482, 483, 484, 485, 486, 487, 488, 489, 490, 491, 492, 493, 494, 495, 496, 497, 498, 499, 500, 501, 502, 503, 504, 505, 506, 507, 508, 509, 510, 511, 512, 513, 514, 515, 516, 517, 518, 519, 520, 521, 522, 523, 524, 525, 526, 527, 528, 529, 530, 531, 532, 533, 534, 535, 536, 537, 538, 539, 540, 541, 542, 543, 544, 545, 546, 547, 548, 549, 550, 551, 552, 553, 554, 555, 556, 557, 558, 559, 560, 561, 562, 563, 564, 565, 566, 567, 568, 569, 570, 571, 572, 573, 574, 575, 576, 577, 578, 579, 580, 581, 582, 583, 584, 585, 586, 587, 588, 589, 590, 591, 592, 593, 594, 595, 596, 597, 598, 599, 600, 601, 602, 603, 604, 605, 606, 607, 608, 609, 610, 611, 612, 613, 614, 615, 616, 617, 618, 619, 620, 621, 622, 623, 624, 625, 626, 627, 628, 629, 630, 631, 632, 633, 634, 635, 636, 637, 638, 639, 640, 641, 642, 643, 644, 645, 646, 647, 648, 649, 650, 651, 652, 653, 654, 655, 656, 657, 658, 659, 660, 661, 662, 663, 664, 665, 666, 667, 668, 669, 670, 671, 672, 673, 674, 675, 676, 677, 678, 679, 680, 681, 682, 683, 684, 685, 686, 687, 688, 689, 690, 691, 692, 693, 694, 695, 696, 697, 698, 699, 700, 701, 702, 703, 704, 705, 706, 707, 708, 709, 710, 711, 712, 713, 714, 715, 716, 717, 718, 719, 720, 721, 722, 723, 724, 725, 726, 727, 728, 729, 730, 731, 732, 733, 734, 735, 736, 737, 738, 739, 740, 741, 742, 743, 744, 745, 746, 747, 748, 749, 750, 751, 752, 753, 754, 755, 756, 757, 758, 759, 760, 761, 762, 763, 764, 765, 766, 767, 768, 769, 770, 771, 772, 773, 774, 775, 776, 777, 778, 779, 780, 781, 782, 783, 784, 785, 786, 787, 788, 789, 790, 791, 792, 793, 794, 795, 796, 797, 798, 799, 800, 801, 802, 803, 804, 805, 806, 807, 808, 809, 810, 811, 812, 813, 814, 815, 816, 817, 818, 819, 820, 821, 822, 823, 824, 825, 826, 827, 828, 829, 830, 831, 832, 833, 834, 835, 836, 837, 838, 839, 840, 841, 842, 843, 844, 845, 846, 847, 848, 849, 850, 851, 852, 853, 854, 855, 856, 857, 858, 859, 860, 861, 862, 863, 864, 865, 866, 867, 868, 869, 870, 871, 872, 873, 874, 875, 876, 877, 878, 879, 880, 881, 882, 883, 884, 885, 886, 887, 888, 889, 890, 891, 892, 893, 894, 895, 896, 897, 898, 899, 900, 901, 902, 903, 904, 905, 906, 907, 908, 909, 910, 911, 912, 913, 914, 915, 916, 917, 918, 919, 920, 921, 922, 923, 924, 925, 926, 927, 928, 929, 930, 931, 932, 933, 934, 935, 936, 937, 938, 939, 940, 941, 942, 943, 944, 945, 946, 947, 948, 949, 950, 951, 952, 953, 954, 955, 956, 957, 958, 959, 960, 961, 962, 963, 964, 965, 966, 967, 968, 969, 970, 971, 972, 973, 974, 975, 976, 977, 978, 979, 980, 981, 982, 983, 984, 985, 986, 987, 988, 989, 990, 991, 992, 993, 994, 995, 996, 997, 998, 999, 1000

MAIN CONTRACTOR :
Gammon

STRUCTURAL ENGINEER :
ARUP

FACADE CONSULTANT:
MEINHARDT

NOTE :
 1. ALL DIMENSIONS ARE IN mm.
 2. ALL ELEVATIONS ARE VIEWED FROM OUTSIDE.
 3. ALL DIMENSIONS TO BE VERIFIED ON SITE BEFORE FABRICATION.

LEGEND :
 X1 --- DETAIL MARK NO.
 X001 --- REFER SHEET NO.
 1. F.F.L. --- FINISHED FLOOR LEVEL
 2. S.F.L. --- STRUCTURAL FLOOR LEVEL
 3. (R) --- REVERSED DETAIL
 4. ▲ --- FIXING LOCATION
 5. △ --- FIXING LUG LOCATION
 6. GLASS LEGEND

GL01 -- 8mm+12mm AIR GAP+10mm THK. I.G.U.
 GL01a -- 8mm+12mm AIR GAP+10mm THK. I.G.U.
 GL03 -- 6mm+12mm AIR GAP+6mm THK. I.G.U.
 GL04 -- 10mm THK. TEMPERED GLASS (PROTECTIVE BARRIER)
 GL05 -- 6mm+12mm AIR GAP+8mm THK. I.G.U.

NO.	DATE	REVISION	BY
E	24/08/2020	REVISION SUBJECT TO ARCH.COMMENT	lvn
D	29/05/2020	REVISION SUBJECT TO ARCH.COMMENT	lvn
C	27/04/2020	REVISION SUBJECT TO ARCH.COMMENT	lvn
B	05/03/2020	REVISION SUBJECT TO ARCH.COMMENT	lvn
A	24/02/2020	REVISION SUBJECT TO ARCH.COMMENT	SH

JOB NO. : J-852
 PROJECT : PROPOSED RESIDENTIAL DEVELOPMENT AT 139 - 147 ARGYLE STREET, NKIL 6005, 6035 R.P., 6036 R.P., 6037 R.P. & 6038 R.P.

TITLE : WINDOW SCHEDULE FOR ALUM. WINDOW

DATE : 05-Dec-19 SCALE : 1:40
 DRAWN BY : MN CHECKED BY : DW

美特鋁質有限公司
MIDI ALUMINIUM FABRICATOR LTD.
 Units 6-8, Sunray Industrial Centre, 1/F
 610 Cha Kwo Ling Road, Kowloon
 Tel:23489211-4 Fax:(852)27727666

DWG NO. : J852-SD-PW-4228 REV. : E

ELEVATION

WINDOW MARK



LOCATION

23/F KIT. AT TOWER 2 FLAT C

SECTION

70mm ALUM. SECTION

GLAZING

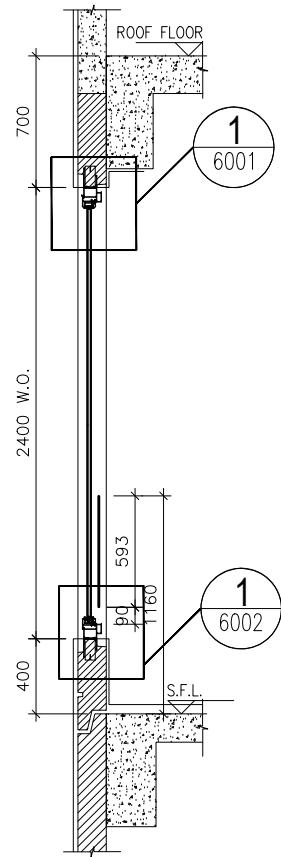
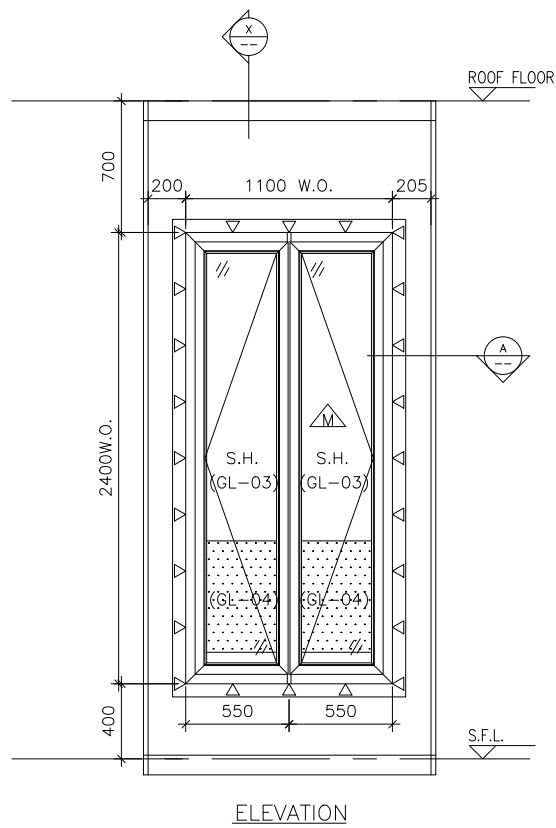
GL-03

QUANTITY

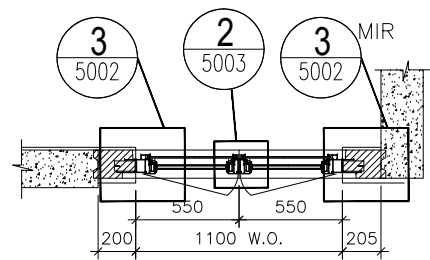
1

REMARKS

FACADE (PF-28)



SECTION "X-X"



PART PLAN A

ELEVATION

TYPE C			
OPENABLE WINDOW DIMENSION	(WIDTH) =	550	
	(HEIGHT) =	2400	
NUMBER OF OPENABLE AREA WINDOW		=	1
GLAZING AREA			
WIDTH	=	550-111.5-66.5	= 372 mm
HEIGHT	=	2400-69.5-111.5	= 2219 mm
TOTAL	=	((372x2219)x2)/1000000	= 1.650936 m ²
OPENABLE AREA			
WIDTH	=	550-77-32	= 441 mm
HEIGHT	=	2400-32-77	= 2291 mm
TOTAL	=	((441x2291)x1)/1000000	= 1.010331 m ²
		PROVIDED	
		GLAZING AREA	1.256 m ²
		OPENABLE AREA	0.689 m ²

B.D. REF :

CLIENT :

ARCHITECT :
AGC DESIGN LTD
 10/F, 100, Queen Mary Road, Hong Kong
 Tel: (852)27771111, Fax: (852)27771111, Email: agc@agc.com.hk

MAIN CONTRACTOR :
Gammon

STRUCTURAL ENGINEER :
ARUP

FAÇADE CONSULTANT:
MEINHARDT

NOTE :
 1. ALL DIMENSIONS ARE IN mm.
 2. ALL ELEVATIONS ARE VIEWED FROM OUTSIDE.
 3. ALL DIMENSIONS TO BE VERIFIED ON SITE BEFORE FABRICATION.

LEGEND :
 (X1) --- DETAIL MARK NO.
 (X001) --- REFER SHEET NO.
 1. F.F.L. --- FINISHED FLOOR LEVEL
 2. S.F.L. --- STRUCTURAL FLOOR LEVEL
 3. (R) --- REVERSED DETAIL
 4. (B) --- REVERSED DETAIL
 4. ▲ --- FIXING LOCATION
 5. △ --- FIXING LUG LOCATION
 6. GLASS LEGEND

GL01 -- 8mm+12mm AIR GAP+10mm THK. I.G.U.
 GL01a -- 8mm+12mm AIR GAP+10mm THK. I.G.U.
 GL03 -- 6mm+12mm AIR GAP+6mm THK. I.G.U.
 GL04 -- 10mm THK. TEMPERED GLASS (PROTECTIVE BARRIER)
 GL05 -- 6mm+12mm AIR GAP+8mm THK. I.G.U.

E	24/08/2020	REVISION SUBJECT TO ARCH.COMMENT	lvn
D	06/05/2020	REVISION SUBJECT TO ARCH.COMMENT	lvn
C	27/04/2020	REVISION SUBJECT TO ARCH.COMMENT	lvn
B	05/03/2020	REVISION SUBJECT TO ARCH.COMMENT	lvn
A	24/02/2020	REVISION SUBJECT TO ARCH.COMMENT	SH
NO.	DATE	REVISED	BY

JOB NO. : J-852
 PROJECT : PROPOSED RESIDENTIAL DEVELOPMENT AT 139 - 147 ARGYLE STREET, NKIL 6005, 6035 R.P., 6036 R.P., 6037 R.P. & 6038 R.P.

TITLE : WINDOW SCHEDULE FOR ALUM. WINDOW

DATE : 05-Dec-19 SCALE : 1:40
 DRAWN BY : MN CHECKED BY : DW

美特鋁質有限公司
MIDI ALUMINIUM FABRICATOR LTD.
 Units 6-8, Sunray Industrial Centre, 1/F
 610 Cha Kwo Ling Road, Kowloon
 Tel:23489211-4 Fax:(852)27727666

DWG NO. : J852-SD-PW-4229 REV. : E

WINDOW MARK	
LOCATION	23/F B.R.2 AT TOWER 2 FLAT C
SECTION	70mm ALUM. SECTION
GLAZING	GL-03
QUANTITY	1
REMARKS	FAÇADE (PF-29)

B.D. REF :

CLIENT :

ARCHITECT :
AGC DESIGN LTD
 10/F, 187, Queen Mary Road, Kowloon, Hong Kong
 Tel: (852)27771111 Fax: (852)27771111 Email: agc@agcdesign.com.hk

MAIN CONTRACTOR :
Gammon

STRUCTURAL ENGINEER :
ARUP

FAÇADE CONSULTANT :
MEINHARDT

NOTE :
 1. ALL DIMENSIONS ARE IN mm.
 2. ALL ELEVATIONS ARE VIEWED FROM OUTSIDE.
 3. ALL DIMENSIONS TO BE VERIFIED ON SITE BEFORE FABRICATION.

LEGEND :
 X1 --- DETAIL MARK NO.
 X001 --- REFER SHEET NO.

1. F.F.L. --- FINISHED FLOOR LEVEL
 2. S.F.L. --- STRUCTURAL FLOOR LEVEL
 3. (R) --- REVERSED DETAIL
 4. ▲ --- FIXING LOCATION
 5. △ --- FIXING LUG LOCATION
 6. GLASS LEGEND
 GL01 --- 8mm+12mm AIR GAP+10mm THK. I.G.U.
 GL01a --- 8mm+12mm AIR GAP+10mm THK. I.G.U.
 GL03 --- 6mm+12mm AIR GAP+6mm THK. I.G.U.
 GL04 --- 10mm THK. TEMPERED GLASS (PROTECTIVE BARRIER)
 GL05 --- 6mm+12mm AIR GAP+8mm THK. I.G.U.

NO.	DATE	REVISION	BY
E	24/08/2020	REVISION SUBJECT TO ARCH.COMMENT	lvon
D	05/06/2020	REVISION SUBJECT TO ARCH.COMMENT	lvon
C	27/04/2020	REVISION SUBJECT TO ARCH.COMMENT	lvon
B	05/03/2020	REVISION SUBJECT TO ARCH.COMMENT	lvon
A	24/02/2020	REVISION SUBJECT TO ARCH.COMMENT	SH

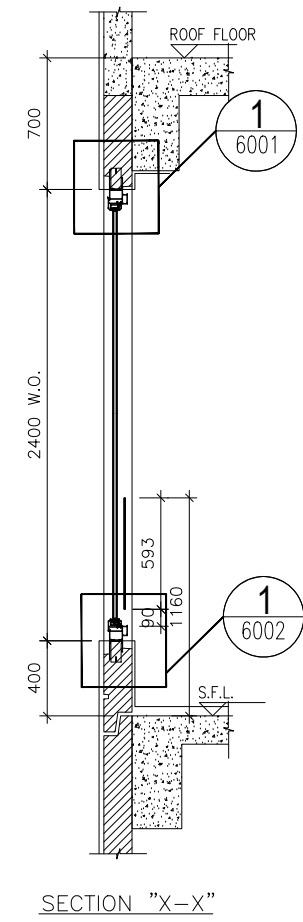
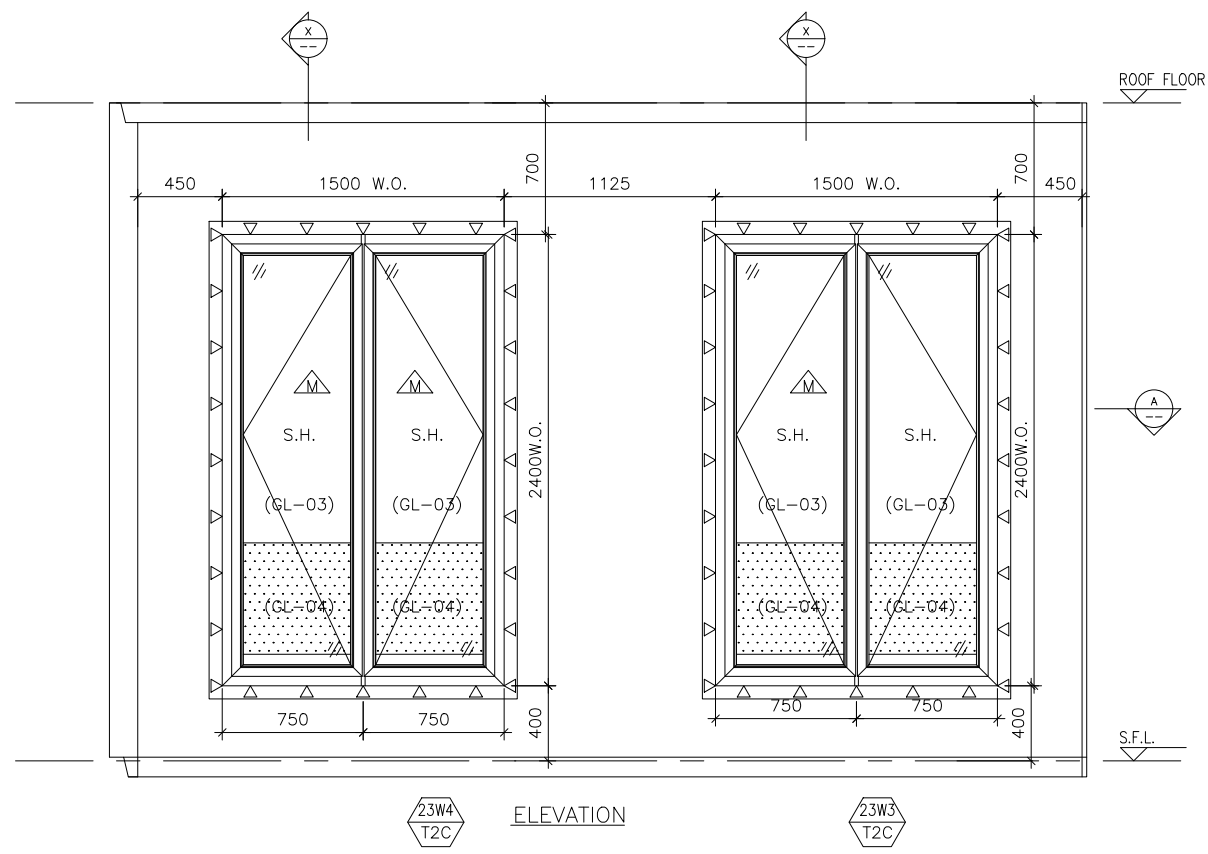
JOB NO. : J-852
 PROJECT : PROPOSED RESIDENTIAL DEVELOPMENT AT 139 - 147 ARGYLE STREET, NKIL 6005, 6035 R.P., 6036 R.P., 6037 R.P. & 6038 R.P.

TITLE : WINDOW SCHEDULE FOR ALUM. WINDOW

DATE : 05-Dec-19 SCALE : 1:40
 DRAWN BY : MN CHECKED BY : DW

美特鋁質有限公司
MIDI ALUMINIUM FABRICATOR LTD.
 Units 6-8, Sunray Industrial Centre, 1/F
 610 Cha Kwo Ling Road, Kowloon
 Tel:23489211-4 Fax:(852)27727666

DWG NO. : J852-SD-PW-4230 REV. : E



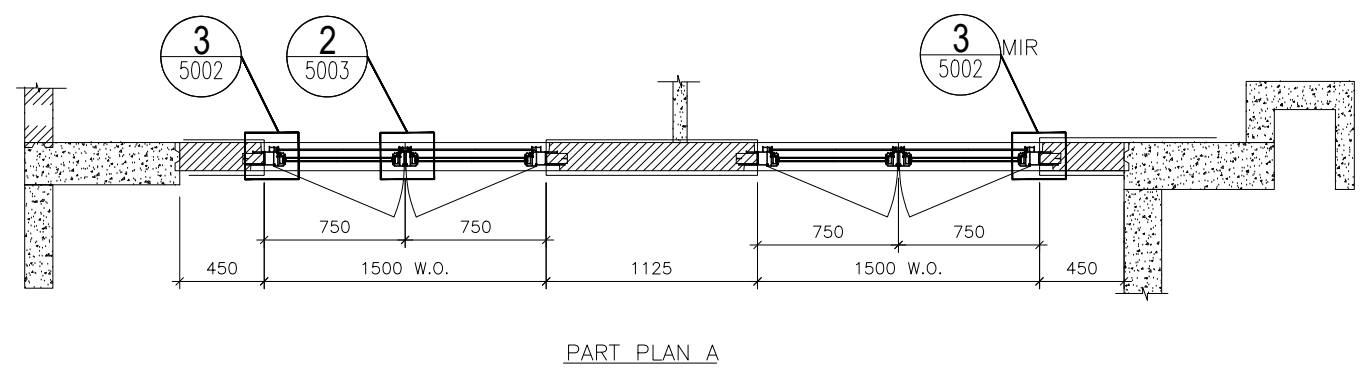
TYPE C			
OPENABLE WINDOW DIMENSION	(WIDTH)	=	750
	(HIGHT)	=	2400
NUMBER OF OPENABLE AREA WINDOW		=	0
GLAZING AREA			
WIDTH	=	750-111.5-66.5	= 572 mm
HIGHT	=	2400-69.5-111.5	= 2219 mm
TOTAL	=	((572x2219)x2)/1000000	= 2.538536 m ²
OPENABLE AREA			
WIDTH	=	750-77-32	= 641 mm
HIGHT	=	2400-32-77	= 2291 mm
TOTAL	=	((641x2291)x0)/1000000	= 0 m ²

		PROVIDED	
23W4 T2C	GLAZING AREA	2.539	m ²
23W3 T2C	OPENABLE AREA	0	m ²

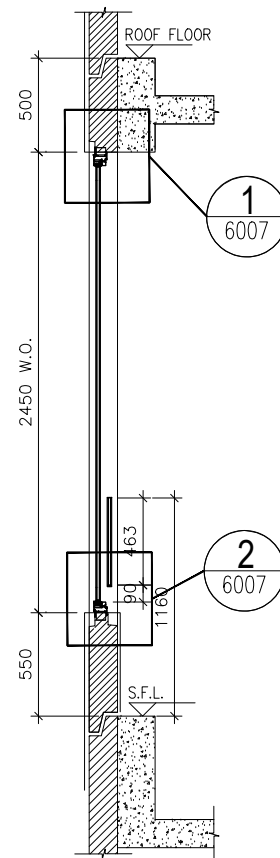
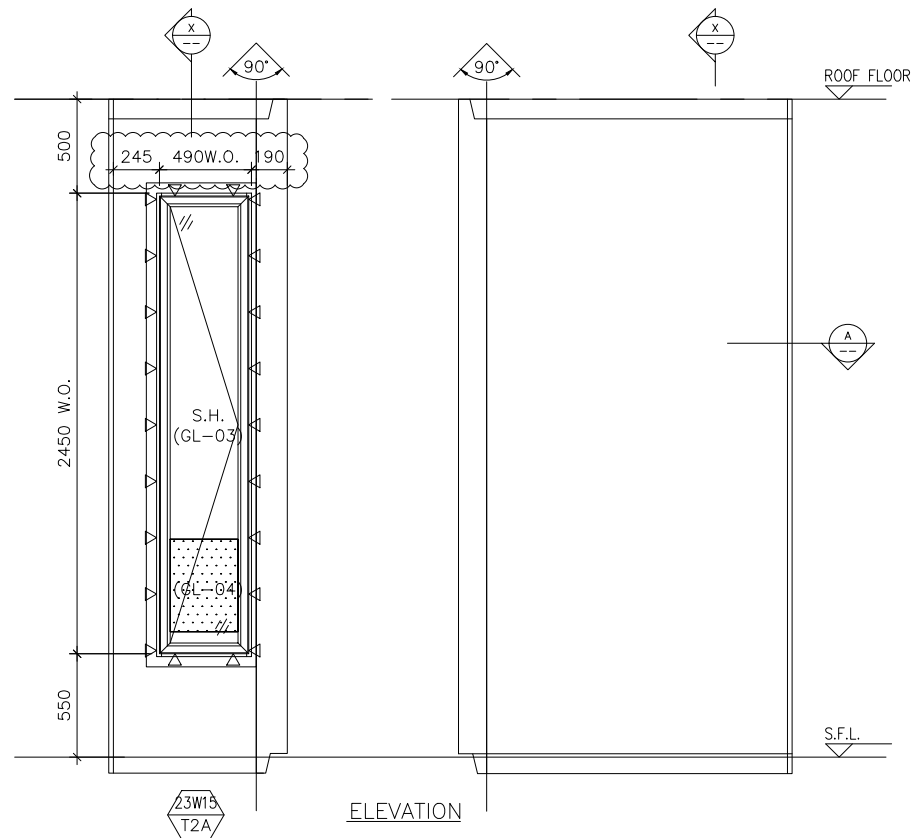
TYPE C			
OPENABLE WINDOW DIMENSION	(WIDTH)	=	750
	(HIGHT)	=	2400
NUMBER OF OPENABLE AREA WINDOW		=	1
GLAZING AREA			
WIDTH	=	750-111.5-66.5	= 572 mm
HIGHT	=	2400-69.5-111.5	= 2219 mm
TOTAL	=	((572x2219)x2)/1000000	= 2.538536 m ²
OPENABLE AREA			
WIDTH	=	750-77-32	= 641 mm
HIGHT	=	2400-32-77	= 2291 mm
TOTAL	=	((641x2291)x1)/1000000	= 1.468531 m ²

		PROVIDED	
23W3 T2C	GLAZING AREA	2.539	m ²
23W3 T2C	OPENABLE AREA	1.469	m ²

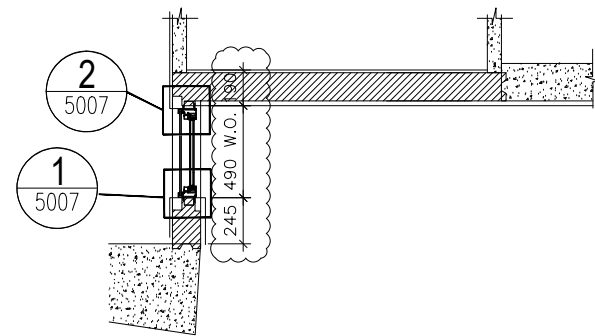
ELEVATION



WINDOW MARK	23W4 T2C / 23W3 T2C
LOCATION	23/F M.B.R.1 & B.R.2 AT TOWER 2 FLAT C
SECTION	70mm ALUM. SECTION
GLAZING	GL-03
QUANTITY	1
REMARKS	FAÇADE (PF-30)



SECTION "X-X"



PART PLAN A

ELEVATION

TYPE T			
OPENABLE WINDOW DIMENSION	(WIDTH)	=	490
	(HEIGHT)	=	2450
NUMBER OF OPENABLE AREA WINDOW		=	1
GLAZING AREA			
OPENABLE			
WIDTH	= 490-72-72	=	346 mm
HEIGHT	= (2450+550)-72-1000	=	1928 mm
TOTAL	= (346x1928)x1	=	0.667088 m ²
OPENABLE AREA			
WIDTH	= 490-42-42	=	406 mm
HEIGHT	= 2450-42-(1160-550)	=	1798 mm
TOTAL	= ((406x1798)x1)	=	0.729988 m ²

PROVIDED	
GLAZING AREA	0.667 m ²
OPENABLE AREA	0.730 m ²

B.D. REF :

CLIENT :

ARCHITECT :
AGC DESIGN LTD
 architecture
 interior design
 landscape
 101, 102, 103, 104, 105, 106, 107, 108, 109, 110, 111, 112, 113, 114, 115, 116, 117, 118, 119, 120, 121, 122, 123, 124, 125, 126, 127, 128, 129, 130, 131, 132, 133, 134, 135, 136, 137, 138, 139, 140, 141, 142, 143, 144, 145, 146, 147, 148, 149, 150, 151, 152, 153, 154, 155, 156, 157, 158, 159, 160, 161, 162, 163, 164, 165, 166, 167, 168, 169, 170, 171, 172, 173, 174, 175, 176, 177, 178, 179, 180, 181, 182, 183, 184, 185, 186, 187, 188, 189, 190, 191, 192, 193, 194, 195, 196, 197, 198, 199, 200, 201, 202, 203, 204, 205, 206, 207, 208, 209, 210, 211, 212, 213, 214, 215, 216, 217, 218, 219, 220, 221, 222, 223, 224, 225, 226, 227, 228, 229, 230, 231, 232, 233, 234, 235, 236, 237, 238, 239, 240, 241, 242, 243, 244, 245, 246, 247, 248, 249, 250, 251, 252, 253, 254, 255, 256, 257, 258, 259, 260, 261, 262, 263, 264, 265, 266, 267, 268, 269, 270, 271, 272, 273, 274, 275, 276, 277, 278, 279, 280, 281, 282, 283, 284, 285, 286, 287, 288, 289, 290, 291, 292, 293, 294, 295, 296, 297, 298, 299, 300, 301, 302, 303, 304, 305, 306, 307, 308, 309, 310, 311, 312, 313, 314, 315, 316, 317, 318, 319, 320, 321, 322, 323, 324, 325, 326, 327, 328, 329, 330, 331, 332, 333, 334, 335, 336, 337, 338, 339, 340, 341, 342, 343, 344, 345, 346, 347, 348, 349, 350, 351, 352, 353, 354, 355, 356, 357, 358, 359, 360, 361, 362, 363, 364, 365, 366, 367, 368, 369, 370, 371, 372, 373, 374, 375, 376, 377, 378, 379, 380, 381, 382, 383, 384, 385, 386, 387, 388, 389, 390, 391, 392, 393, 394, 395, 396, 397, 398, 399, 400, 401, 402, 403, 404, 405, 406, 407, 408, 409, 410, 411, 412, 413, 414, 415, 416, 417, 418, 419, 420, 421, 422, 423, 424, 425, 426, 427, 428, 429, 430, 431, 432, 433, 434, 435, 436, 437, 438, 439, 440, 441, 442, 443, 444, 445, 446, 447, 448, 449, 450, 451, 452, 453, 454, 455, 456, 457, 458, 459, 460, 461, 462, 463, 464, 465, 466, 467, 468, 469, 470, 471, 472, 473, 474, 475, 476, 477, 478, 479, 480, 481, 482, 483, 484, 485, 486, 487, 488, 489, 490, 491, 492, 493, 494, 495, 496, 497, 498, 499, 500, 501, 502, 503, 504, 505, 506, 507, 508, 509, 510, 511, 512, 513, 514, 515, 516, 517, 518, 519, 520, 521, 522, 523, 524, 525, 526, 527, 528, 529, 530, 531, 532, 533, 534, 535, 536, 537, 538, 539, 540, 541, 542, 543, 544, 545, 546, 547, 548, 549, 550, 551, 552, 553, 554, 555, 556, 557, 558, 559, 560, 561, 562, 563, 564, 565, 566, 567, 568, 569, 570, 571, 572, 573, 574, 575, 576, 577, 578, 579, 580, 581, 582, 583, 584, 585, 586, 587, 588, 589, 590, 591, 592, 593, 594, 595, 596, 597, 598, 599, 600, 601, 602, 603, 604, 605, 606, 607, 608, 609, 610, 611, 612, 613, 614, 615, 616, 617, 618, 619, 620, 621, 622, 623, 624, 625, 626, 627, 628, 629, 630, 631, 632, 633, 634, 635, 636, 637, 638, 639, 640, 641, 642, 643, 644, 645, 646, 647, 648, 649, 650, 651, 652, 653, 654, 655, 656, 657, 658, 659, 660, 661, 662, 663, 664, 665, 666, 667, 668, 669, 670, 671, 672, 673, 674, 675, 676, 677, 678, 679, 680, 681, 682, 683, 684, 685, 686, 687, 688, 689, 690, 691, 692, 693, 694, 695, 696, 697, 698, 699, 700, 701, 702, 703, 704, 705, 706, 707, 708, 709, 710, 711, 712, 713, 714, 715, 716, 717, 718, 719, 720, 721, 722, 723, 724, 725, 726, 727, 728, 729, 730, 731, 732, 733, 734, 735, 736, 737, 738, 739, 740, 741, 742, 743, 744, 745, 746, 747, 748, 749, 750, 751, 752, 753, 754, 755, 756, 757, 758, 759, 760, 761, 762, 763, 764, 765, 766, 767, 768, 769, 770, 771, 772, 773, 774, 775, 776, 777, 778, 779, 780, 781, 782, 783, 784, 785, 786, 787, 788, 789, 790, 791, 792, 793, 794, 795, 796, 797, 798, 799, 800, 801, 802, 803, 804, 805, 806, 807, 808, 809, 810, 811, 812, 813, 814, 815, 816, 817, 818, 819, 820, 821, 822, 823, 824, 825, 826, 827, 828, 829, 830, 831, 832, 833, 834, 835, 836, 837, 838, 839, 840, 841, 842, 843, 844, 845, 846, 847, 848, 849, 850, 851, 852, 853, 854, 855, 856, 857, 858, 859, 860, 861, 862, 863, 864, 865, 866, 867, 868, 869, 870, 871, 872, 873, 874, 875, 876, 877, 878, 879, 880, 881, 882, 883, 884, 885, 886, 887, 888, 889, 890, 891, 892, 893, 894, 895, 896, 897, 898, 899, 900, 901, 902, 903, 904, 905, 906, 907, 908, 909, 910, 911, 912, 913, 914, 915, 916, 917, 918, 919, 920, 921, 922, 923, 924, 925, 926, 927, 928, 929, 930, 931, 932, 933, 934, 935, 936, 937, 938, 939, 940, 941, 942, 943, 944, 945, 946, 947, 948, 949, 950, 951, 952, 953, 954, 955, 956, 957, 958, 959, 960, 961, 962, 963, 964, 965, 966, 967, 968, 969, 970, 971, 972, 973, 974, 975, 976, 977, 978, 979, 980, 981, 982, 983, 984, 985, 986, 987, 988, 989, 990, 991, 992, 993, 994, 995, 996, 997, 998, 999, 1000

MAIN CONTRACTOR :
Gammon

STRUCTURAL ENGINEER :
ARUP

FAÇADE CONSULTANT:
MEINHARDT

NOTE :
 1. ALL DIMENSIONS ARE IN mm.
 2. ALL ELEVATIONS ARE VIEWED FROM OUTSIDE.
 3. ALL DIMENSIONS TO BE VERIFIED ON SITE BEFORE FABRICATION.

LEGEND :
 (X1) --- DETAIL MARK NO.
 (X001) --- REFER SHEET NO.
 1. F.F.L. --- FINISHED FLOOR LEVEL
 2. S.F.L. --- STRUCTURAL FLOOR LEVEL
 3. (R) --- REVERSED DETAIL
 4. --- FIXING LOCATION
 5. Δ --- FIXING LUG LOCATION
 6. GLASS LEGEND

GL01 -- 8mm+12mm AIR GAP+10mm THK. I.G.U.
 GL01a -- 8mm+12mm AIR GAP+10mm THK. I.G.U.
 GL03 -- 6mm+12mm AIR GAP+6mm THK. I.G.U.
 GL04 -- 10mm THK. TEMPERED GLASS (PROTECTIVE BARRIER)
 GL05 -- 6mm+12mm AIR GAP+8mm THK. I.G.U.

NO.	DATE	REVISION	BY
F	18/09/2020	REVISION SUBJECT TO ARCH.COMMENT	lvon
E	24/08/2020	REVISION SUBJECT TO ARCH.COMMENT	lvon
D	03/06/2020	REVISION SUBJECT TO ARCH.COMMENT	lvon
C	27/04/2020	REVISION SUBJECT TO ARCH.COMMENT	lvon
B	05/03/2020	REVISION SUBJECT TO ARCH.COMMENT	lvon
A	24/02/2020	REVISION SUBJECT TO ARCH.COMMENT	SH

JOB NO. : J-852
 PROJECT : PROPOSED RESIDENTIAL DEVELOPMENT AT 139 - 147 ARGYLE STREET, NKIL 6005, 6035 R.P., 6036 R.P., 6037 R.P. & 6038 R.P.

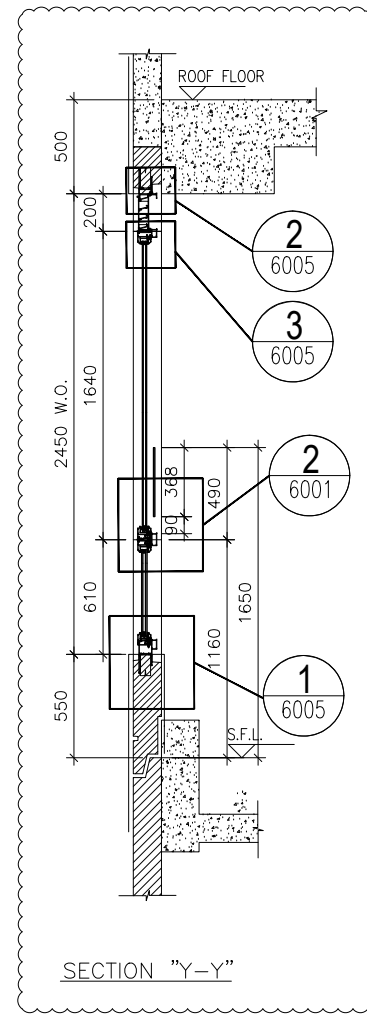
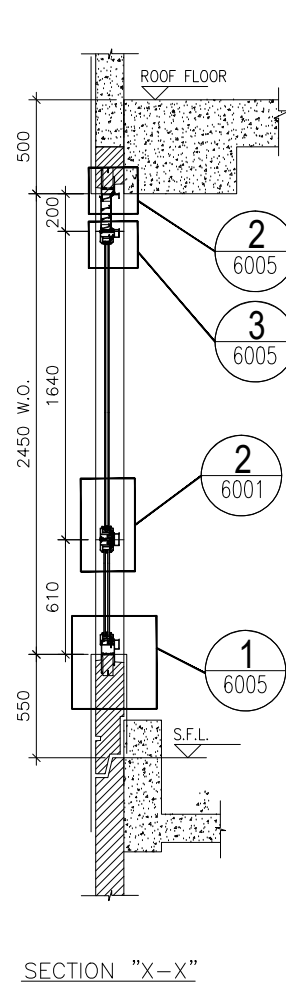
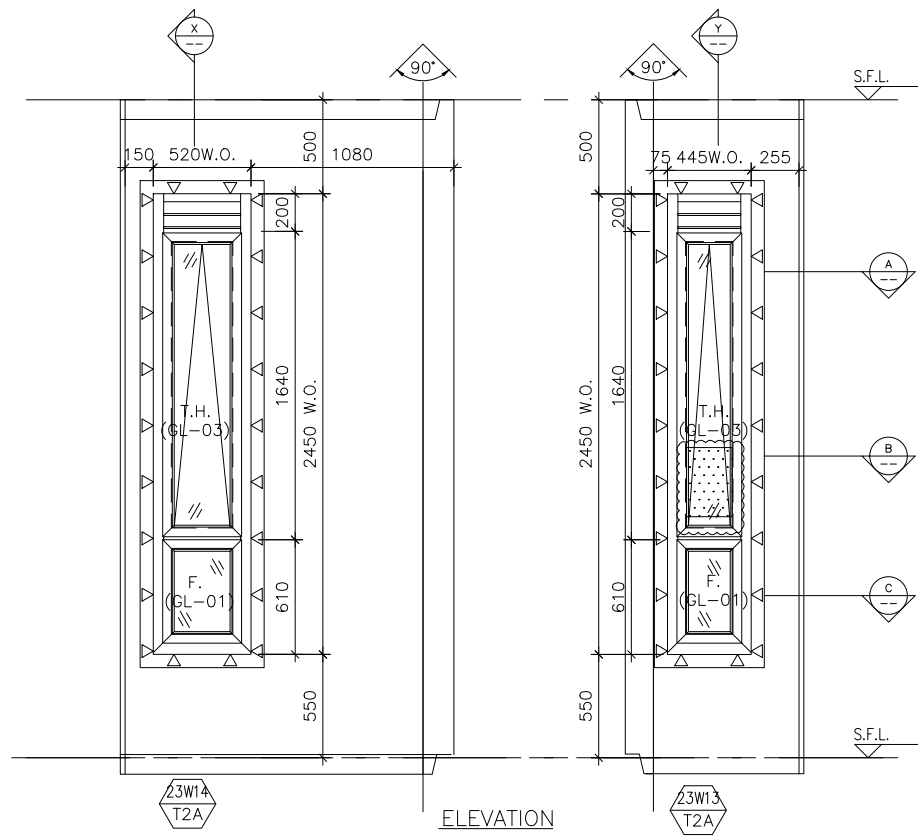
TITLE : WINDOW SCHEDULE FOR ALUM. WINDOW

DATE : 05-Dec-19 SCALE : 1:40
 DRAWN BY : MN CHECKED BY : DW

美特鋁質有限公司
MIDI ALUMINIUM FABRICATOR LTD.
 Units 6-8, Sunray Industrial Centre, 1/F
 610 Cha Kwo Ling Road, Kowloon
 Tel:23489211-4 Fax:(852)2727666

DWG NO. : J852-SD-PW-4231 REV. : F

WINDOW MARK	23W13 T2A
LOCATION	23/F M.B. & EN.B. AT TOWER 2 FLAT A
SECTION	70mm ALUM. SECTION
GLAZING	GL-01, GL-03
QUANTITY	1
REMARKS	FAÇADE (PF-35)



TYPE B	
OPENABLE WINDOW DIMENSION	(WIDTH) = 445 (HEIGHT) = 1640
FIXED WINDOW DIMENSION	(WIDTH) = 445 (HEIGHT) = 610
NUMBER OF OPENABLE AREA WINDOW	1
GLAZING AREA	
OPENABLE	WIDTH = 445-111.5-111.5 = 222 mm HEIGHT = 1640-69.5-66.5 = 1504 mm
FIXED	WIDTH = 445-111.5-111.5 = 222 mm HEIGHT = 610-66.5-111.5 = 432 mm
TOTAL	$((222 \times 1504) + (222 \times 432)) / 1000000 = 0.429792 \text{ m}^2$
OPENABLE AREA	
WIDTH	445-77-77 = 291 mm
HEIGHT	1640-32-32 = 1576 mm
TOTAL	$(291 \times 1576) / 1000000 = 0.458616 \text{ m}^2$

PROVIDED	
GLAZING AREA	0.430 m ²
OPENABLE AREA	0.459 m ²

TYPE B	
OPENABLE WINDOW DIMENSION	(WIDTH) = 520 (HEIGHT) = 1640
FIXED WINDOW DIMENSION	(WIDTH) = 520 (HEIGHT) = 610
NUMBER OF OPENABLE AREA WINDOW	1
GLAZING AREA	
OPENABLE	WIDTH = 520-111.5-111.5 = 297 mm HEIGHT = 1640-69.5-66.5 = 1504 mm
FIXED	WIDTH = 520-111.5-111.5 = 297 mm HEIGHT = 610-66.5-111.5 = 432 mm
TOTAL	$((297 \times 1504) + (297 \times 432)) / 1000000 = 0.574992 \text{ m}^2$
OPENABLE AREA	
WIDTH	520-77-77 = 366 mm
HEIGHT	1640-32-32 = 1576 mm
TOTAL	$(366 \times 1576) / 1000000 = 0.576816 \text{ m}^2$

PROVIDED	
GLAZING AREA	0.575 m ²
OPENABLE AREA	0.577 m ²

B.D. REF :

CLIENT :

ARCHITECT :
AGC DESIGN LTD
AGC DESIGN LTD
201, 147, Argyle Street, 20th Floor, New Hong Kong
Tel: (852) 2778 1111 Fax: (852) 2778 1111

MAIN CONTRACTOR :
Gammon

STRUCTURAL ENGINEER :
ARUP

FAÇADE CONSULTANT :
MEINHARDT

NOTE :
1. ALL DIMENSIONS ARE IN mm.
2. ALL ELEVATIONS ARE VIEWED FROM OUTSIDE.
3. ALL DIMENSIONS TO BE VERIFIED ON SITE BEFORE FABRICATION.

LEGEND :
X1 -- DETAIL MARK NO.
X001 -- REFER SHEET NO.

1. F.F.L. -- FINISHED FLOOR LEVEL
2. S.F.L. -- STRUCTURAL FLOOR LEVEL
3. (R) -- REVERSED DETAIL

NO.	DATE	REVISED	BY
F	18/09/2020	REVISION SUBJECT TO ARCH.COMMENT	lvon
E	24/08/2020	REVISION SUBJECT TO ARCH.COMMENT	lvon
D	29/05/2020	REVISION SUBJECT TO ARCH.COMMENT	lvon
C	27/04/2020	REVISION SUBJECT TO ARCH.COMMENT	lvon
B	05/03/2020	REVISION SUBJECT TO ARCH.COMMENT	lvon
A	24/02/2020	REVISION SUBJECT TO ARCH.COMMENT	SH

JOB NO. : J-852
PROJECT : PROPOSED RESIDENTIAL DEVELOPMENT AT 139 - 147 ARGYLE STREET, NKIL 6005, 6035 R.P., 6036 R.P., 6037 R.P. & 6038 R.P.

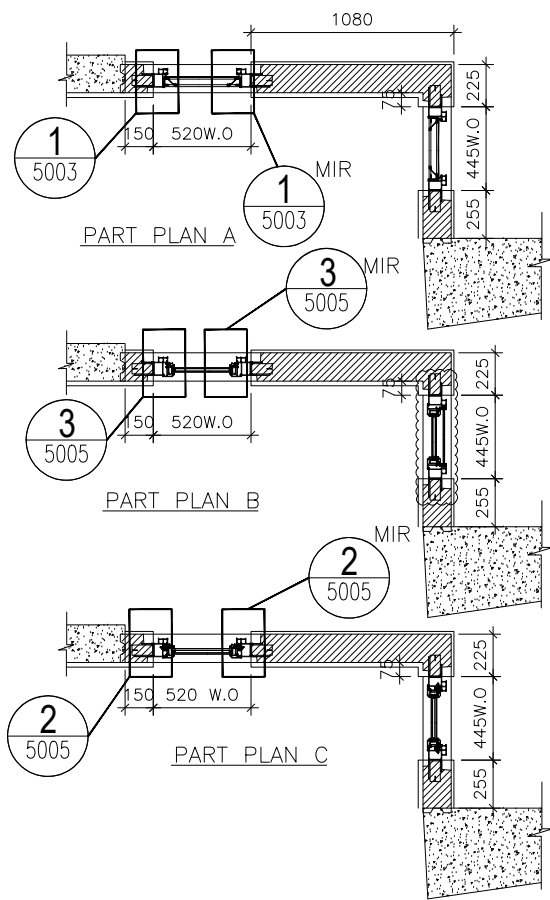
TITLE : WINDOW SCHEDULE FOR ALUM. WINDOW

DATE : 05-Dec-19 SCALE : 1:40
DRAWN BY : MN CHECKED BY : DW

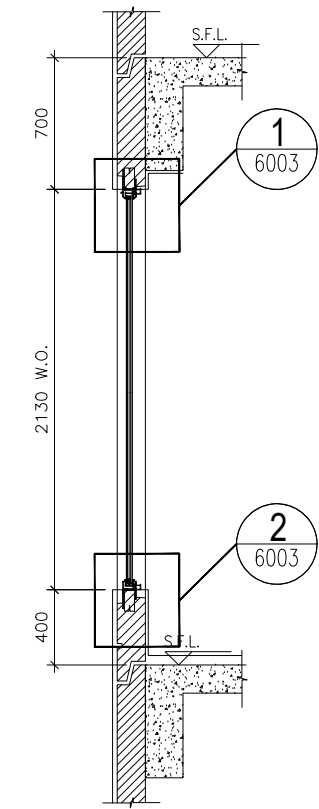
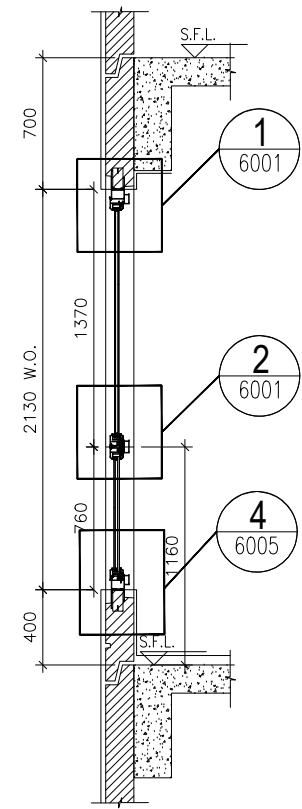
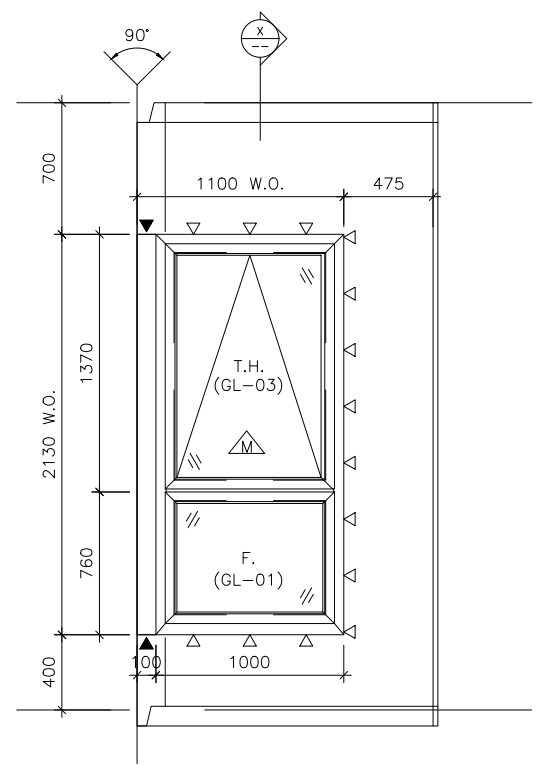
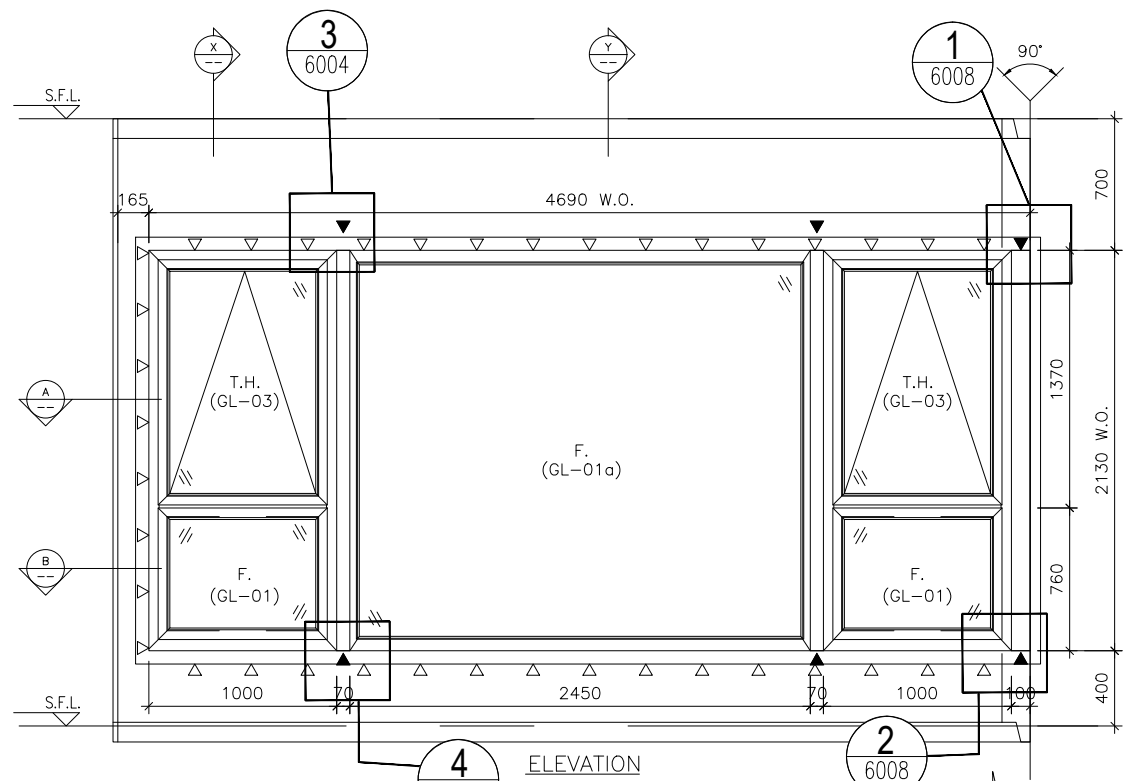
美特鋁質有限公司
MIDI ALUMINIUM FABRICATOR LTD.
Units 6-8, Sunray Industrial Centre, 1/F
610 Cha Kwo Ling Road, Kowloon
Tel: 23489211-4 Fax: (852) 27727666

DWG NO. : J852-SD-PW-4232 REV. : F

ELEVATION

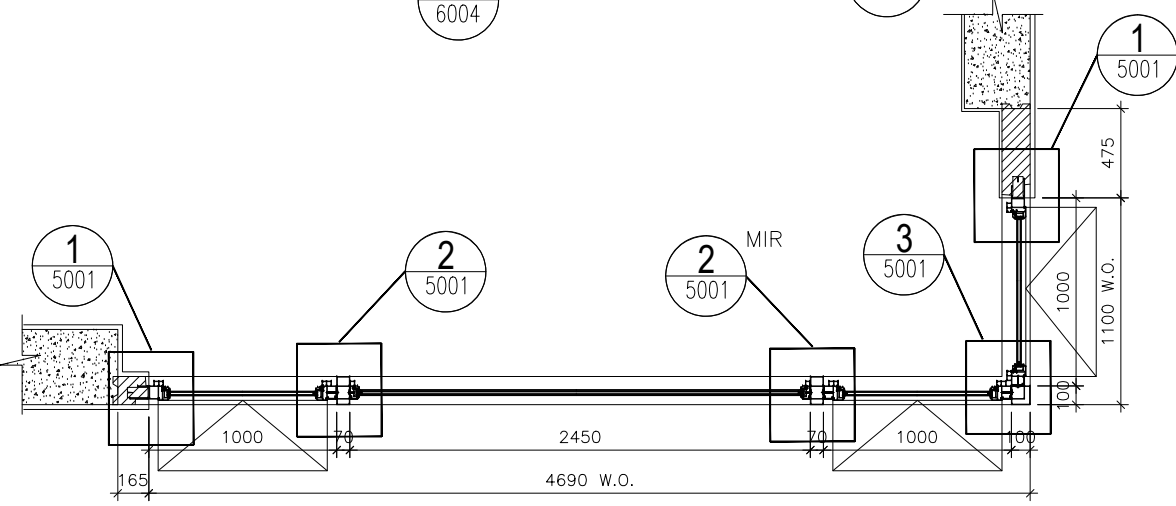


WINDOW MARK	23W14 / 23W13 T2A
LOCATION	23/F E.N.B.3 & E.N.B.4 AT TOWER 2 FLAT A
SECTION	70mm ALUM. SECTION
GLAZING	GL-01, GL-03
QUANTITY	1
REMARKS	FAÇADE (PF-36)

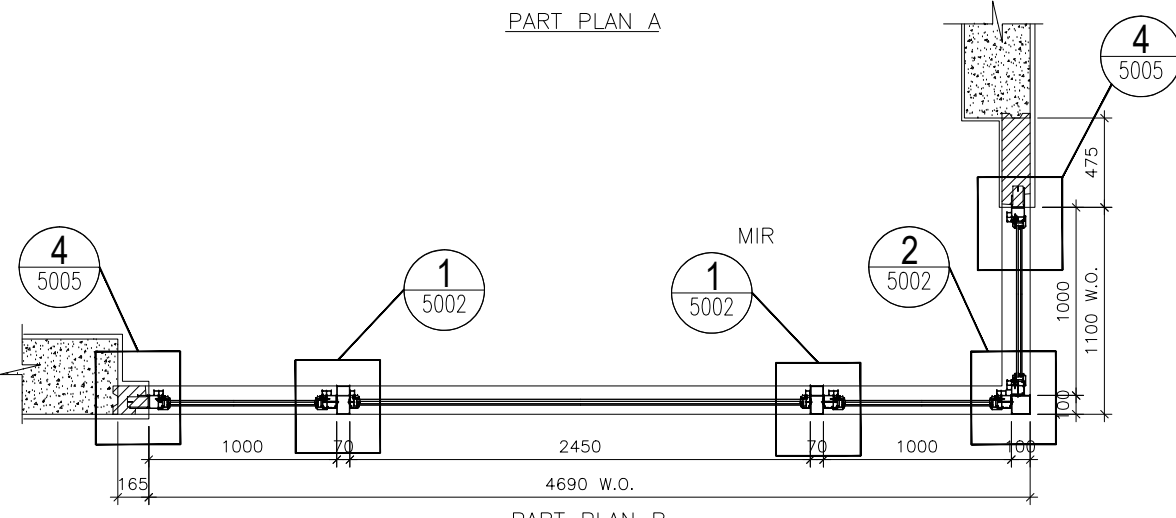


SECTION "X-X"

SECTION "Y-Y"



PART PLAN A



PART PLAN B

TYPE G		
OPENABLE WINDOW DIMENSION	(WIDTH) =	1000
	(HEIGHT) =	1370
FIXED WINDOW (A) DIMENSION	(WIDTH) =	1000
	(HEIGHT) =	760
FIXED WINDOW (A1) DIMENSION	(WIDTH) =	1000
	(HEIGHT) =	760
FIXED WINDOW (B) DIMENSION	(WIDTH) =	2450
	(HEIGHT) =	2130
NUMBER OF OPENABLE AREA WINDOW		2

GLAZING AREA		
OPENABLE		
WIDTH = 1000-111.5-111.5	=	777 mm
HIGHT = 1370-111.5-66.5	=	1192 mm
FIXED A		
WIDTH = 1000-111.5-111.5	=	777 mm
HIGHT = 760-66.5-111.5	=	582 mm
FIXED A1		
WIDTH = 1000-111.5-111.5	=	777 mm
HIGHT = (760+400)-66.5-1000	=	93.5 mm
FIXED B		
WIDTH = 2450-50-50	=	2350 mm
HIGHT = 2130-50-50	=	2030 mm
TOTAL = (((777x1192)x3)+((777x582)x2)+(777x93.5)+(2350x2030)/1000000	=	8.5261295 m ²
OPENABLE AREA		
WIDTH = 1000-77-77	=	846 mm
HIGHT = 1370-77-32	=	1261 mm
TOTAL = ((846x1261)x2)/1000000	=	2.133612 m ²

PROVIDED	
GLAZING AREA	8.526 m ²
OPENABLE AREA	2.134 m ²

B.D. REF :

CLIENT :

ARCHITECT :
AGC DESIGN LTD
 10/F, 100, Queen's Road, 220 Hong Kong, Tel: (852)22111111, Fax: (852)22111111, Email: agc@agcdesign.com.hk

MAIN CONTRACTOR :
Gammon

STRUCTURAL ENGINEER :
ARUP

FAÇADE CONSULTANT:
MEINHARDT

NOTE :

- ALL DIMENSIONS ARE IN mm.
- ALL ELEVATIONS ARE VIEWED FROM OUTSIDE.
- ALL DIMENSIONS TO BE VERIFIED ON SITE BEFORE FABRICATION.

- LEGEND :
- X1 -- DETAIL MARK NO.
 - X001 -- REFER SHEET NO.
 - F.F.L. -- FINISHED FLOOR LEVEL
 - S.F.L. -- STRUCTURAL FLOOR LEVEL
 - (R) -- REVERSED DETAIL
 - ▲ -- FIXING LOCATION
 - △ -- FIXING LUG LOCATION
6. GLASS LEGEND
- GL01 -- 8mm+12mm AIR GAP+10mm THK. I.G.U.
 - GL01a -- 8mm+9mm AIR GAP+12mm THK. I.G.U.
 - GL02 -- 10mm THK. TEMPERED GLASS (SPANDREL GLASS)
 - GL03 -- 6mm+12mm AIR GAP+6mm THK. I.G.U.
 - GL04 -- 10mm THK. TEMPERED GLASS (PROTECTIVE BARRIER)
 - GL05 -- 6mm+12mm AIR GAP+8mm THK. I.G.U.

NO.	DATE	REVISION	BY
E	18/09/2020	REVISION SUBJECT TO ARCH.COMMENT	lvon
D	24/08/2020	REVISION SUBJECT TO ARCH.COMMENT	lvon
C	09/05/2020	REVISION SUBJECT TO ARCH.COMMENT	lvon
B	05/03/2020	REVISION SUBJECT TO ARCH.COMMENT	lvon
A	24/02/2020	REVISION SUBJECT TO ARCH.COMMENT	SH

JOB NO. : J-852

PROJECT : PROPOSED RESIDENTIAL DEVELOPMENT AT 139 - 147 ARGYLE STREET, NKIL 6005, 6035 R.P., 6036 R.P., 6037 R.P. & 6038 R.P.

TITLE : WINDOW SCHEDULE FOR ALUM. WINDOW

DATE : 05-Dec-19 SCALE : 1:40

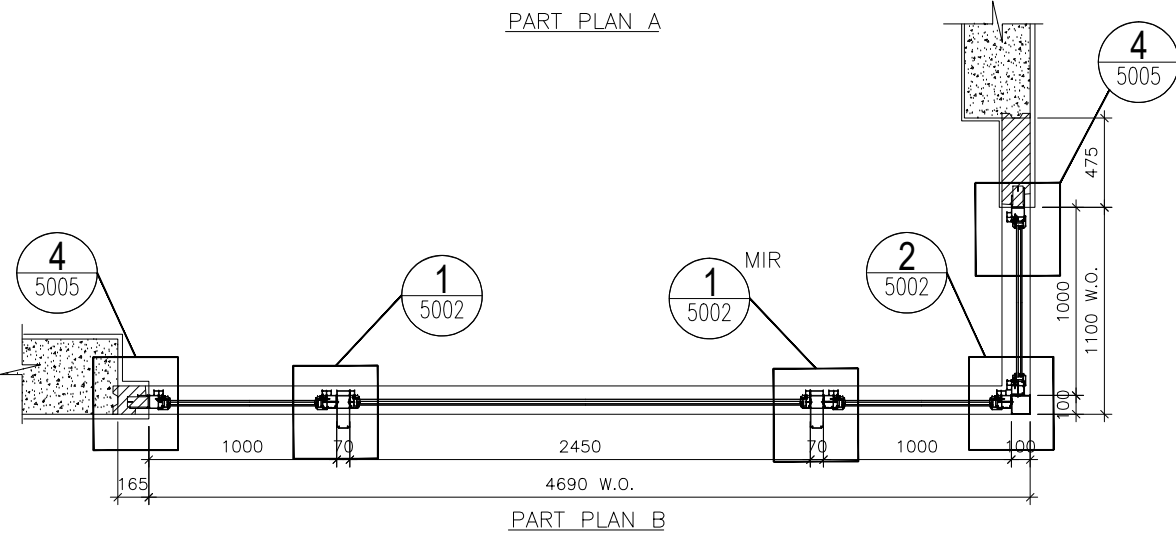
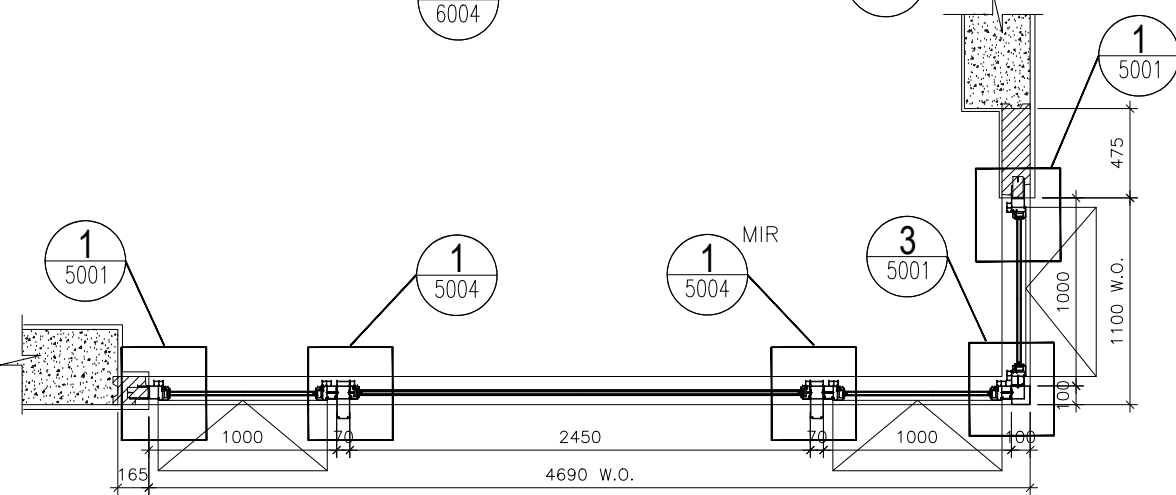
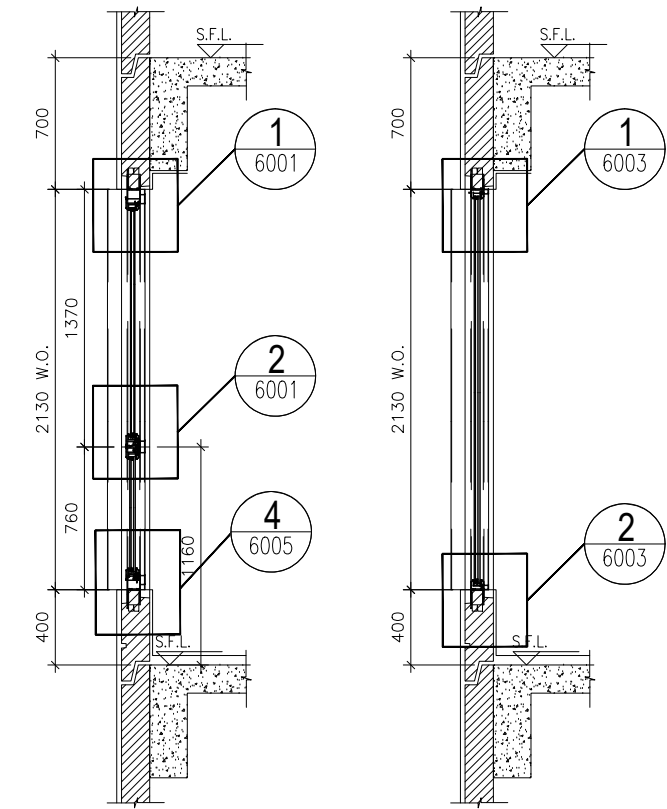
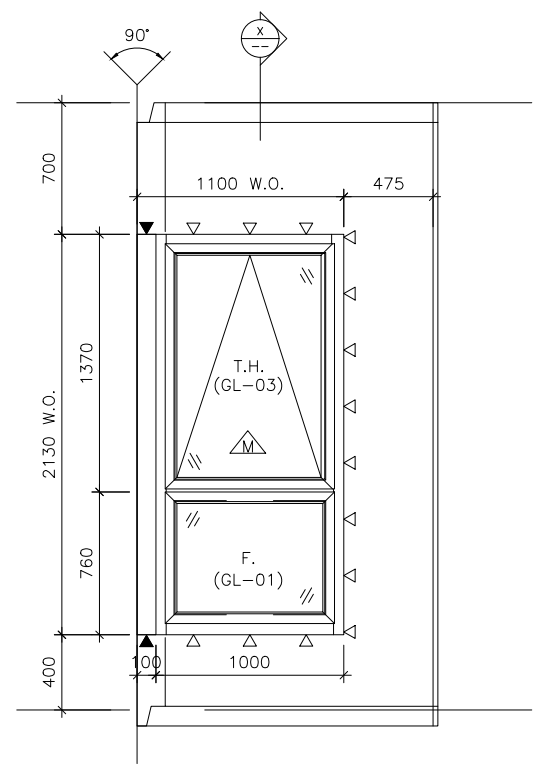
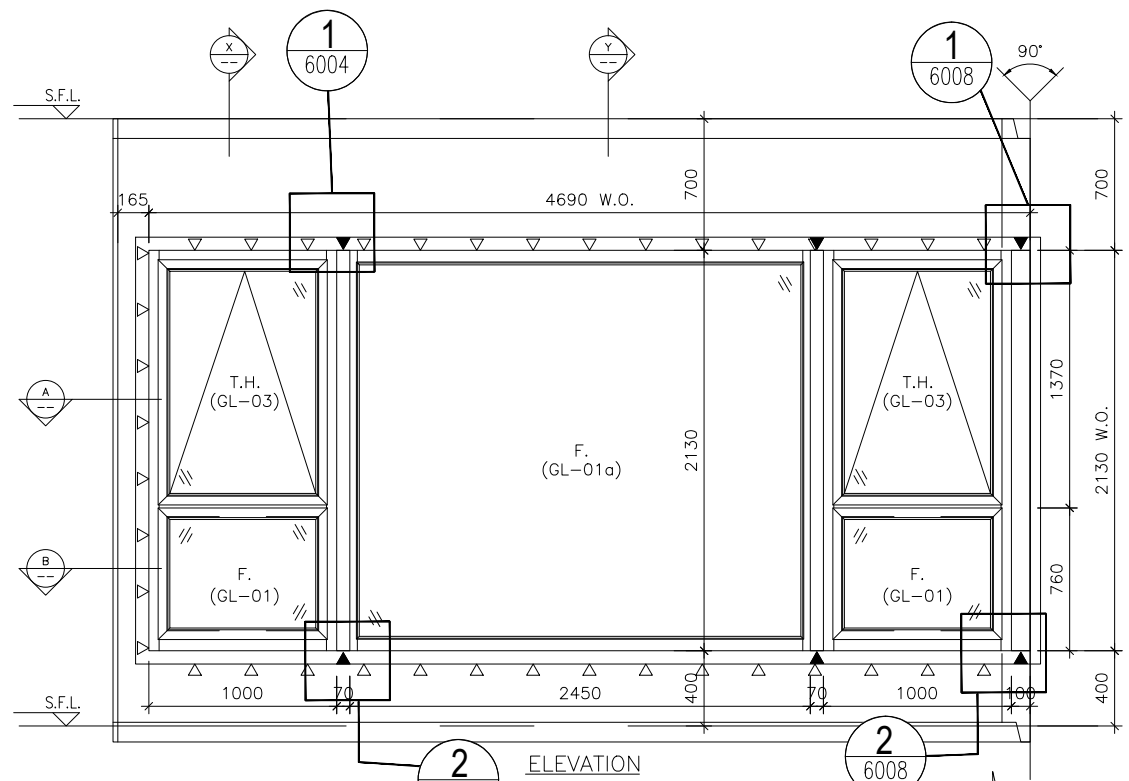
DRAWN BY : MN CHECKED BY : DW

美特鋁質有限公司
MIDI ALUMINIUM FABRICATOR LTD.
 Units 6-8, Sunray Industrial Centre, 1/F
 610 Cha Kwo Ling Road, Kowloon
 Tel:23489211-4 Fax:(852)2727666

DWG NO. : J852-SD-PW-4301 REV. : E

ELEVATION

WINDOW MARK	W3 T3A
LOCATION	1/F-18/F MASTER ENSUITE AT TOWER 3 FLAT A
SECTION	70mm ALUM. SECTION
GLAZING	GL-01a, GL-03
QUANTITY	{15}
REMARKS	FACADE (PF-1)



TYPE G		
OPENABLE WINDOW DIMENSION	(WIDTH) =	1000
	(HEIGHT) =	1370
FIXED WINDOW (A) DIMENSION	(WIDTH) =	1000
	(HEIGHT) =	760
FIXED WINDOW (A1) DIMENSION	(WIDTH) =	1000
	(HEIGHT) =	760
FIXED WINDOW (B) DIMENSION	(WIDTH) =	2450
	(HEIGHT) =	2130
NUMBER OF OPENABLE AREA WINDOW	=	2
GLAZING AREA		
OPENABLE		
WIDTH = 1000-111.5-111.5	=	777 mm
HEIGHT = 1370-111.5-66.5	=	1192 mm
FIXED A		
WIDTH = 1000-111.5-111.5	=	777 mm
HEIGHT = 760-66.5-111.5	=	582 mm
FIXED A1		
WIDTH = 1000-111.5-111.5	=	777 mm
HEIGHT = (760+400)-66.5-1000	=	93.5 mm
FIXED B		
WIDTH = 2450-50-50	=	2350 mm
HEIGHT = 2130-50-50	=	2030 mm
TOTAL = (((777x1192)x3)+((777x582)x2)+(777x93.5)+(2350x2030)/1000000	=	8.5261295 m ²
OPENABLE AREA		
WIDTH = 1000-77-77	=	846 mm
HEIGHT = 1370-77-32	=	1261 mm
TOTAL = ((846x1261)x2)/1000000	=	2.133612 m ²

	PROVIDED	
GLAZING AREA	8.526	m ²
OPENABLE AREA	2.134	m ²

B.D. REF :

CLIENT :

ARCHITECT :
AGC DESIGN LTD
 10/F, 100, Queen's Road, 220 Hong Kong, Tel: (852)22111111, Fax: (852)22111111, Email: agc@agcdesign.com.hk

MAIN CONTRACTOR :
Gammon

STRUCTURAL ENGINEER :
ARUP

FAÇADE CONSULTANT :
MEINHARDT

- NOTE :
- ALL DIMENSIONS ARE IN mm.
 - ALL ELEVATIONS ARE VIEWED FROM OUTSIDE.
 - ALL DIMENSIONS TO BE VERIFIED ON SITE BEFORE FABRICATION.
- LEGEND :
- X1 -- DETAIL MARK NO.
 - X001 -- REFER SHEET NO.
 - F.F.L. -- FINISHED FLOOR LEVEL
 - S.F.L. -- STRUCTURAL FLOOR LEVEL
 - (R) -- REVERSED DETAIL
 - ▲ -- FIXING LOCATION
 - △ -- FIXING LUG LOCATION
6. GLASS LEGEND
- GL01 -- 8mm+12mm AIR GAP+10mm THK. I.G.U.
 - GL01a -- 8mm+9mm AIR GAP+12mm THK. I.G.U.
 - GL02 -- 10mm THK. TEMPERED GLASS (SPANDREL GLASS)
 - GL03 -- 6mm+12mm AIR GAP+6mm THK. I.G.U.
 - GL04 -- 10mm THK. TEMPERED GLASS (PROTECTIVE BARRIER)
 - GL05 -- 6mm+12mm AIR GAP+8mm THK. I.G.U.

NO.	DATE	REVISION	BY
D	18/09/2020	REVISION SUBJECT TO ARCH.COMMENT	lvon
C	24/08/2020	REVISION SUBJECT TO ARCH.COMMENT	lvon
B	04/06/2020	REVISION SUBJECT TO ARCH.COMMENT	lvon
A	09/05/2020	REVISION SUBJECT TO ARCH.COMMENT	lvon

JOB NO. : J-852

PROJECT : PROPOSED RESIDENTIAL DEVELOPMENT AT 139 - 147 ARGYLE STREET, NKIL 6005, 6035 R.P., 6036 R.P., 6037 R.P. & 6038 R.P.

TITLE : WINDOW SCHEDULE FOR ALUM. WINDOW

DATE : 05-Dec-19 SCALE : 1:40

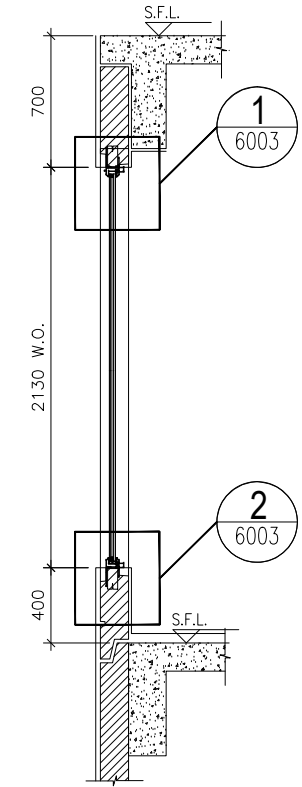
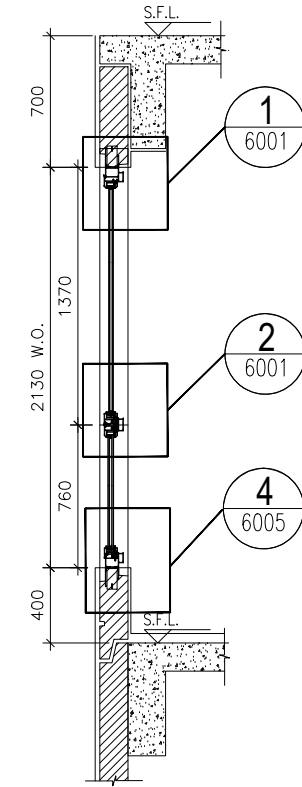
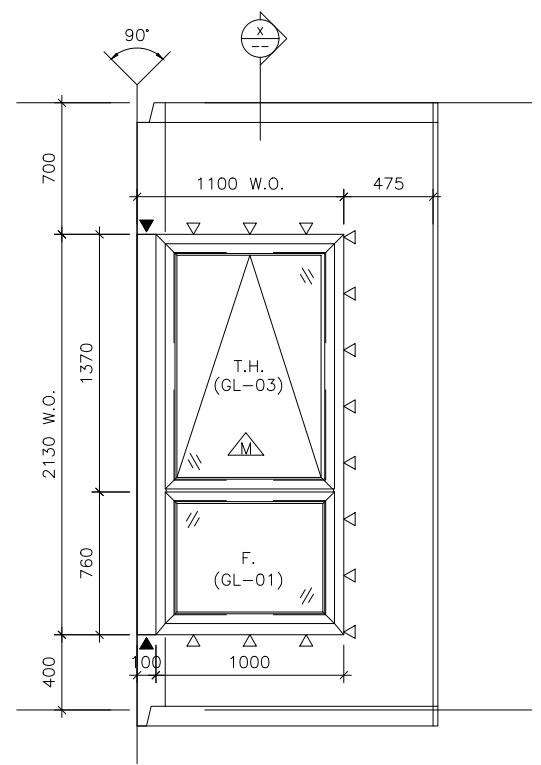
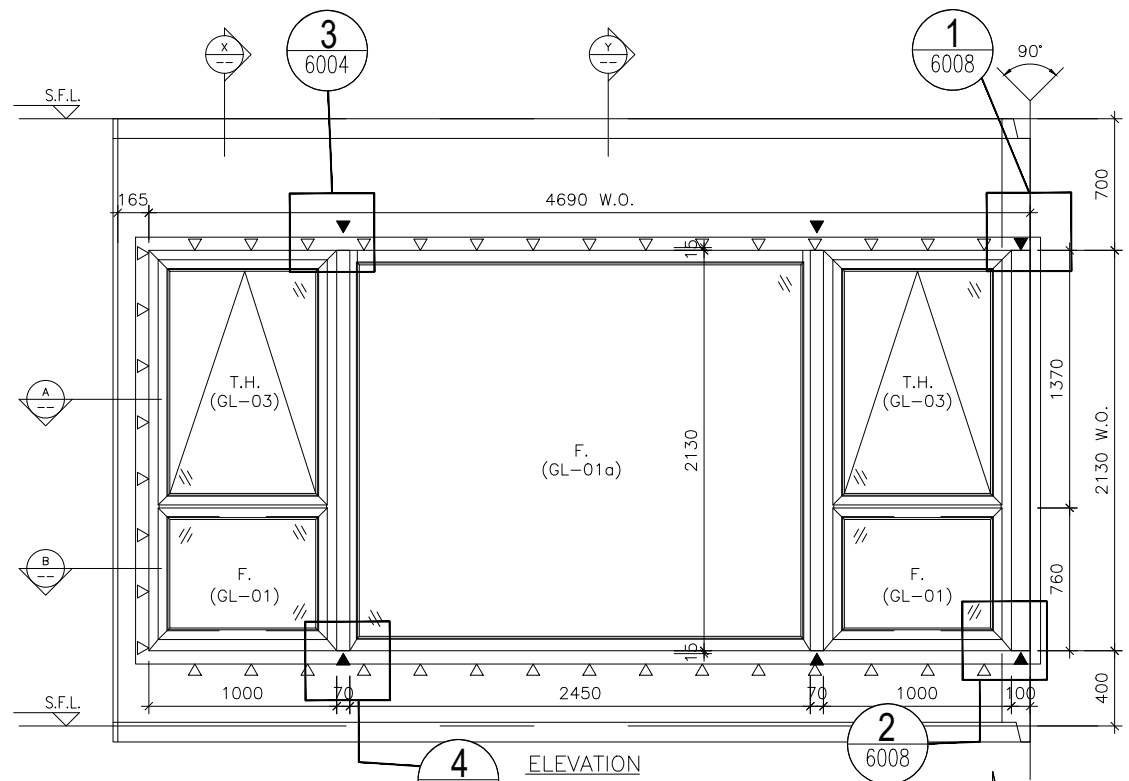
DRAWN BY : MN CHECKED BY : DW

美特鋁質有限公司
MIDI ALUMINIUM FABRICATOR LTD.
 Units 6-8, Sunray Industrial Centre, 1/F
 610 Cha Kwo Ling Road, Kowloon
 Tel:23489211-4 Fax:(852)2727666

DWG NO. : J852-SD-PW-4301A REV. : D

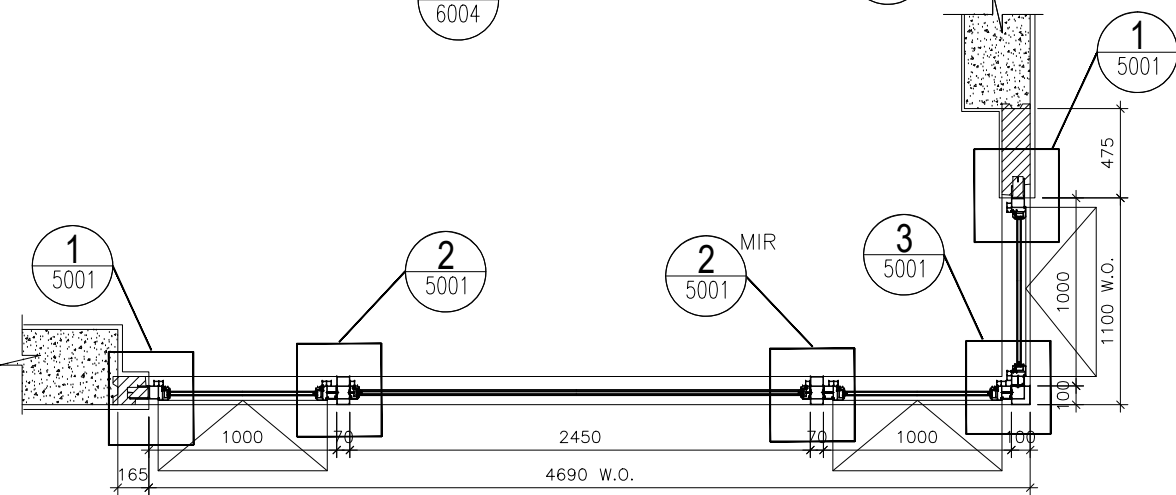
ELEVATION

WINDOW MARK	W3 T3A
LOCATION	19/F-20/F MASTER ENSUITE AT TOWER 3 FLAT A
SECTION	70mm ALUM. SECTION
GLAZING	GL-01a, GL-03
QUANTITY	2
REMARKS	FAÇADE (PF-1)

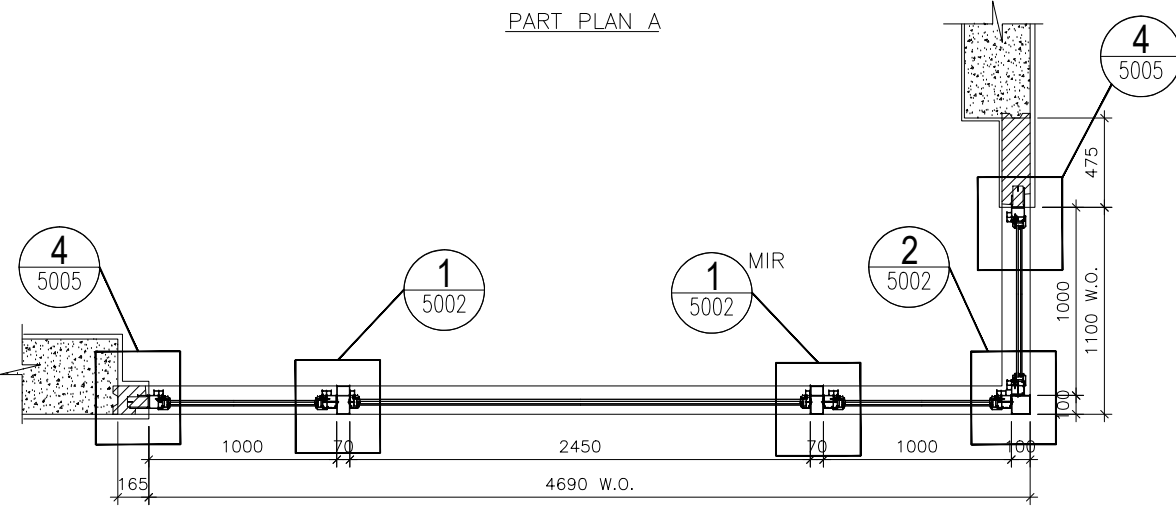


SECTION "X-X"

SECTION "Y-Y"



PART PLAN A



PART PLAN B

TYPE G		
OPENABLE WINDOW DIMENSION	(WIDTH) =	1000
	(HEIGHT) =	1370
FIXED WINDOW (A) DIMENSION	(WIDTH) =	1000
	(HEIGHT) =	760
FIXED WINDOW (A1) DIMENSION	(WIDTH) =	1000
	(HEIGHT) =	760
FIXED WINDOW (B) DIMENSION	(WIDTH) =	2450
	(HEIGHT) =	2130
NUMBER OF OPENABLE AREA WINDOW		2
GLAZING AREA		
OPENABLE		
WIDTH =	1000-111.5-111.5	= 777 mm
HIGHT =	1370-111.5-66.5	= 1192 mm
FIXED A		
WIDTH =	1000-111.5-111.5	= 777 mm
HIGHT =	760-66.5-111.5	= 582 mm
FIXED A1		
WIDTH =	1000-111.5-111.5	= 777 mm
HIGHT =	(760+400)-66.5-1000	= 93.5 mm
FIXED B		
WIDTH =	2450-50-50	= 2350 mm
HIGHT =	2130-50-50	= 2030 mm
TOTAL	$((777 \times 1192) \times 2) + ((777 \times 582) \times 2) + (777 \times 93.5) + (2350 \times 2030) / 1000000$	= 8.5261295 m ²
OPENABLE AREA		
WIDTH =	1000-77-77	= 846 mm
HIGHT =	1370-77-32	= 1261 mm
TOTAL	$((846 \times 1261) \times 2) / 1000000$	= 2.133612 m ²

PROVIDED	
GLAZING AREA	8.526 m ²
OPENABLE AREA	2.134 m ²

B.D. REF :

CLIENT :

ARCHITECT :
AGC DESIGN LTD
 10/F, 100, Queen's Road, 220 Hong Kong, Tel: (852) 22111111, Fax: (852) 22111111, Email: agc@agcdesign.com.hk

MAIN CONTRACTOR :
Gammon

STRUCTURAL ENGINEER :
ARUP

FAÇADE CONSULTANT:
MEINHARDT

- NOTE :
- ALL DIMENSIONS ARE IN mm.
 - ALL ELEVATIONS ARE VIEWED FROM OUTSIDE.
 - ALL DIMENSIONS TO BE VERIFIED ON SITE BEFORE FABRICATION.
- LEGEND :
- X1 --- DETAIL MARK NO.
 - X001 --- REFER SHEET NO.
 - F.F.L. --- FINISHED FLOOR LEVEL
 - S.F.L. --- STRUCTURAL FLOOR LEVEL
 - (R) --- REVERSED DETAIL
 - ▲ --- FIXING LOCATION
 - △ --- FIXING LUG LOCATION
6. GLASS LEGEND
- GL01 --- 8mm+12mm AIR GAP+10mm THK. I.G.U.
 - GL01a --- 8mm+9mm AIR GAP+12mm THK. I.G.U.
 - GL02 --- 10mm THK. TEMPERED GLASS (SPANDREL GLASS)
 - GL03 --- 6mm+12mm AIR GAP+6mm THK. I.G.U.
 - GL04 --- 10mm THK. TEMPERED GLASS (PROTECTIVE BARRIER)
 - GL05 --- 6mm+12mm AIR GAP+8mm THK. I.G.U.

NO.	DATE	REVISION	BY
B	18/09/2020	REVISION SUBJECT TO ARCH.COMMENT	lvon
A	24/08/2020	REVISION SUBJECT TO ARCH.COMMENT	lvon

JOB NO. : J-852

PROJECT :
 PROPOSED RESIDENTIAL DEVELOPMENT
 AT 139 - 147 ARGYLE STREET,
 NKIL 6005, 6035 R.P., 6036 R.P.,
 6037 R.P. & 6038 R.P.

TITLE :
 WINDOW SCHEDULE FOR
 ALUM. WINDOW

DATE : 05-Dec-19 SCALE : 1:40

DRAWN BY : MN CHECKED BY : DW

美特鋁質有限公司
MIDI ALUMINIUM FABRICATOR LTD.
 Units 6-8, Sunray Industrial Centre, 1/F
 610 Cha Kwo Ling Road, Kowloon
 Tel: 23489211-4 Fax: (852) 2727666

DWG NO. : J852-SD-PW-4301B REV. : B

ELEVATION

WINDOW MARK	W3 T3A
LOCATION	21/F MASTER ENSUITE AT TOWER 3 FLAT A
SECTION	70mm ALUM. SECTION
GLAZING	GL-01a, GL-03
QUANTITY	1
REMARKS	FAÇADE (PF-1)

B.D. REF :

CLIENT :

ARCHITECT :
AGC DESIGN LTD
 1/F, 237, Queen Mary, 237 Queen Mary Road, Hong Kong
 Tel: (852)27771111, Fax: (852)27771111, Email: agc@agcdesign.com.hk

MAIN CONTRACTOR :
Gammon

STRUCTURAL ENGINEER :
ARUP

FAÇADE CONSULTANT :
MEINHARDT

NOTE :
 1. ALL DIMENSIONS ARE IN mm.
 2. ALL ELEVATIONS ARE VIEWED FROM OUTSIDE.
 3. ALL DIMENSIONS TO BE VERIFIED ON SITE BEFORE FABRICATION.

LEGEND :
 X1 --- DETAIL MARK NO.
 X001 --- REFER SHEET NO.

1. F.F.L. --- FINISHED FLOOR LEVEL
 2. S.F.L. --- STRUCTURAL FLOOR LEVEL
 3. (R) --- REVERSED DETAIL
 4. ▲ --- FIXING LOCATION
 5. △ --- FIXING LUG LOCATION
 6. GLASS LEGEND
 GL01 --- 8mm+12mm AIR GAP+10mm THK. I.G.U.
 GL01a --- 8mm+9mm AIR GAP+12mm THK. I.G.U.
 GL02 --- 10mm THK. TEMPERED GLASS (SPANDREL GLASS)
 GL03 --- 6mm+12mm AIR GAP+6mm THK. I.G.U.
 GL04 --- 10mm THK. TEMPERED GLASS (PROTECTIVE BARRIER)
 GL05 --- 6mm+12mm AIR GAP+8mm THK. I.G.U.

NO.	DATE	REVISION	BY
D	24/08/2020	REVISION SUBJECT TO ARCH.COMMENT	lvon
C	09/05/2020	REVISION SUBJECT TO ARCH.COMMENT	lvon
B	05/03/2020	REVISION SUBJECT TO ARCH.COMMENT	lvon
A	24/02/2020	REVISION SUBJECT TO ARCH.COMMENT	SH

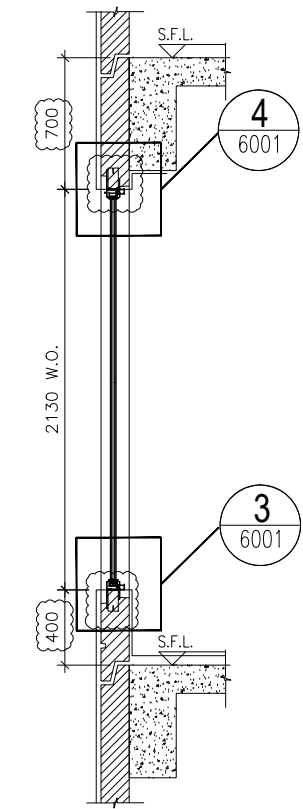
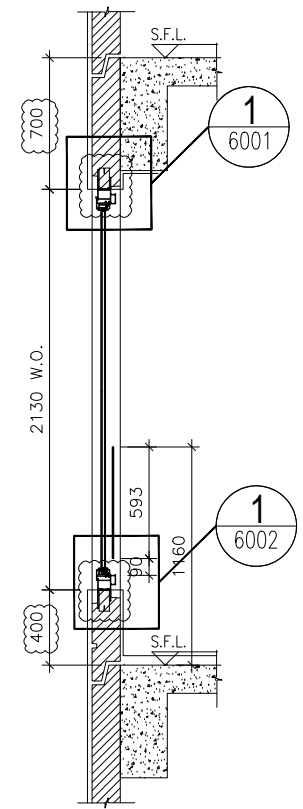
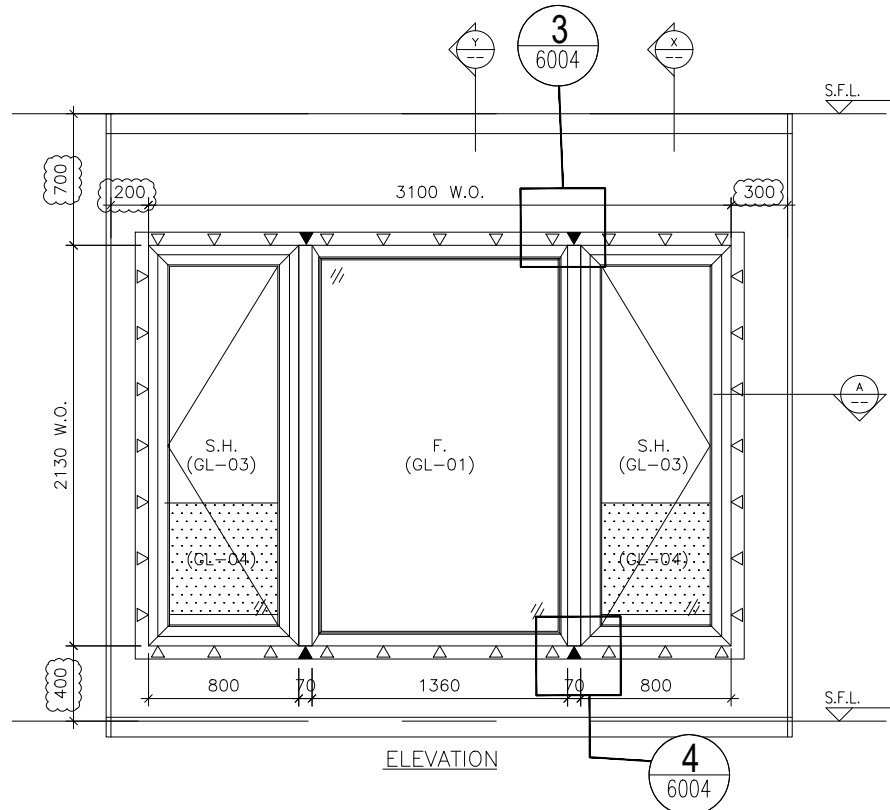
JOB NO. : J-852
 PROJECT : PROPOSED RESIDENTIAL DEVELOPMENT AT 139 - 147 ARGYLE STREET, NKIL 6005, 6035 R.P., 6036 R.P., 6037 R.P. & 6038 R.P.

TITLE : WINDOW SCHEDULE FOR ALUM. WINDOW

DATE : 05-Dec-19 SCALE : 1:40
 DRAWN BY : MN CHECKED BY : DW

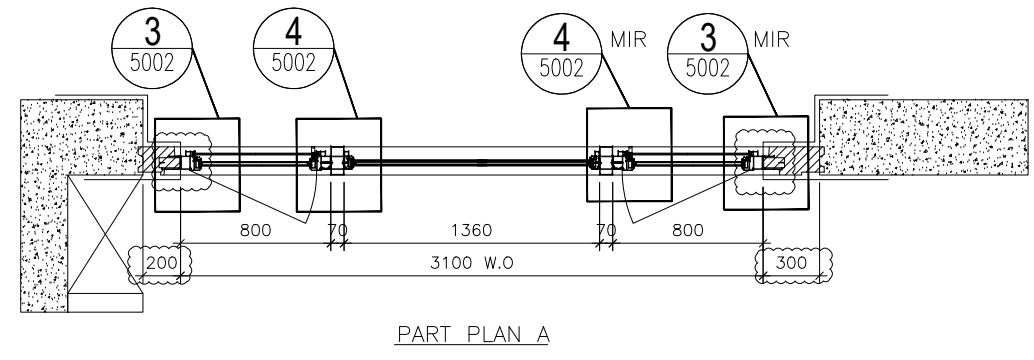
美特鋁質有限公司
MIDI ALUMINIUM FABRICATOR LTD.
 Units 6-8, Sunray Industrial Centre, 1/F
 610 Cha Kwo Ling Road, Kowloon
 Tel:23489211-4 Fax:(852)2727666

DWG NO. : J852-SD-PW-4302 REV. : D



SECTION "X-X"

SECTION "Y-Y"



PART PLAN A

TYPE A			
OPENABLE WINDOW DIMENSION	(WIDTH) =	800	
	(HEIGHT) =	2130	
FIXED WINDOW DIMENSION	(WIDTH) =	1360	
	(HEIGHT) =	2130	
NUMBER OF OPENABLE AREA WINDOW	=	2	
GLAZING AREA			
OPENABLE			
WIDTH	=	800-111.5-111.5	= 577 mm
HIGHT	=	2130-111.5-111.5	= 1907 mm
FIXED			
WIDTH	=	1360-50-50	= 1260 mm
HIGHT	=	2130-50-50	= 2030 mm
TOTAL	=	((577x1907)x2+(1260x2030))	1000000 = 4.758478 m ²
OPENABLE AREA			
WIDTH	=	800-77-77	= 646 mm
HIGHT	=	2130-77-(1160-385-15)	= 1293 mm
TOTAL	=	((646x1293)x2)	1000000 = 1.670556 m ²

PROVIDED		
GLAZING AREA	4.758	m ²
OPENABLE AREA	1.671	m ²

ELEVATION

WINDOW MARK	W2 T3A
LOCATION	1/F&19/F-21/F LIV./DIN. AT TOWER 3 FLAT A
SECTION	70mm ALUM. SECTION
GLAZING	GL-01, GL-03
QUANTITY	4
REMARKS	FAÇADE (PF-2)

B.D. REF :

CLIENT :

ARCHITECT :
AGC DESIGN LTD
 10/F, 238, Queen's Road, 238 (Opp.) Hotel, Hong Kong
 Tel: (852)27771111, Fax: (852)27771111, Email: agc@agcdesign.com.hk

MAIN CONTRACTOR :
Gammon

STRUCTURAL ENGINEER :
ARUP

FAÇADE CONSULTANT:
MEINHARDT

NOTE :
 1. ALL DIMENSIONS ARE IN mm.
 2. ALL ELEVATIONS ARE VIEWED FROM OUTSIDE.
 3. ALL DIMENSIONS TO BE VERIFIED ON SITE BEFORE FABRICATION.

LEGEND :
 X1 --- DETAIL MARK NO.
 X001 --- REFER SHEET NO.

1. F.F.L. -- FINISHED FLOOR LEVEL
 2. S.F.L. -- STRUCTURAL FLOOR LEVEL
 3. (R) -- REVERSED DETAIL
 4. ▲ -- FIXING LOCATION
 5. △ -- FIXING LUG LOCATION
 6. GLASS LEGEND
 GL01 -- 8mm+12mm AIR GAP+10mm THK. I.G.U.
 GL01a -- 8mm+9mm AIR GAP+12mm THK. I.G.U.
 GL02 -- 10mm THK. TEMPERED GLASS (SPANDREL GLASS)
 GL03 -- 6mm+12mm AIR GAP+6mm THK. I.G.U.
 GL04 -- 10mm THK. TEMPERED GLASS (PROTECTIVE BARRIER)
 GL05 -- 6mm+12mm AIR GAP+8mm THK. I.G.U.

C	24/08/2020	REVISION SUBJECT TO ARCH.COMMENT	lvon
B	04/06/2020	REVISION SUBJECT TO ARCH.COMMENT	lvon
A	09/05/2020	REVISION SUBJECT TO ARCH.COMMENT	lvon
NO.	DATE	REVISED	BY

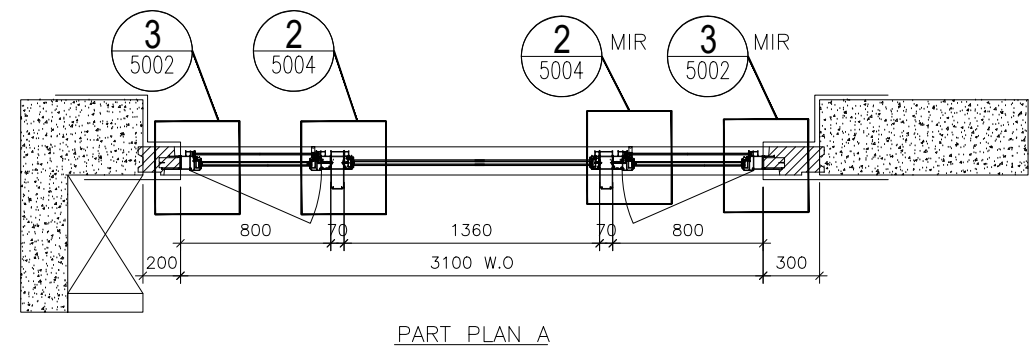
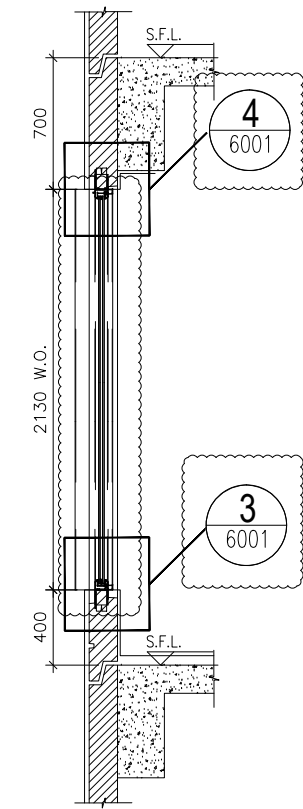
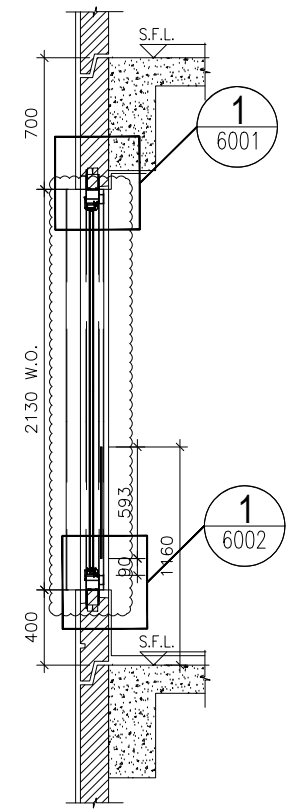
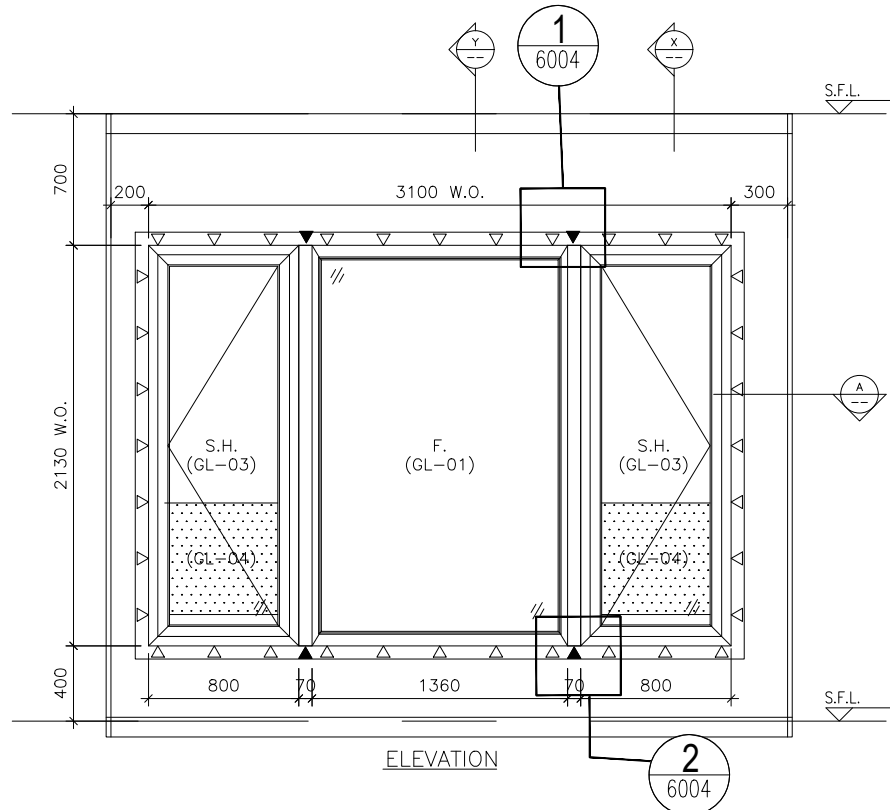
JOB NO. : J-852
 PROJECT :
 PROPOSED RESIDENTIAL DEVELOPMENT
 AT 139 - 147 ARGYLE STREET,
 NKIL 6005, 6035 R.P., 6036 R.P.,
 6037 R.P. & 6038 R.P.

TITLE :
 WINDOW SCHEDULE FOR
 ALUM. WINDOW

DATE : 05-Dec-19 SCALE : 1:40
 DRAWN BY : MN CHECKED BY : DW

美特鋁質有限公司
MIDI ALUMINIUM FABRICATOR LTD.
 Units 6-8, Sunray Industrial Centre, 1/F
 610 Cha Kwo Ling Road, Kowloon
 Tel:23489211-4 Fax:(852)27727666

DWG NO. : J852-SD-PW-4302A REV. : C



TYPE A			
OPENABLE WINDOW DIMENSION	(WIDTH) =	800	
	(HEIGHT) =	2130	
FIXED WINDOW DIMENSION	(WIDTH) =	1360	
	(HEIGHT) =	2130	
NUMBER OF OPENABLE AREA WINDOW	=	2	
GLAZING AREA			
OPENABLE			
WIDTH	=	800-111.5-111.5	= 577 mm
HIGHT	=	2130-111.5-111.5	= 1907 mm
FIXED			
WIDTH	=	1360-50-50	= 1260 mm
HIGHT	=	2130-50-50	= 2030 mm
TOTAL	=	((577x1907)x2+(1260x2030))	1000000 = 4.758478 m ²
OPENABLE AREA			
WIDTH	=	800-77-77	= 646 mm
HIGHT	=	2130-77-(1160-385-15)	= 1293 mm
TOTAL	=	((646x1293)x2)	1000000 = 1.670556 m ²

PROVIDED		
GLAZING AREA	4.758	m ²
OPENABLE AREA	1.671	m ²

ELEVATION

WINDOW MARK	W2 T3A
LOCATION	2/F-18/F LIV./DIN. AT TOWER 3 FLAT A
SECTION	70mm ALUM. SECTION
GLAZING	GL-01, GL-03
QUANTITY	14
REMARKS	FAÇADE (PF-2)

B.D. REF :

CLIENT :

ARCHITECT :
AGC DESIGN LTD
architectural design
10/F, 238, Queen's Road, 238 (Hq), New Territories, Hong Kong
Tel: (852)27771111, Fax: (852)27771111, Email: agc@agcdesign.com.hk

MAIN CONTRACTOR :
Gammon

STRUCTURAL ENGINEER :
ARUP

FAÇADE CONSULTANT:
MEINHARDT

NOTE :
 1. ALL DIMENSIONS ARE IN mm.
 2. ALL ELEVATIONS ARE VIEWED FROM OUTSIDE.
 3. ALL DIMENSIONS TO BE VERIFIED ON SITE BEFORE FABRICATION.

LEGEND :
 (X1) --- DETAIL MARK NO.
 (X001) --- REFER SHEET NO.

1. F.F.L. -- FINISHED FLOOR LEVEL
 2. S.F.L. -- STRUCTURAL FLOOR LEVEL
 3. (R) -- REVERSED DETAIL
 4. ▲ -- FIXING LOCATION
 5. △ -- FIXING LUG LOCATION
 6. GLASS LEGEND
 GL01 -- 8mm+12mm AIR GAP+10mm THK. I.G.U.
 GL01a -- 8mm+9mm AIR GAP+12mm THK. I.G.U.
 GL02 -- 10mm THK. TEMPERED GLASS (SPANDREL GLASS)
 GL03 -- 6mm+12mm AIR GAP+6mm THK. I.G.U.
 GL04 -- 10mm THK. TEMPERED GLASS (PROTECTIVE BARRIER)
 GL05 -- 6mm+12mm AIR GAP+8mm THK. I.G.U.

NO.	DATE	REVISION	BY
D	24/08/2020	REVISION SUBJECT TO ARCH.COMMENT	lvon
C	09/05/2020	REVISION SUBJECT TO ARCH.COMMENT	lvon
B	05/03/2020	REVISION SUBJECT TO ARCH.COMMENT	lvon
A	24/02/2020	REVISION SUBJECT TO ARCH.COMMENT	SH

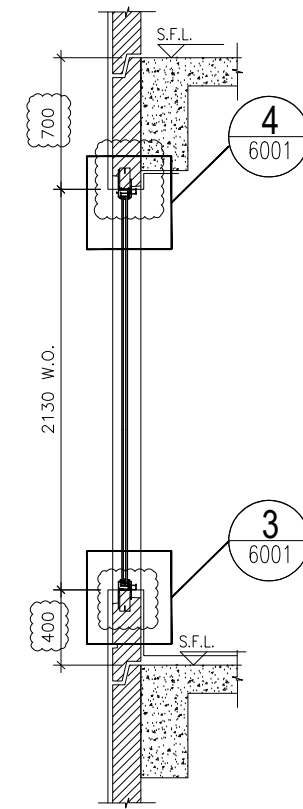
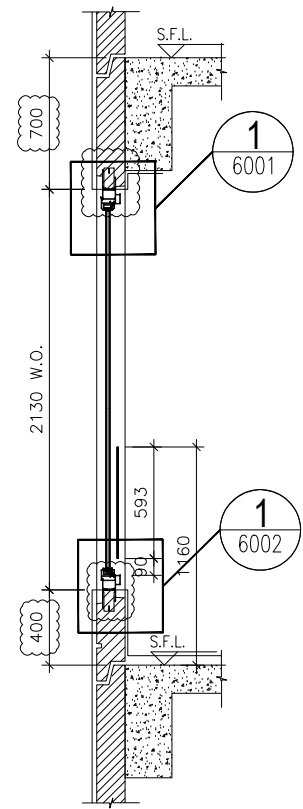
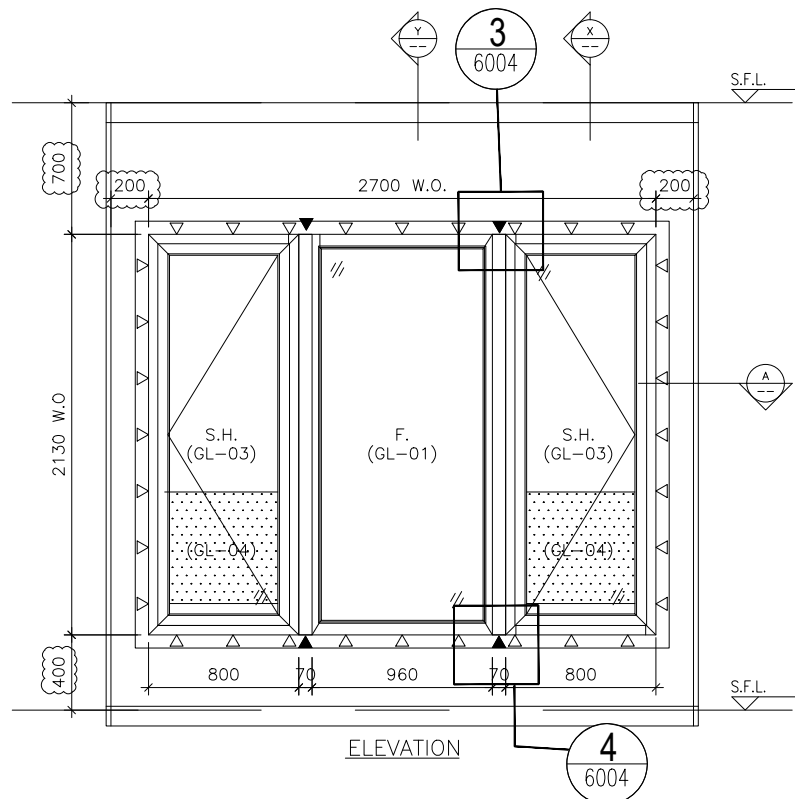
JOB NO. : J-852
 PROJECT : PROPOSED RESIDENTIAL DEVELOPMENT AT 139 - 147 ARGYLE STREET, NKIL 6005, 6035 R.P., 6036 R.P., 6037 R.P. & 6038 R.P.

TITLE : WINDOW SCHEDULE FOR ALUM. WINDOW

DATE : 05-Dec-19 SCALE : 1:40
 DRAWN BY : MN CHECKED BY : DW

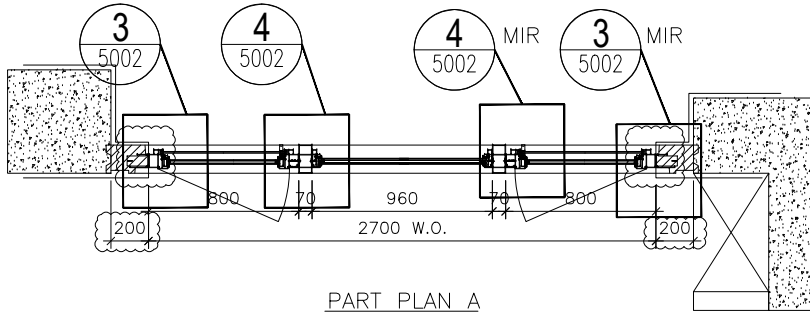
美特鋁質有限公司
MIDI ALUMINIUM FABRICATOR LTD.
 Units 6-8, Sunray Industrial Centre, 1/F
 610 Cha Kwo Ling Road, Kowloon
 Tel:23489211-4 Fax:(852)2727666

DWG NO. : J852-SD-PW-4303 REV. : D



SECTION "X-X"

SECTION "Y-Y"



PART PLAN A

TYPE A			
OPENABLE WINDOW DIMENSION	(WIDTH) =	800	
	(HIGHT) =	2130	
FIXED WINDOW DIMENSION	(WIDTH) =	960	
	(HIGHT) =	2130	
NUMBER OF OPENABLE AREA WINDOW	=	2	
GLAZING AREA			
OPENABLE			
WIDTH =	800-111.5-111.5	=	577 mm
HIGHT =	2130-111.5-111.5	=	1907 mm
FIXED			
WIDTH =	960-50-50	=	860 mm
HIGHT =	2130-50-50	=	2030 mm
TOTAL =	((577x1907)x2+(860x2030))y1000000	=	3.946478 m ²
OPENABLE AREA			
WIDTH =	800-77-77	=	646 mm
HIGHT =	2130-77-(1160-385-15)	=	1293 mm
TOTAL =	((646x1293)x2)y1000000	=	1.670556 m ²

PROVIDED		
GLAZING AREA	3.946	m ²
OPENABLE AREA	1.671	m ²

ELEVATION

WINDOW MARK	W2 T3B
LOCATION	1/F&19/F-21/F LIV./DIN. AT TOWER 3 FLAT B
SECTION	70mm ALUM. SECTION
GLAZING	GL-01, GL-03
QUANTITY	4
REMARKS	FAÇADE (PF-3)

B.D. REF :

CLIENT :

ARCHITECT :
AGC DESIGN LTD
 10/F, 187, Queen's Road, 220 Hong Kong
 Tel: (852)27771111, Fax: (852)27771111, Email: agc@agcdesign.com.hk

MAIN CONTRACTOR :
Gammon

STRUCTURAL ENGINEER :
ARUP

FAÇADE CONSULTANT:
MEINHARDT

NOTE :
 1. ALL DIMENSIONS ARE IN mm.
 2. ALL ELEVATIONS ARE VIEWED FROM OUTSIDE.
 3. ALL DIMENSIONS TO BE VERIFIED ON SITE BEFORE FABRICATION.

LEGEND :
 X1 --- DETAIL MARK NO.
 X001 --- REFER SHEET NO.

1. F.F.L. --- FINISHED FLOOR LEVEL
 2. S.F.L. --- STRUCTURAL FLOOR LEVEL
 3. (R) --- REVERSED DETAIL
 4. ▲ --- FIXING LOCATION
 5. △ --- FIXING LUG LOCATION
 6. GLASS LEGEND
 GL01 --- 8mm+12mm AIR GAP+10mm THK. I.G.U.
 GL01a --- 8mm+9mm AIR GAP+12mm THK. I.G.U.
 GL02 --- 10mm THK. TEMPERED GLASS (SPANDREL GLASS)
 GL03 --- 6mm+12mm AIR GAP+6mm THK. I.G.U.
 GL04 --- 10mm THK. TEMPERED GLASS (PROTECTIVE BARRIER)
 GL05 --- 6mm+12mm AIR GAP+8mm THK. I.G.U.

C	24/08/2020	REVISION SUBJECT TO ARCH.COMMENT	Ivon
B	04/06/2020	REVISION SUBJECT TO ARCH.COMMENT	Ivon
A	09/05/2020	REVISION SUBJECT TO ARCH.COMMENT	Ivon
NO.	DATE	REVISED	BY

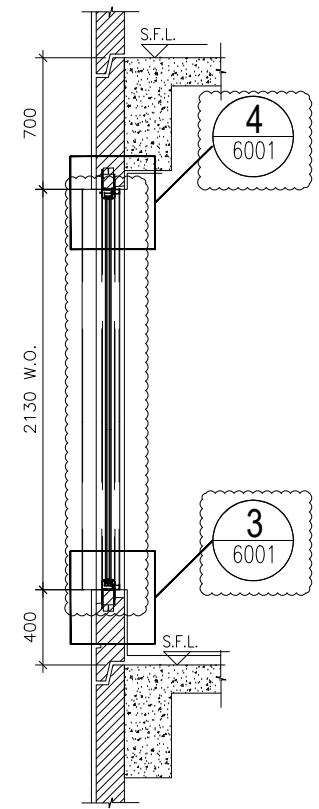
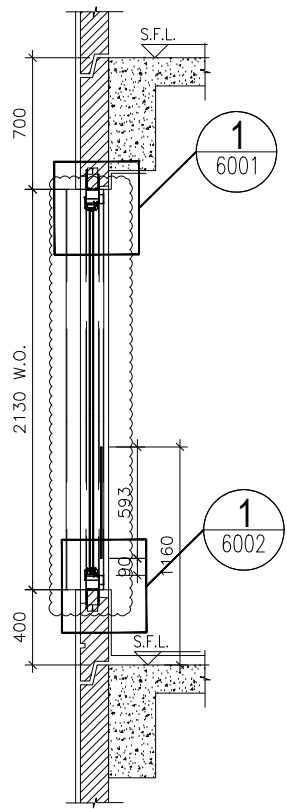
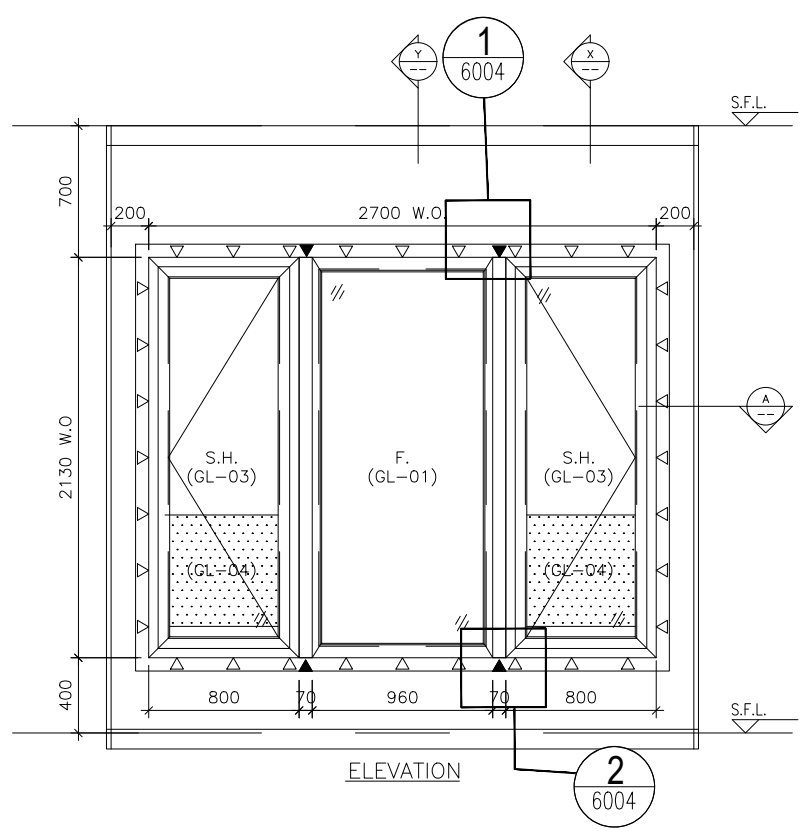
JOB NO. : J-852
 PROJECT : PROPOSED RESIDENTIAL DEVELOPMENT AT 139 - 147 ARGYLE STREET, NKIL 6005, 6035 R.P., 6036 R.P., 6037 R.P. & 6038 R.P.

TITLE : WINDOW SCHEDULE FOR ALUM. WINDOW

DATE : 05-Dec-19 SCALE : 1:40
 DRAWN BY : MN CHECKED BY : DW

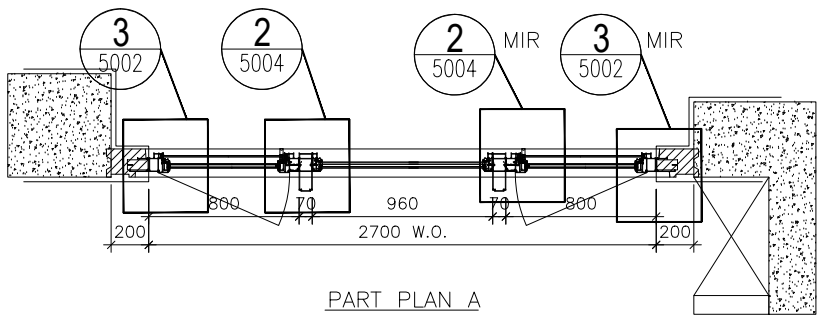
美特鋁質有限公司
MIDI ALUMINIUM FABRICATOR LTD.
 Units 6-8, Sunray Industrial Centre, 1/F
 610 Cha Kwo Ling Road, Kowloon
 Tel:23489211-4 Fax:(852)2727666

DWG NO. : J852-SD-PW-4303A REV. : C



SECTION "X-X"

SECTION "Y-Y"



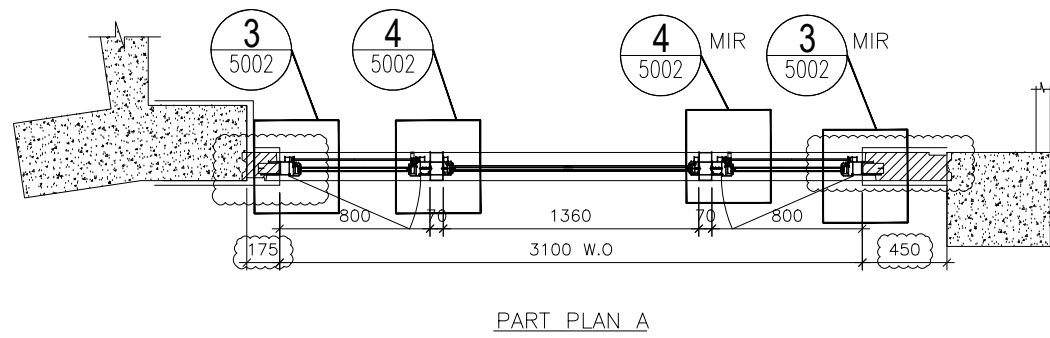
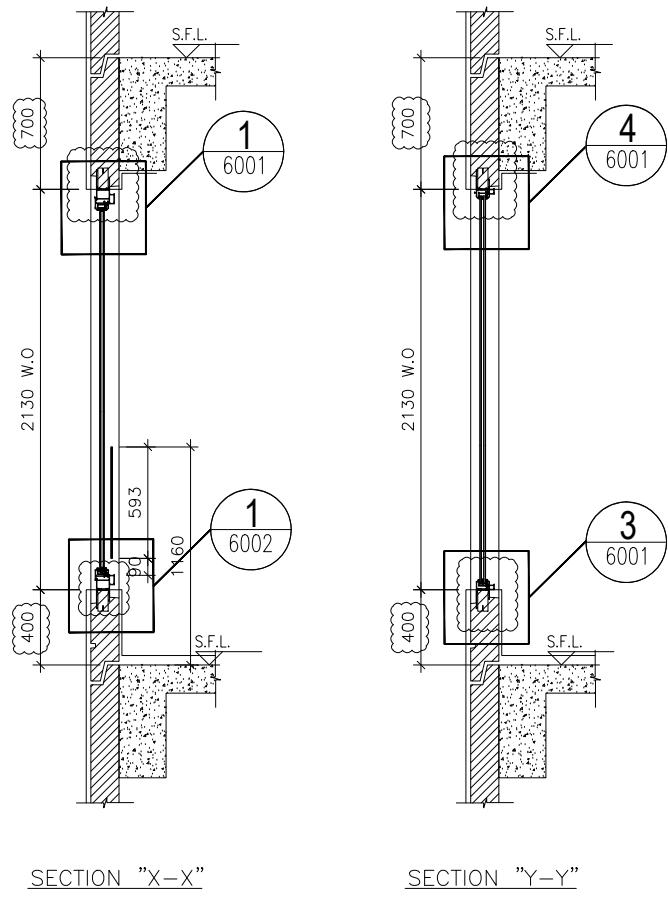
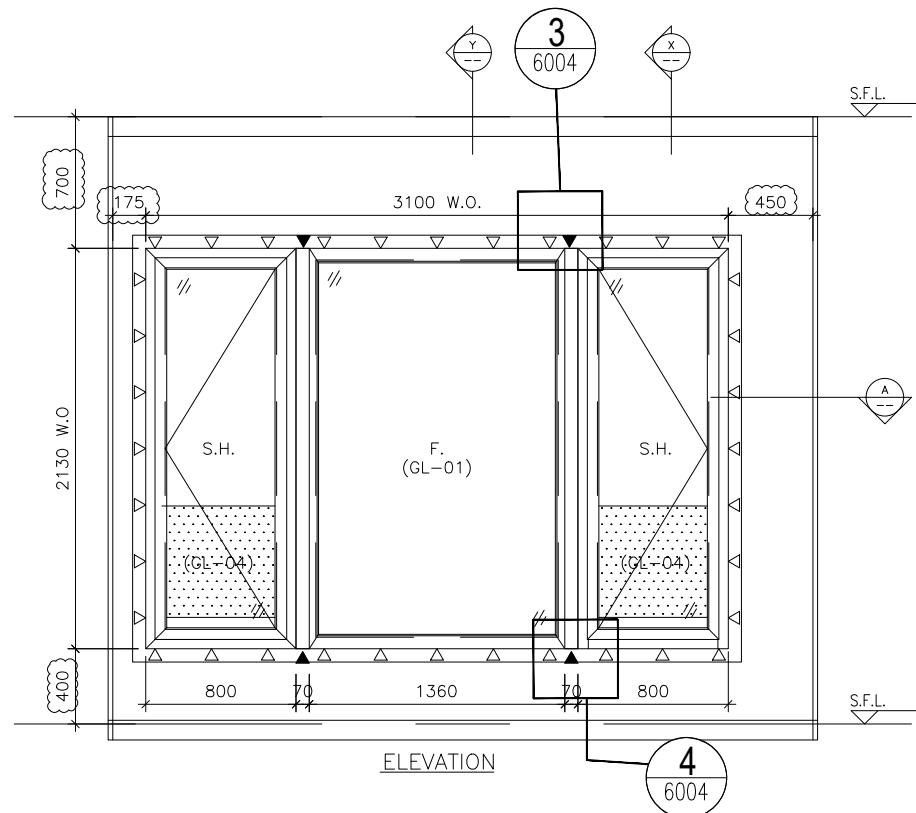
PART PLAN A

TYPE A			
OPENABLE WINDOW DIMENSION		(WIDTH) =	800
		(HIGHT) =	2130
FIXED WINDOW DIMENSION		(WIDTH) =	960
		(HIGHT) =	2130
NUMBER OF OPENABLE AREA WINDOW		=	2
GLAZING AREA			
OPENABLE			
WIDTH	= 800-111.5-111.5	=	577 mm
HIGHT	= 2130-111.5-111.5	=	1907 mm
FIXED			
WIDTH	= 960-50-50	=	860 mm
HIGHT	= 2130-50-50	=	2030 mm
TOTAL	= ((577x1907)x2+(860x2030))y1000000	=	3.946478 m ²
OPENABLE AREA			
WIDTH	= 800-77-77	=	646 mm
HIGHT	= 2130-77-(1160-385-15)	=	1293 mm
TOTAL	= ((646x1293)x2)y1000000	=	1.670556 m ²

PROVIDED	
GLAZING AREA	3.95 m ²
OPENABLE AREA	1.67 m ²

ELEVATION

WINDOW MARK	W2 T3B
LOCATION	2/F-18/F LIV./DIN. AT TOWER 3 FLAT B
SECTION	70mm ALUM. SECTION
GLAZING	GL-01, GL-03
QUANTITY	14
REMARKS	FAÇADE (PF-3)



TYPE A			
OPENABLE WINDOW DIMENSION	(WIDTH) =	800	
	(HEIGHT) =	2130	
FIXED WINDOW DIMENSION	(WIDTH) =	1360	
	(HEIGHT) =	2130	
NUMBER OF OPENABLE AREA WINDOW	=	2	
GLAZING AREA			
OPENABLE			
WIDTH =	800-111.5-111.5	=	577 mm
HIGHT =	2130-111.5-111.5	=	1907 mm
FIXED			
WIDTH =	1360-50-50	=	1260 mm
HIGHT =	2130-50-50	=	2030 mm
TOTAL =	((577x1907)x2+(1260x2030))	=	4.758478 m ²
OPENABLE AREA			
WIDTH =	800-77-77	=	646 mm
HIGHT =	2130-77-(1160-385-15)	=	1293 mm
TOTAL =	((646x1293)x2)	=	1.670556 m ²

PROVIDED	
GLAZING AREA	4.758 m ²
OPENABLE AREA	1.671 m ²

B.D. REF :

CLIENT :

ARCHITECT :
AGC DESIGN LTD
 10/F, 187, Canton Road, 220 Hong Kong, Tel: 34221111, Fax: 34221113, Email: agc@agc.com.hk

MAIN CONTRACTOR :
Gammon

STRUCTURAL ENGINEER :
ARUP

FAÇADE CONSULTANT:
MEINHARDT

- NOTE :
- ALL DIMENSIONS ARE IN mm.
 - ALL ELEVATIONS ARE VIEWED FROM OUTSIDE.
 - ALL DIMENSIONS TO BE VERIFIED ON SITE BEFORE FABRICATION.
- LEGEND :
- X1 --- DETAIL MARK NO.
 - X001 --- REFER SHEET NO.
- F.F.L. --- FINISHED FLOOR LEVEL
 - S.F.L. --- STRUCTURAL FLOOR LEVEL
 - (R) --- REVERSED DETAIL
 - ▲ --- FIXING LOCATION
 - △ --- FIXING LUG LOCATION
 - GLASS LEGEND
 GL01 --- 8mm+12mm AIR GAP+10mm THK. I.G.U.
 GL01a --- 8mm+9mm AIR GAP+12mm THK. I.G.U.
 GL02 --- 10mm THK. TEMPERED GLASS (SPANDREL GLASS)
 GL03 --- 6mm+12mm AIR GAP+6mm THK. I.G.U.
 GL04 --- 10mm THK. TEMPERED GLASS (PROTECTIVE BARRIER)
 GL05 --- 6mm+12mm AIR GAP+8mm THK. I.G.U.

NO.	DATE	REVISION	BY
D	24/08/2020	REVISION SUBJECT TO ARCH.COMMENT	lvon
C	09/05/2020	REVISION SUBJECT TO ARCH.COMMENT	lvon
B	05/03/2020	REVISION SUBJECT TO ARCH.COMMENT	lvon
A	24/02/2020	REVISION SUBJECT TO ARCH.COMMENT	SH

JOB NO. : J-852

PROJECT :
 PROPOSED RESIDENTIAL DEVELOPMENT
 AT 139 - 147 ARGYLE STREET,
 NKIL 6005, 6035 R.P., 6036 R.P.,
 6037 R.P. & 6038 R.P.

TITLE :
 WINDOW SCHEDULE FOR
 ALUM. WINDOW

DATE : 05-Dec-19 SCALE : 1:40

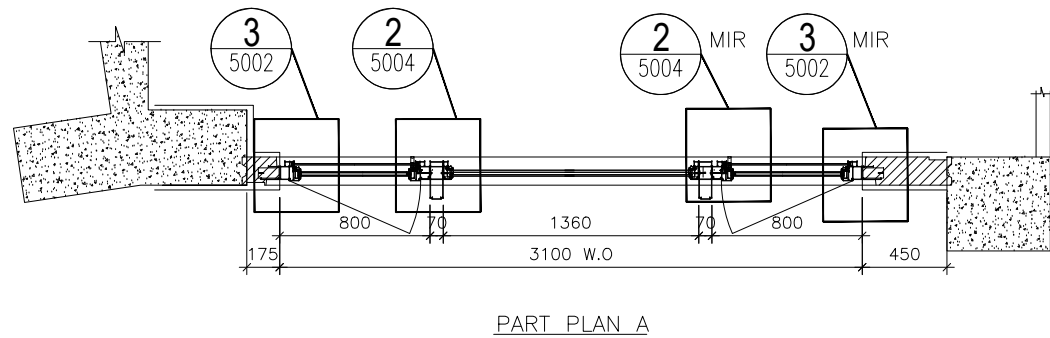
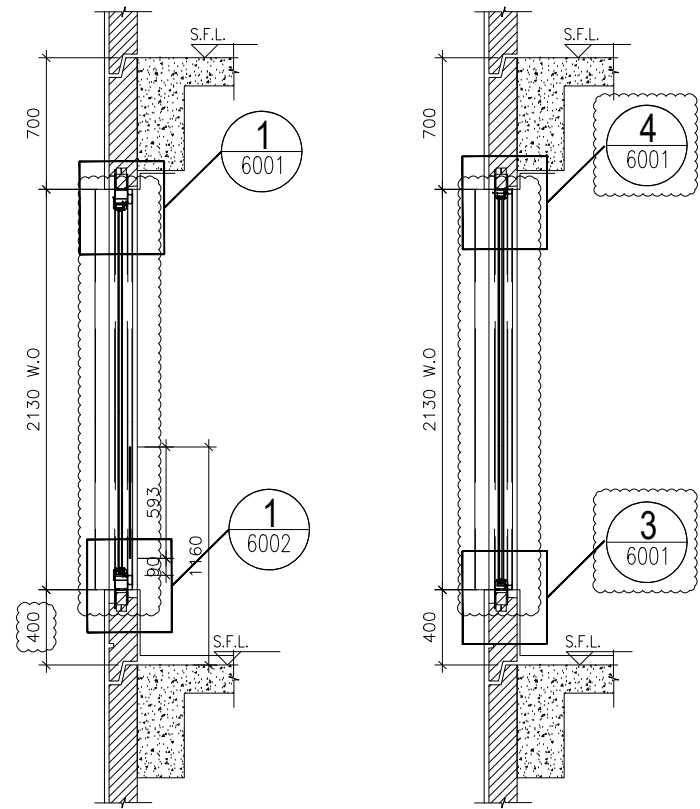
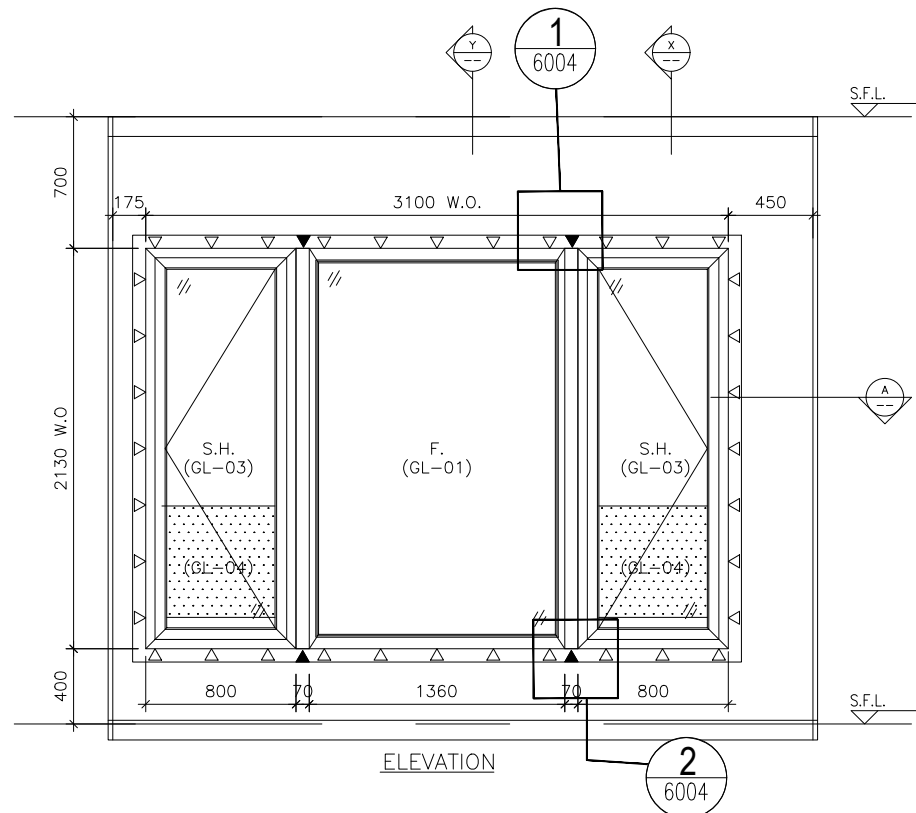
DRAWN BY : MN CHECKED BY : DW

美特鋁質有限公司
MIDI ALUMINIUM FABRICATOR LTD.
 Units 6-8, Sunray Industrial Centre, 1/F
 610 Cha Kwo Ling Road, Kowloon
 Tel: 23489211-4 Fax: (852) 2727666

DWG NO. : J852-SD-PW-4304 REV. : D

ELEVATION

WINDOW MARK	W3 T3B
LOCATION	1/F-18/F MASTER ENSUITE AT TOWER 3 FLAT B
SECTION	70mm ALUM. SECTION
GLAZING	GL-01, GL-03
QUANTITY	15
REMARKS	FAÇADE (PF-4)



TYPE A			
OPENABLE WINDOW DIMENSION	(WIDTH) =	800	
	(HEIGHT) =	2130	
FIXED WINDOW DIMENSION	(WIDTH) =	1360	
	(HEIGHT) =	2130	
NUMBER OF OPENABLE AREA WINDOW	=	2	
GLAZING AREA			
OPENABLE			
WIDTH =	800-111.5-111.5	=	577 mm
HIGHT =	2130-111.5-111.5	=	1907 mm
FIXED			
WIDTH =	1360-50-50	=	1260 mm
HIGHT =	2130-50-50	=	2030 mm
TOTAL =	((577x1907)x2+(1260x2030))	=	4.758478 m ²
OPENABLE AREA			
WIDTH =	800-77-77	=	646 mm
HIGHT =	2130-77-(1160-385-15)	=	1293 mm
TOTAL =	((646x1293)x2)	=	1.670556 m ²

PROVIDED	
GLAZING AREA	4.758 m ²
OPENABLE AREA	1.671 m ²

B.D. REF :

CLIENT :

ARCHITECT :
AGC DESIGN LTD
 architects urban design interior
 2/F, 237, Queen's Road, 238 (Opp.) New, Kowloon, Hong Kong
 Tel: (852)27771111, Fax: (852)27771111, Email: agc@agcdesign.com.hk

MAIN CONTRACTOR :
Gammon

STRUCTURAL ENGINEER :
ARUP

FAÇADE CONSULTANT:
MEINHARDT

NOTE :
 1. ALL DIMENSIONS ARE IN mm.
 2. ALL ELEVATIONS ARE VIEWED FROM OUTSIDE.
 3. ALL DIMENSIONS TO BE VERIFIED ON SITE BEFORE FABRICATION.

LEGEND :
 X1 --- DETAIL MARK NO.
 X001 --- REFER SHEET NO.

1. F.F.L. --- FINISHED FLOOR LEVEL
 2. S.F.L. --- STRUCTURAL FLOOR LEVEL
 3. (R) --- REVERSED DETAIL
 4. ▲ --- FIXING LOCATION
 5. △ --- FIXING LUG LOCATION
 6. GLASS LEGEND
 GL01 --- 8mm+12mm AIR GAP+10mm THK. I.G.U.
 GL01a --- 8mm+9mm AIR GAP+12mm THK. I.G.U.
 GL02 --- 10mm THK. TEMPERED GLASS (SPANDREL GLASS)
 GL03 --- 6mm+12mm AIR GAP+6mm THK. I.G.U.
 GL04 --- 10mm THK. TEMPERED GLASS (PROTECTIVE BARRIER)
 GL05 --- 6mm+12mm AIR GAP+8mm THK. I.G.U.

C	24/08/2020	REVISION SUBJECT TO ARCH.COMMENT	lvon
B	04/06/2020	REVISION SUBJECT TO ARCH.COMMENT	lvon
A	09/05/2020	REVISION SUBJECT TO ARCH.COMMENT	lvon
NO.	DATE	REVISED	BY

JOB NO. : J-852
 PROJECT : PROPOSED RESIDENTIAL DEVELOPMENT AT 139 - 147 ARGYLE STREET, NKIL 6005, 6035 R.P., 6036 R.P., 6037 R.P. & 6038 R.P.

TITLE : WINDOW SCHEDULE FOR ALUM. WINDOW

DATE : 05-Dec-19 SCALE : 1:40
 DRAWN BY : MN CHECKED BY : DW

美特鋁質有限公司
MIDI ALUMINIUM FABRICATOR LTD.
 Units 6-8, Sunray Industrial Centre, 1/F
 610 Cha Kwo Ling Road, Kowloon
 Tel:23489211-4 Fax:(852)2727666

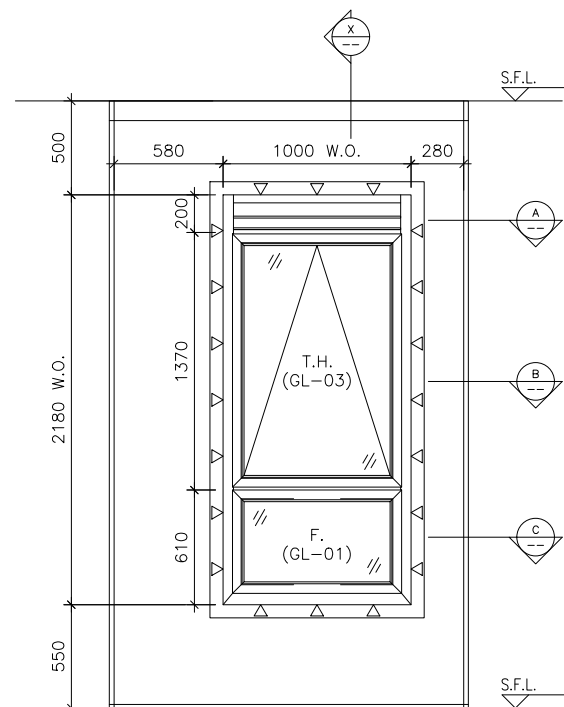
DWG NO. : J852-SD-PW-4304A REV. : C

ELEVATION

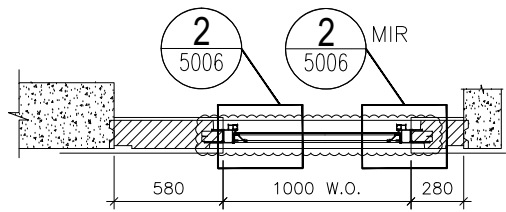
WINDOW MARK



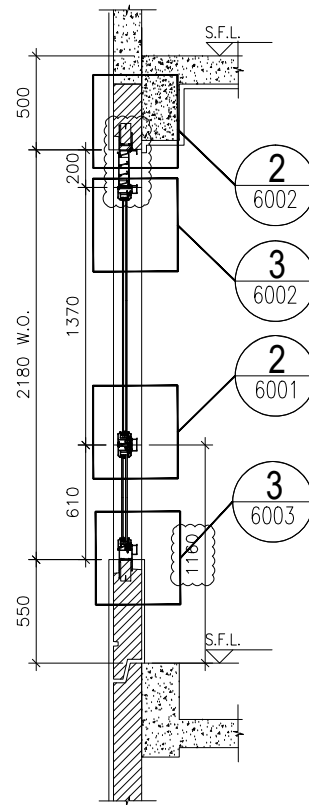
LOCATION 19/F-21/F MASTER ENSUITE AT TOWER 3 FLAT B
 SECTION 70mm ALUM. SECTION
 GLAZING GL-01, GL-03
 QUANTITY 3
 REMARKS FAÇADE (PF-4)



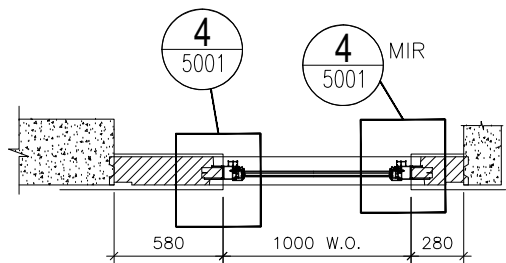
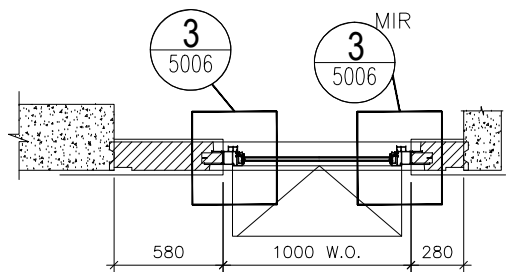
ELEVATION(FOR 1F-20F)



SECTION "X-X"(FOR 1F-20F)



SECTION "X-X"(FOR 21F)



ELEVATION

TYPE B			
OPENABLE WINDOW DIMENSION	(WIDTH) =	1000	
	(HEIGHT) =	1370	
FIXED WINDOW DIMENSION	(WIDTH) =	1000	
	(HEIGHT) =	610	
NUMBER OF OPENABLE AREA WINDOW	=	1	
GLAZING AREA			
OPENABLE			
WIDTH =	1000-111.5-111.5	=	777 mm
HEIGHT =	1370-69.5-66.5	=	1234 mm
FIXED			
WIDTH =	1000-111.5-111.5	=	777 mm
HEIGHT =	610-66.5-111.5	=	432 mm
TOTAL =	((777x1234)+(777x432))/1000000	=	1.294482 m ²
OPENABLE AREA			
WIDTH =	1000-77-77	=	846 mm
HEIGHT =	1370-32-32	=	1306 mm
TOTAL =	(846x1306)x1/1000000	=	1.104876 m ²
		PROVIDED	
GLAZING AREA		1.294	m ²
OPENABLE AREA		1.105	m ²

B.D. REF :

CLIENT :

ARCHITECT :
AGC DESIGN LTD
 10/F, 187, Queen Mary Road, Hong Kong
 Tel: (852)27771111 Fax: (852)27771111 Email: agc@agcdesign.com.hk

MAIN CONTRACTOR :
Gammon

STRUCTURAL ENGINEER :
ARUP

FACADE CONSULTANT:
MEINHARDT

NOTE :
 1. ALL DIMENSIONS ARE IN mm.
 2. ALL ELEVATIONS ARE VIEWED FROM OUTSIDE.
 3. ALL DIMENSIONS TO BE VERIFIED ON SITE BEFORE FABRICATION.

LEGEND :
 X1 --- DETAIL MARK NO.
 X001 --- REFER SHEET NO.
 1. F.F.L. --- FINISHED FLOOR LEVEL
 2. S.F.L. --- STRUCTURAL FLOOR LEVEL
 3. (R) --- REVERSED DETAIL
 4. ▲ --- FIXING LOCATION
 5. △ --- FIXING LUG LOCATION
 6. GLASS LEGEND

GL01 -- 8mm+12mm AIR GAP+10mm THK. I.G.U.
 GL01a -- 8mm+12mm AIR GAP+12mm THK. I.G.U.
 GL02 -- 10mm THK. TEMPERED GLASS (SPANDREL GLASS)
 GL03 -- 6mm+12mm AIR GAP+6mm THK. I.G.U.
 GL04 -- 10mm THK. TEMPERED GLASS (PROTECTIVE BARRIER)
 GL05 -- 6mm+12mm AIR GAP+8mm THK. I.G.U.

E	24/08/2020	REVISION SUBJECT TO ARCH.COMMENT	lvn
D	09/05/2020	REVISION SUBJECT TO ARCH.COMMENT	lvn
C	09/05/2020	REVISION SUBJECT TO ARCH.COMMENT	lvn
B	05/03/2020	REVISION SUBJECT TO ARCH.COMMENT	lvn
A	24/02/2020	REVISION SUBJECT TO ARCH.COMMENT	SH
NO.	DATE	REVISED	BY

JOB NO. : J-852
 PROJECT : PROPOSED RESIDENTIAL DEVELOPMENT AT 139 - 147 ARGYLE STREET, NKIL 6005, 6035 R.P., 6036 R.P., 6037 R.P. & 6038 R.P.

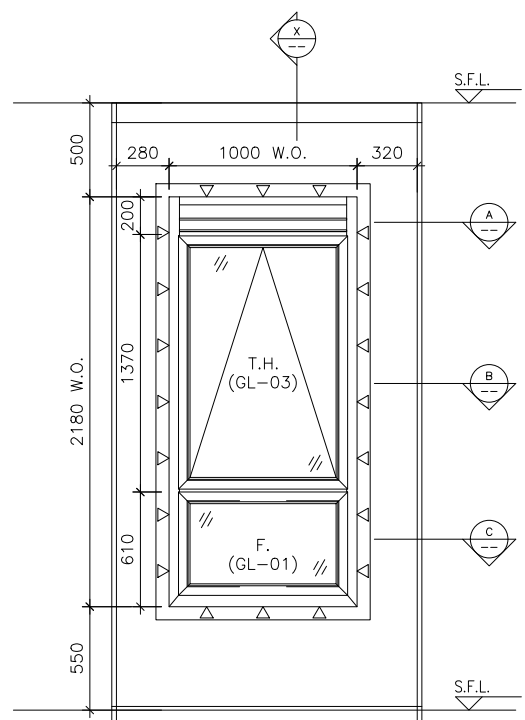
TITLE : WINDOW SCHEDULE FOR ALUM. WINDOW

DATE : 05-Dec-19 SCALE : 1:40
 DRAWN BY : MN CHECKED BY : DW

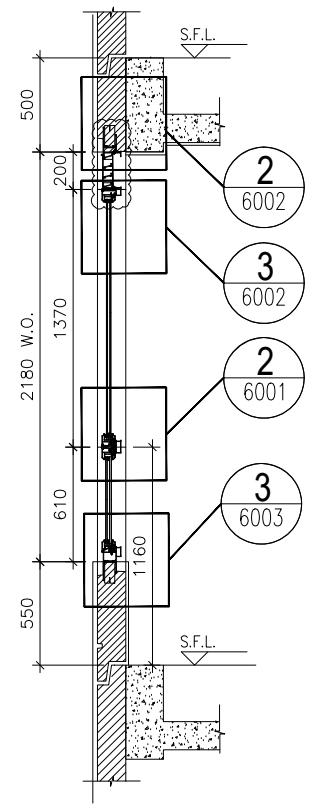
美特鋁質有限公司
MIDI ALUMINIUM FABRICATOR LTD.
 Units 6-8, Sunray Industrial Centre, 1/F
 610 Cha Kwo Ling Road, Kowloon
 Tel:23489211-4 Fax:(852)2727666

DWG NO. : J852-SD-PW-4305 REV. : E

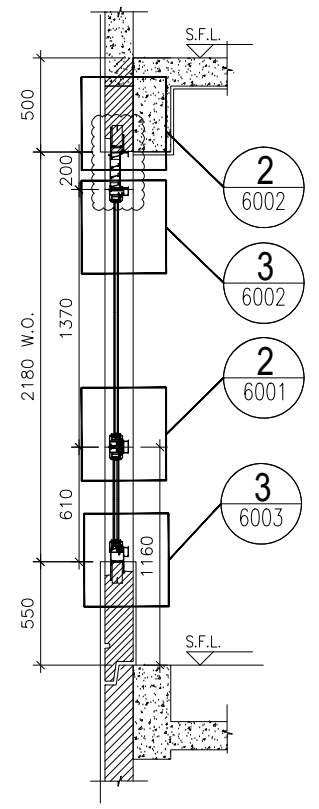
WINDOW MARK	W4 T3A
LOCATION	1/F-21/F M.B. AT TOWER 3 FLAT A
SECTION	70mm ALUM. SECTION
GLAZING	GL-01, GL-03
QUANTITY	18
REMARKS	FACADE (PF-13)



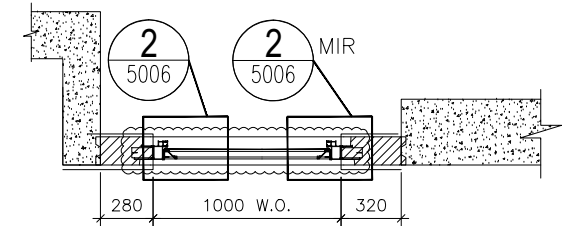
ELEVATION



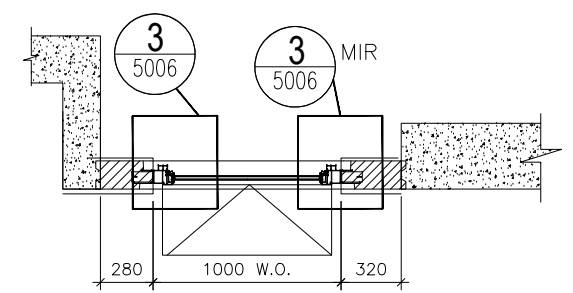
SECTION "X-X"(FOR 1F-20F)



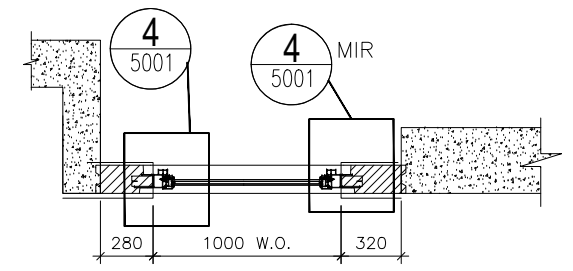
SECTION "X-X"(FOR 21F)



PART PLAN A



PART PLAN B



PART PLAN C

TYPE B			
OPENABLE WINDOW DIMENSION	(WIDTH) =	1000	
	(HEIGHT) =	1370	
FIXED WINDOW DIMENSION	(WIDTH) =	1000	
	(HEIGHT) =	610	
NUMBER OF OPENABLE AREA WINDOW	=	1	
GLAZING AREA			
OPENABLE			
WIDTH =	1000-111.5-111.5	=	777 mm
HEIGHT =	1370-69.5-66.5	=	1234 mm
FIXED			
WIDTH =	1000-111.5-111.5	=	777 mm
HEIGHT =	610-66.5-111.5	=	432 mm
TOTAL =	((777x1234)+(777x432))/1000000	=	1.294482 m ²
OPENABLE AREA			
WIDTH =	1000-77-77	=	846 mm
HEIGHT =	1370-32-32	=	1306 mm
TOTAL =	(846x1306)x1/1000000	=	1.104876 m ²

PROVIDED	
GLAZING AREA	1.294 m ²
OPENABLE AREA	1.105 m ²

B.D. REF :

CLIENT :

ARCHITECT :
AGC DESIGN LTD
 10/F, 187, Queen Mary Road, 22/F, 188, King's Road, Hong Kong
 Tel: (852)27771111, Fax: (852)27771111, Email: agc@agcdesign.com.hk

MAIN CONTRACTOR :
Gammon

STRUCTURAL ENGINEER :
ARUP

FACADE CONSULTANT:
MEINHARDT

- NOTE :
- ALL DIMENSIONS ARE IN mm.
 - ALL ELEVATIONS ARE VIEWED FROM OUTSIDE.
 - ALL DIMENSIONS TO BE VERIFIED ON SITE BEFORE FABRICATION.
- LEGEND :
- X1 --- DETAIL MARK NO.
 - X001 --- REFER SHEET NO.
 - F.F.L. --- FINISHED FLOOR LEVEL
 - S.F.L. --- STRUCTURAL FLOOR LEVEL
 - (R) --- REVERSED DETAIL
 - ▲ --- FIXING LOCATION
 - △ --- FIXING LUG LOCATION
6. GLASS LEGEND
- GL01 -- 8mm+12mm AIR GAP+10mm THK. I.G.U.
 - GL01a -- 8mm+12mm AIR GAP+12mm THK. I.G.U.
 - GL02 -- 10mm THK. TEMPERED GLASS (SPANDREL GLASS)
 - GL03 -- 6mm+12mm AIR GAP+6mm THK. I.G.U.
 - GL04 -- 10mm THK. TEMPERED GLASS (PROTECTIVE BARRIER)
 - GL05 -- 6mm+12mm AIR GAP+8mm THK. I.G.U.

NO.	DATE	REVISION	BY
E	24/08/2020	REVISION SUBJECT TO ARCH.COMMENT	lvon
D	09/05/2020	REVISION SUBJECT TO ARCH.COMMENT	lvon
C	09/05/2020	REVISION SUBJECT TO ARCH.COMMENT	lvon
B	05/03/2020	REVISION SUBJECT TO ARCH.COMMENT	lvon
A	24/02/2020	REVISION SUBJECT TO ARCH.COMMENT	SH

JOB NO. : J-852

PROJECT : PROPOSED RESIDENTIAL DEVELOPMENT AT 139 - 147 ARGYLE STREET, NKIL 6005, 6035 R.P., 6036 R.P., 6037 R.P. & 6038 R.P.

TITLE : WINDOW SCHEDULE FOR ALUM. WINDOW

DATE : 05-Dec-19 SCALE : 1:40

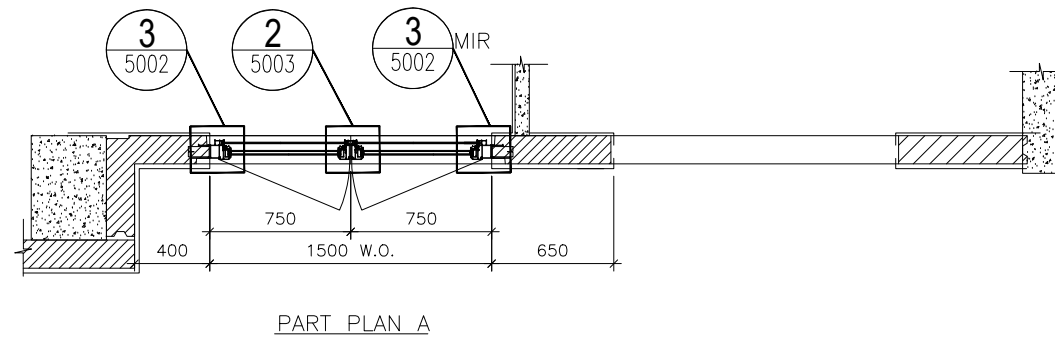
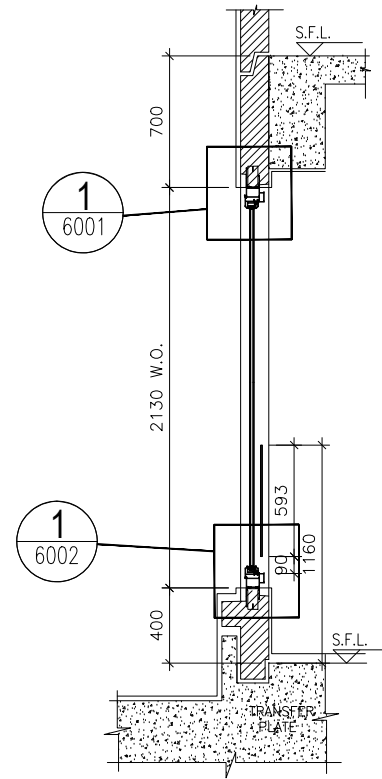
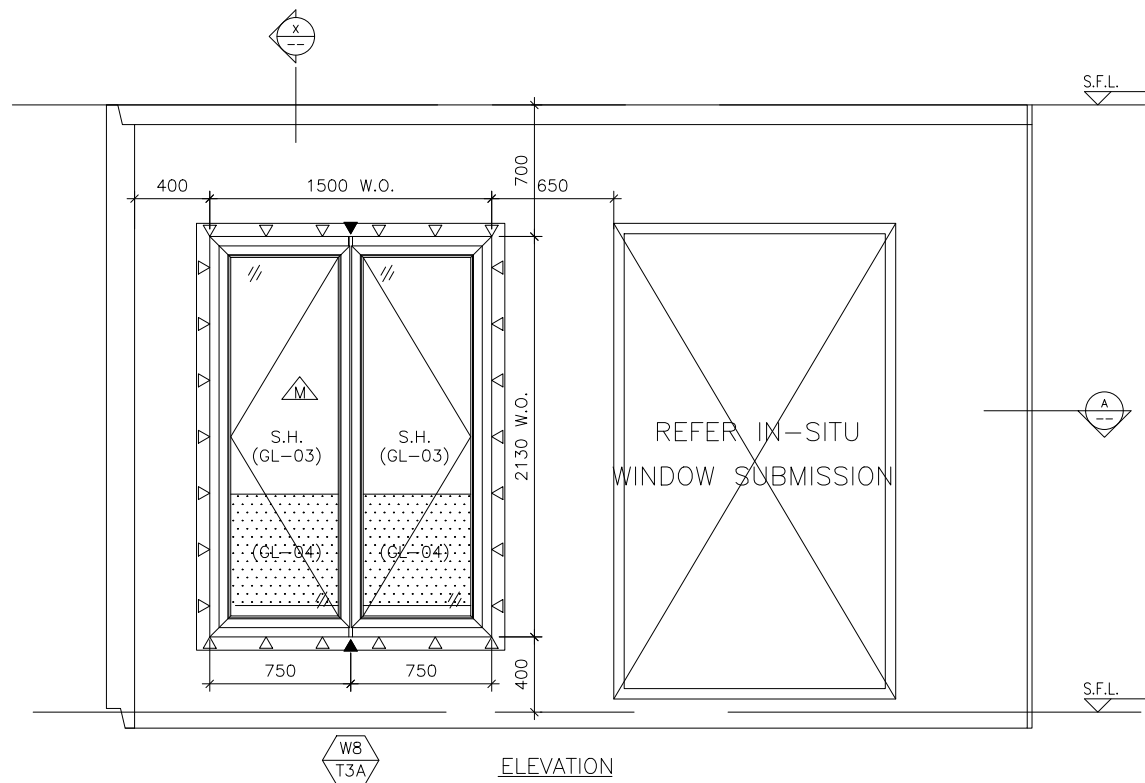
DRAWN BY : MN CHECKED BY : DW

美特鋁質有限公司
MIDI ALUMINIUM FABRICATOR LTD.
 Units 6-8, Sunray Industrial Centre, 1/F
 610 Cha Kwo Ling Road, Kowloon
 Tel:23489211-4 Fax:(852)27727666

DWG NO. : J852-SD-PW-4306 REV. : E

ELEVATION

WINDOW MARK	W5 T3A
LOCATION	1/F-21/F EN.B. AT TOWER 3 FLAT A
SECTION	70mm ALUM. SECTION
GLAZING	GL-01, GL-03
QUANTITY	18
REMARKS	FACADE (PF-14)



TYPE F			
OPENABLE WINDOW DIMENSION	(WIDTH)	=	750
	(HEIGHT)	=	2130
NUMBER OF OPENABLE AREA WINDOW		=	1
GLAZING AREA			
OPENABLE			
WIDTH	= 750-111.5-66.5	=	572 mm
HIGHT	= (2130+400)-111.5-1000	=	1418.5 mm
TOTAL	= ((572x1418.5)x2)/1000000	=	1.622764 m ²
OPENABLE AREA			
WIDTH	= 750-77-32	=	641 mm
HIGHT	= 2130-77-(1160-385-15)	=	1293 mm
TOTAL	= ((641x1293)x1)/1000000	=	0.828813 m ²
		PROVIDED	
	GLAZING AREA	1.623	m ²
	OPENABLE AREA	0.829	m ²

B.D. REF :

CLIENT :

ARCHITECT :
AGC DESIGN LTD
 10/F, 187, Queen's Road, 228, 229, 230, 231, 232, 233, 234, 235, 236, 237, 238, 239, 240, 241, 242, 243, 244, 245, 246, 247, 248, 249, 250, 251, 252, 253, 254, 255, 256, 257, 258, 259, 260, 261, 262, 263, 264, 265, 266, 267, 268, 269, 270, 271, 272, 273, 274, 275, 276, 277, 278, 279, 280, 281, 282, 283, 284, 285, 286, 287, 288, 289, 290, 291, 292, 293, 294, 295, 296, 297, 298, 299, 300, 301, 302, 303, 304, 305, 306, 307, 308, 309, 310, 311, 312, 313, 314, 315, 316, 317, 318, 319, 320, 321, 322, 323, 324, 325, 326, 327, 328, 329, 330, 331, 332, 333, 334, 335, 336, 337, 338, 339, 340, 341, 342, 343, 344, 345, 346, 347, 348, 349, 350, 351, 352, 353, 354, 355, 356, 357, 358, 359, 360, 361, 362, 363, 364, 365, 366, 367, 368, 369, 370, 371, 372, 373, 374, 375, 376, 377, 378, 379, 380, 381, 382, 383, 384, 385, 386, 387, 388, 389, 390, 391, 392, 393, 394, 395, 396, 397, 398, 399, 400, 401, 402, 403, 404, 405, 406, 407, 408, 409, 410, 411, 412, 413, 414, 415, 416, 417, 418, 419, 420, 421, 422, 423, 424, 425, 426, 427, 428, 429, 430, 431, 432, 433, 434, 435, 436, 437, 438, 439, 440, 441, 442, 443, 444, 445, 446, 447, 448, 449, 450, 451, 452, 453, 454, 455, 456, 457, 458, 459, 460, 461, 462, 463, 464, 465, 466, 467, 468, 469, 470, 471, 472, 473, 474, 475, 476, 477, 478, 479, 480, 481, 482, 483, 484, 485, 486, 487, 488, 489, 490, 491, 492, 493, 494, 495, 496, 497, 498, 499, 500, 501, 502, 503, 504, 505, 506, 507, 508, 509, 510, 511, 512, 513, 514, 515, 516, 517, 518, 519, 520, 521, 522, 523, 524, 525, 526, 527, 528, 529, 530, 531, 532, 533, 534, 535, 536, 537, 538, 539, 540, 541, 542, 543, 544, 545, 546, 547, 548, 549, 550, 551, 552, 553, 554, 555, 556, 557, 558, 559, 560, 561, 562, 563, 564, 565, 566, 567, 568, 569, 570, 571, 572, 573, 574, 575, 576, 577, 578, 579, 580, 581, 582, 583, 584, 585, 586, 587, 588, 589, 590, 591, 592, 593, 594, 595, 596, 597, 598, 599, 600, 601, 602, 603, 604, 605, 606, 607, 608, 609, 610, 611, 612, 613, 614, 615, 616, 617, 618, 619, 620, 621, 622, 623, 624, 625, 626, 627, 628, 629, 630, 631, 632, 633, 634, 635, 636, 637, 638, 639, 640, 641, 642, 643, 644, 645, 646, 647, 648, 649, 650, 651, 652, 653, 654, 655, 656, 657, 658, 659, 660, 661, 662, 663, 664, 665, 666, 667, 668, 669, 670, 671, 672, 673, 674, 675, 676, 677, 678, 679, 680, 681, 682, 683, 684, 685, 686, 687, 688, 689, 690, 691, 692, 693, 694, 695, 696, 697, 698, 699, 700, 701, 702, 703, 704, 705, 706, 707, 708, 709, 710, 711, 712, 713, 714, 715, 716, 717, 718, 719, 720, 721, 722, 723, 724, 725, 726, 727, 728, 729, 730, 731, 732, 733, 734, 735, 736, 737, 738, 739, 740, 741, 742, 743, 744, 745, 746, 747, 748, 749, 750, 751, 752, 753, 754, 755, 756, 757, 758, 759, 760, 761, 762, 763, 764, 765, 766, 767, 768, 769, 770, 771, 772, 773, 774, 775, 776, 777, 778, 779, 780, 781, 782, 783, 784, 785, 786, 787, 788, 789, 790, 791, 792, 793, 794, 795, 796, 797, 798, 799, 800, 801, 802, 803, 804, 805, 806, 807, 808, 809, 810, 811, 812, 813, 814, 815, 816, 817, 818, 819, 820, 821, 822, 823, 824, 825, 826, 827, 828, 829, 830, 831, 832, 833, 834, 835, 836, 837, 838, 839, 840, 841, 842, 843, 844, 845, 846, 847, 848, 849, 850, 851, 852, 853, 854, 855, 856, 857, 858, 859, 860, 861, 862, 863, 864, 865, 866, 867, 868, 869, 870, 871, 872, 873, 874, 875, 876, 877, 878, 879, 880, 881, 882, 883, 884, 885, 886, 887, 888, 889, 890, 891, 892, 893, 894, 895, 896, 897, 898, 899, 900, 901, 902, 903, 904, 905, 906, 907, 908, 909, 910, 911, 912, 913, 914, 915, 916, 917, 918, 919, 920, 921, 922, 923, 924, 925, 926, 927, 928, 929, 930, 931, 932, 933, 934, 935, 936, 937, 938, 939, 940, 941, 942, 943, 944, 945, 946, 947, 948, 949, 950, 951, 952, 953, 954, 955, 956, 957, 958, 959, 960, 961, 962, 963, 964, 965, 966, 967, 968, 969, 970, 971, 972, 973, 974, 975, 976, 977, 978, 979, 980, 981, 982, 983, 984, 985, 986, 987, 988, 989, 990, 991, 992, 993, 994, 995, 996, 997, 998, 999, 1000

MAIN CONTRACTOR :
Gammon

STRUCTURAL ENGINEER :
ARUP

FAÇADE CONSULTANT:
MEINHARDT

NOTE :
 1. ALL DIMENSIONS ARE IN mm.
 2. ALL ELEVATIONS ARE VIEWED FROM OUTSIDE.
 3. ALL DIMENSIONS TO BE VERIFIED ON SITE BEFORE FABRICATION.

LEGEND :
 X1 --- DETAIL MARK NO.
 X001 --- REFER SHEET NO.

1. F.F.L. --- FINISHED FLOOR LEVEL
 2. S.F.L. --- STRUCTURAL FLOOR LEVEL
 3. (R) --- REVERSED DETAIL
 4. --- FIXING LOCATION
 5. Δ --- FIXING LUG LOCATION
 6. GLASS LEGEND
 GL01 --- 8mm+12mm AIR GAP+10mm THK. I.G.U.
 GL01a --- 8mm+12mm AIR GAP+12mm THK. I.G.U.
 GL02 --- 10mm THK. TEMPERED GLASS (SPANDREL GLASS)
 GL03 --- 6mm+12mm AIR GAP+6mm THK. I.G.U.
 GL04 --- 10mm THK. TEMPERED GLASS (PROTECTIVE BARRIER)
 GL05 --- 6mm+12mm AIR GAP+8mm THK. I.G.U.

NO.	DATE	REVISION	BY
F	18/09/2020	REVISION SUBJECT TO ARCH.COMMENT	lvon
E	24/08/2020	REVISION SUBJECT TO ARCH.COMMENT	lvon
D	04/06/2020	REVISION SUBJECT TO ARCH.COMMENT	lvon
C	09/05/2020	REVISION SUBJECT TO ARCH.COMMENT	lvon
B	05/03/2020	REVISION SUBJECT TO ARCH.COMMENT	lvon
A	24/02/2020	REVISION SUBJECT TO ARCH.COMMENT	SH

JOB NO. : J-852
 PROJECT : PROPOSED RESIDENTIAL DEVELOPMENT AT 139 - 147 ARGYLE STREET, NKIL 6005, 6035 R.P., 6036 R.P., 6037 R.P. & 6038 R.P.

TITLE : WINDOW SCHEDULE FOR ALUM. WINDOW

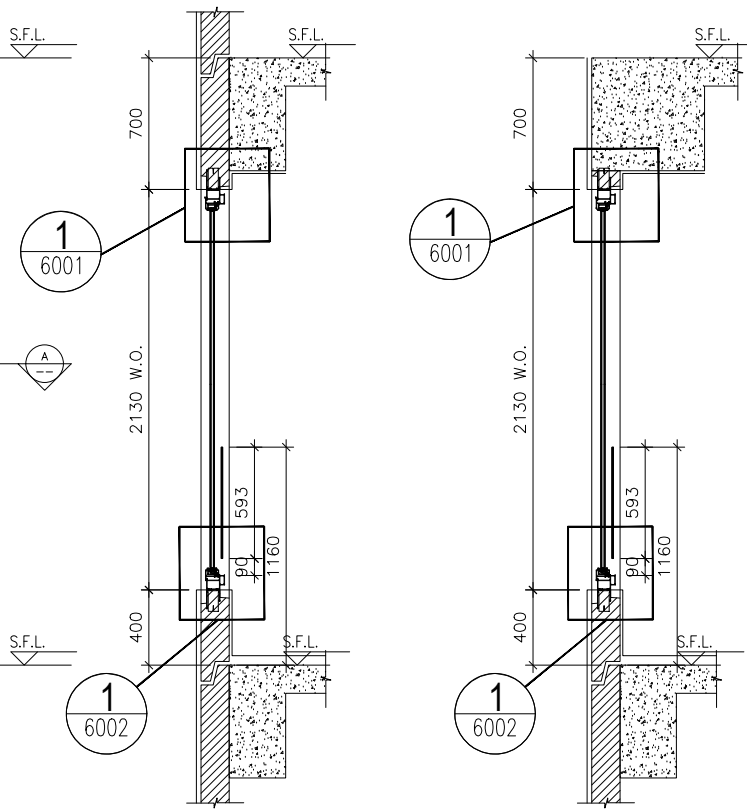
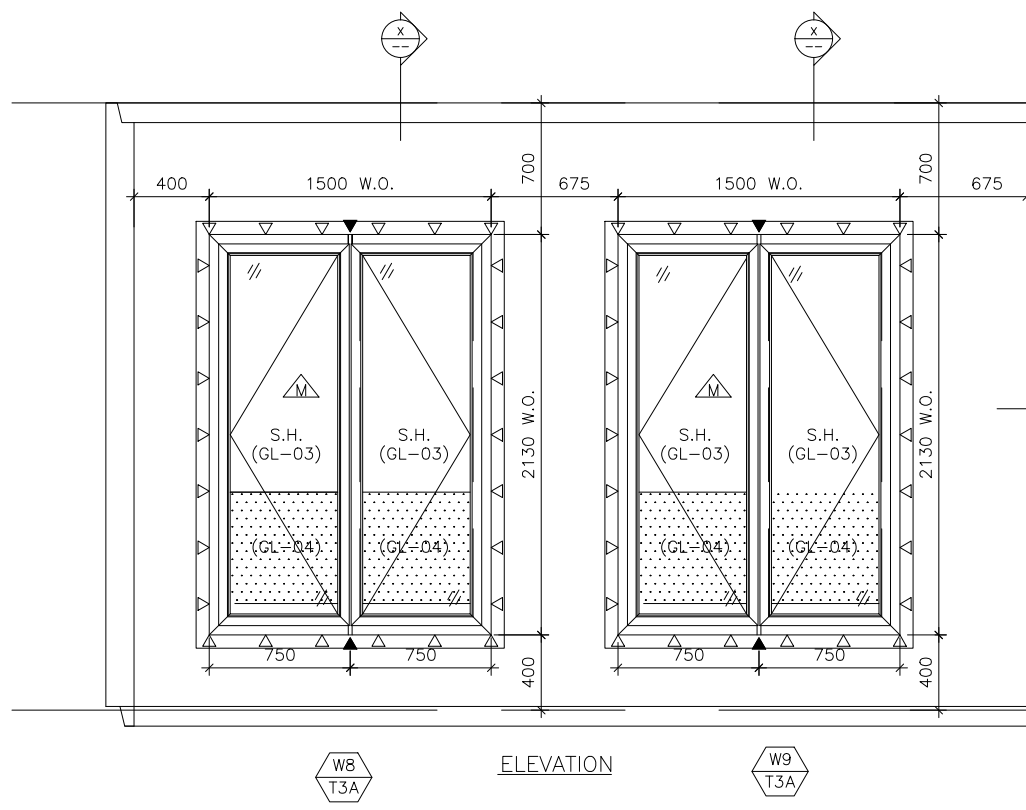
DATE : 05-Dec-19 SCALE : 1:40
 DRAWN BY : MN CHECKED BY : DW

美特鋁質有限公司
MIDI ALUMINIUM FABRICATOR LTD.
 Units 6-8, Sunray Industrial Centre, 1/F
 610 Cha Kwo Ling Road, Kowloon
 Tel:23489211-4 Fax:(852)2727666

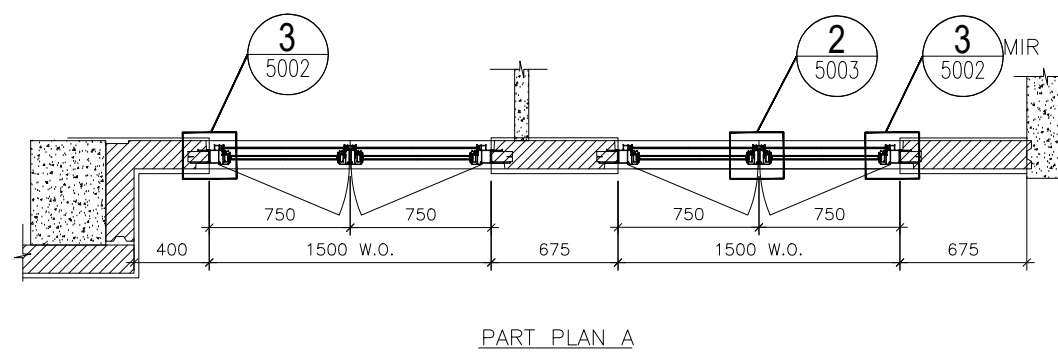
DWG NO. : J852-SD-PW-4307 REV. : F

ELEVATION

WINDOW MARK	W8 T3A
LOCATION	1/F B.R.1 & B.R.2 AT TOWER 3 FLAT A
SECTION	70mm ALUM. SECTION
GLAZING	GL-01, GL-03
QUANTITY	1 / 1
REMARKS	FAÇADE (PF-18)



TYPE F			
OPENABLE WINDOW DIMENSION	(WIDTH)	=	750
	(HEIGHT)	=	2130
NUMBER OF OPENABLE AREA WINDOW		=	1
GLAZING AREA			
OPENABLE			
WIDTH	=	750-111.5-66.5	= 572 mm
HEIGHT	=	(2130+400)-111.5-1000	= 1418.5 mm
TOTAL	=	((572x1418.5)x2)x1.000000	= 1.622764 m ²
OPENABLE AREA			
WIDTH	=	750-77-32	= 641 mm
HEIGHT	=	2130-77-(1160-385-15)	= 1293 mm
TOTAL	=	((641x1293)x1.000000)	= 0.828813 m ²



		PROVIDED	
W8	GLAZING AREA	1.623	m ²
T3A	OPENABLE AREA	0.829	m ²

TYPE F			
OPENABLE WINDOW DIMENSION	(WIDTH)	=	750
	(HEIGHT)	=	2130
NUMBER OF OPENABLE AREA WINDOW		=	1
GLAZING AREA			
OPENABLE			
WIDTH	=	750-111.5-66.5	= 572 mm
HEIGHT	=	(2130+400)-111.5-1000	= 1418.5 mm
TOTAL	=	((572x1418.5)x2)x1.000000	= 1.622764 m ²
OPENABLE AREA			
WIDTH	=	750-77-32	= 641 mm
HEIGHT	=	2130-77-(1160-385-15)	= 1293 mm
TOTAL	=	((641x1293)x1.000000)	= 0.828813 m ²

		PROVIDED	
W8	GLAZING AREA	1.623	m ²
T3A	OPENABLE AREA	0.829	m ²

B.D. REF :

CLIENT :

ARCHITECT :
AGC DESIGN LTD
 10/F, 187, Queen's Road, 220 Hong Kong, Tel: 3422 1111, Fax: 3422 1111, Email: agc@agc.com.hk

MAIN CONTRACTOR :
Gammon

STRUCTURAL ENGINEER :
ARUP

FACADE CONSULTANT:
MEINHARDT

NOTE :

- ALL DIMENSIONS ARE IN mm.
- ALL ELEVATIONS ARE VIEWED FROM OUTSIDE.
- ALL DIMENSIONS TO BE VERIFIED ON SITE BEFORE FABRICATION.

LEGEND :

X1 --- DETAIL MARK NO.
 X001 --- REFER SHEET NO.

- F.F.L. --- FINISHED FLOOR LEVEL
- S.F.L. --- STRUCTURAL FLOOR LEVEL
- (R) --- REVERSED DETAIL
- ▲ --- FIXING LOCATION
- △ --- FIXING LUG LOCATION
- GLASS LEGEND
 GL01 --- 8mm+12mm AIR GAP+10mm THK. I.G.U.
 GL01a --- 8mm+12mm AIR GAP+12mm THK. I.G.U.
 GL02 --- 10mm THK. TEMPERED GLASS (SPANDREL GLASS)
 GL03 --- 6mm+12mm AIR GAP+6mm THK. I.G.U.
 GL04 --- 10mm THK. TEMPERED GLASS (PROTECTIVE BARRIER)
 GL05 --- 6mm+12mm AIR GAP+8mm THK. I.G.U.

E	19/09/2020	REVISION SUBJECT TO ARCH.COMMENT	lvn
D	24/08/2020	REVISION SUBJECT TO ARCH.COMMENT	lvn
C	09/05/2020	REVISION SUBJECT TO ARCH.COMMENT	lvn
B	05/03/2020	REVISION SUBJECT TO ARCH.COMMENT	lvn
A	24/02/2020	REVISION SUBJECT TO ARCH.COMMENT	SH
NO.	DATE	REVISED	BY

JOB NO. : J-852

PROJECT :
 PROPOSED RESIDENTIAL DEVELOPMENT
 AT 139 - 147 ARGYLE STREET,
 NKIL 6005, 6035 R.P., 6036 R.P.,
 6037 R.P. & 6038 R.P.

TITLE :
 WINDOW SCHEDULE FOR
 ALUM. WINDOW

DATE : 05-Dec-19 SCALE : 1:40

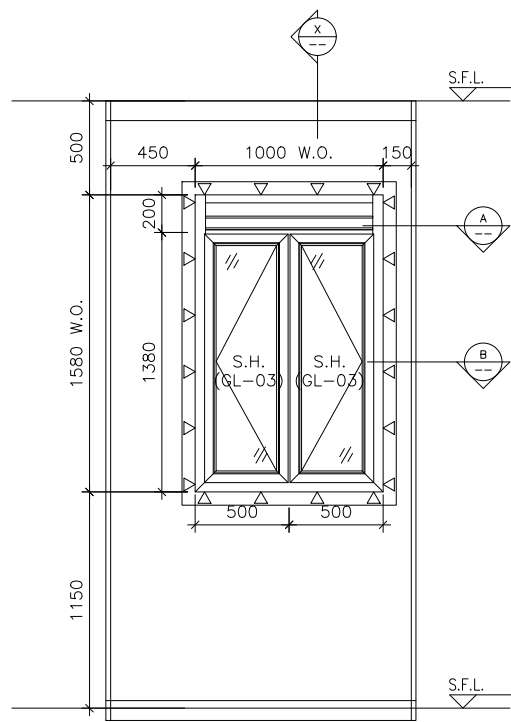
DRAWN BY : MN CHECKED BY : DW

美特鋁質有限公司
MIDI ALUMINIUM FABRICATOR LTD.
 Units 6-8, Sunray Industrial Centre, 1/F
 610 Cha Kwo Ling Road, Kowloon
 Tel: 23489211-4 Fax: (852) 2727666

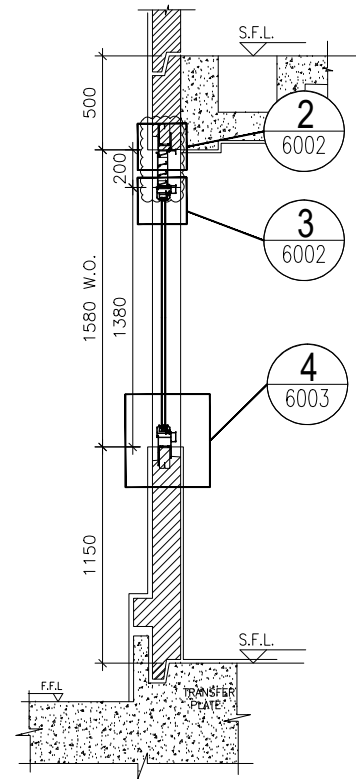
DWG NO. : J852-SD-PW-4308 REV. : E

ELEVATION

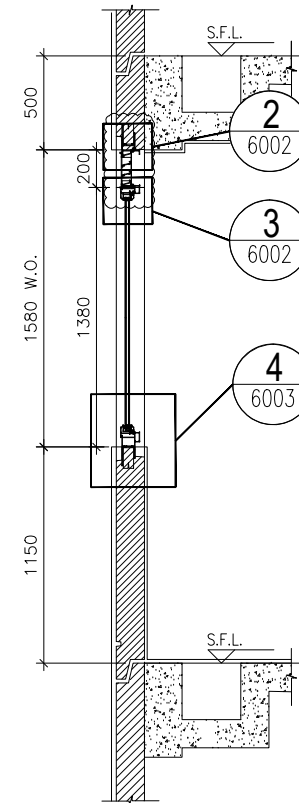
WINDOW MARK	W8 / W9 T3A / T3A
LOCATION	2/F-21/F B.R.1 & B.R.2 AT TOWER 3 FLAT A
SECTION	70mm ALUM. SECTION
GLAZING	GL-03
QUANTITY	17 / 17
REMARKS	FACADE (PF-18)



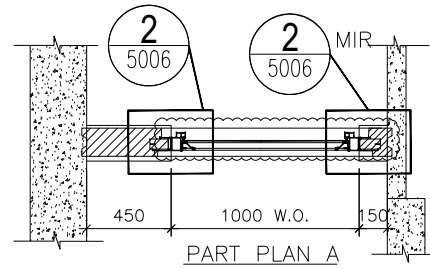
ELEVATION



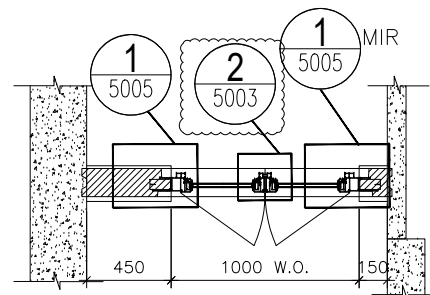
SECTION "X-X"(FOR 1F)



SECTION "X-X"(FOR 2F-21F)



PART PLAN A



PART PLAN B

TYPE C			
OPENABLE WINDOW DIMENSION	(WIDTH)	=	500
	(HIGHT)	=	1380
NUMBER OF OPENABLE AREA WINDOW		=	2
GLAZING AREA			
WIDTH	=	500-111.5-66.5	= 322 mm
HIGHT	=	1380-69.5-111.5	= 1199 mm
TOTAL	=	((322x1199)x2)/1000000	= 0.772156 m ²
OPENABLE AREA			
WIDTH	=	500-77-32	= 391 mm
HIGHT	=	1380-32-77	= 1271 mm
TOTAL	=	((391x1271)x2)/1000000	= 0.993922 m ²

PROVIDED	
GLAZING AREA	0.772 m ²
OPENABLE AREA	0.994 m ²

B.D. REF :

CLIENT :

ARCHITECT :
AGC DESIGN LTD
 10/F, 187, Queen Mary Street, Hong Kong
 Tel: (852)2117111, Fax: (852)2117111, Email: agc@agc.com.hk

MAIN CONTRACTOR :
Gammon

STRUCTURAL ENGINEER :
ARUP

FACADE CONSULTANT:
MEINHARDT

NOTE :
 1. ALL DIMENSIONS ARE IN mm.
 2. ALL ELEVATIONS ARE VIEWED FROM OUTSIDE.
 3. ALL DIMENSIONS TO BE VERIFIED ON SITE BEFORE FABRICATION.

LEGEND :
 X1 --- DETAIL MARK NO.
 X001 --- REFER SHEET NO.
 1. F.F.L. --- FINISHED FLOOR LEVEL
 2. S.F.L. --- STRUCTURAL FLOOR LEVEL
 3. (R) --- REVERSED DETAIL
 4. ▲ --- FIXING LOCATION
 5. △ --- FIXING LUG LOCATION
 6. GLASS LEGEND
 GL01 --- 8mm+12mm AIR GAP+10mm THK. I.G.U.
 GL01a --- 8mm+12mm AIR GAP+12mm THK. I.G.U.
 GL02 --- 10mm THK. TEMPERED GLASS (SPANDREL GLASS)
 GL03 --- 6mm+12mm AIR GAP+6mm THK. I.G.U.
 GL04 --- 10mm THK. TEMPERED GLASS (PROTECTIVE BARRIER)
 GL05 --- 6mm+12mm AIR GAP+8mm THK. I.G.U.

E	24/08/2020	REVISION SUBJECT TO ARCH.COMMENT	lvon
D	29/05/2020	REVISION SUBJECT TO ARCH.COMMENT	lvon
C	09/05/2020	REVISION SUBJECT TO ARCH.COMMENT	lvon
B	05/03/2020	REVISION SUBJECT TO ARCH.COMMENT	lvon
A	24/02/2020	REVISION SUBJECT TO ARCH.COMMENT	SH
NO.	DATE	REVISED	BY

JOB NO. : J-852
 PROJECT : PROPOSED RESIDENTIAL DEVELOPMENT AT 139 - 147 ARGYLE STREET, NKIL 6005, 6035 R.P., 6036 R.P., 6037 R.P. & 6038 R.P.

TITLE : WINDOW SCHEDULE FOR ALUM. WINDOW

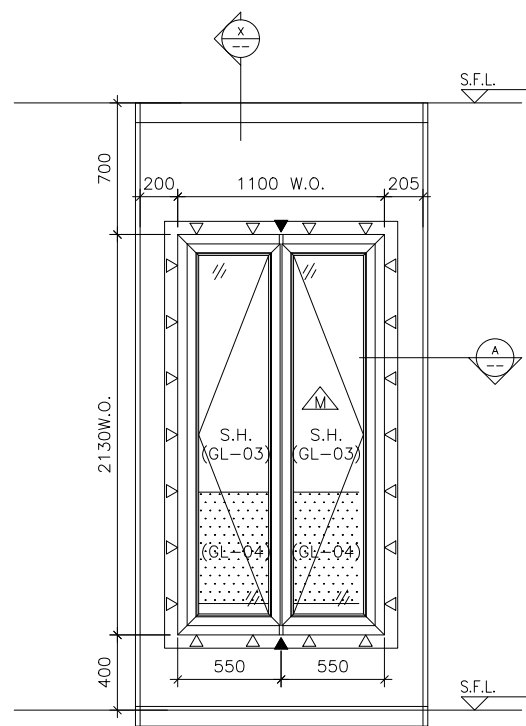
DATE : 05-Dec-19 SCALE : 1:40
 DRAWN BY : MN CHECKED BY : DW

美特鋁質有限公司
MIDI ALUMINIUM FABRICATOR LTD.
 Units 6-8, Sunray Industrial Centre, 1/F
 610 Cha Kwo Ling Road, Kowloon
 Tel:23489211-4 Fax:(852)2727666

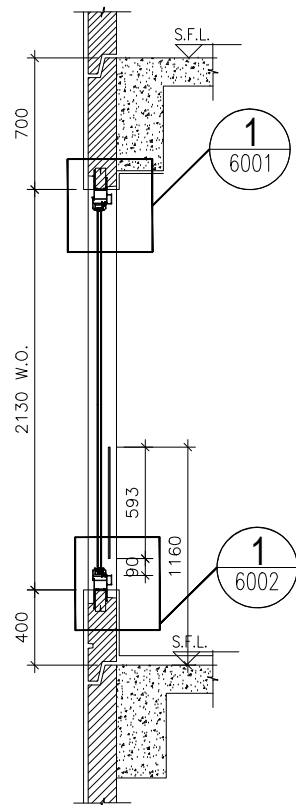
DWG NO. : J852-SD-PW-4309 REV. : E

ELEVATION

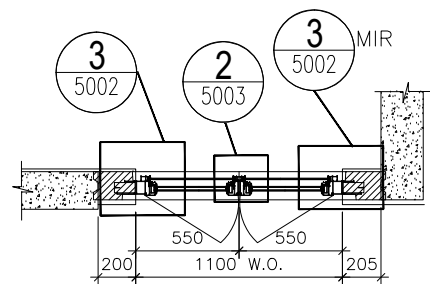
WINDOW MARK	W6 T3C
LOCATION	1/F-21/F KIT. AT TOWER 3 FLAT C
SECTION	70mm ALUM. SECTION
GLAZING	GL-03
QUANTITY	18
REMARKS	FACADE (PF-25)



ELEVATION



SECTION "X-X"



PART PLAN A

ELEVATION

TYPE F			
OPENABLE WINDOW DIMENSION	(WIDTH)	=	550
	(HEIGHT)	=	2130
NUMBER OF OPENABLE AREA WINDOW		=	1
GLAZING AREA			
OPENABLE			
WIDTH	= 550-111.5-66.5	=	372 mm
HIGHT	= (2130+400)-111.5-1000	=	1418.5 mm
TOTAL	= ((372x1418.5)x2)/1000000	=	1.055364 m ²
OPENABLE AREA			
WIDTH	= 550-77-32	=	441 mm
HIGHT	= 2130-77-(1160-385-15)	=	1293 mm
TOTAL	= ((441x1293)x1)/1000000	=	0.570213 m ²
		PROVIDED	
	GLAZING AREA	1.055	m ²
	OPENABLE AREA	0.570	m ²

B.D. REF :

CLIENT :

ARCHITECT :
AGC DESIGN LTD
 architecture
 interior design
 landscape
 香港建築師學會會員
 香港室內設計師學會會員
 香港園藝師學會會員
 1/F, 247, Queen's Road, 220 Hong Kong, Tel: 3422 1111, Fax: 3422 1111, Email: agc@agc.com.hk

MAIN CONTRACTOR :
Gammon

STRUCTURAL ENGINEER :
ARUP

FACADE CONSULTANT:
MEINHARDT

NOTE :
 1. ALL DIMENSIONS ARE IN mm.
 2. ALL ELEVATIONS ARE VIEWED FROM OUTSIDE.
 3. ALL DIMENSIONS TO BE VERIFIED ON SITE BEFORE FABRICATION.

LEGEND :
 X1 --- DETAIL MARK NO.
 X001 --- REFER SHEET NO.

1. F.F.L. --- FINISHED FLOOR LEVEL
 2. S.F.L. --- STRUCTURAL FLOOR LEVEL
 3. (R) --- REVERSED DETAIL
 4. --- FIXING LOCATION
 5. Δ --- FIXING LUG LOCATION
 6. GLASS LEGEND
 GL01 --- 8mm+12mm AIR GAP+10mm THK. I.G.U.
 GL01a --- 8mm+12mm AIR GAP+12mm THK. I.G.U.
 GL02 --- 10mm THK. TEMPERED GLASS (SPANDREL GLASS)
 GL03 --- 6mm+12mm AIR GAP+6mm THK. I.G.U.
 GL04 --- 10mm THK. TEMPERED GLASS (PROTECTIVE BARRIER)
 GL05 --- 6mm+12mm AIR GAP+8mm THK. I.G.U.

E	24/08/2020	REVISION SUBJECT TO ARCH.COMMENT	lvon
D	04/06/2020	REVISION SUBJECT TO ARCH.COMMENT	lvon
C	09/05/2020	REVISION SUBJECT TO ARCH.COMMENT	lvon
B	05/03/2020	REVISION SUBJECT TO ARCH.COMMENT	lvon
A	24/02/2020	REVISION SUBJECT TO ARCH.COMMENT	SH
NO.	DATE	REVISED	BY

JOB NO. : J-852
 PROJECT :
 PROPOSED RESIDENTIAL DEVELOPMENT
 AT 139 - 147 ARGYLE STREET,
 NKIL 6005, 6035 R.P., 6036 R.P.,
 6037 R.P. & 6038 R.P.

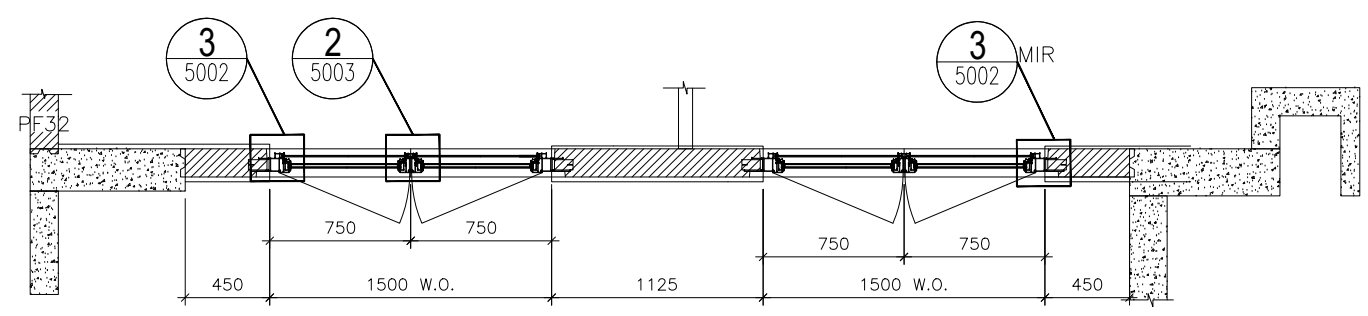
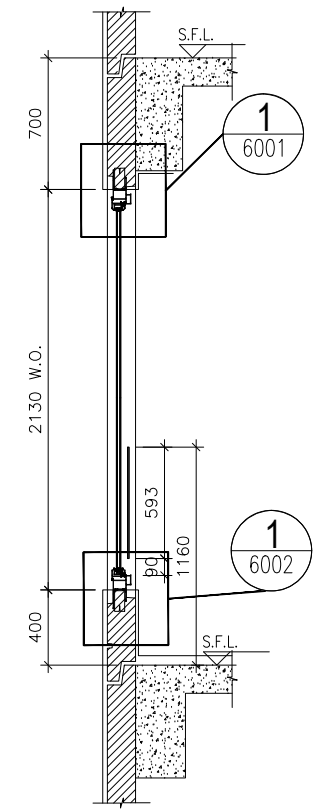
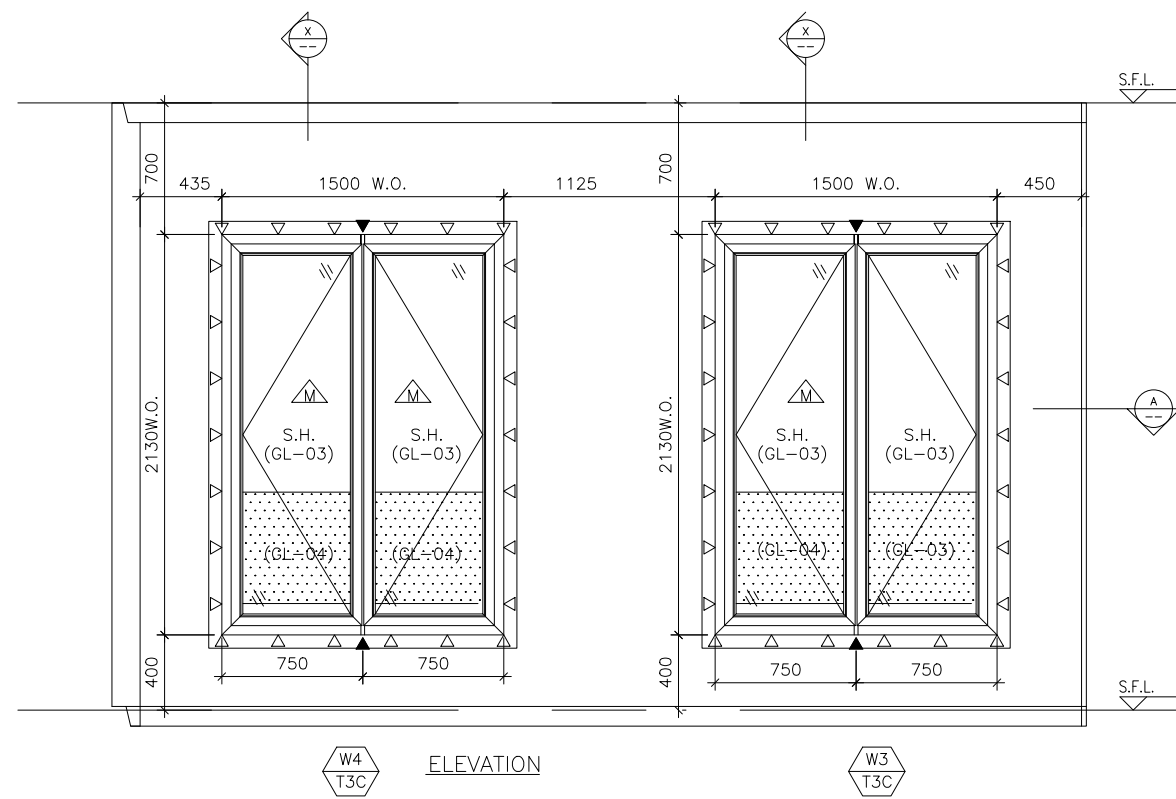
TITLE :
 WINDOW SCHEDULE FOR
 ALUM. WINDOW

DATE : 05-Dec-19 SCALE : 1:40
 DRAWN BY : MN CHECKED BY : DW

美特鋁質有限公司
MIDI ALUMINIUM FABRICATOR LTD.
 Units 6-8, Sunray Industrial Centre, 1/F
 610 Cha Kwo Ling Road, Kowloon
 Tel:23489211-4 Fax:(852)2727666

DWG NO. : J852-SD-PW-4310 REV. : D

WINDOW MARK	W5 T3C
LOCATION	2/F-21/F B.R.2 AT TOWER 3 FLAT C
SECTION	70mm ALUM. SECTION
GLAZING	GL-03
QUANTITY	17
REMARKS	FACADE (PF-26)



TYPE F			
OPENABLE WINDOW DIMENSION	(WIDTH)	=	750
	(HEIGHT)	=	2130
NUMBER OF OPENABLE AREA WINDOW = 0			
GLAZING AREA			
OPENABLE			
WIDTH	=	750-111.5-66.5	= 572 mm
HEIGHT	=	(2130+400)-111.5-1000	= 1418.5 mm
TOTAL	=	((572x1418.5)x2)/1000000	= 1.622764 m ²
OPENABLE AREA			
WIDTH	=	750-77-32	= 641 mm
HEIGHT	=	2130-77-(1160-385-15)	= 1293 mm
TOTAL	=	((641x1293)x0)/1000000	= 0 m ²

		PROVIDED	
W4	GLAZING AREA	1.623	m ²
T3C	OPENABLE AREA	0	m ²

TYPE F			
OPENABLE WINDOW DIMENSION	(WIDTH)	=	750
	(HEIGHT)	=	2130
NUMBER OF OPENABLE AREA WINDOW = 1			
GLAZING AREA			
OPENABLE			
WIDTH	=	750-111.5-66.5	= 572 mm
HEIGHT	=	(2130+400)-111.5-1000	= 1418.5 mm
TOTAL	=	((572x1418.5)x2)/1000000	= 1.622764 m ²
OPENABLE AREA			
WIDTH	=	750-77-32	= 641 mm
HEIGHT	=	2130-77-(1160-385-15)	= 1293 mm
TOTAL	=	((641x1293)x1)/1000000	= 0.828813 m ²

		PROVIDED	
W3	GLAZING AREA	1.622	m ²
T3C	OPENABLE AREA	0.83	m ²

B.D. REF :

CLIENT :

ARCHITECT :

AGC DESIGN LTD

MAIN CONTRACTOR :

Gammon

STRUCTURAL ENGINEER :

ARUP

FAÇADE CONSULTANT :

MEINHARDT

NOTE :

- ALL DIMENSIONS ARE IN mm.
- ALL ELEVATIONS ARE VIEWED FROM OUTSIDE.
- ALL DIMENSIONS TO BE VERIFIED ON SITE BEFORE FABRICATION.

LEGEND :

X1 --- DETAIL MARK NO.
X001 --- REFER SHEET NO.

- F.F.L. --- FINISHED FLOOR LEVEL
- S.F.L. --- STRUCTURAL FLOOR LEVEL
- (R) --- REVERSED DETAIL
- ▲ --- FIXING LOCATION
- △ --- FIXING LUG LOCATION

GLASS LEGEND

GL01 --- 8mm+12mm AIR GAP+10mm THK. I.G.U.
 GL01a --- 8mm+12mm AIR GAP+12mm THK. I.G.U.
 GL02 --- 10mm THK. TEMPERED GLASS (SPANDREL GLASS)
 GL03 --- 6mm+12mm AIR GAP+6mm THK. I.G.U.
 GL04 --- 10mm THK. TEMPERED GLASS (PROTECTIVE BARRIER)
 GL05 --- 6mm+12mm AIR GAP+8mm THK. I.G.U.

E	24/08/2020	REVISION SUBJECT TO ARCH.COMMENT	lvn
D	04/06/2020	REVISION SUBJECT TO ARCH.COMMENT	lvn
C	09/05/2020	REVISION SUBJECT TO ARCH.COMMENT	lvn
B	05/03/2020	REVISION SUBJECT TO ARCH.COMMENT	lvn
A	24/02/2020	REVISION SUBJECT TO ARCH.COMMENT	SH
NO.	DATE	REVISED	BY

JOB NO. : J-852

PROJECT : PROPOSED RESIDENTIAL DEVELOPMENT AT 139 - 147 ARGYLE STREET, NKIL 6005, 6035 R.P., 6036 R.P., 6037 R.P. & 6038 R.P.

TITLE : WINDOW SCHEDULE FOR ALUM. WINDOW

DATE : 05-Dec-19 SCALE : 1:40

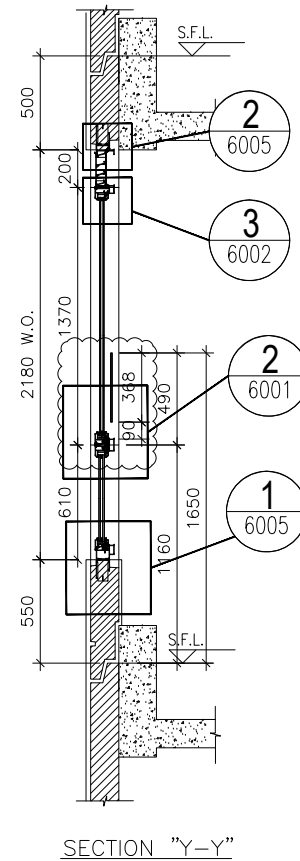
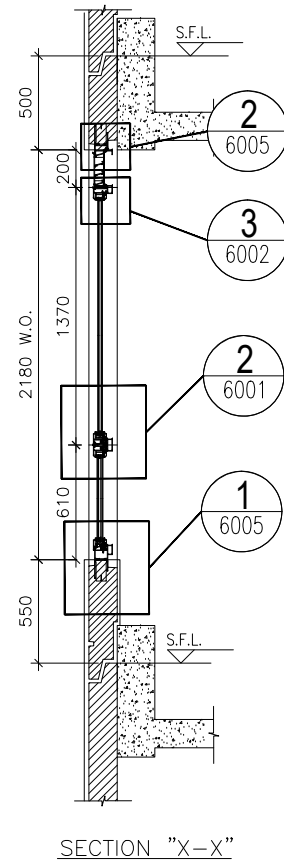
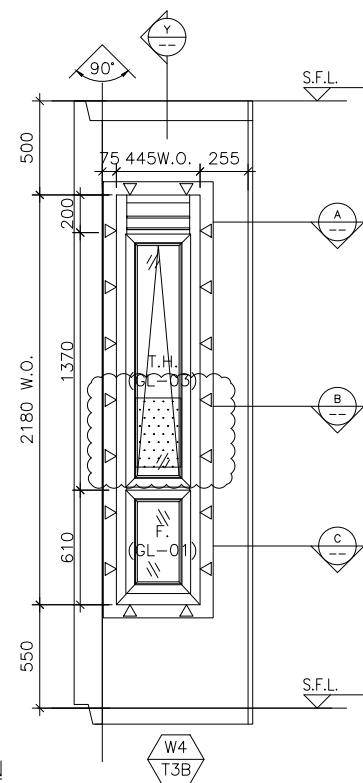
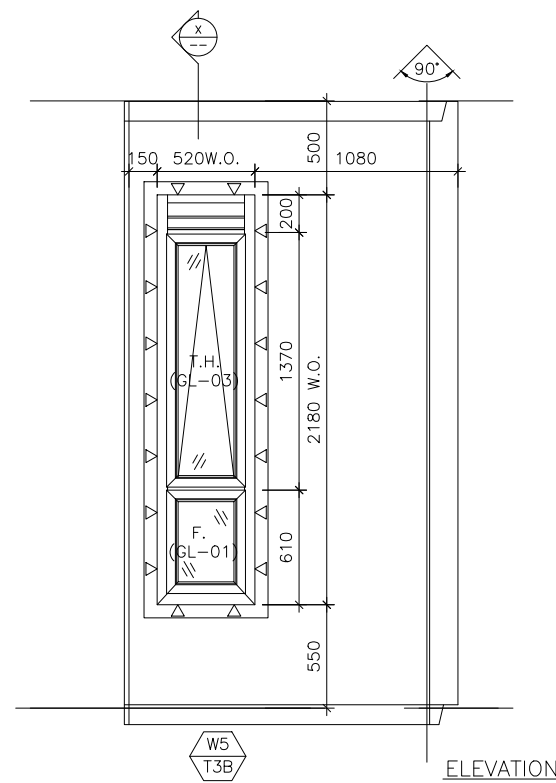
DRAWN BY : MN CHECKED BY : DW

美特鋁質有限公司
MIDI ALUMINIUM FABRICATOR LTD.
 Units 6-8, Sunray Industrial Centre, 1/F
 610 Cha Kwo Ling Road, Kowloon
 Tel:23489211-4 Fax:(852)2727666

DWG NO. : J852-SD-PW-4311 REV. : E

ELEVATION

WINDOW MARK	W4 / W3 T3C / T3C
LOCATION	1/F-21/F M.B.R.1 & B.R.2 AT TOWER 3 FLAT C
SECTION	70mm ALUM. SECTION
GLAZING	GL-03
QUANTITY	18 / 18
REMARKS	FAÇADE (PF-27)

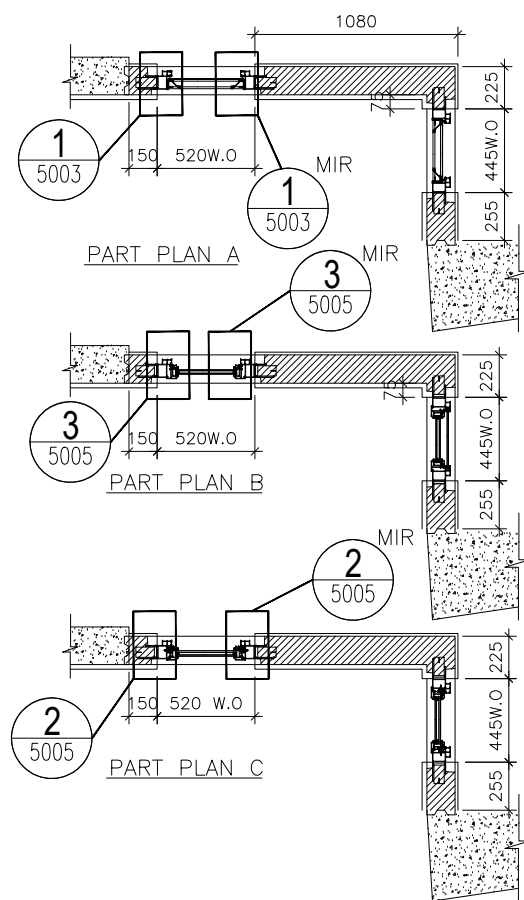


TYPE B			
OPENABLE WINDOW DIMENSION	(WIDTH) =	520	
	(HEIGHT) =	1370	
FIXED WINDOW DIMENSION	(WIDTH) =	520	
	(HEIGHT) =	610	
NUMBER OF OPENABLE AREA WINDOW	=	1	
GLAZING AREA			
OPENABLE			
WIDTH = 520-111.5-111.5	=	297 mm	
HEIGHT = 1370-69.5-66.5	=	1234 mm	
FIXED			
WIDTH = 520-111.5-111.5	=	297 mm	
HEIGHT = 610-66.5-111.5	=	432 mm	
TOTAL = ((297x1234)+(297x432))/1000000	=	0.494802 m ²	
OPENABLE AREA			
WIDTH = 520-77-77	=	366 mm	
HEIGHT = 1370-32-32	=	1306 mm	
TOTAL = (366x1306)/1000000	=	0.477996 m ²	

		PROVIDED	
W5	GLAZING AREA	0.495	m ²
T3B	OPENABLE AREA	0.478	m ²

TYPE B			
OPENABLE WINDOW DIMENSION	(WIDTH) =	445	
	(HEIGHT) =	1370	
FIXED WINDOW DIMENSION	(WIDTH) =	445	
	(HEIGHT) =	610	
NUMBER OF OPENABLE AREA WINDOW	=	1	
GLAZING AREA			
OPENABLE			
WIDTH = 445-111.5-111.5	=	222 mm	
HEIGHT = 1370-69.5-66.5	=	1234 mm	
FIXED			
WIDTH = 445-111.5-111.5	=	222 mm	
HEIGHT = 610-66.5-111.5	=	432 mm	
TOTAL = ((222x1234)+(222x432))/1000000	=	0.369852 m ²	
OPENABLE AREA			
WIDTH = 445-77-77	=	291 mm	
HEIGHT = 1370-32-32	=	1306 mm	
TOTAL = (291x1306)/1000000	=	0.380046 m ²	

		PROVIDED	
W4	GLAZING AREA	0.370	m ²
T3B	OPENABLE AREA	0.380	m ²



		PROVIDED	
W4	GLAZING AREA	0.370	m ²
T3B	OPENABLE AREA	0.380	m ²

B.D. REF :

CLIENT :

ARCHITECT :
AGC DESIGN LTD
 10/F, 100, Queen Mary Road, Hong Kong
 Tel: (852)27771111 Fax: (852)27771111 Email: agc@agcdesign.com.hk

MAIN CONTRACTOR :
Gammon

STRUCTURAL ENGINEER :
ARUP

FAÇADE CONSULTANT:
MEINHARDT

- NOTE :
- ALL DIMENSIONS ARE IN mm.
 - ALL ELEVATIONS ARE VIEWED FROM OUTSIDE.
 - ALL DIMENSIONS TO BE VERIFIED ON SITE BEFORE FABRICATION.
- LEGEND :
- X1 -- DETAIL MARK NO.
 - X001 -- REFER SHEET NO.
 - F.F.L. -- FINISHED FLOOR LEVEL
 - S.F.L. -- STRUCTURAL FLOOR LEVEL
 - (R) -- REVERSED DETAIL
 - ▲ -- FIXING LOCATION
 - △ -- FIXING LUG LOCATION
- GLASS LEGEND
- GL01 -- 8mm+12mm AIR GAP+10mm THK. I.G.U.
 - GL01a -- 8mm+12mm AIR GAP+12mm THK. I.G.U.
 - GL02 -- 10mm THK. TEMPERED GLASS (SPANDREL GLASS)
 - GL03 -- 6mm+12mm AIR GAP+6mm THK. I.G.U.
 - GL04 -- 10mm THK. TEMPERED GLASS (PROTECTIVE BARRIER)
 - GL05 -- 6mm+12mm AIR GAP+8mm THK. I.G.U.

NO.	DATE	REVISION	SUBJECT TO ARCH.COMMENT	BY
F	18/09/2020		REVISION SUBJECT TO ARCH.COMMENT	lvon
E	24/06/2020		REVISION SUBJECT TO ARCH.COMMENT	lvon
D	04/06/2020		REVISION SUBJECT TO ARCH.COMMENT	lvon
C	29/05/2020		REVISION SUBJECT TO ARCH.COMMENT	lvon
B	05/03/2020		REVISION SUBJECT TO ARCH.COMMENT	lvon
A	24/02/2020		REVISION SUBJECT TO ARCH.COMMENT	SH

JOB NO. : J-852

PROJECT : PROPOSED RESIDENTIAL DEVELOPMENT AT 139 - 147 ARGYLE STREET, NKIL 6005, 6035 R.P., 6036 R.P., 6037 R.P. & 6038 R.P.

TITLE : WINDOW SCHEDULE FOR ALUM. WINDOW

DATE : 05-Dec-19 SCALE : 1:40

DRAWN BY : MN CHECKED BY : DW

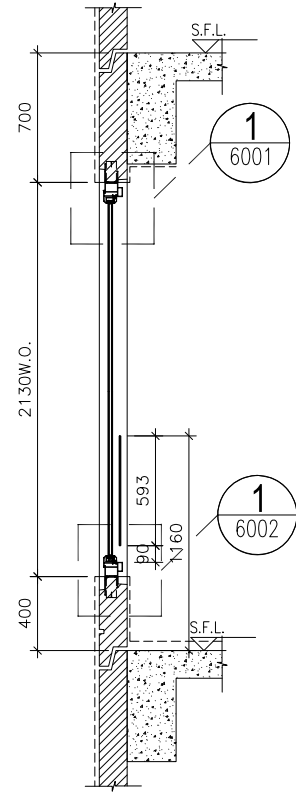
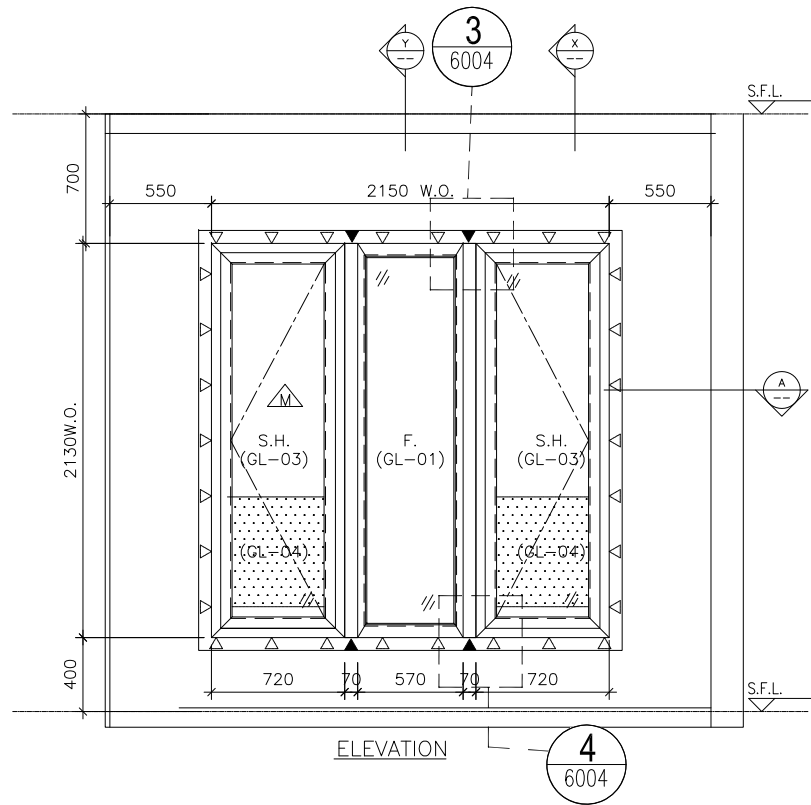
美特鋁質有限公司
MIDI ALUMINIUM FABRICATOR LTD.
 Units 6-8, Sunray Industrial Centre, 1/F
 610 Cha Kwo Ling Road, Kowloon
 Tel: 23489211-4 Fax: (852) 2727666

DWG NO. : J852-SD-PW-4312 REV. : F

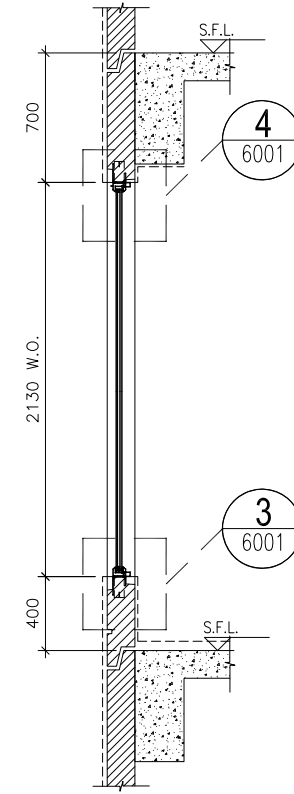
ELEVATION

WINDOW MARK	W5 / W4 T3B / T3B
LOCATION	1/F-21/F M.B. & EN.B. AT TOWER 3 FLAT B
SECTION	70mm ALUM. SECTION
GLAZING	GL-01, GL-03
QUANTITY	18 / 18
REMARKS	FAÇADE (PF-34)

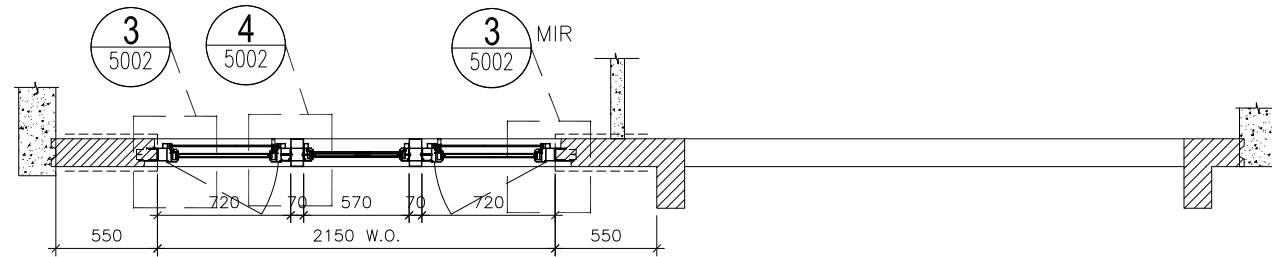
ELEVATION



SECTION "X-X"



SECTION "Y-Y"



PART PLAN A

TYPE A2			
OPENABLE WINDOW DIMENSION	(WIDTH)	=	720
	(HEIGHT)	=	2130
FIXED WINDOW DIMENSION	(WIDTH)	=	570
	(HEIGHT)	=	2130
NUMBER OF OPENABLE AREA WINDOW		=	1
GLAZING AREA			
OPENABLE			
WIDTH	=	720-111.5-111.5	= 497 mm
HIGHT	=	(2130+400)-111.5-1000	= 1418.5 mm
FIXED			
WIDTH	=	570-50-50	= 470 mm
HIGHT	=	(2130+400)-50-1000	= 1480 mm
TOTAL	=	((497x1418.5)x2+(470x1480))/1000000	= 2.105589 m ²
OPENABLE AREA			
WIDTH	=	720-77-77	= 566 mm
HIGHT	=	2130-77-(1160-385-15)	= 1293 mm
TOTAL	=	((566x1293)x1)/1000000	= 0.731838 m ²
		PROVIDED	
		GLAZING AREA	2.106 m ²
		OPENABLE AREA	0.732 m ²

B.D. REF :

CLIENT :

ARCHITECT :
AGC DESIGN LTD
 101, 102, 103, 104, 105, 106, 107, 108, 109, 110, 111, 112, 113, 114, 115, 116, 117, 118, 119, 120, 121, 122, 123, 124, 125, 126, 127, 128, 129, 130, 131, 132, 133, 134, 135, 136, 137, 138, 139, 140, 141, 142, 143, 144, 145, 146, 147, 148, 149, 150, 151, 152, 153, 154, 155, 156, 157, 158, 159, 160, 161, 162, 163, 164, 165, 166, 167, 168, 169, 170, 171, 172, 173, 174, 175, 176, 177, 178, 179, 180, 181, 182, 183, 184, 185, 186, 187, 188, 189, 190, 191, 192, 193, 194, 195, 196, 197, 198, 199, 200, 201, 202, 203, 204, 205, 206, 207, 208, 209, 210, 211, 212, 213, 214, 215, 216, 217, 218, 219, 220, 221, 222, 223, 224, 225, 226, 227, 228, 229, 230, 231, 232, 233, 234, 235, 236, 237, 238, 239, 240, 241, 242, 243, 244, 245, 246, 247, 248, 249, 250, 251, 252, 253, 254, 255, 256, 257, 258, 259, 260, 261, 262, 263, 264, 265, 266, 267, 268, 269, 270, 271, 272, 273, 274, 275, 276, 277, 278, 279, 280, 281, 282, 283, 284, 285, 286, 287, 288, 289, 290, 291, 292, 293, 294, 295, 296, 297, 298, 299, 300, 301, 302, 303, 304, 305, 306, 307, 308, 309, 310, 311, 312, 313, 314, 315, 316, 317, 318, 319, 320, 321, 322, 323, 324, 325, 326, 327, 328, 329, 330, 331, 332, 333, 334, 335, 336, 337, 338, 339, 340, 341, 342, 343, 344, 345, 346, 347, 348, 349, 350, 351, 352, 353, 354, 355, 356, 357, 358, 359, 360, 361, 362, 363, 364, 365, 366, 367, 368, 369, 370, 371, 372, 373, 374, 375, 376, 377, 378, 379, 380, 381, 382, 383, 384, 385, 386, 387, 388, 389, 390, 391, 392, 393, 394, 395, 396, 397, 398, 399, 400, 401, 402, 403, 404, 405, 406, 407, 408, 409, 410, 411, 412, 413, 414, 415, 416, 417, 418, 419, 420, 421, 422, 423, 424, 425, 426, 427, 428, 429, 430, 431, 432, 433, 434, 435, 436, 437, 438, 439, 440, 441, 442, 443, 444, 445, 446, 447, 448, 449, 450, 451, 452, 453, 454, 455, 456, 457, 458, 459, 460, 461, 462, 463, 464, 465, 466, 467, 468, 469, 470, 471, 472, 473, 474, 475, 476, 477, 478, 479, 480, 481, 482, 483, 484, 485, 486, 487, 488, 489, 490, 491, 492, 493, 494, 495, 496, 497, 498, 499, 500, 501, 502, 503, 504, 505, 506, 507, 508, 509, 510, 511, 512, 513, 514, 515, 516, 517, 518, 519, 520, 521, 522, 523, 524, 525, 526, 527, 528, 529, 530, 531, 532, 533, 534, 535, 536, 537, 538, 539, 540, 541, 542, 543, 544, 545, 546, 547, 548, 549, 550, 551, 552, 553, 554, 555, 556, 557, 558, 559, 560, 561, 562, 563, 564, 565, 566, 567, 568, 569, 570, 571, 572, 573, 574, 575, 576, 577, 578, 579, 580, 581, 582, 583, 584, 585, 586, 587, 588, 589, 590, 591, 592, 593, 594, 595, 596, 597, 598, 599, 600, 601, 602, 603, 604, 605, 606, 607, 608, 609, 610, 611, 612, 613, 614, 615, 616, 617, 618, 619, 620, 621, 622, 623, 624, 625, 626, 627, 628, 629, 630, 631, 632, 633, 634, 635, 636, 637, 638, 639, 640, 641, 642, 643, 644, 645, 646, 647, 648, 649, 650, 651, 652, 653, 654, 655, 656, 657, 658, 659, 660, 661, 662, 663, 664, 665, 666, 667, 668, 669, 670, 671, 672, 673, 674, 675, 676, 677, 678, 679, 680, 681, 682, 683, 684, 685, 686, 687, 688, 689, 690, 691, 692, 693, 694, 695, 696, 697, 698, 699, 700, 701, 702, 703, 704, 705, 706, 707, 708, 709, 710, 711, 712, 713, 714, 715, 716, 717, 718, 719, 720, 721, 722, 723, 724, 725, 726, 727, 728, 729, 730, 731, 732, 733, 734, 735, 736, 737, 738, 739, 740, 741, 742, 743, 744, 745, 746, 747, 748, 749, 750, 751, 752, 753, 754, 755, 756, 757, 758, 759, 760, 761, 762, 763, 764, 765, 766, 767, 768, 769, 770, 771, 772, 773, 774, 775, 776, 777, 778, 779, 780, 781, 782, 783, 784, 785, 786, 787, 788, 789, 790, 791, 792, 793, 794, 795, 796, 797, 798, 799, 800, 801, 802, 803, 804, 805, 806, 807, 808, 809, 810, 811, 812, 813, 814, 815, 816, 817, 818, 819, 820, 821, 822, 823, 824, 825, 826, 827, 828, 829, 830, 831, 832, 833, 834, 835, 836, 837, 838, 839, 840, 841, 842, 843, 844, 845, 846, 847, 848, 849, 850, 851, 852, 853, 854, 855, 856, 857, 858, 859, 860, 861, 862, 863, 864, 865, 866, 867, 868, 869, 870, 871, 872, 873, 874, 875, 876, 877, 878, 879, 880, 881, 882, 883, 884, 885, 886, 887, 888, 889, 890, 891, 892, 893, 894, 895, 896, 897, 898, 899, 900, 901, 902, 903, 904, 905, 906, 907, 908, 909, 910, 911, 912, 913, 914, 915, 916, 917, 918, 919, 920, 921, 922, 923, 924, 925, 926, 927, 928, 929, 930, 931, 932, 933, 934, 935, 936, 937, 938, 939, 940, 941, 942, 943, 944, 945, 946, 947, 948, 949, 950, 951, 952, 953, 954, 955, 956, 957, 958, 959, 960, 961, 962, 963, 964, 965, 966, 967, 968, 969, 970, 971, 972, 973, 974, 975, 976, 977, 978, 979, 980, 981, 982, 983, 984, 985, 986, 987, 988, 989, 990, 991, 992, 993, 994, 995, 996, 997, 998, 999, 1000

NOTE :

1. ALL DIMENSIONS ARE IN mm.
2. ALL ELEVATIONS ARE VIEWED FROM OUTSIDE.
3. ALL DIMENSIONS TO BE VERIFIED ON SITE BEFORE FABRICATION.

LEGEND :

(x1) --- DETAIL MARK NO.
 (x001) --- REFER SHEET NO.

1. F.F.L. --- FINISHED FLOOR LEVEL
2. S.F.L. --- STRUCTURAL FLOOR LEVEL
3. (R) --- REVERSED DETAIL
4. ▲ --- FIXING LOCATION
5. △ --- FIXING LUG LOCATION
6. GLASS LEGEND
 GL01 --- 8mm+12mm AIR GAP+12mm THK. I.G.U.
 GL01a --- 8mm+12mm AIR GAP+12mm THK. I.G.U.
 GL02 --- 10mm THK. TEMPERED GLASS (SPANDREL GLASS)
 GL03 --- 6mm+12mm AIR GAP+6mm THK. I.G.U.
 GL04 --- 10mm THK. TEMPERED GLASS (PROTECTIVE BARRIER)
 GL05 --- 6mm+12mm AIR GAP+8mm THK. I.G.U.

NO.	DATE	REVISION	BY
F	18/09/2020	REVISION SUBJECT TO ARCH.COMMENT	Ivan
E	24/08/2020	REVISION SUBJECT TO ARCH.COMMENT	Ivan
D	04/06/2020	REVISION SUBJECT TO ARCH.COMMENT	Ivan
C	09/05/2020	REVISION SUBJECT TO ARCH.COMMENT	Ivan
B	05/03/2020	REVISION SUBJECT TO ARCH.COMMENT	Ivan
A	24/02/2020	REVISION SUBJECT TO ARCH.COMMENT	SH

JOB NO. : J-852

PROJECT :
 PROPOSED RESIDENTIAL DEVELOPMENT
 AT 139 - 147 ARGYLE STREET,
 NKIL 6005, 6035 R.P., 6036 R.P.,
 6037 R.P. & 6038 R.P.

TITLE :
 WINDOW SCHEDULE FOR
 ALUM. WINDOW

DATE : 05-Dec-19 SCALE : 1:40

DRAWN BY : MN CHECKED BY : DW

美特鋁質有限公司
MIDI ALUMINIUM FABRICATOR LTD.
 Units 6-8, Sunray Industrial Centre, 1/F
 610 Cha Kwo Ling Road, Kowloon
 Tel:23489211-4 Fax:(852)2727666

DWG NO. : J852-SD-PW-4313 REV. : F

WINDOW MARK	W7 T3B
LOCATION	2/F-21/F B.R.1. AT TOWER 3 FLAT B
SECTION	70mm ALUM. SECTION
GLAZING	GL-01, GL-03
QUANTITY	17
REMARKS	FACADE (PF-19)

B.D. REF :

CLIENT :

ARCHITECT :
AGC DESIGN LTD
 610, 612, 614, 616, 618, 620, 622, 624, 626, 628, 630, 632, 634, 636, 638, 640, 642, 644, 646, 648, 650, 652, 654, 656, 658, 660, 662, 664, 666, 668, 670, 672, 674, 676, 678, 680, 682, 684, 686, 688, 690, 692, 694, 696, 698, 700, 702, 704, 706, 708, 710, 712, 714, 716, 718, 720, 722, 724, 726, 728, 730, 732, 734, 736, 738, 740, 742, 744, 746, 748, 750, 752, 754, 756, 758, 760, 762, 764, 766, 768, 770, 772, 774, 776, 778, 780, 782, 784, 786, 788, 790, 792, 794, 796, 798, 800, 802, 804, 806, 808, 810, 812, 814, 816, 818, 820, 822, 824, 826, 828, 830, 832, 834, 836, 838, 840, 842, 844, 846, 848, 850, 852, 854, 856, 858, 860, 862, 864, 866, 868, 870, 872, 874, 876, 878, 880, 882, 884, 886, 888, 890, 892, 894, 896, 898, 900, 902, 904, 906, 908, 910, 912, 914, 916, 918, 920, 922, 924, 926, 928, 930, 932, 934, 936, 938, 940, 942, 944, 946, 948, 950, 952, 954, 956, 958, 960, 962, 964, 966, 968, 970, 972, 974, 976, 978, 980, 982, 984, 986, 988, 990, 992, 994, 996, 998, 1000

MAIN CONTRACTOR :
Gammon

STRUCTURAL ENGINEER :
ARUP

FACADE CONSULTANT:
MEINHARDT

NOTE :
 1. ALL DIMENSIONS ARE IN mm.
 2. ALL ELEVATIONS ARE VIEWED FROM OUTSIDE.
 3. ALL DIMENSIONS TO BE VERIFIED ON SITE BEFORE FABRICATION.

LEGEND :
 X1 -- DETAIL MARK NO.
 X001 -- REFER SHEET NO.

1. F.F.L. -- FINISHED FLOOR LEVEL
 2. S.F.L. -- STRUCTURAL FLOOR LEVEL
 3. (R) -- REVERSED DETAIL
 4. ▲ -- FIXING LOCATION
 5. △ -- FIXING LUG LOCATION
 6. GLASS LEGEND
 GL01 -- 8mm+12mm AIR GAP+10mm THK. I.G.U.
 GL01a -- 8mm+9mm AIR GAP+12mm THK. I.G.U.
 GL03 -- 6mm+12mm AIR GAP+6mm THK. I.G.U.
 GL04 -- 10mm THK. TEMPERED GLASS (PROTECTIVE BARRIER)
 GL05 -- 6mm+12mm AIR GAP+8mm THK. I.G.U.

NO.	DATE	REVISION	BY
D	24/08/2020	REVISION SUBJECT TO ARCH.COMMENT	lvon
C	09/05/2020	REVISION SUBJECT TO ARCH.COMMENT	lvon
B	05/03/2020	REVISION SUBJECT TO ARCH.COMMENT	lvon
A	24/02/2020	REVISION SUBJECT TO ARCH.COMMENT	SH

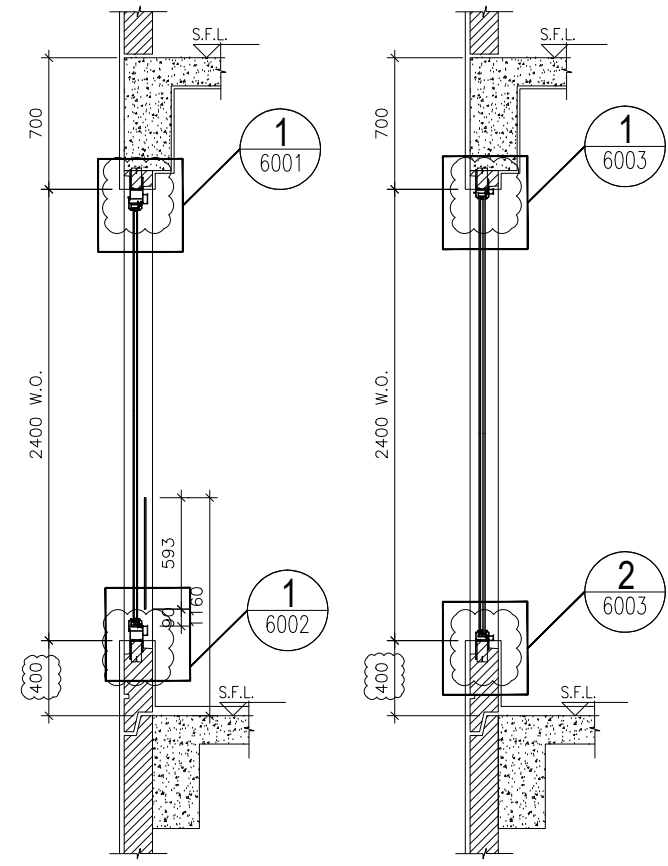
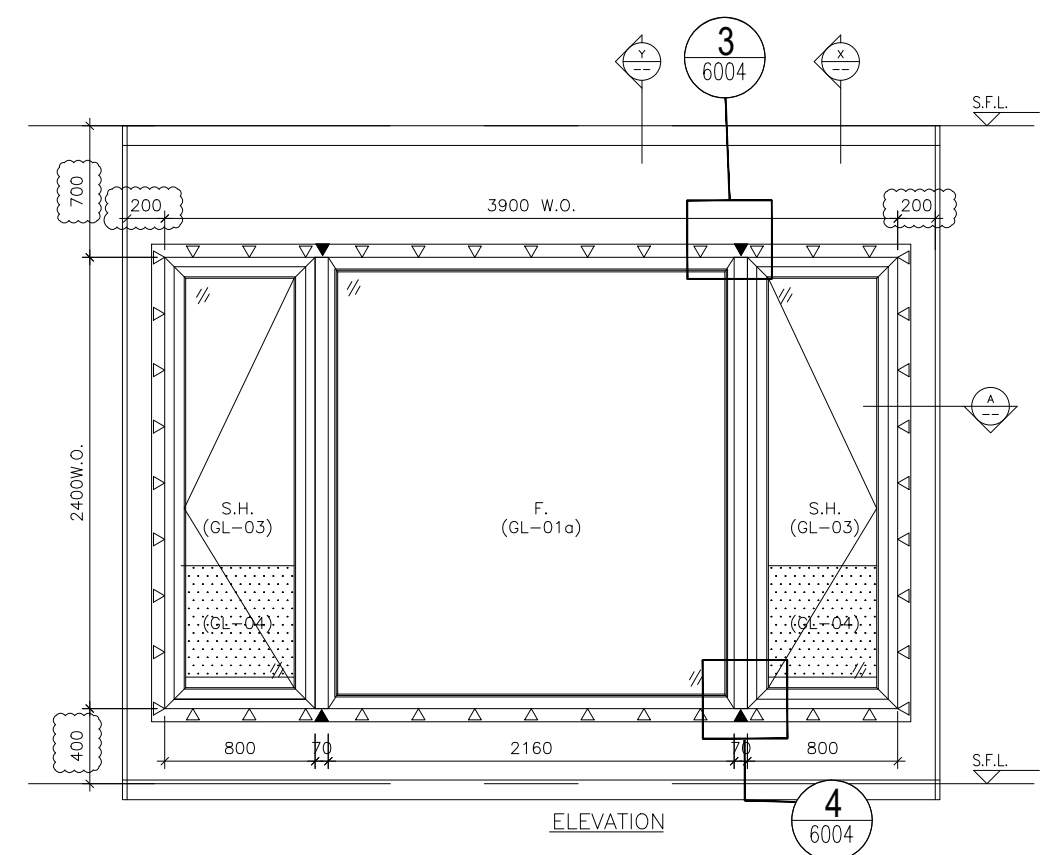
JOB NO. : J-852
 PROJECT : PROPOSED RESIDENTIAL DEVELOPMENT AT 139 - 147 ARGYLE STREET, NKIL 6005, 6035 R.P., 6036 R.P., 6037 R.P. & 6038 R.P.

TITLE : WINDOW SCHEDULE FOR ALUM. WINDOW

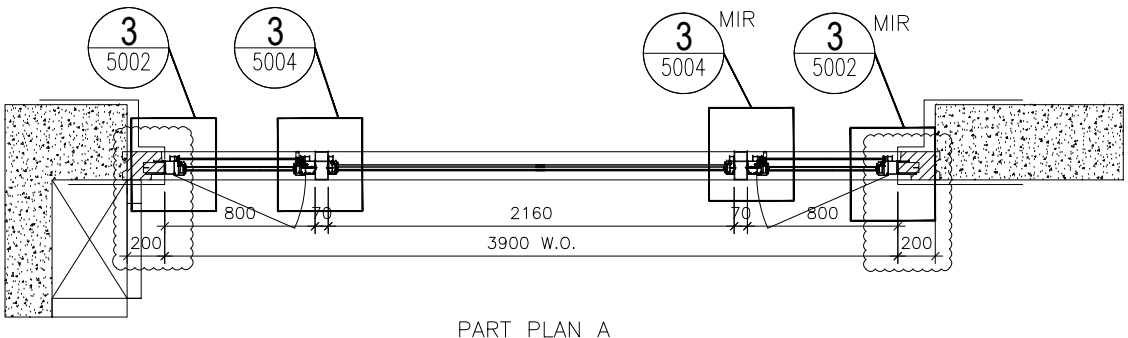
DATE : 05-Dec-19 SCALE : 1:40
 DRAWN BY : MN CHECKED BY : DW

美特鋁質有限公司
MIDI ALUMINIUM FABRICATOR LTD.
 Units 6-8, Sunray Industrial Centre, 1/F
 610 Cha Kwo Ling Road, Kowloon
 Tel:23489211-4 Fax:(852)2727666

DWG NO. : J852-SD-PW-4314 REV. : D



SECTION "X-X" SECTION "Y-Y"



PART PLAN A

TYPE A			
OPENABLE WINDOW DIMENSION	(WIDTH)	=	800
	(HEIGHT)	=	2400
FIXED WINDOW DIMENSION	(WIDTH)	=	2160
	(HEIGHT)	=	2400
NUMBER OF OPENABLE AREA WINDOW		=	2
GLAZING AREA			
OPENABLE			
WIDTH	= 800-111.5-111.5	=	577 mm
HIGHT	= 2400-111.5-111.5	=	2177 mm
FIXED			
WIDTH	= 2160-50-50	=	2060 mm
HIGHT	= 2400-50-50	=	2300 mm
TOTAL	= ((577x2177)x2+(2060x2300))/1000000	=	7.250258 m ²
OPENABLE AREA			
WIDTH	= 800-77-77	=	646 mm
HIGHT	= 2400-77-(1160-385-15)	=	1563 mm
TOTAL	= ((646x1563)x2)/1000000	=	2.019396 m ²

PROVIDED		
GLAZING AREA	7.250	m ²
OPENABLE AREA	2.019	m ²

ELEVATION

WINDOW MARK	
LOCATION	22/F LIV./DIN. AT TOWER 3 FLAT A
SECTION	70mm ALUM. SECTION
GLAZING	GL-01a, GL-03
QUANTITY	1
REMARKS	FACADE (PF-2)

B.D. REF :

CLIENT :

ARCHITECT :
AGC DESIGN LTD
 2/F, 237, Queen's Road, 237 Queen's Road, Hong Kong
 Tel: (852)27771771, Fax: (852)27771772, Email: agc@agcdesign.com.hk

MAIN CONTRACTOR :
Gammon

STRUCTURAL ENGINEER :
ARUP

FAÇADE CONSULTANT:
MEINHARDT

NOTE :
 1. ALL DIMENSIONS ARE IN mm.
 2. ALL ELEVATIONS ARE VIEWED FROM OUTSIDE.
 3. ALL DIMENSIONS TO BE VERIFIED ON SITE BEFORE FABRICATION.

LEGEND :
 (X1) --- DETAIL MARK NO.
 (X001) --- REFER SHEET NO.

1. F.F.L. -- FINISHED FLOOR LEVEL
 2. S.F.L. -- STRUCTURAL FLOOR LEVEL
 3. (R) -- REVERSED DETAIL
 4. ▲ -- FIXING LOCATION
 5. △ -- FIXING LUG LOCATION
 6. GLASS LEGEND
 GL01 -- 8mm+12mm AIR GAP+10mm THK. I.G.U.
 GL01a -- 8mm+9mm AIR GAP+12mm THK. I.G.U.
 GL03 -- 6mm+12mm AIR GAP+6mm THK. I.G.U.
 GL04 -- 10mm THK. TEMPERED GLASS (PROTECTIVE BARRIER)
 GL05 -- 6mm+12mm AIR GAP+8mm THK. I.G.U.

NO.	DATE	REVISION	BY
D	24/08/2020	REVISION SUBJECT TO ARCH.COMMENT	lvon
C	09/05/2020	REVISION SUBJECT TO ARCH.COMMENT	lvon
B	05/03/2020	REVISION SUBJECT TO ARCH.COMMENT	lvon
A	24/02/2020	REVISION SUBJECT TO ARCH.COMMENT	SH

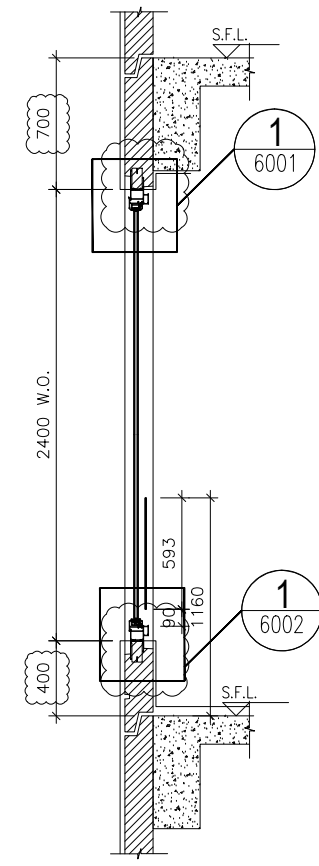
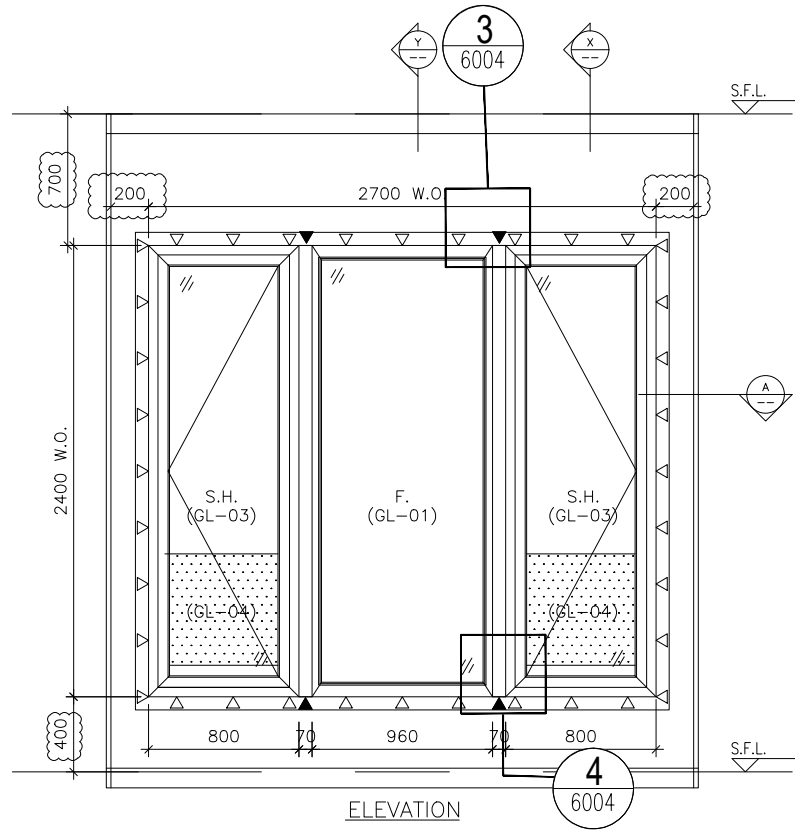
JOB NO. : J-852
 PROJECT :
 PROPOSED RESIDENTIAL DEVELOPMENT
 AT 139 - 147 ARGYLE STREET,
 NKIL 6005, 6035 R.P., 6036 R.P.,
 6037 R.P. & 6038 R.P.

TITLE :
 WINDOW SCHEDULE FOR
 ALUM. WINDOW

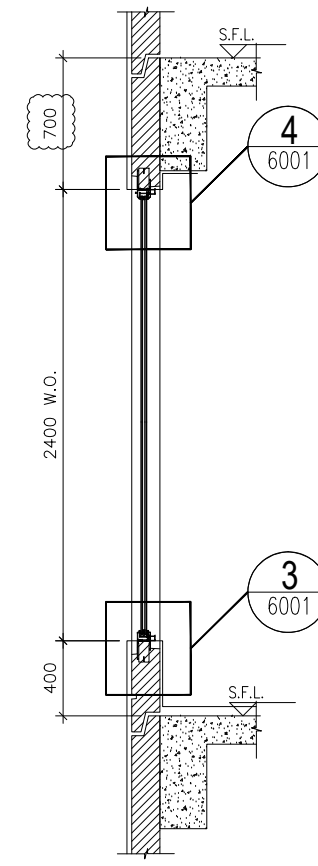
DATE : 05-Dec-19 SCALE : 1:40
 DRAWN BY : MN CHECKED BY : DW

美特鋁質有限公司
MIDI ALUMINIUM FABRICATOR LTD.
 Units 6-8, Sunray Industrial Centre, 1/F
 610 Cha Kwo Ling Road, Kowloon
 Tel:23489211-4 Fax:(852)27727666

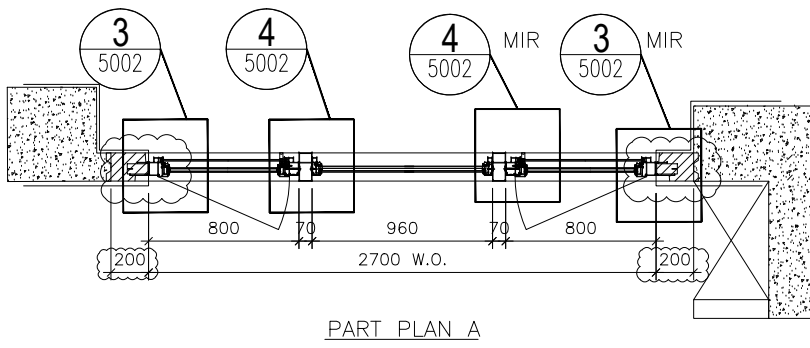
DWG NO. : J852-SD-PW-4315 REV. : D



SECTION "X-X"



SECTION "Y-Y"



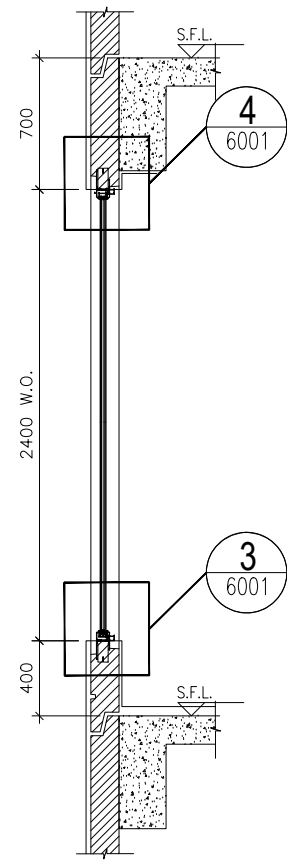
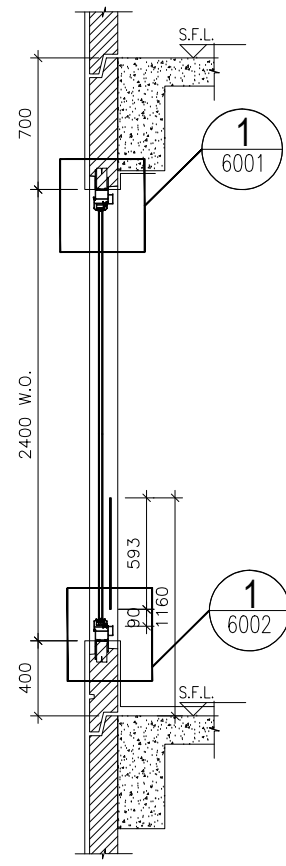
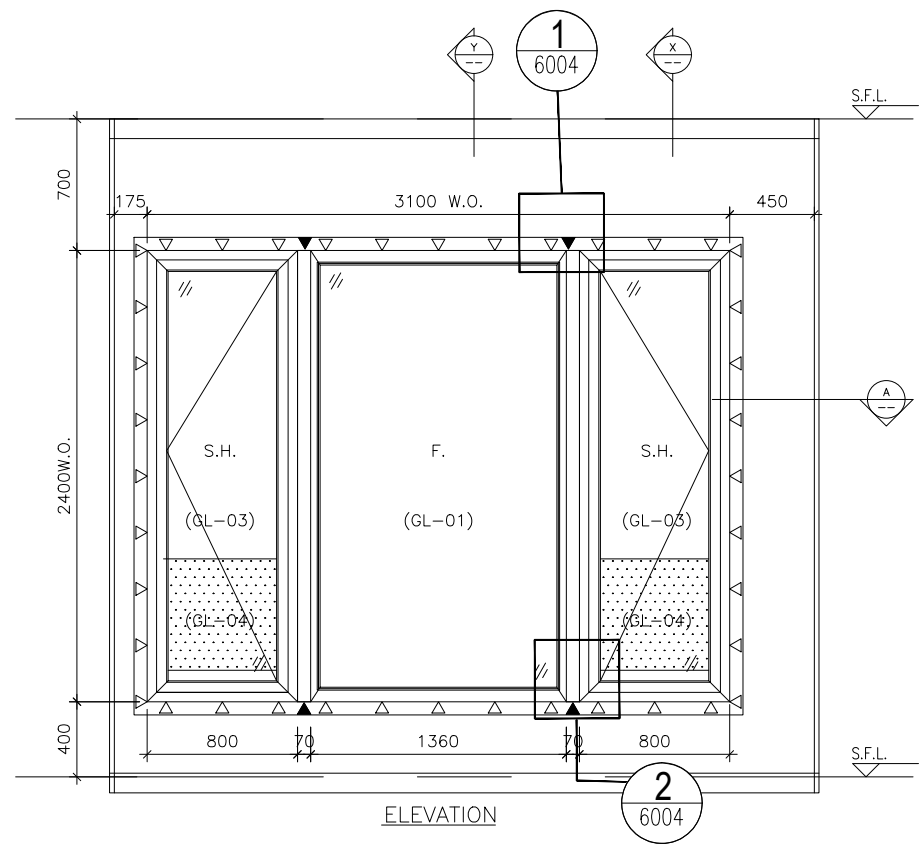
PART PLAN A

TYPE A			
OPENABLE WINDOW DIMENSION	(WIDTH)	=	800
	(HEIGHT)	=	2400
FIXED WINDOW DIMENSION	(WIDTH)	=	960
	(HEIGHT)	=	2400
NUMBER OF OPENABLE AREA WINDOW		=	2
GLAZING AREA			
OPENABLE			
WIDTH	=	800-111.5-111.5	= 577 mm
HIGHT	=	2400-111.5-111.5	= 2177 mm
FIXED			
WIDTH	=	960-50-50	= 860 mm
HIGHT	=	2400-50-50	= 2300 mm
TOTAL	=	((577x2177)x2+(860x2300))	1000000 = 4.490258 m ²
OPENABLE AREA			
WIDTH	=	800-77-77	= 646 mm
HIGHT	=	2400-77-(1160-385-15)	= 1563 mm
TOTAL	=	((646x1563)x2)	1000000 = 2.019396 m ²

PROVIDED		
GLAZING AREA	4.490	m ²
OPENABLE AREA	2.019	m ²

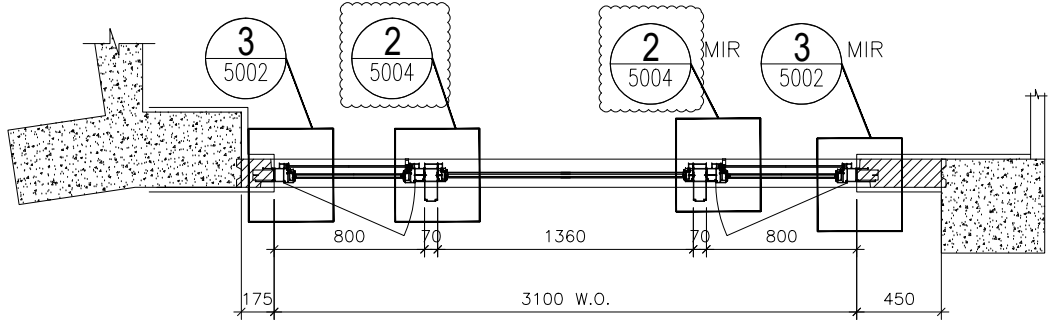
ELEVATION

WINDOW MARK	Z2W2 T3A
LOCATION	22/F ENSUITE 1 AT TOWER 3 FLAT A
SECTION	70mm ALUM. SECTION
GLAZING	GL-01, GL-03
QUANTITY	1
REMARKS	FAÇADE (PF-3)



SECTION "X-X"

SECTION "Y-Y"



TYPE A			
OPENABLE WINDOW DIMENSION	(WIDTH)	=	800
	(HEIGHT)	=	2400
FIXED WINDOW DIMENSION	(WIDTH)	=	1360
	(HEIGHT)	=	2400
NUMBER OF OPENABLE AREA WINDOW		=	2
GLAZING AREA			
OPENABLE			
WIDTH	=	800-111.5-111.5	= 577 mm
HIGHT	=	2400-111.5-111.5	= 2177 mm
FIXED			
WIDTH	=	1360-50-50	= 1260 mm
HIGHT	=	2400-50-50	= 2300 mm
TOTAL	=	$((577 \times 2177) \times 2 + (1260 \times 2300)) / 1000000$	= 5.410258 m ²
OPENABLE AREA			
WIDTH	=	800-77-77	= 646 mm
HIGHT	=	2400-77-(1160-385-15)	= 1563 mm
TOTAL	=	$((646 \times 1563) \times 2) / 1000000$	= 2.019396 m ²

PROVIDED	
GLAZING AREA	5.410 m ²
OPENABLE AREA	2.019 m ²

B.D. REF :

CLIENT :

ARCHITECT :
AGC DESIGN LTD
 10/F, 100, Queen Mary Road, Kowloon, Hong Kong
 Tel: (852) 2777 1111 Fax: (852) 2777 1111 Email: agc@agc.com.hk

MAIN CONTRACTOR :
Gammon

STRUCTURAL ENGINEER :
ARUP

FAÇADE CONSULTANT:
MEINHARDT

NOTE :
 1. ALL DIMENSIONS ARE IN mm.
 2. ALL ELEVATIONS ARE VIEWED FROM OUTSIDE.
 3. ALL DIMENSIONS TO BE VERIFIED ON SITE BEFORE FABRICATION.

LEGEND :
 (X1) -- DETAIL MARK NO.
 (X001) -- REFER SHEET NO.

1. F.F.L. -- FINISHED FLOOR LEVEL
 2. S.F.L. -- STRUCTURAL FLOOR LEVEL
 3. (R) -- REVERSED DETAIL
 4. ▲ -- FIXING LOCATION
 5. △ -- FIXING LUG LOCATION
 6. GLASS LEGEND
 GL01 -- 8mm+12mm AIR GAP+10mm THK. I.G.U.
 GL01a -- 8mm+9mm AIR GAP+12mm THK. I.G.U.
 GL03 -- 6mm+12mm AIR GAP+6mm THK. I.G.U.
 GL04 -- 10mm THK. TEMPERED GLASS (PROTECTIVE BARRIER)
 GL05 -- 6mm+12mm AIR GAP+8mm THK. I.G.U.

NO.	DATE	REVISION	BY
D	24/08/2020	REVISION SUBJECT TO ARCH.COMMENT	lvon
C	09/05/2020	REVISION SUBJECT TO ARCH.COMMENT	lvon
B	05/03/2020	REVISION SUBJECT TO ARCH.COMMENT	lvon
A	24/02/2020	REVISION SUBJECT TO ARCH.COMMENT	SH

JOB NO. : J-852
 PROJECT : PROPOSED RESIDENTIAL DEVELOPMENT AT 139 - 147 ARGYLE STREET, NKIL 6005, 6035 R.P., 6036 R.P., 6037 R.P. & 6038 R.P.

TITLE : WINDOW SCHEDULE FOR ALUM. WINDOW

DATE : 05-Dec-19 SCALE : 1:40
 DRAWN BY : MN CHECKED BY : DW

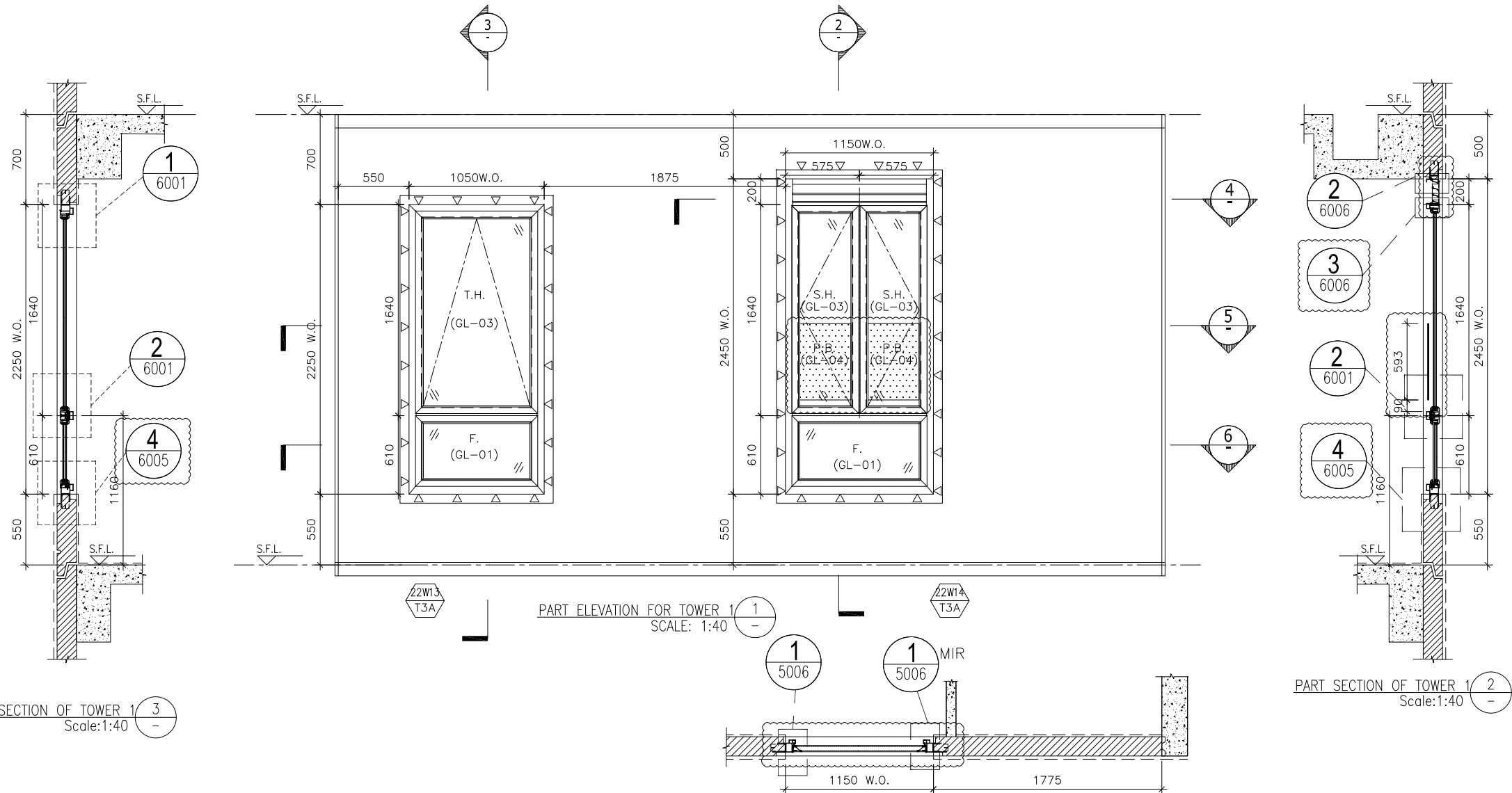
美特鋁質有限公司
MIDI ALUMINIUM FABRICATOR LTD.
 Units 6-8, Sunray Industrial Centre, 1/F
 610 Cha Kwo Ling Road, Kowloon
 Tel: 23489211-4 Fax: (852) 27727666

DWG NO. : J852-SD-PW-4316 REV. : D

ELEVATION

WINDOW MARK	22W T3A
LOCATION	22/F MASTER ENSUITE AT TOWER 3 FLAT A
SECTION	70mm ALUM. SECTION
GLAZING	GL-01, GL-03
QUANTITY	1
REMARKS	FAÇADE (PF-4)

ELEVATION



PART SECTION OF TOWER 1
Scale:1:40

PART ELEVATION FOR TOWER 1
Scale: 1:40

PART SECTION OF TOWER 1
Scale:1:40

PART PLAN FOR TOWER 1
Scale: 1:40

PART PLAN FOR TOWER 1
Scale: 1:40

PART PLAN FOR TOWER 1
Scale: 1:40

TYPE D1				
OPENABLE WINDOW DIMENSION	(WIDTH)	=	575	
	(HEIGHT)	=	1640	
FIXED WINDOW DIMENSION	(WIDTH)	=	1150	
	(HEIGHT)	=	610	
NUMBER OF OPENABLE AREA WINDOW		=	2	
GLAZING AREA				
OPENABLE				
WIDTH	=	575-101.5-66.5	=	407 mm
HIGHT	=	1640-66.5-66.5	=	1507 mm
FIXED				
WIDTH	=	1150-101.5-101.5	=	947 mm
HIGHT	=	610-66.5-101.5	=	442 mm
TOTAL	=	((407x1507)x2+(947x442))/1000000	=	1.645272 m ²
OPENABLE AREA				
WIDTH	=	575-67-32	=	466 mm
HIGHT	=	1640-32-32	=	1576 mm
TOTAL	=	((466x1576)x2)/1000000	=	1.468832 m ²

TYPE E				
OPENABLE WINDOW DIMENSION	(WIDTH)	=	1050	
	(HEIGHT)	=	1640	
FIXED WINDOW DIMENSION	(WIDTH)	=	1050	
	(HEIGHT)	=	610	
NUMBER OF OPENABLE AREA WINDOW		=	1	
GLAZING AREA				
OPENABLE				
WIDTH	=	1050-111.5-111.5	=	827 mm
HIGHT	=	1640-111.5-66.5	=	1462 mm
FIXED				
WIDTH	=	1050-111.5-111.5	=	827 mm
HIGHT	=	610-66.5-111.5	=	432 mm
TOTAL	=	((827x1462)+(827x432))/1000000	=	1.566338 m ²
OPENABLE AREA				
WIDTH	=	1050-77-77	=	896 mm
HIGHT	=	1640-77-32	=	1531 mm
TOTAL	=	((896x1531)x1)/1000000	=	1.371776 m ²

PROVIDED			
GLAZING AREA	1.566	m ²	22W13 T3A
OPENABLE AREA	1.372	m ²	T3A

WINDOW MARK	22W13 T3A / 22W13 T3A
LOCATION	22/F EN.3 & M.B.3 AT TOWER 3 FLAT A
SECTION	70mm ALUM. SECTION
GLAZING	GL-01, GL-03
QUANTITY	1
REMARKS	FACADE (PF-19)

PROVIDED			
GLAZING AREA	1.645	m ²	22W14 T3A
OPENABLE AREA	1.469	m ²	T3A

B.D. REF :

CLIENT :

ARCHITECT :
AGC DESIGN LTD

MAIN CONTRACTOR :
Gammon

STRUCTURAL ENGINEER :
ARUP

FACADE CONSULTANT:
MEINHARDT

NOTE :

- ALL DIMENSIONS ARE IN mm.
- ALL ELEVATIONS ARE VIEWED FROM OUTSIDE.
- ALL DIMENSIONS TO BE VERIFIED ON SITE BEFORE FABRICATION.

LEGEND :

x1 -- DETAIL MARK NO.
x001 -- REFER SHEET NO.

- F.F.L. -- FINISHED FLOOR LEVEL
- S.F.L. -- STRUCTURAL FLOOR LEVEL
- (R) -- REVERSED DETAIL
- ▲ -- FIXING LOCATION
- △ -- FIXING LUG LOCATION

GLASS LEGEND

GL01 -- 8mm+12mm AIR GAP+10mm THK. I.G.U.
GL01a -- 6mm+9mm AIR GAP+12mm THK. I.G.U.
GL03 -- 6mm+12mm AIR GAP+6mm THK. I.G.U.
GL04 -- 10mm THK. TEMPERED GLASS (PROTECTIVE BARRIER)
GL05 -- 6mm+12mm AIR GAP+8mm THK. I.G.U.

NO.	DATE	REVISION	BY
E	24/08/2020	REVISION SUBJECT TO ARCH.COMMENT	Ivan
D	29/05/2020	REVISION SUBJECT TO ARCH.COMMENT	Ivan
C	09/05/2020	REVISION SUBJECT TO ARCH.COMMENT	Ivan
B	05/03/2020	REVISION SUBJECT TO ARCH.COMMENT	Ivan
A	24/02/2020	REVISION SUBJECT TO ARCH.COMMENT	SH

JOB NO. : J-852

PROJECT :
PROPOSED RESIDENTIAL DEVELOPMENT
AT 139 - 147 ARGYLE STREET,
NKIL 6005, 6035 R.P., 6036 R.P.,
6037 R.P. & 6038 R.P.

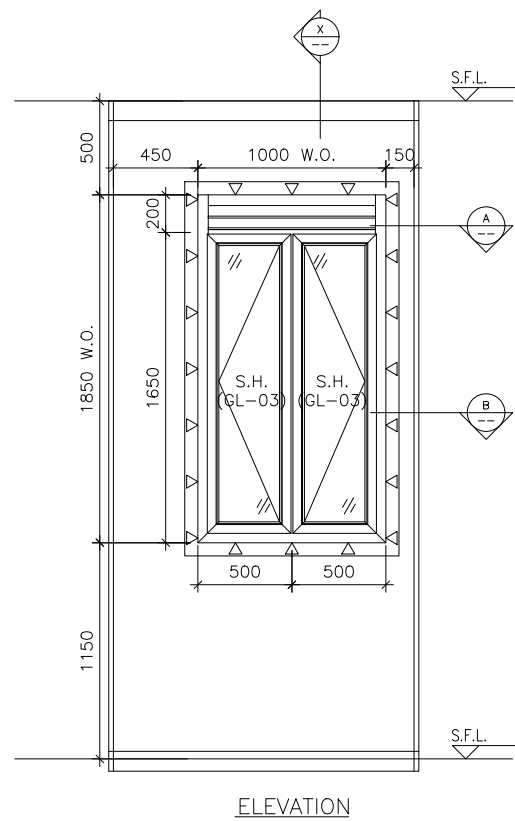
TITLE : WINDOW SCHEDULE FOR ALUM. WINDOW

DATE : 05-Dec-19 SCALE : 1:40

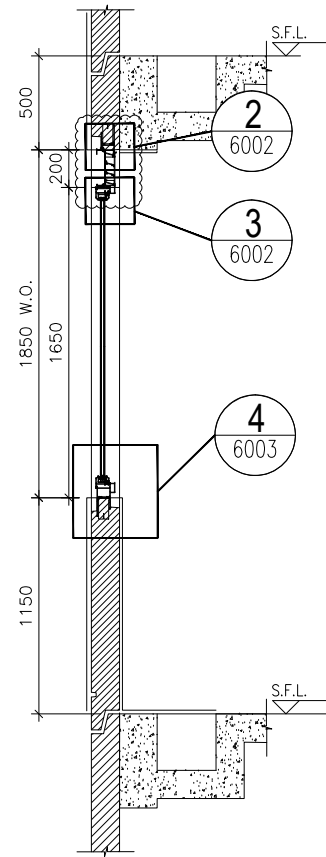
DRAWN BY : MN CHECKED BY : DW

美特鋁質有限公司
MIDI ALUMINIUM FABRICATOR LTD.
Units 6-8, Sunray Industrial Centre, 1/F
610 Cha Kwo Ling Road, Kowloon
Tel:23489211-4 Fax:(852)2727666

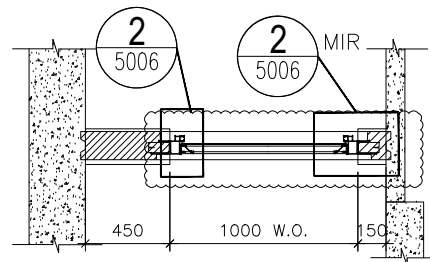
DWG NO. : J852-SD-PW-4317 REV. : E



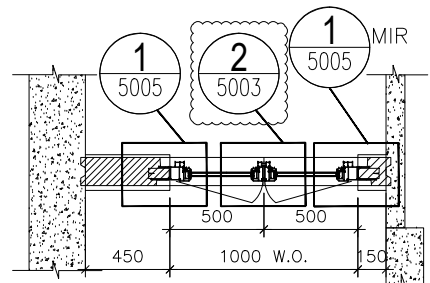
ELEVATION



SECTION "X-X"



PART PLAN A



PART PLAN B

TYPE C			
OPENABLE WINDOW DIMENSION	(WIDTH)	=	500
	(HEIGHT)	=	1650
NUMBER OF OPENABLE AREA WINDOW		=	2
GLAZING AREA			
WIDTH	=	500-111.5-66.5	= 322 mm
HEIGHT	=	1650-69.5-111.5	= 1469 mm
TOTAL	=	((322x1469)x2)	1000000 = 0.946036 m ²
OPENABLE AREA			
WIDTH	=	500-77-32	= 391 mm
HEIGHT	=	1650-32-77	= 1541 mm
TOTAL	=	((391x1541)x2)	1000000 = 1.205062 m ²
		PROVIDED	
GLAZING AREA		0.948	m ²
OPENABLE AREA		1.205	m ²

B.D. REF :

CLIENT :

ARCHITECT :



MAIN CONTRACTOR :



STRUCTURAL ENGINEER :



FACADE CONSULTANT:



NOTE :

1. ALL DIMENSIONS ARE IN mm.
2. ALL ELEVATIONS ARE VIEWED FROM OUTSIDE.
3. ALL DIMENSIONS TO BE VERIFIED ON SITE BEFORE FABRICATION.

LEGEND :

- (X1) --- DETAIL MARK NO.
- (X001) --- REFER SHEET NO.

1. F.F.L. --- FINISHED FLOOR LEVEL
2. S.F.L. --- STRUCTURAL FLOOR LEVEL
3. (R) --- REVERSED DETAIL
4. ▲ --- FIXING LOCATION
5. △ --- FIXING LUG LOCATION

6. GLASS LEGEND
- GL01 -- 8mm+12mm AIR GAP+10mm THK. I.G.U.
 - GL01a -- 8mm+9mm AIR GAP+12mm THK. I.G.U.
 - GL03 -- 6mm+12mm AIR GAP+6mm THK. I.G.U.
 - GL04 -- 10mm THK. TEMPERED GLASS (PROTECTIVE BARRIER)
 - GL05 -- 6mm+12mm AIR GAP+8mm THK. I.G.U.

NO.	DATE	REVISION	BY
E	24/08/2020	REVISION SUBJECT TO ARCH.COMMENT	lvn
D	29/05/2020	REVISION SUBJECT TO ARCH.COMMENT	lvn
C	09/05/2020	REVISION SUBJECT TO ARCH.COMMENT	lvn
B	05/03/2020	REVISION SUBJECT TO ARCH.COMMENT	lvn
A	24/02/2020	REVISION SUBJECT TO ARCH.COMMENT	SH

JOB NO. : J-852

PROJECT : PROPOSED RESIDENTIAL DEVELOPMENT AT 139 - 147 ARGYLE STREET, NKIL 6005, 6035 R.P., 6036 R.P., 6037 R.P. & 6038 R.P.

TITLE : WINDOW SCHEDULE FOR ALUM. WINDOW

DATE : 05-Dec-19 SCALE : 1:40

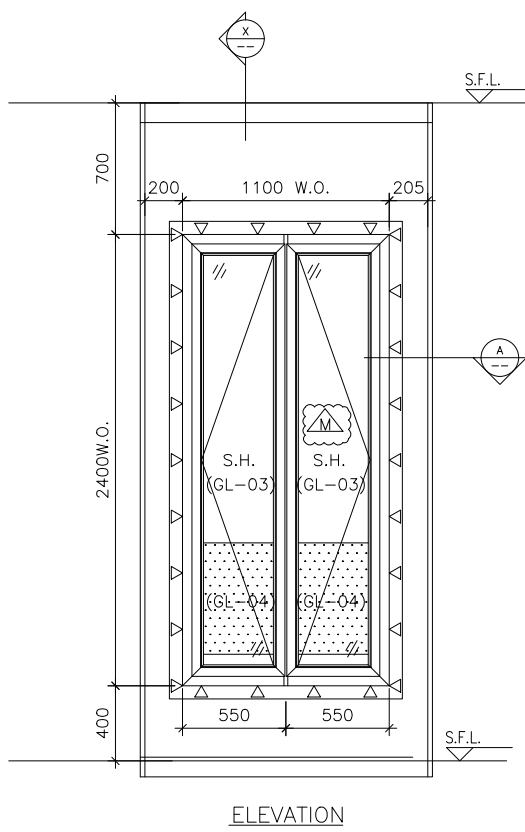
DRAWN BY : MN CHECKED BY : DW



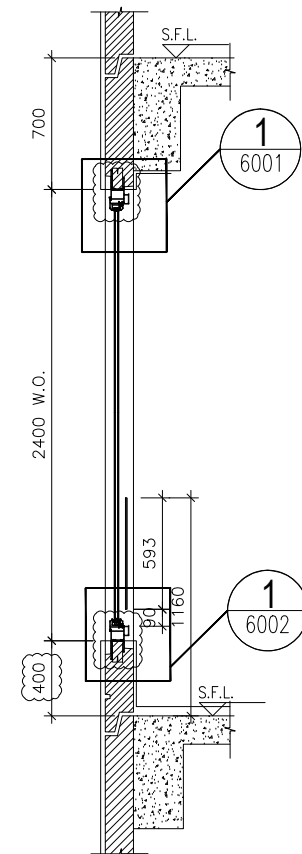
DWG NO. : J852-SD-PW-4318 REV. : E

ELEVATION

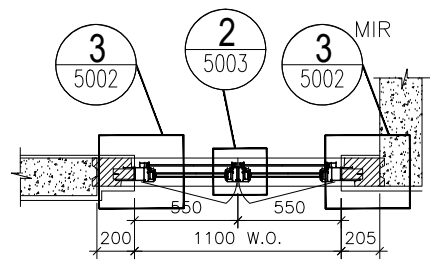
WINDOW MARK	
LOCATION	22/F KIT. AT TOWER 3 FLAT C
SECTION	70mm ALUM. SECTION
GLAZING	GL-03
QUANTITY	1
REMARKS	FACADE (PF-25)



ELEVATION



SECTION "X-X"



PART PLAN A

ELEVATION

TYPE F			
OPENABLE WINDOW DIMENSION	(WIDTH)	=	550
	(HEIGHT)	=	2400
NUMBER OF OPENABLE AREA WINDOW		=	1
GLAZING AREA			
OPENABLE			
WIDTH	=	550-111.5-66.5	= 372 mm
HEIGHT	=	(2400+400)-111.5-1000	= 1688.5 mm
TOTAL	=	((372x1688.5)x2)/1000000	= 1.256244 m ²
OPENABLE AREA			
WIDTH	=	550-77-32	= 441 mm
HEIGHT	=	2400-77-(1160-385-15)	= 1563 mm
TOTAL	=	((441x1563)x1)/1000000	= 0.689283 m ²
		PROVIDED	
		GLAZING AREA	1.256 m ²
		OPENABLE AREA	0.689 m ²

B.D. REF :

CLIENT :

ARCHITECT :
AGC DESIGN LTD
 10/F, 187, Queen Mary Road, 22/F, 187, King's Road, Hong Kong
 Tel: (852)27771111, Fax: (852)27771111, Email: agc@agcdesign.com.hk

MAIN CONTRACTOR :
Gammon

STRUCTURAL ENGINEER :
ARUP

FACADE CONSULTANT:
MEINHARDT

NOTE :
 1. ALL DIMENSIONS ARE IN mm.
 2. ALL ELEVATIONS ARE VIEWED FROM OUTSIDE.
 3. ALL DIMENSIONS TO BE VERIFIED ON SITE BEFORE FABRICATION.

LEGEND :
 (X1) --- DETAIL MARK NO.
 (X001) --- REFER SHEET NO.

1. F.F.L. --- FINISHED FLOOR LEVEL
 2. S.F.L. --- STRUCTURAL FLOOR LEVEL
 3. (R) --- REVERSED DETAIL
 4. ▲ --- FIXING LOCATION
 5. △ --- FIXING LUG LOCATION
 6. GLASS LEGEND
 GL01 --- 8mm+12mm AIR GAP+10mm THK. I.G.U.
 GL01a --- 8mm+9mm AIR GAP+12mm THK. I.G.U.
 GL03 --- 6mm+12mm AIR GAP+6mm THK. I.G.U.
 GL04 --- 10mm THK. TEMPERED GLASS (PROTECTIVE BARRIER)
 GL05 --- 6mm+12mm AIR GAP+8mm THK. I.G.U.

E	24/08/2020	REVISION SUBJECT TO ARCH.COMMENT	lvon
D	05/06/2020	REVISION SUBJECT TO ARCH.COMMENT	lvon
C	09/05/2020	REVISION SUBJECT TO ARCH.COMMENT	lvon
B	05/03/2020	REVISION SUBJECT TO ARCH.COMMENT	lvon
A	24/02/2020	REVISION SUBJECT TO ARCH.COMMENT	SH
NO.	DATE	REVISED	BY

JOB NO. : J-852
 PROJECT : PROPOSED RESIDENTIAL DEVELOPMENT AT 139 - 147 ARGYLE STREET, NKIL 6005, 6035 R.P., 6036 R.P., 6037 R.P. & 6038 R.P.

TITLE : WINDOW SCHEDULE FOR ALUM. WINDOW

DATE : 05-Dec-19 SCALE : 1:40
 DRAWN BY : MN CHECKED BY : DW

美特鋁質有限公司
MIDI ALUMINIUM FABRICATOR LTD.
 Units 6-8, Sunray Industrial Centre, 1/F
 610 Cha Kwo Ling Road, Kowloon
 Tel:23489211-4 Fax:(852)27727666

DWG NO. : J852-SD-PW-4319 REV. : E

WINDOW MARK	
LOCATION	22/F B.R.2 AT TOWER 3 FLAT C
SECTION	70mm ALUM. SECTION
GLAZING	GL-03
QUANTITY	1
REMARKS	FACADE (PF-26)

B.D. REF :

CLIENT :

ARCHITECT :
AGC DESIGN LTD
 10/F, 187, Queen's Road, 22/F, 188, King's Road, Hong Kong
 Tel: (852)27771111, Fax: (852)27771111, Email: agc@agc.com.hk

MAIN CONTRACTOR :
Gammon

STRUCTURAL ENGINEER :
ARUP

FAÇADE CONSULTANT :
MEINHARDT

NOTE :
 1. ALL DIMENSIONS ARE IN mm.
 2. ALL ELEVATIONS ARE VIEWED FROM OUTSIDE.
 3. ALL DIMENSIONS TO BE VERIFIED ON SITE BEFORE FABRICATION.

LEGEND :
 X1 --- DETAIL MARK NO.
 X001 --- REFER SHEET NO.
 1. F.F.L. --- FINISHED FLOOR LEVEL
 2. S.F.L. --- STRUCTURAL FLOOR LEVEL
 3. (R) --- REVERSED DETAIL
 4. ▲ --- FIXING LOCATION
 5. △ --- FIXING LUG LOCATION
 6. GLASS LEGEND
 GL01 --- 8mm+12mm AIR GAP+10mm THK. I.G.U.
 GL01a --- 8mm+9mm AIR GAP+12mm THK. I.G.U.
 GL03 --- 6mm+12mm AIR GAP+6mm THK. I.G.U.
 GL04 --- 10mm THK. TEMPERED GLASS (PROTECTIVE BARRIER)
 GL05 --- 6mm+12mm AIR GAP+8mm THK. I.G.U.

NO.	DATE	REVISION	BY
E	24/08/2020	REVISION SUBJECT TO ARCH.COMMENT	lvon
D	05/06/2020	REVISION SUBJECT TO ARCH.COMMENT	lvon
C	09/05/2020	REVISION SUBJECT TO ARCH.COMMENT	lvon
B	05/03/2020	REVISION SUBJECT TO ARCH.COMMENT	lvon
A	24/02/2020	REVISION SUBJECT TO ARCH.COMMENT	SH

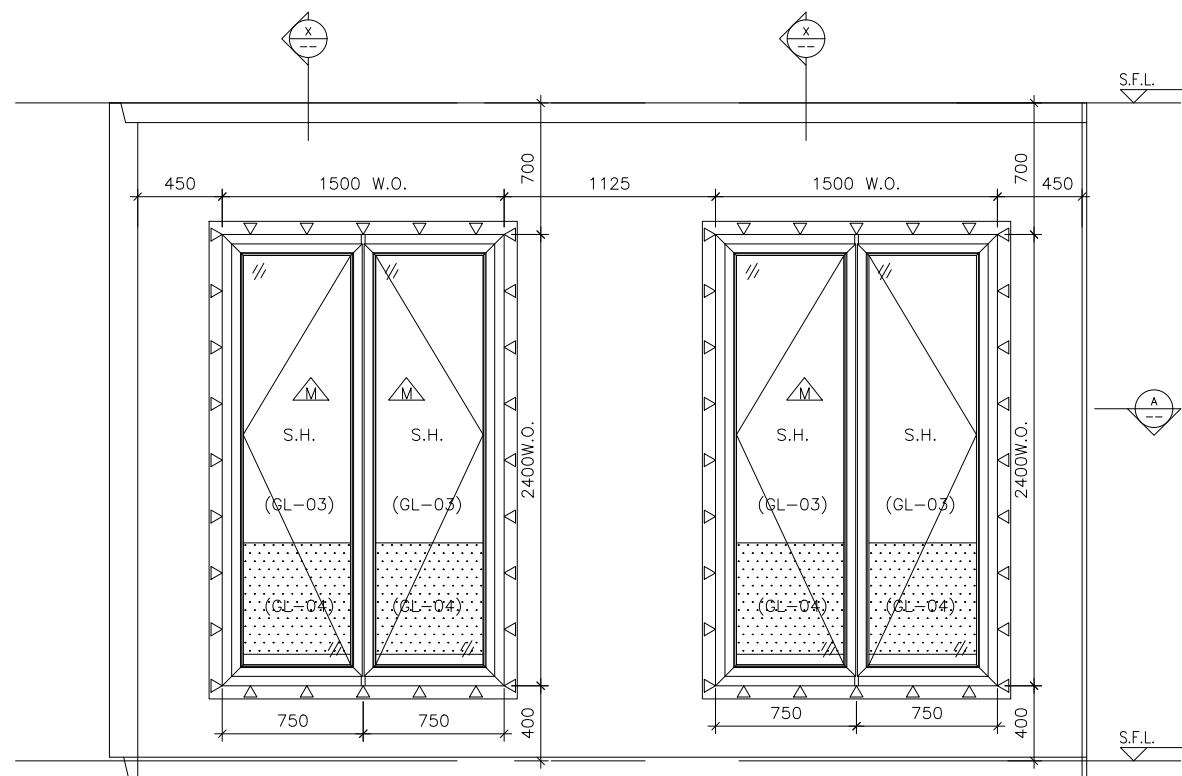
JOB NO. : J-852
 PROJECT : PROPOSED RESIDENTIAL DEVELOPMENT AT 139 - 147 ARGYLE STREET, NKIL 6005, 6035 R.P., 6036 R.P., 6037 R.P. & 6038 R.P.

TITLE : WINDOW SCHEDULE FOR ALUM. WINDOW

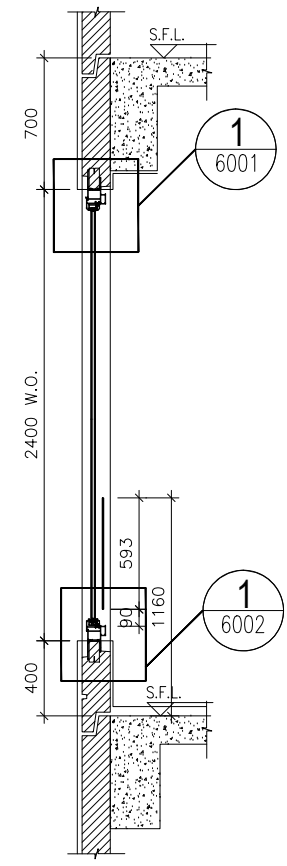
DATE : 05-Dec-19 SCALE : 1:40
 DRAWN BY : MN CHECKED BY : DW

MIDI ALUMINIUM FABRICATOR LTD.
 Units 6-8, Sunray Industrial Centre, 1/F
 610 Cha Kwo Ling Road, Kowloon
 Tel:23489211-4 Fax:(852)27727666

DWG NO. : J852-SD-PW-4320 REV. : E



ELEVATION



SECTION "X-X"

TYPE F			
OPENABLE WINDOW DIMENSION	(WIDTH)	=	750
	(HEIGHT)	=	2400
NUMBER OF OPENABLE AREA WINDOW		=	0

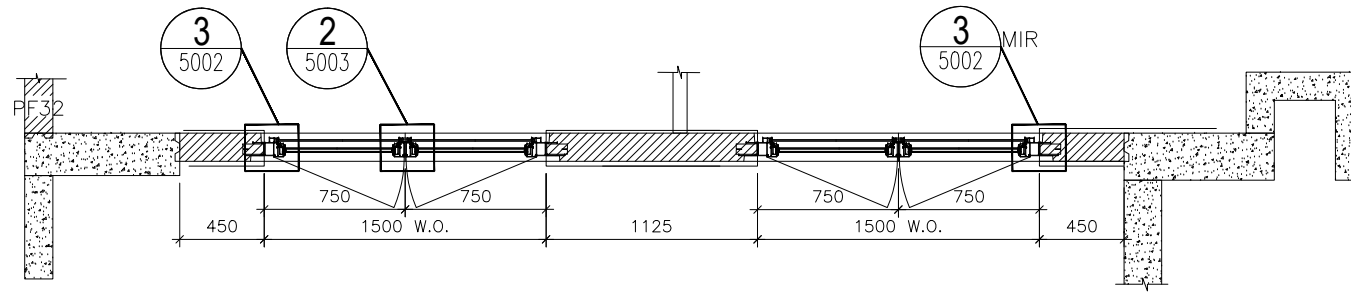
GLAZING AREA			
OPENABLE			
WIDTH	=	750-111.5-66.5	= 572 mm
HIGHT	=	(2400+400)-111.5-1000	= 1688.5 mm
TOTAL	=	((572x1688.5)x2)/1000000	= 1.931644 m ²
OPENABLE AREA			
WIDTH	=	750-77-32	= 641 mm
HIGHT	=	2400-77-(1160-385-15)	= 1563 mm
TOTAL	=	((641x1563)x0)/1000000	= 0 m ²

22W4 T3C			
GLAZING AREA			1.932 m ²
OPENABLE AREA			0 m ²

TYPE F			
OPENABLE WINDOW DIMENSION	(WIDTH)	=	750
	(HEIGHT)	=	2400
NUMBER OF OPENABLE AREA WINDOW		=	1

GLAZING AREA			
OPENABLE			
WIDTH	=	750-111.5-66.5	= 572 mm
HIGHT	=	(2400+400)-111.5-1000	= 1688.5 mm
TOTAL	=	((572x1688.5)x2)/1000000	= 1.931644 m ²
OPENABLE AREA			
WIDTH	=	750-77-32	= 641 mm
HIGHT	=	2400-77-(1160-385-15)	= 1563 mm
TOTAL	=	((641x1563)x1)/1000000	= 1.001883 m ²

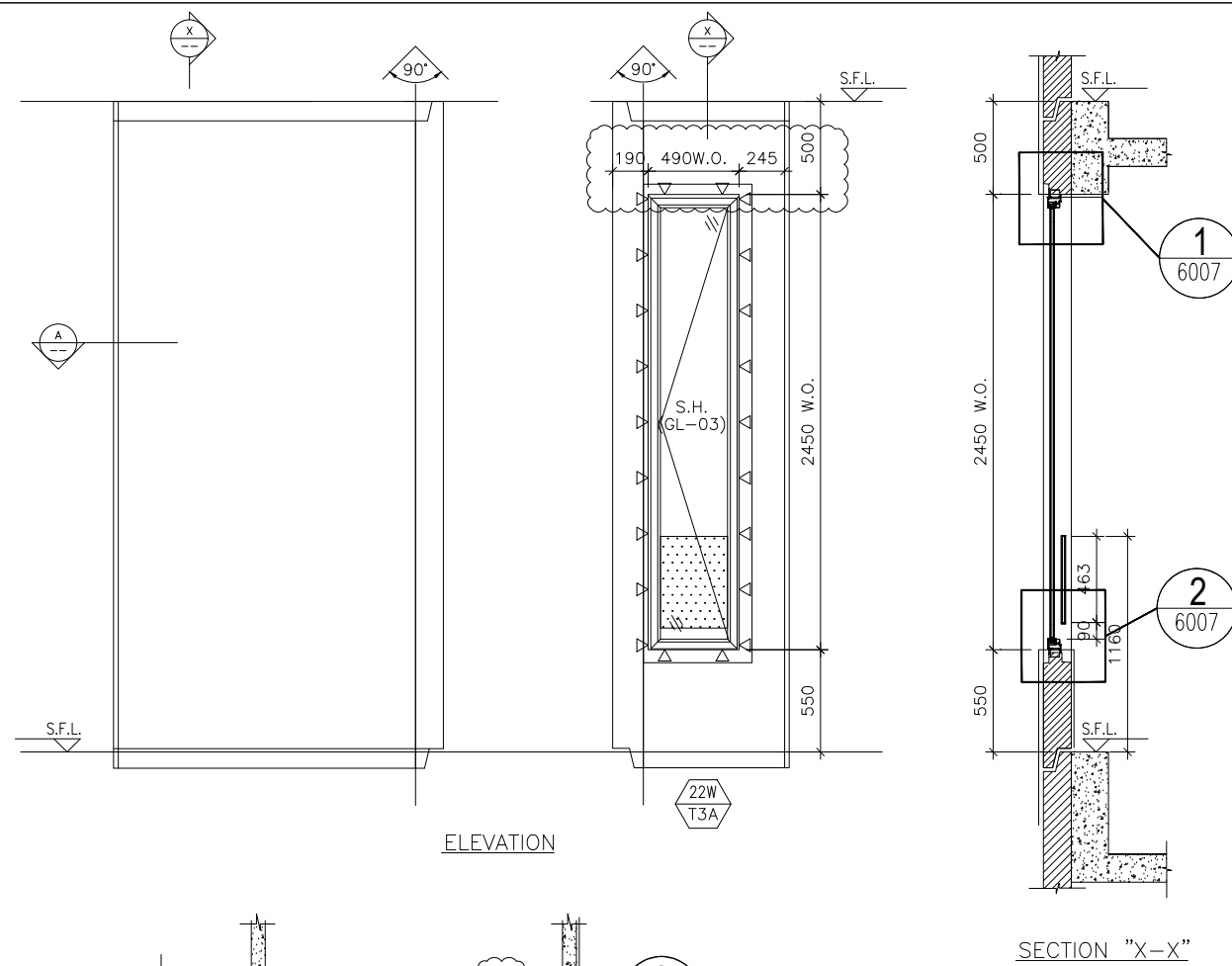
22W3 T3C PROVIDED			
GLAZING AREA			1.932 m ²
OPENABLE AREA			1.002 m ²



PART PLAN A

ELEVATION

WINDOW MARK	22W4 T3C / 22W3 T3C
LOCATION	22/F M.B.R.1 & B.R.2 AT TOWER 3 FLAT C
SECTION	70mm ALUM. SECTION
GLAZING	GL-03
QUANTITY	1
REMARKS	FAÇADE (PF-27)



ELEVATION

ELEVATION

SECTION "X-X"

PART PLAN A

TYPE T			
OPENABLE WINDOW DIMENSION	(WIDTH)	=	490
	(HEIGHT)	=	2450
NUMBER OF OPENABLE AREA WINDOW		=	1
GLAZING AREA			
OPENABLE			
WIDTH	=	490-72-72	= 346 mm
HIGHT	=	(2450+550)-72-1000	= 1928 mm
TOTAL	=	(346x1928)/1000000	= 0.667088 m ²
OPENABLE AREA			
WIDTH	=	490-42-42	= 406 mm
HIGHT	=	2450-42-(1160-550)	= 1798 mm
TOTAL	=	((406x1798)/1000000	= 0.729988 m ²

PROVIDED	
GLAZING AREA	0.667 m ²
OPENABLE AREA	0.730 m ²

B.D. REF :

CLIENT :

ARCHITECT :
AGC DESIGN LTD
 10/F, 187, Queen Mary Street, Hong Kong
 Tel: (852)27771111, Fax: (852)27771111, Email: agc@agcdesign.com.hk

MAIN CONTRACTOR :
Gammon

STRUCTURAL ENGINEER :
ARUP

FACADE CONSULTANT:
MEINHARDT

NOTE :
 1. ALL DIMENSIONS ARE IN mm.
 2. ALL ELEVATIONS ARE VIEWED FROM OUTSIDE.
 3. ALL DIMENSIONS TO BE VERIFIED ON SITE BEFORE FABRICATION.

LEGEND :
 (X1) --- DETAIL MARK NO.
 (X001) --- REFER SHEET NO.
 1. F.F.L. --- FINISHED FLOOR LEVEL
 2. S.F.L. --- STRUCTURAL FLOOR LEVEL
 3. (R) --- REVERSED DETAIL
 4. (B) --- REVERSED DETAIL
 4. ▲ --- FIXING LOCATION
 5. △ --- FIXING LUG LOCATION
 6. GLASS LEGEND
 GL01 --- 8mm+12mm AIR GAP+10mm THK. I.G.U.
 GL01a --- 8mm+9mm AIR GAP+12mm THK. I.G.U.
 GL03 --- 6mm+12mm AIR GAP+6mm THK. I.G.U.
 GL04 --- 10mm THK. TEMPERED GLASS (PROTECTIVE BARRIER)
 GL05 --- 6mm+12mm AIR GAP+8mm THK. I.G.U.

NO.	DATE	REVISION	BY
F	18/09/2020	REVISION SUBJECT TO ARCH.COMMENT	lvon
E	05/06/2020	REVISION SUBJECT TO ARCH.COMMENT	lvon
D	05/06/2020	REVISION SUBJECT TO ARCH.COMMENT	lvon
C	09/05/2020	REVISION SUBJECT TO ARCH.COMMENT	lvon
B	05/03/2020	REVISION SUBJECT TO ARCH.COMMENT	lvon
A	24/02/2020	REVISION SUBJECT TO ARCH.COMMENT	SH

JOB NO. : J-852
 PROJECT : PROPOSED RESIDENTIAL DEVELOPMENT AT 139 - 147 ARGYLE STREET, NKIL 6005, 6035 R.P., 6036 R.P., 6037 R.P. & 6038 R.P.

TITLE : WINDOW SCHEDULE FOR ALUM. WINDOW

DATE : 05-Dec-19 SCALE : 1:40
 DRAWN BY : MN CHECKED BY : DW

美特鋁質有限公司
MIDI ALUMINIUM FABRICATOR LTD.
 Units 6-8, Sunray Industrial Centre, 1/F
 610 Cha Kwo Ling Road, Kowloon
 Tel:23489211-4 Fax:(852)27727666

DWG NO. : J852-SD-PW-4321 REV. : F

WINDOW MARK	22W T3A
LOCATION	22/F M.B. & EN.B. AT TOWER 3 FLAT A
SECTION	70mm ALUM. SECTION
GLAZING	GL-01, GL-03
QUANTITY	1
REMARKS	FACADE (PF-34)

B.D. REF :

CLIENT :

ARCHITECT :
AGC DESIGN LTD
 10/F, 100, Queen's Road, 220 (Hong Kong)
 Tel: (852)2111111, Fax: (852)2111111, Email: agc@agc.com.hk

MAIN CONTRACTOR :
Gammon

STRUCTURAL ENGINEER :
ARUP

FACADE CONSULTANT :
MEINHARDT

NOTE :
 1. ALL DIMENSIONS ARE IN mm.
 2. ALL ELEVATIONS ARE VIEWED FROM OUTSIDE.
 3. ALL DIMENSIONS TO BE VERIFIED ON SITE BEFORE FABRICATION.

LEGEND :
 X1 --- DETAIL MARK NO.
 X001 --- REFER SHEET NO.

1. F.F.L. --- FINISHED FLOOR LEVEL
 2. S.F.L. --- STRUCTURAL FLOOR LEVEL
 3. (R) --- REVERSED DETAIL
 4. ▲ --- FIXING LOCATION
 5. △ --- FIXING LUG LOCATION
 6. GLASS LEGEND
 GL01 --- 8mm+12mm AIR GAP+10mm THK. I.G.U.
 GL01a --- 8mm+9mm AIR GAP+12mm THK. I.G.U.
 GL02 --- 10mm THK. TEMPERED GLASS (SPANDREL GLASS)
 GL03 --- 6mm+12mm AIR GAP+6mm THK. I.G.U.
 GL04 --- 10mm THK. TEMPERED GLASS (PROTECTIVE BARRIER)
 GL05 --- 6mm+12mm AIR GAP+8mm THK. I.G.U.

NO.	DATE	REVISION	REVISOR
D	24/08/2020	REVISION SUBJECT TO ARCH.COMMENT	ivan
C	09/05/2020	REVISION SUBJECT TO ARCH.COMMENT	ivan
B	05/03/2020	REVISION SUBJECT TO ARCH.COMMENT	ivan
A	24/02/2020	REVISION SUBJECT TO ARCH.COMMENT	SH

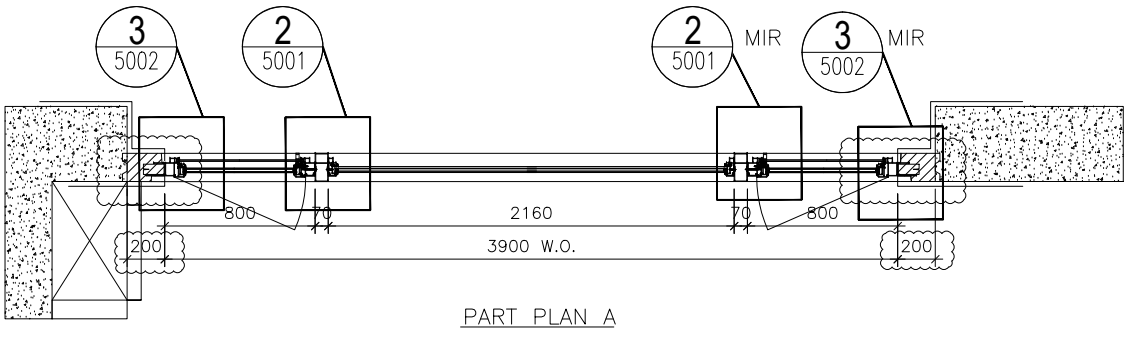
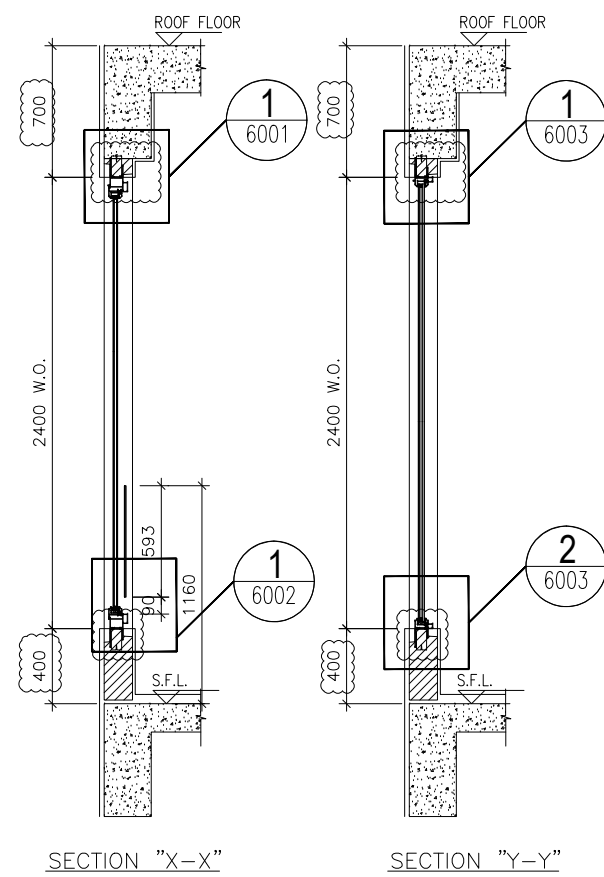
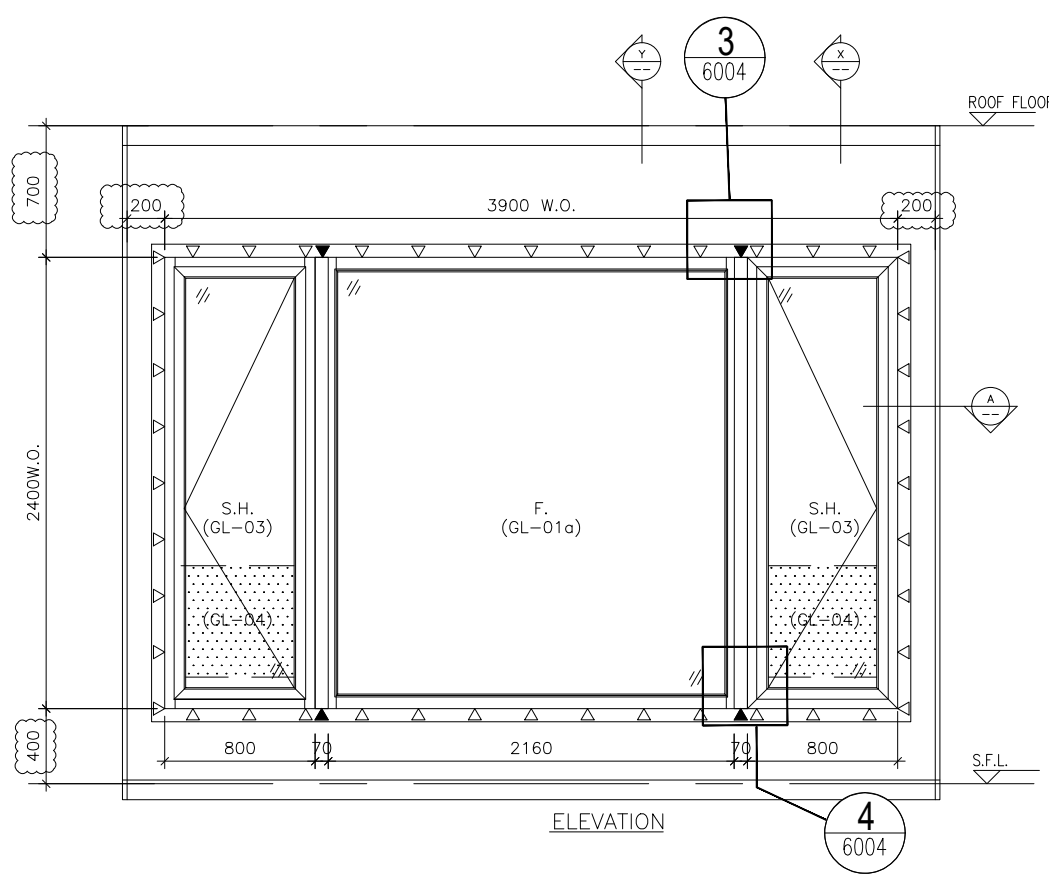
JOB NO. : J-852
 PROJECT : PROPOSED RESIDENTIAL DEVELOPMENT AT 139 - 147 ARGYLE STREET, NKIL 6005, 6035 R.P., 6036 R.P., 6037 R.P. & 6038 R.P.

TITLE : WINDOW SCHEDULE FOR ALUM. WINDOW

DATE : 05-Dec-19 SCALE : 1:40
 DRAWN BY : MN CHECKED BY : DW

美特鋁質有限公司
MIDI ALUMINIUM FABRICATOR LTD.
 Units 6-8, Sunray Industrial Centre, 1/F
 610 Cha Kwo Ling Road, Kowloon
 Tel:23489211-4 Fax:(852)2727666

DWG NO. : J852-SD-PW-4322 REV. : D



TYPE A			
OPENABLE WINDOW DIMENSION	(WIDTH)	=	800
	(HEIGHT)	=	2400
FIXED WINDOW DIMENSION	(WIDTH)	=	2160
	(HEIGHT)	=	2400
NUMBER OF OPENABLE AREA WINDOW		=	2
GLAZING AREA			
OPENABLE			
WIDTH	= 800-111.5-111.5	=	577 mm
HIGHT	= 2400-111.5-111.5	=	2177 mm
FIXED			
WIDTH	= 2160-50-50	=	2060 mm
HIGHT	= 2400-50-50	=	2300 mm
TOTAL	= ((577x2177)x2+(2060x2300))/1000000	=	7.250258 m ²
OPENABLE AREA			
WIDTH	= 800-77-77	=	646 mm
HIGHT	= 2400-77-(1160-385-15)	=	1563 mm
TOTAL	= ((646x1563)x2)/1000000	=	2.019396 m ²

PROVIDED		
GLAZING AREA	7.25	m ²
OPENABLE AREA	2.02	m ²

ELEVATION

WINDOW MARK	
LOCATION	23/F LIV./DIN. AT TOWER 3 FLAT A
SECTION	70mm ALUM. SECTION
GLAZING	GL-01a, GL-03
QUANTITY	1
REMARKS	FACADE (PF-2)

B.D. REF :

CLIENT :

ARCHITECT :
AGC DESIGN LTD
 10/F, 187, Queen's Road, 220 Hong Kong
 Tel: (852)27771111, Fax: (852)27771111, Email: agc@agc.com.hk

MAIN CONTRACTOR :
Gammon

STRUCTURAL ENGINEER :
ARUP

FAÇADE CONSULTANT:
MEINHARDT

NOTE :
 1. ALL DIMENSIONS ARE IN mm.
 2. ALL ELEVATIONS ARE VIEWED FROM OUTSIDE.
 3. ALL DIMENSIONS TO BE VERIFIED ON SITE BEFORE FABRICATION.

LEGEND :
 X1 --- DETAIL MARK NO.
 X001 --- REFER SHEET NO.

1. F.F.L. --- FINISHED FLOOR LEVEL
 2. S.F.L. --- STRUCTURAL FLOOR LEVEL
 3. (R) --- REVERSED DETAIL
 4. ▲ --- FIXING LOCATION
 5. △ --- FIXING LUG LOCATION
 6. GLASS LEGEND
 GL01 --- 8mm+12mm AIR GAP+10mm THK. I.G.U.
 GL01a --- 8mm+9mm AIR GAP+12mm THK. I.G.U.
 GL02 --- 10mm THK. TEMPERED GLASS (SPANDREL GLASS)
 GL03 --- 6mm+12mm AIR GAP+6mm THK. I.G.U.
 GL04 --- 10mm THK. TEMPERED GLASS (PROTECTIVE BARRIER)
 GL05 --- 6mm+12mm AIR GAP+8mm THK. I.G.U.

NO.	DATE	REVISION	BY
D	24/08/2020	REVISION SUBJECT TO ARCH.COMMENT	ivan
C	09/05/2020	REVISION SUBJECT TO ARCH.COMMENT	ivan
B	05/03/2020	REVISION SUBJECT TO ARCH.COMMENT	ivan
A	24/02/2020	REVISION SUBJECT TO ARCH.COMMENT	SH

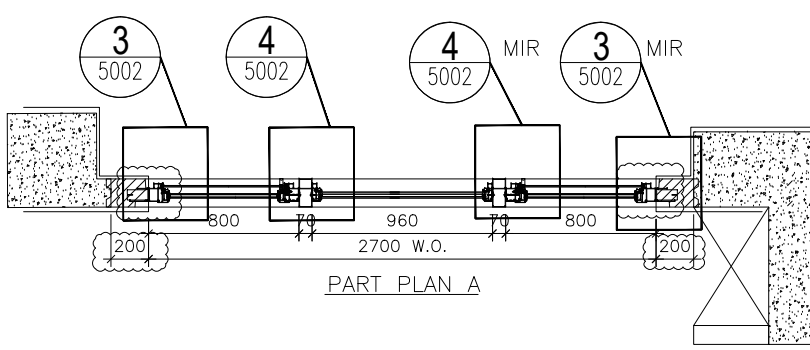
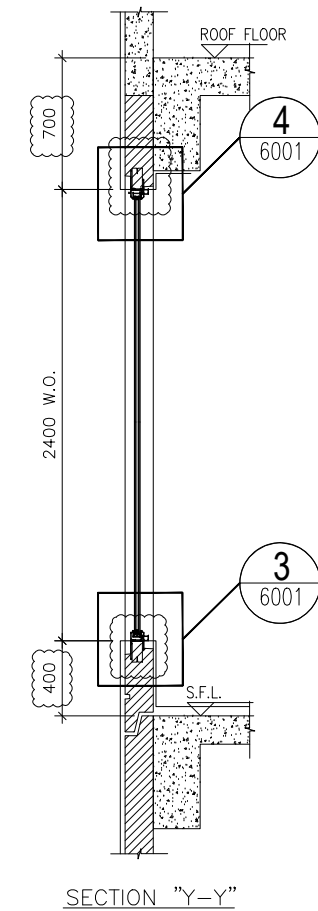
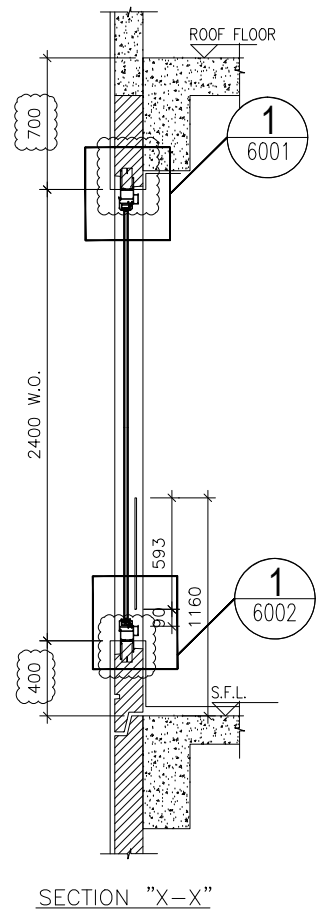
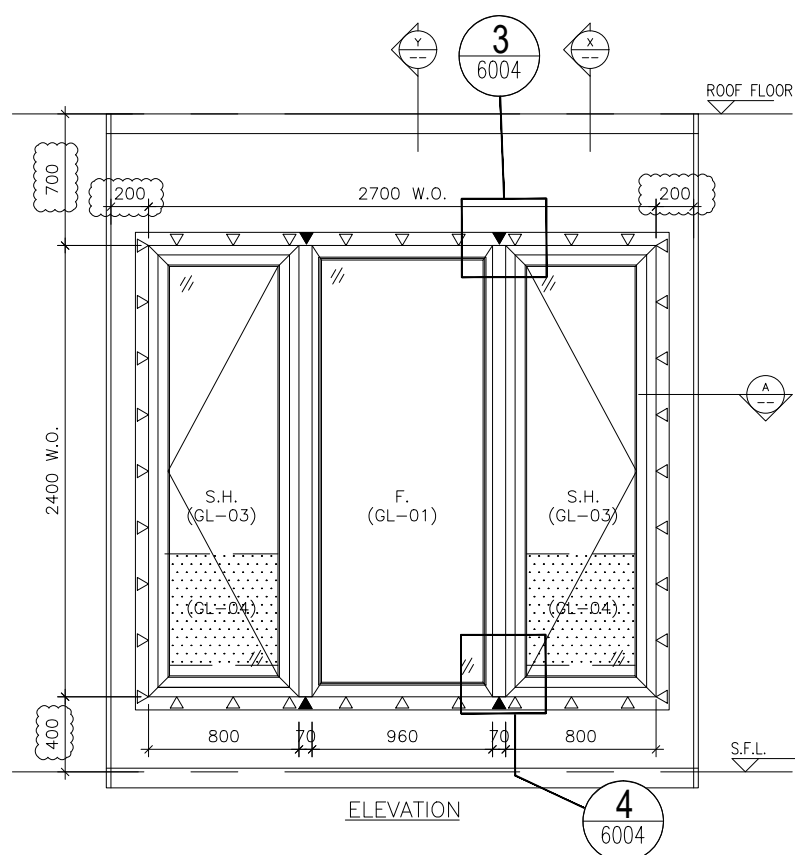
JOB NO. : J-852
 PROJECT : PROPOSED RESIDENTIAL DEVELOPMENT AT 139 - 147 ARGYLE STREET, NKIL 6005, 6035 R.P., 6036 R.P., 6037 R.P. & 6038 R.P.

TITLE : WINDOW SCHEDULE FOR ALUM. WINDOW

DATE : 05-Dec-19 SCALE : 1:40
 DRAWN BY : MN CHECKED BY : DW

美特鋁質有限公司
MIDI ALUMINIUM FABRICATOR LTD.
 Units 6-8, Sunray Industrial Centre, 1/F
 610 Cha Kwo Ling Road, Kowloon
 Tel:23489211-4 Fax:(852)27727666

DWG NO. : J852-SD-PW-4323 REV. : D

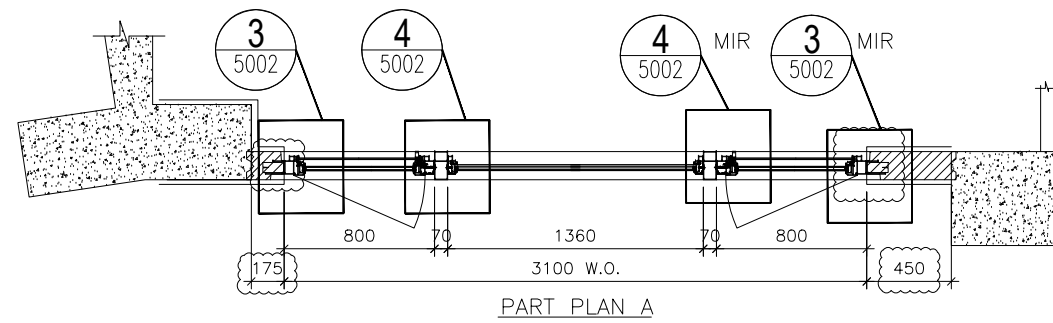
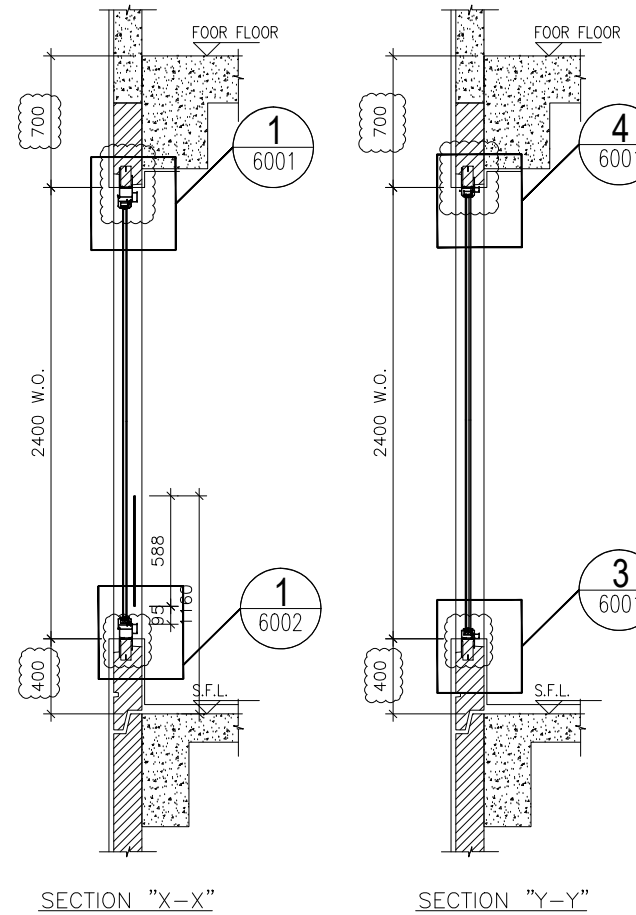
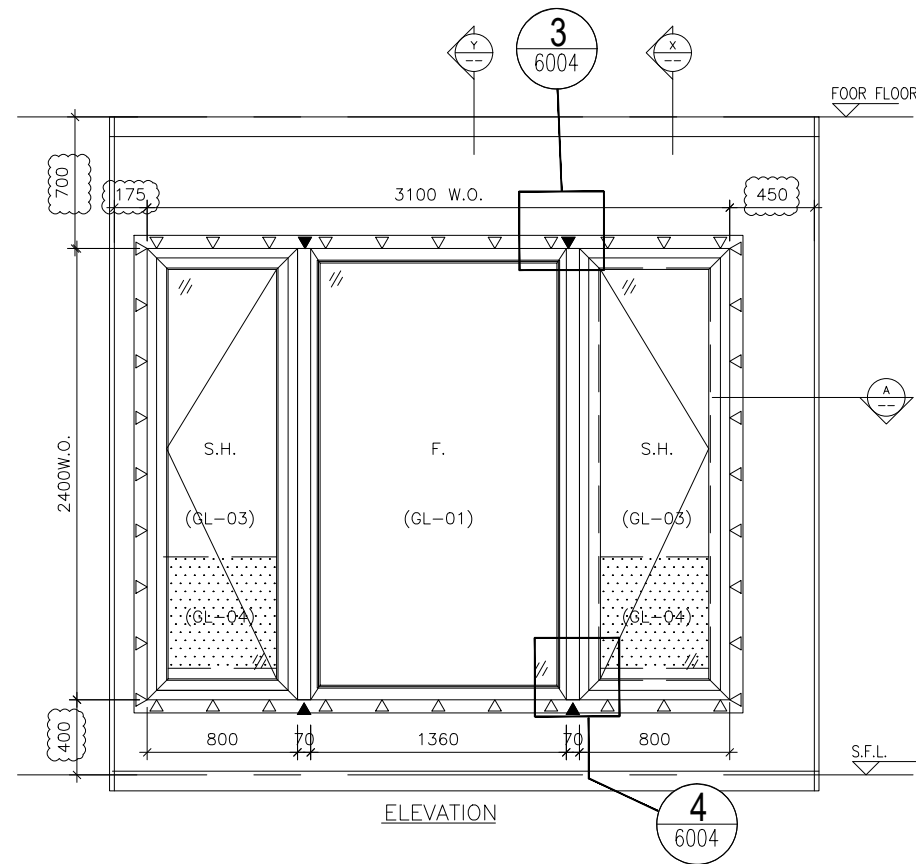


TYPE A			
OPENABLE WINDOW DIMENSION	(WIDTH) =	800	
	(HEIGHT) =	2400	
FIXED WINDOW DIMENSION	(WIDTH) =	960	
	(HEIGHT) =	2400	
NUMBER OF OPENABLE AREA WINDOW	=	2	
GLAZING AREA			
OPENABLE			
WIDTH = 800-111.5-111.5	=	577 mm	
HIGHT = 2400-111.5-111.5	=	2177 mm	
FIXED			
WIDTH = 960-50-50	=	860 mm	
HIGHT = 2400-50-50	=	2300 mm	
TOTAL = ((577x2177)x2+(860x2300))/1000000	=	4.490258 m ²	
OPENABLE AREA			
WIDTH = 800-77-77	=	646 mm	
HIGHT = 2400-77-(1160-385-15)	=	1563 mm	
TOTAL = ((646x1563)x2)/1000000	=	2.019396 m ²	

PROVIDED	
GLAZING AREA	4.490 m ²
OPENABLE AREA	2.019 m ²

ELEVATION

WINDOW MARK	Z3W2 T3A
LOCATION	23/F ENSUITE 1 AT TOWER 3 FLAT A
SECTION	70mm ALUM. SECTION
GLAZING	GL-01, GL-03
QUANTITY	1
REMARKS	FAÇADE (PF-3)



TYPE A			
OPENABLE WINDOW DIMENSION	(WIDTH)	=	800
	(HEIGHT)	=	2400
FIXED WINDOW DIMENSION	(WIDTH)	=	1360
	(HEIGHT)	=	2400
NUMBER OF OPENABLE AREA WINDOW		=	2
GLAZING AREA			
OPENABLE			
WIDTH	= 800-111.5-111.5	=	577 mm
HIGHT	= 2400-111.5-111.5	=	2177 mm
FIXED			
WIDTH	= 1360-50-50	=	1260 mm
HIGHT	= 2400-50-50	=	2300 mm
TOTAL		=	$((577 \times 2177) \times 2 + (1260 \times 2300)) / 1000000 = 5.410258 \text{ m}^2$
OPENABLE AREA			
WIDTH	= 800-77-77	=	646 mm
HIGHT	= 2400-77-(1160-385-15)	=	1563 mm
TOTAL		=	$((646 \times 1563) \times 2) / 1000000 = 2.019396 \text{ m}^2$
		PROVIDED	
		GLAZING AREA	5.410 m ²
		OPENABLE AREA	2.019 m ²

B.D. REF :

CLIENT :

ARCHITECT :
AGC DESIGN LTD
 10/F, 100, Queen Mary Road, 200 Hong Kong, P.R. China
 Tel: (852)27771111, Fax: (852)27771111, Email: agc@agcdesign.com.hk

MAIN CONTRACTOR :
Gammon

STRUCTURAL ENGINEER :
ARUP

FAÇADE CONSULTANT:
MEINHARDT

- NOTE :
- ALL DIMENSIONS ARE IN mm.
 - ALL ELEVATIONS ARE VIEWED FROM OUTSIDE.
 - ALL DIMENSIONS TO BE VERIFIED ON SITE BEFORE FABRICATION.
- LEGEND :
- X1 --- DETAIL MARK NO.
 X001 --- REFER SHEET NO.
- F.F.L. --- FINISHED FLOOR LEVEL
 - S.F.L. --- STRUCTURAL FLOOR LEVEL
 - (R) --- REVERSED DETAIL
 - ▲ --- FIXING LOCATION
 - △ --- FIXING LUG LOCATION
- GLASS LEGEND
- GL01 -- 8mm+12mm AIR GAP+10mm THK. I.G.U.
 - GL01a -- 8mm+9mm AIR GAP+12mm THK. I.G.U.
 - GL02 -- 10mm THK. TEMPERED GLASS (SPANDREL GLASS)
 - GL03 -- 6mm+12mm AIR GAP+6mm THK. I.G.U.
 - GL04 -- 10mm THK. TEMPERED GLASS (PROTECTIVE BARRIER)
 - GL05 -- 6mm+12mm AIR GAP+8mm THK. I.G.U.
- | D | 24/08/2020 | REVISION SUBJECT TO ARCH.COMMENT | ivan |
|-----|------------|----------------------------------|------|
| C | 09/05/2020 | REVISION SUBJECT TO ARCH.COMMENT | ivan |
| B | 05/03/2020 | REVISION SUBJECT TO ARCH.COMMENT | ivan |
| A | 24/02/2020 | REVISION SUBJECT TO ARCH.COMMENT | SH |
| NO. | DATE | REVISED | BY |

JOB NO. : J-852

PROJECT :
 PROPOSED RESIDENTIAL DEVELOPMENT
 AT 139 - 147 ARGYLE STREET,
 NKIL 6005, 6035 R.P., 6036 R.P.,
 6037 R.P. & 6038 R.P.

TITLE :
 WINDOW SCHEDULE FOR
 ALUM. WINDOW

DATE : 05-Dec-19 SCALE : 1:40

DRAWN BY : MN CHECKED BY : DW

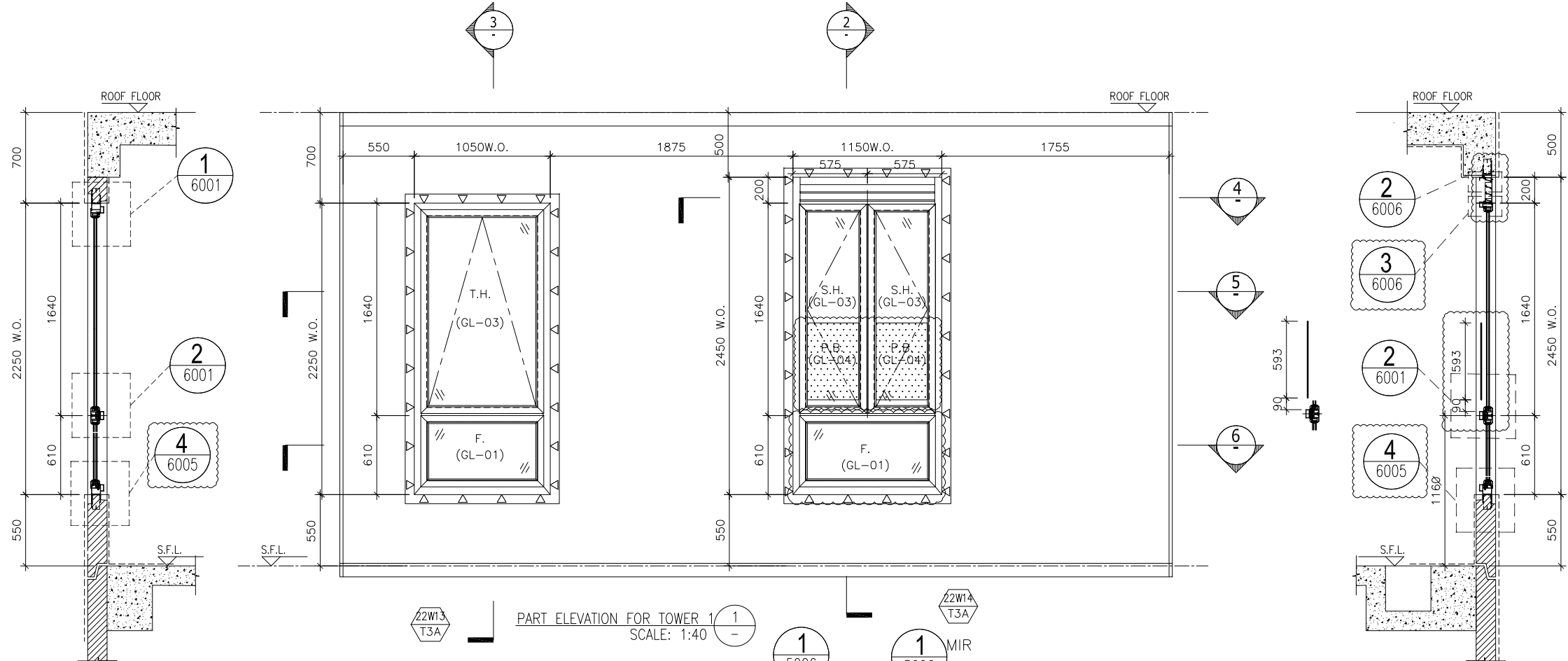
美特鋁質有限公司
MIDI ALUMINIUM FABRICATOR LTD.
 Units 6-8, Sunray Industrial Centre, 1/F
 610 Cha Kwo Ling Road, Kowloon
 Tel: 23489211-4 Fax: (852) 27727666

DWG NO. : J852-SD-PW-4324 REV. : D

ELEVATION

WINDOW MARK	23W1 T3A
LOCATION	23/F MASTER ENSUITE AT TOWER 3 FLAT A
SECTION	70mm ALUM. SECTION
GLAZING	GL-01, GL-03
QUANTITY	1
REMARKS	FAÇADE (PF-4)

ELEVATION



PART SECTION OF TOWER 1
Scale:1:40

PART ELEVATION FOR TOWER 1
SCALE: 1:40

PART SECTION OF TOWER 1
Scale:1:40

PART PLAN FOR TOWER 1
SCALE: 1:40

PART PLAN FOR TOWER 1
SCALE: 1:40

PART PLAN FOR TOWER 1
SCALE: 1:40

TYPE D1	
OPENABLE WINDOW DIMENSION	(WIDTH) = 575 (HEIGHT) = 1640
FIXED WINDOW DIMENSION	(WIDTH) = 1150 (HEIGHT) = 610
NUMBER OF OPENABLE AREA WINDOW	= 2
GLAZING AREA	
OPENABLE	
WIDTH = 575-101.5-66.5	= 407 mm
HEIGHT = 1640-66.5-66.5	= 1507 mm
FIXED	
WIDTH = 1150-101.5-101.5	= 947 mm
HEIGHT = 610-66.5-101.5	= 442 mm
TOTAL = ((407x1507)x2)+(947x442)/1000000	= 1.645272 m ²
OPENABLE AREA	
WIDTH = 575-67-32	= 466 mm
HEIGHT = 1640-32-32	= 1576 mm
TOTAL = ((466x1576)x2)/1000000	= 1.468832 m ²

TYPE E	
OPENABLE WINDOW DIMENSION	(WIDTH) = 1050 (HEIGHT) = 1640
FIXED WINDOW DIMENSION	(WIDTH) = 1050 (HEIGHT) = 610
NUMBER OF OPENABLE AREA WINDOW	= 1
GLAZING AREA	
OPENABLE	
WIDTH = 1050-111.5-111.5	= 827 mm
HEIGHT = 1640-111.5-66.5	= 1462 mm
FIXED	
WIDTH = 1050-111.5-111.5	= 827 mm
HEIGHT = 610-66.5-111.5	= 432 mm
TOTAL = ((827x1462)+(827x432))/1000000	= 1.566338 m ²
OPENABLE AREA	
WIDTH = 1050-77-77	= 896 mm
HEIGHT = 1640-77-32	= 1531 mm
TOTAL = ((896x1531)x1)/1000000	= 1.371776 m ²
PROVIDED	
GLAZING AREA	1.566 m ² 23W13 T3A
OPENABLE AREA	1.372 m ² 23W13 T3A

PROVIDED	
GLAZING AREA	1.597 m ² 23W14 T3A
OPENABLE AREA	1.468 m ²

B.D. REF :

CLIENT :

ARCHITECT :
AGC DESIGN LTD

MAIN CONTRACTOR :
Gammon

STRUCTURAL ENGINEER :
ARUP

FACADE CONSULTANT:
MEINHARDT

NOTE :

- ALL DIMENSIONS ARE IN mm.
- ALL ELEVATIONS ARE VIEWED FROM OUTSIDE.
- ALL DIMENSIONS TO BE VERIFIED ON SITE BEFORE FABRICATION.

LEGEND :

x1 - DETAIL MARK NO.
x001 - REFER SHEET NO.

- F.F.L. -- FINISHED FLOOR LEVEL
- S.F.L. -- STRUCTURAL FLOOR LEVEL
- (R) -- REVERSED DETAIL
- ▲ -- FIXING LOCATION
- △ -- FIXING LUG LOCATION

GLASS LEGEND

GL01 -- 8mm+12mm AIR GAP+10mm THK. I.G.U.
GL01a -- 8mm+9mm AIR GAP+12mm THK. I.G.U.
GL02 -- 10mm THK. TEMPERED GLASS (SPANDREL GLASS)
GL03 -- 6mm+12mm AIR GAP+6mm THK. I.G.U.
GL04 -- 10mm THK. TEMPERED GLASS (PROTECTIVE BARRIER)
GL05 -- 6mm+12mm AIR GAP+8mm THK. I.G.U.

NO.	DATE	REVISION	BY
E	22/08/2020	REVISION SUBJECT TO ARCH.COMMENT	Ivan
D	29/05/2020	REVISION SUBJECT TO ARCH.COMMENT	Ivan
C	09/05/2020	REVISION SUBJECT TO ARCH.COMMENT	Ivan
B	05/03/2020	REVISION SUBJECT TO ARCH.COMMENT	Ivan
A	24/02/2020	REVISION SUBJECT TO ARCH.COMMENT	SH

JOB NO. : J-852

PROJECT :
PROPOSED RESIDENTIAL DEVELOPMENT
AT 139 - 147 ARGYLE STREET,
NKIL 6005, 6035 R.P., 6036 R.P.,
6037 R.P. & 6038 R.P.

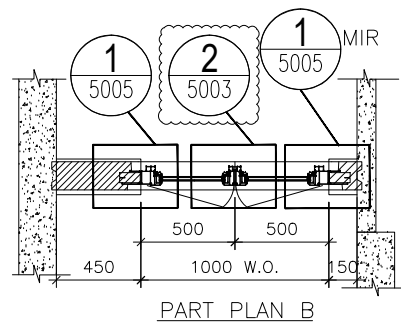
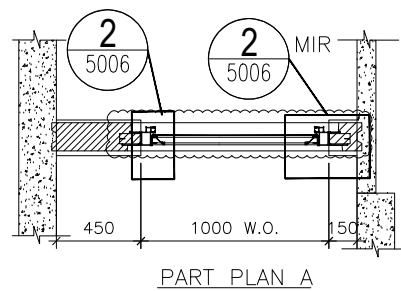
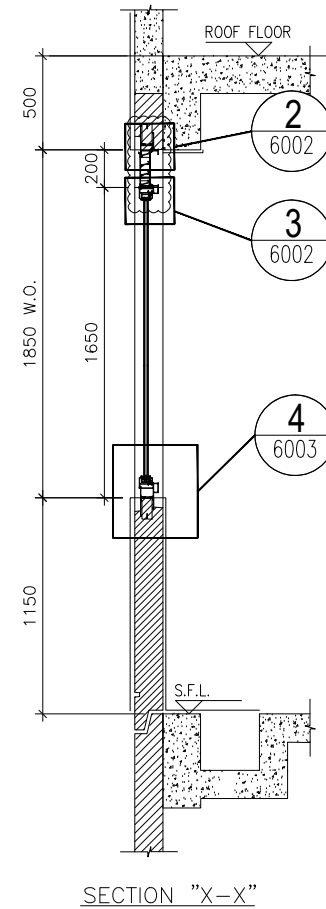
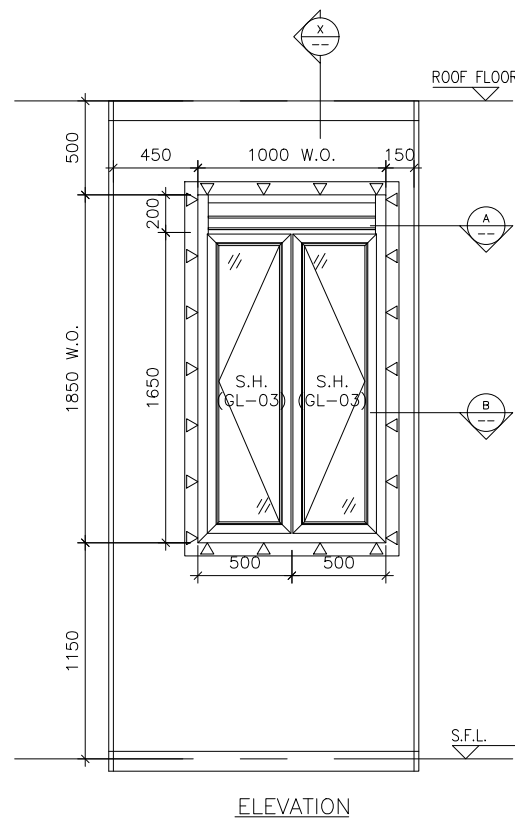
TITLE :
WINDOW SCHEDULE FOR
ALUM. WINDOW

DATE : 05-Dec-19	SCALE : 1:40
DRAWN BY : MN	CHECKED BY : DW

美特鋁質有限公司
MIDI ALUMINIUM FABRICATOR LTD.
Units 6-8, Sunray Industrial Centre, 1/F
610 Cha Kwo Ling Road, Kowloon
Tel:23489211-4 Fax:(852)2727666

DWG NO. : J852-SD-PW-4325 REV. : E

WINDOW MARK	23W14 T3A / 23W13 T3A
LOCATION	23/F B.R.2 & B.R.3 AT TOWER 3 FLAT A
SECTION	70mm ALUM. SECTION
GLAZING	GL-01, GL-03
QUANTITY	1
REMARKS	FACADE (PF-19)



TYPE C			
OPENABLE WINDOW DIMENSION	(WIDTH)	=	500
	(HEIGHT)	=	1650
NUMBER OF OPENABLE AREA WINDOW		=	2
GLAZING AREA			
WIDTH	=	500-77-32	= 322 mm
HIGHT	=	1650-69.5-111.5	= 1469 mm
TOTAL	=	((322x1469)x2)/1000000	= 0.946036 m ²
OPENABLE AREA			
WIDTH	=	500-77-32	= 391 mm
HIGHT	=	1650-32-77	= 1541 mm
TOTAL	=	((391x1541)x2)/1000000	= 1.205062 m ²
		PROVIDED	
		GLAZING AREA	0.946 m ²
		OPENABLE AREA	1.205 m ²

B.D. REF :

CLIENT :

ARCHITECT :
AGC DESIGN LTD
 2/F, 237, Queen Mary Road, Kowloon, Hong Kong
 Tel: (852)27771111, Fax: (852)27771111, Email: agc@agcdesign.com.hk

MAIN CONTRACTOR :
Gammon

STRUCTURAL ENGINEER :
ARUP

FACADE CONSULTANT:
MEINHARDT

NOTE :
 1. ALL DIMENSIONS ARE IN mm.
 2. ALL ELEVATIONS ARE VIEWED FROM OUTSIDE.
 3. ALL DIMENSIONS TO BE VERIFIED ON SITE BEFORE FABRICATION.

LEGEND :
 (X1) --- DETAIL MARK NO.
 (X001) --- REFER SHEET NO.

1. F.F.L. --- FINISHED FLOOR LEVEL
 2. S.F.L. --- STRUCTURAL FLOOR LEVEL
 3. (R) --- REVERSED DETAIL
 4. ▲ --- FIXING LOCATION
 5. △ --- FIXING LUG LOCATION
 6. GLASS LEGEND
 GL01 --- 8mm+12mm AIR GAP+10mm THK. I.G.U.
 GL01a --- 8mm+9mm AIR GAP+12mm THK. I.G.U.
 GL02 --- 10mm THK. TEMPERED GLASS (SPANDREL GLASS)
 GL03 --- 6mm+12mm AIR GAP+6mm THK. I.G.U.
 GL04 --- 10mm THK. TEMPERED GLASS (PROTECTIVE BARRIER)
 GL05 --- 6mm+12mm AIR GAP+8mm THK. I.G.U.

NO.	DATE	REVISION	BY
E	24/08/2020	REVISION SUBJECT TO ARCH.COMMENT	lvon
D	29/05/2020	REVISION SUBJECT TO ARCH.COMMENT	lvon
C	09/05/2020	REVISION SUBJECT TO ARCH.COMMENT	lvon
B	05/03/2020	REVISION SUBJECT TO ARCH.COMMENT	lvon
A	24/02/2020	REVISION SUBJECT TO ARCH.COMMENT	SH

JOB NO. : J-852
 PROJECT : PROPOSED RESIDENTIAL DEVELOPMENT AT 139 - 147 ARGYLE STREET, NKIL 6005, 6035 R.P., 6036 R.P., 6037 R.P. & 6038 R.P.

TITLE : WINDOW SCHEDULE FOR ALUM. WINDOW

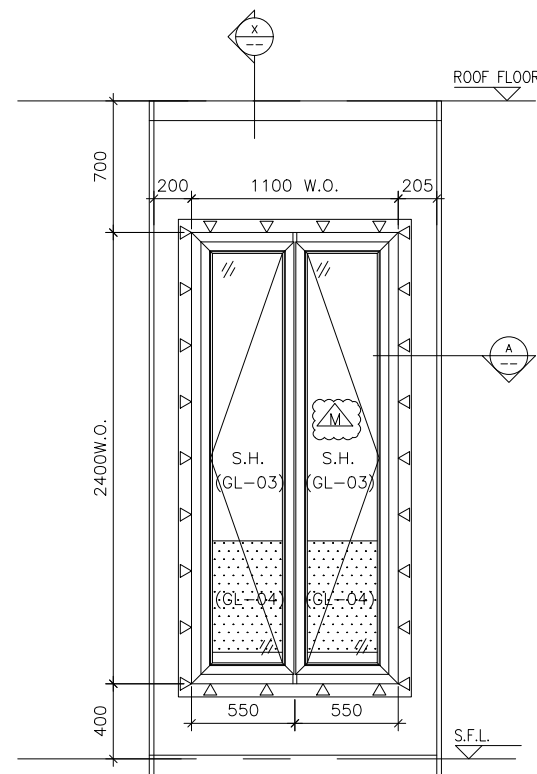
DATE : 05-Dec-19 SCALE : 1:40
 DRAWN BY : MN CHECKED BY : DW

美特鋁質有限公司
MIDI ALUMINIUM FABRICATOR LTD.
 Units 6-8, Sunray Industrial Centre, 1/F
 610 Cha Kwo Ling Road, Kowloon
 Tel:23489211-4 Fax:(852)27727666

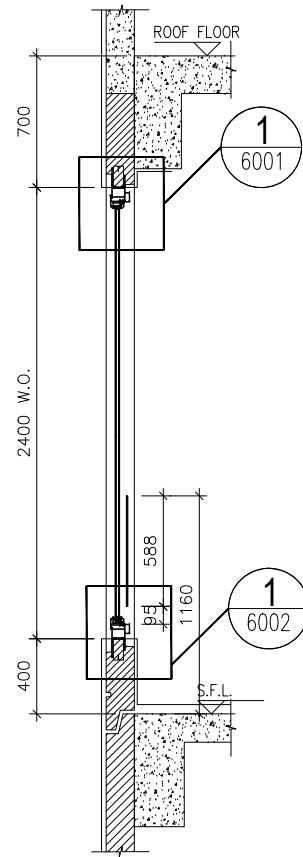
DWG NO. : J852-SD-PW-4326 REV. : E

ELEVATION

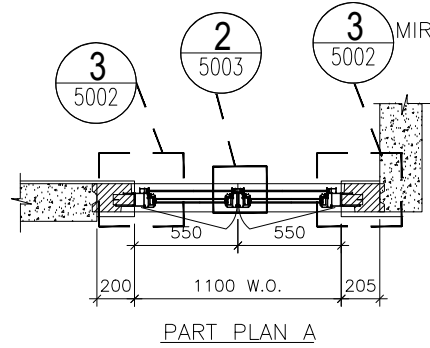
WINDOW MARK	
LOCATION	23/F KIT. AT TOWER 3 FLAT C
SECTION	70mm ALUM. SECTION
GLAZING	GL-03
QUANTITY	1
REMARKS	FACADE (PF-25)



ELEVATION



SECTION "X-X"



PART PLAN A

ELEVATION

TYPE F			
OPENABLE WINDOW DIMENSION	(WIDTH)	=	550
	(HEIGHT)	=	2400
NUMBER OF OPENABLE AREA WINDOW		=	1
GLAZING AREA			
OPENABLE			
WIDTH	=	550-111.5-66.5	= 372 mm
HEIGHT	=	(2400+400)-111.5-1000	= 1688.5 mm
TOTAL	=	((372x1688.5)x2)/1000000	= 1.256244 m ²
OPENABLE AREA			
WIDTH	=	550-77-32	= 441 mm
HEIGHT	=	2400-77-(1160-385-15)	= 1563 mm
TOTAL	=	((441x1563)x1)/1000000	= 0.689283 m ²
		PROVIDED	
		GLAZING AREA	1.256 m ²
		OPENABLE AREA	0.689 m ²

B.D. REF :

CLIENT :

ARCHITECT :
AGC DESIGN LTD
 10/F, 237, Queen's Road, 237 Queen's Road, Hong Kong
 Tel: (852)27771111, Fax: (852)27771111, Email: agc@agcdesign.com.hk

MAIN CONTRACTOR :
Gammon

STRUCTURAL ENGINEER :
ARUP

FACADE CONSULTANT:
MEINHARDT

NOTE :
 1. ALL DIMENSIONS ARE IN mm.
 2. ALL ELEVATIONS ARE VIEWED FROM OUTSIDE.
 3. ALL DIMENSIONS TO BE VERIFIED ON SITE BEFORE FABRICATION.

LEGEND :
 (X1) --- DETAIL MARK NO.
 (X001) --- REFER SHEET NO.
 1. F.F.L. --- FINISHED FLOOR LEVEL
 2. S.F.L. --- STRUCTURAL FLOOR LEVEL
 3. (R) --- REVERSED DETAIL
 4. ▲ --- FIXING LOCATION
 5. △ --- FIXING LUG LOCATION
 6. GLASS LEGEND
 GL01 --- 8mm+12mm AIR GAP+10mm THK. I.G.U.
 GL01a --- 8mm+9mm AIR GAP+12mm THK. I.G.U.
 GL02 --- 10mm THK. TEMPERED GLASS (SPANDREL GLASS)
 GL03 --- 6mm+12mm AIR GAP+6mm THK. I.G.U.
 GL04 --- 10mm THK. TEMPERED GLASS (PROTECTIVE BARRIER)
 GL05 --- 6mm+12mm AIR GAP+8mm THK. I.G.U.

E	24/08/2020	REVISION SUBJECT TO ARCH.COMMENT	lvn
D	05/06/2020	REVISION SUBJECT TO ARCH.COMMENT	lvn
C	09/05/2020	REVISION SUBJECT TO ARCH.COMMENT	lvn
B	05/03/2020	REVISION SUBJECT TO ARCH.COMMENT	lvn
A	24/02/2020	REVISION SUBJECT TO ARCH.COMMENT	SH
NO.	DATE	REVISED	BY

JOB NO. : J-852
 PROJECT : PROPOSED RESIDENTIAL DEVELOPMENT AT 139 - 147 ARGYLE STREET, NKIL 6005, 6035 R.P., 6036 R.P., 6037 R.P. & 6038 R.P.

TITLE : WINDOW SCHEDULE FOR ALUM. WINDOW

DATE : 05-Dec-19 SCALE : 1:40
 DRAWN BY : MN CHECKED BY : DW

美特鋁質有限公司
MIDI ALUMINIUM FABRICATOR LTD.
 Units 6-8, Sunray Industrial Centre, 1/F
 610 Cha Kwo Ling Road, Kowloon
 Tel:23489211-4 Fax:(852)27727666

DWG NO. : J852-SD-PW-4327 REV. : E

WINDOW MARK	
LOCATION	23/F B.R.2 AT TOWER 3 FLAT C
SECTION	70mm ALUM. SECTION
GLAZING	GL-03
QUANTITY	1
REMARKS	FACADE (PF-26)

B.D. REF :

CLIENT :

ARCHITECT :
AGC DESIGN LTD
 10/F, 187, Des Voeux Street, 22/F, 228, Des Voeux Street, Hong Kong
 Tel: (852)27771111, Fax: (852)27771111, Email: agc@agcdesign.com.hk

MAIN CONTRACTOR :
Gammon

STRUCTURAL ENGINEER :
ARUP

FACADE CONSULTANT :
MEINHARDT

NOTE :
 1. ALL DIMENSIONS ARE IN mm.
 2. ALL ELEVATIONS ARE VIEWED FROM OUTSIDE.
 3. ALL DIMENSIONS TO BE VERIFIED ON SITE BEFORE FABRICATION.

LEGEND :
 X1 --- DETAIL MARK NO.
 X001 --- REFER SHEET NO.
 1. F.F.L. --- FINISHED FLOOR LEVEL
 2. S.F.L. --- STRUCTURAL FLOOR LEVEL
 3. (R) --- REVERSED DETAIL
 4. ▲ --- FIXING LOCATION
 5. △ --- FIXING LUG LOCATION
 6. GLASS LEGEND
 GL01 --- 8mm+12mm AIR GAP+10mm THK. I.G.U.
 GL01a --- 8mm+9mm AIR GAP+12mm THK. I.G.U.
 GL02 --- 10mm THK. TEMPERED GLASS (SPANDREL GLASS)
 GL03 --- 6mm+12mm AIR GAP+6mm THK. I.G.U.
 GL04 --- 10mm THK. TEMPERED GLASS (PROTECTIVE BARRIER)
 GL05 --- 6mm+12mm AIR GAP+8mm THK. I.G.U.

NO.	DATE	REVISION	BY
E	24/08/2020	REVISION SUBJECT TO ARCH.COMMENT	lvn
D	05/06/2020	REVISION SUBJECT TO ARCH.COMMENT	lvn
C	09/05/2020	REVISION SUBJECT TO ARCH.COMMENT	lvn
B	05/03/2020	REVISION SUBJECT TO ARCH.COMMENT	lvn
A	24/02/2020	REVISION SUBJECT TO ARCH.COMMENT	SH

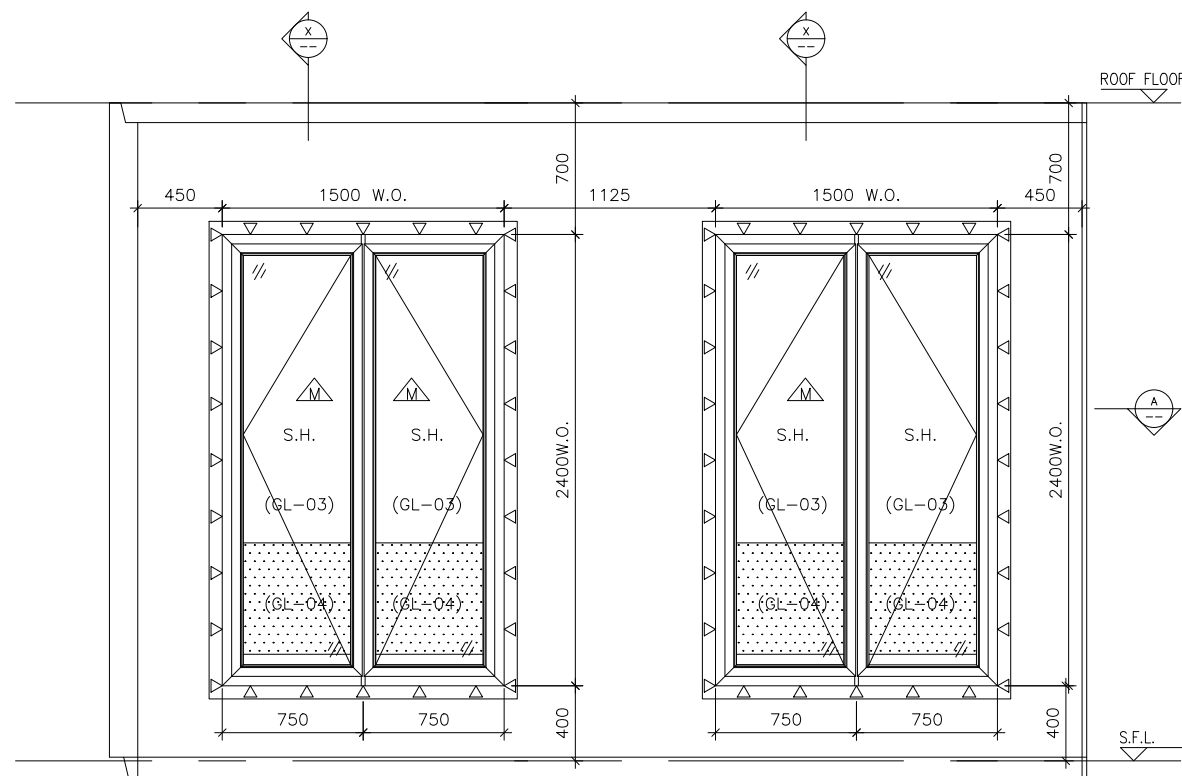
JOB NO. : J-852
 PROJECT : PROPOSED RESIDENTIAL DEVELOPMENT AT 139 - 147 ARGYLE STREET, NKIL 6005, 6035 R.P., 6036 R.P., 6037 R.P. & 6038 R.P.

TITLE : WINDOW SCHEDULE FOR ALUM. WINDOW

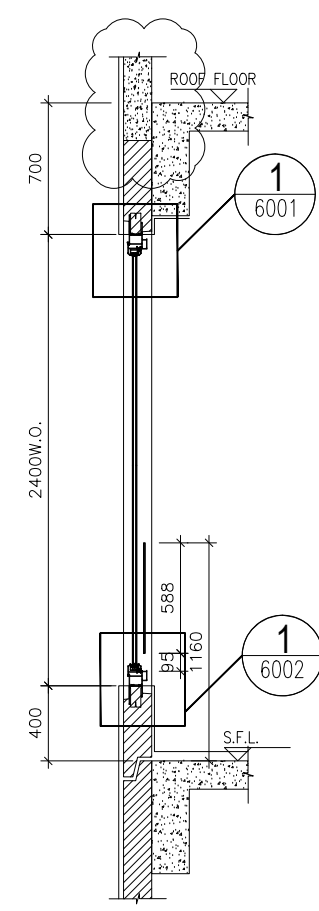
DATE : 05-Dec-19 SCALE : 1:40
 DRAWN BY : MN CHECKED BY : DW

美特鋁質有限公司
MIDI ALUMINIUM FABRICATOR LTD.
 Units 6-8, Sunray Industrial Centre, 1/F
 610 Cha Kwo Ling Road, Kowloon
 Tel:23489211-4 Fax:(852)27727666

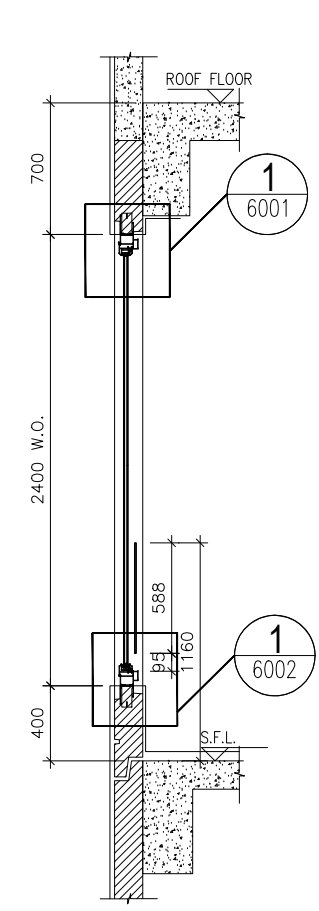
DWG NO. : J852-SD-PW-4328 REV. : E



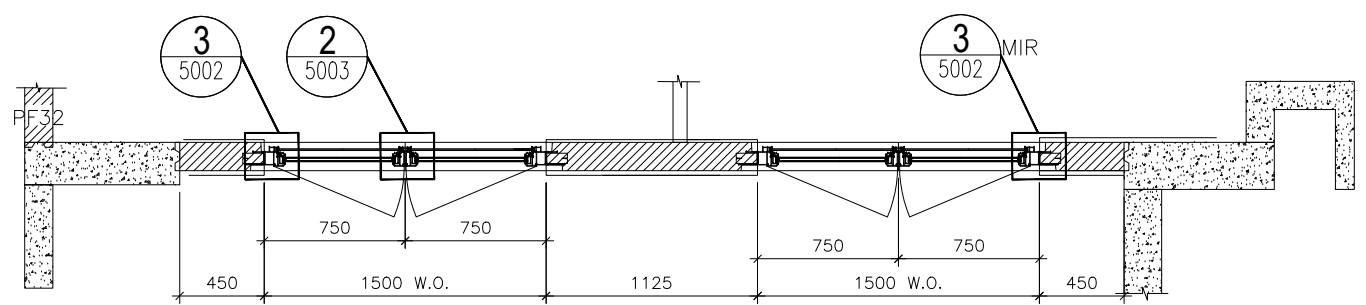
ELEVATION
 23W4 T3C 23W3 T3C



SECTION "X-X"



SECTION "Y-Y"

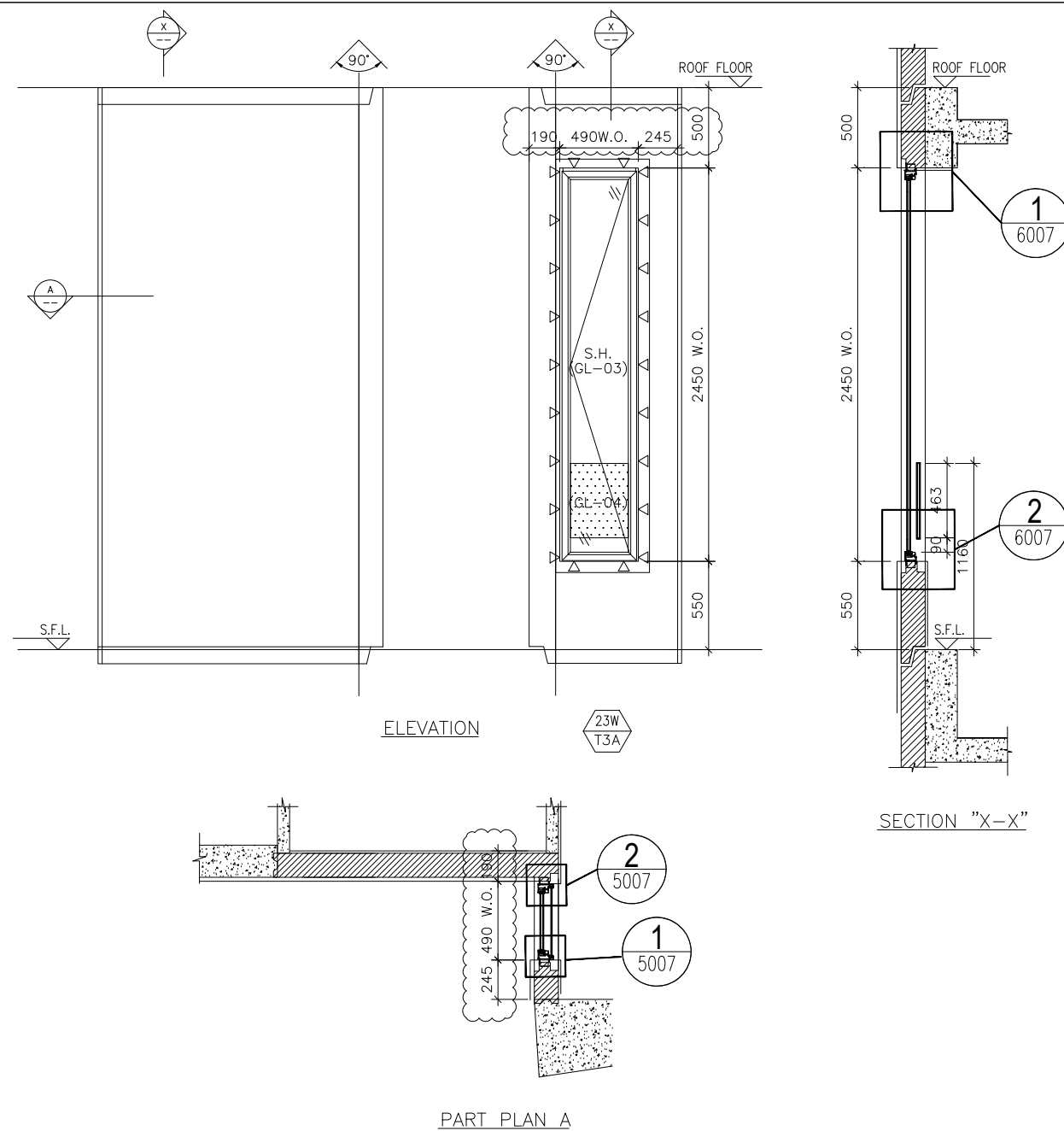


TYPE F			
OPENABLE WINDOW DIMENSION	(WIDTH)	=	750
	(HEIGHT)	=	2400
NUMBER OF OPENABLE AREA WINDOW		=	0
GLAZING AREA			
OPENABLE			
WIDTH	= 750-111.5-66.5	=	572 mm
HIGHT	= (2400+400)-111.5-1000	=	1688.5 mm
TOTAL	= ((572x1688.5)x2)/1000000	=	1.931644 m ²
OPENABLE AREA			
WIDTH	= 750-77-32	=	641 mm
HIGHT	= 2400-77-(1160-385-15)	=	1563 mm
TOTAL	= ((641x1563)x0)/1000000	=	0 m ²
	PROVIDED		
23W4 T3C	GLAZING AREA	1.932	m ²
	OPENABLE AREA	0	m ²

TYPE F			
OPENABLE WINDOW DIMENSION	(WIDTH)	=	750
	(HEIGHT)	=	2400
NUMBER OF OPENABLE AREA WINDOW		=	1
GLAZING AREA			
OPENABLE			
WIDTH	= 750-111.5-66.5	=	572 mm
HIGHT	= (2400+400)-111.5-1000	=	1688.5 mm
TOTAL	= ((572x1688.5)x2)/1000000	=	1.931644 m ²
OPENABLE AREA			
WIDTH	= 750-77-32	=	641 mm
HIGHT	= 2400-77-(1160-385-15)	=	1563 mm
TOTAL	= ((641x1563)x1)/1000000	=	1.001883 m ²
	PROVIDED		
23W3 T3C	GLAZING AREA	1.932	m ²
	OPENABLE AREA	1.00	m ²

ELEVATION

WINDOW MARK	23W4 T3C / 23W3 T3C
LOCATION	23/F M.B.R.1 & B.R.2 AT TOWER 3 FLAT C
SECTION	70mm ALUM. SECTION
GLAZING	GL-03
QUANTITY	1
REMARKS	FACADE (PF-27)



ELEVATION

B.D. REF :

CLIENT :

ARCHITECT :
AGC DESIGN LTD
 10/F, 187, Des Voeux Street, Hong Kong
 Tel: (852) 27771111, Fax: (852) 27771111, Email: agc@agc.com.hk

MAIN CONTRACTOR :
Gammon

STRUCTURAL ENGINEER :
ARUP

FACADE CONSULTANT:
MEINHARDT

NOTE :
 1. ALL DIMENSIONS ARE IN mm.
 2. ALL ELEVATIONS ARE VIEWED FROM OUTSIDE.
 3. ALL DIMENSIONS TO BE VERIFIED ON SITE BEFORE FABRICATION.

LEGEND :
 X1 --- DETAIL MARK NO.
 X001 --- REFER SHEET NO.
 1. F.F.L. --- FINISHED FLOOR LEVEL
 2. S.F.L. --- STRUCTURAL FLOOR LEVEL
 3. (R) --- REVERSED DETAIL
 4. ▲ --- FIXING LOCATION
 5. △ --- FIXING LUG LOCATION
 6. GLASS LEGEND
 GL01 --- 8mm+12mm AIR GAP+10mm THK. I.G.U.
 GL01a --- 8mm+9mm AIR GAP+12mm THK. I.G.U.
 GL02 --- 10mm THK. TEMPERED GLASS (SPANDREL GLASS)
 GL03 --- 6mm+12mm AIR GAP+6mm THK. I.G.U.
 GL04 --- 10mm THK. TEMPERED GLASS (PROTECTIVE BARRIER)
 GL05 --- 6mm+12mm AIR GAP+8mm THK. I.G.U.

TYPE T			
OPENABLE WINDOW DIMENSION	(WIDTH)	=	490
	(HEIGHT)	=	2450
NUMBER OF OPENABLE AREA WINDOW		=	1
GLAZING AREA			
OPENABLE			
WIDTH	= 490-72-72	=	346 mm
HEIGHT	= (2450+550)-72-1000	=	1928 mm
TOTAL	= (346x1928)x1.000000	=	0.667088 m ²
OPENABLE AREA			
WIDTH	= 490-42-42	=	406 mm
HEIGHT	= 2450-42-(1160-550)	=	1798 mm
TOTAL	= ((406x1798)x1)y1.000000	=	0.729988 m ²

	PROVIDED	
23W T3A	GLAZING AREA	0.667 m ²
	OPENABLE AREA	0.730 m ²

F	18/09/2020	REVISION SUBJECT TO ARCH.COMMENT	lvn
E	24/08/2020	REVISION SUBJECT TO ARCH.COMMENT	lvn
D	05/06/2020	REVISION SUBJECT TO ARCH.COMMENT	lvn
C	09/05/2020	REVISION SUBJECT TO ARCH.COMMENT	lvn
B	05/03/2020	REVISION SUBJECT TO ARCH.COMMENT	lvn
A	24/02/2020	REVISION SUBJECT TO ARCH.COMMENT	SH
NO.	DATE	REVISED	BY

JOB NO. : J-852
 PROJECT : PROPOSED RESIDENTIAL DEVELOPMENT AT 139 - 147 ARGYLE STREET, NKIL 6005, 6035 R.P., 6036 R.P., 6037 R.P. & 6038 R.P.

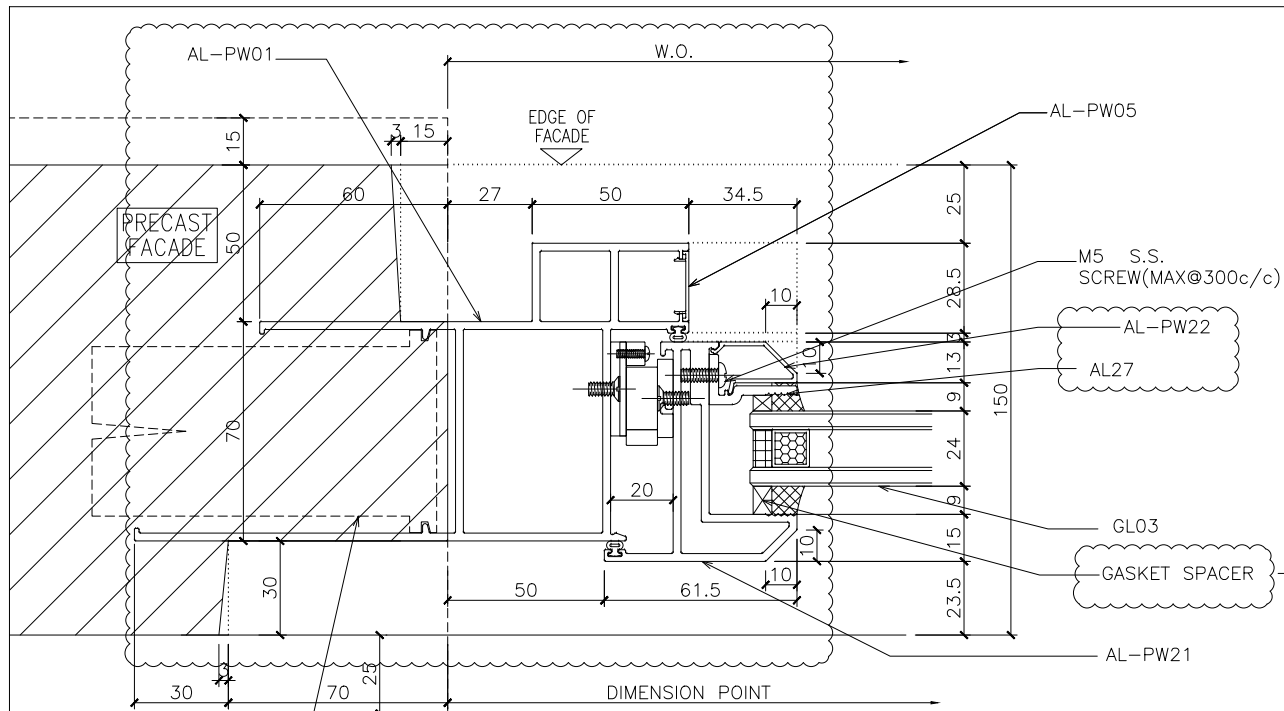
TITLE : WINDOW SCHEDULE FOR ALUM. WINDOW

DATE : 05-Dec-19 SCALE : 1:40
 DRAWN BY : MN CHECKED BY : DW

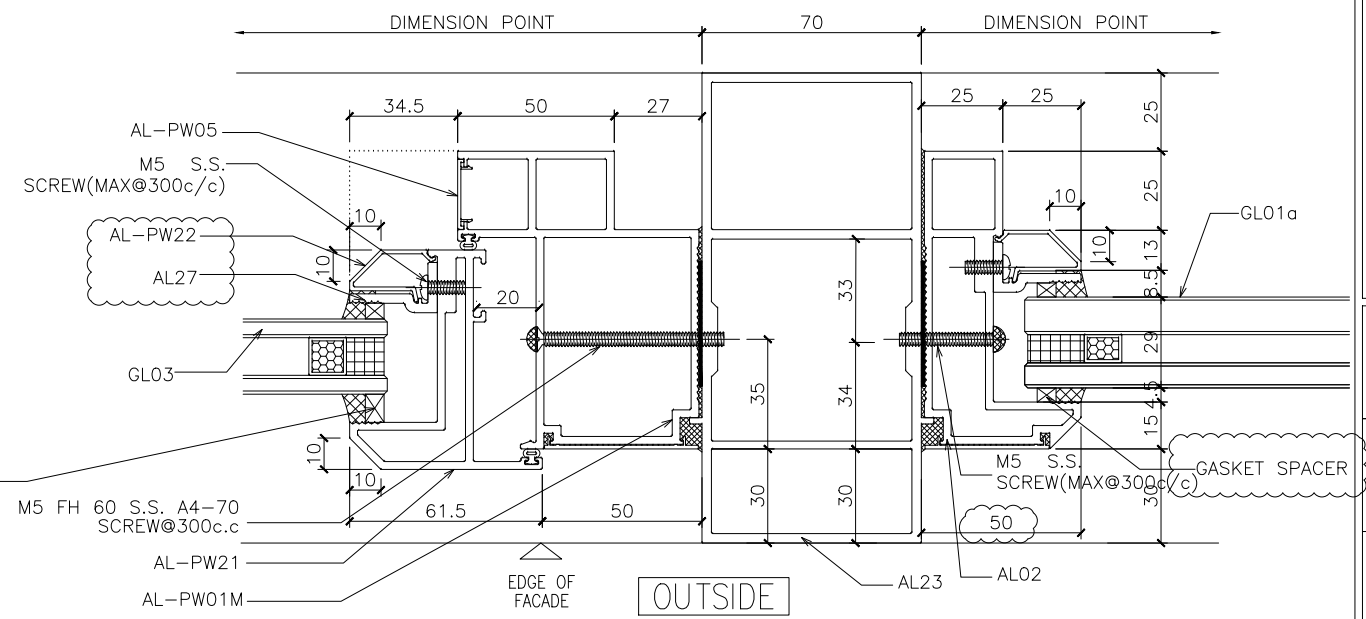
美特鋁質有限公司
MIDI ALUMINIUM FABRICATOR LTD.
 Units 6-8, Sunray Industrial Centre, 1/F
 610 Cha Kwo Ling Road, Kowloon
 Tel:23489211-4 Fax:(852)27727666

DWG NO. : J852-SD-PW-4329 REV. : F

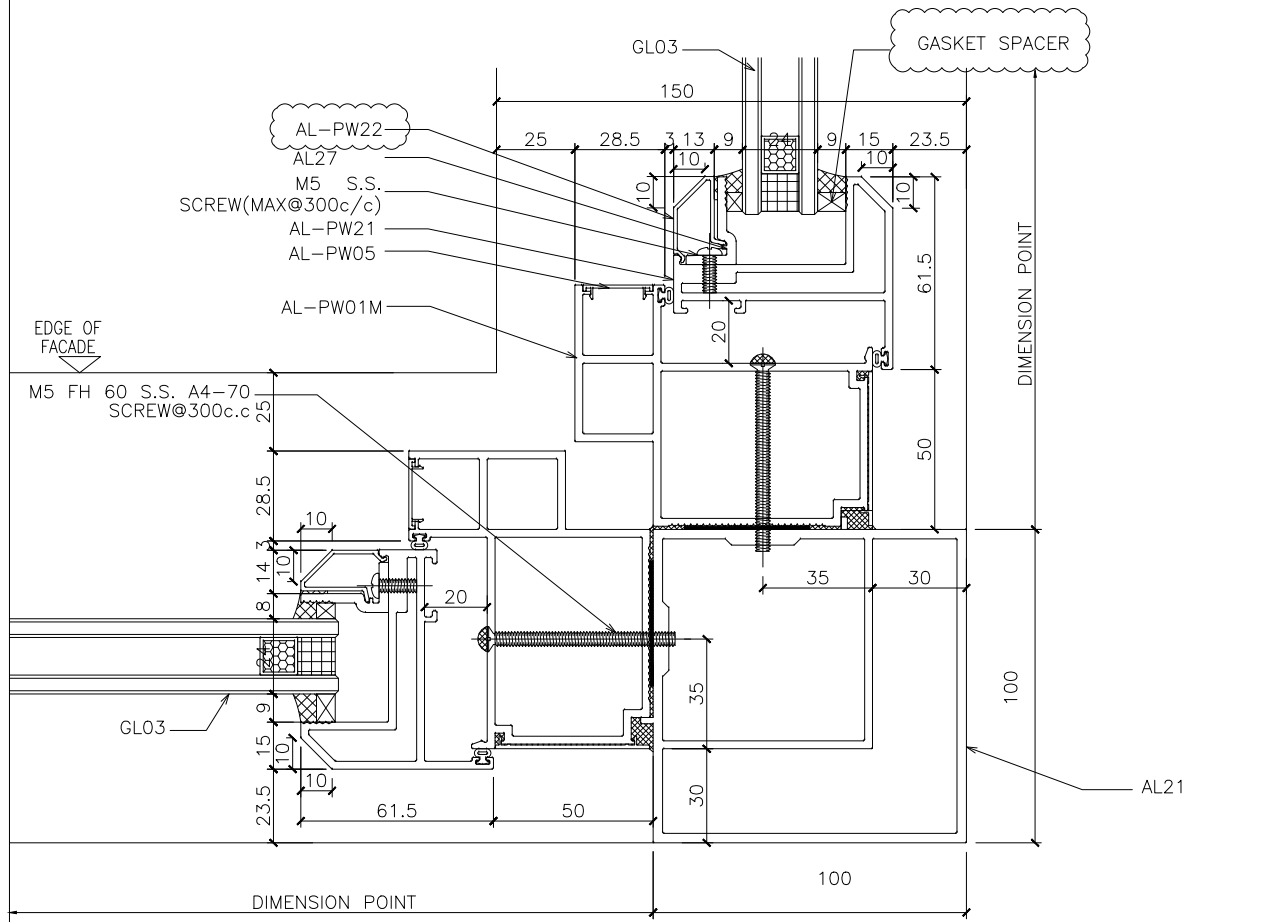
WINDOW MARK	23W T3A
LOCATION	23/F M.B. & EN.B. AT TOWER 3 FLAT A
SECTION	70mm ALUM. SECTION
GLAZING	GL-01, GL-03
QUANTITY	1
REMARKS	FACADE (PF-34)



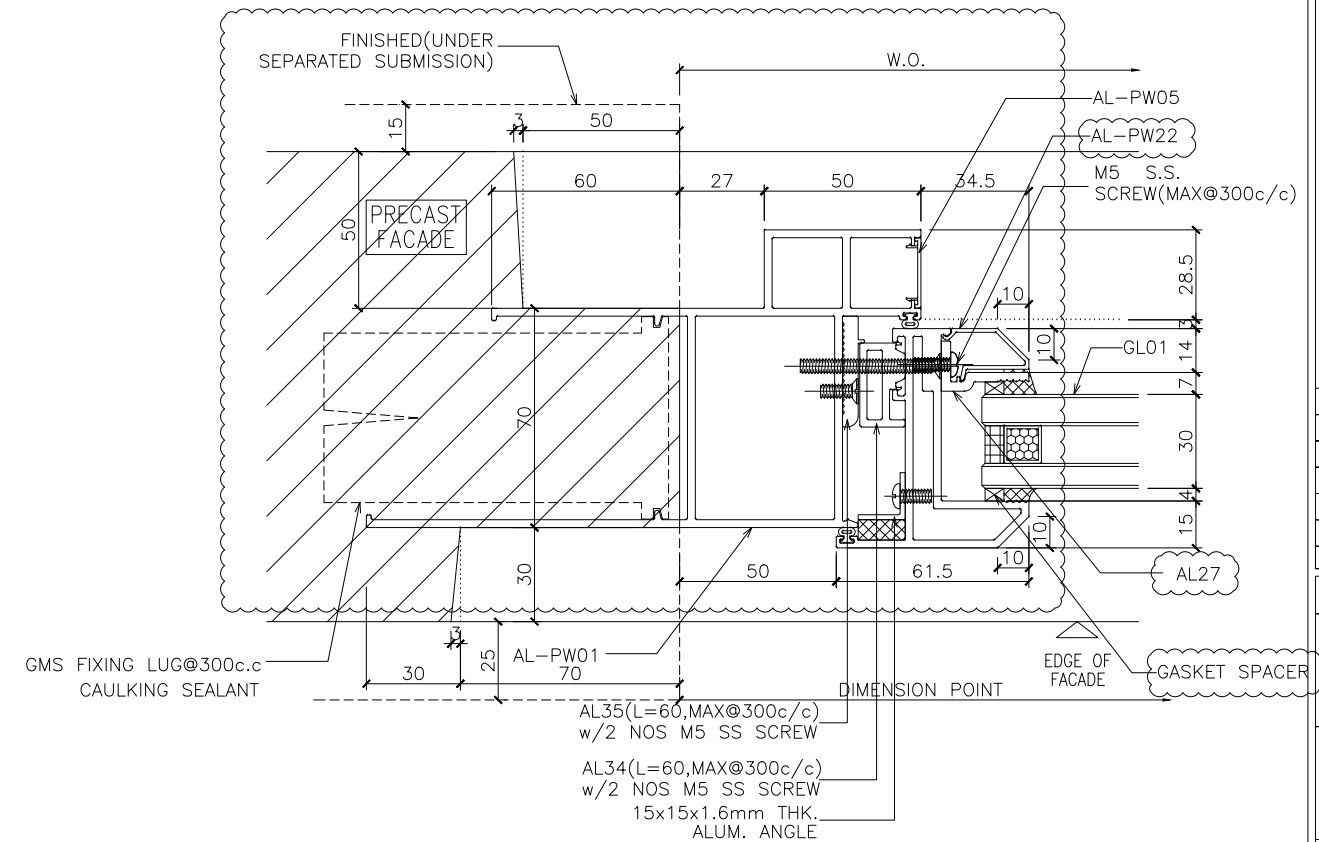
1 HORIZONTAL DETAIL
SCALE 1:2
OUTSIDE



2 HORIZONTAL DETAIL
SCALE 1:2
OUTSIDE



3 HORIZONTAL DETAIL
SCALE 1:2
OUTSIDE



4 HORIZONTAL DETAIL
SCALE 1:2
OUTSIDE

B.D. REF :
CLIENT :
ARCHITECT :
AGC DESIGN LTD
MAIN CONTRACTOR :
Gammon
STRUCTURAL ENGINEER :
ARUP
FACADE CONSULTANT :
MEINHARDT

- NOTE :
1. ALL DIMENSIONS ARE IN mm.
 2. ALL ELEVATIONS ARE VIEWED FROM OUTSIDE.
 3. ALL DIMENSIONS TO BE VERIFIED ON SITE BEFORE FABRICATION.
- LEGEND :
- (X1) -- DETAIL MARK NO.
 - (X001) -- REFER SHEET NO.
 - 1. F.F.L. -- FINISHED FLOOR LEVEL
 - 2. S.F.L. -- STRUCTURAL FLOOR LEVEL
 - 3. (R) -- REVERSED DETAIL
 - 4. ▲ -- FIXING LOCATION
 - 5. △ -- FIXING LUG LOCATION
 - 6. GLASS LEGEND
GLO1 -- 8mm+12mm AIR GAP+10mm THK. I.G.U.
GLO1a -- 8mm+9mm AIR GAP+12mm THK. I.G.U.
GLO3 -- 6mm+12mm AIR GAP+6mm THK. I.G.U.
GLO4 -- 10mm THK. TEMPERED GLASS (PROTECTIVE BARRIER)
GLO5 -- 6mm+12mm AIR GAP+8mm THK. I.G.U.

NO.	DATE	REVISION	BY
F	24/08/2020	REVISION SUBJECT TO ARCH.COMMENT	lvn
E	30/05/2020	REVISION SUBJECT TO ARCH.COMMENT	lvn
D	30/05/2020	REVISION SUBJECT TO ARCH.COMMENT	lvn
C	09/05/2020	REVISION SUBJECT TO ARCH.COMMENT	lvn
B	03/03/2020	REVISION SUBJECT TO ARCH.COMMENT	lvn
A	24/02/2020	REVISION SUBJECT TO ARCH.COMMENT	SH

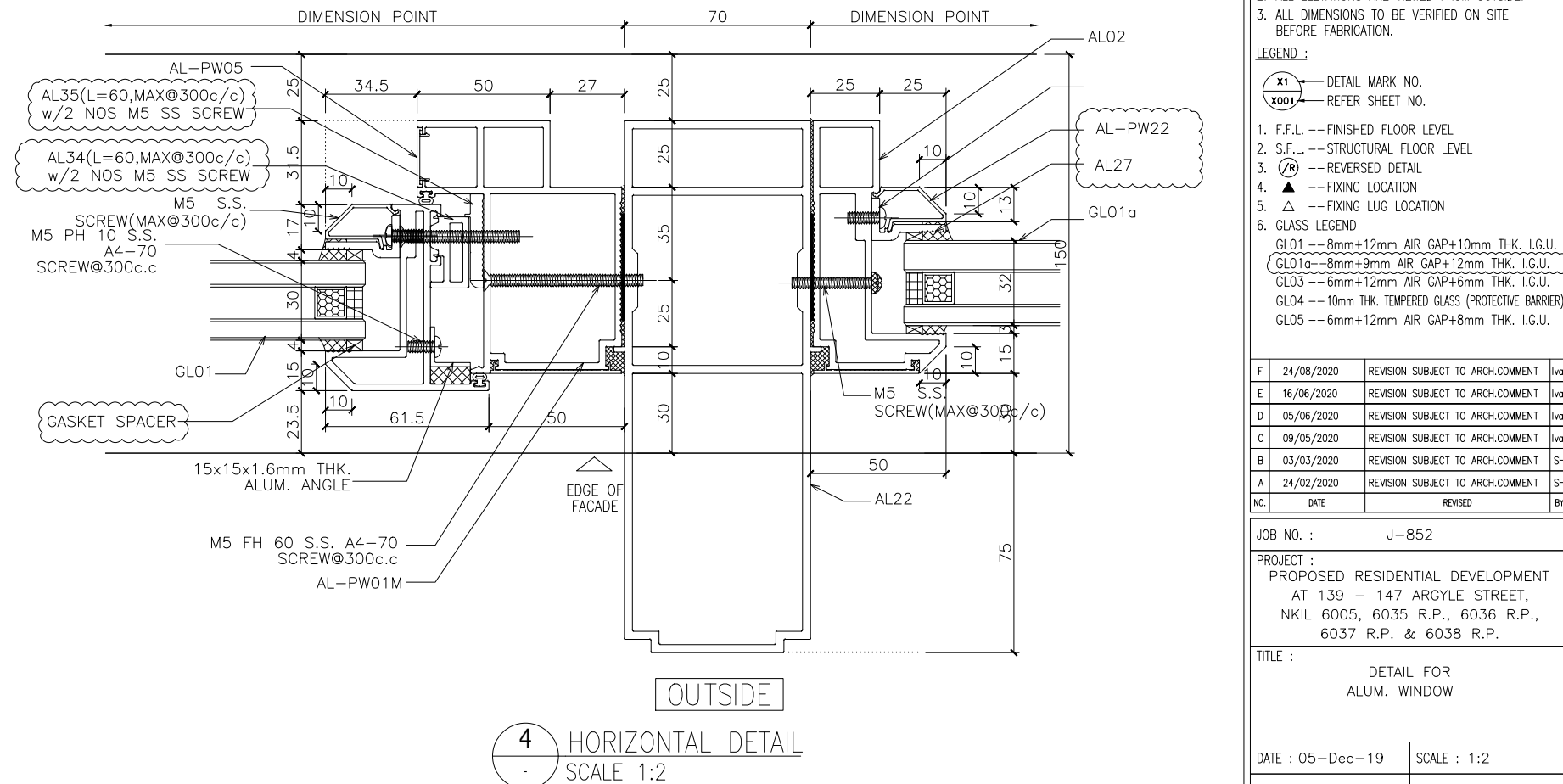
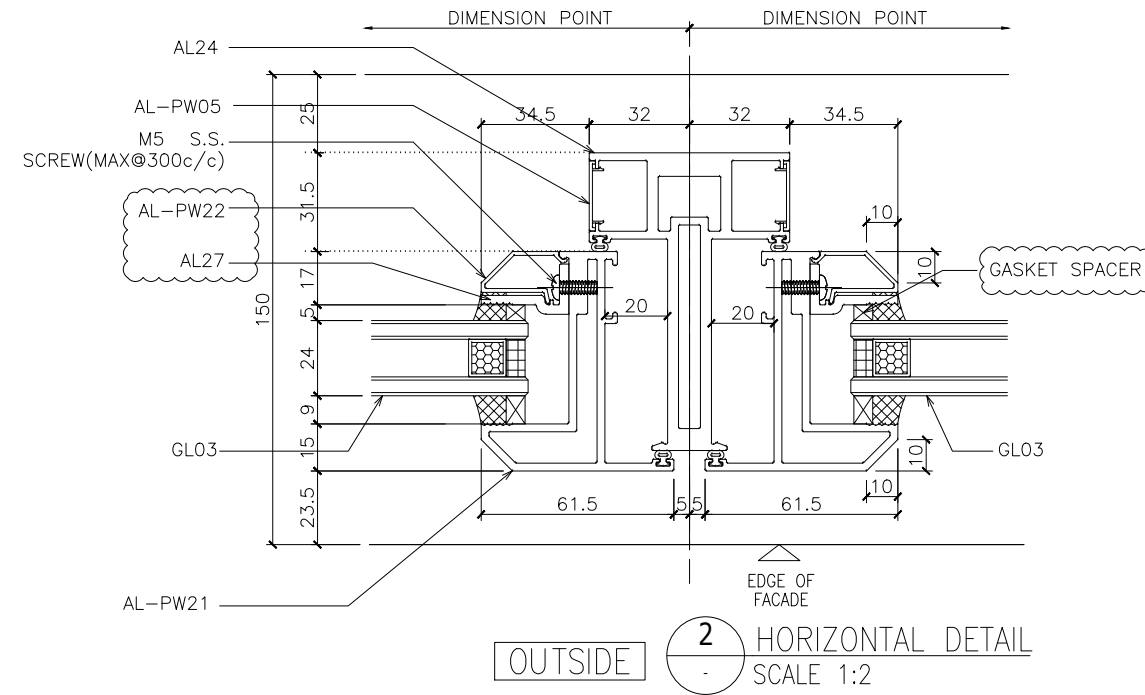
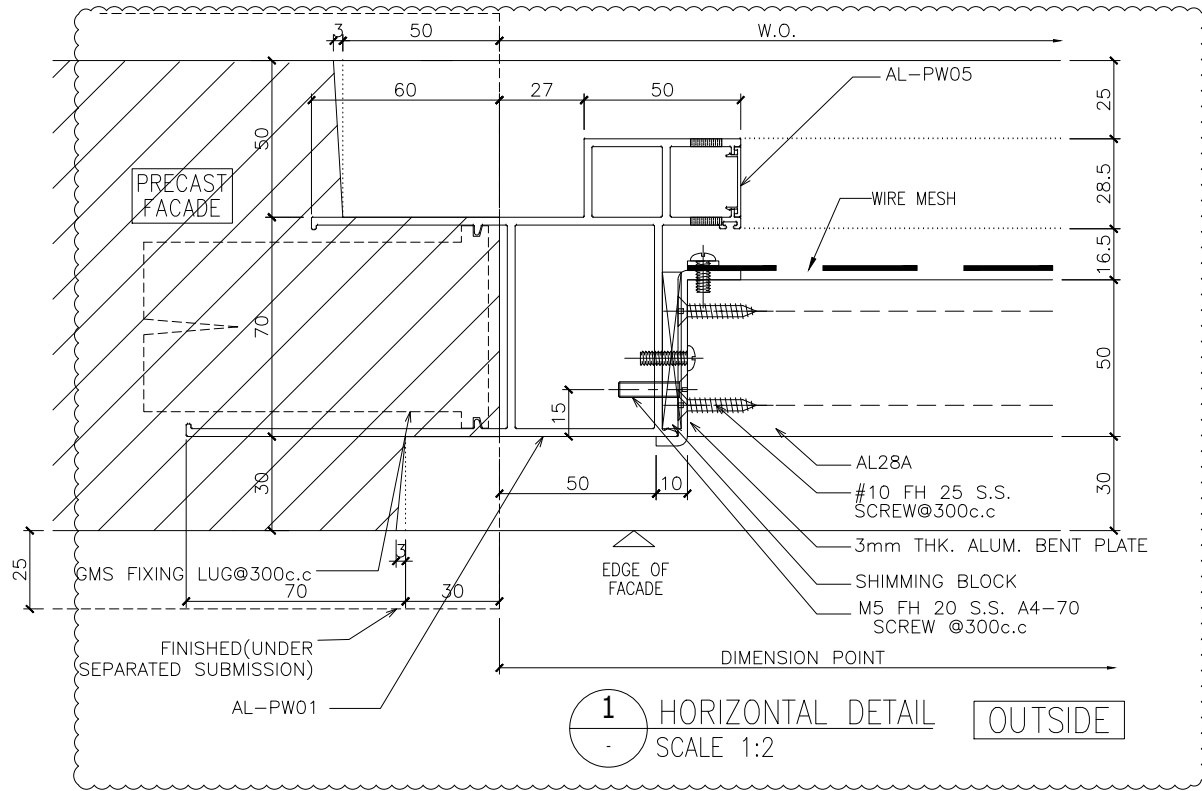
JOB NO. : J-852
PROJECT : PROPOSED RESIDENTIAL DEVELOPMENT AT 139 - 147 ARGYLE STREET, NKIL 6005, 6035 R.P., 6036 R.P., 6037 R.P. & 6038 R.P.

TITLE : DETAIL FOR ALUM. WINDOW

DATE : 05-Dec-19 SCALE : 1:2
DRAWN BY : MN CHECKED BY : DW

美特鋁質有限公司
MIDI ALUMINIUM FABRICATOR LTD.
Units 6-8, Sunray Industrial Centre, 1/F
610 Cha Kwo Ling Road, Kowloon
Tel:23489211-4 Fax:(852)27727666

DWG NO. : J852-SD-PW-5001 REV. : F



B.D. REF :

CLIENT :

ARCHITECT :
AGC DESIGN LTD

MAIN CONTRACTOR :
Gammon

STRUCTURAL ENGINEER :
ARUP

FAÇADE CONSULTANT :
MEINHARDT

NOTE :
1. ALL DIMENSIONS ARE IN mm.
2. ALL ELEVATIONS ARE VIEWED FROM OUTSIDE.
3. ALL DIMENSIONS TO BE VERIFIED ON SITE BEFORE FABRICATION.

LEGEND :

- (X1) -- DETAIL MARK NO.
- (X001) -- REFER SHEET NO.
- 1. F.F.L. -- FINISHED FLOOR LEVEL
- 2. S.F.L. -- STRUCTURAL FLOOR LEVEL
- 3. (R) -- REVERSED DETAIL
- 4. ▲ -- FIXING LOCATION
- 5. △ -- FIXING LUG LOCATION
- 6. GLASS LEGEND
- GL01 -- 8mm+12mm AIR GAP+10mm THK. I.G.U.
- GL01a -- 8mm+9mm AIR GAP+12mm THK. I.G.U.
- GL03 -- 6mm+12mm AIR GAP+6mm THK. I.G.U.
- GL04 -- 10mm THK. TEMPERED GLASS (PROTECTIVE BARRIER)
- GL05 -- 6mm+12mm AIR GAP+8mm THK. I.G.U.

NO.	DATE	REVISION	BY
F	24/08/2020	REVISION SUBJECT TO ARCH.COMMENT	lvn
E	16/06/2020	REVISION SUBJECT TO ARCH.COMMENT	lvn
D	05/06/2020	REVISION SUBJECT TO ARCH.COMMENT	lvn
C	09/05/2020	REVISION SUBJECT TO ARCH.COMMENT	lvn
B	03/03/2020	REVISION SUBJECT TO ARCH.COMMENT	SH
A	24/02/2020	REVISION SUBJECT TO ARCH.COMMENT	SH

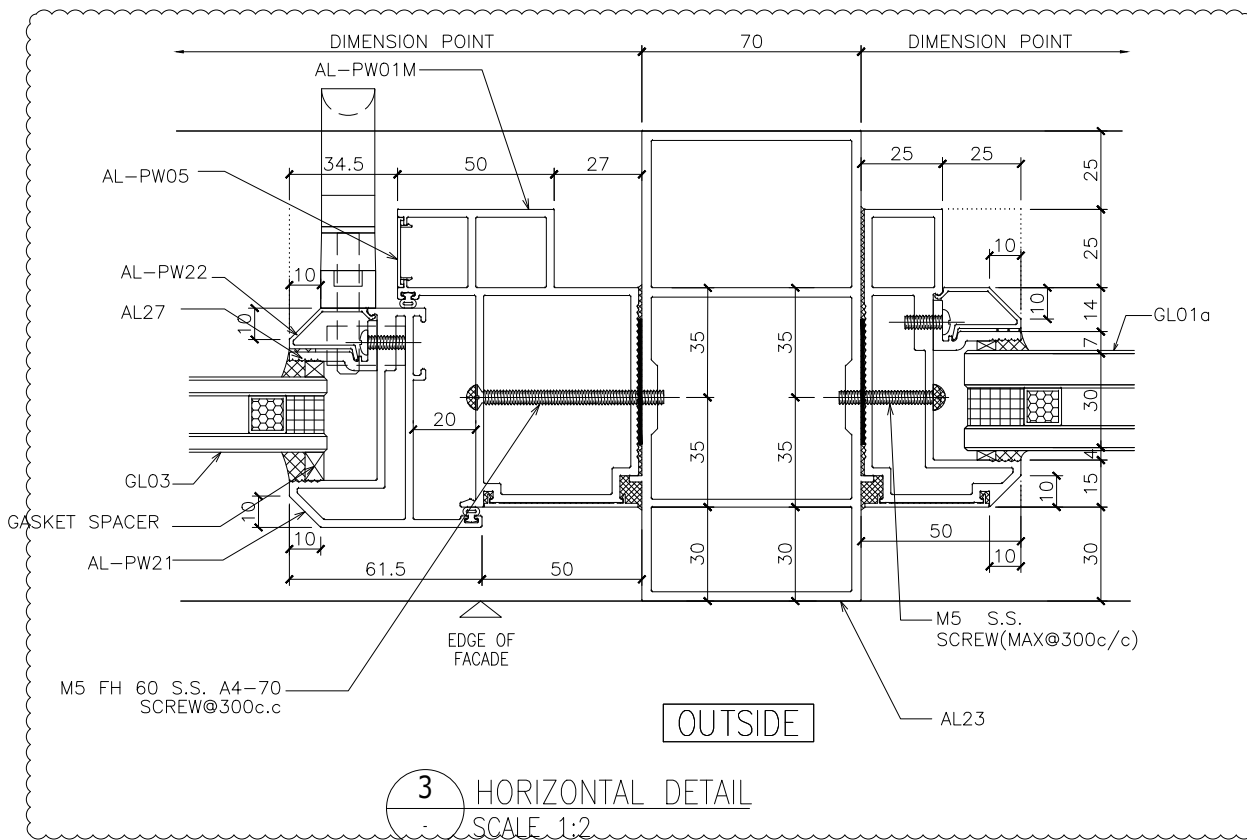
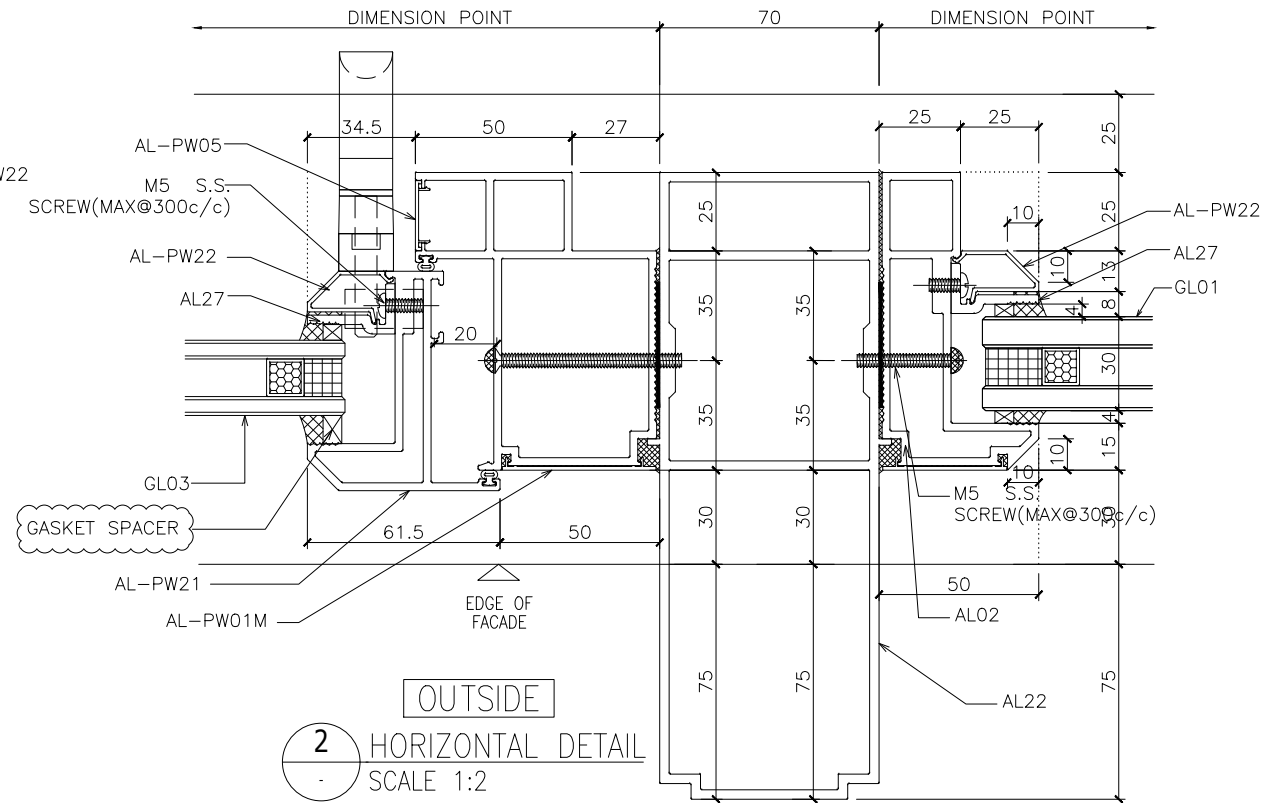
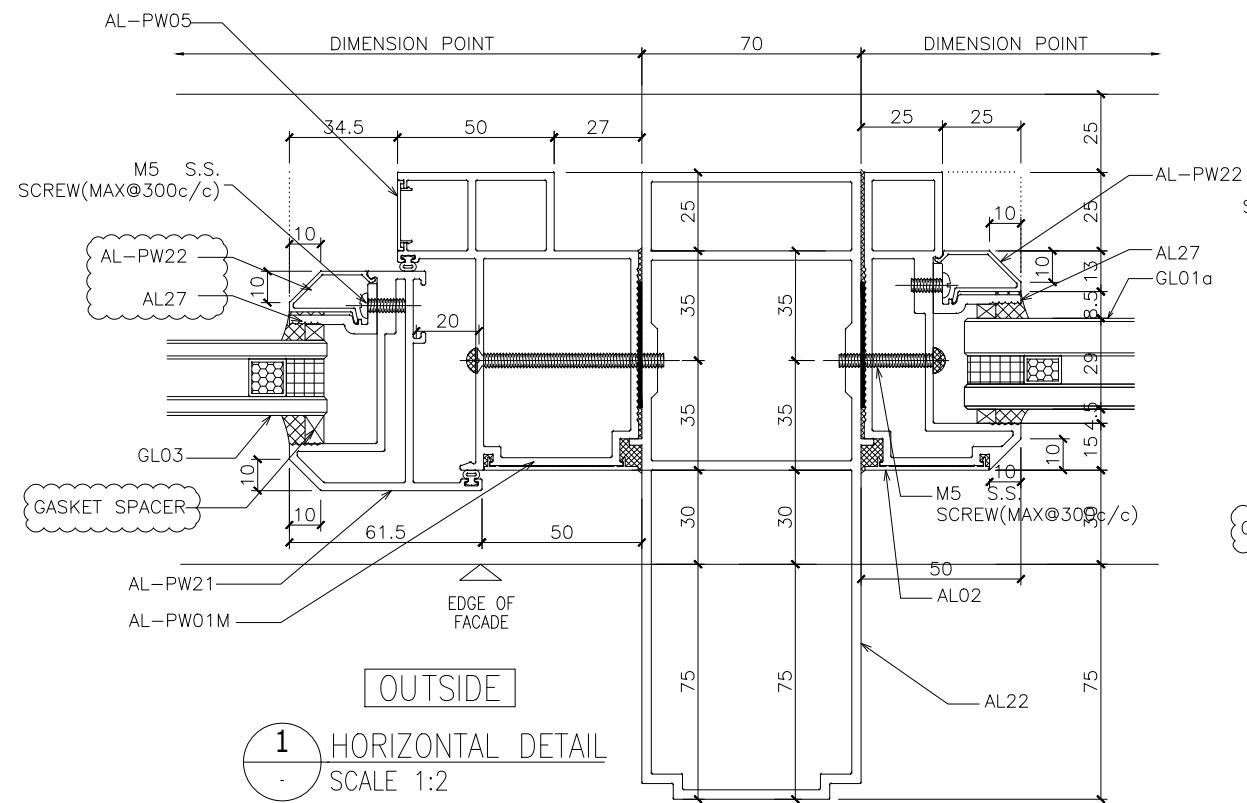
JOB NO. : J-852
PROJECT : PROPOSED RESIDENTIAL DEVELOPMENT AT 139 - 147 ARGYLE STREET, NKIL 6005, 6035 R.P., 6036 R.P., 6037 R.P. & 6038 R.P.

TITLE :
DETAIL FOR ALUM. WINDOW

DATE : 05-Dec-19 SCALE : 1:2
DRAWN BY : MN CHECKED BY : DW

美特鋁質有限公司
MIDI ALUMINIUM FABRICATOR LTD.
Units 6-8, Sunray Industrial Centre, 1/F
610 Cha Kwo Ling Road, Kowloon
Tel:23489211-4 Fax:(852)27727666

DWG NO. : J852-SD-PW-5003 REV. : F



B.D. REF :

CLIENT :

ARCHITECT :
AGC DESIGN LTD
 11/F, 237, Des Voeux Road, 237, Hong Kong
 Tel: (852)27771111, Fax: (852)27771111, Email: agc@agcdesign.com.hk

MAIN CONTRACTOR :
Gammon

STRUCTURAL ENGINEER :
ARUP

FAÇADE CONSULTANT:
MEINHARDT

NOTE :
 1. ALL DIMENSIONS ARE IN mm.
 2. ALL ELEVATIONS ARE VIEWED FROM OUTSIDE.
 3. ALL DIMENSIONS TO BE VERIFIED ON SITE BEFORE FABRICATION.

LEGEND :
 X1 --- DETAIL MARK NO.
 X001 --- REFER SHEET NO.
 1. F.F.L. --- FINISHED FLOOR LEVEL
 2. S.F.L. --- STRUCTURAL FLOOR LEVEL
 3. (R) --- REVERSED DETAIL
 4. ▲ --- FIXING LOCATION
 5. △ --- FIXING LUG LOCATION
 6. GLASS LEGEND
 GL01 --- 8mm+12mm AIR GAP+10mm THK. I.G.U.
 GL01a --- 8mm+9mm AIR GAP+12mm THK. I.G.U.
 GL03 --- 6mm+12mm AIR GAP+6mm THK. I.G.U.
 GL04 --- 10mm THK. TEMPERED GLASS (PROTECTIVE BARRIER)
 GL05 --- 6mm+12mm AIR GAP+8mm THK. I.G.U.

NO.	DATE	REVISION SUBJECT TO ARCH.COMMENT	REVISOR	BY
A	24/08/2020	REVISION SUBJECT TO ARCH.COMMENT		lvn

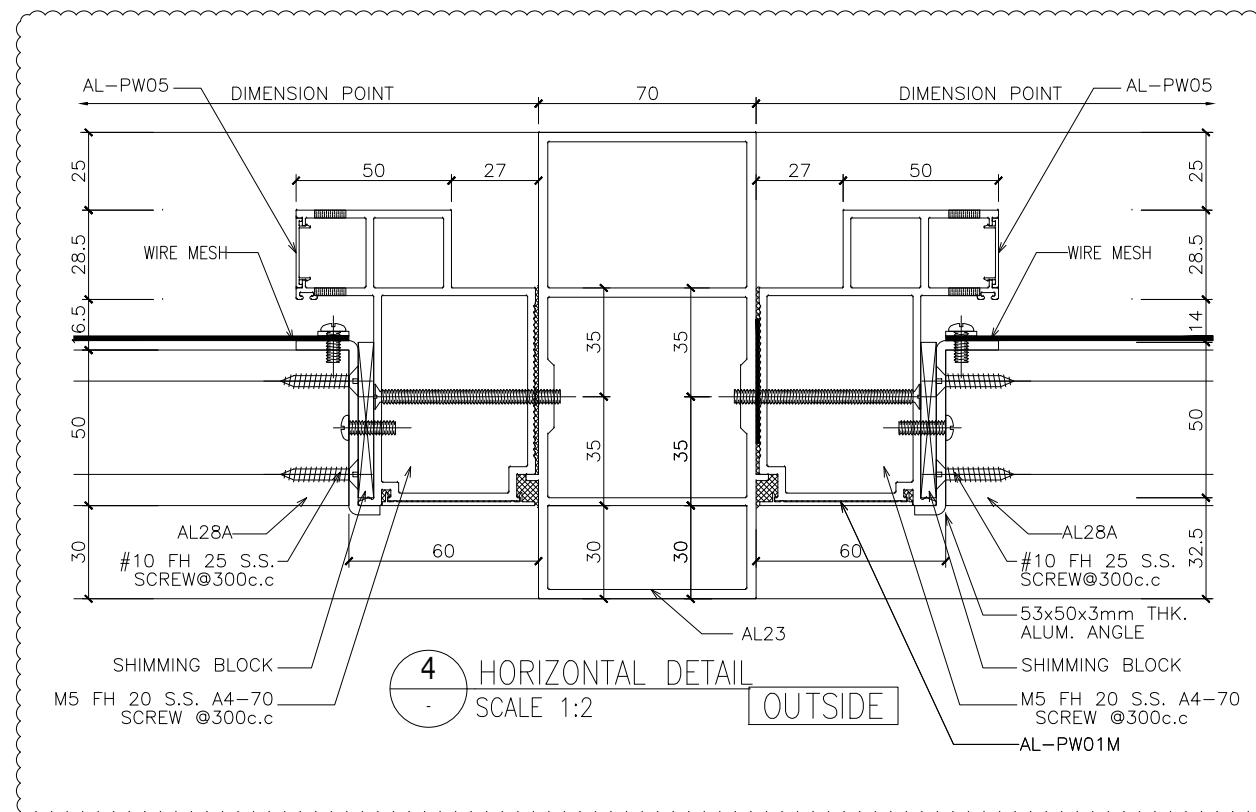
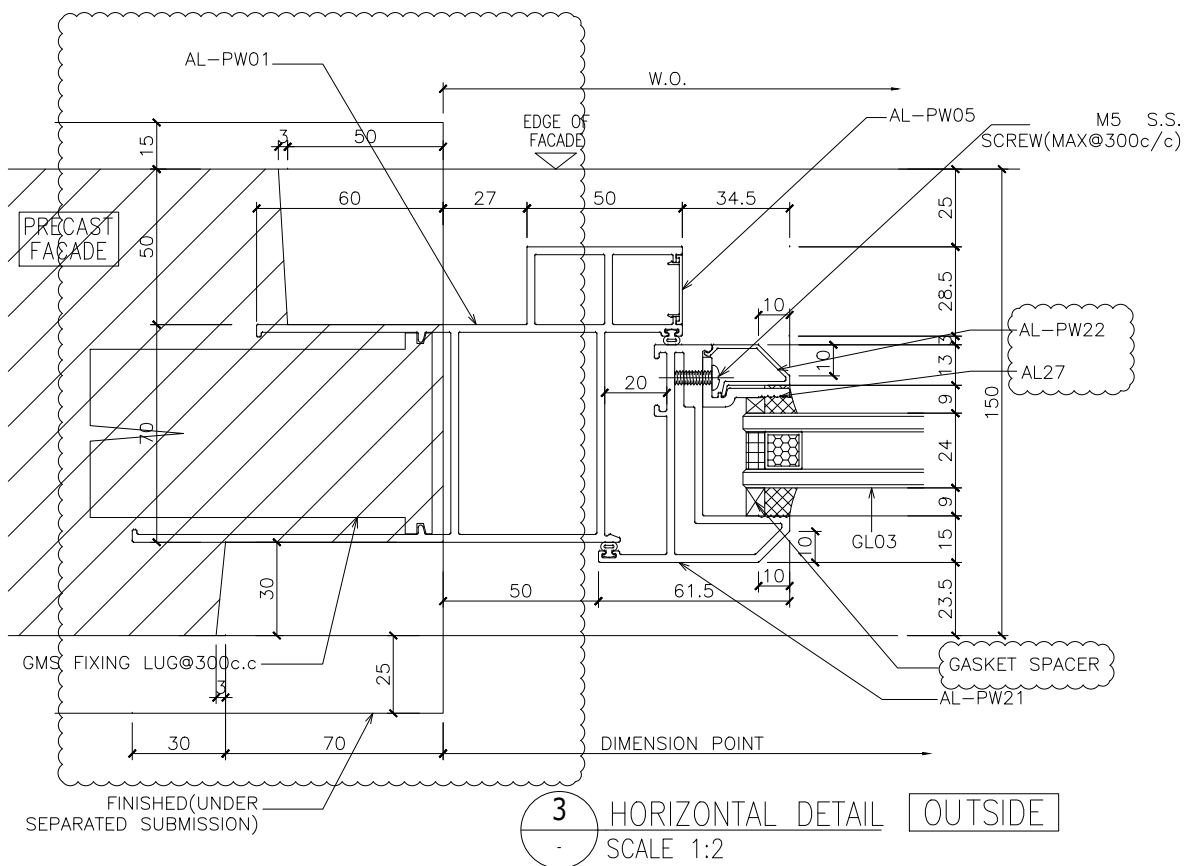
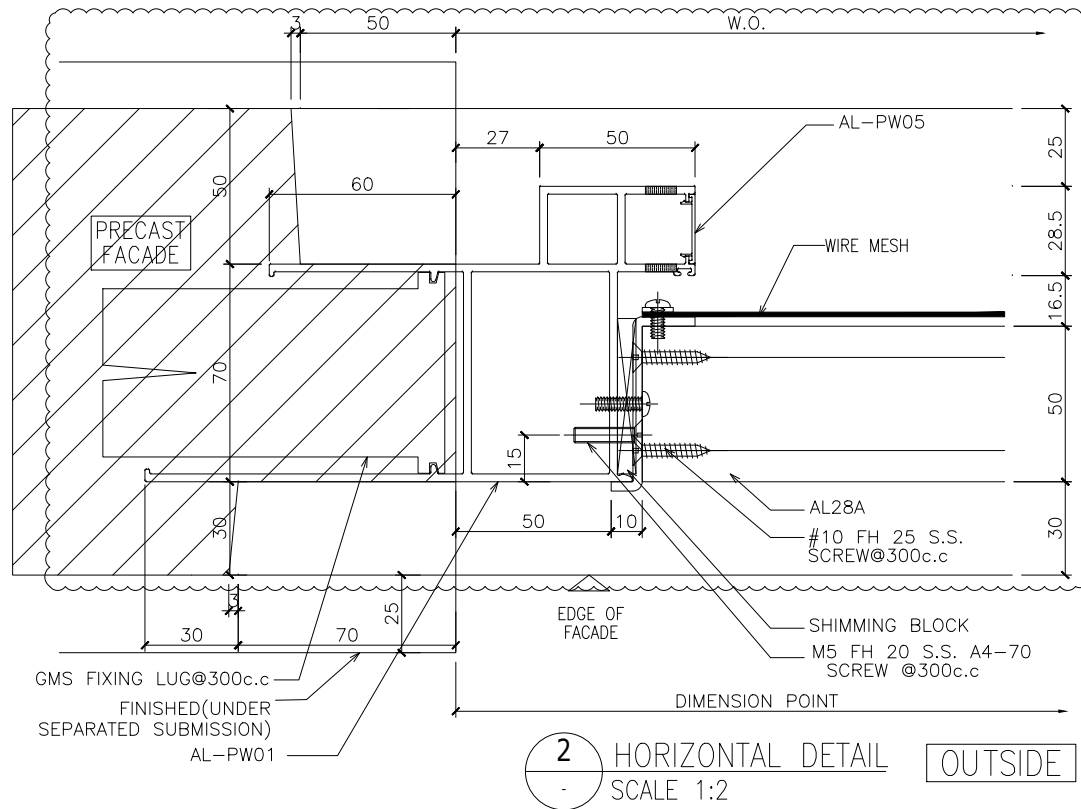
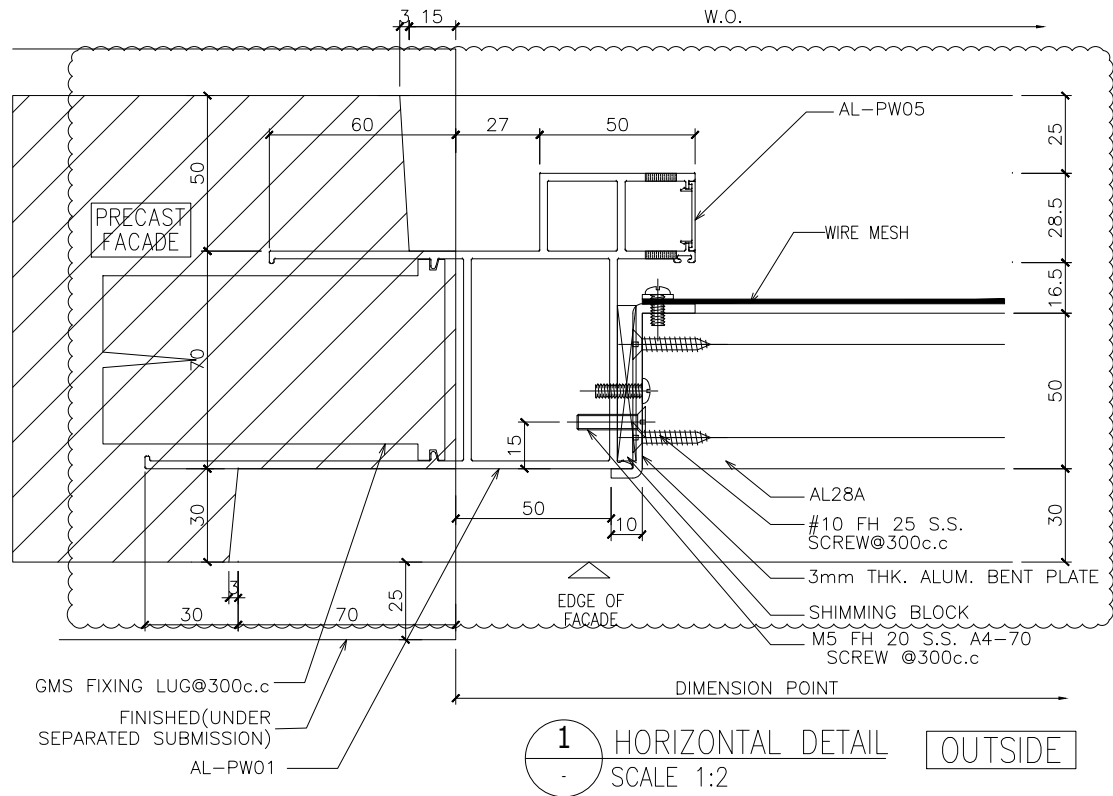
JOB NO. : J-852
 PROJECT : PROPOSED RESIDENTIAL DEVELOPMENT AT 139 - 147 ARGYLE STREET, NKIL 6005, 6035 R.P., 6036 R.P., 6037 R.P. & 6038 R.P.

TITLE :
 DETAIL FOR ALUM. WINDOW

DATE : 05-Dec-19 SCALE : 1:2
 DRAWN BY : MN CHECKED BY : DW

美特鋁質有限公司
MIDI ALUMINIUM FABRICATOR LTD.
 Units 6-8, Sunray Industrial Centre, 1/F
 610 Cha Kwo Ling Road, Kowloon
 Tel:23489211-4 Fax:(852)27727666

DWG NO. : J852-SD-PW-5004 REV. : A



B.D. REF :

CLIENT :

ARCHITECT :
AGC DESIGN LTD

MAIN CONTRACTOR :
Gammon

STRUCTURAL ENGINEER :
ARUP

FAÇADE CONSULTANT:
MEINHARDT

NOTE :

1. ALL DIMENSIONS ARE IN mm.
2. ALL ELEVATIONS ARE VIEWED FROM OUTSIDE.
3. ALL DIMENSIONS TO BE VERIFIED ON SITE BEFORE FABRICATION.

LEGEND :

- X1 -- DETAIL MARK NO.
- X001 -- REFER SHEET NO.

1. F.F.L. -- FINISHED FLOOR LEVEL
2. S.F.L. -- STRUCTURAL FLOOR LEVEL
3. (R) -- REVERSED DETAIL
4. ▲ -- FIXING LOCATION
5. △ -- FIXING LUG LOCATION

GLASS LEGEND

- GL01 -- 8mm+12mm AIR GAP+10mm THK. I.G.U.
- GL01a -- 8mm+9mm AIR GAP+12mm THK. I.G.U.
- GL03 -- 6mm+12mm AIR GAP+6mm THK. I.G.U.
- GL04 -- 10mm THK. TEMPERED GLASS (PROTECTIVE BARRIER)
- GL05 -- 6mm+12mm AIR GAP+8mm THK. I.G.U.

NO.	DATE	REVISION	BY
C	24/08/2020	REVISION SUBJECT TO ARCH.COMMENT	Ivan
B	16/06/2020	REVISION SUBJECT TO ARCH.COMMENT	Ivan
A	30/05/2020	REVISION SUBJECT TO ARCH.COMMENT	Ivan

JOB NO. : J-852

PROJECT :
PROPOSED RESIDENTIAL DEVELOPMENT
AT 139 - 147 ARGYLE STREET,
NKIL 6005, 6035 R.P., 6036 R.P.,
6037 R.P. & 6038 R.P.

TITLE :
DETAIL FOR
ALUM. WINDOW

DATE : 05-Dec-19

SCALE : 1:2

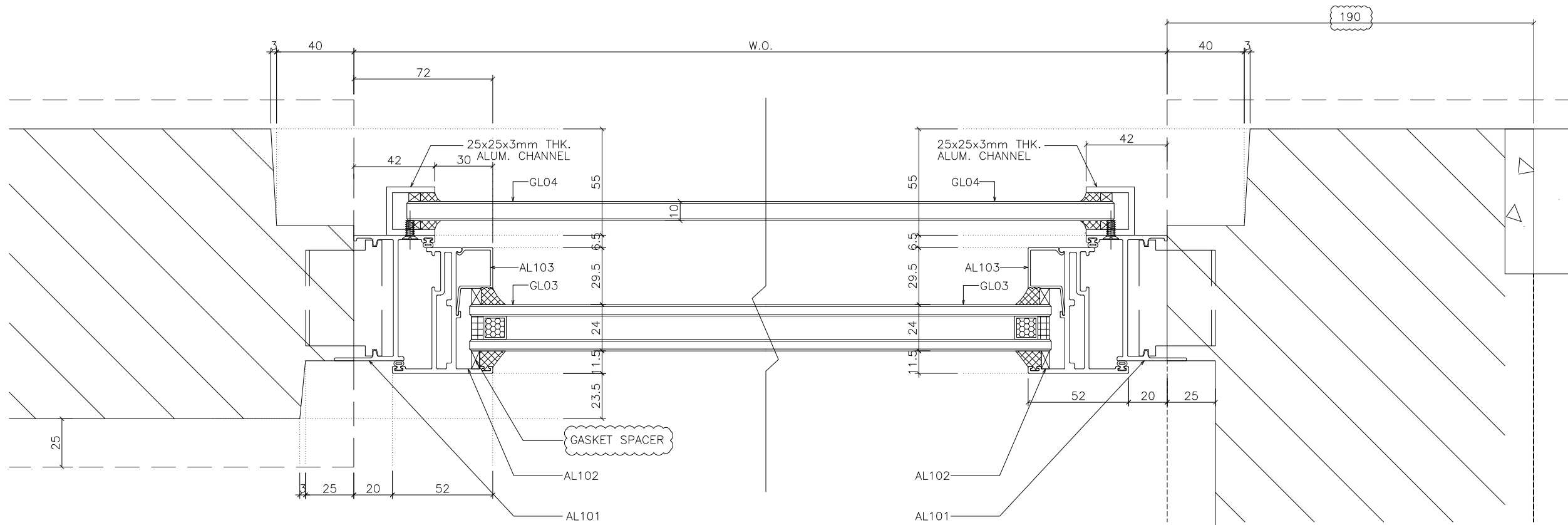
DRAWN BY : MN

CHECKED BY : DW

美特鋁質有限公司
MIDI ALUMINUM FABRICATOR LTD.
Units 6-8, Sunray Industrial Centre, 1/F
610 Cha Kwo Ling Road, Kowloon
Tel:23489211-4 Fax:(852)27727666

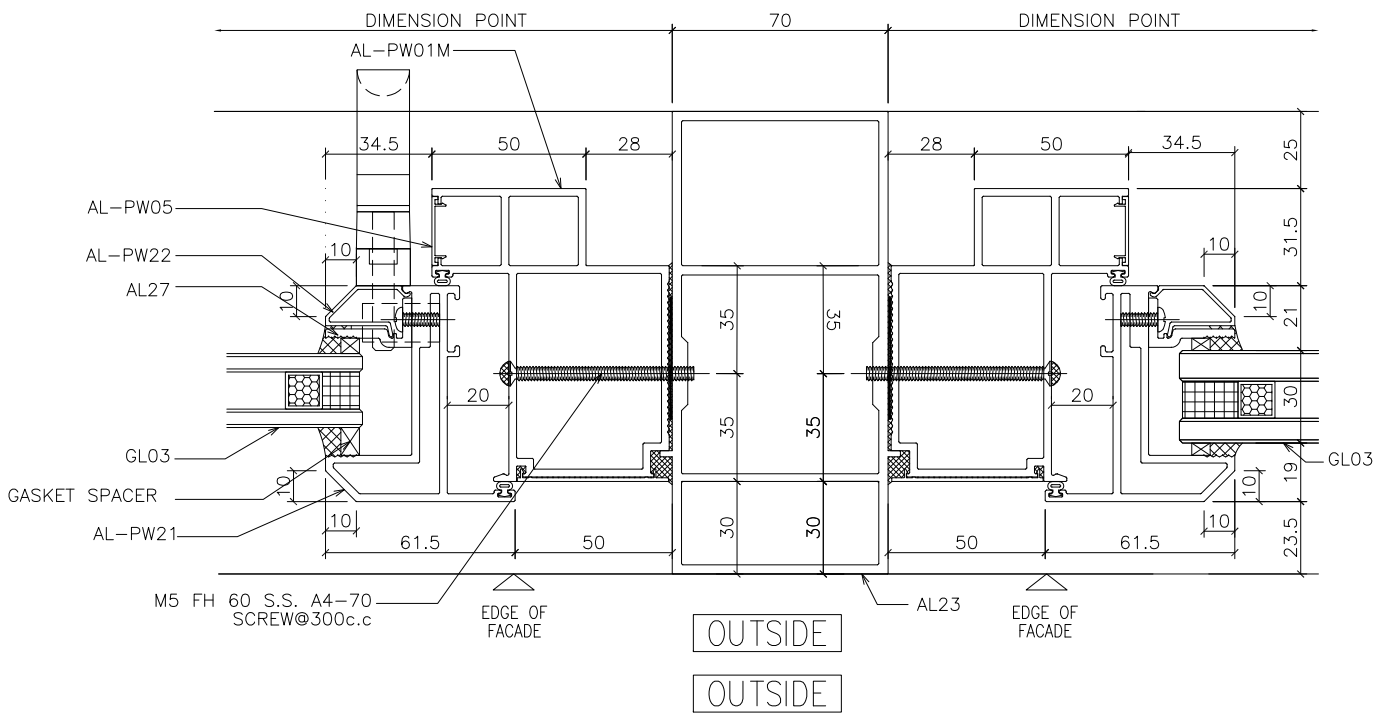
DWG NO. : J852-SD-PW-5006

REV. : C

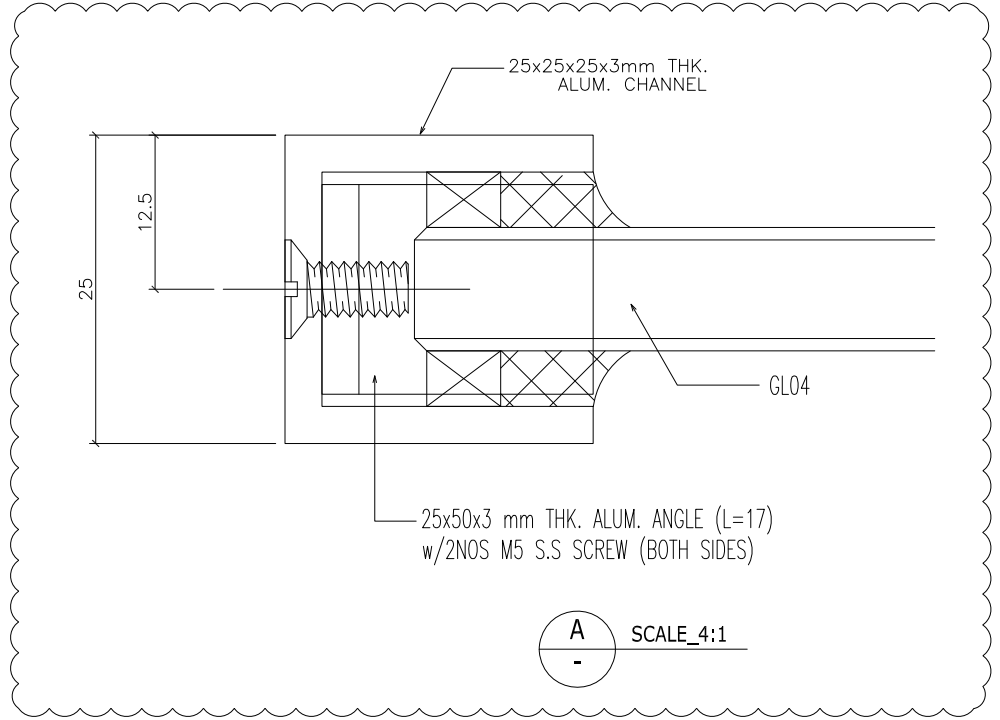


1 HORIZONTAL DETAIL OUTSIDE
SCALE 1:2

2 HORIZONTAL DETAIL OUTSIDE
SCALE 1:2



3 HORIZONTAL DETAIL
SCALE 1:2



B.D. REF :
CLIENT :
ARCHITECT :
AGC DESIGN LTD
MAIN CONTRACTOR :
Gammon
STRUCTURAL ENGINEER :
ARUP
FACADE CONSULTANT :
MEINHARDT

- NOTE :
1. ALL DIMENSIONS ARE IN mm.
 2. ALL ELEVATIONS ARE VIEWED FROM OUTSIDE.
 3. ALL DIMENSIONS TO BE VERIFIED ON SITE BEFORE FABRICATION.

- LEGEND :
- x1 - DETAIL MARK NO.
 - xx01 - REFER SHEET NO.
 - 1. F.F.L. -- FINISHED FLOOR LEVEL
 - 2. S.F.L. -- STRUCTURAL FLOOR LEVEL
 - 3. (R) -- REVERSED DETAIL
 - FIXING LOCATION
 - FIXING LUG LOCATION
- GLASS LEGEND
- GL01 -- 8mm+12mm AIR GAP+10mm THK. I.G.U.
 - GL01a -- 8mm+9mm AIR GAP+12mm THK. I.G.U.
 - GL03 -- 6mm+12mm AIR GAP+6mm THK. I.G.U.
 - GL04 -- 10mm THK. TEMPERED GLASS (PROTECTIVE BARRIER)
 - GL05 -- 6mm+12mm AIR GAP+8mm THK. I.G.U.

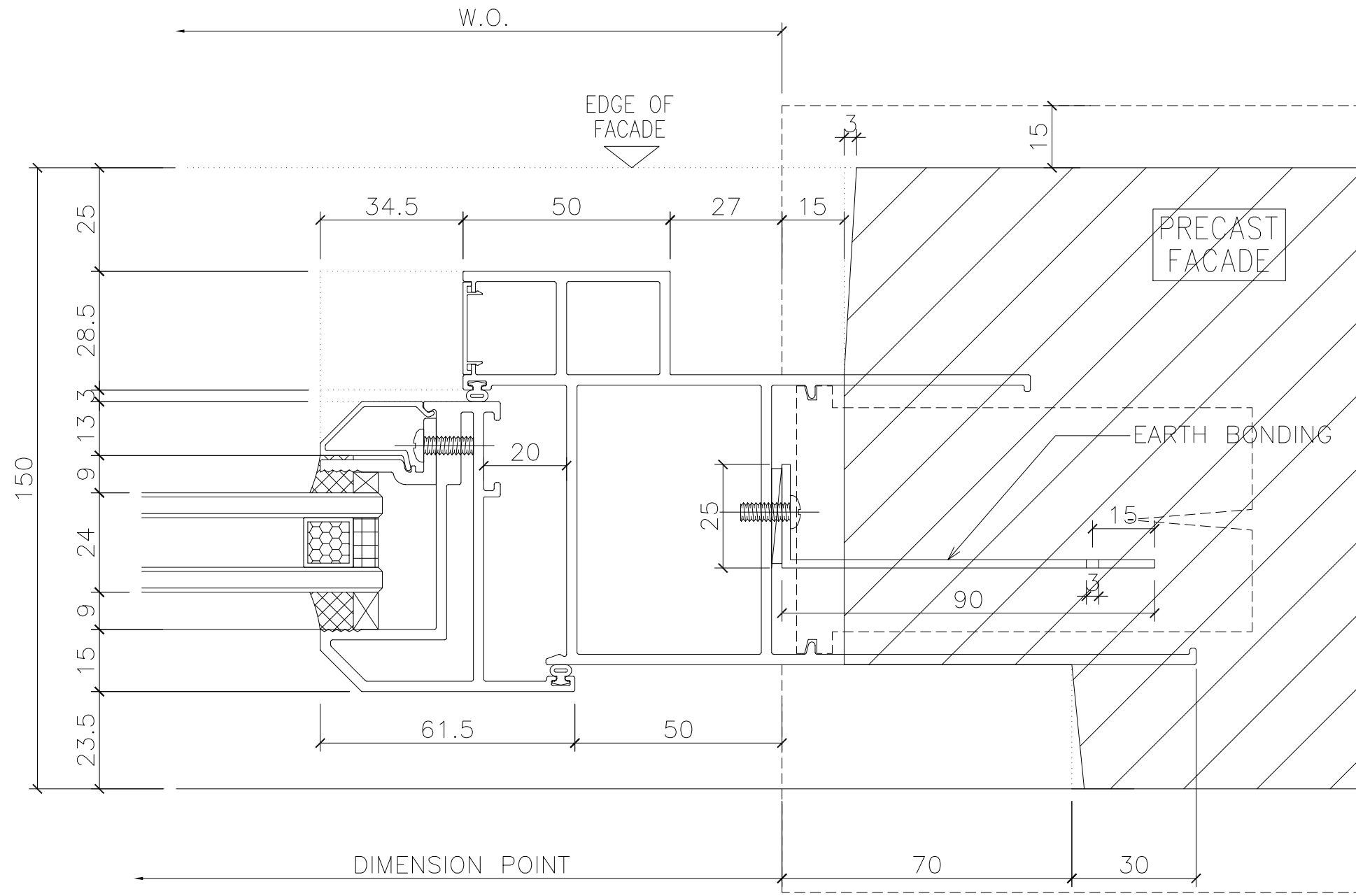
NO.	DATE	REVISED	BY
C	18/09/2020	REVISION SUBJECT TO ARCH.COMMENT	Ivan
B	25/08/2020	REVISION SUBJECT TO ARCH.COMMENT	Ivan
A	30/05/2020	REVISION SUBJECT TO ARCH.COMMENT	Ivan

JOB NO. : J-852
PROJECT : PROPOSED RESIDENTIAL DEVELOPMENT AT 139 - 147 ARGYLE STREET, NKIL 6005, 6035 R.P., 6036 R.P., 6037 R.P. & 6038 R.P.

TITLE : DETAIL FOR ALUM. WINDOW

DATE : 05-Dec-19 SCALE : 1:2
DRAWN BY : MN CHECKED BY : DW

美特鋁質有限公司
MIDI ALUMINIUM FABRICATOR LTD.
Units 6-8, Sunray Industrial Centre, 1/F
610 Cha Kwo Ling Road, Kowloon
Tel:23489211-4 Fax:(852)2727666
DWG NO. : J852-SD-PW-5007 REV. : C



B.D. REF :

CLIENT :

ARCHITECT :
AGC DESIGN LTD
 101, 102, 103, 104, 105, 106, 107, 108, 109, 110, 111, 112, 113, 114, 115, 116, 117, 118, 119, 120, 121, 122, 123, 124, 125, 126, 127, 128, 129, 130, 131, 132, 133, 134, 135, 136, 137, 138, 139, 140, 141, 142, 143, 144, 145, 146, 147, 148, 149, 150, 151, 152, 153, 154, 155, 156, 157, 158, 159, 160, 161, 162, 163, 164, 165, 166, 167, 168, 169, 170, 171, 172, 173, 174, 175, 176, 177, 178, 179, 180, 181, 182, 183, 184, 185, 186, 187, 188, 189, 190, 191, 192, 193, 194, 195, 196, 197, 198, 199, 200

MAIN CONTRACTOR :
Gammon

STRUCTURAL ENGINEER :
ARUP

FACADE CONSULTANT:
MEINHARDT

NOTE :
 1. ALL DIMENSIONS ARE IN mm.
 2. ALL ELEVATIONS ARE VIEWED FROM OUTSIDE.
 3. ALL DIMENSIONS TO BE VERIFIED ON SITE BEFORE FABRICATION.

LEGEND :
 (X1) --- DETAIL MARK NO.
 (X001) --- REFER SHEET NO.
 1. F.F.L. -- FINISHED FLOOR LEVEL
 2. S.F.L. -- STRUCTURAL FLOOR LEVEL
 3. (R) --- REVERSED DETAIL

NO.	DATE	REVISED	BY

JOB NO. : J-852
 PROJECT : PROPOSED RESIDENTIAL DEVELOPMENT AT 139 - 147 ARGYLE STREET, NKIL 6005, 6035 R.P., 6036 R.P., 6037 R.P. & 6038 R.P.

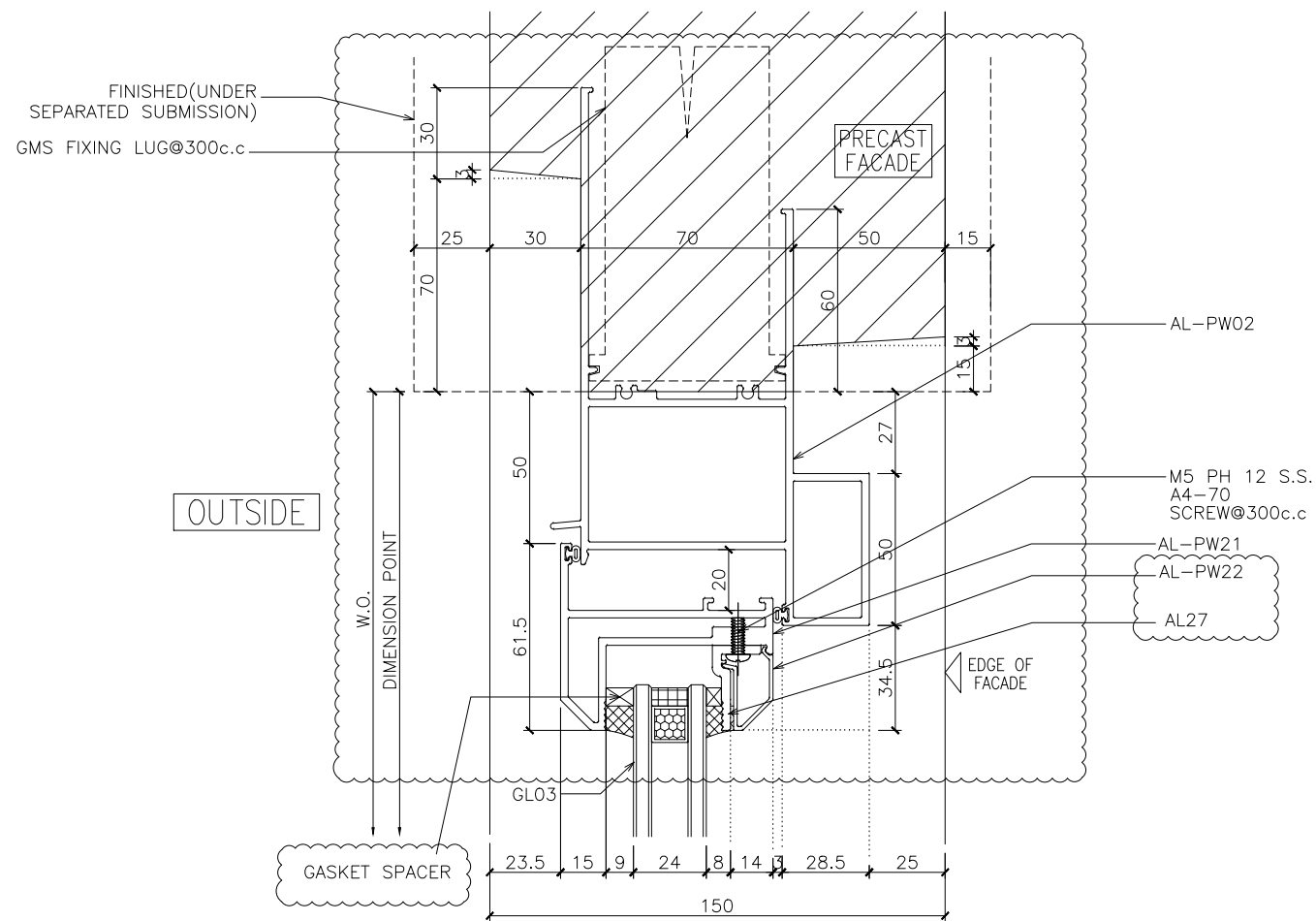
TITLE :
 DETAIL FOR ALUM. WINDOW

DATE : SCALE : 1:1.25

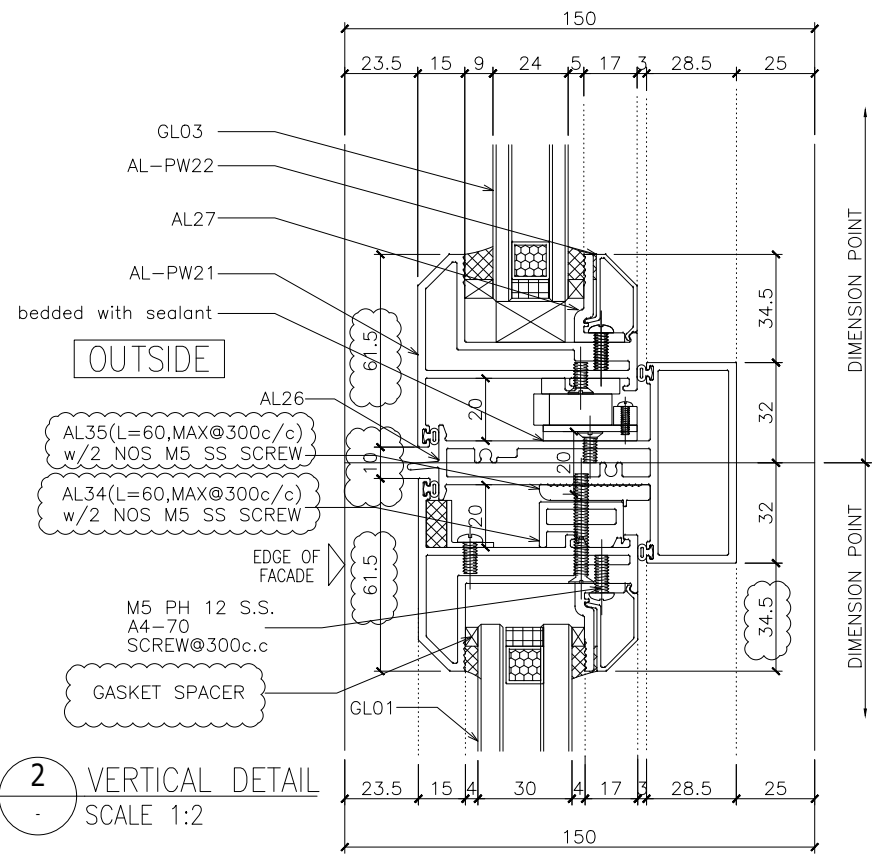
DRAWN BY : CHECKED BY : DW

美特鋁質有限公司
MIDI ALUMINIUM FABRICATOR LTD.
 Units 6-8, Sunray Industrial Centre, 1/F
 610 Cha Kwo Ling Road, Kowloon
 Tel:23489211-4 Fax:(852)2727666

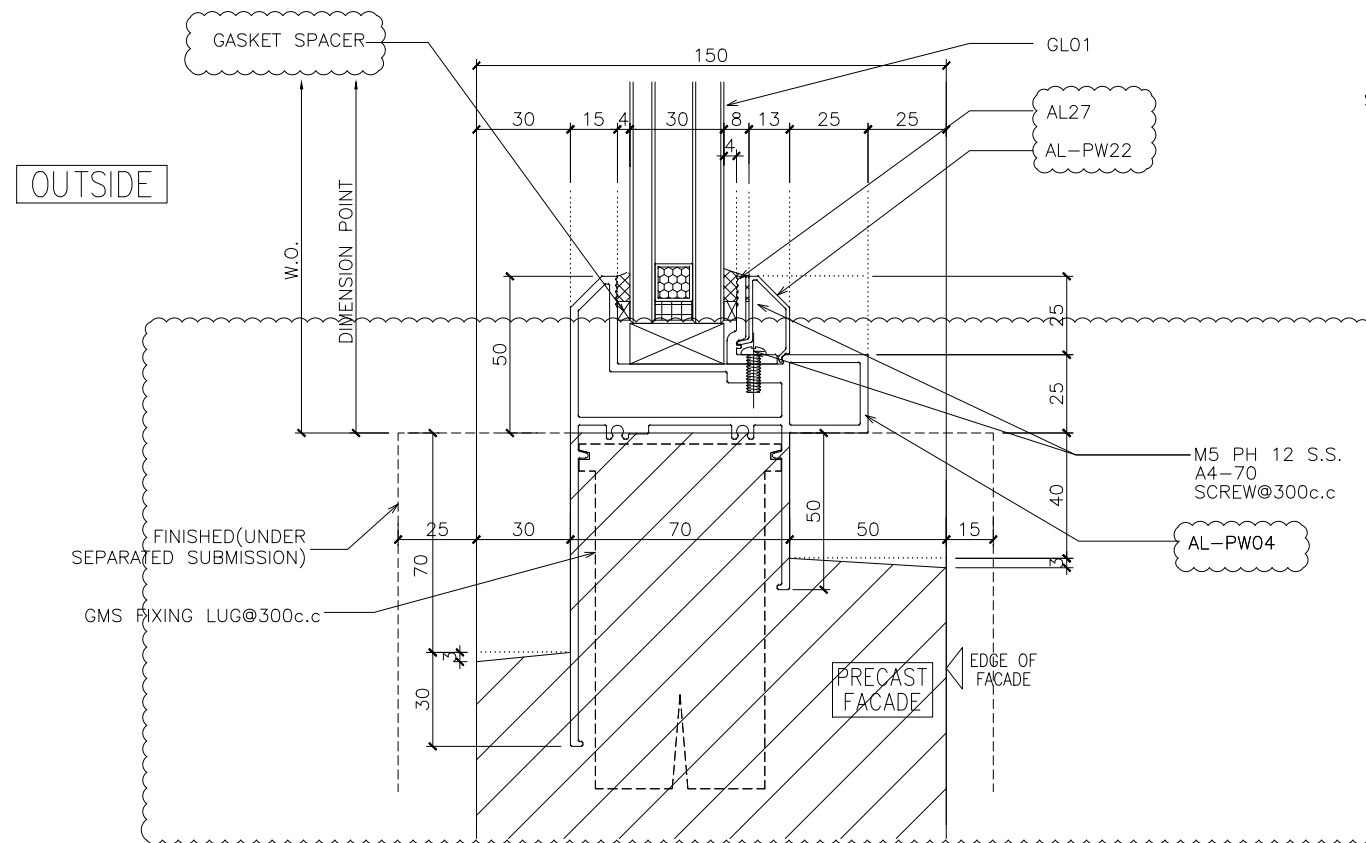
DWG NO. : J852-SD-PW-5008 REV. : -



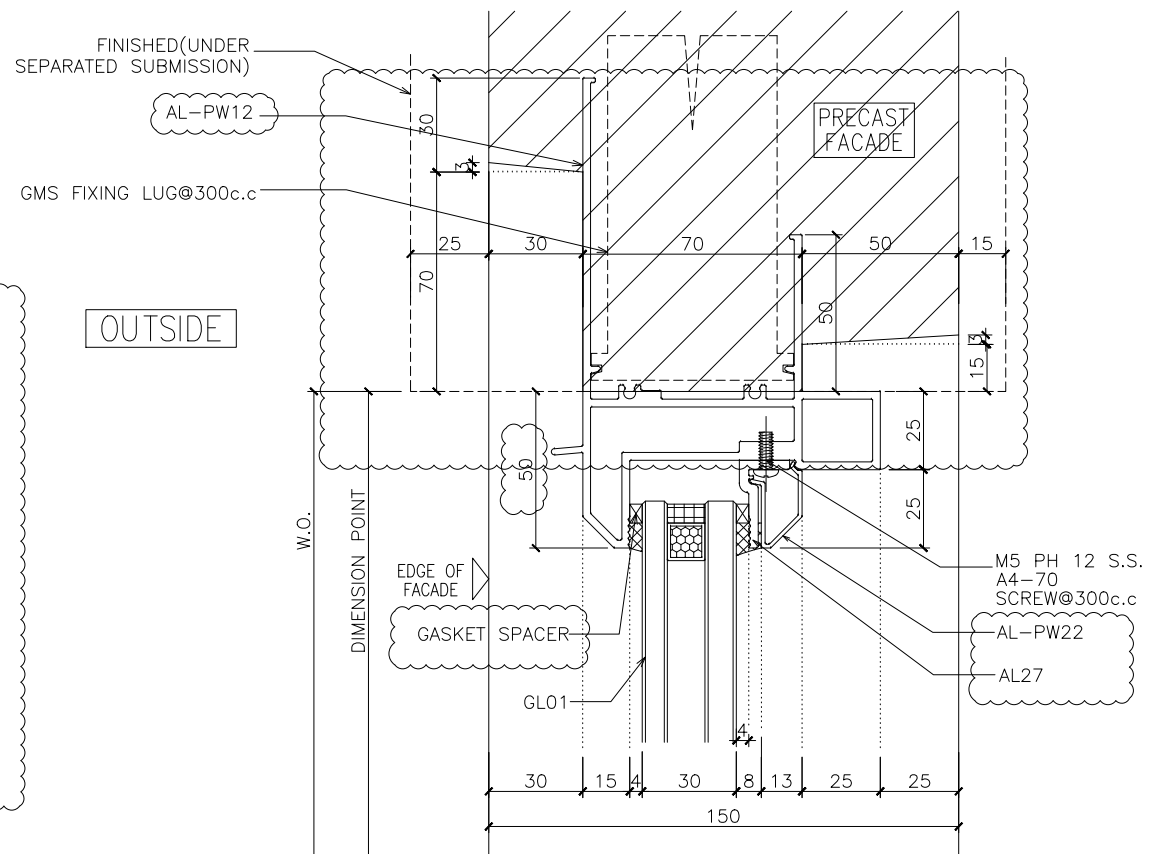
1 VERTICAL DETAIL
SCALE 1:2



2 VERTICAL DETAIL
SCALE 1:2



3 VERTICAL DETAIL
SCALE 1:2



4 VERTICAL DETAIL
SCALE 1:2

B.D. REF : _____

CLIENT : _____

ARCHITECT : **AGC DESIGN LTD**

MAIN CONTRACTOR : **Gammon**

STRUCTURAL ENGINEER : **ARUP**

FACADE CONSULTANT : **MEINHARDT**

- NOTE :
1. ALL DIMENSIONS ARE IN mm.
 2. ALL ELEVATIONS ARE VIEWED FROM OUTSIDE.
 3. ALL DIMENSIONS TO BE VERIFIED ON SITE BEFORE FABRICATION.

- LEGEND :
- X1 --- DETAIL MARK NO.
X001 --- REFER SHEET NO.
1. F.F.L. --- FINISHED FLOOR LEVEL
 2. S.F.L. --- STRUCTURAL FLOOR LEVEL
 3. (R) --- REVERSED DETAIL
 4. ▲ --- FIXING LOCATION
 5. △ --- FIXING LUG LOCATION
 6. GLASS LEGEND
GL01 --- 8mm+12mm AIR GAP+10mm THK. I.G.U.
GL01a --- 8mm+9mm AIR GAP+12mm THK. I.G.U.
GL02 --- 10mm THK. TEMPERED GLASS (SPANDREL GLASS)
GL03 --- 6mm+12mm AIR GAP+6mm THK. I.G.U.
GL04 --- 10mm THK. TEMPERED GLASS (PROTECTIVE BARRIER)
GL05 --- 6mm+12mm AIR GAP+8mm THK. I.G.U.

NO.	DATE	REVISION	BY
F	24/08/2020	REVISION SUBJECT TO ARCH.COMMENT	ivan
E	16/06/2020	REVISION SUBJECT TO ARCH.COMMENT	ivan
D	01/06/2020	REVISION SUBJECT TO ARCH.COMMENT	ivan
C	03/03/2020	REVISION SUBJECT TO ARCH.COMMENT	SH
B	03/03/2020	REVISION SUBJECT TO ARCH.COMMENT	SH
A	24/02/2020	REVISION SUBJECT TO ARCH.COMMENT	SH

JOB NO. : J-852

PROJECT : PROPOSED RESIDENTIAL DEVELOPMENT AT 139 - 147 ARGYLE STREET, NKIL 6005, 6035 R.P., 6036 R.P., 6037 R.P. & 6038 R.P.

TITLE : DETAIL FOR ALUM. WINDOW

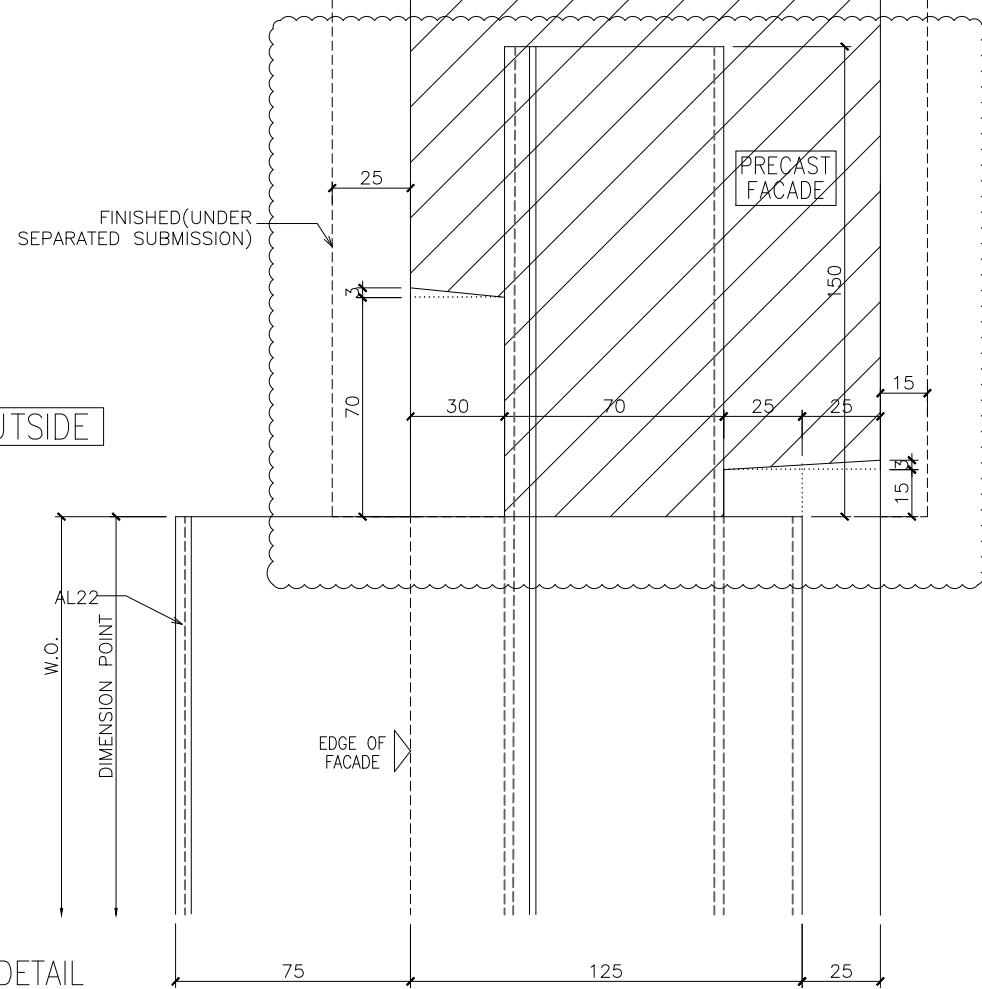
DATE : 05-Dec-19 SCALE : 1:2

DRAWN BY : MN CHECKED BY : DW

美特鋁質有限公司
MIDI ALUMINIUM FABRICATOR LTD.
Units 6-8, Sunray Industrial Centre, 1/F
610 Cha Kwo Ling Road, Kowloon
Tel: 23489211-4 Fax: (852) 2727666

DWG NO. : J852-SD-PW-6001 REV. : F

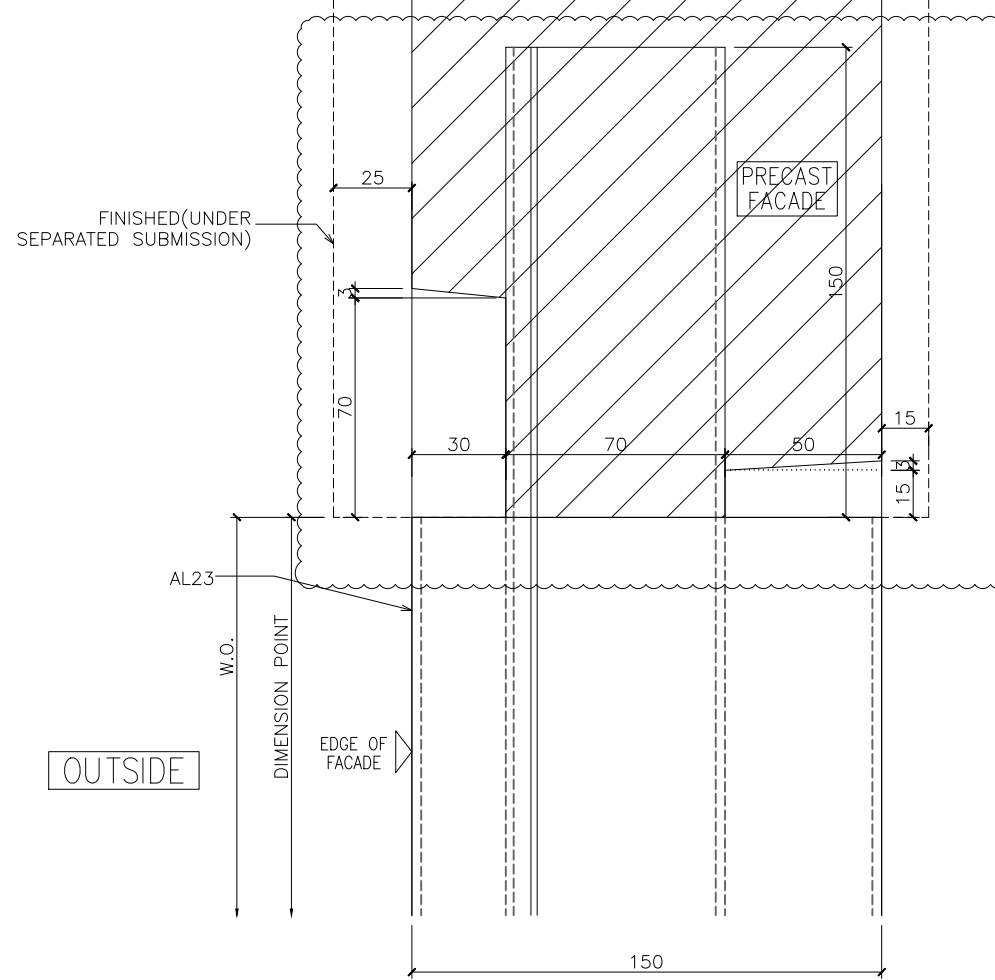
OUTSIDE



1 VERTICAL DETAIL SCALE 1:2

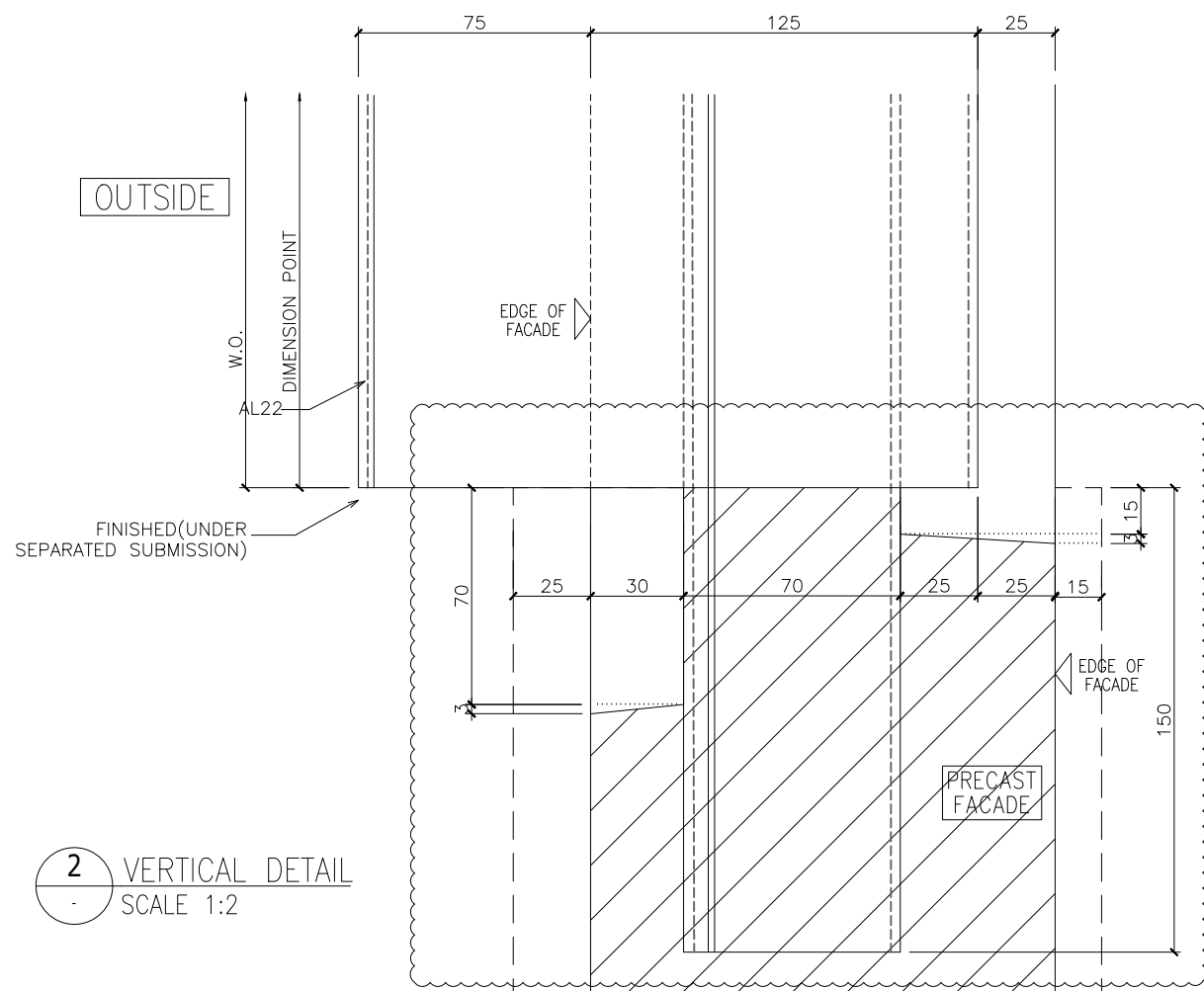
FINISHED (UNDER SEPARATED SUBMISSION)

OUTSIDE



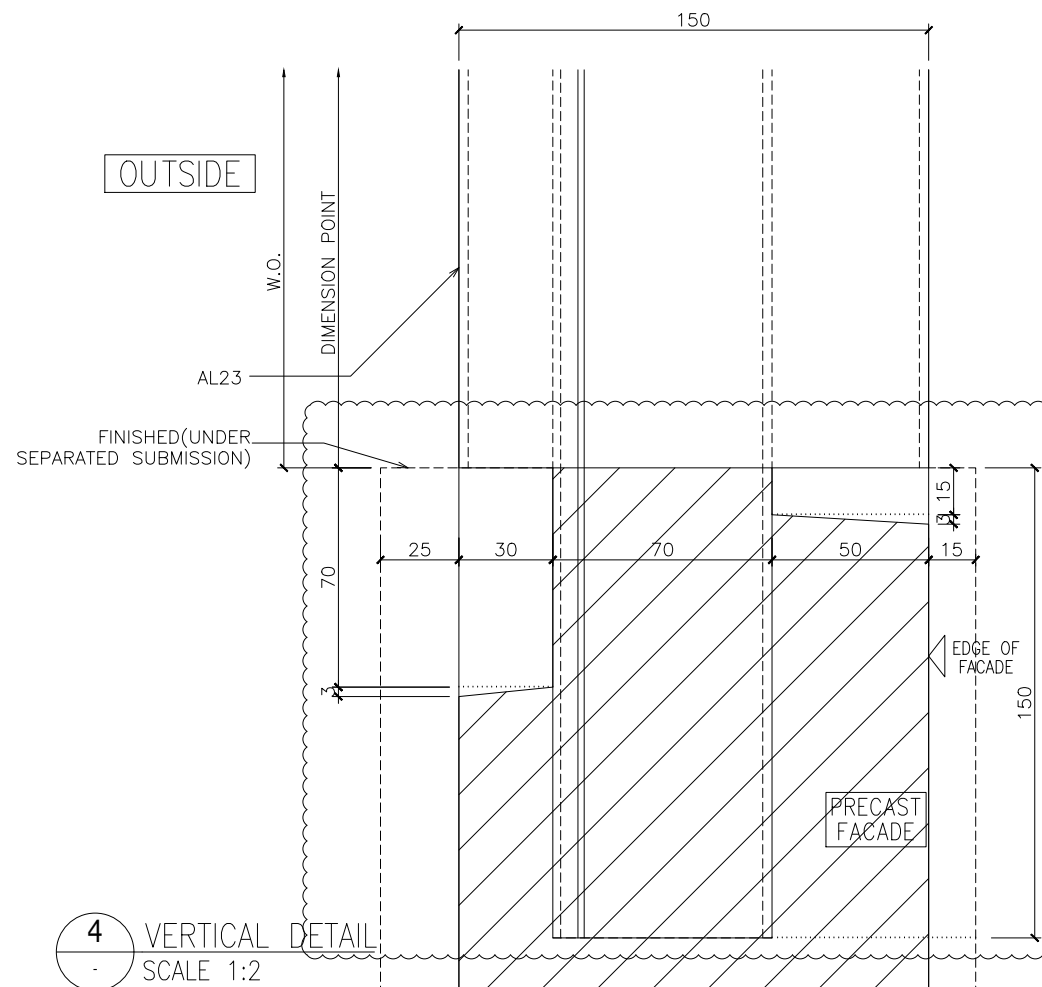
3 VERTICAL DETAIL SCALE 1:2

OUTSIDE



2 VERTICAL DETAIL SCALE 1:2

OUTSIDE



4 VERTICAL DETAIL SCALE 1:2

B.D. REF :

CLIENT :

ARCHITECT :
AGC DESIGN LTD
 610, 612, 614, 616, 618, 620, 622, 624, 626, 628, 630, 632, 634, 636, 638, 640, 642, 644, 646, 648, 650, 652, 654, 656, 658, 660, 662, 664, 666, 668, 670, 672, 674, 676, 678, 680, 682, 684, 686, 688, 690, 692, 694, 696, 698, 700, 702, 704, 706, 708, 710, 712, 714, 716, 718, 720, 722, 724, 726, 728, 730, 732, 734, 736, 738, 740, 742, 744, 746, 748, 750, 752, 754, 756, 758, 760, 762, 764, 766, 768, 770, 772, 774, 776, 778, 780, 782, 784, 786, 788, 790, 792, 794, 796, 798, 800, 802, 804, 806, 808, 810, 812, 814, 816, 818, 820, 822, 824, 826, 828, 830, 832, 834, 836, 838, 840, 842, 844, 846, 848, 850, 852, 854, 856, 858, 860, 862, 864, 866, 868, 870, 872, 874, 876, 878, 880, 882, 884, 886, 888, 890, 892, 894, 896, 898, 900, 902, 904, 906, 908, 910, 912, 914, 916, 918, 920, 922, 924, 926, 928, 930, 932, 934, 936, 938, 940, 942, 944, 946, 948, 950, 952, 954, 956, 958, 960, 962, 964, 966, 968, 970, 972, 974, 976, 978, 980, 982, 984, 986, 988, 990, 992, 994, 996, 998, 1000

MAIN CONTRACTOR :
Gammon

STRUCTURAL ENGINEER :
ARUP

FACADE CONSULTANT:
MEINHARDT

NOTE :
 1. ALL DIMENSIONS ARE IN mm.
 2. ALL ELEVATIONS ARE VIEWED FROM OUTSIDE.
 3. ALL DIMENSIONS TO BE VERIFIED ON SITE BEFORE FABRICATION.

LEGEND :
 X1 -- DETAIL MARK NO.
 X001 -- REFER SHEET NO.
 1. F.F.L. -- FINISHED FLOOR LEVEL
 2. S.F.L. -- STRUCTURAL FLOOR LEVEL
 3. (R) -- REVERSED DETAIL
 4. ▲ -- FIXING LOCATION
 5. △ -- FIXING LUG LOCATION
 6. GLASS LEGEND
 GLO1 -- 8mm+12mm AIR GAP+10mm THK. I.G.U.
 GLO1a -- 8mm+9mm AIR GAP+12mm THK. I.G.U.
 GLO2 -- 10mm THK. TEMPERED GLASS (SPANDREL GLASS)
 GLO3 -- 6mm+12mm AIR GAP+6mm THK. I.G.U.
 GLO4 -- 10mm THK. TEMPERED GLASS (PROTECTIVE BARRIER)
 GLO5 -- 6mm+12mm AIR GAP+8mm THK. I.G.U.

B	24/08/2020	REVISION SUBJECT TO ARCH.COMMENT	Ivan
A	16/06/2020	REVISION SUBJECT TO ARCH.COMMENT	Ivan
NO.	DATE	REVISED	BY

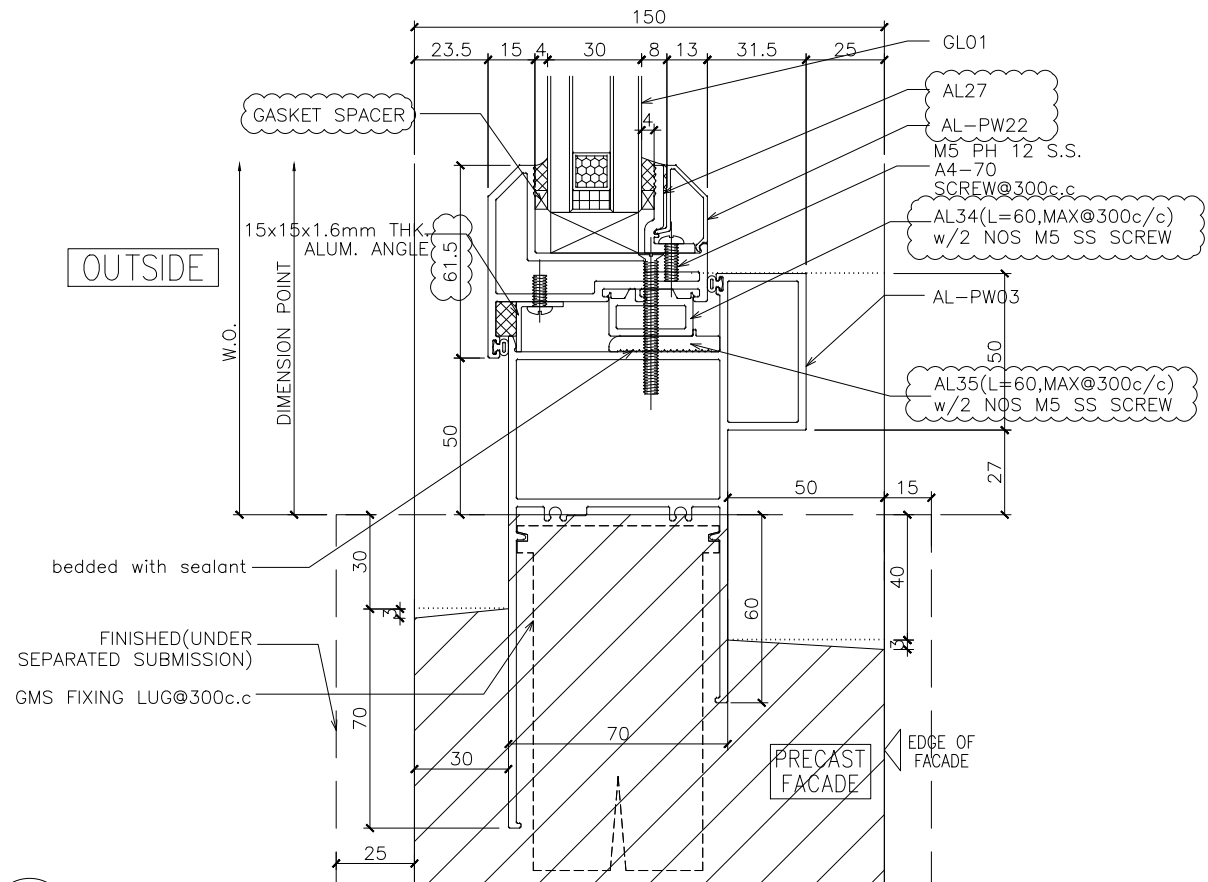
JOB NO. : J-852
 PROJECT : PROPOSED RESIDENTIAL DEVELOPMENT AT 139 - 147 ARGYLE STREET, NKIL 6005, 6035 R.P., 6036 R.P., 6037 R.P. & 6038 R.P.

TITLE :
 DETAIL FOR ALUM. WINDOW

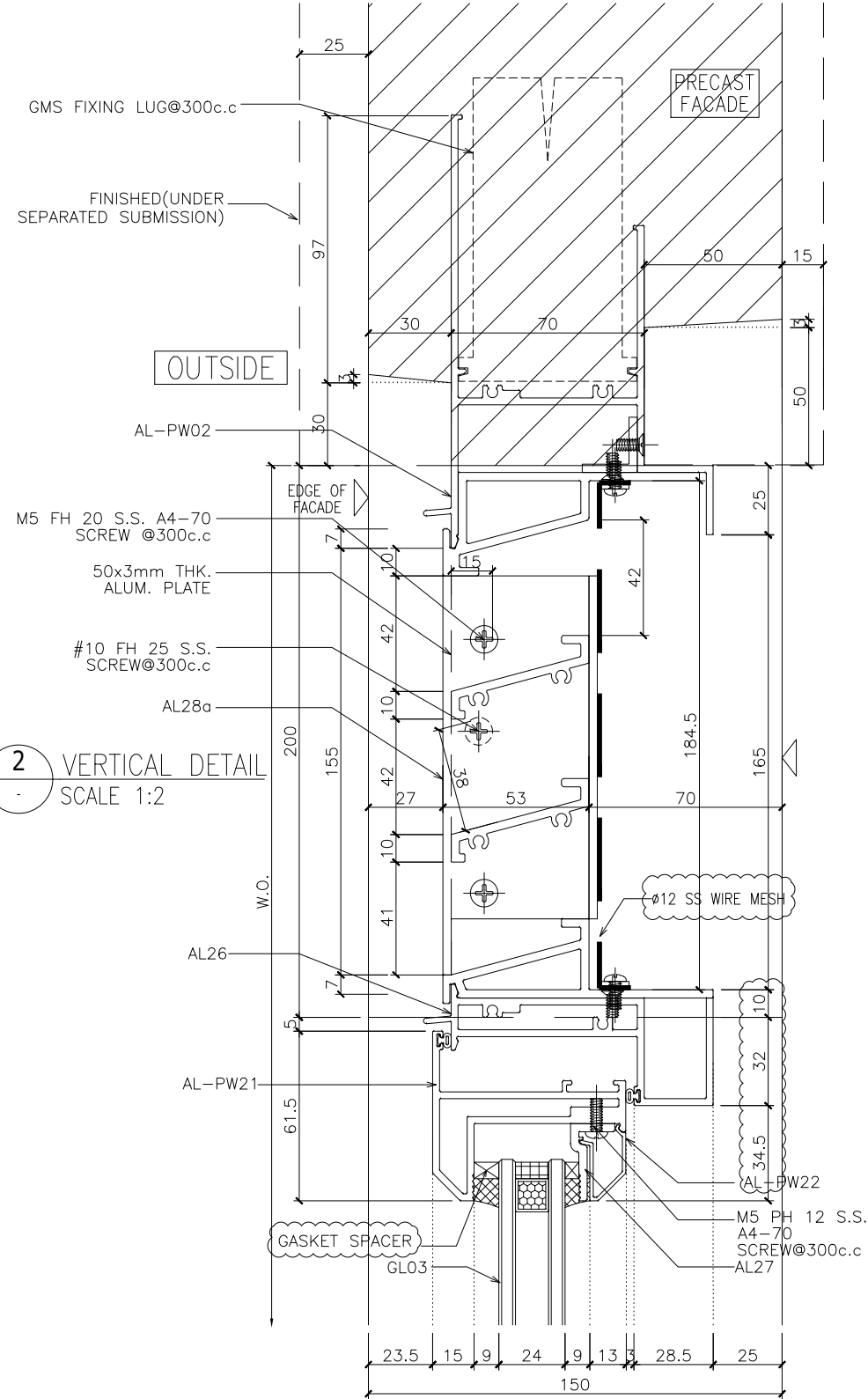
DATE : 05-Dec-19 SCALE : 1:2
 DRAWN BY : MN CHECKED BY : DW

美特鋁質有限公司
MIDI ALUMINIUM FABRICATOR LTD.
 Units 6-8, Sunray Industrial Centre, 1/F
 610 Cha Kwo Ling Road, Kowloon
 Tel:23489211-4 Fax:(852)27727666

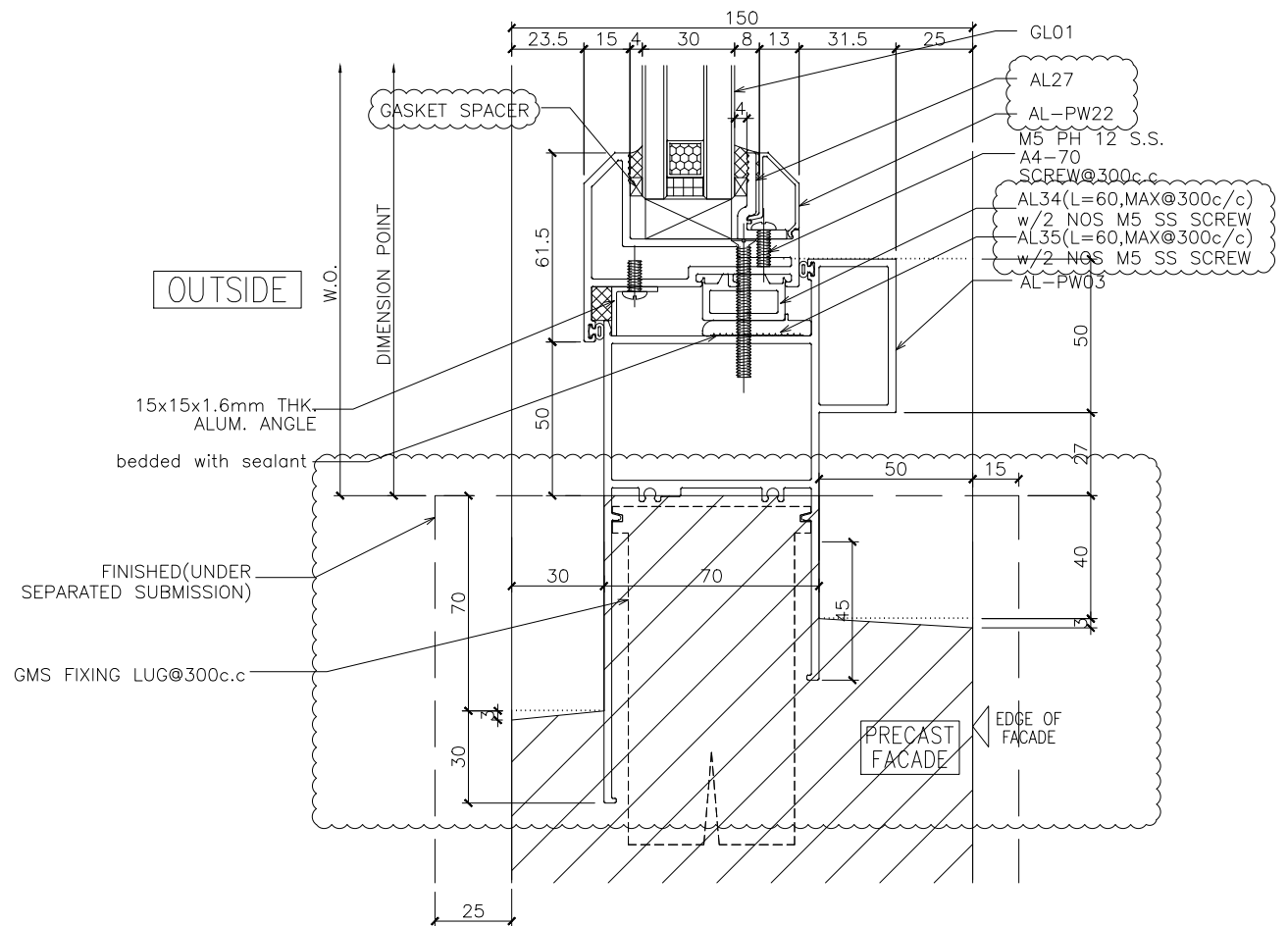
DWG NO. : J852-SD-PW-6004 REV. : B



1 VERTICAL DETAIL
SCALE 1:2



2 VERTICAL DETAIL
SCALE 1:2



4 VERTICAL DETAIL
SCALE 1:2

3 VERTICAL DETAIL
SCALE 1:2

B.D. REF :

CLIENT :

ARCHITECT :
AGC DESIGN LTD

MAIN CONTRACTOR :
Gammon

STRUCTURAL ENGINEER :
ARUP

FAÇADE CONSULTANT:
MEINHARDT

NOTE :
1. ALL DIMENSIONS ARE IN mm.
2. ALL ELEVATIONS ARE VIEWED FROM OUTSIDE.
3. ALL DIMENSIONS TO BE VERIFIED ON SITE BEFORE FABRICATION.

LEGEND :
X1 -- DETAIL MARK NO.
X001 -- REFER SHEET NO.
1. F.F.L -- FINISHED FLOOR LEVEL
2. S.F.L -- STRUCTURAL FLOOR LEVEL
3. (R) -- REVERSED DETAIL
4. ▲ -- FIXING LOCATION
5. △ -- FIXING LUG LOCATION
6. GLASS LEGEND
GL01 -- 8mm+12mm AIR GAP+10mm THK. I.G.U.
GL01a -- 8mm+9mm AIR GAP+12mm THK. I.G.U.
GL02 -- 10mm THK. TEMPERED GLASS (SPANDREL GLASS)
GL03 -- 6mm+12mm AIR GAP+6mm THK. I.G.U.
GL04 -- 10mm THK. TEMPERED GLASS (PROTECTIVE BARRIER)
GL05 -- 6mm+12mm AIR GAP+8mm THK. I.G.U.

NO.	DATE	REVISION	BY
D	24/08/2020	REVISION SUBJECT TO ARCH.COMMENT	lvn
C	16/06/2020	REVISION SUBJECT TO ARCH.COMMENT	lvn
B	01/06/2020	REVISION SUBJECT TO ARCH.COMMENT	lvn
A	09/05/2020	REVISION SUBJECT TO ARCH.COMMENT	lvn

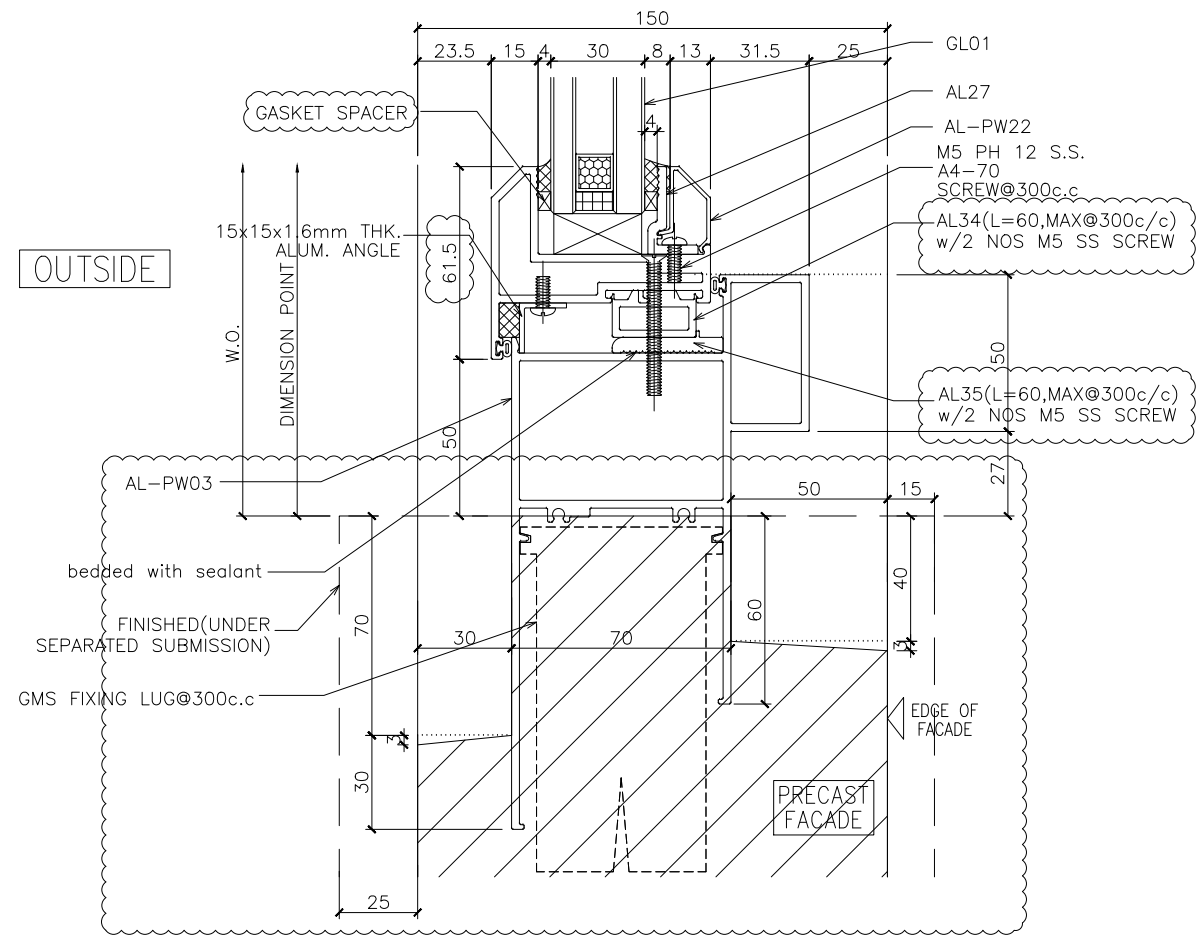
JOB NO. : J-852
PROJECT : PROPOSED RESIDENTIAL DEVELOPMENT AT 139 - 147 ARGYLE STREET, NKIL 6005, 6035 R.P., 6036 R.P., 6037 R.P. & 6038 R.P.

TITLE :
DETAIL FOR ALUM. WINDOW

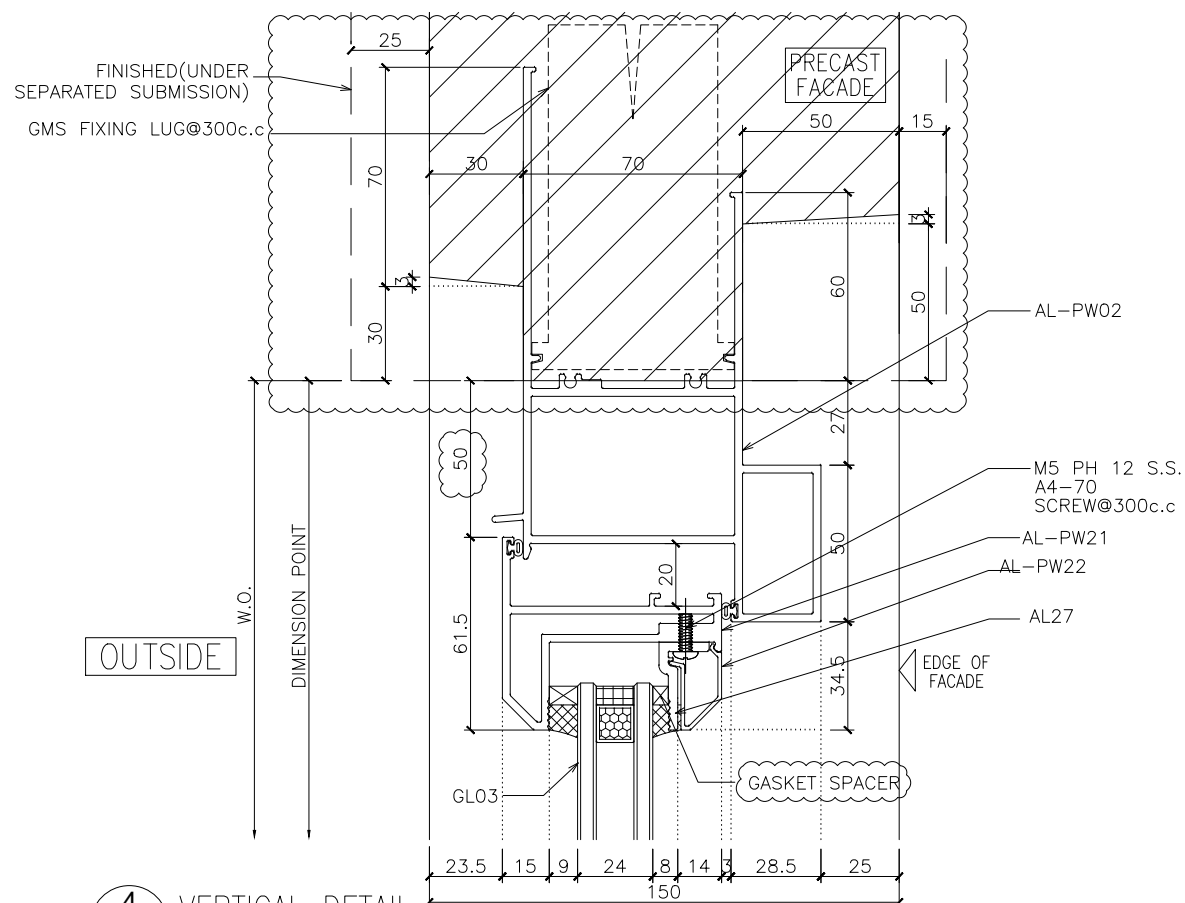
DATE : 05-Dec-19 SCALE : 1:2
DRAWN BY : MN CHECKED BY : DW

美特鋁質有限公司
MIDI ALUMINIUM FABRICATOR LTD.
Units 6-8, Sunray Industrial Centre, 1/F
610 Cha Kwo Ling Road, Kowloon
Tel:23489211-4 Fax:(852)2727666

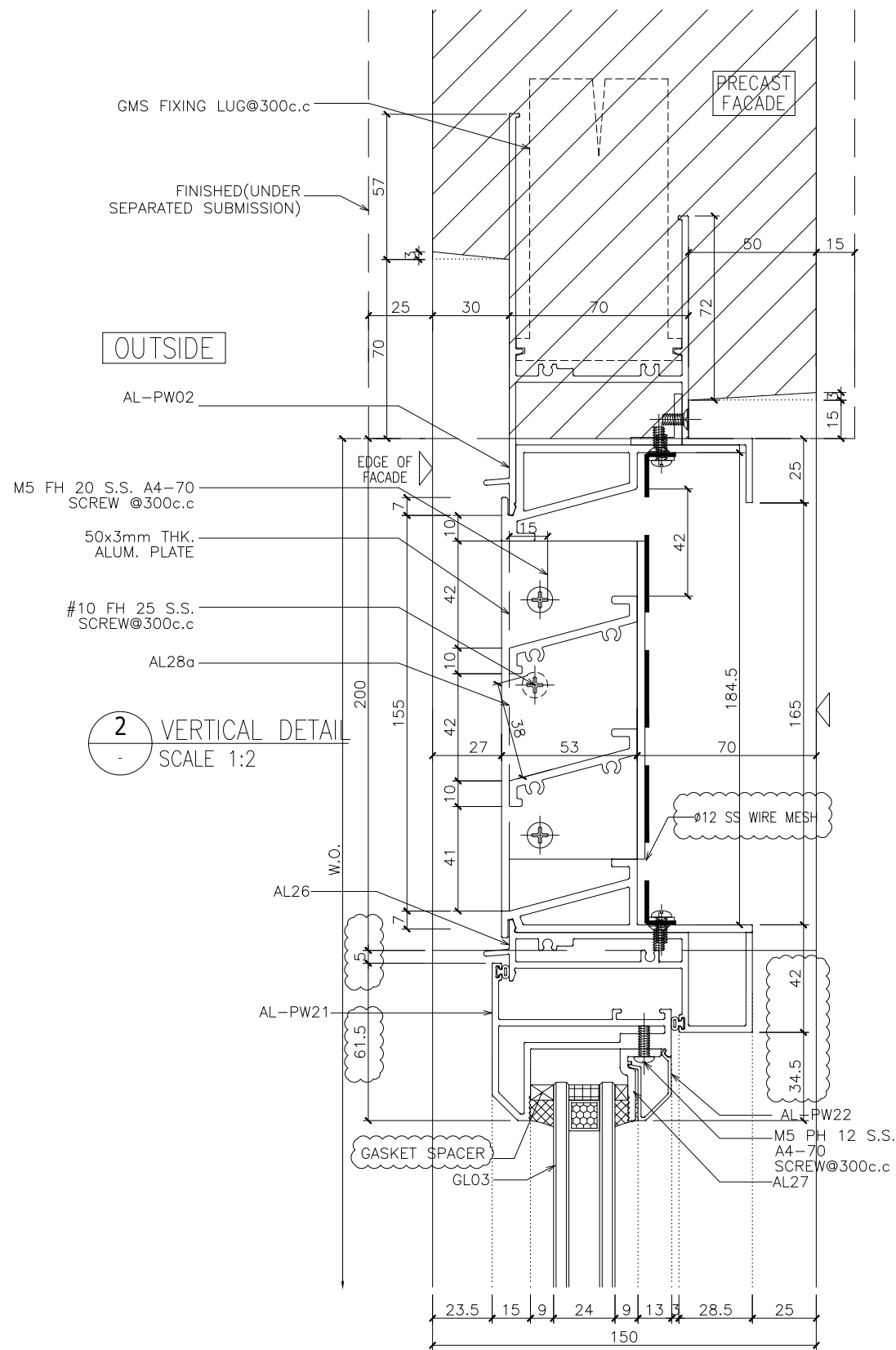
DWG NO. : J852-SD-PW-6005 REV. : D



1 VERTICAL DETAIL
SCALE 1:2



4 VERTICAL DETAIL
SCALE 1:2



2 VERTICAL DETAIL
SCALE 1:2

3 VERTICAL DETAIL
SCALE 1:2

B.D. REF :

CLIENT :

ARCHITECT :
AGC DESIGN LTD

MAIN CONTRACTOR :
Gammon

STRUCTURAL ENGINEER :
ARUP

FAÇADE CONSULTANT:
MEINHARDT

NOTE :
1. ALL DIMENSIONS ARE IN mm.
2. ALL ELEVATIONS ARE VIEWED FROM OUTSIDE.
3. ALL DIMENSIONS TO BE VERIFIED ON SITE BEFORE FABRICATION.

LEGEND :
X1 -- DETAIL MARK NO.
X001 -- REFER SHEET NO.
1. F.F.L -- FINISHED FLOOR LEVEL
2. S.F.L -- STRUCTURAL FLOOR LEVEL
3. (R) -- REVERSED DETAIL
4. ▲ -- FIXING LOCATION
5. △ -- FIXING LUG LOCATION
6. GLASS LEGEND
GL01 -- 8mm+12mm AIR GAP+10mm THK. I.G.U.
GL01a -- 8mm+9mm AIR GAP+12mm THK. I.G.U.
GL02 -- 10mm THK. TEMPERED GLASS (SPANDREL GLASS)
GL03 -- 6mm+12mm AIR GAP+6mm THK. I.G.U.
GL04 -- 10mm THK. TEMPERED GLASS (PROTECTIVE BARRIER)
GL05 -- 6mm+12mm AIR GAP+8mm THK. I.G.U.

NO.	DATE	REVISION	BY
D	24/08/2020	REVISION SUBJECT TO ARCH.COMMENT	lvn
C	16/06/2020	REVISION SUBJECT TO ARCH.COMMENT	lvn
B	01/06/2020	REVISION SUBJECT TO ARCH.COMMENT	lvn
A	09/05/2020	REVISION SUBJECT TO ARCH.COMMENT	lvn

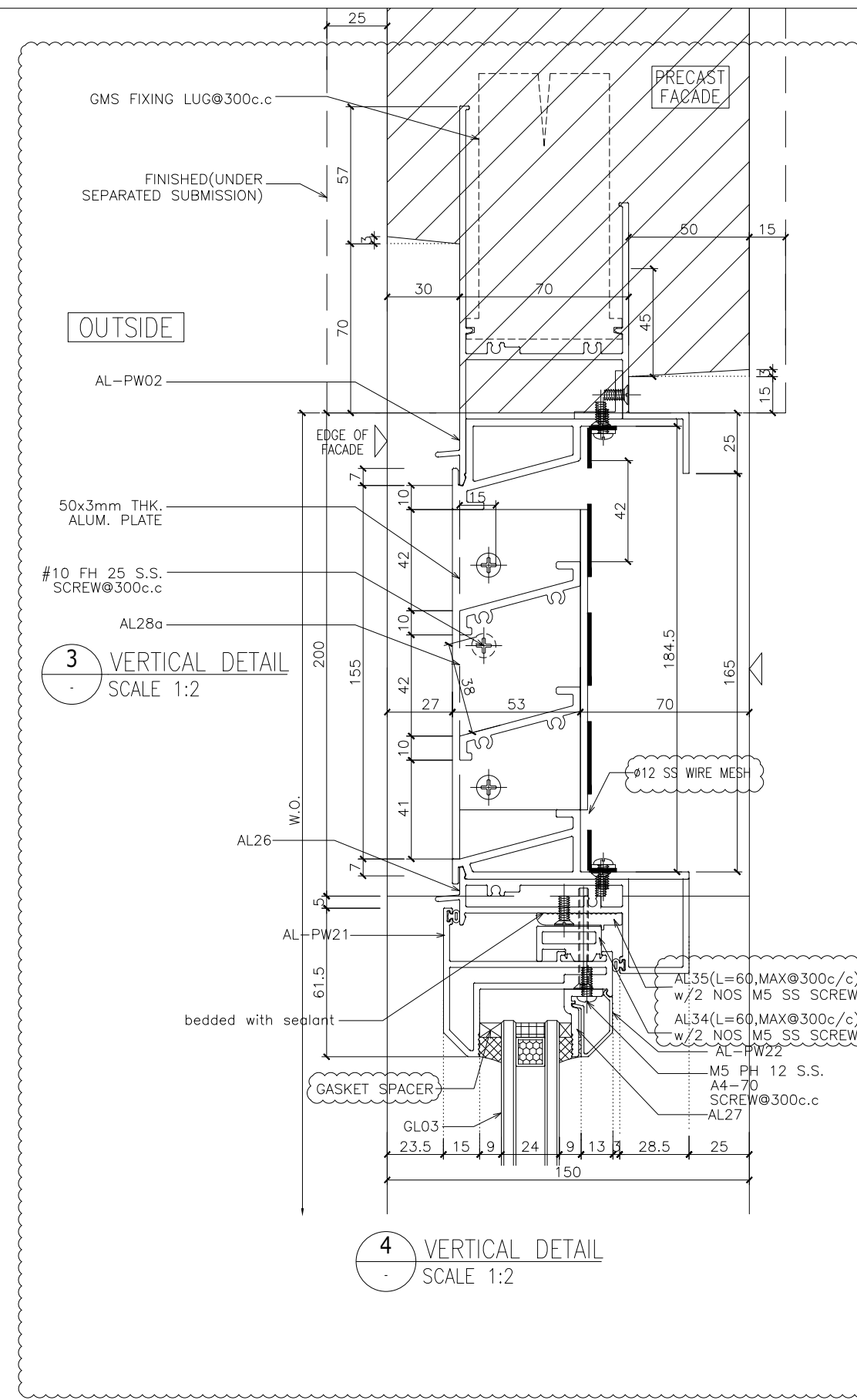
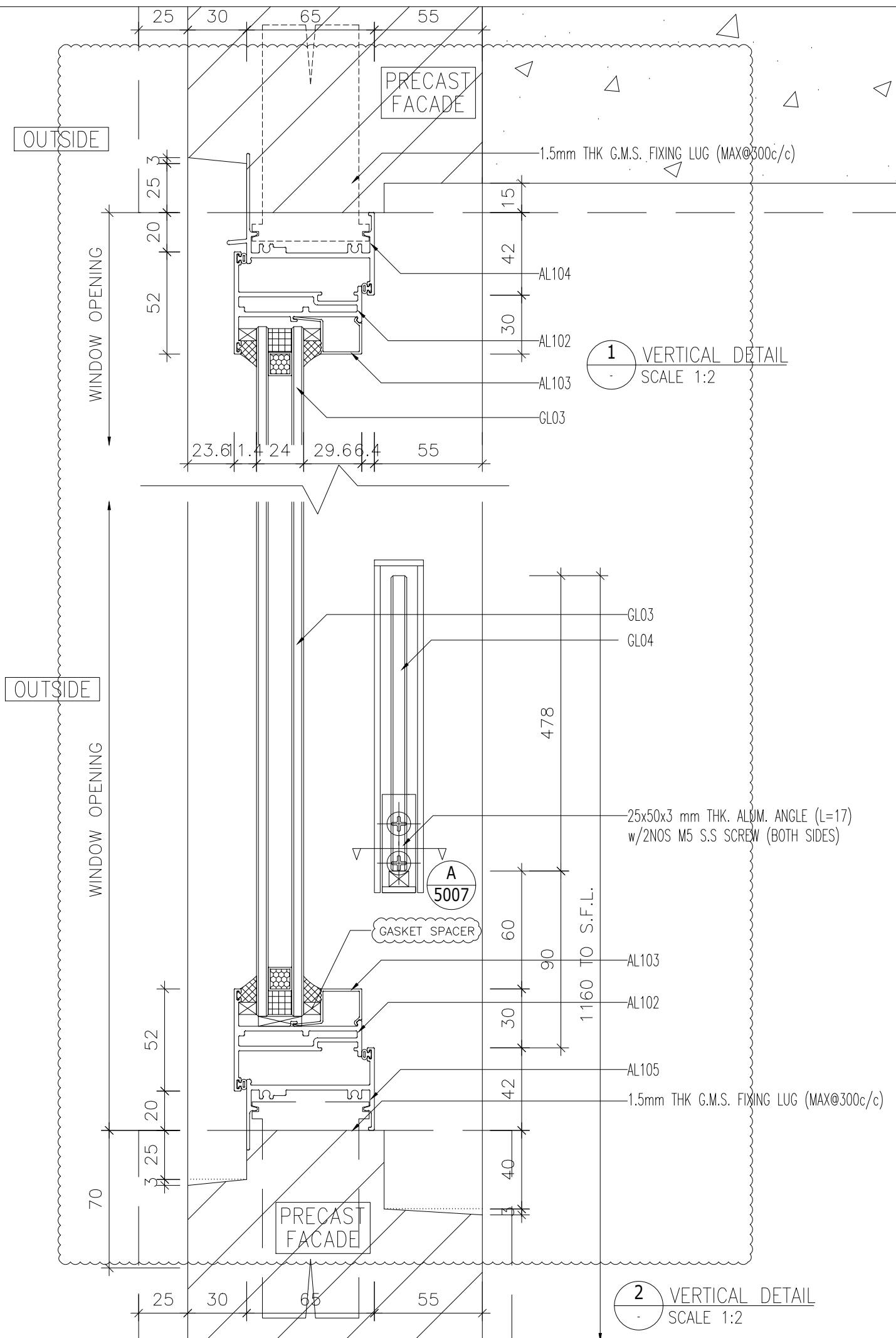
JOB NO. : J-852
PROJECT : PROPOSED RESIDENTIAL DEVELOPMENT AT 139 - 147 ARGYLE STREET, NKIL 6005, 6035 R.P., 6036 R.P., 6037 R.P. & 6038 R.P.

TITLE :
DETAIL FOR ALUM. WINDOW

DATE : 05-Dec-19 SCALE : 1:2
DRAWN BY : MN CHECKED BY : DW

美特鋁質有限公司
MIDI ALUMINIUM FABRICATOR LTD.
Units 6-8, Sunray Industrial Centre, 1/F
610 Cha Kwo Ling Road, Kowloon
Tel:23489211-4 Fax:(852)27727666

DWG NO. : J852-SD-PW-6006 REV. : D



B.D. REF :

CLIENT :

ARCHITECT :
AGC DESIGN LTD
architectural design
interior design
197, 187, 189, 190, 191, 192, 193, 194, 195, 196, 197, 198, 199, 200, 201, 202, 203, 204, 205, 206, 207, 208, 209, 210, 211, 212, 213, 214, 215, 216, 217, 218, 219, 220, 221, 222, 223, 224, 225, 226, 227, 228, 229, 230, 231, 232, 233, 234, 235, 236, 237, 238, 239, 240, 241, 242, 243, 244, 245, 246, 247, 248, 249, 250, 251, 252, 253, 254, 255, 256, 257, 258, 259, 260, 261, 262, 263, 264, 265, 266, 267, 268, 269, 270, 271, 272, 273, 274, 275, 276, 277, 278, 279, 280, 281, 282, 283, 284, 285, 286, 287, 288, 289, 290, 291, 292, 293, 294, 295, 296, 297, 298, 299, 300, 301, 302, 303, 304, 305, 306, 307, 308, 309, 310, 311, 312, 313, 314, 315, 316, 317, 318, 319, 320, 321, 322, 323, 324, 325, 326, 327, 328, 329, 330, 331, 332, 333, 334, 335, 336, 337, 338, 339, 340, 341, 342, 343, 344, 345, 346, 347, 348, 349, 350, 351, 352, 353, 354, 355, 356, 357, 358, 359, 360, 361, 362, 363, 364, 365, 366, 367, 368, 369, 370, 371, 372, 373, 374, 375, 376, 377, 378, 379, 380, 381, 382, 383, 384, 385, 386, 387, 388, 389, 390, 391, 392, 393, 394, 395, 396, 397, 398, 399, 400, 401, 402, 403, 404, 405, 406, 407, 408, 409, 410, 411, 412, 413, 414, 415, 416, 417, 418, 419, 420, 421, 422, 423, 424, 425, 426, 427, 428, 429, 430, 431, 432, 433, 434, 435, 436, 437, 438, 439, 440, 441, 442, 443, 444, 445, 446, 447, 448, 449, 450, 451, 452, 453, 454, 455, 456, 457, 458, 459, 460, 461, 462, 463, 464, 465, 466, 467, 468, 469, 470, 471, 472, 473, 474, 475, 476, 477, 478, 479, 480, 481, 482, 483, 484, 485, 486, 487, 488, 489, 490, 491, 492, 493, 494, 495, 496, 497, 498, 499, 500, 501, 502, 503, 504, 505, 506, 507, 508, 509, 510, 511, 512, 513, 514, 515, 516, 517, 518, 519, 520, 521, 522, 523, 524, 525, 526, 527, 528, 529, 530, 531, 532, 533, 534, 535, 536, 537, 538, 539, 540, 541, 542, 543, 544, 545, 546, 547, 548, 549, 550, 551, 552, 553, 554, 555, 556, 557, 558, 559, 560, 561, 562, 563, 564, 565, 566, 567, 568, 569, 570, 571, 572, 573, 574, 575, 576, 577, 578, 579, 580, 581, 582, 583, 584, 585, 586, 587, 588, 589, 590, 591, 592, 593, 594, 595, 596, 597, 598, 599, 600, 601, 602, 603, 604, 605, 606, 607, 608, 609, 610, 611, 612, 613, 614, 615, 616, 617, 618, 619, 620, 621, 622, 623, 624, 625, 626, 627, 628, 629, 630, 631, 632, 633, 634, 635, 636, 637, 638, 639, 640, 641, 642, 643, 644, 645, 646, 647, 648, 649, 650, 651, 652, 653, 654, 655, 656, 657, 658, 659, 660, 661, 662, 663, 664, 665, 666, 667, 668, 669, 670, 671, 672, 673, 674, 675, 676, 677, 678, 679, 680, 681, 682, 683, 684, 685, 686, 687, 688, 689, 690, 691, 692, 693, 694, 695, 696, 697, 698, 699, 700, 701, 702, 703, 704, 705, 706, 707, 708, 709, 710, 711, 712, 713, 714, 715, 716, 717, 718, 719, 720, 721, 722, 723, 724, 725, 726, 727, 728, 729, 730, 731, 732, 733, 734, 735, 736, 737, 738, 739, 740, 741, 742, 743, 744, 745, 746, 747, 748, 749, 750, 751, 752, 753, 754, 755, 756, 757, 758, 759, 760, 761, 762, 763, 764, 765, 766, 767, 768, 769, 770, 771, 772, 773, 774, 775, 776, 777, 778, 779, 780, 781, 782, 783, 784, 785, 786, 787, 788, 789, 790, 791, 792, 793, 794, 795, 796, 797, 798, 799, 800, 801, 802, 803, 804, 805, 806, 807, 808, 809, 810, 811, 812, 813, 814, 815, 816, 817, 818, 819, 820, 821, 822, 823, 824, 825, 826, 827, 828, 829, 830, 831, 832, 833, 834, 835, 836, 837, 838, 839, 840, 841, 842, 843, 844, 845, 846, 847, 848, 849, 850, 851, 852, 853, 854, 855, 856, 857, 858, 859, 860, 861, 862, 863, 864, 865, 866, 867, 868, 869, 870, 871, 872, 873, 874, 875, 876, 877, 878, 879, 880, 881, 882, 883, 884, 885, 886, 887, 888, 889, 890, 891, 892, 893, 894, 895, 896, 897, 898, 899, 900, 901, 902, 903, 904, 905, 906, 907, 908, 909, 910, 911, 912, 913, 914, 915, 916, 917, 918, 919, 920, 921, 922, 923, 924, 925, 926, 927, 928, 929, 930, 931, 932, 933, 934, 935, 936, 937, 938, 939, 940, 941, 942, 943, 944, 945, 946, 947, 948, 949, 950, 951, 952, 953, 954, 955, 956, 957, 958, 959, 960, 961, 962, 963, 964, 965, 966, 967, 968, 969, 970, 971, 972, 973, 974, 975, 976, 977, 978, 979, 980, 981, 982, 983, 984, 985, 986, 987, 988, 989, 990, 991, 992, 993, 994, 995, 996, 997, 998, 999, 1000.

MAIN CONTRACTOR :
Gammon

STRUCTURAL ENGINEER :
ARUP

FAÇADE CONSULTANT :
MEINHARDT

NOTE :
1. ALL DIMENSIONS ARE IN mm.
2. ALL ELEVATIONS ARE VIEWED FROM OUTSIDE.
3. ALL DIMENSIONS TO BE VERIFIED ON SITE BEFORE FABRICATION.

LEGEND :
X1 - DETAIL MARK NO.
X001 - REFER SHEET NO.

1. F.F.L. -- FINISHED FLOOR LEVEL
2. S.F.L. -- STRUCTURAL FLOOR LEVEL
3. (R) -- REVERSED DETAIL
4. ▲ FIXING LOCATION
5. △ FIXING LUG LOCATION
6. GLASS LEGEND
GL01 -- 8mm+12mm AIR GAP+10mm THK. I.G.U.
GL01a -- 8mm+9mm AIR GAP+12mm THK. I.G.U.
GL02 -- 10mm THK. TEMPERED GLASS (SPANDREL GLASS)
GL03 -- 6mm+12mm AIR GAP+6mm THK. I.G.U.
GL04 -- 10mm THK. TEMPERED GLASS (PROTECTIVE BARRIER)
GL05 -- 6mm+12mm AIR GAP+8mm THK. I.G.U.

B	24/08/2020	REVISION SUBJECT TO ARCH.COMMENT	Ivan
A	01/06/2020	REVISION SUBJECT TO ARCH.COMMENT	Ivan
NO.	DATE	REVISED	BY

JOB NO. : J-852

PROJECT :
PROPOSED RESIDENTIAL DEVELOPMENT
AT 139 - 147 ARGYLE STREET,
NKIL 6005, 6035 R.P., 6036 R.P.,
6037 R.P. & 6038 R.P.

TITLE :
DETAIL FOR
ALUM. WINDOW

DATE : 05-Dec-19 SCALE : 1:2

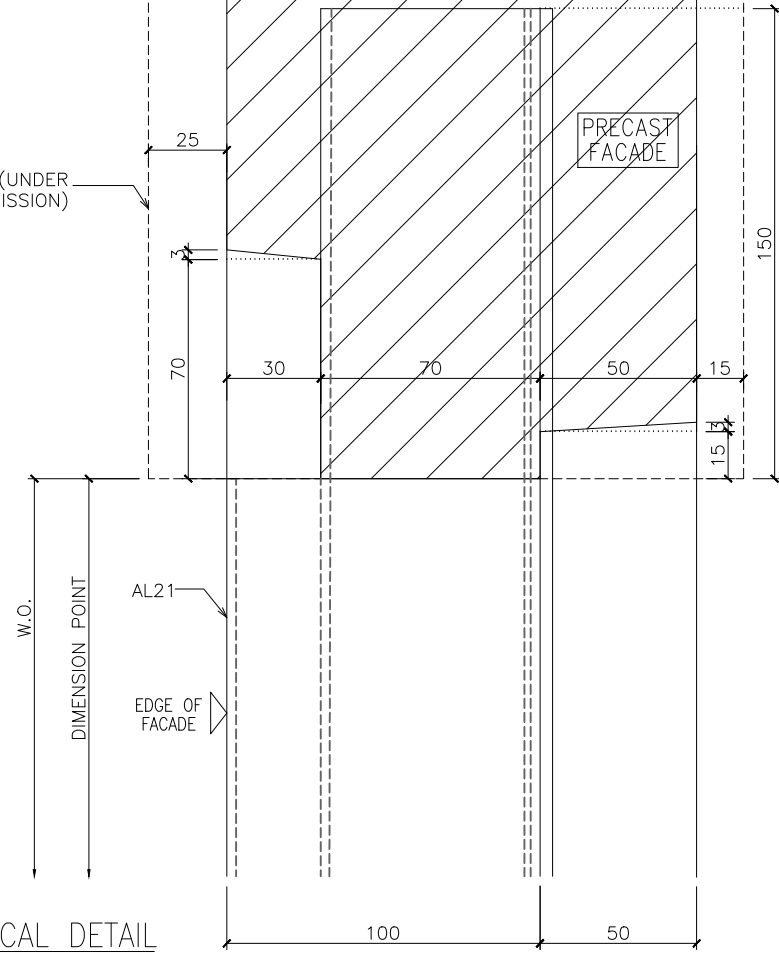
DRAWN BY : MN CHECKED BY : DW

美特鋁質有限公司
MIDI ALUMINIUM FABRICATOR LTD.
Units 6-8, Sunray Industrial Centre, 1/F
610 Cha Kwo Ling Road, Kowloon
Tel: 23489211-4 Fax: (852) 27727666

DWG NO. : J852-SD-PW-6007 REV. : B

OUTSIDE

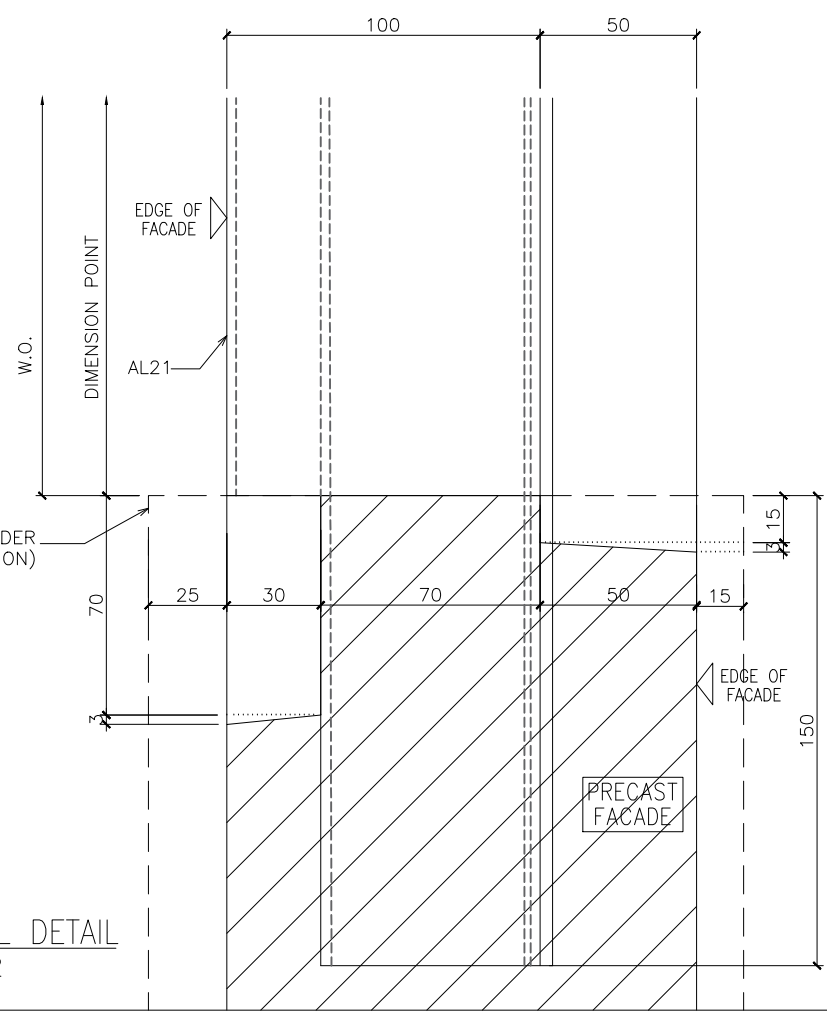
FINISHED (UNDER SEPARATED SUBMISSION)



1 VERTICAL DETAIL SCALE 1:2

OUTSIDE

FINISHED (UNDER SEPARATED SUBMISSION)



2 VERTICAL DETAIL SCALE 1:2

B.D. REF :

CLIENT :

ARCHITECT :
AGC DESIGN LTD
 architects urban design interior
 香港建築師學會會員
 1/F, 187, Des Voeux Road, 22/F, 228, York Road, Hong Kong
 Tel: (852)2111111, Fax: (852)2111111, Email: agc@agcdesign.com.hk

MAIN CONTRACTOR :
Gammon

STRUCTURAL ENGINEER :
ARUP

FACADE CONSULTANT:
MEINHARDT

NOTE :
 1. ALL DIMENSIONS ARE IN mm.
 2. ALL ELEVATIONS ARE VIEWED FROM OUTSIDE.
 3. ALL DIMENSIONS TO BE VERIFIED ON SITE BEFORE FABRICATION.

LEGEND :
 (X1) --- DETAIL MARK NO.
 X001 --- REFER SHEET NO.
 1. F.F.L. --- FINISHED FLOOR LEVEL
 2. S.F.L. --- STRUCTURAL FLOOR LEVEL
 3. (R) --- REVERSED DETAIL
 4. ▲ --- FIXING LOCATION
 5. △ --- FIXING LUG LOCATION
 6. GLASS LEGEND
 GLO1 --- 8mm+12mm AIR GAP+10mm THK. I.G.U.
 GLO1a --- 8mm+9mm AIR GAP+12mm THK. I.G.U.
 GLO2 --- 10mm THK. TEMPERED GLASS (SPANDREL GLASS)
 GLO3 --- 6mm+12mm AIR GAP+6mm THK. I.G.U.
 GLO4 --- 10mm THK. TEMPERED GLASS (PROTECTIVE BARRIER)
 GLO5 --- 6mm+12mm AIR GAP+8mm THK. I.G.U.

NO.	DATE	REVISION SUBJECT TO ARCH.COMMENT	REVISED	BY
A	24/08/2020	REVISION SUBJECT TO ARCH.COMMENT		Ivan

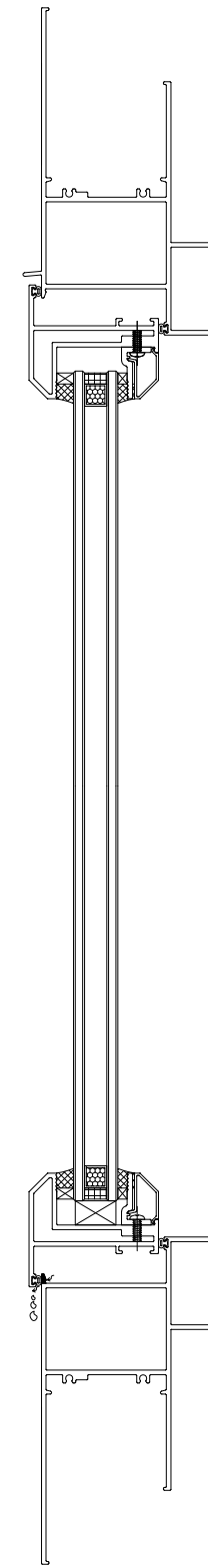
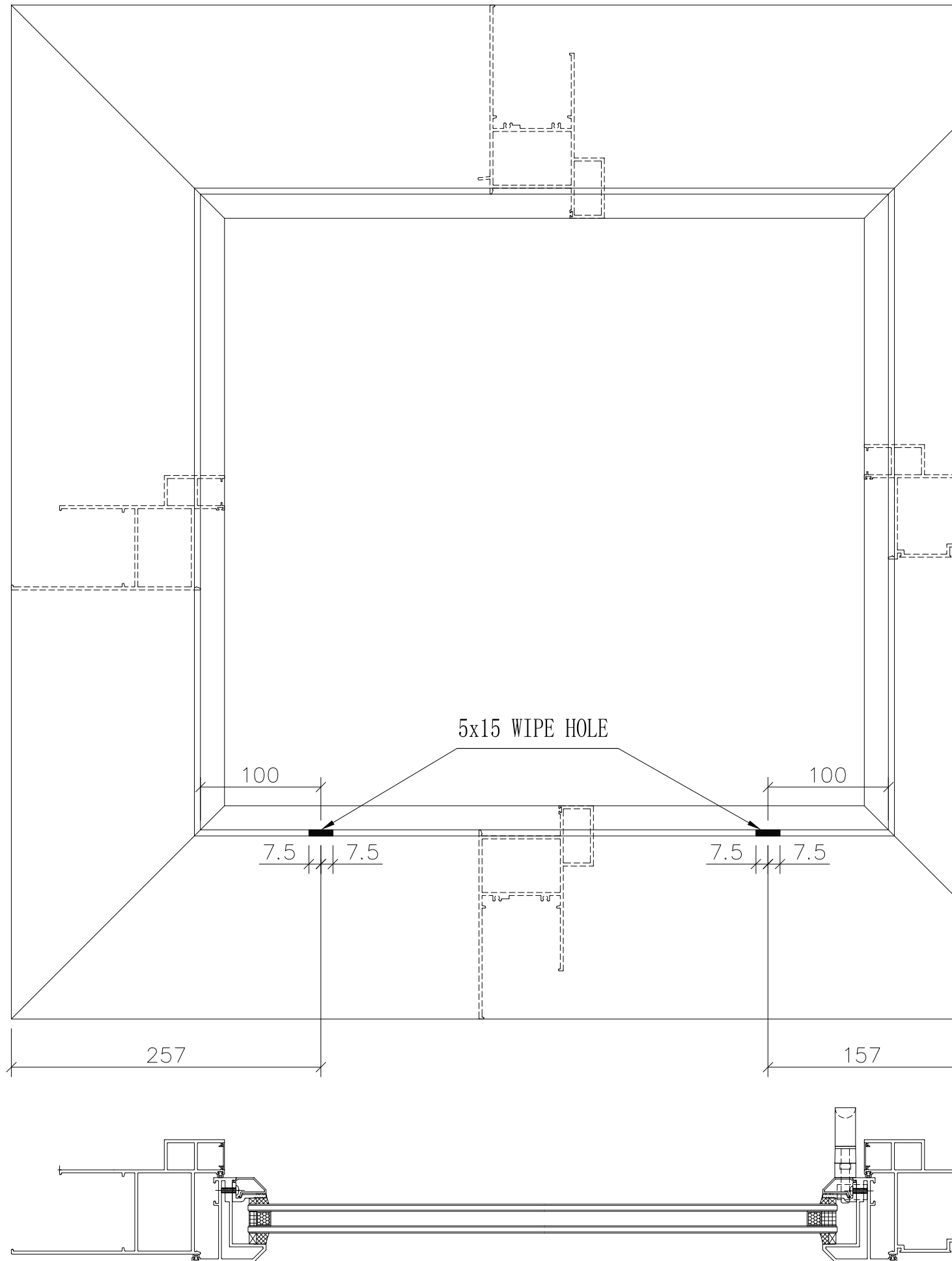
JOB NO. : J-852
 PROJECT : PROPOSED RESIDENTIAL DEVELOPMENT AT 139 - 147 ARGYLE STREET, NKIL 6005, 6035 R.P., 6036 R.P., 6037 R.P. & 6038 R.P.

TITLE :
 DETAIL FOR ALUM. WINDOW

DATE : 05-Dec-19 SCALE : 1:2
 DRAWN BY : MN CHECKED BY : DW

美特鋁質有限公司
MIDI ALUMINIUM FABRICATOR LTD.
 Units 6-8, Sunray Industrial Centre, 1/F
 610 Cha Kwo Ling Road, Kowloon
 Tel: 23489211-4 Fax: (852) 27727666

DWG NO. : J852-SD-PW-6008 REV. : A



B.D. REF :

CLIENT :

ARCHITECT :
AGC DESIGN LTD
AGC DESIGN LTD
 101, 102, 103, 104, 105, 106, 107, 108, 109, 110, 111, 112, 113, 114, 115, 116, 117, 118, 119, 120, 121, 122, 123, 124, 125, 126, 127, 128, 129, 130, 131, 132, 133, 134, 135, 136, 137, 138, 139, 140, 141, 142, 143, 144, 145, 146, 147, 148, 149, 150, 151, 152, 153, 154, 155, 156, 157, 158, 159, 160, 161, 162, 163, 164, 165, 166, 167, 168, 169, 170, 171, 172, 173, 174, 175, 176, 177, 178, 179, 180, 181, 182, 183, 184, 185, 186, 187, 188, 189, 190, 191, 192, 193, 194, 195, 196, 197, 198, 199, 200, 201, 202, 203, 204, 205, 206, 207, 208, 209, 210, 211, 212, 213, 214, 215, 216, 217, 218, 219, 220, 221, 222, 223, 224, 225, 226, 227, 228, 229, 230, 231, 232, 233, 234, 235, 236, 237, 238, 239, 240, 241, 242, 243, 244, 245, 246, 247, 248, 249, 250, 251, 252, 253, 254, 255, 256, 257, 258, 259, 260, 261, 262, 263, 264, 265, 266, 267, 268, 269, 270, 271, 272, 273, 274, 275, 276, 277, 278, 279, 280, 281, 282, 283, 284, 285, 286, 287, 288, 289, 290, 291, 292, 293, 294, 295, 296, 297, 298, 299, 300, 301, 302, 303, 304, 305, 306, 307, 308, 309, 310, 311, 312, 313, 314, 315, 316, 317, 318, 319, 320, 321, 322, 323, 324, 325, 326, 327, 328, 329, 330, 331, 332, 333, 334, 335, 336, 337, 338, 339, 340, 341, 342, 343, 344, 345, 346, 347, 348, 349, 350, 351, 352, 353, 354, 355, 356, 357, 358, 359, 360, 361, 362, 363, 364, 365, 366, 367, 368, 369, 370, 371, 372, 373, 374, 375, 376, 377, 378, 379, 380, 381, 382, 383, 384, 385, 386, 387, 388, 389, 390, 391, 392, 393, 394, 395, 396, 397, 398, 399, 400, 401, 402, 403, 404, 405, 406, 407, 408, 409, 410, 411, 412, 413, 414, 415, 416, 417, 418, 419, 420, 421, 422, 423, 424, 425, 426, 427, 428, 429, 430, 431, 432, 433, 434, 435, 436, 437, 438, 439, 440, 441, 442, 443, 444, 445, 446, 447, 448, 449, 450, 451, 452, 453, 454, 455, 456, 457, 458, 459, 460, 461, 462, 463, 464, 465, 466, 467, 468, 469, 470, 471, 472, 473, 474, 475, 476, 477, 478, 479, 480, 481, 482, 483, 484, 485, 486, 487, 488, 489, 490, 491, 492, 493, 494, 495, 496, 497, 498, 499, 500, 501, 502, 503, 504, 505, 506, 507, 508, 509, 510, 511, 512, 513, 514, 515, 516, 517, 518, 519, 520, 521, 522, 523, 524, 525, 526, 527, 528, 529, 530, 531, 532, 533, 534, 535, 536, 537, 538, 539, 540, 541, 542, 543, 544, 545, 546, 547, 548, 549, 550, 551, 552, 553, 554, 555, 556, 557, 558, 559, 560, 561, 562, 563, 564, 565, 566, 567, 568, 569, 570, 571, 572, 573, 574, 575, 576, 577, 578, 579, 580, 581, 582, 583, 584, 585, 586, 587, 588, 589, 590, 591, 592, 593, 594, 595, 596, 597, 598, 599, 600, 601, 602, 603, 604, 605, 606, 607, 608, 609, 610, 611, 612, 613, 614, 615, 616, 617, 618, 619, 620, 621, 622, 623, 624, 625, 626, 627, 628, 629, 630, 631, 632, 633, 634, 635, 636, 637, 638, 639, 640, 641, 642, 643, 644, 645, 646, 647, 648, 649, 650, 651, 652, 653, 654, 655, 656, 657, 658, 659, 660, 661, 662, 663, 664, 665, 666, 667, 668, 669, 670, 671, 672, 673, 674, 675, 676, 677, 678, 679, 680, 681, 682, 683, 684, 685, 686, 687, 688, 689, 690, 691, 692, 693, 694, 695, 696, 697, 698, 699, 700, 701, 702, 703, 704, 705, 706, 707, 708, 709, 710, 711, 712, 713, 714, 715, 716, 717, 718, 719, 720, 721, 722, 723, 724, 725, 726, 727, 728, 729, 730, 731, 732, 733, 734, 735, 736, 737, 738, 739, 740, 741, 742, 743, 744, 745, 746, 747, 748, 749, 750, 751, 752, 753, 754, 755, 756, 757, 758, 759, 760, 761, 762, 763, 764, 765, 766, 767, 768, 769, 770, 771, 772, 773, 774, 775, 776, 777, 778, 779, 780, 781, 782, 783, 784, 785, 786, 787, 788, 789, 790, 791, 792, 793, 794, 795, 796, 797, 798, 799, 800, 801, 802, 803, 804, 805, 806, 807, 808, 809, 810, 811, 812, 813, 814, 815, 816, 817, 818, 819, 820, 821, 822, 823, 824, 825, 826, 827, 828, 829, 830, 831, 832, 833, 834, 835, 836, 837, 838, 839, 840, 841, 842, 843, 844, 845, 846, 847, 848, 849, 850, 851, 852, 853, 854, 855, 856, 857, 858, 859, 860, 861, 862, 863, 864, 865, 866, 867, 868, 869, 870, 871, 872, 873, 874, 875, 876, 877, 878, 879, 880, 881, 882, 883, 884, 885, 886, 887, 888, 889, 890, 891, 892, 893, 894, 895, 896, 897, 898, 899, 900, 901, 902, 903, 904, 905, 906, 907, 908, 909, 910, 911, 912, 913, 914, 915, 916, 917, 918, 919, 920, 921, 922, 923, 924, 925, 926, 927, 928, 929, 930, 931, 932, 933, 934, 935, 936, 937, 938, 939, 940, 941, 942, 943, 944, 945, 946, 947, 948, 949, 950, 951, 952, 953, 954, 955, 956, 957, 958, 959, 960, 961, 962, 963, 964, 965, 966, 967, 968, 969, 970, 971, 972, 973, 974, 975, 976, 977, 978, 979, 980, 981, 982, 983, 984, 985, 986, 987, 988, 989, 990, 991, 992, 993, 994, 995, 996, 997, 998, 999, 1000

MAIN CONTRACTOR :
Gammon

STRUCTURAL ENGINEER :
ARUP

FACADE CONSULTANT:
MEINHARDT

NOTE :
 1. ALL DIMENSIONS ARE IN mm.
 2. ALL ELEVATIONS ARE VIEWED FROM OUTSIDE.
 3. ALL DIMENSIONS TO BE VERIFIED ON SITE BEFORE FABRICATION.

LEGEND :
 (X1) --- DETAIL MARK NO.
 (X001) --- REFER SHEET NO.
 1. F.F.L. --- FINISHED FLOOR LEVEL
 2. S.F.L. --- STRUCTURAL FLOOR LEVEL
 3. (R) --- REVERSED DETAIL
 4. ▲ --- FIXING LOCATION
 5. △ --- FIXING LUG LOCATION
 6. GLASS LEGEND
 GL01 --- 8mm+12mm AIR GAP+10mm THK. I.G.U.
 GL01a --- 8mm+9mm AIR GAP+12mm THK. I.G.U.
 GL02 --- 10mm THK. TEMPERED GLASS (SPANDREL GLASS)
 GL03 --- 6mm+12mm AIR GAP+6mm THK. I.G.U.
 GL04 --- 10mm THK. TEMPERED GLASS (PROTECTIVE BARRIER)
 GL05 --- 6mm+12mm AIR GAP+8mm THK. I.G.U.

NO.	DATE	REVISED	BY
-----	------	---------	----

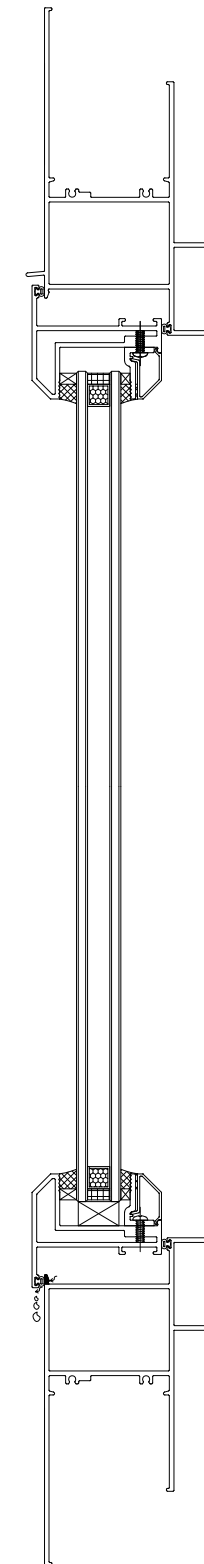
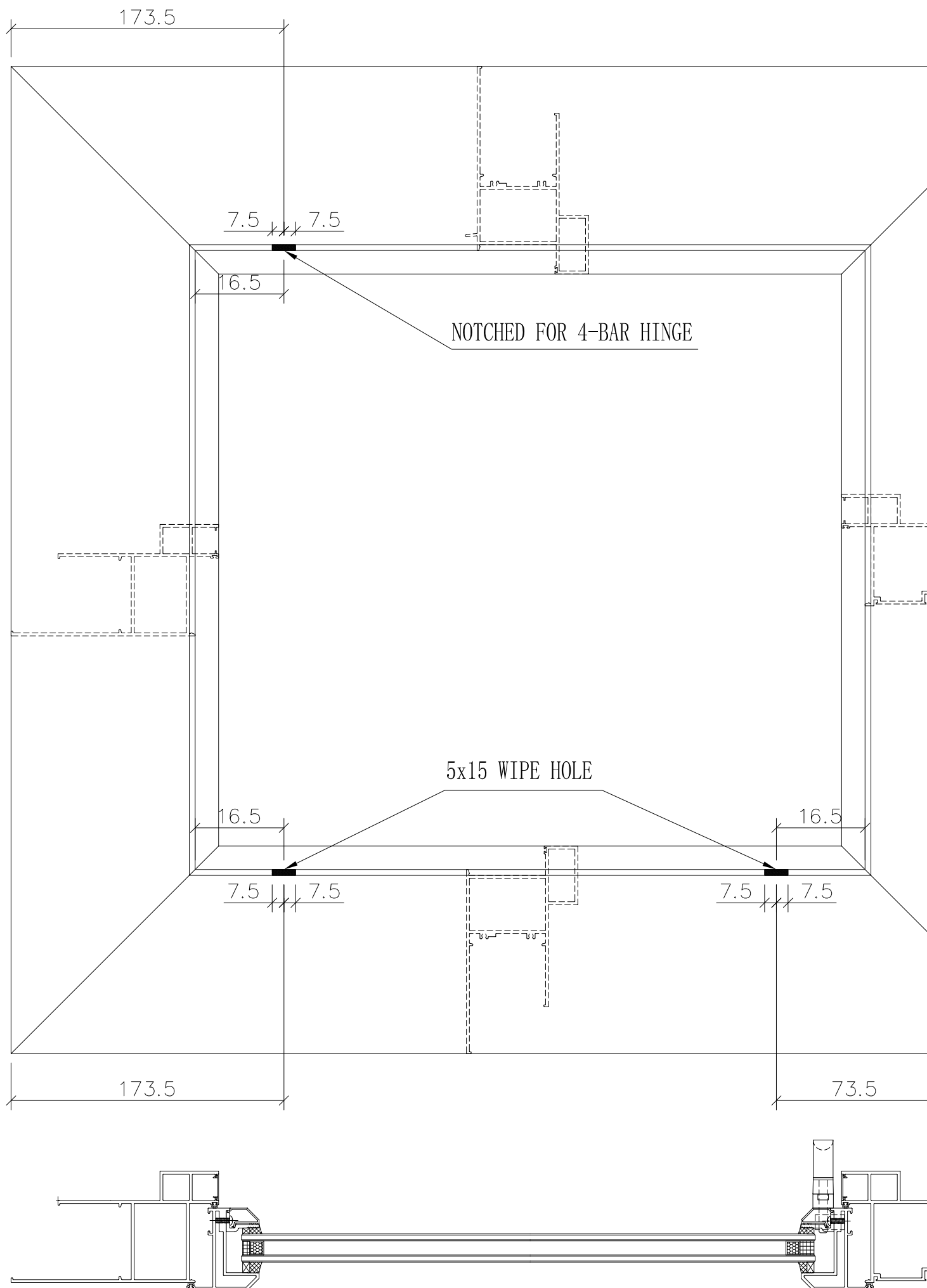
JOB NO. : J-852
 PROJECT : PROPOSED RESIDENTIAL DEVELOPMENT AT 139 - 147 ARGYLE STREET, NKIL 6005, 6035 R.P., 6036 R.P., 6037 R.P. & 6038 R.P.

TITLE :
 DETAIL FOR ALUM. WINDOW

DATE : 05-Dec-19 SCALE : 1:2
 DRAWN BY : MN CHECKED BY : DW

美特鋁質有限公司
MIDI ALUMINIUM FABRICATOR LTD.
 Units 6-8, Sunray Industrial Centre, 1/F
 610 Cha Kwo Ling Road, Kowloon
 Tel:23489211-4 Fax:(852)2727666

DWG NO. : J852-SD-PW-6009 REV. : -



B.D. REF :

CLIENT :

ARCHITECT :
AGC DESIGN LTD
 181, 182, 183, 184, 185, 186, 187, 188, 189, 190, 191, 192, 193, 194, 195, 196, 197, 198, 199, 200, 201, 202, 203, 204, 205, 206, 207, 208, 209, 210, 211, 212, 213, 214, 215, 216, 217, 218, 219, 220, 221, 222, 223, 224, 225, 226, 227, 228, 229, 230, 231, 232, 233, 234, 235, 236, 237, 238, 239, 240, 241, 242, 243, 244, 245, 246, 247, 248, 249, 250, 251, 252, 253, 254, 255, 256, 257, 258, 259, 260, 261, 262, 263, 264, 265, 266, 267, 268, 269, 270, 271, 272, 273, 274, 275, 276, 277, 278, 279, 280, 281, 282, 283, 284, 285, 286, 287, 288, 289, 290, 291, 292, 293, 294, 295, 296, 297, 298, 299, 300, 301, 302, 303, 304, 305, 306, 307, 308, 309, 310, 311, 312, 313, 314, 315, 316, 317, 318, 319, 320, 321, 322, 323, 324, 325, 326, 327, 328, 329, 330, 331, 332, 333, 334, 335, 336, 337, 338, 339, 340, 341, 342, 343, 344, 345, 346, 347, 348, 349, 350, 351, 352, 353, 354, 355, 356, 357, 358, 359, 360, 361, 362, 363, 364, 365, 366, 367, 368, 369, 370, 371, 372, 373, 374, 375, 376, 377, 378, 379, 380, 381, 382, 383, 384, 385, 386, 387, 388, 389, 390, 391, 392, 393, 394, 395, 396, 397, 398, 399, 400, 401, 402, 403, 404, 405, 406, 407, 408, 409, 410, 411, 412, 413, 414, 415, 416, 417, 418, 419, 420, 421, 422, 423, 424, 425, 426, 427, 428, 429, 430, 431, 432, 433, 434, 435, 436, 437, 438, 439, 440, 441, 442, 443, 444, 445, 446, 447, 448, 449, 450, 451, 452, 453, 454, 455, 456, 457, 458, 459, 460, 461, 462, 463, 464, 465, 466, 467, 468, 469, 470, 471, 472, 473, 474, 475, 476, 477, 478, 479, 480, 481, 482, 483, 484, 485, 486, 487, 488, 489, 490, 491, 492, 493, 494, 495, 496, 497, 498, 499, 500, 501, 502, 503, 504, 505, 506, 507, 508, 509, 510, 511, 512, 513, 514, 515, 516, 517, 518, 519, 520, 521, 522, 523, 524, 525, 526, 527, 528, 529, 530, 531, 532, 533, 534, 535, 536, 537, 538, 539, 540, 541, 542, 543, 544, 545, 546, 547, 548, 549, 550, 551, 552, 553, 554, 555, 556, 557, 558, 559, 560, 561, 562, 563, 564, 565, 566, 567, 568, 569, 570, 571, 572, 573, 574, 575, 576, 577, 578, 579, 580, 581, 582, 583, 584, 585, 586, 587, 588, 589, 590, 591, 592, 593, 594, 595, 596, 597, 598, 599, 600, 601, 602, 603, 604, 605, 606, 607, 608, 609, 610, 611, 612, 613, 614, 615, 616, 617, 618, 619, 620, 621, 622, 623, 624, 625, 626, 627, 628, 629, 630, 631, 632, 633, 634, 635, 636, 637, 638, 639, 640, 641, 642, 643, 644, 645, 646, 647, 648, 649, 650, 651, 652, 653, 654, 655, 656, 657, 658, 659, 660, 661, 662, 663, 664, 665, 666, 667, 668, 669, 670, 671, 672, 673, 674, 675, 676, 677, 678, 679, 680, 681, 682, 683, 684, 685, 686, 687, 688, 689, 690, 691, 692, 693, 694, 695, 696, 697, 698, 699, 700, 701, 702, 703, 704, 705, 706, 707, 708, 709, 710, 711, 712, 713, 714, 715, 716, 717, 718, 719, 720, 721, 722, 723, 724, 725, 726, 727, 728, 729, 730, 731, 732, 733, 734, 735, 736, 737, 738, 739, 740, 741, 742, 743, 744, 745, 746, 747, 748, 749, 750, 751, 752, 753, 754, 755, 756, 757, 758, 759, 760, 761, 762, 763, 764, 765, 766, 767, 768, 769, 770, 771, 772, 773, 774, 775, 776, 777, 778, 779, 780, 781, 782, 783, 784, 785, 786, 787, 788, 789, 790, 791, 792, 793, 794, 795, 796, 797, 798, 799, 800, 801, 802, 803, 804, 805, 806, 807, 808, 809, 810, 811, 812, 813, 814, 815, 816, 817, 818, 819, 820, 821, 822, 823, 824, 825, 826, 827, 828, 829, 830, 831, 832, 833, 834, 835, 836, 837, 838, 839, 840, 841, 842, 843, 844, 845, 846, 847, 848, 849, 850, 851, 852, 853, 854, 855, 856, 857, 858, 859, 860, 861, 862, 863, 864, 865, 866, 867, 868, 869, 870, 871, 872, 873, 874, 875, 876, 877, 878, 879, 880, 881, 882, 883, 884, 885, 886, 887, 888, 889, 890, 891, 892, 893, 894, 895, 896, 897, 898, 899, 900, 901, 902, 903, 904, 905, 906, 907, 908, 909, 910, 911, 912, 913, 914, 915, 916, 917, 918, 919, 920, 921, 922, 923, 924, 925, 926, 927, 928, 929, 930, 931, 932, 933, 934, 935, 936, 937, 938, 939, 940, 941, 942, 943, 944, 945, 946, 947, 948, 949, 950, 951, 952, 953, 954, 955, 956, 957, 958, 959, 960, 961, 962, 963, 964, 965, 966, 967, 968, 969, 970, 971, 972, 973, 974, 975, 976, 977, 978, 979, 980, 981, 982, 983, 984, 985, 986, 987, 988, 989, 990, 991, 992, 993, 994, 995, 996, 997, 998, 999, 1000

MAIN CONTRACTOR :
Gammon

STRUCTURAL ENGINEER :
ARUP

FACADE CONSULTANT:
MEINHARDT

NOTE :
 1. ALL DIMENSIONS ARE IN mm.
 2. ALL ELEVATIONS ARE VIEWED FROM OUTSIDE.
 3. ALL DIMENSIONS TO BE VERIFIED ON SITE BEFORE FABRICATION.

LEGEND :
 (x1) — DETAIL MARK NO.
 (x001) — REFER SHEET NO.
 1. F.F.L. -- FINISHED FLOOR LEVEL
 2. S.F.L. -- STRUCTURAL FLOOR LEVEL
 3. (R) -- REVERSED DETAIL
 4. ▲ -- FIXING LOCATION
 5. △ -- FIXING LUG LOCATION
 6. GLASS LEGEND
 GL01 -- 8mm+12mm AIR GAP+10mm THK. I.G.U.
 GL01a -- 8mm+9mm AIR GAP+12mm THK. I.G.U.
 GL02 -- 10mm THK. TEMPERED GLASS (SPANDREL GLASS)
 GL03 -- 6mm+12mm AIR GAP+6mm THK. I.G.U.
 GL04 -- 10mm THK. TEMPERED GLASS (PROTECTIVE BARRIER)
 GL05 -- 6mm+12mm AIR GAP+8mm THK. I.G.U.

NO.	DATE	REVISED	BY
-----	------	---------	----

JOB NO. : J-852
 PROJECT : PROPOSED RESIDENTIAL DEVELOPMENT AT 139 - 147 ARGYLE STREET, NKIL 6005, 6035 R.P., 6036 R.P., 6037 R.P. & 6038 R.P.

TITLE : DETAIL FOR ALUM. WINDOW

DATE : 05-Dec-19 SCALE : 1:2

DRAWN BY : MN CHECKED BY : DW

美特鋁質有限公司
MIDI ALUMINIUM FABRICATOR LTD.
 Units 6-8, Sunray Industrial Centre, 1/F
 610 Cha Kwo Ling Road, Kowloon
 Tel:23489211-4 Fax:(852)2727666

DWG NO. : J852-SD-PW-6010 REV. : -